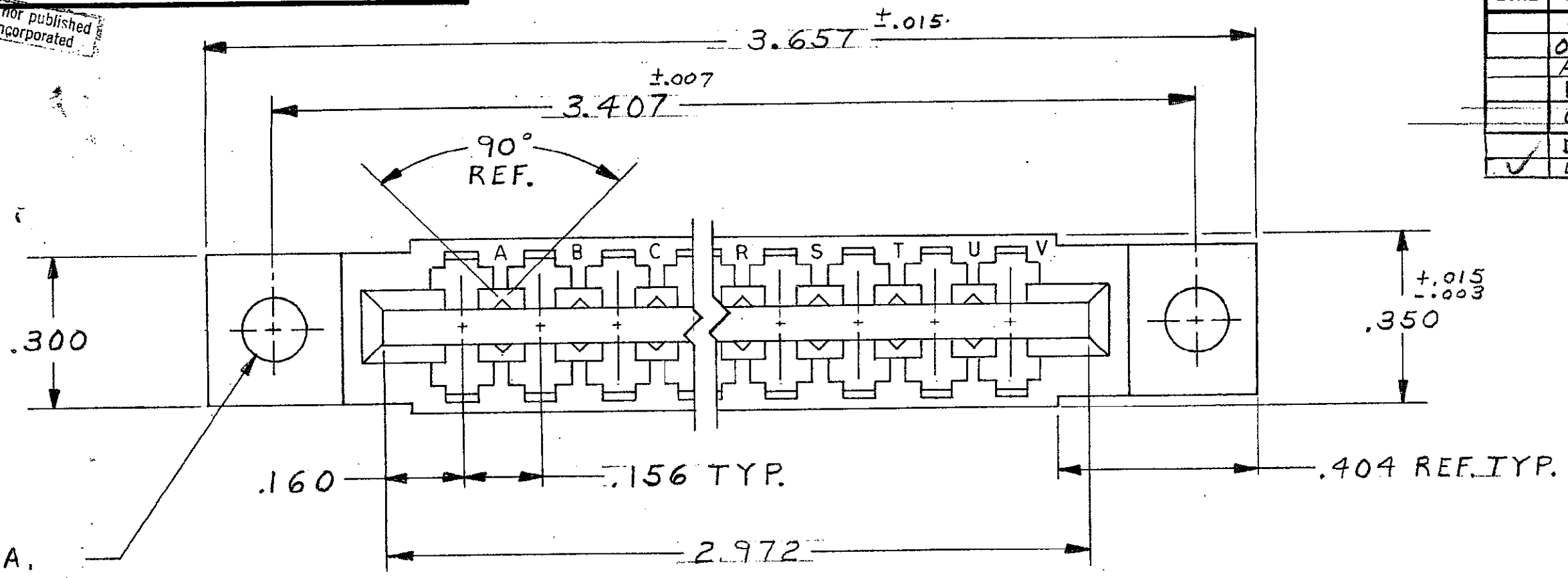
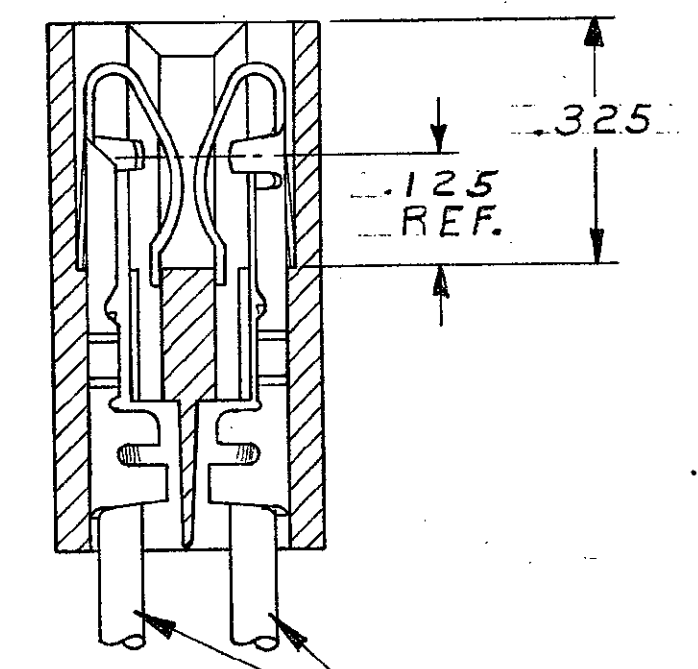
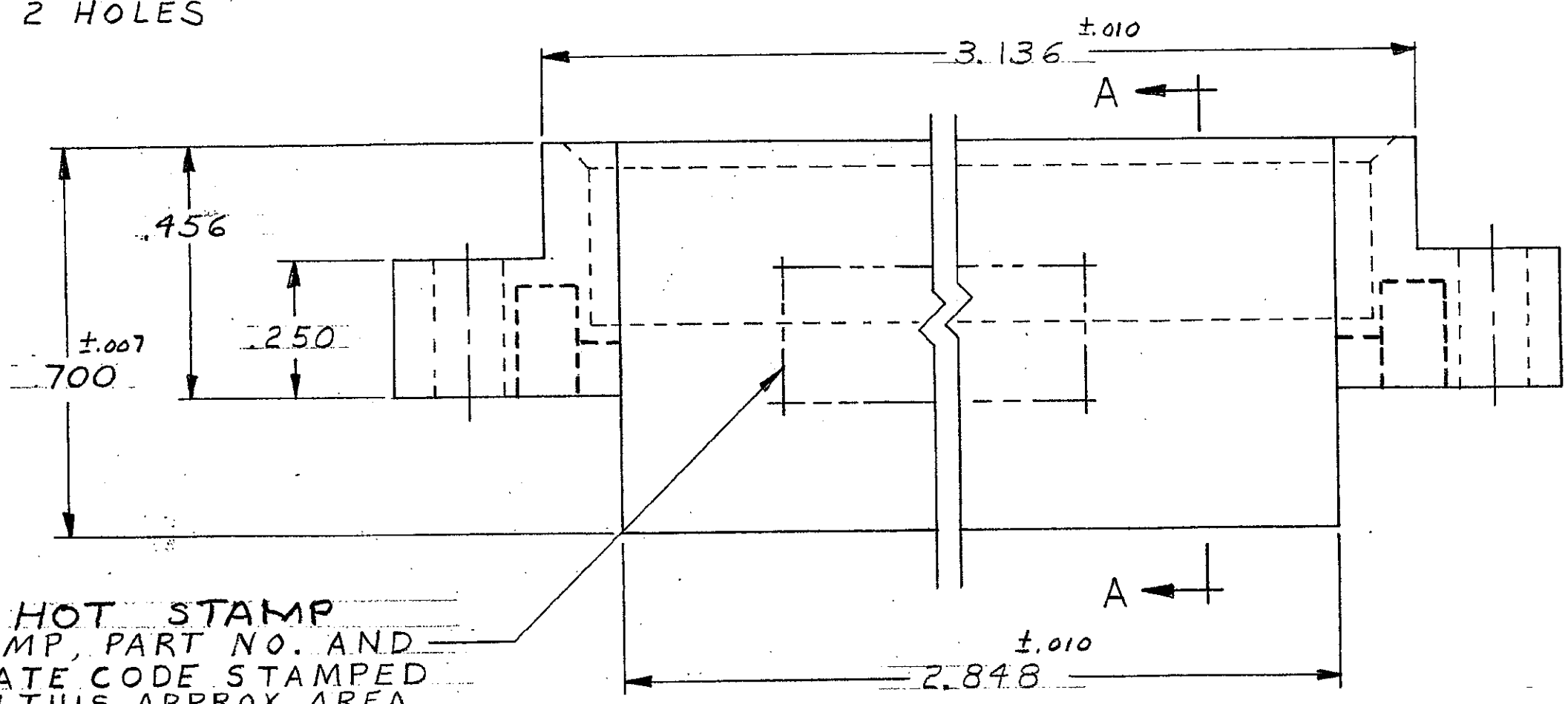


© 1970 BY AMP INCORPORATED. ALL RIGHTS RESERVED. AMP PRODUCTS COVERED BY PATENTS AND/OR PATENTS PENDING.

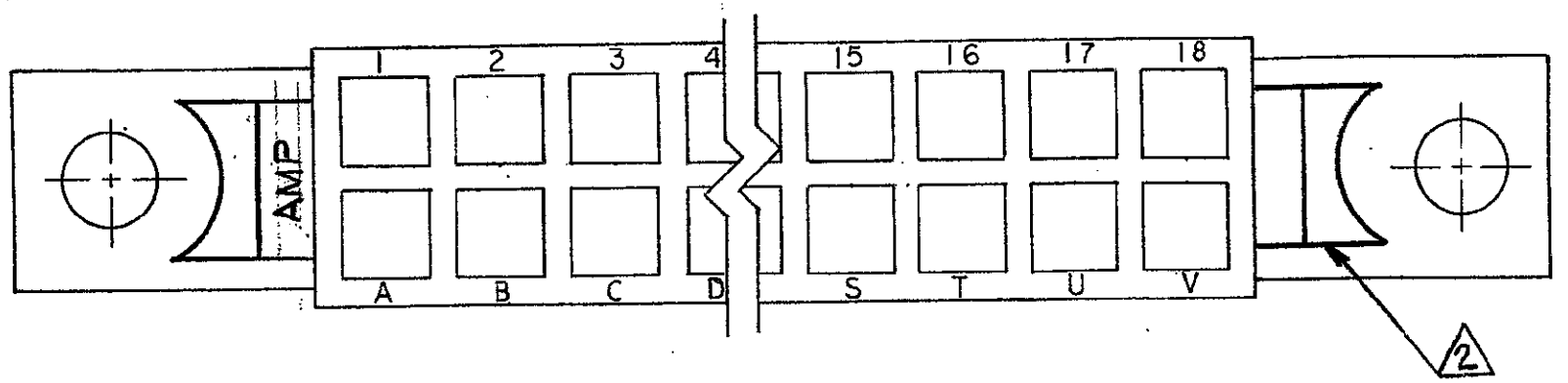
REVISIONS				
ZONE	LTR	DESCRIPTION	DATE	APPROVED
	0	RELEASED WAS 5112-237 CUST.	J.W. 4-29-71	D.H.
	01	ADDED -3 WAS 5112-320-2 CUST. 3827 M.S.	6-8-73	M.Z.
	A	REVISED MATL 4657-	DR. 1-9-76	DR.
	B	REV PER ADO702	5/14/85	CP / M.H.K.
	C	REV PER AD 3180	1/89	WJ / H.H.B.
	D	REV PER 0010-0337-95	10-17-05	P.B.
	E	REV PER EC 0320-349-97	25 NOV 97	NS



583725-1 I. AS SHOWN
 583725-3 I. SAME AS -1 EXCEPT:
 .156 DIA. MTG. HOLES.



HOT STAMP
 AMP, PART NO. AND
 DATE CODE STAMPED
 IN THIS APPROX. AREA.
 PER 115-9009.



1. 0.55 - .070 P.C. BOARD THICKNESS
 △ VOID CORING PERMISSIBLE AT AMP'S OPTION REF ONLY

UNLESS OTHERWISE SPECIFIED, DIMENSIONS ARE IN INCHES TOLERANCES ON : DECIMALS ±.005 ANGLES ±	CONTRACT NO.	AMP INCORPORATED HARRISBURG, PENNSYLVANIA	
	MATERIAL GLASS FILLED NYLON OR POLYESTER COLOR: BLACK.	DR <i>M. Smith</i> 10-1-70	NAME HOUSING, AMP LEAF, 18 POSITION, DUAL.
	CHK <i>J.S. Heide</i> 4/30/71	APPD <i>J. Kaufman</i> 4/30/71	SIZE C
	REL <i>R. Shawman</i> 4/30/71	DSGN APPD	CODE IDENT NO. 00779
	OTHER APPD	NUMBER 583725	SCALE 4-1
		SHEET 1 OF 1	

CUSTOMER DRAWING