

INSTALLATION SECTION 2

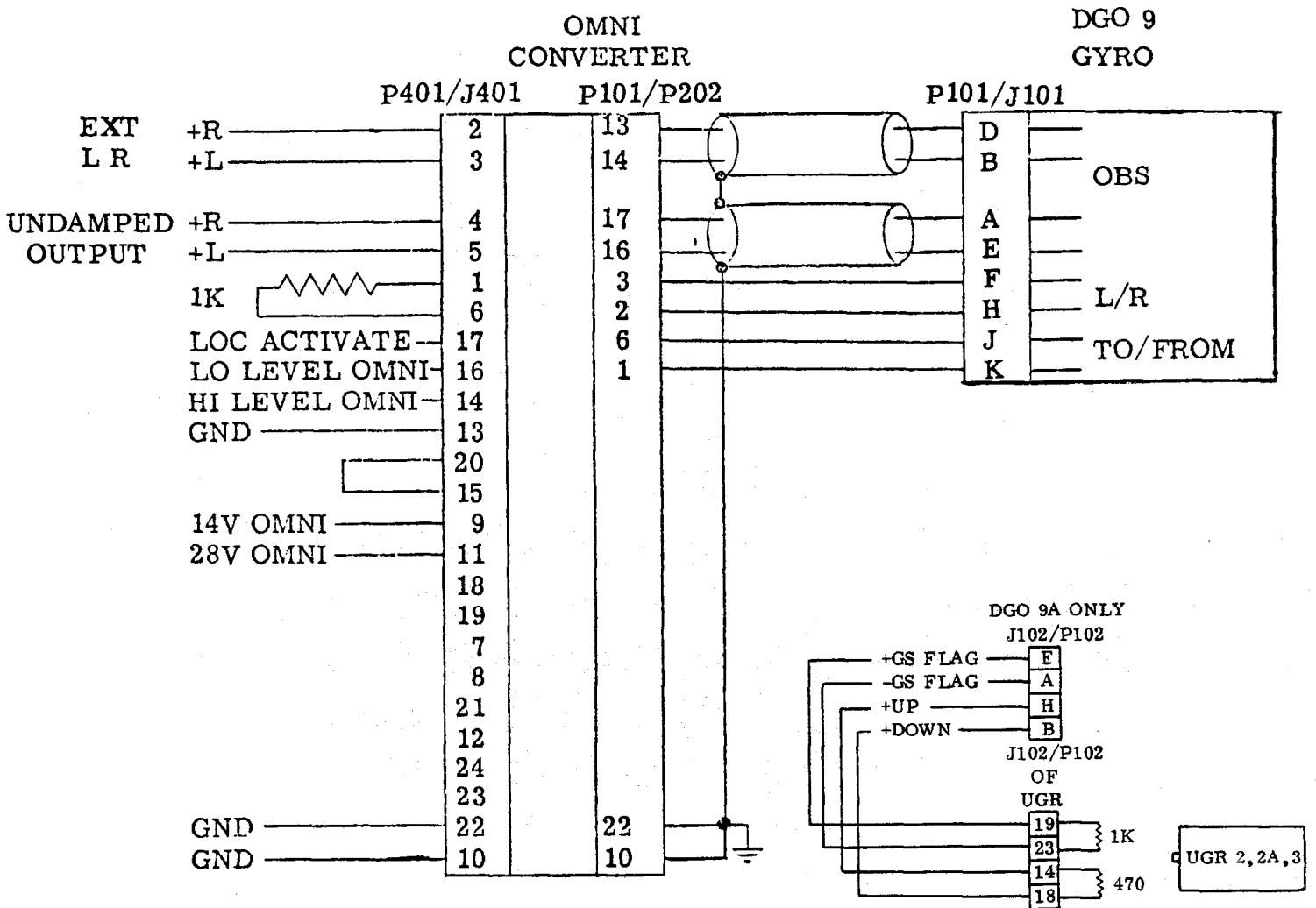
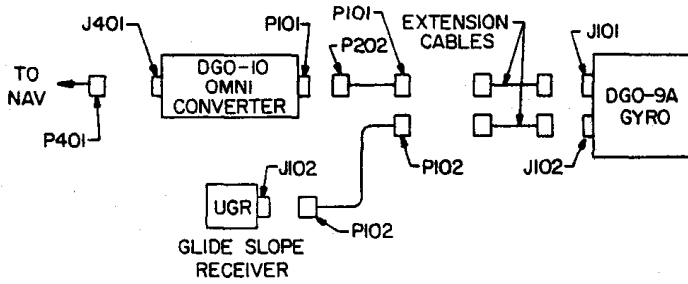


FIGURE 2-6 DGO 9/9A GYRO TO OMNI CONVERTER INTERCONNECTION