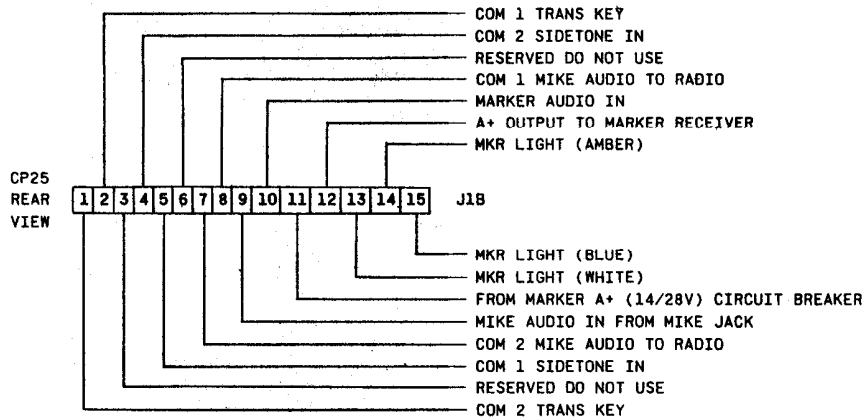
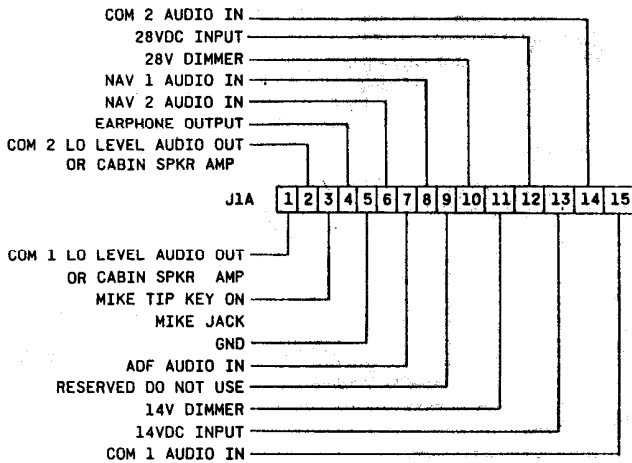


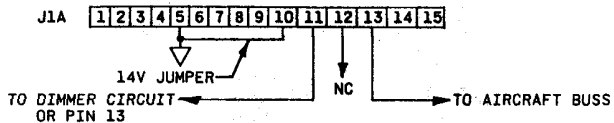
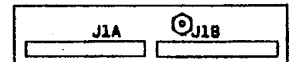
GENERAL INSTALLATION WIRING



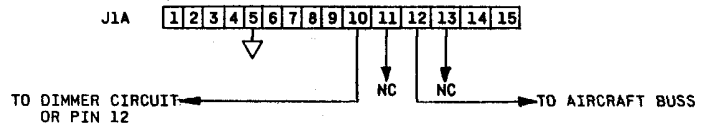
AUDIO INPUTS TO PINS A6, A7, A8, A14, A15, AND B10 NORMALLY FED FROM LO LEVEL OUTPUT OF SPECTRUM RADIOS. TYPICAL AUDIO INPUT SHOULD NOT EXCEED 3.0 V RMS (8.5 V P-P).

AUDIO OUTPUT FROM A1 AND A2 IS A 0.5 V RMS SIGNAL THAT IS FED INTO THE AUX AUDIO INPUT OF SPECTRUM LINE (COM) TRANSCEIVERS USED AS THE CABIN SPEAKER AMPLIFIERS, OR INTO A SEPARATE CABIN SPEAKER AMPLIFIER UNIT. REFER TO THE RECOMMENDED SYSTEMS WIRING DIAGRAMS.

CP25 B/C REAR VIEW



14 VOLT OPERATION CP 25 B/C



28V OPERATION WITH SPECTRUM RADIOS AND COM RADIOS OPERATING VIA A 28 TO 14V CONVERTER, SUCH AS MK 16.

NOTE
CP25B
REMOVE R47 RESISTOR, 33 OHM, 3W
FOR 28V OPERATION