

ELECTRIC ATTITUDE INDICATOR

MODEL RCA 26

FAA TSO-C4c



AVAILABLE OPTIONS:

- LIGHTED OR NON-LIGHTED
- FIXED OR MOVEABLE ROLL POINTER
- PANEL TILT 0 TO 17°
- COLOR SCHEMES PER REQUEST

ELECTRICAL REQUIREMENTS:

- 14VDC OR 28VDC $\pm 5\%$
- POWER CONSUMPTION: 17VA MAX
- LIGHTING: 3VA MAX.
- POWER FAILURE FLAG ACTUATION RANGE:
 - 14V MODEL $11.8 \pm 2V$
 - 28V MODEL $23.8 \pm 2V$
- RUN-UP TIME: 3 MINUTES AFTER APPLICATION OF POWER.



PERFORMANCE CHARACTERISTICS:

- BANK INDICATOR RANGE: 360° (UNLIMITED)
- PITCH INDICATOR RANGE: $\pm 85^\circ$ MINIMUM
- PITCH TRIM RANGE: $\pm 7^\circ$ MINIMUM
- GIMBAL CAGING
- ALTITUDE OPERATION: -1,000 TO +40,000 FEET

ACCURACY:

SETTLING ERROR: 1° MAXIMUM IN ROLL AND PITCH AFTER $\pm 7.5^\circ$ OF SCORSBY MOTION FOR 30 MIN.
VERTICALITY ERROR: 1° MAXIMUM

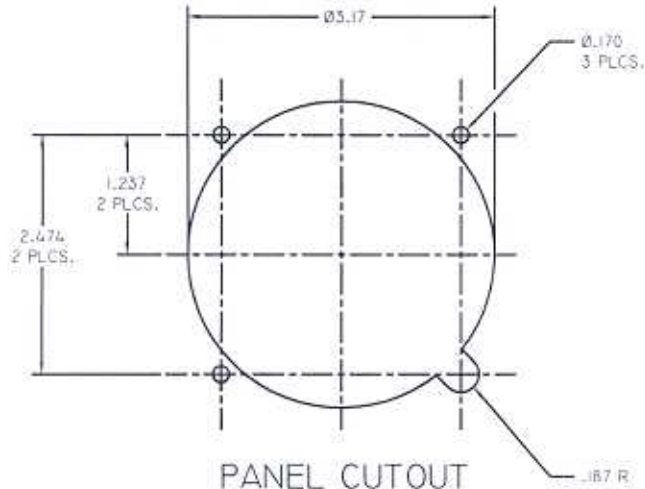
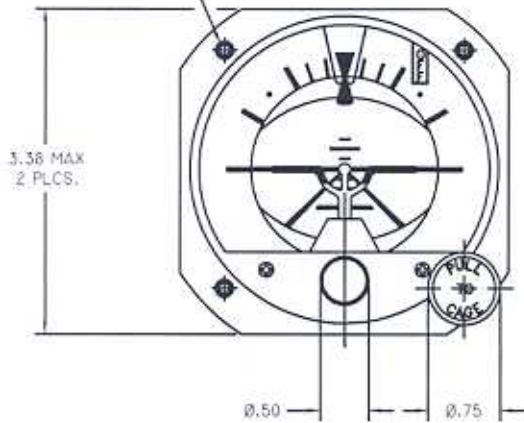
FEATURES:

- INTERNAL 3 PHASE INVERTER PRODUCES HIGH STARTING TORQUE AND INCREASES GYRO ROTOR SPEED.
- EASILY INSTALLED IN 3 1/8 INCH PANEL CUTOUT
- MATCHED COMPANION TO MODEL RCA 15 DIRECTIONAL GYRO
- BACK LIGHTING PROVIDES EVEN LIGHT DISTRIBUTION AT ANY INTENSITY LEVEL.

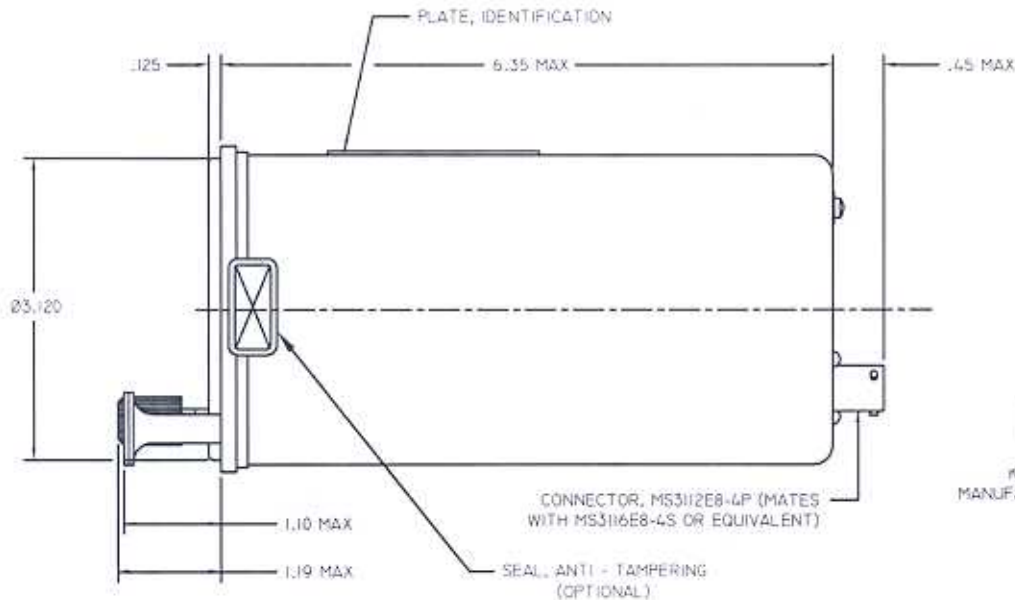
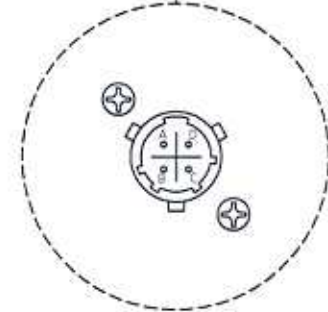
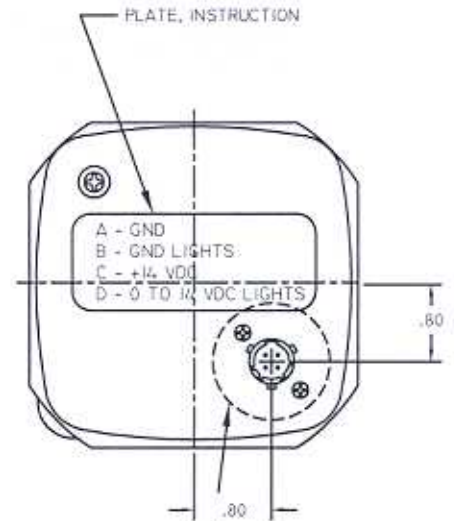
KELLY MANUFACTURING COMPANY

ELECTRIC ATTITUDE INDICATOR

6-32 UNC-2B THD.
.52 MIN DEPTH
.3 PLCS.



PANEL CUTOUT
REAR MOUNTING



INDICATOR, ELECTRIC ATTITUDE	
M/N	<input type="text"/>
S/N	<input type="text"/>
	<input type="text"/>
	<input type="text"/>
INPUT	<input type="text"/>
OUTPUT	<input type="text"/>
WEIGHT	<input type="text"/>
R.C. ALLEN INSTRUMENTS 535 SOUTH TOPEKA WICHITA, KANSAS	

IDENTIFICATION PLATE

RCA 26 SERIES

KELLY MANUFACTURING COMPANY
MANUFACTURER OF R.C. ALLEN INSTRUMENTS
555 S. TOPEKA
WICHITA, KS 67202