



**SARATOGA
PARTS CATALOG**

CARD 1 OF 2

PA-32-301 SARATOGA

PA-32-301T TURBO SARATOGA

Courtesy of Bomar Flying Service
www.bomar.biz

PIPER AIRCRAFT CORPORATION

PIPER PARTS CATALOG

AEROFICHE EXPLANATION AND REVISION STATUS

The Parts Catalog information incorporated in this set of Aerofiche cards has been arranged in accordance with the general specifications of Aerofiche adopted by the General Aircraft Manufacturer's Association.

Conversion of Aerofiche alpha/numeric code numbers:

First number is the Aerofiche card identifier

Letter is the horizontal line reference per card.

Second number is the vertical line reference per card

Example: 2J16 = Aerofiche card number two of given set, Grid location J16.

To aid in locating the various sections and related information desired, the following is provided:

A complete Catalog Table of Contents is given at Grid 1A8 of Aerofiche card number 1 of this set. Each additional card in this set will have a Table of Contents for all sections on that particular card. This table will start at Grid A3

REVISIONS

The information compiled in this Aerofiche Parts Catalog will be kept current by revisions distributed periodically. These revisions will supersede all previous revisions and will be complete Aerofiche card replacements and shall supersede Aerofiche cards of the same number in the set.

Current Revisions to this PA-32-301 and PA-32-301T Parts Catalog issued December 3, 1979 are as follows:

761 720 (PR800814).....	Dated August 1980
761 720 (PR810417).....	Dated April 1981
761 720 (PR810907).....	Dated September 1981
761 720 (PR820211).....	Dated February 1982
761 720 (PR820812).....	Dated August 1982
761 720 (PR830210).....	Dated February 1983
761 720 (PR830810).....	Dated August 1983
761 720 (PR840214).....	Dated February 1984
761 720 (PR840806).....	Dated August 1984

NOTE: Refer to the last card of the Piper-Parts Price List - Aerofiche for a check list of current revision dates and card effectivities for this parts catalog

INTRODUCTION

This Illustrated Parts Catalog is designed to provide simple but positive identification of replacement parts for the Piper Model PA-32-301 "Saratoga" and PA-32-301T "Turbo Saratoga", manufactured by the Piper Aircraft Corporation of Vero Beach, Florida

NOTE: UNDER NO CIRCUMSTANCES SHALL THIS CATALOG BE USED FOR RIGGING AND INSTALLATION PURPOSES

It is suggested that this catalog be thoroughly studied to determine its arrangement prior to its utilization

1. The catalog is divided into thirteen (13) major sections described as follows:
 - a Section I to XII inclusive contains all replacement parts for the complete airplane. Each section is subdivided and each division includes an illustration and a parts listing
 - b Section XIII is the Miscellaneous Group. This group includes an illustration and parts list for the Placards and Exterior Stencils and a listing of the Optional Equipment Kits, Repair Kits and Special Tools.
2. The following is a brief explanation of the columns in the parts lists: (Refer to EXAMPLE below)
 - a The "FIGURE AND INDEX NUMBER" column indicates the illustration figure number and its part index number. EXAMPLE (2-1), the 2 is the figure number and the 1 is the index number. The figure number appears only at the top of each parts list page
 - b The "PART NUMBER" column contains the identifying number of the replacement part and this number must be shown on all parts Orders.
 - c The "CODE" column is for the purpose of indicating special uses of the part. An explanation of the letter code used is shown on the grid (page) preceding each parts listing and pertains to that listing only.

ALL PARTS CODED WITH A "W" MUST BE PURCHASED FROM
PIPER AIRCRAFT CORPORATION, LOCK HAVEN, PENNA

ALL PARTS NOT CODED WITH A "W" MUST BE PURCHASED FROM
PIPER AIRCRAFT CORPORATION, VERO BEACH, FLORIDA.

- d. The "NOMENCLATURE" column indicates the part name. This name must be shown on all Parts orders
- e. The "NO REQ." (Number Required) column represents the total quantity of parts used per aircraft per figure when the part is not indented and the quantity of parts used per assembly when the part is indented. The symbol "AR" listed in this column means "As Required"
- f. The "SERIAL NUMBERS AFFECTED" column indicates the part application by airplane serial number

EXAMPLE					
Figure and Index Number	Part Number	Code	NOMENCLATURE	No. Req.	SERIAL NUMBERS AFFECTED
2-1	XXXXX-XX		DOOR ASSEMBLY - Baggage compartment	X	
-2	XXXXX-XX		* TUBE ASSEMBLY - Baggage door latch	X	
-3	XXXXX-XX		* * CLEVIS - Door latch tube assembly	X	
-4	XXXXX-XX		* * CLIP - Door latch tube assembly	X	

In the Nomenclature column, the next higher assembly relationship of items covered is shown by the degree of indention of each item and is indicated by an asterisk (*). One asterisk signifies one indention, two signifies two indentions, etc. The example listing above is interpreted as follows

If the DOOR ASSEMBLY (not indented) is ordered, it will include the three items indented under the Door Assembly

If the TUBE ASSEMBLY (indented one space) is ordered, it will include the two items indented under the Tube Assembly

If you want only a CLEVIS or CLIP, you order only that item

PIPER PARTS CATALOG

3 The "ATTACHING PARTS" such as nuts, bolts, screws, etc., that are available as commercial hardware items, are not generally supplied by the Piper Aircraft Corporation. This catalog lists, for your convenience, those attaching parts required for main assemblies and installations. The identifying number for these parts appears after the part name.

4 All items of Optional Equipment are contained in the parts list in their proper sequence and sections. These items were not marked optional, since they are fully identified by their descriptions.

HOW TO IDENTIFY A PART IF YOU KNOW WHAT IT LOOKS LIKE AND KNOW WHERE IT IS LOCATED

1. Refer to Figure 1 to determine the section number in which the part is used.
2. Refer to the Table of Contents and locate the section. Note the figure numbers that illustrate the various subgroups of this main section.
 - a. Select the Figure title you think might contain the part you wish to identify and proceed to the grid (page) specified.
3. NOTE: If you don't find the part on this illustration, try another figure in this group.
4. Refer to the "Figure and Index Number" in the Parts Listing for complete description of the part.

HOW TO ORDER PARTS

In ordering parts for your Piper airplanes, observe the following instructions which will aid in your getting the right parts required without delay.

- a. Place your order with the distributor or dealer for your territory, since parts are available only through our distributor organization.
- b. Always specify the model and serial number of your airplane.
- c. Always specify Part Number, Name, Type and Quantity Required.
- d. Specify the method of shipment: freight, express, parcel post, air express, air freight or air parcel post. Where the nature of the shipment requires it or when no instructions are given, we reserve the right to ship the most suitable way.

GENERAL INFORMATION

a. Shortages

All orders are checked and rechecked before leaving our Shipping Department. A packing slip is enclosed with the shipment and claims for errors or shortages must be made within three (3) days after receipt of orders.

b. Returned Goods.

No material should be returned to us without first securing our written permission. Material sent in without notice will be held at the owner's risk for thirty (30) days and will then be disposed of as we see fit.

Transportation charges must be PREPAID on returned goods or the shipment will be refused.

c. Transportation Liabilities

The Piper Aircraft Corporation cannot be held liable for damages to parts in transit from the factory. If a shipment is received in a damaged condition, have the delivery man or Transportation Company make a notation of the damage and file your claim with the Carrier. In case of concealed damage, do not attempt to remove the part from the shipping container, or endeavor to repair the damage, but call the Carrier and have his Claim Agent inspect the damage before filing your claim with the Carrier.

PIPER PARTS CATALOG

PA-32-301 AND PA-32-301T SERIAL NUMBER INFORMATION

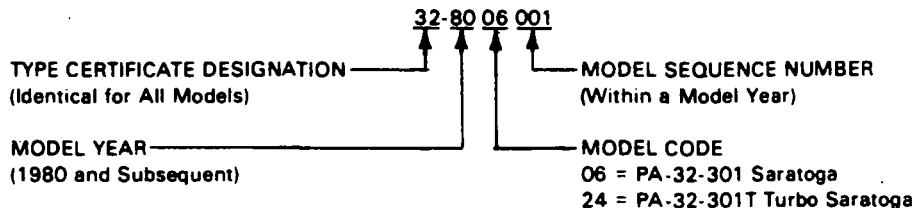
The following information should be kept in mind when ordering from this Catalog

- a The serial numbers of the aircraft covered by this Parts Catalog are as follows:
- (1) Serial numbers of the 1980 PA-32-301 Saratoga Models are 32-8006001 to 32-8006116 inclusive
 - (2) Serial numbers of the 1981 Y.M.C PA-32-301 Saratoga Models are 32-8106001 to 32-8106110 inclusive.
 - (3) Serial numbers of the 1982 Y M C PA-32-301 Saratoga Models are 32-8206001 to 32-8206050 inclusive
 - (4) Serial numbers of the 1983 Y M C PA-32-301 Saratoga Models are 32-8306001 to 32-8306032 inclusive
 - (5) Serial numbers of the 1984 Y.M.C. PA-32-301 Saratoga Models are 32-8406001 to 32-8406020 inclusive
 - (6) Serial numbers of the 1985 Y M C PA-32-301 Saratoga Models are 32-8506001 and up
 - (7) Serial numbers of the 1980 PA-32-301T Turbo Saratoga Models are 32-8024001 to 32-8024062 inclusive
 - (8) Serial numbers of the 1981 Y.M.C PA-32-301T Turbo Saratoga Models are 32-8124001 to 32-8124046 inclusive
 - (9) Serial numbers of the 1982 Y M.C PA-32-301T Turbo Saratoga Models are 32-8224001 to 32-8224024 inclusive
 - (10) Serial numbers of the 1983 Y M C PA-32-301T Turbo Saratoga Models are 32-8324001 to 32-8324016 inclusive
 - (11) Serial numbers of the 1984 Y M.C. PA-32-301T Turbo Saratoga Models are 32-8424001 to 32-8424002 inclusive
 - (12) Serial numbers of the 1985 Y M.C PA-32-301T Turbo Saratoga Models are 32-8524001 and up

SERIAL NUMBER EXPLANATION

The Serial Number on the Manufacturer's Identification Plate is based on a 4-number set system. The first number set defines the Type Certificate Designation, the second set is the Model Year, the third set is the Model Code, while the fourth set is the Model Sequence Number (within a model year).

EXAMPLE



PIPER PARTS CATALOG

STANDARD PAINT CHART

	MFG NO	PIPER PART NUMBER	
		QUART	GALLON
EXTERIOR			
ACRYLIC LACQUER			
Madrid Red	B-5511	4175 593	1175 593
Bahama Blue	B-9170	4175 436	1175 436
Lime Green	D-6449	4175 380	1175 380
Las Vegas Gold	G-2124-A	4175 332	1175 332
Denver Brown (base coat)	K-2790	4175 299	1175 299
Denver Brown (top coat)	B-5460	4175 409	1175 409
Dakota Black	H-6117-R	4175 373	1175 373
Baja Yellow	D-6448	4175 379	1175 379
Ocala Orange (base coat)	P7946	4175 499	1175 499
Ocala Orange (top coat)	C-2065-A	4175 500	1175 500
Juneau White	B-7784-B	4175 657	1175 657
Avocado	G-2352	4175 331	1175 331
Matador Red	R4418	4175 389	1175 389
Royal Blue	X5700	4175 390	1175 390
Hickory Brown	X9775	4175 392	1175 392
Indian Silver	M9514	4175 391	1175 391
Sage Green	R3796R	4175 304	1175 304
Firethorn Red	R3956R	4175 305	1175 305
Dark Blue	R3957R	4175 306	1175 306
Silver	M9514R	4175 307	1175 307
Buckskin	R3959R	4175 303	1175 303
Sandalwood Tan	R8175R	4175 309	1175 309
Platinum Gray	R8174R	4175 308	1175 308
Dark Claret	R3955	4175 311	1175 311
Thinner	B5408-B	4179 402	1179 402

PIPER PARTS CATALOG

STANDARD PAINT CHART

	MFG NO	PIPER PART NUMBER	
		QUART	GALLON
EXTERIOR			
POLYURETHANE ENAMEL (Dupont Imron)			
Baja Yellow	H7850U	4175 461	1175 461
Juneau White	H7848U	4175 462	1175 462
Ocala Orange	H7857UM	4175 463	1175 463
Madrid Red	H7851UM	4175 464	1175 464
Bahama Blue	H7853U	4175 465	1175 465
Avocado	H7852U	4175 466	1175 466
Las Vegas Gold	5242U	4176 121	1176 121
Dakota Black	99U	4175 467	1175 467
Denver Brown	H7859U	4176 122	1176 122
Matador Red	H7858U	4175 468	1175 468
Royal Blue	H7856U	4175 469	1175 469
Hickory Brown	H7855U	4175 470	1175 470
Silver	45431U	4176 123	1176 123
Lime Green	H7854U	4175 460	1175 460
Sage Green	K7887U	4176 132	1176 132
Firethorn	K7888UW	4176 133	1176 133
Buckskin	K7890U	4176 135	1176 135
Dark Blue	K7891U	4176 136	1176 136
Platinum Gray	N7819U	4176 126	1176 126
Sandalwood Tan	N7818U	4176 127	1176 127
Dark Claret	K7886U	4176 131	1176 131
Burnished Gold	N8068U	4763 528	1763 528
Light Blue	K8149U	4763 529	1763 529
Dark Saddle	N8070U	4763 530	1763 530
Dark Green	N8071U	4763 531	1763 531
Saffron	K7889UH	4763 532	1763 532
Light Sandalwood	W8275	4763 533	1763 533
Light Platinum	W8274	4763 534	1763 534
Catalyst (Activator)	192S	4179 950	1179 950
Reducer	Y8485S	4179 145	1179 145
Retarder	8100S	4179 559	1179 559
Accelerator	189S	4179 951	
POLYURETHANE PRIMER (Dupont Imron)			
Wash Primer	B9287	4170 766	1170 766
Wash Primer Thinner	K1733	4179 452	1179 452
Acid Thinner	B9289	4179 403	1179 403

TABLE OF CONTENTS

FIGURE NUMBER	FIGURE TITLE	GRID NUMBER
1	View of Complete Airplane	1A12
SECTION I WING GROUP		
2	Wing Installation	1A13
3	Wing Leading Edge Assembly	1A17
4	Wing Trailing Edge Assembly	1A20
5	Aileron Assembly	1B1
6	Flap Assembly	1B4
SECTION II FUSELAGE GROUP		
7	Fuselage Assembly - Complete	1B7
8	Fuselage Upper Forward Cockpit Assembly	1B11
9	Fuselage Upper Center Cockpit Assembly	1B15
10	Fuselage Upper Aft Cockpit Assembly	1B19
11	Fuselage Lower Forward Cockpit Assembly	1C1
12	Fuselage Lower Aft Cockpit Assembly	1C5
13	Fuselage Aft Section	1C9
14	Fuselage Forward Cabin Door	1C13
15	Fuselage Aft Cabin Door	1C18
16	Fuselage Forward Baggage Door	1D1
17	Fuselage Aft Cargo Door	1D4
18	Fuselage Enclosure Installation	1D8
SECTION III TAIL SURFACES GROUP		
19	Tail Surfaces Installation	1D13
20	Stabilator Assembly	1D17
21	Fin Assembly	1D20
21A	Rudder Assembly	1E1
SECTION IV LANDING GEAR GROUP		
22	Nose Gear Installation	1E4
23	Nose Gear Strut Assembly	1E8
24	Nose Wheel Assembly (Cleveland, 5-inch)	1E12
25	Nose Wheel Assembly (McCauley, 5-inch)	1E15
26	Nose Wheel Assembly (Cleveland, 6-inch)	1E18
27	Nose Wheel Assembly (McCauley, 6-inch)	1E21
28	Main Gear Installation	1F1
29	Main Wheel Assembly	1F5
30	Brake Assembly	1F8
31	Main and Nose Wheel Fairing Installation	1F11
32	Main Landing Gear Strut Fairing Installation	1F15
33	Hand Brake Installation	1F18
34	Toe Brake Installation	1F22
35	Toe Brake Master Cylinder Assembly	1G1

TABLE OF CONTENTS

FIGURE NUMBER	FIGURE TITLE	GRID NUMBER
SECTION V CABIN EQUIPMENT		
36	Cockpit Finishing Installation	1G4
37	Window Curtains Installation (PA-32-301 S/N 32-8008001 to 32-8106110 incl. PA-32-301T S/N 32-8024001 to 32-8124046 incl)	1G11
37A	Window Curtains Installation (PA-32-301 S/N 32-8206001 and up, PA-32-301T S/N 32-8224001 and up)	1G14
38	Carpet Installation	1G17
39	Headliner and Forward Fresh Air Duct Installation	1H1
40	Seats Installation	1H4
41	Vertically Adjustable Front Seat Assembly	1H10
42	7th Seat Installation	1H15
43	Aft Facing Seat Assembly - Center	1H18
44	Club Seating Installation	1H21
SECTION VI INSTRUMENTS GROUP		
45	Instrument Panel Installation	1I1
46	Vacuum System Installation	1I6
47	Pitot Static System Installation	1I9
SECTION VII POWER PLANT GROUP		
48	Power Plant Installation (PA-32-301)	1I12
49	Power Plant Installation (PA-32-301T)	1I17
50	Engine Instrument Lines Installation (PA-32-301T)	1I22
51	Engine Exhaust System Installation (PA-32-301)	1J1
52	Engine Baffle Installation (PA-32-301)	1J4
53	Engine Baffle Installation (PA-32-301T)	1J7
54	Engine Cowl Assembly (PA-32-301)	1J10
55	Engine Cowl Assembly (PA-32-301T)	1J13
56	Two-Blade Propeller Assembly (PA-32-301)	1J16
57	Two-Blade Propeller Assembly (PA-32-301T)	1J19
58	Three-Blade Propeller Assembly (PA-32-301)	1J22
59	Three-Blade Propeller Assembly (PA-32-301T)	1K1
60	Engine Controls Installation (PA-32-301)	1K4
61	Engine Controls Installation (PA-32-301T)	1K8
SECTION VIII FUEL SYSTEM GROUP		
62	Forward Fuel System Installation (PA-32-301)	1K12
63	Aft Fuel System Installation (PA-32-301)	1K15
64	Forward Fuel System Installation (PA-32-301T)	1K19
65	Aft Fuel System Installation (PA-32-301T)	1L1
66	Fuel Tank Assemblies	1L5
SECTION IX CONTROL SYSTEM GROUP		
67	Aileron Control Installation	2A5

TABLE OF CONTENTS

FIGURE NUMBER	FIGURE TITLE	GRID NUMBER
---------------	--------------	-------------

**SECTION IX
CONTROL SYSTEM GROUP (Cont.)**

68	Flap Control Installation (PA-32-301 S/N 32-8006001 to 32-8406020 incl., PA-32-301T S/N 32-8024001 to 32-8424002 incl.)	2A9
68A	Flap Control Installation (PA-32-301 S/N 32-8506001 and up, PA-32-301T S/N 32-8524001 and up)	2A13
69	Stabilator Control Installation	2A17
70	Stabilator Trim Installation	2A20
71	Rudder Control Installation	2B1
72	Rudder Trim Mechanism Installation	2B4
73	Aileron and Rudder Interconnect Installation	2B7
74	Control Wheel Installation	2B10
75	Rudder Pedal Installation	2B14

**SECTION X
ENVIRONMENTAL GROUP**

76	Cabin Heat and Defroster System (PA-32-301)	2B17
77	Cabin Heat and Defroster System (PA-32-301T)	2B21
78	Aft Fresh Air Duct Installation	2C1
79	Air Conditioning Compressor, Refrigerant Lines and Alternator Installation	2C4
80	Air Conditioning Duct and Evaporator Installation	2C8
81	Air Conditioning Condenser Installation	2C11
82	Oxygen System Installation (Fixed) (PA-32-301T)	2C15

**SECTION XI
ELECTRICAL SYSTEM GROUP**

83	Electrical System Installation (PA-32-301)	2C19
84	Electrical System Installation (PA-32-301T)	2C22
85	Instrument Panel Electrical Installation	2D1
86	Air Conditioning Electrical Installation	2D5
87	Battery Box Installation	2D8
88	External Power Supply Installation	2D11
89	Strobe Lights Installation	2D14
90	Alternator Assembly (Prestolite)	2D17
90A	Alternator Installation (Ford 90 amp) (PA-32-301T)	2D20

**SECTION XII
ELECTRONICS GROUP**

91	Radar System Installation (RCA)	2E1
91A	Radar System Installation (Norton)	2E4
92	Electric Trim Installation	2E7
93	AutoFlite II Installation	2E10
94	AutoControl IIIB Installation (PA-32-301 S/N 32-8006001 to 32-8006116 incl., PA-32-301T S/N 8024001 to 32-8024062 incl.)	2E13
94A	Century 21 AutoPilot Installation (PA-32-301 S/N 32-8106001 and up, PA-32-301T S/N 8124001 and up)	2E16

TABLE OF CONTENTS

FIGURE NUMBER	FIGURE TITLE	GRID NUMBER
SECTION XII ELECTRONICS GROUP (Cont)		
94B	Century 31 AutoPilot Installation (PA-32-301 S/N 32-8406001 and up, PA-32-301T S/N 32-8424001 and up)	2E19
95	Altimatec IIIC Installation (PA-32-301 S/N 32-8006001 to 32-8006116 incl . PA-32-301T S/N 32-8024001 to 32-8024062 incl.)	2F1
96	Century 41 AutoPilot Installation (PA-32-301 S/N 32-8106001 and up, PA-32-301T S/N 32-8124001 and up)	2F5
96A	King KAP 100/150/KFC 150 AutoPilot Installation (PA-32-301 S/N 32-8306001 and up, PA-32-301T S/N 32-8324001 and up)	2F8
97	Piper Automatic Locator (ELT) Installation (Narco Avionics)	2F11
98	Radar Altimeter Installation (Bonzer)	2F14
99	Radar Altimeter Installation (King)	2F17
100	Encoder Installation (Narco-AR500 and United-5125-P3)	2F20
101	Radio, Antenna System and Static Wicks System Installation	2G1
102	Audio Selector Assembly	2G4
103	Avionics Cooling Installation	2G7
	Radio Installation Drawings	2G10
SECTION XIII MISCELLANEOUS GROUP		
104	Placards and Exterior Stencils	2G13
	Optional Equipment Kits and Repair Kits	2G17
	NUMERICAL INDEX	2G19

PIPER PARTS CATALOG

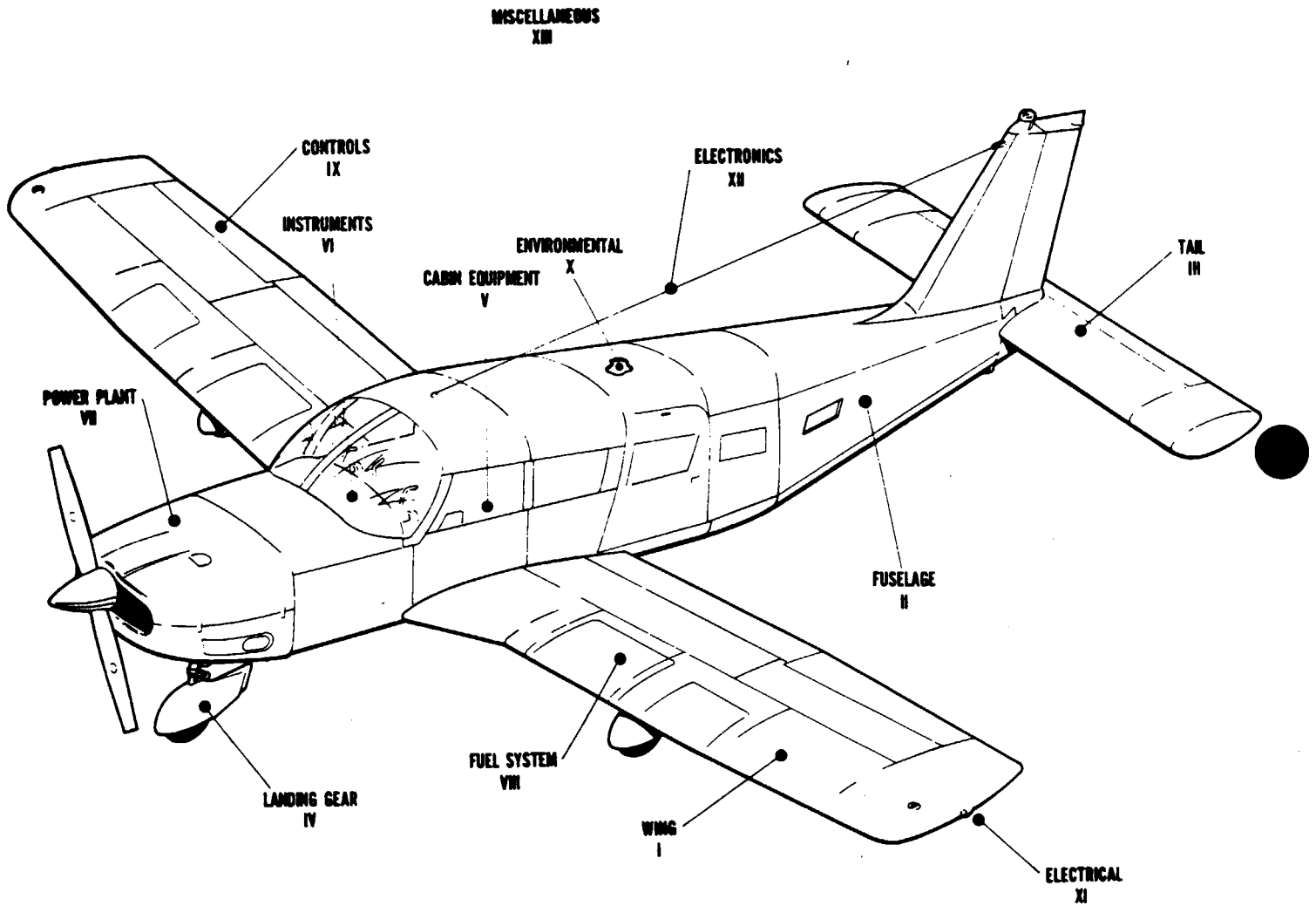


Figure 1 Complete Airplane

PIPER PARTS CATALOG

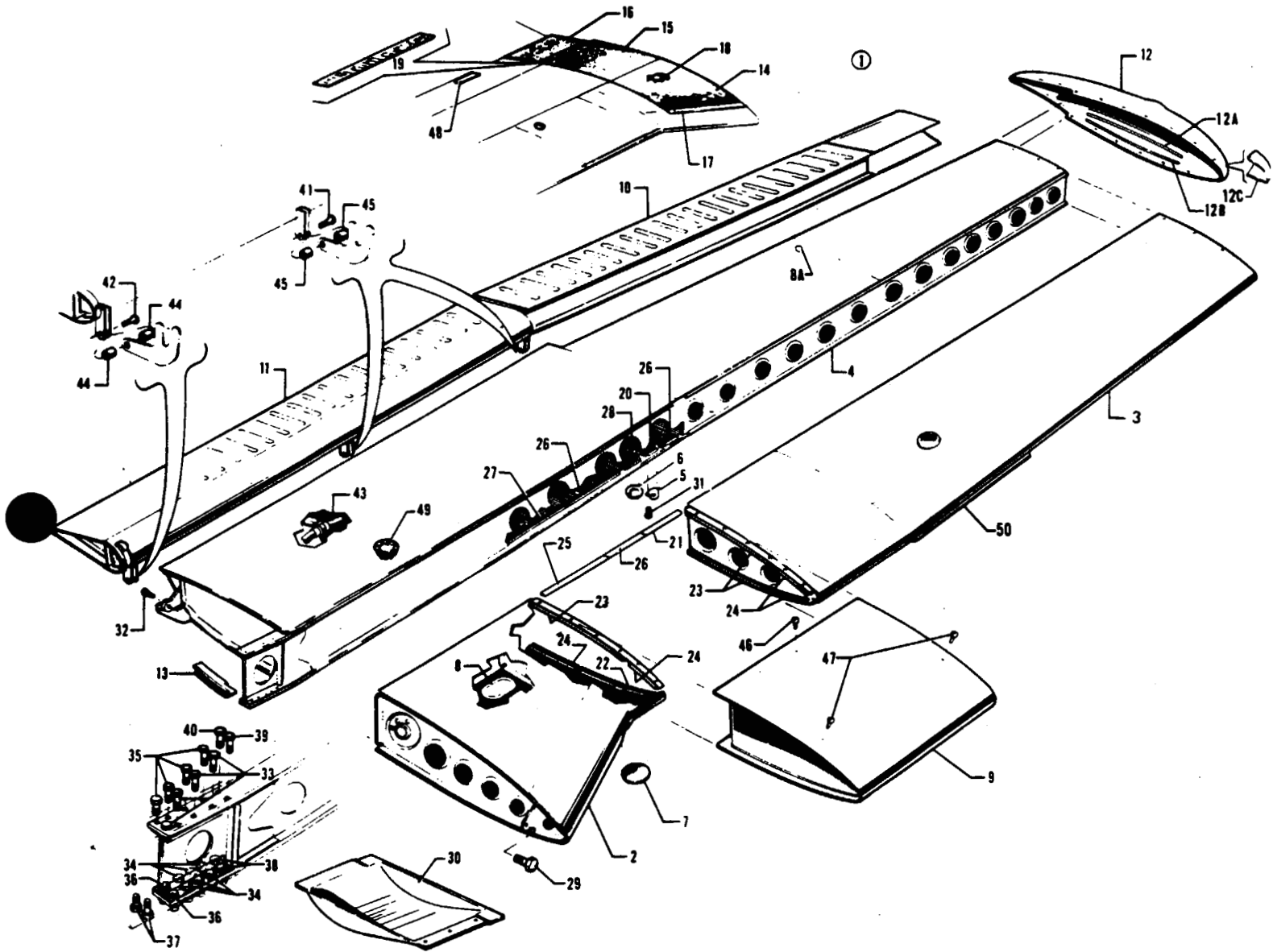


Figure 2 Wing Installation

PIPER PARTS CATALOG

CODE EXPLANATIONS FOR FIGURE 2

- A - See Figure 3 for component parts
- B - See Figure 4 for component parts
- C - See Figure 5 for component parts
- D - See Figure 6 for component parts
- E - See Figure 66 for component parts
- F - This assembly includes brake lines, pitot lines (in left wing only), fuel lines, electrical harness, inspection cover plates and cable guard tubes
- G - Used if Navigation or strobe lights are not installed
- H - Used if Navigation or strobe lights are installed
- J - Complete kit required if replacing safety walk compound painted on wing
- K - Serial number of aircraft must be supplied when ordering this part
- L - Used on PA-32-301 with serial numbers 32-8006001 to 32-8106067 inclusive, and PA-32-301T with serial numbers 32-8024001 to 32-8124028 inclusive
- M - Used on PA-32-301 with serial numbers 32-8106068 and up, and PA-32-301T with serial numbers 32-8124029 and up
- N - Used on PA-32-301 with serial numbers 32-8506001 and up, and PA-32-301T with serial numbers 32-8524001 and up if recognition lights are installed
- W - These parts must be ordered from Service Spares Department, Piper Aircraft, Lock Haven, Penna

PIPER PARTS CATALOG

Figure and Index Number	Part Number	Code	NOMENCLATURE	No. Req.	SERIAL NUMBERS AFFECTED
2-	38550		DRAWING - Wing Installation		
-1	38550-900	F	WING ASSEMBLY - Left	1	
	38550-901	F	WING ASSEMBLY - Right	1	
-2	38500-906	A	* LEADING EDGE ASSEMBLY - Wing inboard, left	1	
	38500-907	A	* LEADING EDGE ASSEMBLY - Wing inboard, right	1	
-3	38500-908	A	* LEADING EDGE ASSEMBLY - Wing outboard, left	1	
	38500-909	A	* LEADING EDGE ASSEMBLY - Wing outboard, right	1	
-4	38550-910	B,K	* TRAILING EDGE ASSEMBLY - Wing aft section, left	1	
	38550-911	B,K	* TRAILING EDGE ASSEMBLY - Wing aft section, right	1	
-5	18457-00	W	* RING - Tie down	2	
-6	35725-02		* PAD - Jack	2	
-7	38118-05		* COVER - Inspection	2	
-8	38572-02		* COVER - Inspection	12	
-8a	453 966		* BUTTON - Plug (HS4848172-K2215)	2	
-9	38488-08	E	TANK ASSEMBLY - Fuel, left	1	
	38488-09	E	TANK ASSEMBLY - Fuel, right	1	
-10	38650-04	D	AILERON ASSEMBLY - Left	1	
	38650-05	D	AILERON ASSEMBLY - Right	1	
-11	65591-00	C	FLAP ASSEMBLY - Left	1	
	65590-01	C	FLAP ASSEMBLY - Right	1	
-12	35641-18	G,L	TIP ASSEMBLY - Left	1	
	35641-20	H,L	TIP ASSEMBLY - Left	1	
	36739-12	G,M	TIP ASSEMBLY - Left	1	
	36739-10	H,M	TIP ASSEMBLY - Left	1	
	36739-22	N	TIP ASSEMBLY - Wing, left	1	
	35641-19	G,L	TIP ASSEMBLY - Right	1	
	35641-21	H,L	TIP ASSEMBLY - Right	1	
	36739-13	G,M	TIP ASSEMBLY - Right	1	
	36739-11	H,M	TIP ASSEMBLY - Right	1	
	36739-23	N	TIP ASSEMBLY - Wing, right	1	
-12a	35641-22		* STIFFENER - Wing tip, upper, left	1	
	35641-26		* STIFFENER - Wing tip, upper, right	1	
-12b	35641-23		* STIFFENER - Wing tip, lower, left	1	
	35641-27		* STIFFENER - Wing tip, upper, right	1	
-12c	36739-28	N	* LENS - Wing tip, left	1	
	36739-29	N	* LENS - Wing tip, right	1	
-13	67723-00		PLATE ASSEMBLY - Aft wing access, left	1	
	67723-01		PLATE ASSEMBLY - Aft wing access, right	1	
-14	763 848	J	KIT - Pressure sensitive wing walk installation	1	
-15	79174-00		* WING WALK - Safety, wing, right, complete	1	
-16	79174-04		* WING WALK - Safety, flap	1	
-17	69736-02		* RETAINER - Wing walk	1	
-18	179 872		SAFETY WALK COMPOUND - Black (one-quart can)	1	
-19	35664-02		PLACARD - Flap step warning	1	
-20	66529-00		CHANNEL - Gang	2	
-21	35630-16		CHANNEL - Gang	2	
-22	96927-00		CHANNEL - Gang	2	
-23	406 942		CHANNEL - Gang (PS10062-2-7)	6	
-24	96926-00		CHANNEL - Gang	8	
-25	477 861		CHANNEL - Gang (PS10062-2-14)	2	
-26	38676-02		CHANNEL - Gang	6	
-27	38565-02		CHANNEL - Gang	2	
-28	406 935		CHANNEL - Gang (PS10062-2-11)	2	

When ordering, always specify Part Number, Description and Serial Number of Aircraft

PIPER PARTS CATALOG

Figure and Index Number	Part Number	Code	NOMENCLATURE	No. Req.	SERIAL NUMBERS AFFECTED
2-28	402 680		BOLT - (NAS1104-17)	2	
	407 565	W	WASHER - (AN960-416) (under nut)	2	
	407 585	W	WASHER - (AN960-416L) (under head)	2	
	406 637		NUT - (MS21045-4)	2	
-30	63942-00		COVER - Wing bolt, left	1	
	63942-01		COVER - Wing bolt, right	1	
-31	410 046	W	SCREW - (MS24694-S59)	4	
-32	402 915		BOLT - (NAS464P6LA6)	2	
	407 587	W	WASHER - (AN960-616L) (under head)	2	
	407 567	W	WASHER - (AN960-616)	AR	
	407 587	W	WASHER - (AN960-616L)	AR	
	404 532		NUT - (MS21042-6)	2	
-33	402 908		BOLT - (NAS464P6LA16)	8	
	407 567	W	WASHER - (AN960-616)	16	
	404 532		NUT - (MS21042-6)	8	
-34	402 910		BOLT - (NAS464P6LA20)	12	
	407 567	W	WASHER - (AN960-616) (under nut)	12	
	407 587	W	WASHER - (AN960-616L) (under head)	12	
	404 532		NUT - (MS21042-6)	12	
-35	402 906		BOLT - (NAS464P6LA14)	8	
	407 567	W	WASHER - (AN960-616) (under head)	8	
	494 228		WASHER - (K19301-6) (under nut)	8	
	406 527		NUT - (H19300-6)	8	
-36	402 911		BOLT - (NAS464P6LA21)	4	
	402 587	W	WASHER - (AN960-616L) (under head)	4	
	96352-03		WASHER - (under nut)	4	
	404 532		NUT - (MS21042-6)	4	
-37	402 904		BOLT - (NAS464P5LA21)	4	
	407 586	W	WASHER - (AN960-516L) (under head)	4	
	96352-02		WASHER - (under nut)	4	
	404 531		NUT - (MS21042-5)	4	
-38	402 903		BOLT - (NAS464P5LA20)	4	
	407 586	W	WASHER - (AN960-516L) (under head)	4	
	407 566	W	WASHER - (AN960-516) (under nut)	4	
	404 531		NUT - (MS21042-5)	4	
-39	402 909		BOLT - (NAS464P6LA17)	2	
	407 567	W	WASHER - (AN960-616)	4	
	404 532		NUT - (MS21042-6)	2	
-40	402 907		BOLT - (NAS464P6LA15)	2	
	407 587	W	WASHER - (AN960-616L) (under head)	2	
	494 228		WASHER - (K19301-6) (under nut)	2	
	406 527		NUT - (H19300-6)	2	
-41	401 270	W	BOLT - (AN3-11A)	4	
	407 564	W	WASHER - (AN960-10)	4	
	404 887	W	NUT - (MS20365-1032C)	4	
-42	400 444	W	BOLT - (AN3-13A)	2	
	407 564	W	WASHER - (AN960-10)	2	
	404 887	W	NUT - (MS20365-1032C)	2	
-43	63904-24		HOSE	1	
-44	63900-20		BUSHING - Flap hinge, inboard	4	
-45	63900-19		BUSHING - Flap hinge, center and outboard	8	
-46	410 010		SCREW - (MS24694-S14)	86	
-47	410 240		SCREW - (MS24694-S5)	78	
-48	87341-04		PLACARD - No step	2	
-49	63595-00		BUTTON ASSEMBLY - Plug, gear service access (with retaining ring)	2	
-50	98700-06		STRIP - Stall	2	

When ordering, always specify Part Number, Description and Serial Number of Aircraft

PIPER PARTS CATALOG

CODE EXPLANATIONS FOR FIGURE 3

- A - See Figure 91 if RCA Radar System is installed
- B - Used if RCA Radar System is installed

PIPER PARTS CATALOG

Figure and Index Number	Part Number	Code	NOMENCLATURE	No. Req.	SERIAL NUMBERS AFFECTED
3-1	38500-906		LEADING EDGE ASSEMBLY - Wing inboard, left	1	
	38500-907		LEADING EDGE ASSEMBLY - Wing inboard, right	1	
-2	95639-04		* RIB - Wing nose, root, left	1	
	95639-05		* RIB - Wing nose, root, right	1	
-3	38549-02		* RIB ASSEMBLY - Wing nose, Sta. 36.92, left	1	
	38549-03		* RIB ASSEMBLY - Wing nose, Sta. 36.92, right	1	
-4	38520-02		* RIB - Wing nose, Sta. 49.25, left	1	
	38520-03		* RIB - Wing nose, Sta. 49.25, right	1	
-5	38497-02		* RIB - Wing nose, Sta. 57.00, left	1	
	38497-03		* RIB - Wing nose, Sta. 57.00, right	1	
-6	62091-02		* * STRAP - Fuel tank attachment	1	
-7	66623-00		* SPAR - Leading edge, inboard, left	1	
	66623-01		* SPAR - Leading edge, inboard, right	1	
-8	38500-800		* SKIN ASSEMBLY - Leading edge, left	1	
	38500-801		* SKIN ASSEMBLY - Leading edge, right	1	
-9	68111-00		* * DOUBLER - Air inlet	1	
-10	38564-02		* SKIN ASSEMBLY - Top inboard root, left	1	
-11	38568-02		* SKIN ASSEMBLY - Bottom inboard root, left	1	
	38568-03		* SKIN ASSEMBLY - Bottom inboard root, right	1	
-12	38118-06		* SKIN ASSEMBLY - Inboard wing	1	
-13	38118-03		* * DOUBLER ASSEMBLY - Leading edge wing	1	
-14	38211-00		* RIB - Half, wing root, left	1	
	38211-01		* RIB - Half, wing root, right	1	
-15	62061-05		* WINGWALK - Forward, right	1	
-16	66621-00		* DOUBLER - Forward spar	1	
-17	96844-03		* SPACER - Wing rib, Sta. 57.00	1	
-18	66761-02		* FITTING ASSEMBLY - Forward spar, left	1	
	66761-03		* FITTING ASSEMBLY - Forward spar, right	1	
-19	66620-00		TUBE ASSEMBLY - Air duct	1	
-20	68119-00		GASKET - Air duct	4	
-21	38500-908		LEADING EDGE ASSEMBLY - Wing outboard, left	1	
	38500-909		LEADING EDGE ASSEMBLY - Wing outboard, right	1	
-22	38523-04		* SKIN - Forward, left	1	
	38523-03		* SKIN - Forward, right	1	
-23	38496-02		* RIB ASSEMBLY - Wing nose, Sta. 106.19, left	1	
	38496-03		* RIB ASSEMBLY - Wing nose, Sta. 106.19, right	1	
-24	35733-04		* * STRAP - Fuel tank attachment, left	1	
	35733-05		* * STRAP - Fuel tank attachment, right	1	
-25	38484-04		* RIB - Wing nose, Sta. 117.50, left	1	
	38484-05		* RIB - Wing nose, Sta. 117.50, right	1	
-26	38483-02		* RIB - Wing nose, Sta. 148.60, left	1	
	38483-03		* RIB - Wing nose, Sta. 148.60, right	1	
-27	35166-00		* RIB - Wing nose, Sta. 174, left	1	
	35166-01		* RIB - Wing nose, Sta. 174, right	1	
-28	86545-02		* RIB ASSEMBLY - Wing nose, Sta. 206.70, left	1	
	86545-03		* RIB ASSEMBLY - Wing nose, Sta. 206.70, right	1	
	86545-05	B	* RIB ASSEMBLY - Wing nose, Sta. 206.70, right	1	
-29	86545-06		* * STRAP - Skin attachment, Sta. 206.70, left	1	
	86545-07		* * STRAP - Skin attachment, Sta. 206.70, right	1	
-30	38528-06		* SKIN - Aft, top	2	
-31	38528-802		* SKIN ASSEMBLY - Aft, bottom, left	1	
	38528-803	A	* SKIN ASSEMBLY - Aft, bottom, right	1	
-32	38571-02		* * DOUBLER - Cover plate attachment	2	
-33	38526-800		* SKIN - Forward, left	1	
	38526-801		* SKIN - Forward, right	1	
-34	38502-02		* * SPAR - Leading edge, Sta. 106.19 to Sta. 148.60, left	1	
	38502-03		* * SPAR - Leading edge, Sta. 106.19 to Sta. 148.60, right	1	

When ordering, always specify Part Number, Description and Serial Number of Aircraft

PIPER PARTS CATALOG

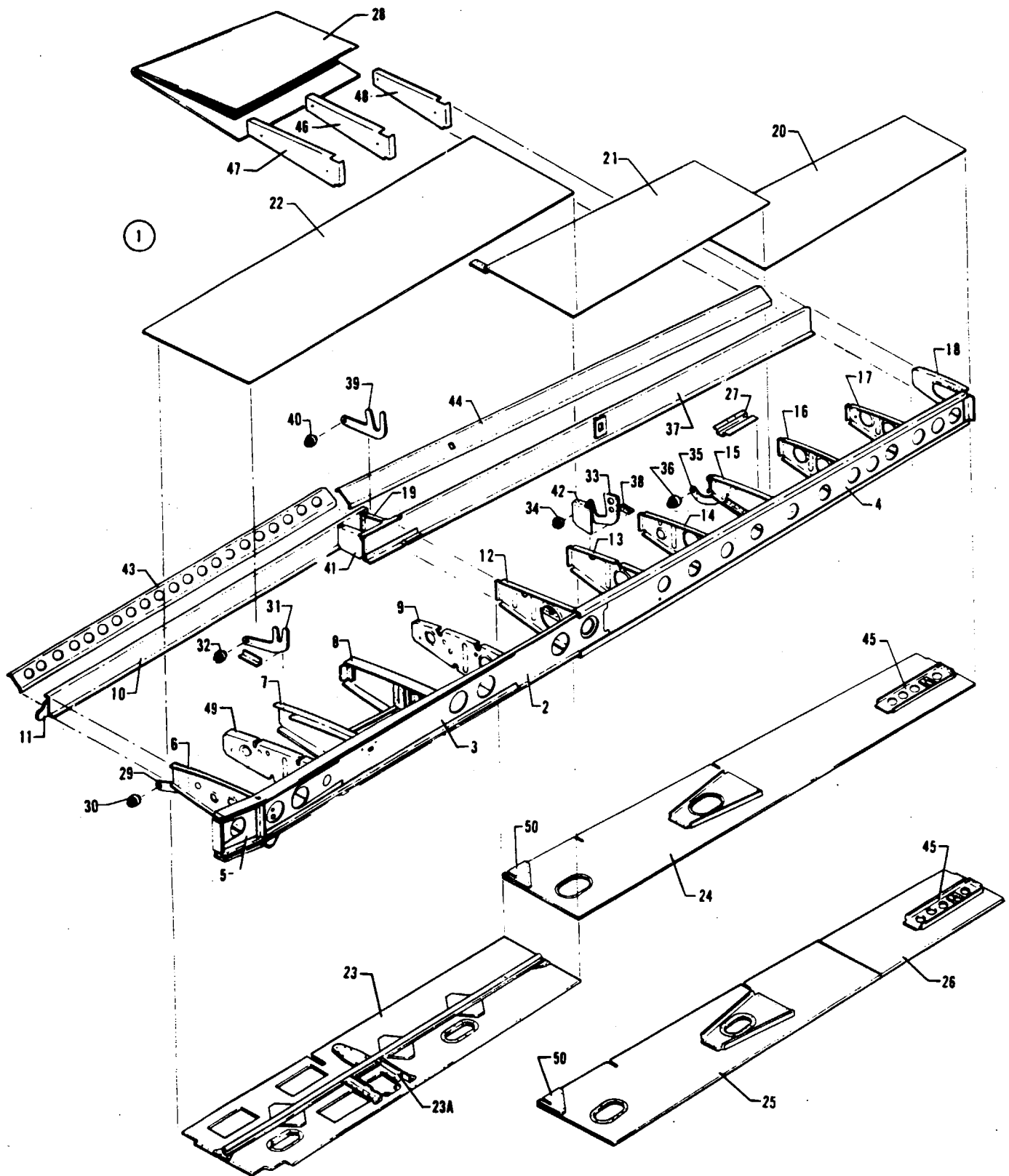


Figure 4. Wing Trailing Edge Assembly

PIPER PARTS CATALOG

CODE EXPLANATIONS FOR FIGURE 4

- A - Serial number of aircraft must be supplied when ordering this part
- B - Used on PA-32-301 with serial numbers 32-8006001 to 32-8006004 inclusive, and PA-32-301T with serial numbers 32-8024001 to 32-8024004 inclusive
- C - Used on PA-32-301 with serial numbers 32-8006005 and up, and PA-32-301T with serial numbers 32-8024005 and up

PIPER PARTS CATALOG

Figure and Index Number	Part Number	Code	NOMENCLATURE	No. Req.	SERIAL NUMBERS AFFECTED
4-1	38550-910	A	TRAILING EDGE ASSEMBLY - Wing aft section, left	1	
	38550-911	A	TRAILING EDGE ASSEMBLY - Wing aft section, right	1	
-2	38493-04		* SPAR ASSEMBLY - Wing main, left	1	
	38493-05		* SPAR ASSEMBLY - Wing main, right	1	
-3	38499-04		* * SPAR ASSEMBLY - Main inboard, left	1	
	38499-05		* * SPAR ASSEMBLY - Main inboard, right	1	
-4	35168-12		* * SPAR ASSEMBLY - Main outboard, left	1	
	35168-13		* * SPAR ASSEMBLY - Main outboard, right	1	
-5	38574-03		* * DOUBLER ASSEMBLY - Main spar root, forward and aft	2	
-6	38505-02		* RIB - Aft, Sta. 24.24, left	1	
	38505-03		* RIB - Aft, Sta. 24.24, right	1	
-7	38504-02		* RIB - Aft, Sta. 49.25, left	1	
	38504-03		* RIB - Aft, Sta. 49.25, right	1	
-8	38503-02		* RIB - Aft, Sta. 64.59, left	1	
	38503-03		* RIB - Aft, Sta. 64.59, right	1	
-9	38515-02		* RIB - Aft, Sta. 86.03, left	1	
	38515-03		* RIB - Aft, Sta. 86.03, right	1	
-10	35174-00		* SPAR ASSEMBLY - Wing aft, inboard, left	1	
	35174-01		* SPAR ASSEMBLY - Wing aft, inboard, right	1	
-11	66762-00		* * PLATE - Aft spar	1	
-12	38510-02		* RIB - Aft, Sta. 106.19, left	1	
	38510-03		* RIB - Aft, Sta. 106.19, right	1	
-13	38511-02		* RIB - Aft, Sta. 123.15, left	1	
	38511-03		* RIB - Aft, Sta. 123.15, right	1	
-14	38509-02		* RIB - Aft, Sta. 140.09, left	1	
	38509-03		* RIB - Aft, Sta. 140.09, right	1	
-15	86532-800		* RIB ASSEMBLY - Aft, Sta. 157.00, left	1	
	86532-801		* RIB ASSEMBLY - Aft, Sta. 157.00, right	1	
-16	86533-02		* RIB - Aft, Sta. 174.00, left	1	
	86533-03		* RIB - Aft, Sta. 174.00, right	1	
-17	86534-02		* RIB - Aft, Sta. 190.90, left	1	
	86534-03		* RIB - Aft, Sta. 190.90, right	1	
-18	86535-02		* RIB - Aft, Sta. 206.70, left	1	
	86535-03		* RIB - Aft, Sta. 206.70, right	1	
-19	86541-02		* RIB - Aft, Sta. 106.19, left	1	
	86541-03		* RIB - Aft, Sta. 106.19, right	1	
-20	86561-10		* SKIN ASSEMBLY - Outboard, top, left	1	
	86561-11		* SKIN ASSEMBLY - Outboard, top, right	1	
-21	86561-14		* SKIN ASSEMBLY - Center, top, left	1	
	86561-15		* SKIN ASSEMBLY - Center, top, right	1	
-22	38590-02		* SKIN ASSEMBLY - Aft, top, inboard, left	1	
	38591-02		* SKIN ASSEMBLY - Aft, top, inboard, right	1	
-23	38589-02		* SKIN ASSEMBLY - Aft, bottom, inboard, left	1	
	38589-03		* SKIN ASSEMBLY - Aft, bottom, inboard, right	1	
-23a	65690-00		* * DOUBLER - Fairing plate, left	1	
	65690-01		* * DOUBLER - Fairing plate, right	1	
-24	38581-800	B	* SKIN ASSEMBLY - Aft, bottom, left	1	
	38581-801	B	* SKIN ASSEMBLY - Aft, bottom, right	1	
-25	38581-06	C	* SKIN ASSEMBLY - Aft, bottom, Sta. 106.19 to Sta. 174.00, left	1	
	38581-07	C	* SKIN ASSEMBLY - Aft, bottom, Sta. 106.19 to Sta. 174.00, right	1	
-26	38581-10	C	* SKIN - Aft, bottom, Sta. 174.00 to Sta. 206.70, left	1	
	38581-11	C	* SKIN - Aft, bottom, Sta. 174.00 to Sta. 206.70, right	1	
-27	38663-02		* CHANNEL - Bellcrank support	1	

When ordering, always specify Part Number, Description and Serial Number of Aircraft

PIPER PARTS CATALOG

Figure and Index Number	Part Number	Code	NOMENCLATURE	No. Req.	SERIAL NUMBERS AFFECTED
4-28	38649-02		* SKIN - Trailing edge, outboard, left	1	
	38649-03		* SKIN - Trailing edge, outboard, right	1	
-29	65898-00		* SUPPORT ASSEMBLY - Flap, inboard, left	1	
	65898-01		* SUPPORT ASSEMBLY - Flap, inboard, right	1	
-30	452 387		* * BEARING - (KP3A)	1	
-31	65898-04		* SUPPORT ASSEMBLY - Flap, center	1	
-32	452 387		* * BEARING - (KP3A)	1	
-33	86555-02		* HINGE FITTING - Aileron, left	1	
	86555-03		* HINGE FITTING - Aileron, right	1	
-34	452 387		* * BEARING - (PS10020-18-1)	1	
-35	86556-02		* HINGE FITTING - Aileron, left	1	
	86556-03		* HINGE FITTING - Aileron, right	1	
-36	452 387		* * BEARING - (PS10020-18-1)	1	
-37	86544-02		* SPAR ASSEMBLY - Wing aft, outboard, left	1	
	86544-03		* SPAR ASSEMBLY - Wing aft, outboard, right	1	
-38	35404-00		* ANGLE - Aileron hinge, left	1	
	35404-01		* ANGLE - Aileron hinge, right	1	
-39	35425-00		* HINGE ASSEMBLY - Flap, outboard	1	
-40	452 544		* * BEARING - (MS20201-KP3A)	1	
-41	86543-02		* RIB - Aft, Sta 101.39, left	1	
	86543-03		* RIB - Aft, Sta 101.39, right	1	
-42	86540-02		* DOUBLER - Aileron hinge, left	1	
	86540-03		* DOUBLER - Aileron hinge, right	1	
-43	62129-04		* STIFFENER - Left, outboard	1	
	62129-03		* STIFFENER - Right, outboard	1	
-44	86573-04		* CUFF - Aft spar, outboard, left	1	
	86573-05		* CUFF - Aft spar, outboard, right	1	
-45	86633-02		* CHANNEL ASSEMBLY - Pitot head, left	1	
-46	38656-02		* RIB - Aft, Sta. 190.90, rear left	1	
	38656-03		* RIB - Aft, Sta. 190.90, rear right	1	
-47	38652-02		* RIB - Aft, Sta 174 00, rear left	1	
	38652-03		* RIB - Aft, Sta. 174 00, rear right	1	
-48	38653-02		* RIB - Aft, Sta 206.70, rear left	1	
	38653-03		* RIB - Aft, Sta. 206.70, rear right	1	
-49	38504-04		* RIB - Aft, Sta 36.92, left	1	
	38504-05		* RIB - Aft, Sta 36 92, right	1	
-50	35337-02		DOUBLER - Wing	1	

When ordering, always specify Part Number, Description and Serial Number of Aircraft

1A24
INTENTIONALLY LEFT BLANK

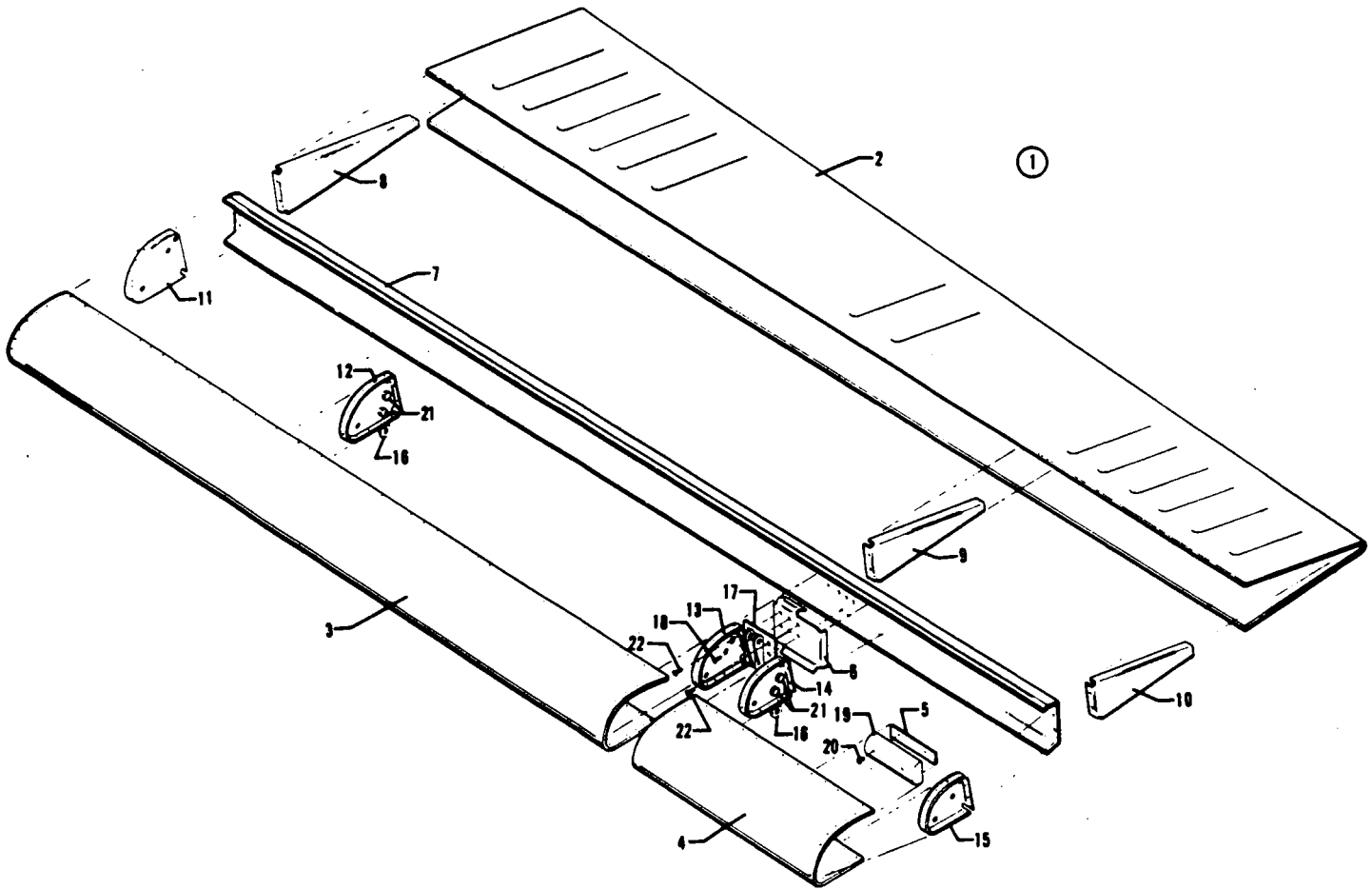


Figure 5 Aileron Assembly

PIPER PARTS CATALOG

CODE EXPLANATIONS FOR FIGURE 5

W - These parts must be ordered from Service Spares Department, Piper Aircraft, Lock Haven, Penna

PIPER PARTS CATALOG

Figure and Index Number	Part Number	Code	NOMENCLATURE	No. Req.	SERIAL NUMBERS AFFECTED
5-1	38650-04		AILERON ASSEMBLY - Left	1	
	38650-05		AILERON ASSEMBLY - Right	1	
-2	38647-02		* SKIN - Aileron, aft, left	1	
	38647-03		* SKIN - Aileron, aft, right	1	
-3	86562-08		* SKIN - Aileron, leading edge, inboard, left	1	
	86562-09		* SKIN - Aileron, leading edge, inboard, right	1	
-4	38648-04		* SKIN - Aileron, leading edge, outboard, left	1	
	38648-05		* SKIN - Aileron, leading edge, outboard, right	1	
-5	37280-05		* RETAINER ASSEMBLY - Balance weight	1	
-6	38661-02		* DOUBLER - Aileron, left	1	
	38661-03		* DOUBLER - Aileron, right	1	
-7	38646-02		* SPAR - Aileron, left	1	
	38646-03		* SPAR - Aileron, right	1	
-8	35640-08		* RIB - Aileron, inboard, left	1	
	35640-09		* RIB - Aileron, inboard, right	1	
-9	35640-10		* RIB - Aileron, center, left	1	
	35640-11		* RIB - Aileron, center, right	1	
-10	38644-02		* RIB - Aileron, outboard, left	1	
	38644-03		* RIB - Aileron, outboard, right	1	
-11	86395-02		* RIB - Aileron, nose, inboard, left	1	
	86395-03		* RIB - Aileron, nose, inboard, right	1	
-12	86396-02		* RIB ASSEMBLY - Aileron, nose, center, left	1	
	86396-03		* RIB ASSEMBLY - Aileron, nose, center, right	1	
-13	86397-04		* RIB - Aileron, nose, center, left	1	
	86397-05		* RIB - Aileron, nose, center, right	1	
-14	86398-02		* RIB ASSEMBLY - Aileron, nose, center, left	1	
	86398-03		* RIB ASSEMBLY - Aileron, nose, center, right	1	
-15	38645-02		* RIB - Aileron, nose, outboard, left	1	
	38645-03		* RIB - Aileron, nose, outboard, right	1	
-16	86392-02		* FITTING - Aileron hinge, left	2	
	86392-03		* FITTING - Aileron hinge, right	2	
-17	38660-02		* FITTING - Aileron pushrod attachment, left	1	
	38660-03		* FITTING - Aileron pushrod attachment, right	1	
-18	410 039	W	* SCREW - (MS24694-S51)	2	
-19	37281-02		* WEIGHT - Aileron nose	1	
-20	415 628	W	* SCREW - (MS35206-328)	2	
-21	401 266	W	* BOLT - (AN3-5A)	2	
	407 564	W	* WASHER - (AN960-10)	2	
	404 887	W	* NUT - (MS20365-1032C)	2	
-22	401 266	W	* BOLT - (AN3-5A)	2	
	407 564	W	* WASHER - (AN960-10)	2	
	406 816	W	* ANCHOR NUT - (NAS687-A3)	2	

When ordering, always specify Part Number, Description and Serial Number of Aircraft

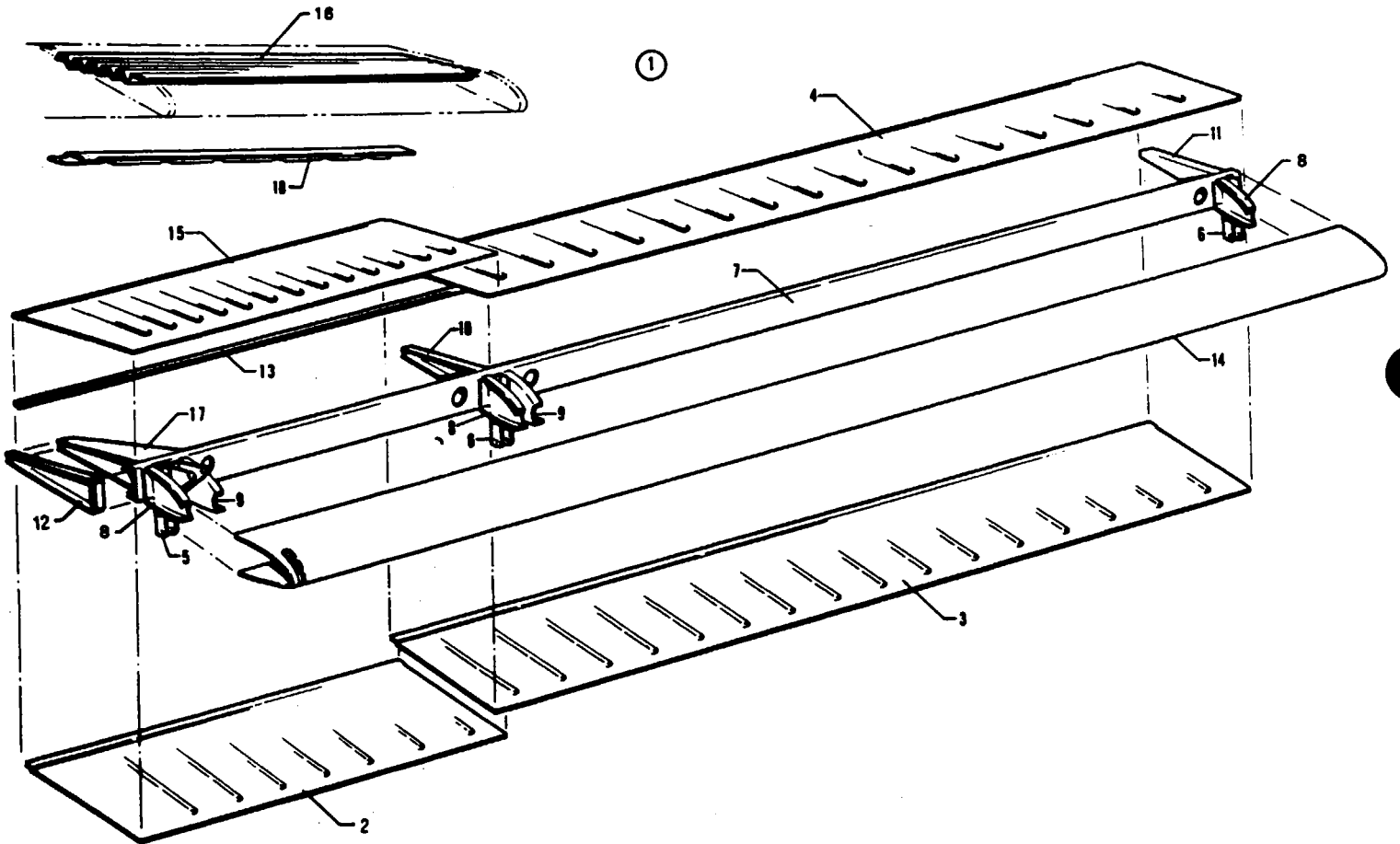


Figure 6 Flap Assembly

PIPER PARTS CATALOG

CODE EXPLANATIONS FOR FIGURE 6

PIPER PARTS CATALOG

Figure and Index Number	Part Number	Code	NOMENCLATURE	No. Req.	SERIAL NUMBERS AFFECTED
6-1	65591-00		FLAP ASSEMBLY - Left	1	
	65590-01		FLAP ASSEMBLY - Right	1	
-2	65592-00		* SKIN - Flap, bottom, left, inboard	1	
	65592-01		* SKIN - Flap, bottom, right, inboard	1	
-3	65588-00		* SKIN - Flap, bottom, left and right, outboard	1	
-4	65589-00		* SKIN - Flap, top, left and right, outboard	1	
-5	62324-00		* HINGE - Flap, inboard, left	1	
	62324-01		* HINGE - Flap, inboard, right	1	
-6	65899-00		* BRACKET - Flap hinge, center and outboard	2	
-7	62327-00		* SPAR - Flap	1	
-8	62328-00		* RIB - Left flap	2	
	62328-01		* RIB - Right flap	2	
-9	62328-01		* RIB - Left flap	1	
	62328-00		* RIB - Right flap	1	
-10	62332-02		* RIB - Flap, left, wing, Sta 49	1	
	62332-00		* RIB - Flap, right, wing, Sta 49	1	
-11	62330-00		* RIB - Flap, left	1	
	62330-01		* RIB - Flap, right	1	
-12	62331-00		* RIB - Flap, left, inboard	1	
	62331-01		* RIB - Flap, right, inboard	1	
-13	62320-03		* STRIP - Flap	1	
-14	65586-04		* SKIN - Flap, left, nose	1	
	65586-05		* SKIN - Flap, right, nose	1	
-15	65587-00		* SKIN - Flap, top, left, inboard	1	
	65594-01		* SKIN - Flap, top, right, inboard	1	
-16	65593-01		* CORRUGATION - Flap, top, right, inboard	1	
-17	62336-00		* DOUBLER ASSEMBLY - Left	1	
	62336-01		* DOUBLER ASSEMBLY - Right	1	
-18	65595-01		* ZEE - Flap, inboard, right	1	

When ordering, always specify Part Number, Description and Serial Number of Aircraft

PIPER PARTS CATALOG

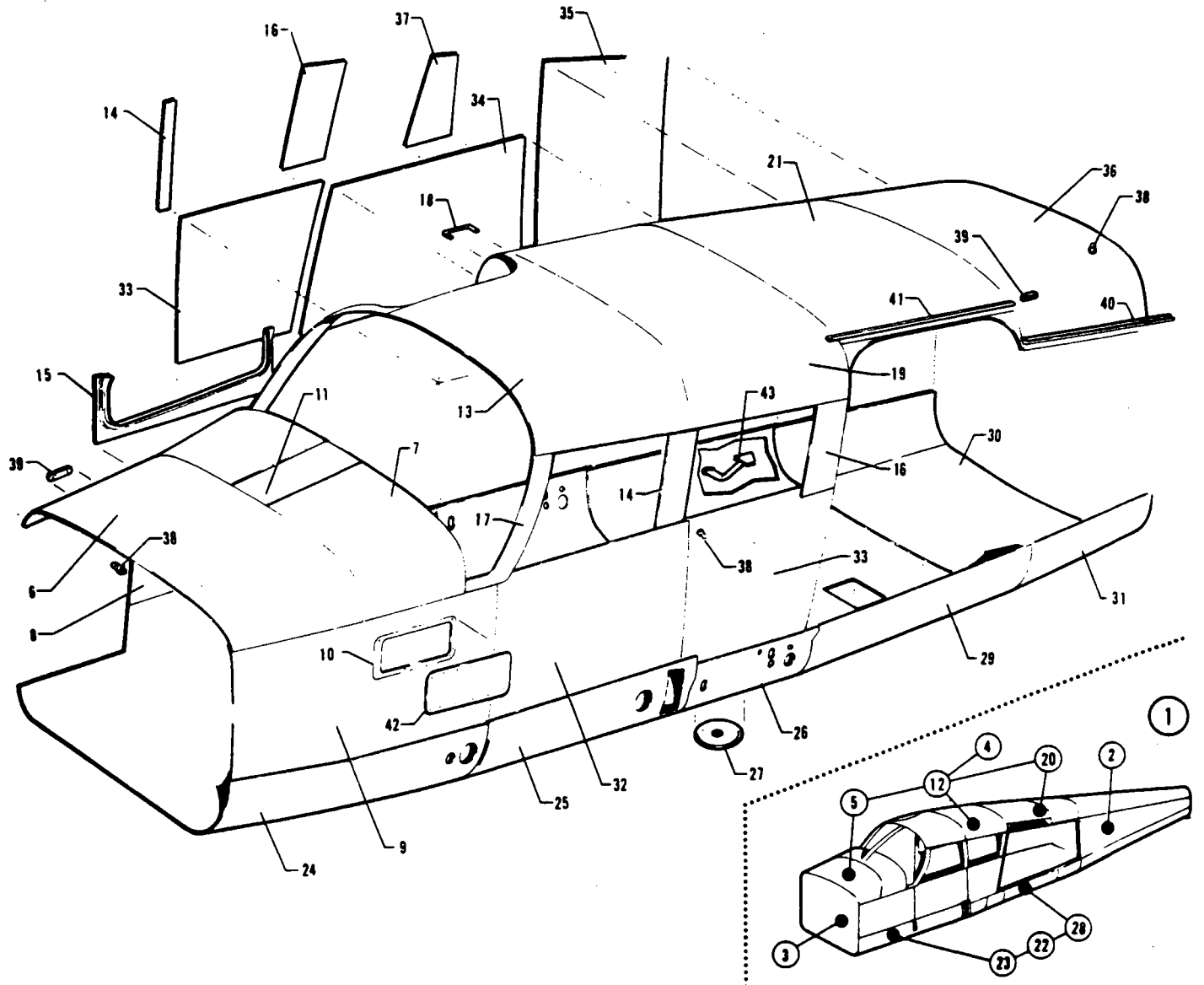


Figure 7 Fuselage Assembly - Complete

PIPER PARTS CATALOG

CODE EXPLANATIONS FOR FIGURE 7

- A - Used on PA-32-301 only
- B - Used on PA-32-301T only
- C - See Figure 13 for component parts.
- D - When ordering, specify with or without provisions for air conditioning.
- E - See Figure 8 for balance of component parts
- F - See Figure 9 for balance of component parts.
- G - See Figure 10 for balance of component parts.
- H - See Figure 11 for balance of component parts.
- J - See Figure 12 for balance of component parts
- K - Used on PA-32-301 with serial numbers 32-8006001 to 32-8106049 inclusive, and PA-32-301T with serial numbers 32-8024001 to 32-8124018 inclusive
- L - Used on PA-32-301 with serial numbers 32-8106050 and up, and PA-32-301T with serial numbers 32-8124019 and up
- M - Used on PA-32-301 with serial numbers 32-8006001 to 32-8106110 inclusive, and PA-32-301T with serial numbers 32-8024001 to 32-8124046 inclusive
- N - Used on PA-32-301 with serial numbers 32-8206001 and up, and PA-32-301T with serial numbers 32-8224001 and up
- W - These parts must be ordered from Service Spares Department, Piper Aircraft, Lock Haven, Penna.

PIPER PARTS CATALOG

Figure and Index Number	Part Number	Code	NOMENCLATURE	No. Req.	SERIAL NUMBERS AFFECTED
7-	69890		DRAWING - Fuselage Assembly		
-1	69890-07	A,D	FUSELAGE ASSEMBLY	1	
	69890-06	B,D	FUSELAGE ASSEMBLY	1	
-2	69890-914	C,D	* AFT SECTION - Fuselage	1	
-3	69890-939	A	* COCKPIT ASSEMBLY - Fuselage	1	
	69890-938	B	* COCKPIT ASSEMBLY - Fuselage	1	
-4	69890-947	A	* * COCKPIT ASSEMBLY - Fuselage, upper	1	
	69890-946	B	* * COCKPIT ASSEMBLY - Fuselage, upper	1	
-5	69890-949	A,E	* * * UPPER COCKPIT ASSEMBLY - Forward	1	
	69890-948	B,E	* * * UPPER COCKPIT ASSEMBLY - Forward	1	
-6	69908-901		* * * * SKIN - Top front	1	
-7	69895-900		* * * * SKIN - Top left	1	
	69895-901		* * * * SKIN - Top right	1	
-8	79563-902	K	* * * * SKIN - Right side	1	
	79563-804	L	* * * * SKIN - Right side	1	
-9	79563-907	A	* * * * SKIN - Left front	1	
	38229-900	B	* * * * SKIN - Left front	1	
-10	38046-00	B	* * * * DOUBLER - Access cover	1	
-11	78110-00		* * * PANEL - Center skin	1	
-12	69890-910	F	* * * UPPER COCKPIT ASSEMBLY - Center	1	
-13	69899-900		* * * * SKIN - Top front	1	
-14	69691-00		* * * * SKIN - Left side, window trim	1	
	69694-00		* * * * SKIN - Right side, window trim	1	
-15	79547-02		* * * PAN - Upper cockpit	1	
-16	69692-00		* * * SKIN - Left side, window trim	1	
	69695-00	M	* * * SKIN - Right side, window trim	1	
	69695-02	N	* * * SKIN - Right side, window trim	1	
-17	76255-00		* * * SKIN - Left side, window trim	1	
	79561-03		* * * SKIN - Right side, window trim	1	
-18	481 772	W	* * * HANDLE - (N12865)	1	
-19	69902-900		* * * SKIN - Top	1	
-20	69890-911	G	* * * UPPER COCKPIT ASSEMBLY - Aft	1	
-21	69903-900		* * * * SKIN - Top	1	
-22	69890-941	A	* * COCKPIT ASSEMBLY - Fuselage, lower	1	
	69890-940	B	* * COCKPIT ASSEMBLY - Fuselage, lower	1	
-23	69890-943	A,H	* * * LOWER COCKPIT ASSEMBLY - Forward	1	
	69890-805	B,H	* * * LOWER COCKPIT ASSEMBLY - Forward	1	
-24	69906-900	A	* * * * SKIN - Bottom	1	
	69906-901	B	* * * * SKIN - Bottom	1	
-25	69905-900		* * * * SKIN - Bottom	1	
-26	38608-02		* * * * SKIN - Bottom	1	
-27	65072-00		* * * * COVER ASSEMBLY - Access door	1	
-28	69890-944	J	* * * LOWER COCKPIT ASSEMBLY - Aft	1	
-29	69898-900		* * * * SKIN - Bottom	1	
-30	69897-900		* * * * SKIN - Bottom	1	
-31	68602-00		* * * * SKIN - Bottom, left	1	
	68602-01		* * * * SKIN - Bottom, right	1	
-32	76474-903		* * SKIN - Left side	1	
-33	69907-900		* * SKIN - Left side	1	
	69907-901		* * SKIN - Right side	1	
-34	69911-900		* * SKIN - Right side	1	
-35	69912-900		* SKIN - Right side	1	
-36	69904-900		* SKIN - Top	1	

When ordering, always specify Part Number, Description and Serial Number of Aircraft

PIPER PARTS CATALOG

Figure and Index Number	Part Number	Code	NOMENCLATURE	No. Req.	SERIAL NUMBERS AFFECTED
7-37	69696-00		* SKIN - Right side	1	
-38	487 674		* STUD - (XX16362)	3	
-39	37939-03		* BUMPER - Cargo door	2	
-40	69881-02		* GUTTER - Cargo door	1	
-41	69881-03		* GUTTER - Cabin door	1	
-42	38046-02	B	COVER - Access	1	
-43	68014-00		STEP ASSEMBLY	1	

When ordering, always specify Part Number, Description and Serial Number of Aircraft

PIPER PARTS CATALOG

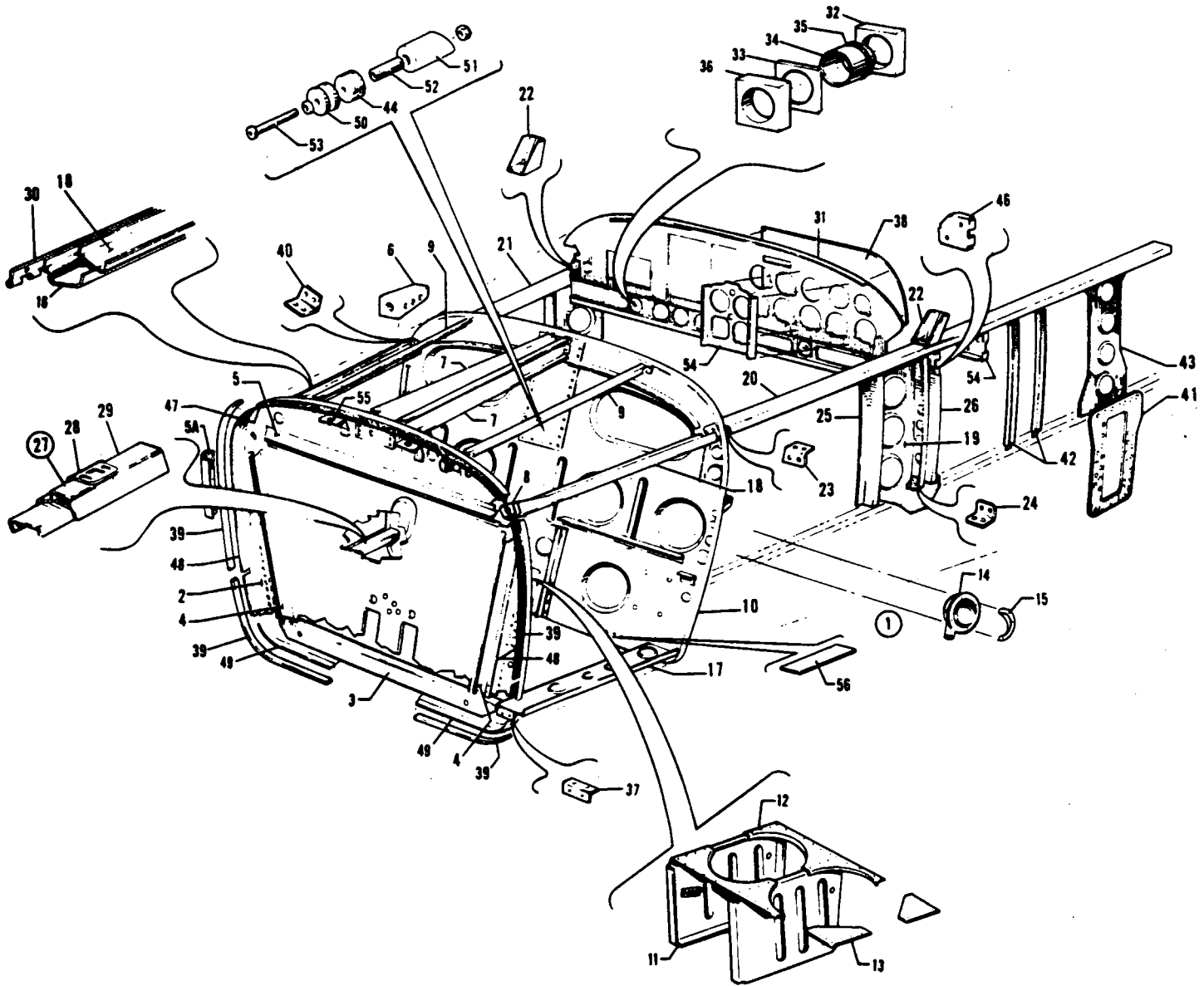


Figure 8 Fuselage Upper Forward Cockpit Assembly

PIPER PARTS CATALOG

CODE EXPLANATIONS FOR FIGURE 8

- A - Used on PA-32-301 only
- B - Used on PA-32-301T only
- C - Used if NSD-360 is installed
- D - Used on PA-32-301 with serial numbers 32-8006001 to 32-8006116 inclusive, and PA-32-301T with serial numbers 32-8024001 to 32-8024062 inclusive
- E - Used on PA-32-301 with serial numbers 32-8106001 and up, and PA-32-301T with serial numbers 32-8124001 and up
- F - Used if Century 21 AutoPilot is installed
- G - Used if Century 41 AutoPilot is installed.
- H - Used if Century 21, Century 31 or Century 41 AutoPilot is installed
- J - Used if King KAP 100/150 or KFC 150 Autopilot is installed.
- K - Used on PA-32-301 with serial numbers 32-8306001 and up, and PA-32-301T with serial numbers 32-8324001 and up
- L - Used if Century 31 AutoPilot is installed
- M - Used on PA-32-301 with serial numbers 32-8106001 and up, and PA-32-301T with serial numbers 32-8124001 and up if Century 21 AutoPilot is installed. Also used on PA-32-301T with serial numbers 32-8424001 and up if Century 31 AutoPilot is installed.
- W - These parts must be ordered from Service Spares Department, Piper Aircraft, Lock Haven, Penna

PIPER PARTS CATALOG

Figure and Index Number	Part Number	Code	NOMENCLATURE	No. Req.	SERIAL NUMBERS AFFECTED
8-1	69890-949	A	UPPER COCKPIT ASSEMBLY - Forward	1	
	69890-948	B	UPPER COCKPIT ASSEMBLY - Forward	1	
-2	69466-07	A	* FIREWALL ASSEMBLY - Upper cockpit	1	
	69466-06	B	* FIREWALL ASSEMBLY - Upper cockpit	1	
-3	68216-00		* * CHANNEL - Firewall	1	
-4	68214-00		* * CHANNEL - Hat, firewall, left	1	
	68214-01		* * CHANNEL - Hat, firewall, right	1	
-5	68215-00		* * CHANNEL - Hat, firewall, upper	1	
-5a	68217-00		* * JAMB - Firewall	1	
-6	68277-00		* FITTING - Engine mount, center	1	
-7	68276-00		* CHANNEL - Forward baggage, left	1	
	68276-01		* CHANNEL - Forward baggage, right	1	
-8	68282-00		* FITTING - Engine mount, left	1	
	68282-01		* FITTING - Engine mount, right	1	
-9	68278-00		* STIFFENER - Skin, top front	2	
-10	69467-03	A	* BULKHEAD ASSEMBLY - Sta. 49.5	1	
	69467-05	B	* BULKHEAD ASSEMBLY - Sta. 49.5	1	
-11	69844-00		* WEB ASSEMBLY - Forward baggage, left	1	
	69844-01		* WEB ASSEMBLY - Forward baggage, right	1	
-12	68155-00		* GUSSET - Forward baggage, rear	1	
	68155-01		* GUSSET - Forward baggage, forward	1	
-13	68156-00		* GUSSET - Forward baggage, rear	1	
	68157-00		* GUSSET - Forward baggage, forward	1	
-14	63218-05	A	* BOX ASSEMBLY - Ventilator	1	
-15	22482-00	W	* SCOOP - Air	1	
-16	68267-00		* JAMB - Baggage door	1	
-17	68285-00		* LONGERON - Lower	1	
-18	68281-00		* LONGERON - Forward, left	1	
	68281-01		* LONGERON - Forward, right	1	
-19	68252-00		* WEB - Upper cockpit, left	1	
	68253-00		* WEB - Upper cockpit, right	1	
-20	68254-00		* LONGERON - Upper cockpit, left	1	
-21	68258-05		* LONGERON ASSEMBLY - Upper cockpit, right	1	
-22	79553-00		* FITTING - Web assembly, left	1	
	79553-01		* FITTING - Web assembly, right	1	
-23	96839-00		* CLIP - Web assembly, left	1	
	96839-01		* CLIP - Web assembly, right	1	
-24	62514-00		* CLIP - Web assembly	2	
-25	62674-03		* ZEE - Web assembly, left	1	
	62674-01		* ZEE - Web assembly, right	1	
-26	62653-04		* FRAME ASSEMBLY - Upper cockpit, left	1	
-27	69491-00		* DOOR SILL ASSEMBLY - Forward baggage	1	
-28	66794-00		* * STRIKER PLATE - Door sill	1	
-29	69492-00		* * JAMB - Forward baggage	1	
-30	68268-02		* HINGE HALF - Forward baggage	1	
-31	69798-02	D	PANEL ASSEMBLY - Instrument	1	
	69798-04	E	PANEL ASSEMBLY - Instrument	1	
-32	68272-02		* PLATE - Control wheel	2	
-33	68272-03		* PLATE - Control wheel	4	
-34	68273-02		* BUSHING - Control wheel	2	
-35	484 792		* "O" RING - Control wheel (MS28775-218)	2	
-36	68272-04		* PLATE - Control wheel	2	
-37	68286-00		* CLIP - Attachment	1	
-38	79565-00	C	PANEL - Instrument, upper left	1	
	79565-11	M	PANEL - Instrument, upper left	1	
	79565-09	E,G	PANEL - Instrument, upper left	1	
	79565-10	A,L	PANEL - Instrument, upper left	1	32-8406001 and up
	79565-12	A,J	PANEL - Instrument, upper left	1	32-8306001 and up
	79565-13	B,J	PANEL - Instrument, upper left	1	32-8324001 and up

When ordering, always specify Part Number, Description and Serial Number of Aircraft

PIPER PARTS CATALOG

Figure and Index Number	Part Number	Code	NOMENCLATURE	No. Req.	SERIAL NUMBERS AFFECTED
8-39	65692-02	A	SEAL - Cowl, lower	2	
	65692-04	B	SEAL - Cowl, lower, left	1	
	65692-05	B	SEAL - Cowl, lower, right	1	
	65692-03		SEAL - Cowl, upper	1	
-40	68283-00		CLIP - Channel attachment, left	1	
	68283-01		CLIP - Channel attachment, right	1	
-41	62542-00		GUSSET - Left	1	
	62542-01		GUSSET - Right	1	
-42	99421-00		CHANNEL - Armrest support	2	
-43	62644-00		WEB - Forward cockpit, Sta 108	1	
-44	68699-00		SPACER - Tee bar bumper (25 thick)	AR	
-45	63947-03		MOUNT ASSEMBLY - Switch plate	1	
-46	69475-00		MOUNT ASSEMBLY - Switch plate	1	
-47	68290-04		FLANGE - Engine cowl, top	1	
-48	68290-02		FLANGE - Engine cowl, left	1	
	68290-03		FLANGE - Engine cowl, right	1	
-49	68290-06	A	FLANGE - Engine cowl, left	1	
	68290-08	B	FLANGE - Engine cowl, left	1	
	68290-05	A	FLANGE - Engine cowl, right	1	
	68290-09	B	FLANGE - Engine cowl, right	1	
-50	62833-23		WASHER - Tee bar bumper (.063 thick)	AR	
-51	63927-00		BUMPER - Tee bar	1	
-52	63900-64		BUSHING - Tee bar bumper	1	
-53	411 539		BOLT - (MS35207-270)	1	
	407 564	W	WASHER - (AN960-10)	2	
	404 887	W	NUT - (MS20365-1032C)	1	
-54	79564-00	C	DOUBLER - Instrument panel	1	
	36839-02	J,K	DOUBLER - Instrument panel	1	
	36839-03	E,H	DOUBLER - Instrument panel	1	
-55	98669-02		PLATE ASSEMBLY - Joggle strip, left and right	2	
-56	68863-00		SHELF ASSEMBLY - Radio equipment	1	

When ordering, always specify Part Number, Description and Serial Number of Aircraft

PIPER PARTS CATALOG

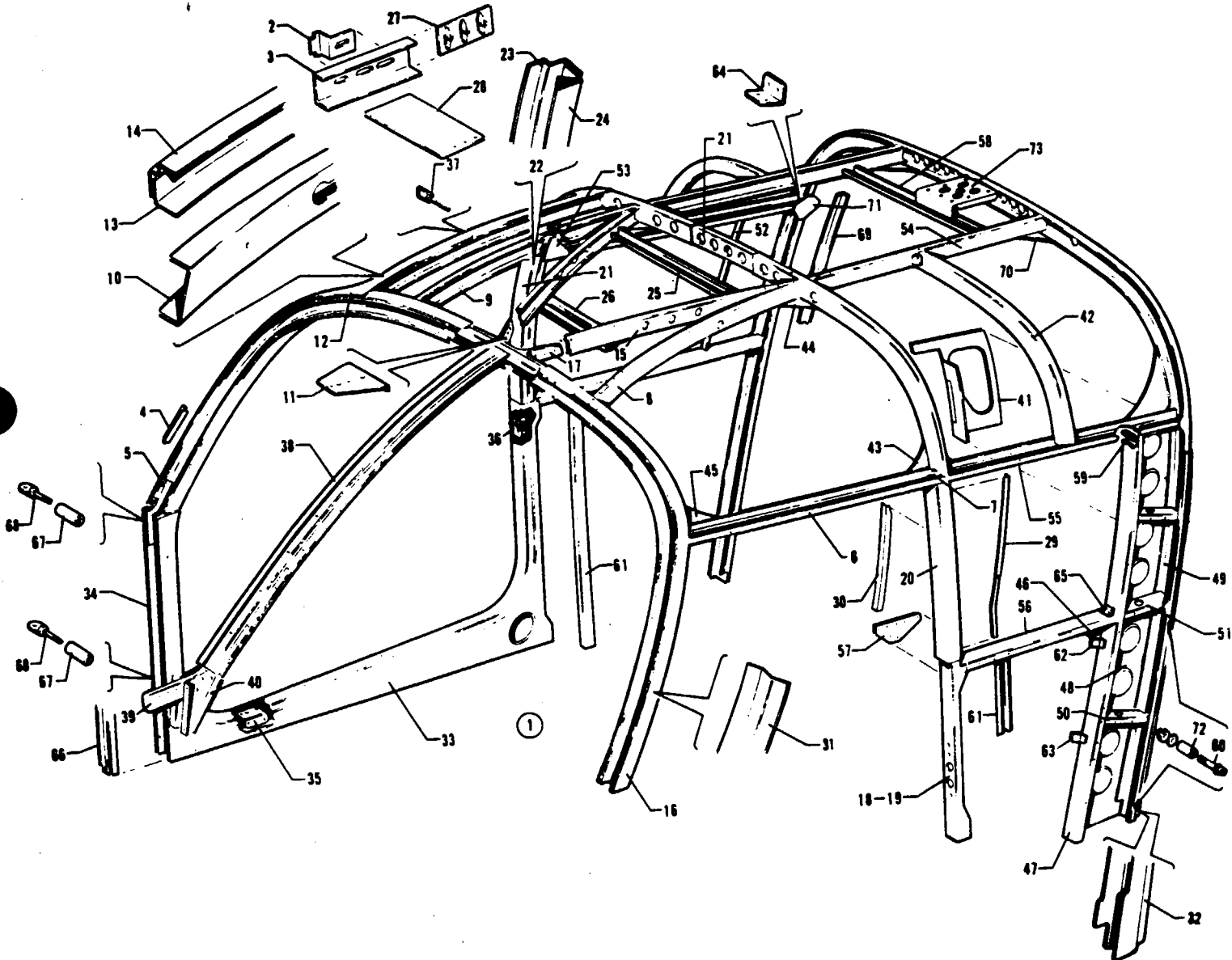


Figure 9 Fuselage Upper Center Cockpit Assembly

PIPER PARTS CATALOG

CODE EXPLANATIONS FOR FIGURE 9

A - Used if 250 thick sound reduction windshield is installed

B - Used on PA-32-301 with serial numbers 32-8206033 and up, and PA-32-301T with serial numbers 32-8224011 and up

W - These parts must be ordered from Service Spares Department, Piper Aircraft, Lock Haven, Penna

PIPER PARTS CATALOG

Figure and Index Number	Part Number	Code	NOMENCLATURE	No. Req.	SERIAL NUMBERS AFFECTED
9-1	69890-910		COCKPIT ASSEMBLY - Center	1	
-2	69739-00		* CLIP - Door latch lock	1	
-3	69740-02		* CHANNEL - Door latch	1	
-4	79561-04		* JAMB - Door, forward	1	
-5	78467-04		* CHANNEL - Upper cockpit	1	
-6	62479-02		* CHANNEL - Upper cockpit	1	
-7	62516-00		* CLIP - Channel assembly, upper cockpit	1	
-8	68382-02		* CHANNEL ASSEMBLY - Upper cockpit, left	1	
-9	68352-03		* CHANNEL - Upper cockpit, right	1	
-10	62874-06		* CHANNEL - Upper cockpit, right	1	
-11	79162-00		* DOUBLER - Antenna	1	
-12	79561-901		* PAN ASSEMBLY - Upper	1	
-13	79561-06		* * PAN - Inner	1	
-14	79561-05		* * PAN - Outer	1	
-15	68342-10		* CHANNEL - Upper cockpit, center, left	1	
	68342-11		* CHANNEL - Upper cockpit, center, right	1	
-16	69888-00		* FRAME ASSEMBLY - Canted, fuselage, Sta. 85	1	
-17	68320-03		* * FITTING - Windshield bow	1	
-18	68325-02		* FRAME ASSEMBLY - Sta. 108	1	
-19	68331-00		* * CHANNEL - Fuselage frame, left	1	
	68331-01		* * CHANNEL - Fuselage frame, right	1	
-20	68327-00		* * CHANNEL ASSEMBLY	1	
-21	68326-00		* * CHANNEL - Splice	1	
-22	79561-903		* PAN ASSEMBLY - Side	1	
-23	79561-07		* * PAN - Upper cockpit, outer	1	
-24	79561-08		* * PAN - Upper cockpit, inner	1	
-25	68307-00		* HAT - Upper cockpit	1	
-26	68308-00		* HAT - Upper cockpit	1	
-27	69738-00		* PLATE ASSEMBLY - Door latch	1	
-28	69742-00		* PLATE - Door latch	1	
-29	69698-00		ANGLE - Upper cockpit, left	1	
	69698-01		ANGLE - Upper cockpit, right	1	
-30	69697-00		ANGLE - Upper cockpit	1	
-31	69891-06		RETAINER - Upper cockpit, left, upper	1	
	69891-08	A	RETAINER - Upper cockpit, left, upper	1	
	69891-02		RETAINER - Upper cockpit, left, lower	1	
	69891-04	A	RETAINER - Upper cockpit, left, lower	1	
	69891-07		RETAINER - Upper cockpit, right, upper	1	
	69891-09	A	RETAINER - Upper cockpit, right, upper	1	
	69891-03		RETAINER - Upper cockpit, right, lower	1	
	69891-05	A	RETAINER - Upper cockpit, right, lower	1	
-32	68334-00		JAMB - Door, upper cockpit, center	1	
-33	79547-00		LOWER PAN ASSEMBLY - Upper cockpit	1	
-34	79547-03		* PAN - Upper cockpit, inner	1	
	79547-02		* PAN - Upper cockpit, outer	1	
-35	62656-00		* ANGLE ASSEMBLY - Door holder	1	
-36	79639-02		* PLATE - Door latch striker	1	
-37	63037-00		LOOP ASSEMBLY - Forward door latch	1	
-38	69481-02		HAT ASSEMBLY - Windshield	1	
	69481-03	A	HAT ASSEMBLY - Windshield	1	
-39	68313-00		* FITTING - Windshield	1	
-40	69483-00		* BRACKET - Windshield hat, left	1	
	69483-01		* BRACKET - Windshield hat, right	1	
-41	78012-00		DOUBLER ASSEMBLY - Sta. 124.25	1	

When ordering, always specify Part Number, Description and Serial Number of Aircraft

PIPER PARTS CATALOG

Figure and Index Number	Part Number	Code	NOMENCLATURE	No. Req	SERIAL NUMBERS AFFECTED
9-42	68315-00		CHANNEL - Upper cockpit, left	1	
	68315-01		CHANNEL - Upper cockpit, right	1	
-43	68347-00		GUSSET - Upper cockpit, left	1	
-44	68323-00		GUSSET - Upper cockpit, left	1	
	68323-01		GUSSET - Upper cockpit, right	1	
-45	68324-00		GUSSET - Upper cockpit, left	1	
-46	68344-00		GUSSET - Upper cockpit, left	1	
-47	68328-02		CHANNEL - Sta. 122 to Sta. 132, left	1	
-48	68330-06		WEB ASSEMBLY - Sta. 128, left	1	
-49	68332-00		FRAME ASSEMBLY - Sta. 128	1	
-50	68338-00		STIFFENER - Left side	2	
-51	68339-00		STIFFENER - Left side	1	
-52	68349-00		ANGLE - Upper cockpit, center, right	1	
-53	68322-00		GUSSET ASSEMBLY - Upper cockpit, center	1	
-54	68381-00		CHANNEL ASSEMBLY - Upper cockpit, center, left	1	
	68346-01		CHANNEL - Upper cockpit, center, right	1	
-55	68340-00		CHANNEL - Upper cockpit, center, left	1	
	68351-00		CHANNEL - Upper cockpit, center, right	1	
-56	68341-00		CHANNEL - Upper cockpit, center, left	1	
	68343-02		CHANNEL - Upper cockpit, center, right	1	
-57	65122-00		GUSSET - Upper cockpit	1	
-58	69748-00		CHANNEL - Upper cockpit	1	
-59	62506-00		CLIP - Upper cockpit	5	
-60	402 060		BOLT - Eye, hinge (AN44-20A)	2	
	407 586	W	WASHER - (AN960-516L)	2	
	404 837	W	NUT - (MS20364-524C)	2	
-61	99422-02		CHANNEL - Armrest support	4	
-62	68363-00		CLIP	1	
-63	68362-00		CLIP	1	
-64	62506-03		CLIP - Upper cockpit	1	
-65	62506-04		CLIP - Upper cockpit	1	
-66	62897-02		CHANNEL ASSEMBLY - Upper fuselage	1	
-67	63900-46		BUSHING - Door hinge attachment, lower	1	
	63900-47		BUSHING - Door hinge attachment, upper	1	
-68	402 057		BOLT - Eye, door hinge attachment (AN44-17A)	2	
	407 586	W	WASHER - Door hinge attachment (AN960-516L)	2	
	404 837	W	NUT - Door hinge attachment (MS20364-524C)	2	
-69	68223-00		ANGLE - Upper cockpit, center	1	
-70	68319-00		GUSSET - Upper cockpit	2	
-71	68225-00		GUSSET - Upper cockpit	1	
-72	63900-46		BUSHING	2	
-73	87278-02	B	DOUBLER ASSEMBLY - Antenna	1	

When ordering, always specify Part Number, Description and Serial Number of Aircraft

PIPER PARTS CATALOG

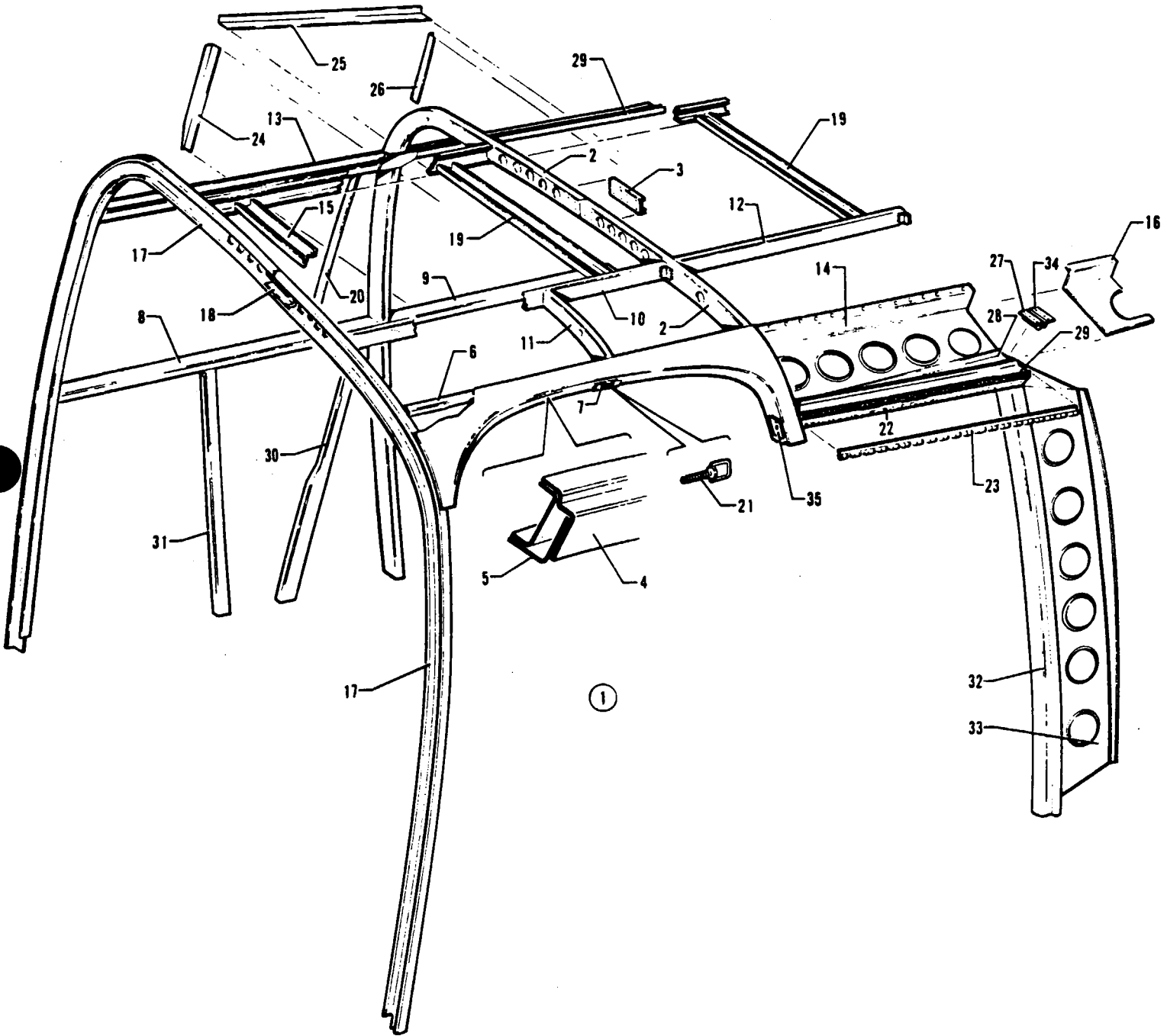


Figure 10. Fuselage Upper Aft Cockpit Assembly

PIPER PARTS CATALOG

CODE EXPLANATIONS FOR FIGURE 10

- A - Used on PA-32-301 with serial numbers 32-8006001 to 32-8106110 inclusive, and PA-32-301T with serial numbers 32-8024001 to 32-8124046 inclusive.
- B - Used on PA-32-301 with serial numbers 32-8206001 and up, and PA-32-301T with serial numbers 32-8224001 and up

PIPER PARTS CATALOG

Figure and Index Number	Part Number	Code	NOMENCLATURE	No. Req.	SERIAL NUMBERS AFFECTED
10-1	69890-911		COCKPIT ASSEMBLY - Aft	1	
-2	68984-00		* CHANNEL - Sta 165, left	1	
	68357-01		* CHANNEL - Sta. 165, right	1	
-3	68359-00		* CHANNEL - Splice	1	
-4	69105-02		* SILL - Rear door	1	
-5	69105-03		* SILL - Rear door	1	
-6	68366-00		* CHANNEL - Rear door	1	
-7	68353-00		* PLATE - Door latch	1	
-8	68375-00		* LONGERON - Upper cockpit, aft	1	
-9	68370-01		* LONGERON - Upper cockpit, aft, right	1	
-10	68371-00		* CHANNEL - Upper cockpit, aft, left	1	
	68371-01		* CHANNEL - Upper cockpit, aft, right	1	
-11	68372-00		* SUPPORT ASSEMBLY - Latch	1	
-12	68373-00		* LONGERON - Upper cockpit, aft, left	1	
	68373-01		* LONGERON - Upper cockpit, aft, right	1	
-13	68374-00	A	* CHANNEL - Upper cockpit	1	
	39727-02	B	* CHANNEL - Upper cockpit	1	
-14	68966-00		* WEB - Cargo door, upper	1	
-15	69748-00		* CHANNEL - Upper cockpit	1	
-16	96851-00		* DOUBLER - Shoulder harness, left	1	
-17	68333-00		* CHANNEL - Fuselage frame, left	1	
	68333-01		* CHANNEL - Fuselage frame, right	1	
-18	68335-00		* CHANNEL - Splice	1	
-19	68364-00		* CHANNEL - Upper cockpit	1	
-20	68378-00	A	ANGLE - Upper cockpit, aft	1	
-21	63037-00		LOOP ASSEMBLY - Aft door latch	1	
-22	68967-00		STIFFENER - Cargo door, upper	1	
-23	68974-00		HINGE HALF - Cargo door	1	
-24	69720-00	A	ANGLE - Window, forward	1	
-25	69719-00	A	ANGLE - Window, top	1	
-26	69718-00	A	ANGLE - Window, rear	1	
-27	68986-02		CLIP - Cargo door web	1	
-28	99729-01		ANGLE - Headlining attachment, right	1	
-29	68369-00		ZEE - Upper cockpit, aft, left	1	
	68369-01		ZEE - Upper cockpit, aft, right	1	
-30	69971-02		CHANNEL - Armrest support	1	
-31	69971-03		CHANNEL - Armrest support	1	
-32	68985-00		JAMB ASSEMBLY - Cargo door, aft	1	
-33	68970-00		WEB - Cargo door jamb stiffener	1	
-34	68986-03		CLIP - Cargo door web	1	
-35	96986-00	B	PLATE - Striker	1	

When ordering, always specify Part Number, Description and Serial Number of Aircraft

1B22 THRU 1B24
INTENTIONALLY LEFT BLANK

PIPER PARTS CATALOG

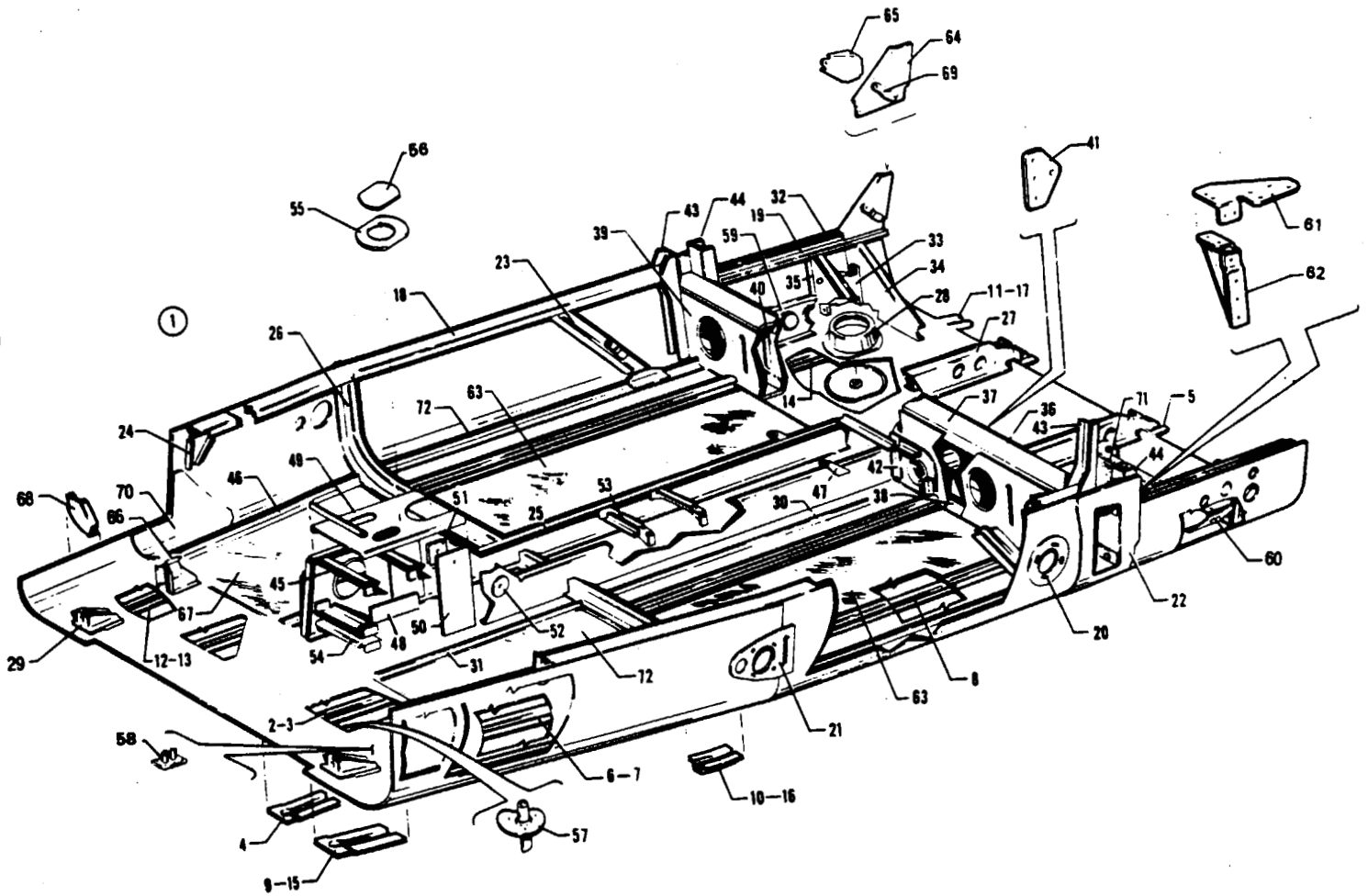


Figure 11 Fuselage Lower Forward Cockpit Assembly

PIPER PARTS CATALOG

CODE EXPLANATIONS FOR FIGURE 11

- A - Used on PA-32-301 only
- B - Used on PA-32-301T only
- C - Used if air conditioning is installed

PIPER PARTS CATALOG

Figure and Index Number	Part Number	Code	NOMENCLATURE	No. Req.	SERIAL NUMBERS AFFECTED
11-1	69890-943	A	COCKPIT ASSEMBLY - Forward	1	
	69890-805	B	COCKPIT ASSEMBLY - Forward	1	
-2	68501-07		* HAT ASSEMBLY - Inboard, left and right	2	
-3	68505-00		* * HAT	1	
-4	62543-00		* * FAIRING	1	
	62543-02	C	* * FAIRING	1	
-5	68506-00		* FAIRING	1	
-6	68501-800		* HAT ASSEMBLY - Outboard, left	1	
-7	68502-00		* * HAT - Front	1	
-8	96349-00		* * HAT - Rear	1	
-9	62544-00		* * FAIRING - Front	1	
-10	62558-00		* * FAIRING - Center	1	
-11	68503-00		* FAIRING - Rear	1	
-12	68501-801		* HAT ASSEMBLY - Outboard, right	1	
-13	68502-01		* * HAT - Front	1	
-14	96349-01		* * HAT - Rear	1	
-15	62544-01		* * FAIRING - Front	1	
-16	62558-01		* * FAIRING - Center	1	
-17	68503-01		* FAIRING - Rear	1	
-18	68504-00		* LONGERON - Left, outboard	1	
	68504-01		* LONGERON - Right, outboard	1	
-19	68508-02		* LONGERON - Left rear, outboard	1	
	68508-01		* LONGERON - Right rear, outboard	1	
-20	68539-00		* DOUBLER ASSEMBLY - Sta 100	2	
-21	68540-00		* DOUBLER ASSEMBLY - Left, Sta. 73	1	
	68540-01		* DOUBLER ASSEMBLY - Right, Sta 73	1	
-22	68507-02		* DOUBLER - Main spar box, left	1	
	95925-02		* DOUBLER - Main spar box, right	1	
-23	96890-00		* SUPPORT ASSEMBLY - Seat belt attachment, left	1	
	96890-01		* SUPPORT ASSEMBLY - Seat belt attachment, right	1	
-24	62581-01		* BRACKET - Lower assembly, left	1	
	62581-00		* BRACKET - Lower assembly, right	1	
-25	68534-02		* CHANNEL - Tunnel, left	1	
	68534-03		* CHANNEL - Tunnel, right	1	
-26	68525-00		* FRAME ASSEMBLY - Sta. 73	1	
-27	62763-00		* SUPPORT - Torque shaft center	2	
-28	65071-00		* BASE ASSEMBLY - Fuel selector	1	
-29	68533-00		* FITTING - Lower engine mount, left	1	
	68533-01		* FITTING - Lower engine mount, right	1	
-30	68538-00		* ANGLE - Heat duct attaching, rear	2	
-31	68537-00		* ANGLE - Heat duct attaching, front	2	
-32	68509-02		* ANGLE - Forward lower cockpit, left	1	
	68509-03		* ANGLE - Forward lower cockpit, right	1	
-33	62421-00		* FITTING - Flap, left	1	
	62421-01		* FITTING - Flap, right	1	
-34	68511-00		* BRACKET - Torque tube support, left	1	
	68511-01		* BRACKET - Torque tube support, right	1	
-35	68512-00		* BRACKET - Torque tube support, left	1	
	68512-01		* BRACKET - Torque tube support, right	1	
-36	38487-02		* BOX ASSEMBLY - Spar, lower cockpit	1	
-37	95732-00		* * CHANNEL - Spar box, top	1	
-38	95733-00		* * CHANNEL - Spar box, bottom	1	
-39	95825-03		* * WEB - Spar box, front	1	
-40	38486-02		* * WEB - Spar box, rear	1	

When ordering, always specify Part Number, Description and Serial Number of Aircraft

PIPER PARTS CATALOG

Figure and Index Number	Part Number	Code	NOMENCLATURE	No. Req.	SERIAL NUMBERS AFFECTED
11-41	95936-00		* * BRACKET - Flap return spring	1	
-42	68921-00		* * TUBE - Cabin heat	2	
-43	96330-00		* * CHANNEL - Spar box, left	1	
	62545-03		* * CHANNEL - Spar box, right	1	
-44	96339-00		* * CHANNEL - Frame, left	1	
	96339-01		* * CHANNEL - Frame, right	1	
-45	62664-00		* ZEE ASSEMBLY - Tunnel	2	
-46	65656-00		* ANGLE - Panel reinforcement, left	1	
	65656-01		* ANGLE - Panel reinforcement, right	1	
-47	96877-00		* ATTACHMENT - Seat belt, outboard, left	1	
	96878-00		* ATTACHMENT - Seat belt, inboard, left	1	
	96877-01		* ATTACHMENT - Seat belt, outboard, right	1	
	96877-01		* ATTACHMENT - Seat belt, inboard, right	1	
-48	68543-00		* PLATE - Tunnel, side	2	
-49	62601-02		* PLATE - Tunnel, top front	1	
-50	62606-00		* STIFFENER - Tunnel, side	2	
-51	62607-00		* PLATE - Tunnel, side	2	
-52	62608-00		* DOUBLER - Tunnel, side	2	
-53	62679-00		* BRACKET ASSEMBLY - Tunnel, front	1	
	62679-01		* BRACKET ASSEMBLY - Tunnel, rear	1	
-54	62620-00		* BRACKET - Tunnel	2	
-55	36565-03		* DOUBLER ASSEMBLY - Transponder antenna access	1	
-56	36565-02		* PLATE - Transponder antenna access	1	
-57	79290-00	B	* TUBE ASSEMBLY - Drain	1	
-58	68163-00	A	* VENT ASSEMBLY - Battery	1	
-59	65126-00		STIFFENER - Lower cockpit, right	1	
-60	65126-01		STIFFENER - Lower cockpit, left	1	
-61	68528-00		GUSSET - Sta. 108, left	1	
	68528-01		GUSSET - Sta 108, right	1	
-62	96333-00		GUSSET - Floor support, left	1	
	96333-01		GUSSET - Floor support, right	1	
-63	96684-00		FLOORBOARD - Lower cockpit, rear	2	
-64	96897-00		GUSSET - Seat belt attachment	1	
-65	96884-00		BRACKET ASSEMBLY - Seat belt attachment, left	1	
	96884-01		BRACKET ASSEMBLY - Seat belt attachment, right	1	
-66	69776-00		BRACKET ASSEMBLY - Rudder pedal stop, left	1	
	69776-01		BRACKET ASSEMBLY - Rudder pedal stop, right	1	
-67	96700-04		FLOORBOARD - Lower cockpit, forward, left	1	
	96700-05		FLOORBOARD - Lower cockpit, forward, right	1	
-68	68264-00		RIB - Lower cockpit, forward	1	
-69	96896-00		LINK - Seat belt attachment	2	
-70	68531-00		DOUBLER - Right side, Sta 49	1	
-71	38570-02	A	BRACKET - Fuel pump	1	
	38554-02	B	BRACKET - Fuel pump	1	
-72	65657-02		ANGLE - Panel reinforcement	2	

When ordering, always specify Part Number, Description and Serial Number of Aircraft

PIPER PARTS CATALOG

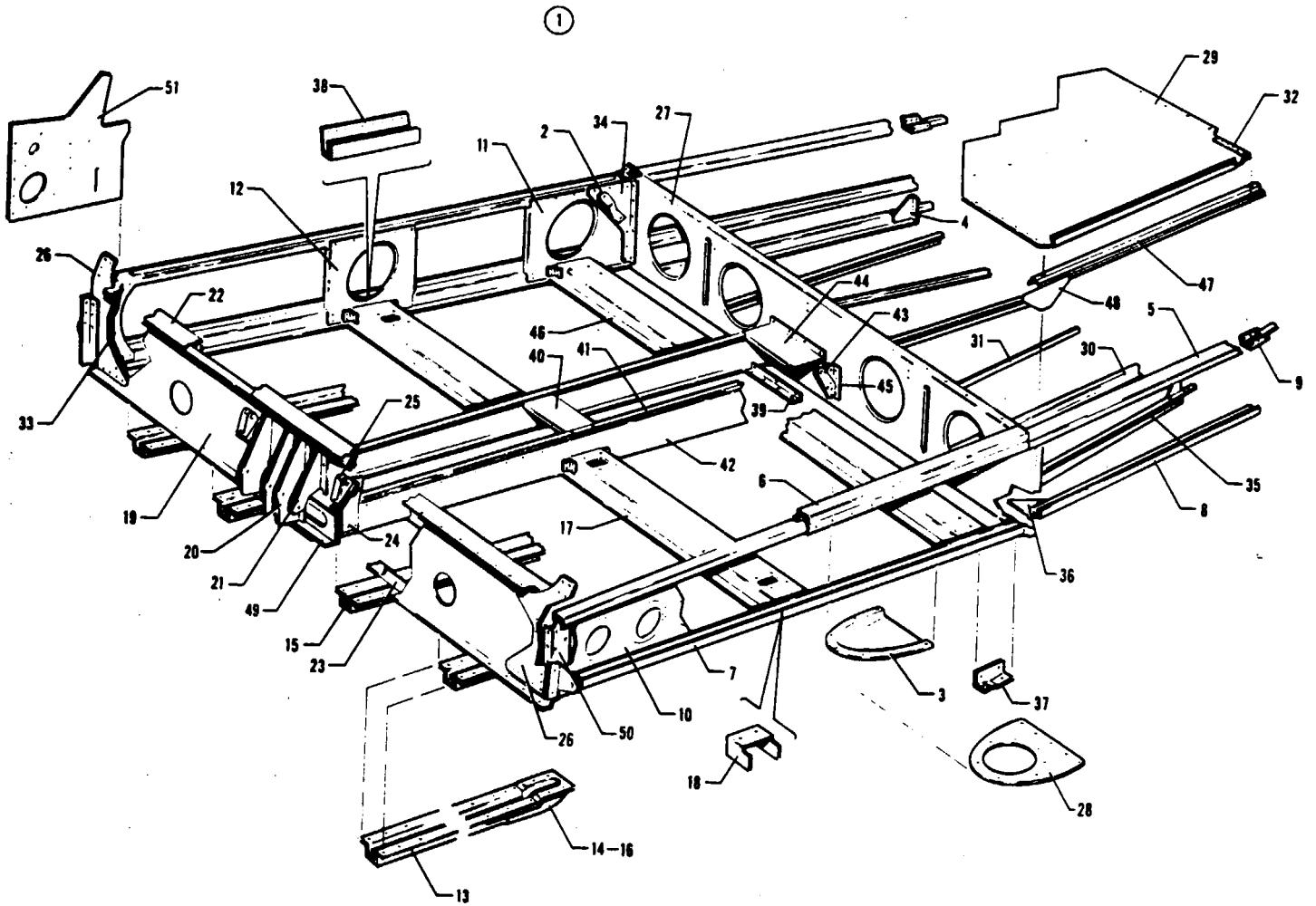


Figure 12 Fuselage Lower Aft Cockpit Assembly

PIPER PARTS CATALOG

CODE EXPLANATIONS FOR FIGURE 12

PIPER PARTS CATALOG

Figure and Index Number	Part Number	Code	NOMENCLATURE	No. Req.	SERIAL NUMBERS AFFECTED
12-1	69890-944		COCKPIT ASSEMBLY - Aft	1	
-2	96896-02		* BRACKET - Seat belt attachment	2	
-3	66965-00		* SCOOP - Cabin exhaust vent	1	
-4	65119-00		* GUSSET - Baggage compartment, left	1	
	65119-01		* GUSSET - Baggage compartment, right	1	
-5	68603-00		* LONGERON ASSEMBLY - Left	1	
	68657-00		* LONGERON ASSEMBLY - Right	1	
-6	68604-04		* JAMB - Door	1	
-7	68605-00		* CHANNEL - Left	1	
	68605-01		* CHANNEL - Right	1	
-8	68606-00		* CHANNEL - Left	1	
	68606-01		* CHANNEL - Right	1	
-9	68634-00		* CHANNEL - Splice, left	1	
	68634-01		* CHANNEL - Splice, right	1	
-10	68607-03		* WEB ASSEMBLY - Left	1	
-11	68649-03		* WEB ASSEMBLY - Right	1	
-12	68655-02		* WEB - Right	1	
-13	68609-00		* HAT ASSEMBLY - Left, outboard	1	
	68609-01		* HAT ASSEMBLY - Right, outboard	1	
-14	62554-00		* FAIRING	1	
-15	68612-00		* HAT ASSEMBLY - Inboard	2	
-16	62554-00		* FAIRING	1	
-17	79583-02		* HAT ASSEMBLY - Seat support, left	1	
	79583-03		* HAT ASSEMBLY - Seat support, right	1	
-18	68677-00		* DOUBLER ASSEMBLY - Seat support	1	
-19	68616-00		* WEB - Sta 128	1	
-20	62563-00		* BRACKET - Left, Sta. 128	1	
	62563-01		* BRACKET - Right, Sta. 128	1	
-21	62563-02		* BRACKET - Left, Sta. 128	1	
	62563-01		* BRACKET - Right, Sta. 128	1	
-22	68617-00		* STIFFENER - Frame, Sta 128	1	
-23	68618-00		* ANGLE - Frame, Sta 128	1	
-24	68619-00		* GUSSET - Sta. 128	1	
	68619-01		* GUSSET - Sta 128	1	
-25	96880-00		* FITTING - Seat belt attachment	2	
-26	68621-02		* FITTING ASSEMBLY - Wing attachment, left	1	
	68621-03		* FITTING ASSEMBLY - Wing attachment, right	1	
-27	68624-00		* WEB - Sta. 168	1	
-28	65556-00		* DOUBLER - Cabin exhaust scoop	1	
-29	69107-00		* PANEL - Cargo floor	1	
-30	68632-00		* ZEE ASSEMBLY - Baggage floor, left and center	2	
	68632-01		* ZEE ASSEMBLY - Baggage floor, right	1	
-31	68637-00		* ANGLE - Left	1	
	68637-01		* ANGLE - Right	1	
-32	68638-02		* ANGLE - Baggage floor, left	1	
	68638-01		* ANGLE - Baggage floor, right	1	
-33	68639-00		* GUSSET - Right	1	
-34	68640-02		* DOUBLER - Seat belt attachment, left	1	
	68640-03		* DOUBLER - Seat belt attachment, right	1	
-35	68641-00		* STIFFENER - Left	1	
	68641-01		* STIFFENER - Right	1	
-36	68642-00		* GUSSET - Baggage floor, left	1	
	68642-01		* GUSSET - Baggage floor, right	1	
-37	68643-00		* ANGLE - Left	1	
	68643-01		* ANGLE - Right	1	

When ordering, always specify Part Number, Description and Serial Number of Aircraft

PIPER PARTS CATALOG

Figure and Index Number	Part Number	Code	NOMENCLATURE	No. Req.	SERIAL NUMBERS AFFECTED
12-35	68678-00		* DOUBLER ASSEMBLY - Step	1	
-39	68629-00		* ANGLE ASSEMBLY - Cable guard, center	1	
-40	68656-00		* CHANNEL - Tunnel top	1	
-41	68647-00		* ANGLE ASSEMBLY - Tunnel side, left	1	
	68647-01		* ANGLE ASSEMBLY - Tunnel side, right	1	
-42	68608-00		* ANGLE - Aft tunnel wall, left	1	
	68608-01		* ANGLE - Aft tunnel wall, right	1	
-43	96885-00		* ATTACHMENT - Seat belt, left	1	
	96885-01		* ATTACHMENT - Seat belt, right	1	
-44	68652-00		* COVER - Aft tunnel	1	
-45	68625-02		* ANGLE - Tunnel wall attachment, left	1	
	68625-03		* ANGLE - Tunnel wall attachment, right	1	
-46	79747-00		* HAT ASSEMBLY - Seat support, left	1	
	79747-01		* HAT ASSEMBLY - Seat support, right	1	
-47	68972-00		* JAMB ASSEMBLY - Cargo door, lower	1	
-48	68975-00		* GUSSET - Cargo door, jamb	1	
-49	62566-00		* FORWARD DOUBLER - Rear seat support	1	
-50	68644-00		* ANGLE - Left, Sta 128	1	
-51	68645-00		DOUBLER - Lower cockpit skin	2	

When ordering, always specify Part Number, Description and Serial Number of Aircraft

PIPER PARTS CATALOG

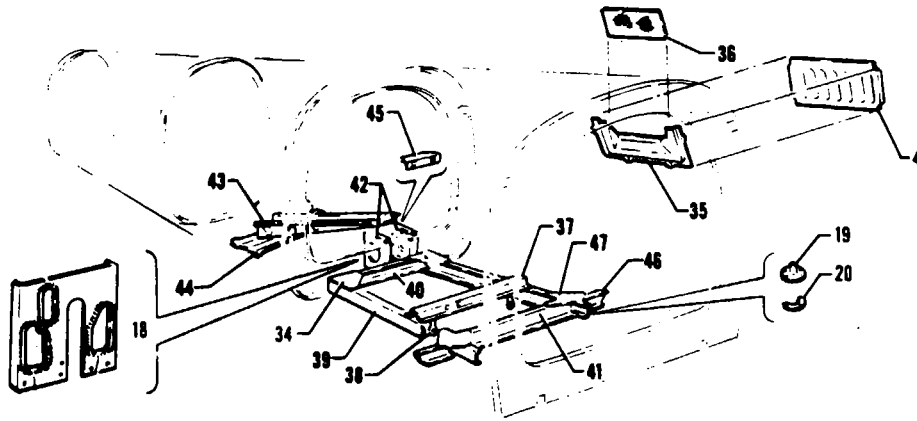
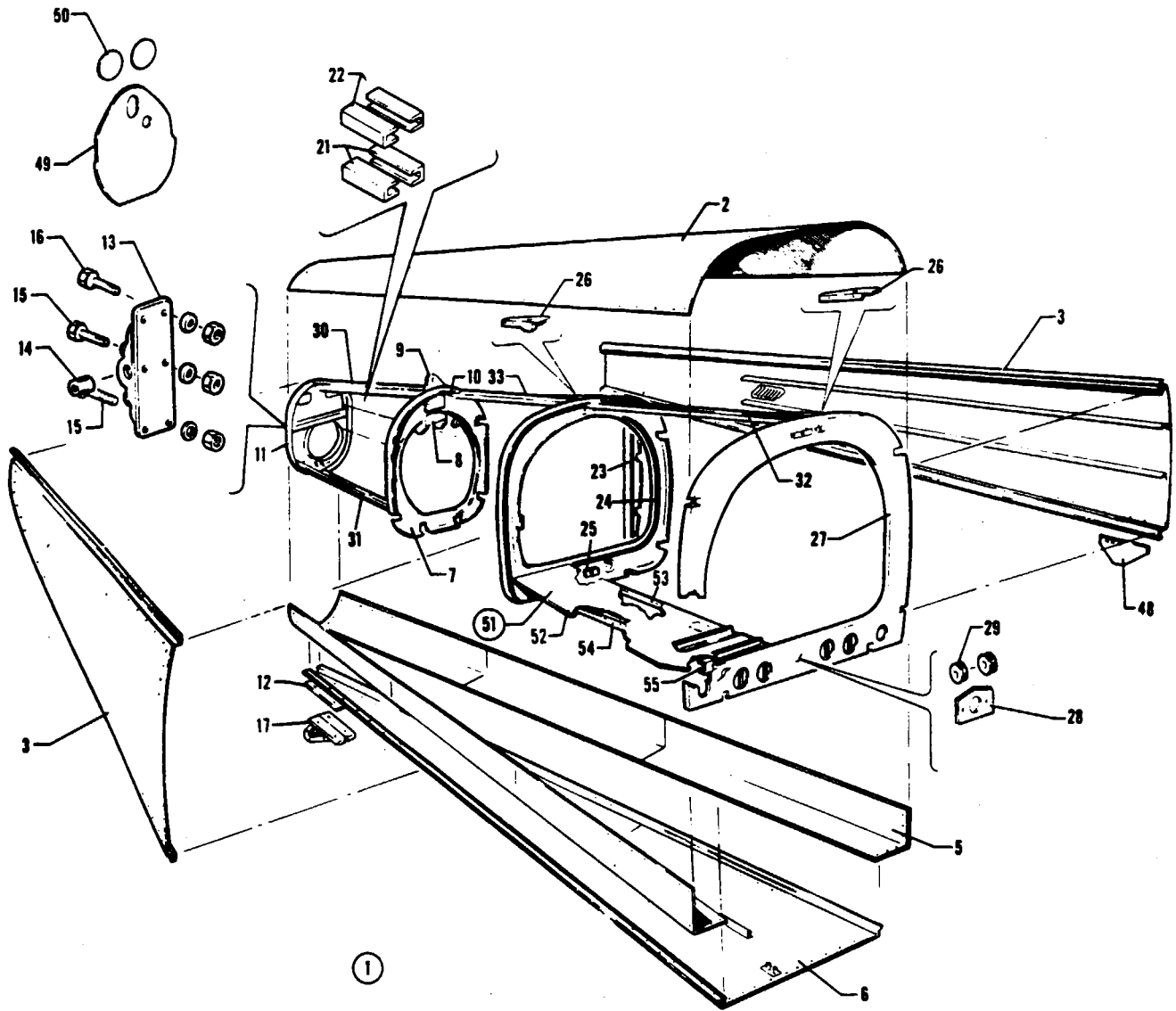


Figure 13 Fuselage Aft Section

PIPER PARTS CATALOG

CODE EXPLANATIONS FOR FIGURE 13

- A - Used if air conditioning is installed
- B - When ordering, specify with or without provisions for air conditioning
- W - These parts must be ordered from Service Spares Department, Piper Aircraft, Lock Haven, Penna

PIPER PARTS CATALOG

Figure and Index Number	Part Number	Code	NOMENCLATURE	No. Req.	SERIAL NUMBERS AFFECTED
13-	69890		DRAWING - Fuselage Assembly, Aft Section		
-1	69890-914	B	FUSELAGE ASSEMBLY - Aft section	1	
-2	99468-03		* SKIN - Upper	1	
-3	99470-800		* SKIN ASSEMBLY - Side, left	1	
	99470-01		* SKIN ASSEMBLY - Side, right	1	
	99549-14	A	* SKIN ASSEMBLY - Side, left	1	
	99549-07	A	* SKIN ASSEMBLY - Side, right	1	
-4	99559-02	A	* * LOUVER - Air conditioning exhaust, left	1	
	99559-01	A	* * LOUVER - Air conditioning exhaust, right	1	
-5	99471-02		* SKIN - Lower side, left	1	
	99471-03		* SKIN - Lower side, right	1	
-6	99469-03		* SKIN ASSEMBLY - Lower center	1	
	99549-09	A	* SKIN ASSEMBLY - Lower center	1	
-7	62444-05		* BULKHEAD ASSEMBLY - Fuselage, Sta. 259	1	
-8	62753-00		* * BRACKET - Stabilator trim	1	
-9	62453-00		* * FITTING - Sta 259	1	
-10	79272-00		* * DOUBLER - Frame, top, Sta 259	1	
-11	62445-00		* BULKHEAD ASSEMBLY - Fuselage, Sta. 286	1	
-12	62471-00		* SPACER - Tail skid	2	
-13	62645-04		* FITTING ASSEMBLY - Stabilator attachment	2	
-14	452 394		* * BEARING - (DW4K2)	2	
-15	402 897		* BOLT - (NAS464P3A-4)	8	
	407 564	W	* WASHER - (AN960-10)	12	
	407 584	W	* WASHER - (AN960-10L)	8	
	404 556	W	* NUT - (MS21045-L3)	8	
-16	402 890		* BOLT - (NAS464P3A-5)	4	
	407 564	W	* WASHER - (AN960-10)	4	
	407 584	W	* WASHER - (AN960-10L)	4	
	404 556	W	* NUT - (MS21045-L3)	4	
-17	66769-00		* SKID ASSEMBLY - Tail	1	
-18	76497-02	A	* PANEL ASSEMBLY - Fairlead	1	
-19	99609-00	A	* VENT ASSEMBLY - Evaporator	1	
-20	22482-00	A,W	* SCOOP - Evaporator vent	1	
-21	62414-00		* FITTING ASSEMBLY - Bottom tail cone, left	1	
	62414-01		* FITTING ASSEMBLY - Bottom tail cone, right	1	
-22	62413-00		* FITTING ASSEMBLY - Top tail cone, left	1	
	62413-01		* FITTING ASSEMBLY - Top tail cone, right	1	
-23	68971-00		* CHANNEL - Cargo door web stiffener	1	
-24	62443-00		* BULKHEAD ASSEMBLY - Fuselage, Sta. 222	1	
-25	67249-00		* * FAIRLEAD	1	
-26	99813-02		* DOUBLER - Antenna, forward	1	
	99805-03		* DOUBLER - Antenna, aft	1	
-27	69106-00		* BULKHEAD ASSEMBLY - Fuselage, Sta. 187	1	
-28	62665-02		* * FAIRLEAD	4	
-29	62711-04		* * PULLEY	2	
-30	62451-00		* HAT ASSEMBLY - Aft fuselage, top	1	
-31	62455-00		* HAT ASSEMBLY - Aft fuselage, bottom	1	
-32	65114-00		* STRINGER - Top, Sta. 187 top Sta. 222	1	
-33	79267-00		* STRINGER - Top, Sta. 222 to Sta. 259	1	
-34	99280-00	A	* GUSSET - Condenser frame, aft, left	1	
	99280-01	A	* GUSSET - Condenser frame, aft, right	1	

When ordering, always specify Part Number, Description and Serial Number of Aircraft

PIPER PARTS CATALOG

Figure and Index Number	Part Number	Code	NOMENCLATURE	No. Req.	SERIAL NUMBERS AFFECTED
13-35	99615-00	A	* COVER - Air conditioning exhaust louver, left	1	
	99615-01	A	* COVER - Air conditioning exhaust louver, right	1	
-36	99631-00	A	* FILTER - Air conditioning exhaust	2	
-37	99496-00	A	* BRACKET ASSEMBLY - Condenser door actuation	1	
-38	99561-00	A	* BEARING ASSEMBLY - Condenser door actuation	2	
-39	99272-00	A	* CHANNEL - Condenser door frame	2	
-40	99273-00	A	* STIFFENER - Condenser door frame	1	
-41	99278-03	A	* ZEE ASSEMBLY - Condenser door frame	1	
-42	99552-00	A	* BRACKET ASSEMBLY - Condenser door bellcrank, left	1	
	99552-02	A	* BRACKET ASSEMBLY - Condenser door bellcrank, right	1	
-43	99558-00	A	* BRACKET - Motor mount condenser actuator	1	
-44	99545-00	A	* BRACKET - Motor support	1	
-45	99555-00	A	* BRACKET - Brace	1	
-46	99487-00	A	* BRACE - Condenser frame, left	1	
	99487-01	A	* BRACE - Condenser frame, right	1	
-47	99488-00	A	* GUSSET - Condenser frame, forward	2	
-48	68991-00		GUSSET - Aft lower cargo hatch	1	
-49	65494-00		PLATE ASSEMBLY - Aft fuselage closeout	1	
-50	63078-06		DISC - Closeout	2	
-51	67367-00		SHELF ASSEMBLY - Battery	1	
-52	79453-00		* WEB - Battery shelf	1	
-53	62463-00		* CHANNEL - Battery shelf, inboard	1	
-54	62464-00		* CHANNEL - Battery shelf, outboard	1	
-55	62465-00		* CHANNEL - Battery shelf, front	2	

When ordering, always specify Part Number, Description and Serial Number of Aircraft

PIPER PARTS CATALOG

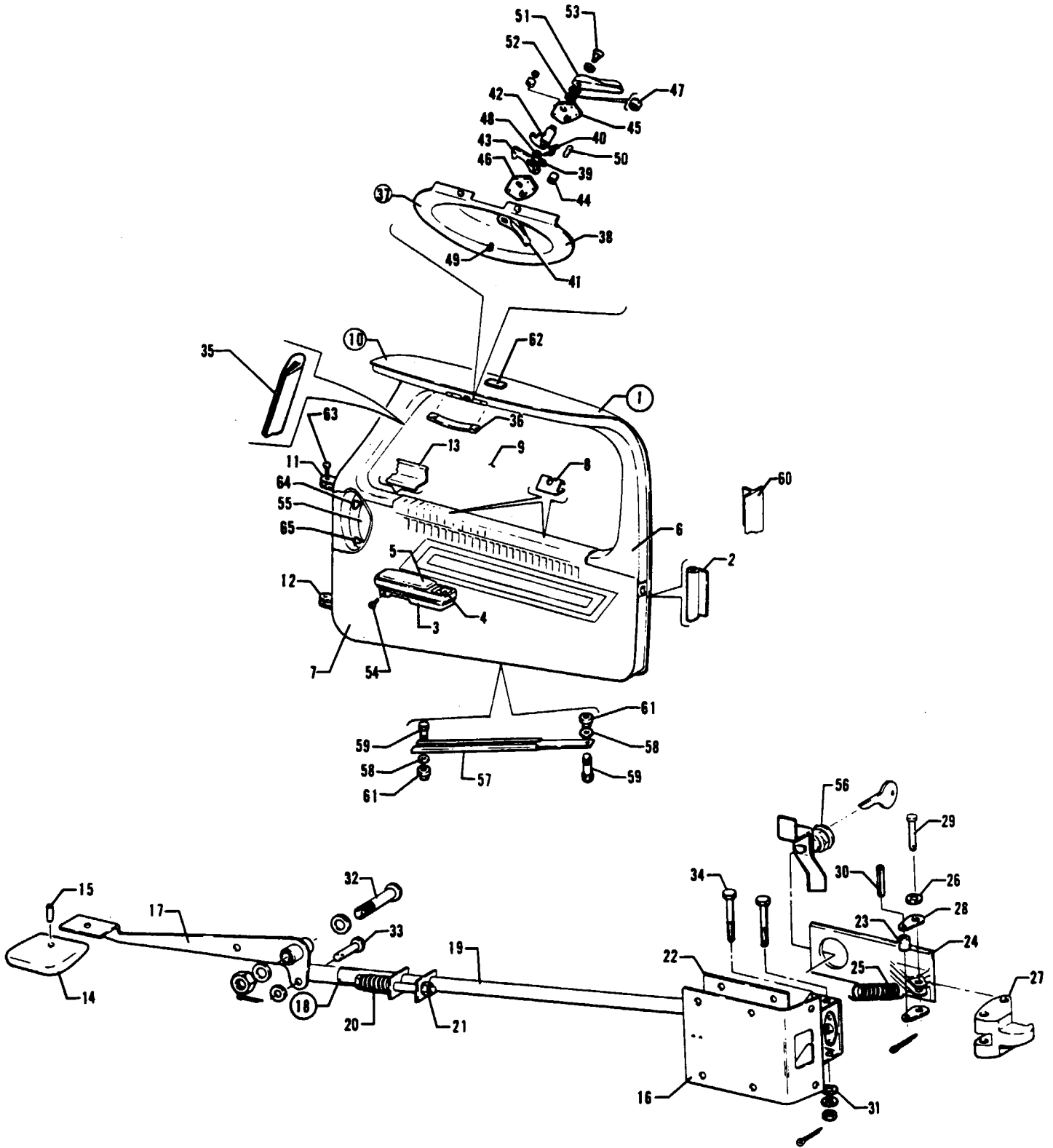


Figure 14. Fuselage Forward Cabin Door

PIPER PARTS CATALOG

CODE EXPLANATIONS FOR FIGURE 14

- A - Complete Door Assembly not available Order component parts.
- B - When ordering, specify color "bark II" or black.
- C - If matching ignition switch and door locks are desired, order Kit 87329-04
- D - Used on PA-32-301 with serial numbers 32-8006031 and up, and PA-32-301T with serial numbers 32-8024017 and up
- E - Used on PA-32-301 with serial numbers 32-8106001 and up, and PA-32-301T with serial numbers 32-8124001 and up
- F - Used on PA-32-301 with serial numbers 32-8006001 to 32-8106110 inclusive, and PA-32-301T with serial numbers 32-8024001 to 32-8124046 inclusive
- G - Used on PA-32-301 with serial numbers 32-8106001 to 32-8106110 inclusive, and PA-32-301T with serial numbers 32-8124001 to 32-8124046 inclusive
- H - Used on PA-32-301 with serial numbers 32-8206001 and up, and PA-32-301T with serial numbers 32-8224001 and up
- J - Used if aircraft contains window curtains
- K - Used on PA-32-301 with serial numbers 32-8306001 and up, and PA-32-301T with serial numbers 32-8324001 and up
- L - Used on PA-32-301 with serial numbers 32-8106001 to 32-8126050 inclusive, and PA-32-301T with serial numbers 32-8124001 to 32-8224024 inclusive
- M - Used on PA-32-301 with serial numbers 32-8006001 to 32-8206050 inclusive, and PA-32-301T with serial numbers 32-8024001 to 32-8224024 inclusive
- N - Used on PA-32-301 with serial numbers 32-8206001 to 32-8206050 inclusive, and PA-32-301T with serial numbers 32-8224001 to 32-8224024 inclusive
- W - These parts must be ordered from Service Spares Department, Piper Aircraft, Lock Haven, Penna

PIPER PARTS CATALOG

Figure and Index Number	Part Number	Code	NOMENCLATURE	No. Req.	SERIAL NUMBERS AFFECTED
14-9	79475-05		* WINDOW - Cabin door (080 thick) clear	1	
	79475-55		* WINDOW - Cabin door (080 thick) tinted	1	
	79475-56		* WINDOW - Cabin door (125 thick) clear	1	
	79475-57		* WINDOW - Cabin door (125 thick) tinted	1	
-10	79475-48		* DOOR ASSEMBLY - Cabin (less window and lock assembly)	1	
-11	79475-07		** HINGE - Cabin door, upper	1	
-12	79475-08		** HINGE - Cabin door, lower	1	
-13	79475-09		** RETAINER - Window	1	
-14	79647-02		** KNOB - Door handle	1	
-15	486 145		** SCREW - Set (1/2 - 20 x 1/4" L)	1	
-16	79515-35		** COVER - Cabin door latch	1	
-17	79515-13		** HANDLE ASSEMBLY - Cabin door	1	
-18	79515-03		** LATCH ASSEMBLY - Door	1	
-19	79515-05		** * TUBE ASSEMBLY - Door latch	1	
-20	587 398		** * SPRING - Door latch tube (PS10087-2-1)	1	
-21	400 113	W	** * BOLT - (AN4-20)	1	
	407 565	W	** * WASHER - (AN960-416)	3	
	404 101	W	** * NUT - (AN310-4)	1	
	424 051	W	** * COTTER PIN - (MS24665-132)	1	
-22	79515-07		** * BOX ASSEMBLY - Door latch	1	
-23	79515-15		** * BUSHING - Door latch mechanism	1	
-24	79530-02		** * HANDLE - Door latch mechanism	1	
-25	587 381		** * SPRING - (EO240-037-1750S)	2	
-26	62833-105		** * WASHER - Door latch mechanism	1	
-27	79532-02		** * LATCH - Cabin door	1	
-28	79515-08		** * LINK - Door latch mechanism	2	
-29	424 178	W	** * PIN - (MS20392-2C-19)	1	
	424 041		** * COTTER PIN - (MS24665-5)	1	
-30	480 800		** * PIN - Spring (MS9048-111)	1	
-31	407 582		** * WASHER - (AN960-6L)	2	
-32	400 668		** * BOLT - (AN23-26)	1	
	407 584	W	** * WASHER - (AN960-10L)	4	
	404 392	W	** * NUT - (AN320-3)	1	
	424 051	W	** * COTTER PIN - (MS24665-132)	1	
-33	424 141		** * PIN - (MS20392-1C-9)	1	
	497 562	W	** * WASHER - (AN960-6)	2	
	424 041		** * COTTER PIN - (MS24665-5)	1	
-34	400 665		** * BOLT - (AN21-31)	2	
	407 562	W	** * WASHER - (AN960-6)	2	
	404 391		** * NUT - (AN320-1)	2	
	424 041		** * COTTER PIN - (MS24665-5)	2	
-35	99997-00		* EXTRUSION - Vinyl	7'	
	147 112	H,J	* MOULDING - (100-1/16-W-7-AL)	7'	
-36	464 412		* HANDLE - Door assist (PS10091-1)	1	
-37	36598-02		* LATCH ASSEMBLY - Door, auxiliary	1	
-38	79475-34		** PAN - Door latch	1	
-39	62833-06		** WASHER	1	
-40	63045-00		** SPRING - Door latch	1	
-41	36590-02		** HANDLE - Door, auxiliary	1	
-42	63042-03		** CAM - Door latch	1	
-43	63036-04		** HOOK ASSEMBLY - Door latch	1	
-44	63900-50		** BUSHING	3	
-45	68179-07		** PLATE - Door latch	1	
-46	68179-08		** PLATE - Door latch	1	
-47	63913-76		** BUSHING	1	
-48	407 680	W	** WASHER - (AN960C-816)	1	
-49	519 853		** SCREW - (MS24622-43)	1	
	62833-107		** WASHER - (O D 1 00) Teflon	1	
	407 586	W	** WASHER - (AN960-516L)	1	

When ordering, always specify Part Number, Description and Serial Number of Aircraft

PIPER PARTS CATALOG

Figure and Index Number	Part Number	Code	NOMENCLATURE	No. Req.	SERIAL NUMBERS AFFECTED
14-50	36572-03		* * ROLLER - Door latch	1	
-51	63039-00		* HANDLE - Door, auxiliary latch	1	
-52	62833-21		* WASHER - Neoprene	1	
-53	419 853		* SCREW - (MS24622-43)	1	
	62833-107		* WASHER - (O D 1 00) Teflon	1	
	407 680	W	* WASHER - (AN960C-816)	1	
-54	419 594		* SCREW - (AN530-10R36)	2	
-55	79542-05	B.F	* PAN - Door latch	1	
	79542-19	B.H	* PAN - Door latch	1	
-56	87329-07	C	LOCK ASSEMBLY - Cabin door	1	
-57	95507-05		DOOR HOLDER ASSEMBLY	1	
-58	62833-39		WASHER - Door holder (neoprene)	2	
-59	400 862		BOLT - (AN23-10A)	2	
-60	36722-04	D	SEAL - Door snubber (150" long)	1	
-61	63020-02		BUSHING - Door holder	2	
-62	87334-02		PLACARD - Door release	1	
-63	424 204		PIN - (MS20392-3C13)	2	
	407 585	W	WASHER - (AN960-416L)	4	
	424 051	W	COTTER PIN - (MS24665-132)	2	
-64	69669-117		PLACARD - Open	1	
-65	69669-118		PLACARD - Latch	1	

When ordering, always specify Part Number, Description and Serial Number of Aircraft

PIPER PARTS CATALOG

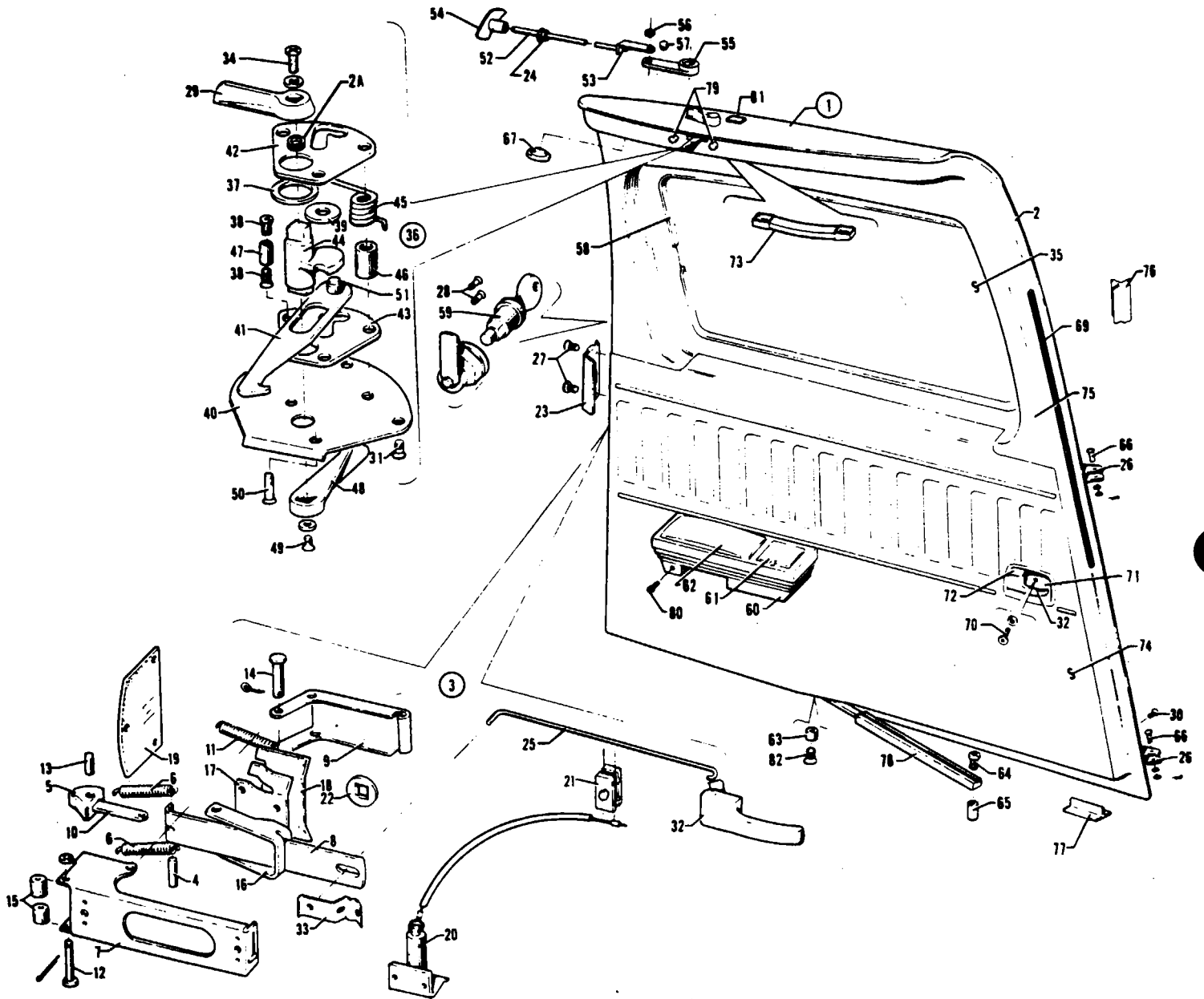


Figure 15. Fuselage Aft Cabin Door

PIPER PARTS CATALOG

CODE EXPLANATIONS FOR FIGURE 15

- A - If matching ignition switch and door locks are desired, order Kit 87329-04.
- B - Used on PA-32-301 with serial numbers 32-8006001 to 32-8006064 inclusive, and PA-32-301T with serial numbers 32-8024001 to 32-8024028 inclusive.
- C - Used on PA-32-301T with serial numbers 32-8006065 and up, and PA-32-301T with serial numbers 32-8024029 and up
- D - Used on PA-32-301 with serial numbers 32-8006031 and up, and PA-32-301T with serial numbers 32-8024017 and up
- E - Used on PA-32-301 with serial numbers 32-8106001 and up, and PA-32-301T with serial numbers 32-8124001 and up
- F - Used on PA-32-301 with serial numbers 32-8006001 to 32-8106110 inclusive, and PA-32-301T with serial numbers 32-8024001 to 32-8124046 inclusive
- G - Used on PA-32-301 with serial numbers 32-8106001 to 32-8106110 inclusive, and PA-32-301T with serial numbers 32-8124001 to 32-8124046 inclusive
- H - Used on PA-32-301 with serial numbers 32-8206001 and up, and PA-32-301T with serial numbers 32-8224001 and up
- J - Used if window curtains are not installed
- K - Used if window curtains are installed
- L - Door Assembly includes auxiliary latch assembly Lock assembly, armrest, and trim panel are not included
- M - Used on PA-32-301 with serial numbers 32-8306001 and up, and PA-32-301T with serial numbers 32-8324001 and up
- N - Used on PA-32-301 with serial numbers 32-8106001 to 32-8206050 inclusive, and PA-32-301T with serial numbers 32-8124001 to 32-8224024 inclusive
- O - Used on PA-32-301 with serial numbers 32-8006001 to 32-8206050 inclusive, and PA-32-301T with serial numbers 32-8024001 to 32-8224024 inclusive
- P - Used on PA-32-301 with serial numbers 32-8206001 to 32-8206050 inclusive, and PA-32-301T with serial numbers 32-8224001 to 32-8224024 inclusive.
- W - These parts must be ordered from Service Spares Department, Piper Aircraft, Lock Haven, Penna

PIPER PARTS CATALOG

Figure and Index Number	Part Number	Code	NOMENCLATURE	No. Req.	SERIAL NUMBERS AFFECTED
15	7954E 36722	D	DRAWING - Doors Installation DRAWING - Door Snubber Installation		
-1	96981-09	B,L	DOOR ASSEMBLY - Cabin, aft	1	
	96981-10	C,L	DOOR ASSEMBLY - Cabin, aft	1	
-2	96995-06		* DOOR ASSEMBLY - Cabin, aft	1	
-2a	434 138	W	* * GROMMET - (MS35489-17)	1	
-3	68188-00		* LATCH ASSEMBLY - Door	1	
-4	14627-03	W	* * PIN - Door latch	1	
-5	69224-00		* * TONGUE ASSEMBLY - Door latch	1	
-6	14635-02	W	* * SPRING	2	
-7	79434-00		* * HOUSING ASSEMBLY - Door latch	1	
-8	66654-00		* * PLATE ASSEMBLY	1	
-9	79594-00		* * PLATE	1	
-10	81262-68	W	* * LINK	1	
-11	83302-43	W	* * SPRING	1	
-12	424 163	W	* * PIN - (AN392-53)	1	
	407 562	W	* * WASHER - (AN960-6)	1	
	424 051	W	* * COTTER PIN - (MS24665-132)	1	
-13	480 694	W	* * ROLL PIN - (59-028-125-05625)	1	
-14	424 162	W	* * PIN - (AN392-49)	1	
	424 051	W	* * COTTER PIN - (MS24665-132)	1	
	407 562	W	* * WASHER - (AN960-6)	1	
-15	14843-90	W	* * BUSHING	2	
-16	66641-00		* * PLATE - Door latch stop	1	
-17	21843-00	W	* * PLATE - Seal support	1	
-18	21844-00	W	* * SEAL	1	
-19	21478-00		* * SEAL	1	
-20	96863-06		* ACTUATOR ASSEMBLY - Door latch, lower	1	
-21	96864-00		* CLAMP - Lower door latch	2	
-22	21176-00	W	* SPACER - Door lock	1	
-23	68187-00		* PLATE - Trim, latch	1	
-24	404 224	W	* NUT - (AN315-3R)	1	
-25	485 129		* ROD - Pulley (111-837-193D)	1	
-26	68174-00		* HINGE - Aft cabin door	2	
-27	414 761	W	* SCREW - (MS24693-S48)	2	
	477 640		* NUT - (PS10062-5-3)	2	
-28	415 518	W	* SCREW - (MS35206-228)	4	
-29	63039-00		* HANDLE - Door, auxiliary	1	
-30	415 533		* SCREW - (MS35206-243)	12	
	407 120		* LOCK WASHER - (AN936-88)	12	
-31	414 761	W	* SCREW - (MS24693-S48)	3	
-32	464 142		* HANDLE - Door, left (113-837-019-041)	1	
-33	587 221		* SPRING - Pull rod (113-837-199)	1	
-34	519 853		* SCREW - (MS24622-43)	1	
	62833-101		* WASHER	1	
-35	99069-00		* WINDOW - Cabin door, aft (.080 thick)	1	
	99069-03		* WINDOW - Cabin door, aft (.125 thick)	1	
	99069-02		* WINDOW - Cabin door, aft (.080 thick) tinted	1	
	99069-04		* WINDOW - Cabin door, aft (.125 thick) tinted	1	
-36	96993-02		* LATCH ASSEMBLY - Aft cabin door, auxiliary	1	
-37	407 569	W	* * WASHER - (AN960-816)	1	

When ordering, always specify Part Number, Description and Serial Number of Aircraft

PIPER PARTS CATALOG

Figure and Index Number	Part Number	Code	NOMENCLATURE	No. Req.	SERIAL NUMBERS AFFECTED
15-38	414 777	W	* * SCREW - (MS24693-S47)	2	
-39	407 585	W	* * WASHER - (AN960-416L)	1	
-40	68186-02		* * PAN - Door latch	1	
-41	68176-03		* * HOOK ASSEMBLY - Door latch	1	
-42	68179-06		* * PLATE - Door latch	1	
-43	68179-05		* * PLATE - Door latch	1	
-44	68178-03		* * CAM - Door latch	1	
-45	63045-00		* * SPRING - Door latch	1	
-46	63900-50		* * BUSHING	2	
-47	96996-00		* * BUSHING	1	
-48	36590-02		* * HANDLE - Door, auxiliary (white)	1	
-49	519 853		* * SCREW - (MS24622-43)	1	
	407 586	W	* * WASHER - (AN960-516L)	1	
-50	414 769	W	* * SCREW - (MS24693-S53)	2	
	404 833	W	* * NUT - (MS20364-832C)	2	
-51	36572-03		* * ROLLER - Door latch	1	
-52	96868-00	C	* PIN - Upper door latch	1	
-53	96984-00	C	* ROD ASSEMBLY - Door latch, aft	1	
-54	96991-00	C	* GUIDE ASSEMBLY - Aft door top latch	1	
-55	96999-04	B	* ARM ASSEMBLY - Aft cabin door	1	
	96999-00	C	* ARM ASSEMBLY - Aft cabin door	1	
-56	484 830	C	* RING - (5115-25MD)	1	
-57	453 906	B	* PLUG - Button (SS-51142-P5042)	1	
-58	99070-00		* RETAINER - Window	1	
-59	87329-11	A	LOCK ASSEMBLY - Aft cabin door	1	
-60	66710-16		HOUSING ASSEMBLY - Armrest	1	
-61	763 003		* BOX ASSEMBLY - Ash tray (S-25-AR-C)	1	
-62	580 731	O	PAD - Armrest, camel	1	
	680 001	M	PAD - Armrest, red (vinyl)	1	
	579 227	N	PAD - Armrest, firethorn red (vinyl)	1	
	579 472		PAD - Armrest, firethorn red (velour)	1	
	559 793	M	PAD - Armrest, firethorn red (leather)	1	
	579 473	O	PAD - Armrest, buckskin (velour)	1	
	680 003	M	PAD - Armrest, light buckskin (vinyl)	1	
	559 805	M	PAD - Armrest, light buckskin (leather)	1	
	579 228	N	PAD - Armrest, dark blue (vinyl)	1	
	579 474		PAD - Armrest, dark blue (velour)	1	
	559 758	M	PAD - Armrest, dark blue (leather)	1	
	680 002	M	PAD - Armrest, blue (vinyl)	1	
	579 226	E	PAD - Armrest, dark cedar (knit)	1	
	579 115	P	PAD - Armrest, dark cedar (velour)	1	
	559 782	M	PAD - Armrest, dark cedar (leather)	1	
	579 113	P	PAD - Armrest, dark carmine (velour)	1	
	579 114	H	PAD - Armrest, sandalwood (fabric)	1	
	680 131	M	PAD - Armrest, patrician sandalwood (fabric)	1	
	680 000	M	PAD - Armrest, dark saddle (knit)	1	
	559 770	M	PAD - Armrest, dark saddle (leather)	1	
-63	63020-02		BUSHING - Door holder	2	
-64	400 870		BOLT - Clevis (AN23-18A)	1	
-65	63900-25		BUSHING - Door holder	1	
-66	424 204		PIN - (MS20392-3C13)	2	
	407 585	W	WASHER - (AN960-416L)	4	
	424 051		COTTER PIN - (MS24665-132)	2	
-67	453 674		PLUG - Button (SS-50834)	1	

When ordering, always specify Part Number, Description and Serial Number of Aircraft

PIPER PARTS CATALOG

Figure and Index Number	Part Number	Code	NOMENCLATURE	No. Req.	SERIAL NUMBERS AFFECTED
15-68	99997-00		EXTRUSION - Vinyl	5	
-69	19063-02	W	MOULDING - Cabin door (quarter-round type)	12 5'	
	189 139		MOULDING - Cabin door (bulb type)	12 5'	
-70	486 160		SCREW - (NOO-014-2161)	1	
	494 141		WASHER - (NOO-012-1131)	1	
-71	581 489		PLATE - Trim, black (311-837-247)	1	
-72	459 441		ESCUTCHEON - (113-837-239)	1	
-73	464 412		HANDLE - Door, assist (PS10091-1)	1	
-74	579 404	F	PANEL ASSEMBLY - Door trim, white/camel/black	1	
	579 016	P	PANEL ASSEMBLY - Door trim, camel/black	1	
	680 021	M	PANEL ASSEMBLY - Door trim, red (vinyl)	1	
	579 239	G	PANEL ASSEMBLY - Door trim, firethorn red (vinyl)	1	
	579 017	P	PANEL ASSEMBLY - Door trim, firethorn red (vinyl)	1	
	579 326	F	PANEL ASSEMBLY - Door trim, firethorn red (velour)	1	
	579 019	H	PANEL ASSEMBLY - Door trim, firethorn red (velour)	1	
-74	579 327	F	PANEL ASSEMBLY - Door trim, buckskin	1	
	579 020	P	PANEL ASSEMBLY - Door trim, buckskin	1	
	680 023	M	PANEL ASSEMBLY - Door trim, light buckskin (vinyl)	1	
	680 022	M	PANEL ASSEMBLY - Door trim, blue (vinyl)	1	
	579 240	G	PANEL ASSEMBLY - Door trim, dark blue (vinyl)	1	
	579 018	P	PANEL ASSEMBLY - Door trim, dark blue (vinyl)	1	
	579 310	F	PANEL ASSEMBLY - Door trim, dark blue (velour)	1	
	579 021	H	PANEL ASSEMBLY - Door trim, dark blue (velour)	1	
	680 111	M	PANEL ASSEMBLY - Door trim, light blue (velour)	1	
	579 238	G	PANEL ASSEMBLY - Door trim, dark cedar (knit)	1	
	579 022	H	PANEL ASSEMBLY - Door trim, dark cedar (knit)	1	
	579 064	H	PANEL ASSEMBLY - Door trim, dark cedar (velour)	1	
	579 062	H	PANEL ASSEMBLY - Door trim, dark carmine	1	
	579 063	H	PANEL ASSEMBLY - Door trim, sandalwood	1	
	680 020	M	PANEL ASSEMBLY - Door trim, dark saddle (fabric)	1	
-75	78085-13	F	COVER - Window trim	1	
	78085-17	H,J	COVER - Window trim	1	
	78085-18	H,K	COVER - Window trim	1	
-76	36722-08	D	SEAL - Door snubber (100" long)	1	
-77	36722-09	D	SEAL - Door snubber (60" long)	1	
-78	65727-00		HOLDER ASSEMBLY - Door	1	
-79	453 856		BUMPER - Door (SJ-5003)	2	
-80	419 594		SCREW - (AN530-10R36)	2	
-81	87335-02		PLACARD - Door release	1	
-82	400 669		BOLT - Clevis (AN23-9A)	1	

When ordering, always specify Part Number, Description and Serial Number of Aircraft

1C23 THRU 1C24
INTENTIONALLY LEFT BLANK

PIPER PARTS CATALOG

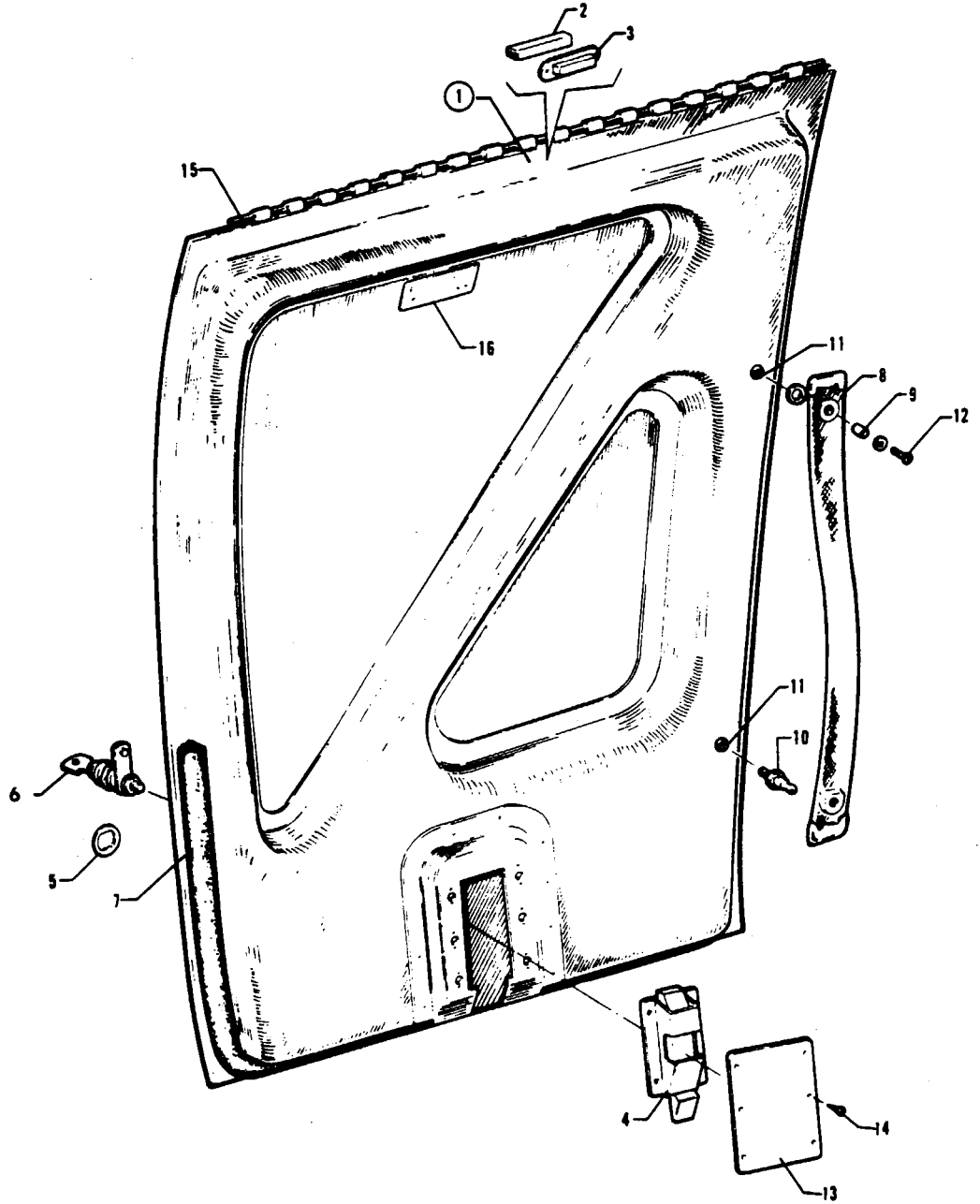


Figure 16 Fuselage Forward Baggage Door

PIPER PARTS CATALOG

CODE EXPLANATIONS FOR FIGURE 16

- A - If matching ignition switch and door locks are desired, order Kit 87329-04
- B - Used on PA-32-301 with serial numbers 32-8006001 to 32-8106087 inclusive, and PA-32-301T with serial numbers 32-8024001 to 32-8124030 inclusive.
- W - These parts must be ordered from Service Spares Department, Piper Aircraft, Lock Haven, Penna

PIPER PARTS CATALOG

Figure and Index Number	Part Number	Code	NOMENCLATURE	No Req	SERIAL NUMBERS AFFECTED
16-	79546		DRAWING - Doors Installation		
-1	69853-06		DOOR ASSEMBLY - Forward baggage (bonded) (less lock assembly)	1	
-2	474 107		* MAGNET - (H34-607)	1	
-3	37996-02		* COVER - Magnet	1	
-4	472 077		* LATCH - Trigger action H38-064-750 (incorporates rectangular push button)	1	
-5	21176-00	W	* SPACER - Door lock	1	
-6	87329-09	A	LOCK ASSEMBLY - Baggage door	1	
-7	19063-02	W	MOULDING - Baggage door (quarter-round type)	8'	
	189 139		MOULDING - Baggage door (bulb type)	8'	
-8	65440-07		STRAP ASSEMBLY - Baggage door, white	1	
-9	63900-31		BUSHING - Strap	1	
-10	487 674		STUD - (XX-16362 x 3/8)	1	
-11	406 863	W	RIVNUT - (A8K-75)	2	
-12	415 537	W	SCREW - (MS35206-247)	1	
	407 564	W	WASHER - (AN960-10)	1	
-13	69495-00		COVER - Baggage door, lock	1	
-14	411 582	W	SCREW - (MS35207-261)	6	
-15	63744-08		PIN - Hinge, door	1	
-16	35669-18	B	PLACARD - Light switch	1	

When ordering, always specify Part Number, Description and Serial Number of Aircraft

PIPER PARTS CATALOG

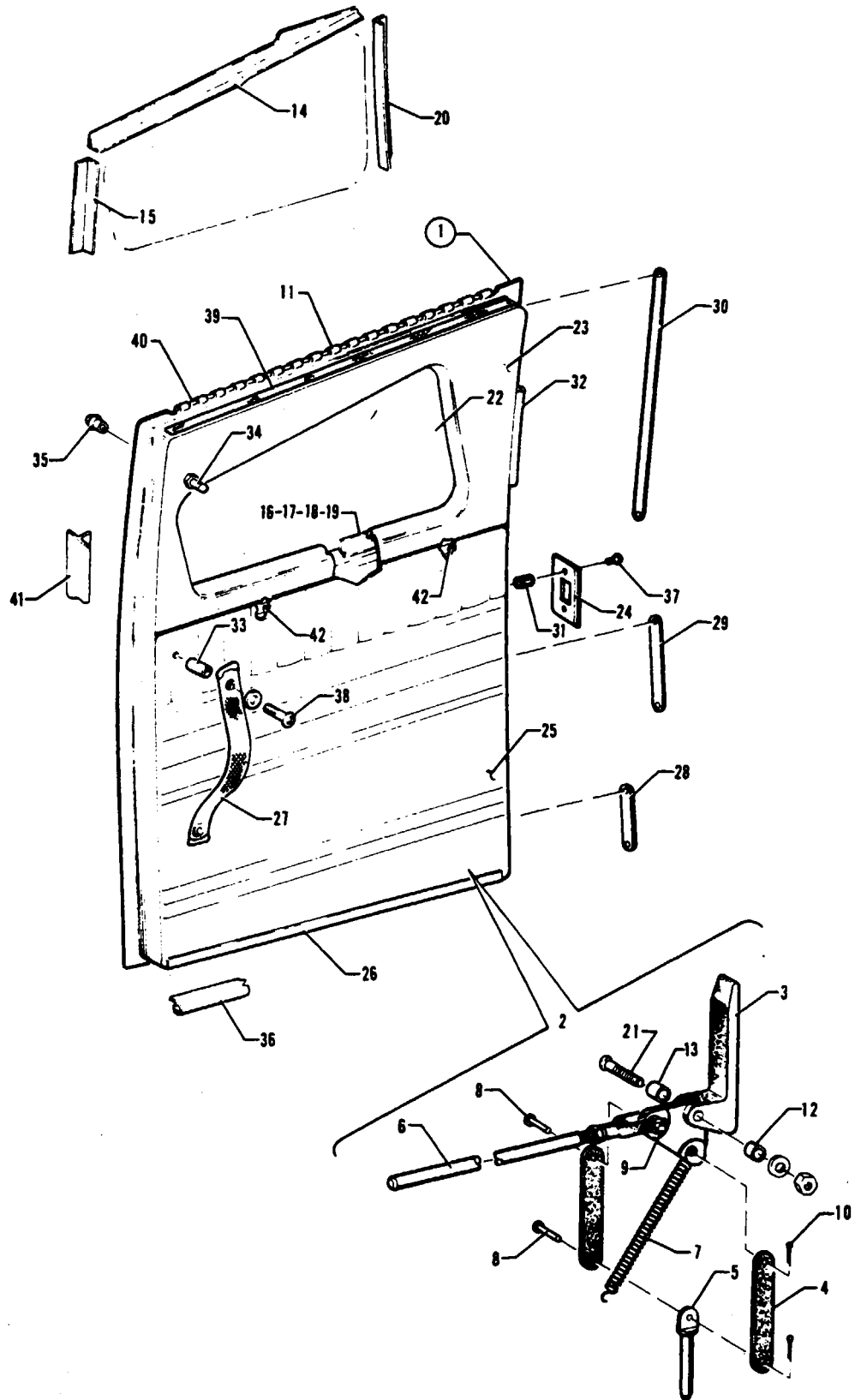


Figure 17. Fuselage Aft Cargo Door

PIPER PARTS CATALOG

CODE EXPLANATIONS FOR FIGURE 17

- A - Used on PA-32-301 with serial numbers 32-8006031 and up, and PA-32-301T with serial numbers 32-8024017 and up
- B - Used on PA-32-301 with serial numbers 32-8106001 to 32-8106110 inclusive, and PA-32-301T with serial numbers 32-8124001 to 32-8124046 inclusive
- C - Used on PA-32-301 with serial numbers 32-8006001 to 32-8106110 inclusive, and PA-32-301T with serial numbers 32-8024001 to 32-8124046 inclusive
- D - Used on PA-32-301 with serial numbers 32-8206001 and up, and PA-32-301T with serial numbers 32-8224001 and up
- E - Used if window curtains are not installed
- F - Used if window curtains are installed
- G - Used on PA-32-301 with serial numbers 32-8206001 to 32-8206050 inclusive, and PA-32-301T with serial numbers 32-8224001 to 32-8224024 inclusive
- H - Used on PA-32-301 with serial numbers 32-8306001 and up, and PA-32-301T with serial numbers 32-8324001 and up
- W - These parts must be ordered from Service Spares Department, Piper Aircraft, Lock Haven, Penna.

PIPER PARTS CATALOG

Figure and Index Number	Part Number	Code	NOMENCLATURE	No. Req.	SERIAL NUMBERS AFFECTED
17-	79546 36722	A	DRAWING - Doors Installation DRAWING - Door Snubber Installation		
-1	69858-02	C	DOOR ASSEMBLY - Cargo	1	
	69858-03	D	DOOR ASSEMBLY - Cargo	1	
-2	68976-00		* LATCH ASSEMBLY - Cargo door	1	
-3	69112-00		* * HANDLE - Cargo door latch	1	
-4	68980-00		* * LINK - Cargo door latch	2	
-5	68978-00		* * PIN - Cargo door latch	1	
-6	68981-00		* * PIN ASSEMBLY - Cargo door latch	1	
-7	68963-00		* * SPRING - Cargo door	1	
-8	424 172		* * PIN - (MS20392-2C9)	2	
-9	424 192	W	* * PIN - (MS20392-2C15)	1	
-10	424 095	W	* * COTTER PIN - (MS24665-151)	2	
-11	68964-00		* HINGE HALF - Cargo door	1	
-12	63900-81		* BUSHING - Cargo door	1	
-13	63900-82		* BUSHING - Cargo door	1	
-14	69722-00	C	* ANGLE - Top, cargo door	1	
	39740-14	D	* ANGLE - Top, cargo door	1	
-15	69723-00	C	* ANGLE - Rear, cargo door	1	
	39740-13	D	* ANGLE - Rear, cargo door	1	
-16	69724-00	C	* RETAINER - Front, cargo door window	1	
-17	69714-01		* RETAINER - Bottom, cargo door window	1	
-18	69725-00	C	* RETAINER - Top, cargo door window	1	
-19	69726-00	C	* RETAINER - Rear, cargo door window	1	
-20	69721-00	C	* ANGLE - Front, cargo door	1	
	39721-00	D	* ANGLE - Front, cargo door	1	
-21	411 540	W	* SCREW - (MS35207-271)	1	
	407 564	W	* WASHER - (AN960-10)	1	
	404 887	W	* NUT - (MS20365-1032C)	1	
-22	69706-00		WINDOW - Cargo door, clear (.080 thick)	1	
	69706-02		WINDOW - Cargo door, tinted (.080 thick)	1	
	69706-03		WINDOW - Cargo door, clear (.125 thick)	1	
	69706-04		WINDOW - Cargo door, tinted (.125 thick)	1	
-23	69859-07	C	COVER - Upper cargo door	1	
	69859-10	D,E	COVER - Upper cargo door	1	
	69859-11	D,F	COVER - Upper cargo door	1	
-24	63293-02		PLATE - Door latch striker	1	
-25	579 400	C	PANEL ASSEMBLY - Cargo door, white/camel/black	1	
	579 002	G	PANEL ASSEMBLY - Cargo door, camel/black	1	
	680 009	H	PANEL ASSEMBLY - Cargo door, red (vinyl)	1	
	579 230	B	PANEL ASSEMBLY - Cargo door, firethorn red (vinyl)	1	
	579 003	G	PANEL ASSEMBLY - Cargo door, firethorn red (vinyl)	1	
	579 318	C	PANEL ASSEMBLY - Cargo door, firethorn red (velour)	1	
	579 005	D	PANEL ASSEMBLY - Cargo door, firethorn red (velour)	1	
	579 319	C	PANEL ASSEMBLY - Cargo door, buckskin	1	
	579 006	G	PANEL ASSEMBLY - Cargo door, buckskin	1	
	680 011	H	PANEL ASSEMBLY - Cargo door, light buckskin (vinyl)	1	
	680 010	H	PANEL ASSEMBLY - Cargo door, blue (vinyl)	1	
	579 231	B	PANEL ASSEMBLY - Cargo door, dark blue (vinyl)	1	
	579 004	G	PANEL ASSEMBLY - Cargo door, dark blue (vinyl)	1	
	579 306	C	PANEL ASSEMBLY - Cargo door, dark blue (velour)	1	
	579 007	D	PANEL ASSEMBLY - Cargo door, dark blue (velour)	1	
	680 108	H	PANEL ASSEMBLY - Cargo door, light blue (velour)	1	

When ordering, always specify Part Number, Description and Serial Number of Aircraft

PIPER PARTS CATALOG

Figure and Index Number	Part Number	Code	NOMENCLATURE	No. Req.	SERIAL NUMBERS AFFECTED
17-25	579 229	B	PANEL ASSEMBLY - Cargo door, dark cedar (knit)	1	
	579 008	D	PANEL ASSEMBLY - Cargo door, dark cedar (knit)	1	
	579 055	D	PANEL ASSEMBLY - Cargo door, dark cedar (velour)	1	
	579 053	D	PANEL ASSEMBLY - Cargo door, dark carmine	1	
	579 054	D	PANEL ASSEMBLY - Cargo door, sandalwood	1	
	680 008	H	PANEL ASSEMBLY - Cargo door, dark saddle (fabric)	1	
-26	68547-04		RETAINER - Cargo door, lower	1	
-27	65440-07		STRAP ASSEMBLY - Cargo door, white	1	
-28	63142-28		TRIM STRIP - Cargo door, lower	1	
-29	63142-29		TRIM STRIP - Cargo door, middle	1	
-30	63142-30		TRIM STRIP - Cargo door, upper	1	
-31	63257-00		BUSHING - Striker plate	2	
-32	68999-08		WINDLACING - Cargo door	1	
-33	63900-136		BUSHING - Cargo door (40 L.)	1	
-34	487 674	C	STUD - (XX-16362 x 3/8)	1	
-35	406 863	C.W	RIVNUT - (A8K-75)	1	
-36	189 139		MOULDING - Cargo door (bulb type)	2'	
	19063-02	W	MOULDING - Cargo door (quarter-round type)	2'	
-37	415 454	W	SCREW - (AN526-832R16)	2	
-38	415 454	W	SCREW - (AN526-832R16)	1	
	407 564	W	WASHER - (AN960-10)	1	
-39	65892-02		SEAL - Door	1	
-40	63744-10		PIN - Hinge, cargo door	1	
-41	36722-11	A	SEAL - Door snubber (29" long)	1	
-42	581 928	D	RIVET - Plastic (207-200201-00-0103)	2	

When ordering, always specify Part Number, Description and Serial Number of Aircraft

PIPER PARTS CATALOG

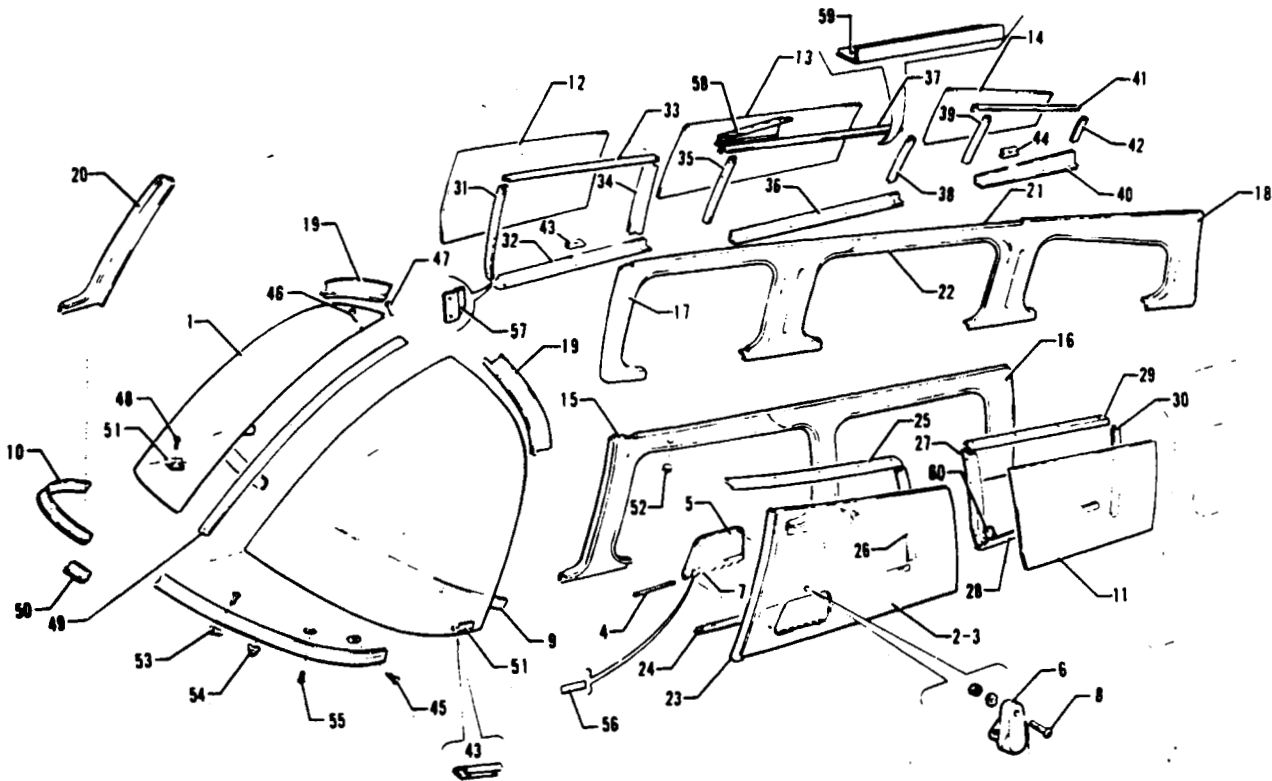


Figure 18. Fuselage Enclosure Installation

PIPER PARTS CATALOG

CODE EXPLANATIONS FOR FIGURE 18

- A - Used if .250 thick sound reduction windshield is installed
- B - Used if shoulder harness with inertia reel is installed
- C - Used if fixed shoulder harness is installed
- D - Used on PA-32-301 with serial numbers 32-8106001 to 32-8106110 inclusive, and PA-32-301T with serial numbers 32-8124001 to 32-8124046 inclusive.
- E - Used on PA-32-301 with serial numbers 32-8006001 to 32-8106110 inclusive, and PA-32-301T with serial numbers 32-8024001 to 32-8124046 inclusive
- F - Used on PA-32-301 with serial numbers 32-8206001 and up, and PA-32-301T with serial numbers 32-8224001 and up
- G - Used if sidewall switch panel is not installed.
- H - Used if sidewall switch panel is installed
- J - Used if fixed shoulder harness is installed and window curtains are not installed.
- K - Used if fixed shoulder harness and window curtains are installed
- L - Used if inertia reel shoulder harness is installed and window curtains are not installed.
- M - Used if inertia reel shoulder harness and window curtains are installed.
- N - Used if window curtains are not installed
- O - Used if window curtains are installed
- W - These parts must be ordered from Service Spares Department, Piper Aircraft, Lock Haven, Penna

PIPER PARTS CATALOG

Figure and Index Number	Part Number	Code	NOMENCLATURE	No. Req.	SERIAL NUMBERS AFFECTED
18-	69220		DRAWING - Windshield Installation		
	78271	A	DRAWING - Windshield Installation		
	76363	E	DRAWING - Window Installation		
	39741	F	DRAWING - Window Installation		
	78349	E	DRAWING - Window Frame Installation		
	39759	F	DRAWING - Window Frame Installation		
-1	69220-24		WINDSHIELD - Left, clear (125 thick)	1	
	69220-22		WINDSHIELD - Left, tinted (125 thick)	1	
	78271-03		WINDSHIELD - Left, clear (.250 thick)	1	
	78271-05		WINDSHIELD - Left, tinted (250 thick)	1	
	69220-25		WINDSHIELD - Right, clear (.125 thick)	1	
	69220-23		WINDSHIELD - Right, tinted (125 thick)	1	
	78271-04		WINDSHIELD - Right, clear (.250 thick)	1	
	78271-06		WINDSHIELD - Right, tinted (.250 thick)	1	
-2	69713-03		WINDOW ASSEMBLY - Front, left, clear	1	
	69713-04		WINDOW ASSEMBLY - Front, left, tinted	1	
-3	69712-03		* WINDOW - Front, left, clear	1	
	69712-04		* WINDOW - Front, left, tinted	1	
-4	63744-09		* PIN - Storm window hinge	1	
-5	65896-00		* WINDOW ASSEMBLY - Storm, clear	1	
	65896-02		* WINDOW ASSEMBLY - Storm, tinted	1	
-6	65742-00	W	* LATCH - Storm window	1	
-7	65782-00		* HINGE HALF - Storm window	1	
-8	79572-00		* SCREW - Special, storm window latch	1	
	408 832		* WASHER - Shakeproof (3502-10-71)	1	
	477 896		* NUT - Dome (8061-NP)	1	
-9	69220-18		COLLAR - Inside, left	1	
	69220-19		COLLAR - Inside, right	1	
-10	69220-04		COLLAR - Outside, left	1	
	69220-05		COLLAR - Outside, right	1	
-11	69704-00		WINDOW - Middle, left, clear (.080 thick)	1	
	69704-02		WINDOW - Middle, left, tinted (.080 thick)	1	
	69704-03		WINDOW - Middle, left, clear (.125 thick)	1	
	69704-04		WINDOW - Middle, left, tinted (.125 thick)	1	
-12	69705-00		WINDOW - Middle, right, clear (.080 thick)	1	
	69705-02		WINDOW - Middle, right, tinted (.080 thick)	1	
	69705-03		WINDOW - Middle, right, clear (.125 thick)	1	
	69705-04		WINDOW - Middle, right, tinted (125 thick)	1	
-13	68306-00		WINDOW - Middle, right, clear (.080 thick)	1	
	68306-02		WINDOW - Middle, right, tinted (.080 thick)	1	
	68306-03		WINDOW - Middle, right, clear (.125 thick)	1	
	68306-04		WINDOW - Middle, right, tinted (.125 thick)	1	
-14	69707-00		WINDOW - Rear, right, clear (.080 thick)	1	
	69707-02		WINDOW - Rear, right, tinted (.080 thick)	1	
	69707-03		WINDOW - Rear, right, clear (.125 thick)	1	
	69707-04		WINDOW - Rear, right, tinted (.125 thick)	1	
-15	78349-17	E	COVER ASSEMBLY - Window trim, forward, left	1	
	39759-11	F,G	COVER ASSEMBLY - Window trim, forward, left	1	
	39759-15	F,H	COVER ASSEMBLY - Window trim, forward, left	1	
-16	78349-10	E	COVER ASSEMBLY - Window trim, middle, left	1	
	78349-04	B,E	COVER ASSEMBLY - Window trim, middle, left	1	
	78349-23	C,D	COVER ASSEMBLY - Window trim, middle, left	1	
	39759-19	F,J	COVER ASSEMBLY - Window trim, middle, left	1	
	39759-21	F,K	COVER ASSEMBLY - Window trim, middle, left	1	
	39759-23	F,L	COVER ASSEMBLY - Window trim, middle, left	1	
	39759-25	F,M	COVER ASSEMBLY - Window trim, middle, left	1	

When ordering, always specify Part Number, Description and Serial Number of Aircraft

PIPER PARTS CATALOG

Figure and Index Number	Part Number	Code	NOMENCLATURE	No. Req.	SERIAL NUMBERS AFFECTED
18-17	78349-12	E	COVER ASSEMBLY - Window trim, middle, right	1	
	78349-08	B.E	COVER ASSEMBLY - Window trim, middle, right	1	
	78349-25	C.D	COVER ASSEMBLY - Window trim, middle, right	1	
	39759-27	F.J	COVER ASSEMBLY - Window trim, middle, right	1	
	39759-29	F.K	COVER ASSEMBLY - Window trim, middle, right	1	
	39759-31	F.L	COVER ASSEMBLY - Window trim, middle, right	1	
	39759-33	F.M	COVER ASSEMBLY - Window trim, middle, right	1	
-18	78349-11	E	COVER ASSEMBLY - Window trim, rear, right	1	
	39759-35	F.N	COVER ASSEMBLY - Window trim, rear, right	1	
	39759-37	F.O	COVER ASSEMBLY - Window trim, rear, right	1	
-19	63149-22		COVER - Windshield trim, left	1	
	63149-23		COVER - Windshield trim, right	1	
-20	79171-13	E	COVER - Window trim, front, right	1	
	39759-47	F	COVER ASSEMBLY - Window trim, front, right	1	
-21	78057-00		RETAINER - Window frame, extrusion	10	
-22	99997-00		EXTRUSION - Vinyl	AR	
-23	79562-00		ANGLE - Left front, front window	1	
-24	69709-00		RETAINER - Left bottom, front window	1	
-25	68293-02		ANGLE - Left top, front window	1	
-26	69700-00		RETAINER - Left rear, front window	1	
-27	69701-00	E	RETAINER - Left front, middle window	1	
	39740-02	F	RETAINER - Left front, middle window	1	
-28	69642-00		ANGLE - Left bottom, middle window	1	
-29	69708-00		RETAINER - Left top, middle window	1	
-30	68297-00		ANGLE - Left rear, middle window	1	
-31	69701-01	E	RETAINER - Right front, middle window	1	
	39740-03	F	RETAINER - Right front, middle window	1	
-32	69643-00		ANGLE - Right bottom, middle window	1	
-33	69710-00		RETAINER - Right top, middle window	1	
-34	68297-01	E	ANGLE - Right rear, middle window	1	
	39740-08	F	ANGLE - Right rear, middle window	1	
-35	68300-00	E	ANGLE - Right front, middle window	1	
	39740-07	F	ANGLE - Right front, middle window	1	
-36	69644-00		ANGLE - Right bottom, middle window	1	
-37	68301-00	E	ANGLE - Right top, middle window	1	
	39743-02	F	ANGLE - Right top, middle window	1	
-38	68303-00	E	ANGLE - Right rear, middle window	1	
	39740-06	F	ANGLE - Right rear, middle window	1	
-39	69717-00	E	RETAINER - Right front, aft window	1	
	39740-09	F	RETAINER - Right front, aft window	1	
-40	69714-00		RETAINER - Right bottom, aft window	1	
-41	69716-00	E	RETAINER - Right top, aft window	1	
	39740-11	F	RETAINER - Right top, aft window	1	
-42	69715-00	E	RETAINER - Right rear, aft window	1	
	39740-10	F	RETAINER - Right rear, aft window	1	
-43	99943-00	E	RETAINER - Window panel	10	
-44	78086-00	E	RETAINER - Aft window	2	
-45	415 521	W	SCREW - (MS35206-231)	2	
-46	415 536	W	SCREW - (MS35206-246)	8	
	415 537	W,A	SCREW - (MS35206-247)	8	
-47	415 544	W	SCREW - (MS35206-244)	1	
	415 535	W,A	SCREW - (MS35206-245)	1	
-48	419 683	W	SCREW - (4 x 1/2 oval head, type A)	4	
	494 001	W	WASHER - (4 Finishing)	4	

When ordering, always specify Part Number, Description and Serial Number of Aircraft

PIPER PARTS CATALOG

Figure and Index Number	Part Number	Code	NOMENCLATURE	No. Req.	SERIAL NUMBERS AFFECTED
18-49	79557-00		TRIM STRIP - Windshield, center	1	
-50	69219-00		PLATE - Windshield collar	1	
-51	79154-00		RETAINER - Windshield, left	1	
	79155-00		RETAINER - Windshield, right	1	
-52	581 928	E	PLUG - (207-200201-00-0103)	9	
	581 928	F	PLUG - (207-200201-00-0103)	20	
-53	406 809	W	ANCHOR NUT - (NAS687A06K)	2	
	486 286		SCREW - (NAS601-8P)	2	
-54	406 642	W	ANCHOR NUT - (NAS684A06K)	2	
	486 286		SCREW - (NAS601-8P)	2	
-55	406 832	W	ANCHOR NUT - (NAS686A06K)	20	
	486 286		SCREW - (NAS601-8P)	20	
-56	69669-141		PLACARD - Storm window	1	
-57	39740-05	F	RETAINER - Right front, middle window	1	
-58	39743-03	F	ANGLE - Right top, middle window	1	
-59	39728-03	F	FRAME - Window, right	1	
-60	39740-04	F	RETAINER - Left front, middle window	1	

When ordering, always specify Part Number, Description and Serial Number of Aircraft

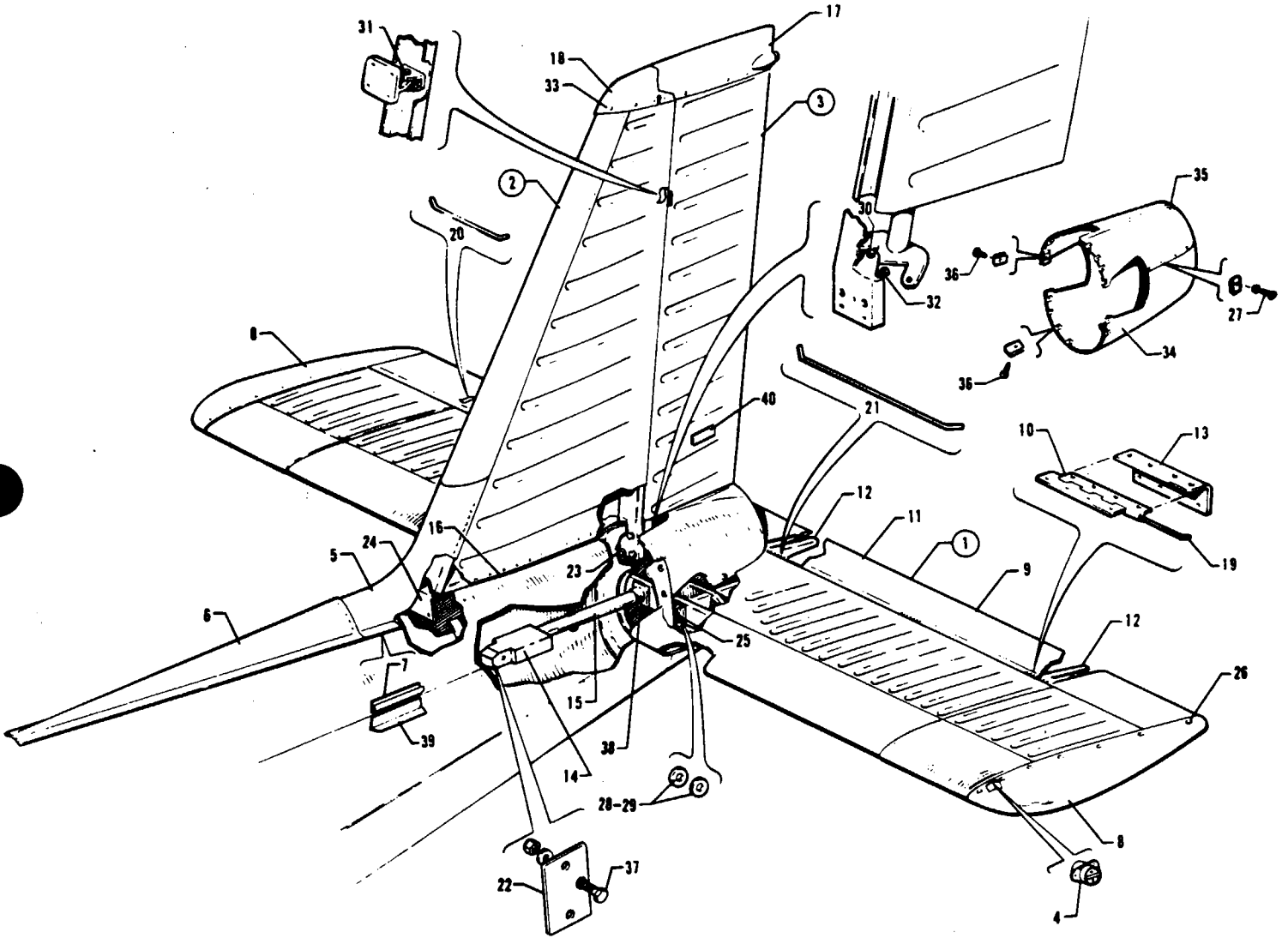


Figure 19 Tail Surfaces Installation

PIPER PARTS CATALOG

CODE EXPLANATIONS FOR FIGURE 19

- A - See Figure 20 for component parts
- B - See Figure 21 for component parts
- C - See Figure 21A for component parts
- D - Used if a rotating beacon is installed.
- E - Used if fin strobe is installed
- F - Used on PA-32-301 with serial numbers 32-8006001 to 32-8106110 inclusive, and PA-32-301T with serial numbers 32-8024001 to 32-8124046 inclusive
- W - These parts must be ordered from Service Spares Department, Piper Aircraft, Lock Haven, Penna.

PIPER PARTS CATALOG

Figure and Index Number	Part Number	Code	NOMENCLATURE	No. Req.	SERIAL NUMBERS AFFECTED
19-	68425		DRAWING - Tail Surfaces Installation		
-1	68426-02	A	STABILATOR ASSEMBLY	1	
-2	66975-04	B	FIN ASSEMBLY	1	
-3	65342-02	C	RUDDER ASSEMBLY	1	
-4	38192-00		WEIGHT ASSEMBLY - Stabilator tip	2	
-5	99619-02		FAIRING ASSEMBLY - Fin, aft	1	
-6	99621-00		FAIRING - Fin, forward	1	
-7	63186-21		MOULDING - Extruded	2	
-8	63584-00		TIP - Stabilator	2	
-9	63585-00		TAB ASSEMBLY - Stabilator trim, left	1	
	63585-01		TAB ASSEMBLY - Stabilator trim, right	1	
-10	63560-02		* HINGE - Half, stabilator tab	3	
-11	63586-00		* SKIN - Stabilator trim tab, left	1	
	63586-01		* SKIN - Stabilator trim tab, right	1	
-12	63587-00		* RIB - Outboard	1	
	63587-01		* RIB - Inboard	1	
-13	63588-00		* DOUBLER	3	
-14	99803-05		BALANCE WEIGHT ASSEMBLY - Stabilator	1	
-15	69624-00		* TUBE ASSEMBLY - Stabilator	1	
-16	63186-02		MOULDING - Extruded	2	
-17	38245-00		FAIRING ASSEMBLY - Rudder tip (with provisions for tail light)	1	
	36712-02		FAIRING ASSEMBLY - Rudder tip (without provisions for tail light)	1	
-18	38222-00		TIP - Fin	1	
	65345-03	D.F	TIP ASSEMBLY - Fin	1	
	99035-03	E	TIP - Fin	1	
-19	62002-02		PIN - Hinge	2	
-20	62002-03		PIN - Hinge	2	
-21	62002-04		PIN - Hinge	1	
-22	96564-00		PLATE - Stabilator balance	1	
-23	400 003	W	BOLT - (AN4-6A)	4	
	407 565	W	WASHER - (AN960-416)	8	
	404 888	W	NUT - (MS20365-428C)	4	
-24	400 003	W	BOLT - (AN4-6A)	1	
	407 565	W	WASHER - (AN960-416)	2	
-25	402 680		BOLT - (NAS1104-17)	2	
	407 565	W	WASHER - (AN960-416)	4	
	406 637		NUT - (H-10-4)	2	
-26	510 058		SCREW - (NAS514P832-8)	24	
	494 101	W	WASHER - (PS10092-1-2C)	24	
	477 672		NUT - (PS10062-5-1)	24	
-27	414 783		SCREW - (MS24693-C51)	10	
	494 101	W	WASHER - (PS10092-1-2C)	10	
	477 640		NUT - (PS10062-5-3)	10	
-28	407 585	W	WASHER - (AN960-416L)	AR	
-29	407 565	W	WASHER - (AN960-416)	AR	
-30	401 269	W	BOLT - (AN3-10A)	1	
	407 564	W	WASHER - (AN960-10)	3	
	404 887	W	NUT - (MS20365-1032C)	1	
	407 584	W	WASHER - (AN960-10L)	1	
-31	400 056	W	BOLT - (AN3-11)	1	
	407 564	W	WASHER - (AN960-10)	7	
	407 584	W	WASHER - (AN960-10L)	2	
	404 100	W	NUT - (AN310-3)	1	
	424 051	W	COTTER PIN - (MS24665-132)	1	

When ordering, always specify Part Number, Description and Serial Number of Aircraft

PIPER PARTS CATALOG

Figure and Index Number	Part Number	Code	NOMENCLATURE	No. Req.	SERIAL NUMBERS AFFECTED
19-32	553 266		BOLT - (NKN428-3-7)	2	
	404 224	W	NUT - (AN315-3R)	2	
-33	510 058		SCREW - (NAS514P832-8)	16	
	494 101	W	WASHER - (PS10092-1-2C)	16	
	477 672		NUTPLATE - (PS10062-5-1)	6	
-34	66822-07		FAIRING - Lower	1	
-35	66822-08		FAIRING - Upper	1	
-36	415 179	W	SCREW - (AN526-C-832R8)	16	
	477 640		NUT - (PS10062-5-3)	16	
-37	401 330	W	BOLT - (AN4-32A)	1	
	407 565	W	WASHER - (AN960-416)	2	
	404 888	W	NUT - (MS20365-428C)	1	
-38	400 450	W	BOLT - (AN3-17A)	2	
	407 564	W	WASHER - (AN960-10)	6	
	404 887	W	NUT - (MS20365-1032C)	2	
-39	79277-00		ANGLE - Dorsal fin fitting, left	1	
	79277-01		ANGLE - Dorsal fin fitting, right	1	
-40	87341-02		PLACARD - Do not push	2	

When ordering, always specify Part Number, Description and Serial Number of Aircraft

PIPER PARTS CATALOG

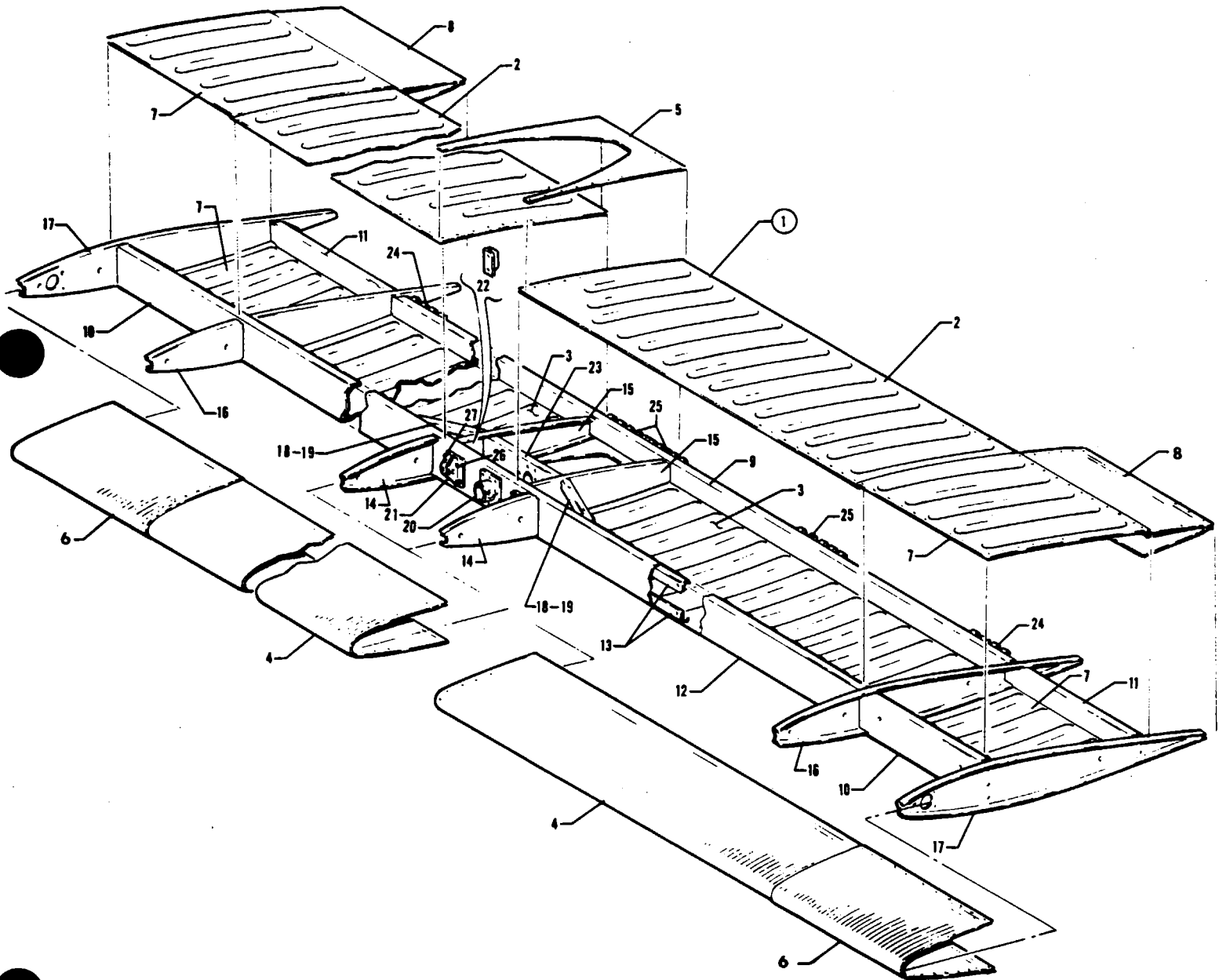


Figure 20 Stabilator Assembly

PIPER PARTS CATALOG

CODE EXPLANATIONS FOR FIGURE 20

W - These parts must be ordered from Service Spares Department, Piper Aircraft, Lock Haven, Penna

PIPER PARTS CATALOG

Figure and Index Number	Part Number	Code	NOMENCLATURE	No. Req.	SERIAL NUMBERS AFFECTED
20-1	68426-02		STABILATOR ASSEMBLY	1	
-2	63392-00		* SKIN - Stabilator, aft top, left	1	
	63392-01		* SKIN - Stabilator, aft top, right	1	
-3	63393-00		* SKIN - Stabilator, aft bottom, left	1	
	63393-01		* SKIN - Stabilator, aft bottom, right	1	
-4	63573-00		* SKIN - Stabilator, leading edge, left	1	
	63573-01		* SKIN - Stabilator, leading edge, right	1	
-5	63575-00		* SKIN - Stabilator, center, top	1	
	63575-02		* SKIN - Stabilator, center, bottom	1	
-6	68429-02		* SKIN - Stabilator, leading edge, left	1	
	68429-03		* SKIN - Stabilator, leading edge, right	1	
-7	68430-00		* SKIN - Stabilator, top, left	1	
	68430-01		* SKIN - Stabilator, top, right	1	
	68430-02		* SKIN - Stabilator, bottom, left	1	
	68430-03		* SKIN - Stabilator, bottom, right	1	
-8	68431-00		* SKIN - Stabilator, top, left, bottom, right	2	
	68431-01		* SKIN - Stabilator, top, right, bottom, left	2	
-9	63572-00		* SPAR - Stabilator, rear	1	
-10	68427-00		* SPAR - Stabilator, outboard, forward	2	
-11	68428-00		* SPAR - Stabilator, outboard, aft	2	
-12	63561-05		* SPAR - Stabilator, main	1	
-13	63562-00		* CAP - Stabilator, spar	2	
-14	63569-00		* RIB - Stabilator, nose	2	
-15	63570-00		* RIB - Stabilator, aft	2	
-16	63571-00		* RIB - Stabilator	2	
-17	63571-02		* RIB - Stabilator end	2	
-18	63566-03		* STIFFENER - Stabilator, top, left	1	
	63566-02		* STIFFENER - Stabilator, top, right	1	
-19	63566-02		* STIFFENER - Stabilator, bottom, left	1	
	63566-03		* STIFFENER - Stabilator, bottom, right	1	
-20	63567-00		* FITTING - Balance weight attachment	2	
-21	63563-00		* FITTING - Stabilator hinge	2	
-22	63564-00		* ANGLE - Stabilator	2	
-23	63565-02		* CLOSURE	1	
-24	63560-02		* HINGE - Extruded, outboard	2	
-25	63560-03		* HINGE - Extruded, inboard and center	4	
-26	400 003	W	* BOLT - (AN4-6A) Inboard	4	
	407 565	W	* WASHER - (AN960-416)	8	
	404 888	W	* NUT - (MS20365-428)	4	
-27	400 004	W	* BOLT - (AN4-7A) Outboard	4	
	407 565	W	* WASHER - (AN960-416)	8	
	404 888	W	* NUT - (MS20365-428)	4	

When ordering, always specify Part Number, Description and Serial Number of Aircraft

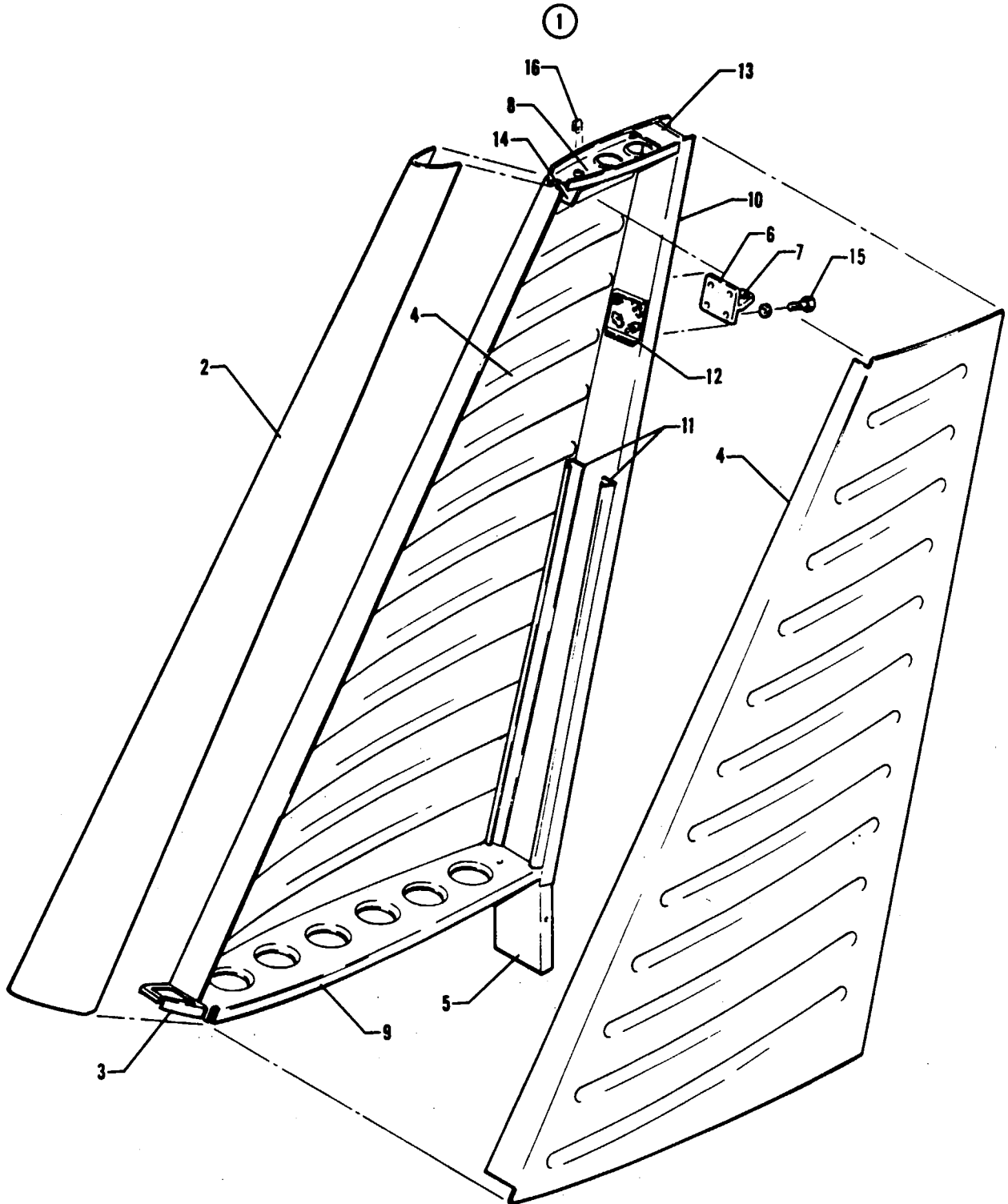


Figure 21. Fin Assembly

PIPER PARTS CATALOG

CODE EXPLANATIONS FOR FIGURE 21

W - These parts must be ordered from Service Spares Department, Piper Aircraft, Lock Haven, Penna

PIPER PARTS CATALOG

Figure and Index Number	Part Number	Code	NOMENCLATURE	No. Req.	SERIAL NUMBERS AFFECTED
21-1	66975-04		FIN ASSEMBLY	1	
-2	63513-00		* SKIN - Leading edge, fin	1	
-3	79268-00		* RIB - Fin nose	1	
-4	63398-00		* SKIN - Fin, left	1	
	63398-01		* SKIN - Fin, right	1	
-5	63501-03		* FITTING - Fin root	1	
-6	63502-00		* HINGE ASSEMBLY - Fin	1	
-7	452 387		* BEARING - (KP3A)	1	
-8	66972-00		* RIB ASSEMBLY - Fin top	1	
-9	63506-00		* RIB ASSEMBLY - Fin bottom	1	
-10	63504-00		* SPAR - Fin rear	1	
-11	65034-00		* STIFFENER - Fin spar, left	1	
	65034-01		* STIFFENER - Fin spar, right	1	
-12	63509-00		* DOUBLER ASSEMBLY - Fin	1	
-13	63515-00		* BRACKET - Fin antenna	1	
-14	63510-00		* CLIP - Fin	1	
-15	401 266	W	* BOLT - (AN3-5A)	4	
	407 584	W	* WASHER - (AN960-10L)	4	
-16	477 672		* NUT - (MU-832-38-025 x 050-L-F10)	8	

When ordering, always specify Part Number, Description and Serial Number of Aircraft

**1D23 THRU 1D24
INTENTIONALLY LEFT BLANK**

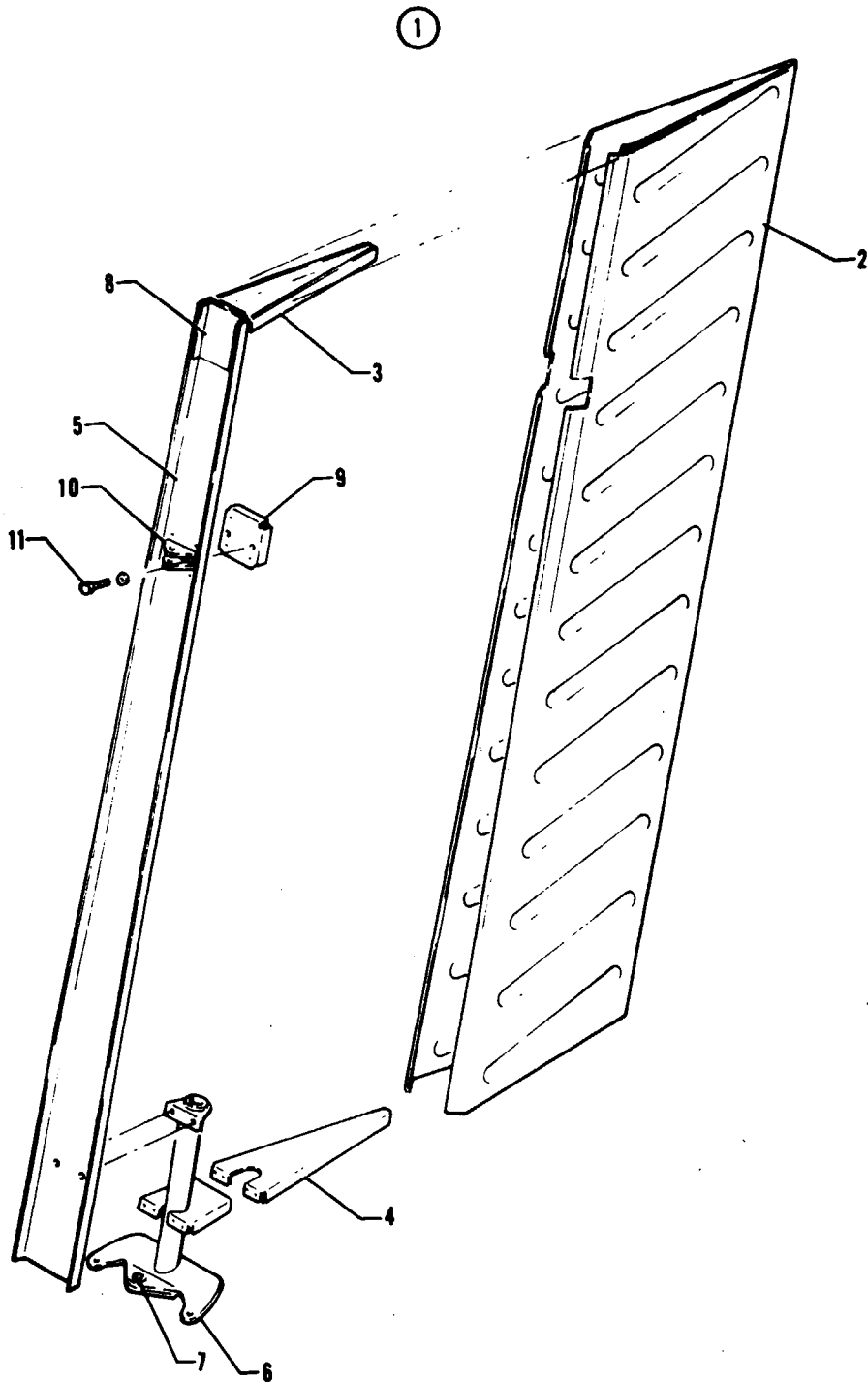


Figure 21A Rudder Assembly

PIPER PARTS CATALOG

CODE EXPLANATIONS FOR FIGURE 21A

W - These parts must be ordered from Service Spares Department, Piper Aircraft, Lock Haven, Penna

PIPER PARTS CATALOG

Figure and Index Number	Part Number	Code	NOMENCLATURE	No Req.	SERIAL NUMBERS AFFECTED
21A-1	65342-02		RUDDER ASSEMBLY	1	
-2	63396-02		* SKIN - Rudder	1	
-3	63545-00		* RIB - Rudder, top	1	
-4	63544-00		* RIB - Rudder, bottom	1	
-5	63543-00		* SPAR - Rudder	1	
-6	63546-00		* HORN ASSEMBLY - Rudder	1	
-7	452 387		* * BEARING - (KP3A)	1	
-8	65341-00		* DOUBLER - Rudder top	1	
-9	63395-00		* DOUBLER ASSEMBLY - Rudder	1	
-10	63550-00		* FITTING - Rudder hinge	1	
-11	400 438	W	* BOLT - (AN3-4A)	2	
	407 584	W	* WASHER - (AN960-10L)	2	

When ordering, always specify Part Number, Description and Serial Number of Aircraft

PIPER PARTS CATALOG

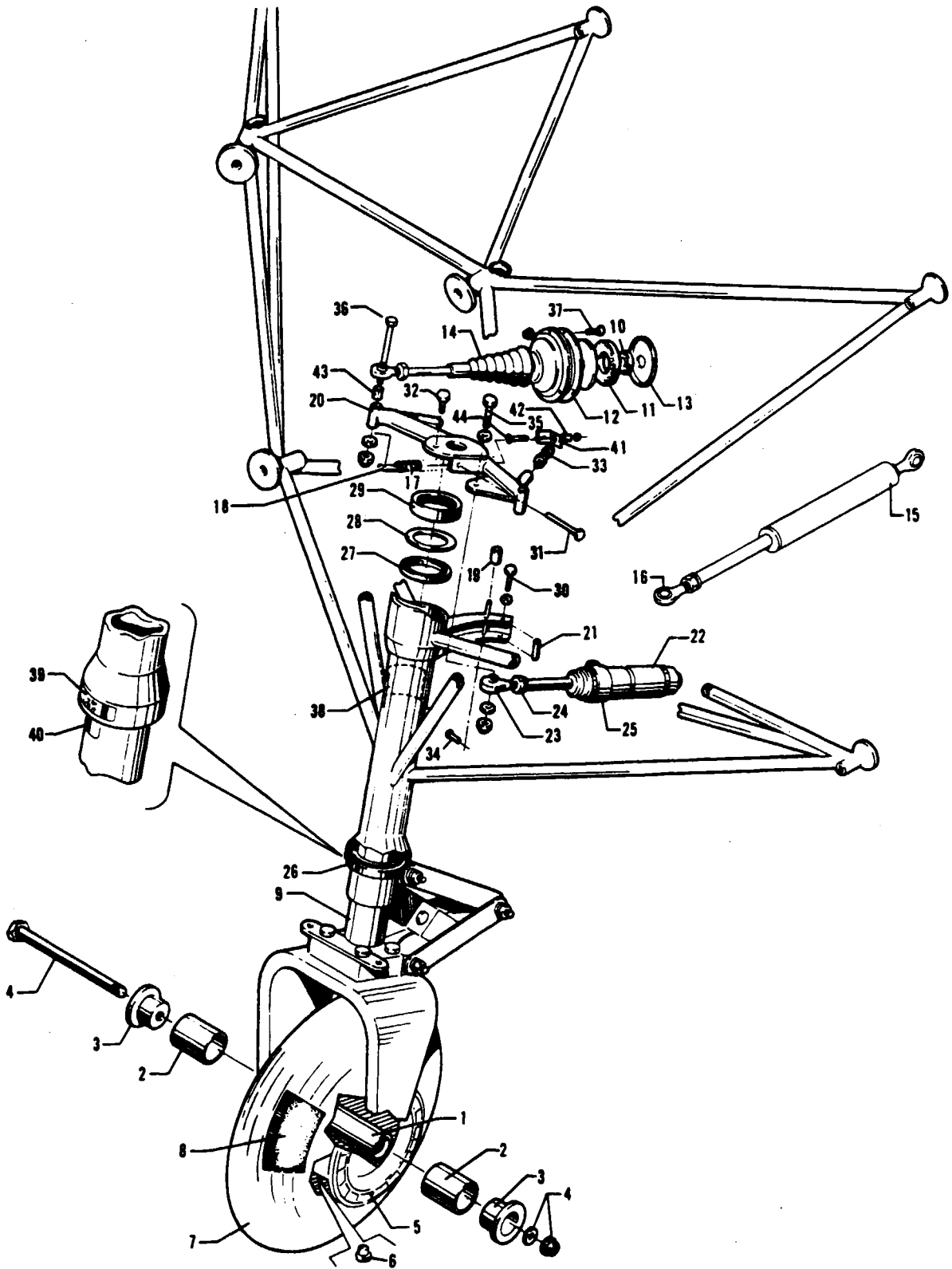


Figure 22 Nose Gear Installation

PIPER PARTS CATALOG

CODE EXPLANATIONS FOR FIGURE 22

- A - See Figure 24 for component parts
- B - See Figure 25 for component parts
- C - See Figure 26 for component parts
- D - See Figure 27 for component parts
- E - Used with McCauley 5" nose wheel only
- F - See Figure 23 for component parts
- G - Used when a 5-inch nose wheel is installed
- H - Used when a 6-inch nose wheel is installed
- J - Used on PA-32-301 only
- K - Used on PA-32-301T only
- L - Used if shock absorber is stamped with Monroe part number 18756
- W - These parts must be ordered from Service Spares Department, Piper Aircraft, Lock Haven, Penna

PIPER PARTS CATALOG

Figure and Index Number	Part Number	Code	NOMENCLATURE	No. Req.	SERIAL NUMBERS AFFECTED
22-	69769		DRAWING - Nose Gear Installation		
-1	35156-00	G	AXLE - Nose wheel	1	
	86062-56	H	TUBE - Nose wheel	1	
-2	35157-03	G	SPACER - Nose wheel	2	
	66618-02	H	SPACER - Nose wheel	2	
-3	35158-00	G	PLUG - Nose wheel	2	
	35158-02	H	PLUG - Nose wheel	2	
-4	401 450	G	BOLT - (AN6-70A)	1	
	401 456	H	BOLT - (AN6-76A)	1	
	407 567	W	WASHER - (AN960-616)	2	
	404 838	G.W	NUT - (MS20364-624C)	1	
	404 838	H.W	NUT - (MS20364-624C)	2	
-5	551 792	A	WHEEL ASSEMBLY - Nose, 5" (Cleveland 40-77B)	1	
	551 772	B	WHEEL ASSEMBLY - Nose, 5" (McCauley D-30500)	1	
	551 785	C	WHEEL ASSEMBLY - Nose, 6" (Cleveland 40-56B)	1	
	551 779	D	WHEEL ASSEMBLY - Nose, 6" (McCauley D-30665)	1	
-6	758 397	E	* BUSHING - Valve stem (A-30653)	1	
-7	451 734	G	TIRE - (5 00 x 5, 6 ply, Type III) McCreary	1	
	451 752	G	TIRE - (5 00 x 5, 6 ply, Type III) McCreary Airhawk (heavy duty)	1	
	761 978	G.W	TIRE - (5 00 x 5, 6 ply, Type III) B F Goodrich (heavy duty)	1	
	451 724	H	TIRE - (6 00 x 6, 6 ply, Type III) McCreary	1	
	761 996	H.W	TIRE - (6 00 x 6, 8 ply, Type III) McCreary Airhawk (heavy duty)	1	
	761 975	H.W	TIRE - (6 00 x 6, 8 ply, Type III) B F Goodrich (heavy duty)	1	
-8	451 739	G	TUBE - Tire (5 00 x 5)	1	
	451 735	H.W	TUBE - Tire (6 00 x 6)	1	
-9	38605-03	F.G	STRUT ASSEMBLY - Nose gear (less tire, tube, and wheel)	1	
	69540-05	F.H	STRUT ASSEMBLY - Nose gear (less tire, tube, and wheel)	1	
-10	63656-02		RING - Packing	2	
-11	35282-00		RING - Retainer	2	
-12	35284-02		HOUSING - Seal ring retainer	4	
-13	35283-00		HOUSING - Seal ring retainer	4	
-14	35270-00		BOOT - Nose wheel bungee	2	
-15	38151-03		STEERING ROD ASSEMBLY - Nose wheel	2	
-16	452 334		* BEARING - (PS10020-1-6RX)	2	
	404 225	W	* NUT - (AN315-4R)	2	
	407 136	W	* WASHER - (AN936-A416)	2	
-17	37929-02	J	SPRING - Nose gear	2	
	38683-02	K	SPRING - Nose gear	2	
-18	37932-02		LINK - Nose gear spring	2	
-19	63900-138		BUSHING - (1/2" O D)	1	
-20	69768-00		HORN ASSEMBLY - Nose wheel steering	1	
-21	63900-41		BUSHING - Shimmy dampener bracket	1	
-22	87358-05		DAMPENER ASSEMBLY - Shimmy	1	
-23	452 383		* BEARING - Rod end (PS10020-1-2RX)	1	
-24	404 225	W	* NUT - (AN315-4R)	1	
	407 136	W	* WASHER - (AN936-A416)	1	
-25	66750-00	L	CLAMP ASSEMBLY - Shimmy dampener	1	
-26	452 332	W	BEARING - Main (KP-33B)	1	
-27	452 333	W	BEARING - Main (B-545)	1	
-28	85012-72	W	WASHER	1	
-29	13071-00	W	NUT	1	

When ordering, always specify Part Number, Description and Serial Number of Aircraft

PIPER PARTS CATALOG

Figure and Index Number	Part Number	Code	NOMENCLATURE	No. Req.	SERIAL NUMBERS AFFECTED
22-30	400 058		BOLT - (AN3-13)	1	
	407 584	W	WASHER - (AN960-10L)	2	
	404 392	W	NUT - (AN320-3)	1	
	424 051	W	COTTER PIN - (MS24665-132)	1	
-31	402 324		BOLT - (AN174-25A)	1	
	407 585	W	WASHER - (AN960-416L)	1	
	404 836	W	NUT - (MS20364-428C)	1	
-32	401 918	W	BOLT - (AN74-A3)	1	
	407 585	W	WASHER - (AN960-416L)	1	
-33	402 775		BOLT - (NAS428-4-12)	2	
	404 322	W	NUT - (AN316-4R)	2	
-34	424 226	W	PIN - Flat head (AN394-59)	1	
	407 585	W	WASHER - (AN960-416L)	1	
	424 051	W	COTTER PIN - (MS24665-132)	1	
-35	401 312	W	BOLT - (AN4-12A)	1	
	407 565	W	WASHER - (AN960-416)	6	
	404 887	W	NUT - (MS20365-1032C)	1	
-36	400 450	J.W	BOLT - (AN3-17A)	2	
	401 280	K	BOLT - (AN3-26A)	2	
	407 564	J.W	WASHER - (AN960-10)	6	
	407 564	K.W	WASHER - (AN960-10)	2	
	404 887	W	NUT - (MS20365-1032C)	2	
-37	415 493	W	SCREW - (MS35206-228)	6	
	404 909	W	NUT - (MS20365-632C)	6	
-38	35669-171		PLACARD - Oleo service instructions	1	
-39	35669-06		PLACARD - Turn limit	1	
-40	35669-05		PLACARD - Centering	1	
-41	69486-00	K	ANGLE - Spring attachment	2	
-42	95061-79	K	SPACER - Spring attachment	2	
-43	86700-25	K	BUSHING - Spring attachment	2	
-44	415 538	K.W	SCREW - (MS35206-248)	2	
	407 563	K.W	WASHER - (AN960-8)	2	
	404 910	K.W	NUT - (MS20365-832C)	2	

When ordering, always specify Part Number, Description and Serial Number of Aircraft

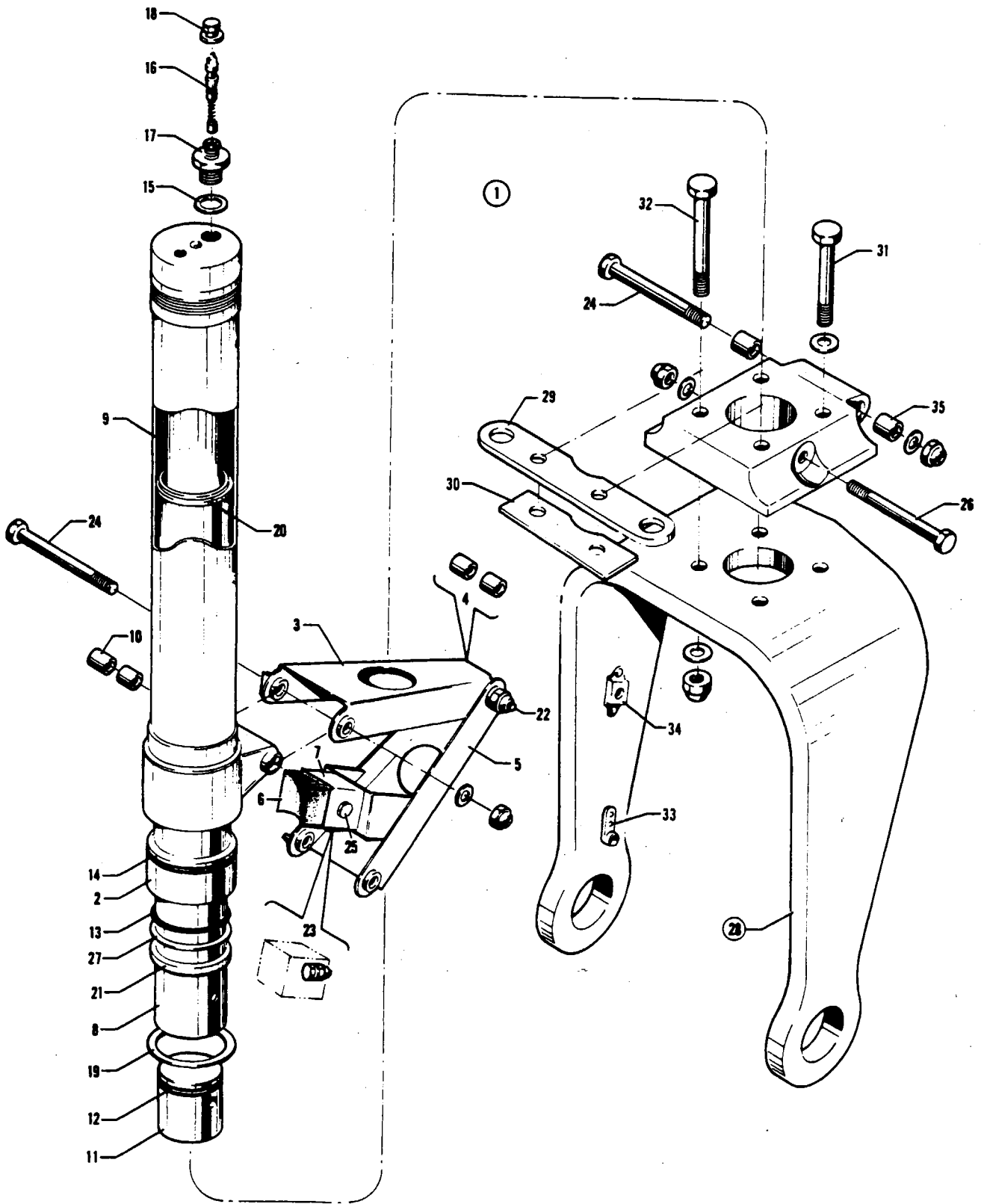


Figure 23 Nose Gear Strut Assembly

PIPER PARTS CATALOG

CODE EXPLANATIONS FOR FIGURE 23

- A - Used when a 5-inch nose wheel is installed
- B - Used when a 6-inch nose wheel is installed
- C - Before ordering tube assembly, ascertain if the top of the sleeve bearing (item no 2) incorporates a .20 inch long by .028 inch deep chamfer in the outer diameter. If the chamfer does not exist, also order a new sleeve bearing P/N 66843-02
- W - These parts must be ordered from Service Spares Department, Piper Aircraft, Lock Haven, Penna

PIPER PARTS CATALOG

Figure and Index Number	Part Number	Code	NOMENCLATURE	No. Req.	SERIAL NUMBERS AFFECTED
23-	69769		DRAWING - Nose Gear Installation		
-1	38605-03	A	STRUT ASSEMBLY - Nose gear (less tire, tube, and wheel)	1	
	69540-05	B	STRUT ASSEMBLY - Nose gear (less tire, tube, and wheel)	1	
-2	66843-02		* BEARING - Sleeve	1	
-3	13074-02	W	* LINK ASSEMBLY - Nose wheel, upper	1	
-4	452 766		* * BEARING - (P32-4)	2	
-5	65413-00		* LINK ASSEMBLY - Nose wheel, lower	1	
-6	79072-00		* BLOCK - Nose wheel bumper	1	
-7	79071-00		* BRACKET ASSEMBLY - Nose wheel bumper block	1	
-8	69537-00		* TUBE - Inner, lower	1	
-9	69538-04	A	* TUBE ASSEMBLY - Outer, upper	1	
	69538-00	B,C	* TUBE ASSEMBLY - Outer, upper	1	
-10	452 766		* * BEARING - (P32-4)	2	
-11	69535-00		* PLUG - Nose wheel oleo piston tube	1	
-12	484 800		* RING - "O", piston tube (MS28775-211)	2	
-13	484 770		* PACKING - Quad ring (4222)	1	
-14	484 796		* PACKING - "O" ring (MS28775-224)	1	
-15	462 024	W	* GASKET - Air valve (AN901-5A)	1	
-16	455 124	W	* CORE - Air valve (AN809-1)	1	
-17	453 124	W	* VALVE - Air (AN812-1)	1	
-18	454 053	W	* CAP - Air valve (AN813-1B)	1	
-19	484 705	W	* RING - Retaining (5000-200)	1	
-20	484 720	W	* SNAP RING - (3478)	1	
-21	187 625	W	* STRIP - Wiper (10V70) (5-1/4" L.)	1	
-22	401 360	W	* BOLT - (AN5-21A)	1	
	407 566	W	* WASHER - (AN960-516)	1	
	404 889	W	* NUT - (MS20365-524C)	1	
-23	400 438	W	* BOLT - (AN3-4A)	1	
	407 564	W	* WASHER - (AN960-10)	1	
	404 887	W	* NUT - (MS20365-1032C)	1	
-24	401 370	W	* BOLT - (AN5-31A)	2	
	407 566	W	* WASHER - (AN960-516)	2	
	404 889	W	* NUT - (MS20365-524C)	2	
-25	401 273	W	* BOLT - (AN3-14A)	1	
	407 564	W	* WASHER	2	
	404 887	W	* NUT - (MS20365-1032C)	1	
-26	401 371		* BOLT - (AN5-32A)	1	
	407 566	W	* WASHER - (AN960-516)	2	
	404 889	W	* NUT - (MS20365-524C)	1	
-27	494 025	W	* WASHER - Back-up (AN6246-27)	1	
-28	38605-04	A	* FORK ASSEMBLY - Nose wheel (with block assembly)	1	
	69540-03	B	* FORK ASSEMBLY - Nose wheel (with block assembly)	1	
-29	65276-00	W	* * LINK - Towbar	1	
-30	65432-00		* * SPACER - Towbar	1	
-31	401 402	A,W	* * BOLT - (AN6-22A)	2	
	401 400	B,W	* * BOLT - (AN6-20A)	2	
	407 567	W	* * WASHER - (AN960-616)	4	
	404 890	W	* * NUT - (MS20365-624C)	2	
-32	401 404	A,W	* * BOLT - (AN6-24A)	2	
	401 403	B,W	* * BOLT - (AN6-23A)	2	
	407 587	W	* * WASHER - (AN960-616L)	2	
	404 890	W	* * NUT - (MS20365-624C)	2	

When ordering, always specify Part Number, Description and Serial Number of Aircraft

PIPER PARTS CATALOG

Figure and Index Number	Part Number	Code	NOMENCLATURE	No. Req.	SERIAL NUMBERS AFFECTED
23-33	406 615	A	• • NUT - Anchor (NAS682A4)	2	
	406 830	B.W	• • NUT - Anchor (NAS686A4)	2	
-34	406 830	W	• • NUT - Anchor (NAS686A4)	2	
-35	452 766		• • BEARING - (P32-4)	2	

When ordering, always specify Part Number, Description and Serial Number of Aircraft

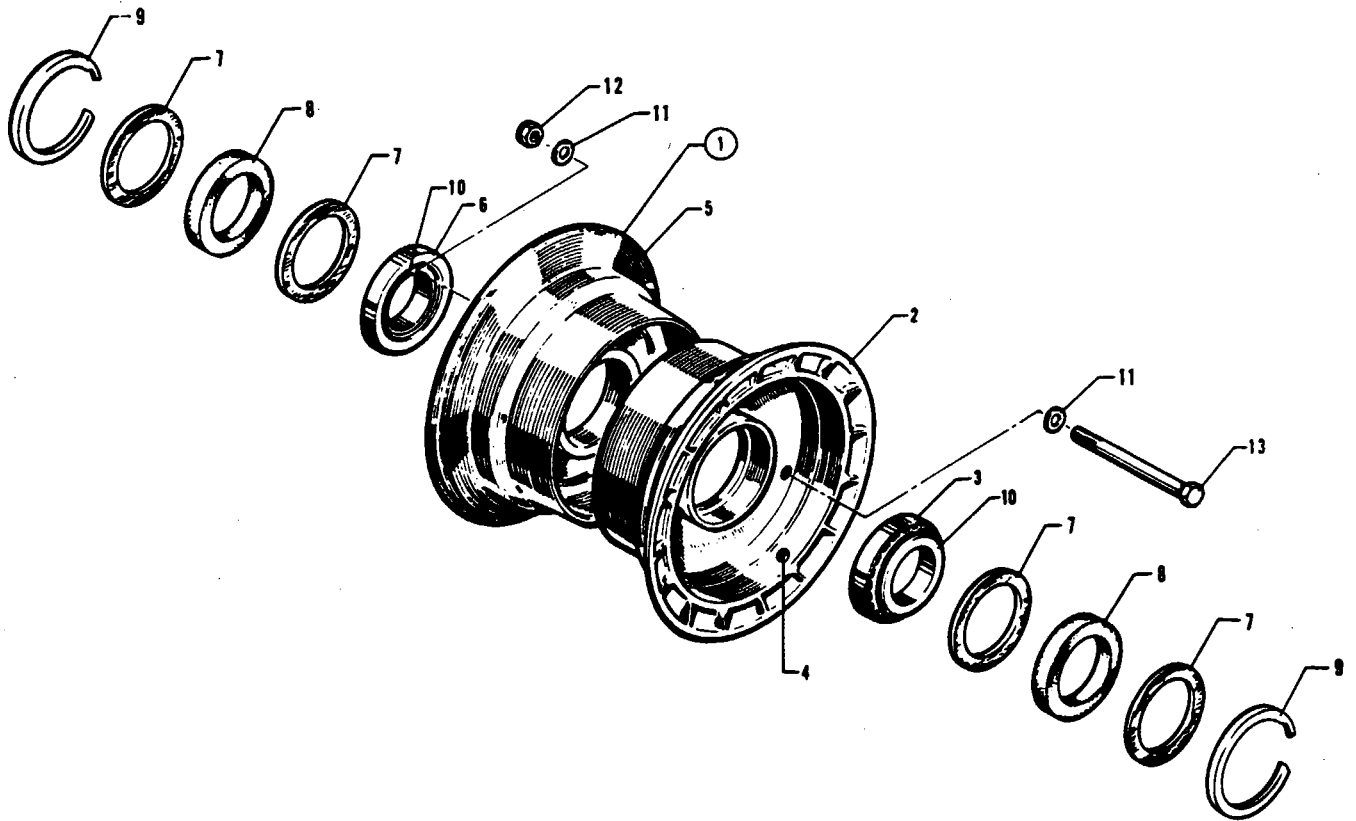


Figure 24 Nose Wheel Assembly (Cleveland, 5-inch)

PIPER PARTS CATALOG

CODE EXPLANATIONS FOR FIGURE 24

W - These parts must be ordered from Service Spares Department, Piper Aircraft, Lock Haven, Penna

PIPER PARTS CATALOG

Figure and Index Number	Part Number	Code	NOMENCLATURE	No. Req.	SERIAL NUMBERS AFFECTED
24-1	551 792		WHEEL ASSEMBLY - Nose (40-77B)	1	
-2	756 667		* WHEEL ASSEMBLY - Outer (162-53) (with valve hole)	1	
-3	757 831		* * CUP - Bearing (08231)	1	
-4	755 048		* * GROMMET - (217-00100)	1	
-5	756 668		* WHEEL ASSEMBLY - Inner (161-55)	1	
-6	757 831		* * CUP - Bearing (08231)	1	
-7	756 007		* RING - Grease seal (153-8)	4	
-8	754 804		* FELT - Grease seal (154-6)	2	
-9	756 008		* RING - Snap (155-2)	2	
-10	750 063	W	* BEARING - Cone (08125)	2	
-11	407 565	W	* WASHER - Wheel bolt (AN960-416)	6	
-12	404 888	W	* NUT - Wheel bolt (AN365-428)	3	
-13	400 015	W	* BOLT - Wheel (AN4-22A)	3	

When ordering, always specify Part Number, Description and Serial Number of Aircraft

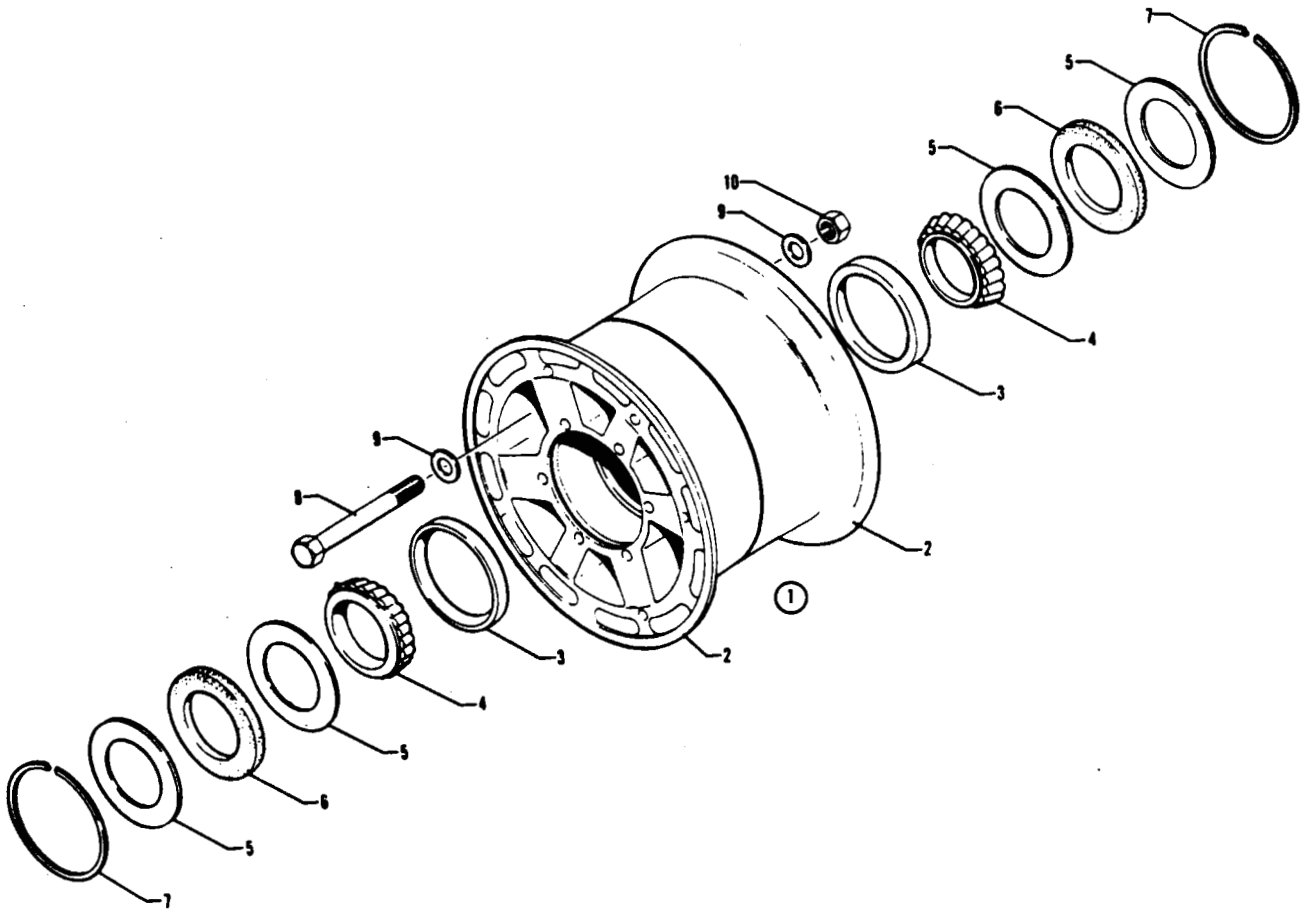


Figure 25 Nose Wheel Assembly (McCauley, 5-inch)

PIPER PARTS CATALOG

CODE EXPLANATIONS FOR FIGURE 25

PIPER PARTS CATALOG

Figure and Index Number	Part Number	Code	NOMENCLATURE	No. Req.	SERIAL NUMBERS AFFECTED
25-1	551 772		WHEEL ASSEMBLY - Nose (D-30500)	1	
-2	756 686		* WHEEL - Half (C-30598)	2	
-3	763 215		* * CUP - Bearing (A-30078-1)	1	
-4	758 391		* BEARING - Cone (A-30078-2)	2	
-5	762 560		* RETAINER - (A-30048)	4	
-6	754 856		* FELT - (A-30047)	2	
-7	762 561		* RING - Retaining (A-1636-23)	2	
-8	758 393		* BOLT - (A-2513-73)	3	
-9	756 685		* WASHER - (A-1638-1)	6	
-10	752 571		* NUT - (A-1639-1)	3	

When ordering, always specify Part Number, Description and Serial Number of Aircraft

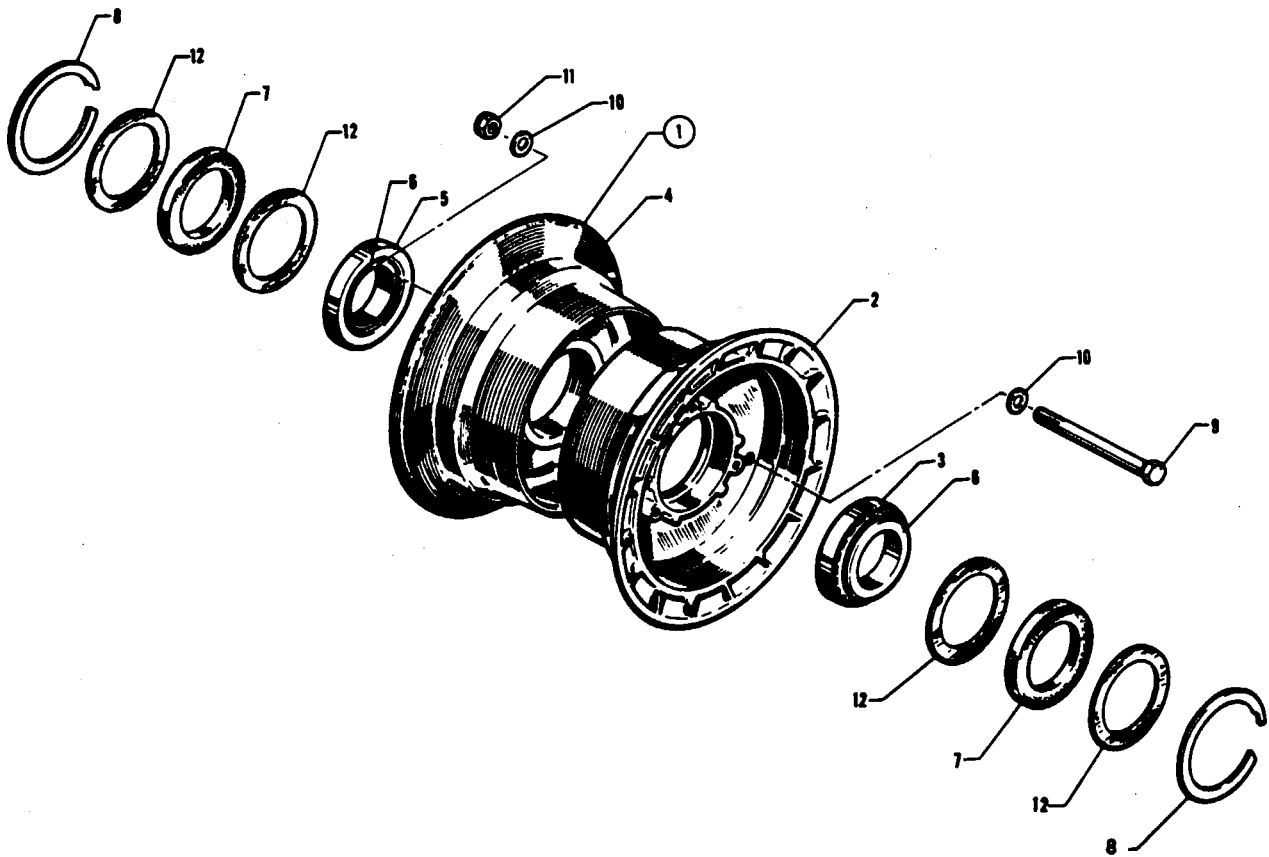


Figure 26 Nose Wheel Assembly (Cleveland, 6-inch)

PIPER PARTS CATALOG

CODE EXPLANATIONS FOR FIGURE 26

W - These parts must be ordered from Service Spares Department, Piper Aircraft, Lock Haven, Penna

PIPER PARTS CATALOG

Figure and Index Number	Part Number	Code	NOMENCLATURE	No. Req.	SERIAL NUMBERS AFFECTED
26-1	551 785		WHEEL ASSEMBLY - Nose (Cleveland 40-56B)	1	
-2	763 718		* WHEEL HALF ASSEMBLY - Outer (162-69) (with valve hole)	1	
-3	763 287		* * CUP - Bearing (LM29710)	1	
-4	763 719		* WHEEL ASSEMBLY - Inner (161-74)	1	
-5	763 287		* * CUP - Bearing (LM29710)	1	
-6	753 448	W	* BEARING - Cone (LM29749)	2	
-7	751 819	W	* FELT - Grease seal (154-14)	2	
-8	752 830	W	* RING - Snap (3023)	2	
-9	758 456	W	* BOLT - Wheel (AN5-34A)	3	
-10	407 566	W	* WASHER - Wheel bolt (AN960-516)	6	
-11	404 889	W	* NUT - Wheel bolt (AN365-524)	3	
-12	755 964	W	* RING - Grease seal (153-9)	4	

When ordering, always specify Part Number, Description and Serial Number of Aircraft

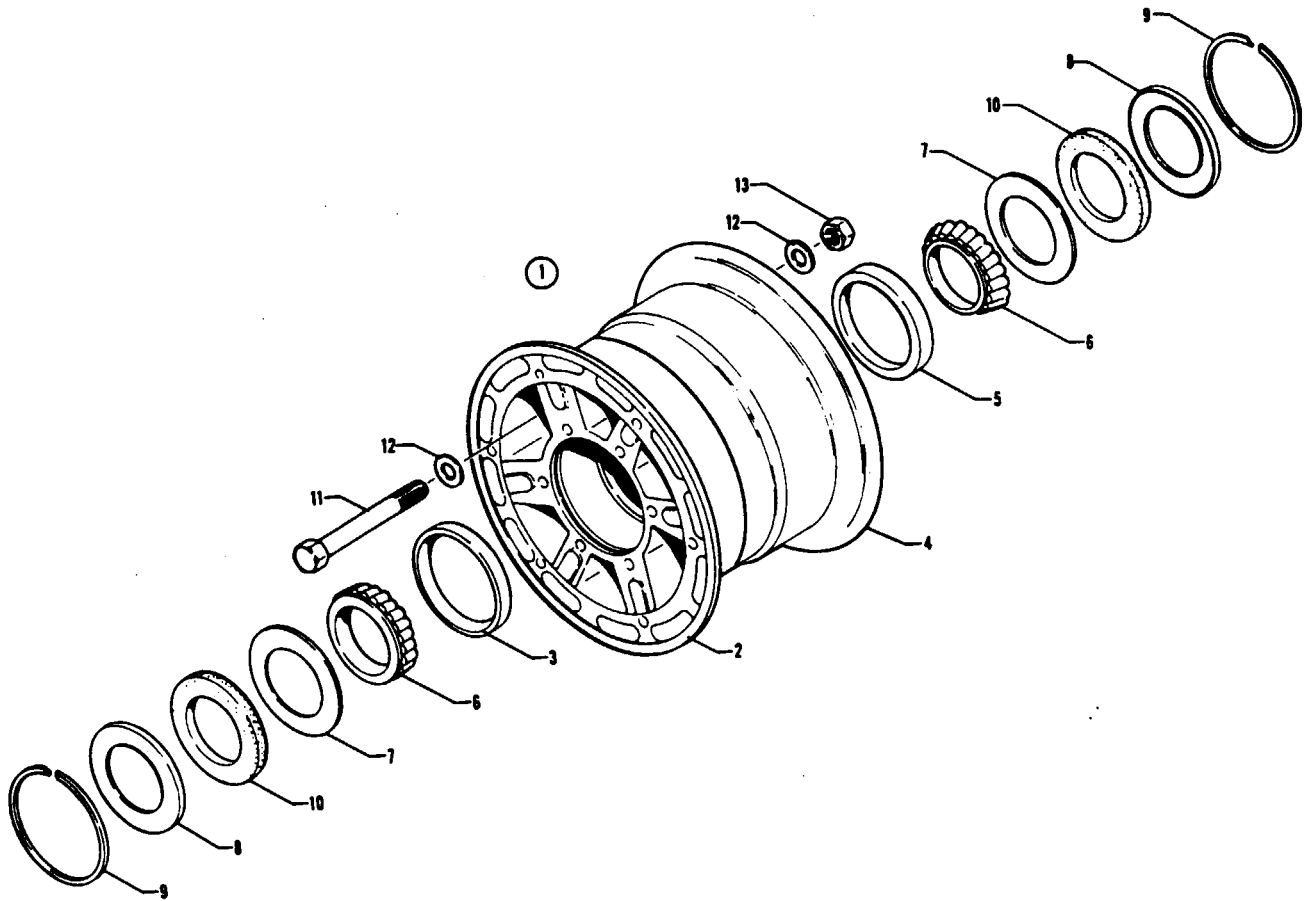


Figure 27 Nose Wheel Assembly (McCauley, 6-inch)

PIPER PARTS CATALOG

CODE EXPLANATIONS FOR FIGURE 27

W - These parts must be ordered from Service Spares Department, Piper Aircraft, Lock Haven, Penna

PIPER PARTS CATALOG

Figure and Index Number	Part Number	Code	NOMENCLATURE	No. Req.	SERIAL NUMBERS AFFECTED
27-1	551 779		WHEEL ASSEMBLY - Nose (D-30665)	1	
-2	763 712		• WHEEL - Half, inner (D-30667)	1	
-3	763 216		• • CUP - Bearing (A-30079-1)	1	
-4	763 713		• WHEEL - Half, outer (D-30657)	1	
-5	763 216		• • CUP - Bearing (A-30079-1)	1	
-6	758 392		• BEARING - Cone (A-30079-2)	2	
-7	762 559		• RETAINER - (A-30015)	2	
-8	762 558	W	• RETAINER - (A-30014)	2	
-9	762 562		• RING - Retaining (A-1636-24)	2	
-10	754 855		• FELT - Retainer (A-30010)	2	
-11	758 394		• BOLT - (A-2513-75)	3	
-12	756 685		• WASHER - (A-1638-1)	6	
-13	752 571		• NUT - (A-1639-1)	3	

When ordering, always specify Part Number, Description and Serial Number of Aircraft

1E24

INTENTIONALLY LEFT BLANK

PIPER PARTS CATALOG

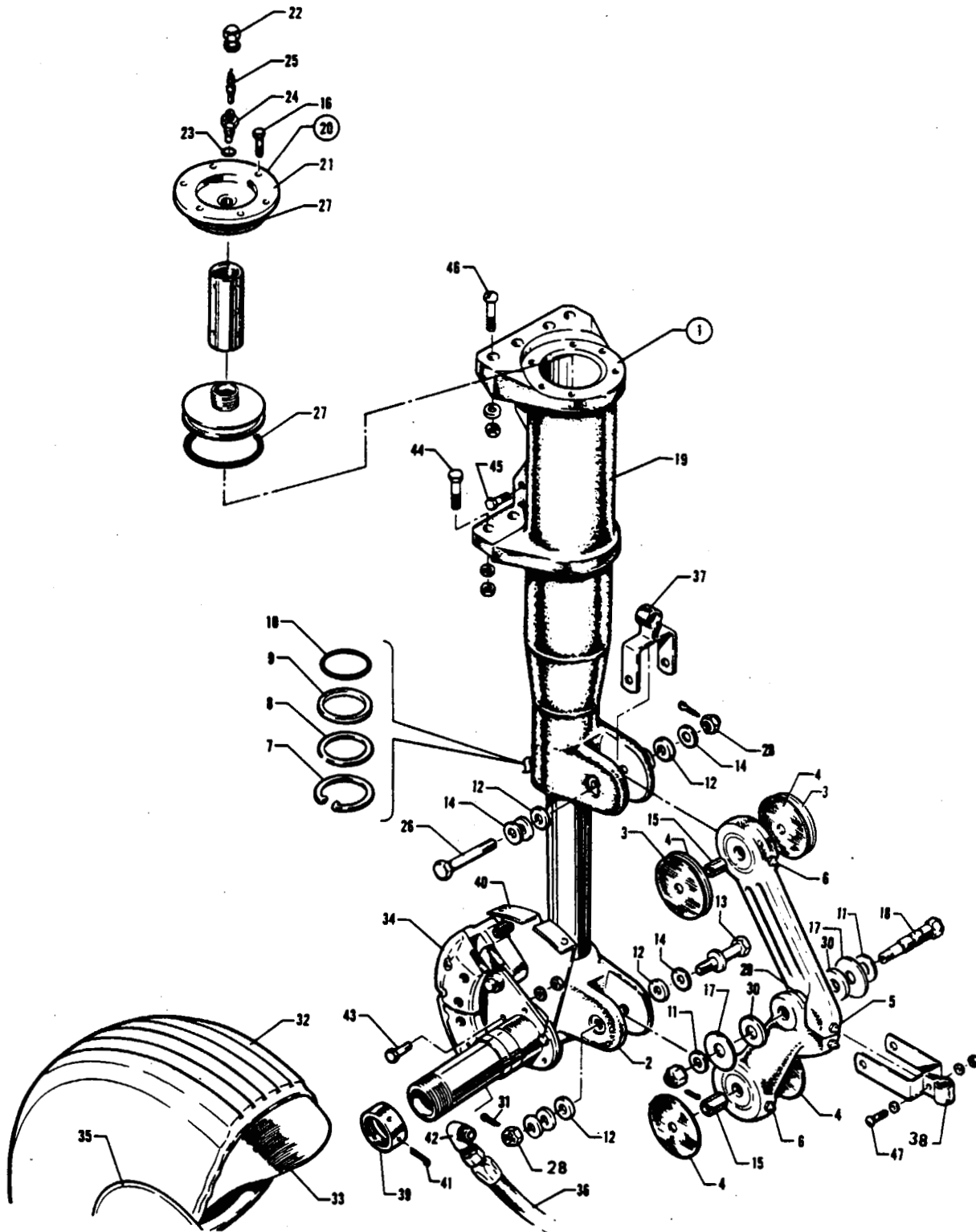


Figure 28. Main Gear Installation

PIPER PARTS CATALOG

CODE EXPLANATIONS FOR FIGURE 28

- A - See Figure 29 for component parts
- B - See Figure 30 for component parts
- C - Used if heavy duty brakes, wheels and tires are installed
- W - These parts must be ordered from Service Spares Department, Piper Aircraft, Lock Haven, Penna

PIPER PARTS CATALOG

Figure and Index Number	Part Number	Code	NOMENCLATURE	No. Req.	SERIAL NUMBERS AFFECTED
28-	68103		DRAWING - Main Gear Installation		
-1	65493-10		GEAR ASSEMBLY - Main, left (less tire, tube, wheel and brake assembly)	1	
	65493-11		GEAR ASSEMBLY - Main, right (less tire, tube, wheel and brake assembly)	1	
-2	78738-04		* STUB AXLE AND OLEO PISTON ASSEMBLY - Left	1	
	78738-05		* STUB AXLE AND OLEO PISTON ASSEMBLY - Right	1	
-3	63311-03		* WASHER - (.005 thick)	AR	
-4	63311-00		* WASHER - Bearing (.063 thick)	4	
-5	78033-00		* LINK ASSEMBLY - Torque	2	
-6	460 691	W	* * FITTING - Lubricator (AN944-101)	2	
-7	63314-00		* RETAINER RING - Piston	1	
-8	63307-00		* RING - Piston spacer	1	
-9	486 188		* RING - Scraper (AN6231-18)	1	
-10	484 769		* QUAD RING - (4326)	1	
-11	407 589	W	* WASHER - (AN960-816L)	2	
-12	407 586	W	* WASHER - (AN960-516)	6	
-13	400 165		* BOLT - (AN5-22)	1	
-14	407 586	W	* WASHER - (AN960-516L)	6	
-15	63310-00		* SPACER - Torque link	2	
-16	401 918	W	* BOLT - (AN74A-3)	6	
-17	62833-27		* WASHER - Torque link bolt	2	
-18	400 302		* BOLT - Main gear torque link (AN8-21)	1	
	404 105	W	* NUT - (AN310-8)	1	
	424 059	W	* COTTER PIN - (MS24665-283)	1	
-19	65490-00		* CYLINDER - Main gear	1	
-20	65488-00		* HEAD ASSEMBLY - Main gear cylinder	1	
-21	65485-00		* * HEAD - Main gear cylinder	1	
-22	454 053	W	* * CAP - Air valve (AN813-1B)	1	
-23	462 024	W	* * GASKET - Air valve (AN901-5A)	1	
-24	453 124	W	* * VALVE - Air (AN812-1)	1	
-25	455 124	W	* * CORE - Air valve (AN809-1)	1	
-26	400 166		* BOLT - (AN5-23)	1	
-27	462 036		* "O" RING - (AN6230-9)	2	
-28	404 122		* NUT - (AN310-C5)	2	
-29	63312-00		* WASHER - Torque link spacer	1	
-30	63312-02		* WASHER - Torque link spacer	2	
-31	424 095	W	* COTTER PIN - (MS24665-151)	2	
-32	451 731		TIRE - (6 00 x 6, 8 ply) McCreary	2	
	761 975	C,W	TIRE - (6 00 x 6, 8 ply) B F Goodrich (heavy duty)	2	
	761 996	C,W	TIRE - (6 00 x 6, 8 ply) McCreary Airhawk (heavy duty)	2	
-33	451 735	W	TUBE - (6 00 x 6)	2	
-34	551 706	B	BRAKE ASSEMBLY - (30-65)	2	
	551 725	B,C	BRAKE ASSEMBLY - (30-83A) (heavy duty)	2	
-35	551 765	A	WHEEL ASSEMBLY - Main (40-90A)	2	
	551 770	A,C	WHEEL ASSEMBLY - Main (40-120C) (heavy duty)	2	
-36	63901-17		HOSE - Brake line	2	
-37	63332-03		CLIP - Hose, top and bottom	4	
-38	63332-06		CLIP - Hose, center	2	
-39	66820-00		NUT - Axle	1	
-40	37880-02		BRACKET ASSEMBLY - Wheel fairing, left	1	
	37880-03		BRACKET ASSEMBLY - Wheel fairing, right	1	

When ordering, always specify Part Number, Description and Serial Number of Aircraft

PIPER PARTS CATALOG

Figure and Index Number	Part Number	Code	NOMENCLATURE	No. Req.	SERIAL NUMBERS AFFECTED
28-41	424 071	W	COTTER PIN - (MS24665-360)	2	
-42	458 894	W	ELBOW - (AN822-4D)	2	
-43	400 003	W	BOLT - (AN4-6A)	12	
	407 565	W	WASHER - (AN960-416)	24	
	404 836	W	NUT - (MS20364-428C)	12	
-44	401 311	W	BOLT - (AN4-11A)	8	
	407 565	W	WASHER - (AN960-416)	4	
	407 585	W	WASHER - (AN960-416L)	4	
	404 888	W	NUT - (MS20365-428C)	8	
-45	400 003	W	BOLT - (AN4-6A)	4	
	407 565	W	WASHER - (AN960-416)	4	
	404 888	W	NUT - (MS20365-428C)	4	
-46	416 349		SCREW - (AN525-416R-22)	8	
	407 585	W	WASHER - (AN960-416L)	8	
	404 888	W	NUT - (MS20365-428C)	8	
-47	415 518	W	SCREW - (MS35206-228)	3	
	407 562	W	WASHER - (AN960-6)	6	
	404 909	W	NUT - (MS20365-632C)	3	

When ordering, always specify Part Number, Description and Serial Number of Aircraft

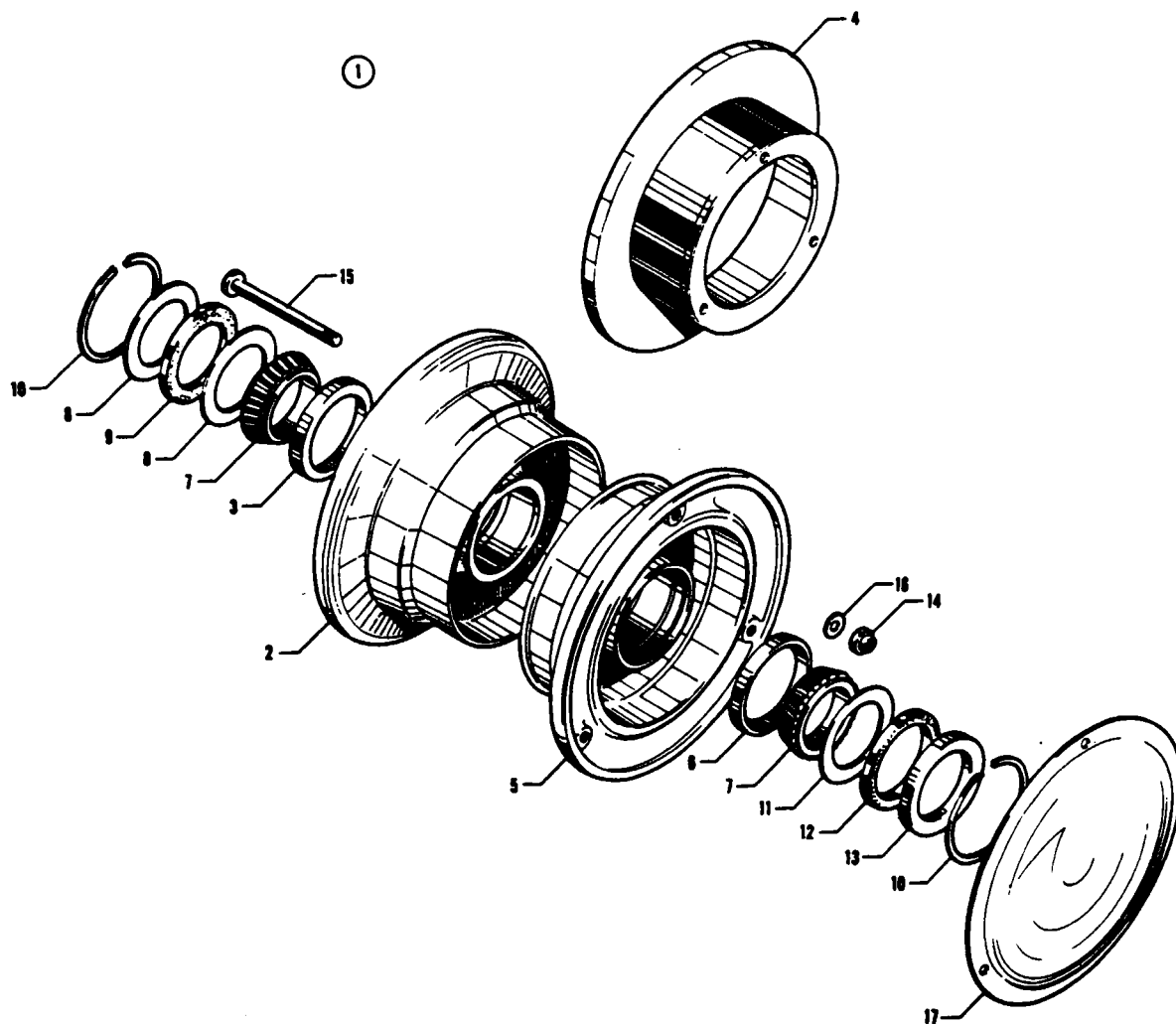


Figure 29. Main Wheel Assembly

PIPER PARTS CATALOG

CODE EXPLANATIONS FOR FIGURE 29

A - Used on Wheel Assembly 40-90A only

B - Used on Wheel Assembly 40-120C only

W - These parts must be ordered from Service Spares Department, Piper Aircraft, Lock Haven, Penna

PIPER PARTS CATALOG

Figure and Index Number	Part Number	Code	NOMENCLATURE	No. Req.	SERIAL NUMBERS AFFECTED
29-1	551 765		WHEEL ASSEMBLY - Main (40-90A)	2	
	551 770		WHEEL ASSEMBLY - Main (40-120C) (heavy duty)	2	
-2	756 666	A	* WHEEL - Half, inner (161-47)	1	
	763 751	B	* WHEEL - Half, inner (161-93B)	1	
-3	751 494	W	* * CUP - Bearing (13836)	1	
-4	754 643	A	* DISC ASSEMBLY - Brake (164-23)	1	
	754 614	B,W	* DISC ASSEMBLY - Brake (164-46)	1	
-5	756 665	A	* WHEEL - Half, outer (162-45)	1	
	763 752	B	* WHEEL - Half, outer (162-87B)	1	
-6	751 494	W	* * CUP - Bearing (13836)	1	
-7	751 489	W	* BEARING - Cone, Timken (13889)	2	
-8	755 999	W	* RING - Grease seal (153-4)	2	
-9	751 772	W	* FELT - Grease seal (154-3)	1	
-10	752 830	W	* RING - Snap (155-1)	2	
-11	755 929	W	* RING - Grease seal (153-3)	1	
-12	751 810	W	* FELT - Grease seal (154-13)	1	
-13	755 930	W	* RING - Grease seal (153-15)	1	
-14	404 889	A,W	* NUT - Wheel bolt (AN365-524)	3	
	404 889	B,W	* NUT - Wheel bolt (AN365-524)	6	
-15	753 473	A,W	* BOLT - Wheel (AN5-36A)	3	
	401 375	B	* BOLT - Wheel (AN5-35A)	6	
-16	407 566	A,W	* WASHER - Wheel bolt (AN960-516)	9	
	407 566	B,W	* WASHER - Wheel bolt (AN960-516)	12	
-17	753 923		CAP - Hub (157-9) (451 783)	2	

When ordering, always specify Part Number, Description and Serial Number of Aircraft

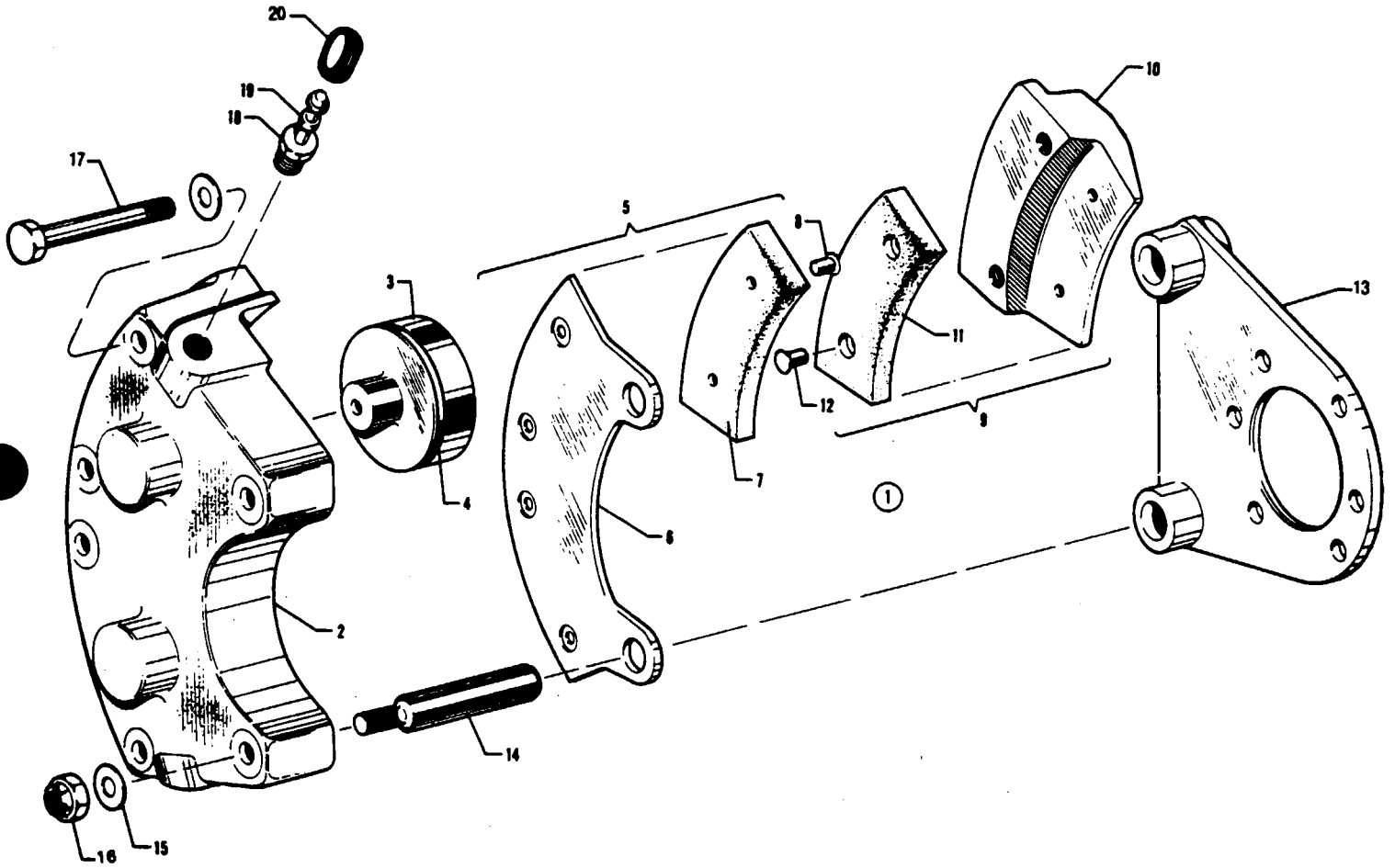


Figure 30. Brake Assembly

PIPER PARTS CATALOG

CODE EXPLANATIONS FOR FIGURE 30

- A - Used on Brake Assembly 30-65 only
- B - Used on Brake Assembly 30-83A only
- W - These parts must be ordered from Service Spares Department, Piper Aircraft, Lock Haven, Penna

PIPER PARTS CATALOG

Figure and Index Number	Part Number	Code	NOMENCLATURE	No. Req.	SERIAL NUMBERS AFFECTED
30-1	551 706		BRAKE ASSEMBLY - (30-65)	2	
	551 725		BRAKE ASSEMBLY - (30-83A) (heavy duty)	2	
-2	753 936	A	* CYLINDER - Brake (61-18)	1	
	758 093	B	* CYLINDER - Brake (61-25)	1	
-3	755 887	A	* PISTON - (62-15)	2	
	757 483	B	* PISTON ASSEMBLY - (92-18)	2	
-4	484 698	A,W	* "O" RING - (AN6227-27)	2	
-5	757 207	A	* PLATE ASSEMBLY - Pressure (73-10)	1	
	757 485	B	* PLATE ASSEMBLY - Pressure (73-16)	1	
-6	757 208		* * PLATE - Pressure (63-11)	1	
-7	752 342	A	* * LINING - Pressure plate (66-30)	2	
	761 197	B	* * LINING - Pressure plate (66-62)	2	
-8	752 826	A,W	* * RIVET - Pressure plate lining (561)	4	
-9	755 885	A	* PLATE ASSEMBLY - Back (74-10)	2	
	757 484	B	* PLATE ASSEMBLY - Back (74-30)	2	
-10	755 886		* * PLATE - Back (64-15)	2	
-11	752 342	A	* * LINING - Back plate (66-30)	2	
	761 197	B	* * LINING - Back plate (66-62)	2	
-12	752 826	A,W	* * RIVET - Back plate lining (561)	4	
-13	451 786		* TORQUE PLATE ASSEMBLY - (75-39)	1	
-14	753 407	W	* BOLT - Anchor (69-4)	2	
-15	407 585	W	* WASHER - (AN960-416L)	6	
-16	404 888	W	* NUT - (AN365-428)	2	
-17	753 430		* BOLT - (LP4-20AM)	4	
-18	752 966	W	* SEAT - Bleeder (37-206)	1	
-19	752 965	W	* SCREW - Bleeder (FC-6446)	1	
-20	753 850	W	* CAP - Bleeder (183-1)	1	

When ordering, always specify Part Number, Description and Serial Number of Aircraft

PIPER PARTS CATALOG

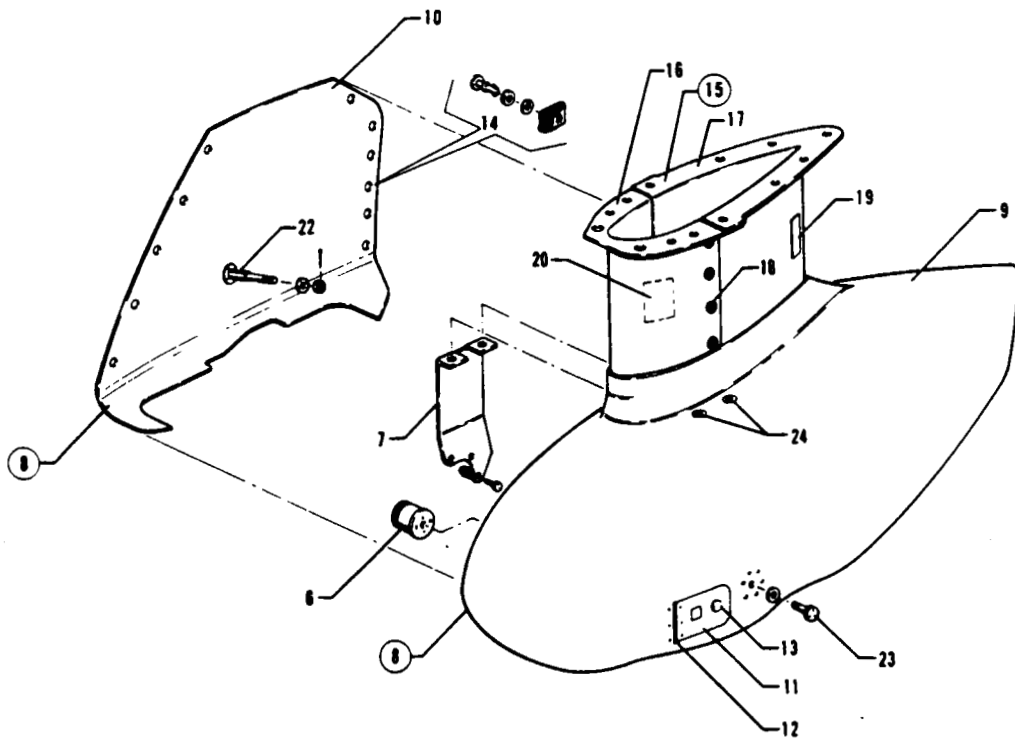
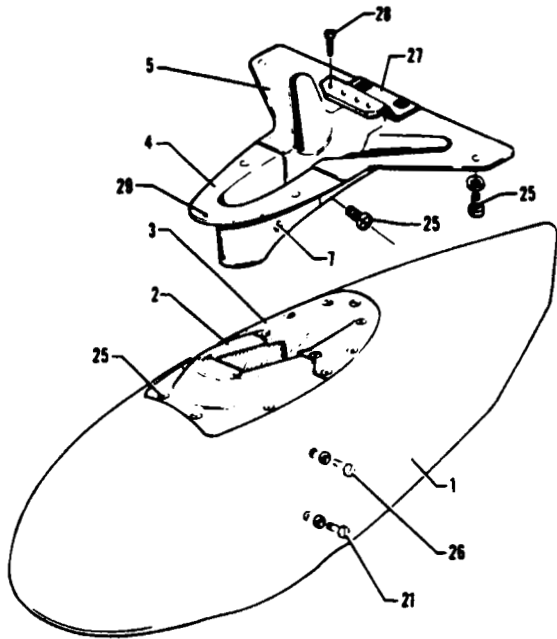


Figure 31. Main and Nose Wheel Fairing Installation

PIPER PARTS CATALOG

CODE EXPLANATIONS FOR FIGURE 31

- A - Used when a 5-inch nose wheel is installed
- B - Used when a 6-inch nose wheel is installed
- C - Used on PA-32-301 only
- D - Used on PA-32-301T only
- W - These parts must be ordered from Service Spares Department, Piper Aircraft, Lock Haven, Penna

PIPER PARTS CATALOG

Figure and Index Number	Part Number	Code	NOMENCLATURE	No. Req.	SERIAL NUMBERS AFFECTED
31	37896 79893		DRAWING - Nose Wheel Fairing Installation DRAWING - Main Wheel and Strut Fairing Installation		
-1	35838-12	A	FAIRING ASSEMBLY - Nose gear, fiberglass	1	
	35944-14	B	FAIRING ASSEMBLY - Nose gear, fiberglass	1	
-2	38682-02	A	COVER - Nose wheel fairing, forward	1	
	36559-04	B	COVER - Nose wheel fairing, forward	1	
-3	38682-03	A	COVER - Nose wheel fairing, aft	1	
	36559-03	B	COVER - Nose wheel fairing, aft	1	
-4	38700-02	D	FAIRING - Nose gear strut, forward	1	
	37891-06	C	FAIRING - Nose gear strut, forward	1	
-5	38700-04	D	FAIRING ASSEMBLY - Nose gear strut, aft	1	
	37891-07	C	FAIRING - Nose gear strut, aft	1	
-6	66821-05		SUPPORT ASSEMBLY - Wheel fairing, main	2	
-7	37880-02		BRACKET ASSEMBLY - Wheel fairing, left	1	
	37880-03		BRACKET ASSEMBLY - Wheel fairing, right	1	
-8	79890-900		FAIRING ASSEMBLY - Main wheel, left, complete	1	
	79890-901		FAIRING ASSEMBLY - Main wheel, right, complete	1	
-9	79890-43		* SHELL ASSEMBLY - Main wheel, outboard, left	1	
	79890-44		* SHELL ASSEMBLY - Main wheel, outboard, right	1	
-10	79890-45		* ACCESS ASSEMBLY - Main wheel, inboard, left	1	
	79890-46		* ACCESS ASSEMBLY - Main wheel, inboard, right	1	
-11	37882-02		* DOOR ASSEMBLY - Wheel fairing	1	
-12	37882-04		* * HINGE ASSEMBLY - Door	1	
-13	472 017	W	* * LATCH - Door (KM610-32)	1	
-14	587 594	W	* STUD - (PS10077-1-9)	15	
	594 003		* WASHER - Seal (85-43-201-38)	15	
	584 140		* RETAINER - (PS10077-1-66)	15	
	484 198	W	* CLIP - Receptacle (PS10077-1-63)	15	
-15	79892-02		FAIRING ASSEMBLY - Main gear strut, left, complete	1	
	79892-03		FAIRING ASSEMBLY - Main gear strut, right, complete	1	
-16	79892-04		* FAIRING ASSEMBLY - Main gear strut, forward, left	1	
	79892-05		* FAIRING ASSEMBLY - Main gear strut, forward, right	1	
-17	79892-10		* FAIRING ASSEMBLY - Main gear strut, aft, left	1	
	79892-09		* FAIRING ASSEMBLY - Main gear strut, aft, right	1	
-18	587 593	W	* STUD - (PS10077-1-8)	8	
	594 003		* WASHER - Seal (85-43-201-38)	8	
	584 140		* RETAINER - (PS10077-1-66)	8	
	484 198	W	* CLIP - Receptacle (PS10077-1-63)	8	
-19	35669-23		PLACARD - Gear	2	
-20	35669-170		PLACARD - Oleo service instructions	2	
-21	401 311	W	BOLT - (AN4-11A)	2	
	407 585	W	WASHER - (AN960-416L)	2	
-22	37881-03		BOLT - Main wheel fairing attachment	2	
	407 565	W	WASHER - (AN960-416)	AR	
	404 888	W	NUT - (MS20365-428C)	2	
-23	400 004	W	BOLT - (AN4-7A)	2	
	407 565	W	WASHER - (AN960-416)	2	
-24	416 633	W	SCREW - (MS24693-S273)	4	
	494 037	W	WASHER - (PS10092-1-3C)	4	
-25	414 762	W	SCREW - (MS24693-S51)	10	
	494 101	W	WASHER - (PS10092-1-2C)	10	

When ordering, always specify Part Number, Description and Serial Number of Aircraft

PIPER PARTS CATALOG

Figure and Index Number	Part Number	Code	NOMENCLATURE	No. Req.	SERIAL NUMBERS AFFECTED
31-26	401 311	A.W	BOLT - (AN4-11A)	2	
	401 312	B.W	BOLT - (AN4-12A)	2	
	407 585	W	WASHER - (AN960-416L)	2	
-27	38698-02	D	BRACKET ASSEMBLY - Strut fairing, nose wheel	1	
-28	415 308	D.W	SCREW - (MS27039-0808)	4	
	407 563	D.W	WASHER - (AN960-8)	4	
	404 910	D.W	NUT - (MS20365-832C)	4	
-29	414 779	W	SCREW - (MS24693-S49)	10	
	494 101	W	WASHER - (PS10092-1-2C)	10	

When ordering, always specify Part Number, Description and Serial Number of Aircraft

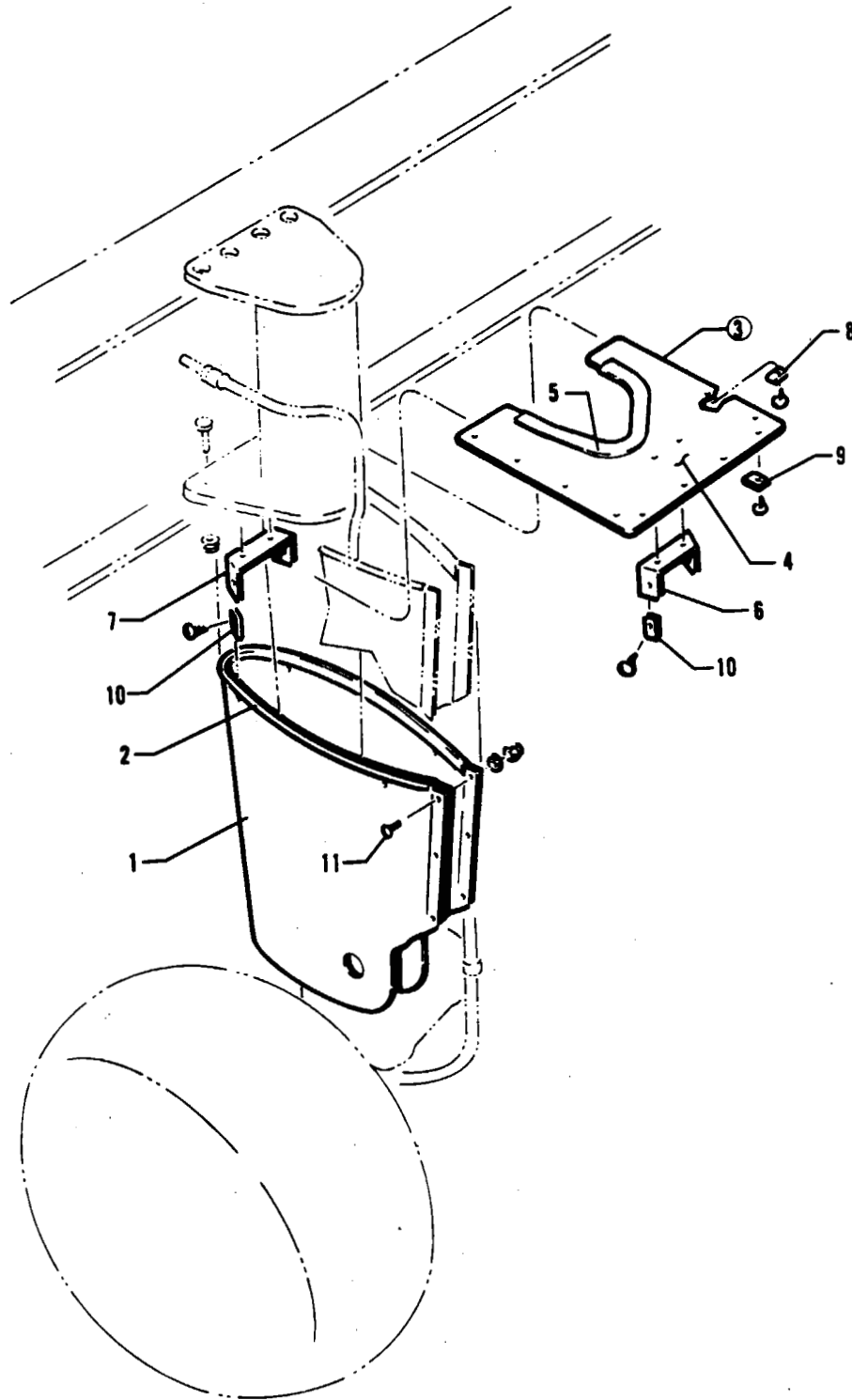


Figure 32 Main Landing Gear Strut Fairing Installation

PIPER PARTS CATALOG

CODE EXPLANATIONS FOR FIGURE 32

- A - Refer to Figure 31 for main gear strut fairings when main wheel fairings are installed
W - These parts must be ordered from Service Spares Department, Piper Aircraft, Lock Haven, Penna

PIPER PARTS CATALOG

Figure and Index Number	Part Number	Code	NOMENCLATURE	No. Req.	SERIAL NUMBERS AFFECTED
32-	65693		DRAWING - Strut Fairing Installation, Main Landing Gear		
-1	63338-00		FAIRING ASSEMBLY - Main gear	2	
-2	63186-04		* MOULDING - Extruded	1	
-3	65688-00		PLATE ASSEMBLY - Fairing, left	1	
	65688-01		PLATE ASSEMBLY - Fairing, right	1	
-4	65688-02		* PLATE - Fairing, left	1	
	65688-03		* PLATE - Fairing, right	1	
-5	63186-33		* MOULDING - Extruded	1	
-6	63341-00		* CLIP - Fairing	2	
-7	63342-00		CLIP - Fairing	2	
-8	419 920	W	SCREW - (8 x 1/2)	2	
	415 449	W	SCREW - (AN526-832R8)	2	
-9	415 449	W	SCREW - (AN526-832R8)	8	
-10	419 920	W	SCREW - (8 x 1/2)	4	
	406 373	W	NUT - (NAS395-17-1)	4	
-11	415 171		SCREW - (AN526-C6-5)	3	
	407 562	W	WASHER - (AN960-6)	3	
	404 909	W	NUT - (MS20365-632C)	3	

When ordering, always specify Part Number, Description and Serial Number of Aircraft

PIPER PARTS CATALOG

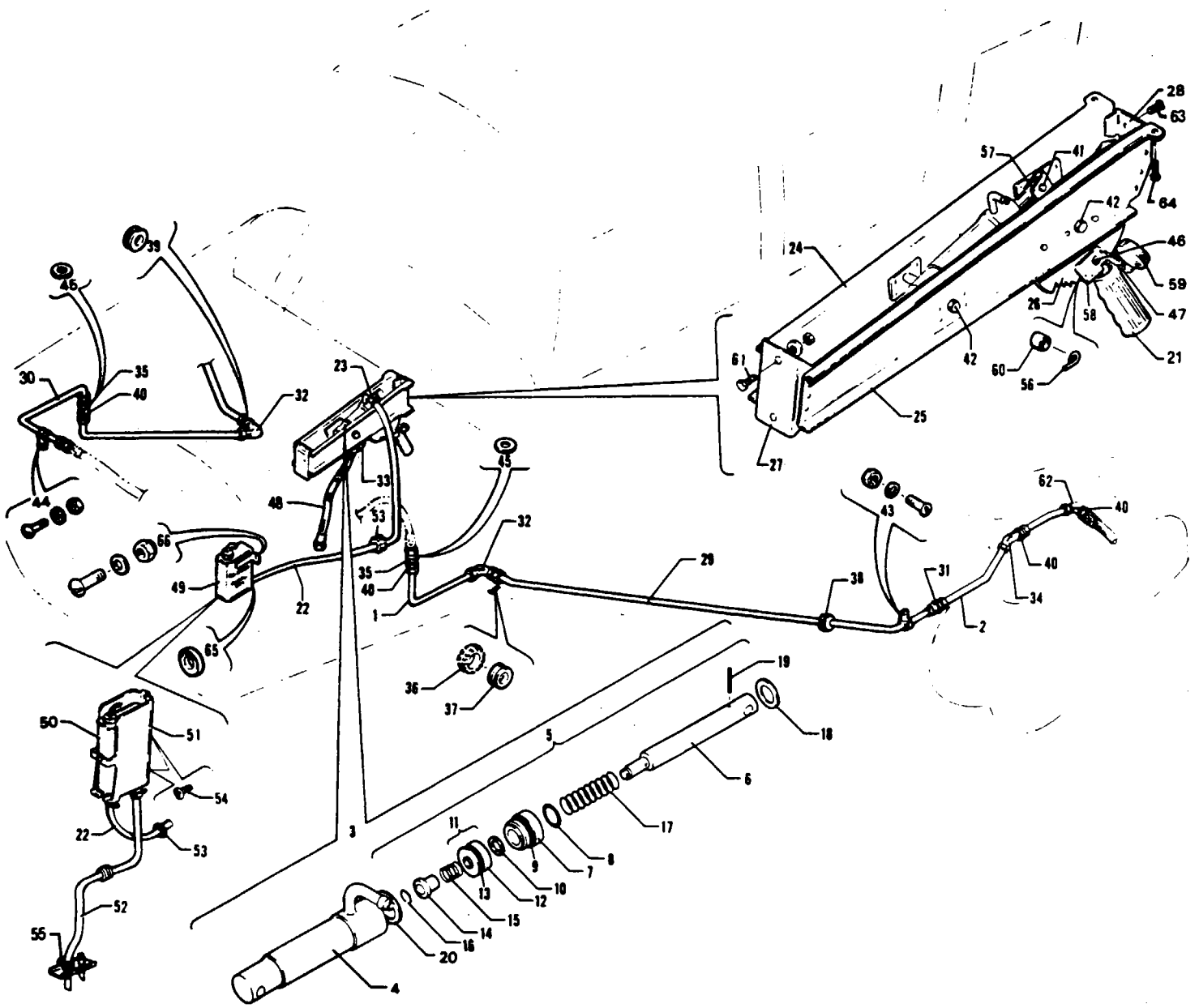


Figure 33 Hand Brake Installation

PIPER PARTS CATALOG

CODE EXPLANATIONS FOR FIGURE 33

A - Used on PA-32-301 only

B - Used on PA-32-301T only

W - These parts must be ordered from Service Spares Department, Piper Aircraft, Lock Haven, Penna

PIPER PARTS CATALOG

Figure and Index Number	Part Number	Code	NOMENCLATURE	No. Req.	SERIAL NUMBERS AFFECTED
33-	69312 38465	B	DRAWING - Hand Brake Installation DRAWING - Brake Fluid Reservoir Installation		
-1	63324-04		LINE ASSEMBLY	2	
-2	63325-00		LINE ASSEMBLY	2	
-3	455 938		CYLINDER ASSEMBLY - Master (10-22)	1	
-4	753 956		* HYDRAULIC CYLINDER ASSEMBLY - (189-9)	1	
-5	755 948		* PISTON ROD ASSEMBLY - (182-7)	1	
-6	755 949		* * ROD - Piston (142-9)	1	
-7	751 889		* * GLAND - Packing (141-10)	1	
-8	484 701	W	* * PACKING - "O" Ring (AN6227-7)	1	
-9	484 727		* * PACKING - "O" Ring (AN6227-12)	1	
-10	753 172	W	* * WASHER - Dyna-seal (110-3/16)	1	
-11	757 216		* * PISTON ASSEMBLY - (92-19)	1	
-12	757 217		* * * PISTON - (148-10)	1	
-13	484 706	W	* * * PACKING - "O" Ring (AN6227-11)	1	
-14	753 381	W	* * BUSHING - (145-15)	1	
-15	756 117	W	* * SPRING - (82-8)	1	
-16	752 855	W	* * RING - Snap (155-5)	1	
-17	756 118	W	* * SPRING - (82-9)	1	
-18	407 567	W	* * WASHER - (AN960-616)	1	
-19	755 882		* * ROLL PIN - (223-1)	1	
-20	755 950		* * RING - Snap (155-10)	1	
-21	463 380		GRIP - Brake handle	1	
-22	63913-49	A	HOSE - Flexible	1	
	63913-167	B	HOSE - Flexible	1	
-23	554 998	W	CLAMP - Hose (GS4 Type F)	2	
-24	67138-00		CHANNEL ASSEMBLY - Brake support, right	1	
-25	67137-00		CHANNEL ASSEMBLY - Brake support, left	1	
-26	63354-00		* RATCHET - Brake handle	1	
-27	67139-00		CHANNEL - Brake support, forward	1	
-28	67140-02		CHANNEL - Brake support, aft	1	
-29	68467-00		LINE ASSEMBLY	2	
-30	68466-00		LINE ASSEMBLY - Right	1	
-31	491 050	W	UNION - (AN815-4D)	2	
-32	458 880	W	ELBOW - (AN821-4D)	2	
-33	458 894	W	ELBOW - (AN822-4D)	1	
-34	458 910	W	ELBOW - (AN837-4D)	2	
-35	491 060	W	UNION - (AN832-4D)	2	
-36	63976-18		GROMMET	1	
-37	434 155	W	GROMMET - (MS35489-7S)	2	
-38	434 151		GROMMET - (MS35489-10S)	2	
-39	434 160		GROMMET - (MS35489-8S)	1	
-40	477 618	W	NUT - (AN924-4D)	4	
-41	424 178	W	PIN - (AN393-19)	1	
	424 051	W	COTTER PIN - (AN380-2-2)	1	
	407 584	W	WASHER - (AN960-10L)	2	
-42	400 113	W	BOLT - (AN4-20)	2	
	407 565	W	WASHER - (AN960-416)	6	
	404 101	W	NUT - (AN310-4)	2	
	424 051	W	COTTER PIN - (AN380-2-2)	2	

When ordering, always specify Part Number, Description and Serial Number of Aircraft

PIPER PARTS CATALOG

Figure and Index Number	Part Number	Code	NOMENCLATURE	No. Req.	SERIAL NUMBERS AFFECTED
33-43	416 995	W	SCREW - (AN520-1032R8)	4	
	407 584	W	WASHER - (AN960-10L)	4	
	404 887	W	NUT - (MS20365-1032C)	4	
-44	416 997	W	SCREW - (AN520-1032R12)	1	
	407 124	W	WASHER - (AN935-10L)	1	
	404 224	W	NUT - (AN315-3R)	1	
-45	407 568	W	WASHER - (AN960-716)	4	
-46	400 876		BOLT - (AN23-24A)	1	
	407 564	W	WASHER - (AN960-10)	3	
	404 887	W	NUT - (MS20365-1032C)	1	
-47	416 994	W	SCREW - (AN526-1032R6)	1	
	407 124	W	WASHER - Lock (AN935-10L)	1	
-48	63901-30		HOSE ASSEMBLY - Flexible	1	
-49	68464-00	A	RESERVOIR ASSEMBLY - Brake cylinder	1	
-50	38464-02	B	RESERVOIR ASSEMBLY - Brake fluid	1	
-51	38463-02	B	SHROUD ASSEMBLY - Brake fluid reservoir	1	
-52	63913-205	B	HOSE ASSEMBLY - Flexible	1	
-53	63976-17		GROMMET - Caterpillar	2	
-54	411 532	B,W	SCREW - (MS35207-263)	2	
-55	554 861	B,W	CLAMP - (SAE TY F-4)	2	
-56	63356-00		SPRING - Brake handle	1	
-57	63357-00		HANDLE ASSEMBLY - Brake	1	
-58	67135-03		LATCH ASSEMBLY - Brake handle	1	
-59	63914-07		KNOB ASSEMBLY - Parking brake	1	
-60	63900-131		BUSHING	1	
-61	400 438	W	BOLT - (AN3-4A)	2	
	407 564	W	WASHER - (AN960-10)	2	
	404 887	W	NUT - (MS20365-1032C)	2	
-62	407 568	W	WASHER - (AN960-716)	4	
-63	415 544	W	SCREW - (MS35206-244)	2	
-64	515 714		SCREW - Lusterless black (PS10084-47-2)	2	
-65	63915-06	A	DISC - Firewall sealing	1	
-66	416 995	A,W	SCREW - (AN526-1032R8)	2	
	407 674	A,W	WASHER - (AN960-C10)	4	
	404 887	A,W	NUT - (MS20365-1032C)	2	

When ordering, always specify Part Number, Description and Serial Number of Aircraft

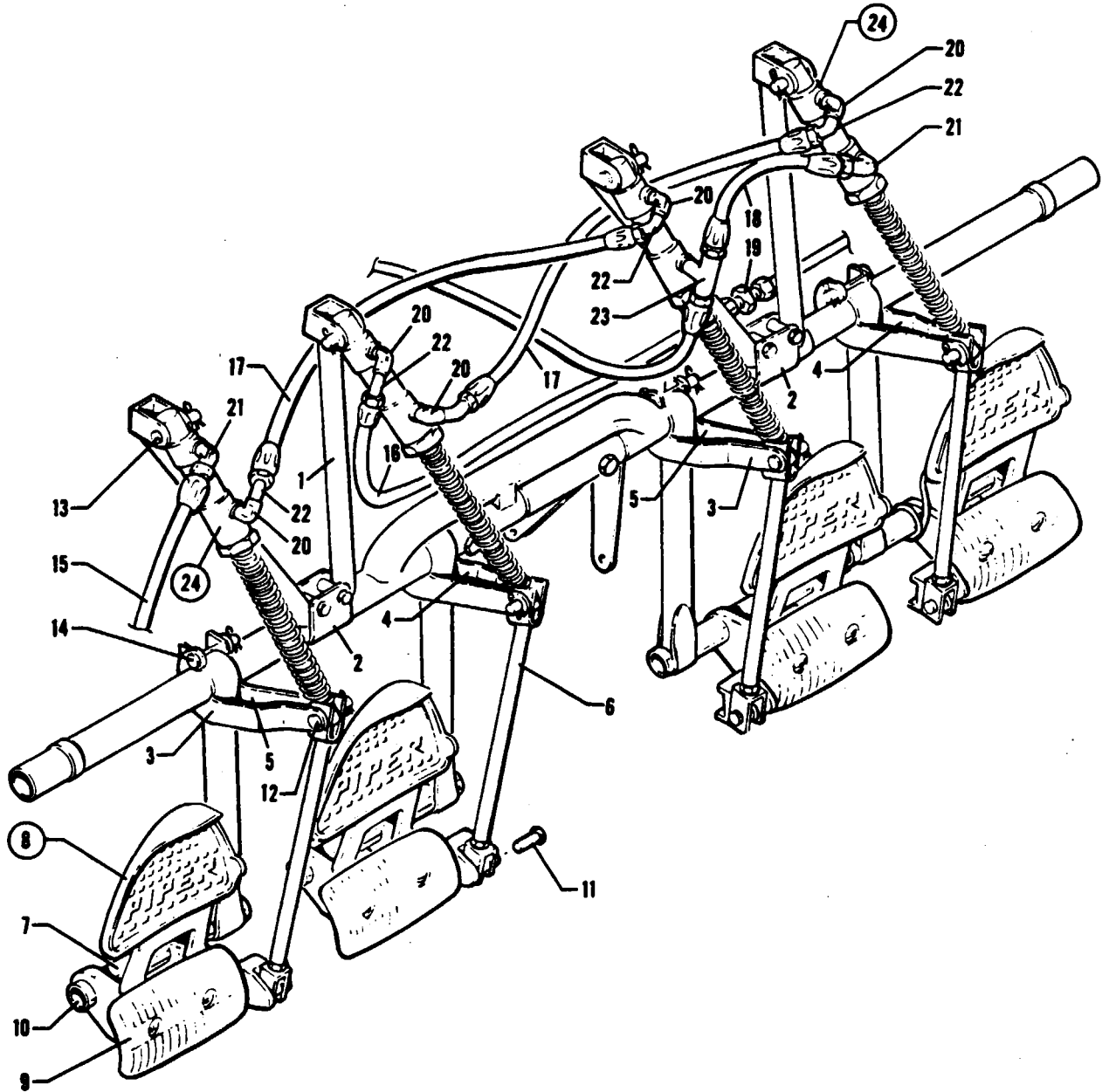


Figure 34 Toe Brake Installation

PIPER PARTS CATALOG

CODE EXPLANATIONS FOR FIGURE 34

A - See Figure 35 for component parts

W - These parts must be ordered from Service Spares Department, Piper Aircraft, Lock Haven, Penna

PIPER PARTS CATALOG

Figure and Index Number	Part Number	Code	NOMENCLATURE	No. Req.	SERIAL NUMBERS AFFECTED
34-	63476 38542		DRAWING - Dual Toe Brake Installation DRAWING - Control System Installation		
-1	63464-05		BRACE ASSEMBLY - Toe brake	2	
-2	63468-00		BRACKET - Toe brake	2	
-3	63469-00		ARM - Toe brake	2	
-4	63469-01		ARM - Toe brake	2	
-5	63470-00		ARM - Toe brake	4	
-6	79430-00		CLEVIS ASSEMBLY - Toe brake (non-adjustable)	4	
-7	63478-00		SPACER - Toe pedal	4	
-8	63485-00		PEDAL ASSEMBLY - Toe brake, left inboard	1	
	63485-02		PEDAL ASSEMBLY - Toe brake, left outboard	1	
	63485-01		PEDAL ASSEMBLY - Toe brake, right inboard	1	
	63485-03		PEDAL ASSEMBLY - Toe brake, right outboard	1	
-9	62867-02		* PAD ASSEMBLY - Brake pedal	1	
-10	453 714		BEARING - Brake pedal (PS10065-37)	8	
-11	424 195	W	PIN - Flat head (MS20392-2C13) (.578 long)	4	
	424 176	W	PIN - Flat head (MS20392-2C15) (.641 long)	4	
-12	424 181	W	PIN - Flat head (MS20392-2C25)	4	
-13	424 184	W	PIN - Flat head (MS20392-2C31)	4	
-14	424 357		PIN - Flat head (MS20392-2C39)	4	
-15	63901-28		HOSE ASSEMBLY - Flexible	1	
-16	63901-09		HOSE ASSEMBLY - Flexible	1	
-17	63901-29		HOSE ASSEMBLY - Flexible	2	
-18	63901-30		HOSE ASSEMBLY - Flexible	1	
-19	491 050	W	UNION - (AN815-4D)	1	
-20	458 904		ELBOW - (AN914-1D)	5	
-21	458 894	W	ELBOW - (MS20822-4D)	2	
-22	458 891	W	ELBOW - (MS20823-4D)	4	
-23	488 499		TEE - (MS20825-4D)	1	
-24	455 968	A	CYLINDER ASSEMBLY - Master (10-30) Cleveland	4	
	455 944	A	CYLINDER ASSEMBLY - Master (17000) Gar-Kenyon	4	

When ordering, always specify Part Number, Description and Serial Number of Aircraft

PIPER PARTS CATALOG

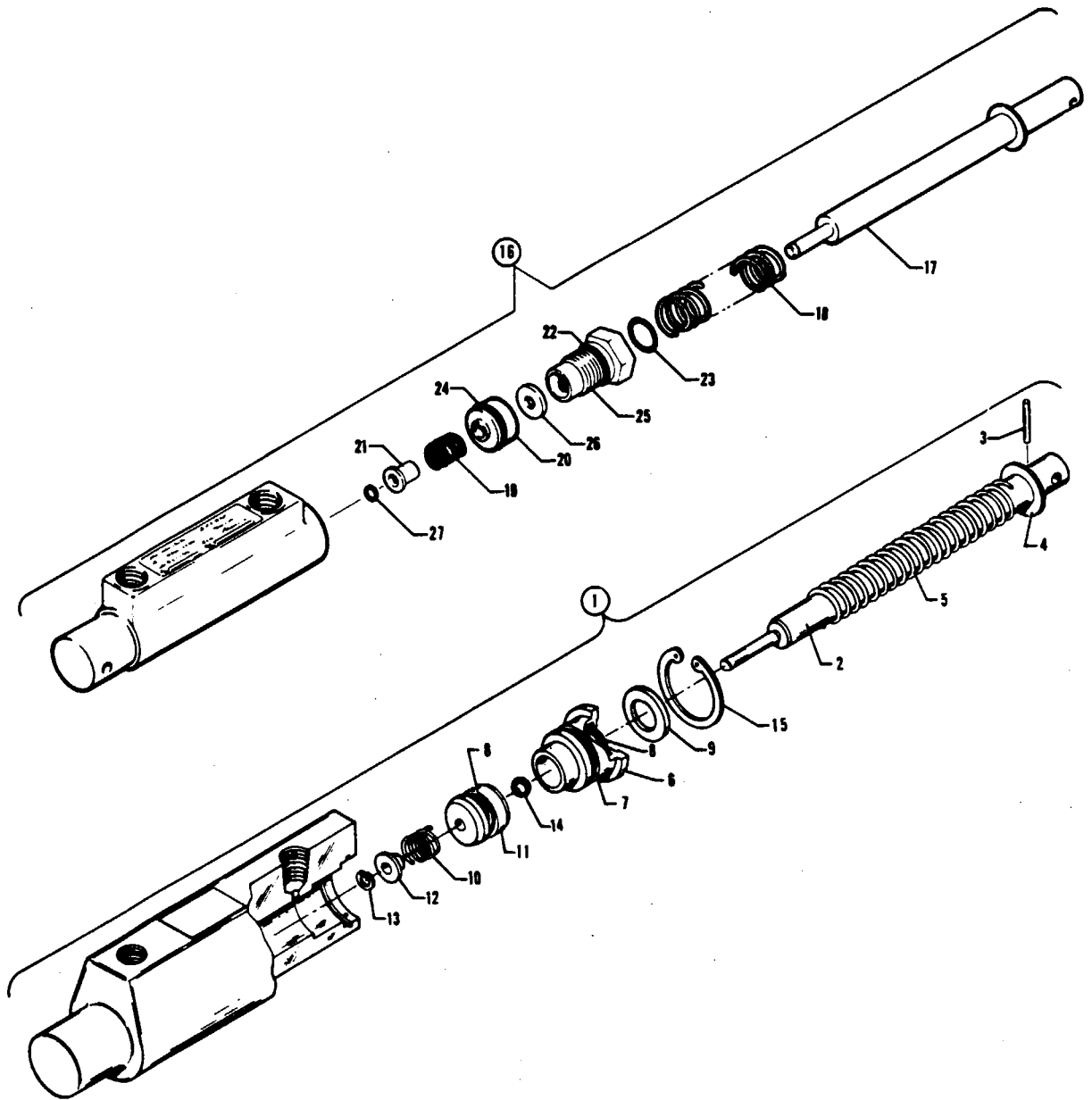


Figure 35 Toe Brake Master Cylinder Assembly

PIPER PARTS CATALOG

CODE EXPLANATIONS FOR FIGURE 35

W - These parts must be ordered from Service Spares Department, Piper Aircraft, Lock Haven, Penna

PIPER PARTS CATALOG

Figure and Index Number	Part Number	Code	NOMENCLATURE	No. Req.	SERIAL NUMBERS AFFECTED
35-1	455 968		CYLINDER ASSEMBLY - Master (10-30) Cleveland	4	
-2	763 451		* PISTON ROD ASSEMBLY - (182-22)	1	
-3	757 318		* * ROLL PIN - (223-00500)	1	
-4	756 622		* * WASHER - (095-10100)	1	
-5	756 118	W	* * SPRING - (82-9)	1	
-6	755 082		* * GLAND - Packing (141-25)	1	
-7	756 018		* * O-RING - (101-01100)	1	
-8	756 016		* * O-RING - (101-00800)	2	
-9	756 621		* * WASHER - Wiper (095-01300)	1	
-10	757 580		* * SPRING - (082-02100)	1	
-11	763 450		* * PISTON - (148-25)	1	
-12	758 457		* * BUSHING - (145-58)	1	
-13	762 586		* * RING - Snap (T5304-15)	1	
-14	762 585		* * O-RING - (101-1)	1	
-15	762 587		* RING - Snap (155-47)	1	
-16	455 944		CYLINDER ASSEMBLY - Master (17000) Gar-Kenyon	4	
-17	757 480		* PISTON ROD AND RING ASSEMBLY - (95404) includes spring retaining ring	1	
-18	762 276		* SPRING - (17005)	1	
-19	762 277		* SPRING - (17006)	1	
-20	757 479		* PISTON - (17003)	1	
-21	762 275		* SLEEVE - (17007)	1	
-22	752 584		* O-RING - (MS28775-113)	1	
-23	484 788		* O-RING - (MS28775-012)	1	
-24	752 585		* O-RING - (MS28775-110)	1	
-25	754 848		* FITTING - (17002)	1	
-26	494 177		* SEAL - (110 3/16)	1	
-27	762 531	W	* RING - Retaining (XRC-313)	1	

When ordering, always specify Part Number, Description and Serial Number of Aircraft

PIPER PARTS CATALOG

CODE EXPLANATIONS FOR FIGURE 36

- A - When ordering, specify color "bark II" or black
- B - When ordering, specify color camel or black vinyl
- C - Used on PA-32-301 only
- D - Used on PA-32-301T only
- E - See Figure 44 if aft facing center seats are installed
- F - Used if air conditioning is installed
- G - Used on PA-32-301 with serial numbers 32-8106001 to 32-8206050 inclusive, and PA-32-301T with serial numbers 32-8124001 to 32-8224024 inclusive
- H - Used if fixed shoulder harnesses are installed
- J - Used if shoulder belts with inertia reel are installed
- K - Used on PA-32-301 with serial numbers 32-8006001 to 32-8006116 inclusive, and PA-32-301T with serial numbers 32-8024001 to 32-8024062 inclusive
- L - When ordering, specify color "bark II," black, or white
- M - Used on PA-32-301 with serial numbers 32-8006001 to 32-8106110 inclusive, and PA-32-301T with serial numbers 32-8024001 to 32-8124046 inclusive
- N - Used on PA-32-301 with serial numbers 32-8206001 and up, and PA-32-301T with serial numbers 32-8224001 and up
- O - Used on PA-32-301 with serial numbers 32-8106001 to 32-8106110 inclusive, and PA-32-301T with serial numbers 32-8124001 to 32-8124046 inclusive
- P - Used on PA-32-301 with serial numbers 32-8306001 and up, and PA-32-301T with serial numbers 32-8324001 and up
- Q - Used on PA-32-301 with serial numbers 32-8106001 to 32-8206050 inclusive, and PA-32-301T with serial numbers 32-8124001 to 32-8224024 inclusive
- R - Used on PA-32-301 with serial numbers 32-8006001 to 32-8206050 inclusive, and PA-32-301T with serial numbers 32-8024001 to 32-8224024 inclusive.
- S - Used on PA-32-301 with serial numbers 32-8206001 to 32-8206050 inclusive, and PA-32-301T with serial numbers 32-8224001 to 32-8224024 inclusive
- W - These parts must be ordered from Service Spares Department, Piper Aircraft, Lock Haven, Penna

PIPER PARTS CATALOG

Figure and Index Number	Part Number	Code	NOMENCLATURE	No. Req.	SERIAL NUMBERS AFFECTED
36-	69974		DRAWING - Cockpit Finishing Installation		
	68578		DRAWING - Forward Baggage Compartment Finishing Installation		
	78081	M	DRAWING - Interior Panel Installation		
	87350	N	DRAWING - Interior Panel Installation		
	66991		DRAWING - Sun Visor Installation		
-1	69429-02	B	PANEL - Firewall, forward baggage	1	
	580 760		PANEL - Firewall, forward baggage, camel	1	
	579 305		PANEL - Firewall, forward baggage, black vinyl	1	
-2	69429-05	B	PANEL ASSEMBLY - Bulkhead, forward baggage	1	
	69428-05	B	PANEL ASSEMBLY - Bulkhead, forward baggage	1	
-3	68662-03	A	PANEL ASSEMBLY - Battery compartment	1	
-4	68646-02	A	PANEL - Forward baggage compartment	1	
-5	579 142	R	PANEL ASSEMBLY - Left front cockpit, camel/camel/ black (with heather carpet)	1	
	580 844	K	PANEL ASSEMBLY - Left front cockpit, dark blue (with royal blue carpet)	1	
	579 144	Q	PANEL ASSEMBLY - Left front cockpit, dark blue (with heather carpet)	1	
	579 145	Q	PANEL ASSEMBLY - Left front cockpit, dark blue (with dark blue carpet)	1	
	680 014	P	PANEL ASSEMBLY - Left front cockpit, blue (with light blue carpet) (vinyl)	1	
	680 109	P	PANEL ASSEMBLY - Left front cockpit, light blue (with light blue carpet) (velour)	1	
	580 842	K	PANEL ASSEMBLY - Left front cockpit, firethorn red (with raspberry carpet)	1	
	579 143	Q	PANEL ASSEMBLY - Left front cockpit, firethorn red (with heather carpet)	1	
	579 146		PANEL ASSEMBLY - Left front cockpit, firethorn red (with firethorn red carpet)	1	
	680 013	P	PANEL ASSEMBLY - Left front cockpit, red (with dark carmine carpet) (vinyl)	1	
	580 843	K	PANEL ASSEMBLY - Left front cockpit, buckskin (with brown carpet)	1	
	579 147	R	PANEL ASSEMBLY - Left front cockpit, buckskin (with medium saddle carpet)	1	
	680 015	P	PANEL ASSEMBLY - Left front cockpit, light buckskin (with dark saddle carpet) (vinyl)	1	
	579 148	G	PANEL ASSEMBLY - Left front cockpit, dark cedar (with dark cedar carpet) (knit)	1	
	579 058	N	PANEL ASSEMBLY - Left front cockpit, dark cedar (with dark cedar carpet) (velour)	1	
	579 056	N	PANEL ASSEMBLY - Left front cockpit, dark carmine (with dark carmine carpet)	1	
	579 057	N	PANEL ASSEMBLY - Left front cockpit, sandalwood (with dark saddle carpet)	1	
	680 012	P	PANEL ASSEMBLY - Left front cockpit, dark saddle (with dark saddle carpet) (fabric)	1	
-6	579 403	M	PANEL ASSEMBLY - Left center cockpit, white/camel/ black	1	
	579 009	S	PANEL ASSEMBLY - Left center cockpit, camel/black	1	
	680 017	P	PANEL ASSEMBLY - Left center cockpit, red (vinyl)	1	
	579 237	O	PANEL ASSEMBLY - Left center cockpit, firethorn red (vinyl)	1	
	579 010	S	PANEL ASSEMBLY - Left center cockpit, firethorn red (vinyl)	1	

When ordering, always specify Part Number, Description and Serial Number of Aircraft

PIPER PARTS CATALOG

Figure and Index Number	Part Number	Code	NOMENCLATURE	No. Req.	SERIAL NUMBERS AFFECTED	
36-6	579 324	M	PANEL ASSEMBLY - Left center cockpit, firethorn red (velour)	1		
	579 012	N	PANEL ASSEMBLY - Left center cockpit, firethorn red (velour)	1		
	579 325	M	PANEL ASSEMBLY - Left center cockpit, buckskin	1		
	579 013	S	PANEL ASSEMBLY - Left center cockpit, buckskin	1		
	680 019	P	PANEL ASSEMBLY - Left center cockpit, light buckskin (vinyl)	1		
	680 018	P	PANEL ASSEMBLY - Left center cockpit, blue (vinyl)	1		
	579 236	O	PANEL ASSEMBLY - Left center cockpit, dark blue (vinyl)	1		
	579 011	S	PANEL ASSEMBLY - Left center cockpit, dark blue (vinyl)	1		
	579 309	M	PANEL ASSEMBLY - Left center cockpit, dark blue (velour)	1		
	579 014	N	PANEL ASSEMBLY - Left center cockpit, dark blue (velour)	1		
	680 110	P	PANEL ASSEMBLY - Left center cockpit, light blue (velour)	1		
	579 235	O	PANEL ASSEMBLY - Left center cockpit, dark cedar (knit)	1		
	579 015	N	PANEL ASSEMBLY - Left center cockpit, dark cedar (knit)	1		
	579 061	N	PANEL ASSEMBLY - Left center cockpit, dark cedar (velour)	1		
	579 059	N	PANEL ASSEMBLY - Left center cockpit, dark carmine	1		
	579 060	N	PANEL ASSEMBLY - Left center cockpit, sandalwood	1		
	680 016	P	PANEL ASSEMBLY - Left center cockpit, dark saddle (fabric)	1		
	-7	579 149	R	PANEL ASSEMBLY - Right front cockpit, camel/camel/black (with heather carpet)	1	
		680 030	P	PANEL ASSEMBLY - Right front cockpit, blue (with light blue carpet) (vinyl)	1	
		579 311	K	PANEL ASSEMBLY - Right front cockpit, dark blue (with royal blue carpet)	1	
579 151		Q	PANEL ASSEMBLY - Right front cockpit, dark blue (with heather carpet)	1		
579 152		G	PANEL ASSEMBLY - Right front cockpit, dark blue (with dark blue carpet)	1		
680 113		P	PANEL ASSEMBLY - Right front cockpit, light blue (with light blue carpet) (velour)	1		
579 328		K	PANEL ASSEMBLY - Right front cockpit, firethorn red (with raspberry carpet)	1		
579 150		Q	PANEL ASSEMBLY - Right front cockpit, firethorn red (with heather carpet)	1		
579 153			PANEL ASSEMBLY - Right front cockpit, firethorn red (with firethorn red carpet)	1		
680 029		P	PANEL ASSEMBLY - Right front cockpit, red (with dark carmine carpet) (vinyl)	1		
579 329		K	PANEL ASSEMBLY - Right front cockpit, buckskin (with brown carpet)	1		
579 154		R	PANEL ASSEMBLY - Right front cockpit, buckskin (with medium saddle carpet)	1		
680 031		P	PANEL ASSEMBLY - Right front cockpit, light buckskin (with dark saddle carpet) (vinyl)	1		
579 155		G	PANEL ASSEMBLY - Right front cockpit, dark cedar (with dark cedar carpet) (knit)	1		
579 067		N	PANEL ASSEMBLY - Right front cockpit, dark cedar (with dark cedar carpet) (velour)	1		
579 065		N	PANEL ASSEMBLY - Right front cockpit, dark carmine (with dark carmine carpet)	1		
579 066		N	PANEL ASSEMBLY - Right front cockpit, sandalwood (with dark saddle carpet)	1		
680 028		P	PANEL ASSEMBLY - Right front cockpit, dark saddle (with dark saddle carpet) (fabric)	1		

When ordering, always specify Part Number, Description and Serial Number of Aircraft

PIPER PARTS CATALOG

Figure and Index Number	Part Number	Code	NOMENCLATURE	No. Req.	SERIAL NUMBERS AFFECTED
36-8	579 407	M	PANEL ASSEMBLY - Right center cockpit, white/camel/black	1	
	579 023	S	PANEL ASSEMBLY - Right center cockpit, camel/black	1	
	680 033	P	PANEL ASSEMBLY - Right center cockpit, red (vinyl)	1	
	579 251	O	PANEL ASSEMBLY - Right center cockpit, firethorn red (vinyl)	1	
	579 024	S	PANEL ASSEMBLY - Right center cockpit, firethorn red (vinyl)	1	
	579 332	M	PANEL ASSEMBLY - Right center cockpit, firethorn red (velour)	1	
	579 026	N	PANEL ASSEMBLY - Right center cockpit, firethorn red (velour)	1	
	579 333	M	PANEL ASSEMBLY - Right center cockpit, buckskin	1	
	579 027	S	PANEL ASSEMBLY - Right center cockpit, buckskin	1	
	680 035	P	PANEL ASSEMBLY - Right center cockpit, light buckskin (vinyl)	1	
	680 034	P	PANEL ASSEMBLY - Right center cockpit, blue (vinyl)	1	
	579 252	O	PANEL ASSEMBLY - Right center cockpit, dark blue (vinyl)	1	
	579 025	S	PANEL ASSEMBLY - Right center cockpit, dark blue (vinyl)	1	
	579 313	M	PANEL ASSEMBLY - Right center cockpit, dark blue (velour)	1	
	579 028	N	PANEL ASSEMBLY - Right center cockpit, dark blue (velour)	1	
	680 114	P	PANEL ASSEMBLY - Right center cockpit, light blue (velour)	1	
	579 250	O	PANEL ASSEMBLY - Right center cockpit, dark cedar (knit)	1	
	579 029	N	PANEL ASSEMBLY - Right center cockpit, dark cedar (knit)	1	
	579 073	N	PANEL ASSEMBLY - Right center cockpit, dark cedar (velour)	1	
	579 071	N	PANEL ASSEMBLY - Right center cockpit, dark carmine	1	
	579 072	N	PANEL ASSEMBLY - Right center cockpit, sandalwood	1	
	680 032	P	PANEL ASSEMBLY - Right center cockpit, dark saddle (fabric)	1	
-9	579 408	M	PANEL ASSEMBLY - Right rear cockpit, white/camel/black	1	
	579 030	S	PANEL ASSEMBLY - Right rear cockpit, camel/black	1	
	680 037	P	PANEL ASSEMBLY - Right rear cockpit, red (vinyl)	1	
	579 254	O	PANEL ASSEMBLY - Right rear cockpit, firethorn red (vinyl)	1	
	579 031	S	PANEL ASSEMBLY - Right rear cockpit, firethorn red (vinyl)	1	
	579 334	M	PANEL ASSEMBLY - Right rear cockpit, firethorn red (velour)	1	
	579 033	N	PANEL ASSEMBLY - Right rear cockpit, firethorn red (velour)	1	
	579 335	M	PANEL ASSEMBLY - Right rear cockpit, buckskin	1	
	579 034	S	PANEL ASSEMBLY - Right rear cockpit, buckskin	1	
	680 039	P	PANEL ASSEMBLY - Right rear cockpit, light buckskin (vinyl)	1	
	680 038	P	PANEL ASSEMBLY - Right rear cockpit, blue (vinyl)	1	
	579 255	O	PANEL ASSEMBLY - Right rear cockpit, dark blue (vinyl)	1	
	579 032	S	PANEL ASSEMBLY - Right rear cockpit, dark blue (vinyl)	1	
	579 314	M	PANEL ASSEMBLY - Right rear cockpit, dark blue (velour)	1	
	579 035	N	PANEL ASSEMBLY - Right rear cockpit, dark blue (velour)	1	
	680 115	P	PANEL ASSEMBLY - Right rear cockpit, light blue (velour)	1	
	579 253	O	PANEL ASSEMBLY - Right rear cockpit, dark cedar (knit)	1	
	579 036	N	PANEL ASSEMBLY - Right rear cockpit, dark cedar (knit)	1	
	579 076	N	PANEL ASSEMBLY - Right rear cockpit, dark cedar (velour)	1	
	579 074	N	PANEL ASSEMBLY - Right rear cockpit, dark carmine	1	
	579 075	N	PANEL ASSEMBLY - Right rear cockpit, sandalwood	1	
	680 036	P	PANEL ASSEMBLY - Right rear cockpit, dark saddle (fabric)	1	
-10	36588-04		SCREW AND POST ASSEMBLY - Retainer	1	
-11	68633-05	A	HEADLINER - Baggage compartment, left	1	
	68633-07	A	HEADLINER - Baggage compartment, right	1	

When ordering, always specify Part Number, Description and Serial Number of Aircraft

PIPER PARTS CATALOG

Figure and Index Number	Part Number	Code	NOMENCLATURE	No. Req.	SERIAL NUMBERS AFFECTED
36-12	78054-02		COVER ASSEMBLY - Inertia reel, forward left	1	
	78054-03	H,O	COVER ASSEMBLY - Inertia reel, forward right	1	
	99801-02	J	COVER ASSEMBLY - Inertia reel, forward right	1	
-13	79182-02	A,M	COVER - Switch plate (unlighted)	1	
	69976-03	A	COVER - Switch plate (lighted)	1	
-14	65735-19	A	COVER - Air vent	4	
-15	66615-14	A	COVER ASSEMBLY	2	
-16	66788-14	L	COVER - Cabin air	2	
	99787-00	A,F	COVER - Cabin air	2	
-17	36551-02	A	COVER - Trim	2	
-18	36551-03	A	COVER - Trim	2	
-19	68017-00		COVER - Aft tunnel	1	
-20	69368-00		COVER - Cowl	1	
-21	69596-15	A	COVER ASSEMBLY - Forward tunnel	1	
-22	69652-12	A	COVER ASSEMBLY - Fuel selector control	1	
-23	69654-19	A	COVER ASSEMBLY - Console (less fuel selector control)	1	
-24	36975-02	C	BLADE - Sun visor, pilot	1	
	36984-02	D	BLADE - Sun visor, pilot	1	
	65866-02		BLADE - Sun visor, copilot	1	
-25	66710-16	E	HOUSING ASSEMBLY - Armrest, left	2	
	66710-17	E	HOUSING ASSEMBLY - Armrest, right	2	
-26	763 003	E	* ASH TRAY - (S-25-AR-C)	1	
-27	580 731	R	PAD - Armrest, camel	4	
	680 001	P	PAD - Armrest, red (vinyl)	4	
	579 227	Q	PAD - Armrest, firethorn red (vinyl)	4	
	579 472		PAD - Armrest, firethorn red (velour)	4	
	559 793	P	PAD - Armrest, firethorn red (leather)	4	
	579 473	R	PAD - Armrest, buckskin (velour)	4	
	680 003	P	PAD - Armrest, light buckskin (vinyl)	4	
	559 805	P	PAD - Armrest, light buckskin (leather)	4	
	579 228	Q	PAD - Armrest, dark blue (vinyl)	4	
	579 474		PAD - Armrest, dark blue (velour)	4	
	559 758	P	PAD - Armrest, dark blue (leather)	4	
	680 002	P	PAD - Armrest, blue (vinyl)	4	
	579 226	G	PAD - Armrest, dark cedar (knit)	4	
	579 115	S	PAD - Armrest, dark cedar (velour)	4	
	559 782	P	PAD - Armrest, dark cedar (leather)	4	
	579 113	S	PAD - Armrest, dark carmine (velour)	4	
	579 114	N	PAD - Armrest, sandalwood (fabric)	4	
	680 131	P	PAD - Armrest, patrician sandalwood (fabric)	4	
	680 000	P	PAD - Armrest, dark saddle (knit)	4	
	559 770	P	PAD - Armrest, dark saddle (leather)	4	
-28	63142-56		TRIM STRIP - Forward cabin door	1	
-29	63142-55		TRIM STRIP - Forward cabin door	1	
-30	63142-21		TRIM STRIP - Aft cabin door	1	
-31	63142-33	M	TRIM STRIP - Aft cabin door and cargo door	1	
	63142-47	N	TRIM STRIP - Aft cabin door and cargo door	1	
-32	63142-34		TRIM STRIP - Cargo door windlacing, top	1	
-33	63142-50		TRIM STRIP - Forward cabin door	1	
-34	63142-54		TRIM STRIP - Cargo door, aft (20.25" L.)	1	
-35	63142-28		TRIM STRIP - Cargo door, aft (3.70" L.)	1	
-36	68969-05		WINDLACING - Aft cabin door and cargo door, white	1	
-37	65546-04		SILL - Door, forward cabin	1	
-38	69188-03		SILL - Door, aft cabin	1	

When ordering, always specify Part Number, Description and Serial Number of Aircraft

PIPER PARTS CATALOG

Figure and Index Number	Part Number	Code	NOMENCLATURE	No. Req.	SERIAL NUMBERS AFFECTED
36-35	69189-0C		SILL - Lower cargo latch	1	
-40	69403-03		WINDLACING - Forward cabin door	1	
-41	62827-07		SHIELD - Flap handle cover	1	
-42	63287-00		PLATE - Tunnel	1	
-43	65735-18	A	CUP - Air vent	4	
-44	66787-00		PLACARD - Soft wear only	1	
-45	66804-00		STRAP ASSEMBLY - Baggage tie down, black (tip end)	2	
-46	66805-00		STRAP ASSEMBLY - Baggage tie down, black (buckle end)	2	
-47	68209-02		PLATE - Tunnel	1	
-48	68415-00		PLATE - Aft tunnel cover	1	
-49	68416-00		VENT ASSEMBLY - Forward, left (complete)	1	
	68416-01		VENT ASSEMBLY - Forward, right (complete)	1	
	68556-00		VENT ASSEMBLY - Aft, left (complete)	1	
	68556-01		VENT ASSEMBLY - Aft, right (complete)	1	
-50	79445-00		DOOR ASSEMBLY - Rear bulkhead	1	
-51	79837-02		BULKHEAD ASSEMBLY - Hatshelf	1	
-52	68610-00		TRIM PLATE	1	
-53	69363-00		PLACARD - Rudder trim	1	
-54	79455-00		LOOP ASSEMBLY - Assist	2	
-55	79456-00		CAP - Assist strap	2	
-56	68495-00		BLANKET - Cabin	1	
-57	68090-16	A	CHANNEL - Seat trim, left rear	1	
	68090-17	A	CHANNEL - Seat trim, right rear	1	
-58	65868-00		ROD - Sun visor	2	
-59	65869-00		BEARING - Sun visor	4	
-60	65870-00		CLIP - Sun visor, upper left and lower right	2	
-61	65871-00		CLIP - Sun visor, lower left and upper right	2	
-62	65865-00		RETAINER - Sun visor	2	
-63	79681-02	A	CHANNEL - Seat trim, left center	1	
	79681-03	A	CHANNEL - Seat trim, right center	1	
-64	99458-00		BAR ASSEMBLY - Tow	1	
-65	69344-28	A	COVER ASSEMBLY - Engine control	1	
-66	79472-00		* STOP ASSEMBLY - Mixture control	1	
-67	415 376		SCREW - (MS51957-27)	4	
	477 896		DOME NUT - (8061-NP)	4	
-68	487 560	W	STUD - (XX10362-12)	3	
-69	78117-00		RETAINER - Glare shield, left	1	
-70	78118-00		RETAINER - Glare shield, right	1	
-71	79125-00		CAP - Trim, left	1	
	79125-01		CAP - Trim, right	1	
-72	515 710	W	SCREW - (PS10084-44-2)	2	
	407 562	W	WASHER - (AN960-6)	2	
	404 909	W	NUT - (MS20365-632C)	2	
-73	79404-00		COVER - Radio cooling	1	
-74	35669-63		PLACARD - Baggage limitations, forward	1	
-75	96272-00		PLACARD - Baggage limitations, aft	1	
-76	78735-02		COVER - Rudder pedal stop bracket	2	
-77	67786-00		PLACARD - Stabilator trim	1	
-78	69669-86		PLACARD - Operating limitations	1	
-79	35669-162		PLACARD - Fuel selector	1	
-80	484 691		RIVET - Plastic (201-120751-00-0103)	2	
-81	76221-00	G,H	CLIP - Shoulder harness retaining	6	
-82	69669-44		PLACARD - Engine controls	1	
-83	419 594		SCREW - (AN530-10R36)	8	
-84	96866-02		PLATE - Striker	1	

When ordering, always specify Part Number, Description and Serial Number of Aircraft

PIPER PARTS CATALOG

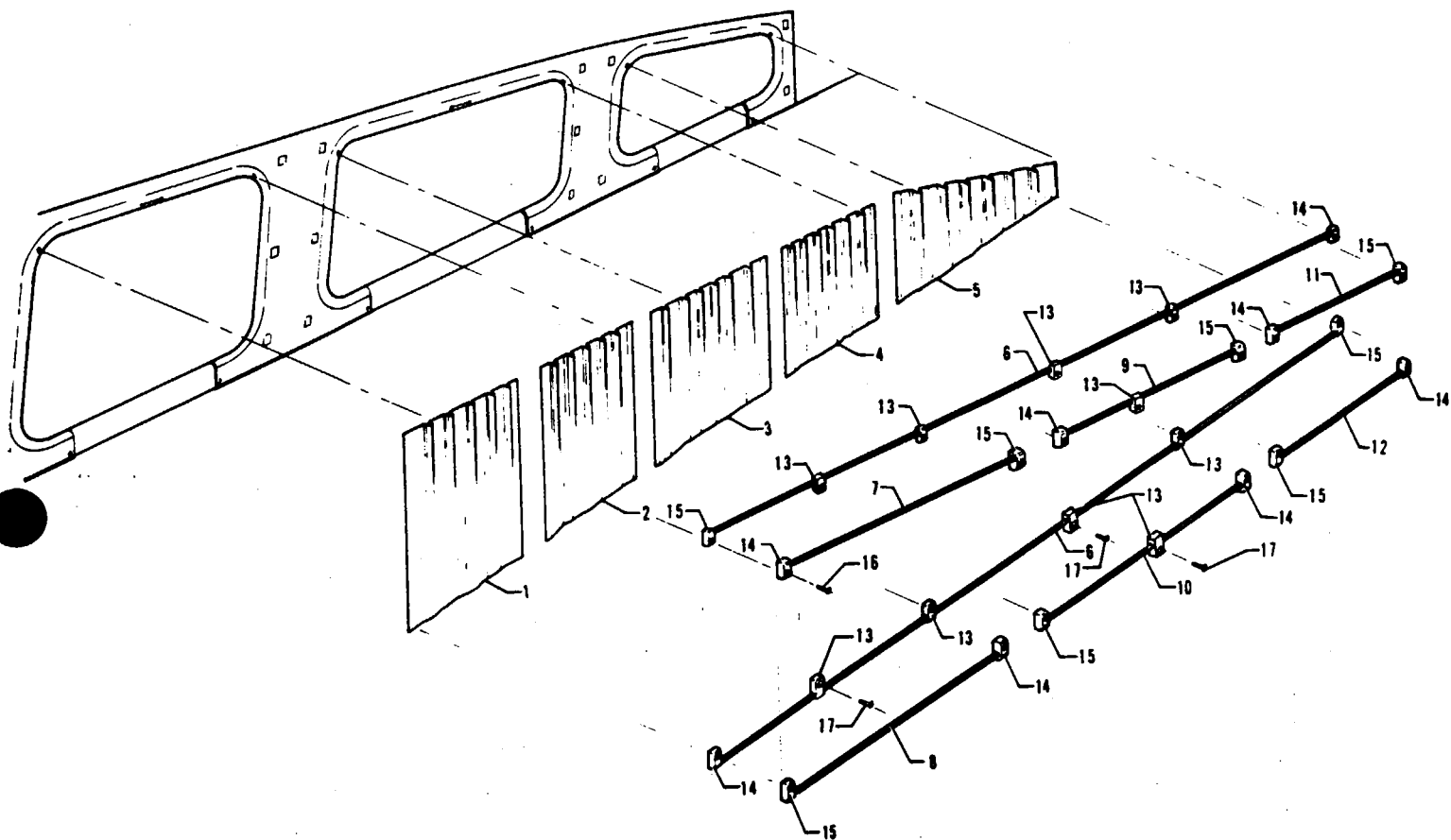


Figure 37 Window Curtains Installation
(PA-32-301 - Serial Nos. 32-8006001 to 32-8106110 inclusive)
(PA-32-301T - Serial Nos. 32-8024001 to 32-8124046 inclusive)

PIPER PARTS CATALOG

CODE EXPLANATIONS FOR FIGURE 37

- A - Used on PA-32-301 with serial numbers 32-8006001 to 32-8106110 inclusive, and PA-32-301T with serial numbers 32-8024001 to 32-8124046 inclusive
- W - These parts must be ordered from Service Spares Department, Piper Aircraft, Lock Haven, Penna

PIPER PARTS CATALOG

Figure and Index Number	Part Number	Code	NOMENCLATURE	No. Req.	SERIAL NUMBERS AFFECTED
37-	67955		DRAWING - Curtain and Rod Installation		
-1	67968-02		CURTAIN ASSEMBLY - Window, center front, left	1	
	67968-03		CURTAIN ASSEMBLY - Window, center front, right	1	
-2	67968-04		CURTAIN ASSEMBLY - Window, center rear, left	1	
	67968-05		CURTAIN ASSEMBLY - Window, center rear, right	1	
-3	67968-06		CURTAIN ASSEMBLY - Window, center front, left	1	
	67968-07		CURTAIN ASSEMBLY - Window, center front, right	1	
-4	67968-08		CURTAIN ASSEMBLY - Window, center rear, left	1	
	67968-09		CURTAIN ASSEMBLY - Window, center rear, right	1	
-5	67968-10		CURTAIN ASSEMBLY - Window, rear, left	1	
	67968-11		CURTAIN ASSEMBLY - Window, rear, right	1	
-6	67969-05		ROD - Window curtain, top and bottom, right	2	
-7	67969-08		ROD - Window curtain, center, top, left	1	
-8	67969-07		ROD - Window curtain, center, bottom, left	1	
-9	67969-10		ROD - Window curtain, center, top, left	1	
-10	67969-09		ROD - Window curtain, center, bottom, left	1	
-11	67969-12		ROD - Window curtain, rear, top, left	1	
-12	67969-11		ROD - Window curtain, rear, bottom, left	1	
-13	67969-04		BRACKET - Window rod attachment, right, top and bottom	10	
-14	67969-03		BRACKET - Window rod attachment	8	
-15	67969-02		BRACKET - Window rod attachment	8	
-16	415 539	W	SCREW - (MS35206-249)	23	
	477 778		NUT - (PS10062-6-2)	23	
-17	419 596		SCREW - (AN530-10R12)	3	
	407 564	W	WASHER - (AN960-10)	3	

When ordering, always specify Part Number, Description and Serial Number of Aircraft

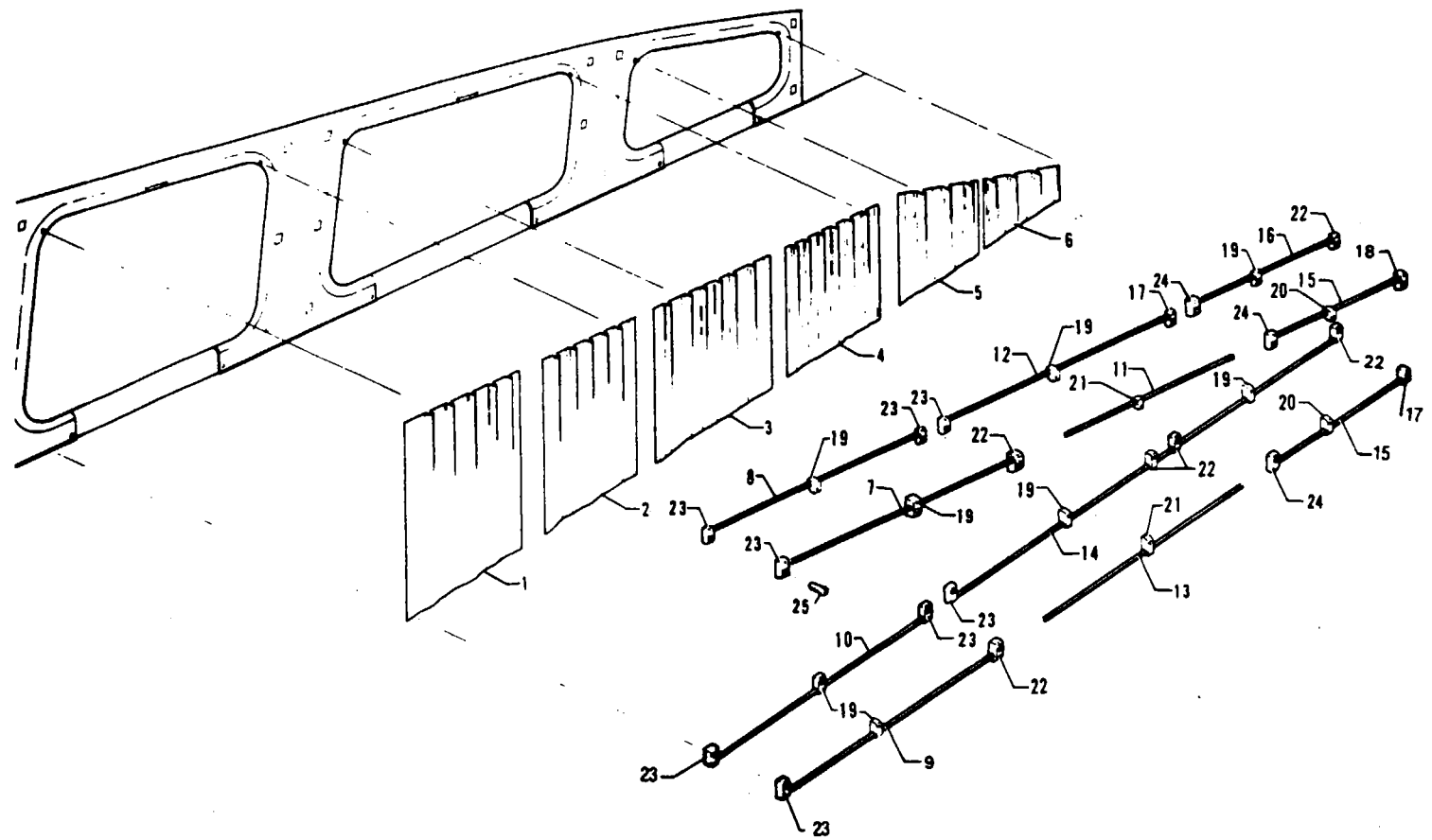


Figure 37A Window Curtains Installation
(PA-32-301 - Serial Nos 32-8206001 and up)
(PA-32-301T - Serial Nos 32-8224001 and up)

PIPER PARTS CATALOG

CODE EXPLANATIONS FOR FIGURE 37A

- A - Used on PA-32-301 with serial numbers 32-8206001 and up, and PA-32-301T with serial numbers 32-8224001 and up
- B - Used on PA-32-301 with serial numbers 32-8206001 to 32-8206050 inclusive, and PA-32-301T with serial numbers 32-8224001 to 32-8224024 inclusive

PIPER PARTS CATALOG

Figure and Index Number	Part Number	Code	NOMENCLATURE	No. Req.	SERIAL NUMBERS AFFECTED
37A-	39760		DRAWING - Curtain Installation		
-1	455 687	B	CURTAIN - Window, front forward, left, buckskin	1	
	455 688	B	CURTAIN - Window, front forward, left, dark blue	1	
	455 716		CURTAIN - Window, front forward, left, gold flame	1	
	455 699	B	CURTAIN - Window, front forward, right, buckskin	1	
	455 700	B	CURTAIN - Window, front forward, right, dark blue	1	
	455 722		CURTAIN - Window, front forward, right, gold flame	1	
-2	455 689	B	CURTAIN - Window, front aft, left, buckskin	1	
	455 690	B	CURTAIN - Window, front aft, left, dark blue	1	
	455 717		CURTAIN - Window, front aft, left, gold flame	1	
	455 701	B	CURTAIN - Window, front aft, right, buckskin	1	
	455 702	B	CURTAIN - Window, front aft, right, dark blue	1	
	455 723		CURTAIN - Window, front aft, right, gold flame	1	
-3	455 691	B	CURTAIN - Window, center forward, left, buckskin	1	
	455 692	B	CURTAIN - Window, center forward, left, dark blue	1	
	455 718		CURTAIN - Window, center forward, left, gold flame	1	
	455 703	B	CURTAIN - Window, center forward, right, buckskin	1	
	455 704	B	CURTAIN - Window, center forward, right, dark blue	1	
	455 724		CURTAIN - Window, center forward, right, gold flame	1	
-4	455 693	B	CURTAIN - Window, center aft, left, buckskin	1	
	455 694	B	CURTAIN - Window, center aft, left, dark blue	1	
	455 719		CURTAIN - Window, center aft, left, gold flame	1	
	455 705	B	CURTAIN - Window, center aft, right, buckskin	1	
	455 706	B	CURTAIN - Window, center aft, right, dark blue	1	
	455 725		CURTAIN - Window, center aft, right, gold flame	1	
-5	455 695	B	CURTAIN - Window, rear forward, left, buckskin	1	
	455 696	B	CURTAIN - Window, rear forward, left, dark blue	1	
	455 720		CURTAIN - Window, rear forward, left, gold flame	1	
	455 707	B	CURTAIN - Window, rear forward, right, buckskin	1	
	455 708	B	CURTAIN - Window, rear forward, right, dark blue	1	
	455 726		CURTAIN - Window, rear forward, right, gold flame	1	
-6	455 697	B	CURTAIN - Window, rear aft, left, buckskin	1	
	455 698	B	CURTAIN - Window, rear aft, left, dark blue	1	
	455 721		CURTAIN - Window, rear aft, left, gold flame	1	
	455 709	B	CURTAIN - Window, rear aft, right, buckskin	1	
	455 710	B	CURTAIN - Window, rear aft, right, dark blue	1	
	455 727		CURTAIN - Window, rear aft, right, gold flame	1	
-7	39797-02		ROD - Window curtain, front, top, left	1	
-8	39797-13		ROD - Window curtain, front, top, right	1	
-9	39797-12		ROD - Window curtain, front, bottom, left	1	
-10	39797-14		ROD - Window curtain, front, bottom, right	1	
-11	39797-04		ROD - Window curtain, center, top, left	1	
-12	39797-15		ROD - Window curtain, center, top, right	1	
-13	39797-04		ROD - Window curtain, center, bottom, left	1	
-14	39797-16		ROD - Window curtain, center, bottom, right	1	
-15	39797-05		ROD - Window curtain, rear, top and bottom, left	2	
-16	39797-10		ROD - Window curtain, rear, top and bottom, right	2	
-17	39763-02		RETAINER - Curtain rod	2	
-18	39763-03		RETAINER - Curtain rod	1	
-19	39763-04		RETAINER - Curtain rod	8	
-20	39763-05		RETAINER - Curtain rod	2	
-21	39763-10		RETAINER - Curtain rod	2	
-22	39763-11		RETAINER - Curtain rod	6	
-23	39763-12		RETAINER - Curtain rod	8	
-24	39763-13		RETAINER - Curtain rod	3	
-25	419 584		SCREW - (AN530-4R4)	50	

When ordering, always specify Part Number, Description and Serial Number of Aircraft

PIPER PARTS CATALOG

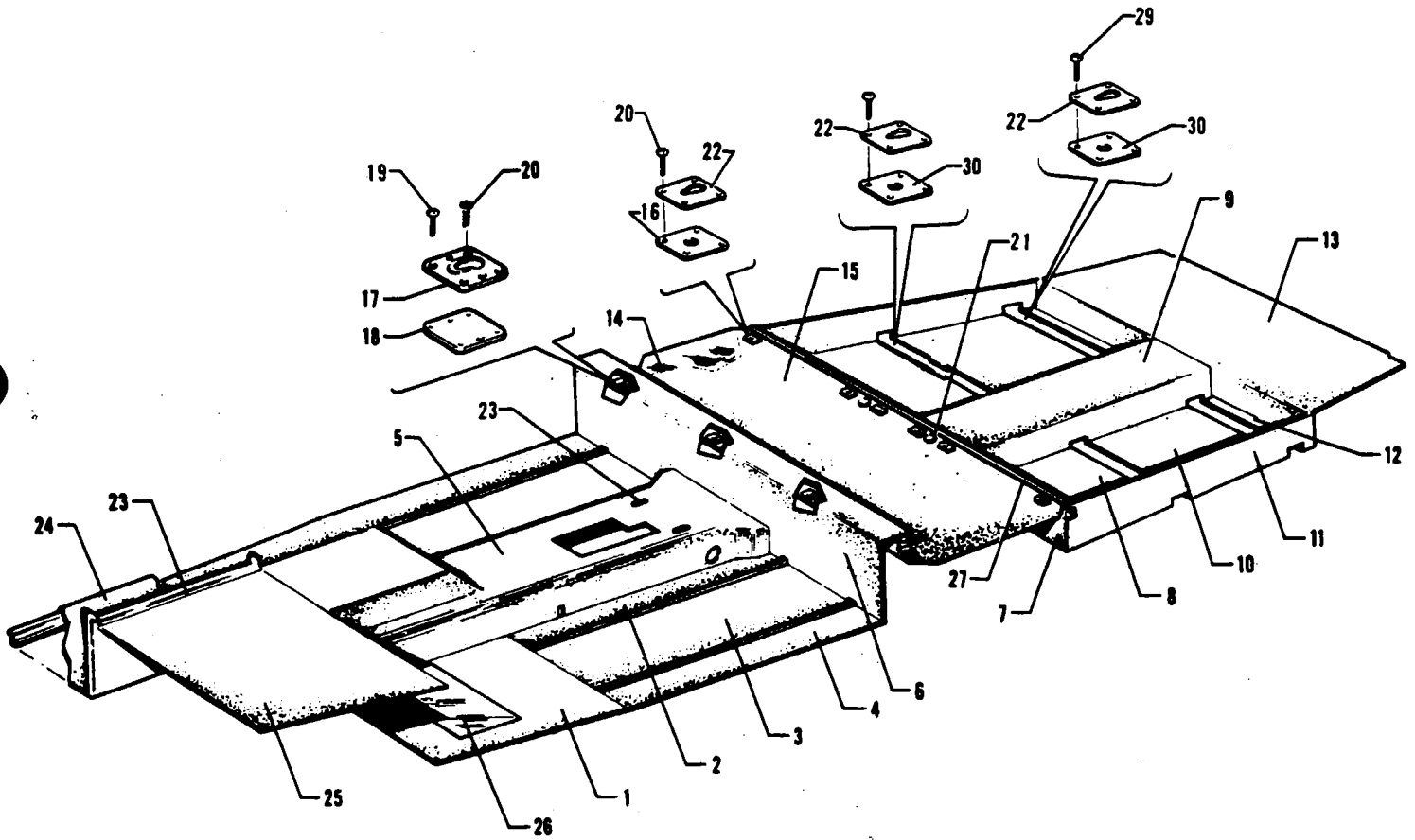


Figure 38 Carpet Installation

PIPER PARTS CATALOG

CODE EXPLANATIONS FOR FIGURE 38

- A - Used if optional 7th seat is installed
- B - When ordering, specify color "bark II" or black
- C - Used if sound reduction carpeting is installed
- D - When ordering, specify color heather, black, palm, raspberry, brown, royal blue, dark blue, light blue, firethorn red, medium saddle, dark cedar, dark carmine, or dark saddle.
- E - Used on PA-32-301 with serial numbers 32-8006001 to 32-8006135 inclusive, and PA-32-301T with serial numbers 32-8024001 to 32-8024062 inclusive
- F - Used on PA-32-301 with serial numbers 32-8106001 and up, and PA-32-301T with serial numbers 32-8124001 and up
- G - Used on PA-32-301 with serial numbers 32-8206001 and up, and PA-32-301T with serial numbers 32-8224001 and up
- H - See Figure 44 if aft facing center seats are installed
- J - Used on PA-32-301 with serial numbers 32-8006001 to 32-8206050 inclusive, and PA-32-301T with serial numbers 32-8024001 to 32-8224024 inclusive
- K - Used on PA-32-301 with serial numbers 32-8306001 and up, and PA-32-301T with serial numbers 32-8324001 and up
- W - These parts must be ordered from Service Spares Department, Piper Aircraft, Lock Haven, Penna

PIPER PARTS CATALOG

Figure and Index Number	Part Number	Code	NOMENCLATURE	No. Req.	SERIAL NUMBERS AFFECTED
38-	69845 68578		DRAWING - Carpet Installation DRAWING - Forward Baggage Compartment Finishing Installation		
-1	591 509	J	CARPET - Front, left, heather	1	
	591 628	E	CARPET - Front, left, palm	1	
	591 629	E	CARPET - Front, left, royal blue	1	
	591 808	F	CARPET - Front, left, dark blue	1	
	592 080	K	CARPET - Front, left, light blue	1	
	591 630	E	CARPET - Front, left, raspberry	1	
	591 631	E	CARPET - Front, left, brown	1	
	591 863		CARPET - Front, left, firethorn red	1	
	591 864	J	CARPET - Front, left, medium saddle	1	
	591 945	F	CARPET - Front, left, dark cedar	1	
	592 000	G	CARPET - Front, left, dark carmine	1	
	592 001	G	CARPET - Front, left, dark saddle	1	
	79236-14	C,D	CARPET - Front, left	1	
	591 511	J	CARPET - Front, right, heather	1	
	591 632	E	CARPET - Front, right, palm	1	
	591 633	E	CARPET - Front, right, royal blue	1	
	591 809	F	CARPET - Front, right, dark blue	1	
	592 081	K	CARPET - Front, right, light blue	1	
	591 634	E	CARPET - Front, right, raspberry	1	
	591 635	E	CARPET - Front, right, brown	1	
	591 865		CARPET - Front, right, firethorn red	1	
	591 866	J	CARPET - Front, right, medium saddle	1	
	591 946	F	CARPET - Front, right, dark cedar	1	
	592 002	G	CARPET - Front, right, dark carmine	1	
	592 003	G	CARPET - Front, right, dark saddle	1	
	79236-15	C,D	CARPET - Front, right	1	
-2	591 513	J	CARPET - Front, left inboard, heather	1	
	591 636	E	CARPET - Front, left inboard, palm	1	
	591 637	E	CARPET - Front, left inboard, royal blue	1	
	591 810	F	CARPET - Front, left inboard, dark blue	1	
	592 082	K	CARPET - Front, left inboard, light blue	1	
	591 638	E	CARPET - Front, left inboard, raspberry	1	
	591 639	E	CARPET - Front, left inboard, brown	1	
	591 867		CARPET - Front, left inboard, firethorn red	1	
	591 868	J	CARPET - Front, left inboard, medium saddle	1	
	591 947	F	CARPET - Front, left inboard, dark cedar	1	
	592 004	G	CARPET - Front, left inboard, dark carmine	1	
	592 005	G	CARPET - Front, left inboard, dark saddle	1	
	79236-17	C,D	CARPET - Front, left inboard	1	
	591 515	J	CARPET - Front, right inboard, heather	1	
	591 640	E	CARPET - Front, right inboard, palm	1	
	591 641	E	CARPET - Front, right inboard, royal blue	1	
	591 811	F	CARPET - Front, right inboard, dark blue	1	
	592 083	K	CARPET - Front, right inboard, light blue	1	
	591 642	E	CARPET - Front, right inboard, raspberry	1	
	591 643	E	CARPET - Front, right inboard, brown	1	
	591 869		CARPET - Front, right inboard, firethorn red	1	
	591 870	J	CARPET - Front, right inboard, medium saddle	1	
	591 948	F	CARPET - Front, right inboard, dark cedar	1	
	592 006	G	CARPET - Front, right inboard, dark carmine	1	
	592 007	G	CARPET - Front, right inboard, dark saddle	1	
	79236-18	C,D	CARPET - Front, right inboard	1	

When ordering, always specify Part Number, Description and Serial Number of Aircraft

PIPER PARTS CATALOG

Figure and Index Number	Part Number	Code	NOMENCLATURE	No. Req.	SERIAL NUMBERS AFFECTED
38-3	591 503	J	CARPET - Front, center, heather	2	
	591 624	E	CARPET - Front, center, palm	2	
	591 625	E	CARPET - Front, center, royal blue	2	
	591 807	F	CARPET - Front, center, dark blue	2	
	592 079	K	CARPET - Front, center, light blue	2	
	591 626	E	CARPET - Front, center, raspberry	2	
	591 827	E	CARPET - Front, center, brown	2	
	591 861		CARPET - Front, center, firethorn red	2	
	591 862	J	CARPET - Front, center, medium saddle	2	
	591 944	F	CARPET - Front, center, dark cedar	2	
	591 998	G	CARPET - Front, center, dark carmine	2	
	591 999	G	CARPET - Front, center, dark saddle	2	
	79236-05	C,D	CARPET - Front, center	2	
-4	591 501	J	CARPET - Front, outboard, heather	2	
	591 620	E	CARPET - Front, outboard, palm	2	
	591 621	E	CARPET - Front, outboard, royal blue	2	
	591 806	F	CARPET - Front, outboard, dark blue	2	
	592 078	K	CARPET - Front, outboard, light blue	2	
	591 622	E	CARPET - Front, outboard, raspberry	2	
	591 623	E	CARPET - Front, outboard, brown	2	
	591 859		CARPET - Front, outboard, firethorn red	2	
	591 860	J	CARPET - Front, outboard, medium saddle	2	
	591 943	F	CARPET - Front, outboard, dark cedar	2	
	591 996	G	CARPET - Front, outboard, dark carmine	2	
	591 997	G	CARPET - Front, outboard, dark saddle	2	
	79236-16	C,D	CARPET - Front, outboard	2	
-5	591 517	J	CARPET - Forward tunnel, heather	1	
	591 644	E	CARPET - Forward tunnel, palm	1	
	591 645	E	CARPET - Forward tunnel, royal blue	1	
	591 812	F	CARPET - Forward tunnel, dark blue	1	
	592 084	K	CARPET - Forward, tunnel, light blue	1	
	591 646	E	CARPET - Forward tunnel, raspberry	1	
	591 647	E	CARPET - Forward tunnel, brown	1	
	591 871		CARPET - Forward tunnel, firethorn red	1	
	591 872	J	CARPET - Forward tunnel, medium saddle	1	
	591 949	F	CARPET - Forward tunnel, dark cedar	1	
	592 008	G	CARPET - Forward tunnel, dark carmine	1	
	592 009	G	CARPET - Forward tunnel, dark saddle	1	
	-6	591 569	J	CARPET ASSEMBLY - Spar box, heather	1
591 748		E	CARPET ASSEMBLY - Spar box, palm	1	
591 749		E	CARPET ASSEMBLY - Spar box, royal blue	1	
591 841		F	CARPET ASSEMBLY - Spar box, dark blue	1	
592 112		K	CARPET ASSEMBLY - Spar box, light blue	1	
591 750		E	CARPET ASSEMBLY - Spar box, raspberry	1	
591 751		E	CARPET ASSEMBLY - Spar box, brown	1	
591 931			CARPET ASSEMBLY - Spar box, firethorn red	1	
591 932		J	CARPET ASSEMBLY - Spar box, medium saddle	1	
591 978		F	CARPET ASSEMBLY - Spar box, dark cedar	1	
592 066		G	CARPET ASSEMBLY - Spar box, dark carmine	1	
592 067		G	CARPET ASSEMBLY - Spar box, dark saddle	1	
-7		591 531	J	CARPET - Aft, left, heather	1
	591 672	E	CARPET - Aft, left, palm	1	
	591 673	E	CARPET - Aft, left, royal blue	1	
	591 819	F	CARPET - Aft, left, dark blue	1	
	592 090	K	CARPET - Aft, left, light blue	1	
	591 674	E	CARPET - Aft, left, raspberry	1	
	591 675	E	CARPET - Aft, left, brown	1	
	591 885		CARPET - Aft, left, firethorn red	1	

When ordering, always specify Part Number, Description and Serial Number of Aircraft

PIPER PARTS CATALOG

Figure and Index Number	Part Number	Code	NOMENCLATURE	No. Req.	SERIAL NUMBERS AFFECTED	
38-7	591 886	J	CARPET - Aft, left, medium saddle	1		
	591 956	F	CARPET - Aft, left, dark cedar	1		
	592 022	G	CARPET - Aft, left, dark carmine	1		
	592 023	G	CARPET - Aft, left, dark saddle	1		
	591 533	J	CARPET - Aft, right, heather	1		
	591 676	E	CARPET - Aft, right, palm	1		
	591 677	E	CARPET - Aft, right, royal blue	1		
	591 820	F	CARPET - Aft, right, dark blue	1		
	592 091	K	CARPET - Aft, right, light blue	1		
	591 678	E	CARPET - Aft, right, raspberry	1		
	591 679	E	CARPET - Aft, right, brown	1		
	591 887		CARPET - Aft, right, firethorn red	1		
	591 888	J	CARPET - Aft, right, medium saddle	1		
	591 957	F	CARPET - Aft, right, dark cedar	1		
	592 024	G	CARPET - Aft, right, dark carmine	1		
	592 025	G	CARPET - Aft, right, dark saddle	1		
	-8	591 553	J	CARPET - Aft, left, heather	1	
		591 716	E	CARPET - Aft, left, palm	1	
		591 717	E	CARPET - Aft, left, royal blue	1	
		591 831	F	CARPET - Aft, left, dark blue	1	
		592 102	K	CARPET - Aft, left, light blue	1	
		591 718	E	CARPET - Aft, left, raspberry	1	
		591 719	E	CARPET - Aft, left, brown	1	
591 911			CARPET - Aft, left, firethorn red	1		
591 912		J	CARPET - Aft, left, medium saddle	1		
591 968		F	CARPET - Aft, left, dark cedar	1		
592 046		G	CARPET - Aft, left, dark carmine	1		
592 047		G	CARPET - Aft, left, dark saddle	1		
79236-27		C,D	CARPET - Aft, left	1		
591 555		J	CARPET - Aft, right, heather	1		
591 720		E	CARPET - Aft, right, palm	1		
591 721		E	CARPET - Aft, right, royal blue	1		
591 832		F	CARPET - Aft, right, dark blue	1		
592 103		K	CARPET - Aft, right, light blue	1		
591 722		E	CARPET - Aft, right, raspberry	1		
591 723		E	CARPET - Aft, right, brown	1		
591 913			CARPET - Aft, right, firethorn red	1		
591 914		J	CARPET - Aft, right, medium saddle	1		
591 969		F	CARPET - Aft, right, dark cedar	1		
592 048	G	CARPET - Aft, right, dark carmine	1			
592 049	G	CARPET - Aft, right, dark saddle	1			
79236-28	C,D	CARPET - Aft, right	1			
-9	591 563	J	CARPET ASSEMBLY - Aft tunnel, heather	1		
	591 744	E	CARPET ASSEMBLY - Aft tunnel, palm	1		
	591 745	E	CARPET ASSEMBLY - Aft tunnel, royal blue	1		
	591 838	F	CARPET ASSEMBLY - Aft tunnel, dark blue	1		
	592 109	K	CARPET ASSEMBLY - Aft tunnel, light blue	1		
	591 746	E	CARPET ASSEMBLY - Aft tunnel, raspberry	1		
	591 747	E	CARPET ASSEMBLY - Aft tunnel, brown	1		
	591 925		CARPET ASSEMBLY - Aft tunnel, firethorn red	1		
	591 926	J	CARPET ASSEMBLY - Aft tunnel, medium saddle	1		
	591 975	F	CARPET ASSEMBLY - Aft tunnel, dark cedar	1		
	592 060	G	CARPET ASSEMBLY - Aft tunnel, dark carmine	1		
-10	592 061	G	CARPET ASSEMBLY - Aft tunnel, dark saddle	1		
	591 557	J	CARPET - Aft, left, heather	1		
	591 724	E	CARPET - Aft, left, palm	1		
	591 725	E	CARPET - Aft, left, royal blue	1		
	591 833	F	CARPET - Aft, left, dark blue	1		
	592 104	K	CARPET - Aft, left, light blue	1		

When ordering, always specify Part Number, Description and Serial Number of Aircraft

PIPER PARTS CATALOG

Figure and Index Number	Part Number	Code	NOMENCLATURE	No. Req.	SERIAL NUMBERS AFFECTED	
38-10	591 726	E	CARPET - Aft, left, raspberry	1		
	591 727	E	CARPET - Aft, left, brown	1		
	591 915		CARPET - Aft, left, firethorn red	1		
	591 916	J	CARPET - Aft, left, medium saddle	1		
	591 970	F	CARPET - Aft, left, dark cedar	1		
	592 050	G	CARPET - Aft, left, dark carmine	1		
	592 051	G	CARPET - Aft, left, dark saddle	1		
	79236-29	C,D	CARPET - Aft, left	1		
	591 559	J	CARPET - Aft, right, heather	1		
	591 728	E	CARPET - Aft, right, palm	1		
	591 729	E	CARPET - Aft, right, royal blue	1		
	591 834	F	CARPET - Aft, right, dark blue	1		
	592 105	K	CARPET - Aft, right, light blue	1		
	591 730	E	CARPET - Aft, right, raspberry	1		
	591 731	E	CARPET - Aft, right, brown	1		
	591 917		CARPET - Aft, right, firethorn red	1		
	591 918	J	CARPET - Aft, right, medium saddle	1		
	591 971	F	CARPET - Aft, right, dark cedar	1		
	592 052	G	CARPET - Aft, right, dark carmine	1		
	592 053	G	CARPET - Aft, right, dark saddle	1		
	79236-30	C,D	CARPET - Aft, right	1		
	-11	591 565	J	CARPET - Aft, left outboard, heather	1	
		591 768	E	CARPET - Aft, left outboard, palm	1	
		591 769	E	CARPET - Aft, left outboard, royal blue	1	
		591 839	F	CARPET - Aft, left outboard, dark blue	1	
		592 110	K	CARPET - Aft, left outboard, light blue	1	
		591 770	E	CARPET - Aft, left outboard, raspberry	1	
		591 771	E	CARPET - Aft, left outboard, brown	1	
		591 927		CARPET - Aft, left outboard, firethorn red	1	
		591 928	J	CARPET - Aft, left outboard, medium saddle	1	
		591 976	F	CARPET - Aft, left outboard, dark cedar	1	
		592 062	G	CARPET - Aft, left outboard, dark carmine	1	
		592 063	G	CARPET - Aft, left outboard, dark saddle	1	
		591 567	J	CARPET - Aft, right outboard, heather	1	
		591 772	E	CARPET - Aft, right outboard, palm	1	
		591 773	E	CARPET - Aft, right outboard, royal blue	1	
591 840		F	CARPET - Aft, right outboard, dark blue	1		
592 111		K	CARPET - Aft, right outboard, light blue	1		
591 774		E	CARPET - Aft, right outboard, raspberry	1		
591 775		E	CARPET - Aft, right outboard, brown	1		
591 929			CARPET - Aft, right outboard, firethorn red	1		
591 930		J	CARPET - Aft, right outboard, medium saddle	1		
591 977		F	CARPET - Aft, right outboard, dark cedar	1		
592 064		G	CARPET - Aft, right outboard, dark carmine	1		
592 065		G	CARPET - Aft, right outboard, dark saddle	1		
-12		591 523	J	CARPET - Aft, left, heather	1	
		591 656	E	CARPET - Aft, left, palm	1	
		591 657	E	CARPET - Aft, left, royal blue	1	
		591 815	F	CARPET - Aft, left, dark blue	1	
		592 086	K	CARPET - Aft, left, light blue	1	
		591 658	E	CARPET - Aft, left, raspberry	1	
		591 659	E	CARPET - Aft, left, brown	1	
		591 877		CARPET - Aft, left, firethorn red	1	
		591 878	J	CARPET - Aft, left, medium saddle	1	
		591 952	F	CARPET - Aft, left, dark cedar	1	
		592 014	G	CARPET - Aft, left, dark carmine	1	
		592 015	G	CARPET - Aft, left, dark saddle	1	
	79236-23	C,D	CARPET - Aft, left	1		

When ordering, always specify Part Number, Description and Serial Number of Aircraft

PIPER PARTS CATALOG

Figure and Index Number	Part Number	Code	NOMENCLATURE	No. Req.	SERIAL NUMBERS AFFECTED	
38-12	591 525	J	CARPET - Aft, right, heather	1		
	591 660	E	CARPET - Aft, right, palm	1		
	591 661	E	CARPET - Aft, right, royal blue	1		
	591 816	F	CARPET - Aft, right, dark blue	1		
	592 087	K	CARPET - Aft, right, light blue	1		
	591 662	E	CARPET - Aft, right, raspberry	1		
	591 663	E	CARPET - Aft, right, brown	1		
	591 879		CARPET - Aft, right, firethorn red	1		
	591 880	J	CARPET - Aft, right, medium saddle	1		
	591 953	F	CARPET - Aft, right, dark cedar	1		
	592 016	G	CARPET - Aft, right, dark carmine	1		
	592 017	G	CARPET - Aft, right, dark saddle	1		
	79236-24	C.D	CARPET - Aft, right	1		
	-13	591 529	J	CARPET - Aft, heather	1	
591 668		E	CARPET - Aft, palm	1		
591 669		E	CARPET - Aft, royal blue	1		
591 818		F	CARPET - Aft, dark blue	1		
592 089		K	CARPET - Aft, light blue	1		
591 670		E	CARPET - Aft, raspberry	1		
591 671		E	CARPET - Aft, brown	1		
591 883			CARPET - Aft, firethorn red	1		
591 884		J	CARPET - Aft, medium saddle	1		
591 955		F	CARPET - Aft, dark cedar	1		
592 020		G	CARPET - Aft, dark carmine	1		
592 021		G	CARPET - Aft, dark saddle	1		
79236-25		C.D	CARPET - Aft	1		
-14		79827-03	A	PANEL - Floor	1	
	591 519	J	CARPET - Center, heather	1		
-15	591 648	E	CARPET - Center, palm	1		
	591 649	E	CARPET - Center, royal blue	1		
	591 813	F	CARPET - Center, dark blue	1		
	592 085	K	CARPET - Center, light blue	1		
	591 650	E	CARPET - Center, raspberry	1		
	591 651	E	CARPET - Center, brown	1		
	591 873		CARPET - Center, firethorn red	1		
	591 874	J	CARPET - Center, medium saddle	1		
	591 950	F	CARPET - Center, dark cedar	1		
	592 010	G	CARPET - Center, dark carmine	1		
	592 011	G	CARPET - Center, dark saddle	1		
	-16	79781-02		PLATE ASSEMBLY - Seat foot, aft legs	4	
	-17	99141-03		PLATE - Seat attachment, forward legs	4	
	-18	99140-00		PLATE - Seat attachment, forward legs	4	
-19	415 536	W	SCREW - (MS35206-246)	8		
-20	415 538	W	SCREW - (MS35206-248)	32		
-21	99752-00		RING - Boot attachment	4		
-22	68094-03		PLATE - Seat attachment, aft legs	12		
-23	69636-05	B	COVER - Seat belt attachment, black	2		
-24	591 541	J	CARPET - Forward baggage, heather	1		
	591 692	E	CARPET - Forward baggage, palm	1		
	591 693	E	CARPET - Forward baggage, royal blue	1		
	591 824	F	CARPET - Forward baggage, dark blue	1		
	592 095	K	CARPET - Forward baggage, light blue	1		
	591 694	E	CARPET - Forward baggage, raspberry	1		
	591 695	E	CARPET - Forward baggage, brown	1		
	591 897		CARPET - Forward baggage, firethorn red	1		
	591 898	J	CARPET - Forward baggage, medium saddle	1		
	591 961	F	CARPET - Forward baggage, dark cedar	1		
	592 032	G	CARPET - Forward baggage, dark carmine	1		
	592 033	G	CARPET - Forward baggage, dark saddle	1		

When ordering, always specify Part Number, Description and Serial Number of Aircraft

PIPER PARTS CATALOG

Figure and Index Number	Part Number	Code	NOMENCLATURE	No. Req.	SERIAL NUMBERS AFFECTED
38-25	591 539	J	CARPET - Forward, upper baggage, heather	1	
	591 688	E	CARPET - Forward, upper baggage, palm	1	
	591 689	E	CARPET - Forward, upper baggage, royal blue	1	
	591 822	F	CARPET - Forward, upper baggage, dark blue	1	
	592 094	K	CARPET - Forward, upper baggage, light blue	1	
	591 690	E	CARPET - Forward, upper baggage, raspberry	1	
	591 691	E	CARPET - Forward, upper baggage, brown	1	
	591 895		CARPET - Forward, upper baggage, firethorn red	1	
	591 896	J	CARPET - Forward, upper baggage, medium saddle	1	
	591 960	F	CARPET - Forward, upper baggage, dark cedar	1	
	592 030	G	CARPET - Forward, upper baggage, dark carmine	1	
	592 031	G	CARPET - Forward, upper baggage, dark saddle	1	
-26	68611-00		PLATE - Heel (aluminum)	2	
-27	68613-00	H	STRIP - Trim	1	
-28	68096-00		PLATE - Seat attachment, rear	4	
-29	415 536	W	SCREW - (MS35206-246)	16	
-30	79781-02		RETAINER ASSEMBLY - Seat attachment, rear	4	

When ordering, always specify Part Number, Description and Serial Number of Aircraft

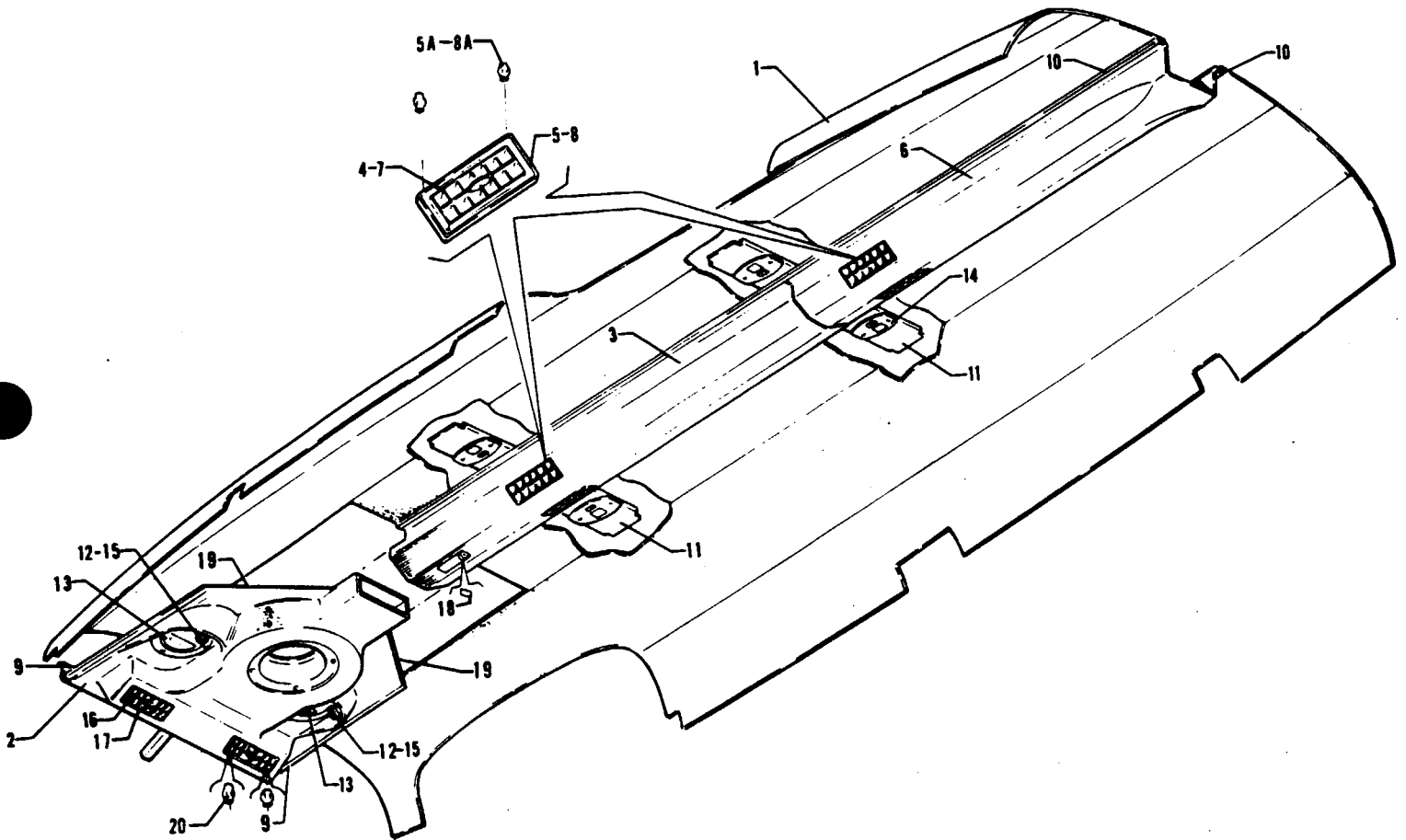


Figure 39. Headliner and Forward Fresh Air Duct Installation

PIPER PARTS CATALOG

CODE EXPLANATIONS FOR FIGURE 39

- A - See Figure 80 if air conditioning is installed, or Figure 82 if fixed oxygen system is installed
- B - Ascertain light assembly color before ordering. If existing light assemblies are red, order (2) P/N 572 582. If existing light assemblies are blue, order quantity as desired. Do not intermix red and blue lights in same aircraft.

PIPER PARTS CATALOG

Figure and Index Number	Part Number	Code	NOMENCLATURE	No. Req.	SERIAL NUMBERS AFFECTED
39-	69812		DRAWING - Headliner Installation		
-1	69813-00		HEADLINER ASSEMBLY	2	
-2	69989-03	A	PANEL ASSEMBLY - Fresh air vent (with speaker hole)	1	
	69989-02	A	PANEL ASSEMBLY - Fresh air vent (without speaker hole)	1	
-3	69990-02		DUCT ASSEMBLY - Fresh air vent, forward	1	
-4	473 187		* LOUVER - (136-1M), silver	2	
	473 195		* LOUVER - (336-1HS), black	2	
-5	461 386		* FRAME - (173M), silver	2	
	461 391		* FRAME - (173B), black	2	
-5a	406 424		* NUT - (C2733-040-1)	8	
-6	69991-02		DUCT ASSEMBLY - Fresh air vent, center	1	
-7	473 187		* LOUVER - (136-1M), silver	2	
	473 195		* LOUVER - (336-1HS), black	2	
-8	461 386		* FRAME - (173M), silver	2	
	461 391		* FRAME - (173B), black	2	
-8a	406 424		* NUT - (C2733-040-1)	8	
-9	79246-05		RETAINER - Front, left	1	
	79246-04		RETAINER - Front, right	1	
-10	79246-06		RETAINER - Rear, left	1	
	79246-07		RETAINER - Rear, right	1	
-11	69748-00		CHANNEL - Light assembly	2	
-12	95228-00		DIMMER ASSEMBLY - Potentiometer	2	
-13	572 582	B	LIGHT ASSEMBLY - Forward (A300-W-14)	2	
-14	572 524		LIGHT ASSEMBLY - Reading (A325ML) Whelen	4	
-15	571 136		KNOB - (PS10067-4-1)	2	
-16	473 187		LOUVER - (136-1M), silver	2	
	473 195		LOUVER - (336-1HS), black	2	
-17	461 386		FRAME - (173M), silver	2	
	461 391		FRAME - (173B), black	2	
-18	69689-77		PLACARD - Cabin air	1	
-19	79246-08		RETAINER - Rear, left	1	
	79246-09		RETAINER - Rear, right	1	
-20	406 424		NUT - (C2733-040-1)	8	

When ordering, always specify Part Number, Description and Serial Number of Aircraft

PIPER PARTS CATALOG

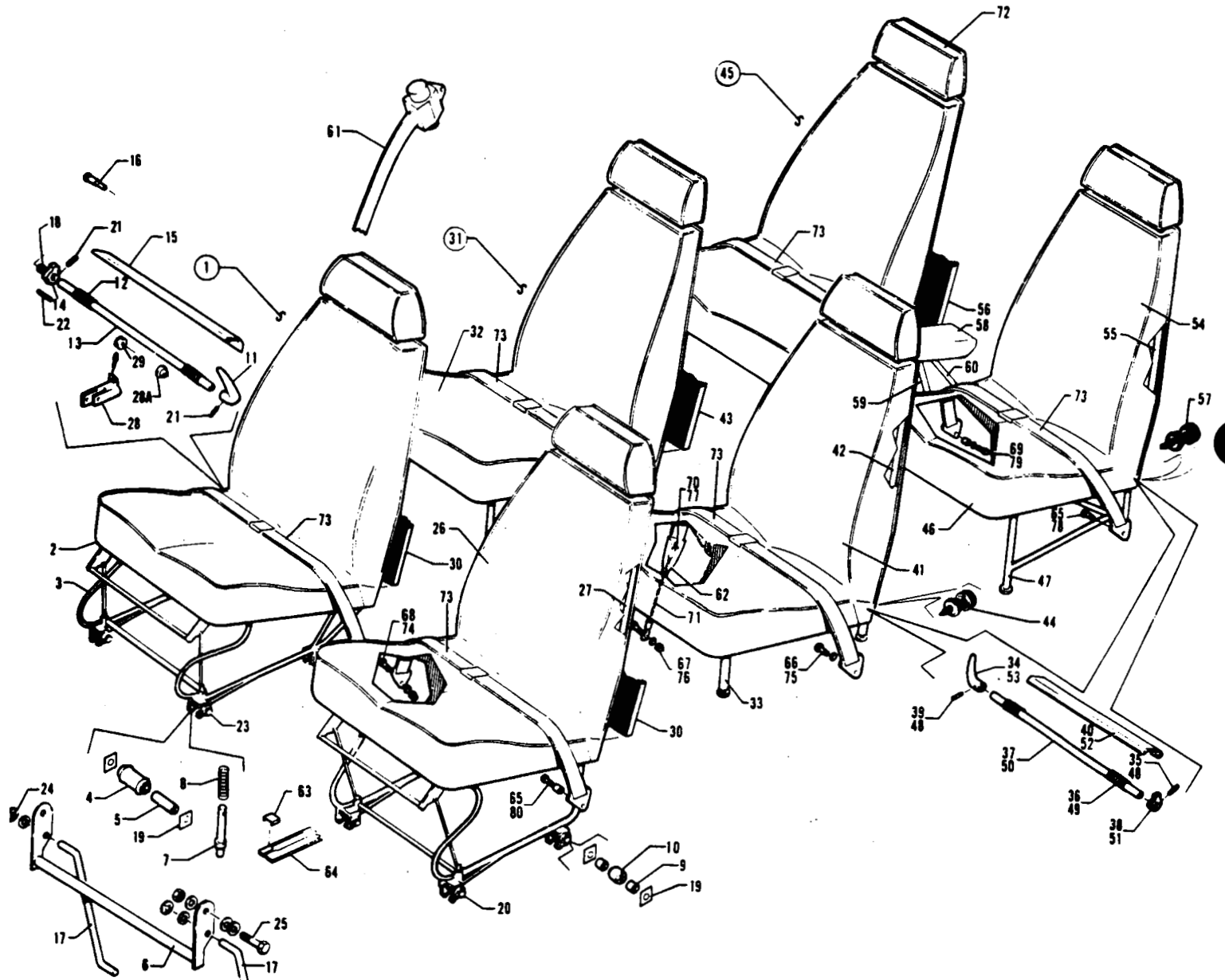


Figure 40. Seats Installation

PIPER PARTS CATALOG

CODE EXPLANATIONS FOR FIGURE 40

- A - When ordering, for 1980, 1981, and 1982 models, specify color red (color code 792), blue (color code 793), gold (color code 794), navajo sepia or navajo cactus. Also specify trim color black or camel, if applicable
- B - When ordering, specify color firethorn red, dark firethorn, buckskin, light buckskin, dark blue, dark cedar, dark carmine or sandalwood. Also specify material leather, velour, knit, or cloth
- C - When ordering, specify color camel or black
- D - When ordering, specify color camel, red, firethorn red, buckskin, light buckskin, blue, dark blue, dark cedar, dark carmine, sandalwood, dark saddle, or patrician sandalwood. Specify material knit, velour, cloth, vinyl or leather. Also specify color of support assemblies camel or black
- E - Used if aft facing center seats are installed
- F - Used on PA-32-301 with serial numbers 32-8106001 to 32-8206055 inclusive, and PA-32-301T with serial numbers 32-8124001 to 32-8224023 inclusive
- G - When ordering, specify color "bark II" or black
- H - Before ordering, ascertain O D at center of seat roller. If O D of roller measures 42, (2) rollers P/N 87332-02 must be ordered. If O D of roller measures .62, order roller(s) as required
- J - When ordering, specify color madrid red, bahama blue, dark blue, buckskin, light buckskin, firethorn red, dark firethorn, dark cedar, dark saddle, sandalwood or patrician sandalwood. Also specify material cloth, velour, knit or leather
- K - Used on PA-32-301 with serial numbers 32-8006001 to 32-8206050 inclusive, and PA-32-301T with serial numbers 32-8024001 to 32-8224024 inclusive
- L - Used on PA-32-301 with serial numbers 32-8306001 and up, and PA-32-301T with serial numbers 32-8324001 and up
- W - These parts must be ordered from Service Spares Department, Piper Aircraft, Lock Haven, Penna

PIPER PARTS CATALOG

Figure and Index Number	Part Number	Code	NOMENCLATURE	No. Req.	SERIAL NUMBERS AFFECTED
40-	78067 78354		DRAWING - Seats Installation DRAWING - Shoulder Harness Installation		
-1	79337-19 79337-80 79337-45 79337-76 79337-20 79337-81 79337-46 79337-78	A.K J.L B.K J.L A.K J.L B.K J.L	SEAT ASSEMBLY - Front, left SEAT ASSEMBLY - Front, left SEAT ASSEMBLY - Front, left (luxurious) SEAT ASSEMBLY - Front, left (luxurious) SEAT ASSEMBLY - Front, right SEAT ASSEMBLY - Front, right SEAT ASSEMBLY - Front, right (luxurious) SEAT ASSEMBLY - Front, right (luxurious)	1 1 1 1 1 1 1 1	
-2	79337-25 79337-77 79337-39 79337-77 79337-26 79337-79 79337-40 79337-79	A.K J.L B.K J.L A.K J.L B.K J.L	* CUSHION AND FRAME ASSEMBLY - Front seat, bottom, left * CUSHION AND FRAME ASSEMBLY - Front seat, bottom, left * CUSHION AND FRAME ASSEMBLY - Front seat, bottom, left (luxurious) * CUSHION AND FRAME ASSEMBLY - Front seat, bottom, left (luxurious) * CUSHION AND FRAME ASSEMBLY - Front seat, bottom, right * CUSHION AND FRAME ASSEMBLY - Front seat, bottom, right * CUSHION AND FRAME ASSEMBLY - Front seat, bottom, right (luxurious) * CUSHION AND FRAME ASSEMBLY - Front seat, bottom, right (luxurious)	1 1 1 1 1 1 1	
-3	79818-02 79818-03		** FRAME ASSEMBLY - Front seat, bottom, left ** FRAME ASSEMBLY - Front seat, bottom, right	1 1	
-4	87332-02	H	*** ROLLER - Seat track	2	
-5	95061-106		*** BEARING - Seat roller	2	
-6	79207-00		*** HANDLE ASSEMBLY - Seat release	1	
-7	76175-03		*** PLUNGER - Seat	2	
-8	587 299		*** SPRING - Seat plunger (LC-038F-6SS)	2	
-9	95061-161		*** SPACER - Seat roller	4	
-10	452 386		*** BEARING - (NAS506-4)	2	
-11	79442-00		*** HANDLE - Seat recliner	1	
-12	19336-00 19336-01	W W	*** SPRING - Seat back adjustment, inboard *** SPRING - Seat back adjustment, outboard	1 1	
-13	79230-00		*** TUBE - Reclining mechanism	1	
-14	19365-02	W	*** CAM - Reclining seat	2	
-15	76176-00		*** COVER - Reclining seat	1	
-16	79229-00		*** BEARING SHAFT - Seat release, right	1	
-17	79322-05		*** ROD - Seat release	2	
-18	79235-00		*** BUSHING - Seat back release, right	1	
-19	79251-00		*** WASHER - Teflon	8	
-20	62833-78		*** WASHER - Seat attachment	8	
-21	480 701	W	*** PIN - Roll (59-028-125-0625)	3	
-22	480 732	W	*** PIN - Roll (59-040-187-0937)	2	
-23	401 318 404 888	W W	*** BOLT - (AN4-20A) *** NUT - (MS20365-428C)	4 4	
-24	407 561 406 369	W W	*** WASHER - (AN960-4) *** NUT - (A1037-012-3)	4 4	

When ordering, always specify Part Number, Description and Serial Number of Aircraft

PIPER PARTS CATALOG

Figure and Index Number	Part Number	Code	NOMENCLATURE	No. Req.	SERIAL NUMBERS AFFECTED
40-25	400 002	W	* * * BOLT - (AN4-5A)	2	
	494 040		* * * WASHER - Nylon (PS10011-12)	6	
	404 836	W	* * * NUT - (MS20364-428C)	2	
-26	79337-16	A.K	* CUSHION AND FRAME ASSEMBLY - Front seat, back, left	1	
	79337-71	J.L	* CUSHION AND FRAME ASSEMBLY - Front seat, back, left	1	
	79337-27	B.K	* CUSHION AND FRAME ASSEMBLY - Front seat, back, left (luxurious)	1	
	79337-71	J.L	* CUSHION AND FRAME ASSEMBLY - Front seat, back, left (luxurious)	1	
	79337-17	A.K	* CUSHION AND FRAME ASSEMBLY - Front seat, back, right	1	
	79337-74	J.L	* CUSHION AND FRAME ASSEMBLY - Front seat, back, right	1	
	79337-28	B.K	* CUSHION AND FRAME ASSEMBLY - Front seat, back, right (luxurious)	1	
	79337-74	J.L	* CUSHION AND FRAME ASSEMBLY - Front seat, back, right (luxurious)	1	
-27	79555-00		* * FRAME ASSEMBLY - Front seat, back, left	1	
	79555-01		* * FRAME ASSEMBLY - Front seat, back, right	1	
-28	99718-05		* * * STOP ASSEMBLY - Seat latch, right	1	
-28a	453 732	W	* * * BUSHING - Seat back, right (PS10064-375-4)	1	
-29	79554-02		* * KNOB - Seat back release, right	1	
-30	78041-00	G.K	* COVER ASSEMBLY - Seat back, front	1	
	78041-09	B.K	* COVER ASSEMBLY - Seat back, front (luxurious)	1	
-31	96827-24	A.K	SEAT ASSEMBLY - Center, left	1	
	96827-39	J.L	SEAT ASSEMBLY - Center, left	1	
	96827-33	B.K	SEAT ASSEMBLY - Center, left (luxurious)	1	
	96827-45	J.L	SEAT ASSEMBLY - Center, left (luxurious)	1	
	96827-25	A.K	SEAT ASSEMBLY - Center, right	1	
	96827-40	J.L	SEAT ASSEMBLY - Center, right	1	
	96827-34	B.K	SEAT ASSEMBLY - Center, right (luxurious)	1	
	96827-46	J.L	SEAT ASSEMBLY - Center, right (luxurious)	1	
-32	96827-26	A.K	* CUSHION AND FRAME ASSEMBLY - Center seat, bottom, left	1	
	96827-36	J.L	* CUSHION AND FRAME ASSEMBLY - Center seat, bottom, left	1	
	96827-31	B.K	* CUSHION AND FRAME ASSEMBLY - Center seat, bottom, left (luxurious)	1	
	96827-42	J.L	* CUSHION AND FRAME ASSEMBLY - Center seat, bottom, left (luxurious)	1	
	96827-27	A.K	* CUSHION AND FRAME ASSEMBLY - Center seat, bottom, right	1	
	96827-38	J.L	* CUSHION AND FRAME ASSEMBLY - Center seat, bottom, right	1	
	96827-32	B.K	* CUSHION AND FRAME ASSEMBLY - Center seat, bottom, right (luxurious)	1	
	96827-44	J.L	* CUSHION AND FRAME ASSEMBLY - Center seat, bottom, right (luxurious)	1	
-33	99077-16		* * FRAME ASSEMBLY - Center seat bottom, left	1	
	99077-17		* * FRAME ASSEMBLY - Center seat bottom, right	1	
-34	79442-00		* * * HANDLE - Seat recliner	1	
-35	480 701	W	* * * PIN - Roll (59-028-125-0625)	2	
-36	19336-00	W	* * * SPRING - Seat back adjustment, inboard	1	
	19336-01	W	* * * SPRING - Seat back adjustment, outboard	1	
-37	19392-15	W	* * * TUBE - Reclining mechanism	1	
-38	19365-02	W	* * * CAM - Reclining seat	2	
-39	480 701	W	* * * PIN - Roll (59-028-125-0625)	1	
-40	76176-00		* * * COVER - Reclining seat	1	

When ordering, always specify Part Number, Description and Serial Number of Aircraft

PIPER PARTS CATALOG

Figure and Index Number	Part Number	Code	NOMENCLATURE	No. Req.	SERIAL NUMBERS AFFECTED	
40-41	79337-16	A.K	* CUSHION AND FRAME ASSEMBLY - Center seat, back	1		
	79337-59	J.L	* CUSHION AND FRAME ASSEMBLY - Center seat, back	1		
	79337-27	B.K	* CUSHION AND FRAME ASSEMBLY - Center seat, back (luxurious)	1		
	79337-71	J.L	* CUSHION AND FRAME ASSEMBLY - Center seat, back (luxurious)	1		
-42	79555-00		* * FRAME ASSEMBLY - Center seat, back	1		
-43	78041-00	G.K	* COVER ASSEMBLY - Seat back	1		
	78041-09	B.K	* COVER ASSEMBLY - Seat back (luxurious)	1		
-44	67958-03	B.K	* BUTTON ASSEMBLY - Seat back	5		
	67958-05	J.L	* BUTTON ASSEMBLY - Seat back	5		
-45	79479-02	A.K	SEAT ASSEMBLY - Rear, left	1		
	79479-19	J.L	SEAT ASSEMBLY - Rear, left	1		
	79479-12	B.K	SEAT ASSEMBLY - Rear, left (luxurious)	1		
	79479-25	J.L	SEAT ASSEMBLY - Rear, left (luxurious)	1		
	79479-07	A.K	SEAT ASSEMBLY - Rear, right	1		
	79479-23	J.L	SEAT ASSEMBLY - Rear, right	1		
	79479-14	B.K	SEAT ASSEMBLY - Rear, right (luxurious)	1		
	79479-29	J.L	SEAT ASSEMBLY - Rear, right (luxurious)	1		
	-46	79479-08	A.K	* CUSHION AND FRAME ASSEMBLY - Rear seat, bottom, left	1	
		79479-20	J.L	* CUSHION AND FRAME ASSEMBLY - Rear seat, bottom, left	1	
79479-15		B.K	* CUSHION AND FRAME ASSEMBLY - Rear seat, bottom, left (luxurious)	1		
79479-26		J.L	* CUSHION AND FRAME ASSEMBLY - Rear seat, bottom, left (luxurious)	1		
79479-11		A.K	* CUSHION AND FRAME ASSEMBLY - Rear seat, bottom, right	1		
79479-24		J.L	* CUSHION AND FRAME ASSEMBLY - Rear seat, bottom, right	1		
79479-17		B.K	* CUSHION AND FRAME ASSEMBLY - Rear seat, bottom, right (luxurious)	1		
79479-30		J.L	* CUSHION AND FRAME ASSEMBLY - Rear seat, bottom, right (luxurious)	1		
-47		79633-02		* * FRAME ASSEMBLY - Rear seat, bottom, left	1	
		79633-15		* * FRAME ASSEMBLY - Rear seat, bottom, right	1	
-48	480 701	W	* * * PIN - Roll (59-028-125-0625)	3		
-49	19336-00	W	* * * SPRING - Seat back adjustment, inboard	1		
	19336-01	W	* * * SPRING - Seat back adjustment, outboard	1		
-50	19392-15	W	* * * TUBE - Reclining mechanism	1		
-51	19365-02	W	* * * CAM - Reclining seat	2		
-52	76176-00		* * * COVER - Reclining seat	1		
-53	79442-00		* * * HANDLE - Seat recliner	1		
-54	79337-16	A.K	* CUSHION AND FRAME ASSEMBLY - Rear seat, back	1		
	79337-59	J.L	* CUSHION AND FRAME ASSEMBLY - Rear seat, back	1		
	79337-27	B.K	* CUSHION AND FRAME ASSEMBLY - Rear seat, back (luxurious)	1		
	79337-71	J.L	* CUSHION AND FRAME ASSEMBLY - Rear seat, back (luxurious)	1		
-55	79555-00		* * FRAME ASSEMBLY - Rear seat, back	1		
-56	78041-02	G.K	* COVER ASSEMBLY - Seat back	1		
	78041-10	B.K	* COVER ASSEMBLY - Seat back (luxurious)	1		
-57	67958-03	B.K	* BUTTON ASSEMBLY - Seat back	5		
	67958-05	J.L	* BUTTON ASSEMBLY - Seat back	5		
-58	79749-03	D	ARMREST ASSEMBLY - Rear seat, right	1		
-59	79749-07	C	* SUPPORT ASSEMBLY - Armrest, forward	1		

When ordering, always specify Part Number, Description and Serial Number of Aircraft

PIPER PARTS CATALOG

Figure and Index Number	Part Number	Code	NOMENCLATURE	No. Req.	SERIAL NUMBERS AFFECTED
40-60	79749-08	C	* SUPPORT ASSEMBLY - Armrest, rear	1	
-61	551 426	F	BELT ASSEMBLY - Shoulder, forward (fixed) (PS50039-4-24)	2	
	452 692		BELT ASSEMBLY - Shoulder, forward (with inertia reel) (PS50039-4-21)	2	
	551 424	F	BELT ASSEMBLY - Shoulder, center and rear (fixed) (PS50039-4-22)	4	
	452 679		BELT ASSEMBLY - Shoulder, center and rear (with inertia reel)(PS50039-4-19)	4	
-62	68022-14		BOOT - Seat belt attachment, black	2	
-63	62654-00		STOP - Seat track (1 20" L)	8	
	62654-03	E	STOP - Seat track (3 65" L) rear	4	
-64	62557-04		TRACK - Front seat	4	
-65	63900-145		BUSHING - Seat belt attachment	4	
-66	63900-146		BUSHING - Seat belt attachment	2	
-67	95061-90		BUSHING - Seat belt attachment	2	
-68	95061-180		BUSHING - Seat belt attachment	2	
-69	63900-147		BUSHING - Seat belt attachment	2	
-70	63900-149		BUSHING - Seat belt attachment	2	
-71	96908-00		CABLE ASSEMBLY - Seat belt attachment	2	
-72	79337-18	A.K	HEADREST ASSEMBLY - (8" high)	6	
	79337-41	B.K	HEADREST ASSEMBLY - (6" high) (luxurious)	6	
	36938-04	J.L	HEADREST ASSEMBLY	6	
-73	551 390		BELT ASSEMBLY - Lap, forward (PS50039-4-2A)	2	
	551 391		BELT ASSEMBLY - Lap, center (PS50039-4-3A)	2	
	551 392		BELT ASSEMBLY - Lap, rear (PS50039-4-4A)	2	
-74	400 441	W	BOLT - (AN3-7A)	2	
	407 564	W	WASHER - (AN960-10)	2	
	404 887	W	NUT - (MS20365-1032C)	2	
-75	400 004	W	BOLT - (AN4-7A)	2	
	407 565	W	WASHER - (AN960-416)	2	
-76	401 194	W	BOLT - (AN5-16A)	2	
	407 566	W	WASHER - (AN960-516)	2	
	404 889	W	NUT - (MS20365-524C)	2	
-77	401 187	W	BOLT - (AN5-7A)	2	
	407 566	W	WASHER - (AN960-516)	2	
	404 837	W	NUT - (MS20364-524C)	2	
-78	400 441	W	BOLT - (AN3-7A)	2	
	407 564	W	WASHER - (AN960-10)	2	
-79	400 440	W	BOLT - (AN3-6A)	2	
	407 564	W	WASHER - (AN960-10)	2	
-80	400 441	W	BOLT - (AN3-7A)	2	

When ordering, always specify Part Number, Description and Serial Number of Aircraft

PIPER PARTS CATALOG

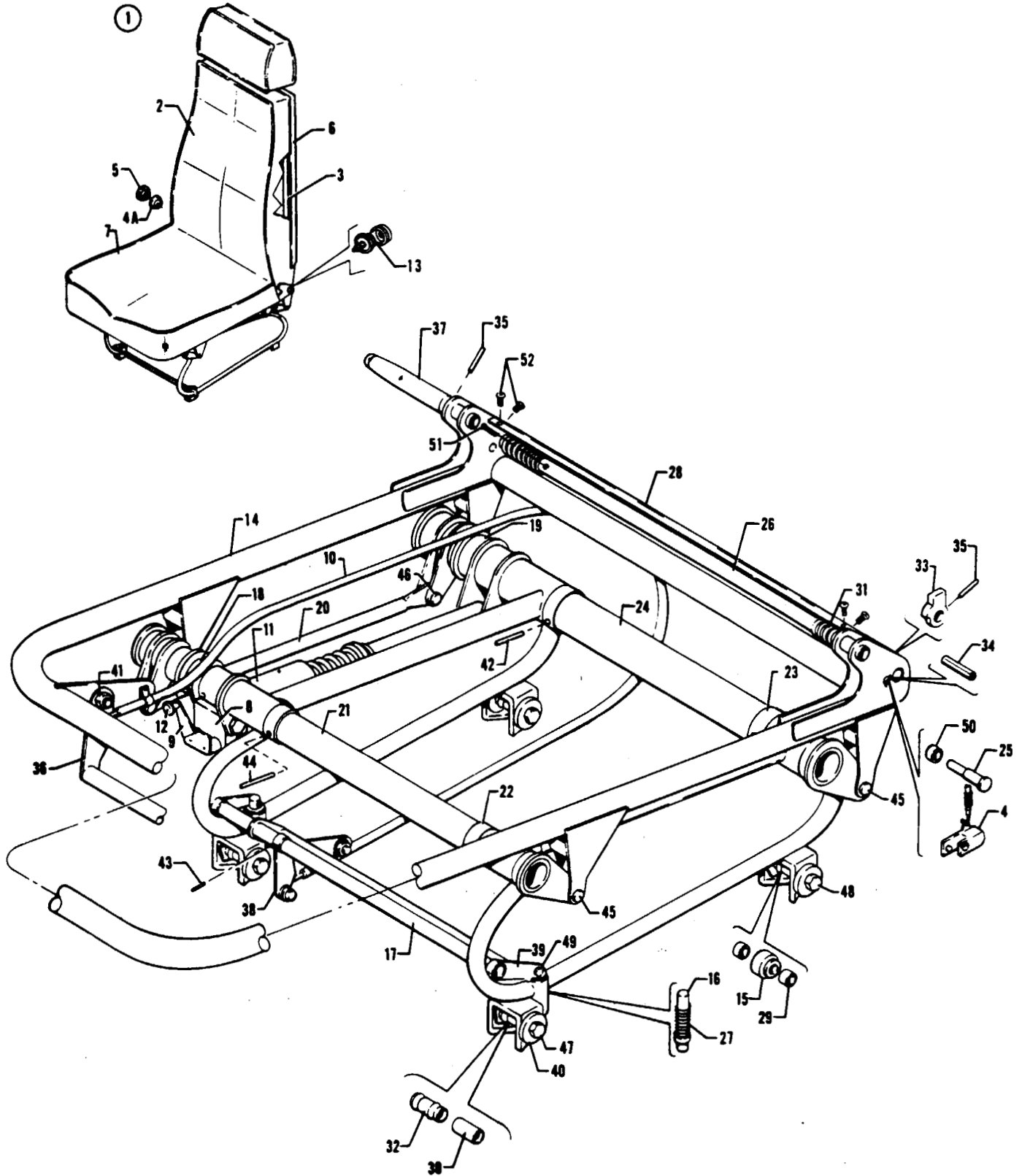


Figure 41. Vertically Adjustable Front Seat Assembly

PIPER PARTS CATALOG

CODE EXPLANATIONS FOR FIGURE 41

- A - When ordering for 1980, 1981, and 1982 models, specify color red(color code 792), blue(color code 793), gold(color code 794), navajo sepia or navajo cactus Also specify trim color black or camel, if applicable
- B - When ordering, specify color firethorn red, dark firethorn, buckskin, light buckskin, dark blue, dark cedar, dark carmine, or sandalwood Also specify material leather, velour, knit, or cloth
- C - When ordering, specify color "bark II" or black
- D - Used on PA-32-301 with serial numbers 32-8006001 to 32-8006116 inclusive, and PA-32-301T with serial numbers 32-8024001 to 32-8024062 inclusive
- E - Used on PA-32-301 with serial numbers 32-8106001 to 32-8206050 inclusive, and PA-32-301T with serial numbers 32-8124001 to 32-8224024 inclusive
- F - Before ordering, ascertain O D at center of seat roller If O D of roller measures 42, (2) rollers P/N 87332-02 must be ordered If O D of roller measures 62, order roller(s) as required
- G - Used on PA-32-301 with serial numbers 32-8206001 to 32-8206050 inclusive, and PA-32-301T with serial numbers 32-8224001 to 32-8224024 inclusive
- H - Used on PA-32-301 with serial numbers 32-8306001 and up, and PA-32-301T with serial numbers 32-8324001 and up
- J - Used on PA-32-301 with serial numbers 32-8006001 to 32-8206050 inclusive, and PA-32-301T with serial numbers 32-8024001 to 32-8224024 inclusive
- K - When ordering, specify color madrid red, bahama blue, dark blue, buckskin, light buckskin, firethorn red, dark firethorn, dark cedar, dark saddle, sandalwood, or patrician sandalwood Also specify material cloth, velour, knit, or leather
- W - These parts must be ordered from Service Spares Department, Piper Aircraft, Lock Haven, Penna

PIPER PARTS CATALOG

Figure and Index Number	Part Number	Code	NOMENCLATURE	No. Req.	SERIAL NUMBERS AFFECTED
41-1	79592-02	A J	SEAT ASSEMBLY - Adjustable front left	1	
	79592-06	H.K	SEAT ASSEMBLY - Adjustable front, left	1	
	79592-04	B J	SEAT ASSEMBLY - Adjustable front, left (luxurious)	1	
	79592-08	H.K	SEAT ASSEMBLY - Adjustable front, left (luxurious)	1	
	79592-03	A.J	SEAT ASSEMBLY - Adjustable front, right	1	
	79592-07	H.K	SEAT ASSEMBLY - Adjustable front, right	1	
	79592-05	B.J	SEAT ASSEMBLY - Adjustable front, right (luxurious)	1	
	79592-09	H.K	SEAT ASSEMBLY - Adjustable front, right (luxurious)	1	
-2	79337-16	A.J	* CUSHION ASSEMBLY - Back, left	1	
	79337-59	H.K	* CUSHION ASSEMBLY - Back, left	1	
	79337-27	B.J	* CUSHION ASSEMBLY - Back, left (luxurious)	1	
	79337-71	H.K	* CUSHION ASSEMBLY - Back, left (luxurious)	1	
	79337-17	A.J	* CUSHION ASSEMBLY - Back, right	1	
	79337-62	H.K	* CUSHION ASSEMBLY - Back, right	1	
	79337-28	B.J	* CUSHION ASSEMBLY - Back, right (luxurious)	1	
	79337-74	H.K	* CUSHION ASSEMBLY - Back, right (luxurious)	1	
-3	79555-00		* * FRAME ASSEMBLY - Back, left	1	
	79555-01		* * FRAME ASSEMBLY - Back, right	1	
-4	99718-05		* * * STOP ASSEMBLY - Seat latch, right	1	
-4a	453 732	W	* * * BUSHING - Seat back, right (PS10064-375-4)	1	
-5	79554-02		* * KNOB - Seat back release, right	1	
-6	78041-00	C.J	* COVER ASSEMBLY - Seat back	1	
	78041-09	B.J	* COVER ASSEMBLY - Seat back (luxurious)	1	
-7	556 469	D	* COVER ASSEMBLY - Seat bottom, red (with black trim)	1	
	556 470	D	* COVER ASSEMBLY - Seat bottom, blue (with black trim)	1	
	556 471	J	* COVER ASSEMBLY - Seat bottom, gold (with black trim)	1	
	555 884	J	* COVER ASSEMBLY - Seat bottom, navajo sepia (with camel trim)	1	
	555 885	J	* COVER ASSEMBLY - Seat bottom, navajo cactus (with camel trim)	1	
	555 888	J	* COVER ASSEMBLY - Seat bottom, navajo sepia (with black trim)	1	
	555 889	J	* COVER ASSEMBLY - Seat bottom, navajo cactus (with black trim)	1	
	556 472	D	* COVER ASSEMBLY - Seat bottom, red (with camel trim)	1	
	556 473	D	* COVER ASSEMBLY - Seat bottom, blue (with camel trim)	1	
	556 474	J	* COVER ASSEMBLY - Seat bottom, gold (with camel trim)	1	
	556 932	E	* COVER ASSEMBLY - Seat bottom, red	1	
	556 933	E	* COVER ASSEMBLY - Seat bottom, blue	1	
	559 827	H	* COVER ASSEMBLY - Seat bottom, madrid red (cloth)	1	
	556 677	J	* COVER ASSEMBLY - Seat bottom, firethorn red (luxurious)	1	
	559 721	H	* COVER ASSEMBLY - Seat bottom, firethorn red (velour)	1	
	559 784	H	* COVER ASSEMBLY - Seat bottom, dark firethorn (leather)	1	
	556 678	J	* COVER ASSEMBLY - Seat bottom, buckskin (luxurious)	1	
	559 829	H	* COVER ASSEMBLY - Seat bottom, buckskin (cloth)	1	
	559 795	H	* COVER ASSEMBLY - Seat bottom, light buckskin (leather)	1	
	559 828	H	* COVER ASSEMBLY - Seat bottom, bahama blue (cloth)	1	
	556 705	J	* COVER ASSEMBLY - Seat bottom, dark blue (luxurious)	1	
	559 700	H	* COVER ASSEMBLY - Seat bottom, dark blue (velour)	1	
	559 748	H	* COVER ASSEMBLY - Seat bottom, dark blue (leather)	1	
	556 921	E	* COVER ASSEMBLY - Seat bottom, dark cedar (luxurious, knit)	1	
	557 035	G	* COVER ASSEMBLY - Seat bottom, dark cedar (luxurious, velour)	1	
	559 707	H	* COVER ASSEMBLY - Seat bottom, dark cedar (knit)	1	
	559 772	H	* COVER ASSEMBLY - Seat bottom, dark cedar (leather)	1	
	557 033	G	* COVER ASSEMBLY - Seat bottom, dark carmine (luxurious)	1	

When ordering, always specify Part Number, Description and Serial Number of Aircraft

PIPER PARTS CATALOG

Figure and Index Number	Part Number	Code	NOMENCLATURE	No Req.	SERIAL NUMBERS AFFECTED
41-7	557 034	G	* COVER ASSEMBLY - Seat bottom, sandalwood (luxurious)	1	
	559 735	H	* COVER ASSEMBLY - Seat bottom, sandalwood (fabric)	1	
	559 728	H	* COVER ASSEMBLY - Seat bottom, patrician sandalwood (fabric)	1	
	559 714	H	* COVER ASSEMBLY - Seat bottom, dark saddle (knit)	1	
	559 760	H	* COVER ASSEMBLY - Seat bottom, dark saddle (leather)	1	
-8	37902-06		* ADAPTER - Seat control	1	
-9	37902-08		* CONTROL ARM - Actuator, left	1	
	37902-09		* CONTROL ARM - Actuator, right	1	
-10	554 422		* CABLE ASSEMBLY - Seat track release (crew operated, length 27" (PS50146-8-1)	1	
-11	587 404		* CONTROL ASSEMBLY - Seat adjustment (Gas Spring Corp P/N 06-10-080-310-025)	1	
-12	471 084		* KNOB - Actuator (233)	1	
	407 135	W	* WASHER - (AN936-A10)	1	
-13	67958-03	B,J	* BUTTON ASSEMBLY - Seat back	5	
	67958-05	H,K	* BUTTON ASSEMBLY - Seat back	5	
-14	79540-02		* FRAME ASSEMBLY - Bottom, left	1	
	79540-03		* FRAME ASSEMBLY - Bottom, right	1	
-15	452 386		* * ROLLER - (NAS506-4)	2	
-16	76175-00		* * PLUNGER	2	
-17	76172-03		* * TUBE - Bellcrank	1	
-18	76347-01		* * BELLCRANK ASSEMBLY - Forward, left	1	
	36856-02		* * BELLCRANK ASSEMBLY - Forward, right	1	
-19	79792-02		* * BELLCRANK ASSEMBLY - Aft, left	1	
	79792-03		* * BELLCRANK ASSEMBLY - Aft, right	1	
-20	36864-02		* * LINK ASSEMBLY - Seat (forged)	1	
-21	76343-00		* * TUBE ASSEMBLY - Forward	1	
-22	76351-02		* * BUSHING - Seat	2	
-23	76351-03		* * BUSHING - Seat	2	
-24	78361-00		* * TUBE ASSEMBLY - Aft	1	
-25	79229-00		* * BEARING SHAFT - Seat release, right	1	
-26	79230-02		* * TUBE - Seat reclining	1	
-27	587 299		* * SPRING - Seat plunger (LC-038F-6SS)	2	
-28	76176-00		* * COVER - Reclining seat	1	
-29	95061-161		* * SPACER - Seat roller	4	
-30	95061-106		* * BEARING - Seat roller	2	
-31	19336-00	W	* * SPRING - Seat back adjustment, inboard	1	
	19336-01	W	* * SPRING - Seat back adjustment, outboard	1	
-32	87332-02	F	* * ROLLER - Seat	2	
-33	19365-02	W	* * CAM - Reclining seat	2	
-34	480 732	W	* * PIN - Roll (59-040-187-0937)	2	
-35	480 701	W	* * PIN - Roll (59-028-125-0625)	3	
-36	79207-00		* * HANDLE - Seat release	1	
-37	79442-00		* * HANDLE - Seat recliner	1	
-38	76187-00		* * ARM ASSEMBLY - Seat release	1	
-39	36858-02		* * ARM ASSEMBLY - Seat latch (forged)	2	
-40	62833-78		* * WASHER	8	
-41	400 002	W	* * BOLT - (AN4-5A)	2	
	494 040		* * WASHER - (PS10011-12)	6	
	404 836	W	* * NUT - (MS20364-428C)	2	
-42	480 801		* * PIN - (MS9048-173)	5	
-43	480 777		* * PIN - (MS9048-100) 50 long	3	
-44	480 789		* * PIN - (MS9048-170)	4	

When ordering, always specify Part Number, Description and Serial Number of Aircraft

PIPER PARTS CATALOG

Figure and Index Number	Part Number	Code	NOMENCLATURE	No. Req.	SERIAL NUMBERS AFFECTED
41-45	424 174	W	* * PIN - (MS20392-2C11)	4	
	407 564	W	* * WASHER - (AN960-10)	4	
	424 051	W	* * COTTER PIN - (MS24665-132)	4	
-46	424 205		* * PIN - (MS20392-3C17)	2	
	407 565	W	* * WASHER - (AN960-416)	2	
	424 051	W	* * COTTER PIN - (MS24665-132)	2	
-47	401 318	W	* * BOLT - (AN4-20A) Front	2	
	404 888	W	* * NUT - (MS20365-428C) Front	2	
-48	401 318	W	* * BOLT - (AN4-20A) Rear	2	
	477 708		* * NUT - (26C-048) Rear	2	
-49	424 143		* * PIN - (MS20392-1C13)	2	
	407 561	W	* * WASHER - (AN960-4)	2	
	424 051	W	* * COTTER PIN - (MS24665-132)	2	
-50	79235-00		* * BUSHING - Seat back release, right	1	
-51	424 060	W	* * PIN - (MS24665-285)	2	
-52	419 584		* * SCREW - (AN530-4R4)	4	

When ordering, always specify Part Number, Description and Serial Number of Aircraft

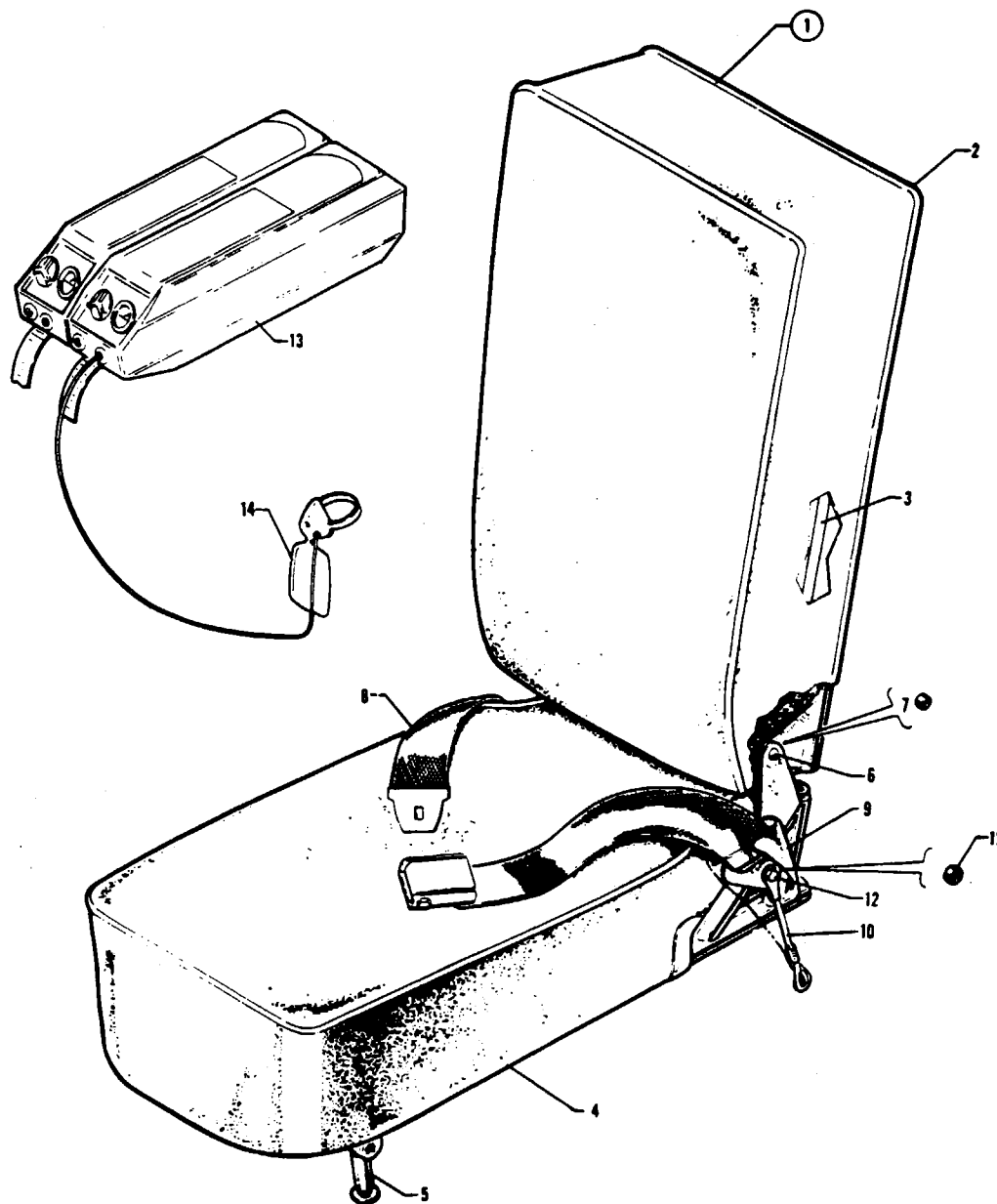


Figure 42. 7th Seat Installation

PIPER PARTS CATALOG

CODE EXPLANATIONS FOR FIGURE 42

- A - When ordering for 1980, 1981, and 1982 models, specify color red (color code 792), blue (color code 793), gold (color code 794), navajo sepiá or navajo cactus. Also specify trim color black or camel, if applicable
- B - When ordering, specify color firethorn red, buckskin, dark blue, dark cedar, dark carmine or sandalwood. Also specify material leather, velour, knit, or cloth
- C - Used on PA-32-301T only
- D - When ordering, specify color madrid red, bahama blue, or buckskin
- E - When ordering, specify color firethorn red, dark firethorn, dark blue, light buckskin, dark cedar, dark saddle, sandalwood or patrician sandalwood. Also specify material cloth, velour, knit or leather
- F - Used on PA-32-301 with serial numbers 32-8006001 to 32-8206050 inclusive, and PA-32-301T with serial numbers 32-8024001 to 32-8224024 inclusive
- G - Used on PA-32-301 with serial numbers 32-8306001 and up, and PA-32-301T with serial numbers 32-8324001 and up
- W - These parts must be ordered from Service Spares Department, Piper Aircraft, Lock Haven, Penna

PIPER PARTS CATALOG

Figure and Index Number	Part Number	Code	NOMENCLATURE	No. Req.	SERIAL NUMBERS AFFECTED
42-	69595 37684	C	DRAWING - 7th Seat Installation DRAWING - Portable Oxygen System Installation		
-1	78108-12 78108-23 78108-14 78108-26	A.F D.G B.F E.G	SEAT ASSEMBLY SEAT ASSEMBLY SEAT ASSEMBLY - (Luxurious) SEAT ASSEMBLY - (Luxurious)	1 1 1 1	
-2	78108-03 78108-24 78108-15 78108-27	A.F D.G B.F E.G	* CUSHION AND FRAME ASSEMBLY - Back * CUSHION AND FRAME ASSEMBLY - Back * CUSHION AND FRAME ASSEMBLY - Back (luxurious) * CUSHION AND FRAME ASSEMBLY - Back (luxurious)	1 1 1 1	
-3	69066-00		* * FRAME ASSEMBLY - Seat back	1	
-4	78108-10 78108-25 78108-16 78108-28	A.F D.G B.F E.G	* CUSHION AND FRAME ASSEMBLY - Bottom * CUSHION AND FRAME ASSEMBLY - Bottom * CUSHION AND FRAME ASSEMBLY - Bottom (luxurious) * CUSHION AND FRAME ASSEMBLY - Bottom (luxurious)	1 1 1 1	
-5	69067-10		* * FRAME ASSEMBLY - Seat bottom	1	
-6	400 670	W	* BOLT - (AN23-8)	2	
-7	63900-133		* BUSHING	2	
-8	551 391		BELT ASSEMBLY - Safety (PS50039-4-3A)	1	
-9	68022-14		BOOT - Seat belt attachment, black	2	
-10	96908-00		CABLE ASSEMBLY - Seat belt attachment	2	
-11	63900-149		BUSHING - Seat belt attachment	2	
-12	401 187 407 566 404 837	W W W	BOLT - (AN5-7A) WASHER - (AN960-516) NUT - (MS20364-524C)	2 2 2	
-13	470 925 470 637	C C	KIT - Complete oxygen system (802180-00) KIT - Complete oxygen system (802180-05)	1 1	32-8024001 to 32-8124030 incl 32-8124031 and up
-14	761 652	C	* SKY MASK WITH MICROPHONE AND CONNECTOR ASSEMBLY - Pilot (includes lap mike switch)	1	32-8024001 to 32-8124030 incl
	761 743	C	* SKY MASK WITH MICROPHONE AND CONNECTOR ASSEMBLY - Pilot	1	32-8124031 and up
	761 653 761 654	C C	* SKY MASK AND CONNECTOR ASSEMBLY - Copilot * TWO SKY MASKS WITH DUAL MANIFOLD ASSEMBLY - Passenger (with 5' hose)	1 1	
	761 655	C	* TWO SKY MASKS WITH DUAL MANIFOLD ASSEMBLY - Passenger (with 7.5' hose)	1	

When ordering, always specify Part Number, Description and Serial Number of Aircraft

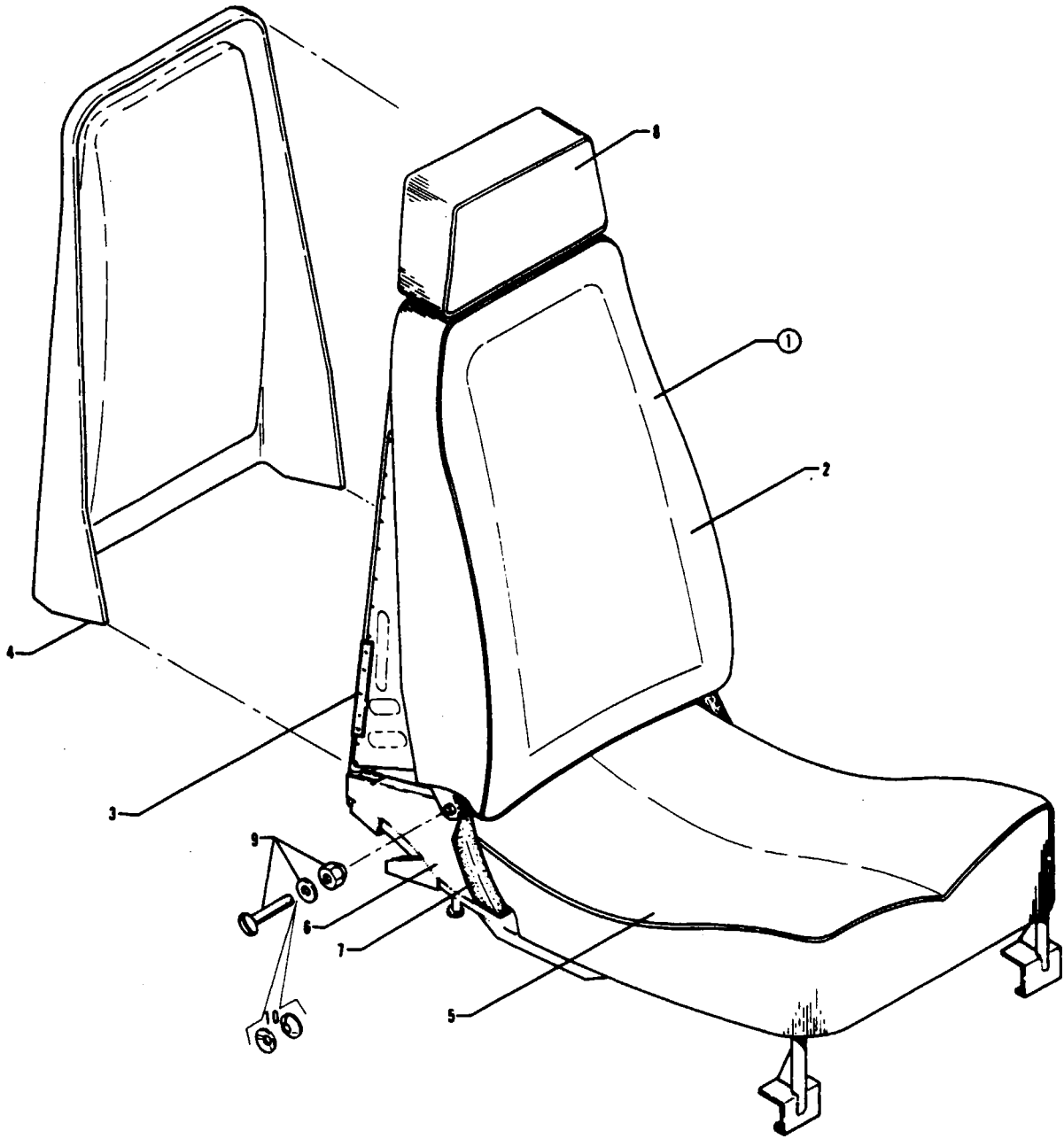


Figure 43. Aft Facing Seat Assembly - Center

PIPER PARTS CATALOG

CODE EXPLANATIONS FOR FIGURE 43

- A - When ordering for 1980, 1981, and 1982 models, specify color red (color code 792), blue (color code 793), gold (color code 794), ~~navajo sepi~~, or navajo cactus. Also specify trim color black or camel, if applicable
- B - When ordering, specify with or without map rack
- C - When ordering, specify color firethorn red, buckskin, dark blue, dark cedar, dark carmine or sandalwood. Also specify material leather, velour, knit, or cloth
- D - When ordering, specify color "bark II" or black
- E - Used on PA-32-301 with serial numbers 32-8006001 to 32-8206050 inclusive, and PA-32-301T with serial numbers 32-8024001 to 32-8224024 inclusive
- F - Used on PA-32-301 with serial numbers 32-8306001 and up, and PA-32-301T with serial numbers 32-8324001 and up
- G - When ordering, specify color madrid red, firethorn red, dark firethorn, bahama blue, dark blue, buckskin, light buckskin, dark cedar, dark saddle, sandalwood, or patrician sandalwood. Also specify material cloth, velour, knit or leather
- W - These parts must be ordered from Service Spares Department, Piper Aircraft, Lock Haven, Penna

PIPER PARTS CATALOG

Figure and Index Number	Part Number	Code	NOMENCLATURE	No. Req.	SERIAL NUMBERS AFFECTED
43-1	37799-16	A B E	SEAT ASSEMBLY - Center, aft facing	2	
	37799-22	F,G	SEAT ASSEMBLY - Center, aft facing	2	
	37799-17	C,E	SEAT ASSEMBLY - Center, aft facing (luxurious)	2	
	37799-25	F,G	SEAT ASSEMBLY - Center, aft facing (luxurious)	2	
-2	37799-03	A,B,E	* CUSHION ASSEMBLY - Seat back	1	
	37799-20	F,G	* CUSHION ASSEMBLY - Seat back	1	
	37799-11	C,E	* CUSHION ASSEMBLY - Seat back (luxurious)	1	
	37799-23	F,G	* CUSHION ASSEMBLY - Seat back (luxurious)	1	
-3	37796-02		* * FRAME ASSEMBLY - Seat back	1	
	37823-02	D	* * COVER ASSEMBLY - Seat back (without map rack)	1	
-4	37823-07	C	* * COVER ASSEMBLY - Seat back (without map rack) (luxurious)	1	
	37840-02	D	* * COVER ASSEMBLY - Seat back (with map rack)	1	
-5	37799-04	A,E	* CUSHION ASSEMBLY - Seat bottom	1	
	37799-21	F,G	* CUSHION ASSEMBLY - Seat bottom	1	
	37799-12	C,E	* CUSHION ASSEMBLY - Seat bottom (luxurious)	1	
	37799-24	F,G	* CUSHION ASSEMBLY - Seat bottom (luxurious)	1	
-6	37797-02		* * FRAME ASSEMBLY - Seat bottom	1	
-7	37824-02	D	* * COVER - Seat bottom	2	
-8	36938-02	A	* HEADREST ASSEMBLY - Seat	1	
	36938-03	C	* HEADREST ASSEMBLY - Seat (luxurious)	1	
-9	400 916	W	* SCREW - (AN24-26A)	2	
	407 565	W	* WASHER - (AN960-416)	4	
	477 708		* NUT - (26C-048)	2	
-10	408 834		* WASHER - (AM251215)	2	

When ordering, always specify Part Number, Description and Serial Number of Aircraft

PIPER PARTS CATALOG

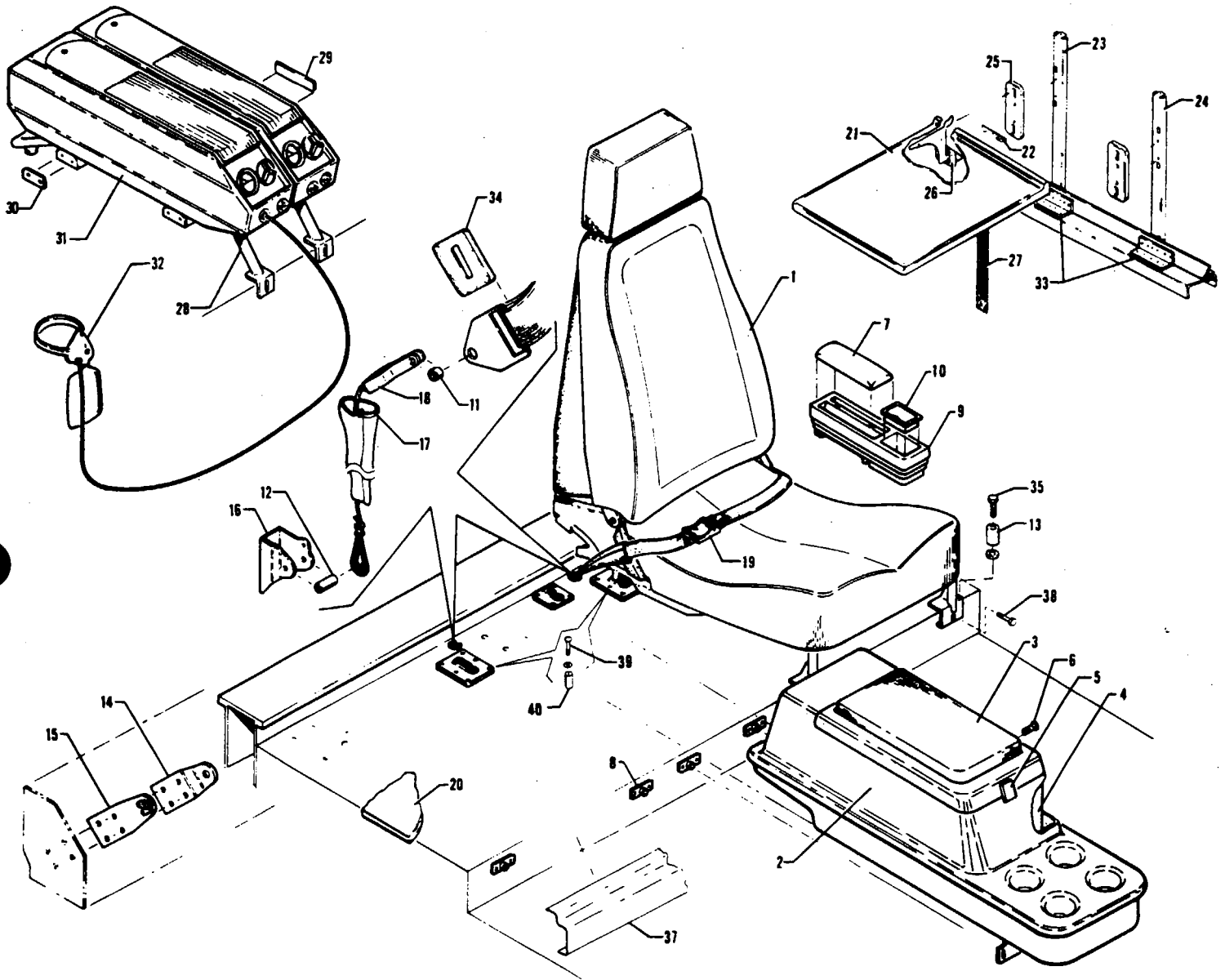


Figure 44. Club Seating Installation

PIPER PARTS CATALOG

CODE EXPLANATIONS FOR FIGURE 44

- A - See Figure 43 for component parts
- B - When ordering for 1980, 1981, and 1982 models, specify color red (color code 792), blue (color code 793), gold (color code 794), navajo sepia, or navajo cactus. Also specify trim color black or camel, if applicable
- C - When ordering, specify color firethorn red, buckskin, dark blue, dark cedar, dark carmine or sandalwood. Also specify material leather, velour, knit, or cloth
- D - When ordering, specify color black, or "bark II" and black
- E - When ordering, specify color "bark II" or black
- F - Used on PA-32-301T only
- G - Used on PA-32-301 with serial numbers 32-8106001 and up, and PA-32-301T with serial numbers 32-8124001 and up
- H - Used on PA-32-301 with serial numbers 32-8206001 and up, and PA-32-301T with serial numbers 32-8224001 and up
- J - Used if center console is not installed
- K - Used if center console is installed
- L - Used on PA-32-301 with serial numbers 32-8306001 and up, and PA-32-301T with serial numbers 32-8324001 and up
- M - Used on PA-32-301 with serial numbers 32-8106001 to 32-8206050 inclusive, and PA-32-301T with serial numbers 32-8124001 to 32-8224024 inclusive
- N - Used on PA-32-301 with serial numbers 32-8006001 to 32-8206050 inclusive, and PA-32-301T with serial numbers 32-8024001 to 32-8224024 inclusive
- O - When ordering, specify color madrid red, firethorn red, dark firethorn, bahama blue, dark blue, buckskin, light buckskin, dark cedar, dark saddle, sandalwood or patrician sandalwood. Also specify material cloth, velour, knit or leather
- P - Used on PA-32-301 with serial numbers 32-8206001 to 32-8206050 inclusive, and PA-32-301T with serial numbers 32-8224001 to 32-8224024 inclusive
- W - These parts must be ordered from Service Spares Department, Piper Aircraft, Lock Haven, Penna

PIPER PARTS CATALOG

Figure and Index Number	Part Number	Code	NOMENCLATURE	No. Req.	SERIAL NUMBERS AFFECTED
44-	37825		DRAWING - Club Seats Installation		
-1	37799-16	A,B,N	SEAT ASSEMBLY - Center, aft facing	2	
	37799-22	A,L,O	SEAT ASSEMBLY - Center, aft facing	2	
	37799-17	A,C,N	SEAT ASSEMBLY - Center, aft facing (luxurious)	2	
	37799-25	A,L,O	SEAT ASSEMBLY - Center, aft facing (luxurious)	2	
-2	79750-00	D	CONSOLE ASSEMBLY - Refreshment	1	
-3	579 420	N	* ARM PAD ASSEMBLY - Console (camel)	1	
	680 005	L	* ARM PAD ASSEMBLY - Console (red, vinyl)	1	
	552 517	M	* ARM PAD ASSEMBLY - Console (firethorn red, vinyl)	1	
	551 957		* ARM PAD ASSEMBLY - Console (firethorn red, velour)	1	
	559 792	L	* ARM PAD ASSEMBLY - Console (firethorn red, leather)	1	
	551 958	N	* ARM PAD ASSEMBLY - Console (buckskin, velour)	1	
	680 007	L	* ARM PAD ASSEMBLY - Console (light buckskin, vinyl)	1	
	559 804	L	* ARM PAD ASSEMBLY - Console (light buckskin, leather)	1	
	680 006	L	* ARM PAD ASSEMBLY - Console (blue, vinyl)	1	
	552 518	M	* ARM PAD ASSEMBLY - Console (dark blue, vinyl)	1	
	551 959		* ARM PAD ASSEMBLY - Console (dark blue, velour)	1	
	559 757	L	* ARM PAD ASSEMBLY - Console (dark blue, leather)	1	
	552 516	G	* ARM PAD ASSEMBLY - Console (dark cedar, knit)	1	
	579 118	P	* ARM PAD ASSEMBLY - Console (dark cedar, velour)	1	
	559 781	L	* ARM PAD ASSEMBLY - Console (dark cedar, leather)	1	
	579 116	P	* ARM PAD ASSEMBLY - Console (dark carmine, velour)	1	
	579 117	H	* ARM PAD ASSEMBLY - Console (sandalwood, fabric)	1	
	680 132	L	* ARM PAD ASSEMBLY - Console (patrician sandalwood, fabric)	1	
	680 004	L	* ARM PAD ASSEMBLY - Console (dark saddle, knit)	1	
	559 769	L	* ARM PAD ASSEMBLY - Console (dark saddle, leather)	1	
-4	758 097		* ICE CHEST - Console (3076-1)	1	
-5	761 301		* LATCH ASSEMBLY - (07-10-201-12) black	1	
-6	519 900		* SCREW - (MS51862-4C)	4	
-7	580 721	N	PAD - Armrest, camel	2	
	680 001	L	PAD - Armrest, red (vinyl)	2	
	579 227	M	PAD - Armrest, firethorn red (vinyl)	2	
	579 472		PAD - Armrest, firethorn red (velour)	2	
	559 793	L	PAD - Armrest, firethorn red (leather)	2	
	579 473	N	PAD - Armrest, buckskin (velour)	2	
	680 003	L	PAD - Armrest, light buckskin (vinyl)	2	
	559 805	L	PAD - Armrest, light buckskin (leather)	2	
	579 228	M	PAD - Armrest, dark blue (vinyl)	2	
	579 474		PAD - Armrest, dark blue (velour)	2	
	559 758	L	PAD - Armrest, dark blue (leather)	2	
	680 002	L	PAD - Armrest, blue (vinyl)	2	
	579 226	G	PAD - Armrest, dark cedar (knit)	2	
	579 115	P	PAD - Armrest, dark cedar (velour)	2	
	559 782	L	PAD - Armrest, dark cedar (leather)	2	
	579 113	P	PAD - Armrest, dark carmine (velour)	2	
	579 114	H	PAD - Armrest, sandalwood (fabric)	2	
	680 131	L	PAD - Armrest, patrician sandalwood (fabric)	2	
	680 000	L	PAD - Armrest, dark saddle (knit)	2	
	559 770	L	PAD - Armrest, dark saddle (leather)	2	
-8	37850-02		PLATE ASSEMBLY - Seats	6	
-9	66710-17		HOUSING ASSEMBLY - Armrest, left	1	
	66710-16		HOUSING ASSEMBLY - Armrest, right	1	

When ordering, always specify Part Number, Description and Serial Number of Aircraft

PIPER PARTS CATALOG

Figure and Index Number	Part Number	Code	NOMENCLATURE	No. Req.	SERIAL NUMBERS AFFECTED
44-10	763 003		* ASH TRAY - (S-25-AR-C)	1	
-11	63900-149		BUSHING	2	
-12	95061-157		BUSHING	2	
-13	95061-08		SPACER	6	
-14	37834-02		LINK - Seat belt attachment	2	
-15	37835-02		LINK - Seat belt attachment	2	
-16	37839-02		FITTING - Seat belt attachment	2	
-17	68022-06		BOOT - Seat belt attachment	2	
-18	96908-00		CABLE ASSEMBLY - Seat belt	2	
-19	551 391		BELT ASSEMBLY - Safety, corner (PS50039-4-3A)	2	
-20	37829-03		PANEL ASSEMBLY - Floor, center	1	
-21	36800-02		TABLE ASSEMBLY	1	
-22	35669-104		* PLACARD - Table stowage	1	
-23	36801-02		BRACKET ASSEMBLY - Table, mounting, forward	1	
-24	36801-03		BRACKET ASSEMBLY - Table, mounting, aft	1	
-25	36803-02		ESCUTCHEON - Table mount	2	
-26	36802-02		CLIP COVER - Table	2	
-27	65440-10		STRAP ASSEMBLY - Table	1	
-28	79770-11	F	FRAME ASSEMBLY - Oxygen bottle support	1	
-29	35669-13	F	* PLACARD - Oxygen bottle installation	1	
-30	79778-02	E,F	CAP - Oxygen bottle support	4	
-31	470 959	F	KIT - Complete oxygen system (802180-01)	1	32-8024001 to 32-8124030 incl
	470 638	F	KIT - Complete oxygen system (802180-06)	1	32-8124031 and up
-32	761 652	F	* SKY MASK WITH MICROPHONE AND CONNECTOR ASSEMBLY - Pilot (includes lap mike switch)	1	32-8024001 to 32-8124030 incl
	761 743	F	* SKY MASK WITH MICROPHONE AND CONNECTOR ASSEMBLY - Pilot	1	32-8124031 and up
	761 653	F	* SKY MASK AND CONNECTOR ASSEMBLY - Copilot	1	
	761 654	F	* TWO SKY MASKS WITH DUAL MANIFOLD ASSEMBLY - Passenger (with 5' hose)	2	
	761 655	F	* TWO SKY MASKS WITH DUAL MANIFOLD ASSEMBLY - Passenger (with 7 5' hose)	1	
-33	37825-07		ANGLE - Table mounting bracket	2	
-34	67970-02	E	COVER - Seat belt attachment (luxurious)	2	
-35	414 772	W	SCREW - (MS24693-S55)	6	
	494 101	W	WASHER - (PS10092-1-2C)	6	
-36	95061-09		SPACER	36	
-37	68613-800	J	STRIP - Trim	1	
	68613-801	K	STRIP - Trim	1	
-38	400 009	W	BOLT - (AN4-14A)	6	
	407 585	W	WASHER - (AN960-416L)	6	
-39	415 540		SCREW - (MS35206-250)	36	
	407 563	W	WASHER - (AN960-8)	36	
	404 910	W	NUT - (MS20365-832C)	36	

When ordering, always specify Part Number, Description and Serial Number of Aircraft

PIPER PARTS CATALOG

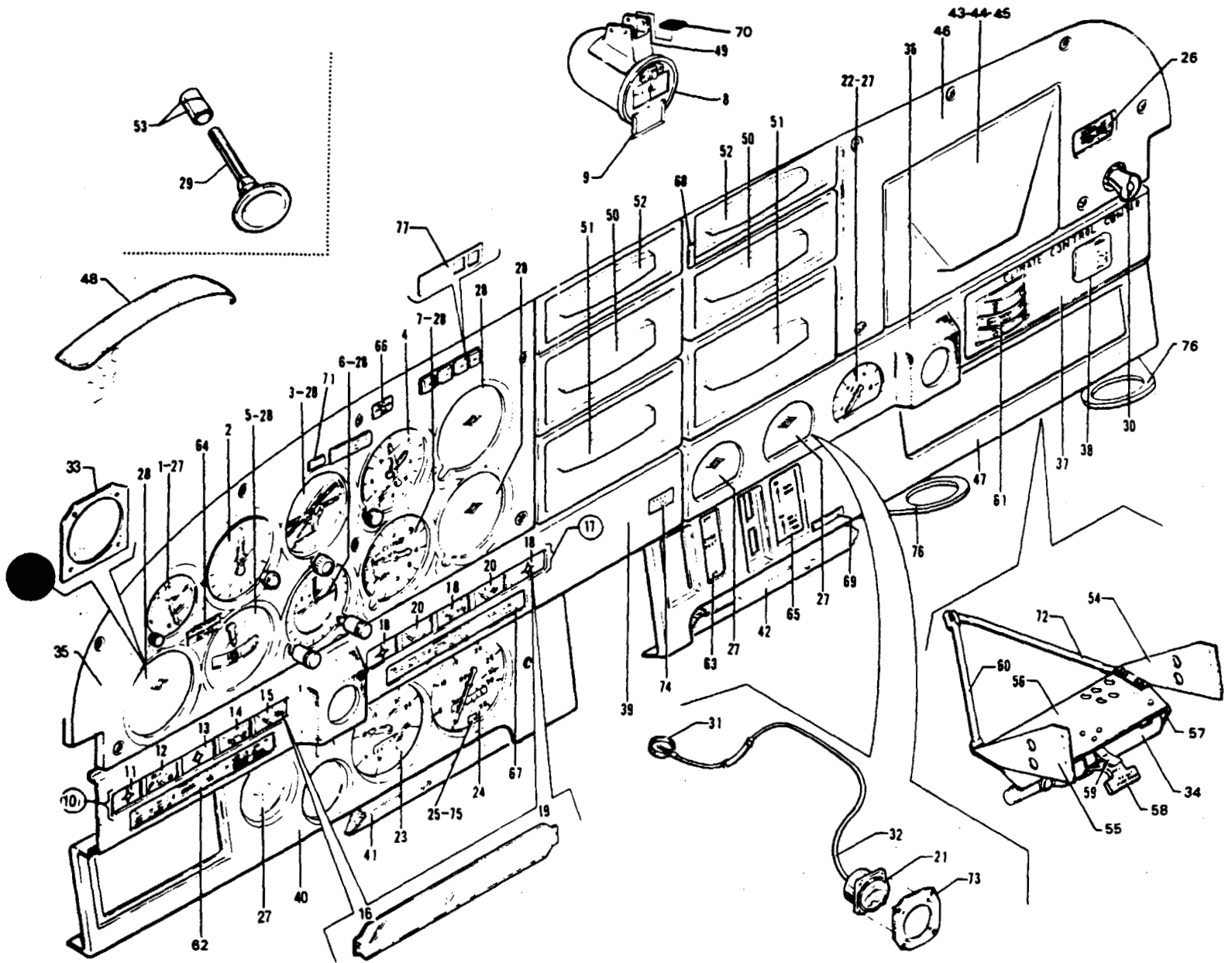


Figure 45 Instrument Panel Installation

PIPER PARTS CATALOG

CODE EXPLANATIONS FOR FIGURE 45

- A - Used on PA-32-301 only
- B - Used on PA-32-301T only
- C - When ordering, specify color "bark II" or black
- D - Used on PA-32-301 only Refer to item no 77 and order appropriate annunciator light seal, if applicable
- E - Used on PA-32-301T only Refer to item no 77 and order appropriate annunciator light seal, if applicable
- F - When ordering, specify color camel, black or mocha
- G - Used if NSD-360 is installed
- H - Used if Hartzell three-blade propeller is installed
- J - See Figure 93 if AutoFlite II is installed
- K - See Figure 94 if AutoControl IIIB is installed, or Figure 96 if AltiMatic IIIC is installed
- L - Used if Hartzell two-blade propeller is installed
- M - Used on PA-32-301 with serial numbers 32-8006025 and up, and PA-32-301T with serial numbers 32-8024017 and up This part includes cable assembly
- N - Used on PA-32-301 with serial numbers 32-8006001 to 32-8006116 inclusive, and PA-32-301T with serial numbers 32-8024001 to 32-8024062 inclusive
- O - Used on PA-32-301 with serial numbers 32-8106001 and up, and PA-32-301T with serial numbers 32-8124001 and up
- P - Used on PA-32-301 with serial numbers 32-8006001 to 32-8106044 inclusive, and PA-32-301T with serial numbers 32-8024001 to 32-8124012 inclusive
- Q - Used on PA-32-301 with serial numbers 32-8106045 and up, and PA-32-301T with serial numbers 32-8124013 and up
- R - Used if Century 21 AutoPilot or Century 31 AutoPilot is installed.
- S - Used if Century 41 AutoPilot is installed.
- T - Used if Vacuum System is installed, and Baggage Door Annunciator Light is not installed
- U - Used if Baggage Door Annunciator Light is installed, and Vacuum System is not installed
- V - Used if Collins DME-451 is not installed
- W - These parts must be ordered from Service Spares Department, Piper Aircraft, Lock Haven, Penna
- X - Used if 90 amp Ford alternator is installed.
- Y - Used on PA-32-301 with serial numbers 32-8306001 and up, and PA-32-301T with serial numbers 32-8324001 and up
- Z - Used if King KAP 100/150 or KFC 150 Autopilot with DME-451 indicator is installed.
- AA - Used if King KAP 100/150 or KFC 150 Autopilot is installed without DME-451 indicator.
- AB - Used if air conditioning has been installed
- AC - Used if fresh air blower has been installed.
- AD - Used if NSD-360 and Collins DME-451 both are installed.
- AE - Used if Collins DME-451 is installed with either Century 21 AutoPilot or Century 31 AutoPilot.
- AF - Used if Century 41 AutoPilot and Collins DME-451 are both installed.
- AG - Used on PA-32-301 with serial numbers 32-8006001 to 32-8106087 inclusive, and PA-32-301T with serial numbers 32-8024001 to 32-8124030 inclusive.
- AH - Used on PA-32-301 with serial numbers 32-8106088 and up, and PA-32-301T with serial numbers 32-8124031 and up

PIPER PARTS CATALOG

Figure and Index Number	Part Number	Code	NOMENCLATURE	No. Req.	SERIAL NUMBERS AFFECTED
45-	69331 38453 69815 35680 87453	Y	DRAWING - Instruments Installation, Engine DRAWING - Instruments Installation, Flight DRAWING - Instrument Panel Cover Installation DRAWING - Fire Extinguisher Installation DRAWING - Crew Cup Holder Installation		
-1	99478-00 548 679	W	INSTRUMENT - Clock INSTRUMENT - Clock, electric (CA7287)	1 1	
-2	548 514 548 515		INSTRUMENT - Airspeed (PS50049-57S-2), knots INSTRUMENT - True airspeed, adjustable (PS50049-57T-2), knots	1 1	
-3	550 887 99002-08	K K	INSTRUMENT - Gyro horizon (99002-03) INSTRUMENT - Gyro horizon (Aeritalia S P A 36101P)	1 1	
-4	548 330 548 331 548 407	 W	INSTRUMENT - Altimeter, sensitive (scale in inches of mercury and millibars to 20,000 feet) INSTRUMENT - Altimeter, sensitive (scale in inches of mercury and millibars to 35,000 feet) INSTRUMENT - Altimeter, encoding (scale in inches of mercury and millibars to 35,000 feet)	 1 1	
-5	550 483 548 190 548 517	J J J.M	INSTRUMENT - Turn and bank (1234T100-5) electric INSTRUMENT - Turn coordinator (1394T100) electric INSTRUMENT - Turn coordinator (PS50030-13-2) (with internal lighting)	1 1 1	
-6	755 427 99003-07	K.W K	INSTRUMENT - Directional gyro INSTRUMENT - Directional gyro (Aeritalia S P A 31101P)	1 1	
-7	99010-05		INSTRUMENT - Rate of climb	1	
-8	67462-06		INSTRUMENT - Compass assembly	1	
-9	79650-02		* HOLDER - Compass card	1	
-10	95241-11 86552-07 95241-28 86552-05 86552-10	A A B B B.X	CLUSTER ASSEMBLY - Instrument, left CLUSTER ASSEMBLY - Instrument, left CLUSTER ASSEMBLY - Instrument, left CLUSTER ASSEMBLY - Instrument, left CLUSTER ASSEMBLY - Instrument, left	1 1 1 1 1	32-8006001 to 32-8106087 incl 32-8106088 and up 32-8024001 to 32-8124030 incl 32-8124031 and up
-11	79376-00 87368-02 38667-02 87365-02	A A B B	* PLATE ASSEMBLY - Cover * GAUGE - Dummy * GAUGE - Cylinder head temperature * GAUGE - Cylinder head temperature	1 1 1 1	32-8006001 to 32-8106087 incl 32-8106088 and up 32-8024001 to 32-8124030 incl 32-8124031 and up
-12	38226-00 87382-02 98706-02 87360-02	A A B B	* GAUGE - Oil pressure * GAUGE - Oil pressure * GAUGE - Oil pressure * GAUGE - Oil pressure	1 1 1 1	32-8006001 to 32-8106087 incl 32-8106088 and up 32-8024001 to 32-8124030 incl 32-8124031 and up
-13	79376-00 87368-02	AG AH	* PLATE ASSEMBLY - Cover * GAUGE - Dummy	1 1	
-14	79367-00 87366-02	AG AH	* GAUGE - Oil temperature * GAUGE - Oil temperature	1 1	
-15	79362-00 87367-02 87359-02	AG AH B.X	* GAUGE - Ammeter, 60 amp * GAUGE - Ammeter, 60 amp * GAUGE - Ammeter, 90 amp	1 1 1	
-16	79381-00		* LENS - Cluster assembly	1	
-17	95241-25 86552-04	AG AH	CLUSTER ASSEMBLY - Instrument, right CLUSTER ASSEMBLY - Instrument, right	1 1	
-18	79376-00 87368-02	AG AH	* PLATE ASSEMBLY - Cover * GAUGE - Dummy	3 3	
-19	79381-00		* LENS - Cluster assembly	1	
-20	38224-04		GAUGE - Fuel, left and right main, 47.5 gal	2	

When ordering, always specify Part Number, Description and Serial Number of Aircraft

PIPER PARTS CATALOG

Figure and Index Number	Part Number	Code	NOMENCLATURE	No. Req.	SERIAL NUMBERS AFFECTED
45-21	751 912	A	GAUGE - Mixture control indicator	1	
	755 061	B	GAUGE - Mixture control indicator	1	
-22	99480-00		GAUGE - Suction (1G10-1)	1	
-23	548 343	A	GAUGE - Manifold pressure and fuel flow	1	
	98675-03	B	GAUGE - Manifold pressure and fuel flow	1	
-24	62177-17	A	INSTRUMENT - Tachometer	1	
	62177-16	B	INSTRUMENT - Tachometer	1	
	62177-02	H	INSTRUMENT - Tachometer	1	
-25	35669-172	B	* PLACARD - Reduce power	1	
-26	36660-02		INDICATOR - Engine hour recorder	1	
-27	67431-04		PLATE ASSEMBLY - Cover, instrument panel	5	
-28	67431-00		PLATE ASSEMBLY - Cover, instrument panel	7	
-29	99479-02		GAUGE - Air temperature	1	
-30	472 649		LIGHTER - Cigar (200462)	1	
-31	757 310	A	PROBE ASSEMBLY - Mixture control	1	
	763 427	B	PROBE ASSEMBLY - Mixture control	1	
-32	756 616	A	WIRE ASSEMBLY - Mixture control gauge	1	
	763 706	B	WIRE ASSEMBLY - Mixture control gauge	1	
-33	99214-00		PLATE - Support	AR	
-34	459 849		FIRE EXTINGUISHER - (HA1014-01)	1	
-35	69816-11	C.D	COVER ASSEMBLY - Instrument panel, upper left	1	
	69816-14	C.E	COVER ASSEMBLY - Instrument panel, upper left	1	
	79571-28	C.D.G.V	COVER ASSEMBLY - Instrument panel, upper left	1	
	79571-46	C.E.G.V	COVER ASSEMBLY - Instrument panel, upper left	1	
	79571-29	C.D.AD	COVER ASSEMBLY - Instrument panel, upper left	1	
	79571-47	C.E.AD	COVER ASSEMBLY - Instrument panel, upper left	1	
	79571-33	C.D.R.V	COVER ASSEMBLY - Instrument panel, upper left	1	32-8106001 and up
	79571-51	C.E.R.V	COVER ASSEMBLY - Instrument panel, upper left	1	32-8124001 and up
	79571-32	C.D.AE	COVER ASSEMBLY - Instrument panel, upper left	1	32-8106001 and up
	79571-50	C.E.AE	COVER ASSEMBLY - Instrument panel, upper left	1	32-8124001 and up
	79571-31	C.D.S.V	COVER ASSEMBLY - Instrument panel, upper left	1	32-8106001 and up
	79571-49	C.E.S.V	COVER ASSEMBLY - Instrument panel, upper left	1	32-8124001 and up
	79571-30	C.D.AF	COVER ASSEMBLY - Instrument panel, upper left	1	32-8106001 and up
	79571-48	C.E.AF	COVER ASSEMBLY - Instrument panel, upper left	1	32-8124001 and up
	36848-16	A.C.Z	COVER ASSEMBLY - Instrument panel, upper left	1	32-8306001 and up
	36848-14	B.C.Z	COVER ASSEMBLY - Instrument panel, upper left	1	32-8324001 and up
	36848-17	A.C.AA	COVER ASSEMBLY - Instrument panel, upper left	1	32-8306001 and up
	36848-15	B.C.AA	COVER ASSEMBLY - Instrument panel, upper left	1	32-8324001 and up
-36	69831-02	C	COVER ASSEMBLY - Instrument panel, right	1	
	69831-09	C.AB	COVER ASSEMBLY - Instrument panel, right	1	
	69831-07	C.AC	COVER ASSEMBLY - Instrument panel, right	1	
-37	69678-02		* PLACARD - Air conditioning control panel	1	
-38	35669-38		* PLACARD - Vent fan control	1	
-39	69338-02	P	COVER - Instrument panel, left, black	1	
	69338-07	Q	COVER - Instrument panel, left, black	1	
-40	69817-00	C.N	COVER ASSEMBLY - Instrument panel, lower left	1	
	69817-05	C.O	COVER ASSEMBLY - Instrument panel, lower left	1	
	69817-07	C.O.S	COVER ASSEMBLY - Instrument panel, lower left	1	
-41	69569-00	F	CHANNEL ASSEMBLY - Shin guard, left	1	
-42	69570-00	F	CHANNEL ASSEMBLY - Shin guard, right	1	
-43	69328-00		BOX - Glove	1	
-44	69329-00		DOOR - Glove box	1	
-45	69330-04	C	COVER - Glove box	1	
-46	69659-00	C	COVER - Instrument panel, upper right	1	
	76498-02	B.C.P	COVER - Instrument panel, upper right	1	

When ordering, always specify Part Number, Description and Serial Number of Aircraft

PIPER PARTS CATALOG

Figure and Index Number	Part Number	Code	NOMENCLATURE	No. Req.	SERIAL NUMBERS AFFECTED
45-47	69901-02	C	COVER ASSEMBLY - Instrument panel, lower right	1	
-48	78109-04		SHIELD ASSEMBLY - Glare, black	1	
-49	79600-00		HOUSING ASSEMBLY - Compass	1	
-50	99060-06	C	COVER ASSEMBLY - Radio opening, 6 56 x 3 25	2	
-51	99061-06	C	COVER ASSEMBLY - Radio opening, 6 56 x 3 56	2	
-52	99062-06	C	COVER ASSEMBLY - Radio opening, 6 44 x 1 78	2	
-53	79314-00		SPACER - Air temperature gauge, inner	1	
	79314-02		SPACER - Air temperature gauge, outer	1	
-54	35680-05		BRACKET ASSEMBLY - Fire extinguisher	1	
-55	35680-06		BRACKET ASSEMBLY - Fire extinguisher	1	
-56	35680-26		BRACKET ASSEMBLY - Fire extinguisher	1	
-57	35680-12		BRACKET ASSEMBLY - Fire extinguisher	1	
-58	35680-11		* TAB ASSEMBLY - Fire extinguisher	1	
-59	35680-22		* BRACKET - Fire extinguisher	1	
-60	35680-16		BRACE - Fire extinguisher support	1	
-61	35669-28		PLACARD - Heater and defrost (lift to actuate)	1	
-62	69649-00		PLACARD - Takeoff checklist	1	
-63	69545-00		PLACARD - Alternate air	1	
-64	35669-187		PLACARD - Crosswind, knots	1	
-65	69669-21		PLACARD - Navigation and instrument lights	1	
-66	69669-39		PLACARD - Press to test	1	
-67	69669-02		PLACARD - Landing checklist, knots	1	
-68	35669-125		PLACARD - Radio power, "on-off"	1	
-69	35669-138		PLACARD - Emergency bus switch	1	
-70	87369-27		PLACARD - Compass	1	
-71	35669-101		PLACARD - Air condition door open	1	
-72	35680-15		BRACE - Fire extinguisher support	1	
-73	69080-00	B	COVER - EGT	1	
-74	35669-76	B.L	PLACARD - Altitude leaning limitations	1	
-75	87369-04	A	PLACARD - Reduce power	1	
-76	87451-02	Y	HOLDER - Crew cup, left	1	
	87451-03	Y	HOLDER - Crew cup, right	1	
-77	87504-05	A	SEAL - Annunciator lights (with four cutouts)	1	
	87504-07	A	SEAL - Annunciator lights (with two cutouts)	1	
	87504-06	A.T	SEAL - Annunciator lights (with three cutouts)	1	
	87504-08	A.U	SEAL - Annunciator lights (with three cutouts)	1	
	87504-02	B	SEAL - Annunciator lights (with five cutouts)	1	
	87504-04	B	SEAL - Annunciator lights (with three cutouts)	1	
	87504-03	B.T	SEAL - Annunciator lights (with four cutouts)	1	
	87504-09	B.U	SEAL - Annunciator lights (with four cutouts)	1	

When ordering, always specify Part Number, Description and Serial Number of Aircraft

PIPER PARTS CATALOG

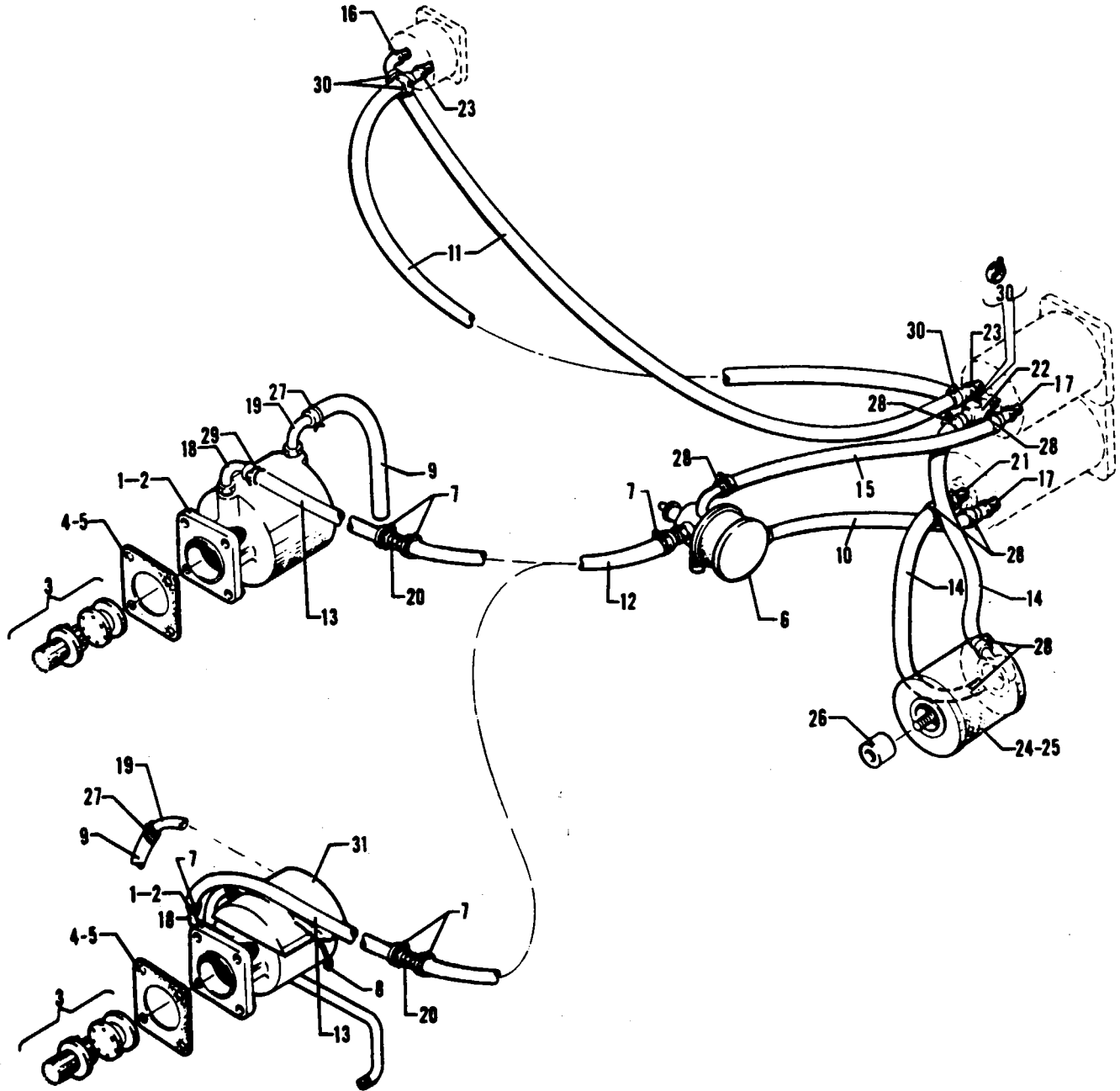


Figure 46 Vacuum System Installation

PIPER PARTS CATALOG

CODE EXPLANATIONS FOR FIGURE 46

- A - Used on PA-32-301 only
- B - Used on PA-32-301T only.
- C - Used with Vacuum Pump P/N 26749-07 (Airborne 211CC) only
- D - Used with Vacuum Pump P/N 36535-02 (Edo-Aire 1U128-002) only.
- E - See Figure 91A if Norton Radar System is installed.
- W - These parts must be ordered from Service Spares Department, Piper Aircraft, Lock Haven, Penna.

PIPER PARTS CATALOG

Figure and Index Number	Part Number	Code	NOMENCLATURE	No. Req.	SERIAL NUMBERS AFFECTED
46-	69370	A	DRAWING - Vacuum System Installation		
	98585	B	DRAWING - Vacuum System Installation		
-1	754 575		KIT - Vacuum pump drive (79005)	1	
-2	26749-07	W	PUMP - Dry vacuum (Airborne 211CC)	1	
	36635-02		PUMP - Dry vacuum (Edo-Aire 1U128-002)	1	
-3	753 910	C,W	* COUPLING ASSEMBLY KIT - Vacuum pump drive (No. 350)	1	
-4	751 859	C,W	* * GASKET - Vacuum pump mounting (B3-1-2)	1	
-5	462 023	D,W	* GASKET - Vacuum pump mounting (AN4045-1)	1	
-6	492 065	W	REGULATOR - Vacuum (133A4)	1	
-7	454 837		CLAMP - Hose (SAE TY A-7/8)	3	
-8	555 846	B	CLAMP - (PS10017-23-60)	1	32-8024001 to 32-8024062 incl.
-9	63904-29	A,E	HOSE - Vacuum pump exhaust	1	
	69015-50	B,E	HOSE - Vacuum pump exhaust	1	
-10	63913-55		HOSE - Gyros to regulator valve	1	
-11	63913-71		HOSE - Gyro horizon to suction gauge	2	
-12	69015-51		HOSE - Regulator valve to firewall fitting	1	
-13	63913-64	A	HOSE - Vacuum pump to firewall fitting	1	
	63913-42	B	HOSE - Vacuum pump to firewall fitting	1	
-14	63913-07		HOSE - Gyros to air filter	2	
-15	63913-50		HOSE - Gyro to regulator valve	1	
-16	458 948	W	ELBOW - (1K1-2-4)	1	
-17	451 939	W	ADAPTER - (1K10-4-6)	2	
-18	458 958	A,W	ELBOW - (1K1-6-10)	1	
	560 810	B	FITTING - (1K8-6-10)	1	
-19	558 900	A,W	ELBOW - (1K8-6-8)	1	
	560 774	B	ELBOW - (1K9-6-10)	1	
-20	460 807		FITTING - (1K22-10-10)	1	
-21	558 912	W	ELBOW - (1K9-4-6)	1	
-22	560 835	A,W	FITTING - (1K31-4-6-4)	1	
	460 836	B	FITTING - (1K31-1)	1	
-23	451 881	W	ADAPTER - (1K10-2-4)	2	
-24	460 888	W	FILTER ASSEMBLY - Gyro air (66673-00)	1	
-25	757 899	W	* CARTRIDGE - Air filter (D9-18-1)	1	
-26	63900-145	A	SPACER - Air filter	1	
-27	554 985	A	CLAMP - Hose (SAE 11)	1	
	454 837	B	CLAMP - Hose (SAE TY A-7/8)	1	
-28	554 888	W	CLAMP - Hose (SAE TY F-6)	8	
-29	554 793	A	CLAMP - Hose (SAE TY F-8)	1	
	454 837	B	CLAMP - Hose (SAE TY A-7/8)	1	
-30	554 861	W	CLAMP - Hose (SAE TY F-4)	4	
-31	98592-02	B	SHROUD ASSEMBLY - Vacuum pump	1	32-8024001 to 32-8024062 incl.

When ordering, always specify Part Number, Description and Serial Number of Aircraft

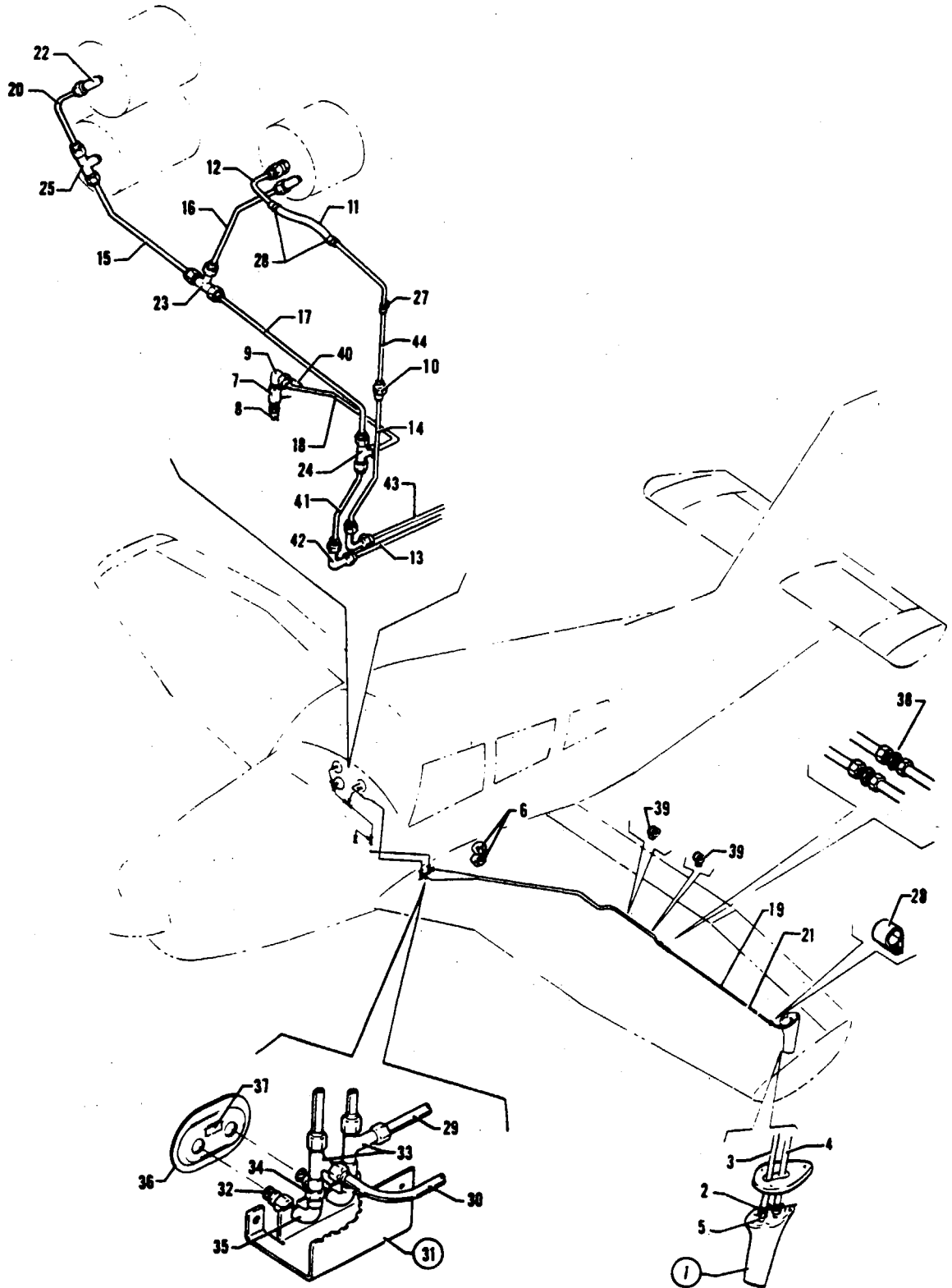


Figure 47. Pitot Static System Installation

PIPER PARTS CATALOG

CODE EXPLANATIONS FOR FIGURE 47

- A - Used if heated pitot head is installed
- B - Used if encoding altimeter is installed
- C - Used if rate of climb instrument is installed.
- D - See Figure 100 if Narco encoder is installed.
- E - Used if alternate static system is installed.
- F - When ordering, specify color "bark II" or black.
- G - See Figure 92 if electric trim stop sensor is installed.
- H - Used on PA-32-301 with serial numbers 32-8006001 to 32-8206004 inclusive, and PA-32-301T with serial numbers 32-8024001 to 32-8124046 inclusive.
- J - Used on PA-32-301 with serial numbers 32-8206005 and up, and PA-32-301T with serial numbers 32-8224001 and up.
- W - These parts must be ordered from Service Spares Department, Piper Aircraft, Lock Haven, Penna.

PIPER PARTS CATALOG

Figure and Index Number	Part Number	Code	NOMENCLATURE	No. Req.	SERIAL NUMBERS AFFECTED
47-	38548		DRAWING - Pitot Static System Installation		
-1	65797-08		HEAD ASSEMBLY - Pitot (unheated)	1	
	69041-08	H	HEAD ASSEMBLY - Pitot (heated)	1	
	96392-05	J	HEAD ASSEMBLY - Pitot (heated)	1	
-2	488 722		* TIE - Cable (MS3367-4-9)	2	
-3	63913-34		* HOSE - Pitot air	2	
-4	63913-37		* HOSE - Static	1	
-5	556 105		* CONNECTOR - (1068 x 4)	2	
-6	654 086		CLAMP - (414S-3-6)	2	
-7	96143-00		VALVE ASSEMBLY - Static air vent	1	
-8	492 100	W	* VALVE - (CCA-7450)	1	
-9	458 893	W	* ELBOW - (AN822-3D)	1	
-10	491 059	G.W	UNION - (AN832-3D)	1	
-11	63913-106		HOSE - Pitot pressure	1	
-12	63207-00		TUBE - Pitot	1	
-13	37343-79		TUBE ASSEMBLY - Pitot static	1	
-14	37343-82		TUBE ASSEMBLY - Pitot pressure	1	
-15	67700-350		TUBE ASSEMBLY - Pitot static	1	
-16	67700-66		TUBE ASSEMBLY - Pitot static	1	
-17	67700-351		TUBE ASSEMBLY - Pitot static	1	
-18	67700-172	D	TUBE ASSEMBLY - Pitot static	1	
-19	67700-317		TUBE ASSEMBLY - Pitot pressure	1	
-20	95153-101		TUBE ASSEMBLY - Pitot static	1	
	95153-158	B	TUBE ASSEMBLY - Pitot static	1	
-21	67700-347		TUBE ASSEMBLY - Pitot static	1	
-22	458 893	W	ELBOW - (AN822-3D)	1	
-23	488 315	W	TEE - (AN824-3D)	1	
-24	491 059	D.W	UNION - (AN832-3D)	1	
	488 315	D.E.W	TEE - (AN824-3D)	1	
-25	491 059	W	UNION - (AN832-3D)	1	
	488 380	C.W	TEE - (AN825-3D)	1	
-26	69042-02		GASKET - Pitot head	1	
	69042-00	A	GASKET - Pitot head	1	
-27	554 953		CLAMP - (PS10017-8-3)	1	
-28	554 861	W	CLAMP - (SAE TY F-4)	4	
-29	67700-346		TUBE ASSEMBLY - Pitot static	1	
-30	67700-316		TUBE ASSEMBLY - Pitot pressure	1	
-31	37994-02		SUMP ASSEMBLY - Pitot static	1	
-32	492 241		* VALVE - (PS50036-2-2)	2	
-33	488 310	W	* TEE - (AN826-3D)	2	
-34	455 173	W	* COUPLING - (AN910-1D)	2	
-35	35696-02		* ELBOW	2	
-36	35507-02	F	COVER ASSEMBLY - Pitot static drain	1	
-37	69669-115		* PLACARD - Pitot drain	1	
-38	491 112		UNION - (62 x 3)	2	
-39	454 928	W	CLAMP - (PS10017-2-3)	4	
-40	78113-00		CLIP ASSEMBLY - Alternate static source	1	
-41	37343-81		TUBE ASSEMBLY - Pitot static	1	
-42	458 879		ELBOW - (AN821-3D)	2	
-43	37343-78		TUBE ASSEMBLY - Pitot pressure	1	
-44	37343-80		TUBE ASSEMBLY - Pitot pressure	1	

When ordering, always specify Part Number, Description and Serial Number of Aircraft

PIPER PARTS CATALOG

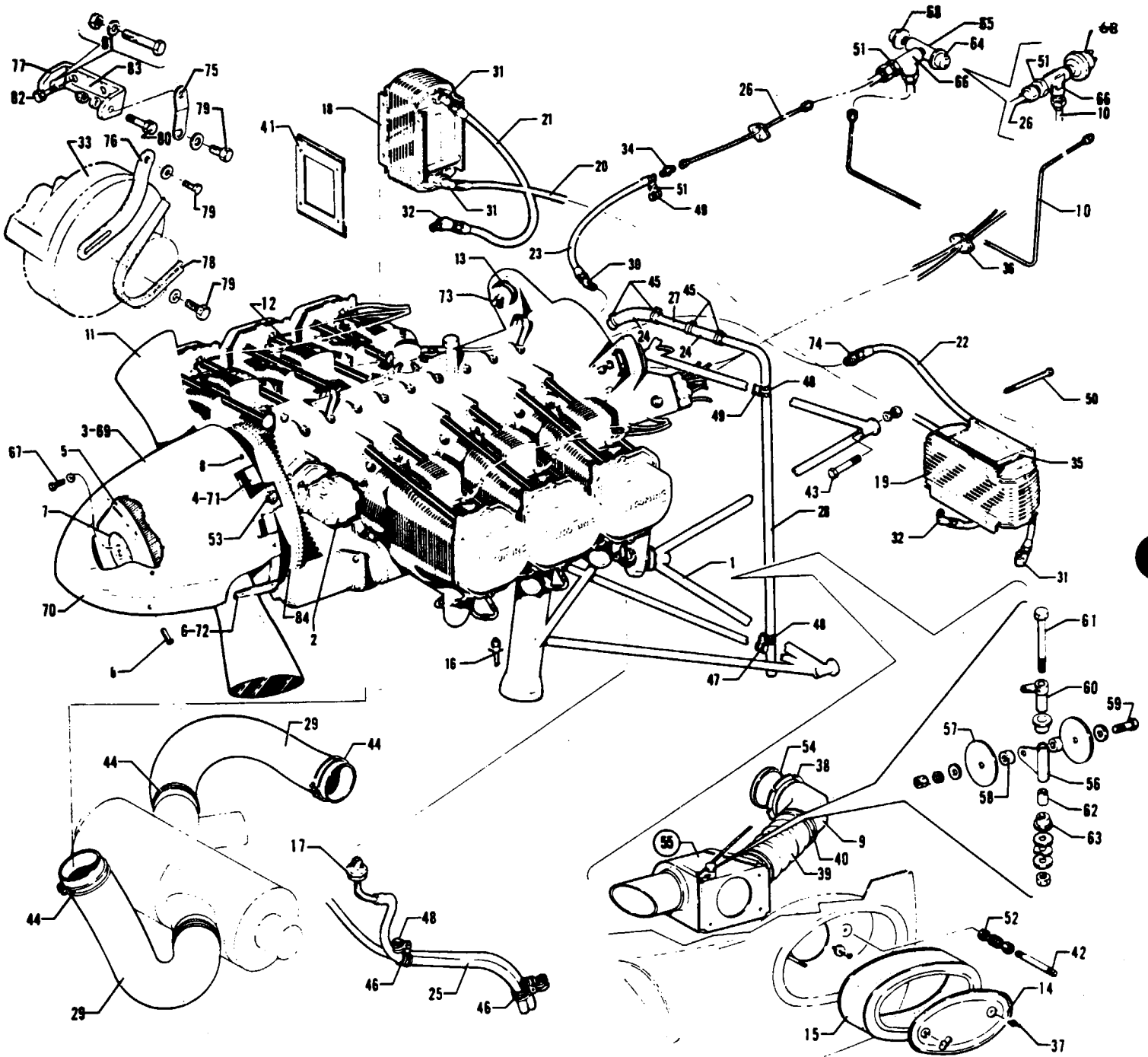


Figure 48 Power Plant Installation

PIPER PARTS CATALOG

CODE EXPLANATIONS FOR FIGURE 48

- A - Secure from Lycoming Division-Avco Corporation, Williamsport, Penna
- B - See Figure 56 for component parts
- C - See Figure 58 for component parts
- D - Used if engine hour meter is installed
- E - Used with Hartzell two-blade propeller
- F - Used with Hartzell three-blade propeller
- G - If less than four mounts are being replaced, ascertain number which is stamped on rubber part of mount and order either 475 131 (J-3804-31) or 470 644(J-3804-40) If four mounts are being replaced, it is suggested that four of part number 470 644 (J-3804-40) be ordered
- H - See Figure 90 for component parts
- J - Used if air conditioning is not installed
- K - Used if air conditioning is installed
- L - Used if air conditioning is not installed See Figure 79 if air conditioning is installed
- W - These parts must be ordered from Service Spares Department, Piper Aircraft, Lock Haven, Penna

PIPER PARTS CATALOG

Figure and Index Number	Part Number	Code	NOMENCLATURE	No. Req.	SERIAL NUMBERS AFFECTED
48-	69479 38732 99374 38672 38019 35920	J	DRAWING - Power Plant Installation DRAWING - Power Plant Installation DRAWING - Spinner Installation (Two-Blade) DRAWING - Propeller and Spinner Installation (Three-Blade) DRAWING - Induction System Installation DRAWING - Alternator Installation (Prestolite)		32-8006001 to 32-8006116 incl 32-8106001 and up
-1	68710-00 38727-02		MOUNT ASSEMBLY - Engine and nose gear strut MOUNT ASSEMBLY - Engine and nose gear strut	1 1	32-8006001 to 32-8006116 incl. 32-8106001 and up
-2	66634-09		GOVERNOR - Propeller	1	
-3	67790-00	E	SPINNER SHELL - Propeller	1	
-4	67791-00	E	BULKHEAD ASSEMBLY - Spinner, aft	1	
-5	67793-00	E	BULKHEAD ASSEMBLY - Spinner, forward	1	
-6	67794-00	E	CUFF - Spinner	2	
-7	99499-00	E	PLATE - Spinner	1	
-8	415 379 494 227		SCREW - (MS51958-63) WASHER - Fiber (PS10063-2)	28 28	
-9	69232-00		ELBOW ASSEMBLY - Engine air filter	1	
-10	67700-81		TUBE ASSEMBLY - Oil pressure gauge (50")	1	
-11	550 937 550 993	B C	PROPELLER ASSEMBLY - Hartzell, two-blade (HC-C2YK-1 ()F/F8475D-4) PROPELLER ASSEMBLY - Hartzell, three-blade (HC-C3YR-1 ()F/F7663R-0)	1 1	
-12		A	ENGINE ASSEMBLY - Lycoming (IO-540-K1G5)	1	
-13	475 131 470 644 475 115 470 516	G G W	MOUNTING KIT - Engine (J-3804-31) MOUNTING KIT - Engine (J-3804-40) MOUNTING KIT - Engine (J-9613-12) upper MOUNTING KIT - Engine (J-9613-19) lower	4 4 2 2	32-8006001 to 32-8006116 incl 32-8006001 to 32-8006116 incl 32-8106001 and up 32-8106001 and up
-14	38019-05		CAP - Air filter	1	
-15	460 632	W	FILTER - Air (CA161PL)	1	
-16	61879-02	W	VALVE ASSEMBLY - Oil drain	1	
-17	24995-00	W	VALVE ASSEMBLY - Automatic fuel drain	3	
-18	16599-00		COOLER ASSEMBLY - Oil (Harrison), right	1	
-19	16599-00		COOLER ASSEMBLY - Oil (Harrison), left	1	
-20	63901-73		HOSE ASSEMBLY - Oil cooler	1	
-21	63901-26		HOSE ASSEMBLY - Outlet to oil cooler, right	1	
-22	63901-35		HOSE ASSEMBLY - Outlet to oil cooler, left	1	
-23	63901-27		HOSE ASSEMBLY - Oil pressure	1	
-24	63913-30		HOSE - Breather tube	2	
-25	69015-02 69015-04		HOSE - Automatic fuel drain, left HOSE - Automatic fuel drain, right	2 1	
-26	67700-82		TUBE ASSEMBLY - Engine (21")	1	
-27	69004-00		TUBE - Engine breather	1	
-28	69024-00		TUBE - Engine breather	1	
-29	63633-159 63633-158		HOSE - Air duct, left HOSE - Air duct, right	1 1	
-30	68778-00		ELBOW - Oil pressure (restricted) 45 degrees	1	
-31	458 898	W	ELBOW - Oil cooler (MS20822-8D) 90 degrees	3	
-32	458 886	W	ELBOW - Oil cooler (MS20823-8D) 45 degrees	2	
-33	551 984 551 983	H,W H,K	ALTERNATOR ASSEMBLY - (ALY-6421) ALTERNATOR ASSEMBLY - (ALY-6422)	1 1	
-34	491 055	W	UNION - Oil pressure (AN815-4)	1	
-35	86062-94	W	BUSHING - Spacer	8	
-36	66789-00		PLATE - Firewall seal	2	

When ordering, always specify Part Number, Description and Serial Number of Aircraft

PIPER PARTS CATALOG

Figure and Index Number	Part Number	Code	NOMENCLATURE	No. Req.	SERIAL NUMBERS AFFECTED
48-37	407 584	W	WASHER - (AN960-10L)	2	
	407 104	W	WASHER - Lock (AN935-10)	2	
	477 668		WING NUT - (WC-02)	2	
-38	555 846		CLAMP - (PS10017-23-60)	1	
-39	99849-08		HOSE - Air duct (5.50" length)	1	
-40	554 883		CLAMP - (SAE TY A-4 1/16)	2	
-41	38155-00		SEAL ASSEMBLY - Oil cooler	2	
-42	38019-03		STUD	2	
-43	401 405	W	BOLT - (AN6-25A)	5	
	407 567	W	WASHER - (AN960-616)	5	
	477 887		NUT - (PS10062-8-624C)	5	
-44	454 993		CLAMP - (SAE TY A-3 1/16)	4	
-45	554 701	W	CLAMP - (SAE TY F-16)	4	
-46	554 881		CLAMP - (PS10017-6-5)	2	
-47	454 868	W	CLAMP - (PS10017-2-12)	1	
-48	454 977	W	CLAMP - (PS10017-2-16)	3	
-49	454 935	W	CLAMP - (PS10017-2-10)	4	
-50	400 464		BOLT - (AN3-41A)	8	
	407 564	W	WASHER - (AN960-10)	16	
	407 584	W	WASHER - (AN960-10L)	16	
	404 887	W	NUT - (MS20365-1032C)	8	
-51	407 591	W	WASHER - (AN960-716L)	1	
	477 629	W	NUT - (AN924-4)	1	
-52	407 800	W	WASHER - (AN970-3)	4	
	404 887	W	NUT - (MS20365-1032C)	2	
	404 224	W	NUT - (AN315-3R)	2	
-53	401 310	W	BOLT - (AN4-10A)	12	
	407 565	W	WASHER - (AN960-416)	12	
	404 888	W	NUT - (MS20365-428C)	12	
-54	69231-00		SPACER - Air duct	1	
-55	38080-00		VALVE BOX ASSEMBLY - Induction air	1	
-56	38080-09		* ARM ASSEMBLY	1	
-57	38080-16		* VALVE DISC	2	
-58	38080-15		* SPACER	2	
-59	401 269	W	* BOLT - (AN3-10A)	1	
	62833-07		* WASHER	2	
	407 043	W	* WASHER - Spring (MS35338-43)	1	
	404 887	W	* NUT - (MS20365-1032C)	1	
-60	38080-12		* CONTROL ASSEMBLY	1	
-61	401 343		* BOLT - (AN4-53)	1	
	407 591	W	* WASHER - (AN960-716L)	1	
	62833-86		* WASHER	1	
	404 101	W	* NUT - (AN310-4)	1	
	424 052	W	* COTTER PIN - (MS24665-134)	1	
-62	38080-17		* BUSHING	1	
-63	452 619		* BEARING - (MS17796-58)	2	
-64	587 990	D	SWITCH - (M-4006-4)	1	
-65	588 469	D	TEE - (1/3 MMS-S)	1	
-66	79038-00		TEE - Bulkhead fitting	1	
-67	401 301		BOLT - (AN4H3A)	4	
	407 565	W	WASHER - (AN960-416)	8	
-68	587 961		SWITCH - Oil pressure (M-4011-35)	1	
-69	585 060	F	SPINNER ASSEMBLY - Propeller (835-47)	1	
-70	754 633	F	* DOME - Spinner (C-4548)	1	
-71	758 495	F	* BULKHEAD - Spinner (C-4549)	1	
-72	763 476	F	* PLATE - Filler (B-4522)	3	

When ordering, always specify Part Number, Description and Serial Number of Aircraft

PIPER PARTS CATALOG

Figure and Index Number	Part Number	Code	NOMENCLATURE	No. Req.	SERIAL NUMBERS AFFECTED
48-73	401 521	W	BOLT - (AN7-27A)	4	32-8006001 to 32-8006116 incl
	401 527		BOLT - (AN7-34A) upper	2	32-8106001 and up
	401 533		BOLT - (AN7-33A) lower	2	32-8106001 and up
	407 568	W	WASHER - (AN960-716)	8	32-8006001 to 32-8006116 incl
	407 591	W	WASHER - (AN960-716L)	8	32-8106001 and up
	404 891	W	NUT - (MS20365-720C)	4	
-74	476 664	W	NIPPLE - Engine breather (AN816-8D)	1	
-75	35821-02	L	LINK - Alternator	1	
-76	35906-02	L	CHANNEL - Alternator support	1	
-77	35806-02	L	BRACKET - Alternator support	1	
-78	452 555	L	BELT - (3V-375)	1	
-79	401 971	L	BOLT - (MS20074-05-06)	3	
	407 566	L,W	WASHER - (AN960-516)	3	
	407 137	L,W	WASHER - (AN960-A516)	3	
-80	401 395	L,W	BOLT - (AN6-14A)	1	
	407 567	L,W	WASHER - (AN960-616)	2	
	404 890	L,W	NUT - (MS20365-624C)	1	
-81	401 394	L,W	BOLT - (AN6-13A)	1	
	407 567	L,W	WASHER - (AN960-616)	2	
	404 890	L,W	NUT - (MS20365-624C)	1	
-82	401 971	L	BOLT - (MS20074-05-06)	2	
-83	582 172	L	LOCK PLATE - (73383)	1	
-84	462 112	K	RING GEAR ASSEMBLY - (LW16581)	1	

When ordering, always specify Part Number, Description and Serial Number of Aircraft

PIPER PARTS CATALOG

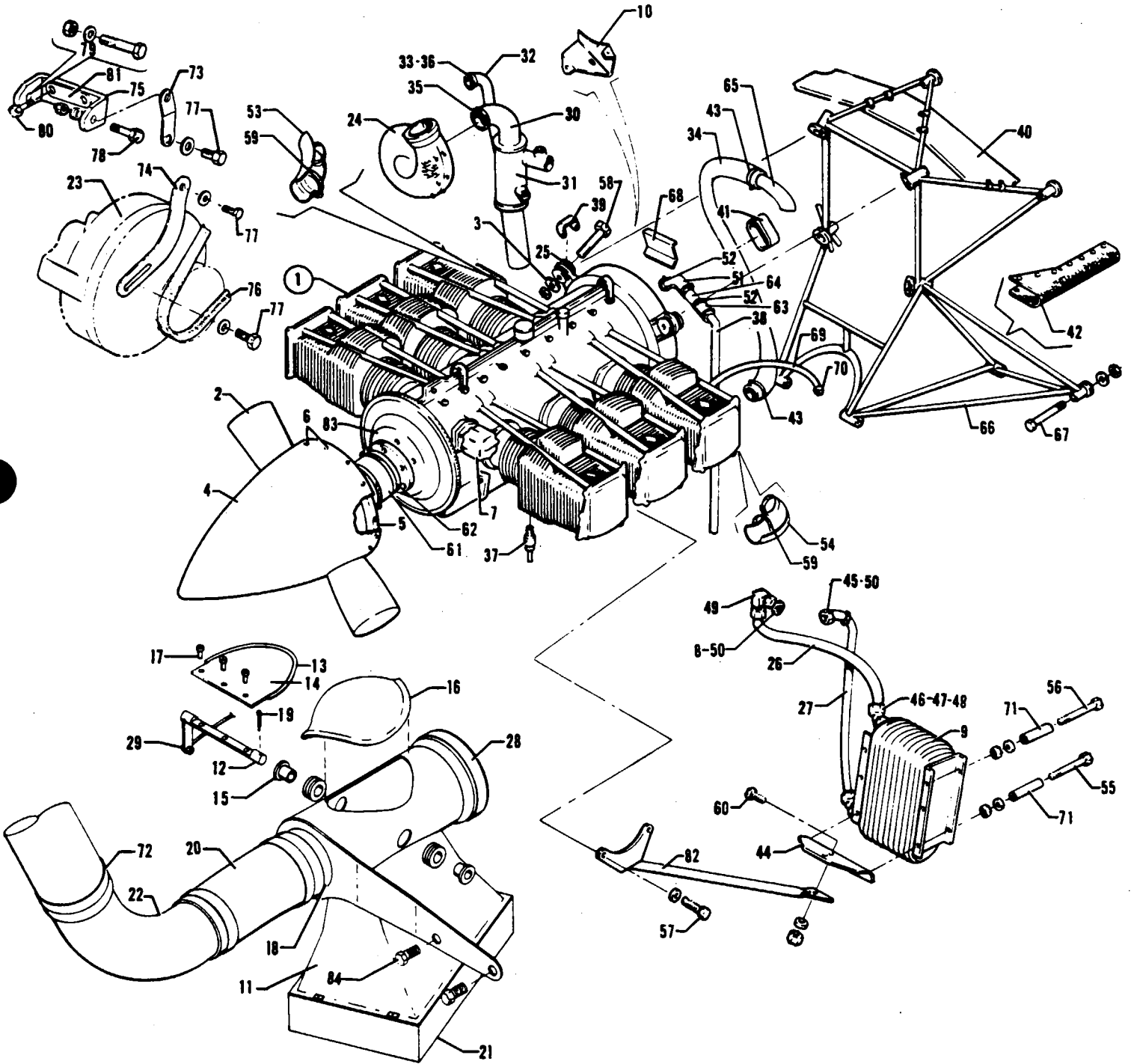


Figure 49 Power Plant Installation

PIPER PARTS CATALOG

CODE EXPLANATIONS FOR FIGURE 49

- A - Secure from Lycoming Division-Avco Corporation, Williamsport, Penna
- B - See Figure 57 for component parts
- C - See Figure 59 for component parts
- D - Used if vacuum system is not installed
- E - Used with Hartzell two-blade propeller
- F - Used with Hartzell three-blade propeller
- G - See Figure 90 if a 60 amp Prestolite alternator is installed See Figure 90A if a 90 amp Ford alternator is installed
- H - Used if a two-blade propeller with a 90 amp Ford alternator is installed.
- J - Used if air conditioning with a 60 amp Prestolite alternator is installed
- K - Used if a 60 amp Prestolite alternator without air conditioning is installed See Figure 79 if a 60 amp Prestolite alternator with air conditioning is installed See Figure 90A if a 90 amp Ford alternator is installed
- L - Used if a three-blade propeller with a 90 amp Ford alternator is installed
- W - These parts must be ordered from Service Spares Department, Piper Aircraft, Lock Haven, Penna

PIPER PARTS CATALOG

Figure and Index Number	Part Number	Code	NOMENCLATURE	No. Req.	SERIAL NUMBERS AFFECTED
49-	38437 98521 38671 38639 98576 98587 35920		DRAWING - Power Plant Installation DRAWING - Propeller and Spinner Installation (Two-Blade) DRAWING - Propeller and Spinner Installation (Three-Blade) DRAWING - Induction System Installation DRAWING - Tail Pipe Installation DRAWING - Oil Cooler Installation DRAWING - Alternator Installation (Prestolite)		
-1		A	ENGINE ASSEMBLY - Lycoming (TIO-540-S1AD)	1	
-2	550 983	B	PROPELLER ASSEMBLY - Hartzell, two-blade (HC-E2YR-1) (F/F8477-4)	1	
	550 994	C	PROPELLER ASSEMBLY - Hartzell, three-blade (HC-E3YR-1) (F/F7673DR-0)	1	
-3	85012-101		WASHER - Engine mount	4	32-8124001 and up
-4	98708-03	E	DOME - Spinner (C-3532-12)	1	
	754 653	F	DOME - Spinner (C-3532-16)	1	
-5	98708-04	E	BULKHEAD - (C-2299-1)	1	
	758 563	F	BULKHEAD - (C-3576-1)	1	
-6	417 694	E.W	SCREW - (AN526-C1032R8)	16	
	417 694	F.W	SCREW - (AN526-C1032R8)	18	
	756 669	E.W	WASHER - Fiber (A-1020)	16	
	756 669	F.W	WASHER - Fiber (A-1020)	18	
-7	66634-08		GOVERNOR - Propeller	1	
-8	79869-02		REDUCER	1	
-9	41635-00	W	COOLER ASSEMBLY - Oil	1	
-10	38471-02		SHROUD - Oil pressure line	1	
-11	38613-02		VALVE ASSEMBLY - Induction air	1	
-12	38613-13		* ARM ASSEMBLY - Flapper valve	1	
-13	38613-10		* PLATE ASSEMBLY - Flapper valve	1	
-14	38613-11		* * PLATE - Flapper	2	
-15	453 491		* BEARING - (PS10065-30)	2	
-16	38613-22		* COVER - Air valve	1	
-17	416 091	W	* SCREW - (MS35265-42)	3	
-18	38613-21		* FLANGE - Air valve	1	
-19	407 589	W	* WASHER - (AN960-816L)	1	
	424 059	W	* COTTER PIN - (MS24665-283)	1	
-20	99849-20		HOSE	2	
-21	560 947		FILTER - (P13-6739)	1	
-22	38617-02		ELBOW	1	
-23		G	ALTERNATOR ASSEMBLY		
-24	452 907	W	BLANKET - Insulation, turbocharger housing, lower half (4-652568-3)	1	
	452 908	W	BLANKET - Insulation, turbocharger housing, upper rear (4-652568-5)	1	
	452 982		BLANKET - Insulation, turbocharger housing, upper forward (4-652568-9)	1	
-25	470 644		MOUNTING KIT - Engine (J-3804-40)	4	32-8024001 to 32-8024062 incl
	470 524		MOUNTING KIT - Engine (J-9613-55) upper	2	32-8124001 and up
	470 516		MOUNTING KIT - Engine (J-9613-19) lower	2	32-8124001 and up
-26	63901-26		HOSE ASSEMBLY - Oil cooler to engine oil inlet	1	
-27	63901-91		HOSE ASSEMBLY - Engine oil outlet to cooler	1	
-28	654 153		CLAMP - (C31123C-62-428-S1)	1	
-29	70371-02	W	FITTING - Swivel	1	
	70371-03	W	STUD - Swivel fitting	1	

When ordering, always specify Part Number, Description and Serial Number of Aircraft

PIPER PARTS CATALOG

Figure and Index Number	Part Number	Code	NOMENCLATURE	No. Req.	SERIAL NUMBERS AFFECTED
49-30	98705-02		TAIL PIPE ASSEMBLY - Complete (ELO25360-003)	1	
-31	762 447		* SHROUD - Tail pipe (ELO25360-100)	1	
-32	764 501		* ELBOW - Tailpipe (ELO25360-122)	1	
-33	556 107		COUPLING - (MVT69183-200)	1	
-34	63633-179		HOSE	1	32-8024001 to 32-8024062 incl
-35	556 108		COUPLING - (MVT-69861-377)	1	
-36	482 090		GASKET - (17189-200-N)	1	
-37	61879-02	W	VALVE ASSEMBLY - Oil drain	1	
-38	98586-04		TUBE - Oil breather	1	
-39	98608-02		HEAT SHIELD ASSEMBLY - Engine mount	2	32-8024001 to 32-8024062 incl
	38731-02		HEAT SHIELD ASSEMBLY - Engine mount	2	32-8124001 and up
-40	98676-03		HEAT SHIELD ASSEMBLY	1	
-41	98691-02		HEAT SHIELD - Magneto	1	32-8024001 to 32-8024062 incl.
-42	38472-02		COVER ASSEMBLY - Electrical harness	1	32-8024001 to 32-8024062 incl.
-43	554 839		CLAMP - (SAE TY A-1 1/2)	2	32-8024001 to 32-8024062 incl
-44	98587-06		BRACKET - Oil cooler support	1	
-45	484 140		REDUCER - (AN919-15)	1	
-46	458 914	W	ELBOW - (AN837-8D)	2	
-47	477 621	W	NUT - (AN924-8D)	2	
-48	462 031	W	GASKET - (AN6290-8)	2	
-49	558 898	W	ELBOW - 90° (RASC-2000-8)	1	
-50	484 677		GASKET - (MS29512-10)	2	
-51	21459-00	W	ELBOW - Breather tube	1	
-52	554 701	W	CLAMP - (SAE TY F-16)	4	
-53	38469-02		SHIELD ASSEMBLY - Heat, right	1	
-54	38470-02		SHIELD ASSEMBLY - Heat, left	1	
-55	400 463	W	BOLT - (AN3-40A)	2	
	407 564	W	WASHER - (AN980-10)	4	
	404 887	W	NUT - (MS20365-1032C)	2	
-56	400 483	W	BOLT - (AN3-40A)	4	
	407 564	W	WASHER - (AN980-10)	12	
	404 887	W	NUT - (MS20365-1032C)	4	
-57	401 918	W	BOLT - (MS20074-04-03)	2	
	407 565	W	WASHER - (AN980-416)	2	
-58	401 521	W	BOLT - (AN7-27A)	4	32-8024001 to 32-8024062 incl.
	401 535		BOLT - (AN7-35A), upper	2	32-8124001 and up
	401 533		BOLT - (AN7-33A), lower	2	32-8124001 and up
	407 568	W	WASHER - (AN980-716)	8	32-8024001 to 32-8024062 incl.
	407 568	W	WASHER - (AN980-716), upper	4	32-8124001 and up
	407 591	W	WASHER - (AN980-716L), lower	4	32-8124001 and up
	404 891	W	NUT - (MS20365-720C)	4	
-59	454 818	W	CLAMP - (SAE TY F-32)	4	
-60	400 437	W	BOLT - (AN3-3A)	2	
	407 564	W	WASHER - (AN980-10)	2	
	404 835	W	NUT - (MS20364-1032C)	2	
-61	98710-03		RING - Propeller hub	1	
-62	98711-02		CLAMP - Propeller hub ring	2	
-63	63913-30		HOSE	1	
-64	98586-03		TUBE - Breather	1	
-65	98715-02	D	TUBE ASSEMBLY	1	32-8024001 to 32-8024062 incl.
-66	68710-00		MOUNT ASSEMBLY - Engine and nose gear strut	1	32-8024001 to 32-8024062 incl.
	38727-02		MOUNT ASSEMBLY - Engine and nose gear strut	1	32-8124001 and up
-67	401 405	W	BOLT - (AN6-25A)	5	
	407 567	W	WASHER - (AN960-616)	5	
	477 887	W	NUT - (PS10062-8-624C)	5	

When ordering, always specify Part Number, Description and Serial Number of Aircraft

PIPER PARTS CATALOG

Figure and Index Number	Part Number	Code	NOMENCLATURE	No. Req.	SERIAL NUMBERS AFFECTED
49-68	38724-02		SHIELD - Heat	1	32-8124001 and up
-69	38726-02		TUBE - Air, magneto	1	32-8124001 and up
-70	554 925	W	CLAMP - (SAE TY F-24)	1	32-8124001 and up
-71	98524-02		TUBE - Spacer	6	
-72	454 864	W	CLAMP - (SAE TY A-3 1/8)	4	
-73	35821-02	K	LINK - Alternator	1	
-74	35906-02	K	CHANNEL - Alternator support	1	
-75	35806-02	K	BRACKET - Alternator support	1	
-76	452 555	K	BELT - (3V-375)	1	
-77	401 971	K	BOLT - (MS20074-05-06)	3	
	407 566	K,W	WASHER - (AN960-516)	3	
	407 137	K,W	WASHER - (AN960-A516)	3	
-78	401 395	K,W	BOLT - (AN6-14A)	1	
	407 567	K,W	WASHER - (AN960-616)	2	
	404 890	K,W	NUT - (MS20365-624C)	1	
-79	401 394	K,W	BOLT - (AN6-13A)	1	
	407 567	K,W	WASHER - (AN960-616)	2	
	404 890	K,W	NUT - (MS20365-624C)	1	
-80	401 971	K	BOLT - (MS20074-05-06)	2	
-81	582 172	K	LOCKPLATE - (73383)	1	
-82	98587-09		SUPPORT ASSEMBLY - Oil cooler	1	
-83	462 134	H	RING GEAR ASSEMBLY - (LW16795)	1	
	462 135	L	RING GEAR ASSEMBLY - (LW16796)	1	
	462 112	J	RING GEAR ASSEMBLY - (LW16581)	1	
-84	401 986		BOLT - (MS20074-0605)	2	
	407 567	W	WASHER - (AN960-616)	2	

When ordering, always specify Part Number, Description and Serial Number of Aircraft

PIPER PARTS CATALOG

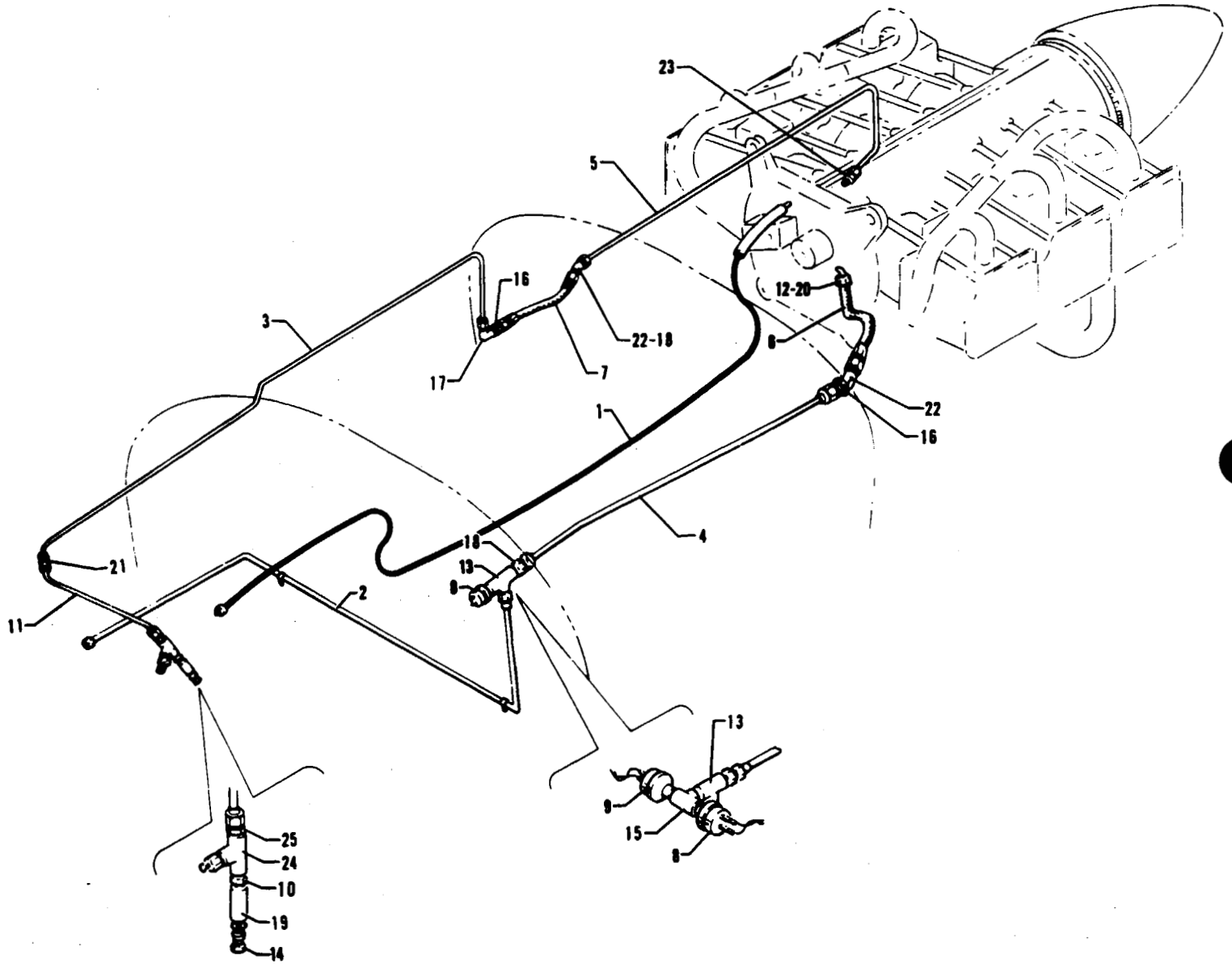


Figure 50. Engine Instrument Lines Installation

PIPER PARTS CATALOG

CODE EXPLANATIONS FOR FIGURE 50

A - Used if engine hour meter is installed

W - These parts must be ordered from Service Spares Department, Piper Aircraft, Lock Haven, Penna

PIPER PARTS CATALOG

Figure and Index Number	Part Number	Code	NOMENCLATURE	No. Req.	SERIAL NUMBERS AFFECTED
50-	96596		DRAWING - Engine Instrument Lines Installation		
-1	38462-02		SHAFT ASSEMBLY - Tachometer (88" long)	1	
-2	67700-81		TUBE ASSEMBLY - Oil pressure gauge	1	
-3	67700-191		TUBE ASSEMBLY - Manifold pressure	1	
-4	67700-179		TUBE ASSEMBLY - Oil pressure gauge	1	
-5	67700-197		TUBE ASSEMBLY - Manifold pressure	1	
-6	63901-129		HOSE ASSEMBLY - Oil pressure	1	
-7	63901-106		HOSE ASSEMBLY - Manifold pressure	1	
-8	587 961		SWITCH - Oil pressure (M-4011-35)	1	
-9	587 990	A	SWITCH - (M-4006-4)	1	
-10	476 643	W	NIPPLE - (AN911-1D)	1	
-11	67700-192		TUBE ASSEMBLY - Manifold pressure	1	
-12	98577-02		FITTING - Restricted	1	
-13	79038-00		FITTING - Bulkhead	1	
-14	492 241		VALVE - (PS50036-2-2)	1	
-15	588 469	A	TEE - (1/8 MMS-S)	1	
-16	407 568	W	WASHER - (AN960-716)	6	
	477 629	W	NUT - (AN924-4)	3	
-17	458 847	W	ELBOW - (AN833-4)	1	
-18	407 591	W	WASHER - (AN960-716L)	1	
	477 629	W	NUT - (AN924-4)	1	
-19	455 173	W	COUPLING - (AN910-1D)	1	
-20	462 030		GASKET - (AN900-10)	1	
-21	491 055	W	UNION - (AN815-4)	1	
-22	458 938	W	ELBOW - (AN837-4, 45°)	2	
-23	476 686		NIPPLE - (AN816-4)	1	
-24	488 474	W	TEE - (AN917-1D)	1	
-25	476 648	W	NIPPLE - (AN816-4D)	1	

When ordering, always specify Part Number, Description and Serial Number of Aircraft

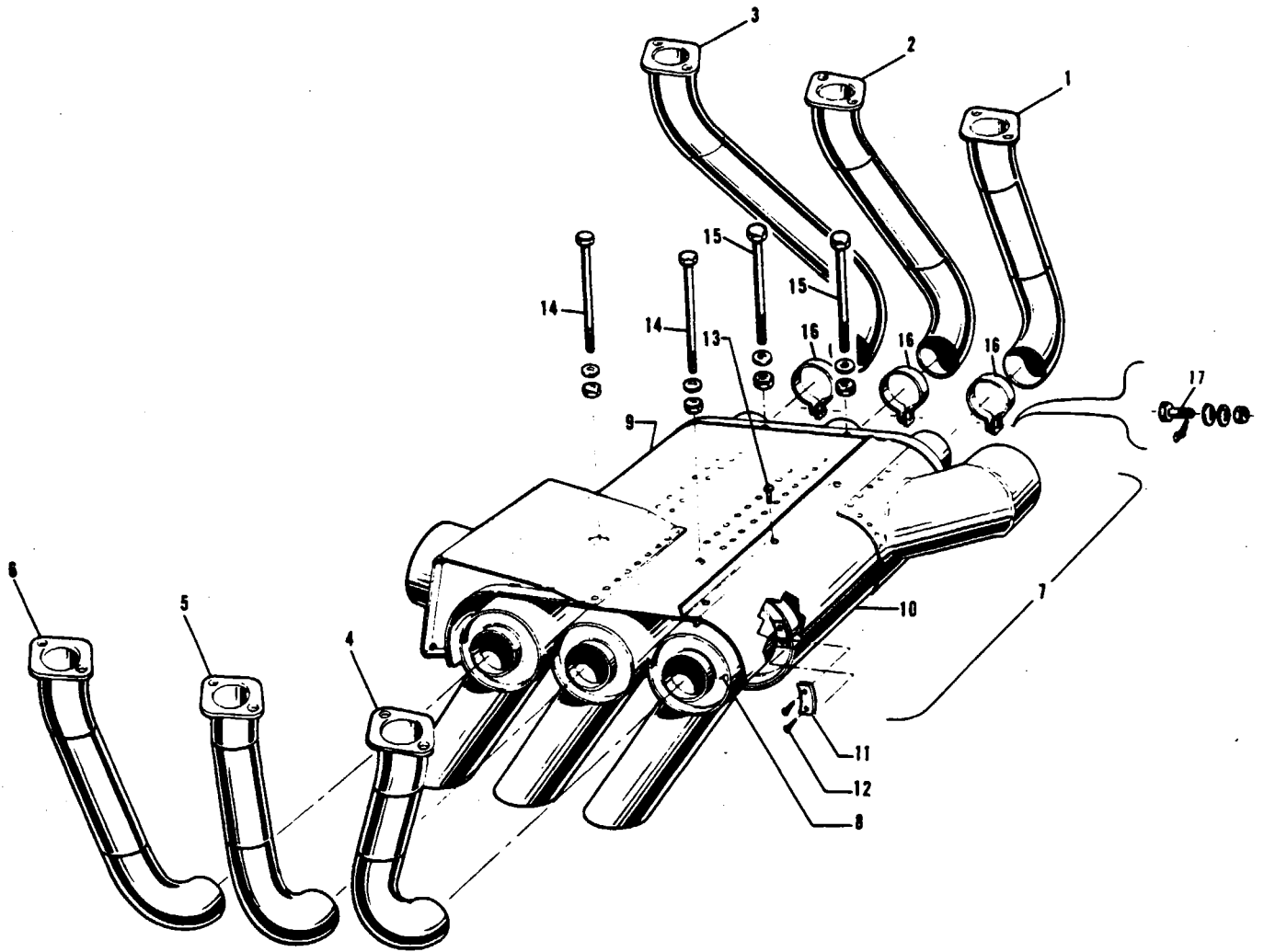


Figure 51 Engine Exhaust System Installation

PIPER PARTS CATALOG

CODE EXPLANATIONS FOR FIGURE 51

W - These parts must be ordered from Service Spares Department, Piper Aircraft, Lock Haven, Penna

PIPER PARTS CATALOG

Figure and Index Number	Part Number	Code	NOMENCLATURE	No. Req.	SERIAL NUMBERS AFFECTED
51-	38137		DRAWING - Exhaust System Installation		
-1	38137-04		STACK ASSEMBLY - Left front	1	
-2	38137-03		STACK ASSEMBLY - Left center	1	
-3	38137-02		STACK ASSEMBLY - Left rear	1	
-4	38137-05		STACK ASSEMBLY - Right front	1	
-5	38137-06		STACK ASSEMBLY - Right center	1	
-6	38137-07		STACK ASSEMBLY - Right rear	1	
-7	38146-02		MUFFLER ASSEMBLY - Complete	1	
-8	67517-00		* MUFFLER ASSEMBLY	3	
-9	38159-02		* SHROUD ASSEMBLY - Muffler, top	1	
-10	38162-06		* SHROUD ASSEMBLY - Muffler, bottom	1	
-11	67652-00		* TAB - Muffler	4	
-12	419 932		* SCREW - (4 x 1/2 Type "A")	8	
-13	415 493	W	* SCREW - (MS35206-228)	7	
-14	400 466	W	* BOLT - (AN3-43A)	2	
	407 584	W	* WASHER - (AN960-10L)	4	
	404 835	W	* NUT - (MS20364-1032C)	2	
-15	400 466	W	* BOLT - (AN3-43A)	2	
	407 584	W	* WASHER - (AN960-10L)	4	
	404 835	W	* NUT - (MS20364-1032C)	2	
-16	63243-02		CLAMP - Exhaust stack	3	
-17	400 103	W	BOLT - (AN4-6)	3	
	407 565	W	WASHER - (AN960-416)	6	
	404 101	W	NUT - (AN310-4)	3	
	424 051	W	COTTER PIN - (MS24665-132)	3	

When ordering, always specify Part Number, Description and Serial Number of Aircraft

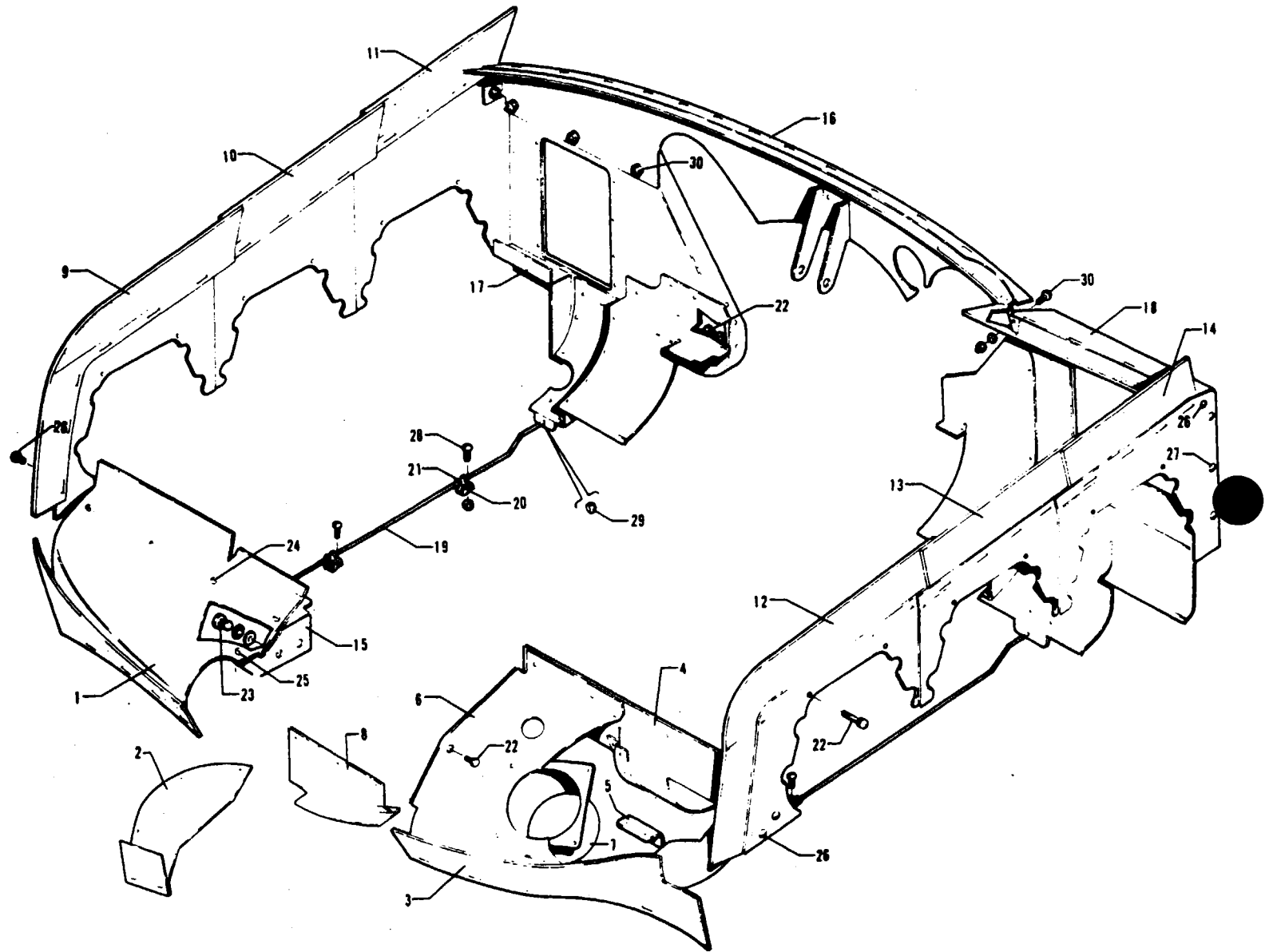


Figure 52 Engine Baffle Installation

PIPER PARTS CATALOG

CODE EXPLANATIONS FOR FIGURE 52

W - These parts must be ordered from Service Spares Department, Piper Aircraft, Lock Haven, Penna

PIPER PARTS CATALOG

Figure and Index Number	Part Number	Code	NOMENCLATURE	No. Req.	SERIAL NUMBERS AFFECTED
52	68C34		DRAWING - Engine Baffle Installation		
-1	99778-00		FAIRING ASSEMBLY - Right front baffle	1	
-2	99776-00		* COVER ASSEMBLY - Right front baffle	1	
-3	99766-00		BAFFLE ASSEMBLY - Engine left front, complete	1	
-4	68054-00		* BAFFLE - Left front	1	
-5	65032-00		* CLIP - Baffle	1	
-6	99768-00		* FAIRING - Left front baffle	1	
-7	99767-00		* TAKE-OFF ASSEMBLY - Left front baffle	1	
-8	99769-00		* COVER ASSEMBLY - Left front baffle fairing	1	
-9	68835-00		BAFFLE ASSEMBLY - Right side front	1	
-10	68834-00		BAFFLE ASSEMBLY - Right side center	1	
-11	68833-00		BAFFLE ASSEMBLY - Right side rear	1	
-12	68832-00		BAFFLE ASSEMBLY - Left side front	1	
-13	68831-00		BAFFLE ASSEMBLY - Left side center	1	
-14	68830-00		BAFFLE ASSEMBLY - Left side rear	1	
-15	99781-00		BAFFLE ASSEMBLY - Engine, right front	1	
-16	68031-05		BAFFLE ASSEMBLY - Engine, rear center	1	32-8006001 to 32-8006116 incl
	38738-02		BAFFLE ASSEMBLY - Engine, rear center	1	32-8106001 and up
-17	68030-10		BAFFLE ASSEMBLY - Engine, right rear	1	32-8006001 to 32-8006116 incl
	38737-02		BAFFLE ASSEMBLY - Engine, right rear	1	32-8106001 and up
-18	68029-09		BAFFLE ASSEMBLY - Engine, left rear	1	32-8006001 to 32-8006116 incl
	38739-02		BAFFLE ASSEMBLY - Engine, left rear	1	32-8106001 and up
-19	65103-02		ROD - Baffle tie	2	
-20	454 930	W	CLAMP - (PS10017-2-6)	3	
-21	454 927	W	CLAMP - (PS10017-2-2)	3	
-22	418 420	W	SCREW - Cap (1/4-20NC3 x 1/2L)	12	
	407 136	W	WASHER - (AN936-A416)	12	
	407 565	W	WASHER - (AN960-416)	12	
-23	418 942		CAP SCREW - (3/8-16NC3 x 3/4L)	1	
	407 567	W	WASHER - (AN960-616)	1	
	407 138	W	WASHER - (AN936-A616)	1	
-24	415 447	W	SCREW - (AN526-832R7)	4	
	477 672		NUT - (MU832-.38-.025/.050-L-F10)	4	
-25	415 447	W	SCREW - (AN526-832R7)	1	
	477 673		NUT - (MU832-.38-.050/.075-L-F10)	1	
-26	415 448	W	SCREW - (AN526-832R6)	5	
	407 583	W	WASHER - (AN960-8L)	5	
	404 833	W	NUT - (MS20364-832C)	5	
-27	415 448	W	SCREW - (AN526-832R6)	3	
	407 583	W	WASHER - (AN960-8L)	3	
-28	417 772		SCREW - (AN520-10R7)	3	
	404 835	W	NUT - (MS20364-1032C)	3	
-29	404 829	W	NUT - (MS20364-632C)	4	
-30	416 995	W	SCREW - (AN526-1032R8)	9	
	407 564	W	WASHER - (AN960-10)	9	
	404 835	W	NUT - (MS20364-1032C)	9	

When ordering, always specify Part Number, Description and Serial Number of Aircraft

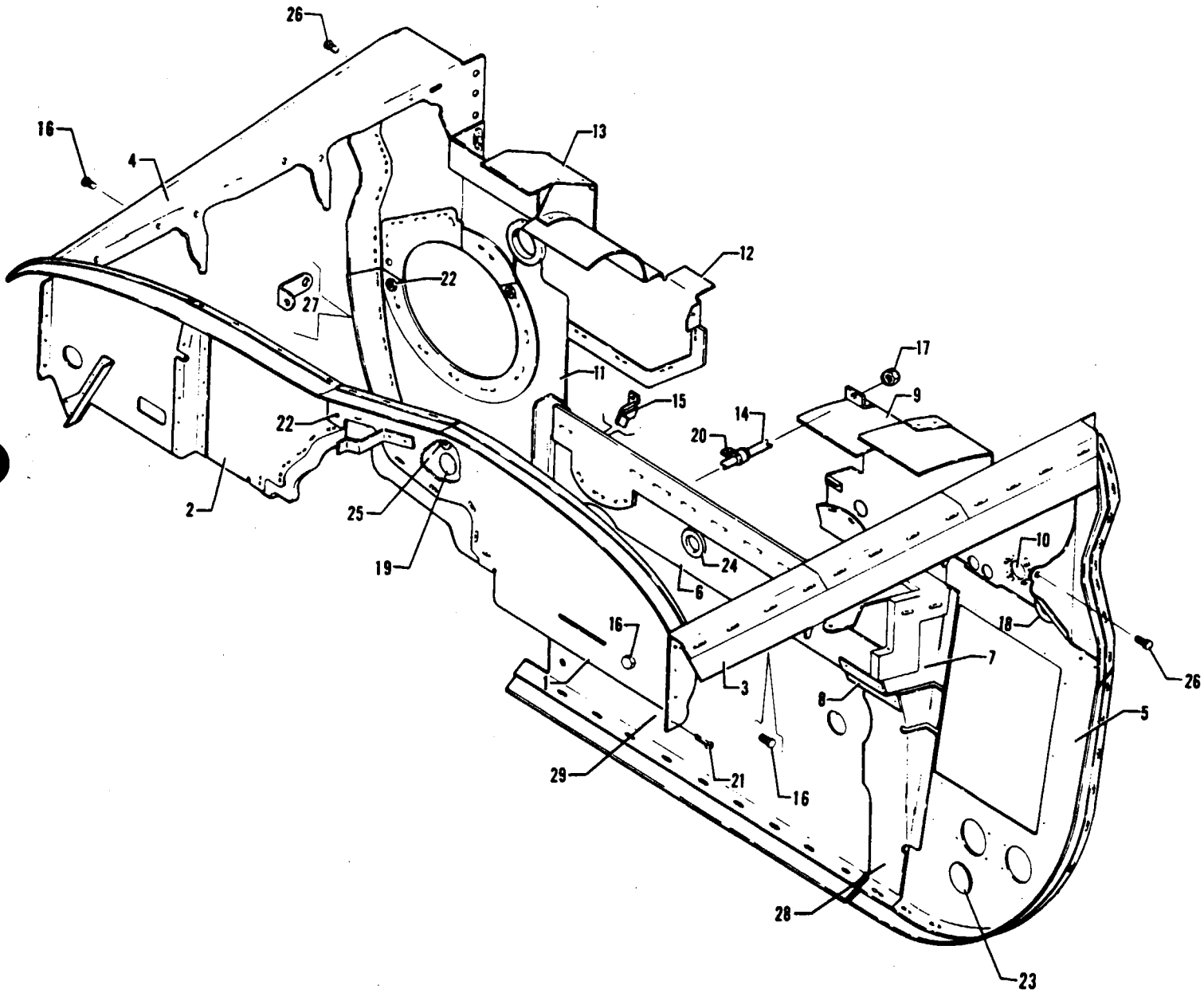


Figure 53 Engine Baffle Installation

PIPER PARTS CATALOG

CODE EXPLANATIONS FOR FIGURE 53

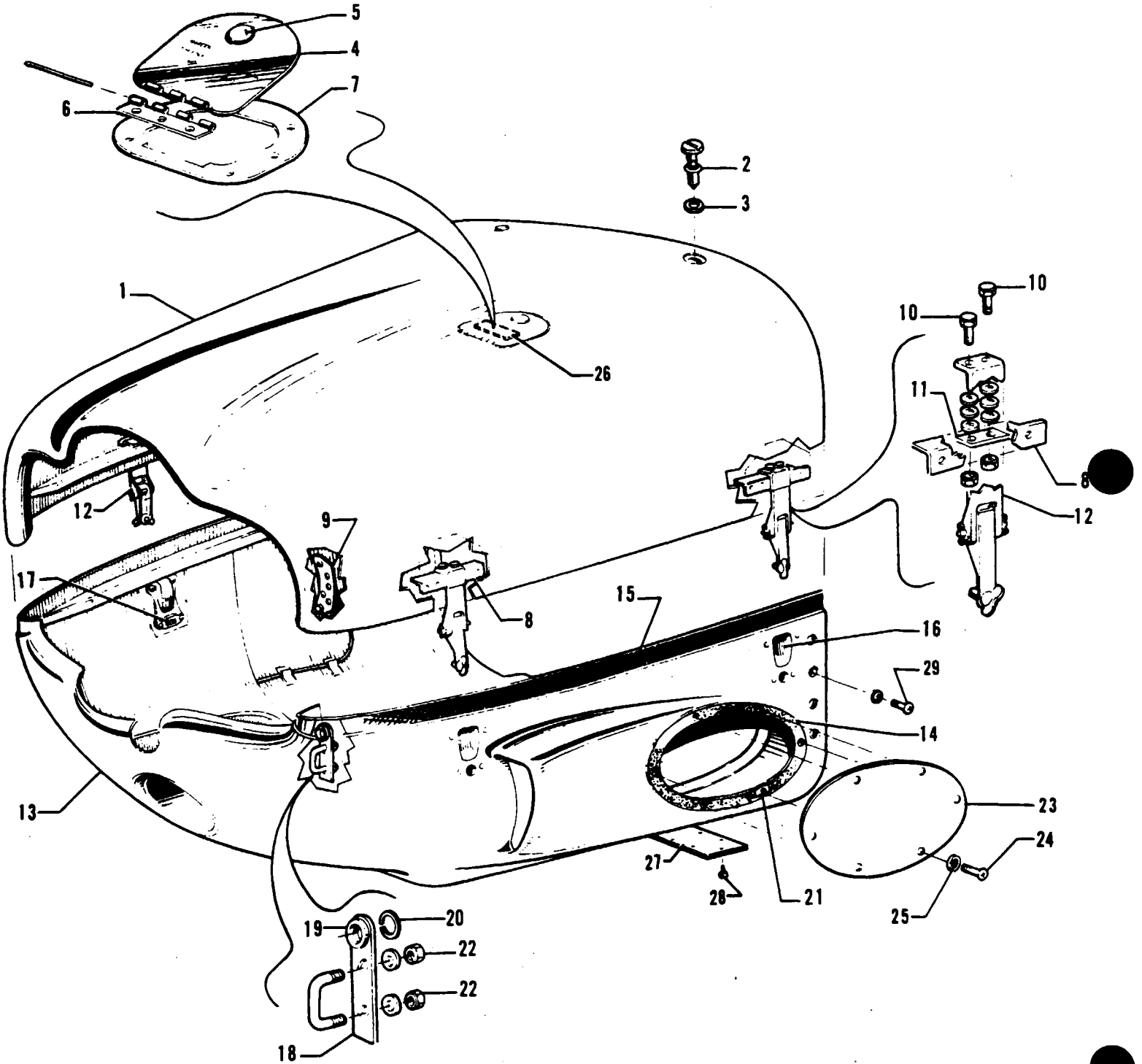
W - These parts must be ordered from Service Spares Department, Piper Aircraft, Lock Haven, Penna

PIPER PARTS CATALOG

Figure and Index Number	Part Number	Code	NOMENCLATURE	No. Req.	SERIAL NUMBERS AFFECTED
53-	98567		DRAWING - Engine Baffle Installation		
-1	98619-13		BAFFLE ASSEMBLY - Left front	1	
-2	98667-14		BAFFLE ASSEMBLY - Right front	1	
-3	98617-02		BAFFLE ASSEMBLY - Left side	1	
-4	98566-02		BAFFLE ASSEMBLY - Right side	1	
-5	98668-02		BAFFLE ASSEMBLY - Left rear	1	32-8024001 to 32-8024062 incl
	98668-09		BAFFLE ASSEMBLY - Left rear	1	32-8124001 and up
-6	98616-03		BAFFLE ASSEMBLY - Left rear, center	1	32-8024001 to 32-8024062 incl
	98616-28		BAFFLE ASSEMBLY - Left rear, center	1	32-8124001 and up
-7	98616-04		BAFFLE ASSEMBLY - Left rear	1	32-8024001 to 32-8024062 incl
	98616-22		BAFFLE ASSEMBLY - Left rear	1	32-8124001 and up
-8	98616-07		SUPPORT - Baffle, left	1	32-8024001 to 32-8024062 incl
	98616-19		SUPPORT - Baffle, left	1	32-8124001 and up
-9	98666-11		BAFFLE ASSEMBLY - Left rear, top	1	
-10	98654-02		* TAKEOFF - Air, left	1	32-8024001 to 32-8024062 incl
	98654-05		* TAKEOFF - Air, left	1	32-8124001 and up
-11	98565-28		BAFFLE ASSEMBLY - Right rear, bottom	1	32-8024001 to 32-8024062 incl
	98565-35		BAFFLE ASSEMBLY - Right rear, bottom	1	32-8124001 and up
-12	98565-03		BAFFLE ASSEMBLY - Right rear, top	1	
-13	98565-33		BAFFLE ASSEMBLY - Right rear, top	1	
-14	38466-02		ROD - Baffle tie	2	
-15	98683-02		PLATE ASSEMBLY - Baffle seal	1	
-16	418 419	W	SCREW - Cap (1/4-20 UNC-2A x 1/2 L)	13	
	408 832		WASHER - (1214-00-00-0551)	13	
	407 565	W	WASHER - (AN960-416)	13	
-17	404 909	W	NUT - (MS20365-632C)	4	
-18	434 150		GROMMET - (MS35489-17S)	1	
-19	553 683		PLUG BUTTON - (SS51149)	1	
-20	454 927	W	CLAMP - (PS10017-2-2)	2	
-21	415 535	W	SCREW - (MS35206-245)	29	
	407 563	W	WASHER - (AN960-8)	29	
-22	415 535	W	SCREW - (MS35206-245)	11	
	407 563	W	WASHER - (AN960-8)	11	
	404 910	W	NUT - (MS20365-832C)	11	
-23	553 681		PLUG BUTTON - (SS51058)	1	
-24	434 183		GROMMET - (MS35489-18S)	1	
-25	434 124		GROMMET - (MS35489-7)	1	
-26	418 345		SCREW - Cap (1/4-20 UNC-2A x 1 1/4 L)	5	
	408 832		WASHER - (1214-00-00-0551)	5	
	407 565	W	WASHER - (AN960-416)	5	
	404 599		NUT - (AN340-416)	5	
-27	38459-02		BRACKET - Air induction tube	1	
-28	98616-12		BAFFLE - Left rear	1	32-8024001 to 32-8024062 incl
	98616-18		BAFFLE - Left rear	1	32-8124001 and up
-29	38419-02		BAFFLE ASSEMBLY - Center, rear	1	32-8024001 to 32-8024062 incl
	98616-24		BAFFLE ASSEMBLY - Center, rear	1	32-8124001 and up

When ordering, always specify Part Number, Description and Serial Number of Aircraft

PIPER PARTS CATALOG



PIPER PARTS CATALOG

CODE EXPLANATIONS FOR FIGURE 54

W - These parts must be ordered from Service Spares Department, Piper Aircraft, Lock Haven, Penna

PIPER PARTS CATALOG

Figure and Index Number	Part Number	Code	NOMENCLATURE	No. Req.	SERIAL NUMBERS AFFECTED
54	69479 38732		DRAWING - Power Plant Installation DRAWING - Power Plant Installation		32-8006001 to 32-8006116 incl. 32-8106001 and up
-1	68780-04		COWL ASSEMBLY - Engine top	1	
-2	26246-00	W	* STUD - Cowl top	2	
-3	494 060	W	* WASHER - (2600 LW)	2	
-4	99096-00		* DOOR ASSEMBLY - Oil filler	1	
-5	472 017	W	* * LATCH - Oil filler door (KM610-32)	1	
-6	65291-03		* * HINGE ASSEMBLY - Oil filler door	1	
-7	99094-02		* PLATE ASSEMBLY - Reinforcement, oil access	1	
-8	69809-00		* ANGLE - Cowl latch support, left	2	
	69809-01		* ANGLE - Cowl latch support, right	2	
-9	65148-00		* PLATE ASSEMBLY - Cowl pin, left	1	
	65148-01		* PLATE ASSEMBLY - Cowl pin, right	1	
-10	401 266	W	* BOLT - (AN3-5A)	8	
	407 564	W	* WASHER - (AN960-10)	24	
	404 835	W	* NUT - (MS20364-1032C)	8	
-11	79469-00		* PLATE - Cowl	4	
-12	69917-00		* FASTENER ASSEMBLY - Cowl	4	
-13	38086-15		COWL ASSEMBLY - Bottom	1	
-14	38086-14		* SEAL - Air filter box	1	
-15	65070-05		* WEBBING - Cowl bottom	2	
-16	65889-00		* CUP ASSEMBLY - Cowl fastener	4	
-17	484 483		* RECEPTACLE - (PS10077-1-62)	4	
-18	69791-00		* PLATE ASSEMBLY - Cowl	2	
-19	69790-00		* * BUSHING - Cowl plate assembly	1	
-20	484 840		* * RING - Retaining (5100-55)	1	
-21	484 305		* RECEPTACLE - "Camloc" (212-12)	6	
-22	404 836	W	* NUT - (MS20364-428C)	4	
	62833-28		* WASHER	4	
-23	38019-08		COVER - Air filter	1	
-24	487 707	W	* STUD ASSEMBLY - "Camloc" (2600-6)	6	
-25	494 060	W	* WASHER - (2600-LW)	6	
-26	87340-02		PLACARD - Oil spec.	1	
-27	65178-00		STIFFENER ASSEMBLY - Lower cowl	1	
-28	411 532	W	SCREW - (MS35207-263)	10	
-29	411 533		SCREW - (MS35207-264)	10	
	407 564	W	WASHER - (AN960-10)	10	

When ordering, always specify Part Number, Description and Serial Number of Aircraft

PIPER PARTS CATALOG

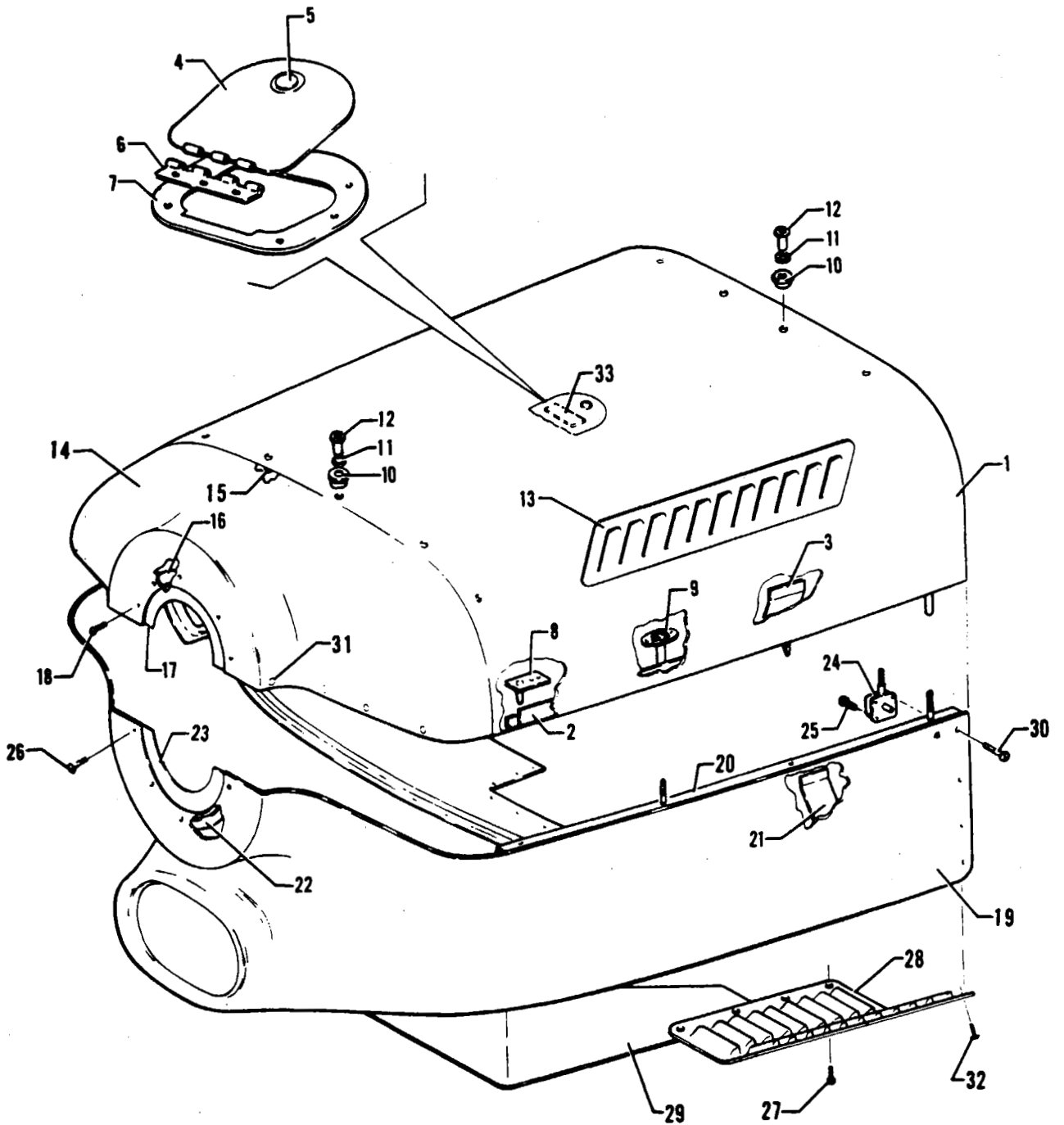


Figure 55. Engine Cowling Assembly

PIPER PARTS CATALOG

CODE EXPLANATIONS FOR FIGURE 55

W - These parts must be ordered from Service Spares Department, Piper Aircraft, Lock Haven, Penna

PIPER PARTS CATALOG

Figure and Index Number	Part Number	Code	NOMENCLATURE	No. Req.	SERIAL NUMBERS AFFECTED
55-	98560		DRAWING - Engine Cowl Installation		
-1	36592-02		COWL ASSEMBLY - Engine top, aft	1	
-2	98561-05		* CHANNEL - Cowl	2	
-3	36592-39		* SUPPORT	2	
-4	99096-00		* DOOR ASSEMBLY - Oil filler	1	
-5	472 017	W	* * LATCH - Oil filler door (KM610-32)	1	
-6	65291-03		* * HINGE ASSEMBLY - Oil filler door	1	
-7	99094-02		* PLATE ASSEMBLY - Reinforcement	1	
-8	98536-02		* PIN ASSEMBLY - Cowl retainer	4	
-9	453 198		* EYE BOLT - (H897-1)	4	
-10	463 456		* GROMMET - (4002-N3)	10	
-11	484 755		* SNAP RING - Grommet (R4G)	10	
-12	487 687	W	* STUD - (4002-10)	10	
-13	38625-02		* LOUVER - Top cowl, left	1	
	38625-03		* LOUVER - Top cowl, right	1	
-14	98562-02		COWL ASSEMBLY - Engine top, forward	1	
-15	484 310		* RECEPTACLE - Cowl retainer (244-16)	4	
-16	98562-11		* RETAINER - Top cowl, forward	1	
-17	98562-12		* SEAL - Top cowl, forward	1	
-18	415 520	W	* SCREW - (MS35206-230)	5	
	407 582		* WASHER - (AN960-6L)	10	
	404 909	W	* NUT - (MS20365-632C)	5	
-19	98563-34		COWL ASSEMBLY - Engine bottom	1	
-20	98563-55		* CHANNEL - Cowl, left	1	
	98563-56		* CHANNEL - Cowl, right	1	
-21	98563-16		* COVER	2	
-22	98563-19		* RETAINER - Bottom cowl, forward	1	
-23	98563-29		* SEAL - Bottom cowl, forward	1	
-24	565 251		* LATCH ASSEMBLY - (H767-K868)	4	
-25	401 266	W	* BOLT - (AN3-4A)	16	
	407 584	W	* WASHER - (AN960-10L)	16	
	404 835	W	* NUT - (MS20364-1032C)	16	
-26	415 520	W	* SCREW - (MS35206-230)	5	
	407 582		* WASHER - (AN960-6L)	10	
	404 909	W	* NUT - (MS20365-632C)	5	
-27	411 532	W	SCREW - (MS35207-263)	14	
-28	38629-05		LOUVER ASSEMBLY - Bottom cowl, left	1	
	38629-02		LOUVER - Bottom cowl, right	1	
-29	38436-11		COVER ASSEMBLY - Nose gear	1	32-8024001 to 32-8024062 incl
	38436-13		COVER ASSEMBLY - Nose gear	1	32-8124001 and up
-30	410 040	W	SCREW - (MS24694-S52)	9	
	494 087	W	WASHER - (A3235-020-1)	9	
-31	410 039	W	SCREW - (MS24694-S51)	8	
	494 087	W	WASHER - (A3235-020-1)	8	
-32	410 039	W	SCREW - (MS24694-S51)	10	
-33	87340-02		PLACARD - Oil spec	1	

When ordering, always specify Part Number, Description and Serial Number of Aircraft

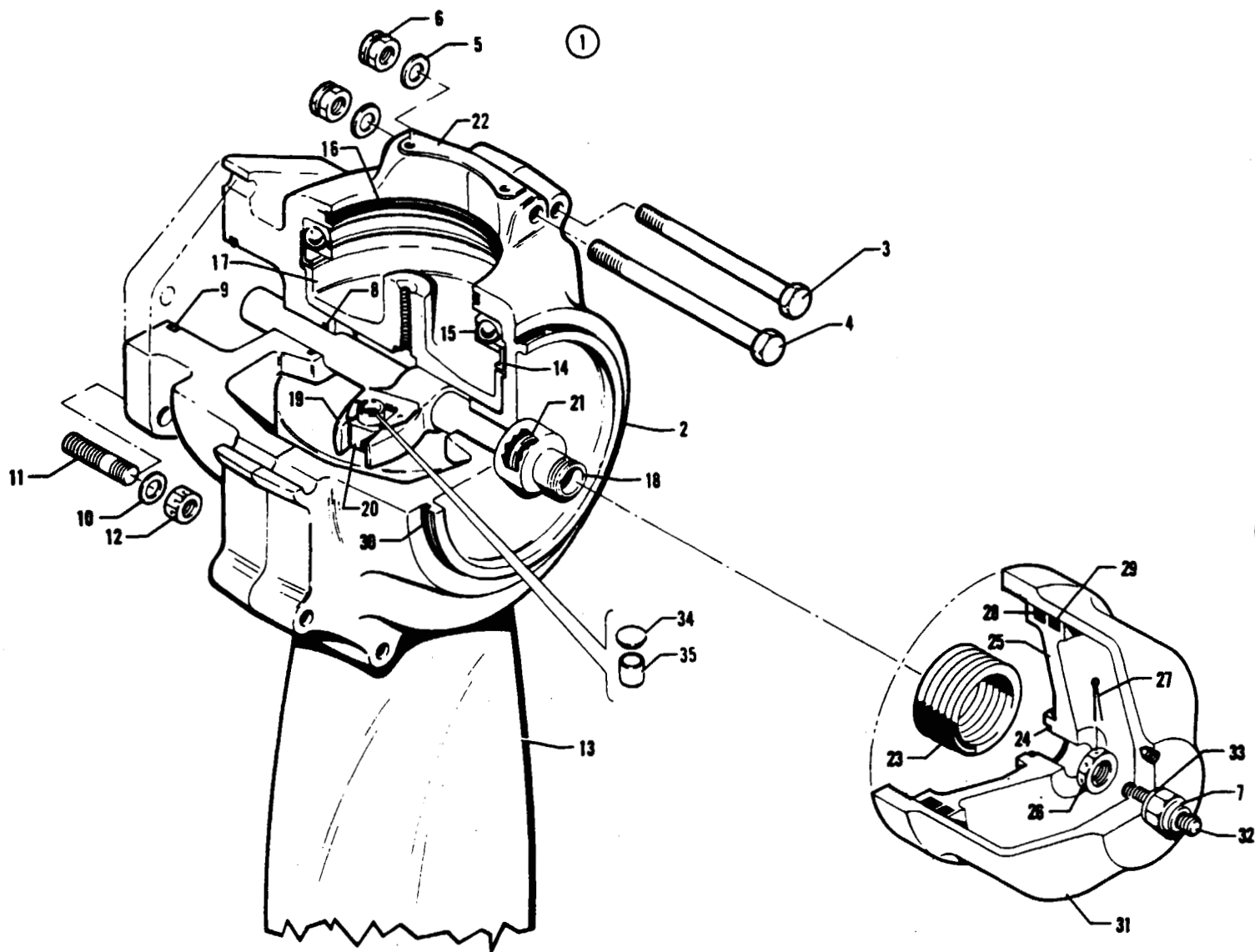


Figure 56 Two Blade Propeller Assembly (Hartzell)

PIPER PARTS CATALOG

CODE EXPLANATIONS FOR FIGURE 56

W - These parts must be ordered from Service Spares Department, Piper Aircraft, Lock Haven, Penna

PIPER PARTS CATALOG

Figure and Index Number	Part Number	Code	NOMENCLATURE	No Req.	SERIAL NUMBERS AFFECTED
56-1	550 937		PROPELLER ASSEMBLY - Hartzell, two blade (HC-C2YK-1 (J)F/F8475D-4)	1	
-2	755 222	W	* HUB ASSEMBLY - Propeller (D-2201-17)	1	
-3	753 461	W	* BOLT - Hex head (A-2431)	6	
-4	758 111	W	* BOLT - Hex head (A-2432)	4	
-5	407 587	W	* WASHER - (AN960-616)	10	
-6	752 511	W	* NUT - Elastic (A-2043)	10	
-7	752 534	W	* NUT - (52 NTE-064)	1	
-8	755 932	W	* O-RING - Rod (PRP-902-13)	1	
-9	755 800	W	* O-RING - Rod (PRP-909-6)	1	
-10	407 569	W	* WASHER - (AN960-816)	6	
-11	756 295	W	* STUD - Flange (A-2247-2)	6	
-12	752 530	W	* NUT - Castle (A-2069)	6	
-13	758 219		* BLADE - Propeller (F8475D-4)	2	
-14	755 968	W	* RING - Bearing guide (A-2204)	2	
-15	753 463	W	* BEARING - Blade, split (A-2202)	2	
-16	755 934	W	* O-RING - Blade (PRP-902-42)	2	
-17	757 249	W	* PRELOAD PLATE UNIT - (B-2256)	2	
-18	755 993	W	* ROD - Piston (A-2418-2)	1	
-19	754 826	W	* FORK UNIT - Pitch change (B-2457-3)	1	
-20	758 204	W	* BLOCK - Pitch change (A-2217-3)	2	
-21	755 972	W	* SPLIT - Retainer (A-2430)	1	
-22	756 607	W	* WEIGHTS - Balance (A-2424)	AR	
-23	757 556	W	* SPRING - (A-2213-1)	1	
-24	755 995	W	* O-RING - Piston seal (PRP-914-6)	1	
-25	757 302	W	* PISTON - (B-2419)	1	
-26	752 513	W	* NUT - Rod (A-2211)	1	
-27	424 061	W	* COTTER PIN - (AN380-3-5)	1	
-28	755 994	W	* O-RING - Piston (PRP-902-51)	1	
-29	757 557	W	* SEAL - Felt (B-1843)	1	
-30	755 935	W	* O-RING - Cylinder (PRP-909-25)	1	
-31	757 828	W	* CYLINDER - (B-2428-1)	1	
-32	757 558	W	* SCREW - Low stop (A-2421)	1	
-33	757 559	W	* SEAL - Parker (7000-3/8)	1	
-34	758 282		* BUTTON - Propeller (A-3212-1)	1	
-35	758 280		* BUSHING - Propeller (A-2413-2)	1	

When ordering, always specify Part Number, Description and Serial Number of Aircraft

PIPER PARTS CATALOG

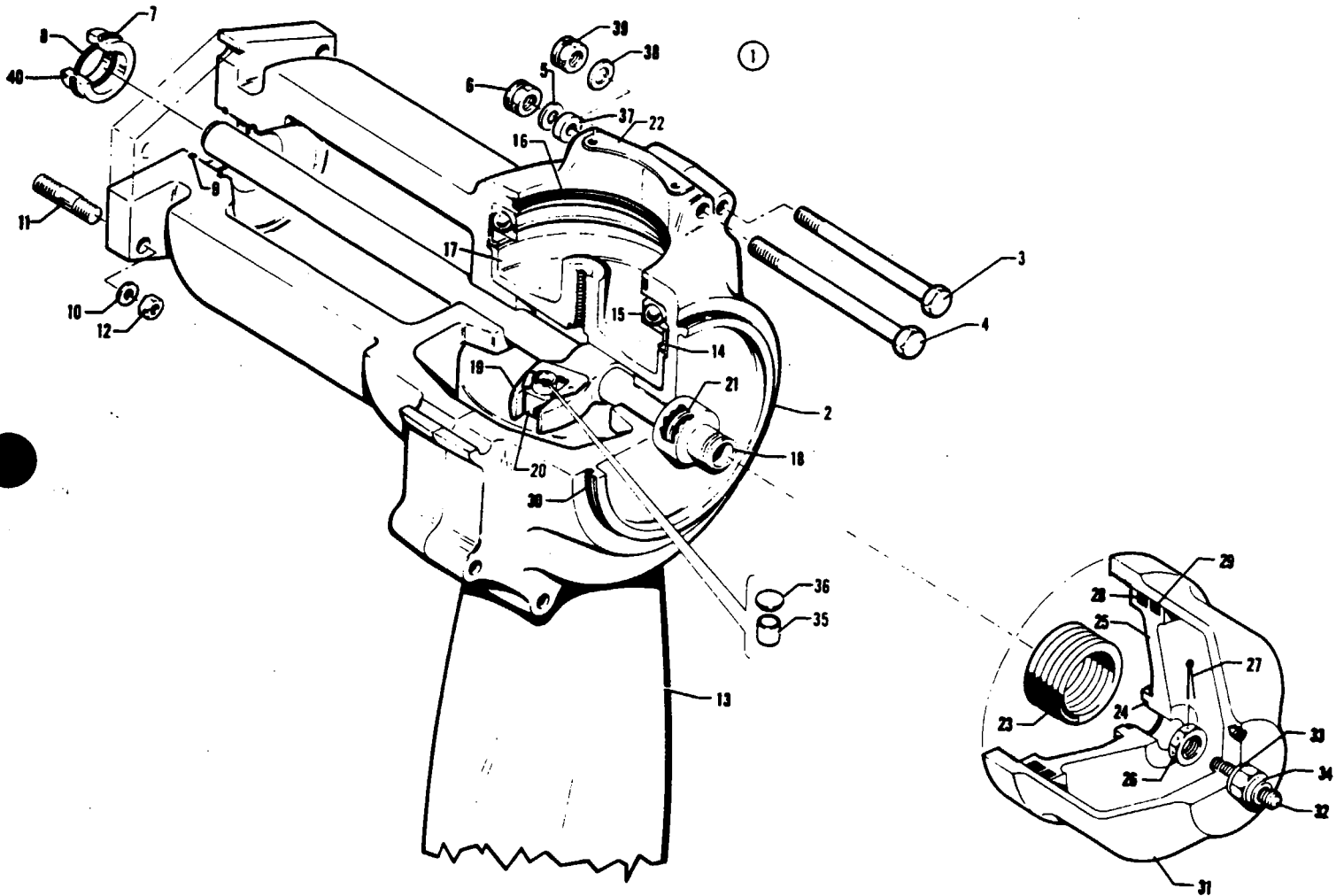


Figure 57. Two Blade Propeller Assembly (Hartzell)

PIPER PARTS CATALOG

CODE EXPLANATIONS FOR FIGURE 57

W - These parts must be ordered from Service Spares Department, Piper Aircraft, Lock Haven, Penna

PIPER PARTS CATALOG

Figure and Index Number	Part Number	Code	NOMENCLATURE	No. Req.	SERIAL NUMBERS AFFECTED
57-1	550 983		PROPELLER ASSEMBLY - Hartzell, two-blade (HC-E2YR-1) (F/F8477-4)	1	
-2	752 015	W	* HUB ASSEMBLY - Propeller (D-2477-3)	1	
-3	753 461	W	* BOLT - Hex head (A-2431)	6	
-4	753 462	W	* BOLT - Hex head (A-2433)	4	
-5	407 587	W	* WASHER - (AN960-616)	10	
-6	762 565	W	* NUT - (22FT-624)	10	
-7	755 931	W	* O-RING - Plug (PRP-909-4)	1	
-8	755 932	W	* O-RING - Rod (PRP-902-13)	1	
-9	755 800	W	* O-RING - Rod (PRP-909-6)	1	
-10	756 626	W	* WASHER - (A-1381)	6	
-11	757 583	W	* STUD - Flange (A-2067)	6	
-12	752 533	W	* NUT - Castle (A-2069)	6	
-13	758 420		* BLADE - Propeller (F8477()-4)	2	
-14	755 968	W	* RING - Bearing guide (A-2204)	2	
-15	753 463	W	* BEARING - Blade, split (A-2202)	2	
-16	755 934	W	* O-RING - Blade (PRP-902-42)	2	
-17	763 428	W	* PRELOAD PLATE UNIT - (B-2222)	2	
-18	756 027	W	* ROD - Piston (A-2418-3)	1	
-19	754 826	W	* FORK UNIT - Pitch change (B-2457-3)	1	
-20	758 204	W	* BLOCK - Pitch change (A-2217-3)	2	
-21	755 972	W	* SPLIT - Retainer (A-2430)	1	
-22	756 607	W	* WEIGHTS - Balance (A-2424)	AR	
-23	757 556	W	* SPRING - (A-2213-1)	1	
-24	755 995	W	* O-RING - Piston seal (PRP-914-6)	1	
-25	757 302	W	* PISTON - (B-2419)	1	
-26	752 513	W	* NUT - Rod (A-2211)	1	
-27	424 061	W	* COTTER PIN - (AN380-3-5)	1	
-28	755 994	W	* O-RING - Piston (PRP-902-51)	1	
-29	757 557	W	* SEAL - Felt (B-1843)	1	
-30	755 935	W	* O-RING - Cylinder (PRP-909-25)	1	
-31	757 828	W	* CYLINDER - (B-2428-1)	1	
-32	757 558	W	* SCREW - Low stop (A-2421)	1	
-33	757 559	W	* SEAL - Parker (7000-3/8)	1	
-34	752 534	W	* NUT - (52 NTE-064)	1	
-35	758 280		* BUSHING - Propeller (A-2413-2)	1	
-36	758 282		* BUTTON - Propeller (A-3212-1)	1	
-37	757 593	W	* SPACER - (A-2246-3)	4	
-38	407 587	W	* WASHER - (AN960-616L)	6	
-39	752 511	W	* NUT - (A-2043)	6	
-40	757 253	W	* PLUG - Piston end (A-2481)	1	

When ordering, always specify Part Number, Description and Serial Number of Aircraft

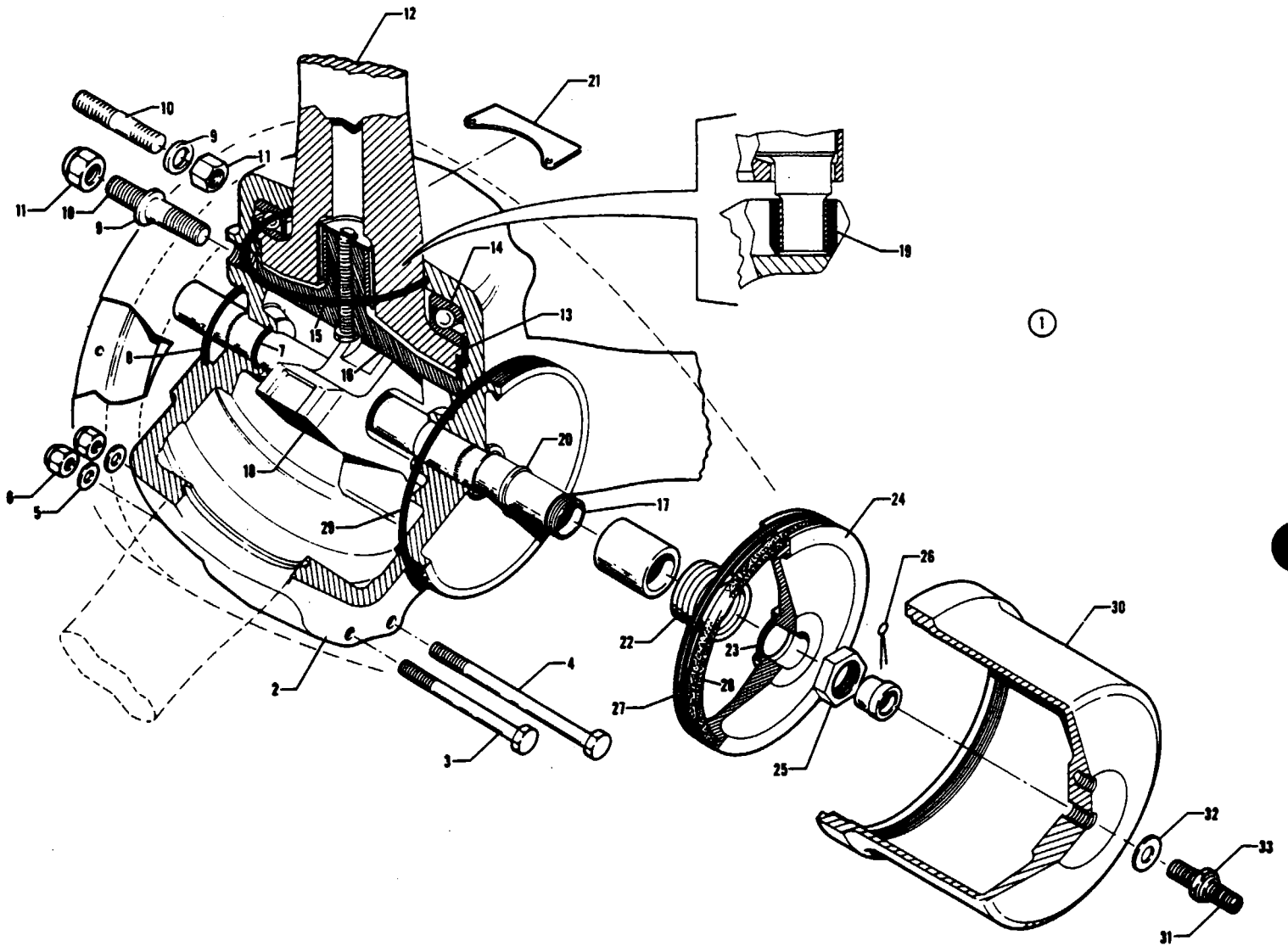


Figure 58 Three Blade Propeller Assembly (Hartzell)

PIPER PARTS CATALOG

CODE EXPLANATIONS FOR FIGURE 58

A - Parts included in Propeller Repair Kit, P/N 763 888

W - These parts must be ordered from Service Spares Department, Piper Aircraft, Lock Haven, Penna.

PIPER PARTS CATALOG

Figure and Index Number	Part Number	Code	NOMENCLATURE	No. Req.	SERIAL NUMBERS AFFECTED
56-1	550 993		PROPELLER ASSEMBLY - Hartzell, three blade (HC-C3YR-1) (F/F-7663R-0)	1	
-2	755 299		* HUB ASSEMBLY - Propeller (D-3251-8R)	1	
-3	753 461	W	* BOLT - Hex head (A-2431)	9	
-4	753 462	W	* BOLT - Hex head (A-2433)	6	
	757 593	W	* SPACER - (A-2246-3)	12	
	407 567	W	* WASHER - (AN960-616)	12	
	752 565	W	* NUT - (22 FT-624)	6	
-5	407 587	A,W	* WASHER - (AN960-616L)	9	
-6	752 511	A,W	* NUT - Elastic (A-2043)	9	
-7	755 932	A,W	* O-RING - Rod (PRP-902-13)	1	
-8	755 800	A,W	* O-RING - Rod (PRP-909-6)	1	
-9	407 569	W	* WASHER - (AN960-816)	6	
-10	757 742	W	* STUD - (A-2429-4)	6	
-11	752 544	W	* NUT - (A-2044)	6	
-12	758 493		* BLADE - Propeller (F7663R-0)	3	
-13	755 968	W	* RING - Bearing guide (A-2204)	3	
-14	753 463	W	* BEARING - Blade, split (A-2202)	3	
-15	755 934	A,W	* O-RING - Blade (PRP-902-42)	3	
-16	757 249	W	* PRELOAD PLATE UNIT - (B-2256)	3	
-17	755 993	W	* ROD - Piston (A-2418-2)	1	
-18	754 808	W	* FORK - Pitch change (B-3252)	1	
-19	758 205	W	* BLOCK - Pitch change (A-3253-2)	3	
-20	755 972	W	* RETAINER - Split (A-2430)	1	
-21	756 607	W	* WEIGHT - Balance (A-2424)	AR	
-22	757 556	W	* SPRING - (A-2213-1)	1	
-23	755 995	A,W	* O-RING - Piston seal (PRP-914-6)	1	
-24	757 458	W	* PISTON - (B-2280)	1	
-25	752 513	W	* NUT - Rod (A-2211)	1	
-26	424 061	A,W	* COTTER PIN - (AN380-3-5)	1	
-27	762 504	A,W	* O-RING - Piston (PRP-902-53)	1	
-28	762 211	A,W	* SEAL - Felt (B-1843-1)	1	
-29	755 937	A,W	* O-RING - Cylinder (MS28775-29)	1	
-30	758 033	W	* CYLINDER - (B-2281)	1	
-31	757 558	W	* SCREW - Low stop (A-2421)	1	
-32	757 559	A,W	* SEAL - Parker (7000-3/8)	1	
-33	752 534	W	* NUT - (52NTE-064)	1	

When ordering, always specify Part Number, Description and Serial Number of Aircraft

PIPER PARTS CATALOG

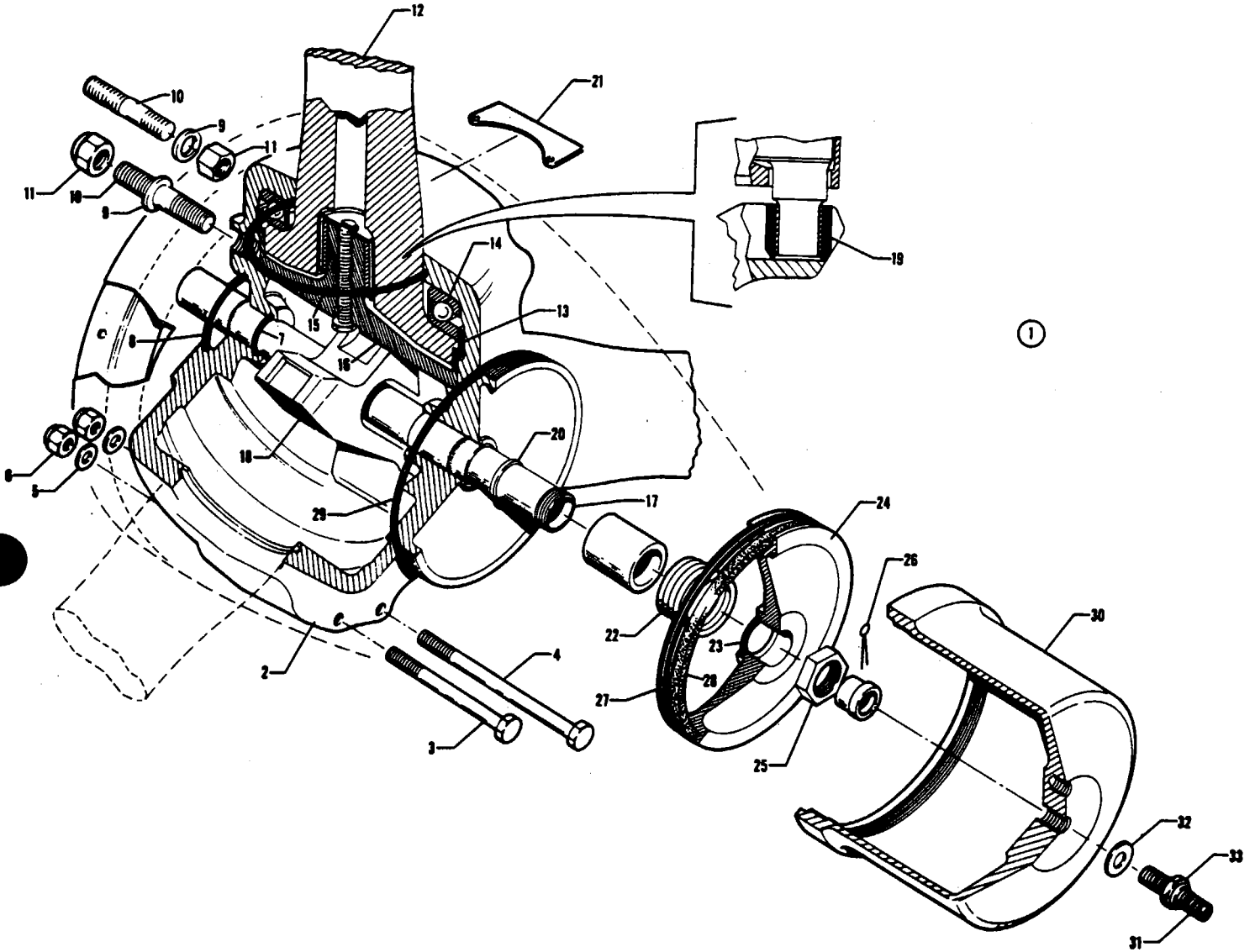


Figure 59 Three Blade Propeller Assembly (Hartzell)

PIPER PARTS CATALOG

CODE EXPLANATIONS FOR FIGURE 59

A - Parts included in Propeller Repair Kit, P/N 760 909

W - These parts must be ordered from Service Spares Department, Piper Aircraft, Lock Haven, Penna

PIPER PARTS CATALOG

Figure and Index Number	Part Number	Code	NOMENCLATURE	No. Req.	SERIAL NUMBERS AFFECTED
59-1	550 994		PROPELLER ASSEMBLY - Hartzell, three-blade (HC-E3YR-1 (F/F7673DR-0)	1	
-2	755 313		* HUB ASSEMBLY - Propeller (D-3261-3)	1	
-3	753 461	W	* BOLT - Hex head (A-2431)	9	
-4	753 462	W	* BOLT - Hex head (A-2433)	6	
	757 593	W	* SPACER - (A-2246-3)	6	
	407 567	W	* WASHER - (AN960-616)	6	
	752 565	W	* NUT - (22 FT-624)	6	
-5	407 587	A.W	* WASHER - (AN960-616L)	9	
-6	752 511	A.W	* NUT - Elastic (A-2043)	9	
-7	755 932	A.W	* O-RING - Rod (PRP-902-13)	1	
-8	755 800	A.W	* O-RING - Rod (PRP-909-6)	1	
-9	763 728		* WASHER - (A-1381)	6	
-10	757 583	W	* STUD - (A-2067)	6	
-11	752 530	W	* NUT - (A-2069)	6	
-12	758 494		* BLADE - Propeller (F7673DR-0)	3	
-13	755 968	W	* RING - Bearing guide (A-2204)	3	
-14	753 463	W	* BEARING - Blade, split (A-2202)	3	
-15	755 934	A.W	* O-RING - Blade (PRP-902-42)	3	
-16	757 249	W	* PRELOAD PLATE UNIT - (B-2256)	3	
-17	756 027	W	* ROD - Piston (A-2418-3)	1	
-18	754 808	W	* FORK - Pitch change (B-3252)	1	
-19	758 205	W	* BLOCK - Pitch change (A-3253-2)	3	
-20	755 972	W	* RETAINER - Split (A-2430)	1	
-21	756 607	W	* WEIGHT - Balance (A-2424)	AR	
-22	757 556	W	* SPRING - (A-2213-1)	1	
-23	755 995	A.W	* O-RING - Piston seal (PRP-914-6)	1	
-24	757 458	W	* PISTON - (B-2280)	1	
-25	752 513	W	* NUT - Rod (A-2211)	1	
-26	424 061	A.W	* COTTER PIN - (AN380-3-5)	1	
-27	762 504	A.W	* O-RING - Piston (PRP-902-53)	1	
-28	762 211	A.W	* SEAL - Felt (B-1843-1)	1	
-29	755 937	A.W	* O-RING - Cylinder (MS28775-29)	1	
-30	758 033	W	* CYLINDER - (B-2281)	1	
-31	757 558	W	* SCREW - Low stop (A-2421)	1	
-32	757 559	A.W	* SEAL - Parker (7000-3/8)	1	
-33	752 534	W	* NUT - (52NTE-064)	1	

When ordering, always specify Part Number, Description and Serial Number of Aircraft

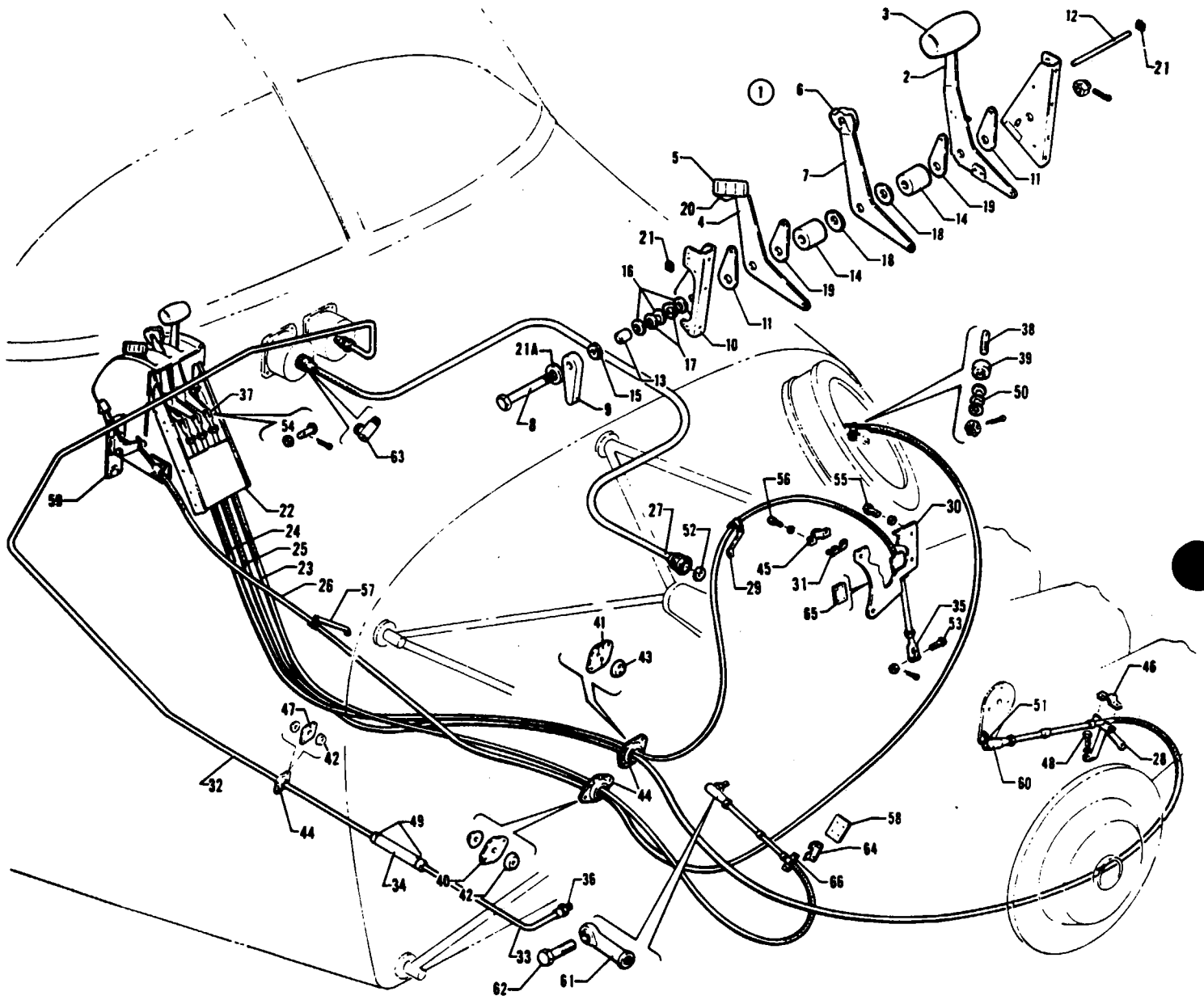


Figure 60. Engine Controls Installation

PIPER PARTS CATALOG

CODE EXPLANATIONS FOR FIGURE 60

- A - See Figure 96 if Century 41 AutoPilot is installed.
- B - Used if a 2.72" L quadrant adjusting handle (P/N 66773-00) is installed
- C - Used if a 2.94" L quadrant adjusting handle (P/N 63039-04) is installed.
- W - These parts must be ordered from Service Spares Department, Piper Aircraft, Lock Haven, Penna.

PIPER PARTS CATALOG

Figure and Index Number	Part Number	Code	NOMENCLATURE	No. Req.	SERIAL NUMBERS AFFECTED
6C-	69469		DRAWING - Engine Controls Installation		
-1	69320-02		QUADRANT ASSEMBLY - Control	1	
-2	67223-00		* LEVER ASSEMBLY - Throttle	1	
-3	66979-00	A.W	* * KNOB - Throttle lever	1	
-4	67214-00		* LEVER - Mixture control	1	
-5	24048-00	W	* KNOB - Mixture control (571 044)	1	
-6	24047-00	W	* KNOB - Propeller control (571 043)	1	
-7	69485-00		* LEVER - Propeller control	1	
-8	400 185	B	* BOLT - (AN5-43)	1	
	400 184	C.W	* BOLT - (AN5-41)	1	
	404 394	W	* NUT - (AN320-5)	1	
	424 051	W	* COTTER PIN - (MS24665-132)	1	
-9	66773-00		* HANDLE - Quadrant adjusting (2.72" L.)	1	
	63039-04		* HANDLE - Quadrant adjusting (2.94" L.)	1	
-10	67215-03		* BRACKET ASSEMBLY - Quadrant, left	1	
	67216-00		* BRACKET ASSEMBLY - Quadrant, right	1	
-11	67218-00		* PLATE - Quadrant, friction	2	
-12	69319-00		* PIN - Friction plate	1	
-13	66774-00		* CAM - Quadrant adjusting	1	
-14	68699-14		* SPACER - Quadrant	2	
-15	62833-46		* WASHER	1	
-16	407 586	W	* WASHER - (AN960-516)	3	
-17	408 815	W	* WASHER - (3502-18-04)	2	
-18	62833-50		* WASHER	2	
-19	67218-02		* PLATE - Quadrant, friction	2	
-20	79473-00		* PLATE - Mixture control	1	
-21	406 345	W	* NUT - (A109-014-1)	2	
-21a	407 586	C.W	* WASHER - (AN960-516L)	1	
-22	69324-02		MOUNT ASSEMBLY - Cockpit engine controls	1	
-23	455 358		CONTROL CABLE ASSEMBLY - Throttle (PS50146-13-13)	1	
-24	455 357		CONTROL CABLE ASSEMBLY - Mixture (PS50146-13-16)	1	
-25	455 356		CONTROL CABLE ASSEMBLY - Propeller pitch (PS50146-13-19)	1	
-26	554 051		CONTROL CABLE ASSEMBLY - Alternate air (PS50146-4-8)	1	
-27	486 545		SHAFT - Tachometer (PS50044-21)	1	32-8006001, 32-8006002
	454 312		SHAFT - Tachometer (PS50044-28)	1	32-8006003 and up
-28	69546-00		BRACKET ASSEMBLY - Propeller pitch control	1	
-29	63944-00		BRACKET - Mixture control	1	
-30	69452-00		BRACKET ASSEMBLY - Mixture control cable	1	32-8006001 to 32-8006116 incl
	38736-02		BRACKET ASSEMBLY - Mixture control cable	1	32-8106001 and up
-31	69011-00		BRACKET - Control cable support	1	
-32	67700-48		TUBE ASSEMBLY - Manifold pressure	1	
-33	68005-00		TUBE ASSEMBLY - Manifold pressure	1	
-34	69015-08		HOSE - Manifold pressure	1	
-35	554 757	W	CLEVIS - Control cable (MS35812-1)	1	
	404 224	W	NUT - (AN315-3R)	1	
	407 104	W	WASHER - (AN935-10)	1	
-36	460 685	W	CONNECTOR - (W/H 200 x 4)	1	
-37	488 327	W	TERMINAL - Clevis (AN665-21R)	3	
-38	70371-03	W	STUD - Alternate air	1	
-39	70371-02	W	FITTING - Swivel, alternate air	1	
-40	68771-08		GASKET - Firewall seal, engine side	1	
-41	68771-10		GASKET - Firewall seal, engine side	1	
-42	68770-06		GROMMET - Firewall seal	4	
-43	68770-12		GROMMET - Firewall seal	2	
-44	66789-00		PLATE - Firewall seal	6	

When ordering, always specify Part Number, Description and Serial Number of Aircraft

PIPER PARTS CATALOG

Figure and Index Number	Part Number	Code	NOMENCLATURE	No. Req.	SERIAL NUMBERS AFFECTED
60-45	69012-00		CLAMP - Control cable attachment	1	
-46	18219-02	W	CLAMP - Propeller pitch cable	1	
-47	22105-04	W	GASKET - Firewall seal	1	
-48	418 420	W	SCREW - Cap (1/4-20NC3 x 1/2" L)	1	
	407 105	W	WASHER - Lock (AN935-416)	1	
-49	454 983	W	CLAMP - (SAE 8) Type "E"	2	
-50	404 100	W	NUT - (AN310-3)	1	
	424 051	W	COTTER PIN - (MS24665-132)	1	
	407 584	W	WASHER - (AN960-10L) Under nut	1	
-51	404 887	W	NUT - (MS20365-1032C)	2	
	407 564	W	WASHER - (AN960-10)	2	
-52	85012-14		WASHER - Tachometer shaft	1	
-53	400 673	W	BOLT - (AN23-11)	1	
	404 100	W	NUT - (AN310-3)	1	
	424 051	W	COTTER PIN - (MS24665-132)	1	
-54	524 145		PIN - (MS20392-2C11)	3	
	407 584	W	WASHER - (AN960-10L)	3	
	424 050	W	COTTER PIN - (AN380-2-1)	3	
-55	400 438	W	BOLT - (AN3-4A)	2	
	407 584	W	WASHER - (AN960-10L)	2	
-56	418 650		SCREW - Cap (MS24678-11)	2	
	407 564	W	WASHER - (AN960-10)	2	
	404 887	W	NUT - (MS20365-1032C)	2	
-57	69308-00		ARM - Alternate air cable	1	
-58	69434-00		BRACKET - Adapter, control cable	1	32-8006001 to 32-8006116 incl
	37833-05		BRACKET ASSEMBLY - Adapter, control cable	1	32-8106001 and up
-59	66855-04		CONTROL ASSEMBLY - Alternate air	1	
-60	31747-00	W	JOINT ASSEMBLY - Ball, spring type (469 141)	1	
-61	452 606	W	BEARING - Rod end, throttle control (PS10020-16-2)	1	
-62	401 269	W	BOLT - (AN3-10A)	1	
	62833-101		WASHER	1	
	407 584	W	WASHER - (AN960-10)	3	
	404 887	W	NUT - (MS20365-1032C)	1	
-63	551 986		ANGLE DRIVE - (ES407010)	1	32-8006001 and 32-8006002
-64	69011-00		BRACKET - Control cable support	1	32-8006001 to 32-8006116 incl
-65	37833-08		BRACKET - Control cable support	1	32-8106001 and up
-66	69012-00		CLAMP - Control cable attachment	1	32-8006001 to 32-8006116 incl
	18219-00	W	CLAMP - Control cable attachment	1	32-8106001 and up

When ordering, always specify Part Number, Description and Serial Number of Aircraft

PIPER PARTS CATALOG

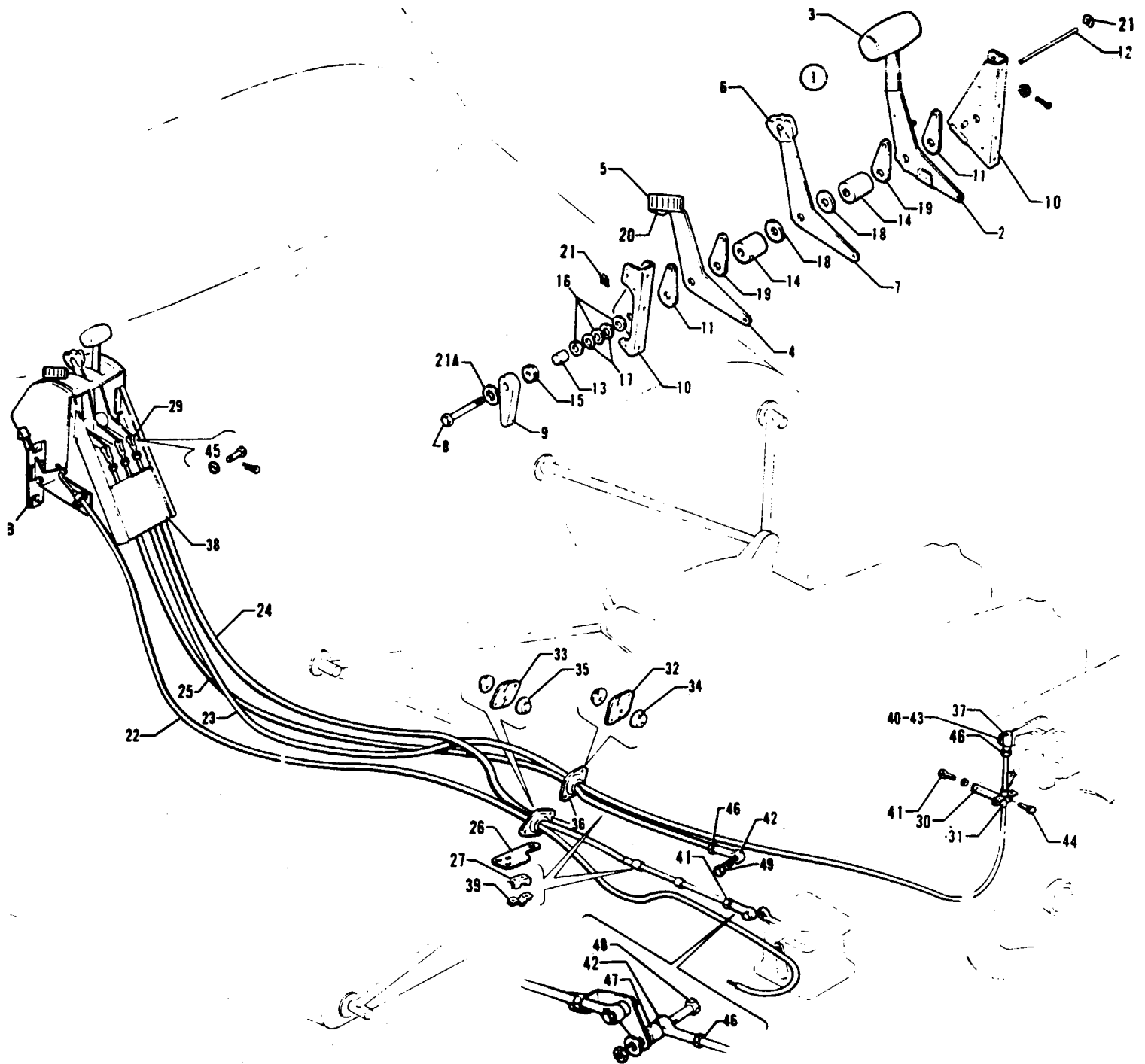


Figure 61 Engine Controls Installation

PIPER PARTS CATALOG

CODE EXPLANATIONS FOR FIGURE 61

- A - See Figure 96 if Century 41 AutoPilot is installed.
- B - Used if a 2.72" L quadrant adjusting handle (P/N 66773-00) is installed.
- C - Used if a 2.94" L quadrant adjusting handle (P/N 63039-04) is installed.
- W - These parts must be ordered from Service Spares Department, Piper Aircraft, Lock Haven, Penna.

PIPER PARTS CATALOG

Figure and Index Number	Part Number	Code	NOMENCLATURE	No. Req.	SERIAL NUMBERS AFFECTED
61-	38427		DRAWING - Engine Controls Installation		
-1	69320-02		QUADRANT ASSEMBLY - Control	1	
-2	67223-00		* LEVER ASSEMBLY - Throttle	1	
-3	66979-00	A,W	* * KNOB - Throttle lever	1	
-4	67214-00		* LEVER - Mixture control	1	
-5	24048-00	W	* KNOB - Mixture control	1	
-6	24047-00	W	* KNOB - Propeller control	1	
-7	69485-00		* LEVER - Propeller control	1	
-8	400 185	B	* BOLT - (AN5-43)	1	
	400 184	C,W	* BOLT - (AN5-41)	1	
	404 394	W	* NUT - (AN320-5)	1	
	424 051	W	* COTTER PIN - (MS24665-132)	1	
-9	66773-00		* HANDLE - Quadrant adjusting (2.72" L.)	1	
	63039-04		* HANDLE - Quadrant adjusting (2.94" L.)	1	
-10	67215-03		* BRACKET ASSEMBLY - Quadrant, left	1	
	67216-00		* BRACKET ASSEMBLY - Quadrant, right	1	
-11	67218-00		* PLATE - Quadrant, friction	2	
-12	69319-00		* PIN - Friction plate	1	
-13	66774-00		* BEARING - Spacer	1	
-14	68699-14		* SPACER - Quadrant	2	
-15	62833-46		* WASHER	1	
-16	407 566	W	* WASHER - (AN960-516)	3	
-17	408 815	W	* WASHER - (3502-18-04)	2	
-18	62833-50		* WASHER	2	
-19	67218-02		* PLATE - Quadrant, friction	2	
-20	79473-00		* PLATE - Mixture control	2	
-21	406 345	W	* NUT - (A109-014-1)	2	
-21a	407 586	C,W	* WASHER - (AN960-516L)	1	
-22	553 874		CONTROL CABLE ASSEMBLY - Carburetor heat (PS50146-4-11)	1	
-23	455 359		CONTROL CABLE ASSEMBLY - Governor (PS50146-13-18)	1	
-24	455 344		CONTROL CABLE ASSEMBLY - Throttle (PS50146-13-11)	1	
-25	455 344		CONTROL CABLE ASSEMBLY - Mixture (PS50146-13-11)	1	
-26	98645-07		PLATE ASSEMBLY - Mixture control mount	1	
	98645-05		PLATE ASSEMBLY - Throttle control mount	1	
-27	69011-03		* BRACKET - Control cable support	2	
-28	66855-05		CONTROL ASSEMBLY - Carburetor heat	1	
-29	488 327	W	TERMINAL - Clevis (AN665-21R)	3	
-30	69546-00		BRACKET ASSEMBLY - Propeller pitch control	1	
-31	18219-02	W	CLAMP - Control cable attachment	1	
-32	68771-16		GASKET - Firewall seal	1	
-33	68771-10		GASKET - Firewall seal	1	
-34	68770-19		GROMMET - Firewall seal	2	
-35	68770-12		GROMMET - Firewall seal	2	
-36	68789-00		PLATE - Firewall grommet	4	
-37	31747-00	W	JOINT ASSEMBLY - Ball, spring type (469 141)	1	
-38	69324-02		MOUNT ASSEMBLY - Cockpit engine controls	1	
-39	69012-00		CLAMP - Control cable attachment	2	
-40	404 887	W	NUT - (MS20365-1032C)	1	
	407 584	W	WASHER - (AN960-10)	1	
-41	418 420	W	SCREW - Cap (1/4-20NC-3 x 1/2)	1	
	407 044	W	WASHER - (MS35338-44)	1	

When ordering, always specify Part Number, Description and Serial Number of Aircraft

PIPER PARTS CATALOG

Figure and Index Number	Part Number	Code	NOMENCLATURE	No Req.	SERIAL NUMBERS AFFECTED
61-42	452 606	W	BEARING - Rod end (PS10020-16-2)	3	
-43	407 584	W	WASHER - (AN960-10L)	3	
-44	415 536	W	SCREW - (MS35206-246)	2	
	407 563	W	WASHER - (AN960-8)	2	
	404 910	W	NUT - (MS20365-832C)	2	
-45	524 145		PIN - Clevis (MS20392-2C11)	3	
	407 584	W	WASHER - (AN960-10L)	3	
	424 051	W	COTTER PIN - (MS24665-132)	3	
-46	404 224	W	NUT - (AN315-3R)	4	
	407 043	W	WASHER - (MS35338-43)	4	
-47	95061-180		BUSHING	1	
-48	400 443	W	BOLT - (AN3-12A)	1	
	62833-101		WASHER	1	
	407 104	W	WASHER - (AN935-10)	1	
	404 887	W	NUT - (MS20365-1032C)	1	
-49	400 055	W	BOLT - (AN3-10)	1	
	62833-101		WASHER	1	
	407 584	W	WASHER - (AN960-10)	3	
	404 392	W	NUT - (AN320-3)	1	
	424 051	W	COTTER PIN - (MS24665-132)	1	

When ordering, always specify Part Number, Description and Serial Number of Aircraft

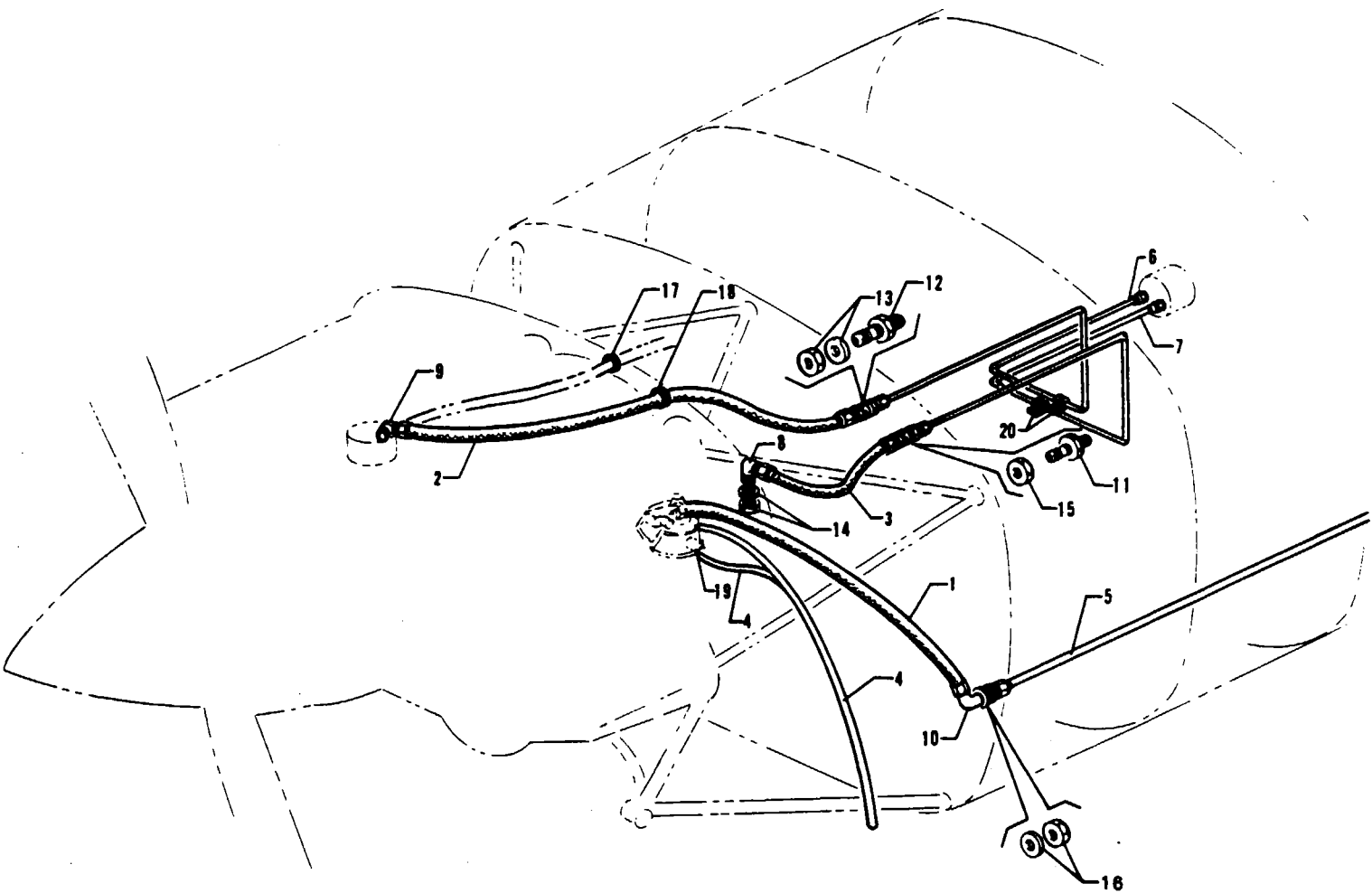


Figure 62 Forward Fuel System Installation

PIPER PARTS CATALOG

CODE EXPLANATIONS FOR FIGURE 62

W - These parts must be ordered from Service Spares Department, Piper Aircraft, Lock Haven, Penna

PIPER PARTS CATALOG

Figure and Index Number	Part Number	Code	NOMENCLATURE	No. Req.	SERIAL NUMBERS AFFECTED
62-	98531		DRAWING - Fuel System Installation		
-1	63901-110		HOSE ASSEMBLY - Engine fuel pump	1	32-8006001 to 32-8006052 incl
	63901-126		HOSE ASSEMBLY - Engine fuel pump	1	32-8006053 and up
-2	63901-40		HOSE ASSEMBLY - Fuel flow gauge	1	
-3	63901-33		HOSE ASSEMBLY - Vent, fuel flow gauge	1	
-4	69015-04		HOSE - Engine fuel pump	2	
-5	67700-322		LINE ASSEMBLY - Engine pump to electric pump	1	32-8006001 to 32-8006052 incl
	67700-375		LINE ASSEMBLY - Engine pump to electric pump	1	32-8006053 and up
-6	67700-46		TUBE ASSEMBLY - Fuel flow pressure	1	
-7	67700-47		TUBE ASSEMBLY - Fuel flow vent	1	
-8	458 876	W	ELBOW - (AN833-2D)	1	
-9	69464-00		ELBOW - Restricted, 90°	1	
-10	558 774		ELBOW - (MS21908-8) 90°	1	32-8006001 to 32-8006052 incl
	458 849	W	ELBOW - (AN833-8) 90°	1	32-8006053 and up
-11	491 064	W	UNION - (AN832-2)	1	
-12	23319-00	W	UNION	1	
-13	477 628	W	NUT - (AN924-3)	1	
	407 567	W	WASHER - (AN960-616)	1	
-14	477 619	W	NUT - (AN924-2D)	1	
	407 566	W	WASHER - (AN960-516)	1	
-15	477 627	W	NUT - (AN924-2)	1	
-16	477 691	W	NUT - (AN924-8)	1	
	407 573	W	WASHER - (AN960-1216)	3	32-8006001 to 32-8006052 incl
	407 573	W	WASHER - (AN960-1216)	2	32-8006053 and up
-17	434 172	W	GROMMET - (MS35489-19S)	1	
-18	434 163	W	GROMMET - (MS35489-15S)	1	
-19	454 806	W	CLAMP - (SAE TY E-7)	2	
-20	65003-49		BUSHING	2	
	454 927	W	CLAMP - (PS10017-2-2)	4	
	411 538	W	SCREW - (MS35207-269)	2	
	404 887	W	NUT - (MS20365-1032C)	2	

When ordering, always specify Part Number, Description and Serial Number of Aircraft

PIPER PARTS CATALOG

CODE EXPLANATIONS FOR FIGURE 63

A - When ordering, specify color "bark II" or black.

W - These parts must be ordered from Service Spares Department, Piper Aircraft, Lock Haven, Penna.

PIPER PARTS CATALOG

Figure and Index Number	Part Number	Code	NOMENCLATURE	No. Req.	SERIAL NUMBERS AFFECTED
63-	98531 38142		DRAWING - Fuel System Installation DRAWING - Fuel Selector Valve Installation		
-1	69092-02		ARM ASSEMBLY - Fuel selector control	1	
-2	65407-07		ROD ASSEMBLY - Fuel selector control	1	
-3	454 905	W	* CLEVIS - (RA13-187-2C)	1	
-4	38154-00		HANDLE - Quick drain	1	
-5	65461-19	A	COVER ASSEMBLY - Quick drain	1	
-6	63904-30		HOSE - Plastic	2	
-7	63904-22		HOSE - Plastic	2	
-8	65400-02		ANGLE - Fuel selector control	2	
-9	69094-04		BRACE ASSEMBLY - Fuel selector control	1	
-10	69489-00		PLATE - Tunnel	1	
-11	69093-02		TUBE - Torque. fuel selector control	1	
-12	69088-05		LEVER ASSEMBLY - Fuel selector control	1	
-13	69181-00		* KNOB	1	
-14	69735-05		VALVE ASSEMBLY - Fuel selector (1H65-5)	1	
-15	754 816		* FILTER ASSEMBLY - Fuel selector valve	1	
-16	762 503		* RING - "O" (Viton) 2-043	1	
-17	755 919	W	* RING - "O" (Viton)	1	
-18	758 534		* BOWL - Fuel filter (A1-90-1)	1	
-19	69032-00		STRAP - Electric fuel pump	2	
-20	484 078		ADAPTER - (C5315 x 8 x 6)	1	
-21	560 763	W	ELBOW - (C5515 x 8 x 6)	1	
-22	481 708		PUMP - Electric fuel (1B5-6)	1	
-23	189 732		TAPE - (1/8 x 1) 9"	1	
-24	37794-02		VALVE ASSEMBLY - Check	2	
-25	461 061	W	RING - "O" (MS29512-08)	2	
-26	67700-370		TUBE ASSEMBLY - Electric fuel pump	1	
-27	67700-340		TUBE ASSEMBLY - Pump to fuel valve	1	
-28	67700-100		TUBE ASSEMBLY - Fuel selector valve	1	
-29	67700-339		TUBE ASSEMBLY - Fuel selector valve	1	
-30	67700-96		TUBE ASSEMBLY - Fuel selector to inboard fuel tank	2	
-31	67700-363		TUBE ASSEMBLY - Inboard fuel tank	2	
-32	67700-312		TUBE ASSEMBLY - Fuel vent	2	
-33	67700-314		TUBE ASSEMBLY - Interconnect ground (3/4" diameter)	2	
-34	67700-315		TUBE ASSEMBLY - Interconnect ground (2" diameter)	2	
-35	67700-313		TUBE ASSEMBLY	2	
-36	63913-140		HOSE - Connector	4	
-37	63913-93		HOSE - Connector	2	
-38	63913-92		HOSE - Connector	2	
-39	63913-188		HOSE - Fuel vent	2	
-40	38552-02		VENT ASSEMBLY - Fuel tank	2	
-41	68763-00		STRAINER ASSEMBLY - Fuel	2	
-42	63186-03		MOULDING - Extruded	6	
-43	551 846		UNION - (MS21900W8)	1	
	486 976		SLEEVE - (MS21922-8)	1	
	477 860		NUT - (MS21921-8W)	1	
-44	491 053	W	UNION - (AN815-8D)	4	
-45	67700-337		TUBE ASSEMBLY - Outboard fuel tank	2	
-46	458 914	W	ELBOW - (AN837-8D)	2	
-47	654 050		CLAMP - (10HL)	4	

When ordering, always specify Part Number, Description and Serial Number of Aircraft

PIPER PARTS CATALOG

Figure and Index Number	Part Number	Code	NOMENCLATURE	No. Req.	SERIAL NUMBERS AFFECTED
63-48	654 049		CLAMP - (12HL)	2	
-49	654 047		CLAMP - (32HL)	6	
-50	477 621	W	NUT - (AN924-8D)	3	
	407 573	W	WASHER - (AN960-1216)	3	
-51	554 797	W	CLAMP - (SAE TY F-12)	4	
-52	63976-23		GROMMET	2	
-53	62833-36		WASHER - Fuel selector valve stem	1	
-54	62833-11		WASHER - Rod assembly	2	
	407 584	W	WASHER - (AN960-10L)	1	
	424 051	W	COTTER PIN - (MS24665-132)	1	
-55	410 046	W	SCREW - (MS24694-S59)	2	
	407 564	W	WASHER - (AN960-10)	2	
	404 887	W	NUT - (MS20365-1032C)	2	
-56	424 175	W	PIN - (MS20392-2C13)	1	
	424 051	W	COTTER PIN - (MS24665-132)	1	
-57	424 053	W	COTTER PIN - (MS24665-136)	3	
-58	415 267	W	SCREW - (8-32 x 1 1/2 L)	2	
	494 004	W	WASHER - (PS10016-8)	2	
-59	400 053	W	BOLT - (AN3-6)	1	
	407 584	W	WASHER - (AN960-10L)	2	
	404 392	W	NUT - (AN320-3)	1	
	424 050	W	COTTER PIN - (MS24665-134)	1	
-60	416 098		SCREW - (MS35265-45)	4	
-61	424 058		COTTER PIN - (MS24665-281)	1	
-62	416 098		SCREW - (MS35265-45)	2	
	407 563	W	WASHER - (AN960-8)	2	
	404 910	W	NUT - (MS20365-832C)	2	
-63	407 570	W	WASHER - (AN960-916)	2	
-64	434 163	W	GROMMET - (MS35489-15S)	4	
-65	67700-368		TUBE ASSEMBLY - Electric fuel pump	1	
-66	458 905	W	ELBOW - (AN833-8D)	1	
-67	554 659	W	CLAMP - (SAE TY F-8)	12	

When ordering, always specify Part Number, Description and Serial Number of Aircraft

PIPER PARTS CATALOG

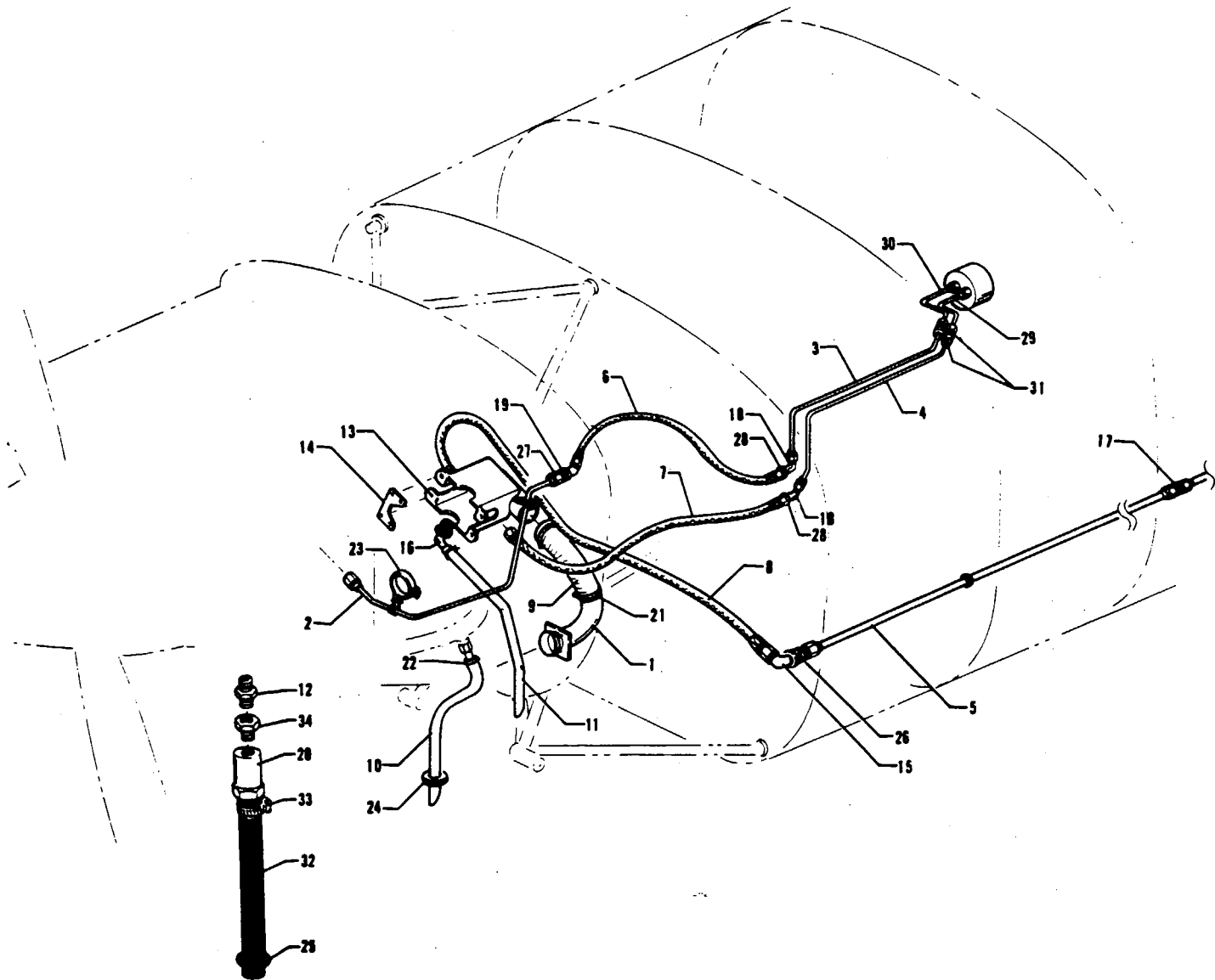


Figure 64 Forward Fuel System Installation

PIPER PARTS CATALOG

CODE EXPLANATIONS FOR FIGURE 64

W - These parts must be ordered from Service Spares Department, Piper Aircraft, Lock Haven, Penna

PIPER PARTS CATALOG

Figure and Index Number	Part Number	Code	NOMENCLATURE	No. Req.	SERIAL NUMBERS AFFECTED
64-	38545		DRAWING - Fuel System Installation		
-1	98659-02		TUBE ASSEMBLY - Fuel pump cooling	1	
-2	67700-348		TUBE ASSEMBLY - Fuel pressure	1	
-3	67700-195		TUBE ASSEMBLY - Fuel pressure	1	
-4	67700-196		TUBE ASSEMBLY - Fuel vent	1	
-5	67700-322		TUBE ASSEMBLY - Fuel supply, forward	1	32-8024001 to 32-8024023 incl
	67700-375		TUBE ASSEMBLY - Fuel supply, forward	1	32-8024024 and up
-6	63901-104		HOSE ASSEMBLY - Fuel pressure	1	
-7	63901-105		HOSE ASSEMBLY - Fuel vent	1	
-8	63901-111		HOSE ASSEMBLY - Fuel supply	1	32-8024001 to 32-8024023 incl
	63901-127		HOSE ASSEMBLY - Fuel supply	1	32-8024024 and up
-9	63633-66		HOSE - Fuel pump air blast	1	
-10	69015-03		HOSE - Drain	1	
-11	69015-04		HOSE - Drain	1	
-12	476 643	W	NIPPLE - (AN911-1D)	1	
-13	98686-02		SHROUD ASSEMBLY - Fuel pump cooling	1	
-14	69198-00		SUPPORT - Fuel pump shroud	2	
-15	558 698		ELBOW - (MS21907-8)	1	32-8024001 to 32-8024023 incl
	458 848	W	ELBOW - (AN837-8)	1	32-8024024 and up
-16	451 857	W	ELBOW - (AN840-4D)	1	
-17	551 846		REDUCER - (MS21900W8)	1	
-18	38460-02		ELBOW	2	
-19	458 937		ELBOW - (AN837-3)	1	
-20	36515-02		VALVE - Drain	1	
-21	554 865	W	CLAMP - (SAE TY A-1 9/16)	2	
-22	454 983	W	CLAMP - (SAE TY E-8)	2	
-23	98579-05		CLAMP	1	
-24	434 176		GROMMET - (MS35489-43)	1	
-25	434 170		GROMMET - (MS35489-44)	1	
-26	477 691	W	NUT - (AN924-8)	1	
	407 573	W	WASHER - (AN960-1216)	2	
-27	477 628	W	NUT - (AN924-3)	1	
	407 587	W	WASHER - (AN960-616L)	2	
-28	477 628	W	NUT - (AN924-3)	2	
	407 567	W	WASHER - (AN960-616)	4	
-29	67700-198		TUBE ASSEMBLY - Fuel flow vent	1	
-30	67700-199		TUBE ASSEMBLY - Fuel flow pressure	1	
-31	491 071		UNION - (AN815-2)	2	
-32	69015-22		HOSE - Drain	1	
-33	554 888	W	CLAMP - (SAE TY F-6)	1	
-34	453 616	W	REDUCER - (AN912-1D)	1	

When ordering, always specify Part Number, Description and Serial Number of Aircraft

1K22 THRU 1K24
INTENTIONALLY LEFT BLANK

PIPER PARTS CATALOG

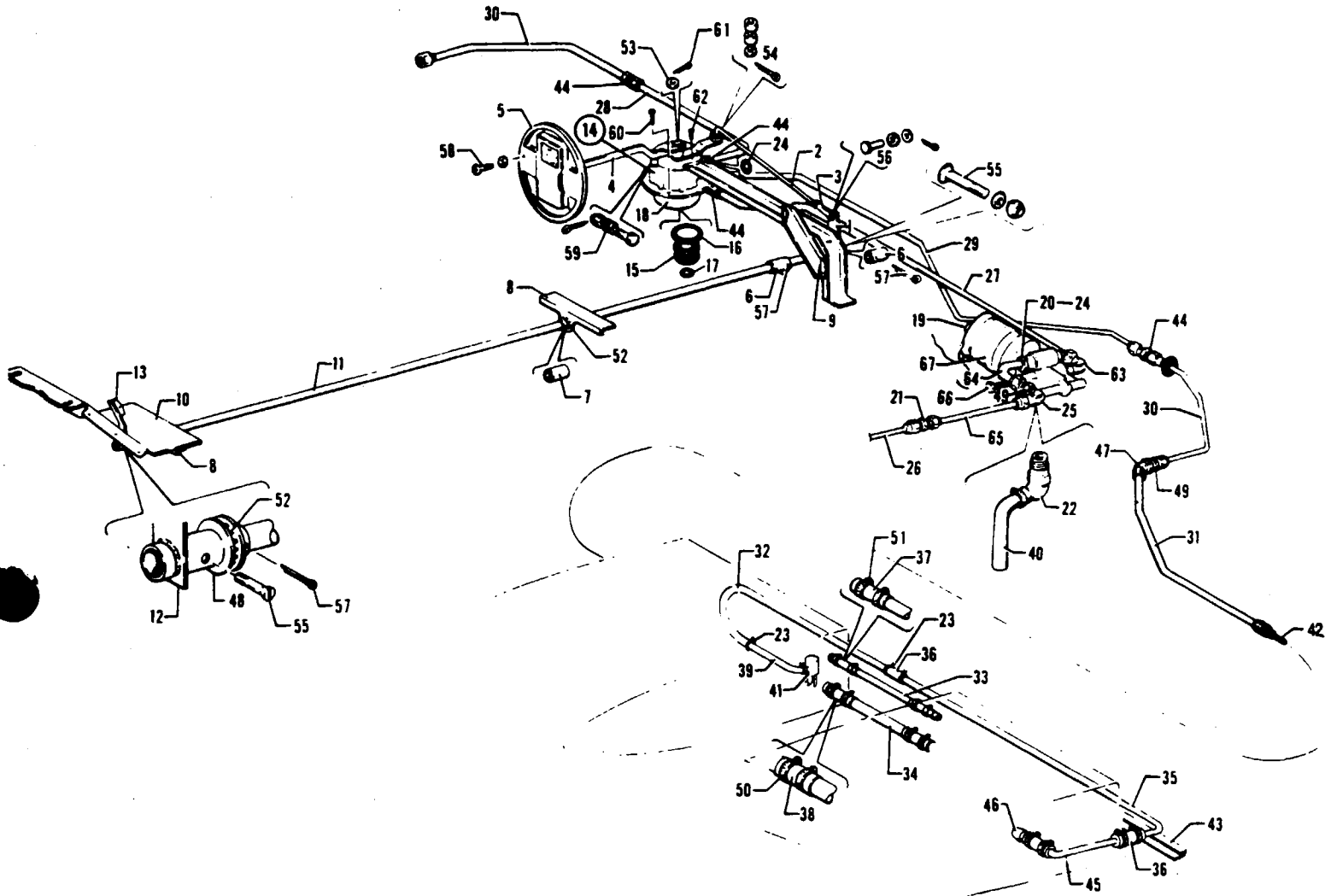


Figure 65 Aft Fuel System Installation

PIPER PARTS CATALOG

CODE EXPLANATIONS FOR FIGURE 65

A - When ordering, specify color "bark II" or black

W - These parts must be ordered from Service Spares Department, Piper Aircraft, Lock Haven, Penna

PIPER PARTS CATALOG

Figure and Index Number	Part Number	Code	NOMENCLATURE	No. Req.	SERIAL NUMBERS AFFECTED
65-	38545		DRAWING - Fuel System Installation		
	38142		DRAWING - Fuel Selector Valve Installation		
-1	69092-02		ARM ASSEMBLY - Fuel selector control	1	
-2	65407-07		ROD ASSEMBLY - Fuel selector control	1	
-3	454 905	W	* CLEVIS - (RA13-187-2C)	1	
-4	38154-00		HANDLE - Quick drain	1	
-5	65461-19	A	COVER ASSEMBLY - Quick drain	1	
-6	63904-30		HOSE - Plastic	2	
-7	63904-22		HOSE - Plastic	2	
-8	65400-02		ANGLE - Fuel selector control	2	
-9	69094-04		BRACE ASSEMBLY - Fuel selector control	1	
-10	69489-00		PLATE - Tunnel	1	
-11	69093-02		TUBE - Torque, fuel selector control	1	
-12	69088-05		LEVER ASSEMBLY - Fuel selector control	1	
-13	69181-00		* KNOB	1	
-14	69735-05		VALVE ASSEMBLY - Fuel selector (1H65-5)	1	
-15	754 816		* FILTER ASSEMBLY - Fuel selector valve	1	
-16	762 503		* O-RING - (Viton) 2-043	1	
-17	755 919	W	* O-RING - (Viton)	1	
-18	758 534		* BOWL - Fuel filter (A1-90-1)	1	
-19	481 807		PUMP - Electric fuel (10080-B)	1	
-20	551 846		ADAPTER - (MS21900W8)	1	
-21	477 860		NUT - (MS21921-8W)	1	
	486 976		SLEEVE - (MS21922-8)	1	
	551 846		ADAPTER - (MS21900W8)	1	
-22	458 940	W	ELBOW - (AN844-4D)	1	
-23	554 659	W	CLAMP - (SAE TY F-8)	12	
-24	461 061	W	* O-RING - (MS29512-08)	3	
-25	458 905	W	ELBOW - (AN833-8D)	1	
-26	67700-322		TUBE ASSEMBLY - Electric fuel pump	1	
-27	67700-341		TUBE ASSEMBLY - Pump to fuel valve	1	
-28	67700-100		TUBE ASSEMBLY - Fuel selector valve	1	
-29	67700-339		TUBE ASSEMBLY - Fuel selector valve	1	
-30	67700-96		TUBE ASSEMBLY - Fuel selector to inboard fuel tank	2	
-31	67700-363		TUBE ASSEMBLY - Inboard fuel tank	2	
-32	67700-312		TUBE ASSEMBLY - Fuel vent	2	
-33	67700-314		TUBE ASSEMBLY - Interconnect ground	2	
-34	67700-315		TUBE ASSEMBLY - Interconnect ground	2	
-35	67700-313		TUBE - Outboard fuel tank	2	
-36	63913-140		HOSE - Connector	4	
-37	63913-93		HOSE - Connector	4	
-38	63913-92		HOSE - Connector	4	
-39	63913-188		HOSE - Fuel vent	2	
-40	63904-114		HOSE - Fuel pump vent	1	
-41	38552-02		VENT ASSEMBLY - Fuel tank	2	
-42	68763-00		STRAINER ASSEMBLY - Fuel	2	
-43	63186-03		MOULDING - Extruded	8	
-44	491 053	W	UNION - (AN815-8D)	4	
-45	67700-337		TUBE ASSEMBLY - Valve assembly	2	
-46	37794-02		VALVE ASSEMBLY - Outboard tank	2	
-47	458 914	W	ELBOW - (AN837-8D)	2	

When ordering, always specify Part Number, Description and Serial Number of Aircraft

PIPER PARTS CATALOG

Figure and Index Number	Part Number	Code	NOMENCLATURE	No. Req.	SERIAL NUMBERS AFFECTED
65-48	407 570	W	WASHER - (AN960-916)	2	
-49	477 621	W	NUT - (AN924-8D)	3	
	407 573	W	WASHER - (AN960-1216)	3	
-50	654 047		CLAMP - (32HL)	4	
-51	554 797	W	CLAMP - (SAE TY F-12)	6	
-52	63976-23		GROMMET	2	
-53	62833-36		WASHER - Fuel selector valve stem	1	
-54	62833-11		WASHER - Rod assembly	2	
	407 584	W	WASHER - (AN960-10L)	1	
	424 051	W	COTTER PIN - (MS24665-132)	1	
-55	410 046	W	SCREW - (MS24694-S59)	2	
	407 564	W	WASHER - (AN960-10)	2	
	404 887	W	NUT - (MS20365-1032C)	2	
-56	424 175	W	PIN - (MS20392-2C13)	1	
	424 051	W	COTTER PIN - (MS24665-132)	1	
-57	424 053	W	COTTER PIN - (MS24665-136)	3	
-58	415 267	W	SCREW - (8-32 x 1 1/2 L.)	2	
	494 004	W	WASHER - (PS10016-B)	2	
-59	400 053	W	BOLT - (AN3-6)	1	
	407 584	W	WASHER - (AN960-10L)	2	
	404 392	W	NUT - (AN320-3)	1	
	424 050	W	COTTER PIN - (MS24665-134)	1	
-60	416 098		SCREW - (MS35265-45)	4	
-61	424 058		COTTER PIN - (MS24665-281)	1	
-62	416 098		SCREW - (MS35265-45)	2	
	407 563	W	WASHER - (AN960-8)	2	
	404 910	W	NUT - (MS20365-832C)	2	
-63	560 763	W	ELBOW - 90° (C5515-8-6)	1	
-64	67700-369		TUBE ASSEMBLY - Electric fuel pump	1	
-65	67700-388		TUBE ASSEMBLY - Electric fuel pump	1	
-66	401 922		BOLT - (MS20074-04-07)	2	
-67	98580-02		CLAMP - Electric fuel pump	2	

When ordering, always specify Part Number, Description and Serial Number of Aircraft

PIPER PARTS CATALOG

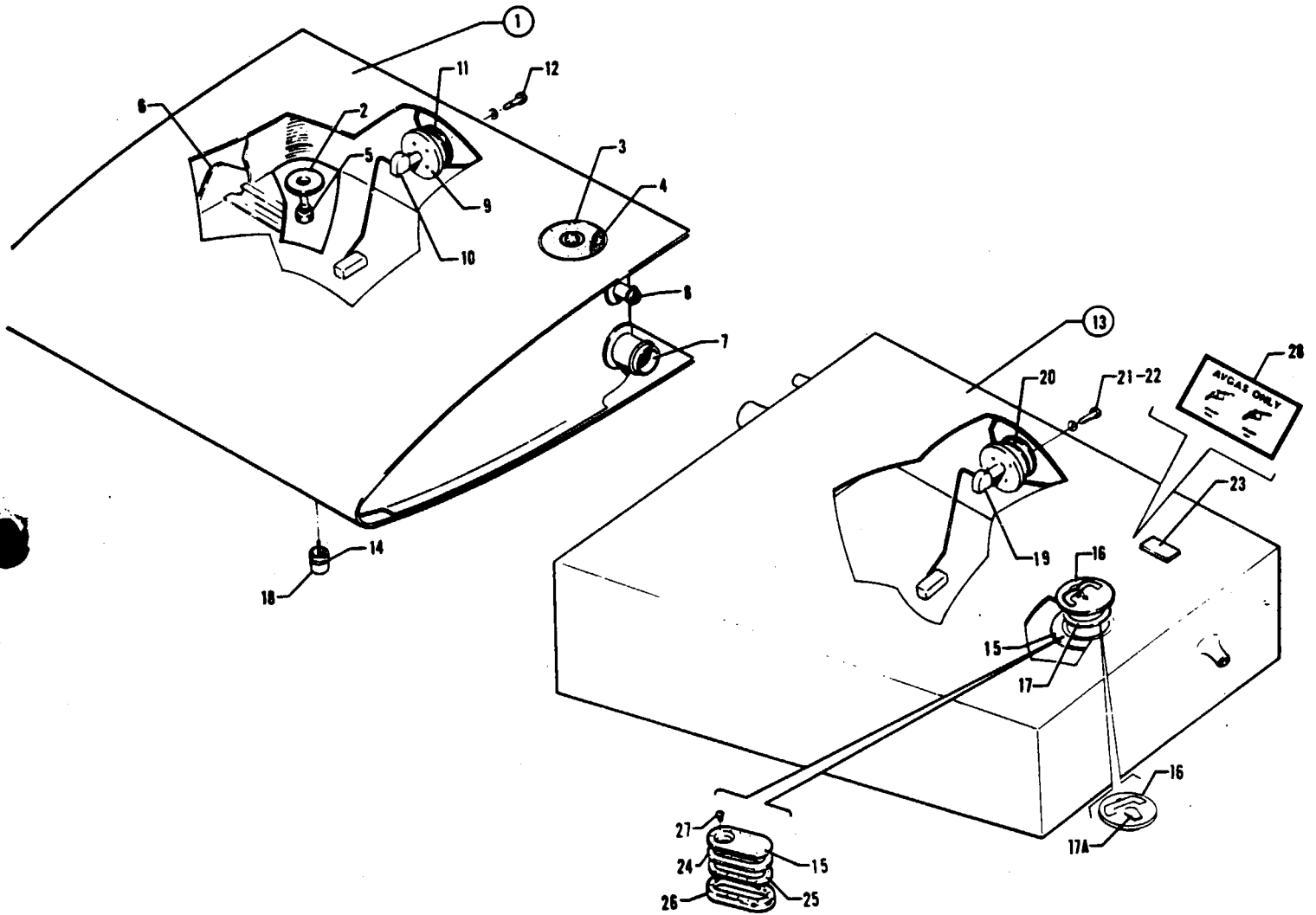


Figure 66 Fuel Tank Assemblies

REVISED FEBRUARY 1983

PIPER PARTS CATALOG

CODE EXPLANATIONS FOR FIGURE 66

- A - Used on PA-32-301 with serial numbers 32-8006001 to 32-8106046 inclusive, and PA-32-301T with serial numbers 32-8024001 to 32-8124013 inclusive
- B - Used on PA-32-301 with serial numbers 32-8106047 and up, and PA-32-301T with serial numbers 32-8124014 and up
- C - Kit includes (2) cap assemblies with matching locks
- D - Used with Fuel Cap Assembly P/N 38599-02 only
- E - Used with Fuel Cap Assembly Kit P/N 39824-800 only
- F - Used on PA-32-301 with serial numbers 32-8006001 to 32-8406007 inclusive, and PA-32-301T with serial numbers 32-8024001 to 32-8324016 inclusive
- W - These parts must be ordered from Service Spares Department, Piper Aircraft, Lock Haven, Penna

PIPER PARTS CATALOG

Figure and Index Number	Part Number	Code	NOMENCLATURE	No. Req.	SERIAL NUMBERS AFFECTED
66-	38550		DRAWING - Wing Installation		
-1	38488-08		TANK ASSEMBLY - Fuel, inboard, left	1	
	38488-09		TANK ASSEMBLY - Fuel, inboard, right	1	
-2	62033-00		* PLATE - Drain	1	
-3	38517-03		* GAUGE ASSEMBLY - Fuel tank	1	
-4	38230-04		* GASKET - Fuel gauge	1	
-5	491 806		* DRAIN - Fuel (F391-187B)	1	
-6	96871-00		* OUTLET ASSEMBLY - Fuel tank, left	1	
	96871-01		* OUTLET ASSEMBLY - Fuel tank, right	1	
-7	37745-02		* FITTING ASSEMBLY - Tank interconnect	1	
-8	96288-00		* TUBE ASSEMBLY - Fuel tank vent	1	
-9	62044-00		* PLATE - Fuel tank	1	
-10	486 466		SENDER - Fuel (PS10013-7) left	1	
	486 467		SENDER - Fuel (PS10013-8) right	1	
-11	755 049		* GASKET - Fuel sender (15-423)	1	
-12	401 266	W	BOLT - (AN3-5A)	5	
	407 043	W	WASHER - Spring (MS35338-43)	5	
	407 564	W	WASHER - (AN960-10)	5	
-13	454 399		TANK ASSEMBLY - Fuel, outboard, left	1	
	454 400		TANK ASSEMBLY - Fuel, outboard, right	1	
-14	62923-00		PLACARD - Fuel check bottle	1	
-15	38592-06		NECK ASSEMBLY - Filler	2	
-16	38599-02		CAP ASSEMBLY - Fuel tank (non-locking)	2	
	39824-800		CAP ASSEMBLY KIT - Fuel tank (with locks)	1	
-17	68815-00	D	* GASKET - Fuel cap	1	
	39822-02	E	* GASKET - Fuel cap	1	
-17a	39856-02	E	* LOCK ASSEMBLY - Fuel cap	2	
-18	67728-00		SAMPLER - Fuel	1	
-19	486 468		SENDER - Fuel (PS10013-9) left	1	
	486 469		SENDER - Fuel (PS10013-10) right	1	
-20	755 049		* GASKET - Fuel sender (15-423)	1	
-21	763 748		* WASHER - Insulating (40S20)	5	
-22	400 440	W	BOLT - (AN3-6A)	10	
	407 104	W	WASHER - (AN935-10)	10	
	407 564	W	WASHER - (AN960-10)	10	
-23	35669-163	F	PLACARD - Aviation fuel, grade	2	
-24	38596-03	A	GASKET - Filler neck, upper (rubber)	2	
	38596-04	B	GASKET - Filler neck, upper (cork)	2	
-25	38596-02	A	GASKET - Filler neck, lower (rubber)	2	
	38596-04	B	GASKET - Filler neck, lower (cork)	2	
-26	38619-02	A	RING NUT ASSEMBLY - Fuel tank access	2	
	38619-04	B	RING NUT ASSEMBLY - Fuel tank access	2	
-27	410 066	W	SCREW - (MS24694-C52)	24	
-28	456 682		DECAL - Avgas only (000002)	2	

When ordering, always specify Part Number, Description and Serial Number of Aircraft

1L8 THRU 1L24
INTENTIONALLY LEFT BLANK



**SARATOGA
PARTS CATALOG**

CARD 2 OF 2

PA-32-301 SARATOGA

PA-32-301T TURBO SARATOGA

Courtesy of Bomar Flying Service
www.bomar.biz

PIPER AIRCRAFT CORPORATION

PIPER PARTS CATALOG

AEROFICHE EXPLANATION AND REVISION STATUS

The Parts Catalog information incorporated in this set of Aerofiche cards has been arranged in accordance with the general specifications of Aerofiche adopted by the General Aircraft Manufacturer's Association.

Conversion of Aerofiche alpha/numeric code numbers:

First number is the Aerofiche card identifier.

Letter is the horizontal line reference per card.

Second number is the vertical line reference per card.

Example: 2J16 = Aerofiche card number two of given set, Grid location J16.

To aid in locating the various sections and related information desired, the following is provided:

A complete Catalog Table of Contents is given at Grid 1A8 of Aerofiche card number 1 of this set. Each additional card in this set will have a Table of Contents for all sections on that particular card. This table will start at Grid A3.

REVISIONS

The information compiled in this Aerofiche Parts Catalog will be kept current by revisions distributed periodically. These revisions will supersede all previous revisions and will be complete Aerofiche card replacements and shall supersede Aerofiche cards of the same number in the set.

Current Revisions to this PA-32-301 and PA-32-301T Parts Catalog issued December 3, 1979 are as follows:

761 720 (PR800814).....	Dated August 1980
761 720 (PR810417).....	Dated April 1981
761 720 (PR810907).....	Dated September 1981
761 720 (PR820211).....	Dated February 1982
761 720 (PR820812).....	Dated August 1982
761 720 (PR830210).....	Dated February 1983
761 720 (PR830810).....	Dated August 1983
761 720 (PR840214).....	Dated February 1984
761 720 (PR840806).....	Dated August 1984

NOTE: Refer to the last card of the Piper-Parts Price List - Aerofiche for a check list of current revision dates and card effectivities for this parts catalog.

TABLE OF CONTENTS

FIGURE NUMBER	FIGURE TITLE	GRID NUMBER
SECTION IX CONTROL SYSTEM GROUP		
67	Aileron Control Installation	2A5
68	Flap Control Installation (PA-32-301 S/N 32-8006001 to 32-8406020 incl , PA-32-301T S/N 32-8024001 to 32-8424002 incl)	2A9
68A	Flap Control Installation (PA-32-301 S/N 32-8506001 and up, PA-32-301T S/N 32-8524001 and up)	2A13
69	Stabilator Control Installation	2A17
70	Stabilator Trim Installation	2A20
71	Rudder Control Installation	2B1
72	Rudder Trim Mechanism Installation	2B4
73	Aileron and Rudder Interconnect Installation	2B7
74	Control Wheel Installation	2B10
75	Rudder Pedal Installation	2B14
SECTION X ENVIRONMENTAL GROUP		
76	Cabin Heat and Defroster System (PA-32-301)	2B17
77	Cabin Heat and Defroster System (PA-32-301T)	2B21
78	Aft Fresh Air Duct Installation	2C1
79	Air Conditioning Compressor, Refrigerant Lines and Alternator Installation	2C4
80	Air Conditioning Duct and Evaporator Installation	2C8
81	Air Conditioning Condenser Installation	2C11
82	Oxygen System Installation (Fixed) (PA-32-301T)	2C15
SECTION XI ELECTRICAL SYSTEM GROUP		
83	Electrical System Installation (PA-32-301)	2C19
84	Electrical System Installation (PA-32-301T)	2C22
85	Instrument Panel Electrical Installation	2D1
86	Air Conditioning Electrical Installation	2D5
87	Battery Box Installation	2D8
88	External Power Supply Installation	2D11
89	Strobe Lights Installation	2D14
90	Alternator Assembly (Prestolite)	2D17
90A	Alternator Installation (Ford 90 amp) (PA-32-301T)	2D20
SECTION XII ELECTRONICS GROUP		
91	Radar System Installation (RCA)	2E1
91A	Radar System Installation (Norton)	2E4
92	Electric Trim Installation	2E7
93	AutoFlite II Installation	2E10
94	AutoControl IIIB Installation (PA-32-301 S/N 32-8006001 to 32-8006116 incl , PA-32-301T S/N 32-8024001 to 32-8024062 incl)	2E13

TABLE OF CONTENTS

FIGURE NUMBER	FIGURE TITLE	GRID NUMBER
SECTION XII (cont.) ELECTRONICS GROUP		
94A	Century 21 AutoPilot Installation (PA-32-301 S/N 32-8106001 and up, PA-32-301T S/N 32-8124001 and up)	2E16
94B	Century 31 AutoPilot Installation (PA-32-301 S/N 32-8406001 and up, PA-32-301T S/N 32-8424001 and up)	2E19
95	AltiMatic IIIC Installation (PA-32-301 S/N 32-8006001 to 32-8006116 incl., PA-32-301T S/N 32-8024001 to 32-8024062 incl.)	2F1
96	Century 41 AutoPilot Installation (PA-32-301 S/N 32-8106001 and up, PA-32-301T S/N 32-8124001 and up)	2F5
96A	King KAP 100/150/KFC 150 AutoPilot Installation (PA-32-301 S/N 32-8306001 and up, PA-32-301T S/N 32-8324001 and up)	2F8
97	Piper Automatic Locator (ELT) Installation (Narco Avionics)	2F11
98	Radar Altimeter Installation (Bonzer)	2F14
99	Radar Altimeter Installation (King)	2F17
100	Encoder Installation (Narco-AR500 and United-5125-P3)	2F20
101	Radio, Antenna System and Static Wicks System Installation	2G1
102	Audio Selector Assembly	2G4
103	Avionics Cooling Installation	2G7
	Radio Installation Drawings	2G10
SECTION XIII MISCELLANEOUS GROUP		
104	Placards and Exterior Stencils	2G13
	Optional Equipment Kits and Repair Kits	2G17
	NUMERICAL INDEX	2G19

PIPER PARTS CATALOG

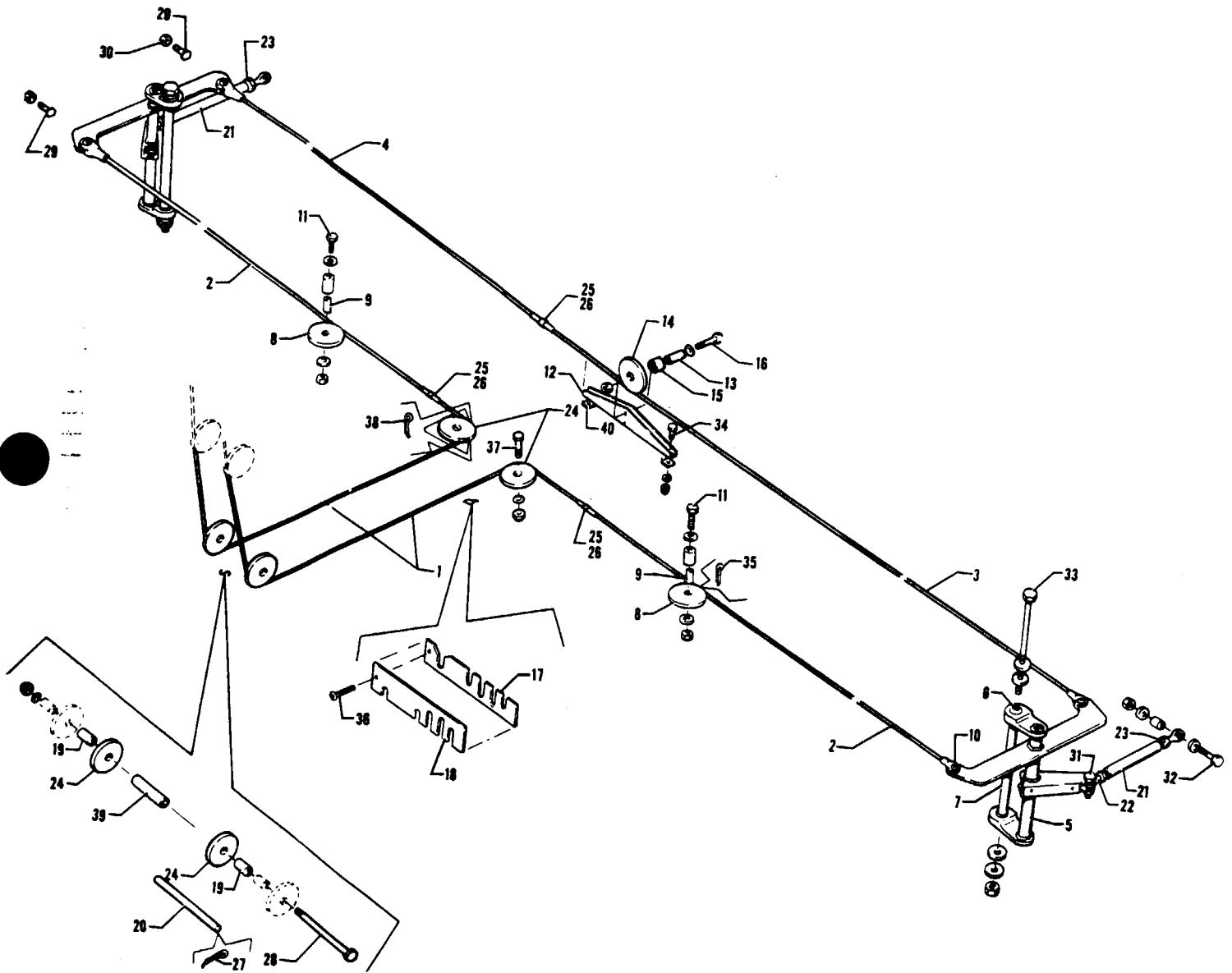


Figure 67 Aileron Control Installation

PIPER PARTS CATALOG

CODE EXPLANATIONS FOR FIGURE 67

W - These parts must be ordered from Service Spares Department, Piper Aircraft, Lock Haven, Penna.

PIPER PARTS CATALOG

Figure and Index Number	Part Number	Code	NOMENCLATURE	No. Req.	SERIAL NUMBERS AFFECTED
67-	38542		DRAWING - Control System Installation		
-1	62701-36		CABLE ASSEMBLY - Aileron, forward	2	
-2	62701-202		CABLE ASSEMBLY - Aileron, wing	2	
-3	62701-200		CABLE ASSEMBLY - Aileron balance, left	1	
-4	62701-201		CABLE ASSEMBLY - Aileron balance, right	1	
-5	38666-02		BELLCRANK ASSEMBLY - Aileron, left	1	
	38666-03		BELLCRANK ASSEMBLY - Aileron, right	1	
-6	452 544		* BEARING - (MS20201-KP3A)	2	
-7	86700-21		BUSHING	2	
-8	62711-03		PULLEY - Aileron cable	2	
-9	62715-02		BEARING - Pulley	2	
-10	400 674	W	BOLT - (AN23-12)	4	
	63900-31		BUSHING	4	
	407 564	W	WASHER - (AN960-10)	8	
	404 392	W	NUT - (AN320-3)	4	
	424 051	W	COTTER PIN - (MS24665-132)	4	
-11	401 188	W	BOLT - (AN5-10A)	2	
	407 586	W	WASHER - (AN960-516L)	4	
	62714-04		BEARING	2	
	407 566	W	WASHER - (AN960-516)	2	
	404 889	W	NUT - (MS20365-524C)	2	
-12	68470-00		BRACKET - Pulley	1	
-13	62712-03		BEARING - Pulley, inner	1	
-14	62711-02		PULLEY	1	
-15	62713-03		BEARING - Pulley, outer	1	
-16	400 008	W	BOLT - (AN4-13A)	1	
	407 566	W	WASHER - (AN960-516)	2	
	407 565	W	WASHER - (AN960-416)	2	
	404 888	W	NUT - (MS20365-428C)	1	
	424 055	W	COTTER PIN - (AN380-2-5)	1	
-17	68453-00		FAIRLEAD - Spar box	1	
-18	68454-00		FAIRLEAD - Spar box	1	
-19	62743-02		SPACER	2	
-20	62710-02		PIN - Cable guard	1	
-21	35476-03		PUSH ROD - Aileron	2	
-22	452 336		BEARING - (PS10020-2-1LX)	2	
	452 335	W	BEARING - (PS10020-2-1RX)	2	
-23	404 320		NUT - (AN316-4L)	2	
	404 322	W	NUT - (AN316-4R)	2	
-24	41001-10		PULLEY - Aileron control	3	
-25	489 910	W	TURNBUCKLE - (MS21251-B5S)	3	
-26	554 979	W	CLIP - (MS21256-1)	6	
-27	424 051	W	COTTER PIN - (MS24665-132)	2	
-28	401 385		BOLT - (AN5-64A)	1	
	407 566	W	WASHER - (AN960-516)	2	
	404 889	W	NUT - (MS20365-524C)	1	
-29	66614-00		BUMPER - Aileron bellcrank	4	
-30	404 224	W	NUT - (AN315-3R)	4	
-31	400 055	W	BOLT - (AN3-10)	2	
	407 564	W	WASHER - (AN960-10)	6	
	404 100	W	NUT - (AN310-3)	2	
	424 051	W	COTTER PIN - (MS24665-132)	2	

When ordering, always specify Part Number, Description and Serial Number of Aircraft

PIPER PARTS CATALOG

Figure and Index Number	Part Number	Code	NOMENCLATURE	No. Req.	SERIAL NUMBERS AFFECTED
67-32	400 452		BOLT - (AN3-11A)	2	
	407 564	W	WASHER - (AN960-10)	6	
	407 584	W	WASHER - (AN960-10L)	2	
	404 887	W	NUT - (MS20365-1032C)	2	
-33	400 479		BOLT - (AN3-56A)	2	
	407 564	W	WASHER - (AN960-10)	8	
	404 887	W	NUT - (MS20365-1032C)	2	
-34	401 266	W	BOLT - (AN3-5A)	2	
	407 564	W	WASHER - (AN960-10)	2	
	404 887	W	NUT - (MS20365-1032C)	2	
-35	424 052	W	COTTER PIN - (MS24665-134)	1	
-36	415 521	W	SCREW - (MS35206-231)	2	
-37	401 188	W	BOLT - (AN5-10A)	2	
	407 566	W	WASHER - (AN960-516)	2	
	407 586	W	WASHER - (AN960-516L)	4	
	404 889	W	NUT - (MS20365-524C)	2	
-38	424 052	W	COTTER PIN - (MS24665-134)	4	
-39	62743-06		SPACER	1	
-40	62762-00		FILLER BLOCK	2	

When ordering, always specify Part Number, Description and Serial Number of Aircraft

PIPER PARTS CATALOG

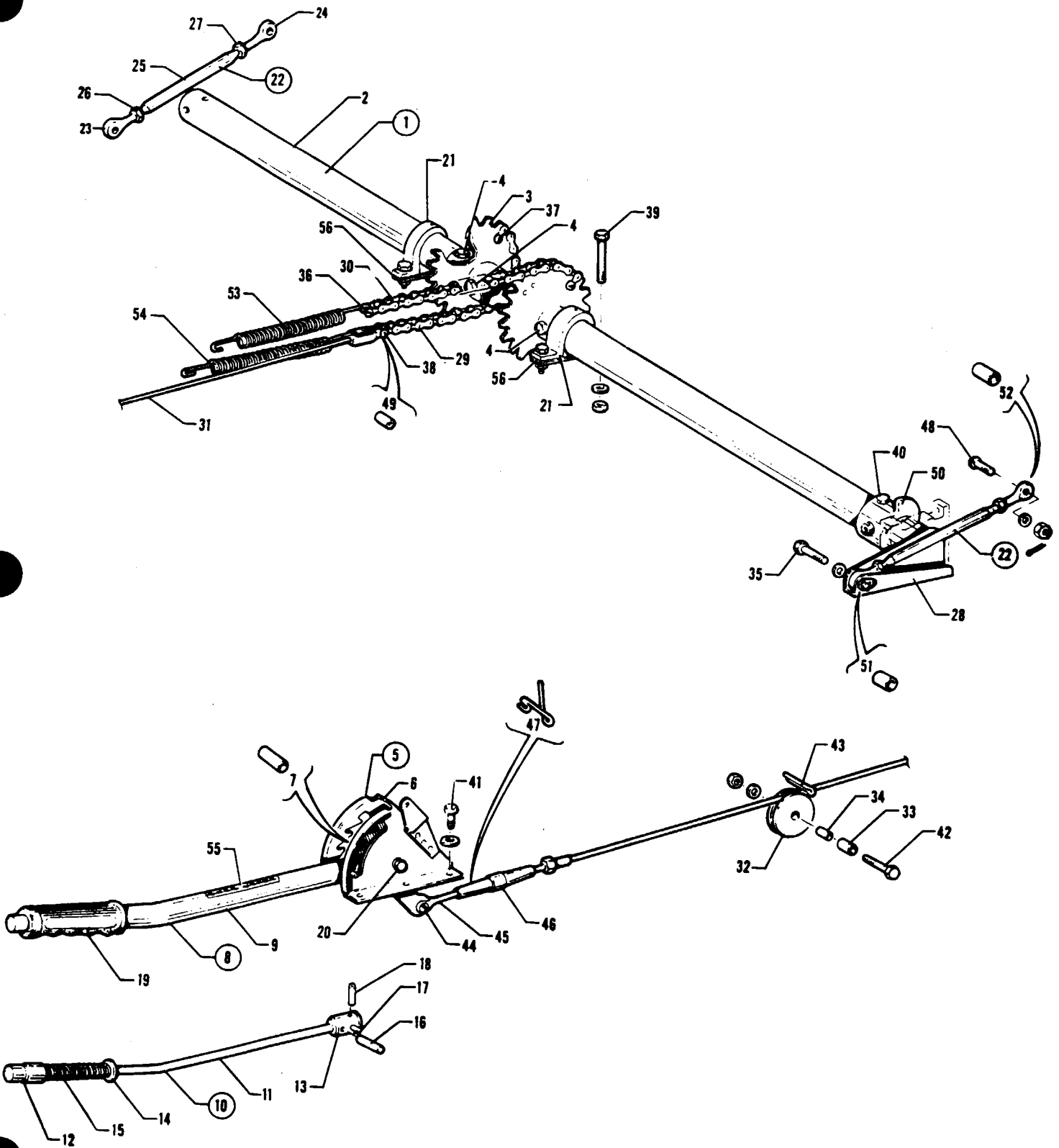


Figure 68 Flap Control Installation
 (PA-32-301 Serial Nos 32-8006001 to 32-8406020 incl)
 (PA-32-301T Serial Nos 32-8024001 to 32-8424002 incl)

REVISED AUGUST 1984

PIPER PARTS CATALOG

CODE EXPLANATIONS FOR FIGURE 68

- A - Used on PA-32-301 with serial numbers 32-8006001 to 32-8406020 inclusive, and PA-32-301T with serial numbers 32-8024001 to 32-8424002 inclusive.
- B - Used when two or more torque shaft support shims P/N 35402-04 are installed with each torque shaft support clamp assembly.
- W - These parts must be ordered from Service Spares Department, Piper Aircraft, Lock Haven, Penna.

PIPER PARTS CATALOG

Figure and Index Number	Part Number	Code	NOMENCLATURE	No. Req.	SERIAL NUMBERS AFFECTED
68-	38542		DRAWING - Control System Installation		
-1	68451-00		FLAP TORQUE TUBE ASSEMBLY - Complete	1	
-2	68452-00		* TORQUE TUBE - Flap	1	
-3	62789-00		* SPROCKET ASSEMBLY - Flap torque tube	2	
-4	400 011	W	* BOLT - (AN4-16A)	4	
	407 585	W	* WASHER - (AN960-416)	4	
	404 836	W	* NUT - (MS20365-428C)	4	
-5	62706-07		LEVER ASSEMBLY - Flap control	1	
-6	69292-02		* BRACKET ASSEMBLY - Flap lever	1	
-7	62740-00		* BUSHING - Flap lever	1	
-8	63782-04		* HANDLE ASSEMBLY - Flap lever	1	
-9	63781-00		* * TUBE ASSEMBLY - Flap lever	1	
-10	63391-03		* * PLUNGER ASSEMBLY - Flap lever	1	
-11	63391-02		* * * TUBE - Plunger	1	
-12	62733-00		* * * PLUG - Plunger, upper	1	
-13	62734-02		* * * PLUG - Plunger, lower (252 pin hole)	1	
-14	62736-00		* * * WASHER	1	
-15	50111-00	W	* * * SPRING	1	
-16	480 696	W	* * * PIN - Roll (59-022-094-0625)	2	
-17	63782-03		* * PIN - Solid (250 diameter)	1	
-18	480 698	W	* * PIN - Roll (59-012-062-0625) 5/8" long	1	
-19	63779-00		* * GRIP - Flap lever	1	
-20	401 274	W	* BOLT - (AN3-15A)	1	
	407 564	W	* WASHER - (AN960-10)	2	
	404 887	W	* NUT - (MS20365-1032C)	1	
-21	35402-00		CLAMP ASSEMBLY - Torque shaft support	2	
-22	62764-00		ROD ASSEMBLY - Flap tube	2	
-23	452 335	W	* BEARING - (F34-14)	1	
-24	452 336		* BEARING - (FL34-14)	1	
-25	62764-02		* TUBE - Flap	1	
-26	404 322	W	* NUT - (AN316-4R)	1	
-27	404 320		* NUT - (AN316-4L)	1	
-28	62727-00		TUBE ASSEMBLY - Flap torque tube, left	1	
	62727-01		TUBE ASSEMBLY - Flap torque tube, right	1	
-29	62858-03		CHAIN - 65 diamond 1/8 roller, length 8.5"	1	
-30	62858-04		CHAIN - 65 diamond 1/8 roller, length 6.0"	1	
-31	62701-14		CABLE ASSEMBLY - Flap	1	
-32	62711-02		PULLEY - Flap	1	
-33	62713-02		BEARING	1	
-34	62712-02		BEARING - Inner	1	
-35	400 443	W	BOLT - (AN3-12A)	2	
	407 564	W	WASHER - (AN960-10)	2	
-36	400 562		BOLT - (AN21-8)	1	
	407 562	W	WASHER - (AN960-6)	1	
	404 391		NUT - (AN320-1)	1	
	424 041		COTTER PIN - (MS24665-5)	1	
-37	400 653		BOLT - Clevis (AN21-9)	2	
	407 562	W	WASHER - (AN960-6)	4	
	404 391		NUT - (AN320-1)	2	
	424 041		COTTER PIN - (MS24665-5)	2	

When ordering, always specify Part Number, Description and Serial Number of Aircraft

PIPER PARTS CATALOG

Figure and Index Number	Part Number	Code	NOMENCLATURE	No. Req.	SERIAL NUMBERS AFFECTED
68-38	400 653		BOLT - Clevis (AN21-9)	1	
	404 391		NUT - (AN320-1)	1	
	424 041		COTTER PIN - (MS24665-5)	1	
-39	400 440	W	BOLT - (AN3-6A)	4	
	400 441	B,W	BOLT - (AN3-7A)	4	
	407 564	W	WASHER - (AN960-10)	4	
	407 564	B,W	WASHER - (AN960-10)	12	
	404 887	W	NUT - (MS20365-1032C)	4	
-40	401 318	W	BOLT - (AN4-20A)	4	
	407 565	W	WASHER - (AN960-416)	4	
	404 888	W	NUT - (MS20365-428C)	4	
-41	400 438	W	BOLT - (AN3-4A)	6	
	407 564	W	WASHER - (AN960-10)	6	
-42	400 004	W	BOLT - (AN4-7A)	1	
	407 585	W	WASHER - (AN960-416L)	1	
	404 888	W	NUT - (MS20365-428C)	1	
-43	424 052	W	COTTER PIN - (MS24665-134)	1	
-44	400 672	W	BOLT - Clevis (AN23-10)	1	
	407 564	W	WASHER - (AN960-10)	1	
	404 392	W	NUT - (AN320-3)	1	
	424 051	W	COTTER PIN - (MS24665-132)	1	
-45	461 136	W	FORK - (NAS645-22RS)	1	
-46	489 910	W	BARREL - Turnbuckle (MS21251-B5S)	1	
-47	554 979	W	CLIP - (MS21256-1)	2	
-48	400 680		BOLT - Clevis (AN23-18)	2	
	407 564	W	WASHER - (AN960-10)	2	
	404 100	W	NUT - Castle (AN310-3)	2	
	424 051	W	COTTER PIN - (MS24665-132)	2	
-49	82732-76	W	BUSHING	1	
-50	62856-00		FITTING ASSEMBLY - Left	1	
	62856-01		FITTING ASSEMBLY - Right	1	
-51	63900-38		BUSHING - Flap rod end	2	
-52	63900-39		BUSHING - Flap rod end	2	
-53	62820-00		SPRING - Flap return	1	
-54	62821-00		SPRING - Flap cable tension	1	
-55	35669-27		PLACARD - Flap lever	1	
-56	35402-04		SHIM - Torque shaft support	AR	

When ordering, always specify Part Number, Description and Serial Number of Aircraft

PIPER PARTS CATALOG

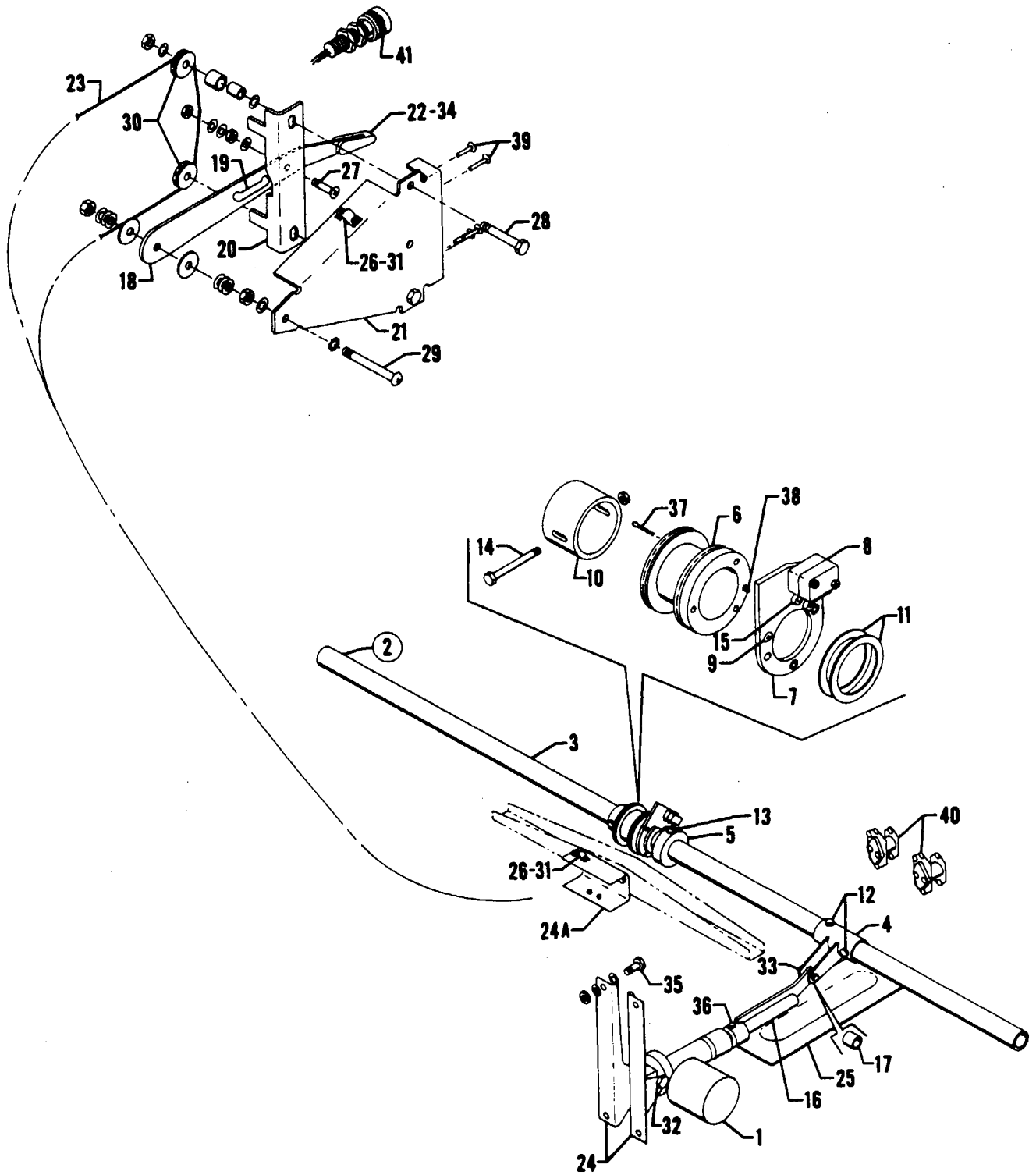


Figure 68A. Flap Control Installation
 (PA-32-301 - Serial Nos 32-8506001 and up)
 (PA-32-301T - Serial Nos 32-8524001 and up)

REVISED: AUGUST 1984

PIPER PARTS CATALOG

CODE EXPLANATIONS FOR FIGURE 68A

A - Used on PA-32-301 with serial numbers 32-8506001 and up, and PA-32-301T with serial numbers 32-8524001 and up

PIPER PARTS CATALOG

Figure and Index Number	Part Number	Code	NOMENCLATURE	No. Req.	SERIAL NUMBERS AFFECTED
68A-	87766		DRAWING - Electric Flaps Installation		
-1	552 605		ACTUATOR - Flap (PS50052-2-4)	1	
-2	68451-03		TUBE ASSEMBLY - Flap torque, complete	1	
-3	68452-04		* TORQUE TUBE - Flap	1	
-4	87765-03		* BELLCRANK ASSEMBLY - Flap torque tube	1	
-5	87765-32		* CAM - Flap torque tube	1	
-6	87765-12		* PULLEY - Flap torque tube	1	
-7	87765-34		* LEVER - Switch, flap torque tube	1	
-8	487 925		* SWITCH - Flap torque tube (V3-1)	2	
-9	414 748		* SCREW - Pulley attachment (MS24693-S28)	3	
-10	87765-35		* RETAINER - Flap torque tube	1	
-11	87765-40		* WASHER	2	
-12	400 012		* BOLT - Bellcrank attachment (AN4-17A)	2	
	407 585		* WASHER- (AN960-416)	AR	
	404 836		* NUT - (MS20365-428C)	2	
-13	486 304		* SCREW - Set (MS51966-112)	2	
	407 135		* WASHER - (AN936-A10)	2	
-14	400 446		* BOLT - Retainer attachment (AN3-16A)	1	
	404 892		* NUT - (MS20365-1032A)	1	
-15	451 841		* ACTUATOR - Switch (JV-5)	2	
-16	87765-02		ROD ASSEMBLY - Flap actuator	1	
-17	452 744		* BEARING - Actuator rod end (MS27641-4)	1	
-18	87765-26		LEVER - Flap selector	1	
-19	87765-25		BAR - Detent, flap lever	1	
-20	87765-16		BRACKET - Detent, flap selector	1	
-21	87765-18		BRACKET ASSEMBLY - Flap selector	1	
-22	85096-02		KNOB - Flap selector lever	1	
-23	87765-41		CABLE - Flap selector	1	
-24	87765-05		BRACKET - Actuator mounting, left	1	
	87765-06		BRACKET - Actuator mounting, right	1	
-24a	87765-14		BRACKET - Cable support	1	
-25	87765-13		COVER - Flap actuator	1	
-26	66853-00		CLAMP - Cable	4	
-27	87765-27		STUD - Flap selector lever	1	
	407 135		WASHER - (AN936-A10)	1	
	404 224		NUT - (AN315-3R)	1	
	407 584		WASHER - (AN960-10L)	2	
	404 887		NUT - (MS20365-1032C)	1	
-28	400 444		BOLT - (AN3-13A)	2	
	407 584		WASHER - (AN960-10L)	4	
	95061-192		SPACER - Inner	2	
	95061-06		SPACER - Outer	2	
	404 887		NUT - (MS20365-1032C)	2	
-29	411 537		SCREW - Lever assembly retaining (MS35207-268)	1	
	407 128		WASHER - (AN936-B10)	2	
	404 224		NUT - (AN315-3R)	2	
	407 564		WASHER - (AN960-10)	3	
	407 584		WASHER - (AN960-10L)	1	
	407 807		WASHER - (AN970-10)	2	
	408 813		WASHER - Spring (3502-10-79-0511)	2	
	404 887		NUT - (MS20365-1032C)	1	
-30	62711-04		PULLEY - Flap selector cable	2	
-31	411 512		SCREW - Clamp attachment (MS35206-243)	4	
	407 583		WASHER - (AN960-8L)	4	
	404 899		NUT - (MS20365-832)	4	

When ordering, always specify Part Number, Description and Serial Number of Aircraft

PIPER PARTS CATALOG

Figure and Index Number	Part Number	Code	NOMENCLATURE	No. Req.	SERIAL NUMBERS AFFECTED
68A-32	400 011		BOLT - (AN4-16A)	1	
	407 565		WASHER - (AN960-416)	2	
	63900-172		BUSHING	1	
	407 567		WASHER - (AN960-616)	3	
	404 888		NUT - (MS20365-428C)	1	
-33	400 004		BOLT - (AN4-7A)	1	
	407 565		WASHER - Inner (AN960-416)	2	
	407 585		WASHER - (AN960-416L) (under nut)	1	
	407 567		NUT - (MS20365-428C)	1	
-34	414 748		SCREW - Knob attachment (MS24693-S28)	2	
-35	400 003		BOLT - Actuator mounting bracket attachment (AN4-6A)	4	
	407 565		WASHER - (AN960-416)	8	
	404 888		NUT - (MS20365-428C)	4	
-36	486 304		SCREW - Set (MS51966-112)	2	
-37	424 052		COTTER PIN - Cable guard (MS24665-134)	1	
-38	424 053		COTTER PIN - Cable guard (MS24665-136)	1	
-39	414 762		SCREW - Flap selector bracket attachment (MS24693-S51)	4	
	584 350		RELAY - Flap actuator (6041H53)	2	
-41	472 607		LIGHT ASSEMBLY - Flap indicator	1	

When ordering, always specify Part Number, Description and Serial Number of Aircraft

PIPER PARTS CATALOG

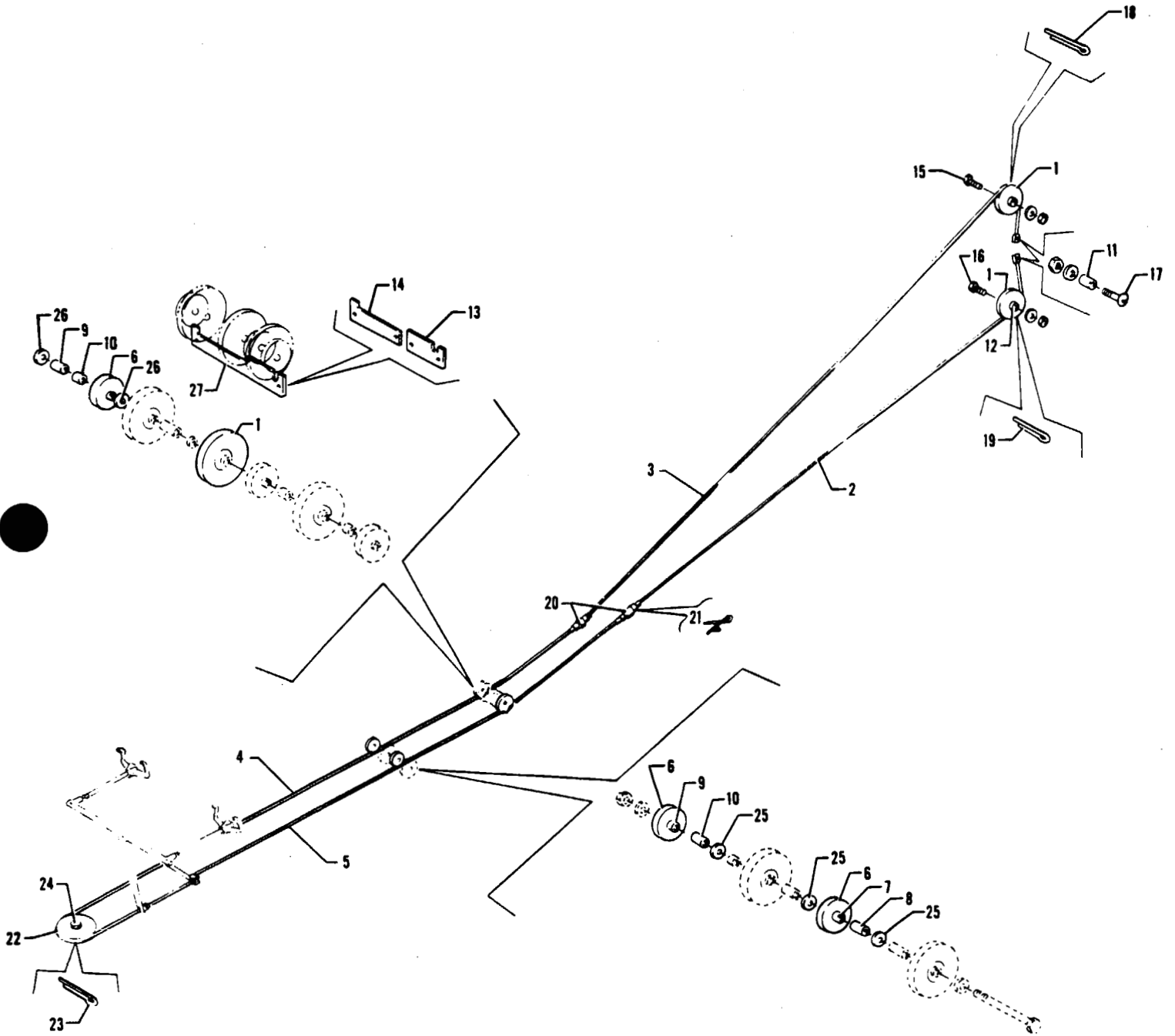


Figure 69 Stabilator Control Installation

PIPER PARTS CATALOG

CODE EXPLANATIONS FOR FIGURE 69

W - These parts must be ordered from Service Spares Department, Piper Aircraft, Lock Haven, Penna

PIPER PARTS CATALOG

Figure and Index Number	Part Number	Code	NOMENCLATURE	No. Req.	SERIAL NUMBERS AFFECTED
69-	38542		DRAWING - Control System Installation		
-1	41001-10		PULLEY - Stabilator control	3	
-2	62701-208		CABLE ASSEMBLY - Aft stabilator, left	1	
-3	62701-205		CABLE ASSEMBLY - Aft stabilator, right	1	
-4	62701-37		CABLE ASSEMBLY - Forward stabilator, right	1	
-5	62701-207		CABLE ASSEMBLY - Forward stabilator, left	1	
-6	62711-03		PULLEY - Stabilator cable	3	
-7	62715-03		BEARING - Pulley, outer	1	
-8	62714-02		BEARING - Pulley, inner	1	
-9	62715-02		BEARING - Pulley, outer	2	
-10	62714-03		BEARING - Pulley, inner	2	
-11	63900-31		BUSHING	2	
-12	63900-37		BUSHING	2	
-13	99430-00		FAIRLEAD - Controls, left	1	
-14	99429-00		FAIRLEAD - Controls, right	1	
-15	401 188	W	BOLT - (AN5-10A)	1	
	407 566	W	WASHER - (AN960-516)	1	
	404 889	W	NUT - (MS20365-524C)	1	
-16	401 354	W	BOLT - (AN5-13A)	1	
	407 566	W	WASHER - (AN960-516)	1	
	404 889	W	NUT - (MS20365-524C)	1	
-17	400 674	W	CLEVIS BOLT - (AN23-12)	2	
	407 564	W	WASHER - (AN960-10)	2	
	404 392	W	NUT - (AN320-3)	2	
	424 051	W	COTTER PIN - (MS24665-132)	2	
-18	424 053	W	COTTER PIN - (MS24665-136)	1	
-19	424 054	W	COTTER PIN - (MS24665-140)	1	
-20	489 910	W	TURNBUCKLE - (MS21251-85S)	2	
-21	554 979	W	CLIP - (MS21256-1)	4	
-22	481 625		PULLEY - (MS20220-2)	1	
-23	424 054	W	COTTER PIN - (MS24665-140)	2	
-24	401 353	W	BOLT - (AN5-12A)	1	
	407 566	W	WASHER - (AN960-516)	1	
	404 889	W	NUT - (MS20365-524C)	1	
-25	407 567	W	WASHER - (AN960-616)	4	
-26	407 567	W	WASHER - (AN960-616)	2	
-27	415 535	W	SCREW - (MS35206-245)	4	

When ordering, always specify Part Number, Description and Serial Number of Aircraft

PIPER PARTS CATALOG

CODE EXPLANATIONS FOR FIGURE 70

- A - See Figure 93 if electric trim is installed, or Figure 94B if Century 31 AutoPilot is installed
- W - These parts must be ordered from Service Spares Department, Piper Aircraft, Lock Haven, Penna.

PIPER PARTS CATALOG

Figure and Index Number	Part Number	Code	NOMENCLATURE	No. Req.	SERIAL NUMBERS AFFECTED
70-	38542 65258		DRAWING - Control System Installation DRAWING - Stabilator Trim Installation		
-1	62701-47		CABLE - Stabilator trim	1	
-2	68414-03		WHEEL ASSEMBLY - Trim tab	1	
-3	554 979	W	CLIP - (MS21256-1)	4	
-4	68739-00		BRACKET ASSEMBLY - Trim tab	1	
-5	68488-02		INDICATOR - Stabilator trim	1	
-6	63900-59		BUSHING	1	
-7	62711-03		PULLEY - Trim tab	2	
-8	62715-02		BUSHING - Trim tab	2	
-9	62714-03		BUSHING - Trim tab	2	
-10	68475-00		CHANNEL - Stabilator tunnel wall	1	
-11	63900-82		BUSHING - Stabilator trim pulley	1	
-12	63900-57		BUSHING - Stabilator trim pulley	1	
-13	63900-58		BUSHING - Stabilator trim pulley	1	
-14	68474-00		BRACKET - Stabilator trim pulley	1	
-15	62711-04		PULLEY - Stabilator trim pulley	4	
-16	68478-00		BRACKET - Stabilator trim pulley	1	
-17	68477-00		CHANNEL - Stabilator trim	1	
-18	68480-00		BRACKET - Stabilator trim pulley	1	
-19	68479-00		BRACKET - Stabilator trim pulley	1	
-20	68472-00		BRACKET - Stabilator trim pulley	1	
-21	99856-00		PIN - Cable guard	1	
-22	63900-56		BUSHING - Stabilator trim pulley	1	
-23	63900-55		BUSHING - Stabilator trim pulley	1	
-24	481 640		PULLEY - (MS24566-1B)	4	
-25	400 446	W	BOLT - (AN3-16A)	1	
	63900-61		BUSHING	1	
	407 584	W	WASHER - (AN960-10L)	2	
	407 584	W	WASHER - (AN960-10)	1	
	407 587	W	WASHER - (AN960-616L)	1	
	404 887	W	NUT - (MS20365-1032C)	1	
	62833-37		WASHER	1	
-26	400 438	W	BOLT - (AN3-4A)	6	
-27	407 585	W	WASHER - (AN960-416)	1	
-28	69851-00		PIN - Retainer	1	
-29	406 369		NUT - (A1037-012-3)	2	
-30	400 449	W	BOLT - (AN3-24A)	1	
	407 584	W	WASHER - (AN960-10L)	1	
	404 887	W	NUT - (MS20365-1032C)	1	
-31	424 180		PIN - (MS20392-2C23)	1	
	407 584	W	WASHER - (AN960-10L)	1	
	424 051	W	COTTER PIN - (MS24665-132)	1	
-32	401 279	W	BOLT - (AN3-25A)	2	
	407 584	W	WASHER - (AN960-10L)	2	
	404 887	W	NUT - (MS20365-1032C)	2	
	407 584	W	WASHER - (AN960-10)	2	
-33	65254-00		BOLT - Eye, stabilator trim	1	
-34	400 437	W	BOLT - (AN3-3A)	4	
	407 584	W	WASHER - (AN960-10L)	4	

When ordering, always specify Part Number, Description and Serial Number of Aircraft

PIPER PARTS CATALOG

Figure and Index Number	Part Number	Code	NOMENCLATURE	No. Req.	SERIAL NUMBERS AFFECTED
70-35	401 266	W	BOLT - (AN3-5A)	2	
	494 066	W	WASHER - (K19001-3)	2	
	406 551		NUT - (H19000-3)	2	
-36	400 438	W	BOLT - (AN3-4A)	4	
	407 564	W	WASHER - (AN960-10)	4	
-37	404 887	W	NUT - (MS20365-1032C)	4	
	401 269	W	BOLT - (AN3-10A)	2	
	407 564	W	WASHER - (AN960-10)	4	
-38	404 887	W	NUT - (MS20365-1032C)	2	
	404 325		NUT - (AN316-7R)	1	
-39	407 684		WASHER - (AN960-C1216L)	1	
-40	424 123		COTTER PIN - (MS24665-368)	2	
-41	63882-09		SLEEVE - Stabilator trim link	2	
-42	65003-06		BUSHING - Stabilator trim link	2	
-43	65246-00		SHAFT - Stabilator trim	1	
-44	65249-02		PLATE - Stabilator trim	1	
-45	65252-00		CLIP - Stabilator trim	1	
-46	65253-02		LINK - Stabilator trim	2	
-47	484 747		SNAP RING - (5108-75)	1	
-48	65248-03		ARM ASSEMBLY - Stabilator trim	1	
-49	68491-00		GUARD - Cable	2	
-50	452 418		BEARING - Thrust (T-1010)	1	
-51	452 413		BEARING - (F-838)	2	
-52	65244-00		RIB - Stabilator trim	2	
-53	65251-00		TAB - Stabilator trim	2	
-54	62833-18		SHIM - Stabilator trim	1	
-55	63530-00		BARREL - Stabilator trim	1	
-56	65245-00		RIB - Stabilator trim	1	
-57	65250-02		CLIP - Stabilator trim	1	
-58	62701-41	A	CABLE ASSEMBLY - Forward stabilator trim	2	
-59	489 873	W	TURNBUCKLE - (MS21251-B2S)	2	
-60	407 585	W	WASHER - (AN960-416L)	2	
	63900-60		BUSHING	1	
-62	400 446	W	BOLT - (AN3-16A)	1	
	407 584	W	WASHER - (AN960-10L)	1	
	404 887	W	NUT - (MS20365-1032C)	1	
-63	407 567	W	WASHER - (AN960-616)	2	
	400 440	W	BOLT - (AN3-6A)	2	
-64	407 564	W	WASHER - (AN960-10)	2	
	404 887	W	NUT - (MS20365-1032C)	2	
	69498-00		PLATE - Stabilator trim	2	

When ordering, always specify Part Number, Description and Serial Number of Aircraft

2A24
INTENTIONALLY LEFT BLANK

PIPER PARTS CATALOG

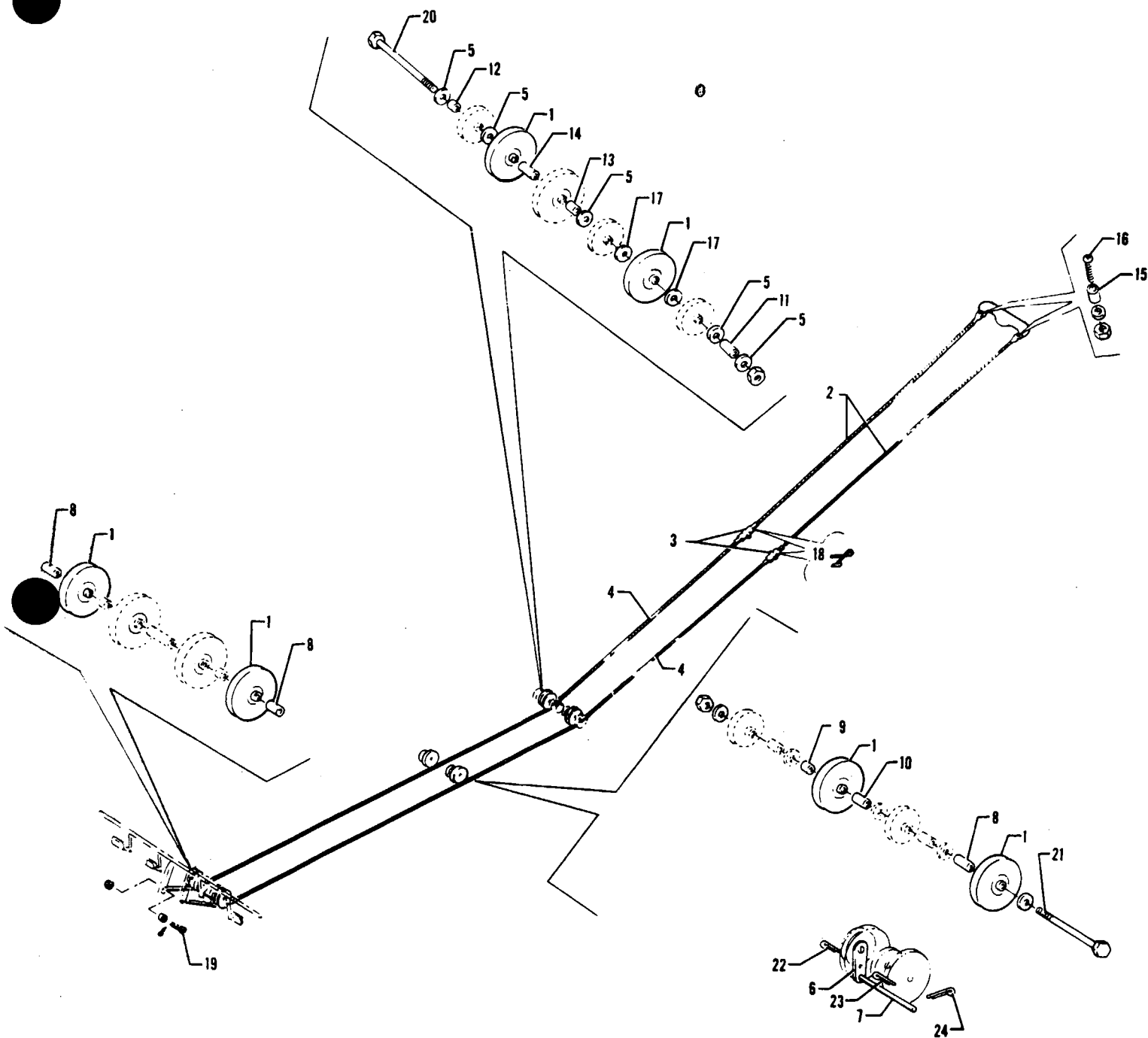


Figure 71 Rudder Control Installation

PIPER PARTS CATALOG

CODE EXPLANATIONS FOR FIGURE 71

⊕

W - These parts must be ordered from Service Spares Department, Piper Aircraft, Lock Haven, Penna.

PIPER PARTS CATALOG

Figure and Index Number	Part Number	Code	NOMENCLATURE	No. Req.	SERIAL NUMBERS AFFECTED
71-	38542		DRAWING - Control System Installation		
-1	41001-10		PULLEY - Rudder control	6	
-2	62701-08		CABLE ASSEMBLY - Rudder control, aft	2	
-3	489 910	W	TURNBUCKLE - Rudder cable (MS21251-B5S)	2	
-4	62701-37		CABLE ASSEMBLY - Forward rudder	2	
-5	407 566	W	WASHER - (AN960-516)	5	
-6	62709-00		HOLDER - Guard pin	1	
-7	62710-03		PIN - Cable guard	1	
-8	62743-04		BUSHING - Rudder control	3	
-9	62743-03		BUSHING	1	
-10	62743-05		BUSHING - Rudder control	1	
-11	62743-09		BUSHING	1	
-12	62743-08		BUSHING	1	
-13	62743-10		BUSHING	1	
-14	62743-11		BUSHING	1	
-15	63900-31		BUSHING	2	
-16	400 674	W	BOLT - Clevis (AN23-12)	2	
	407 564	W	WASHER - (AN960-10)	2	
	404 392	W	NUT - (AN320-3)	2	
	424 051	W	COTTER PIN - (MS24665-132)	2	
-17	407 567	W	WASHER - (AN960-616)	2	
-18	554 979	W	CLIP - Rudder cable (MS21256-1)	4	
-19	400 673	W	BOLT - (AN23-11)	2	
	407 564	W	WASHER - (AN960-10)	2	
	404 392	W	NUT - (AN320-3)	2	
	424 051	W	COTTER PIN - (MS24665-132)	2	
-20	401 387		BOLT - (AN5-70A)	1	
	404 889	W	NUT - (MS20365-524C)	1	
	407 566	W	WASHER - (AN960-516)	3	
-21	401 378		BOLT - (AN5-53A)	1	
	407 566	W	WASHER - (AN960-516)	4	
	404 889	W	NUT - (MS20365-524C)	1	
-22	424 053	W	COTTER PIN - (MS24665-136)	1	
-23	424 054	W	COTTER PIN - (MS24665-140)	1	
-24	424 051	W	COTTER PIN - (MS24665-132)	2	

When ordering, always specify Part Number, Description and Serial Number of Aircraft

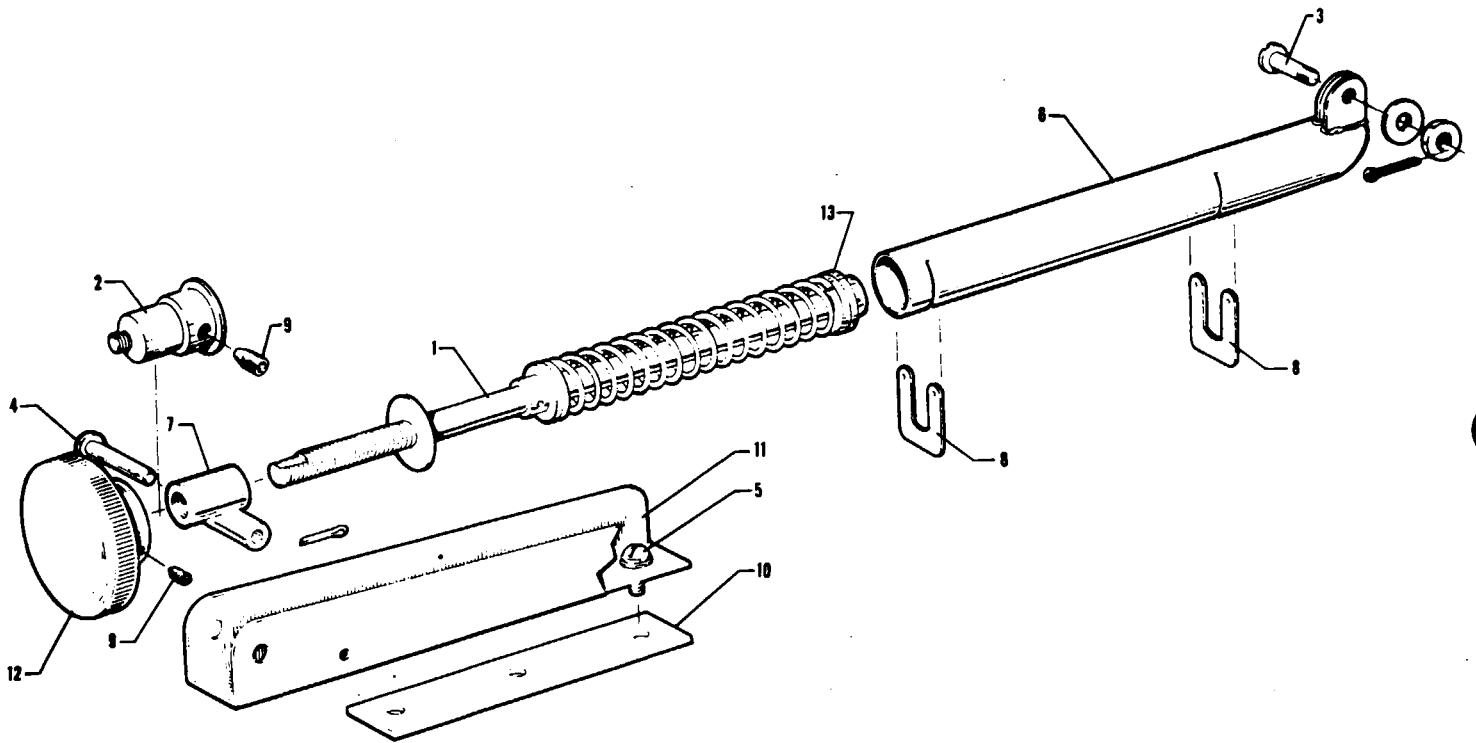


Figure 72. Rudder Trim Mechanism Installation

PIPER PARTS CATALOG

CODE EXPLANATIONS FOR FIGURE 72

W - These parts must be ordered from Service Spares Department, Piper Aircraft, Lock Haven, Penna

PIPER PARTS CATALOG

Figure and Index Number	Part Number	Code	NOMENCLATURE	No. Req.	SERIAL NUMBERS AFFECTED
72-	38542 69371		DRAWING - Control System Installation DRAWING - Rudder Trim Mechanism Installation		
-1	62829-05		SHAFT ASSEMBLY - Rudder trim	1	
-2	69349-00		EXTENSION - Rudder trim shaft	1	
-3	400 672	W	BOLT - (AN23-10)	1	
	404 392	W	NUT - (AN320-3)	1	
	424 051	W	COTTER PIN - (MS24665-132)	1	
	407 584	W	WASHER - (AN960-10L)	1	
-4	424 185	W	PIN - Flat head (MS20392-2-33)	1	
	424 051	W	COTTER PIN - (MS24665-132)	1	
-5	415 535	W	SCREW - (MS35206-245)	3	
	407 583	W	WASHER - (AN960-8L)	7	
	404 833	W	NUT - (MS20364-832C)	1	
-6	66530-00		HOUSING - Rudder trim	1	
-7	62831-00		BUSHING ASSEMBLY - Rudder trim	1	
-8	62832-00		CLIP - Rudder trim	2	
-9	419 967		SCREW - Set (MS51964-132)	2	
-10	62836-00		PLATE - Rudder trim	1	
-11	62837-02		CHANNEL ASSEMBLY - Rudder trim	1	
-12	62838-00		KNOB	1	
-13	62833-127		WASHER	1	

When ordering, always specify Part Number, Description and Serial Number of Aircraft

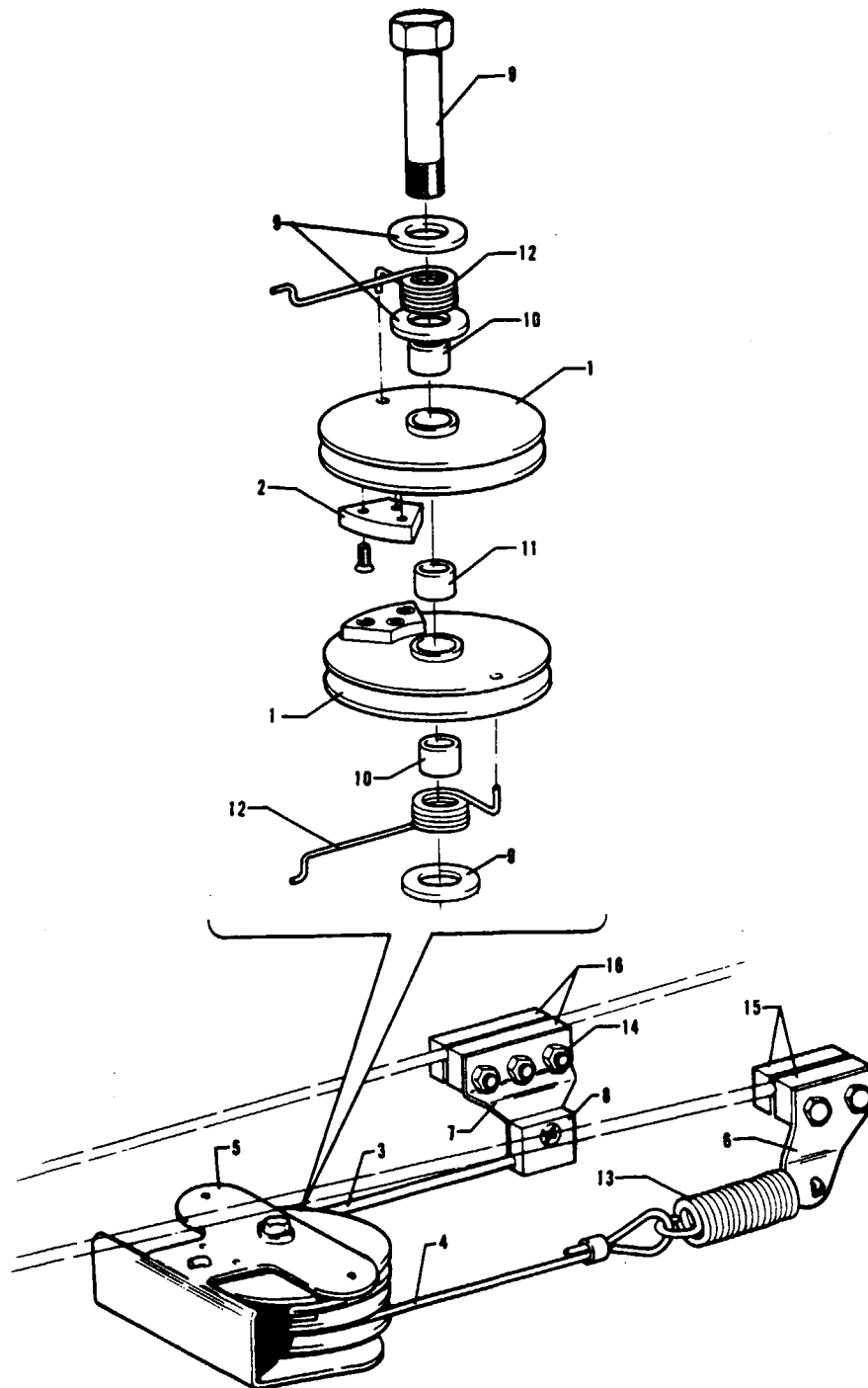


Figure 73 Aileron and Rudder Interconnect Installation

PIPER PARTS CATALOG

CODE EXPLANATIONS FOR FIGURE 73

W - These parts must be ordered from Service Spares Department, Piper Aircraft, Lock Haven, Penna.

PIPER PARTS CATALOG

Figure and Index Number	Part Number	Code	NOMENCLATURE	No. Req.	SERIAL NUMBERS AFFECTED
73-	38651		DRAWING - Aileron/Rudder Interconnect Cable Installation		
-1	38651-03		PULLEY ASSEMBLY - Lower	1	
	38651-04		PULLEY ASSEMBLY - Upper	1	
-2	38651-08		* LUG - Pulley, stop	1	
-3	38651-06		CABLE ASSEMBLY - Aileron	1	
-4	38651-07		CABLE ASSEMBLY - Rudder	1	
-5	38651-19		BRACKET ASSEMBLY - Pulley	1	
-6	38651-11		CLIP - Rudder cable	1	
-7	38651-10		CLIP - Aileron cable	1	
-8	38651-09		CLIP	1	
-9	401 274	W	BOLT - (AN3-15A)	1	
	407 584	W	WASHER - (AN960-10L)	3	
-10	38651-20		BUSHING - Pulley	2	
-11	38651-21		BUSHING - Pulley	1	
-12	587 504		SPRING - (PS10087-3-3)	2	
-13	585 056		SPRING - (LE-069F-7)	1	
-14	400 441	W	BOLT - (AN3-7A)	5	
	407 584	W	WASHER - (AN960-10L)	5	
	404 887	W	NUT - (MS20365-1032C)	5	
-15	597 581		CLAMP - Cable (42A173-2)	2	
-16	596 184		CLAMP - Cable (42A173-1)	2	

When ordering, always specify Part Number, Description and Serial Number of Aircraft

PIPER PARTS CATALOG

CODE EXPLANATIONS FOR FIGURE 74

- A - Control wheel assembly does not include switches Order desired switches separately
- B - Used when electric trim is installed
- C - Used when AltiMatic III C is installed
- D - Used when AutoFlite or AutoFlite II with trim is installed
- E - Used when AutoFlite II with electric trim is installed
- F - Used on PA-32-301 with serial numbers 32-8106001 and up, and PA-32-301T with serial numbers 32-8124001 and up
- G - Used if transponder identifier is installed
- H - Used if Century 41 AutoPilot is installed
- W - These parts must be ordered from Service Spares Department, Piper Aircraft, Lock Haven, Penna

PIPER PARTS CATALOG

Figure and Index Number	Part Number	Code	NOMENCLATURE	No. Req.	SERIAL NUMBERS AFFECTED
74-	38542		DRAWING - Control System Installation		
-1	79276-12	A	WHEEL ASSEMBLY - Control (both grips cored)	2	
-2	79275-00		* MEDALLION - Piper	1	
-3	67491-00		* PLATE - Control wheel cover (standard)	2	
-4	37729-00	C	BRACKET ASSEMBLY - Switch	1	
-5	79652-03	B	SWITCH ASSEMBLY - Electric trim	1	
-6	96994-03	C	SWITCH ASSEMBLY - AltiMatic IIC	1	
-7	587 862	C	* SWITCH - Manual electric trim (1C670)	1	
-8	762 226	C	* SWITCH - Trim interrupt A/P disc (40S77)	1	
-9	15660-02	C,W	ADAPTER - Trim interrupt A/P disc switch	1	
-10	15661-02	C,W	ADAPTER - Trim interrupt A/P disc switch	1	
-11	67463-00	D	SWITCH ASSEMBLY - AutoFlite or AutoFlite II with trim	1	
-12	96990-00	E	PLATE - Control wheel cover	1	
-13	62019-04		CONTROL COLUMN ASSEMBLY	1	
-14	62703-34		* TEE BAR ASSEMBLY - Control column	1	
-15	452 372		* * BEARING - (F504-2)	2	
-16	62712-04		* BUSHING - Inner, control	2	
-17	68557-00		* BUSHING - Control column	2	
-18	481 651	W	* PULLEY - Control column (MS20220-1)	2	
-19	69077-00		* SHAFT - Control column	1	
-20	63404-00		* SPROCKET - Control column	1	
-21	62784-00		* WASHER - Control column	2	
-22	62782-00		* SPACER - Control column	1	
-23	62778-00		* SPROCKET - Control column	1	
-24	62845-02		* SPROCKET - Control column	1	
-25	62839-00		* SPROCKET ASSEMBLY - Control column	1	
-26	452 389		* BUSHING - (F825-2) Control column	4	
-27	407 565	W	* WASHER - (AN960-416)	2	
-28	62716-07		* SHAFT - Control column, left and right	2	
-29	62834-02		* UNIVERSAL JOINT	2	
-30	452 388		* BEARING - (F4DD)	2	
-31	480 730		* PIN - (AN386-1-6A)	1	
	494 093		* WASHER - (AN975-3)	1	
	404 835	W	* NUT - (MS20364-1032C)	1	
-32	401 269	W	* BOLT - (AN3-10A)	2	
	407 584	W	* WASHER - (AN960-10L)	2	
	407 564	W	* WASHER - (AN960-10)	2	
	404 887	W	* NUT - (MS20365-1032C)	2	
-33	480 730		* PIN - Taper (AN386-1-6A)	2	
	494 093		* WASHER - (AN975-3)	2	
	404 835	W	* NUT - (MS20364-1032C)	2	
-34	401 333	W	* BOLT - (AN4-35A)	1	
	407 565	W	* WASHER - (AN960-416)	2	
	404 888	W	* NUT - (MS20365-428C)	1	
-35	480 730		* PIN - Taper (AN386-1-6A)	2	
	494 093		* WASHER - (AN975-3)	2	
	404 835	W	* NUT - (MS20364-1032C)	2	
-36	404 104	W	* NUT - (AN310-7)	1	
	407 568	W	* WASHER - (AN960-716)	1	
	424 060	W	* COTTER PIN - (MS24665-285)	1	
-37	67193-05		STOP - Tee bar, left	1	

When ordering, always specify Part Number, Description and Serial Number of Aircraft

PIPER PARTS CATALOG

Figure and Index Number	Part Number	Code	NOMENCLATURE	No. Req.	SERIAL NUMBERS AFFECTED
74-38	553 778		BUSHING - (PS10064-625-7)	1	
-39	400 056	W	BOLT - (AN3-11)	1	
	407 564	W	WASHER - (AN960-10)	1	
	404 392	W	NUT - (AN320-3)	1	
	424 051	W	COTTER PIN - (MS24665-132)	1	
-40	400 653		BOLT - Clevis (AN21-9)	2	
	82732-76	W	BUSHING	2	
	404 391		NUT - (AN320-1)	2	
	424 041		COTTER PIN - (MS24665-5)	2	
-41	66546-00		BOLT - Special	4	
	407 584	W	WASHER - (AN960-10L)	4	
	404 835	W	NUT - (MS20364-1032C)	4	
-42	400 653		BOLT - (AN21-9)	2	
	82732-76	W	BUSHING	2	
	407 562	W	WASHER - (AN960-6)	2	
	404 391		NUT - (AN320-1)	2	
	424 041		COTTER PIN - (MS24665-5)	2	
-43	62858-05		CHAIN - Control system	2	
-44	62840-02		EYE BOLT - Turnbuckle, left	1	
	62840-03		EYE BOLT - Turnbuckle, right	1	
-45	489 910	W	BARREL - Turnbuckle (MS21251-B5S)	1	
-46	554 979	W	CLIP - Turnbuckle (MS21256-1)	2	
-47	401 310	W	BOLT - (AN4-10A)	2	
	62833-85		WASHER - (O.D. 1.50 in.)	2	
	62833-86		WASHER - (O.D. .75 in.)	2	
	404 888	W	NUT - (MS20365-428C)	2	
-48	67984-02		CLIP ASSEMBLY - Map	1	
-49	35669-16		PLACARD - A/P INTR.	1	
-50	87369-16	F,H	PLACARD - Pitch sync	1	
-51	35669-188	F,G	PLACARD - Transponder identifier	1	
-52	487 904	F,G,W	SWITCH - Remote transponder identifier (39-1)	1	
-53	548 561	F	CLOCK - Control wheel (AT4210PO)	1	
-54	485 258	F	FUSE HOLDER - (155020)	1	
-55	461 629	F	FUSE - (311005)	1	
-56	67491-03	F,H	PLATE - Control wheel cover, right	1	
-57	67463-02	F,H	SWITCH ASSEMBLY - Century 41 AutoPilot	1	

When ordering, always specify Part Number, Description and Serial Number of Aircraft

PIPER PARTS CATALOG

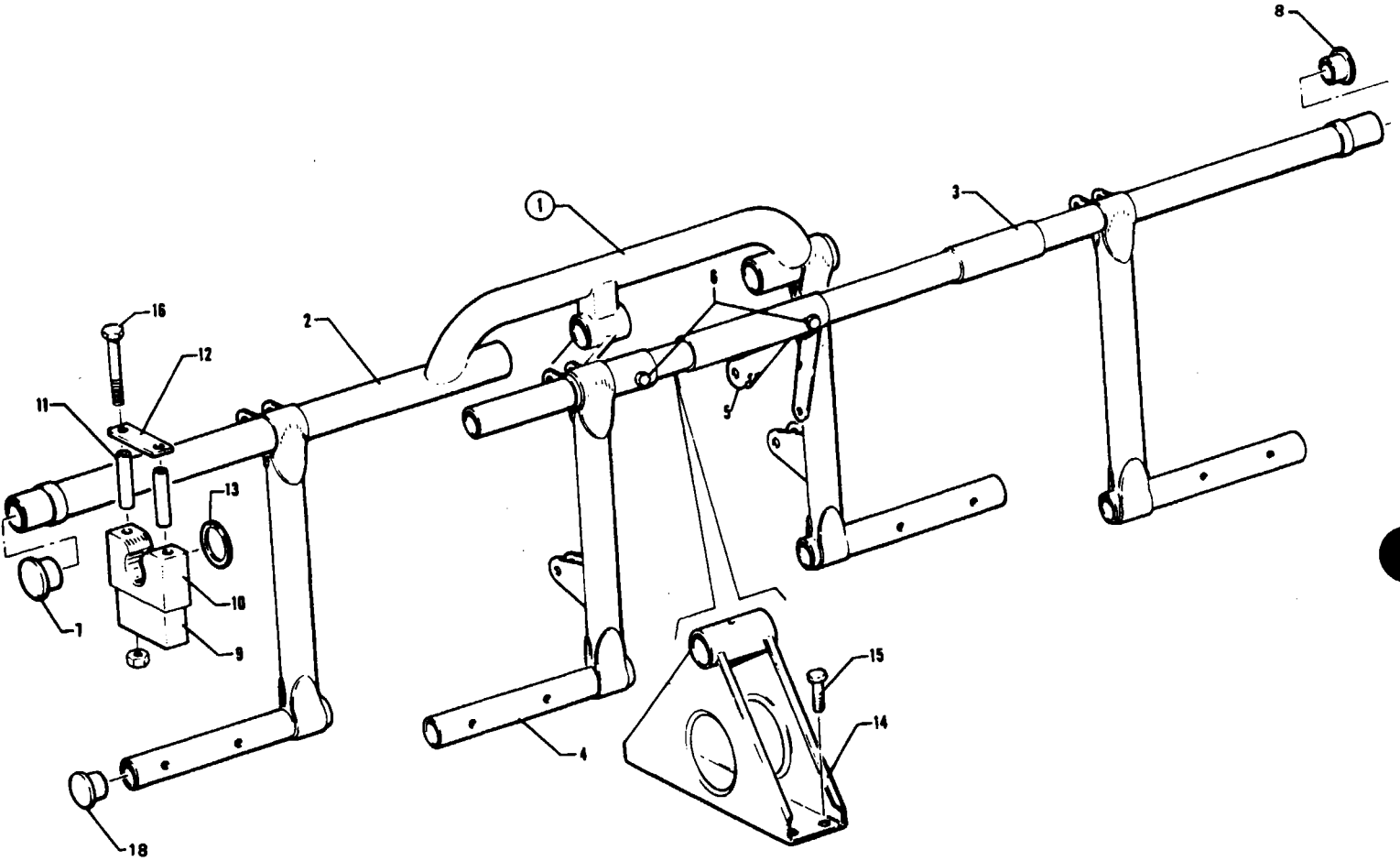


Figure 75 Rudder Pedal Installation

PIPER PARTS CATALOG

CODE EXPLANATIONS FOR FIGURE 75

W - These parts must be ordered from Service Spares Department, Piper Aircraft, Lock Haven, Penna

PIPER PARTS CATALOG

Figure and Index Number	Part Number	Code	NOMENCLATURE	No. Req.	SERIAL NUMBERS AFFECTED
75-	38542		DRAWING - Control System Installation		
-1	63459-18		RUDDER PEDAL ASSEMBLY - Complete	1	
-2	63420-07		* BAR ASSEMBLY - Rudder control, left	1	
-3	63419-02		* BAR ASSEMBLY - Rudder control, right	1	
-4	63458-04		* TUBE ASSEMBLY - Rudder control	1	
-5	63457-03		* ARM ASSEMBLY - Rudder control	1	
-6	402 314		* BOLT - (AN174-13A)	2	
	407 585	W	* WASHER - (AN960-416)	4	
	404 836	W	* NUT - (MS20364-428C)	2	
-7	581 330		* PLUG - Rudder pedal assembly	1	
-8	581 332		* PLUG - Rudder pedal assembly	1	
-9	63456-00		BLOCK - Rudder bar support, bottom	2	
-10	65050-00		BLOCK - Rudder bar support, top	2	
-11	65003-03		BUSHING - Rudder bar support	4	
-12	63455-00		PLATE - Rudder bar support	6	
-13	62833-17		WASHER - Rudder bar support	2	
-14	63451-00		SUPPORT ASSEMBLY - Rudder bar	1	
-15	400 438	W	BOLT - (AN3-4A)	4	
-16	400 456	W	BOLT - (AN3-31A)	4	
	404 887	W	NUT - (MS20365-1032C)	4	

When ordering, always specify Part Number, Description and Serial Number of Aircraft

PIPER PARTS CATALOG

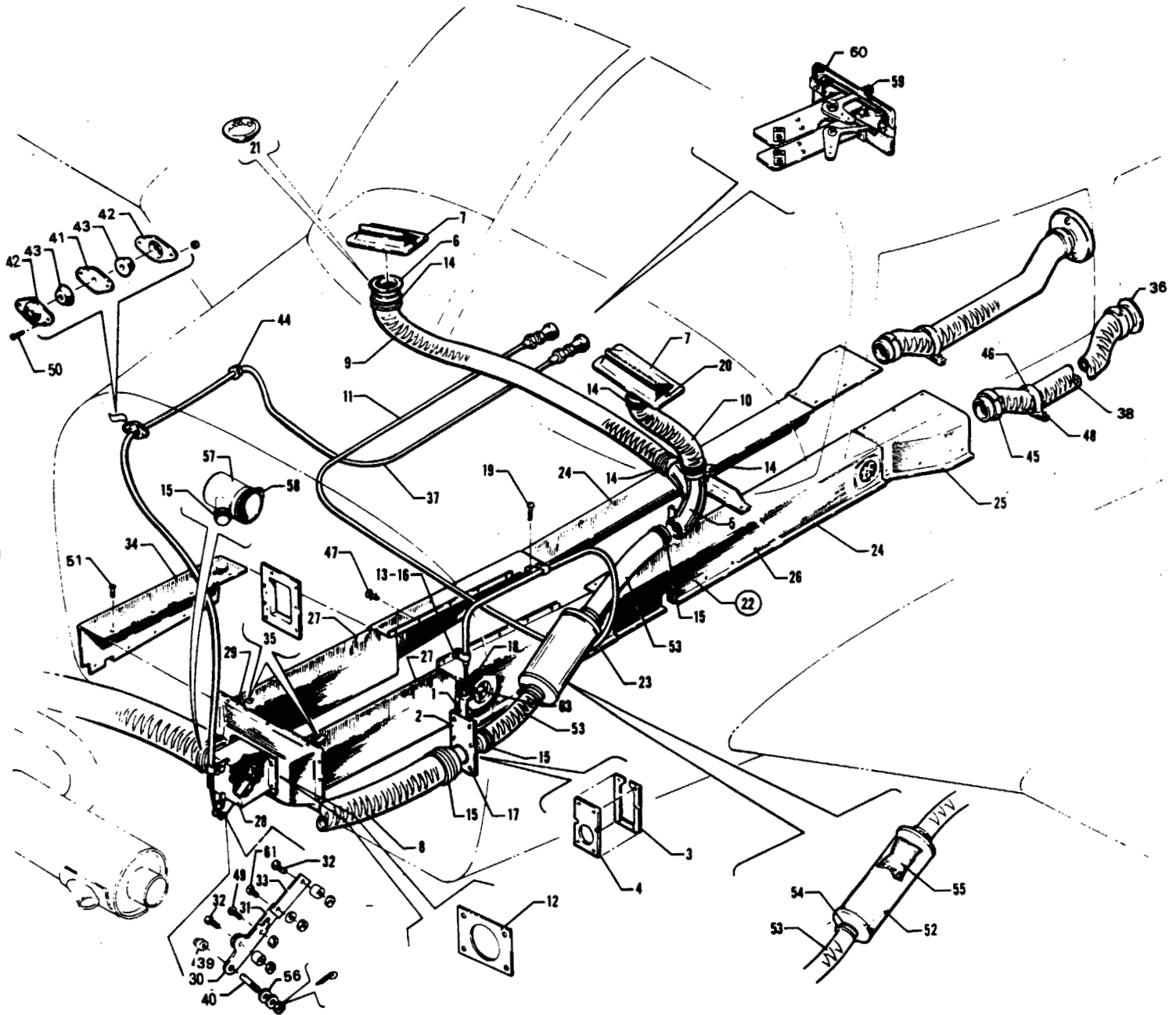


Figure 76 Cabin Heat and Defroster System

PIPER PARTS CATALOG

CODE EXPLANATIONS FOR FIGURE 76

W - These parts must be ordered from Service Spares Department, Piper Aircraft, Lock Haven, Penna

PIPER PARTS CATALOG

Figure and Index Number	Part Number	Code	NOMENCLATURE	No. Req.	SERIAL NUMBERS AFFECTED
76-	69456 69454		DRAWING - Defroster System Installation DRAWING - Cabin Heat System Installation		
-1	68903-00		VALVE - Defroster	1	
-2	68905-00		PLATE ASSEMBLY - Defroster air inlet, front	1	
	69022-00		PLATE ASSEMBLY - Defroster air inlet, rear	1	
-3	68902-00		SPACER - Defroster air valve	1	
-4	68907-00		SPACER - Defroster air valve	1	
-5	69556-00		TAKE-OFF ASSEMBLY - Defroster air	1	
-6	68908-00		OUTLET - Defroster air	2	
-7	65318-00		OUTLET - Defroster air	2	
-8	63633-162		HOSE - Defroster air	1	
-9	63633-65		HOSE - Defroster air	1	
-10	63633-64		HOSE - Defroster air	1	
-11	66856-04		CABLE ASSEMBLY - Control, defroster	1	
-12	38204-03		SEAL - Cabin heat box	1	
-13	63900-123		BUSHING - Spacer	1	
-14	554 896		CLAMP - Hose (H1-1200)	4	
-15	554 896		CLAMP - (SAE TY A-1 1/2)	4	
-16	411 534	W	SCREW - (MS35207-265)	1	
	404 887	W	NUT - (MS20365-1032C)	1	
-17	415 536	W	SCREW - (MS35206-246)	4	
	404 563	W	WASHER - (AN960-8)	4	
	404 910	W	NUT - (MS20365-832C)	4	
-18	68904-00		BOLT - Control cable, defroster	1	
	404 888	W	NUT - (MS20365-428C)	1	
	407 565	W	WASHER - (AN960-416)	1	
-19	411 532	W	SCREW - (MS35207-263)	1	
	404 887	W	NUT - (MS20365-1032C)	1	
-20	415 521	W	SCREW - (MS35206-231)	4	
	404 562	W	WASHER - (AN960-6)	4	
	404 909	W	NUT - (MS20365-632C)	4	
-21	406 427		NUT - (C-13900-014-1)	2	
-22	68923-00		DUCT ASSEMBLY - Cabin heat, left	1	
	68923-01		DUCT ASSEMBLY - Cabin heat, right	1	
-23	68923-02		* DUCT - Cabin heat, left	1	
	68923-03		* DUCT - Cabin heat, right	1	
-24	68923-04		* DUCT - Cabin heat, left	1	
	68923-05		* DUCT - Cabin heat, right	1	
-25	68923-06		* DUCT - Cabin heat, left	1	
	68923-07		* DUCT - Cabin heat, right	1	
-26	487 560	W	* STUD - (XX10362-12)	13	
-27	68922-00		DUCT ASSEMBLY - Cabin heat	2	
-28	68919-00		BOX ASSEMBLY - Cabin heat	1	
-29	68916-00		BOX ASSEMBLY - Cabin heat	1	
-30	36558-05		LINK - Cabin heat box	1	
-31	36558-02		LINK - Cabin heat box	1	
-32	415 522	W	SCREW - (MS35206-232)	2	
	95061-141		BUSHING	2	
	404 909	W	NUT - (MS20365-632C)	2	
-33	68918-00		LINK - Cabin heat box	1	
-34	68927-00		COVER - Heat duct, left	1	
	68927-01		COVER - Heat duct, right	1	

When ordering, always specify Part Number, Description and Serial Number of Aircraft

PIPER PARTS CATALOG

Figure and Index Number	Part Number	Code	NOMENCLATURE	No. Req.	SERIAL NUMBERS AFFECTED
76-35	68924-00		FLANGE - Cabin heat, left	1	
	68924-01		FLANGE - Cabin heat, right	1	
-36	69285-00		TUBE - Cabin heat	2	
-37	554 050		CABLE ASSEMBLY - Control, cabin heat (PS50146-4-7)	1	
-38	63633-19		HOSE - Air duct	2	
-39	70371-02	W	FITTING - Cable attachment	1	
-40	70371-03	W	STUD - Cable attachment	1	
-41	22105-03	W	GASKET - Control cable, heat	1	
-42	66789-00		PLATE - Control cable, heat	2	
-43	68770-14		GROMMET - Control cable, heat	2	
-44	434 126	W	GROMMET - (MS35489-4)	1	
-45	454 994	W	CLAMP - (SAE TY A-2 1/16)	4	
-46	554 827		CLAMP - (MS21919H34)	4	
-47	419 590		SCREW - (AN530-8R6)	48	
-48	415 380	W	SCREW - (MS51958-64)	4	
	404 263		NUT - (AN315D3R)	4	
	404 887	W	NUT - (MS20365-1032C)	4	
-49	415 518	W	SCREW - (MS35206-228)	1	
	404 909	W	NUT - (MS20365-632C)	1	
-50	415 754	W	SCREW - (AN515-8R8)	2	
	404 910	W	NUT - (MS20365-832C)	2	
-51	419 584		SCREW - (AN530-4R4)	18	
-52	69207-00		SILENCER ASSEMBLY - Defroster	1	
-53	63633-54		* HOSE - Defroster silencer	2	
-54	554 839		* CLAMP - (SAE TY A-1 1/2)	2	
-55	69206-00		* FILLER - Defroster	1	
-56	81342-18		WASHER - Cable attachment	1	
	404 392	W	NUT - (AN320-3)	1	
	424 051	W	COTTER PIN - (MS24665-132)	1	
-57	38158-00		DUCT ASSEMBLY - Defroster take-off	1	
-58	554 926	W	CLAMP - (SAE TY F-44)	1	
-59	66980-00		KNOB ASSEMBLY - Heat and defroster	1	
-60	79863-03		CONTROL ASSEMBLY - Heat and defroster	1	
-61	415 518	W	SCREW - (MS35206-228)	1	
	404 562	W	WASHER - (AN960-6)	1	
	404 909	W	NUT - (MS20365-632C)	1	

When ordering, always specify Part Number, Description and Serial Number of Aircraft

PIPER PARTS CATALOG

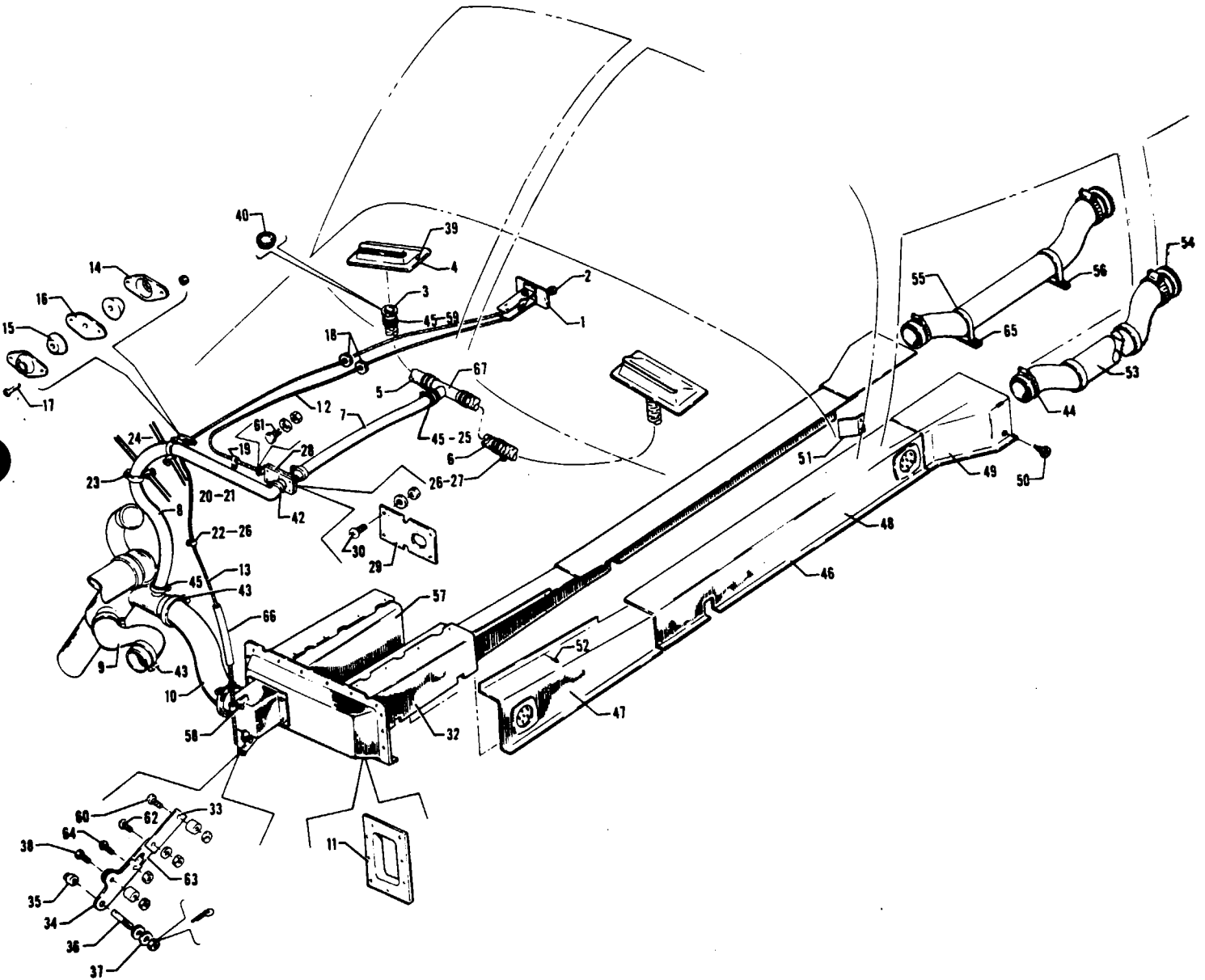


Figure 77. Cabin Heat and Defroster System

PIPER PARTS CATALOG

CODE EXPLANATIONS FOR FIGURE 77

W - These parts must be ordered from Service Spares Department, Piper Aircraft, Lock Haven, Penna

PIPER PARTS CATALOG

Figure and Index Number	Part Number	Code	NOMENCLATURE	No. Req.	SERIAL NUMBERS AFFECTED
77-	38428		DRAWING - Cabin Heat and Defroster System Installation		
-1	79863-03		CONTROL ASSEMBLY - Heat and defroster	1	
-2	66980-00		KNOB ASSEMBLY - Heat and defroster	3	
-3	68908-00		OUTLET - Defroster air	2	
-4	65318-00		OUTLET - Defroster air	2	
-5	63633-30		HOSE - Defroster air	1	
-6	63633-156		HOSE - Defroster air	1	
-7	63633-66		HOSE - Defroster air	1	
-8	63633-180		HOSE - Defroster air	1	
-9	63633-172		HOSE - Cabin heat	1	
-10	63633-161		HOSE - Cabin heat	1	
-11	68924-00		FLANGE - Cabin heat, left	1	
	68924-01		FLANGE - Cabin heat, right	1	
-12	554 375		CABLE ASSEMBLY - Defroster (PS50146-4-2)	1	
-13	554 050		CABLE ASSEMBLY - Cabin heat (PS50146-4-7)	1	
-14	66789-00		PLATE - Control cable, heat	2	
-15	68770-14		GROMMET - Control cable, heat	2	
-16	22105-03	W	GASKET - Control cable, heat	1	
-17	415 535	W	SCREW - (MS35206-245)	2	
	407 564	W	WASHER - (AN960-10)	2	
	404 910	W	NUT - (MS20365-832C)	2	
-18	434 126	W	GROMMET - (MS35489-4)	2	
-19	454 887		CLAMP - Cable (PS10017-1-3)	2	
-20	63900-19		BUSHING - Cable attachment	1	
-21	411 533		SCREW - (MS35207-264)	1	
	404 887	W	NUT - (MS20365-1032C)	1	
-22	455 007		CLAMP - Cable (MS21919H8)	1	
-23	455 013		CLAMP - (MS21919H24)	1	
	455 004		CLAMP - (MS21919H12)	1	
	411 534	W	SCREW - (MS35207-265)	1	
	407 584	W	WASHER - (AN960-10L)	1	
	404 887	W	NUT - (MS20365-1032C)	1	
-24	455 013		CLAMP - (MS21919H24)	1	
	554 620		CLAMP - (MS21919H10)	1	
	411 534	W	SCREW - (MS35207-265)	1	
	407 584	W	WASHER - (AN960-10L)	1	
	404 887	W	NUT - (MS20365-1032C)	1	
-25	415 544	W	SCREW - (MS35206-244)	1	
	407 134	W	WASHER - (AN936-A8)	1	
-26	411 530	W	SCREW - (MS35207-261)	2	
	407 564	W	WASHER - (AN960-10)	2	
	404 887	W	NUT - (MS20365-1032C)	2	
-27	554 885	W	CLAMP - (PS10017-2-24)	1	
-28	38145-00		VALVE ASSEMBLY - Defroster	1	
-29	38145-06		GASKET - Defroster valve	1	
-30	415 536	W	SCREW - (MS35206-246)	4	
	404 833	W	NUT - (MS20364-832C)	4	
	407 563	W	WASHER - (AN960-8)	4	
-31	68919-00		BOX ASSEMBLY - Cabin heat	1	
-32	68927-00		COVER - Heat duct, left	1	
	68927-01		COVER - Heat duct, right	1	

When ordering, always specify Part Number, Description and Serial Number of Aircraft

PIPER PARTS CATALOG

Figure and Index Number	Part Number	Code	NOMENCLATURE	No. Req.	SERIAL NUMBERS AFFECTED
77-33	68918-00		LINK - Cabin heat box	1	
-34	36558-05		LINK - Cabin heat box	1	
-35	70371-02	W	SWIVEL - Cable attachment	1	
-36	70371-03	W	STUD - Cable attachment	1	
-37	81342-18		WASHER - Cable attachment	1	
	404 392	W	NUT - (AN320-3)	1	
	424 051	W	COTTER PIN - (MS24665-132)	1	
	407 585	W	WASHER - (AN960-416L)	1	
-38	415 518	W	SCREW - (MS35206-228)	1	
	404 909	W	NUT - (MS20365-632C)	1	
-39	415 521	W	SCREW - (MS35206-231)	4	
	404 909	W	NUT - (MS20365-632C)	4	
	404 562	W	WASHER - (AN960-6)	4	
-40	406 394		NUT - (C-13900-014-4)	2	
-41	69556-06		TAKE-OFF ASSEMBLY - Defroster air	1	
-42	554 925	W	CLAMP - (SAE TY F-24)	2	
-43	554 772		CLAMP - (SAE TY A-3)	4	
-44	454 944	W	CLAMP - (SAE TY A-2 1/16)	4	
-45	554 896		CLAMP - (SAE TY A-1 1/2)	6	
-46	68923-00		DUCT ASSEMBLY - Cabin heat, left	1	
	68923-01		DUCT ASSEMBLY - Cabin heat, right	1	
-47	68923-02		* DUCT - Cabin heat, left	1	
	68923-03		* DUCT - Cabin heat, right	1	
-48	68923-04		* DUCT - Cabin heat, left	1	
	68923-05		* DUCT - Cabin heat, right	1	
-49	68923-06		* DUCT - Cabin heat, left	1	
	68923-07		* DUCT - Cabin heat, right	1	
-50	487 560	W	* STUD - (XX-10362-12)	13	
-51	69098-00		* PLATE - Deflector	2	
-52	419 590		SCREW - (AN530-8R6)	32	
-53	63633-19		HOSE - Air duct	2	
-54	69285-00		TUBE - Cabin heat	2	
-55	544 827		CLAMP - (MS21919H34)	4	
-56	415 380	W	SCREW - (MS51958-64)	3	
	404 887	W	NUT - (MS20365-1032C)	3	
	404 263		NUT - (AN315D3R)	3	
-57	68922-00		DUCT - Cabin heat	2	
-58	411 532	W	SCREW - (MS35207-263)	1	
	404 887	W	NUT - (MS20365-1032C)	1	
-59	419 648		SCREW - (6 x 3/8 Type B)	4	
-60	415 522	W	SCREW - (MS35206-232)	1	
	95061-141		BUSHING	1	
	404 909	W	NUT - (MS20365-632C)	1	
-61	68904-00		BOLT - Defroster valve control	1	
	407 565	W	WASHER - (AN960-416)	1	
	404 888	W	NUT - (MS20365-428C)	1	
-62	415 518	W	SCREW - (MS35206-228)	1	
	407 562	W	WASHER - (AN960-6)	1	
	404 909	W	NUT - (MS20365-632C)	1	
-63	36558-02		LINK - Cabin heat box	1	
-64	415 518	W	SCREW - (MS35206-228)	1	
	404 909	W	NUT - (MS20365-632C)	1	
-65	415 380	W	SCREW - (MS51958-64)	1	
	404 887	W	NUT - (MS20365-1032C)	1	
-66	38428-03		SHIELD - Cable	1	

When ordering, always specify Part Number, Description and Serial Number of Aircraft

PIPER PARTS CATALOG

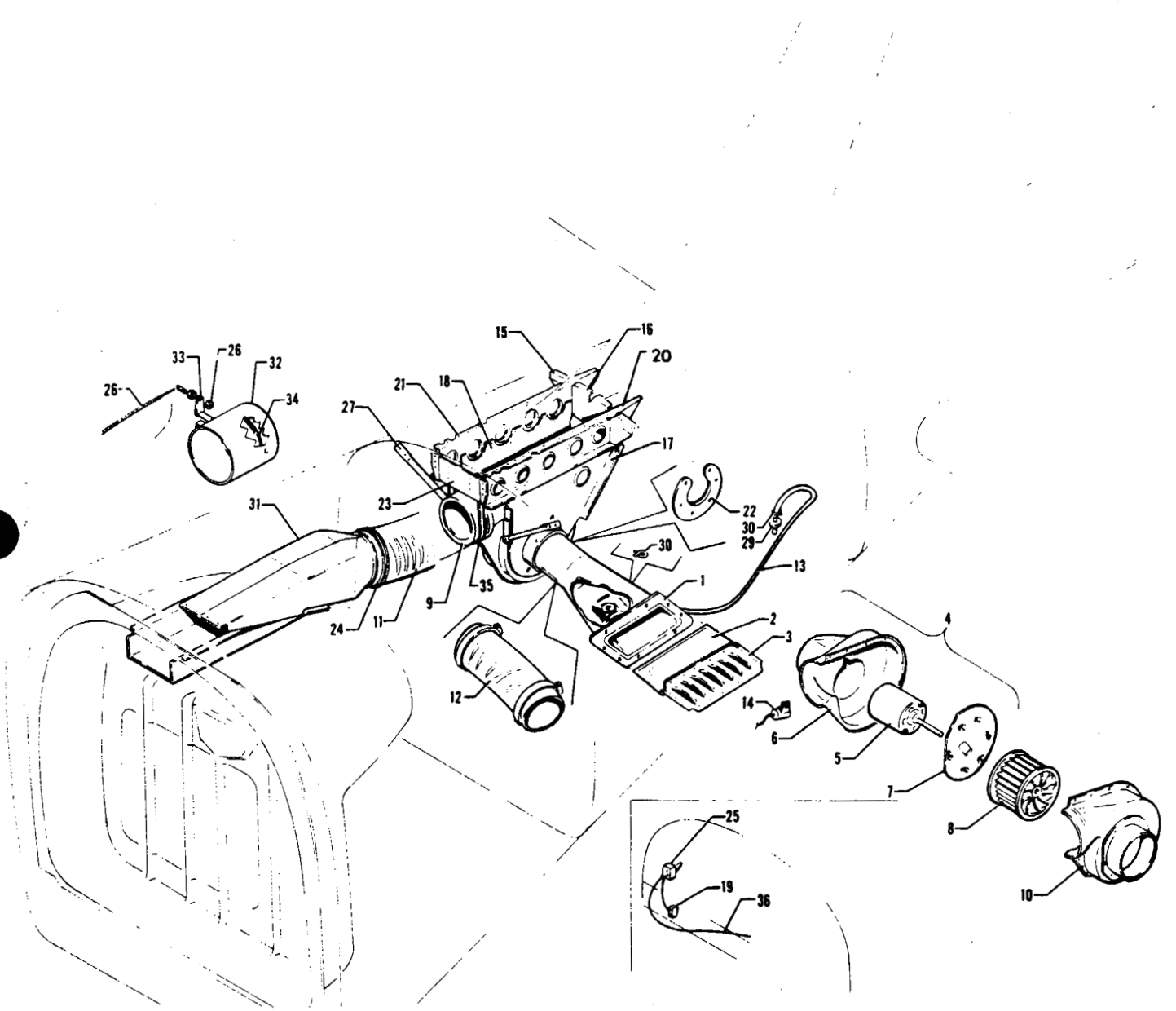


Figure 78. Aft Fresh Air Duct Installation

PIPER PARTS CATALOG

CODE EXPLANATIONS FOR FIGURE 78

W - These parts must be ordered from Service Spares Department, Piper Aircraft, Lock Haven, Penna

PIPER PARTS CATALOG

Figure and Index Number	Part Number	Code	NOMENCLATURE	No. Req.	SERIAL NUMBERS AFFECTED
78-	36983		DRAWING - Ram Air and Blower Ventilation Installation		
-1	36615-05		DUCT ASSEMBLY - Air vent (with filter)	1	
-2	36616-03		* FILTER - Air vent	1	
-3	36612-02		LOUVER - Fresh air	1	
-4	99642-02		BLOWER ASSEMBLY - Fresh air	1	
-5	475 210		* MOTOR ASSEMBLY - Fresh air blower (UN-YY1S062)	1	
-6	37997-02		* COVER - Fresh air blower	1	
-7	99641-00		* PLATE ASSEMBLY - Motor mounting	1	
-8	452 935		BLOWER - (AE424-316-1)	1	
-9	99633-00		DUCT - Hose connect	1	
-10	79264-00		COVER ASSEMBLY - Fresh air blower	1	
-11	63633-148		HOSE	1	
-12	63633-127		HOSE	1	
-13	63904-112		HOSE - Drain	1	
-14	63897-06		CAPACITOR ASSEMBLY	1	
-15	79035-00		GUSSET ASSEMBLY - Intercostal	2	
-16	79286-00		BRACKET - Intercostal, aft	1	
-17	79281-00		HANGER ASSEMBLY - Blower, left	1	
-18	79282-00		HANGER ASSEMBLY - Blower, right	1	
-19	454 709		CIRCUIT BREAKER - (PS50120-1-9) 20 amp, Mech. Products Inc.	1	
	454 743		CIRCUIT BREAKER - (PS50120-3-36) 20 amp, Wood Electric Corp.	1	
-20	79280-00		INTERCOSTAL - Blower bracket support, left	1	
-21	79287-00		INTERCOSTAL - Blower bracket support, right	1	
-22	79284-00		RETAINER - Housing	1	
-23	79285-00		BRACKET - Intercostal, forward	1	
-24	554 640	W	CLAMP - (SAE TY A-4 5/8)	2	
-25	588 109		SWITCH - (MS35058-21)	1	
-26	70371-02	W	FITTING - Swivel	1	
	70371-03	W	STUD - Swivel fitting	1	
	407 564	W	WASHER - (AN960-10)	1	
	404 392	W	NUT - (AN320-3)	1	
	424 051	W	COTTER PIN - (MS24665-132)	1	
-27	79303-00		BRACE - Hanger	2	
-28	554 361		CABLE ASSEMBLY - Fresh air flapper (PS50146-2-5)	1	
-29	79290-00		TUBE ASSEMBLY - Drain	1	
-30	554 861	W	CLAMP - (SAE TY F-4)	2	
-31	69992-02		DUCT AND FLAPPER VALVE ASSEMBLY - Aft	1	
-32	69885-12		* FLAPPER VALVE ASSEMBLY - Fresh air intake	1	
-33	69885-02		* * SHAFT ASSEMBLY	1	
-34	69885-03		* * FLAPPER ASSEMBLY	1	
-35	79292-00		STRAP - Fresh air hose support	1	
-36	79293-05		CABLE - Blower	1	

When ordering, always specify Part Number, Description and Serial Number of Aircraft

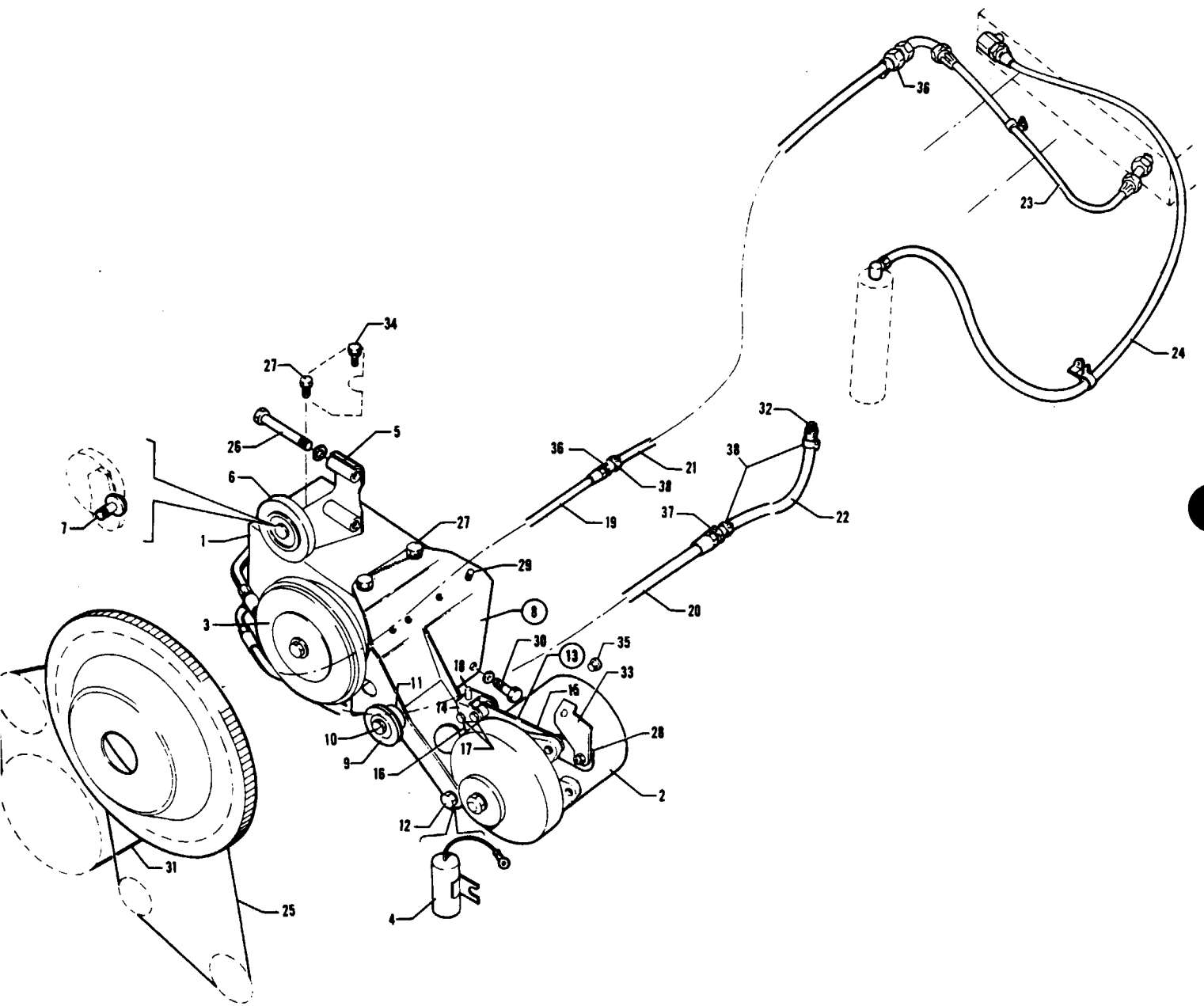


Figure 79. Air Conditioning Compressor, Refrigerant Lines and Alternator Installation

PIPER PARTS CATALOG

CODE EXPLANATIONS FOR FIGURE 79

- A - Used on PA-32-301 only.
- B - Used on PA-32-301T only.
- C - See Figure 90 for component parts.
- D - Used if Refrigerant Line Fitting Replacement Kit 764 244 has not been installed.
- E - Used on PA-32-301 with serial numbers 32-8006001 to 32-8206011 inclusive, and PA-32-301T with serial numbers 32-8024001 to 32-8224002 inclusive. If Refrigerant Line Fitting Replacement Kit 764 244 has been installed per Service Spares Letter 387, order parts for PA-32-301 with serial numbers 32-8206012 and up and PA-32-301T with serial numbers 32-8224003 and up.
- F - Used on PA-32-301 with serial numbers 32-8206012 and up, and PA-32-301T with serial numbers 32-8224003 and up.
- G - See Figure 90A if a Ford 90 amp alternator is installed.
- H - Used only if a 60 amp Prestolite alternator is installed.
- W - These parts must be ordered from Service Spares Department, Piper Aircraft, Lock Haven, Penna.

PIPER PARTS CATALOG

Figure and Index Number	Part Number	Code	NOMENCLATURE	No. Req.	SERIAL NUMBERS AFFECTED
79-	99109		DRAWING - Air Conditioning Compressor and Alternator Installation		
	99291	A	DRAWING - Air Conditioning Refrigerant Lines Installation		
	98598	B	DRAWING - Air Conditioning Refrigerant Lines Installation		
-1	555 412		COMPRESSOR ASSEMBLY - (F209-16764)	1	
-2	551 983	C.G	ALTERNATOR ASSEMBLY - Prestolite 60 amp (ALY-6422)	1	
-3	554 761		CLUTCH ASSEMBLY - (10616)	1	
-4	63897-06	H	CAPACITOR ASSEMBLY - Left front baffle	1	
-5	99763-00		BRACKET ASSEMBLY - Compressor, upper	1	
-6	99080-00		* IDLER PULLEY ASSEMBLY - Compressor drive	1	
-7	400 616		* BOLT - (AN8H-7A)	1	
	407 569	W	* WASHER - (AN960-816)	1	
	62833-83		* WASHER	3	
-8	79584-08	G	BRACKET ASSEMBLY - Compressor, lower	1	
-9	99072-00	H	* PULLEY ASSEMBLY - Alternator drive	1	
-10	553 230	H	* BOLT - (NAS2906-20)	1	
	62833-82	H	* WASHER - Alternator pulley	2	
	79558-02	H	* NUT - Alternator pulley	1	
-11	95061-151	H	* BUSHING - Alternator idler pulley	1	
-12	401 394	H,W	* BOLT - (AN6-13A)	2	
	407 567	H,W	* WASHER - (AN960-616)	2	
	404 890	H,W	* NUT - (MS20365-624C)	2	
-13	79886-11	G	BRACKET ASSEMBLY COMPLETE - Alternator support	1	
-14	79886-03	G	* CHANNEL ASSEMBLY - Alternator support	1	
-15	79886-04	G	* ARM ASSEMBLY - Alternator support	1	
-16	79886-07	G	* ARM ASSEMBLY - Alternator support	1	
-17	400 009	G,W	* BOLT - (AN4-14A)	2	
	407 585	G,W	* WASHER - (AN960-416L)	2	
	404 888	G,W	* NUT - (MS20365-428C)	2	
-18	486 126	G	* BOLT - (MS16997-81)	1	
-19	99592-08	A	HOSE ASSEMBLY - Discharge	1	
	99592-12	B	HOSE ASSEMBLY - Discharge	1	
-20	99592-09	A	HOSE ASSEMBLY - Suction	1	
	99592-22	B	HOSE ASSEMBLY - Suction	1	
-21	63904-92		HOSE ASSEMBLY - Discharge	1	
-22	63904-68		HOSE ASSEMBLY - Suction	1	
-23	565 576		HOSE ASSEMBLY - Discharge	1	
-24	565 578		HOSE ASSEMBLY - Receiver dehydrator to condenser	1	
-25	452 823		BELT - (PS10069-1-3)	1	
-26	401 461		BOLT - (AN6H22A)	2	
	407 567	W	WASHER - (AN960-616)	4	
	407 587	W	WASHER - (AN960-616L)	2	
	407 046	W	WASHER - (MS35338-46)	2	
-27	401 986		BOLT - (MS20074-06-05)	3	
	407 587	W	WASHER - (AN960-616L)	3	
-28	401 971	H	BOLT - (MS20074-05-06)	1	
	407 566	H,W	WASHER - (AN960-516)	1	
-29	401 970		BOLT - (MS20074-05-05)	4	
	407 586	W	WASHER - (AN960-516L)	4	

When ordering, always specify Part Number, Description and Serial Number of Aircraft

PIPER PARTS CATALOG

Figure and Index Number	Part Number	Code	NOMENCLATURE	No. Req.	SERIAL NUMBERS AFFECTED
79-30	401 988		BOLT - (MS20074-06-11)	2	
	407 587	W	WASHER - (AN960-616L)	2	
-31	452 824		BELT - (PS10069-1-4)	1	
-32	451 906	E	ADAPTER - (PS10022-6-4)	1	
	561 012	F	FITTING - (FC9158-0808S)	1	
	584 258	F	REDUCER - (661FHD-8-10)	1	
-33	99580-00	H	CLIP ASSEMBLY - Left front baffle	1	
-34	401 987		BOLT - (MS20074-06-06)	1	
	407 587	W	WASHER - (AN960-616L)	1	
-35	486 457		SEAL - (53-8543-0013)	1	
-36	451 907	E	ADAPTER - (PS10022-6-13)	2	
	561 013	F	FITTING - (FC9158-0606S)	2	
	584 256	F	REDUCER - (42F-8-6)	2	
-37	451 908	E	ADAPTER - (PS10022-6-14)	1	
	561 012	F	FITTING - (FC9158-0808S)	1	
	584 257	F	REDUCER - (42F-10-8)	1	
-38	554 888	A.D.W	CLAMP - (H-6)	3	32-8006001 to 32-8206011 incl
	554 678	B.D.W	CLAMP - (SAE TY F-6)	3	32-8024001 to 32-8224002 incl

When ordering, always specify Part Number, Description and Serial Number of Aircraft

PIPER PARTS CATALOG

CODE EXPLANATIONS FOR FIGURE 80

A - See Figure 82 if fixed oxygen system is installed

W - These parts must be ordered from Service Spares Department, Piper Aircraft, Lock Haven, Penna

PIPER PARTS CATALOG

Figure and Index Number	Part Number	Code	NOMENCLATURE	No. Req.	SERIAL NUMBERS AFFECTED
80-	69988 79849		DRAWING - Air Conditioning Duct Installation DRAWING - Evaporator Bulkhead Assembly		
-1	99640-00		EVAPORATOR ASSEMBLY - Air conditioning	1	
-2	99640-03		* EVAPORATOR AND HOUSING ASSEMBLY - Air conditioning	1	
-3	99642-02		* BLOWER ASSEMBLY - Evaporator	1	
-4	475 210		* * MOTOR ASSEMBLY - Evaporator blower (UN-YY1S062)	1	
-5	37997-02		* * COVER - Evaporator blower	1	
-6	99641-00		* * PLATE ASSEMBLY - Motor mounting	1	
-7	452 935		* BLOWER - (AE424-316-1)	1	
-8	99633-00		* DUCT - Hose connect	1	
-9	99646-02		* SWITCH ASSEMBLY - Pressure	1	
-10	589 688		* LINE ASSEMBLY - Evaporator inlet (37245-6-6S)	1	
-11	554 926	W	* CLAMP - (SAE TY F-44)	2	
-12	99648-00		* VALVE ASSEMBLY - Evaporator expansion	1	
-13	99650-00		* BRACKET - Receiver dehydrator	1	
-14	456 615		* RECEIVER DEHYDRATOR - (1106)	1	
-15	99661-00		* CLAMP - Bulb, expansion valve	1	
-16	554 861	W	CLAMP - (SAE TY F-4)	2	
-17	69989-03	A	PANEL ASSEMBLY - Cabin light and air conditioning (with speaker hole)	1	
	69989-02	A	PANEL ASSEMBLY - Cabin light and air conditioning (without speaker hole)	1	
-18	69990-02		DUCT ASSEMBLY - Air conditioner, front	1	
-19	473 187		* LOUVER - (136-1M), silver	2	
	473 195		* LOUVER - (336-1HS), black	2	
-20	461 386		* FRAME - (173M), silver	2	
	461 391		* FRAME - (173B), black	2	
-20a	406 424		* NUT - (C2733-040-1)	8	
-21	69991-02	A	DUCT ASSEMBLY - Air conditioner, center	1	
-22	473 187		* LOUVER - (136-1M), silver	2	
	473 195		* LOUVER - (336-1HS), black	2	
-23	461 386		* FRAME - (173M), silver	2	
	461 391		* FRAME - (173B), black	2	
-23a	406 424		* NUT - (C2733-040-1)	8	
-24	79839-03		DUCT ASSEMBLY - Air conditioner	1	
-25	473 187		LOUVER - (136-1M), silver	2	
	473 195		LOUVER - (336-1HS), black	2	
-26	461 386		FRAME - (173M), silver	2	
	461 391		FRAME - (173B), black	2	
-27	99539-00		SUPPORT ASSEMBLY - Evaporator box	1	
-28	99550-02		COVER - Evaporator filter	1	
-29	79840-04		DUCT ASSEMBLY - Hose connect	1	
-30	99644-00		FILTER - Evaporator	1	
-31	63633-100		HOSE - Air conditioning	1	
-32	63913-199		HOSE - Evaporator drain	1	
-33	406 424		NUT - (C2733-040-1)	8	

When ordering, always specify Part Number, Description and Serial Number of Aircraft

PIPER PARTS CATALOG

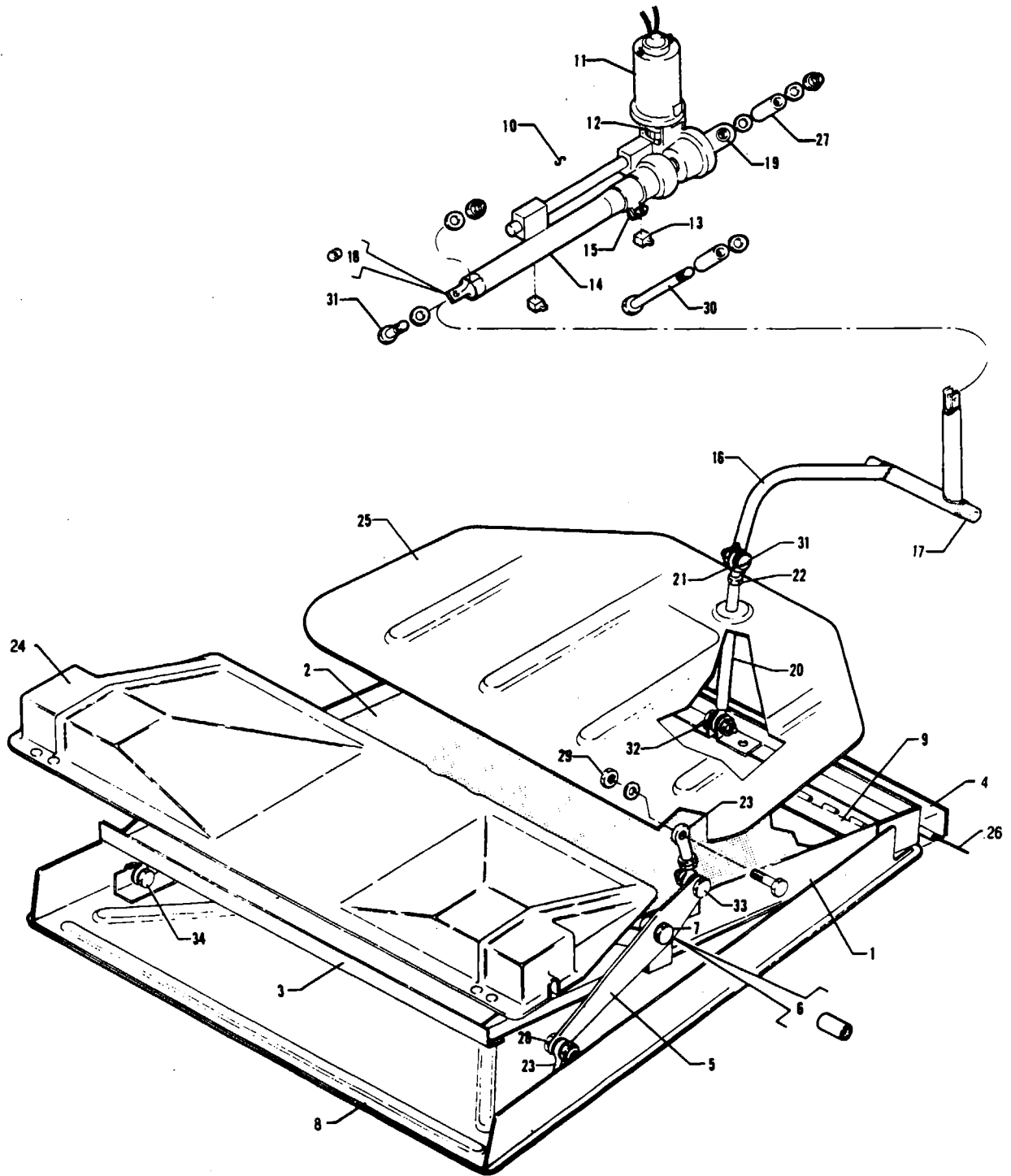


Figure 81 Air Conditioning Condenser Installation

PIPER PARTS CATALOG

CODE EXPLANATIONS FOR FIGURE 81

W - These parts must be ordered from Service Spares Department, Piper Aircraft, Lock Haven, Penna

PIPER PARTS CATALOG

Figure and Index Number	Part Number	Code	NOMENCLATURE	No. Req.	SERIAL NUMBERS AFFECTED
81-	99855		DRAWING - Air Conditioning Condenser Installation		
-1	99387-00		CONDENSER ASSEMBLY - Air conditioning (complete)	1	
-2	555 457		* CONDENSER - (1E-1415C)	1	
-3	99263-00		* HINGE ASSEMBLY - Condenser duct	1	
-4	99275-02		* HINGE - Half	1	
-5	99495-00		* BELLCRANK ASSEMBLY - Condenser door mechanism	2	
-6	65003-56		* BUSHING	2	
-7	401 273	W	* BOLT - (AN3-14A)	2	
	407 584	W	* WASHER - (AN960-10L)	4	
	404 887	W	* NUT - (MS20365-1032C)	2	
-8	99271-00		DOOR ASSEMBLY - Louver	1	
-9	99275-02		* HINGE - Half	1	
-10	99854-00		TRANSMISSION ASSEMBLY - Condenser door actuating (complete)	1	
-11	761 519		* MOTOR ASSEMBLY - Transmission (C145-200)	1	
-12	753 085		* UNIVERSAL ASSEMBLY - (B100-06)	1	
-13	757 718		* SWITCH - Limit (V3L-3-D9)	2	
-14	99853-00		* TUBE ASSEMBLY - Actuator	1	
-15	554 714		* CLAMP - (AN741-8P)	1	
-16	99867-00		BELLCRANK ASSEMBLY - Condenser	1	
-17	452 570		* BUSHING - Bronze (FF565-2)	2	
-18	452 571		BEARING - (AA225-1)	1	
-19	452 561		BEARING - (AA304-20)	1	
-20	99557-00		ROD ASSEMBLY - Condenser push	1	
-21	452 558		* BEARING - Rod end (PS10020-5-1R)	2	
-22	400 224	W	* NUT - (AN315-3R)	1	
-23	99561-00		BEARING ASSEMBLY - Condenser door actuating	4	
-24	99572-04		COVER ASSEMBLY - Forward	1	
-25	99569-00		COVER ASSEMBLY - Aft	1	
-26	99275-04		PIN - Hinge	1	
-27	65165-87		TUBE	2	
-28	400 861		BOLT - (AN23-13A)	2	
	407 564	W	WASHER - (AN960-10)	2	
	62833-101		WASHER - (.56 O D.)	2	
	404 887	W	NUT - (MS20365-1032C)	2	
-29	400 441	W	BOLT - (AN3-7A)	2	
	407 564	W	WASHER - (AN960-10)	6	
	404 887	W	NUT - (MS20365-1032C)	2	
-30	401 334	W	BOLT - (AN4-36A)	1	
	407 565	W	WASHER - (AN960-416)	3	
	404 888	W	NUT - (MS20365-428C)	1	
-31	400 861		BOLT - (AN23-13A)	2	
	407 564	W	WASHER - (AN960-10)	2	
	404 887	W	NUT - (MS20365-1032C)	2	
-32	401 269	W	BOLT - (AN3-10A)	1	
	407 564	W	WASHER - (AN960-10)	3	
	404 887	W	NUT - (MS20365-1032C)	1	
-33	400 440	W	BOLT - (AN3-6A)	2	
	407 564	W	WASHER - (AN960-10)	2	
	62833-101		WASHER - (.56 O D.)	2	
	404 835	W	NUT - (MS20364-1032C)	2	

When ordering, always specify Part Number, Description and Serial Number of Aircraft

PIPER PARTS CATALOG

Figure and Index Number	Part Number	Code	NOMENCLATURE	No. Req.	SERIAL NUMBERS AFFECTED
81-34	400 861		BOLT - (AN23-13A)	2	
	407 564	W	WASHER - (AN960-10)	4	
	62833-101		WASHER - (56 O D)	2	
	404 887	W	NUT - (MS20365-1032C)	2	

When ordering, always specify Part Number, Description and Serial Number of Aircraft

PIPER PARTS CATALOG

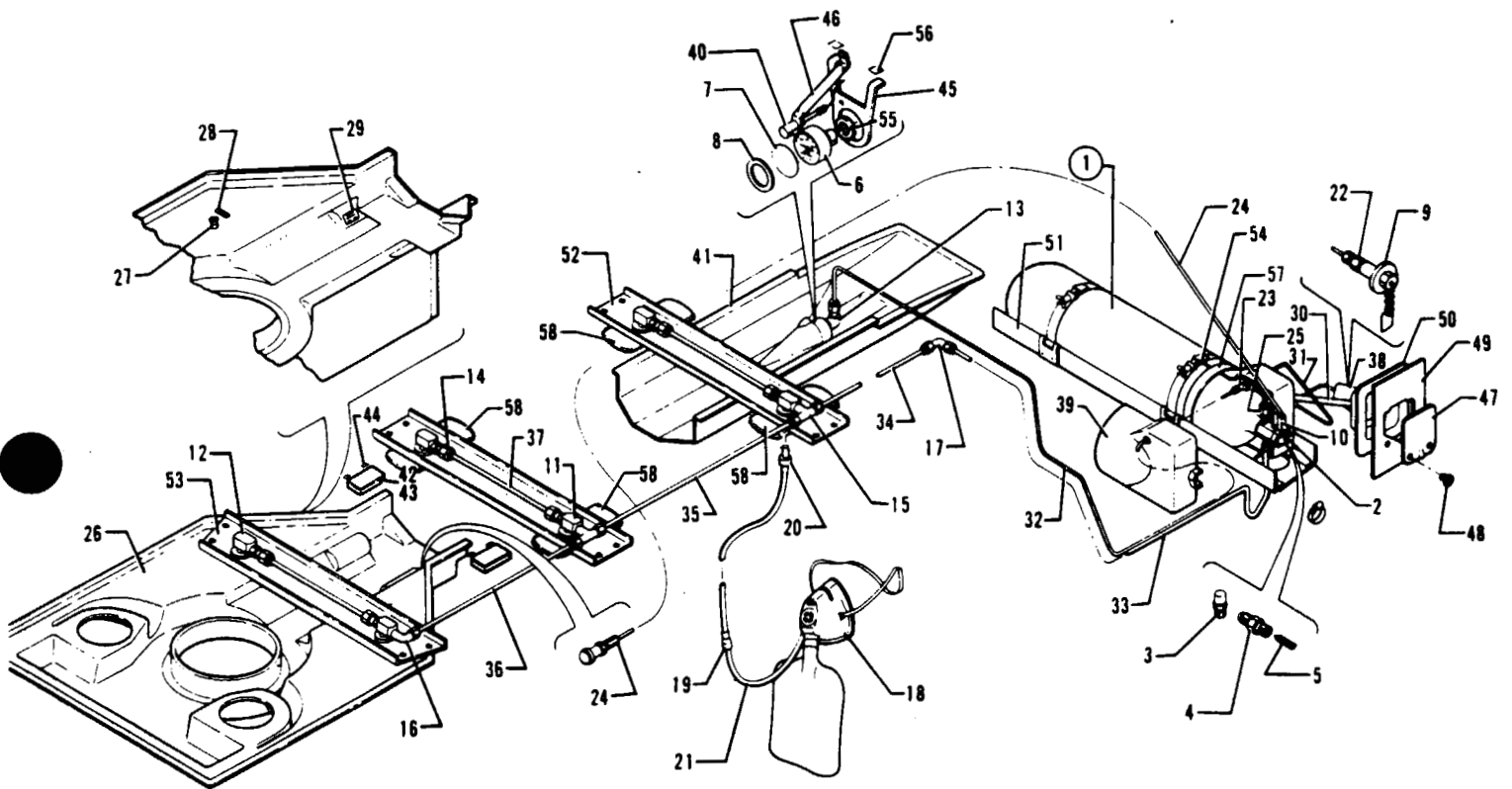


Figure 82. Oxygen System Installation (Fixed)

PIPER PARTS CATALOG

CODE EXPLANATIONS FOR FIGURE 82

- A - Order part for serial numbers 32-8124001 and up if Fixed Oxygen System Installation Kit 764 041 has been installed
- B - Also used on serial numbers 32-8024001 to 32-8024062 inclusive if Fixed Oxygen System Installation Kit 764 041 has been installed
- W - These parts must be ordered from Service Spares Department, Piper Aircraft, Lock Haven, Penna.

PIPER PARTS CATALOG

Figure and Index Number	Part Number	Code	NOMENCLATURE	No. Req.	SERIAL NUMBERS AFFECTED
82-	36960		DRAWING - Oxygen System Installation		
-1	763 312		CYLINDER AND REGULATOR ASSEMBLY - (800112-21)	1	
-2	762 584		* REGULATOR ASSEMBLY - Oxygen (800114-03)	1	
-3	756 507	W	* * RELIEF VALVE - Regulator assembly (5043-14)	1	
-4	756 505	W	* * VALVE ASSEMBLY - Charging (800216-00)	1	
-5	753 947	W	* * * CORE - Valve assembly - (57524)	1	
-6	751 896	W	GAUGE ASSEMBLY - Oxygen (includes mounting bracket) (800435)	1	
-7	752 355	W	* LENS - Oxygen gauge (13753)	1	
-8	753 433	W	* BEZEL - Oxygen gauge (8808-1)	1	
-9	756 504	W	VALVE ASSEMBLY - Recharge (S26875-63)	1	
-10	753 437	W	BRACKET ASSEMBLY - Control cable (800356-00)	1	
-11	752 610		OUTLET ASSEMBLY - Left (23599-12)	3	
-12	752 609		OUTLET ASSEMBLY - Right (23599-11)	3	
-13	754 798		ELBOW - High pressure (33521-403)	1	
-14	753 944	W	CONNECTOR - Low pressure (33529-009)	6	
-15	756 301	W	TEE - Low pressure (33529-805)	2	
-16	754 761	W	ELBOW - Low pressure (33529-106)	1	
-17	754 762	W	ELBOW - Low pressure (33529-704)	1	
-18	474 124		MASK ASSEMBLY - Oxygen, sky mask (passenger) (28314-11)	5	
	761 744		MASK ASSEMBLY - Oxygen, duo-seal mask with microphone (crew) (28316-11)	1	
-19	755 122		* FLOW - Indicator (8540)	1	
-20	753 939	W	* COUPLING - Oxygen plug-in (8570-00)	1	
-21	753 074	W	* TUBING - Plastic, oxygen mask (5' length)	1	
-22	763 310		CONNECTOR - Female (33525-202)	1	
-23	762 023		TEE - (1/8" dia.) (33521-002)	1	
-24	753 938	W	CABLE - Push-pull control (800177-00)	1	
-25	762 024		TUBE ASSEMBLY - High pressure (800214-06)	1	
-26	69989-07		PANEL ASSEMBLY - Overhead (without speaker hole)	1	
	69989-08		PANEL ASSEMBLY - Overhead (with speaker hole)	1	
-27	36965-02		SWITCH ASSEMBLY - Oxygen gauge light	1	
-28	35669-137		PLACARD - Oxygen gauge light	1	
-29	35669-157		PLACARD - Oxygen "pull on"	1	
-30	36960-10		TUBE - Vent	1	
-31	36960-13		TUBE - High pressure	1	
-32	36960-21		TUBE - High pressure	1	
-33	36960-11		TUBE - Low pressure	1	
-34	36960-09		TUBE - Low pressure	1	
-35	36960-08		TUBE - Low pressure	1	
-36	36960-07		TUBE - Low pressure	1	
-37	36960-06		TUBE - Low pressure	3	
-38	36959-02		SHROUD ASSEMBLY - Charging vent	1	
-39	36962-02		SHROUD ASSEMBLY - Oxygen bottle, aft	1	
	36962-03		SHROUD ASSEMBLY - Oxygen bottle, forward	1	
-40	572 514		LIGHT - Bolt (5952-8ND-CW-12) (Glar-ban)	1	
-41	69991-04	A	DUCT ASSEMBLY - Oxygen gauge	1	32-8024001 to 32-8024062 incl
	69991-07		DUCT ASSEMBLY - Oxygen gauge	1	32-8124001 and up
-42	473 187		* LOUVER - (136-1M), silver	2	
	473 195		* LOUVER - (338-1HS), black	2	
-43	461 386		* FRAME - (173M), silver	2	
	461 391		* FRAME - (173B), black	2	

When ordering, always specify Part Number, Description and Serial Number of Aircraft

PIPER PARTS CATALOG

Figure and Index Number	Part Number	Code	NOMENCLATURE	No. Req.	SERIAL NUMBERS AFFECTED
82-44	406 424		* NUT - (C2733-040-1)	8	
-45	36963-02	A	BRACKET - Gauge mount	1	32-8024001 to 32-8024062 incl.
	39789-02		BRACKET - Gauge mount	1	32-8124001 and up
-46	36963-03		BRACKET - Gauge mount	1	32-8024001 to 32-8024062 incl.
-47	36957-04		DOOR ASSEMBLY - Access, oxygen recharge	1	
-48	487 584	W	* STUD - (2600-2)	2	
	494 060	W	* LOCKWASHER - (2600-LW)	2	
-49	36957-05		DOUBLER - Access, oxygen recharge	1	
-50	36957-06		DISH ASSEMBLY - Access, oxygen recharge	1	
-51	36956-02		SHELF ASSEMBLY - Oxygen bottle	1	
-52	36951-02		CHANNEL - Outlet	2	
-53	36950-02		CHANNEL - Outlet, overhead panel	1	
-54	654 117		CLAMP - (C31123C-62-750-S1)	2	
-55	62833-131	B	SHIM - Oxygen gauge	1	32-8124001 and up
-56	39789-06		SHIM - Gauge mount	2	
-57	654 119		CLAMP - (SAE TYF-116)	1	
-58	452 813		BEZEL - Oxygen outlet (A320)	4	

When ordering, always specify Part Number, Description and Serial Number of Aircraft

PIPER PARTS CATALOG

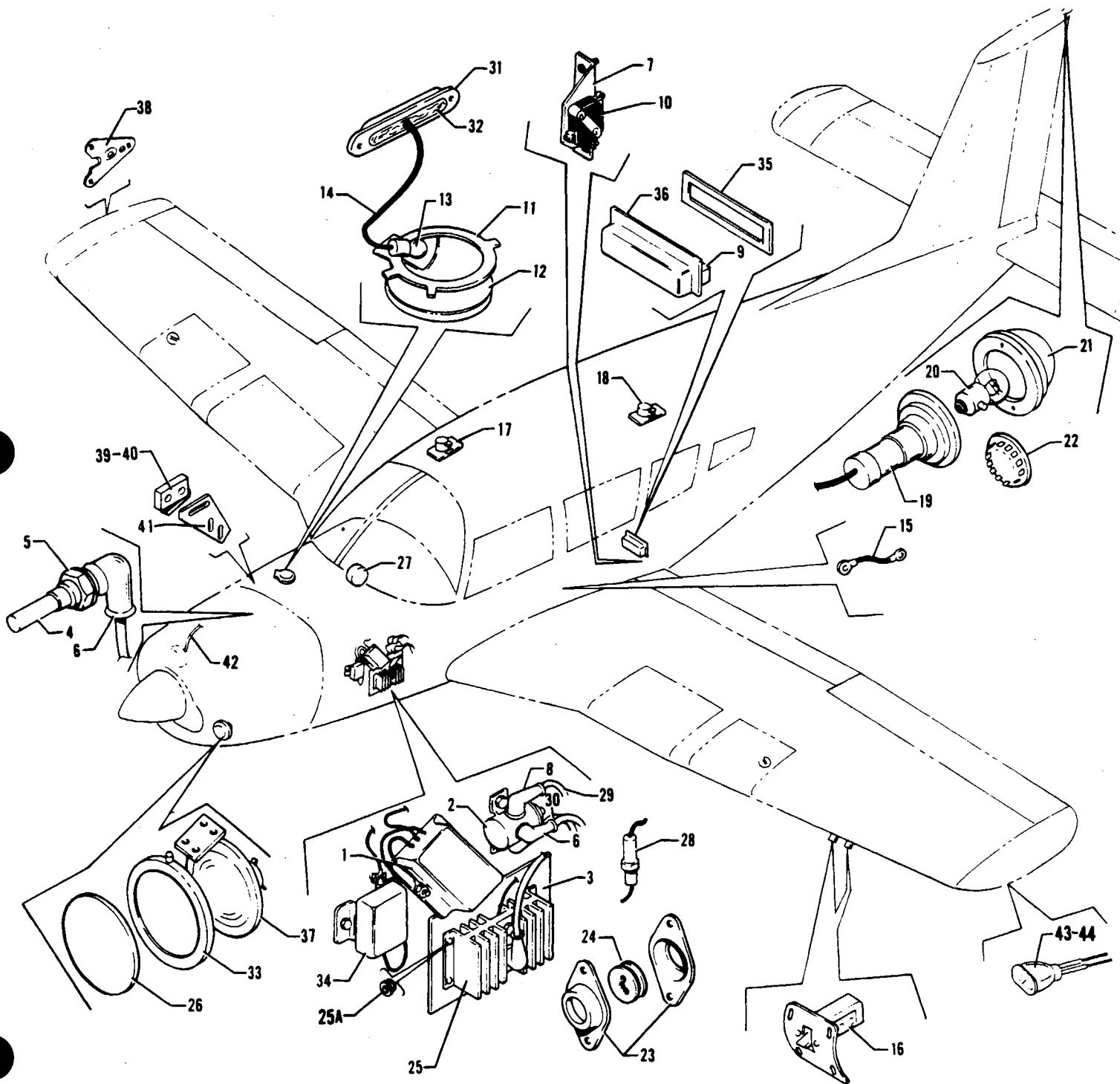


Figure 83 Electrical System Installation

REVISED: AUGUST 1984

PA-32-301

PIPER PARTS CATALOG

CODE EXPLANATIONS FOR FIGURE 83

- A - Used on serial numbers 32-8006001 to 32-8106110 inclusive Also used on aircraft with serial numbers 32-8206001 and up that comply with United Kingdom requirements
- B - Used if recognition lights are installed
- W - These parts must be ordered from Service Spares Department, Piper Aircraft, Lock Haven, Penna.

PIPER PARTS CATALOG

Figure and Index Number	Part Number	Code	NOMENCLATURE	No. Req.	SERIAL NUMBERS AFFECTED
83-	38537 87505		DRAWING - Electrical System Installation DRAWING - Baggage Door Annunciator Light Switch Installation		32-8306001 and up
-1	68804-03 68804-04		REGULATOR ASSEMBLY - Voltage CONTROL ASSEMBLY - Voltage	1 1	32-8006001 to 32-8406007 incl. 32-8406008 and up
-2	99130-02	W	SOLENOID - Starter (487 169)	1	
-3	79413-02		SHIELD - Diode cooler	1	
-4	550 487		SENDING UNIT - Engine, oil temperature gauge (362-EW)	1	
-5	462 012	W	GASKET - (AH1522) Engine unit	1	
-6	23969-02	W	NIPPLE - Sending unit and solenoids	4	
-7	96590-00		BRACKET - Switch support	1	
-8	23969-05	W	NIPPLE - Solenoid	2	
-9	488 545		BOARD ASSEMBLY - Terminal (MS25123-1-12)	1	
-10	487 925	W	SWITCH - Stall warning (V3-1)	1	
	451 841	W	ACTUATOR - Stall warning (JV-5)	1	
-11	66632-02		REFLECTOR ASSEMBLY - Forward baggage light (less manual switch)	1	
-12	12715-00	W	LENS - Baggage light	1	
-13	472 036	W	LAMP - Baggage light (89)	1	
-14	63874-02		PIGTAIL ASSEMBLY - Baggage light	1	
-15	69050-04		WIRE ASSEMBLY - Ground plate	1	
-16	548 262		LIFT DETECTOR - (148-7)	2	
-17	37871-05		LIGHT ASSEMBLY - Courtesy, forward (Whelen)	1	
-18	37871-04		LIGHT ASSEMBLY - Courtesy, aft (Whelen)	1	
-19	472 736	A,W	LIGHT - Clear (A2064-1073)	1	
-20	753 431	A,W	* BULB - (1073)	1	
-21	751 203	A,W	* LENS - Clear	1	
-22	453 639	W	BUTTON - Plug (HS-50726)	1	
-23	18321-00	W	RETAINER - Grommet, firewall seal	2	
-24	63915-23		DISC - Firewall sealing	2	
-25	79412-03		DIODE AND COOLER ASSEMBLY	1	32-8006001 to 32-8106087 incl
	79412-10		DIODE AND COOLER ASSEMBLY	1	32-8106088 and up
-25a	467 067		* INSULATOR - Cooler (103)	4	
-26	12761-02	W	COVER ASSEMBLY - Landing light opening	1	
-27	35214-00		HORN - Stall warning	1	
-28	461 629		FUSE - 5 ampere (311005)	4	
-29	68807-05		WIRE ASSEMBLY - Battery to starter solenoid	1	
-30	69325-124		WIRE ASSEMBLY - Starter solenoid to starter	1	
-31	37939-02		COVER AND SWITCH ASSEMBLY - Baggage light	1	
-32	37873-03		* SWITCH - Baggage light, magnetic	1	
-33	65372-00		RETAINER ASSEMBLY - Landing light	1	
-34	450 397		RELAY - Overvoltage (PS50034-1)	1	32-8006001 to 32-8406007 incl
-35	67404-02		COVER - Terminal strip, bottom	1	
-36	67404-03		COVER - Terminal strip, top	1	
-37	472 661	W	BULB - Landing light (PS10008-4509)	1	
-38	406 393		NUT - Special, light attachment (A18828-623)	2	
-39	487 922		SWITCH - Baggage door annunciator light (1SE1)	1	32-8306001 and up
-40	451 823		ACTUATOR - Baggage door annunciator light (JE73)	1	32-8306001 and up
-41	87503-02		PLATE - Switch mounting	1	32-8306001 and up
-42	87373-07		WIRE ASSEMBLY - Alternator to ammeter (81 0" L)	1	
-43	87742-02	B	LIGHT ASSEMBLY - Recognition	2	32-8506001 and up
-44	761 279	B	* LAMP - Recognition	1	32-8506001 and up

When ordering, always specify Part Number, Description and Serial Number of Aircraft

PIPER PARTS CATALOG

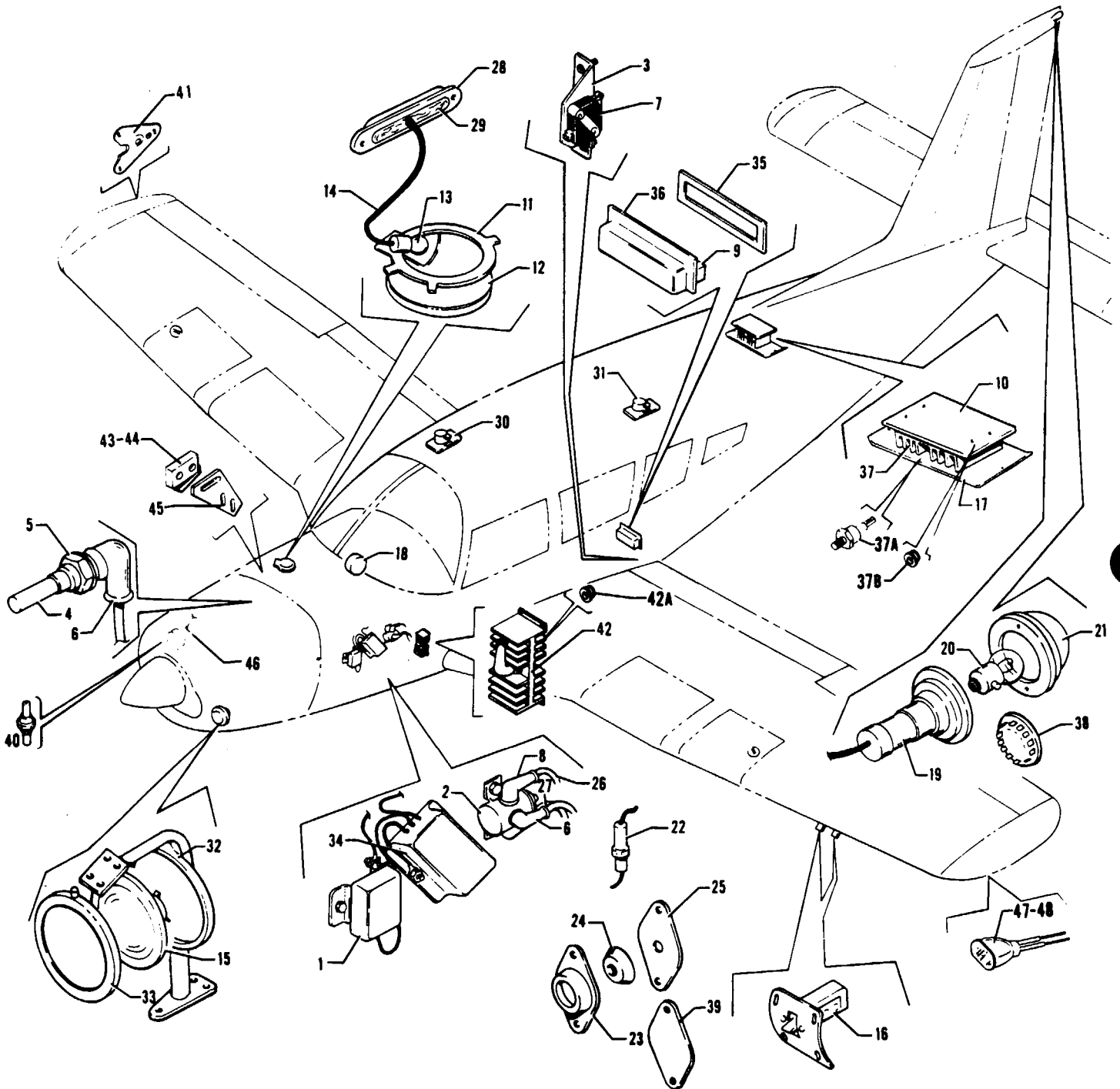


Figure 84 Electrical System Installation

PIPER PARTS CATALOG

CODE EXPLANATIONS FOR FIGURE 84

- A - Used on serial numbers 32-8024001 to 32-8124062 inclusive. Also used on aircraft with serial numbers 32-8224001 and up that comply with United Kingdom requirements.
- B - Used if a 90 amp Ford alternator is installed.
- C - Used if a 60 amp Prestolite alternator is installed.
- D - Used if recognition lights are installed.
- W - These parts must be ordered from Service Spares Department, Piper Aircraft, Lock Haven, Penna.

PIPER PARTS CATALOG

Figure and Index Number	Part Number	Code	NOMENCLATURE	No. Req.	SERIAL NUMBERS AFFECTED
84-	38489 87505		DRAWING - Electrical System Installation DRAWING - Baggage Door Annunciator Light Switch Installation		32-8324001 and up
-1	68804-03 68804-04		REGULATOR ASSEMBLY - Voltage CONTROL ASSEMBLY - Voltage	1 1	32-8024001 to 32-8324016 incl 32-8424001 and up
-2	99130-02	W	SOLENOID - Starter	1	
-3	96590-00		BRACKET - Switch support	1	
-4	550 487		SENDING UNIT - Engine, oil temperature gauge (362-EW)	1	
-5	462 012	W	GASKET - (AH1522) Engine unit	1	
-6	23969-02	W	NIPPLE - Sending unit and solenoids	2	
-7	487 925	W	SWITCH - Stall warning (V3-1)	1	
	451 841	W	ACTUATOR - Stall warning (JV-5)	1	
-8	23969-05	W	NIPPLE - Solenoid	2	
-9	488 545		BOARD ASSEMBLY - Terminal (MS25123-1-12)	1	
-10	79413-02		SHIELD - Diode cooler	1	
-11	66632-02		REFLECTOR ASSEMBLY - Forward baggage light (less manual switch)	1	
-12	12715-00	W	LENS - Baggage light	1	
-13	472 036	W	LAMP - Baggage light (89)	1	
-14	63874-02		PIGTAIL ASSEMBLY - Baggage light	1	
-15	472 661	W	BULB - Landing light (PS10008-4509)	1	
-16	548 262		LIFT DETECTOR - (148-7)	2	
-17	79414-00		COVER - Diode cooler	1	
-18	35214-00		HORN - Stall warning	1	
-19	472 736	A,W	LIGHT - Clear (A2064-1073)	1	
-20	753 431	A,W	* BULB - (1073)	1	
-21	751 203	A,W	* LENS - Clear	1	
-22	461 629		FUSE - 5 ampere (311005)	4	
-23	66789-00		PLATE - Grommet, firewall seal	2	
-24	68770-04		GROMMET - Firewall	2	
-25	68771-04		GASKET - Firewall	1	
-26	99983-54		WIRE ASSEMBLY - Battery to starter solenoid	1	
-27	69325-124		WIRE ASSEMBLY - Starter solenoid to starter	1	
-28	37939-02		COVER AND SWITCH ASSEMBLY - Baggage light	1	
-29	37873-03		* SWITCH - Baggage light, magnetic	1	
-30	37871-05		LIGHT ASSEMBLY - Courtesy, forward (Whelen)	1	
-31	37871-04		LIGHT ASSEMBLY - Courtesy, aft (Whelen)	1	
-32	98663-09		BRACKET ASSEMBLY - Light	1	
-33	65372-00		RETAINER ASSEMBLY - Landing light	1	
-34	450 397		RELAY - Overvoltage (PS50034-1)	1	32-8024001 to 32-8324016 incl
-35	67404-02		COVER - Terminal strip, bottom	1	
-36	67404-03		COVER - Terminal strip, top	1	
-37	79412-03	C	DIODE AND COOLER ASSEMBLY	1	32-8024001 to 32-8124030 incl
	79412-10	C	DIODE AND COOLER ASSEMBLY	1	32-8124031 and up
-37a	467 067		* INSULATOR - Cooler (103)	4	
-38	453 639	W	BUTTON - Plug (HS-50726)	1	
-39	69914-00		PLATE - Seal, firewall	4	
-40	550 549		SENDING UNIT - Cylinder head temperature (333-B)	1	
-41	406 393		NUT - Special, light attachment (A18828-6Z3)	2	
-42	39662-02	B	DIODE AND COOLER ASSEMBLY	1	
-42a	467 067		* INSULATOR - Cooler (103)	4	
-43	487 922		SWITCH - Baggage door annunciator light (1SE1)	1	32-8324001 and up
-44	451 823		ACTUATOR - Baggage door annunciator light (JE73)	1	32-8324001 and up
-45	87503-02		PLATE - Switch mounting	1	32-8324001 and up
-46	87373-08		WIRE ASSEMBLY - Alternator to ammeter (257 0")	1	
-47	87742-02	D	LIGHT ASSEMBLY - Recognition	2	32-8524001 and up
-48	761 279	D	* LAMP - Recognition light	1	32-8524001 and up

When ordering, always specify Part Number, Description and Serial Number of Aircraft

PIPER PARTS CATALOG

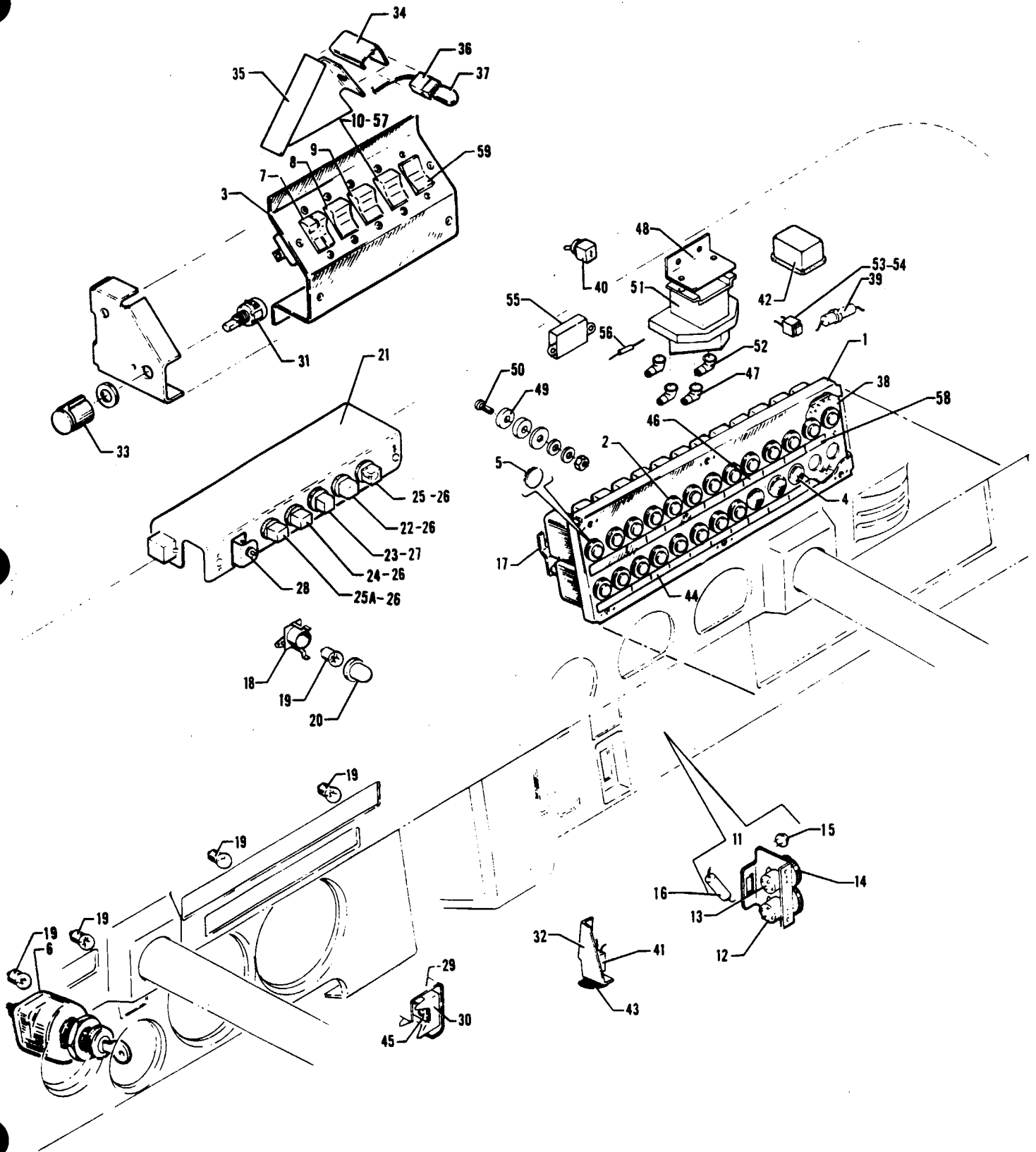


Figure 85 Instrument Panel Electrical Installation

REVISED: AUGUST 1984

PIPER PARTS CATALOG

CODE EXPLANATIONS FOR FIGURE 85

- A - If matching door locks and ignition switch are desired order Kit 87329-04
- B - Used on PA-32-301 only
- C - Used on PA-32-301T only
- D - Used on PA-32-301 with serial numbers 32-8006001 to 32-8206050 inclusive, and PA-32-301T with serial numbers 32-8024001 to 32-8224024 inclusive
- E - Used on PA-32-301 with serial numbers 32-8306001 and up, and PA-32-301T with serial numbers 32-8324001 and up
- F - Used if fin strobe is installed.
- G - Used on PA-32-301 with serial numbers 32-8006001 to 32-8106073 inclusive, and PA-32-301T with serial numbers 32-8024001 to 32-8124029 inclusive.
- H - Used on PA-32-301 with serial numbers 32-8106074 and up, and PA-32-301T with serial numbers 32-8124030 and up
- J - Used if a 90 amp Ford alternator is installed.
- K - Used on PA-32-301 with serial numbers 32-8506001 and up, and PA-32-301T with serial numbers 32-8524001 and up if recognition lights are installed.
- W - These parts must be ordered from Service Spares Department, Piper Aircraft, Lock Haven, Penna.

PIPER PARTS CATALOG

Figure and Index Number	Part Number	Code	NOMENCLATURE	No. Req.	SERIAL NUMBERS AFFECTED
85-	38537	B	DRAWING - Electrical Installation		
	38489	C	DRAWING - Electrical Installation		
	36926	D	DRAWING - Radio Master Switch Installation		
	39870	E	DRAWING - Radio Master Switch Installation		
	87458	E	DRAWING - Ground Clearance Switch Installation		
-1	99696-03		PANEL ASSEMBLY - Circuit breaker	1	
-2	454 668		CIRCUIT BREAKER - (PS50120-3-8) 5 amp. Wood Electric Corp	AR	
	454 669		CIRCUIT BREAKER - (PS50120-3-13) 10 amp. Wood Electric Corp	AR	
	454 719		CIRCUIT BREAKER - (PS50120-1-3) 7 5 amp. Mech Products Inc	AR	
	454 678		CIRCUIT BREAKER - (PS50120-3-11) 7 5 amp. Wood Electric Corp	AR	
	454 708		CIRCUIT BREAKER - (PS50120-1-7) 15 amp. Mech Products Inc	AR	
	454 670		CIRCUIT BREAKER - (PS50120-3-15) 15 amp. Wood Electric Corp	AR	
-3	69346-00		PLATE ASSEMBLY - Switch	1	
-4	453 602		BUTTON - Plug (SS48152)	20	
-5	453 766	W	BUTTON - Plug (SS48154)	1	
-6	688 178	A,W	SWITCH - Ignition (10-357200-1)	1	
-7	99377-05	G	SWITCH - Main	1	
	99377-56	H	SWITCH - Main	1	
-8	99377-02		SWITCH - Fuel pump	1	
-9	99377-06		SWITCH - Anti-collision	1	
	99377-07	F	SWITCH - Strobe lights	1	
-10	99377-03		SWITCH - Landing light	1	
-11	37399-02		CONTROL ASSEMBLY - Dimmer	1	
-12	67436-04		* SWITCH - Potentiometer	1	
-13	67436-06		* SWITCH - Potentiometer	1	
-14	67437-00		* KNOB - Potentiometer	2	
-15	489 400		* TRANSISTOR - (2N3055)	2	
-16	484 498		* RESISTOR - (22 ohm, 1 watt)	2	
-17	67412-05		STRIP - Circuit breaker	1	
-18	565 516		HOLDER ASSEMBLY - Instrument light (PS10082-1-1)	14	
-19	472 056		LAMP - (53) Clear	14	
-20	460 602		FILTER - Lunar white (1813-26)	14	
-21	79333-00	B	PANEL ASSEMBLY - Annunciator	1	32-8006001 to 32-8206050 incl
	79333-05	B	PANEL ASSEMBLY - Annunciator	1	32-8306001 and up
	79333-03	C	PANEL ASSEMBLY - Annunciator	1	32-8024001 to 32-8224024 incl
	79333-06	C	PANEL ASSEMBLY - Annunciator	1	32-8324001 and up
-22	67422-12		* LIGHT - Indicator (OIL)	1	
-23	67422-14		* LIGHT - Indicator (ALT)	1	
-24	67422-13		* LIGHT - Indicator (VAC)	1	
-25	67422-21	C	* LIGHT - Indicator (OVER BST)	1	
-25a	67422-26	E	* LIGHT - Indicator (BAGGAGE DOOR)	1	
-26	472 054	W	* BULB - (PS10008-330)	AR	
-27	453 695	W	* BULB - (PS10008-328)	1	
-28	487 904		* SWITCH - (39-1)	1	
-29	79205-00		COVER - Terminal strip	1	
-30	588 464		STRIP - Terminal (MS27212-1-4)	1	
-31	69961-02		DIMMER ASSEMBLY - Switch panel	1	
-32	36933-02		BRACKET - Emergency bus switch	1	
-33	571 162		KNOB - Dimmer (RB-67-1-SB-M)	1	

When ordering, always specify Part Number, Description and Serial Number of Aircraft

PIPER PARTS CATALOG

Figure and Index Number	Part Number	Code	NOMENCLATURE	No. Req.	SERIAL NUMBERS AFFECTED
85-34	37999-02		SHIELD - Lamp switch	1	
-35	37998-02		SHIELD - Light assembly	1	
-36	69960-02		SOCKET ASSEMBLY - Panel light	1	
-37	472 081		LAMP - (PS10008-658)	1	
-38	67409-00		SPACER - Circuit breaker	1	
-39	461 629		FUSE - (311005) 5 amp	1	
-40	587 923		SWITCH - Radio master (PS10095-1)	1	
-41	36935-03	D	SWITCH ASSEMBLY - Emergency bus	1	
	36935-06	E	SWITCH ASSEMBLY - Emergency bus	1	
-42	484 209	D	RELAY - (PS50053-2-2)	1	
-43	463 615		GUARD - (MS25224-1)	1	
-44	35669-61		PLACARD - Circuit breaker panel	1	
-45	35207-00		BAR - Bus, terminal strip	1	
-46	35669-60		PLACARD - Circuit breaker panel	1	
-47	23969-03	E,W	NIPPLE - Electrical	2	
-48	39869-02	E	BRACKET - Relay	1	
-49	67412-08	J	CONDUCTOR	2	
-50	415 319	J,W	SCREW - (MS27039-1-09)	1	
	407 584	J,W	WASHER - (AN960-10L)	1	
	407 104	J,W	WASHER - (AN935-10)	1	
	404 224	J,W	NUT - (AN315-3R)	1	
-51	584 279	E	RELAY - (6041H298)	1	
-52	23969-02	E,W	NIPPLE - Electrical	2	
-53	688 139	E	SWITCH - Ground clearance (AML21CBA2AB)	1	
-54	472 151	E	LAMP - Ground clearance (PS10008-37)	1	
-55	584 291	E	RELAY - Ground clearance switch (20607-81)	1	
-56	456 703	E	DIODE - Ground clearance switch (IN2071A)	1	
-57	99377-66	K	SWITCH - Recognition and landing lights	1	
-58	87369-53	K	PLACARD - Landing and recognition lights	1	
-59	99377-04		SWITCH - Pitot heat	1	

When ordering, always specify Part Number, Description and Serial Number of Aircraft

PIPER PARTS CATALOG

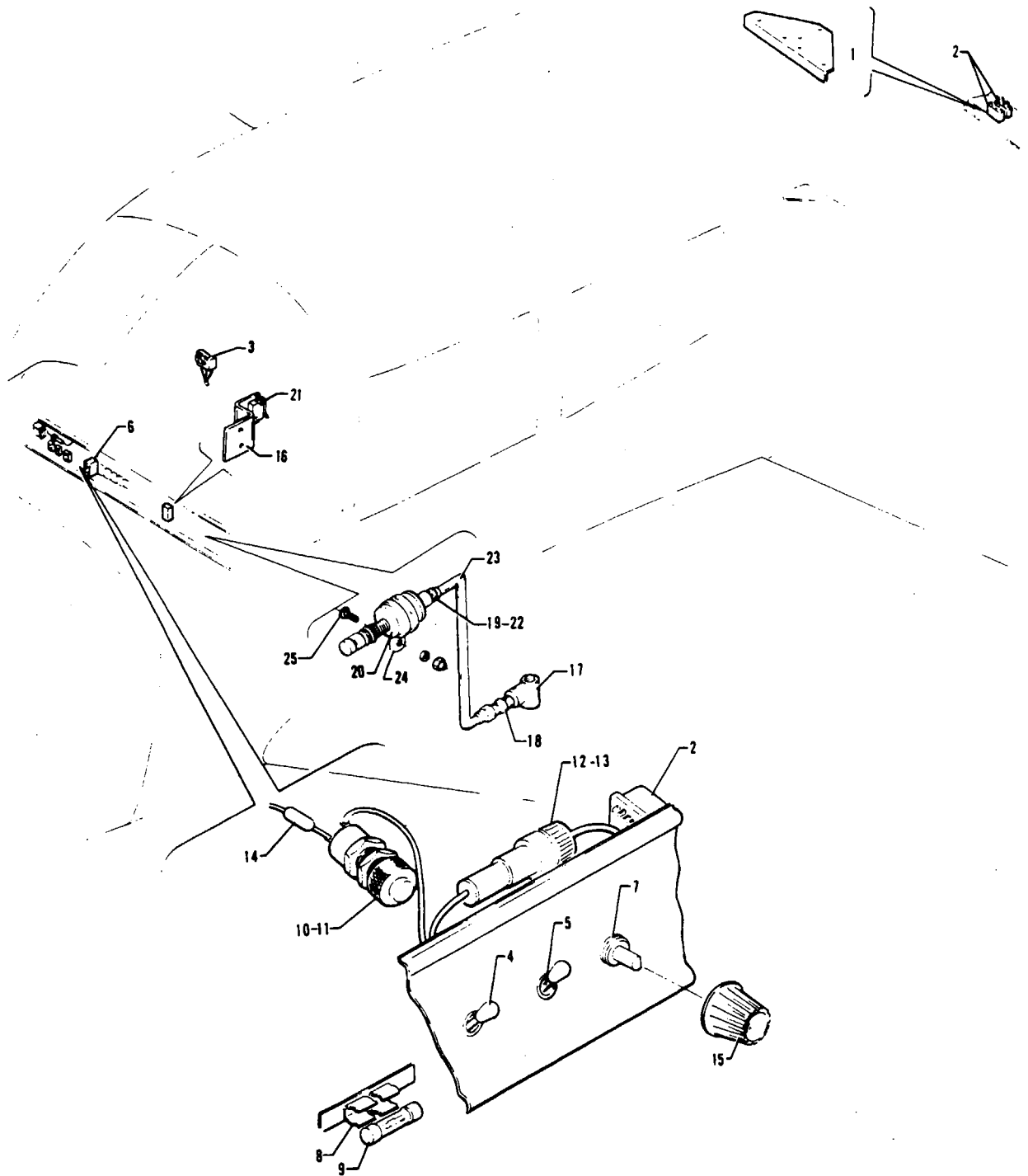


Figure 86 Air Conditioning Electrical Installation

PIPER PARTS CATALOG

CODE EXPLANATIONS FOR FIGURE 86

- A - Used on PA-32-301 only
- B - Used on PA-32-301T only.
- C - Also used on serial numbers 32-8024001 to 32-8124046 inclusive if Manifold Pressure Gauge Switch Relocation Kit 764 216 has been installed per Service Letter 947.
- W - These parts must be ordered from Service Spares Department, Piper Aircraft, Lock Haven, Penna.

PIPER PARTS CATALOG

Figure and Index Number	Part Number	Code	NOMENCLATURE	No. Req.	SERIAL NUMBERS AFFECTED
86-	99980	A	DRAWING - Air Conditioning Electrical Installation		
	98685	B	DRAWING - Air Conditioning Electrical Installation		
-1	99862-00		MOUNT ASSEMBLY - Relay	1	
-2	484 209		RELAY - (PS50053-2-2)	3	
-3	487 925	A,W	SWITCH - (V3-1)	1	
-4	587 903		SWITCH - (MS35058-22)	1	
-5	688 235		SWITCH - (8946K942)	1	
-6	454 709		CIRCUIT BREAKER - (PS50120-1-9) 20 amp	1	
-7	99717-00		THERMOSTAT - Air conditioning	1	
-8	99999-00		HOLDER ASSEMBLY - Fuse	1	
-9	461 629		* FUSE - (311005)	2	
-10	472 844		LIGHT - (MS25041-4)	1	
-11	472 054	W	BULB - (PS10008-330)	1	
-12	465 258		HOLDER - Fuse (155020)	3	
-13	461 629		FUSE - (311005)	3	
-14	484 467		RESISTOR - (4392)	1	
-15	571 162		KNOB - Control head (RB-67-1-SB-M)	1	
-16	99804-00	A	BRACKET - Throttle limit switch	1	
-17	488 474	B,W	TEE - (AN917-1D)	1	
-18	476 648	B,W	NIPPLE - (AN816-4D)	1	
-19	484 845	B	"O" RING - (MS29512-04)	1	
-20	588 073	B	SWITCH - (214C40-1-61)	1	
-21	451 834	A	ACTUATOR - Throttle limit switch (JV-7)	1	
-22	491 050	B,C,W	UNION - (AN815-4D)	1	32-8224001 and up
-23	67700-391	B,C	TUBE ASSEMBLY - Pressure switch	1	32-8224001 and up
-24	554 776	B,C	CLAMP - (PS10017-2-22)	1	32-8224001 and up
-25	411 532	B,C,W	SCREW - (MS35207-263)	1	32-8224001 and up
	407 564	B,C,W	WASHER - (AN960-10)	1	32-8224001 and up
	404 887	B,C,W	NUT - (MS20365-1032C)	1	32-8224001 and up

When ordering, always specify Part Number, Description and Serial Number of Aircraft

PIPER PARTS CATALOG

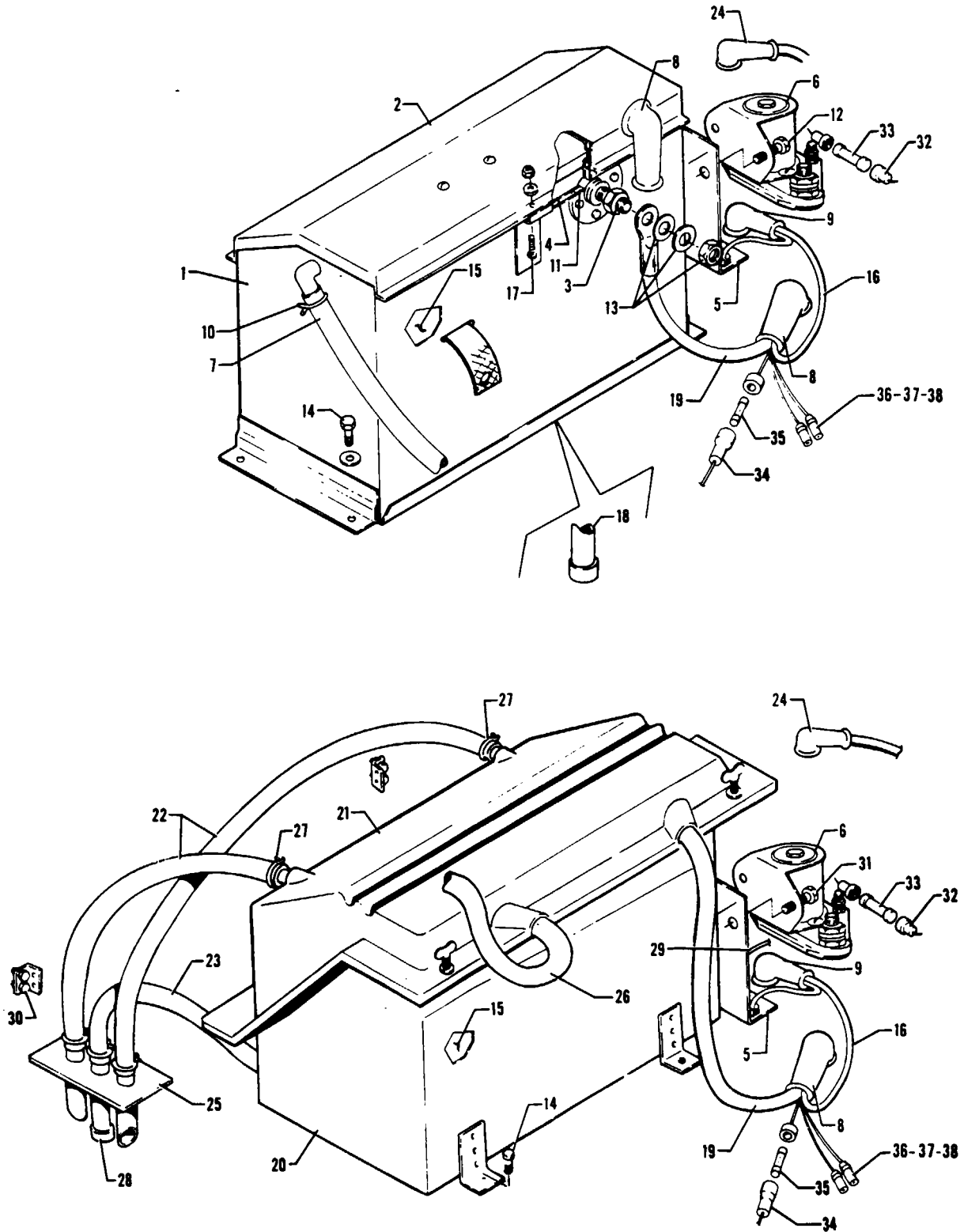


Figure 87 Battery Box Installation

PIPER PARTS CATALOG

CODE EXPLANATIONS FOR FIGURE 87

- A - Used on PA-32-301 only
- B - Used on PA-32-301T only
- C - Used on PA-32-301 with serial numbers 32-8106001 and up, and PA-32-301T with serial numbers 32-8124001 and up
- D - Used on PA-32-301 with serial numbers 32-8106088 and up, and PA-32-301T with serial numbers 32-8124031 and up
- E - Used on PA-32-301 with serial numbers 32-8306001 and up, and PA-32-301T with serial numbers 32-8324001 and up
- W - These parts must be ordered from Service Spares Department, Piper Aircraft, Lock Haven, Penna

PIPER PARTS CATALOG

Figure and Index Number	Part Number	Code	NOMENCLATURE	No. Req.	SERIAL NUMBERS AFFECTED
87-	38537 38489	A B	DRAWING - Electrical System Installation DRAWING - Electrical System Installation		
-1	68802-00	A	BOX ASSEMBLY - Battery	1	
-2	63977-00	A	LID ASSEMBLY - Battery box	1	
-3	66616-00	A	TERMINAL ASSEMBLY	1	
-4	17555-00	A,W	PLATE	1	
-5	62279-00		DIODE ASSEMBLY - Master relay	1	
-6	63880-00		RELAY - Power	1	
-7	63904-07	A	HOSE - Battery vent, outboard	1	
	63904-13	A	HOSE - Battery vent, inboard	1	
-8	23969-05	W	NIPPLE	2	
-9	23969-02	W	NIPPLE	2	
-10	454 983	A,W	CLAMP - (SAE TY E8)	4	
-11	81342-56	A	WASHER - Terminal, battery box	1	
-12	401 307	A,W	BOLT - (AN4-4A)	2	
	407 565	A,W	WASHER - (AN960-416)	2	
-13	404 638	A,W	NUT - (AN340B516)	2	
	407 586	A,W	WASHER - (AN960-516L)	2	
	407 566	A,W	WASHER - (AN960-516)	1	
	407 106	A,W	WASHER - (AN935-516)	1	
-14	401 306	W	BOLT - (AN3-4A)	4	
	407 584	W	WASHER - (AN960-10L)	4	
-15	450 035	W	BATTERY - (R35) 35 Ampere hour	1	
-16	63862-28		WIRE ASSEMBLY - Power relay jumper	1	
-17	417 784	A,W	SCREW - (AN520-10R22)	2	
	404 224	A,W	NUT - (AN315-3R)	2	
	407 043	A,W	WASHER - (MS35338-43)	2	
	404 792	A	NUT - (MS35426-13)	2	
-18	454 161	A,W	VENT CAP - Exide (63019)	1	
-19	68807-04	A	WIRE ASSEMBLY - Positive (9 50")	1	
	78140-39	B	WIRE ASSEMBLY - Positive (11 00")	1	
-20	35202-00	B	BOX ASSEMBLY - Battery	1	
-21	35201-00	B	COVER ASSEMBLY - Battery	1	
-22	63904-06	B,W	HOSE - Plastic, battery vent	2	
-23	63904-20	B,W	HOSE - Plastic, battery drain	1	
-24	66580-02		NIPPLE	1	
-25	63947-00	B	VENT ASSEMBLY - Battery	1	
-26	78140-33	B	WIRE ASSEMBLY - Ground (12 00")	1	
-27	454 983	B,W	CLAMP - (SAE TY E8)	6	
-28	454 161	B,W	VENT CAP - Exide (1704-9-Y)	1	
-29	99983-55	B	WIRE ASSEMBLY - Battery to master switch	1	
-30	401 306	B,W	BOLT - (AN3-4A)	4	
	407 694	B	WASHER - (AN960-D10)	4	
-31	401 307	B,W	BOLT - (AN4-4A)	2	
	407 801	B,W	WASHER - (AN970-4)	2	
	404 836	B,W	NUT - (MS20364-428C)	2	
-32	79595-19	C	FUSE ASSEMBLY - Voltage spike supression	1	
-33	461 657	C	* FUSE - (312001) 1 amp	1	
-34	79595-00	D	FUSE ASSEMBLY - Hour meter and clock	1	
-35	461 629	D	* FUSE - (311005) 5 amp	1	
-36	87502-03	E	FUSE ASSEMBLY - Ground clearance switch	1	
-37	461 648	E	* FUSE - Com/Nav 1 (312010, 10 amp)	1	
-38	461 629	E	* FUSE - Audio panel (311005, 5 amp)	1	

When ordering, always specify Part Number, Description and Serial Number of Aircraft

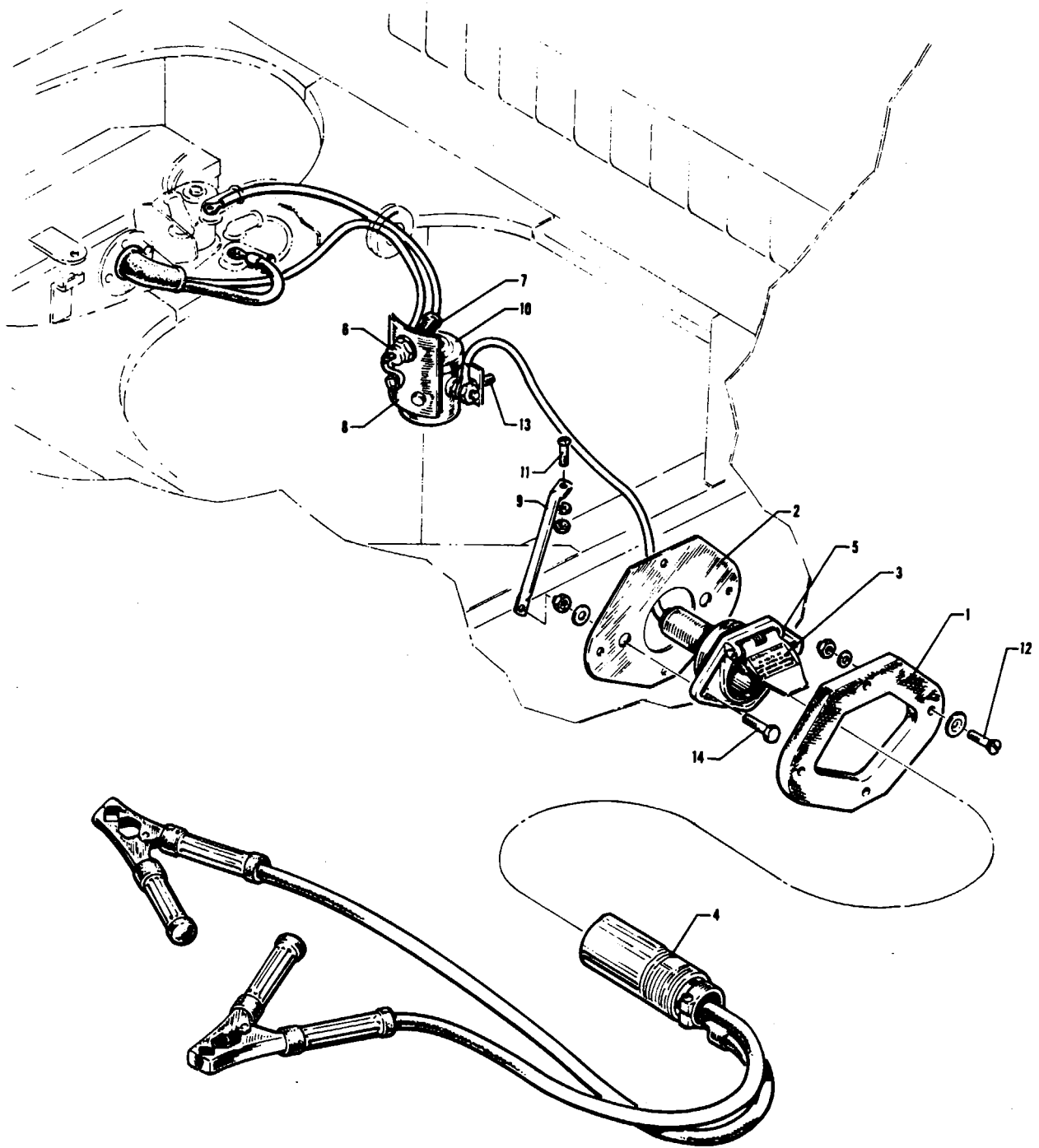


Figure 88. External Power Supply Installation

PIPER PARTS CATALOG

CODE EXPLANATIONS FOR FIGURE 88

W - These parts must be ordered from Service Spares Department, Piper Aircraft, Lock Haven, Penna.

PIPER PARTS CATALOG

Figure and Index Number	Part Number	Code	NOMENCLATURE	No. Req.	SERIAL NUMBERS AFFECTED
88-	68196		DRAWING - External Power Supply Installation		
-1	62226-00	W	SPACER - Auxiliary power receptacle	1	
-2	62227-00	W	PLATE - Auxiliary power receptacle	1	
-3	69669-173		PLACARD - External power	1	
-4	62355-02	W	PLUG ASSEMBLY - Power connector	1	
-5	62355-04		SOCKET ASSEMBLY - Power connector	1	
-6	456 728	W	DIODE - (IN3208)	1	
-7	23969-02	W	NIPPLE	1	
-8	68198-00		SUPPORT - Diode	1	
-9	68195-00		TUBE - Support	1	
-10	484 373	W	RELAY - Power (24059)	1	
-11	416 995	W	SCREW - (AN526-1032R8)	1	
	407 564	W	WASHER - (AN960-10)	1	
	404 835	W	NUT - (MS20364-1032C)	1	
-12	416 794	W	SCREW - (AN507-1032R14)	4	
	494 087	W	WASHER - (A3235-020-1)	4	
	407 564	W	WASHER - (AN960-10)	4	
	404 835	W	NUT - (MS20364-1032C)	4	
-13	401 307	W	BOLT - (AN4-4A)	2	
	407 565	W	WASHER - (AN960-416)	2	
	404 888	W	NUT - (MS20365-428C)	2	
-14	400 728		BOLT - (AN25-11A)	2	
	407 566	W	WASHER - (AN960-516)	2	
	407 106	W	WASHER - (AN935-516)	2	
	404 323		NUT - (AN316-5R)	2	

When ordering, always specify Part Number, Description and Serial Number of Aircraft

PIPER PARTS CATALOG

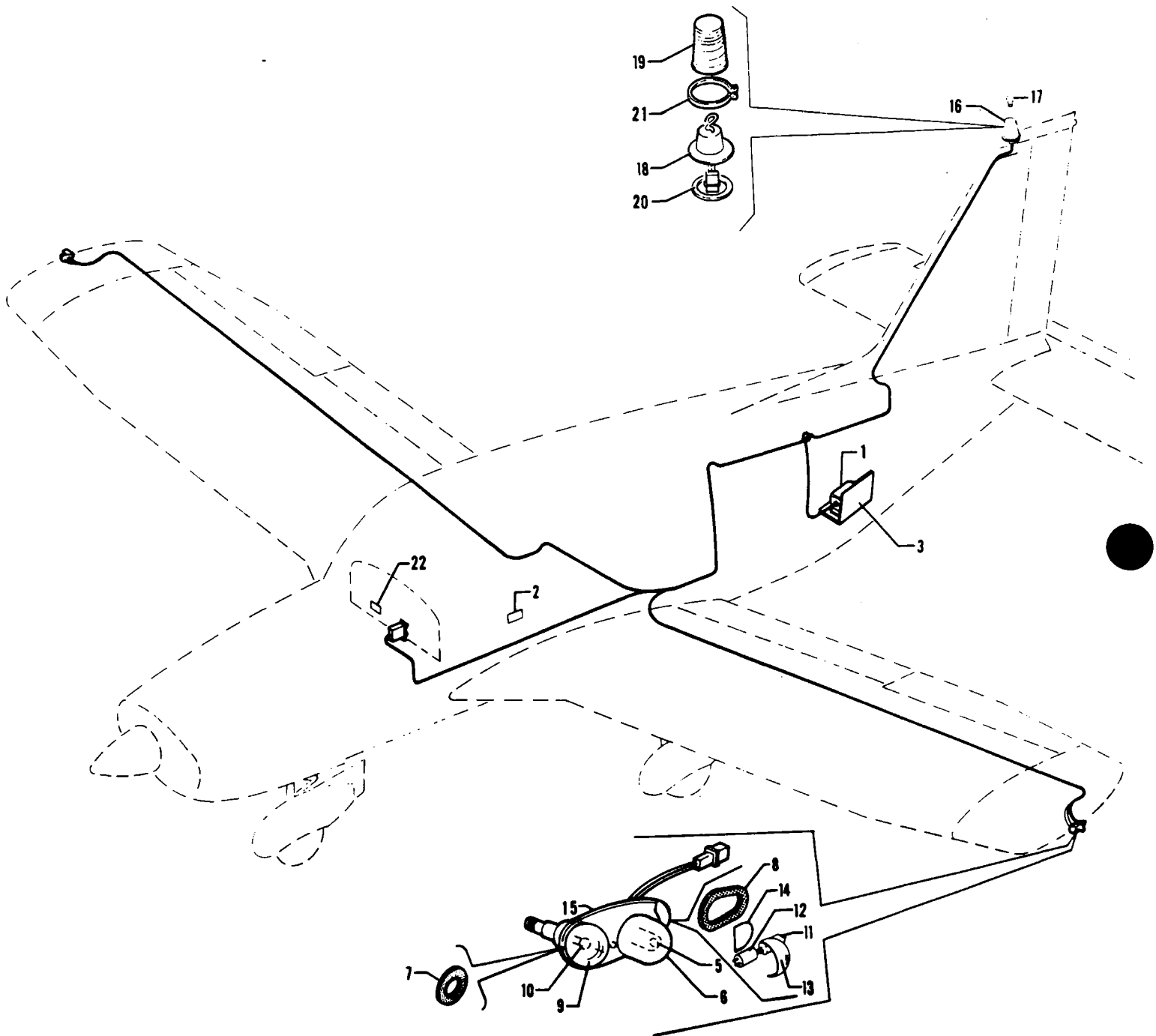


Figure 89 Strobe Lights Installation

PIPER PARTS CATALOG

CODE EXPLANATIONS FOR FIGURE 89

- A - Used with white wing tip strobe only
- B - Used with red wing tip strobe only.
- C - Used on PA-32-301 with serial numbers 32-8006001 to 32-8106067 inclusive, and PA-32-301T with serial numbers 32-8024001 to 32-8124028 inclusive.
- D - Used on PA-32-301 with serial numbers 32-8106068 and up, and PA-32-301T with serial numbers 32-8124029 and up.
- E - Used on PA-32-301 with serial numbers 32-8006001 to 32-8106067 inclusive and PA-32-301T with serial numbers 32-8024001 to 32-8124028 inclusive if red wing tip strobe is installed. Also used on all PA-32-301 aircraft with serial numbers 32-8106068 and up, and all PA-32-301T aircraft with serial numbers 32-8124029 and up.
- F - Used on PA-32-301 with serial numbers 32-8006001 to 32-8106110 inclusive, and PA-32-301T with serial numbers 32-8024001 to 32-8124046 inclusive.
- G - Used on PA-32-301 with serial numbers 32-8206001 and up, and PA-32-301T with serial numbers 32-8224001 and up
- W - These parts must be ordered from Service Spares Department, Piper Aircraft, Lock Haven, Penna.

PIPER PARTS CATALOG

Figure and Index Number	Part Number	Code	NOMENCLATURE	No. Req.	SERIAL NUMBERS AFFECTED
89-	79850	C	DRAWING - Wing Tip Strobe Lights Installation		
	36789	D	DRAWING - Wing Tip Strobe Lights Installation		
	79850	F	DRAWING - Fin Tip Strobe Light Installation		
	36789	G	DRAWING - Fin Tip Strobe Light Installation		
-1	763 469	W	POWER SUPPLY - Strobe lights	1	
-2	69669-175		PLACARD - Warning	1	
-3	99031-00		BRACKET ASSEMBLY - Power supply mounting	1	
-4	472 896	C	LIGHT ASSEMBLY - Red navigation and white strobe, wing tip (shielded)	1	
	572 557	D	LIGHT ASSEMBLY - Red navigation and white strobe, wing tip (shielded)	1	
	472 988	C	LIGHT ASSEMBLY - Red navigation and red strobe, wing tip (shielded)	1	
	572 558	D	LIGHT ASSEMBLY - Red navigation and red strobe, wing tip (shielded)	1	
	472 895	C	LIGHT ASSEMBLY - Green navigation and white strobe, wing tip (shielded)	1	
	572 561	D	LIGHT ASSEMBLY - Green navigation and white strobe, wing tip (shielded)	1	
	472 987	C	LIGHT ASSEMBLY - Green navigation and red strobe, wing tip (shielded)	1	
	572 560	D	LIGHT ASSEMBLY - Green navigation and red strobe, wing tip (shielded)	1	
-5	761 156	A,C,W	* TUBE ASSEMBLY - Flash tip	1	
	762 003	E,W	* TUBE ASSEMBLY - Flash tip	1	
-6	761 162	A,W	* LENS AND RETAINER ASSEMBLY - Wing tip strobe (shielded)	1	
	761 253	A,D	* LENS AND RETAINER ASSEMBLY - Wing tip strobe (shielded)	1	
	761 222	B	* LENS AND RETAINER ASSEMBLY - Wing tip strobe (shielded)	1	
	761 254	B,D	* LENS AND RETAINER ASSEMBLY - Wing tip strobe (shielded)	1	
-7	755 075	W	* GASKET - Navigation light (W1 283)	1	
-8	755 076	W	* GASKET - Wing strobe (A427-4)	1	
-9	751 202	W	* LENS - Navigation, red	1	
	751 201	W	* LENS - Navigation, green	1	
-10	751 381	W	* BULB - (1512)	1	
-11	761 256	D	* LAMP - Navigation light assembly, 14 volt (A508)	1	
-12	762 426	D	* SOCKET ASSEMBLY - Navigation light (A507)	1	
-13	761 255	D	* LENS - Navigation light (A615)	1	
-14	755 096	D	* GASKET - Navigation light (A616)	1	
-15	756 037	A,C,W	* RETAINER - Light lens	1	
	762 581	B,C,W	* RETAINER - Light lens	1	
	762 616	D	* RETAINER - Light lens	1	
-16	452 410		BEACON - Rotating (WRML-12 Whelen)	1	
	452 465		BEACON - Rotating (40-0101-15-12 Grimes)	1	
-17	758 402		* BULB - (WRM1940)	1	
-18	757 762	D,W	LIGHT ASSEMBLY - Strobe, fin (unshielded)	1	
	761 189	D,W	LIGHT ASSEMBLY - Strobe, fin (shielded)	1	
-19	761 161	D	LENS - Strobe light, red (unshielded)	1	
	761 190	D	LENS - Strobe light, red (shielded)	1	
-20	755 042	D,W	GASKET - Strobe light	1	
-21	755 200	D,W	CLAMP ASSEMBLY - Ring	1	
-22	96602-00		PLACARD - Warning	1	

When ordering, always specify Part Number, Description and Serial Number of Aircraft

PIPER PARTS CATALOG

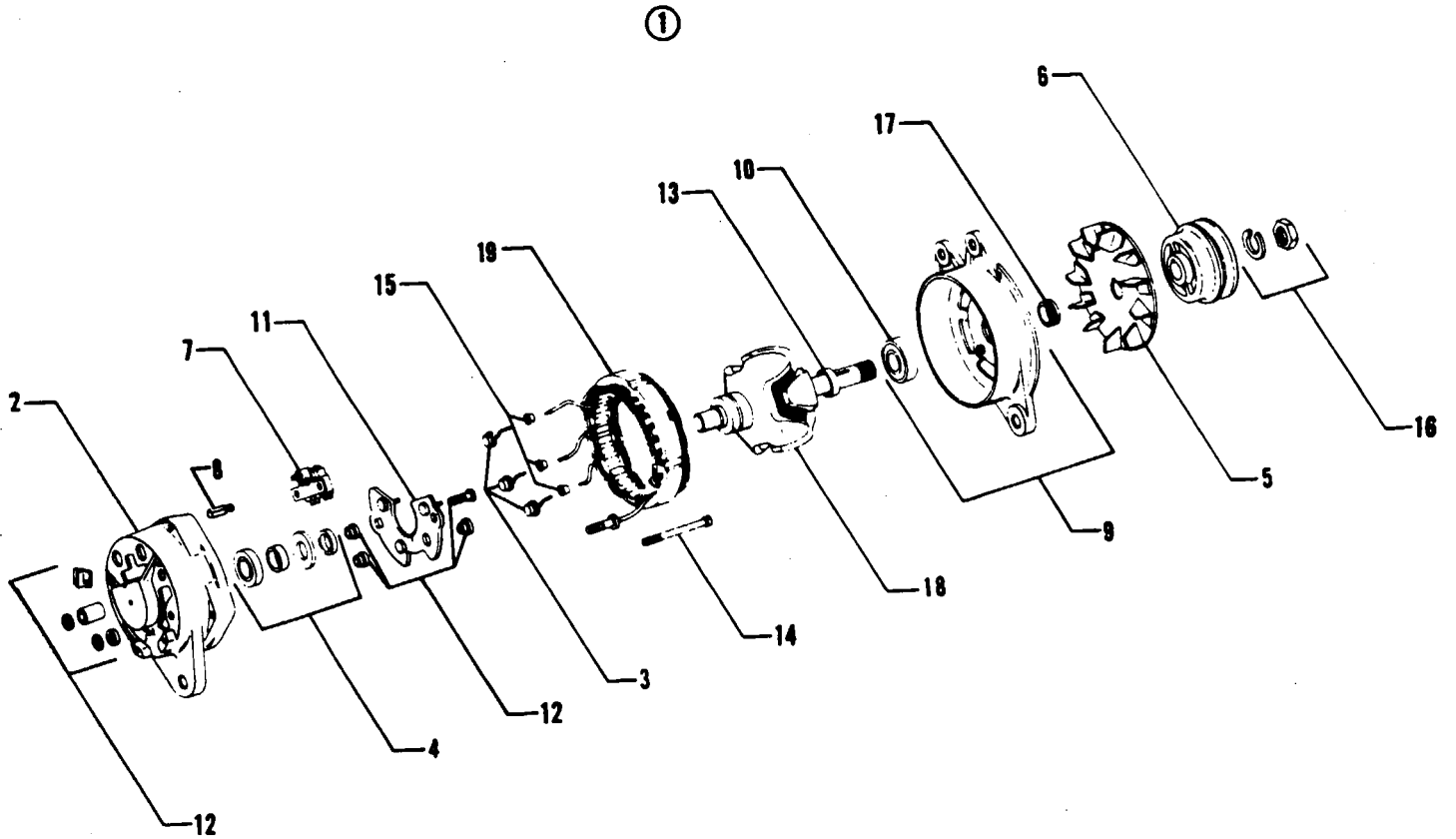


Figure 90 Alternator Assembly (Prestolite)

REVISED APRIL 1981

2D17

PA-32-301
PA-32-301T

PIPER PARTS CATALOG

CODE EXPLANATIONS FOR FIGURE 90

- A - Used if air conditioning is not installed
- B - Used if air conditioning is installed
- C - Used with alternator assembly ALY-6421 only
- D - Used with alternator assembly ALY-6422 only
- W - These parts must be ordered from Service Spares Department, Piper Aircraft, Lock Haven, Penna

PIPER PARTS CATALOG

Figure and Index Number	Part Number	Code	NOMENCLATURE	No. Req.	SERIAL NUMBERS AFFECTED
90-1	551 984	A,W	ALTERNATOR ASSEMBLY - (ALY-6421)	1	
	551 983	B	ALTERNATOR ASSEMBLY - (ALY-6422)	1	
-2	755 271		* HEAD ASSEMBLY - Slip ring end (ALK-1132BS-1)	1	
-3	757 387		* * PACKAGE - Rectifier, negative (XA944JS)	1	
-4	757 386		* PACKAGE - Bearing and seal S.R.E. (90-2014)	1	
-5	754 827		* FAN ASSEMBLY - Ventilating (90-2241)	1	
-6	757 391	C	* PULLEY - Drive (PU-672A)	1	
	757 392	D	* PULLEY - Drive (PU-692A)	1	
-7	758 224		* BRUSH HOLDER AND SPRING ASSEMBLY - (ALE-1045BS)	1	
-8	758 471		* * BRUSH SET - Alternator (ALE-1013AS)	1	
-9	755 232		* HEAD ASSEMBLY - Drive end (ALE-1003K)	1	
-10	758 225		* * BEARING - Ball, seal (X-3416)	1	
-11	756 060		* RECTIFIER AND PLATE ASSEMBLY - Positive (ALE-1054A)	1	
-12	761 903		* TERMINAL STUD AND PARTS PACKAGE - (90-2043)	1	
-13	756 061		* RETAINER - Drive end (GR-32)	1	
-14	757 388		* PACKAGE - Thru bolt (ALA-20JS)	1	
-15	757 389		* PACKAGE - Eyebolt (90-818)	1	
-16	757 390		* PACKAGE - Nut and washer (90-33)	1	
-17	757 720	C	* SPACER - Rotor shaft (ALD-21)	1	
	757 721	D	* SPACER - Rotor shaft (ALD-21A)	1	
-18	762 509	C	* ROTOR - (ALE-2173S-1)	1	
	762 508	D	* ROTOR - (ALE-2177S-1)	1	
-19	757 719		* STATOR ASSEMBLY - (ALE-2008AES)	1	

When ordering, always specify Part Number, Description and Serial Number of Aircraft

PIPER PARTS CATALOG

CODE EXPLANATIONS FOR FIGURE 90A

W - These parts must be ordered from Service Spares Department, Piper Aircraft, Lock Haven, Penna

PIPER PARTS CATALOG

Figure and Index Number	Part Number	Code	NOMENCLATURE	No. Req.	SERIAL NUMBERS AFFECTED
90A-	36949		DRAWING - Alternator Installation, 90 Amp		
-1	87415-02		ALTERNATOR - (90 amp)	1	
-2	38747-02		BRACKET ASSEMBLY - Alternator	1	
-3	38747-03		SPACER - Alternator bracket	1	
-4	38747-05		ARM - Alternator support	1	
-5	401 987		BOLT - (MS20074-06-06)	1	
	62833-90		WASHER	1	
-6	401 187	W	BOLT - (AN5-7A)	1	
	407 566	W	WASHER - (AN960-516)	1	
-7	401 545		BOLT - (AN7-45A)	1	
	407 568	W	WASHER - (AN960-716)	2	
	404 891	W	NUT - (MS20365-720C)	1	
-8	18132-02	W	LUG	1	
-9	18219-02	W	CLAMP	1	
-10	23969-05	W	NIPPLE	2	
-11	452 774		BELT - Alternator (8137-0646)	1	
-12	38747-04		LINK - Alternator support	1	
-13	400 009	W	BOLT - (AN4-14A)	1	32-8024001 to 32-8324007 incl.
	407 585	W	WASHER - (AN960-416L)	1	32-8024001 to 32-8324007 incl.
-14	39682-02		BRACKET ASSEMBLY - Compressor, lower	1	

When ordering, always specify Part Number, Description and Serial Number of Aircraft

2D23 THRU 2D24
INTENTIONALLY LEFT BLANK

PIPER PARTS CATALOG

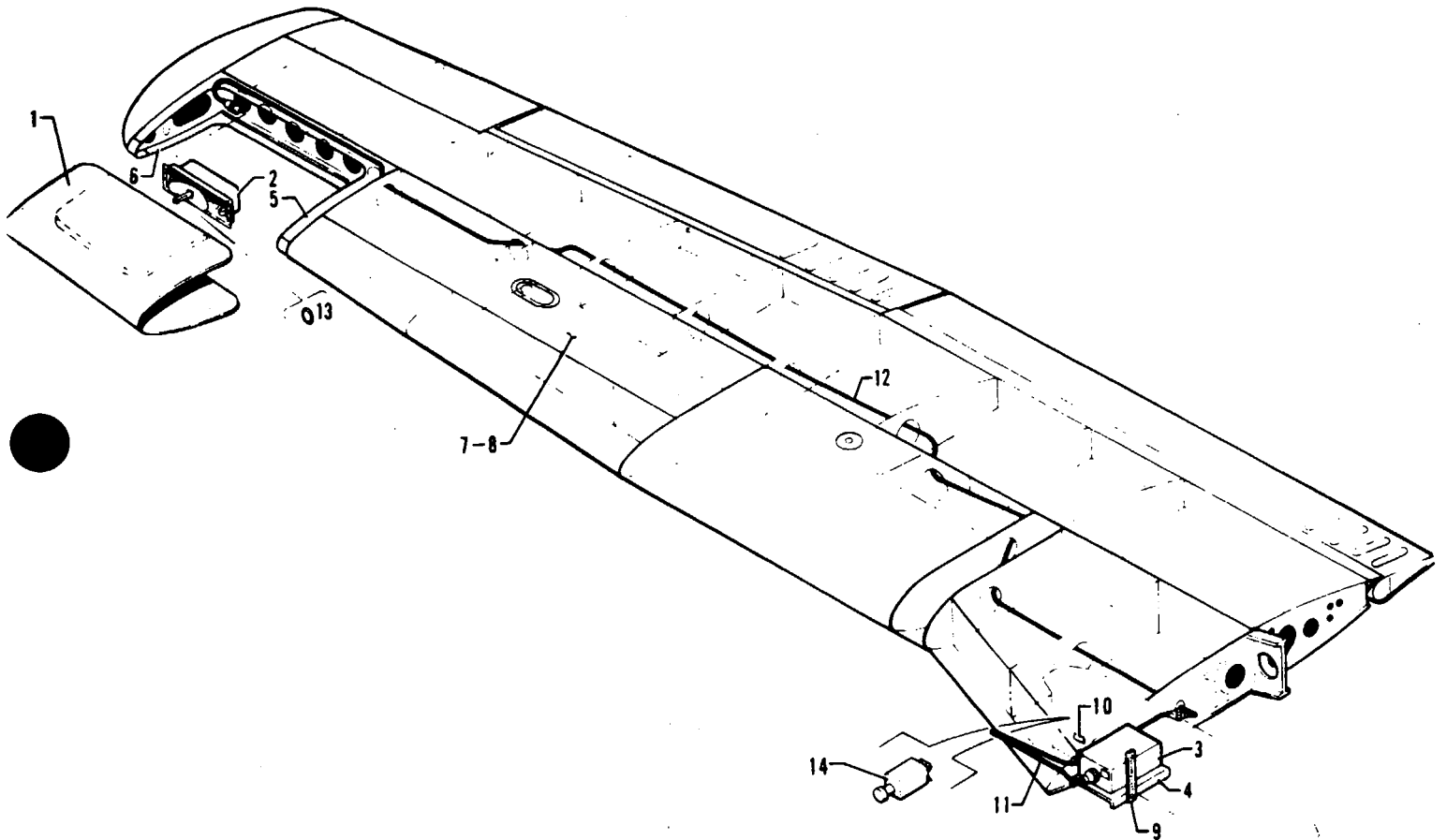


Figure 91 Radar System Installation (RCA)
(See Code "A")

PIPER PARTS CATALOG

CODE EXPLANATIONS FOR FIGURE 91

- A - RCA Radar System and component parts are no longer available. Refer to Special Advisory 32-2 and install Radar Installation Modification Kit 764 149v
- B - This part is not available through Piper Aircraft. Order from Sperry (RCA) Flight Systems, 5353 W Bell Road, Glendale, Arizona 85306

PIPER PARTS CATALOG

Figure and Index Number	Part Number	Code	NOMENCLATURE	No. Req.	SERIAL NUMBERS AFFECTED
91.	36940		DRAWING - Radar System Installation		
.1	36941-27		RADOME ASSEMBLY	1	
.2		B	ANTENNA ASSEMBLY - R/T (MI585255-3)	1	
.3		B	INDICATOR - Radar (MI585256)	1	
.4		B	TRAY - Mounting (MI585260)	1	
.5	36943-02		SKIN ASSEMBLY - Outboard, wing, top	1	
.6	36943-03		SKIN ASSEMBLY - Outboard, wing, bottom	1	
.7	38528-09		SKIN ASSEMBLY - Inboard, wing, top	1	
.8	38528-10		SKIN ASSEMBLY - Inboard, wing, bottom	1	
.9	79009-00		SUPPORT - Mounting tray	1	
.10	35669-25		PLACARD - Radar	1	
.11	36896-04		CABLE ASSEMBLY	1	
.12	36896-05		CABLE ASSEMBLY	1	
.13	583 470		PLUG - (P-38)	1	
.14	454 706		CIRCUIT BREAKER - (PS50120-1-2) 5 amp	1	

When ordering, always specify Part Number, Description and Serial Number of Aircraft

PIPER PARTS CATALOG

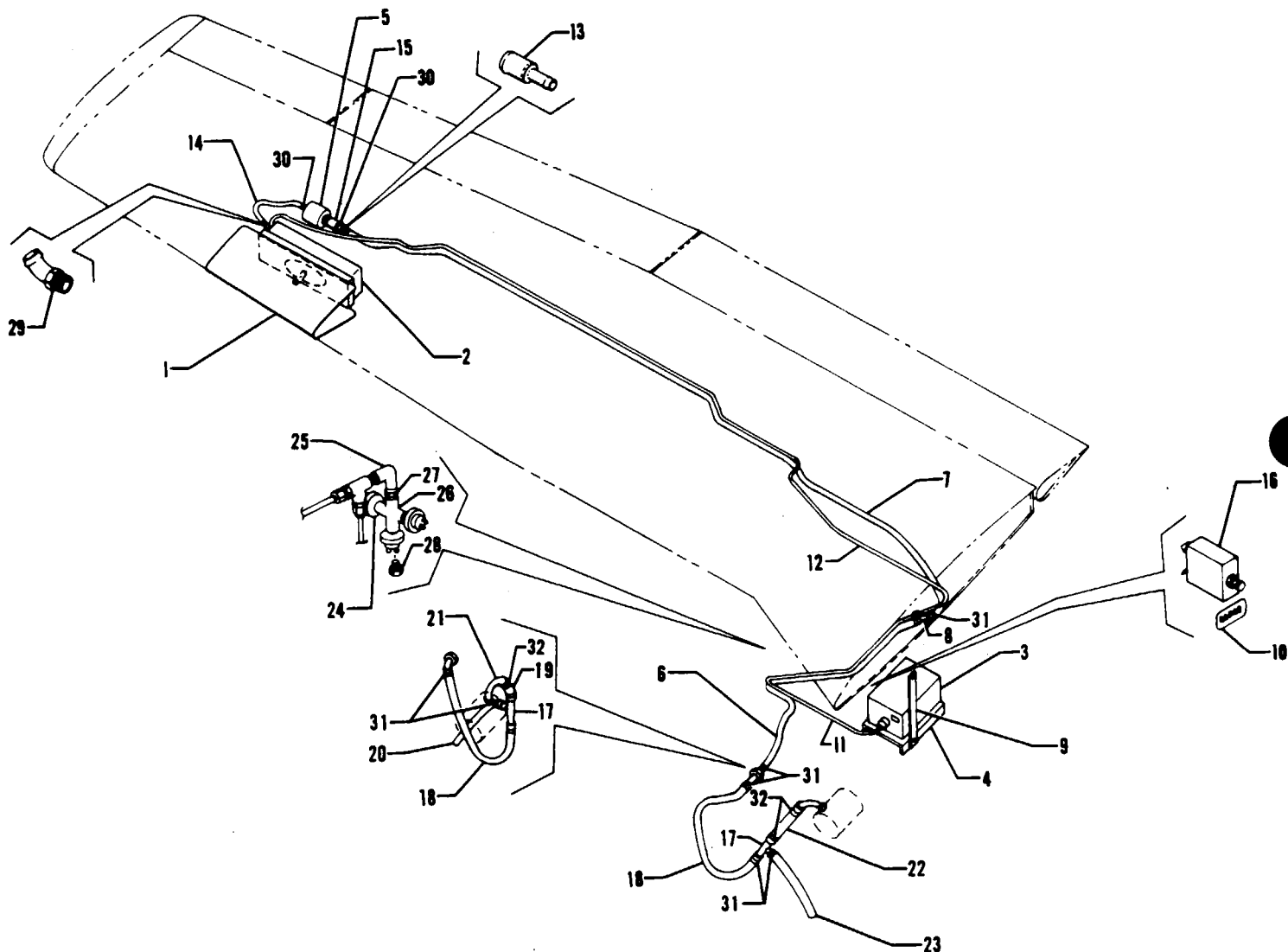


Figure 91A Radar System Installation (Norton)

PIPER PARTS CATALOG

CODE EXPLANATIONS FOR FIGURE 91A

- A - This part is not available through Piper Aircraft. Order from Norton Company, P O Box 350, Akron, Ohio 44309
- B - This part is not available through Piper Aircraft. Order from Sperry (RCA) Flight Systems, 5353 W Bell Road, Glendale, Arizona 85306
- C - Used if oil pressure switch is not installed
- D - Used on PA-32-301 only
- E - Used on PA-32-301T only
- F - Used on PA-32-301 with serial numbers 32-8306001 and up, and PA-32-301T with serial numbers 32-8324001 and up
- G - Used with Monochromatic Radar only
- H - Used with Color Radar only
- W - These parts must be ordered from Service Spares Department, Piper Aircraft, Lock Haven, Penna

PIPER PARTS CATALOG

Figure and Index Number	Part Number	Code	NOMENCLATURE	No. Req.	SERIAL NUMBERS AFFECTED
91A-	87425		DRAWING - Radar System Installation		
-1		A	RADOME KIT - (4262X)	1	
-2		B	ANTENNA ASSEMBLY - R/T (MI585255-1)	1	
-3		B	INDICATOR - Radar, Monochromatic (MI585256)	1	
		B.F	INDICATOR - Radar, Color (MI585438-0)	1	
-4		B.G	TRAY - Mounting (MI585260)	1	
		B.F.H	TRAY - Mounting (MI585447)	1	
-5	460 866		FILTER - Air (1J4-6)	1	
-6	36885-04		TUBE - (76 00" L)	1	
-7	36885-05		TUBE - (152 00" L)	1	
-8	36886-09		TUBE - (3 00" L)	1	
-9	79009-00		SUPPORT - Mounting	1	
-10	35669-25		PLACARD - Radar	1	
-11	36896-03		CABLE ASSEMBLY	1	
-12	36896-05		CABLE ASSEMBLY	1	
-13	36886-08		FITTING - Hose	1	
-14	63913-84		HOSE - (24 00" L.)	1	
-15	63913-154		HOSE - (4 00" L.)	1	
-16	454 706		CIRCUIT BREAKER - (PS50120-1-2)	1	
-17	36886-02		FITTING	1	
-18	63913-178		HOSE - (24 00" L)	1	
-19	63913-153	D	HOSE - (3.00" L)	1	
-20	63913-185	D	HOSE - (12 00" L)	1	
-21	560 775	D	FITTING - (1K8-6-10)	1	
-22	63913-124	E	HOSE - (6 00" L.)	1	
-23	63913-189	E	HOSE - (10 00" L)	1	
-24	587 990		SWITCH - Radar pressure (M4006-4)	1	
-25	458 904		ELBOW - (AN914-1D)	1	
-26	455 405		CROSS - (AN918-1D)	1	
-27	476 643	W	NIPPLE - (AN911-1D)	1	
-28	581 312	C	PLUG - (AN913-1D)	1	
-29	560 744		FITTING - (1K9-6-10)	2	
-30	554 946		CLAMP - (GS8SS)	4	
-31	554 888		CLAMP - (SAE TY F-6)	9	
-32	454 837		CLAMP - (SAE TY A-7/8)	2	

When ordering, always specify Part Number, Description and Serial Number of Aircraft

PIPER PARTS CATALOG

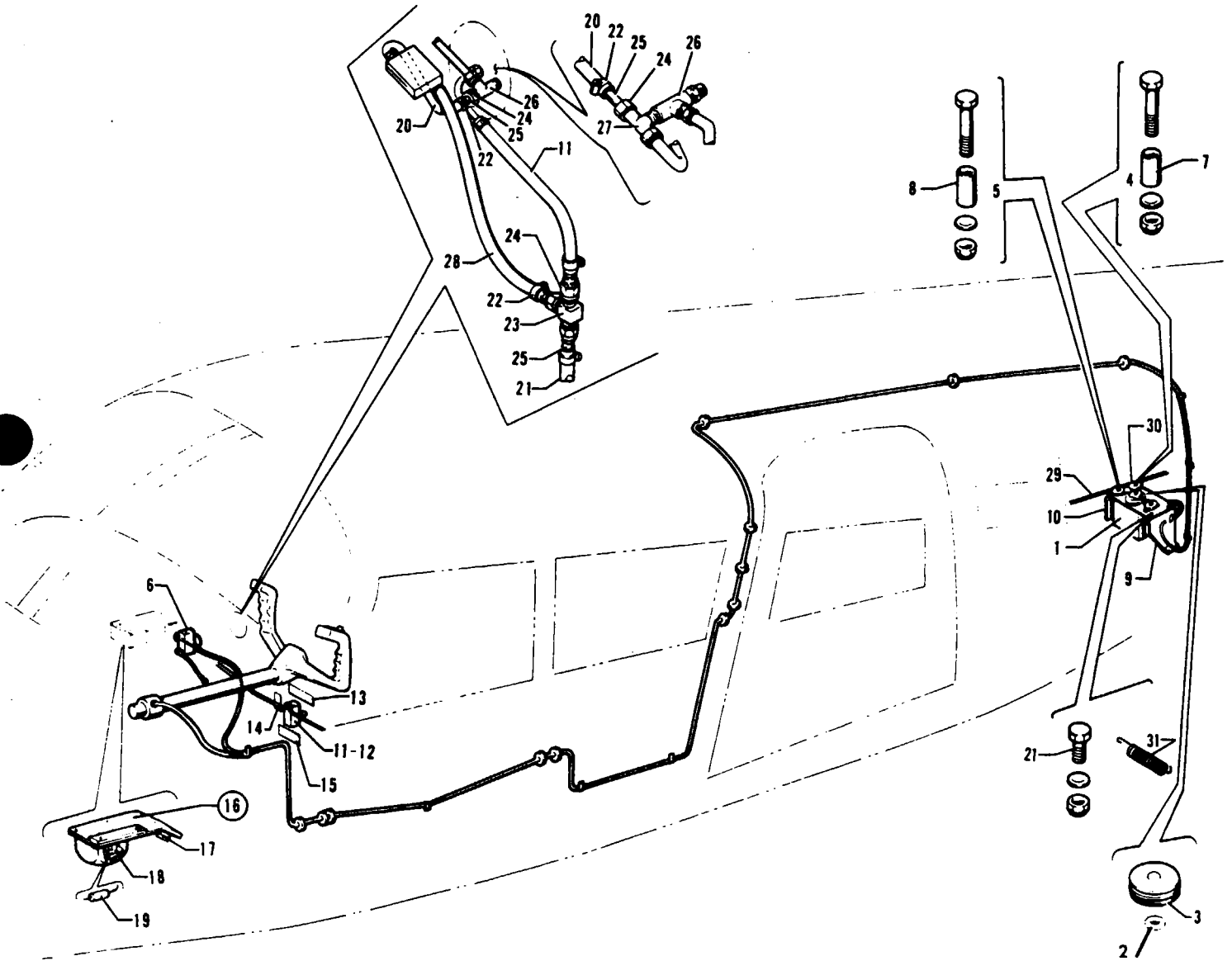


Figure 92 Electric Trim Installation

REVISED FEBRUARY 1984

2E7

PA-32-301
PA-32-301T

PIPER PARTS CATALOG

CODE EXPLANATIONS FOR FIGURE 92

- A - Used on PA-32-301 with serial numbers 32-8006001 to 32-8206021 inclusive, and PA-32-301T with serial numbers 32-8024001 to 32-8224005 inclusive
- B - Used on PA-32-301 with serial numbers 32-8206022 and up, and PA-32-301T with serial numbers 32-8224006 and up. Also used on PA-32-301 with serial numbers 32-8006001 to 32-8206021 inclusive and PA-32-301T with serial numbers 32-8024001 to 32-8224005 inclusive if Pitch Trim Switch Replacement Kit 764 401 has been installed
- C - Used if a push on-off switch is installed
- W - These parts must be ordered from Service Spares Department, Piper Aircraft, Lock Haven, Penna

PIPER PARTS CATALOG

Figure and Index Number	Part Number	Code	NOMENCLATURE	No. Req.	SERIAL NUMBERS AFFECTED
92-	69378 79636		DRAWING - Trim Installation DRAWING - Electric Trim Stop Sensor Installation		
-1	65821-05		SERVO ASSEMBLY - Trim	1	
-2	494 159		* WASHER - Servo friction (24696-00)	1	
-3	581 126		* PLATE - Servo clutch, outer (24695-00)	1	
-4	400 443	W	BOLT - (AN3-12A)	1	
	407 564	W	WASHER - (AN960-10)	1	
	404 887	W	NUT - (MS20365-1032C)	1	
-5	401 270	W	BOLT - (AN3-11A)	1	
	407 564	W	WASHER - (AN960-10)	1	
	404 887	W	NUT - (MS20365-1032C)	1	
-6	454 656	W	CIRCUIT BREAKER - (PS50120-3-7)	1	
-7	63900-66		BUSHING - Electric trim	1	
-8	63900-67		BUSHING - Electric trim	1	
-9	68674-00		BRACKET ASSEMBLY - Electric trim	1	
-10	68676-00		BRACKET - Electric trim	1	
-11	764 401	A	PITCH TRIM SWITCH REPLACEMENT KIT	1	
-12	587 923	B	* SWITCH - Pitch trim (PS10095-1)	1	
-13	87369-38	B	* PLACARD - Pitch trim	1	
-14	87369-39	B	* PLACARD - On-off	1	
-15	67490-02	C	PLACARD - Pitch trim	1	
-16	79657-03		SENSOR ASSEMBLY - Electric trim stop	1	
-17	486 416		* SENSOR - (MPL-501G-10 to 30)	1	
-18	484 229		* RELAY - (RS5D12)	1	
-19	484 524		* RESISTOR - (180 ohm, 1 watt, Type GB)	1	
-20	63913-151		HOSE	1	
-21	401 266	W	BOLT - (AN3-5A)	2	
	407 564	W	WASHER - (AN960-10)	2	
	404 887	W	NUT - (MS20365-1032C)	2	
-22	554 861	W	CLAMP - (SAE TY F-4)	5	
-23	79636-10		TEE	1	
-24	477 611		NUT - (AN818-3D)	4	
	486 896		SLEEVE - (MS20819-3D)	4	
-25	79636-04		TUBE	2	
-26	488 310	W	TEE - (AN826-3D)	1	
-27	488 380	W	TEE - (AN825-3D)	1	
-28	63913-143		HOSE	1	
-29	62701-42		CABLE ASSEMBLY - Stabilator trim	1	
-30	481 640		PULLEY - (MS24566-1B)	2	
-31	65784-00		SPRING - Electric trim	1	

When ordering, always specify Part Number, Description and Serial Number of Aircraft

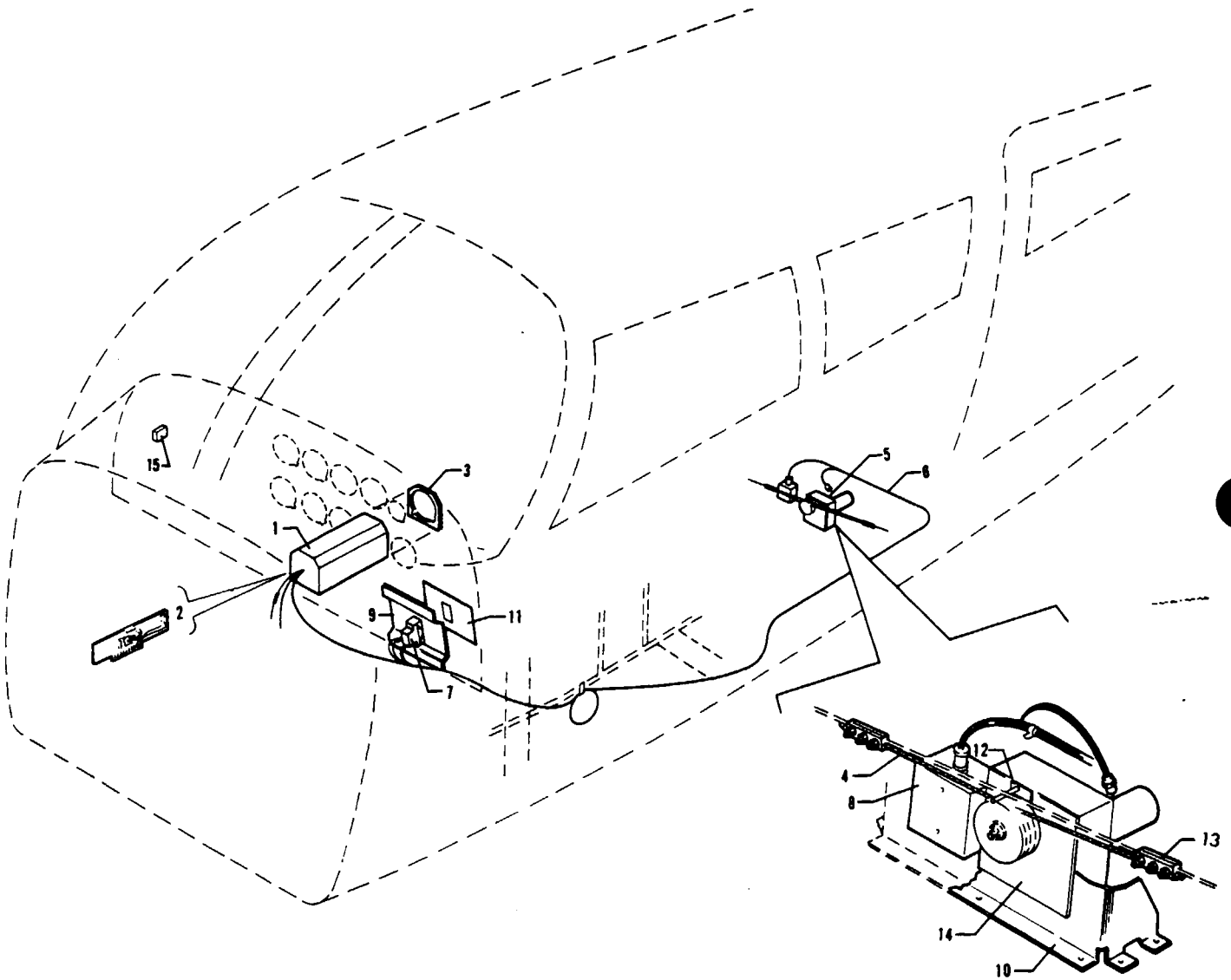


Figure 93 AutoFlite II Installation

PIPER PARTS CATALOG

CODE EXPLANATIONS FOR FIGURE 93

A - Used if AutoFlite II without tracker is installed

B - Used if AutoFlite II with tracker is installed

W - These parts must be ordered from Service Spares Department, Piper Aircraft, Lock Haven, Penna

PIPER PARTS CATALOG

Figure and Index Number	Part Number	Code	NOMENCLATURE	No. Req.	SERIAL NUMBERS AFFECTED
93-	99447		DRAWING - AutoFlite II Installation		
-1	52586-02	A.W	INSTRUMENT - Turn and bank (52D75-3)	1	
	755 432	B	INSTRUMENT - Turn and bank (52D75-4)	1	
-2	758 188	B	* TRACKER BOARD - Printed circuit (1D628)	1	
-3	99209-00		PLATE - Turn and bank mounting	1	
-4	753 980		CABLE - Bridle (30B200)	1	
-5	763 226		CABLE ASSEMBLY - Roll servo (30B364)	1	
-6	757 913		CABLE ASSEMBLY - (30C379-1)	1	
-7	487 901		SWITCH - (8134-K21A1V-50)	1	
-8	758 181		BOX - Relay (1A526)	1	
-9	66798-00		BRACKET - AutoFlite II	1	
-10	453 453		BRACKET - Servo mounting (7D511-4)	1	
-11	99448-00		PLACARD - AutoFlite II	1	
-12	751 897		GUARD - Cable (7A508-1)	1	
-13	757 863	W	CLAMP ASSEMBLY - Bridle cable (42A173-1)	2	
-14	762 245		SERVO - Roll (1C363-1-269R)	1	
-15	454 656	W	CIRCUIT PROTECTOR (PS50120-3-7) 5 amp	1	

When ordering, always specify Part Number, Description and Serial Number of Aircraft

PIPER PARTS CATALOG

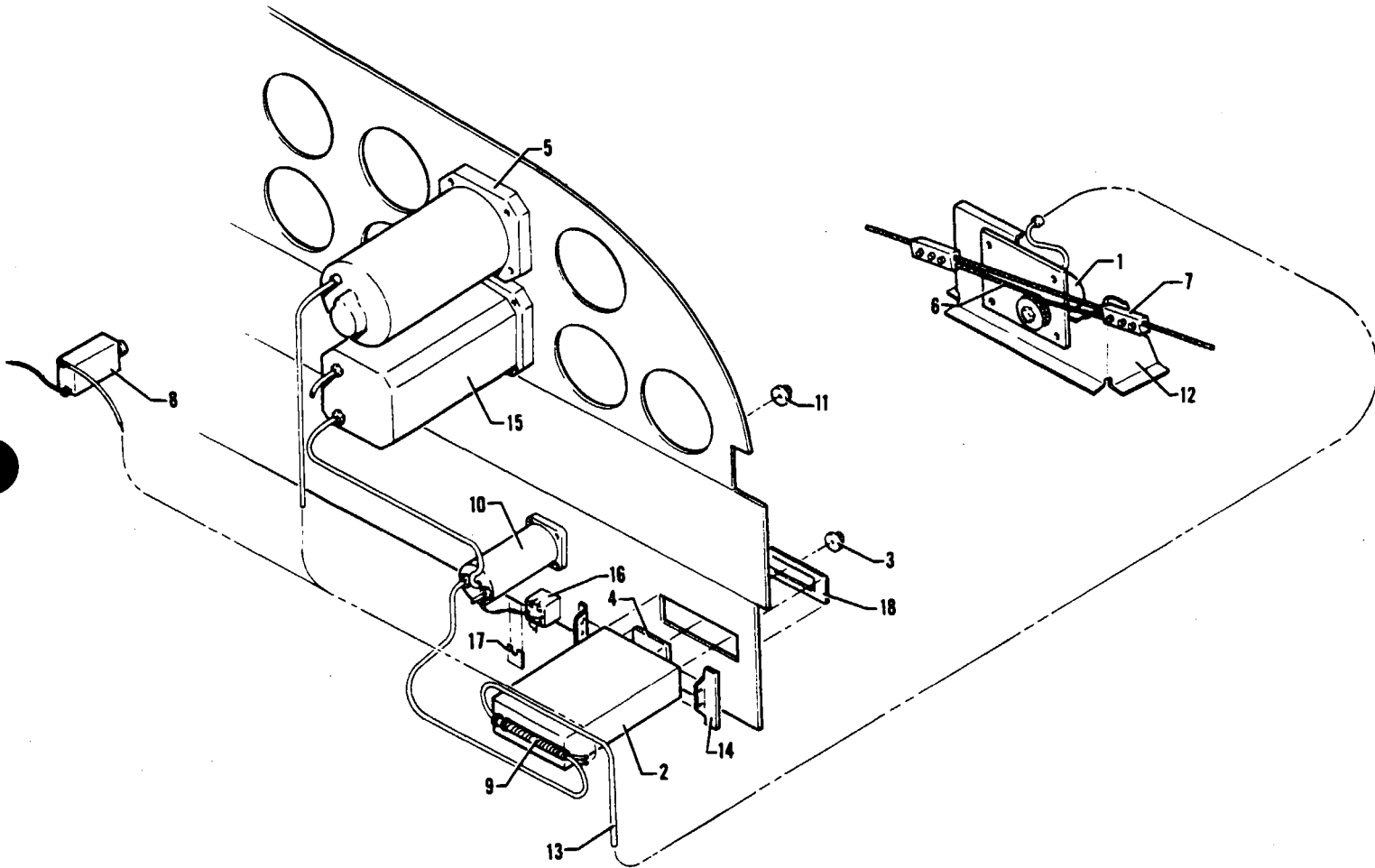


Figure 94 AutoControl III B Installation
(PA-32-301 - Serial Nos 32-8006001 to 32-8006116 inclusive)
(PA-32-301T - Serial Nos 32-8024001 to 32-8024062 inclusive)

PIPER PARTS CATALOG

CODE EXPLANATIONS FOR FIGURE 94

- A - Used on PA-32-301 with serial numbers 32-8006001 to 32-8006116 inclusive, and PA-32-301T with serial numbers 32-8024001 to 32-8024062 inclusive
- B - Used if NSD-360 Navigation Situation Display Indicator is installed.
- C - When ordering specify color "bark II" or black
- W - These parts must be ordered from Service Spares Department, Piper Aircraft, Lock Haven, Penna

PIPER PARTS CATALOG

Figure and Index Number	Part Number	Code	NOMENCLATURE	No. Req.	SERIAL NUMBERS AFFECTED
94-	78250		DRAWING - AutoControl III B Installation		
-1	762 245		SERVO ASSEMBLY - Roll (1C363-1-269R)	1	
-2	758 023		CONSOLE AMPLIFIER ASSEMBLY - AutoControl III B (1C338 S/N 10001 and up)	1	
	758 078	B	CONSOLE AMPLIFIER ASSEMBLY - AutoControl III B (1C338-2)	1	
-3	757 052	W	* KNOB - (36A98)	1	
-4	758 024	W	* CIRCUIT BOARD - Face plate light (includes 4 bulbs) (1B686)	1	
-5	550 780	W	INSTRUMENT - Gyro horizon (32172-00) (3 inch)	1	
-6	753 980		CABLE ASSEMBLY - Bridle (30B200)	1	
-7	757 863	W	CLAMP ASSEMBLY - Bridle cable (42A173-1)	2	
-8	454 656	W	CIRCUIT PROTECTOR - (PS50120-3-7) 5 amp	1	
-9	751 987	W	HARNES ASSEMBLY - Amplifier (30C198)	1	
-10	551 114	W	COUPLER ASSEMBLY - Omni (25690-00)	1	
	25690-02	B,W	COUPLER ASSEMBLY - Omni	1	
-11	757 052	W	* KNOB - (36A98)	1	
-12	453 453		BRACKET - Servo mounting (7D511-4)	1	
-13	758 002		CABLE ASSEMBLY - Roll servo extension (30C211-156R)	1	
-14	67494-00		ANGLE - Console mounting, left	1	
	67494-01		ANGLE - Console mounting, right	1	
-15	550 778	W	INSTRUMENT - Directional gyro (32168-00) (3 inch)	1	
-16	688 164		SWITCH - Coupler (MTG-206P)	1	
-17	35669-126		PLACARD - Omni coupler switch	1	
-18	79560-00	C	COVER - Console amplifier	1	

When ordering, always specify Part Number, Description and Serial Number of Aircraft

PIPER PARTS CATALOG

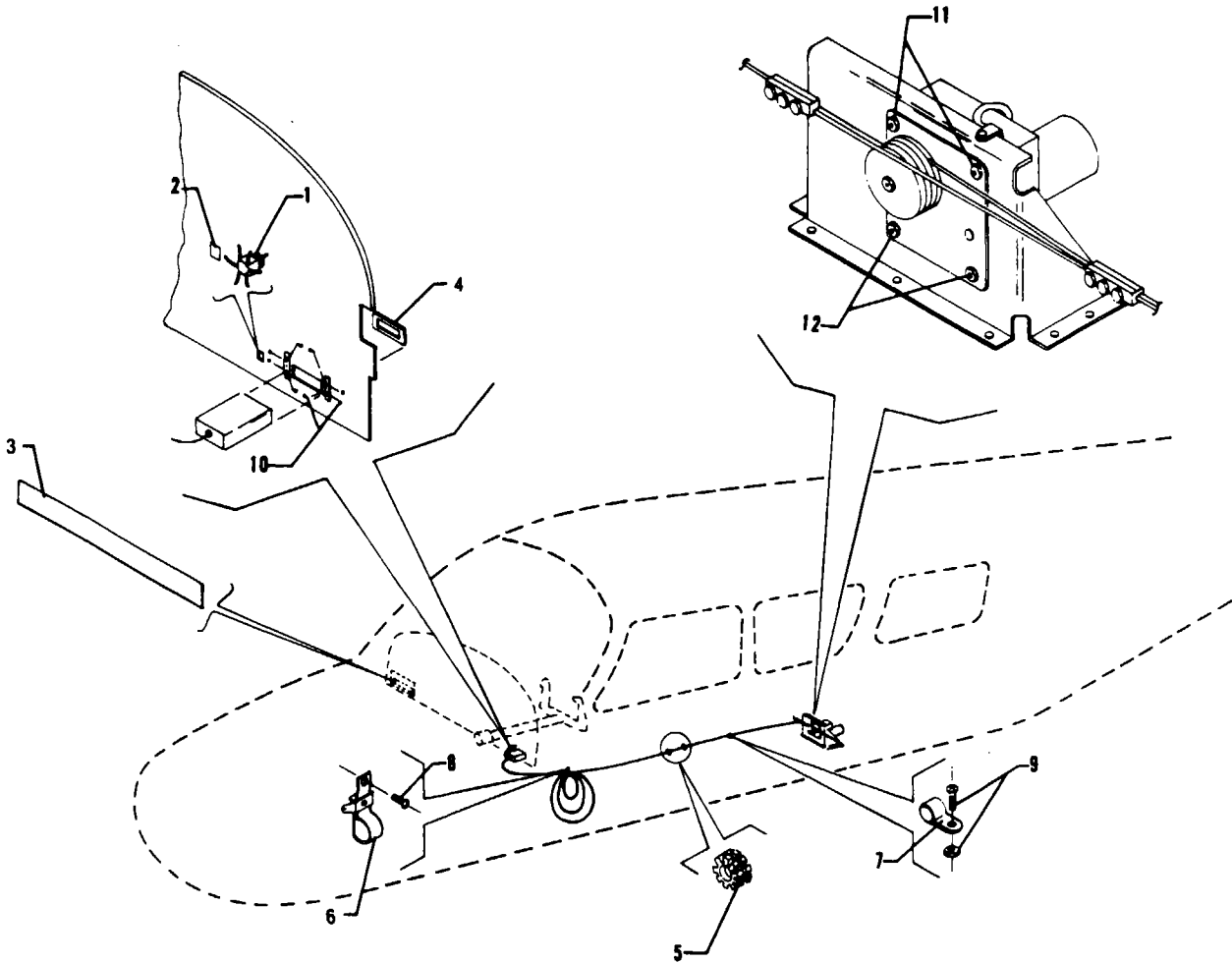


Figure 94A Century 21 AutoPilot Installation
(PA-32-301 - Serial Nos 32-8106001 and up)
(PA-32-301T - Serial Nos 32-8124001 and up)

PIPER PARTS CATALOG

CODE EXPLANATIONS FOR FIGURE 94A

- A - Used on PA-32-301 with serial numbers 32-8106001 and up, and PA-32-301T with serial numbers 32-8124001 and up
- B - This installation is relative only to associated Piper Aircraft Corporation parts that are used when installing Mitchell Century 21 AutoPilot
All Mitchell equipment and components must be procured from an authorized Mitchell Service Center or from Edo-Aire Mitchell, Post Office
Box 610, Municipal Airport, Mineral Wells, Texas 76067
- W - These parts must be ordered from Service Spares Department, Piper Aircraft, Lock Haven, Penna

PIPER PARTS CATALOG

Figure and Index Number	Part Number	Code	NOMENCLATURE	No. Req.	SERIAL NUMBERS AFFECTED
94A-	39790		DRAWING - Century 21 AutoPilot Installation		
-1	688 153		SWITCH - AutoPilot (SF3GBX191)	1	
-2	87369-05		PLACARD - Nav 1 off Nav 2	1	
-3	35669-61		PLACARD - Circuit breaker panel	1	
-4	39800-02		INSERT - AutoPilot	1	
-5	63976-04		GROMMET - (12 70" L)	2	
-6	487 722	W	STRAP - (PS10017-3-3-6F)	1	
-7	487 608	W	STRAP - (PS10017-3-12-6F)	1	
-8	415 533	W	SCREW - (MS35206-243)	1	
	406 357	W	NUT - (A190-832-1)	1	
-9	415 533	W	SCREW - (MS35206-243)	1	
	404 910	W	NUT - (MS20365-832C)	1	
-10	414 693		SCREW - (MS24693-S3)	6	
	404 907		NUT - (MS20365-440)	6	
-11	400 438	W	BOLT - (AN3-4A)	2	
	407 564	W	WASHER - (AN960-10)	4	
	404 887	W	NUT - (MS20365-1032C)	2	
-12	400 438	W	BOLT - (AN3-4A)	2	
	407 564	W	WASHER - (AN960-10)	2	

When ordering, always specify Part Number, Description and Serial Number of Aircraft

PIPER PARTS CATALOG

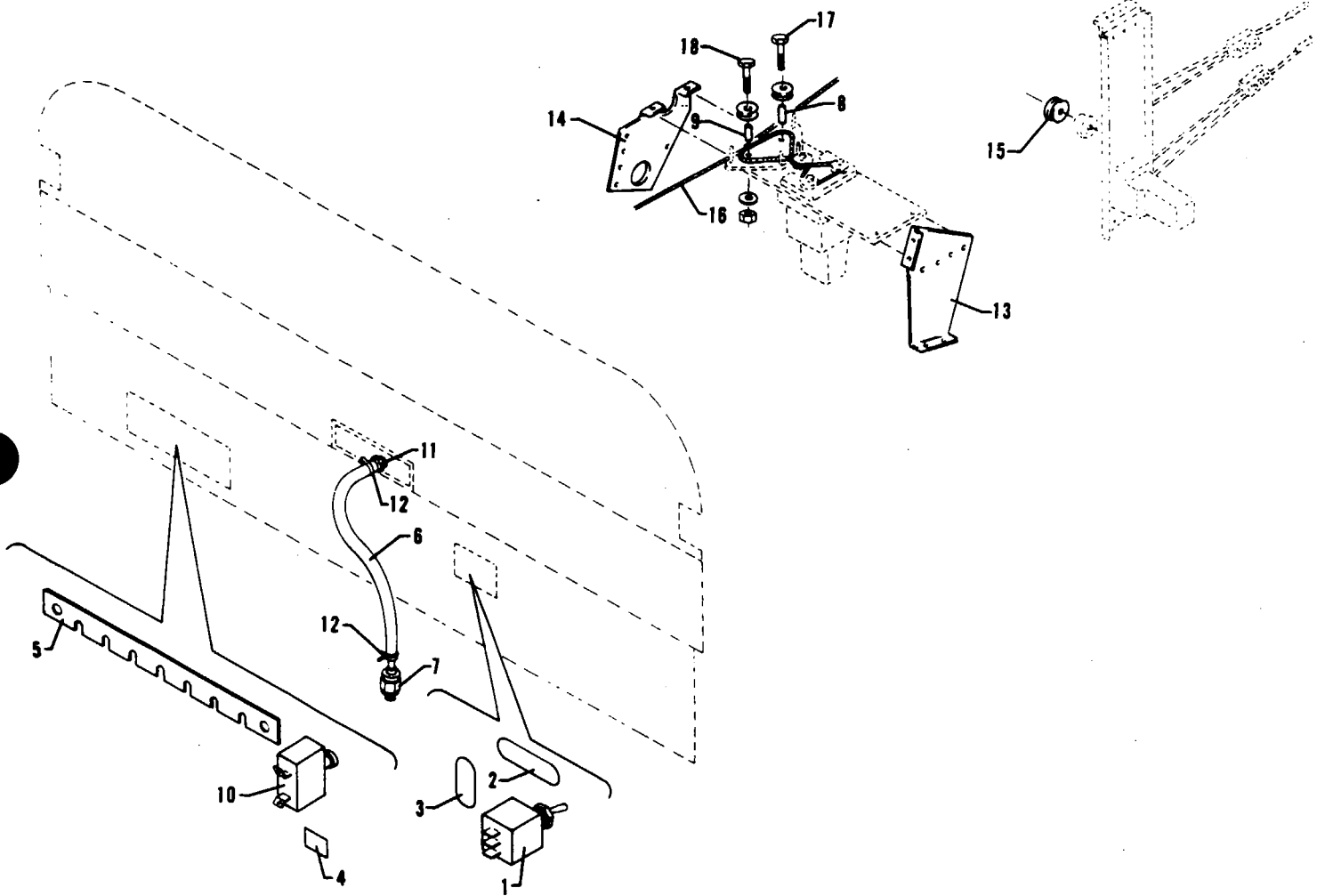


Figure 94B Century 31 AutoPilot Installation
(PA-32-301 - Serial Nos 32-8406001 and up)
(PA-32-301T - Serial Nos 32-8424001 and up)

PIPER PARTS CATALOG

CODE EXPLANATIONS FOR FIGURE 94B

- A - Used on PA-32-301 with serial numbers 32-8406001 and up, and PA-32-301T with serial numbers 32-8424001 and up.
- B - This installation is relative only to associated Piper Aircraft Corporation parts that are used when installing Mitchell Century 31 AutoPilot. All Mitchell equipment and components must be procured from an authorized Mitchell Service Center or from Edo-Aire Mitchell, Post Office Box 610, Municipal Airport, Mineral Wells, Texas 76067.
- W - These parts must be ordered from Service Spares Department, Piper Aircraft, Lock Haven, Penna.

PIPER PARTS CATALOG

Figure and Index Number	Part Number	Code	NOMENCLATURE	No. Req.	SERIAL NUMBERS AFFECTED
94B-	87475		DRAWING - Century 31 AutoPilot Installation		
-1	587 923		SWITCH - Pitch trim (PS10095-1)	1	
-2	87369-38		PLACARD - Electric pitch trim	1	
-3	87369-39		PLACARD - On-off	1	
-4	87369-43		PLACARD - AutoPilot	1	
-5	35208-11		BAR - Bus	1	
-6	69015-76		HOSE	1	
-7	63211-00		TUBE ASSEMBLY	2	
-8	95061-115		SPACER	1	
-9	95061-118		SPACER	1	
-10	454 681		CIRCUIT BREAKER - (PS50120-3-6)	2	
-11	476 647	W	NIPPLE - (AN816-3D)	1	
-12	554 861		CLAMP - (TYF-4)	2	
-13	68674-00		BRACKET ASSEMBLY - Electric trim	1	
-14	68676-00		BRACKET - Electric trim	1	
-15	481 640	W	PULLEY - (MS24566-1B)	3	
-16	62701-135		CABLE ASSEMBLY - Stabilator trim, forward	1	
-17	400 443	W	BOLT - (AN3-12A)	1	
	407 564	W	WASHER - (AN960-10)	1	
	404 887	W	NUT - (MS20365-1032C)	1	
-18	401 270	W	BOLT - (AN3-11A)	1	
	407 564	W	WASHER - (AN960-10)	1	
	404 887	W	NUT - (MS20365-1032C)	1	

When ordering, always specify Part Number, Description and Serial Number of Aircraft

2E22 THRU 2E24
INTENTIONALLY LEFT BLANK

PIPER PARTS CATALOG

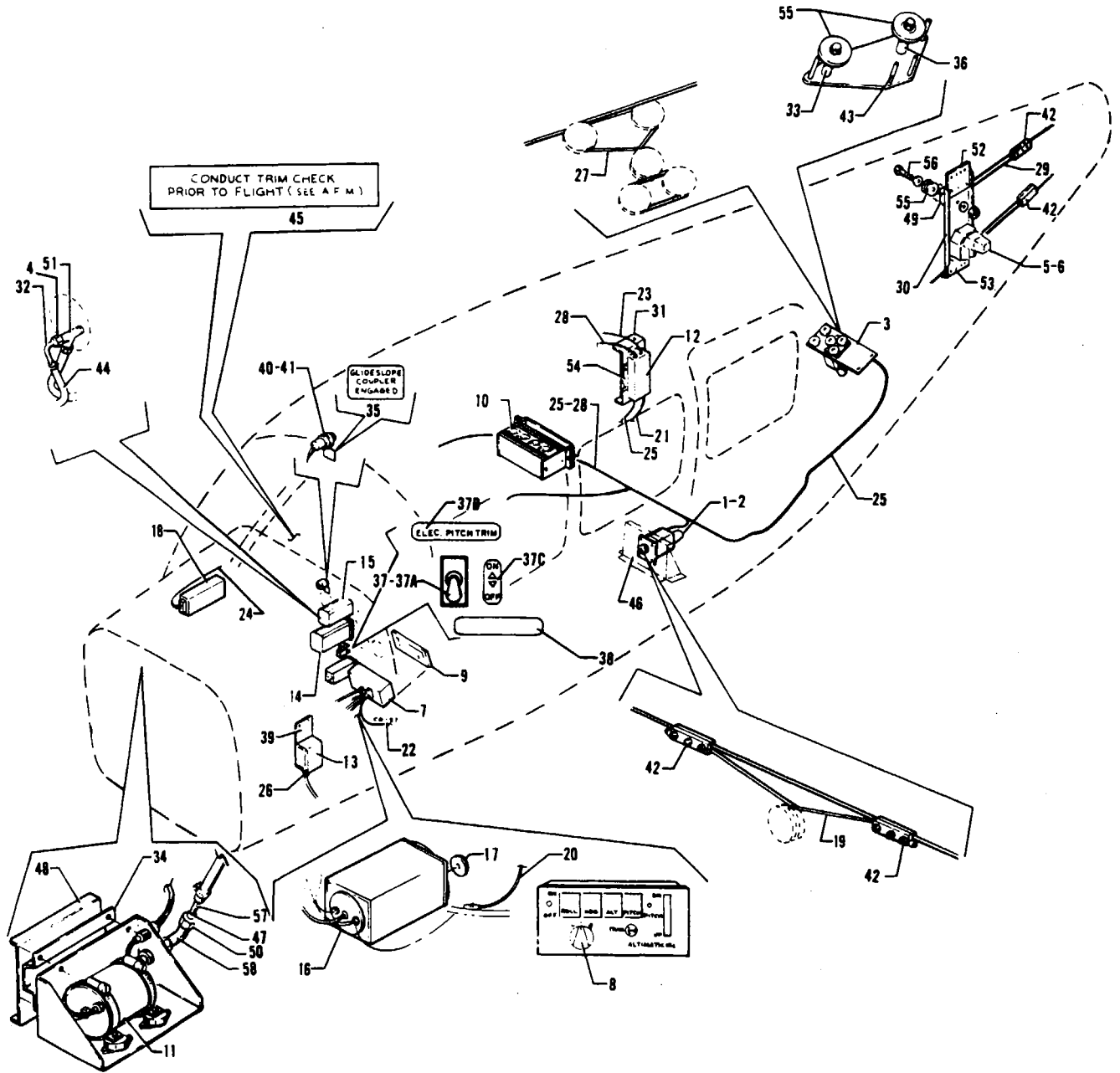


Figure 95 AltiMatic III C Installation
 (PA-32-301 - Serial Nos. 32-8006001 to 32-8006116 inclusive)
 (PA-32-301T - Serial Nos. 32-8024001 to 32-8024062 inclusive)

PIPER PARTS CATALOG

CODE EXPLANATIONS FOR FIGURE 95

- A - Used on PA-32-301 with serial numbers 32-8006001 to 32-8006116 inclusive, and PA-32-301T with serial numbers 32-8024001 to 32-8024062 inclusive
- B - Used when Glide Slope Coupler is installed
- C - Used if NSD-360 Navigation Situation Display Indicator is installed
- D - Used if Pitch Trim Switch Replacement Kit 764 401 has been installed
- E - Used if a push on-off switch is installed
- W - These parts must be ordered from Service Spares Department, Piper Aircraft, Lock Haven, Penna

PIPER PARTS CATALOG

Figure and Index Number	Part Number	Code	NOMENCLATURE	No. Req.	SERIAL NUMBERS AFFECTED
95-	38482		DRAWING - AltiMatic III C Installation		
-1	762 245		SERVO ASSEMBLY - Roll (1C363-1-269R)	1	
-2	757 579	W	* SET SCREW - Capstan (3S326)	1	
-3	762 251		SERVO ASSEMBLY - Trim (1C373-6-529)	1	
-4	554 861	W	CLAMP - (SAE TY F-4)	2	
-5	762 387		SERVO ASSEMBLY - Pitch (1C-508-1-775P)	1	
-6	757 579	W	* SET SCREW - Capstan (3S326)	1	
-7	758 026	W	CONSOLE - AltiMatic III C (1D720)	1	
-8	760 899	W	* KNOB - Roll (36B141)	1	
-9	757 456	W	* PLATE - Face (13C767) (with 6 bulbs)	1	
-10	751 314		AMPLIFIER - (1C515-1)	1	
-11	751 347		ALTITUDE HOLD - (1C725) (includes 1C535-1 controller, mounting brackets and shock mounts)	1	
-12	763 008		AMPLIFIER - Trim (1C709-16)	1	
-13	758 181		BOX - Relay (1A526)	1	
-14	550 778	W	INSTRUMENT - Directional gyro (32168-00)	1	
	596 755	W	INSTRUMENT - Horizontal situation indicator, unslaved (NSD-360-A/52D136-1333)	1	
-15	550 559	W	INSTRUMENT - Attitude gyro (32172-02)	1	
-16	551 114	W	COUPLER ASSEMBLY - Omni (25690-00)	1	
	25690-02	C,W	COUPLER ASSEMBLY - Omni	1	
-17	757 052	W	* KNOB - (36A98)	1	
-18	751 300	W	COUPLER ASSEMBLY - Glide slope (1C493)	1	
-19	753 980		CABLE ASSEMBLY - Bridle (30B200)	1	
-20	596 236	B	CABLE ASSEMBLY - (30B295-1)	1	
-21	763 222		CABLE ASSEMBLY - (30C174-11)	1	
-22	763 248		CABLE ASSEMBLY - (30C156-8)	1	
-23	763 225		CABLE ASSEMBLY - (30D207-31)	1	
-24	596 235	B	CABLE ASSEMBLY - (30C192-1)	1	
-25	763 223		CABLE ASSEMBLY - (30C481-27)	1	
-26	758 052		CABLE ASSEMBLY - (30B340-3)	1	
-27	62701-135		CABLE ASSEMBLY - Control stabilator trim, forward	1	
-28	763 270		CABLE ASSEMBLY - (30C481-1)	1	
-29	758 079		CABLE ASSEMBLY - (30B507)	1	
-30	758 348		BRACKET - Pitch servo mounting (7D1601)	1	
-31	758 404		BRACKET - Pitch trim amplifier (7C1786)	1	
-32	63211-00		TUBE ASSEMBLY - Static	1	
-33	95061-118		BUSHING - Pitch trim servo	1	
-34	758 405		BRACKET - Altitude hold (7B1774-1)	1	
-35	69669-40	B	PLACARD - Glide slope coupler	1	
-36	95061-115		BUSHING - Pitch trim servo	1	
-37	764 401		PITCH TRIM SWITCH REPLACEMENT KIT	1	
-37a	587 923	D	* SWITCH - Pitch trim (PS10095-1)	1	
-37b	87369-38	D	* PLACARD - Electric pitch trim	1	
-37c	87369-39	D	* PLACARD - On-off	1	
-38	67490-02	E	PLACARD - Electric pitch trim	1	
-39	758 416		BRACKET - Relay box (7B1822)	1	
-40	596 244	B	LIGHT ASSEMBLY - (30B412-1)	1	
-41	761 173	B	* LAMP - (65S16)	1	
-42	757 863	W	CLAMP ASSEMBLY - Bridle cable (42A173-1)	4	
-43	751 906		GUARD - Cable (7A546)	1	
-44	63913-197		HOSE - Altitude hold (62.00" L)	1	
-45	763 418		PLACARD - Conduct trim check, see P O H (13A660-1)	1	
-46	453 453		BRACKET - Servo mounting (7D511-4)	1	

When ordering, always specify Part Number, Description and Serial Number of Aircraft

PIPER PARTS CATALOG

Figure and Index Number	Part Number	Code	NOMENCLATURE	No. Req.	SERIAL NUMBERS AFFECTED
95-47	477 611		COUPLING - (AN818-3D)	1	
-48	758 417		BRACKET - Altitude hold (7C1863)	1	
-49	758 355		BRACKET - (7A972-2)	1	
-50	486 896		SLEEVE - (MS20819-3D)	1	
-51	488 310	W	TEE - (MS20826-3D)	1	
-52	758 350		BRACKET - Pitch servo mounting (7B1599)	1	
-53	758 351		BRACKET - Pitch servo mounting (7B1600)	1	
-54	758 354		BRACKET - Pitch trim amplifier (7A1445)	2	
-55	481 640		PULLEY - (MS24566-1B)	3	
-56	401 261		BOLT - (AN3H-12A)	1	
	756 673		WASHER - (4S31)	2	
	407 564	W	WASHER - (AN960-10)	2	
	404 887	W	NUT - (MS20365-1032C)	1	
-57	79636-04		TUBE - Altitude hold	2	
-58	458 893	W	ELBOW - (AN822-3D)	1	

When ordering, always specify Part Number, Description and Serial Number of Aircraft

PIPER PARTS CATALOG

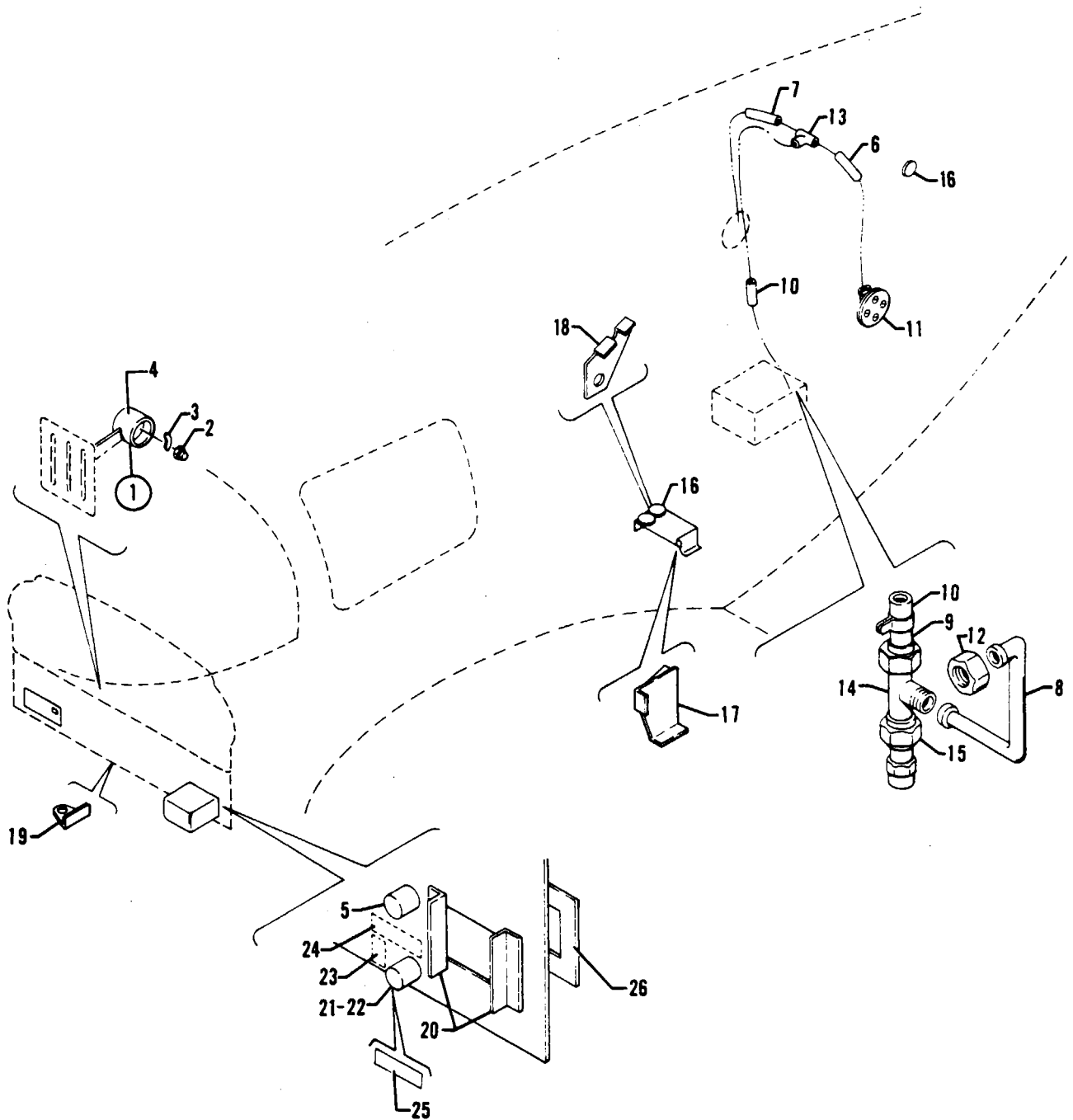


Figure 96 Century 41 AutoPilot Installation
(PA-32-301 - Serial Nos 32-8106001 and up)
(PA-32-301T - Serial Nos 32-8124001 and up)

PIPER PARTS CATALOG

CODE EXPLANATIONS FOR FIGURE 96

- A - Used on PA-32-301 with serial numbers 32-8106001 and up, and PA-32-301T with serial numbers 32-8124001 and up
- B - This installation is relative only to associated Piper Aircraft Corporation parts that are used when installing Mitchell Century 41 AutoPilot. All Mitchell equipment and components must be procured from an authorized Mitchell Service Center or from Edo-Aire Mitchell, Post Office Box 610, Municipal Airport, Mineral Wells, Texas 76067
- C - Used with single cue or double cue attitude gyro
- D - Used with single cue attitude gyro
- E - Used on PA-32-301 with serial numbers 32-8006001 to 32-8206021 inclusive, and PA-32-301T with serial numbers 32-8024001 to 32-8224005 inclusive
- F - Used on PA-32-301 with serial numbers 32-8206022 and up, and PA-32-301T with serial numbers 32-8224006 and up. Also used on PA-32-301 with serial numbers 32-8006001 to 32-8206021 inclusive and PA-32-301T with serial numbers 32-8024001 to 32-8224005 inclusive if Pitch Trim Switch Replacement Kit 764 401 has been installed
- G - Used if a push on-off switch is installed
- W - These parts must be ordered from Service Spares Department, Piper Aircraft, Lock Haven, Penna

PIPER PARTS CATALOG

Figure and Index Number	Part Number	Code	NOMENCLATURE	No. Req.	SERIAL NUMBERS AFFECTED
96-	39782		DRAWING - Century 41 AutoPilot Installation		
-1	36844-05	C	SWITCH ASSEMBLY - Go-around	1	
-2	588 085	C	* SWITCH - (39-3)	1	
-3	78237-00	C	* PLACARD - Go-around	1	
-4	36530-02	C	* KNOB - Throttle	1	
-5	39802-02	D	SWITCH ASSEMBLY - Attitude gyro	1	
-6	95153-20		TUBE ASSEMBLY - Left	1	
-7	95153-79		TUBE ASSEMBLY - Right	1	
-8	95153-105		TUBE ASSEMBLY - Static air	1	
-9	67700-160		TUBE ASSEMBLY - Static air	1	
-10	63913-36		HOSE - Static	1	
-11	78039-00		FITTING ASSEMBLY - Static line vent	2	
-12	477 646		FITTING - Static line (9021)	1	
-13	488 315	W	TEE - (AN824-3D)	1	
-14	488 310	W	TEE - (MS20826-3D)	1	
-15	455 173	W	COUPLING - (AN910-1D)	1	
-16	481 640	W	PULLEY - (MS24566-1B)	3	
-17	68674-00		BRACKET ASSEMBLY - Pitch trim	1	
-18	68676-00		BRACKET - Pitch trim	1	
-19	35672-02		BRACKET - Horn	1	
-20	39785-02		ANGLE - Programmer support	2	
-21	764 401	E	PITCH TRIM SWITCH REPLACEMENT KIT	1	
-22	587 923	F	* SWITCH - Pitch trim (PS10095-1)	1	
-23	87369-39	F	* PLACARD - On-off	1	
-24	87369-38	F	* PLACARD - Electric pitch trim	1	
-25	67490-02	G	PLACARD - Electric pitch trim	1	
-26	39800-02		INSERT - AutoPilot	1	

When ordering, always specify Part Number, Description and Serial Number of Aircraft

PIPER PARTS CATALOG

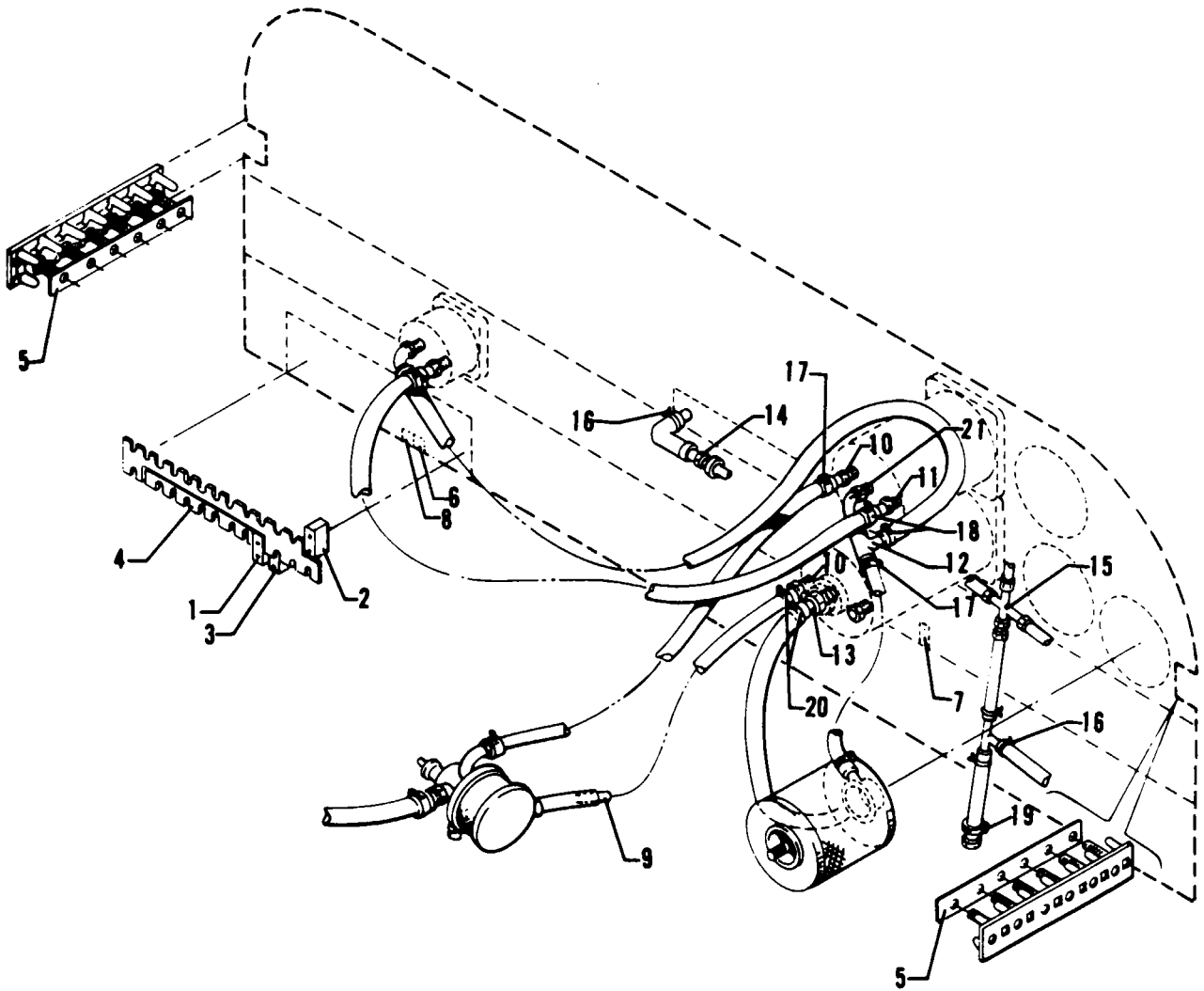


Figure 96A King KAP 100/150/KFC150 AutoPilot Installation
(PA-32-301 - Serial Nos 32-8306001 and up)
(PA-32-301T - Serial Nos 32-8324001 and up)

PIPER PARTS CATALOG

CODE EXPLANATIONS FOR FIGURE 96A

- A - This installation is relative only to associated Piper Aircraft Corporation parts that are used when installing King KAP 100/150/KFC 150 AutoPilot. All King equipment and components must be procured from King Radio Corporation, 400 N Rogers Road, Olathe, Kansas 66061
- B - Used on PA-32-301 with serial numbers 32-8306001 and up, and PA-32-301T with serial numbers 32-8324001 and up
- W - These parts must be ordered from Service Spares Department, Piper Aircraft, Lock Haven, Penna

PIPER PARTS CATALOG

Figure and Index Number	Part Number	Code	NOMENCLATURE	No. Req.	SERIAL NUMBERS AFFECTED
96A-	39880		DRAWING - King KAP 100/150/KFC 150 AutoPilot Installation		
-1	454 657		CIRCUIT BREAKER - AutoPilot, 10 amp (PS50120-3-12)	1	
-2	454 656		CIRCUIT BREAKER - Pitch trim, 5 amp (PS50120-3-7)	1	
-3	454 706		CIRCUIT BREAKER - Compass system, 5 amp (PS50120-1-2)	1	
-4	35208-11		BAR - Bus	1	
-5	35207-04		BAR - Bus	2	
-6	35669-110		PLACARD - Compass system	1	
-7	87369-40		PLACARD - Nav 1/Nav 2	1	
-8	87369-43		PLACARD - AutoPilot	1	
-9	96268-00		PLUG ASSEMBLY	1	
-10	451 939	W	ADAPTER - (1K10-4-6)	2	
-11	451 881	W	ADAPTER - (1K10-2-4)	1	
-12	560 835	W	TEE - (1K31-4-6-4)	1	
-13	558 913	W	ELBOW - (1K9-4-6)	1	
-14	491 049	W	UNION - (AN815-3D)	1	
-15	455 417		CROSS - (AN827-3D)	1	
-16	454 806	W	CLAMP - (SAE TY E-7)	4	
-17	554 888		CLAMP - (SAE TY F-6)	2	
-18	554 861	W	CLAMP - (SAE TY F-4)	2	
-19	554 575		CLAMP - (PS10017-23-4)	1	
-20	554 598		CLAMP - (NAS397-12)	2	
-21	458 840		ELBOW - (AN915-2D)	1	

When ordering, always specify Part Number, Description and Serial Number of Aircraft

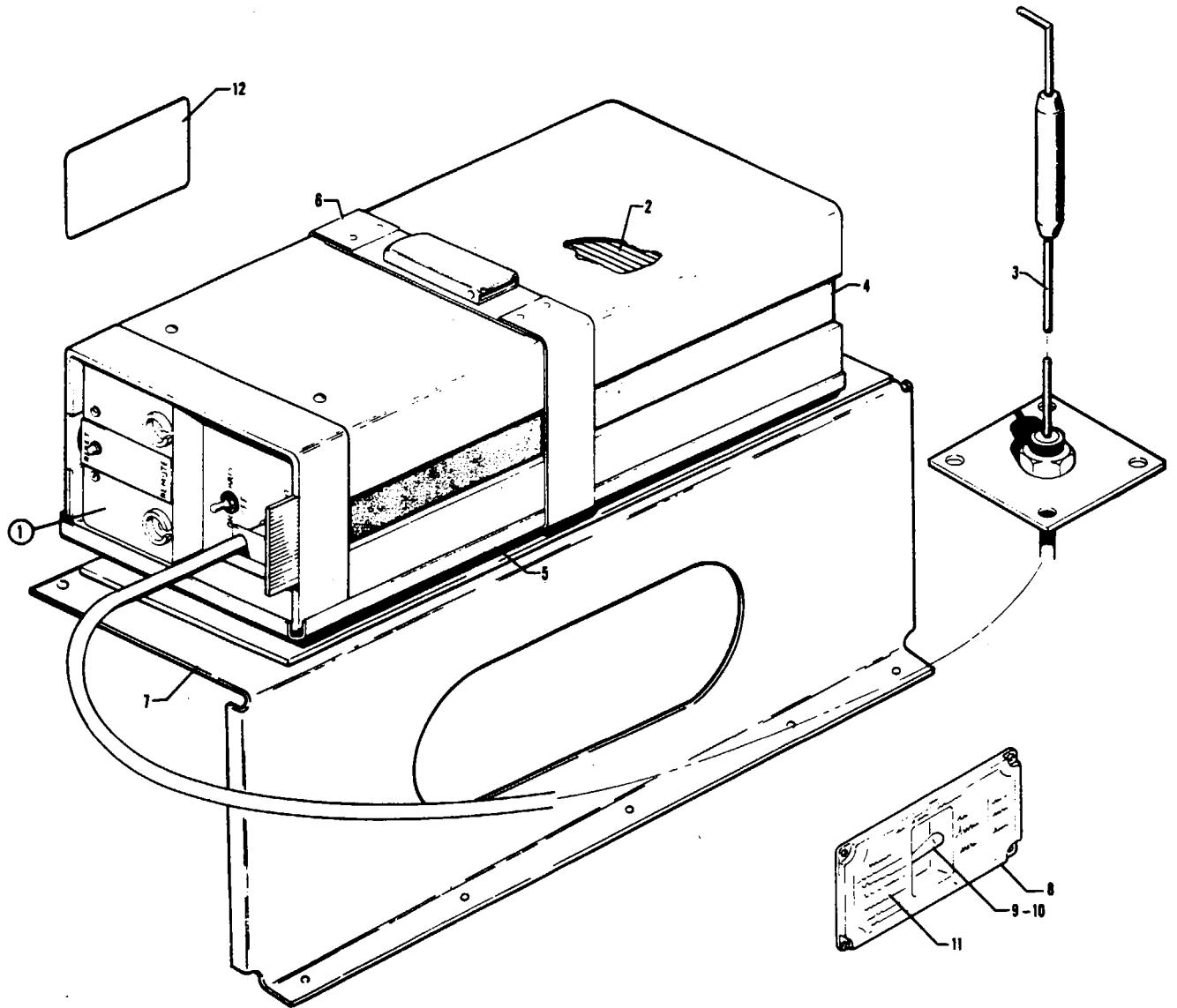


Figure 97. Piper Automatic Locator (ELT) Installation
(Narco Avionics)

PIPER PARTS CATALOG

CODE EXPLANATIONS FOR FIGURE 97

A - When ordering specify color "bark II" or black.

W - These parts must be ordered from Service Spares Department, Piper Aircraft, Lock Haven, Penna.

PIPER PARTS CATALOG

Figure and Index Number	Part Number	Code	NOMENCLATURE	No. Req.	SERIAL NUMBERS AFFECTED
97-	36632		DRAWING - Piper Automatic Locator (ELT) Installation		
-1	597 461		TRANSMITTER ASSEMBLY - Automatic locator (ELT-10) (includes alkaline battery pack)	1	
-2	758 452	W	* BATTERY PACK - Transmitter assembly (57674-0001)	1	
-3	597 257	W	* ANTENNA ASSEMBLY - ELT (01652-0101)	1	
-4	763 019	W	* ANTENNA - Blade, portable (57667-0001)	1	
-5	758 453	W	* BASE - Transmitter assembly (57666-0001)	1	
-6	762 357	W	* STRAP - Transmitter assembly (57682-0101)	1	
-7	99887-06		BRACKET ASSEMBLY - Emergency locator transmitter	1	
-8	79463-00	A	COVER - ELT switch	1	
-9	79599-00		SWITCH AND HARNESS ASSEMBLY - ELT	1	
-10	588 011		* SWITCH - (8E1011)	1	
-11	35669-132		PLACARD - Warning	1	
-12	35669-105		PLACARD - ELT location	1	

When ordering, always specify Part Number, Description and Serial Number of Aircraft

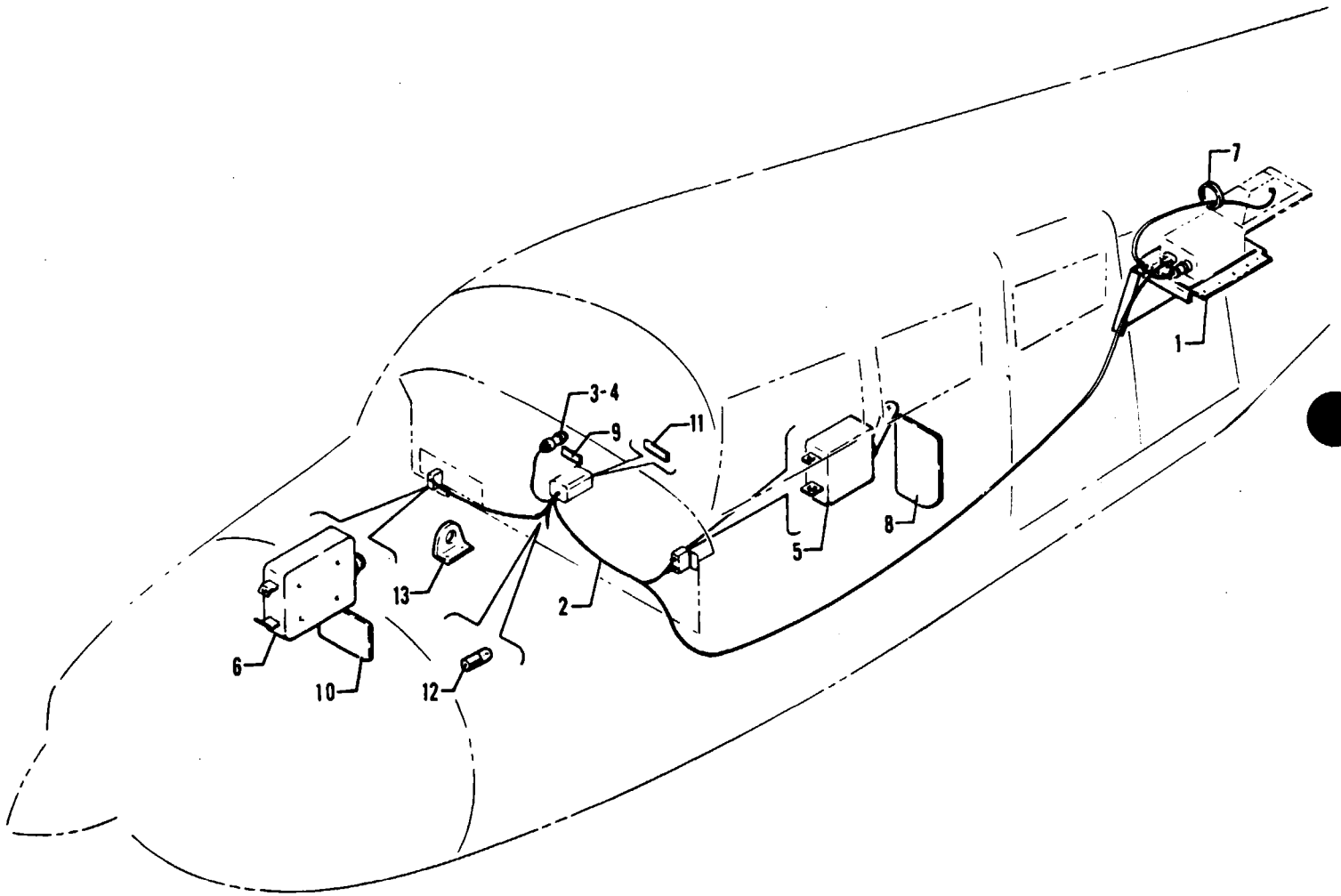


Figure 98 Radar Altimeter Installation (Bonzer)

PIPER PARTS CATALOG

CODE EXPLANATIONS FOR FIGURE 98

A - Used if Air Conditioning is installed

W - These parts must be ordered from Service Spares Department, Piper Aircraft, Lock Haven, Penna

PIPER PARTS CATALOG

Figure and Index Number	Part Number	Code	NOMENCLATURE	No. Req.	SERIAL NUMBERS AFFECTED
98-	37693		DRAWING - Radar Altimeter Installation (Bonzer)		
-1	37693-04		SUPPORT - Radar altimeter transmitter	1	
-2	37694-02		HARNES ASSEMBLY - Radar altimeter	1	
-3	761 198		* LAMP ASSEMBLY - (136-0020-00)	1	
-4	472 054	W	* LAMP - (PS10008-330)	1	
-5	587 923		* SWITCH - (JMT 123)	1	
-6	454 706		CIRCUIT BREAKER - (PS50120-1-2) 5 amp	1	
-7	63186-12		MOULDING	1	
-8	69669-97		PLACARD - Radar altimeter "ON-OFF"	1	
-9	69669-95		PLACARD - Radar altimeter "OFF" for "TAKE-OFF"	1	
-10	69669-96		PLACARD - Radar altimeter	1	
-11	69669-114	A	PLACARD - Warning	1	
-12	472 054	W	LAMP - (PS10008-330)	1	
-13	35672-02		BRACKET - Horn	1	

When ordering, always specify Part Number, Description and Serial Number of Aircraft

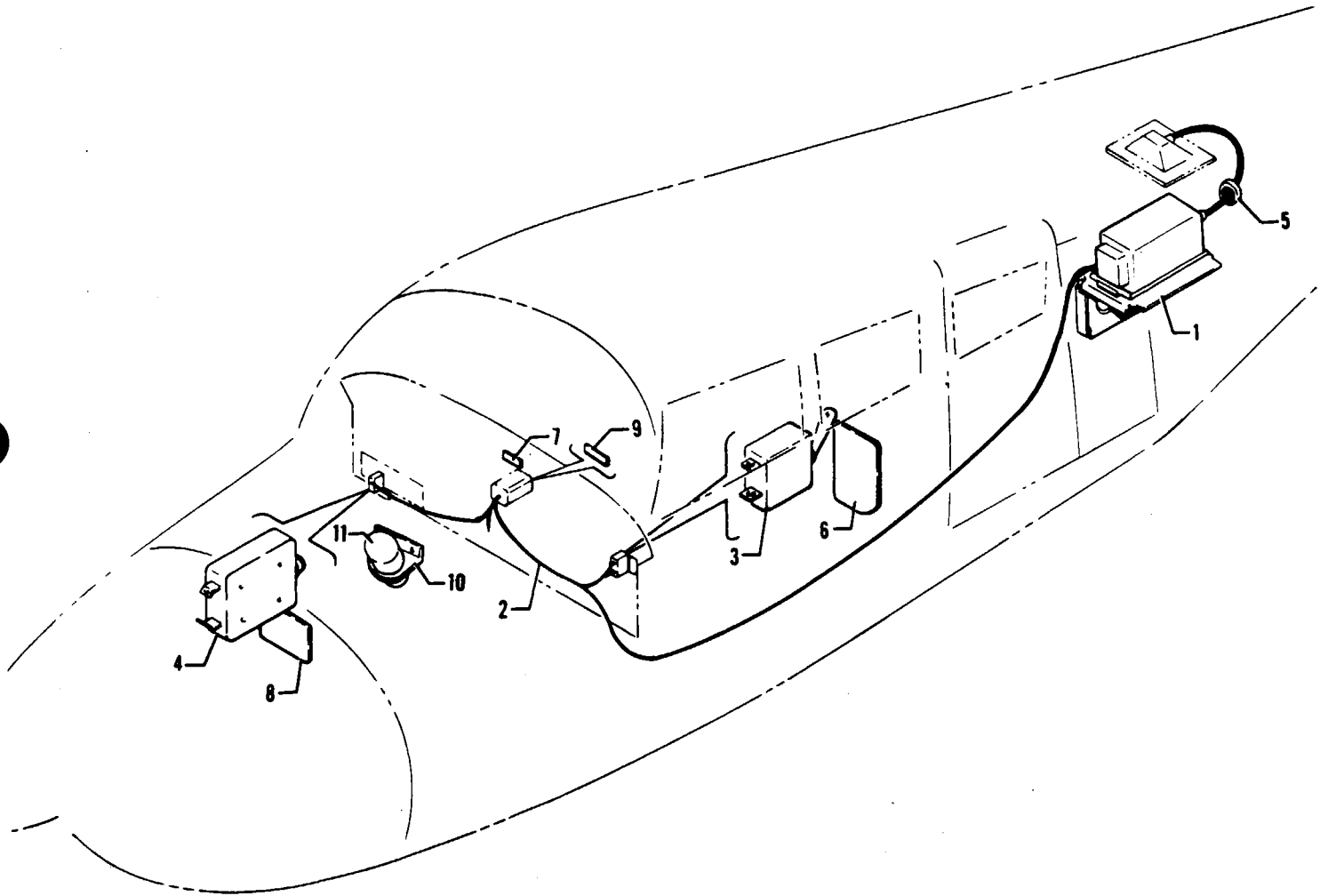


Figure 99 Radar Altimeter Installation (King)

PIPER PARTS CATALOG

CODE EXPLANATIONS FOR FIGURE 99

A - Used if air conditioning is installed

W - These parts must be ordered from Service Spares Department, Piper Aircraft, Lock Haven, Penna

PIPER PARTS CATALOG

Figure and Index Number	Part Number	Code	NOMENCLATURE	No. Req.	SERIAL NUMBERS AFFECTED
99-	36973		DRAWING - Radar Altimeter Installation (King)		
-1	36973-06		SUPPORT - Radar altimeter transmitter	1	
-2	36970-02		HARNES ASSEMBLY - Radar altimeter	1	
-3	587 923		* SWITCH - (JMT-123)	1	
-4	454 706		CIRCUIT BREAKER - (PS50120-1-2) 5 amp	1	
-5	63186-23		MOULDING	1	
-6	69669-97		PLACARD - Radar altimeter "ON-OFF"	1	
-7	69669-95		PLACARD - Radar altimeter "OFF" for "TAKE-OFF"	1	
-8	69669-96		PLACARD - Radar altimeter	1	
-9	69669-114	A	PLACARD - Warning	1	
-10	35672-02		BRACKET - Horn	1	
-11	565 367	W	HORN - Warning (SC-628)	1	

When ordering, always specify Part Number, Description and Serial Number of Aircraft

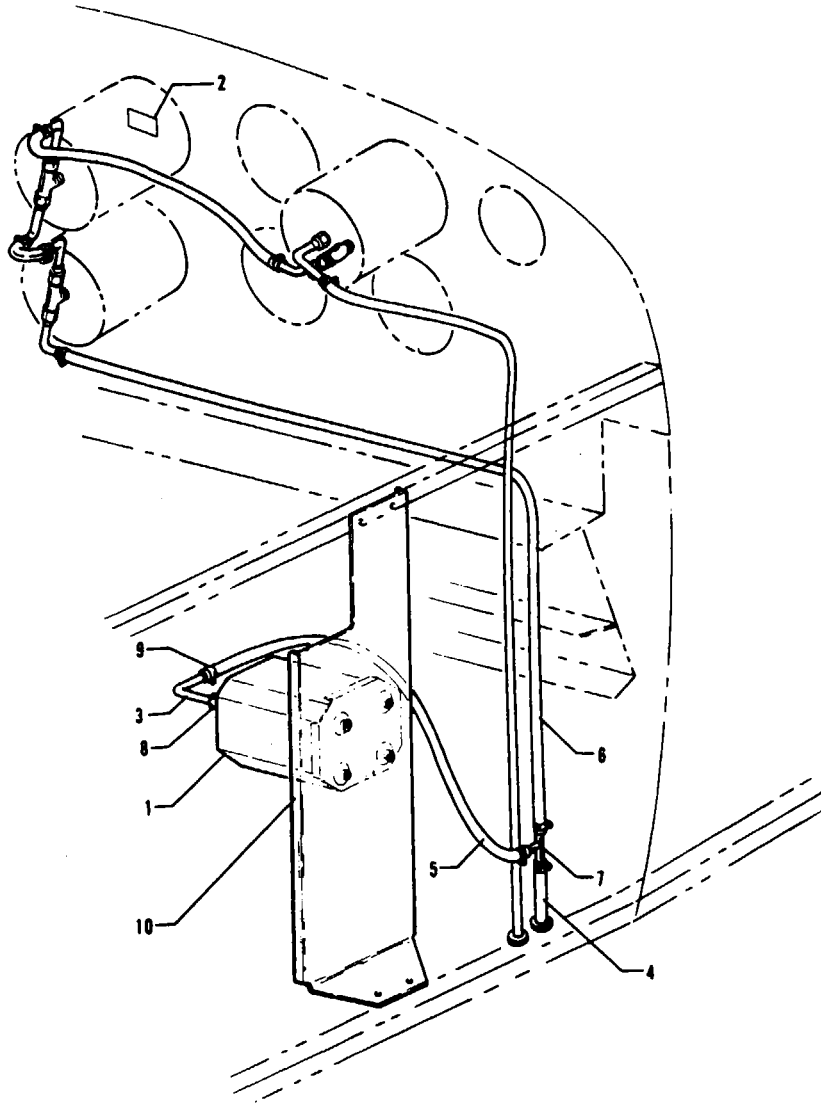


Figure 100. Encoder Installation (Narco - AR 500 and United - 5125-P3)

PIPER PARTS CATALOG

CODE EXPLANATIONS FOR FIGURE 100

W - These parts must be ordered from Service Spares Department, Piper Aircraft, Lock Haven, Penna

PIPER PARTS CATALOG

Figure and Index Number	Part Number	Code	NOMENCLATURE	No. Req.	SERIAL NUMBERS AFFECTED
100-	69875		DRAWING - Narco Encoder Installation (AR-500)		
-1	596 605		ALTITUDE REPORTER - Narco (PS50040-30-2)	1	
	597 426		ALTITUDE REPORTER - United (PS50040-30-4)	1	
-2	35669-154		PLACARD - Altitude reporter installed	1	
-3	63211-00		TUBE ASSEMBLY - Altitude reporter	1	
-4	63913-34		HOSE	1	
-5	63913-37		HOSE	1	
-6	63913-115		HOSE	1	
-7	68193-07		TEE	1	
-8	476 647	W	UNION - (AN816-3D)	1	
-9	554 861	W	CLAMP - (SAE TY F-4)	4	
-10	69874-02		BRACKET ASSEMBLY - Mounting	1	

When ordering, always specify Part Number, Description and Serial Number of Aircraft

2F23 THRU 2F24
INTENTIONALLY LEFT BLANK

PIPER PARTS CATALOG

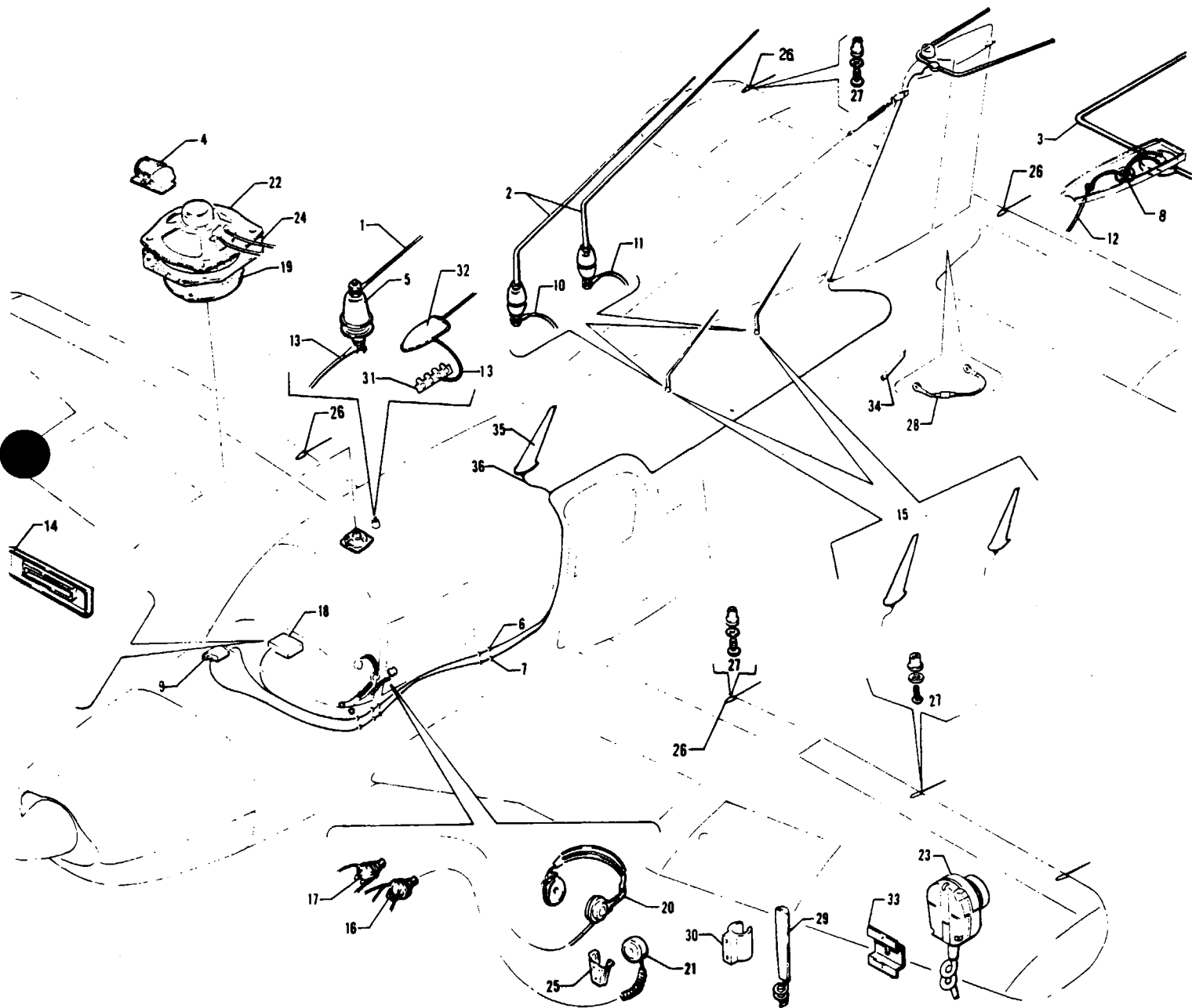


Figure 101 Radio, Antenna System and Static Wicks Installation

PIPER PARTS CATALOG

CODE EXPLANATIONS FOR FIGURE 101

- A - See Figure 102 for component parts
- B - With Single VHF Switch, ADF Switch and Marker Beacon Switches.
- C - With Microphone Switch, Dual VHF Switches and ADF Switch
- D - With Microphone Switch, Dual VHF Switches, ADF Switch and Marker Beacon Switches.
- E - When ordering, specify color "bark II" or black
- F - Used if Bendix ADF-T-12C or ADF-T-12D Receiver is installed.
- G - Used on PA-32-301 with serial numbers 32-8106001 and up, and PA-32-301T with serial numbers 32-8124001 and up.
- H - Used on PA-32-301 with serial numbers 32-8206033 and up, and PA-32-301T with serial numbers 32-8224011 and up.
- W - These parts must be ordered from Service Spares Department, Piper Aircraft, Lock Haven, Penna.

PIPER PARTS CATALOG

Figure and Index Number	Part Number	Code	NOMENCLATURE	No. Req.	SERIAL NUMBERS AFFECTED
101-	69390 69389 79158 78947 39737		DRAWING - Radio Systems Installation DRAWING - Radio Antenna Systems Installation DRAWING - All Weather Radio Antenna System Installation DRAWING - Static Wicks Installation DRAWING - Marker Beacon Antenna Installation		
-1	99841-03		ANTENNA ASSEMBLY - Receiving	1	
-2	451 272	W	ANTENNA ASSEMBLY - Transmitting (VTP-17)	1	
-3	451 273	W	ANTENNA ASSEMBLY - Omni-receiving (VRP-37)	1	
-4	484 375		RELAY - Microphone (11F-2300G-SIL)	1	
-5	467 064	W	INSULATOR - Antenna (135-40)	1	
-6	463 390		GROMMET - (1659)	9	
-7	434 135	W	GROMMET - (MS35489-14)	5	
-8	434 144	W	GROMMET - (MS35489-23)	1	
-9	555 501		COUPLER - Dual nav-com (AVB-10)	1	
	555 422		COUPLER - Dual nav-com with glide slope (AV-571)	1	
-10	99610-02		CABLE ASSEMBLY - Transmitting	1	
-11	99610-03		CABLE ASSEMBLY - Transmitting	1	
-12	65192-10		CABLE ASSEMBLY - Receiving	1	
-13	596 118		CABLE ASSEMBLY - Receiving (90677-67)	1	
-14	99409-00		COVER ASSEMBLY - Transmitter selector	1	
-15	596 332		ANTENNA - Broadband, VHF Comm (PS50040-18-1) (Communications Components)	2	
	596 664		ANTENNA - Broadband, VHF Comm (PS50040-18-2) (Dorne & Margolin)	2	
-16	468 002	W	JACK - Mike (S12B)	2	
-17	468 006	W	JACK - Phone (11)	1	
-18	99395-00	A,B	AUDIO SELECTOR ASSEMBLY	1	
	99395-02	A,C	AUDIO SELECTOR ASSEMBLY	1	
	99395-03	A,D	AUDIO SELECTOR ASSEMBLY	1	
-19	99744-00		GRILL - Radio speaker	1	
-20	464 327	W	HEADPHONE - (P-23)	1	
	464 407		HEADPHONE - (With boom mike)	1	
-21	474 652		MICROPHONE - (Telex 60837-17)	1	
-22	585 015		SPEAKER - Radio (6FU3211)	1	
-23	474 659		MICROPHONE - Narco (M700B)	1	
-24	99745-00		GASKET - Radio speaker	1	
-25	99680-08	E	SUPPORT - Microphone	1	
-26	494 678		WICK - Static (SW10-96)	9	
-27	415 520	W	SCREW - (MS35206-230)	14	
	407 122		WASHER - (AN935-6L)	14	
	506 902		RIVNUT - (S6K75)	14	
-28	469 600		JUMPER ASSEMBLY - Lightning protection (MS25083-3AA6)	5	
-29	474 642		MICROPHONE - (Telex 62800-001)	1	
-30	565 523		HOLDER - Microphone (Telex 64022-000)	1	
-31	79152-00		STRIP ASSEMBLY - Terminal	1	
	79152-02	F	STRIP ASSEMBLY - Terminal	1	
-32	79160-00		ANTENNA - All weather receiving	1	
-33	554 686		CLIP - Microphone holder (90Z1136)	1	
-34	597 893	G	ANTENNA - Marker beacon (PS50040-15-10)	1	
-35	596 664	H	ANTENNA - VHF Comm (PS50040-18-2) (Dorne & Margolin)	1	
-36	99610-10	H	CABLE ASSEMBLY - Transmitting	1	

When ordering, always specify Part Number, Description and Serial Number of Aircraft

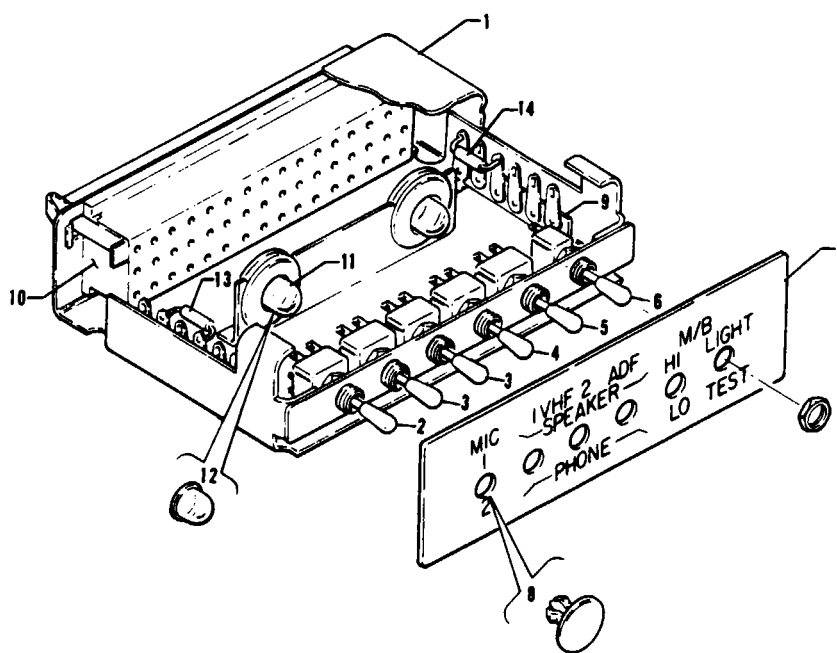


Figure 102. Audio Selector Assembly

PIPER PARTS CATALOG

CODE EXPLANATIONS FOR FIGURE 102

A - With Single VHF Switch, ADF Switch and Marker Beacon Switches

B - With Microphone Switch, Dual VHF Switches and ADF Switch

C - With Microphone Switch, Dual VHF Switches, ADF Switch and Marker Beacon Switches.

W - These parts must be ordered from Service Spares Department, Piper Aircraft, Lock Haven, Penna

PIPER PARTS CATALOG

Figure and Index Number	Part Number	Code	NOMENCLATURE	No. Req.	SERIAL NUMBERS AFFECTED
102-1	99395-00	A	AUDIO SELECTOR ASSEMBLY	1	
	99395-02	B	AUDIO SELECTOR ASSEMBLY	1	
	99395-03	C	AUDIO SELECTOR ASSEMBLY	1	
-2	587 807		* SWITCH - Microphone (JMT-223)	1	
-3	587 808		* SWITCH - VHF (JMT-221)	2	
-4	587 808		* SWITCH - ADF (JMT-221)	1	
-5	587 808		* SWITCH - Marker beacon, Hi/Lo (JMT-221)	1	
-6	587 809		* SWITCH - Marker beacon, light test (JMT-126)	1	
-7	99344-00		* PLATE - Selector face	1	
-8	453 855	W	* BUTTON - Plug (207-170201-00)	2	
-9	588 356		* STRIP - Terminal (1076)	2	
-10	484 234		* RECEPTACLE - (1055R48)	1	
-11	472 056		* BULB - (GE53)	2	
-12	460 602		* FILTER - Lunar white (1813-26)	2	
-13	456 703		* DIODE - (1N2071)	3	
-14	484 461		* RESISTOR - (242E3R05)	1	

When ordering, always specify Part Number, Description and Serial Number of Aircraft

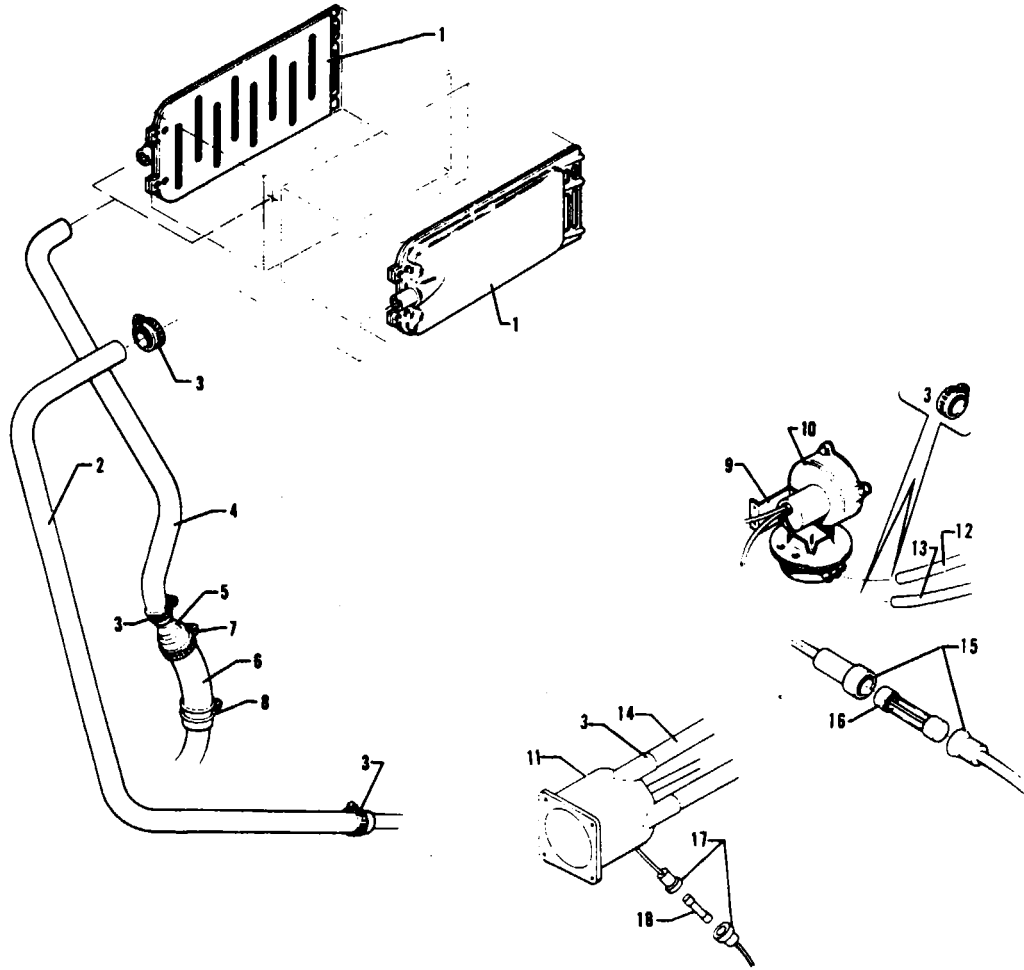


Figure 103 Avionics Cooling Installation

PIPER PARTS CATALOG

CODE EXPLANATIONS FOR FIGURE 103

- A - Used on PA-32-301 with serial numbers 32-8106001 to 32-8206050 inclusive, and PA-32-301T with serial numbers 32-8124001 to 32-8224024 inclusive.
- B - Used with Avionics Cooling Blower P/N 452 997 (Bendix No 3604529-0504) only
- C - Used with Avionics Cooling Blower P/N 598 422 (King No 071-4031-00) only
- D - Used on PA-32-301 with serial numbers 32-8006001 to 32-8206050 inclusive, and PA-32-301T with serial numbers 32-8024001 to 32-8224024 inclusive
- W - These parts must be ordered from Service Spares Department, Piper Aircraft, Lock Haven, Penna

PIPER PARTS CATALOG

Figure and Index Number	Part Number	Code	NOMENCLATURE	No. Req.	SERIAL NUMBERS AFFECTED
103-	79406 39745 36977	A	DRAWING - Radio Cooling Installation DRAWING - Bendix Radio Cooling Blower Installation DRAWING - King Radio Cooling Blower Installation		
-1	79405-00		BOX ASSEMBLY - Avionics cooling	1	
-2	63633-136		HOSE - Avionics cooling (60" long)	1	
-3	554 888	W	CLAMP - (SAE TY F-6)	AR	
-4	63633-186		HOSE - Avionics cooling (73" long)	1	
-5	79487-00	D	REDUCER - Avionics cooling hose	1	
-6	63633-169	D	HOSE - Avionics cooling (4" long)	1	
-7	454 921	D,W	CLAMP - (SAE TY F-10)	1	
-8	554 892	D,W	CLAMP - (SAE TY A-15/16)	1	
-9	39751-02	A,B	ZEE - Blower mount	1	
-10	452 997	A	BLOWER - Avionics cooling, Bendix (3604529-0504)	1	
-11	598 422		BLOWER - Avionics cooling, King (071-4031-00)	1	
-12	63633-189	A,B	HOSE - Air duct	1	
-13	63633-190	A,B	HOSE - Air duct	2	
-14	598 323	C	HOSE - Blower (150-0038-00)	AR	
-15	86652-05	A,B	FUSE ASSEMBLY - Blower	1	
-16	461 629	A,B	* FUSE - (311005) 5 amp	1	
-17	86652-09	C	FUSE ASSEMBLY - Blower	1	
-18	461 629	C	* FUSE - (311005) 5 amp	1	

When ordering, always specify Part Number, Description and Serial Number of Aircraft

PIPER PARTS CATALOG

CODE EXPLANATIONS FOR RADIO INSTALLATION DRAWINGS

- A - Used on PA-32-301 with serial numbers 32-8006001 to 32-8006116 inclusive
- B - Used on PA-32-301T with serial numbers 32-8024001 to 32-8024062 inclusive.
- C - Used on PA-32-301 with serial numbers 32-8106001 and up, and PA-32-301T with serial numbers 32R-8124001 and up
- D - Used on PA-32-301 with serial numbers 32-8006001 to 32-8006116 inclusive, and PA-32-301T with serial numbers 32-8024001 to 32-8024062 inclusive.
- E - Used on PA-32-301 with serial numbers 32-8006001 to 32-8106110 inclusive, and PA-32-301T with serial numbers 32-8024001 to 32-8124046 inclusive.
- F - Used on PA-32-301 with serial numbers 32-8206001 and up, and PA-32-301T with serial numbers 32-8224001 and up.
- G - Used on PA-32-301 with serial numbers 32-8006001 to 32-8306001 inclusive, and PA-32-301T with serial numbers 32-8024001 to 32-8224023 inclusive.
- H - Used on PA-32-301 with serial numbers 32-8306002 and up, and PA-32-301T with serial numbers 32-8324001 and up
- J - Used on PA-32-301 with serial numbers 32-8206001 to 32-8206050 inclusive, and PA-32-301T with serial numbers 32-8224001 to 32-8224024 inclusive.
- K - Used on PA-32-301 with serial numbers 32-8006001 to 32-8306032 inclusive, and PA-32-301T with serial numbers 32-8024001 to 32-8324016 inclusive.
- L - Used on PA-32-301 with serial numbers 32-8406001 and up, and PA-32-301T with serial numbers 32-8424001 and up

PIPER PARTS CATALOG

Figure and Index Number	Part Number	Code	NOMENCLATURE	No. Req.	SERIAL NUMBERS AFFECTED
69389			DRAWING - Antenna Systems Installation		
69390		G	DRAWING - Radio Systems Installation		
99989			DRAWING - Narco AT50/AT50A Transponder Installation		
99844		D	DRAWING - King KR-85 Radio Installation		
39767		C	DRAWING - King KR-87 Single/Dual ADF Radio Installation		
37964		G	DRAWING - Narco CP-135/135M Radio Installation		
79001		D	DRAWING - King KMA-20 Audio Marker and Beacon Installation		
39772		C	DRAWING - King KMA-24 Audio Marker and Beacon Installation		
67966		G	DRAWING - Narco COMM 120/111, NAV 121/122/122A, UGR-2A Radio Installation		
69935			DRAWING - King KT76A/78A Transponder Installation		
69860		K	DRAWING - Narco ADF-140/141 Single Radio Installation		
87479		L	DRAWING - Narco ADF-841 Radio Installation		
69870		A	DRAWING - Narco ADF-140 Dual Radio Installation		
79051			DRAWING - King KR-86 Single Radio Installation		
36688		D	DRAWING - King KR-85, KR-86 Dual Radio Installation		
79491		E	DRAWING - Narco DME-190/190 TSO Installation		
69918		A	DRAWING - Narco CLC-60A/NSD-360, R Nav Radio Installation		
38243		B	DRAWING - Narco CLC-60A/NSD-360 R Nav Radio Installation		
37966		G	DRAWING - Nav 124/124A, NSD-360A Radio Installation		
69934			DRAWING - Collins Dual VHF-251/with DME Switching, Dual Omni and Glide Slope		
69928			DRAWING - Collins RCR-650 ADF Single Radio Installation		
69929			DRAWING - Collins TDR-950 Transponder Installation with provisions for Encoding Altimeter and Altitude Reporter		
69930			DRAWING - Collins AMR-350 Audio and Marker Beacon System Installation		
37987		A	DRAWING - Narco CLC-60A/ID-124, R Nav DME-190 Radio Installation		
37988		B	DRAWING - Narco CLC-60A/ID-124, R Nav DME-190 Radio Installation		
37991		A	DRAWING - Narco CLC-60A/ID-124, DME-195 Radio Installation		
37992		B	DRAWING - Narco CLC-60A/ID-124, DME-195 Radio Installation		
69978		A	DRAWING - Narco CLC-60A/NSD-360A, DME-195 Radio Installation		
38259		B	DRAWING - Narco CLC-60A, NSD-360A, DME-195 Radio Installation		
69943		G	DRAWING - Narco DME-195 Radio Installation		
39867		H	DRAWING - Narco DME-890 Radio Installation		
69982			DRAWING - King Single ADF/HF Compatibility Installation		
36912		E	DRAWING - King KX-170B/175B, KI-204/208/209 KN-75 NAV-COMM and G/S Installation (with King KFC-200 Provisions)		
36913		E	DRAWING - King KX-170B/175B, KI-203/208 KN-72/75 NAV-COMM, Glide Slope and NSD-360 Installation		
39833		F	DRAWING - King KX-155, KI-203/208-209 Nav-Com Radio Installation		
39835		F	DRAWING - King KX-155/165, KN-72, KI-202/203/206/208 Dual Nav-Com Installation		

When ordering, always specify Part Number, Description and Serial Number of Aircraft

PIPER PARTS CATALOG

Figure and Index Number	Part Number	Code	NOMENCLATURE	No. Req.	SERIAL NUMBERS AFFECTED
36920		E	DRAWING - Collins DCE-400 Distance Computing Equipment		
36968			DRAWING - King KN-62/62A Radio Installation		
36989			DRAWING - TCR 451/w450 Indicator		
36996			DRAWING - Collins (2) VHF-251, (2) VIR-351, NSD-360A, IND-350A, ANS-351, TCR-451, IND-451, GLS-350		
36977			DRAWING - KNS-80, KY-197, KX-170B/175B, NSD-360A, KI-206/203/208		
39786		C	DRAWING - King Dual Nav/Comm, Glide Slope, DME and provisions for Century 41 AutoPilot		
39748		J	DRAWING - Bendix CN-2013A, IN2014, AS-2015 Single Com/Nav, Glide Slope and Audio Select Panel		
39750		J	DRAWING - Bendix CN-2011A, IN2014, IU2016, AD2019 Dual Com/Nav Installation		
39752		J	DRAWING - Bendix NP2041, CN2011A, IN2014, IU2016, AD2019A Nav Prog with Dual Com/Nav Installation		
39739		J	DRAWING - Bendix TPR-2060 Transponder Installation		
39749		J	DRAWING - Bendix DME-2030		
39746		J	DRAWING - Bendix ADF-2070		
39868		H	DRAWING - Narco 810/824/825 Single/Dual Com/Nav/Ind Installation		
39866		H	DRAWING - Audio System Installation		

When ordering, always specify Part Number, Description and Serial Number of Aircraft

PIPER PARTS CATALOG

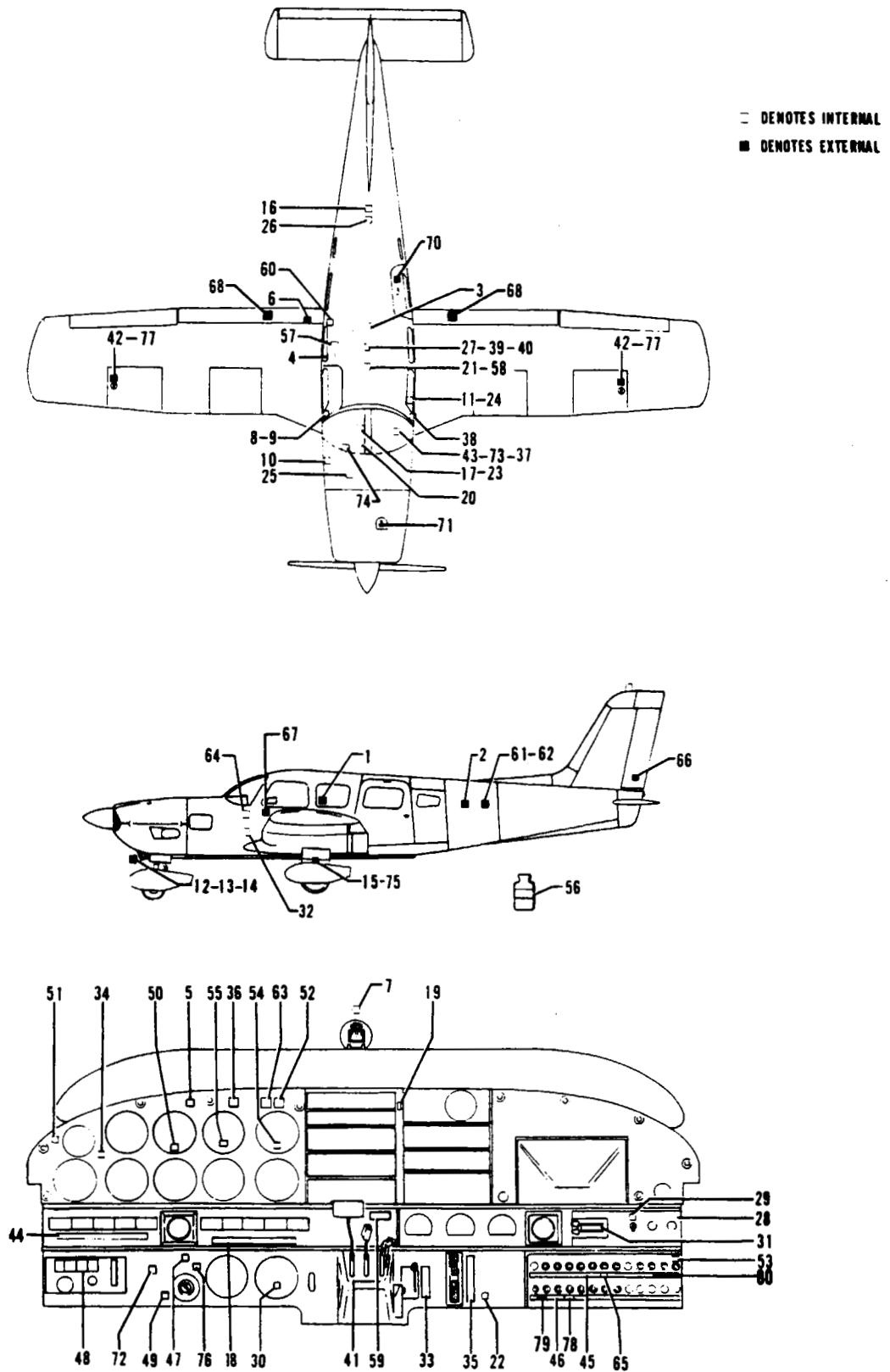


Figure 104 Placards and Exterior Stencils

PIPER PARTS CATALOG

CODE EXPLANATIONS FOR FIGURE 104

- A - Used on PA-32-301T only
- B - Used when glide slope coupler switch is installed.
- C - Used if air conditioning is installed.
- D - Used if Hartzell two-blade propeller is installed.
- E - Used on PA-32-301 with serial numbers 32-8006001 to 32-8006116 inclusive, and PA-32-301T with serial numbers 32-8024001 to 32-8024062 inclusive.
- F - Used on PA-32-301 with serial numbers 32-8106001 and up, and PA-32-301T with serial numbers 32-8124001 and up.
- G - Used if Century 21 AutoPilot is installed.
- H - Used on PA-32-301 only.
- J - Used on PA-32-301 with serial numbers 32-8106001 to 32-8106110 inclusive, and PA-32-301T with serial numbers 32-8124001 to 32-8124046 inclusive.
- K - Used on PA-32-301 with serial numbers 32-8206001 to 32-8206055 inclusive, and PA-32-301T with serial numbers 32-8224001 to 32-8224023 inclusive
- L - Used on PA-32-301 with serial numbers 32-8006001 to 32-8106119 inclusive, and PA-32-301T with serial numbers 32-8024001 to 32-8124052 inclusive.
- M - Used on PA-32-301 with serial numbers 32-8306001 to 32-8306032 inclusive, and PA-32-301T with serial numbers 32-8324001 to 32-8324016 inclusive.
- N - Used if a push on-off pitch trim switch is installed.
- O - Used if a toggle pitch trim switch is installed.
- P - Used on PA-32-301 with serial numbers 32-8406001 and up, and PA-32-301T with serial numbers 32-8424001 and up.
- Q - Used on PA-32-301 with serial numbers 32-8406001 and up, and PA-32-301T with serial numbers 32-8424001 and up.
- R - Used if Century 31 AutoPilot is installed.
- S - Used on PA-32-301 with serial numbers 32-8006001 to 32-8406007 inclusive, and PA-32-301T with serial numbers 32-8024001 to 32-8324016 inclusive.
- T - Used on PA-32-301 with serial numbers 32-8306001 and up, and PA-32-301T with serial numbers 32-8324001 and up
- U - Used if King KAP 100/150/KFC 150 AutoPilot is installed.
- V - Used on PA-32-301 with serial numbers 32-8506001 and up, and PA-32-301T with serial numbers 32-8524001 and up if recognition lights are installed.
- W - These parts must be ordered from Service Spares Department, Piper Aircraft, Lock Haven, Penna.

PIPER PARTS CATALOG

Figure and Index Number	Part Number	Code	NOMENCLATURE	No. Req.	SERIAL NUMBERS AFFECTED
104-	38456		DRAWING - Placards Installation		
	38688	E	DRAWING - Exterior Finishing Detail		
	38722	J	DRAWING - Exterior Finishing Detail		
	39844	K	DRAWING - Exterior Finishing Detail		
	39894	M	DRAWING - Exterior Finishing Detail		
	87473	P	DRAWING - Exterior Finishing Detail		
-1	79315-00		PLACARD - Piper-Aire	1	
-2	38689-02		NAMEPLATE - Saratoga	1	
-3	35669-13	A	PLACARD - Oxygen bottle installation	1	
-4	48629-00	L.W	MEDALLION - Piper logo	1	
-5	35669-101		PLACARD - Air conditioning door open	1	
-6	35664-02		PLACARD - Flap warning	1	
-7	87369-27		PLACARD - Compass	1	
-8	69669-117		PLACARD - Open	1	
-9	69669-118		PLACARD - Latch	1	
-10	35669-18		PLACARD - Light switch	1	
-11	69669-141		PLACARD - Storm window	1	
-12	35669-171		PLACARD - Oleo service installations	1	
-13	35669-06		PLACARD - Turn limit	1	
-14	35669-05		PLACARD - Turn limit center mark	1	
-15	35669-170		PLACARD - Oleo service instructions	2	
-16	66787-00		PLACARD - Soft wear only	1	
-17	69363-00		PLACARD - Rudder trim	1	
-18	69639-02		PLACARD - Landing checklist, knots	1	
-19	35669-125		PLACARD - Radio power, "on-off"	1	
-20	96602-00		PLACARD - Warning	1	
-21	67786-00		PLACARD - Stabilator trim	1	
-22	35669-138		PLACARD - Emergency bus switch	1	
-23	35669-162		PLACARD - Fuel selector	1	
-24	69669-86		PLACARD - Operating limitations	1	
-25	35669-63		PLACARD - Baggage limitations, forward	1	
-26	96272-00		PLACARD - Baggage limitations, aft	1	
-27	69669-77		PLACARD - Cabin air	1	
-28	69678-02		PLACARD - Air conditioning control panel	1	
-29	35669-38		PLACARD - Vent fan control	1	
-30	87369-04	H	PLACARD - Reduce power	1	
	35669-172	A	PLACARD - Reduce power	1	
-31	35669-28		PLACARD - Heater and defroster (lift to actuate)	1	
-32	69669-115		PLACARD - Pitot drain	1	
-33	69545-00		PLACARD - Alternate air	1	
-34	35669-187		PLACARD - Demonstrated crosswind	1	
-35	69669-21		PLACARD - Navigation and instrument lights	1	
-36	69669-39		PLACARD - Press to test	1	
-37	79275-00		MEDALLION - Piper, control wheel	1	
-38	69669-175		PLACARD - Warning	1	
-39	35669-137		PLACARD - Oxygen gauge light	1	
-40	35669-157		PLACARD - Oxygen "pull on"	1	
-41	69669-44		PLACARD - Control quadrant	1	
-42	35669-163	S	PLACARD - Aviation fuel, grade	2	
-43	35669-16		PLACARD - A/P INTR	1	
-44	69649-00		PLACARD - Takeoff check list	1	
-45	35669-60		PLACARD - Circuit breaker panel	1	
-46	35669-61		PLACARD - Circuit breaker panel	1	
-47	67490-02	N	PLACARD - Pitch trim	1	
	87369-38	O	PLACARD - Pitch trim	1	

When ordering, always specify Part Number, Description and Serial Number of Aircraft

PIPER PARTS CATALOG

Figure and Index Number	Part Number	Code	NOMENCLATURE	No. Req.	SERIAL NUMBERS AFFECTED
104-48	99448-00		PLACARD - AutoFlite II	1	
-49	35669-126		PLACARD - Omni coupler switch	1	
-50	763 418		PLACARD - Conduct trim check (13A660-1)	1	
-51	69669-97		PLACARD - Radar altimeter "on-off"	1	
-52	69669-95		PLACARD - Radar altimeter "off for takeoff"	1	
-53	69669-96		PLACARD - Radar altimeter	1	
-54	69669-114	C	PLACARD - Warning	1	
-55	35669-154		PLACARD - Altitude reporter installed	1	
-56	62923-00		PLACARD - Fuel check bottle	1	
-57	65463-00		PLACARD - Sump drain	1	
-58	35669-27		PLACARD - Flap lever	1	
-59	35669-76	A,D	PLACARD - Altitude leaning limitations	1	
-60	35669-104		PLACARD - Table stowage	1	
-61	35669-105		PLACARD - ELT location	1	
-62	69669-173		PLACARD - External power	1	
-63	69669-40	B	PLACARD - Glide slope coupler	1	
-64	35669-132		PLACARD - Warning, ELT	1	
-65	35669-25		PLACARD - Radar	1	
-66	87341-02		PLACARD - Do not push	2	
-67	87341-03		PLACARD - Level point	2	
-68	87341-04		PLACARD - No step	2	
-69	87334-02		PLACARD - Door release	1	
-70	87335-02		PLACARD - Door release	1	
-71	87340-02		PLACARD - Oil spec	1	
-72	87369-05	F,G	PLACARD - Nav 1 off Nav 2	1	
-73	35669-188	F	PLACARD - Transponder identifier	1	
	87369-16		PLACARD - Pitch sync	1	
-74	78237-00	F,J	PLACARD - Go-around	1	
-75	35669-23		PLACARD - Gear	2	
-76	87369-39	O	PLACARD - On-off	1	
-77	456 682		DECAL - Avgas only (000002)	2	
-78	87369-43	Q,R	PLACARD - AutoPilot	1	
-79	35669-110	T,U	PLACARD - Compass system	1	
-80	87369-53	V	PLACARD - Landing and recognition lights	1	

When ordering, always specify Part Number, Description and Serial Number of Aircraft

PIPER PARTS CATALOG

CODE EXPLANATIONS FOR OPTIONAL EQUIPMENT KITS AND REPAIR KITS

- A - Used on PA-32-301 only
- B - Used on PA-32-301T only
- C - Used with Hartzell Propeller HC-C3YR-1()F/F7663R-0.
- D - Used with Hartzell Propeller HC-E3YR-1()F/F7673DR-0.
- E - Used if a 5" nose wheel is installed.
- F - Used if a 6" nose wheel is installed.
- G - If aircraft is not equipped with a pilot operated boom mike switch (located on control wheel), order Boom Mike Installation Kit 764 043.
- H - This kit is less headphone assembly P/N 464 407 which must be ordered separately
- J - If aircraft is equipped with a Prestolite 60 amp alternator mounted on the right side of the engine, 60 Amp Air Conditioning Alternator Installation Kit 764 410V must also be ordered and installed. If aircraft is equipped with a Ford 90 amp alternator, order and install lower compressor support bracket P/N 39682-02.
- K - For PA-32-301, also order suction hose assembly P/N 99592-09, discharge hose assembly P/N 99592-08, and harness assembly P/N 99996-03
For PA-32-301T, also order suction hose assembly P/N 99592-22, discharge hose assembly P/N 99592-12, and harness assembly P/N 99996-09
- L - To obtain maximum air conditioning efficiency, it is recommended that tinted windshield and windows be installed before installing this kit
- W - These parts must be ordered from Service Spares Department, Piper Aircraft, Lock Haven, Penna.

PIPER PARTS CATALOG

Figure and Index Number	Part Number	Code	NOMENCLATURE	No. Req.	SERIAL NUMBERS AFFECTED
OPTIONAL EQUIPMENT KITS					
	36734-02		CARD - Passenger briefing		
	38685-02	A	PLOTTER ASSEMBLY - Weight and balance		
	38686-02	B	PLOTTER ASSEMBLY - Weight and balance		
	763 968		SHOULDER HARNESS INSTALLATION - Passenger, center seats		
	763 969		SHOULDER HARNESS INSTALLATION - Passenger, rear seats		
	761 052	E	HEAVY DUTY BRAKES, WHEELS AND TIRES		
	761 048	F	HEAVY DUTY BRAKES, WHEELS AND TIRES		
	760 297		PITOT COVER		
	763 961		DOOR JAMB SNUBBER INSTALLATION		
	764 041	B,G	FIXED OXYGEN SYSTEM INSTALLATION		
	764 043	B,H	BOOM MIKE INSTALLATION		
	764 409	J,K,L	AIR CONDITIONING SYSTEM INSTALLATION		
REPAIR KITS					
	763 888	C	PROPELLER REPAIR KIT		
	760 909	D,W	PROPELLER REPAIR KIT		

When ordering, always specify Part Number, Description and Serial Number of Aircraft

NUMERICAL INDEX

Part Number	Figure and Index No.
12715-00	83-12
12715-00	84-12
12761-02	83-26
13071-00	22-29
13074-02	23-3
14627-03	15-4
14635-02	15-6
14843-90	15-15
15660-02v	74-9
15661-02v	74-10
16599-00v	48-18
16599-00v	48-19
17555-00	87-4
18132-09	90A-8
18219-00	60-66
18219-02	60-46
18219-02	61-31
18219-02	90A-9
18321-00	83-23
18457-00	2-5
19063-02	15-69
19063-02	16-7
19063-02	17-36
19336-00	40-12
19336-00	40-36
19336-00	40-49
19336-00	41-31
19336-01	40-12
19336-01	40-36
19336-01	40-49
19336-01	41-31
19365-02	40-14
19365-02	40-38
19365-02	40-51
19365-02	41-33
19392-15	40-37
19392-15	40-50
21176-00	15-22
21176-00	16-5
21459-00	49-51
21478-00v	15-19
21843-00	15-17
21844-00	15-18
22105-03	76-41
22105-03	77-16
22105-04	60-47
22482-00	8-15
22482-00	13-20

Part Number	Figure and Index No.
23319-00	62-12
23969-02	83-6
23969-02	84-6
23969-02	85-52
23969-02	87-9
23969-02	88-7
23969-05	83-8
23969-05	84-8
23969-05	87-8
23969-05	90A-10
24047-00	60-6
24047-00	61-6
24048-00	60-5
24048-00	61-5
24995-00	48-17
25690-02	94-10
25690-02	95-16
26246-00	54-2
26749-07	46-2
31747-00	60-60
31747-00	61-37
35156-00v	22-1
35157-03v	22-2
35158-00v	22-3
35158-02v	22-3
35166-00v	3-27
35166-01v	3-27
35168-12v	4-4
35168-13v	4-4
35174-00v	4-10
35174-01v	4-10
35201-00v	87-21
35202-00v	87-20
35207-00v	85-45
35207-04v	96A-5
35208-11v	94B-5
35208-11v	96A-4
35214-00v	83-27
35214-00v	84-18
35270-00v	22-14
35282-00v	22-11
35283-00v	22-13
35284-02v	22-12
35337-02v	4-50
35402-00v	68-21
35402-04v	68-56
35404-00v	4-38
35404-01v	4-38

Part Number	Figure and Index No.
35425-00v	4-39
35476-03v	67-21
35507-02v	47-36
35630-16v	2-21
35640-08v	5-8
35640-09v	5-8
35640-10v	5-9
35640-11v	5-9
35641-18v	2-12
35641-19v	2-13
35641-20v	2-12
35641-21v	2-13
35641-22v	2-12a
35641-23v	2-12b
35641-26v	2-12a
35641-27v	2-12b
35664-02v	2-19
35664-02v	104-6
35669-05v	22-40
35669-05v	104-14
35669-06v	22-39
35669-06v	104-13
35669-13v	44-29
35669-13v	104-3
35669-16v	74-49
35669-16v	104-43
35669-18v	16-16
35669-18v	104-10
35669-23v	31-19
35669-23v	104-75
35669-25v	91-10
35669-25v	91A-10
35669-25v	104-65
35669-27v	68-55
35669-27v	104-58
35669-28v	45-61
35669-28v	104-31
35669-38v	45-38
35669-38v	104-29
35669-60v	85-46
35669-60v	104-45
35669-61v	85-44
35669-61v	94A-3
35669-61v	104-46
35669-63v	26-74
35669-63v	104-25
35669-76v	45-74
35669-76v	104-59

Part Number	Figure and Index No.
35669-101v	45-71
35669-101v	104-5
35669-104v	44-22
35669-104v	104-60
35669-105v	97-12
35669-105v	104-61
35669-110v	96A-6
35669-125v	45-68
35669-125v	104-19
35669-126	94-17
35669-126v	104-49
35669-132v	97-11
35669-132v	104-64
35669-137v	82-28
35669-137v	104-39
35669-138v	45-69
35669-138v	104-22
35669-154v	100-2
35669-154v	104-55
35669-157v	82-29
35669-157v	104-40
35669-162v	36-79
35669-162v	104-23
35669-163v	66-23
35669-163v	104-42
35669-170v	31-20
35669-170v	104-15
35669-171v	22-38
35669-171v	104-12
35669-172v	45-25
35669-172v	104-30
35669-187v	45-64
35669-187v	104-34
35669-188v	74-51
35669-188v	104-73
35672-02v	96-19
35672-02v	98-13
35672-02v	99-10
35680-05v	45-54
35680-06v	45-55
35680-08v	45-56
35680-11v	45-58
35680-12v	45-57
35680-15v	45-72
35680-16v	45-60
35680-22v	45-59
35696-02v	47-35
35725-02v	2-6

PIPER PARTS CATALOG

Part Number	Figure and Index No.
35733-04v	3-24
35733-05v	3-24
35806-02v	48-77
35806-02v	49-75
35821-02v	48-75
35821-02v	49-73
35838-12v	31-1
35906-02v	48-76
35906-02v	49-74
35944-14v	31-1
36515-02v	64-20
36530-02v	96-4
36532-02v	46-2
36551-02v	36-17
36551-03v	36-18
36558-02v	76-31
36558-02v	77-63
36558-05v	76-30
36558-05v	77-34
36559-03v	31-3
36559-04v	31-2
36565-02v	11-56
36565-03v	11-55
36572-03v	14-50
36572-03v	15-51
36588-04v	36-10
36590-02v	14-41
36590-02v	15-48
36592-02v	55-1
36592-39v	55-3
36598-02v	14-37
36612-02v	78-3
36615-05v	78-1
36616-03v	78-2
36660-02v	45-26
36712-02v	19-17
36722-04v	14-60
36722-08v	15-76
36722-09v	15-77
36722-11v	17-41
36739-10v	2-12
36739-11v	2-12
36739-12v	2-12
36739-13v	2-12
36739-22v	2-12
36739-23v	2-12
36739-28v	2-12c
36739-29v	2-12c
36800-02v	44-21
36801-02v	44-23
36801-03v	44-24
36802-02v	44-26
36803-02v	44-25
36839-02v	8-54
36839-03v	8-54
36839-03v	8-54
36844-05v	96-1
36848-14v	45-35
36848-15v	45-35

Part Number	Figure and Index No.
36848-16v	45-35
36848-17v	45-35
36856-02v	41-18
36858-02v	41-39
36864-02v	41-20
36885-04v	91A-6
36885-05v	91A-7
36886-02v	91A-17
36886-08v	91A-13
36886-09v	91A-8
36896-03v	91A-11
36896-04v	91-11
36896-05v	91-12
36896-05v	91A-12
36933-02v	85-32
36935-03v	85-41
36935-06v	85-41
36938-02v	43-8
36938-03v	43-8
36938-04v	40-72
36941-27v	91-1
36942-02v	91-5
36942-03v	91-5
36950-02v	82-53
36951-02v	82-52
36956-02v	82-51
36957-04v	82-47
36957-05v	82-49
36957-06v	82-50
36959-02v	82-38
36960-06v	82-37
36960-07v	82-36
36960-08v	82-35
36960-09v	82-34
36960-10v	82-30
36960-11v	82-33
36960-13v	82-31
36960-21v	82-32
36962-02v	82-39
36962-03v	82-39
36963-02v	82-45
36963-03v	82-46
36965-02v	82-27
36970-02v	99-2
36973-06v	99-1
36975-02v	36-24
36984-02v	36-24
37280-05v	5-5
37281-02v	5-19
37343-78v	47-43
37343-79v	47-13
37343-80v	47-44
37343-81v	47-41
37343-82v	47-14
37399-02v	85-11
37693-04v	98-1
37694-02v	98-2
37729-00v	74-4
37745-02v	66-7

Part Number	Figure and Index No.
37794-02v	63-24
37794-02v	65-46
37796-02v	43-3
37797-02v	43-6
37799-03v	43-2
37799-04v	43-5
37799-11v	43-2
37799-12v	43-5
37799-16v	43-1
37799-16v	44-1
37799-17v	43-1
37799-17v	44-1
37799-20v	43-2
37799-21v	43-5
37799-22v	43-1
37799-22v	44-1
37799-23v	43-2
37799-24v	43-5
37799-25v	43-1
37799-25v	44-1
37823-02v	43-4
37823-07v	43-4
37824-02v	43-7
37825-07v	44-33
37829-03v	44-20
37833-05v	60-58
37833-08v	60-65
37834-02v	44-14
37835-02v	44-15
37839-02v	44-16
37840-02v	43-4
37850-02v	44-8
37871-04v	83-18
37871-04v	84-31
37871-05v	83-17
37871-05v	84-30
37873-03v	83-32
37873-03v	84-29
37880-02v	28-40
37880-02v	31-7
37880-03v	28-40
37880-03v	31-7
37881-03v	31-22
37882-02v	31-11
37882-04v	31-12
37891-06v	31-4
37891-07v	31-5
37902-06v	41-8
37902-08v	41-9
37902-09v	41-9
37929-02v	22-17
37932-02v	22-18
37939-02v	83-31
37939-02v	84-28
37939-03v	7-39
37994-02v	47-31
37996-02v	16-3
37997-02v	78-6
37997-02v	80-5

Part Number	Figure and Index No.
37998-02v	85-35
37999-02v	85-34
38019-03v	48-42
38019-05v	48-14
38019-08v	54-23
38046-00v	7-10
38046-02v	7-42
38080-00v	48-55
38080-09v	48-56
38080-12v	48-60
38080-15v	48-58
38080-16v	48-57
38080-17v	48-62
38086-14v	54-14
38086-15v	54-13
38118-03v	3-13
38118-05v	2-7
38118-06v	3-12
38137-02v	51-3
38137-03v	51-2
38137-04v	51-1
38137-05v	51-4
38137-06v	51-5
38137-07v	51-6
38145-00v	77-28
38145-06v	77-29
38146-02v	51-7
38151-03v	22-15
38154-00v	63-4
38154-00v	65-4
38155-00v	48-41
38158-00v	76-57
38159-02v	51-9
38162-06v	51-10
38192-00v	19-4
38204-03v	76-12
38211-00v	3-14
38211-01v	3-14
38222-00v	19-18
38224-04v	45-20
38226-00v	45-12
38229-900v	7-9
38230-04v	66-4
38245-00v	19-17
38419-02v	53-29
38428-03v	77-66
38436-11v	55-29
38436-13v	55-29
38459-02v	53-27
38460-02v	64-18
38462-02v	50-1
38463-02v	33-51
38464-02v	33-50
38466-02v	53-14
38469-02v	49-53
38470-02v	49-54
38471-02v	49-10
38472-02v	49-42
38483-02v	3-26

PIPER PARTS CATALOG

Part Number	Figure and Index No.
38483-03v	3-26
38484-04v	3-25
38484-05v	3-25
38486-02v	11-40
38487-02v	11-36
38488-08v	2-9
38488-08v	66-1
38488-09v	2-9
38488-09v	66-1
38493-04v	4-2
38493-05v	4-2
38496-02v	3-23
38496-03v	3-23
38497-02v	3-5
38497-03v	3-5
38499-04v	4-3
38499-05v	4-3
38500-800v	3-8
38500-801v	3-8
38500-906v	2-2
38500-906v	3-1
38500-907v	2-2
38500-907v	3-1
38500-908v	2-3
38500-908v	3-21
38500-909v	2-3
38500-909v	3-21
38502-02v	3-34
38502-03v	3-34
38503-02v	4-8
38503-03v	4-8
38504-02v	4-7
38504-03v	4-7
38504-04v	4-49
38504-05v	4-49
38505-02v	4-6
38505-03v	4-6
38509-02v	4-14
38509-03v	4-14
38510-02v	4-12
38510-03v	4-12
38511-02v	4-13
38511-03v	4-13
38515-02v	4-9
38515-03v	4-9
38517-03v	66-3
38520-02v	3-4
38520-03v	3-4
38523-03v	3-22
38523-03v	3-22
38523-04v	3-22
38526-800v	3-33
38526-801v	3-33
38528-06v	3-30
38528-09v	91-7
38528-10v	91-8
38528-802v	3-31
38528-803v	3-31

Part Number	Figure and Index No.
38549-02v	3-3
38549-03v	3-3
38550-900v	2-1
38550-901v	2-1
38550-910v	2-4
38550-910v	4-1
38550-911v	2-4
38550-911v	4-1
38552-02v	63-40
38552-02v	65-41
38554-02v	11-71
38564-02v	3-10
38565-02v	2-27
38568-02v	3-11
38568-03v	3-11
38570-02v	11-71
38571-02v	3-32
38572-02v	2-8
38574-03v	4-5
38581-06v	4-25
38581-07v	4-25
38581-10v	4-26
38581-11v	4-26
38581-800v	4-24
38581-801v	4-24
38589-02v	4-23
38589-03v	4-23
38590-02v	4-22
38591-02v	4-22
38592-06v	66-15
38596-02v	66-25
38596-03v	66-24
38596-04v	66-24
38596-04v	66-25
38605-03v	22-9
38605-03v	23-1
38605-04v	23-28
38608-02v	7-26
38613-02v	49-11
38613-10v	49-13
38613-11v	49-14
38613-13v	49-12
38613-21v	49-18
38613-22v	49-16
38617-02v	49-22
38619-02v	66-26
38619-04v	66-26
38625-02v	55-13
38625-03v	55-13
38629-02v	55-28
38629-05v	55-28
38644-02v	5-10
38644-03v	5-10
38645-02v	5-15
38645-03v	5-15
38646-02v	5-7
38646-03v	5-7
38647-02v	5-2

Part Number	Figure and Index No.
38647-03v	5-2
38648-04v	5-4
38648-05v	5-4
38649-02v	4-28
38649-03v	4-28
38650-04v	2-10
38650-04v	5-1
38650-05v	2-10
38650-05v	5-1
38651-03v	73-1
38651-04v	73-1
38651-06v	73-3
38651-07v	73-4
38651-08v	73-2
38651-09v	73-8
38651-10v	73-7
38651-11v	73-6
38651-19v	73-5
38651-20v	73-10
38651-21v	73-11
38652-02v	4-47
38652-03v	4-47
38653-02v	4-48
38653-03v	4-48
38656-02v	4-46
38656-03v	4-46
38660-02v	5-17
38660-03v	5-17
38661-02v	5-6
38661-03v	5-6
38663-02v	4-27
38666-02v	67-5
38666-03v	67-5
38667-02v	45-11
38676-02v	2-26
38682-02v	31-2
38682-03v	38-3
38683-02v	22-17
38689-02v	104-2
38698-02v	31-27
38700-02v	31-4
38700-04v	31-5
38724-02v	49-68
38726-02v	49-69
38727-02v	48-1
38727-02v	49-66
38731-02v	49-39
38736-02v	60-30
38737-02v	52-17
38738-02v	52-16
38739-02v	52-18
38747-02v	90A-2
38747-03v	90A-3
38747-04v	90A-1-2
38747-05v	90A-4
39662-02v	84-42
39682-02v	90A-1-4
39721-00v	17-20

Part Number	Figure and Index No.
39727-02v	10-13
39728-03v	18-59
39740-02v	18-27
39740-03v	18-31
39740-04v	18-60
39740-05v	18-57
39740-06v	18-38
39740-07v	18-35
39740-08v	18-34
39740-09v	18-39
39740-10v	18-42
39740-11v	18-41
39740-13v	17-15
39740-14v	17-14
39743-02v	18-37
39743-03v	18-58
39751-02v	103-9
39759-11v	18-15
39759-15v	18-15
39759-19v	18-16
39759-21v	18-16
39759-23v	18-16
39759-25v	18-16
39759-27v	18-17
39759-29v	18-17
39759-31v	18-17
39759-33v	18-17
39759-35v	18-18
39759-37v	18-18
39759-47	18-20
39763-02v	37A-17
39763-03v	37A-18
39763-04v	37A-19
39763-05v	37A-20
39763-10v	37A-21
39763-11v	37A-22
39763-12v	37A-23
39763-13v	37A-24
39785-02v	96-20
39789-02v	82-45
39789-06v	82-56
39797-02v	37A-7
39797-04v	37A-11
39797-04v	37A-13
39797-05v	37A-15
39797-10v	37A-16
39797-12v	37A-9
39797-13v	37A-8
39797-14v	37A-10
39797-15v	37A-12
39797-16v	37A-14
39800-02v	94A-4
39800-02v	96-26
39802-02v	96-5
39822-02v	66-17
39824-800v	66-16
39856-02v	66-17a

PIPER PARTS CATALOG

Part Number	Figure and Index No.
41001-10v	67-24
41001-10v	69-1
41001-10v	71-1
41635-00	49-9
48629-00	104-4
50111-00	68-15
52586-02	93-1
61879-02	48-16
61879-02	49-37
62002-02v	19-19
62002-03v	19-20
62002-04v	19-21
62019-04v	74-13
62033-00v	66-2
62044-00v	66-9
62061-05v	3-15
62091-02v	3-6
62129-03v	4-43
62129-04v	4-43
62177-02v	45-24
62177-16v	45-24
62177-17v	45-24
62226-00	88-1
62227-00	88-2
62279-00v	87-5
62320-03v	6-13
62324-00v	6-5
62324-01v	6-5
62327-00v	6-7
62328-00v	6-8
62328-00v	6-9
62328-01v	6-8
62328-01v	6-9
62330-00v	6-11
62330-01v	6-11
62331-00v	6-12
62331-01v	6-12
62332-00v	6-10
62332-02v	6-10
62336-00v	6-17
62336-01v	6-17
62355-02	88-4
62355-04v	88-5
62413-00v	13-22
62413-01v	13-22
62414-00v	13-21
62414-01v	13-21
62421-00v	11-33
62421-01v	11-33
62443-00v	13-24
62444-05v	13-7
62445-00v	13-11
62451-00v	13-30
62453-00v	13-9
62455-00v	13-31
62463-00v	13-53
62464-00v	13-54
62465-00v	13-55

Part Number	Figure and Index No.
62471-00v	13-12
62479-02v	9-6
62506-00v	9-59
62506-03v	9-64
62506-04v	9-65
62514-00v	8-24
62516-00v	9-7
62542-00v	8-41
62542-01v	8-41
62543-00v	11-4
62543-02v	11-4
62544-00v	11-9
62544-01v	11-15
62545-03v	11-43
62554-00v	12-14
62554-00v	12-16
62557-04v	40-64
62558-00v	11-10
62558-01v	11-16
62563-00v	12-20
62563-01v	12-20
62563-01v	12-21
62563-02v	12-21
62566-00v	12-49
62581-00v	11-24
62581-01v	11-24
62601-02v	11-49
62606-00v	11-50
62607-00v	11-51
62608-00v	11-52
62620-00v	11-54
62644-00v	8-43
62645-04v	13-13
62653-04v	8-26
62654-00v	40-63
62654-03v	40-63
62656-00v	9-35
62664-00v	11-45
62665-02v	13-28
62674-01v	8-25
62674-03v	8-25
62679-00v	11-53
62679-01v	11-53
62697-02v	9-66
62701-08v	71-2
62701-14v	68-31
62701-36v	67-1
62701-37v	69-4
62701-37v	71-4
62701-41v	70-58
62701-42v	92-29
62701-47v	70-1
62701-135v	948-16
62701-135v	95-27
62701-200v	67-3
62701-201v	67-4
62701-202v	67-2
62701-205v	69-3

Part Number	Figure and Index No.
62701-207v	69-5
62701-208v	69-2
62703-34v	74-14
62706-07v	68-5
62709-00v	71-6
62710-00v	71-7
62710-02v	67-20
62711-02v	67-14
62711-02v	68-32
62711-03v	67-8
62711-03v	69-6
62711-03v	70-7
62711-04v	13-29
62711-04v	70-15
62712-02v	68-34
62712-03v	67-13
62712-04v	74-16
62713-02v	68-33
62713-03v	67-15
62714-02v	69-8
62714-03v	69-10
62714-03v	70-9
62714-04v	67-11
62715-02v	67-9
62715-02v	69-9
62715-02v	70-8
62715-03v	69-7
62716-07v	74-28
62727-00v	68-28
62727-01v	68-28
62733-00v	68-12
62734-02v	68-13
62736-00v	68-14
62740-00v	68-7
62743-02v	67-19
62743-03v	71-9
62743-04v	71-8
62743-05v	71-10
62743-06v	67-39
62743-08v	71-12
62743-09v	71-11
62743-10v	71-13
62743-11v	71-14
62753-00v	13-8
62762-00v	67-40
62763-00v	11-27
62764-00v	68-22
62764-02v	68-25
62778-00v	74-23
62782-00v	74-22
62784-00v	74-21
62789-00v	68-3
62820-00v	68-53
62821-00v	68-54
62827-07v	36-41
62829-05v	72-1
62831-00v	72-7
62832-00v	72-8

Part Number	Figure and Index No.
62833-06v	14-39
62833-07v	48-59
62833-11v	63-54
62833-11v	65-54
62833-17v	75-13
62833-18v	70-54
62833-21v	14-52
62833-23v	8-50
62833-27v	28-17
62833-28v	54-22
62833-36v	63-53
62833-36v	65-53
62833-37v	70-25
62833-39v	14-58
62833-46v	60-15
62833-46v	61-15
62833-50v	60-18
62833-50v	61-18
62833-50v	40-20
62833-78v	41-40
62833-82v	79-10
62833-83v	79-7
62833-85v	74-47
62833-86v	48-61
62833-86v	74-47
62833-90v	90A-5
62833-101v	15-34
62833-101v	60-62
62833-101v	61-48
62833-101v	61-49
62833-101v	81-28
62833-101v	81-33
62833-101v	81-34
62833-105v	14-26
62833-107v	14-49
62833-107v	14-53
62833-127v	72-13
62833-131v	82-55
62834-02v	74-29
62836-00v	72-10
62837-02v	72-11
62838-00v	72-12
62839-00v	74-25
62840-02v	74-44
62840-03v	74-44
62845-02v	74-24
62856-00v	68-50
62856-01v	68-50
62858-03v	68-29
62858-04v	68-30
62858-05v	74-43
62867-02v	34-9
62874-06v	9-10
62923-00v	66-14
62923-00v	104-56
63020-02v	14-61
63020-02v	15-63
63036-04v	14-43

PIPER PARTS CATALOG

Part Number	Figure and Index No.
63037-00v	9-37
63037-00v	10-21
63039-00v	14-51
63039-00v	15-29
63039-04v	60-9
63039-04v	61-9
63042-03v	14-42
63045-00v	14-40
63045-00v	15-45
63078-06v	13-50
63142-21v	36-30
63142-28v	17-28
63142-28v	36-35
63142-29v	17-29
63142-30v	17-30
63142-33v	36-31
63142-34v	36-32
63142-47v	36-31
63142-50v	36-33
63142-54v	36-34
63142-55v	36-29
63142-56v	36-28
63149-22v	18-19
63149-23v	18-19
63186-02v	19-16
63186-03v	63-42
63186-03v	65-43
63186-04v	32-2
63186-12v	98-7
63186-21v	19-7
63186-23v	99-5
63186-33v	32-5
63207-00v	47-12
63211-00v	94B-7
63211-00v	95-32
63211-00v	100-3
63218-05v	8-14
63243-02v	51-16
63257-00v	17-31
63287-00v	36-42
63293-02v	17-24
63307-00v	28-8
63310-00v	28-15
63311-00v	28-4
63311-03v	28-3
63312-00v	28-29
63312-02v	28-30
63314-00v	28-7
63324-04v	33-1
63325-00v	33-2
63332-03v	28-37
63332-06v	28-38
63338-00v	32-1
63341-00v	32-6
63342-00v	32-7
63354-00v	33-26
63356-00v	33-56
63357-00v	33-57

Part Number	Figure and Index No.
63391-02v	68-11
63391-03v	68-10
63392-00v	20-2
63392-01v	20-2
63393-00v	20-3
63393-01v	20-3
63395-00v	21A-9
63396-02v	21A-2
63398-00v	21-4
63398-01v	21-4
63404-00v	74-20
63419-02v	75-3
63420-07v	75-2
63451-00v	75-14
63455-00v	75-12
63456-00v	75-9
63457-03v	75-5
63458-04v	75-4
63459-18v	75-1
63464-05v	34-1
63468-00v	34-2
63469-00v	34-3
63469-01v	34-4
63470-00v	34-5
63478-00v	34-7
63485-00v	34-8
63485-01v	34-8
63485-02v	34-8
63485-03v	34-8
63501-03v	21-5
63502-00v	21-6
63504-00v	21-10
63506-00v	21-9
63509-00v	21-12
63510-00v	21-14
63513-00v	21-2
63515-00v	21-13
63530-00v	70-55
63543-00v	21A-5
63544-00v	21A-4
63545-00v	21A-3
63546-00v	21A-6
63550-00v	21A-10
63560-02v	19-10
63560-02v	20-24
63560-03v	20-25
63561-05v	20-12
63562-00v	20-13
63563-00v	20-21
63564-00v	20-22
63565-00v	20-23
63566-02v	20-18
63566-02v	20-19
63566-03v	20-18
63566-03v	20-19
63567-00v	20-20
63569-00v	20-14
63570-00v	20-15

Part Number	Figure and Index No.
63571-00v	20-16
63571-02v	20-17
63572-00v	20-9
63573-00v	20-4
63573-01v	20-4
63575-00v	20-5
63575-02v	20-5
63584-00v	19-8
63585-00v	19-9
63585-01v	19-9
63586-00v	19-11
63586-01v	19-11
63587-00v	19-12
63587-01v	19-12
63588-00v	19-13
63595-00v	2-49
63633-19v	76-38
63633-19v	77-53
63633-30v	77-5
63633-54v	76-53
63633-64v	76-10
63633-65v	76-9
63633-66v	64-9
63633-66v	77-7
63633-100v	80-31
63633-127v	78-12
63633-136v	103-2
63633-148v	78-11
63633-156v	77-6
63633-158v	48-29
63633-159v	48-29
63633-161v	77-10
63633-162v	76-8
63633-169v	103-6
63633-172v	77-9
63633-179v	49-34
63633-180v	77-8
63633-186v	103-4
63633-189v	103-12
63633-190v	103-13
63656-02v	22-10
63744-08v	16-15
63744-09v	18-4
63744-10v	17-40
63779-00v	68-19
63781-00v	68-9
63782-03v	68-17
63782-04v	68-8
63862-28v	87-16
63874-02v	83-14
63874-02v	84-14
63880-00v	87-6
63882-09v	70-41
63897-06v	78-14
63897-06v	79-4
63900-19v	2-44
63900-19v	77-20
63900-20v	2-45

Part Number	Figure and Index No.
63900-25v	15-65
63900-31v	16-9
63900-31v	67-10
63900-31v	69-11
63900-31v	71-15
63900-37v	69-12
63900-38v	68-51
63900-39v	68-52
63900-41v	22-21
63900-46v	9-67
63900-46v	9-72
63900-47v	9-67
63900-50v	14-44
63900-50v	15-46
63900-55v	70-23
63900-56v	70-22
63900-57v	70-12
63900-58v	70-13
63900-59v	70-6
63900-60v	70-61
63900-61v	70-25
63900-62v	70-11
63900-64v	8-52
63900-66v	92-7
63900-67v	92-8
63900-81v	17-12
63900-82v	17-13
63900-123v	76-13
63900-131v	33-60
63900-133v	42-7
63900-136v	17-33
63900-138v	22-19
63900-145v	40-65
63900-145v	46-26
63900-146v	40-66
63900-147v	40-69
63900-149v	40-70
63900-149v	42-11
63900-149v	44-11
63901-09v	34-16
63901-17v	28-36
63901-26v	48-21
63901-26v	49-26
63901-27v	48-23
63901-28v	34-15
63901-29v	34-17
63901-30v	33-48
63901-30v	34-18
63901-33v	62-3
63901-35v	48-22
63901-40v	62-2
63901-73v	48-20
63901-91v	49-27
63901-104v	64-6
63901-105v	64-7
63901-106v	50-7
63901-110v	62-1
63901-111v	64-8

PIPER PARTS CATALOG

Part Number	Figure and Index No.
63901-126v	62-1
63901-127v	64-8
63901-129v	50-6
63904-06	87-22
63904-07v	87-7
63904-13v	87-7
63904-20	87-23
63904-22v	63-7
63904-22v	65-7
63904-24v	2-43
63904-29v	46-9
63904-30v	63-6
63904-30v	65-6
63904-68v	79-22
63904-92v	79-21
63904-112v	78-13
63904-114v	65-40
63913-07v	46-14
63913-30v	48-24
63913-30v	49-63
63913-34v	47-3
63913-34v	100-4
63913-36v	96-10
63913-37v	47-4
63913-37v	100-5
63913-42v	46-13
63913-49v	33-22
63913-50v	46-15
63913-55v	46-10
63913-64v	46-13
63913-71v	46-11
63913-76v	14-47
63913-84v	91A-14
63913-92v	63-38
63913-92v	65-38
63913-93v	63-37
63913-93v	65-37
63913-106v	47-11
63913-115v	100-6
63913-124v	91A-22
63913-140v	63-36
63913-140v	65-36
63913-143v	92-28
63913-151v	92-20
63913-153v	91A-19
63913-154v	91A-15
63913-167v	33-22
63913-178v	91A-18
63913-185v	91A-20
63913-188v	63-39
63913-188v	65-39
63913-189v	91A-23
63913-197v	95-44
63913-199v	80-32
63913-205v	33-52
63914-07v	33-59
63915-06v	33-65
63915-23v	83-24

Part Number	Figure and Index No.
63927-00v	8-51
63942-00v	2-30
63942-01v	2-30
63944-00v	60-29
63947-03v	8-45
63947-00v	87-25
63976-04v	94A-5
63976-17v	33-53
63976-18v	33-36
63976-23v	63-52
63976-23v	65-52
63977-00v	87-2
65003-03v	75-11
65003-06v	70-42
65003-49v	62-20
65003-56v	81-6
65032-00v	52-5
65034-00v	21-11
65034-01v	21-11
65050-00v	75-10
65070-05v	54-15
65071-00v	11-28
65072-00v	7-27
65103-02v	52-19
65114-00v	13-32
65119-00v	12-4
65119-01v	12-4
65122-00v	9-57
65128-00v	11-59
65126-01v	11-60
65148-00v	54-9
65148-01v	54-9
65165-87v	81-27
65178-00v	54-27
65192-10v	101-12
65244-00v	70-52
65245-00v	70-56
65246-00v	70-43
65248-03v	70-48
65249-02v	70-44
65250-02v	70-57
65251-00v	70-53
65252-00v	70-45
65253-02v	70-46
65254-00v	70-33
65276-00	23-29
65291-03v	54-6
65291-03v	55-6
65318-00v	76-7
65318-00v	77-4
65341-00v	21A-8
65342-02v	19-3
65342-02v	21A-1
65345-03v	19-18
65372-00v	83-33
65372-00v	84-33
65400-02v	63-8
65400-02v	65-8

Part Number	Figure and Index No.
65407-07v	63-2
65407-07v	65-2
65413-00v	23-5
65432-00v	23-30
65440-07v	16-8
65440-07v	17-27
65440-10v	44-27
65461-19v	63-5
65461-19v	65-5
65463-00v	104-57
65485-00v	28-21
65488-00v	28-20
65490-00v	28-19
65493-10v	28-1
65493-11v	28-1
65494-00v	13-49
65546-04v	36-37
65556-00v	12-28
65586-04v	6-14
65586-05v	6-14
65587-00v	6-15
65588-00v	6-3
65589-00v	6-4
65590-01v	2-11
65590-01v	6-1
65591-00v	2-11
65591-00v	6-1
65592-00v	6-2
65592-01v	6-2
65593-01v	6-16
65594-01v	6-15
65595-01v	6-18
65656-00v	11-46
65656-01v	11-46
65657-02v	11-72
65688-00v	32-3
65688-01v	32-3
65688-02v	32-4
65688-03v	32-4
65690-00v	4-23a
65690-01v	4-23a
65692-02v	8-39
65692-02v	17-39
65692-03v	8-39
65692-04v	8-39
65692-05v	8-39
65727-00v	15-78
65735-18v	36-43
65735-19v	36-14
65742-00	18-8
65782-00v	18-7
65784-00v	92-31
65797-08v	47-1
65821-05v	92-1
65865-00v	36-62
65866-02v	36-24
65868-00v	36-58
65869-00v	36-59

Part Number	Figure and Index No.
65870-00v	36-60
65871-00v	36-61
65889-00v	54-16
65896-00v	18-5
65896-02v	18-5
65898-00v	4-29
65898-01v	4-29
65898-04v	4-31
65899-00v	6-6
66529-00v	2-20
66530-00v	72-6
66546-00v	74-41
66580-02v	87-24
66614-00v	67-29
66615-14v	36-15
66616-00v	87-3
66618-02v	22-2
66620-00v	3-19
66621-00v	3-16
66623-00v	3-7
66623-01v	3-7
66632-02v	83-11
66632-02v	84-11
66634-08v	49-7
66634-09v	48-2
66641-00v	15-16
66654-00v	15-8
66710-16v	15-60
66710-16v	36-25
66710-16v	44-9
66710-17v	14-3
66710-17v	36-25
66710-17v	44-9
66750-00v	22-25
66761-02v	3-18
66761-03v	3-18
66762-00v	4-11
66769-00v	13-17
66773-00	60-9
66773-00	61-9
66774-00v	60-13
66774-00v	61-13
66787-00v	36-44
66787-00v	104-16
66788-14v	36-16
66789-00v	48-36
66789-00v	60-44
66789-00v	61-36
66789-00v	76-42
66789-00v	77-14
66789-00v	84-23
66794-00v	8-28
66798-00v	93-9
66804-00v	36-45
66805-00v	36-46
66815-00v	66-17
66820-00v	28-39
66821-05v	31-6

PIPER PARTS CATALOG

Part Number	Figure and Index No.
66822-07v	19-34
66822-08v	19-35
66843-02v	23-2
66855-04v	60-59
66855-05v	61-28
66856-04v	76-11
66965-00v	12-3
66972-00v	21-8
66975-04v	19-2
66975-04v	21-1
66979-00	60-3
66979-00	61-3
66980-00v	76-59
66980-00v	77-2
67135-03v	33-58
67137-00v	33-25
67138-00v	33-24
67139-00v	33-27
67140-02v	33-28
67193-05v	74-37
67214-00v	60-4
67214-00v	61-4
67215-03v	60-10
67215-03v	61-10
67216-00v	60-10
67216-00v	61-10
67218-00v	60-11
67218-00v	61-11
67218-02v	60-19
67218-02v	61-19
67223-00v	60-2
67223-00v	61-2
67249-00v	13-25
67367-00v	13-51
67404-02v	83-35
67404-02v	84-35
67404-03v	83-36
67404-03v	84-36
67409-00v	85-38
67412-05v	85-17
67412-08v	85-49
67422-12v	85-22
67422-13v	85-24
67422-14v	85-23
67422-21v	85-25
67422-26v	82-25a
67431-00v	45-28
67431-04v	45-27
67436-04v	85-12
67436-06v	85-13
67437-00v	85-14
67462-06v	45-8
67463-00v	74-11
67463-02v	74-57
67490-02v	92-15
67490-02v	95-38
67490-02v	96-25
67490-02v	104-47

Part Number	Figure and Index No.
67491-00v	74-3
67491-03v	74-56
67494-00v	94-14
67494-01v	94-14
67517-00v	51-8
67652-00v	51-11
67700-46v	62-6
67700-47v	62-7
67700-48v	60-32
67700-66v	47-16
67700-81v	48-10
67700-81v	50-2
67700-82v	48-26
67700-96v	63-30
67700-96v	65-30
67700-100v	63-28
67700-100v	65-28
67700-160v	96-9
67700-172v	47-18
67700-179v	50-4
67700-191v	50-3
67700-192v	50-11
67700-195v	64-3
67700-196v	64-4
67700-197v	50-5
67700-198v	64-29
67700-199v	64-30
67700-312v	63-32
67700-312v	65-32
67700-313v	63-35
67700-313v	65-35
67700-314v	63-33
67700-314v	65-33
67700-315v	63-34
67700-315v	65-34
67700-316v	47-30
67700-317v	47-19
67700-322v	62-5
67700-322v	64-5
67700-322v	65-26
67700-337v	63-45
67700-337v	65-45
67700-339v	63-29
67700-339v	65-29
67700-340v	63-27
67700-341v	65-27
67700-346v	47-29
67700-347v	47-21
67700-348v	64-2
67700-350v	47-15
67700-351v	47-17
67700-363v	63-31
67700-363v	65-31
67700-368v	63-65
67700-368v	65-65
67700-369v	65-64
67700-370v	63-26
67700-375v	62-5

Part Number	Figure and Index No.
67700-375v	64-5
67700-391v	86-23
67723-00v	2-13
67723-01v	2-13
67728-00v	66-18
67786-00v	36-77
67786-00v	104-21
67790-00v	48-3
67791-00v	48-4
67793-00v	48-5
67794-00v	48-6
67958-03v	40-44
67958-03v	40-57
67958-03v	41-13
67958-05v	40-44
67958-05v	40-57
67958-05v	41-13
67968-02v	37-1
67968-03v	37-1
67968-04v	37-2
67968-05v	37-2
67968-06v	37-3
67968-07v	37-3
67968-08v	37-4
67968-09v	37-4
67968-10v	37-5
67968-11v	37-5
67969-02v	37-15
67969-03v	37-14
67969-04v	37-13
67969-05v	37-6
67969-07v	37-8
67969-08v	37-7
67969-09v	37-10
67969-10v	37-9
67969-11v	37-12
67969-12v	37-11
67970-02v	44-34
67984-02v	74-48
68005-00v	60-33
68014-00v	7-43
68017-00v	36-19
68022-06v	44-17
68022-14v	40-62
68022-14v	42-9
68029-09v	52-18
68030-10v	52-17
68031-05v	52-16
68054-00v	52-4
68090-16v	36-57
68090-17v	36-57
68094-03v	38-22
68096-00v	38-28
68111-00v	3-9
68119-00v	3-20
68155-00v	8-12
68155-01v	8-12
68156-00v	8-13

Part Number	Figure and Index No.
68157-00v	8-13
68163-00v	11-58
68174-00v	15-26
68176-03v	15-41
68178-03v	15-44
68179-05v	15-43
68179-06v	15-42
68179-07v	14-45
68179-08v	14-46
68186-02v	15-40
68187-00v	15-23
68188-00v	15-3
68193-07v	100-7
68195-00v	88-9
68198-00v	88-8
68209-02v	36-47
68214-00v	8-4
68214-01v	8-4
68215-00v	8-5
68216-00v	8-3
68217-00v	8-5a
68223-00v	9-69
68225-00v	9-71
68246-02v	20-1
68252-00v	8-19
68253-00v	8-19
68254-00v	8-20
68258-05v	8-21
68264-00v	11-68
68267-00v	8-16
68268-02v	8-30
68272-02v	8-32
68272-03v	8-33
68272-04v	8-36
68273-02v	8-34
68276-00v	8-7
68276-01v	8-7
68277-00v	8-6
68278-00v	8-9
68281-00v	8-18
68281-01v	8-18
68282-00v	8-8
68282-01v	8-8
68283-00v	8-40
68283-01v	8-40
68285-00v	8-17
68286-00v	8-37
68290-02v	8-48
68290-03v	8-48
68290-04v	8-47
68290-05v	8-49
68290-06v	8-49
68290-08v	8-49
68290-09v	8-49
68293-02v	18-25
68297-00v	18-30
68297-01v	18-34
68300-00v	18-35

PIPER PARTS CATALOG

Part Number	Figure and Index No.
68301-00v	18-37
68303-00v	18-38
68306-00v	18-13
68306-02v	18-13
68306-03v	18-13
68306-04v	18-13
68307-00v	9-25
68308-00v	9-26
68313-00v	9-39
68315-00v	9-42
68315-01v	9-42
68319-00v	9-70
68320-03v	9-17
68322-00v	9-53
68323-00v	9-44
68323-01v	9-44
68324-00v	9-45
68325-02v	9-18
68326-00v	9-21
68327-00v	9-20
68328-02v	9-47
68330-06v	9-48
68331-00v	9-19
68331-01v	9-19
68332-00v	9-49
68333-00v	10-17
68333-01v	10-17
68334-00v	9-32
68335-00v	10-18
68338-00v	9-50
68339-00v	9-51
68340-00v	9-55
68341-00v	9-56
68342-10v	9-15
68342-11v	9-15
68343-02v	9-56
68344-00v	9-46
68346-01v	9-54
68347-00v	9-43
68349-00v	9-52
68351-00v	9-55
68352-03v	9-9
68353-00v	10-7
68357-01v	10-2
68359-00v	10-3
68362-00v	9-63
68363-00v	9-62
68364-00v	10-19
68366-00v	10-6
68369-00v	10-29
68369-01v	10-29
68370-01v	10-9
68371-00v	10-10
68371-01v	10-10
68372-00v	10-11
68373-00v	10-12
68373-01v	10-12
68374-00v	10-13

Part Number	Figure and Index No.
68375-00v	10-8
68378-00v	10-20
68381-00v	9-54
68382-02v	9-8
68414-03v	70-2
68415-00v	36-48
68416-00v	36-49
68416-01v	36-49
68426-02v	19-1
68427-00v	20-10
68428-00v	20-11
68429-02v	20-6
68429-03v	20-6
68430-00v	20-7
68430-01v	20-7
68430-02v	20-7
68430-03v	20-7
68431-00v	20-8
68431-01v	20-8
68451-00v	68-1
68452-00v	68-2
68453-00v	67-17
68454-00v	67-18
68464-00v	33-49
68466-00v	33-30
68467-00v	33-29
68470-00v	67-12
68472-00v	70-20
68474-00v	70-14
68475-00v	70-10
68477-00v	70-17
68478-00v	70-16
68479-00v	70-19
68480-00v	70-18
68488-02v	70-5
68491-00v	70-49
68495-00v	36-56
68501-07v	11-2
68501-800v	11-6
68501-801v	11-12
68502-00v	11-7
68502-01v	11-13
68503-00v	11-11
68503-01v	11-17
68504-00v	11-18
68504-01v	11-18
68505-00v	11-3
68506-00v	11-5
68507-02v	11-22
68508-01v	11-19
68508-02v	11-19
68509-02v	11-32
68509-03v	11-32
68511-00v	11-34
68511-01v	11-34
68512-00v	11-35
68512-01v	11-35
68525-00v	11-26

Part Number	Figure and Index No.
68528-00v	11-61
68528-01v	11-61
68531-00v	11-70
68533-00v	11-29
68533-01v	11-29
68534-02v	11-25
68534-03v	11-25
68537-00v	11-31
68538-00v	11-30
68539-00v	11-20
68540-00v	11-21
68540-01v	11-21
68543-00v	11-48
68547-04v	17-26
68556-00v	36-49
68556-01v	36-49
68557-00v	74-17
68602-00v	7-31
68602-01v	7-31
68603-00v	12-5
68604-04v	12-6
68605-00v	12-7
68605-01v	12-7
68606-00v	12-8
68606-01v	12-8
68607-03v	12-10
68608-00v	12-42
68608-01v	12-42
68609-00v	12-13
68609-01v	12-13
68610-00v	36-52
68611-00v	38-26
68612-00v	12-15
68613-00v	38-27
68613-800v	44-37
68613-801v	44-37
68616-00v	12-19
68617-00v	12-22
68618-00v	12-23
68619-00v	12-24
68619-01v	12-24
68621-02v	12-26
68621-03v	12-26
68624-00v	12-27
68625-02v	12-45
68625-03v	12-45
68629-00v	12-39
68632-00v	12-30
68632-01v	12-30
68633-05v	36-11
68633-07v	36-11
68634-00v	12-9
68634-01v	12-9
68637-00v	12-31
68637-01v	12-31
68638-01v	12-32
68638-02v	12-32
68639-00v	12-33

Part Number	Figure and Index No.
68640-02v	12-34
68640-03v	12-34
68641-00v	12-35
68641-03v	12-35
68642-00v	12-36
68642-01v	12-36
68643-00v	12-37
68643-01v	12-37
68644-00v	12-50
68645-00v	12-51
68646-02v	36-4
68647-00v	12-41
68647-01v	12-41
68649-03v	12-11
68652-00v	12-44
68655-02v	12-12
68656-00v	12-40
68657-00v	12-5
68662-03v	36-3
68674-00v	92-9
68674-00v	94B-13
68674-00v	96-17
68676-00v	92-10
68676-00v	94B-14
68676-00v	96-18
68677-00v	12-18
68678-00v	12-38
68699-00v	8-44
68699-14v	60-14
68699-14v	61-14
68710-00v	48-1
68710-00v	49-66
68739-00v	70-4
68763-00v	63-41
68763-00v	65-42
68770-04v	84-24
68770-06v	60-42
68770-12v	60-43
68770-12v	61-35
68770-14v	76-43
68770-14v	77-15
68770-19v	61-34
68771-04v	84-25
68771-08v	60-40
68771-10v	60-41
68771-10v	61-33
68771-16v	61-32
68778-00v	48-30
68780-04v	54-1
68802-00v	87-1
68804-03v	83-1
68804-03v	84-1
68804-04v	83-1
68804-04v	84-1
68807-04v	87-19
68807-05v	83-29
68830-00v	52-14
68831-00v	52-13

PIPER PARTS CATALOG

Part Number	Figure and Index No.
68832-00v	52-12
68833-00v	52-11
68834-00v	52-10
68835-00v	52-9
68863-00v	8-56
68902-00v	76-3
68903-00v	76-1
68904-00v	76-18
68904-00v	77-61
68905-00v	76-2
68907-00v	76-4
68908-00v	76-6
68908-00v	77-3
68916-00v	76-29
68918-00v	76-33
68918-00v	77-33
68919-00v	76-28
68919-00v	77-31
68921-00v	11-42
68922-00v	76-27
68922-00v	77-57
68923-00v	76-22
68923-00v	77-46
68923-01v	76-22
68923-01v	77-46
68923-02v	76-23
68923-02v	77-47
68923-03v	76-23
68923-03v	77-47
68923-04v	76-24
68923-04v	77-48
68923-05v	76-24
68923-05v	77-48
68923-06v	76-25
68923-06v	77-49
68923-07v	76-25
68923-07v	77-49
68924-00v	76-35
68924-00v	77-11
68924-01v	76-35
68924-01v	77-11
68927-00v	76-34
68927-00v	77-32
68927-01v	76-34
68927-01v	77-32
68963-00v	17-7
68964-00v	17-11
68966-00v	10-14
68967-00v	10-22
68969-05v	36-36
68970-00v	10-33
68971-00v	13-23
68972-00v	12-47
68974-00v	10-23
68975-00v	12-48
68976-00v	17-2
68978-00v	17-5
68980-00v	17-4

Part Number	Figure and Index No.
68981-00v	17-6
68984-00v	10-2
68985-00v	10-32
68986-02v	10-27
68986-03v	10-34
68991-00v	13-48
68999-08v	17-32
69004-00v	48-27
69011-00v	60-31
69011-00v	60-64
69011-03v	61-27
69012-00v	60-45
69012-00v	60-66
69012-00v	61-39
69015-02v	48-25
69015-03v	64-10
69015-04v	48-25
69015-04v	62-4
69015-04v	64-11
69015-08v	60-34
69015-22v	64-32
69015-50v	46-9
69015-51v	46-12
69015-76v	94B-6
69022-00v	76-2
69024-00v	48-28
69032-00v	63-19
69041-08v	47-1
69042-00v	47-26
69042-02v	47-26
69050-04v	83-15
69066-00v	42-3
69067-10v	42-5
69077-00v	74-19
69080-00v	45-73
69088-05v	63-12
69088-05v	65-12
69092-02v	63-1
69092-02v	65-1
69093-02v	63-11
69093-02v	65-11
69094-04v	63-9
69094-04v	65-9
69098-00v	77-51
69105-02v	10-4
69105-03v	10-5
69106-00v	13-27
69107-00v	12-29
69112-00v	17-3
69181-00v	63-13
69181-00v	65-13
69188-03v	36-38
69189-00v	36-39
69198-00v	64-14
69206-00v	76-55
69207-00v	76-52
69219-00v	18-50
69220-04v	18-10

Part Number	Figure and Index No.
69220-05v	18-10
69220-18v	18-9
69220-19v	18-9
69220-22v	18-1
69220-23v	18-1
69220-24v	18-1
69220-25v	18-1
69224-00v	15-5
69231-00v	48-54
69232-00v	48-9
69285-00v	76-36
69285-00v	77-54
69292-02v	68-6
69308-00v	60-57
69319-00v	60-12
69319-00v	61-12
69320-02v	60-1
69320-02v	61-1
69324-02v	60-22
69324-02v	61-38
69325-124v	83-30
69325-124v	84-27
69328-00v	45-43
69329-00v	45-44
69330-04v	45-45
69338-02v	45-39
69338-07v	45-39
69344-28v	36-65
69346-00v	85-3
69347-03v	8-54
69349-00v	72-2
69363-00v	36-53
69363-00v	104-17
69368-00v	36-20
69403-03v	36-40
69428-05v	36-2
69429-02v	36-1
69429-05v	36-2
69434-00v	60-58
69452-00v	60-30
69464-00v	62-9
69466-06v	8-2
69466-07v	8-2
69467-03v	8-10
69467-05v	8-10
69475-00v	8-46
69481-02v	9-38
69481-03v	9-38
69483-00v	9-40
69483-01v	9-40
69485-00v	60-7
69485-00v	61-7
69486-00v	22-41
69489-00v	63-10
69489-00v	65-10
69491-00v	8-27
69492-00v	8-29
69495-00v	16-13

Part Number	Figure and Index No.
69498-00v	70-65
69535-00v	23-11
69537-00v	23-8
69538-00v	23-9
69538-04v	23-9
69540-03v	23-28
69540-05v	22-9
69540-05v	23-1
69545-00v	45-63
69545-00v	104-33
69546-00v	60-28
69546-00v	61-30
69556-00v	76-5
69556-06v	77-41
69569-00v	45-41
69570-00v	45-42
69596-15v	36-21
69624-00v	19-15
69636-05v	38-23
69639-02v	45-67
69639-02v	104-18
69642-00v	18-28
69643-00v	18-32
69644-00v	18-36
69649-00v	45-62
69649-00v	104-44
69652-12v	36-22
69654-19v	36-23
69659-00v	45-46
69669-21v	45-65
69669-21v	104-35
69669-39v	45-66
69669-39v	104-36
69669-40v	95-35
69669-40v	104-63
69669-44v	36-82
69669-44v	104-41
69669-77v	39-18
69669-77v	104-27
69669-86v	36-78
69669-86v	104-24
69669-95v	98-9
69669-95v	99-7
69669-95v	104-52
69669-96v	98-10
69669-96v	99-8
69669-96v	104-53
69669-97v	98-8
69669-97v	99-6
69669-97v	104-51
69669-114v	98-11
69669-114v	99-9
69669-114v	104-54
69669-115v	47-37
69669-115v	104-32
69669-117v	14-64
69669-117v	104-8
69669-118v	14-65

PIPER PARTS CATALOG

Part Number	Figure and Index No.
69669-118v	104-9
69669-141v	18-56
69669-141v	104-11
69669-173v	88-3
69669-173v	104-62
69669-175v	89-2
69669-175v	104-38
69678-02v	45-37
69678-02v	104-28
69691-00v	7-14
69692-00v	7-16
69694-00v	7-14
69695-00v	7-16
69695-02v	7-16
69696-00v	7-37
69697-00v	9-30
69698-00v	9-29
69698-01v	9-29
69700-00v	18-26
69701-00v	18-27
69701-01v	18-31
69701-01v	18-31
69704-00v	18-11
69704-02v	18-11
69704-03v	18-11
69704-04v	18-11
69705-00v	18-12
69705-02v	18-12
69705-03v	18-12
69705-04v	18-12
69706-00v	17-22
69706-02v	17-22
69706-03v	17-21
69706-04v	17-21
69707-00v	18-14
69707-02v	18-14
69707-03v	18-14
69707-04v	18-14
69708-00v	18-29
69709-00v	18-24
69710-00v	18-33
69712-03v	18-3
69712-04v	18-3
69713-03v	18-2
69713-04v	18-2
69714-00v	18-40
69714-01v	17-17
69715-00v	18-42
69716-00v	18-41
69717-00v	18-39
69718-00v	10-26
69719-00v	10-25
69720-00v	10-24
69721-00v	17-20
69722-00v	17-14
69723-00v	17-15
69724-00v	17-16
69725-00v	17-18

Part Number	Figure and Index No.
69726-00v	17-19
69735-05v	63-14
69735-05v	65-14
69736-02v	2-17
69738-00v	9-27
69739-00v	9-2
69740-02v	9-3
69742-00v	9-28
69748-00v	9-58
69748-00v	10-15
69748-00v	39-11
69768-00v	22-20
69776-00v	11-66
69776-01v	11-66
69790-00v	54-19
69791-00v	54-18
69798-02v	8-31
69798-04v	8-31
69809-00v	54-8
69809-01v	54-8
69813-00v	39-1
69816-11v	45-35
69816-14v	45-35
69817-00v	45-40
69817-05v	45-40
69817-07v	45-40
69831-02v	45-36
69831-07v	45-36
69831-09v	45-36
69844-00v	8-11
69844-01v	8-11
69851-00v	70-28
69853-06v	16-1
69858-02v	17-1
69858-03v	17-1
69859-07v	17-23
69859-10v	17-23
69859-11v	17-23
69874-02v	100-10
69881-02v	7-40
69881-03v	7-41
69885-02v	78-33
69885-03v	78-34
69885-12v	78-32
69888-00v	9-16
69890-06v	7-1
69890-07v	7-1
69890-805v	7-23
69890-805v	11-1
69890-910v	7-12
69890-910v	9-1
69890-911v	7-20
69890-911v	10-1
69890-914v	7-2
69890-914v	13-1
69890-938v	7-3
69890-939v	7-3
69890-940v	7-22

Part Number	Figure and Index No.
69890-941v	7-22
69890-943v	7-23
69890-943v	11-1
69890-944v	7-28
69890-944v	12-1
69890-946v	7-4
69890-947v	7-4
69890-948v	7-5
69890-948v	8-1
69890-949v	7-5
69890-949v	8-1
69891-02v	9-31
69891-03v	9-31
69891-04v	9-31
69891-05v	9-31
69891-06v	9-31
69891-07v	9-31
69891-08v	9-31
69891-09v	9-31
69895-900v	7-7
69895-901v	7-7
69897-900v	7-30
69898-900v	7-29
69899-900v	7-13
69901-02v	45-47
69902-900v	7-19
69903-900v	7-21
69904-900v	7-36
69905-900v	7-25
69906-900v	7-24
69906-901v	7-24
69907-900v	7-33
69907-901v	7-33
69908-901v	7-6
69911-900v	7-34
69912-900v	7-35
69914-00v	84-39
69917-00v	54-12
69960-02v	85-36
69961-02v	85-31
69971-02v	10-30
69971-03v	10-31
69976-03v	36-13
69987-07v	82-26
69989-02v	39-2
69989-02v	80-17
69989-03v	39-2
69989-03v	80-17
69989-07v	39-2
69989-08v	39-2
69989-08v	82-26
69990-02v	39-3
69990-02v	80-18
69991-02v	39-6
69991-02v	80-21
69991-04v	82-41
69991-07v	82-41
69992-02v	78-31

Part Number	Figure and Index No.
69997-08v	85-6
70371-02	49-29
70371-02	60-39
70371-02	76-39
70371-02	77-35
70371-02	78-26
70371-03	49-29
70371-03	60-38
70371-03	76-40
70371-03	77-36
70371-03	78-26
76172-03v	41-17
76175-00v	41-16
76175-03v	40-7
76176-00v	40-15
76176-00v	40-40
76176-00v	40-52
76176-00v	41-28
76187-00v	41-38
76221-00v	36-81
76255-00v	7-17
76343-00v	41-21
76347-01v	41-18
76351-02v	41-22
76351-03v	41-23
76474-903v	7-32
76497-02v	13-18
76498-02v	45-46
78012-00v	9-41
78033-00v	28-5
78039-00v	96-11
78041-00v	40-30
78041-00v	40-43
78041-00v	41-6
78041-02v	40-56
78041-09v	40-30
78041-09v	40-43
78041-09v	41-6
78041-10v	40-56
78054-02v	36-12
78054-03v	36-12
78057-00v	18-21
78085-13v	15-75
78085-17v	15-75
78085-18v	15-75
78086-00v	18-44
78108-03v	42-2
78108-10v	42-4
78108-12v	42-1
78108-14v	42-1
78108-15v	42-2
78108-16v	42-4
78108-23v	42-1
78108-24v	42-2
78108-25v	42-4
78108-26v	42-1
78108-27v	42-2
78108-28v	42-4

PIPER PARTS CATALOG

Part Number	Figure and Index No.
78109-04v	45-48
78110-00v	7-11
78113-00v	47-40
78117-00v	36-69
78118-00v	36-70
78140-33v	87-26
78140-39v	87-19
78237-00v	96-3
78237-00v	104-74
78271-03v	18-1
78271-04v	18-1
78271-05v	18-1
78271-06v	18-1
78349-04v	18-16
78349-08v	18-17
78349-10v	18-16
78349-11v	18-18
78349-12v	18-17
78349-17v	18-15
78349-23v	18-16
78349-25v	18-17
78361-00v	41-24
78735-02v	36-76
78738-04v	28-2
78738-05v	28-2
79009-00v	91-9
79009-00v	91A-9
79035-00v	78-15
79038-00v	48-66
79038-00v	50-13
79071-00v	23-7
79072-00v	23-6
79125-00v	36-71
79125-01v	36-71
79152-00v	101-31
79152-02v	101-31
79154-00v	18-51
79155-00v	18-51
79160-00v	101-32
79162-00v	9-11
79171-13v	18-20
79174-00v	2-15
79174-04v	2-16
79182-02v	36-13
79205-00v	85-29
79207-00v	40-6
79207-00v	41-36
79229-00v	40-16
79229-00v	41-25
79230-00v	40-13
79230-02v	41-26
79235-00v	40-18
79235-00v	41-50
79236-05v	38-3
79236-14v	38-1
79236-15v	38-1
79236-16v	38-4
79236-17v	38-2

Part Number	Figure and Index No.
79236-18v	38-2
79236-23v	38-12
79236-24v	38-12
79236-25v	38-13
79236-27v	38-8
79236-28v	38-8
79236-29v	38-10
79236-30v	38-10
79246-04v	39-9
79246-05v	39-9
79246-06v	39-10
79246-07v	39-10
79246-08v	39-19
79246-09v	39-19
79251-00v	40-19
79264-00v	78-10
79267-00v	13-33
79268-00v	21-3
79272-00v	13-10
79275-00v	74-2
79275-00v	104-37
79276-12v	74-1
79277-00v	19-39
79277-01v	19-39
79280-00v	78-20
79281-00v	78-17
79282-00v	78-18
79284-00v	78-22
79285-00v	78-23
79286-00v	78-16
79287-00v	78-21
79290-00v	11-57
79290-00v	78-29
79292-00v	78-35
79293-05v	78-36
79303-00v	78-27
79314-00v	45-53
79314-02v	45-53
79315-00v	104-1
79322-05v	40-17
79333-00v	85-21
79333-03v	85-21
79333-05v	85-21
79333-06v	85-21
79337-16v	40-26
79337-16v	40-41
79337-16v	40-54
79337-16v	41-2
79337-17v	40-26
79337-17v	41-2
79337-18v	40-72
79337-19v	40-1
79337-20v	40-1
79337-25v	40-2
79337-26v	40-2
79337-27v	40-26
79337-27v	40-41
79337-27v	40-54

Part Number	Figure and Index No.
79337-27v	41-2
79337-28v	40-26
79337-28v	41-2
79337-39v	40-2
79337-40v	40-2
79337-41v	40-72
79337-45v	40-1
79337-46v	40-1
79337-59v	40-41
79337-59v	40-54
79337-59v	41-2
79337-62v	41-2
79337-71v	40-26
79337-71v	40-41
79337-71v	40-54
79337-71v	41-2
79337-74v	40-26
79337-74v	41-2
79337-76v	40-1
79337-77v	40-2
79337-78v	40-1
79337-79v	40-2
79337-80v	40-1
79337-81v	40-1
79362-00v	45-15
79367-00v	45-14
79376-00v	45-11
79376-00v	45-13
79376-00v	45-18
79381-00v	45-16
79381-00v	45-19
79404-00v	36-73
79405-00v	103-1
79412-03v	83-25
79412-03v	84-37
79413-02v	83-3
79413-02v	84-10
79412-10v	83-25
79412-10v	84-37
79414-00v	84-17
79430-00v	34-6
79434-00v	15-7
79442-00v	40-11
79442-00v	40-34
79442-00v	40-53
79442-00v	41-37
79445-00v	36-50
79453-00v	13-52
79455-00v	36-54
79456-00v	36-55
79463-00v	97-8
79467-04v	9-5
79469-00v	54-11
79472-00v	36-66
79473-00v	60-20
79473-00v	61-20
79475-05v	14-9
79475-07v	14-11

Part Number	Figure and Index No.
79475-08v	14-12
79475-09v	14-13
79475-34v	14-38
79475-48v	14-10
79475-55v	14-9
79475-56v	14-9
79475-57v	14-9
79475-74v	14-15
79479-02v	40-45
79479-03v	40-45
79479-08v	40-46
79479-11v	40-46
79479-12v	40-45
79479-14v	40-45
79479-15v	40-46
79479-17v	40-46
79479-19v	40-45
79479-20v	40-46
79479-23v	40-45
79479-24v	40-46
79479-25v	40-45
79479-26v	40-46
79479-29v	40-45
79479-30v	40-46
79487-00v	103-5
79515-03v	14-18
79515-05v	14-19
79515-07v	14-22
79515-08v	14-28
79515-13v	14-17
79515-15v	14-23
79515-35v	14-16
79530-02v	14-24
79532-02v	14-27
79540-02v	41-14
79540-03v	41-14
79542-05v	14-55
79542-15v	14-6
79542-18v	14-6
79542-19v	14-55
79545-04v	14-1
79545-09v	14-1
79547-00v	9-33
79547-02v	7-15
79547-02v	9-34
79547-03v	9-34
79553-00v	8-22
79553-01v	8-22
79554-02v	40-29
79554-02v	41-5
79555-00v	40-27
79555-00v	40-42
79555-00v	40-55
79555-00v	41-3
79555-01v	40-27
79555-01v	41-3
79557-00v	18-49
79558-02v	79-10

PIPER PARTS CATALOG

Part Number	Figure and Index No.
79560-00v	94-18
79561-03v	7-17
79561-04v	9-4
79561-05v	9-14
79561-06v	9-13
79561-07v	9-23
79561-08v	9-24
79561-901v	9-12
79561-903v	9-22
79562-00v	18-23
79563-804v	7-8
79563-902v	7-8
79563-907v	7-9
79564-00v	8-54
79565-00v	8-38
79565-09v	8-38
79565-10v	8-38
79565-11v	8-38
79565-12v	8-38
79565-13v	8-38
79571-28v	45-35
79571-29v	45-35
79571-30v	45-35
79571-31v	45-35
79571-32v	45-35
79571-33v	45-35
79571-46v	45-35
79571-47v	45-35
79571-48v	45-35
79571-49v	45-35
79571-50v	45-35
79571-51v	45-35
79572-00v	18-8
79583-02v	12-17
79583-03v	12-17
79584-08v	79-8
79592-02v	41-1
79592-03v	41-1
79592-04v	41-1
79592-05v	41-1
79592-06v	41-1
79592-07v	41-1
79592-08v	41-1
79592-09v	41-1
79594-00v	15-9
79595-00v	87-34
79595-19v	87-32
79599-00v	97-9
79600-00v	45-49
79633-02v	40-47
79633-15v	40-47
79636-04v	92-25
79636-04v	95-57
79638-10v	92-23
79639-02v	9-36
79647-02v	14-14
79650-02v	45-9
79652-03v	74-5
79657-03v	92-16

Part Number	Figure and Index No.
79681-02v	36-63
79681-03v	36-63
79747-00v	12-46
79747-01v	12-46
79749-03v	40-58
79749-07v	40-59
79749-08v	40-60
79750-00v	44-2
79770-11v	44-28
79778-02v	44-30
79781-02v	38-16
79781-02v	38-30
79792-02v	41-19
79792-03v	41-19
79818-02v	40-3
79818-03v	40-3
79827-03v	38-14
79837-02v	36-51
79839-03v	80-24
79840-04v	80-29
79863-03v	76-60
79863-03v	77-1
79869-02v	49-8
79886-03v	79-14
79886-04v	79-15
79886-07v	79-16
79886-11v	79-13
79890-43v	31-9
79890-44v	31-9
79890-45v	31-10
79890-46v	31-10
79890-900v	31-8
79890-901v	31-8
79892-02v	31-15
79892-03v	31-15
79892-04v	31-16
79892-05v	31-16
79892-09v	31-17
79892-10v	31-17
81262-68	15-10
81342-18v	76-56
81342-18v	77-37
81342-56v	87-11
82732-76	68-49
82732-76	74-40
82732-76	74-42
83302-43	15-11
85012-14v	60-52
85012-72	22-28
85012-101v	49-3
86062-56v	22-1
86062-94	48-35
86392-02v	5-16
86392-03v	5-16
86395-02v	5-11
86395-03v	5-11
86396-02v	5-12
86396-03v	5-12
86397-04v	5-13

Part Number	Figure and Index No.
86397-05v	5-13
86398-02v	5-14
86398-03v	5-14
86532-800v	4-15
86532-801v	4-15
86533-02v	4-16
86533-03v	4-16
86534-02v	4-17
86534-03v	4-17
86535-02v	4-18
86535-03v	4-18
86540-02v	4-42
86540-03v	4-42
86541-02v	4-19
86541-03v	4-19
86543-02v	4-41
86543-03v	4-41
86544-02v	4-37
86544-03v	4-37
86545-02v	3-28
86545-03v	3-28
86545-05v	3-28
86545-06v	3-29
86545-07v	3-29
86552-04v	45-17
86552-05v	45-10
86552-07v	45-10
86552-10v	45-10
86555-02v	4-33
86555-03v	4-33
86556-02v	4-35
86556-03v	4-35
86561-10v	4-20
86561-11v	4-20
86561-14v	4-21
86561-15v	4-21
86562-08v	5-3
86562-09v	5-3
86573-04v	4-44
86573-05v	4-44
86633-02v	4-45
86652-05v	103-15
86652-09v	103-17
86700-21v	67-7
86700-25v	22-43
87278-02v	9-73
87329-07v	14-56
87329-09v	16-6
87329-11v	15-59
87332-02v	40-4
87332-02v	41-32
87334-02v	14-62
87334-02v	104-69
87335-02v	15-81
87335-02v	104-70
87340-02v	54-26
87340-02v	55-33
87340-02v	104-71
87341-02v	19-40

Part Number	Figure and Index No.
87341-02v	104-66
87341-03v	104-67
87341-04v	2-48
87341-04v	104-68
87358-05v	22-22
87359-02v	45-15
87360-02v	45-12
87365-02v	45-11
87366-02v	45-13
87367-02v	45-15
87368-02v	45-11
87368-02v	45-13
87368-02v	45-18
87369-04v	45-75
87369-04v	104-30
87369-05v	94A-2
87369-05v	104-72
87369-16v	74-50
87369-16v	103-73
87369-27v	45-70
87369-27v	104-7
87369-38v	92-13
87369-38v	94B-2
87369-38v	95-37b
87369-38v	96-24
87369-38v	104-47
87369-39v	92-14
87369-39v	94B-3
87369-39v	95-37c
87369-39v	96-23
87369-39v	104-76
87369-40v	96A-7
87369-43v	94B-4
87369-43v	96A-8
87369-43v	104-78
87369-53v	83-58
87373-07v	83-42
87373-08v	84-46
87382-02v	45-12
87415-02v	90A-1
87451-02v	45-76
87451-03v	45-76
87502-03v	87-36
87503-02v	83-41
87503-02v	84-45
87504-02v	45-77
87504-03v	45-77
87504-04v	45-77
87504-05v	45-77
87504-06v	45-77
87504-07v	45-77
87504-08v	45-77
87504-09v	45-77
87742-02v	83-43
87742-02v	84-47
95061-08v	44-13
95061-09v	44-36
95061-79v	22-42
95061-90v	40-67

PIPER PARTS CATALOG

Part Number	Figure and Index No.
95061-106v	40-5
95061-106v	41-30
95061-115v	94B-8
95061-115v	95-36
95061-118v	94B-9
95061-118v	95-33
95061-141v	76-32
95061-141v	77-60
95061-151v	79-11
95061-157v	44-12
95061-161v	40-9
95061-161v	41-29
95061-180v	40-68
95061-180v	61-47
95153-20v	96-6
95153-79v	96-7
95153-101v	47-20
95153-105v	96-8
95153-158v	47-20
95228-00v	39-12
95241-11v	45-10
95241-25v	45-17
95241-28v	45-10
95507-05v	14-57
95639-04v	3-2
95639-05v	3-2
95732-00v	11-37
95733-00v	11-38
95825-03v	11-39
95925-02v	11-22
95936-00v	11-41
96143-00v	47-7
96268-00v	96A-9
96272-00v	36-75
96272-00v	104-26
96288-00v	66-8
96330-00v	11-43
96333-00v	11-62
96333-01v	11-62
96339-00v	11-44
96339-01v	11-44
96349-00v	11-8
96349-01v	11-14
96352-02v	2-37
96352-03v	2-36
96392-05v	47-1
96564-00v	19-22
96590-00v	83-7
96590-00v	84-3
96602-00v	89-22
96602-00v	104-20
96684-00v	11-63
96700-04v	11-67
96700-05v	11-67
96827-24v	40-31
96827-25v	40-31
96827-26v	40-32
96827-27v	40-32
96827-31v	40-32

Part Number	Figure and Index No.
96827-32v	40-32
96827-33v	40-31
96827-34v	40-31
96827-36v	40-32
96827-38v	40-32
96827-39v	40-31
96827-40v	40-31
96827-42v	40-32
96827-44v	40-32
96827-45v	40-31
96827-46v	40-31
96839-00v	8-23
96839-01v	8-23
96844-03v	3-17
96851-00v	10-16
96863-06v	15-20
96864-00v	15-21
96866-02v	36-84
96868-00v	15-52
96871-00v	66-6
96871-01v	66-6
96877-00v	11-47
96877-01v	11-47
96878-00v	11-47
96878-01v	11-47
96880-00v	12-25
96884-00v	11-65
96884-01v	11-65
96885-00v	12-43
96885-01v	12-43
96890-00v	11-23
96890-01v	11-23
96896-00v	11-69
96896-02v	12-2
96897-00v	11-64
96908-00v	40-71
96908-00v	42-10
96908-00v	44-18
96926-00v	2-24
96927-00v	2-22
96981-09v	15-1
96981-10v	15-1
96986-00v	10-35
96990-00v	74-12
96991-00v	15-54
96993-02v	15-36
96994-03v	74-6
96995-06v	15-2
96996-00v	15-47
96999-00v	15-55
96999-04v	15-55
98524-02v	49-71
98536-02v	55-8
98561-05v	55-2
98562-02v	55-14
98562-11v	55-16
98562-12v	55-17
98563-16v	55-21

Part Number	Figure and Index No.
98563-19v	55-22
98563-29v	55-23
98563-34v	55-19
98563-55v	55-20
98563-56v	55-20
98565-03v	53-12
98565-28v	53-11
98565-33v	53-13
98565-35v	53-11
98566-02v	53-4
98577-02v	50-12
98579-05v	64-23
98580-02v	65-67
98586-03v	49-64
98586-04v	49-38
98587-06v	49-44
98587-09v	49-82
98592-02v	46-31
98608-02v	49-39
98616-03v	53-6
98616-04v	53-7
98616-07v	53-8
98616-12v	53-28
98616-18v	53-28
98616-19v	53-8
98616-22v	53-7
98616-24v	53-29
98616-28v	53-6
98617-02v	53-3
98619-13v	53-1
98645-05v	61-26
98645-07v	61-26
98654-02v	53-10
98654-05v	53-10
98659-02v	64-1
98663-09v	84-32
98666-11v	53-9
98667-14v	53-2
98668-02v	53-5
98668-09v	53-5
98669-02v	8-55
98675-03v	45-23
98676-03v	49-40
98683-02v	53-15
98686-02v	64-13
98691-02v	49-41
98700-06v	2-50
98705-02v	49-30
98708-02v	45-12
98708-03v	49-4
98708-04v	49-5
98710-03v	49-61
98711-02v	49-62
98715-02v	49-65
99002-08v	45-3
99003-07v	45-6
99010-05v	45-7
99031-00v	89-3
99035-03v	19-18

Part Number	Figure and Index No.
99060-06v	45-50
99061-06v	45-51
99062-06v	45-52
99069-00v	15-35
99069-02v	15-35
99069-03v	15-35
99069-04v	15-35
99070-00v	15-58
99072-00v	79-9
99077-16v	40-33
99077-17v	40-33
99080-00v	79-6
99081-02v	36-12
99094-02v	54-7
99094-02v	55-7
99096-00v	54-4
99096-00v	55-4
99130-02	83-2
99130-02	84-2
99140-00v	38-18
99141-03v	38-17
99209-00v	93-3
99214-00v	45-33
99263-00v	81-3
99271-00v	81-8
99272-00v	13-39
99273-00v	13-40
99275-02v	81-4
99275-02v	81-9
99275-04v	81-26
99278-03v	13-41
99280-00v	13-34
99280-01v	13-34
99344-00v	102-7
99377-02v	85-8
99377-03v	85-10
99377-04v	85-59
99377-05v	85-7
99377-06v	85-9
99377-07v	85-9
99377-56v	85-7
99377-66v	85-57
99387-00v	81-1
99395-00v	101-18
99395-00v	102-1
99395-02v	101-18
99395-02v	102-1
99395-03v	101-18
99395-03v	102-1
99409-00v	101-14
99421-00v	8-42
99422-02v	9-61
99429-00v	69-14
99430-00v	69-13
99448-00v	93-11
99448-00v	104-48
99458-00v	36-64
99468-03v	13-2

PIPER PARTS CATALOG

Part Number	Figure and Index No.
99469-03v	13-6
99470-01v	13-3
99470-800v	13-3
99471-02v	13-5
99471-03v	13-5
99478-00	45-1
99479-02v	45-29
99480-00v	45-22
99481-03v	101-1
99487-00v	13-46
99487-01v	13-46
99488-00v	13-47
99495-00v	81-5
99496-00v	13-37
99499-00v	48-7
99539-00v	80-27
99545-00v	13-44
99549-07v	13-3
99549-09v	13-6
99549-14v	13-3
99550-02v	80-28
99552-00v	13-42
99552-02v	13-42
99555-00v	13-45
99557-00v	81-20
99558-00v	13-43
99559-01v	13-4
99559-02v	13-4
99561-00v	13-38
99561-00v	81-23
99569-00v	81-25
99572-04v	81-24
99580-00v	79-33
99592-08v	79-19
99592-09v	79-20
99592-12v	79-19
99592-22v	79-20
99609-00v	13-19
99610-02v	101-10
99610-03v	101-11
99610-10v	101-36
99615-00v	13-35
99615-01v	13-35
99619-02v	19-5
99621-00v	19-6
99631-00v	13-36
99633-00v	78-9
99633-00v	80-8
99640-00v	80-1
99640-03v	80-2
99641-00v	78-7
99641-00v	80-6
99642-02v	78-4
99642-02v	80-3
99644-00v	80-30
99646-02v	80-9
99648-00v	80-12
99650-00v	80-13

Part Number	Figure and Index No.
99661-00v	80-15
99680-08v	101-25
99696-03v	85-1
99717-00v	86-7
99718-05v	40-28
99718-05v	41-4
99729-01v	10-28
99744-00v	101-19
99745-00v	101-24
99752-00v	38-21
99763-00v	79-5
99766-00v	52-3
99767-00v	52-7
99768-00v	52-6
99769-00v	52-8
99776-00v	52-2
99778-00v	52-1
99781-00v	52-15
99787-00v	36-16
99803-05v	19-14
99804-00v	86-16
99805-03v	13-26
99813-02v	13-26
99849-08v	48-39
99849-20v	49-20
99853-00v	81-14
99854-00v	81-10
99856-00v	70-21
99862-00v	86-1
99867-00v	81-16
99887-06v	97-7
99943-00v	14-8
99943-00v	18-43
99983-54v	84-26
99983-55v	87-29
99997-00v	14-35
99997-00v	15-68
99997-00v	18-22
99999-00v	86-8
147 112v	14-35
179 872v	2-18
187 625	23-21
189 139v	14-2
189 139v	15-69
189 139v	16-7
189 139v	17-36
189 732v	63-23
400 002	40-25
400 002	41-41
400 003	19-23
400 003	19-24
400 003	20-26
400 003	28-43

Part Number	Figure and Index No.
400 003	28-45
400 004	20-27
400 004	31-23
400 004	40-75
400 004	68-42
400 008	67-16
400 009	44-38
400 009	79-17
400 009	90A-13
400 011	68-4
400 015	24-13
400 053	63-59
400 053	65-59
400 055	61-49
400 055	67-31
400 056	19-31
400 056	74-39
400 058v	22-30
400 103	51-17
400 113	14-21
400 113	33-42
400 165v	28-13
400 166v	28-26
400 184	60-8
400 184	61-8
400 185v	60-8
400 185v	61-8
400 224	81-22
400 302v	28-18
400 437	49-60
400 437	70-34
400 438	21A-11
400 438	23-23
400 438	33-61
400 438	60-55
400 438	68-41
400 438	70-26
400 438	70-36
400 438	75-15
400 438	94A-11
400 438	94A-12
400 440	40-79
400 440	66-22
400 440	68-39
400 440	70-64
400 440	81-33
400 441	40-74
400 441	40-78
400 441	40-80
400 441	68-39
400 441	73-14
400 441	81-29
400 443	61-48
400 443	68-35
400 443	94B-17
400 443	92-4
400 444	2-42
400 446	70-25

Part Number	Figure and Index No.
400 446	70-62
400 449	70-30
400 450	19-38
400 450	22-36
400 452v	67-32
400 456	75-16
400 463	49-55
400 463	49-56
400 464v	48-50
400 466	51-14
400 466	51-15
400 479v	67-33
400 562v	68-36
400 616v	79-7
400 653v	68-37
400 653v	68-38
400 653v	74-40
400 653v	74-42
400 665v	14-34
400 668v	14-32
400 669v	15-82
400 670	42-6
400 672	68-44
400 672	72-3
400 673	60-53
400 673	71-19
400 674	67-10
400 674	69-17
400 674	71-16
400 680v	68-48
400 728v	88-14
400 861v	81-28
400 861v	81-31
400 861v	81-34
400 862v	14-59
400 870v	15-64
400 876v	33-46
400 916	43-9
401 187	40-77
401 187	42-12
401 187v	90A-6
401 188	67-11
401 188	67-37
401 188	69-15
401 194	40-76
401 261v	95-56
401 266	5-21
401 266	5-22
401 266	21-15
401 266	54-10
401 266	55-25
401 266	66-12
401 266	67-34
401 266	70-35
401 266	92-21
401 269	19-30
401 269	48-59
401 269	60-62

PIPER PARTS CATALOG

Part Number	Figure and Index No.
401 269	70-37
401 269	74-32
401 269	81-32
401 270	2-41
401 270	92-5
401 270	94B-18
401 273	23-25
401 273	81-7
401 274	68-20
401 274	73-9
401 279	70-32
401 280v	22-36
401 301v	48-67
401 306	87-14
401 306	87-30
401 307	87-12
401 307	87-31
401 307	88-13
401 310	48-53
401 310	74-47
401 311	28-44
401 311	31-21
401 311	31-26
401 312	22-35
401 312	31-26
401 318	40-23
401 318	41-47
401 318	41-48
401 318	68-40
401 330	19-37
401 333	74-34
401 334	81-30
401 343v	48-61
401 353	69-24
401 354	69-16
401 360	23-22
401 370	23-24
401 371v	23-26
401 375v	29-15
401 378v	71-21
401 385v	67-28
401 387v	71-20
401 394	48-81
401 394	49-79
401 394	79-12
401 395	48-80
401 395	49-78
401 400	23-31
401 402	23-31
401 403	23-32
401 404	23-32
401 405	48-43
401 405	49-67
401 450v	22-4
401 456v	22-4
401 461v	79-26
401 521	48-73
401 521v	49-58

Part Number	Figure and Index No.
401 527v	48-73
401 533v	48-73
401 533v	49-58
401 535v	49-58
401 545v	90A-7
401 918	22-32
401 918	28-16
401 918	49-57
401 922v	65-66
401 970v	79-29
401 971	48-79
401 971v	48-82
401 971v	49-77
401 971v	49-80
401 971v	79-28
401 986	49-84
401 986v	79-27
401 987v	79-34
401 987v	90A-5
401 988v	79-30
402 057v	9-68
402 060v	9-60
402 314v	75-6
402 324v	22-31
402 587	2-36
402 680v	2-29
402 680v	19-25
402 775v	22-33
402 890v	13-16
402 897v	13-15
402 903v	2-38
402 904v	2-37
402 906v	2-35
402 907v	2-40
402 908v	2-33
402 909v	2-39
402 910v	2-34
402 911v	2-36
402 915v	2-32
404 100	19-31
404 100	60-50
404 100	60-53
404 100	67-31
404 100	68-48
404 101	14-21
404 101	33-42
404 101	48-61
404 101	51-17
404 104	74-36
404 105	28-18
404 122v	28-28
404 224	15-24
404 224	19-32
404 224	33-44
404 224	48-52
404 224	60-35
404 224	61-46
404 224	67-30

Part Number	Figure and Index No.
404 224	85-50
404 224	87-17
404 225	22-16
404 225	22-24
404 263v	76-48
404 263v	77-56
404 320v	67-23
404 320v	68-27
404 322	22-33
404 322	67-23
404 322	68-26
404 323v	88-14
404 325v	70-38
404 391v	14-34
404 391v	68-36
404 391v	68-37
404 391v	68-38
404 391v	74-40
404 391v	74-42
404 392	14-32
404 392	22-30
404 392	61-49
404 392	63-59
404 392	65-59
404 392	67-10
404 392	68-44
404 392	69-17
404 392	71-16
404 392	71-19
404 392	72-3
404 392	74-39
404 392	76-56
404 392	77-37
404 392	78-26
404 394	60-8
404 394	61-8
404 531v	2-37
404 531v	2-38
404 532v	2-32
404 532v	2-33
404 532v	2-34
404 532v	2-36
404 532v	2-39
404 556	13-15
404 556	13-16
404 562	76-20
404 562	76-61
404 562	77-39
404 563	76-17
404 599v	53-26
404 638	87-13
404 792v	87-17
404 829	52-29
404 833	15-50
404 833	52-26
404 833	72-5
404 833	77-30
404 835	49-60

Part Number	Figure and Index No.
404 835	51-14
404 835	51-15
404 835	52-28
404 835	52-30
404 835	54-10
404 835	55-25
404 835	74-31
404 835	74-33
404 835	74-35
404 835	74-41
404 835	81-33
404 835	88-11
404 835	88-12
404 836	22-31
404 836	28-43
404 836	40-25
404 836	41-41
404 836	54-22
404 836	68-4
404 836	75-6
404 836	87-31
404 837	9-60
404 837	9-68
404 837	40-77
404 837	42-12
404 838	22-4
404 887	2-41
404 887	2-42
404 887	5-21
404 887	8-53
404 887	17-21
404 887	19-30
404 887	19-38
404 887	22-35
404 887	22-36
404 887	23-23
404 887	23-25
404 887	33-43
404 887	33-46
404 887	33-61
404 887	33-66
404 887	40-74
404 887	48-50
404 887	48-52
404 887	48-59
404 887	49-55
404 887	49-56
404 887	60-51
404 887	60-56
404 887	60-62
404 887	61-40
404 887	61-48
404 887	62-20
404 887	63-55
404 887	65-55
404 887	67-32
404 887	67-33
404 887	67-34

PIPER PARTS CATALOG

Part Number	Figure and Index No.
404 887	68-20
404 887	68-39
404 887	70-25
404 887	70-30
404 887	70-32
404 887	70-36
404 887	70-37
404 887	70-62
404 887	70-64
404 887	73-14
404 887	74-32
404 887	75-16
404 887	76-16
404 887	76-19
404 887	76-48
404 887	77-21
404 887	77-23
404 887	77-24
404 887	77-26
404 887	77-56
404 887	77-58
404 887	77-65
404 887	81-7
404 887	81-28
404 887	81-29
404 887	81-31
404 887	81-32
404 887	81-34
404 887	86-25
404 887	92-4
404 887	92-5
404 887	92-21
404 887	92-56
404 887	94A-11
404 887	94B-17
404 887	94B-18
404 888	19-23
404 888	19-37
404 888	20-26
404 888	20-27
404 888	24-12
404 888	28-44
404 888	28-45
404 888	28-46
404 888	30-16
404 888	31-22
404 888	40-23
404 888	41-47
404 888	48-53
404 888	67-16
404 888	68-40
404 888	68-42
404 888	74-34
404 888	74-47
404 888	76-18
404 888	77-61
404 888	79-17
404 888	81-30

Part Number	Figure and Index No.
404 888	88-13
404 889	23-22
404 889	23-24
404 889	23-26
404 889	26-11
404 889	29-14
404 889	40-76
404 889	67-11
404 889	67-28
404 889	67-37
404 889	69-15
404 889	69-16
404 889	69-24
404 889	71-20
404 889	71-21
404 890	23-31
404 890	23-32
404 890	48-80
404 890	48-81
404 890	49-78
404 890	49-79
404 890	79-12
404 891	48-73
404 891	49-58
404 891	90A-7
404 907v	94A-10
404 909	22-37
404 909	28-47
404 909	32-11
404 909	36-72
404 909	53-17
404 909	55-18
404 909	55-26
404 909	76-20
404 909	76-32
404 909	76-49
404 909	76-61
404 909	77-38
404 909	77-39
404 909	77-60
404 909	77-62
404 909	77-64
404 910	22-44
404 910	31-28
404 910	44-39
404 910	53-22
404 910	61-44
404 910	63-62
404 910	65-62
404 910	76-17
404 910	76-50
404 910	77-17
404 910	94A-9
406 345	60-21
406 345	61-21
406 357	94A-8
406 369v	40-24
406 369v	70-29

Part Number	Figure and Index No.
406 373	32-10
406 393v	83-38
406 393v	84-41
406 394v	77-40
406 424v	39-5a
406 424v	39-8a
406 424v	39-20
406 424v	80-20a
406 424v	80-23a
406 424v	80-33
406 424v	82-44
406 427v	76-21
406 527v	2-35
406 527v	2-40
406 551v	70-35
406 615v	23-33
406 637v	2-29
406 637v	19-25
406 642	18-54
406 809	18-53
406 816	5-22
406 830	23-33
406 830	23-34
406 832	18-55
406 863	16-11
406 863	17-35
406 935v	2-28
406 942v	2-23
407 043	48-59
407 043	61-46
407 043	66-12
407 043	87-17
407 044	61-41
407 046	79-26
407 104	48-37
407 104	60-35
407 104	61-48
407 104	66-22
407 104	85-50
407 105	60-48
407 106	87-13
407 106	88-14
407 120v	15-30
407 122v	101-27
407 124	33-44
407 124	33-47
407 134	77-25
407 135	41-12
407 136	22-16
407 136	22-24
407 136	52-22
407 137	48-79
407 137	49-77
407 138	52-23
407 561	40-24
407 561	41-49
407 562	14-33
407 562	14-34

Part Number	Figure and Index No.
407 562	15-12
407 562	15-14
407 562	28-47
407 562	32-11
407 562	36-72
407 562	68-36
407 562	68-37
407 562	74-42
407 562	77-62
407 563	22-44
407 563	31-28
407 563	44-39
407 563	53-21
407 563	53-22
407 563	61-44
407 563	63-62
407 563	65-62
407 563	77-30
407 564	2-41
407 564	2-42
407 564	5-21
407 564	5-22
407 564	8-53
407 564	13-15
407 564	13-16
407 564	16-12
407 564	17-21
407 564	17-38
407 564	19-30
407 564	19-31
407 564	19-38
407 564	22-36
407 564	23-23
407 564	23-25
407 564	33-46
407 564	33-61
407 564	37-17
407 564	40-74
407 564	40-78
407 564	40-79
407 564	41-45
407 564	48-50
407 564	49-55
407 564	49-56
407 564	49-60
407 564	52-30
407 564	54-10
407 564	54-29
407 564	60-51
407 564	60-56
407 564	63-55
407 564	65-55
407 564	66-12
407 564	66-22
407 564	67-10
407 564	67-31
407 564	67-32
407 564	67-33

PIPER PARTS CATALOG

Part Number	Figure and Index No.
407 564	67-34
407 564	68-20
407 564	68-35
407 564	68-39
407 564	68-41
407 564	68-44
407 564	68-48
407 564	69-17
407 564	70-25
407 564	70-32
407 564	70-36
407 564	70-37
407 564	70-64
407 564	71-16
407 564	71-19
407 564	74-32
407 564	74-39
407 564	77-17
407 564	77-26
407 564	78-26
407 564	81-28
407 564	81-29
407 564	81-31
407 564	81-32
407 564	81-33
407 564	81-34
407 564	86-25
407 564	88-11
407 564	88-12
407 564	92-4
407 564	92-5
407 564	92-21
407 564	92-56
407 564	94A-11
407 564	94A-12
407 564	948-17
407 564	948-18
407 565	2-29
407 565	14-21
407 565	19-23
407 565	19-24
407 565	19-25
407 565	19-29
407 565	19-37
407 565	20-26
407 565	20-27
407 565	22-35
407 565	24-11
407 565	28-43
407 565	28-44
407 565	28-45
407 565	31-22
407 565	31-23
407 565	33-42
407 565	40-75
407 565	41-46
407 565	43-9
407 565	48-53

Part Number	Figure and Index No.
407 565	48-67
407 565	49-57
407 565	51-17
407 565	52-22
407 565	53-16
407 565	53-26
407 565	67-16
407 565	68-40
407 565	70-27
407 565	74-27
407 565	74-34
407 565	76-18
407 565	77-61
407 565	81-30
407 565	87-12
407 565	88-13
407 566	2-38
407 566	23-22
407 566	23-24
407 566	23-26
407 566	26-10
407 566	28-12
407 566	29-16
407 566	40-76
407 566	40-77
407 566	42-12
407 566	48-79
407 566	49-77
407 566	60-16
407 566	61-16
407 566	62-14
407 566	67-11
407 566	67-16
407 566	67-28
407 566	67-37
407 566	69-15
407 566	69-16
407 566	69-24
407 566	71-5
407 566	71-20
407 566	71-21
407 566	79-28
407 566	87-13
407 566	88-14
407 566	90A-6
407 567	2-32
407 567	2-33
407 567	2-34
407 567	2-35
407 567	2-39
407 567	22-4
407 567	23-31
407 567	33-18
407 567	48-43
407 567	48-80
407 567	48-81
407 567	49-67
407 567	49-78

Part Number	Figure and Index No.
407 567	49-79
407 567	49-84
407 567	52-23
407 567	58-4
407 567	59-4
407 567	62-13
407 567	64-28
407 567	69-25
407 567	69-26
407 567	70-63
407 567	71-17
407 567	79-12
407 567	79-26
407 568	33-45
407 568	33-62
407 568	35-28
407 568	48-73
407 568	49-53
407 568	49-58
407 568	50-16
407 568	74-36
407 568	90A-7
407 569	15-37
407 569	56-10
407 569	58-9
407 569	79-7
407 570	63-63
407 570	65-48
407 573	62-16
407 573	63-65
407 573	64-26
407 573	65-49
407 582v	14-31
407 582v	55-18
407 582v	55-26
407 583	52-26
407 583	52-27
407 583	72-5
407 584	13-15
407 584	13-16
407 584	14-32
407 584	19-30
407 584	19-31
407 584	21-15
407 584	21A-11
407 584	22-30
407 584	33-41
407 584	33-43
407 584	48-37
407 584	48-50
407 584	51-14
407 584	51-15
407 584	55-25
407 584	60-50
407 584	60-54
407 584	60-55
407 584	60-62
407 584	61-40

Part Number	Figure and Index No.
407 584	61-43
407 584	61-45
407 584	61-49
407 584	63-54
407 584	63-59
407 584	65-54
407 584	65-59
407 584	67-32
407 584	70-25
407 584	70-30
407 584	70-31
407 584	70-32
407 584	70-34
407 584	70-62
407 584	72-3
407 584	73-9
407 584	73-14
407 584	74-41
407 584	77-23
407 584	77-24
407 584	81-7
407 584	85-50
407 584	87-14
407 585	2-29
407 585	14-63
407 585	15-39
407 585	15-66
407 585	19-28
407 585	22-31
407 585	22-32
407 585	22-34
407 585	28-44
407 585	28-46
407 585	30-15
407 585	31-21
407 585	31-26
407 585	44-38
407 585	68-4
407 585	68-42
407 585	70-60
407 585	75-6
407 585	77-37
407 585	79-17
407 585	90A-13
407 586	2-37
407 586	2-38
407 586	9-60
407 586	9-68
407 586	14-49
407 586	15-49
407 586	28-14
407 586	60-21a
407 586	61-21a
407 586	67-11
407 586	67-37
407 586	79-29
407 586	87-13
407 587	2-32

PIPER PARTS CATALOG

Part Number	Figure and Index No.
407 587	2-34
407 587	2-40
407 587	23-32
407 587	56-5
407 587	57-5
407 587	57-38
407 587	58-5
407 587	59-5
407 587	64-27
407 587	70-25
407 587	79-26
407 587	79-27
407 587	79-30
407 587	79-34
407 589	28-11
407 589	49-19
407 591	48-51
407 591	48-61
407 591	48-73
407 591	49-58
407 591	50-18
407 674	33-66
407 680	14-48
407 680	14-53
407 684v	70-39
407 694v	87-30
407 800	48-52
407 801	87-31
408 584	74-32
408 815	60-17
408 815	61-17
408 832v	18-8
408 832v	53-16
408 832v	53-26
408 834v	43-10
410 010v	2-46
410 039	5-18
410 039	55-31
410 039	55-32
410 040	55-30
410 046	2-31
410 046	63-55
410 046	65-55
410 066	66-27
410 240v	2-47
411 530	77-26
411 532	33-54
411 532	54-28
411 532	55-27
411 532	76-19
411 532	77-58
411 532v	86-25
411 533v	54-29
411 533v	77-21
411 534	76-16
411 534	77-23
411 534	77-24
411 538	62-20

Part Number	Figure and Index No.
411 539v	8-53
411 540	17-21
411 582v	16-14
414 693v	94A-10
414 761	15-27
414 761	15-31
414 762	31-25
414 769	15-50
414 772	44-35
414 779	31-29
414 777	15-38
414 783v	19-27
415 171v	32-11
415 179	19-36
415 267	63-58
415 267	65-58
415 308	31-28
415 319	85-50
415 376v	36-67
415 379v	48-8
415 380	76-48
415 380	77-56
415 380	77-65
415 447	52-24
415 447	52-25
415 448	52-26
415 448	52-27
415 449	32-8
415 449	32-9
415 454	17-37
415 454	17-38
415 493	22-37
415 493	51-13
415 518	15-28
415 518	28-47
415 518	76-49
415 518	76-61
415 518	77-38
415 518	77-62
415 518	77-64
415 520	55-18
415 520	55-26
415 520	101-27
415 521	18-45
415 521	67-36
415 521	76-20
415 521	77-39
415 522	76-32
415 522	77-60
415 533v	15-30
415 533	94A-8
415 533	94A-9
415 535	18-47
415 535	53-21
415 535	53-22
415 535	69-27
415 535	72-5
415 535	77-17

Part Number	Figure and Index No.
415 536	18-46
415 536	38-19
415 536	38-29
415 536	61-44
415 536	76-17
415 536	77-30
415 537	16-12
415 537	18-46
415 538	22-44
415 538	38-20
415 539	37-16
415 540v	44-39
415 544	18-47
415 544	33-63
415 544	77-25
415 628	5-20
415 754	76-50
416 091	49-17
416 098v	63-60
416 098v	63-62
416 098v	65-60
416 098v	65-62
416 349v	28-46
416 633	31-24
416 794	88-12
416 994	33-47
416 995	33-43
416 995	52-30
416 995	88-11
416 997	33-44
417 694	49-6
417 772v	52-28
417 784	87-17
418 345v	53-26
418 419	53-16
418 420	52-22
418 420	60-48
418 420	61-41
418 650v	60-56
418 942v	52-23
419 584v	37A-25
419 584v	41-52
419 584v	76-51
419 590v	76-47
419 590v	77-52
419 594v	14-54
419 594v	15-80
419 594v	36-83
419 596v	37-17
419 648v	77-59
419 683	18-48
419 920	32-8
419 920	32-10
419 932v	51-12
419 967v	72-9
424 041v	14-29
424 041v	14-33
424 041v	14-34

Part Number	Figure and Index No.
424 041v	68-36
424 041v	68-37
424 041v	68-38
424 041v	74-40
424 041v	74-42
424 050	60-54
424 050	63-59
424 050	65-59
424 051	14-21
424 051	14-32
424 051	14-63
424 051	15-12
424 051	15-14
424 051	15-66
424 051	19-31
424 051	22-30
424 051	22-34
424 051	33-41
424 051	33-42
424 051	41-45
424 051	41-46
424 051	41-49
424 051	51-17
424 051	60-8
424 051	60-50
424 051	60-53
424 051	61-8
424 051	61-45
424 051	61-49
424 051	63-54
424 051	63-56
424 051	65-54
424 051	65-56
424 051	67-10
424 051	67-27
424 051	67-31
424 051	68-44
424 051	68-48
424 051	69-17
424 051	70-31
424 051	71-16
424 051	71-19
424 051	71-24
424 051	72-3
424 051	72-4
424 051	74-39
424 051	76-56
424 051	77-37
424 051	78-26
424 052	48-61
424 052	67-35
424 052	67-38
424 052	68-43
424 053	63-57
424 053	65-57
424 053	69-18
424 053	71-22
424 054	69-19

PIPER PARTS CATALOG

Part Number	Figure and Index No.
424 054	69-23
424 054	71-23
424 055	67-16
424 058v	63-61
424 058v	65-61
424 059	28-18
424 059	49-19
424 060	41-51
424 060	74-36
424 061	56-27
424 061	57-27
424 061	58-26
424 061	59-26
424 071	28-41
424 095	17-10
424 095	28-31
424 123v	70-40
424 141v	14-33
424 143v	41-49
424 162	15-14
424 163	15-12
424 172v	17-8
424 174	41-45
424 175	63-56
424 175	65-56
424 176	34-11
424 178	14-29
424 178	33-41
424 180v	70-31
424 181	34-12
424 184	34-13
424 185	72-4
424 192	17-9
424 195	34-11
424 204v	14-63
424 204v	15-66
424 205v	41-46
424 226	22-34
424 357v	34-14
434 124v	53-25
434 126	76-44
434 126	77-18
434 135	101-7
434 138	15-2a
434 144	101-8
434 150v	53-18
434 151v	33-38
434 155	33-37
434 160v	33-39
434 163	62-18
434 163	63-64
434 170v	64-25
434 172	62-17
434 176v	64-24
434 183v	53-24
450 035	87-15
450 397v	83-34
450 397v	84-34

Part Number	Figure and Index No.
451 272	101-2
451 273	101-3
451 724v	22-7
451 731v	28-32
451 734v	22-7
451 735	22-8
451 735	28-33
451 739v	22-8
451 752v	22-7
451 786v	30-13
451 823v	83-40
451 823v	84-44
451 834v	86-21
451 841	83-10
451 857	64-16
451 881	46-23
451 881	96A-12
451 906v	79-32
451 907v	79-36
451 908v	79-37
451 939	46-17
451 939	96A-10
452 332	22-26
452 333	22-27
452 334v	22-16
452 335	67-22
452 335	68-23
452 336v	67-22
452 336v	68-24
452 372v	74-15
452 383v	22-23
452 386v	40-10
452 386v	41-15
452 387v	4-30
452 387v	4-32
452 387v	4-34
452 387v	4-36
452 387v	21-7
452 387v	21A-7
452 388v	74-30
452 389v	74-26
452 394v	13-14
452 410v	89-16
452 413v	70-51
452 418v	70-50
452 465v	89-16
452 544v	4-40
452 544v	67-6
452 555v	48-78
452 555v	49-76
452 558v	81-21
452 561v	81-19
452 570v	81-17
452 571v	81-18
452 606	60-61
452 606	61-42
452 619v	48-63
452 679v	40-61

Part Number	Figure and Index No.
452 692v	40-61
452 766v	23-4
452 766v	23-10
452 766v	23-35
452 774v	90A-11
452 813v	82-58
452 823v	79-25
452 824v	79-31
452 907	49-24
452 908	49-24
452 935v	78-8
452 935v	80-7
452 997v	103-10
452 982v	49-24
453 124	23-17
453 124	28-24
453 198v	55-9
453 453v	93-10
453 453v	94-12
453 453v	95-46
453 491v	49-15
453 602v	85-4
453 616	64-34
453 639	83-22
453 639	84-38
453 674v	15-67
453 695	85-27
453 714v	34-10
453 732	40-28a
453 732	41-4a
453 766	85-5
453 855	102-8
453 856v	15-79
453 906v	15-57
453 966v	2-8a
454 053	23-18
454 053	28-22
454 161	87-18
454 161	87-28
454 245v	94-1
454 312v	60-27
454 399v	66-13
454 400v	66-13
454 656	92-6
454 656	94-8
454 656v	96A-2
454 657v	96A-1
454 668v	85-2
454 669v	85-2
454 670v	85-2
454 678v	85-2
454 681v	94B-10
454 706v	91-14
454 706v	91A-16
454 706v	96A-3
454 706v	98-6
454 706v	99-4
454 708v	85-2

Part Number	Figure and Index No.
454 709v	78-19
454 709v	86-6
454 719v	85-2
454 743v	78-19
454 806	62-19
454 806	96A-16
454 818	49-59
454 837v	46-7
454 837v	46-27
454 837v	46-29
454 837v	91A-32
454 864	49-72
454 868	48-47
454 887v	77-19
454 905	63-3
454 905	65-3
454 921	103-7
454 927	52-21
454 927	53-20
454 927	62-20
454 928	47-39
454 930	52-20
454 935	48-49
454 944	77-44
454 977	48-48
454 983	60-49
454 983	64-22
454 983	87-10
454 983	87-27
454 993v	48-44
454 994	76-45
455 004v	77-23
455 007v	77-22
455 013v	77-23
455 013v	77-24
455 124	23-16
455 124	28-25
455 173	47-34
455 173	50-19
455 173	96-15
455 344v	61-24
455 344v	61-25
455 356v	60-25
455 357v	60-24
455 358v	60-23
455 359v	61-23
455 405v	91A-26
455 417v	96A-15
455 687v	37A-1
455 688v	37A-1
455 689v	37A-2
455 690v	37A-2
455 691v	37A-3
455 692v	37A-3
455 693v	37A-4
455 694v	37A-4
455 695v	37A-5
455 696v	37A-5

PIPER PARTS CATALOG

Part Number	Figure and Index No.
455 697v	37A-6
455 698v	37A-6
455 699v	37A-1
455 700v	37A-1
455 701v	37A-2
455 702v	37A-2
455 703v	37A-3
455 704v	37A-3
455 705v	37A-4
455 706v	37A-4
455 707v	37A-5
455 708v	37A-5
455 709v	37A-6
455 710v	37A-6
455 716v	37A-1
455 717v	37A-2
455 718v	37A-3
455 719v	37A-4
455 720v	37A-5
455 721v	37A-6
455 722v	37A-1
455 723v	37A-2
455 724v	37A-3
455 725v	37A-4
455 726v	37A-5
455 727v	37A-6
455 938v	33-3
455 944v	34-24
455 944v	35-16
455 968v	34-24
455 968v	35-1
456 615v	80-14
456 682v	66-28
456 682v	104-77
456 703v	85-56
456 703v	102-13
456 728	88-6
458 840v	96A-21
458 847	50-17
458 848	64-15
458 849	62-10
458 876	62-8
458 879v	47-42
458 880	33-32
458 886	48-32
458 891	34-22
458 893	47-9
458 893	47-22
458 893	95-58
458 894	28-42
458 894	33-33
458 894	34-21
458 898	48-31
458 904v	34-20
458 904v	91A-25
458 905	63-66
458 905	65-25
458 910	33-34

Part Number	Figure and Index No.
458 914	49-46
458 914	63-46
458 914	65-47
458 937v	64-19
458 938	50-22
458 940	65-22
458 948	46-16
458 958	46-18
459 441v	15-72
459 849v	45-34
460 602v	85-20
460 602v	102-12
460 632	48-15
460 685	60-36
460 691	28-6
460 807v	46-20
460 836v	46-22
460 866v	91A-5
460 888	46-24
461 061	63-25
461 061	65-24
461 136	68-45
461 386v	39-5
461 386v	39-8
461 386v	39-17
461 386v	80-20
461 386v	80-23
461 386v	80-26
461 386v	82-43
461 391v	39-5
461 391v	39-8
461 391v	39-17
461 391v	80-20
461 391v	80-23
461 391v	80-26
461 391v	82-43
461 629v	74-55
461 629v	83-28
461 629v	84-22
461 629v	85-39
461 629v	86-9
461 629v	86-13
461 629v	87-35
461 629v	87-38
461 629v	103-16
461 629v	103-18
461 648v	87-38
461 657v	87-33
462 012	83-5
462 012	84-5
462 023	46-5
462 024	23-15
462 024	28-23
462 030v	50-20
462 031	49-48
462 036v	28-27
462 090v	49-36
462 112v	48-84

Part Number	Figure and Index No.
462 112v	49-83
462 134v	49-83
462 135v	49-83
463 380v	33-21
463 390v	101-6
463 456v	55-10
463 615v	85-43
464 142v	15-32
464 327	101-20
464 407v	101-20
464 412v	14-53
464 412v	15-73
465 258v	74-54
465 258v	86-12
467 064	101-5
467 067v	83-25a
467 067v	84-42a
468 002	101-16
468 006	101-17
469 600v	101-28
470 516v	48-13
470 516v	49-25
470 524v	49-25
470 637v	42-13
470 644v	48-13
470 644v	49-25
470 925v	42-13
470 959v	44-31
471 084v	41-12
472 017	31-13
472 017	54-5
472 017	55-5
472 036	83-13
472 036	84-13
472 054	85-26
472 054	86-11
472 054	98-4
472 054	98-12
472 056v	85-19
472 056v	102-11
472 077v	16-4
472 081v	85-37
472 151v	85-54
472 649v	45-30
472 661	83-37
472 661	84-15
472 736	83-19
472 736	84-19
472 844v	86-10
472 895v	89-4
472 896v	89-4
472 987v	89-4
472 988v	89-4
473 187v	39-4
473 187v	39-7
473 187v	39-16
473 187v	80-19
473 187v	80-22

Part Number	Figure and Index No.
473 187v	80-25
473 187v	82-42
473 195v	39-4
473 195v	39-7
473 195v	39-16
473 195v	80-19
473 195v	80-22
473 195v	80-25
473 195v	82-42
474 107v	16-2
474 124v	82-18
474 642v	101-29
474 652v	101-21
474 659v	101-23
475 115	48-13
475 131v	48-13
475 210v	78-5
475 210v	80-4
476 643	50-10
476 643	64-12
476 643	91A-27
476 647	948-11
476 647	100-8
476 648	50-25
476 648	86-18
476 664	48-74
476 686v	50-23
477 611v	92-24
477 618	33-40
477 619	62-14
477 621	49-47
477 621	63-50
477 621	65-49
477 627	62-15
477 628	62-13
477 628	64-27
477 628	64-28
477 629	48-51
477 629	50-16
477 629	50-18
477 640v	15-27
477 640v	19-27
477 640v	19-36
477 646v	96-12
477 661v	95-47
477 668v	48-37
477 672v	19-26
477 672v	19-33
477 672v	21-16
477 672v	52-24
477 673v	52-25
477 691	62-16
477 691	64-26
477 696v	18-8
477 696v	36-67
477 708v	41-48
477 708v	43-9

PIPER PARTS CATALOG

Part Number	Figure and Index No.
477 778v	37-16
477 860v	63-43
477 860v	65-21
477 861v	2-25
477 887v	48-43
477 887v	49-67
480 694	15-13
480 696	68-16
480 698	68-18
480 701	40-21
480 701	40-35
480 701	40-39
480 701	40-48
480 701	41-35
480 730v	74-31
480 730v	74-33
480 730v	74-35
480 732	40-22
480 732	41-34
480 777v	41-43
480 789v	41-44
480 800v	14-30
480 801v	41-42
481 625v	69-22
481 640v	70-24
481 640v	92-30
481 640	94B-15
481 640v	95-55
481 640v	96-16
481 651	74-18
481 708v	63-22
481 772	7-18
481 807v	65-19
484 078v	63-20
484 140v	49-45
484 198	31-14
484 198	31-18
484 209v	85-42
484 209v	86-2
484 229v	92-18
484 234v	102-10
484 305v	54-21
484 310v	55-15
484 373	88-10
484 375v	101-4
484 461v	102-14
484 467v	86-14
484 483v	54-17
484 498v	85-16
484 524v	92-19
484 677v	49-50
484 691v	36-80
484 698	30-4
484 701	33-8
484 705	23-19
484 706	33-13
484 720	23-20
484 727v	33-9

Part Number	Figure and Index No.
484 747v	70-47
484 755v	55-11
484 769v	28-10
484 770v	23-13
484 788v	35-23
484 792v	8-35
484 796v	23-14
484 800v	23-12
484 830v	15-56
484 840v	54-20
484 845v	86-19
485 129v	15-25
486 126v	79-18
486 145v	14-36
486 160v	15-70
486 188v	28-9
486 286v	18-53
486 286v	18-54
486 286v	18-55
486 416v	92-17
486 457v	79-35
486 466v	66-10
486 467v	66-10
486 468v	66-19
486 469v	66-19
486 545v	60-27
486 896v	92-24
486 896v	95-50
486 976v	63-43
486 976v	65-21
487 560	36-68
487 560	76-26
487 560	77-50
487 584	82-48
487 608	94A-7
487 674v	7-38
487 674v	16-10
487 674v	17-34
487 687	55-12
487 707	54-24
487 722	94A-6
487 901v	93-7
487 904	74-52
487 904v	85-28
487 922v	83-39
487 922v	84-43
487 925	83-10
487 925	84-7
487 925	86-3
488 310	47-33
488 310	92-26
488 310	95-51
488 310	96-14
488 315	47-23
488 315	47-24
488 315	96-13
488 327	60-37
488 327	61-29

Part Number	Figure and Index No.
488 380	47-25
488 380	92-27
488 474	50-24
488 474	86-17
488 499v	34-23
488 545v	83-9
488 545v	84-9
488 722v	47-2
489 400v	85-15
489 873	70-59
489 910	67-25
489 910	68-46
489 910	69-20
489 910	71-3
489 910	74-45
491 049	96A-14
491 050	33-31
491 050	34-19
491 050	86-22
491 053	63-44
491 053	65-44
491 055	48-34
491 055	50-21
491 059	47-10
491 059	47-24
491 059	47-25
491 060	33-35
491 064	62-11
491 071v	64-31
491 112v	47-38
491 806v	66-5
492 065	46-6
492 100	47-8
492 241v	47-32
492 241v	50-14
494 001	18-48
494 004	63-58
494 004	65-58
494 025	23-27
494 037	31-24
494 040v	40-25
494 040v	41-41
494 060	54-3
494 060	54-25
494 060	82-48
494 066	70-35
494 087	55-30
494 087	55-31
494 087	88-12
494 093v	74-31
494 093v	74-33
494 093v	74-35
494 101	19-26
494 101	19-27
494 101	19-33
494 101	31-25
494 101	31-29
494 101	44-35

Part Number	Figure and Index No.
494 141v	15-70
494 159v	92-2
494 177v	35-26
494 191v	66-21
494 227v	48-8
494 228v	2-35
494 228v	2-40
494 678v	101-26
506 902v	101-27
510 058v	19-26
510 058v	19-33
515 710	36-72
515 714v	33-64
519 853v	14-49
519 853v	14-53
519 853v	15-34
519 853v	15-49
519 900v	44-6
524 145v	60-54
524 145v	61-45
544 827v	77-55
548 039	45-4
548 040v	45-4
548 190v	45-5
548 262v	83-16
548 262v	84-16
548 330v	45-4
548 331	45-4
548 343v	45-23
548 407v	45-4
548 517v	45-5
548 561v	74-53
548 679v	45-1
550 483v	45-5
550 487v	83-4
550 487v	84-4
550 549v	84-40
550 559	95-15
550 778	94-15
550 778	95-14
550 780	94-5
550 887v	45-3
550 937v	48-11
550 937v	56-1
550 983v	49-2
550 983v	57-1
550 993v	48-11
550 993v	58-1
550 994v	49-2
550 994v	59-1
551 114	94-10
551 114	95-16
551 376v	42-8
551 390v	40-73
551 391v	40-73
551 391v	44-19
551 392v	40-73
551 424v	40-61

PIPER PARTS CATALOG

Part Number	Figure and Index No
551 426v	40-61
551 706v	28-34
551 706v	30-1
551 725v	28-34
551 725v	30-1
551 765v	28-35
551 765v	29-1
551 770v	28-35
551 770v	29-1
551 772v	22-5
551 772v	25-1
551 779v	22-5
551 779v	27-1
551 785v	22-5
551 785v	26-1
551 792v	22-5
551 792v	24-1
551 846v	63-43
551 846v	64-17
551 846v	65-20
551 846v	65-21
551 948	49-23
551 957v	44-3
551 958v	44-3
551 959v	44-3
551 983v	48-33
551 983v	79-2
551 983v	90-1
551 984	48-33
551 984	90-1
551 986v	60-63
552 516v	44-3
552 517v	44-3
552 518v	44-3
553 230v	79-10
553 266v	19-32
553 681v	53-23
553 683v	53-19
553 778v	74-38
553 874	61-22
554 050v	76-37
554 050v	77-13
554 051v	60-26
554 361v	78-28
554 375v	77-12
554 422v	41-10
554 575v	96A-19
554 598v	96A-20
554 620v	77-24
554 640	78-24
554 659	63-67
554 659	65-23
554 678	79-38
554 686v	101-33
554 701	48-45
554 701	49-52
554 714v	81-15
554 757	60-35

Part Number	Figure and Index No.
554 761v	79-3
554 772v	77-43
554 776v	86-24
554 793v	46-29
554 797	63-51
554 797	65-51
554 827v	76-46
554 839v	49-43
554 839v	76-54
554 861	33-55
554 861	46-30
554 861	47-28
554 861	78-30
554 861	80-16
554 861	92-22
554 861v	948-12
554 861	95-4
554 861	96A-18
554 861	100-9
554 865	64-21
554 881v	48-46
554 883v	48-40
554 885	77-27
554 888	46-28
554 888	64-33
554 888	79-38
554 888v	91A-31
554 888v	96A-17
554 888	103-3
554 892	103-8
554 896v	76-14
554 896v	76-15
554 896v	77-45
554 925	49-70
554 925	77-42
554 926	76-58
554 926	80-11
554 946v	91A-30
554 953v	47-27
554 979	67-26
554 979	68-47
554 979	69-21
554 979	70-3
554 979	71-18
554 979	74-46
554 985v	46-27
554 998	33-23
555 412v	79-1
555 422v	101-9
555 457v	81-2
555 501v	101-9
555 846v	46-8
555 846v	48-38
555 884v	41-7
555 885v	41-7
555 888v	41-7
555 889v	41-7

Part Number	Figure and Index No.
556 105v	47-5
556 107v	49-33
556 108v	49-35
556 469v	41-7
556 470v	41-7
556 471v	41-7
556 472v	41-7
556 473v	41-7
556 474v	41-7
556 677v	41-7
556 678v	41-7
556 705v	41-7
556 921v	41-7
556 932v	41-7
556 933v	41-7
557 033v	41-7
557 034v	41-7
557 035v	41-7
558 698v	64-15
558 774v	62-10
558 898	49-49
558 900	46-19
558 912	46-21
558 913	96A-13
559 700v	41-7
559 707v	41-7
559 714v	41-7
559 721v	41-7
559 728v	41-7
559 735v	41-7
559 748v	41-7
559 757v	44-3
559 758v	14-5
559 758v	15-62
559 758v	36-27
559 758v	44-7
559 760v	41-7
559 769v	44-3
559 770v	14-5
559 770v	15-62
559 770v	36-27
559 770v	44-7
559 772v	41-7
559 781v	44-3
559 782v	14-5
559 782v	15-62
559 782v	36-27
559 782v	44-7
559 784v	41-7
559 792v	44-3
559 793v	14-5
559 793v	15-62
559 793v	36-27
559 793v	44-7
559 795v	41-7
559 804v	44-3
559 805v	14-5
559 805v	15-62

Part Number	Figure and Index No.
559 805v	36-27
559 805v	44-7
559 827v	41-7
559 828v	41-7
559 829v	41-7
560 763	63-21
560 763	65-63
560 774v	46-19
560 774v	91A-29
560 775v	91A-21
560 810v	46-18
560 835	46-22
560 835v	96A-12
560 947v	49-21
561 012v	79-32
561 012v	79-37
561 013v	79-36
565 251v	55-24
565 367	99-11
565 516v	85-18
565 523v	101-30
565 576v	79-23
565 578v	79-24
571 136v	39-15
571 162v	85-33
571 162v	86-15
572 514v	82-40
572 524v	39-14
572 557v	89-4
572 558v	89-4
572 560v	89-4
572 561v	89-4
572 582v	39-13
579 002v	17-25
579 003v	17-25
579 004v	17-25
579 005v	17-25
579 006v	17-25
579 007v	17-25
579 008v	17-25
579 009v	36-6
579 010v	36-6
579 011v	36-6
579 012v	36-6
579 013v	36-6
579 014v	36-6
579 015v	36-6
579 016v	15-74
579 017v	15-74
579 018v	15-74
579 019v	15-74
579 020v	15-74
579 021v	15-74
579 022v	15-74
579 023v	36-8
579 024v	36-8
579 025v	36-8

PIPER PARTS CATALOG

Part Number	Figure and Index No.
579 026v	36-8
579 027v	36-8
579 028v	36-8
579 029v	36-8
579 030v	36-9
579 031v	36-9
579 032v	36-9
579 033v	36-9
579 034v	36-9
579 035v	36-9
579 036v	36-9
579 037v	14-7
579 038v	14-7
579 039v	14-7
579 040v	14-7
579 041v	14-7
579 042v	14-7
579 043v	14-7
579 053v	17-25
579 054v	17-25
579 055v	17-25
579 056v	36-5
579 057v	36-5
579 058v	36-5
579 059v	36-6
579 060v	36-6
579 061v	36-6
579 062v	15-74
579 063v	15-74
579 064v	15-74
579 065v	36-7
579 066v	36-7
579 067v	36-7
579 071v	36-8
579 072v	36-8
579 073v	36-8
579 074v	36-9
579 075v	36-9
579 076v	36-9
579 077v	14-7
579 078v	14-7
579 079v	14-7
579 113v	14-5
579 113v	15-62
579 113v	36-27
579 113v	44-7
579 114v	14-5
579 114v	15-62
579 114v	36-27
579 114v	44-7
579 115v	14-5
579 115v	15-62
579 115v	36-27
579 115v	44-7
579 116v	44-3
579 117v	44-3
579 118v	44-3
579 142v	36-5

Part Number	Figure and Index No.
579 143v	36-5
579 144v	36-5
579 145v	36-5
579 146v	36-5
579 147v	36-5
579 148v	36-5
579 149v	36-7
579 150v	36-7
579 151v	36-7
579 152v	36-7
579 153v	36-7
579 154v	36-7
579 155v	36-7
579 226v	14-5
579 226v	15-62
579 226v	36-27
579 226v	44-7
579 227v	14-5
579 227v	15-62
579 227v	36-27
579 227v	44-7
579 228v	14-5
579 228v	15-62
579 228v	36-27
579 228v	44-7
579 229v	17-25
579 230v	17-25
579 231v	17-25
579 235v	36-6
579 236v	36-6
579 237v	36-6
579 238v	15-74
579 239v	15-74
579 240v	15-74
579 250v	36-8
579 251v	36-8
579 252v	36-8
579 253v	36-9
579 254v	36-9
579 255v	36-9
579 258v	14-7
579 259v	14-7
579 260v	14-7
579 305v	36-1
579 306v	17-25
579 309v	36-6
579 310v	15-74
579 311v	36-7
579 313v	36-8
579 314v	36-9
579 315v	14-7
579 318v	17-25
579 319v	17-25
579 324v	36-6
579 325v	36-6
579 326v	15-74
579 327v	15-74
579 328v	36-7

Part Number	Figure and Index No.
579 329v	36-7
579 332v	36-8
579 333v	36-8
579 334v	36-9
579 335v	36-9
579 336v	14-7
579 337v	14-7
579 400v	17-25
579 403v	36-6
579 404v	15-74
579 407v	36-8
579 408v	36-9
579 409v	14-7
579 420v	44-3
579 472v	14-5
579 472v	15-62
579 472v	36-27
579 472v	44-7
579 473v	14-5
579 473v	15-62
579 473v	36-27
579 473v	44-7
579 474v	14-5
579 474v	15-62
579 474v	36-27
579 474v	44-7
580 731v	14-5
580 731v	15-62
580 731v	36-27
580 731v	44-7
580 760v	36-1
580 842v	36-5
580 843v	36-5
580 844v	36-5
581 126v	92-3
581 312v	91A-28
581 330v	75-7
581 332v	75-8
581 489v	15-71
581 928v	17-42
581 928v	18-52
582 172v	48-83
582 172v	49-81
583 470v	91-13
584 140v	31-14
584 140v	31-18
584 256v	79-36
584 257v	79-37
584 258v	79-32
584 279v	85-51
584 291v	85-55
585 015	101-22
585 056v	73-13
585 060v	48-69
587 221v	15-33
587 299v	40-8
587 299v	41-27
587 381v	14-25

Part Number	Figure and Index No.
587 398v	14-20
587 404v	41-11
587 504v	73-12
587 593	31-18
587 594	31-14
587 807v	102-2
587 808v	102-3
587 808v	102-4
587 808v	102-5
587 809v	102-6
587 862v	74-7
587 903v	86-4
587 923v	85-40
587 923v	92-12
587 923v	94B-1
587 923v	95-37a
587 923v	96-22
587 923v	98-5
587 923v	99-3
587 961v	48-68
587 961v	50-8
587 990v	48-64
587 990v	50-9
587 990v	91A-24
588 011v	97-10
588 073v	86-20
588 085v	96-2
588 109v	78-25
588 356v	102-9
588 464v	85-30
588 469v	48-65
588 469v	50-15
589 688v	80-10
591 501v	38-4
591 503v	38-3
591 509v	38-1
591 511v	38-1
591 513v	38-2
591 515v	38-2
591 517v	38-5
591 519v	38-15
591 523v	38-12
591 525v	38-12
591 529v	38-13
591 531v	38-7
591 533v	38-7
591 539v	38-25
591 541v	38-24
591 553v	38-8
591 555v	38-8
591 557v	38-10
591 559v	38-10
591 563v	38-9
591 565v	38-11
591 567v	38-11
591 569v	38-6
591 620v	38-4
591 621v	38-4

PIPER PARTS CATALOG

Part Number	Figure and Index No.
591 622v	38-4
591 623v	38-4
591 624v	38-3
591 625v	38-3
591 626v	38-3
591 627v	38-3
591 628v	38-1
591 629v	38-1
591 630v	38-1
591 631v	38-1
591 632v	38-1
591 633v	38-1
591 634v	38-1
591 635v	38-1
591 636v	38-2
591 637v	38-2
591 638v	38-2
591 639v	38-2
591 640v	38-2
591 641v	38-2
591 642v	38-2
591 643v	38-2
591 644v	38-5
591 645v	38-5
591 646v	38-5
591 647v	38-5
591 648v	38-15
591 649v	38-15
591 650v	38-15
591 651v	38-15
591 656v	38-12
591 657v	38-12
591 658v	38-12
591 659v	38-12
591 660v	38-12
591 661v	38-12
591 662v	38-12
591 663v	38-12
591 668v	38-13
591 669v	38-13
591 670v	38-13
591 671v	38-13
591 672v	38-7
591 673v	38-7
591 674v	38-7
591 675v	38-7
591 676v	38-7
591 677v	38-7
591 678v	38-7
591 679v	38-7
591 688v	38-25
591 689v	38-25
591 690v	38-25
591 691v	38-25
591 692v	38-24
591 693v	38-24
591 694v	38-24
591 695v	38-24

Part Number	Figure and Index No.
591 716v	38-8
591 717v	38-8
591 718v	38-8
591 719v	38-8
591 720v	38-8
591 721v	38-8
591 722v	38-8
591 723v	38-8
591 724v	38-10
591 725v	38-10
591 726v	38-10
591 727v	38-10
591 728v	38-10
591 729v	38-10
591 730v	38-10
591 731v	38-10
591 744v	38-9
591 745v	38-9
591 746v	38-9
591 747v	38-9
591 748v	38-6
591 749v	38-6
591 750v	38-6
591 751v	38-6
591 768v	38-11
591 769v	38-11
591 770v	38-11
591 771v	38-11
591 772v	38-11
591 773v	38-11
591 774v	38-11
591 775v	38-11
591 806v	38-4
591 807v	38-3
591 808v	38-1
591 809v	38-1
591 810v	38-2
591 811v	38-2
591 812v	38-5
591 813v	38-15
591 815v	38-12
591 816v	38-12
591 818v	38-13
591 819v	38-7
591 820v	38-7
591 822v	38-25
591 824v	38-24
591 831v	38-8
591 832v	38-8
591 833v	38-10
591 834v	38-10
591 838v	38-9
591 839v	38-11
591 840v	38-11
591 841v	38-6
591 859v	38-4
591 860v	38-4
591 861v	38-3

Part Number	Figure and Index No.
591 862v	38-3
591 863v	38-1
591 864v	38-1
591 865v	38-1
591 866v	38-1
591 867v	38-2
591 868v	38-2
591 869v	38-2
591 870v	38-2
591 871v	38-5
591 872v	38-5
591 873v	38-15
591 874v	38-15
591 877v	38-12
591 878v	38-12
591 879v	38-12
591 880v	38-12
591 885v	38-7
591 886v	38-7
591 887v	38-7
591 888v	38-7
591 895v	38-25
591 896v	38-25
591 897v	38-24
591 898v	38-24
591 911v	38-8
591 912v	38-8
591 913v	38-8
591 914v	38-8
591 915v	38-10
591 916v	38-10
591 917v	38-10
591 918v	38-10
591 925v	38-9
591 926v	38-9
591 927v	38-11
591 928v	38-11
591 929v	38-11
591 930v	38-11
591 931v	38-6
591 932v	38-6
591 943v	38-4
591 944v	38-3
591 945v	38-1
591 946v	38-1
591 947v	38-2
591 948v	38-2
591 949v	38-5
591 950v	38-15
591 952v	38-12
591 953v	38-12
591 955v	38-13
591 956v	38-7
591 957v	38-7
591 960v	38-25
591 961v	38-24
591 968v	38-8
591 969v	38-8

Part Number	Figure and Index No.
591 970v	38-10
591 971v	38-10
591 975v	38-9
591 976v	38-11
591 977v	38-11
591 978v	38-6
591 996v	38-4
591 997v	38-4
591 998v	38-3
591 999v	38-3
592 000v	38-1
592 001v	38-1
592 002v	38-1
592 003v	38-1
592 004v	38-2
592 005v	38-2
592 006v	38-2
592 007v	38-2
592 008v	38-5
592 009v	38-5
592 010v	38-15
592 011v	38-15
592 014v	38-12
592 015v	38-12
592 016v	38-12
592 017v	38-12
592 020v	38-13
592 021v	38-13
592 022v	38-7
592 023v	38-7
592 024v	38-7
592 025v	38-7
592 030v	38-25
592 031v	38-25
592 032v	38-24
592 033v	38-24
592 046v	38-8
592 047v	38-8
592 048v	38-8
592 049v	38-8
592 050v	38-10
592 051v	38-10
592 052v	38-10
592 053v	38-10
592 060v	38-9
592 061v	38-9
592 062v	38-11
592 063v	38-11
592 064v	38-11
592 065v	38-11
592 066v	38-6
592 067v	38-6
592 078v	38-4
592 079v	38-3
592 080v	38-1
592 081v	38-1
592 082v	38-2
592 083v	38-2

PIPER PARTS CATALOG

Part Number	Figure and Index No.
592 084v	38-5
592 085v	38-15
592 086v	38-12
592 087v	38-12
592 089v	38-13
592 090v	38-7
592 091v	38-7
592 094v	38-25
592 095v	38-24
592 102v	38-8
592 103v	38-8
592 104v	38-10
592 105v	38-10
592 109v	38-9
592 110v	38-11
592 111v	38-11
592 112v	38-6
594 003v	31-14
594 003v	31-18
596 118v	101-13
596 184v	73-16
596 235v	95-24
596 236v	95-20
596 244v	95-40
596 332v	101-15
596 605v	100-1
596 664v	101-15
596 664v	101-35
596 755	95-14
597 257	97-3
597 426v	100-1
597 461v	97-1
597 581v	73-15
597 893v	101-34
598 323v	103-14
598 422v	103-11
654 047v	63-49
654 047v	65-50
654 049v	63-48
654 050v	63-47
654 086v	47-6
654 117v	82-54
654 119v	82-57
654 153v	49-28
680 000v	14-5
680 000v	15-62
680 000v	36-27
680 000v	44-7
680 001v	14-5
680 001v	15-62
680 001v	36-27
680 001v	44-7
380 002v	14-5
380 002v	15-62
680 002v	36-27
680 002v	44-7
680 003v	14-5

Part Number	Figure and Index No.
680 003v	15-62
680 003v	36-27
680 003v	44-7
680 004v	44-3
680 005v	44-3
680 006v	44-3
680 007v	44-3
680 008v	17-25
680 009v	17-25
680 010v	17-25
680 011v	17-25
680 012v	36-5
680 013v	36-5
680 014v	36-5
680 015v	36-5
680 016v	36-6
680 017v	36-6
680 018v	36-6
680 019v	36-6
680 020v	15-74
680 021v	15-74
680 022v	15-74
680 023v	15-74
680 028v	36-7
680 029v	36-7
680 030v	36-7
680 031v	36-7
680 032v	36-8
680 033v	36-8
680 034v	36-8
680 035v	36-8
680 036v	36-9
680 037v	36-9
680 038v	36-9
680 039v	36-9
680 043v	14-7
680 044v	14-7
680 045v	14-7
680 046v	14-7
680 108v	17-25
680 109v	36-5
680 110v	36-6
680 111v	15-74
680 113v	36-7
680 114v	36-8
680 115v	36-9
680 116v	14-7
680 131v	14-5
680 131v	15-62
680 131v	36-27
680 131v	44-7
680 132v	44-3
688 139v	85-53
688 153v	94A-1
688 164v	94-16
688 178	85-6
688 235v	86-5

Part Number	Figure and Index No.
750 063	24-10
751 201	89-9
751 202	89-9
751 203	83-21
751 203	84-21
751 300	95-18
751 300	96-18
751 314v	95-10
751 314v	96-10
751 347v	95-11
751 347v	96-11
751 381	89-10
751 489	29-7
751 494	29-3
751 494	29-6
751 772	29-9
751 810	29-12
751 819	26-7
751 859	46-4
751 889v	33-7
751 896	82-6
751 897v	93-12
751 906v	95-43
751 912v	45-21
751 987	94-9
752 015	57-2
752 342v	30-7
752 342v	30-11
752 355	82-7
752 511	56-6
752 511	57-39
752 511	58-6
752 511	59-8
752 513	56-26
752 513	57-26
752 513	58-25
752 513	59-25
752 530	56-12
752 530	59-11
752 533	57-12
752 534	56-7
752 534	57-34
752 534	58-33
752 534	59-33
752 544	58-11
752 565	58-4
752 565	59-4
752 571v	25-10
752 571v	27-13
752 584v	35-22
752 585v	35-24
752 609v	82-12
752 610v	82-11
752 826	30-8
752 826	30-12
752 830	26-8
752 830	29-10

Part Number	Figure and Index No.
752 855	33-16
752 965	30-19
752 966	30-18
753 074	82-21
753 085v	81-12
753 172	33-10
753 381	33-14
753 407	30-14
753 430v	30-17
753 431	83-20
753 431	84-20
753 433	82-8
753 437	82-10
753 448	26-6
753 461	56-3
753 461	57-3
753 461	58-3
753 461	59-3
753 462	57-4
753 462	58-4
753 462	59-4
753 463	56-15
753 463	57-15
753 463	58-14
753 463	59-14
753 473	29-15
753 850	30-20
753 910	46-3
753 923v	29-17
753 936v	30-2
753 938	82-24
753 939	82-20
753 944	82-14
753 947	82-5
753 956v	33-4
753 980v	93-4
753 980v	94-6
753 980v	95-19
754 575v	46-1
754 614	29-4
754 633v	48-70
754 643v	29-4
754 653v	49-4
754 761	82-16
754 762	82-17
754 798v	82-13
754 804v	24-8
754 808	58-18
754 808	59-18
754 816v	63-15
754 816v	65-15
754 826	56-19
754 826	57-19
754 827v	90-5
754 848v	35-25
754 855v	27-10
754 856v	25-6
755 042	89-20

PIPER PARTS CATALOG

Part Number	Figure and Index No.
755 048v	24-4
755 049v	66-11
755 049v	66-20
755 061v	45-21
755 075	89-7
755 076	89-8
755 082v	35-6
755 096v	89-14
755 122v	82-19
755 200	89-21
755 222	56-2
755 232v	90-9
755 271v	90-2
755 299v	58-2
755 313v	59-2
755 427	45-6
755 432v	93-1
755 762	89-18
755 800	56-9
755 800	57-9
755 800	58-8
755 800	59-8
755 882v	33-19
755 885v	30-9
755 886v	30-10
755 887v	30-3
755 919	63-17
755 919	65-17
755 929	29-11
755 930	29-13
755 931	57-7
755 932	56-8
755 932	57-8
755 932	58-7
755 932	59-7
755 934	56-16
755 934	57-16
755 934	58-15
755 934	59-15
755 935	56-30
755 935	57-30
755 937	58-29
755 937	59-29
755 948v	33-5
755 949v	33-6
755 950v	33-20
755 964	26-12
755 968	56-14
755 968	57-14
755 968	58-13
755 968	59-13
755 972	56-21
755 972	58-20
755 972	57-21
755 972	59-20
755 993	56-18
755 993	58-17
755 994	56-28

Part Number	Figure and Index No.
755 994	57-28
755 995	56-24
755 995	57-24
755 995	58-23
755 995	59-23
755 999	29-8
756 007v	24-7
756 008v	24-9
756 016v	35-8
756 018v	35-7
756 027	57-18
756 027	59-17
756 037	89-15
756 060v	90-11
756 061v	90-13
756 117	33-15
756 118	33-17
756 118	35-5
756 295	56-11
756 301	82-15
756 504	82-9
756 505	82-4
756 507	82-3
756 607	56-22
756 607	57-22
756 607	58-21
756 607	59-21
756 616v	45-32
756 621v	35-9
756 622v	35-4
756 626	57-10
756 665v	29-5
756 666v	29-2
756 667v	24-2
756 668v	24-5
756 669	49-6
756 673v	95-56
756 685v	25-9
756 685v	27-12
756 686v	25-2
757 052	94-3
757 052	94-7
757 052	95-42
757 207v	30-5
757 208v	30-6
757 216v	33-11
757 217v	33-12
757 249	56-17
757 249	58-16
757 249	59-16
757 253	57-40
757 302	56-25
757 302	57-25
757 310v	45-31
757 318v	35-3
757 386v	90-4
757 387v	90-3
757 388v	90-14

Part Number	Figure and Index No.
757 389v	90-15
757 390v	90-16
757 391v	90-6
757 392v	90-6
757 456	95-9
757 458	58-24
757 458	59-24
757 479v	35-20
757 480v	35-17
757 483v	30-3
757 484v	30-9
757 485v	30-5
757 556	56-23
757 556	57-23
757 556	58-22
757 556	59-22
757 557	56-29
757 557	57-29
757 558	56-32
757 558	57-32
757 558	58-31
757 558	59-31
757 559	56-33
757 559	57-33
757 559	58-32
757 559	59-32
757 579	95-2
757 579	95-6
757 580v	35-10
757 583	57-11
757 583	59-10
757 593	57-37
757 593	58-4
757 593	59-4
757 718v	81-13
757 719v	90-19
757 720v	90-17
757 721v	90-17
757 742	58-10
757 828	56-31
757 828	57-31
757 831v	24-3
757 831v	24-6
757 863	93-13
757 863	94-7
757 863	95-42
757 899	46-25
757 913v	93-6
758 002v	94-13
758 023v	94-2
758 024	94-4
758 026	95-7
758 033	58-30
758 033	59-30
758 052v	95-26
758 078v	94-2
758 079v	95-29
758 093v	30-2

Part Number	Figure and Index No.
758 097v	44-4
758 111	56-4
758 181v	93-8
758 181v	95-13
758 188v	93-2
758 204	56-20
758 204	57-20
758 205	58-19
758 205	59-19
758 219v	56-13
758 224v	90-7
758 225v	90-10
758 280v	56-35
758 280v	57-35
758 282v	56-34
758 282v	57-36
758 348v	95-30
758 350v	95-52
758 351v	95-53
758 354v	95-54
758 355v	95-49
758 391v	25-4
758 392v	27-6
758 393v	25-8
758 394v	27-11
758 397v	22-6
758 402v	89-17
758 404v	95-31
758 405v	95-34
758 416v	95-39
758 417v	95-48
758 420v	57-13
758 452	97-2
758 453	97-5
758 456	26-9
758 457v	35-12
758 471v	90-8
758 493v	58-12
758 494v	59-12
758 495v	48-71
758 534v	63-18
758 534v	65-18
758 563v	49-5
760 297v	Misc.
760 899	95-8
761 048v	Misc.
761 052v	Misc.
761 156	89-5
761 161v	89-19
761 162	89-6
761 173v	95-41
761 189	89-18
761 190v	89-19
761 197v	30-7
761 197v	30-11
761 198v	98-3
761 222v	89-6
761 253v	89-6

PIPER PARTS CATALOG

Part Number	Figure and Index No
761 254v	89-6
761 255v	89-13
761 256v	89-11
761 279v	83-44
761 279v	84-48
761 301v	44-5
761 519v	81-11
761 652v	42-14
761 652v	44-32
761 653v	42-14
761 653v	44-32
761 654v	42-14
761 654v	44-32
761 655v	42-14
761 655v	44-32
761 743v	42-14
761 744v	82-18
761 903v	90-12
761 975	22-7
761 975	28-32
761 978	22-7
761 996	22-7
761 996	28-32
762 003	89-5
762 023v	82-23
762 024v	82-25
762 211	58-28
762 211	59-28
762 226v	74-8
762 245v	93-14
762 245v	95-1
762 251v	95-3
762 275v	35-21
762 276v	35-18
762 277v	35-19
762 357	97-6
762 387v	95-5
762 426v	89-12
762 503v	63-16
762 503v	65-16
762 504	58-27
762 504	59-27
762 508v	90-18
762 509v	90-18
762 531	35-27
762 558	27-8
762 559v	27-7
762 560v	25-5
762 561v	25-7
762 562v	27-9
762 565	57-6
762 581	89-15
762 584v	82-2
762 585v	35-14
762 586v	35-13
762 587v	35-15
762 616v	89-15
763 003v	14-4

Part Number	Figure and Index No.
763 003v	15-61
763 003v	44-10
763 003v	36-26
763 008v	95-12
763 019	97-4
763 215v	25-3
763 216v	27-3
763 216v	27-5
763 222v	95-21
763 223v	95-25
763 225v	95-23
763 226v	93-5
763 248v	95-22
763 270v	95-28
763 287v	26-3
763 287v	26-5
763 310v	82-22
763 312v	82-1
763 418v	95-45
763 418v	104-50
763 427v	45-31
763 428	57-17
763 450v	35-11
763 451v	35-2
763 469	89-1
763 476v	48-72
763 706v	45-32
763 712v	27-2
763 713v	27-4
763 718v	26-2
763 719v	26-4
763 728v	59-9
763 748v	66-21
763 751v	29-2
763 752v	29-5
763 848v	2-14
763 961v	Misc.
764 041v	Misc.
764 043v	Misc.
764 401v	92-11
764 401v	95-37
764 401v	96-21
764 409v	Misc.
764 501v	49-32

Part Number	Figure and Index No.
-------------	----------------------

Part Number	Figure and Index No.
-------------	----------------------

**2H22 THRU 2L24
INTENTIONALLY LEFT BLANK**