



**MOJAVE
PARTS CATALOG**

CARD 1 OF 3

PA-31P-350 MOJAVE

Courtesy of Bomar Flying Service
www.bomar.biz

PIPER AIRCRAFT CORPORATION

PIPER PARTS CATALOG

AEROFICHE EXPLANATION AND REVISION STATUS

The Parts Catalog information incorporated in this set of Aerofiche cards has been arranged in accordance with the general specifications of Aerofiche adopted by the General Aircraft Manufacturer's Association.

Conversion of Aerofiche alpha/numeric code numbers:

First number is the Aerofiche card identifier.

Letter is the horizontal line reference per card.

Second number is the vertical line reference per card.

Example: 2J16 = Aerofiche card number two of given set, Grid location J16.

To aid in locating the various sections and related information desired, the following is provided:

A complete Catalog Table of Contents is given at Grid 1A7 of Aerofiche card number 1 of this set. Each additional card in this set will have a Table of Contents for all sections on that particular card. This table will start at Grid A3.

REVISIONS

The information compiled in this Aerofiche Parts Catalog will be kept current by revisions distributed periodically. These revisions will supersede all previous revisions and will be complete Aerofiche card replacements and shall supersede Aerofiche cards of the same number in the set.

Current Revisions to this PA-31P-350 Parts Catalog issued April 11, 1983 are as follows:

761 776 (PR830912)..... Dated September 1983
761 776 (PR840312)..... Dated March 1984

NOTE: Refer to the last card of the Piper - Parts Price List - Aerofiche for a check list of current revision dates and card effectivities for this parts catalog.

INTRODUCTION

This illustrated Parts Catalog is designed to provide simple but positive identification of replacement parts for the Piper Model PA-31P-350, "Mojave" manufactured by the Piper Aircraft Corporation of Lock Haven, Pennsylvania.

NOTE: UNDER NO CIRCUMSTANCES SHALL THIS CATALOG BE USED FOR RIGGING AND INSTALLATION PURPOSES.

It is suggested that this catalog be thoroughly studied to determine its arrangement prior to its utilization.

1. The catalog is divided into fourteen (14) major sections described as follows:
 - a. Sections I to XIII inclusive contain all replacement parts for the complete airplane. Each section is subdivided and each division includes an illustration and a parts listing.
 - b. Section XIV is the Miscellaneous Group. This group includes an illustration and parts list for the Placards and Exterior Stencils and a listing of the Optional Equipment Kits, Repair Kits and Special Tools.
2. The following is a brief explanation of the columns in the parts lists. (Refer to EXAMPLE below).
 - a. The "FIGURE AND INDEX NUMBER" column indicates the illustration figure number and its parts index number. EXAMPLE (2-1), the 2 is the figure number and the 1 is the index number. The figure number appears only at the top of each parts list page.
 - b. The "PART NUMBER" column contains the identifying number of the replacement part and this number must be shown on all Parts Orders.
 - c. The "CODE" column is for the purpose of indicating special uses of the part. An explanation of the letter code used is shown on the grid (page) preceding each parts listing and pertains to that listing only.
 - d. The "NOMENCLATURE" column indicates the part name. This name must be shown on all Parts Orders.
 - e. The "NO. REQ." (Number Required) column represents the total quantity of parts used per aircraft per figure when the part is not indented and the quantity of parts used per assembly when the part is indented. The symbol "AR" listed in this column means "As Required".
 - f. The "SERIAL NUMBERS AFFECTED" column indicates the part application by airplane serial number.

EXAMPLE

Figure and Index Number	Part Number	Code	NOMENCLATURE	No. Req.	SERIAL NUMBERS AFFECTED
			1234567		
2-1	XXXXX-XX		DOOR ASSEMBLY - Baggage compartment	X	
.2	XXXXX-XX		* TUBE ASSEMBLY - Baggage door latch	X	
.3	XXXXX-XX		* * CLEVIS - Door latch tube assembly	X	
.4	XXXXX-XX		* * CLIP - Door latch tube assembly	X	

In the Nomenclature column, the next higher assembly relationship of items covered is shown by the degree of indentation of each item and is indicated by an asterisk (*). One asterisk signifies one indentation, two signifies two indentions, etc. The example listing above is interpreted as follows:

If the DOOR ASSEMBLY (not indented) is ordered, it will include the three items indented under the Door Assembly.

If the TUBE ASSEMBLY (indented one space) is ordered, it will include the two items indented under the Tube Assembly.

If you want only a CLEVIS or CLIP, you order only that item.

3. The "ATTACHING PARTS" such as nuts, bolts, screws, etc., that are available as commercial hardware items, are not generally supplied by the Piper Aircraft Corporation. This catalog lists for your convenience, those attaching parts required for main assemblies and installations. The identifying number for these parts appears after the part name.
4. All items of Optional Equipment are contained in the parts list in their proper sequences and sections. These items were not marked optional, since they are fully identified by their descriptions.

PIPER PARTS CATALOG

SPECIAL NOTE

Replacement parts for Optional Autopilot Installations, Optional Avionics and Electronics Installations (i.e. Radar, Radio Altimeter, Encoding Altimeter, Radio Telephone, etc.) are not being listed or illustrated in this catalog.

If replacement parts are required, refer to the Avionics Drawing Index List and the appropriate drawings supplied with each aircraft to determine part number of desired part.

HOW TO IDENTIFY A PART IF YOU KNOW WHAT IT LOOKS LIKE AND KNOW WHERE IT IS LOCATED

1. Refer to Figure 1 to determine the section number in which the part is used.
2. Refer to the Table of Contents and locate the section. Note the figure numbers that illustrate the various subgroups of this main section.
 - a. Select the Figure title you think might contain the part you wish to identify and turn to the (grid) page specified.
3. Find the part on the illustration and note the index number.

NOTE: If you don't find the part on this illustration, try another figure in this group.

4. Refer to the "Figure and Index Number" in the Parts Listing for complete description of the part.

HOW TO ORDER PARTS

In ordering parts for your Piper Airplanes, observe the following instructions which will aid in your getting the right parts required with delay.

- a. Place your order with the distributor or dealer for your territory, since parts are available only through our distributor organization.
- b. Always specify the model and serial number of your airplane.
- c. Always specify part number, name, type and quantity required.
- d. Specify the method of shipment - freight, express, parcel post, air express, air freight or air parcel post. Where the nature of the shipment requires it or when no instructions are given, we reserve the right to ship the most suitable way.

GENERAL INFORMATION

a. Shortages

All orders are checked and rechecked before leaving our Shipping Department. A packing slip is enclosed with the shipment and claims for errors or shortages must be made within three (3) days after receipt of orders.

b. Returned Goods

No material should be returned to us without first securing our written permission. Material sent in without notice will be held at the owner's risk for thirty (30) days and will then be disposed of as we see fit.

Transportation charges must be PREPAID on returned goods or the shipment will be refused.

c. Transportation Liabilities

The Piper Aircraft Corporation cannot be held liable for damages to parts in transit from the factory. If a shipment is received in a damaged condition, have the delivery man or Transportation Company make a notation of the damage and file your claim with the Carrier. In case of concealed damage, do not attempt to remove the part from the shipping container, or endeavor to repair the damage, but call the Carrier and have his Claim Agent inspect the damage before filing your claim with the Carrier.

PIPER PARTS CATALOG

PA-31P-350 SERIAL NUMBER INFORMATION

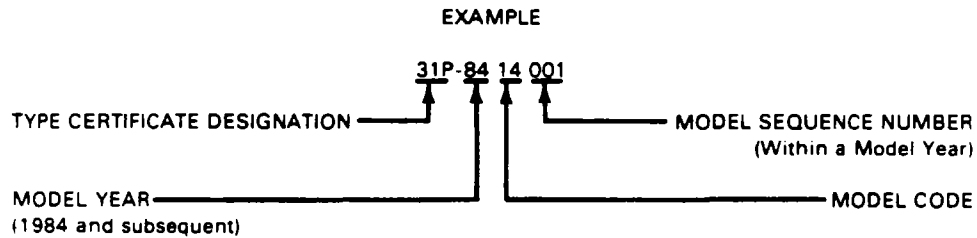
The following information should be kept in mind when ordering from this Catalog:

a. The serial numbers of the aircraft covered by this Parts Catalog are as follows:

- (1) Serial numbers of the 1983 PA-31P-350 Mojave Models are 31P-8414001 to 31P-8414025 incl.
- (2) Serial numbers of the 1984 Y.M.C. PA-31P-350 Mojave Models are 31P-8414026 and up.

SERIAL NUMBER EXPLANATION

The Serial Number on the Manufacturer's Identification Plate is based on a 4-number set system. The first number set defines the Type Certificate Designation, the second set is the Model Year, the third set is the Model Code, while the fourth set is the Model Sequence Number (within a model year).



PIPER PARTS CATALOG

STANDARD PAINT CHART

	MFG. NO.	PIPER PART NUMBER	
		QUART	GALLON
EXTERIOR			
POLYURETHANE ENAMEL (Titanine)			
Flat Black	6325	4170 900	1170 900
Juneau White	6373	4170 901	1170 901
Claret	6339	4176 011	1176 011
Silver	6341	4176 012	1176 012
Sage Green	6341	4176 012	1176 012
Firethorn	6347	4176 014	1176 014
Saffron	6358	4176 015	1176 015
Buckskin	6385	4176 016	1176 016
Dark Blue	6386	4176 017	1176 017
Hickory Brown	6387	4176 018	1176 018
Dakota Black	6306-N	4176 181	1176 181
Las Vegas Gold	6328-N	4177 000	1177 000
Lime Green	6326	4177 029	1177 029
Bahama Blue	6348-N	4177 260	1177 260
Madrid Red	6310-N	4177 386	1177 386
Baja Yellow	6327	4177 454	1177 454
Ocala Orange	6307-N	4177 575	1177 575
Dark Green	6844	4177 034	1177 034
Dark Saddle	6845	4176 186	1176 186
Light Blue	6847	4177 035	1177 035
Burnished Gold	6848	4177 261	1177 261
Catalyst	6352	4170 807	1170 807
Reducer	6350	4179 141	1179 141
POLYURETHANE PRIMER (Titanine)			
Primer	6351	4170 735	1170 735
Reducer	6350	4179 141	1179 141
Catalyst	6352	4170 807	1170 807
Epoxy Primer	8951	4170 729	1170 729
Epoxy Reducer	8905-A	4179 139	1179 139
Epoxy Converter	8678	4179 825	1179 825

TABLE OF CONTENTS

FIGURE NUMBER	FIGURE TITLE	GRID NUMBER
1	View of Complete Airplane	1A13
SECTION I WING GROUP		
2	Wing Installation	1A14
3	Wing Panel Inboard Parts Installation	1A20
4	Wing Panel Outboard Parts Installation	1B1
5	Wing Panel Leading Edge Assembly	1B5
6	Leading Edge Spar Assembly	1B9
7	Wing Panel Rear Spar Assembly	1B13
8	Aileron Assembly	1C1
9	Flap Assembly	1C5
SECTION II FUSELAGE GROUP		
10	Fuselage Assembly	1C9
11	Upper Forward Section Assembly	1C12
12	Upper Cabin Section Assembly	1C15
13	Lower Forward Section Assembly	1C19
14	Lower Forward Frame Assembly	1D1
15	Pressure Bulkhead Assembly	1D6
16	Lower Rear Section Assembly	1D9
17	Lower Center Frame Assembly	1D14
18	Lower Rear Frame Assembly	1D18
19	Aft Section (Sta. 243.38 to Sta. 352) (No Cargo Door Version)	1E1
19A	Aft Section (Sta. 243.38 to Sta. 352) (Cargo Door Version)	1E5
20	Aft Section (Sta. 317.75 to Sta. 352)	1E10
21	Structure Installation (Sta. -375 to Sta. 215)	1E13
22	Structure Installation (Sta. 215 to Sta. 244)	1E17
23	Inner Skin Installation	1E20
24	Floorboard Installation	1F1
25	Windshield Installation	1F6
26	External Windows Installation	1F9
27	Emergency Exit Window Installation	1F12
28	Nose Cone Installation	1F15
29	Cabin Entrance Door Installation	1F18
29A	Cabin Entrance Door Assembly	1F21
30	Cabin Door Latch Installation	1G1
31	Cabin Door Step Installation	1G5
32	Cabin Door Snubber Installation	1G8
32A	Cargo Door Installation	1G11
32B	Cargo Door Assembly	1G14
32C	Cargo Door Latch Installation	1G17
33	Cabin Door Inflation System Installation	1G20
34	Forward Baggage Door Installation	1H1

TABLE OF CONTENTS

FIGURE NUMBER	FIGURE TITLE	GRID NUMBER
SECTION III TAIL SURFACES GROUP		
35	Tail Surfaces Installation	1H4
36	Fin Assembly	1H8
37	Rudder Assembly	1H12
38	Stabilizer Assembly	1H16
39	Elevator Assembly	1H20
SECTION IV LANDING GEAR GROUP		
40	Main Landing Gear Installation	1I1
41	Main Gear Strut Assembly	1I7
42	Main Wheel Assembly	1I11
43	Main Wheel Brake Assembly (Standard)	1I14
44	Main Wheel Brake Assembly (Heavy Duty)	1I17
45	Nose Landing Gear Installation	1I20
46	Nose Gear Strut Assembly	1J1
47	Nose Wheel Assembly	1J5
48	Nose Gear Steering Installation	1J8
49	Brake System Installation	1J12
50	Dual Brake Installation	1J16
51	Master Cylinder and Parking Brake Valve	1J19
52	Landing Gear Selector Mechanism Installation	1J22
SECTION V CABIN EQUIPMENT GROUP		
52A	Cabin Furnishings Installation	2A6
53	Cabin Interior Finishing Installation	2A9
54	Interior Windows and Curtains Installation	2A13
55	Cabin Headliner Installation	2A16
56	Carpet Installation	2A19
57	Baggage Compartment Finishing Installation	2B1
58	Crew Seats Installation	2B5
59	Passenger Seats Installation - Forward Facing	2B11
60	Passenger Seats Installation - Aft Facing	2B16
61	7th Seat Installation	2B20
62	Toilet Seat Installation - Forward Facing (Floor Mounted)	2C1
62A	Toilet Seat Installation - Forward Facing (Step Mounted)	2C5
63	Toilet Seat Installation - Side Facing Non-Flush	2C9
64	Forward Cabin Divider and Storage Cabinet Installation	2C13
65	Folding Table Installation	2C16
66	Rear Divider Panel and Refreshment Cabinet Installation	2C19

TABLE OF CONTENTS

FIGURE NUMBER	FIGURE TITLE	GRID NUMBER
SECTION VI INSTRUMENTS GROUP		
67	Instrument Panel Installation	2D1
68	Dual Instrument Panel Installation	2D5
69	Miscellaneous Air and Fluid Lines Installation	2D8
70	Dual Instrument Air System Installation	2D12
71	Static Air System Installation	2D15
72	Pressure Driven Instrument Air Lines Installation	2D18
SECTION VII POWER PLANT GROUP		
73	Power Plant Installation	2D21
74	Engine Baffle Installation	2E1
75	Engine Cowl Installation	2E4
76	Cowl Flap Actuating Mechanism Installation	2E7
77	Oil Cooler and Breather System Installation	2E11
78	Nacelle Installation	2E14
79	Nacelle Locker Door Assembly and Installation	2E20
80	Engine Controls Installation	2F1
81	Propeller Assembly	2F5
82	Propeller Synchrophaser System Installation	2F9
SECTION VIII FUEL SYSTEM GROUP		
83	Fuel Control Panel Installation	2F12
84	Left Engine Fuel System Installation	2F15
85	Right Engine Fuel System Installation	2F20
86	Fuel System Components	2G1
87	Wing Fuel Pressure and Vent Lines Installation	2G4
88	Main Fuel Cell and Liner Installation	2G8
89	Nacelle and Auxiliary Fuel Cells and Liner Installation	2G11
SECTION IX CONTROL SYSTEM GROUP		
90	Pedestal Installation	2G14
91	Pedestal Control Assembly	2G19
92	Aileron Control Installation	2H1
93	Aileron Trim Installation	2H5
94	Rudder Control Installation	2H8
95	Rudder Trim Installation	2H12
96	Elevator Control Installation	2H15
97	Elevator Trim Installation	2H19
98	Flap Control Installation	2I1
99	Control Wheel Installation	2I4
100	Rudder Pedal Installation	2I9

TABLE OF CONTENTS

FIGURE NUMBER	FIGURE TITLE	GRID NUMBER
SECTION X HYDRAULIC SYSTEM GROUP		
101	Forward Hydraulic System Installation	2I13
102	Aft Hydraulic System Installation	2I17
103	Hydraulic Pumps Installation	2I21
104	Hydraulic System Components	2J1
105	Hydraulic Powerpak Assembly	2J5
106	Hydraulic Powerpak Components	2J9
SECTION XI ENVIRONMENTAL GROUP		
107	Heater and Evaporator Installation	2J12
108	Heater Assembly	2J16
109	Heater Combustion Air Blower and Motor Assembly	2J19
110	Heater Ignition Assembly	2J22
111	Cabin Pressure Control System Installation (Dukes Inc.)	2K1
112	Cabin Pressure Control System Installation (Garrett/Airesearch)	2K4
113	Air Distribution Duct Installation	2K7
114	Fuselage Pressurization Air Supply Installation	2K10
115	Wing Pressurization and Pneumatic Air Supply Installation	2K14
116	Oxygen System Installation	2K18
117	Freon Lines Installation	2K22
118	Windshield Defroster System Installation	2L1
119	Pneumatic Deicing System Installation	2L4
SECTION XII ELECTRICAL SYSTEM GROUP		
120	Primary and Auxiliary Power Installation	3A5
121	Forward Electrical System Installation	3A9
122	Instrument Panel Electrical Installation	3A13
123	Aft Electrical System Installation	3A16
124	Circuit Breakers System Installation	3A20
125	Overhead Switch Panel Installation	3B1
126	Landing Light and Ice Detection Light Installation	3B4
127	Navigation, Strobe and Recognition Lights Installation	3B7
128	Propeller Electric Deicer Installation	3B10
129	Electric Windshield Wiper Installation	3B13
SECTION XIII ELECTRONICS GROUP		
130	Piper Automatic Locator (ELT) Installation (Narco Avionics)	3B16
SECTION XIV MISCELLANEOUS GROUP		
131	Placards and Exterior Stencils	3B19
	Optional Equipment Kit and Repair Kits	3B23
	NUMERICAL INDEX	3C1

1A11

INTENTIONALLY LEFT BLANK

1A12

INTENTIONALLY LEFT BLANK

PIPER PARTS CATALOG

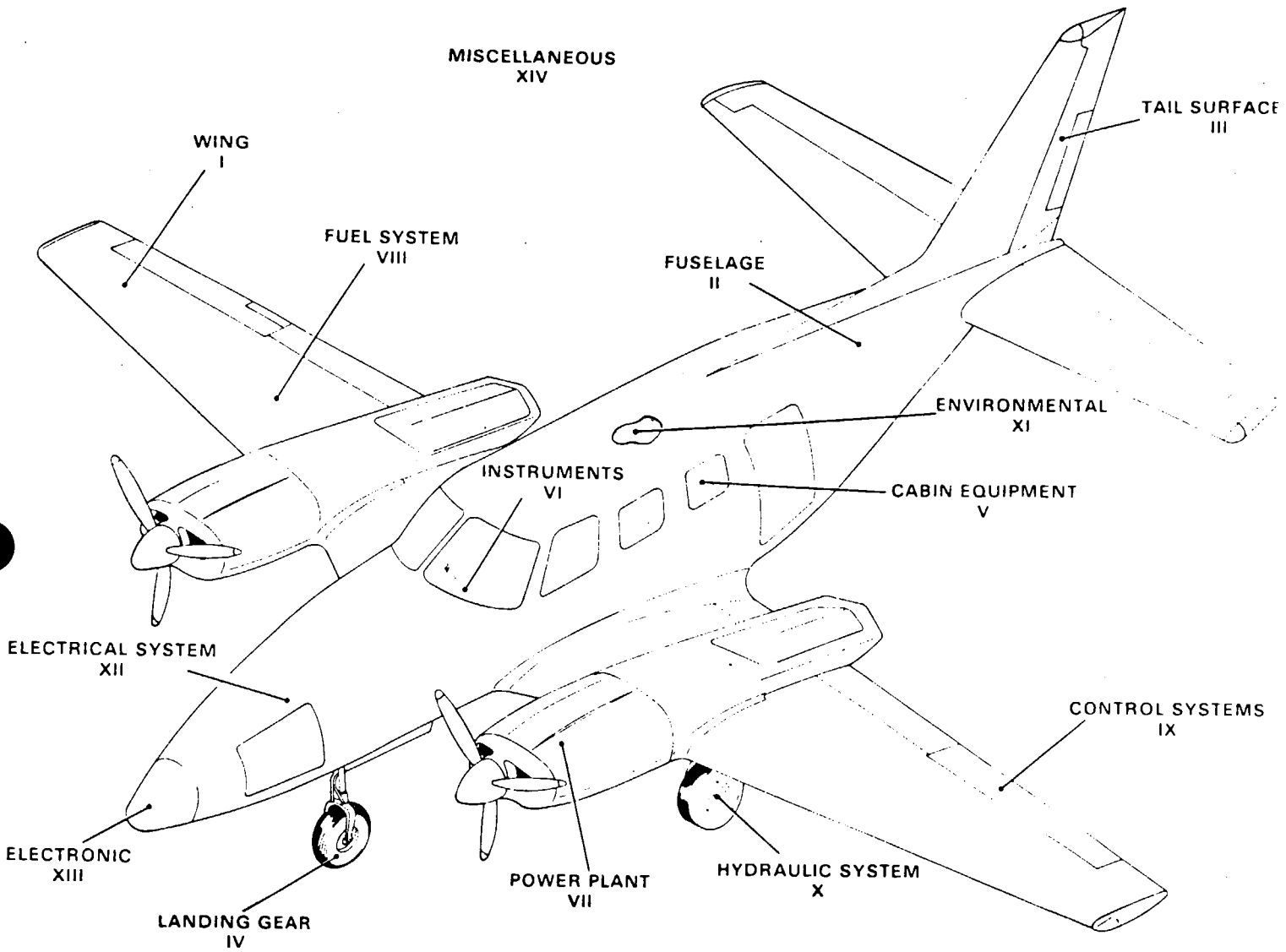


Figure 1. View of Complete Airplane

PIPER PARTS CATALOG

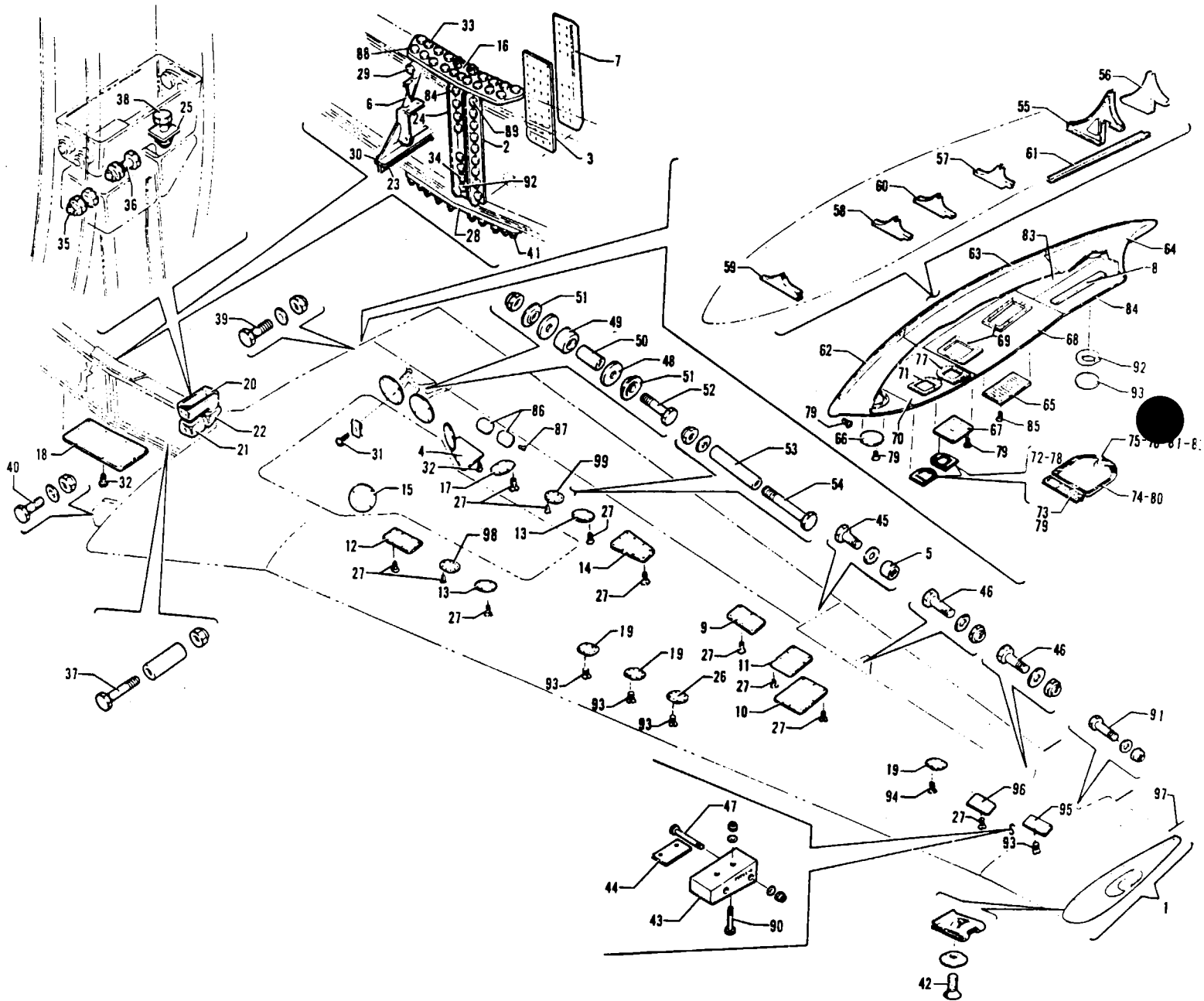


Figure 2. Wing Installation

PIPER PARTS CATALOG

CODE EXPLANATIONS FOR FIGURE 2

- A - See Figure 127 for navigation, strobe and recognition lights
- B - Used if tip assembly incorporates navigation and strobe lights only.
- C - Used if tip assembly incorporates navigation, strobe and recognition lights.

PIPER PARTS CATALOG

Figure and Index Number	Part Number	Code	NOMENCLATURE	No. Req.	SERIAL NUMBERS AFFECTED
			1234567		
2-	01404		DRAWING - Wing Installation		
	41488		DRAWING - Flap Installation		
	41565		DRAWING - Aileron Installation		
-1	01208-06	A,B	TIP ASSEMBLY - Wing, left (less lights)	1	
	01208-08	A,C	TIP ASSEMBLY - Wing, left (less lights)	1	
	01208-07	A,B	TIP ASSEMBLY - Wing, right (less lights)	1	
	01208-09	A,C	TIP ASSEMBLY - Wing, right (less lights)	1	
-2	44872-00		PLATE - Main spar splice, forward	1	
-3	44875-00		PLATE - Main spar splice, aft	1	
-4	52054-04		PLATE - Wing access, left	1	
-5	41413-51		BUSHING - Aileron tab, right	1	
-6	41027-13		BRACE ASSEMBLY - Wing spar	2	
-7	44879-02		CHANNEL - Spar attachment, wing	1	
-8	43508-00		STRIP - Chafing	2	
-9	40629-00		COVER - Aileron pulley access, wing, left	1	
	40629-01		COVER - Aileron pulley access, wing, right	1	
-10	40636-00		COVER - Aileron bellcrank access, wing, left	1	
	40636-01		COVER - Aileron bellcrank access, wing, right	1	
-11	42118-00		COVER - Aileron mechanism access, wing, right	1	
	42118-01		COVER - Aileron mechanism access, wing, left	1	
-12	40569-00		PLATE - Wing access	2	
-13	40567-00		PLATE - Wing access, aft	2	
	71139-02		PLATE - Wing access, forward	2	
-14	40587-00		PLATE - Wing access, left	1	
	40587-01		PLATE - Wing access, right	1	
-15	40468-00		PLATE - Wing cover	8	
-16	44654-04		PLATE - Main spar attachment, top	1	
-17	40563-00		PLATE - Wing access	2	
-18	41028-00		PLATE - Fuselage access cover, Sta. 135 to Sta. 140	1	
-19	20370-00		PLATE - Wing, access hole cover	6	
-20	45155-00		FITTING - Main spar attachment, upper	2	
-21	44964-00		FITTING - Main spar attachment, lower, forward	2	
-22	40319-00		FITTING - Main spar attachment, lower, aft	2	
-23	46168-00		ANGLE ASSEMBLY - Longitudinal beam splice, left	1	
	46168-01		ANGLE ASSEMBLY - Longitudinal beam splice, right	1	
-24	01778-02		CHANNEL - Spar attachment	1	
-25	44155-00		SHIM - Main spar attachment fitting (.016" T)	AR	
	44155-02		SHIM - Main spar attachment fitting (.064" T)	AR	
-26	50128-06		PLATE - Wing access	2	
-27	414 779		SCREW - (MS24693-S49)	170	
-28	44655-03		PLATE - Wing, main spar attachment, bottom	1	
-29	400 011		BOLT - (AN4-16A)	2	
	407 565		WASHER - (AN960-416)	2	
	404 888		NUT - (MS20365-428C)	2	
-30	400 440		BOLT - Brace attachment (AN3-6A)	4	
	407 564		WASHER - (AN960-10)	4	
	407 584		WASHER - (AN960-10L)	4	
	404 887		NUT - (MS20365-1032C)	4	
-31	415 518		SCREW - (MS35206-228)	32	
	406 434		NUT - (A188-632-1)	32	
-32	415 535		SCREW - (MS35206-245)	23	
-33	403 982		BOLT - (NAS464P6LA18)	10	
	407 567		WASHER - (AN960-616)	10	
	404 890		NUT - (MS20365-624C)	10	

When ordering, always specify Part Number, Description and Serial Number of Aircraft

PIPER PARTS CATALOG

Figure and Index Number	Part Number	Code	NOMENCLATURE	No. Req.	SERIAL NUMBERS AFFECTED
		1234567			
2-34	401 269		BOLT - (AN3-10A)	12	
	407 584		WASHER - (AN960-10L)	12	
	404 887		NUT - (MS20365-1032C)	12	
-35	401 186		BOLT - (AN5-6A)	10	
	407 566		WASHER - (AN960-516)	10	
	404 889		NUT - (MS20365-524C)	10	
-36	401 353		BOLT - (AN5-12A)	2	
	407 566		WASHER - (AN960-516)	4	
	404 889		NUT - (MS20365-524C)	2	
-37	401 365		BOLT - (AN5-26A)	2	
	41413-78		BUSHING - Spacer	2	
	404 889		NUT - (MS20365-524C)	2	
-38	401 355		BOLT - (AN5-14A)	2	
	407 566		WASHER - (AN960-516)	2	
	404 889		NUT - (MS20365-524C)	2	
-39	401 580		BOLT - (AN9-13A)	2	
	407 570		WASHER - (AN960-916)	2	
	407 597		WASHER - (AN960-916L)	2	
	404 913		NUT - (MS20365-918C)	2	
-40	401 506		BOLT - (AN7-12A)	2	
	407 591		WASHER - (AN960-716L)	4	
	404 891		NUT - (MS20365-720C)	2	
-41	402 910		BOLT - (NAS464P6LA20)	18	
	407 567		WASHER - (AN960-616)	18	
	404 890		NUT - (MS20365-624C)	18	
-42	414 748		SCREW - (MS24693-S28)	28	
	494 071		WASHER - (A3236-012-1)	28	
	406 362		NUT - (C8095-632-1)	28	
-43	54325-02		WEIGHT - Aileron balance, left	1	
	54325-06		WEIGHT - Aileron balance, right	1	
-44	54395-03		WEIGHT - Aileron balance, trim (with counterbored bolt holes)	AR	
-45	400 440		BOLT - (AN3-6A) right	1	
	81342-09		WASHER - Right	1	
-46	401 311		BOLT - (AN4-11A)	4	
	19513-64		WASHER	4	
	404 888		NUT - (MS20365-428C)	4	
-47	400 453		BOLT - (AN3-21A) left	2	
	400 455		BOLT - (AN3-23A) right	2	
	407 584		WASHER - (AN960-10L)	4	
	404 835		NUT - (MS20365-1032C)	4	
-48	40559-43		WASHER - Flap, outboard track	8	
	40559-42		WASHER - Flap, inboard and center track	16	
-49	86102-104		BUSHING - Flap, outboard track	4	
	86102-105		BUSHING - Flap, center track	4	
	86102-106		BUSHING - Flap, inboard track	4	
-50	41413-05		BUSHING - Flap, outboard, center and inboard track	12	
-51	408 837		WASHER - Flap, outboard and inboard track assembly (3512-20-03-0544)	16	
-52	401 312		BOLT - (AN4-12A)	12	
	407 565		WASHER - (AN960-416)	12	
	404 888		NUT - (MS20365-428C)	12	
-53	41413-37		BUSHING - Transmission bracket spacer, left	1	
-54	400 460		BOLT - Left (AN3-35A)	2	
	407 564		WASHER - (AN960-10)	6	
	404 887		NUT - (MS20365-1032C)	2	

When ordering, always specify Part Number, Description and Serial Number of Aircraft

PIPER PARTS CATALOG

Figure and Index Number	Part Number	Code	NOMENCLATURE	No. Req.	SERIAL NUMBERS AFFECTED
		1234567			
2-55	43646-04		BULKHEAD - Wing fillet, Sta. 181, left	1	
	43646-05		BULKHEAD - Wing fillet, Sta. 181, right	1	
-56	43649-04		BULKHEAD - Wing fillet, Sta. 191.70, left	1	
	43649-05		BULKHEAD - Wing fillet, Sta. 191.70, right	1	
-57	43645-00		BULKHEAD ASSEMBLY - Wing fillet, Sta. 162.60, left	1	
	43645-01		BULKHEAD ASSEMBLY - Wing fillet, Sta. 162.60, right	1	
-58	43648-00		BULKHEAD ASSEMBLY - Wing fillet, Sta. 140, left	1	
	43648-01		BULKHEAD ASSEMBLY - Wing fillet, Sta. 140, right	1	
-59	43647-00		BULKHEAD ASSEMBLY - Wing fillet, Sta. 111.50, left	1	
	43647-01		BULKHEAD ASSEMBLY - Wing fillet, Sta. 111.50, right	1	
-60	43683-00		BULKHEAD ASSEMBLY - Wing fillet, Sta. 151.30, left	1	
	43683-01		BULKHEAD ASSEMBLY - Wing fillet, Sta. 151.30, right	1	
-61	42003-00		CHANNEL - Wing fillet, left	1	
	42003-01		CHANNEL - Wing fillet, right	1	
-62	42224-00		FILLET ASSEMBLY - Wing root, forward, left	1	
	42224-01		FILLET ASSEMBLY - Wing root, forward, right	1	
-63	42274-00		FILLET ASSEMBLY - Wing root, center, left	1	
	42274-01		FILLET ASSEMBLY - Wing root, center, right	1	
-64	42342-00		FILLET - Wing root, rear, left	1	
	42342-01		FILLET - Wing root, rear, right	1	
-65	17316-00		PLATE - Access hole cover, left	1	
	47050-00		PLATE - Access hole cover, right	1	
-66	17318-02		PLATE - Access hole cover	2	
-67	41840-03		PLATE ASSEMBLY - Access hole cover, left	1	
	17316-00		PLATE - Access hole cover, right	1	
-68	42130-00		PLATE ASSEMBLY - Wing fillet, bottom center, left	1	
	47054-03		PLATE ASSEMBLY - Wing fillet, bottom center, right	1	
-69	17315-00		* PLATE ASSEMBLY - Access hole reinforcement, rear	1	
	17316-02		* PLATE ASSEMBLY - Access hole reinforcement, front, left	1	
	47045-00		* PLATE ASSEMBLY - Access hole reinforcement, front, right	1	
-70	02120-02		PLATE ASSEMBLY - Wing fillet, bottom access, left	1	
	02120-03		PLATE ASSEMBLY - Wing fillet, bottom access, right	1	
-71	19803-04		* PLATE - Wing fillet reinforcement, forward	1	
-72	42173-00		* PLATE ASSEMBLY - Wing fillet access	1	
-73	19799-00		* * HINGE ASSEMBLY - Wing fillet access	1	
-74	42008-00		* * GASKET - Wing fillet access	1	
-75	487 614		* * STUD - (2600-2W)	1	
-76	494 060		* * WASHER - (2600-LW)	1	
-77	02119-02		* PLATE ASSEMBLY - Fuel valve access plate reinforcement, left	1	
	19803-04		* PLATE ASSEMBLY - Fuel valve access plate reinforcement, right	1	
-78	02110-02		* PLATE ASSEMBLY - Fuel valve access	1	
-79	19799-00		* * HINGE ASSEMBLY - Fuel valve access	1	
-80	42008-00		* * GASKET - Fuel valve access	1	
-81	487 614		* * STUD - (2600-2W)	1	
-82	494 060		* * WASHER - (2600-LW)	1	
-83	42279-00		PLATE - Wing fillet, bottom, rear, left	1	
	42279-01		PLATE - Wing fillet, bottom, rear, right	1	
-84	42308-00		SKIN - Wing fillet, inner	2	
-85	414 763		SCREW - (MS24693-S50)	67	
-86	40607-00		PLATE - Wing access	4	

When ordering, always specify Part Number, Description and Serial Number of Aircraft

PIPER PARTS CATALOG

Figure and Index Number	Part Number	Code	NOMENCLATURE	No. Req.	SERIAL NUMBERS AFFECTED
		1234567			
2-87	415 533		SCREW - (MS35206-243)	32	
-88	403 983		BOLT - (NAS464P6LA19)	10	
	407 567		WASHER - (AN960-616)	10	
	404 890		NUT - (MS20365-624C)	10	
-89	400 441		BOLT - (AN3-7A)	20	
	407 584		WASHER - (AN960-10L)	20	
	407 564		WASHER - (AN960-10)	20	
	404 887		NUT - (MS20365-1032C)	20	
-90	400 888		BOLT - (AN23-28A) (1 25/32 L.)	4	
	400 478		BOLT - (AN23-26A) (1 21/32 L.)	4	
	407 584		WASHER - (AN960-10L)	4	
	404 887		NUT - (MS20365-1032C)	4	
-91	400 009		BOLT - (AN4-14A)	2	
	407 585		WASHER - (AN960-416L)	2	
	404 888		NUT - (MS20365-428C)	2	
-92	401 310		BOLT - (AN4-10A)	4	
	404 888		NUT - (MS20365-428C)	4	
-93	414 761		SCREW - (MS24693-S48)	60	
-94	414 425		SCREW - (MS24693-BB50), left	8	
	414 779		SCREW - (MS24693-S49), right	8	
-95	01594-02		COVER - Strobe access, left	1	
	01594-03		COVER - Strobe access, right	1	
-96	50129-06		PLATE - Wing access, left, Sta 225	1	
	50129-07		PLATE - Wing access, right, Sta 225	1	
-97	456 802		WICK - Static (ESD-3)	6	
-98	45386-00		PLATE - Wing access	2	
-99	40567-00		PLATE - Wing access	2	31P-8414036 and up

When ordering, always specify Part Number, Description and Serial Number of Aircraft

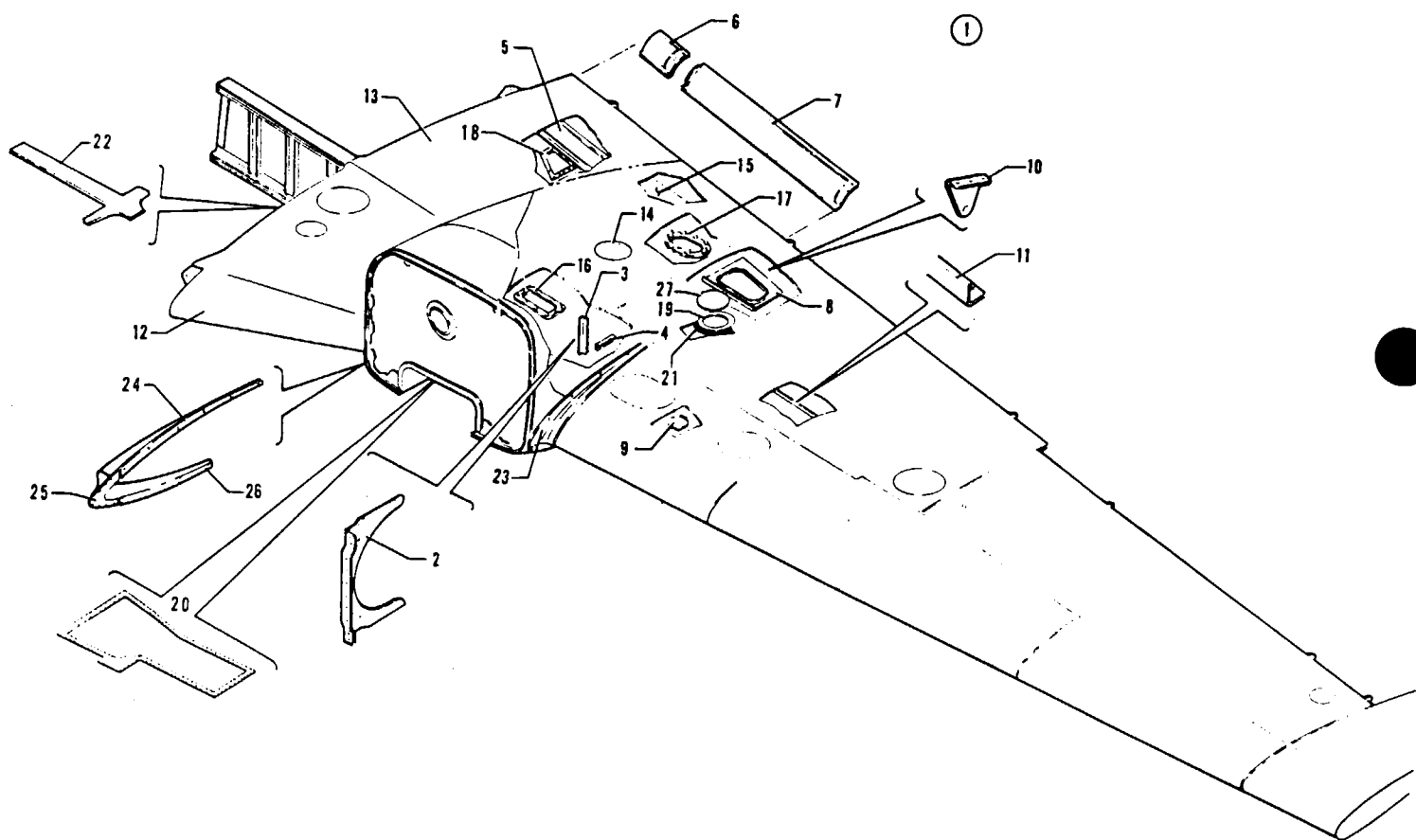


Figure 3. Wing Panel Inboard Parts Installation

PIPER PARTS CATALOG

CODE EXPLANATIONS FOR FIGURE 3

- A - All items on Figures 4, 5, 6, 7, 78, 79, 88 and 89 are components of this assembly.
- B - See Figure 7 for component parts.
- C - See Figure 5 for component parts.

PIPER PARTS CATALOG

Figure and Index Number	Part Number	Code	NOMENCLATURE	No. Req.	SERIAL NUMBERS AFFECTED
			1234567		
3-1	01072-02	A	PANEL ASSEMBLY - Wing, left	1	
	01072-03	A	PANEL ASSEMBLY - Wing, right	1	
-2	40456-02		* PLATE - Wing panel assembly, rib attachment, main spar, left	1	
	40456-03		* PLATE - Wing panel assembly, rib attachment, main spar, right	1	
-3	40460-00		* ANGLE - Wing panel assembly, fuel cell liner support	1	
-4	40464-00		* ANGLE - Wing panel assembly, fuel cell liner support	1	
-5	45165-20	B	* REAR SPAR ASSEMBLY - Wing panel assembly, left	1	
	45165-21	B	* REAR SPAR ASSEMBLY - Wing panel assembly, right	1	
-6	40533-00		* SPAR ASSEMBLY - False, wing panel assembly, Sta. 30 to Sta. 39.5, left	1	
	40533-01		* SPAR ASSEMBLY - False, wing panel assembly, Sta. 30 to Sta. 39.5, right	1	
-7	40534-08		* SPAR ASSEMBLY - False, wing panel assembly, Sta. 39.5 to Sta. 87.5, left	1	
	40534-09		* SPAR ASSEMBLY - False, wing panel assembly, Sta. 39.5 to Sta. 87.5, right	1	
-8	45997-00		* PLATE ASSEMBLY - Wing panel assembly, access hole reinforcement, left	1	
	45997-01		* PLATE ASSEMBLY - Wing panel assembly, access hole reinforcement, right	1	
-9	25597-00		* PAD - Wing panel assembly, jack	1	
-10	41601-00		* BRACKET - Potentiometer mounting, left	1	
	41601-03		* BRACKET - Potentiometer mounting, right	1	
-11	40586-44		* STRINGER - Wing panel assembly (6' length)	AR	
-12	01074-02	C	* LEADING EDGE ASSEMBLY - Wing panel assembly, left	1	
	01074-03	C	* LEADING EDGE ASSEMBLY - Wing panel assembly, right	1	
-13	01585-14		* SKIN ASSEMBLY - Wing panel assembly, top	1	
-14	44448-00		* COVER - Wing panel assembly	1	
-15	01585-08		* SKIN ASSEMBLY - Wing panel assembly, bottom, left	1	
	01585-09		* SKIN ASSEMBLY - Wing panel assembly, bottom, right	1	
-16	40568-00		* PLATE ASSEMBLY - Wing panel assembly, wing access hole reinforcement	1	
-17	40570-00		* PLATE ASSEMBLY - Wing panel assembly, wing access hole reinforcement	1	
-18	52054-03		* PLATE ASSEMBLY - Wing panel assembly, wing access hole reinforcement, left	1	
-19	40532-06		* PLATE ASSEMBLY - Wing panel assembly, fuel gauge support	1	
-20	01598-04		* DOUBLER - Wheel well, left	1	
	01598-05		* DOUBLER - Wheel well, right	1	
-21	53171-00		* SHIM - Fuel cell support	1	
-22	01599-04		PLATE - Spar lower reinforcement, left	1	
	01599-05		PLATE - Spar lower reinforcement, right	1	
-23	42426-00		FAIRING ASSEMBLY - Left nacelle, outboard	1	
	42426-01		FAIRING ASSEMBLY - Right nacelle, outboard	1	
-24	42455-08		FAIRING ASSEMBLY - Left nacelle, top, inboard	1	
	42455-09		FAIRING ASSEMBLY - Right nacelle, top, inboard	1	

When ordering, always specify Part Number, Description and Serial Number of Aircraft

PIPER PARTS CATALOG

Figure and Index Number	Part Number	Code	NOMENCLATURE	No. Req.	SERIAL NUMBERS AFFECTED
		1234567			
3-25	42455-10		FAIRING ASSEMBLY - Left nacelle, forward, inboard	1	
	42455-11		FAIRING ASSEMBLY - Right nacelle, forward, inboard	1	
26	42455-12		FAIRING ASSEMBLY - Left nacelle, bottom, inboard	1	
	42455-13		FAIRING ASSEMBLY - Right nacelle, bottom, inboard	1	
27	40545-04		COVER - Fuel cell access	2	

When ordering, always specify Part Number, Description and Serial Number of Aircraft

1A24

INTENTIONALLY LEFT BLANK

PIPER PARTS CATALOG

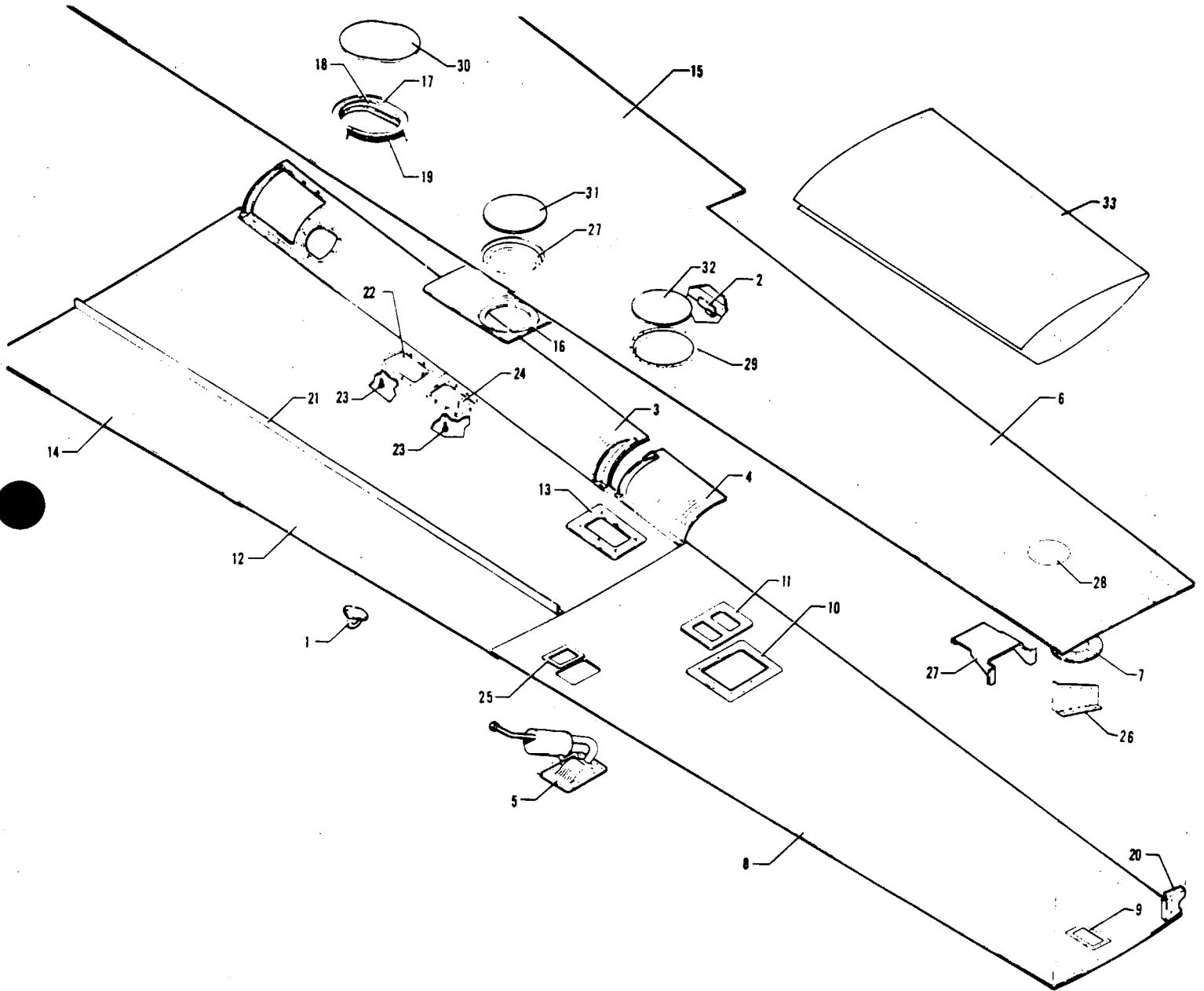


Figure 4 Wing Panel Outboard Parts Installation

PIPER PARTS CATALOG

CODE EXPLANATIONS FOR FIGURE 4

PIPER PARTS CATALOG

Figure and Index Number	Part Number	Code	NOMENCLATURE	No. Req.	SERIAL NUMBERS AFFECTED
		1234567			
-4-	01072		DRAWING - Wing Panel Assembly		
-1	18457-00		RING - Tie down, wing outboard	2	
-2	40396-00		BRACKET - Mounting, wing outboard, Sta. 166.6, right	1	
-3	40535-12		SPAR ASSEMBLY - False, wing outboard, Sta. 87.5 to Sta. 147.5, left	1	
	40535-13		SPAR ASSEMBLY - False, wing outboard, Sta. 87.5 to Sta. 147.5, right	1	
-4	40536-06		SPAR ASSEMBLY - False, wing outboard, Sta. 147.5 to Sta. 160.5, left	1	
	40536-07		SPAR ASSEMBLY - False, wing outboard, Sta. 147.5 to Sta. 160.5, right	1	
-5	50186-10		VENT ASSEMBLY - Wing outboard, fuel cell, left	1	
	50186-09		VENT ASSEMBLY - Wing outboard, fuel cell, right	1	
-6	40585-36		SKIN ASSEMBLY - Wing outboard, top, Sta. 160.5 to Sta. 239, left	1	
	40585-35		SKIN - Wing outboard, top, Sta. 160.5 to Sta. 239, right	1	
-7	51357-00		PLATE ASSEMBLY - Access reinforcement, left	1	
	51357-04		PLATE ASSEMBLY - Access reinforcement, right	1	
-8	01585-10		SKIN ASSEMBLY - Wing outboard, bottom, Sta. 160.5 to Sta. 239, left	1	
	01585-11		SKIN ASSEMBLY - Wing outboard, bottom, Sta. 160.5 to Sta. 239, right	1	
-9	01593-02		PLATE ASSEMBLY - Wing outboard, left	1	
	01593-03		PLATE ASSEMBLY - Wing outboard, right	1	
-10	40635-00		PLATE ASSEMBLY - Wing outboard, aileron pulley access reinforcement, Sta. 180, bottom left	1	
	40635-01		PLATE ASSEMBLY - Wing outboard, aileron pulley access reinforcement, Sta. 180, bottom right	1	
-11	42117-00		PLATE ASSEMBLY - Wing outboard, aileron pulley access reinforcement, Sta. 173, bottom left	1	
	42117-01		PLATE ASSEMBLY - Wing outboard, aileron pulley access reinforcement, Sta. 173, bottom right	1	
-12	40585-22		SKIN ASSEMBLY - Wing outboard, bottom left, Sta. 119.5 to Sta. 160.5	1	
	40585-27		SKIN ASSEMBLY - Wing outboard, bottom right, Sta. 119.5 to Sta. 160.5	1	
-13	40628-00		PLATE ASSEMBLY - Wing outboard, aileron pulley access reinforcement, Sta. 150, bottom left	1	
	40628-01		PLATE ASSEMBLY - Wing outboard, aileron pulley access reinforcement, Sta. 150, bottom right	1	
-14	40585-21		SKIN ASSEMBLY - Wing outboard, bottom, Sta. 86.5 to Sta. 119.5	2	
-15	01585-13		SKIN ASSEMBLY - Wing outboard, top, Sta. 86.5 to Sta. 160.5	2	
-16	50325-04		BRACKET ASSEMBLY - Wing outboard, fuel cell support, left	1	
	50325-05		BRACKET ASSEMBLY - Wing outboard, fuel cell support, right	1	

When ordering, always specify Part Number, Description and Serial Number of Aircraft

PIPER PARTS CATALOG

Figure and Index Number	Part Number	Code	NOMENCLATURE	No. Req.	SERIAL NUMBERS AFFECTED
		1234567			
4-17	40526-05		PLATE ASSEMBLY - Wing outboard, fuel cell access reinforcement.....	2	
-18	42590-00		PLATE - Wing outboard, fuel cell standoff	2	
-19	53172-00		SHIM - Fuel cell access plate	1	
-20	40492-24		RIB ASSEMBLY - Wing outboard, Sta. 239, left	1	
	40492-23		RIB ASSEMBLY - Wing outboard, Sta. 239, right	1	
-21	40586-44		STRINGER - Wing outboard, skin (6' length)	AR	
-22	42638-00		PLATE - Wing outboard, access hole cover	2	
-23	415 533		SCREW - (MS35206-243)	20	
-24	42638-00		PLATE - Wing outboard, Sta. 128, right	1	
-25	45545-00		PLATE ASSEMBLY - Access hole reinforcement, left	1	
	45545-01		PLATE ASSEMBLY - Access hole reinforcement, right	1	
-26	54716-02		BRACKET ASSEMBLY - Flux detector, left	1	
	54716-03		BRACKET ASSEMBLY - Flux detector, right	1	
-27	54623-02		PLATE - Access reinforcement	2	
-28	51358-00		COVER - Access, left	1	
-29	50393-00		PLATE ASSEMBLY - Access reinforcement	2	
-30	40544-02		COVER - Fuel cell access	2	
-31	50166-00		COVER - Fuel cell access	2	
-32	40545-04		COVER - Fuel cell access	2	
-33	01057-04		SKIN - Wing outboard, left, Sta. 239 to Sta. 263	1	
	01057-05		SKIN - Wing outboard, right, Sta. 239 to Sta. 263	1	

When ordering, always specify Part Number, Description and Serial Number of Aircraft

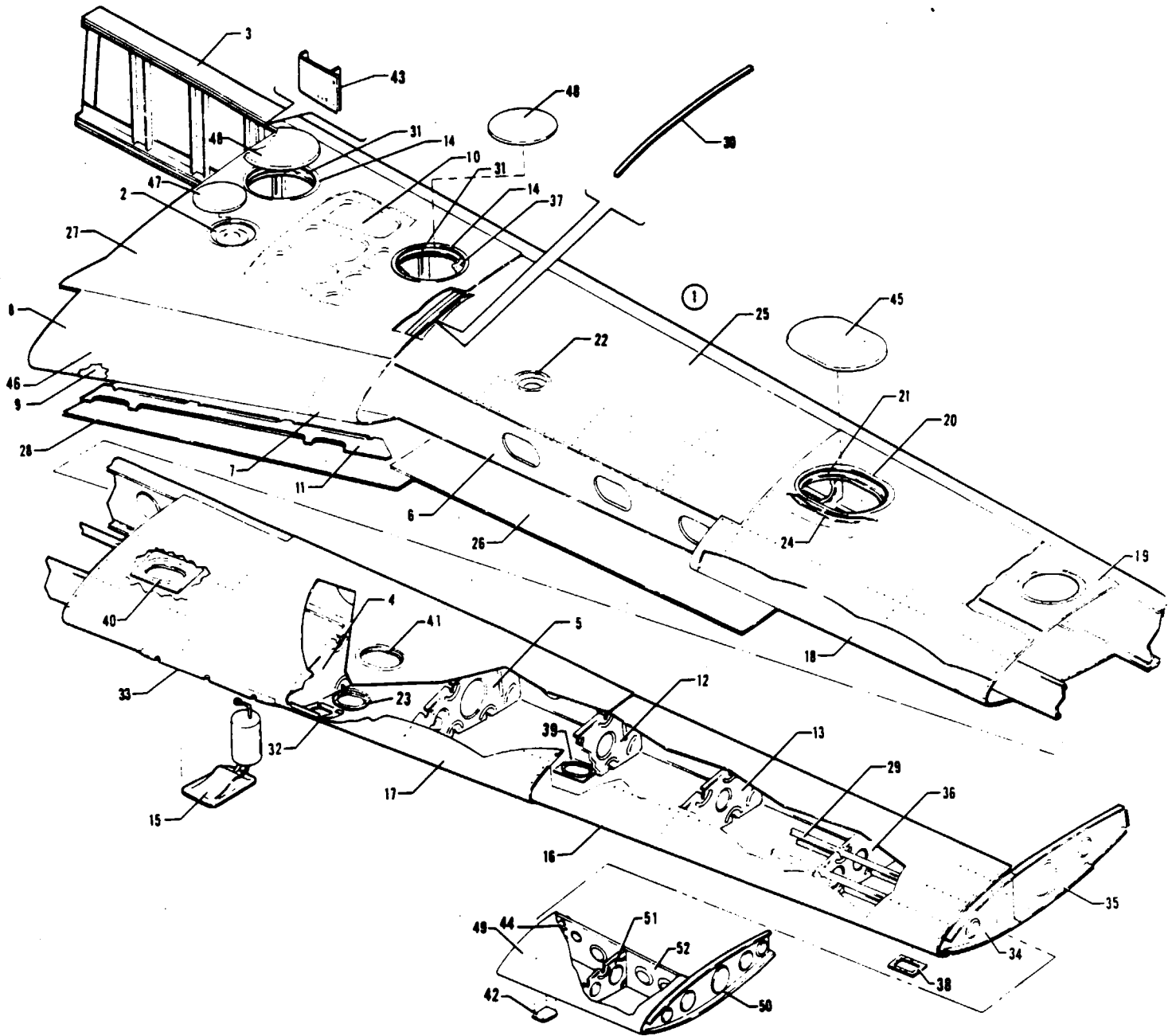


Figure 5. Wing Panel Leading Edge Assembly

PIPER PARTS CATALOG

CODE EXPLANATIONS FOR FIGURE 5

- A - All items on Figures 6 and 88 are components of this assembly
- B - See Figure 6 for component parts.
- C - Used if inboard De-icer boots are installed.

PIPER PARTS CATALOG

Figure and Index Number	Part Number	Code	NOMENCLATURE	No. Req.	SERIAL NUMBERS AFFECTED
			1234567		
5-1	01074-02	A	LEADING EDGE ASSEMBLY - Wing, left	1	
	01074-03	A	LEADING EDGE ASSEMBLY - Wing, right	1	
-2	54662-02		* PLATE ASSEMBLY - Fuel cell gauge support, main	1	
-3	01588-02		* SPAR ASSEMBLY - Wing, main, left	1	
	01588-03		* SPAR ASSEMBLY - Wing, main, right	1	
-4	40475-16		* RIB ASSEMBLY - Wing, leading edge, left, Sta. 160.5	1	
	40475-17		* RIB ASSEMBLY - Wing, leading edge, right, Sta. 160.5	1	
-5	40479-04		* RIB ASSEMBLY - Wing, leading edge, left, Sta. 174.5	1	
	40479-05		* RIB ASSEMBLY - Wing, leading edge, right, Sta. 174.5	1	
-6	01073-02	B	* SPAR ASSEMBLY - Wing, front, left (complete)	1	
	01073-03	B	* SPAR ASSEMBLY - Wing, front, right (complete)	1	
-7	40585-08		* SKIN - Wing leading edge, inboard, center, left	1	
	40585-09		* SKIN - Wing leading edge, inboard, center, right	1	
-8	40585-10		* SKIN - Wing leading edge, inboard, left	1	
	40585-11		* SKIN - Wing leading edge, inboard, right	1	
-9	40626-00		* PANEL - Wing leading edge access, left	1	
	40626-01		* PANEL - Wing leading edge access, right	1	
-10	40506-12		* SKIN ASSEMBLY - Wing, inner, bottom, left	1	
	40506-13		* SKIN ASSEMBLY - Wing, inner, bottom, right	1	
-11	43936-00		* CHANNEL ASSEMBLY - Wing leading edge attachment, left	1	
	43936-01		* CHANNEL ASSEMBLY - Wing leading edge attachment, right	1	
-12	40530-02		* RIB ASSEMBLY - Wing, leading edge, left, Sta. 189.5	1	
	40530-03		* RIB ASSEMBLY - Wing, leading edge, right, Sta. 189.5	1	
-13	40530-18		* RIB ASSEMBLY - Wing, leading edge, left, Sta. 205	1	
	40530-19		* RIB ASSEMBLY - Wing, leading edge, right, Sta. 205	1	
-14	40532-06		* PLATE ASSEMBLY - Fuel cell access reinforcement	2	
-15	51464-06		* VENT ASSEMBLY - Fuel cell, left	1	
	51464-05		* VENT ASSEMBLY - Fuel cell, right	1	
-16	01585-06		* SKIN - Wing leading edge, outboard, left	1	
	01585-07		* SKIN - Wing leading edge, outboard, right	1	
-17	01585-04		* SKIN ASSEMBLY - Wing leading edge, outboard, center, left	1	
	01585-05		* SKIN ASSEMBLY - Wing leading edge, outboard, center, right	1	
-18	01585-02		* SKIN ASSEMBLY - Wing leading edge, center, left	1	
	01585-03		* SKIN ASSEMBLY - Wing leading edge, center, right	1	
-19	45382-00		* BRACKET - Fuel cell support, left	1	
	45382-01		* BRACKET - Fuel cell support, right	1	
-20	51467-00		* PLATE ASSEMBLY - Fuel cell access reinforcement, left	1	
	51467-01		* PLATE ASSEMBLY - Fuel cell access reinforcement, right	1	
-21	53906-00		* PLATE - Fuel cell standoff, left	1	
	53906-01		* PLATE - Fuel cell standoff, right	1	
-22	01070-02		* ADAPTER - Fuel cell access	1	
-23	20372-06		* PLATE ASSEMBLY - Wing access, Sta 163	1	
-24	53905-00		* SHIM - Fuel cell access plate	1	
-25	01585-12		* SKIN - Wing, top, center	1	
-26	40585-20		* SKIN - Wing, bottom, center	1	
-27	45647-10		* SKIN - Wing, top, inboard	1	
-28	40659-06		* SKIN ASSEMBLY - Wing, bottom, inboard left	1	
	40659-07		* SKIN ASSEMBLY - Wing, bottom, inboard right	1	

When ordering, always specify Part Number, Description and Serial Number of Aircraft

PIPER PARTS CATALOG

Figure and Index Number	Part Number	Code	NOMENCLATURE	No. Req.	SERIAL NUMBERS AFFECTED
		1234567			
5-29	40586-44		* STRINGER - Wing skin (6' length)	1	
-30	45539-00		* SHIM - Wing top	1	
-31	42589-00		* PLATE - Fuel cell standoff	2	
-32	27065-02		* PLATE ASSEMBLY - Reinforcement, Sta. 162.3, right	1	
-33	44275-02		* STRIP - Flow	1	
-34	01035-26		* RIB ASSEMBLY - Wing, forward left, Sta. 239	1	
	01035-27		* RIB ASSEMBLY - Wing, forward right, Sta. 239	1	
-35	01035-02		* RIB ASSEMBLY - Wing, aft left, Sta. 239	1	
	01035-03		* RIB ASSEMBLY - Wing, aft right, Sta. 239	1	
-36	01583-02		* RIB ASSEMBLY - Wing leading edge, left, Sta. 221.5	1	
	01583-03		* RIB ASSEMBLY - Wing leading edge, right, Sta. 221.5	1	
-37	53358-00		* BRACKET - Fuel cell flange mounting	2	
-38	50129-04		* PLATE ASSEMBLY - Wing access, left, Sta. 225	1	
	50129-05		* PLATE ASSEMBLY - Wing access, right, Sta. 225	1	
-39	50128-04		* PLATE ASSEMBLY - Wing access, left, Sta. 186	1	
	50128-05		* PLATE ASSEMBLY - Wing access, right, Sta. 186	1	
-40	51264-04		* PLATE ASSEMBLY - Wing access, left, Sta. 141	1	
	51264-05		* PLATE ASSEMBLY - Wing access, right, Sta. 141	1	
-41	50127-04		* PLATE ASSEMBLY - Wing access, left, Sta. 167.75	1	
	50127-05		* PLATE ASSEMBLY - Wing access, right, Sta. 167.75	1	
-42	01032-02		COVER - Spar joint access, left	1	
	01032-03		COVER - Spar joint access, right	1	
-43	44767-00		BRACKET ASSEMBLY - Crossfeed valve, left	1	
-44	402 280		BOLT - (AN173-5A)	10	
	407 564		WASHER - (AN960-10)	14	
	404 887		NUT - (MS20365-1032C)	4	
-45	51466-00		COVER - Fuel cell access	2	
-46	71063-02	C	SKIN - Leading edge, inboard, left	1	
	71063-03	C	SKIN - Leading edge, inboard, right	1	
-47	40546-08		COVER - Fuel cell access	2	
-48	40545-04		COVER - Fuel cell access	4	
-49	01057-02		SKIN - Wing leading edge, left, Sta. 239 to Sta. 263	1	
	01057-03		SKIN - Wing leading edge, right, Sta. 239 to Sta. 263	1	
-50	01028-02		RIB ASSEMBLY - Wing tip, left, Sta. 263	1	
	01028-03		RIB ASSEMBLY - Wing tip, right, Sta. 263	1	
-51	01027-02		RIB ASSEMBLY - Wing, leading edge, left, Sta. 251	1	
	01027-03		RIB ASSEMBLY - Wing, leading edge, right, Sta. 251	1	
-52	01029-06		SPAR ASSEMBLY - Main, wing extension, left	1	
	01029-07		SPAR ASSEMBLY - Main, wing extension, right	1	

When ordering, always specify Part Number, Description and Serial Number of Aircraft

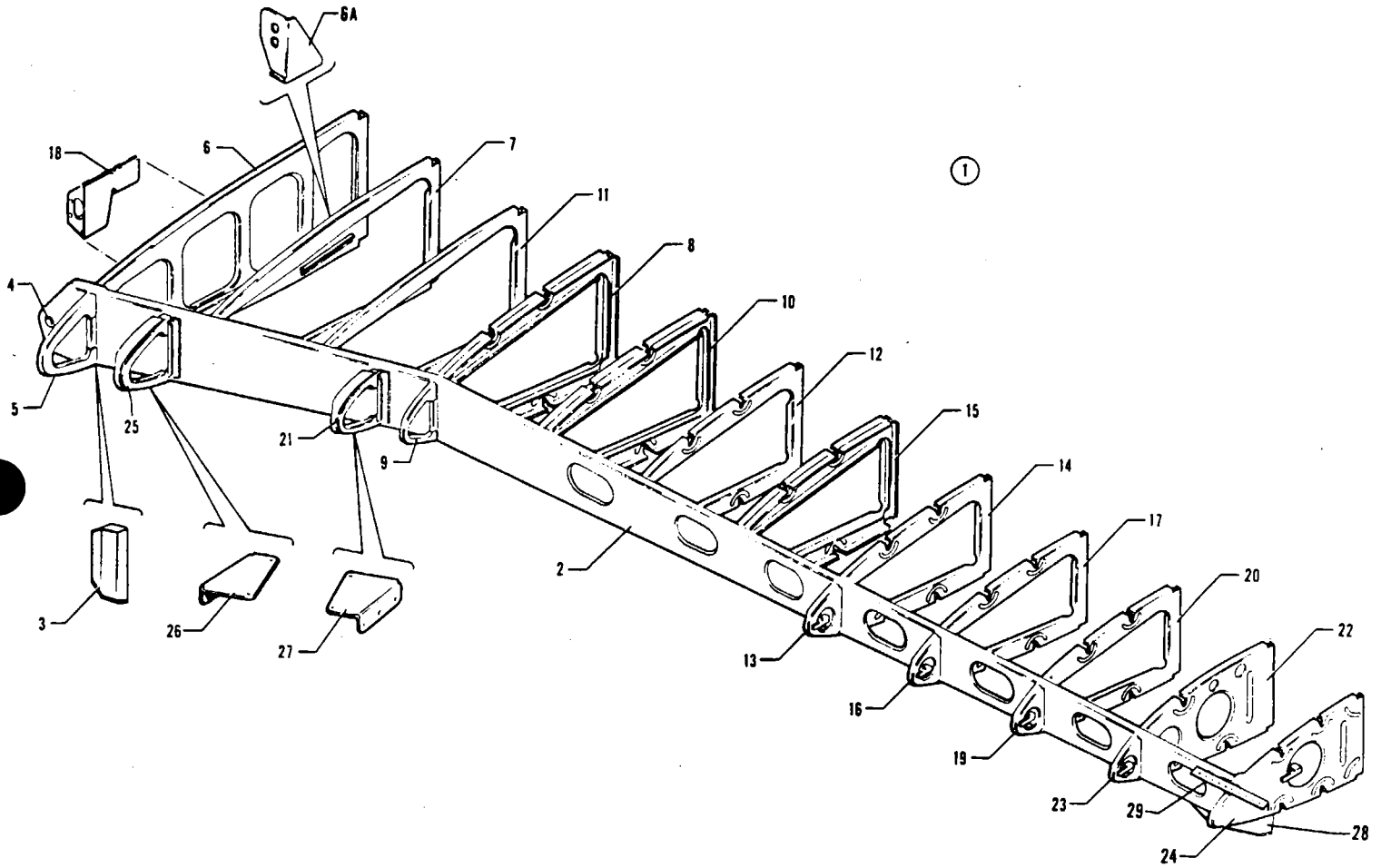


Figure 6. Leading Edge Spar Assembly

PIPER PARTS CATALOG

CODE EXPLANATIONS FOR FIGURE 6

PIPER PARTS CATALOG

Figure and Index Number	Part Number	Code	NOMENCLATURE	No. Req.	SERIAL NUMBERS AFFECTED
		1234567			
6-1	01073-02		SPAR ASSEMBLY - Wing front, complete, left	1	
	01073-03		SPAR ASSEMBLY - Wing front, complete, right	1	
-2	40358-24		* SPAR ASSEMBLY - Left	1	
	40358-25		* SPAR ASSEMBLY - Right	1	
-3	44672-00		* * PLATE ASSEMBLY - Leading edge spar reinforcement, left	1	
	44672-01		* * PLATE ASSEMBLY - Leading edge spar reinforcement, right	1	
-4	49999-36		* * BUSHING - Leading edge spar, inboard, Sta. 25.608	1	
-5	40383-02		* RIB ASSEMBLY - Front spar, nose, Sta. 30, left	1	
	40383-03		* RIB ASSEMBLY - Front spar, nose, Sta. 30, right	1	
-6	01576-02		* RIB ASSEMBLY - Front spar, Sta. 30, left	1	
-6a	02109-04		* * BRACKET - Fuel shutoff valve mounting	1	
	01576-03		* RIB ASSEMBLY - Front spar, Sta. 30, right	1	
-7	01978-02		* RIB ASSEMBLY - Front spar, Sta. 39.5, left	1	
	01978-03		* RIB ASSEMBLY - Front spar, Sta. 39.5, right	1	
-8	40405-36		* RIB ASSEMBLY - Front spar, Sta. 58.5, left	1	
	40405-37		* RIB ASSEMBLY - Front spar, Sta. 58.5, right	1	
-9	40405-08		* RIB ASSEMBLY - Front spar, nose, Sta. 58.5, left	1	
	40405-09		* RIB ASSEMBLY - Front spar, nose, Sta. 58.5, right	1	
-10	40419-30		* RIB ASSEMBLY - Front spar, Sta. 67.5, left	1	
	40419-31		* RIB ASSEMBLY - Front spar, Sta. 67.5, right	1	
-11	40423-28		* RIB ASSEMBLY - Front spar, Sta. 49, left	1	
	40423-29		* RIB ASSEMBLY - Front spar, Sta. 49, right	1	
-12	40435-18		* RIB ASSEMBLY - Front spar, Sta. 77.5, left	1	
	40435-19		* RIB ASSEMBLY - Front spar, Sta. 77.5, right	1	
-13	40446-30		* RIB ASSEMBLY - Front spar, nose, Sta. 97.5, left	1	
	40446-31		* RIB ASSEMBLY - Front spar, nose, Sta. 97.5, right	1	
-14	40446-26		* RIB ASSEMBLY - Front spar, Sta. 97.5, left	1	
	40446-27		* RIB ASSEMBLY - Front spar, Sta. 97.5, right	1	
-15	40455-18		* RIB ASSEMBLY - Front spar, Sta. 87.5, left	1	
	40455-19		* RIB ASSEMBLY - Front spar, Sta. 87.5, right	1	
-16	50244-02		* RIB ASSEMBLY - Front spar, nose, Sta. 109.5, left	1	
	50244-03		* RIB ASSEMBLY - Front spar, nose, Sta. 109.5, right	1	
-17	40470-10		* RIB ASSEMBLY - Front spar, Sta. 109.5, left	1	
	40470-11		* RIB ASSEMBLY - Front spar, Sta. 109.5, right	1	
-18	41646-14		* BRACKET ASSEMBLY - Fuel filter and pump, left	1	
	41646-15		* BRACKET ASSEMBLY - Fuel filter and pump, right	1	
-19	50243-02		* RIB ASSEMBLY - Front spar, nose, Sta. 121.5, left	1	
	50243-03		* RIB ASSEMBLY - Front spar, nose, Sta. 121.5, right	1	
-20	40486-20		* RIB ASSEMBLY - Front spar, Sta. 121.5, left	1	
	40486-21		* RIB ASSEMBLY - Front spar, Sta. 121.5, right	1	
-21	40488-00		* RIB ASSEMBLY - Front spar, wing nose, Sta. 54, left	1	
	40488-01		* RIB ASSEMBLY - Front spar, wing nose, Sta. 54, right	1	
-22	40489-24		* RIB ASSEMBLY - Front spar, Sta. 134.5, left	1	
	40489-25		* RIB ASSEMBLY - Front spar, Sta. 134.5, right	1	
-23	50242-00		* RIB ASSEMBLY - Front spar, nose, Sta. 134.5, left	1	
	50242-01		* RIB ASSEMBLY - Front spar, nose, Sta. 134.5, right	1	
-24	40490-18		* RIB ASSEMBLY - Front spar, Sta. 147.5, left	1	
	40490-19		* RIB ASSEMBLY - Front spar, Sta. 147.5, right	1	
-25	40450-00		* RIB ASSEMBLY - Front spar, wing nose, Sta. 34.5, left	1	
	40450-01		* RIB ASSEMBLY - Front spar, wing nose, Sta. 34.5, right	1	

When ordering, always specify Part Number, Description and Serial Number of Aircraft

PIPER PARTS CATALOG

Figure and Index Number	Part Number	Code	NOMENCLATURE	No. Req.	SERIAL NUMBERS AFFECTED
		1234567			
6-26	41636-04		* BRACKET - Retaining block, Sta. 34.50, left	1	
	41636-05		* BRACKET - Retaining block, Sta. 34.50, right	1	
	50126-01		* BRACKET - Retaining block, Sta. 34.50, right	1	
-27	41636-02		* BRACKET - Retaining block, Sta. 54, left	1	
	41636-03		* BRACKET - Retaining block, Sta. 54, right	1	
	50124-01		* BRACKET - Retaining block, Sta. 54, right	1	
-28	01974-02		* GUSSET - Spar cap, left	1	
	01974-03		* GUSSET - Spar cap, right	1	
-29	01975-02		* ANGLE - Splice	1	

When ordering, always specify Part Number, Description and Serial Number of Aircraft

PIPER PARTS CATALOG

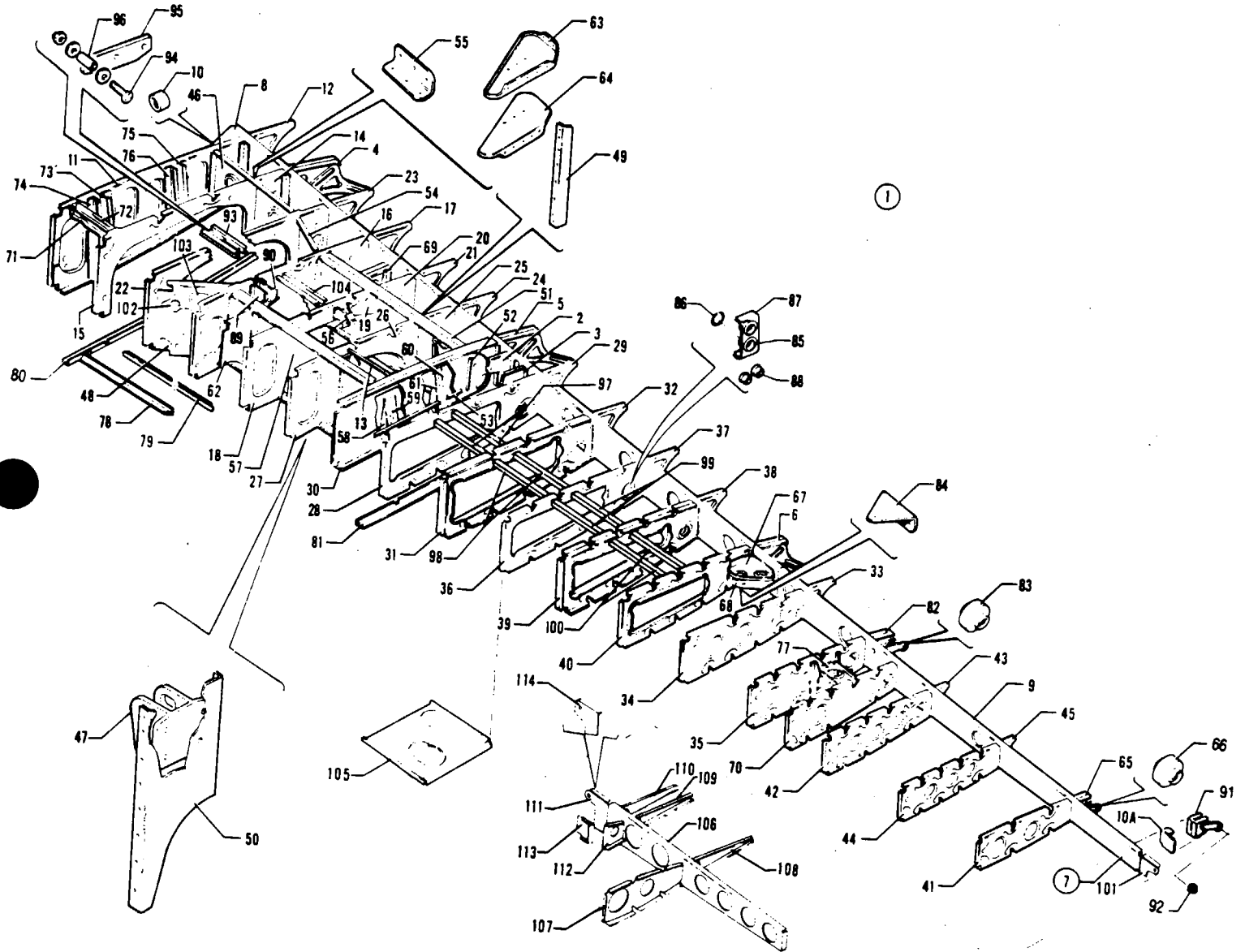


Figure 7. Wing Panel Rear Spar Assembly

PIPER PARTS CATALOG

CODE EXPLANATIONS FOR FIGURE 7

PIPER PARTS CATALOG

Figure and Index Number	Part Number	Code	NOMENCLATURE	No. Req.	SERIAL NUMBERS AFFECTED
		1234567			
7-1	01075-02		REAR SPAR ASSEMBLY - Left	1	
	01075-03		REAR SPAR ASSEMBLY - Right	1	
-2	45968-18		* BRACKET ASSEMBLY - Rear spar, flap actuator mounting, inboard, left	1	
	45968-19		* BRACKET ASSEMBLY - Rear spar, flap actuator mounting, inboard, right	1	
-3	45968-20		* BRACKET ASSEMBLY - Rear spar, flap actuator mounting, outboard, left	1	
	45968-21		* BRACKET ASSEMBLY - Rear spar, flap actuator mounting, outboard, right	1	
-4	45379-07		* TRACK ASSEMBLY - Flap, inboard, Sta. 39.5	1	
-5	45809-10		* TRACK ASSEMBLY - Flap, inboard, Sta. 87.5	1	
-6	45381-14		* TRACK ASSEMBLY - Flap, outboard, Sta. 147.5 left	1	
	45381-15		* TRACK ASSEMBLY - Flap, outboard, Sta. 147.5 right	1	
-7	45165-20		* SPAR ASSEMBLY - Wing, rear, left	1	
	45165-21		* SPAR ASSEMBLY - Wing, rear, right	1	
-8	45165-02		* * INBOARD SPAR ASSEMBLY - Wing, rear, left	1	
	45165-03		* * INBOARD SPAR ASSEMBLY - Wing, rear, right	1	
-9	40362-30		* * OUTBOARD SPAR ASSEMBLY - Wing, rear, left	1	
	40362-31		* * OUTBOARD SPAR ASSEMBLY - Wing, rear, right	1	
-10	45165-25		* * BUSHING	1	
-10a	54344-02		* * REINFORCEMENT - Outboard rear spar, left	1	
	54344-03		* * REINFORCEMENT - Outboard rear spar, right	1	
-11	01576-04		* RIB ASSEMBLY - Rear spar assembly, Sta. 30, left	1	
	01576-05		* RIB ASSEMBLY - Rear spar assembly, Sta. 30, right	1	
-12	40383-08		* RIB ASSEMBLY - Rear spar assembly, trailing edge, Sta. 30, left	1	
	40383-09		* RIB ASSEMBLY - Rear spar assembly, trailing edge, Sta. 30, right	1	
-13	40389-00		* BRACKET - Rear spar, main landing gear actuator support, left	1	
	40389-01		* BRACKET - Rear spar, main landing gear actuator support, right	1	
-14	45439-02		* RIB ASSEMBLY - Rear spar assembly, trailing edge, Sta. 39.5, left	1	
	45439-03		* RIB ASSEMBLY - Rear spar assembly, trailing edge, Sta. 39.5, right	1	
-15	01577-04		* RIB ASSEMBLY - Rear spar assembly, Sta. 39.5, left	1	
	01577-05		* RIB ASSEMBLY - Rear spar assembly, Sta. 39.5, right	1	
-16	01579-02		* RIB ASSEMBLY - Rear spar assembly, Sta. 58.5, left	1	
	01579-03		* RIB ASSEMBLY - Rear spar assembly, Sta. 58.5, right	1	
-17	45458-02		* RIB ASSEMBLY - Rear spar assembly, trailing edge, Sta. 58.5, left	1	
	45458-03		* RIB ASSEMBLY - Rear spar assembly, trailing edge, Sta. 58.5, right	1	
-18	40419-24		* RIB ASSEMBLY - Rear spar assembly, Sta. 67.5, left	1	
	40419-25		* RIB ASSEMBLY - Rear spar assembly, Sta. 67.5, right	1	
-19	45467-16		* RIB ASSEMBLY - Rear spar assembly, Sta. 67.5, left	1	
	45467-17		* RIB ASSEMBLY - Rear spar assembly, Sta. 67.5, right	1	

When ordering, always specify Part Number, Description and Serial Number of Aircraft

PIPER PARTS CATALOG

Figure and Index Number	Part Number	Code	NOMENCLATURE	No. Req.	SERIAL NUMBERS AFFECTED
		1234567			
7-20	45467-12	*	RIB ASSEMBLY - Rear spar assembly, Sta. 67.5, left.....	1	
	45467-13	*	RIB ASSEMBLY - Rear spar assembly, Sta. 67.5, right.....	1	
-21	45467-14	*	RIB ASSEMBLY - Rear spar assembly, trailing edge, Sta. 67.5, left.....	1	
	45467-15	*	RIB ASSEMBLY - Rear spar assembly, trailing edge, Sta. 67.5, right.....	1	
-22	01578-02	*	RIB ASSEMBLY - Rear spar assembly, Sta. 49, left.....	1	
	01578-03	*	RIB ASSEMBLY - Rear spar assembly, Sta. 49, right.....	1	
-23	45449-08	*	RIB ASSEMBLY - Rear spar assembly, trailing edge, Sta. 49, left.....	1	
	45449-09	*	RIB ASSEMBLY - Rear spar assembly, trailing edge, Sta. 49, right.....	1	
-24	45477-02	*	RIB ASSEMBLY - Rear spar assembly, trailing edge, Sta. 77.5, left.....	1	
	45477-03	*	RIB ASSEMBLY - Rear spar assembly, trailing edge, Sta. 77.5, right.....	1	
-25	45477-04	*	RIB ASSEMBLY - Rear spar assembly, Sta. 77.5, left.....	1	
	45477-05	*	RIB ASSEMBLY - Rear spar assembly, Sta. 77.5, right.....	1	
-26	45477-06	*	RIB ASSEMBLY - Rear spar assembly, Sta. 77.5, left.....	1	
	45477-07	*	RIB ASSEMBLY - Rear spar assembly, Sta. 77.5, right.....	1	
-27	40435-20	*	RIB ASSEMBLY - Rear spar assembly, Sta. 77.5, left.....	1	
	40435-21	*	RIB ASSEMBLY - Rear spar assembly, Sta. 77.5, right.....	1	
-28	40446-34	*	RIB ASSEMBLY - Rear spar assembly, Sta. 97.5, left.....	1	
	40446-35	*	RIB ASSEMBLY - Rear spar assembly, Sta. 97.5, right.....	1	
-29	45497-34	*	RIB ASSEMBLY - Rear spar assembly, trailing edge, Sta. 97.5, left.....	1	
	45497-33	*	RIB ASSEMBLY - Rear spar assembly, trailing edge, Sta. 97.5, right.....	1	
-30	40455-26	*	RIB ASSEMBLY - Rear spar assembly, Sta. 87.5, left.....	1	
	40455-27	*	RIB ASSEMBLY - Rear spar assembly, Sta. 87.5, right.....	1	
-31	40470-32	*	RIB ASSEMBLY - Rear spar assembly, Sta. 109.5, left.....	1	
	40470-33	*	RIB ASSEMBLY - Rear spar assembly, Sta. 109.5, right.....	1	
-32	45409-02	*	RIB ASSEMBLY - Rear spar assembly, trailing edge, Sta. 109.5, left.....	1	
	45409-03	*	RIB ASSEMBLY - Rear spar assembly, trailing edge, Sta. 109.5, right.....	1	
-33	45460-02	*	RIB ASSEMBLY - Rear spar assembly, trailing edge, Sta. 160.5, left.....	1	
	45460-03	*	RIB ASSEMBLY - Rear spar assembly, trailing edge, Sta. 160.5, right.....	1	

When ordering, always specify Part Number, Description and Serial Number of Aircraft

PIPER PARTS CATALOG

Figure and Index Number	Part Number	Code	NOMENCLATURE	No. Req.	SERIAL NUMBERS AFFECTED
		1234567			
7-34	40475-20	*	RIB ASSEMBLY - Rear spar assembly, Sta. 160.5, left.....	1	
	40475-21	*	RIB ASSEMBLY - Rear spar assembly, Sta. 160.5, right.....	1	
-35	01580-02	*	RIB ASSEMBLY - Rear spar assembly, Sta. 174.5, left.....	1	
	01580-03	*	RIB ASSEMBLY - Rear spar assembly, Sta. 174.5, right.....	1	
-36	40486-22	*	RIB ASSEMBLY - Rear spar assembly, Sta. 121.5, left.....	1	
	40486-23	*	RIB ASSEMBLY - Rear spar assembly, Sta. 121.5, right.....	1	
-37	45421-02	*	RIB ASSEMBLY - Rear spar assembly, trailing edge, Sta. 121.5, left.....	1	
	45421-03	*	RIB ASSEMBLY - Rear spar assembly, trailing edge, Sta. 121.5, right.....	1	
-38	45434-02	*	RIB ASSEMBLY - Rear spar assembly, trailing edge, Sta. 134.5, left.....	1	
	45434-03	*	RIB ASSEMBLY - Rear spar assembly, trailing edge, Sta. 134.5, right.....	1	
-39	40489-28	*	RIB ASSEMBLY - Rear spar assembly, Sta. 134.5, left.....	1	
	40489-29	*	RIB ASSEMBLY - Rear spar assembly, Sta. 134.5, right.....	1	
-40	40490-22	*	RIB ASSEMBLY - Rear spar assembly, Sta. 147.5, left.....	1	
	40490-23	*	RIB ASSEMBLY - Rear spar assembly, Sta. 147.5, right.....	1	
-41	01583-04	*	RIB ASSEMBLY - Rear spar assembly, Sta. 221.5, left.....	1	
	01583-05	*	RIB ASSEMBLY - Rear spar assembly, Sta. 221.5, right.....	1	
-42	01582-02	*	RIB ASSEMBLY - Rear spar assembly, Sta. 189.50, left.....	1	
	01582-03	*	RIB ASSEMBLY - Rear spar assembly, Sta. 189.50, right.....	1	
-43	40530-14	*	RIB ASSEMBLY - Rear spar assembly, trailing edge, Sta. 189.5, left.....	1	
	40530-15	*	RIB ASSEMBLY - Rear spar assembly, trailing edge, Sta. 189.5, right.....	1	
-44	40530-20	*	RIB ASSEMBLY - Rear spar assembly, Sta. 205, left.....	1	
	40530-21	*	RIB ASSEMBLY - Rear spar assembly, Sta. 205, right.....	1	
-45	40530-16	*	RIB ASSEMBLY - Rear spar assembly, trailing edge, Sta. 205, left.....	1	
	40530-17	*	RIB ASSEMBLY - Rear spar assembly, trailing edge, Sta. 205, right.....	1	
-46	40474-02	*	BULKHEAD - Rear spar assembly, wheel well rear, inboard, left.....	1	
	40474-03	*	BULKHEAD - Rear spar assembly, wheel well rear, inboard, right.....	1	
-47	40652-00	*	BRACKET - Rear spar assembly, main gear actuator.....	1	
-48	01584-02	*	BULKHEAD ASSEMBLY - Rear spar assembly, wheel well front, left.....	1	
	01584-03	*	BULKHEAD ASSEMBLY - Rear spar assembly, wheel well front, right.....	1	

When ordering, always specify Part Number, Description and Serial Number of Aircraft

PIPER PARTS CATALOG

Figure and Index Number	Part Number	Code	NOMENCLATURE	No. Req.	SERIAL NUMBERS AFFECTED
		1234567			
7-49	40438-00	*	ANGLE - Rear spar assembly, wing rib rear attachment, left	1	
	40438-01	*	ANGLE - Rear spar assembly, wing rib rear attachment, right	1	
-50	40439-00	*	CHANNEL - Rear spar assembly, actuator bracket support, left	1	
	40439-01	*	CHANNEL - Rear spar assembly, actuator bracket support, right	1	
-51	45501-00	*	BULKHEAD ASSEMBLY - Rear spar assembly, main gear support, rear, left	1	
	45501-01	*	BULKHEAD ASSEMBLY - Rear spar assembly, main gear support, rear, right	1	
-52	40776-00	*	BRACKET - Rear spar assembly, main gear actuator reinforcement	1	
-53	40465-00	*	ANGLE - Rear spar assembly, fuel cell liner support	1	
-54	40466-00	*	BULKHEAD - Rear spar assembly, wheel well rear outboard, left	1	
	40466-01	*	BULKHEAD - Rear spar assembly, wheel well rear outboard, right	1	
-55	40485-00	*	ANGLE - Rear spar assembly, pulley bracket attachment, right	1	
-56	40658-00	*	BRACKET ASSEMBLY - Rear spar assembly, main gear up switch	1	
-57	40500-00	*	BULKHEAD ASSEMBLY - Rear spar assembly, main gear support, forward, left	1	
	40500-01	*	BULKHEAD ASSEMBLY - Rear spar assembly, main gear support, forward, right	1	
-58	40502-02	*	BRACKET ASSEMBLY - Rear spar assembly, main gear door outboard hinge, forward, left	1	
-59	40502-05	*	BRACKET ASSEMBLY - Rear spar assembly, main gear door outboard hinge, forward, left	1	
	40502-04	*	BRACKET ASSEMBLY - Rear spar assembly, main gear door outboard hinge, forward, right	1	
-60	45691-03	*	BRACKET ASSEMBLY - Rear spar assembly, main gear door outboard hinge, aft, left	1	
	45691-02	*	BRACKET ASSEMBLY - Rear spar assembly, main gear door outboard hinge, aft, right	1	
-61	45691-04	*	BRACKET ASSEMBLY - Rear spar assembly, main gear door outboard hinge, forward left	1	
	45961-05	*	BRACKET ASSEMBLY - Rear spar assembly, main gear door outboard hinge, forward, right	1	
-62	40507-02	*	BULKHEAD - Wing rear spar assembly, Sta. 62.81, left	1	
	40507-03	*	BULKHEAD - Wing rear spar assembly, Sta. 62.81, right	1	
-63	40509-02	*	BRACKET - Rear spar assembly, aileron pulley, upper left	1	
	40509-03	*	BRACKET - Rear spar assembly, aileron pulley, upper right	1	
-64	40509-05	*	BRACKET - Rear spar assembly, aileron pulley, lower left	1	
	40509-04	*	BRACKET - Rear spar assembly, aileron pulley, lower right	1	
-65	45380-00	*	BRACKET ASSEMBLY - Rear spar assembly, aileron hinge, Sta. 221.624, left	1	
	45380-01	*	BRACKET ASSEMBLY - Rear spar assembly, aileron hinge, Sta. 221.624, right	1	

When ordering, always specify Part Number, Description and Serial Number of Aircraft

PIPER PARTS CATALOG

Figure and Index Number	Part Number	Code	NOMENCLATURE	No. Req.	SERIAL NUMBERS AFFECTED
		1234567			
7-66	452 386		* BEARING - Aileron hinge (NAS506-4)	1	
-67	40513-00		* BRACKET - Rear spar assembly, aileron pulley, Sta. 147.5, top, left	1	
	40513-01		* BRACKET - Rear spar assembly, aileron pulley, Sta. 147.5, top, right	1	
-68	40513-01		* BRACKET - Rear spar assembly, aileron pulley, Sta. 147.5, bottom, left	1	
	40513-00		* BRACKET - Rear spar assembly, aileron pulley, Sta. 147.5, bottom, right	1	
-69	45385-00		* BULKHEAD ASSEMBLY - Wing rear spar assembly, Sta. 62.81, left	1	
	45385-01		* BULKHEAD ASSEMBLY - Wing rear spar assembly, Sta. 62.81, right	1	
-70	01581-02		* RIB - Wing rear spar assembly, Sta. 182, left	1	
	01581-03		* RIB - Wing rear spar assembly, Sta. 182, right	1	
-71	46357-07		* BRACKET ASSEMBLY - Rear spar assembly, landing gear door cylinder support, forward, left	1	
	46357-06		* BRACKET ASSEMBLY - Rear spar assembly, landing gear door cylinder support, forward, right	1	
-72	46357-08		* BRACKET ASSEMBLY - Rear spar assembly, landing gear door cylinder support, aft, left	1	
	46357-09		* BRACKET ASSEMBLY - Rear spar assembly, landing gear door cylinder support, aft, right	1	
-73	40560-03		* BRACKET - Rear spar assembly, main gear door hinge, aft, left	1	
	40560-02		* BRACKET - Rear spar assembly, main gear door hinge, aft, right	1	
-74	40560-12		* BRACKET - Rear spar assembly, main gear door hinge, forward, left	1	
	40560-11		* BRACKET - Rear spar assembly, main gear door hinge, forward, right	1	
-75	40560-05		* BRACKET - Rear spar assembly, main gear door hinge, aft, left	1	
	40560-04		* BRACKET - Rear spar assembly, main gear door hinge, aft, right	1	
-76	40560-04		* BRACKET - Rear spar assembly, main gear door hinge, forward, left	1	
	40560-05		* BRACKET - Rear spar assembly, main gear door hinge, forward, right	1	
-77	40561-00		* BRACKET ASSEMBLY - Rear spar assembly, aileron bellcrank, left	1	
	40561-01		* BRACKET ASSEMBLY - Rear spar assembly, aileron bellcrank, right	1	
-78	45824-00		* ANGLE - Wing bottom, rear spar assembly, forward, left	1	
	45824-01		* ANGLE - Wing bottom, rear spar assembly, forward, right	1	
-79	45838-00		* ANGLE - Wing bottom, rear spar assembly, aft, left	1	
	45838-01		* ANGLE - Wing bottom, rear spar assembly, aft, right	1	

When ordering, always specify Part Number, Description and Serial Number of Aircraft

PIPER PARTS CATALOG

Figure and Index Number	Part Number	Code	NOMENCLATURE	No. Req.	SERIAL NUMBERS AFFECTED
		1234567			
7-80	45955-00	*	ANGLE - Rear spar assembly, main gear door cutout Sta. 32, left		
	45955-01	*	ANGLE - Rear spar assembly, main gear door cutout, Sta. 32, right	1	
-81	45825-00	*	ANGLE - Rear spar assembly, main gear door cutout, Sta. 85, left	1	
	45825-01	*	ANGLE - Rear spar assembly, main gear door cutout, Sta. 85, right	1	
-82	45384-00	*	BRACKET ASSEMBLY - Rear spar assembly, aileron hinge, inboard, left	1	
	45384-01	*	BRACKET ASSEMBLY - Rear spar assembly, aileron hinge, inboard, right	1	
-83	452 386	**	BEARING - (NAS506-4)	1	
-84	40515-00	*	BRACKET - Rear spar assembly, aileron tab pulley, Sta. 147.50, right	1	
-85	40071-00	*	SEGMENT - Cable fairlead	8	
-86	40081-00	*	RING - Fairlead snap	4	
-87	41669-00	*	BRACKET - Fairlead	2	
-88	453 732	*	BUSHING - (SB-375-4)	4	
-89	40616-16	*	BRACKET ASSEMBLY - Rear spar assembly, main landing gear uplock, forward, left	1	
	40616-17	*	BRACKET ASSEMBLY - Rear spar assembly, main landing gear uplock, forward, right	1	
-90	40616-19	*	BRACKET ASSEMBLY - Rear spar assembly, main landing gear uplock, aft, left	1	
	40616-18	*	BRACKET ASSEMBLY - Rear spar assembly, main landing gear uplock, aft, right	1	
-91	54332-02	*	BRACKET ASSEMBLY - Rear spar assembly, aileron hinge, Sta. 239, left	1	
	54332-03	*	BRACKET ASSEMBLY - Rear spar assembly, aileron hinge, Sta. 239, right	1	
-92	452 386	**	BEARING - Aileron hinge (NAS506-4)	1	
-93	49457-04		BUMPER ASSEMBLY - Landing gear, left	1	
	49457-05		BUMPER ASSEMBLY - Landing gear, right	1	
-94	411 538	*	SCREW - (MS35207-269)	4	
	407 564	*	WASHER - (AN960-10)	8	
	404 887	*	NUT - (MS20365-1032C)	4	
-95	49456-03	*	BUMPER - Landing gear	4	
-96	41413-57	*	BUSHING - Landing gear bumper	4	
-97	53042-02	*	SUPPORT - Fuel cell liner, Sta. 97.50 to Sta. 109.50	2	
-98	53042-03	*	SUPPORT - Fuel cell liner, Sta. 109.50 to Sta. 121.50	2	
-99	53042-04	*	SUPPORT - Fuel cell liner, Sta. 121.50 to Sta. 134.50	2	
-100	53042-05	*	SUPPORT - Fuel cell liner, Sta. 134.50 to Sta. 147.50	2	
-101	01019-04	*	PLATE - Splice, rear spar	1	
-102	481 096		PLATE - Patch (A6914-1024-1)	4	
-103	44744-00		PLATE - Cover	2	
-104	40625-00		ANGLE - Rear spar assembly, main landing gear uplock	2	
-105	43961-02		BRACKET - Rear spar assembly, fuel cell upper support, left	1	
	43961-03		BRACKET - Rear spar assembly, fuel cell upper support, right	1	
-106	01030-02		SPAR - Rear, wing extension, left	1	
	01030-03		SPAR - Rear, wing extension, right	1	
-107	01026-02		RIB - Rear spar, Sta. 251, left	1	
	01026-03		RIB - Rear spar, Sta. 251, right	1	
-108	01025-02		RIB - Rear spar, trailing edge, Sta. 251, left	1	
	01025-03		RIB - Rear spar, trailing edge, Sta. 251, right	1	

When ordering, always specify Part Number, Description and Serial Number of Aircraft

PIPER PARTS CATALOG

Figure and Index Number	Part Number	Code	NOMENCLATURE	No. Req.	SERIAL NUMBERS AFFECTED
		1234567			
7-109	01023-02		RIB - Rear spar, trailing edge, Sta. 242, left	1	
	01023-03		RIB - Rear spar, trailing edge, Sta. 242, right	1	
.110	01022-02		RIB ASSEMBLY - Rear spar, trailing edge, Sta. 239.62, left	1	
	01022-03		RIB ASSEMBLY - Rear spar, trailing edge, Sta. 239.62, right	1	
.111	01019-02		PLATE - Splice, rear spar, left	1	
	01019-03		PLATE - Splice, rear spar, right	1	
.112	01024-02		RIB - Closure, rear spar, left	1	
	01024-03		RIB - Closure, rear spar, right	1	
.113	01021-02		BULKHEAD - Closure, rear spar, left	1	
	01021-03		BULKHEAD - Closure, rear spar, right	1	
.114	01019-06		ANGLE - Splice, rear spar, left	1	
	01019-05		ANGLE - Splice, rear spar, right	1	

When ordering, always specify Part Number, Description and Serial Number of Aircraft

**1B22 THRU 1B24
INTENTIONALLY LEFT BLANK**

PIPER PARTS CATALOG

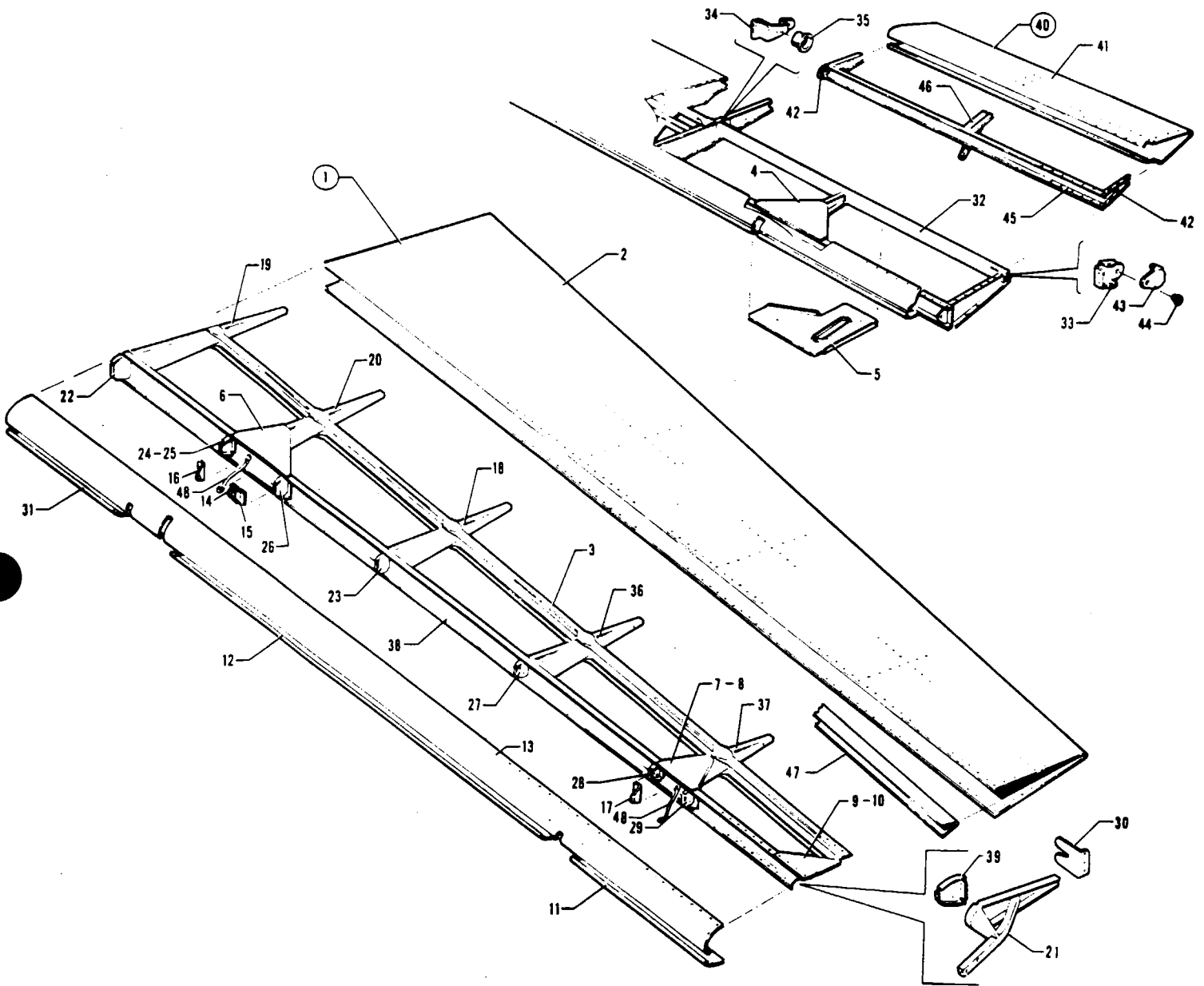


Figure 8. Aileron Assembly

PIPER PARTS CATALOG

CODE EXPLANATIONS FOR FIGURE 8

PIPER PARTS CATALOG

Figure and Index Number	Part Number	Code	NOMENCLATURE	No. Req.	SERIAL NUMBERS AFFECTED
		1234567			
8-1	40200-42		AILERON ASSEMBLY - Left	1	
	40200-43		AILERON ASSEMBLY - Right	1	
-2	40200-28		* SKIN ASSEMBLY - Aileron, left	1	
	40200-29		* SKIN ASSEMBLY - Aileron, right	1	
-3	40200-16		* * CHANNEL - Aileron skin assembly, left	2	
	40200-17		* * CHANNEL - Aileron skin assembly, right	2	
-4	40135-00		* * GUSSET - Aileron, top, right, Sta. 175	1	
-5	40138-00		* * PLATE - Aileron tab skin reinforcement, bottom, right	1	
-6	40113-00		* * GUSSET - Aileron, inboard, left, top	1	
	40113-01		* * GUSSET - Aileron, inboard, left, bottom	1	
-7	40114-00		* * GUSSET - Aileron, Sta. 222, left, top	1	
	40114-01		* * GUSSET - Aileron, Sta. 222, left, bottom	1	
-8	40114-01		* * GUSSET - Aileron, Sta. 222, right, top	1	
	40114-00		* * GUSSET - Aileron, Sta. 222, right, bottom	1	
-9	40200-19		* GUSSET - Aileron, outboard, bottom, left	1	
	40200-18		* GUSSET - Aileron, outboard, bottom, right	1	
-10	40200-18		* GUSSET - Aileron, outboard, top, left	1	
	40200-19		* GUSSET - Aileron, outboard, top, right	1	
-11	40200-48		* SKIN - Aileron, front bottom outboard, left	1	
	40200-47		* SKIN - Aileron, front bottom outboard, right	1	
-12	40200-08		* SKIN - Aileron, front bottom center, left	1	
	40200-09		* SKIN - Aileron, front bottom center, right	1	
-13	40200-50		* SKIN - Aileron, front top, left	1	
	40200-51		* SKIN - Aileron, front top, right	1	
-14	40109-00		* HORN - Aileron, front, inboard, left	1	
	40109-01		* HORN - Aileron, front, inboard, right	1	
-15	40109-01		* HORN - Aileron, front, outboard, left	1	
	40109-00		* HORN - Aileron, front, outboard, right	1	
-16	40110-02		* BRACKET - Aileron, front, Sta. 174.5, left	1	
	40110-03		* BRACKET - Aileron, front, Sta. 174.5, right	1	
-17	40112-02		* BRACKET - Aileron, front, Sta. 221.5, left	1	
	40112-03		* BRACKET - Aileron, front, Sta. 221.5, right	1	
-18	40115-00		* RIB - Aileron, Sta. 189.5, left	1	
	40115-01		* RIB - Aileron, Sta. 189.5, right	1	
-19	40182-00		* RIB - Aileron, Sta. 161.38, left	1	
	40116-00		* RIB - Aileron, Sta. 161.38, right	1	
-20	40117-00		* RIB - Aileron, Sta. 175.12, left	1	
	40118-00		* RIB - Aileron, Sta. 175.12, right	1	
-21	54336-02		* RIB ASSEMBLY - Aileron balance weight, left	1	
	54336-07		* RIB ASSEMBLY - Aileron balance weight, right	1	
-22	40127-02		* BULKHEAD - Aileron nose, Sta. 161.38, left	1	
	40127-03		* BULKHEAD - Aileron nose, Sta. 161.38, right	1	
-23	40127-04		* BULKHEAD - Aileron nose, Sta. 189.5, left	1	
	40127-05		* BULKHEAD - Aileron nose, Sta. 189.5, right	1	
-24	40128-02		* BULKHEAD - Aileron nose, Sta. 171, right	1	
-25	40128-03		* BULKHEAD - Aileron nose, Sta. 173, left	1	
-26	40129-02		* BULKHEAD - Aileron nose, Sta. 179, left	1	
	40129-03		* BULKHEAD - Aileron nose, Sta. 179, right	1	
-27	40130-00		* BULKHEAD - Aileron nose, Sta. 205, left	1	
	40130-01		* BULKHEAD - Aileron nose, Sta. 205, right	1	
-28	40132-02		* BULKHEAD - Aileron nose, Sta. 218.4, left	1	
	40132-03		* BULKHEAD - Aileron nose, Sta. 218.4, right	1	
-29	40132-04		* BULKHEAD - Aileron nose, Sta. 222, left	1	
	40132-05		* BULKHEAD - Aileron nose, Sta. 222, right	1	
-30	54339-02		* REINFORCEMENT - Outboard aileron spar, left	1	
	54339-03		* REINFORCEMENT - Outboard aileron spar, right	1	

When ordering, always specify Part Number, Description and Serial Number of Aircraft

PIPER PARTS CATALOG

Figure and Index Number	Part Number	Code	NOMENCLATURE	No. Req.	SERIAL NUMBERS AFFECTED
		1234567			
8-31	40200-06	*	SKIN - Aileron, front bottom inboard, left	1	
	40200-07	*	SKIN - Aileron, front bottom inboard, right	1	
-32	40145-00	*	SPAR - Aileron, stub, Sta. 161 to Sta. 189, right	1	
-33	40152-00	*	BRACKET ASSEMBLY - Aileron tab attachment, right	1	
-34	40163-00	*	BEARING ASSEMBLY - Aileron tab attachment, right	1	
-35	452 331	**	BEARING - Aileron bearing assembly (FF-310-3)	1	
-36	40183-00	*	RIB - Aileron, Sta. 205, left	1	
	40183-01	*	RIB - Aileron, Sta. 205, right	1	
-37	40184-00	*	RIB - Aileron, Sta. 222, left	1	
	40184-01	*	RIB - Aileron, Sta. 222, right	1	
-38	40190-16	*	SPAR ASSEMBLY - Aileron, left	1	
	40190-17	*	SPAR ASSEMBLY - Aileron, right	1	
-39	54340-02	*	BULKHEAD - Aileron nose, left	1	
	54340-03	*	BULKHEAD - Aileron nose, right	1	
-40	40178-00	*	TAB ASSEMBLY - Aileron, right	1	
-41	40178-02	**	SKIN - Aileron tab	1	
-42	40172-00	**	RIB - Aileron tab, Sta. 188.6, outboard	1	
	40149-00	**	RIB - Aileron tab, Sta. 161, inboard	1	
-43	40153-00	**	HINGE ASSEMBLY - Aileron tab assembly, Sta. 161	1	
-44	453 787	**	BEARING - Aileron tab, hinge assembly (NAS77A5-19P)	1	
-45	40142-00	**	SPAR - Aileron tab assembly, Sta. 161 to Sta. 189	1	
-46	41860-00	**	HORN ASSEMBLY - Aileron tab, Sta. 172	1	
-47	40200-44	*	CHANNEL - Aileron	1	
-48	49972-02	*	STRAP ASSEMBLY - Lightning protector	6	

When ordering, always specify Part Number, Description and Serial Number of Aircraft

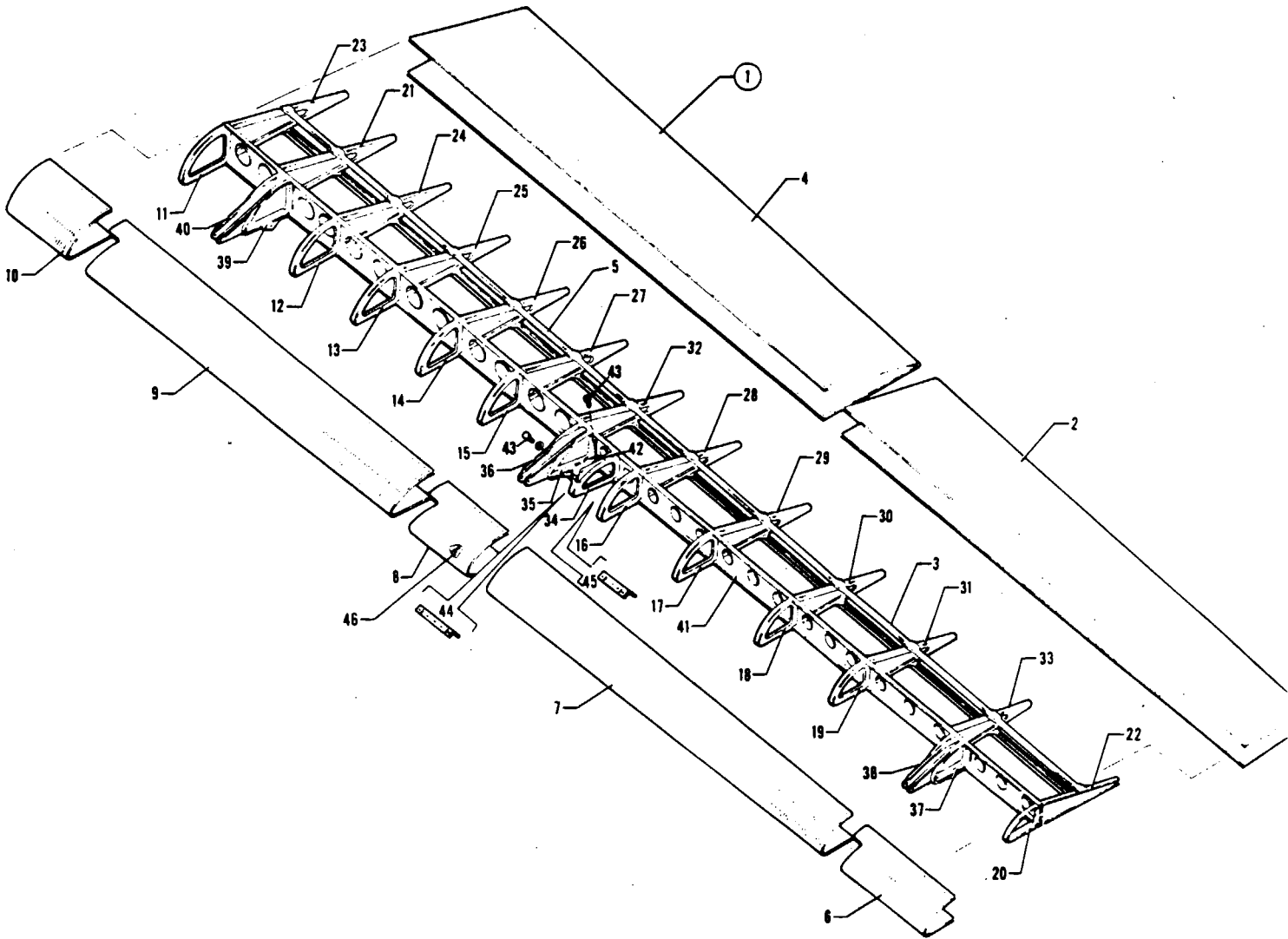


Figure 9. Flap Assembly

PIPER PARTS CATALOG

CODE EXPLANATIONS FOR FIGURE 9

PIPER PARTS CATALOG

Figure and Index Number	Part Number	Code	NOMENCLATURE	No. Req.	SERIAL NUMBERS AFFECTED
		1234567			
9-1	40185-42		FLAP ASSEMBLY - Left	1	
	40185-43		FLAP ASSEMBLY - Right	1	
-2	40185-18		* SKIN ASSEMBLY - Flap trailing edge, outboard, left	1	
	40185-19		* SKIN ASSEMBLY - Flap trailing edge, outboard, right	1	
-3	40185-17		* CHANNEL - Flap trailing edge, outboard	2	
-4	40185-20		* SKIN ASSEMBLY - Flap trailing edge, inboard, left	1	
	40185-21		* SKIN ASSEMBLY - Flap trailing edge, inboard, right	1	
-5	40185-16		* CHANNEL - Flap trailing edge, inboard	2	
-6	40185-06		* SKIN - Flap, leading edge, outboard, left	1	
	40185-07		* SKIN - Flap, leading edge, outboard, right	1	
-7	40185-08		* SKIN - Flap, leading edge, Sta 97.5 to Sta 147.5, left	1	
	40185-09		* SKIN - Flap, leading edge, Sta 97.5 to Sta 147.5, right	1	
-8	40185-38		* SKIN - Flap, leading edge, center, left	1	
	40185-39		* SKIN - Flap, leading edge, center, right	1	
-9	40185-36		* SKIN - Flap, leading edge, Sta 40 to Sta 87.5, left	1	
	40185-37		* SKIN - Flap, leading edge, Sta 40 to Sta 87.5, right	1	
-10	40185-14		* SKIN - Flap, leading edge, inboard, left	1	
	40185-15		* SKIN - Flap, leading edge, inboard, right	1	
-11	40137-02		* BULKHEAD - Flap nose, Sta 30, left	1	
	40137-03		* BULKHEAD - Flap nose, Sta 30, right	1	
-12	40137-04		* BULKHEAD - Flap nose, Sta 49, left	1	
	40137-05		* BULKHEAD - Flap nose, Sta 49, right	1	
-13	40144-02		* BULKHEAD - Flap nose, Sta 58.5, left	1	
	40144-03		* BULKHEAD - Flap nose, Sta 58.5, right	1	
-14	40144-04		* BULKHEAD - Flap nose, Sta 67.5, left	1	
	40144-05		* BULKHEAD - Flap nose, Sta 67.5, right	1	
-15	40144-06		* BULKHEAD - Flap nose, Sta 77.5, left	1	
	40144-07		* BULKHEAD - Flap nose, Sta 77.5, right	1	
-16	40147-02		* BULKHEAD - Flap nose, Sta 97.5, left	1	
	40147-03		* BULKHEAD - Flap nose, Sta 97.5, right	1	
-17	40147-04		* BULKHEAD - Flap nose, Sta 109.5, left	1	
	40147-05		* BULKHEAD - Flap nose, Sta 109.5, right	1	
-18	40147-06		* BULKHEAD - Flap nose, Sta 121.5, left	1	
	40147-07		* BULKHEAD - Flap nose, Sta 121.5, right	1	
-19	40147-08		* BULKHEAD - Flap nose, Sta 134.5, left	1	
	40147-09		* BULKHEAD - Flap nose, Sta 134.5, right	1	
-20	40147-10		* BULKHEAD - Flap nose, Sta 160.5, left	1	
	40147-11		* BULKHEAD - Flap nose, Sta 160.5, right	1	
-21	40157-00		* RIB - Flap, Sta 39.5, left	1	
	40157-01		* RIB - Flap, Sta 39.5, right	1	
-22	40165-00		* RIB - Flap, Sta 160.5, left	1	
	40165-01		* RIB - Flap, Sta 160.5, right	1	
-23	40166-00		* RIB - Flap, Sta 30, left	1	
	40166-01		* RIB - Flap, Sta 30, right	1	
-24	40166-02		* RIB - Flap, Sta 49, left	1	
	40166-03		* RIB - Flap, Sta 49, right	1	
-25	40167-00		* RIB - Flap, Sta 58.5, left	1	
	40167-01		* RIB - Flap, Sta 58.5, right	1	
-26	40167-02		* RIB - Flap, Sta 67.5, left	1	
	40167-03		* RIB - Flap, Sta 67.5, right	1	
-27	40167-04		* RIB - Flap, Sta 77.5, left	1	
	40167-05		* RIB - Flap, Sta 77.5, right	1	
-28	40167-06		* RIB - Flap, Sta 97.5, left	1	
	40167-07		* RIB - Flap, Sta 97.5, right	1	
-29	40167-08		* RIB - Flap, Sta 109.5, left	1	
	40167-09		* RIB - Flap, Sta 109.5, right	1	

When ordering, always specify Part Number, Description and Serial Number of Aircraft

PIPER PARTS CATALOG

Figure and Index Number	Part Number	Code	NOMENCLATURE	No. Req.	SERIAL NUMBERS AFFECTED
		1234567			
9-30	40167-10	*	RIB - Flap, Sta. 121.5, left	1	
	40167-11	*	RIB - Flap, Sta. 121.5, right	1	
-31	40167-12	*	RIB - Flap, Sta. 134.5, left	1	
	40167-13	*	RIB - Flap, Sta. 134.5, right	1	
-32	40168-00	*	RIB - Flap, Sta. 87.5, left	1	
	40168-01	*	RIB - Flap, Sta. 87.5, right	1	
-33	40168-02	*	RIB - Flap, Sta. 147.5, left	1	
	40168-03	*	RIB - Flap, Sta. 147.5, right	1	
-34	42078-04	*	BULKHEAD ASSEMBLY - Flap nose, Sta. 92.94, left	1	
	42078-05	*	BULKHEAD ASSEMBLY - Flap nose, Sta. 92.94, right	1	
-35	71109-02	*	BRACKET ASSEMBLY - Flap roller, Sta. 87.5, outboard, left	1	
	71109-03	*	BRACKET ASSEMBLY - Flap roller, Sta. 87.5, outboard, right	1	
-36	71109-04	*	BRACKET ASSEMBLY - Flap roller, Sta. 87.5, inboard, left	1	
	71109-05	*	BRACKET ASSEMBLY - Flap roller, Sta. 87.5, inboard, right	1	
-37	72781-02	*	BRACKET ASSEMBLY - Flap roller, Sta. 147.5, outboard, left	1	
	72781-03	*	BRACKET ASSEMBLY - Flap roller, Sta. 147.5, outboard, right	1	
-38	72781-04	*	BRACKET ASSEMBLY - Flap roller, Sta. 147.5, inboard, left	1	
	72781-05	*	BRACKET ASSEMBLY - Flap roller, Sta. 147.5, inboard, right	1	
-39	40177-02	*	BRACKET ASSEMBLY - Flap roller, Sta. 39.5, outboard, left	1	
	40177-03	*	BRACKET ASSEMBLY - Flap roller, Sta. 39.5, outboard, right	1	
-40	40177-04	*	BRACKET ASSEMBLY - Flap roller, Sta. 39.5, inboard, left	1	
	40177-05	*	BRACKET ASSEMBLY - Flap roller, Sta. 39.5, inboard, right	1	
41	40162-10	*	SPAR - Flap, left	1	
	40162-11	*	SPAR - Flap, right	1	
42	74120-02	*	HORN ASSEMBLY - Flap control, Sta. 92.94	1	
-43	400 003	*	BOLT - (AN4-6A)	2	
	407 565	*	WASHER - (AN960-416)	2	
44	71118-04	*	ANGLE - Flap reinforcement, left	1	
	71118-05	*	ANGLE - Flap reinforcement, right	1	
-45	42037-00	*	ANGLE - Flap reinforcement, left	1	
	42037-01	*	ANGLE - Flap reinforcement, right	1	
46	41458-00	*	ANGLE - Flap indicator arm attachment, left	1	

When ordering, always specify Part Number, Description and Serial Number of Aircraft

PIPER PARTS CATALOG

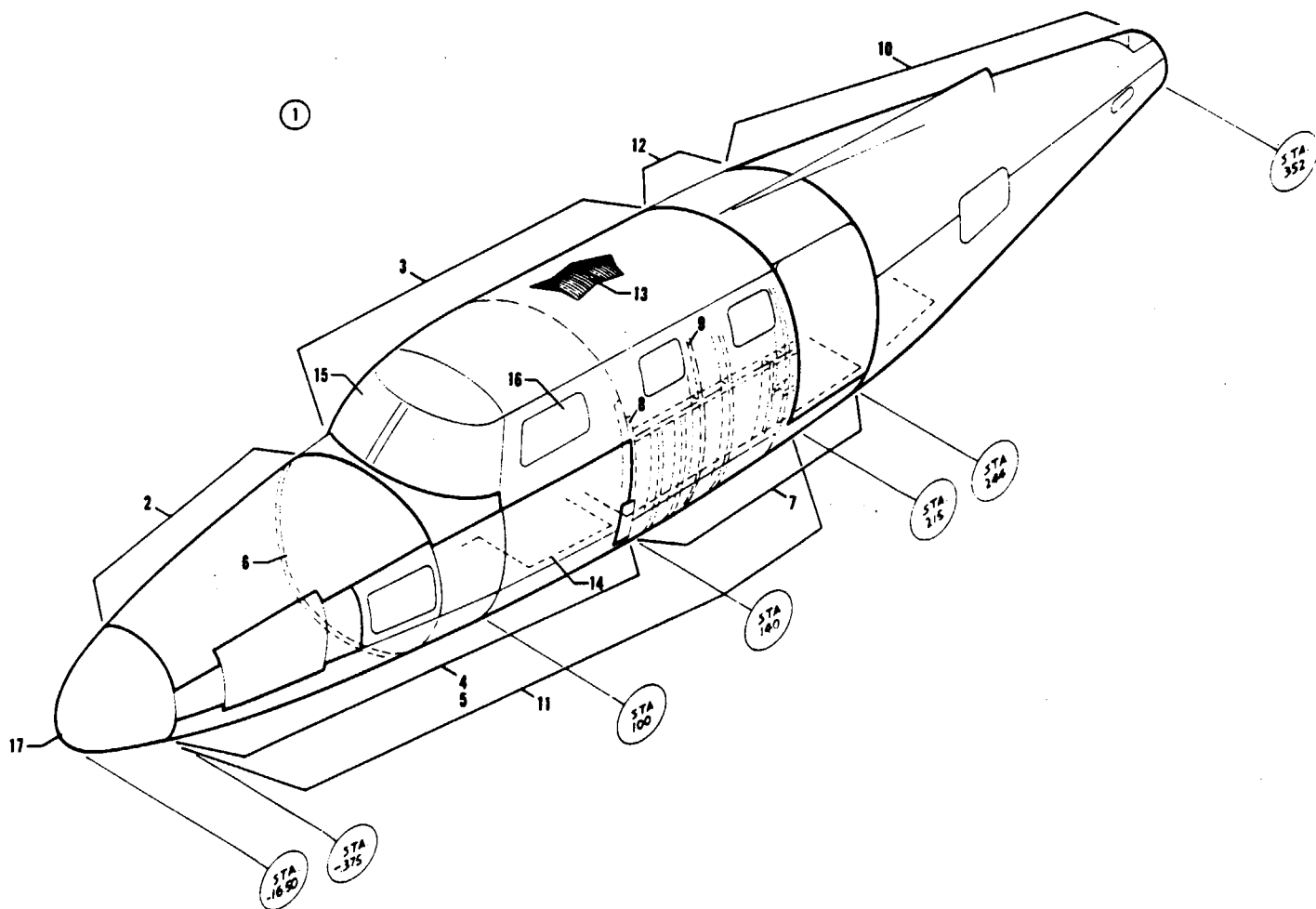


Figure 10. Fuselage Assembly

PIPER PARTS CATALOG

CODE EXPLANATIONS FOR FIGURE 10

- A - See Figure 11 for component parts.
- B - See Figure 12 for component parts.
- C - See Figure 13 for component parts.
- D - See Figure 14 for component parts.
- E - See Figure 15 for component parts.
- F - See Figure 16 for component parts.
- G - See Figure 17 for component parts.
- H - See Figure 18 for component parts.
- J - See Figures 19 and 20 for component parts.
- K - See Figure 21 for component parts.
- L - See Figure 22 for component parts.
- M - See Figure 23 for component parts.
- N - See Figure 24 for component parts.
- O - See Figure 25 for component parts.
- P - See Figure 26 for component parts.
- R - See Figure 28 for component parts.
- S - Used if cargo door is not installed.
- T - Used if cargo door is installed.
- U - See Figures 19A and 20 for component parts.

PIPER PARTS CATALOG

Figure and Index Number	Part Number	Code	NOMENCLATURE	No. Req.	SERIAL NUMBERS AFFECTED
			1234567		
10-	82015		DRAWING - Fuselage Assembly (Complete)		
	82097		DRAWING - Fuselage Assembly		
-1	82097-02	S	FUSELAGE ASSEMBLY	1	
	82097-03	T	FUSELAGE ASSEMBLY	1	
-2		A	* UPPER FORWARD SECTION ASSEMBLY - Fuselage	1	
-3		B	* UPPER CABIN SECTION ASSEMBLY - Fuselage	1	
-4		C	* LOWER FORWARD SECTION ASSEMBLY - Fuselage	1	
-5		D	* * LOWER FORWARD FRAME ASSEMBLY - Fuselage	1	
-6		E	* * * PRESSURE BULKHEAD ASSEMBLY - Fuselage, Sta. 81	1	
-7		F	* LOWER REAR SECTION ASSEMBLY - Fuselage	1	
-8		G	* * LOWER CENTER FRAME ASSEMBLY - Fuselage	1	
-9		H	* * LOWER REAR FRAME ASSEMBLY - Fuselage	1	
-10		J,S	* AFT SECTION - Fuselage	1	
		T,U	* AFT SECTION - Fuselage	1	
-11		K	* STRUCTURE INSTALLATION - Fuselage Sta. -.375 to Sta. 215	1	
-12		L	* STRUCTURE INSTALLATION - Fuselage, Sta. 215 to Sta. 244	1	
-13		M	* INNER SKIN INSTALLATION - Fuselage	1	
-14		N	* FLOORBOARD INSTALLATION	1	
-15		O	* WINDSHIELD INSTALLATION	1	
-16		P	* WINDOWS INSTALLATION - External	1	
-17		R	* NOSE CONE INSTALLATION	1	

When ordering, always specify Part Number, Description and Serial Number of Aircraft

PIPER PARTS CATALOG

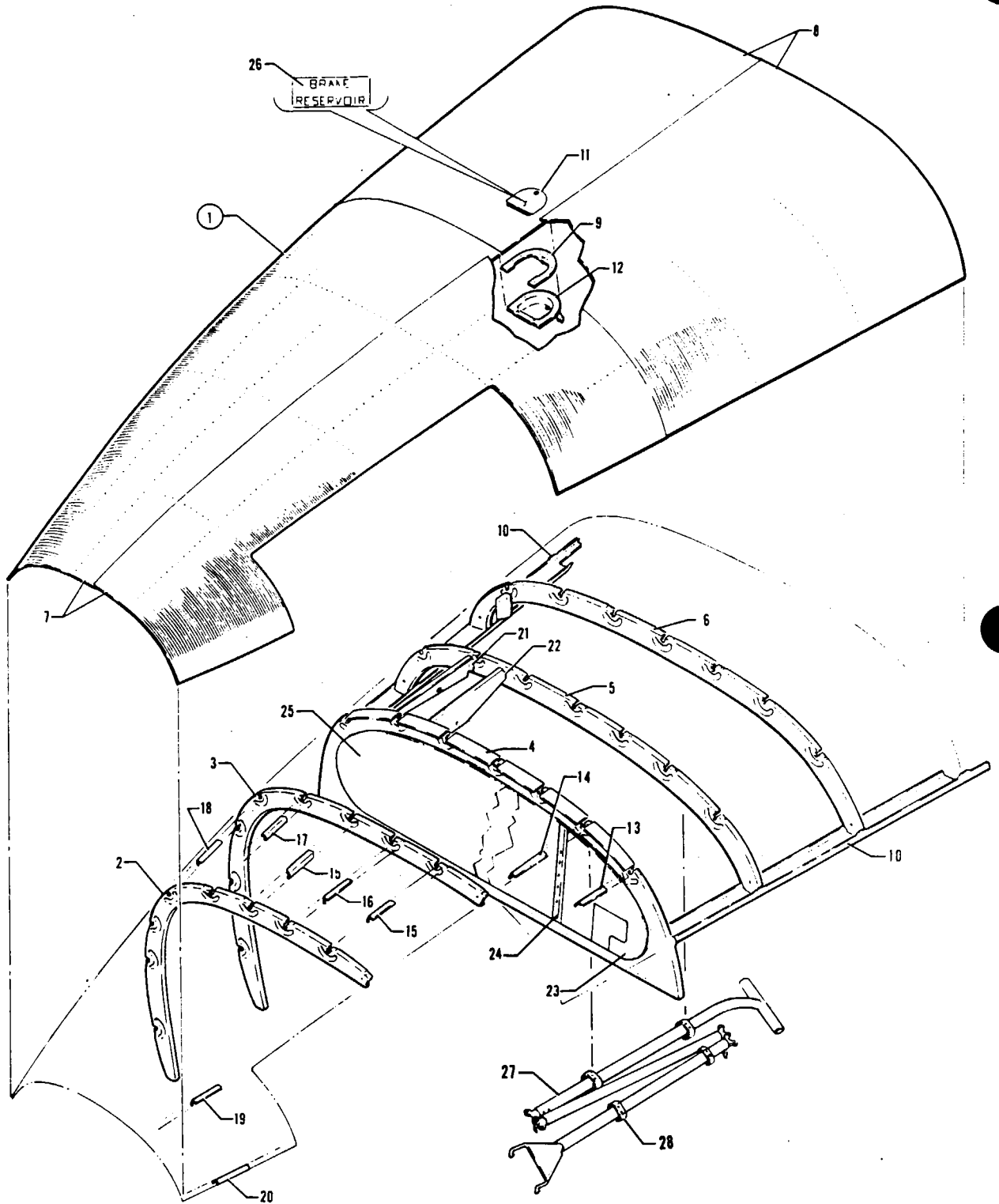


Figure 11. Upper Forward Section Assembly

PIPER PARTS CATALOG

CODE EXPLANATIONS FOR FIGURE 11

PIPER PARTS CATALOG

Figure and Index Number	Part Number	Code	NOMENCLATURE	No. Req.	SERIAL NUMBERS AFFECTED
		1234567			
11-1	45733-02		SECTION ASSEMBLY - Upper forward fuselage	1	
-2	45324-05		* BULKHEAD - Upper forward fuselage, Sta. 24	1	
-3	45337-07		* BULKHEAD ASSEMBLY - Upper forward fuselage, Sta. 37	1	
-4	01415-07		* BULKHEAD ASSEMBLY - Upper forward fuselage, Sta. 49.6	1	
-5	45359-00		* BULKHEAD ASSEMBLY - Upper forward fuselage, Sta. 59	1	
-6	45370-02		* BULKHEAD - Upper forward fuselage, Sta. 70	1	
-7	45864-00		* SKIN - Upper forward fuselage, left, Sta. 0 to Sta. 49.6	1	
	45864-01		* SKIN - Upper forward fuselage, right, Sta. 0 to Sta. 49.6	1	
-8	45871-00		* SKIN - Upper forward fuselage, left, Sta. 49.6 to Sta. 81	1	
	45871-01		* SKIN - Upper forward fuselage, right, Sta. 49.6 to Sta. 81	1	
-9	43833-00		* PLATE ASSEMBLY - Reinforcement, hydraulic reservoir door	1	
-10	45232-06		* CHANNEL - Access upper area, left, Sta. 49.6 to Sta. 83.75	1	
	45232-01		* CHANNEL - Access upper area, right, Sta. 49.6 to Sta. 83.75	1	
-11	42912-05		* PLATE ASSEMBLY - Access	1	
-12	43831-00		* PLATE ASSEMBLY - Hydraulic reservoir	1	
-13	45843-02		* STRINGER - Fuselage, upper forward, left, Sta. 37 to Sta. 81	1	
-14	45843-03		* STRINGER - Fuselage, upper forward, left Sta. 32 to Sta. 81	1	
-15	45843-04		* STRINGER - Fuselage, upper forward, left, Sta. 0 to Sta. 81	1	
	45843-08		* STRINGER - Fuselage, upper forward, right, Sta. 0 to Sta. 81	1	
-16	45843-06		* STRINGER - Fuselage, upper forward, B.L.O.	1	
-17	45843-10		* STRINGER - Fuselage, upper forward, right, Sta. 0 to Sta. 81	1	
-18	45843-12		* STRINGER - Fuselage, upper forward, right, Sta. 0 to Sta. 81	1	
-19	45843-09		* STRINGER - Fuselage, upper forward, left	1	
-20	45843-11		* STRINGER - Fuselage, upper forward, left	1	
-21	46225-00		* BRACKET ASSEMBLY - Upper forward fuselage, outside air box support, outboard	1	
-22	46118-00		* BRACKET ASSEMBLY - Upper forward fuselage, outside air box support, inboard	1	
-23	45349-20		COVER ASSEMBLY - Bulkhead, left	1	
-24	55524-02		* STRIP - Cover, front	1	
	55524-03		* STRIP - Cover, rear	1	
-25	45349-19		COVER ASSEMBLY - Bulkhead, right	1	
-26	48022-00		DECAL - Brake reservoir	1	
-27	47353-00		TOW BAR ASSEMBLY	1	
-28	99456-02		CLIP ASSEMBLY - Tow bar attaching	4	

When ordering, always specify Part Number, Description and Serial Number of Aircraft

PIPER PARTS CATALOG

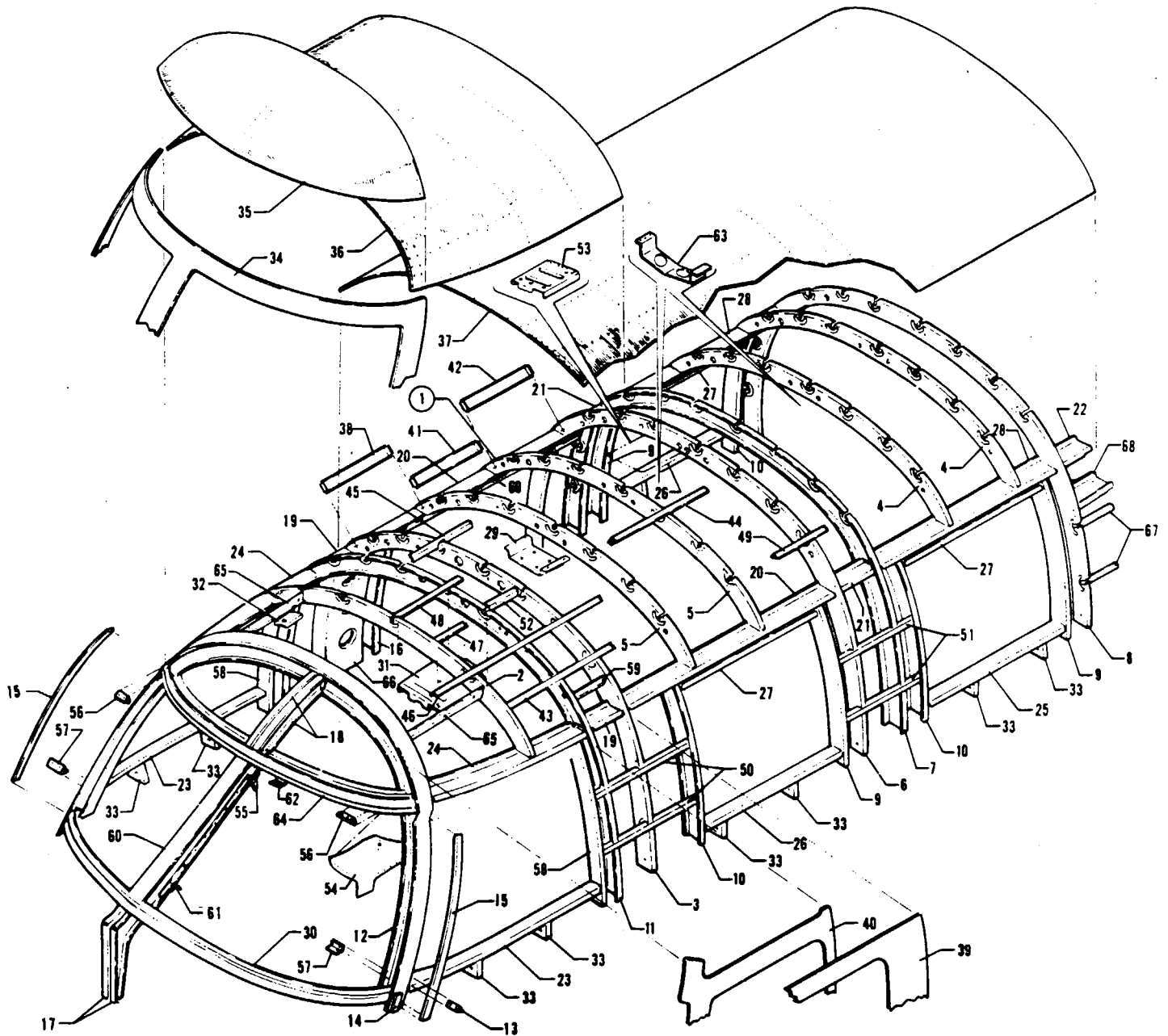


Figure 12. Upper Cabin Section Assembly

PIPER PARTS CATALOG

CODE EXPLANATIONS FOR FIGURE 12

PIPER PARTS CATALOG

Figure and Index Number	Part Number	Code	NOMENCLATURE	No. Req.	SERIAL NUMBERS AFFECTED
		1234567			
12-1	49530-02		SECTION ASSEMBLY - Fuselage, upper cabin	1	
-2	54822-10		* BULKHEAD ASSEMBLY - Fuselage, Sta. 126	1	
-3	45139-03		* BULKHEAD ASSEMBLY - Fuselage top, Sta. 140	1	
-4	45150-00		* BULKHEAD - Fuselage top, Sta. 191.7 and Sta. 203	2	
-5	45150-02		* BULKHEAD - Fuselage top, Sta. 151.3 and Sta. 162.6	2	
-6	45173-02		* BULKHEAD - Fuselage top, Sta. 174	1	
-7	45180-00		* BULKHEAD - Fuselage top, Sta. 180	1	
-8	45208-02		* BULKHEAD ASSEMBLY - Fuselage top, Sta. 209.5	1	
-9	45085-00		* BULKHEAD - Window frame	3	
-10	45085-01		* BULKHEAD - Window frame	3	
-11	45134-00		* BULKHEAD - Fuselage top, Sta. 135	1	
-12	49498-02		* BULKHEAD ASSEMBLY - Fuselage, canted, Sta. 100 to Sta. 115.3	1	
-13	56093-25		* * ANGLE - Windshield attachment, left	1	
	56093-26		* * ANGLE - Windshield attachment, right	1	
-14	49498-06		* * STRIP - Windshield filler, left	1	
	49498-05		* * STRIP - Windshield filler, right	1	
-15	56093-22		* * STRIP - Windshield filler, left	1	
	56093-23		* * STRIP - Windshield filler, right	1	
-16	45141-00		* BULKHEAD ASSEMBLY - Emergency exit frame	1	
-17	49837-02		* BULKHEAD ASSEMBLY - Windshield center channel, left	1	
	49837-03		* BULKHEAD ASSEMBLY - Windshield center channel, right	1	
-18	56061-02		* BULKHEAD - Windshield support channel, left	1	
	56061-03		* BULKHEAD - Windshield support channel, right	1	
-19	45060-01		* CHANNEL - Fuselage, Sta. 135 to Sta. 140, left	1	
	45060-00		* CHANNEL - Fuselage, Sta. 135 to Sta. 140, right	1	
-20	45016-00		* CHANNEL - Fuselage, Sta. 140 to Sta. 174, left	1	
	48288-00		* CHANNEL - Fuselage, Sta. 140 to Sta. 174, right	1	
-21	45067-00		* CHANNEL - Fuselage, Sta. 174 to Sta. 181, left	1	
	45067-02		* CHANNEL - Fuselage, Sta. 174 to Sta. 181, right	1	
-22	45074-00		* CHANNEL - Fuselage, Sta. 209.5 to Sta. 215, left	1	
	45076-00		* CHANNEL - Fuselage, Sta. 209.5 to Sta. 215, right	1	
-23	45086-02		* CHANNEL - Front, window lower frame, left	1	
	45086-03		* CHANNEL - Front, window lower frame, right	1	
-24	54894-02		* CHANNEL - Front, window upper frame, left	1	
	54894-03		* CHANNEL - Front, window upper frame, right	1	
-25	45112-00		* CHANNEL - Window lower frame	1	
-26	45112-01		* CHANNEL - Window lower frame	2	
-27	45113-00		* CHANNEL - Window upper frame	3	
-28	45071-00		* CHANNEL - Fuselage, Sta. 181 to Sta. 209.5	2	
-29	29236-04		* BRACKET ASSEMBLY - Seat belt chimes	1	
-30	56204-02		* CHANNEL ASSEMBLY - Windshield lower support	1	
-31	45737-00		* PLATE ASSEMBLY - Antenna mounting	1	
-32	45417-00		* CHANNEL - Antenna reinforcement	1	
-33	45083-00		* SUPPORT - Window frame, left	6	
	45083-01		* SUPPORT - Window frame, right	4	
-34	49572-02		* COLLAR - Windshield	1	
-35	45498-02		* SKIN - Fuselage, upper forward, Sta. 106.78 to Sta. 115.3	1	
	54898-03		* SKIN - Fuselage, upper, Sta. 115.3 to Sta. 140	1	
-37	45500-00		* SKIN - Fuselage, upper, Sta. 140 to Sta. 215	1	
-38	48269-00		* CHANNEL - Fuselage emergency exit, Sta. 140 to Sta. 151.3	1	

When ordering, always specify Part Number, Description and Serial Number of Aircraft

PIPER PARTS CATALOG

Figure and Index Number	Part Number	Code	NOMENCLATURE	No. Req.	SERIAL NUMBERS AFFECTED
		1234567			
12-39	54897-04	*	SKIN - Fuselage, front window, left, Sta. 100 to Sta. 140	1	
	54897-05	*	SKIN - Fuselage, front window, right, Sta. 100 to Sta. 140	1	
-40	54895-06	*	SKIN - Fuselage, front window doubler, left, Sta. 100 to Sta. 132	1	
	54895-07	*	SKIN - Fuselage, front window doubler, right, Sta. 100 to Sta. 132	1	
-41	48267-00	*	CHANNEL - Fuselage emergency exit, Sta. 151.3 to Sta. 162.6	1	
-42	48268-00	*	CHANNEL - Fuselage emergency exit, Sta. 162.6 to Sta. 174	1	
-43	45390-02	*	STRINGER - Upper forward cabin section, left	1	
	45390-03	*	STRINGER - Upper forward cabin section, right	1	
-44	45389-00	*	STRINGER - Upper cabin section	3	
-45	45389-01	*	STRINGER - Upper cabin section	3	
-46	45390-04	*	STRINGER - Upper forward cabin section, left	1	
	45390-05	*	STRINGER - Upper forward cabin section, right	1	
-47	45390-06	*	STRINGER - Upper forward cabin section, left	1	
	45390-07	*	STRINGER - Upper forward cabin section, right	1	
-48	45390-08	*	STRINGER - Upper forward cabin section, center	1	
-49	45389-02	*	STRINGER - Upper cabin section	1	
-50	45973-00	*	STRINGER - Fuselage, left, Sta. 131 to Sta. 148	2	
	45971-00	*	STRINGER - Fuselage, right, Sta. 131 to Sta. 148	2	
-51	45972-00	*	STRINGER - Fuselage, left, Sta. 170 to Sta. 184	2	
	45975-00	*	STRINGER - Fuselage, right, Sta. 170 to Sta. 184	2	
-52	45376-00	*	SPLICE - Stringer	7	
-53	45388-00	*	PLATE - Antenna mounting	1	
-54	59832-04	*	GUSSET - Eyebrow, left	1	
	59832-05	*	GUSSET - Eyebrow, right	1	
-55	02078-02	*	BRACKET ASSEMBLY - Windshield channel cover	1	
-56	29441-02	*	ANGLE - Eyebrow bulkhead attachment, left	1	
	29441-03	*	ANGLE - Eyebrow bulkhead attachment, right	1	
-57	56053-16	*	ANGLE - Windshield channel attachment, left	1	
	56053-17	*	ANGLE - Windshield channel attachment, right	1	
-58	54802-02	*	BULKHEAD - Window frame, left	1	
	54802-03	*	BULKHEAD - Window frame, right	1	
-59	54902-02	*	STRINGER - Upper cabin	2	
-60	56208-08	*	CHANNEL ASSEMBLY - Windshield	1	
-61	46872-04	*	BRACKET ASSEMBLY - Trim cover attachment	1	
-62	02194-02	*	BRACKET ASSEMBLY - Headliner attachment	4	
-63	49056-04	*	BRACKET ASSEMBLY - Light retaining	1	
-64	29175-02	*	BULKHEAD ASSEMBLY - Eyebrow	1	
-65	51208-00		BRACKET ASSEMBLY - Overhead cover, left	1	
	51208-01		BRACKET ASSEMBLY - Overhead cover, right	1	
-66	45424-00		SKIN - Inner, fuselage upper, Sta. 140 to Sta. 146	1	
-67	45974-00		STRINGER - Fuselage, left, Sta. 206 to Sta. 215	2	
	46000-00		STRINGER - Fuselage, right, Sta. 205 to Sta. 215	2	
-68	45646-07		CHANNEL - Door frame support, Sta. 209 to Sta. 215	1	
-69	45039-00		GUSSET - Fuselage, upper, Sta. 140 to Sta. 174	1	

When ordering, always specify Part Number, Description and Serial Number of Aircraft

PIPER PARTS CATALOG

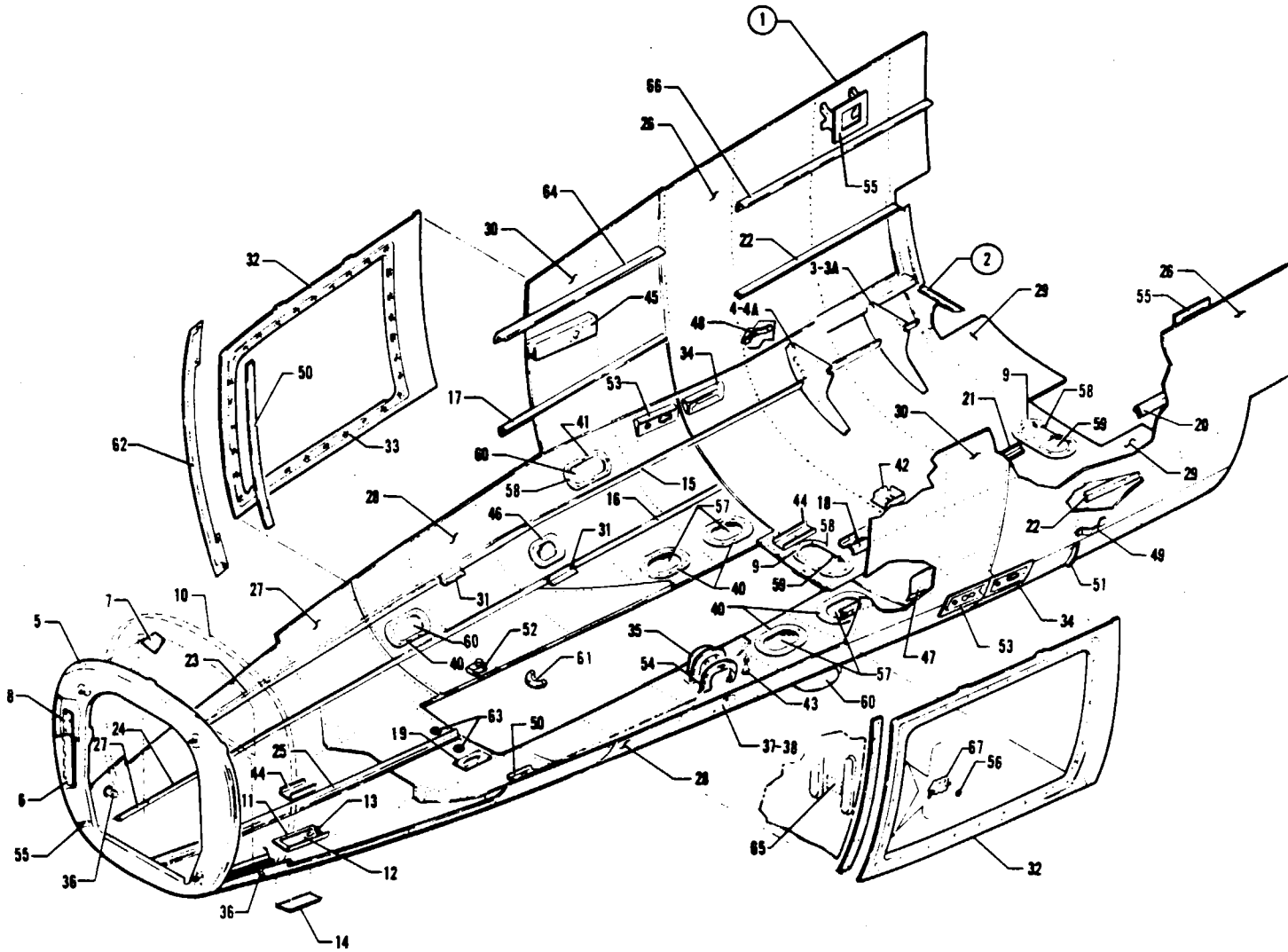


Figure 13. Lower Forward Section Assembly

PIPER PARTS CATALOG

CODE EXPLANATIONS FOR FIGURE 13

A - See Figure 14 for component parts.

PIPER PARTS CATALOG

Figure and Index Number	Part Number	Code	NOMENCLATURE	No. Req.	SERIAL NUMBERS AFFECTED
			1234567		
13-1	45703-07		SECTION ASSEMBLY - Lower forward fuselage	1	
-2	45614-08	A	* FRAME ASSEMBLY - Lower forward fuselage	1	
-3	45392-07		* BULKHEAD ASSEMBLY - Seat track support, outboard, Sta. 128.68, left	1	
	45392-06		* BULKHEAD ASSEMBLY - Seat track support, outboard, Sta. 128.68, right	1	
-3a	406 825		* * NUT - Anchor, seat track (NAS686A3K)	1	
	406 789		* * NUT - Anchor, seat track (136R-02)	1	
-4	45394-07		* BULKHEAD ASSEMBLY - Seat track support, outboard, Sta. 117.26, left	1	
	45394-06		* BULKHEAD ASSEMBLY - Seat track support, outboard, Sta. 117.26, right	1	
-4a	406 825		* * NUT - Anchor, seat track (NAS686A3K)	1	
	406 789		* * NUT - Anchor, seat track (136R-02)	1	
-5	50960-03		* BULKHEAD ASSEMBLY - Sta. 375	1	
-6	48665-00		* * HINGE ASSEMBLY - Nose cone	1	
-7	45530-00		* * PLATE - Latch bracket reinforcement	4	
-8	51828-02		* * PLATE ASSEMBLY - Adjustment, radome hinge	1	
-9	50550-00		* PLATE ASSEMBLY - Access hole reinforcement	2	
-10	50109-03		* BULKHEAD ASSEMBLY - Fuselage, Sta. 9.00	1	
-11	42512-00		* FRAME - Power receptacle door	1	
-12	42513-04		* DOOR ASSEMBLY - Power receptacle	1	
-13	472 017		* * LATCH - Push button (KM610-32)	1	
-14	47757-00		* * PLACARD - Starting procedure, external power (581 678)	1	
-15	45696-02		* STRINGER - Lower forward fuselage, left	1	
	45696-03		* STRINGER - Lower forward fuselage, right	1	
-16	45696-24		* STRINGER - Lower forward fuselage, left	1	
	45696-23		* STRINGER - Lower forward fuselage, right	1	
-17	45696-06		* STRINGER - Lower forward fuselage, left	1	
	45696-07		* STRINGER - Lower forward fuselage, right	1	
-18	45696-08		* STRINGER - Lower forward fuselage, left	1	
-19	41466-06		* MAST ASSEMBLY - Pitot tube	1	
-20	45696-10		* STRINGER - Lower forward fuselage, left	1	
-21	45696-11		* STRINGER - Lower forward fuselage, center	1	
-22	45696-12		* STRINGER - Lower forward fuselage, left	1	
	45696-13		* STRINGER - Lower forward fuselage, right	1	
-23	45696-14		* STRINGER - Lower forward fuselage, left	1	
	45696-15		* STRINGER - Lower forward fuselage, right	1	
-24	81472-30		* STRINGER - Lower forward fuselage, left	1	
	45696-17		* STRINGER - Lower forward fuselage, right	1	
-25	45696-20		* STRINGER - Lower forward fuselage, center	1	
-26	45663-00		* SKIN - Fuselage, side, Sta. 100 to Sta. 140, left	1	
	45663-01		* SKIN - Fuselage, side, Sta. 100 to Sta. 140, right	1	
-27	45666-10		* SKIN - Fuselage, bottom, Sta. 0 to Sta. 49.6, left	1	
	45666-11		* SKIN - Fuselage, bottom, Sta. 0 to Sta. 49.6, right	1	
-28	45668-06		* SKIN - Fuselage, bottom, Sta. 49.6 to Sta. 100, left	1	
	45668-03		* SKIN - Fuselage, bottom, Sta. 49.6 to Sta. 100, right	1	
-29	45673-00		* SKIN - Fuselage, bottom, Sta. 96.25 to Sta. 140, left	1	
	45673-01		* SKIN - Fuselage, bottom, Sta. 96.25 to Sta. 140, right	1	
-30	45661-00		* SKIN - Fuselage, side, Sta. 81 to Sta. 100, left	1	
	45661-01		* SKIN - Fuselage, side, Sta. 81 to Sta. 100, right	1	
-31	45376-00		* SPLICE - Stringer	4	
-32	45248-00		* FRAME ASSEMBLY - Access area, left	1	
	45248-01		* FRAME ASSEMBLY - Access area, right	1	

When ordering, always specify Part Number, Description and Serial Number of Aircraft

PIPER PARTS CATALOG

Figure and Index Number	Part Number	Code	NOMENCLATURE	No. Req.	SERIAL NUMBERS AFFECTED
		1234567			
13-33	484 293		* RECEPTACLE - (214-16D)	18	
-34	41145-02		* PLATE - Tube support, left rear	1	
	50434-00		* PLATE - Tube support, right rear	1	
-35	42910-00		* PLATE - Oxygen recharge valve mounting	1	
-36	17758-02		* TUBE ASSEMBLY	2	
-37	42912-00		* PLATE ASSEMBLY - Oxygen access	1	
-38	42971-00		* PLACARD - Oxygen warning	1	
-39	45283-03		* GUSSET - Fuselage bottom	1	
-40	20372-03		* PLATE ASSEMBLY - Access hole reinforcement	7	
-41	47439-00		* PLATE ASSEMBLY - Access hole reinforcement	1	
-42	47579-00		* PLATE - Antenna mounting	1	
-43	44107-00		* TUBE ASSEMBLY - Powerpak vent	1	
-44	43599-00		* BRACKET - Antenna mounting	1	
-45	45693-00		* BRACKET ASSEMBLY - Torque tube, Sta. 87.25, left	1	
	45693-01		* BRACKET ASSEMBLY - Torque tube, Sta. 87.25, right	1	
-46	46366-00		* BRACKET ASSEMBLY - Heater exhaust shroud	1	
-47	41585-00		* BRACKET - Support, oil and fuel pressure lines	1	
-48	02248-02		* BRACKET - Valve cable support, left	1	
-49	47034-00		* BRACKET - Valve cable support, right	1	
-50	45145-02		* STRAP - Bulkhead flange	2	
-51	43647-02		* ANGLE - Wing fillet, left	1	
	43647-03		* ANGLE - Wing fillet, right	1	
-52	81722-02		* BOX ASSEMBLY - Air inlet	1	
-53	41145-00		* PLATE - Tube support, left front	1	
	41145-01		* PLATE - Tube support, right front	1	
-54	42913-00		* PLATE ASSEMBLY - Oxygen recharge valve doubler	1	
-55	45352-00		* BRACKET - Latch	4	
-56	81102-20		WASHER - Latch assembly	2	
-57	20370-02		COVER PLATE - Access	7	
-58	414 762		SCREW - (MS24693-S51)	88	
-59	50551-00		PLATE - Access	2	
-60	47454-00		COVER PLATE - Access	3	
-61	22482-00		SCOOP - Baggage compartment vent	2	
-62	48612-02		SHIELD - Propeller ice, left	1	
	48612-03		SHIELD - Propeller ice, right	1	
-63	492 351		VENT - Battery (TBP-2501A) Right	1	
	492 352		VENT - Battery (TBP-2500A) Left	1	
-64	45696-21		STRINGER - Lower forward fuselage, right, forward	1	
-65	80495-02		PLACARD - Access panel	1	
-66	45696-22		STRINGER - Lower forward fuselage, right, aft	1	
-67	55371-02		LATCH ASSEMBLY - Access cover	2	

When ordering, always specify Part Number, Description and Serial Number of Aircraft

**1C23 THRU 1C24
INTENTIONALLY LEFT BLANK**

PIPER PARTS CATALOG

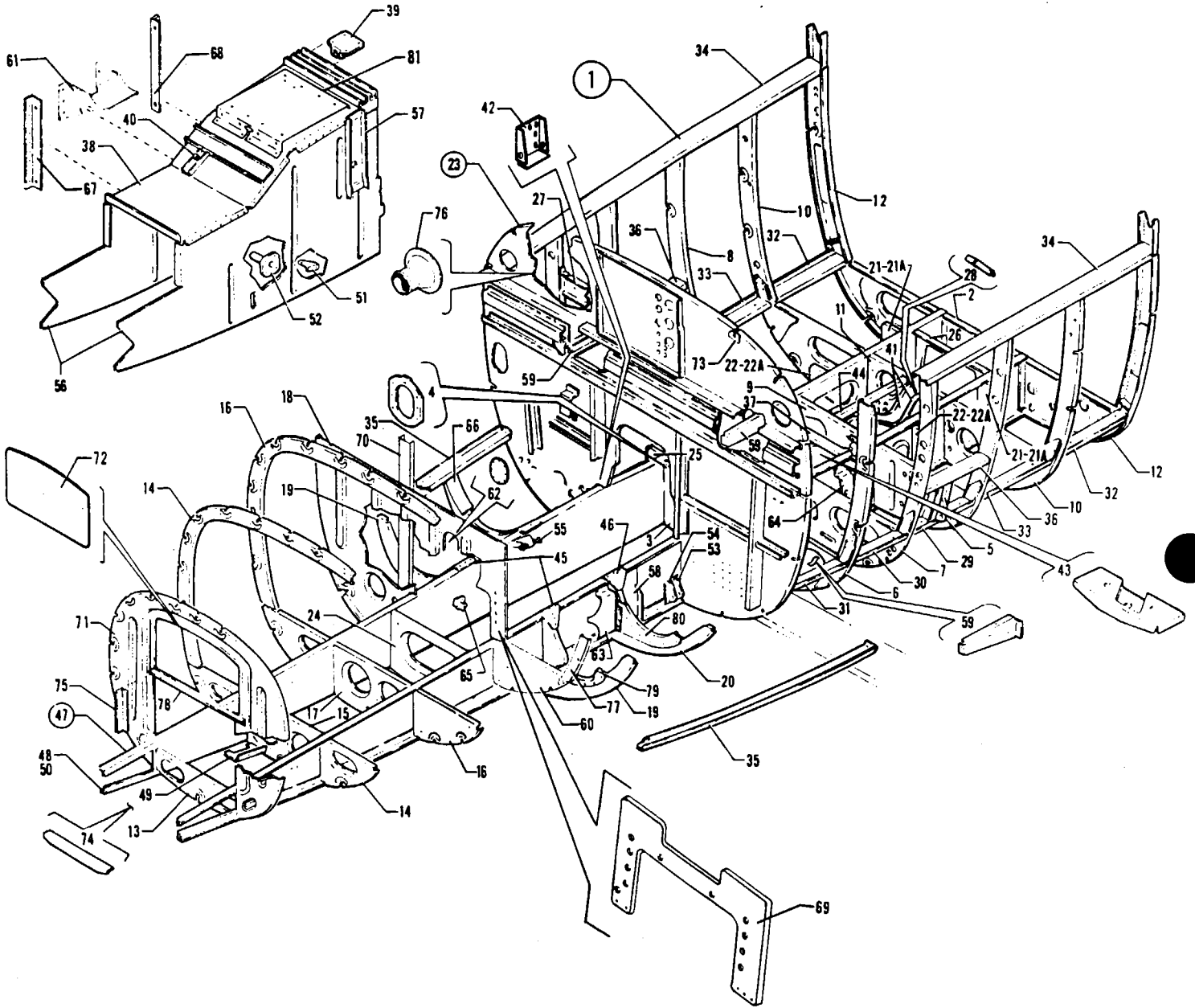


Figure 14. Lower Forward Frame Assembly

PIPER PARTS CATALOG

CODE EXPLANATIONS FOR FIGURE 14

- A - See Figure 15 for component parts
- B - Used if 50.1 cu. ft. oxygen bottle is installed.
- C - Used if 22.8 cu. ft. oxygen bottle is installed.

PIPER PARTS CATALOG

Figure and Index Number	Part Number	Code	NOMENCLATURE	No. Req.	SERIAL NUMBERS AFFECTED
		1234567			
14-1	45614-08		FRAME ASSEMBLY - Lower forward fuselage	1	
-2	40994-19		* BULKHEAD ASSEMBLY - Fuselage, Sta. 135	1	
-3	41102-04		* BULKHEAD ASSEMBLY - Fuselage, center, Sta. 96.25	1	
-4	41427-00		* * PLATE ASSEMBLY - Access hole reinforcement	1	
-5	48313-00		* BULKHEAD ASSEMBLY - Front spar attachment, left	1	
	48313-01		* BULKHEAD ASSEMBLY - Front spar attachment, right	1	
-6	45090-10		* BULKHEAD ASSEMBLY - Fuselage, left, Sta. 90.5	1	
	45090-11		* BULKHEAD ASSEMBLY - Fuselage, right, Sta. 90.5	1	
-7	45100-14		* BULKHEAD ASSEMBLY - Fuselage, left, Sta. 100	1	
	45100-19		* BULKHEAD ASSEMBLY - Fuselage, right, Sta. 100	1	
-8	45111-05		* BULKHEAD ASSEMBLY - Fuselage, left, Sta. 111.5	1	
	45111-19		* BULKHEAD ASSEMBLY - Fuselage, right, Sta. 111.5	1	
-9	45111-06		* BULKHEAD ASSEMBLY - Fuselage, center, Sta. 111.5	1	
-10	45123-04		* BULKHEAD ASSEMBLY - Fuselage, left, Sta. 123	1	
	45123-02		* BULKHEAD ASSEMBLY - Fuselage, right, Sta. 123	1	
-11	45123-06		* BULKHEAD ASSEMBLY - Fuselage, center, Sta. 123	1	
-12	45135-10		* BULKHEAD ASSEMBLY - Fuselage, left, Sta. 135	1	
	45135-09		* BULKHEAD ASSEMBLY - Fuselage, right, Sta. 135	1	
-13	50057-00		* BULKHEAD - Fuselage, lower, Sta. 9	1	
-14	45324-02		* BULKHEAD - Fuselage, left, Sta. 24	1	
	45324-04		* BULKHEAD - Fuselage, right, Sta. 24	1	
-15	45324-03		* BULKHEAD - Fuselage, center, Sta. 24	1	
-16	45337-03		* BULKHEAD - Fuselage, left, Sta. 37	1	
	45337-05		* BULKHEAD - Fuselage, right, Sta. 37	1	
-17	45337-04		* BULKHEAD - Fuselage, center, Sta. 37	1	
-18	01434-04		* BULKHEAD ASSEMBLY - Fuselage, lower, Sta. 49.6	1	
-19	01138-02		* BULKHEAD ASSEMBLY - Fuselage, left, Sta. 59	1	
	45361-00		* BULKHEAD ASSEMBLY - Fuselage, right, Sta. 59	1	
-20	81499-03		* BULKHEAD ASSEMBLY - Fuselage, lower left, Sta. 70	1	
	45371-00		* BULKHEAD ASSEMBLY - Fuselage, lower right, Sta. 70	1	
-21	45396-11		* BULKHEAD ASSEMBLY - Seat track support, left inboard, Sta. 128.68	1	
	45393-05		* BULKHEAD ASSEMBLY - Seat track support, right inboard, Sta. 128.68	1	
-21a	406 789		* * NUT - Anchor, seat track (136R-02)	2	
-22	45396-10		* BULKHEAD ASSEMBLY - Seat track support, left inboard, Sta. 117.26	1	
	47058-04		* BULKHEAD ASSEMBLY - Seat track support, right inboard, Sta. 117.26	1	
-22a	406 789		* * NUT - Anchor, seat track (136R-02)	2	
-23	50481-09	A	* BULKHEAD ASSEMBLY - Fuselage (complete) Sta. 81	1	
-24	45346-00		* BULKHEAD - Fuselage, center, Sta. 46	1	
-25	45451-00		* BULKHEAD - Wheel well support, left	1	
	45451-01		* BULKHEAD - Wheel well support, right	1	
-26	45551-00		* BULKHEAD - Center, Sta. 131.50	1	
-27	45517-06		* CHANNEL ASSEMBLY - Brake fitting support, Sta. 90.50	1	
-28	40964-00		* CHANNEL - Guide, Sta. 123	1	
-29	45028-00		* CHANNEL - Floorboard support, left, Sta. 100 to Sta. 111.5	1	
	45028-01		* CHANNEL - Floorboard support, right, Sta. 100 to Sta. 111.5	1	
-30	45029-00		* CHANNEL - Floorboard support, left, Sta. 90.5 to Sta. 100	1	
	45029-01		* CHANNEL - Floorboard support, right, Sta. 90.5 to Sta. 100	1	

When ordering, always specify Part Number, Description and Serial Number of Aircraft

PIPER PARTS CATALOG

Figure and Index Number	Part Number	Code	NOMENCLATURE	No. Req.	SERIAL NUMBERS AFFECTED
		1234567			
14-31	45032-00	*	CHANNEL - Floorboard support, left, Sta. 81 to Sta. 90.5	1	
	45032-01	*	CHANNEL - Floorboard support, right, Sta. 81 to Sta. 90.5	1	
-32	45035-00	*	CHANNEL - Floorboard support, left, Sta. 123 to Sta. 135	1	
	45035-01	*	CHANNEL - Floorboard support, right, Sta. 123 to Sta. 135	1	
-33	45036-02	*	CHANNEL - Floorboard support, left, Sta. 111.5 to Sta. 123	1	
	45036-03	*	CHANNEL - Floorboard support, right, Sta. 111.5 to Sta. 123	1	
-34	45055-00	*	CHANNEL - Fuselage, left, Sta. 81 to Sta. 135	1	
	45055-01	*	CHANNEL - Fuselage, right, Sta. 81 to Sta. 135	1	
-35	01487-04	*	CHANNEL - Access, lower left, Sta. 46 to Sta. 81	1	
	45247-01	*	CHANNEL - Access, lower right, Sta. 46 to Sta. 81	1	
-36	45294-02	*	CHANNEL - Front spar attachment, left, Sta. 100 to Sta. 111.5	1	
	45294-03	*	CHANNEL - Front spar attachment, right, Sta. 100 to Sta. 111.5	1	
-37	45662-00	*	CHANNEL ASSEMBLY - Floorboard support, Sta. 104.58	1	
-38	45342-10	*	PLATE ASSEMBLY - Nose gear cover, top	1	
-39	40985-00	**	BRACKET - Nose gear actuator	1	
-40	402 030	**	BOLT - Eye (AN42B-3A)	1	
	407 564	**	WASHER - (AN960-10)	1	
	404 887	**	NUT - (MS20365-1032C)	1	
-41	40947-04	*	BRACKET - Hydraulic hand pump, left	1	
	40947-05	*	BRACKET - Hydraulic hand pump, right	1	
-42	45018-00	*	BRACKET - Nose gear cover	1	
-43	47137-00	*	BRACKET ASSEMBLY - Trim drum mounting	1	
-44	48597-00	*	ANGLE - Floorboard support, Sta. 111.5 to Sta. 123	1	
-45	45063-00	*	CLIP - Bulkhead attachment, left, Sta. 59	1	
	45058-00	*	CLIP - Bulkhead attachment, right, Sta. 59	1	
-46	81502-02	*	CLIP - Bulkhead attachment, left, Sta. 70	1	
-47	45433-02	*	BEAM ASSEMBLY - Longitudinal, complete, left	1	
	45433-11	*	BEAM ASSEMBLY - Longitudinal, complete, right	1	
-48	45306-10	**	BEAM ASSEMBLY - Longitudinal, left	1	
	45306-11	**	BEAM ASSEMBLY - Longitudinal, right	1	
-49	41439-00	**	BRACKET - Power receptacle mounting, left	1	
-50	50459-00	**	ANGLE ASSEMBLY - Battery shelf support, left	1	
	50459-01	**	ANGLE ASSEMBLY - Battery shelf support, right	1	
-51	40620-00	*	BRACKET - Spring attachment, left	1	
	40620-01	*	BRACKET - Spring attachment, right	1	
-52	41033-00	**	FITTING ASSEMBLY - Nose gear door actuator, Sta. 63	1	
-53	45194-01	**	BRACKET ASSEMBLY - Nose gear door hinge	2	
-54	45194-00	**	BRACKET ASSEMBLY - Nose gear door hinge	2	
-55	40998-00	*	STOP ASSEMBLY - Nose gear downlock, right	1	
-56	45341-00	**	PLATE ASSEMBLY - Nose gear cover, side, left	1	
	45341-21	**	PLATE ASSEMBLY - Nose gear cover, side, right	1	
-57	46867-00	**	CHANNEL - Wheel well reinforcement, left	1	
-58	46907-00	**	BRACKET - Drag link reinforcement, left	1	
	41054-01	**	BRACKET - Drag link reinforcement, right	1	

When ordering, always specify Part Number, Description and Serial Number of Aircraft

PIPER PARTS CATALOG

Figure and Index Number	Part Number	Code	NOMENCLATURE	No. Req.	SERIAL NUMBERS AFFECTED
		1234567			
14-59	45887-00		* BRACKET - Brake fitting support, left, Sta. 81 to Sta. 90.5	1	
	45887-01		* BRACKET - Brake fitting support, right, Sta. 81 to Sta. 90.5	1	
-60	01869-02		* BULKHEAD ASSEMBLY - Fuselage, lower, left bottom, Sta. 49.6	1	
-61	01657-02		* BRACKET ASSEMBLY - Combustion air blower motor support	1	
-62	48103-00		* PLATE - Access hole cover	1	
-63	46949-00		* BRACKET - Nose gear steering pulley	1	
-64	47041-00		* BRACKET - Nose gear steering pulley	1	
-65	40617-00		* BRACKET ASSEMBLY - Stop	2	
-66	50820-00		* REINFORCEMENT - Bulkhead, right, Sta. 70	1	
-67	82184-02		* ANGLE - Condenser pallet support, forward	1	
-68	82186-02		* ANGLE - Condenser pallet support, aft	1	
-69	01672-02		* PLATE - Bulkhead reinforcement	1	
-70	01674-02		* CHANNEL - Bulkhead support, left	1	
	01675-02		* CHANNEL - Bulkhead support, right	1	
-71	50109-03		BULKHEAD ASSEMBLY - Fuselage, Sta. 9	1	
-72	29341-02		COVER ASSEMBLY - Radar access, Sta. 9	1	
-73	47480-00		PLATE - Stringer seal	10	
-74	50540-02		ANGLE ASSEMBLY - Battery shelf support	1	
-75	50950-01		ANGLE ASSEMBLY - Battery box support, left	1	
	50950-00		ANGLE ASSEMBLY - Battery box support, right	1	
-76	46102-00		OUTLET ASSEMBLY - Recirculated air	1	
-77	01428-02		BULKHEAD - Fuselage, lower, left side, Sta. 49.6	1	
-78	50072-00		ANGLE - Battery shelf support	1	
-79	01604-03	C	BRACKET - Oxygen bottle mounting, left, Sta. 59	1	
	01858-02	B	BRACKET - Oxygen bottle mounting, left, Sta. 59	1	
-80	01604-02	C	BRACKET - Oxygen bottle mounting, left, Sta. 70	1	
	01857-02	B	BRACKET - Oxygen bottle mounting, left, Sta. 70	1	
-81	02277-02		SHELF ASSEMBLY - Annunciator controller	1	

When ordering, always specify Part Number, Description and Serial Number of Aircraft

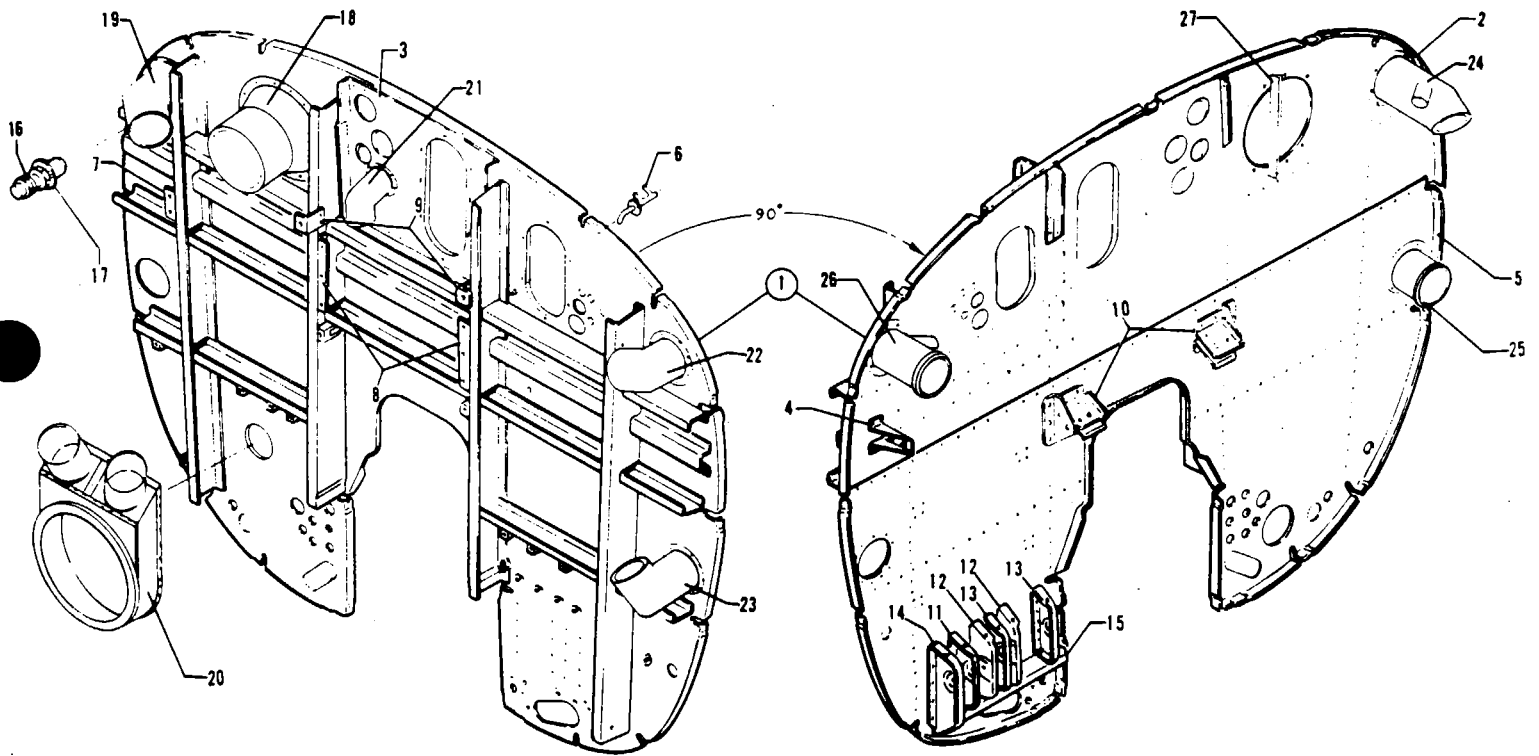


Figure 15. Pressure Bulkhead Assembly

PIPER PARTS CATALOG

CODE EXPLANATIONS FOR FIGURE 15

PIPER PARTS CATALOG

Figure and Index Number	Part Number	Code	NOMENCLATURE	No. Req.	SERIAL NUMBERS AFFECTED
		1234567			
15-1	50481-09		BULKHEAD ASSEMBLY - Fuselage, pressure (complete) Sta. 81	1	
-2	01709-04		* BULKHEAD ASSEMBLY - Upper, Sta. 81	1	
-3	01712-03		* * PLATE - Bulkhead reinforcement	1	
-4	45854-00		* * BRACKET - Brake valve mounting	1	
-5	50480-06		* BULKHEAD ASSEMBLY - Lower, Sta. 81	1	
-6	01527-06		* FITTING ASSEMBLY - Instrument air outlet	1	
-7	47346-00		* BRACKET ASSEMBLY - Tube support block	1	
-8	46460-00		* ANGLE ASSEMBLY - Air and fluid lines attachment, left	1	
	46460-01		* ANGLE ASSEMBLY - Air and fluid lines attachment, right	1	
-9	46734-00		* BRACKET ASSEMBLY - Tube support block	1	
-10	48611-00		BRACKET - Rudder cable pulley, left	1	
	48611-01		BRACKET - Rudder cable pulley, right	1	
-11	40999-03		BRACKET - Pulley	1	
-12	45157-00		BRACKET ASSEMBLY - Pulley	2	
-13	45157-01		BRACKET ASSEMBLY - Pulley	2	
-14	45158-00		BRACKET ASSEMBLY - Pulley	1	
-15	40937-02		BRACKET - Pulley support	1	
-16	491 060		UNION - (AN832-4D)	1	
	454 173		CAP ASSEMBLY - (AN929-4)	1	
	477 618		NUT - (AN924-4D)	1	
-17	40849-19		PLACARD - "Cabin Pressure Test"	1	
-18	46102-00		OUTLET ASSEMBLY - Cabin air	1	
-19	82158-02		TUBE ASSEMBLY - Cabin air	1	
-20	46231-09		BOX ASSEMBLY - Air distribution	1	
-21	01710-02		TUBE ASSEMBLY - Defroster air	1	
-22	82159-02		TUBE ASSEMBLY - Cabin air	1	
-23	46090-00		TUBE ASSEMBLY - Cabin vent air	1	
-24	49577-02		TUBE ASSEMBLY - Cabin air	1	
-25	50466-03		TUBE ASSEMBLY - Cabin vent air	1	
-26	46094-00		TUBE ASSEMBLY - Cabin air	1	
-27	50992-00		ANGLE	1	

When ordering, always specify Part Number, Description and Serial Number of Aircraft

PIPER PARTS CATALOG

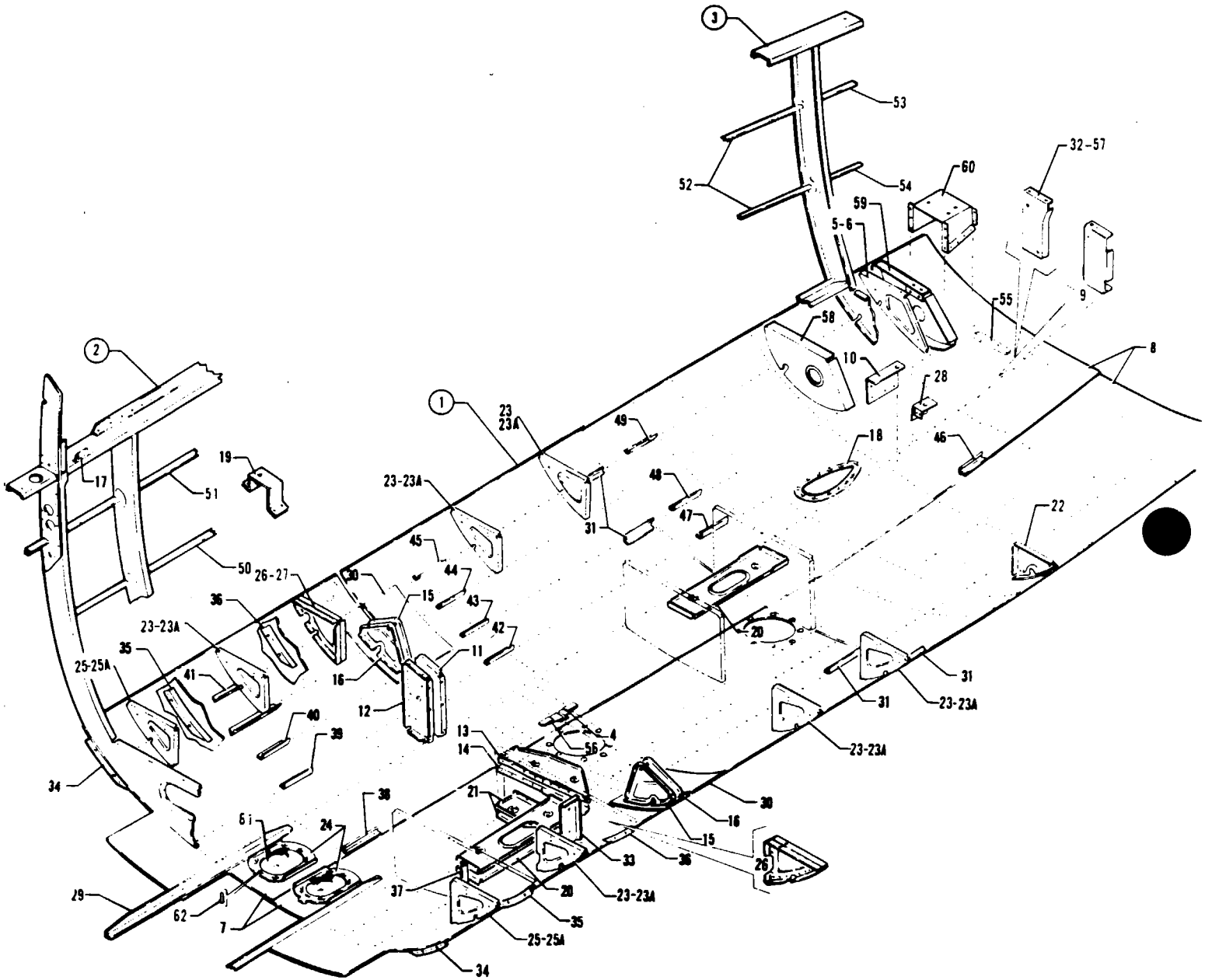


Figure 16. Lower Rear Section Assembly

PIPER PARTS CATALOG

CODE EXPLANATIONS FOR FIGURE 16

- A - See Figure 17 for component parts.
- B - See Figure 18 for component parts.

PIPER PARTS CATALOG

Figure and Index Number	Part Number	Code	NOMENCLATURE	No. Req.	SERIAL NUMBERS AFFECTED
			1234567		
16-1	01753-04		SECTION ASSEMBLY - Lower rear fuselage	1	
-2	45527-05	A	* FRAME ASSEMBLY - Lower fuselage cabin, rear	1	
-3	01737-03	B	* FRAME ASSEMBLY - Lower fuselage cabin, rear	1	
-4	45640-01		* BRACKET ASSEMBLY - Beam attachment, left rear	1	
	45640-00		* BRACKET ASSEMBLY - Beam attachment, right rear	1	
-5	29156-02		* BULKHEAD ASSEMBLY - Outboard, seat track support, right Sta. 236.10.	1	
-6	406 812		* * NUT - Anchor, seat track (NAS687A3K)	1	
-7	45407-04		* SKIN ASSEMBLY - Fuselage, bottom, left, Sta. 135 to Sta. 203	1	
	45407-03		* SKIN ASSEMBLY - Fuselage, bottom, right, Sta. 135 to Sta. 203	1	
-8	45152-00		* SKIN - Fuselage, bottom, left, Sta. 203 to Sta. 244	1	
	45153-00		* SKIN - Fuselage, bottom, right, Sta. 203 to Sta. 244	1	
-9	29169-02		* BRACKET ASSEMBLY - Seat support	1	
-10	01722-02		* ANGLE ASSEMBLY - Seat support	1	
-11	41049-04		* BRACKET ASSEMBLY - Aileron cable pulley, rear	1	
-12	41049-02		BRACKET ASSEMBLY - Aileron cable pulley, front	1	
-13	41163-00		* BRACKET ASSEMBLY - Aileron pulley, upper, Sta. 162.6	1	
-14	41299-00		* BRACKET ASSEMBLY - Aileron pulley, lower, Sta. 162.6	1	
-15	42978-00		* BRACKET ASSEMBLY - Aileron balance cable pulley, left forward and right rear	2	
-16	42978-01		* BRACKET ASSEMBLY - Aileron balance cable pulley, right forward and left rear	2	
-17	47337-00		* BRACKET ASSEMBLY - Divider panel retainer, left	1	
-18	43888-00		* PLATE ASSEMBLY - Relief tube venturi attachment	1	
-19	50924-00		* BRACKET ASSEMBLY - Pneumatic system accumulator	1	
-20	41106-00		* BRACKET - Elevator pulley, left	2	
	41106-01		* BRACKET - Elevator pulley, right	2	
-21	41120-04		* BRACKET - Rudder cable pulley, left	1	
	41120-02		* BRACKET - Rudder cable pulley, right	1	
-22	48101-00		* BULKHEAD - Fuselage, Sta. 222.19	1	
-23	49188-02		* BULKHEAD ASSEMBLY - Outboard, seat track support	6	
-23a	406 789		* * NUT - Anchor, seat track (136R-02)	1	
-24	41427-00		* PLATE ASSEMBLY - Access hole reinforcement	2	
-25	49188-07		* BULKHEAD ASSEMBLY - Outboard, seat track support, left	1	
	49188-12		* BULKHEAD ASSEMBLY - Outboard, seat track support, right	1	
-25a	406 789		* * NUT - Anchor, seat track (136R-02)	1	
-26	29218-02		* BULKHEAD ASSEMBLY - Outboard, seat track support, left, Sta. 168.25	1	
	29215-02		* BULKHEAD ASSEMBLY - Outboard, seat track support, right, Sta. 168.25	1	
-27	406 789		* * NUT - Anchor, seat track (136R-02)	1	
-28	01733-02		* BRACKET ASSEMBLY - Seat support, Sta. 224.5	1	

When ordering, always specify Part Number, Description and Serial Number of Aircraft

PIPER PARTS CATALOG

Figure and Index Number	Part Number	Code	NOMENCLATURE	No. Req.	SERIAL NUMBERS AFFECTED
		1234567			
16-29	41066-00	*	ANGLE ASSEMBLY - Longitudinal beam reinforcement, left	2	
	41066-01	*	ANGLE ASSEMBLY - Longitudinal beam reinforcement, right	1	
-30	42979-00	*	PLATE - Fuselage reinforcement, Sta. 174	2	
-31	45376-00	*	PLATE - Splice, lower fuselage	5	
-32	01727-02	*	BRACKET ASSEMBLY - Seat support, Sta. 242.00	1	
-33	42079-00	*	REINFORCEMENT - Pulley bracket, Sta. 162.6	1	
-34	45705-00	*	ANGLE - Wing fillet attachment, left, Sta. 140	1	
	45705-01	*	ANGLE - Wing fillet attachment, right, Sta. 140	1	
-35	45710-00	*	ANGLE - Wing fillet attachment, left, Sta. 151.3	1	
	45710-01	*	ANGLE - Wing fillet attachment, right, Sta. 151.3	1	
-36	45713-00	*	ANGLE - Wing fillet attachment, left, Sta. 162.6	1	
	45713-01	*	ANGLE - Wing fillet attachment, right, Sta. 162.6	1	
-37	41898-00	*	ANGLE - Bulkhead reinforcement	1	
-38	48626-00	*	STRINGER - Fuselage, lower cabin, Sta. 140 to Sta. 203, B.L.O.	1	
-39	45758-00	*	STRINGER - Fuselage, lower cabin, left, Sta. 140 to Sta. 174	1	
	45758-01	*	STRINGER - Fuselage, lower cabin, right, Sta. 140 to Sta. 174	1	
-40	45759-02	*	STRINGER - Fuselage, lower cabin, left, Sta. 140 to Sta. 174	1	
	45759-03	*	STRINGER - Fuselage, lower cabin, right, Sta. 140 to Sta. 174	1	
-41	29149-02	*	STRINGER - Fuselage, lower cabin, left, Sta. 140 to Sta. 174	2	
	29149-03	*	STRINGER - Fuselage, lower cabin, right, Sta. 140 to Sta. 174	2	
-42	45761-00	*	STRINGER - Fuselage, lower cabin, left, Sta. 174 to Sta. 203	1	
	45761-01	*	STRINGER - Fuselage, lower cabin, right, Sta. 174 to Sta. 203	1	
-43	45762-00	*	STRINGER - Fuselage, lower cabin, left, Sta. 174 to Sta. 200	1	
	45762-01	*	STRINGER - Fuselage, lower cabin, right, Sta. 174 to Sta. 200	1	
-44	29151-02	*	STRINGER - Fuselage, lower cabin, left, Sta. 174 to Sta. 203	1	
	29151-03	*	STRINGER - Fuselage, lower cabin, right, Sta. 174 to Sta. 203	1	
-45	29150-02	*	STRINGER - Fuselage, lower cabin, left, Sta. 174 to Sta. 200.85	1	
	29150-03	*	STRINGER - Fuselage, lower cabin, right, Sta. 174 to Sta. 200.85	1	
-46	45765-08	*	STRINGER - Fuselage, lower cabin, Sta. 209 to Sta. 244, B.L.O.	1	
-47	45765-03	*	STRINGER - Fuselage, lower cabin, right, Sta. 203 to Sta. 215	1	
-48	45765-04	*	STRINGER - Fuselage, lower cabin, left, Sta. 200 to Sta. 244	1	
	45765-05	*	STRINGER - Fuselage, lower cabin, right, Sta. 200 to Sta. 244	1	
-49	45765-06	*	STRINGER - Fuselage, lower cabin, left, Sta. 200 to Sta. 244	1	
	45765-09	*	STRINGER - Fuselage, lower cabin, right, Sta. 200 to Sta. 244	1	

When ordering, always specify Part Number, Description and Serial Number of Aircraft

PIPER PARTS CATALOG

Figure and Index Number	Part Number	Code	NOMENCLATURE	No. Req.	SERIAL NUMBERS AFFECTED
		1234567			
16-50	45978-00		* STRINGER - Fuselage, left, Sta. 140 to Sta. 174, W.L. -7.25	1	
	45978-01		* STRINGER - Fuselage, right, Sta. 140 to Sta. 174, W.L. -7.25	1	
-51	45979-00		* STRINGER - Fuselage, left, Sta. 140 to Sta. 174, W.L. -1.38	1	
	45979-01		* STRINGER - Fuselage, right, Sta. 140 to Sta. 174, W.L. -1.38	1	
-52	45977-00		* STRINGER - Fuselage, left, Sta. 174 to Sta. 215	2	
	45976-00		* STRINGER - Fuselage, right, Sta. 174 to Sta. 215	2	
-53	46025-03		* STRINGER - Fuselage, right side	1	
-54	46025-02		* STRINGER - Fuselage, right side	1	
-55	42825-00		* BRACKET - Tube retaining	1	
-56	45640-00		* BRACKET ASSEMBLY - Beam attachment, left front	1	
	45640-01		* BRACKET ASSEMBLY - Beam attachment, right front	1	
-57	01728-02		* BRACKET ASSEMBLY - Seat support, Sta. 239.25	1	
-58	01723-02		* BULKHEAD ASSEMBLY - Seat support, outboard right, Sta. 226.56	1	
-59	01726-02		* BULKHEAD ASSEMBLY - Seat support, outboard right, Sta. 239.69	1	
-60	01729-02		* BRACKET ASSEMBLY - Seat support, outboard right, Sta. 239.69 to Sta. 244	1	
-61	20370-02		COVER PLATE - Access	2	
-62	414 762		SCREW - (MS24693-S51)	16	

When ordering, always specify Part Number, Description and Serial Number of Aircraft

PIPER PARTS CATALOG

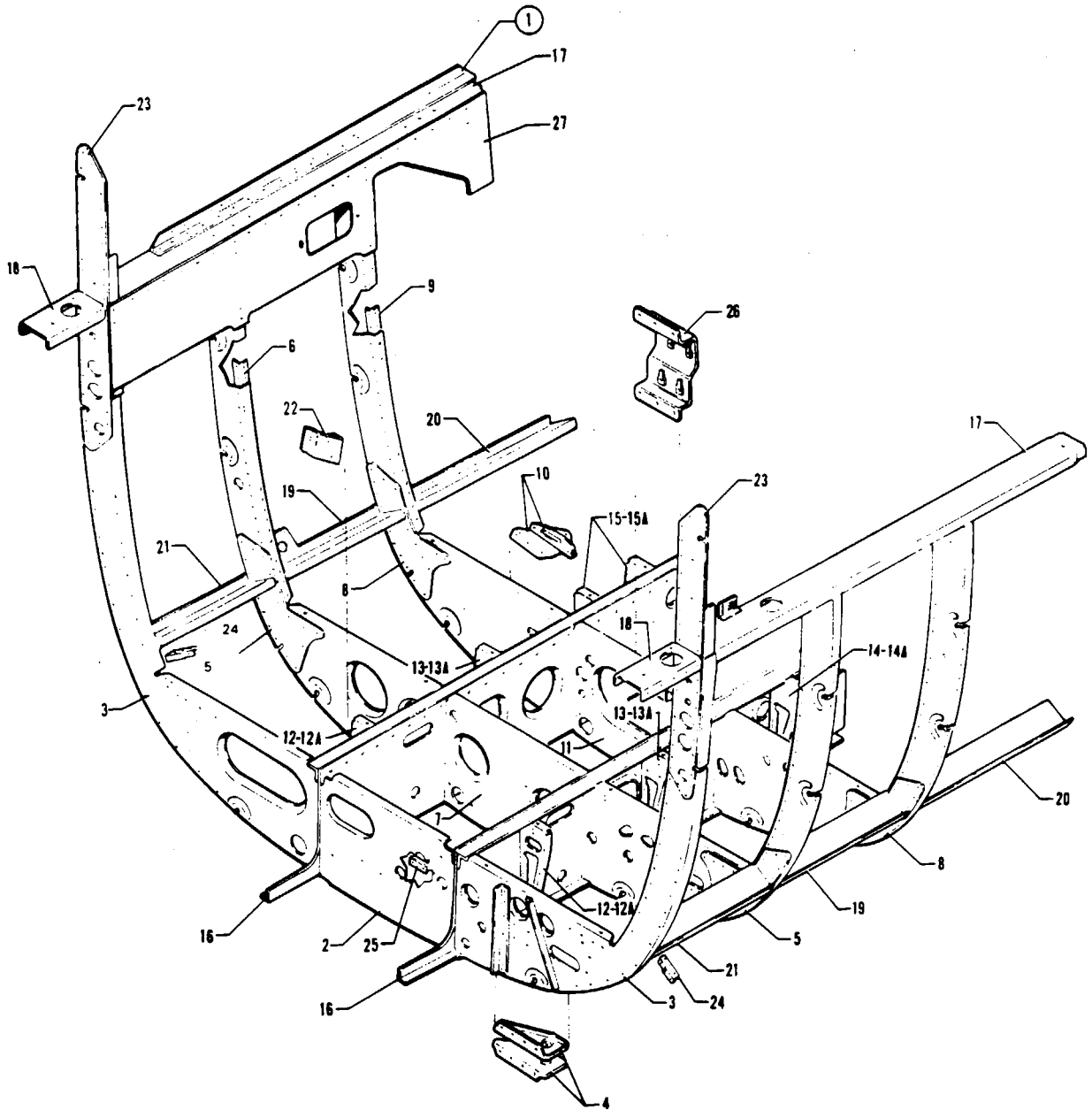


Figure 17. Lower Center Frame Assembly

PIPER PARTS CATALOG

CODE EXPLANATIONS FOR FIGURE 17

PIPER PARTS CATALOG

Figure and Index Number	Part Number	Code	NOMENCLATURE	No. Req.	SERIAL NUMBERS AFFECTED
		1234567			
17-1	45527-05		FRAME ASSEMBLY - Fuselage cabin, lower, center	1	
-2	40995-13		* BULKHEAD ASSEMBLY - Fuselage, center, Sta. 140	1	
-3	45140-02		* BULKHEAD ASSEMBLY - Fuselage, left, Sta. 140	1	
	45140-03		* BULKHEAD ASSEMBLY - Fuselage, right, Sta. 140	1	
-4	41120-04		* * BRACKET - Pulley, inboard, left	1	
	41120-03		* * BRACKET - Pulley, outboard, left	1	
-5	45151-02		* BULKHEAD ASSEMBLY - Fuselage, bottom, left, Sta. 151.3	1	
	45151-04		* BULKHEAD ASSEMBLY - Fuselage, bottom, right, Sta. 151.3	1	
-6	45204-00		* * ANGLE - Bulkhead reinforcement, left	1	
	45204-01		* * ANGLE - Bulkhead reinforcement, right	1	
-7	45151-09		* BULKHEAD ASSEMBLY - Fuselage, center, Sta. 151.3	1	
-8	45162-02		* BULKHEAD ASSEMBLY - Fuselage, bottom, left, Sta. 162.6	1	
	45162-04		* BULKHEAD ASSEMBLY - Fuselage, bottom, right, Sta. 162.6	1	
-9	45204-00		* * ANGLE - Bulkhead reinforcement, left	1	
	45204-01		* * ANGLE - Bulkhead reinforcement, right	1	
-10	40944-00		* * BRACKET - Aileron trim pulley, lower right, Sta. 162.6	1	
	40945-00		* * BRACKET - Aileron trim pulley, upper right, Sta. 162.6	1	
-11	45162-06		* BULKHEAD ASSEMBLY - Fuselage, center, Sta. 162.6	1	
-12	49187-02		* BULKHEAD ASSEMBLY - Seat track support, left inboard, Sta. 145.62	1	
	49192-02		* BULKHEAD ASSEMBLY - Seat track support, right inboard, Sta. 145.62	1	
-12a	406 789		* * NUT - Anchor, seat track (136R-02)	1	
-13	49187-04		* BULKHEAD ASSEMBLY - Seat track support, left inboard, Sta. 156.92	1	
	49192-03		* BULKHEAD ASSEMBLY - Seat track support, right inboard, Sta. 156.92	1	
-13a	406 789		* * NUT - Anchor, seat track (136R-02)	1	
-14	49187-02		* BULKHEAD ASSEMBLY - Seat track support, left inboard, Sta. 168.25	1	
-14a	406 789		* * NUT - Anchor, seat track (136R-02)	1	
-15	49192-04		* BULKHEAD ASSEMBLY - Seat track support, right inboard, Sta. 166.50 and Sta. 169.66	2	
-15a	406 789		* * NUT - Anchor, seat track (136R-02)	1	
-16	49194-02		* BEAM ASSEMBLY - Longitudinal, left, Sta. 135 to Sta. 174	1	
	49194-03		* BEAM ASSEMBLY - Longitudinal, right, Sta. 135 to Sta. 174	1	
-17	45010-00		* CHANNEL - Fuselage, left, Sta. 140 to Sta. 174	1	
	45061-05		* CHANNEL - Fuselage, right, Sta. 140 to Sta. 174	1	
-18	45057-00		* CHANNEL - Fuselage, left, Sta. 135 to Sta. 140	1	
	45057-03		* CHANNEL - Fuselage, right, Sta. 135 to Sta. 140	1	
-19	45019-00		* CHANNEL - Floorboard support, left, Sta. 151.3 to Sta. 162.6	1	
	45019-03		* CHANNEL - Floorboard support, right, Sta. 151.3 to Sta. 162.6	1	

When ordering, always specify Part Number, Description and Serial Number of Aircraft

PIPER PARTS CATALOG

Figure and Index Number	Part Number	Code	NOMENCLATURE	No. Req.	SERIAL NUMBERS AFFECTED
		1234567			
17-20	45024-00		* CHANNEL - Floorboard support, left, Sta. 162.6 to Sta. 174.....	1	
	45024-01		* CHANNEL - Floorboard support, right, Sta. 162.6 to Sta. 174.....	1	
-21	45033-00		* CHANNEL - Floorboard support, left, Sta. 140 to Sta. 151.3.....	1	
	45033-01		* CHANNEL - Floorboard support, right, Sta. 140 to Sta. 151.3.....	1	
-22	50440-00		* BRACKET ASSEMBLY - Pneumatic check valve mounting.....	1	
-23	45212-00		* PLATE - Bulkhead doubler, Sta. 140.....	2	
-24	45026-00		* ANGLE - Channel attachment, left.....	1	
	45026-01		* ANGLE - Channel attachment, right.....	1	
-25	47143-00		* BRACKET - De-icer tee.....	1	
-26	50409-00		* BRACKET ASSEMBLY - De-icer equipment.....	1	
-27	45038-00		GUSSET - Fuselage, lower, Sta. 140 to Sta. 174.....	1	

When ordering, always specify Part Number, Description and Serial Number of Aircraft

PIPER PARTS CATALOG

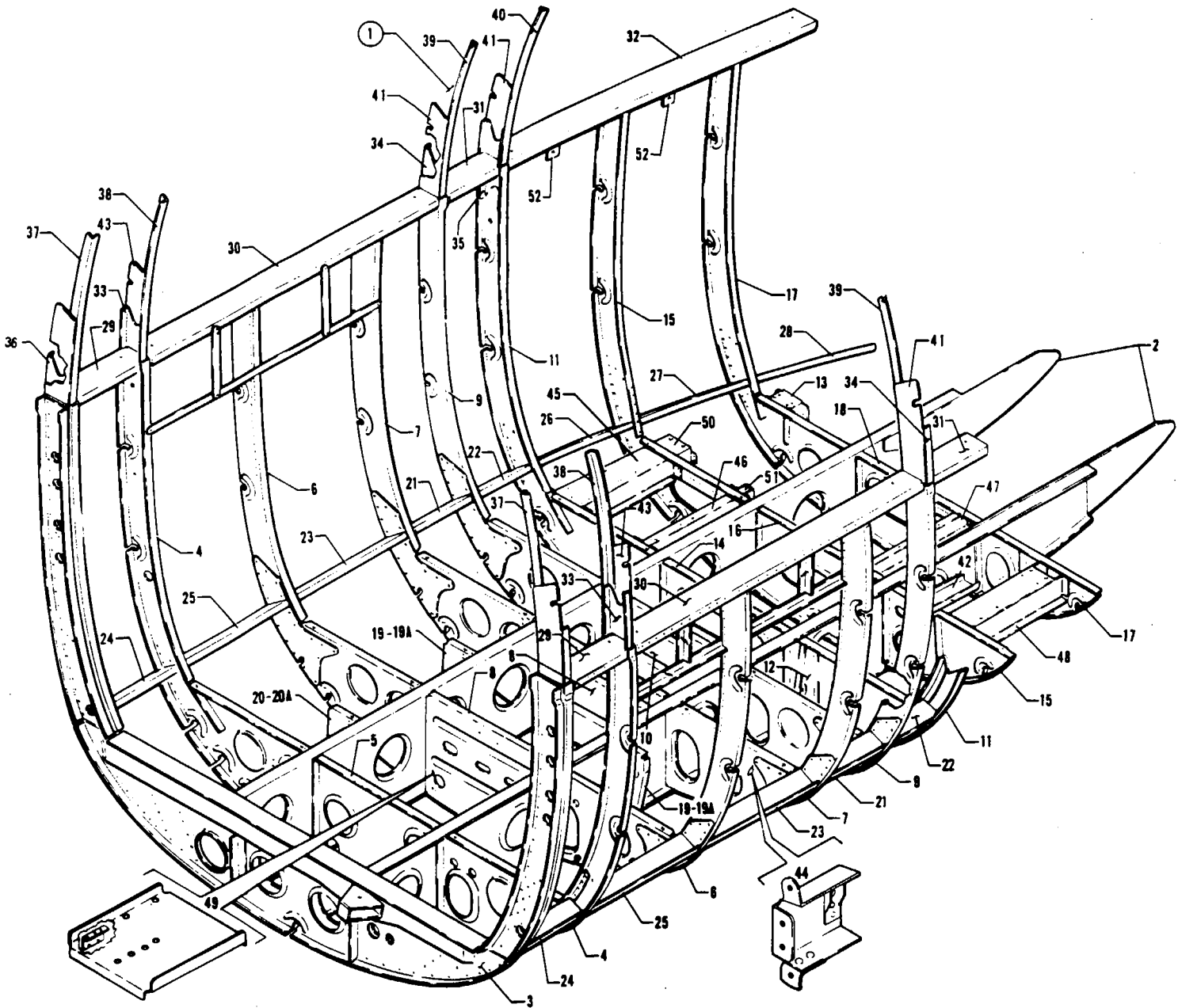


Figure 18. Lower Rear Frame Assembly

PIPER PARTS CATALOG

CODE EXPLANATIONS FOR FIGURE 18

PIPER PARTS CATALOG

Figure and Index Number	Part Number	Code	NOMENCLATURE	No. Req.	SERIAL NUMBERS AFFECTED
		1234567			
18-1	01737-03		FRAME ASSEMBLY - Fuselage cabin, lower, rear	1	
-2	45037-10		* BEAM ASSEMBLY - Longitudinal, left, Sta. 174 to Sta. 244	1	
	45037-15		* BEAM ASSEMBLY - Longitudinal, right, Sta. 174 to Sta. 244	1	
-3	45174-00		* BULKHEAD ASSEMBLY - Fuselage, bottom, Sta. 174	1	
-4	45181-02		* BULKHEAD ASSEMBLY - Fuselage, bottom, left, Sta. 181	1	
	45181-04		* BULKHEAD ASSEMBLY - Fuselage, bottom, right, Sta. 181	1	
-5	45181-06		* BULKHEAD ASSEMBLY - Fuselage, bottom, center, Sta. 181	1	
-6	45191-02		* BULKHEAD ASSEMBLY - Fuselage, bottom, left, Sta. 191.7	1	
	45191-03		* BULKHEAD ASSEMBLY - Fuselage, bottom, right, Sta. 191.7	1	
-7	45203-22		* BULKHEAD ASSEMBLY - Fuselage, bottom, left, Sta. 203	1	
	45203-23		* BULKHEAD ASSEMBLY - Fuselage, bottom, right, Sta. 203	1	
-8	45203-07		* BULKHEAD ASSEMBLY - Fuselage, bottom, center, Sta. 191.7 and Sta. 203	2	
-9	45209-10		* BULKHEAD ASSEMBLY - Fuselage, bottom, left, Sta. 209.5	1	
	45209-11		* BULKHEAD ASSEMBLY - Fuselage, bottom, right, Sta. 209.5	1	
-10	45210-00		* BULKHEAD - Fuselage, bottom, center, Sta. 209.5	1	
-11	45212-12		* BULKHEAD ASSEMBLY - Fuselage, bottom, left, Sta. 215	1	
	45217-05		* BULKHEAD ASSEMBLY - Fuselage, bottom, right, Sta. 215	1	
-12	40759-00		* BRACKET - Rudder cable pulley, left	1	
-13	29155-02		* BRACKET ASSEMBLY - Seat support	1	
-14	45216-02		* BULKHEAD - Fuselage, bottom, center, Sta. 215	1	
-15	45224-21		* BULKHEAD - Fuselage, bottom, left, Sta. 224.5	1	
	01717-02		* BULKHEAD ASSEMBLY - Fuselage, bottom, right, Sta. 224.5	1	
-16	45224-22		* BULKHEAD - Fuselage, bottom, center, Sta. 224.5	1	
-17	45234-15		* BULKHEAD - Fuselage, bottom, left, Sta. 234	1	
	45234-17		* BULKHEAD ASSEMBLY - Fuselage, bottom, right, Sta. 234	1	
-18	45234-13		* BULKHEAD ASSEMBLY - Fuselage, bottom, center, Sta. 234	1	
-19	49187-03		* BULKHEAD ASSEMBLY - Seat track support, left inboard, Sta. 197.35	1	
	49192-05		* BULKHEAD ASSEMBLY - Seat track support, right inboard, Sta. 197.35	1	
-19a	406 789		* NUT - Anchor, seat track (136R-02)	1	
-20	49189-02		* BULKHEAD ASSEMBLY - Seat track support, left inboard, Sta. 185.75	1	
	49192-05		* BULKHEAD ASSEMBLY - Seat track support, right inboard, Sta. 185.75	1	
-20a	406 789		* NUT - Anchor, seat track (136R-02)	1	

When ordering, always specify Part Number, Description and Serial Number of Aircraft

PIPER PARTS CATALOG

Figure and Index Number	Part Number	Code	NOMENCLATURE	No. Req.	SERIAL NUMBERS AFFECTED
		1234567			
18-21	45001-00		* CHANNEL - Floorboard support, left, Sta. 203 to Sta. 209.5	1	
	45001-01		* CHANNEL - Floorboard support, right, Sta. 203 to Sta. 209.5	1	
-22	45002-00		* CHANNEL - Floorboard support, left, Sta. 209.5 to Sta. 215	1	
-23	45019-00		* CHANNEL - Floorboard support, left, Sta. 191.7 to Sta. 203	1	
	45049-01		* CHANNEL - Floorboard support, right, Sta. 191.7 to Sta. 203	1	
-24	45047-00		* CHANNEL - Floorboard support, left, Sta. 174 to Sta. 181	1	
	45047-01		* CHANNEL - Floorboard support, right, Sta. 174 to Sta. 181	1	
-25	45048-00		* CHANNEL - Floorboard support, left, Sta. 181 to Sta. 191.7	1	
	45048-01		* CHANNEL - Floorboard support, right, Sta. 181 to Sta. 191.7	1	
-26	45052-00		* CHANNEL - Floorboard support, right Sta. 215 to Sta. 224.5	1	
-27	45054-00		* CHANNEL - Floorboard support, right, Sta. 224.5 to Sta. 234	1	
-28	45082-00		* CHANNEL - Floorboard support, right, Sta. 234 to Sta. 244	1	
-29	45065-00		* CHANNEL - Fuselage, left, Sta. 174 to Sta. 181	1	
	45066-00		* CHANNEL - Fuselage, right, Sta. 174 to Sta. 181	1	
-30	45068-00		* CHANNEL - Fuselage, left, Sta. 181 to Sta. 209.5	1	
	45068-01		* CHANNEL - Fuselage, right, Sta. 181 to Sta. 209.5	1	
-31	45072-00		* CHANNEL - Fuselage, left, Sta. 209.5 to Sta. 215	1	
	45073-00		* CHANNEL - Fuselage, right, Sta. 209.5 to Sta. 215	1	
-32	45077-00		* CHANNEL - Fuselage, left, Sta. 215 to Sta. 244	1	
-33	45020-00		* CHANNEL - Bulkhead splice, left, Sta. 181	1	
	45020-01		* CHANNEL - Bulkhead splice, right, Sta. 181	1	
-34	45020-01		* CHANNEL - Bulkhead splice, left, Sta. 209.5	1	
	45020-00		* CHANNEL - Bulkhead splice, right, Sta. 209.5	1	
-35	45020-01		* CHANNEL - Bulkhead splice, right, Sta. 215	1	
-36	45051-00		* CHANNEL - Bulkhead splice, left, Sta. 174	1	
	45079-00		* CHANNEL - Bulkhead splice, right, Sta. 174	1	
-37	45046-00		* ANGLE - Bulkhead reinforcement, left, Sta. 174	1	
	45046-01		* ANGLE - Bulkhead reinforcement, right, Sta. 174	1	
-38	45185-00		* ANGLE - Bulkhead reinforcement, left, Sta. 181	1	
	45181-01		* ANGLE - Bulkhead reinforcement, right, Sta. 181	1	
-39	45185-01		* ANGLE - Bulkhead reinforcement, left, Sta. 209.5	1	
	45185-00		* ANGLE - Bulkhead reinforcement, right, Sta. 209.5	1	
-40	45185-01		* ANGLE - Bulkhead reinforcement, right, Sta. 215	1	
-41	45212-00		* PLATE - Bulkhead doubler, left and right, Sta. 209.5, right, Sta. 215	3	
-42	45645-00		* CHANNEL - Door frame support, Sta. 215, W.L. 1.75	1	
-43	46914-00		* PLATE - Bulkhead doubler, left and right, Sta. 181	2	
-44	47196-00		* BRACKET ASSEMBLY - Pressure storage can	1	
-45	01725-02		* CHANNEL ASSEMBLY - Seat support, Sta. 215 to Sta. 224.5	1	
-46	29165-06		* CHANNEL ASSEMBLY - Seat support, Sta. 215 to Sta. 224.5	1	
-47	29159-02		* CHANNEL ASSEMBLY - Seat support, Sta. 224.5 to Sta. 234	1	

When ordering, always specify Part Number, Description and Serial Number of Aircraft

PIPER PARTS CATALOG

Figure and Index Number	Part Number	Code	NOMENCLATURE	No. Req.	SERIAL NUMBERS AFFECTED
		1234567			
18-48	29162-02		* CHANNEL ASSEMBLY - Seat support, Sta. 224.5 to Sta. 234	1	
-49	49531-02		* SHELF ASSEMBLY - Flap control	1	
-50	01724-02		* BRACKET ASSEMBLY - Seat support, outboard right, Sta. 224.5	1	
-51	01734-02		* BRACKET ASSEMBLY - Seat support, right, Sta. 224.5	1	
-52	49109-02		PLATE ASSEMBLY - Toilet back	2	

When ordering, always specify Part Number, Description and Serial Number of Aircraft

**1D23 THRU 1D24
INTENTIONALLY LEFT BLANK**

PIPER PARTS CATALOG

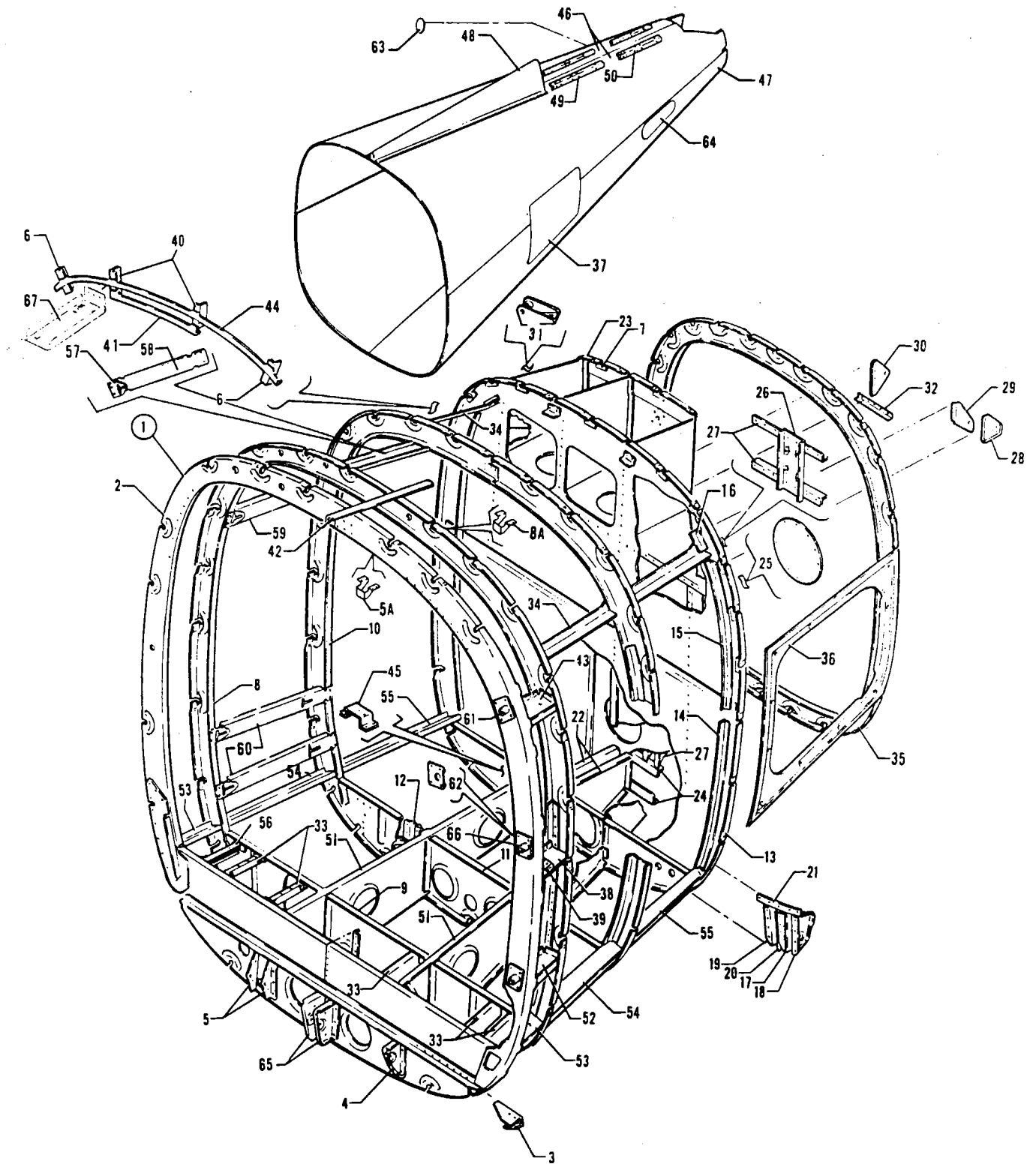


Figure 19. Aft Section (Sta. 243.38 to Sta. 352)
(No Cargo Door Version)

REVISED: MARCH 1984

PA-31P-350

PIPER PARTS CATALOG

CODE EXPLANATIONS FOR FIGURE 19

A - See Figure 20 for balance of component parts

PIPER PARTS CATALOG

Figure and Index Number	Part Number	Code	NOMENCLATURE	No. Req.	SERIAL NUMBERS AFFECTED
			1234567		
19-1	82051-02	A	AFT SECTION - Fuselage (Sta. 243.38 to Sta. 352).....	1	
-2	45244-01		* BULKHEAD ASSEMBLY - Sta. 244.....	1	
-3	45225-00		* * BRACKET - Door sill support, Sta. 244.....	1	
-4	40720-00		* * BRACKET - Rudder pulley, Sta. 244.....	1	
-5	40744-02		* * BRACKET - Elevator and rudder pulley, right outboard, Sta. 244.....	1	
	40744-03		* * BRACKET - Elevator and rudder pulley, right inboard, Sta. 244.....	1	
-5a	02031-02		* * BRACKET - Curtain attachment, Sta. 244.....	1	
-6	46636-00		* BRACKET ASSEMBLY - Headliner support, left.....	1	
	46636-01		* BRACKET ASSEMBLY - Headliner support, right.....	1	
-7	47480-00		* PLATE - Stringer seal.....	21	
-8	45249-22		* BULKHEAD ASSEMBLY - Fuselage, left, Sta. 249.....	1	
	45249-21		* BULKHEAD ASSEMBLY - Fuselage, right, Sta. 249.....	1	
-8a	02031-02		* * BRACKET - Curtain attachment, right, Sta. 249.....	1	
-9	45249-12		* BULKHEAD ASSEMBLY - Fuselage, center, Sta. 249.....	1	
-10	45261-04		* BULKHEAD ASSEMBLY - Fuselage, left, Sta. 261.....	1	
	45261-05		* BULKHEAD ASSEMBLY - Fuselage, right, Sta. 261.....	1	
-11	45261-11		* BULKHEAD ASSEMBLY - Fuselage, center, Sta. 261.....	1	
-12	47538-00		* * BRACKET - Elevator trim pulley, right inboard.....	1	
	47539-00		* * BRACKET - Elevator trim pulley, right outboard.....	1	
-13	45274-16		* BULKHEAD ASSEMBLY - Complete, Sta. 274.....	1	
-14	45427-04		* * ANGLE - Support, left.....	1	
	45427-03		* * ANGLE - Support, right.....	1	
-15	45531-00		* * ANGLE - Support, left.....	1	
	45531-01		* * ANGLE - Support, right.....	1	
-16	45486-00		* * ANGLE - Support, left.....	1	
	45486-01		* * ANGLE - Support, right.....	1	
-17	40794-04		* * BRACKET - Rudder cable pulley, left.....	1	
-18	40794-03		* * BRACKET - Rudder cable pulley, left.....	1	
-19	40795-02		* * BRACKET - Rudder cable pulley, left.....	1	
-20	40795-04		* * BRACKET - Rudder cable pulley, left.....	1	
-21	45190-00		* * ANGLE - Pulley bracket support, left.....	1	
-22	45615-00		* * BRACKET - Pulley, left.....	1	
	45615-01		* * BRACKET - Pulley, right.....	1	
-23	45532-00		* * ANGLE - Plenum plate support.....	1	
-24	45534-00		* * ANGLE - Plenum plate support, upper.....	1	
	45533-00		* * ANGLE - Plenum plate support, lower.....	1	
-25	45616-02		* * COVER ASSEMBLY - Plenum access.....	3	
-26	51535-00		* * BRACKET ASSEMBLY - Sta. 274.....	1	
-27	51747-02		* * ANGLE - Bulkhead reinforcement.....	2	
-28	51735-02		* * BRACKET - Pulley.....	1	
-29	51736-02		* * BRACKET - Pulley.....	1	
-30	51737-02		* * PLATE - Pulley bracket.....	1	
-31	51739-02		* * BRACKET ASSEMBLY.....	1	
-32	51740-02		* * ANGLE - Pulley reinforcement.....	1	
-33	29157-02		* CHANNEL ASSEMBLY - Seat support, Sta. 244 to Sta. 249.....	5	
-34	47700-00		* ANGLE - Headliner attachment, left.....	1	
	01948-02		* ANGLE - Headliner attachment, right, Sta. 261.38 to 274... ..	1	
-35	45296-05		* BULKHEAD ASSEMBLY - Aft fuselage, Sta. 296.....	1	
-36	45891-04		* FRAME ASSEMBLY - Aft fuselage, access area, left, Sta. 274 to Sta. 296.....	1	
	45891-05		* FRAME ASSEMBLY - Aft fuselage, access area, right, Sta. 274 to Sta. 296.....	1	
-37	45904-14		* COVER ASSEMBLY - Aft fuselage, access area, left.....	1	
	45904-15		* COVER ASSEMBLY - Aft fuselage, access area, right.....	1	

When ordering, always specify Part Number, Description and Serial Number of Aircraft

PIPER PARTS CATALOG

Figure and Index Number	Part Number	Code	NOMENCLATURE	No. Req.	SERIAL NUMBERS AFFECTED
		1234567			
19-38	45738-00		* CHANNEL - Door frame reinforcement, Sta. 244	1	
-39	45739-00		* ANGLE - Door retaining block support, Sta. 244	1	
-40	46636-02		* BRACKET - Coat hanger support, left	1	
	46636-03		* BRACKET - Coat hanger support, right	1	
-41	02165-02		* BRACKET ASSEMBLY - Coat hanger support	1	
-42	45040-00		* STRINGER - Fuselage (14 ft. L) (149 205)	AR	
-43	46821-00		* CHANNEL ASSEMBLY - Cabin support bracket	1	
-44	46116-02		* ANGLE - Headliner attachment	1	
-45	51262-00		* BRACKET ASSEMBLY - Elevator trim pulley	1	
-46	82063-02		* SKIN - Aft fuselage, left upper, Sta. 244 to Sta. 352	1	
	82063-03		* SKIN - Aft fuselage, right upper, Sta. 244 to Sta. 352	1	
-47	45927-02		* SKIN - Aft fuselage, left lower, Sta. 244 to Sta. 352	1	
	45927-03		* SKIN - Aft fuselage, right lower, Sta. 244 to Sta. 352	1	
-48	46132-00		* DORSAL FIN ASSEMBLY - Sta. 244 to Sta. 296	1	
-49	40786-00		* ANGLE - Fin fairing attachment, left	1	
	40786-01		* ANGLE - Fin fairing attachment, right	1	
-50	40787-00		* ANGLE - Fin fairing attachment, left	1	
	40787-01		* ANGLE - Fin fairing attachment, right	1	
-51	45423-05		* BULKHEAD ASSEMBLY - Longitudinal, left, Sta. 244 to Sta. 274	1	
	45423-07		* BULKHEAD - Longitudinal, right, Sta. 244 to Sta. 274	1	
-52	45496-00		* CHANNEL - Door frame support	1	
-53	45631-00		* CHANNEL - Floorboard support, left, Sta. 244 to Sta. 249	1	
	45687-00		* CHANNEL - Floorboard support, right, Sta. 244 to Sta. 249	1	
-54	45340-00		* CHANNEL - Floorboard support, left, Sta. 249 to Sta. 261	1	
	45685-00		* CHANNEL - Floorboard support, right, Sta. 249 to Sta. 261	1	
-55	45632-00		* CHANNEL - Floorboard support, left, Sta. 261 to Sta. 274	1	
	45630-00		* CHANNEL - Floorboard support, right, Sta. 261 to Sta. 274	1	
-56	29491-02		* CHANNEL ASSEMBLY - Seat support, Sta. 244 to Sta. 249	1	
-57	47302-00		* GUIDE - Divider panel support	4	
-58	01754-02		* BRACKET ASSEMBLY - Divider support	1	
-59	01754-04		* BRACKET ASSEMBLY - Divider support	1	
-60	01756-02		* BRACKET ASSEMBLY - Divider support	2	
-61	46555-00		GUIDE ASSEMBLY - Door latch pin	1	
-62	46736-00		PLATE ASSEMBLY - Pin guide attachment	3	
-63	17318-02		PLATE ASSEMBLY - Access hole cover, right	1	
-64	40872-00		COVER - Access	2	
-65	40719-00		BRACKET - Elevator pulley, left, Sta. 244	1	
	40719-01		BRACKET - Elevator pulley, right, Sta. 244	1	
-66	46548-00		GUIDE ASSEMBLY - Door latch pin	2	

When ordering, always specify Part Number, Description and Serial Number of Aircraft

PIPER PARTS CATALOG

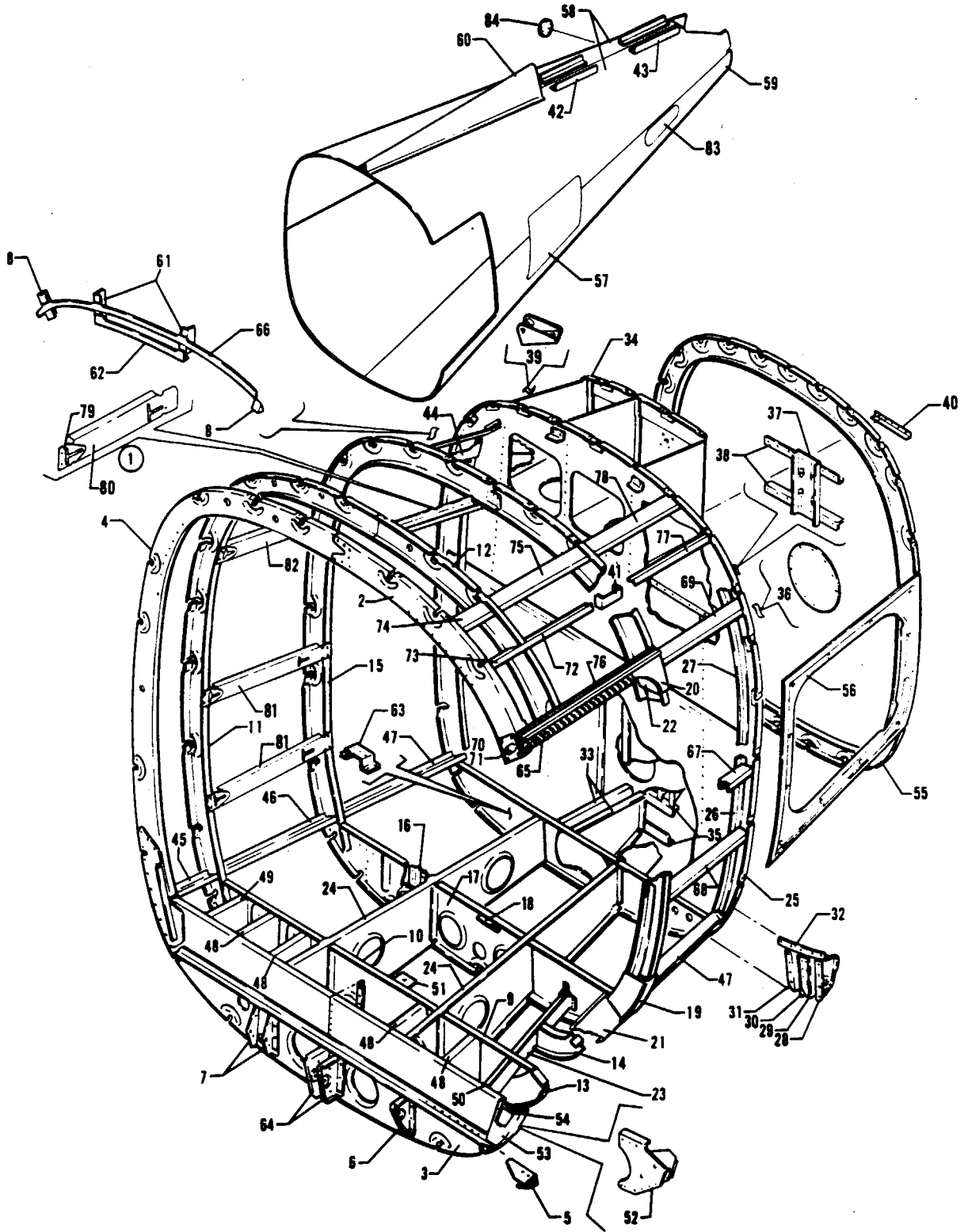


Figure 19A. Aft Section (Sta. 243.38 to Sta. 352)
(Cargo Door Version)

PIPER PARTS CATALOG

CODE EXPLANATIONS FOR FIGURE 19A

A - See Figure 20 for balance of component parts.

PIPER PARTS CATALOG

Figure and Index Number	Part Number	Code	NOMENCLATURE	No. Req.	SERIAL NUMBERS AFFECTED
			1234567		
19A-1	82051-03	A	AFT SECTION - Fuselage (Sta. 243.38 to Sta. 352)	1	
-2	56880-02		* BULKHEAD ASSEMBLY - Fuselage, top, Sta. 244	1	
-3	45522-00		* BULKHEAD ASSEMBLY - Fuselage, bottom left, Sta. 244 ...	1	
-4	81370-06		* BULKHEAD ASSEMBLY - Fuselage, right, Sta. 244	1	
-5	45225-00		* BRACKET - Door sill support, Sta. 244	1	
-6	40720-00		* BRACKET - Rudder pulley, Sta. 244	1	
-7	40744-02		* BRACKET - Elevator and rudder pulley, right outboard, Sta. 244	1	
	40744-03		* BRACKET - Elevator and rudder pulley, right inboard, Sta. 244	1	
-8	46636-00		* BRACKET ASSEMBLY - Headliner support, left	1	
	46636-01		* BRACKET ASSEMBLY - Headliner support, right	1	
-9	81384-02		* BULKHEAD ASSEMBLY - Fuselage, left, Sta. 249	1	
-10	45249-12		* BULKHEAD ASSEMBLY - Fuselage, center, Sta. 249	1	
-11	81410-02		* BULKHEAD ASSEMBLY - Fuselage, right, Sta. 249	1	
-12	56655-04		* BULKHEAD ASSEMBLY - Fuselage, top, Sta. 249	1	
-13	56646-05		* BULKHEAD - Fuselage, cargo door support, left, Sta. 248.88	1	
-14	56651-03		* BULKHEAD - Fuselage, cargo door support, left, Sta. 258.62	1	
-15	81341-02		* BULKHEAD ASSEMBLY - Fuselage, Sta. 261.38	1	
-16	81271-02		* * BRACKET - Elevator trim pulley, left	1	
	81274-02		* * BRACKET - Elevator trim pulley, right	1	
-17	81341-09		* BULKHEAD ASSEMBLY - Fuselage, center, Sta. 261.38	1	
-18	81385-02		* * BRACKET ASSEMBLY - Cargo net attachment	1	
-19	56279-02		* CASING ASSEMBLY - Doorsill, lower corner	1	
-20	56094-06		* CASING ASSEMBLY - Doorsill, upper corner	1	
-21	56038-09		* DOORSILL ASSEMBLY - Cargo door, lower	1	
-22	81775-04		* DOORSILL ASSEMBLY - Cargo door, upper	1	
-23	56599-06		* INTERCOSTAL - Sta. 244 to Sta. 261.38	1	
-24	81397-02		* BULKHEAD ASSEMBLY - Longitudinal, Sta. 244 to Sta. 274, left	1	
	81397-03		* BULKHEAD ASSEMBLY - Longitudinal, Sta. 244 to Sta. 274, right	1	
-25	81392-11		* BULKHEAD ASSEMBLY - Fuselage, Sta. 274	1	
-26	81348-04		* * ANGLE - Support, lower left	1	
	81348-05		* * ANGLE - Support, lower right	1	
-27	81382-04		* * ANGLE ASSEMBLY - Support, upper left	1	
	81382-05		* * ANGLE ASSEMBLY - Support, upper right	1	
-28	40794-03		* * BRACKET - Rudder cable pulley, left	1	
-29	40794-04		* * BRACKET - Rudder cable pulley, left	1	
-30	40795-04		* * BRACKET - Rudder cable pulley, left	1	
-31	40795-02		* * BRACKET - Rudder cable pulley, left	1	
-32	45190-00		* * ANGLE - Pulley bracket support, left	1	
-33	45615-00		* * BRACKET - Pulley, left	1	
	45615-01		* * BRACKET - Pulley, right	1	
-34	45532-00		* * ANGLE - Plenum plate support	1	
-35	45534-00		* * ANGLE - Plenum plate support, upper	1	
	45533-00		* * ANGLE - Plenum plate support, lower	1	
-36	45616-02		* * COVER - Plenum access	3	
-37	51535-00		* * BRACKET - Actuator, Sta. 274	1	
-38	51747-02		* * ANGLE - Bulkhead reinforcement	2	
-39	51739-02		* * BRACKET ASSEMBLY	1	
-40	51740-02		* * ANGLE - Reinforcement	1	
-41	47639-00		* * BRACKET ASSEMBLY - Cargo net mounting	1	

When ordering, always specify Part Number, Description and Serial Number of Aircraft

PIPER PARTS CATALOG

Figure and Index Number	Part Number	Code	NOMENCLATURE	No. Req.	SERIAL NUMBERS AFFECTED
		1234567			
19A-42	40786-00		* ANGLE - Fin fairing attachment, left	1	
	40786-01		* ANGLE - Fin fairing attachment, right	1	
-43	40787-00		* ANGLE - Fin fairing attachment, left	1	
	40787-01		* ANGLE - Fin fairing attachment, right	1	
-44	01948-02		* ANGLE - Headliner attachment, right	1	
-45	81389-03		* CHANNEL - Floorboard support, right, Sta. 244 to Sta. 249	1	
-46	81415-02		* CHANNEL - Floorboard support, right, Sta. 249 to Sta. 261	1	
-47	81331-02		* CHANNEL - Floorboard support, right, Sta. 261 to Sta. 274	1	
	81374-02		* CHANNEL - Floorboard support, left, Sta. 261 to Sta. 274	1	
-48	29157-02		* CHANNEL ASSEMBLY - Seat support, Sta. 244 to Sta. 249	4	
-49	29491-02		* CHANNEL ASSEMBLY - Seat support, Sta. 244 to Sta. 249	1	
-50	81268-02		* CHANNEL ASSEMBLY - Cargo door	1	
-51	47962-00		* BRACKET - Cargo net attachment	1	
-52	59667-02		* PLATE ASSEMBLY - Door cable support	1	
-53	45243-09		* CHANNEL - Bulkhead, Sta. 244	1	
-54	56039-03		* PLATE - Bulkhead channel, Sta. 244	1	
-55	45296-05		* BULKHEAD ASSEMBLY - Aft fuselage, Sta. 296	1	
-56	45891-04		* FRAME ASSEMBLY - Aft fuselage, access area, left, Sta. 274 to Sta. 296	1	
	45891-05		* FRAME ASSEMBLY - Aft fuselage, access area, right, Sta. 274 to Sta. 296	1	
-57	45904-14		* COVER ASSEMBLY - Aft fuselage, access area, left	1	
	45904-15		* COVER ASSEMBLY - Aft fuselage, access area, right	1	
-58	82063-04		* SKIN - Aft fuselage, right upper, Sta. 244 to Sta. 352	1	
	82063-03		* SKIN - Aft fuselage, left upper, Sta. 244 to Sta. 352	1	
-59	45927-03		* SKIN - Aft fuselage, right lower, Sta. 244 to Sta. 352	1	
	45927-04		* SKIN - Aft fuselage, left lower, Sta. 244 to Sta. 352	1	
-60	46132-00		* DORSAL FIN ASSEMBLY - Sta. 244 to Sta. 296	1	
-61	46636-02		* BRACKET - Coat hanger support, left	1	
	46636-03		* BRACKET - Coat hanger support, right	1	
-62	02165-02		* BRACKET - Coat hanger support	1	
-63	51262-00		* BRACKET ASSEMBLY - Elevator trim pulley	1	
-64	40719-00		* BRACKET - Elevator pulley, left, Sta. 244	1	
	40719-01		* BRACKET - Elevator pulley, right, Sta. 244	1	
-65	57032-02		* HINGE - Half, door	1	
-66	46116-02		* ANGLE - Headliner attachment	1	
-67	81295-02		* CHANNEL ASSEMBLY - Reinforcement, fuselage, Sta. 261.38	1	
-68	81321-02		* ANGLE - Reinforcement, fuselage, Sta. 261.38	1	
-69	81364-02		* CHANNEL ASSEMBLY - Reinforcement, fuselage, Sta. 261.38	1	
-70	46555-00		* GUIDE ASSEMBLY - Door latch pin	1	
-71	46736-00		* PLATE ASSEMBLY - Pin guide attachment	1	
-72	81762-03		* ANGLE - Reinforcement, fuselage, Sta. 249.38	1	
-73	81724-02		* ANGLE - Reinforcement, fuselage, Sta. 244	1	
-74	56582-03		* ANGLE - Reinforcement, fuselage, Sta. 244	1	
-75	81762-02		* ANGLE - Reinforcement, fuselage, Sta. 249.38	1	
-76	44349-02		* GUTTER - Rain	1	
-77	81336-02		* ANGLE - Reinforcement, fuselage, Sta. 261.38	1	
-78	81347-02		* ANGLE - Reinforcement, fuselage, Sta. 261.38	1	

When ordering, always specify Part Number, Description and Serial Number of Aircraft

PIPER PARTS CATALOG

Figure and Index Number	Part Number	Code	NOMENCLATURE	No. Req.	SERIAL NUMBERS AFFECTED
		1234567			
19A-79	47302-00		* GUIDE - Divider panel support	3	
-80	01754-02		* BRACKET ASSEMBLY - Divider support, Sta. 249.38 to Sta. 261.38, B.L. 2.97	1	
-81	01756-02		* BRACKET ASSEMBLY - Divider support, Sta. 249.38 to Sta. 261.38, W.L. 7.50 and 12.75	2	
-82	01754-04		* BRACKET ASSEMBLY - Divider support, Sta. 249.38 to Sta. 261.38, B.L. 10.14	1	
-83	40872-00		COVER - Access	2	
-84	17318-02		PLATE ASSEMBLY - Access hole cover, right	1	

When ordering, always specify Part Number, Description and Serial Number of Aircraft

PIPER PARTS CATALOG

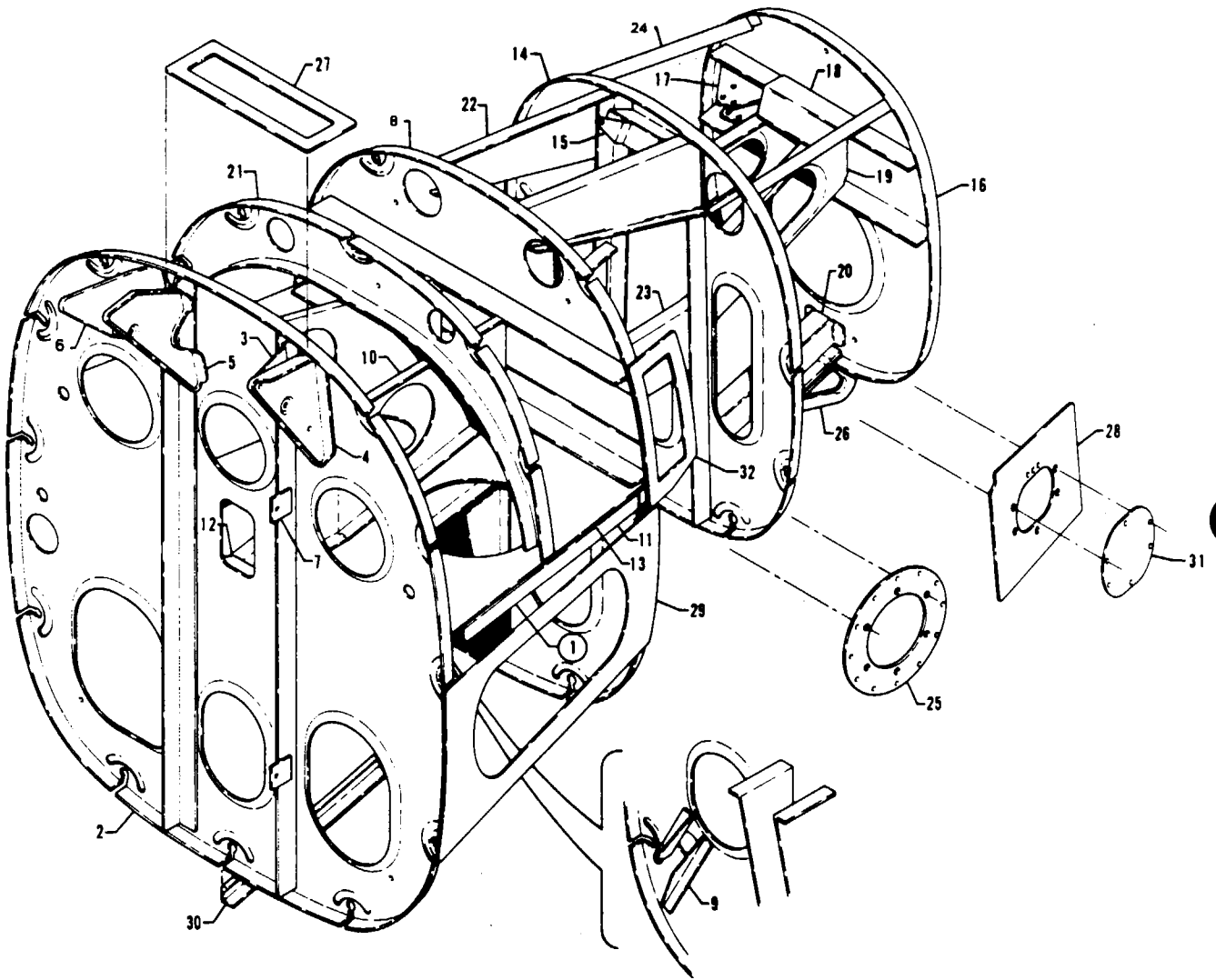


Figure 20. Aft Section (Sta. 317.75 to Sta. 352)

PIPER PARTS CATALOG

CODE EXPLANATIONS FOR FIGURE 20

PIPER PARTS CATALOG

Figure and Index Number	Part Number	Code	NOMENCLATURE	No. Req.	SERIAL NUMBERS AFFECTED
1234567					
20-1	82034-02		FRAME ASSEMBLY - Fuselage, Sta 317.75 to Sta 332	1	
-2	82045-02		* BULKHEAD ASSEMBLY - Fuselage, Sta 317.75	1	
-3	40683-00		* * BRACKET - Rudder cable pulley, Sta 317.75	1	
-4	41676-00		* * BRACKET - Rudder cable pulley, Sta 317.75	1	
-5	40685-02		* * BRACKET - Rudder cable pulley, Sta 317.75	1	
-6	41677-02		* * BRACKET - Rudder cable pulley, Sta 317.75	1	
-7	42595-00		* * PLATE - Tube support, Sta 317.75	2	
-8	82044-02		* BULKHEAD ASSEMBLY - Fuselage, Sta 332	1	
-9	40730-02		* * BRACKET - Rudder tab pulley, Sta 332, left	1	
	40730-03		* * BRACKET - Rudder tab pulley, Sta 332, right	1	
-10	40632-00		* STIFFENER - Bulkhead, Sta 317.75 to Sta 332, left	1	
	40632-01		* STIFFENER - Bulkhead, Sta 317.75 to Sta 332, right	1	
-11	40709-02		* PLATE - Bulkhead stiffener, Sta 317.75 to Sta 332	1	
-12	40689-02		* ANGLE - Aft fuselage channel attachment, Sta 317.75, bottom	1	
	40689-03		* ANGLE - Aft fuselage channel attachment, Sta 317.75, top	1	
-13	40778-00		* ANGLE - Aft fuselage stiffener support, Sta 317.75 to Sta 332, left	1	
	40778-01		* ANGLE - Aft fuselage stiffener support, Sta 317.75 to Sta 332, right	1	
-14	82049-02		BULKHEAD ASSEMBLY - Fuselage, Sta 342.25	1	
-15	40647-00		* BRACKET ASSEMBLY - Rudder tab pulley	1	
-16	82103-02		BULKHEAD ASSEMBLY - Fuselage, Sta 352	1	
-17	40661-00		* BRACKET - Elevator tab pulley	1	
-18	40645-00		* PLATE - Aft fuselage bracket attachment	1	
-19	40646-00		* BRACKET - Aft fuselage support, Sta 342.5 to Sta 352, left	1	
	40646-01		* BRACKET - Aft fuselage support, Sta 342.5 to Sta 352, right	1	
-20	44416-00		* CHANNEL ASSEMBLY - Aft fuselage, Sta 342.25 to Sta 352	1	
-21	45538-03		BULKHEAD - Fuselage, Sta 325	1	
-22	40633-00		STIFFENER - Bulkhead, left, Sta 332 to Sta 342	1	
	40633-01		STIFFENER - Bulkhead, right, Sta 332 to Sta 342	1	
-23	45929-00		STIFFENER - Bulkhead, left, Sta 332 to Sta 342	1	
	45929-01		STIFFENER - Bulkhead, right, Sta 332 to Sta 342	1	
-24	40640-00		ANGLE ASSEMBLY - Aft fuselage access panel, Sta 342.25 to Sta 352, left	1	
	40640-01		ANGLE ASSEMBLY - Aft fuselage access panel, Sta 342.25 to Sta 352, right	1	
-25	17317-03		PLATE ASSEMBLY - Access hole reinforcement, right side	1	
-26	40790-00		SKID ASSEMBLY - Tail	1	
-27	40688-00		DOUBLER - Forward fin spar opening, Sta 317.75	1	
-28	45946-00		PLATE ASSEMBLY - Access, Sta 346, left	1	
	45946-01		PLATE ASSEMBLY - Access, Sta 346, right	1	
-29	40799-04		REINFORCEMENT ASSEMBLY - Left	1	
	40799-05		REINFORCEMENT ASSEMBLY - Right	1	
-30	45040-00		STRINGER - Fuselage (14' L.) (149 205)	AR	
-31	47255-00		PLATE - Access	2	
-32	40692-00		DOUBLER - Elevator spar opening	2	

When ordering, always specify Part Number, Description and Serial Number of Aircraft

PIPER PARTS CATALOG

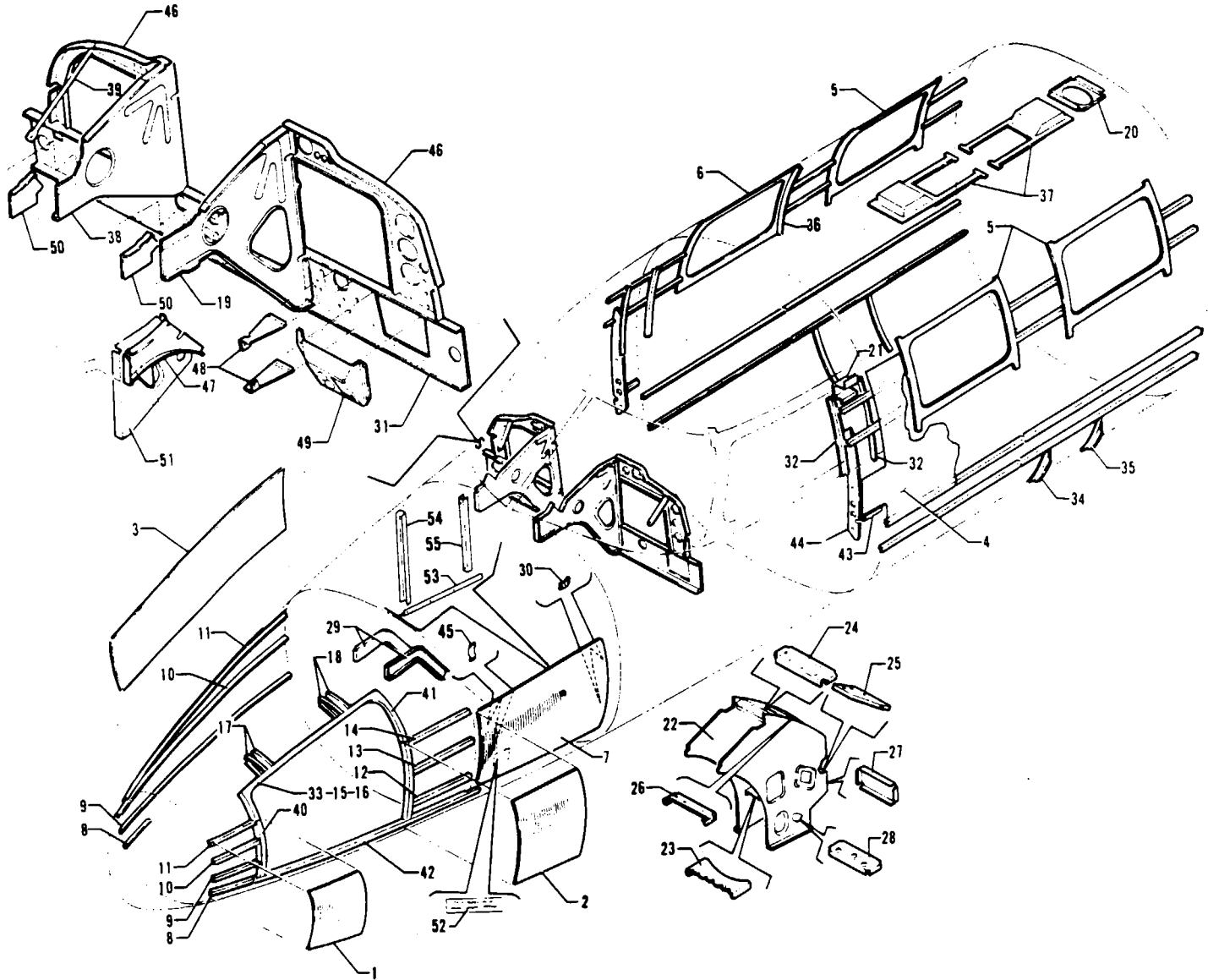


Figure 21. Structure Installation
(Sta. .375 to Sta. 215)

PIPER PARTS CATALOG

CODE EXPLANATIONS FOR FIGURE 21

A - Used if air conditioning system is installed

PIPER PARTS CATALOG

Figure and Index Number	Part Number	Code	NOMENCLATURE	No. Req.	SERIAL NUMBERS AFFECTED
		1234567			
21-	01904		DRAWING - Fuselage Structure Installation, Sta. .375 to Sta. 140		
	45403		DRAWING - Fuselage Structure Installation, Sta. 140 to Sta. 215		
	45970		DRAWING - Forward Baggage Door Frame Installation		
	01199		DRAWING - Instrument Panel Structure Installation		
	47029		DRAWING - Pedestal Housing Installation		
-1	46144-02		SKIN - Fuselage, left side, Sta. 0 to Sta. 10.62	1	
-2	46144-04		SKIN - Fuselage, left side, Sta. 37.38 to Sta. 49.6	1	
-3	46144-03		SKIN - Fuselage, right side, Sta. 375 to Sta. 49.6	1	
-4	45629-00		SKIN - Fuselage, left, Sta. 135 to Sta. 215	1	
	45629-01		SKIN - Fuselage, right, Sta. 135 to Sta. 215	1	
-5	45114-00		SKIN - Center window doubler	3	
-6	45612-00		SKIN - Emergency exit window doubler	1	
-7	45264-00		COVER ASSEMBLY - Fuselage access area, left, Sta. 49.6 to Sta. 81	1	
	45264-01		COVER ASSEMBLY - Fuselage access area, right, Sta. 49.6 to Sta. 81	1	
	01398-06	A	COVER ASSEMBLY - Fuselage access area, right, Sta. 49.6 to Sta. 81	1	
-8	46084-02		STRINGER - Fuselage, left, Sta. 0 to Sta. 9, W.L.-13	1	
	46084-13		STRINGER - Fuselage, right, Sta. 0 to Sta. 9, W.L.-13	1	
-9	46084-04		STRINGER - Fuselage, left, Sta. 0 to Sta. 9, W.L.-7.4	1	
	46084-05		STRINGER - Fuselage, right, Sta. 0 to Sta. 49.6, W.L.-7.4	1	
-10	46084-06		STRINGER - Fuselage, left, Sta. 0 to Sta. 9, W.L.-3.84	1	
	46084-07		STRINGER - Fuselage, right, Sta. 0 to Sta. 49.6, W.L.-3.78	1	
-11	46084-08		STRINGER - Fuselage, left, Sta. 0 to Sta. 9, W.L.-1.0	1	
	46084-09		STRINGER - Fuselage, right, Sta. 0 to Sta. 49.6, W.L.-1.0	1	
-12	46084-10		STRINGER - Fuselage, left, Sta. 37 to Sta. 49.6, W.L.-7.30	1	
-13	46084-11		STRINGER - Fuselage, left, Sta. 37 to Sta. 49.6, W.L.-.62	1	
-14	46084-03		STRINGER - Fuselage, left, Sta. 37 to Sta. 49.6, W.L.4.9	1	
-15	45843-07		STRINGER - Upper forward fuselage, Sta. 9	1	
-16	45843-05		STRINGER - Upper forward fuselage, Sta. 37	1	
-17	46074-00		BRACKET ASSEMBLY - Baggage door hinge, front	1	
	46074-01		BRACKET ASSEMBLY - Baggage door hinge, rear	1	
-18	46079-00		BRACKET ASSEMBLY - Baggage door hinge, front	1	
	46079-01		BRACKET ASSEMBLY - Baggage door hinge, rear	1	
-19	54966-08		BRACKET ASSEMBLY - Radio support, left	1	
-20	46316-03		BRACKET - Speaker, aft	1	
-21	49687-02		BRACKET ASSEMBLY - Shoulder harness attachment, left	1	
	49687-03		BRACKET ASSEMBLY - Shoulder harness attachment, right	1	
-22	47029-10		PEDESTAL HOUSING ASSEMBLY	1	
-23	40918-00		* BRACKET ASSEMBLY - Engine control support	1	
-24	41545-03		* BRACKET ASSEMBLY - Pedestal cover attachment	1	
-25	47011-00		* BRACKET ASSEMBLY - Rudder trim indicator	1	
-26	51366-00		* BRACKET ASSEMBLY - Pedestal cover support	1	
-27	47031-00		* BRACKET ASSEMBLY - Aileron trim mounting	1	
-28	47032-00		* BRACKET - Gear box mounting	1	
-29	45269-00		BRACKET - Powerpack support, left, Sta. 49.6	1	
	45269-01		BRACKET - Powerpack support, right, Sta. 49.6	1	
-30	55374-02		RETAINER - Access cover, left	2	

When ordering, always specify Part Number, Description and Serial Number of Aircraft

PIPER PARTS CATALOG

Figure and Index Number	Part Number	Code	NOMENCLATURE	No. Req.	SERIAL NUMBERS AFFECTED
		1234567			
21-31	01199-06		CHANNEL - Instrument panel support, left	1	
	01199-05		CHANNEL - Instrument panel support, right	1	
-32	45041-00		ANGLE - Bulkhead reinforcement, left, Sta. 135; right, Sta. 140	2	
	45041-01		ANGLE - Bulkhead reinforcement, right, Sta. 135; left, Sta. 140	2	
-33	45970-04		ANGLE - Forward baggage compartment, upper	1	
-34	45717-00		ANGLE - Wing fillet attachment, left, Sta. 181	1	
	45717-01		ANGLE - Wing fillet attachment, right, Sta. 181	1	
-35	45718-00		ANGLE - Wing fillet attachment, left, Sta. 191.7	1	
	45718-01		ANGLE - Wing fillet attachment, right, Sta. 191.7	1	
-36	45173-05		ANGLE - Bulkhead reinforcement, left, Sta. 174	1	
-37	29144-03		BOX - Oxygen mask storage	2	
-38	54966-09		BRACKET ASSEMBLY - Radio support, right	1	
-39	29614-02		TUBE - Instrument panel support, left	2	
-40	45970-02		CHANNEL - Forward baggage compartment, Sta. 11	1	
-41	45970-03		CHANNEL - Forward baggage compartment, Sta. 37	1	
-42	46064-00		FRAME - Forward baggage compartment, bottom	1	
-43	45376-00		SPLICE - Stringer, fuselage	10	
-44	45212-00		PLATE - Bulkhead doubler, Sta. 135	2	
-45	55376-02		PLATE - Latch, left	2	
-46	54977-06		BULKHEAD ASSEMBLY - Instrument panel support, left	1	
	54977-08		BULKHEAD ASSEMBLY - Instrument panel support, right	1	
-47	49847-04		BRACKET ASSEMBLY - Elevator pulley	1	
-48	46125-00		BRACKET - Support	2	
-49	54495-04		BRACKET - Instrument mounting	1	
-50	29006-03		BRACKET - Support, right	1	
	29006-02		BRACKET - Support, left	1	
-51	49845-06		BRACKET - Elevator forward control mounting, left	1	
	49845-05		BRACKET - Elevator forward control mounting, right	1	
-52	49172-02		DECAL - Access panel, left	1	
-53	01883-02		ANGLE ASSEMBLY - Floorboard support, Sta. 49.60 to Sta. 70, B.L. 7.50	1	
-54	01452-02		CHANNEL ASSEMBLY - Baggage compartment, Sta. 59, B.L. 7.50	1	
-55	01878-02		CHANNEL ASSEMBLY - Baggage compartment, Sta. 73, B.L. 7.50	1	

When ordering, always specify Part Number, Description and Serial Number of Aircraft

PIPER PARTS CATALOG

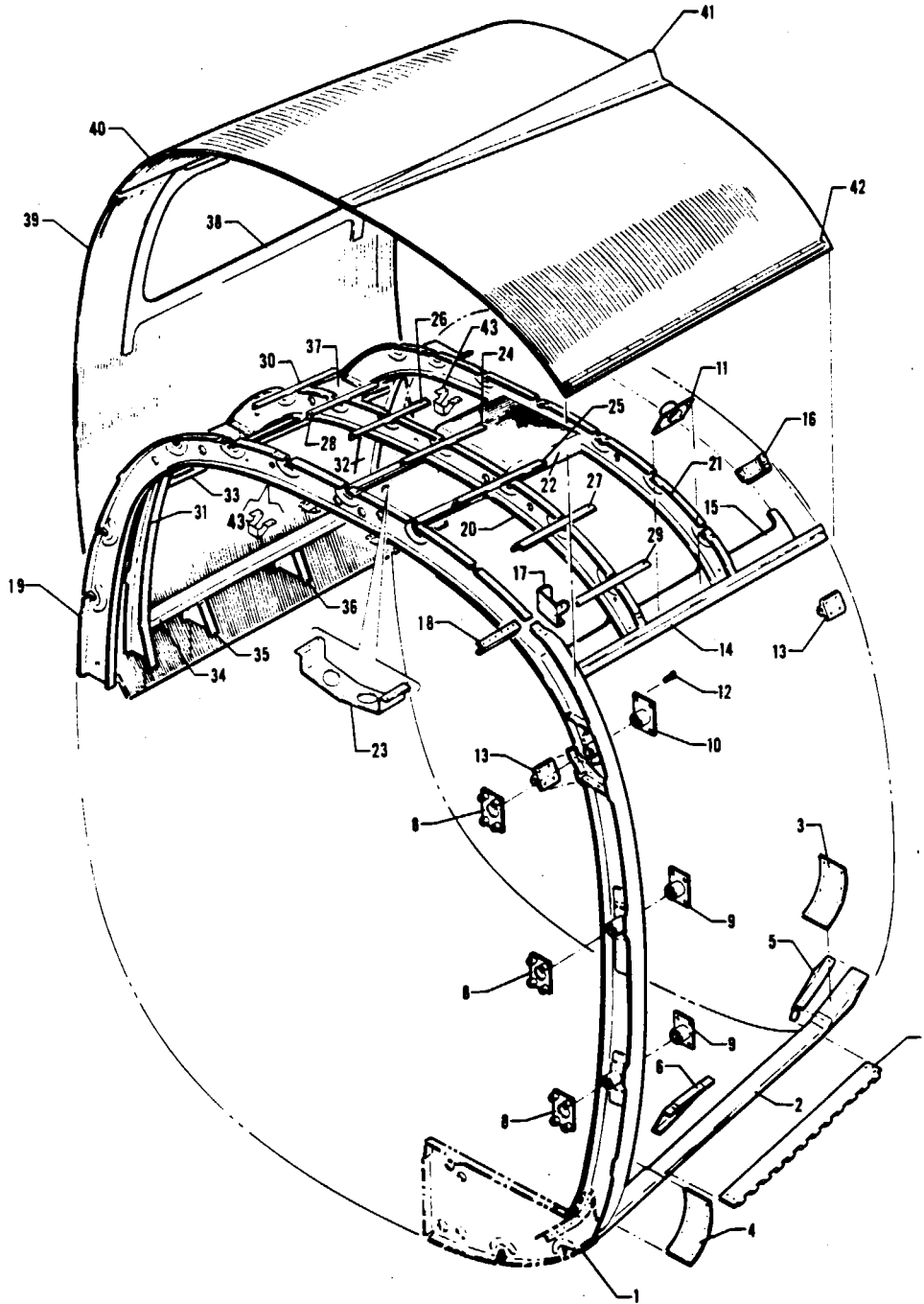


Figure 22. Structure Installation
(Sta. 215 to Sta. 244)

PIPER PARTS CATALOG

CODE EXPLANATIONS FOR FIGURE 22

- A - Used if cargo door is not installed.
- B - Used if cargo door is installed.

PIPER PARTS CATALOG

Figure and Index Number	Part Number	Code	NOMENCLATURE	No. Req.	SERIAL NUMBERS AFFECTED
			1234567		
22-	46820	A	DRAWING - Cabin Door Frame Installation		
	81441	B	DRAWING - Cabin Door Frame Installation		
	45404		DRAWING - Fuselage Structure Installation		
-1	45215-04		BULKHEAD ASSEMBLY - Fuselage, left side, Sta. 215	1	
-2	46678-02		PLATE ASSEMBLY - Door seal support	1	
-3	46678-05		* PLATE	1	
-4	46678-04		* PLATE	1	
-5	46678-06		ANGLE	1	
-6	46678-07		ANGLE	1	
-7	46395-03		HINGE - Door	1	
-8	46736-00		PLATE ASSEMBLY - Pin guide attachment	3	
-9	46548-00		GUIDE ASSEMBLY - Door latch pin	2	
-10	46557-00		GUIDE ASSEMBLY - Door latch pin	1	
-11	47189-00		GUIDE ASSEMBLY - Door latch pin	1	
-12	486 200		SCREW - (LP24694-S52)	12	
-13	51662-02	A	BRACKET - Door support, aft, Sta. 244	1	
	51662-04	B	BRACKET - Door support, aft, Sta. 244	1	
	51662-04		BRACKET - Door support, forward, Sta. 215	1	
-14	45660-00		CHANNEL ASSEMBLY - Door header	1	
-15	45619-00		GUSSET - Door header	1	
-16	45228-00		BRACKET - Door header, channel attachment	1	
-17	45642-00		BRACKET - Door header, channel attachment	1	
-18	45376-00		SPLICE - Fuselage stringer	AR	
-19	45218-00		BULKHEAD - Fuselage, top, Sta. 215	1	
-20	45223-00		BULKHEAD - Fuselage, top, Sta. 224.5	1	
-21	45233-00		BULKHEAD - Fuselage, top, Sta. 234	1	
-22	29144-03		BOX - Oxygen mask storage	1	
-23	49056-04		BRACKET ASSEMBLY - Light retaining	1	
-24	46025-04		STRINGER - Fuselage (B.L. O)	1	
-25	46025-06		STRINGER - Fuselage, left side (B.L. 6.20)	1	
-26	46025-05		STRINGER - Fuselage, right side (B.L. 6.20)	1	
-27	46025-08		STRINGER - Fuselage, left side, (B.L. 12.31)	1	
-28	46025-07		STRINGER - Fuselage, right side (B.L. 12.31)	1	
-29	46025-10		STRINGER - Fuselage, left side (B.L. 18.06)	1	
-30	46025-09		STRINGER - Fuselage, right side (B.L. 18.06)	1	
-31	45118-00		BULKHEAD ASSEMBLY - Window frame, forward	1	
-32	45119-00		BULKHEAD ASSEMBLY - Window frame, aft	1	
-33	45117-00		CHANNEL - Rear window, upper frame	1	
-34	45116-00		CHANNEL - Rear window, lower frame	1	
-35	45083-03		SUPPORT - Window frame, forward	1	
-36	45083-02		SUPPORT - Window frame, aft	1	
-37	45078-00		CHANNEL - Fuselage, incoastal, Sta. 215 to Sta. 244	1	
-38	45124-00		SKIN - Rear window doubler	1	
-39	45515-00		SKIN - Fuselage, lower, Sta. 215 to Sta. 244	1	
-40	45516-00		SKIN - Fuselage, upper, Sta. 215 to Sta. 244	1	
-41	46133-00		FIN - Dorsal, Sta. 215 to Sta. 244	1	
-42	47759-00		GUTTER - Rain	1	
-43	02031-02		BRACKET - Curtain attachment, Sta. 215 to Sta. 234	8	

When ordering, always specify Part Number, Description and Serial Number of Aircraft

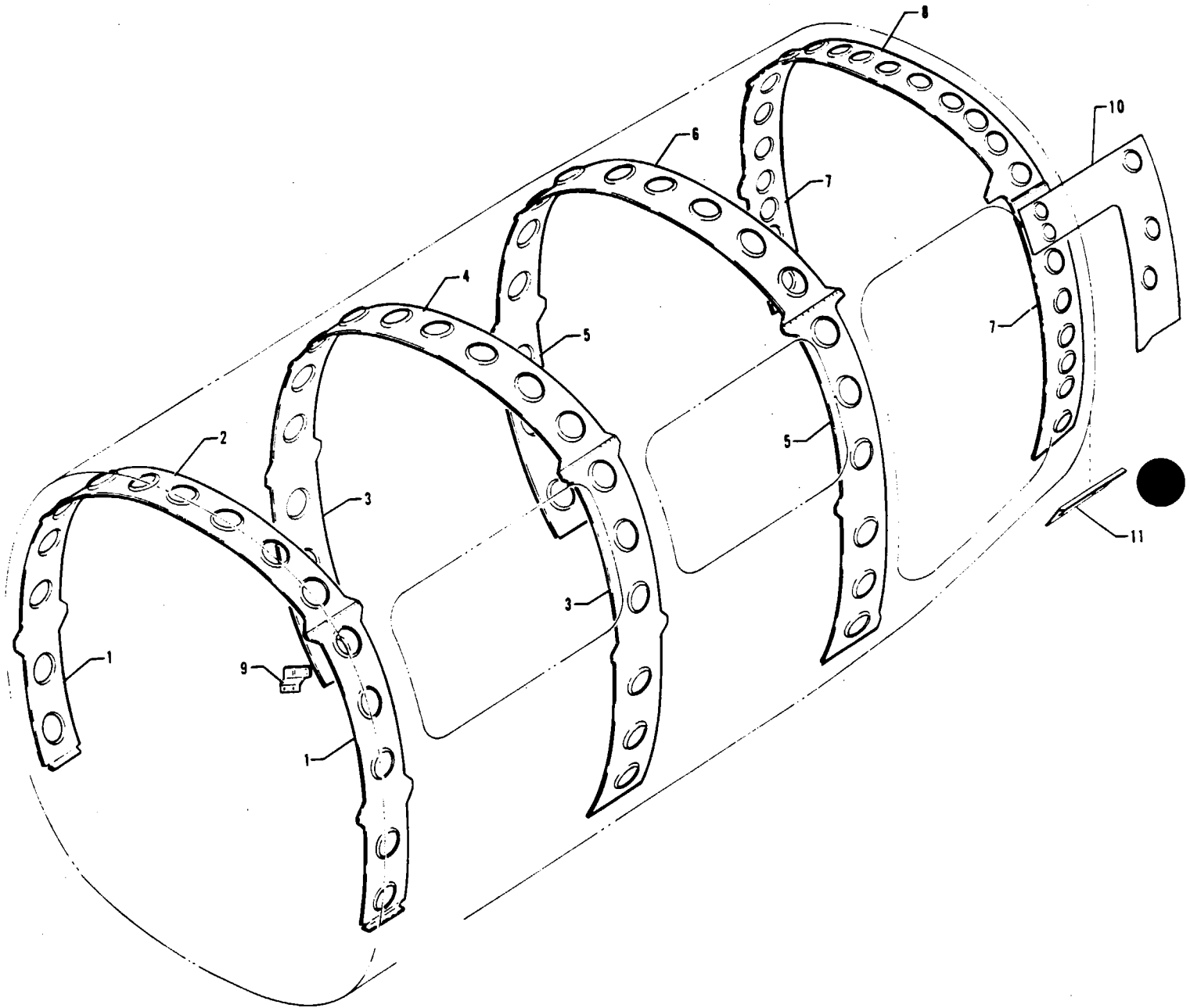


Figure 23. Inner Skin Installation

PIPER PARTS CATALOG

CODE EXPLANATIONS FOR FIGURE 23

- A - Used if cargo door is not installed.
- B - Used if cargo door is installed.

PIPER PARTS CATALOG

Figure and Index Number	Part Number	Code	NOMENCLATURE	No. Req.	SERIAL NUMBERS AFFECTED
			1234567		
23-	45031		DRAWING - Fuselage Inner Skin Installation, Sta. 135 to Sta. 140		
	45034		DRAWING - Fuselage Inner Skin Installation, Sta. 174 to Sta. 181		
	45639		DRAWING - Fuselage Inner Skin Installation, Sta. 209.5 to Sta. 215		
	45990	A	DRAWING - Fuselage Inner Skin Installation, Sta. 244 to Sta. 249.38		
	82051	B	DRAWING - Aft Fuselage Section Assembly		
-1	45031-06		INNER SKIN ASSEMBLY - Fuselage, left, Sta. 135 to Sta. 140.....	1	
	45031-05		INNER SKIN ASSEMBLY - Fuselage, right, Sta. 135 to Sta. 140.....	1	
-2	45031-04		INNER SKIN - Fuselage, top, Sta. 135 to Sta. 140.....	1	
-3	45034-10		INNER SKIN ASSEMBLY - Fuselage, left, Sta. 174 to Sta. 181.....	1	
	45034-11		INNER SKIN ASSEMBLY - Fuselage, right, Sta. 174 to Sta. 181.....	1	
-4	45034-04		INNER SKIN - Fuselage, top, Sta. 174 to Sta. 181.....	1	
-5	45639-02		INNER SKIN ASSEMBLY - Fuselage, left, Sta. 209.5 to Sta. 215.....	1	
	45639-14		INNER SKIN ASSEMBLY - Fuselage, right, Sta. 209.5 to Sta. 215.....	1	
-6	45639-04		INNER SKIN - Fuselage, top, Sta. 209.5 to Sta. 215.....	1	
-7	45990-02	A	INNER SKIN ASSEMBLY - Fuselage, left, Sta. 244 to Sta. 249.38.....	1	
	45990-03	A	INNER SKIN ASSEMBLY - Fuselage, right, Sta. 244 to Sta. 249.38.....	1	
	81350-03	B	INNER SKIN ASSEMBLY - Fuselage, right, Sta. 244 to Sta. 249.38.....	1	
-8	45990-04	A	INNER SKIN - Fuselage, top, Sta. 244 to Sta. 249.38.....	1	
	81350-04	B	INNER SKIN - Fuselage, top, Sta. 244 to Sta. 249.38.....	1	
-9	47338-00		BRACKET ASSEMBLY - Divider panel retainer, left.....	1	
-10	81350-05	B	INNER SKIN - Fuselage, left, Sta. 244 to Sta. 274.....	1	
-11	81776-02	B	INNER SKIN - Fuselage, lower left, Sta. 244 to Sta. 259.....	1	

When ordering, always specify Part Number, Description and Serial Number of Aircraft

1E23 THRU 1E24
INTENTIONALLY LEFT BLANK

PIPER PARTS CATALOG

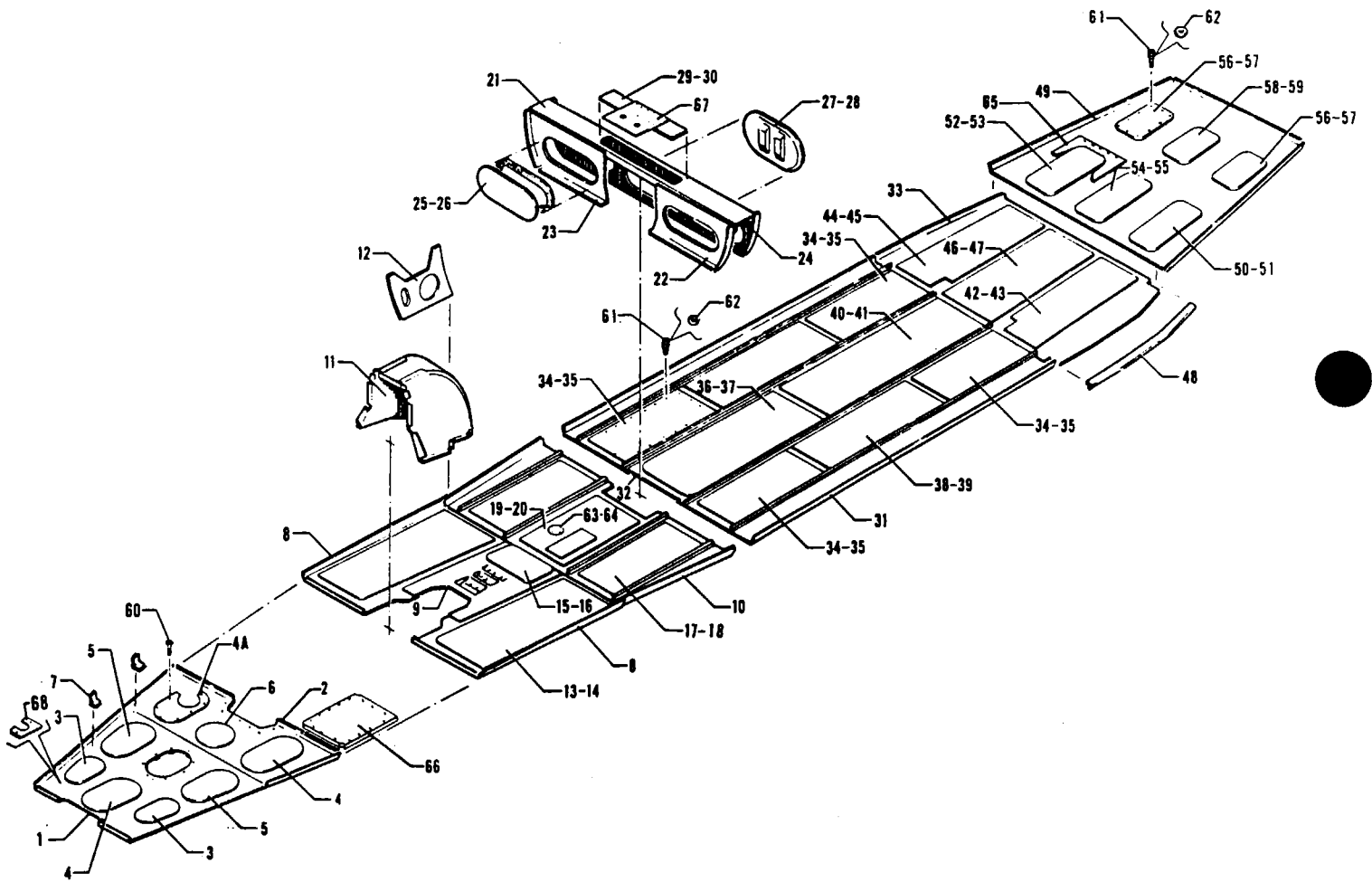


Figure 24. Floorboard Installation

PIPER PARTS CATALOG

CODE EXPLANATIONS FOR FIGURE 24

- A - Used if rear refreshment cabinet or divider panel is installed at Sta. 257.57.
- B - Used if 22.8 cu. ft. oxygen bottle is installed.
- C - Used if 50.1 cu. ft. oxygen bottle is installed.
- D - Used if cargo door is not installed.
- E - Used if cargo door is installed.

PIPER PARTS CATALOG

Figure and Index Number	Part Number	Code	NOMENCLATURE	No. Req.	SERIAL NUMBERS AFFECTED
			1234567		
24-	50549		DRAWING - Floorboard Installation - Forward Baggage Compartment		
	45695		DRAWING - Floorboard Installation (Sta. 81 to Sta. 135)		
	45684	D	DRAWING - Floorboard Installation (Sta. 244 to Sta. 274)		
	81325	E	DRAWING - Floorboard Installation (Sta. 244 to Sta. 274)		
	02020		DRAWING - Floorboard Installation (Sta. 140 to Sta. 244)		
-1	50549-07		FLOORBOARD ASSEMBLY - Forward baggage compartment, Sta. 9 to Sta. 37	1	
-2	45285-16		FLOORBOARD ASSEMBLY - Forward baggage compartment, Sta. 37 to 49.60	1	
-3	45303-00		COVER - Floorboard assembly, forward baggage compartment	2	
-4	45304-00		COVER - Floorboard assembly, forward baggage compartment	2	
-4a	29824-02		COVER - Floorboard assembly, forward baggage compartment	1	
-5	45302-00		COVER - Floorboard assembly, forward baggage compartment	2	
-6	45301-00		COVER - Floorboard assembly, forward baggage compartment	1	
-7	45338-00		CLIP - Floorboard assembly, forward baggage compartment	2	
-8	45669-00		FLOORBOARD ASSEMBLY - Outboard, left, Sta. 81 to Sta. 111.50	1	
	45669-01		FLOORBOARD ASSEMBLY - Outboard, right, Sta. 81 to Sta. 111.50	1	
-9	45649-10		FLOORBOARD ASSEMBLY - Center, Sta. 90.50 to Sta. 111.50	1	
-10	45692-04		FLOORBOARD ASSEMBLY - Sta. 111.50 to Sta. 135	1	
-11	45454-00		WELL ASSEMBLY - Nose wheel	1	
-12	45013-02		PLATE ASSEMBLY - Fuselage reinforcement, left, Sta. 100 to Sta. 111.50	1	
	45013-03		PLATE ASSEMBLY - Fuselage reinforcement, right, Sta. 100 to Sta. 111.50	1	
-13	45627-00		PLATE ASSEMBLY - Floorboard cover, left	1	
	45627-01		PLATE ASSEMBLY - Floorboard cover, right	1	
-14	45627-04		* GASKET - Floorboard cover	1	
-15	45628-00		PLATE ASSEMBLY - Floorboard cover, center	1	
-16	80020-02		* GASKET - Floorboard cover	1	
-17	45706-00		PLATE ASSEMBLY - Floorboard cover, left	1	
	45707-00		PLATE ASSEMBLY - Floorboard cover, right	1	
-18	85512-39		* STRIP - Sponge rubber	4	
-19	50437-06		PLATE ASSEMBLY - Floorboard cover	1	
-20	85512-39		* STRIP - Sponge rubber	1	
-21	45782-00		COVER ASSEMBLY - Spar	1	
-22	45782-04		* PLATE ASSEMBLY - Spar cover, forward, left	1	
-23	45782-05		* PLATE ASSEMBLY - Spar cover, forward, right	1	
-24	45782-07		* PLATE ASSEMBLY - Spar cover, aft	1	
-25	45779-00		PLATE ASSEMBLY - Spar cover access	4	
-26	45779-04		* GASKET - Plate cover	1	
-27	45870-00		PLATE ASSEMBLY - Spar cover access	1	
-28	45780-04		* GASKET - Plate cover	1	
-29	45781-00		PLATE ASSEMBLY - Spar cover access	1	
-30	45781-03		* GASKET - Plate cover	1	

When ordering, always specify Part Number, Description and Serial Number of Aircraft

PIPER PARTS CATALOG

Figure and Index Number	Part Number	Code	NOMENCLATURE	No. Req.	SERIAL NUMBERS AFFECTED
			1234567		
24-31	29136-02		FLOORBOARD ASSEMBLY - Outboard, left, Sta. 140 to Sta. 215	1	
	29136-03		FLOORBOARD ASSEMBLY - Outboard, right, Sta. 140 to Sta. 215	1	
-32	29137-02		FLOORBOARD ASSEMBLY - Center, Sta. 140 to Sta. 215	1	
-33	02015-02		FLOORBOARD ASSEMBLY - Sta. 215 to Sta. 244	1	
-34	45655-00		PLATE ASSEMBLY - Floorboard cover, outboard, left, rear	1	
	29139-02		PLATE ASSEMBLY - Floorboard cover, outboard, left, forward	1	
	45655-01		PLATE ASSEMBLY - Floorboard cover, outboard, right, rear	1	
	29139-03		PLATE ASSEMBLY - Floorboard cover, outboard, right, forward	1	
-35	85512-35		* STRIP - Sponge rubber	4	
-36	45653-00		PLATE ASSEMBLY - Floorboard cover, center	1	
-37	45653-03		* GASKET - Cover plate	1	
-38	29140-02		PLATE ASSEMBLY - Floorboard cover, outboard, left	1	
	29140-03		PLATE ASSEMBLY - Floorboard cover, outboard, right	1	
-39	85512-35		* STRIP - Sponge rubber	4	
-40	45654-00		PLATE ASSEMBLY - Floorboard cover, center	1	
-41	85512-35		* STRIP - Sponge rubber	4	
-42	01988-02		PLATE ASSEMBLY - Floorboard cover, left, Sta. 215 to Sta. 244	1	
-43	01988-04		* GASKET - Cover plate	1	
-44	01989-02		PLATE ASSEMBLY - Floorboard cover, right, Sta. 215 to Sta. 244	1	
-45	01989-08		* GASKET - Cover plate	1	
-46	01731-02		PLATE ASSEMBLY - Floorboard cover, center, Sta. 215 to Sta. 244	1	
-47	85512-35		* STRIP - Sponge rubber	4	
-48	45648-00		SILL - Cabin door	1	
-49	45684-07	D	FLOORBOARD ASSEMBLY - Sta. 244 to Sta. 274	1	
	81325-03	E	FLOORBOARD ASSEMBLY - Sta. 244 to Sta. 274	1	
-50	45682-03		COVER ASSEMBLY - Outboard, left	1	
-51	80020-05		* GASKET - Cover	1	
-52	45682-02	D	COVER ASSEMBLY - Outboard, right	1	
	45682-10	E	COVER ASSEMBLY - Outboard, right	1	
-53	80020-04		* GASKET - Cover	1	
-54	45682-18		COVER ASSEMBLY - Center	1	
-55	80020-04		* GASKET - Cover	1	
-56	45683-00		COVER ASSEMBLY - Floor access, outboard	2	
-57	80020-03		* GASKET - Access cover	1	
-58	45683-02		COVER ASSEMBLY - Floor access, center	1	
-59	80020-03		* GASKET - Access cover	1	
-60	415 533		SCREW - (MS35206-243)	58	
-61	415 535		SCREW - (MS35206-245) (#8-32 x .500 L.)	617	
	411 533		SCREW - (MS35207-264) (#10-32 x .625 L.)	24	
	411 531		SCREW - (MS35207-262) (#10-32 x .438 L.)	8	
	415 536		SCREW - (MS35206-246) (#8-32 x .625 L.)	12	
-62	494 063		WASHER - Seal	AR	
-63	49844-02		PLATE ASSEMBLY - Access hole cover	1	

When ordering, always specify Part Number, Description and Serial Number of Aircraft

PIPER PARTS CATALOG

Figure and Index Number	Part Number	Code	NOMENCLATURE	No. Req.	SERIAL NUMBERS AFFECTED
			1234567		
24-64	49844-04		* GASKET - Access cover	1	
-65	01217-03	A	DOUBLER - Cabin divider	1	
-66	01889-02	B	FLOORBOARD ASSEMBLY - Baggage compartment, aft, Sta. 50.10 to Sta. 72.44	1	
	01890-02	C	FLOORBOARD ASSEMBLY - Baggage compartment, aft, Sta. 50.10 to Sta. 72.44	1	
-67	29013-02		PLATE ASSEMBLY - Fuel control cover	1	
-68	49205-03		PLATE - Cover	1	

When ordering, always specify Part Number, Description and Serial Number of Aircraft

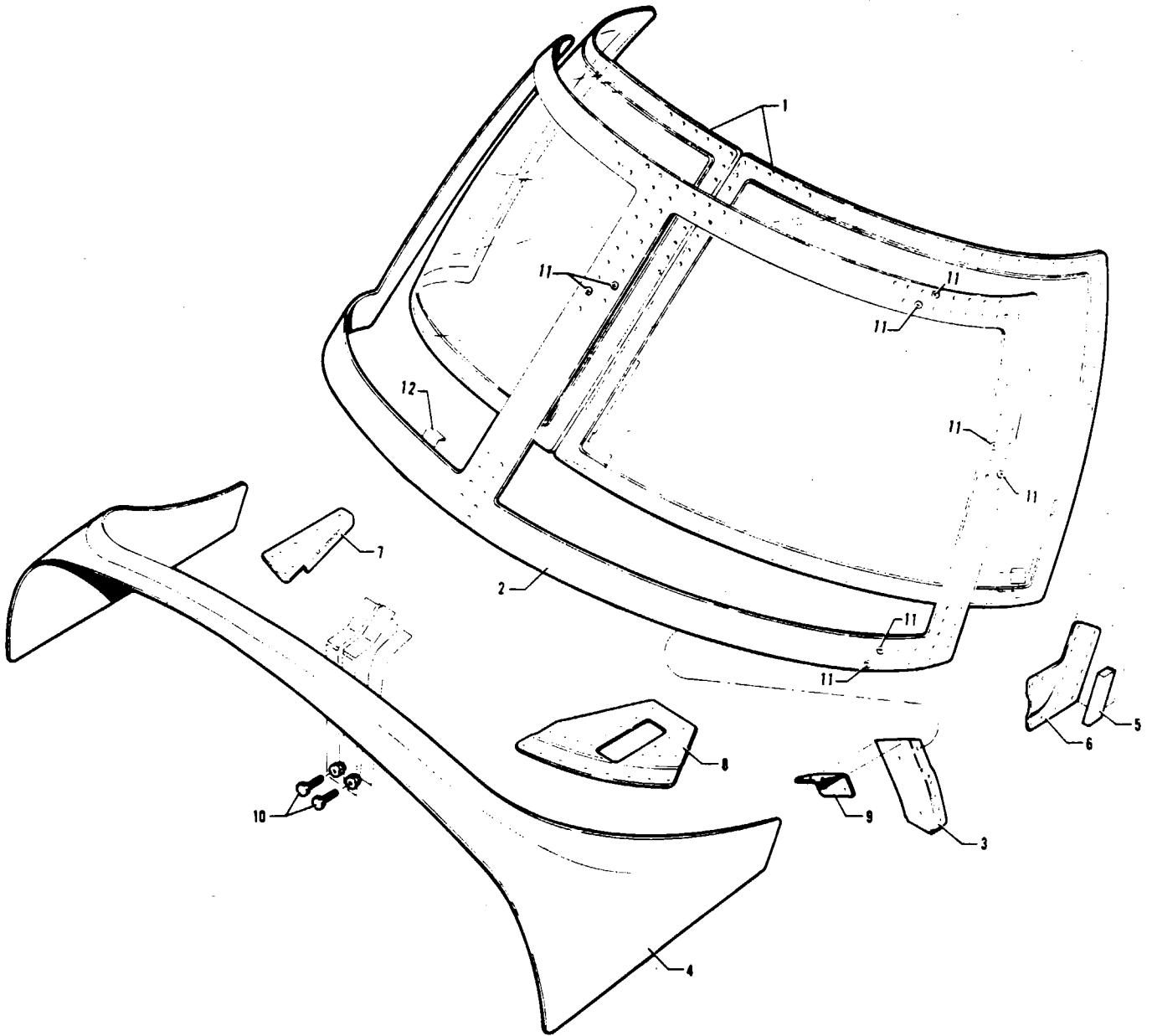


Figure 25. Windshield Installation

PIPER PARTS CATALOG

CODE EXPLANATIONS FOR FIGURE 25

PIPER PARTS CATALOG

Figure and Index Number	Part Number	Code	NOMENCLATURE	No. Req.	SERIAL NUMBERS AFFECTED
		1234567			
25-	49573		DRAWING - Windshield Installation		
	49773		DRAWING - Windshield Installation, Pilot, Heated		
-1	56202-02		WINDSHIELD ASSEMBLY - Heated, left (494 687)	1	
	56202-04		WINDSHIELD ASSEMBLY - Unheated, left (494 702)	1	
	56202-05		WINDSHIELD ASSEMBLY - Unheated, right (494 694)	1	
-2	49572-02		COLLAR - Windshield	1	
-3	56062-02		BULKHEAD - Fuselage, upper, left	1	
	56062-03		BULKHEAD - Fuselage, upper, right	1	
4	29925-02		SKIN - Fuselage, upper	1	
-5	49498-06		STRIP - Windshield filler, left	1	
	49498-05		STRIP - Windshield filler, right	1	
-6	56024-04		GUSSET - Fuselage, left, W. L. 10	1	
	56024-05		GUSSET - Fuselage, right, W. L. 10	1	
-7	51397-02		GUSSET - Elevator control bracket	1	
-8	49853-02		GUSSET - Windshield channel	1	
-9	82094-02		CLIP - Bulkhead attachment, left	1	
	82094-03		CLIP - Bulkhead attachment, right	1	
-10	401 266		BOLT - (AN3-5A)	4	
	407 564		WASHER - (AN960-10)	4	
	404 887		NUT - (MS20365-1032C)	4	
-11	48966-08		SCREW - Demagnetized (21/32" L)	10	
	48966-07		SCREW - Demagnetized (17/32" L)	50	
	48966-11		SCREW - Demagnetized (1 5/32" L)	54	
	48966-13		SCREW - Demagnetized (1 3/32" L)	20	
	48966-10		SCREW - Demagnetized (1 1/32" L)	56	
	48966-12		SCREW - Demagnetized (1 9/32" L)	2	
	407 584		WASHER - (AN960-10L)	192	
	404 887		NUT - (MS20365-1032C)	192	
-12	81346-02		BRACKET - Instrument access panel support, right	1	

When ordering, always specify Part Number, Description and Serial Number of Aircraft

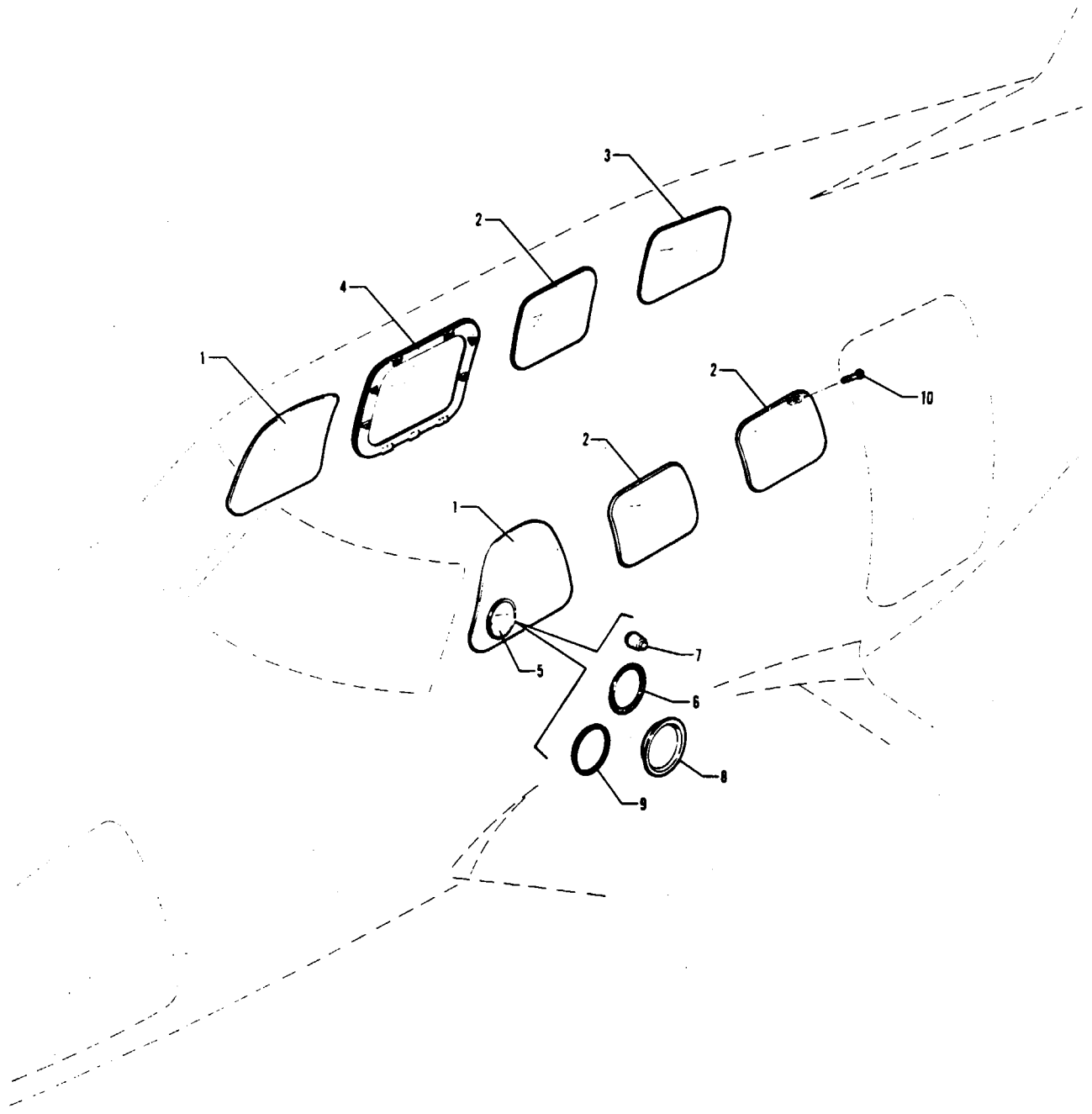


Figure 26. External Windows Installation

PIPER PARTS CATALOG

CODE EXPLANATIONS FOR FIGURE 26

A - See Figure 27 for component parts.

PIPER PARTS CATALOG

Figure and Index Number	Part Number	Code	NOMENCLATURE	No. Req.	SERIAL NUMBERS AFFECTED
		1234567			
26-	54901		DRAWING - Windows Installation		
	48300		DRAWING - Emergency Exit Window Installation		
-1	54901-06		WINDOW - Fuselage, left front	1	
	54901-05		WINDOW - Fuselage, right front	1	
-2	45099-13		WINDOW - Fuselage	3	
-3	45099-11		WINDOW - Fuselage, right rear	1	
-4	48299-00	A	WINDOW ASSEMBLY - Emergency exit	1	
-5	51234-00		WINDOW ASSEMBLY - Storm	1	
-6	51234-02		* SEAL - Storm window	1	
-7	571 159		* KNOB - (34-10-201-20)	1	
-8	51223-00		RING - Storm window trim	1	
-9	01117-02		SPACER - Storm window	1	
-10	410 243		SCREW - Window attachment (MS24694-S9)	329	
	81342-06		WASHER - Window attachment (408 278)	329	
	404 910		NUT - Window attachment (MS20365-832C)	329	

When ordering, always specify Part Number, Description and Serial Number of Aircraft

PIPER PARTS CATALOG

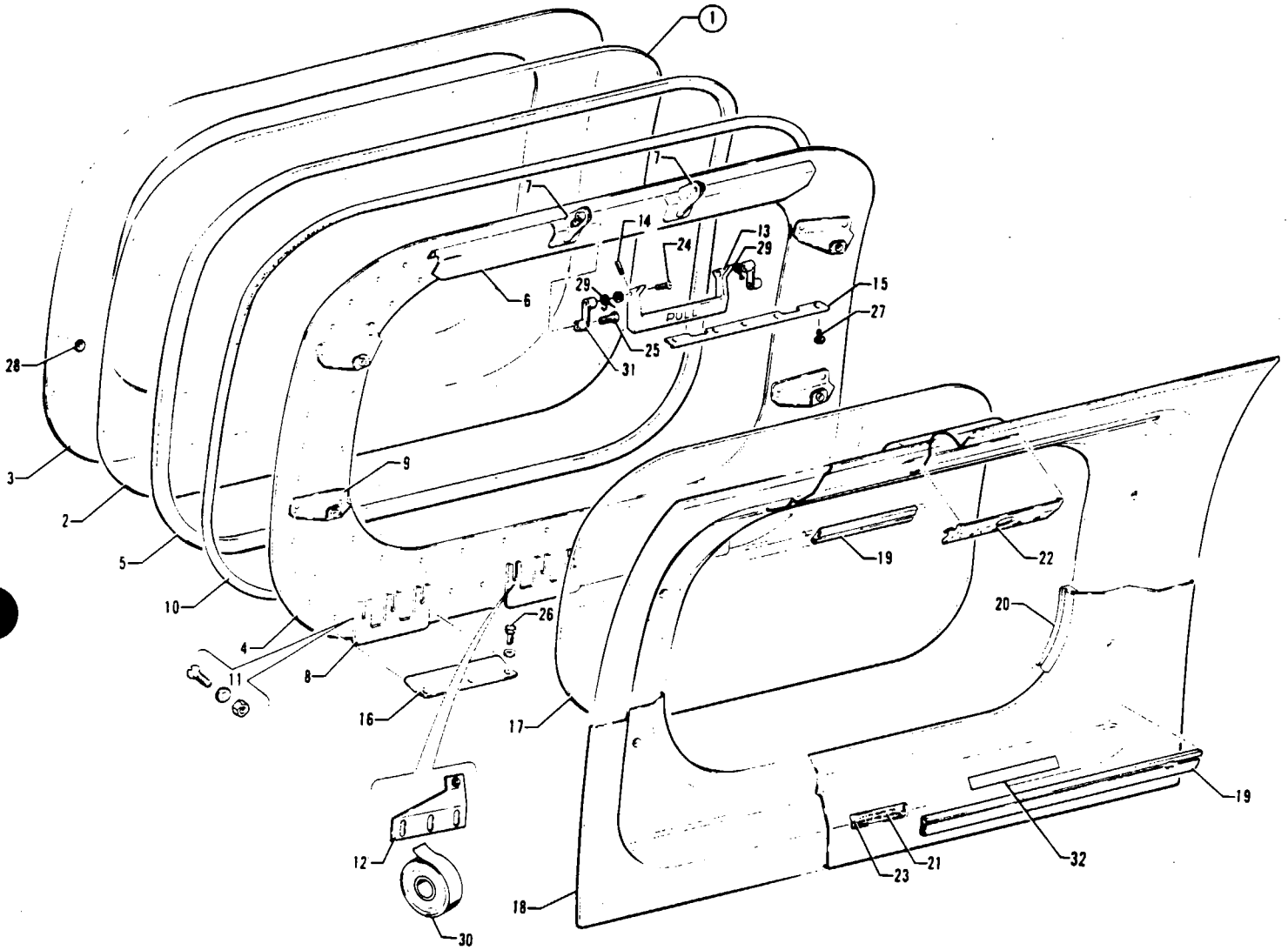


Figure 27. Emergency Exit Window Installation

PIPER PARTS CATALOG

CODE EXPLANATIONS FOR FIGURE 27

PIPER PARTS CATALOG

Figure and Index Number	Part Number	Code	NOMENCLATURE	No. Req.	SERIAL NUMBERS AFFECTED
		1234567			
27-	48300		DRAWING - Emergency Exit Window Installation		
-1	48299-00		WINDOW ASSEMBLY - Emergency exit	1	
-2	48299-06		* WINDOW - Emergency exit	1	
-3	48299-03		* FRAME - Window, outer	1	
-4	48299-04		* FRAME - Window, inner	1	
-5	48299-05		* SPACER - Window frame	1	
-6	48287-00		* CHANNEL ASSEMBLY - Emergency exit	1	
-7	48276-00		* * BRACKET ASSEMBLY - Emergency exit handle, front	1	
	48276-01		* * BRACKET ASSEMBLY - Emergency exit handle, rear	1	
-8	48273-00		* PLATE - Emergency exit retainer	3	
-9	48274-00		* CLIP ASSEMBLY - Emergency exit moulding	4	
-10	187 659		* SEAL - Emergency exit window	8	
-11	410 248		* SCREW - (MS24694-S13)	9	
	407 563		* WASHER - (AN960-8)	9	
	404 910		* NUT - (MS20365-832C)	9	
-12	49131-02		* CLIP ASSEMBLY - Moulding	1	
-13	46931-00		HANDLE - Emergency exit release	1	
-14	419 961		* SCREW - Socket set (6-32 x 3/8")	2	
-15	48271-00		STRIKE CATCH - Emergency latch	1	
-16	48272-00		STRIP - Emergency exit retainer	3	
-17	48464-05		WINDOW - Inner (tinted)	1	
	48464-06		WINDOW - Inner (clear)	1	
-18	49270-14		MOULDING - Inner window	1	
-19	15513-16		TRACK - Curtain	2	
-20	46883-06		MOULDING - Window extruded, 70" (187 530)	1	
-21	80905-02		DECAL - Seat requirements (456 586)	1	
-22	54587-02		PLACARD ASSEMBLY - Emergency exit latch	1	
-23	420 185		RIVET - (MS20470AD2-5)	2	
	406 343		NUT - Push on (A872-012-1)	2	
-24	486 223		SCREW - Handle (LP12G02P9)	2	
-25	400 440		BOLT - (AN3-6A)	2	
-26	400 438		BOLT - (AN3-4A)	9	
	407 564		WASHER - (AN960-10)	9	
-27	415 535		SCREW - (MS35206-245)	5	
	407 120		WASHER - (AN936B8)	5	
-28	407 563		WASHER - (AN960-8)	AR	
	407 583		WASHER - (AN960-8L)	AR	
-29	49445-02		SPRING - Emergency exit latch, forward	1	
	49445-03		SPRING - Emergency exit latch, aft	1	
-30	189 743		TAPE - Teflon, 1" wide (roll)	AR	
-31	48275-00		LINK ASSEMBLY - Emergency exit release	2	
-32	81049-02		DECAL - Seat requirement, aft facing seat	1	

When ordering, always specify Part Number, Description and Serial Number of Aircraft

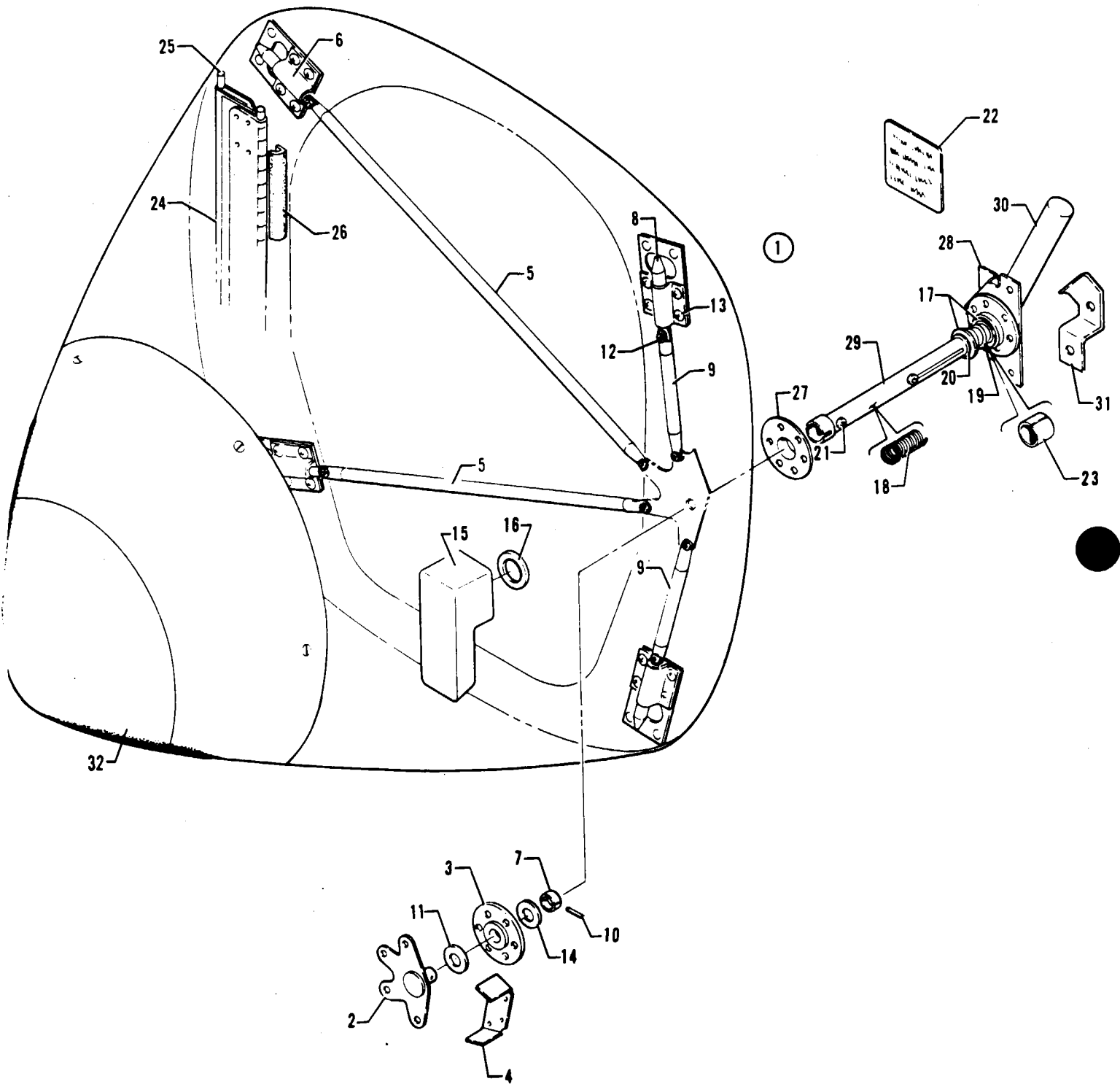


Figure 28. Nose Cone Installation

PIPER PARTS CATALOG

CODE EXPLANATIONS FOR FIGURE 28

A - On aircraft equipped with radar, refer to the Avionics Drawing Index List and the appropriate drawings supplied with each aircraft for replacement part.

PIPER PARTS CATALOG

Figure and Index Number	Part Number	Code	NOMENCLATURE	No. Req.	SERIAL NUMBERS AFFECTED
28-	54627		DRAWING - Nose Cone Installation		
		1234567			
-1	48918-10	A	NOSE CONE ASSEMBLY	1	
			NOSE CONE ASSEMBLY - Radar	1	
-2	48892-05		* LATCH ASSEMBLY - Nose cone	1	
-3	45267-02		* PLATE - Latch bearing	1	
-4	48920-02		* STOP - Nose cone latch	1	
-5	45268-03		* TUBE - Nose cone latch	2	
-6	45271-00		* GUIDE ASSEMBLY - Nose cone latch plunger	4	
-7	48898-03		* COLLAR - Nose cone latch	1	
-8	45266-00		* PLUNGER - Nose cone latch	4	
-9	45268-02		* TUBE - Nose cone latch	2	
-10	480 414		* PIN - Roll (79-040-187-1250)	1	
-11	494 268		* WASHER - Spring (U500-0170)	1	
-12	424 140		* PIN - (MS20392-1C7)	8	
	407 582		* WASHER - (AN960-6L)	8	
	424 032		* PIN - Cotter (MS24665-170)	8	
-13	415 535		* SCREW - (MS35206-245)	16	
	404 910		* NUT - Locking (MS20365-832C)	16	
-14	407 569		* WASHER - (AN960-816)	1	
-15	51448-00		* BOX - Battery air inlet	1	
-16	80122-152		* WASHER - Seal, rubber	1	
-17	49979-04		WASHER	3	
-18	587 385		SPRING - (C0360-040-2500)	3	
-19	587 386		SPRING - (C0720-055-1750)	1	
-20	484 801		RING - Retaining (5100-56)	2	
-21	424 147		PIN - (AN392-21)	2	
	407 561		WASHER - (AN960-4)	2	
	424 032		PIN - Cotter (MS24665-170)	2	
-22	80385-02		PLACARD - Latching operation	1	
-23	82371-139		STOP - Torque shaft	1	
-24	45282-04		HINGE ASSEMBLY - Nose cone	1	
-25	81761-61		PIN - Nose cone hinge	2	
-26	23183-00		SEAL - Molded rubatex 6'	1	
-27	45267-04		PLATE - Torque shaft bearing	1	
-28	48908-02		PLATE ASSEMBLY - Nose cone latch	1	
-29	48903-08		SHAFT ASSEMBLY - Torque	1	
-30	48901-02		HANDLE ASSEMBLY	1	
-31	48899-02		KEEPER	1	
-32	454 302		RUBBER CAP - Nose (3A5124)	1	

When ordering, always specify Part Number, Description and Serial Number of Aircraft

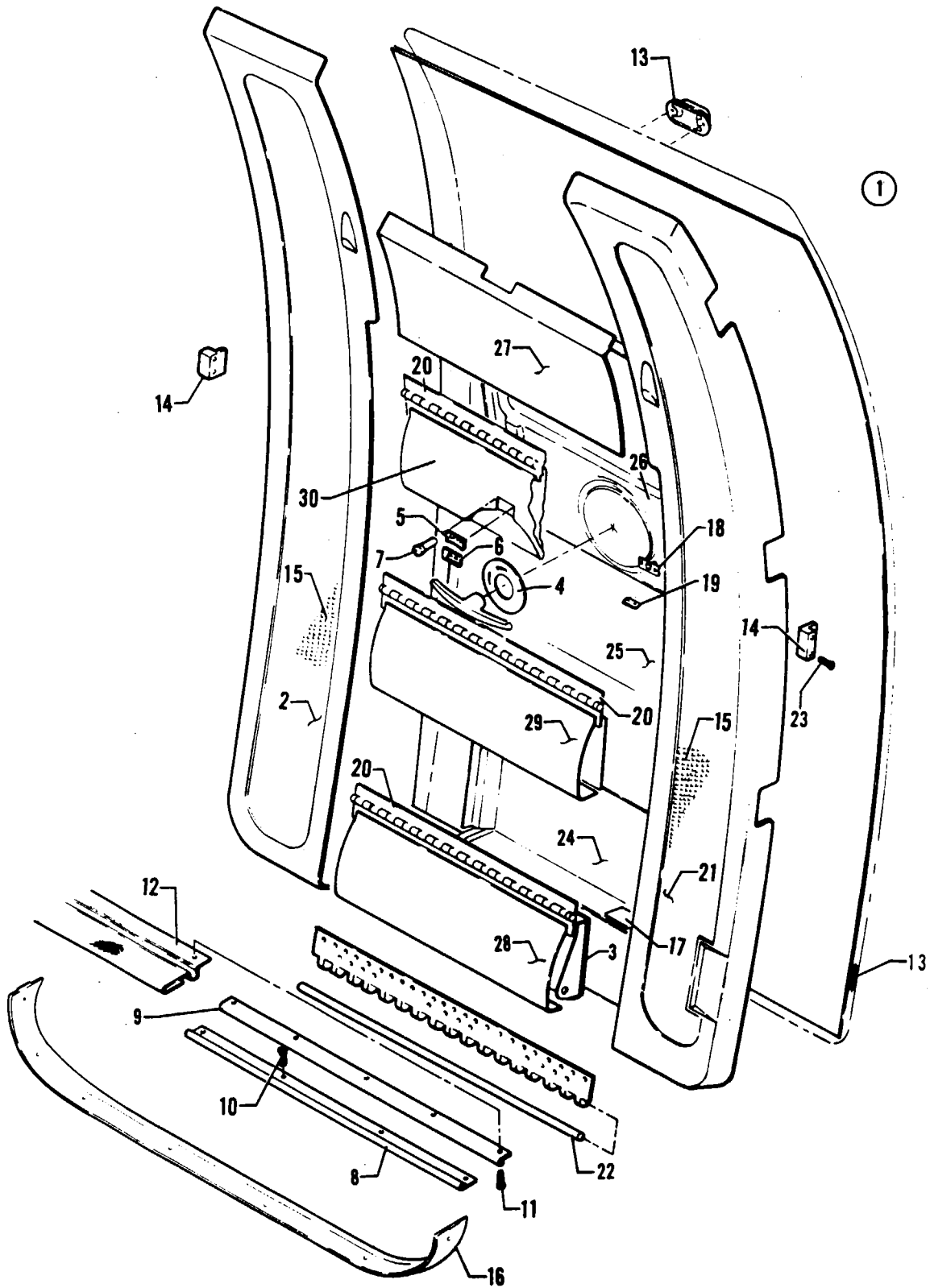


Figure 29. Cabin Entrance Door Installation

PIPER PARTS CATALOG

CODE EXPLANATIONS FOR FIGURE 29

- A - Serial number of aircraft must be supplied when ordering this part.
- B - See Figure 29A for component parts.

PIPER PARTS CATALOG

Figure and Index Number	Part Number	Code	NOMENCLATURE	No. Req.	SERIAL NUMBERS AFFECTED
			1234567		
29-	48511		DRAWING - Cabin Entrance Door Installation		
-1	46776-11	B	DOOR ASSEMBLY - Cabin entrance	1	
-2	49444-05	A	PANEL ASSEMBLY - Cabin door, aft	1	
-3	48479-03	A	TREAD - Step	3	
-4	47060-00		PLACARD - Cabin door latch (581 569)	1	
-5	47059-00		PLACARD - Cabin door lock (581 560)	1	
-6	47563-00		PLACARD - Door auxiliary lock (581 592)	1	
-7	24567-00		KNOB - Door lock	1	
-8	47673-00		STRIP - Hinge trim	1	
-9	47674-00		STRIP - Hinge trim	1	
-10	415 261		SCREW - (8-32 x 3/4 Oval, PH, HD., nickel finish)	4	
-11	419 646		SCREW - (6 x 1/2 L., truss hd., Type A)	5	
-12	43325-06		COVER - Hinge trim, black	1	
-13	47949-00		BUMPER ASSEMBLY - Cabin door	1	
-14	46536-00		BLOCK - Door retaining, forward	1	
	48362-00		BLOCK - Door retaining, aft	1	
-15	48666-04		VINYLMAT - Trim protector, cabin door	2	
-16	47741-02		PLATE ASSEMBLY - Lower door seal	1	
-17	81457-03	A	COVER - Step light trim	3	
-18	48663-00		PLATE ASSEMBLY - Catch mounting (includes catch)	2	
-19	48789-02		STRIKE KIT - (693P) Step catch	2	
-20	46583-03		HINGE - Step, half	3	
-21	49443-05	A	PANEL ASSEMBLY - Cabin door, forward	1	
-22	81761-70		PIN - Hinge	1	
-23	410 082		SCREW - (MS24694-S106)	4	
	407 585		WASHER - (AN960-416L)	4	
	404 888		NUT - (MS20365-428C)	4	
-24	48652-05	A	PANEL - Door trim, lower cover	1	
-25	48658-05	A	PANEL - Door trim, middle lower cover	1	
-26	48656-05	A	PANEL - Door trim, middle upper cover (with door handle recess)	1	
-27	48472-03	A	PANEL - Door trim, upper cover	1	
-28	48662-03	A	PANEL - Step trim, lower	1	
-29	48661-03	A	PANEL - Step trim, middle	1	
-30	48654-03	A	PANEL - Step trim, upper	1	

When ordering, always specify Part Number, Description and Serial Number of Aircraft

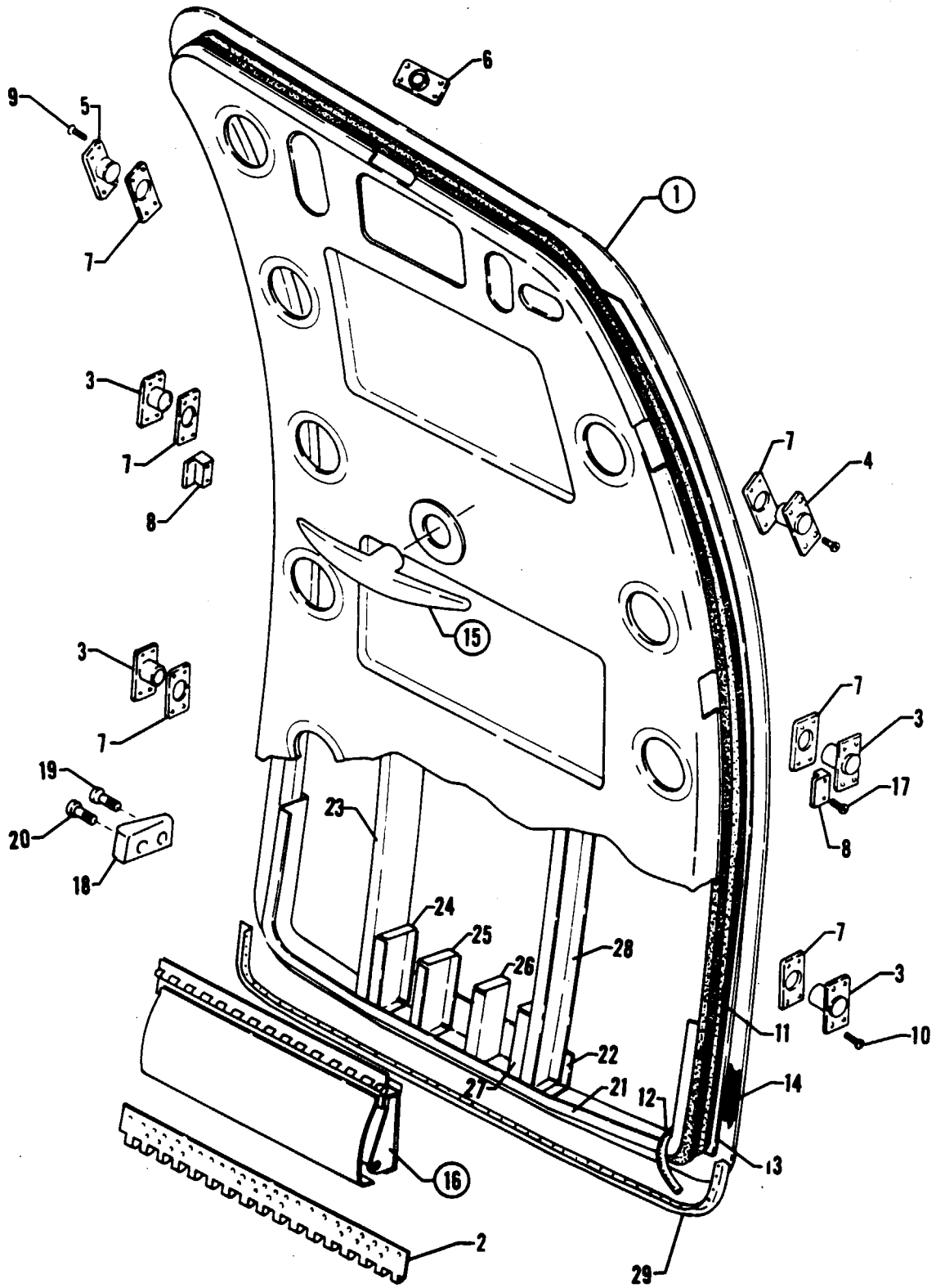


Figure 29A. Cabin Entrance Door Assembly

PIPER PARTS CATALOG

CODE EXPLANATIONS FOR FIGURE 29A

- A - See Figure 30 for component parts.
- B - See Figure 31 for component parts.

PIPER PARTS CATALOG

Figure and Index Number	Part Number	Code	NOMENCLATURE	No. Req.	SERIAL NUMBERS AFFECTED
		1234567			
29A-1	46776-11		DOOR ASSEMBLY - Cabin entrance	1	
-2	46396-00		* HINGE - Door, half	1	
-3	46543-00		* GUIDE ASSEMBLY - Door latch pin	4	
-4	46556-00		* GUIDE ASSEMBLY - Door latch pin	1	
-5	46554-00		* GUIDE ASSEMBLY - Door latch pin	1	
-6	47185-00		* GUIDE ASSEMBLY - Door latch pin	1	
-7	46736-00		* PLATE ASSEMBLY - Pin guide attachment	6	
-8	46536-00		* BLOCK - Door retaining	2	
-9	486 203		* SCREW - (LP24693-S55)	8	
-10	486 200		* SCREW - (LP24693-S52)	16	
-11	46726-00		* SEAL ASSEMBLY - Cabin door inflation	1	
-12	687 548		* * TUBING - Cabin door seal (36.00" L.)	1	
-13	47252-06		* WEATHER SEAL - Lower aft (3/8" wide)	1	
	47252-07		* WEATHER SEAL - Upper aft (3/8" wide)	1	
	47252-09		* WEATHER SEAL - Lower forward (3/8" wide)	1	
	47252-08		* WEATHER SEAL - Upper forward (3/8" wide)	1	
-14	48330-00		* WEATHER SEAL - (Half round type)	11	
-15		A	* LATCH INSTALLATION - Main door	1	
-16		B	* STEP INSTALLATION - Main door	1	
-17	410 077		* SCREW - (MS24694-S104)	4	
	404 888		* NUT - (MS20365-428C)	4	
-18	46286-00		* BLOCK - Door guide	1	
-19	400 864		* BOLT - (AN23-12A)	1	
	404 887		* NUT - (MS20365-1032C)	1	
-20	400 669		* BOLT - (AN23-9A)	1	
	404 887		* NUT - (MS20365-1032C)	1	
-21	46624-02		* BULKHEAD - Cabin door ("Z" Section)	1	
-22	46624-03		* BRACKET - Support ("U" Section)	1	
-23	46550-02		* BULKHEAD - Cabin door, forward	1	
-24	46550-04		* BULKHEAD - Cabin door	1	
-25	46526-00		* BULKHEAD - Cabin door	1	
-26	46522-00		* BULKHEAD - Cabin door	1	
-27	46582-04		* BULKHEAD - Cabin door	1	
-28	46582-02		* BULKHEAD - Cabin door	1	
-29	46777-05		* RETAINER - Door seal	1	

When ordering, always specify Part Number, Description and Serial Number of Aircraft

1F24

INTENTIONALLY LEFT BLANK

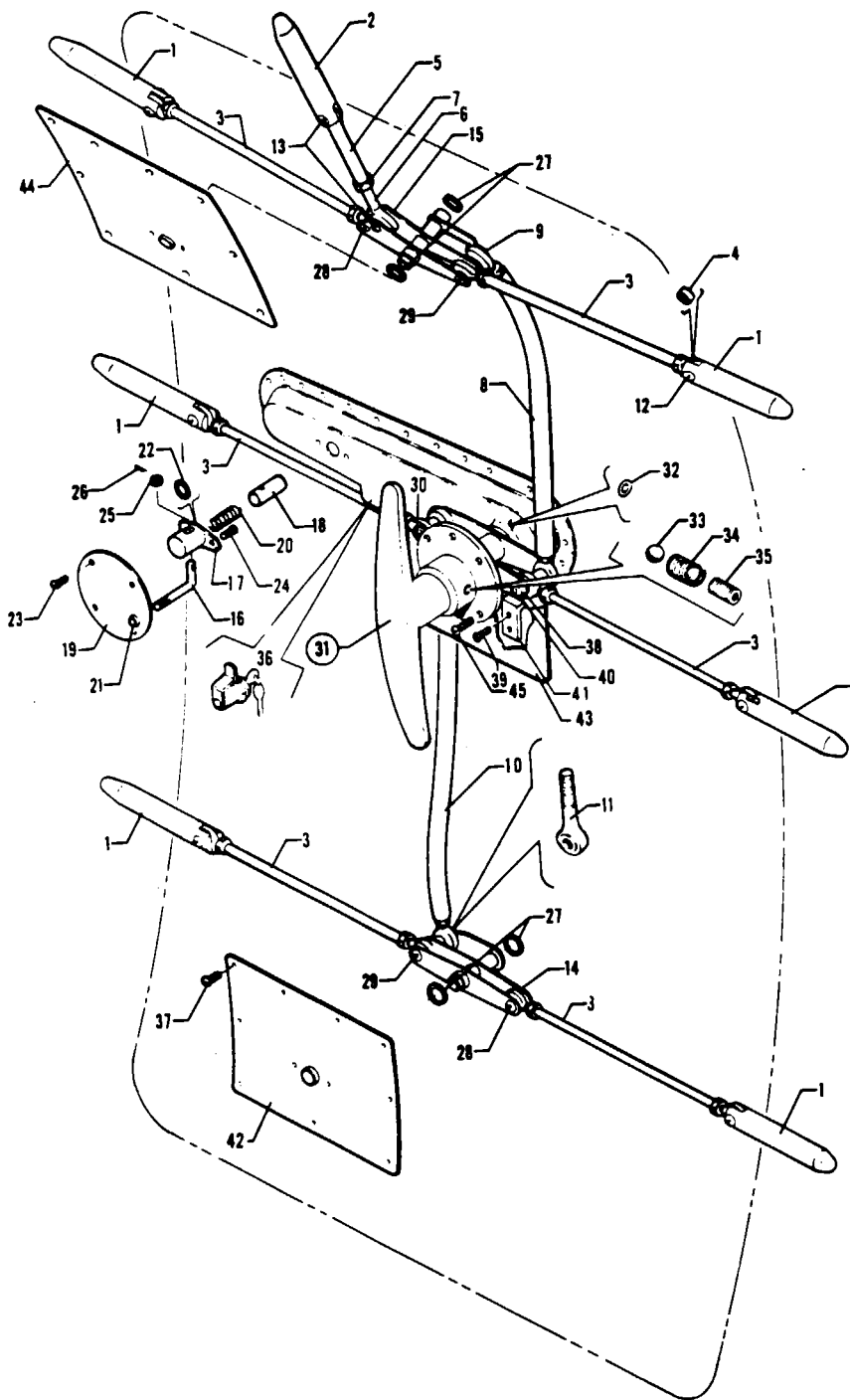


Figure 30. Cabin Door Latch Installation

PIPER PARTS CATALOG

CODE EXPLANATIONS FOR FIGURE 30

A - If matching cabin door lock, forward baggage door lock and nacelle locker locks are desired, order Part No. 29828-03.

PIPER PARTS CATALOG

Figure and Index Number	Part Number	Code	NOMENCLATURE	No. Req.	SERIAL NUMBERS AFFECTED
		1234567			
30-	29189		DRAWING - Main Door Latch Installation		
-1	46482-00		PIN - Door latch	6	
-2	46842-02		PIN - Door latch	1	
-3	46539-00		ROD ASSEMBLY - Door latch	6	
-4	24166-00		* BEARING ASSEMBLY	2	
-5	453 843		BEARING - (HF-4M)	1	
-6	24166-00		BEARING ASSEMBLY	1	
-7	404 322		NUT - (AN316-4R)	1	
-8	46534-00		ROD ASSEMBLY - Door latch, upper	1	
-9	452 412		* BEARING - (HMX-4S)	2	
-10	46637-00		ROD ASSEMBLY - Door latch, lower	1	
-11	452 412		* BEARING - (HMX-4S)	2	
-12	400 904		BOLT - (AN24-14A)	6	
	407 585		WASHER - (AN960-416L)	6	
	404 836		NUT - (MS20364-428C)	6	
-13	400 905		BOLT - (AN24-15A)	2	
	407 585		WASHER - (AN960-416L)	2	
	404 836		NUT - (MS20364-428C)	2	
-14	46519-02		BELLCRANK ASSEMBLY - Door latch	1	
-15	46288-00		BELLCRANK ASSEMBLY - Door latch	1	
-16	47564-00		ROD - Door auxiliary lock	1	
-17	47565-02		BUSHING - Door auxiliary lock	1	
-18	47566-00		PLUNGER - Door auxiliary lock	1	
-19	47572-00		COVER - Door auxiliary lock	1	
-20	83302-67		SPRING - Door auxiliary lock	1	
-21	453 836		BUSHING - (SB-437-5)	1	
-22	484 701		O-RING - (AN6227-7)	1	
-23	415 518		SCREW - (MS35206-228)	4	
	406 358		NUT - (A6487-632-1)	4	
-24	415 520		SCREW - (MS35206-230)	2	
	407 582		WASHER - (AN960-6L)	2	
	488 583		THREADSEAL - (7500-6)	2	
	404 909		NUT - (MS20365-632C)	2	
-25	407 583		WASHER - (AN960-8L)	1	
-26	424 051		PIN - Cotter (MS24665-132)	1	
-27	40559-29		WASHER	4	
-28	400 905		BOLT - (AN24-15A)	2	
	407 565		WASHER - (AN960-416)	2	
	407 585		WASHER - (AN960-416L)	2	
	404 836		NUT - (MS20364-428C)	2	
-29	400 916		BOLT - (AN24-26A)	2	
	407 565		WASHER - (AN960-416)	2	
	407 585		WASHER - (AN960-416L)	2	
	404 836		NUT - (MS20364-428C)	2	
-30	400 917		BOLT - (AN24-27A)	1	
	64076-03		BUSHING	1	
	407 565		WASHER - (AN960-416)	1	
	407 585		WASHER - (AN960-416L)	1	
	404 836		NUT - (MS20364-428C)	1	
-31	46628-02		HANDLE ASSEMBLY - Door latch (without lock)	1	
-32	762 583		* ROLLER - Cabin door handle (nylon)	2	
-33	758 590		* BALL - Detente (#20065-105)	1	

When ordering, always specify Part Number, Description and Serial Number of Aircraft

PIPER PARTS CATALOG

Figure and Index Number	Part Number	Code	NOMENCLATURE	No. Req.	SERIAL NUMBERS AFFECTED
			1234567		
30-34	764 805		* SPRING - Detente (#LS451)	1	
-35	764 806		* SCREW - Set (AN565DC416H3)	1	
-36	761 291	A	LOCK - Cabin	1	
-37	415 535		SCREW - (MS35206-245)	30	
	407 042		LOCKWASHER - (MS35338-42)	30	
-38	49999-35		BUSHING	1	
-39	411 531		SCREW - (MS35207-262)	2	
	407 135		WASHER - (AN936-A10)	2	
-40	400 921		BOLT - (AN24-31A)	1	
	64076-03		BUSHING	1	
	407 565		WASHER - (AN960-416)	1	
	407 585		WASHER - (AN960-416L)	1	
	404 836		NUT - (MS20364-428C)	1	
-41	47909-00		STOP ASSEMBLY - Door handle	1	
-42	46563-04		COVER ASSEMBLY - Lower bellcrank	1	
-43	46528-02		COVER - Door handle access	1	
-44	46560-04		COVER ASSEMBLY - Upper bellcrank	1	
-45	410 037		SCREW - (MS24694-S49)	6	
	407 584		WASHER - (AN960-10L)	6	
	404 835		NUT - (MS20364-1032C)	6	

When ordering, always specify Part Number, Description and Serial Number of Aircraft

PIPER PARTS CATALOG

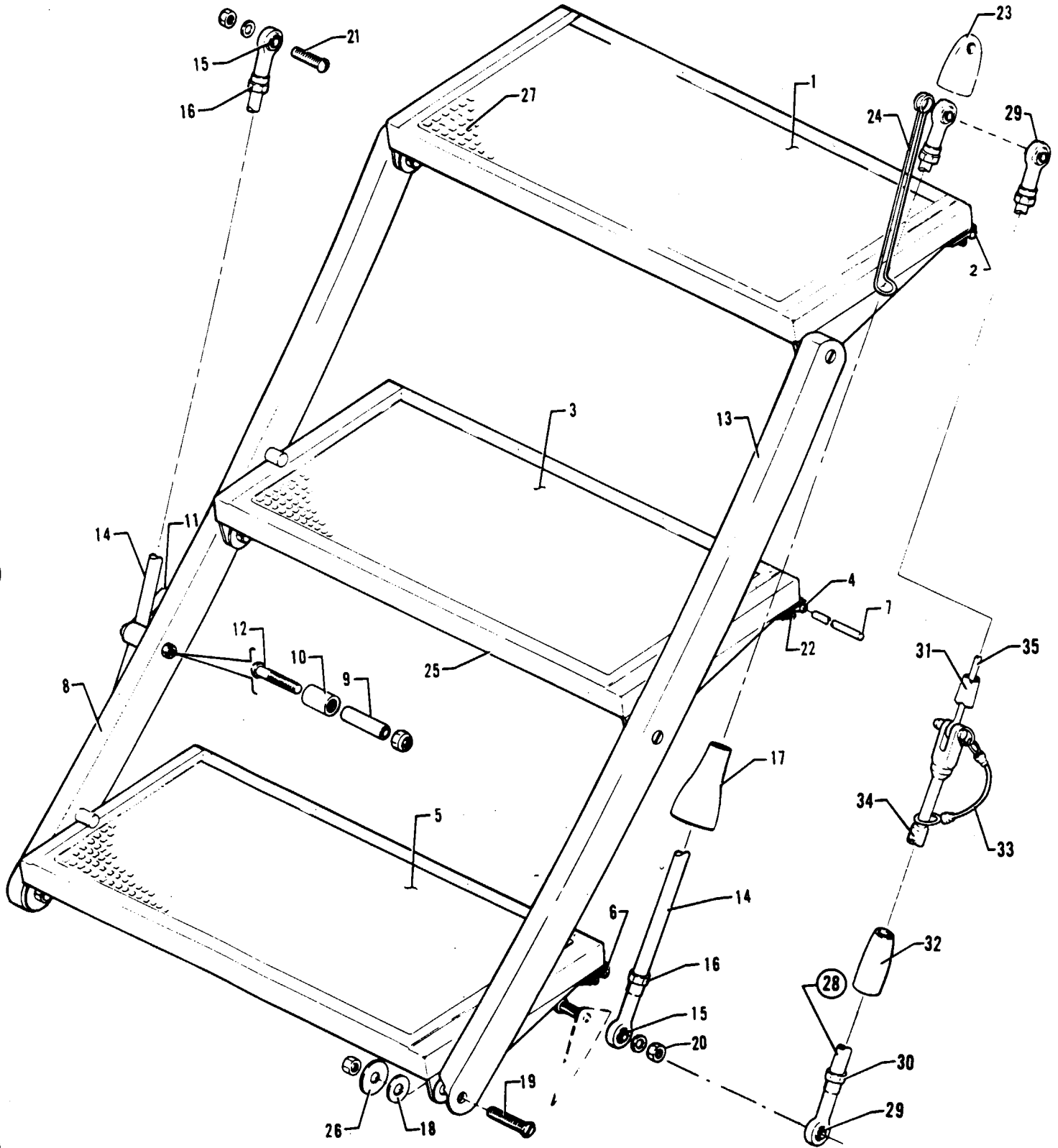


Figure 31. Cabin Door Step Installation

REVISED: MARCH 1984

PIPER PARTS CATALOG

CODE EXPLANATIONS FOR FIGURE 31

- A - Used if cargo door is not installed.
- B - Used if cargo door is installed.

PIPER PARTS CATALOG

Figure and Index Number	Part Number	Code	NOMENCLATURE	No. Req.	SERIAL NUMBERS AFFECTED
			1234567		
31-	46604		DRAWING - Door Step Installation		
-1	48644-04		STEP ASSEMBLY - Door, bottom	1	
-2	48649-00		* HINGE - Step, half	1	
-3	48644-03		STEP ASSEMBLY - Door, middle	1	
-4	48649-00		* HINGE - Step, half	1	
-5	48644-02		STEP ASSEMBLY - Door, top	1	
-6	48649-00		* HINGE - Step, half	3	
-7	81761-69		PIN - Hinge	3	
-8	46494-00		TUBE ASSEMBLY - Step support, forward	1	
-9	49982-08		* BUSHING - Step support	1	
-10	49982-07		* BUSHING - Step support	1	
-11	47500-00		* GUARD - Door support cable	1	
-12	400 875		* BOLT - (AN23-23A)	1	
	407 702		* NUT - (22K1-02)	1	
-13	46494-01		TUBE ASSEMBLY - Step support, aft	1	
-14	47716-05		CABLE ASSEMBLY - Door support, forward	1	
	47716-04	A	CABLE ASSEMBLY - Door support, aft	1	
-15	452 483		* BEARING - (HF-4M) Upper	1	
	452 335		* BEARING - (F34-14) Lower	1	
-16	404 322		* NUT - Check (AN316-4R)	2	
-17	48463-00		* BOOT ASSEMBLY - Door support cable	1	
-18	40559-28		WASHER	18	
-19	410 080		SCREW - (MS24694-S107)	6	
	404 836		NUT - (MS20364-428C)	6	
-20	400 676		BOLT - (AN23-14)	2	
	407 564		WASHER - (AN960-10)	2	
	404 887		NUT - (MS20365-1032C)	2	
-21	415 369		SCREW - (MS27039-4-18)	2	
	407 565		WASHER - (AN960-416)	4	
	407 585		WASHER - (AN960-416L)	4	
-22	48648-00		STRIP - Step trim attachment	3	
-23	48506-04		BOOT ASSEMBLY - Door support cable, left	1	
	48506-05		BOOT ASSEMBLY - Door support cable, right	1	
-24	48418-00		SPRING - Door cable	2	
-25	48165-03		EDGING - Cabin door step	3	
-26	40559-27		WASHER	6	
-27	48666-03		VINYL MAT - Cabin door step	3	
-28	01679-02	B	CABLE ASSEMBLY - Door support, aft	1	
-29	452 661	B	* BEARING - (F35-14M), lower	1	
	452 848	B	* BEARING - (F45-19M), upper	1	
-30	52846-00	B	* NUT - Check	2	
-31	53968-03	B	* BOOT ASSEMBLY - Door support cable	1	
-32	48463-00	B	* BOOT ASSEMBLY - Door support cable	1	
-33	01680-02	B	* LANYARD ASSEMBLY	1	
-34	01679-03	B	* CABLE ASSEMBLY - Door support, lower	1	
-35	01679-04	B	* CABLE ASSEMBLY - Door support, upper	1	

When ordering, always specify Part Number, Description and Serial Number of Aircraft

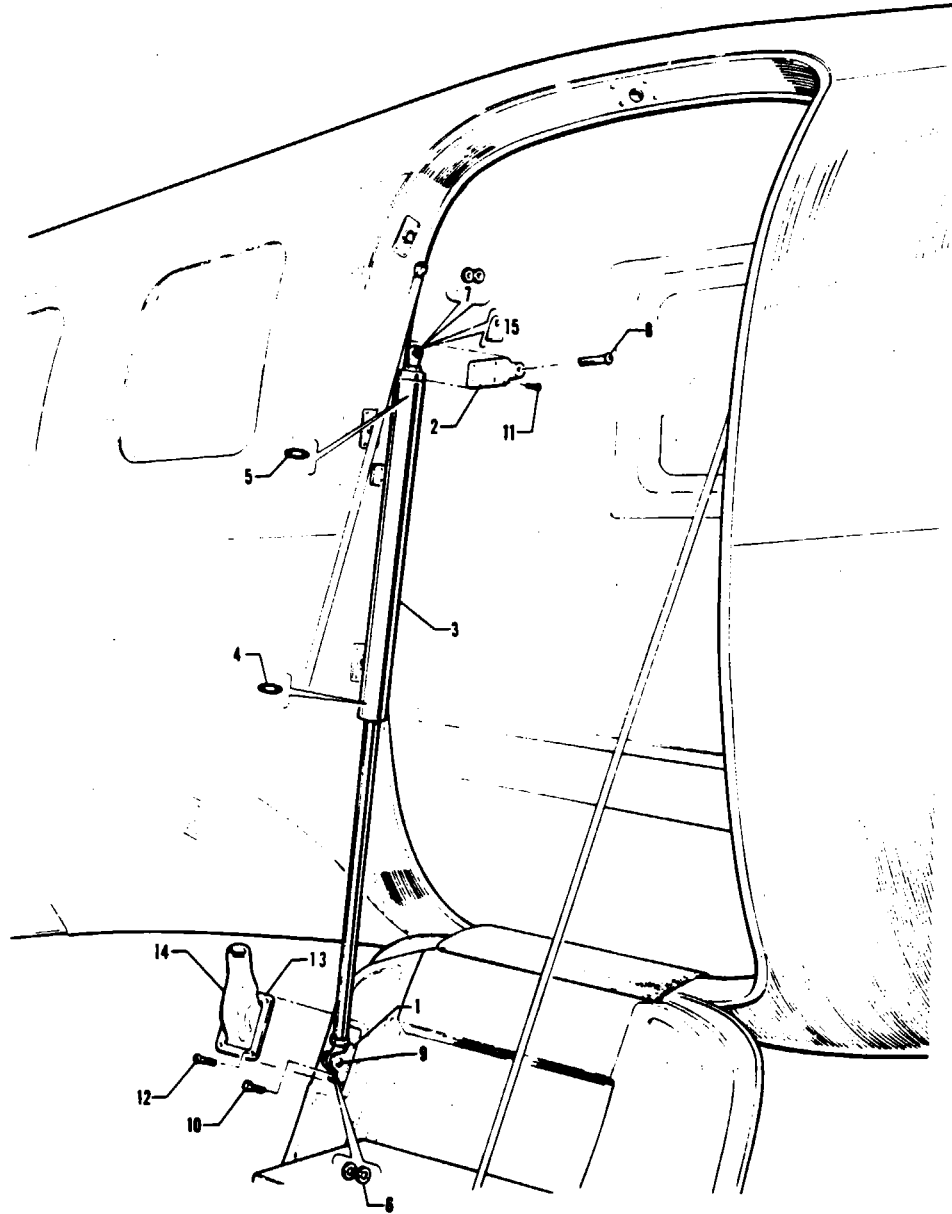


Figure 32. Cabin Door Snubber Installation

PIPER PARTS CATALOG

CODE EXPLANATIONS FOR FIGURE 32

PIPER PARTS CATALOG

Figure and Index Number	Part Number	Code	NOMENCLATURE	No. Req.	SERIAL NUMBERS AFFECTED
		1234567			
32-	48575		DRAWING - Cabin Door Snubber Installation		
-1	45624-00		BRACKET ASSEMBLY - Door snubber attachment	1	
-2	48348-00		BRACKET - Door snubber attachment	1	
-3	47958-00		SNUBBER ASSEMBLY - Hydraulic, cabin entrance	1	
-4	484 726		* "O RING" - (AN6227B-10) (1/2" I.D.)	1	
-5	484 703		* "O RING" - (AN6227-21) (1 1/8" I.D.)	3	
-6	85012-119		WASHER	2	
-7	407 565		WASHER - (AN960-416)	2	
-8	47616-02		BOLT ASSEMBLY - Clevis	1	
-9	400 910		BOLT - (AN24-20A)	1	
	404 836		NUT - (MS20364-428C)	1	
-10	401 266		BOLT - (AN3-5A)	2	
-11	400 868		BOLT - (AN23-16A)	4	
	407 564		WASHER - (AN960-10)	AR	
-12	419 912		SCREW - (8 x 3/4 L. Sh. metal, truss recessed head, Type B)	4	
-13	45622-00		PLATE - Trim	1	
-14	48583-02		BOOT - Snubber	1	
-15	49111-02		BOOT - Snubber	1	

When ordering, always specify Part Number, Description and Serial Number of Aircraft

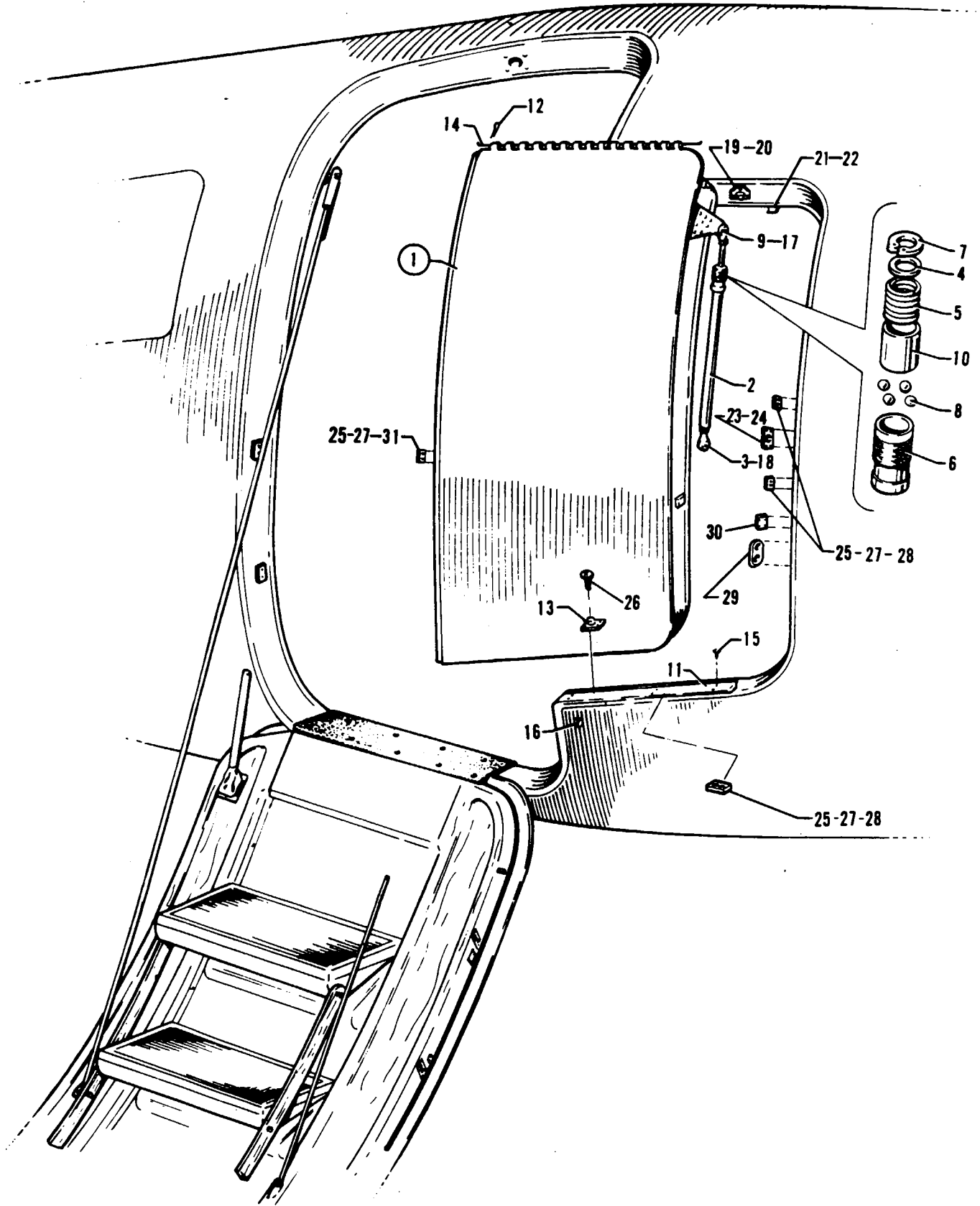


Figure 32A. Fuselage Cargo Door Installation

PIPER PARTS CATALOG

CODE EXPLANATIONS FOR FIGURE 32A

A - See Figure 32B for component parts.

PIPER PARTS CATALOG

Figure and Index Number	Part Number	Code	NOMENCLATURE	No. Req.	SERIAL NUMBERS AFFECTED
32A-	81449		DRAWING - Cargo Door Installation		
		1234567			
-1	81413-03	A	DOOR ASSEMBLY - Cabin cargo (complete)	1	
-2	43853-00		SUPPORT ASSEMBLY - Cabin cargo door	1	
-3	452 383		* BEARING ASSEMBLY - (24166-00)	1	
-4	40559-21		* WASHER - Support assembly	1	
-5	43850-00		* SPRING - Support assembly	1	
-6	43851-00		* SLEEVE - Door support adjusting	1	
-7	484 783		* RING - Snap (N5000-77)	1	
-8	452 036		* BEARING - Ball (MS19059-8)	4	
-9	452 357		* BEARING - Rod end (M34-14)	1	
-10	14843-114		* BUSHING - (Teflon)	1	
-11	81978-02		PLATE - Scuff, cargo door sill	1	
-12	424 055		PIN - Cotter (MS24665-138)	2	
-13	81769-05		GUIDE ASSEMBLY - Door latch	2	
-14	56951-02		PIN - Hinge, cargo door	1	
-15	419 712		SCREW - (PS10012-24)	6	
-16	402 070		SCREW - (AN45-4A)	1	
-17	400 864		BOLT - Clevis (AN23-12A)	1	
	406 702		NUT - Cap (22K1-02)	1	
-18	400 918		BOLT - Clevis (AN24-28A)	1	
	407 585		WASHER - (AN960-416L)	1	
	407 565		WASHER - (AN960-416)	1	
-19	59693-08		PLATE - Cargo door	2	
-20	415 380		SCREW - (MS51958-64)	6	
	407 584		WASHER - (AN960-10L)	6	
	404 835		NUT - (MS20364-1032C)	6	
-21	59750-03		PLATE - Cargo door latch	2	
-22	415 380		SCREW - (MS51958-64)	8	
	407 584		WASHER - (AN960-10L)	8	
	404 835		NUT - (MS20364-1032C)	8	
-23	46548-05		RECEPTACLE ASSEMBLY - Door latch pin	1	
-24	411 208		SCREW - (NAS221-8)	4	
	407 584		WASHER - (AN960-10L)	4	
	404 887		NUT - (MS20365-1032C)	4	
-25	51588-04		SHIM - Door retaining block (.032)	AR	
	51588-05		SHIM - Door retaining block (.040)	AR	
-26	410 241		SCREW - (MS24694-S6)	8	
-27	46536-00		BLOCK - Door retaining	4	
-28	410 082		SCREW - (MS24694-S106)	6	
	407 585		WASHER - (AN960-416L)	6	
	404 888		NUT - (MS20365-428C)	6	
-29	46287-00		BLOCK - Door retaining	1	
-30	43586-12		BRACKET ASSEMBLY - Door support attachment	1	
-31	410 077		SCREW - (MS24694-S104)	2	

When ordering, always specify Part Number, Description and Serial Number of Aircraft

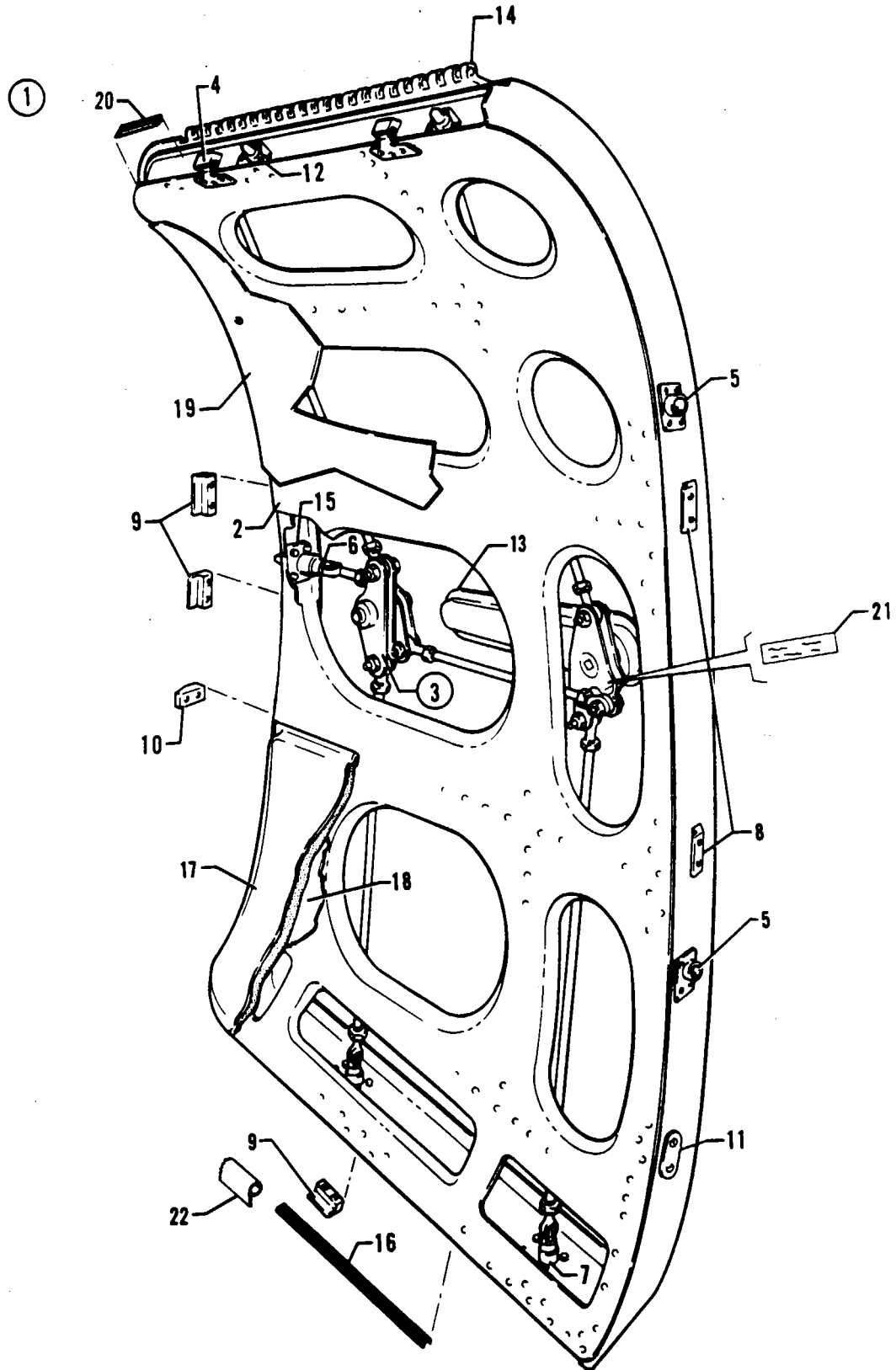


Figure 32B. Cargo Door Assembly

PIPER PARTS CATALOG

CODE EXPLANATIONS FOR FIGURE 32B

- A - Serial number of aircraft must be supplied when ordering this part.
- B - See Figure 32C for component parts.

PIPER PARTS CATALOG

Figure and Index Number	Part Number	Code	NOMENCLATURE	No. Req.	SERIAL NUMBERS AFFECTED
		1234567			
32B-	81413		DRAWING - Cabin Cargo Door Assembly		
-1	81413-03	A	DOOR ASSEMBLY - Cabin cargo (complete)	1	
-2	59774-13		* DOOR ASSEMBLY - Cabin cargo	1	
-3		B	* * LATCH INSTALLATION - Cargo door	1	
-4	59747-02		* * LATCH ASSEMBLY - Cargo door, forward	1	
	59747-03		* * LATCH ASSEMBLY - Cargo door, aft	1	
-5	46548-00		* * GUIDE ASSEMBLY - Door latch pin	2	
-6	59761-05		* * GUIDE ASSEMBLY - Door latch pin	1	
-7	59746-02		* * GUIDE ASSEMBLY - Door latch pin	2	
-8	48362-00		* * BLOCK - Door retaining, forward	2	
-9	46536-02		* * BLOCK - Door retaining	3	
-10	46286-00		* * BLOCK - Door guide, aft	1	
-11	46287-00		* * BLOCK - Door guide, forward	1	
-12	59693-02		* * PIN ASSEMBLY - Door guide	2	
-13	72754-03		* * HANDLE - Cargo door	1	
-14	57032-03		* * HINGE - Half, cargo door	1	
-15	46736-00		* * PLATE ASSEMBLY - Pin guide attachment	5	
-16	59019-02		* SEAL - Cargo door inflation	1	
-17	81430-02	A	* PANEL ASSEMBLY - Cargo door trim, lower	1	
-18	81426-04		* PANEL - Cargo door trim	1	
-19	81433-03	A	* PANEL - Cargo door trim, upper	1	
-20	56766-05		* SEAL - Weather	1	
-21	80973-02		* PLACARD - Pin engagement	1	
-22	01335-04		* SEAL - Cargo door	1	

When ordering, always specify Part Number, Description and Serial Number of Aircraft

PIPER PARTS CATALOG

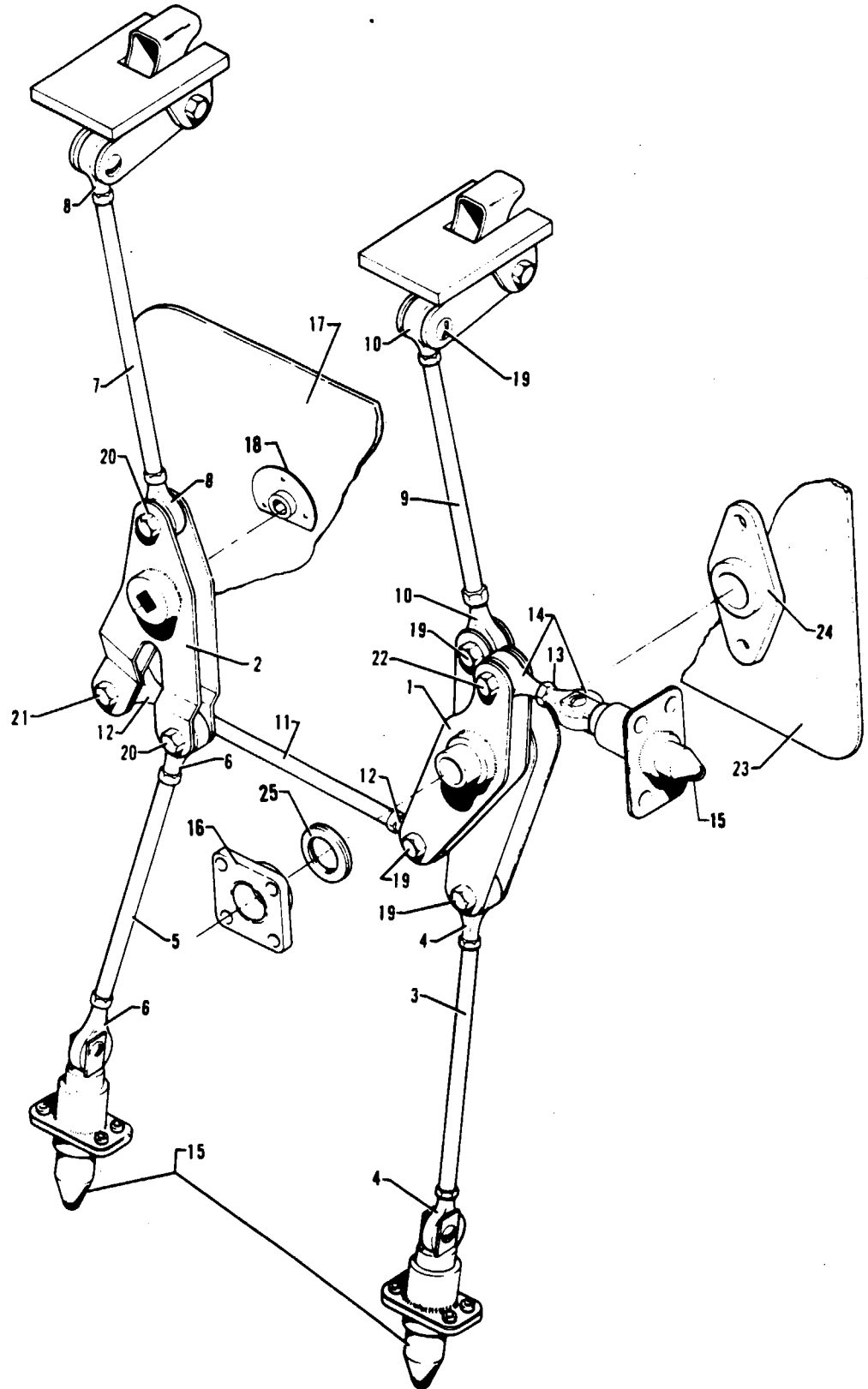


Figure 32C. Cargo Door Latch Installation

PIPER PARTS CATALOG

CODE EXPLANATIONS FOR FIGURE 32C

PIPER PARTS CATALOG

Figure and Index Number	Part Number	Code	NOMENCLATURE	No. Req.	SERIAL NUMBERS AFFECTED
32C-	59743	1234567	DRAWING - Cargo Door Latch Installation		
-1	70857-02		BELLCRANK ASSEMBLY - Cargo door, aft	1	
-2	70856-07		BELLCRANK ASSEMBLY - Cargo door, forward	1	
-3	73156-02		ROD ASSEMBLY - Door latch	1	
-4	24166-00		* BEARING - Rod end (452 383)	2	
-5	73155-02		ROD ASSEMBLY - Door latch	1	
-6	24166-00		* BEARING - Rod end (452 383)	2	
-7	73155-03		ROD ASSEMBLY - Door latch	1	
-8	24166-00		* BEARING - Rod end (452 383)	2	
-9	73155-04		ROD ASSEMBLY - Door latch	1	
-10	24166-00		* BEARING - Rod end (452 383)	2	
-11	73155-05		ROD ASSEMBLY - Door latch	1	
-12	24166-00		* BEARING - Rod end (452 383)	2	
-13	59753-02		ROD ASSEMBLY - Door latch	1	
-14	59753-04		* BEARING - Rod end	2	
-15	70796-05		PIN - Door latch	3	
-16	59762-02		BEARING ASSEMBLY - Bellcrank	1	
-17	59773-02		COVER ASSEMBLY - Cargo door	1	
-18	72754-02		* SPINDLE SUPPORT - Cargo door handle	1	
-19	400 703		BOLT - (AN24-16)	8	
	407 585		WASHER - (AN960-416L)	8	
	404 836		NUT - (MS20364-428C)	8	
-20	400 702		BOLT - (AN24-15)	2	
	407 585		WASHER - (AN960-416L)	2	
	404 836		NUT - (MS20364-428C)	2	
-21	400 913		BOLT - (AN24-23A)	1	
	407 585		WASHER - (AN960-416L)	1	
	587 462		SPACER - (NAS43HT4-24)	1	
	404 836		NUT - (MS20364-428C)	1	
-22	400 712		BOLT - (AN24-27)	1	
	407 585		WASHER - (AN960-416)	1	
	587 461		SPACER - (NAS43HT4-30)	1	
	404 836		NUT - (MS20364-428C)	1	
-23	59770-02		COVER ASSEMBLY - Cargo door	1	
-24	46537-03		* BEARING ASSEMBLY - Bellcrank	1	
-25	40559-29		WASHER - Teflon	2	

When ordering, always specify Part Number, Description and Serial Number of Aircraft

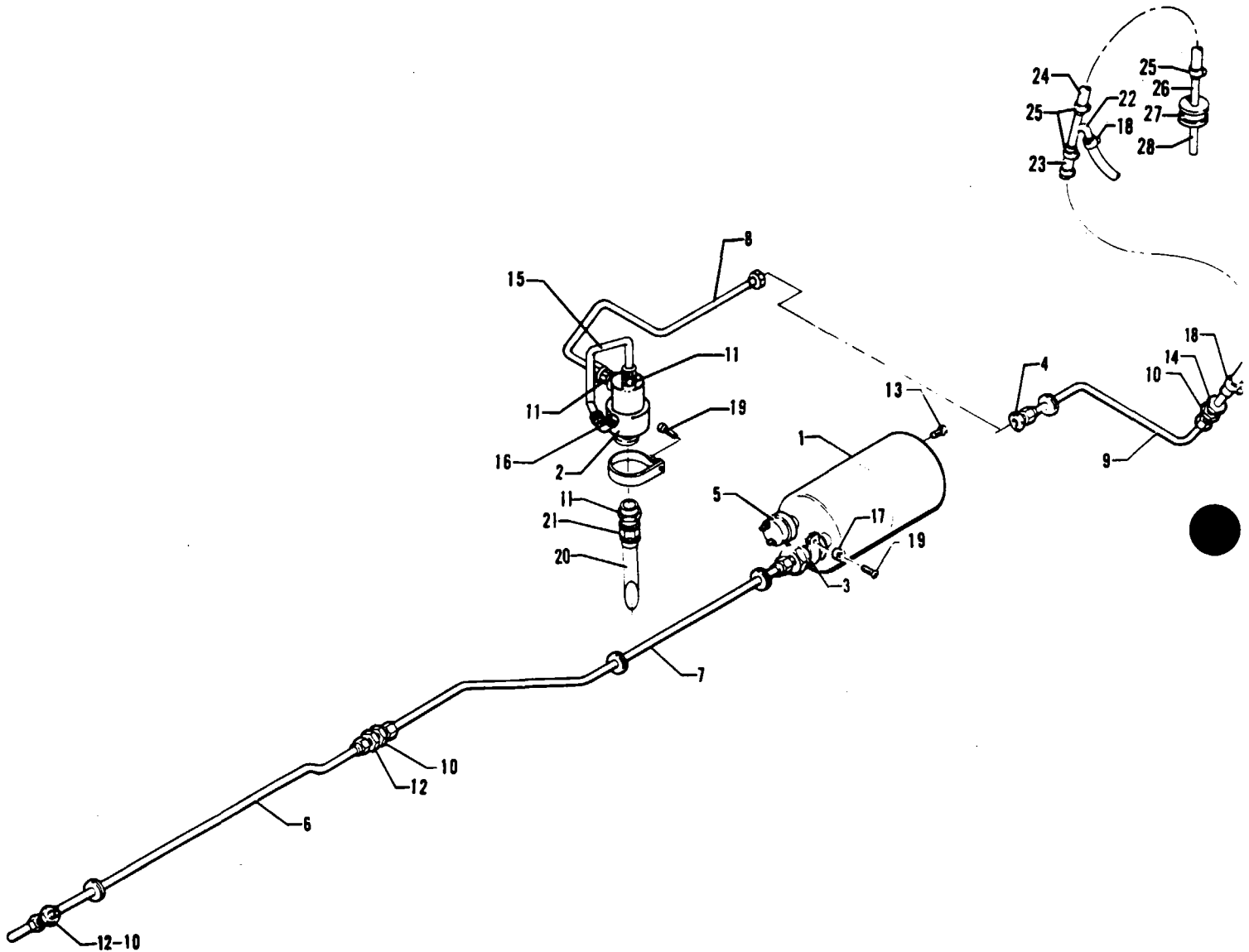


Figure 33. Cabin Door Inflation System Installation

PIPER PARTS CATALOG

CODE EXPLANATIONS FOR FIGURE 33

A - Used if cargo door is installed.

PIPER PARTS CATALOG

Figure and Index Number	Part Number	Code	NOMENCLATURE	No. Req.	SERIAL NUMBERS AFFECTED
		1234567			
33-	01377		DRAWING - Door Seal Inflation System Installation		
-1	46088-00		CAN ASSEMBLY - Pressure storage, door seal	1	
-2	46633-00		VALVE ASSEMBLY - Door inflation solenoid	1	
-3	492 161		VALVE - Check (366-00-23)	1	
-4	491 050		UNION - (AN815-4D)	1	
-5	487 984		SWITCH - Pressure (M4013-14)	1	
-6	51609-00		LINE ASSEMBLY - Door seal inflation	1	
-7	47128-00		LINE ASSEMBLY - Door seal inflation	1	
-8	01485-02		LINE ASSEMBLY - Door seal inflation	1	
-9	47130-00		LINE ASSEMBLY - Door seal inflation	1	
-10	477 618		NUT - (AN924-4D)	3	
-11	476 648		NIPPLE - (AN816-4D)	3	
-12	491 060		UNION - (AN832-4D)	2	
-13	400 437		BOLT - (AN3-3A)	2	
-14	451 853		ADAPTER - (AN807-4D)	1	
-15	49174-02		LINE ASSEMBLY - Solenoid valve to can	1	
-16	458 894		ELBOW - (MS20822-4D)	1	
-17	60998-07		BUSHING	1	
-18	554 983		CLAMP - (QS700M4H)	1	
-19	411 533		SCREW - (MS35207-264)	2	
-20	02156-02		TUBE - Drain	1	
-21	486 897		SLEEVE - (MS20819-4D)	1	
	477 612		NUT - (AN818-4D)	1	
-22	16632-00	A	TUBE ASSEMBLY - Tee	1	
-23	82371-07	A	HOSE - Flexible	1	
-24	82371-162	A	HOSE - Flexible	1	
-25	554 871	A	CLAMP - (SAE TY F-6SS)	5	
-26	81889-02	A	TUBE ASSEMBLY - Cargo door inflation	1	
-27	81889-03	A	TUBE ASSEMBLY - Cargo door inflation	1	
-28	59186-03	A	WASHER - Rubber, cargo door inflation feed-thru seal	1	

When ordering, always specify Part Number, Description and Serial Number of Aircraft

**1G23 THRU 1G24
INTENTIONALLY LEFT BLANK**

PIPER PARTS CATALOG

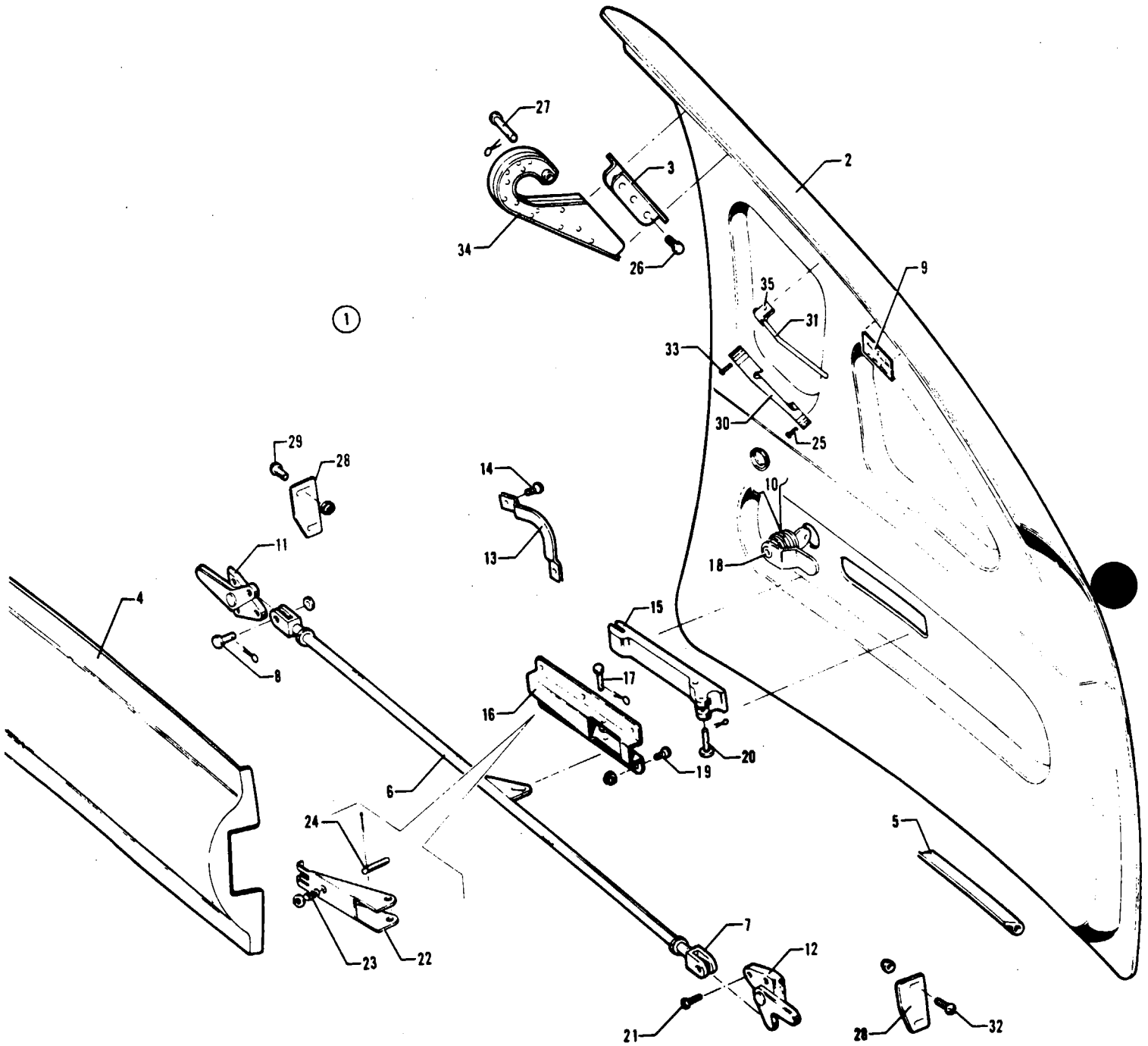


Figure 34. Forward Baggage Door Installation

PIPER PARTS CATALOG

CODE EXPLANATIONS FOR FIGURE 34

A - If matching cabin door lock, forward baggage door lock and nacelle locker locks are desired, order Part No. 29828-03

PIPER PARTS CATALOG

Figure and Index Number	Part Number	Code	NOMENCLATURE	No. Req.	SERIAL NUMBERS AFFECTED
		1234567			
34-	48509		DRAWING - Forward Baggage Compartment Door Installation		
-1	48504-06		DOOR ASSEMBLY - Forward baggage compartment (complete)	1	
-2	46036-00		* DOOR ASSEMBLY - Forward baggage compartment	1	
-3	46301-00		* * ANGLE - Hinge attachment, baggage door	4	
-4	02047-02		* COVER - Forward baggage compartment	1	
-5	187 527		* EXTRUSION - Rubber, baggage door seal (130 342)	9 FT.	
-6	46109-00		* TUBE ASSEMBLY - Baggage door latch	1	
-7	30576-00		* * CLEVIS - Tube assembly, door latch	2	
-8	424 176		* PIN - Clevis, tube assembly (MS20392-2C15)	2	
	407 584		* WASHER - (AN960-10L)	2	
	424 051		* COTTER PIN - (MS24665-132)	2	
-9	80424-02		* PLACARD - Baggage capacity (582 579)	1	
-10	25590-00		* WASHER - Door lock	1	
-11	46106-00		* ARM ASSEMBLY - Baggage door latch, aft	1	
-12	46107-00		* ARM ASSEMBLY - Baggage door latch, forward	1	
-13	30852-00		* PLATE ASSEMBLY - Door lock guide	1	
-14	415 518		* SCREW - (MS35206-228)	2	
-15	22641-02		* HANDLE - Forward baggage door	1	
-16	30580-00		* BRACKET - Baggage door handle	1	
-17	424 186		* PIN - Door handle hinge (MS20392-2C35)	1	
	19513-53		* WASHER - Door handle spacer	2	
	424 051		* COTTER PIN - (MS24665-132)	1	
-18	752 350	A	* LOCK - Forward baggage door	1	
-19	415 518		* SCREW - (MS35206-228)	6	
	404 909		* NUT - (MS20365-632C)	6	
-20	424 148		* PIN - (MS20392-1C23)	1	
	424 052		* COTTER PIN - (MS24665-134)	1	
-21	414 756		* SCREW - (MS24693-S30)	6	
-22	28467-03		* BRACKET - Baggage door handle	1	
-23	83302-67		* SPRING - Baggage door handle	1	
-24	424 145		* PIN - (MS20392-1C17)	1	
	407 562		* WASHER - (AN960-6)	1	
	424 051		* COTTER PIN - (MS24665-132)	1	
-25	411 536		SCREW - (MS35207-267)	1	
-26	400 438		BOLT - (AN3-4A)	6	
	407 564		WASHER - (AN960-10)	6	
	404 835		NUT - (MS20364-1032C)	6	
-27	424 188		PIN - (MS20392-2C41)	2	
	407 564		WASHER - (AN960-10)	2	
	424 051		COTTER PIN - (MS24665-132)	2	
-28	48017-00		PLATE - Lock, forward baggage door	2	
-29	415 520		SCREW - (MS35206-230)	2	
	404 909		NUT - (MS20365-632C)	2	
-30	46038-00		BRACKET - Baggage door holder	1	
-31	47998-00		LINK - Baggage holder	1	
-32	415 520		SCREW - (MS35206-230)	2	
	404 909		NUT - (MS20365-632C)	2	
-33	411 537		SCREW - (MS35207-28)	1	
-34	46083-00		HINGE ASSEMBLY - Forward baggage door	2	
-35	46112-00		CLAMP - Baggage door holder	1	

When ordering, always specify Part Number, Description and Serial Number of Aircraft

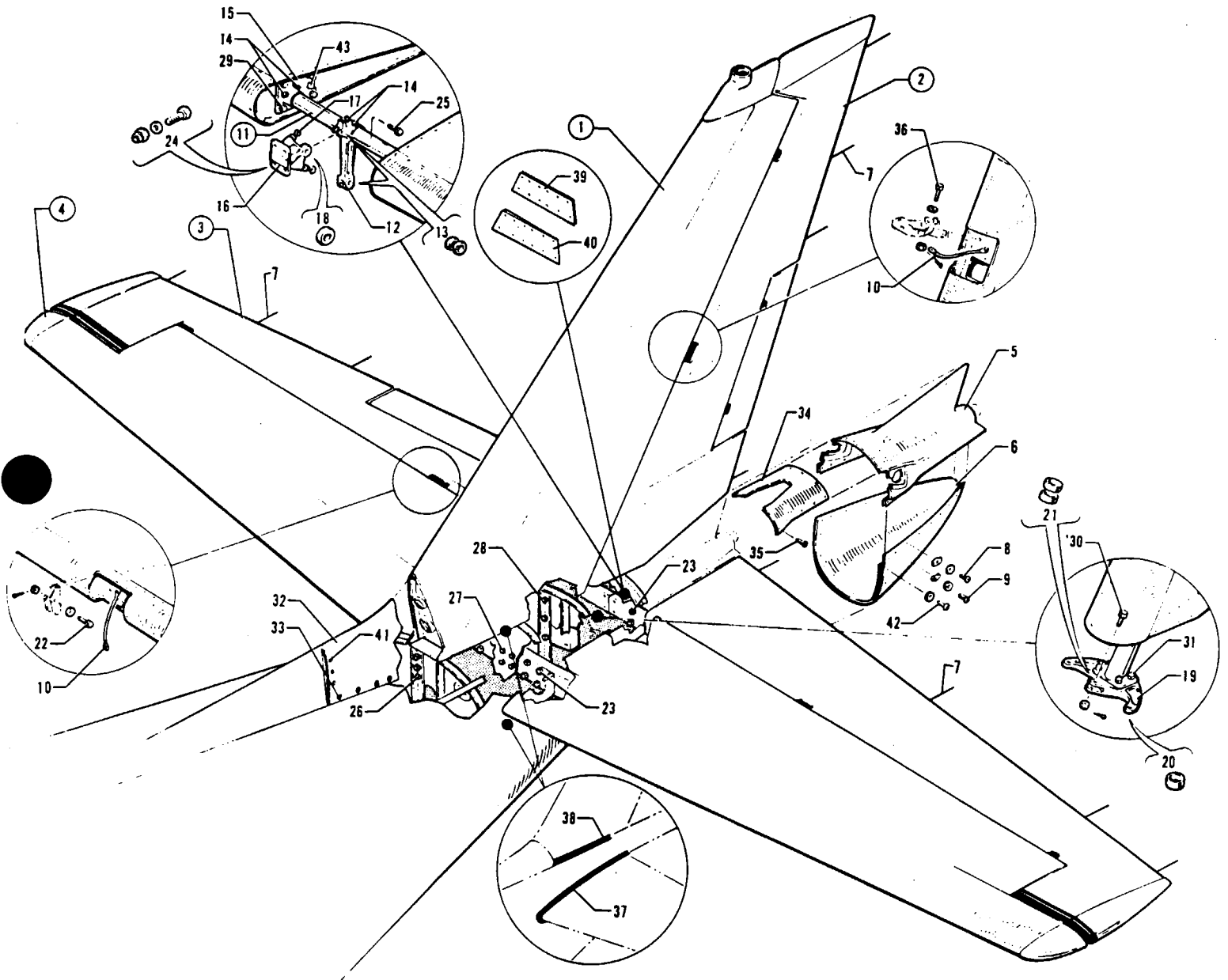


Figure 35. Tail Surfaces Installation

PIPER PARTS CATALOG

CODE EXPLANATIONS FOR FIGURE 35

- A - See Figure 36 for component parts.
- B - See Figure 37 for component parts.
- C - See Figure 39 for component parts.
- D - See Figure 38 for component parts.

PIPER PARTS CATALOG

Figure and Index Number	Part Number	Code	NOMENCLATURE	No. Req.	SERIAL NUMBERS AFFECTED
			1234567		
35-	82100		DRAWING - Tail Surfaces Installation		
-1	40170-28	A	FIN ASSEMBLY - Tail surfaces	1	
-2	40046-38	B	RUDDER ASSEMBLY - Tail surfaces	1	
-3	54232-14	C	ELEVATOR ASSEMBLY - Tail surfaces, left	1	
	01140-03	C	ELEVATOR ASSEMBLY - Tail surfaces, right	1	
-4	40155-26	D	STABILIZER ASSEMBLY - Tail surfaces, left	1	
	01189-03	D	STABILIZER ASSEMBLY - Tail surfaces, right	1	
-5	40365-20		FAIRING ASSEMBLY - Top, fuselage tail	1	
-6	40365-21		FAIRING ASSEMBLY - Bottom, fuselage tail	1	
-7	456 802		WICK - Static (ESD-3)	12	
-8	414 748		SCREW - (MS24693-S28)	10	
	494 071		WASHER - (A3236-012-1)	10	
	406 824		NUT - (NAS686A06)	10	
-9	414 748		SCREW - (MS24693-S28)	2	
	494 071		WASHER - (A3236-012-1)	2	
-10	49972-03		STRAP ASSEMBLY	6	
-11	40070-05		TUBE ASSEMBLY - Elevator torque	1	
-12	40006-00		* HORN ASSEMBLY - Elevator torque	1	
-13	14843-106		* * BUSHING	4	
-14	402 321		* BOLT - (AN174-22A)	6	
	407 565		* WASHER - (AN960-416)	12	
	404 888		* NUT - (MS20365-428C)	6	
-15	40066-00		* BRACKET - Elevator torque tube	2	
-16	40249-00		HINGE ASSEMBLY - Elevator center	1	
-17	71533-02		* SCREW - Stop	2	
	506 619		* NUT - (MS21340-22)	2	
-18	452 386		* BEARING - (NAS506-4)	1	
-19	40253-00		HORN ASSEMBLY - Rudder	1	
-20	61402-93		* BUSHING	2	
-21	14843-106		* BUSHING	2	
-22	402 310		BOLT - (AN174-12) Inboard hinges	2	
	402 303		BOLT - (AN174-11) Outboard and center hinges	4	
	407 565		WASHER - (AN960-416)	6	
	55233-03		WASHER - Special (stainless steel)	AR	
	404 101		NUT - (AN310-4)	6	
	424 052		COTTER PIN - (MS24665-134)	6	
-23	401 189		BOLT - (AN5-11A)	16	
	407 566		WASHER - (AN960-516)	16	
	404 889		NUT - (MS20365-524C)	16	
-24	401 310		BOLT - (AN4-10A)	4	
	407 565		WASHER - (AN960-416)	8	
	404 888		NUT - (MS20365-428C)	4	
-25	402 313		BOLT - (AN174-13)	1	
	407 565		WASHER - (AN960-416) (under nut)	2	
	404 101		NUT - (AN310-4)	1	
	424 051		COTTER PIN - (MS24665-132)	1	
-26	401 187		BOLT - (AN5-7A)	6	
	407 566		WASHER - (AN960-516)	6	
	404 889		NUT - (MS20365-524C)	6	
-27	401 188		BOLT - (AN5-10A)	4	
	407 566		WASHER - (AN960-516)	4	
	404 889		NUT - (MS20365-524C)	4	
-28	401 187		BOLT - (AN5-7A)	6	
	407 566		WASHER - (AN960-516)	6	
	404 889		NUT - (MS20365-524C)	6	

When ordering, always specify Part Number, Description and Serial Number of Aircraft

PIPER PARTS CATALOG

Figure and Index Number	Part Number	Code	NOMENCLATURE	No. Req.	SERIAL NUMBERS AFFECTED
		1234567			
35-29	401 266		BOLT - (AN3-5A)	8	
	407 584		WASHER - (AN960-10L)	8	
-30	400 706		BOLT - (AN24-19)	1	
	404 393		NUT - (AN320-4)	1	
	424 051		COTTER PIN - (MS24665-132)	1	
-31	400 003		BOLT - (AN4-6A)	4	
	407 565		WASHER - (AN960-416)	4	
	404 888		NUT - (MS20365-428C)	4	
-32	46218-00		FAIRING ASSEMBLY - Fin	1	
-33	414 748		SCREW - (MS24693-S28)	20	
	494 071		WASHER - (A3236-012-1)	20	
	406 362		NUT - (C8095-632-1)	20	
-34	40770-00		PLATE - Access, Sta. 342.25 to Sta. 352	1	
-35	515 709		SCREW - (MS35206-230)	15	
-36	402 310		BOLT - (AN174-12)	2	
	407 565		WASHER - (AN960-416)	2	
	506 621		NUT - (MS17825-4)	2	
	424 051		COTTER PIN - (MS24665-132)	2	
-37	20666-02		MOULDING - Stabilizer skin (475 159)	2	
-38	71059-04		ANGLE - Fin, drag, left	1	
	71059-05		ANGLE - Fin, drag, right	1	
-39	43709-02		SHIM - Flap (.032 thickness)	AR	
	43709-03		SHIM - Flap (.064 thickness)	AR	
	43709-04		SHIM - Flat (.091 thickness)	AR	
-40	43713-02		SHIM - Tapered (.064 thickness)	AR	
	43713-03		SHIM - Tapered (.091 thickness)	AR	
-41	414 763		SCREW - (MS24693-S50)	6	
-42	414 748		SCREW - (MS24693-S28)	16	
	494 071		WASHER - (A3236-012-1)	16	
-43	54931-02		SHIM - Elevator torque tube	AR	

When ordering, always specify Part Number, Description and Serial Number of Aircraft

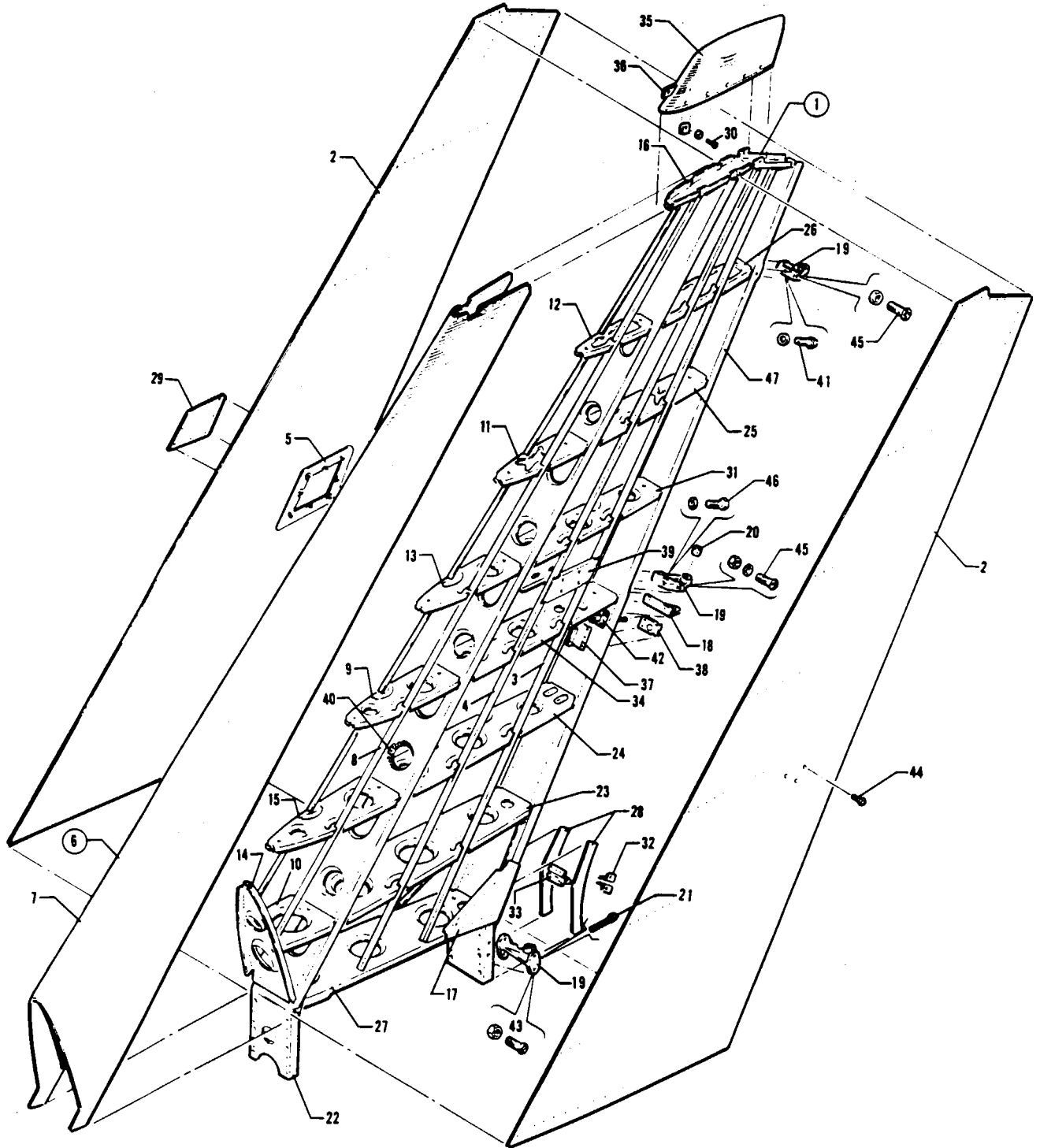


Figure 36 Fin Assembly

PIPER PARTS CATALOG

CODE EXPLANATIONS FOR FIGURE 36

- A - Used if Ground Recognition Beacon is installed.
- B - See Figure 95 for component parts

PIPER PARTS CATALOG

Figure and Index Number	Part Number	Code	NOMENCLATURE	No. Req.	SERIAL NUMBERS AFFECTED
		1234567			
36-1	40170-28		FIN ASSEMBLY - Tail surfaces	1	
-2	40170-30		* SKIN ASSEMBLY - Fin, left	1	
	40170-29		* SKIN ASSEMBLY - Fin, right	1	
-3	40170-02		* * STRINGER - Fin, skin assembly, left	1	
	40170-03		* * STRINGER - Fin, skin assembly, right	1	
-4	40170-04		* * STRINGER - Fin, skin assembly, left	1	
	40170-05		* * STRINGER - Fin, skin assembly, right	1	
-5	42303-00		* * REINFORCEMENT PLATE - Fin, skin assembly, right	1	
-6	40170-14		* LEADING EDGE ASSEMBLY - Fin	1	
-7	40170-13		* * SKIN ASSEMBLY - Fin, leading edge	1	
-8	40170-06		* * * STRINGER - Fin, leading edge, left	1	
	40170-07		* * * STRINGER - Fin, leading edge, right	1	
-9	48118-00		* * RIB - Fin, leading edge, W.L. 55	1	
-10	40080-02		* * RIB - Fin, leading edge, W.L. 36.75	1	
-11	40094-03		* * RIB - Fin, leading edge, W.L. 74.5	1	
-12	40094-05		* * RIB - Fin, leading edge, W.L. 84.5	1	
-13	40095-03		* * RIB - Fin, leading edge, W.L. 64.75	1	
-14	40096-00		* * RIB - Fin, leading edge, W.L. 30.125 to W.L. 44.75	1	
-15	40125-00		* * RIB - Fin, leading edge, W.L. 46	1	
-16	40104-03		* RIB ASSEMBLY - Fin tip, rear	1	
	40104-05		* RIB ASSEMBLY - Fin tip, front	1	
-17	40170-24		* GUSSET - Fin, Sta. 342.25, W.L. 27.5, left	1	
	40170-23		* GUSSET - Fin, Sta. 342.25, W.L. 27.5, right	1	
-18	40002-00		* PLATE - Fin, rudder tab screw guide	1	
-19	40219-00		* HINGE ASSEMBLY - Rudder attachment, lower	1	
	40233-00		* HINGE ASSEMBLY - Rudder attachment, center	1	
	48055-00		* HINGE ASSEMBLY - Rudder attachment, upper	1	
-20	452 386		* * BEARING - Fin, hinge assembly (NAS-506-4)	1	
-21	71533-02		* * SCREW - Stop, lower hinge	2	
	404 678		* * NUT - (AN345-10), lower hinge	2	
-22	40026-02		* SPAR ASSEMBLY - Fin, front	1	
-23	40080-04		* RIB ASSEMBLY - Fin, main, W.L. 36.75	1	
-24	74027-02		* RIB ASSEMBLY - Fin, main, W.L. 46	1	
-25	40094-02		* RIB - Fin, main, W.L. 74.5	1	
-26	40094-04		* RIB - Fin, main, W.L. 84.5	1	
-27	44294-00		* RIB ASSEMBLY - Fin, main, bottom	1	
-28	40108-00		* PLATE - Fin, bottom rear spar reinforcement	2	
-29	42301-00		* PLATE - Fin, access hole cover	1	
-30	414 748		* SCREW - Tip attachment (MS24693-S28)	12	
	494 071		* WASHER - Tip attachment (A3236-012-1)	12	
	406 355		* NUT - Tip attachment (A6052-632-1)	12	
-31	40095-04		* RIB ASSEMBLY - Fin, main, W.L. 64.85	1	
-32	40344-00		* CLIP - Fin, bottom rear and forward spar stiffener	8	
-33	40342-02		* CHANNEL - Fin, bottom rear spar stiffener	1	
	40342-03		* CHANNEL - Fin, bottom forward spar stiffener	1	
-34	40126-04		* RIB ASSEMBLY - Fin, main, W.L. 55	1	
-35	44943-03		* TIP ASSEMBLY - Fin	1	
	49511-02	A	* TIP ASSEMBLY - Fin	1	
-36	42819-00		* * FITTING - Antenna attachment, left	1	
	42819-01		* * FITTING - Antenna attachment, right	1	
-37	40777-00		* BRACKET ASSEMBLY - Rudder trim tab rheostat	1	
-38	40781-00		* PLATE - Fin spar filler	1	
-39	48613-02		* BRACKET - Antenna mounting, left	1	
	48613-03		* BRACKET - Antenna mounting, right	1	
-40	463 376		* GROMMET - Caterpillar (G51H, Type "A") Front spar	1	
-41	401 266		* BOLT - (AN3-5A)	1	

When ordering, always specify Part Number, Description and Serial Number of Aircraft

PIPER PARTS CATALOG

Figure and Index Number	Part Number	Code	NOMENCLATURE	No. Req.	SERIAL NUMBERS AFFECTED
			1234567		
36-42	82095-02	B	* SCREW ASSEMBLY - Rudder trim tab.....	1	
-43	400 053		* BOLT - (AN3-6).....	4	
	404 887		* NUT - (MS20365-1032C).....	4	
-44	414 507		* SCREW - (MS24693-S26).....	3	
-45	411 211		* SCREW - (NAS221-11).....	2	
	407 584		* WASHER - (AN960-10L).....	1	
	404 887		* NUT - (MS20365-1032C).....	2	
-46	400 438		* BOLT - (AN3-4A).....	1	
-47	40026-03		* SPAR ASSEMBLY - Fin, rear.....	1	

When ordering, always specify Part Number, Description and Serial Number of Aircraft

PIPER PARTS CATALOG

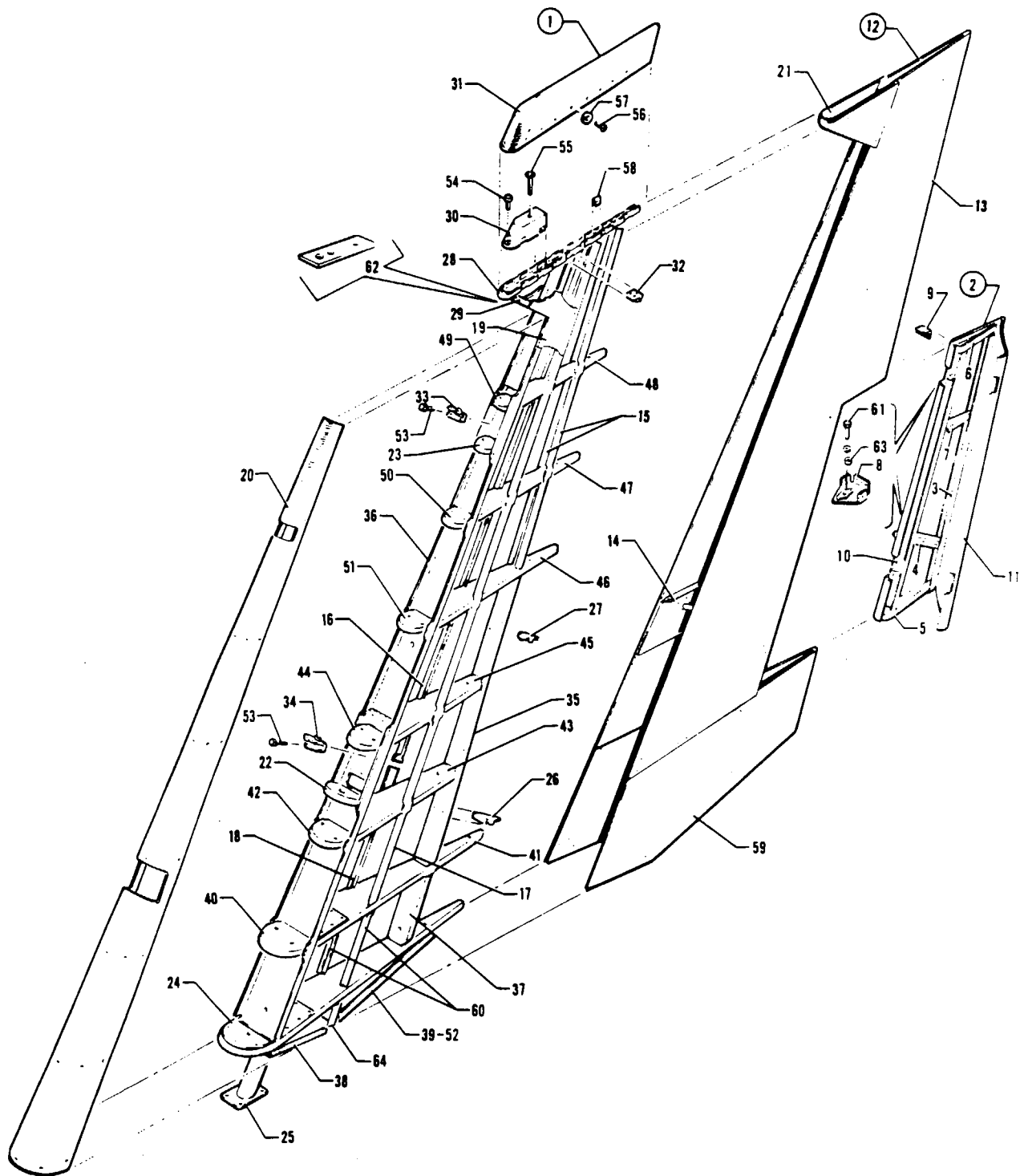


Figure 37. Rudder Assembly

PIPER PARTS CATALOG

CODE EXPLANATIONS FOR FIGURE 37

PIPER PARTS CATALOG

Figure and Index Number	Part Number	Code	NOMENCLATURE	No. Req.	SERIAL NUMBERS AFFECTED
		1234567			
37-1	40046-38		RUDDER ASSEMBLY	1	
-2	40008-00		* TAB ASSEMBLY - Rudder	1	
-3	40340-00		* * CHANNEL - Rudder tab	1	
-4	40015-00		* * HORN ASSEMBLY - Rudder tab	1	
-5	40014-02		* * RIB - Rudder tab, bottom	1	
-6	40014-03		* * RIB - Rudder tab, top	1	
-7	40013-04		* * RIB - Rudder tab	1	
-8	40012-03		* * HINGE ASSEMBLY - Tab, top	1	
	40012-02		* * HINGE ASSEMBLY - Tab, bottom	1	
-9	40010-00		* * CLIP - Rudder tab spar attachment	1	
-10	40009-00		* * SPAR - Rudder tab	1	
-11	40008-02		* * SKIN - Tab assembly	1	
-12	40046-36		* SKIN ASSEMBLY - Rudder	1	
-13	40046-35		* * SKIN - Rudder side	1	
-14	40046-16		* * PLATE - Rudder tab control rod, opening reinforcement, right	1	
-15	40046-05		* * CHANNEL - Rudder skin reinforcement	2	
-16	40046-07		* * CHANNEL - Rudder skin reinforcement, right	1	
-17	40046-08		* * CHANNEL - Rudder skin reinforcement, left	1	
-18	40046-09		* * CHANNEL - Rudder skin reinforcement, right	1	
-19	40046-33		* * GUSSET - Rudder reinforcement, right	1	
-20	40046-11		* SKIN - Rudder leading edge	1	
-21	40046-04		* SKIN - Rudder leading edge, upper	1	
-22	46959-00		* RIB - Rudder, leading edge, W.L. 50.00	1	
-23	40023-03		* RIB - Rudder, leading edge, W.L. 81.75	1	
-24	40039-00		* RIB - Rudder butt	1	
-25	40040-09		* TUBE ASSEMBLY - Rudder torque	1	
-26	40042-02		* BRACKET ASSEMBLY - Rudder tab hinge, bottom	1	
-27	40043-03		* BRACKET ASSEMBLY - Rudder tab hinge, top	1	
-28	40044-00		* RIB ASSEMBLY - Rudder tip	1	
-29	40045-06		* CHANNEL ASSEMBLY - Rudder tip support	1	
-30	54159-00		* BALANCE WEIGHT - Rudder	1	
-31	40363-12		* TIP - Rudder	1	
-32	40048-00		* CLIP - Rudder spar	1	
-33	51108-04		* HINGE ASSEMBLY - Rudder, upper	1	
-34	51109-04		* HINGE ASSEMBLY - Rudder, lower	1	
-35	40067-00		* SPAR - Rudder stub	1	
-36	40068-08		* SPAR ASSEMBLY - Rudder	1	
-37	40069-00		* CHANNEL - Rudder skin support	1	
-38	40077-07		* ANGLE - Rudder skin support	2	
-39	40077-03		* ANGLE - Rudder skin support, right	1	
-40	40078-02		* RIB - Rudder, leading edge, W.L. 36.75	1	
-41	40078-03		* RIB - Rudder, main, W.L. 36.75	1	
-42	40079-02		* RIB - Rudder, leading edge, W.L. 46	1	
-43	40079-03		* RIB - Rudder, main, W.L. 46	1	
-44	40079-04		* RIB - Rudder, leading edge, W.L. 55	1	
-45	40079-05		* RIB - Rudder, main, W.L. 55	1	
-46	40083-02		* RIB - Rudder, main, W.L. 64.75	1	
-47	40083-03		* RIB - Rudder, main, W.L. 74.5	1	
-48	40083-04		* RIB - Rudder, main, W.L. 84.50	1	
-49	40083-05		* RIB - Rudder, leading edge, W.L. 84.50	1	
-50	40083-06		* RIB - Rudder, leading edge, W.L. 74.50	1	
-51	40083-07		* RIB - Rudder, leading edge, W.L. 64.75	1	
-52	40077-04		* ANGLE - Rudder skin support, left	1	
-53	400 438		* BOLT - Rudder hinge attachment	4	

When ordering, always specify Part Number, Description and Serial Number of Aircraft

PIPER PARTS CATALOG

Figure and Index Number	Part Number	Code	NOMENCLATURE	No. Req.	SERIAL NUMBERS AFFECTED
		1234567			
37-54	400 441		* BOLT - Rudder balance weight attachment	1	
-55	400 463		* BOLT - Rudder balance weight attachment	1	
-56	414 748		* SCREW - Rudder tip attachment (MS24693-S28)	16	
-57	494 071		* WASHER - Rudder tip attachment (AN3236-012-1)	16	
-58	406 355		* NUT - Rudder tip attachment (A6052-632-1)	16	
-59	40046-20		* SKIN - Rudder	1	
-60	40046-18		* CHANNEL - Rudder skin reinforcement, left	1	
	40046-19		* CHANNEL - Rudder skin reinforcement, right	1	
-61	400 440		* BOLT - (AN3-6A)	2	
	81342-09		* WASHER	2	
-62	53892-02		* WEIGHT - Rudder	2	
-63	41413-51		* BUSHING	2	
-64	40021-00		* CHANNEL - Rudder skin support	1	

When ordering, always specify Part Number, Description and Serial Number of Aircraft

PIPER PARTS CATALOG

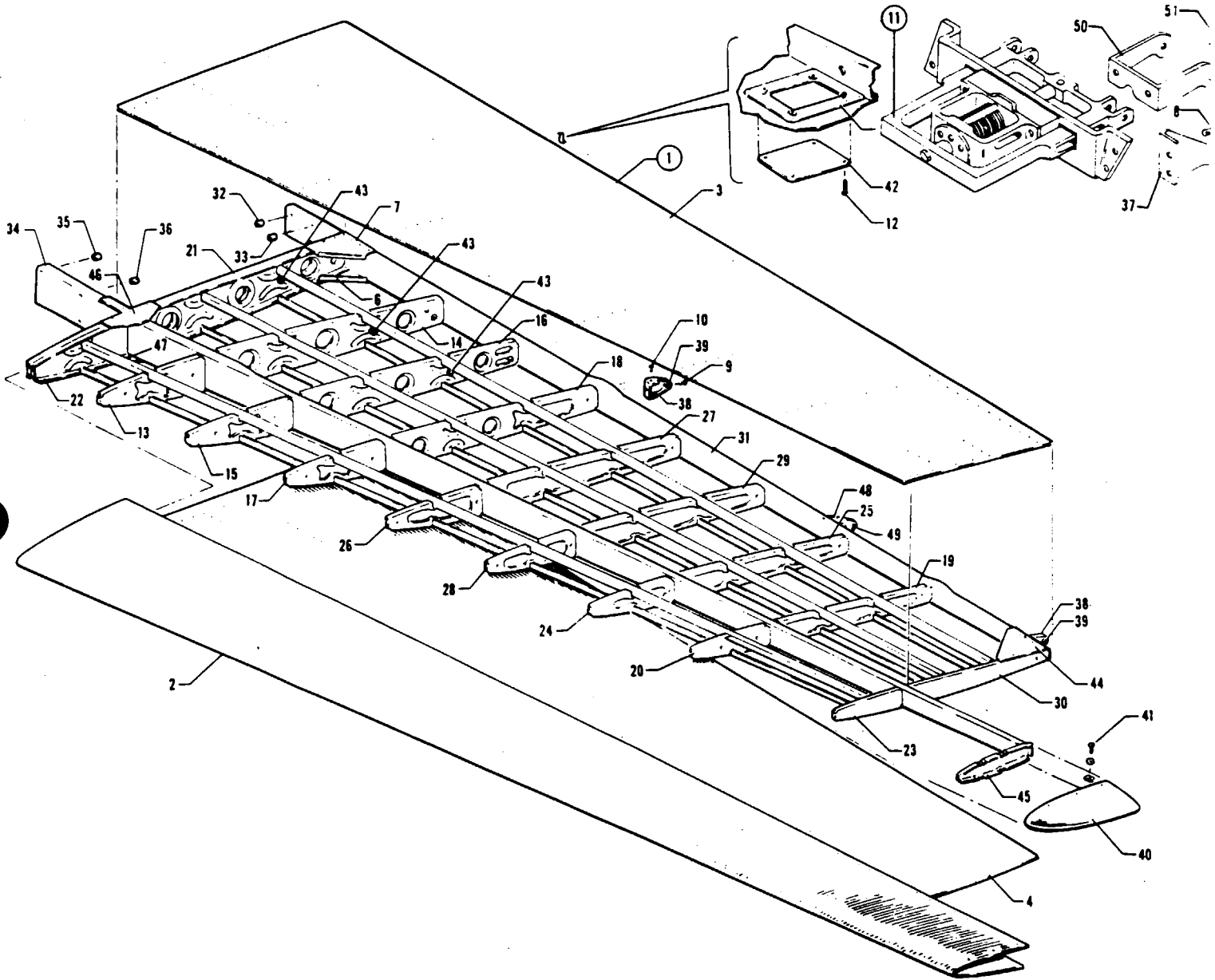


Figure 38. Stabilizer Assembly

PIPER PARTS CATALOG

CODE EXPLANATIONS FOR FIGURE 38

A - See Figure 97 for component parts

PIPER PARTS CATALOG

Figure and Index Number	Part Number	Code	NOMENCLATURE	No. Req.	SERIAL NUMBERS AFFECTED
		1234567			
38-1	40155-26		STABILIZER ASSEMBLY - Left	1	
	01189-03		STABILIZER ASSEMBLY - Right	1	
-2	40155-14		* SKIN ASSEMBLY - Stabilizer, leading edge, left	1	
	40155-15		* SKIN ASSEMBLY - Stabilizer, leading edge, right	1	
-3	40155-16		* STABILIZER ASSEMBLY - Stabilizer, top, left	1	
	40155-19		* SKIN ASSEMBLY - Stabilizer, top, right	1	
-4	40155-18		* SKIN ASSEMBLY - Stabilizer, bottom, left	1	
	01189-09		* SKIN ASSEMBLY - Stabilizer, bottom, right	1	
-5	01220-02		* * PLATE ASSEMBLY - Access hole reinforcing, right	1	
-6	42258-00		* GUSSET - Stabilizer, bottom, left	1	
	42258-01		* GUSSET - Stabilizer, bottom, right	1	
-7	42226-00		* GUSSET - Stabilizer, top, left	1	
	42226-01		* GUSSET - Stabilizer, top, right	1	
-8	400 441		* BOLT - Elevator trim screw (AN3-7A)	4	
-9	400 440		* BOLT - (AN3-6A)	1	
	407 584		* WASHER - (AN960-10L)	1	
-10	411 211		* SCREW - (NAS221-11)	2	
	407 584		* WASHER - (AN960-10L)	2	
	404 887		* NUT - (MS20365-1032C)	2	
-11	82098-02	A	* SCREW ASSEMBLY - Elevator trim tab, right	1	
-12	414 763		* SCREW - (MS24693-S50) access cover	8	
-13	40053-02		* RIB - Stabilizer, front, Sta. 19.5	1	
-14	40053-03		* RIB - Stabilizer, rear, Sta. 19.5, left	1	
	01162-02		* RIB - Stabilizer, rear, Sta. 19.5, right	1	
-15	40055-02		* RIB - Stabilizer, front, Sta. 28.5	1	
-16	40055-03		* RIB - Stabilizer, rear, Sta. 28.5, left	1	
	01168-02		* RIB - Stabilizer, rear, Sta. 28.5, right	1	
-17	40057-02		* RIB - Stabilizer, front, Sta. 38	1	
-18	40057-03		* RIB - Stabilizer, rear, Sta. 38, left	1	
	43213-00		* RIB - Stabilizer, rear, Sta. 38, right	1	
-19	40087-02		* RIB - Stabilizer, rear, Sta. 78	1	
-20	40087-03		* RIB - Stabilizer, front, Sta. 78	1	
-21	42230-10		* RIB ASSEMBLY - Stabilizer, rear, Sta. 12.62, left	1	
	01163-03		* RIB ASSEMBLY - Stabilizer, rear, Sta. 12.62, right	1	
-22	42230-12		* RIB ASSEMBLY - Stabilizer, front, Sta. 12.62, left	1	
	42230-13		* RIB ASSEMBLY - Stabilizer, front, Sta. 12.62, right	1	
-23	40091-00		* RIB - Stabilizer tip, Sta. 92	1	
-24	40100-02		* RIB - Stabilizer, front, Sta. 68	1	
-25	40100-03		* RIB - Stabilizer, rear, Sta. 68	1	
-26	40102-02		* RIB - Stabilizer, front, Sta. 48	1	
-27	40102-03		* RIB - Stabilizer, rear, Sta. 48	1	
-28	40102-04		* RIB - Stabilizer, front, Sta. 58	1	
-29	40102-05		* RIB - Stabilizer, rear, Sta. 58	1	
-30	41795-00		* RIB - Stabilizer tip, Sta. 91.12	1	
-31	40122-02		* SPAR ASSEMBLY - Stabilizer, left	1	
	01161-03		* SPAR ASSEMBLY - Stabilizer, right	1	
-32	61402-90		* * BUSHING - Stabilizer, spar assembly	2	
-33	453 780		* * BUSHING - Stabilizer, spar assembly (NAS7705-38)	4	
-34	40122-16		* SPAR ASSEMBLY - Stabilizer, left	1	
	40122-15		* SPAR ASSEMBLY - Stabilizer, right	1	
-35	453 729		* * BUSHING - Stabilizer, spar assembly (NAS77-5-23)	2	
-36	453 781		* * BUSHING - Stabilizer, spar assembly (NAS77-5-43)	4	
-37	43206-02		* ANGLE - Elevator tab pulley, left	1	
	43206-01		* ANGLE - Elevator tab pulley, right	1	

When ordering, always specify Part Number, Description and Serial Number of Aircraft

PIPER PARTS CATALOG

Figure and Index Number	Part Number	Code	NOMENCLATURE	No. Req.	SERIAL NUMBERS AFFECTED
		1234567			
38-38	40237-00		* HINGE ASSEMBLY - Elevator attachment, inboard	1	
	71700-02		* HINGE ASSEMBLY - Elevator attachment, outboard	1	
-39	452 386		* BEARING - Stabilizer hinge assembly (NAS506-4)	1	
-40	40364-02		* TIP - Stabilizer, Sta. 92	1	
-41	414 748		* SCREW - Flat head (MS24693-S28)	6	
	494 071		* WASHER - (A3236-012-1)	6	
	406 355		* NUT - (A6052-632-1)	6	
-42	01216-02		* PLATE - Stabilizer, access hole cover, right	1	
-43	434 126		* GROMMET - Stabilizer wire, right (MS35489-4)	3	
-44	74037-02		* GUSSET - Stabilizer reinforcement	2	
-45	43210-00		* RIB - Stabilizer	1	
-46	42227-00		* GUSSET - Stabilizer, front spar, top, left	1	
	42227-01		* GUSSET - Stabilizer, front spar, top, right	1	
-47	42257-00		* GUSSET - Stabilizer, front spar, bottom, left	1	
	42257-01		* GUSSET - Stabilizer, front spar, bottom, right	1	
-48	71700-03		* HINGE ASSEMBLY - Elevator (B.L. 65.75)	1	
-49	452 386		* BEARING - Elevator hinge (NAS506-4)	1	
-50	01109-02		* LINK - Idler, elevator tab	1	
-51	400 440		* BOLT - (AN3-6A)	2	

When ordering, always specify Part Number, Description and Serial Number of Aircraft

PIPER PARTS CATALOG

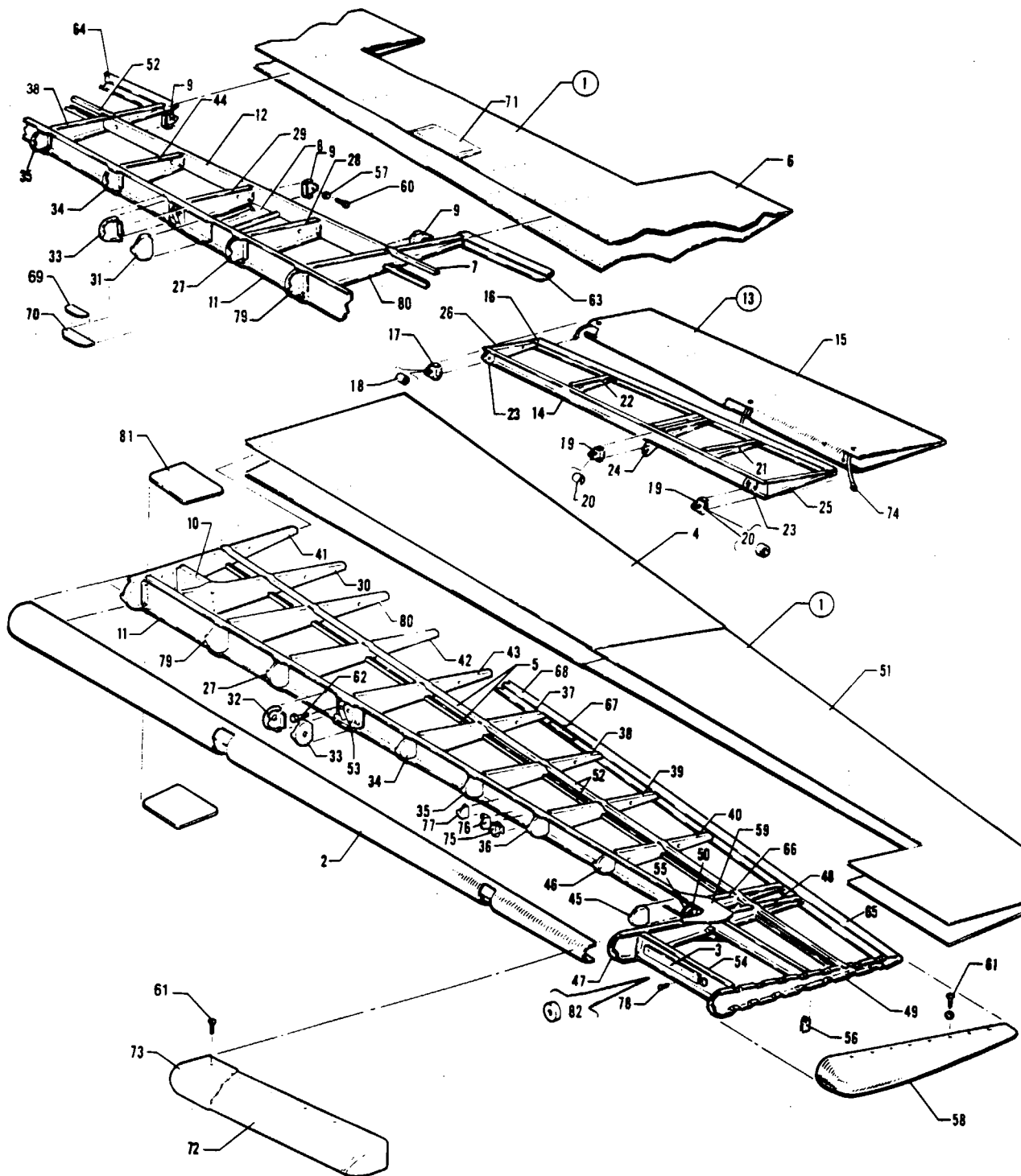


Figure 39. Elevator Assembly

PIPER PARTS CATALOG

CODE EXPLANATIONS FOR FIGURE 39

PIPER PARTS CATALOG

Figure and Index Number	Part Number	Code	NOMENCLATURE	No. Req.	SERIAL NUMBERS AFFECTED
		1234567			
39-1	54232-14		ELEVATOR ASSEMBLY - Left	1	
	01140-03		ELEVATOR ASSEMBLY - Right	1	
-2	54232-06		* SKIN - Elevator leading edge, left	1	
	01140-11		* SKIN - Elevator leading edge, right	1	
-3	54196-02		* WEIGHT - Balance	1	
-4	40140-12		* SKIN ASSEMBLY - Elevator, left	1	
-5	40140-07		* * CHANNEL - Elevator, center, left	2	
-6	01140-09		* SKIN ASSEMBLY - Elevator, right	1	
-7	40140-08		* * CHANNEL - Elevator, center, right	2	
-8	01133-02		* * PLATE - Reinforcement, tab control rod hole, right	1	
-9	40042-08		* BRACKET ASSEMBLY - Tab hinge, inboard, right	1	
	40042-09		* BRACKET ASSEMBLY - Tab hinge, center, right	1	
	40042-10		* BRACKET ASSEMBLY - Tab hinge, outboard, right	1	
-10	40060-00		* CHANNEL - Elevator, inboard	1	
-11	40075-14		* SPAR ASSEMBLY - Elevator, leading edge, left	1	
	01131-02		* SPAR ASSEMBLY - Elevator, leading edge, right	1	
-12	40076-00		* SPAR - Elevator stub, center, right	1	
-13	81815-02		* TAB ASSEMBLY - Elevator, right	1	
-14	01116-02		* * SPAR - Elevator tab, leading edge	1	
-15	81815-03		* * SKIN - Elevator tab	1	
-16	16754-02		* * CHANNEL - Elevator tab, trailing edge	1	
-17	40012-22		* * HINGE ASSEMBLY - Elevator tab, inboard	1	
-18	453 794		* * * BEARING - Elevator tab hinge assembly (NAS77-5-19)	1	
-19	40012-12		* * HINGE ASSEMBLY - Elevator tab, center	1	
	40012-13		* * HINGE ASSEMBLY - Elevator tab, outboard	1	
-20	453 794		* * * BEARING - Elevator tab hinge assembly	1	
-21	40050-02		* * RIB - Elevator tab, B.L. 28.50	1	
-22	40050-05		* * RIB - Elevator tab, B.L. 48	1	
-23	43211-03		* * RIB - Elevator tab, inboard	1	
	43212-03		* * RIB - Elevator tab, outboard	1	
-24	43221-00		* * HORN ASSEMBLY - Elevator tab, B.L. 35.69	1	
-25	43211-02		* * RIB - Elevator tab, B.L. 19.75	1	
-26	43212-02		* * RIB - Elevator tab, B.L. 57.12	1	
-27	40054-02		* RIB - Elevator nose, leading edge, B.L. 28.5	1	
-28	40054-03		* RIB - Elevator nose, B.L. 28.5, right	1	
-29	40056-00		* RIB - Elevator nose, B.L. 37.8 right	1	
-30	40058-00		* RIB - Elevator nose, B.L. 12	1	
-31	01110-02		* RIB - Elevator nose, leading edge, right	1	
-32	40059-03		* RIB - Elevator nose, leading edge, left	1	
-33	40059-04		* RIB - Elevator nose, leading edge	1	
-34	40086-02		* RIB - Elevator nose, leading edge, B.L. 48	1	
-35	40086-03		* RIB - Elevator nose, leading edge, B.L. 58	1	
-36	40086-08		* RIB - Elevator, leading edge, B.L. 68	1	
-37	40086-05		* RIB - Elevator, B.L. 48, left	1	
-38	40086-06		* RIB - Elevator, B.L. 58	1	
-39	40086-07		* RIB - Elevator, B.L. 68	1	
-40	40088-00		* RIB - Elevator, B.L. 77.8	1	
-41	40090-00		* RIB - Elevator, B.L. 7.42 canted	1	
-42	40098-00		* RIB - Elevator, B.L. 28.5, left	1	
-43	40099-00		* RIB - Elevator, B.L. 37.8, left	1	
-44	40173-00		* RIB - Elevator, B.L. 48, right	1	
-45	40059-07		* RIB - Elevator, nose, B.L. 89	1	
-46	42214-00		* RIB - Elevator, nose, B.L. 77.88	1	
-47	43745-00		* RIB - Elevator, B.L. 92.38	1	

When ordering, always specify Part Number, Description and Serial Number of Aircraft

PIPER PARTS CATALOG

Figure and Index Number	Part Number	Code	NOMENCLATURE	No. Req.	SERIAL NUMBERS AFFECTED
		1234567			
39-48	42218-04		* RIB - Elevator, B.L. 92.38	1	
-49	43743-00		* RIB ASSEMBLY - Elevator, B.L. 104.75, left	1	
	43743-01		* RIB ASSEMBLY - Elevator, B.L. 104.75, right	1	
-50	42231-04		* BRACKET ASSEMBLY - Elevator, outboard hinge	1	
-51	43757-16		* SKIN ASSEMBLY - Elevator, B.L. 58 to 104.75, left	1	
	43757-15		* SKIN ASSEMBLY - Elevator, B.L. 58 to 104.75, right	1	
-52	43757-05		* CHANNEL - Elevator, B.L. 58 to 104.75	2	
-53	44955-05		* HINGE ASSEMBLY - Elevator, Sta 38.125	1	
-54	43744-04		* CHANNEL - Elevator, B.L. 92.38 to 104.75	1	
-55	49758-02		* BRACKET ASSEMBLY - Elevator, outboard hinge	1	
-56	43752-00		* CLIP - Elevator spar attachment	1	
-57	41413-51		* BUSHING - Elevator, right	3	
-58	43741-00		* TIP ASSEMBLY - Elevator, left	1	
	43741-01		* TIP ASSEMBLY - Elevator, right	1	
-59	42225-00		* GUSSET - Elevator, B.L. 92.38	2	
-60	402 256		* BOLT - (AN173-6) right	3	
	407 564		* WASHER - (AN960-10) right	3	
-61	414 748		* SCREW - (MS24693-S28)	26	
	494 071		* WASHER - (A3236-012-1)	26	
	406 355		* NUT - (A-6052-632-1)	26	
-62	400 438		* BOLT - (AN3-4A)	2	
-63	40140-24		* CHANNEL - Trailing edge, inboard, right	1	
-64	40140-25		* CHANNEL - Trailing edge, outboard, right	1	
-65	40140-23		* CHANNEL - Trailing edge, left	1	
-66	42417-00		* RIB - Elevator, B.L. 89	1	
-67	40140-27		* SPLICE - Channel, trailing edge, left, B.L. 51.25	1	
-68	40140-26		* CHANNEL - Trailing edge, left	1	
-69	01136-02		* PLATE - Reinforcing, right	1	
-70	01134-02		* PLATE - Reinforcing, right	1	
-71	01137-02		* PLATE - Spar reinforcement cover, right	1	
-72	43748-00		* TIP ASSEMBLY - Elevator leading edge	1	
-73	44322-02		* BOOT - Top, elevator leading edge	1	
-74	49972-04		* STRAP ASSEMBLY - Lightning protection	3	
-75	53885-02		* HINGE ASSEMBLY - Elevator center, outboard left, inboard right	1	
-76	53885-04		* HINGE - Elevator center, inboard left, outboard right	1	
-77	54227-02		* RIB - Elevator nose	1	
-78	400 444		* BOLT - (AN3-13A)	4	
	407 584		* WASHER - (AN960-10L) (inboard bolt)	1	
-79	40052-02		* RIB - Elevator nose, leading edge, B.L. 19.5	1	
-80	40052-03		* RIB - Elevator, B.L. 19.5	1	
-81	40140-10		* PLATE - Spar reinforcement, inboard	2	
-82	43332-00		WASHER - Balance (.035 thick)	AR	

When ordering, always specify Part Number, Description and Serial Number of Aircraft

1H24

INTENTIONALLY LEFT BLANK

PIPER PARTS CATALOG

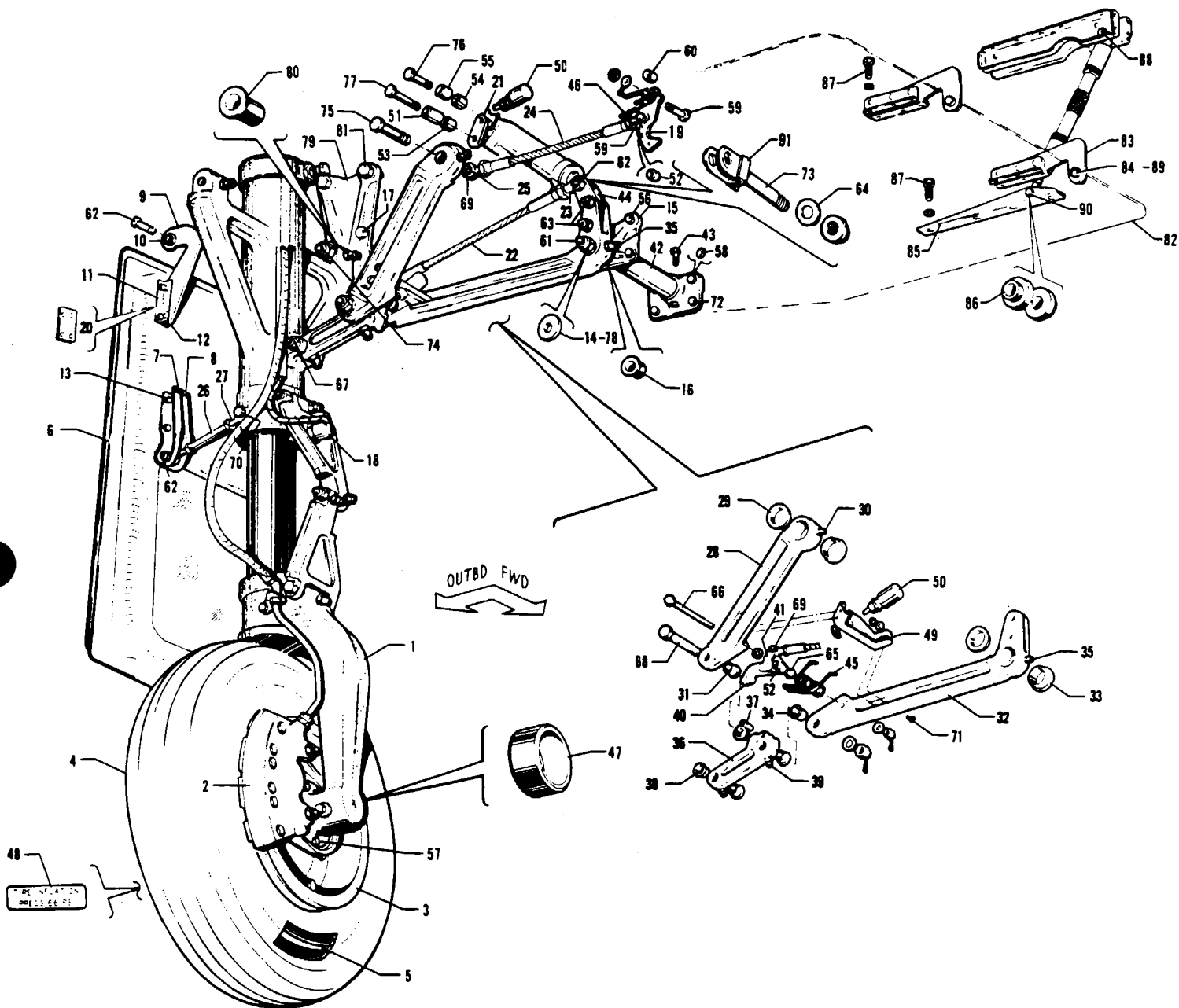


Figure 40. Main Landing Gear Installation

PIPER PARTS CATALOG

CODE EXPLANATIONS FOR FIGURE 40

- A - See Figure 41 for component parts.
- B - See Figure 43 for component parts.
- C - See Figure 42 for component parts.
- D - See Figure 44 for component parts.
- E - Used if Cleveland Wheels, Part No. 40-130 and Cleveland Brakes, Part No. 30-95A are installed.
- F - Used if Cleveland Wheels, Part No. 40-141 and Cleveland Brakes, Part No. 30-123 are installed.
- G - Used if Propeller Deicer or Heated Lift Detector is installed.

PIPER PARTS CATALOG

Figure and Index Number	Part Number	Code	NOMENCLATURE	No. Req.	SERIAL NUMBERS AFFECTED
			1234567		
40-	42053		DRAWING - Main Landing Gear Installation		
-1	45504-28	A,E	STRUT ASSEMBLY - Main landing gear, left	1	
	45504-26	A,F	STRUT ASSEMBLY - Main landing gear, left	1	
	45504-29	A,E	STRUT ASSEMBLY - Main landing gear, right	1	
	45504-27	A,F	STRUT ASSEMBLY - Main landing gear, right	1	
-2	551 731	B	BRAKE ASSEMBLY - (30-95A L.H. Cleveland), left	1	
	551 730	B	BRAKE ASSEMBLY - (30-95A R.H. Cleveland), right	1	
	551 744	D	BRAKE ASSEMBLY - (30-123 Cleveland) heavy duty	2	
-3	551 769	C	WHEEL ASSEMBLY - (40-130 Cleveland)	2	
	551 793	C	WHEEL ASSEMBLY - (40-141 Cleveland), heavy duty	2	
-4	761 979		TIRE - (6.50 x 10, 8 ply) B.F. Goodrich	2	
	761 997		TIRE - (6.50 x 10, 8 ply) McCreary Airhawk	2	
	762 035		TIRE - (6.50 x 10, 8 ply) Goodyear Flight Custom II	2	
-5	451 738		TUBE - (6.50 x 10 Reg.)	2	
-6	42059-06		DOOR ASSEMBLY - Main landing gear, outboard	2	
-7	42025-00		* BRACKET ASSEMBLY - Gear door actuator, rear	2	
-8	42025-01		* BRACKET ASSEMBLY - Gear door actuator, forward	2	
-9	42059-07		* HINGE ASSEMBLY - Door, main gear, outboard	2	
-10	452 855		* * BEARING - Hinge assembly	1	
-11	46121-02		* * ANGLE - Hinge attachment, rear	2	
-12	46121-03		* * ANGLE - Hinge attachment, forward	2	
-13	400 438		* BOLT - (AN3-4A)	16	
-14	80122-129		WASHER - (.020 thickness)	AR	
	80122-130		WASHER - (.032 thickness)	AR	
	80122-131		WASHER - (.042 thickness)	AR	
	85012-125		WASHER - (.012 thickness)	AR	
	80122-155		WASHER - (.010 thickness)	AR	
-15	40294-00		FITTING ASSEMBLY - Main gear side brace, aft	2	
	40309-00		FITTING ASSEMBLY - Main gear side brace, forward	2	
-16	453 770		* BUSHING - Fitting assembly (NAS77-8-84), aft	1	
	453 778		* BUSHING - Fitting assembly (NAS77-18-88), forward	1	
-17	401 310		BOLT - (AN4-10A) Forward	4	
	407 565		WASHER - (AN960-416)	8	
	404 888		NUT - (MS20365-428C)	4	
-18	29549-02		SWITCH ASSEMBLY - Safety, left	1	
	29549-02	G	SWITCH ASSEMBLY - Safety, right	1	
-19	41797-03		HOOK ASSEMBLY - Landing gear uplock, main	2	
-20	48070-00		SHIM - Landing gear door hinge	AR	
-21	42041-00		CRANK ASSEMBLY - Main gear uplock	2	
-22	72682-10		CABLE ASSEMBLY - Landing gear lock, main	2	
-23	74087-02		* BEARING	2	
-24	72682-12		CABLE ASSEMBLY - Landing gear lock, main	2	
-25	74087-02		* BEARING	2	
-26	41297-00		ROD ASSEMBLY - Main landing gear, outboard door	4	
-27	452 441		* BEARING - (M44-14)	2	
-28	40280-00		LINK ASSEMBLY - Main gear side, aft, left	1	
	40280-01		LINK ASSEMBLY - Main gear side, aft, right	1	
-29	453 866		* BUSHING - (NAS77-8-38)	2	
-30	460 691		* FITTING - Lubrication (AN944-101)	1	
-31	453 860		* BUSHING - (NAS77-8-72)	1	
-32	40279-08		LINK ASSEMBLY - Main gear side, forward, left	1	
	40279-09		LINK ASSEMBLY - Main gear side, forward, right	1	
-33	453 862		* BUSHING - (NAS77-18-50)	2	

When ordering, always specify Part Number, Description and Serial Number of Aircraft

PIPER PARTS CATALOG

Figure and Index Number	Part Number	Code	NOMENCLATURE	No. Req.	SERIAL NUMBERS AFFECTED
		1234567			
40-34	453 860		* BUSHING - (NAS77-8-72)	1	
-35	460 691		* FITTING - Lubrication (AN944-101)	1	
-36	40284-00		LINK ASSEMBLY - Landing gear side brace, lower	2	
-37	40376-00		* PIN - Main landing gear lock	1	
-38	453 777		* BUSHING - (NAS77-8-44)	4	
-39	460 691		* FITTING - Lubrication (AN944-101)	2	
-40	41983-00		HOOK ASSEMBLY - Main landing gear downlock, left	1	
	41983-01		HOOK ASSEMBLY - Main landing gear downlock, right	1	
-41	41982-03		* CLIP - Main gear downlock hook, forward	1	
	41982-02		* CLIP - Main gear downlock hook, aft	1	
-42	43286-02		SHAFT ASSEMBLY - Main landing gear brace pivot	2	
-43	400 012		* BOLT - (AN4-17A)	1	
	407 565		* WASHER - (AN960-416)	1	
	404 888		* NUT - (MS20365-428C)	1	
-44	42042-00		ARM - Main gear retraction	2	
-45	41952-00		SPRING - Main landing gear downlock	2	
-46	41979-00		SPRING - Landing gear uplock	2	
-47	40337-00		SPACER - Landing gear wheel bearing	2	
-48	41398-07		PLACARD - Tire inflation, main	2	
-49	41985-00		BRACKET - Main landing gear downlock switch, left	1	
	41985-01		BRACKET - Main landing gear downlock switch, right	1	
-50	487 862		SWITCH - Micro (1CH21-4)	4	
-51	42129-06		BUSHING - Main landing gear	2	
-52	42129-07		BUSHING - Main landing gear	2	
-53	42129-08		BUSHING - Main landing gear	2	
-54	42129-09		BUSHING - Main landing gear	2	
-55	42129-10		BUSHING - Main landing gear	2	
-56	401 311		BOLT - (AN4-11A)	16	
	407 585		WASHER - (AN960-416L)	32	
	404 888		NUT - (MS20365-428C)	16	
-57	401 187		BOLT - (AN5-7A)	12	
	404 889		NUT - (MS20365-524C)	12	
-58	43300-02		SHIM - Landing gear pivot shaft (.040)	AR	
	43300-03		SHIM - Landing gear pivot shaft (.032)	AR	
	43300-04		SHIM - Landing gear pivot shaft (.025)	AR	
	43300-05		SHIM - Landing gear pivot shaft (.020)	AR	
	43300-06		SHIM - Landing gear pivot shaft (.012)	AR	
-59	400 008		BOLT - (AN4-13A)	2	
	407 565		WASHER - (AN960-416)	2	
	404 888		NUT - (MS20365-428C)	2	
-60	42129-04		BUSHING - Main landing gear	2	
-61	404 103		NUT - (AN310-6)	2	
	407 567		WASHER - (AN960-616)	2	
	424 060		COTTER PIN - (MS24665-285)	2	
-62	401 311		BOLT - (AN4-11A)	10	
	407 565		WASHER - (AN960-416)	10	
	404 888		NUT - (MS20365-428C)	10	
-63	400 209		BOLT - (AN6-14)	4	
	407 567		WASHER - (AN960-616)	4	
	404 103		NUT - (AN310-6)	4	
	424 060		COTTER PIN - (MS24665-285)	4	
-64	407 565		WASHER - (AN960-416)	2	
	404 888		NUT - (MS20365-428C)	2	
-65	407 566		WASHER - (AN960-516)	4	
-66	400 188		BOLT - (AN5-46)	2	
	407 566		WASHER - (AN960-516)	2	
	404 102		NUT - (AN310-5)	2	
	424 052		COTTER PIN - (MS24665-134)	2	

When ordering, always specify Part Number, Description and Serial Number of Aircraft

PIPER PARTS CATALOG

Figure and Index Number	Part Number	Code	NOMENCLATURE	No. Req.	SERIAL NUMBERS AFFECTED
		1234567			
40-67	402 517		BOLT - (AN178-26)	2	
	407 569		WASHER - (AN960-816)	2	
	404 105		NUT - (AN310-8)	2	
	424 060		COTTER PIN - (MS24665-285)	2	
-68	402 798		BOLT - (NAS1308-44D)	2	
	407 569		WASHER - (AN960-816)	2	
	404 105		NUT - (AN310-8)	2	
	424 060		COTTER PIN - (MS24665-285)	2	
-69	401 310		BOLT - (AN4-10A)	4	
	407 566		WASHER - (AN960-416)	4	
	404 888		NUT - (MS20365-428C)	4	
-70	43972-00		BOLT - Special nylon insert	4	
	407 565		WASHER - (AN960-416)	4	
-71	415 536		SCREW - (AN35206-246)	8	
	407 563		WASHER - (AN960-8)	8	
	404 910		NUT - (MS20365-832C)	8	
-72	400 003		BOLT - (AN4-6A)	8	
	407 565		WASHER - (AN960-416)	8	
-73	41789-00		FORK - Main gear lock rod attachment	2	
-74	400 384		BOLT - (AN10-36)	4	
	407 571		WASHER - (AN960-1061)	AR	
	80122-128		WASHER	AR	
	80122-154		WASHER	AR	
	404 107		NUT - (AN310-10)	4	
	424 068		COTTER PIN - (MS24665-355)	4	
-75	400 309		BOLT - (AN8-30)	2	
	407 569		WASHER - (AN960-816)	AR	
	404 105		NUT - (AN310-8)	2	
	424 060		COTTER PIN - (MS24665-285)	2	
-76	401 195		BOLT - (AN5-17A)	2	
	40559-34		WASHER	4	
	404 889		NUT - (MS20365-524C)	2	
-77	401 404		BOLT - (AN6-24A)	2	
	407 567		WASHER - (AN960-616)	2	
	404 890		NUT - (MS20365-624C)	2	
-78	85012-105		WASHER - Main gear link assembly	2	
-79	40288-00		TRUNNION ASSEMBLY - Landing gear, aft	2	
	40290-00		TRUNNION ASSEMBLY - Landing gear, forward	2	
-80	453 768		* BUSHING - Trunnion (NAS77-10-94)	1	
-81	401 188		BOLT - (AN5-10A) Top	8	
	401 189		BOLT - (AN5-11A) Bottom	8	
	407 566		WASHER - (AN960-516)	32	
	404 889		NUT - (MS20365-524C)	16	
-82	47529-30		DOOR ASSEMBLY - Main landing gear, inboard, left	1	
	47529-31		DOOR ASSEMBLY - Main landing gear, inboard, right	1	
-83	47529-32		* HINGE ASSEMBLY - Door, main landing gear, inboard	2	
-84	452 855		* BEARING - Hinge assembly	1	
-85	43711-00		* BRACKET ASSEMBLY - Main gear door, inboard	1	
-86	20737-37		* BUSHING - Main gear door bracket assembly	1	
-87	401 266		* BOLT - (AN3-5A)	16	
	407 564		* WASHER - (AN960-10)	16	
-88	401 270		BOLT - (AN3-11A)	2	
	407 564		WASHER - (AN960-10)	2	
	404 887		NUT - (MS20365-1032C)	2	

When ordering, always specify Part Number, Description and Serial Number of Aircraft

PIPER PARTS CATALOG

Figure and Index Number	Part Number	Code	NOMENCLATURE	No. Req.	SERIAL NUMBERS AFFECTED
		1234567			
40-89	400 008		BOLT - (AN4-13A)	6	
	407 565		WASHER - (AN960-416)	6	
	404 888		NUT - (MS20365-428C)	6	
-90	400 444		BOLT - (AN3-13A)	2	
	407 564		WASHER - (AN960-10)	2	
	404 887		NUT - (MS20365-1032C)	2	
-91	73344-02		STOP - Downlock cable, fork, left	1	
	73344-03		STOP - Downlock cable fork, right	1	

When ordering, always specify Part Number, Description and Serial Number of Aircraft

PIPER PARTS CATALOG

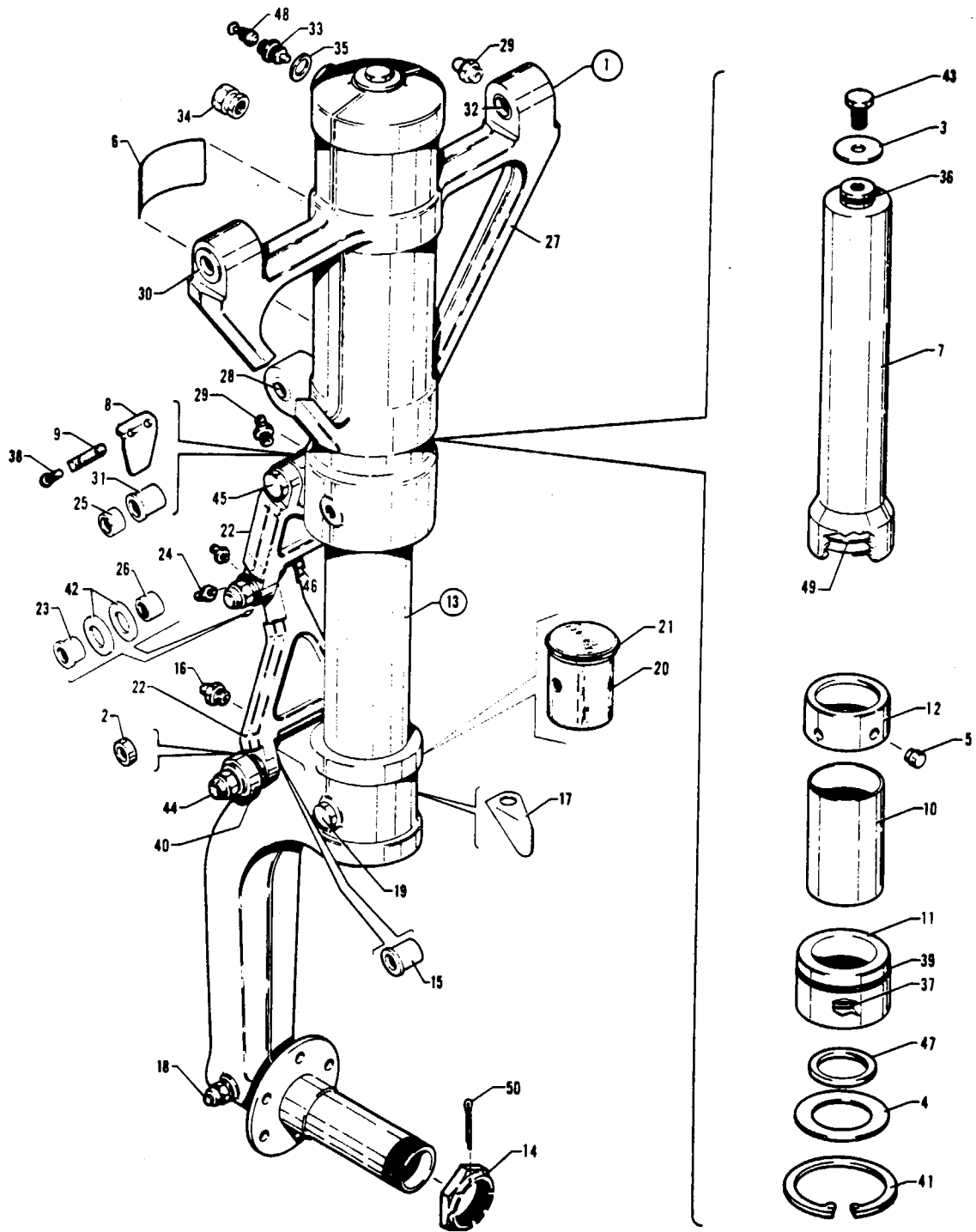


Figure 41. Main Gear Strut Assembly

PIPER PARTS CATALOG

CODE EXPLANATIONS FOR FIGURE 41

- A - When ordering, ascertain if bushing is notched or unnotched on the end and O.D.
- B - When ordering, ascertain if bearing is notched or unnotched on the end and O.D.
- C - If Housing Assembly incorporates a metal stamped part number 40327-3, Bearing part number 40247-02 must also be ordered when making replacement
- D - Used only if retaining ring groove in orifice tube assembly is .105 wide.
- E - Used if Cleveland Wheels, Part number 40-130 and Cleveland Brakes, Part number 30-95A are installed.
- F - Used if Cleveland Wheels, Part number 40-141 and Cleveland Brakes, Part number 30-123 are installed.

PIPER PARTS CATALOG

Figure and Index Number	Part Number	Code	NOMENCLATURE	No. Req.	SERIAL NUMBERS AFFECTED
			1234567		
41-1	45504-28	E	STRUT ASSEMBLY - Main gear, left	1	
	45504-26	F	STRUT ASSEMBLY - Main gear, left	1	
	45504-29	E	STRUT ASSEMBLY - Main gear, right	1	
	45504-27	F	STRUT ASSEMBLY - Main gear, right	1	
-2	14175-106		* BUSHING - Main gear, retraction bearing spacer	1	
-3	19513-95		* WASHER - Orifice tube bolt	1	
-4	19513-96		* WASHER - Wiper strip retainer	1	
-5	01821-07		* PIN - Main gear bearing retainer	4	
-6	40292-04		* PLACARD - Oleo service instructions	1	
-7	44933-04		* TUBE ASSEMBLY - Main gear orifice (includes orifice plate and retaining ring)	1	
-8	40242-00		* DEFLECTOR - Anti-retraction switch, left	1	
	40242-01		* DEFLECTOR - Anti-retraction switch, right	1	
-9	40243-00		* PLATE - Anti-retraction switch attachment	1	
-10	40244-00		* TUBE - Main gear spacer	1	
-11	40246-02		* BEARING - Main gear, bottom	1	
-12	40247-00	B	* BEARING - Main gear, top (3.248 O.D.) unnotched	1	
	40247-02	B	* BEARING - Main gear, top (3.268 O.D.) notched	1	
-13	45504-30	E	* FORK ASSEMBLY - Main gear, left (includes piston tube, fork and axle)	1	
	45504-04	F	* FORK ASSEMBLY - Main gear, left (includes piston tube, fork and axle)	1	
	45504-31	E	* FORK ASSEMBLY - Main gear, right (includes piston tube, fork and axle)	1	
	45504-05	F	* FORK ASSEMBLY - Main gear, right (includes piston tube, fork and axle)	1	
-14	45334-00	F	* NUT - Axle	1	
	404 469	E	* NUT - Axle (MS21025-24)	1	
-15	43256-02	A	* BUSHING - Main gear fork (.514 O.D.) notched	2	
	20737-40	A	* BUSHING - Main gear fork (.5015 O.D.) unnotched	2	
-16	460 691		* FITTING - Lubrication (AN944-101)	1	
-17	41219-00		* BRACKET - Main gear brake line, left	1	
	41219-01		* BRACKET - Main gear brake line, right	1	
-18	401 410		* BOLT - Axle attachment (AN6-31A)	1	
	407 567		* WASHER - Axle attachment (AN960-616)	1	
	404 890		* NUT - Axle attachment (MS20365-624C)	1	
-19	401 420		* BOLT - Fork attachment (AN6-40A)	1	
	404 890		* NUT - Fork attachment (MS20365-624C)	1	
-20	45332-00		* PLUG - Main gear piston tube	1	
-21	484 781		* GASKET - O-ring (MS28775-140)	1	
-22	40257-00		* LINK ASSEMBLY - Main gear torque	2	
-23	453 775		* BUSHING - Main gear link (NAS77-7-35)	1	
-24	460 691		* FITTING - Lubrication (AN944-101)	1	
-25	453 786		* BUSHING - Main gear link (NAS75-6-011)	2	
-26	453 809		* BUSHING - Main gear link (NAS75-7-011)	1	
-27	40327-00	C	* HOUSING ASSEMBLY - Main gear	1	
-28	43256-03	B	* BUSHING - Main gear housing (.6378 O.D.) notched	2	
	61402-98	B	* BUSHING - Main gear housing (.6268 O.D.) unnotched	2	
-29	460 691		* FITTING - Lubrication (AN944-101)	3	
-30	43256-04	B	* BUSHING - Main gear housing (.7628 O.D.) notched	2	
	20737-23	B	* BUSHING - Main gear housing (.7518 O.D.) unnotched	2	
-31	43256-02	B	* BUSHING - Main gear housing (.5140 O.D.) notched	2	
	20737-40	B	* BUSHING - Main gear housing (.5015 O.D.) unnotched	2	

When ordering, always specify Part Number, Description and Serial Number of Aircraft

PIPER PARTS CATALOG

Figure and Index Number	Part Number	Code	NOMENCLATURE	No. Req.	SERIAL NUMBERS AFFECTED
			1234567		
41-32	43256-05	B	* BUSHING - Main gear housing (.7628 O.D.) notched	2	
	61402-99	B	* BUSHING - Main gear housing (.7518 O.D.) unnotched . . .	2	
-33	453 124		* BODY - Air valve (AN812-1)	1	
-34	454 053		* CAP - Air valve (AN813-1B)	1	
-35	751 834		* GASKET - Air valve (AN901-5A)	1	
-36	752 713		* PACKING - O-ring (AN6227-15)	1	
-37	486 305		* SEAL - Poly Pak (1870-2750)	1	
-38	416 098		* SCREW - Switch mounting plate (MS35265-45)	2	
-39	462 051		* GASKET - O-ring (AN6230-14)	1	
-40	452 429		* BEARING - Main gear (6NBF817YJ)	1	
-41	484 762		* RING - Retaining (5000-350)	1	
-42	407 568		* WASHER - (AN960-716)	1	
	407 591		* WASHER - (AN960-716L)	AR	
-43	401 388		* BOLT - Orifice tube (AN6H-5A)	1	
-44	402 377		* BOLT - Torque link, lower (AN176-51)	1	
	407 567		* WASHER - Torque link, lower (AN960-616)	1	
	404 103		* NUT - Torque link, lower (AN310-6)	1	
	424 059		* PIN - Torque link, lower (MS24665-283)	1	
-45	402 370		* BOLT - Torque link, upper (AN176-42)	1	
	407 567		* WASHER - Torque link, upper (AN960-616)	1	
	404 103		* NUT - Torque link, upper (AN310-6)	1	
	424 059		* PIN - Torque link, upper (MS24665-283)	1	
-46	400 263		* BOLT - Torque link, center (AN7-22)	1	
	407 591		* WASHER - Torque link, center (AN960-716L)	2	
	404 104		* NUT - Torque link, center (AN310-7)	1	
	424 059		* PIN - Torque link, center (MS24665-283)	1	
-47	494 722		* WIPER - (4550A-02750-4)	1	
-48	455 124		* CORE - Air valve (AN809-1)	1	
-49	54066-00	D	SHIM - Tube assembly	1	
-50	424 071		COTTER PIN - (MS24665-360)	2	

When ordering, always specify Part Number, Description and Serial Number of Aircraft

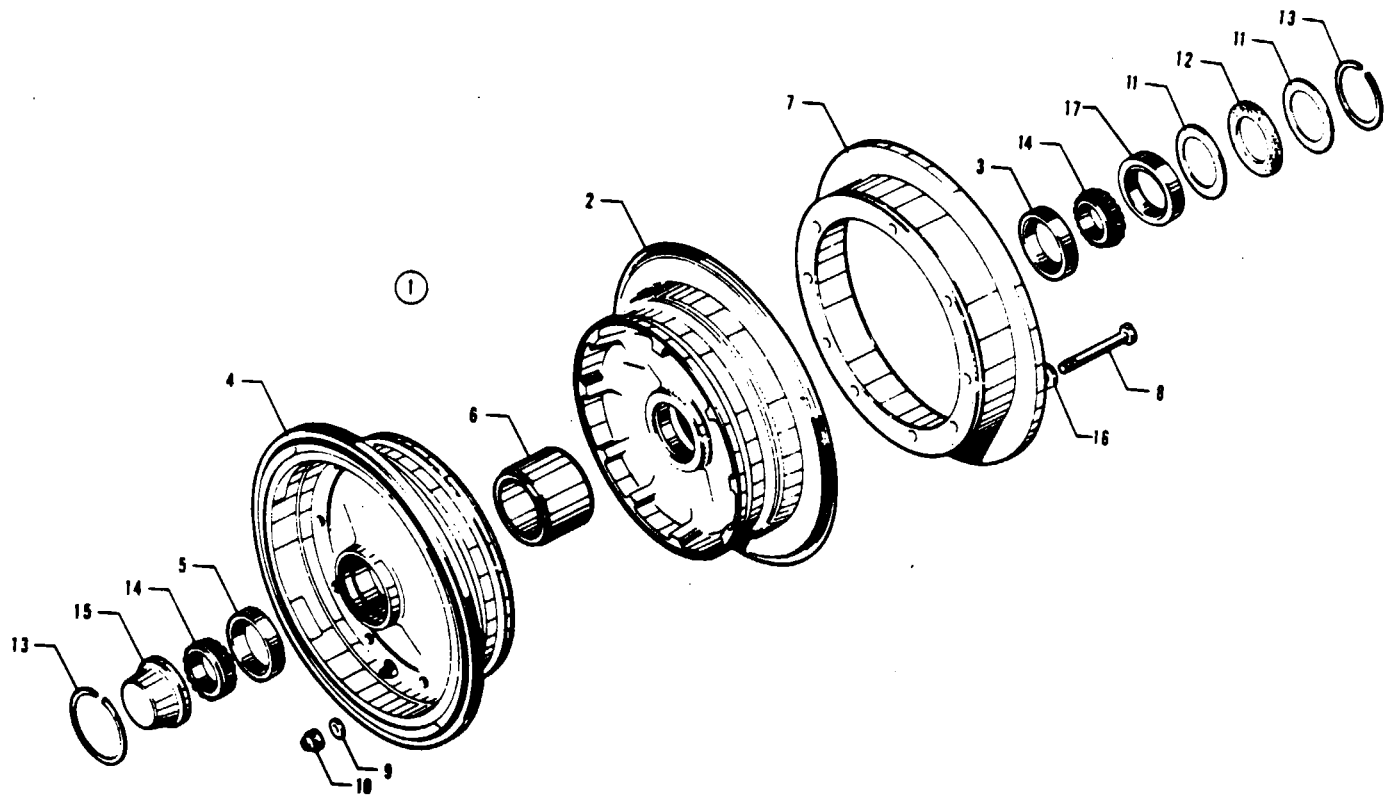


Figure 42. Main Wheel Assembly

PIPER PARTS CATALOG

CODE EXPLANATIONS FOR FIGURE 42

- A - Used with Wheel Assembly 40-130 only.
- B - Used with Wheel Assembly 40-141 only.

PIPER PARTS CATALOG

Figure and Index Number	Part Number	Code	NOMENCLATURE	No. Req.	SERIAL NUMBERS AFFECTED
			1234567		
42-1	551 769		WHEEL ASSEMBLY - Main (40-130) Cleveland	2	
	551 793		WHEEL ASSEMBLY - Main (40-141) Cleveland, heavy duty ...	2	
-2	753 219	A	* WHEEL HALF ASSEMBLY - Inner (161-19)	1	
	763 704	B	* WHEEL HALF ASSEMBLY - inner (161-72)	1	
-3	753 969	A	* * CUP - Bearing (LM29710)	1	
	757 896	B	* * CUP - Bearing (LM501310)	1	
-4	753 220	A	* WHEEL HALF ASSEMBLY - Outer (162-35)	1	
	763 705	B	* WHEEL HALF ASSEMBLY - Outer (162-67)	1	
-5	753 969	A	* * CUP - Bearing (LM29710)	1	
	757 896	B	* * CUP - Bearing (LM501310)	1	
-6	756 276	A	* SPACER - (67-14)	1	
-7	754 632	A	* DISC ASSEMBLY - Brake (164-79)	1	
	754 642	B	* DISC ASSEMBLY - Brake (164-77)	1	
-8	401 330	A	* BOLT - (AN4-32A)	9	
	401 375	B	* BOLT - (AN5-35A)	9	
-9	407 565	A	* WASHER - (AN960-416)	9	
	407 566	B	* WASHER - (AN960-516)	18	
-10	404 888	A	* NUT - (AN365-428)	9	
	404 889	B	* NUT - (MS20365-524C)	9	
-11	755 963	A	* RING - Grease seal (153-16)	2	
	763 703	B	* RING - Grease seal (153-19)	2	
-12	751 818	A	* FELT - Grease seal (154-16)	1	
	762 325	B	* FELT - Grease seal (154-26)	1	
-13	752 830	A	* RING - Snap (3023)	2	
	762 614	B	* RING - Snap (155-44)	2	
-14	753 448	A	* BEARING CONE - (LM29749)	2	
	757 895	B	* BEARING CONE - (LM501349)	2	
-15	751 511	A	* CAP - Hub (3026)	1	
	763 235	B	* CAP - Hub (158-13)	1	
-16	407 585	A	* WASHER - (AN960-416L)	9	
-17	762 326	B	* SPACER - (67-39)	1	

When ordering, always specify Part Number, Description and Serial Number of Aircraft

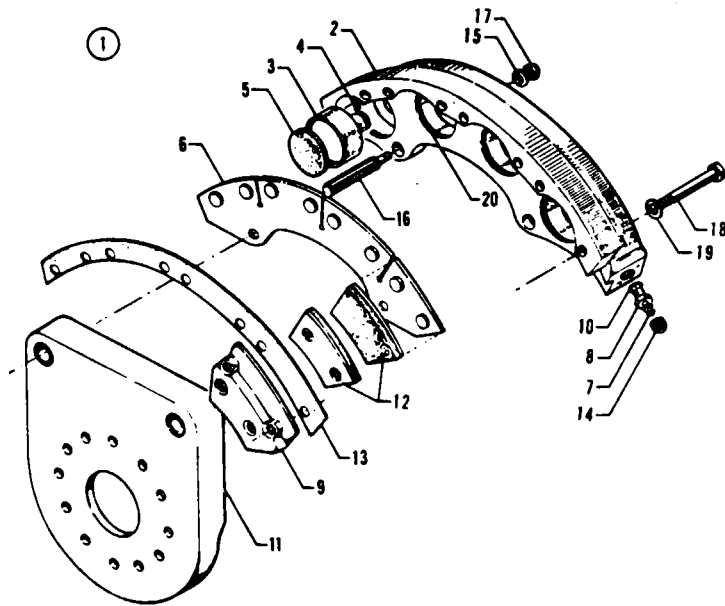


Figure 43. Main Wheel Brake Assembly
(Standard)

PIPER PARTS CATALOG

CODE EXPLANATIONS FOR FIGURE 43

PIPER PARTS CATALOG

Figure and Index Number	Part Number	Code	NOMENCLATURE	No. Req.	SERIAL NUMBERS AFFECTED
		1234567			
43-1	551 731		BRAKE ASSEMBLY - (30-95A L.H.) Cleveland	1	
	551 730		BRAKE ASSEMBLY - (30-95A R.H.) Cleveland	1	
-2	763 233		* CYLINDER - Brake (61-49)	1	
-3	763 420		* PISTON ASSEMBLY - (92-37)	4	
-4	757 741		* * FRICTION SPRING - (82-20)	1	
-5	752 094		* * INSULATOR - (88-1)	1	
-6	763 421		* PLATE ASSEMBLY - Pressure (73-40)	1	
-7	752 965		* SCREW - Bleeder (79-3)	1	
-8	756 149		* SEAT - Bleeder (81-2)	1	
-9	763 422		* PLATE ASSEMBLY - Back (74-32)	4	
-10	484 701		* O-RING - (AN6227-7)	1	
-11	757 470		* PLATE ASSEMBLY - Torque (075-11100), left	1	
	757 471		* PLATE ASSEMBLY - Torque (075-11150), right	1	
-12	761 211		* LINING - (66-66)	8	
-13	762 250		* SHIM - Back plate (68-28)	1	
-14	753 850		* CAP - Bleeder (183-1)	1	
-15	407 585		* WASHER - (AN960-416L)	2	
-16	753 407		* BOLT - Anchor (69-4)	2	
-17	404 888		* NUT - (AN365-428)	2	
-18	751 470		* BOLT - (AN4H-21A)	8	
-19	407 585		* WASHER - (AN960-416L)	8	
-20	762 513		* O-RING - (MS28775-132)	4	

When ordering, always specify Part Number, Description and Serial Number of Aircraft

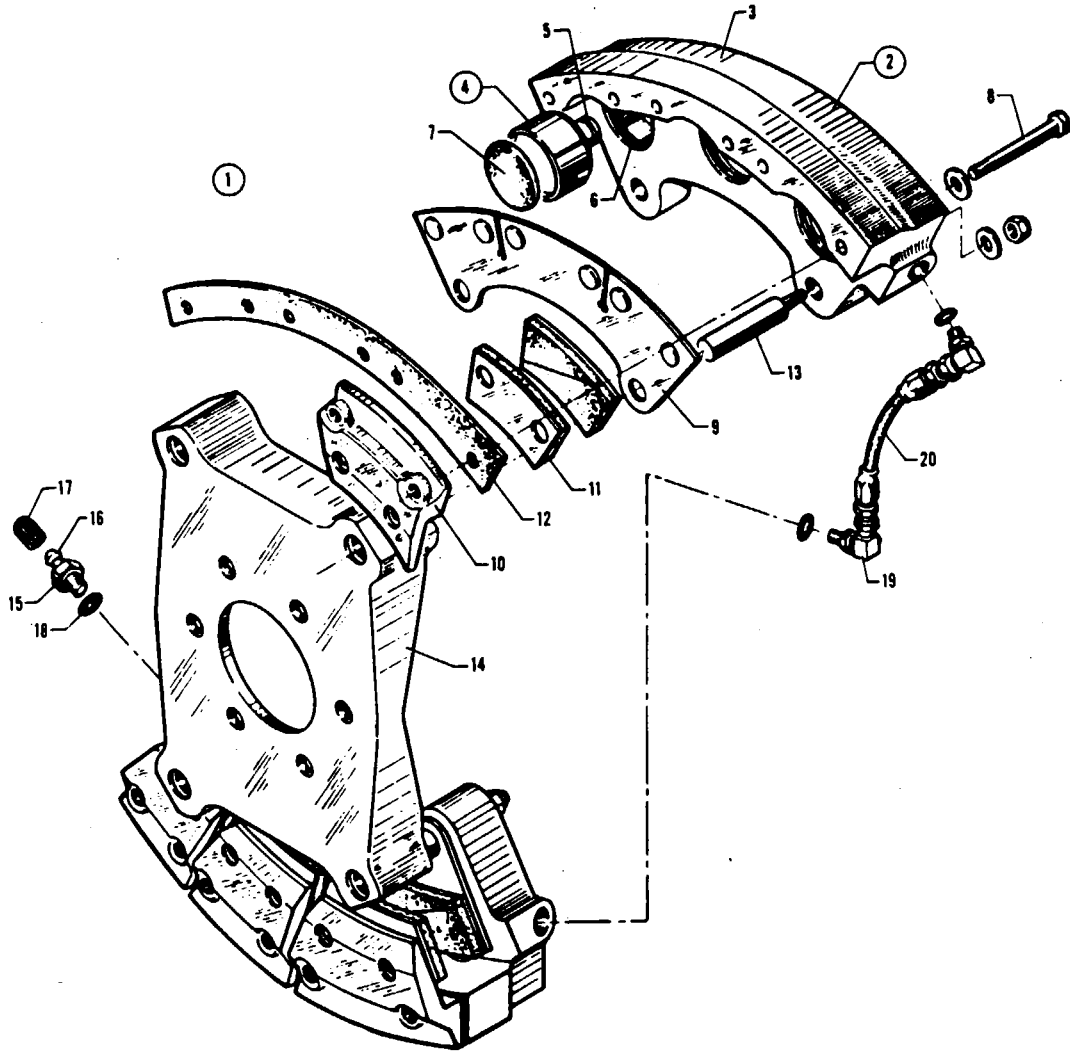


Figure 44. Main Wheel Brake Assembly
(Heavy Duty)

PIPER PARTS CATALOG

CODE EXPLANATIONS FOR FIGURE 44



PIPER PARTS CATALOG

Figure and Index Number	Part Number	Code	NOMENCLATURE	No. Req.	SERIAL NUMBERS AFFECTED
		1234567			
44-1	551 744		BRAKE ASSEMBLY - (30-123) Cleveland (Heavy Duty)	2	
-2	763 332		* CYLINDER ASSEMBLY - (91-108)	2	
-3	763 333		* * CYLINDER - (61-87)	1	
-4	763 499		* * PISTON ASSEMBLY - (92-36)	3	
-5	757 741		* * * SPRING - Friction (82-20)	1	
-6	484 698		* * * O-RING - Piston (AN6227-27)	1	
-7	755 488		* * * INSULATOR - Piston (88-2)	1	
-8	758 519		* * BOLT - (103-118)	6	
	407 565		* * WASHER - (AN960-416)	6	
-9	763 500		* * PLATE ASSEMBLY - Pressure (73-37)	1	
-10	763 422		* * PLATE ASSEMBLY - Back (74-32)	3	
-11	761 212		* * LINING - (66-68)	6	
-12	762 421		* * SHIM - (68-30)	1	
-13	758 523		* * BOLT - Anchor (69-4)	2	
	407 585		* * WASHER - (AN960-416L)	2	
	404 888		* * NUT - (MS20365-428C)	2	
-14	763 501		* PLATE ASSEMBLY - Torque (75-141)	1	
-15	756 149		* SEAT - Bleeder (81-2)	1	
-16	752 965		* SCREW - Bleeder (79-3)	1	
-17	753 850		* CAP - Bleeder (183-1)	1	
-18	484 701		* O-RING - Bleeder (AN6227-7)	1	
-19	754 857		* FITTING - Elbow (104-31)	2	
-20	755 285		* HOSE ASSEMBLY - (207-8)	1	

When ordering, always specify Part Number, Description and Serial Number of Aircraft

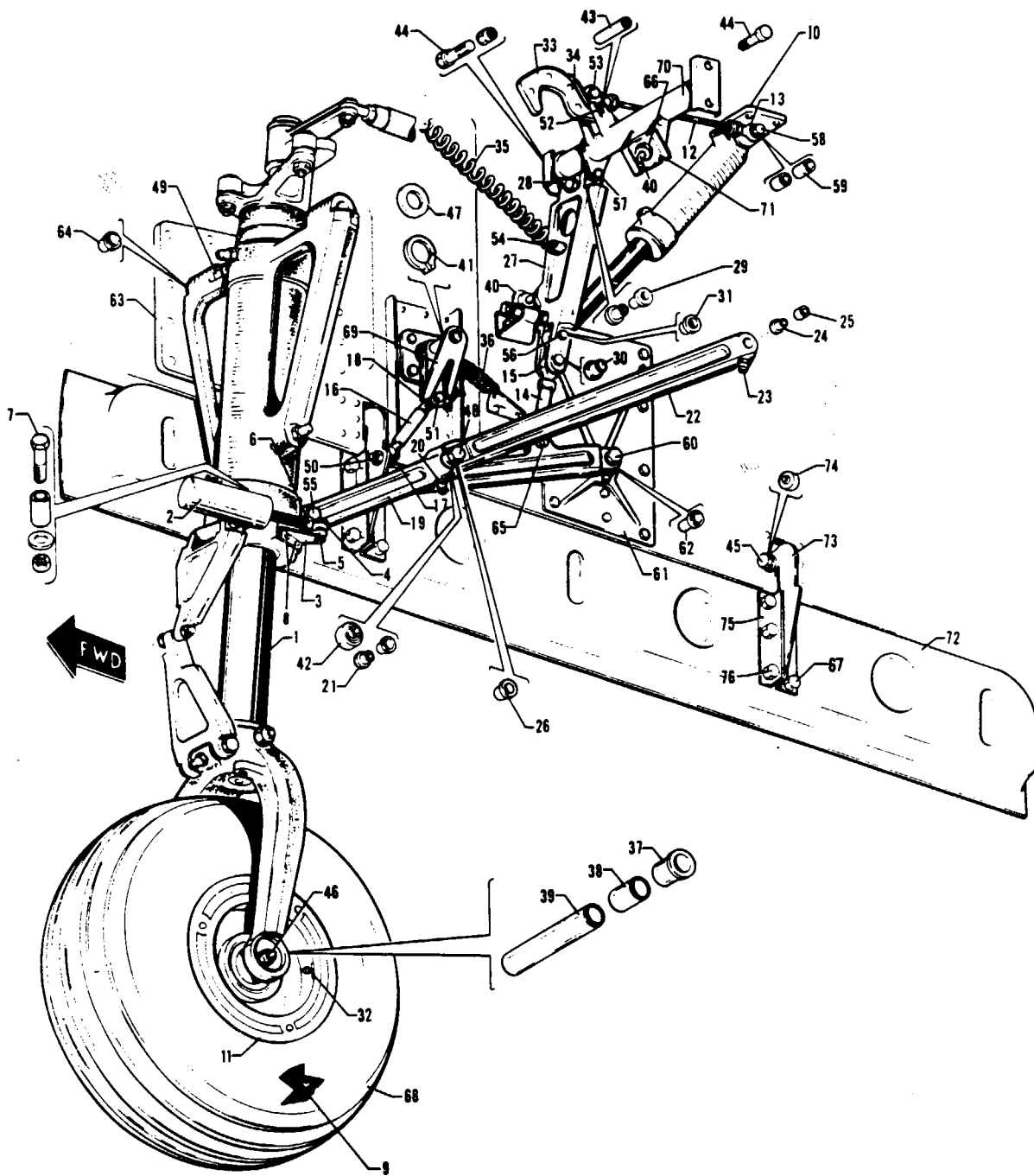


Figure 45. Nose Landing Gear Installation

PIPER PARTS CATALOG

CODE EXPLANATIONS FOR FIGURE 45

- A - See Figure 46 for component parts.
- B - See Figure 47 for component parts.

PIPER PARTS CATALOG

Figure and Index Number	Part Number	Code	NOMENCLATURE	No. Req.	SERIAL NUMBERS AFFECTED
			1234567		
45-	45520	A,B	DRAWING - Nose Landing Gear Installation		
-1	45333-07	A	STRUT ASSEMBLY - Nose gear	1	
-2	456 010		* SHOCK ABSORBER - Shimmy dampener	1	
-3	47150-00		* BRACKET - Nose gear shimmy dampener	1	
-4	400 441		* BOLT - (AN3-7A)	1	
	404 887		* NUT - (MS20365-1032C)	1	
-5	452 357		* BEARING - (M34-14)	1	
-6	404 225		* NUT - (AN315-4R)	1	
-7	400 015		* BOLT - (AN4-22A)	1	
	14843-116		* BUSHING	1	
	407 565		* WASHER - (AN960-416)	2	
	404 888		* NUT - (MS20365-428C)	1	
-8	401 263		* BOLT - (AN3H-3A)	2	
	407 584		* WASHER - (AN960-10L)	2	
-9	451 735		TUBE - (6:00 x 6)	1	
-10	40985-00		BRACKET - Nose gear actuator	1	
-11	551 790	B	WHEEL ASSEMBLY - Nose gear (B.F. Goodrich 3-1076)	1	
	551 791	B	WHEEL ASSEMBLY - Nose gear (Cleveland 40-140)	1	
-12	72682-14		CABLE ASSEMBLY - Landing gear lock, nose	1	
-13	74087-02		* BEARING	2	
-14	41790-00		ROD ASSEMBLY - Nose gear idler link	1	
-15	452 412		* BEARING - (HMX-4S)	2	
-16	41793-00		ROD ASSEMBLY - Nose landing gear door	2	
-17	452 439		* BEARING - (PS10020-17-1R)	1	
-18	452 412		* BEARING - (HMX-4S)	1	
-19	40317-00		LINK ASSEMBLY - Nose gear drag brace, lower	1	
-20	460 691		* FITTING - Lubrication (AN944-101)	2	
-21	453 776		* BUSHING - (NAS77-7-38)	4	
-22	40335-00		LINK ASSEMBLY - Nose gear drag brace, upper, left side	1	
	40336-00		LINK ASSEMBLY - Nose gear drag brace, upper, right side	1	
-23	460 691		* FITTING - Lubrication (AN944-101)	1	
-24	453 776		* BUSHING - (NAS77-7-38)	1	
-25	753 471		* BUSHING - (NAS75-7-014)	1	
-26	453 723		* BUSHING - (NAS77-7-68)	1	
-27	46933-00		LINK ASSEMBLY - Nose gear idler	1	
-28	460 691		* FITTING - Lubrication (AN944-101)	1	
-29	453 774		* BUSHING - (NAS77-4-50)	2	
-30	20737-32		* BUSHING - Nose gear idler	2	
-31	20737-30		* BUSHING - Nose gear idler	2	
-32	41398-06		PLACARD - Tire inflation, nose (80PSI)	1	
-33	41797-02		HOOK ASSEMBLY - Landing gear uplock nose	1	
-34	41796-00		SPRING - Nose landing gear uplock hook	1	
-35	83302-54		SPRING - Coil, nose landing gear	1	
-36	83302-32		SPRING - Coil, nose landing gear	2	
-37	31798-02		PLUG - Axle, nose landing gear	2	
-38	31786-07		SPACER - Wheel, nose landing gear	2	
-39	31797-02		AXLE - Nose landing gear	1	
-40	487 862		SWITCH - Micro (1CH21-4)	2	
-41	484 768		RING - Snap (5100-62)	2	
-42	452 440		BEARING - (7NBC1015YJ)	1	
-43	42129-04		BUSHING - Nose landing gear	1	
-44	400 002		BOLT - (AN4-5A)	4	
	407 565		WASHER - (AN960-416)	8	
	404 888		NUT - (MS20365-428C)	4	

When ordering, always specify Part Number, Description and Serial Number of Aircraft

PIPER PARTS CATALOG

Figure and Index Number	Part Number	Code	NOMENCLATURE	No. Req.	SERIAL NUMBERS AFFECTED
		1234567			
45-45	401 311		BOLT - (AN4-11A).....	4	
	407 565		WASHER - (AN960-416).....	4	
	404 888		NUT - (MS20365-428C).....	4	
-46	401 455		BOLT - (AN6-74A).....	1	
	404 838		NUT - (MS20364-624C).....	1	
-47	407 601		WASHER - (AN960-1016L).....	4	
-48	402 437		BOLT - (AN177-37).....	1	
	407 568		WASHER - (AN960-716).....	1	
	404 104		NUT - (AN310-7).....	1	
	424 059		COTTER PIN - (MS24665-283).....	1	
-49	400 363		BOLT - (AN9-30).....	2	
	407 570		WASHER - (AN960-916).....	AR	
	55233-02		WASHER - Nose gear.....	AR	
	404 106		NUT - (AN310-9).....	2	
	424 067		COTTER PIN - (MS24665-353).....	2	
-50	400 441		BOLT - (AN3-7A).....	2	
	407 564		WASHER - (AN960-10).....	2	
	404 887		NUT - (MS20365-1032C).....	2	
-51	400 105		BOLT - (AN4-10).....	2	
	407 565		WASHER - (AN960-416).....	2	
	404 101		NUT - (AN310-4).....	2	
	424 052		COTTER PIN - (MS24665-134).....	2	
-52	400 108		BOLT - (AN4-13).....	1	
	407 565		WASHER - (AN960-416).....	2	
	404 101		NUT - (AN310-4).....	1	
	424 052		COTTER PIN - (MS24665-134).....	1	
-53	400 106		BOLT - (AN4-11).....	1	
	407 565		WASHER - (AN960-416).....	2	
	407 585		WASHER - (AN960-416L).....	1	
	404 101		NUT - (AN310-4).....	1	
	424 052		COTTER PIN - (MS24665-134).....	1	
-54	402 031		BOLT - (AN42B-4).....	1	
	407 564		WASHER - (AN960-10).....	1	
	404 887		NUT - (MS20365-1032C).....	1	
-55	402 425		BOLT - (AN177-25).....	1	
	407 568		WASHER - (AN960-716).....	1	
	404 104		NUT - (AN310-7).....	1	
	424 059		COTTER PIN - (MS24665-283).....	1	
-56	400 108		BOLT - (AN4-13).....	2	
	407 585		WASHER - (AN960-416L).....	2	
	404 101		NUT - (AN310-4).....	2	
	424 052		COTTER PIN - (MS24665-134).....	2	
-57	400 124		BOLT - (AN4-33).....	1	
	404 101		NUT - (AN310-4).....	1	
	424 052		COTTER PIN - (MS24665-134).....	1	
-58	41792-00		BOLT - Hydraulic actuator, uplock rod.....	1	
	407 565		WASHER - (AN960-416).....	2	
	404 888		NUT - (MS20365-428C).....	1	
-59	42129-03		BUSHING - Hydraulic actuator, uplock rod.....	2	
-60	402 422		BOLT - (AN177-23).....	2	
	407 591		WASHER - (AN960-716L).....	AR	
	404 104		NUT - (AN310-7).....	2	
	424 059		COTTER PIN - (MS24665-283).....	2	
	407 568		WASHER - (AN960-716).....	AR	
-61	40325-00		BRACKET ASSEMBLY - Nose gear drag link attachment, left.....	1	
	40325-01		BRACKET ASSEMBLY - Nose gear drag link attachment, right.....	1	

When ordering, always specify Part Number, Description and Serial Number of Aircraft

PIPER PARTS CATALOG

Figure and Index Number	Part Number	Code	NOMENCLATURE	No. Req.	SERIAL NUMBERS AFFECTED
		1234567			
45-62	453 736		* BUSHING - (NAS77-7-40)	1	
-63	45192-00		PLATE ASSEMBLY - Nose gear trunnion support, left	1	
	45192-01		PLATE ASSEMBLY - Nose gear trunnion support, right	1	
-64	453 782		* BUSHING - (NAS77-9-36)	1	
-65	400 107		BOLT - (AN4-12)	1	
	407 565		WASHER - (AN960-416)	1	
	404 101		NUT - (AN310-4)	1	
	424 052		COTTER PIN - (MS24665-134)	1	
-66	494 125		WASHER - Micro switch (EN10013)	1	
-67	53853-00		SHIM - Nose landing gear door (.032)	AR	
	53853-02		SHIM - Nose landing gear door (.064)	AR	
-68	451 748		TIRE - (17.5 x 6.25-6, 10 ply rating) tube type	1	
-69	41794-08		ARM ASSEMBLY - Nose landing gear door actuator, left	1	
	41794-09		ARM ASSEMBLY - Nose landing gear door actuator, right	1	
-70	41770-00		TUBE ASSEMBLY - Nose landing gear idler link support	1	
-71	41771-00		* BRACKET - Nose gear up switch	1	
-72	45794-08		DOOR ASSEMBLY - Nose landing gear, left	1	
	45794-09		DOOR ASSEMBLY - Nose landing gear, right	1	
-73	45794-06		HINGE ASSEMBLY - Nose landing gear door, forward	2	
	45794-07		HINGE ASSEMBLY - Nose landing gear door, aft	2	
-74	452 855		* BEARING - Hinge assembly (8362V)	1	
-75	41612-04		* ANGLE - Nose landing gear door hinge	2	
-76	400 438		BOLT - Nose landing gear door hinge attachment (AN3-4A) ..	24	

When ordering, always specify Part Number, Description and Serial Number of Aircraft

PIPER PARTS CATALOG

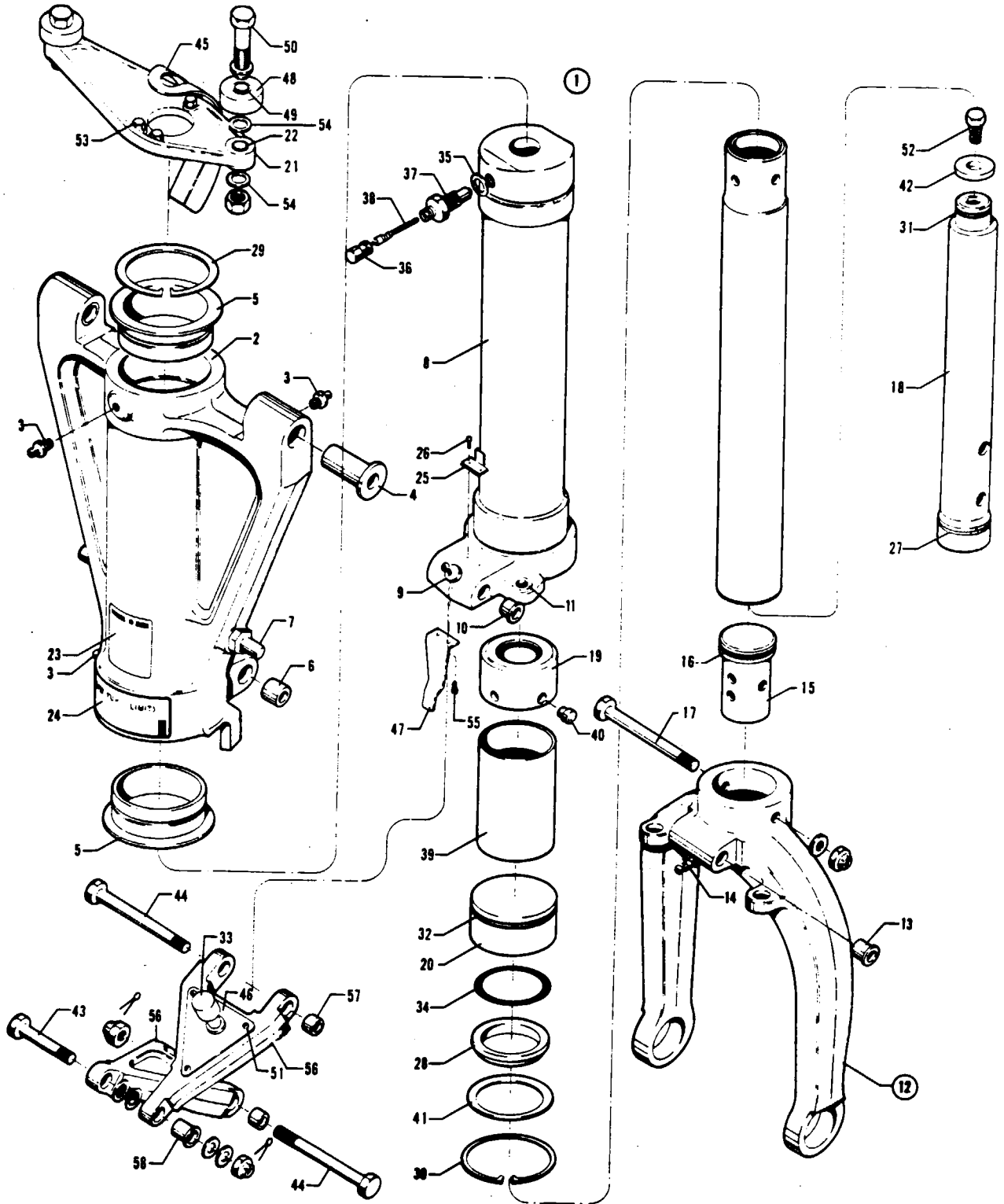


Figure 46. Nose Gear Strut Assembly

PIPER PARTS CATALOG

CODE EXPLANATIONS FOR FIGURE 46

A - When ordering, ascertain if bushing is notched or unnotched on the end and O.D.

PIPER PARTS CATALOG

Figure and Index Number	Part Number	Code	NOMENCLATURE	No. Req.	SERIAL NUMBERS AFFECTED
			1234567		
46-1	45333-07		STRUT ASSEMBLY - Nose gear	1	
-2	45316-03		* HOUSING ASSEMBLY - Nose gear	1	
-3	460 691		* * FITTING - Lubrication (AN944-101)	4	
-4	43262-00	A	* * BUSHING - Nose gear housing (.7625 O.D.), notched	2	
	31766-02	A	* * BUSHING - Nose gear housing (.7525 O.D.), unnotched	2	
-5	40250-02	A	* * BUSHING - Nose gear housing, top and bottom (3.1285/3.1275 O.D.), unnotched	2	
	40250-03	A	* * BUSHING - Nose gear housing, top and bottom (3.1385/3.1375 O.D.), notched	2	
-6	43256-07	A	* * BUSHING - Nose gear housing (.5748 O.D.), notched	2	
	453 735	A	* * BUSHING - Nose gear housing (NAS75-7-016) (.5638 O.D.), unnotched	2	
-7	40263-00		* * STUD - Nose gear door pick-up	2	
-8	45314-00		* CYLINDER ASSEMBLY - Nose gear strut	1	
-9	460 691		* * FITTING - Lubrication (AN944-101)	1	
-10	43256-06	A	* * BUSHING - Nose gear strut cylinder (.4496 O.D.), notched	2	
	453 744	A	* * BUSHING - Nose gear strut cylinder (NAS77-5-42) (.4368 O.D.), unnotched	2	
-11	21831-04		* * BUSHING - Flange (452 379)	1	
-12	45333-03		* FORK ASSEMBLY - Nose gear (complete) (includes fork, piston tube and plug)	1	
-13	453 903		* * BUSHING - Nose gear fork (PAC 31785-00)	2	
-14	460 690		* * FITTING - Lubrication (AN944-201A)	1	
-15	31791-00		* * PLUG - Nose gear piston	1	
-16	752 720		* * PACKING - O-ring (AN6227-25)	1	
-17	402 360		* * BOLT - Nose gear torque link (AN176-33A)	1	
	407 567		* * WASHER - Nose gear torque link (AN960-616)	1	
	404 838		* * NUT - Nose gear torque link (MS20364-624C)	1	
-18	44865-04		* TUBE ASSEMBLY - Nose gear orifice	1	
-19	31779-00		* BEARING - Nose gear, upper	1	
-20	45328-00		* BEARING - Nose gear, lower	1	
-21	44386-00		* ARM ASSEMBLY - Nose gear steering	1	
-22	14976-11		* * BUSHING - Arm assembly	2	
-23	40292-02		* PLACARD - Oleo service instructions (581 156)	1	
-24	45331-00		* PLACARD - Tow turn limits (581 419)	1	
-25	42740-00		* INDICATOR - Tow turn	1	
-26	419 600		* SCREW - Drive (MS21318-15)	2	
-27	484 674		* RING - Piston (PAC 29219-02)	1	
-28	494 721		* WIPER - (4550A-02000-4)	1	
-29	484 759		* RING - Retainer (NAS51-300)	1	
-30	484 757		* RING - Retainer (NAS50-262)	1	
-31	484 712		* PACKING - O-ring (AN6227-15)	1	
-32	485 033		* RING - (722C8MR-987-T)	1	
-33	29549-02		* SWITCH ASSEMBLY - Nose gear safety	1	
-34	485 034		* RING - (7329FR-160-T)	1	
-35	462 024		* GASKET - Air valve (AN901-5A)	1	
-36	454 053		* CAP - Air valve (AN813-1B)	1	
-37	453 124		* BODY - Air valve (AN812-1)	1	
-38	455 124		* CORE - Air valve (AN809-1)	1	
-39	31777-00		* SPACER - Nose gear bearing	1	
-40	01821-06		* PIN - Bearing retainer (standard)	4	
	01821-08		* PIN - Bearing retainer (Oversize)	4	
-41	31773-03		* WASHER - Nose gear lower bearing	1	
-42	45329-00		* WASHER - Nose gear	1	

When ordering, always specify Part Number, Description and Serial Number of Aircraft

PIPER PARTS CATALOG

Figure and Index Number	Part Number	Code	NOMENCLATURE	No. Req.	SERIAL NUMBERS AFFECTED
		1234567			
46-43	402 312		* BOLT - Nose gear torque link, center (AN174-14)	1	
	407 565		* WASHER - Nose gear torque link, center (AN960-416)	2	
	407 585		* WASHER - Nose gear torque link, center (AN960-416L)	2	
	404 101		* NUT - Nose gear torque link, center (AN310-4)	1	
	424 052		* PIN - Nose gear torque link, center (MS24665-134)	1	
-44	402 344		* BOLT - Nose gear torque link (AN175-32)	2	
	407 566		* WASHER - Nose gear torque link (AN960-516)	2	
	404 102		* NUT - Nose gear torque link (AN310-5)	2	
	424 052		* PIN - Nose gear torque link (MS24665-134)	2	
-45	47555-00		* BRACKET ASSEMBLY - Nose gear aligner guide	1	
-46	51196-00		* PLATE - Switch mounting	1	
-47	51197-00		* PLATE - Switch actuator	1	
-48	46783-00		* ROLLER - Nose gear steering, dia. 1.500	AR	
	46783-02		* ROLLER - Nose gear steering, dia. 1.620	AR	
	46783-03		* ROLLER - Nose gear steering, dia. 1.750	AR	
	46783-04		* ROLLER - Nose gear steering, dia. 1.375	AR	
	46783-05		* ROLLER - Nose gear steering, dia. 1.420	AR	
	46783-06		* ROLLER - Nose gear steering, dia. 1.88	AR	
-49	29999-05		* BUSHING - Nose gear steering roller	2	
-50	401 359		* BOLT - (AN5-20A)	2	
	407 566		* WASHER - (AN960-516)	2	
	404 889		* NUT - (MS20365-524C)	2	
-51	415 540		* SCREW - (MS35206-250)	3	
	407 563		* WASHER - (AN960-8)	3	
	404 910		* NUT - (MS20365-832C)	3	
-52	401 388		* BOLT - (AN6H-5A)	1	
-53	401 265		* BOLT - (AN3H-7A)	3	
	407 564		* WASHER - (AN960-10)	3	
-54	407 586		* WASHER - (AN960-516L)	4	
-55	414 763		* SCREW - (MS24693-S50)	2	
-56	45318-00		* LINK ASSEMBLY - Nose gear torque, lower	1	
	45318-04		* LINK ASSEMBLY - Nose gear torque, upper	1	
-57	453 808		* BUSHING - (NAS75-5-011)	2	
-58	453 815		* BUSHING - (NAS77-4-42)	1	

When ordering, always specify Part Number, Description and Serial Number of Aircraft

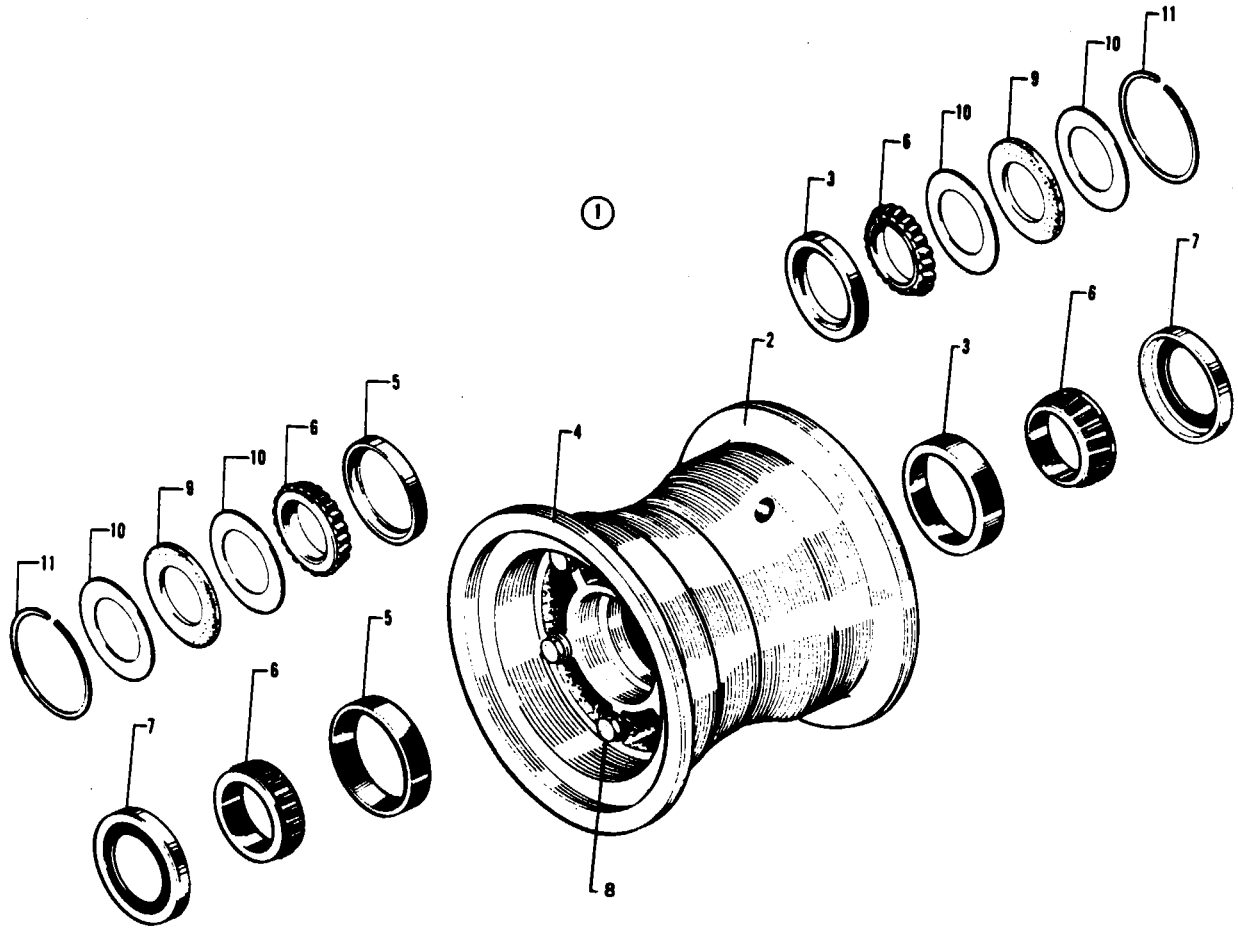


Figure 47. Nose Wheel Assembly

PIPER PARTS CATALOG

CODE EXPLANATIONS FOR FIGURE 47

- A - Used on B.F. Goodrich Nose Wheel Assembly 3-1076 only.
- B - Used on Cleveland Nose Wheel Assembly 40-140 only.

PIPER PARTS CATALOG

Figure and Index Number	Part Number	Code	NOMENCLATURE	No. Req.	SERIAL NUMBERS AFFECTED
			1234567		
47-1	551 790		WHEEL ASSEMBLY - Nose (B.F. Goodrich 3-1076).....	1	
	551 791		WHEEL ASSEMBLY - Nose (Cleveland 40-140)	1	
-2	763 725	A	* WHEEL HALF ASSEMBLY - Outer (300-133) (with valve stem hole)	1	
	763 715	B	* WHEEL HALF ASSEMBLY - Outer (162-77) (with valve stem hole)	1	
-3	751 503	A	* * CUP - Bearing (13830)	1	
	751 494	B	* * CUP - Bearing (13836)	1	
-4	763 724	A	* WHEEL HALF ASSEMBLY - Inner (300-134)	1	
	763 717	B	* WHEEL HALF ASSEMBLY - Inner (161-82)	1	
-5	751 503	A	* * CUP - Bearing (13830)	1	
	751 494	B	* * CUP - Bearing (13836)	1	
-6	751 489		* BEARING - Cone (13889).....	2	
-7	762 372	A	* SEAL - Grease (68-744).....	2	
-8	401 333	A	* BOLT - (AN4-35A)	6	
	401 375	B	* BOLT - (AN5-35A)	6	
	407 565	A	* WASHER - (AN960-416)	6	
	407 566	B	* WASHER - (AN960-516)	12	
	755 603	A	* NUT - (MS21044N4)	6	
	404 889	B	* NUT - (MS20365-524C).....	6	
-9	751 819	B	* FELT - Grease seal (154-14).....	2	
-10	755 964	B	* RING - Grease seal (153-9).....	4	
-11	752 830	B	* RING - Snap (3023).....	2	

When ordering, always specify Part Number, Description and Serial Number of Aircraft

PIPER PARTS CATALOG

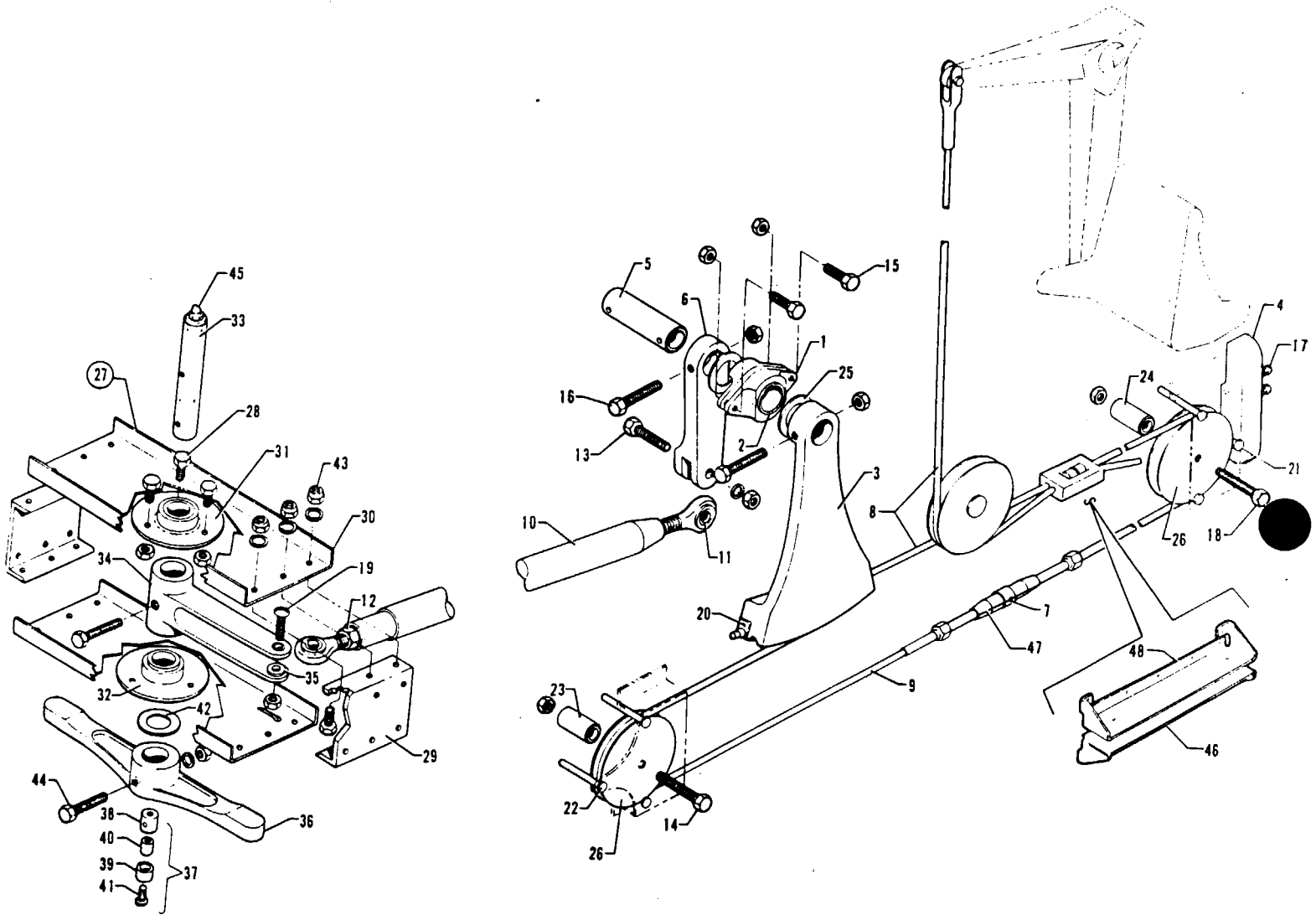


Figure 48. Nose Gear Steering Installation

PIPER PARTS CATALOG

CODE EXPLANATIONS FOR FIGURE 48

PIPER PARTS CATALOG

Figure and Index Number	Part Number	Code	NOMENCLATURE	No. Req.	SERIAL NUMBERS AFFECTED
		1234567			
48-	46863		DRAWING - Nose Gear Steering Installation		
-1	47134-00		BRACKET ASSEMBLY - Nose gear steering	2	
-2	20737-43		* BUSHING - Nose gear steering bracket	1	
-3	46947-00		SECTOR - Nose gear steering	1	
-4	47881-00		BLOCK - Rub	1	
-5	47080-00		SHAFT - Nose gear steering	1	
-6	46936-00		ARM - Nose gear steering, aft	1	
-7	452 011		TURNBUCKLE - Barrel (NAS649-832S)	1	
-8	48436-00		CABLE ASSEMBLY - Rudder and nose gear steering	1	
-9	46845-04		CABLE ASSEMBLY - Rudder	1	
-10	29866-02		TUBE ASSEMBLY - Nose gear steering	1	
-11	452 412		* BEARING - Magnaflexed (HMX-4S)	2	
-12	404 226		* NUT - (AN315-5R)	2	
	407 566		* WASHER - (AN960-516)	1	
-13	401 312		BOLT - (AN4-12A)	1	
	407 565		WASHER - (AN960-416)	1	
	404 888		NUT - (MS20365-428C)	1	
-14	400 011		BOLT - (AN4-16A)	1	
	404 888		NUT - (MS20365-428C)	1	
-15	400 004		BOLT - (AN4-7A)	2	
	404 888		NUT - (MS20365-428C)	2	
-16	400 012		BOLT - (AN4-17A)	2	
	404 888		NUT - (MS20365-428C)	2	
-17	415 522		SCREW - (MS35206-232)	2	
-18	400 009		BOLT - (AN4-14A)	1	
	404 888		NUT - (MS20365-428C)	1	
-19	400 708		BOLT - (AN24-23)	1	
	404 393		NUT - (AN320-4)	1	
	424 051		PIN - Cotter (MS24665-132)	1	
-20	415 535		SCREW - (MS35206-245)	2	
	407 042		WASHER - Lock (MS35338-42)	2	
-21	424 511		PIN - (NAS427K-17)	3	
-22	424 517		PIN - (NAS427K-22)	3	
-23	60998-05		BUSHING	1	
-24	60998-06		BUSHING	1	
-25	407 572		WASHER - (AN960-1616L)	AR	
-26	481 627		PULLEY - (MS24566-4B)	2	
-27	47074-02		ARM ASSEMBLY - Nose gear steering	1	
-28	400 438		* BOLT - (AN3-4A)	6	
	407 564		* WASHER - (AN960-10)	6	
	404 887		* NUT - (MS20365-1032C)	6	
-29	47144-00		* CHANNEL - Nose wheel steering	2	
-30	47071-00		* CHANNEL - Nose gear steering bearing	2	
-31	47056-02		* BEARING ASSEMBLY - Nose gear steering	1	
-32	47056-00		* BEARING ASSEMBLY - Nose gear steering	1	
-33	02052-02		* SHAFT ASSEMBLY - Nose gear steering	1	
-34	46961-00		* ARM ASSEMBLY - Nose gear steering	1	
-35	20737-42		* * BUSHING	2	
-36	47047-00		* ACTUATOR - Nose gear steering	1	
-37	47069-00		* ALIGNER ASSEMBLY - Nose gear	1	
-38	47068-00		* * ALIGNER	1	
-39	14976-15		* * BUSHING	1	
-40	14976-16		* * BUSHING	1	

When ordering, always specify Part Number, Description and Serial Number of Aircraft

PIPER PARTS CATALOG

Figure and Index Number	Part Number	Code	NOMENCLATURE	No. Req.	SERIAL NUMBERS AFFECTED
		1234567			
48-41	411 349		* SCREW - (AN526-428-R14).....	1	
-42	407 575		* WASHER - (AN960-1416).....	1	
-43	401 266		* BOLT - (AN3-5A).....	12	
	407 564		* WASHER - (AN960-10).....	24	
	404 887		* NUT - (MS20365-1032C).....	12	
-44	402 338		* BOLT - (AN175-16A).....	2	
	407 566		* WASHER - (AN960-516).....	2	
	404 889		* NUT - (MS20365-524C).....	2	
-45	460 691		* FITTING - Lubrication (AN944-101).....	1	
-46	48869-02		BRACKET - Cable guide, bottom.....	1	
-47	454 867		CLIP - Locking.....	1	
-48	48868-02		BRACKET - Cable guide, top.....	1	

When ordering, always specify Part Number, Description and Serial Number of Aircraft

PIPER PARTS CATALOG

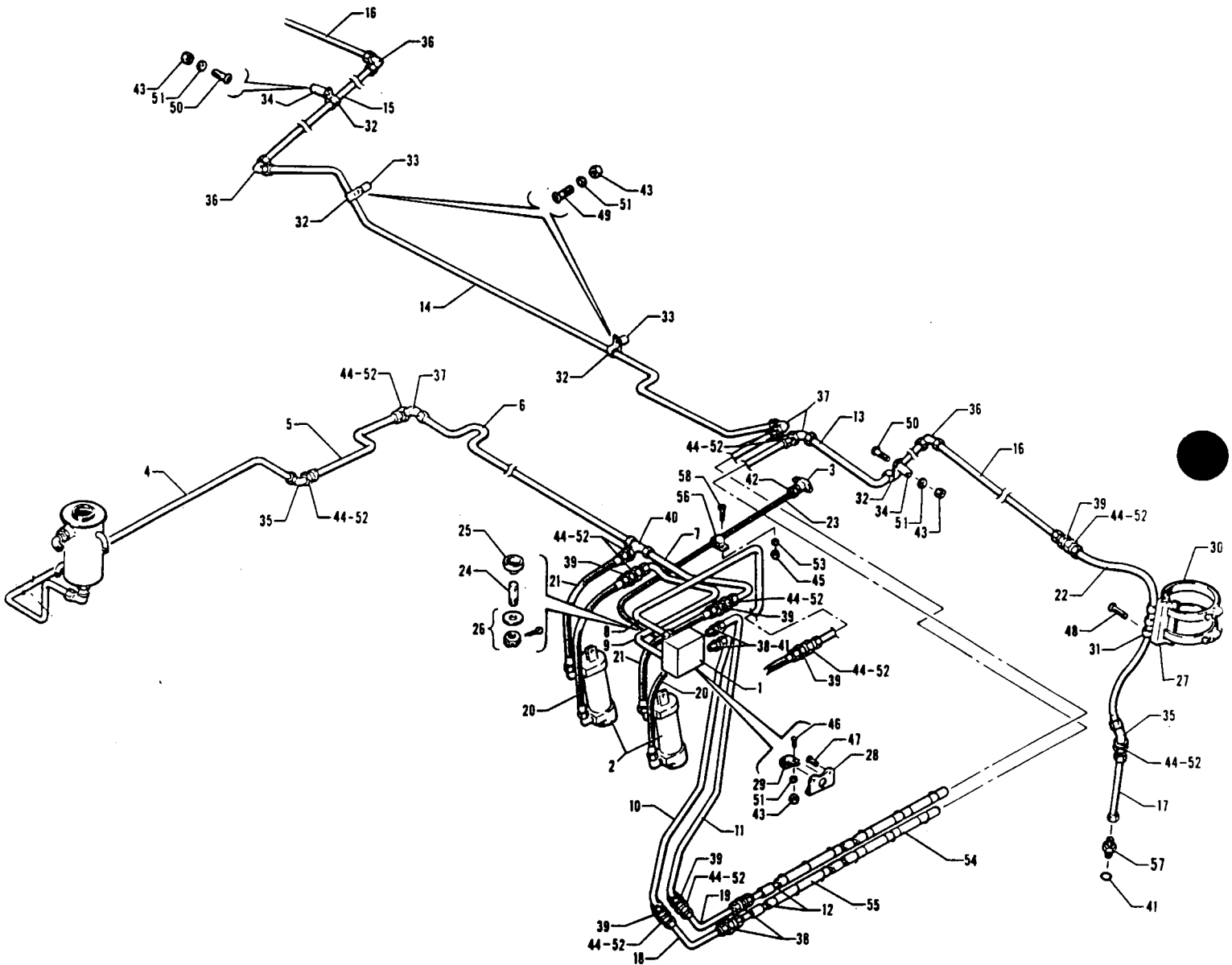


Figure 49. Brake System Installation

PIPER PARTS CATALOG

CODE EXPLANATIONS FOR FIGURE 49

- A - See Figure 51 for component parts.
- B - See Figure 50 if dual brake is installed.

PIPER PARTS CATALOG

Figure and Index Number	Part Number	Code	NOMENCLATURE	No. Req.	SERIAL NUMBERS AFFECTED
			1234567		
49-	01380	A,B	DRAWING - Hydraulic Brake System Installation		
-1	492 152	A	VALVE - Parking brake (060-00301)	1	
-2	455 971	A	MASTER CYLINDER ASSEMBLY - Brake (10-23A)	2	
-3	471 080		KNOB - Tee (KN578A)	1	
-4	46413-00		LINE ASSEMBLY - Hydraulic brake	1	
-5	45925-03		LINE ASSEMBLY - Hydraulic brake	1	
-6	45925-02	B	LINE ASSEMBLY - Hydraulic brake	1	
-7	42094-00	B	LINE ASSEMBLY - Hydraulic brake	1	
-8	45921-00		LINE ASSEMBLY - Hydraulic brake	1	
-9	45897-00		LINE ASSEMBLY - Hydraulic brake	1	
-10	46408-00		LINE ASSEMBLY - Hydraulic brake	1	
-11	46407-00		LINE ASSEMBLY - Hydraulic brake	1	
-12	42300-06		LINE ASSEMBLY - Hydraulic brake	2	
-13	42180-00		LINE ASSEMBLY - Hydraulic brake	1	
-14	46724-00		LINE ASSEMBLY - Hydraulic brake	1	
-15	22673-78		LINE ASSEMBLY - Hydraulic brake	1	
-16	42300-03		LINE ASSEMBLY - Hydraulic brake	2	
-17	755 322		HOSE ASSEMBLY - Hydraulic brake (207-14)	2	
-18	46828-00		LINE ASSEMBLY - Hydraulic brake, right	1	
-19	46829-00		LINE ASSEMBLY - Hydraulic brake, left	1	
-20	565 226		HOSE ASSEMBLY - Flexible (80026-06)	2	
-21	565 225		HOSE ASSEMBLY - Flexible (80026-07)	2	
-22	17766-73		HOSE ASSEMBLY - Flexible, hydraulic brake	2	
-23	16775-03		CABLE ASSEMBLY - Parking brake	1	
-24	42809-00		STUD - Swivel fitting	1	
-25	70371-02		FITTING - Swivel	1	
-26	424 051		PIN - Cotter (MS24665-132)	1	
	407 584		WASHER - (AN960-10L)	1	
	404 100		NUT - (AN310-3)	1	
-27	41220-00		BRACKET ASSEMBLY	2	
-28	45853-00		BRACKET	1	
-29	454 887		CLAMP - (A4886S-3-1)	1	
-30	554 874		CLAMP - (SAE TY F56SS)	4	
-31	454 933		CLAMP - (A4980S-8-91)	6	
-32	454 929		CLAMP - (A4980S-4-91)	4	
-33	42129-11		BUSHING	2	
-34	42129-12		BUSHING	2	
-35	458 910		ELBOW - 45° (AN837-4D)	3	
-36	458 880		ELBOW - 90° (AN821-4D)	3	
-37	458 900		ELBOW - 90° (AN833-4D)	3	
-38	491 050		UNION - (AN815-4D)	4	
-39	491 060		UNION - (AN832-4D)	7	
-40	488 383		TEE - (AN834-4D)	1	
-41	462 027		GASKET - (AN6290-4)	4	
-42	404 224		NUT - (AN315-3R)	1	
-43	404 887		NUT - (MS20365-1032C)	6	
-44	477 618		NUT - (AN924-4D)	14	
-45	404 910		NUT - (MS20365-832C)	1	
-46	411 532		SCREW - (MS35207-263)	1	
-47	417 703		SCREW - (AN526-1032R26)	2	
-48	411 530		SCREW - (MS35207-261)	6	
-49	416 998		SCREW - (AN526-1032R18)	2	
-50	411 539		SCREW - (MS35207-270)	2	

When ordering, always specify Part Number, Description and Serial Number of Aircraft

PIPER PARTS CATALOG

Figure and Index Number	Part Number	Code	NOMENCLATURE	No. Req.	SERIAL NUMBERS AFFECTED
		1234567			
49-51	407 564		WASHER - (AN960-10)	5	
-52	407 568		WASHER - (AN960-716)	14	
-53	407 563		WASHER - (AN960-8)	1	
-54	80000-09		TUBE - Rubber, anti-chafing (3.00" L.)	10	
-55	80000-11		TUBE - Rubber, anti-chafing (14.00" L.)	2	
-56	454 887		CLAMP - Brake cable (PS10017-1-3)	1	
-57	491 055		UNION - (AN815-4)	2	
-58	415 535		SCREW - (MS35206-245)	1	

When ordering, always specify Part Number, Description and Serial Number of Aircraft

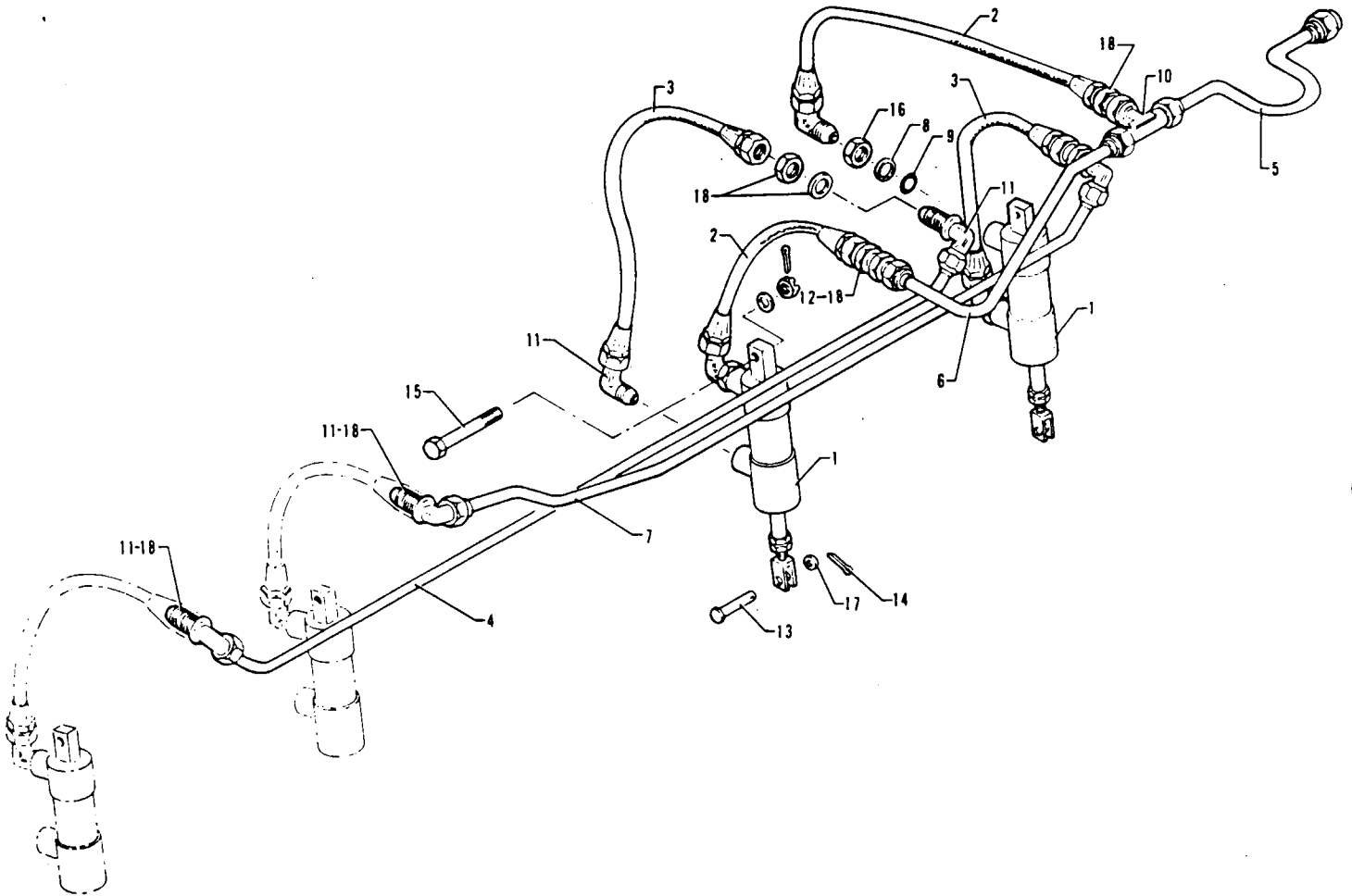


Figure 50. Dual Brake Installation

PIPER PARTS CATALOG

CODE EXPLANATIONS FOR FIGURE 50

A - See Figure 51 for component parts.

PIPER PARTS CATALOG

Figure and Index Number	Part Number	Code	NOMENCLATURE	No. Req.	SERIAL NUMBERS AFFECTED
		1234567			
50-	47245		DRAWING - Dual Brake Installation		
-1	455 971	A	MASTER CYLINDER ASSEMBLY - Brake (10-23A)	2	
-2	565 225		HOSE ASSEMBLY - Brake cylinder, upper port (80026-07) ...	2	
-3	565 226		HOSE ASSEMBLY - Brake cylinder, lower port (80026-06) ...	2	
-4	42062-00		TUBE ASSEMBLY - Hydraulic brake	1	
-5	45925-00		TUBE ASSEMBLY - Hydraulic brake	1	
-6	42064-00		TUBE ASSEMBLY - Hydraulic brake	1	
-7	42065-00		TUBE ASSEMBLY - Hydraulic brake	1	
-8	484 752		RING - (AN6291-4)	4	
-9	462 027		GASKET - (AN6290-4)	4	
-10	488 383		TEE - (AN834-4D)	1	
-11	458 900		ELBOW - (AN833-4D)	8	
-12	491 060		UNION - (AN832-4D)	1	
-13	424 176		PIN - Flat head (AN393-15)	2	
-14	424 051		PIN - Cotter (AN380-2-2)	2	
-15	400 116		BOLT - (AN4-23)	2	
	407 565		WASHER - (AN960-416)	2	
	404 101		NUT - (AN310-4)	2	
	424 052		PIN - Cotter (AN380-2-3)	2	
-16	477 676		NUT - (AN6289-D4)	4	
-17	407 584		WASHER - (AN960-10L)	2	
-18	477 618		NUT - (AN924-4D)	6	
	407 568		WASHER - (AN960-716)	6	

When ordering, always specify Part Number, Description and Serial Number of Aircraft

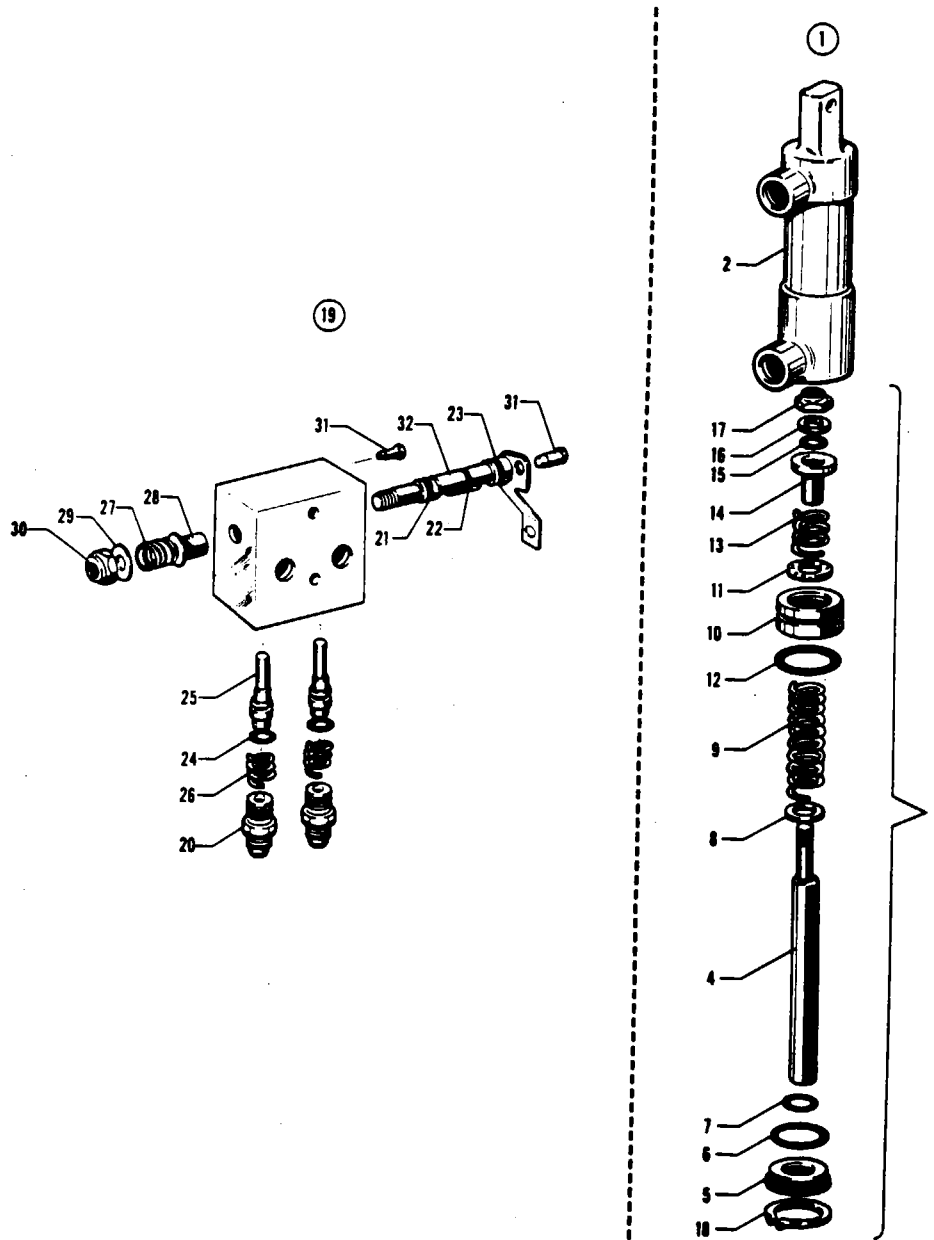


Figure 51. Master Cylinder and Parking Brake Valve

PIPER PARTS CATALOG

CODE EXPLANATIONS FOR FIGURE 51

PIPER PARTS CATALOG

Figure and Index Number	Part Number	Code	NOMENCLATURE	No. Req.	SERIAL NUMBERS AFFECTED
		1234567			
51-1	455 971		MASTER CYLINDER ASSEMBLY - Brake (10-23A)	2	
-2	763 309		* CYLINDER ASSEMBLY - Hydraulic (144-36)	1	
-3	762 573		* ROD ASSEMBLY - Piston (182-24)	1	
-4	755 953		* * ROD - Piston (142-7)	1	
-5	751 890		* * GLAND - Packing (141-8)	1	
-6	484 730		* * O-RING - (AN6227-14)	1	
-7	484 701		* * O-RING - (AN6227-7)	1	
-8	407 567		* * WASHER - (AN960-616)	1	
-9	756 259		* * SPRING - (82-19)	1	
-10	763 441		* * PISTON - (148-26)	1	
-11	753 215		* * WASHER - (95-251)	1	
-12	484 730		* * O-RING - (AN6227-14)	1	
-13	756 119		* * SPRING - (82-10)	1	
-14	756 508		* * VALVE - (146-5)	1	
-15	752 735		* * O-RING - (AN6227-3) (484 707)	1	
-16	407 564		* * WASHER - (AN960-10)	1	
-17	404 835		* * NUT - (AN364-1032)	1	
-18	755 955		* RING - Retaining (IRR3000-100) (155-11)	1	
-19	492 152		VALVE ASSEMBLY - Parking brake (060-00301)	1	
-20	476 648		* FITTING - Tube (AN816-4D)	2	
-21	752 735		* O-RING - (AN6227-3) (484 707)	1	
-22	484 700		* O-RING - (AN6227-5)	1	
-23	484 708		* O-RING - (AN6227-6)	1	
-24	755 908		* O-RING - (AN6227-1)	2	
-25	753 110		* VALVE - (146-2)	2	
-26	762 333		* SPRING - (82-44)	2	
-27	756 119		* SPRING - (82-10)	1	
-28	751 445		* BUSHING - (145-7)	1	
-29	407 564		* WASHER - (AN960-10)	2	
-30	404 835		* NUT - (AN364-1032)	1	
-31	757 238		* PIN - (177-2)	2	
-32	757 879		* CAM ASSEMBLY - Valve (181-00301)	1	

When ordering, always specify Part Number, Description and Serial Number of Aircraft

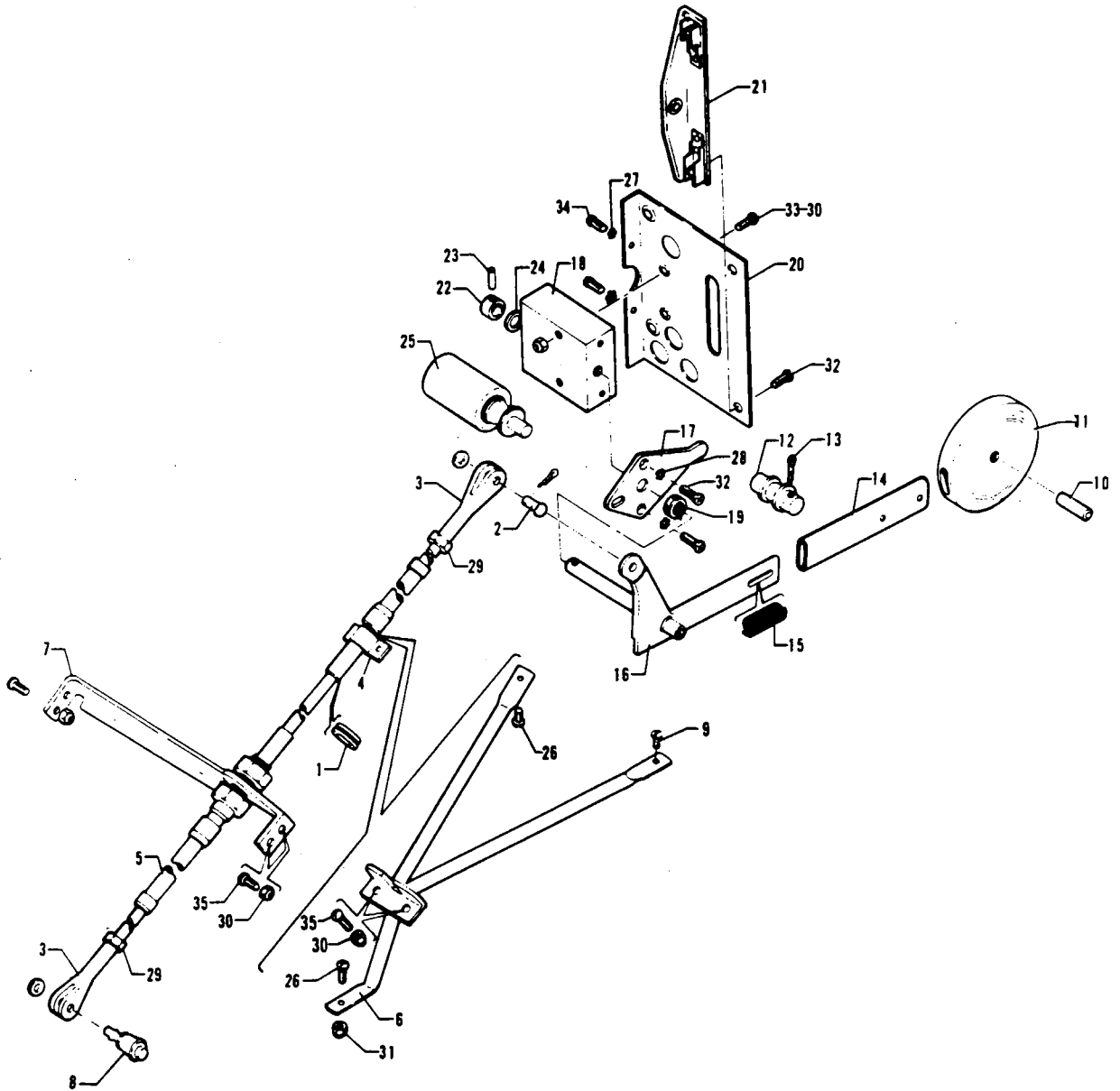


Figure 52. Landing Gear Selector Mechanism Installation

PIPER PARTS CATALOG

CODE EXPLANATIONS FOR FIGURE 52

PIPER PARTS CATALOG

Figure and Index Number	Part Number	Code	NOMENCLATURE	No. Req.	SERIAL NUMBERS AFFECTED
		1234567			
52-	01620		DRAWING - Landing Gear Selector Mechanism Installation		
-1	434 134		GROMMET - (MS35489-11).....	1	
-2	424 175		PIN - (MS20392-2C13)	1	
	407 584		WASHER - (AN960-10L)	1	
	424 051		PIN - Cotter (MS24665-132)	1	
-3	488 327		TERMINAL - (AN665-21R)	2	
-4	18219-02		CLAMP - Control cable	1	
-5	47132-03		CABLE ASSEMBLY - Flexible, push-pull.....	1	
-6	46258-00		BRACKET ASSEMBLY - Hydraulic powerpak control.....	1	
-7	01549-02		BRACKET - Powerpak control	1	
-8	53599-00		PIN - Cable attachment	1	
-9	411 531		SCREW - (MS35207-262).....	1	
	407 564		WASHER - (AN960-10)	1	
	477 793		NUT - (26C-02).....	1	
-10	480 738		ROLL PIN - (59-040-187-0500).....	1	
-11	571 077		KNOB - (OAS294-078-1).....	1	
-12	41228-00		STOP PIN	1	
-13	424 051		PIN - Cotter (MS24665-132)	1	
	407 584		WASHER - (AN960-10L)	1	
-14	41089-00		SLEEVE	1	
-15	487 464		SPRING - (LC-026B-11).....	1	
-16	46259-00		LEVER ASSEMBLY - Landing gear control.....	1	
-17	41139-00		STOP - Gear selector level	1	
-18	41138-00		BLOCK - Lever mounting	1	
-19	407 566		WASHER - (AN960-516)	AR	
-20	46257-00		PLATE ASSEMBLY - Mounting	1	
-21	46256-00		ANGLE ASSEMBLY - Mounting	1	
-22	46255-00		BUSHING	1	
-23	480 705		ROLL PIN - (59-028-125-0500).....	1	
-24	408 815		WASHER - (3502-18-04).....	1	
-25	487 155		SOLENOID - (L-3011).....	1	
-26	411 532		SCREW - (MS35207-263).....	2	
-27	407 134		LOCK WASHER - (AN936-A8).....	2	
-28	407 151		LOCK WASHER - (AN936-D8).....	2	
-29	404 224		NUT - (AN315-3R).....	2	
-30	404 910		NUT - (MS20365-832C).....	8	
-31	404 887		NUT - (MS20365-1032).....	1	
-32	414 763		SCREW - (MS24693-S50).....	6	
-33	414 722		SCREW - (MS24693-S56).....	2	
-34	415 533		SCREW - (MS35206-243).....	2	
-35	415 535		SCREW - (MS35206-245).....	6	

When ordering, always specify Part Number, Description and Serial Number of Aircraft

**1K1 THRU 1L24
INTENTIONALLY LEFT BLANK**



**MOJAVE
PARTS CATALOG**

CARD 2 OF 3

PA-31P-350 MOJAVE

PIPER AIRCRAFT CORPORATION

PIPER PARTS CATALOG

AEROFICHE EXPLANATION AND REVISION STATUS

The Parts Catalog information incorporated in this set of Aerofiche cards has been arranged in accordance with the general specifications of Aerofiche adopted by the General Aircraft Manufacturer's Association.

Conversion of Aerofiche alpha/numeric code numbers:

First number is the Aerofiche card identifier.

Letter is the horizontal line reference per card.

Second number is the vertical line reference per card.

Example: 2J16 = Aerofiche card number two of given set, Grid location J16.

To aid in locating the various sections and related information desired, the following is provided:

A complete Catalog Table of Contents is given at Grid 1A7 of Aerofiche card number 1 of this set. Each additional card in this set will have a Table of Contents for all sections on that particular card. This table will start at Grid A3.

REVISIONS

The information compiled in this Aerofiche Parts Catalog will be kept current by revisions distributed periodically. These revisions will supersede all previous revisions and will be complete Aerofiche card replacements and shall supersede Aerofiche cards of the same number in the set.

Current Revisions to this PA-31P-350 Parts Catalog issued April 11, 1983 are as follows:

761 776 (PR830912).....	Dated September 1983
761 776 (PR840312).....	Dated March 1984

NOTE: Refer to the last card of the Piper - Parts Price List - Aerofiche for a check list of current revision dates and card effectivities for this parts catalog.

TABLE OF CONTENTS

FIGURE NUMBER	FIGURE TITLE	GRID NUMBER
SECTION V CABIN EQUIPMENT GROUP		
52A	Cabin Furnishings Installation	2A6
53	Cabin Interior Finishing Installation	2A9
54	Interior Windows and Curtains Installation	2A13
55	Cabin Headliner Installation	2A16
56	Carpet Installation	2A19
57	Baggage Compartment Finishing Installation	2B1
58	Crew Seats Installation	2B5
59	Passenger Seats Installation - Forward Facing	2B11
60	Passenger Seats Installation - Aft Facing	2B16
61	7th Seat Installation	2B20
62	Toilet Seat Installation - Forward Facing (Floor Mounted)	2C1
62A	Toilet Seat Installation - Forward Facing (Step Mounted)	2C5
63	Toilet Seat Installation - Side Facing Non-Flush	2C9
64	Forward Cabin Divider and Storage Cabinet Installation	2C13
65	Folding Table Installation	2C16
66	Rear Divider Panel and Refreshment Cabinet Installation	2C19
SECTION VI INSTRUMENTS GROUP		
67	Instrument Panel Installation	2D1
68	Dual Instrument Panel Installation	2D5
69	Miscellaneous Air and Fluid Lines Installation	2D8
70	Dual Instrument Air System Installation	2D12
71	Static Air System Installation	2D15
72	Pressure Driven Instrument Air Lines Installation	2D18
SECTION VII POWER PLANT GROUP		
73	Power Plant Installation	2D21
74	Engine Baffle Installation	2E1
75	Engine Cowl Installation	2E4
76	Cowl Flap Actuating Mechanism Installation	2E7
77	Oil Cooler and Breather System Installation	2E11
78	Nacelle Installation	2E14
79	Nacelle Locker Door Assembly and Installation	2E20
80	Engine Controls Installation	2F1
81	Propeller Assembly	2F5
82	Propeller Synchrophaser System Installation	2F9

TABLE OF CONTENTS

FIGURE NUMBER	FIGURE TITLE	GRID NUMBER
SECTION VIII FUEL SYSTEM GROUP		
83	Fuel Control Panel Installation	2F12
84	Left Engine Fuel System Installation	2F15
85	Right Engine Fuel System Installation	2F20
86	Fuel System Components	2G1
87	Wing Fuel Pressure and Vent Lines Installation	2G4
88	Main Fuel Cell and Liner Installation	2G8
89	Nacelle and Auxiliary Fuel Cells and Liner Installation	2G11
SECTION IX CONTROL SYSTEM GROUP		
90	Pedestal Installation	2G14
91	Pedestal Control Assembly	2G19
92	Aileron Control Installation	2H1
93	Aileron Trim Installation	2H5
94	Rudder Control Installation	2H8
95	Rudder Trim Installation	2H12
96	Elevator Control Installation	2H15
97	Elevator Trim Installation	2H19
98	Flap Control Installation	2I1
99	Control Wheel Installation	2I4
100	Rudder Pedal Installation	2I9
SECTION X HYDRAULIC SYSTEM GROUP		
101	Forward Hydraulic System Installation	2I13
102	Aft Hydraulic System Installation	2I17
103	Hydraulic Pumps Installation	2I21
104	Hydraulic System Components	2J1
105	Hydraulic Powerpak Assembly	2J5
106	Hydraulic Powerpak Components	2J9
SECTION XI ENVIRONMENTAL GROUP		
107	Heater and Evaporator Installation	2J12
108	Heater Assembly	2J16
109	Heater Combustion Air Blower and Motor Assembly	2J19
110	Heater Ignition Assembly	2J22
111	Cabin Pressure Control System Installation (Dukes, Inc.)	2K1
112	Cabin Pressure Control System Installation (Garrett/Airesearch)	2K4
113	Air Distribution Duct Installation	2K7
114	Fuselage Pressurization Air Supply Installation	2K10
115	Wing Pressurization and Pneumatic Air Supply Installation	2K14
116	Oxygen System Installation	2K18
117	Freon Lines Installation	2K22
118	Windshield Defroster System Installation	2L1
119	Pneumatic Deicing System Installation	2L4

2A5

INTENTIONALLY LEFT BLANK

PIPER PARTS CATALOG

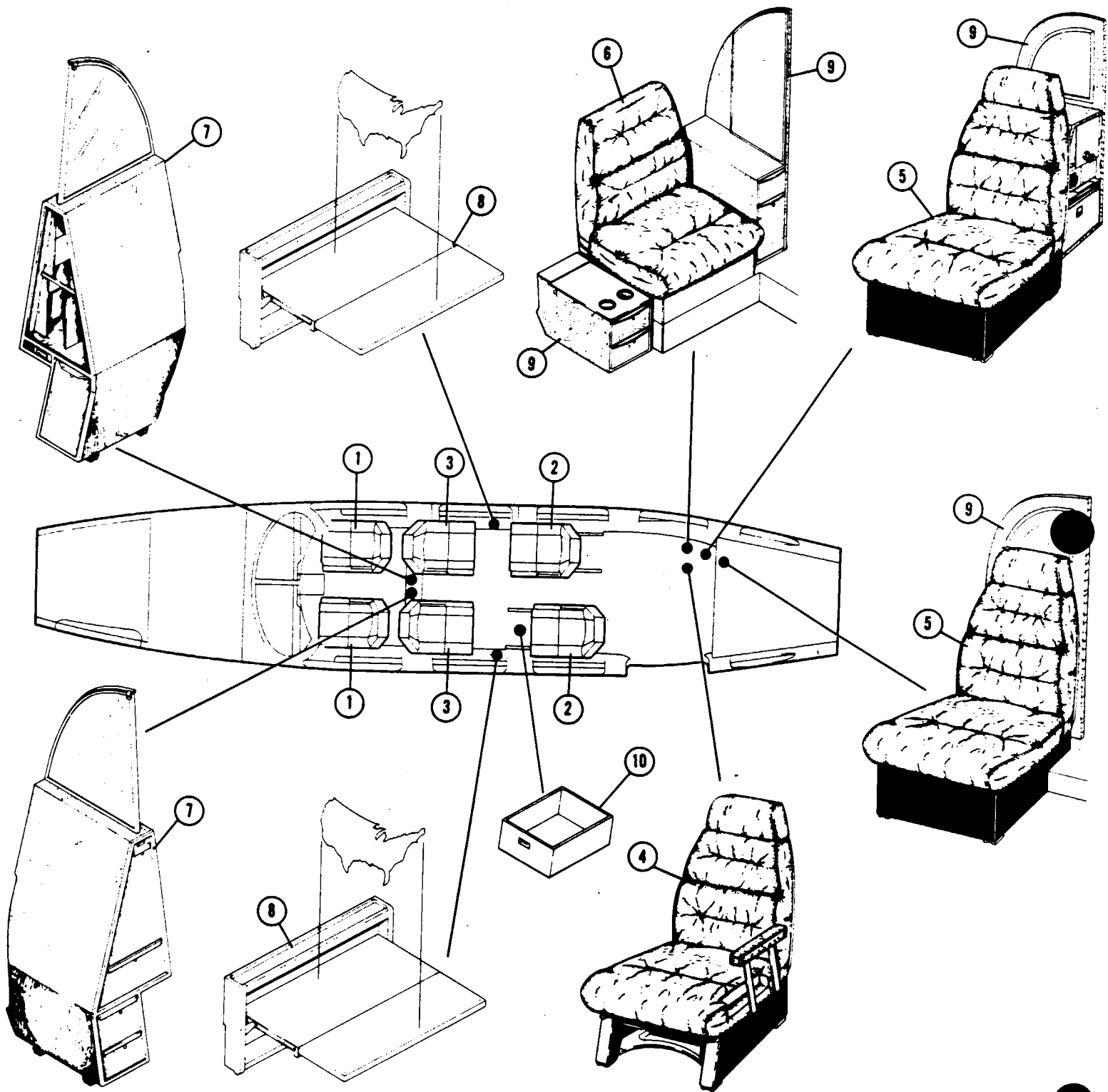


Figure 52A. Cabin Furnishings Installation

PIPER PARTS CATALOG

CODE EXPLANATIONS FOR FIGURE 52A

- A - See Figure 58 for component parts
- B - See Figure 59 for component parts
- C - See Figure 60 for component parts
- D - See Figure 61 for component parts
- E - See Figure 62 or Figure 62A for component parts
- F - See Figure 63 or Figure 63A for component parts.
- G - See Figure 64 for component parts
- H - See Figure 65 for component parts
- J - See Figure 66 for component parts

PIPER PARTS CATALOG

Figure and Index Number	Part Number	Code	NOMENCLATURE	No. Req.	SERIAL NUMBERS AFFECTED
		1234567			
52A-1		A	SEAT INSTALLATION - Crew, left	1	
		A	SEAT INSTALLATION - Crew, right	1	
-2		B	SEAT INSTALLATION - Passenger, forward facing	AR	
-3		C	SEAT INSTALLATION - Passenger, aft facing	2	
-4		D	SEAT INSTALLATION - Seventh	1	
-5		E	SEAT INSTALLATION - Toilet, forward facing	1	
-6		F	SEAT INSTALLATION - Toilet, side facing	1	
-7		G	CABINET INSTALLATION - Forward Cabin Divider and Storage	AR	
-8		H	TABLE INSTALLATION - Folding	2	
-9		J	CABINET INSTALLATION - Rear Divider Panel and Refreshment	AR	
-10	02197-02		BOX ASSEMBLY - Storage, seat	AR	

When ordering, always specify Part Number, Description and Serial Number of Aircraft

PIPER PARTS CATALOG

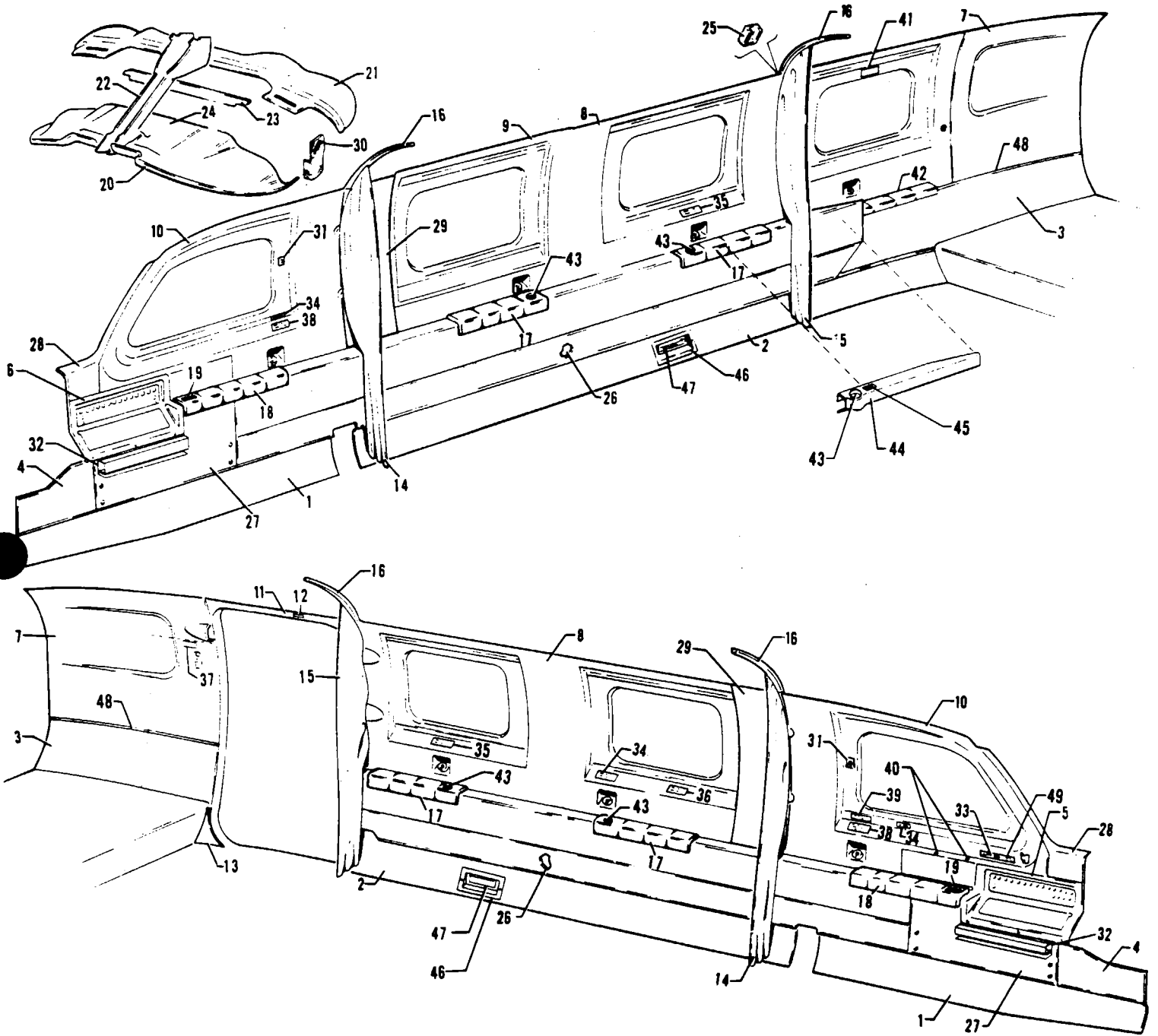


Figure 53. Cabin Interior Finishing Installation

REVISED: MARCH 1984

PIPER PARTS CATALOG

CODE EXPLANATIONS FOR FIGURE 53

- A - Serial number of aircraft must be supplied when ordering this part.
- B - See Figure 64 if forward cabin divider and storage cabinet is installed.
- C - See Figure 67 for component parts.
- D - Used if floor mounted forward facing toilet seat is installed.
- E - Used if step mounted forward facing toilet seat is installed.
- F - Used if toilet seat is installed.
- G - Used if cargo door is not installed.
- H - Used if cargo door is installed.

PIPER PARTS CATALOG

Figure and Index Number	Part Number	Code	NOMENCLATURE	No. Req.	SERIAL NUMBERS AFFECTED
			1234567		
53-	49400		DRAWING - Cabin Interior Finishing Installation		
-1	49661-02	A	PANEL ASSEMBLY - Trim, lower forward, left	1	
	49661-03	A	PANEL ASSEMBLY - Trim, lower forward, right	1	
-2	29001-02	A	PANEL ASSEMBLY - Trim, lower center, left	1	
	48530-06	A	PANEL ASSEMBLY - Trim, lower center, right	1	
-3	55563-06	A,G	PANEL ASSEMBLY - Trim, aft, lower, left	1	
	81440-02	A,H	PANEL ASSEMBLY - Trim, aft, lower, left	1	
	55917-02	A	PANEL ASSEMBLY - Trim, aft, lower, right	1	
	02090-02	A,E	PANEL ASSEMBLY - Trim, aft, lower, right	1	
-4	49667-12	A	PANEL ASSEMBLY - Trim, forward, left	1	
	49667-11	A	PANEL ASSEMBLY - Trim, forward, right	1	
-5	82104-02		COVER - Trim, circuit protector panels, left	1	
-6	82106-02		COVER - Trim, circuit protector panels, right	1	
-7	49077-06	G	MOULDING - Baggage compartment, left rear	1	
	81444-04	H	MOULDING - Baggage compartment, left rear	1	
	02058-11		MOULDING - Baggage compartment, and rear window, right	1	
-8	02008-17		MOULDING - Center and rear window, left	1	
	02009-07		MOULDING - Center forward and rear window, right	1	
-9	49270-14		MOULDING - Emergency exit window	1	
-10	29817-16		MOULDING - Window, front, left	1	
	29817-21		MOULDING - Window, front, right	1	
-11	48368-04		PANEL ASSEMBLY - Interior trim, upper door, left	1	
-12	80902-02		* DECAL - Seat requirements	1	
-13	48370-04	A	CARPET ASSEMBLY - Door trim, left	1	
-14	29214-02	A,B	CURTAIN ASSEMBLY - Left	1	
	29214-03	A,B	CURTAIN ASSEMBLY - Right	1	
-15	49091-12	A	CURTAIN ASSEMBLY - Aft, left	1	
	49091-13	A	CURTAIN ASSEMBLY - Aft, right	1	
	02077-02	A,F	CURTAIN ASSEMBLY - Aft, right	1	
-16	48197-02		TRACK - Curtain, front	1	
	55628-12		TRACK - Curtain, rear	1	
-17	02093-02	A	ARMREST ASSEMBLY - Passenger, aft left and forward right	2	
	02093-03	A	ARMREST ASSEMBLY - Passenger, aft right and forward left	2	
-18	81786-05	A	ARMREST ASSEMBLY - Crew, left	1	
	81786-04	A	ARMREST ASSEMBLY - Crew, right	1	
-19	489 424		* ASH TRAY - (3130-4)	1	
-20	29160-02		PANEL ASSEMBLY - Instrument panel access, left	1	
	29161-02		PANEL ASSEMBLY - Instrument panel access, right	1	
-21		C	GLARESHIELD ASSEMBLY - Instrument panel	1	
-22	47131-03		COVER - Windshield channel trim	1	
-23	55380-02		BRACKET ASSEMBLY - Access panel	1	
-24	55020-02		PANEL ASSEMBLY - Instrument access, center	1	
-25	49124-02		COVER - Trim, curtain track	4	
-26	187 967		INSULATION - Sound proofing (FOAM-Sound-TAF1/2) 34" wide	AR	
-27	29639-02	A	PANEL ASSEMBLY - Access, left	1	
	29639-03	A	PANEL ASSEMBLY - Access, right	1	

When ordering, always specify Part Number, Description and Serial Number of Aircraft

PIPER PARTS CATALOG

Figure and Index Number	Part Number	Code	NOMENCLATURE	No. Req.	SERIAL NUMBERS AFFECTED
		1234567			
53-28	54903-24		MOULDING - Window, front, left	1	
	54903-23		MOULDING - Window front, right	1	
-29	49526-02		COVER ASSEMBLY - Trim, window moulding, left	1	
	49526-03		COVER ASSEMBLY - Trim, window moulding, right	1	
-30	49669-02		PLATE ASSEMBLY - Glareshield, left	1	
	49669-03		PLATE ASSEMBLY - Glareshield, right	1	
-31	565 929		HOOK - Oxygen mask (10800)	2	
-32	29638-04		HOLDER - Pencil, left	1	
	29638-05		HOLDER - Pencil, right	1	
-33	81066-02		DECAL - Category	1	
-34	80905-02		DECAL - Seat requirements	3	
-35	81068-02		DECAL - Seat requirements, left	1	
	81069-02		DECAL - Seat requirements, right	1	
-36	80904-02		DECAL - Seat requirements	1	
-37	80900-02		DECAL - Courtesy lights	1	
-38	80895-02		DECAL - Armrest storage	2	
-39	80893-02		DECAL - Anti-collision lights warning	1	
-40	553 705		BUMPER - Storm window (Plug 16-20PB)	2	
-41	80913-02	D	DECAL - Toilet seat occupancy	1	
-42	55881-13	A,D	ARMREST ASSEMBLY - Toilet seat	1	
-43	565 683		HOLDER - Cup (3028-L)	4	
-44	02046-02	A,E	ARMREST ASSEMBLY - Toilet seat	1	
-45	489 424	A,E	ASH TRAY - (3130-4)	1	
-46	49838-02		COVER - Trim, cabin floor light	2	
-47	472 986		LIGHT ASSEMBLY - Cabin floor (1400-005)	2	
-48	47251-50	G	MOULDING - Extruded, trim panel, rear, left	1	
	81451-03	H	MOULDING - Extruded, trim panel, rear, left	1	
	47251-48		MOULDING - Extruded, trim panel, rear, right	1	
-49	81067-02		DECAL - Speed	1	

When ordering, always specify Part Number, Description and Serial Number of Aircraft

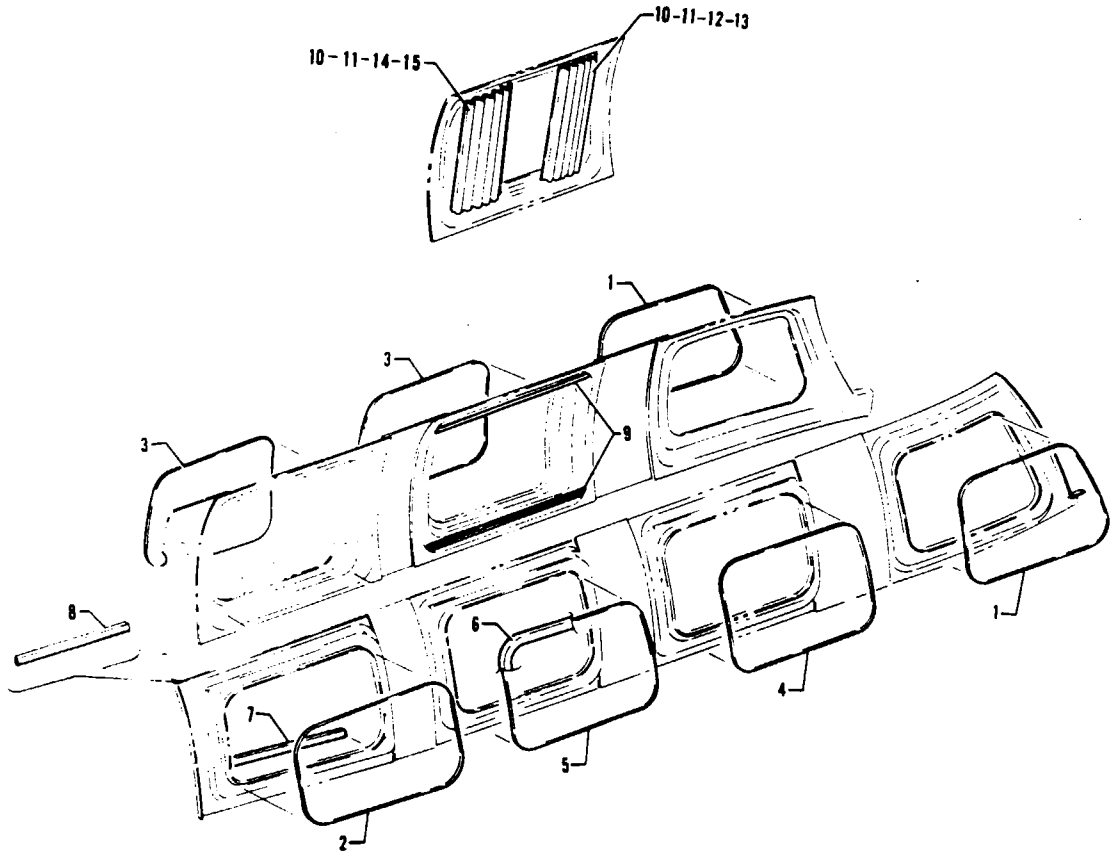


Figure 54. Interior Windows and Curtains Installation

PIPER PARTS CATALOG

CODE EXPLANATIONS FOR FIGURE 54

A - See Figure 27 for component parts.

PIPER PARTS CATALOG

Figure and Index Number	Part Number	Code	NOMENCLATURE	No. Req.	SERIAL NUMBERS AFFECTED
		1234567			
54-	49098		DRAWING - Tinted Window Installation		
-1	54903-16		WINDOW - Left front, clear	1	
	54903-14		WINDOW - Left front, tinted	1	
	54903-17		WINDOW - Right front, clear	1	
	54903-15		WINDOW - Right front, tinted	1	
-2	46885-07		WINDOW - Right rear, clear	1	
	46885-05		WINDOW - Right rear, tinted	1	
-3	46882-10		WINDOW - Center and rear, left, clear	2	
	46882-06		WINDOW - Center and rear, left, tinted	2	
-4		A	WINDOW ASSEMBLY - Emergency exit	1	
-5	46882-10		WINDOW - Center rear, right clear	1	
	46882-06		WINDOW - Center rear, right, tinted	1	
-6	45506-00		MOULDING - Extruded (80" L.)	AR	
-7	15513-14		TRACK - Curtain, lower, right rear window	1	
-8	15513-15		TRACK - Curtain, upper, right rear window	1	
-9	15513-13		TRACK - Curtain	6	
-10	49276-03		CURTAIN ASSEMBLY - Forward and aft	8	
-11	180 413		* TAPE - Glide, curtain (CST-25)	2'	
-12	49276-04		CURTAIN ASSEMBLY - Forward, rear window, right	1	
-13	180 413		* TAPE - Glide, curtain (CST-25)	2'	
-14	49276-02		CURTAIN ASSEMBLY - Aft, rear window, right	1	
-15	180 413		* TAPE - Glide, curtain (CST-25)	2'	

When ordering, always specify Part Number, Description and Serial Number of Aircraft

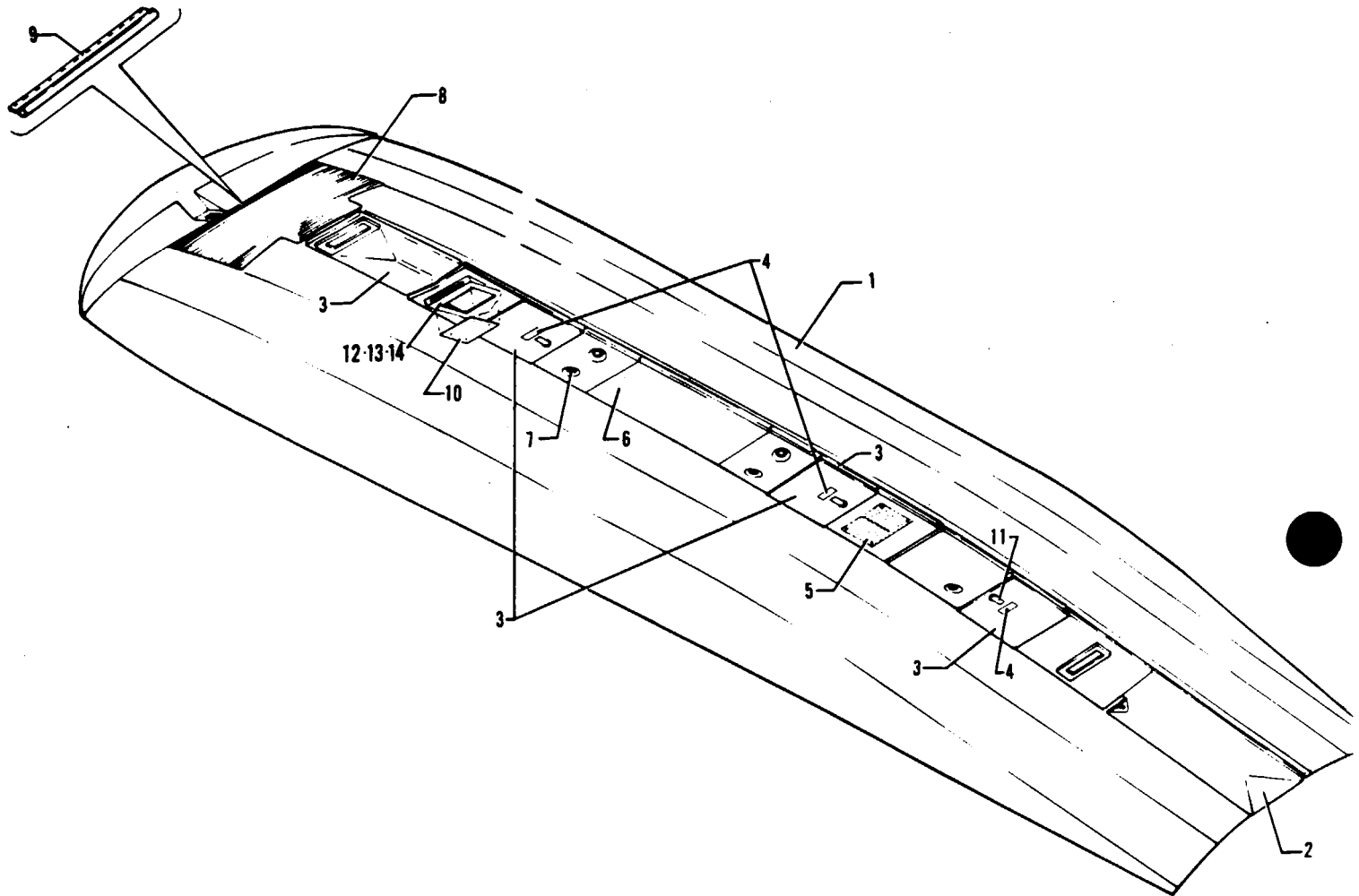


Figure 55. Cabin Headliner Installation

PIPER PARTS CATALOG

CODE EXPLANATIONS FOR FIGURE 55

- A - Used if aft cabin divider curtain is installed.
- B - Used if seat belt chimes are installed.

PIPER PARTS CATALOG

Figure and Index Number	Part Number	Code	NOMENCLATURE	No. Req.	SERIAL NUMBERS AFFECTED
		1234567			
55-	49620		DRAWING - Headliner Installation		
-1	29153-300		HEADLINER ASSEMBLY - Vinyl, cream, left and right	1	
-2	29154-11		PANEL - Headliner, cabin, forward, Sta. 126 to Sta. 140	1	
	29154-10		PANEL - Headliner, cabin, center, Sta. 140 to Sta. 203	1	
	29154-09		PANEL - Headliner, cabin, aft, Sta. 213 to Sta. 271	1	
	29154-08	A	PANEL - Headliner, cabin, aft, Sta. 213 to Sta. 271	1	
-3	29154-07		COVER ASSEMBLY - Oxygen mask storage	3	
-4	80907-02		* DECAL - Oxygen	1	
-5	29154-12		COVER - Access, speaker	1	
-6	29154-05		COVER - Access, antenna	1	
-7	477 853		NUT - Securing, reading light (2661)	5	
-8	47552-00		SHEET - Rubber	1	
-9	80044-12		WELT ASSEMBLY - Overhead panel	4	
-10	29238-02		COVER - Access	1	
	29238-03	B	COVER - Access	1	
-11	472 126		LATCH - Oxygen mask access cover	3	
-12	486 656		SIGN ASSEMBLY - No smoking/fasten seat belts (31035-39-387)	1	
-13	764 853		* LENS/BULB HOLDER ASSEMBLY - No smoking fasten seat belts sign	1	
-14	472 028		* BULB - (PS10008-327)	5	

When ordering, always specify Part Number, Description and Serial Number of Aircraft

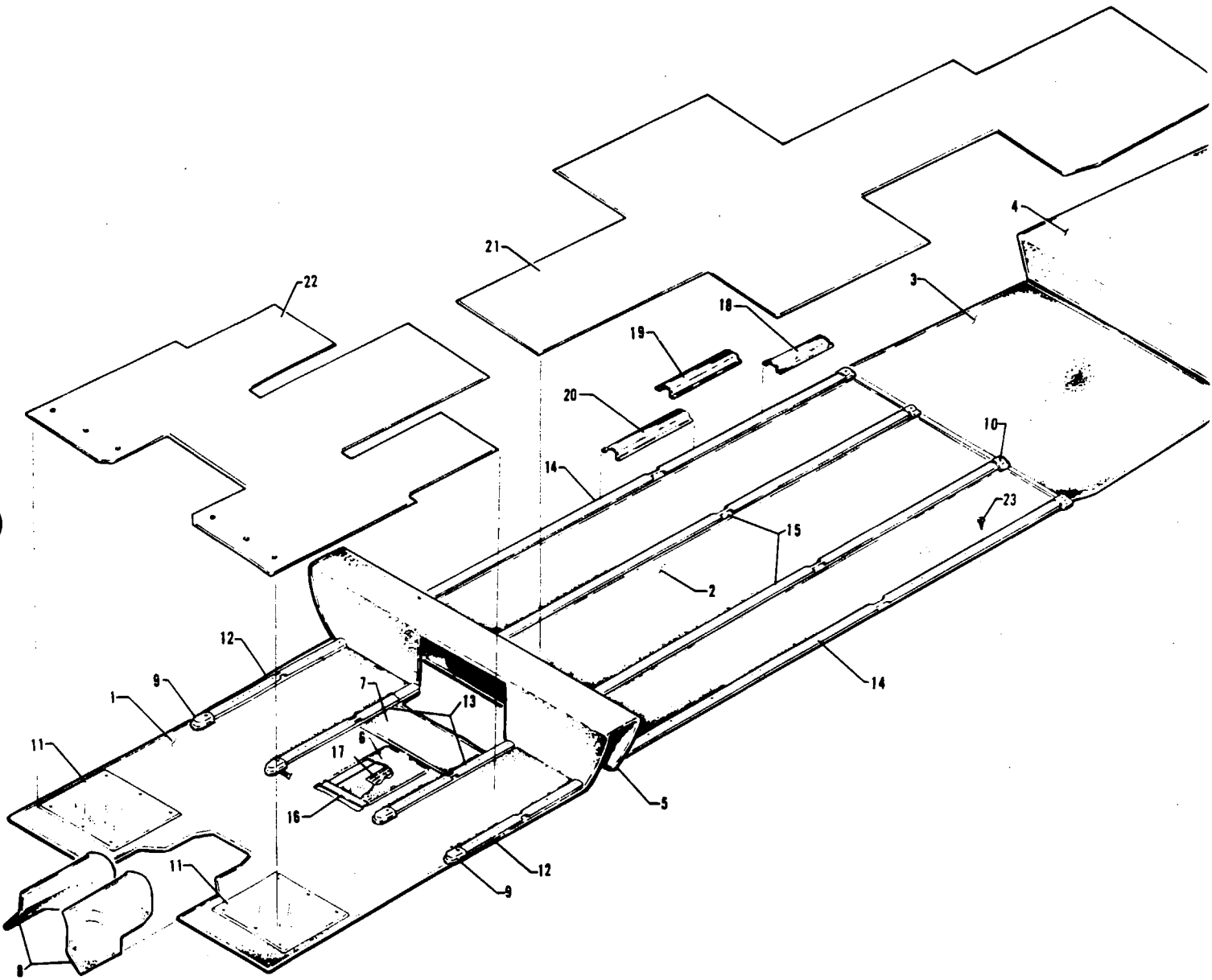


Figure 56. Carpet Installation

PIPER PARTS CATALOG

CODE EXPLANATIONS FOR FIGURE 56

- A - Serial number of aircraft must be supplied when ordering this part.
- B - Used if cargo door is not installed.
- C - Used if cargo door is installed.

PIPER PARTS CATALOG

Figure and Index Number	Part Number	Code	NOMENCLATURE	No. Req.	SERIAL NUMBERS AFFECTED
			1234567		
56-	02222		DRAWING - Carpet Installation		
-1	49090-21	A	CARPET ASSEMBLY - Crew compartment	1	
-2	02222-07	A	CARPET ASSEMBLY - Passenger compartment, complete	1	
-3	02222-09	A	CARPET ASSEMBLY - Cabin entrance, left	1	
	02222-04	A	CARPET ASSEMBLY - Cabin entrance, right	1	
-4	49090-04	A,B	CARPET ASSEMBLY - Baggage compartment	1	
	49090-38	A,C	CARPET ASSEMBLY - Baggage compartment	1	
-5	49090-09	A	CARPET ASSEMBLY - Spar cover	1	
-6	49090-10	A	CARPET ASSEMBLY - Floorboard, hydraulic hand pump	1	
-7	49090-36	A	CARPET ASSEMBLY - Access cover, circuit breaker	1	
-8	48385-02	A	CARPET - Wheel well, left	1	
	48385-03	A	CARPET - Wheel well, right	1	
-9	25552-00		END COVER - Seat track	4	
-10	44023-00		END COVER - Seat track	4	
-11	47267-00		PLATE - Heel, left	1	
	47267-01		PLATE - Heel, right	1	
-12	49148-03		TRACK - Seat, crew compartment, outboard (Sta. 111.50 to Sta. 135)	2	
-13	49148-02		TRACK - Seat, crew compartment, inboard (Sta. 111.50 to Sta. 135)	2	
-14	01996-02		TRACK - Seat, passenger compartment, left, outboard (Sta. 140 to Sta. 222)	1	
	01996-03		TRACK - Seat, passenger compartment, right, outboard (Sta. 140 to Sta. 222)	1	
-15	01996-04		TRACK - Seat, passenger compartment, inboard, left (Sta. 140 to Sta. 222)	1	
	01996-05		TRACK - Seat, passenger compartment, inboard, right (Sta. 140 to Sta. 222)	1	
-16	45658-00		PANEL ASSEMBLY - Floorboard cover, hydraulic hand pump	1	
-17	48242-00		* PLACARD - Emergency gear extension	1	
-18	55665-13		COVER - Seat track (10.00" L.)	4	
-19	55665-02		COVER - Seat track (3.19" L.)	2	
-20	55665-07		COVER - Seat track, outboard (15.5" L.)	2	
	55665-09		COVER - Seat track, inboard (17.5" L.)	2	
-21	02178-02	A	COVER ASSEMBLY - Carpet, passenger compartment	1	
-22	54430-06	A	COVER ASSEMBLY - Carpet, crew compartment	1	
-23	410 047		SCREW - (MS24694-S60) 1 5/32 L.)	AR	
	410 046		SCREW - (MS24694-S59) (1 3/32 L.)	AR	
	410 006		SCREW - (MS24694-S61) (1 7/32 L.)	AR	

When ordering, always specify Part Number, Description and Serial Number of Aircraft

**2A22 THRU 2A24
INTENTIONALLY LEFT BLANK**

PIPER PARTS CATALOG

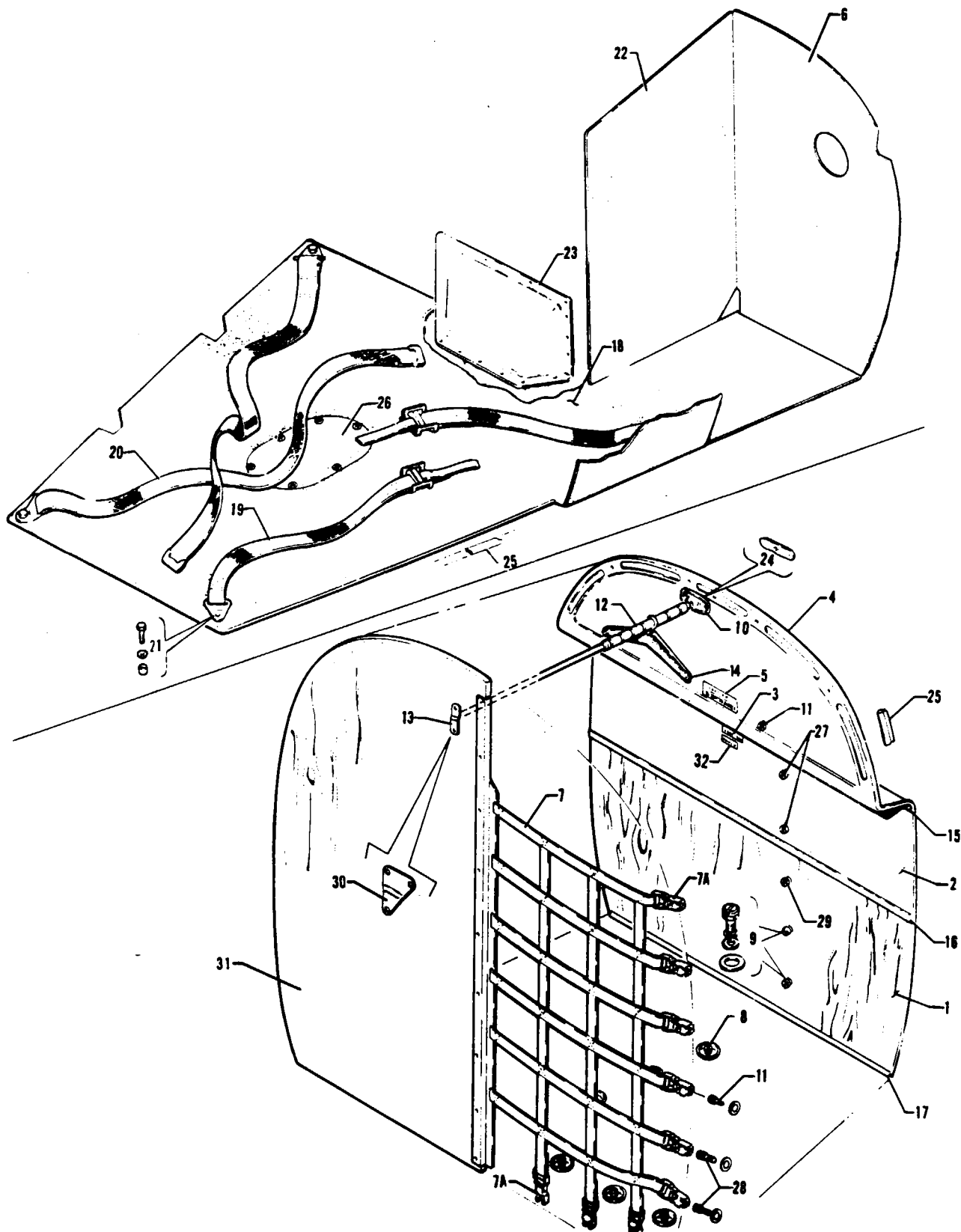


Figure 57. Baggage Compartments Finishing Installation

PIPER PARTS CATALOG

CODE EXPLANATIONS FOR FIGURE 57

- A - Serial number of aircraft must be supplied when ordering this part.
- B - See Figure 66.
- C - Used if 22.8 cu. ft. oxygen bottle is installed.
- D - Used if 50.1 cu. ft. oxygen bottle is installed.
- E - Used if refreshment cabinet or divider panel is installed at Sta. 257.57.
- F - Used if cargo door is not installed.
- G - Used if cargo door is installed.

PIPER PARTS CATALOG

Figure and Index Number	Part Number	Code	NOMENCLATURE	No. Req.	SERIAL NUMBERS AFFECTED
			1234567		
57-	01913 49400		DRAWING - Forward Baggage Compartment Installation DRAWING - Cabin Interior Finishing Installation		
-1	49088-06	A,F	PANEL ASSEMBLY - Lower trim	1	
	49088-08	A,G	PANEL ASSEMBLY - Lower trim	1	
-2	02040-02	F	PANEL ASSEMBLY - Center trim	1	
	02040-03	G	PANEL ASSEMBLY - Center trim	1	
-3	81036-02		* PLACARD - Baggage Capacity	1	
-4	02041-03	F	COVER ASSEMBLY - Pressure valve trim	1	
	02076-04	G	COVER ASSEMBLY - Pressure valve trim	1	
-5	81037-02		* PLACARD - Relief valve obstruction	1	
-6	01885-02	C	PANEL ASSEMBLY - Baggage compartment, aft, Sta. 73.0 ...	1	
	01885-06	D	PANEL ASSEMBLY - Baggage compartment, aft, Sta. 73.0 ...	1	
-7	01804-02		CARGO NET ASSEMBLY - (Fawn) Sta. 257.57	1	
	47318-02		CARGO NET ASSEMBLY - (Fawn) Sta. 249.38	1	
-7a	758 604		* BUCKLE ASSEMBLY - Cargo net (FDC-5520)	9	
-8	47633-00		COVER - Cargo net stud trim	6	
	47378-00		STUD - Cargo net attachment	6	
	407 569		WASHER - (AN960-816)	6	
	40559-36		WASHER	6	
-9	47378-00		STUD - Cargo net attachment	2	
	44114-00		WASHER - Trim	2	
	407 569		WASHER - (AN960-816)	2	
-10	53236-00		COVER	1	
-11	47378-00		STUD	5	
	44114-00		WASHER - Trim	5	
-12	47662-00		HOLDER ASSEMBLY - Coat hook (21.38" L.)	1	
	47662-02		HOLDER ASSEMBLY - Coat hook (13.19" L.)	1	
-13	47344-00		LUG - Coat hanger support	1	
-14	43251-03		COAT HANGER - Light teak	6	
-15	41322-00		EXTRUSION - Panel trim (6' length)	AR	
-16	43943-00		EXTRUSION - Panel trim (6' length)	AR	
-17	46469-00		EXTRUSION - Panel trim (6' length)	AR	
-18	01913-08	C	CARPET ASSEMBLY - Baggage compartment	1	
	01913-10	D	CARPET ASSEMBLY - Baggage compartment, forward	1	
	01913-14	D	CARPET ASSEMBLY - Baggage compartment, aft	1	
-19	43375-02		STRAP ASSEMBLY - Baggage tie down	2	
-20	43376-02		STRAP ASSEMBLY - Baggage tie down	4	
-21	400 440		BOLT - (AN3-6A)	4	
	80122-07		WASHER	8	
	14175-45		BUSHING	4	
-22	01882-02		PANEL ASSEMBLY - Baggage compartment, inboard, Sta. 50.10 to Sta. 73	1	
-23	47005-04		ACCESS COVER	1	
-24	47992-00		LUG - Coat hanger support	1	
-25	80044-10		WELT ASSEMBLY	5'	
-26	54597-07		COVER ASSEMBLY - Floor access	1	
-27	47378-00		STUD	2	
	44114-00		WASHER - Trim	2	
	407 569		WASHER - (AN960-816)	2	
	40559-36		WASHER	2	
-28	47378-00		STUD	2	
	44114-00		WASHER - Trim	2	

When ordering, always specify Part Number, Description and Serial Number of Aircraft

PIPER PARTS CATALOG

Figure and Index Number	Part Number	Code	NOMENCLATURE	No. Req.	SERIAL NUMBERS AFFECTED
			1234567		
57-29	47378-00		STUD	1	
	44114-00		WASHER - Trim	1	
	407 569		WASHER - (AN960-816)	1	
	40559-36		WASHER	1	
-30	02232-02		PLATE - Coat hanger rod mounting	1	
-31		B	AFT REFRESHMENT Cabinet/Divider Panel Assembly	1	
-32	81065-02	E	PLACARD - Loading limitations	1	

When ordering, always specify Part Number, Description and Serial Number of Aircraft

PIPER PARTS CATALOG

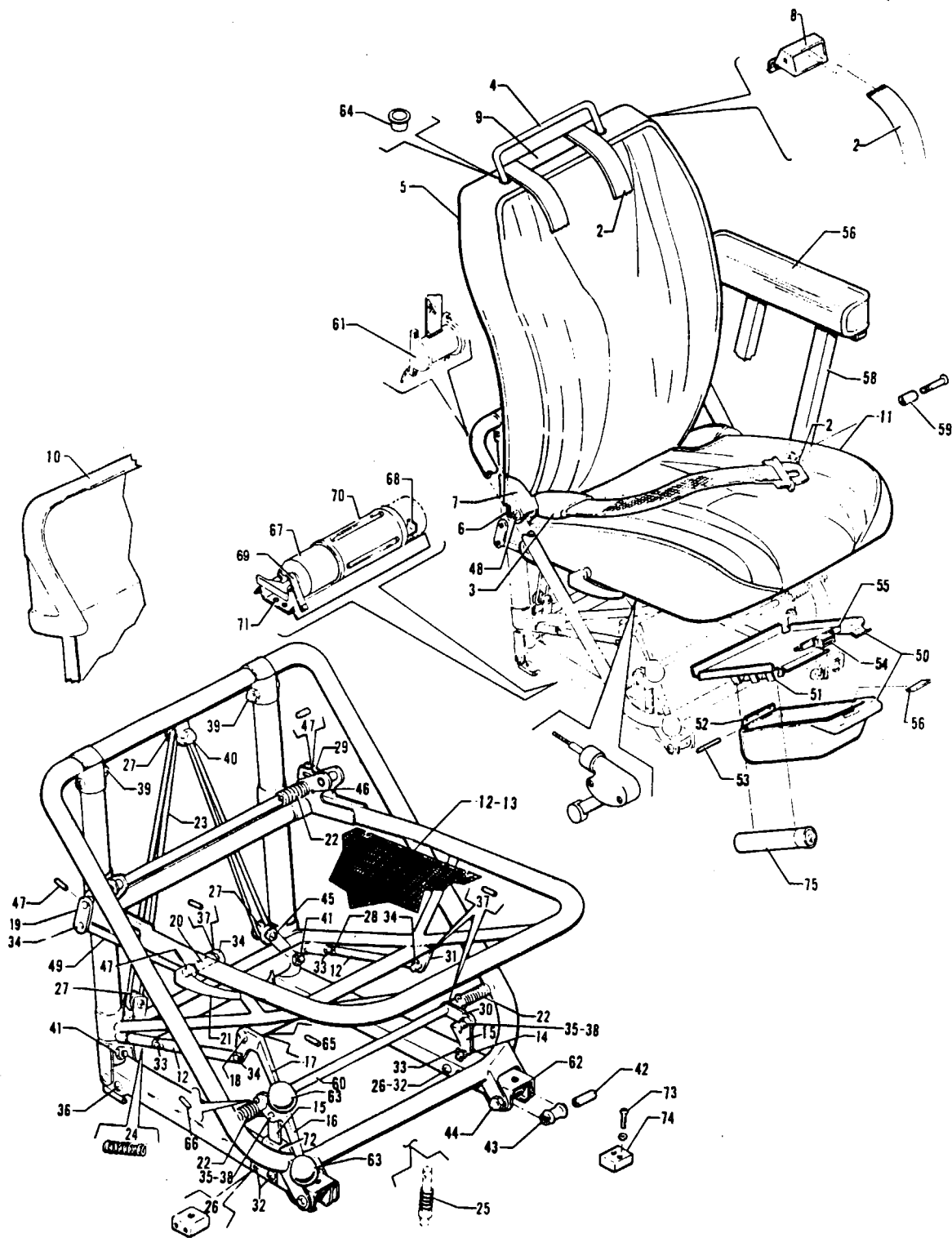


Figure 58. Crew Seats Installation

PIPER PARTS CATALOG

CODE EXPLANATIONS FOR FIGURE 58

- A - Serial number of aircraft must be supplied when ordering this part.
- B - Used if single strap shoulder harness assembly is installed.
- C - Used if dual strap shoulder harness assembly is installed.

PIPER PARTS CATALOG

Figure and Index Number	Part Number	Code	NOMENCLATURE	No. Req.	SERIAL NUMBERS AFFECTED
			1234567		
58-	02210		DRAWING - Seats Installation		
-1	02202-02	A,B	SEAT ASSEMBLY - Crew (complete), left	1	31P-8414001 to 31P-8414025 incl.
	02202-06	A,B	SEAT ASSEMBLY - Crew (complete), left	1	31P-8414026 and up
	02202-03	A,B	SEAT ASSEMBLY - Crew (complete), right	1	31P-8414001 to 31P-8414025 incl.
	02202-07	A,B	SEAT ASSEMBLY - Crew (complete), right	1	31P-8414026 and up
	02202-04	A,C	SEAT ASSEMBLY - Crew (complete), left	1	31P-8414001 to 31P-8414025 incl.
	02202-08	A,C	SEAT ASSEMBLY - Crew (complete), left	1	31P-8414026 and up
	02202-05	A,C	SEAT ASSEMBLY - Crew (complete), right	1	31P-8414001 to 31P-8414025 incl.
	02202-09	A,C	SEAT ASSEMBLY - Crew (complete), right	1	31P-8414026 and up
-2	55893-04	B	* INERTIA REEL ASSEMBLY - (Includes shoulder harness and lap belts)	1	31P-8414001 to 31P-8414025 incl.
	02363-20	A,B	* INERTIA REEL ASSEMBLY - (Includes shoulder harness and lap belts) navy blue	1	31P-8414026 and up
	02363-21	A,B	* INERTIA REEL ASSEMBLY - (Includes shoulder harness and lap belts) dragon red	1	31P-8414026 and up
	02363-22	A,B	* INERTIA REEL ASSEMBLY - (Includes shoulder harness and lap belts) tan	1	31P-8414026 and up
	02363-23	A,B	* INERTIA REEL ASSEMBLY - (Includes shoulder harness and lap belts) WN1655 #65 tan	1	31P-8414026 and up
	02363-24	A,B	* INERTIA REEL ASSEMBLY - (Includes shoulder harness and lap belts) brown	1	31P-8414026 and up
	02363-25	A,B	* INERTIA REEL ASSEMBLY - (Includes shoulder harness and lap belts) charcoal grey	1	31P-8414026 and up
	02363-26	A,B	* INERTIA REEL ASSEMBLY - (Includes shoulder harness and lap belts) medium blue	1	31P-8414026 and up
	02363-27	A,B	* INERTIA REEL ASSEMBLY - (Includes shoulder harness and lap belts) cessna tan	1	31P-8414026 and up
	02363-28	A,B	* INERTIA REEL ASSEMBLY - (Includes shoulder harness and lap belts) burgundy	1	31P-8414026 and up
	02363-31	A,B	* INERTIA REEL ASSEMBLY - (Includes shoulder harness and lap belts) saddle	1	31P-8414026 and up
	02363-32	A,B	* INERTIA REEL ASSEMBLY - (Includes shoulder harness and lap belts) marigold	1	31P-8414026 and up
	584 172	C	* HARNESS ASSEMBLY - Shoulder (includes inertia reel and inertia reel lock control/cable assembly)	1	31P-8414001 to 31P-8414025 incl.
	02380-02	A,C	* HARNESS ASSEMBLY - Shoulder (includes inertia reel and inertia reel lock control/cable assembly) navy blue	1	31P-8414026 and up
	02380-03	A,C	* HARNESS ASSEMBLY - Shoulder (includes inertia reel and inertia reel lock control/cable assembly) dragon red	1	31P-8414026 and up
	02380-04	A,C	* HARNESS ASSEMBLY - Shoulder (includes inertia reel and inertia reel lock control/cable assembly) tan	1	31P-8414026 and up
	02380-05	A,C	* HARNESS ASSEMBLY - Shoulder (includes inertia reel and inertia reel lock control/cable assembly) WN1655 #65 tan	1	31P-8414026 and up
	02380-06	A,C	* HARNESS ASSEMBLY - Shoulder (includes inertia reel and inertia reel lock control/cable assembly) brown	1	31P-8414026 and up
	02380-07	A,C	* HARNESS ASSEMBLY - Shoulder (includes inertia reel and inertia reel lock control/cable assembly) charcoal grey	1	31P-8414026 and up

When ordering, always specify Part Number, Description and Serial Number of Aircraft

PIPER PARTS CATALOG

Figure and Index Number	Part Number	Code	NOMENCLATURE	No. Req.	SERIAL NUMBERS AFFECTED
			1234567		
58-2	02380-08	A,C	* HARNESS ASSEMBLY - Shoulder (includes inertia reel and inertia reel lock control/cable assembly) medium blue	1	31P-8414026 and up
	02380-09	A,C	* HARNESS ASSEMBLY - Shoulder (includes inertia reel and inertia reel lock control/cable assembly) cessna tan	1	31P-8414026 and up
	02380-10	A,C	* HARNESS ASSEMBLY - Shoulder (includes inertia reel and inertia reel lock control/cable assembly) burgundy	1	31P-8414026 and up
	02380-11	A,C	* HARNESS ASSEMBLY - Shoulder (includes inertia reel and inertia reel lock control/cable assembly) saddle	1	31P-8414026 and up
	02380-12	A,C	* HARNESS ASSEMBLY - Shoulder (includes inertia reel and inertia reel lock control/cable assembly) marigold	1	31P-8414026 and up
-3	49102-02	A,B	* SHROUD ASSEMBLY - Safety belt fitting	2	
	49102-04	A,C	* SHROUD ASSEMBLY - Safety belt fitting	2	
-4	02209-02	C	* TUBE - Headrest attachment	1	
-5	29593-20	A,B	* BACK ASSEMBLY - Seat, crew, left	1	
	29593-21	A,B	* BACK ASSEMBLY - Seat crew, right	1	
	29593-22	A,C	* BACK ASSEMBLY - Seat, crew, left	1	
	29593-23	A,C	* BACK ASSEMBLY - Seat, crew, right	1	
-6	31166-00		* * STUD	2	
-7	53646-02		* * BRACKET - Seat back frame hinge	2	
-8	29589-05	B	* * BRACKET ASSEMBLY - Shoulder harness	1	
-9	54979-04	C	* * PLATE ASSEMBLY - Shoulder harness rub	1	
-10	81553-02	A,B	* COVER ASSEMBLY - Trim, bottom crew seat, left	1	
	81553-03	A,B	* COVER ASSEMBLY - Trim, bottom crew seat, right	1	
-11	49310-30	A,B	* COVER ASSEMBLY - Bottom, left	1	
	49310-29	A,B	* COVER ASSEMBLY - Bottom, right	1	
	49310-32	A,C	* COVER ASSEMBLY - Bottom, left	1	
	49310-31	A,C	* COVER ASSEMBLY - Bottom, right	1	
-12	41722-10		* NETTING - Nylon	1	
-13	49155-02		* SUPPORT - Seat	1	
-14	53899-00		* PLUNGER - Seat latch	2	
-15	60054-43		* LINK - Seat mechanism (2.31" L.)	2	
-16	41694-00		* LEVER - Seat track latch, left	1	
	41694-01		* LEVER - Seat track latch, right	1	
-17	41691-00		* LEVER - Seat position	1	
-18	41968-00		* TUBE - Seat mechanism	1	
-19	41698-04		* LINK - Seat mechanism, aft	1	
	41698-05		* LINK - Seat mechanism, front	1	
-20	41965-02		* TUBE - Seat handle attachment, left	1	
	41965-03		* TUBE - Seat handle attachment, right	1	
-21	32380-00		* HANDLE - Seat recliner	1	
-22	19336-01		* SPRING - Left	2	
	19336-00		* SPRING - Right	2	
-23	31322-09		* RING - Shock cord	1	
-24	50111-00		* SPRING - Seat plunger	2	
-25	83302-61		* SPRING - Plunger	2	
-26	53900-00		* GUIDE - Seat latch plunger	2	
-27	41699-00		* PULLEY - Seat position mechanism	3	
-28	12073-03		* PLUNGER ASSEMBLY - Seat bottom	2	
-29	19365-02		* CAM - Reclining seat	2	
-30	41698-02		* LINK - Seat mechanism	1	
-31	41698-03		* LINK - Seat mechanism	1	

When ordering, always specify Part Number, Description and Serial Number of Aircraft

PIPER PARTS CATALOG

Figure and Index Number	Part Number	Code	NOMENCLATURE	No. Req.	SERIAL NUMBERS AFFECTED
		1234567			
58-32	400 879		* BOLT - (AN23-27A)	4	
	477 707		* NUT - (26C-02)	4	
-33	424 142		* PIN - Flat head (MS20392-1C11)	4	
	407 562		* WASHER - (AN960-6)	4	
	424 051		* COTTER PIN - (MS24665-132)	4	
-34	424 143		* PIN - Flat head (MS20392-1C13)	4	
	407 562		* WASHER - (AN960-6)	4	
	424 051		* COTTER PIN - (MS24665-132)	4	
-35	81342-64		* WASHER	2	
-36	400 917		* BOLT - (AN24-27A)	2	
	41413-38		* BUSHING	2	
	477 708		* NUT - (26C-048)	2	
-37	480 696		* ROLL PIN - (59-022-094-0625)	3	
-38	424 144		* PIN - Flat head (MS20392-1C15)	2	
	407 562		* WASHER - (AN960-6)	2	
	424 051		* COTTER PIN - (MS24665-132)	2	
-39	400 915		* BOLT - (AN24-25A)	2	
	407 565		* WASHER - (AN960-416)	2	
	477 708		* NUT - (26C-048)	2	
-40	400 867		* BOLT - (AN23-15A)	1	
	407 564		* WASHER - (AN960-10)	1	
	477 707		* NUT - (26C-02)	1	
-41	400 915		* BOLT - (AN24-25A)	2	
	407 565		* WASHER - (AN960-416)	2	
	404 836		* NUT - (MS20364-428C)	2	
-42	41413-38		* BUSHING	4	
-43	18968-00		* ROLLER	4	
-44	400 919		* BOLT - (AN24-29A)	4	
	477 708		* NUT - (26C-048)	4	
-45	400 867		* BOLT - (AN23-15A)	2	
	407 564		* WASHER - (AN960-10)	2	
	404 887		* NUT - (MS20365-1032C)	2	
-46	480 732		* ROLL PIN - (59-040-187-0937)	2	
-47	480 701		* ROLL PIN - (59-028-125-0625)	3	
-48	400 919		* BOLT - (AN24-29A)	2	
	41413-26		* BUSHING	2	
	44114-00		* WASHER	2	
	407 565		* WASHER - (AN960-416)	2	
	477 709		* NUT - (26C-048)	2	
-49	41693-02		* TUBE - Seat position mechanism, lower	2	
	41693-03		* TUBE - Seat position mechanism, upper	1	
-50	53255-04		* CONTAINER ASSEMBLY - Oxygen mask	1	
-51	554 914		* * CLIP - Flashlight, left (40)	1	
-52	43123-00		* * HINGE	1	
-53	81761-65		* * PIN - Hinge	1	
-54	454 294		* * CATCH - Magnetic (9798)	1	
-55	43353-00		* * ANGLE	1	
-56	42080-00		* * PLACARD - Oxygen warning	1	
-57	49099-12	A	* ARMREST ASSEMBLY - Crew, left	1	
	49099-13	A	* ARMREST ASSEMBLY - Crew, right	1	
-58	42904-06		* * SUPPORT ASSEMBLY - Armrest, left	1	
	52904-07		* * SUPPORT ASSEMBLY - Armrest, right	1	
-59	400 914		* BOLT - (AN24-24A) Front	1	
	400 907		* BOLT - (AN24-17A) Aft	1	
	80022-142		* BUSHING - Armrest support, front (.62" O.D.)	1	
	80022-116		* BUSHING - Armrest support, front and rear (.25" O.D.)	2	

When ordering, always specify Part Number, Description and Serial Number of Aircraft

PIPER PARTS CATALOG

Figure and Index Number	Part Number	Code	NOMENCLATURE	No. Req.	SERIAL NUMBERS AFFECTED
			1234567		
58-60	54959-02		* TUBE - Seat latch mechanism	1	
-61	81788-02	A,B	* SHROUD - Shoulder harness inertia reel	1	
-62	41725-00		* CHANNEL ASSEMBLY - Seat runner	2	
-63	471 065		* KNOB - Oval (187) black	2	
-64	81573-02		* RECEPTACLE - Headrest	2	
-65	480 697		* ROLL PIN - (59-022-094-0875)	1	
-66	480 682		* ROLL PIN - (59-022-094-0750)	1	
-67	459 843		EXTINGUISHER - Fire (PS50162-2)	1	
-68	52716-00		ANGLE - Fire extinguisher retaining	1	
-69	52717-00		STRAP ASSEMBLY - Fire extinguisher	1	
-70	52718-00		BRACKET ASSEMBLY - Fire extinguisher	1	
-71	415 533		SCREW - (MS35206-243).....	4	
-72	55842-02		BRACKET - Seat frame	2	
-73	415 521		SCREW - (MS35206-231).....	4	
	407 041		LOCK WASHER - (MS35338-41)	4	
-74	43776-00		STOP - Seat	2	
-75	460 928		FLASHLIGHT - (2D Cell).....	1	

When ordering, always specify Part Number, Description and Serial Number of Aircraft

PIPER PARTS CATALOG

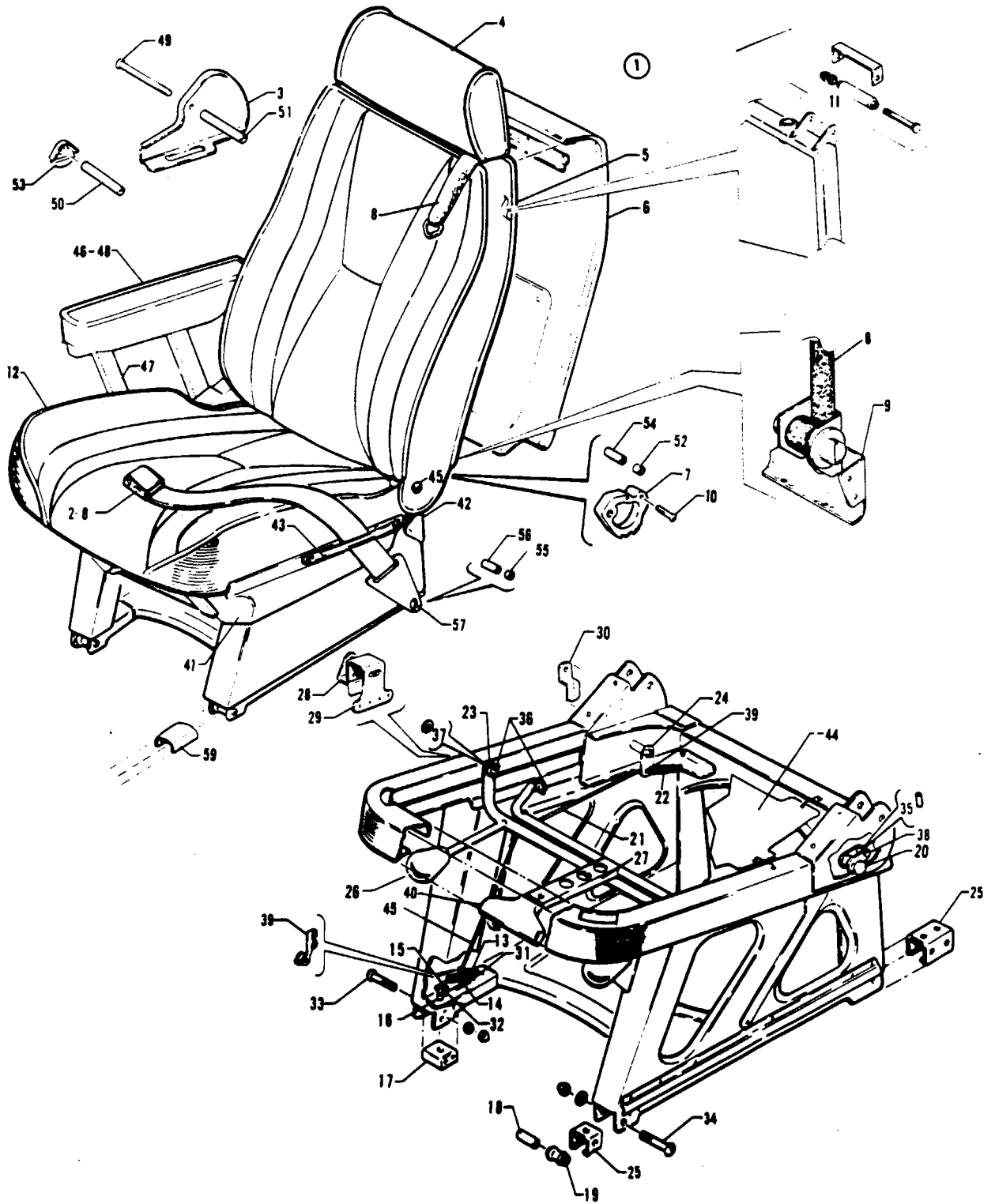


Figure 59. Passenger Seats Installation Forward Facing

PIPER PARTS CATALOG

CODE EXPLANATIONS FOR FIGURE 59

- A - Serial number must be supplied when ordering this part.
- B - Used if seat assembly does not incorporate an integral shoulder harness.
- C - Used if seat assembly incorporates an integral shoulder harness.

PIPER PARTS CATALOG

Figure and Index Number	Part Number	Code	NOMENCLATURE	No. Req.	SERIAL NUMBERS AFFECTED
			1234567		
59-	02210		DRAWING - Passenger Seats Installation		
-1	02150-04	A,B	SEAT ASSEMBLY - Passenger (complete), left	1	31P-8414001 to 31P-8414025 incl.
	02150-10	A,B	SEAT ASSEMBLY - Passenger (complete), left	1	31P-8414026 and up
	02150-05	A,B	SEAT ASSEMBLY - Passenger (complete), right	1	31P-8414001 to 31P-8414025 incl.
	02150-11	A,B	SEAT ASSEMBLY - Passenger (complete), right	1	31P-8414026 and up
	02150-06	A,C	SEAT ASSEMBLY - Passenger (complete), left	1	31P-8414001 to 31P-8414025 incl.
	02150-12	A,C	SEAT ASSEMBLY - Passenger (complete), left	1	31P-8414026 and up
	02150-07	A,C	SEAT ASSEMBLY - Passenger (complete), right	1	31P-8414001 to 31P-8414025 incl.
	02150-13	A,C	SEAT ASSEMBLY - Passenger (complete), right	1	31P-8414026 and up
-2	25801-02	B	* BELT ASSEMBLY - Safety, black	1	31P-8414001 to 31P-8414025 incl.
	02314-02	A,B	* BELT ASSEMBLY - Safety, navy blue	1	31P-8414026 and up
	02314-03	A,B	* BELT ASSEMBLY - Safety, dragon red	1	31P-8414026 and up
	02314-04	A,B	* BELT ASSEMBLY - Safety, tan	1	31P-8414026 and up
	02314-05	A,B	* BELT ASSEMBLY - Safety, WN1655 #65 tan	1	31P-8414026 and up
	02314-07	A,B	* BELT ASSEMBLY - Safety, charcoal grey	1	31P-8414026 and up
	02314-08	A,B	* BELT ASSEMBLY - Safety, medium blue	1	31P-8414026 and up
	02314-09	A,B	* BELT ASSEMBLY - Safety, cessna tan	1	31P-8414026 and up
	02314-29	A,B	* BELT ASSEMBLY - Safety, saddle	1	31P-8414026 and up
	02314-30	A,B	* BELT ASSEMBLY - Safety, marigold	1	31P-8414026 and up
-3	48537-15	A	* PANEL ASSEMBLY - Armrest trim, left	1	
	48537-14	A	* PANEL ASSEMBLY - Armrest trim, right	1	
-4	02157-02	A	* HEADREST ASSEMBLY - Left	1	
-5	02070-02	A,B	* BACK ASSEMBLY - Seat, left	1	
	02158-02	A,C	* BACK ASSEMBLY - Seat, left	1	31P-8414001 to 31P-8414025 incl.
	02158-18	A,C	* BACK ASSEMBLY - Seat, left	1	31P-8414026 and up
	02070-15	A,B	* BACK ASSEMBLY - Seat, right	1	
	02158-03	A,C	* BACK ASSEMBLY - Seat, right	1	31P-8414001 to 31P-8414025 incl.
	02158-19	A,C	* BACK ASSEMBLY - Seat, right	1	31P-8414026 and up
-6	02139-02	A,B	* * PANEL ASSEMBLY - Seat back trim, left	1	
	02151-02	A,C	* * PANEL ASSEMBLY - Seat back trim, left	1	
	02139-03	A,B	* * PANEL ASSEMBLY - Seat back trim, right	1	
	02151-03	A,C	* * PANEL ASSEMBLY - Seat back trim, right	1	
-7	29259-02		* * DETENT - Seat hinge	2	
-8	55893-02	C	* * INERTIA REEL ASSEMBLY - (Includes shoulder harness and lap belts)	1	31P-8414001 to 31P-8414025 incl.
	02363-02	A,C	* * INERTIA REEL ASSEMBLY - (Includes shoulder harness and lap belts) navy blue	1	31P-8414026 and up
	02363-03	A,C	* * INERTIA REEL ASSEMBLY - (Includes shoulder harness and lap belts) dragon red	1	31P-8414026 and up
	02363-04	A,C	* * INERTIA REEL ASSEMBLY - (Includes shoulder harness and lap belts) tan	1	31P-8414026 and up
	02363-05	A,C	* * INERTIA REEL ASSEMBLY - (Includes shoulder harness and lap belts) WN1655 #65 tan	1	31P-8414026 and up
	02363-07	A,C	* * INERTIA REEL ASSEMBLY - (Includes shoulder harness and lap belts) charcoal grey	1	31P-8414026 and up
	02363-08	A,C	* * INERTIA REEL ASSEMBLY - (Includes shoulder harness and lap belts) medium blue	1	31P-8414026 and up
	02363-09	A,C	* * INERTIA REEL ASSEMBLY - (Includes shoulder harness and lap belts) cessna tan	1	31P-8414026 and up
	02363-29	A,C	* * INERTIA REEL ASSEMBLY - (Includes shoulder harness and lap belts) saddle	1	31P-8414026 and up
	02363-30	A,C	* * INERTIA REEL ASSEMBLY - (Includes shoulder harness and lap belts) marigold	1	31P-8414026 and up

When ordering, always specify Part Number, Description and Serial Number of Aircraft

PIPER PARTS CATALOG

Figure and Index Number	Part Number	Code	NOMENCLATURE	No. Req.	SERIAL NUMBERS AFFECTED
			1234567		
59-9	55846-04	C	* * BRACKET ASSEMBLY - Inertia reel mounting, left	1	
	55846-05	C	* * BRACKET ASSEMBLY - Inertia reel mounting, right	1	
-10	401 270		* * BOLT - (AN3-11A)	4	
	407 564		* * WASHER - (AN960-10)	4	
	404 887		* * NUT - (MS20365-1032C)	4	
-11	401 280	C	* * BOLT - (AN3-26A)	1	
	60998-16	C	* * BUSHING - Shoulder harness roller, inner	1	
	60998-15	C	* * BUSHING - Shoulder harness roller, outer	1	
	407 564	C	* * WASHER - (AN960-10)	1	
	404 887	C	* * NUT - (MS20365-1032C)	1	
-12	02126-02	A	* * BOTTOM ASSEMBLY - Seat, left	1	
	02126-03	A	* * BOTTOM ASSEMBLY - Seat, right	1	
-13	42282-00		* * SPRING - Seat track latch	2	
-14	41763-00		* * BRACKET - Seat track latch	2	
-15	47963-00		* * LINK - Seat track lock	2	
-16	47678-00		* * PLUNGER - Seat latch	2	
-17	29282-02		* * GUIDE - Seat latch plunger	2	
-18	41413-38		* * BUSHING - Seat toilet	4	
-19	18968-00		* * ROLLER - Seat	4	
-20	42098-00		* * PLUG - Seat recliner mechanism tube	2	
-21	54179-04		* * ROD - Seat recliner mechanism	2	
-22	83303-03		* * SPRING	2	
-23	54182-02		* * TUBE ASSEMBLY - Seat recliner release	1	
-24	47959-00		* * ARM ASSEMBLY - Seat recliner mechanism	2	
-25	29281-02		* * BRACKET - Seat roller, front	2	
	47615-00		* * BRACKET - Seat roller, rear	2	
-26	571 057		* * KNOB - (225, black, 10-32 insert)	2	
-27	44029-02		* * HANDLE ASSEMBLY - Seat track latch release	1	
-28	52893-00		* * BRACKET - Armrest attachment	1	
-29	52898-00		* * BRACKET ASSEMBLY - Armrest attachment	1	
-30	52889-00		* * BRACKET - Armrest attachment	1	
-31	424 145		* * PIN - (MS20392-1C17)	2	
	407 561		* * WASHER - (AN960-4)	6	
	424 051		* * COTTER PIN - (MS24665-132)	2	
-32	424 143		* * PIN - (MS20392-1C13)	2	
	407 561		* * WASHER - (AN960-4)	2	
	424 051		* * COTTER PIN - (MS24665-132)	2	
-33	400 882		* * BOLT - (AN23-30A)	4	
	407 584		* * WASHER - (AN960-10L)	4	
	477 707		* * NUT - (26C-02)	4	
-34	400 920		* * BOLT - (AN24-30A)	4	
	407 585		* * WASHER - (AN960-416L)	4	
	477 708		* * NUT - (26C-048)	4	
-35	480 701		* * ROLL PIN - (59-028-125-0825)	2	
-36	424 141		* * PIN - (MS20392-1C9)	4	
	407 564		* * WASHER - (AN960-10)	8	
	424 051		* * COTTER PIN - (MS24665-132)	4	
-37	80122-06		* * WASHER	2	
-38	42074-00		* * PAWL ASSEMBLY - Seat recliner	2	
-39	554 671		* * CLIP - (HS-99339-2L) (with 5/32" dia. rod) left	3	
	554 670		* * CLIP - (HS-99355-2R) (with 5/32" dia. rod) right	3	

When ordering, always specify Part Number, Description and Serial Number of Aircraft

PIPER PARTS CATALOG

Figure and Index Number	Part Number	Code	NOMENCLATURE	No. Req.	SERIAL NUMBERS AFFECTED
			1234567		
59-40	45255-00		* * HANDLE - Seat track latch release	1	
-41	49092-06	A	* * COVER - Seat bottom trim, front	1	
-42	49092-07	A	* * COVER - Seat bottom trim, rear	1	
-43	49092-08	A	* * LOOP ASSEMBLY - Seat belt	2	
-44	41722-10		* * NETTING - Nylon	1	
-45	54179-02		* * ROD - Seat latch, left	1	
	54179-03		* * ROD - Seat latch, right	1	
-46	49099-10	A	* ARMREST ASSEMBLY - (Complete), left	1	
	49099-11	A	* ARMREST ASSEMBLY - (Complete), right	1	
-47	52904-00		* * SUPPORT ASSEMBLY - Folding armrest	1	
-48	49086-04	A	* * PAD ASSEMBLY - Armrest, left	1	
	49086-05	A	* * PAD ASSEMBLY - Armrest, right	1	
-49	14175-11		* BUSHING	2	
-50	49982-27		* BUSHING - Armrest attachment	1	
-51	49982-28		* BUSHING - Armrest attachment	1	
-52	49982-31		* BUSHING - Seat attachment	4	
-53	52917-00		* COVER - Armrest bracket trim	1	
-54	14175-111		* BUSHING	2	
-55	41413-26		* BUSHING	2	
-56	41413-38		* BUSHING	2	
-57	400 926		* BOLT - (AN24-36A)	2	
	44114-00		* WASHER - Trim	2	
	407 565		* WASHER - (AN960-416)	2	
	407 585		* WASHER - (AN960-416L)	2	
	477 709		* NUT - (26C-048)	2	
-58	400 919		* BOLT - (AN24-29A)	2	
	44114-00		* WASHER - Trim	2	
	407 565		* WASHER - (AN960-416)	2	
	407 585		* WASHER - (AN960-416L)	2	
	477 709		* NUT - (26C-048)	2	
-59	52338-00		STOP - Seat track	2	

When ordering, always specify Part Number, Description and Serial Number of Aircraft

PIPER PARTS CATALOG

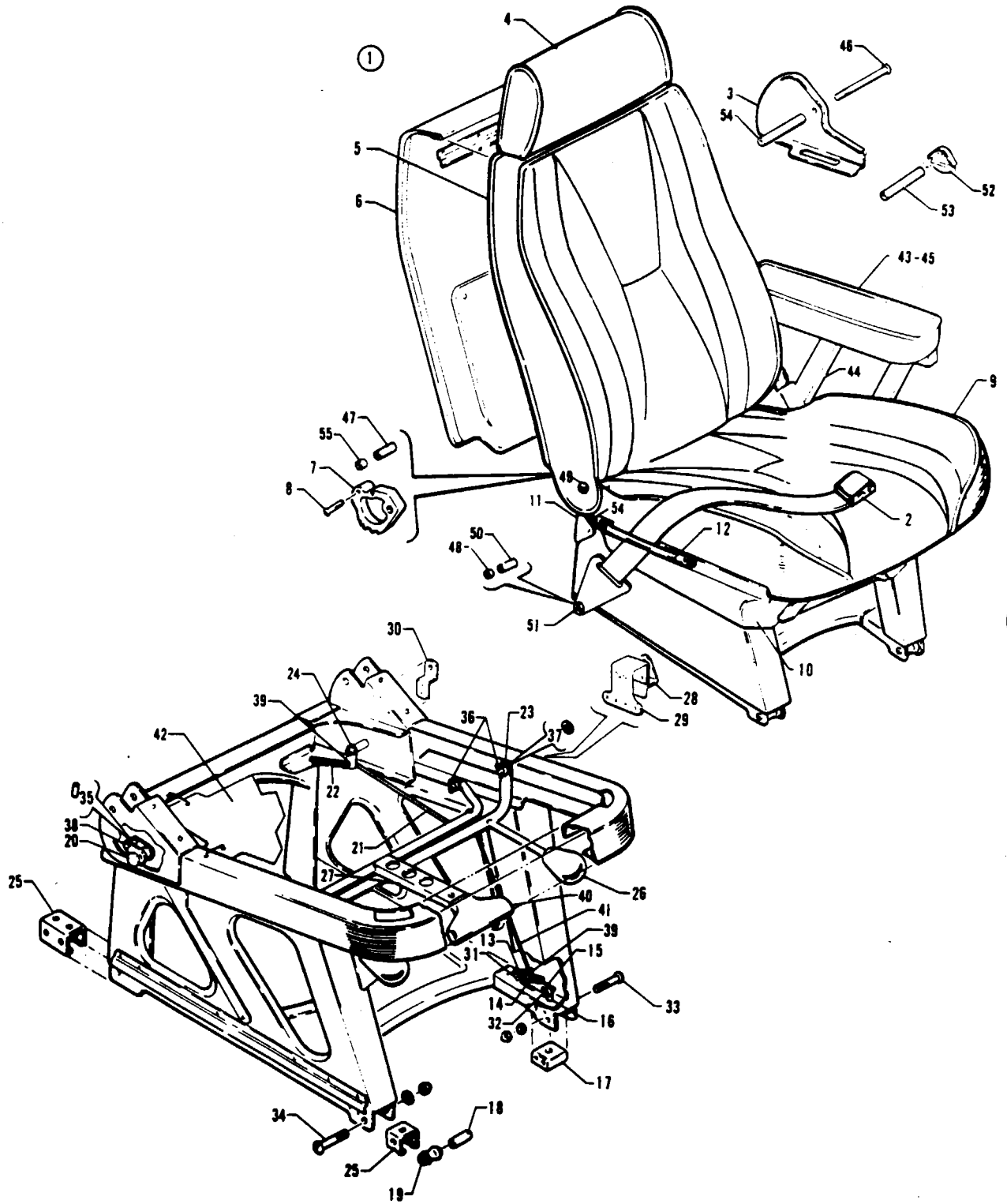


Figure 60. Passenger Seats Installation - Aft Facing

PIPER PARTS CATALOG

CODE EXPLANATIONS FOR FIGURE 60

A - Serial number of aircraft must be supplied when ordering this part.

PIPER PARTS CATALOG

Figure and Index Number	Part Number	Code	NOMENCLATURE	No. Req.	SERIAL NUMBERS AFFECTED
			1234567		
60-	02210		DRAWING - Passenger Seats Installation		
-1	02150-02	A	SEAT ASSEMBLY - Passenger (complete), left	1	31P-8414001 to 31P-8414025 incl.
	02150-08	A	SEAT ASSEMBLY - Passenger (complete), left	1	31P-8414026 and up
	02150-03	A	SEAT ASSEMBLY - Passenger (complete), right	1	31P-8414001 to 31P-8414025 incl.
	02150-09	A	SEAT ASSEMBLY - Passenger (complete), right	1	31P-8414026 and up
-2	25801-02		* BELT ASSEMBLY - Safety, black	1	31P-8414001 to 31P-8414025 incl.
	02314-02	A	* BELT ASSEMBLY - Safety, navy blue	1	31P-8414026 and up
	02314-03	A	* BELT ASSEMBLY - Safety, dragon red	1	31P-8414026 and up
	02314-04	A	* BELT ASSEMBLY - Safety, tan	1	31P-8414026 and up
	02314-05	A	* BELT ASSEMBLY - Safety, WN1655 #65 tan	1	31P-8414026 and up
	02314-07	A	* BELT ASSEMBLY - Safety, charcoal grey	1	31P-8414026 and up
	02314-08	A	* BELT ASSEMBLY - Safety, medium blue	1	31P-8414026 and up
	02314-09	A	* BELT ASSEMBLY - Safety, cessna tan	1	31P-8414026 and up
	02314-29	A	* BELT ASSEMBLY - Safety, saddle	1	31P-8414026 and up
	02314-30	A	* BELT ASSEMBLY - Safety, marigold	1	31P-8414026 and up
-3	48537-15	A	* PANEL ASSEMBLY - Armrest trim, left	1	
	48537-14	A	* PANEL ASSEMBLY - Armrest trim, right	1	
-4	02157-02	A	* HEADREST ASSEMBLY - Left	1	
-5	02158-16	A	* BACK ASSEMBLY - Seat, left	1	
	02158-15	A	* BACK ASSEMBLY - Seat, right	1	
-6	02151-03	A	* * PANEL ASSEMBLY - Seat, back trim, left	1	
	02151-02	A	* * PANEL ASSEMBLY - Seat, back trim, right	1	
-7	29259-02		* * DETENT - Seat hinge	2	
-8	401 270		* * BOLT - (AN3-11A)	4	
	407 564		* * WASHER - (AN960-10)	4	
	404 887		* * NUT - (MS20365-1032C)	4	
-9	02126-04	A	* BOTTOM ASSEMBLY - Seat, left	1	
	02126-05	A	* BOTTOM ASSEMBLY - Seat, right	1	
-10	49092-06	A	* * COVER - Seat bottom trim, front	1	
-11	49092-07	A	* * COVER - Seat bottom trim, rear	1	
-12	49092-08	A	* * LOOP ASSEMBLY - Seat belt	2	
-13	42282-00		* * SPRING - Seat track latch	2	
-14	41763-00		* * BRACKET - Seat track latch	2	
-15	47963-00		* * LINK - Seat track lock	2	
-16	47678-00		* * PLUNGER - Seat latch	2	
-17	29282-02		* * GUIDE - Seat latch plunger	2	
-18	41413-38		* * BUSHING - Seat roller	4	
-19	18968-00		* * ROLLER - Seat	4	
-20	42098-00		* * PLUG - Seat recliner mechanism tube	2	
-21	54179-04		* * ROD - Seat recliner mechanism tube	2	
-22	83303-03		* * SPRING	2	
-23	54182-02		* * TUBE ASSEMBLY - Seat recliner release	1	
-24	47959-00		* * ARM ASSEMBLY - Seat recliner mechanism	2	
-25	29281-02		* * BRACKET - Seat roller, front	2	
	47615-00		* * BRACKET - Seat roller, rear	2	
-26	571 057		* * KNOB - (225, black, 10-32 insert)	2	
-27	44029-02		* * HANDLE ASSEMBLY - Seat track latch release	1	
-28	52893-00		* * BRACKET - Armrest attachment	1	
-29	52898-00		* * BRACKET ASSEMBLY - Armrest attachment	1	
-30	52889-00		* * BRACKET - Armrest attachment	1	

When ordering, always specify Part Number, Description and Serial Number of Aircraft

PIPER PARTS CATALOG

Figure and Index Number	Part Number	Code	NOMENCLATURE	No. Req.	SERIAL NUMBERS AFFECTED
			1234567		
60-31	424 145		* * PIN - (MS20392-1C17)	2	
	407 561		* * WASHER - (AN960-4)	6	
	424 051		* * COTTER PIN - (MS24665-132)	2	
-32	424 143		* * PIN - (MS20392-1C13)	2	
	407 561		* * WASHER - (AN960-4)	2	
	424 051		* * COTTER PIN - (MS24665-132)	2	
-33	400 882		* * BOLT - (AN23-30A)	4	
	407 584		* * WASHER - (AN960-10L)	4	
	477 707		* * NUT - (26C-02)	4	
-34	400 920		* * BOLT - (AN24-30A)	4	
	407 585		* * WASHER - (AN960-416L)	4	
	477 708		* * NUT - (26C-048)	4	
-35	480 701		* * ROLL PIN - (59-028-125-0625)	2	
-36	424 141		* * PIN - (MS20392-1C9)	4	
	407 564		* * WASHER - (AN960-10)	8	
	424 051		* * COTTER PIN - (MS24665-132)	4	
-37	80122-06		* * WASHER	2	
-38	29184-02		* * PAWL ASSEMBLY - Seat recliner	2	
-39	554 671		* * CLIP - (HS-99339-2L) (with 5/32" dia. rod) left	2	
	554 670		* * CLIP - (HS-99355-2R) (with 5/32" dia. rod) right	2	
-40	45255-00		* * HANDLE - Seat track latch release	1	
-41	54179-02		* * ROD - Seat latch, left	1	
	54179-03		* * ROD - Seat latch, right	1	
-42	41722-10		* * NETTING - Nylon	1	
-43	49099-10	A	* * ARMREST ASSEMBLY - (Complete), left	1	
	49099-11	A	* * ARMREST ASSEMBLY - (Complete), right	1	
-44	52904-00		* * SUPPORT ASSEMBLY - Folding armrest	1	
-45	49086-04	A	* * PAD ASSEMBLY - Armrest, left	1	
	49086-05	A	* * PAD ASSEMBLY - Armrest, right	1	
-46	400 890		* BOLT - (AN23-40A)	2	
-47	14175-111		* BUSHING	2	
-48	41413-26		* BUSHING	2	
-49	400 919		* BOLT - (AN24-29A)	2	
	44114-00		* WASHER - Trim	2	
	407 565		* WASHER - (AN960-416)	2	
	477 709		* NUT - (26C-048)	2	
-50	41413-38		* BUSHING	2	
-51	400 926		* BOLT - (AN24-36A)	2	
	44114-00		* WASHER - Trim	2	
	407 565		* WASHER - (AN960-416)	2	
	407 585		* WASHER - (AN960-416L)	2	
	477 709		* NUT - (26C-048)	2	
-52	52917-00		* COVER - Armrest bracket trim	1	
-53	49982-27		* BUSHING - Armrest attachment	1	
-54	49982-28		* BUSHING - Armrest attachment	1	
-55	49982-31		* BUSHING - Seat attachment	4	

When ordering, always specify Part Number, Description and Serial Number of Aircraft

PIPER PARTS CATALOG

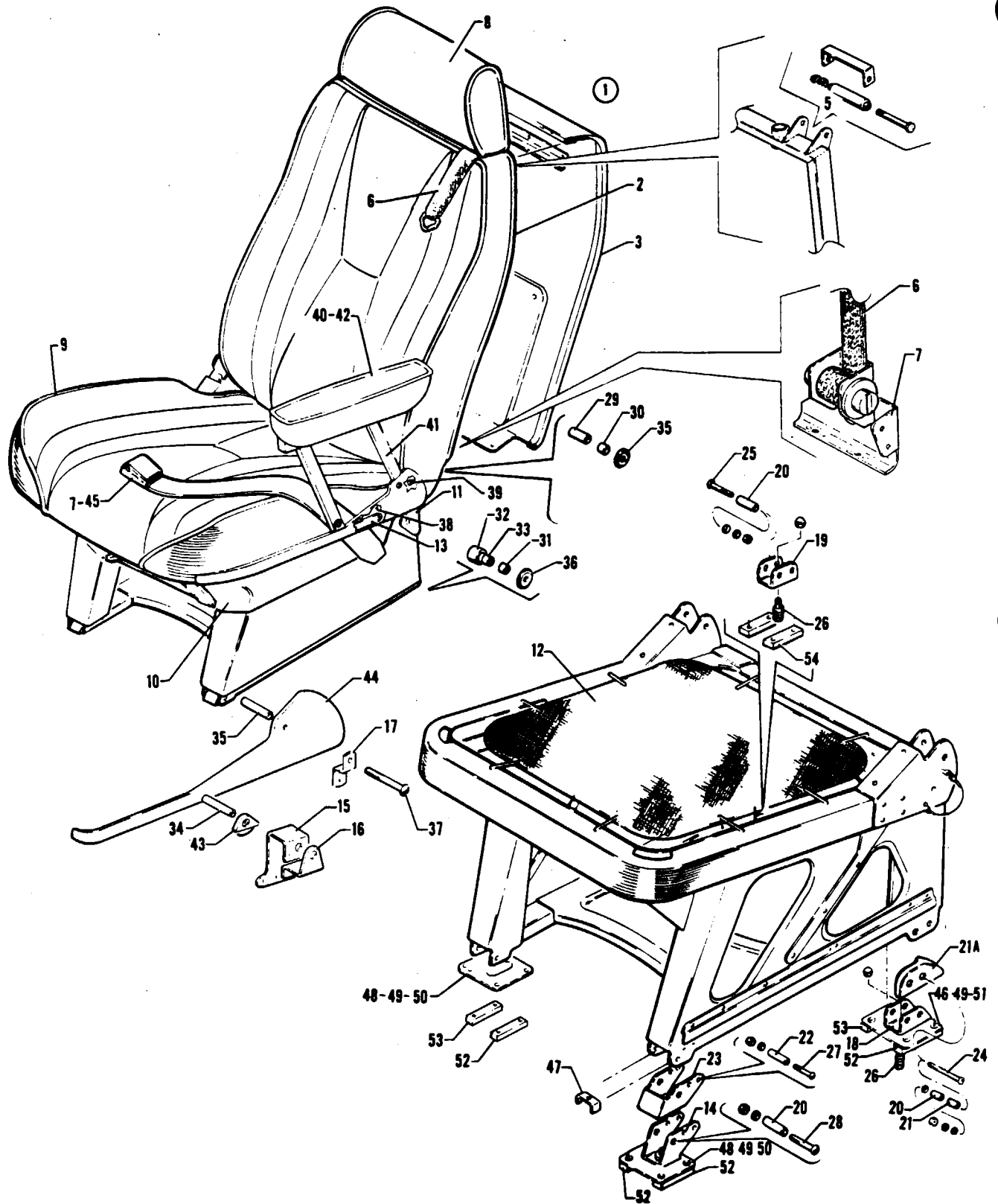


Figure 61. Seventh Seat Installation

PIPER PARTS CATALOG

CODE EXPLANATIONS FOR FIGURE 61

- A - Serial number of aircraft must be supplied when ordering this part.
- B - Used if seat assembly does not incorporate an integral shoulder harness.
- C - Used if seat assembly incorporates an integral shoulder harness.

PIPER PARTS CATALOG

Figure and Index Number	Part Number	Code	NOMENCLATURE	No. Req.	SERIAL NUMBERS AFFECTED
			1234567		
61-	01770		DRAWING - Seventh Seat Installation		
-1	02201-02	A,B	SEAT ASSEMBLY - Passenger, (complete).....	1	31P-8414001 to 31P-8414025 incl.
	02201-04	A,B	SEAT ASSEMBLY - Passenger, (complete).....	1	31P-8414026 and up
	02201-03	A,C	SEAT ASSEMBLY - Passenger, (complete).....	1	31P-8414001 to 31P-8414025 incl.
	02201-05	A,C	SEAT ASSEMBLY - Passenger, (complete).....	1	31P-8414026 and up
-2	02070-15	A,B	* BACK ASSEMBLY - Seat	1	
	02158-17	A,C	* BACK ASSEMBLY - Seat	1	31P-8414001 to 31P-8414025 incl.
	02158-19	A,C	* BACK ASSEMBLY - Seat	1	31P-8414026 and up
-3	02139-03	A,B	* * PANEL ASSEMBLY - Seat back trim	1	
	02151-03	A,C	* * PANEL ASSEMBLY - Seat back trim	1	
-4	484 232		* * RECEPTACLE - Headrest (99361).....	1	
-5	401 280	C	* * BOLT - (AN3-26A)	1	
	60998-16	C	* * BUSHING - Shoulder harness roller, inner	1	
	60998-15		* * BUSHING - Shoulder harness roller, outer	1	
	407 564		* * WASHER - (AN960-10)	1	
	404 887		* * NUT - (MS20365-1032C)	1	
-6	55893-02	C	* * INERTIA REEL ASSEMBLY - (Includes shoulder harness and lap belts)	1	31P-8414001 to 31P-8414025 incl.
	02363-02	A,C	* * INERTIA REEL ASSEMBLY - (Includes shoulder harness and lap belts) navy blue	1	31P-8414026 and up
	02363-03	A,C	* * INERTIA REEL ASSEMBLY - (Includes shoulder harness and lap belts) dragon red	1	31P-8414026 and up
	02363-04	A,C	* * INERTIA REEL ASSEMBLY - (Includes shoulder harness and lap belts) tan	1	31P-8414026 and up
	02363-05	A,C	* * INERTIA REEL ASSEMBLY - (Includes shoulder harness and lap belts) WN1655 #65 tan	1	31P-8414026 and up
	02363-07	A,C	* * INERTIA REEL ASSEMBLY - (Includes shoulder harness and lap belts) charcoal grey	1	31P-8414026 and up
	02363-08	A,C	* * INERTIA REEL ASSEMBLY - (Includes shoulder harness and lap belts) medium blue	1	31P-8414026 and up
	02363-09	A,C	* * INERTIA REEL ASSEMBLY - (Includes shoulder harness and lap belts) cessna tan	1	31P-8414026 and up
	02363-29	A,C	* * INERTIA REEL ASSEMBLY - (Includes shoulder harness and lap belts) saddle	1	31P-8414026 and up
	02363-30	A,C	* * INERTIA REEL ASSEMBLY - (Includes shoulder harness and lap belts) marigold	1	31P-8414026 and up
-7	55846-05	C	* * BRACKET ASSEMBLY - Inertia reel mounting	1	
-8	02157-02	A	* * HEADREST ASSEMBLY	1	
-9	02126-06	A	* * BOTTOM ASSEMBLY - Seat	1	
-10	49092-34	A	* * COVER - Seat bottom, front	1	
-11	02126-07		* * COVER - Seat bottom, rear	1	
-12	41722-10		* * NETTING - Nylon	1	
-13	49092-08		* * LOOP ASSEMBLY - Seat belt	1	
-14	42558-00		* * BRACKET ASSEMBLY - Seat attachment, front	2	
-15	52898-00		* * BRACKET ASSEMBLY - Armrest attachment	1	
-16	52893-00		* * BRACKET - Armrest attachment	1	
-17	52889-00		* * BRACKET - Armrest attachment	1	
-18	46711-00		* * BRACKET	1	
-19	42570-00		* * BRACKET	1	
-20	42571-02		* * BUSHING	4	
-21	14843-108		* * BUSHING	1	
-21a	46704-00		* * COVER	2	
-22	14976-97		* * BUSHING	4	
-23	42561-00		* * COVER - Seat attachment	2	

When ordering, always specify Part Number, Description and Serial Number of Aircraft

PIPER PARTS CATALOG

Figure and Index Number	Part Number	Code	NOMENCLATURE	No. Req.	SERIAL NUMBERS AFFECTED
			1234567		
61-24	400 932		* * BOLT - (AN24-46A)	1	
	407 565		* * WASHER - (AN960-416)	3	
	477 708		* * NUT - (26C-048)	1	
-25	400 926		* * BOLT - (AN24-36A)	1	
	407 565		* * WASHER - (AN960-416)	2	
	477 708		* * NUT - (26C-048)	1	
-26	487 712		* * STUD - (295460-3-4)	2	
	404 888		* * NUT - (MS20365-428C)	2	
-27	400 882		* * BOLT - (AN23-30A)	4	
	407 584		* * WASHER - (AN960-10L)	4	
	404 835		* * NUT - (MS20364-1032C)	4	
-28	400 920		* * BOLT - (AN24-30A)	2	
	407 585		* * WASHER - (AN960-416L)	2	
	404 836		* * NUT - (MS20364-428C)	2	
-29	14175-111		* BUSHING	2	
-30	49982-31		* BUSHING	4	
-31	86102-11		* BUSHING - Left	1	
-32	14843-109		* BUSHING - Right	1	
-33	14843-108		* BUSHING - Right	1	
-34	49982-27		* BUSHING - Armrest attachment	1	
-35	49982-28		* BUSHING - Armrest attachment	1	
-36	44114-00		* WASHER	4	
-37	400 890		* BOLT - (AN23-40A)	2	
-38	400 917		* BOLT - (AN24-27A)	2	
	477 708		* NUT - (26C-048)	2	
-39	400 917		* BOLT - (AN24-27A)	2	
	407 565		* WASHER - (AN960-416)	2	
	477 708		* NUT - (26C-048)	2	
-40	49099-03	A,B	* ARMREST ASSEMBLY - Passenger (complete)	1	
	49099-11	A,C	* ARMREST ASSEMBLY - Passenger (complete)	1	
-41	52904-00		* * SUPPORT ASSEMBLY - Armrest, folding	1	
-42	49086-03	A,B	* * PAD ASSEMBLY - Armrest	1	
	49086-05	A,C	* * PAD ASSEMBLY - Armrest	1	
-43	52917-00		* COVER - Armrest bracket trim	1	
-44	48537-14		* PANEL ASSEMBLY - Armrest trim	1	
-45	25801-02	B	* BELT ASSEMBLY - Safety, black	1	31P-8414001 to 31P-8414025 incl.
	02314-02	A,B	* BELT ASSEMBLY - Safety, navy blue	1	31P-8414026 and up
	02314-03	A,B	* BELT ASSEMBLY - Safety, dragon red	1	31P-8414026 and up
	02314-04	A,B	* BELT ASSEMBLY - Safety, tan	1	31P-8414026 and up
	02314-05	A,B	* BELT ASSEMBLY - Safety, WN1655 #65 tan	1	31P-8414026 and up
	02314-07	A,B	* BELT ASSEMBLY - Safety, charcoal grey	1	31P-8414026 and up
	02314-08	A,B	* BELT ASSEMBLY - Safety, medium blue	1	31P-8414026 and up
	02314-09	A,B	* BELT ASSEMBLY - Safety, cessa tan	1	31P-8414026 and up
	02314-29	A,B	* BELT ASSEMBLY - Safety, saddle	1	31P-8414026 and up
	02314-30	A,B	* BELT ASSEMBLY - Safety, marigold	1	31P-8414026 and up
-46	29285-02		PLATE - Wedjit reinforcement	2	
-47	18842-00		STOP - Seat	2	
-48	41214-03		PLATE - Seat attachment, outboard	1	
	01719-02		PLATE - Seat attachment, inboard	1	
-49	46696-00		PLATE - Wedjit trim	3	
	01721-02		PLATE - Wedjit trim, front, inboard only	1	
-50	41215-00		PLATE - Seat attachment closure, outboard	1	
	01720-02		PLATE - Seat attachment closure, inboard	1	
-51	494 338		WEDJIT ASSEMBLY - (295307)	2	
-52	46695-02		SPACER - Seat attachment wedjit	4	
-53	46695-03		SPACER - Seat attachment wedjit	2	
-54	46695-10		SPACER - Seat attachment wedjit	2	

When ordering, always specify Part Number, Description and Serial Number of Aircraft

2B24

INTENTIONALLY LEFT BLANK

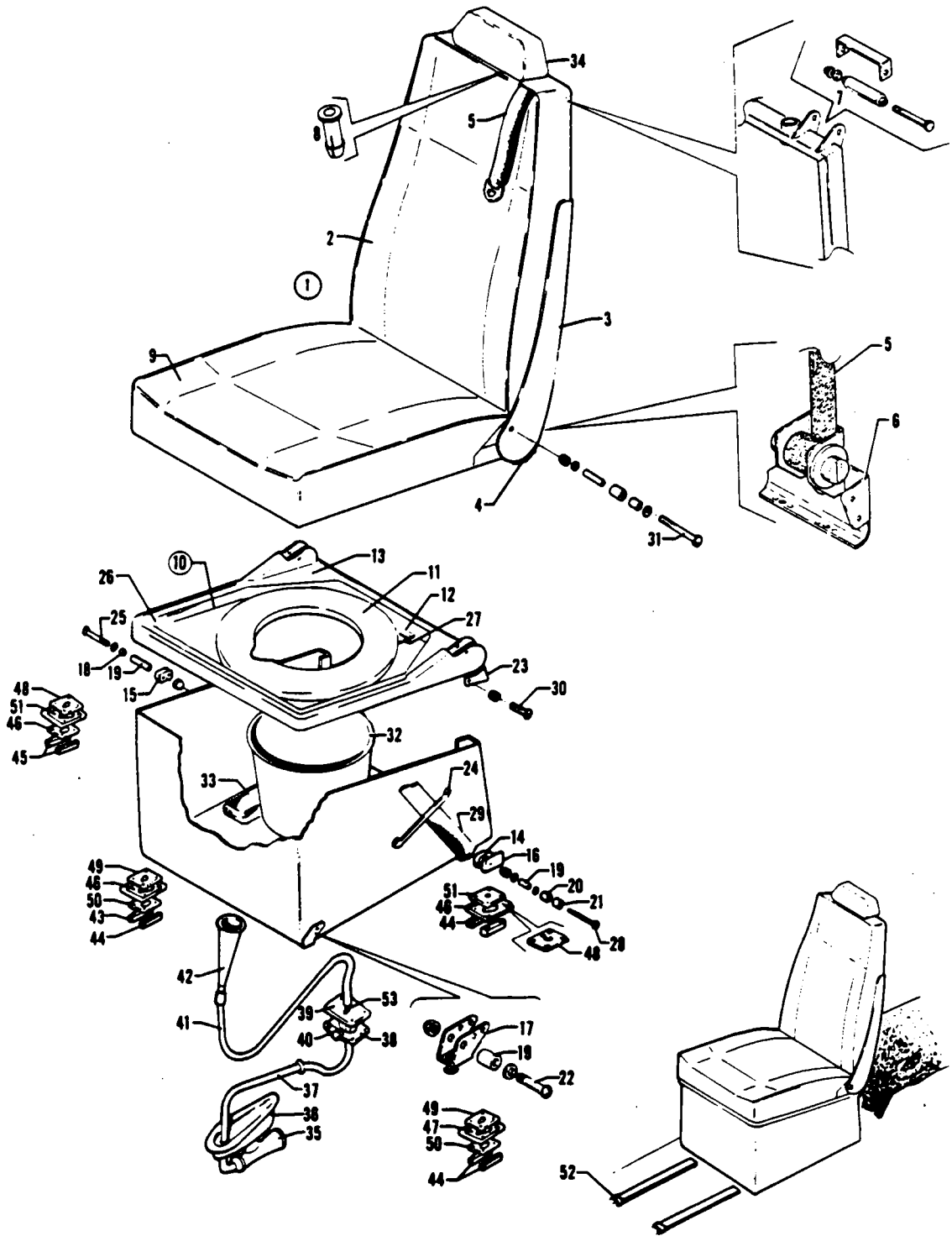


Figure 62. Toilet Seat Installation - Forward Facing (Floor Mounted)

PIPER PARTS CATALOG

CODE EXPLANATIONS FOR FIGURE 62

- A - Serial number of aircraft must be supplied when ordering this part.
- B - Used if shoulder harness is not installed.

PIPER PARTS CATALOG

Figure and Index Number	Part Number	Code	NOMENCLATURE	No. Req.	SERIAL NUMBERS AFFECTED
			1234567		
62-	01941		DRAWING - Toilet Seat Installation (Floor Mounted)		
-1	02208-02	A	SEAT ASSEMBLY - Toilet, high back (floor mounted) (includes shoulder harness and lap belts)	1	31P-8414001 to 31P-8414025 incl.
	02208-04	A	SEAT ASSEMBLY - Toilet, high back (floor mounted) (includes shoulder harness and lap belts)	1	31P-8414026 and up
	02208-03	A	SEAT ASSEMBLY - Toilet, low back (floor mounted) (includes lap belts)	1	31P-8414001 to 31P-8414025 incl.
	02208-05	A	SEAT ASSEMBLY - Toilet, low back (floor mounted) (includes lap belts)	1	31P-8414026 and up
-2	02158-03	A	* BACK ASSEMBLY - Seat, high back (includes shoulder harness and lap belts)	1	31P-8414001 to 31P-8414025 incl.
	02158-19	A	* BACK ASSEMBLY - Seat, high back (includes shoulder harness and lap belts)	1	31P-8414026 and up
	02070-15	A	* BACK ASSEMBLY - Seat, low back	1	
-3	02151-03	A	* * PANEL ASSEMBLY - Seat back trim, high back	1	
	02139-03	A	* * PANEL ASSEMBLY - Seat back trim, low back	1	
-4	29259-02		* * DETENT - Seat back hinge	2	
-5	55893-02		* * INERTIA REEL ASSEMBLY - (Includes shoulder harness and lap belts)	1	31P-8414001 to 31P-8414025 incl.
	02363-02	A	* * INERTIA REEL ASSEMBLY - (Includes shoulder harness and lap belts) navy blue	1	31P-8414026 and up
	02363-03	A	* * INERTIA REEL ASSEMBLY - (Includes shoulder harness and lap belts) dragon red	1	31P-8414026 and up
	02363-04	A	* * INERTIA REEL ASSEMBLY - (Includes shoulder harness and lap belts) tan	1	31P-8414026 and up
	02363-05	A	* * INERTIA REEL ASSEMBLY - (Includes shoulder harness and lap belts) WN1655 #65 tan	1	31P-8414026 and up
	02363-07	A	* * INERTIA REEL ASSEMBLY - (Includes shoulder harness and lap belts) charcoal grey	1	31P-8414026 and up
	02363-08	A	* * INERTIA REEL ASSEMBLY - (Includes shoulder harness and lap belts) medium blue	1	31P-8414026 and up
	02363-09	A	* * INERTIA REEL ASSEMBLY - (Includes shoulder harness and lap belts) cessna tan	1	31P-8414026 and up
	02363-29	A	* * INERTIA REEL ASSEMBLY - (Includes shoulder harness and lap belts) saddle	1	31P-8414026 and up
	02363-30	A	* * INERTIA REEL ASSEMBLY - (Includes shoulder harness and lap belts) marigold	1	31P-8414026 and up
-6	55846-04		* * BRACKET ASSEMBLY - Inertia reel mounting	1	
-7	401 280		* * BOLT - (AN3-26A)	1	
	407 564		* * WASHER - (AN960-10)	1	
	60998-16		* * BUSHING - Shoulder harness roller, inner	1	
	60998-15		* * BUSHING - Shoulder harness roller, outer	1	
	404 887		* * NUT - (MS20365-1032C)	1	
-8	484 232		* * RECEPTACLE - Headrest (#99361-00)	2	
-9	02203-02	A	* CUSHION ASSEMBLY - Toilet seat	1	
-10	55607-07	A	* SEAT ASSEMBLY - Toilet, bottom (complete)	1	
-11	55603-02		* * SEAT - Toilet	1	
-12	55589-03		* * HINGE HALF - Toilet	1	
-13	55606-04		* * COVER - Seat bottom plate	1	
-14	46711-00		* * BRACKET - Seat attachment, aft	1	
-15	42570-00		* * BRACKET - Seat attachment, aft	1	
-16	46704-00		* * COVER - Seat attachment trim	1	
-17	42558-00		* * BRACKET ASSEMBLY - Seat attachment, forward	2	
-18	41413-26		* * BUSHING	1	
-19	42571-02		* * BUSHING	4	
-20	14843-108		* * BUSHING	2	

When ordering, always specify Part Number, Description and Serial Number of Aircraft

PIPER PARTS CATALOG

Figure and Index Number	Part Number	Code	NOMENCLATURE	No. Req.	SERIAL NUMBERS AFFECTED
			1234567		
62-21	14843-109		* * BUSHING	1	
-22	400 921		* * BOLT - (AN24-31A)	2	
	407 585		* * WASHER - (AN960-416L)	2	
	404 888		* * NUT - (MS20365-428C)	2	
-23	49092-07	A	* * COVER ASSEMBLY - Rear trim	1	
-24	49092-08	A	* * LOOP ASSEMBLY - Safety belt	2	
-25	400 926		* * BOLT - (AN24-36A)	1	
	407 565		* * WASHER - (AN960-416)	2	
	477 709		* * NUT - (26C-048) Chrome	1	
-26	494 021		* * WASHER - Finish #4 (nickel plated)	12	
	419 932		* * SCREW - (#4 x 1/2" L.)	12	
-27	55590-02		* * SPACER - Hinge	1	
-28	400 932		* * BOLT - (AN24-46A)	1	
	407 565		* * WASHER - (AN960-416)	3	
	477 709		* * NUT - (26C-048) Chrome	1	
-29	25801-02	B	* BELT ASSEMBLY - Safety, black	1	31P-8414001 to 31P-8414025 incl.
	02314-02	A,B	* BELT ASSEMBLY - Safety, navy blue	1	31P-8414026 and up
	02314-03	A,B	* BELT ASSEMBLY - Safety, dragon red	1	31P-8414026 and up
	02314-04	A,B	* BELT ASSEMBLY - Safety, tan	1	31P-8414026 and up
	02314-05	A,B	* BELT ASSEMBLY - Safety, WN1655 #65 tan	1	31P-8414026 and up
	02314-07	A,B	* BELT ASSEMBLY - Safety, charcoal grey	1	31P-8414026 and up
	02314-08	A,B	* BELT ASSEMBLY - Safety, medium blue	1	31P-8414026 and up
	02314-09	A,B	* BELT ASSEMBLY - Safety, cessna tan	1	31P-8414026 and up
	02314-29	A,B	* BELT ASSEMBLY - Safety, saddle	1	31P-8414026 and up
	02314-30	A,B	* BELT ASSEMBLY - Safety, marigold	1	31P-8414026 and up
-30	400 917		* BOLT - (AN24-27A)	2	
	477 709		* NUT - (26C-048) Chrome	2	
-31	400 920		* BOLT - (AN24-30A)	2	
	44114-00		* WASHER	2	
	41413-26		* BUSHING	2	
	49982-31		* BUSHING	4	
	14175-111		* BUSHING	2	
	407 565		* WASHER (AN960-416)	2	
	477 709		* NUT - (26C-048) Chrome	2	
-32	55599-02		* PAIL - Toilet	1	
-33	43274-00		* PACK ASSEMBLY - Disposable bags	1	
-34	02157-02	A	* HEADREST ASSEMBLY	1	
-35	43949-00		VENTURI ASSEMBLY - Relief tube	1	
-36	43643-00		PYLON ASSEMBLY - Relief tube venturi	1	
-37	49998-45		HOSE - Disconnect to venturi, lower (33" L.)	1	
-38	43288-00		DISCONNECT ASSEMBLY - Relief tube	1	
-39	43284-00		PLATE - Relief tube disconnect	1	
-40	43278-00		COVER ASSEMBLY - Relief tube disconnect	1	
-41	49998-03		HOSE - Horn to disconnect, upper (50" L.)	1	
-42	565 598		HORN AND VALVE ASSEMBLY - Relief (20248-1)	1	
-43	46695-03		SPACER - Seat attachment	1	
-44	46695-02		SPACER - Seat attachment	5	
-45	46695-10		SPACER - Seat attachment	2	
-46	46696-00		PLATE - Wedjit trim	3	
-47	01721-02		PLATE - Wedjit trim	1	
-48	29285-02		PLATE - Wedjit reinforcement	2	
-49	41214-03		PLATE - Seat attachment, forward outboard	1	
	01719-02		PLATE - Seat attachment, forward inboard	1	
-50	41215-00		PLATE - Seat attachment, forward inboard	1	
	01720-02		PLATE - Seat attachment, forward outboard	1	
-51	494 338		WEDJIT ASSEMBLY - (295307)	2	
-52	18842-00		STOP - Seat	2	
-53	456 712		DISCONNECT - Quick, size "B" (64027) male	1	

When ordering, always specify Part Number, Description and Serial Number of Aircraft

PIPER PARTS CATALOG

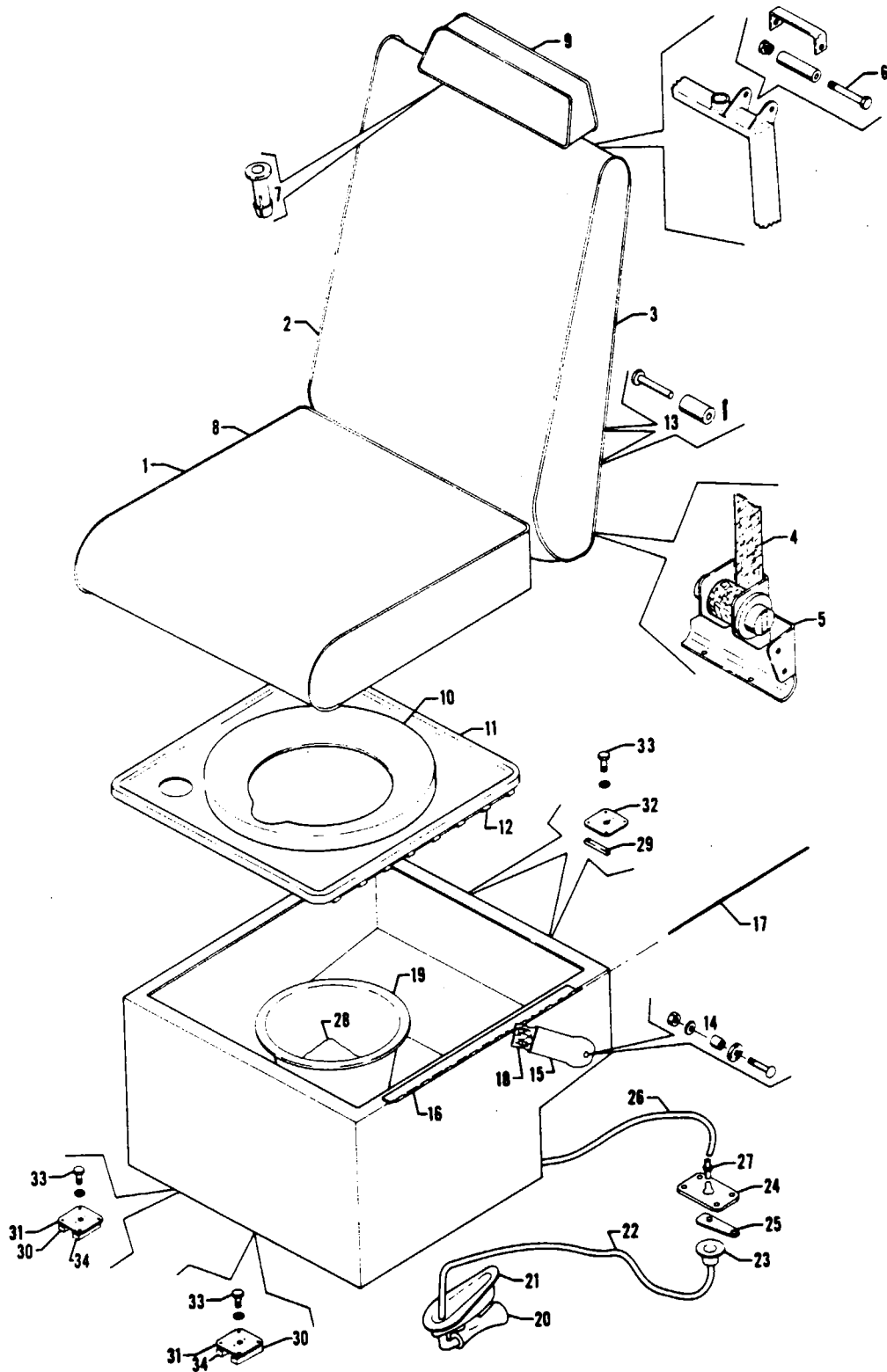


Figure 62A. Toilet Seat Installation - Forward Facing (Step Mounted)

PIPER PARTS CATALOG

CODE EXPLANATIONS FOR FIGURE 62A

A - Serial number of aircraft must be supplied when ordering this part.

PIPER PARTS CATALOG

Figure and Index Number	Part Number	Code	NOMENCLATURE	No. Req.	SERIAL NUMBERS AFFECTED
			1234567		
62A-	02085		DRAWING - Toilet Seat Installation (Step Mounted)		
-1	02149-02	A	SEAT ASSEMBLY - Toilet, low back (includes lap belts)	1	31P-8414001 to 31P-8414025 incl.
	02149-06	A	SEAT ASSEMBLY - Toilet, low back (includes lap belts)	1	31P-8414026 and up
	02149-03	A	SEAT ASSEMBLY - Toilet, high back (includes shoulder harness and lap belts)	1	31P-8414001 to 31P-8414025 incl.
	02149-08	A	SEAT ASSEMBLY - Toilet, high back (includes shoulder harness and lap belts)	1	31P-8414026 and up
-2	02070-17	A	* BACK ASSEMBLY - Seat, low back	1	
	02158-17	A	* BACK ASSEMBLY - Seat, high back	1	31P-8414001 to 31P-8414025 incl.
	02158-20	A	* BACK ASSEMBLY - Seat, high back	1	31P-8414026 and up
-3	02139-03	A	* * PANEL ASSEMBLY - Seat back trim, low back	1	
	02151-03	A	* * PANEL ASSEMBLY - Seat back trim, high back	1	
-4	55893-02		* * INERTIA REEL ASSEMBLY - (Includes shoulder harness and lap belts)	1	31P-8414001 to 31P-8414025 incl.
	02363-11	A	* * INERTIA REEL ASSEMBLY - (Includes shoulder harness and lap belts) navy blue	1	31P-8414026 and up
	02363-12	A	* * INERTIA REEL ASSEMBLY - (Includes shoulder harness and lap belts) dragon red	1	31P-8414026 and up
	02363-13	A	* * INERTIA REEL ASSEMBLY - (Includes shoulder harness and lap belts) tan	1	31P-8414026 and up
	02363-14	A	* * INERTIA REEL ASSEMBLY - (Includes shoulder harness and lap belts) WN1655 #65 tan	1	31P-8414026 and up
	02363-16	A	* * INERTIA REEL ASSEMBLY - (Includes shoulder harness and lap belts) charcoal grey	1	31P-8414026 and up
	02363-17	A	* * INERTIA REEL ASSEMBLY - (Includes shoulder harness and lap belts) medium blue	1	31P-8414026 and up
	02363-18	A	* * INERTIA REEL ASSEMBLY - (Includes shoulder harness and lap belts) cossna tan	1	31P-8414026 and up
	02363-33	A	* * INERTIA REEL ASSEMBLY - (Includes shoulder harness and lap belts) saddle	1	31P-8414026 and up
	02363-34	A	* * INERTIA REEL ASSEMBLY - (Includes shoulder harness and lap belts) marigold	1	31P-8414026 and up
-5	55846-05		* * BRACKET ASSEMBLY - Inertia reel mounting	1	
-6	401 280		* * BOLT - (AN3-26A)	1	
	407 564		* * WASHER - (AN960-10)	1	
	60998-16		* * BUSHING - Shoulder harness roller, inner	1	
	60998-15		* * BUSHING - Shoulder harness roller, outer	1	
	404 887		* * NUT - (MS20365-1032C)	1	
-7	484 232		* * RECEPTACLE - Headrest (#99361-00)	2	
-8	02148-02	A	* CUSHION ASSEMBLY - Seat bottom	1	
-9	02157-02	A	* HEADREST ASSEMBLY	1	
-10	55392-05		* SEAT ASSEMBLY - Toilet	1	
-11	484 776		* * SEAT RING - Toilet	1	
-12	02118-02		* * HINGE HALF - Toilet seat	1	
-13	424 184		* PIN - Seat back assembly attachment (MS20392-2C31)	4	
	41413-42		* BUSHING	4	
	424 051		* COTTER PIN - (MS24665-132)	4	
-14	400 902		* BOLT - Seat belt attachment (AN24-12A)	2	
	44114-00		* WASHER - Outer	2	
	41413-26		* BUSHING	2	
	407 585		* WASHER - (AN960-416L)	2	
	404 888		* NUT - (MS20365-428C)	2	
-15	53134-00	A	* SHROUD ASSEMBLY - Safety belt fitting	1	
-16	53299-04		* HINGE HALF - Toilet seat	1	
-17	81761-47		* HINGE PIN - Toilet seat	1	

When ordering, always specify Part Number, Description and Serial Number of Aircraft

PIPER PARTS CATALOG

Figure and Index Number	Part Number	Code	NOMENCLATURE	No. Req.	SERIAL NUMBERS AFFECTED
			1234567		
62A-18	25801-02		* BELT ASSEMBLY - Safety, black	1	31P-8414001 to 31P-8414025 incl.
	02314-02	A	* BELT ASSEMBLY - Safety, navy blue	1	31P-8414026 and up
	02314-03	A	* BELT ASSEMBLY - Safety, dragon red	1	31P-8414026 and up
	02314-04	A	* BELT ASSEMBLY - Safety, tan	1	31P-8414026 and up
	02314-05	A	* BELT ASSEMBLY - Safety, WN1655 #65 tan	1	31P-8414026 and up
	02314-07	A	* BELT ASSEMBLY - Safety, charcoal grey	1	31P-8414026 and up
	02314-08	A	* BELT ASSEMBLY - Safety, medium blue	1	31P-8414026 and up
	02314-09	A	* BELT ASSEMBLY - Safety, cessna tan	1	31P-8414026 and up
	02314-29	A	* BELT ASSEMBLY - Safety, saddle	1	31P-8414026 and up
	02314-30	A	* BELT ASSEMBLY - Safety, marigold	1	31P-8414026 and up
-19	42789-00		* PAIL ASSEMBLY - Toilet	1	
-20	43949-00		VENTURI ASSEMBLY - Relief tube	1	
-21	43643-00		PYLON ASSEMBLY - Relief tube venturi	1	
-22	49998-35		HOSE - Disconnect to venturi, lower (25" L.)	1	
-23	43288-00		DISCONNECT ASSEMBLY - Relief tube	1	
-24	43284-00		PLATE - Relief tube disconnect	1	
-25	43278-00		COVER ASSEMBLY - Relief tube disconnect	1	
-26	49998-03		HOSE - Horn to disconnect, upper (50" L.)	1	
-27	456 712		DISCONNECT - Quick, size "B" (64027) male	1	
-28	43274-00		PACK ASSEMBLY - Disposable bags	1	
-29	46695-07		SPACER - Seat attachment, aft	4	
-30	46695-03		SPACER - Seat attachment, outboard left	1	
	46695-08		SPACER - Seat attachment, outboard right	1	
-31	32884-03		PLATE ASSEMBLY - Seat mounting, forward	2	
-32	29487-02		PLATE ASSEMBLY - Seat mounting, aft	2	
-33	400 002		BOLT - Toilet seat attachment (AN4-5A)	4	
	407 565		WASHER - (AN960-416)	4	
-34	46695-07		SPACER - Seat attachment, inboard left	1	
	46695-05		SPACER - Seat attachment, inboard right	1	

When ordering, always specify Part Number, Description and Serial Number of Aircraft

PIPER PARTS CATALOG

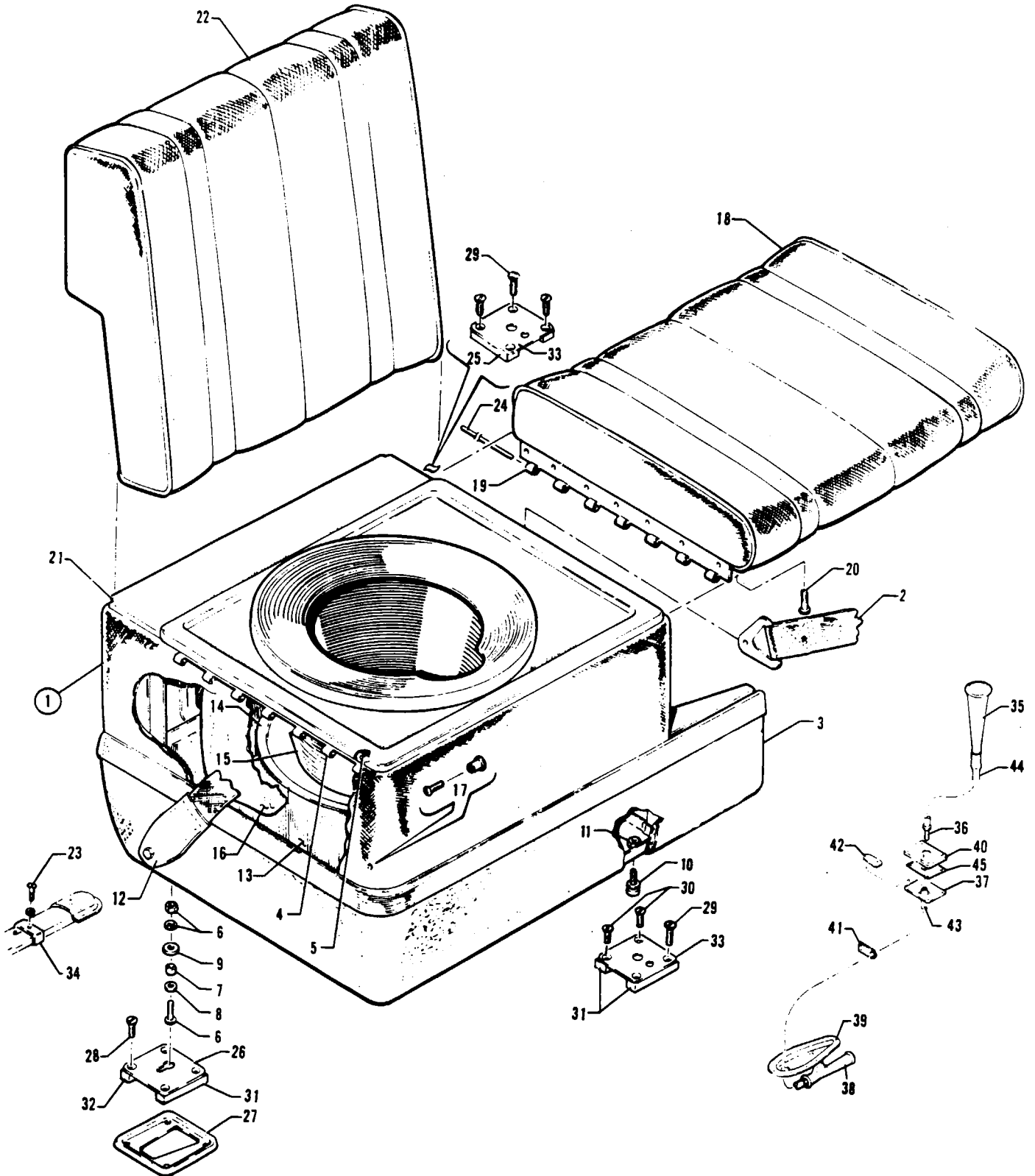


Figure 63. Toilet Seat Installation - Side Facing Non-Flush

PIPER PARTS CATALOG

CODE EXPLANATIONS FOR FIGURE 63

A - Serial number of aircraft must be supplied when ordering this part.

PIPER PARTS CATALOG

Figure and Index Number	Part Number	Code	NOMENCLATURE	No. Req.	SERIAL NUMBERS AFFECTED
1234567					
63-	01875		DRAWING - Toilet Seat Installation		
-1	47479-26	A	SEAT ASSEMBLY - Toilet, bottom (complete)	1	31P-8414001 to 31P-8414025 incl.
	47479-28	A	SEAT ASSEMBLY - Toilet, bottom (complete)	1	31P-8414026 and up
-2	25801-02		* BELT ASSEMBLY - Safety, black	1	31P-8414001 to 31P-8414025 incl.
	02314-02	A	* BELT ASSEMBLY - Safety, navy blue	1	31P-8414026 and up
	02314-03	A	* BELT ASSEMBLY - Safety, dragon red	1	31P-8414026 and up
	02314-04	A	* BELT ASSEMBLY - Safety, tan	1	31P-8414026 and up
	02314-05	A	* BELT ASSEMBLY - Safety, WN1655 #65 tan	1	31P-8414026 and up
	02314-06	A	* BELT ASSEMBLY - Safety, brown	1	31P-8414026 and up
	02314-07	A	* BELT ASSEMBLY - Safety, charcoal grey	1	31P-8414026 and up
	02314-08	A	* BELT ASSEMBLY - Safety, medium blue	1	31P-8414026 and up
	02314-09	A	* BELT ASSEMBLY - Safety, cessna tan	1	31P-8414026 and up
	02314-10	A	* BELT ASSEMBLY - Safety, burgundy	1	31P-8414026 and up
	02314-29	A	* BELT ASSEMBLY - Safety, saddle	1	31P-8414026 and up
	02314-30	A	* BELT ASSEMBLY - Safety, marigold	1	31P-8414026 and up
-3	49359-09	A	* FRAME ASSEMBLY - Bottom, upholstered	1	
-4	47448-00		* * HINGE - Seat (half)	1	
-5	414 763		* * SCREW - (MS24693-S50)	4	
-6	400 673		* * BOLT - (AN23-11)	1	
	407 584		* * WASHER - (AN960-10L)	1	
	404 887		* * NUT - (MS20365-1032C)	1	
-7	49982-06		* * BUSHING	1	
-8	80122-133		* * WASHER	1	
-9	80122-134		* * WASHER	1	
-10	487 712		* * STUD - (295460-3-4)	2	
-11	404 888		* * NUT - (MS20365-428C)	2	
-12	49102-02	A	* SHROUD ASSEMBLY - Safety belt fitting	1	
-13	48547-02	A	* PANEL - Toilet seat bottom	1	
-14	42787-00		* LID - Pail, toilet	1	
-15	42789-00		* PAIL ASSEMBLY - Toilet	1	
-16	43274-00		* PACK ASSEMBLY - Disposable bags	1	
-17	415 537		SCREW - (MS35206-247)	3	
	477 891		TEE NUT - (SS-58191-K2915)	3	
-18	02172-02	A	LID ASSEMBLY - Seat	1	
-19	48872-02		* HINGE - Toilet lid, half	1	
-20	415 754		* SCREW - (MS35206-245)	4	
-21	53354-02		SEAT ASSEMBLY - Toilet	1	
-22	02169-02	A	BACK ASSEMBLY - Toilet	1	
-23	415 533		SCREW - (MS35206-243)	2	
	407 042		LOCKWASHER - (MS35338-42)	2	
-24	86092-87		PIN - Hinge	1	
-25	46695-10		SPACER - Wedjit, seat attachment	2	
-26	41214-03		PLATE - Keyhole	1	
-27	46696-00		PLATE	3	
-28	410 045		SCREW - (MS24694-S58)	4	
-29	410 046		SCREW - (MS24694-S59)	6	
-30	410 047		SCREW - (MS24694-S60)	2	
-31	46695-02		SPACER - Seat attachment	3	
-32	46695-03		SPACER - Seat attachment	1	
-33	494 338		WEDJIT - (295-307)	2	

When ordering, always specify Part Number, Description and Serial Number of Aircraft

PIPER PARTS CATALOG

Figure and Index Number	Part Number	Code	NOMENCLATURE	No. Req.	SERIAL NUMBERS AFFECTED
		1234567			
63-34	18842-00		STOP - Seat	2	
-35	565 598		HORN AND VALVE ASSEMBLY - (20248-1)	1	
-36	456 712		DISCONNECT - Quick, Size "B" (64027), male	1	
-37	43288-00		DISCONNECT ASSEMBLY - Relief tube	1	
-38	43949-00		VENTURI ASSEMBLY - Relief tube	1	
-39	43643-00		PYLON ASSEMBLY - Relief tube venturi	1	
-40	43284-00		PLATE - Relief tube disconnect trim	1	
-41	43639-00		BRACKET - Relief tube support	2	31P-8414001 to 31P-8414049 incl.
	43639-02		BRACKET - Relief tube support, Sta. 224.50	1	31P-8414050 and up
	43639-00		BRACKET - Relief tube support, Sta. 234.00	1	31P-8414050 and up
-42	43278-00		COVER ASSEMBLY - Relief tube disconnect	1	
-43	49998-45		HOSE - Lower (33" long)	1	
-44	49998-03		HOSE - Upper (50" long)	1	
-45	43279-00		PLATE - Disconnect, relief tube	1	

When ordering, always specify Part Number, Description and Serial Number of Aircraft

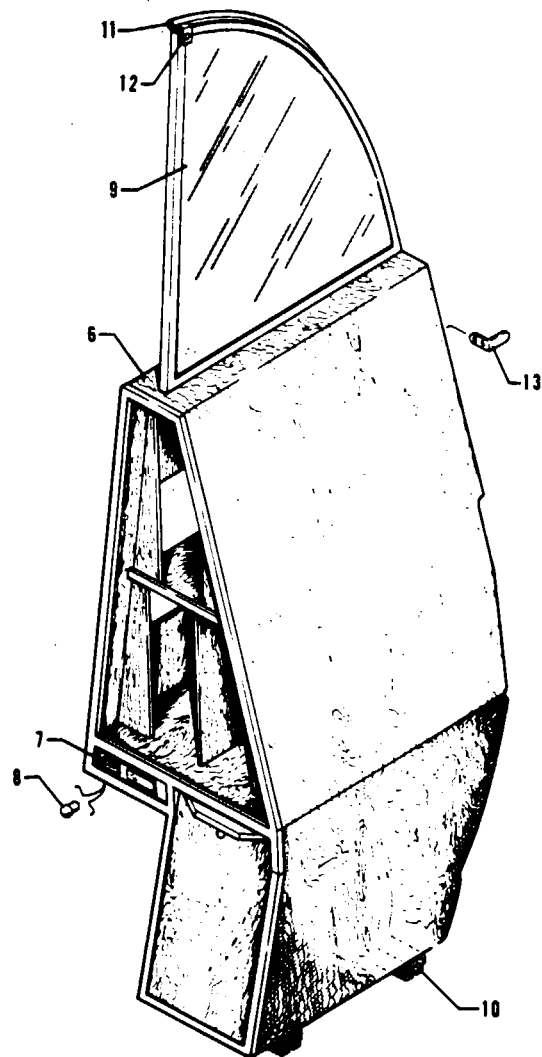
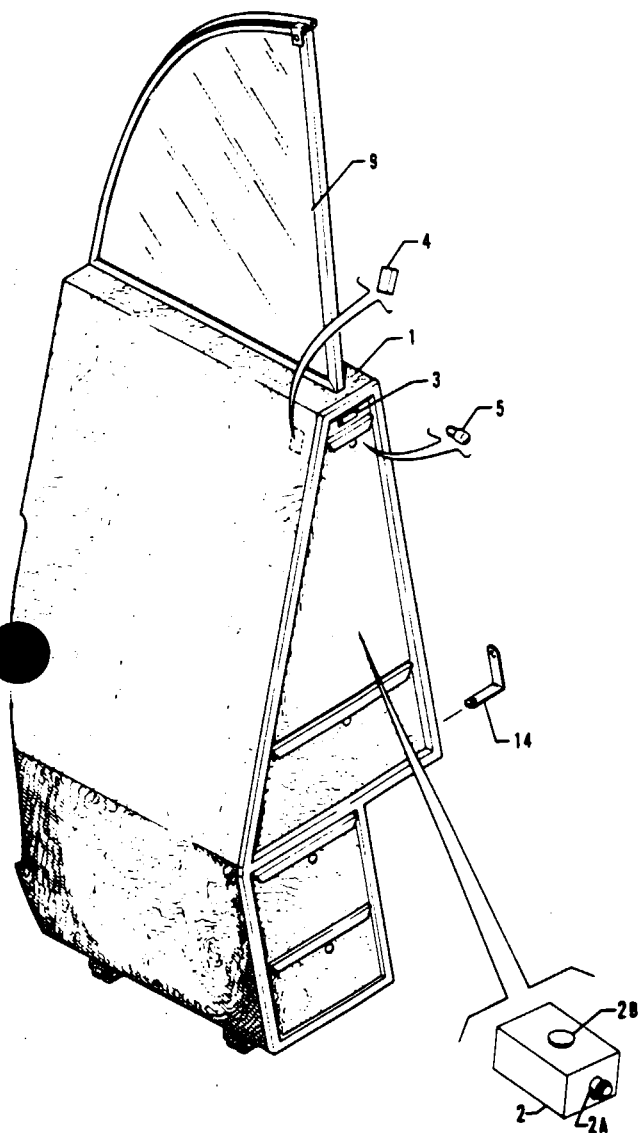


Figure 64. Forward Cabin Divider and Storage Cabinet Installation

PIPER PARTS CATALOG

CODE EXPLANATIONS FOR FIGURE 64

PIPER PARTS CATALOG

Figure and Index Number	Part Number	Code	NOMENCLATURE	No. Req.	SERIAL NUMBERS AFFECTED
64-	01818		DRAWING - Forward Cabinet Installation		
		1234567			
-1	653 235		CABINET ASSEMBLY - Refreshment and storage, left	1	
-2	764 662		* UNIT - Coffee (Prepco 80181-1) 28 V.	1	
-2a	764 825		* * SPIGOT - Coffee unit (#275)	1	
-2b	764 827		* * STOPPER ASSEMBLY - Coffee unit.	1	
-3	764 814		* SWITCH - Coffee unit (with lens).	1	
	761 297		* LENS - Coffee switch	1	
	472 028		* BULB - Coffee switch (PS10008-327)	2	
-4	487 925		* SWITCH - Micro (V3-1)	1	
-5	472 057		* BULB - Refreshment cabinet (CM313)	2	
-6	653 237		CABINET ASSEMBLY - Jepp case and storage, right	1	
-7	764 814		* SWITCH - Isle light (with lens)	1	
	761 297		* LENS - Isle light switch	1	
	472 028		* BULB - Isle light switch (PS10008-327)	2	
-8	758 578		* BULB - Isle light (24PSB5)	1	
-9	456 858		DIVIDER - Cabin, plastic with oak trim, left and right	2	
	456 860		DIVIDER - Cabin, oak wood, left and right	2	
	456 862		DIVIDER - Cabin, beige vinyl with oak trim, left and right	2	
-10	01816-02		CHANNEL ASSEMBLY - Cabinet mounting	4	
-11	80044-13		WELT ASSEMBLY - Divider panel	2	
-12	01818-10		ANGLE - Cabin divider attachment, left	1	
	01818-15		ANGLE - Cabin divider attachment, right	1	
-13	49097-02		CLIP - Cabin divider retainer	2	
-14	02233-02		CLIP - Cabin divider retainer	4	

When ordering, always specify Part Number, Description and Serial Number of Aircraft

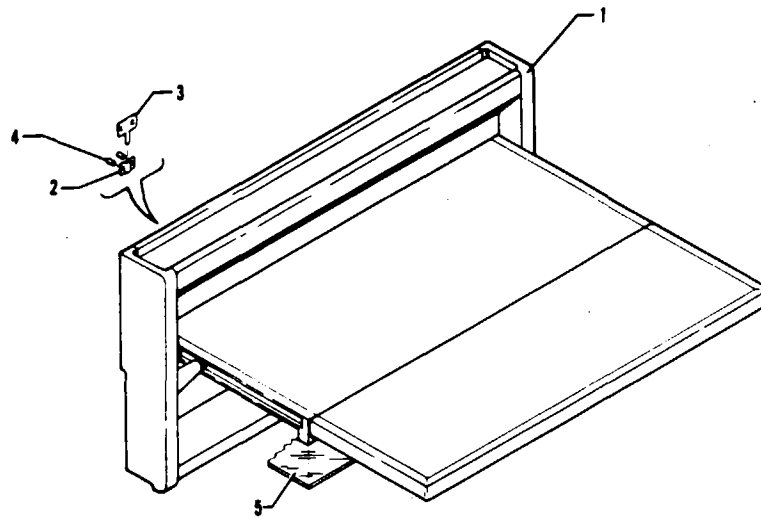


Figure 65. Folding Table Installation

PIPER PARTS CATALOG

CODE EXPLANATIONS FOR FIGURE 65

A - Serial number of aircraft must be supplied when ordering this part.

PIPER PARTS CATALOG

Figure and Index Number	Part Number	Code	NOMENCLATURE	No. Req.	SERIAL NUMBERS AFFECTED
			1234567		
65-	01911		DRAWING - Table Installation, Folding		
-1	488 138		TABLE ASSEMBLY - Folding (with no map)	2	
	488 140		TABLE ASSEMBLY - Folding (with U.S. map)	2	
-2	47386-00		CLIP - Folding table retainer	4	
-3	49636-02		BRACKET - Folding table retainer	4	
-4	49999-34		BUSHING - Spacer	8	
-5	02056-02	A	PANEL - Folding table trim	1	

When ordering - always specify Part Number, Description and Serial Number of Aircraft

PIPER PARTS CATALOG

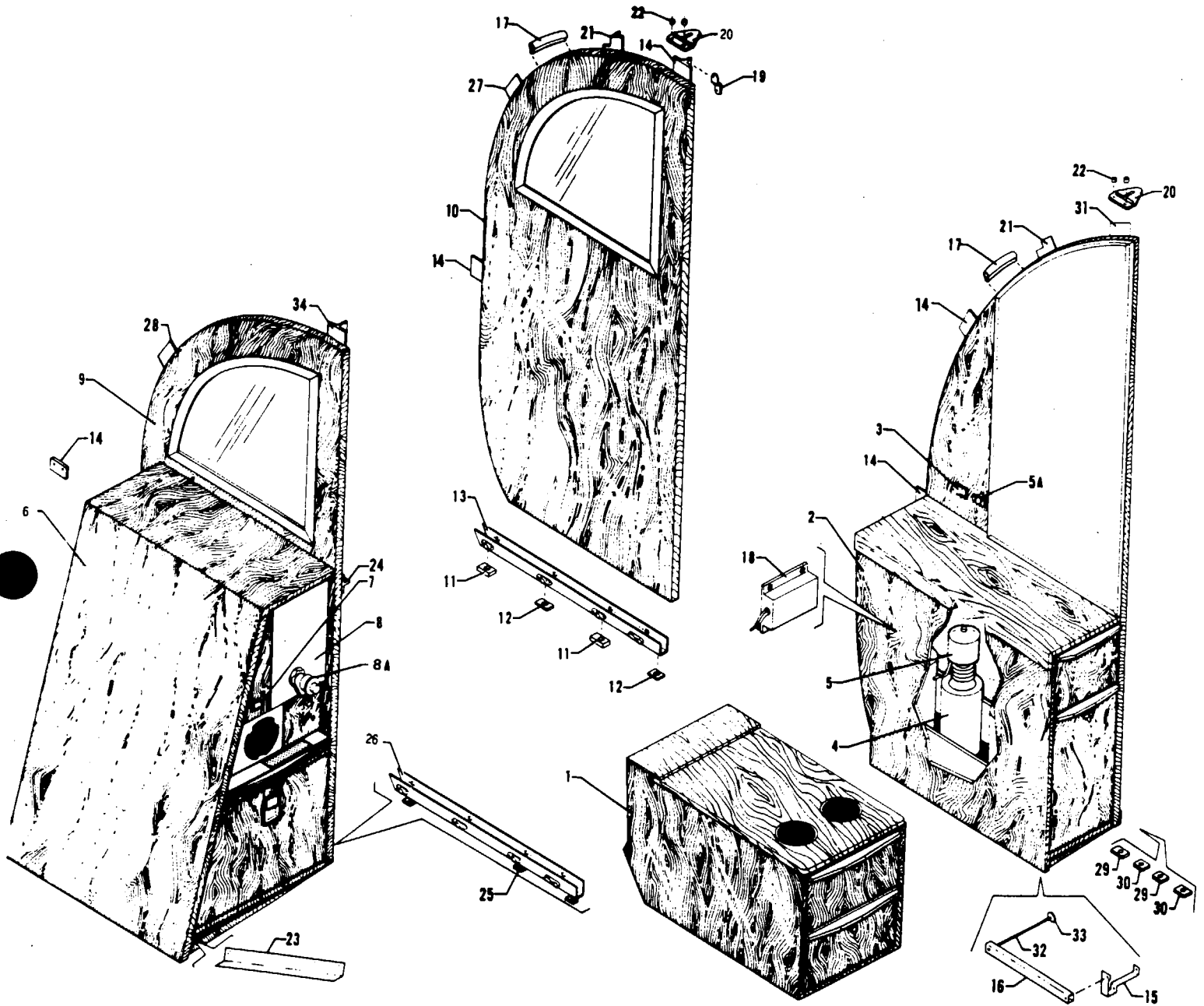


Figure 66 Rear Refreshment Cabinet and Divider Panel Installation

PIPER PARTS CATALOG

CODE EXPLANATIONS FOR FIGURE 66

- A - Used if refreshment cabinet is installed.
- B - Used if divider panel only is installed.
- C - Used if refreshment cabinet or divider panel is installed at Sta. 249.38
- D - Used if refreshment cabinet or divider panel is installed at Sta. 257.57.

PIPER PARTS CATALOG

Figure and Index Number	Part Number	Code	NOMENCLATURE	No. Req.	SERIAL NUMBERS AFFECTED
			1234567		
66-	01792	D	DRAWING - Refreshment Cabinet and Panel Installation		
	01886	A	DRAWING - Refreshment Cabinet and Panel Installation		
	49080	B	DRAWING - Panel Installation, Sta. 249.38		
-1	653 241	C	CABINET ASSEMBLY - Refreshment	1	
-2	653 243	C	CABINET ASSEMBLY - Refreshment (with divider panel)	1	
-3	764 814		* SWITCH - Razor outlet (with lens)	1	
	761 297		* LENS - Razor switch	1	
	472 028		* BULB - Razor switch (PS10008-327)	2	
-4	754 661		* DECANTER - Beverage (312008)	3	
-5	763 505		* PUMP - Decanter (31000)	3	
-5a	762 510		* OUTLET - Razor	1	
-6	653 245	D	CABINET ASSEMBLY - Refreshment (with divider panel)	1	
-7	764 814		* SWITCH - Coffee unit (with lens)	1	
	761 297		* LENS - Coffee switch	1	
	472 028		* BULB - Coffee switch (PS10008-327)	2	
-8	764 656		* UNIT - Coffee (Prepco 80037-2) 28 V. 120 W. (two prong electrical receptacle)	1	
-8a	764 825		* * SPIGOT - Coffee unit (#275)	1	
9	456 864		PANEL ASSEMBLY - Rear divider, Sta. 257.57	1	
10	456 866		PANEL ASSEMBLY - Rear divider, Sta. 249.38	1	
-11	47306-03	B	SPACER - Divider panel support, Sta. 249.38	2	
-12	47306-04	B	SPACER - Divider panel support, Sta. 249.38	1	
-13	49118-04	B	CHANNEL ASSEMBLY - Divider panel support, Sta. 249.38 ...	1	
-14	47328-00	C	RETAINER - Divider panel support	2	
	47328-00	D	RETAINER - Divider panel support	1	
-15	02223-02	A	BRACKET - Support, Sta. 249.38	1	
-16	02228-02	A	SPACER - Toilet seat, Sta. 249.38	1	
-17	80044-13	C	WELT ASSEMBLY - Divider panel	1	
-18	467 145		INVERTER - Razor outlet (60-2526-1)	1	
-19	47344-03	B	LUG - Divider panel support, Sta. 249.38	1	
-20	47302-00	C	GUIDE - Divider panel support	4	
-21	47328-03	C	RETAINER - Divider panel support	1	
-22	80022-113	C	BUSHING	4	
-23	02237-02	D	BRACKET ASSEMBLY - Refreshment cabinet support	1	
-24	02239-02	D	BRACKET - Refreshment cabinet panel mounting	1	
-25	47306-05	B	SPACER - Divider panel support, Sta. 257.57	3	
	02159-04	A	SPACER - Divider panel support, Sta. 257.57	3	
-26	01791-02	B	CHANNEL ASSEMBLY - Divider panel support, Sta. 257.57 ...	1	
-27	47328-02	B	RETAINER - Divider panel support, Sta. 249.38	1	
-28	02100-03	D	RETAINER - Divider panel support	1	
-29	02159-02	A	BLOCK - Spacer, Sta. 249.38	2	
-30	02159-03	A	BLOCK - Spacer, Sta. 249.38	2	
-31	02216-02	A	BRACKET - Divider panel attachment, Sta. 249.38	1	
-32	02227-02	A	ROD - Spacer attachment, Sta. 249.38	1	
-33	02181-02	A	WASHER	1	
	477 707	A	NUT - (26C-02)	1	
-34	02244-02	D	BRACKET - Refreshment cabinet panel mounting	1	

When ordering, always specify Part Number, Description and Serial Number of Aircraft

2C22 THRU 2C24
INTENTIONALLY LEFT BLANK

PIPER PARTS CATALOG

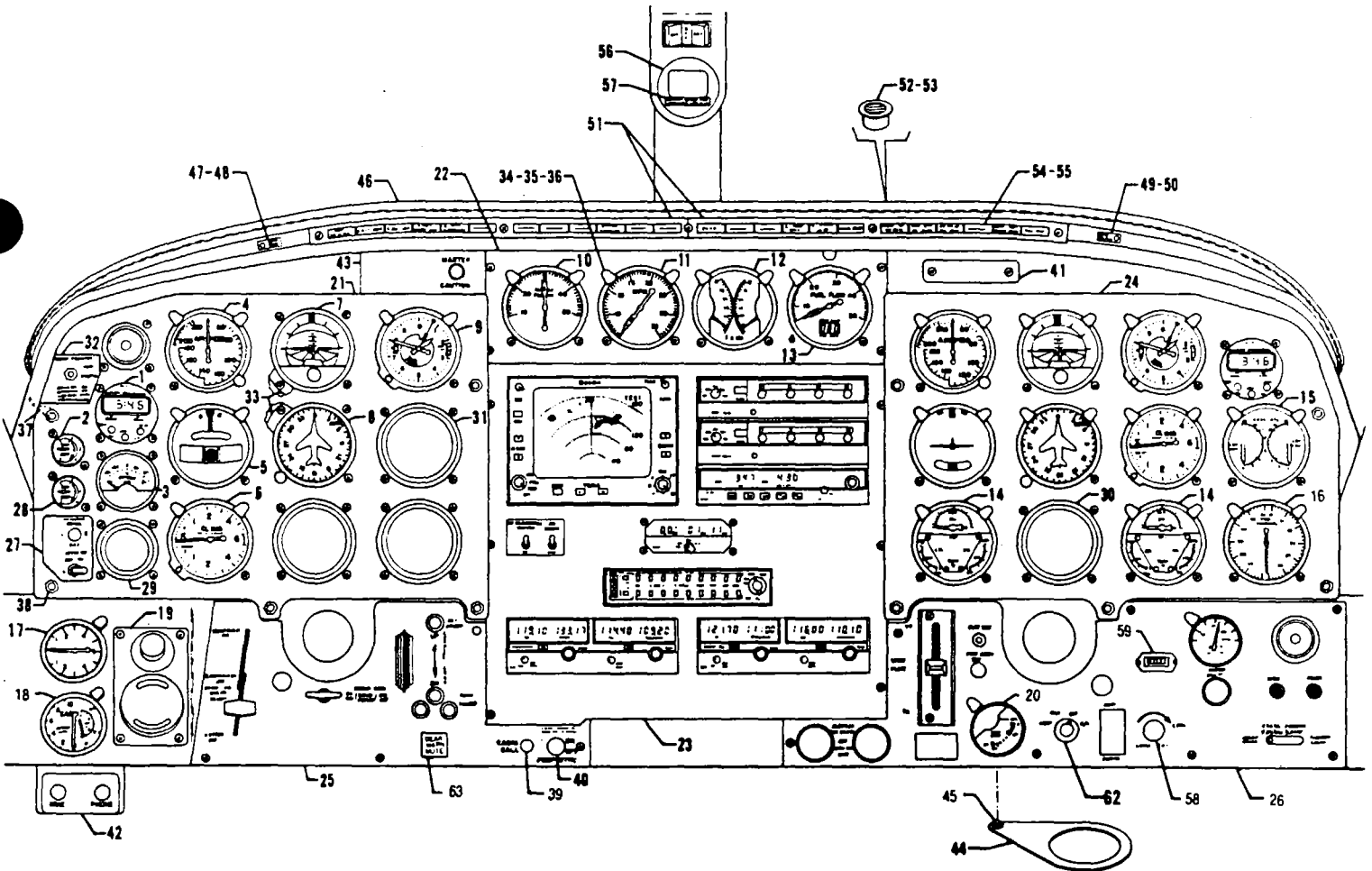


Figure 67. Instrument Panel Installation

PIPER PARTS CATALOG

CODE EXPLANATIONS FOR FIGURE 67

- A - If special instruments and/or avionics are installed, check part number stamped on back of panel and order that part number.
- B - If any type autopilot is installed, refer to the Avionics Drawing Index List and the appropriate drawings supplied with each aircraft for replacement parts.
- C - Used if Dukes, Inc. Cabin Pressure Controller is installed.
- D - Used if Garret/Airesearch Cabin Pressure Controller is installed.

PIPER PARTS CATALOG

Figure and Index Number	Part Number	Code	NOMENCLATURE	No. Req.	SERIAL NUMBERS AFFECTED
			1234567		
67-	01200		DRAWING - Instrument Panel Installation		
-1	29692-02		INDICATOR - Clock, digital	1	
	450 706		INDICATOR - Clock, mechanical (W-33-7510ET)	1	
-2	46320-00		GAUGE - Gyro pressure	1	
-3	46457-00		GAUGE ASSEMBLY - Outside air temperature	1	
-4	41507-24		INDICATOR - Airspeed	1	
-5	548 452		INDICATOR - Turn and bank (Mitchell)	1	
	43220-00		INDICATOR - Turn and bank (R C. Allen)	1	
-6	548 602		INDICATOR - Rate of climb (PS50104-5-6)	1	
-7	548 323	B	INDICATOR - Attitude gyro (PS50127-2) (Aeritalia 8.148.015) (air driven)	1	31P-8414001 to 31P-8414009 incl
	548 456	B	INDICATOR - Attitude gyro (PS50127-4) (Aeritalia 8.148.019) (air driven)	1	31P-8414001 to 31P-8414009 incl.
	548 459	B	INDICATOR - Attitude gyro (PS50127-7) (R.C. Allen/AID RCA 22-8) (air driven)	1	31P-8414001 to 31P-8414009 incl.
	548 463	B	INDICATOR - Attitude gyro (PS50127-11) (Aviation Instruments 700-4CF(6)) (air driven)	1	31P-8414001 to 31P-8414009 incl
	548 464	B	INDICATOR - Attitude gyro (PS50127-12) (Aeritalia 8.148.036) (air driven)	1	31P-8414001 to 31P-8414009 incl.
-8	548 321	B	INDICATOR - Directional gyro (Aeritalia 8.143.015) (air driven)	1	31P-8414001 to 31P-8414009 incl
-9	548 331		INSTRUMENT - Altimeter, sensitive (scale in inches of mercury and millibars) (PS50008-11-2)	1	31P-8414001 to 31P-8414009 incl
	548 039		INSTRUMENT - Altimeter, encoding (scale in inches of mercury) (PS50008-6-2)	1	31P-8414010 and up
-10	19697-13		GAUGE ASSEMBLY - Manifold pressure, dual	1	
-11	02051-02		TACHOMETER ASSEMBLY - Dual (660055-503)	1	
-12	548 036		GAUGE ASSEMBLY - Exhaust gas temperature (PS50101-33L) dual	1	
-13	01183-02		GAUGE ASSEMBLY - Dual fuel flow	1	
	01183-03		GAUGE ASSEMBLY - Dual fuel flow/totalizer	1	
-14	48040-02		GAUGE ASSEMBLY - Engine oil pressure and temperature, cylinder head temperature	2	
-15	548 660		GAUGE ASSEMBLY - Dual fuel quantity (302-918-002)	1	
-16	02082-02		GAUGE ASSEMBLY - Dual fuel pressure	1	
-17	550 422		INSTRUMENT - Cabin rate of climb (PS50094-02)	1	
-18	01708-02		GAUGE ASSEMBLY - Cabin differential pressure and cabin altitude	1	
-19	29777-03	C	CONTROLLER ASSEMBLY - Cabin pressurization	1	
	29560-03	D	CONTROLLER ASSEMBLY - Cabin pressurization	1	
-20	49684-02		INDICATOR - Wing flap	1	
-21	29307-06	A	PANEL - Instrument, left (standard)	1	31P-8414001 to 31P-8414009 incl
	02261-02	A	PANEL - Instrument, left (standard)	1	31P-8414010 and up
-22	01175-02	A	PANEL - Instrument, center, top (standard)	1	
-23	01176-02	A	PANEL - Instrument, center, bottom (standard)	1	
-24	01192-02	A	PANEL - Instrument, right (standard)	1	
-25	01264-02		PANEL ASSEMBLY - Electroluminescent, controls, left	1	
-26	01265-02		PANEL ASSEMBLY - Electroluminescent, control, right	1	
-27	48179-78		PANEL ASSEMBLY - Electroluminescent, inverter power/bus tie switches	1	31P-8414001 to 31P-8414009 incl.
-28	46319-04		GAUGE ASSEMBLY - Pneumatic pressure	1	
-29	41679-02		PLATE - Cover	2	31P-8414001 to 31P-8414009 incl.
	41679-02		PLATE - Cover	1	31P-8414010 and up
-30	41678-06		PLATE - Cover	7	
-31	41678-06		PLATE - Cover	3	31P-8414001 to 31P-8414009 incl.
-32	80856-02	C	PLACARD - Cabin pressure test switch	1	
	80772-02	D	PLACARD - Cabin pressure test switch	1	

When ordering, always specify Part Number, Description and Serial Number of Aircraft

PIPER PARTS CATALOG

Figure and Index Number	Part Number	Code	NOMENCLATURE	No. Req.	SERIAL NUMBERS AFFECTED
		1234567			
67-33	40885-00		SPACER - Gyro mounting (6° Tilt)	2	31P-8414001 to 31P-8414009 incl.
	40885-04		SPACER - Gyro mounting (8° Tilt)	2	31P-8414001 to 31P-8414009 incl.
-34	472 829		LIGHT - Bolt	AR	
-35	472 028		* BULB - (PS10008-327)	1	
-36	556 743		WIRE AND NUT ASSEMBLY - Bolt light (5954-8ND-2)	AR	
-37	42034-00		STRAP - Ground	4	
-38	475 109		MOUNT - (J-7219-22)	10	
	477 793		NUT - Cap (26C-02)	10	
-39	453 841		BUTTON - Plug (SS-51051) (.43 dia. hole)	2	
-40	453 810		BUTTON - Plug (SS-48172) (.62 dia. hole)	4	
-41	51147-00		PLATE - Cover	1	
-42	80773-02		PLACARD - Mike-phone jacks	1	
-43	80556-02		PLACARD - Master caution	1	
-44	54628-03		HOLDER - Crew cup	2	
-45	411 534		SCREW - (MS35207-265)	2	
	407 564		WASHER - (AN960-10)	2	
	80012-06		BUSHING - (.250 O.D.)	2	
	408 813		WASHER - Spring (3502-10-79-0511)	2	
	19513-38		WASHER	2	
	41413-26		BUSHING - (.375 O.D.)	2	
	404 887		NUT - (MS20365-1032C)	2	
-46	01455-02		GLARESHIELD ASSEMBLY - Instrument panel	1	
-47	80755-02		* PLACARD - Annunciator test	1	
-48	588 125		* SWITCH - Annunciator test (SA42SDW11-3)	1	
-49	80614-02		* PLACARD - Annunciator Hi-Lo	1	
-50	588 126		* SWITCH - Annunciator Hi-Lo (SA41SEW11-3)	1	
-51	55357-02		* RETAINER - Light assembly, left	1	
	55357-03		* RETAINER - Light assembly, right	1	
-52	49644-02		* VENTILATOR - Glareshield	6	
-53	424 054		* COTTER PIN - (MS24665-140)	6	
-54	29359-12		* CAP ASSEMBLY - "Flap"	1	
	29359-20		* CAP ASSEMBLY - "Ann. Power"	1	
	29359-21		* CAP ASSEMBLY - "Cabin Press"	1	
	29359-23		* CAP ASSEMBLY - "Cabin Dr. Unsafe"	1	
	29359-24		* CAP ASSEMBLY - "Nose/Bag. Dr. Ajar"	1	
	29359-25		* CAP ASSEMBLY - "Upress. Air Source"	1	
	29359-28		* CAP ASSEMBLY - "Left Start/Right Start"	1	
	29359-33		* CAP ASSEMBLY - "System Voltage"	1	
	29359-34		* CAP ASSEMBLY - "Ext. Power"	1	
	29359-51		* CAP ASSEMBLY - "L. Pneu. Inop."	1	
	29359-52		* CAP ASSEMBLY - "R. Pneu. Inop."	1	
	29359-53		* CAP ASSEMBLY - "L. Fuel Boost Inop."	1	
	29359-54		* CAP ASSEMBLY - "R. Fuel Boost Inop."	1	
	29359-55		* CAP ASSEMBLY - "L. Alt. Inop."	1	
	29359-56		* CAP ASSEMBLY - "R. Alt. Inop."	1	
	29359-57		* CAP ASSEMBLY - "Outbd. Wing Deice"	1	
	29359-58		* CAP ASSEMBLY - "Tail/Inbd. Wing Deice"	1	
	29359-59		* CAP ASSEMBLY - "Door Seal Press. Lo"	1	
-55	472 058		* BULB - (387)	AR	
-56	42580-00		COMPASS ASSEMBLY	1	
-57	81060-02		PLACARD - Compass erratic	1	
-58	571 121		KNOB - Flanged (SFC-2B2)	1	
-59	51006-00		ENGINE HOUR METER	1	
-60	02271-02		PLACARD - Inverter power/bus tie switches	1	31P-8414010 and up
-61	81050-02		DECAL - Limitations	1	
-62	571 112		KNOB - (105D)	1	

When ordering, always specify Part Number, Description and Serial Number of Aircraft

PIPER PARTS CATALOG

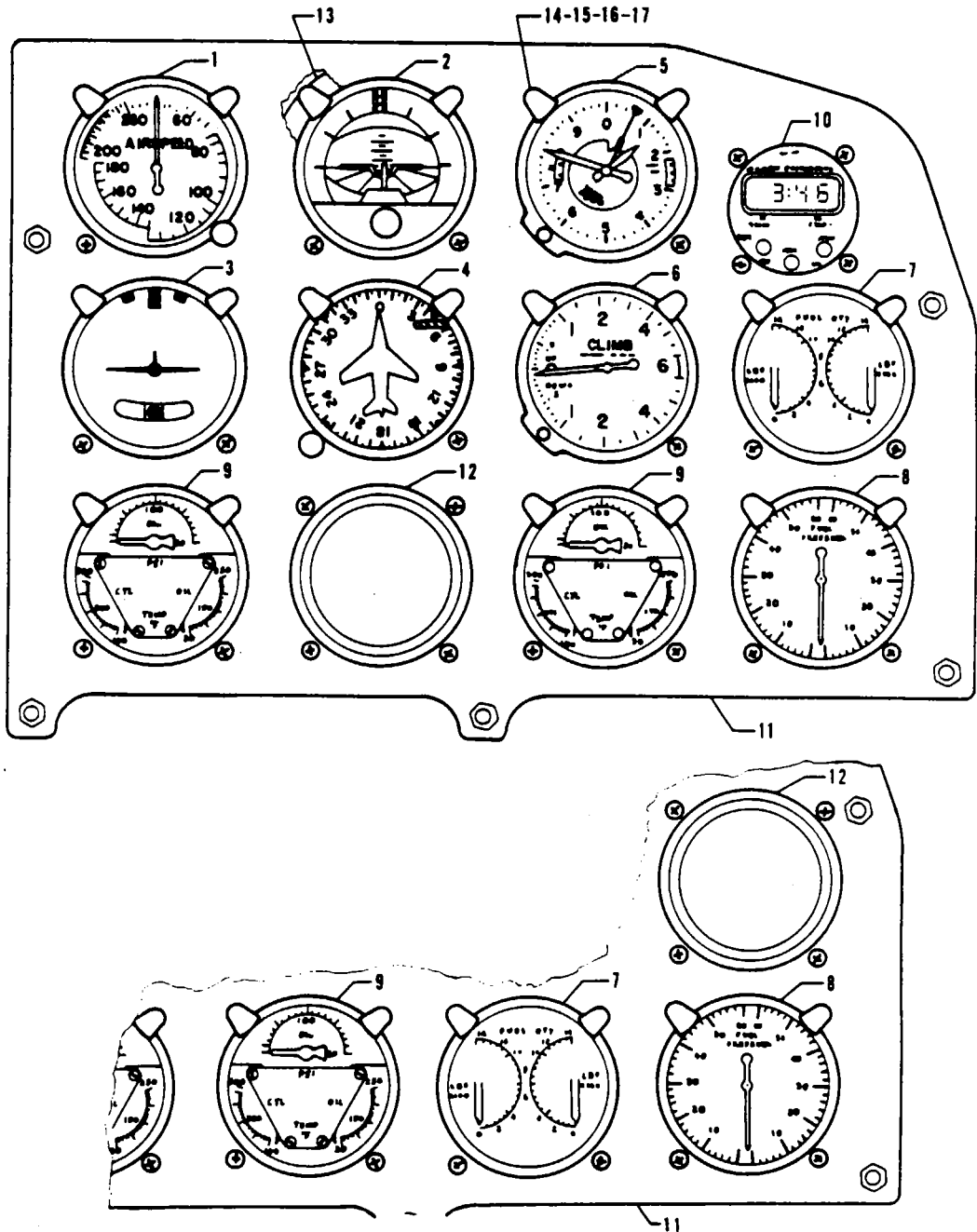


Figure 68. Dual Instrument Panel

PIPER PARTS CATALOG

CODE EXPLANATIONS FOR FIGURE 68

- A - If any type autopilot is installed, refer to the Avionics Drawing Index List and the appropriate drawings supplied with each aircraft for replacement parts.
- B - If special instruments and/or avionics are installed, check part number stamped on back of panel and order that part number.

PIPER PARTS CATALOG

Figure and Index Number	Part Number	Code	NOMENCLATURE	No. Req.	SERIAL NUMBERS AFFECTED
			1234567		
68-	01660		DRAWING - Dual Instrument Panel Installation		
.1	41507-24		INDICATOR - Airspeed	1	
.2	46912-00	A	INDICATOR - Attitude gyro (electric) (A.I.M.)	1	
	55684-02	A	INDICATOR - Attitude gyro (electric) (R.C. Allen)	1	
	548 459	A	INDICATOR - Attitude gyro (air driven) (PS50127-7)	1	
.3	548 451		INDICATOR - Turn and bank (air driven) (PS50128-15)	1	
.4	46911-00	A	INDICATOR - Directional gyro (Aviation Instruments)	1	
	55683-02	A	INDICATOR - Directional gyro (R.C. Allen)	1	
	548 321	A	INDICATOR - Directional gyro (air driven) (PS50126-2)	1	
.5	548 331		INDICATOR - Altimeter, sensitive (scale in inches of mercury and millibars) (PS50008-11-2)	1	
.6	548 029		INDICATOR - Rate of climb (PS50104-3-4)	1	
	548 170		INDICATOR - Rate of climb (PS50104-5-5)	1	
.7	548 660		INDICATOR - Dual fuel quantity (302-918-002) Gull Airborne	1	
.8	02082-02		INDICATOR - Dual fuel pressure	1	
.9	48040-02		INDICATOR - Engine, combination (Edo-Aire)	2	
.10	450 706		INDICATOR - Clock, mechanical (W-33-7510-ET)	1	
	450 764		INDICATOR - Clock, mechanical (ALL-90P-ET)	1	
	29692-02		INDICATOR - Clock, digital	1	
.11	01192-03	B	PANEL - Instrument, right	1	
.12	41678-06		PLATE - Cover	1	
.13	40885-04		SPACER - Gyro mounting	2	
.14	472 829		LIGHT - Bolt	21	
.15	472 028		* BULB - Bolt light (327)	1	
.16	01194-02		HARNESSE ASSEMBLY - Bolt light	1	
.17	556 743		* WIRE AND NUT ASSEMBLY - Bolt light (5954-8ND-2)	23	

When ordering, always specify Part Number, Description and Serial Number of Aircraft

PIPER PARTS CATALOG

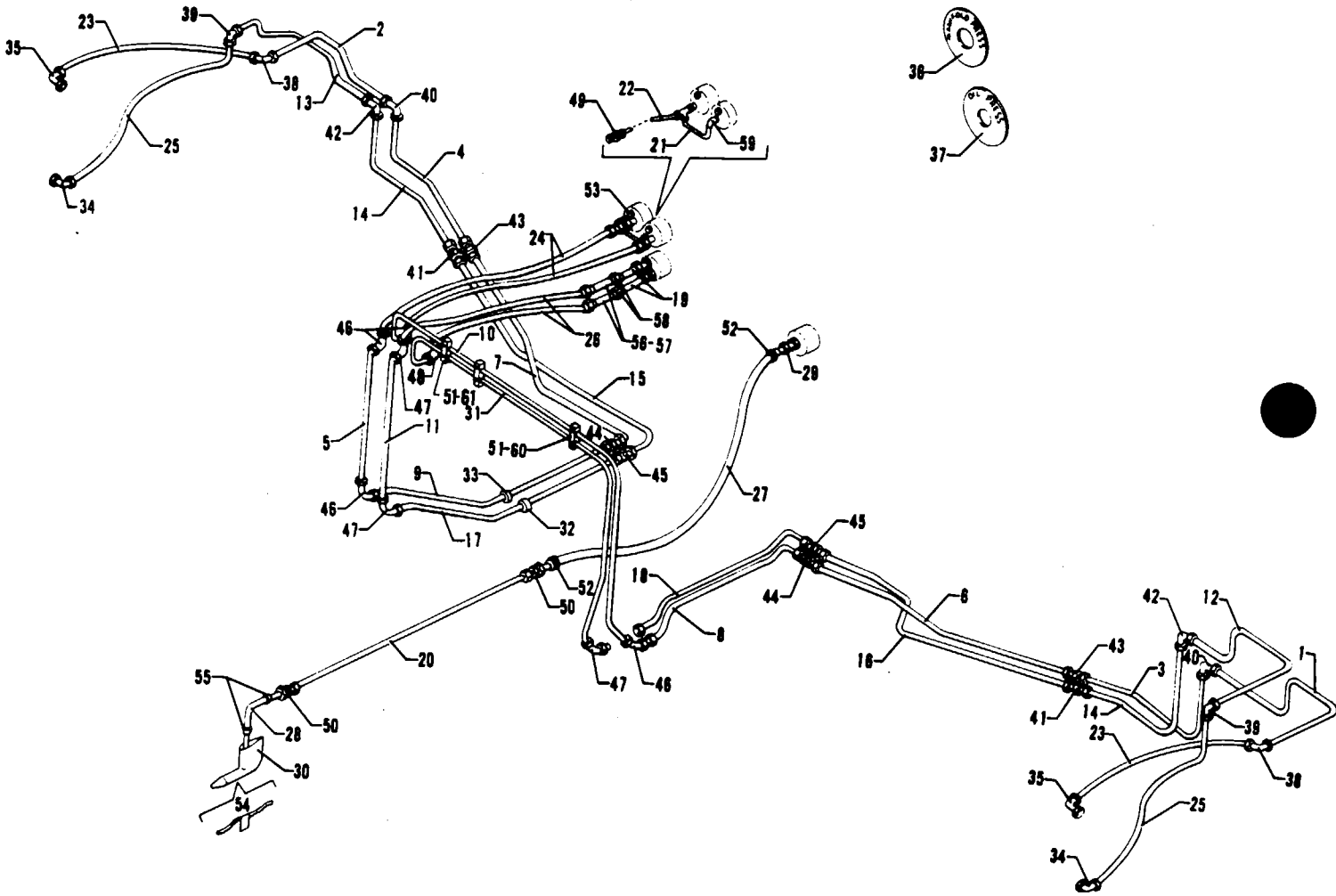


Figure 69. Miscellaneous Air and Fluid Lines Installation

PIPER PARTS CATALOG

CODE EXPLANATIONS FOR FIGURE 69

PIPER PARTS CATALOG

Figure and Index Number	Part Number	Code	NOMENCLATURE	No. Req.	SERIAL NUMBERS AFFECTED
		1234567			
69-	01385		DRAWING - Miscellaneous Air and Fluid Lines Installation		
-1	01650-02		LINE ASSEMBLY - Oil pressure	1	
-2	01523-02		LINE ASSEMBLY - Oil pressure	1	
-3	01651-02		LINE ASSEMBLY - Oil pressure	1	
-4	41905-00		LINE ASSEMBLY - Oil pressure	1	
-5	46051-04		LINE ASSEMBLY - Oil pressure	1	
-6	22673-72		LINE ASSEMBLY - Oil pressure	1	
-7	22673-74		LINE ASSEMBLY - Oil pressure	1	
-8	46420-00		LINE ASSEMBLY - Oil pressure	1	
-9	46490-03		LINE ASSEMBLY - Oil pressure	1	
-10	46411-03		LINE ASSEMBLY - Oil pressure	1	
-11	46051-02		LINE ASSEMBLY - Manifold pressure	1	
-12	01554-02		LINE ASSEMBLY - Manifold pressure	1	
-13	01522-02		LINE ASSEMBLY - Manifold pressure	1	
-14	02125-02		LINE ASSEMBLY - Manifold pressure, left engine	1	
	41904-00		LINE ASSEMBLY - Manifold pressure, right engine	1	
-15	42123-00		LINE ASSEMBLY - Manifold pressure	1	
-16	52378-00		LINE ASSEMBLY - Manifold pressure	1	
-17	46490-02		LINE ASSEMBLY - Manifold pressure	1	
-18	48314-00		LINE ASSEMBLY - Manifold pressure	1	
-19	80024-65		LINE ASSEMBLY - Instrument air, pressure	2	
-20	54855-02		LINE ASSEMBLY - Instrument air, pressure	1	
-21	80004-08		LINE ASSEMBLY - Instrument air, pressure	1	
-22	80004-09		LINE ASSEMBLY - Instrument air, pressure	1	
-23	39995-45		HOSE ASSEMBLY - Oil pressure, flexible	2	
-24	17766-67		HOSE ASSEMBLY - Oil pressure, flexible	2	
-25	39997-02		HOSE ASSEMBLY - Manifold pressure, flexible	2	
-26	17766-100		HOSE ASSEMBLY - Manifold pressure, flexible	2	
-27	49998-10		HOSE - Instrument air, pressure	1	
-28	49998-09		HOSE - Instrument air, pressure	1	
-29	17881-06		LINE ASSEMBLY - Instrument air, pressure	1	
-30	46771-00		TUBE ASSEMBLY - Heated pitot	1	
-31	46411-02		LINE ASSEMBLY - Manifold pressure	1	
-32	434 155		GROMMET - (MS35489-7S)	1	
-33	434 168		GROMMET - (MS35489-5S)	1	
-34	458 875		ELBOW - (AN822-4)	2	
-35	17803-00		ELBOW	2	
-36	40849-15		PLACARD - "Manifold Pressure"	5	
-37	40849-16		PLACARD - "Oil Pressure"	4	
-38	458 937		ELBOW - 45° (AN837-3)	2	
	407 567		WASHER - (AN960-616)	2	
	477 628		NUT - (AN924-3)	2	
-39	458 934		ELBOW - 90° (AN833-4)	2	
	407 568		WASHER - (AN960-716)	2	
	477 629		NUT - (AN924-4)	2	
-40	458 899		ELBOW - 90° (AN833-3D)	2	
	407 567		WASHER - (AN960-616)	2	
	477 617		NUT - (AN924-3D)	2	
-41	491 050		UNION - (AN815-4D)	2	
-42	458 900		ELBOW - 90° (AN833-4D)	2	
	407 568		WASHER - (AN960-716)	2	
	477 618		NUT - (AN924-4D)	2	
-43	491 049		UNION - (AN815-3D)	2	

When ordering, always specify Part Number, Description and Serial Number of Aircraft

PIPER PARTS CATALOG

Figure and Index Number	Part Number	Code	NOMENCLATURE	No. Req.	SERIAL NUMBERS AFFECTED
		1234567			
69-44	491 059		UNION - (AN832-3D)	2	
	407 567		WASHER - (AN960-616)	2	
	477 617		NUT - (AN924-3D)	2	
-45	491 060		UNION - (AN832-4D)	2	
	407 568		WASHER - (AN960-716)	2	
	477 618		NUT - (AN924-4D)	2	
-46	458 909		ELBOW - 45° (AN837-3D)	4	
	407 567		WASHER - (AN960-616)	4	
	477 617		NUT - (AN924-3D)	4	
-47	458 910		ELBOW - 45° (AN837-4D)	3	
	407 568		WASHER - (AN960-716)	3	
	477 618		NUT - (AN924-4D)	3	
-48	458 900		ELBOW - 90° (AN833-4D)	1	
	407 568		WASHER - (AN960-716)	1	
	477 618		NUT - (AN924-4D)	1	
-49	491 058		UNION - (AN832-2D)	1	
	407 566		WASHER - (AN960-516)	1	
	477 619		NUT - (AN924-2D)	1	
-50	451 853		ADAPTER - (AN807-4D)	3	
	407 568		WASHER - (AN960-716)	3	
	477 618		NUT - (AN924-4D)	3	
-51	401 269		BOLT - (AN3-10A)	6	
-52	554 983		CLAMP - (SAE TY F-4)	2	
-53	476 647		NIPPLE - (AN816-3D)	2	
-54	43561-00		COVER ASSEMBLY - Pitot tube	1	
-55	454 983		CLAMP - (SAE TY E-8)	2	
-56	43404-00		FILTER ASSEMBLY - Manifold pressure gauge	2	
-57	754 817		* FILTER - Manifold pressure gauge	1	
-58	43775-00		* REDUCER - Manifold pressure gauge	2	
-59	458 894		ELBOW - 90° (AN822-2D)	1	
-60	47019-04		BLOCK ASSEMBLY - Tube retaining	4	
-61	47347-04		BLOCK ASSEMBLY - Tube retaining	1	

When ordering, always specify Part Number, Description and Serial Number of Aircraft

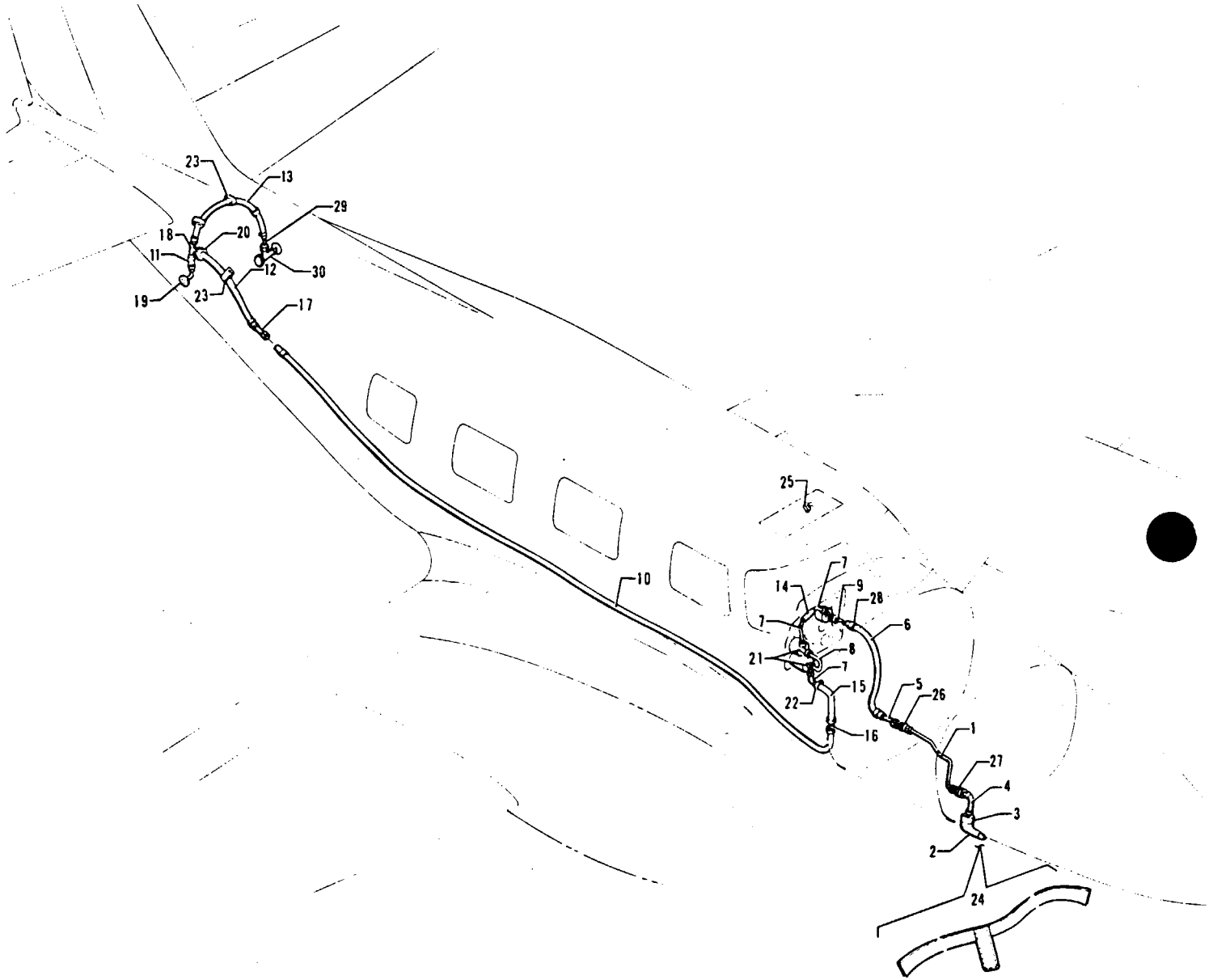


Figure 70. Dual Instrument Air System Installation

PIPER PARTS CATALOG

CODE EXPLANATIONS FOR FIGURE 70

PIPER PARTS CATALOG

Figure and Index Number	Part Number	Code	NOMENCLATURE	No. Req.	SERIAL NUMBERS AFFECTED
		1234567			
70-	01660		DRAWING - Dual Instrument Panel Installation		
	01385		DRAWING - Miscellaneous Air and Fluid Lines Installation		
-1	54855-02		LINE ASSEMBLY - Instrument air pressure, right	1	
-2	46771-00		TUBE ASSEMBLY - Heated pitot	1	
-3	41466-05		MAST ASSEMBLY - Pitot tube	1	
-4	49998-09		HOSE - Instrument air pressure	1	
-5	46723-00		LINE ASSEMBLY - Static pressure	1	
-6	49998-10		HOSE - Instrument air pressure	1	
-7	46722-00		LINE ASSEMBLY - Static pressure	3	
-8	46713-00		LINE ASSEMBLY - Static pressure	1	
-9	17881-06		LINE ASSEMBLY - Static pressure (fittings one end)	1	
-10	80007-05		HOSE - Static pressure	1	
-11	80007-55		HOSE - Static pressure	1	
-12	80007-53		HOSE - Static pressure	1	
-13	80007-54		HOSE - Static pressure	1	
-14	80007-10		HOSE - Static pressure	1	
-15	80007-12		HOSE - Static pressure	1	
-16	45222-00		TUBE ASSEMBLY - Static air	1	
-17	46810-00		LINE ASSEMBLY - Static air	1	
-18	47652-00		TEE - Static air	1	
-19	41995-00		FITTING ASSEMBLY - Static line vent, left	1	
	47695-00		FITTING ASSEMBLY - Static line vent, right	1	
-20	434 138		GROMMET - (MS35489-17)	1	
-21	488 316		TEE - (MS20826-4D)	2	
-22	554 778		CLAMP - (SAE TY F-4SS)	14	
-23	654 094		CLAMP - (PS10017-6-7)	4	
-24	43561-00		COVER ASSEMBLY - Pitot tube	1	
-25	47664-02		SWITCH - Right pitot heat	1	
-26	491 060		UNION - (AN832-4D)	1	
	407 568		WASHER - (AN960-716)	1	
	477 618		NUT - (AN924-4D)	1	
-27	451 853		ADAPTER - (AN807-4D)	1	
	407 568		WASHER - (AN960-716)	1	
	477 618		NUT - (AN924-4D)	1	
-28	554 778		CLAMP - Pitot air (SAE TY F-4SS)	1	
-29	51376-00		LINE ASSEMBLY - Static pressure	1	
-30	488 316		TEE - (MS20826-4D)	1	
	454 173		CAP - (AN929-4)	1	

When ordering, always specify Part Number, Description and Serial Number of Aircraft

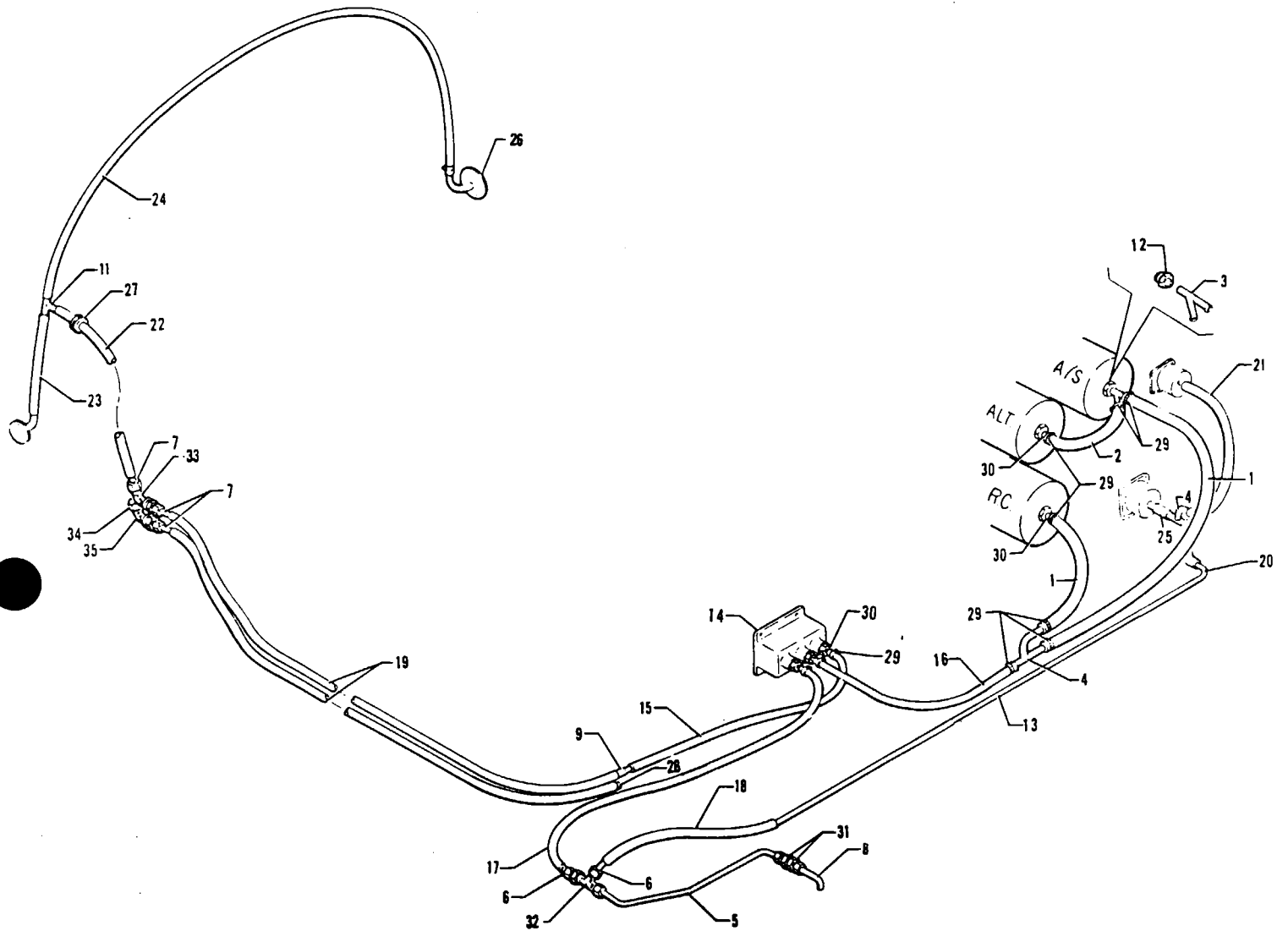


Figure 71. Static Air System Installation

PIPER PARTS CATALOG

CODE EXPLANATIONS FOR FIGURE 71

PIPER PARTS CATALOG

Figure and Index Number	Part Number	Code	NOMENCLATURE	No. Req.	SERIAL NUMBERS AFFECTED
		1234567			
71-	50880		DRAWING - Static Air System Installation		
-1	80007-30		HOSE - Static pressure	2	
-2	80007-10		HOSE - Static pressure	1	
-3	54702-02		TUBE ASSEMBLY - Static pressure	1	
-4	16632-00		TUBE - Static pressure	2	
-5	46732-00		LINE ASSEMBLY - Static pressure	1	
-6	46723-00		LINE ASSEMBLY - Static pressure	2	
-7	46810-00		LINE ASSEMBLY - Static pressure	3	
-8	46876-00		LINE ASSEMBLY - Static pressure	1	
-9	45222-00		LINE ASSEMBLY - Static pressure	1	
-10	454 299		CAP ASSEMBLY - (AN929-6)	1	
-11	47652-00		LINE ASSEMBLY - Tee	1	
-12	476 648		NIPPLE - (AN816-4D)	1	
-13	50608-02		MANIFOLD ASSEMBLY - Static air	1	
-14	51049-00		VALVE - Static air pressure	1	
-15	80007-13		HOSE - Static pressure	1	
-16	80007-29		HOSE - Static pressure	1	
-17	80007-12		HOSE - Static pressure	1	
-18	80007-11		HOSE - Static pressure	1	
-19	80007-52		HOSE - Static pressure	2	
-20	80007-36		HOSE - Static pressure	1	
-21	80007-06		HOSE - Static pressure	1	
-22	80007-53		HOSE - Static pressure	1	
-23	80007-55		HOSE - Static pressure	1	
-24	80007-54		HOSE - Static pressure	1	
-25	80007-11		HOSE - Static pressure	1	
-26	47695-00		FITTING ASSEMBLY - Static line vent	2	
-27	434 138		GROMMET - (MS35489-17)	1	
-28	453 840		PLUG - Button (207-241141-00)	1	
-29	554 778		CLAMP - (SAE TY F-4SS)	29	
-30	451 857		ADAPTER - (AN840-4D)	5	
-31	491 060		UNION - (AN832-4D)	1	
	407 568		WASHER - (AN960-716)	1	
	477 618		NUT - (AN924-4D)	1	
-32	488 311		TEE - (AN804-4D)	1	
	407 568		WASHER - (AN960-716)	1	
	477 618		NUT - (AN924-4D)	1	
-33	407 567		WASHER - (AN960-616)	2	
	458 913		ELBOW - 45° (AN837-6D)	2	

When ordering, always specify Part Number, Description and Serial Number of Aircraft

PIPER PARTS CATALOG

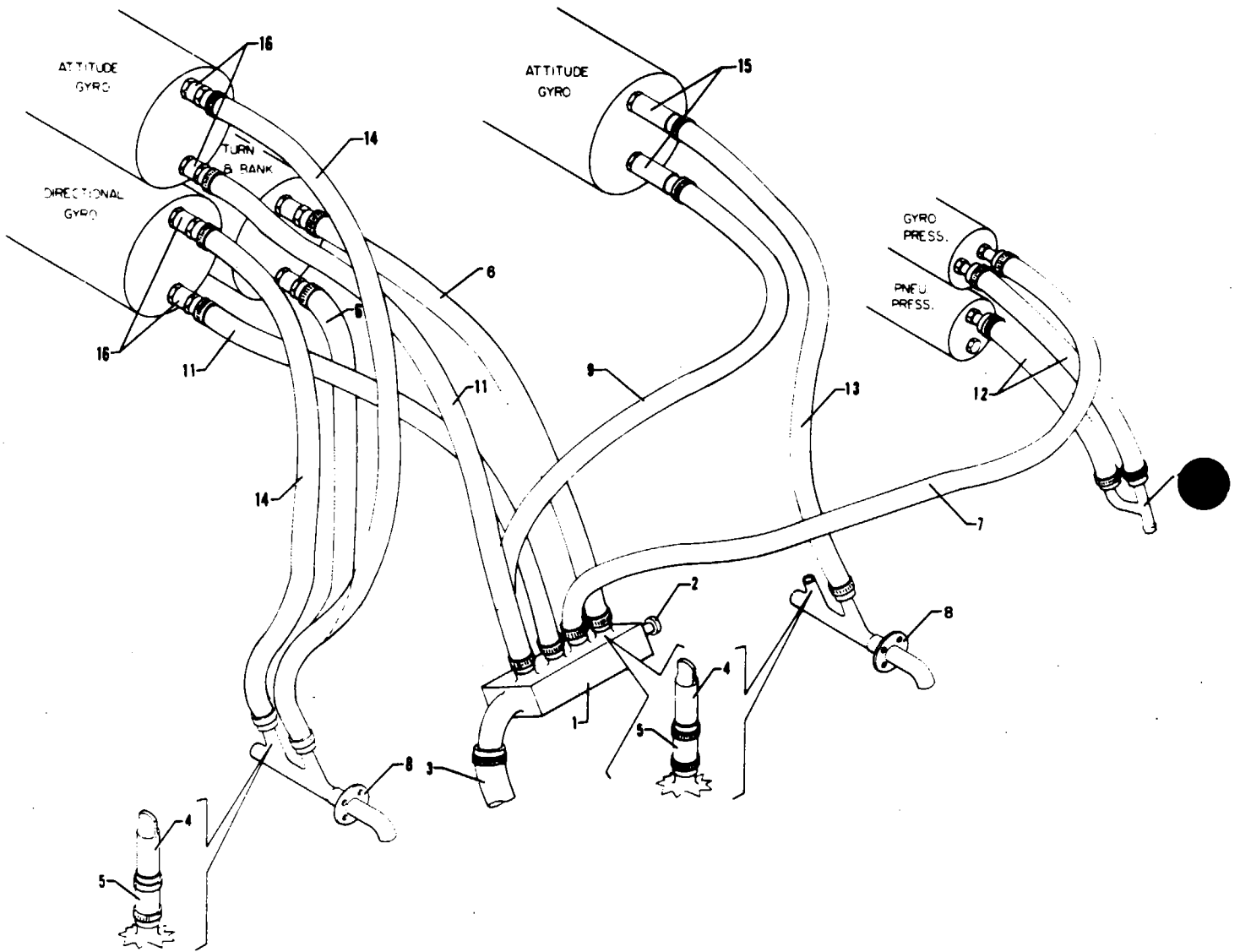


Figure 72. Pressure Driven Instrument
Air Lines Installation

PIPER PARTS CATALOG

CODE EXPLANATIONS FOR FIGURE 72

- A - Used if pressure driven flight director indicator is installed on pilot instrument panel.
- B - Used if pressure driven attitude gyro and directional gyro indicators are installed on co-pilot instrument panel
- C - Used if pressure driven attitude gyro and turn and bank indicators only are installed on co-pilot instrument panel.

PIPER PARTS CATALOG

Figure and Index Number	Part Number	Code	NOMENCLATURE	No. Req.	SERIAL NUMBERS AFFECTED
			1234567		
72-	01505		DRAWING - Gyro Instruments Lines Installation		
	02134		DRAWING - Copilot Gyro Lines Installation (Air Driven)		
-1	49648-08		MANIFOLD ASSEMBLY - Instrument air (with three 38 O D. tubes)	1	
-2	49638-02		* BOLT - Turn and bank pressure adjustment	1	
-3	82371-154		HOSE - Flexible, air supply	1	
-4	50558-02		PLUG - Manifold assembly (.38 O D.)	AR	
-5	82371-51		HOSE - Flexible (38 I.D.)	AR	
-6	80007-02		HOSE - Manifold to turn and bank	1	
	80007-02		HOSE - Turn and bank to fitting assembly	1	
-7	83161-36		HOSE - Manifold to gyro pressure gauge	1	
-8	01527-06		FITTING ASSEMBLY - Instrument air, left	1	
	01527-11		FITTING ASSEMBLY - Instrument air, right	1	
-9	80007-51	A	HOSE - Manifold to attitude gyro	1	
-10	16632-00		TUBE ASSEMBLY - Instrument air supply	1	
-11	82371-164	B	HOSE - Manifold to attitude gyro	1	
	82371-164	B	HOSE - Manifold to directional gyro	1	
-12	80007-08		HOSE - Flexible, exhaust	2	
-13	16633-06	A	HOSE - Attitude gyro to pressure bulkhead	1	
-14	82371-134	B	HOSE - Attitude gyro to fitting assembly	1	
	82371-134	B	HOSE - Directional gyro to fitting assembly	1	
-15	555 346	A	COUPLING - (1147-11-4)	4	
-16	588 913	B	FITTING - (1K9-4-6)	4	
	588 913	C	FITTING - (1K9-4-6)	2	

When ordering, always specify Part Number, Description and Serial Number of Aircraft

PIPER PARTS CATALOG

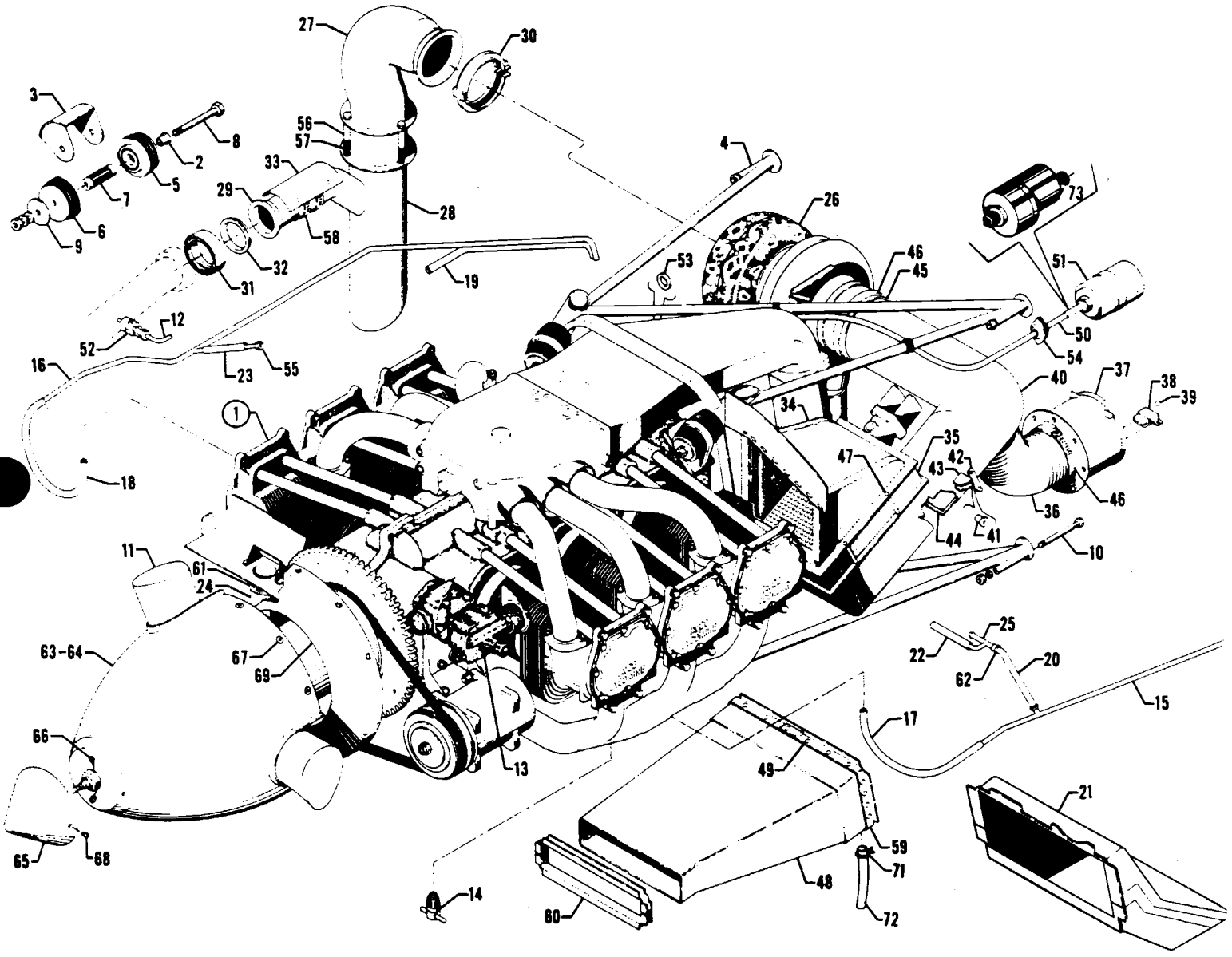


Figure 73. Power Plant Installation

REVISED: MARCH 1984

2D21

PA-31P-350

PIPER PARTS CATALOG

CODE EXPLANATIONS FOR FIGURE 73

- A - Secure from Lycoming Division - Avco Corporation, Williamsport, Penna.
- B - See Figure 81 for component parts. Also see Figure 128 if propeller electric deicer is installed.
- C - See Figure 82 if propeller synchrophaser is installed.
- D - See Figure 128 for deicer components.

PIPER PARTS CATALOG

Figure and Index Number	Part Number	Code	NOMENCLATURE	No. Req.	SERIAL NUMBERS AFFECTED
73-	01500		DRAWING - Power Plant Installation		
-1		A	ENGINE ASSEMBLY - Lycoming, left (TIO-540-V2AD)	1	
		A	ENGINE ASSEMBLY - Lycoming, right (LTIO-540-V2AD)	1	
-2	20737-20		BUSHING - Shoulder, engine mount	4	
-3	24754-05		SHIELD ASSEMBLY - Heat	2	
-4	01272-02		MOUNT ASSEMBLY - Engine	2	
-5	475 117		MOUNT ASSEMBLY - Top rear, bottom front (J9612-8)	8	
-6	475 116		MOUNT ASSEMBLY - Top front, bottom rear (J7763-1)	8	
-7	587 307		SPACER - Mount (J-10931-5)	8	
-8	400 277		BOLT - (AN7-40)	8	
	407 568		WASHER - (AN960-716)	16	
	477 664		NUT - (32FL-720)	8	
-9	85012-101		WASHER - Mount assembly	8	
-10	401 423		BOLT - (AN6-43A)	8	
	407 567		WASHER - (AN960-616)	8	
	404 890		NUT - (MS20365-624C)	8	
-11	551 020	B	PROPELLER ASSEMBLY - (HC-I3YR-2UF/FCEP563-2) left (without deicer)	1	
	01752-02	B,D	PROPELLER ASSEMBLY - (HC-I3YR-2UF/FCEP563K-2) left (with deicer)	1	
	551 019	B	PROPELLER ASSEMBLY - (HC-I3YR-2LUF/FJCEP563-2) right (without deicer)	1	
	01752-03	B,D	PROPELLER ASSEMBLY - (HC-I3YR-2LUF/FJCEP563K-2) right (with deicer)	1	
-12	494 686		WIRE - Extension (3199127)	2	
-13	02193-02		GOVERNOR ASSEMBLY - Hartzell, left (V-1)	1	
	02193-03	C	GOVERNOR ASSEMBLY - Hartzell, right (V-1L)	1	
-14	61879-02		VALVE ASSEMBLY - Oil drain, inboard	2	
-15	01519-02		TUBE ASSEMBLY - Drain, fuel shut down, left	2	
-16	01702-03		TUBE ASSEMBLY - Drain, fuel shut down, right	2	
-17	61541-32		HOSE - Drain, fuel shutdown, left	2	
-18	82371-73		HOSE - Drain, fuel shut down, right	2	
-19	61541-32		HOSE - Drain, intercooler fuel shut down	2	
-20	80007-39		HOSE - Drain	4	
-21	02286-02		DUCT ASSEMBLY - Intercooler exhaust	2	
-22	82371-149		HOSE - Drain, hydraulic pump	2	
-23	61541-28		HOSE - Drain, turbo by-pass valve	2	
-24	77910-17		HOSE - Alternator air	2	
-25	16632-00		TUBE ASSEMBLY - Drain connector	2	
-26	452 940		BLANKET - Insulation, turbocharger housing, lower half (6-727341-3)	2	
	452 941		BLANKET - Insulation, turbocharger housing, upper rear (6-727341-5)	2	
	452 939		BLANKET - Insulation, turbocharger housing, upper forward (6-727341-7)	2	
-27	01439-04		TAIL PIPE ASSEMBLY - Upper	2	
-28	01439-02		TAIL PIPE ASSEMBLY - Lower	2	
-29	01439-03		TAIL PIPE ASSEMBLY - Waste gate	2	
-30	557 369		COUPLING - Tail pipe (NH1005798-10)	2	
-31	557 089		COUPLING - Waste gate (MVT69183-225)	2	
-32	462 062		GASKET - Waste gate (24096-225-N)	2	
-33	01665-02		GUARD ASSEMBLY - Tail pipe	2	
-34	01482-02		DUCT ASSEMBLY - Air filter inlet	2	

When ordering, always specify Part Number, Description and Serial Number of Aircraft

PIPER PARTS CATALOG

Figure and Index Number	Part Number	Code	NOMENCLATURE	No. Req.	SERIAL NUMBERS AFFECTED
			1234567		
73-35	47075-00		FILTER ASSEMBLY - Induction air	2	
-36	48076-05		HOSE - Air duct	2	
-37	46306-00		BOX ASSEMBLY - Alternate air	2	
-38	554 046		* CATCH - Magnetic (41ALD)	1	
-39	415 535		* SCREW - (MS35206-245)	2	
-40	01432-02		DUCT ASSEMBLY - Air filter outlet	2	
-41	453 880		* BUSHING - (NAS77A5-62)	2	
-42	46674-06		* SHAFT ASSEMBLY - Air filter valve	1	
-43	01490-02		* STOP ASSEMBLY - Valve shaft	1	
-44	01433-02		* DOOR ASSEMBLY - Air shut off valve	1	
-44a	31075-04		* TUBE ASSEMBLY - Drain	1	
-45	53551-00		COUPLING - Induction air duct	2	
-46	554 991		CLAMP - (QS200-M605)	8	
-47	400 895		BOLT - (AN23-48A)	8	
	407 564		WASHER - (AN960-10)	8	
-48	02068-02		TUNNEL ASSEMBLY - Intercooler	2	
-49	415 535		SCREW - (MS35206-245)	20	
	407 583		WASHER - (AN960-8L)	20	
-50	01617-02	C	CABLE ASSEMBLY - Tachometer generator, left engine	1	31P-8414001 to 31P-8414024 incl., 31P-8414027 and up
	486 683		CABLE ASSEMBLY - Tachometer generator, left engine	1	31P-8414025 and 31P-8414026
	01617-03	C	CABLE ASSEMBLY - Tachometer generator, right engine	1	31P-8414001 to 31P-8414024 incl., 31P-8414027 and up
	486 682		CABLE ASSEMBLY - Tachometer generator, right engine	1	31P-8414025 and 31P-8414026
-51	462 141		GENERATOR - Tachometer (4002N)	2	
-52	55841-02		PROBE - Exhaust gas temperature	2	
-53	494 005		WASHER - Tachometer generator cable	2	
-54	22103-03		PLATE - Firewall seal grommet	4	
	22104-06		GROMMET - Firewall seal	4	
	22105-07		GASKET - Firewall seal	2	
-55	491 050		UNION - (AN815-4D)	2	
	484 842		O-RING - (MS29512-04)	2	
	17881-06		LINE ASSEMBLY - Adapter	2	
-56	400 076		BOLT - (AN3-36)	6	
	407 584		WASHER - (AN960-10L)	18	
	61402-97		BUSHING	6	
	404 100		NUT - (AN310-3)	6	
	424 097		COTTER PIN - (MS24665-172)	6	
-57	83302-81		SPRING	6	
-58	454 848		CLAMP - (PS10017-20-44)	8	
-59	02067-02		CLAMP - Half (straight ends)	2	
	02067-03		CLAMP - Half (joggled ends)	2	
-60	02069-02		CLAMP ASSEMBLY	2	
-61	554 974		CLAMP - (SAE TY F-28SS)	4	
-62	454 983		CLAMP - (SAE TY E-8)	26	
-63	585 223		SPINNER ASSEMBLY - Propeller (D-4841P)	2	
-64	764 830		* SPINNER ASSEMBLY - Dome unit (D-4830P)	1	
-65	764 661		* CAP - Spinner dome unit (B-3264-1P)	1	
-66	416 129		* SCREW - Safety (AN501-A10-6)	2	
-67	417 694		* SCREW - (AN526-C1032R8)	18	
	756 669		* WASHER - Fibre (A-1020)	73	
-68	414 781		* SCREW - Cap attachment (MS24693-C50)	18	
-69	758 614		* BULKHEAD - Spinner, aft (D-4877P)	1	
-70	82371-168		HOSE - Drain	2	
-71	454 806		CLAMP - (SAE TY E-7)	4	
-72	61541-31		HOSE - Intercooler drain	2	
-73	763 434		PULSE GENERATOR ASSEMBLY - (A-4478)	2	31P-8414025 and 31P-8414026

When ordering, always specify Part Number, Description and Serial Number of Aircraft

PIPER PARTS CATALOG

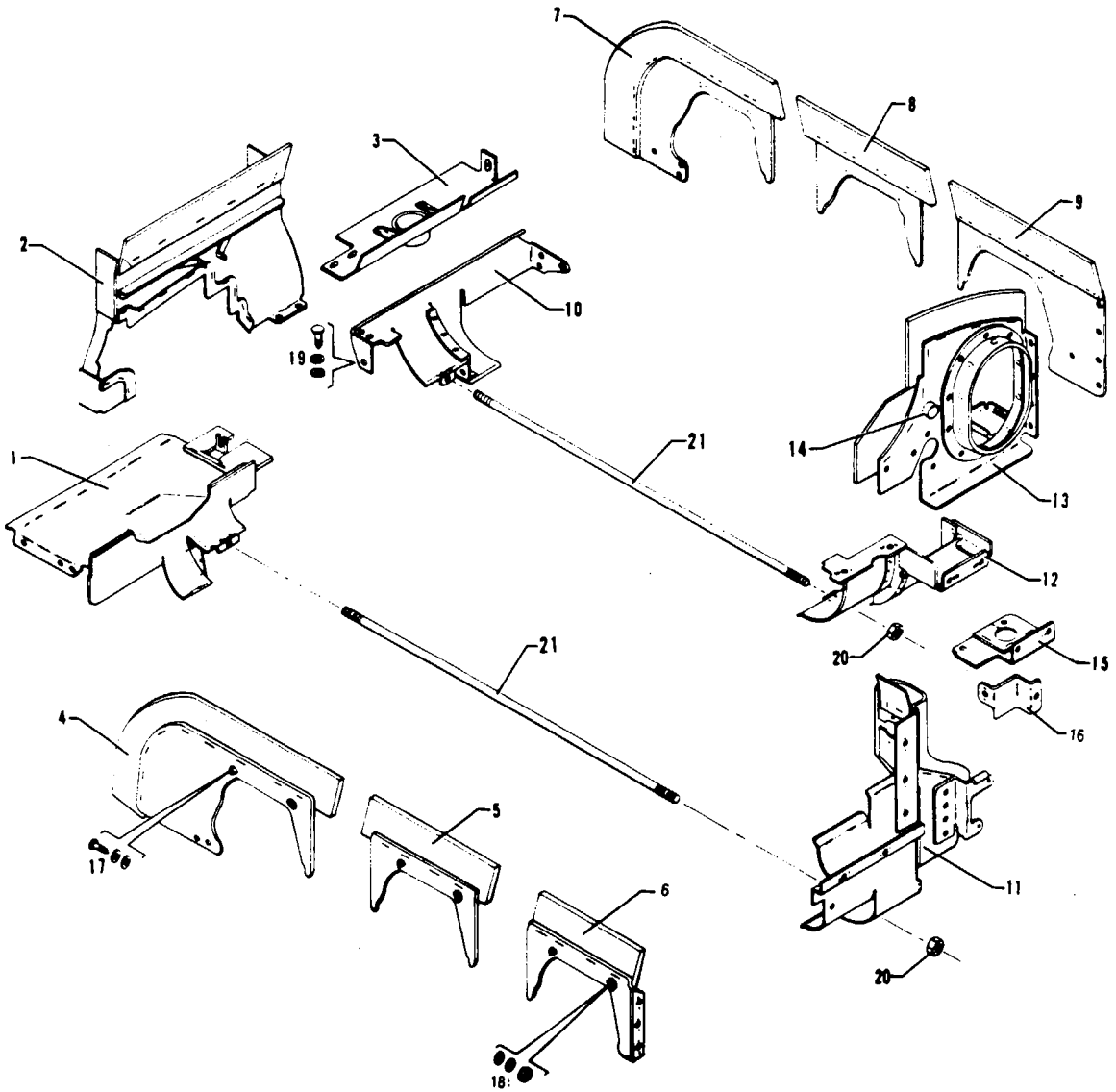


Figure 74 Engine Baffle Installation

PIPER PARTS CATALOG

CODE EXPLANATIONS FOR FIGURE 74

A - Used if electric prop deicer is installed.

PIPER PARTS CATALOG

Figure and Index Number	Part Number	Code	NOMENCLATURE	No. Req.	SERIAL NUMBERS AFFECTED
		1234567			
74-	01463		DRAWING - Engine Baffle Installation		
-1	01326-02		BAFFLE ASSEMBLY - Front, left, complete	2	
-2	01819-02		BAFFLE ASSEMBLY - Front, center	2	
	01819-14	A	BAFFLE ASSEMBLY - Frong, center	2	
-3	01354-03		BAFFLE ASSEMBLY - Front, right	2	
-4	01365-02		BAFFLE ASSEMBLY - Side, left front	2	
-5	01332-02		BAFFLE ASSEMBLY - Side, left center	2	
-6	01373-02		BAFFLE ASSEMBLY - Side, left rear	2	
-7	01334-02		BAFFLE ASSEMBLY - Side, right front	2	
-8	01332-02		BAFFLE ASSEMBLY - Side, right center	2	
-9	01355-02		BAFFLE ASSEMBLY - Side, right rear	2	
-10	01372-02		BAFFLE ASSEMBLY - Front, right	2	
-11	01473-02		BAFFLE ASSEMBLY - Rear, left	2	
-12	01408-02		BAFFLE ASSEMBLY - Rear, right	2	
-13	01345-02		BAFFLE ASSEMBLY - Rear, right	2	
-14	01345-09		* TUBE - Air take-off, pneumatic pump	1	
-15	01422-02		ANGLE ASSEMBLY - Baffle attachment	1	
-16	01420-02		CLIP ASSEMBLY - Baffle attachment	1	
-17	418 420		SCREW - Cap (1/4-20NC3 x 1/2 L.)	5	
	407 136		WASHER - (AN936-A416)	5	
	407 565		WASHER - (AN960-416)	5	
-18	405 580		NUT - (1/4 x 20 UNC-2B)	9	
	407 136		WASHER - (AN936-A416)	9	
	407 585		WASHER - (AN960-416L)	9	
-19	418 942		SCREW - Cap (3/8 - 16NC3 x 3/4 L.)	1	
	407 567		WASHER - (AN960-616)	1	
	407 138		WASHER - (AN936-A616)	1	
-20	404 831		NUT - (MS20364-632C)	4	
-21	39309-03		ROD - Baffle tie	4	

When ordering, always specify Part Number, Description and Serial Number of Aircraft

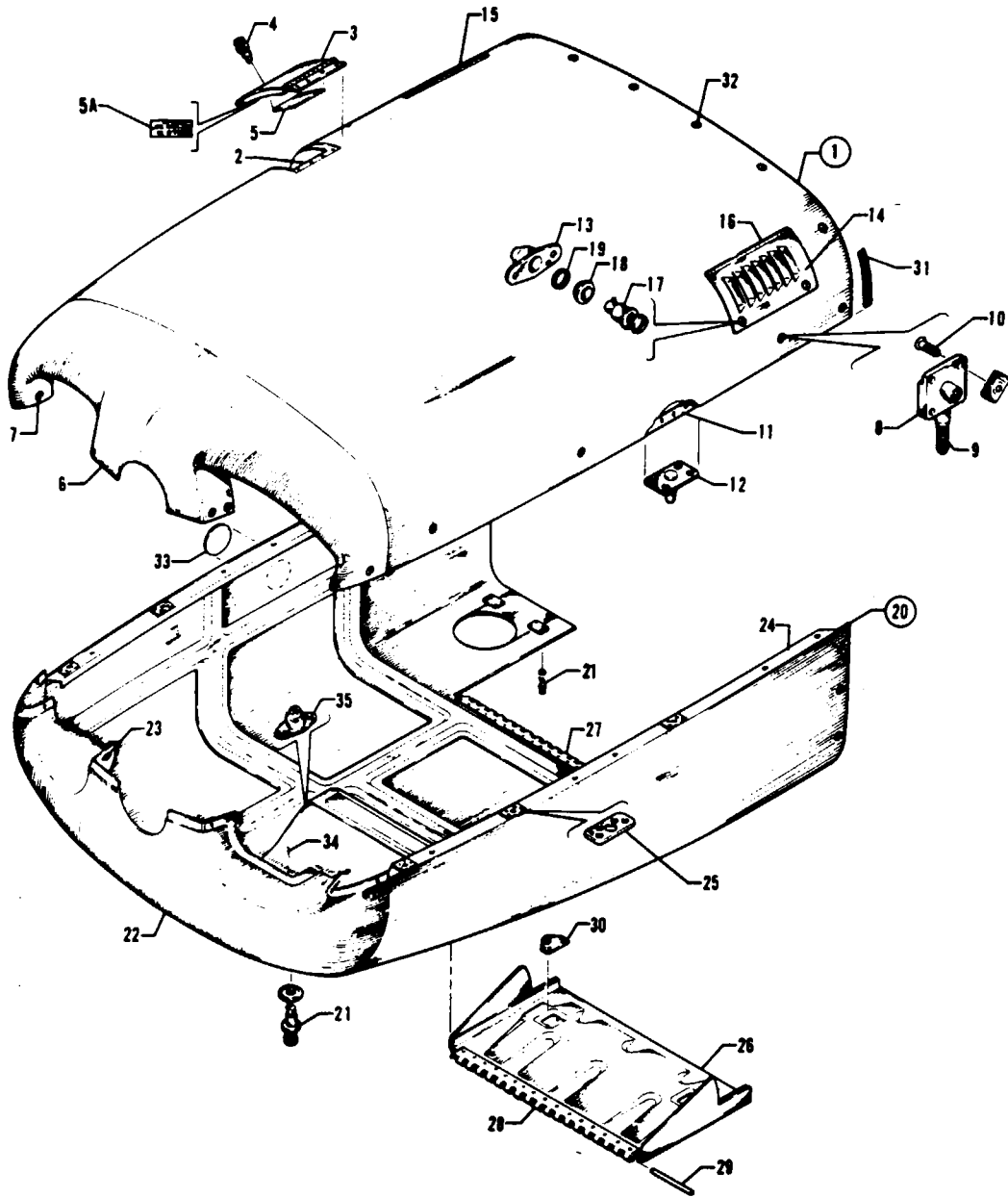


Figure 75. Engine Cowl Installation

PIPER PARTS CATALOG

CODE EXPLANATIONS FOR FIGURE 75

PIPER PARTS CATALOG

Figure and Index Number	Part Number	Code	NOMENCLATURE	No. Req.	SERIAL NUMBERS AFFECTED
75-	01444	1234567	DRAWING - Engine Cowl Installation		
-1	01240-02		COWL ASSEMBLY - Upper	2	
-2	01279-02		* PLATE ASSEMBLY - Cutout reinforcement	1	
-3	46355-07		* PLATE ASSEMBLY - Oil filler access	1	
-4	487 644		* * STUD - (2700-4)	1	
	494 088		* * WASHER - (27S5-1)	1	
-5	80454-02		* * PLACARD - Lubrication	1	
-5a	81070-02		* * PLACARD - Oil capacity (13 qts.)	1	
-6	01314-26		* NOSE COWL ASSEMBLY - Upper	1	
-7	487 728		* * STUD - (FX10-1558-2P)	8	
-8	565 251		* HOUSING ASSEMBLY - (H767-K868)	6	
-9	453 198		* BOLT - Eye (H897-1)	6	
-10	411 533		* SCREW - (MS35207-264)	24	
	406 714		* NUT - (RM52LHA4972-10-02)	24	
-11	01296-02		* CHANNEL ASSEMBLY - Cowl, left side	1	
	01296-03		* CHANNEL ASSEMBLY - Cowl, right side	1	
-12	41812-00		* * PIN ASSEMBLY - Cowl	2	
-13	484 312		* RECEPTACLE - (244-16D)	2	
-14	01797-02		* LOUVER - Upper cowl, left side	1	
-15	01797-03		* LOUVER ASSEMBLY - Upper cowl, right side	1	
-16	41800-05		* * HINGE ASSEMBLY - Louver	1	
-17	487 710		* * STUD - (4002-2)	2	
-18	463 416		* * GROMMET - (4002-N)	2	
-19	484 755		* * RING - Snap (R4G)	2	
-20	01403-02		COWL ASSEMBLY - Lower	2	
-21	587 617		* STUD - (27S3-4)	18	
	494 088		* WASHER - (27S5-1)	18	
-22	01314-02		* NOSE COWL ASSEMBLY - Lower	1	
-23	484 301		* * RECEPTACLE - (FX10-1502)	8	
-24	01402-02		* CHANNEL ASSEMBLY - Cowl, left side	1	
	01402-03		* CHANNEL ASSEMBLY - Cowl, right side	1	
-25	41808-00		* * RECEPTACLE - Retainer pin	3	
-26	01362-02		* FLAP ASSEMBLY - Lower	1	
-27	01362-05		* * HINGE HALF - Lower cowl	1	
-28	01362-06		* * HINGE HALF - Cowl flap	1	
-29	01362-07		* * PIN - Hinge	1	
-30	53423-00		BRACKET ASSEMBLY - Cowl flap	4	
-31	189 743		TAPE - (T-18) 1"	7'	
-32	487 704		STUD - (FX10-1558-1P)	16	
-33	474 658		MIRROR - Left nacelle, inboard (G-300L)	1	
-34	02065-02		SCOOP ASSEMBLY - Engine intercooler	2	
-35	484 305		* RECEPTACLE - (212-12)	16	

When ordering, always specify Part Number, Description and Serial Number of Aircraft

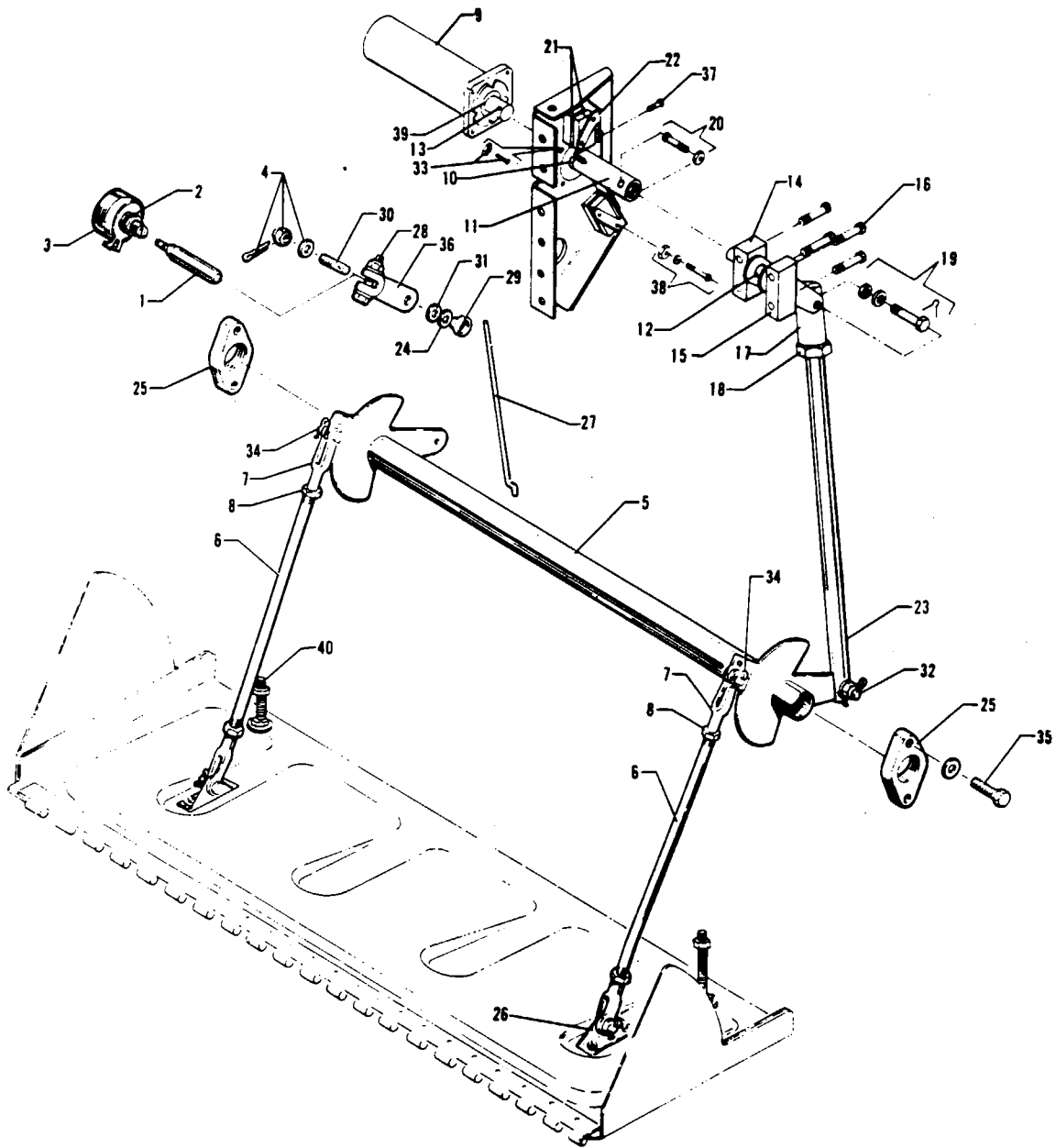


Figure 76. Cowl Flap Actuating Mechanism Installation

PIPER PARTS CATALOG

CODE EXPLANATIONS FOR FIGURE 76



PIPER PARTS CATALOG

Figure and Index Number	Part Number	Code	NOMENCLATURE	No. Req.	SERIAL NUMBERS AFFECTED
		1234567			
76-	01361		DRAWING - Cowl Flap Actuating Mechanism Installation		
-1	40958-00		SHAFT - Rheostat, cowl flap actuating	2	
-2	407 143		WASHER - (AN936-B616)	2	
-3	41229-00		RHEOSTAT - Cowl flap actuating	2	
-4	407 584		WASHER - (AN960-10L)	2	
	404 100		NUT - (AN310-3)	2	
	424 051		COTTER PIN - (MS24665-132)	2	
-5	01371-05		TUBE ASSEMBLY - Torque, cowl flap	2	
-6	01364-02		ROD ASSEMBLY - Cowl flap, inboard left, outboard right	2	
	01363-02		ROD ASSEMBLY - Cowl flap, inboard right, outboard left	2	
-7	454 901		* CLEVIS - (MS27975-4)	2	
-8	404 322		* NUT - Check (AN316-4R)	2	
-9	02036-02		MOTOR ASSEMBLY - Flap actuating	2	
-10	47830-00		BUSHING - Adapter	2	
-11	02289-02		SLEEVE ASSEMBLY - Limit switch actuating	2	
-12	01840-05		SHAFT ASSEMBLY - Flap actuating	2	
-13	86092-111		PIN - Drive, motor shaft	2	
-14	01837-03		BLOCK - Torque shaft bearing	2	
-15	01837-02		BLOCK - Torque shaft bearing	2	
-16	400 444		BOLT - (AN3-13A)	8	
-17	50189-00		SLEEVE - Threaded	2	
-18	404 330		NUT - Check (AN316-6R)	2	
-19	400 057		BOLT - (AN3-12)	2	
	407 564		WASHER - (AN960-10)	4	
	404 100		NUT - (AN310-3)	2	
	424 051		COTTER PIN - (MS24665-132)	2	
-20	415 538		SCREW - (MS35206-248)	2	
	404 910		NUT - (MS20365-832C)	2	
-21	02174-02		SWITCH ASSEMBLY - Limit	2	
	01838-02		SPACER - Switch	4	
-22	46541-00		PLATE - Switch actuator, up limit switch	2	
	46541-01		PLATE - Switch actuator, down limit switch	2	
-23	42904-06		ROD - Actuating push-pull	2	
-24	407 585		WASHER - (AN960-416L)	2	
-25	41820-00		BEARING - Torque tube	4	
-26	53423-00		BRACKET - Attachment, cowl flap	4	
-27	22470-24		CONTROL WIRE - Potentiometer connecting	2	
-28	416 095		SCREW - (MS35265-32)	2	
	404 909		NUT - (MS20365-632C)	2	
-29	91193-00		FITTING - Swivel, potentiometer	2	
-30	42809-00		STUD - Swivel, potentiometer actuating	2	
-31	408 803		WASHER - Spring (3515-14-06)	2	
-32	400 054		BOLT - (AN3-7)	2	
	407 584		WASHER - (AN960-10L)	2	
	404 100		NUT - (AN310-3)	2	
	424 051		COTTER PIN - (MS24665-132)	2	
-33	415 505		SCREW - (MS35206-215)	8	
	404 908		NUT - (MS20365-440C)	8	
-34	424 174		PIN - Clevis (MS20392-2C11)	8	
	407 584		WASHER - (AN960-10L)	8	
	424 051		COTTER PIN - (MS24665-132)	8	
-35	401 307		BOLT - (AN4-4A)	8	
	407 044		WASHER - (MS35338-44)	8	

When ordering, always specify Part Number, Description and Serial Number of Aircraft

PIPER PARTS CATALOG

Figure and Index Number	Part Number	Code	NOMENCLATURE	No. Req.	SERIAL NUMBERS AFFECTED
		1234567			
76-36	42785-00		ARM - Potentiometer actuating	2	
-37	415 520		SCREW - Stop (MS35206-230)	2	
-38	415 509		SCREW - Switch mounting	8	
	407 040		LOCKWASHER - (MS35338-40)	8	
	404 596		NUT - (MS20341-45)	8	
-39	407 586		WASHER - (AN960-516L)	2	
-40	17387-00		PAD ASSEMBLY - Cowl flap bumper	4	

When ordering, always specify Part Number, Description and Serial Number of Aircraft

PIPER PARTS CATALOG

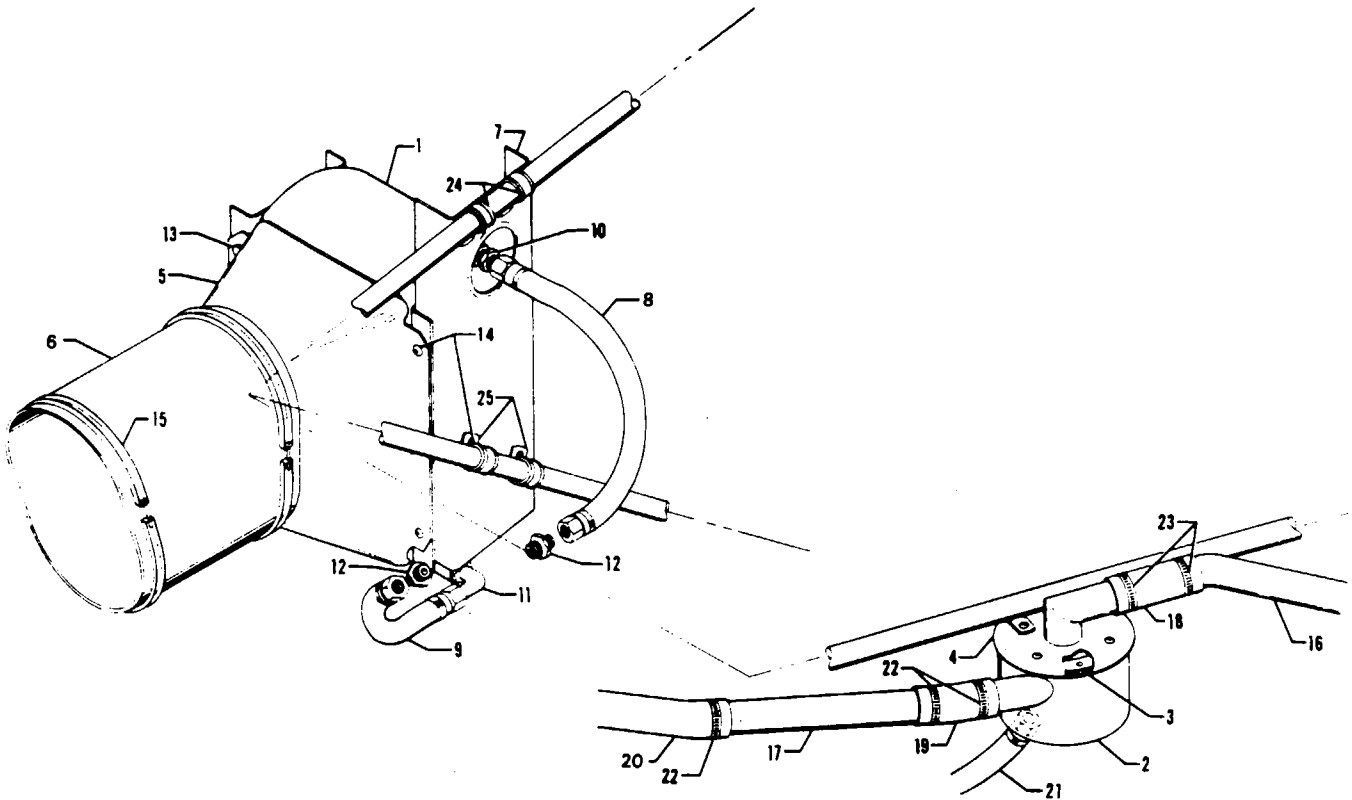


Figure 77 Oil Cooler and Breather System Installation

PIPER PARTS CATALOG

CODE EXPLANATIONS FOR FIGURE 77

PIPER PARTS CATALOG

Figure and Index Number	Part Number	Code	NOMENCLATURE	No. Req.	SERIAL NUMBERS AFFECTED
		1234567			
77-	01476		DRAWING - Oil Cooler System Installation		
	01500		DRAWING - Power Plant Installation		
-1	41635-00		COOLER ASSEMBLY - Oil	2	
-2	01536-02		SEPARATOR ASSEMBLY - Oil.....	2	
-3	42414-00		* GASKET - Oil separator	1	
-4	42422-00		* COVER ASSEMBLY - Oil separator.....	1	
-5	54927-02		DUCT ASSEMBLY - Oil cooler	2	
-6	01437-02		DUCT - Oil cooler	2	
-7	01431-02		BRACKET ASSEMBLY - Oil cooler mounting.....	2	
-8	39995-26		HOSE ASSEMBLY - Oil cooler	2	
-9	39995-15		HOSE ASSEMBLY - Oil cooler.....	2	
-10	491 074		UNION - (AN832-8D)	2	
	462 031		GASKET - (AN6290-8)	2	
	477 621		NUT - (AN924-8D).....	2	
-11	458 905		ELBOW - (AN833-8D)	2	
	462 031		GASKET - (AN6290-8).....	2	
	477 621		NUT - (AN924-8D).....	2	
-12	484 140		REDUCER - (AN919-15).....	4	
-13	400 438		BOLT - (AN3-4A)	6	
	407 564		WASHER - (AN960-10)	6	
	404 887		NUT - (MS20365-1032C)	6	
-14	411 532		SCREW - (MS35207-263).....	12	
-15	554 848		CLAMP - (SAE TY F-96SS)	4	
-16	01539-02		TUBE - Crankcase breather	2	
-17	01662-02		TUBE - Oil separator	2	
-18	61541-53		HOSE - Crankcase breather	2	
-19	82371-56		HOSE - Oil separator	2	
-20	82371-166		HOSE - Oil separator	2	
-21	39995-47		HOSE ASSEMBLY - Oil separator.....	2	
-22	554 947		CLAMP - (SAE TY F-10SS)	8	
-23	554 971		CLAMP - (SAE TY F-16SS)	4	
-24	454 868		CLAMP - (PS10017-2-12).....	4	
-25	454 977		CLAMP - (PS10017-2-16).....	8	

When ordering, always specify Part Number, Description and Serial Number of Aircraft

PIPER PARTS CATALOG

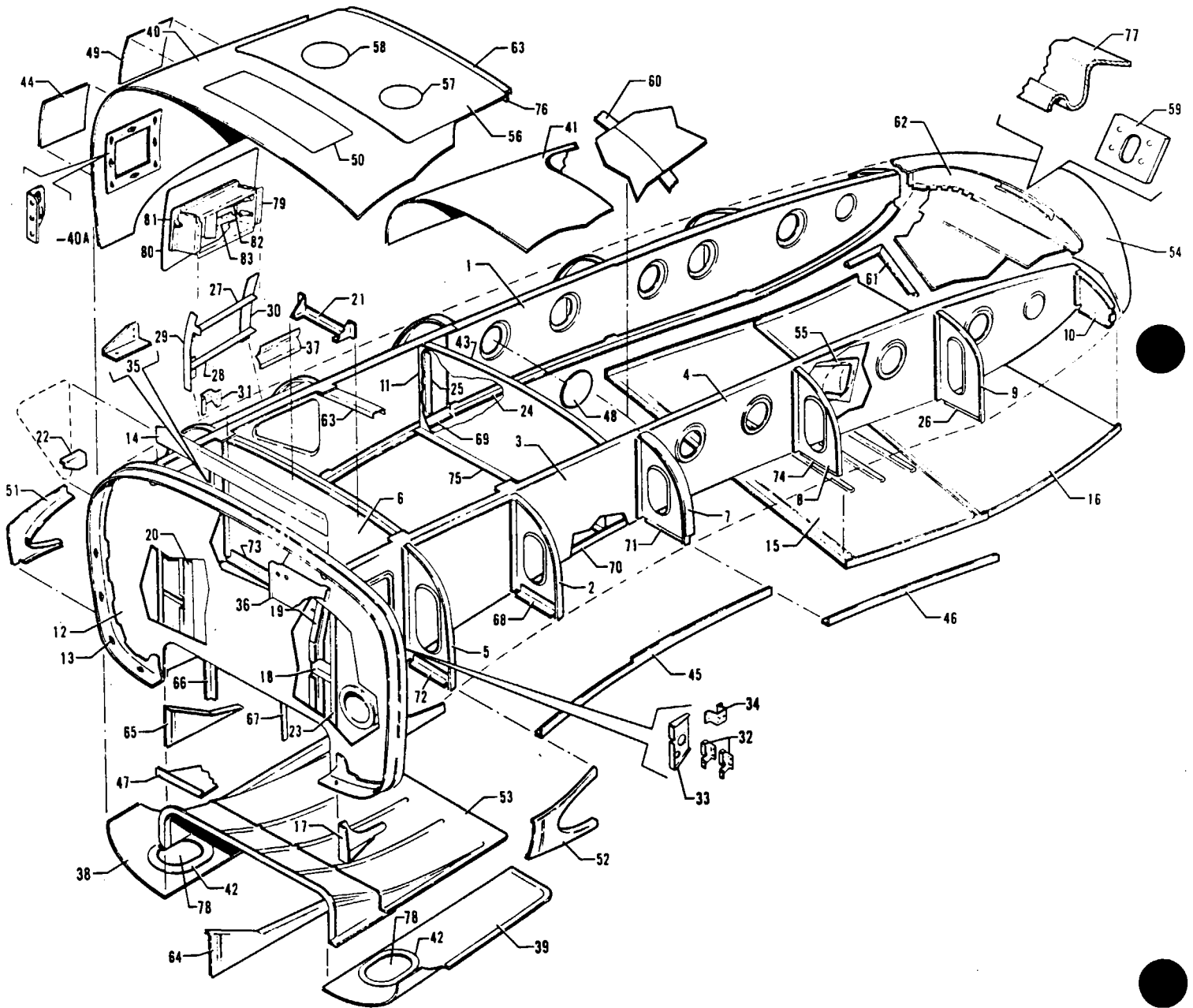


Figure 78. Nacelle Installation

PIPER PARTS CATALOG

CODE EXPLANATIONS FOR FIGURE 78

PIPER PARTS CATALOG

Figure and Index Number	Part Number	Code	NOMENCLATURE	No. Req.	SERIAL NUMBERS AFFECTED
78-	01076		DRAWING - Nacelle Installation		
-1	01077-02		FRAME ASSEMBLY - Left nacelle	1	
	01077-03		FRAME ASSEMBLY - Right nacelle	1	
-2	01575-02		* BULKHEAD - Inboard, Sta. 135, left nacelle	1	
	01575-03		* BULKHEAD - Inboard, Sta. 135, right nacelle	1	
	44419-02		* BULKHEAD - Outboard, Sta. 135, left nacelle	1	
	44419-03		* BULKHEAD - Outboard, Sta. 135, right nacelle	1	
-3	01060-02		* BULKHEAD ASSEMBLY - Inboard, longitudinal, left nacelle	1	
	01060-03		* BULKHEAD ASSEMBLY - Inboard, longitudinal, right nacelle	1	
	01061-02		* BULKHEAD ASSEMBLY - Outboard, longitudinal, left nacelle	1	
	01061-03		* BULKHEAD ASSEMBLY - Outboard, longitudinal, right nacelle	1	
-4	44437-06		* BULKHEAD - Inboard, longitudinal, left nacelle	1	
	44437-07		* BULKHEAD - Inboard, longitudinal, right nacelle	1	
	44438-06		* BULKHEAD - Outboard, longitudinal, left nacelle	1	
	44438-07		* BULKHEAD - Outboard, longitudinal, right nacelle	1	
-5	44474-20		* BULKHEAD - Inboard, Sta. 121, left nacelle	1	
	44474-21		* BULKHEAD - Inboard, Sta. 121, right nacelle	1	
	44474-02		* BULKHEAD - Outboard, Sta. 121, left nacelle	1	
	44474-03		* BULKHEAD - Outboard, Sta. 121, right nacelle	1	
-6	44474-15		* BULKHEAD ASSEMBLY - Center, Sta. 121, left nacelle	1	
	44474-16		* BULKHEAD ASSEMBLY - Center, Sta. 121, right nacelle	1	
-7	44461-00		* BULKHEAD ASSEMBLY - Inboard, Sta. 154, left nacelle	1	
	44461-01		* BULKHEAD ASSEMBLY - Inboard, Sta. 154, right nacelle	1	
	44462-04		* BULKHEAD ASSEMBLY - Outboard, Sta. 154, left nacelle	1	
	44462-05		* BULKHEAD ASSEMBLY - Outboard, Sta. 154, right nacelle	1	
-8	44475-00		* BULKHEAD - Inboard, Sta. 174, left nacelle	1	
	44475-01		* BULKHEAD - Inboard, Sta. 174, right nacelle	1	
	44476-02		* BULKHEAD - Outboard, Sta. 174, left nacelle	1	
	44476-03		* BULKHEAD - Outboard, Sta. 174, right nacelle	1	
-9	44491-02		* BULKHEAD - Inboard, Sta. 192, left nacelle	1	
	44491-03		* BULKHEAD - Inboard, Sta. 192, right nacelle	1	
	44492-02		* BULKHEAD - Outboard, Sta. 192, left nacelle	1	
	44492-03		* BULKHEAD - Outboard, Sta. 192, right nacelle	1	
-10	44457-00		* BULKHEAD - Inboard, Sta. 210, left nacelle	1	
	44457-01		* BULKHEAD - Inboard, Sta. 210, right nacelle	1	
	44458-00		* BULKHEAD - Outboard, Sta. 210, left nacelle	1	
	44458-01		* BULKHEAD - Outboard, Sta. 210, right nacelle	1	
-11	01065-02		* BULKHEAD - Sta. 147.75, left nacelle	1	
	01065-03		* BULKHEAD - Sta. 147.75, right nacelle	1	
-12	01306-02		* FIREWALL ASSEMBLY - Sta. 111.50, left nacelle	1	
	01306-03		* FIREWALL ASSEMBLY - Sta. 111.50, right nacelle	1	
-13	484 301		* * RECEPTACLE - (FX10-1502)	16	
-14	40677-02		* CHANNEL - Firewall reinforcement	1	
-15	44493-04		* FLOOR - Locker, front, left nacelle	1	
	44493-05		* FLOOR - Locker, front, right nacelle	1	
-16	44493-02		* FLOOR - Locker, rear, left nacelle	1	
	44493-03		* FLOOR - Locker, rear, right nacelle	1	

When ordering, always specify Part Number, Description and Serial Number of Aircraft

PIPER PARTS CATALOG

Figure and Index Number	Part Number	Code	NOMENCLATURE	No. Req.	SERIAL NUMBERS AFFECTED
		1234567			
78-17	40553-00	*	BRACKET ASSEMBLY - Engine mount attachment, outboard top, inboard bottom, left nacelle	2	
	40553-00	*	BRACKET ASSEMBLY - Engine mount attachment, inboard top, outboard bottom, right nacelle	2	
	40553-01	*	BRACKET ASSEMBLY - Engine mount attachment, inboard top, outboard bottom, left nacelle	2	
	40553-01	*	BRACKET ASSEMBLY - Engine mount attachment, outboard top, inboard bottom, right nacelle	2	
-18	40668-00	*	BRACKET - Hydraulic filter support	2	
-19	41815-00	*	BRACKET ASSEMBLY - Torque tube support, left	1	
	41815-01	*	BRACKET ASSEMBLY - Torque tube support, right	1	
-20	41819-00	*	BRACKET - Torque tube support, left	1	
	41819-01	*	BRACKET - Torque tube support, right	1	
-21	44397-00	*	BRACKET - Air filter	1	
-22	44420-02	*	BRACKET - Pneumatic air support, right	1	
-23	41632-00	*	ANGLE - Nacelle, longitudinal bulkhead, inboard	1	
	41587-00	*	ANGLE - Nacelle, longitudinal bulkhead, outboard	1	
-24	44437-12	*	ANGLE - Inboard, longitudinal, left nacelle	1	
	44437-13	*	ANGLE - Inboard, longitudinal, right nacelle	1	
	44438-12	*	ANGLE - Outboard, longitudinal, left nacelle	1	
	44438-13	*	ANGLE - Outboard, longitudinal, right nacelle	1	
-25	01069-02	*	ANGLE ASSEMBLY - Cargo barrier	2	
-26	44491-04	*	ANGLE - Bulkhead attachment, inboard, Sta. 192	1	
	44492-04	*	ANGLE - Bulkhead attachment, outboard, Sta. 192	1	
-27	01085-02	*	ANGLE ASSEMBLY - Inboard, intercooler support, upper, left nacelle	1	
	01085-03	*	ANGLE ASSEMBLY - Inboard, intercooler support, upper, right nacelle	1	
-28	01085-04	*	ANGLE ASSEMBLY - Inboard, intercooler support, lower, left nacelle	1	
	01085-05	*	ANGLE ASSEMBLY - Inboard, intercooler support, lower, right nacelle	1	
-29	01084-06	*	ANGLE ASSEMBLY - Inboard, intercooler support, Sta. 121, left nacelle	1	
	01084-07	*	ANGLE ASSEMBLY - Inboard, intercooler support, Sta. 121, right nacelle	1	
-30	01087-04	*	ANGLE ASSEMBLY - Inboard, intercooler support, Sta. 135, left nacelle	1	
	01087-05	*	ANGLE ASSEMBLY - Inboard, intercooler support, Sta. 135, right nacelle	1	
-31	01595-02	*	BRACKET ASSEMBLY - Cable support	1	
-32	02023-02	*	BRACKET ASSEMBLY - Bearing block mounting	2	
-33	02024-02	*	BRACKET ASSEMBLY - Transmission motor mounting	1	
-34	02074-02	*	BRACKET ASSEMBLY - Tachometer generator mounting	1	
-35	44420-03	*	BRACKET - Pneumatic air support, left	1	
-36	02029-02	*	PLATE - Firewall reinforcement	1	
-37	01574-02	*	DEFLECTOR - Intercooler air	1	
-38	41667-08		SKIN - Bottom inboard, left nacelle	1	
	41667-09		SKIN - Bottom inboard, right nacelle	1	
-39	41667-10		SKIN - Bottom outboard, left nacelle	1	
	41667-11		SKIN - Bottom outboard, right nacelle	1	

When ordering, always specify Part Number, Description and Serial Number of Aircraft

PIPER PARTS CATALOG

Figure and Index Number	Part Number	Code	NOMENCLATURE	No. Req.	SERIAL NUMBERS AFFECTED
		1234567			
78-40	01587-02		SKIN ASSEMBLY - Left nacelle, Sta. 111.50 to Sta. 154	1	
	01587-03		SKIN ASSEMBLY - Right nacelle, Sta. 111.50 to Sta. 154	1	
-40a	02099-02		* BRACKET ASSEMBLY - Fuel pressure transducer, inboard, right nacelle	1	
-41	44484-00		SKIN ASSEMBLY - Left nacelle, Sta. 154 to Sta. 210	1	
	44484-01		SKIN ASSEMBLY - Right nacelle, Sta. 154 to Sta. 210	1	
-42	20372-03		PLATE ASSEMBLY - Access hole reinforcement	4	
-43	01596-02		BARRIER ASSEMBLY - Cargo, Sta. 148.25, left nacelle	1	
	01596-03		BARRIER ASSEMBLY - Cargo, Sta. 148.25, right nacelle	1	
-44	52001-00		COVER - Access	2	
-45	44483-10		ANGLE - Skin attachment, inboard, left nacelle	1	
	44483-11		ANGLE - Skin attachment, inboard, right nacelle	1	
	44483-06		ANGLE - Skin attachment, outboard, left nacelle	1	
	44483-07		ANGLE - Skin attachment, outboard, right nacelle	1	
-46	44483-02		ANGLE - Skin attachment, inboard, left nacelle	1	
	44483-03		ANGLE - Skin attachment, inboard, right nacelle	1	
	44483-08		ANGLE - Skin attachment, outboard, left nacelle	1	
	44483-09		ANGLE - Skin attachment, outboard, right nacelle	1	
-47	40671-00		PLATE ASSEMBLY - Firewall shear, left nacelle	1	
	40671-01		PLATE ASSEMBLY - Firewall shear, right nacelle	1	
-48	44529-00		PLATE - Access cover	12	
-49	44398-02		PLATE - Access cover	6	
-50	01587-07		PLATE - Access cover	1	
-51	41663-00		PLATE - Skin attachment, inboard, left nacelle	1	
	41663-01		PLATE - Skin attachment, inboard, right nacelle	1	
-52	41664-00		PLATE - Skin attachment, outboard, left nacelle	1	
	41664-01		PLATE - Skin attachment, outboard, right nacelle	1	
-53	41604-00		SHIELD ASSEMBLY - Exhaust heat, left nacelle	1	
	41604-01		SHIELD ASSEMBLY - Exhaust heat, right nacelle	1	
-54	44444-00		TIP ASSEMBLY - Locker, left nacelle	1	
	44444-01		TIP ASSEMBLY - Locker, right nacelle	1	
-55	44546-06		BRACKET ASSEMBLY - Door holder support	2	
-56	01063-02		COVER ASSEMBLY - Left nacelle	1	
	01063-03		COVER ASSEMBLY - Right nacelle	1	
-57	54662-02		* PLATE ASSEMBLY - Fuel gauge support	1	
-58	01062-02		* BRACKET - Fuel cell support	1	
-59	44406-00		CATCH ASSEMBLY - Nacelle locker door	2	
-60	44511-00		STRIP - Nacelle skin attachment	2	
-61	187 610		MOULDING - Rubber (1923)	12	
-62	44724-00		CHANNEL - Nacelle tip	2	
-63	44515-00		CHANNEL - Nacelle skin attachment	2	
-64	40667-00		ANGLE - Shear plate mounting, left nacelle, wing Sta. 89.31	1	
	40667-01		ANGLE - Shear plate mounting, right nacelle, wing Sta. 89.31	1	
-65	40670-00		ANGLE - Shear plate mounting, left nacelle, wing sta. 65.69	1	
	40670-01		ANGLE - Shear plate mounting, right nacelle, wing Sta. 65.69	1	
-66	42297-02		ANGLE - Longitudinal bulkhead, outboard, left nacelle	1	
	42297-03		ANGLE - Longitudinal bulkhead, outboard, right nacelle	1	
-67	42298-02		ANGLE - Longitudinal bulkhead, inboard, left nacelle	1	
	42298-03		ANGLE - Longitudinal bulkhead, inboard, right nacelle	1	
-68	44419-04		ANGLE - Bulkhead attachment, Sta. 135	4	
-69	44437-10		ANGLE - Longitudinal bulkhead, inboard, left nacelle	1	
	44437-11		ANGLE - Longitudinal bulkhead, inboard, right nacelle	1	
-70	44438-10		ANGLE - Longitudinal bulkhead, outboard, left nacelle	1	
	44438-11		ANGLE - Longitudinal bulkhead, outboard, right nacelle	1	

When ordering, always specify Part Number, Description and Serial Number of Aircraft

PIPER PARTS CATALOG

Figure and Index Number	Part Number	Code	NOMENCLATURE	No. Req.	SERIAL NUMBERS AFFECTED
		1234567			
78-71	44462-08		ANGLE - Bulkhead attachment, Sta 154	4	
-72	44474-14		ANGLE - Bulkhead attachment, inboard, Sta 121	2	
	44474-12		ANGLE - Bulkhead attachment outboard, Sta 121	2	
-73	44474-10		ANGLE - Bulkhead attachment, center, Sta 121	2	
-74	44476-04		ANGLE - Bulkhead attachment, inboard, Sta 174	2	
	53119-00		ANGLE - Bulkhead attachment, outboard, Sta 174	2	
-75	01065-04		ANGLE - Bulkhead attachment, Sta. 147 75	2	
-76	01066-02		CHANNEL - Nacelle skin attachment	2	
-77	44508-00		STRIKER - Nacelle locker door	2	
-78	20370-00		PLATE - Access cover	4	
-79	01669-02		DUCT ASSEMBLY - Intercooler, left	1	
	01669-03		DUCT ASSEMBLY - Intercooler, right	1	
-80	01661-02		SKIN ASSEMBLY - Nacelle, intercooler, left	1	
	01661-03		SKIN ASSEMBLY - Nacelle, intercooler, right	1	
-81	01667-02		SCOOP ASSEMBLY - Intercooler, left	1	
	01667-03		SCOOP ASSEMBLY - Intercooler, right	1	
-82	01649-02		HINGE ASSEMBLY - Intercooler door, top, left	1	
	01649-03		HINGE ASSEMBLY - Intercooler door, top, right	1	
-83	01649-04		HINGE ASSEMBLY - Intercooler door, bottom, left	1	
	01649-05		HINGE ASSEMBLY - Intercooler door, bottom, right	1	

When ordering, always specify Part Number, Description and Serial Number of Aircraft

PIPER PARTS CATALOG

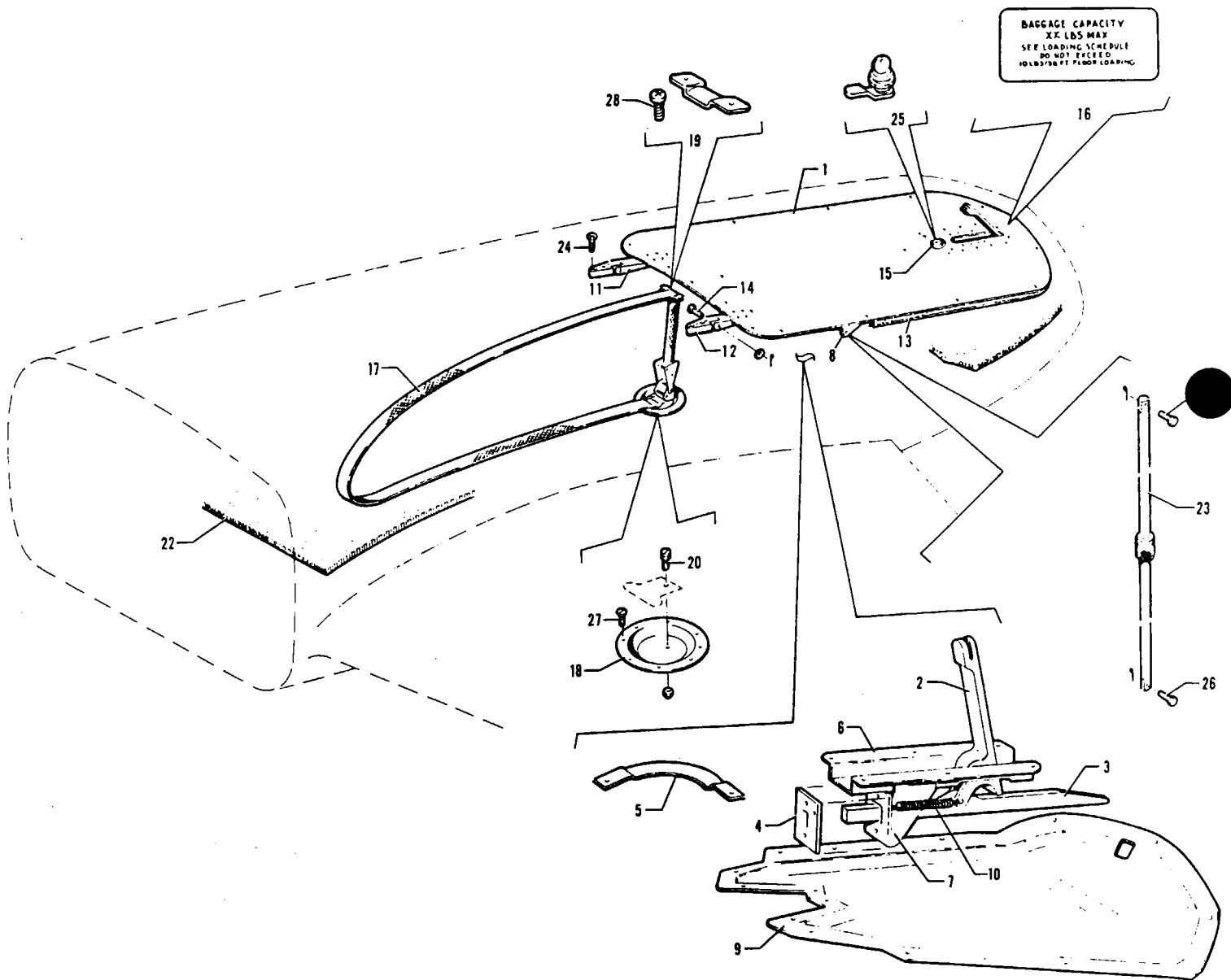


Figure 79. Nacelle Locker Door Assembly and Installation

PIPER PARTS CATALOG

CODE EXPLANATIONS FOR FIGURE 79

- A - Serial numbers of aircraft must be supplied when ordering this part.
- B - If matching cabin, baggage and nacelle locker locks are desired, order Part No. 29828-03.

PIPER PARTS CATALOG

Figure and Index Number	Part Number	Code	NOMENCLATURE	No. Req.	SERIAL NUMBERS AFFECTED
		1234567			
79-	01076 71590 53469		DRAWING - Nacelle Installation DRAWING - Nacelle Locker Door Support Installation DRAWING - Nacelle Locker Carpet and Baggage Strap Installation		
-1	44524-10		DOOR ASSEMBLY - Nacelle locker	2	
-2	22641-03		* HANDLE - Nacelle locker door	1	
-3	44424-00		* LATCH - Nacelle locker door	1	
-4	44425-00		* PLATE - Locker door latch guide	1	
-5	30852-00		* PLATE ASSEMBLY - Door lock guide	1	
-6	30580-02		* BRACKET - Locker door handle	1	
-7	44427-00		* BRACKET - Locker door latch	1	
-8	71589-02		* BRACKET - Locker door support	1	
-9	44436-00		* COVER - Locker door latch	1	
-10	83302-47		* SPRING - Coil, door handle	1	
-11	44433-00		* HINGE - Locker door, inboard, left nacelle, outboard, right nacelle	1	
	44433-01		* HINGE - Locker door, outboard, left nacelle, inboard, right nacelle	1	
-12	44434-00		* HINGE - Locker door, inboard, left nacelle, outboard, right nacelle	1	
	44434-01		* HINGE - Locker door, outboard, left nacelle, inboard, right nacelle	1	
-13	44431-00		* SEAL - Nacelle locker door	10	
-14	424 185		* PIN - (MS20392-2C33)	2	
	407 584		* WASHER - (AN960-10L)	2	
	424 051		* COTTER PIN - (MS24665-132)	2	
-15	25590-00		* WASHER	1	
-16	81064-02		* PLACARD - Nacelle locker baggage	1	
-17	44517-00		STRAP ASSEMBLY - Baggage, nacelle locker	4	
-18	44415-00		PLATE - Anchor, baggage strap	4	
-19	44413-00		GUIDE - Baggage tie down strap	4	
-20	47378-00		STUD - Strap attachment	4	
	404 888		NUT - (MS20365-428C)	4	
-21	424 141		PIN - (MS20392-1C9)	2	
	587 177		SPACER - (NAS43HT-1-8)	2	
	424 051		COTTER PIN - (MS24665-132)	2	
-22	53469-08		CARPET - Nacelle locker	2	
-23	457 156		SUPPORT ASSEMBLY - Nacelle locker door (FA-34-PI-25)	2	
-24	414 769		SCREW - (MS24693-S53)	12	
	477 706		NUT - Cap (27CL-82)	12	
-25	752 350	B	LOCK ASSEMBLY - Nacelle lockers (with 2 keys)	2	
	01773-02		LATCH ASSEMBLY - Nacelle lockers, non-locking	2	
-26	424 173		PIN - (MS20392-2C9)	2	
	587 186		SPACER - (NAS43HT 3-8)	2	
	424 051		COTTER PIN - (MS24665-132)	2	
-27	414 508		SCREW - (MS24693-S28)	32	
-28	411 533		SCREW - (MS35207-264)	8	

When ordering, always specify Part Number, Description and Serial Number of Aircraft

**2E23 THRU 2E24
INTENTIONALLY LEFT BLANK**

PIPER PARTS CATALOG

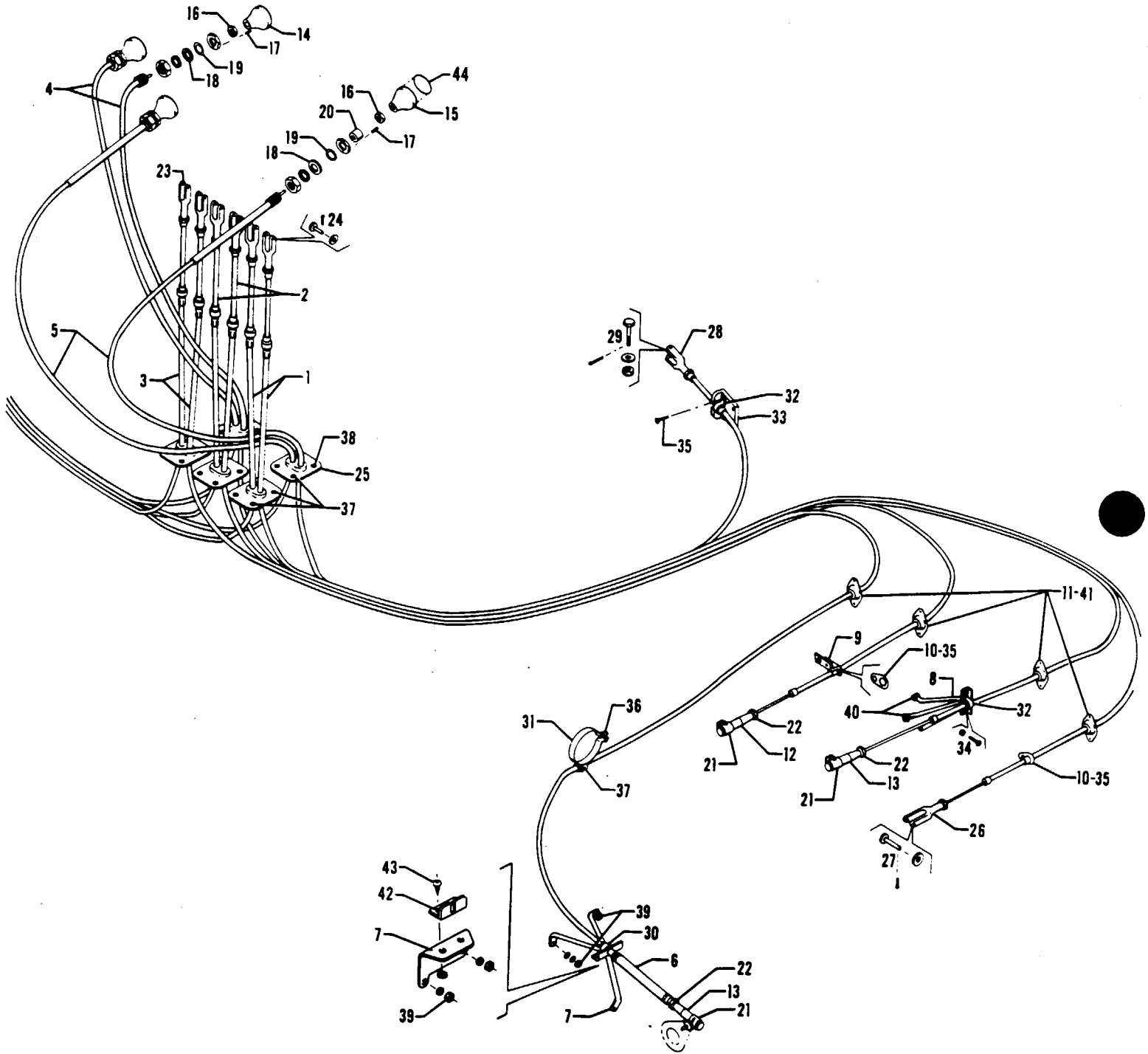


Figure 80. Engine Controls Installation

REVISED: MARCH 1984

PIPER PARTS CATALOG

CODE EXPLANATIONS FOR FIGURE 80

PIPER PARTS CATALOG

Figure and Index Number	Part Number	Code	NOMENCLATURE	No. Req.	SERIAL NUMBERS AFFECTED
		1234567			
80-	01327		DRAWING - Engine Controls Installation		
-1	29697-07		CABLE ASSEMBLY - Throttle, left engine	1	
	29697-03		CABLE ASSEMBLY - Throttle, right engine	1	
-2	29697-09		CABLE ASSEMBLY - Propeller pitch	2	
-3	29697-06		CABLE ASSEMBLY - Mixture control	2	
-4	46331-04		CABLE ASSEMBLY - Alternate air, left engine	1	
	46331-05		CABLE ASSEMBLY - Alternate air, right engine	1	
-5	46331-05		CABLE ASSEMBLY - Bleed air cooler door	2	
-6	553 182		BOOT - Deicer, propeller pitch cable	2	
-7	02192-02		BRACKET ASSEMBLY - Propeller governor cable mounting	2	
-8	01409-07		BRACKET ASSEMBLY - Throttle control cable	2	
-9	01401-02		BRACKET ASSEMBLY - Mixture control cable	2	
-10	01400-02		RETAINER - Control cable	8	
-11	22103-02		PLATE - Firewall seal grommet	16	
	22104-08		GROMMET - Firewall seal	16	
	22105-10		GASKET - Firewall seal	8	
-12	31747-00		JOINT ASSEMBLY - Ball	2	
-13	54175-00		JOINT ASSEMBLY - Ball (BL-103)	4	
-14	571 141		KNOB - Alternate air control (KN639-A SC)	2	
-15	571 218		KNOB - Bleed air control (KN639D-2SC)	2	
-16	404 322		NUT - (AN316-4R)	4	
-17	480 702		ROLL PIN - (59-012-062-0312)	4	
-18	407 570		WASHER - (AN960-916)	4	
-19	48084-00		WASHER - Special	4	
-20	80022-137		BUSHING	2	
-21	55447-02		RETAINER - Ball joint	6	
-22	404 224		NUT - (AN315-3R)	16	
-23	554 757		CLEVIS - (MS35812-1)	6	
-24	424 177		PIN - (MS20392-2C17)	6	
	407 564		WASHER - (AN960-10)	6	
	424 051		COTTER PIN - (MS24665-132)	6	
-25	46268-00		PLATE - Cover, engine controls seal	5	
	46269-00		INSERT - Seal, engine controls	5	
	46270-00		SEAL - Bottom, engine controls	5	
-26	24091-00		CLEVIS - Control cable attachment	2	
-27	424 175		PIN - (MS20392-2C13)	2	
	407 584		WASHER - (AN960-10L)	2	
	424 051		COTTER PIN - (MS24665-132)	2	
-28	488 327		CLEVIS - Control cable attachment (AN665-21R)	2	
-29	400 673		BOLT - (AN23-11)	2	
	407 564		WASHER - (AN960-10)	2	
	404 420		NUT - (AN320-C3)	2	
	424 053		COTTER PIN - (MS24665-136)	2	
-30	18219-02		CLAMP - Control cable attachment	2	
-31	52104-00		CLAMP ASSEMBLY - Support	6	
-32	18219-00		CLAMP - Control cable attachment	4	
-33	51730-00		LUG - Control cable support bracket	2	
-34	415 535		SCREW - (MS35206-245)	4	
	404 833		NUT - (MS20364-832C)	4	
-35	415 535		SCREW - (MS35206-245)	12	
-36	411 536		SCREW - (MS35207-267)	6	
	404 887		NUT - (MS20365-1032C)	6	

When ordering, always specify Part Number, Description and Serial Number of Aircraft

PIPER PARTS CATALOG

Figure and Index Number	Part Number	Code	NOMENCLATURE	No. Req.	SERIAL NUMBERS AFFECTED
		1234567			
80-37	411 532		SCREW - (MS35207-263).....	16	
-38	411 530		SCREW - (MS35207-261).....	4	
-39	407 136		WASHER - (AN936-A416)	4	
	405 580		NUT - (AN340-416).....	4	
-40	400 051		BOLT - (AN3-4)	6	
	404 835		NUT - (MS20365-1032C)	6	
-41	415 535		SCREW - (MS35206-245).....	16	
	404 910		NUT - (MS20365-832C).....	16	
-42	18132-07		LUG - Propeller governor cable support bracket.....	2	
-43	415 537		SCREW - (MS35206-247).....	4	
	404 833		NUT - (MS20364-832C).....	4	
-44	81062-02		PLACARD - Bleed air cooler door	2	

When ordering, always specify Part Number, Description and Serial Number of Aircraft

PIPER PARTS CATALOG

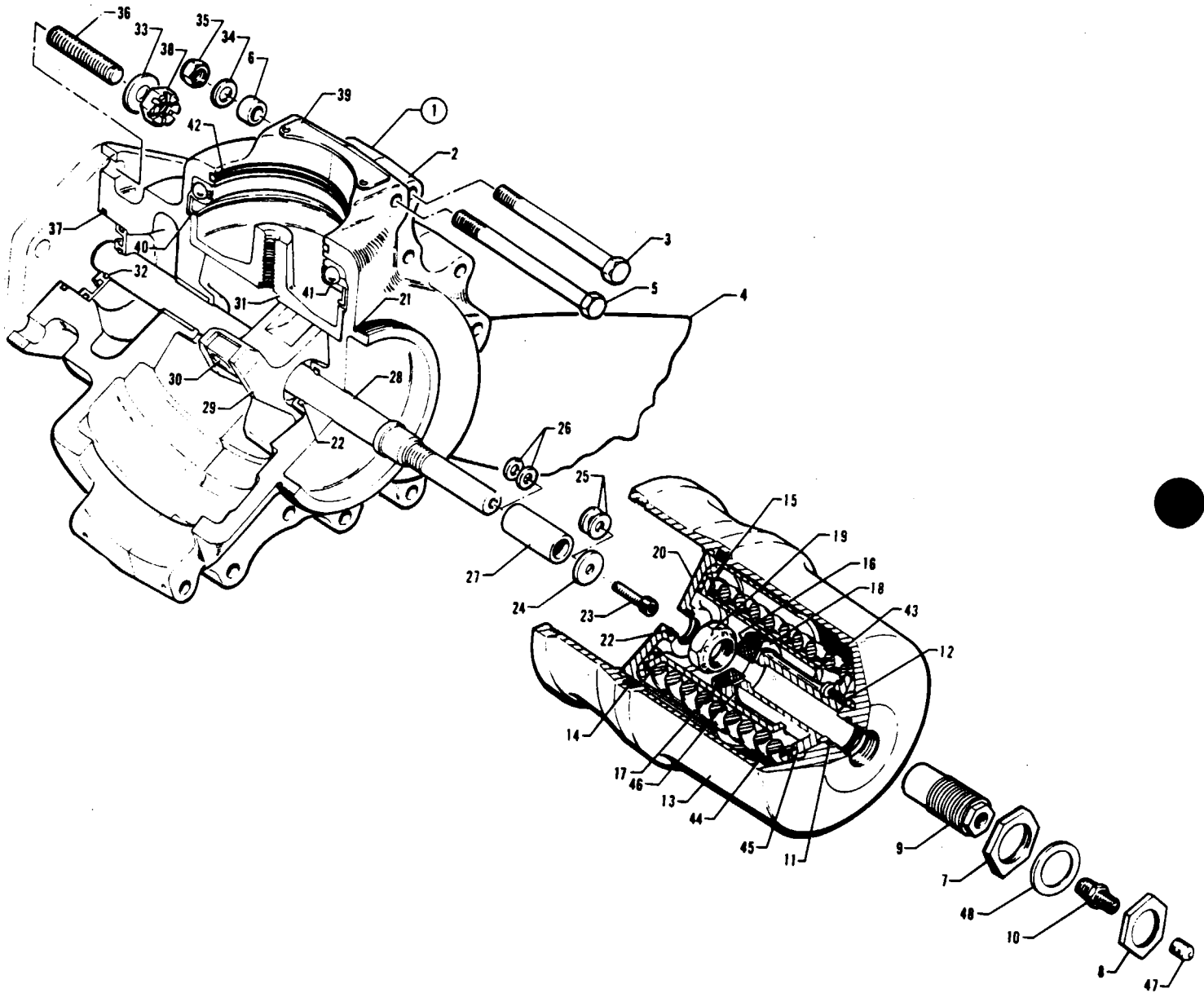


Figure 81. Propeller Assembly

PIPER PARTS CATALOG

CODE EXPLANATIONS FOR FIGURE 81

- A - Used with Hartzell propeller HC-13YR-2UF.
- B - Used with Hartzell propeller HC-13YR-2ULF.
- C - Parts included in Propeller Repair Kit, Part No. 760 246.
- D - See Figure 128 for electric propeller deicer components.
- E - Used if electric propeller deicer is installed.

PIPER PARTS CATALOG

Figure and Index Number	Part Number	Code	NOMENCLATURE	No. Req.	SERIAL NUMBER AFFECTED
			1234567		
81-1	551 020		PROPELLER ASSEMBLY - (HC-I3YR-2UF/FC 7854), left (without deicer)	1	
	01752-02	D	PROPELLER ASSEMBLY - (HC-I3YR-2UF/FC 7854 K), left (with deicer)	1	
	551 019		PROPELLER ASSEMBLY - (HC-I3YR-2LUF/FJC 7854), right (without deicer)	1	
	01752-03	D	PROPELLER ASSEMBLY - (HC-I3YR-2LUF/FJC 7854 K), right (with deicer)	1	
-2	755 349		* HUB ASSEMBLY - Propeller (D-3716)	1	
-3	753 461		* BOLT - Hex head (A-2431)	9	
-4	758 599	A	* BLADE - Propeller (FCEP563-2)	3	
	758 601	A,D,E	* BLADE - Propeller (FCEP563K-2)	3	
	758 600	B	* BLADE - Propeller (FJCEP563-2)	3	
	758 602	B,D,E	* BLADE - Propeller (FJCEP563K-2)	3	
-5	753 462		* BOLT - Hex head (A-2433)	6	
-6	756 284		* SPACER - (A-2246-4)	6	
-7	752 566		* NUT - Check (A-2405-3)	1	
-8	752 567		* NUT - Check (A-2405-2)	1	
-9	756 293		* STOP - Low pitch (A-2404-1)	1	
-10	756 564		* AIR VALVE - Schrader (645A)	1	
-11	755 933	C	* O-RING - Stop seal (PRP-914-17)	1	
-12	416 151		* SCREW - Filister head (AN501A416-8)	4	
-13	753 982		* CYLINDER UNIT - (B-2423-1)	1	
-14	755 977	C	* O-RING - Cylinder (A-3223)	1	
-15	755 043		* GUIDE - Spring (A-1591)	1	
-16	762 258		* SCREW - (A-1595)	4	
-17	762 257		* SPRING - High pitch stop (A-1596)	1	
-18	756 674		* WEIGHT - High pitch stop (A-1590)	1	
-19	752 531		* NUT - Flexlock, piston (AN364-1018)	1	
-20	757 321		* PISTON UNIT - (B-3237)	1	
-21	755 935	C	* O-RING - Cylinder mounting (PRP-909-25)	1	
-22	484 712	C	* O-RING - Seal (AN6227-15)	2	
-23	764 817		* SCREW - Socket head cap (A-3204)	1	
-24	756 606		* WASHER - Feathering stop (A-2411-1)	1	
-25	407 676		* WASHER - (AN960C-516)	AR	
	407 677		* WASHER - (AN960C-516L)	AR	
-26	756 603		* WASHER - High pitch adjustment (A-2435)	AR	
	756 604		* WASHER - High pitch adjustment (A-2435-1)	AR	
-27	756 289		* SLEEVE - High stop (A-2499-10)	1	
-28	756 048		* ROD UNIT - Piston (B-2491-3)	1	
-29	754 808	A	* FORK - Pitch change (B-3252)	1	
	754 813	B	* FORK - Pitch change (B-3252L)	1	
-30	758 205		* BLOCK - Pitch change (A-3253-2)	3	
-31	757 249		* PLATE UNIT - Preload (B-2256)	3	
-32	755 932	C	* O-RING - Piston (PRP-902-13)	1	
-33	756 626		* WASHER - (A-1381)	6	
-34	407 567	C	* WASHER - Hub (AN960-616L)	15	
-35	752 511	C	* NUT - Elastic (A-2043)	15	
-36	757 583		* STUD - Flange (A-2067)	6	
-37	755 800	C	* O-RING - Shaft (PRP-909-6)	1	
-38	752 530		* NUT - Castle (A-2069)	6	
-39	756 607		* WEIGHT - Balance (A-2424)	AR	
-40	755 968		* RING - Bearing guide (A-2204)	3	
-41	753 463		* BEARING - Split (A-2202)	3	

When ordering, always specify Part Number, Description and Serial Number of Aircraft

PIPER PARTS CATALOG

Figure and Index Number	Part Number	Code	NOMENCLATURE	No. Req.	SERIAL NUMBERS AFFECTED
			1234567		
81-42	755 934	C	* O-RING - Blade (PRP-902-42)	3	
-43	764 818		* SPRING - Retainer (B-1592-1)	1	
-44	764 819		* SPRING - Feathering (B-1594-1)	1	
-45	758 356		* BRACKET - High stop (B-1593)	1	
-46	763 786		* WASHER - (A-1597)	1	
-47	763 254		* CAP - Air valve, Schrader (2525).....	1	
-48	762 228		* SPACER - (A-169-7)	AR	

When ordering, always specify Part Number, Description and Serial Number of Aircraft

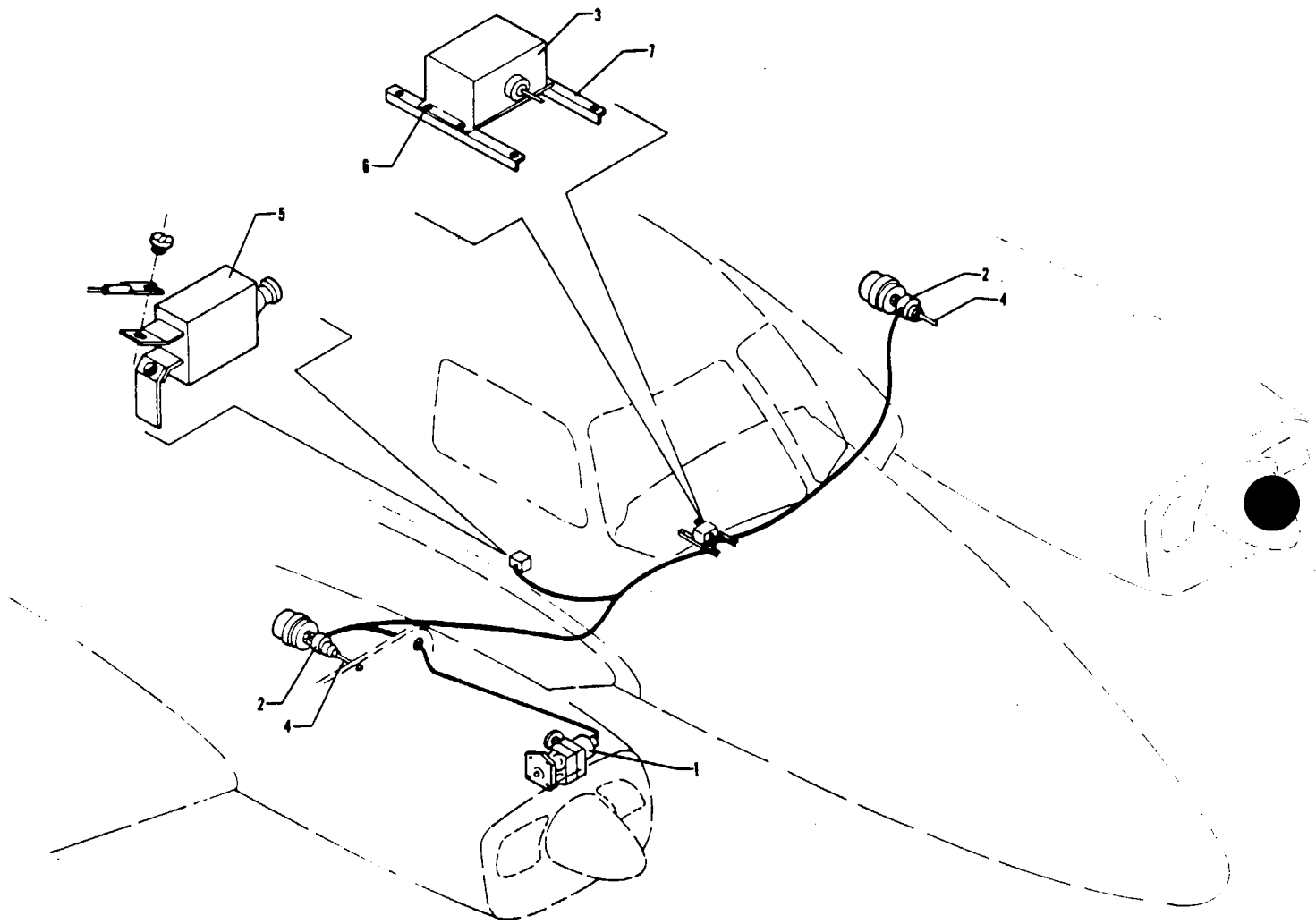


Figure 82. Propeller Synchrophaser System Installation

PIPER PARTS CATALOG

CODE EXPLANATIONS FOR FIGURE 82

PIPER PARTS CATALOG

Figure and Index Number	Part Number	Code	NOMENCLATURE	No. Req.	SERIAL NUMBER AFFECTED
		1234567			
82-	01624		DRAWING - Propeller Synchrophaser System Installation		
-1	02193-04		GOVERNOR ASSEMBLY - Prop (V-2L), right	1	
-2	763 434		PULSE GENERATOR ASSEMBLY - (A-4478)	2	
-3	763 249		COMPUTER ASSEMBLY - (C-4362-1)	1	
-4	486 683		SHAFT - Tachometer (PS50044-30), left engine	1	
	486 682		SHAFT - Tachometer (PS50044-29), right engine	1	
-5	454 682		CIRCUIT BREAKER - (PS50120-3-26)	1	
-6	415 518		SCREW - Computer mounting (MS35206-228)	8	
-7	48582-06		ANGLE ASSEMBLY - Computer mounting	2	

When ordering, always specify Part Number, Description and Serial Number of Aircraft

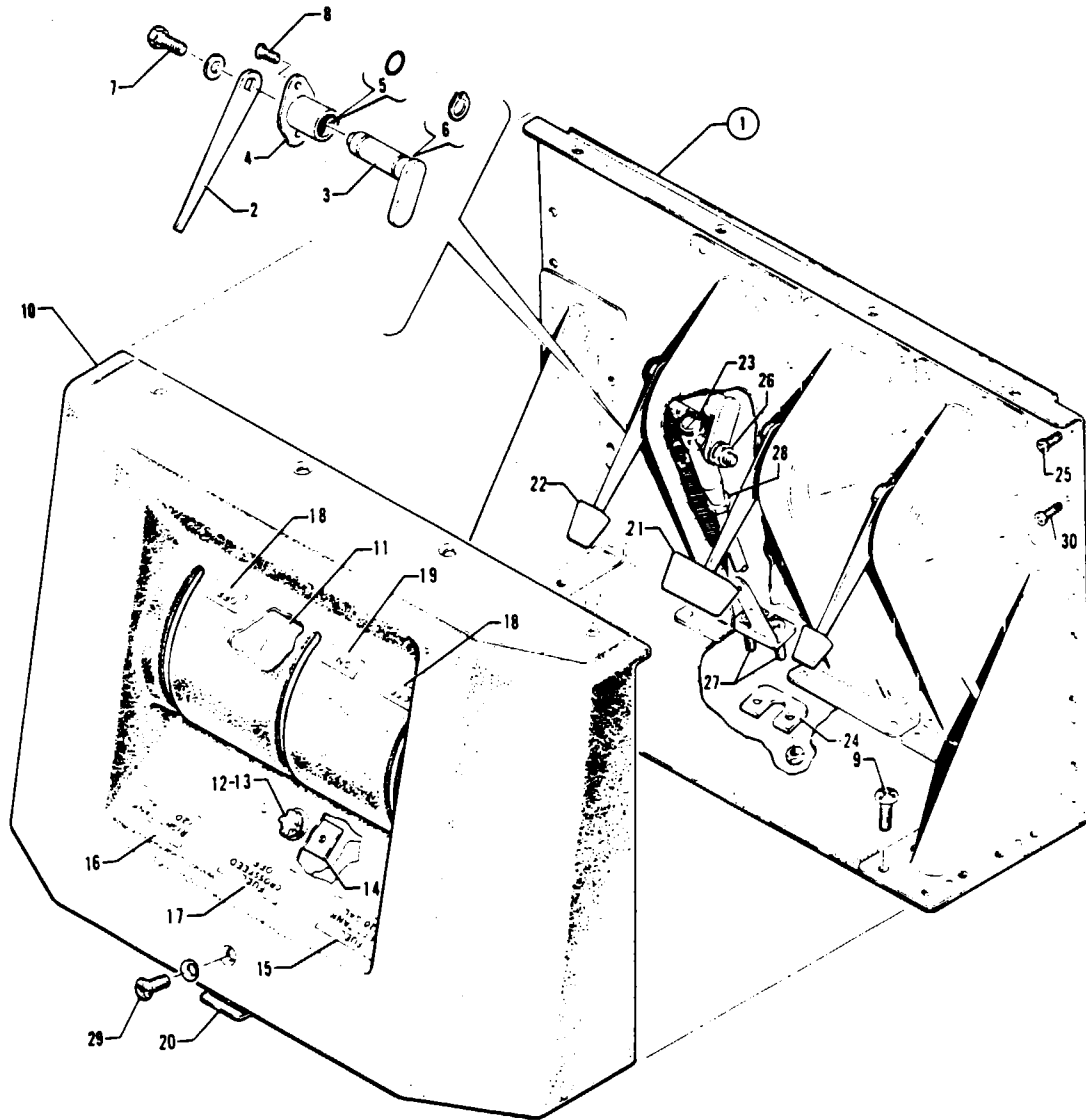


Figure 83. Fuel Control Panel Installation

PIPER PARTS CATALOG

CODE EXPLANATIONS FOR FIGURE 83



PIPER PARTS CATALOG

Figure and Index Number	Part Number	Code	NOMENCLATURE	No. Req.	SERIAL NUMBERS AFFECTED
		1234567			
83-	51472		DRAWING - Fuel Control Panel Installation		
-1	50234-00		PANEL ASSEMBLY - Fuel control (complete)	1	
-2	50233-00		* HANDLE - Fuel control	3	
-3	50209-00		* ARM ASSEMBLY - Fuel control actuator	3	
-4	46040-02		* SEAL - Control shaft	3	
-5	484 701		* GASKET - O-ring (AN6227-7)	3	
-6	484 802		* RING - Retaining (5100-37)	6	
-7	400 437		* BOLT - (AN3-3A)	3	
	407 564		* WASHER - (AN960-10)	3	
-8	415 499		* SCREW - (MS35206-243)	6	
	404 910		* NUT - (MS20365-832C)	6	
-9	48659-04		SCREW ASSEMBLY - Seal (.625" L)	16	
-10	51472-03		COVER ASSEMBLY - Fuel control panel	1	
-11	50639-00		* PANEL ASSEMBLY - Fuel controls, light transmitter	1	
-12	47192-00		* LIGHT ASSEMBLY - Fuel panel	1	
-13	472 028		* * BULB - (327)	1	
-14	50846-00		* BRACKET - Fuel panel	1	
-15	81057-02		* PLACARD - Fuel control, left	1	
-16	81057-03		* PLACARD - Fuel control, right	1	
-17	50216-04		* PLACARD - Fuel crossfeed	1	
-18	50216-05		* PLACARD - Off	2	
-19	50216-06		* PLACARD - On	1	
-20	50618-00		BRACKET ASSEMBLY - Fuel control panel	1	
-21	50645-00		KNOB ASSEMBLY - Fuel control	1	
-22	22287-03		KNOB ASSEMBLY - Control	2	
-23	452 606		BALL JOINT - (PS10020-16-2)	3	
-24	42836-00		PLATE - Control cable support	3	
-25	415 498		SCREW - (MS35206-245)	24	
-26	400 440		BOLT - (AN3-6A)	3	
	407 564		WASHER - (AN960-10)	3	
	404 835		NUT - (MS20365-1032C)	3	
-27	415 498		SCREW - (MS35206-245)	6	
	404 833		NUT - (MS20364-832C)	6	
-28	405 312		NUT - (10-32 Hex)	3	
-29	415 244		SCREW - (6-32 x 1/2 L Oval Ph Mach. Screw, Nickel)	5	
	494 102		WASHER - (C-394)	5	
-30	48659-03		SCREW ASSEMBLY - Seal (.500" L.)	4	

When ordering, always specify Part Number, Description and Serial Number of Aircraft

PIPER PARTS CATALOG

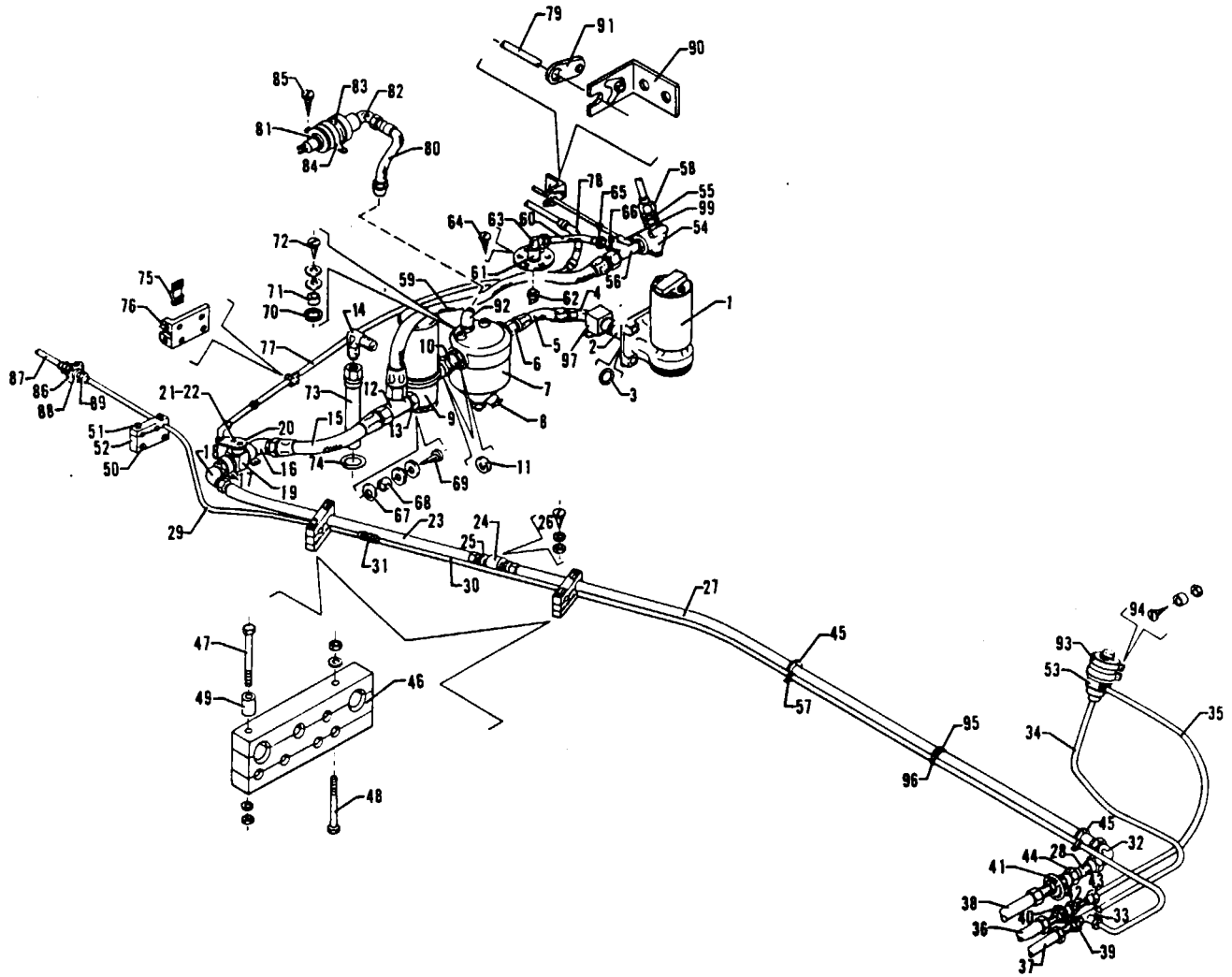


Figure 84. Left Engine Fuel System

PIPER PARTS CATALOG

CODE EXPLANATIONS FOR FIGURE 84

A - See Figure 86 for component parts.

PIPER PARTS CATALOG

Figure and Index Number	Part Number	Code	NOMENCLATURE	No. Req.	SERIAL NUMBERS AFFECTED
84-	01425		DRAWING - Fuel System Installation		
		1234567			
-1	01253-02		FUEL PUMP ASSEMBLY - Submerged	1	
-2	41617-02		UNION - Special	1	
-3	462 061		O-RING - (MS29512-8)	1	
-4	41620-00		UNION - Fuel shutoff valve	1	
	462 061		O-RING - (MS29512-8)	1	
-5	39997-12		HOSE ASSEMBLY - Fuel, shutoff valve to filter assembly	1	
-6	492 365		VALVE - Swing check (1644-00-1)	1	
-7	42110-02		FILTER ASSEMBLY - Fuel (460 607)	1	
-8	492 100		* VALVE - Drain, fuel filter (CCA-7450)	1	
-9	42113-05	A	PUMP ASSEMBLY - Fuel emergency	1	
-10	41617-02		UNION - Emergency fuel pump	1	
-11	462 061		GASKET - (MS29512-8)	2	
-12	41618-00		TEE - Emergency fuel pump	1	
-13	477 621		NUT - Emergency fuel pump (AN924-8D)	2	
-14	458 894		ELBOW - Emergency fuel pump (AN822-4D)	1	
-15	41230-10		HOSE ASSEMBLY - Fuel, left	1	
-16	458 886		ELBOW - Fuel shutoff (AN823-8D)	1	
-17	42335-00		CLAMP - Fuel shutoff valve	2	
-18	559 037		ELBOW - Fuel shutoff (AC201L-8)	1	
-19	492 111	A	VALVE - Fuel shutoff (P4-757"A")	1	
-20	41626-00		ARM - Valve actuator	1	
-21	416 084		SCREW - Fuel shutoff (MS35265-43)	2	
-22	407 563		WASHER - (AN960-8)	2	
-23	01469-02		LINE ASSEMBLY - Fuel	1	
-24	489 499		TRANSDUCER - Fuel (201C)	1	
-25	476 666		NIPPLE - Fuel transducer (AN816-7D)	2	
-26	401 312		BOLT - (AN4-12A)	2	
	407 585		WASHER - (AN960-416L)	2	
	404 888		NUT - (MS20365-428C)	2	
-27	41653-00		LINE ASSEMBLY - Fuel	1	
-28	41655-00		LINE ASSEMBLY - Fuel	1	
-29	22673-101		LINE ASSEMBLY - Heater fuel	1	
-30	22673-102		LINE ASSEMBLY - Heater fuel	1	
-31	491 048		UNION - (AN815-2D)	1	
-32	458 881		ELBOW - (AN821-8D)	1	
-33	488 344		TEE - (3-3-2-37-511)	1	
-34	39999-08		LINE ASSEMBLY - Fuel pressure	1	
-35	22673-14		LINE ASSEMBLY - Instrument air, deck pressure	1	
-36	39995-46		HOSE ASSEMBLY - Instrument air, deck pressure	1	
-37	39995-45		HOSE ASSEMBLY - Fuel pressure	1	
-38	39995-12		HOSE ASSEMBLY - Fuel	1	
-39	40849-07		PLACARD - "Fuel pressure"	1	
-40	40849-09		PLACARD - "Instrument Air Deck Pressure"	1	
-41	40849-11		PLACARD - "Fuel Supply"	1	
-42	23319-00		UNION - Flared tube	1	
-43	477 628		NUT - (AN924-3)	2	
-44	491 068		UNION - (AN832-8)	1	
	477 691		NUT - (AN924-8)	1	
-45	41586-00		GROMMET	2	
-46	41580-05		BLOCK - Retaining, fuel line	2	
-47	400 453		BOLT - (AN3-21A)	2	
	407 564		WASHER - (AN960-10)	2	
	404 887		NUT - (MS20365-1032C)	2	

When ordering, always specify Part Number, Description and Serial Number of Aircraft

PIPER PARTS CATALOG

Figure and Index Number	Part Number	Code	NOMENCLATURE	No. Req.	SERIAL NUMBERS AFFECTED
		1234567			
84-48	401 274		BOLT - (AN3-15A)	2	
	407 564		WASHER - (AN960-10)	2	
	404 887		NUT - (MS20365-1032C)	2	
-49	80012-59		SPACER - Control cable clamp	2	
-50	400 441		BOLT - (AN3-7A)	2	
	404 887		NUT - (MS20365-1032C)	2	
-51	401 273		BOLT - (AN3-14A)	2	
	404 887		NUT - (MS20365-1032C)	2	
-52	41584-00		BLOCK ASSEMBLY - Tube retaining	1	
-53	489 510		TRANSMITTER - Fuel pressure (XD0260-01001)	1	
-54	492 110		VALVE - Fuel crossfeed (800411-00)	1	
-55	491 053		UNION - Crossfeed valve (AN815-8D)	1	
-56	41618-00		TEE - Crossfeed valve	1	
-57	554 718		CLAMP - Heater fuel (PS10017-4-2)	2	
-58	477 621		NUT - Crossfeed valve (AN924-8D)	1	
-59	41230-07		HOSE ASSEMBLY - Fuel (22" L.)	1	
-60	17766-101		HOSE ASSEMBLY - Crossfeed drain	1	
-61	41683-05		VALVE ASSEMBLY - Fuel drain	1	
-62	492 100		* VALVE - Fuel drain (CCA-7450)	1	
-63	458 891		* ELBOW - Fuel drain (AN823-4D)	1	
-64	415 533		SCREW - (MS35206-243)	6	
-65	484 297		REDUCER - Crossfeed (8-4TRTX-D)	1	
-66	477 624		NUT - Crossfeed (AN818-8D)	1	
-67	434 129		GROMMET - (MS35489-9)	3	
-68	41413-15		BUSHING - Emergency fuel pump	3	
-69	418 715		SCREW - (MS90725-6)	3	
	85012-65		WASHER - Fuel pump mount	3	
	407 127		WASHER - Lock (AN936-B416)	3	
-70	434 166		GROMMET - Fuel filter (MS35489-40)	2	
-71	41413-16		BUSHING - Fuel filter	2	
-72	418 448		SCREW - Cap (MS35291-33)	2	
	81342-08		WASHER - Fuel filter mount	2	
	407 127		WASHER - Lock (AN936-B416)	2	
-73	39998-04		HOSE ASSEMBLY - Drain, emergency fuel pump	1	
-74	434 135		GROMMET - (MS35489-14)	1	
-75	18219-00		CLAMP - Control cable attachment	1	
-76	51730-00		LUG - Control cable support	1	
-77	42628-07		CABLE ASSEMBLY - Control, fuel shut-off	1	
-78	16633-93		HOSE - Cover, control cable	1	
-79	42628-03		CABLE ASSEMBLY - Control, crossfeed	1	
-80	17766-45		HOSE ASSEMBLY - Filter to pressure switch	1	
-81	48762-00		SWITCH - Pressure	1	
-82	458 893		ELBOW - (AN822-3D)	1	
-83	80045-03		STRIP - Cork, pressure switch	1	
-84	47222-00		CLAMP - Pressure switch	1	
-85	415 535		SCREW - (MS35206-245)	2	
-86	40849-13		PLACARD - "Heater Fuel"	1	
-87	22673-87		LINE ASSEMBLY - Heater fuel	1	
-88	491 058		UNION - (AN832-2D)	1	
-89	407 566		WASHER - (AN960-516)	1	
	477 619		NUT - (AN924-2D)	1	
-90	02175-02		BRACKET ASSEMBLY - Control cable, crossfeed	1	
-91	01400-02		RETAINER - Control cable, crossfeed	1	
-92	458 888		ELBOW - 45 Degrees (AN823-3D)	1	
-93	554 941		CLAMP - Pressure transmitter (PS10017-2-20)	2	

When ordering, always specify Part Number, Description and Serial Number of Aircraft

PIPER PARTS CATALOG

Figure and Index Number	Part Number	Code	NOMENCLATURE	No. Req.	SERIAL NUMBERS AFFECTED
		1234567			
84-94	411 536		SCREW - (MS35207-267).....	2	
	404 887		NUT - (MS20365-1032C).....	2	
	14976-65		BUSHING - Pressure transmitter mounting.....	2	
-95	454 933		CLAMP - Fuel (PS10017-2-8).....	1	
-96	454 927		CLAMP - Heater fuel (PS10017-2-2).....	1	
-97	492 363		VALVE ASSEMBLY - Shut-off (3555-00-5).....	1	
-98	477 691		NUT - (AN924-8).....	1	
	462 061		O-RING - (MS29512-8).....	1	
-99	24091-03		CLEVIS - Fuel crossfeed valve control rod.....	1	

When ordering, always specify Part Number, Description and Serial Number of Aircraft

PIPER PARTS CATALOG

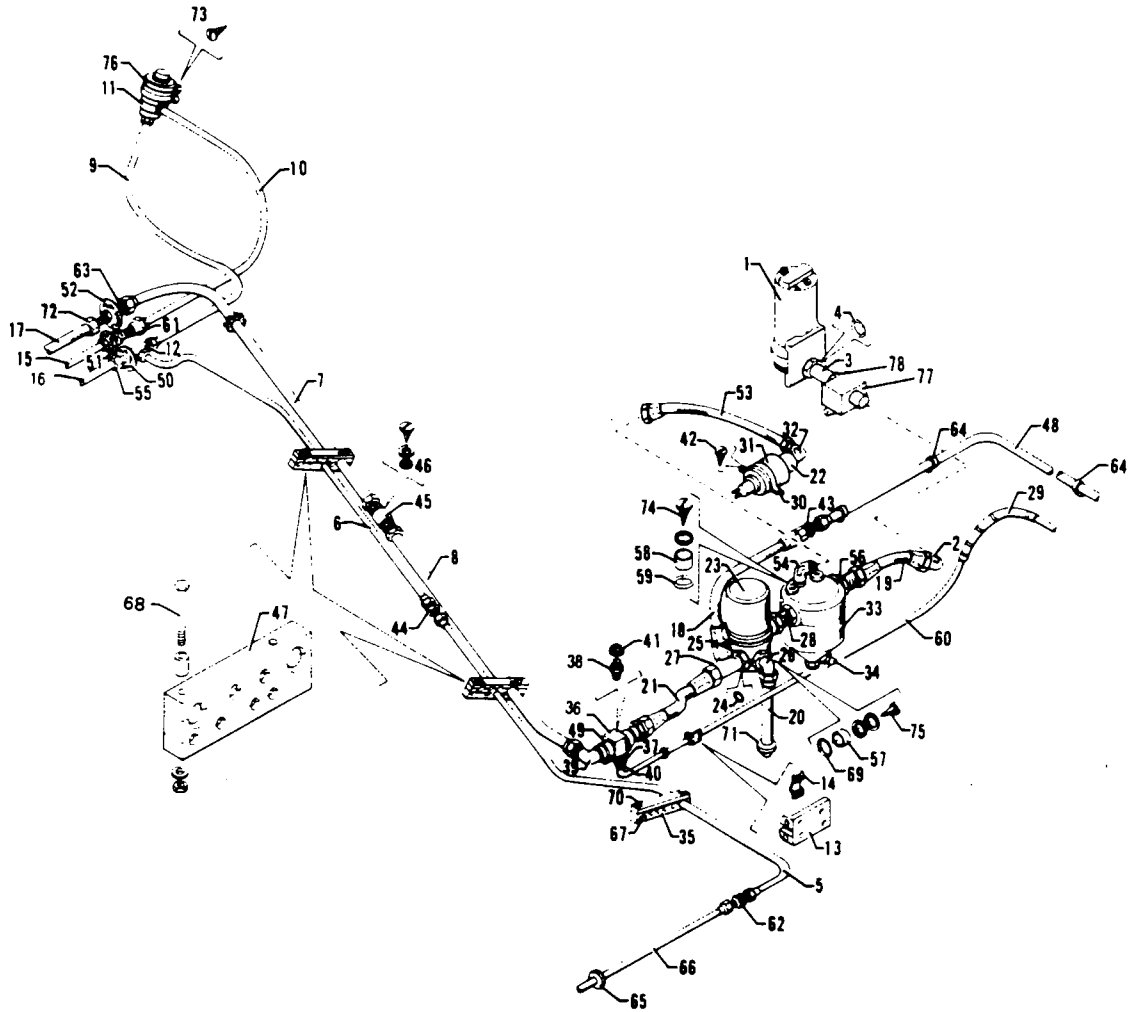


Figure 85. Right Engine Fuel System

PIPER PARTS CATALOG

CODE EXPLANATIONS FOR FIGURE 85

A - See Figure 86 for component parts.

PIPER PARTS CATALOG

Figure and Index Number	Part Number	Code	NOMENCLATURE	No. Req.	SERIAL NUMBERS AFFECTED
85-	01425		DRAWING - Fuel System Installation		
		1234567			
-1	01253-02		FUEL PUMP ASSEMBLY - Submerged	1	
-2	41620-00		UNION - Fuel shutoff valve	1	
	462 061		O-RING - (MS29512-8)	1	
-3	41617-02		UNION - Special	1	
-4	462 061		O-RING - (MS29512-8)	1	
-5	22673-66		LINE ASSEMBLY - Heater fuel	1	
-6	22673-87		LINE ASSEMBLY - Heater fuel	1	
-7	02215-02		LINE ASSEMBLY - Fuel	1	
-8	01469-03		LINE ASSEMBLY - Fuel	1	
-9	22673-14		LINE ASSEMBLY - Instrument air, deck pressure	1	
-10	39999-08		LINE ASSEMBLY - Fuel pressure	1	
-11	489 510		TRANSMITTER - Fuel pressure (XD0260-01001)	1	
-12	488 344		TEE - (3-3-2-37-511)	1	
-13	51730-00		LUG - Control cable support	1	
-14	18219-00		CLAMP - Control cable attachment	1	
-15	39995-46		HOSE ASSEMBLY - Instrument air, deck pressure	1	
-16	39995-45		HOSE ASSEMBLY - Fuel pressure	1	
-17	39995-12		HOSE ASSEMBLY - Fuel	1	
-18	41230-06		HOSE ASSEMBLY - Fuel (13" L.)	1	
-19	39997-12		HOSE ASSEMBLY - Fuel, shutoff valve to filter assembly	1	
-20	39998-04		HOSE ASSEMBLY - Drain, emergency fuel pump	1	
-21	41230-05		HOSE ASSEMBLY - Fuel, pump to shut-off valve	1	
-22	48762-00		SWITCH - Pressure	1	
-23	42113-05	A	PUMP ASSEMBLY - Emergency fuel	1	
-24	462 061		GASKET - Emergency fuel pump (MS29512-8)	2	
-25	477 621		NUT - Emergency fuel pump (AN924-8D)	3	
-26	458 894		ELBOW - Emergency fuel pump (AN822-4D)	1	
-27	41618-00		TEE - Emergency fuel pump	1	
-28	41617-02		UNION - Emergency fuel pump	1	
-29	16633-93		HOSE - Cover control cable	1	
-30	47222-00		CLAMP - Pressure switch	1	
-31	80045-03		STRIP - Cork, pressure switch	1	
-32	458 893		ELBOW - Pressure switch (AN822-3D)	1	
-33	42110-03	A	FILTER ASSEMBLY - Fuel (460 608)	1	
-34	492 100		* VALVE - Drain, fuel filter (CCA-7450)	1	
-35	41584-00		BLOCK ASSEMBLY - Tube retaining	1	
-36	492 111	A	VALVE - Fuel shut-off (P4-757"A")	1	
-37	41626-00		ARM - Valve actuator	1	
-38	476 664		NIPPLE - Fuel shut-off (AN816-8D)	1	
-39	559 037		ELBOW - Fuel shut-off (AC201L-8)	1	
-40	416 084		SCREW - Fuel shut-off (MS35265-43)	2	
-41	407 563		WASHER - (AN960-8)	2	
-42	415 535		SCREW - Pressure switch (MS35206-245)	2	
-43	476 666		UNION - (AN816-7D)	2	
-44	491 048		UNION - (AN815-2D)	1	
-45	489 499		TRANSDUCER - Fuel (201C)	1	
-46	401 312		BOLT - (AN4-12A)	2	
	407 585		WASHER - (AN960-416L)	2	
	404 888		NUT - (MS20365-428C)	2	
-47	01484-02		BLOCK ASSEMBLY - Tube retaining	2	
-48	52045-00		LINE ASSEMBLY - Fuel	1	
-49	42335-00		CLAMP - Fuel shut-off valve	2	
-50	40849-07		PLACARD - "Fuel Pressure"	1	

When ordering, always specify Part Number, Description and Serial Number of Aircraft

PIPER PARTS CATALOG

Figure and Index Number	Part Number	Code	NOMENCLATURE	No. Req.	SERIAL NUMBERS AFFECTED
		1234567			
85-51	40849-09		PLACARD - "Instrument Air Deck Pressure"	1	
-52	40849-11		PLACARD - "Fuel Supply"	1	
-53	17766-45		HOSE ASSEMBLY - Filter to pressure switch	1	
-54	458 888		ELBOW - 45 Degrees (AN823-3D)	1	
-55	23319-00		UNION - Flared tube	1	
-56	492 365		VALVE - Swing check (1644-00-1)	1	
-57	41413-15		BUSHING - Emergency fuel pump	3	
-58	41413-16		BUSHING - Fuel filter	2	
-59	434 166		GROMMET - Fuel filter (MS35489-40)	2	
-60	42628-07		CABLE ASSEMBLY - Control, fuel shut-off	1	
-61	477 628		NUT - (AN924-3)	1	
-62	491 058		UNION - (AN832-2D)	1	
	407 566		WASHER - (AN960-516)	1	
	477 619		NUT - (AN924-2D)	1	
-63	477 691		NUT - (AN924-8)	1	
-64	454 933		CLAMP - (PS10017-2-8)	3	
-65	434 119		GROMMET - (MS35489-2S)	1	
-66	22673-90		LINE ASSEMBLY - Heater fuel	1	
-67	400 441		BOLT - (AN3-7A)	2	
	404 887		NUT - (MS20365-1032C)	2	
-68	400 451		BOLT - (AN3-20A)	2	
	407 564		WASHER - (AN960-10)	2	
	404 887		NUT - (MS20365-1032C)	2	
-69	434 129		GROMMET - (MS35489-9)	3	
-70	401 273		BOLT - (AN3-14A)	2	
	404 887		NUT - (MS20365-1032C)	2	
-71	434 135		GROMMET - (MS35489-14)	1	
-72	491 068		UNION - (AN832-8)	1	
-73	411 536		SCREW - (MS35207-267)	2	
-74	418 737		SCREW - Cap (MS90725-33)	2	
	407 127		WASHER - Lock (AN936-B416)	2	
-75	418 715		SCREW - Cap (MS90725-6)	3	
	407 127		WASHER - Lock (AN936-B416)	3	
	85012-65		WASHER - Fuel pump mount	3	
-76	554 941		CLAMP - Pressure transmitter (PS10017-2-20)	2	
-77	492 363		VALVE ASSEMBLY - Shut-off (3555-00-5)	1	
-78	477 691		NUT - (AN924-8)	1	
	462 061		O-RING - (MS29512-8)	1	

When ordering, always specify Part Number, Description and Serial Number of Aircraft

2F24

INTENTIONALLY LEFT BLANK

PIPER PARTS CATALOG

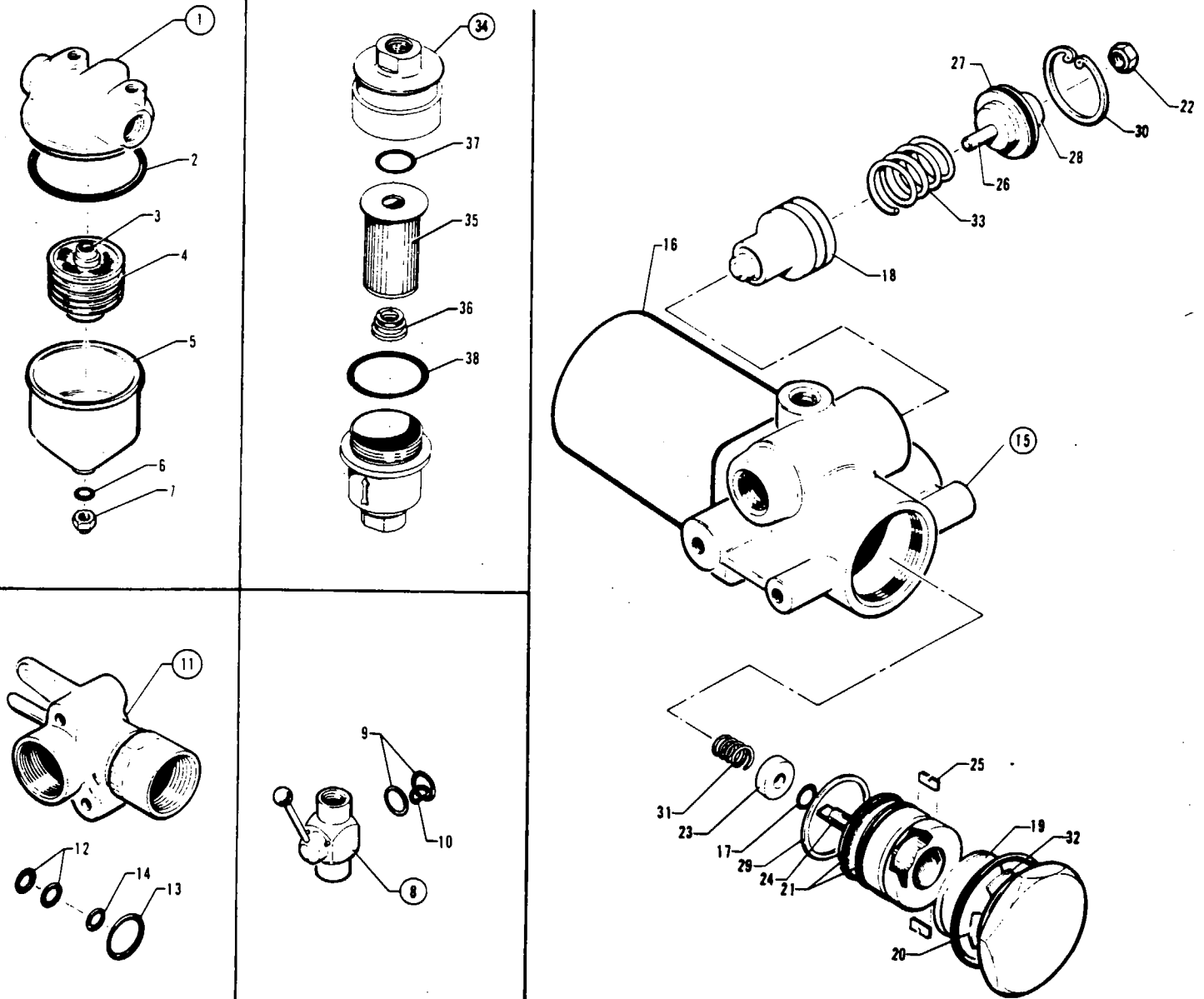


Figure 86. Fuel System Components

PIPER PARTS CATALOG

CODE EXPLANATIONS FOR FIGURE 86



PIPER PARTS CATALOG

Figure and Index Number	Part Number	Code	NOMENCLATURE	No. Req.	SERIAL NUMBERS AFFECTED
		1234567			
86-1	42110-02		FILTER ASSEMBLY - Fuel, left.....	1	
	42210-03		FILTER ASSEMBLY - Fuel, right.....	1	
-2	757 255		* PACKING - O-ring, head and stud assembly.....	1	
-3	753 986		* CARTRIDGE ASSEMBLY - Fuel filter.....	1	
-4	751 821		* * FILTER - Cartridge assembly.....	5	
-5	753 987		* CONTAINER - Fuel filter.....	1	
-6	751 898		* GASKET - Container nut.....	1	
-7	752 517		* NUT - Container.....	1	
-8	492 111		VALVE - Fuel shut-off (P4-757"A").....	2	
-9	757 256		* PACKING - O-ring, shutoff valve.....	2	
-10	757 257		* PACKING - O-ring, shutoff valve.....	2	
-11	492 110		VALVE ASSEMBLY - Fuel crossfeed (800411-00).....	1	
-12	752 742		* PACKING - O-ring, fuel crossfeed.....	2	
-13	752 760		* PACKING - O-ring, fuel crossfeed.....	1	
-14	757 258		* PACKING - O-ring, fuel crossfeed.....	1	
-15	42113-05		PUMP ASSEMBLY - Emergency fuel.....	2	
-16	761 621		* MOTOR ASSEMBLY - Fuel pump.....	1	
-17	757 324		* PACKING - O-ring.....	1	
-18	757 329		* PISTON ASSEMBLY.....	1	
-19	757 315		* PLATE - Wear, fuel pump assembly.....	1	
-20	757 259		* PACKING - O-ring.....	1	
-21	757 260		* PACKING - O-ring.....	2	
-22	752 518		* NUT - Lock, valve.....	1	
-23	756 608		* WASHER - Seal (brass).....	1	
-24	756 062		* ROTOR - Fuel pump assembly.....	1	
-25	758 130		* BLADE - Fuel pump assembly.....	2	
-26	757 622		* SCREW - Valve adjustment.....	1	
-27	755 843		* PACKING - O-ring.....	1	
-28	751 918		* GUIDE - Adjustment.....	1	
-29	762 524		* RING - Blade retainer.....	1	
-30	755 973		* RING - Retaining.....	1	
-31	756 298		* SPRING - Seal.....	1	
-32	757 578		* SPRING - Fuel pump assembly.....	1	
-33	756 296		* SPRING - Valve.....	1	
-34	460 593		FILTER ASSEMBLY - Heater fuel (61A61).....	1	
-35	754 783		* ELEMENT - Fuel filter (AN6237-1).....	1	
-36	764 804		* SPRING AND CAP ASSEMBLY - (053654).....	1	
-37	752 620		* O-RING - (MS29513-114).....	1	
-38	752 621		* O-RING - (MS29513-222).....	1	

When ordering, always specify Part Number, Description and Serial Number of Aircraft

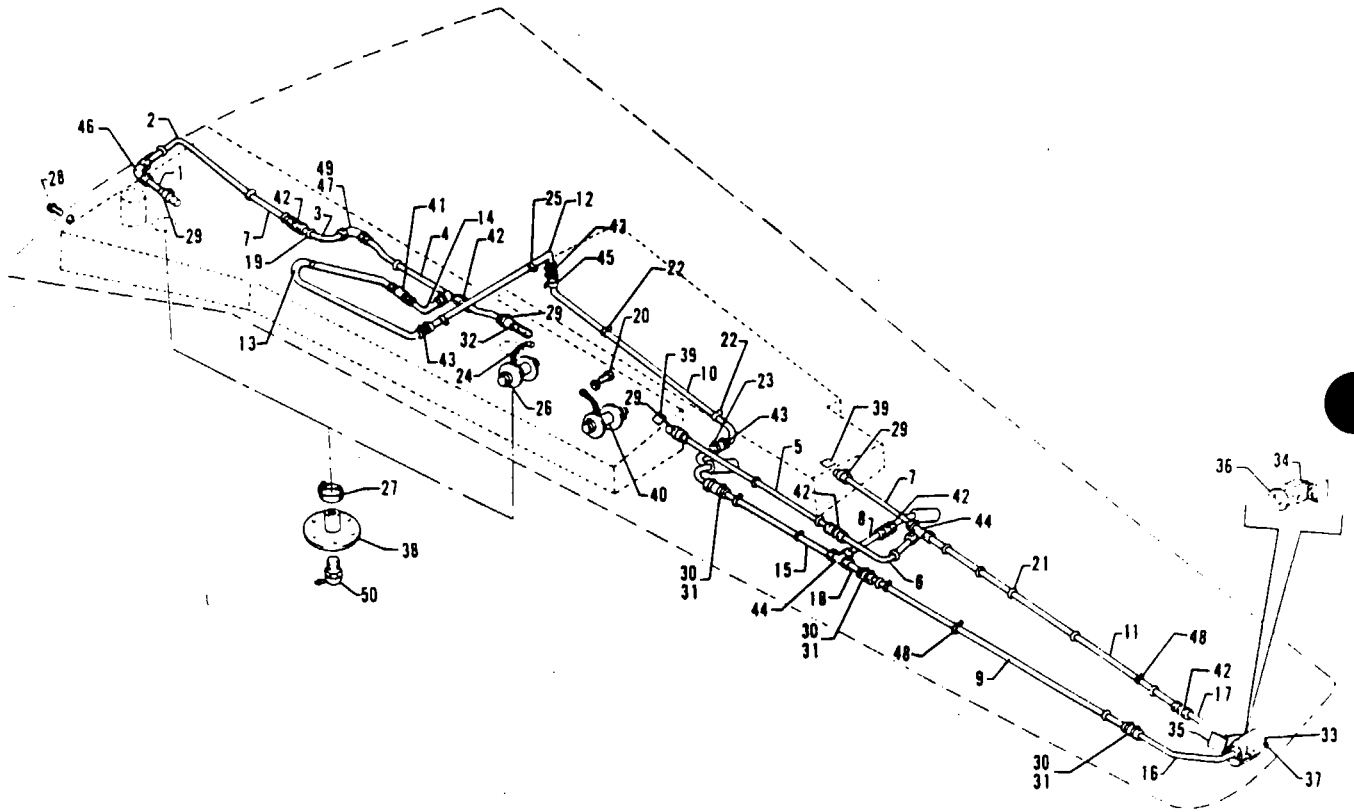


Figure 87. Wing Fuel Pressure and Vent Lines

PIPER PARTS CATALOG

CODE EXPLANATIONS FOR FIGURE 87

PIPER PARTS CATALOG

Figure and Index Number	Part Number	Code	NOMENCLATURE	No. Req.	SERIAL NUMBERS AFFECTED
87-	01008 82166	1234567	DRAWING - Wing Fuel System Installation DRAWING - Nacelle Fuel System Installation		
-1	50442-00		LINE ASSEMBLY - Fuel cell finger	2	
-2	41647-00 41647-01		LINE ASSEMBLY - Fuel, left	1	
			LINE ASSEMBLY - Fuel, right	1	
-3	41648-00		LINE ASSEMBLY - Fuel	2	
-4	41649-00		LINE ASSEMBLY - Fuel	2	
-5	49539-02		LINE ASSEMBLY - Fuel	2	
-6	49543-02 49543-03		LINE ASSEMBLY - Fuel, left	1	
			LINE ASSEMBLY - Fuel, right	1	
-7	49542-02		LINE ASSEMBLY - Fuel	2	
-8	80024-22		LINE ASSEMBLY - Fuel	2	
-9	51190-00		LINE ASSEMBLY - Fuel	2	
-10	01011-02 01011-03		LINE ASSEMBLY - Nacelle fuel vent, left	1	
			LINE ASSEMBLY - Nacelle fuel vent, right	1	
-11	01255-02 01255-03		LINE ASSEMBLY - Fuel, left	1	
			LINE ASSEMBLY - Fuel, right	1	
-12	01010-02		LINE ASSEMBLY - Nacelle fuel vent	2	
-13	01013-02 01013-03		LINE ASSEMBLY - Nacelle fuel vent, left	1	
			LINE ASSEMBLY - Nacelle fuel vent, right	1	
-14	01012-02		LINE ASSEMBLY - Nacelle fuel vent	2	
-15	80043-04		LINE ASSEMBLY - Fuel	2	
-16	49544-02 49544-03		LINE ASSEMBLY - Float valve, wing tip, left	1	
			LINE ASSEMBLY - Float valve, wing tip, right	1	
-17	80004-39		LINE ASSEMBLY - Float valve, wing tip	2	
-18	80043-05		LINE ASSEMBLY - Fuel	2	
-19	434 144		GROMMET - (MS35489-23)	2	
-20	401 307 407 136		BOLT - (AN4-4A)	4	
			WASHER - (AN936-A416)	8	
-21	41586-00		GROMMET	26	
-22	554 595		CLAMP - (PS10017-17-10)	4	
-23	554 946		CLAMP - (SAE TY F-8SS)	14	
-24	54679-03		CLAMP ASSEMBLY - Ground shielding	4	
-25	454 828		CLAMP - (A30465-10-9)	6	
-26	654 121		CLAMP - (HTM-250)	16	
-27	554 639		CLAMP - (H-12)	4	
-28	64076-15 407 535		BUSHING - Submerged pump mounting	8	
			WASHER - (AN960-416L)	8	
	404 888		NUT - (MS20365-428C)	8	
-29	554 679		CLAMP - (H-10)	8	
-30	82371-23		HOSE - Fuel	6	
-31	554 871		CLAMP - (SAE TY F-6SS)	12	
-32	41656-00		STRAINER ASSEMBLY - Fuel tank finger	2	
-33	49535-04 49535-05		HOUSING ASSEMBLY - Float valve, left	1	
			HOUSING ASSEMBLY - Float valve, right	1	
-34	492 309		* VALVE - Float (1341-00-1/PAC29319-06)	1	
-35	49538-08 49538-09		* BRACKET ASSEMBLY - Mounting, housing, left	1	
			* BRACKET ASSEMBLY - Mounting, housing, right	1	
-36	49536-02		* GASKET - Valve	1	
-37	49537-02		* GASKET - Housing	1	
-38	40549-02		PLATE ASSEMBLY - Fuel drain valve	4	
-39	80042-90		PLATE - Reinforcement	4	
-40	54678-04		TUBE - Fuel cell connector	4	

When ordering, always specify Part Number, Description and Serial Number of Aircraft

PIPER PARTS CATALOG

Figure and Index Number	Part Number	Code	NOMENCLATURE	No. Req.	SERIAL NUMBERS AFFECTED
		1234567			
87-41	01266-02		VALVE - Check	2	
-42	491 053		UNION - (AN815-8D)	10	
-43	83161-42		HOSE - Connector	6	
-44	488 509		TEE - (AN824-8D)	4	
-45	554 905		CLAMP - (PS10017-4-10)	2	
-46	458 881		ELBOW - (AN821-8D) 90°	2	
-47	458 914		ELBOW - (AN837-8D) 45°	2	
-48	554 829		CLAMP - (A3046S-8-91) Fuel	10	
-49	407 573		WASHER - (AN960-1216)	2	
	477 621		NUT - (AN924-8D)	2	
-50	492 100		VALVE - Drain	4	

When ordering, always specify Part Number, Description and Serial Number of Aircraft

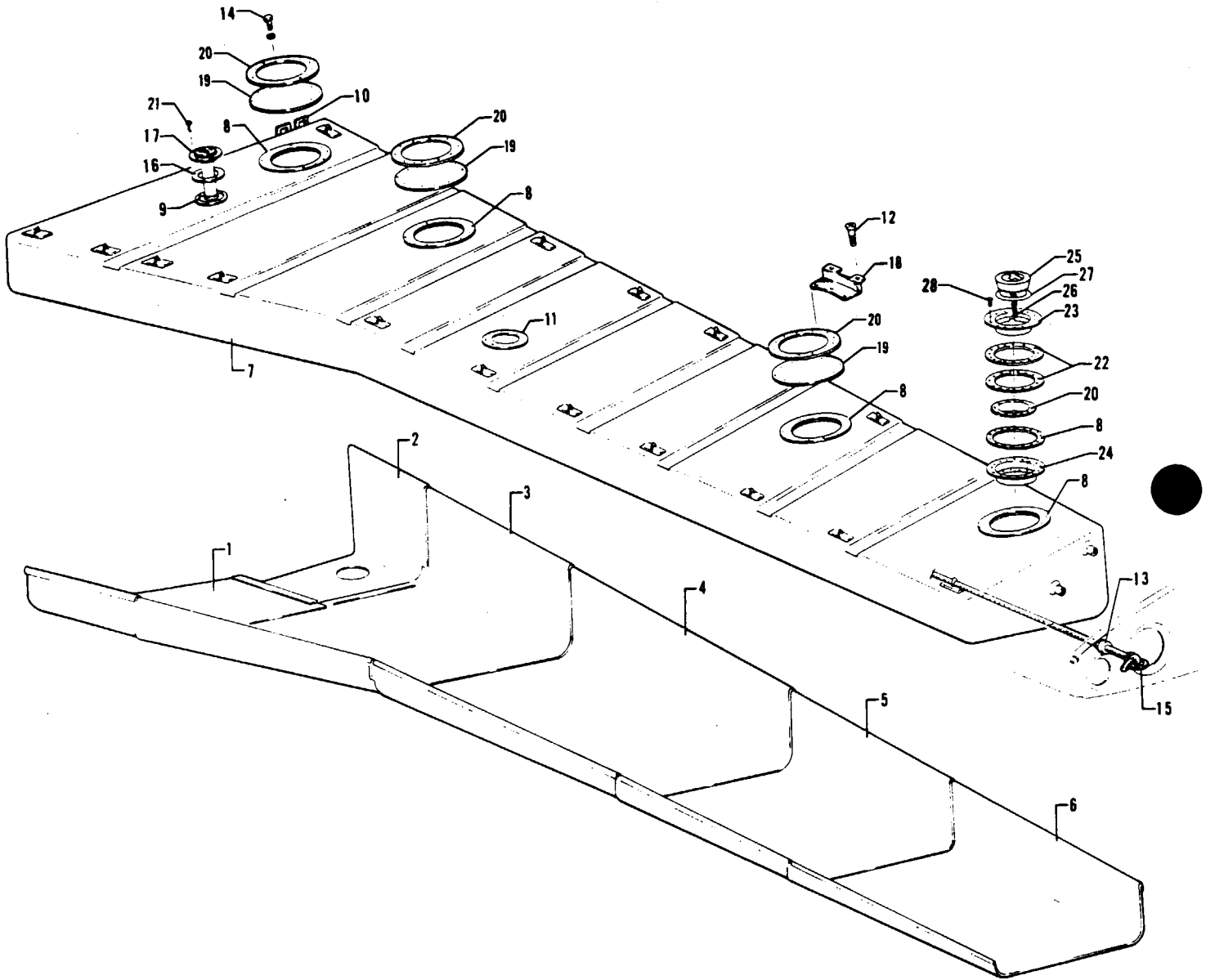


Figure 88. Main Fuel Cell and Liner Installation

PIPER PARTS CATALOG

CODE EXPLANATIONS FOR FIGURE 88

A - If matching cabin door lock, forward baggage door and locking fuel caps are desired order Part No. 470 554.

PIPER PARTS CATALOG

Figure and Index Number	Part Number	Code	NOMENCLATURE	No. Req.	SERIAL NUMBERS AFFECTED
		1234567			
88-	40539		DRAWING - Main Fuel Cell Liner Installation		
	82145		DRAWING - Main Fuel Cell Installation		
-1	40537-10		LINER - Fuel cell, left forward, Sta. 30.0 to Sta. 39.5	1	
	40537-11		LINER - Fuel cell, right forward, Sta. 30.0 to Sta. 39.5	1	
-2	40537-18		LINER - Fuel cell, left rear, Sta. 30.0 to Sta. 39.5	1	
	40537-19		LINER - Fuel cell, right rear, Sta. 30.0 to Sta. 39.5	1	
-3	40537-08		LINER - Fuel cell, left, Sta. 39.5 to Sta. 58.5	1	
	40537-09		LINER - Fuel cell, right, Sta. 39.5 to Sta. 58.5	1	
-4	40537-06		LINER - Fuel cell, left, Sta. 58.5 to Sta. 87.5	1	
	40537-07		LINER - Fuel cell, right, Sta. 58.5 to Sta. 87.5	1	
-5	40537-22		LINER - Fuel cell, left, Sta. 87.5 to Sta. 109.5	1	
	40537-23		LINER - Fuel cell, right, Sta. 87.5 to Sta. 109.5	1	
-6	40537-20		LINER - Fuel cell, left, Sta. 109.5 to Sta. 134.5	1	
	40537-21		LINER - Fuel cell, right, Sta. 109.5 to Sta. 134.5	1	
-7	52778-08		FUEL CELL ASSEMBLY - Main, left	1	
	52778-09		FUEL CELL ASSEMBLY - Main, right	1	
-8	755 016		* GASKET - Fuel cell (2F1-2-14523)	5	
-9	755 017		* GASKET - Fuel cell (2F1-2-33849)	1	
-10	755 018		* GASKET - Fuel cell (2F1-2-36746)	2	
-11	755 112		* GASKET - Fuel cell (2F1-2-14518)	1	
-12	414 761		SCREW - (MS24693-S48)	8	
-13	453 732		BUSHING - Snap (PS10064-375-4)	44	
-14	400 002		BOLT - (AN4-5A)	96	
	407 136		WASHER - (AN936-A416)	96	
-15	407 565		WASHER - (AN960-416)	8	
-16	50856-00		GASKET - Fuel sender	2	
-17	50946-06		SENSOR ASSEMBLY - Fuel tank sender	2	
-18	50263-04		BRACKET ASSEMBLY - Fuel cell nut flange mounting	4	
-19	40558-00		COVER - Fuel cell	6	
-20	42191-00		PLATE - Fuel cell attachment	8	
-21	48659-08		SCREW ASSEMBLY - Seal	10	
-22	40555-00		GASKET - Fuel cell	4	
-23	53797-00		ADAPTER - Filler cap	2	
-24	40524-00		BRACKET ASSEMBLY - Fuel filler neck	2	
-25	554 482		CAP ASSEMBLY - (457 766)	2	
	763 389	A	CAP ASSEMBLY - Locking (457-826-1-1)	2	
-26	472 059		* LANYARD - (452-16-6)	1	
-27	762 516		* O-RING - (457-98-1)	1	
-28	414 763		SCREW - (MS24693-S50)	32	

When ordering, always specify Part Number, Description and Serial Number of Aircraft

PIPER PARTS CATALOG

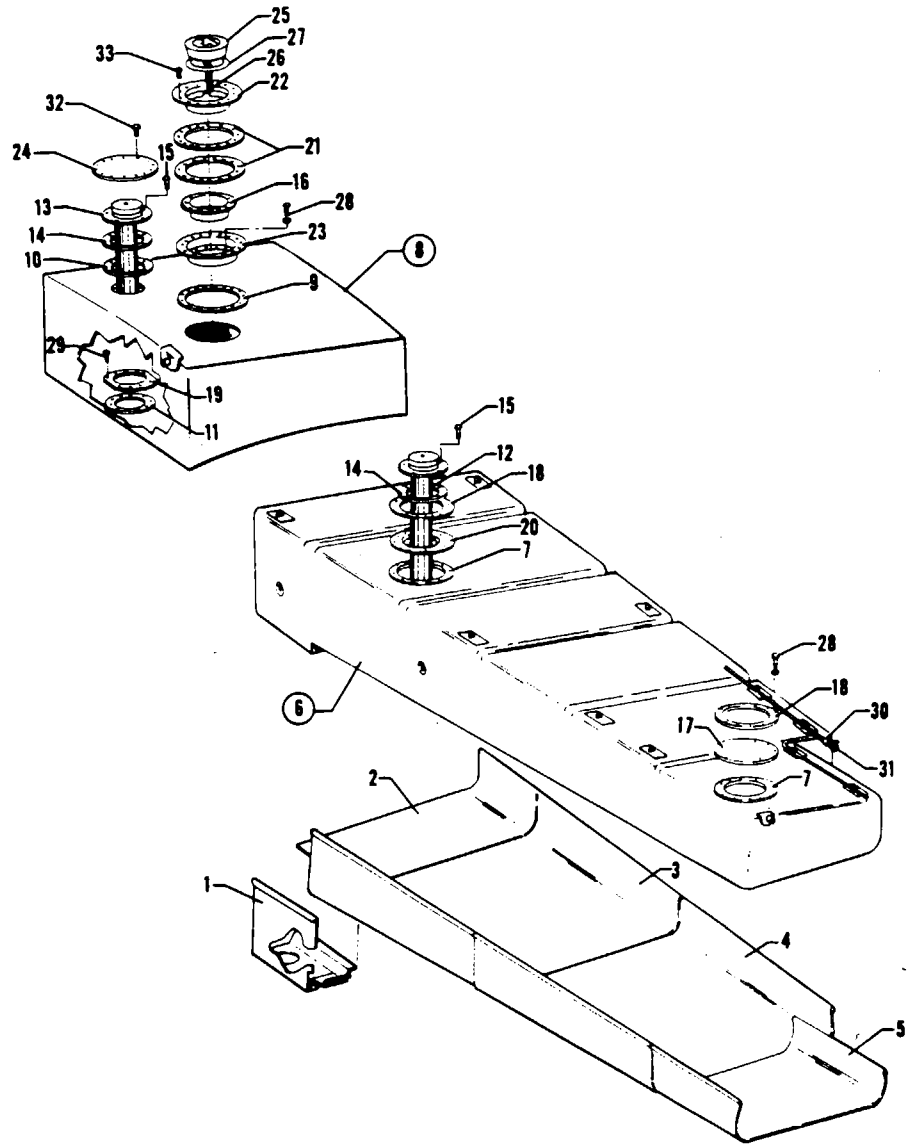


Figure 89. Nacelle and Auxiliary Fuel Cell and Liner Installation

PIPER PARTS CATALOG

CODE EXPLANATIONS FOR FIGURE 89

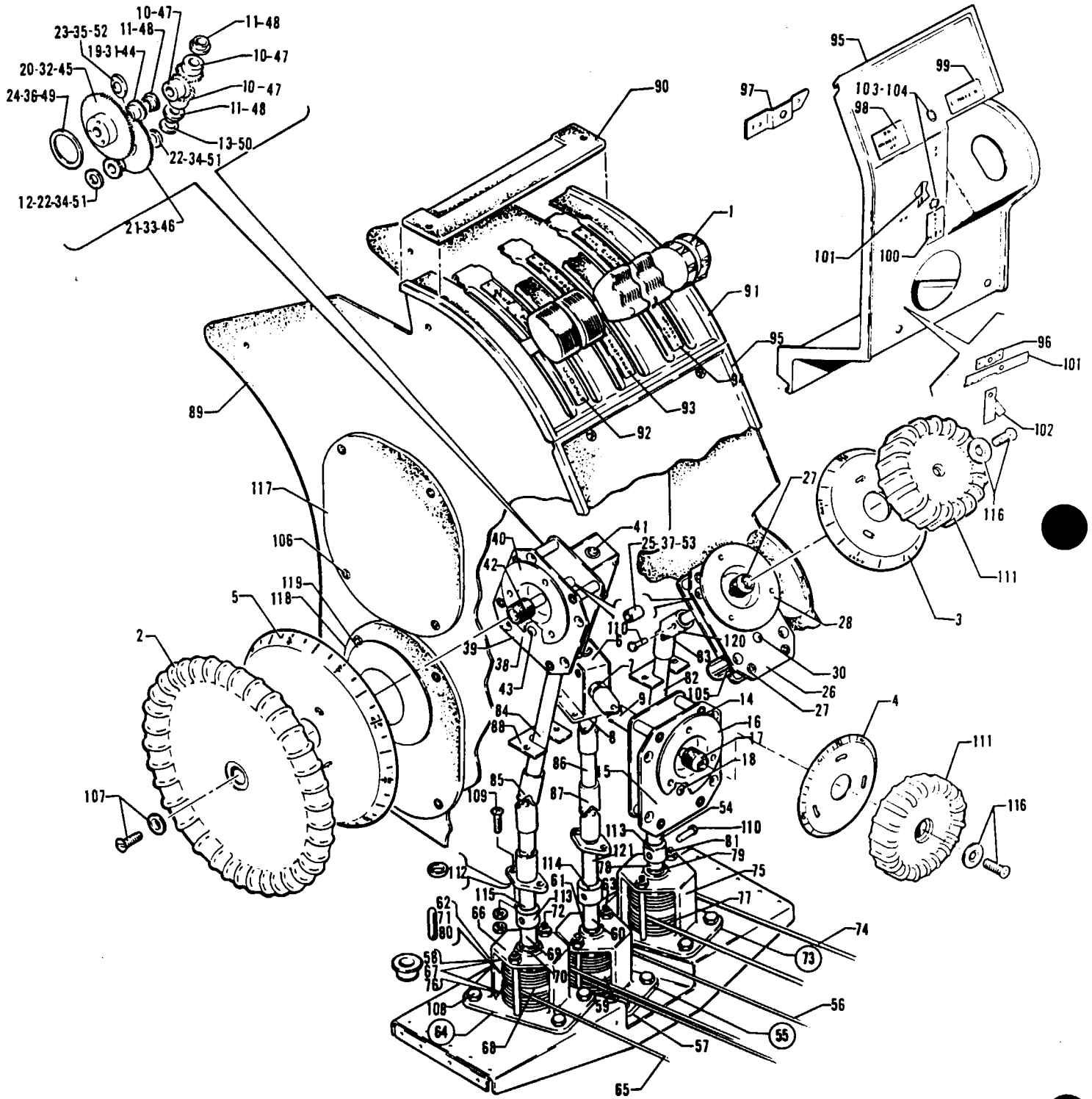
A - If matching cabin door lock, forward baggage door lock and locking fuel caps are desired order Part No. 470 554.

PIPER PARTS CATALOG

Figure and Index Number	Part Number	Code	NOMENCLATURE	No. Req.	SERIAL NUMBERS AFFECTED
		1234567			
89-	46029		DRAWING - Main Outboard Fuel Cell Liner Installation		
	82143		DRAWING - Auxiliary Fuel Cell Installation		
	82166		DRAWING - Nacelle Fuel Cell Installation		
-1	45712-24		LINER - Fuel cell, left forward, Sta. 87.5 to Sta. 97.5	1	
	45712-25		LINER - Fuel cell, right forward, Sta. 87.5 to Sta. 97.5	1	
-2	45712-16		LINER - Fuel cell, left aft, Sta. 87.5 to Sta. 97.5	1	
	45712-17		LINER - Fuel cell, right aft, Sta. 87.5 to Sta. 97.5	1	
-3	45712-22		LINER - Fuel cell, left, Sta. 97.5 to Sta. 121.5	1	
	45712-23		LINER - Fuel cell, right, Sta. 97.5 to Sta. 121.5	1	
-4	45712-10		LINER - Fuel cell, left, Sta. 121.5 to Sta. 147.5	1	
	45712-11		LINER - Fuel cell, right, Sta. 121.5 to Sta. 147.5	1	
-5	40538-02		LINER - Fuel cell, left, Sta. 147.5 to Sta. 160.5	1	
	40538-03		LINER - Fuel cell, right, Sta. 147.5 to Sta. 160.5	1	
-6	82139-02		FUEL CELL ASSEMBLY - Auxiliary, left	1	
	82139-03		FUEL CELL ASSEMBLY - Auxiliary, right	1	
-7	755 026		* FLANGE - Nut, fuel cell (2F1-3-36386)	2	
	755 016		* GASKET - Fuel cell (2F1-2-14523)	2	
-8	82127-02		FUEL CELL ASSEMBLY - Nacelle, left	1	
	82127-03		FUEL CELL ASSEMBLY - Nacelle, right	1	
-9	755 016		* GASKET - Fuel cell (2F1-2-14523)	2	
-10	755 017		* GASKET - Fuel cell (2F1-2-33849)	1	
-11	755 112		* GASKET - Fuel cell (2F1-2-14518)	1	
-12	50946-07		SENSOR ASSEMBLY - Fuel tank unit	2	
-13	50946-08		SENSOR ASSEMBLY - Fuel tank unit	2	
-14	50856-00		GASKET - Fuel sensor	4	
-15	48659-08		SCREW ASSEMBLY - Fuel sensor attachment	20	
-16	47409-00		PLATE ASSEMBLY - Fuel cell attachment	2	
-17	40558-00		COVER - Fuel cell	2	
-18	42191-00		PLATE - Fuel cell attachment	4	
-19	82162-02		PLATE - Fuel cell	2	
-20	51041-00		PLATE ASSEMBLY - Fuel sensor support	2	
-21	40555-00		GASKET - Fuel cell	4	
-22	53797-00		ADAPTER - Filler cap	2	
-23	40524-00		BRACKET ASSEMBLY - Fuel cell filler neck	2	
-24	40546-10		COVER - Fuel cell access	2	
-25	554 482		CAP ASSEMBLY - (457-766)	2	
	763 389	A	CAP ASSEMBLY - (457-826-1-1)	2	
-26	472 059		* LANYARD - (452-16-6)	1	
-27	762 516		* O-RING - (457-98-1)	1	
-28	400 002		BOLT - (AN4-5A)	72	
	407 136		WASHER - (AN936-A416)	72	
-29	403 098		BOLT - (AN4-C5A)	16	
	407 136		WASHER - (AN936-A416)	16	
-30	453 732		BUSHING - Snap (PS10064-375-4)	30	
-31	407 565		WASHER - (AN960-416)	8	
-32	414 779		SCREW - (MS24693-S49)	20	
-33	414 763		SCREW - (MS24693-S50)	32	

When ordering, always specify Part Number, Description and Serial Number of Aircraft

PIPER PARTS CATALOG



PIPER PARTS CATALOG

CODE EXPLANATIONS FOR FIGURE 90

- A - See Figure 91 for component parts
- B - For aircraft equipped with any type Autopilot refer to the Avionics Drawing Index List and the appropriate drawings supplied with each aircraft when ordering replacement parts.

PIPER PARTS CATALOG

Figure and Index Number	Part Number	Code	NOMENCLATURE	No. Req.	SERIAL NUMBERS AFFECTED
			1234567		
90-	48505		DRAWING - Pedestal Installation		
-1	43438-05	A,B	CONTROL ASSEMBLY - Pedestal	1	31P-8414001 to 31P-8414004 incl.
	43438-06	A,B	CONTROL ASSEMBLY - Pedestal	1	31P-8414005 and up
-2	43751-00		WHEEL ASSEMBLY - Elevator trim control	1	
-3	47601-00		INDICATOR ASSEMBLY - Rudder trim	1	
-4	47603-00		INDICATOR ASSEMBLY - Aileron trim	1	
-5	48014-03		INDICATOR ASSEMBLY - Elevator trim	1	
-6	47102-00		BOX ASSEMBLY - Aileron trim gear	1	
-7	47085-02		* SHAFT - Gear box	1	
-8	47085-03		* SHAFT - Gear box	1	
-9	469 132		* JOINT - Universal.....	1	
-10	45367-00		* GEAR - Bevel	3	
-11	453 825		* BUSHING - (NAS77A-4-12).....	3	
-12	494 183		* WASHER - (W-12).....	AR	
-13	407 565		* WASHER - (AN960-416)	2	
-14	47116-02		BOX ASSEMBLY - Aileron trim indicator	1	
-15	54938-02		* PLATE ASSEMBLY - Aileron trim gear box.....	1	
-16	47157-00		* HUB ASSEMBLY - Trim indicator mounting	1	
-17	47090-02		* SHAFT - Aileron trim gear box	1	
-18	47117-00		* SHAFT - Aileron trim gear box	1	
-19	45405-00		* GEAR - Aileron trim gear box.....	2	
-20	54940-02		* GEAR ASSEMBLY - Aileron trim gear box	1	
-21	47109-02		* GEAR - Aileron trim gear box.....	1	
-22	494 183		* WASHER - Spacer (W-12).....	2	
-23	494 184		* WASHER - Spacer (W-14).....	1	
-24	494 038		* WASHER - Spacer (RE-11)	1	
-25	39991-13		* BUSHING - Spacer.....	1	
-26	47116-03		BOX ASSEMBLY - Rudder trim indicator	1	
-27	54938-02		* PLATE ASSEMBLY - Rudder trim gear box.....	1	
-28	47157-00		* HUB ASSEMBLY - Trim indicator mounting	1	
-29	47090-03		* SHAFT - Rudder trim gear box	1	
-30	47117-00		* SHAFT - Rudder trim gear box	1	
-31	45405-00		* GEAR - Rudder trim gear box.....	2	
-32	54940-02		* GEAR ASSEMBLY - Rudder trim gear box	1	
-33	47109-02		* GEAR - Rudder trim gear box.....	1	
-34	494 183		* WASHER - Spacer (W-12).....	2	
-35	494 184		* WASHER - Spacer (W-14).....	1	
-36	494 038		* WASHER - Spacer (RE-11)	1	
-37	39991-13		* BUSHING - Spacer.....	1	
-38	46890-00		BOX ASSEMBLY - Elevator trim indicator	1	
-39	54938-02		* PLATE ASSEMBLY - Elevator trim gear box	1	
-40	47157-00		* HUB ASSEMBLY - Trim indicator mounting	1	
-41	47085-03		* SHAFT - Elevator trim gear box	1	
-42	47091-00		* SHAFT - Elevator trim gear box	1	
-43	47117-00		* SHAFT - Elevator trim gear box	1	
-44	45405-00		* GEAR - Elevator trim gear box	1	
-45	54940-02		* GEAR ASSEMBLY - Elevator trim gear box	1	
-46	47109-02		* GEAR - Elevator trim gear box	1	
-47	45367-00		* GEAR - Bevel	3	
-48	453 825		* BUSHING - (NAS77A-4-12).....	3	
-49	494 038		* WASHER - (RE-11)	1	
-50	407 565		* WASHER - (AN960-416)	1	
-51	494 183		* WASHER - (W-12).....	AR	
-52	494 184		* WASHER - Spacer (W-14).....	1	

When ordering, always specify Part Number, Description and Serial Number of Aircraft

PIPER PARTS CATALOG

Figure and Index Number	Part Number	Code	NOMENCLATURE	No. Req.	SERIAL NUMBERS AFFECTED
		1234567			
90-53	39991-13		* BUSHING - Spacer	1	
-54	47660-04		SHAFT - Rudder trim control	1	
-55	46927-03		SCREW ASSEMBLY - Aileron trim	1	
-56	41734-17		* CABLE ASSEMBLY - Aileron trim	1	
-57	46910-00		* BRACKET ASSEMBLY - Trim drum support	1	
-58	452 381		* * BEARING - (FF-609-1)	2	
-59	41394-00		* DRUM - Trim	1	
-60	46913-05		* SHAFT - Trim control	1	
-61	41393-00		* BUSHING - Shaft	1	
-62	17089-00		* PIN - Cable	1	
-63	410 251		* SCREW - (MS24694-S33)	2	
	407 563		* WASHER - (AN960-8)	2	
	404 910		* NUT - (MS20365-832C)	2	
-64	46927-05		* SCREW ASSEMBLY - Elevator trim	1	
-65	41734-36		* CABLE ASSEMBLY - Elevator trim	1	
-66	46910-00		* BRACKET ASSEMBLY - Trim drum support	1	
-67	452 381		* * BEARING - (FF-609-1)	1	
-68	41394-00		* DRUM - Trim	1	
-69	46913-04		* SHAFT - Trim control	1	
-70	41393-00		* BUSHING - Shaft	1	
-71	17089-00		* PIN - Cable	1	
-72	410 251		* SCREW - (MS24694-S33)	2	
	407 563		* WASHER - (AN960-8)	2	
	404 910		* NUT - (MS20365-832C)	2	
-73	46927-04		SCREW ASSEMBLY - Rudder trim	1	
-74	41734-18		* CABLE ASSEMBLY - Rudder trim	1	
-75	46910-00		* BRACKET ASSEMBLY - Trim drum support	1	
-76	452 381		* * BEARING - (FF-609-1)	1	
-77	41394-00		* DRUM - Trim	1	
-78	46913-04		* SHAFT - Trim control	1	
-79	41393-00		* BUSHING - Shaft	1	
-80	17089-00		* PIN - Cable	1	
-81	410 251		* SCREW - (MS24694-S33)	2	
	407 563		* WASHER - (AN960-8)	2	
	404 910		* NUT - (MS20365-832C)	2	
-82	47089-02		SHAFT ASSEMBLY - Rudder trim	1	
-83	469 132		* JOINT - Universal (MS20270B8)	2	
-84	47089-03		SHAFT ASSEMBLY - Elevator trim	1	
-85	469 132		* JOINT - Universal (MS20270B8)	2	
-86	47092-00		SHAFT ASSEMBLY - Aileron trim	1	
-87	469 132		* JOINT - Universal (MS20270B8)	2	
-88	47160-00		GUIDE - Trim shaft	2	
-89	48491-00		COVER - Pedestal, left side	1	
	48488-02		COVER - Pedestal, right side	1	
-90	48482-00		COVER - Pedestal, front top	1	
-91	48500-00		COVER ASSEMBLY - Pedestal, front upper	1	
-92	40583-03		* PLACARD - Throttle control	1	
-93	40584-03		* PLACARD - Propeller control	1	
-94	40594-03		* PLACARD - Mixture control	1	
-95	48495-06	B	COVER ASSEMBLY - Pedestal front	1	
-96	01284-02		* BRACKET - Light retaining	1	
-97	47735-00		* BRACKET - Light retaining	1	
-98	47736-00		* PLACARD - Elevator trim	1	
-99	47737-00		* PLACARD - Rudder trim	1	
-100	47738-00		* PLACARD - Aileron trim	1	

When ordering, always specify Part Number, Description and Serial Number of Aircraft

PIPER PARTS CATALOG

Figure and Index Number	Part Number	Code	NOMENCLATURE	No. Req.	SERIAL NUMBERS AFFECTED
		1234567			
90-101	01282-02		* PLATE - Pedestal lighting	1	
-102	01283-02		* PLATE - Pedestal lighting	1	
-103	472 991		* LIGHT ASSEMBLY - (271-8430-0171-702)	2	
-104	472 150		* BULB - (7341)	2	
-105	41413-76		BUSHING	4	
-106	515 739		SCREW - (AN526-632R8)	32	
-107	514 763		SCREW - (AN507-832R8)	1	
	494 081		WASHER - (A3135-017-1)	1	
-108	40 438		BOLT - (AN3-4A)	12	
	407 564		WASHER - (AN960-10)	12	
	404 887		NUT - (MS20365-1032C)	12	
-109	415 533		SCREW - (MS35206-243)	6	
-110	424 145		PIN - Flat head (MS20392-1C17)	10	
	424 051		COTTER PIN - (MS24665-132)	10	
-111	47158-00		KNOB ASSEMBLY - Rudder and aileron control	2	
-112	452 577		BEARING - Trim shaft (S743)	3	
-113	47659-02		SLEEVE - Trim control shaft	2	
-114	47659-03		SLEEVE - Trim control shaft	1	
-115	47660-03		SHAFT - Elevator trim control	1	
-116	80030-02		WASHER - Countersunk	2	
	514 763		SCREW - (AN507-832R8)	2	
-117	48494-00		COVER - Pedestal access, left	1	
	48484-00		COVER - Pedestal access, right	1	
-118	48499-00		COVER - Pedestal access	2	
-119	47607-00		SPACER - Indicator mounting	2	
-120	47159-00		BUSHING - Trim shaft	1	
-121	47660-02		SHAFT - Aileron trim control	1	

When ordering, always specify Part Number, Description and Serial Number of Aircraft

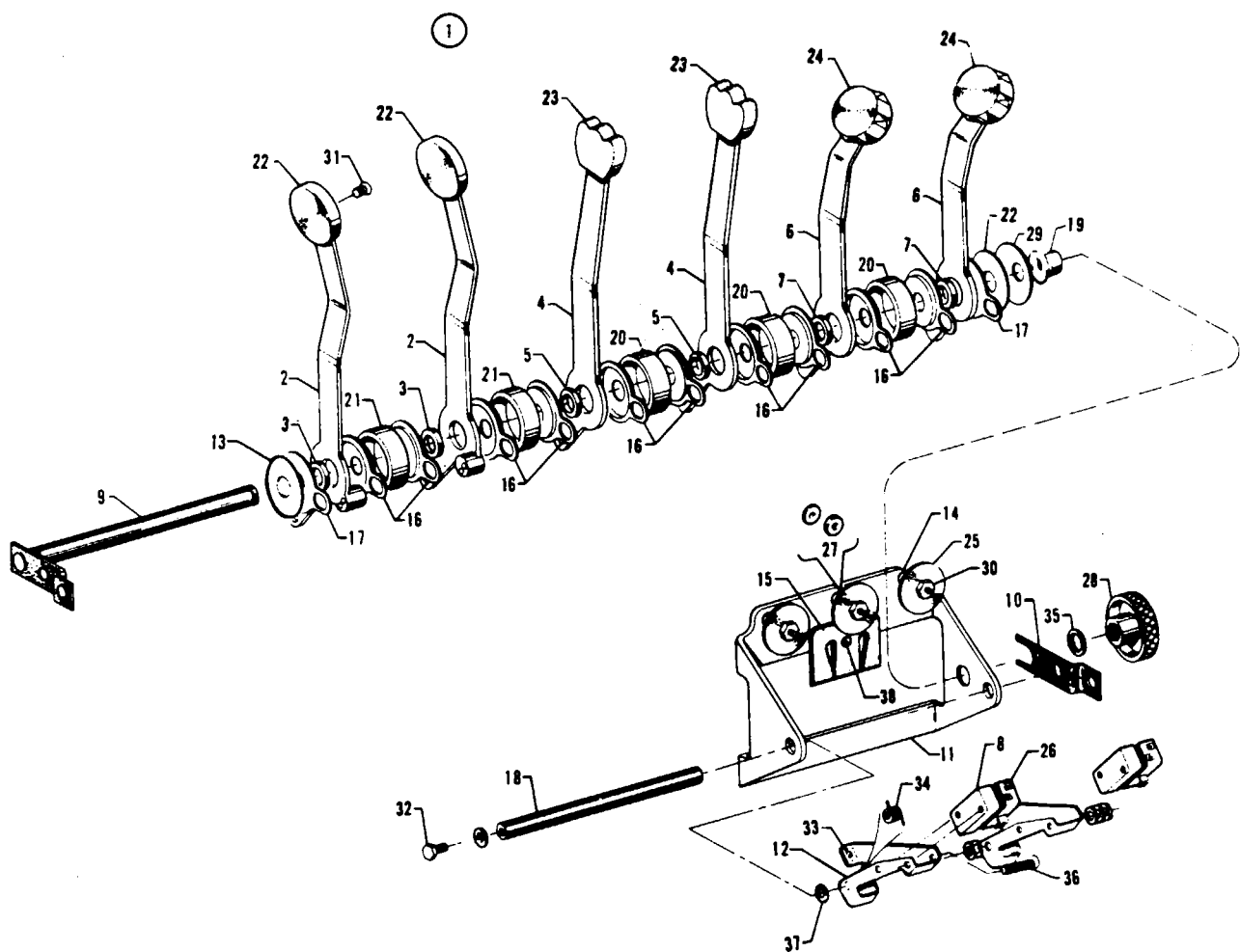


Figure 91. Pedestal Control Assembly

PIPER PARTS CATALOG

CODE EXPLANATIONS FOR FIGURE 91

A - For aircraft equipped with any type Autopilot, refer to the Avionics Drawing Index List and the appropriate drawings supplied with each aircraft when ordering replacement parts.

PIPER PARTS CATALOG

Figure and Index Number	Part Number	Code	NOMENCLATURE	No. Req.	SERIAL NUMBERS AFFECTED
			1234567		
91-1	43438-05		CONTROL ASSEMBLY - Pedestal	1	31P-8414001 to 31P-8414004 incl.
	43438-06		CONTROL ASSEMBLY - Pedestal	1	31P-8414005 and up
-2	43454-00	A	* LEVER ASSEMBLY - Throttle control, left	1	
	43454-02	A	* LEVER ASSEMBLY - Throttle control, right	1	
-3	452 359		* * BEARING - (A-306-11)	1	
-4	71594-02		* LEVER ASSEMBLY - Propeller control	2	
-5	452 359		* * BEARING - (A-306-11)	1	
-6	41476-02		* LEVER ASSEMBLY - Mixture control, left	1	
	41476-00		* LEVER ASSEMBLY - Mixture control, right	1	
-7	452 359		* * BEARING - (A-306-11)	1	
-8	43981-00		* SPACER - Throttle switch	2	
-9	41526-00		* SHAFT ASSEMBLY - Pedestal controls	1	
-10	41525-00		* BRACKET - Pedestal control shaft	1	
-11	40891-06		* BRACKET ASSEMBLY - Pedestal control lever	1	
-12	43435-00		* BRACKET ASSEMBLY - Throttle switch, left	1	
	43435-02		* BRACKET ASSEMBLY - Throttle switch, right	1	
-13	81342-68		* WASHER - Pedestal control shaft	2	
-14	19936-00		* STUD - Control lever stop	3	
-15	71599-04		* PLATE ASSEMBLY - Prop lever friction	1	
-16	17852-02		* PLATE - Friction, pedestal controls	10	31P-8414001 to 31P-8414004 incl.
	17852-03		* PLATE - Friction, pedestal controls	10	31P-8414005 and up
-17	17852-03		* PLATE - Friction, pedestal controls	2	
-18	17850-00		* TUBE - Pedestal control keeper	1	31P-8414001 to 31P-8414004 incl.
-	51054-00		* ROD - Pedestal control keeper	1	31P-8414005 and up
-19	17848-00		* BEARING - Pedestal control shaft	1	
-20	14175-37		* BUSHING - Pedestal control shaft	3	31P-8414001 to 31P-8414004 incl.
	43455-00		* BUSHING - Pedestal control shaft	3	31P-8414005 and up
-21	43455-00		* BUSHING - Pedestal control shaft	2	
-22	41415-00		* KNOB - Throttle control	2	
-23	41416-00		* KNOB - Propeller control	2	
-24	41417-00		* KNOB - Mixture control	2	
-25	81342-100		* WASHER - Pedestal control	3	
-26	487 940		* SWITCH - Limit, Class "E" (MS25253-2)	2	
-27	404 224		* NUT - (AN315-3R)	1	
	407 584		* WASHER - (AN960-10L)	1	
-28	471 044		* KNOB - Black (646)	1	
-29	408 833		* WASHER - Shakeproof (3702-18-29-2514)	1	
-30	404 224		* NUT - (AN315-3R)	3	
-31	414 779		* SCREW - (MS24693-S49)	6	
-32	411 532		* SCREW - (MS35207-263)	2	
	407 043		* WASHER - (MS35338-43)	2	
-33	415 537		* SCREW - (MS35206-247)	2	
-34	43457-00		* SPRING - Throttle switch	2	
-35	407 566		* WASHER - (AN960-516)	1	
-36	414 705		* SCREW - (MS24693-S11)	4	
	406 638		* NUT - (H10-04)	4	
-37	407 565		* WASHER - (AN960-416)	2	
	407 585		* WASHER - (AN960-416L)	2	
-38	415 520		SCREW - (MS35206-230) (6-32" thread)	1	
	415 535		SCREW - (MS35206-245) (8-32" thread)	1	
	81342-44		WASHER	1	

When ordering, always specify Part Number, Description and Serial Number of Aircraft

**2G22 THRU 2G24
INTENTIONALLY LEFT BLANK**

PIPER PARTS CATALOG

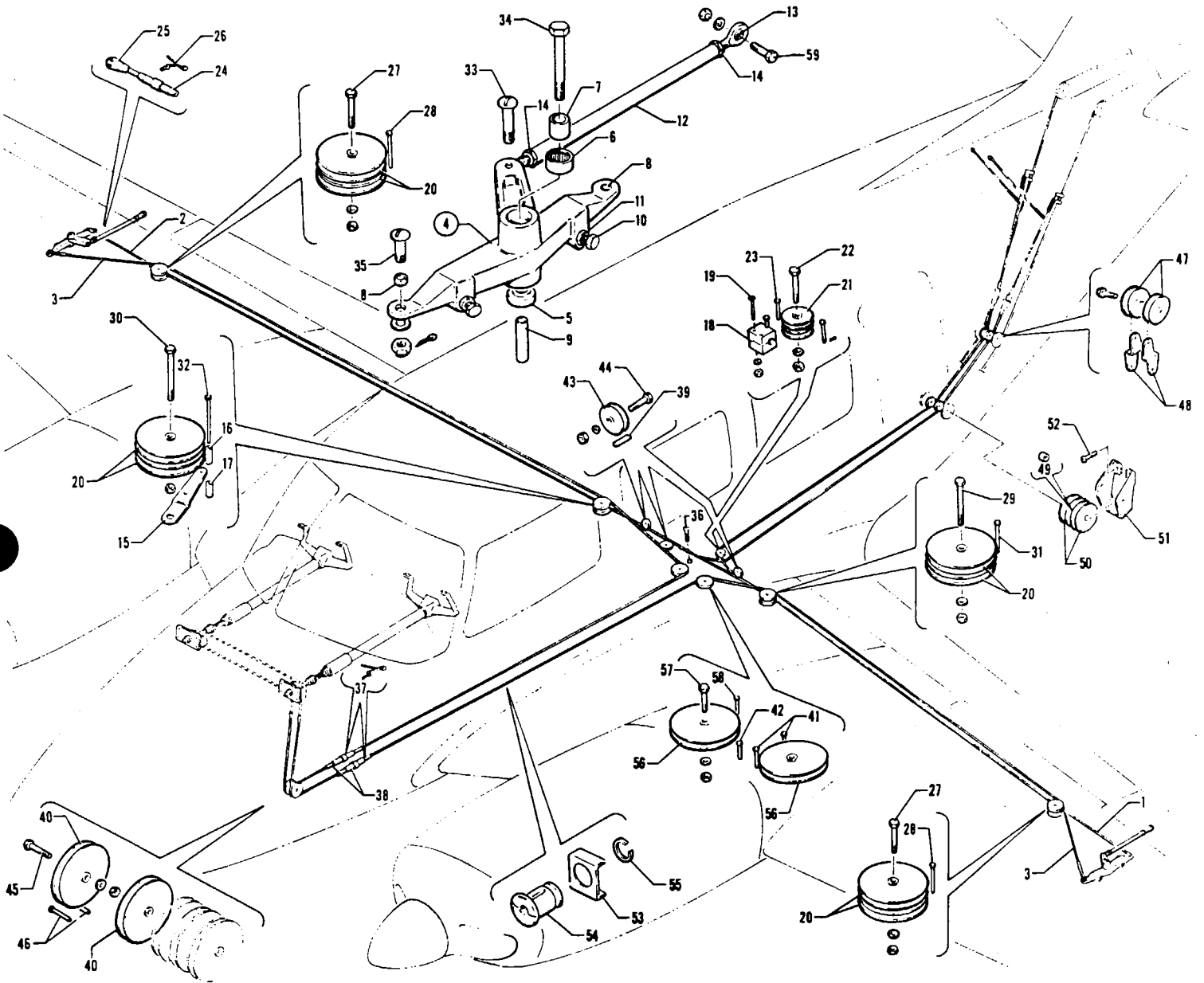


Figure 92. Aileron Control Installation

PIPER PARTS CATALOG

CODE EXPLANATIONS FOR FIGURE 92

PIPER PARTS CATALOG

Figure and Index Number	Part Number	Code	NOMENCLATURE	No. Req.	SERIAL NUMBERS AFFECTED
		1234567			
92.	82114		DRAWING - Control System Installation		
	41565		DRAWING - Aileron Installation		
-1	55406-02		CABLE ASSEMBLY - Aileron balance, left	1	
-2	55408-02		CABLE ASSEMBLY - Aileron balance, right	1	
-3	41754-02		CABLE ASSEMBLY - Control, aileron, left	1	
	41754-03		CABLE ASSEMBLY - Control, aileron, right	1	
-4	40339-00		BELLCRANK ASSEMBLY - Aileron, left (452 432)	1	
	40339-01		BELLCRANK ASSEMBLY - Aileron, right (452 433)	1	
-5	452 344		* BEARING - (5035)	1	
-6	452 361		* BEARING - (B-86)	1	
-7	452 362		* BEARING - Race (1RA-5)	1	
-8	80022-74		* BUSHING - Aileron bellcrank	2	
-9	80022-87		* BUSHING - Aileron bellcrank	1	
-10	71698-02		* SCREW - Special	2	
-11	405 580		* NUT - Hex (1/4-20NC-3) cadmium plated	2	
-12	40599-03		ROD ASSEMBLY - Aileron control	2	
-13	24166-02		* BEARING ASSEMBLY - Rod, aileron control	2	
-14	404 322		* NUT - (AN316-4R)	2	
-15	40494-00		GUARD - Aileron pulley, right	1	
-16	42571-04		BUSHING - Pulley, right, Sta. 30	1	
-17	42571-05		BUSHING - Pulley, right, Sta. 30	1	
-18	42337-00		FAIRLEAD - Aileron balance cable	2	
-19	415 633		SCREW - (MS35206-333)	2	
	407 563		WASHER - (AN960-8)	2	
	404 910		NUT - (MS20365-832C)	2	
-20	481 627		PULLEY - Control cable (MS24566-4B)	8	
-21	481 626		PULLEY - (MS20219-2)	2	
-22	400 008		BOLT - (AN4-13A)	1	
	407 565		WASHER - (AN960-416)	1	
	404 888		NUT - (MS20365-428C)	1	
-23	424 154		PIN - (MS20392-1C33)	3	
-24	452 011		BARREL - Turnbuckle (NAS649-832S)	4	
-25	461 133		FORK - Turnbuckle (NAS645-32RS)	4	
-26	454 867		CLIP - Turnbuckle locking (NAS651-16S)	8	
-27	400 009		BOLT - (AN4-14A)	2	
	407 565		WASHER - (AN960-416)	2	
	404 888		NUT - (MS20365-428C)	2	
-28	424 514		PIN - (NAS427-K20)	2	
-29	400 008		BOLT - (AN4-13A)	1	
	407 565		WASHER - (AN960-416)	1	
	404 888		NUT - (MS20365-428C)	1	
-30	400 016		BOLT - (AN4-23A)	1	
	404 888		NUT - (MS20365-428C)	1	
-31	424 512		PIN - (NAS427-K18)	1	
-32	424 527		PIN - (NAS427-K32)	1	
-33	402 303		BOLT - (AN174-11)	2	
	407 565		WASHER - (AN960-416) (under nut)	4	
	404 393		NUT - (AN320-4)	2	
	424 051		COTTER PIN - (MS24665-132)	2	
-34	401 366		BOLT - (AN5-27A)	2	
	407 566		WASHER - (AN960-516)	2	
-35	400 700		BOLT - (AN24-13)	4	
	407 585		WASHER - (AN960-416L)	4	
	404 393		NUT - (AN320-4)	4	
	424 051		COTTER PIN - (MS24665-132)	4	

When ordering, always specify Part Number, Description and Serial Number of Aircraft

PIPER PARTS CATALOG

Figure and Index Number	Part Number	Code	NOMENCLATURE	No. Req.	SERIAL NUMBERS AFFECTED
		1234567			
92-36	400 673		BOLT - (AN23-11)	1	
	404 392		NUT - (AN320-3)	1	
	424 051		COTTER PIN - (MS24665-132)	1	
-37	454 867		CLIP - Turnbuckle (NAS651-16S)	4	
-38	489 910		BARREL - Turnbuckle (MS21251-B5S)	2	
-39	424 506		PIN - (NAS427-K12)	3	
-40	481 627		PULLEY - (MS24566-4B)	2	
-41	424 508		PIN - (NAS427-K14)	2	
-42	424 509		PIN - (NAS427-K15)	1	
-43	481 651		PULLEY - (MS20220-1)	3	
-44	401 189		BOLT - (AN5-11A)	3	
	407 566		WASHER - (AN960-516)	3	
	404 837		NUT - (MS20364-524C)	3	
-45	401 310		BOLT - (AN4-10A)	1	
	407 565		WASHER - (AN960-416)	1	
	404 836		NUT - (MS20364-428C)	1	
-46	424 507		PIN - (NAS427-K13)	2	
-47	481 626		PULLEY - (MS20219-2)	2	
-48	41451-00		BRACKET ASSEMBLY - Cable pulley, left, Sta 274	1	
	41451-01		BRACKET ASSEMBLY - Cable pulley, right, Sta. 274	1	
-49	41413-30		BUSHING - Spacer, aileron cable pulley	1	
-50	481 626		PULLEY - (MS20219-2)	2	
-51	41449-00		GUARD - Cable pulley, Sta 244	1	
-52	415 518		SCREW - (MS35206-228)	2	
-53	11151-02		BRACKET - Fairlead	2	
-54	40701-04		SEGMENT - Cable fairlead	4	
-55	40081-00		RING - Snap, fairlead	2	
-56	481 627		PULLEY - (MS24566-4B)	2	
-57	401 310		BOLT - (AN4-10A)	2	
	407 565		WASHER - (AN960-416)	2	
	404 836		NUT - (MS20364-428C)	2	
-58	424 507		PIN - (NAS427-K13)	1	
-59	402 317		BOLT - (AN174-11A)	2	
	407 565		WASHER - (AN960-416)	2	
	404 888		NUT - (MS20365-428C)	2	

When ordering, always specify Part Number, Description and Serial Number of Aircraft

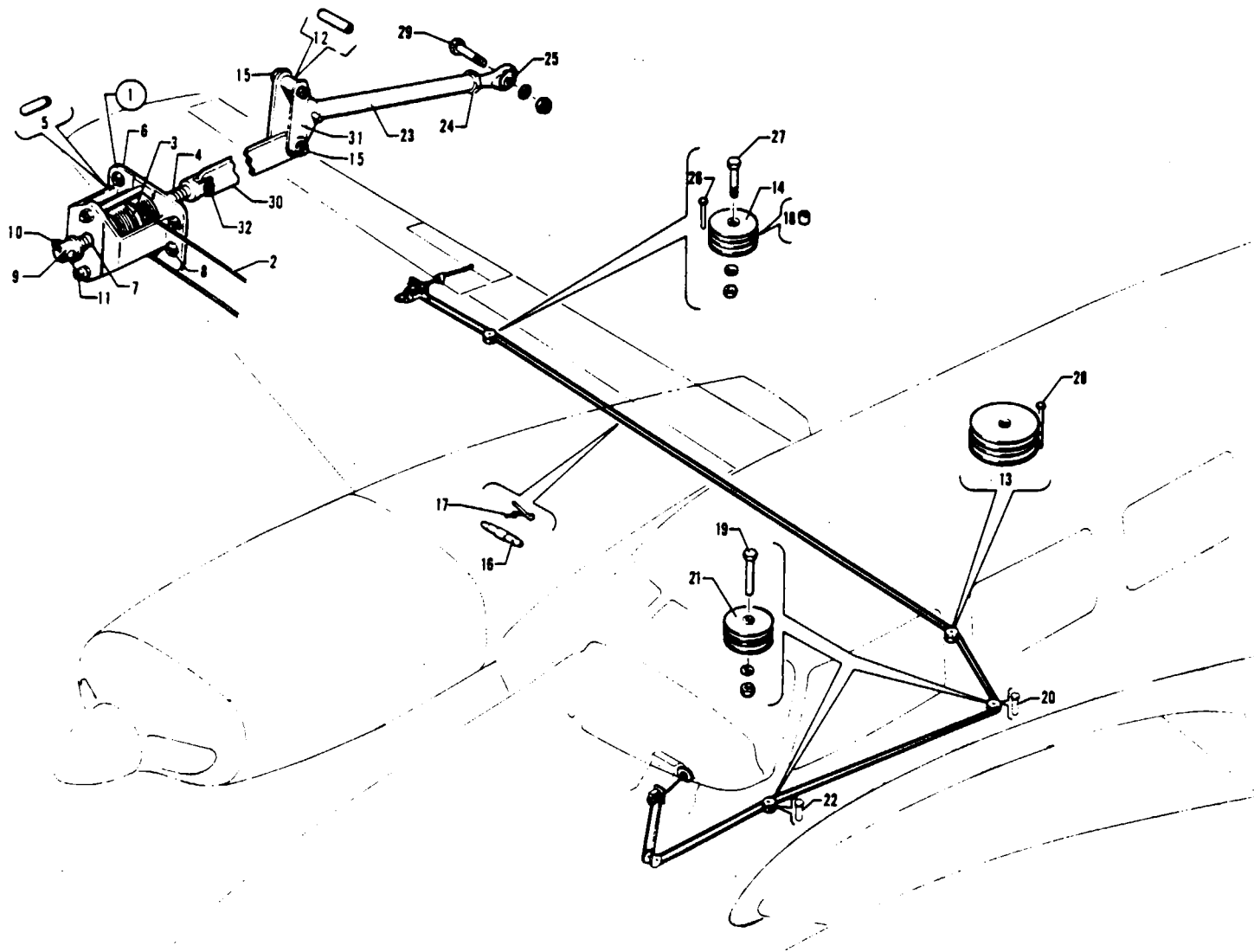


Figure 93. Aileron Trim Installation

PIPER PARTS CATALOG

CODE EXPLANATIONS FOR FIGURE 93

PIPER PARTS CATALOG

Figure and Index Number	Part Number	Code	NOMENCLATURE	No. Req.	SERIAL NUMBERS AFFECTED
		1234567			
93-	41565		DRAWING - Aileron Installation		
	82108		DRAWING - Trim Tab Installation		
-1	48809-02		SCREW ASSEMBLY - Aileron trim tab, right	1	
-2	41734-02		* CABLE ASSEMBLY - Aileron trim	1	
-3	17088-00		* DRUM - Trim tab	1	
-4	51271-02		* SCREW - Aileron trim tab	1	
-5	17089-00		* PIN - Aileron trim cable	1	
-6	40035-00		* BRACKET ASSEMBLY - Trim drum support	1	
-7	452 381		* * BEARING - (FF-609-1)	2	
-8	477 684		* * NUT - Spline (22ND8-02)	4	
-9	48437-02		* BUSHING - Trim tab screw stop	1	
-10	400 868		* BOLT - Clevis (AN23-16A)	1	
	404 887		* NUT - (MS20365-1032C)	1	
-11	410 253		* SCREW - (MS24694-S35)	2	
	407 563		* WASHER - (AN960-8)	2	
	404 910		* NUT - (MS20365-832C)	2	
-12	29999-21		BUSHING - Aileron link assembly, right	1	
-13	481 626		PULLEY - Sta. 30, right (MS20219-2)	2	
-14	481 640		PULLEY - Aileron cable (MS24566-1B)	2	
-15	400 450		BOLT - (AN3-17A)	2	
	407 564		WASHER - (AN960-10)	2	
	404 887		NUT - (MS20365-1032C)	2	
-16	452 015		BARREL - Turnbuckle (NAS649-B8S)	2	
-17	454 867		CLIP - Turnbuckle locking (NAS651-16S)	4	
-18	80022-113		BUSHING - Aileron tab control	1	
-19	401 269		BOLT - (AN3-10A)	2	
	407 564		WASHER - (AN960-10)	2	
	404 835		NUT - (MS20364-1032C)	2	
-20	424 506		PIN - (NAS427-K12)	1	
-21	481 640		PULLEY - (MS24566-1B)	4	
-22	424 505		PIN - (NAS427-K11)	1	
-23	41859-08		TUBE ASSEMBLY - Aileron tab control, right	1	
-24	404 322		* NUT - (AN316-4R)	1	
-25	452 357		* BEARING - Aileron tab control (M34-14)	1	
-26	424 513		PIN - (NAS427-K19)	1	
-27	400 444		BOLT - (AN3-13A)	1	
	407 564		WASHER - (AN960-10)	1	
	404 887		NUT - (MS20365-1032C)	1	
-28	424 510		PIN - (NAS427-K16)	1	
-29	402 258		BOLT - (AN173-7A)	1	
	407 564		WASHER - (AN960-10)	1	AR
	404 887		NUT - (MS20365-1032C)	1	
-30	48807-02		LINK ASSEMBLY - Aileron tab control, right	1	
-31	48808-02		LINK ASSEMBLY - Aileron tab control, right	1	
-32	401 269		BOLT - (AN3-10A)	1	
	404 887		NUT - (MS20365-1032C)	1	

When ordering, always specify Part Number, Description and Serial Number of Aircraft

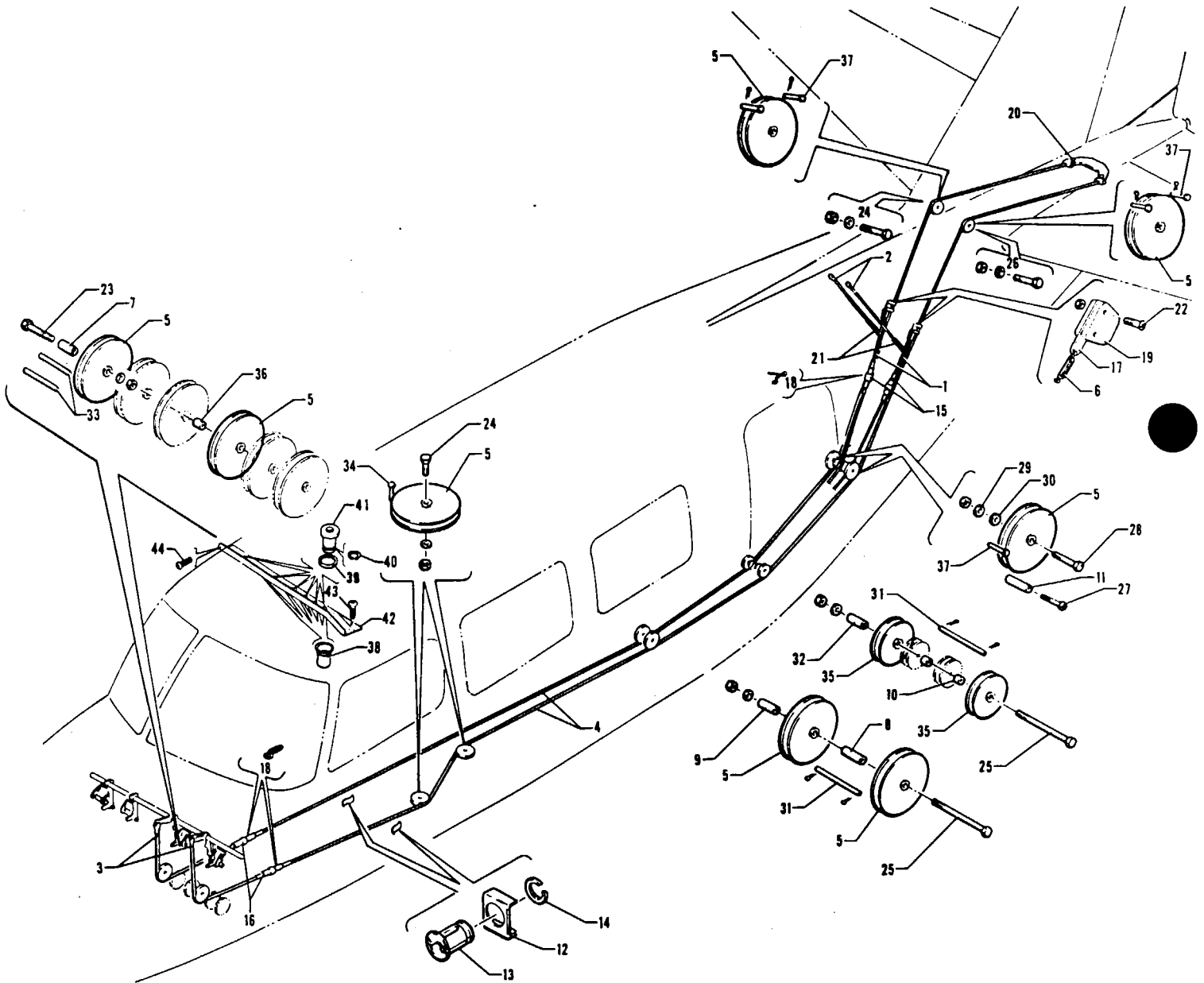


Figure 94. Rudder Control Installation

PIPER PARTS CATALOG

CODE EXPLANATIONS FOR FIGURE 94

PIPER PARTS CATALOG

Figure and Index Number	Part Number	Code	NOMENCLATURE	No. Req.	SERIAL NUMBERS AFFECTED
94-	82114	1234567	DRAWING - Control System Installation		
-1	24631-07		CABLE ASSEMBLY - Connector, rudder cable support, left	1	
	24631-08		CABLE ASSEMBLY - Connector, rudder cable support, right	1	
-2	41925-00		CABLE ASSEMBLY - Support, rudder cable, left	1	
	41925-02		CABLE ASSEMBLY - Support, rudder cable, right	1	
-3	48436-00		CABLE ASSEMBLY - Rudder control, left forward	1	
	41947-03		CABLE ASSEMBLY - Rudder control, right forward	1	
-4	41953-00		CABLE ASSEMBLY - Rudder control, left rear	1	
	41953-02		CABLE ASSEMBLY - Rudder control, right rear	1	
-5	481 627		PULLEY - (MS24566-4B)	10	
-6	24629-00		SPRING - Control cable connector	2	
-7	41413-11		BUSHING - Spacer, rudder cable pulley	1	
-8	41413-20		BUSHING - Spacer, rudder cable pulley	1	
-9	41413-21		BUSHING - Spacer, rudder cable pulley	1	
-10	41413-29		BUSHING - Spacer, rudder cable pulley	1	
-11	41413-31		BUSHING - Spacer, rudder cable pulley	2	
-12	11151-02		BRACKET - Fairlead, left	1	
	11151-03		BRACKET - Fairlead, right	1	
-13	40701-04		SEGMENT - Cable fairlead	4	
-14	40081-00		RING - Snap, fairlead	2	
-15	452 015		BARREL - Turnbuckle (NAS649B-BS)	2	
-16	489 910		BARREL - Turnbuckle (MS21251-B5S)	2	
-17	52168-00		PLATE - Cable attachment (1.29 L)	2	
-18	454 867		CLIP - Turnbuckle (NAS651-16S)	8	
-19	52167-00		PLATE - Cable attachment	4	
-20	400 675		BOLT - (AN23-13)	2	
	407 564		WASHER - (AN960-10)	2	
	404 392		NUT - (AN320-3)	2	
	424 051		COTTER PIN - (MS24665-132)	2	
-21	487 291		SPRING - Cable (180C 2 1/2)	4	
-22	415 521		SCREW - (MS35206-231)	4	
	404 909		NUT - (MS20365-632C)	4	
-23	400 012		BOLT - (AN4-17A)	1	
	407 565		WASHER - (AN960-416)	1	
	404 836		NUT - (MS20364-428C)	1	
-24	401 310		BOLT - (AN4-10A)	3	
	407 565		WASHER - (AN960-416)	3	
	404 836		NUT - (MS20364-428C)	3	
-25	401 334		BOLT - (AN4-36A)	2	
	407 565		WASHER - (AN960-416)	2	
	407 836		NUT - (MS20364-428C)	2	
-26	401 311		BOLT - (AN4-11A)	1	
	407 565		WASHER - (AN960-416)	2	
	404 836		NUT - (MS20364-428C)	1	
-27	415 628		SCREW - (MS35206-328)	2	
-28	400 009		BOLT - (AN4-14A) Inboard	1	
	400 912		BOLT - (AN24-22A) Outboard	1	
	407 565		WASHER - (AN960-416)	2	
	404 836		NUT - (MS20364-428C)	2	
-29	407 565		WASHER - (AN960-416)	2	
-30	407 585		WASHER - (AN960-416L)	2	
-31	41576-02		PIN - Rudder cable guard	2	
	424 051		COTTER PIN - (MS24665-132)	4	

When ordering, always specify Part Number, Description and Serial Number of Aircraft

PIPER PARTS CATALOG

Figure and Index Number	Part Number	Code	NOMENCLATURE	No. Req.	SERIAL NUMBERS AFFECTED
		1234567			
94-32	41413-21		BUSHING - Spacer, rudder cable pulley	1	
-33	424 521		PIN - (NAS427-K26)	2	
-34	424 149		PIN - (MS20392-1C25)	2	
	424 051		COTTER PIN - (MS24665-132)	2	
-35	41001-03		PULLEY - Control cable	2	
-36	41413-10		BUSHING - Spacer, elevator cable pulley	1	
-37	424 507		PIN - (NAS427-K13)	6	
-38	45599-00		KEEPER - Fairlead	6	
-39	85012-110		WASHER - Fairlead segment	6	
-40	484 801		RING - (5100-56)	6	
-41	45604-00		SEGMENT - Fairlead	12	
-42	45597-00		BRACKET - Fairlead	1	
-43	415 536		SCREW - (MS35206-246)	1	
-44	415 544		SCREW - (MS35206-244)	18	

When ordering, always specify Part Number, Description and Serial Number of Aircraft

PIPER PARTS CATALOG

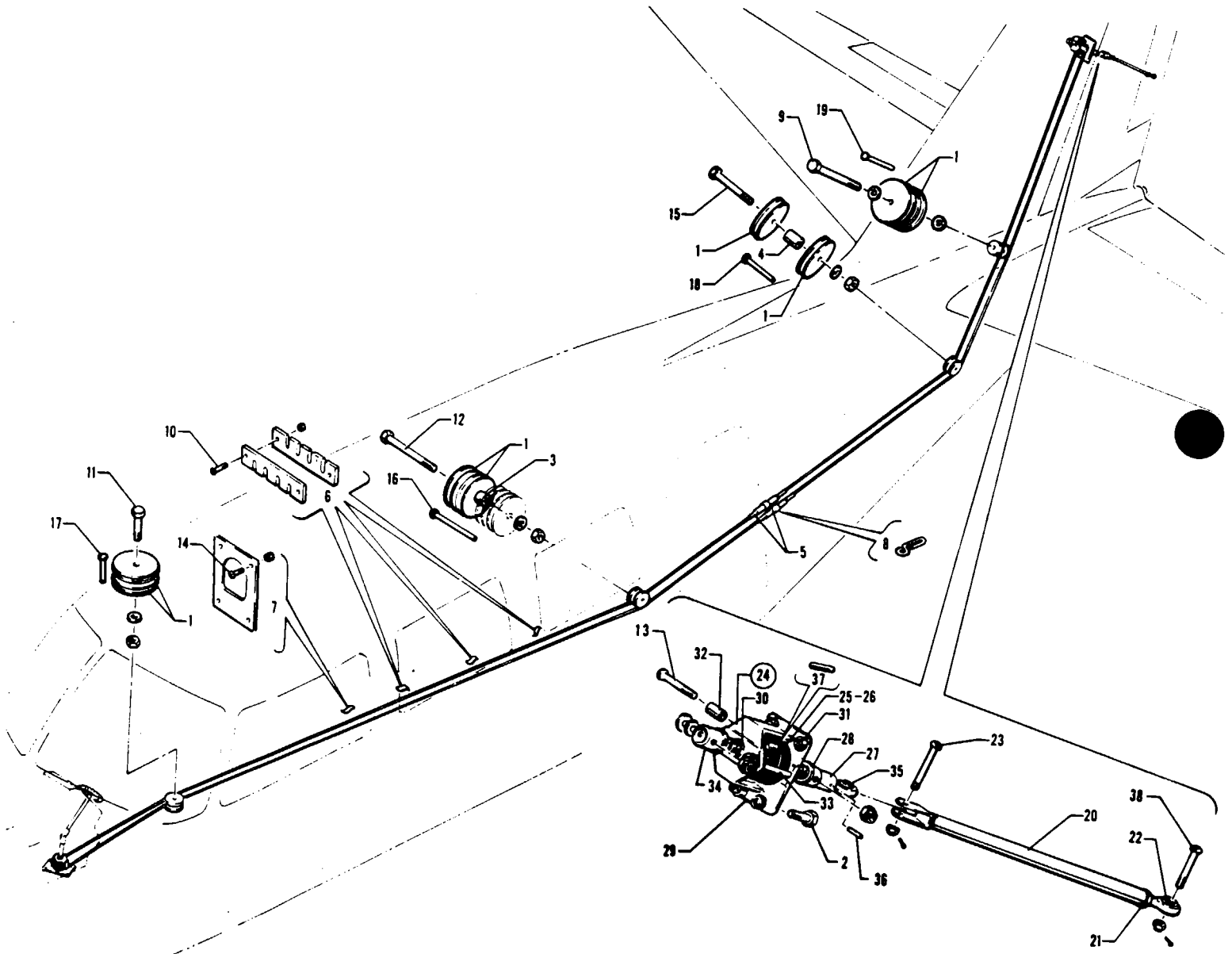


Figure 95. Rudder Trim Installation

PIPER PARTS CATALOG

CODE EXPLANATIONS FOR FIGURE 95

A - Component part of Fin Assembly

PIPER PARTS CATALOG

Figure and Index Number	Part Number	Code	NOMENCLATURE	No. Req.	SERIAL NUMBERS AFFECTED
95-	82108		DRAWING - Trim Tab System Installation		
			1234567		
-1	481 640		PULLEY - (MS24566-1B)	8	
-2	401 266	A	BOLT - (AN3-5A)	4	
-3	41413-17		BUSHING - Spacer, rudder trim pulley	1	
-4	41413-19		BUSHING - Spacer, rudder trim pulley	1	
-5	452 015		BARREL - Turnbuckle (NAS649B-8S)	2	
-6	40619-00		BLOCK - Rub, rudder trim	6	
-7	43377-00		BLOCK - Rub, wing spar	1	
-8	454 867		CLIP - Turnbuckle (NAS651-16S)	4	
-9	401 270		BOLT - (AN3-11A)	1	
	407 564		WASHER - (AN960-10)	1	
	407 584		WASHER - (AN960-10L)	1	
-10	415 688		SCREW - (4-40 x 1/2 L, Rd Hd)	6	
	404 908		NUT - (MS20365-440C)	6	
-11	401 269		BOLT - (AN3-10A)	1	
	407 564		WASHER - (AN960-10)	1	
	404 835		NUT - (MS20364-1032C)	1	
-12	400 450		BOLT - (AN3-17A)	1	
	407 564		WASHER - (AN960-10)	1	
	404 835		NUT - (MS20364-1032C)	1	
-13	402 257		BOLT - (AN173-7)	1	
	506 620		NUT - (MS17825-3)	1	
	424 051		COTTER PIN - (MS24665-132)	1	
-14	415 536		SCREW - (MS35206-246)	4	
	404 833		NUT - (MS20364-832C)	4	
-15	401 273		BOLT - (AN3-14A)	1	
	407 584		WASHER - (AN960-10L)	1	
	404 835		NUT - (MS20364-1032C)	1	
-16	424 520		PIN - (NAS427-K25)	1	
-17	424 505		PIN - (NAS427-K11)	1	
-18	424 513		PIN - (NAS427-K19)	1	
-19	424 506		PIN - (NAS427-K12)	1	
-20	40105-00		TUBE ASSEMBLY - Rudder tab control	1	
-21	404 322		* NUT - (AN316-4R)	1	
-22	452 480		* BEARING - Rod end (MVV34-14B)	1	
-23	402 260		BOLT - (AN173-10)	1	
	506 620		NUT - (MS17825-3)	1	
	424 051		COTTER PIN - (MS24665-132)	1	
-24	82095-02	A	SCREW ASSEMBLY - Rudder trim tab	1	
-25	41734-06		* CABLE ASSEMBLY - Screw, rudder trim tab	1	
-26	17088-00		* DRUM - Screw, rudder trim tab	1	
-27	40029-00		* SCREW - Rudder trim tab	1	
-28	40027-00		* BUSHING - Screw, rudder trim tab	1	
-29	40035-00		* BRACKET ASSEMBLY - Rudder trim	1	
-30	452 381		* * BEARING - (FF-609-1)	2	
-31	477 684		* * NUT - Spline (22ND8-02)	4	
-32	80022-103		* BUSHING - Rudder trim	1	
-33	410 251		* SCREW - (AN509-8R36)	2	
	407 563		* WASHER - (AN960-8)	4	
	404 910		* NUT - (MS20365-832C)	2	
-34	40870-00		* BUSHING - Rudder trim	1	
-35	452 427		* BEARING - Rod end (F33-14)	1	
-36	480 735		* PIN - Roll (79-028-125-0500)	2	
-37	17089-00		* PIN - Screw, rudder trim	1	
-38	400 873		* BOLT - Clevis (AN23-21A)	1	
	404 887		* NUT - (MS20365-1032C)	1	

When ordering, always specify Part Number, Description and Serial Number of Aircraft

PIPER PARTS CATALOG

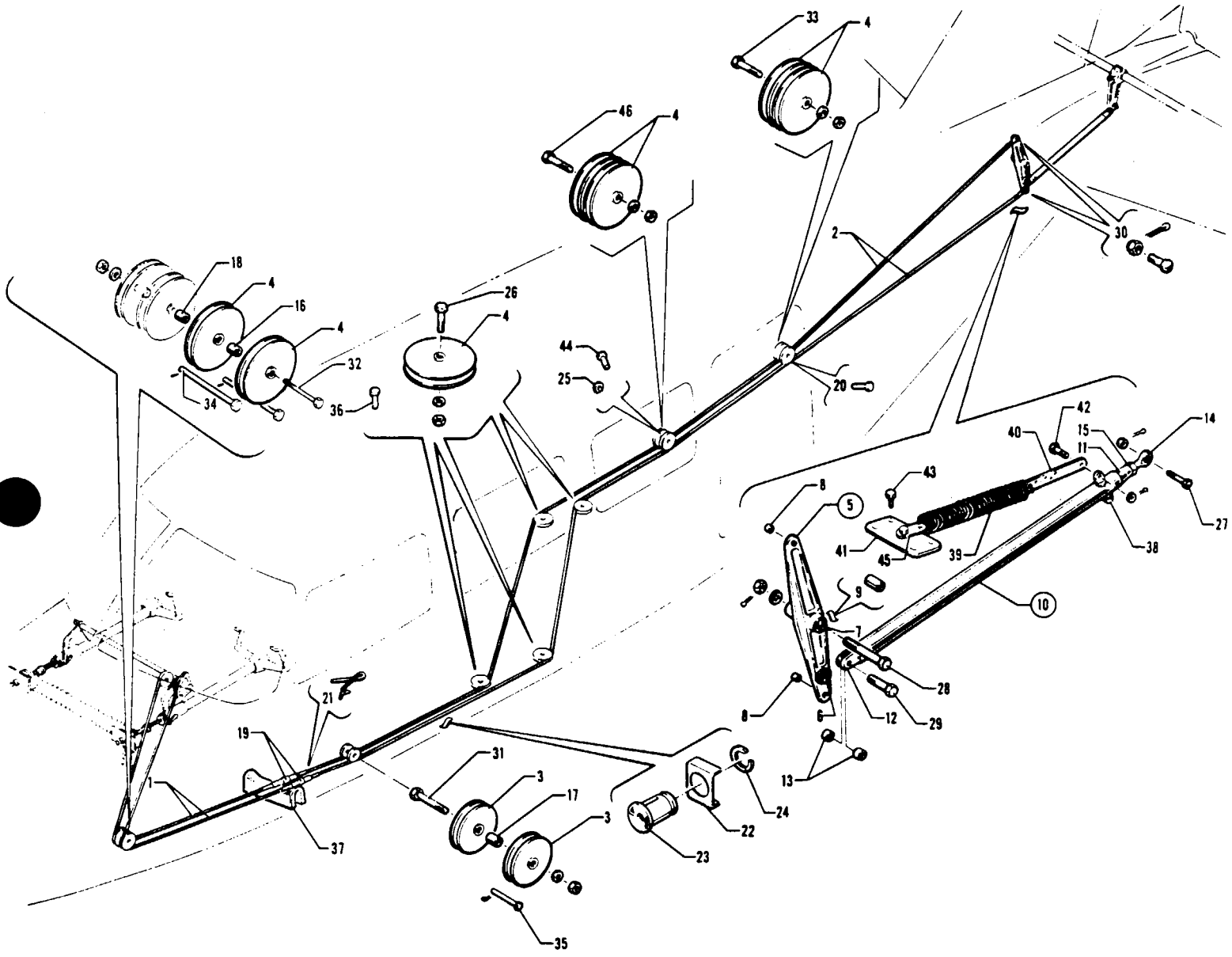


Figure 96. Elevator Control Installation

PIPER PARTS CATALOG

CODE EXPLANATIONS FOR FIGURE 96

PIPER PARTS CATALOG

Figure and Index Number	Part Number	Code	NOMENCLATURE	No. Req.	SERIAL NUMBERS AFFECTED
96-	82114		DRAWING - Control System Installation		
		1234567			
-1	41942-00		CABLE ASSEMBLY - Elevator control, forward (up).....	1	
	41942-02		CABLE ASSEMBLY - Elevator control, forward (down).....	1	
-2	41947-02		CABLE ASSEMBLY - Elevator control, rear (up).....	1	
	41947-00		CABLE ASSEMBLY - Elevator control, rear (down).....	1	
-3	41001-03		PULLEY - Elevator control cable.....	2	
-4	481 627		PULLEY - (MS24566-4B).....	10	
-5	40307-00		BELLCRANK ASSEMBLY - Elevator.....	1	
-6	49265-02		* BEARING - Spherical.....	1	
-7	452 344		* BEARING - (5035).....	2	
-8	61402-101		* BUSHING - Bellcrank.....	2	
-9	61402-102		* BUSHING - Bellcrank.....	1	
-10	40847-00		TUBE ASSEMBLY - Elevator control.....	1	
-11	17235-00		* FITTING - Elevator control tube.....	1	
-12	19086-03		* FITTING ASSEMBLY - Elevator control tube.....	1	
-13	41413-03		* * BUSHING - Elevator control tube fitting.....	2	
-14	49261-02		* BEARING - Rod end.....	1	
-15	404 226		* NUT - (AN315-5R).....	1	
-16	41413-10		BUSHING - Spacer, elevator cable pulley.....	1	
-17	41413-12		BUSHING - Spacer, elevator cable pulley.....	1	
-18	41413-14		BUSHING - Spacer, elevator trim pulley.....	1	
-19	489 910		BARREL - Turnbuckle (MS21251-B5S).....	2	
-20	424 515		PIN - (NAS427-K21).....	1	
-21	454 867		CLIP - Turnbuckle (NAS651-16S).....	4	
-22	11151-02		BRACKET - Fairlead, cable (up).....	1	
-23	40701-04		SEGMENT - Cable fairlead.....	4	
-24	40081-00		RING - Snap, fairlead.....	2	
-25	80012-94		BUSHING - Spacer, elevator cable pulley.....	1	
-26	401 310		BOLT - (AN4-10A).....	4	
	407 565		WASHER - (AN960-416).....	4	
	404 836		NUT - (MS20364-428C).....	4	
-27	402 317		BOLT - (AN174-11A).....	1	
	404 888		NUT - (MS20365-428C).....	1	
-28	400 168		BOLT - (AN5-25).....	1	
	407 566		WASHER - (AN960-516).....	1	
	404 889		NUT - (MS20365-524C).....	1	
-29	402 311		BOLT - (AN174-12A).....	1	
	404 888		NUT - (MS20365-428C).....	1	
-30	400 053		BOLT - (AN3-6).....	2	
	404 100		NUT - (AN310-3).....	2	
	424 051		COTTER PIN - (MS24665-132).....	2	
-31	401 318		BOLT - (AN4-20A).....	1	
	407 565		WASHER - (AN960-416).....	1	
	404 836		NUT - (MS20364-428C).....	1	
-32	401 335		BOLT - (AN4-40A).....	1	
	407 565		WASHER - (AN960-416).....	1	
	404 836		NUT - (MS20364-428C).....	1	
-33	400 009		BOLT - (AN4-14A).....	1	
	407 565		WASHER - (AN960-416).....	1	
	404 836		NUT - (MS20364-428C).....	1	
-34	424 541		PIN - Elevator and rudder cable (NAS427-K62).....	2	
-35	424 164		PIN - (MS20392-1C55).....	1	
	424 051		COTTER PIN - (MS24665-132).....	1	

When ordering, always specify Part Number, Description and Serial Number of Aircraft

PIPER PARTS CATALOG

Figure and Index Number	Part Number	Code	NOMENCLATURE	No. Req.	SERIAL NUMBERS AFFECTED
		1234567			
96-36	424 507		PIN - (NAS427-K13)	4	
-37	40963-00		GUARD - Cable	1	
-38	402 038		BOLT - Eye (AN42B-13A)	1	
	407 564		WASHER - (AN960-10)	1	
	404 887		NUT - (MS20365-1032C)	1	
-39	51484-00		SPRING - Elevator bungee	1	
-40	02135-02		LINK - Elevator downspring	1	
-41	53387-00		PLATE - Bungee spring attachment	1	
-42	400 051		BOLT - (AN3-4)	1	
	407 564		WASHER - (AN960-10)	1	
	400 100		NUT - (AN310-3)	1	
	424 051		PIN - Cotter (MS24665-132)	1	
-43	400 438		BOLT - (AN3-4A)	5	
	407 584		WASHER - (AN960-10L)	5	
	404 887		NUT - (MS20365-1032C)	5	
-44	424 518		PIN - (NAS427-K23)	1	
-45	56981-02		LINK - Bungee spring attachment	1	
-46	400 409		BOLT - (AN4-14A)	1	
	407 565		WASHER - (AN960-416)	1	
	404 836		NUT - (MS20364-428C)	1	

When ordering, always specify Part Number, Description and Serial Number of Aircraft

PIPER PARTS CATALOG

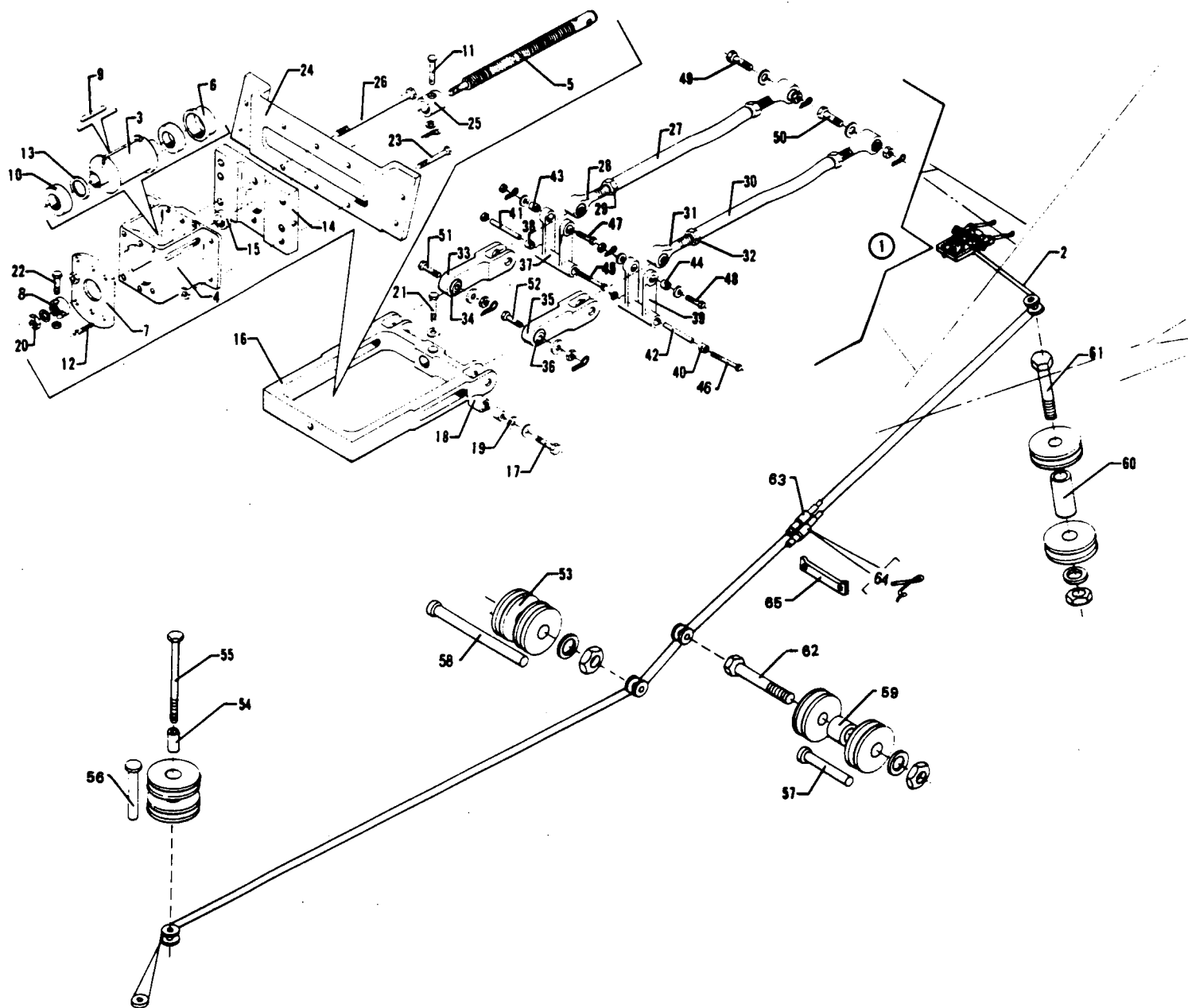


Figure 97. Elevator Trim Installation

PIPER PARTS CATALOG

CODE EXPLANATIONS FOR FIGURE 97

PIPER PARTS CATALOG

Figure and Index Number	Part Number	Code	NOMENCLATURE	No. Req.	SERIAL NUMBERS AFFECTED
		1234567			
97-	82108		DRAWING - Trim Tab System Installation		
-1	82098-02		SCREW ASSEMBLY - Elevator trim tab	1	
-2	41734-83		* CABLE ASSEMBLY - Elevator trim tab	1	
-3	51340-00		* DRUM - Elevator trim tab	1	
-4	51268-00		* BRACKET - Control cable drum	1	
-5	82160-02		* SCREW - Elevator trim	1	
-6	51339-00		* RETAINER - Bearing	1	
-7	51343-00		* RETAINER - Bearing	1	
-8	48437-05		* BUSHING	1	
-9	17089-00		* PIN	1	
-10	452 600		* BEARING - (B-538-ZZ)	2	
-11	424 149		* PIN - (MS20392-1C25)	1	
	407 561		* WASHER - (AN960-4)	1	
	424 051		* COTTER PIN - (MS24665-132)	1	
-12	416 091		* SCREW - (MS35265-42)	4	
-13	49981-09		* WASHER - Spacer	AR	
-14	82175-02		* PLATE ASSEMBLY - Bearing	1	
-15	452 381		* * BEARING - (FF-609-1)	1	
-16	82169-03		* BRACKET - Elevator trim screw	1	
-17	82189-02		* BOLT	2	
	407 043		* WASHER - (MS35338-43)	2	
	86102-113		* BUSHING	2	
-18	82163-02		* SLIDER	2	
-19	81342-13		* WASHER - Special	2	
-20	404 888		* NUT - (MS20365-428C)	1	
	407 585		* WASHER - (AN960-416L)	1	
-21	401 265		* BOLT - (AN3H-7A)	1	
	407 564		* WASHER - (AN960-10)	1	
-22	401 269		* BOLT - (AN3-10A)	1	
	404 887		* NUT - (MS20365-1032C)	1	
-23	401 270		* BOLT - (AN3-11A)	4	
	404 887		* NUT - (MS20365-1032C)	4	
-24	01103-02		* BRACKET - Screw support	1	
-25	82732-129		* BUSHING	1	
-26	401 285		* BOLT - (AN3-30A)	2	
	404 887		* NUT - (MS20365-1032C)	2	
-27	43203-05		ROD ASSEMBLY - Elevator trim, outboard	1	
-28	452 480		* BEARING - (MVB34-14B)	2	
-29	404 322		* NUT - (AN316-4R)	2	
-30	02184-02		ROD ASSEMBLY - Elevator trim, inboard	1	
-31	452 412		* BEARING - (HMX-4S)	2	
-32	404 226		* NUT - (AN315-5R)	2	
-33	01115-03		LINK ASSEMBLY - Fork, elevator trim, outboard	1	
-34	452 609		* BEARING - (RWB-3-1)	1	
-35	01115-02		LINK ASSEMBLY - Fork elevator trim, inboard	1	
-36	452 826		* BEARING - (RWSS-4)	1	
-37	43224-00		ARM ASSEMBLY - Elevator trim, outboard	1	
-38	452 347		* BEARING - (B-47)	2	
-39	01094-02		ARM ASSEMBLY - Elevator trim, inboard	1	
-40	452 825		* BEARING - (B-57)	2	
-41	42571-08		BUSHING - Elevator trim, outboard arm	1	
-42	49982-46		BUSHING - Elevator trim, inboard arm	1	
-43	49982-45		BUSHING - Elevator trim, outboard arm	2	

When ordering, always specify Part Number, Description and Serial Number of Aircraft

PIPER PARTS CATALOG

Figure and Index Number	Part Number	Code	NOMENCLATURE	No. Req.	SERIAL NUMBERS AFFECTED
		1234567			
97-44	49982-44		BUSHING - Elevator trim, inboard arm	2	
-45	402 298		BOLT - (AN173-23A)	1	
	404 887		NUT - (MS20365-1032C)	1	
-46	402 322		BOLT - (AN174-23A)	1	
	404 888		NUT - (MS20365-428C)	1	
-47	402 263		BOLT - (AN173-13)	1	
	407 564		WASHER - (AN960-10)	2	
	407 584		WASHER - (AN960-10L)	1	
	506 620		NUT - (MS17825-3)	1	
	424 097		COTTER PIN - (MS24665-172)	1	
-48	402 313		BOLT - (AN174-13)	1	
	407 565		WASHER - (AN960-416)	3	
	506 621		NUT - (MS17825-4)	1	
	424 097		COTTER PIN - (MS24665-172)	1	
-49	402 260		BOLT - (AN173-10)	1	
	407 564		WASHER - (AN960-10)	3	
	506 620		NUT - (MS17825-3)	1	
	424 097		COTTER PIN - (MS24665-172)	1	
-50	402 306		BOLT - (AN174-10)	1	
	407 565		WASHER - (AN960-416)	3	
	506 621		NUT - (MS17825-4)	1	
	424 097		COTTER PIN - (MS24665-172)	1	
-51	402 261		BOLT - (AN173-11)	1	
	407 564		WASHER - (AN960-10)	1	
	506 620		NUT - (MS17825-3)	1	
	424 097		COTTER PIN - (MS24665-172)	1	
-52	402 303		BOLT - (AN174-11)	1	
	407 565		WASHER - (AN960-416)	1	
	506 621		NUT - (MS17825-4)	1	
	424 097		COTTER - PIN - (MS24665-172)	1	
-53	481 640		PULLEY - (MS24566-1B)	8	
-54	80012-112		BUSHING - Spacer, elevator trim pulley	1	
-55	400 450		BOLT - (AN3-17A)	1	
	407 564		WASHER - (AN960-10)	1	
	404 835		NUT - (MS20364-1032C)	1	
-56	424 505		PIN - (NAS427-K11)	1	
-57	424 508		PIN - (NAS427-K14)	1	
-58	424 520		PIN - (NAS427-K25)	2	
-59	49999-23		BUSHING - Spacer, elevator trim pulley	1	
-60	41413-18		BUSHING - Spacer, elevator trim pulley	1	
-61	400 450		BOLT - (AN3-17A)	1	
	407 584		WASHER - (AN960-10L)	1	
	404 835		NUT - (MS20364-1032C)	1	
-62	400 443		BOLT - (AN3-12A)	1	
	407 564		WASHER - (AN960-10)	1	
	404 835		NUT - (MS20364-1032C)	1	
-63	452 015		BARREL - Turnbuckle (NAS649B-8S) (2.25" L.)	2	
	554 995		BARREL - Turnbuckle (MS21251-B2L) (4.00" L.)	2	
-64	454 867		CLIP - Turnbuckle locking (NAS-651-16S) (short)	4	
	554 995		CLIP - Turnbuckle locking (MS21256-2) (long)	4	
-65	47720-02		GUARD - Cable	1	

When ordering, always specify Part Number, Description and Serial Number of Aircraft

2H23 THRU 2H24
INTENTIONALLY LEFT BLANK

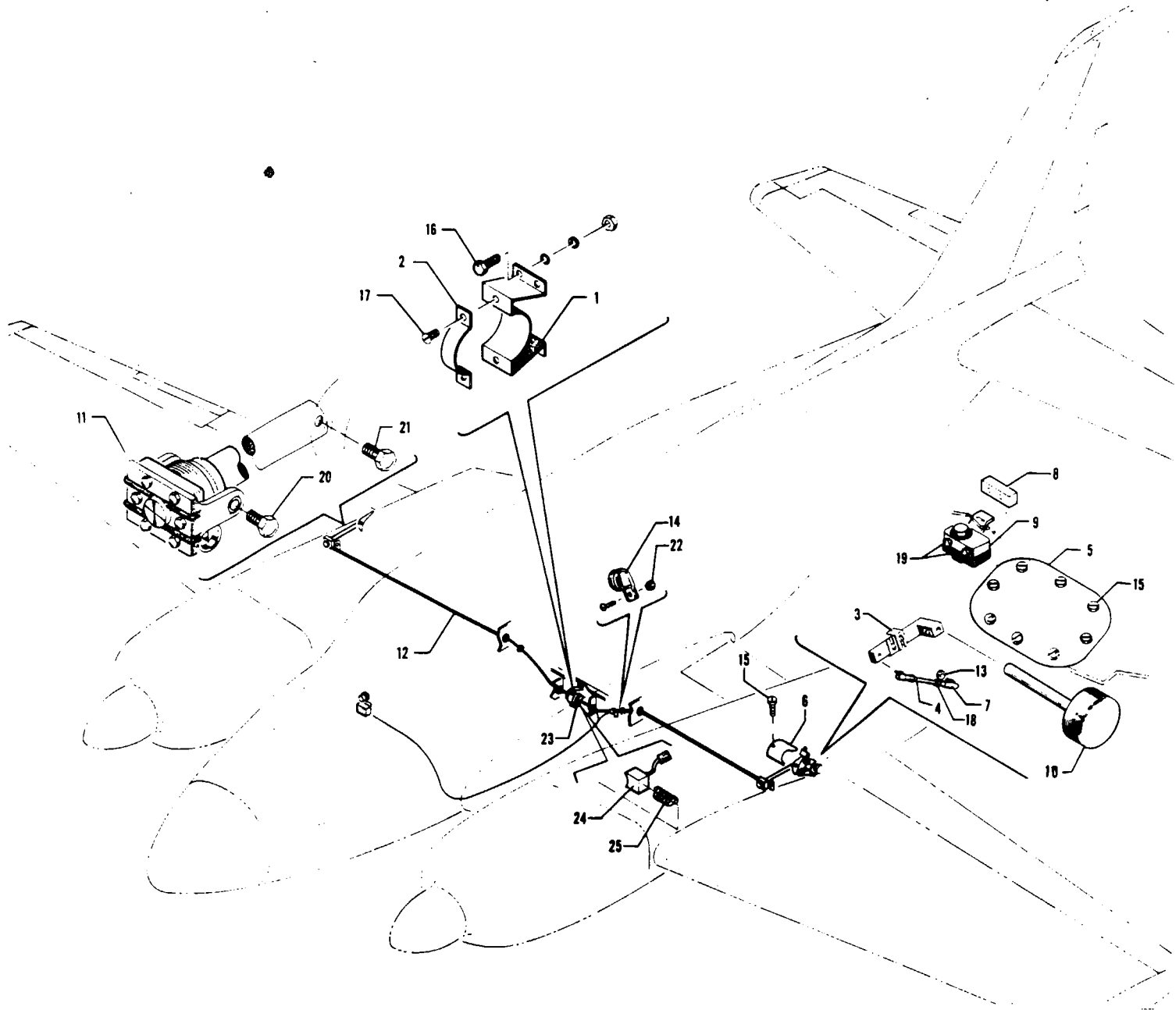


Figure 98. Flap Control Installation

PIPER PARTS CATALOG

CODE EXPLANATIONS FOR FIGURE 98

PIPER PARTS CATALOG

Figure and Index Number	Part Number	Code	NOMENCLATURE	No. Req.	SERIAL NUMBERS AFFECTED
		1234567			
98-	41488		DRAWING - Flap Installation		
-1	41358-00		BRACKET ASSEMBLY - Flap actuating motor, left.....	1	
-2	29254-02		MOUNTING CLAMP - Flap actuating motor, left.....	1	
-3	29209-02		ACTUATOR ASSEMBLY - Flap position and limit switch, left..	1	
	29209-03		ACTUATOR ASSEMBLY - Flap position and limit switch, right	1	
-4	43555-00		ROD - Flap position and limit switch.....	2	
-5	40607-00		PLATE - Wing access.....	2	
-6	40608-04		PLATE - Flap actuator access, left.....	1	
	02276-03		PLATE ASSEMBLY - Flap actuator access, right.....	1	
-7	54175-00		JOINT - Ball (BL-103).....	4	
-8	49718-02		BLOCK - Rub, right (phenolic).....	1	
-9	487 927		SWITCH - (6PL41).....	2	
-10	74243-02		POTENTIOMETER ASSEMBLY.....	2	
-11	451 813		TRANSMISSION ASSEMBLY - (8407).....	2	
-12	486 667		SHAFT ASSEMBLY - Flexible (8412-6).....	2	
-13	404 887		NUT - (MS20365-1032C).....	4	
-14	454 932		CLAMP - (PS10017-2-7).....	2	
-15	415 533		SCREW - (MS35206-243).....	44	
-16	400 438		BOLT - (AN3-4A).....	4	
	407 584		WASHER - (AN960-10L).....	4	
	404 887		NUT - (MS20365-1032C).....	4	
-17	411 534		SCREW - (MS35207-265).....	2	
-18	405 312		NUT - Hex (10-32).....	4	
-19	415 628		SCREW - (MS35206-328) Left.....	4	
	404 909		NUT - (MS20365-632C) Left.....	4	
-20	400 698		BOLT - (AN24-11).....	4	
	407 585		WASHER - (AN960-416L).....	4	
	404 393		NUT - (AN320-4).....	4	
	424 052		COTTER PIN - (AN380-2-3).....	4	
-21	400 110		BOLT - (AN4-15).....	2	
	407 565		WASHER - (AN960-416).....	2	
	404 101		NUT - (AN310-4).....	2	
	424 052		COTTER PIN - (MS24665-134).....	2	
-22	400 446		SCREW - (AN3-16A).....	2	
	41413-55		BUSHING.....	2	
	404 887		NUT - (MS20365-1032C).....	2	
-23	475 212		MOTOR - Flap actuator (8405 M1).....	1	
-24	758 451		* BRUSH ASSEMBLY - Flap motor (8405-8).....	2	
-25	762 354		* SPRING - Flap motor brush (8405-24).....	2	

When ordering, always specify Part Number, Description and Serial Number of Aircraft

PIPER PARTS CATALOG

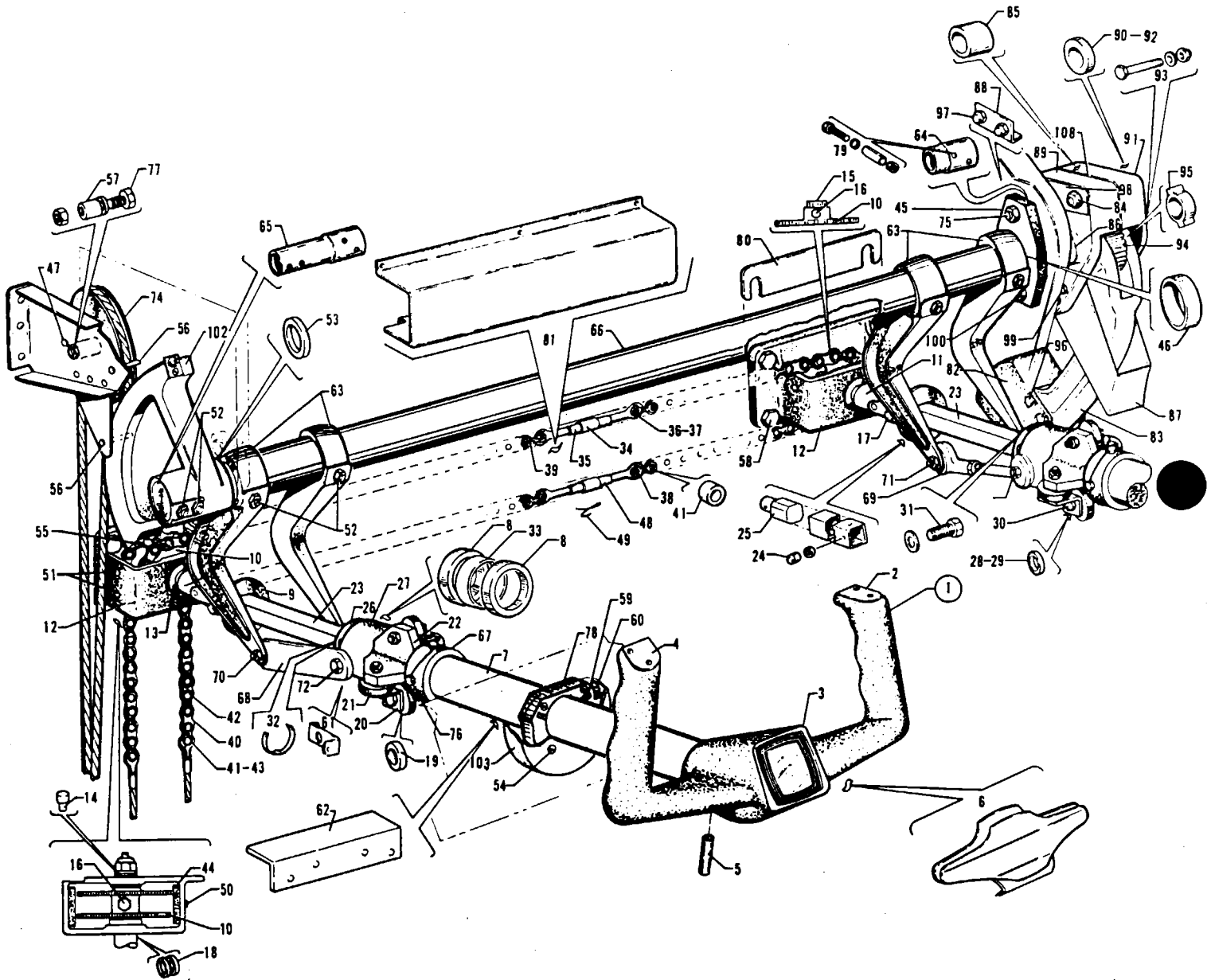


Figure 99. Control Wheel Installation

PIPER PARTS CATALOG

CODE EXPLANATIONS FOR FIGURE 99

PIPER PARTS CATALOG

Figure and Index Number	Part Number	Code	NOMENCLATURE	No. Req.	SERIAL NUMBERS AFFECTED
		1234567			
99-	49563		DRAWING - Elevator and Aileron Controls Mechanism Installation		
-1	43052-09		WHEEL ASSEMBLY - Control, black	2	
-2	53856-03		* PLATE - Control wheel cover	1	
-3	48657-00		* MEDALLION - Control wheel	1	
-4	53856-00		* PLATE - Control wheel cover	1	
-5	480 710		* PIN - Roll (59-040-187-1875)	2	
-6	43618-08		CLIP ASSEMBLY - Map	1	
-7	46349-07		TUBE ASSEMBLY - Control, left	1	
	46349-08		TUBE ASSEMBLY - Control, right	1	
-8	452 458		* BEARING - Control tube assembly (B-543)	2	
-9	40950-00		* COLLAR - Control wheel stop	1	
-10	40983-00		* SPROCKET - Double, left	1	
	20999-00		* SPROCKET - Right	1	
-11	46203-02		* UNIVERSAL ASSEMBLY - Control wheel shaft	1	
-12	29197-02		* BRACKET ASSEMBLY - Control wheel shaft bearing	1	
-13	453 824		* * BUSHING - (NAS77A-7-25)	2	
-14	23322-00		* * PIN - Stop, aileron	1	
-15	21001-00		* BUSHING - Spacer, right	1	
-16	401 270		* BOLT - (AN3-11A)	1	
	407 564		* WASHER - (AN960-10)	1	
	406 636		* NUT - (H10-3 Hex)	1	
-17	400 443		* BOLT - (AN3-12A)	1	
	407 564		* WASHER - (AN960-10)	1	
	404 835		* NUT - (MS20364-1032C)	1	
-18	407 568		* WASHER - (AN960-716)	2	
-19	20956-00		* BUSHING - Control shaft	4	
-20	20957-00		* ANGLE - Control shaft support	2	
-21	25358-00		* BEARING ASSEMBLY - Ball	4	
-22	41852-00		* FITTING - Roller attachment	1	
-23	01623-02		* TUBE ASSEMBLY - Control shaft	1	
-24	21470-00		* * BLOCK - Guide, control wheel tube	4	
	81342-78		* * WASHER - Guide block	AR	
-25	42938-00		* * STUD - Control shaft	1	
-26	42943-00		* COLLAR - Control shaft	1	
-27	42945-00		* HOUSING - Control shaft bearing	1	
-28	81342-89		* WASHER - (.012 thickness)	AR	
	81342-90		* WASHER - (.016 thickness)	AR	
	81342-91		* WASHER - (.020 thickness)	AR	
-29	81342-92		* WASHER - (.064 thickness)	4	
-30	400 444		* BOLT - (AN3-13A)	4	
	407 564		* WASHER - (AN960-10)	8	
	404 835		* NUT - (MS20364-1032C)	4	
-31	401 264		* BOLT - (AN3-H4A)	2	
	407 584		* WASHER - (AN960-10L)	2	
-32	53785-00		* STRAP - Safety wire retaining	1	
-33	53971-00		* SPACER - Housing control shaft	1	
-34	21619-02		CHAIN ASSEMBLY - Upper control column	1	
-35	489 910		* BARREL - Turnbuckle (MS21251-B5S)	1	
-36	459 930		* EYE - Turnbuckle, left (NAS648-22-RS)	2	
	459 928		* EYE - Turnbuckle, right (NAS648-22-LS)	2	
-37	80012-95		* BUSHING - Eye	4	

When ordering, always specify Part Number, Description and Serial Number of Aircraft

PIPER PARTS CATALOG

Figure and Index Number	Part Number	Code	NOMENCLATURE	No. Req.	SERIAL NUMBERS AFFECTED
		1234567			
99-38	13445-03	*	CHAIN ASSEMBLY - Roller, left	1	
	13445-04	*	CHAIN ASSEMBLY - Roller, right	1	
-39	472 684	*	LINK - Connector	4	
-40	41532-00		CHAIN ASSEMBLY - Aileron control	1	
-41	80012-95	*	BUSHING - Eye	1	
-42	13445-06	*	CHAIN ASSEMBLY - Roller	1	
-43	472 684	*	LINK - Connector	2	
-44	40954-02		GUARD - Aileron chain, left	1	
	40954-03		GUARD - Aileron chain, right	1	
-45	44272-00		BEARING ASSEMBLY - Torque tube end, left	1	
	44272-04		BEARING ASSEMBLY - Torque tube end, right	1	
-46	452 512	*	BEARING - (KP16BSA1405)	1	
-47	424 163		PIN - (MS20392-1C53)	1	
	40559-36		WASHER	1	
	424 039		COTTER PIN - (MS24665-69)	1	
-48	452 011		BARREL - Turnbuckle (NAS649B32S)	1	
-49	454 867		CLIP - Locking, turnbuckle (NAS651-16S)	4	
-50	419 883		SCREW - (4 x 1/4 L, P.K. Type Z, Rd. slotted head, nickel finish)	2	
-51	419 886		SCREW - (4 x 3/8 L, P.K. Type Z, Rd. slotted head, nickel finish)	2	
-52	480 743		PIN - Roll (59-048-250-1750)	6	
	415 528		SCREW - (MS35206-238)	6	
	407 562		WASHER - (AN960-6)	12	
	404 909		NUT - (MS20365-632C)	6	
-53	40559-35		WASHER - Torque tube	1	
-54	415 539		SCREW - (MS35206-249)	4	
-55	415 535		SCREW - (MS35206-245)	2	
	407 042		WASHER - (MS35338-42)	2	
-56	424 519		PIN - (NAS427-K24)	2	
-57	42571-06		BUSHING	1	
-58	401 266		BOLT - (AN3-5A)	8	
	407 584		WASHER - (AN960-10L)	8	
-59	42538-00		SLIDE - Control shaft	6	
-60	415 521		SCREW - (MS35206-231)	2	
	404 829		NUT - (MS20364-632C)	2	
-61	54945-02		STOP - Bolt	4	
-62	40796-00		STOP - Control wheel	2	
-63	42756-00		CONTROL ARM - Elevator actuator, left	2	
	42756-01		CONTROL ARM - Elevator actuator, right	2	
-64	49550-02		TUBE - Torque extension	1	
-65	44271-00		TUBE - Torque extension	1	
-66	42901-02		TUBE - Torque, elevator control	1	
-67	42942-00		RING - Control shaft	2	
-68	42944-00		LINK ASSEMBLY - Control shaft, outboard	2	
-69	28546-02		LINK ASSEMBLY - Control shaft, inboard	2	
-70	42964-00		BOLT - (Special)	2	
	407 567		WASHER - (AN960-616)	2	
	407 565		WASHER - (AN960-416)	2	
	29989-07		WASHER	2	
	404 101		NUT - (AN310-4)	2	
	424 051		PIN - Cotter (MS24665-132)	2	
-71	401 312		BOLT - (AN4-12A)	2	
	407 585		WASHER - (AN960-416L)	2	
	407 565		WASHER - (AN960-416)	2	
	404 888		NUT - (MS20365-428C)	2	

When ordering, always specify Part Number, Description and Serial Number of Aircraft

PIPER PARTS CATALOG

Figure and Index Number	Part Number	Code	NOMENCLATURE	No. Req.	SERIAL NUMBERS AFFECTED
		1234567			
99-72	42965-00		BOLT - (Special)	2	
	407 567		WASHER - (AN960-616)	2	
-73	401 191		BOLT - (AN5-H7A)	2	
	40559-41		WASHER	2	
	408 825		WASHER - Shakeproof (3512-20-03-0511)	2	
-74	481 652		PULLEY - (MS20220-2)	1	
-75	410 071		SCREW - Flat head (MS24694-S98), left	1	
	400 015		BOLT - (AN4-22A) Right	1	
	407 565		WASHER - (AN960-416) Right	1	
	404 888		NUT - (MS20365-428C)	2	
-76	401 263		BOLT - (AN3-H3A)	8	
-77	401 194		BOLT - (AN5-16A)	1	
	407 566		WASHER - (AN960-516)	2	
	404 889		NUT - (MS20365-524C)	1	
-78	42536-00		COLLAR - Control shaft	2	
-79	480 767		PIN - Roll (59-048-250-1250)	2	
	415 158		SCREW - (AN526-632R26)	2	
	407 562		WASHER - (AN960-6)	4	
	404 909		NUT - (MS20365-632C)	2	
-80	55817-02		SHIM - Control shaft	AR	
-81	49231-02		COVER - Control chain and sprocket	1	
-82	81963-03		BOBWEIGHT	1	
-83	49556-02		ARM - Bobweight	1	
-84	401 318		BOLT - (AN4-20A)	1	
	407 565		WASHER - (AN960-416)	1	
	404 888		NUT - (MS20365-428C)	1	
-85	39991-17		BUSHING	1	
-86	49549-02		SHAFT - Bobweight arm	1	
-87	49551-02		STOP - Bobweight	1	
-88	49552-03		STOP - Bobweight	1	
-89	49554-02		FITTING ASSEMBLY - Support, inner	1	
-90	553 667		* BUSHING - (NAS77-8-19), 6265 O.D.	1	
-91	49553-04		FITTING ASSEMBLY - Support, outer	1	
-92	553 667		* BUSHING - (NAS77-8-19), 6265 O.D.	1	
-93	415 543		SCREW - (MS35206-253)	1	
	40559-02		WASHER	1	
	404 910		NUT - (MS20365-832C)	1	
-94	49582-02		GEAR - Arm assembly	2	
-95	553 666		BEARING - Gear (18502 GBB16)	1	
-96	400 446		BOLT - (AN3-16A)	4	
	404 835		NUT - (MS20364-1032C)	4	
-97	400 438		BOLT - (AN3-4A)	2	
	407 800		WASHER - (AN970-3)	2	
-98	29143-02		SHIM - Tapered	AR	
-99	416 633		SCREW - (MS24693-S273)	4	
	404 887		NUT - (MS20365-1032C)	4	
-100	410 071		SCREW - Flat head (MS24694-S98), left	1	
	410 074		SCREW - (MS24694-S103), right	1	
	407 585		WASHER - (AN960-416) right	1	
	404 888		NUT - (MS20365-428C)	2	
-101	29143-03		SHIM - Support fitting	1	
-102	40323-02		SECTOR - Elevator control	1	
-103	42537-02		COVER - Control shaft	2	

When ordering, always specify Part Number, Description and Serial Number of Aircraft

PIPER PARTS CATALOG

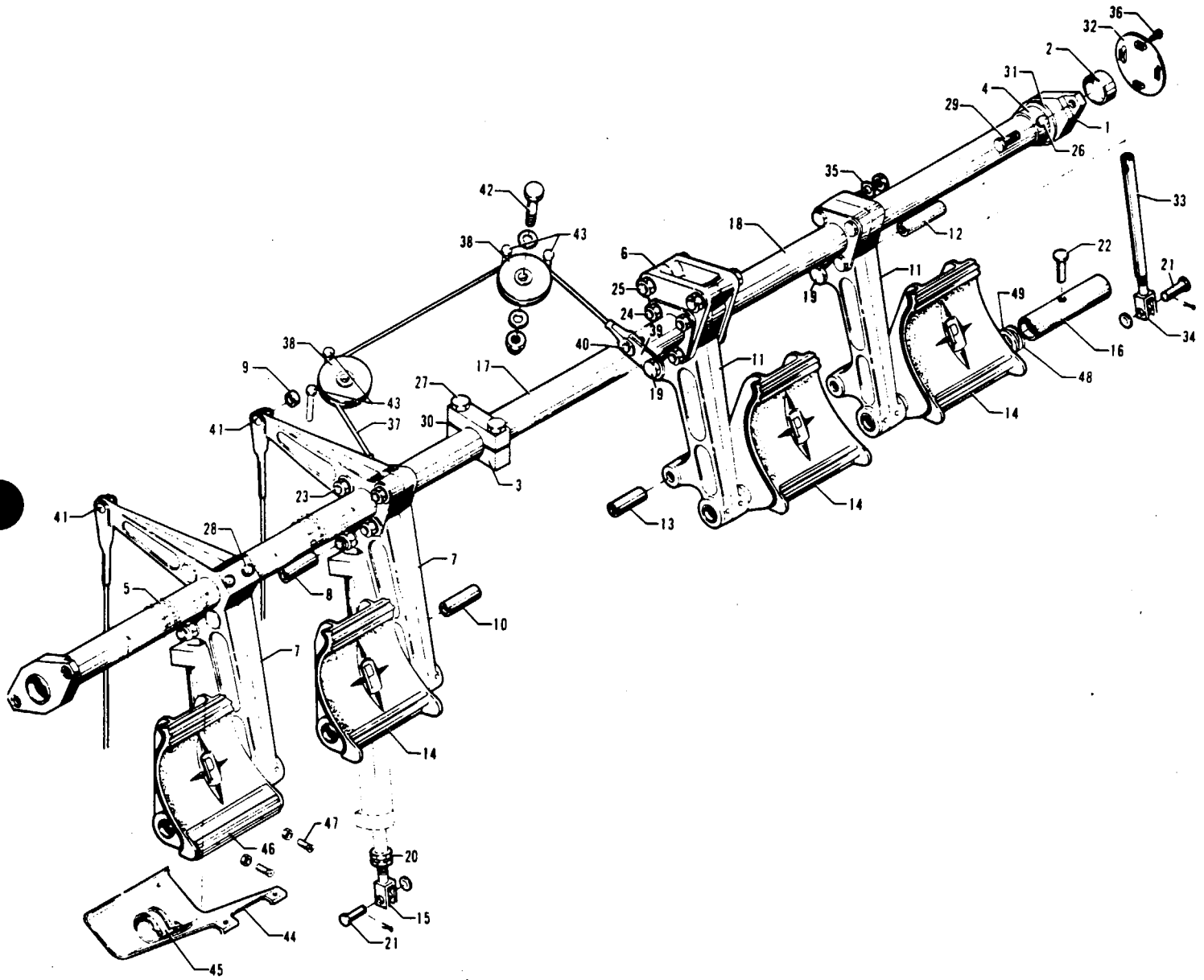


Figure 100 Rudder Pedal Installation

PIPER PARTS CATALOG

CODE EXPLANATIONS FOR FIGURE 100

PIPER PARTS CATALOG

Figure and Index Number	Part Number	Code	NOMENCLATURE	No. Req.	SERIAL NUMBERS AFFECTED
100-	46473		DRAWING - Rudder Pedal Installation		
		1234567			
-1	40968-04		BEARING ASSEMBLY - Torque tube end	2	
-2	452 431		* BEARING - (B-208)	1	
-3	41473-00		BLOCK - Torque tube bearing	2	
-4	41453-00		COLLAR - Brake and rudder pedal torque tube	2	
-5	41465-00		TUBE - Brake and rudder pedal torque	1	
-6	40313-00		LINK - Rudder pedal torque tube	2	
-7	40298-03		ARM ASSEMBLY - Rudder pedal, left, inboard	1	
	40298-02		ARM ASSEMBLY - Rudder pedal, left, outboard	1	
-8	80012-108		* BUSHING - Rudder pedal arm assembly	2	
-9	80012-109		* BUSHING - Rudder pedal arm assembly	2	
-10	80012-110		* BUSHING - Rudder pedal arm assembly	2	
-11	40302-02		ARM ASSEMBLY - Rudder pedal, right, inboard	1	
	40302-03		ARM ASSEMBLY - Rudder pedal, right, outboard	1	
-12	80012-108		* BUSHING - Rudder pedal arm assembly	2	
-13	80012-110		* BUSHING - Rudder pedal arm assembly	2	
-14	44182-04		PEDAL - Brake and rudder, left	2	
	44182-05		PEDAL - Brake and rudder, right	2	
-15	12605-00		CLEVIS - Brake cylinder	2	
-16	41402-00		TUBE - Brake and rudder pedal spacer	4	
-17	41423-03		TUBE ASSEMBLY - Interconnecting torque, center	1	
-18	41435-03		TUBE ASSEMBLY - Interconnecting torque, right	1	
-19	400 116		BOLT - (AN4-23)	4	
	407 565		WASHER - (AN960-416)	4	
	404 101		NUT - (AN310-4)	4	
	424 051		PIN - Cotter (MS24665-132)	4	
-20	404 322		NUT - (AN316-4R)	4	
-21	424 176		PIN - Flat head (AN393-15)	4	
	407 584		WASHER - (AN960-10L)	4	
	424 051		PIN - Cotter (AN380-2-2)	4	
-22	424 185		PIN - Flat head (AN393-33)	4	
	407 584		WASHER - (AN960-10L)	4	
	424 051		PIN - Cotter (AN380-2-2)	4	
-23	400 451		BOLT - (AN3-20A)	6	
	407 584		WASHER - (AN960-10L)	6	
	404 835		NUT - (MS20364-1032C)	6	
-24	410 042		SCREW - (AN509-10R-12)	6	
	407 564		WASHER - (AN960-10)	6	
	404 835		NUT - (MS20364-1032C)	6	
-25	400 018		BOLT - (AN4-25A)	2	
	407 565		WASHER - (AN960-416)	2	
	404 836		NUT - (MS20364-428C)	2	
-26	400 446		BOLT - (AN3-16A)	2	
	407 564		WASHER - (AN960-10)	2	
	404 835		NUT - (MS20365-1032C)	2	
-27	400 451		BOLT - (AN3-20A)	2	
-28	480 744		PIN - Roll (59-048-250-1875)	4	
	415 161		SCREW - (AN526-632R34)	4	
	407 562		WASHER - (AN960-6)	8	
	404 829		NUT - (MS20364-632C)	4	
-29	400 003		BOLT - (AN4-6A)	4	
-30	81102-35		WASHER - Square, shim (.012)	AR	
	81102-36		WASHER - Square, shim (.020)	AR	
	81102-37		WASHER - Square, shim (.032)	AR	

When ordering, always specify Part Number, Description and Serial Number of Aircraft

PIPER PARTS CATALOG

Figure and Index Number	Part Number	Code	NOMENCLATURE	No. Req.	SERIAL NUMBERS AFFECTED
		1234567			
100-31	40559-06		WASHER - Collar, torque tube.....	2	
-32	46082-00		COVER ASSEMBLY - Rudder pedal tube access	1	
-33	42143-00		LINK ASSEMBLY - Rudder pedal	2	
-34	12605-00		* CLEVIS - Rudder pedal link assembly.....	1	
-35	81342-89		WASHER - (.012 thickness)	AR	
	81342-90		WASHER - (.016 thickness)	AR	
	81342-91		WASHER - (.020 thickness)	AR	
-36	415 520		SCREW - (MS35206-230).....	4	
-37	48138-00		CABLE ASSEMBLY - Rudder balance	1	
-38	481 626		PULLEY - Rudder balance cable (MS20219-2)	2	
-39	45511-00		CLIP - Cable attachment	2	
-40	424 173		PIN - Flat head (MS20392-2C9)	2	
	407 564		WASHER - (AN960-10)	2	
	424 051		PIN - Cotter (MS24665-132)	2	
-41	400 673		BOLT - (AN23-11)	2	
	407 584		WASHER - (AN960-10L)	2	
	404 100		NUT - (AN310-3)	2	
	424 051		PIN - Cotter (MS24665-132)	2	
-42	401 310		BOLT - (AN4-10A)	2	
	407 565		WASHER - (AN960-416)	4	
	404 888		NUT - (MS20365-428C).....	2	
-43	424 503		PIN - (NAS427-K9)	4	
-44	54174-02		GUARD - Rudder torque tube, left, inboard	1	
	54174-03		GUARD - Rudder torque tube, left outboard	1	
-45	554 963		CLAMP - (PS10017-8-24).....	2	
-46	29166-03		PAD - Brake and rudder pedal.....	4	
-47	416 804		SCREW - (MS24693-S279)	8	
	404 835		NUT - (MS20364-1032C)	8	
-48	29989-09		WASHER - Felt.....	4	
-49	407 595		WASHER - (AN960-416L).....	4	

When ordering, always specify Part Number, Description and Serial Number of Aircraft

PIPER PARTS CATALOG

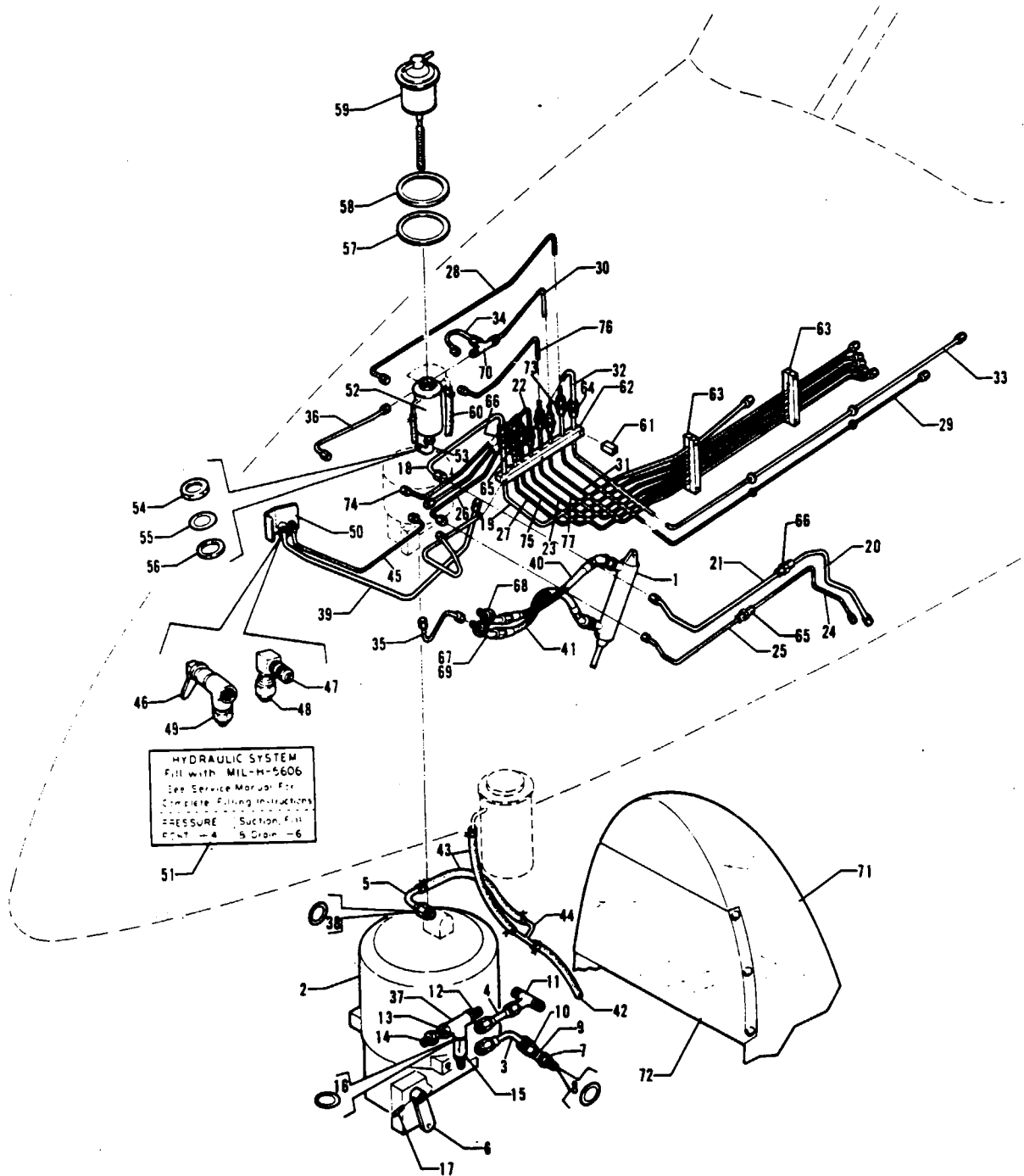


Figure 101. Forward Hydraulic System Installation

PIPER PARTS CATALOG.

CODE EXPLANATIONS FOR FIGURE 101

- A - See Figure 104 for component parts.
- B - See Figure 105 and 106 for component parts.

PIPER PARTS CATALOG

Figure and Index Number	Part Number	Code	NOMENCLATURE	No. Req.	SERIAL NUMBERS AFFECTED
			1234567		
101-	02103		DRAWING - Hydraulic System Installation		
-1	451 825	A	ACTUATOR - (Wiebel 2115-1).....	1	
-2	481 171	B	POWERPAK - New (Wiebel 2135-1)	1	
-3	45858-00		LINE ASSEMBLY - Hydraulic	1	
-4	45877-00		LINE ASSEMBLY - Hydraulic	1	
-5	46722-00		LINE ASSEMBLY - Hydraulic	1	
-6	763 009		ARM ASSEMBLY - Powerpak actuating (Wiebel).....	1	
-7	492 163		CHECK VALVE - (2C5040)	2	
-8	462 027		GASKET - (AN6290-4).....	4	
-9	455 422		CROSS - (AN937-D4)	1	
-10	491 050		UNION - (AN815-4D)	2	
-11	488 509		TEE - (AN824-8D).....	1	
-12	488 510		UNION - (AN815-4D).....	1	
	462 027		GASKET - (AN6290-4).....	1	
-13	477 676		NUT - (AN6289-D4)	1	
	462 027		GASKET - (AN6290-4).....	1	
	484 752		RING - (AN6291-04)	1	
-14	491 060		UNION - (AN832-4D)	1	
	462 027		GASKET - (AN6290-4).....	1	
-15	484 459		RESTRICTOR - Check valve (1143-A0610)	1	
-16	462 027		GASKET - (AN6290-4).....	1	
-17	480 705		ROLL PIN - (59-028-125-0500)	1	
-18	02160-02		LINE ASSEMBLY - Hydraulic, engine pump suction	1	
-19	02161-02		LINE ASSEMBLY - Hydraulic, engine pump suction	1	
-20	01611-02		LINE ASSEMBLY - Hydraulic, engine pump suction	1	
-21	01569-02		LINE ASSEMBLY - Hydraulic, engine pump suction	1	
-22	01384-02		LINE ASSEMBLY - Hydraulic, gear up	1	
-23	01393-02		LINE ASSEMBLY - Hydraulic, gear up	1	
-24	01610-02		LINE ASSEMBLY - Hydraulic, engine pump pressure.....	1	
-25	01558-02		LINE ASSEMBLY - Hydraulic, engine pump pressure.....	1	
-26	01386-02		LINE ASSEMBLY - Hydraulic, engine pump pressure.....	1	
-27	01395-02		LINE ASSEMBLY - Hydraulic, engine pump pressure.....	1	
-28	01387-02		LINE ASSEMBLY - Hydraulic, hand pump pressure	1	
-29	01383-02		LINE ASSEMBLY - Hydraulic, hand pump pressure	1	
-30	01381-02		LINE ASSEMBLY - Hydraulic, gear down.....	1	
-31	01392-02		LINE ASSEMBLY - Hydraulic, gear down.....	1	
-32	01390-02		LINE ASSEMBLY - Hydraulic, hand pump suction.....	1	
-33	01382-02		LINE ASSEMBLY - Hydraulic, hand pump suction.....	1	
-34	45856-00		LINE ASSEMBLY - Hydraulic, gear down.....	1	
-35	45857-00		LINE ASSEMBLY - Hydraulic, gear up	1	
-36	45868-00		LINE ASSEMBLY - Hydraulic.....	1	
-37	488 510		TEE - (AN938-D4)	1	
-38	462 029		GASKET - (AN6290-6).....	1	
-39	46138-00		LINE ASSEMBLY - Powerpak drain	1	
-40	17766-03		HOSE ASSEMBLY - Flexible	1	
-41	17766-04		HOSE ASSEMBLY - Flexible	1	
-42	80006-14		TUBE - Reservoir overflow	1	
-43	80006-13		TUBE - Overflow	2	
-44	16632-00		TUBE - Overflow	1	
-45	48032-00		LINE ASSEMBLY - Hydraulic	1	
-46	492 191		VALVE - Suction, fill (7-1470-3).....	1	
-47	492 190		VALVE - Pressure port (2C5836)	1	
-48	454 173		CAP - (AN929-4).....	1	

When ordering, always specify Part Number, Description and Serial Number of Aircraft

PIPER PARTS CATALOG

Figure and Index Number	Part Number	Code	NOMENCLATURE	No. Req.	SERIAL NUMBERS AFFECTED
		1234567			
101-49	454 299		CAP ASSEMBLY - Pressure seal (AN929-6)	1	
-50	48033-00		BRACKET ASSEMBLY - Hydraulic valve support	1	
-51	48030-00		PLACARD - Hydraulic system	1	
-52	48028-00		RESERVOIR ASSEMBLY - Hydraulic	1	
-53	458 900		* ELBOW - (AN833-4D)	1	
-54	477 676		* NUT - (AN6289-D4)	1	
-55	462 027		* GASKET - (AN6290-4)	1	
-56	484 752		* RING - (AN6291-4)	1	
-57	43840-00		GASKET - Hydraulic reservoir	1	
-58	43712-00		NUT - Hex	1	
-59	44490-00		GAUGE ASSEMBLY - Hydraulic fluid level	1	
-60	19790-35		TUBE	1	
-61	40923-02		BLOCK - Hydraulic tube retaining	2	
-62	40923-03		BLOCK - Hydraulic tube retaining	2	
-63	40919-00		BLOCK - Hydraulic tube retaining	4	
-64	491 051		UNION - (AN815-5D)	1	
-65	491 050		UNION - (AN815-4D)	4	
-66	491 053		UNION - (AN815-8D)	2	
-67	458 910		ELBOW - 45 degrees (AN837-4D)	2	
	407 568		WASHER - (AN960-716)	2	
	477 618		NUT - (AN924-4D)	2	
-68	40849-02		PLACARD - "Hyd. - Gear Down"	1	
-69	40849-03		PLACARD - "Hyd. - Gear Up"	1	
-70	488 320		TEE - (AN824-4D)	1	
-71	01827-02		COVER ASSEMBLY - Hydraulic powerpak	1	
-72	47065-03		COVER ASSEMBLY - Front, hydraulic powerpak	1	
-73	492 170		VALVE - Check (2C9326)	1	
-74	45862-00		LINE ASSEMBLY - Hydraulic, door close	1	
-75	40827-03		LINE ASSEMBLY - Hydraulic, door close	1	
-76	45861-00		LINE ASSEMBLY - Hydraulic, door open	1	
-77	40834-03		LINE ASSEMBLY - Hydraulic, door open	1	

When ordering, always specify Part Number, Description and Serial Number of Aircraft

PIPER PARTS CATALOG

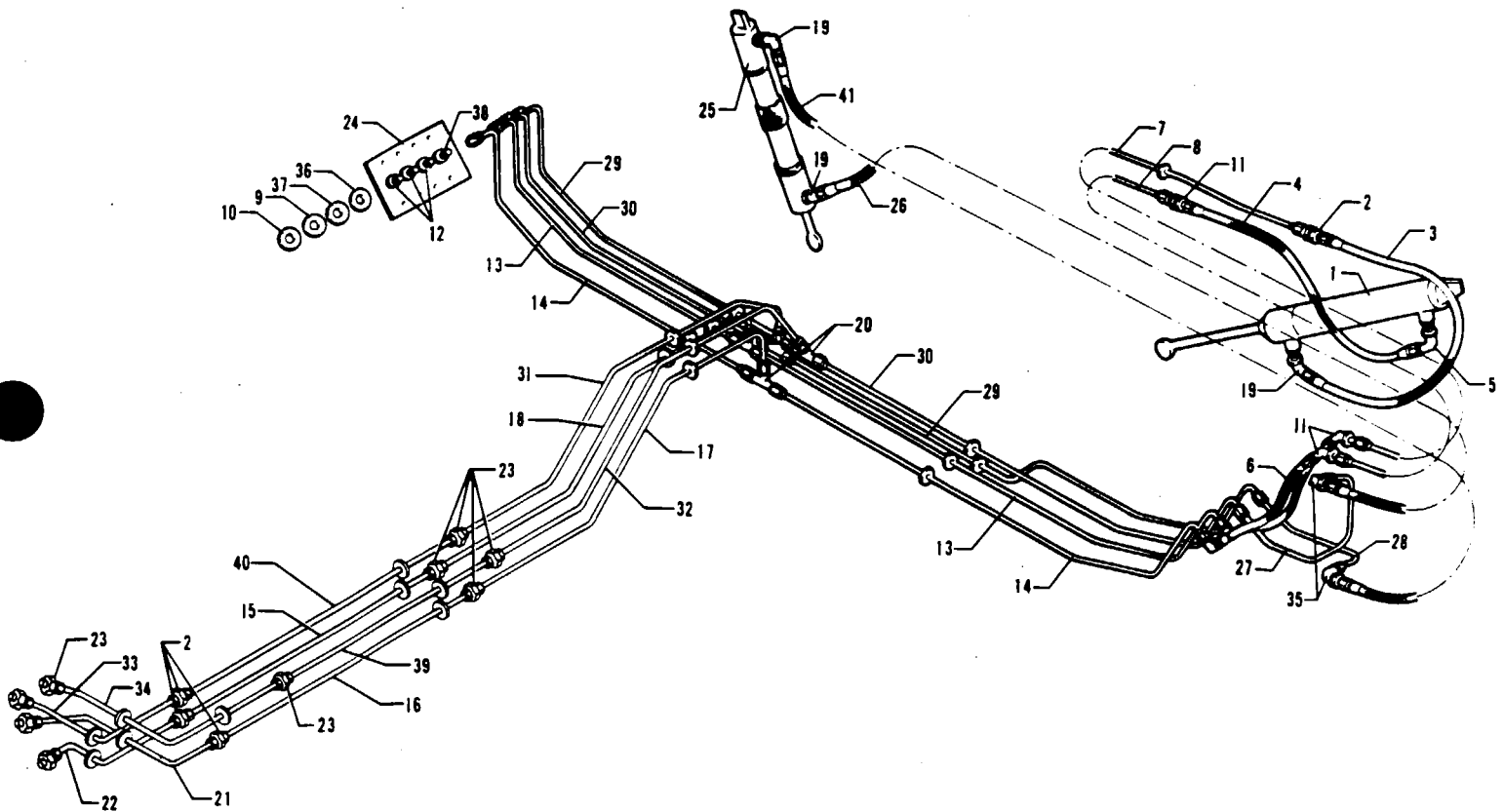


Figure 102. Aft Hydraulic System Installation

PIPER PARTS CATALOG

CODE EXPLANATIONS FOR FIGURE 102

A - See Figure 104 for component parts.

PIPER PARTS CATALOG

Figure and Index Number	Part Number	Code	NOMENCLATURE	No. Req.	SERIAL NUMBERS AFFECTED
			1234567		
102-	02103		DRAWING - Hydraulic System Installation		
-1	451 825	A	ACTUATOR - (Wiebel 2115-1)	2	
-2	491 060		UNION - (AN832-4D)	5	
	407 568		WASHER - (AN960-716)	5	
	477 618		NUT - (AN924-4D)	5	
-3	17766-27		HOSE ASSEMBLY - Flexible	2	
-4	17766-91		HOSE ASSEMBLY - Flexible	2	
-5	458 900		ELBOW - (AN833-4D)	6	
	477 676		NUT - (AN6289-D4)	6	
	462 027		GASKET - (AN6290-4)	6	
	484 752		RING - (AN6291-4)	6	
-6	17766-02		HOSE ASSEMBLY - Flexible	4	
-7	40848-00		LINE ASSEMBLY - Hydraulic, left	1	
	40848-01		LINE ASSEMBLY - Hydraulic, right	1	
-8	40841-00		LINE ASSEMBLY - Hydraulic, left	1	
	40841-01		LINE ASSEMBLY - Hydraulic, right	1	
-9	40849-02		PLACARD - "Hyd. - Gear Down"	4	
-10	40849-03		PLACARD - "Hyd. - Gear Up"	4	
-11	458 910		ELBOW - 45 degree (AN837-4D)	6	
	477 618		NUT - (AN924-4D)	6	
	407 568		WASHER - (AN960-716)	6	
-12	458 900		ELBOW - (AN833-4D)	4	
	407 139		WASHER - (AN936-A716)	4	
	477 618		NUT - (AN924-4D)	4	
-13	40830-09		LINE ASSEMBLY - Hydraulic, gear down, left	1	
	40830-02		LINE ASSEMBLY - Hydraulic, gear down, right	1	
-14	40830-07		LINE ASSEMBLY - Hydraulic, gear up, left	1	
	40830-03		LINE ASSEMBLY - Hydraulic, gear up, right	1	
-15	80024-18		TUBE ASSEMBLY - Hydraulic, gear down	1	
-16	80024-19		TUBE ASSEMBLY - Hydraulic, gear up	1	
-17	52858-00		LINE ASSEMBLY - Hydraulic, gear up	1	
-18	52857-00		LINE ASSEMBLY - Hydraulic, gear down	1	
-19	458 910		ELBOW - (AN837-4D)	2	
	477 676		NUT - (AN6289-D4)	2	
	462 027		GASKET - (AN6290-4)	2	
	484 752		RING - (AN6291-4)	2	
-20	488 320		TEE - (AN824-4D)	4	
-21	42103-00		LINE ASSEMBLY - Hydraulic, gear up	1	
-22	42102-00		LINE ASSEMBLY - Hydraulic, gear down	1	
-23	491 050		UNION - (AN815-4D)	9	
-24	43876-02		PLATE - Hydraulic line attachment	2	
-25	455 961	A	CYLINDER - Hydraulic lock (Wiebel 2114-1)	2	
-26	17766-114		HOSE ASSEMBLY - Flexible	2	
-27	40832-00		LINE ASSEMBLY - Hydraulic, door close	2	
-28	40836-00		LINE ASSEMBLY - Hydraulic, door open, left	1	
	40836-01		LINE ASSEMBLY - Hydraulic, door open, right	1	
-29	42204-00		LINE ASSEMBLY - Hydraulic, door open, left	1	
	01908-02		LINE ASSEMBLY - Hydraulic, door open, right	1	
-30	40830-08		LINE ASSEMBLY - Hydraulic, door close, left	1	
	01961-02		LINE ASSEMBLY - Hydraulic, door close, right	1	
-31	48310-00		LINE ASSEMBLY - Hydraulic, door open	1	
-32	48309-00		LINE ASSEMBLY - Hydraulic, door close	1	

When ordering, always specify Part Number, Description and Serial Number of Aircraft

PIPER PARTS CATALOG

Figure and Index Number	Part Number	Code	NOMENCLATURE	No. Req.	SERIAL NUMBERS AFFECTED
		1234567			
102-33	42104-00		LINE ASSEMBLY - Hydraulic, door open	1	
-34	40828-00		LINE ASSEMBLY - Hydraulic, door close	1	
-35	458 900		ELBOW - 90 degree (AN833-4D)	4	
	477 618		NUT - (AN924-4D)	4	
	407 568		WASHER - (AN960-716)	4	
-36	40849-04		PLACARD - "Hyd. Door Open"	4	
-37	40849-05		PLACARD - "Hyd. Door Close"	4	
-38	458 910		ELBOW - (AN837-4D)	2	
	407 139		WASHER - (AN936-A716)	2	
	477 618		NUT - (AN924-4D)	2	
-39	80024-15		TUBE ASSEMBLY - Hydraulic, door close	1	
-40	80024-16		TUBE ASSEMBLY - Hydraulic, door open	1	
-41	17766-115		HOSE ASSEMBLY - Flexible	2	

When ordering, always specify Part Number, Description and Serial Number of Aircraft

PIPER PARTS CATALOG

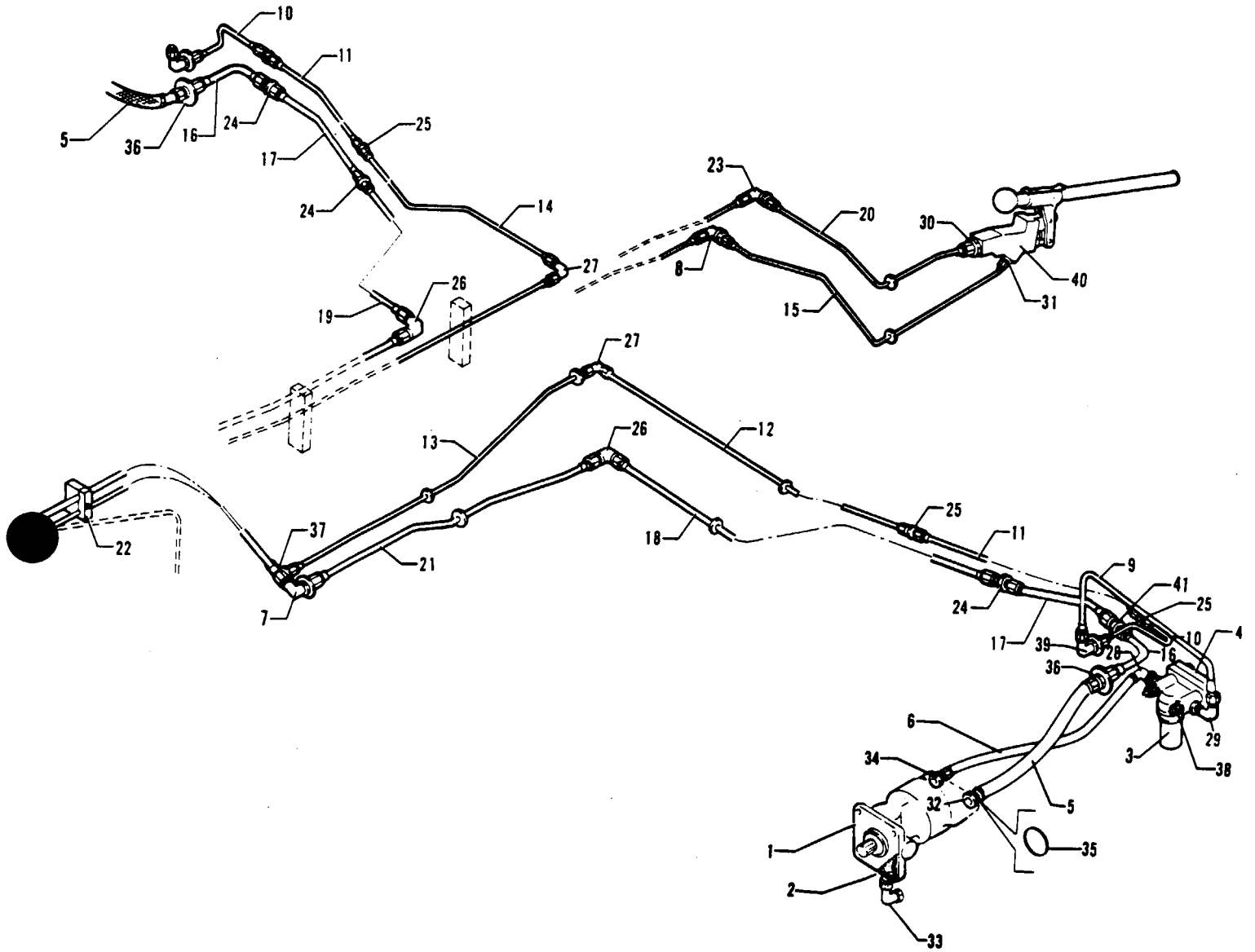


Figure 103. Hydraulic Pumps Installation

REVISED: MARCH 1984

PIPER PARTS CATALOG

CODE EXPLANATIONS FOR FIGURE 103

- A - See Figure 104 for component parts.
- B - Hydraulic pump, part no. 26802-11, may be used as an alternate on the left engine only. Hydraulic pump, part no. 26802-10, may be used as an alternate on the right engine only.
- C - Hydraulic pump, part no. 26802-08, may be used as an alternate on the left and/or right engines.

PIPER PARTS CATALOG

Figure and Index Number	Part Number	Code	NOMENCLATURE	No. Req.	SERIAL NUMBERS AFFECTED
103-	02103		DRAWING - Hydraulic System Installation		
		1234567			
-1	26802-08	B	PUMP - Hydraulic (1213-HBG, Type 310) left and right	2	
	26802-11	C	PUMP - Hydraulic, left	1	
	26802-10	C	PUMP - Hydraulic, right	1	
-2	462 023		* GASKET - Seal (AN4045-1)	1	
-3	460 635	A	FILTER - (AN6234-1)	2	
-4	40920-00		BLOCK - Back-up	4	
-5	39995-49		HOSE ASSEMBLY - Flexible	2	
-6	39995-48		HOSE ASSEMBLY - Flexible	2	
-7	458 905		ELBOW - 90 degree (AN833-8D)	1	
	40849-10		PLACARD - "Hydraulic Suction"	1	
	407 573		WASHER - (AN960-1216)	1	
	477 621		NUT - (AN924-8D)	1	
-8	458 889		ELBOW - 90 degree (AN833-3D)	1	
	407 567		WASHER - (AN960-616)	1	
	477 617		NUT - (AN924-3D)	1	
-9	01530-02		LINE ASSEMBLY - Hydraulic pressure	2	
-10	01531-02		LINE ASSEMBLY - Hydraulic pressure, left	1	
	01534-02		LINE ASSEMBLY - Hydraulic pressure, right	1	31P-8414001 to 31P-8414032 incl.
	02328-02		LINE ASSEMBLY - Hydraulic pressure, right	1	31P-8414033 and up
-11	50157-00		LINE ASSEMBLY - Hydraulic pressure, left	1	
	50157-01		LINE ASSEMBLY - Hydraulic pressure, right	1	
-12	40823-00		LINE ASSEMBLY - Hydraulic pressure	1	
-13	45502-00		LINE ASSEMBLY - Hydraulic pressure	1	
-14	50163-00		LINE ASSEMBLY - Hydraulic pressure	1	
-15	52965-00		LINE ASSEMBLY - Hydraulic pressure	1	
-16	01533-02		LINE ASSEMBLY - Hydraulic suction, left	1	
	01532-02		LINE ASSEMBLY - Hydraulic suction, right	1	31P-8414001 to 31P-8414032 incl.
	02327-02		LINE ASSEMBLY - Hydraulic suction, right	1	31P-8414033 and up
-17	80004-20		LINE ASSEMBLY - Hydraulic suction, left	1	
	80004-19		LINE ASSEMBLY - Hydraulic suction, right	1	31P-8414001 to 31P-8414032 incl.
	02329-02		LINE ASSEMBLY - Hydraulic suction, right	1	31P-8414033 and up
-18	40810-00		LINE ASSEMBLY - Hydraulic suction (25.75 in. lg)	1	
-19	40805-00		LINE ASSEMBLY - Hydraulic suction	1	
-20	52960-00		LINE ASSEMBLY - Hydraulic suction	1	
-21	40809-00		LINE ASSEMBLY - Hydraulic suction	1	
-22	47158-00		BLOCK ASSEMBLY - Retaining	1	
-23	458 878		ELBOW - 90° (AN833-5D)	1	
	407 569		WASHER - (AN960-816)	1	
	477 623		NUT - (AN924-5D)	1	
-24	491 053		UNION - (AN815-8D)	4	
-25	491 050		UNION - (AN815-4D)	4	
-26	458 881		ELBOW - (AN821-8D)	2	
-27	458 880		ELBOW - (AN821-4D)	2	
-28	50479-00		ELBOW - 90°	2	
	477 713		NUT - (AN6289-4)	2	
	462 027		GASKET - (AN6290-4)	2	
	484 752		RING - (AN6291-4)	2	
-29	458 934		ELBOW - 90° (AN833-4)	2	
	477 713		NUT - (AN6289-4)	2	
	462 027		GASKET - (AN6290-4)	2	
	484 752		RING - (AN6291-4)	2	

When ordering, always specify Part Number, Description and Serial Number of Aircraft

PIPER PARTS CATALOG

Figure and Index Number	Part Number	Code	NOMENCLATURE	No. Req.	SERIAL NUMBERS AFFECTED
		1234567			
103-30	491 051		UNION - (AN815-5D)	1	
	462 028		GASKET - (AN6290-5)	1	
-31	491 049		UNION - (AN815-3D)	1	
	462 026		GASKET - (AN6290-3)	1	
-32	491 053		UNION - (AN815-8D)	2	
-33	458 929		ELBOW - (AN842-4D)	2	
-34	484 283		REDUCER - (AN919-10D)	1	
-35	462 031		GASKET - (AN6290-8)	4	
-36	491 068		UNION - (AN832-8)	2	
	40849-10		PLACARD - "Hydraulic Suction"	2	
	49979-16		WASHER	2	
	477 691		NUT - (AN924-8)	2	
-37	458 900		ELBOW - 90 degrees (AN833-4D)	1	
	40849-06		PLACARD - "Hydraulic Pressure"	1	
	407 568		WASHER - (AN960-716)	1	
	477 618		NUT - (AN924-4D)	1	
-38	400 019		BOLT - (AN4-26A)	4	
	407 565		WASHER - (AN960-416)	4	
	404 888		NUT - (MS20365-428C)	4	
-39	458 934		ELBOW - (AN833-4)	2	
	40849-06		PLACARD - "Hydraulic Pressure"	2	
	407 568		WASHER - (AN960-716)	2	
	477 629		NUT - (AN924-4)	2	
-40	481 771	A	PUMP - Hand (2112-1)	1	
-41	491 053		UNION - (AN815-8D)	1	31P-8414001 to 31P-8414039 incl.
	491 074		UNION - (AN832-8D)	1	31P-8414040 and up
	407 573		WASHER - (AN960-1216)	1	31P-8414040 and up
	477 621		NUT - (AN924-4D)	1	31P-8414040 and up

When ordering, always specify Part Number, Description and Serial Number of Aircraft

PIPER PARTS CATALOG

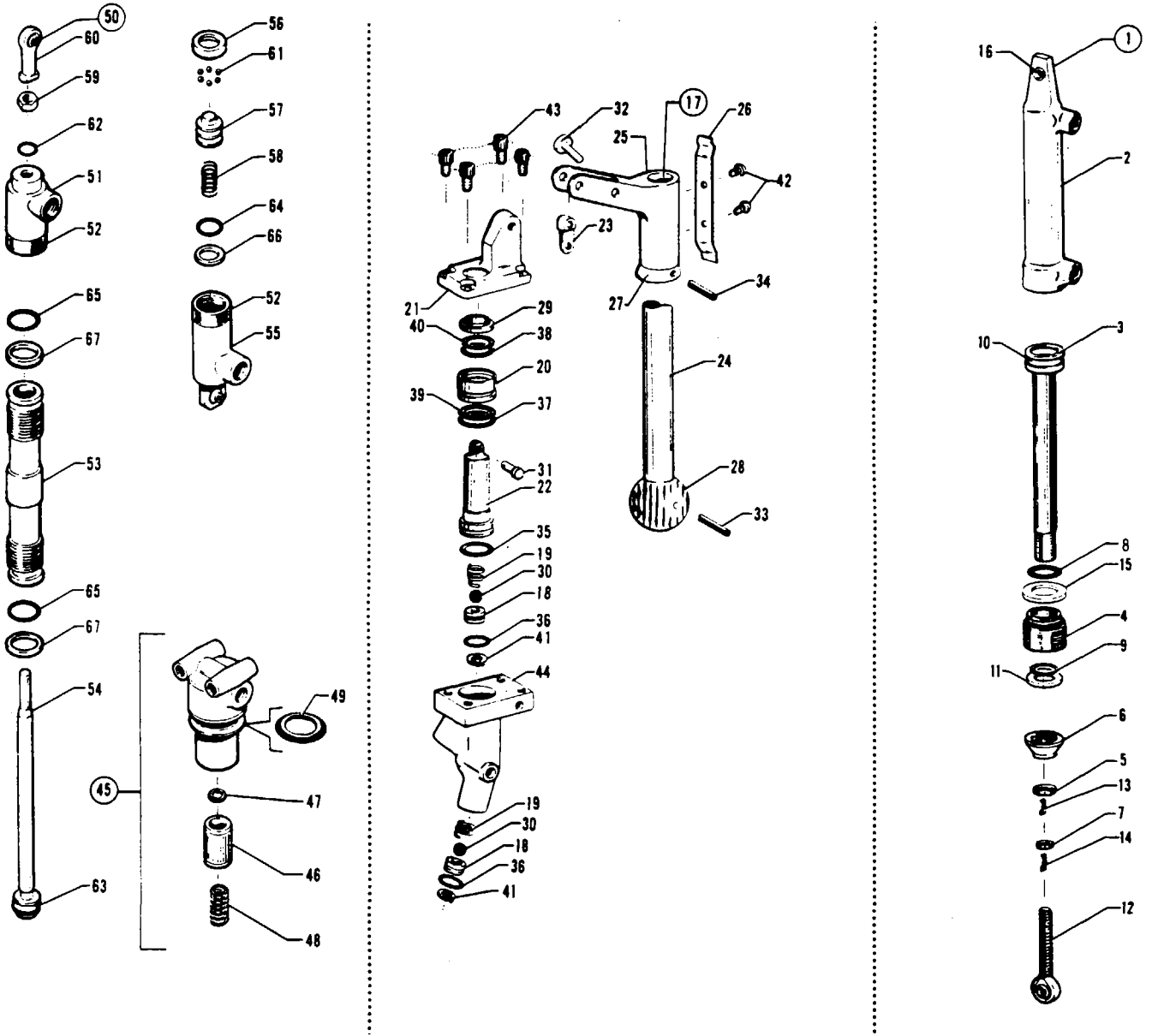


Figure 104. Hydraulic System Components

PIPER PARTS CATALOG

CODE EXPLANATIONS FOR FIGURE 104

PIPER PARTS CATALOG

Figure and Index Number	Part Number	Code	NOMENCLATURE	No. Req.	SERIAL NUMBERS AFFECTED
		1234567			
104-1	451 825		ACTUATOR - Hydraulic (Wiebel 2115-1)	3	
-2	763 211		* CYLINDER ASSEMBLY - (2115001-1)	1	
-3	757 499		* PISTON - (2115002-1)	1	
-4	763 208		* CAP - End (2115003-1)	1	
-5	752 568		* NUT - (2115005-1)	1	
-6	762 313		* STOP - (2115006-1)	1	
-7	404 528		* NUT - (MS21042-6)	1	
-8	752 588		* O-RING - (MS28775-124)	1	
-9	762 548		* RING - Seal (7114FS-160-T)	1	
-10	762 549		* RING - Seal (7216MS-160-T)	1	
-11	762 285		* SCRAPER - (S-11065-3)	1	
-12	762 554		* ROD END - (MXK-46-16A)	1	
-13	754 550		* LOCK - (NAS559-1)	1	
-14	761 115		* KEY - (2115004-1)	1	
-15	762 541		* RETAINER - Back-up (MS28774-124)	1	
-16	453 845		* BUSHING - (NAS77-5-15)	2	
-17	481 771		PUMP - Hand (Wiebel 2112-1)	1	
-18	762 316		* SEAT - (2112002-1)	2	
-19	762 302		* SPRING - (2112003-1)	2	
-20	755 095		* GLAND - (2112004-1)	2	
-21	758 386		* BRACKET ASSEMBLY - (2112005-1)	1	
-22	763 405		* PLUNGER - (2112006-1)	1	
-23	761 205		* LINK - (211007-1)	1	
-24	755 276		* HANDLE - (2112008-1)	1	
-25	761 204		* LEVER ASSEMBLY - (2112009-1)	1	
-26	762 309		* SPRING - (2112010-1)	1	
-27	762 314		* STOP - (2112011-1)	1	
-28	755 096		* GRIP - (2112012-1)	1	
-29	762 285		* SCRAPER - (S-11065-3)	1	
-30	753 484		* BALL - (MS150457)	2	
-31	757 496		* PIN - Quick click (3/16 x .437)	1	
-32	757 497		* PIN - Quick click (3/16 x .750)	2	
-33	757 236		* PIN - Spring (MS171537)	1	
-34	757 494		* PIN - Spring (MS171532)	1	
-35	762 552		* RING - Seal (7115MS-160-T)	1	
-36	755 941		* O-RING - (MS28775-011)	2	
-37	757 233		* O-RING - (MS28775-021)	1	
-38	757 223		* O-RING - (MS28775-114)	1	
-39	762 540		* RETAINER - Back-up (MS28774-021)	1	
-40	762 542		* RETAINER - Back-up (MS28774-114)	1	
-41	755 962		* RETAINER - Snap ring (5000-43H)	2	
-42	762 292		* SCREW - Drive (AN535-4-3)	2	
-43	762 291		* SCREW - (NAS1351C4-10)	4	
-44	758 385		* BODY ASSEMBLY - Hand pump (2112001-1)	1	
-45	460 635		FILTER ASSEMBLY - (AN6234-1)	2	
-46	751 759		* ELEMENT - Filter (AN6235-1A)	1	
-47	484 701		* * PACKING - O-ring (AN6227-7)	1	
-48	756 164		* SPRING - (572 755)	1	
-49	752 604		* O-RING - (MS28778-16)	1	
	751 869		* O-RING - (AN6227-B22)	1	

When ordering, always specify Part Number, Description and Serial Number of Aircraft

PIPER PARTS CATALOG

Figure and Index Number	Part Number	Code	NOMENCLATURE	No. Req.	SERIAL NUMBERS AFFECTED
		1234567			
104-50	455 961		CYLINDER - Hydraulic lock (Wiebel 2114-1)	2	
-51	763 209		* CAP - End (2114001-1)	1	
-52	752 569		* NUT - (2114002-1)	2	
-53	758 377		* BARREL - (2114003-1)	1	
-54	757 500		* PISTON - (2114004-1)	1	
-55	754 854		* FITTING ASSEMBLY - (2114005-1)	1	
-56	762 535		* RACE - (2114006-1)	1	
-57	763 404		* PLUNGER - (2114007-1)	1	
-58	762 308		* SPRING - (2114008-1)	1	
-59	752 570		* NUT - (10081 ESLOK)	1	
-60	755 961		* ROD END - (F-34-14)	1	
-61	753 445		* BALL - (MS150453)	6	
-62	762 550		* RING - Seal (7011FS-160-T)	1	
-63	762 551		* RING - Seal (7111MS-160-T)	1	
-64	757 266		* O-RING - (MS28775-015)	1	
-65	757 229		* O-RING - (MS28775-018)	2	
-66	762 539		* RETAINER - Back-up (MS28774-015)	1	
-67	755 960		* RETAINER - Back-up (MS28774-018)	2	

When ordering, always specify Part Number, Description and Serial Number of Aircraft

PIPER PARTS CATALOG

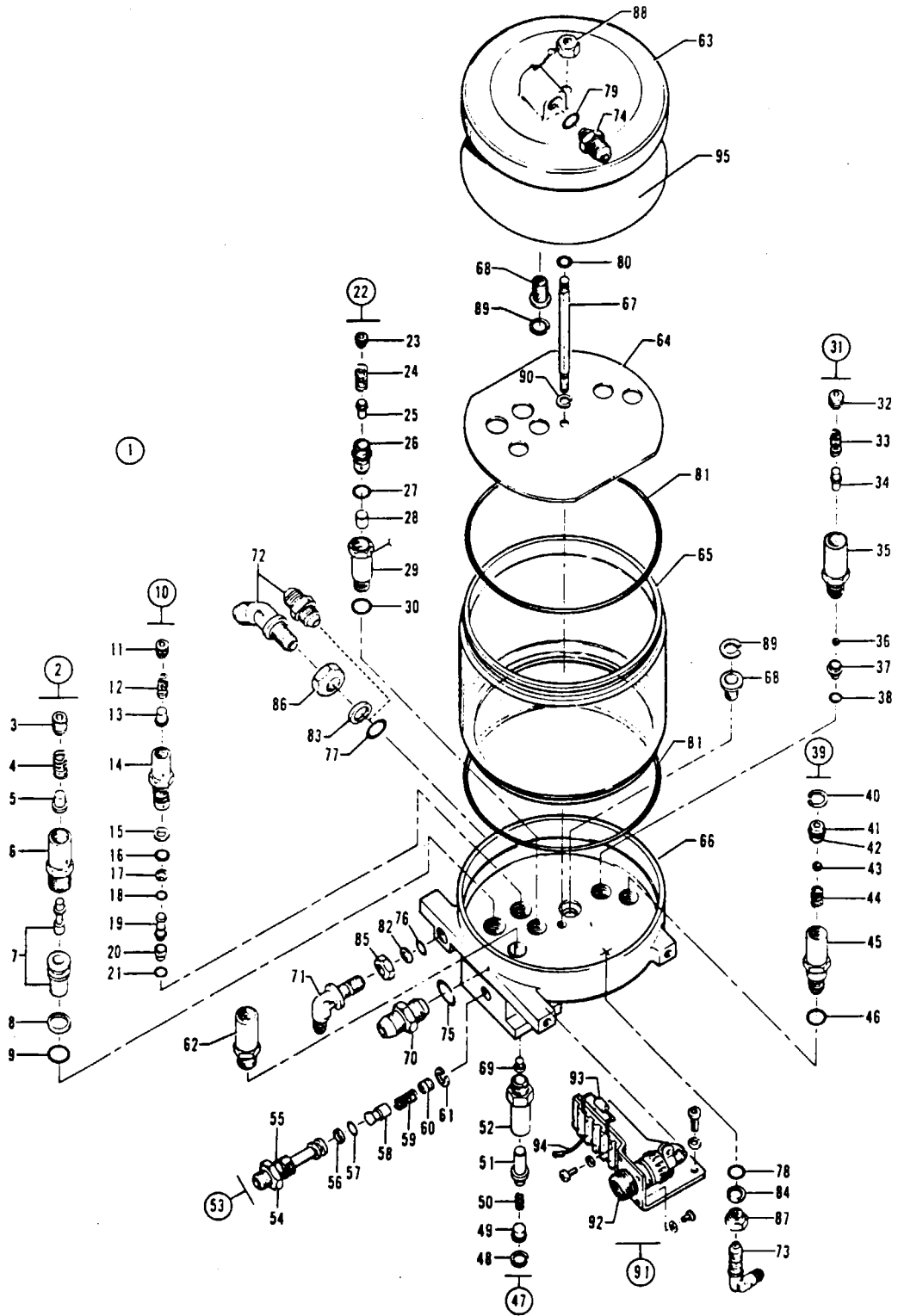


Figure 105. Hydraulic Powerpak Assembly

PIPER PARTS CATALOG

CODE EXPLANATIONS FOR FIGURE 105

A - See Figure 106 for balance of powerpak components.

PIPER PARTS CATALOG

Figure and Index Number	Part Number	Code	NOMENCLATURE	No. Req.	SERIAL NUMBERS AFFECTED
			1234567		
105-1	481 171	A	POWERPAK ASSEMBLY - New (Wiebel 2135-1)	1	
-2	756 549		* PRIMARY RELIEF VALVE ASSEMBLY - (2135-101)	1	
-3	762 286		* SCREW - Adjusting (2135008-1)	1	
-4	762 298		* SPRING - (2135010-1)	1	
-5	758 387		* BUTTON - Guide (2135009-1)	1	
-6	758 379		* BODY - Relief valve (2135007-1)	1	
-7	763 408		* POPPET AND SEAT - (2135006-1)	1	
-8	762 536		* RETAINER - Back-up (MS28774-13)	1	
-9	757 277		* O-RING - (MS28775-013)	1	
-10	756 550		* PRIORITY VALVE ASSEMBLY - (2135-102)	1	
-11	762 286		* SCREW - Adjusting (2135008-1)	1	
-12	762 299		* SPRING - (2135012-1)	1	
-13	758 387		* BUTTON - Guide (2135009-1)	1	
-14	758 380		* BODY - Priority valve (2135011-1)	1	
-15	762 536		* RETAINER - Back-up (MS28774-013)	1	
-16	757 277		* O-RING - (MS28775-013)	1	
-17	762 537		* RETAINER - Back-up (MS28774-006)	1	
-18	757 268		* O-RING - (MS28775-006)	1	
-19	763 406		* POPPET - (2135013-1)	1	
-20	762 293		* SEAT - Poppet (2135014-1)	1	
-21	757 270		* O-RING - (MS28775-012)	1	
-22	756 551		* DOOR VENT VALVE ASSEMBLY - (2135-106)	1	
-23	762 287		* SCREW - Adjusting (2135045-1)	1	
-24	762 300		* SPRING - (2135044-1)	1	
-25	762 311		* STEM - Guide (2135043-1)	1	
-26	762 296		* SLEEVE - (2135042-1)	1	
-27	757 263		* O-RING - (MS28775-010)	1	
-28	757 498		* PISTON - (2135041-1)	1	
-29	758 381		* BODY - Vent valve (2135040-1)	1	
-30	757 265		* O-RING - (MS28778-3)	1	
-31	756 552		* HAND PUMP RELIEF VALVE ASSEMBLY - (2135-107)	1	
-32	762 288		* SCREW - Adjusting (2135028-1)	1	
-33	762 301		* SPRING - (2135029-1)	1	
-34	762 312		* STEM - Guide (2135031-1)	1	
-35	758 382		* BODY - Relief valve (2135030-1)	1	
-36	753 455		* BALL - (MS150453)	1	
-37	762 317		* SEAT - Ball (2135032-1)	1	
-38	755 941		* O-RING - (MS28775-011)	1	
-39	756 553		* TIME DELAY CHECK VALVE ASSEMBLY - (2135-105)	1	
-40	755 962		* RING - Snap (5000-43H)	1	
-41	755 941		* O-RING - (MS28775-011)	1	
-42	762 316		* SEAT - (2112002-1)	1	
-43	753 484		* BALL - (MS150457)	1	
-44	762 302		* SPRING - (2112003-1)	1	
-45	758 383		* BODY - Delay valve (2135027-1)	1	
-46	757 265		* O-RING - (MS28778-3)	1	
-47	763 204		* CARTRIDGE ASSEMBLY - Handle return (2135-104)	2	
-48	755 980		* RING - Snap (5000-50H)	1	
-49	758 388		* BUTTON - Plug (2135024-1)	1	
-50	762 303		* SPRING - (2135023-1)	1	
-51	763 402		* PLUNGER - (2135022-1)	1	
-52	758 384		* BODY - Handle return (2135021-1)	1	
-53	756 554		* ENGINE PUMP CHECK VALVE ASSEMBLY - (2135-108)	1	
-54	754 853		* FITTING - (2135035-1)	1	
-55	757 266		* O-RING - (MS28775-015)	1	

When ordering, always specify Part Number, Description and Serial Number of Aircraft

PIPER PARTS CATALOG

Figure and Index Number	Part Number	Code	NOMENCLATURE	No. Req.	SERIAL NUMBERS AFFECTED
		1234567			
105-56	762 536		* * RETAINER - Back-up (MS28774-013)	1	
-57	757 277		* * O-RING - (MS28775-013)	1	
-58	763 407		* * POPPET - (2135038-1)	1	
-59	762 304		* * SPRING - (2135037-1)	1	
-60	758 389		* * BUTTON - Plug (2135036-1)	1	
-61	762 546		* * RING - Snap (5000-31H)	1	
-62	754 851		* STAND PIPE FILTER - (2135039-1)	1	
-63	763 210		* COVER - Reservoir (2135004-1)	1	
-64	763 401		* PLATE - Baffle (2135046-1)	1	
-65	762 545		* RESERVOIR - (2135058-1)	1	
-66	758 378		* BODY - Powerpak (2135001-1)	1	
-67	762 553		* ROD - (2135033-1)	1	
-68	754 852		* FILTER - (2135034-1)	2	
-69	762 289		* SCREW - (2135018-1)	2	
-70	491 053		* UNION - (AN815-8D)	1	
-71	458 901		* ELBOW - (AN833-6D)	1	
-72	458 911		* ELBOW - (AN837-5D)	1	
-73	458 899		* ELBOW - (AN833-3D)	1	
-74	491 050		* UNION - (AN815-4D)	1	
-75	757 275		* O-RING - (MS28778-8)	1	
-76	755 940		* O-RING - (MS28778-6)	1	
-77	757 284		* O-RING - (MS28778-5)	1	
-78	757 265		* O-RING - (MS28778-3)	1	
-79	757 276		* O-RING - (MS28778-4)	1	
-80	752 587		* O-RING - (MS28775-009)	1	
-81	752 589		* O-RING - (2-257N-304-75)	2	
-82	753 486		* RETAINER - Back-up (MS28777-6)	1	
-83	757 283		* RETAINER - Back-up (MS28777-5)	1	
-84	753 490		* RETAINER - Back-up (MS28777-3)	1	
-85	752 521		* NUT - (AN6289-D6)	1	
-86	752 525		* NUT - (AN6289-D5)	1	
-87	752 524		* NUT - (AN6289-D3)	1	
-88	752 520		* NUT - (NAS509-5)	1	
-89	755 980		* RETAINER - Snap ring (5000-50H)	2	
-90	762 547		* RETAINER - Snap ring (5133-37)	1	
-91	758 390		* BRACKET ASSEMBLY - Receptacle and capacitor (2135055-102)	1	
-92	762 555		* * RECEPTACLE ASSEMBLY - (2135055-103)	1	
-93	763 212		* * CAPACITOR ASSEMBLY - (2135055-104)	1	
-94	755 057		* GROUND WIRE ASSEMBLY - (2135055-105)	1	
-95	763 411		* PLATE - Deflector (2135060-1)	1	

When ordering, always specify Part Number, Description and Serial Number of Aircraft

PIPER PARTS CATALOG

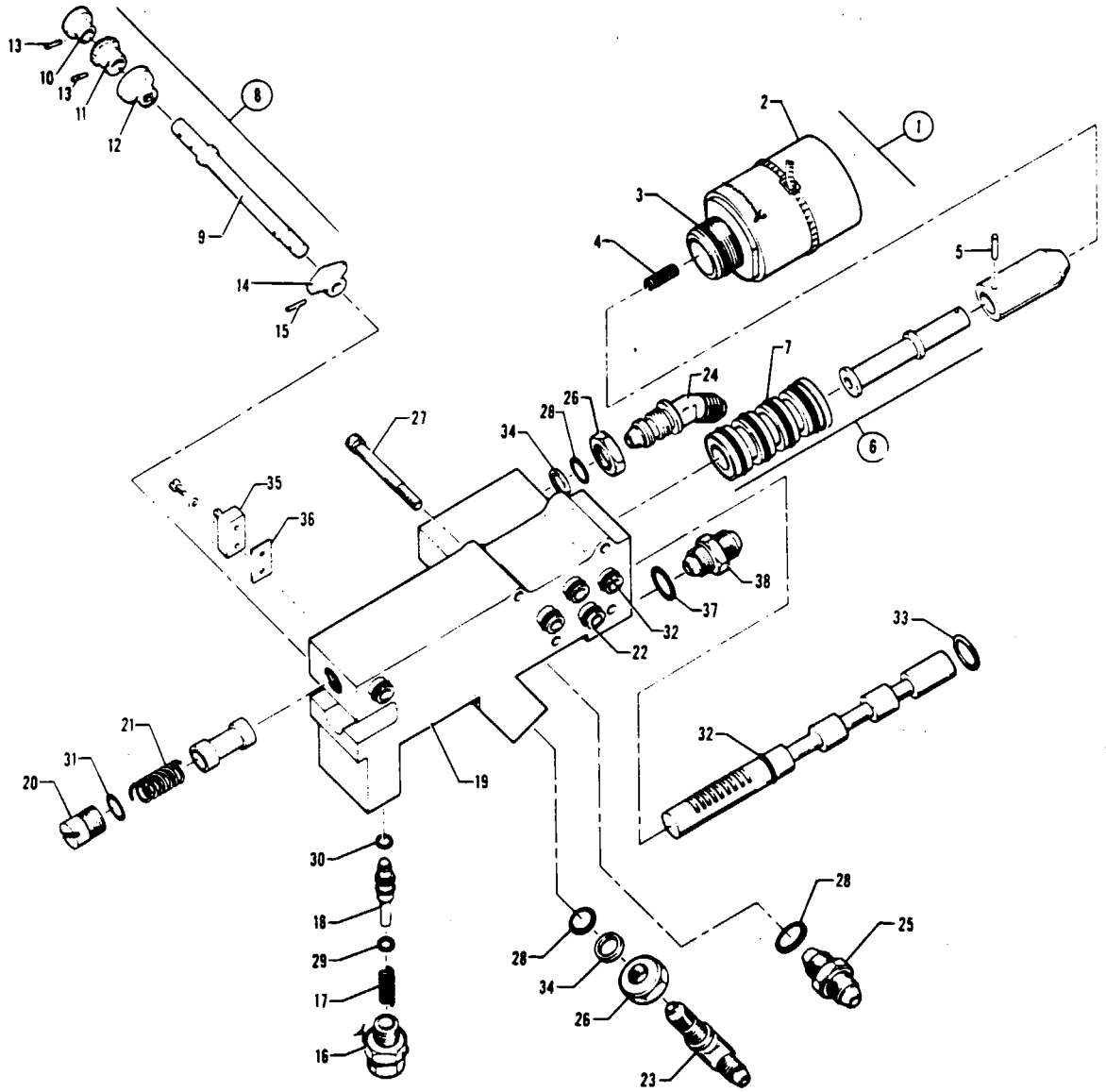


Figure 106. Hydraulic Powerpak Components

PIPER PARTS CATALOG

CODE EXPLANATIONS FOR FIGURE 106

PIPER PARTS CATALOG

Figure and Index Number	Part Number	Code	NOMENCLATURE	No. Req.	SERIAL NUMBERS AFFECTED
		1234567			
106-1	756 555		SOLENOID VALVE ASSEMBLY - (2135-109)	1	
-2	762 310		* SOLENOID ASSMBLY - (2135015-1)	1	
-3	757 229		* O-RING - (MS28775-018)	1	
-4	762 305		* SPRING - Plunger return (2135053-1)	1	
-5	757 495		* PIN - (2135054-1)	1	
-6	762 297		* SLEEVE AND SPOOL - (2135005-1)	1	
-7	757 269		* O-RING - (MS28775-016)	4	
-8	762 294		INPUT SHAFT ASSEMBLY - (2135-103)	1	
-9	762 295		* SHAFT - Input (2135020-1)	1	
-10	763 207		* CAM - Switch (2135048-1)	1	
-11	755 054		* GEAR - Spur (2135026-1)	1	
-12	763 205		* CAM - Detent (2135025-1)	1	
-13	757 291		* ROLL PIN - (MS171528)	2	
-14	763 206		CAM - Rocker (2135019-1)	1	
-15	757 291		ROLL PIN - (MS171528)	1	
-16	762 543		RETAINER - (2135016-1)	1	
-17	762 306		SPRING - (2135057-1)	1	
-18	763 403		PLUNGER - (2135017-1)	1	
-19	761 656		MANIFOLD ASSEMBLY - (2135002-1)	1	
-20	762 544		RETAINER - (2135049-1)	1	
-21	762 307		SPRING - (2135050-1)	1	
-22	761 983		TUBE - Transfer (2135051-1)	5	
-23	458 900		ELBOW - (AN833-4D)	1	
-24	458 910		ELBOW - (AN837-4D)	1	
-25	491 050		UNION - (AN815-4D)	1	
-26	477 676		NUT - (AN6289-D4)	2	
-27	762 290		SCREW - (NAS1351C4-28)	4	
-28	757 276		O-RING - (AN28778-4)	3	
-29	757 263		O-RING - (MS28775-010)	1	
-30	757 279		O-RING - (MS28775-008)	1	
-31	757 270		O-RING - (MS28775-012)	1	
-32	755 941		O-RING - (MS28775-011)	11	
-33	757 277		O-RING - (MS28775-013)	1	
-34	762 538		RETAINER - Back-up (MS28777-4)	2	
-35	762 315		SWITCH ASSEMBLY - (2135055-101)	1	
-36	763 409		PLATE - Insulating (2135055-11)	1	
-37	757 276		O-RING - (AN28778-4)	1	
-38	491 050		UNION - (AN815-4D)	1	

When ordering, always specify Part Number, Description and Serial Number of Aircraft

PIPER PARTS CATALOG

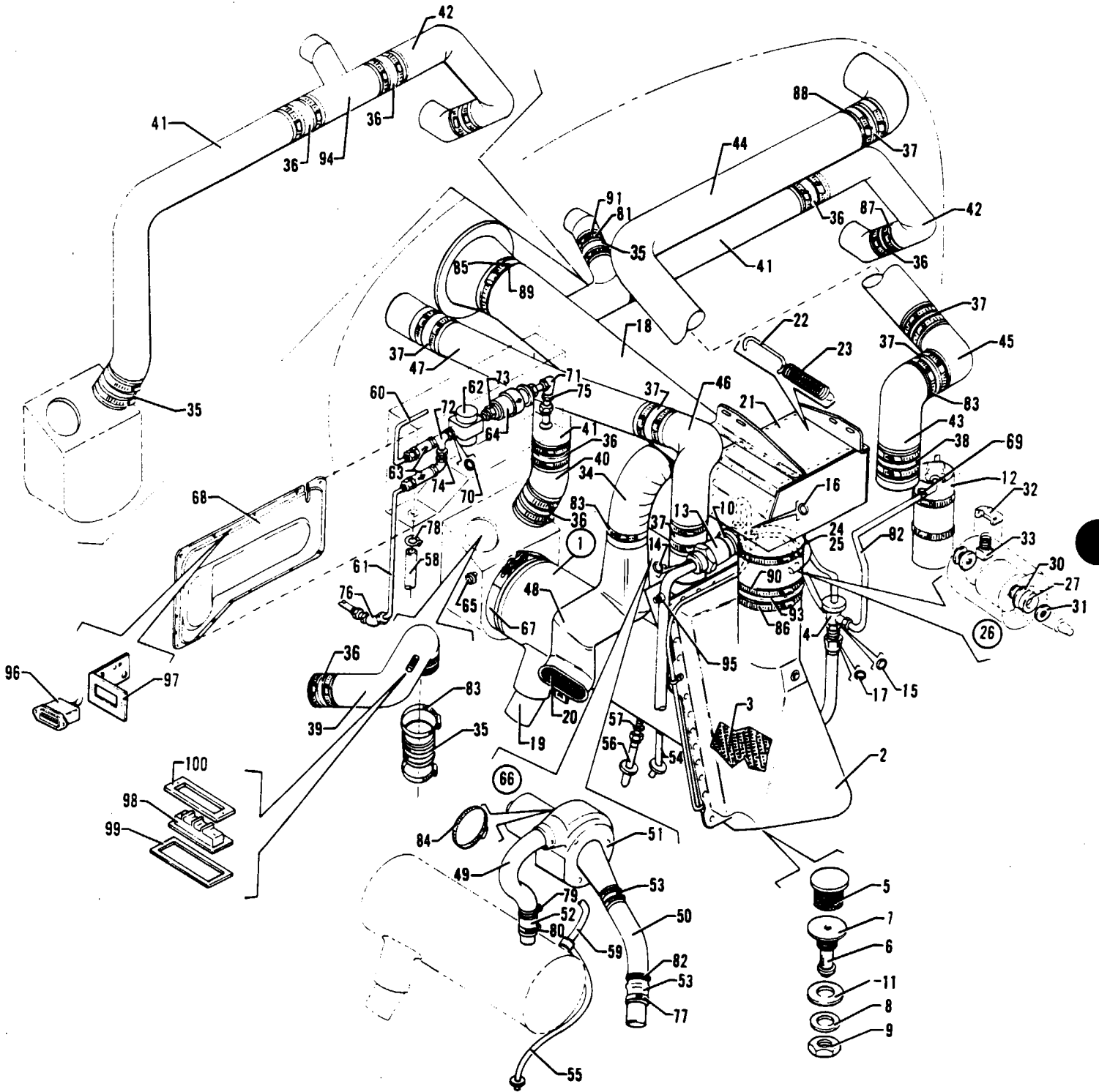


Figure 107. Heater and Evaporator Installation

PIPER PARTS CATALOG

CODE EXPLANATIONS FOR FIGURE 107

- A - See Figure 108 for component parts.
- B - Used if air conditioning system is installed.
- C - See Figure 109 for component parts.
- D - See Figure 86 for component parts.

PIPER PARTS CATALOG

Figure and Index Number	Part Number	Code	NOMENCLATURE	No. Req.	SERIAL NUMBERS AFFECTED
			1234567		
107-	01002		DRAWING - Heater and Evaporator Installation		
-1		A	HEATER ASSEMBLY	1	
-2	46273-04		DUCT ASSEMBLY - Return air	1	
	46273-03	B	EVAPORATOR ASSEMBLY - (Complete)	1	
-3	46245-05	B	* EVAPORATOR ASSEMBLY	1	
-4	756 576	B	* * VALVE - Expansion (5910759)	1	
-5	560 756		* FILTER - Drain (33340)	1	
-6	29622-02		* VALVE - Drain	1	
-7	491 959		* FLAPPER VALVE - (VA3367)	1	
-8	407 592		* WASHER - (AN960-PD816)	1	
-9	477 623		* NUT - (AN924-5D)	1	
-10	46071-00	B	* CLAMP - Valve attachment	1	
-11	85012-110		* WASHER - Seal	1	
-12	456 622	B	DEHYDRATOR - Receiver (3046236)	1	
-13	492 004	B	VALVE - Evaporator control (70540-024 P.O.A.S.T.)	1	
-14	484 852	B	O-RING - (2-017C557-70)	2	
-15	484 851	B	O-RING - (2-011C557-70)	3	
-16	484 850	B	O-RING - (2-008C557-70)	2	
-17	756 030	B	O-RING - (2-13C147-7)	1	
-18	49478-02		HOSE ASSEMBLY - Return air duct	1	
-19	46347-00		OUTLET ASSEMBLY - Heater exhaust	1	
-20	46197-00		SCREEN ASSEMBLY - Fresh air	1	
-21	46253-00		BOX ASSEMBLY - Outside air	1	
-22	46251-00		* CLIP - Spring valve	1	
-23	83302-74		* SPRING - Valve	1	
-24	48365-02		FAN ASSEMBLY - Recirculating	1	
-25	754 818		* FILTER - Radio (1591)	1	
-26	753 803		* MOTOR ASSEMBLY - D.C. (M2916DJA)	1	
-27	758 160		* * BEARING - Ball, annular (K271B-200L)	1	
-28	758 161		* * BEARING - Ball, annular (K271B-38L)	1	
-29	757 619		* * SPRING - Loading (K129-25)	1	
-30	757 620		* * SHIELD - Bearing (536-2)	1	
-31	757 621		* * SLINGER - Flat (461)	1	
-32	757 897		* * CAP - Electric contact (417-H3)	2	
-33	758 162		* * BRUSH - Electric contact (420A-24)	2	
-34	56952-23		HOSE - Duct	1	
-35	49990-10		HOSE - Fresh air	1	31P-8414003 and up
-36	49990-06		HOSE - Fresh air	6	
-37	49990-08		HOSE - Fresh air	6	
-38	49990-32		HOSE - Fresh air	1	
-39	46502-04		TUBE ASSEMBLY - Fresh air distribution, complete	1	
-40	01655-02		TUBE - Fresh air distribution	1	31P-8414003 and up
-41	01298-02		TUBE ASSEMBLY - Fresh air distribution, complete	1	31P-8414001, 31P-8414002
	01893-02		TUBE ASSEMBLY - Fresh air distribution, complete	1	31P-8414003 and up
-42	01905-02		TUBE ASSEMBLY - Fresh air distribution, complete	1	
-43	01888-02		TUBE ASSEMBLY - Fresh air distribution, complete	1	
-44	01891-02		TUBE ASSEMBLY - Fresh air distribution, complete	1	
-45	01529-02		TUBE - Fresh air distribution	1	
-46	01895-02		TUBE ASSEMBLY - Fresh air distribution, complete	1	
-47	01897-02		TUBE ASSEMBLY - Fresh air distribution, complete	1	
-48	01637-02		TUBE ASSEMBLY - Fresh air	1	
-49	01691-02		TUBE - Combustion air inlet	1	
-50	01856-02		TUBE - Combustion air	1	

When ordering, always specify Part Number, Description and Serial Number of Aircraft

PIPER PARTS CATALOG

Figure and Index Number	Part Number	Code	NOMENCLATURE	No. Req.	SERIAL NUMBERS AFFECTED
		1234567			
107-51	01681-02		ADAPTER ASSEMBLY - Combustion air blower intake	1	
-52	49990-31		HOSE - Combustion air blower	1	
-53	49990-18		HOSE - Combustion air blower	2	
-54	13586-99		TUBE - Drain	1	
-55	22369-47		TUBE - Drain fuel shroud	1	
-56	41775-00		TUBE - Drain, heater	1	
-57	476 686		NIPPLE - (AN816-4D)	1	
	477 612		NUT - (AN818-4D)	1	
	486 906		SLEEVE - (MS20819-4D)	1	
-58	80006-33		TUBE - Fuel drain, plastic	1	
-59	46049-09		LINE ASSEMBLY - Heater fuel	1	
-60	46049-10		LINE ASSEMBLY - Heater fuel	1	
-61	46049-03		LINE ASSEMBLY - Heater fuel	1	
-62	756 560		VALVE ASSEMBLY - Fuel regulator and shutoff (A23D04-7.5)	1	
-63	492 143		VALVE - Check (3345-00)	2	
-64	460 593	D	FILTER ASSEMBLY - Heater fuel (61A61)	1	
-65	488 594		THERMOSTAT - (20611L88-533)	1	
-66		C	COMBUSTION AIR BLOWER AND MOTOR ASSEMBLY	1	
-67	764 660		CLAMP - (13J69-625)	2	
-68	51242-00		COVER - Access	1	
-69	588 176		SWITCH - High pressure (20PS000FC375K200K)	1	
-70	484 842		GASKET - (MS29512-04)	10	
-71	558 700		ELBOW - (AN939-4D)	2	
-72	488 510		TEE - (AN938-4D)	1	
-73	451 869		ADAPTER - (RA-1000-4)	2	
-74	491 060		UNION - (AN832-4D)	2	
	477 618		NUT - (AN924-4D)	2	
-75	484 349		REDUCER - (AN919-1D)	1	
-76	458 947		ELBOW - (AN837-2D)	2	
	407 566		WASHER - (AN960-516)	2	
	477 619		NUT - (AN924-2D)	2	
-77	01747-02		CLAMP - Hose	2	
-78	454 983		CLAMP - (SAE TY E-8)	1	
-79	554 806		CLAMP - (SAE TY E-18)	1	
-80	554 916		CLAMP - (SAE TY F-10)	1	
-81	454 818		CLAMP - (SAE TY F-32)	2	31P-8414003 and up
-82	554 592		CLAMP - (PS10017-20-36)	2	
-83	554 866		CLAMP - (SAE TY F-48SS)	30	
-84	554 972		CLAMP - (SAE TY F-52)	1	
-85	554 936		CLAMP - (SAE TY F-72)	2	
-86	554 558		CLAMP - (SAE TY F-88)	4	
-87	49989-03		STRAP - Tube clamp	12	
-88	49989-04		STRAP - Tube clamp	14	
-89	49989-07		STRAP - Tube clamp	2	
-90	49989-08		STRAP - Tube clamp	4	
-91	49989-09		STRAP - Tube clamp	2	31P-8414003 and up
-92	01336-02		LINE ASSEMBLY - Freon	1	
-93	46333-00		COUPLING - Fresh air	2	
-94	01167-02		TUBE ASSEMBLY - Fresh air distribution	1	31P-8414001, 31P-8414002
-95	460 574		VALVE - Charging (VU1-4A)	1	
-96	51006-00		HOUR METER - Heater	1	
-97	49407-02		BRACKET ASSEMBLY - Hour meter mounting	1	
-98	757 603		SWITCH - Cycling	1	
-99	70957-06		GASKET - Cycling switch	1	
-100	70957-14		PLATE - Hold down	1	

When ordering, always specify Part Number, Description and Serial Number of Aircraft

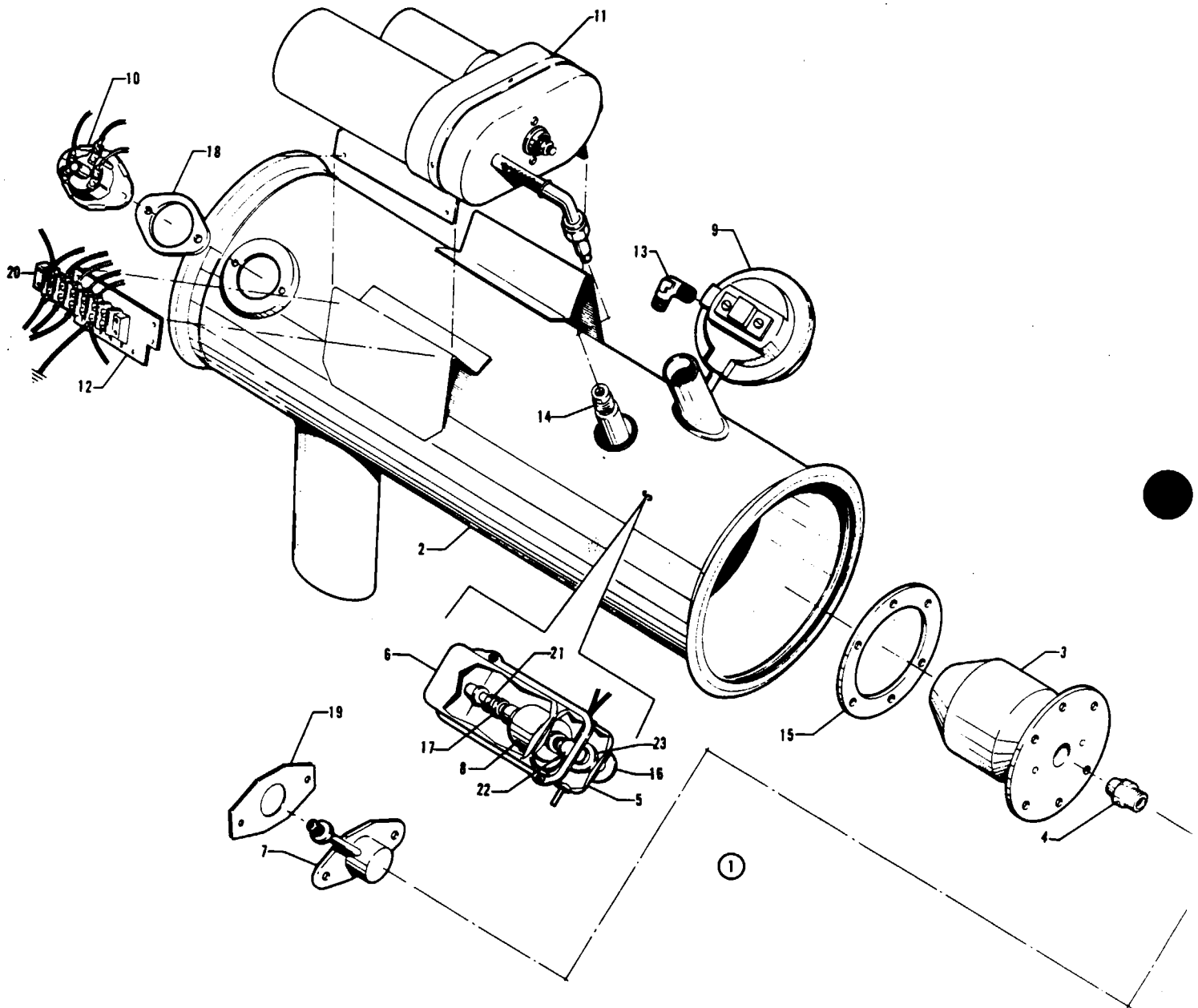


Figure 108. Heater Assembly

PIPER PARTS CATALOG

CODE EXPLANATIONS FOR FIGURE 108

A - See Figure 110 for component parts.

PIPER PARTS CATALOG

Figure and Index Number	Part Number	Code	NOMENCLATURE	No. Req.	SERIAL NUMBERS AFFECTED
		1234567			
108-1	755 348		HEATER ASSEMBLY - (47D65-3)	1	
-2	758 041		* COMBUSTION TUBE AND JACKET ASSEMBLY	1	
-3	755 350		* HEAD ASSEMBLY - Combustion	1	
-4	752 529		* NOZZLE - Fuel spray	1	
-5	758 320		* BOX ASSEMBLY - Fuel shroud, lower	1	
-6	758 300		* BOX - Fuel shroud, upper	1	
-7	754 839		* FUEL FEED AND NOZZLE HOLDER ASSEMBLY	1	
-8	762 215		* SOLENOID ASSEMBLY - Fuel	1	
-9	757 602		* SWITCH - Combustion air pressure	1	
-10	757 604		* SWITCH - Limit	1	
-11	755 483	A	* IGNITION ASSEMBLY	1	
-12	755 401		* INSULATOR - Terminal strip	1	
-13	754 771		* ELBOW - Pressure switch	1	
-14	763 495		* PLUG - Spark	1	
-15	751 920		* GASKET - Head	1	
-16	755 022		* GASKET - Shroud	1	
-17	758 309		* BUSHING	1	
-18	751 874		* GASKET - Limit switch	2	
-19	751 922		* GASKET - Valve body	1	
-20			* STRIP - Terminal	1	
-21	755 614		* NIPPLE	1	
-22	754 779		* ELBOW	1	
-23	752 563		* NUT - (MS35691-45)	1	

When ordering, always specify Part Number, Description and Serial Number of Aircraft

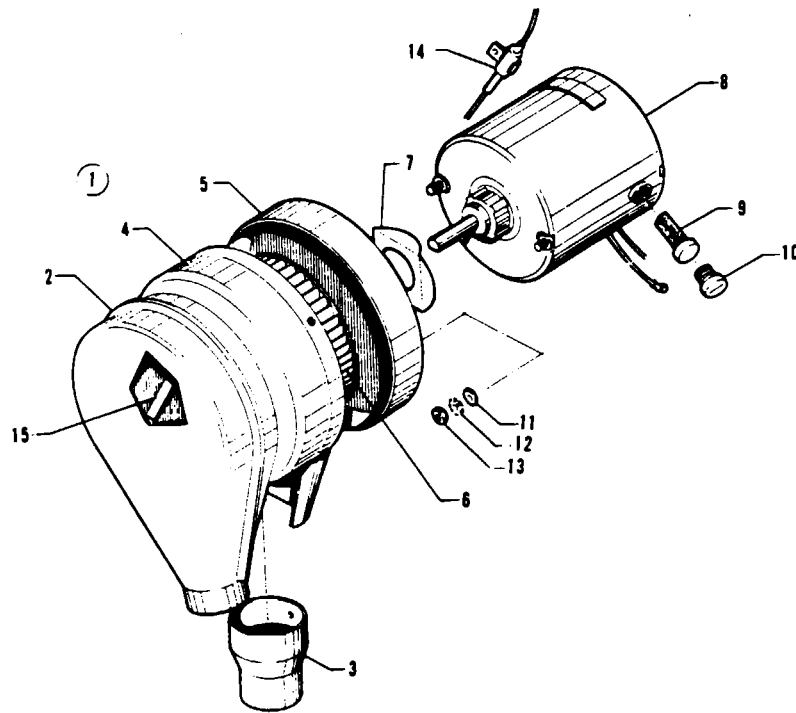


Figure 109. Heater Combustion Air Blower and Motor Assembly

PIPER PARTS CATALOG

CODE EXPLANATIONS FOR FIGURE 109

PIPER PARTS CATALOG

Figure and Index Number	Part Number	Code	NOMENCLATURE	No. Req.	SERIAL NUMBERS AFFECTED
		1234567			
109-1	758 042		COMBUSTION AIR BLOWER AND MOTOR ASSEMBLY (89D23-1)	1	
-2	751 332		* ADAPTER - Inlet	1	
-3	751 339		* ADAPTER - Fan outlet	1	
-4	755 253		* HOUSING - Half, outer	1	
-5	755 252		* HOUSING - Half, inner	1	
-6	751 817		* WHEEL - Blower	1	
-7	756 184		* SPACER - Motor	1	
-8	761 608		* MOTOR ASSEMBLY - Combustion air blower	1	
-9	753 391		* * BRUSH ASSEMBLY	2	
-10	753 392		* * CAP - Brush assembly	2	
-11	407 584		* WASHER - (AN960-10L)	2	
-12	407 128		* WASHER - (AN936-B10)	2	
-13	404 678		* NUT - (AN345-10)	2	
-14	758 013		* CAPACITOR	1	
-15	758 302		* BRACKET	1	

When ordering, always specify Part Number, Description and Serial Number of Aircraft

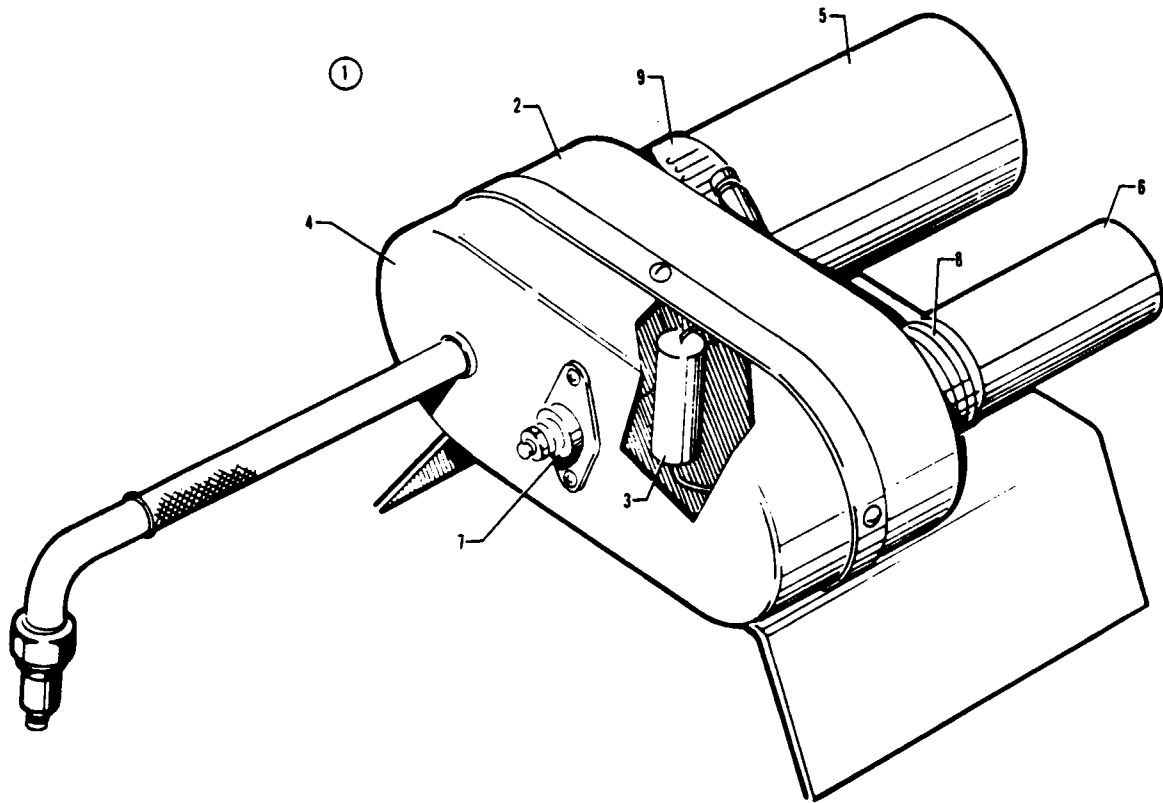


Figure 110. Heater Ignition Assembly

PIPER PARTS CATALOG

CODE EXPLANATIONS FOR FIGURE 110

PIPER PARTS CATALOG

Figure and Index Number	Part Number	Code	NOMENCLATURE	No. Req.	SERIAL NUMBERS AFFECTED
		1234567			
110-1	755 483		IGNITION ASSEMBLY.....	1	
-2	758 321		* BOX ASSEMBLY - Ignition	1	
-3	758 043		* * CONDENSER	1	
-4	758 044		* COVER ASSEMBLY - Ignition.....	1	
-5	757 888		* COIL - Ignition.....	1	
-6	756 577		* VIBRATOR (solid state).....	1	
-7	754 812		* FILTER	1	
-8	758 045		* CLAMP - Vibrator.....	1	
-9	758 046		* CLAMP - Coil.....	1	

When ordering, always specify Part Number, Description and Serial Number of Aircraft

PIPER PARTS CATALOG

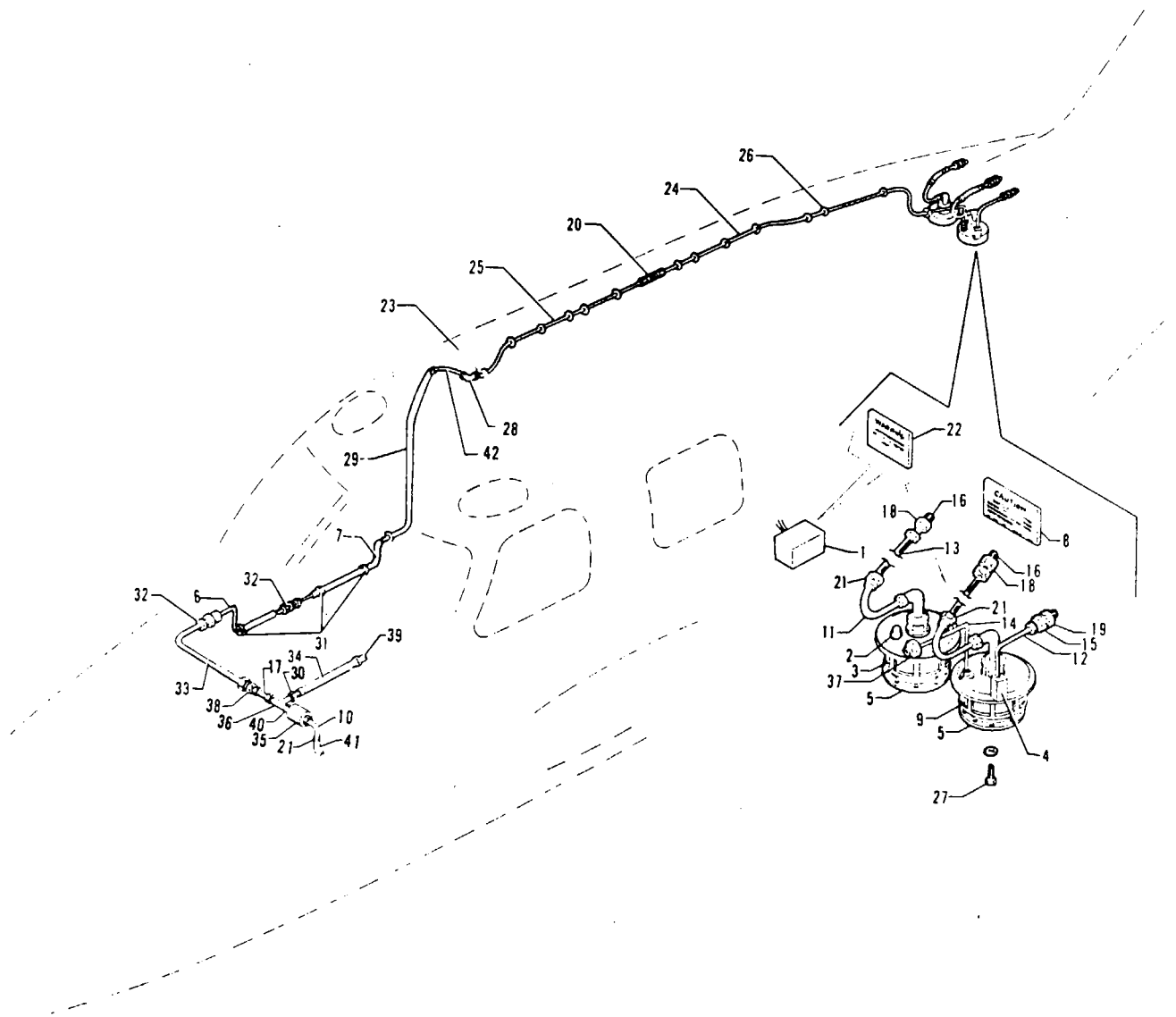


Figure 111. Cabin Pressure Control System Installation
(Dukes, Inc.)

PIPER PARTS CATALOG

CODE EXPLANATIONS FOR FIGURE 111

PIPER PARTS CATALOG

Figure and Index Number	Part Number	Code	NOMENCLATURE	No. Req.	SERIAL NUMBERS AFFECTED
		1234567			
111-	29641		DRAWING - Cabin Pressure Control System Installation		
-1	48338-04		SWITCH - Pressure	1	
-2	581 312		PLUG - Pipe (AN913-1D)	1	
-3	491 820		VALVE - Cabin safety (1627-00-1)	1	
-4	47580-00		GUARD - Isobaric valve	1	
-5	47536-02		GASKET - Valve	2	
-6	55667-02		LINE ASSEMBLY - Cabin pressure control	1	
-7	55668-02		LINE ASSEMBLY - Cabin pressure control	1	
-8	47583-00		PLACARD - Isobaric valve (581 589)	1	
-9	491 821		VALVE - Isobaric and pressure differential (1628-00-1)	1	
-10	558 850		ELBOW - (AN838-4D)	1	
-11	47024-00		LINE ASSEMBLY - Pressure differential control	2	
-12	47581-00		LINE ASSEMBLY - Isobaric valve	1	
-13	16633-81		HOSE	2	
-14	29637-02		LINE ASSEMBLY - Cabin pressure control	1	
-15	47789-00		UNION - Special	1	
-16	47793-00		ADAPTER - Special	2	
-17	80024-20		LINE ASSEMBLY - Cabin pressure control	1	
-18	477 620		NUT - (AN924-6D)	2	
-19	477 618		NUT - (AN924-4D)	1	
-20	491 061		UNION - (AN832-5D)	1	
	80122-141		WASHER	2	
	477 623		NUT - (AN924-5D)	1	
-21	554 888		CLAMP - (SAE TY F-6)	6	
-22	46752-00		PLACARD - Cabin vent (581 540)	3	
-23	486 898		SLEEVE - (MS20819-5D)	2	
	477 613		NUT - (AN818-5D)	2	
-24	48259-04		LINE ASSEMBLY - Isobaric	1	
-25	48259-02		LINE ASSEMBLY - Isobaric	1	
-26	434 151		GROMMET - (MS35489-10S)	14	
-27	400 437		BOLT - (AN3-3A)	12	
	407 128		WASHER - (AN936-B10)	12	
	407 800		WASHER - (AN970-3)	12	
-28	458 884		ELBOW - (AN821-5D)	1	
-29	80007-50		HOSE - Isobaric	1	
-30	17881-06		LINE ASSEMBLY - Cabin pressure control	1	
-31	434 182		GROMMET - (MS35489-23S)	3	
-32	491 051		UNION - (AN815-5D)	2	
-33	81976-02		LINE ASSEMBLY - Cabin pressure control	1	
-34	83161-71		HOSE - Controller assembly	1	
-35	491 981		VALVE - Relief (V2800-01)	1	
-36	488 311		TEE - (AN804-4D)	1	
-37	82371-156		HOSE - Cabin pressure control	1	
-38	484 350		REDUCER - (AN919-3D)	1	
-39	451 881		ADAPTER - (1K10-2-4)	1	
-40	484 842		O-RING - (MS29512-04)	2	
	477 618		NUT - (AN924-4D)	2	
-41	82371-155		HOSE - Solenoid valve to air supply	1	
-42	80004-50		TUBE ASSEMBLY - Isobaric	1	

When ordering, always specify Part Number, Description and Serial Number of Aircraft

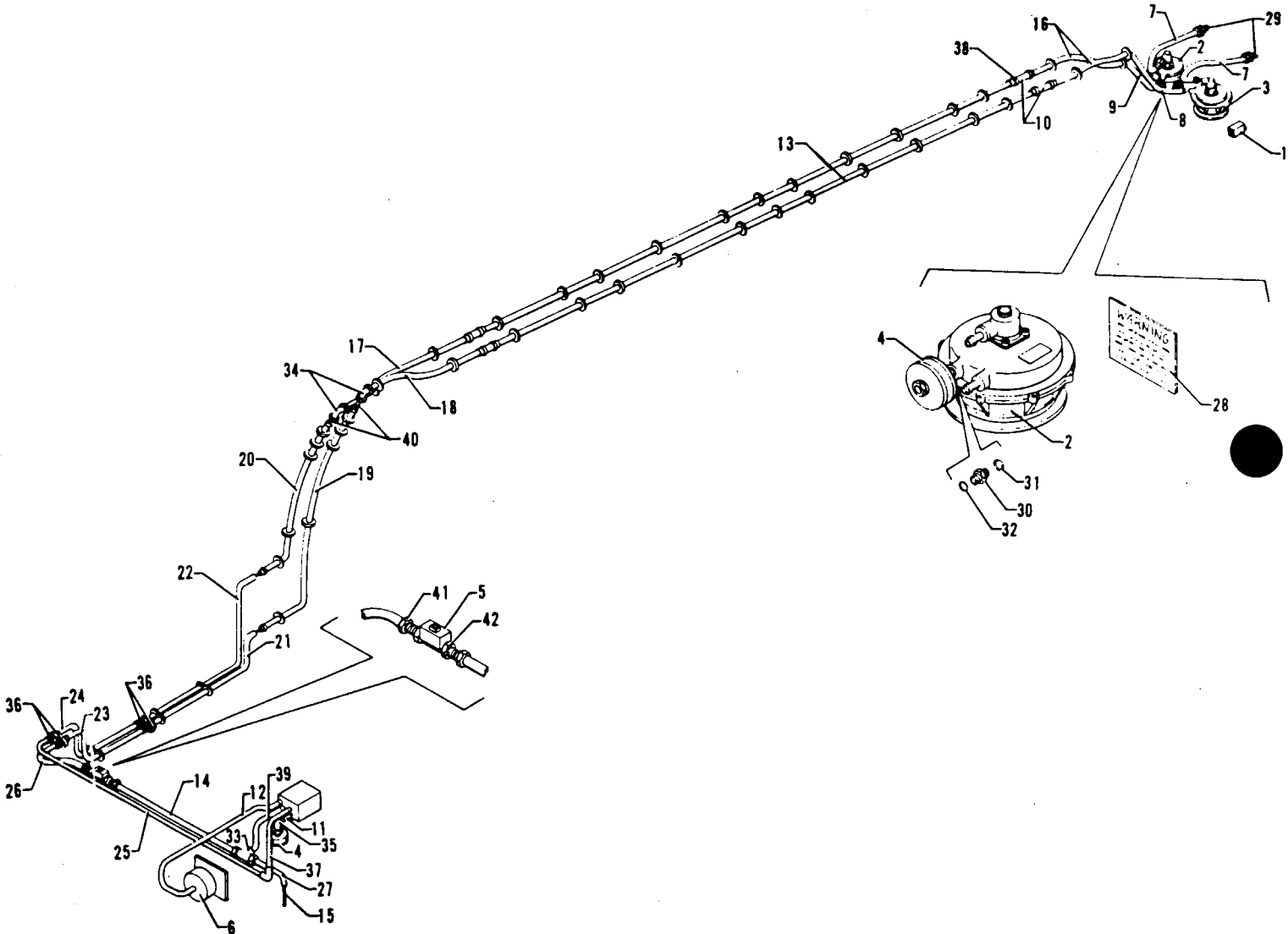


Figure 112. Cabin Pressure Control System Installation
(Garrett/Airesearch)

PIPER PARTS CATALOG

CODE EXPLANATIONS FOR FIGURE 112

PIPER PARTS CATALOG

Figure and Index Number	Part Number	Code	NOMENCLATURE	No. Req.	SERIAL NUMBERS AFFECTED
		1234567			
112-	49685		DRAWING - Cabin Pressure Control System Installation		
-1	48338-04		SWITCH - Pressure	1	
-2	492 609		VALVE - Cabin safety (103638-10)	1	
-3	492 608		VALVE - Isobaric (103638-9)	1	
-4	560 769		FILTER - Cabin pressure control (PS50123-6)	2	
-5	491 981		VALVE - Relief (V2800-01)	1	
-6	488 076		TANK ASSEMBLY - Auxiliary volume (PS50123-4)	1	
-7	82371-147		HOSE - Flexible	2	
-8	82371-148		HOSE - Flexible	1	
-9	80006-13		HOSE - Flexible	1	
-10	80007-34		HOSE - Flexible	4	
-11	80007-47		HOSE - Flexible	1	
-12	80007-46		HOSE - Flexible	1	
-13	80004-44		TUBE - Pressurized air	2	
-14	80004-45		TUBE ASSEMBLY - Instrument air vacuum	1	
-15	80004-42		LINE ASSEMBLY - Instrument air vacuum	1	
-16	49702-02		TUBE - Pressurized air	2	
-17	49701-02		LINE ASSEMBLY - Pressurized air	1	
-18	49701-03		LINE ASSEMBLY - Pressurized air, isobaric	1	
-19	29997-08		HOSE - Flexible, pressurized air, isobaric	1	
-20	29997-08		HOSE - Flexible, pressurized air	1	
-21	55668-03		LINE ASSEMBLY - Pressurized air, isobaric	1	
-22	49696-02		LINE ASSEMBLY - Pressurized air	1	
-23	55667-03		LINE ASSEMBLY - Pressurized air, isobaric	1	
-24	49697-02		LINE ASSEMBLY - Pressurized air, isobaric	1	
-25	49698-02		LINE ASSEMBLY - Pressurized air, isobaric	1	
-26	81991-02		LINE ASSEMBLY - Pressurized air	1	
-27	82371-155		HOSE - Instrument air vacuum	1	
-28	46752-00		PLACARD - Cabin vent (581 540)	3	
-29	49686-02		ADAPTER - Special	2	
	477 618		NUT - (AN924-4D)	2	
	424 057		COTTER PIN - (MS24665-153)	2	
-30	49822-02		ORIFICE ASSEMBLY - Safety valve	1	
-31	484 842		O-RING - (MS29512-04)	2	
-32	484 897		O-RING - (EMS342-905-11126)	1	
-33	29007-02		TEE - Cabin pressure control	1	
-34	458 880		ELBOW - (AN821-4D)	2	
-35	558 850		ELBOW - (AN838-4D)	1	
	477 618		NUT - (AN924-4D)	1	
-36	491 050		UNION - (AN815-4D)	4	
-37	83161-71		HOSE - Pressurization air	1	
-38	554 871		CLAMP - (SAE TY F-6SS)	20	
-39	83161-70		HOSE - Instrument air vacuum	1	
-40	46723-00		LINE ASSEMBLY - Pressurized air	2	
-41	491 060		UNION - (AN832-4D)	2	
-42	484 842		O-RING - (MS29512-04)	2	
	477 618		NUT - (AN924-4D)	2	

When ordering, always specify Part Number, Description and Serial Number of Aircraft

PIPER PARTS CATALOG

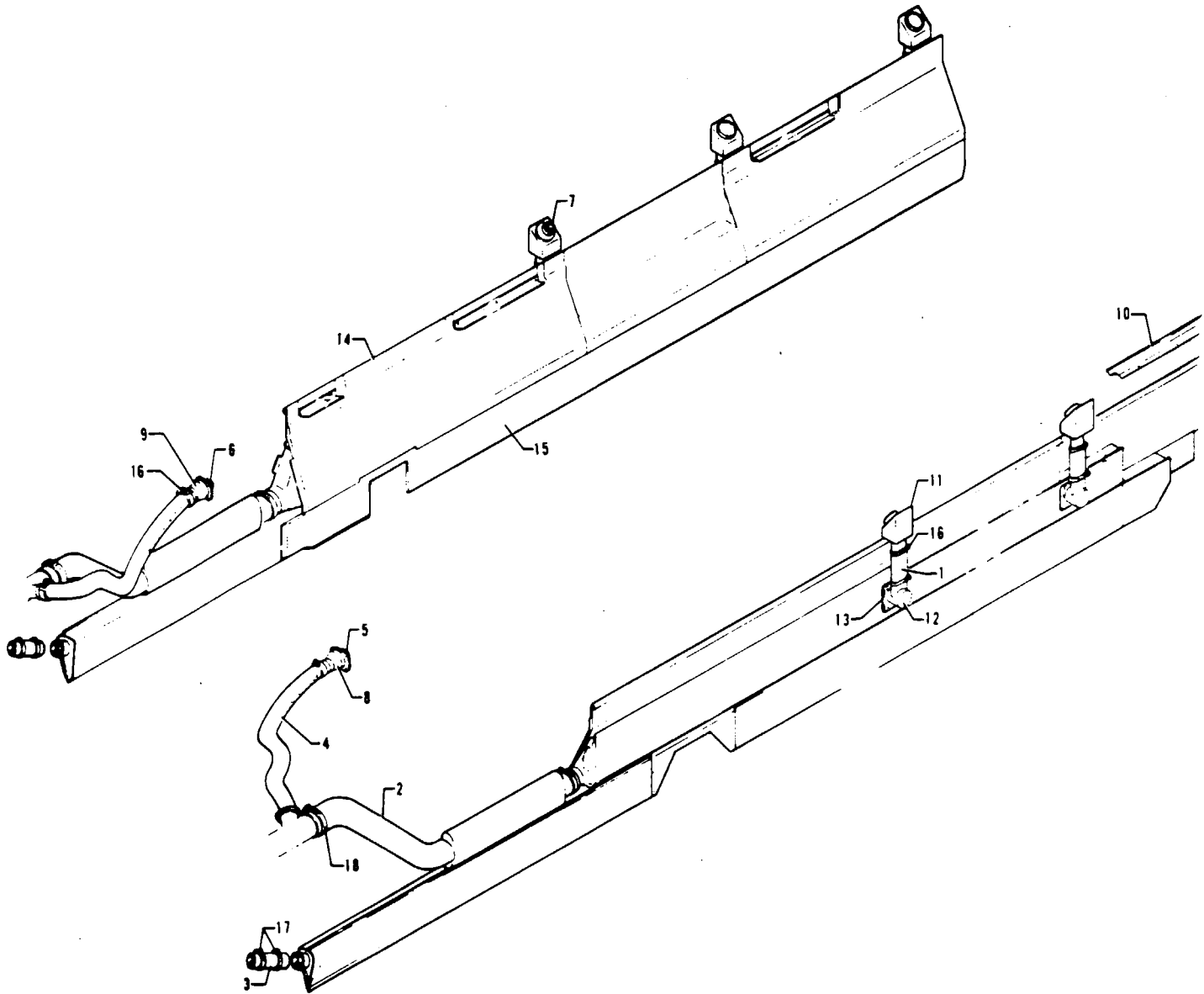


Figure 113. Air Distribution Duct Installation

PIPER PARTS CATALOG

CODE EXPLANATIONS FOR FIGURE 113

A - Serial numbers of aircraft must be supplied when ordering this part.

PIPER PARTS CATALOG

Figure and Index Number	Part Number	Code	NOMENCLATURE	No. Req.	SERIAL NUMBERS AFFECTED
			1234567		
113-	55807		DRAWING - Air Distribution Duct Installation		
-1	10525-107		HOSE - Ventilating air	5	
-2	55248-02		HOSE - Ventilating air, left	1	
	55248-03		HOSE - Ventilating air, right	1	
-3	29998-14		HOSE - Air distribution, left	1	
	29998-14		HOSE - Air distribution, right	1	
-4	49997-19		HOSE - Ventilating air	2	
-5	51149-00		VALVE ASSEMBLY - Air vent, black, left	1	
-6	492 140		VALVE ASSEMBLY - Air vent, black, right (2473)	1	
-7	492 203		VALVE ASSEMBLY - Air vent, clear (2541)	5	
-8	51148-00		ADAPTER ASSEMBLY - Ventilating air, left	1	
-9	46272-00		ADAPTER ASSEMBLY - Ventilating air, right	1	
-10	55902-04		RETAINER ASSEMBLY - Panel, left	1	
	55902-03		RETAINER ASSEMBLY - Panel, right	1	
-11	01014-02		BOX ASSEMBLY - Ventilating air	5	
-12	55939-02		BOX ASSEMBLY - Take-off, ventilating air	5	
-13	49272-02		SEAL - Air duct	5	
-14	49918-02	A	PANEL ASSEMBLY - Trim, left (leather)	1	
	49918-03	A	PANEL ASSEMBLY - Trim, left (fabric)	1	
	55936-02	A	PANEL ASSEMBLY - Trim, right (leather)	1	
	55936-12	A	PANEL ASSEMBLY - Trim, right (fabric)	1	
-15	49922-09	A	DUCT ASSEMBLY - Trim, lower, left (fabric)	1	
	49922-08	A	DUCT ASSEMBLY - Trim, lower, left (leather)	1	
	49663-09	A	DUCT ASSEMBLY - Trim, lower, right (fabric)	1	
	49663-11	A	DUCT ASSEMBLY - Trim, lower, right (leather)	1	
-16	554 925		CLAMP - (SAE TY F-24)	14	
-17	554 926		CLAMP - (SAE TY F-44)	4	
-18	554 927		CLAMP - (SAE TY F-48)	4	

When ordering, always specify Part Number, Description and Serial Number of Aircraft

PIPER PARTS CATALOG

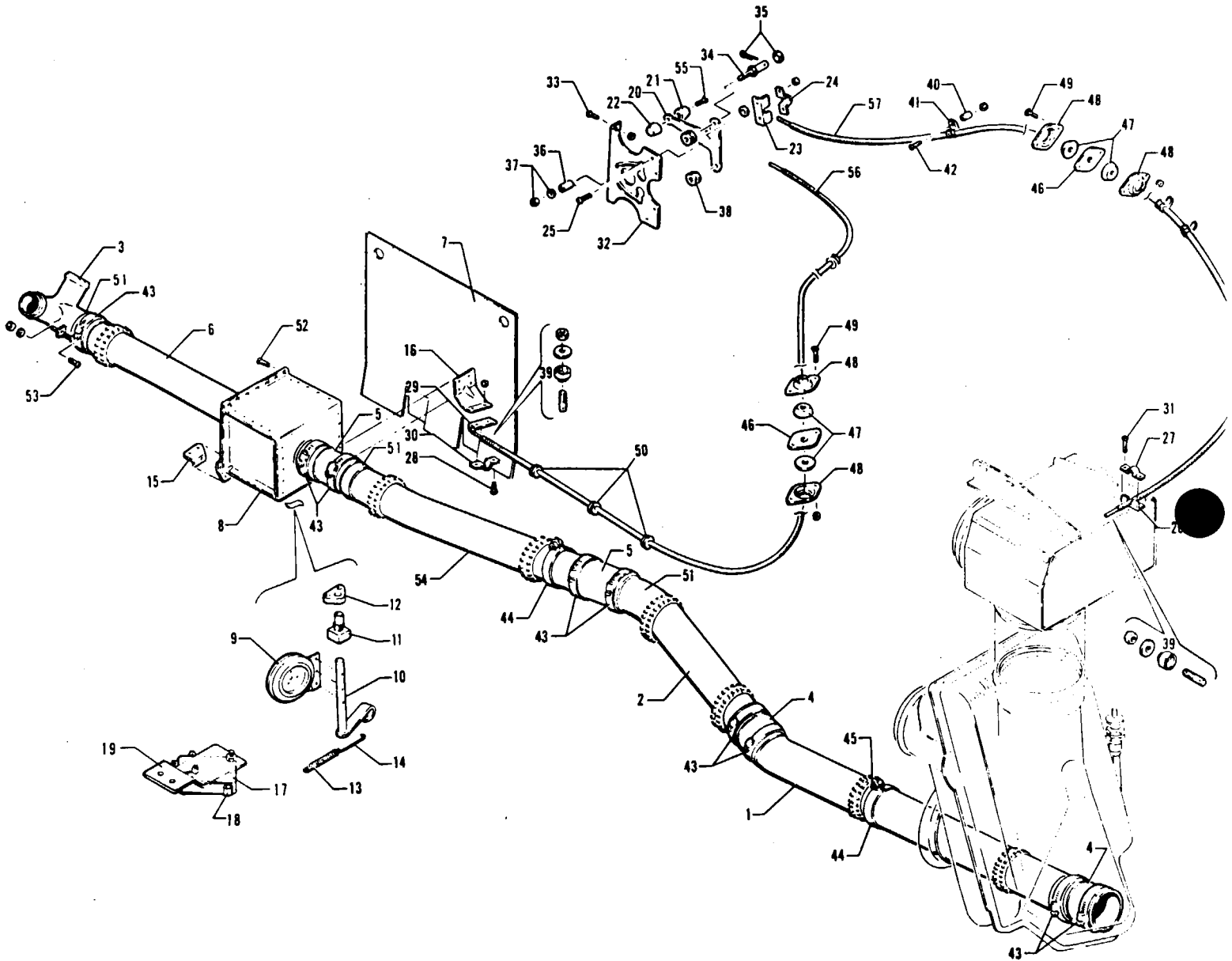


Figure 114. Fuselage Pressurization Air Supply Installation

PIPER PARTS CATALOG

CODE EXPLANATIONS FOR FIGURE 114

PIPER PARTS CATALOG

Figure and Index Number	Part Number	Code	NOMENCLATURE	No. Req.	SERIAL NUMBERS AFFECTED
		1234567			
114-	50557		DRAWING - Fuselage Pressurization Air Supply Installation		
-1	46261-00		TUBE - Pressure air supply	1	
-2	47946-02		TUBE - Pressure air supply	1	
-3	46161-00		TUBE ASSEMBLY - Cabin air supply	1	
-4	49990-04		HOSE - Air duct (2 1/2 x 3 in. L)	2	
-5	49990-05		HOSE - Air duct (2 1/2 x 4 in. L)	2	
-6	565 311		HOSE - Air duct (OLSH-100-20-54-6)	1	
-7	45804-00		BAFFLE ASSEMBLY - Pressurization air supply	1	
-8	29738-02		BOX ASSEMBLY - Pressure air supply control	1	
-9	46078-00		* VALVE ASSEMBLY - Flow direction selector	1	
-10	29737-02		* ARM ASSEMBLY - Air supply control	1	
-11	46183-00		* BEARING - Air supply control, outside	1	
-12	46184-00		* BEARING - Air supply control, inside	1	
-13	83302-74		* SPRING - Air supply control	1	
-14	29699-02		* CLIP - Valve spring	1	
-15	46070-00		* BRACKET - Valve spring closure	1	
-16	46115-00		* BRACKET - Control cable mounting	1	
-17	489 925		* SWITCH - (V3-1)	1	
-18	451 841		* ACTUATOR - (JV-5)	1	
-19	29702-02		* BRACKET ASSEMBLY - Switch	1	
-20	46137-00		LEVER - Pneumatic control	1	
-21	46134-02		KNOB - Pneumatic control	1	
-22	46134-03		KNOB - Pneumatic control (threaded)	1	
-23	18132-00		LUG - Cable attachment	2	
-24	18219-03		CLAMP - Cable attachment	2	
-25	415 535		SCREW - (MS35206-245)	4	
	40559-30		WASHER - Spacer	4	
	404 910		NUT - (MS20365-832C)	4	
-26	18132-02		LUG - Cable attachment	1	
-27	18219-02		CLAMP - Cable attachment	1	
-28	415 535		SCREW - (MS35206-245)	2	
	404 910		NUT - (MS20365-832C)	2	
-29	18132-02		LUG - Cable attachment	1	
-30	18219-02		CLAMP - Cable attachment	1	
-31	415 535		SCREW - (MS35206-245)	2	
-32	46147-00		BRACKET - Pneumatic control	1	
-33	416 785		SCREW - Black (MS24693S-272)	3	
	404 887		NUT - (MS20365-1032C)	3	
-34	46128-02		STUD - Pneumatic control	2	
-35	407 565		WASHER - (AN980-416)	2	
	424 051		PIN - Cotter (MS24665-132)	2	
-36	41413-71		BUSHING	2	
-37	407 564		WASHER - (AN980-10)	2	
	404 887		NUT - (MS20365-1032C)	2	
-38	46117-00		BEARING - Control	2	
-39	70371-00		FITTING ASSEMBLY - Swivel	2	
-40	41413-61		BUSHING - Cable attachment	1	
-41	454 929		CLAMP - (PS10017-2-4)	5	
-42	411 533		SCREW - (MS35207-264)	1	
	404 887		NUT - (MS20365-1032C)	1	
-43	554 834		CLAMP - (SAE TY F-40)	10	
-44	80002-87		CLAMP - Tube assembly support	2	
-45	411 530		SCREW - (MS35207-261)	2	
	404 887		NUT - (MS20365-1032C)	2	

When ordering, always specify Part Number, Description and Serial Number of Aircraft

PIPER PARTS CATALOG

Figure and Index Number	Part Number	Code	NOMENCLATURE	No. Req.	SERIAL NUMBERS AFFECTED
		1234567			
114-46	22105-10		GASKET - Seal	2	
-47	22104-08		GROMMET	4	
-48	22103-02		PLATE	4	
-49	415 518		SCREW - (MS35206-228)	6	
	404 909		NUT - (MS20365-632C)	6	
-50	434 118		GROMMET - (MS35489-9S)	5	
-51	49989-02		STRAP - Tube clamp	10	
-52	415 533		SCREW - (MS35206-243)	6	
-53	415 520		SCREW - (MS35206-230)	2	
	407 563		WASHER - (AN960-8)	2	
	404 909		NUT - (MS20365-632C)	2	
-54	47946-03		TUBE - Pressure air supply	1	
-55	414 738		SCREW - (MS24693-S32)	1	
-56	46129-02		CABLE ASSEMBLY - Pressure air control (94 in. L)	1	
-57	46129-03		CABLE ASSEMBLY - Pressure air control (66 in. L)	1	

When ordering, always specify Part Number, Description and Serial Number of Aircraft

PIPER PARTS CATALOG

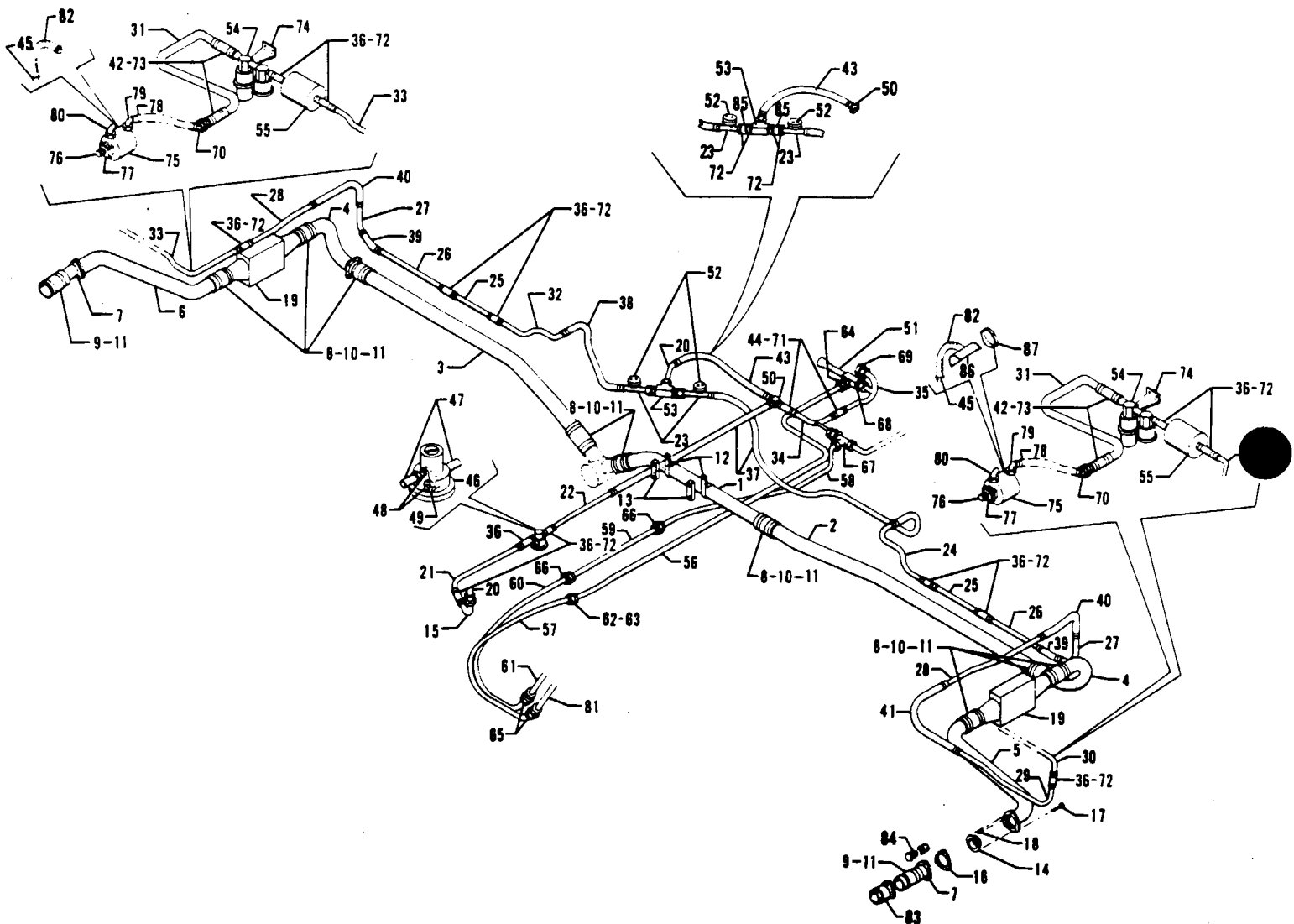


Figure 115. Wing Pressurization and Pneumatic Air Supply Installation

PIPER PARTS CATALOG

CODE EXPLANATIONS FOR FIGURE 115

PIPER PARTS CATALOG

Figure and Index Number	Part Number	Code	NOMENCLATURE	No. Req.	SERIAL NUMBERS AFFECTED
		1234567			
115-	01399		DRAWING - Wing Pressurization and Pneumatic Air Supply Installation		
	01405		DRAWING - Instrument Pressure System Installation		
-1	46146-00		TUBE ASSEMBLY - Pressure air supply	1	
-2	46170-00		TUBE ASSEMBLY - Pressure air supply	1	
-3	46155-00		TUBE ASSEMBLY - Pressure air supply	1	
-4	01441-02		TUBE ASSEMBLY - Pressure air supply, left	1	
	01441-03		TUBE ASSEMBLY - Pressure air supply, right	1	
-5	01464-05		TUBE ASSEMBLY - Pressure air supply	1	
-6	01461-05		TUBE ASSEMBLY - Pressure air supply	1	
-7	01456-02		TUBE ASSEMBLY - Pressure air supply	2	
-8	49990-10		HOSE - Air duct	9	
-9	01817-02		HOSE - Air duct	2	
-10	49989-09		STRAP - Tube clamp	18	
-11	554 798		CLAMP - (SAE TY F-24SS)	22	
-12	46852-02		CLAMP - Offset	2	
-13	47043-00		BLOCK - Air tube clamp support	2	
-14	492 150		VALVE - Check (3325-00)	2	
-15	458 850		ELBOW - (AN838-10D)	1	
-16	01601-03		GASKET - Firewall	4	
-17	401 302		BOLT - (AN4H-5A)	6	
-18	480 687		ROLL PIN - (59-012-062-0250)	2	
-19	464 439		HEAT EXCHANGER - (28E88-1)	2	
-20	29457-02		LINE ASSEMBLY - Pneumatic pressure	2	31P-8414001 to 31P-8414010 incl.
	29457-02		LINE ASSEMBLY - Pneumatic pressure	1	31P-8414011 and up
-21	49842-02		TUBE - Pneumatic pressure	1	
-22	02185-02		TUBE - Pneumatic pressure	1	
-23	01472-02		LINE ASSEMBLY - Pneumatic pressure	2	31P-8414001 to 31P-8414010
	02331-02		LINE ASSEMBLY - Pneumatic pressure	2	31P-8414011 and up
-24	49525-02		TUBE - Pneumatic pressure	1	
-25	49496-07		TUBE - Pneumatic pressure	2	
-26	49496-06		TUBE - Pneumatic pressure	2	
-27	49499-02		TUBE - Pneumatic pressure	2	
-28	29662-02		TUBE - Pneumatic pressure	2	
-29	49842-02		TUBE - Pneumatic pressure	1	
-30	43057-00		TUBE - Pneumatic pressure	1	
-31	01678-02		TUBE - Pneumatic pressure	2	
-32	49525-03		TUBE - Pneumatic pressure	1	
-33	01466-02		TUBE - Pneumatic pressure	1	
-34	51335-02		TUBE ASSEMBLY - Pneumatic	1	
-35	50923-00		LINE ASSEMBLY - Pneumatic	1	
-36	82371-35		HOSE - Flexible	13	
-37	82371-136		HOSE - Flexible	2	
-38	82371-102		HOSE - Flexible	1	
-39	82371-35		HOSE - Flexible	2	
-40	82371-69		HOSE - Flexible	2	
-41	16633-29		HOSE - Flexible	1	
-42	82371-106		HOSE - Flexible	4	
-43	82371-45		HOSE - Flexible	1	31P-8414001 to 31P-8414010 incl.
	61541-11		HOSE - Flexible	1	31P-8414011 and up
-44	82371-23		HOSE - Flexible	2	
-45	554 945		CLAMP - (SAE TY F-28)	4	
-46	484 161		VALVE - Pressure regulator (3H64-1)	1	

When ordering, always specify Part Number, Description and Serial Number of Aircraft

PIPER PARTS CATALOG

Figure and Index Number	Part Number	Code	NOMENCLATURE	No. Req.	SERIAL NUMBERS AFFECTED
		1234567			
115-47	451 861		ADAPTER - Pressure regulator (AN840-9D)	2	
-48	581 312		PLUG - (AN913-1D)	2	
-49	453 618		BUSHING - Reducer (AN912-3D)	1	
-50	01502-02		TEE - Special	1	
-51	47038-09		EJECTOR ASSEMBLY	1	
-52	53897-00		SWITCH - Pressure	2	
-53	29930-08		VALVE ASSEMBLY - Check	1	31P-8414001 to 31P-8414010 incl.
	492 314		VALVE - Check (1258-00-1)	1	31P-8414011 and up
-54	492 271		VALVE - Relief (2H22-11)	2	
-55	460 866		AIR FILTER - (1J4-6)	2	
-56	289 512		TUBING - (4225-435) (74.00" L.)	1	
-57	29599-02		LINE ASSEMBLY - Instrument air	1	
-58	80004-14		TUBE ASSEMBLY - Pressure gauge	1	
-59	80004-15		TUBE ASSEMBLY - Pressure gauge	1	
-60	80004-16		TUBE ASSEMBLY - Pressure gauge	1	
-61	80004-17		TUBE ASSEMBLY - Pressure gauge	1	
-62	02453-02		UNION - Special	2	
-63	467 479		INSERT - (P-4)	2	
-64	477 852		NUT - (SG-4)	2	
-65	491 060		UNION - (AN832-4D)	2	
-66	491 050		UNION - (AN815-4D)	2	
-67	488 311		TEE - (AN804-4D)	1	
	407 568		WASHER - (AN960-716)	1	
	477 618		NUT - (AN924-4D)	1	
-68	476 664		NIPPLE - (AN816-8D)	1	
-69	582 083		PLUG - (AN806-8D)	1	
-70	558 933		ELBOW - (1K36-12-12)	2	
-71	554 946		CLAMP - (SAE TY F-8SS)	4	
-72	554 947		CLAMP - (SAE TY F-10SS)	52	31P-8414001 to 31P-8414010 incl.
	554 947		CLAMP - (SAE TY F-10SS)	56	31P-8414011 and up
-73	554 864		CLAMP - (QS200-M12)	8	
-74	43033-02		BRACKET - Relief valve	2	
-75	26749-10		PUMP ASSEMBLY - Dry pneumatic (211CW) left	1	
	26749-09		PUMP ASSEMBLY - Dry pneumatic (211CC) right	1	
-76	757 865		* COUPLING ASSEMBLY KIT - Vacuum pump drive (No. 352)	1	
-77	751 859		* * GASKET - Pneumatic pump mounting (B3-1-2)	1	
-78	49997-05		HOSE - Pneumatic pump	4	
-79	558 931		ELBOW - (1K9-8-12)	2	
-80	02101-02		ELBOW - Special	2	
-81	80004-42		LINE ASSEMBLY - Instrument air	1	
-82	80005-27		TUBE - Pneumatic pump cooling	2	
-83	01479-02		NOZZLE - Sonic, pressurization	2	
-84	418 346		SCREW - Cap (1/4-20 x 7/8" L.)	6	
	407 565		WASHER - (AN960-416)	6	
	407 136		WASHER - Lock (AN936-A416)	6	
-85	82371-46		HOSE - Flexible	2	31P-8414011 and up
-86	02050-02		SHROUD ASSEMBLY - Pneumatic pump (with blast tube)	2	
	02050-03		SHROUD ASSEMBLY - Pneumatic pump	2	
-87	554 936		CLAMP - (SAE TY F-72)	2	

When ordering, always specify Part Number, Description and Serial Number of Aircraft

PIPER PARTS CATALOG

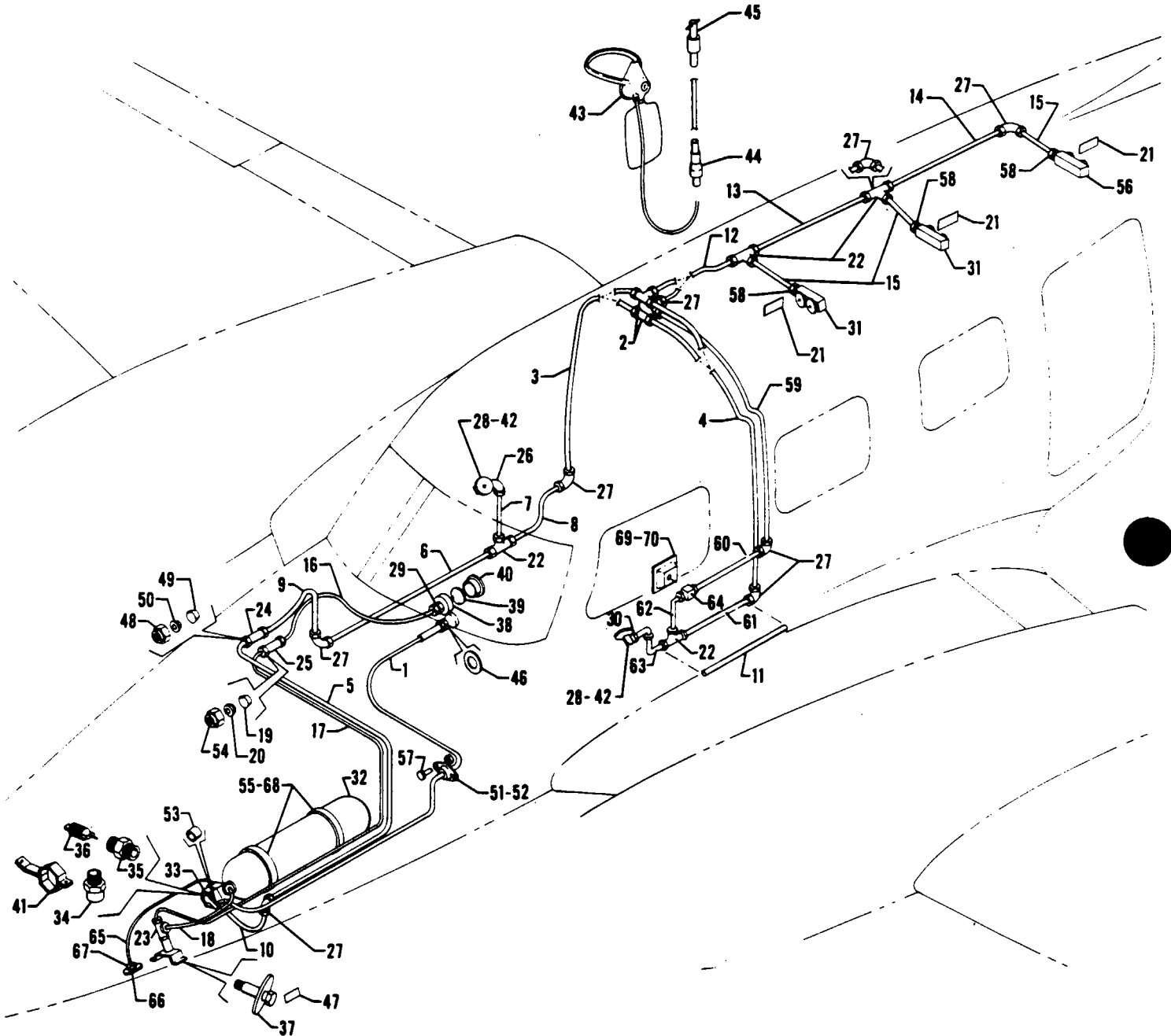


Figure 116. Oxygen System Installation

PIPER PARTS CATALOG

CODE EXPLANATIONS FOR FIGURE 116

- A - Nuts and ferrules supplied with fitting.
- B - Used if 50.1 cu. ft. oxygen bottle is installed.
- C - Used if 22.8 cu. ft. oxygen bottle is installed.
- D - Used if seventh seat oxygen outlet is installed.
- E - Used if FAR Part 135 oxygen system is installed.
- F - Used if FAR Part 135 oxygen system is not installed.

PIPER PARTS CATALOG

Figure and Index Number	Part Number	Code	NOMENCLATURE	No. Req.	SERIAL NUMBERS AFFECTED
			1234567		
116-	02060		DRAWING - Oxygen System Installation		
	02054		DRAWING - Seventh Seat Oxygen System Installation		
-1	50682-03		CONTROL ASSEMBLY - Oxygen push-pull	1	
-2	756 302	A,F	TEE - Low pressure (33529-204)	1	
	753 089	A,E	UNION - Low pressure (33529-504)	1	
-3	42189-66		LINE - Oxygen, low pressure (42.50" L.)	1	
-4	42189-65		LINE - Oxygen, low pressure (60.00" L.)	1	
-5	42189-67		LINE - Oxygen, low pressure (88.25" L.)	1	
-6	56728-48		LINE - Oxygen, low pressure (33.25" L.)	1	
-7	42189-21		LINE - Oxygen, low pressure (9.00" L.)	1	
-8	42189-63		LINE - Oxygen, low pressure (18.00" L.)	1	
-9	42189-35		LINE - Oxygen, low pressure (21.50" L.)	1	
-10	42189-64		LINE - Oxygen, low pressure (19.00" L.)	1	
-11	42189-64		LINE - Oxygen, low pressure (19.00" L.)	1	
-12	42189-64		LINE - Oxygen, low pressure (19.00" L.)	1	
-13	42189-27		LINE - Oxygen, low pressure (32.50" L.)	1	
-14	42189-28	D	LINE - Oxygen, low pressure (31.12" L.)	1	
-15	42189-29		LINE - Oxygen, low pressure (5.75" L.)	3	
-16	42189-33		LINE - Oxygen, high pressure (aluminum)	1	
-17	42189-10		LINE - Oxygen, high pressure (75" L.) (aluminum)	1	
-18	756 343		LINE - Oxygen, high pressure (aluminum)	1	
-19	751 811		FERRULE - Flareless fitting, front (1/8")	AR	
-20	751 812		FERRULE - Flareless fitting, rear (1/8")	AR	
-21	59772-02		PLACARD - Oxygen usage warning	6	
-22	756 302	A	TEE - Low pressure (33529-204)	3	
-23	756 327	A	TEE - High pressure (aluminum) (33522-602)	1	
-24	753 079	A	UNION - Bulkhead (33529-603)	1	
-25	753 082	A	UNION - Bulkhead (aluminum) (33522-401)	1	
-26	754 761	A	ELBOW - (33529-106)	1	
-27	754 762	A	ELBOW - (33529-704)	5	
-28	757 213		PLATE - Instruction	2	
-29	753 945	A	CONNECTOR - Straight (aluminum) (33525-702)	1	
-30	753 944	F	CONNECTOR - Male (33529-009)	1	
	74011-03	E	ELBOW - Male (A-400-2-2)	1	
-31	479 453	F	OUTLET ASSEMBLY - Oxygen, dual (802258-03)	2	
	752 622	E	OUTLET ASSEMBLY - Oxygen, dual (802258-05)	2	
-32	455 988		CYLINDER AND REGULATOR ASSEMBLY - 22.8 cu. ft. (89504022)	1	
	455 989	F	CYLINDER AND REGULATOR ASSEMBLY - 50.1 cu. ft. (89504050)	1	
	455 990	E	CYLINDER AND REGULATOR ASSEMBLY - 50.1 cu. ft. (altitude compensating) (89510050)	1	
-33	762 633	F	* REGULATOR ASSEMBLY - (803214-2)	1	
	762 634	E	* REGULATOR ASSEMBLY - (803216-4)	1	
-34	756 507	F	* VALVE ASSEMBLY - Relief (5043-14)	1	
	756 570	E	* VALVE ASSEMBLY - Relief (5043-15)	1	
-35	756 505		* VALVE ASSEMBLY - Charging	1	
-36	753 947		* CORE - Valve assembly	1	
-37	756 524	B	VALVE - Charging, oxygen (26875-48)	1	
	491 982	C	VALVE - Charging, oxygen (26875-22)	1	
-38	751 896		GAUGE ASSEMBLY - Oxygen (includes mounting bracket)	1	
-39	752 355		* LENS - Oxygen gauge	1	
-40	753 433		* BEZEL - Oxygen gauge	1	

When ordering, always specify Part Number, Description and Serial Number of Aircraft

PIPER PARTS CATALOG

Figure and Index Number	Part Number	Code	NOMENCLATURE	No. Req.	SERIAL NUMBERS AFFECTED
			1234567		
116-41	753 437		BRACKET ASSEMBLY - Control cable (800356-00)	1	
-42	752 583		OUTLET ASSEMBLY - Oxygen (23599-10).....	2	
-43	474 110		MASK ASSEMBLY - Oxygen, duo-seal mask with microphone, 3.0 lpm (crew)	AR	
	474 118	F	MASK ASSEMBLY - Oxygen, duo-seal mask with microphone and mask - mounted demand regulator, 100.0 lpm (crew)	AR	
	474 133		MASK ASSEMBLY - Oxygen, 3.0 lpm, without microphone (co-pilot)	AR	
	474 135		MASK ASSEMBLY - Oxygen, airline type mask with lanyard, 3.0 lpm (passenger)	AR	
-44	752 122		* FLOW INDICATOR	1	
-45	763 242		* COUPLING - Oxygen plug-in, 3.0 lpm	1	
-46	754 547		PLATE - Instruction (10000337)	1	
-47	81043-02		PLACARD - Hydrostatic retest date	1	
-48	752 505		NUT - Flareless fitting (1/4")	AR	
-49	751 813		FERRULE - Flareless fitting, front (1/4")	AR	
-50	751 814		FERRULE - Flareless fitting, rear (1/4")	AR	
-51	22103-02		PLATE	2	
-52	22104-08		GROMMET	2	
-53	80012-109		BUSHING - Control assembly end	1	
-54	752 504		NUT - Flareless fitting (1/8")	1	
-55	01866-02	B	CLAMP ASSEMBLY - Oxygen bottle mounting	2	
	55969-03	C	CLAMP ASSEMBLY - Oxygen bottle mounting	2	
-56	479 453	F	OUTLET ASSEMBLY - Oxygen, dual (802258-02)	1	
	752 622	E	OUTLET ASSEMBLY - Oxygen, dual (802258-05)	1	
-57	415 535		SCREW - (MS35206-245)	2	
	404 910		NUT - (MS20365-832C)	2	
-58	753 944		CONNECTOR - Male (33529-009)	3	
-59	42189-46	E	LINE - Oxygen, low pressure	1	
-60	42189-42	E	LINE - Oxygen, low pressure	1	
-61	42189-23	E	LINE - Oxygen, low pressure	1	
-62	42189-75	E	LINE - Oxygen, low pressure	1	
-63	42189-22	E	LINE - Oxygen, low pressure	1	
-64	756 591	E	VALVE ASSEMBLY - Shutoff (B-43S4)	1	
-65	42189-26		LINE - Oxygen, overpressure dump	1	
-66	765 009		INDICATOR - Oxygen dump (20933-3)	1	
-67	755 631		NUT - Coupling (33477-104)	1	
	764 820		SLEEVE - (33484-204)	1	
-68	85512-51	C	STRAP - Rubber	2	
	49167-08	B	STRAP - Rubber	2	
-69	01793-02		COVER ASSEMBLY - Trim, shutoff valve	1	
-70	81014-02		* DECAL - Passenger oxygen, on-off	1	

When ordering, always specify Part Number, Description and Serial Number of Aircraft

PIPER PARTS CATALOG

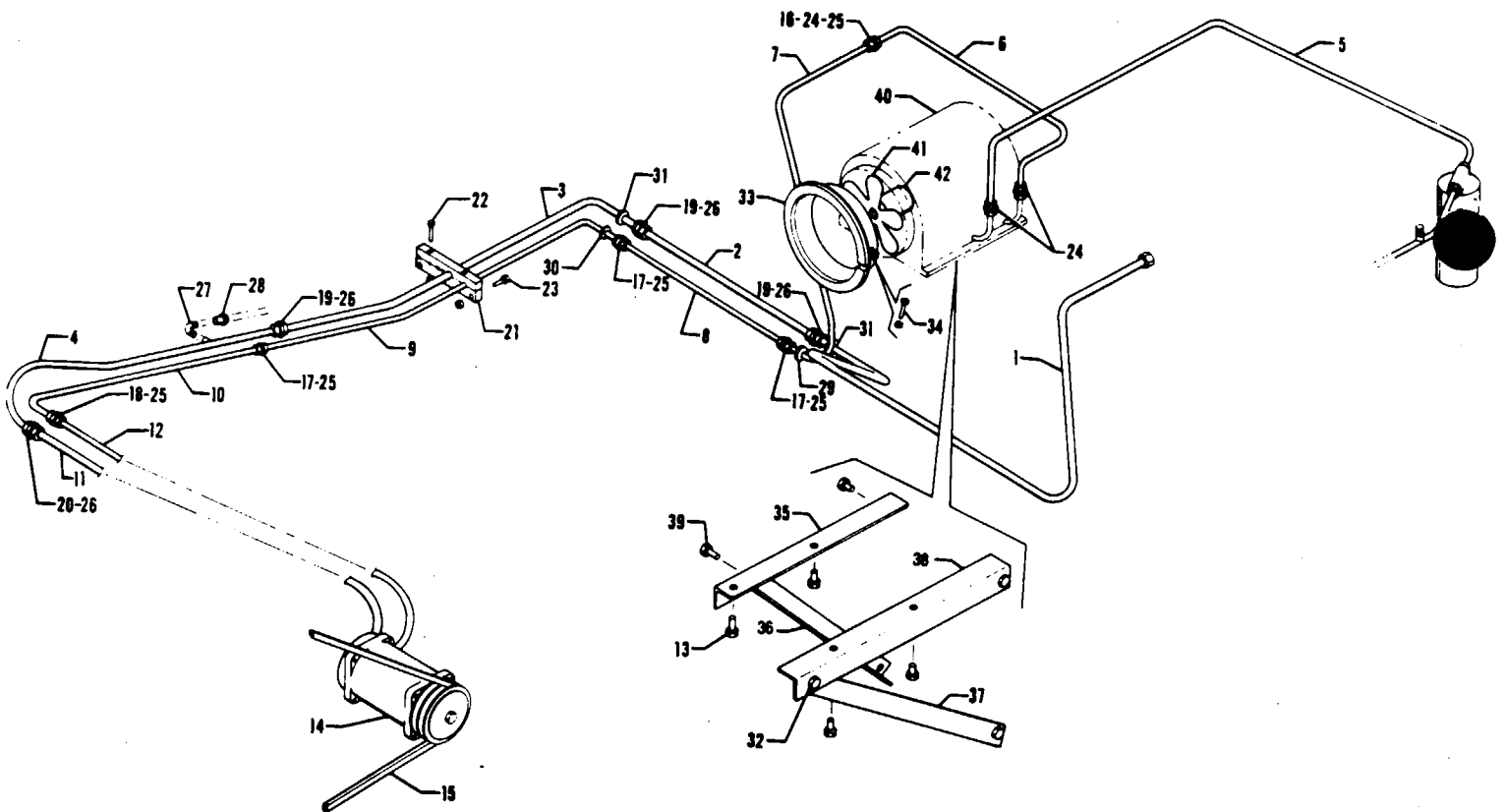


Figure 117. Freon Lines Installation

PIPER PARTS CATALOG

CODE EXPLANATIONS FOR FIGURE 117

PIPER PARTS CATALOG

Figure and Index Number	Part Number	Code	NOMENCLATURE	No. Req.	SERIAL NUMBERS AFFECTED
		1234567			
117-	01320		DRAWING - Freon System Installation		
-1	50809-02		LINE ASSEMBLY - Freon suction	1	
-2	50261-00		LINE ASSEMBLY - Freon suction	1	
-3	50488-00		LINE ASSEMBLY - Freon suction	1	
-4	01659-02		LINE ASSEMBLY - Freon suction	1	
-5	01358-02		LINE ASSEMBLY - Freon	1	
-6	01807-02		LINE ASSEMBLY - Freon	1	
-7	01806-02		LINE ASSEMBLY - Freon	1	
-8	50272-00		LINE ASSEMBLY - Freon	1	
-9	50133-00		LINE ASSEMBLY - Freon	1	
-10	01308-02		LINE ASSEMBLY - Freon	1	
-11	80011-14		HOSE ASSEMBLY - Flexible	1	
-12	80011-13		HOSE ASSEMBLY - Flexible	1	
-13	401 310		BOLT - (AN4-10A)	4	
-14	01555-02		COMPRESSOR ASSEMBLY - Freon	1	
-15	452 840		BELT - Freon compressor (5-3793)	1	
-16	484 359		REDUCER - (AN919-12D)	1	
-17	491 053		UNION - (AN815-8D)	2	
-18	491 068		UNION - (AN832-8)	1	
	407 573		WASHER - (AN960-1216)	1	
	477 691		NUT - (AN924-8)	1	
-19	491 073		UNION - (AN815-12D)	3	
-20	491 098		UNION - (AN832-12)	1	
	407 576		WASHER - (AN960-1716)	1	
	477 737		NUT - (AN924-12)	1	
-21	01763-02		BLOCK ASSEMBLY - Tube retaining	1	
-22	400 450		BOLT - (AN3-17A)	2	
	404 887		NUT - (MS20365-1032C)	2	
-23	400 441		BOLT - (AN3-7A)	2	
	404 887		NUT - (MS20365-1032C)	2	
-24	486 300		SEAL - Aluminum (SECO 7-A-6) (3/8" tube)	5	
-25	486 301		SEAL - Aluminum (SECO 7-A-8) (1/2" tube)	10	
-26	486 302		SEAL - Aluminum (SECO 7-A-12) (3/4" tube)	9	
-27	458 927		ELBOW - (49 x 4 Male)	1	
-28	588 018		SWITCH - Low pressure (20PS000FC040K010D)	1	
-29	434 158		GROMMET - (MS35489-12S)	1	
-30	434 163		GROMMET - (MS35489-15S)	2	
-31	434 154		GROMMET - (MS35489-21S)	3	
-32	400 002		BOLT - (AN4-5A)	4	
	407 565		WASHER - (AN960-416)	4	
	404 888		NUT - (MS20365-428C)	4	
-33	01396-02		CLAMP ASSEMBLY - Condenser	1	
-34	411 537		* SCREW - (MS35207-268)	1	
	407 564		* WASHER - (AN960-10)	1	
-35	82187-02		ANGLE - Compressor support	1	
-36	82188-03		ANGLE - Compressor support	1	
-37	01684-02		ANGLE - Compressor support	1	
-38	01685-02		ANGLE - Compressor support	1	
-39	401 312		BOLT - (AN4-12A)	2	
	407 565		WASHER - (AN960-416)	2	
	404 888		NUT - (MS20365-428C)	2	
-40	557 078		CONDENSER ASSEMBLY - (Complete) (P53-0350-1)	1	
-41	765 008		* IMPELLER - Condenser fan (ES73066-1)	1	
-42	761 787		* MOTOR - Condenser fan (ES61050-1)	1	

When ordering, always specify Part Number, Description and Serial Number of Aircraft

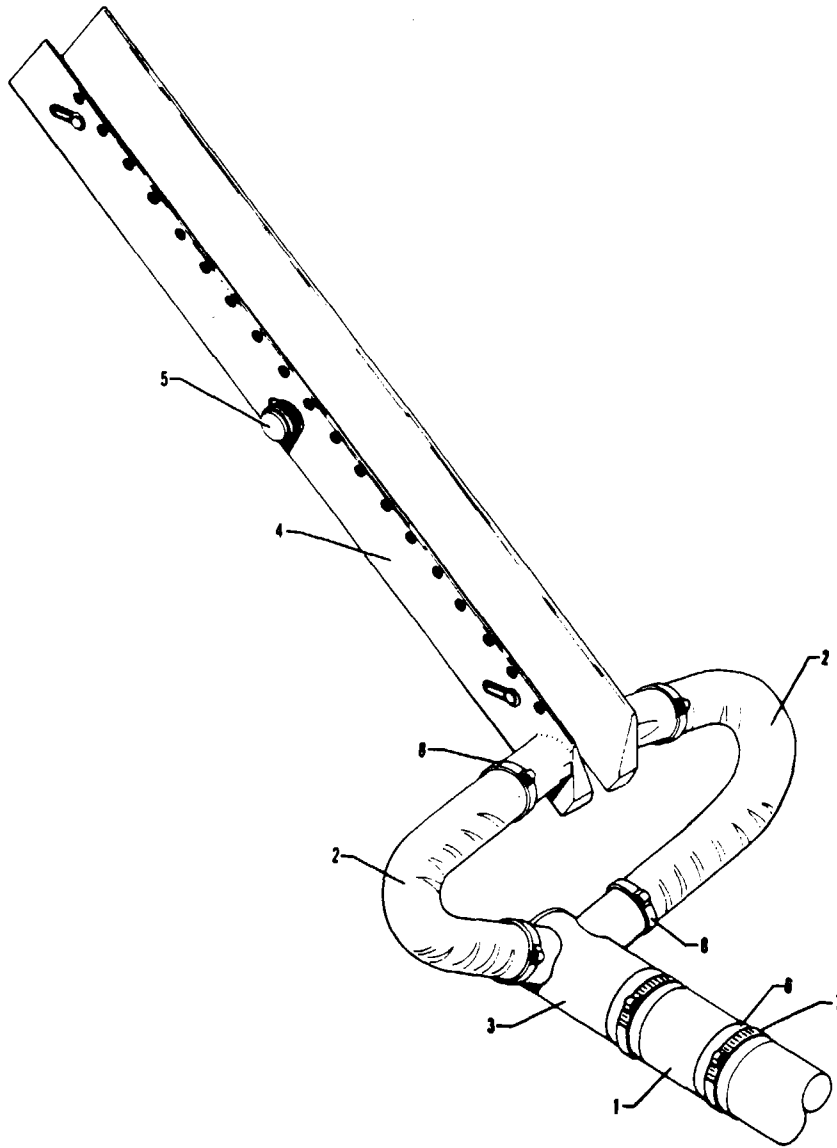


Figure 118. Windshield Defroster System Installation

PIPER PARTS CATALOG

CODE EXPLANATIONS FOR FIGURE 118

PIPER PARTS CATALOG

Figure and Index Number	Part Number	Code	NOMENCLATURE	No. Req.	SERIAL NUMBERS AFFECTED
118-	01277	1234567	DRAWING - Windshield Defroster System Installation		
-1	49990-22		HOSE - Defroster air duct	1	31P-8314001, 31P-8314002
	49990-30		HOSE - Defroster air duct	1	31P-8314003 and up
-2	22502-13		HOSE - Defroster air duct	2	31P-8314001, 31P-8314002
	22502-04		HOSE - Defroster air duct	2	31P-8314003 and up
-3	01275-02		TUBE ASSEMBLY - Defroster air	1	
-4	01278-02		DUCT ASSEMBLY - Defroster air, left	1	
	01278-03		DUCT ASSEMBLY - Defroster air, right	1	
-5	01274-02		* KNOB ASSEMBLY - Defroster air control	1	
-6	49989-16		STRAP - Tube clamp	2	31P-8314001, 31P-8314002
	49989-09		STRAP - Tube clamp	2	31P-8314003 and up
-7	554 984		CLAMP - (SAE TY F-36)	2	31P-8314001, 31P-8314002
	454 818		CLAMP - (SAE TY F-32)	2	31P-8314003 and up
-8	554 971		CLAMP - (SAE TY F-16SS)	4	

When ordering, always specify Part Number, Description and Serial Number of Aircraft

PIPER PARTS CATALOG

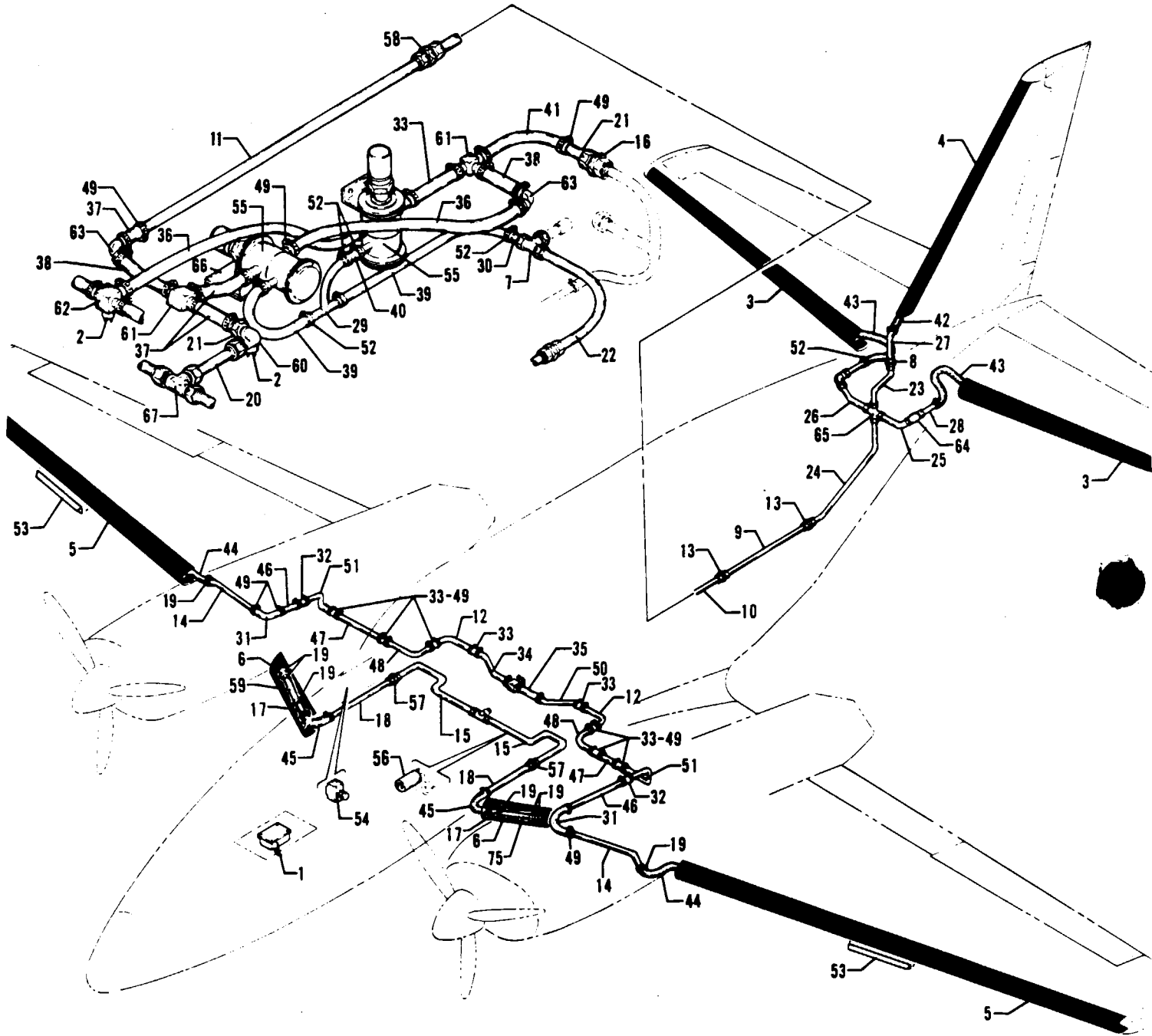


Figure 119. Pneumatic Deicing System Installation

PIPER PARTS CATALOG

CODE EXPLANATIONS FOR FIGURE 119

PIPER PARTS CATALOG

Figure and Index Number	Part Number	Code	NOMENCLATURE	No. Req.	SERIAL NUMBERS AFFECTED
		1234567			
119-	01410		DRAWING - Pneumatic Deicing System Installation		
-1	488 704		TIMER - Deicer (PS50150-1)	1	
-2	587 842		SWITCH - Pressure (1D1194-1)	2	
-3	758 239		DEICER - Horizontal stabilizer, left	1	
	758 240		DEICER - Horizontal stabilizer, right	1	
-4	758 241		DEICER - Vertical fin	1	
-5	758 595		DEICER - Left wing, outboard	1	
	758 596		DEICER - Right wing, outboard	1	
-6	758 491		DEICER - Left wing, inboard	1	
	758 492		DEICER - Right wing, inboard	1	
-7	488 383		TEE - (AN834-4D)	1	
	484 697		O-RING - (AN6227-9)	1	
	477 618		NUT - (AN924-4D)	1	
-8	491 062		UNION - (AN832-6D)	1	
	407 570		WASHER - (AN960-916)	1	
	477 620		NUT - (AN924-6D)	1	
-9	42706-02		TUBE ASSEMBLY - Deicer	1	
-10	51597-00		TUBE ASSEMBLY - Deicer	1	
-11	80004-60		TUBE ASSEMBLY - Deicer	1	
-12	46708-05		TUBE ASSEMBLY - Deicer, left	1	
	46707-03		TUBE ASSEMBLY - Deicer, right	1	
-13	491 052		UNION - (AN815-6D)	2	
-14	02190-02		TUBE ASSEMBLY - Deicer, left	1	
	02190-03		TUBE ASSEMBLY - Deicer, right	1	
-15	81298-02		TUBE ASSEMBLY - Deicer, left	1	
	81299-02		TUBE ASSEMBLY - Deicer, right	1	
-16	491 053		UNION - (AN815-8D)	1	
-17	02177-02		TUBE ASSEMBLY - Deicer	2	
-18	46779-02		TUBE ASSEMBLY - Deicer, left	1	
	46779-03		TUBE ASSEMBLY - Deicer, right	1	
-19	554 871		CLAMP - (SAE TY F-6SS)	10	
-20	80004-37		TUBE ASSEMBLY - Deicer	1	
-21	50529-00		TUBE ASSEMBLY - Deicer	2	
-22	82073-03		TUBE ASSEMBLY - Deicer	1	
-23	42621-00		TUBE ASSEMBLY - Deicer, top	1	
-24	42632-00		TUBE ASSEMBLY - Deicer, bottom	1	
-25	42635-00		TUBE ASSEMBLY - Deicer	1	
-26	42636-00		TUBE ASSEMBLY - Deicer	1	
-27	42657-00		TUBE ASSEMBLY - Deicer	1	
-28	42704-00		TUBE ASSEMBLY - Deicer	2	
-29	16632-00		TUBE ASSEMBLY - Deicer	1	
-30	17881-06		TUBE ASSEMBLY - Deicer	1	
-31	82371-25		TUBE	3	
-32	61541-42		TUBE	2	
-33	82371-23		TUBE	10	
-34	82371-93		TUBE	1	
-35	82371-48		TUBE	1	
-36	82371-72		TUBE	2	
-37	82371-105		TUBE	3	
-38	82371-47		TUBE	2	
-39	82371-148		TUBE	2	
-40	82371-34		TUBE	1	
-41	61541-10		TUBE	1	
-42	16633-28		TUBE	1	

When ordering, always specify Part Number, Description and Serial Number of Aircraft

PIPER PARTS CATALOG

Figure and Index Number	Part Number	Code	NOMENCLATURE	No. Req.	SERIAL NUMBERS AFFECTED
		1234567			
119-43	82371-140		TUBE	2	
-44	16633-25		TUBE	2	
-45	82371-114		TUBE	2	
-46	50328-04		LINE - Deicer	2	
-47	50328-05		LINE - Deicer	2	
-48	50543-02		LINE - Deicer, left	1	
	50543-03		LINE - Deicer, right	1	
-49	554 946		CLAMP - (SAE TY F-8SS)	49	
-50	50559-02		LINE - Deicer	1	
-51	01782-02		LINE - Deicer, left	1	
	01782-03		LINE - Deicer, right	1	
-52	554 778		CLAMP - (SAE TY F-4SS)	16	
-53	44275-03		STRIP - Flow	2	
-54	454 682		CIRCUIT BREAKER - (PS50120-3-26)	1	
-55	492 279		VALVE - Deicer (2H59-8)	2	
-56	82732-34		BUSHING	1	
-57	491 074		UNION - (AN832-8D)	2	
	407 573		WASHER - (AN960-1216)	2	
	477 621		NUT - (AN924-8D)	2	
-58	484 359		REDUCER - (AN919-12D)	1	
-59	16633-60		HOSE - Deicer, flexible	2	
-60	51975-02		ELBOW - Deicer	1	
-61	01876-02		TEE - Deicer	2	
-62	71164-02		TEE - Deicer	1	
-63	02189-02		ELBOW - Deicer	2	
-64	458 901		ELBOW - Deicer (AN833-6D)	2	
-65	455 420		CROSS - (AN827-6D)	1	
-66	01879-02		BRACKET ASSEMBLY - Deicer equipment mounting	1	
-67	488 506		TEE - (AN804-8D)	1	

When ordering, always specify Part Number, Description and Serial Number of Aircraft

**2L8 THRU 2L24
INTENTIONALLY LEFT BLANK**



**MOJAVE
PARTS CATALOG**

CARD 3 OF 3

PA-31P-350 MOJAVE

PIPER AIRCRAFT CORPORATION

PIPER PARTS CATALOG

AEROFICHE EXPLANATION AND REVISION STATUS

The Parts Catalog information incorporated in this set of Aerofiche cards has been arranged in accordance with the general specifications of Aerofiche adopted by the General Aircraft Manufacturer's Association.

Conversion of Aerofiche alpha/numeric code numbers:

First number is the Aerofiche card identifier.

Letter is the horizontal line reference per card.

Second number is the vertical line reference per card.

Example: 2J16 = Aerofiche card number two of given set, Grid location J16.

To aid in locating the various sections and related information desired, the following is provided:

A complete Catalog Table of Contents is given at Grid 1A7 of Aerofiche card number 1 of this set. Each additional card in this set will have a Table of Contents for all sections on that particular card. This table will start at Grid A3.

REVISIONS

The information compiled in this Aerofiche Parts Catalog will be kept current by revisions distributed periodically. These revisions will supersede all previous revisions and will be complete Aerofiche card replacements and shall supersede Aerofiche cards of the same number in the set.

Current Revisions to this PA-31P-350 Parts Catalog issued April 11, 1983 are as follows:

761 776 (PR830912)	Dated September 1983
761 776 (PR840312)	Dated March 1984

NOTE: Refer to the last card of the Piper - Parts Price List - Aerofiche for a check list of current revision dates and card effectivities for this parts catalog.

TABLE OF CONTENTS

FIGURE NUMBER	FIGURE TITLE	GRID NUMBER
SECTION XII		
ELECTRICAL SYSTEM GROUP		
120	Primary and Auxiliary Power Installation	3A5
121	Forward Electrical System Installation	3A9
122	Instrument Panel Electrical Installation	3A13
123	Aft Electrical System Installation	3A16
124	Circuit Breakers System Installation	3A20
125	Overhead Switch Panel Installation	3B1
126	Landing Light and Ice Detection Light Installation	3B4
127	Navigation, Strobe and Recognition Lights Installation	3B7
128	Propeller Electric Deicer Installation	3B10
129	Electric Windshield Wiper Installation	3B13
SECTION XIII		
ELECTRONICS GROUP		
130	Piper Automatic Locator (ELT) Installation (Narco Avionics)	3B16
SECTION XIV		
MISCELLANEOUS GROUP		
131	Placards and Exterior Stencils	3B19
	Optional Equipment Kit and Repair Kits	3B23
NUMERICAL INDEX		3C1

3A4
INTENTIONALLY LEFT BLANK

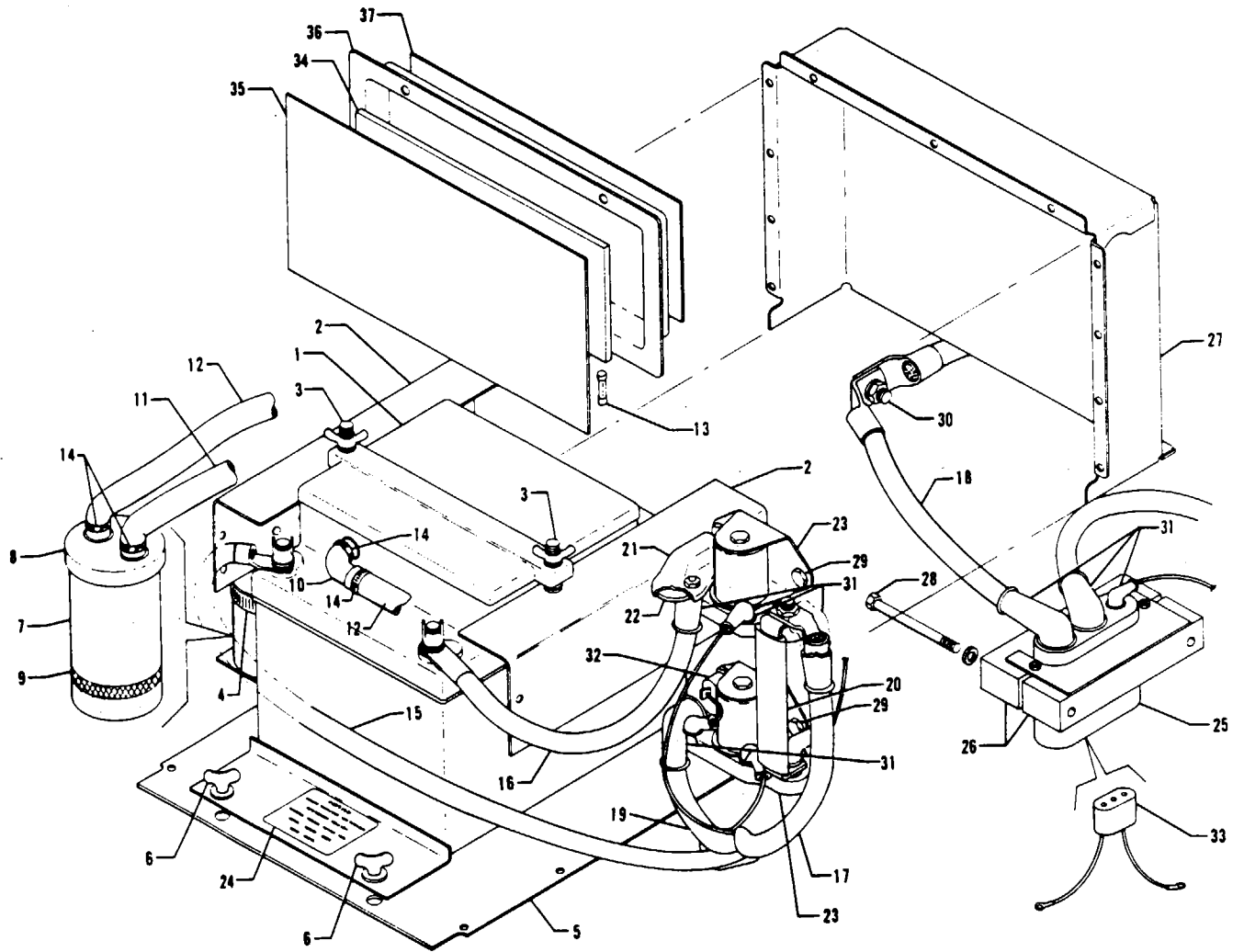


Figure 120 Primary and Auxiliary Power Installation

PIPER PARTS CATALOG

CODE EXPLANATIONS FOR FIGURE 120

PIPER PARTS CATALOG

Figure and Index Number	Part Number	Code	NOMENCLATURE	No. Req.	SERIAL NUMBERS AFFECTED
		1234567			
120-	01205		DRAWING - Primary and Auxiliary Power Electrical Details		
-1	450 029		BATTERY - (PS12-24PM).....	1	
-2	01204-02		SUPPORT ASSEMBLY - Battery, left	1	
	01204-03		SUPPORT ASSEMBLY - Battery, right	1	
-3	411 538		* SCREW - (MS35207-269)	1	
	407 564		* WASHER - (AN960-10)	1	
	407 104		* WASHER - Lock (AN935-10).....	1	
	404 224		* NUT - Jam (AN315-3R)	1	
	404 752		* NUT - Wing (MS35426-13)	1	
-4	554 984		* CLAMP - (SAE TY F-36), right	1	
-5	50731-00		SHELF ASSEMBLY - Battery	1	
-6	587 564		STUD - (4002-9W)	2	
	463 416		GROMMET - (4002-N)	2	
-7	468 027		JAR - Battery exhaust/overflow (TBP-505P).....	1	
-8	557 070		COVER - Jar (TBP-512P)	1	
-9	579 132		PAD - Jar (TBP-008P).....	1	
-10	492 350		ADAPTER - Vent (TBP-1006M)	3	
-11	80006-54		HOSE - Negative vent	1	
-12	80006-55		HOSE - Vent	2	
-13	461 623		FUSE - (AGC-5) 5 amp	AR	
	461 632		FUSE - (AGC-7 5) 7 5 amp	4	
-14	554 575		CLAMP - (PS10017-23-4)	7	
-15	29293-36		CABLE ASSEMBLY - Battery ground	1	
-16	29293-37		CABLE ASSEMBLY - Battery to master contactor	1	
-17	29293-45		CABLE ASSEMBLY - Master contactor to starter solenoid	1	
-18	29293-06		CABLE ASSEMBLY - External power ground	1	
-19	29293-05		CABLE ASSEMBLY - External power receptacle to external power contactor	1	
-20	50737-03		LINK ASSEMBLY - Bus bar	1	
-21	43680-03		COVER - Master contactor	1	
-22	42398-02		LINK - Bus bar	1	
-23	455 211		Contactors - (6041-H202A)	2	
-24	50743-00		PLACARD - Battery caution (581 655)	1	
-25	44259-00		RECEPTACLE - External power	1	
-26	41440-00		BLOCK - Power receptacle mounting	2	
-27	55952-05		COVER - Battery	1	
-28	400 459		BOLT - (AN3-34A)	2	
	407 564		WASHER - (AN960-10)	2	
-29	401 307		BOLT - (AN4-4A)	3	
	404 888		NUT - (MS20365-428C).....	3	
-30	401 310		BOLT - (AN4-10A)	1	
	407 043		WASHER - (MS35338-43)	1	
	404 335		NUT - (AN315-4R)	1	
-31	23969-02		NIPPLE - Electrical terminal (hole dia. .16).....	2	
	23969-03		NIPPLE - Electrical terminal (hole dia. .31).....	1	
	23969-04		NIPPLE - Electrical terminal (hole dia. .43).....	3	
	23969-05		NIPPLE - Electrical terminal (hole dia. .56).....	2	
-32	456 706		DIODE - Auxiliary power (IN2154)	1	
	407 044		WASHER - (MS35338-44)	1	
	404 225		NUT - (AN315-4R).....	1	
-33	757 862		CABLE ASSEMBLY - External power (X8349-312)	1	
-34	29335-02		PLATE ASSEMBLY - Fuse	1	
-35	49167-05		SHEET - Rubber	1	

When ordering, always specify Part Number, Description and Serial Number of Aircraft

PIPER PARTS CATALOG

Figure and Index Number	Part Number	Code	NOMENCLATURE	No. Req.	SERIAL NUMBERS AFFECTED
		1234567			
120-36	29339-05		COVER ASSEMBLY - Fuse plate	1	
-37	81072-02		* PLACARD - Fuse functions	1	

When ordering, always specify Part Number, Description and Serial Number of Aircraft

PIPER PARTS CATALOG

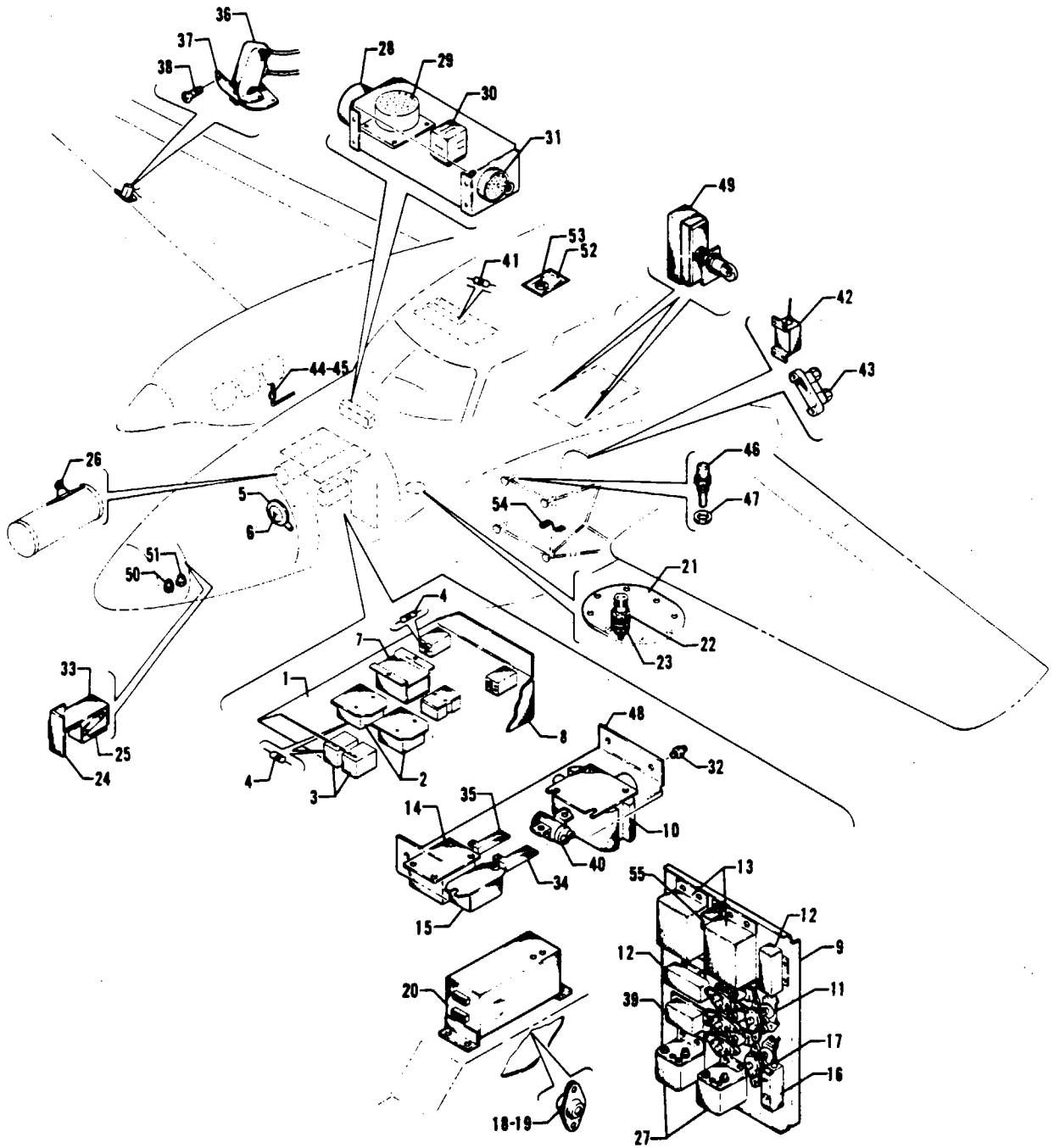


Figure 121 Forward Electrical System Installation

PIPER PARTS CATALOG

CODE EXPLANATIONS FOR FIGURE 121

A - Used if non-heated lift detector is installed.

PIPER PARTS CATALOG

Figure and Index Number	Part Number	Code	NOMENCLATURE	No. Req.	SERIAL NUMBERS AFFECTED
			1234567		
121	01300		DRAWING - Forward Fuselage Electrical Details		
	01302		DRAWING - Wing and Engine Electrical Details		
-1	01711-02		SHELF ASSEMBLY - Relay	1	
-2	484 247		RELAY - Condensor blower and prop deicer control (PRD7Y0.24 Volt D.C.)	2	
-3	484 211		RELAY - (1245-2C-24D)	4	
-4	456 763		DIODE - (IN4006)	5	
-5	472 785		LIGHT ASSEMBLY - Baggage compartment	1	
-6	472 057		* BULB - Baggage light (313)	1	
-7	686 021		SENSOR - (B00370-1) Prop deice	1	
-8	50762-03		COVER - Relay shelf	1	
-9	01994-02		SHELF ASSEMBLY - Electrical accessory	1	
-10	29301-02		CONTROLLER ASSEMBLY - Dimmer	1	
-11	584 017		RELAY - (6041H-200)	5	
-12	557 074		CONDITIONER - Signal, fuel quantity (360-968-002)	2	
-13	02127-02		CONTROL UNIT - Alternator (B-00382-1)	2	
-14	488 737		TIME DELAY - Aisle and exit lights (500D006)	1	
-15	467 477		INVERTER - E.L. panels (71254-8)	1	
-16	48171-02		BOX ASSEMBLY - Voltage clamper (complete)	1	
-17	456 705		* DIODE - (IN2984B)	1	
-18	22103-03		PLATE - Firewall seal grommet	2	
-19	22104-08		GROMMET - Firewall seal	2	
-20	29442-02		CONTROLLER ASSEMBLY - Annunciator lights	1	
-21	46958-00		PLATE ASSEMBLY - Air temperature bulb	1	
-22	453 854		* BULB - Temperature (MS28034-3)	1	
-23	755 039		* * GASKET - (MS35769-8)	1	
-24	47094-00		SWITCH ASSEMBLY - Baggage compartment	1	
-25	487 804		* SWITCH - (MS25253-1)	2	
-26	47989-00		CAPACITOR ASSEMBLY - Heater, 100 volt, .05 MFD	1	
-27	492 685		VIBRATOR - Starting (10-382808-24)	2	
-28	565 326		HORN - Gear warning (AC-155F)	1	
-29	565 323		HORN - Stall warning (02054-4)	1	
-30	484 211		RELAY - Gear warning (1245-2C-24D)	1	
-31	487 090		HORN - Annunciator display/master caution warning (SC648AN)	1	
-32	475 109		MOUNT ASSEMBLY - Shock (J-7219-22)	4	
-33	46804-00		COVER - Switch assembly	1	
-34	484 452		RESISTOR - Windshield wiper (W20538-150)	1	
-35	484 552		RESISTOR - Stall warning voltage drop (850F15R)	1	
-36	71617-02		DETECTOR - Lift (C-52207-4), un-heated	1	
	456 556		DETECTOR - Lift (187-2), heated	1	
-37	19807-00	A	PLATE - Mounting, lift detector	1	
-38	414 748		SCREW - (MS24693-S28) lift detector mounting	6	
	477 756	A	NUT - Clip (SL210-06-2)	2	
-39	556 780		TIMER - (HYLZ-50310) Windshield heat	1	
-40	487 084		RELAY - Windshield heat (124-314111 24 VDC)	1	
-41	456 796		DIODE - (2AF3)	1	
-42	47974-00		FILTER ASSEMBLY - Alternator noise (complete)	2	
-43	54839-02		SHUNT ASSEMBLY - Ammeter	2	
-44	460 664		FITTING - (AN4076-1) cylinder head temperature	2	
-45	453 751		BULB - Cylinder head temperature (AN5546-1)	2	
-46	453 742		BULB - Oil temperature (MS28034-1)	2	

When ordering, always specify Part Number, Description and Serial Number of Aircraft

PIPER PARTS CATALOG

Figure and Index Number	Part Number	Code	NOMENCLATURE	No. Req.	SERIAL NUMBERS AFFECTED
		1234567			
121-47	462 030		* GASKET - Oil temperature bulb (AN900-10)	1	
-48	01991-02		SHELF ASSEMBLY - Electrical accessory	1	
-49	688 147		SWITCH - Main gear door (BZ2RQ181-T)	2	
-50	468 006		JACK - Phone (#11), external	1	
-51	468 002		JACK - Mike (S12B), external	1	
-52	454 624		CHIMES ASSEMBLY - Seat belt warning (950D0115)	1	
-53	585 094		SPEAKER - Seat belt chimes (R2BA8)	1	
-54	17604-33		CABLE ASSEMBLY - Fuel pump ground	4	
-55	02127-03		MONITOR ASSEMBLY - Voltage (B-00375-2)	1	

When ordering, always specify Part Number, Description and Serial Number of Aircraft

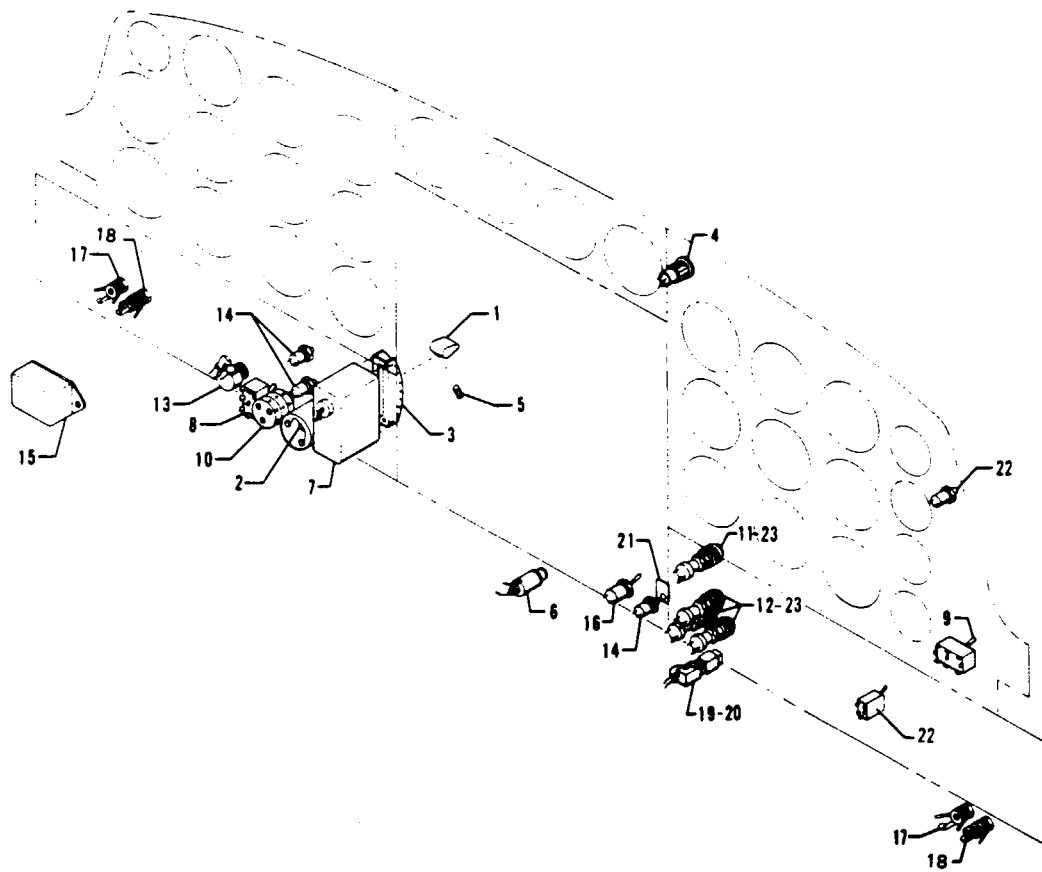


Figure 122 Instrument Panel Electrical Installation

PIPER PARTS CATALOG

CODE EXPLANATIONS FOR FIGURE 122

- A - Used if Dukes, Inc. Cabin Pressure Controller is installed
- B - Used if Garrett Airesearch Cabin Pressure Controller is installed

PIPER PARTS CATALOG

Figure and Index Number	Part Number	Code	NOMENCLATURE	No. Req.	SERIAL NUMBERS AFFECTED
		1234567			
122-	01300		DRAWING - Forward Electrical System Installation Details		
	01910		DRAWING - Main Fuselage Harness Assembly		
-1	23943-00		KNOB - Flap selector switch	1	
-2	49432-03		RESISTOR ASSEMBLY - Flap gauge (1K ohm 1/4 watt)	1	
-3	51677-02		GUARD - Flap selector switch	1	
-4	587 908		SWITCH ASSEMBLY - Master caution (513-0107-001)	1	
	554 240		CAP - Switch (301-1471)	1	
	472 028		BULB - (PS10008-327)	1	
-5	419 984		SCREW - Set (10-32 x 1/4 L.) flap selector knob	1	
-6	572 553		LIGHTER ASSEMBLY - (207959) 28 volt	1	
-7	553 235		BOX ASSEMBLY - Flap control	1	
-8	688 236		SWITCH - Heater auto/manual (TIHL54-IS-WH)	1	
-9	587 802		SWITCH - Gyro bus tie (2GL54-73)	1	
-10	688 230		SWITCH - Cabin comfort selector (MS25002-3)	1	
-11	472 739		LIGHT ASSEMBLY - Gear unlocked (red) (801-1030-0331-504)	1	
-12	472 740		LIGHT ASSEMBLY - Gear down (green) (801-1030-0332-504)	3	
-13	584 600		RHEOSTAT - Panel lights (JAIN056S102UA)	1	
	484 535		RESISTOR - (3944)	1	
	456 834		DIODE - (IN4741)	1	
	571 210		KNOB - (5MF-282)	1	
-14	587 849		SWITCH - (30-1) flap test, cabin call and prop deice test	3	
-15	488 721		TIMER - Stall warning delay (B-00348-1)	1	
-16	487 896		SWITCH - (2FB54-73) prop sync	1	
-17	468 006		JACK - Phone (#11)	2	
-18	468 002		JACK - Mike (S12B)	2	
-19	588 155		SWITCH ASSEMBLY - Gear warning mute (451-850-7101-001)	1	
-20	472 028		BULB - Gear warning mute switch (PS10008-327)	2	
-21	80876-02		PLACARD - Cabin call	1	
-22	487 990	A	SWITCH - Cabin pressure test (6FA68-73)	1	
	588 133	B	SWITCH - Cabin pressure test (8504K60)	1	
	484 680		LOCK RING - Switch (29-761)	1	
-23	472 028		BULB - (PS10008-327)	4	

When ordering, always specify Part Number, Description and Serial Number of Aircraft

PIPER PARTS CATALOG

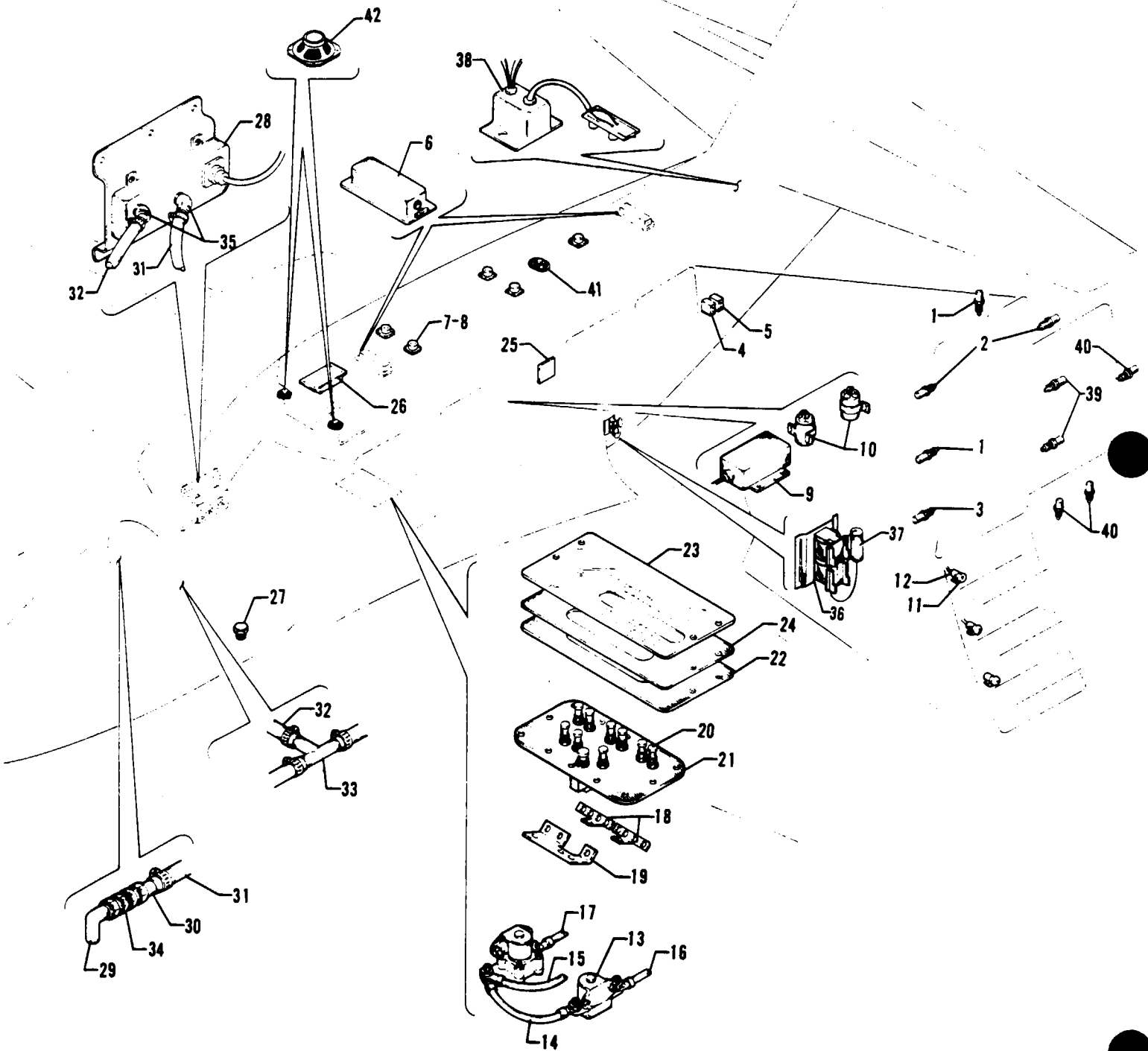


Figure 123. Aft Electrical System Installation

REVISED: MARCH 1984

PIPER PARTS CATALOG

CODE EXPLANATIONS FOR FIGURE 123

- A - Used if cargo door is not installed.
- B - Used if cargo door is installed.

PIPER PARTS CATALOG

Figure and Index Number	Part Number	Code	NOMENCLATURE	No. Req.	SERIAL NUMBERS AFFECTED
		1234567			
123-	01301 01239		DRAWING - Aft Electrical System Installation Details DRAWING - Main Circuit Breaker and Starter Solenoid Installation		
-1	587 817		SWITCH - Door warning (C3100-L-5)	4	
-2	588 166		SWITCH - Door warning (WC-150-L5)	2	
-3	487 978		SWITCH - Door warning (C200L-5)	1	
-4	487 913		SWITCH - Rear exit lights (TILB64-IS-WH-F)	1	
-5	47664-16		SWITCH ASSEMBLY - Time delay reset	1	
-6	29191-02		LIGHT ASSEMBLY - Courtesy (472 673)	2	
-7	472 911		LIGHT ASSEMBLY - Reading (2680)	5	
-8	453 886		BULB - Reading light (1309)	5	
-9	551 992		AMPLIFIER - Flap control (8482)	1	
-10	487 084		SOLENOID - Flap control motor (124-314111)	2	
-11	472 027		LAMP - Cabin door step (PS10008-1495)	3	
-12	565 516		LAMP HOLDER - Cabin door step (PS10082-1-1)	3	
-13	455 211		CONTACTOR - Starting (6041H202A)	2	
-14	29293-21		CABLE ASSEMBLY - Starting solenoid to starting solenoid	1	
-15	29293-22		CABLE ASSEMBLY - Starting solenoid to battery circuit protector	1	
-16	29293-38		CABLE ASSEMBLY - Starting solenoid to starter, left engine	1	
-17	29293-39		CABLE ASSEMBLY - Starting solenoid to starter, right engine	1	
-18	01236-02		LINK - Bus bar, left alt. feed bus	1	
	01236-03		LINK - Bus bar, right alt. feed bus	1	
-19	01774-02		LINK - Bus bar, main power bus	1	
-20	454 657		CIRCUIT PROTECTOR - (PS50120-3-12) 10 amp	2	
	454 662		CIRCUIT PROTECTOR - (PS50120-3-25) 50 amp	AR	
	454 745		CIRCUIT PROTECTOR - (45-2-S-N2-70) 70 amp	AR	
-21	01237-02		PLATE ASSEMBLY - Circuit breaker	1	
-22	29347-05		PLATE ASSEMBLY - Circuit breaker cover	1	
-23	29347-07		COVER - Circuit breaker (clear acrylic)	1	
-24	81010-02		PLACARD - Circuit breaker function	1	
-25	754 635		DISPLAY UNIT - Combination (displays time, altitude, airspeed and outside air temp.) (2504-003)	1	
-26	763 314		COMPUTER - Combination display unit (2504-100)	1	
-27	763 477		PROBE - Temperature, combination display unit (2504-600)	1	
-28	762 025		TRANSDUCER UNIT - Combination display unit (2504-900)	1	
-29	46876-00		LINE ASSEMBLY - Static air	1	
-30	46723-00		LINE ASSEMBLY - Static air	1	
-31	80007-09		HOSE - Flexible, static air	1	
-32	49998-37		HOSE - Flexible, pitot air	1	
-33	32820-00		TUBE ASSEMBLY - Tee	1	

When ordering, always specify Part Number, Description and Serial Number of Aircraft

PIPER PARTS CATALOG

Figure and Index Number	Part Number	Code	NOMENCLATURE	No. Req.	SERIAL NUMBERS AFFECTED
			1234567		
123-34	491 060		UNION - (AN832-4D)	1	
	407 568		WASHER - (AN960-716)	1	
	477 618		NUT - (AN924-4D)	1	
-35	458 940		ELBOW - (AN844-4D)	2	
-36	584 312		RELAY - Door pressure (KB17D-24)	1	
-37	475 266		MODULE - Timing (437 +10 at 24 VDC)	1	
-38	29002-02		THERMOSTAT ASSEMBLY - Cabin	1	
-39	587 817	A	SWITCH - Door warning (C3100-L-5)	2	
-40	587 817	B	SWITCH - Door warning (C3100-L-5)	3	
-41	49947-02		SPEAKER ASSEMBLY - Cabin	1	
-42	29212-02		SPEAKER ASSEMBLY - Cabin, right	1	
	29212-03		SPEAKER ASSEMBLY - Cabin, left	1	

When ordering, always specify Part Number, Description and Serial Number of Aircraft

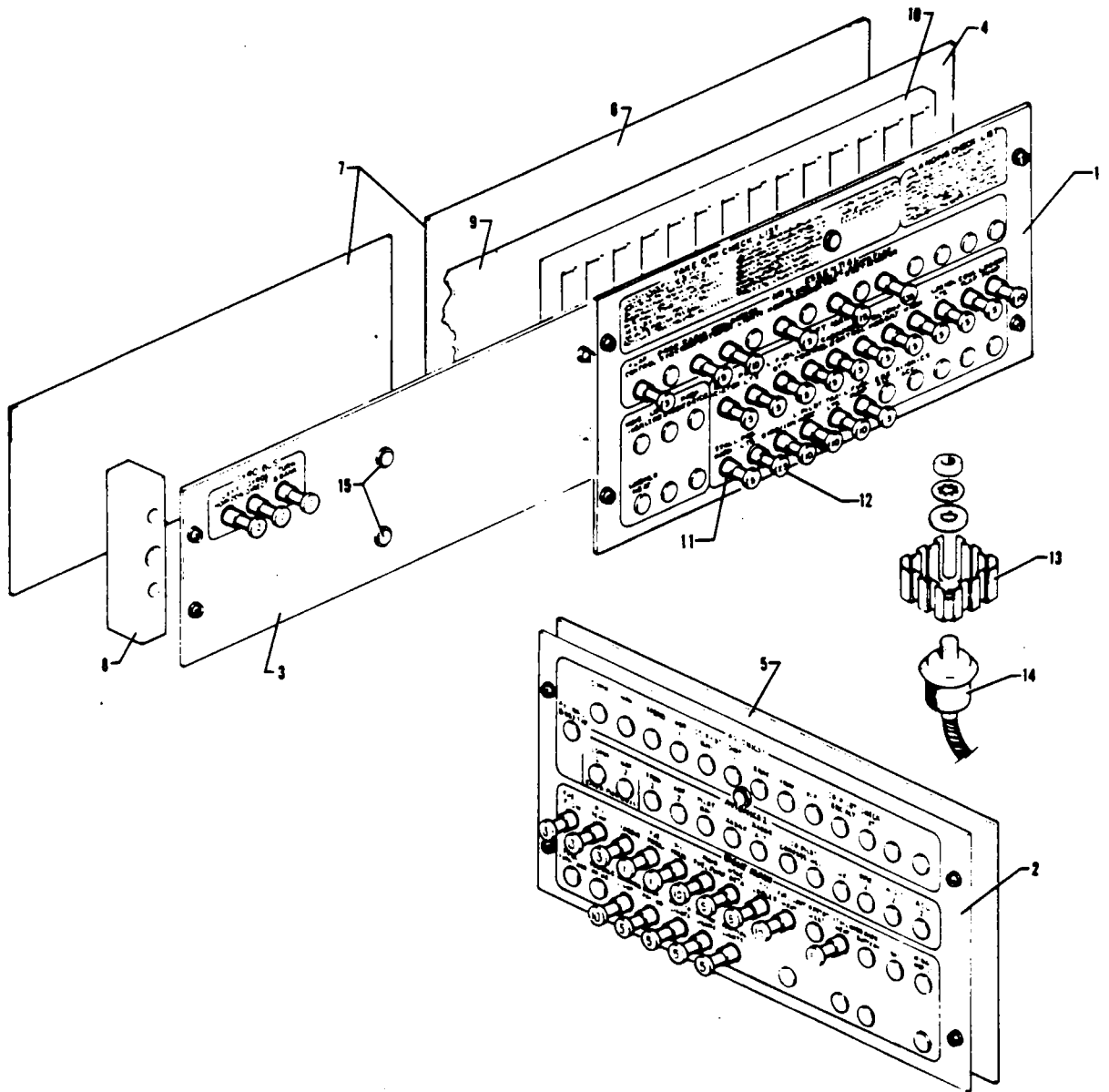


Figure 124. Circuit Breaker System Installation

PIPER PARTS CATALOG

CODE EXPLANATIONS FOR FIGURE 124

PIPER PARTS CATALOG

Figure and Index Number	Part Number	Code	NOMENCLATURE	No. Req.	SERIAL NUMBERS AFFECTED
124-	01252		DRAWING - Circuit Breaker System Installation		
-1	01232-02		PANEL ASSEMBLY - Electroluminescent, circuit protector, left, forward	1	
-2	01231-02		PANEL ASSEMBLY - Electroluminescent, circuit protector, right	1	
-3	80936-02		PANEL ASSEMBLY - Electroluminescent, circuit protector, left, aft	1	
-4	01228-02		PLATE ASSEMBLY - Circuit protector mounting, left, forward	1	
-5	29372-02		PLATE ASSEMBLY - Circuit protector mounting, right	1	
-6	49964-02		PLATE - Insulator, left and right (phenolic)	2	
-7	49167-02		SHEET - Rubber	3	
-8	29383-03		BLOCK - Spacer, Sta. 111.5 right, Sta. 100 left and right	3	
	29383-02		BLOCK - Spacer, Sta. 111.5, left	1	
	55602-05		BLOCK - Spacer, Sta. 123, left	1	
-9	82042-02		PLATE ASSEMBLY - Circuit protector mounting, aft, left	1	
-10	55566-02		RETAINER - Circuit protector (24" Long)	AR	
-11	454 687		CIRCUIT PROTECTOR - (PS50120-3-31) 2 amp	AR	
	454 688		CIRCUIT PROTECTOR - (PS50120-3-32) 3 amp	AR	
	454 682		CIRCUIT PROTECTOR - (PS50120-3-26) 5 amp	AR	
	454 722		CIRCUIT PROTECTOR - (PS50120-3-35) 7.5 amp	AR	
	454 683		CIRCUIT PROTECTOR - (PS50120-3-27) 10 amp	AR	
	454 684		CIRCUIT PROTECTOR - (PS50120-3-28) 15 amp	AR	
	456 696		CIRCUIT PROTECTOR - (812-235-102) 35 amp	AR	
-12	581 657		PLUG - Hole (P-437)	AR	
-13	464 426		HEAT SINK - (UP-D08B)	4	
-14	456 821		DIODE - (ST1630P)	4	
-15	488 590		THREDSTUD - (77-06-106-13)	6	
	477 825		NUT - Cap (6-32 black)	6	

When ordering, always specify Part Number, Description and Serial Number of Aircraft

3A23 THRU 3A24
INTENTIONALLY LEFT BLANK

PIPER PARTS CATALOG

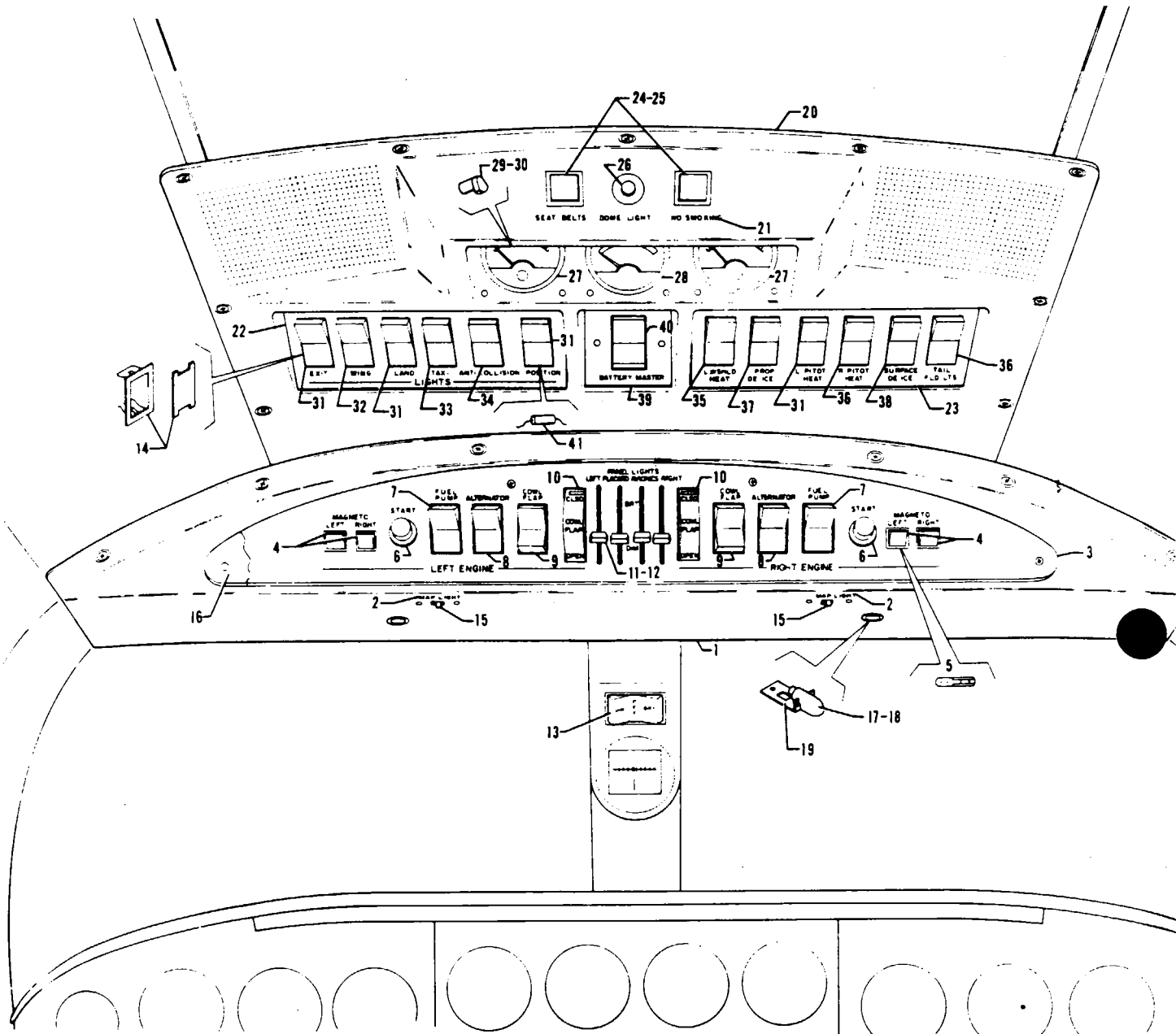


Figure 125. Overhead Switch Panel Installation

PIPER PARTS CATALOG

CODE EXPLANATIONS FOR FIGURE 125

- A - Used if wing tip recognition lights are installed
- B - Used if ground recognition beacon is installed.

PIPER PARTS CATALOG

Figure and Index Number	Part Number	Code	NOMENCLATURE	No. Req.	SERIAL NUMBERS AFFECTED
		1234567			
125-	01304 01944		DRAWING - Overhead Meter and Switch Panel Assembly DRAWING - Engine Control Panel Assembly		
-1	01943-02		PANEL ASSEMBLY - Overhead switch	1	
-2	80897-02		* DECAL - Map light	2	
-3	01934-02		PANEL - Electroluminescent, overhead instrument	1	
-4	587 967		SWITCH - Magneto (SC2CXL191-96)	4	
-5	758 569		* BULB - (SW8FL)	1	
-6	688 263		SWITCH - Starter (T2020-4)	2	
	557 333		CONTACT MODULE - (V50) (4 per switch)	8	
-7	587 783		SWITCH - Fuel pump (1TP1-2)	2	
	554 288		CAP - Switch (12 PA5-R) (Red)	2	
-8	587 583		SWITCH - Alternator (1TP1-2)	2	
	554 289		CAP - Switch (12PA5-Y) (yellow)	2	
-9	688 279		SWITCH - Cowl flap (2TP1-7)	2	
-10	43145-00		INDICATOR - Cowl flap position	2	
-11	484 597		SLIDE CONTROL - Panel lights dimming (V470)	4	
-12	571 186		KNOB - Slide control (SC-10-WL)	4	
-13	47664-13		SWITCH - Instrument panel lights (TIGM54-1F-WH)	1	
-14	453 424		BRACKET - "F", narrow snap-in	AR	
	32510-00		COVER - Switch opening	AR	
-15	487 777		SWITCH - Map light (5518)	2	
-16	01945-02		PLATE ASSEMBLY - Switch mounting	1	
-17	472 868		LIGHT ASSEMBLY - Map (A719-24) (Grimes)	2	
	572 577		LIGHT ASSEMBLY - (A315-284) (Whelen)	2	
-18	472 057		* BULB - (313) (Grimes)	1	
	472 027		* BULB - (PS10008-1495) (Whelen)	1	
-19	02063-02		BRACKET ASSEMBLY - Map light	2	
-20	51255-17		PANEL ASSEMBLY - Overhead meter and switch	1	
-21	80908-02		* DECAL - Seat belts, dome light and no smoking switches	1	
-22	47875-00		PANEL - Electroluminescent, switch function, left	1	
-23	01303-02		PANEL - Electroluminescent, switch function, right	1	
-24	587 967		SWITCH - Seat belt and no smoking (SC2CXL191-96)	2	
-25	758 569		* BULB - (SW8FL)	1	
-26	587 788		SWITCH - Dome light (J4004-W)	1	
-27	51050-00		INSTRUMENT - Ammeter	2	
-28	51051-00		INDICATOR - Electrical system monitor	1	
-29	472 742		BOLT LITE - (P-65-3-CW-28)	3	
-30	472 028		* BULB - Bolt light (PS10008-327)	1	
-31	47664-03		SWITCH - Position, landing and exit light, left pitot heat (TIGL54-IS-WH)	4	
-32	47664-02		SWITCH - Wing inspection light (TILA54-IS-WH)	1	
-33	47664-02		SWITCH - Taxi light (TILA54-IS-WH)	1	
	47664-12	A	SWITCH - Taxi and wing tip recognition lights (TIGM54-IF-WH)	1	
-34	47664-02		SWITCH - Anti-collision lights (TILA54-IS-WH)	1	
	47664-11	B	SWITCH - Anti-collision and ground recognition beacon lights (TIGM54-IF-WH)	1	
-35	56953-04		SWITCH - Left windshield heat (TIGM54-IF-WH)	1	
-36	47664-02		SWITCH - Tail floodlight and right pitot heat (TILA54-IS-WH)	2	
-37	47664-03		SWITCH - Prop deicer (TIGL54-IS-WH)	1	
-38	47664-08		SWITCH - Surface deice (TIGL5E-IS-WH)	1	
-39	80832-02		PANEL - Electroluminescent, battery master	1	
-40	588 272		SWITCH - Battery master (2TP1-3)	1	
-41	484 564		RESISTOR - Position lights switch (50 ohm, 2 watt)	1	

When ordering, always specify Part Number, Description and Serial Number of Aircraft

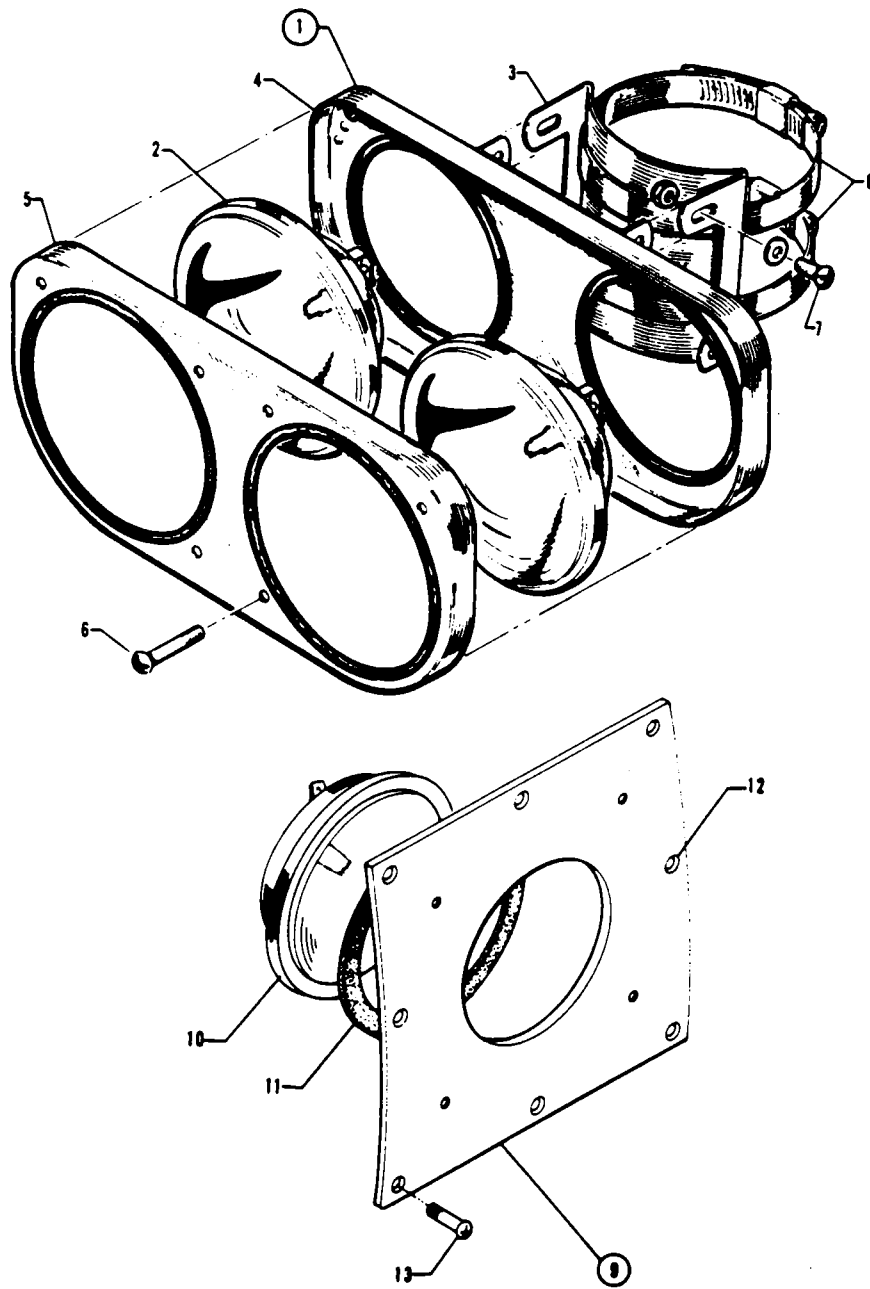


Figure 126 Landing Light and Ice Detection Light Installation

PIPER PARTS CATALOG

CODE EXPLANATIONS FOR FIGURE 126

PIPER PARTS CATALOG

Figure and Index Number	Part Number	Code	NOMENCLATURE	No. Req.	SERIAL NUMBERS AFFECTED
126-	52661		DRAWING - Ice Detection Light Installation		
-1	43048-00		LIGHT ASSEMBLY - Landing	1	
-2	472 769		* LIGHT - (4596) 250 Watt, 28 Volt	2	
-3	43020-00		* BRACKET - Landing light assembly	1	
-4	43021-00		* PLATE ASSEMBLY-Landing light	1	
-5	43022-00		* PLATE ASSEMBLY - Landing light face	1	
-6	415 628		* SCREW - (AN515-632R18)	6	
-7	415 146		* SCREW - (AN526-632R7)	4	
	407 562		* WASHER - (AN960-6)	8	
	404 829		* NUT - (MS20364-632C)	4	
-8	554 901		CLAMP - (64SS)	2	
-9	44402-02		LIGHT ASSEMBLY - Wing inspection	1	
-10	472 049		* LAMP - (PS10008-4593)	1	
-11	42109-00		* GASKET - Wing inspection light	1	
-12	44398-03		* COVER - Wing inspection light	1	
-13	414 763		SCREW - (MS24693-S50)	8	

When ordering, always specify Part Number, Description and Serial Number of Aircraft

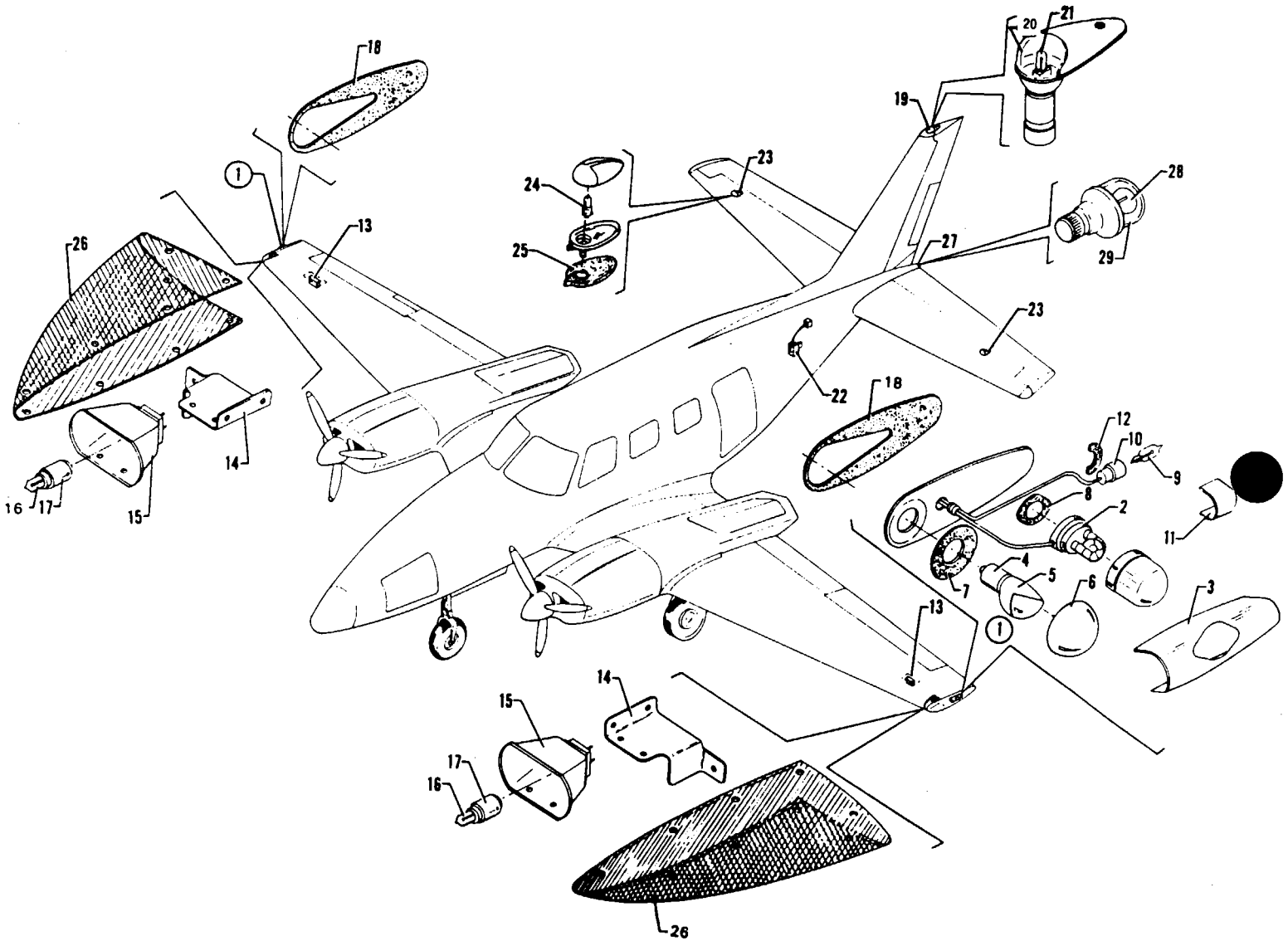


Figure 127. Navigation, Strobe and Recognition Lights Installation

PIPER PARTS CATALOG

CODE EXPLANATIONS FOR FIGURE 127

PIPER PARTS CATALOG

Figure and Index Number	Part Number	Code	NOMENCLATURE	No. Req.	SERIAL NUMBERS AFFECTED
		1234567			
127-1	572 593		NAVIGATION AND STROBE LIGHT ASSEMBLY - Tip, red (with tail position light) (shielded) (A600-PR-D-28)	1	
	572 592		NAVIGATION AND STROBE LIGHT ASSEMBLY - Tip, green (with tail position light) (shielded) (A600-PG-D-28)	1	
-2	762 003		* LIGHT ASSEMBLY - Wing tip strobe	1	
-3	761 253		* LENS AND RETAINER ASSEMBLY - Wing tip strobe (clear lens, shielded)	1	
-4	472 709		* LIGHT ASSEMBLY - Wing, type "E", red	1	
	472 710		* LIGHT ASSEMBLY - Wing, type "E", green	1	
-5	753 478		* * BULB - Light assembly	1	
-6	751 201		* * LENS - Green	1	
	751 202		* * LENS - Red	1	
-7	755 075		* GASKET - Navigation light	1	
-8	755 076		* GASKET - Strobe light	1	
-9	761 208		* LAMP - Navigation light, tail position	1	
-10	762 426		* SOCKET ASSEMBLY - Navigation light, tail position	1	
-11	761 255		* LENS - Navigation light, tail position	1	
-12	755 096		* GASKET - Navigation light, tail position	1	
-13	481 214		POWER SUPPLY - Strobe light (A490A-TS-DF-14/28)	2	
-14	01353-02		BRACKET ASSEMBLY - Wing tip recognition light, left	1	
	01353-03		BRACKET ASSEMBLY - Wing tip recognition light, right	1	
-15	572 583		LIGHT ASSEMBLY - Wing tip recognition (A775-50-28)	2	
-16	758 594		* BULB - (A708-28)	1	
-17	764 813		* SOCKET - Light (B-40067)	1	
-18	02098-02		GASKET - Wing tip strobe light	2	
-19	49518-02		LIGHT ASSEMBLY - Ground recognition beacon (Grimes)	1	
	01185-02		LIGHT ASSEMBLY - Ground recognition beacon (Whelen)	1	
-20	761 290		* LENS - Recognition light (A-2376-1) Grimes	1	
	761 295		* LENS - Recognition light (A702-NM) Whelen	1	
-21	758 418		* BULB - (AN3120-1047) Grimes	1	
	761 294		* BULB - (A708-50/28) Whelen	1	
-22	49517-03		FLASHER ASSEMBLY - Ground recognition beacon	1	
-23	572 585		LIGHT ASSEMBLY - Tail flood, left (00033096-7)	1	
	572 586		LIGHT ASSEMBLY - Tail flood, right (00033096-8)	1	
-24	472 184		LAMP - Flood light (DA-27)	2	
-25	755 077		GASKET - Flood light (00033045-1)	2	
-26	01208-10		LENS - Wing tip, left	1	
	01208-11		LENS - Wing tip, right	1	
-27	43346-04		LIGHT ASSEMBLY - Tail position	1	
-28	753 477		* BULB - (1683)	1	
-29	751 203		* LENS - Clear	1	

When ordering, always specify Part Number, Description and Serial Number of Aircraft

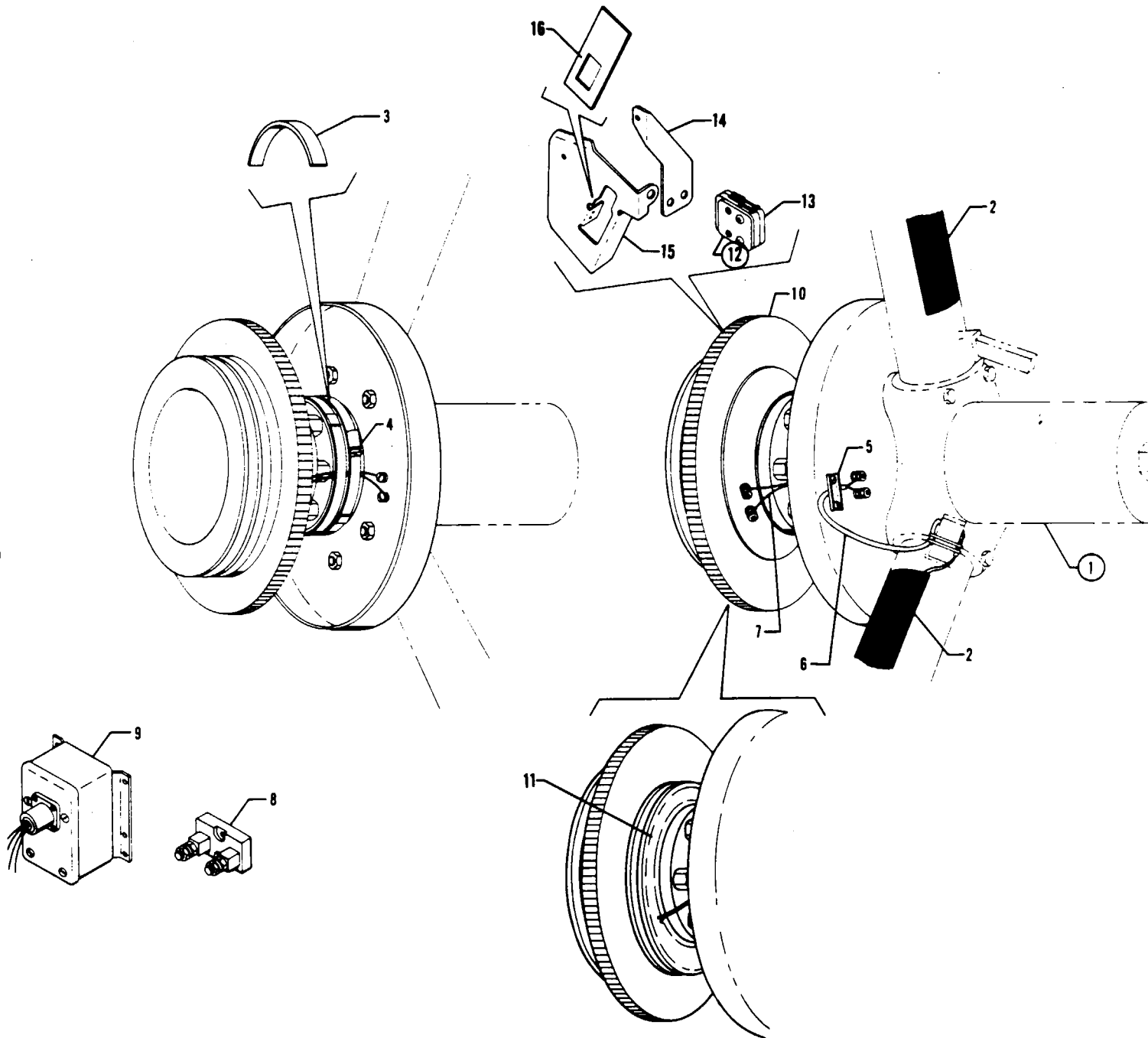


Figure 128. Propeller Electric Deicer Installation

PIPER PARTS CATALOG

CODE EXPLANATIONS FOR FIGURE 128

- A - See Figure 73 and Figure 81 for balance of component parts.
- B - Lead wire harness assembly, on right engine, is an integral part of item #11 Starter Gear Slip Ring Assembly and can not be ordered separately.

PIPER PARTS CATALOG

Figure and Index Number	Part Number	Code	NOMENCLATURE	No. Req.	SERIAL NUMBERS AFFECTED
128-	01698		DRAWING - Propeller Electric Deicer Equipment Installation		
			1234567		
-1	01752-02	A	PROPELLER ASSEMBLY - Complete (with deice boots), left engine	1	
	01752-03	A	PROPELLER ASSEMBLY - Complete (with deice boots), right engine	1	
-2	758 593		* BOOT - Propeller deicer, left engine (4E2271-10)	3	
	758 568		* BOOT - Propeller deicer, right engine (4E2200-10)	3	
-3	757 585		* SPACER - Rubber (3E1570)	3	
-4	554 992		* CLAMP - (QS-200-M88S)	1	
-5	757 809		* CLIP - Lead wire (3E1271-2)	3	
-6	755 335		* HARNESS ASSEMBLY - Lead wire, forward (3E2050)	3	
-7	755 347		* HARNESS ASSEMBLY - Lead wire, aft, left engine only (3E2196)	3	
		B	HARNESS ASSEMBLY - Lead wire, aft, right engine only		
-8	757 541		SHUNT - Ammeter (MS91586-1)	1	
-9	762 006		TIMER - Deicer (3E1964-3)	1	
-10	764 810		STARTER GEAR SLIP RING ASSEMBLY - Left engine (5E2027)	1	
-11	764 811		STARTER GEAR SLIP RING ASSEMBLY - Right engine (5E2026) (includes deicer lead wires) ..	1	
-12	758 598		MODULAR BRUSH ASSEMBLY - (3E2071)	2	
-13	758 434		* BRUSH MODULE ASSEMBLY - (3E2011-1)	1	
	758 435		* BRUSH MODULE ASSEMBLY - (3E2011-2)	1	
	764 812		* SPACER - (4E2218-6)	1	
-14	758 555		BRACKET - Support (3E1584)	2	
-15	758 104		BRACKET - Brush module mounting (4E1594)	2	
-16	02176-02		SEAL - Baffle	2	

When ordering, always specify Part Number, Description and Serial Number of Aircraft

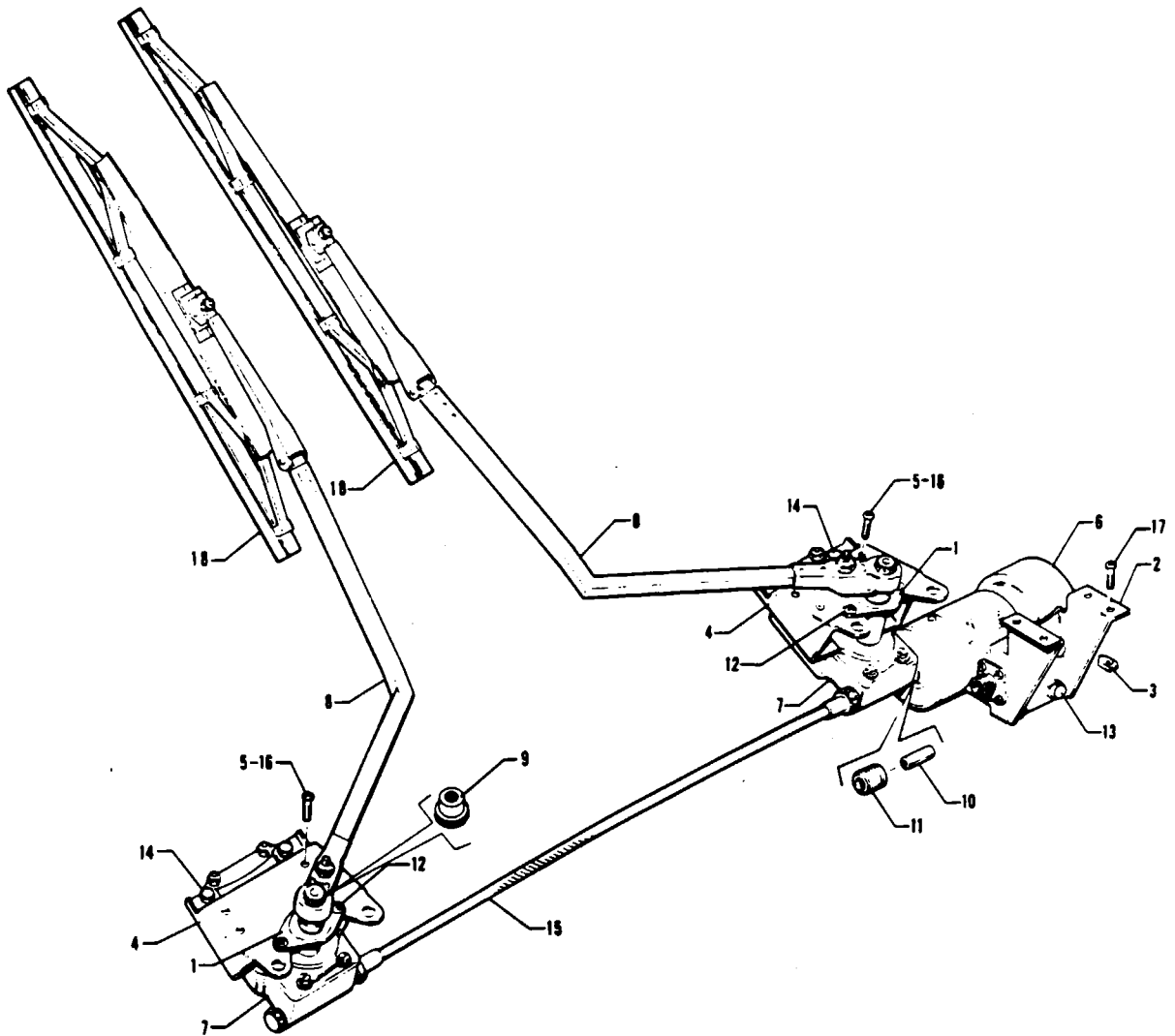


Figure 129. Electric Windshield Wiper Installation

PIPER PARTS CATALOG

CODE EXPLANATIONS FOR FIGURE 129

PIPER PARTS CATALOG

Figure and Index Number	Part Number	Code	NOMENCLATURE	No. Req.	SERIAL NUMBERS AFFECTED
		1234567			
129-	46285		DRAWING - Windshield Wiper Installation, Electric		
	47241		DRAWING - Dual Windshield Wiper Installation, Electric		
-1	45889-00		COVER - Windshield wiper shaft	2	
-2	45881-00		BRACKET ASSEMBLY - Windshield wiper motor	1	
-3	406 826		* NUT - Anchor (NAS686AO8K)	4	
-4	45892-00		BRACKET ASSEMBLY - Windshield wiper mounting	2	
-5	406 820		* NUT - Anchor (NAS687-AO8)	4	
-6	475 197		MOTOR - (XW20173-G2)	1	
-7	555 356		CONVERTER - (XW20345-275-50)	2	
-8	551 920		ARM - Left (XW21559-1)	1	
	551 923		ARM - Right (XW21559-2)	1	
-9	764 807		* SLEEVE - Splined, wiper arm (W-20362)	1	
-10	555 355		COUPLING - (W20398-2)	1	
-11	476 701		NIPPLE - (W20395-2)	1	
-12	415 535		SCREW - (MS35206-245)	4	
-13	401 307		BOLT - (AN4-4A)	4	
	407 044		LOCK WASHER - (MS35338-44)	4	
	407 565		WASHER - (AN960-416)	4	
-14	401 273		BOLT - (AN3-14A)	8	
	407 564		WASHER - (AN960-10)	8	
	404 887		NUT - (MS20365-1032C)	8	
-15	457 360		DRIVE ASSEMBLY - Flexible (XW20067-1600)	1	
-16	415 449		SCREW - (AN526-832R8)	2	
-17	415 449		SCREW - (AN526-832R8)	4	
-18	452 918		BLADE - (XW21558-12A)	2	

When ordering, always specify Part Number, Description and Serial Number of Aircraft

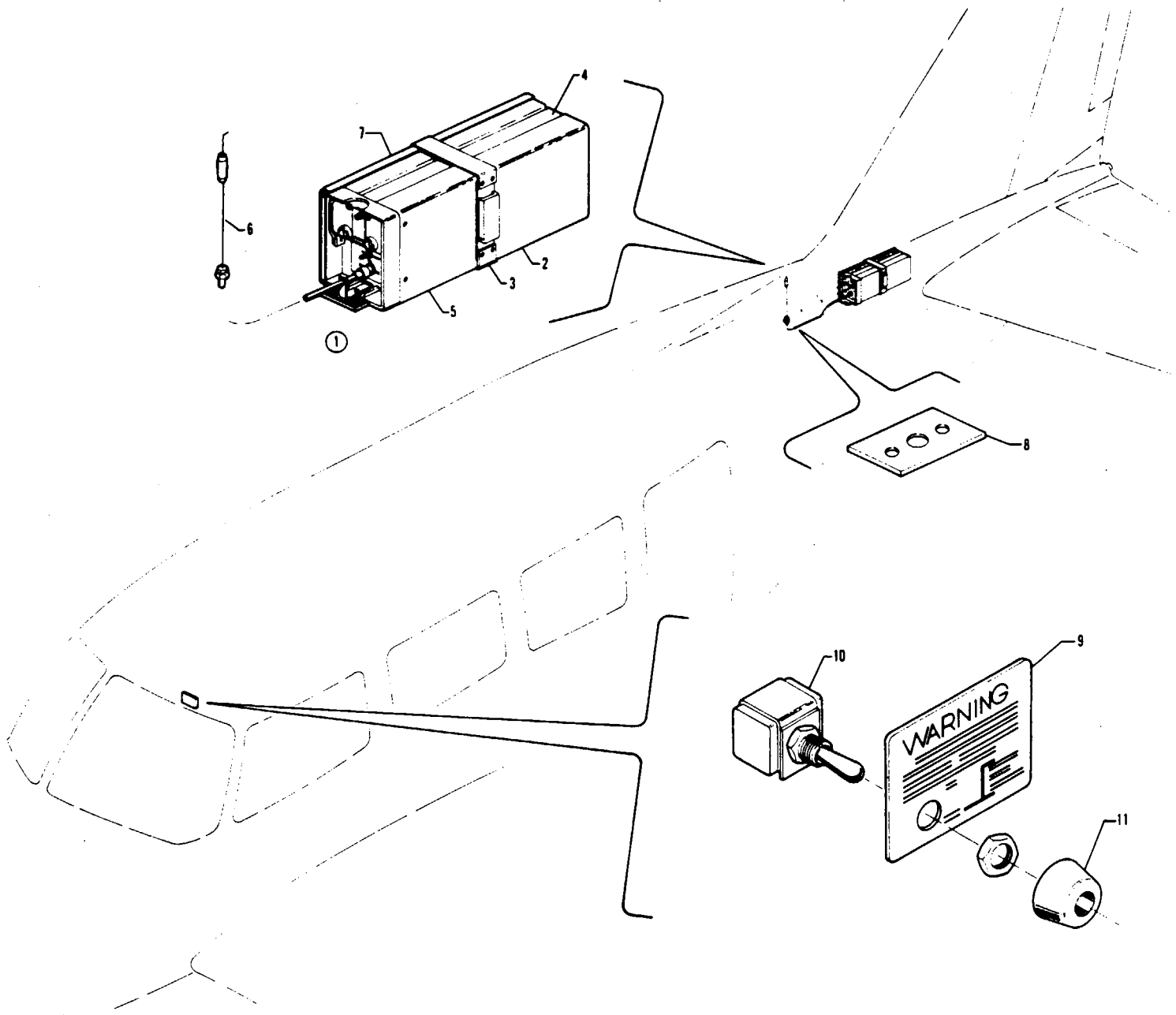


Figure 130. Piper Automatic Locator (ELT)
Installation (Narco Avionics)

PIPER PARTS CATALOG

CODE EXPLANATIONS FOR FIGURE 130

PIPER PARTS CATALOG

Figure and Index Number	Part Number	Code	NOMENCLATURE	No. Req.	SERIAL NUMBERS AFFECTED
		1234567			
130-	49736		DRAWING - Piper Automatic Locator (ELT) Installation		
-1	54800-54		TRANSMITTER ASSEMBLY - Automatic locator (ELT 10) (includes alkaline battery pack).....	1	
-2	758 452		* BATTERY PACK - Transmitter assembly (57674-0001).....	1	
-3	762 357		* STRAP - Transmitter assembly (57682-0101).....	1	
-4	763 019		* ANTENNA - Blade, portable (57667-0001).....	1	
-5	758 453		* BASE - Transmitter assembly (57666-0001).....	1	
-6	597 257		ANTENNA ASSEMBLY - E.L.T. (01652-0101).....	1	
-7	39273-02		BRACKET ASSEMBLY - E.L.T mounting.....	1	
-8	60704-02		BRACKET - Doubler.....	1	
-9	80687-02		PLACARD - Warning, E.L.T.....	1	
-10	587 965		SWITCH - (7101-K).....	1	
-11	477 829		NUT - Dress (8025).....	1	

When ordering, always specify Part Number, Description and Serial Number of Aircraft

PIPER PARTS CATALOG

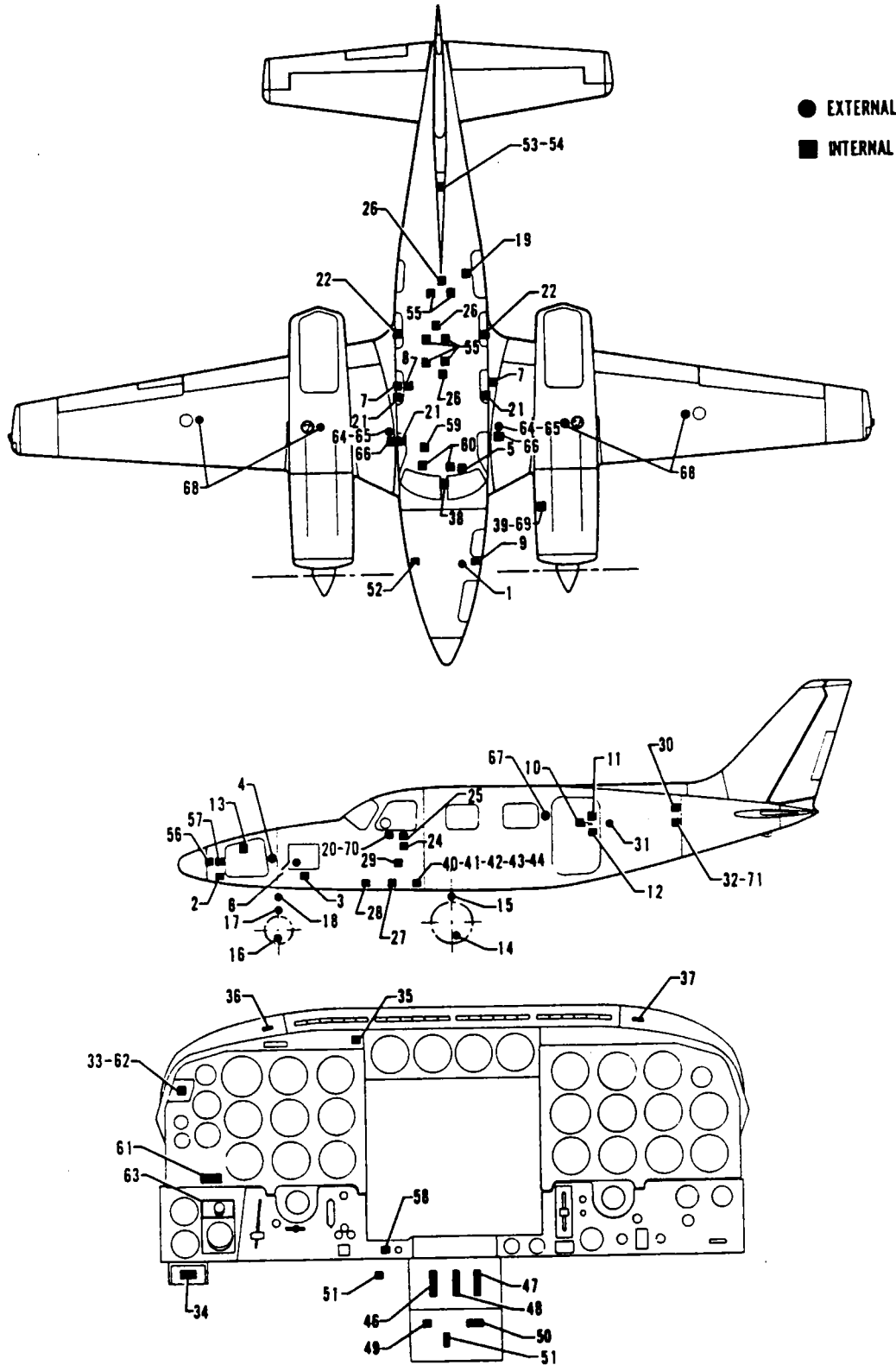


Figure 131. Placards and Exterior Stencils

PIPER PARTS CATALOG

CODE EXPLANATIONS FOR FIGURE 131

- A - Used if Dukes Inc. Cabin Pressure Controller is installed.
- B - Used if Garret/Airesearch Cabin Pressure Controller is installed.
- C - Used if rear refreshment cabinet or divider panel is installed at Sta. 257.57.

PIPER PARTS CATALOG

Figure and Index Number	Part Number	Code	NOMENCLATURE	No. Req.	SERIAL NUMBERS AFFECTED
		1234567			
131-1	48022-00		DECAL - Brake reservoir	1	
-2	47757-00		PLACARD - Starting procedure, external power (581 678)	1	
-3	42971-00		PLACARD - Oxygen warning	1	
-4	80495-02		PLACARD - Access panel	1	
-5	80687-02		PLACARD - Warning, E.L.T.	1	
-6	49172-02		DECAL - Access panel, left	1	
-7	80904-02		DECAL - Seat requirements (456 585)	2	
-8	54587-02		PLACARD ASSEMBLY - Emergency exit latch	1	
-9	80385-02		PLACARD - Latching operation	1	
-10	47060-00		PLACARD - Cabin door latch (581 569)	1	
-11	47059-00		PLACARD - Cabin door lock (581 560)	1	
-12	47563-00		PLACARD - Door auxiliary lock (581 592)	1	
-13	80424-02		PLACARD - Baggage capacity (582 579)	1	
-14	41398-07		PLACARD - Tire inflation, main	2	
-15	40292-04		PLACARD - Oleo service instructions	2	
-16	41398-06		PLACARD - Tire inflation, nose	1	
-17	40292-02		PLACARD - Oleo service instructions	1	
-18	45331-00		PLACARD - Tow turn limits (581 419)	1	
-19	80902-02		DECAL - Seat requirements	1	
-20	81066-02		DECAL - Category	1	
-21	80905-02		DECAL - Seat requirements	3	
-22	81068-02		DECAL - Seat requirements, left	1	
	81069-02		DECAL - Seat requirements, right	1	
-23	80900-02		DECAL - Courtesy lights	1	
-24	80895-02		DECAL - Armrest storage	2	
-25	80893-02		DECAL - Anti-collision lights warning	1	
-26	80907-02		DECAL - Oxygen	3	
-27	81010-02		PLACARD - Circuit breaker, main	1	
-28	48242-00		PLACARD - Emergency gear extension	1	
-29	42080-00		PLACARD - Oxygen mask container	1	
-30	81037-02		PLACARD - Relief valve obstruction	1	
-31	74630-05		PLATE - Mojave	1	
-32	81036-02		PLACARD - Baggage capacity	1	
-33	80856-02	A	PLACARD - Cabin pressure test switch	1	
-34	80773-02		PLACARD - Mike-phone jacks	1	
-35	80556-02		PLACARD - Master caution	1	
-36	80755-02		PLACARD - Annunciator test	1	
-37	80614-02		PLACARD - Annunciator Hi-Lo	1	
-38	81060-02		PLACARD - Compass erratic	1	
-39	80454-02		PLACARD - Lubrication	2	
-40	81002-02		PLACARD - Fuel control, left	1	
-41	81004-02		PLACARD - Fuel control, right	1	
-42	50216-04		PLACARD - Fuel crossfeed	1	
-43	50216-05		PLACARD - Off	2	
-44	50216-06		PLACARD - On	1	
-45	40583-03		PLACARD - Throttle control	1	
-46	40584-03		PLACARD - Propeller control	1	
-47	40594-03		PLACARD - Mixture control	1	
-48	47736-00		PLACARD - Elevator trim	1	
-49	47737-00		PLACARD - Rudder trim	1	
-50	47738-00		PLACARD - Aileron trim	1	
-51	81062-02		PLACARD - Bleed air cooler door	2	
-52	48030-00		PLACARD - Hydraulic system	1	
-53	47583-00		PLACARD - Isobaric valve (581 589)	1	
-54	46752-00		PLACARD - Cabin vent (581 540)	3	

When ordering, always specify Part Number, Description and Serial Number of Aircraft

PIPER PARTS CATALOG

Figure and Index Number	Part Number	Code	NOMENCLATURE	No. Req.	SERIAL NUMBERS AFFECTED
			1234567		
131-55	59772-02		PLACARD - Oxygen usage warning	6	
-56	50743-00		PLACARD - Battery caution (581 655)	1	
-57	81072-02		PLACARD - Fuse functions	1	
-58	80876-02		PLACARD - Cabin call	1	
-59	80908-02		DECAL - Seat belts, dome light, and no smoking switches	1	
-60	80897-02		DECAL - Map light	2	
-61	02271-02		PLACARD - Inverter power/bus tie switches	1	31P-8414010 and up
-62	81050-02		DECAL - Limitations	1	
-63	80772-02	B	PLACARD - Cabin pressure test switch	1	
-64	81044-02		DECAL - Secure system (internal)	2	
-65	81045-02		DECAL - Fuel shut-off	2	
-66	81046-02		DECAL - Fuel filter cleaning	2	
-67	49809-02		DECAL - Piper logo	1	
-68	456 682		DECAL - "Avgas only" (000002)	4	
-69	81070-02		PLACARD - Oil capacity (13 qts.)	1	
-70	81067-02		DECAL - Speed	1	
-71	81065-02	C	PLACARD - Loading limitations	1	

When ordering, always specify Part Number, Description and Serial Number of Aircraft

PIPER PARTS CATALOG

CODE EXPLANATIONS FOR OPTIONAL EQUIPMENT KITS AND REPAIR KITS

A - Used with Eastern Industries Hydraulic Pump, Part No. 26802-08 (1213 HBG, Type 310).

PIPER PARTS CATALOG

Figure and Index Number	Part Number	Code	NOMENCLATURE	No. Req.	SERIAL NUMBERS AFFECTED
-------------------------	-------------	------	--------------	----------	-------------------------

1234567

OPTIONAL EQUIPMENT KITS

02234-02			CARD - Passenger Briefing		
49633-08			PLOTTER ASSEMBLY - Weight and Balance		

REPAIR KITS

760 246			PROPELLER REPAIR KIT		
757 125	A		HYDRAULIC PUMP SEALS AND RINGS		
760 630	A		HYDRAULIC PUMP CENTERPLATE ASSEMBLY		
760 631	A		HYDRAULIC PUMP SHAFTS		
760 400	A		HYDRAULIC PUMP MISCELLANEOUS HARDWARE		
760 632	A		HYDRAULIC PUMP DRIVE SIDE ASSEMBLY		
760 633	A		HYDRAULIC PUMP REAR SIDE ASSEMBLY		

SPECIAL TOOLS

764 963			JANITROL HEATER PRESSURE TEST KIT		
---------	--	--	-----------------------------------	--	--

When ordering, always specify Part Number, Description and Serial Number of Aircraft

NUMERICAL INDEX

Part Number	Figure and Index No.
01010-02	87-12
01011-02	87-10
01011-03	87-10
01012-02	87-14
01013-02	87-13
01013-03	87-13
01014-02	113-11
01019-02	7-111
01019-03	7-111
01019-04	7-101
01019-05	7-114
01019-06	7-114
01021-02	7-113
01021-03	7-113
01022-02	7-110
01022-03	7-110
01023-02	7-109
01023-03	7-109
01024-02	7-112
01024-03	7-112
01025-02	7-108
01025-03	7-108
01026-02	7-107
01026-03	7-107
01027-02	5-51
01027-03	5-51
01028-02	5-50
01028-03	5-50
01029-06	5-52
01029-07	5-52
01030-02	7-106
01030-03	7-106
01032-02	5-42
01032-03	5-42
01035-02	5-35
01035-03	5-35
01035-26	5-34
01035-27	5-34
01057-02	5-49
01057-03	5-49
01057-04	4-33
01057-05	4-33
01060-02	78-3
01060-03	78-3
01061-02	78-3
01061-03	78-3
01062-02	78-58
01063-02	78-56

Part Number	Figure and Index No.
01063-03	78-56
01065-02	78-11
01065-03	78-11
01065-04	78-75
01066-02	78-76
01069-02	78-25
01070-02	5-22
01072-02	3-1
01072-03	3-1
01073-02	5-6
01073-02	6-1
01073-03	5-6
01073-03	6-1
01074-02	3-12
01074-02	5-1
01074-03	3-12
01074-03	5-1
01075-02	7-1
01075-03	7-1
01077-02	78-1
01077-03	78-1
01084-06	78-29
01084-07	78-29
01085-02	78-27
01085-03	78-27
01085-04	78-28
01085-05	78-28
01087-04	78-30
01087-05	78-30
01094-02	97-39
01103-02	97-24
01109-02	38-50
01110-02	39-31
01115-02	97-35
01115-03	97-33
01116-02	39-14
01117-02	26-9
01131-02	39-11
01133-02	39-8
01134-02	39-70
01136-02	39-69
01137-02	39-71
01138-02	14-19
01140-03	35-3
01140-03	39-1
01140-09	39-6
01140-11	39-2
01161-03	38-31

Part Number	Figure and Index No.
01162-02	38-14
01163-03	38-21
01167-02	107-94
01168-02	38-16
01175-02	67-22
01176-02	67-23
01183-02	67-13
01183-03	67-13
01185-02	127-19
01189-03	35-4
01189-03	38-1
01189-09	38-4
01192-02	67-24
01192-03	68-11
01194-02	68-16
01199-05	21-31
01199-06	21-31
01204-02	120-2
01204-03	120-2
01208-06	2-1
01208-07	2-1
01208-08	2-1
01208-09	2-1
01208-10	127-26
01208-11	127-26
01216-02	38-42
01217-03	24-65
01220-02	38-5
01228-02	124-4
01231-02	124-2
01232-02	124-1
01236-02	123-18
01236-03	123-18
01237-02	123-21
01240-02	75-1
01253-02	84-1
01253-02	85-1
01255-02	87-11
01255-03	87-11
01264-02	67-25
01265-02	67-26
01266-02	87-41
01272-02	73-4
01274-02	118-5
01275-02	118-3
01278-02	118-4
01278-03	118-4
01279-02	75-2

Part Number	Figure and Index No.
01282-02	90-101
01283-02	90-102
01284-02	90-96
01296-02	75-11
01296-03	75-11
01298-02	107-41
01303-02	125-23
01306-02	78-12
01306-03	78-12
01308-02	117-10
01314-02	75-22
01314-26	75-6
01326-02	74-1
01332-02	74-5
01332-02	74-8
01334-02	74-7
01335-04	32B-22
01336-02	107-92
01345-02	74-13
01345-09	74-14
01353-02	127-14
01353-03	127-14
01354-03	74-3
01355-02	74-9
01358-02	117-5
01362-02	75-26
01362-05	75-27
01362-06	75-28
01362-07	75-29
01363-02	76-6
01364-02	76-6
01365-02	74-4
01371-05	76-6
01372-02	74-10
01373-02	74-6
01381-02	101-30
01382-02	101-33
01383-02	101-29
01384-02	101-22
01386-02	101-26
01387-02	101-28
01390-02	101-32
01392-02	101-31
01393-02	101-23
01395-02	101-27
01396-02	117-33
01398-06	21-7
01400-02	80-10

PIPER PARTS CATALOG

Part Number	Figure and Index No.
01400-02	84-91
01401-02	80-9
01402-02	75-24
01402-03	75-24
01403-02	75-20
01408-02	74-12
01409-07	80-8
01415-07	11-4
01420-02	74-16
01422-02	74-15
01428-02	14-77
01431-07	77-7
01432-02	73-40
01433-02	73-44
01434-04	14-18
01437-02	77-6
01439-02	73-28
01439-03	73-29
01439-04	73-27
01441-02	115-4
01441-03	115-4
01452-02	21-54
01455-02	67-46
01456-02	115-7
01461-05	115-6
01464-05	115-5
01466-02	115-33
01469-02	84-23
01469-03	85-8
01472-02	115-23
01473-02	74-11
01479-02	115-83
01482-02	73-34
01484-02	85-47
01485-02	33-8
01487-04	14-35
01490-02	73-43
01502-02	115-50
01519-02	73-15
01522-02	69-13
01523-02	69-2
01527-06	15-6
01527-06	72-8
01527-11	72-8
01529-02	107-45
01530-02	103-9
01531-02	103-10
01532-02	103-16
01533-02	103-16
01534-02	103-10
01536-02	77-2
01539-02	77-16
01549-02	52-7
01554-02	69-12
01555-02	117-14
01558-02	101-25
01569-02	101-21
01574-02	78-37

Part Number	Figure and Index No.
01575-02	78-2
01575-03	78-2
01576-02	6-6
01576-03	6-6
01576-04	7-11
01576-05	7-11
01577-04	7-15
01577-05	7-15
01578-02	7-22
01578-03	7-22
01579-02	7-16
01579-03	7-16
01580-02	7-35
01580-03	7-35
01581-02	7-70
01581-03	7-70
01582-02	7-42
01582-03	7-42
01583-02	5-36
01583-03	5-36
01583-04	7-41
01583-05	7-41
01584-02	7-48
01584-03	7-48
01585-02	5-18
01585-03	5-18
01585-04	5-17
01585-05	5-17
01585-06	5-16
01585-07	5-16
01585-08	3-15
01585-09	3-15
01585-10	4-8
01585-11	4-8
01585-12	5-25
01585-13	4-15
01585-14	3-13
01587-02	78-40
01587-03	78-40
01587-07	78-50
01588-02	5-3
01588-03	5-3
01593-02	4-9
01593-03	4-9
01594-02	2-95
01594-03	2-95
01595-02	78-31
01596-02	78-43
01596-03	78-43
01598-04	3-20
01598-05	3-20
01599-04	3-22
01599-05	3-22
01601-03	115-16
01604-02	14-80
01604-03	14-79
01610-02	101-24
01611-02	101-20

Part Number	Figure and Index No.
01617-02	73-50
01617-03	73-50
01623-02	99-23
01637-02	107-48
01649-02	78-82
01649-03	78-82
01649-04	78-83
01649-05	78-83
01650-02	69-1
01651-02	69-3
01655-02	107-40
01657-02	14-61
01659-02	117-4
01661-02	78-80
01661-03	78-80
01662-02	77-17
01665-02	73-33
01667-02	78-81
01667-03	78-81
01669-02	78-79
01669-03	78-79
01672-02	14-69
01674-02	14-70
01675-02	14-70
01678-02	115-31
01679-02	31-28
01679-03	31-34
01679-04	31-35
01680-02	31-33
01681-02	107-51
01684-02	117-37
01685-02	117-38
01691-02	107-49
01702-03	73-16
01708-02	67-18
01709-04	15-2
01710-02	15-21
01711-02	121-1
01712-03	15-3
01717-02	18-15
01719-02	61-48
01719-02	62-49
01720-02	61-50
01720-02	62-50
01721-02	61-49
01721-02	62-47
01722-02	16-10
01723-02	16-58
01724-02	18-50
01725-02	18-45
01726-02	16-59
01727-02	16-32
01728-02	16-57
01729-02	16-60
01731-02	24-46
01733-02	16-28
01734-02	18-51
01737-03	16-3

Part Number	Figure and Index No.
01737-03	18-1
01747-02	107-77
01752-02	73-11
01752-02	81-1
01752-02	128-1
01752-03	73-11
01752-03	81-1
01752-03	128-1
01753-04	16-1
01754-02	19-58
01754-02	19A-80
01754-04	19-59
01754-04	19A-82
01756-02	19-60
01756-02	19A-81
01763-02	117-21
01773-02	79-25
01774-02	123-19
01778-02	2-24
01782-02	119-51
01782-03	119-51
01791-02	66-26
01793-02	116-69
01797-02	75-14
01797-03	75-15
01804-02	57-7
01806-02	117-7
01807-02	117-6
01816-02	64-10
01817-02	115-9
01818-10	64-12
01818-15	64-12
01819-02	74-2
01819-04	74-2
01821-06	46-40
01821-07	41-5
01821-08	46-40
01827-02	101-71
01837-02	76-15
01837-03	76-14
01838-02	76-21
01840-05	76-12
01856-02	107-50
01857-02	14-80
01858-02	14-79
01866-02	116-55
01869-02	14-60
01876-02	119-61
01878-02	21-55
01879-02	119-66
01882-02	57-22
01883-02	21-53
01885-02	57-6
01885-06	57-6
01888-02	107-43
01889-02	24-66
01890-02	24-66
01891-02	107-44

PIPER PARTS CATALOG

Part Number	Figure and Index No.
01893-02	107-41
01895-02	107-46
01897-02	107-47
01905-02	107-42
01908-02	102-29
01913-08	57-18
01913-10	57-18
01913-14	57-18
01934-02	125-3
01943-02	125-1
01945-02	125-16
01948-02	19-34
01948-02	19A-44
01961-02	102-30
01974-02	6-28
01974-02	6-30
01974-03	6-28
01974-03	6-30
01975-02	6-29
01975-02	6-31
01978-02	6-7
01978-03	6-7
01988-02	24-42
01988-04	24-43
01989-02	24-44
01989-08	24-45
01991-02	121-48
01994-02	121-9
01996-02	56-14
01996-03	56-14
01996-04	56-15
01996-05	56-15
02008-17	53-8
02009-07	53-8
02015-02	24-33
02023-02	78-32
02024-02	78-33
02029-02	78-36
02031-02	19-5a
02031-02	19-8a
02031-02	22-43
02036-02	76-9
02040-02	57-2
02040-03	57-2
02040-03	57-4
02046-02	53-44
02047-02	34-4
02050-02	115-86
02050-03	115-86
02051-02	67-11
02052-02	48-33
02056-02	65-5
02058-11	53-7
02063-02	125-19
02065-02	75-34
02067-02	73-59
02067-03	73-59
02068-02	73-48

Part Number	Figure and Index No.
02069-02	73-60
02070-02	59-5
02070-15	59-5
02070-15	62-2
02070-17	62A-2
02074-02	78-34
02076-04	57-4
02077-02	53-15
02078-02	12-55
02082-02	67-16
02082-02	68-8
02090-02	53-3
02093-02	53-17
02093-03	53-17
02098-02	127-18
02099-02	78-40a
02100-03	66-28
02101-02	115-80
02109-04	6-6a
02110-02	2-78
02118-02	62A-12
02119-02	2-77
02120-02	2-70
02120-03	2-70
02125-02	69-14
02126-02	59-12
02126-03	59-12
02126-04	60-9
02126-05	60-9
02126-06	61-9
02126-07	61-11
02127-02	121-13
02127-03	121-55
02135-02	96-40
02139-02	59-6
02139-03	59-6
02139-03	61-3
02139-03	62-3
02139-03	62A-3
02148-02	62A-8
02148-02	62A-1
02149-03	62A-1
02149-06	62A-1
02149-08	62A-1
02150-02	60-1
02150-03	60-1
02150-04	59-1
02150-05	59-1
02150-06	59-1
02150-07	59-1
02150-08	60-1
02150-09	60-1
02150-10	59-1
02150-11	59-1
02150-12	59-1
02150-13	59-1
02151-02	59-6
02151-02	60-6

Part Number	Figure and Index No.
02151-03	59-6
02151-03	60-6
02151-03	61-3
02151-03	62-3
02151-03	62A-3
02156-02	33-20
02157-02	59-4
02157-02	60-4
02157-02	61-8
02157-02	62-34
02157-02	62A-9
02158-02	59-5
02158-03	59-5
02158-03	61-2
02158-03	62-2
02158-15	60-5
02158-16	60-5
02158-17	61-2
02158-17	62A-2
02158-18	59-5
02158-19	59-5
02158-19	61-2
02158-19	62-2
02158-20	62A-2
02159-02	66-29
02159-03	66-30
02159-04	66-25
02160-02	101-18
02161-02	101-19
02165-02	19-41
02165-02	19A-62
02169-02	63-22
02172-02	63-18
02174-02	76-21
02175-02	84-90
02176-02	128-16
02177-02	119-17
02178-02	56-21
02181-02	66-33
02184-02	97-30
02185-02	115-22
02189-02	119-63
02190-02	119-14
02190-03	119-14
02192-02	80-7
02193-02	73-13
02193-03	73-13
02193-04	82-1
02194-02	12-62
02197-02	52A-10
02201-02	61-1
02201-03	61-1
02201-04	61-1
02201-05	61-1
02202-02	58-1
02202-03	58-1
02202-04	58-1
02202-05	58-1

Part Number	Figure and Index No.
02202-06	58-1
02202-07	58-1
02202-08	58-1
02202-09	58-1
02203-02	62-9
02208-02	62-1
02208-03	62-1
02208-04	62-1
02208-05	62-1
02209-02	58-4
02215-02	85-7
02216-02	66-31
02222-04	56-3
02222-07	56-2
02222-09	56-3
02223-02	66-15
02227-02	66-32
02228-02	66-16
02232-02	57-30
02233-02	64-14
02234-02	Misc.
02237-02	66-23
02239-02	66-24
02244-02	66-34
02248-02	13-48
02261-02	67-21
02271-02	67-60
02271-02	131-61
02276-03	98-6
02277-02	14-81
02286-02	73-21
02289-02	76-11
02314-02	59-2
02314-02	60-2
02314-02	61-45
02314-02	62-29
02314-02	62A-18
02314-02	63-2
02314-03	59-2
02314-03	60-2
02314-03	61-45
02314-03	62-29
02314-03	62A-18
02314-03	63-2
02314-04	59-2
02314-04	60-2
02314-04	61-45
02314-04	62-29
02314-04	62A-18
02314-04	63-2
02314-05	59-2
02314-05	60-2
02314-05	61-45
02314-05	62A-18
02314-05	62-29
02314-05	63-2
02314-06	63-2
02314-07	59-2

PIPER PARTS CATALOG

Part Number	Figure and Index No.
02314-07	60-2
02314-07	61-45
02314-07	62-29
02314-07	62A-18
02314-07	63-2
02314-08	59-2
02314-08	60-2
02314-08	61-45
02314-08	62-29
02314-08	62A-18
02314-08	63-2
02314-09	59-2
02314-09	60-2
02314-09	61-45
02314-09	62-29
02314-09	62A-18
02314-09	63-2
02314-10	63-2
02314-29	59-2
02314-29	60-2
02314-29	61-45
02314-29	62-29
02314-29	62A-18
02314-29	63-2
02314-30	59-2
02314-30	60-2
02314-30	61-45
02314-30	62-29
02314-30	62A-18
02314-30	63-2
02327-02	103-16
02328-02	103-10
02329-02	103-17
02331-02	115-23
02363-02	59-8
02363-02	61-6
02363-02	62-5
02363-03	59-8
02363-03	61-6
02363-03	62-5
02363-04	59-8
02363-04	61-6
02363-04	62-5
02363-05	59-8
02363-05	61-6
02363-05	62-5
02363-07	59-8
02363-07	61-6
02363-07	62-5
02363-08	59-8
02363-08	61-6
02363-08	62-5
02363-09	59-8
02363-09	61-6
02363-09	62-5
02363-11	62A-4
02363-12	62A-4
02363-13	62A-4

Part Number	Figure and Index No.
02363-14	62A-4
02363-16	62A-4
02363-17	62A-4
02363-18	62A-4
02363-20	58-2
02363-21	58-2
02363-22	58-2
02363-23	58-2
02363-24	58-2
02363-25	58-2
02363-26	58-2
02363-27	58-2
02363-28	58-2
02363-29	59-8
02363-29	61-6
02363-29	62-5
02363-30	59-8
02363-30	61-6
02363-30	62-5
02363-31	58-2
02363-32	58-2
02363-33	62A-4
02363-34	62A-4
02380-02	58-2
02380-03	58-2
02380-04	58-2
02380-05	58-2
02380-06	58-2
02380-07	58-2
02380-08	58-2
02380-09	58-2
02380-10	58-2
02380-11	58-2
02380-12	58-2
02453-02	115-62
10525-107	113-1
11151-02	92-53
11151-02	94-12
11151-02	96-22
11151-03	94-12
12073-03	58-28
12605-00	100-15
12605-00	100-34
13445-03	99-38
13445-04	99-38
13445-06	99-42
13586-99	107-54
14175-37	91-20
14175-45	57-21
14175-106	41-2
14175-111	59-49
14175-111	59-54
14175-111	60-47
14175-111	61-29
14175-111	62-31
14843-106	35-13
14843-106	35-21
14843-108	61-21

Part Number	Figure and Index No.
14843-108	61-33
14843-108	62-20
14843-109	61-32
14843-109	62-21
14843-114	32A-10
14843-116	45-7
14976-11	46-22
14976-15	48-39
14976-16	48-40
14976-65	84-94
14976-97	61-22
15513-13	54-9
15513-14	54-7
15513-15	54-8
15513-16	27-19
16632-00	33-22
16632-00	71-4
16632-00	72-10
16632-00	73-25
16632-00	101-44
16632-00	119-29
16633-06	72-13
16633-25	119-44
16633-28	119-42
16633-29	115-41
16633-60	119-59
16633-81	111-13
16633-93	84-78
16633-93	85-29
16754-02	39-16
16775-03	49-23
17088-00	93-3
17088-00	95-26
17089-00	90-62
17089-00	90-71
17089-00	90-80
17089-00	93-5
17089-00	95-37
17089-00	97-9
17235-00	96-11
17315-00	2-69
17316-00	2-65
17316-00	2-67
17316-02	2-69
17317-03	20-25
17318-02	2-86
17318-02	19-63
17318-02	19A-84
17387-00	76-40
17604-33	121-54
17758-02	13-36
17766-02	102-6
17766-03	101-40
17766-04	101-41
17766-27	102-3
17766-45	84-80
17766-45	85-53
17766-67	69-24

Part Number	Figure and Index No.
17766-73	49-22
17766-91	102-4
17766-100	69-26
17766-101	84-60
17766-114	102-26
17766-115	102-41
17803-00	69-35
17848-00	91-19
17850-00	91-18
17852-02	91-16
17852-03	91-16
17852-03	91-17
17881-06	69-29
17881-06	70-9
17881-06	73-55
17881-06	111-30
17881-06	119-30
18132-00	114-23
18132-02	114-26
18132-02	114-29
18132-07	80-42
18219-00	80-32
18219-00	84-75
18219-00	85-14
18219-02	52-4
18219-02	80-30
18219-02	114-27
18219-02	114-30
18219-03	114-24
18457-00	4-1
18842-00	61-47
18842-00	62-52
18842-00	63-34
18968-00	58-43
18968-00	59-19
18968-00	60-19
19086-03	96-12
19336-00	58-22
19336-01	58-22
19365-02	58-29
19513-38	67-45
19513-53	34-17
19513-64	2-46
19513-95	41-3
19513-96	41-4
19697-13	67-10
19790-35	101-60
19799-00	2-73
19799-00	2-79
19803-04	2-71
19803-04	2-77
19807-00	121-37
19936-00	91-14
20370-00	2-19
20370-00	78-78
20370-02	13-57
20370-02	16-61
20372-03	13-40

PIPER PARTS CATALOG

Part Number	Figure and Index No.
20372-03	78-42
20372-06	5-23
20666-02	35-37
20737-20	73-2
20737-23	41-30
20737-30	45-31
20737-32	45-30
20737-37	40-86
20737-40	41-15
20737-40	41-31
20737-42	48-35
20737-43	48-2
20956-00	99-19
20957-00	99-20
20999-00	99-10
21001-00	99-15
21470-00	99-24
21619-02	99-34
21831-04	46-11
22103-02	80-11
22103-02	114-48
22103-02	116-51
22103-03	73-54
22103-03	121-18
22104-06	73-54
22104-08	80-11
22104-08	114-47
22104-08	116-52
22104-08	121-19
22105-07	73-54
22105-10	80-11
22105-10	114-46
22287-03	83-22
22369-47	107-55
22470-24	76-27
22482-00	13-61
22502-04	118-2
22502-13	118-2
22641-02	34-15
22641-03	79-2
22673-14	84-35
22673-14	85-9
22673-66	85-5
22673-72	69-6
22673-74	69-7
22673-78	49-15
22673-87	84-87
22673-87	85-6
22673-90	85-66
22673-101	84-29
22673-102	84-30
23183-00	28-26
23319-00	84-42
23319-00	85-55
23322-00	99-14
23943-00	122-1
23969-02	120-31
23969-03	120-31

Part Number	Figure and Index No.
23969-04	120-31
23969-05	120-31
24091-00	80-26
24091-03	84-99
24166-00	30-4
24166-00	30-6
24166-00	32C-4
24166-00	32C-6
24166-00	32C-8
24166-00	32C-10
24166-00	32C-12
24166-02	92-13
24567-00	29-7
24629-00	94-6
24631-07	94-1
24631-08	94-1
24754-05	73-3
25358-00	99-21
25552-00	56-9
25590-00	34-10
25590-00	79-15
25597-00	3-9
25704-00	40-10
25801-02	59-2
25801-02	60-2
25801-02	61-45
25801-02	62-29
25801-02	62A-18
25801-02	63-2
26749-09	115-75
26749-10	115-75
26802-08	103-1
26802-10	103-1
26802-11	103-1
27065-02	5-32
28467-03	34-22
28546-02	99-69
29001-02	53-2
29002-02	123-38
29006-02	21-50
29006-03	21-50
29007-02	112-33
29013-02	24-67
29136-02	24-31
29136-03	24-31
29137-02	24-32
29139-02	24-34
29139-03	24-34
29140-02	24-38
29140-03	24-38
29143-02	99-98
29143-03	99-101
29144-03	21-37
29144-03	22-22
29149-02	16-41
29149-03	16-41
29150-02	16-45
29150-03	16-45

Part Number	Figure and Index No.
29151-02	16-44
29151-03	16-44
29153-300	55-1
29154-05	55-6
29154-07	55-3
29154-08	55-2
29154-09	55-2
29154-10	55-2
29154-11	55-2
29154-12	55-5
29155-02	18-13
29156-02	16-5
29157-02	19-33
29157-02	19A-48
29159-02	18-47
29160-02	53-20
29161-02	53-20
29162-02	18-48
29165-06	18-46
29166-03	100-46
29169-02	16-9
29175-02	12-64
29184-02	60-38
29191-02	123-6
29197-02	99-12
29209-02	98-3
29209-03	98-3
29212-02	123-42
29212-03	123-42
29214-02	53-14
29214-03	53-14
29215-02	16-26
29218-02	16-26
29236-04	12-29
29238-02	55-10
29238-03	55-10
29254-02	98-2
29259-02	59-7
29259-02	60-7
29259-02	62-4
29281-02	59-25
29281-02	60-25
29282-02	59-17
29282-02	60-17
29285-02	61-46
29285-02	62-48
29293-05	120-19
29293-06	120-18
29293-21	123-14
29293-22	123-15
29293-36	120-15
29293-37	120-16
29293-38	123-16
29293-39	123-17
29293-45	120-17
29301-02	121-10
29307-06	67-21
29335-02	120-34

Part Number	Figure and Index No.
29339-05	120-36
29341-02	14-72
29347-05	123-22
29347-07	123-23
29359-12	67-54
29359-20	67-54
29359-21	67-54
29359-23	67-54
29359-24	67-54
29359-25	67-54
29359-28	67-54
29359-33	67-54
29359-34	67-54
29359-51	67-54
29359-52	67-54
29359-53	67-54
29359-54	67-54
29359-55	67-54
29359-56	67-54
29359-57	67-54
29359-58	67-54
29359-59	67-54
29372-02	124-5
29383-02	124-8
29383-03	124-8
29441-02	12-56
29441-03	12-56
29442-02	121-20
29457-02	115-20
29457-02	115-20
29487-02	62A-32
29491-02	19-56
29491-02	19A-49
29549-02	40-18
29549-02	46-33
29560-03	67-19
29589-05	58-8
29593-20	58-5
29593-21	58-5
29593-22	58-5
29593-23	58-5
29599-02	115-57
29614-02	21-39
29622-02	107-6
29637-02	111-14
29638-04	53-32
29638-05	53-32
29639-02	53-27
29639-03	53-27
29662-02	115-28
29692-02	67-1
29692-02	68-10
29697-03	80-1
29697-06	80-3
29697-07	80-1
29697-09	80-2
29699-02	114-14
29702-02	114-19

PIPER PARTS CATALOG

Part Number	Figure and Index No.
29737-02	114-10
29738-02	114-8
29777-03	67-19
29817-16	53-10
29817-21	53-10
29824-02	24-4a
29866-02	48-10
29925-02	25-4
29930-08	115-53
29989-07	99-70
29989-09	100-48
29997-08	112-19
29997-08	112-20
29998-14	113-3
29999-05	46-49
29999-21	93-12
30576-00	34-7
30580-00	34-16
30580-02	79-6
30852-00	34-13
30852-00	79-5
31075-04	73-44a
31166-00	58-6
31322-09	58-23
31747-00	80-12
31766-02	46-4
31773-03	46-41
31777-00	46-39
31779-00	46-19
31786-07	45-38
31791-00	46-15
31797-02	45-39
31798-02	45-37
32380-00	58-21
32510-00	125-14
32820-00	123-33
32884-03	62A-31
39273-02	130-7
39309-03	74-21
39991-13	90-25
39991-13	90-37
39991-13	90-53
39991-17	99-85
39995-12	84-38
39995-12	85-17
39995-15	77-9
39995-26	77-8
39995-45	69-23
39995-45	84-37
39995-45	85-16
39995-46	84-36
39995-46	85-15
39995-47	77-21
39995-48	103-6
39995-49	103-5
39997-02	69-25
39997-12	84-5
39997-12	85-19

Part Number	Figure and Index No.
39998-04	84-73
39998-04	85-20
39999-08	84-34
39999-08	85-10
40002-00	36-18
40006-00	35-12
40008-00	37-2
40008-02	37-11
40009-00	37-10
40010-00	37-9
40012-02	37-8
40012-03	37-8
40012-12	39-19
40012-13	39-19
40012-22	39-17
40013-04	37-7
40014-02	37-5
40014-03	37-6
40015-00	37-4
40021-00	37-64
40023-03	37-23
40026-02	36-22
40026-03	36-47
40027-00	95-28
40029-00	95-27
40035-00	93-6
40035-00	95-29
40039-00	37-24
40040-09	37-25
40042-02	37-26
40042-08	39-9
40042-09	39-9
40042-10	39-9
40043-00	37-27
40044-00	37-28
40045-06	37-29
40046-04	37-21
40046-05	37-15
40046-07	37-16
40046-08	37-17
40046-09	37-18
40046-11	37-20
40046-16	37-14
40046-18	37-60
40046-19	37-60
40046-20	37-59
40046-33	37-19
40046-35	37-13
40046-36	37-12
40046-38	35-2
40046-38	37-1
40048-00	37-32
40050-02	39-21
40050-05	39-22
40052-02	39-79
40052-03	39-80
40053-02	38-13
40053-03	38-14

Part Number	Figure and Index No.
40054-02	39-27
40054-03	39-28
40055-02	38-15
40055-03	38-16
40056-00	39-29
40057-02	38-17
40057-03	38-18
40058-00	39-30
40059-03	39-32
40059-04	39-33
40059-07	39-45
40060-00	39-10
40066-00	35-15
40067-00	37-35
40068-08	37-36
40069-00	37-37
40070-05	35-11
40071-00	7-85
40075-14	39-11
40076-00	39-12
40077-03	37-39
40077-04	37-52
40077-07	37-38
40078-02	37-40
40078-03	37-41
40079-02	37-42
40079-03	37-43
40079-04	37-44
40079-05	37-45
40080-02	36-10
40080-04	36-23
40081-00	7-86
40081-00	92-55
40081-00	94-14
40081-00	96-24
40083-02	37-48
40083-03	37-47
40083-04	37-46
40083-05	37-49
40083-06	37-50
40083-07	37-51
40086-02	39-34
40086-03	39-35
40086-05	39-37
40086-06	39-38
40086-07	39-39
40086-08	39-36
40087-02	38-19
40087-03	38-20
40088-00	39-40
40090-00	39-41
40091-00	38-23
40094-02	36-25
40094-03	36-11
40094-04	36-26
40094-05	36-12
40095-03	36-13
40095-04	36-31

Part Number	Figure and Index No.
40096-00	36-14
40098-00	39-42
40099-00	39-43
40100-02	38-24
40100-03	38-25
40102-02	38-26
40102-03	38-27
40102-04	38-28
40102-05	38-29
40104-03	36-16
40104-05	36-16
40105-00	95-20
40108-00	36-28
40109-00	8-14
40109-00	8-15
40109-01	8-14
40109-01	8-15
40110-02	8-16
40110-03	8-16
40112-02	8-17
40112-03	8-17
40113-00	8-16
40113-01	8-6
40114-00	8-7
40114-00	8-8
40114-01	8-7
40114-01	8-8
40115-00	8-18
40115-01	8-18
40116-00	8-19
40117-00	8-20
40118-00	8-20
40122-02	38-31
40122-15	38-34
40122-16	38-34
40125-00	36-15
40126-04	36-34
40127-02	8-22
40127-03	8-22
40127-04	8-23
40127-05	8-23
40128-02	8-24
40128-03	8-25
40129-02	8-26
40129-03	8-26
40130-00	8-27
40130-01	8-27
40132-02	8-28
40132-03	8-28
40132-04	8-29
40132-05	8-29
40135-00	8-4
40135-36	9-9
40137-02	9-11
40137-03	9-11
40137-04	9-12
40137-05	9-12
40138-00	8-5

PIPER PARTS CATALOG

Part Number	Figure and Index No.
40140-07	39-5
40140-08	39-7
40140-10	39-81
40140-12	39-4
40140-23	39-65
40140-24	39-63
40140-25	39-64
40140-26	39-68
40140-27	39-67
40142-00	8-45
40144-02	9-13
40144-03	9-13
40144-04	9-14
40144-05	9-14
40144-06	9-15
40144-07	9-15
40145-00	8-32
40147-02	9-16
40147-03	9-16
40147-04	9-17
40147-05	9-17
40147-06	9-18
40147-07	9-18
40147-08	9-19
40147-09	9-19
40147-10	9-20
40147-11	9-20
40149-00	8-42
40152-00	8-33
40153-00	8-43
40155-14	38-2
40155-15	38-2
40155-16	38-3
40155-18	38-4
40155-19	38-3
40155-26	35-4
40155-26	38-1
40157-00	9-21
40157-01	9-21
40162-10	9-41
40162-11	9-41
40163-00	8-34
40165-00	9-22
40165-01	9-22
40166-00	9-23
40166-01	9-23
40166-02	9-24
40166-03	9-24
40167-00	9-25
40167-01	9-25
40167-02	9-26
40167-03	9-26
40167-04	9-27
40167-05	9-27
40167-06	9-28
40167-07	9-28
40167-08	9-29
40167-09	9-29

Part Number	Figure and Index No.
40167-10	9-30
40167-11	9-30
40167-12	9-31
40167-13	9-31
40168-00	9-32
40168-01	9-32
40168-02	9-33
40168-03	9-33
40170-02	36-3
40170-03	36-3
40170-04	36-4
40170-05	36-4
40170-06	36-8
40170-07	36-8
40170-13	36-7
40170-14	36-6
40170-23	36-17
40170-24	36-17
40170-28	35-1
40170-28	36-1
40170-29	36-2
40170-30	36-2
40172-00	8-42
40173-00	39-44
40177-02	9-39
40177-03	9-39
40177-04	9-40
40177-05	9-40
40178-00	8-40
40178-02	8-41
40182-00	8-19
40183-00	8-36
40183-01	8-36
40184-00	8-37
40184-01	8-37
40185-06	9-6
40185-07	9-6
40185-08	9-7
40185-09	9-7
40185-14	9-10
40185-15	9-10
40185-16	9-5
40185-17	9-3
40185-18	9-2
40185-19	9-2
40185-20	9-4
40185-21	9-4
40185-37	9-9
40185-38	9-8
40185-39	9-8
40185-42	9-1
40185-43	9-1
40190-16	8-38
40190-17	8-38
40200-06	8-31
40200-07	8-31
40200-08	8-12
40200-09	8-12

Part Number	Figure and Index No.
40200-16	8-3
40200-17	8-3
40200-18	8-9
40200-18	8-10
40200-19	8-9
40200-19	8-10
40200-28	8-2
40200-29	8-2
40200-42	8-1
40200-43	8-1
40200-44	8-47
40200-47	8-11
40200-48	8-11
40200-50	8-13
40200-51	8-13
40219-00	36-19
40233-00	36-19
40237-00	38-38
40242-00	41-8
40242-01	41-8
40243-00	41-9
40244-00	41-10
40246-02	41-11
40247-00	41-12
40247-02	41-12
40249-00	35-16
40250-02	46-5
40250-03	46-5
40253-00	35-19
40257-00	41-22
40263-00	46-7
40279-08	40-32
40279-09	40-32
40280-00	40-28
40280-01	40-28
40284-00	40-36
40288-00	40-79
40290-00	40-79
40292-02	46-23
40292-02	131-17
40292-04	41-6
40292-04	131-15
40294-00	40-15
40298-02	100-7
40298-03	100-7
40302-02	100-11
40302-03	100-11
40307-00	96-5
40309-00	40-15
40313-00	100-6
40317-00	45-19
40319-00	2-22
40323-02	99-102
40325-00	45-61
40325-01	45-61
40327-00	41-27
40335-00	45-22
40336-00	45-22

Part Number	Figure and Index No.
40337-00	40-47
40339-00	92-4
40339-01	92-4
40340-00	37-3
40342-02	36-33
40342-03	36-33
40344-00	36-32
40358-25	6-2
40358-24	6-2
40362-30	7-9
40362-31	7-9
40363-12	37-31
40364-02	38-40
40365-20	35-5
40365-21	35-6
40376-00	40-37
40383-02	6-5
40383-03	6-5
40383-08	7-12
40383-09	7-12
40389-00	7-13
40389-01	7-13
40396-00	4-2
40405-08	6-9
40405-09	6-9
40405-36	6-8
40405-37	6-8
40419-24	7-18
40419-25	7-18
40419-30	6-10
40419-31	6-10
40423-28	6-11
40423-29	6-11
40435-18	6-12
40435-19	6-12
40435-20	7-27
40435-21	7-27
40438-00	7-49
40438-01	7-49
40439-00	7-50
40439-01	7-50
40446-26	6-14
40446-27	6-14
40446-30	6-13
40446-31	6-13
40446-34	7-28
40446-35	7-28
40450-00	6-25
40450-01	6-25
40455-18	6-15
40455-19	6-15
40455-26	7-30
40455-27	7-30
40456-02	3-2
40456-03	3-2
40460-00	3-3
40464-00	3-4
40465-00	7-53

PIPER PARTS CATALOG

Part Number	Figure and Index No.
40466-00	7-54
40466-01	7-54
40468-00	2-15
40470-10	6-17
40470-11	6-17
40470-32	7-31
40470-33	7-31
40474-02	7-46
40474-03	7-46
40475-16	5-4
40475-17	5-4
40475-20	7-34
40475-21	7-34
40479-04	5-5
40479-05	5-5
40485-00	7-55
40486-20	6-20
40486-21	6-20
40486-22	7-36
40486-23	7-36
40488-00	6-21
40488-01	6-21
40489-24	6-22
40489-25	6-22
40489-28	7-39
40489-29	7-39
40490-18	6-24
40490-19	6-24
40490-22	7-40
40490-23	7-40
40492-23	4-20
40492-24	4-20
40494-00	92-15
40500-00	7-57
40500-01	7-57
40502-02	7-58
40502-03	7-58
40502-04	7-59
40502-05	7-59
40506-12	5-10
40506-13	5-10
40507-02	7-62
40507-03	7-62
40509-02	7-63
40509-03	7-63
40509-04	7-64
40509-05	7-64
40513-00	7-67
40513-00	7-68
40513-01	7-67
40513-01	7-68
40515-00	7-84
40524-00	88-24
40524-00	89-23
40526-05	4-17
40530-02	5-12
40530-03	5-12
40530-14	7-43

Part Number	Figure and Index No.
40530-15	7-43
40530-16	7-45
40530-17	7-45
40530-18	5-13
40530-19	5-13
40530-20	7-44
40530-21	7-44
40532-06	3-19
40532-06	5-14
40533-00	3-6
40533-01	3-6
40534-08	3-7
40534-09	3-7
40535-12	4-3
40535-13	4-3
40536-06	4-4
40536-07	4-4
40537-06	88-4
40537-07	88-4
40537-08	88-3
40537-09	88-3
40537-10	88-1
40537-11	88-1
40537-18	88-2
40537-19	88-2
40537-20	88-6
40537-21	88-6
40537-22	88-5
40537-23	88-5
40538-02	89-5
40538-03	89-5
40544-02	4-30
40545-04	3-27
40545-04	4-32
40545-04	5-48
40546-08	5-47
40546-10	89-24
40549-02	87-38
40553-00	78-17
40553-01	78-17
40555-00	88-22
40555-00	89-21
40558-00	88-19
40558-00	89-17
40559-02	99-93
40559-03	92-12
40559-06	100-31
40559-21	32A-4
40559-27	31-26
40559-28	31-18
40559-29	30-27
40559-29	32C-25
40559-30	114-25
40559-34	40-76
40559-35	99-53
40559-36	57-8
40559-36	57-27
40559-36	57-29

Part Number	Figure and Index No.
40559-36	99-47
40559-41	99-73
40559-42	2-48
40559-43	2-48
40560-02	7-73
40560-03	7-73
40560-04	7-75
40560-04	7-76
40560-05	7-75
40560-05	7-76
40560-11	7-74
40560-12	7-74
40561-00	7-77
40561-01	7-77
40563-00	2-17
40567-00	2-13
40567-00	2-99
40568-00	3-16
40569-00	2-12
40570-00	3-17
40583-03	90-92
40583-03	131-45
40584-03	90-93
40584-03	131-46
40585-08	5-7
40585-09	5-7
40585-10	5-8
40585-11	5-8
40585-20	5-26
40585-21	4-14
40585-22	4-12
40585-27	4-12
40585-35	4-6
40585-36	4-6
40586-44	3-11
40586-44	4-21
40586-44	5-29
40587-00	2-14
40587-01	2-14
40594-03	90-94
40594-03	131-47
40607-00	2-86
40607-00	98-5
40608-04	98-6
40616-16	7-89
40616-17	7-89
40616-18	7-90
40616-19	7-90
40617-00	14-65
40619-00	95-6
40620-00	14-51
40620-01	14-51
40625-00	7-104
40626-00	5-9
40626-01	5-9
40628-00	4-13
40628-01	4-13
40629-00	2-9

Part Number	Figure and Index No.
40629-01	2-9
40632-00	20-10
40632-01	20-10
40633-00	20-22
40633-01	20-22
40635-00	4-10
40635-01	4-10
40636-00	2-10
40636-01	2-10
40640-00	20-24
40640-01	20-24
40645-00	20-18
40646-00	20-19
40646-01	20-19
40647-00	20-15
40652-00	7-47
40658-00	7-56
40659-06	5-28
40659-07	5-28
40661-00	20-17
40667-00	78-64
40667-01	78-64
40668-00	78-18
40670-00	78-65
40670-01	78-65
40671-00	78-47
40671-01	78-47
40677-02	78-14
40683-00	20-3
40685-02	20-5
40688-00	20-27
40689-02	20-12
40689-03	20-12
40692-00	20-32
40701-04	92-54
40701-04	94-13
40701-04	96-23
40709-02	20-11
40719-00	19-65
40719-00	19A-64
40719-01	19-65
40719-01	19A-64
40720-00	19-4
40720-00	19A-6
40730-02	20-9
40730-03	20-9
40744-02	19-5
40744-02	19A-7
40744-03	19-5
40744-03	19A-7
40759-00	18-12
40770-00	35-34
40776-00	7-52
40777-00	36-37
40778-00	20-13
40778-01	20-13
40781-00	36-38
40786-00	19-49

PIPER PARTS CATALOG

Part Number	Figure and Index No.
40786-00	19A-42
40786-01	19-49
40786-01	19A-42
40787-00	19-50
40787-00	19A-43
40787-01	19-50
40787-01	19A-43
40790-00	20-26
40794-03	19-18
40794-03	19A-28
40794-04	19-17
40794-04	19A-29
40795-02	19-19
40795-02	19A-31
40795-04	19-20
40795-04	19A-30
40796-00	99-62
40799-04	20-29
40799-05	20-29
40805-00	103-19
40809-00	103-21
40810-00	103-18
40823-00	103-12
40827-03	101-75
40828-00	102-34
40830-02	102-13
40830-03	102-14
40830-07	102-14
40830-08	102-30
40830-09	102-13
40832-00	102-27
40834-03	101-77
40836-00	102-28
40836-01	102-28
40841-00	102-8
40841-01	102-8
40847-00	96-10
40848-00	102-7
40848-01	102-7
40849-02	101-68
40849-02	102-9
40849-03	101-69
40849-03	102-10
40849-04	102-36
40849-05	102-37
40849-06	103-37
40849-06	103-39
40849-07	84-39
40849-07	85-50
40849-09	84-40
40849-09	85-51
40849-10	103-7
40849-10	103-36
40849-11	84-41
40849-11	85-52
40849-13	84-86
40849-15	69-36
40849-16	69-37

Part Number	Figure and Index No.
40849-19	15-17
40870-00	95-34
40872-00	19-64
40872-00	19A-83
40885-00	67-33
40885-04	67-33
40885-04	68-13
40891-06	91-11
40918-00	21-23
40919-00	101-63
40920-00	103-4
40923-02	101-61
40923-03	101-62
40937-02	15-15
40944-00	17-10
40945-00	17-10
40947-04	14-41
40947-05	14-41
40950-00	99-9
40954-02	99-44
40954-03	99-44
40958-00	76-1
40963-00	96-37
40964-00	14-28
40968-04	100-1
40983-00	99-10
40985-00	14-39
40985-00	45-10
40994-19	14-2
40995-13	17-2
40998-00	14-55
40999-03	15-11
41001-03	94-35
41001-03	96-3
41027-13	2-6
41028-00	2-18
41033-00	14-52
41049-02	16-12
41049-04	16-11
41054-01	14-58
41060-00	16-29
41066-01	16-29
41089-00	52-14
41102-04	14-3
41106-00	16-20
41106-01	16-20
41120-02	16-21
41120-03	17-4
41120-04	16-21
41120-04	17-4
41138-00	52-18
41139-00	52-17
41145-00	13-53
41145-01	13-53
41145-02	13-34
41163-00	16-13
41214-03	61-48
41214-03	62-49

Part Number	Figure and Index No.
41214-03	63-26
41215-00	61-50
41215-00	62-50
41219-00	41-17
41219-01	41-17
41220-00	49-27
41228-00	52-12
41229-00	76-3
41230-05	85-21
41230-06	85-18
41230-07	84-59
41230-10	84-15
41297-00	40-26
41299-00	16-14
41322-00	57-15
41358-00	98-1
41393-00	90-61
41393-00	90-70
41393-00	90-79
41394-00	90-59
41394-00	90-68
41394-00	90-77
41398-06	45-32
41398-06	131-16
41398-07	40-48
41398-07	131-14
41402-00	100-16
41413-03	96-13
41413-05	2-50
41413-10	94-36
41413-10	96-16
41413-11	94-7
41413-12	96-17
41413-14	96-18
41413-15	84-68
41413-15	85-57
41413-16	84-71
41413-16	85-58
41413-17	95-3
41413-18	97-60
41413-19	95-4
41413-20	94-8
41413-21	94-9
41413-21	94-32
41413-26	58-48
41413-26	59-55
41413-26	60-48
41413-26	62-18
41413-26	62-31
41413-26	62A-14
41413-26	67-45
41413-29	94-10
41413-30	92-49
41413-31	94-11
41413-37	2-53
41413-38	58-36
41413-38	58-42
41413-38	59-18

Part Number	Figure and Index No.
41413-38	59-56
41413-38	60-18
41413-38	60-50
41413-42	62A-13
41413-51	2-5
41413-51	37-63
41413-51	39-57
41413-55	98-22
41413-57	7-96
41413-61	114-40
41413-71	114-36
41413-76	90-105
41413-78	2-37
41415-00	91-22
41416-00	91-23
41417-00	91-24
41423-03	100-17
41427-00	14-4
41427-00	16-24
41435-03	100-18
41439-00	14-49
41440-00	120-26
41449-00	92-51
41451-00	92-48
41451-01	92-48
41453-00	100-4
41458-00	9-46
41465-00	100-5
41466-05	70-3
41466-06	13-19
41473-00	100-3
41476-00	91-6
41476-02	91-6
41507-24	67-4
41507-24	68-1
41525-00	91-10
41526-00	91-9
41532-00	99-40
41545-03	21-24
41576-02	94-31
41580-05	84-46
41584-00	84-52
41584-00	85-35
41585-00	13-47
41586-00	84-45
41586-00	87-21
41587-00	78-23
41601-00	3-10
41601-03	3-10
41604-00	78-53
41604-01	78-53
41612-04	45-75
41617-02	84-2
41617-02	84-10
41617-02	85-3
41617-02	85-28
41618-00	84-12
41618-00	84-56

PIPER PARTS CATALOG

Part Number	Figure and Index No.
41618-00	85-27
41620-00	84-4
41620-00	85-2
41626-00	84-20
41626-00	85-37
41632-00	78-23
41635-00	77-1
41636-02	6-27
41636-03	6-27
41636-04	6-26
41636-05	6-26
41646-14	6-18
41646-15	6-18
41647-00	87-2
41647-01	87-2
41648-00	87-3
41649-00	87-4
41653-00	84-27
41655-00	84-28
41656-00	87-32
41663-00	78-51
41663-01	78-51
41664-00	78-52
41664-01	78-52
41667-08	78-38
41667-09	78-38
41667-10	78-39
41667-11	78-39
41669-00	7-87
41676-00	20-4
41677-02	20-6
41678-06	67-30
41678-06	67-31
41678-06	68-12
41679-02	67-29
41683-05	84-61
41691-00	58-17
41693-02	58-49
41693-03	58-49
41694-00	58-16
41694-01	58-16
41698-02	58-30
41698-03	58-31
41698-04	58-19
41698-05	58-19
41699-00	58-27
41722-10	58-12
41722-10	59-44
41722-10	60-42
41722-10	61-12
41725-00	58-62
41734-02	93-2
41734-06	95-25
41734-17	90-56
41734-18	90-74
41734-36	90-65
41734-83	97-2
41754-02	92-3

Part Number	Figure and Index No.
41754-03	92-3
41763-00	59-14
41763-00	60-14
41770-00	45-70
41771-00	45-71
41775-00	107-56
41789-00	40-73
41790-00	45-14
41792-00	45-58
41793-00	45-16
41794-08	45-69
41794-09	45-69
41795-00	38-30
41796-00	45-34
41797-02	45-33
41797-03	40-19
41800-05	75-16
41808-00	75-25
41812-00	75-12
41815-00	78-19
41815-01	78-19
41819-00	78-20
41819-01	78-20
41820-00	76-25
41840-03	2-67
41852-00	99-22
41859-08	93-23
41860-00	8-46
41898-00	16-37
41904-00	69-14
41905-00	69-4
41925-00	94-2
41925-02	94-2
41942-00	96-1
41942-02	96-1
41947-00	96-2
41947-02	96-2
41947-03	94-3
41952-00	40-45
41953-00	94-4
41953-02	94-4
41965-02	58-20
41965-03	58-20
41968-00	58-18
41979-00	40-46
41982-02	40-41
41982-03	40-41
41983-00	40-40
41983-01	40-40
41985-00	40-49
41985-01	40-49
41995-00	70-19
42003-00	2-61
42003-01	2-61
42008-00	2-80
42008-00	2-74
42025-00	40-7
42025-01	40-8

Part Number	Figure and Index No.
42034-00	67-37
42037-00	9-45
42037-01	9-45
42041-00	40-21
42042-00	40-44
42059-06	40-6
42059-07	40-9
42062-00	50-4
42064-00	50-6
42065-00	50-7
42074-00	59-38
42078-04	9-34
42078-05	9-34
42079-00	16-33
42080-00	58-56
42080-00	131-29
42094-00	49-7
42098-00	59-20
42098-00	60-20
42102-00	102-22
42103-00	102-21
42104-00	102-33
42109-00	126-11
42110-02	84-7
42110-02	86-1
42110-03	85-33
42110-03	86-1
42113-05	84-9
42113-05	85-23
42113-05	86-15
42117-00	4-11
42117-01	4-11
42118-00	2-11
42118-01	2-11
42123-00	69-15
42129-03	45-59
42129-04	40-60
42129-04	45-43
42129-06	40-51
42129-07	40-52
42129-08	40-53
42129-09	40-54
42129-10	40-55
42129-11	49-33
42129-12	49-34
42130-00	2-68
42143-00	100-33
42173-00	2-72
42180-00	49-13
42189-10	116-17
42189-21	116-7
42189-22	116-63
42189-23	116-61
42189-26	116-65
42189-27	116-13
42189-28	116-14
42189-29	116-15
42189-33	116-16

Part Number	Figure and Index No.
42189-35	116-9
42189-42	116-60
42189-46	116-59
42189-63	116-8
42189-64	116-10
42189-64	116-11
42189-64	116-12
42189-65	116-4
42189-66	116-3
42189-67	116-5
42189-75	116-62
42191-00	88-20
42191-00	89-18
42204-00	102-29
42214-00	39-46
42218-04	39-48
42224-00	2-62
42224-01	2-62
42225-00	39-59
42226-00	38-7
42226-01	38-7
42227-00	38-46
42227-01	38-46
42230-10	38-21
42230-12	38-22
42230-13	38-22
42231-04	39-50
42257-00	38-47
42257-01	38-47
42258-00	38-6
42258-01	38-6
42274-00	2-63
42274-01	2-63
42279-00	2-83
42279-01	2-83
42282-00	59-13
42282-00	60-13
42297-02	78-66
42297-03	78-66
42298-02	78-67
42298-03	78-67
42300-03	49-16
42300-06	49-12
42301-00	36-29
42303-00	36-5
42308-00	2-84
42335-00	84-17
42335-00	85-49
42337-00	92-18
42342-00	2-64
42342-01	2-64
42345-00	16-9
42398-02	120-22
42414-00	77-3
42417-00	39-66
42422-00	77-4
42426-00	3-23
42426-01	3-23

PIPER PARTS CATALOG

Part Number	Figure and Index No.
42455-08	3-24
42455-09	3-24
42455-10	3-25
42455-11	3-25
42455-12	3-26
42455-13	3-26
42512-00	13-11
42513-04	13-12
42536-00	99-78
42537-02	99-103
42538-00	99-59
42558-00	61-14
42558-00	62-17
42570-00	61-19
42570-00	62-15
42571-02	61-20
42571-02	62-19
42571-04	92-16
42571-05	92-17
42571-06	99-57
42571-08	97-41
42580-00	67-56
42589-00	5-31
42590-00	4-18
42595-00	20-7
42621-00	119-23
42628-03	84-79
42628-07	84-77
42628-07	85-60
42632-00	119-24
42635-00	119-25
42636-00	119-26
42638-00	4-22
42638-00	4-24
42657-00	119-27
42704-00	119-28
42706-02	119-9
42740-00	46-25
42756-00	99-63
42756-01	99-63
42785-00	76-36
42787-00	63-14
42789-00	62A-19
42789-00	63-15
42809-00	49-24
42809-00	76-30
42819-00	36-36
42819-01	36-36
42825-00	16-55
42836-00	83-24
42901-02	99-66
42904-06	76-23
42910-00	13-35
42912-00	13-37
42912-05	11-11
42913-00	13-54
42938-00	99-25
42942-00	99-67

Part Number	Figure and Index No.
42943-00	99-26
42944-00	99-68
42945-00	99-27
42964-00	99-70
42965-00	99-72
42971-00	13-38
42971-00	131-3
42978-00	16-15
42978-01	16-16
42979-00	16-30
43020-00	126-3
43021-00	126-4
43022-00	126-5
43033-02	115-74
43048-00	126-1
43052-09	99-1
43057-00	115-30
43123-00	56-52
43145-00	125-10
43203-05	97-27
43206-01	38-37
43206-02	38-37
43210-00	38-45
43211-02	39-25
43211-03	39-23
43212-02	39-26
43212-03	39-23
43213-00	38-18
43224-00	97-37
43251-03	57-14
43256-02	41-31
43256-02	41-15
43256-03	41-28
43256-04	41-30
43256-05	41-32
43256-06	46-10
43256-07	46-6
43262-00	46-4
43274-00	62-33
43274-00	62A-28
43274-00	63-16
43278-00	62-40
43278-00	62A-25
43278-00	63-42
43279-00	63-45
43284-00	62-39
43284-00	62A-24
43284-00	63-40
43286-02	40-42
43288-00	62-38
43288-00	62A-23
43288-00	63-37
43300-02	40-58
43300-03	40-58
43300-04	40-58
43300-05	40-58
43325-06	29-12
43300-06	40-58

Part Number	Figure and Index No.
43332-00	39-82
43346-04	127-27
43353-00	58-55
43375-02	57-19
43376-02	57-20
43377-00	95-7
43404-00	69-56
43435-00	91-12
43435-01	91-12
43438-05	90-1
43438-06	90-1
43438-06	91-1
43438-05	91-1
43454-00	91-2
43454-02	91-2
43455-00	91-20
43455-00	91-21
43457-00	91-34
43508-00	2-8
43555-00	98-4
43561-00	69-54
43561-00	70-24
43586-12	32A-30
43599-00	13-44
43618-08	99-6
43639-00	63-41
43639-02	63-41
43639-03	63-41
43643-00	62-36
43643-00	62A-21
43643-00	63-39
43645-00	2-57
43645-01	2-57
43646-04	2-55
43646-05	2-55
43647-00	2-59
43647-01	2-59
43647-02	13-51
43647-03	13-51
43648-00	2-58
43648-01	2-58
43649-04	2-56
43649-05	2-56
43680-03	120-21
43683-00	2-60
43683-01	2-60
43709-02	35-39
43709-03	35-39
43709-04	35-39
43711-00	40-85
43712-00	101-58
43713-02	35-40
43713-03	35-40
43741-00	39-58
43741-01	39-58
43743-00	39-49
43743-01	39-49
43744-04	39-54

Part Number	Figure and Index No.
43745-00	39-47
43748-00	39-72
43751-00	90-2
43752-00	39-56
43757-05	39-52
43757-15	39-51
43757-16	39-51
43775-00	69-58
43776-00	58-74
43831-00	11-12
43833-00	11-9
43840-00	101-57
43850-00	32A-5
43851-00	32A-6
43853-00	32A-2
43876-02	102-24
43888-00	16-18
43936-00	5-11
43936-01	5-11
43943-00	57-16
43949-00	62-35
43949-00	62A-20
43949-00	63-38
43961-02	7-105
43961-03	7-105
43972-00	40-70
43981-00	91-8
44023-00	56-10
44029-02	59-27
44029-02	60-27
44107-00	13-43
44114-00	57-9
44114-00	57-11
44114-00	57-27
44114-00	57-28
44114-00	57-29
44114-00	58-48
44114-00	59-57
44114-00	59-58
44114-00	60-49
44114-00	60-51
44114-00	61-36
44114-00	62-31
44114-00	62A-14
44155-00	2-25
44155-02	2-25
44182-04	100-14
44182-05	100-14
44259-00	120-25
44271-00	99-65
44272-00	99-45
44272-04	99-45
44275-02	5-33
44275-03	119-53
44294-00	36-27
44322-02	39-73
44349-02	19A-76
44386-00	46-21

PIPER PARTS CATALOG

Part Number	Figure and Index No.
44397-00	78-21
44398-02	78-49
44398-03	126-12
44402-02	126-9
44406-00	78-59
44413-00	79-19
44415-00	79-18
44416-00	20-20
44419-02	78-2
44419-03	78-2
44419-04	78-68
44420-02	78-22
44420-03	78-35
44424-00	79-3
44425-00	79-4
44427-00	79-7
44431-00	79-13
44433-00	79-11
44433-01	79-11
44434-00	79-12
44434-01	79-12
44436-00	79-9
44437-06	78-4
44437-07	78-4
44437-10	78-69
44437-11	78-69
44437-12	78-24
44437-13	78-24
44438-06	78-4
44438-07	78-4
44438-10	78-70
44438-11	78-70
44438-12	78-24
44438-13	78-24
44444-00	78-54
44444-01	78-54
44448-00	3-14
44457-00	78-10
44457-01	78-10
44458-00	78-10
44458-01	78-10
44461-00	78-7
44461-01	78-7
44462-04	78-7
44462-05	78-7
44462-08	78-71
44474-02	78-5
44474-03	78-5
44474-10	78-73
44474-12	78-72
44474-14	78-72
44474-15	78-6
44474-16	78-6
44474-20	78-5
44474-21	78-5
44475-00	78-8
44475-01	78-8
44476-02	78-8

Part Number	Figure and Index No.
44476-03	78-8
44476-04	78-74
44483-02	78-46
44483-03	78-46
44483-06	78-45
44483-07	78-45
44483-08	78-46
44483-09	78-46
44483-10	78-45
44483-11	78-45
44484-00	78-41
44484-01	78-41
44490-00	101-59
44491-02	78-9
44491-03	78-9
44491-04	78-26
44492-02	78-9
44492-03	78-9
44492-04	78-26
44493-02	78-16
44493-03	78-16
44493-04	78-15
44493-05	78-15
44508-00	78-77
44511-00	78-60
44515-00	78-63
44517-00	79-17
44524-10	79-1
44529-00	78-48
44546-06	78-55
44654-04	2-16
44655-03	2-28
44672-00	6-3
44672-01	6-3
44724-00	78-62
44744-00	7-103
44767-00	5-43
44865-04	46-18
44872-00	2-2
44875-00	2-3
44879-02	2-7
44933-04	41-7
44943-03	36-35
44955-05	39-53
44964-00	2-21
45001-00	18-21
45001-01	18-21
45002-00	18-22
45006-00	18-22
45010-00	17-17
45013-02	24-12
45013-03	24-12
45016-00	12-20
45018-00	14-42
45019-00	17-19
45019-00	18-23
45019-03	17-19
45020-00	18-33

Part Number	Figure and Index No.
45020-00	18-34
45020-01	18-33
45020-01	18-34
45020-01	18-35
45024-00	17-20
45024-01	17-20
45026-00	17-24
45026-01	17-24
45028-00	14-29
45028-01	14-29
45029-00	14-30
45029-01	14-30
45031-04	23-2
45031-05	23-1
45031-06	23-1
45032-00	14-31
45032-01	14-31
45033-00	17-21
45033-01	17-21
45034-04	23-4
45034-10	23-3
45034-11	23-3
45035-00	14-32
45035-01	14-32
45036-02	14-33
45036-03	14-33
45037-10	18-2
45038-00	17-27
45039-00	12-69
45040-00	19-42
45040-00	20-30
45041-00	21-32
45041-01	21-32
45046-00	18-37
45046-01	18-37
45047-00	18-24
45047-01	18-24
45048-00	18-25
45048-01	18-25
45049-01	18-23
45051-00	18-36
45052-00	18-26
45054-00	18-27
45055-00	14-34
45055-01	14-34
45057-00	17-18
45057-03	17-18
45058-00	14-45
45060-00	12-19
45060-01	12-19
45061-05	17-17
45063-00	14-45
45065-00	18-29
45066-00	18-29
45067-00	12-21
45067-02	12-21
45068-00	18-30
45068-01	18-30

Part Number	Figure and Index No.
45071-00	12-28
45072-00	18-31
45073-00	18-31
45074-00	12-22
45076-00	12-22
45077-00	18-32
45078-00	22-37
45079-00	18-36
45082-00	18-28
45083-00	12-33
45083-01	12-33
45083-02	22-36
45083-03	22-35
45085-00	12-9
45085-01	12-10
45086-02	12-23
45086-03	12-23
45090-10	14-6
45090-11	14-6
45099-11	26-3
45099-13	26-2
45100-19	14-7
45100-14	14-7
45111-05	14-8
45111-06	14-9
45111-19	14-8
45112-00	12-25
45112-01	12-26
45113-00	12-27
45114-00	21-5
45116-00	22-34
45117-00	22-33
45118-00	22-31
45119-00	22-32
45123-02	14-10
45123-04	14-10
45123-06	14-11
45124-00	22-38
45134-00	12-11
45135-09	14-12
45135-10	14-12
45139-03	12-3
45140-02	17-3
45140-03	17-3
45141-00	12-16
45145-02	13-50
45150-00	12-4
45150-02	12-5
45151-02	17-5
45151-04	17-5
45151-09	17-7
45152-00	16-8
45153-00	16-8
45155-00	2-20
45157-00	15-12
45157-01	15-13
45158-00	15-14
45162-02	17-8

PIPER PARTS CATALOG

Part Number	Figure and Index No.
45162-04	17-8
45162-06	17-11
45165-02	7-8
45165-03	7-8
45165-20	3-5
45165-20	7-7
45165-21	3-5
45165-21	7-7
45165-25	7-10
45173-02	12-6
45173-05	21-36
45174-00	18-3
45180-00	12-7
45181-02	18-4
45181-04	18-4
45181-06	18-5
45185-00	18-38
45185-00	18-39
45185-01	18-38
45185-01	18-39
45185-01	18-40
45190-00	19-21
45190-00	19A-32
45191-02	18-6
45191-03	18-6
45192-00	45-63
45192-01	45-63
45194-00	14-54
45194-01	14-53
45203-07	18-8
45203-22	18-7
45203-23	18-7
45204-00	17-6
45204-00	17-9
45204-01	17-6
45204-01	17-9
45208-02	12-8
45209-10	18-9
45209-11	18-9
45210-00	18-10
45212-00	17-23
45212-00	18-41
45212-00	21-44
45215-04	22-1
45215-12	18-11
45216-02	18-14
45217-05	18-11
45218-00	22-19
45222-00	70-16
45222-00	71-9
45223-00	22-20
45224-21	18-15
45224-22	18-16
45225-00	19-3
45225-00	19A-5
45228-00	22-16
45232-01	11-10
45232-06	11-10

Part Number	Figure and Index No.
45233-00	22-21
45234-13	18-18
45234-15	18-17
45234-17	18-17
45243-09	19A-53
45244-01	19-2
45247-01	14-35
45248-00	13-32
45248-01	13-32
45249-12	19-9
45249-12	19A-10
45249-21	19-8
45249-22	19-8
45255-00	59-40
45255-00	60-40
45261-00	61-23
45261-04	19-10
45261-05	19-10
45261-11	19-11
45264-00	21-7
45264-01	21-7
45266-00	28-8
45267-02	28-3
45267-04	28-27
45268-02	28-9
45268-03	28-5
45269-00	21-29
45269-01	21-29
45271-00	28-6
45274-16	19-13
45282-04	28-24
45283-03	13-39
45285-16	24-2
45294-02	14-36
45294-03	14-36
45296-05	19-35
45296-05	19A-55
45301-00	24-6
45302-00	24-5
45303-00	24-3
45304-00	24-4
45306-10	14-47
45306-11	14-47
45314-00	46-8
45316-03	46-2
45318-00	46-56
45318-04	46-56
45324-02	14-14
45324-03	14-15
45324-04	14-14
45324-05	11-2
45328-00	46-20
45329-00	46-42
45331-00	46-24
45331-00	131-18
45332-00	41-20
45333-03	46-12
45333-07	45-1

Part Number	Figure and Index No.
45333-07	46-1
45334-00	41-14
45337-03	14-16
45337-04	14-17
45337-05	14-16
45337-07	11-3
45338-00	24-7
45340-00	19-54
45341-00	14-56
45341-21	14-56
45342-10	14-38
45346-00	14-24
45349-19	11-25
45349-20	11-23
45352-00	13-55
45359-00	11-5
45361-00	14-19
45367-00	90-10
45367-00	90-47
45370-02	11-6
45371-00	14-20
45376-00	12-52
45376-00	13-31
45376-00	16-31
45376-00	21-43
45376-00	22-18
45379-07	7-4
45380-00	7-65
45380-01	7-65
45381-14	7-6
45381-15	7-6
45382-00	5-19
45382-01	5-19
45384-00	7-82
45384-01	7-82
45385-00	7-69
45385-01	7-69
45386-00	2-98
45388-00	12-53
45389-00	12-44
45389-01	12-45
45389-02	12-49
45390-02	12-43
45390-03	12-43
45390-04	12-46
45390-05	12-46
45390-06	12-47
45390-07	12-47
45390-08	12-48
45392-06	13-3
45392-07	13-3
45393-05	14-21
45394-06	13-4
45394-07	13-4
45396-10	14-22
45396-11	14-21
45405-00	90-19
45405-00	90-31

Part Number	Figure and Index No.
45405-00	90-44
45407-03	16-7
45407-04	16-7
45409-02	7-32
45409-03	7-32
45417-00	12-32
45421-02	7-37
45421-03	7-37
45423-05	19-51
45423-07	19-51
45424-00	12-66
45427-03	19-14
45427-04	19-14
45433-02	14-47
45433-11	14-47
45434-02	7-38
45434-03	7-38
45439-02	7-14
45439-03	7-14
45449-08	7-23
45449-09	7-23
45451-00	14-25
45451-01	14-25
45454-00	24-11
45458-02	7-17
45458-03	7-17
45460-02	7-33
45460-03	7-33
45467-12	7-20
45467-13	7-20
45467-14	7-21
45467-15	7-21
45467-16	7-19
45467-17	7-19
45477-02	7-24
45477-03	7-24
45477-04	7-25
45477-05	7-25
45477-06	7-26
45477-07	7-26
45486-00	19-16
45486-01	19-16
45496-00	19-52
45497-33	7-29
45497-34	7-29
45498-02	12-35
45500-00	12-37
45501-00	7-51
45501-01	7-51
45502-00	103-13
45504-04	41-13
45504-05	41-13
45504-26	40-1
45504-26	41-1
45504-27	40-1
45504-27	41-1
45504-28	40-1
45504-28	41-1

PIPER PARTS CATALOG

Part Number	Figure and Index No.
45504-29	40-1
45504-29	41-1
45504-30	41-13
45504-31	41-13
45506-00	54-6
45511-00	100-39
45515-00	22-39
45516-00	22-40
45517-06	14-27
45522-00	19A-3
45527-05	16-2
45527-05	17-1
45530-00	13-7
45531-00	19-15
45531-01	19-15
45532-00	19-23
45532-00	19A-34
45533-00	19-24
45533-00	19A-35
45534-00	19-24
45534-00	19A-35
45538-03	20-21
45539-00	5-30
45545-00	4-25
45545-01	4-25
45551-00	14-26
45597-00	94-42
45599-00	94-38
45604-00	94-41
45612-00	21-6
45614-08	13-2
45614-08	14-1
45615-00	19-22
45615-00	19A-33
45615-01	19-22
45615-01	19A-33
45616-02	19-25
45616-02	19A-36
45619-00	22-15
45622-00	32-13
45624-00	32-1
45627-00	24-13
45627-01	24-13
45627-04	24-14
45628-00	24-15
45629-00	21-4
45629-01	21-4
45630-00	19-55
45631-00	19-53
45632-00	19-55
45639-02	23-5
45639-04	23-6
45639-14	23-5
45640-00	16-4
45640-00	16-56
45640-01	16-4
45640-01	16-56
45642-00	22-17

Part Number	Figure and Index No.
45645-00	18-42
45646-07	12-68
45647-10	5-27
45648-00	24-48
45649-10	24-9
45653-00	24-36
45653-03	24-37
45654-00	24-40
45655-00	24-34
45655-01	24-34
45658-00	56-16
45660-00	22-14
45661-00	13-30
45661-01	13-30
45662-00	14-37
45663-00	13-26
45663-01	13-26
45666-10	13-27
45666-11	13-27
45668-03	13-28
45668-06	13-28
45669-00	24-8
45669-01	24-8
45673-00	13-29
45673-01	13-29
45682-02	24-52
45682-03	24-50
45682-10	24-52
45682-18	24-54
45683-00	24-56
45683-02	24-58
45684-07	24-49
45685-00	19-54
45687-00	19-53
45691-02	7-60
45691-03	7-60
45691-04	7-61
45691-05	7-61
45692-04	24-10
45693-00	13-45
45693-01	13-45
45696-02	13-15
45696-03	13-15
45696-06	13-17
45696-07	13-17
45696-08	13-18
45696-10	13-20
45696-11	13-21
45696-12	13-22
45696-13	13-22
45696-14	13-23
45696-15	13-23
45696-17	13-24
45696-20	13-25
45696-21	13-64
45696-22	13-66
45696-23	13-16
45696-24	13-16

Part Number	Figure and Index No.
45703-07	13-1
45705-00	16-34
45705-01	16-34
45706-00	24-17
45707-00	24-17
45710-00	16-35
45710-01	16-35
45712-10	89-4
45712-11	89-4
45712-16	89-2
45712-17	89-2
45712-22	89-3
45712-23	89-3
45712-24	89-1
45712-25	89-1
45713-00	16-36
45713-01	16-36
45717-00	21-34
45717-01	21-34
45718-00	21-35
45718-01	21-35
45733-02	11-1
45737-00	12-31
45738-00	19-38
45739-00	19-39
45758-00	16-39
45758-01	16-39
45759-02	16-40
45759-03	16-40
45761-00	16-42
45761-01	16-42
45762-00	16-43
45762-01	16-43
45765-03	16-47
45765-04	16-48
45765-05	16-48
45765-06	16-49
45765-08	16-46
45765-09	16-49
45779-00	24-25
45779-04	24-26
45780-00	24-27
45780-04	24-28
45781-00	24-29
45781-03	24-30
45782-00	24-21
45782-04	24-22
45782-05	24-23
45782-07	24-24
45794-06	45-73
45794-07	45-73
45794-08	45-72
45794-09	45-72
45804-00	114-7
45809-10	7-5
45824-00	7-78
45824-01	7-78
45825-00	7-81

Part Number	Figure and Index No.
45825-01	7-81
45838-00	7-79
45838-01	7-79
45843-02	11-13
45843-03	11-14
45843-04	11-15
45843-05	21-16
45843-06	11-16
45843-07	21-15
45843-08	11-15
45843-09	11-19
45843-10	11-17
45843-11	11-20
45843-12	11-18
45853-00	49-28
45854-00	15-4
45856-00	101-34
45857-00	101-35
45858-00	101-3
45861-00	101-76
45862-00	101-74
45864-00	14-7
45864-01	11-7
45868-00	101-36
45871-00	11-8
45871-01	11-8
45877-00	101-4
45881-00	129-2
45887-00	14-59
45887-01	14-59
45889-00	129-1
45891-04	19-36
45891-04	19A-56
45891-05	19-36
45891-05	19A-56
45892-00	129-4
45897-00	49-9
45904-14	19-37
45904-14	19A-57
45904-15	19-37
45904-15	19A-57
45921-00	49-8
45925-00	50-5
45925-02	49-6
45925-03	49-5
45927-02	19-47
45927-03	19-47
45927-03	19A-59
45927-04	19A-59
45929-00	20-23
45929-01	20-23
45946-00	20-28
45946-01	20-28
45955-00	7-80
45955-01	7-80
45968-18	7-2
45968-19	7-2
45968-20	7-3

PIPER PARTS CATALOG

Part Number	Figure and Index No.
45968-21	7-3
45970-02	21-40
45970-03	21-41
45970-04	21-33
45971-00	12-50
45972-00	12-51
45973-00	12-50
45974-00	12-67
45975-00	12-51
45976-00	16-52
45977-00	16-52
45978-00	16-50
45978-01	16-50
45979-00	16-51
45979-01	16-51
45990-02	23-7
45990-03	23-7
45990-04	23-8
45997-00	3-8
45997-01	3-8
46000-00	12-67
46025-02	16-54
46025-03	16-53
46025-04	22-24
46025-05	22-26
46025-06	22-25
46025-07	22-28
46025-08	22-27
46025-09	22-30
46025-10	22-29
46036-00	34-2
46038-00	34-30
46040-02	83-4
46049-03	107-61
46049-09	107-59
46049-10	107-60
46051-02	69-11
46051-04	69-5
46064-00	21-42
46070-00	114-15
46071-00	107-10
46074-00	21-17
46074-01	21-17
46078-00	114-9
46079-00	21-18
46079-01	21-18
46082-00	100-32
46083-00	34-34
46084-02	21-8
46084-03	21-14
46084-04	21-9
46084-05	21-9
46084-06	21-10
46084-07	21-10
46084-08	21-11
46084-09	21-11
46084-10	21-12
46084-11	21-13

Part Number	Figure and Index No.
46084-13	21-8
46088-00	33-1
46090-00	15-23
46094-00	15-26
46102-00	14-76
46102-00	15-18
46106-00	34-11
46107-00	34-12
46109-00	34-6
46112-00	34-35
46115-00	114-16
46116-02	19-44
46116-02	19A-66
46117-00	114-38
46118-00	11-22
46121-02	40-11
46121-03	40-12
46125-00	21-48
46128-02	114-34
46129-02	114-56
46129-03	114-57
46132-00	19-48
46132-00	19A-60
46133-00	22-41
46134-02	114-21
46134-03	114-22
46137-00	114-20
46138-00	101-39
46144-02	21-1
46144-03	21-3
46144-04	21-2
46146-00	115-1
46147-00	114-32
46155-00	115-3
46161-00	114-3
46168-00	2-23
46168-01	2-23
46170-00	115-2
46183-00	114-11
46184-00	114-12
46197-00	107-20
46203-02	99-11
46218-00	35-32
46225-00	11-21
46231-09	15-20
46245-05	107-3
46251-00	107-22
46253-00	107-21
46255-00	52-22
46256-00	52-21
46257-00	52-20
46258-00	52-6
46259-00	52-16
46261-00	114-1
46268-00	80-25
46269-00	80-25
46270-00	80-25
46272-00	113-9

Part Number	Figure and Index No.
46273-03	107-2
46273-04	107-2
46286-00	29A-18
46286-00	32B-10
46287-00	32A-29
46287-00	32B-11
46288-00	30-15
46301-00	34-3
46306-00	73-37
46316-03	21-20
46319-04	67-28
46320-00	67-2
46331-04	80-4
46331-05	80-4
46331-05	80-5
46333-00	107-93
46347-00	107-19
46349-07	99-7
46349-08	99-7
46355-07	75-3
46357-06	7-71
46357-07	7-71
46357-08	7-72
46357-09	7-72
46366-00	13-46
46395-03	22-7
46396-00	29A-2
46407-00	49-11
46408-00	49-10
46411-02	69-31
46411-03	69-10
46413-00	49-4
46420-00	69-8
46457-00	67-3
46460-00	15-8
46460-01	15-8
46469-00	57-17
46482-00	30-1
46482-02	30-2
46490-02	69-17
46490-03	69-9
46494-00	31-8
46494-01	31-13
46502-04	107-39
46519-02	30-14
46522-00	29A-26
46526-00	29A-25
46528-02	30-43
46534-00	30-8
46536-00	29-14
46536-00	29A-8
46536-00	32A-27
46536-02	32B-9
46537-03	32C-24
46539-00	30-3
46541-00	76-22
46541-01	76-22
46543-00	29A-3

Part Number	Figure and Index No.
46548-00	19-66
46548-00	22-9
46548-00	32B-5
46548-05	32A-23
46550-02	29A-23
46550-04	29A-24
46554-00	29A-5
46555-00	19-61
46555-00	19A-70
46556-00	29A-4
46557-00	22-10
46560-04	30-44
46563-04	30-42
46582-02	29A-28
46582-04	29A-27
46583-03	29-20
46624-02	29A-21
46624-03	29A-22
46628-02	30-31
46633-00	33-2
46636-00	19-6
46636-00	19A-8
46636-01	19-6
46636-01	19A-8
46636-02	19-40
46636-02	19A-61
46636-03	19-40
46636-03	19A-61
46637-00	30-10
46674-06	73-42
46678-02	22-2
46678-04	22-4
46678-05	22-3
46678-06	22-5
46678-07	22-6
46695-02	61-52
46695-02	62-44
46695-02	63-31
46695-03	61-53
46695-03	62-43
46695-03	62A-30
46695-05	62A-34
46695-07	62A-29
46695-07	62A-34
46695-08	62A-30
46695-10	61-54
46695-10	62-45
46695-10	63-25
46696-00	61-49
46696-00	62-46
46696-00	63-27
46704-00	61-21a
46704-00	62-16
46707-03	119-12
46708-05	119-12
46711-00	61-18
46711-00	62-14
46713-00	70-8

PIPER PARTS CATALOG

Part Number	Figure and Index No.
46722-00	70-7
46722-00	101-5
46723-00	70-5
46723-00	71-6
46723-00	112-40
46723-00	123-30
46724-00	49-14
46726-00	29A-11
46732-00	71-5
46734-00	15-9
46736-00	19-62
46736-00	19A-71
46736-00	22-8
46736-00	29A-7
46736-00	32B-15
46752-00	111-22
46752-00	112-28
46752-00	131-54
46771-00	69-30
46771-00	70-2
46776-11	29-1
46776-11	29A-1
46777-05	29A-29
46779-02	119-18
46779-03	119-18
46783-00	46-48
46783-02	46-48
46783-03	46-48
46783-04	46-48
46783-05	46-48
46783-06	46-48
46804-00	121-33
46810-00	70-17
46810-00	71-7
46821-00	19-43
46828-00	49-18
46829-00	49-19
46845-04	48-9
46852-02	115-12
46867-00	14-57
46872-04	12-61
46876-00	71-8
46876-00	123-29
46882-06	54-3
46882-06	54-5
46882-10	54-3
46882-10	54-5
46883-06	27-20
46885-05	54-2
46885-07	54-2
46890-00	90-38
46907-00	14-58
46910-00	90-57
46910-00	90-66
46910-00	90-75
46911-00	68-4
46912-00	68-2
46913-04	90-69

Part Number	Figure and Index No.
46913-04	90-78
46913-05	90-60
46914-00	18-43
46927-03	90-55
46927-04	90-73
46927-05	90-64
46931-00	27-13
46933-00	45-27
46936-00	48-6
46947-00	48-3
46949-00	14-63
46958-00	121-21
46959-00	37-22
46961-00	48-34
47005-03	57-23
47005-04	57-23
47011-00	21-25
47019-04	69-60
47024-00	111-11
47029-10	21-22
47031-00	21-27
47032-00	21-28
47034-00	13-49
47038-09	115-51
47041-00	14-64
47043-00	115-13
47045-00	2-69
47047-00	48-36
47050-00	2-65
47054-03	2-68
47056-00	48-32
47056-02	48-31
47058-04	14-22
47059-00	29-5
47059-00	131-11
47060-00	29-4
47060-00	131-10
47065-03	101-72
47068-00	48-38
47069-00	48-37
47071-00	48-30
47074-02	48-27
47075-00	73-35
47080-00	48-5
47085-02	90-7
47085-03	90-8
47085-03	90-41
47089-02	90-82
47089-03	90-84
47090-02	90-17
47090-03	90-29
47091-00	90-42
47092-00	90-86
47094-00	121-24
47102-00	90-6
47109-02	90-21
47109-02	90-33
47109-02	90-46

Part Number	Figure and Index No.
47116-02	90-14
47116-03	90-26
47117-00	90-18
47117-00	90-30
47117-00	90-43
47128-00	33-7
47130-00	33-9
47131-03	53-22
47132-03	52-5
47134-00	48-1
47137-00	14-43
47143-00	17-25
47144-00	48-29
47150-00	45-3
47157-00	90-16
47157-00	90-28
47157-00	90-40
47158-00	90-111
47158-00	103-22
47159-00	90-120
47160-00	90-88
47185-00	29A-6
47189-00	22-11
47192-00	83-12
47196-00	18-44
47222-00	84-84
47222-00	85-30
47251-48	53-48
47251-50	53-48
47252-06	29A-13
47252-07	29A-13
47252-08	29A-13
47252-09	29A-13
47255-00	20-31
47267-00	56-11
47267-01	56-11
47302-00	19-57
47302-00	19A-79
47302-00	66-20
47306-03	66-11
47306-04	66-12
47306-06	66-25
47318-02	57-7
47328-00	66-14
47328-00	66-14
47328-02	66-27
47328-03	66-21
47337-00	16-17
47338-00	23-9
47344-00	57-13
47344-03	66-19
47346-00	15-7
47347-04	66-61
47353-00	11-27
47378-00	57-8
47378-00	57-9
47378-00	57-11
47378-00	57-27

Part Number	Figure and Index No.
47378-00	57-28
47378-00	57-29
47378-00	79-20
47386-00	65-2
47409-00	89-16
47439-00	13-41
47448-00	63-4
47454-00	13-60
47479-26	63-1
47479-28	63-1
47480-00	14-73
47480-00	19-7
47500-00	31-11
47529-30	40-82
47529-31	40-82
47529-32	40-83
47536-02	111-5
47538-00	19-12
47539-00	19-12
47552-00	55-8
47555-00	46-45
47563-00	26-6
47563-00	131-12
47564-00	30-16
47565-02	30-17
47566-00	30-18
47572-00	30-19
47579-00	13-42
47580-00	111-4
47581-00	111-12
47583-00	111-8
47583-00	131-53
47601-00	90-3
47603-00	90-4
47607-00	90-119
47615-00	59-25
47615-00	60-25
47616-02	32-8
47633-00	57-8
47639-00	19A-41
47652-00	70-18
47652-00	71-11
47659-02	90-113
47659-03	90-114
47660-02	90-121
47660-03	90-115
47660-04	90-54
47662-00	57-12
47662-02	57-12
47664-02	70-25
47664-02	125-32
47664-02	125-33
47664-02	125-34
47664-02	125-36
47664-03	125-31
47664-03	125-37
47664-08	125-38
47664-11	125-34

PIPER PARTS CATALOG

Part Number	Figure and Index No.
47664-12	125-33
47664-13	125-13
47664-16	123-5
47673-00	29-8
47674-00	29-9
47678-00	59-16
47678-00	60-16
47695-00	70-19
47695-00	71-26
47700-00	19-34
47716-04	31-14
47716-05	31-14
47720-02	97-65
47735-00	90-97
47736-00	90-98
47736-00	131-48
47737-00	90-99
47737-00	131-49
47738-00	90-100
47738-00	131-50
47741-02	29-16
47757-00	13-14
47757-00	131-2
47759-00	22-42
47789-00	111-15
47793-00	111-16
47830-00	76-10
47875-00	125-22
47881-00	48-4
47909-00	30-41
47946-02	114-2
47946-03	114-54
47949-00	29-13
47958-00	32-3
47959-00	59-24
47959-00	60-24
47962-00	19A-51
47963-00	59-15
47963-00	60-15
47974-00	121-42
47989-00	121-26
47992-00	57-24
47998-00	34-31
48014-03	90-5
48017-00	34-28
48022-00	11-26
48022-00	131-1
48028-00	101-52
48030-00	101-51
48030-00	131-52
48032-00	101-45
48033-00	101-50
48040-02	67-14
48040-02	68-9
48055-00	36-19
48070-00	40-20
48076-05	73-36
48084-00	80-19

Part Number	Figure and Index No.
48101-00	16-22
48103-00	14-62
48118-00	36-9
48138-00	100-37
48165-03	31-25
48171-02	121-16
48179-78	67-27
48197-02	53-16
48242-00	56-17
48242-00	131-28
48259-02	111-25
48259-04	111-24
48267-00	12-41
48268-00	12-42
48269-00	12-38
48271-00	27-15
48272-00	27-16
48273-00	27-8
48274-00	27-9
48275-00	27-31
48276-00	27-7
48276-01	27-7
48287-00	27-6
48288-00	12-20
48299-00	26-4
48299-00	27-1
48299-03	27-3
48299-04	27-4
48299-05	27-5
48299-06	27-2
48309-00	102-32
48310-00	102-31
48313-00	14-5
48313-01	14-5
48314-00	69-18
48330-00	29A-14
48338-04	111-1
48338-04	112-1
48348-00	32-2
48362-00	29-14
48362-00	32B-8
48365-02	107-24
48368-04	53-11
48370-04	53-13
48385-02	56-8
48385-03	56-8
48391-05	57-4
48418-00	31-24
48436-00	48-8
48436-00	94-3
48437-02	93-9
48437-05	97-8
48463-00	31-17
48463-00	31-32
48464-05	27-17
48464-06	27-17
48472-03	29-27
48479-03	29-3

Part Number	Figure and Index No.
48482-00	90-90
48484-00	90-117
48488-02	90-89
48491-00	90-89
48494-00	90-117
48495-06	90-95
48499-00	90-118
48500-00	90-91
48504-06	34-1
48506-04	31-23
48506-05	31-23
48530-06	53-2
48537-14	59-3
48537-14	60-3
48537-14	61-44
48537-15	59-3
48537-15	60-3
48547-02	63-13
48582-06	82-7
48583-02	32-14
48597-00	14-44
48611-00	15-10
48611-01	15-10
48612-02	13-62
48612-03	13-62
48613-02	36-39
48613-03	36-39
48626-00	16-38
48644-02	31-5
48644-03	31-3
48644-04	31-1
48648-00	31-22
48649-00	31-2
48649-00	31-4
48649-00	31-6
48652-05	29-24
48654-03	29-30
48656-05	29-26
48657-00	99-3
48658-05	29-25
48659-03	83-30
48659-04	83-9
48659-06	88-21
48659-06	89-15
48661-03	29-29
48662-03	29-28
48663-00	29-18
48664-04	29-15
48665-00	13-6
48666-03	31-27
48762-00	84-81
48762-00	85-22
48789-02	29-19
48807-02	93-30
48808-02	93-31
48809-02	93-1
48868-02	48-48
48869-02	48-46

Part Number	Figure and Index No.
48872-02	63-19
48892-05	28-2
48898-03	28-7
48899-02	28-31
48901-02	28-30
48903-06	28-29
48908-02	28-28
48918-10	28-1
48920-02	28-4
48966-07	25-11
48966-08	25-11
48966-10	25-11
48966-11	25-11
48966-12	25-11
48966-13	25-11
49056-04	12-63
49056-04	22-23
49077-06	53-7
49086-03	61-42
49086-04	59-48
49086-04	60-45
49086-05	59-48
49086-05	60-45
49086-05	61-42
49088-06	57-1
49088-08	57-1
49090-04	56-4
49090-09	56-5
49090-10	56-6
49090-21	56-1
49090-36	56-7
49090-38	56-4
49091-12	53-15
49091-13	53-15
49092-06	59-41
49092-06	60-10
49092-07	59-42
49092-07	60-11
49092-07	62-23
49092-08	59-43
49092-08	60-12
49092-08	61-13
49092-08	62-24
49092-34	61-10
49097-02	64-13
49099-03	61-40
49099-10	59-46
49099-10	60-43
49099-11	59-46
49099-11	60-43
49099-11	61-40
49099-12	58-57
49099-13	58-57
49102-02	58-3
49102-02	63-12
49102-04	58-3
49109-02	18-52
49111-02	32-15

PIPER PARTS CATALOG

Part Number	Figure and Index No.
49118-04	66-13
49124-02	53-25
49131-02	27-12
49155-02	58-13
49167-02	124-7
49167-05	120-35
49167-07	116-68
49167-08	116-68
49172-02	21-52
49172-02	131-6
49174-02	33-15
49184-02	56-13
49184-03	56-12
49187-02	17-12
49187-02	17-14
49187-03	18-19
49187-04	17-13
49188-02	16-23
49188-07	16-25
49188-12	16-25
49189-02	18-20
49192-02	17-12
49192-03	17-13
49192-04	17-15
49192-05	18-19
49192-05	18-20
49194-02	17-16
49194-03	17-16
49205-03	24-68
49231-02	99-81
49261-02	96-14
49265-02	96-6
49270-04	27-18
49270-04	53-9
49270-13	27-18
49270-14	53-9
49272-02	113-13
49276-02	54-14
49276-03	54-10
49276-04	54-12
49310-29	58-11
49310-30	58-11
49310-31	58-11
49310-32	58-11
49359-09	63-3
49407-02	107-97
49432-03	122-2
49443-05	29-21
49444-05	29-2
49445-02	27-29
49445-03	27-29
49456-03	7-95
49457-04	7-93
49457-05	7-93
49478-02	107-18
49496-06	115-26
49496-07	115-25
49498-02	12-12

Part Number	Figure and Index No.
49498-05	12-14
49498-05	25-5
49498-06	12-14
49498-06	25-5
49499-02	115-27
49511-02	36-35
49517-03	127-22
49518-02	127-19
49525-02	115-24
49525-03	115-32
49526-02	53-29
49526-03	53-29
49530-02	12-1
49531-02	18-49
49535-04	87-33
49535-05	87-33
49536-02	87-36
49537-02	87-37
49538-08	87-35
49538-09	87-35
49539-02	87-5
49542-02	87-7
49543-02	87-6
49543-03	87-6
49544-02	87-16
49544-03	87-16
49549-02	99-86
49550-02	99-64
49551-02	99-87
49552-03	99-88
49553-04	99-91
49554-02	99-89
49556-02	99-83
49572-02	12-34
49572-02	25-2
49577-02	15-24
49582-02	99-94
49636-02	65-3
49638-02	72-2
49644-02	67-52
49648-08	72-1
49661-02	53-1
49661-03	53-1
49663-09	113-15
49663-11	113-15
49667-11	53-4
49667-12	53-4
49669-02	53-30
49669-03	53-30
49684-02	67-20
49686-02	112-29
49687-02	21-21
49687-03	21-21
49696-02	112-22
49697-02	112-24
49698-02	112-25
49701-02	112-17
49701-03	112-18

Part Number	Figure and Index No.
49702-02	112-16
49718-02	98-8
49758-02	39-55
49809-02	131-67
49822-02	112-30
49837-03	12-17
49837-02	12-17
49838-02	53-46
49842-02	115-21
49842-02	115-29
49844-02	24-63
49844-04	24-64
49845-05	21-51
49845-06	21-51
49847-04	21-47
49853-02	25-8
49918-02	113-14
49918-03	113-14
49922-08	113-15
49922-09	113-15
49947-02	123-41
49964-02	124-6
49972-02	8-48
49972-03	35-10
49972-04	39-74
49979-04	28-17
49979-16	103-36
49981-09	97-13
49982-06	63-7
49982-07	31-10
49982-08	31-9
49982-27	59-50
49982-27	60-53
49982-27	61-34
49982-28	59-51
49982-28	60-54
49982-28	61-35
49982-31	59-52
49982-31	60-55
49982-31	61-30
49982-31	62-31
49982-44	97-44
49982-45	97-43
49982-46	97-42
49989-02	114-51
49989-03	107-87
49989-04	107-88
49989-07	107-89
49989-08	107-90
49989-09	107-91
49989-09	115-10
49989-09	118-6
49989-16	118-6
49990-04	114-4
49990-05	114-5
49990-06	107-36
49990-08	107-37
49990-10	107-35

Part Number	Figure and Index No.
49990-10	115-8
49990-18	107-53
49990-22	118-1
49990-30	118-1
49990-31	107-52
49990-32	107-38
49997-05	115-78
49997-19	113-4
49998-03	62-41
49998-03	62A-26
49998-03	63-44
49998-09	69-28
49998-09	70-4
49998-10	69-27
49998-10	70-6
49998-35	62A-22
49998-37	123-32
49998-45	62-37
49998-45	63-43
49999-23	97-59
49999-34	65-4
49999-35	30-38
49999-36	6-4
50057-00	14-13
50072-00	14-78
50109-03	13-10
50109-03	14-71
50111-00	58-24
50127-04	5-41
50127-05	5-41
50128-04	5-39
50128-05	5-39
50128-06	2-26
50129-04	5-38
50129-05	5-38
50129-06	2-96
50129-07	2-96
50133-00	117-9
50157-00	103-11
50157-01	103-11
50163-00	103-14
50166-00	4-31
50186-09	4-5
50186-10	4-5
50189-00	76-17
50209-00	83-3
50216-04	83-17
50216-04	131-42
50216-05	83-18
50216-05	131-43
50216-06	83-19
50216-06	131-44
50233-00	83-2
50234-00	83-1
50242-00	6-23
50242-01	6-23
50243-02	6-19
50243-03	6-19

PIPER PARTS CATALOG

Part Number	Figure and Index No.
50244-02	6-16
50244-03	6-16
50261-00	117-2
50263-04	88-18
50272-00	117-8
50325-04	4-16
50325-05	4-16
50328-04	119-46
50328-05	119-47
50393-00	4-29
50409-00	17-26
50434-00	13-34
50437-06	24-19
50440-00	17-22
50442-00	87-1
50459-00	14-50
50459-01	14-50
50466-03	15-25
50479-00	103-28
50480-06	15-5
50481-09	14-23
50481-09	15-1
50488-00	117-3
50529-00	119-21
50540-02	14-74
50543-02	119-48
50543-03	119-48
50549-07	24-1
50550-00	13-9
50551-00	13-59
50558-02	72-4
50559-02	119-50
50608-02	71-13
50618-00	83-20
50639-00	83-11
50645-00	83-21
50682-03	116-1
50731-00	120-5
50737-03	120-20
50743-00	120-24
50743-00	131-56
50762-03	121-8
50809-02	117-1
50820-00	14-66
50846-00	83-14
50856-00	88-16
50856-00	89-14
50923-00	115-35
50924-00	16-19
50946-06	88-17
50946-07	89-12
50946-08	89-13
50950-00	14-75
50950-01	14-75
50960-03	13-5
50992-00	15-27
51006-00	67-59
51006-00	107-96

Part Number	Figure and Index No.
51041-00	89-20
51049-00	71-14
51050-00	125-27
51051-00	125-28
51054-00	91-18
51108-04	37-33
51109-04	37-34
51147-00	67-41
51148-00	113-8
51149-00	113-5
51190-00	87-9
51196-00	46-46
51197-00	46-47
51208-00	12-65
51208-01	12-65
51223-00	26-8
51234-00	26-5
51234-02	26-6
51242-00	107-68
51255-17	125-20
51262-00	19-45
51262-00	19A-63
51264-04	5-40
51264-05	5-40
51268-00	97-4
51271-02	93-4
51335-02	115-34
51339-00	97-6
51340-00	97-3
51343-00	97-7
51357-00	4-7
51357-04	4-7
51358-00	4-28
51366-00	21-26
51376-00	70-29
51397-02	25-7
51448-00	28-15
51464-05	5-15
51464-06	5-15
51466-00	5-45
51467-00	5-20
51467-01	5-20
51472-03	83-10
51484-00	96-39
51535-00	19-26
51535-00	19A-37
51588-04	32A-25
51588-05	32A-25
51597-00	119-10
51609-00	33-6
51662-02	22-13
51662-04	22-13
51677-02	122-3
51730-00	80-33
51730-00	84-76
51730-00	85-13
51735-02	19-28
51736-02	19-29

Part Number	Figure and Index No.
51737-02	19-30
51739-02	19-31
51739-02	19A-39
51740-02	19-32
51740-02	19A-40
51747-02	19-27
51747-02	19A-38
51828-02	13-8
51975-02	119-60
52001-00	78-44
52045-00	85-48
52054-03	3-18
52054-04	2-4
52104-00	80-31
52167-00	94-19
52168-00	94-17
52338-00	59-59
52378-00	69-16
52716-00	58-68
52717-00	58-69
52718-00	58-70
52778-08	88-7
52778-09	88-7
52846-00	31-30
52857-00	102-18
52858-00	102-17
52889-00	59-30
52889-00	60-30
52889-00	61-17
52893-00	59-28
52893-00	60-28
52893-00	61-16
52898-00	59-29
52898-00	60-29
52898-00	61-15
52904-00	59-47
52904-00	60-44
52904-00	61-41
52904-06	58-58
52904-07	58-58
52917-00	59-53
52917-00	60-52
52917-00	61-43
52960-00	103-20
52965-00	103-15
53042-02	7-97
53042-03	7-98
53042-04	7-99
53042-05	7-100
53119-00	78-74
53134-00	62A-15
53171-00	3-21
53172-00	4-19
53236-00	57-10
53255-04	58-50
53299-04	62A-16
53354-02	63-21
53358-00	5-37

Part Number	Figure and Index No.
53387-00	96-41
53423-00	75-30
53423-00	76-26
53469-08	79-22
53551-00	73-45
53599-00	52-8
53599-00	52-36
53646-02	58-7
53785-00	99-32
53797-00	88-23
53797-00	89-22
53853-00	45-67
53853-02	45-67
53856-00	99-4
53856-03	99-2
53885-02	39-75
53885-04	39-76
53892-02	37-62
53897-00	115-52
53899-00	58-14
53900-00	58-26
53905-00	5;24
53906-00	5-21
53906-01	5-21
53968-03	31-31
53971-00	99-33
54066-00	41-49
54159-00	37-30
54174-02	100-44
54174-03	100-44
54175-00	80-13
54175-00	98-7
54179-02	59-45
54179-02	60-41
54179-03	59-45
54179-03	60-41
54179-04	59-21
54179-04	60-21
54182-02	59-23
54182-02	60-23
54196-02	39-3
54227-02	39-77
54232-06	39-2
54232-14	35-3
54232-14	39-1
54325-02	2-43
54325-06	2-43
54332-02	7-91
54332-03	7-91
54336-02	8-21
54336-07	8-21
54339-02	8-30
54339-03	8-30
54340-02	8-39
54340-03	8-39
54344-02	7-10a
54344-03	7-10a
54395-03	2-44

PIPER PARTS CATALOG

Part Number	Figure and Index No.
54430-06	56-22
54495-04	21-49
54587-02	24-22
54587-02	131-8
54599-07	57-26
54623-02	4-27
54628-03	67-44
54662-02	5-2
54662-02	78-57
54678-04	87-40
54679-03	87-24
54702-02	71-3
54716-02	4-26
54716-03	4-26
54800-54	130-1
54802-02	12-58
54802-03	12-58
54822-10	12-2
54839-02	121-43
54855-02	69-20
54855-02	70-1
54894-03	12-24
54894-02	12-24
54895-06	12-40
54895-07	12-40
54897-04	12-39
54897-05	12-39
54898-03	12-36
54901-05	26-1
54901-06	26-1
54902-02	12-59
54903-14	54-1
54903-15	54-1
54903-16	54-1
54903-17	54-1
54903-23	53-28
54903-24	53-28
54927-02	77-5
54931-02	35-43
54938-02	90-15
54938-02	90-27
54938-02	90-39
54940-02	90-20
54940-02	90-32
54940-02	90-45
54945-02	99-61
54959-02	58-60
54966-08	21-19
54966-09	21-38
54977-06	21-46
54977-08	21-46
54979-04	58-9
55020-02	53-24
55233-02	45-49
55233-03	35-22
55248-02	113-2
55248-03	113-2
55357-02	67-51

Part Number	Figure and Index No.
55357-03	67-51
55371-02	13-67
55374-02	21-30
55376-02	21-45
55380-02	53-23
55392-05	62A-10
55406-02	92-1
55408-02	92-2
55447-02	80-21
55524-02	11-24
55524-03	11-24
55563-06	53-3
55566-02	124-10
55589-03	62-12
55590-02	62-27
55599-02	62-32
55602-05	124-8
55603-02	62-11
55606-04	62-13
55607-07	62-10
55628-12	53-16
55665-02	56-19
55665-07	56-20
55665-09	56-20
55665-13	56-18
55667-02	111-6
55667-03	112-23
55668-02	111-7
55668-03	112-21
55683-02	68-4
55684-02	68-2
55817-02	99-80
55841-02	73-52
55842-02	58-72
55846-04	59-9
55846-04	62-6
55846-05	59-9
55846-05	61-7
55846-05	62A-5
55881-13	53-42
55893-02	59-8
55893-02	61-6
55893-02	62-5
55893-02	62A-4
55893-04	58-2
55902-03	113-10
55902-04	113-10
55917-02	53-3
55936-02	113-14
55936-12	113-14
55939-02	113-12
55952-05	120-27
55969-03	116-55
56024-04	25-6
56024-05	25-6
56038-09	19A-21
56039-03	19A-54
56053-16	12-57

Part Number	Figure and Index No.
56053-17	12-57
56061-02	12-18
56061-03	12-18
56062-02	25-3
56062-03	25-3
56093-22	12-15
56093-23	12-15
56093-25	12-13
56093-26	12-13
56094-06	19A-20
56202-02	25-1
56202-04	25-1
56202-05	25-1
56204-02	12-30
56208-08	12-60
56279-02	19A-19
56582-03	19A-74
56599-06	19A-23
56646-05	19A-13
56651-03	19A-14
56655-04	19A-12
56728-48	116-6
56766-05	32B-20
56880-02	19A-2
56951-02	32A-14
56952-23	107-34
56953-04	125-35
56981-02	96-45
57032-02	19A-65
57032-03	32B-14
59019-02	32B-16
59186-03	33-28
59667-02	19A-52
59693-02	32B-12
59693-08	32A-19
59746-02	32B-7
59747-02	32B-4
59747-03	32B-4
59750-03	32A-21
59753-02	32C-13
59753-04	32C-14
59761-05	32B-6
59762-02	32C-16
59770-02	32C-23
59772-02	116-21
59772-02	131-55
59773-02	32C-17
59774-13	32B-2
59832-04	12-54
59832-05	12-54
60054-43	58-15
60704-02	130-8
60998-06	48-23
60998-06	48-24
60998-07	33-17
60998-15	59-11
60998-15	61-5
60998-15	62-7

Part Number	Figure and Index No.
60998-15	62A-6
60998-16	59-11
60998-16	61-5
60998-16	62-7
60998-16	62A-6
61402-90	38-32
61402-93	35-20
61402-97	73-56
61402-98	41-28
61402-99	41-32
61402-101	96-8
61402-102	96-9
61541-10	119-41
61541-11	115-43
61541-28	73-23
61541-31	73-72
61541-32	73-17
61541-32	73-19
61541-42	119-32
61541-53	77-18
61879-02	73-14
64076-03	30-30
64076-03	30-40
64076-15	87-28
70371-00	114-39
70371-02	49-25
70796-05	32C-15
70856-07	32C-2
70857-02	32C-1
70957-06	107-99
70957-14	107-100
71059-04	35-38
71059-05	35-38
71063-02	5-46
71063-03	5-46
71109-02	9-35
71109-03	9-35
71109-04	9-36
71109-05	9-36
71118-04	9-44
71118-05	9-44
71139-02	2-13
71164-02	119-62
71533-02	35-17
71533-02	36-21
71589-02	79-8
71594-02	91-4
71599-04	91-15
71617-02	121-36
71698-02	92-10
71700-02	38-38
71700-03	38-48
72682-10	40-22
72682-12	40-24
72682-14	45-12
72754-02	32C-18
72754-03	32B-13
72781-02	9-37

PIPER PARTS CATALOG

Part Number	Figure and Index No.
72781-03	9-37
72781-04	9-38
72781-05	9-38
73155-02	32C-5
73155-03	32C-7
73155-04	32C-9
73155-05	32C-11
73156-02	32C-3
73344-02	40-91
73344-03	40-91
74011-03	116-30
74027-02	36-24
74037-02	38-44
74087-02	40-23
74087-02	40-25
74087-02	45-13
74120-02	9-42
74243-02	98-10
74630-05	131-31
77910-17	73-24
80000-09	49-54
80000-11	49-55
80002-87	114-44
80004-08	69-21
80004-09	69-22
80004-14	115-58
80004-15	115-59
80004-16	115-60
80004-17	115-61
80004-19	103-17
80004-20	103-17
80004-37	119-20
80004-39	87-17
80004-42	112-15
80004-42	115-81
80004-44	112-13
80004-45	112-14
80004-50	111-42
80004-60	119-11
80005-27	115-82
80006-13	101-43
80006-13	112-9
80006-14	101-42
80006-33	107-58
80006-54	120-11
80006-55	120-12
80007-02	72-6
80007-05	70-10
80007-06	71-21
80007-08	72-12
80007-09	123-31
80007-10	70-14
80007-10	71-2
80007-11	71-18
80007-11	71-25
80007-12	70-15
80007-12	71-17
80007-13	71-15

Part Number	Figure and Index No.
80007-29	71-16
80007-30	71-1
80007-34	112-10
80007-36	71-20
80007-39	73-20
80007-46	112-12
80007-47	112-11
80007-50	111-29
80007-51	72-9
80007-52	71-19
80007-53	70-12
80007-53	71-22
80007-54	70-13
80007-54	71-24
80007-55	70-11
80007-55	71-23
80011-13	117-12
80011-14	117-11
80012-06	67-45
80012-59	84-49
80012-94	96-25
80012-95	99-37
80012-95	99-41
80012-108	100-8
80012-108	100-12
80012-109	116-53
80012-109	100-9
80012-110	100-10
80012-110	100-13
80012-112	97-54
80020-02	24-16
80020-03	24-57
80020-03	24-59
80020-04	24-53
80020-04	24-55
80020-05	24-51
80022-74	92-8
80022-87	92-9
80022-103	95-32
80022-113	66-22
80022-113	93-18
80022-116	58-59
80022-137	80-20
80022-142	58-59
80024-15	102-39
80024-16	102-40
80024-18	102-15
80024-19	102-16
80024-20	111-17
80024-22	87-8
80024-65	69-19
80030-02	90-116
80042-90	87-39
80043-04	87-15
80043-05	87-18
80044-10	57-25
80044-12	55-9
80044-13	64-31

Part Number	Figure and Index No.
80044-13	66-17
80045-03	84-83
80045-03	85-31
80122-06	59-37
80122-06	60-37
80122-07	57-21
80122-128	40-74
80122-129	40-14
80122-130	40-14
80122-131	40-14
80122-133	63-8
80122-134	63-9
80122-141	111-20
80122-152	28-16
80122-154	40-74
80122-155	40-14
80385-02	28-22
80385-02	131-9
80424-02	34-9
80424-02	131-13
80454-02	75-5
80454-02	131-39
80495-02	13-65
80495-02	131-4
80556-02	67-43
80556-02	131-35
80614-02	67-49
80614-02	131-37
80687-02	130-9
80687-02	131-5
80755-02	67-47
80755-02	131-36
80772-02	67-32
80772-02	131-63
80773-02	67-42
80773-02	131-34
80832-02	125-39
80856-02	67-32
80856-02	131-33
80862-02	131-57
80876-02	122-21
80876-02	131-58
80893-02	53-39
80893-02	131-25
80895-02	53-38
80895-02	131-24
80897-02	125-2
80897-02	131-60
80900-02	53-37
80900-02	131-23
80902-02	53-12
80902-02	131-19
80904-02	53-36
80904-02	131-7
80905-02	27-21
80905-02	53-34
80905-02	131-21
80907-02	55-4

Part Number	Figure and Index No.
80907-02	131-26
80908-02	125-21
80908-02	131-59
80908-02	131-61
80909-02	57-5
80913-02	53-41
80936-02	124-3
80973-02	32B-21
81002-02	131-40
81004-02	131-41
81010-02	123-24
81010-02	131-27
81014-02	116-70
81036-02	57-3
81036-02	131-32
81037-02	57-5
81037-02	131-30
81043-02	116-47
81044-02	131-64
81045-02	131-65
81046-02	131-66
81049-02	27-32
81050-02	67-61
81050-02	131-62
81057-02	83-15
81057-03	83-16
81060-02	67-57
81060-02	131-38
81062-02	80-44
81062-02	131-51
81064-02	79-16
81065-02	57-32
81065-02	131-71
81066-02	53-33
81066-02	131-20
81067-02	53-49
81067-02	131-70
81068-02	53-35
81068-02	131-22
81069-02	53-35
81069-02	131-22
81070-02	75-5a
81070-02	131-69
81072-02	120-37
81072-02	131-57
81102-20	13-56
81102-35	100-30
81102-36	100-30
81102-37	100-30
81268-02	19A-50
81271-02	19A-16
81274-02	19A-16
81295-02	19A-67
81298-02	119-15
81299-02	119-15
81321-02	19A-68
81325-03	24-49
81331-02	19A-47

PIPER PARTS CATALOG

Part Number	Figure and Index No.
81336-02	19A-77
81341-02	19A-15
81341-09	19A-17
81342-06	26-10
81342-08	84-72
81342-09	2-45
81342-09	37-61
81342-13	97-19
81342-44	91-38
81342-64	58-35
81342-68	91-13
81342-78	99-24
81342-89	100-35
81342-89	99-28
81342-90	99-28
81342-90	100-35
81342-91	99-28
81342-91	100-35
81342-92	99-29
81342-100	91-25
81346-02	25-12
81347-02	19A-78
81348-04	19A-26
81348-05	19A-26
81350-03	23-7
81350-04	23-8
81350-05	23-10
81364-02	19A-69
81370-06	19A-4
81374-02	19A-47
81382-04	19A-27
81382-05	19A-27
81384-02	19A-9
81385-02	19A-18
81389-03	19A-45
81392-11	19A-25
81397-02	19A-24
81397-03	19A-24
81410-02	19A-11
81413-03	32A-1
81413-03	32B-1
81415-02	19A-46
81415-03	53-48
81426-04	32B-18
81430-02	32B-17
81433-03	32B-19
81440-02	53-3
81444-04	53-7
81457-03	29-17
81472-30	13-24
81499-03	14-20
81502-02	14-46
81553-02	58-10
81553-03	58-10
81573-02	58-64
81722-02	13-52
81724-02	19A-73
81761-47	62A-17

Part Number	Figure and Index No.
81761-61	28-25
81761-65	58-53
81761-69	31-7
81761-70	29-22
81762-02	19A-75
81762-03	19A-72
81769-05	32A-13
81775-04	19A-22
81776-02	23-11
81786-04	53-18
81786-05	53-18
81788-02	58-61
81815-02	39-13
81815-03	39-15
81889-02	33-26
81889-03	33-27
81963-02	99-82
81976-02	111-33
81978-02	32A-11
81991-02	112-26
82034-02	20-1
82042-02	124-9
82044-02	20-8
82045-02	20-2
82049-02	20-14
82051-02	19-1
82051-03	19A-1
82063-02	19-46
82063-03	19-46
82063-03	19A-58
82063-04	19A-58
82073-03	119-22
82094-02	25-9
82094-03	25-9
82095-02	36-42
82095-02	95-24
82097-02	10-1
82097-03	10-1
82098-02	38-11
82098-02	97-1
82103-02	20-16
82104-02	53-5
82106-02	53-6
82127-02	89-8
82127-03	89-8
82139-02	89-6
82139-03	89-6
82158-02	15-19
82159-02	15-22
82160-02	97-5
82162-02	89-19
82163-02	97-18
82169-03	97-16
82175-02	97-14
82184-02	14-67
82186-02	14-68
82187-02	117-35
82188-03	117-36

Part Number	Figure and Index No.
82371-07	33-23
82371-23	87-30
82371-23	115-44
82371-23	119-33
82371-25	119-31
82371-34	119-40
82371-35	115-36
82371-35	115-39
82371-45	115-43
82371-46	115-85
82371-47	119-38
82371-48	119-35
82371-51	72-5
82371-56	77-19
82371-69	115-40
82371-72	119-36
82371-73	73-18
82371-93	119-34
82371-102	115-38
82371-105	119-37
82371-106	115-42
82371-114	119-45
82371-134	72-14
82371-134	72-15
82371-136	115-37
82371-139	28-23
82371-140	119-43
82371-147	112-7
82371-148	112-8
82371-148	119-39
82371-149	73-22
82371-154	72-3
82371-155	111-41
82371-155	112-27
82371-156	111-37
82371-162	33-24
82371-164	72-11
82371-166	77-20
82732-34	119-56
82732-129	97-25
83161-36	72-7
83161-42	87-43
83161-70	112-39
83161-71	111-34
83161-71	112-37
83302-32	45-36
83302-47	79-10
83302-54	45-35
83302-61	58-25
83302-67	30-20
83302-67	34-23
83302-74	107-23
83302-74	114-13
83302-81	73-57
83303-03	59-22
83303-03	60-22
85012-65	84-69
85012-65	85-75

Part Number	Figure and Index No.
85012-101	73-9
85012-105	40-78
85012-110	94-39
85012-110	107-11
85012-119	32-6
85012-125	40-14
85512-35	24-35
85512-35	24-39
85512-35	24-41
85512-35	24-47
85512-39	24-18
85512-39	24-20
85512-51	116-68
86092-87	63-24
86092-111	76-13
86102-11	61-31
86102-104	2-49
86102-105	2-49
86102-106	2-49
86102-113	97-17
91193-00	76-29
99456-02	11-28
180 413	54-11
180 413	54-13
180 413	54-15
187 527	34-5
187 610	78-61
187 659	27-10
187 967	53-26
189 743	27-30
189 743	75-31
289 512	115-56
400 002	62A-33
400 002	117-32
400 002	45-44
400 002	88-14
400 002	89-28
400 003	9-43
400 003	35-31
400 003	40-72
400 003	100-29
400 004	48-15
400 008	40-59
400 008	40-89
400 008	92-22
400 008	92-29
400 009	2-91
400 009	48-18
400 009	92-27
400 009	94-28
400 009	96-33
400 011	2-29
400 011	48-14

PIPER PARTS CATALOG

Part Number	Figure and Index No.
400 012	40-43
400 012	48-16
400 012	94-23
400 015	45-7
400 015	99-75
400 016	92-30
400 018	100-25
400 019	103-38
400 051	80-40
400 051	96-42
400 053	36-43
400 053	96-30
400 054	76-32
400 057	76-19
400 076	73-56
400 100	96-42
400 105	45-51
400 106	45-53
400 107	45-65
400 108	45-52
400 108	45-56
400 110	98-21
400 116	50-15
400 116	100-19
400 124	45-57
400 168	96-28
400 188	40-66
400 209	40-63
400 263	41-46
400 277	73-8
400 309	40-75
400 363	45-49
400 384	40-74
400 409	96-46
400 437	33-13
400 437	83-7
400 437	111-27
400 438	27-26
400 438	34-26
400 438	36-46
400 438	37-53
400 438	39-62
400 438	40-13
400 438	45-76
400 438	48-28
400 438	77-13
400 438	90-108
400 438	96-43
400 438	98-16
400 438	99-97
400 440	2-30
400 440	2-45
400 440	27-25
400 440	37-61
400 440	38-9
400 440	38-51
400 440	57-21
400 440	83-26

Part Number	Figure and Index No.
400 441	2-89
400 441	37-54
400 441	38-8
400 441	45-4
400 441	45-50
400 441	84-50
400 441	85-67
400 441	117-23
400 443	97-62
400 443	99-17
400 444	39-78
400 444	40-90
400 444	76-16
400 444	93-27
400 444	99-30
400 446	98-22
400 446	99-96
400 446	100-26
400 450	93-15
400 450	95-12
400 450	97-55
400 450	97-61
400 450	117-22
400 451	85-68
400 451	100-23
400 451	100-27
400 453	2-47
400 453	84-47
400 455	2-47
400 459	120-28
400 460	2-54
400 463	37-55
400 478	2-90
400 669	29A-20
400 673	63-6
400 673	80-29
400 673	92-36
400 673	100-41
400 675	94-20
400 676	31-20
400 698	98-20
400 700	92-35
400 702	32C-20
400 703	32C-19
400 706	35-30
400 708	48-19
400 712	32C-22
400 864	29A-19
400 864	32A-17
400 867	58-40
400 867	58-45
400 868	32-11
400 868	93-10
400 873	95-38
400 875	31-12
400 879	58-32
400 882	59-33
400 882	60-33

Part Number	Figure and Index No.
400 882	61-27
400 888	2-90
400 890	60-46
400 890	61-37
400 895	73-47
400 902	62A-14
400 904	30-12
400 905	30-13
400 905	30-28
400 907	58-59
400 910	32-9
400 912	94-28
400 913	32C-21
400 914	58-59
400 915	58-39
400 915	58-41
400 916	30-29
400 917	30-30
400 917	58-36
400 917	61-38
400 917	61-39
400 917	62-30
400 918	32A-18
400 919	58-44
400 919	58-48
400 919	59-58
400 919	60-49
400 920	59-34
400 920	60-34
400 920	61-28
400 920	62-31
400 921	30-40
400 921	62-22
400 926	59-57
400 926	60-51
400 926	61-25
400 926	62-25
400 932	61-24
400 932	62-28
401 186	2-35
401 187	35-26
401 187	35-28
401 187	40-57
401 188	35-27
401 188	40-81
401 189	35-23
401 189	40-81
401 189	92-44
401 191	99-73
401 194	99-77
401 195	40-76
401 263	45-8
401 263	99-76
401 264	99-31
401 265	46-53
401 265	97-21
401 266	25-10
401 266	32-10

Part Number	Figure and Index No.
401 266	35-29
401 266	36-41
401 266	40-87
401 266	48-43
401 266	95-2
401 266	99-58
401 269	2-34
401 269	69-51
401 269	93-19
401 269	93-32
401 269	95-11
401 269	97-22
401 270	40-88
401 270	59-10
401 270	60-8
401 270	95-9
401 270	97-23
401 270	99-16
401 273	84-51
401 273	85-70
401 273	95-15
401 273	129-14
401 274	84-48
401 280	59-11
401 280	61-5
401 280	62-7
401 280	62A-6
401 285	97-26
401 302	115-17
401 307	76-35
401 307	87-20
401 307	120-29
401 307	129-13
401 310	2-92
401 310	35-24
401 310	40-17
401 310	40-69
401 310	92-45
401 310	92-57
401 310	94-24
401 310	96-26
401 310	100-42
401 310	117-13
401 310	120-30
401 311	2-46
401 311	40-56
401 311	40-62
401 311	45-45
401 311	94-26
401 312	2-52
401 312	48-13
401 312	84-26
401 312	85-46
401 312	99-71
401 312	117-39
401 318	96-31
401 318	99-84
401 330	42-8

PIPER PARTS CATALOG

Part Number	Figure and Index No.
401 333	47-8
401 334	94-25
401 335	96-32
401 353	2-36
401 355	2-38
401 359	46-50
401 365	2-37
401 366	92-34
401 375	42-8
401 375	47-8
401 388	41-43
401 388	46-52
401 404	40-77
401 410	41-18
401 420	41-19
401 423	73-10
401 455	45-46
401 506	2-40
401 580	2-39
402 030	14-40
402 031	45-54
402 038	96-38
402 070	32A-16
402 256	39-60
402 257	95-13
402 258	93-29
402 260	95-23
402 260	97-49
402 261	97-51
402 263	97-47
402 280	5-44
402 298	97-45
402 303	35-22
402 303	92-33
402 303	97-52
402 306	97-50
402 310	35-22
402 310	35-36
402 311	96-29
402 312	46-43
402 313	35-25
402 313	97-48
402 317	92-59
402 317	96-27
402 321	35-14
402 322	97-46
402 338	48-44
402 344	46-44
402 360	46-17
402 370	41-45
402 377	41-44
402 422	45-60
402 425	45-55
402 437	45-48
402 517	40-67
402 798	40-68
402 910	2-41
403 098	89-29

Part Number	Figure and Index No.
403 982	2-33
403 983	2-88
404 100	49-26
404 100	73-56
404 100	76-4
404 100	76-19
404 100	76-32
404 100	96-30
404 100	100-41
404 101	35-22
404 101	35-25
404 101	45-51
404 101	45-52
404 101	45-53
404 101	45-56
404 101	45-57
404 101	45-65
404 101	46-43
404 101	50-15
404 101	98-21
404 101	99-70
404 101	100-19
404 102	40-66
404 102	46-44
404 103	40-61
404 103	40-63
404 103	41-44
404 103	41-45
404 104	41-46
404 104	45-48
404 104	45-55
404 104	45-60
404 105	40-67
404 105	40-68
404 105	40-75
404 106	45-49
404 107	40-74
404 224	49-42
404 224	52-29
404 224	80-22
404 224	91-27
404 224	91-30
404 224	97-32
404 224	120-3
404 225	45-6
404 225	120-32
404 226	48-12
404 226	96-15
404 322	30-7
404 322	31-16
404 322	76-8
404 322	80-16
404 322	92-14
404 322	93-24
404 322	96-21
404 322	97-29
404 322	100-20
404 330	76-18

Part Number	Figure and Index No.
404 335	120-30
404 392	92-36
404 392	94-20
404 393	35-30
404 393	48-19
404 393	92-33
404 393	92-35
404 393	98-20
404 420	80-29
404 469	41-14
404 528	104-7
404 596	76-38
404 678	36-21
404 678	109-13
404 752	120-3
404 829	99-60
404 829	100-28
404 829	126-7
404 831	74-20
404 833	80-34
404 833	80-43
404 833	83-27
404 833	95-14
404 835	2-47
404 835	30-45
404 835	32A-20
404 835	32A-22
404 835	34-26
404 835	51-17
404 835	51-30
404 835	61-27
404 835	80-40
404 835	83-26
404 835	93-19
404 835	95-11
404 835	95-12
404 835	95-15
404 835	97-55
404 835	97-61
404 835	97-62
404 835	99-17
404 835	99-30
404 835	99-96
404 835	100-23
404 835	100-24
404 835	100-26
404 835	100-47
404 836	30-12
404 836	30-13
404 836	30-28
404 836	30-29
404 836	30-30
404 836	30-40
404 836	31-19
404 836	32-9
404 836	32C-19
404 836	32C-20
404 836	32C-21

Part Number	Figure and Index No.
404 836	32C-22
404 836	58-41
404 836	61-28
404 836	92-57
404 836	94-26
404 836	92-45
404 836	94-23
404 836	94-24
404 836	94-25
404 836	94-28
404 836	96-26
404 836	96-31
404 836	96-32
404 836	96-33
404 836	96-46
404 836	100-25
404 837	92-44
404 838	45-46
404 838	46-17
404 887	2-30
404 887	2-34
404 887	2-54
404 887	2-89
404 887	2-90
404 887	5-44
404 887	7-94
404 887	14-40
404 887	25-10
404 887	25-11
404 887	29A-19
404 887	29A-20
404 887	31-20
404 887	32A-24
404 887	36-43
404 887	36-45
404 887	38-10
404 887	40-88
404 887	40-90
404 887	45-4
404 887	45-50
404 887	45-54
404 887	48-28
404 887	48-43
404 887	49-43
404 887	52-31
404 887	58-45
404 887	59-10
404 887	59-11
404 887	60-8
404 887	61-5
404 887	62-7
404 887	62A-6
404 887	63-6
404 887	67-45
404 887	77-13
404 887	80-36
404 887	84-47
404 887	84-48

PIPER PARTS CATALOG

Part Number	Figure and Index No.
404 887	84-50
404 887	84-51
404 887	84-94
404 887	85-67
404 887	85-68
404 887	85-70
404 887	90-108
404 887	93-10
404 887	93-15
404 887	93-27
404 887	93-29
404 887	93-32
404 887	95-38
404 887	96-38
404 887	96-43
404 887	97-22
404 887	97-23
404 887	97-26
404 887	97-45
404 887	98-13
404 887	98-16
404 887	98-22
404 887	99-99
404 887	114-33
404 887	114-37
404 887	114-42
404 887	114-45
404 887	117-22
404 887	117-23
404 887	129-14
404 888	2-29
404 888	2-46
404 888	2-52
404 888	2-91
404 888	2-92
404 888	29-23
404 888	29A-17
404 888	32A-28
404 888	35-14
404 888	35-24
404 888	35-31
404 888	40-17
404 888	40-43
404 888	40-56
404 888	40-59
404 888	40-62
404 888	40-64
404 888	40-69
404 888	40-89
404 888	42-10
404 888	43-17
404 888	44-13
404 888	45-7
404 888	45-44
404 888	45-45
404 888	45-58
404 888	48-13
404 888	48-14

Part Number	Figure and Index No.
404 888	48-15
404 888	48-16
404 888	48-18
404 888	61-26
404 888	62-22
404 888	62A-14
404 888	63-11
404 888	79-20
404 888	84-26
404 888	85-46
404 888	85-46
404 888	87-28
404 888	92-22
404 888	92-27
404 888	92-29
404 888	92-30
404 888	92-59
404 888	96-27
404 888	96-29
404 888	97-20
404 888	97-46
404 888	99-71
404 888	99-75
404 888	99-84
404 888	99-100
404 888	100-42
404 888	103-38
404 888	117-32
404 888	117-39
404 888	120-29
404 889	2-35
404 889	2-36
404 889	2-37
404 889	2-38
404 889	35-23
404 889	35-26
404 889	35-27
404 889	35-28
404 889	40-57
404 889	40-76
404 889	40-81
404 889	42-10
404 889	46-50
404 889	47-8
404 889	48-44
404 889	96-28
404 889	99-77
404 890	2-33
404 890	2-41
404 890	2-88
404 890	40-77
404 890	41-18
404 890	41-19
404 890	73-10
404 891	2-40
404 908	76-33
404 908	95-10
404 909	30-24

Part Number	Figure and Index No.
404 909	34-19
404 909	34-29
404 909	34-32
404 909	76-28
404 909	94-22
404 909	98-19
404 909	99-52
404 909	99-79
404 909	114-49
404 909	114-53
404 910	26-10
404 910	27-11
404 910	28-13
404 910	40-71
404 910	46-51
404 910	49-45
404 910	52-30
404 910	76-20
404 910	80-41
404 910	83-8
404 910	90-63
404 910	90-72
404 910	90-81
404 910	92-19
404 910	93-11
404 910	95-33
404 910	99-93
404 910	114-25
404 910	114-28
404 910	116-57
404 913	2-39
405 312	83-28
405 312	98-18
405 580	74-18
405 580	80-39
405 580	92-11
406 343	27-23
406 355	36-30
406 355	37-58
406 355	38-41
406 355	39-61
406 358	30-23
406 362	2-42
406 362	35-33
406 434	2-31
406 636	99-16
406 638	91-36
406 702	32A-17
406 714	75-10
406 789	13-3a
406 789	13-4a
406 789	14-21a
406 789	14-22a
406 789	16-23a
406 789	16-25a
406 789	16-27
406 789	17-12a
406 789	17-13a

Part Number	Figure and Index No.
406 789	17-14a
406 789	17-15a
406 789	18-19a
406 789	18-20a
406 812	16-6
406 820	129-5
406 824	35-8
406 825	13-3a
406 825	13-4a
406 826	129-3
407 040	76-38
407 041	58-73
407 042	30-37
407 042	48-20
407 042	63-23
407 042	99-55
407 043	91-32
407 043	97-17
407 043	120-30
407 044	76-35
407 044	120-32
407 044	129-13
407 104	120-3
407 120	27-27
407 127	84-69
407 127	84-72
407 127	85-74
407 127	85-75
407 128	109-12
407 128	111-27
407 134	52-27
407 135	30-39
407 136	74-17
407 136	74-18
407 136	80-39
407 136	87-20
407 136	88-14
407 136	89-28
407 136	89-29
407 136	115-84
407 138	74-19
407 139	102-12
407 139	102-38
407 143	76-2
407 151	52-28
407 535	87-28
407 561	28-21
407 561	59-31
407 561	59-32
407 561	60-31
407 561	60-32
407 561	97-11
407 562	34-24
407 562	58-33
407 562	58-34
407 562	58-38
407 562	99-52
407 562	99-79

PIPER PARTS CATALOG

Part Number	Figure and Index No.
407 562	100-28
407 562	126-7
407 563	27-11
407 563	27-28
407 563	40-71
407 563	46-51
407 563	49-53
407 563	84-22
407 563	85-41
407 563	90-63
407 563	90-72
407 563	90-81
407 563	92-19
407 563	93-11
407 563	95-33
407 563	114-53
407 564	2-30
407 564	2-54
407 564	2-89
407 564	5-44
407 564	7-94
407 564	14-40
407 564	25-10
407 564	27-26
407 564	31-20
407 564	32-11
407 564	34-26
407 564	34-27
407 564	39-60
407 564	40-87
407 564	40-88
407 564	40-90
407 564	45-50
407 564	45-54
407 564	46-53
407 564	48-28
407 564	48-43
407 564	49-51
407 564	51-16
407 564	51-29
407 564	52-9
407 564	58-40
407 564	58-45
407 564	59-10
407 564	59-11
407 564	59-36
407 564	60-8
407 564	60-36
407 564	61-5
407 564	62-7
407 564	62A-6
407 564	67-45
407 564	73-47
407 564	76-19
407 564	77-13
407 564	80-24
407 564	80-29
407 564	83-7

Part Number	Figure and Index No.
407 564	83-26
407 564	84-47
407 564	84-48
407 564	85-68
407 564	90-108
407 564	93-15
407 564	93-19
407 564	93-27
407 564	93-29
407 564	94-20
407 564	95-9
407 564	95-11
407 564	95-12
407 564	96-38
407 564	96-42
407 564	97-21
407 564	97-47
407 564	97-49
407 564	97-51
407 564	97-55
407 564	97-62
407 564	99-16
407 564	99-17
407 564	99-30
407 564	100-24
407 564	100-26
407 564	100-40
407 564	114-37
407 564	117-34
407 564	120-3
407 564	120-28
407 564	129-14
407 565	2-29
407 565	2-52
407 565	9-43
407 565	30-28
407 565	30-29
407 565	30-30
407 565	30-40
407 565	31-21
407 565	32-7
407 565	32A-18
407 565	35-14
407 565	35-22
407 565	35-24
407 565	35-25
407 565	35-31
407 565	35-36
407 565	40-17
407 565	40-43
407 565	40-59
407 565	40-62
407 565	40-64
407 565	40-70
407 565	40-72
407 565	40-89
407 565	42-9
407 565	44-8

Part Number	Figure and Index No.
407 565	45-7
407 565	45-44
407 565	45-45
407 565	45-51
407 565	45-52
407 565	45-53
407 565	45-58
407 565	45-65
407 565	46-43
407 565	47-8
407 565	48-13
407 565	50-15
407 565	58-39
407 565	58-41
407 565	58-48
407 565	59-57
407 565	59-58
407 565	60-49
407 565	60-51
407 565	61-24
407 565	61-25
407 565	61-39
407 565	62-25
407 565	62-28
407 565	62-31
407 565	62A-33
407 565	74-17
407 565	88-15
407 565	89-31
407 565	90-13
407 565	90-50
407 565	91-37
407 565	92-22
407 565	92-27
407 565	92-29
407 565	92-33
407 565	92-45
407 565	92-57
407 565	92-59
407 565	94-23
407 565	94-24
407 565	94-25
407 565	94-28
407 565	94-28
407 565	94-29
407 565	96-28
407 565	96-31
407 565	96-32
407 565	96-33
407 565	96-48
407 565	97-48
407 565	97-50
407 565	97-52
407 565	98-21
407 565	99-70
407 565	99-71
407 565	99-75
407 565	99-84

Part Number	Figure and Index No.
407 565	100-19
407 565	100-25
407 565	100-42
407 565	103-38
407 565	114-35
407 565	115-84
407 565	117-32
407 565	117-39
407 565	129-13
407 566	2-35
407 566	2-36
407 566	2-38
407 566	35-23
407 566	35-26
407 566	35-27
407 566	35-28
407 566	40-65
407 566	40-66
407 566	40-69
407 566	40-81
407 566	42-9
407 566	46-44
407 566	46-50
407 566	47-8
407 566	48-12
407 566	48-44
407 566	52-19
407 566	69-49
407 566	84-89
407 566	85-62
407 566	91-35
407 566	92-34
407 566	92-44
407 566	96-28
407 566	99-77
407 566	107-76
407 567	2-33
407 567	2-41
407 567	2-88
407 567	40-61
407 567	40-63
407 567	40-77
407 567	41-18
407 567	41-44
407 567	41-45
407 567	46-17
407 567	51-8
407 567	69-38
407 567	69-40
407 567	69-44
407 567	69-46
407 567	71-33
407 567	73-10
407 567	74-19
407 567	81-34
407 567	99-70
407 567	99-72
407 567	103-8

PIPER PARTS CATALOG

Part Number	Figure and Index No.
407 568	41-42
407 568	45-48
407 568	45-55
407 568	45-60
407 568	49-52
407 568	50-18
407 568	69-39
407 568	69-42
407 568	69-45
407 568	69-47
407 568	69-48
407 568	69-50
407 568	70-26
407 568	70-27
407 568	71-31
407 568	71-32
407 568	73-8
407 568	99-18
407 568	101-67
407 568	102-2
407 568	102-11
407 568	102-35
407 568	103-37
407 568	103-39
407 568	115-67
407 568	123-34
407 569	28-14
407 569	40-67
407 569	40-68
407 569	40-75
407 569	57-8
407 569	57-9
407 569	57-27
407 569	57-29
407 569	103-23
407 570	2-39
407 570	45-49
407 570	80-18
407 570	119-8
407 571	40-74
407 572	48-25
407 573	87-49
407 573	103-7
407 573	103-41
407 573	117-18
407 573	119-57
407 575	48-42
407 576	117-20
407 582	28-12
407 582	30-24
407 583	27-28
407 583	30-25
407 583	73-49
407 584	2-30
407 584	2-34
407 584	2-47
407 584	2-89
407 584	2-90

Part Number	Figure and Index No.
407 584	25-11
407 584	30-45
407 584	32A-20
407 584	32A-22
407 584	32A-24
407 584	34-8
407 584	35-29
407 584	36-45
407 584	38-9
407 584	38-10
407 584	39-78
407 584	45-8
407 584	49-26
407 584	50-17
407 584	52-2
407 584	52-13
407 584	59-33
407 584	60-33
407 584	61-27
407 584	63-6
407 584	63A-6
407 584	73-56
407 584	76-4
407 584	76-32
407 584	76-34
407 584	79-14
407 584	80-27
407 584	91-27
407 584	95-9
407 584	95-15
407 584	96-43
407 584	97-47
407 584	97-61
407 584	98-16
407 584	99-31
407 584	99-58
407 584	100-21
407 584	100-22
407 584	100-23
407 584	100-41
407 584	109-11
407 585	2-91
407 585	29-23
407 585	30-12
407 585	30-13
407 585	30-28
407 585	30-29
407 585	30-30
407 585	30-40
407 585	31-21
407 585	32A-18
407 585	32A-28
407 585	32C-19
407 585	32C-20
407 585	32C-21
407 585	32C-22
407 585	40-56
407 585	42-16

Part Number	Figure and Index No.
407 585	43-15
407 585	43-19
407 585	44-13
407 585	45-52
407 585	45-56
407 585	46-43
407 585	59-34
407 585	59-57
407 585	59-58
407 585	60-34
407 585	60-51
407 585	61-28
407 585	62-22
407 585	62A-14
407 585	74-18
407 585	76-24
407 585	84-26
407 585	85-46
407 585	91-37
407 585	92-35
407 585	94-30
407 585	97-20
407 585	98-20
407 585	99-71
407 585	99-100
407 586	46-54
407 586	76-39
407 591	2-40
407 591	41-42
407 591	41-46
407 591	45-60
407 592	107-8
407 595	100-49
407 597	2-39
407 601	45-47
407 676	81-25
407 677	81-25
407 702	31-12
407 800	99-97
407 800	111-27
408 803	76-31
408 813	67-45
408 815	52-24
408 825	99-73
408 833	91-29
408 837	2-51
410 006	56-23
410 037	30-45
410 042	100-24
410 045	63-28
410 046	56-23
410 046	63-29
410 047	56-23
410 047	63-30
410 071	99-75
410 071	99-100
410 074	99-100
410 077	29A-17

Part Number	Figure and Index No.
410 077	32A-31
410 080	31-19
410 082	29-23
410 082	32A-28
410 241	32A-26
410 243	26-10
410 248	27-11
410 251	90-63
410 251	90-72
410 251	90-81
410 251	95-33
410 253	93-11
411 208	32A-24
411 211	36-45
411 211	38-10
411 349	48-41
411 530	49-48
411 530	80-38
411 530	114-45
411 531	24-61
411 531	30-39
411 531	52-9
411 532	49-46
411 532	52-26
411 532	77-14
411 532	80-37
411 532	91-32
411 533	24-61
411 533	33-19
411 533	75-10
411 533	79-28
411 533	114-42
411 534	67-45
411 534	98-17
411 536	34-25
411 536	80-36
411 536	84-94
411 536	85-73
411 537	34-33
411 537	117-34
411 538	7-94
411 538	120-3
411 539	49-50
414 425	2-94
414 507	36-44
414 508	79-27
414 705	91-36
414 722	52-33
414 738	114-55
414 748	2-42
414 748	35-8
414 748	35-9
414 748	35-33
414 748	35-42
414 748	36-30
414 748	37-56
414 748	38-41
414 748	39-61

PIPER PARTS CATALOG

Part Number	Figure and Index No.
414 748	121-38
414 756	34-21
414 761	2-93
414 761	88-12
414 762	13-58
414 762	16-62
414 763	2-85
414 763	35-41
414 763	38-12
414 763	46-55
414 763	52-32
414 763	63-5
414 763	88-28
414 763	89-33
414 763	126-13
414 769	79-24
414 779	2-27
414 779	2-94
414 779	89-32
414 779	91-31
414 781	73-68
415 146	126-7
415 158	99-79
415 161	100-28
415 261	29-10
415 520	100-36
415 244	83-29
415 369	31-21
415 380	32A-20
415 380	32A-22
415 449	129-16
415 449	129-17
415 498	83-25
415 498	83-27
415 499	83-8
415 505	76-33
415 509	76-38
415 518	2-31
415 518	30-23
415 518	34-14
415 518	34-19
415 518	82-6
415 518	92-52
415 518	114-49
415 520	30-24
415 520	34-29
415 520	34-32
415 520	76-37
415 520	91-38
415 520	114-53
415 521	58-73
415 521	94-22
415 521	99-60
415 522	48-17
415 528	99-52
415 533	2-87
415 533	4-23
415 533	24-80

Part Number	Figure and Index No.
415 533	52-34
415 533	58-71
415 533	63-23
415 533	84-64
415 533	90-109
415 533	98-15
415 533	114-52
415 535	2-32
415 535	24-81
415 535	27-27
415 535	28-13
415 535	30-37
415 535	48-20
415 535	49-58
415 535	52-35
415 535	73-39
415 535	73-49
415 535	80-34
415 535	80-35
415 535	80-41
415 535	84-85
415 535	85-42
415 535	91-38
415 535	99-55
415 535	114-25
415 535	114-28
415 535	114-31
415 535	116-57
415 535	129-12
415 536	24-61
415 536	40-71
415 536	94-43
415 536	95-14
415 537	63-17
415 537	80-43
415 537	91-33
415 538	76-20
415 539	99-54
415 540	46-51
415 543	99-93
415 544	94-44
415 628	94-27
415 628	98-19
415 628	126-6
415 633	92-19
415 688	95-10
415 754	63-20
416 084	84-21
416 084	85-40
416 091	97-12
416 095	76-28
416 098	41-38
416 129	73-66
416 151	81-12
416 633	99-99
416 785	114-33
416 804	100-47
416 998	49-49

Part Number	Figure and Index No.
417 694	73-67
417 703	49-47
418 346	115-84
418 420	74-17
418 448	84-72
418 715	84-69
418 715	85-75
418 737	85-74
418 942	74-19
419 600	46-26
419 646	29-11
419 712	32A-15
419 883	99-50
419 886	99-51
419 912	32-12
419 932	62-26
419 961	27-14
419 984	122-5
420 185	27-23
424 032	28-12
424 032	28-21
424 039	99-47
424 051	30-26
424 051	34-8
424 051	34-17
424 051	34-24
424 051	34-27
424 051	35-25
424 051	35-30
424 051	35-36
424 051	48-19
424 051	49-26
424 051	50-14
424 051	52-2
424 051	52-13
424 051	58-33
424 051	58-34
424 051	58-38
424 051	59-31
424 051	59-32
424 051	59-36
424 051	60-31
424 051	60-32
424 051	60-36
424 051	62A-13
424 051	76-4
424 051	76-19
424 051	76-32
424 051	76-34
424 051	79-14
424 051	79-21
424 051	79-26
424 051	80-24
424 051	80-27
424 051	90-110
424 051	92-33
424 051	92-35
424 051	92-36

Part Number	Figure and Index No.
424 051	94-20
424 051	94-31
424 051	94-34
424 051	95-13
424 051	95-23
424 051	96-30
424 051	96-35
424 051	96-42
424 051	97-11
424 051	99-70
424 051	100-19
424 051	100-21
424 051	100-22
424 051	100-40
424 051	100-41
424 051	114-35
424 052	34-20
424 052	35-22
424 052	40-66
424 052	45-51
424 052	45-52
424 052	45-53
424 052	45-56
424 052	45-57
424 052	45-65
424 052	46-43
424 052	46-44
424 052	50-15
424 052	98-20
424 052	98-21
424 053	80-29
424 054	67-53
424 055	32A-12
424 057	112-29
424 059	41-44
424 059	41-45
424 059	41-46
424 059	45-48
424 059	45-55
424 059	45-60
424 060	40-61
424 060	40-63
424 060	40-67
424 060	40-68
424 060	40-75
424 067	45-49
424 068	40-74
424 071	41-50
424 097	73-56
424 097	97-47
424 097	97-48
424 097	97-49
424 097	97-50
424 097	97-51
424 097	97-52
424 140	28-12
424 141	59-36
424 141	60-36

PIPER PARTS CATALOG

Part Number	Figure and Index No.
424 141	79-21
424 142	58-33
424 143	58-34
424 143	59-32
424 143	60-32
424 144	58-38
424 145	34-24
424 145	59-31
424 145	60-31
424 145	90-110
424 147	28-21
424 148	34-20
424 149	94-34
424 149	97-11
424 154	92-23
424 163	99-47
424 164	96-35
424 173	79-26
424 173	100-40
424 174	76-34
424 175	52-2
424 175	80-27
424 176	34-8
424 176	50-13
424 176	100-21
424 177	80-24
424 184	62A-13
424 185	79-14
424 185	100-22
424 186	34-17
424 188	34-27
424 503	100-43
424 505	93-22
424 505	95-17
424 505	97-56
424 506	92-39
424 506	93-20
424 506	95-19
424 507	92-46
424 507	92-58
424 507	94-37
424 507	96-36
424 508	92-41
424 508	97-57
424 509	92-42
424 510	93-28
424 511	48-21
424 512	92-31
424 513	93-26
424 513	95-18
424 514	92-28
424 515	96-20
424 517	48-22
424 518	96-44
424 519	99-56
424 520	95-16
424 520	97-58
424 521	94-33

Part Number	Figure and Index No.
424 527	92-32
424 541	96-34
434 118	114-50
434 119	85-65
434 126	38-43
434 129	84-67
434 129	85-69
434 134	52-1
434 135	84-74
434 135	85-71
434 138	70-20
434 138	71-27
434 144	87-19
434 151	111-26
434 154	117-31
434 155	69-32
434 158	117-29
434 163	117-30
434 166	84-70
434 166	85-59
434 168	69-33
434 182	111-31
450 029	120-1
450 706	67-1
450 706	68-10
450 764	68-10
451 735	45-9
481 738	40-5
451 748	45-68
451 813	98-11
451 825	101-1
451 825	102-1
451 825	104-1
451 841	114-18
451 853	33-14
451 853	69-50
451 853	70-27
451 857	71-30
451 861	115-47
451 869	107-73
451 881	111-39
452 011	48-7
452 011	92-24
452 011	99-48
452 015	93-16
452 015	94-15
452 015	95-5
452 015	97-63
452 036	32A-8
452 212	99-46
452 331	8-35
452 335	31-15
452 344	92-5
452 344	96-7
452 347	97-38
452 357	32A-9
452 357	45-5
452 357	93-25

Part Number	Figure and Index No.
452 359	91-3
452 359	91-5
452 359	91-7
452 361	92-6
452 362	92-7
452 381	90-58
452 381	90-67
452 381	90-76
452 381	93-7
452 381	95-30
452 381	97-15
452 383	32A-3
452 386	7-66
452 386	7-83
452 386	7-92
452 386	35-18
452 386	36-20
452 386	38-39
452 386	38-49
452 412	30-9
452 412	30-11
452 412	45-15
452 412	45-18
452 412	48-11
452 412	97-31
452 427	95-35
452 429	41-40
452 431	100-2
452 439	45-17
452 440	45-42
452 441	40-27
452 458	99-8
452 480	95-22
452 480	97-28
452 483	31-15
452 577	90-112
452 600	97-10
452 606	83-23
452 609	97-34
452 661	31-29
452 825	97-40
452 826	97-36
452 840	117-15
452 848	31-29
452 855	40-10
452 855	40-84
452 855	45-74
452 918	129-18
452 939	73-26
452 940	73-26
452 941	73-26
453 124	41-33
453 124	46-37
453 198	75-9
453 424	125-14
453 618	115-49
453 723	45-26
453 729	38-35

Part Number	Figure and Index No.
453 732	7-88
453 732	88-13
453 732	89-30
453 735	46-6
453 736	45-62
453 742	121-46
453 744	46-10
453 751	121-45
453 768	40-80
453 770	40-16
453 774	45-29
453 775	41-23
453 776	45-21
453 776	45-24
453 777	40-38
453 778	40-16
453 780	38-33
453 781	38-36
453 782	45-64
453 786	41-25
453 787	8-44
453 794	39-18
453 794	39-20
453 808	46-57
453 809	41-26
453 810	67-40
453 815	46-58
453 824	99-13
453 825	90-11
453 825	90-48
453 836	30-21
453 840	71-28
453 841	67-39
453 843	30-5
453 845	104-16
453 854	121-22
453 860	40-31
453 860	40-34
453 862	40-33
453 866	40-29
453 880	73-41
453 886	123-8
453 903	46-13
454 053	41-34
454 053	46-36
454 173	15-16
454 173	70-30
454 173	101-48
454 294	58-54
454 299	71-10
454 299	101-49
454 302	28-32
454 624	121-52
454 657	123-20
454 662	123-20
454 682	82-5
454 682	119-54
454 682	124-11

PIPER PARTS CATALOG

Part Number	Figure and Index No.
454 683	124-11
454 684	124-11
454 687	124-11
454 688	124-11
454 722	124-11
454 745	123-20
454 818	107-81
454 818	118-7
454 828	87-25
454 848	73-58
454 867	48-47
454 867	93-17
454 867	92-26
454 867	92-37
454 867	94-18
454 867	94-21
454 867	95-8
454 867	97-64
454 867	99-49
454 868	77-24
454 887	49-29
454 887	49-56
454 901	76-7
454 927	84-96
454 929	49-32
454 929	114-41
454 932	98-14
454 933	49-31
454 933	84-95
454 933	85-64
454 977	77-25
454 983	69-55
454 983	73-62
454 983	107-78
455 124	41-48
455 124	46-38
455 211	120-23
455 211	123-13
455 420	119-65
455 422	101-9
455 941	105-38
455 961	102-25
455 961	104-50
455 971	49-2
455 971	50-1
455 971	51-1
455 988	116-32
455 989	116-32
455 990	116-32
456 010	45-2
456 556	121-36
456 622	107-12
456 682	131-68
456 696	124-11
456 705	121-17
456 706	120-32
456 712	62-53
456 712	62A-27

Part Number	Figure and Index No.
456 712	63-36
456 763	121-4
456 796	121-41
456 802	2-97
456 802	35-7
456 821	124-14
456 834	122-13
456 858	64-9
456 860	64-9
456 862	64-9
456 864	66-9
456 866	66-10
457 156	79-23
457 360	129-15
458 850	115-15
458 875	69-34
458 878	103-23
458 880	49-36
458 880	103-27
458 880	112-34
458 881	84-32
458 881	87-46
458 881	103-26
458 884	111-28
458 886	84-16
458 888	84-92
458 888	85-54
458 889	103-8
458 891	84-63
458 893	84-82
458 893	85-32
458 894	33-16
458 894	69-59
458 894	84-14
458 894	85-26
458 899	69-40
458 899	105-73
458 900	49-37
458 900	50-11
458 900	69-42
458 900	69-48
458 900	101-53
458 900	102-5
458 900	102-12
458 900	102-35
458 900	103-37
458 900	106-23
458 901	105-71
458 901	119-64
458 905	77-11
458 905	103-7
458 909	69-46
458 910	49-35
458 910	69-47
458 910	101-67
458 910	102-11
458 910	102-19
458 910	102-38

Part Number	Figure and Index No.
458 910	106-24
458 911	105-72
458 913	71-33
458 914	87-47
458 927	117-27
458 929	103-33
458 934	69-39
458 934	103-29
458 934	103-39
458 937	69-38
458 940	123-35
458 947	107-76
459 843	58-67
459 928	99-36
459 930	99-36
460 574	107-95
460 593	86-34
460 593	107-64
460 635	103-3
460 635	104-45
460 664	121-44
460 690	46-14
460 691	40-30
460 691	40-35
460 691	40-39
460 691	41-16
460 691	41-24
460 691	41-29
460 691	45-20
460 691	45-23
460 691	45-28
460 691	46-3
460 691	46-9
460 691	48-45
460 691	115-55
460 928	58-75
461 133	92-25
461 623	120-13
461 632	120-13
462 023	103-2
462 024	46-35
462 026	103-31
462 027	49-41
462 027	50-9
462 027	101-8
462 027	101-12
462 027	101-13
462 027	101-14
462 027	101-16
462 027	101-55
462 027	102-5
462 027	102-19
462 027	103-28
462 027	103-29
462 028	103-30
462 029	101-38
462 030	121-47
462 031	77-10

Part Number	Figure and Index No.
462 031	77-11
462 031	103-35
462 051	41-39
462 061	84-3
462 061	84-4
462 061	84-11
462 061	84-98
462 061	85-2
462 061	85-4
462 061	85-24
462 061	85-78
462 062	73-32
462 141	73-51
462 316	104-18
463 376	36-40
463 416	75-18
463 416	120-6
464 426	124-13
464 439	115-19
467 145	66-18
467 477	121-15
467 479	115-63
468 002	121-51
468 002	122-18
468 006	121-50
468 006	122-17
468 027	120-7
469 132	90-9
469 132	90-83
469 132	90-85
469 132	90-87
471 044	91-28
471 065	58-63
471 080	49-3
472 017	13-13
472 027	123-11
472 027	125-18
472 028	55-14
472 028	64-3
472 028	64-7
472 028	66-3
472 028	66-7
472 028	67-35
472 028	68-15
472 028	83-13
472 028	122-4
472 028	122-20
472 028	122-23
472 028	125-30
472 049	126-10
472 057	64-5
472 057	121-6
472 057	125-18
472 058	67-55
472 059	88-26
472 059	89-26
472 126	55-11
472 150	90-104

PIPER PARTS CATALOG

Part Number	Figure and Index No.
472 184	127-24
472 684	99-39
472 684	99-43
472 709	127-4
472 710	127-4
472 739	122-11
472 740	122-12
472 742	125-29
472 769	126-2
472 785	121-5
472 829	67-34
472 829	68-14
472 868	125-17
472 911	123-7
472 986	53-47
472 991	90-103
474 110	116-43
474 118	116-43
474 133	116-43
474 135	116-43
474 658	75-33
475 109	67-38
475 109	121-32
475 116	73-6
475 117	73-5
475 197	129-6
475 212	98-23
475 266	123-37
476 647	69-53
476 648	33-11
476 648	51-20
476 648	71-12
476 664	85-38
476 664	115-68
476 666	84-25
476 666	85-43
476 686	107-57
476 701	129-11
477 612	33-21
477 612	107-57
477 613	111-23
477 617	69-40
477 617	69-44
477 617	69-48
477 617	103-8
477 618	15-16
477 618	33-10
477 618	49-44
477 618	50-18
477 618	69-42
477 618	69-45
477 618	69-47
477 618	69-48
477 618	69-50
477 618	70-28
477 618	70-27
477 618	71-31
477 618	71-32

Part Number	Figure and Index No.
477 618	101-67
477 618	102-2
477 618	102-11
477 618	102-12
477 618	102-35
477 618	102-38
477 618	103-37
477 618	107-74
477 618	111-19
477 618	111-40
477 618	112-29
477 618	112-35
477 618	112-42
477 618	115-67
477 618	119-7
477 618	123-34
477 619	69-49
477 619	84-89
477 619	85-62
477 619	107-76
477 620	111-18
477 620	119-8
477 621	77-10
477 621	77-11
477 621	84-13
477 621	84-58
477 621	85-25
477 621	87-49
477 621	103-7
477 621	103-41
477 621	119-57
477 623	103-23
477 623	107-9
477 623	111-20
477 624	84-66
477 628	69-38
477 628	84-43
477 628	85-61
477 629	69-39
477 629	103-39
477 664	73-8
477 676	50-16
477 676	101-13
477 676	101-54
477 676	102-5
477 676	102-19
477 676	106-28
477 684	93-8
477 684	95-31
477 691	84-44
477 691	84-98
477 691	85-63
477 691	85-78
477 691	103-36
477 691	117-18
477 706	79-24
477 707	58-32
477 707	58-40

Part Number	Figure and Index No.
477 707	59-33
477 707	60-33
477 707	66-33
477 708	58-36
477 708	58-39
477 708	58-44
477 708	59-34
477 708	60-34
477 708	61-24
477 708	61-25
477 708	61-38
477 708	61-39
477 709	58-48
477 709	59-57
477 709	59-58
477 709	60-49
477 709	60-51
477 709	62-25
477 709	62-28
477 709	62-30
477 709	62-31
477 713	103-28
477 713	103-29
477 737	117-20
477 756	121-38
477 793	52-9
477 793	67-38
477 825	124-15
477 829	130-11
477 852	115-64
477 853	55-7
477 891	63-17
479 452	116-56
479 453	116-31
479 453	116-56
480 414	28-10
480 682	58-66
480 687	115-18
480 696	58-37
480 697	58-65
480 701	58-47
480 701	59-35
480 701	60-35
480 702	80-17
480 705	52-23
480 705	101-17
480 710	99-5
480 732	58-46
480 735	95-36
480 738	52-10
480 743	99-52
480 744	100-28
480 767	99-79
481 096	7-102
481 171	101-2
481 171	105-1
481 214	127-13
481 626	92-21

Part Number	Figure and Index No.
481 626	92-47
481 626	92-50
481 626	93-13
481 626	100-38
481 627	48-26
481 627	92-20
481 627	92-40
481 627	92-56
481 627	94-5
481 627	96-4
481 640	93-14
481 640	93-21
481 640	95-1
481 640	97-53
481 651	92-43
481 652	99-74
481 771	103-40
481 771	104-17
484 140	77-12
484 161	115-46
484 211	121-3
484 211	121-30
484 232	61-4
484 232	62-8
484 232	62A-7
484 247	121-2
484 283	103-34
484 293	13-33
484 297	84-65
484 301	75-23
484 301	78-13
484 305	75-35
484 312	75-13
484 349	107-75
484 350	111-38
484 359	117-16
484 359	119-58
484 452	121-34
484 459	101-15
484 535	122-13
484 552	121-35
484 564	125-41
484 597	125-11
484 674	46-27
484 680	122-22
484 697	119-7
484 698	44-6
484 700	51-22
484 701	30-22
484 701	43-10
484 701	44-18
484 701	51-7
484 701	83-5
484 701	104-47
484 703	32-5
484 708	51-23
484 712	46-31
484 712	81-22

PIPER PARTS CATALOG

Part Number	Figure and Index No.
484 726	32-4
484 730	51-6
484 730	51-12
484 752	50-8
484 752	101-13
484 752	101-56
484 752	102-5
484 752	102-19
484 752	103-28
484 752	103-29
484 755	75-19
484 757	46-30
484 759	48-29
484 762	41-41
484 768	45-41
484 776	62A-11
484 781	41-21
484 783	32A-7
484 801	28-20
484 801	94-40
484 802	83-6
484 842	73-55
484 842	107-70
484 842	111-40
484 842	112-31
484 842	112-42
484 850	107-16
484 851	107-15
484 852	107-14
484 897	112-32
485 033	46-32
485 034	46-34
486 200	22-12
486 200	29A-10
486 203	29A-9
486 223	27-24
486 300	117-24
486 301	117-25
486 302	117-26
486 305	41-37
486 656	55-12
486 667	98-12
486 682	73-50
486 682	82-4
486 683	73-50
486 683	82-4
486 897	33-21
486 898	111-23
486 906	107-57
487 084	121-40
487 084	123-10
487 090	121-31
487 155	52-25
487 291	94-21
487 464	52-15
487 614	2-75
487 614	2-81
487 644	75-4

Part Number	Figure and Index No.
487 704	75-32
487 710	75-17
487 712	61-26
487 712	63-10
487 728	75-7
487 777	125-15
487 804	121-25
487 862	40-50
487 862	45-40
487 896	122-16
487 913	123-4
487 925	64-4
487 927	98-9
487 940	91-26
487 978	123-3
487 984	33-5
487 990	122-22
488 076	112-6
488 138	65-1
488 140	65-1
488 311	71-32
488 311	111-36
488 311	115-67
488 316	70-21
488 316	70-30
488 320	101-70
488 320	102-20
488 327	52-3
488 327	80-28
488 344	84-33
488 344	85-12
488 383	49-40
488 383	50-10
488 383	119-7
488 506	119-67
488 509	87-44
488 509	101-11
488 510	101-12
488 510	101-37
488 510	107-72
488 583	30-24
488 590	124-15
488 594	107-65
488 704	119-1
488 721	122-15
488 737	121-14
489 424	53-19
489 424	53-45
489 499	84-24
489 499	85-45
489 510	84-53
489 510	85-11
489 910	92-38
489 910	94-16
489 910	96-19
489 910	99-35
489 925	114-17
491 048	84-31

Part Number	Figure and Index No.
491 048	85-44
491 049	69-43
491 049	103-31
491 050	33-4
491 050	49-38
491 050	49-57
491 050	69-41
491 050	73-55
491 050	101-10
491 050	101-65
491 050	102-23
491 050	103-25
491 050	105-74
491 050	106-25
491 050	106-38
491 050	112-36
491 050	115-66
491 051	101-64
491 051	103-30
491 051	111-32
491 052	119-13
491 053	84-55
491 053	87-42
491 053	101-66
491 053	103-24
491 053	103-32
491 053	103-41
491 053	105-70
491 053	117-17
491 053	119-16
491 058	69-49
491 058	84-88
491 058	85-62
491 059	69-44
491 060	15-16
491 060	33-12
491 060	49-39
491 060	50-12
491 060	69-45
491 060	70-26
491 060	71-31
491 060	101-14
491 060	102-2
491 060	107-74
491 060	112-41
491 060	115-65
491 060	123-34
491 061	111-20
491 062	119-8
491 068	84-44
491 068	85-72
491 068	103-36
491 068	117-18
491 073	117-19
491 074	77-10
491 074	103-41
491 074	119-57
491 098	117-20

Part Number	Figure and Index No.
491 820	111-3
491 821	111-9
491 959	107-7
491 981	111-35
491 981	112-5
491 982	116-37
492 004	107-13
492 100	84-8
492 100	84-62
492 100	85-34
492 100	87-50
492 110	84-54
492 110	86-11
492 111	84-19
492 111	85-36
492 111	86-8
492 140	113-6
492 143	107-63
492 150	115-14
492 152	49-1
492 152	51-19
492 161	33-3
492 163	101-7
492 170	101-73
492 190	101-47
492 191	101-46
492 203	113-7
492 271	115-54
492 279	119-55
492 309	87-34
492 314	115-53
492 350	120-10
492 351	13-63
492 352	13-63
492 363	84-97
492 363	85-77
492 365	84-6
492 365	85-56
492 608	112-3
492 609	112-2
492 685	121-27
494 005	73-53
494 021	62-26
494 038	90-24
494 038	90-36
494 038	90-49
494 060	2-76
494 060	2-82
494 063	24-62
494 071	2-42
494 071	35-8
494 071	35-9
494 071	35-33
494 071	35-42
494 071	36-30
494 071	37-57
494 071	38-41
494 071	39-61

PIPER PARTS CATALOG

Part Number	Figure and Index No.
494 081	90-107
494 088	75-4
494 088	75-21
494 102	83-29
494 125	45-66
494 183	90-12
494 183	90-22
494 183	90-34
494 183	90-51
494 184	90-23
494 184	90-35
494 184	90-52
494 268	28-11
494 338	61-51
494 338	62-51
494 338	63-33
494 686	73-12
494 721	46-28
494 722	41-47
506 619	35-17
506 620	95-13
506 620	95-23
506 620	97-47
506 620	97-49
506 621	97-48
506 621	97-50
506 621	97-51
506 621	35-36
506 621	97-52
514 763	90-107
514 763	90-116
515 739	90-106
515 709	35-35
548 029	68-6
548 036	67-12
548 039	67-9
548 170	68-6
548 321	67-8
548 321	68-4
548 323	67-7
548 331	67-9
548 331	68-5
548 451	68-3
548 452	67-5
548 456	67-7
548 459	67-7
548 459	68-2
548 463	67-7
548 464	67-7
548 602	67-6
548 680	67-15
548 660	68-7
550 422	67-17
551 019	73-11
551 019	81-1
551 020	73-11
551 020	81-1
551 730	40-2

Part Number	Figure and Index No.
551 730	43-1
551 731	40-2
551 731	43-1
551 744	40-2
551 744	44-1
551 769	40-3
551 769	42-1
551 790	45-11
551 790	47-1
551 791	45-11
551 791	47-1
551 793	40-3
551 793	42-1
551 920	129-8
551 923	129-8
551 992	123-9
553 182	80-6
553 235	122-7
553 666	99-95
553 667	99-90
553 667	99-92
553 705	53-40
554 046	73-38
554 240	122-4
554 288	125-7
554 289	125-8
554 482	88-25
554 482	89-25
554 558	107-86
554 575	120-14
554 592	107-82
554 595	87-22
554 639	87-27
554 670	59-39
554 670	80-39
554 671	59-39
554 671	80-39
554 679	87-29
554 718	84-57
554 757	80-23
554 778	70-22
554 778	70-28
554 778	71-29
554 778	119-52
554 798	115-11
554 806	107-79
554 829	87-48
554 834	114-43
554 848	77-15
554 864	115-73
554 866	107-83
554 871	33-25
554 871	87-31
554 871	112-38
554 871	119-19
554 874	49-30
554 888	111-21
554 901	128-8

Part Number	Figure and Index No.
554 905	87-45
554 914	58-51
554 916	107-80
554 925	113-16
554 926	113-17
554 927	113-18
554 936	107-85
554 936	115-87
554 941	84-93
554 941	85-76
554 945	115-45
554 946	87-23
554 946	115-71
554 946	119-49
554 947	77-22
554 947	115-72
554 963	100-45
554 971	77-23
554 971	118-8
554 972	107-84
554 974	73-61
554 983	33-18
554 983	69-52
554 984	118-7
554 984	120-4
554 991	73-46
554 992	128-4
554 995	97-63
554 995	97-64
555 346	72-15
555 355	129-10
555 356	129-7
556 743	67-36
556 743	68-17
556 780	121-39
557 070	120-8
557 074	121-12
557 078	117-40
557 089	73-31
557 333	125-6
557 369	73-30
558 700	107-71
558 850	111-10
558 850	112-35
558 931	115-79
558 933	115-70
559 037	84-18
559 037	85-39
560 756	107-5
560 769	112-4
565 225	49-21
565 225	50-2
565 226	49-20
565 226	50-3
565 251	75-8
565 311	114-6
565 323	121-29
565 326	121-28

Part Number	Figure and Index No.
565 516	123-12
565 598	62-42
565 598	63-35
565 683	53-43
565 929	53-31
571 057	59-26
571 057	60-26
571 077	52-11
571 112	67-62
571 121	67-58
571 141	80-14
571 159	26-7
571 186	125-12
571 210	122-13
571 218	80-15
572 553	122-6
572 577	125-17
572 583	127-15
572 585	127-23
572 586	127-23
572 592	127-1
572 593	127-1
579 132	120-9
581 312	111-2
581 312	115-48
581 657	124-12
582 083	115-69
584 017	121-11
584 172	58-2
584 312	123-36
584 600	122-13
585 094	121-53
585 223	73-63
587 177	79-21
587 186	79-26
587 307	73-7
587 385	28-18
587 386	28-19
587 461	32C-22
587 462	32C-21
587 564	120-6
587 583	125-8
587 617	75-21
587 783	125-7
587 788	125-26
587 802	122-9
587 817	123-1
587 817	123-39
587 817	123-40
587 842	119-2
587 849	122-14
587 908	122-4
587 965	130-10
587 967	125-4
587 967	125-24
588 018	117-28
588 125	67-48
588 126	67-50

PIPER PARTS CATALOG

Part Number	Figure and Index No.
588 133	122-22
588 155	122-19
588 166	123-2
588 176	107-69
588 272	125-40
588 913	72-16
597 257	130-6
653 235	64-1
653 237	64-6
653 241	66-1
653 243	66-2
653 245	66-6
654 094	70-23
654 121	87-26
686 021	121-7
687 548	29A-12
688 147	121-49
688 230	122-10
688 236	122-8
688 263	125-6
688 279	125-9
751 201	127-6
751 202	127-6
751 203	127-29
751 332	109-2
751 339	109-3
751 445	51-28
751 470	43-18
751 489	47-6
751 494	47-3
751 494	47-5
751 503	47-3
751 503	47-5
751 511	42-15
751 759	104-46
751 811	116-19
751 812	116-20
751 813	116-49
751 814	116-50
751 817	109-6
751 818	42-12
751 819	47-9
751 821	86-4
751 834	41-35
751 859	115-77
751 869	104-49
751 874	108-18
751 890	51-5
751 896	116-38
751 898	86-6
751 918	86-28
751 920	108-15
751 922	108-19
752 094	43-5
752 122	116-44
752 350	79-25
752 350	34-18
752 355	116-39

Part Number	Figure and Index No.
752 504	116-54
752 505	116-48
752 511	81-35
752 517	86-7
752 518	86-22
752 520	105-88
752 521	105-85
752 524	105-87
752 525	105-86
752 529	108-4
752 530	81-38
752 531	81-19
752 563	108-23
752 566	81-7
752 567	81-8
752 568	104-5
752 569	104-52
752 570	104-59
752 583	116-42
752 587	105-80
752 588	104-8
752 589	105-81
752 604	104-49
752 620	86-37
752 621	86-38
752 622	116-31
752 713	41-36
752 720	46-16
752 735	51-15
752 735	51-21
752 742	86-12
752 760	86-13
752 830	42-13
752 830	47-11
752 965	43-7
752 965	44-16
753 079	116-24
753 082	116-25
753 089	116-2
753 110	51-25
753 215	51-11
753 219	42-2
753 220	42-4
753 391	109-9
753 392	109-10
753 407	43-16
753 433	116-40
753 437	116-41
753 445	104-81
753 448	42-14
753 455	105-36
753 461	81-3
753 462	81-5
753 463	81-41
753 471	45-25
753 477	127-28
753 478	127-5
753 484	104-30

Part Number	Figure and Index No.
753 484	105-43
753 486	105-82
753 490	105-84
753 803	107-26
753 850	43-14
753 850	44-17
753 944	116-30
753 944	116-58
753 945	116-29
753 947	116-36
753 969	42-3
753 969	42-5
753 982	81-13
753 986	86-3
753 987	86-5
754 547	116-46
754 550	104-13
754 632	42-7
754 635	123-25
754 642	42-7
754 661	66-4
754 761	116-26
754 762	116-27
754 771	108-13
754 779	108-22
754 783	86-35
754 808	81-29
754 812	110-7
754 812	110-7
754 813	81-29
754 817	69-57
754 818	107-25
754 839	108-7
754 851	105-82
754 852	105-68
754 853	105-54
754 854	104-55
754 857	44-19
755 016	88-8
755 016	89-7
755 016	89-9
755 017	88-9
755 017	89-10
755 018	88-10
755 022	108-16
755 026	89-7
755 039	121-23
755 043	81-15
755 064	108-11
755 067	105-94
755 075	127-7
755 076	127-8
755 077	127-25
755 095	104-20
755 096	104-28
755 096	127-12
755 112	88-11
755 112	89-11

Part Number	Figure and Index No.
755 252	109-5
755 253	109-4
755 276	104-24
755 285	44-20
755 322	49-17
755 335	128-6
755 347	128-7
755 348	108-1
755 349	81-2
755 350	108-3
755 401	108-12
755 483	108-11
755 483	110-1
755 488	44-7
755 603	47-8
755 614	108-21
755 631	116-67
755 800	81-37
755 843	86-27
755 908	51-24
755 932	81-32
755 933	81-11
755 934	81-42
755 935	81-21
755 940	105-76
755 941	104-36
755 941	105-41
755 941	106-32
755 953	51-4
755 955	51-18
755 960	104-67
755 961	104-60
755 962	104-41
755 962	105-40
755 963	42-11
755 964	47-10
755 968	81-40
755 973	86-30
755 977	81-14
755 980	105-48
755 980	105-89
756 030	107-17
756 048	81-28
756 062	86-24
756 119	51-13
756 119	51-27
756 149	43-8
756 149	44-15
756 164	104-48
756 184	109-7
756 259	51-9
756 276	42-6
756 284	81-6
756 289	81-27
756 293	81-9
756 296	86-33
756 298	86-31
756 302	116-2

PIPER PARTS CATALOG

Part Number	Figure and Index No.
756 302	116-22
756 327	116-23
756 343	116-18
756 505	116-35
756 507	116-34
756 508	51-14
756 524	116-37
756 549	105-2
756 550	105-10
756 551	105-22
756 552	105-31
756 553	105-39
756 554	105-53
756 555	106-1
756 560	107-62
756 564	81-10
756 570	116-34
756 576	107-4
756 577	110-6
756 591	116-64
756 603	81-26
756 604	81-26
756 606	81-24
756 607	81-39
756 608	86-23
756 626	81-33
756 669	73-67
756 674	81-18
757 125	Misc.
757 213	116-28
757 223	104-38
757 229	104-65
757 229	106-3
757 233	104-37
757 236	104-33
757 238	51-31
757 249	81-31
757 255	86-2
757 256	86-9
757 257	86-10
757 258	86-14
757 259	86-20
757 260	86-21
757 263	105-27
757 263	106-29
757 265	105-30
757 265	105-46
757 265	105-78
757 266	104-64
757 266	105-55
757 268	105-18
757 269	106-7
757 270	105-21
757 270	106-31
757 275	105-75
757 276	105-79
757 276	106-28
757 276	106-37

Part Number	Figure and Index No.
757 277	105-9
757 277	105-16
757 277	105-57
757 277	106-33
757 279	106-30
757 283	105-83
757 284	105-77
757 291	106-13
757 291	106-15
757 315	86-19
757 321	81-20
757 324	86-17
757 329	86-18
757 470	43-11
757 471	43-11
757 494	104-34
757 495	106-5
757 496	104-31
757 497	104-32
757 498	105-28
757 499	104-3
757 500	104-54
757 541	128-8
757 578	86-32
757 583	81-36
757 585	128-3
757 602	108-9
757 603	107-98
757 604	108-10
757 619	107-29
757 620	107-30
757 621	107-31
757 622	86-26
757 741	43-4
757 741	44-5
757 809	128-5
757 882	120-33
757 865	115-76
757 879	51-32
757 888	110-5
757 895	42-14
757 896	42-3
757 896	42-5
757 897	107-32
758 013	109-14
758 041	108-2
758 042	109-1
758 043	110-3
758 044	110-4
758 045	110-8
758 048	110-9
758 104	128-15
758 130	86-25
758 160	107-27
758 161	107-28
758 162	107-33
758 206	81-30
758 239	119-3

Part Number	Figure and Index No.
758 240	119-3
758 241	119-4
758 300	108-6
758 302	109-15
758 309	108-17
758 320	108-5
758 321	110-2
758 356	81-45
758 377	104-53
758 378	105-66
758 379	105-6
758 380	105-14
758 381	105-29
758 382	105-35
758 383	105-45
758 384	105-52
758 385	104-44
758 386	104-21
758 387	105-5
758 387	105-13
758 388	105-49
758 389	105-60
758 390	105-91
758 418	127-21
758 434	128-13
758 435	128-13
758 451	98-24
758 452	130-2
758 453	130-5
758 491	119-6
758 492	119-6
758 519	44-8
758 523	44-13
758 555	128-14
758 568	128-2
758 569	125-5
758 569	125-25
758 578	64-8
758 590	30-33
758 593	128-2
758 594	127-16
758 595	119-5
758 596	119-5
758 598	128-12
758 599	81-4
758 600	81-4
758 601	81-4
758 602	81-4
758 604	57-7a
758 614	73-69
760 248	Misc.
760 400	Misc.
760 630	Misc.
760 631	Misc.
760 632	Misc.
760 633	Misc.
761 116	104-14
761 204	104-25

Part Number	Figure and Index No.
761 205	104-23
761 208	127-9
761 211	43-12
761 212	44-11
761 253	127-3
761 255	127-11
761 290	127-20
761 291	30-36
761 294	127-21
761 295	127-20
761 297	64-3
761 297	64-7
761 297	66-3
761 297	66-7
761 608	109-8
761 621	86-16
761 656	106-19
761 787	117-42
761 979	40-4
761 983	106-22
761 997	40-4
762 003	127-2
762 006	128-9
762 025	123-28
762 035	40-4
762 215	108-8
762 228	81-48
762 250	43-13
762 257	81-17
762 258	81-16
762 285	104-11
762 285	104-29
762 286	105-3
762 286	105-11
762 287	105-23
762 288	105-32
762 289	105-69
762 290	106-27
762 291	104-43
762 292	104-42
762 293	105-20
762 294	106-8
762 295	106-9
762 296	105-26
762 297	106-6
762 298	105-4
762 299	105-12
762 300	105-24
762 301	105-33
762 302	104-19
762 302	105-44
762 303	105-50
762 304	105-59
762 305	106-4
762 306	106-17
762 307	106-21
762 308	104-58
762 309	104-26

PIPER PARTS CATALOG

Part Number	Figure and Index No.
762 310	106-2
762 311	105-25
762 312	105-34
762 313	104-6
762 314	104-27
762 315	106-35
762 316	105-42
762 317	105-37
762 325	42-12
762 333	51-26
762 354	98-25
762 357	130-3
762 372	47-7
762 421	44-12
762 426	127-10
762 510	66-5a
762 513	43-20
762 516	88-27
762 516	89-27
762 524	86-29
762 535	104-56
762 536	105-8
762 536	105-15
762 536	105-56
762 537	105-17
762 538	106-34
762 539	104-66
762 540	104-39
762 541	104-15
762 542	104-40
762 543	106-16
762 544	106-20
762 545	105-65
762 546	105-61
762 547	105-90
762 548	104-9
762 549	104-10
762 550	104-62
762 551	104-63
762 552	104-35
762 553	105-67
762 554	104-12
762 555	105-92
762 573	51-3
762 583	30-32
762 614	42-13
762 633	116-33
762 634	116-33
763 009	101-6
763 019	130-4
763 204	105-47
763 205	106-12
763 206	106-14
763 207	106-10
763 208	104-4
763 209	104-51
763 210	105-63
763 211	104-2

Part Number	Figure and Index No.
763 212	105-93
763 233	43-2
763 235	42-15
763 242	116-45
763 249	82-3
763 254	81-47
763 309	51-2
763 314	123-26
763 332	44-2
763 333	44-3
763 389	88-25
763 389	89-25
763 401	105-64
763 402	105-51
763 403	106-18
763 404	104-57
763 405	104-22
763 406	105-19
763 407	105-58
763 408	105-7
763 409	106-36
763 411	105-95
763 420	43-3
763 421	43-6
763 422	43-9
763 422	44-10
763 434	73-73
763 434	82-2
763 441	51-10
763 477	123-27
763 495	108-14
763 499	44-4
763 500	44-9
763 501	44-14
763 505	66-5
763 703	42-11
763 704	42-2
763 705	42-4
763 715	47-2
763 717	47-4
763 724	47-4
763 725	47-2
763 786	81-48
764 656	66-8
764 660	107-67
764 661	73-65
764 662	64-2
764 804	86-36
764 805	30-34
764 806	30-35
764 807	129-9
764 810	128-10
764 811	128-11
764 812	128-13
764 813	127-17
764 814	64-3
764 814	64-7
764 814	66-3

Part Number	Figure and Index No.
764 814	66-7
764 817	81-23
764 818	81-43
764 819	81-44
764 820	116-67
764 825	64-2a
764 825	66-8a
764 827	64-2b
764 830	73-64
764 853	55-13
764 963	Misc.
765 008	117-41
765 009	116-66

Part Number	Figure and Index No.
-------------	----------------------

3D13 THRU 3L24
INTENTIONALLY LEFT BLANK