



# AIRPLANE PARTS CATALOG

PA-31-350 CHIEFTAIN

CARD 1 OF 4

**PIPER AIRCRAFT  
CORPORATION**

Courtesy of Bomar Flying Service  
[www.bomar.biz](http://www.bomar.biz)

[PART NUMBER 761 487]

1A1

REVISED: MARCH 10, 1994

# PIPER PARTS CATALOG

## AEROFICHE EXPLANATION AND REVISION STATUS

The Parts Catalog information in this set of Aerofiche cards is arranged in accordance with the general specifications of Aerofiche adopted by the General Aviation Manufacturer's Association.

### Conversion of Aerofiche alpha/numeric code numbers:

First number is the Aerofiche card identifier.

Letter is the horizontal line reference per card.

Second number is the vertical line reference per card.

Example: 2J16 = Aerofiche card number two of given set. Grid location J16.

To aid in locating the various sections and related information desired, the following is provided:

A complete Catalog Table of Contents is given at Grid 1A9 of Aerofiche card number 1 of this set. Each additional card in this set will have a Table of Contents for all sections on that particular card. This table will start at Grid A3.

## REVISIONS

The information compiled in this Aerofiche Parts Catalog is kept current by revisions distributed periodically. Each revision is a complete Aerofiche card replacement and supersedes Aerofiche cards of the same number in the set.

Revisions to this PA-31-350 Parts Catalog issued September 30, 1975 are as follows:

761 487 (ORG750930)	Dated September 1975
761 487 (PR770114)	Dated January 1977
761 487 (PR770914)	Dated September 1977
761 487 (PR771125)	Dated November 1977
761 487 (PR780913)	Dated September 1978
761 487 (PR790615)	Dated June 1979
761 487 (PR790911)	Dated September 1979
761 487 (PR800318)	Dated March 1980
761 487 (PR800916)	Dated September 1980
761 487 (PR810423)	Dated April 1981
761 487 (PR810914)	Dated September 1981
761 487 (PR820412)	Dated April 1982
761 487 (PR821012)	Dated October 1982
761 487 (PR830311)	Dated March 1983
761 487 (PR831111)	Dated November 1983
761 487 (PR840509)	Dated May 1984
761 487 (IR860428)	Dated April 1986 (Interim Change)
761 487 (PR940310)	Dated March 1994

**NOTE:** Refer to Aerofiche Customer Service Information Catalog (1753 755) for revision dates and card effectivities for this parts catalog.

# INTRODUCTION

This illustrated Parts Catalog is designed to provide simple but positive identification of replacement parts for the Piper Model PA-31-350 "CHIEFTAIN", manufactured by the Piper Aircraft Corporation of Lakeland, Florida.

**NOTE: UNDER NO CIRCUMSTANCES SHALL THIS CATALOG BE USED FOR RIGGING AND INSTALLATION PURPOSES**

It is suggested that this catalog be thoroughly studied to determine its arrangement prior to its utilization.

1. The Catalog is divided into fourteen (14) major sections described as follows:
  - a. Sections I to XIII inclusive contain all replacement parts for the complete airplane. Each section is subdivided and each division includes an illustration and a parts listing
  - b. Section XIV is the Miscellaneous Group. This group includes an illustration and parts list for the Placards and Exterior Stencils and a listing of the Optional Equipment Kits, Repair Kits and Special Tools
2. The following is a brief explanation of the columns in the parts lists: (Refer to EXAMPLE below)
  - a. The "FIGURE AND INDEX NUMBER" column indicates the illustration figure number and its parts index number. EXAMPLE: (2-1), the 2 is the figure number and the 1 is the index number. The figure number appears only at the top of each parts list page.
  - b. The "PART NUMBER" column contains the identifying number of the replacement part and this number must be shown on all Parts Orders
  - c. The "CODE" column is for the purpose of indicating special uses of the part. An explanation of the letter code used is shown on the grid (page) preceding each parts listing and pertains to that listing only
  - d. The "NOMENCLATURE" column indicates the part name. This name must be shown on all Parts Orders.
  - e. The "NO. REQ." (Number Required) column represents the total quantity of parts used per aircraft per figure when the part is not indented and the quantity of parts used per assembly when the part is indented. The symbol "AR" listed in this column means "As Required"
  - f. The "SERIAL NUMBERS AFFECTED" column indicates the part application by airplane serial number

EXAMPLE					
Figure and Index Number	Part Number	Code	NOMENCLATURE	No. Req.	SERIAL NUMBERS AFFECTED
2-1	XXXXX-XX		DOOR ASSEMBLY - Baggage compartment	X	
-2	XXXXX-XX		* TUBE ASSEMBLY - Baggage door latch	X	
-3	XXXXX-XX		* * CLEVIS - Door latch tube assembly	X	
-4	XXXXX-XX		* * CLIP - Door latch tube assembly	X	

In the Nomenclature column, the next higher assembly relationship of items covered is shown by the degree of indention of each item and is indicated by an asterisk (\*). One asterisk signifies one indention, two signifies two indentions, etc. The example listing above is interpreted as follows:

If the DOOR ASSEMBLY (not indented) is ordered, it will include the three items indented under the Door Assembly

If the TUBE ASSEMBLY (indented one space) is ordered, it will include the two items indented under the Tube Assembly.

If you want only a CLEVIS or CLIP, you order only that item.

3. The "ATTACHING PARTS" such as nuts, bolts, screws, etc., that are available as commercial hardware items, are not generally supplied by the Piper Aircraft Corporation. This catalog lists for your convenience, those attaching parts required for main assemblies and installations. The identifying number for these parts appears after the part name.

4. All items of Optional Equipment are contained in the parts list in their proper sequence and sections. These items were not marked optional, since they are fully identified by their descriptions

# PIPER PARTS CATALOG

## HOW TO IDENTIFY A PART IF YOU KNOW WHAT IT LOOKS LIKE AND KNOW WHERE IT IS LOCATED

1. Refer to Figure 1 to determine the section number in which the part is used.
2. Refer to the Table of Contents and locate the section. Note the figure numbers that illustrate the various subgroups of this main section.
  - a. Select the figure you think might contain the part you wish to identify and turn to the grid(page) specified.
3. Find the part on the illustration and note the index number.

NOTE: If you don't find the part on this illustration, try another figure in this group.

4. Refer to the "Figure and Index Number" in the Parts Listing for complete description of the part.

## HOW TO ORDER PARTS

In ordering parts for your Piper Airplanes, observe the following instructions which will aid in your getting the right parts required without delay.

- a. Place your order with the distributor or dealer for your territory, since parts are available only through our distributor organization.
- b. Always specify the model and serial number of your airplane.
- c. Always specify the part number, name, type and quantity required.
- d. Specify the method of shipment - freight, express, parcel post, air express, air freight, or air parcel post. Where the nature of the shipment requires it or when no instructions are given, we reserve the right to ship the most suitable way.

## GENERAL INFORMATION

### a. Shortages

All orders are checked and rechecked before leaving our Shipping Department. A packing slip is enclosed with the shipment and claims for errors or shortages must be made within three days after receipt of orders.

### b. Returned Goods

No material should be returned to us without first securing our written permission. Material sent in without notice will be held at the owner's risk for thirty (30) days and will then be disposed of as we see fit.

Transportation charges must be PREPAID on returned goods or the shipment will be refused.

### c. Transportation Liabilities

The Piper Aircraft Corporation cannot be held liable for damages to parts in transit from the factory. If a shipment is received in a damaged condition, have the delivery man or Transportation Company make a notation of the damage and file your claim with the Carrier. In case of concealed damage, do not attempt to remove the part from the shipping container, or endeavor to repair the damage, but call the Carrier and have his Claim Agent inspect the damage before filing your claim with the Carrier.

# PIPER PARTS CATALOG

---

## PA-31-350 SERIAL NUMBER INFORMATION

The serial numbers of the aircraft covered by this Parts Catalog are as follows:

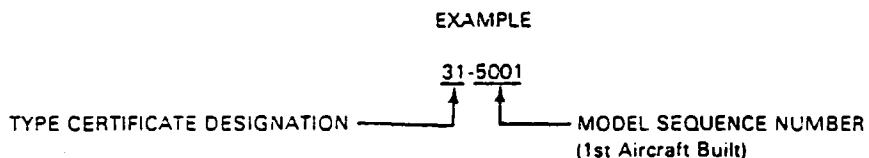
- (1) Serial numbers of the 1973 PA-31-350 Navajo Chieftain Models are 31-5001, 31-5002, 31-5003, 31-7305005 to 31-7305125 inclusive.
- (2) Serial numbers of the 1974 PA-31-350 Navajo Chieftain Models are 31-7405126 to 31-7405257 inclusive, and 31-7405400 to 31-7405497 inclusive.
- (3) Serial numbers of the 1975 PA-31-350 Navajo Chieftain Models are 31-7552001 to 31-7552132 inclusive.
- (4) Serial numbers of the 1976 PA-31-350 Navajo Chieftain Models are 31-7652001 to 31-7652177 inclusive.
- (5) Serial numbers of the 1977 PA-31-350 Navajo Chieftain Models are 31-7752001 to 31-7752192 inclusive.
- (6) Serial numbers of the 1978 PA-31-350 Chieftain Models are 31-7852001 to 31-7852171 inclusive.
- (7) Serial numbers of the 1979 PA-31-350 Chieftain Models are 31-7952001 to 31-7952250 inclusive.
- (8) Serial numbers of the 1980 PA-31-350 Chieftain Models are 31-8052001 to 31-8052221 inclusive.
- (9) Serial numbers of the 1981 PA-31-350 Chieftain Models are 31-8152001 to 31-8152203 inclusive.
- (10) Serial numbers of the 1982 PA-31-350 Chieftain Models are 31-8252001 to 31-8252085 inclusive.
- (11) Serial numbers of the 1983 PA-31-350 Chieftain Models are 31-8352001 to 31-8352042 inclusive.
- (12) Serial numbers of the 1984 PA-31-350 Chieftain Models are 31-8452001 to 31-8452021 inclusive.

NOTE: Refer to the next grid (page) for an explanation of the various serial numbers that were used and appear on the Manufacturer's Identification Plate.

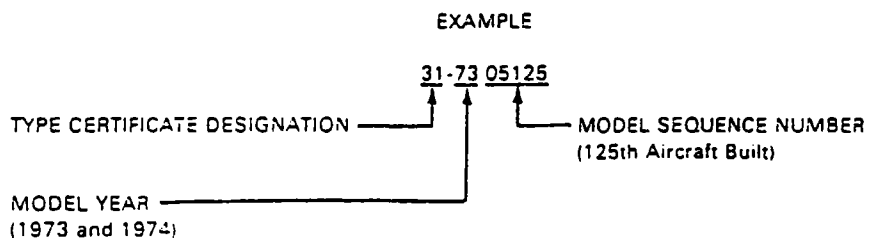
# PIPER PARTS CATALOG

## PA-31-350 SERIAL NUMBER EXPLANATION

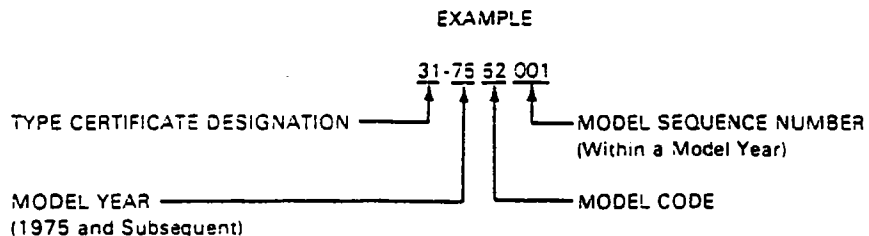
For the first three aircraft manufactured in 1973 model year, the Serial Number on the Manufacturer's Identification Plate is based on a 2-number set system. The first number set defines the Type Certificate Designation while the second set is the Model Sequence Number.



For the fifth aircraft manufactured in 1973 model year thru 1974 model year, the Serial Number on the Manufacturer's Identification Plate is based on a 3-number set system. The first number set defines the Type Certificate Designation, the second set is the Model Year, while the third set is the Model Sequence Number.



For aircraft manufactured in 1975 model year and subsequent, the Serial Number on the Manufacturer's Identification Plate is based on a 4-number set system. The first number set defines the Type Certificate Designation, the second set is the Model Year, the third set is the Model Code, while the fourth set is the Model Sequence Number (within a model year).



# PIPER PARTS CATALOG

## STANDARD PAINT CHART

	MFG. NO	PIPER PART NUMBER	
		QUART	GALLON
<b>EXTERIOR</b>			
<b>ACRYLIC LACQUER</b>			
Pontiac Red	8954	4175 590	1175 590
Madrid Red (base coat)	8276	4175 131	1175 131
Madrid Red (top coat)	8910	4175 589	1175 589
Newport Blue (base coat)	8988	4175 756	1175 756
Newport Blue (top coat)	8991	4175 755	1175 755
Bahama Blue	8911	4175 442	1175 442
Beaumont Blue	8993	4175 754	1175 754
Lakeland Blue	8979	4175 753	1175 753
Tampa Green (base coat)	8998	4175 208	1175 208
Tampa Green (top coat)	8997	4175 207	1175 207
Orlando Green	8981	4175 206	1175 206
Avocado	8955	4175 209	1175 209
Bimini Turquoise	8992	4175 752	1175 752
Nassau Turquoise	8978	4175 751	1175 751
Las Vegas Gold (base coat)	8931	4175 327	1175 327
Las Vegas Gold (top coat)	8929	4175 328	1175 328
Lincoln Gray	8987	4175 205	1175 205
Polar Gray	8986	4175 204	1175 204
Denver Brown (base coat)	8989	4175 297	1175 297
Denver Brown (top coat)	8977	4175 298	1175 298
Mocha Tan	8985	4175 750	1175 750
Dakota Black	8906	4175 375	1175 375
Monterey Maroon (base coat)	8908	4175 758	1175 758
Monterey Maroon (top coat)	8904	4175 757	1175 757
Dallas Yellow	8975	4175 702	1175 702
Ocala Orange (base coat)	8909	4175 503	1175 503
Ocala Orange (top coat)	8907	4175 502	1175 502
Juneau White	L8973	4175 655	1175 655
Baja Yellow (base coat)	8212	4175 704	1175 704
Baja Yellow (top coat)	8209	4175 703	1175 703
Lime Green (base coat)	8211	4175 214	1175 214
Lime Green (top coat)	8210	4175 213	1175 213
Saffron	8228	4175 385	1175 385
Claret	8223	4175 381	1175 381
Firethorn	8246	4175 384	1175 384
Dark Blue	8230	4175 387	1175 387
Sage Green	8226	4175 383	1175 383
Buckskin	8229	4175 386	1175 386
Hickory Brown	8231	4175 388	1175 388
Silver	8224	4175 382	1175 382
Sandalwood Tan	8271	4175 215	1175 215
Platinum Gray	8270	4175 216	1175 216
Thinner (fast drying) Titanine	8930	4179 138	1179 138
Thinner (slow drying) Titanine	8970	4179 134	1179 134

# PIPER PARTS CATALOG

## STANDARD PAINT CHART

	MFG NO	PIPER PART NUMBER	
		QUART	GALLON
<b>EXTERIOR</b>			
<b>POLYURETHANE ENAMEL (Dupont Imron)</b>			
Baja Yellow	H7850UH	4175 461	1175 461
Juneau White	H7848U	4175 462	1175 462
Ocala Orange	H7857UM	4175 463	1175 463
Madrid Red	H7851UM	4175 464	1175 464
Bahama Blue	H7853U	4175 465	1175 465
Avocado Green	H7852U	4175 466	1175 466
Las Vegas Gold	44469UH	4176 139	1176 139
Dakota Black	99U	4175 467	1175 467
Denver Brown	H7859U	4176 122	1176 122
Matador Red	H7858U	4175 468	1175 468
Royal Blue	H7856U	4175 469	1175 469
Hickory Brown	H7855U	4175 470	1175 470
Silver	45431U	4176 137	1176 137
Lime Green	H7854U	4175 460	1175 460
Sage Green	K7887U	4176 132	1176 132
Firethorn	K7888UW	4176 133	1176 133
Buckskin	K7890U	4176 135	1176 135
Dark Blue	K7891U	4176 136	1176 136
Dark Claret	K7886U	4176 131	1176 131
Medium Saffron	K7889UH	4176 134	1176 134
Platinum Gray	N7819U	4176 126	1176 126
Sandalwood Tan	N7818U	4176 127	1176 127
Catalyst	192S	4179 901	1179 901
Reducer	8485S	4179 480	1179 480
Retarder	8100S	4179 501	1179 501
Accelerator	189S	179 900	
Fisheye Eliminator	259S	179 902 (pint can only)	
<b>POLYURETHANE PRIMER (Dupont Imron)</b>			
Primer	325S	4170 745	1170 745
Catalyst	826S	4170 746	1170 746



# TABLE OF CONTENTS

FIGURE NUMBER	FIGURE TITLE	GRID NUMBER
1	View of Complete Airplane .....	1A14
SECTION I WING GROUP		
2	Wing Installation .....	1A15
3	Wing Panel Inboard Parts Installation .....	1A21
4	Wing Panel Outboard Parts Installation .....	1B1
5	Wing Panel Leading Edge Assembly .....	1B5
6	Leading Edge Spar Assembly .....	1B9
7	Wing Panel Rear Spar Assembly .....	1B13
8	Aileron Assembly .....	1B21
9	Flap Assembly .....	1C1
SECTION II FUSELAGE GROUP		
10	Fuselage Assembly .....	1C6
11	Fuselage Upper Forward Section .....	1C9
12	Fuselage Upper Cabin Section Assembly .....	1C13
13	Pilot Door Fuselage Frame Installation .....	1C17
14	Fuselage Lower Forward Section Assembly .....	1C20
15	Fuselage Lower Forward Frame Assembly .....	1D1
16	Fuselage Lower Rear Section Assembly .....	1D7
17	Fuselage Lower Center Frame Assembly .....	1D12
18	Fuselage Lower Rear Frame Assembly .....	1D15
19	Cargo Door Fuselage Frame Installation .....	1D18
20	Fuselage Aft Section .....	1E1
21	Floorboard Installation .....	1E7
22	Structure Installation, Sta. 57 to Sta. 215 .....	1E10
23	Structure Installation, Sta. 215 to Sta. 244 .....	1E13
24	Windshield Installation .....	1E17
25	Window Installation (S/N 31-5001 to 31-7652177 incl) .....	1E21
25A	Window Installation (S/N 31-7752001 and up) .....	1F1
26	Emergency Exit Window Installation .....	1F5
27	Cabin Entrance Door Installation .....	1F10
28	Upper Cabin Entrance Door .....	1F14
29	Lower Cabin Entrance Door .....	1F17
30	Forward Baggage Door Installation .....	1G1
31	Cargo Door Assembly and Installation .....	1G5
32	Pilot Door Installation .....	1G9
33	Pilot Door Assembly (Complete) .....	1G12
SECTION III TAIL SURFACES GROUP		
34	Tail Surfaces Installation .....	1G17
35	Fin Assembly .....	1G21
36	Rudder Assembly .....	1H1
37	Stabilizer Assembly .....	1H5
38	Elevator Assembly .....	1H9

# TABLE OF CONTENTS

FIGURE NUMBER

FIGURE TITLE

GRID NUMBER

SECTION IV  
LANDING GEAR GROUP

39	Main Landing Gear Installation .....	1H14
40	Main Gear Strut Assembly .....	1H20
41	Main Wheel Assembly (Cleveland) .....	1I1
41A	Main Wheel Assembly (Goodyear) .....	1I4
42	Main Wheel Brake Assembly (Cleveland) (S/N 31-5001 to 31-7652075 incl) .....	1I7
42A	Main Wheel Brake Assembly (Cleveland) (S/N 31-7652076 and up).....	1I10
42B	Main Wheel Brake Assembly (Cleveland) (S/N 31-7852121, 31-8052031 and up).....	1I13
42C	Main Wheel Brake Assembly (Goodyear) .....	1I16
43	Nose Landing Gear Installation .....	1I19
44	Nose Gear Strut Assembly .....	1J1
45	Nose Wheel Assembly .....	1J6
46	Nose Gear Steering Mechanism Installation .....	1J9
47	Brake System Installation .....	1J12
48	Dual Brake Installation .....	1J16
49	Master Cylinder and Parking Brake Valve.....	1J19

SECTION V  
CABIN EQUIPMENT GROUP

50	Furnishings Installation - Cargo Version .....	2A5
51	Furnishings Installation - Commuter Version (S/N 31-5001 to 31-7652177 incl) .....	2A9
51A	Furnishings Installation - Commuter Version (S/N 31-7752001 and up) .....	2A12
52	Furnishings Installation - Executive Commuter Version (S/N 31-5001 to 31-7652177 incl) .....	2A18
53	Furnishings Installation - Executive Version (S/N 31-5001 to 31-7652177 incl.) .....	2A21
53A	Furnishings Installation - Executive Version (S/N 31-7752001 and up) .....	2B1
54	Cabin Interior Finishing Installation (S/N 31-5001 to 31-7652177 incl.) .....	2B9
54A	Cabin Interior Finishing Installation (S/N 31-7752001 to 31-7852029 incl) .....	2B14
54B	Cabin Interior Finishing Installation (S/N 31-7852030 and up).....	2B18
55	Cabin Headliner Installation .....	2C1
56	Carpet Installation .....	2C4
57	Baggage Compartments Finishing Installation.....	2C8
58	Seats Installation - Front .....	2C12
59	Seats Installation - Third and Fourth Forward Facing .....	2C19
59A	Seats Installation - Third and Fourth Forward Facing (S/N 31-8152001 and up).....	2D1
60	Seats Installation - Third and Fourth Aft Facing .....	2D5
60A	Seats Installation - Third and Fourth Aft Facing (S/N 31-8152001 and up).....	2D10
61	Seats Installation - Passenger .....	2D14
62	Seats Installation - Ninth .....	2E1
63	Seats Installation - Tenth .....	2E6
63A	Seats Installation - Tenth (S/N 31-8152001 and up) .....	2E10
64	Cabin Divider Panels Installation (S/N 31-5001 to 31-7652177 incl.).....	2E14
64A	Cabin Privacy Curtain Installation .....	2E17
65	Refreshment Cabinet and Beverage Dispenser Instl. (S/N 31-5001 to 31-7652177 incl) ...	2E20
66	Refreshment Cabinet and Beverage Dispenser Instl (S/N 31-5001 to 31-7652177 incl.)...	2F1
67	Toilet Installation - Side Facing .....	2F4
68	Toilet Installation - 9th Seat Position .....	2F8
68A	Toilet Installation - 9th Seat Position (S/N 31-7752001 and up) .....	2F12
69	Toilet Installation - 10th Seat Postion (S/N 31-5001 to 31-7652177 incl) .....	2F16

# TABLE OF CONTENTS

FIGURE NUMBER	FIGURE TITLE	GRID NUMBER
<b>SECTION VI INSTRUMENTS GROUP</b>		
70	Instrument Panel Installation .....	2F19
71	Dual Instrument Panel Installation .....	2G1
72	Miscellaneous Air and Fluid Lines Installation .....	2G5
73	Dual Instrument Air System Installation .....	2G9
74	Instrument Pressure System Installation (S/N 31-5001 to 31-7652123 incl ) .....	2G12
74A	Instrument Pressure System Installation (S/N 31-7652124 and up) .....	2G16
75	Static Pressure System Installation .....	2G20
76	Tachometer Shaft Installation .....	2H1
<b>SECTION VII POWER PLANT GROUP</b>		
77	Power Plant Installation .....	2H4
78	Engine Baffle Installation .....	2H9
79	Oil Cooler and Breather System Installation .....	2H12
80	Three Blade Propeller Assembly .....	2H16
81	Propeller Synchrophaser System Installation (S/N 31-5001 to 31-7852037 incl ) .....	2H20
81A	Propeller Synchrophaser System Installation (S/N 31-7852038 and up) .....	2I1
82	Engine Controls Installation .....	2I4
83	Engine Cowl Installation .....	2I8
84	Cowl Flap Actuating Mechanism Installation .....	2I11
85	Nacelle Installation .....	2I15
86	Nacelle Locker Door Assembly and Installation .....	2I20
<b>SECTION VIII FUEL SYSTEM GROUP</b>		
87	Left Engine Fuel System Installation .....	2J1
88	Right Engine Fuel System Installation .....	2J6
89	Fuel Flow and Pressure Gauge Installation .....	2J11
90	Fuel System Components .....	2J15
91	Fuel Controls Installation .....	2J18
92	Main Fuel Cell and Liner Installation .....	2K1
93	Auxiliary Fuel Cell and Liner Installation .....	2K5
93A	Nacelle Fuel System Installation (Nayak) (S/N 31-8152001 and up) .....	2K9
<b>SECTION IX CONTROL SYSTEM GROUP</b>		
94	Pedestal Installation .....	3A6
95	Pedestal Control Assembly .....	3A11
96	Aileron Control Installation .....	3A15
97	Aileron Trim Installation .....	3A19
98	Rudder Control Installation .....	3B1
99	Rudder Trim Installation .....	3B5
100	Elevator Control Installation .....	3B9
101	Elevator Trim Installation .....	3B13
102	Flap Control Installation .....	3B17
103	Control Wheel Installation .....	3C1
104	Rudder Pedal Installation .....	3C6

# TABLE OF CONTENTS

FIGURE NUMBER

FIGURE TITLE

GRID NUMBER

SECTION X  
HYDRAULIC SYSTEM GROUP

105	Forward Hydraulic System Installation .....	3C10
106	Aft Hydraulic System Installation .....	3C14
107	Hydraulic Pumps Installation .....	3C17
108	Hydraulic System Components (Ozone) .....	3C21
108A	Hydraulic System Components (Wiebel) .....	3D1
109	Hydraulic Powerpak Assembly (Ozone) .....	3D5
109A	Hydraulic Powerpak Components (Ozone) .....	3D9
110	Hydraulic Powerpak Assembly (Wiebel) .....	3D12
110A	Hydraulic Powerpak Components (Wiebel) .....	3D16
111	Landing Gear Selector Mechanism Installation .....	3D19

SECTION XI  
ENVIRONMENTAL GROUP

112	Heater and Defroster System Installation (S/N 31-5001 to 31-8052130 incl) .....	3E1
112A	Heater and Defroster System Installation (S/N 31-8052131 and up) .....	3E5
113	Heater Installation .....	3E9
113A	Heater Installation .....	3E12
114	Heater Assembly .....	3E15
115	Heater Components .....	3E19
116	Ventilation System Installation .....	3F1
116A	Air Distribution Duct Installation (S/N 31-7852030 and up) .....	3F5
117	Cabin Exhaust Vent and Blower Installation .....	3F8
118	Air Conditioning Evaporator Installation .....	3F11
119	Air Conditioning Freon System Installation .....	3F14
120	Air Conditioning Condenser and Scoop Installation .....	3F17
121	Oxygen System Installation (Forward Mounted Bottle) (S/N 31-5001 to 31-7652177 incl) .....	3F20
121A	Oxygen System Installation (Forward Mounted Bottle) (S/N 31-7752001 and up) .....	3G1
122	Oxygen System Installation (Aft Mounted Bottle) (S/N 31-5001 to 31-7652177 incl) .....	3G5
122A	Oxygen System Installation (Aft Mounted Bottle) (S/N 31-7752001 and up) .....	3G9
123	Forward Pneumatic Deicing System Installation (S/N 31-5001 to 31-7652123 incl) .....	3G13
123A	Forward Pneumatic Deicing System Installation (S/N 31-7652124 to 31-7952250 incl) .....	3G17
123B	Forward Pneumatic Deicing System Installation (S/N 31-8052001 and up) .....	3G21
124	Aft Pneumatic Deicing System Installation (S/N 31-5001 to 31-7652123 incl) .....	3H1
124A	Aft Pneumatic Deicing System Installation (S/N 7652124 and up) .....	3H4

SECTION XII  
ELECTRICAL SYSTEM GROUP

125	Forward Electrical System Installation .....	3H7
126	Aft Electrical System Installation .....	3H12
127	Fuselage Harness Installation .....	3H15
128	Primary and Auxiliary Electrical Power Installation .....	3H19
129	Switch and Circuit Breaker System Installation .....	3I1
130	Overhead Switch Panel Assembly .....	3I5
131	Landing Light Installation .....	3I9
132	Propeller Electrical Deicer Installation .....	3I12
133	Electrical Windshield Wiper Installation .....	3I15
134	Strobe Lights Installation .....	3I18
134A	Strobe Lights Installation .....	3I21

# TABLE OF CONTENTS

FIGURE NUMBER	FIGURE TITLE	GRID NUMBER
SECTION XIII ELECTRONICS GROUP		
135	Bendix Radar Installation (RDR-110) .....	4A5
135A	Bendix Radar Installation (RDR-130) .....	4A8
135B	Bendix Radar Installation (RDR-140) .....	4A11
135C	Bendix Radar Installation (RDR-150) .....	4A14
135D	Bendix Radar Installation (RDR-160) .....	4A17
135E	Bendix Radar Installation (RDR-230 HP) .....	4A20
136	RCA Radar Installation .....	4B1
136A	King Radar Installation (KWX-40/KWX-50) .....	4B4
136B	King Radar Installation (KWX-56) .....	4B7
136C	RCA Radar Installation (Primus 200) .....	4B10
137	Radar Altimeter Installation (Bonzer) .....	4B13
137A	Radar Altimeter Installation (King) (S/N 31-7852001 and up) .....	4B16
138	AltiMatic Pilot III B-1 Installation .....	4B19
138A	AltiMatic Pilot III C Installation (S/N 31-7552054 to 31-8152203 incl) .....	4C1
139	Glide Slope Coupler Installation .....	4C5
140	AltiMatic V F/D-1 AutoPilot Installation (S/N 31-5001 to 31-7752099 incl) .....	4C8
141	AltiMatic V-1 AutoPilot Installation (S/N 31-5001 to 31-7752099 incl) .....	4C13
142	Flight Director AutoPilot Installation (Bendix FCS-810) (S/N 31-7752100 to 31-8052221 incl) .....	4C18
143	AutoPilot Installation (Bendix FCS-810) (S/N 31-7752100 to 31-8052221 incl) .....	4D1
144	AltiMatic X F/D AutoPilot Installation (S/N 31-7852001 to 31-8152203 incl) .....	4D5
145	AltiMatic X AutoPilot Installation (S/N 31-7852001 to 31-8152203 incl) .....	4D9
145A	King AutoPilot (KAP-200) and King AutoPilot F/D (KFC-200) Installations (S/N 31-7952002 and up) .....	4D13
145B	Bendix FCS-870 AutoPilot and F/D AutoPilot Installation (S/N 31-8152001 and up) .....	4D17
145C	Century 41 AutoPilot and F/D AutoPilot Installation (S/N 31-8252001 and up) .....	4D21
146	RMI System Installation (Radio Magnetic Indicator) .....	4E1
147	Antenna Cable Speaker, Static Wick, Ramp Hailer and Mike Installation .....	4E4
148	Radio Cooling Installation .....	4E8
149	Piper PM-1 Marker Beacon Installation .....	4E11
150	Radio Junction Boxes .....	4E14
151	Piper Automatic Locator (ELT) Installation (Garrett Mfg Ltd) .....	4E17
152	Piper Automatic Locator (ELT) Installation (Communications Components Corp) .....	4E20
152A	Piper Automatic Locator (ELT) Installation (Narco Avionics) .....	4F1
152B	King Radio Telephone Installation .....	4F4
	Radio Installation Drawings .....	4F7
SECTION XIV MISCELLANEOUS GROUP		
153	Placards and Exterior Stencils .....	4F12
	Optional Equipment Kits and Repair Kits .....	4F19
	NUMERICAL INDEX	4G1

PIPER PARTS CATALOG

MISCELLANEOUS  
XIV

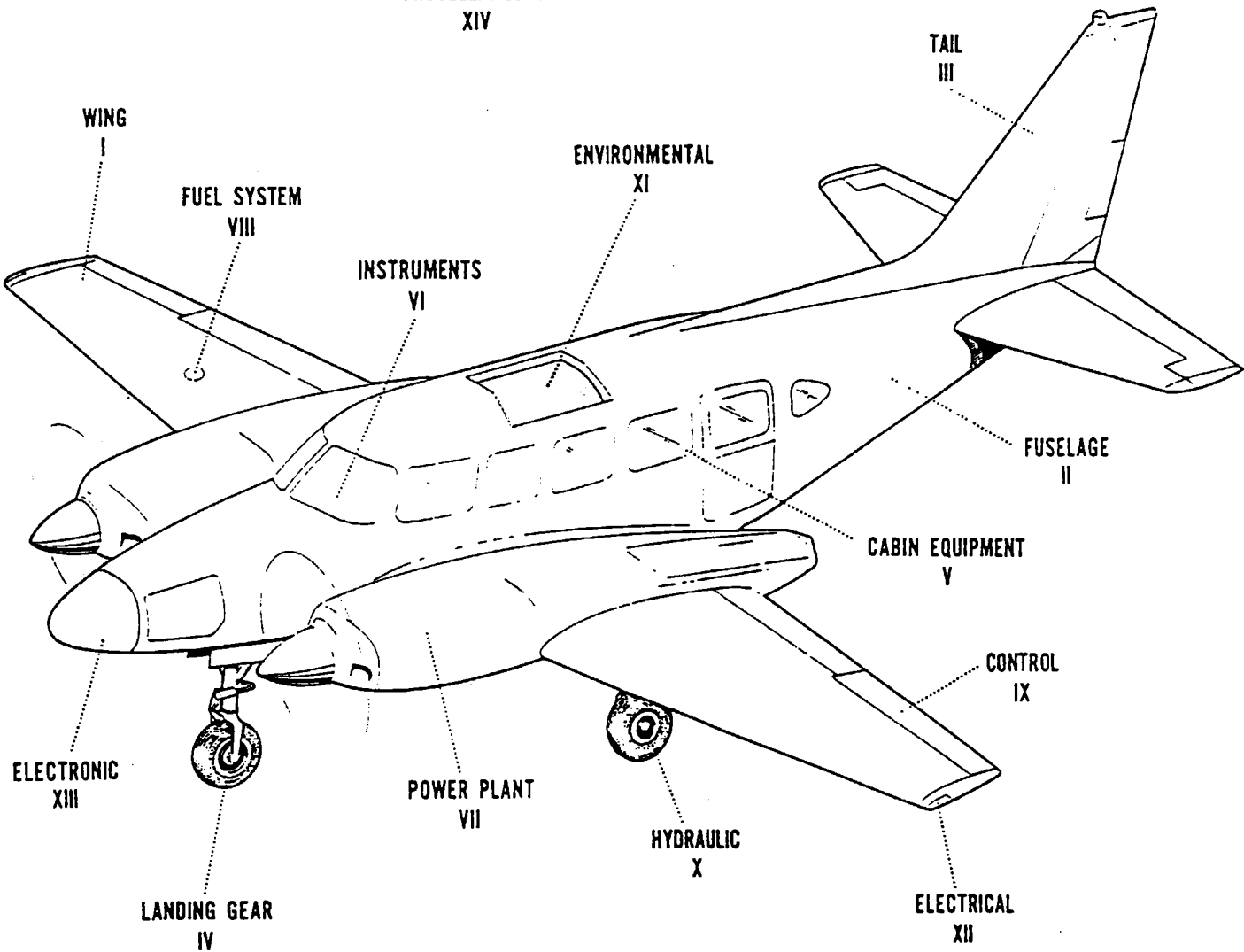


Figure 1. View of Complete Airplane

# PIPER PARTS CATALOG

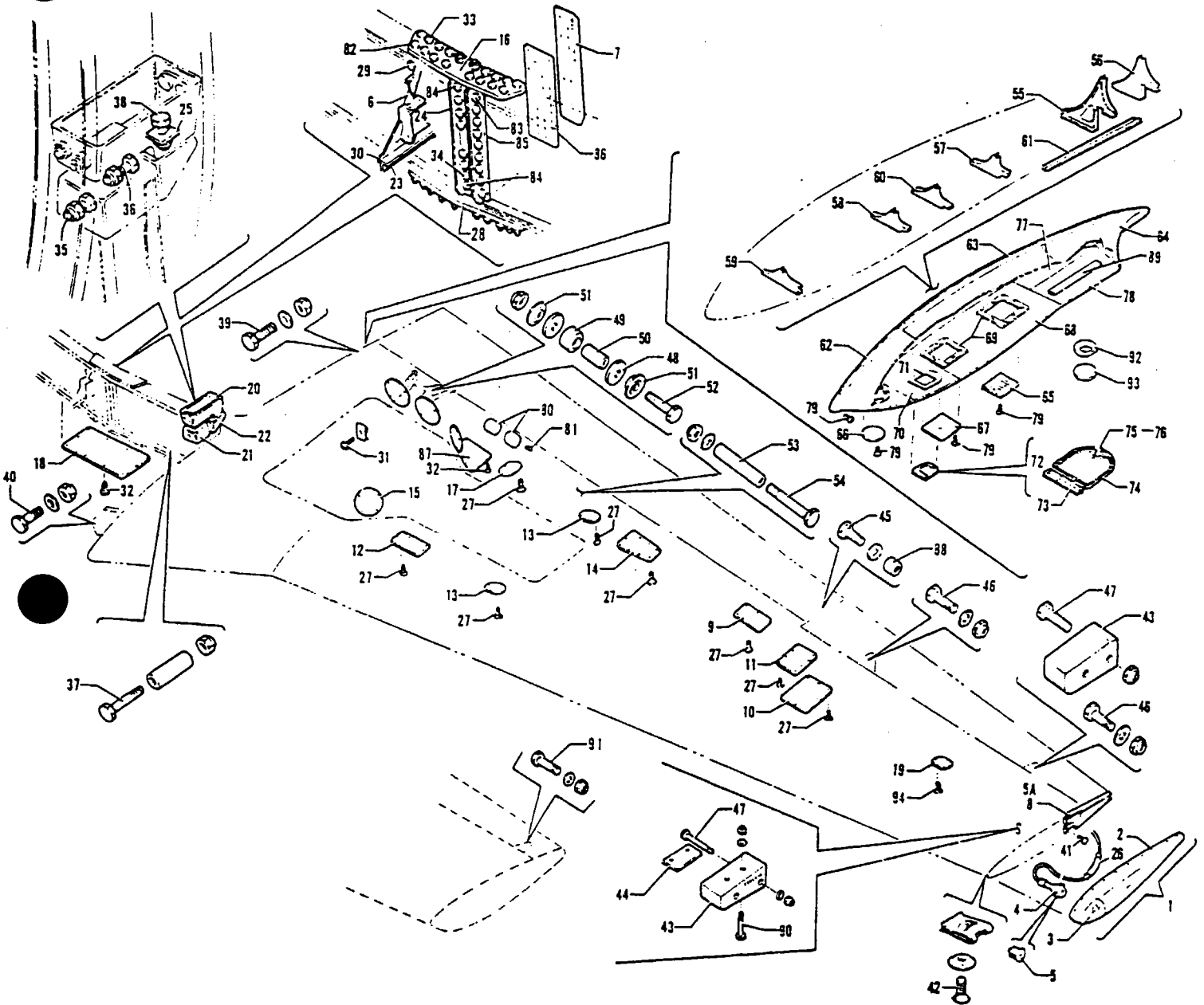


Figure 2. Wing Installation

# PIPER PARTS CATALOG

---

## CODE EXPLANATIONS FOR FIGURE 2

- A - Refer to Figure 134 if wing tip strobe lights are installed.
- B - Used if pilot door is installed.
- C - See Figure 134A if navigation and strobe lights and/or recognition lights are installed.
- D - Used in place of 86102-105 if oversize bushing is required.



PIPER PARTS CATALOG

Figure and Index Number	Part Number	Code	NOMENCLATURE	No. Req.	SERIAL NUMBERS AFFECTED
2-	44765 41488 41565		DRAWING - Wing Installation DRAWING - Flap Installation DRAWING - Aileron Installation		
-1	42027-07 42027-15 44587-16 44587-22 42027-08 42027-16 44587-17 44587-23	A A C C A A C C	TIP ASSEMBLY - Wing, left (with navigation light) TIP ASSEMBLY - Wing, left (with navigation light) TIP ASSEMBLY - Wing, left (less navigation and strobe light) TIP ASSEMBLY - Wing, left (less navigation and strobe light) TIP ASSEMBLY - Wing, right (with navigation light) TIP ASSEMBLY - Wing, right (with navigation light) TIP ASSEMBLY - Wing, right (less navigation and strobe light) TIP ASSEMBLY - Wing, right (less navigation and strobe light)	1 1 1 1 1 1 1 1	31-5001 to 31-7305010 incl. 31-7305011 to 31-7305052 incl. 31-7305053 to 31-7552016 incl 31-7552017 and up 31-5001 to 31-7305010 incl. 31-7305011 to 31-7305052 incl 31-7305053 to 31-7552016 incl 31-7552017 and up
-2	42027-02 42027-03	A A	* TIP ASSEMBLY - Wing tip assembly, left * TIP ASSEMBLY - Wing tip assembly, right	1 1	31-5001 to 31-7305052 incl. 31-5001 to 31-7305052 incl
-3	42027-04 42027-05	A A	* PLEXIGLASS - Wing tip assembly, left * PLEXIGLASS - Wing tip assembly, right	1 1	31-5001 to 31-7305052 incl 31-5001 to 31-7305052 incl.
-4	43258-04 43258-03	A A	* LIGHT ASSEMBLY - Wing tip, red, left * LIGHT ASSEMBLY - Wing tip, green, right	1 1	31-5001 to 31-7305052 incl. 31-5001 to 31-7305052 incl.
-5	753 478	A	* * BULB - Wing tip (A-7512-24)	1	31-5001 to 31-7305052 incl.
-5a	54331-02 54331-03		* RIB - Wing tip attachment, Sta. 239, left * RIB - Wing tip attachment, Sta. 239, right	1 1	31-7552017 and up 31-7552017 and up
-6	41027-10		BRACE ASSEMBLY - Wing spar	2	
-7	44879-00		CHANNEL - Spar attachment, wing	1	
-8	40510-00 54331-02 40510-01 54331-03		RIB - Wing tip attachment, Sta. 239, left RIB - Wing tip attachment, Sta. 239, left RIB - Wing tip attachment, Sta. 239, right RIB - Wing tip attachment, Sta. 239, right	1 1 1 1	31-5001 to 31-7552016 incl. 31-7552017 and up 31-5001 to 31-7552016 incl 31-7552017 and up
-9	40629-00 40629-01		COVER - Aileron pulley access, wing, left COVER - Aileron pulley access, wing, right	1 1	
-10	40636-00 40636-01		COVER - Aileron bellcrank access, wing, left COVER - Aileron bellcrank access, wing, right	1 1	
-11	42118-00 42118-01		COVER - Aileron mechanism access, wing, right COVER - Aileron mechanism access, wing, left	1 1	
-12	40569-00		PLATE - Wing access	2	
-13	40567-00 40567-00 71139-02		PLATE - Wing access PLATE - Wing access, aft PLATE - Wing access, forward	4 2 2	31-5001 to 31-7952249 incl. 31-7952250 and up 31-7952250 and up
-14	40587-00 40587-01		PLATE - Wing access, left PLATE - Wing access, right	1 1	
-15	40468-00		PLATE - Wing cover	8	
-16	44654-00		PLATE - Main spar attachment, top	1	
-17	40563-00		PLATE - Wing access	2	
-18	41028-00		PLATE - Fuselage access cover, Sta. 135 to Sta. 140	1	
-19	20370-00		PLATE - Wing, access hole cover	2	
-20	45155-00		FITTING - Main spar attachment, upper	2	
-21	44964-00		FITTING - Main spar attachment, lower, forward	2	
-22	40319-00		FITTING - Main spar attachment, lower, aft	2	
-23	42060-00		ANGLE - Longitudinal beam splice	2	
-24	44879-00		CHANNEL - Spar attachment	1	
-25	44155-00		SHIM - Main spar attachment fitting	AR	
-26	90797-72		SLEEVE - Insulating	1	
-27	414 779		SCREW - (MS24693-S49)	134	
-28	44655-02		PLATE - Wing, main spar attachment, bottom	1	
-29	400 011 407 565 404 888		BOLT - (AN4-16A) WASHER - (AN960-416) NUT - (MS20365-428C)	2 2 2	
-30	401 266 404 887		BOLT - (AN3-5A) NUT - (MS20365-1032C)	8 8	

When ordering, always specify Part Number, Description and Serial Number of Aircraft

## PIPER PARTS CATALOG

Figure and Index Number	Part Number	Code	Nomenclature	No. Req.	Serial Numbers Affected
2-31	415 518		SCREW- (MS35206-228)	32	
	406 434		NUT - (A188-632-1)	32	
-32	415 535		SCREW- (MS35206-245)	23	
-33	401 394		BOLT- (AN6-13A)	10	
	407 567		WASHER - (AN960-616)	10	
	404 890		NUT - (MS20365-624C)	10	
-34	401 269		BOLT- (AN3-10A)	12	
	407 584		WASHER - (AN960-10L)	12	
	404 887		NUT - (MS20365-1032C)	12	
-35	401 186		BOLT - (AN5-6A)	10	
	407 566		WASHER - (AN960-516)	10	
	404 889		NUT - (MS20365-524C)	10	
-36	401 353		BOLT - (AN5-12A)	2	
	407 566		WASHER - (AN960-516)	4	
	404 889		NUT - (MS20365-524C)	2	
-37	401 365		BOLT- (AN5-26A)	2	
	41413-36		BUSHING - Spacer	2	
	404 889		NUT - (MS20365-524C)	2	
-38	401 353		BOLT- (AN5-12A)	2	
	407 566		WASHER - (AN960-516)	2	
	404 889		NUT - (MS20365-524C)	2	
-39	400 621		BOLT - (AN8-12A)	2	
	407 569		WASHER - (AN960-816)	4	
	404 900		NUT - (MS20365-820C)	2	
-40	401 504		BOLT - (AN7-10A)	2	
	407 591		WASHER - (AN960-716L)	4	
	404 891		NUT - (MS20365-720C)	2	
-41	415 533		SCREW- (MS35206-243)	4	
-42	414 748		SCREW - (MS24693-S28)	44	
	494 071		WASHER - (A3236-012-1)	44	
	406 362		NUT - (C8095-632-1)	44	
-43	53107-02		WEIGHT - Aileron balance, left	1	31-5001 to 31-7552016 incl.
	54325-02		WEIGHT - Aileron balance, left	1	31-7552017 and up
	53107-03		WEIGHT - Aileron balance, right	1	31-5001 to 31-7552016 incl.
	54325-03		WEIGHT - Aileron balance, right	1	31-7552017 and up
-44	54195-02		WEIGHT - Aileron balance, trim	AR	31-7405250 to 31-7405257 incl.
	54395-02		WEIGHT - Aileron balance, trim	AR	31-7552017 and up
	54395-03		WEIGHT - Aileron balance, trim (with counterbored bolt holes)	AR	31-8152021 and up
-45	400 440		BOLT - (AN3-6A) right	1	
	81342-09		WASHER - Right	1	
-46	401 311		BOLT - (AN4-11A)	4	
	19513-64		WASHER	4	
	404 888		NUT - (MS20365-428C)	4	
-47	400 446		BOLT - (AN3-16A) left and right	4	31-5001 to 31-7552016 incl.
	400 451		BOLT - (AN3-20A) left	2	31-7552017 to 31-8152020 incl.
	400 453		BOLT - (AN3-21A) left	2	31-8152021 and up
	400 455		BOLT - (AN3-23A) right	2	31-7552017 and up
	407 584		WASHER - (AN960-10L)	4	31-7552017 and up
	404 835		NUT - (MS20365-1032C)	4	
-48	40559-43		WASHER - Flap, outboard track	8	
	40559-42		WASHER - Flap, inboard and center track	16	
-49	86102-104		BUSHING - Flap, outboard track	4	
	86102-105		BUSHING - Flap, center track	4	
	49982-43	D	BUSHING - Flap, center track, oversize	4	
	86102-106		BUSHING - Flap, inboard track	4	

When ordering, always specify Part Number, Description, and Serial Number of Aircraft

# PIPER PARTS CATALOG

Figure and Index Number	Part Number	Code	Nomenclature	No. Req.	Serial Numbers Affected
2-50	41413-05		BUSHING - Flap, outboard, center and inboard track	12	
-51	408 837		WASHER - Flap, outboard and inboard track assembly (3512-20-03-0544)	16	
-52	401 312		BOLT- (AN4-12A)	12	
	407 565		WASHER - (AN960-416)	12	
	404 888		NUT - (MS20365-428C)	12	
-53	41413-37		BUSHING - Transmission bracket spacer, left	1	
-54	400 460		BOLT - Left (AN3-35A)	2	
	407 564		WASHER - (AN960-10)	6	
	404 887		NUT - (MS20365-1032C)	2	
-55	43646-04		BULKHEAD - Wing fillet, Sta. 181, left	1	
	43646-05		BULKHEAD - Wing fillet, Sta. 181, right	1	
-56	43649-04		BULKHEAD - Wing fillet, Sta. 191.70, left	1	
	44582-02	B	BULKHEAD - Wing fillet, Sta. 191.70, left	1	
	43649-05		BULKHEAD - Wing fillet, Sta. 191.70, right	1	
-57	43645-00		BULKHEAD ASSEMBLY - Wing fillet, Sta. 162.60, left	1	
	43645-01		BULKHEAD ASSEMBLY - Wing fillet, Sta. 162.60, right	1	
-58	43648-00		BULKHEAD ASSEMBLY - Wing fillet, Sta. 140, left	1	
	43648-01		BULKHEAD ASSEMBLY - Wing fillet, Sta. 140, right	1	
-59	52370-00		BULKHEAD ASSEMBLY - Wing fillet, Sta. 111.50, left	1	
	52370-01		BULKHEAD ASSEMBLY - Wing fillet, Sta. 111.50, right	1	
-60	43683-00		BULKHEAD ASSEMBLY - Wing fillet, Sta. 151.30, left	1	
	43683-01		BULKHEAD ASSEMBLY - Wing fillet, Sta. 151.30, right	1	
-61	42003-00		CHANNEL - Wing fillet, left	1	
	42003-01		CHANNEL - Wing fillet, right	1	
-62	42224-04		FILLET ASSEMBLY - Wing root, forward, left	1	
	42224-03		FILLET ASSEMBLY - Wing root, forward, right	1	
-63	53130-00		FILLET ASSEMBLY - Wing root, center, left	1	
	53130-01		FILLET ASSEMBLY - Wing root, center, right	1	
-64	42342-00		FILLET - Wing root, rear, left	1	
	42342-01		FILLET - Wing root, rear, right	1	
-65	43004-00		PLATE - Louvered access hole cover	2	
-66	17318-02		PLATE - Access hole cover	2	
-67	41840-03		PLATE ASSEMBLY - Access hole cover	2	
	463 391		* GROMMET - Drainage, plastic (AN231-4)	1	
-68	42130-00		PLATE ASSEMBLY - Wing fillet, bottom center, left	1	
	42130-01		PLATE ASSEMBLY - Wing fillet, bottom center, right	1	
-69	17315-00		* PLATE ASSEMBLY - Access hole reinforcement, rear	1	
	17315-06		* PLATE ASSEMBLY - Access hole reinforcement, front	1	
-70	52361-00		PLATE ASSEMBLY - Wing fillet, bottom access, left	1	
	52361-01		PLATE ASSEMBLY - Wing fillet, bottom access, right	1	
-71	19803-04		* PLATE - Wing fillet reinforcement	1	
-72	42173-00		* PLATE ASSEMBLY - Wing fillet access	1	
-73	19799-00		** HINGE ASSEMBLY - Wing fillet access	1	
-74	42008-00		** GASKET - Wing fillet access	1	
-75	487 614		** STUD - (2600-2W)	1	
-76	494 060		** WASHER - (2600-LW)	1	
-77	42279-00		PLATE - Wing fillet, bottom, rear, left	1	31-5001 to 31-7752192 incl.
	42279-04		PLATE - Wing fillet, bottom, rear, left	1	31-7852001 and up
	42279-02	B	PLATE - Wing fillet, bottom, rear, left	1	31-5001 to 31-7752192 incl.
	42279-05	B	PLATE - Wing fillet, bottom, rear, left	1	31-7852001 and up
	42279-01		PLATE - Wing fillet, bottom, rear, right	1	31-5001 to 31-7752192 incl.
	42279-03		PLATE - Wing fillet, bottom, rear, right	1	31-7852001 and up
-78	42308-00		SKIN - Wing fillet, inner	2	
-79	414 763		SCREW - (MS24693-S50)	82	
-80	40607-00		PLATE - Wing access	4	

When ordering, always specify Part Number, Description, and Serial Number of Aircraft

## PIPER PARTS CATALOG

Figure and Index Number	Part Number	Code	NOMENCLATURE	No. Req.	SERIAL NUMBERS AFFECTED
2-81	415 533		SCREW - (MS35206-243)	32	
-82	401 395		BOLT - (AN6-14A)	26	
	407 567		WASHER - (AN960-616)	26	
	404 890		NUT - (MS20365-624C)	26	
-83	400 441		BOLT - (AN3-7A)	20	
	407 584		WASHER - (AN960-10L)	20	
	407 564		WASHER - (AN960-10)	20	
	404 887		NUT - (MS20365-1032C)	20	
-84	401 310		BOLT - (AN4-10A)	4	
	404 888		NUT - (MS20365-428C)	4	
-85	44872-00		PLATE - Main spar splice, front	1	
-86	44875-00		PLATE - Main spar splice, rear	1	
-87	52054-04		PLATE - Wing access, left	1	
-88	41413-51		BUSHING - Aileron tab, right	1	
-89	43508-00		STRIP - Chafing	2	
-90	400 874		BOLT - (AN23-22A) (1 13/32 L.)	4	31-7552017 to 31-8152020 incl
	400 888		BOLT - (AN23-28A) (1 25/32 L.)	4	31-7552017 and up
	400 882		BOLT - (AN23-30A) (1 29/32 L.)	4	31-7552017 to 31-8152020 incl
	400 878		BOLT - (AN23-26A) (1 21/32 L.)	4	31-8152021 and up
	407 584		WASHER - (AN960-10L)	4	31-7552017 to 31-8152020 incl.
	404 887		NUT - (MS20365-1032C)	4	31-7552017 to 31-8152020 incl.
-91	400 009		BOLT - (AN4-14A)	2	31-7552017 and up
	407 585		WASHER - (AN960-416L)	2	31-7552017 and up
	404 888		NUT - (MS20365-428C)	2	31-7552017 and up
-92	49351-02		PLATE ASSEMBLY - Antenna, left	1	31-7852001 and up
	49351-03		PLATE ASSEMBLY - Antenna, right	1	31-7852001 and up
-93	49352-02		PLATE - Cover	2	31-7852001 and up
-94	414 779		SCREW - (MS24693-S49)	16	31-5001 to 31-8152126 incl
	414 425		SCREW - (MS24693-BB50), left	8	31-8152127 and up
	414 779		SCREW - (MS24693-S49), right	8	31-8152127 and up

When ordering, always specify Part Number, Description and Serial Number of Aircraft

PIPER PARTS CATALOG

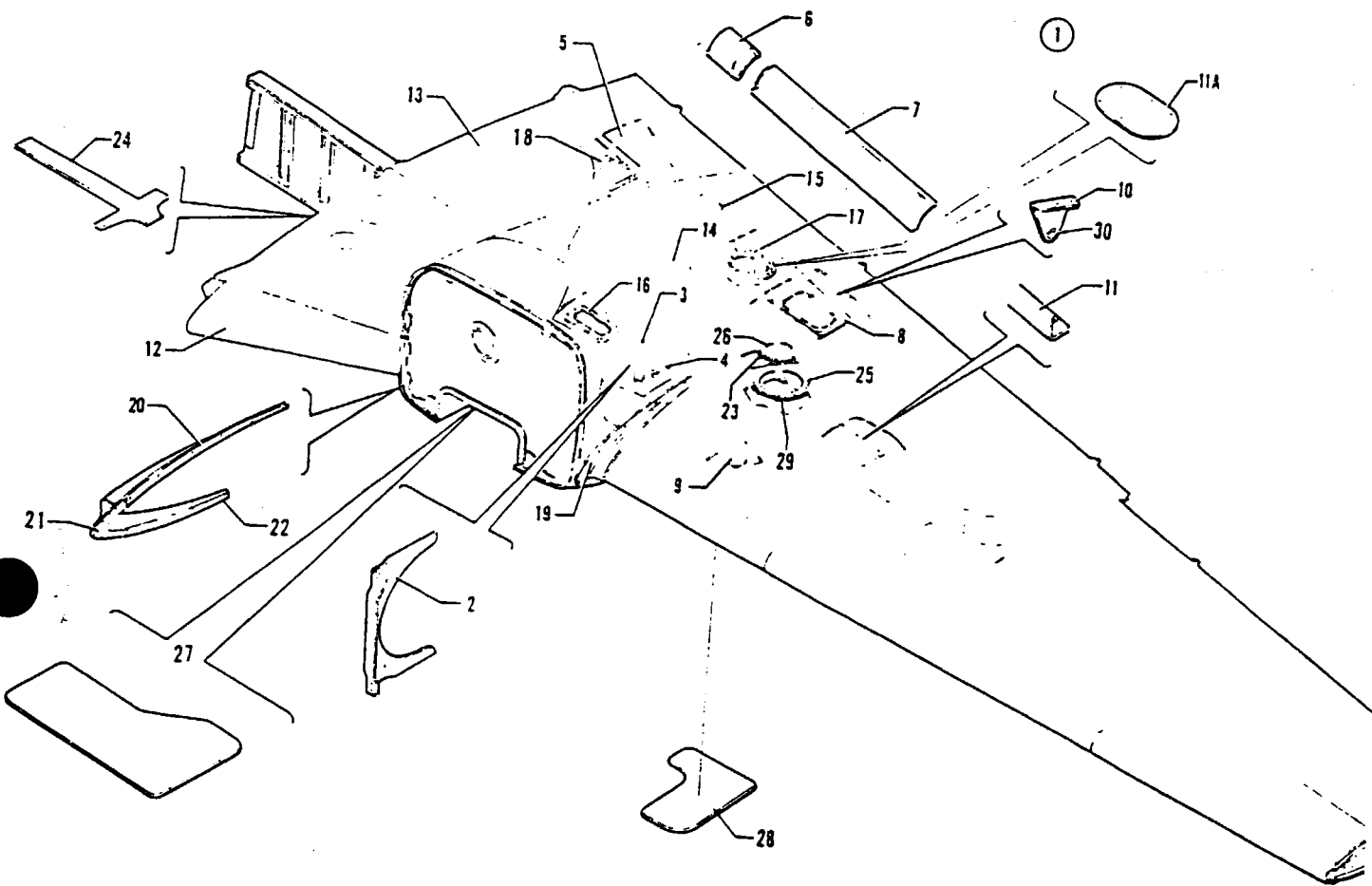


Figure 3. Wing Panel Inboard Parts Installation

---

# PIPER PARTS CATALOG

---

## CODE EXPLANATIONS FOR FIGURE 3

- A - All items on Figures 4, 5, 6, 7, 85, 86, 92 and 93 are components of this assembly.
- B - See Figure 7 for component parts.
- C - See Figure 5 for component parts.

## PIPER PARTS CATALOG

Figure and Index Number	Part Number	Code	NOMENCLATURE	No. Req.	SERIAL NUMBERS AFFECTED
3-1	44723-08	A	PANEL ASSEMBLY - Wing, left	1	31-5001 to 31-7552016 incl.
	44723-07	A	PANEL ASSEMBLY - Wing, right	1	31-5001 to 31-7552016 incl.
	44723-10	A	PANEL ASSEMBLY - Wing, left	1	31-7552017 to 31-7852171 incl.
	44723-09	A	PANEL ASSEMBLY - Wing, right	1	31-7552017 to 31-7852171 incl.
	44723-12	A	PANEL ASSEMBLY - Wing, left	1	31-7952001 and up
	44723-11	A	PANEL ASSEMBLY - Wing, right	1	31-7952001 and up
-2	40456-02		* PLATE - Wing panel assembly, rib attachment, main spar, left	1	
	40456-03		* PLATE - Wing panel assembly, rib attachment, main spar, right	1	
-3	40460-00		* ANGLE - Wing panel assembly, fuel cell liner support	1	
-4	40464-00		* ANGLE - Wing panel assembly, fuel cell liner support	1	
-5	44740-00	B	* REAR SPAR ASSEMBLY - Wing panel assembly, left	1	31-5001 to 31-7552016 incl.
	44740-01	B	* REAR SPAR ASSEMBLY - Wing panel assembly, right	1	31-5001 to 31-7552016 incl.
	44740-02	B	* REAR SPAR ASSEMBLY - Wing panel assembly, left	1	31-7552017 to 31-7852171 incl.
	44740-03	B	* REAR SPAR ASSEMBLY - Wing panel assembly, right	1	31-7552017 to 31-7852171 incl.
	44740-04	B	* REAR SPAR ASSEMBLY - Wing panel assembly, left	1	31-7952001 and up
	47740-05	B	* REAR SPAR ASSEMBLY - Wing panel assembly, right	1	31-7952001 and up
-6	40533-00		* SPAR ASSEMBLY - False, wing panel assembly, Sta. 30 to Sta. 39.5, left	1	
	40533-01		* SPAR ASSEMBLY - False, wing panel assembly, Sta. 30 to Sta. 39.5, right	1	
-7	40534-08		* SPAR ASSEMBLY - False, wing panel assembly, Sta. 39.5 to Sta. 87.5, left	1	
	40534-09		* SPAR ASSEMBLY - False, wing panel assembly, Sta. 39.5 to Sta. 87.5, right	1	
-8	45997-00		* PLATE ASSEMBLY - Wing panel assembly, access hole reinforcement, left	1	
	45997-01		* PLATE ASSEMBLY - Wing panel assembly, access hole reinforcement, right	1	
-9	25597-00		* PAD - Wing panel assembly, jack	1	
-10	41601-00		* BRACKET - Potentiometer mounting, left	1	
	41601-03		* BRACKET - Potentiometer mounting, right	1	31-7952001 and up
-11	40586-44		* STRINGER - Wing panel assembly (hook type) (6' length)	AR	
	149 205		* STRINGER - Wing panel assembly (bulb type) (12' length)	AR	
-11a	50128-06		* PLATE ASSEMBLY - Cover, Sta. 92.50	1	31-7852100 and up
-12	44747-02	C	* LEADING EDGE ASSEMBLY - Wing panel assembly, left	1	
	44747-03	C	* LEADING EDGE ASSEMBLY - Wing panel assembly, right	1	
-13	44723-02		* SKIN ASSEMBLY - Wing panel assembly, top, left	1	
	44723-03		* SKIN ASSEMBLY - Wing panel assembly, top, right	1	
-14	44448-00		* * COVER - Wing panel assembly	1	
-15	44723-06		* SKIN ASSEMBLY - Wing panel assembly, bottom, left	1	
	44723-05		* SKIN ASSEMBLY - Wing panel assembly, bottom, right	1	
-16	40568-00		* * PLATE ASSEMBLY - Wing panel assembly, wing access hole reinforcement	1	
-17	40570-00		* * PLATE ASSEMBLY - Wing panel assembly, wing access hole reinforcement	1	
-18	52054-03		* * PLATE ASSEMBLY - Wing panel assembly, wing access hole reinforcement	1	
-19	42426-00		FAIRING ASSEMBLY - Left nacelle, outboard	1	
	42426-01		FAIRING ASSEMBLY - Right nacelle, outboard	1	
-20	42455-08		FAIRING ASSEMBLY - Left nacelle, top, inboard	1	
	42455-09		FAIRING ASSEMBLY - Right nacelle, top, inboard	1	
-21	42455-10		FAIRING ASSEMBLY - Left nacelle, forward, inboard	1	
	42455-11		FAIRING ASSEMBLY - Right nacelle, forward, inboard	1	
-22	42455-12		FAIRING ASSEMBLY - Left nacelle, bottom, inboard	1	
	42455-13		FAIRING ASSEMBLY - Right nacelle, bottom, inboard	1	
-23	53168-00		SHIM - Gauge support plate	2	

When ordering, always specify Part Number, Description and Serial Number of Aircraft

## PIPER PARTS CATALOG

Figure and Index Number	Part Number	Code	NOMENCLATURE	No. Req.	SERIAL NUMBERS AFFECTED
3-24	44710-00		PLATE - Wing panel assembly, reinforcement, left	1	
	44710-01		PLATE - Wing panel assembly, reinforcement, right	1	
-25	40532-06		PLATE ASSEMBLY - Wing panel assembly, fuel cell access reinforcement	1	
-26	40378-06		PLATE ASSEMBLY - Wing panel assembly, fuel gauge support, left	1	31-5001 to 31-7652090 incl.
	40378-10		PLATE ASSEMBLY - Wing panel assembly, fuel gauge support, left	1	31-7652091 and up
	40378-07		PLATE ASSEMBLY - Wing panel assembly, fuel gauge support, right	1	31-5001 to 31-7652090 incl.
	40378-11		PLATE ASSEMBLY - Wing panel assembly, fuel gauge support, right	1	31-7652091 and up
-27	44711-00		PLATE - Wing reinforcement, left	1	
	44711-01		PLATE - Wing reinforcement, right	1	
-28	50224-02		PLATE - Wheel well reinforcement, left	1	
	50224-03		PLATE - Wheel well reinforcement, right	1	
-29	53171-00		SHIM - Fuel cell support	2	
-30	434 128		GROMMET - (MS35489-6)	1	

When ordering, always specify Part Number, Description and Serial Number of Aircraft



PIPER PARTS CATALOG

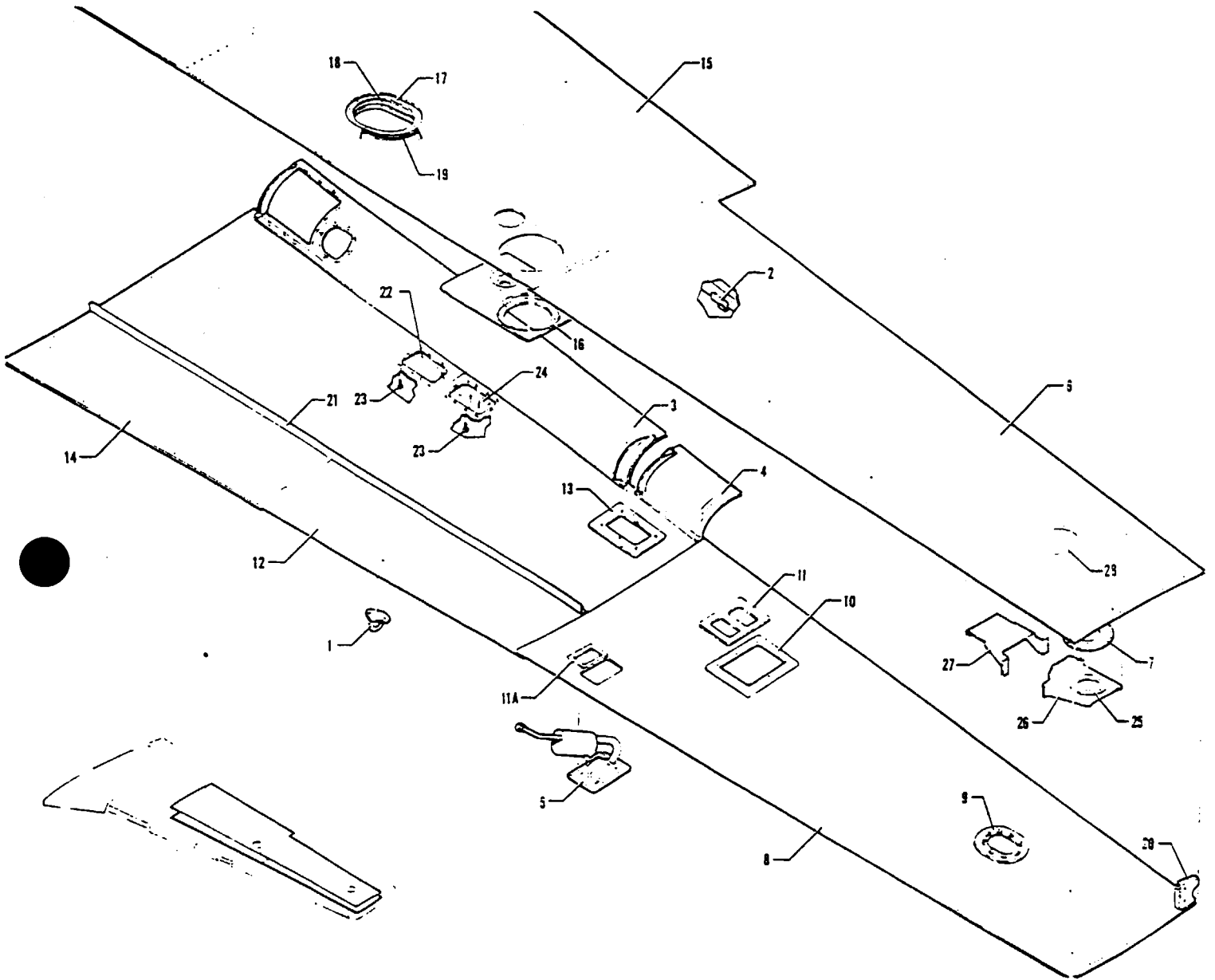


Figure 4 Wing Panel Outboard Parts Installation

---

# PIPER PARTS CATALOG

---

## CODE EXPLANATIONS FOR FIGURE 4

- A - Used if AltiMatic V F/D-1 or V-1 is installed
- B - See Figure 93A if Nacelle Fuel System (NAYAK) is installed
- C - On aircraft with Serial Numbers 31-5001 to 31-7852171 inclusive, if Calco Flap System Installation Kit 764 938L has been installed per Service Letter 959, order part for Serial Numbers 31-8152109 and up

PIPER PARTS CATALOG

Figure and Index Number	Part Number	Code	NOMENCLATURE	No Req	SERIAL NUMBERS AFFECTED
4-	40722		DRAWING - Wing Panel Outboard Parts Installation		
-1	18457-00		RING - Tie down, wing outboard	2	
-2	40396-00		BRACKET - Mounting, wing outboard, Sta 166 6, right	1	
-3	40535-00	C	SPAR ASSEMBLY - False, wing outboard, Sta 87 5 to Sta 147 5, left	1	31-5001 to 31-7952213 incl
	40535-06		SPAR ASSEMBLY - False, wing outboard Sta 87 5 to Sta 147 5, left	1	31-7952214 to 31-8152108 incl
	40535-12		SPAR ASSEMBLY - False, wing outboard, Sta 87 5 to Sta 147 5 left	1	31-8152109 and up
	40535-01	C	SPAR ASSEMBLY - False, wing outboard, Sta 87 5 to Sta 147 5 right	1	31-5001 to 31-7852171 incl
	40535-05		SPAR ASSEMBLY - False, wing outboard, Sta 87 5 to Sta 147 5, right	1	31-7952001 to 31-7952213 incl
	40535-11		SPAR ASSEMBLY - False, wing outboard Sta 87 5 to Sta 147 5, right	1	31-7952214 to 31-8152108 incl
	40535-13		SPAR ASSEMBLY - False, wing outboard, Sta 87 5 to Sta. 147 5 right	1	31-8152109 and up
-4	40536-00		SPAR ASSEMBLY - False, wing outboard, Sta 147 5 to Sta. 160 5, left	1	31-5001 to 31-7952213 incl
	40536-06		SPAR ASSEMBLY - False, wing outboard, Sta 147 5 to Sta 160 5, left	1	31-7952214 and up
	40536-01		SPAR ASSEMBLY - False, wing outboard, Sta 147 5 to Sta 160 5, right	1	31-5001 to 31-7952213 incl
	40536-07		SPAR ASSEMBLY - False, wing outboard, Sta 147 5 to Sta 160 5 right	1	31-7952214 and up
-5	43910-00	B	VENT ASSEMBLY - Wing outboard, fuel cell left	1	
	43910-01	B	VENT ASSEMBLY - Wing outboard, fuel cell, right	1	
-6	45412-10		SKIN ASSEMBLY - Wing outboard top, Sta 160 5 to Sta. 239 left	1	
	40585-13		SKIN - Wing outboard top, Sta 160 5 to Sta 239, right	1	
-7	47744-00		* PLATE ASSEMBLY - Access reinforcement, left	1	
-8	45412-08		SKIN ASSEMBLY - Wing outboard, bottom, Sta. 160 5 to Sta 239, left	1	
	45412-09		SKIN ASSEMBLY - Wing outboard, bottom, Sta 160 5 to Sta. 239, right	1	
-9	20372-03		* PLATE ASSEMBLY - Wing outboard	2	31-5001 to 31-8152126 incl
	20372-07		* PLATE ASSEMBLY - Wing outboard, left	1	31-8152127 and up
	20372-03		* PLATE ASSEMBLY - Wing outboard, right	1	31-8152127 and up
-10	40635-00		* PLATE ASSEMBLY - Wing outboard, aileron pulley access reinforcement, Sta 180, bottom left	1	
	40635-01		* PLATE ASSEMBLY - Wing outboard, aileron pulley access reinforcement, Sta 180, bottom right	1	
-11	42117-00		* PLATE ASSEMBLY - Wing outboard, aileron pulley access reinforcement, Sta 173, bottom left	1	
	42117-01		* PLATE ASSEMBLY - Wing outboard, aileron pulley access reinforcement, Sta 173, bottom right	1	
-11a	45545-00		* PLATE ASSEMBLY - Access hole reinforcement, left	1	
	45545-01		* PLATE ASSEMBLY - Access hole reinforcement right	1	
-12	40722-06		SKIN ASSEMBLY - Wing outboard, bottom left, Sta 119 5 to Sta 160 5	1	
	45412-07		SKIN ASSEMBLY - Wing outboard, bottom right, Sta 119 5 to Sta 160 5	1	

When ordering, always specify Part Number, Description and Serial Number of Aircraft

## PIPER PARTS CATALOG

Figure and Index Number	Part Number	Code	NOMENCLATURE	No. Req.	SERIAL NUMBERS AFFECTED
4-13	40628-00		* PLATE ASSEMBLY - Wing outboard, aileron pulley access reinforcement, Sta. 150, - bottom left.	1	
	40628-01		* PLATE ASSEMBLY - Wing outboard, aileron pulley access reinforcement, Sta. 150, bottom right	1	
-14	40722-04		SKIN ASSEMBLY - Wing outboard, bottom left, Sta. 86.5 to Sta. 119.5	1	
	40722-05		SKIN ASSEMBLY - Wing outboard, bottom right, Sta. 86.5 to Sta. 119.5	1	
-15	45412-02		SKIN ASSEMBLY - Wing outboard, top, left, Sta. 86.5 to Sta. 160.5	1	31-5001 to 31-7405230 incl. 31-7405401 to 31-7405451 incl
	45412-03		SKIN ASSEMBLY - Wing outboard, top, right, Sta. 86.5 to Sta. 160.5	1	31-5001 to 31-7405230 incl. 31-7405401 to 31-7405451 incl
	40722-14		SKIN ASSEMBLY - Wing outboard, top, left, Sta. 86.5 to Sta. 160.5	1	31-7405231 to 31-7405400 incl 31-7405452 and up
	40722-15		SKIN ASSEMBLY - Wing outboard, top, right, Sta. 86.5 to Sta. 160.5	1	31-7405231 to 31-7405400 incl. 31-7405452 and up
-16	45888-04		* BRACKET ASSEMBLY - Wing outboard, fuel cell support, left	1	31-5001 to 31-7405230 incl. 31-7405401 to 31-7405451 incl.
	45888-05		* BRACKET ASSEMBLY - Wing outboard, fuel cell support right	1	31-5001 to 31-7405230 incl. 31-7405401 to 31-7405451 incl
	40522-04		* BRACKET ASSEMBLY - Wing outboard, fuel cell support, left	1	31-7405231 to 31-7405400 incl. 31-7405452 and up
	40522-05		* BRACKET ASSEMBLY - Wing outboard, fuel cell support, right	1	31-7405231 to 31-7405400 incl. 31-7405452 and up
-17	40526-05		* PLATE ASSEMBLY - Wing outboard, fuel cell access reinforcement	2	
-18	42590-00		* PLATE - Wing outboard, fuel cell standoff	2	
-19	53172-00		* SHIM - Fuel cell access plate	1	
-20	40492-24		RIB ASSEMBLY - Wing outboard, Sta. 239, left	1	
	40492-23		RIB ASSEMBLY - Wing outboard, Sta. 239, right	1	
-21	40586-44		STRINGER - Wing outboard, skin (6 length)	AR	
-22	42638-00		PLATE - Wing outboard, access hole cover	2	
-23	415 533		SCREW - (MS35206-243)	20	
-24	46012-00		PLATE - Wing outboard, Sta. 128, right	1	
-25	47831-00	A	PLATE ASSEMBLY - Flux detector mounting	1	
-26	47747-00		BRACKET ASSEMBLY - Flux detector, left	1	31-5001 to 31-7552053 incl.
	54540-02		BRACKET ASSEMBLY - Flux detector, left	1	31-7552054 and up
-27	52072-00		BRACKET ASSEMBLY - Compensator mounting, left	1	
-28	47745-00		COVER - Access, left	1	

When ordering, always specify Part Number, Description and Serial Number of Aircraft

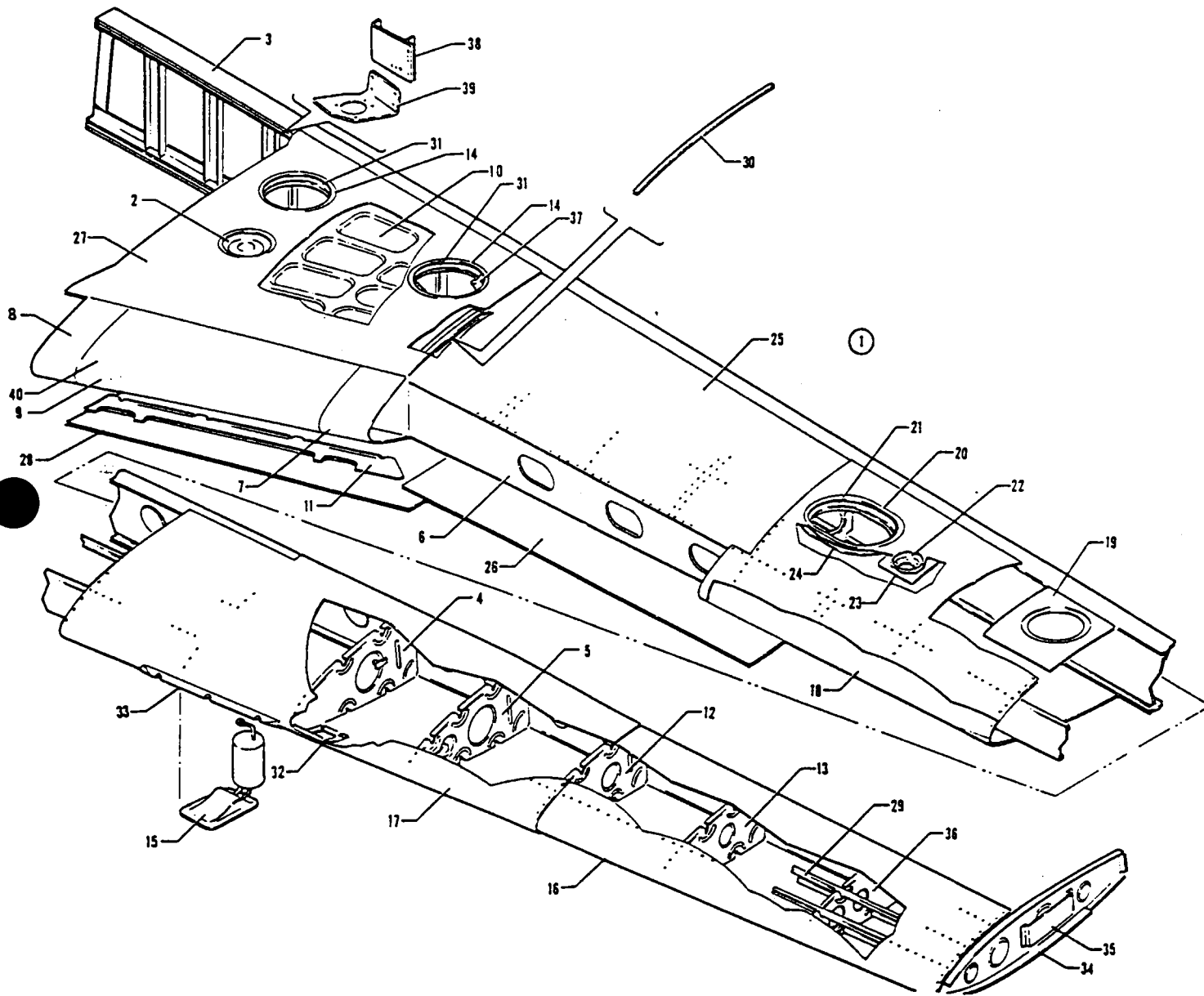


Figure 5 Wing Panel Leading Edge Assembly

---

## PIPER PARTS CATALOG

---

### CODE EXPLANATIONS FOR FIGURE 5

- A - All items on Figures 6 and 92 are components of this assembly
- B - See Figure 6 for component parts
- C - If Dukes fuel selector valve has been installed, order part for Serial Nos. 31-7305053 and up
- D - Order part for Serial No 31-7405459 and up if fuel cell access hole requires a cover plate 8 34W x 10 08L between Sta 97 50 and Sta 109 50
- E - Used on aircraft with Serial Nos 31-5001 to 31-7405478 inclusive if Fuel System Modification Kit 760 873 has been installed per Service Letter 722
- F - Order part for Serial Nos 31-7405479 and up if Fuel System Modification Kit 760 873 has been installed per Service Letter 722
- G - Used if inboard De-icer Boots are installed
- H - See Figure 123, 123A or 123B if Pneumatic Deicer System is installed

## PIPER PARTS CATALOG

Figure and Index Number	Part Number	Code	NOMENCLATURE	No. Req.	SERIAL NUMBERS AFFECTED
5-1	44747-02	A	LEADING EDGE ASSEMBLY - Wing, left	1	
	44747-03		LEADING EDGE ASSEMBLY - Wing, right	1	
-2	40378-06		* PLATE ASSEMBLY - Fuel cell gauge support, main, left	1	
	40378-07		* PLATE ASSEMBLY - Fuel cell gauge support, main, right	1	
-3	44677-00		* SPAR ASSEMBLY - Wing, main, left	1	
	44677-01		* SPAR ASSEMBLY - Wing, main, right	1	
-4	40475-12		* RIB ASSEMBLY - Wing, leading edge, left, Sta. 160.5	1	
	40475-13		* RIB ASSEMBLY - Wing, leading edge, right, Sta. 160.5	1	
-5	40479-02		* RIB ASSEMBLY - Wing, leading edge, left, Sta. 174.5	1	
	40479-03		* RIB ASSEMBLY - Wing, leading edge, right, Sta. 174.5	1	
-6	40487-04	B,F	* SPAR ASSEMBLY - Wing, front, left (complete)	1	31-5001 to 31-7405478 incl.
	40487-06	B,E	* SPAR ASSEMBLY - Wing, front, left (complete)	1	31-7405479 and up
	40487-05	B,F	* SPAR ASSEMBLY - Wing, front, right (complete)	1	31-5001 to 31-7405478 incl.
	40487-07	B,E	* SPAR ASSEMBLY - Wing, front, right (complete)	1	31-7405479 and up
-7	40585-08		** SKIN - Wing leading edge, inboard, center, left	1	
	40585-09		** SKIN - Wing leading edge, inboard, center, right	1	
-8	40585-10		** SKIN - Wing leading edge, inboard, left	1	
	40585-11		** SKIN - Wing leading edge, inboard, right	1	
-9	40626-00		** PANEL - Wing leading edge access, left	1	
	40626-01		** PANEL - Wing leading edge access, right	1	
-10	40506-12		* SKIN ASSEMBLY - Wing, inner, bottom, left	1	
	40506-13		* SKIN ASSEMBLY - Wing, inner, bottom, right	1	
-11	43936-00		* CHANNEL ASSEMBLY - Wing leading edge attachment, left	1	
	43936-01		* CHANNEL ASSEMBLY - Wing leading edge attachment, right	1	
-12	40530-02		* RIB ASSEMBLY - Wing, leading edge, left, Sta. 189.5	1	
	40530-03		* RIB ASSEMBLY - Wing, leading edge, right, Sta. 189.5	1	
-13	40530-08		* RIB ASSEMBLY - Wing, leading edge, left, Sta. 205	1	
	40530-09		* RIB ASSEMBLY - Wing, leading edge, right, Sta. 205	1	
-14	40532-06		* PLATE ASSEMBLY - Fuel cell access reinforcement	2	
-15	43911-00		* VENT ASSEMBLY - Fuel cell, left	1	
	43911-01		* VENT ASSEMBLY - Fuel cell, right	1	
-16	40585-28		* SKIN - Wing leading edge, outboard, left	1	
	40585-29		* SKIN - Wing leading edge, outboard, right	1	
-17	40659-02		* SKIN ASSEMBLY - Wing leading edge, outboard, center, left	1	
	40659-10		* SKIN ASSEMBLY - Wing leading edge, outboard, center, right	1	
-18	40659-04	D	* SKIN ASSEMBLY - Wing leading edge, center, left	1	31-5001 to 31-7405458 incl.
	40659-16		* SKIN ASSEMBLY - Wing leading edge, center, left	1	31-7405459 and up
	40659-05	D	* SKIN ASSEMBLY - Wing leading edge, center, right	1	31-5001 to 31-7405458 incl.
	40659-17		* SKIN ASSEMBLY - Wing leading edge, center, right	1	31-7405459 and up
-19	45382-00		** BRACKET ASSEMBLY - Fuel cell support, left	1	31-5001 to 31-7405186 incl.
	42465-00		** BRACKET ASSEMBLY - Fuel cell support, left	1	31-7405401 to 31-7405451 incl.
	45382-01		** BRACKET ASSEMBLY - Fuel cell support, right	1	31-7405187 to 31-7405400 incl.
	42465-01		** BRACKET ASSEMBLY - Fuel cell support, right	1	31-7405452 and up
-20	40526-05	D	** PLATE ASSEMBLY - Fuel cell access reinforcement	1	31-5001 to 31-7405458 incl.
	53908-00		** PLATE ASSEMBLY - Fuel cell access reinforcement, left	1	31-7405459 and up
	53908-01		** PLATE ASSEMBLY - Fuel cell access reinforcement, right	1	31-7405459 and up
-21	42590-00	D	** PLATE - Fuel cell standoff	1	31-5001 to 31-7405458 incl.
	53906-00		** PLATE - Fuel cell standoff, left	1	31-7405459 and up
	53903 01		** PLATE - Fuel cell standoff, right	1	31-7405459 and up

When ordering, always specify Part Number, Description, and Serial Number of Aircraft

## PIPER PARTS CATALOG

Figure and Index Number	Part Number	Code	NOMENCLATURE	No. Req.	SERIAL NUMBERS AFFECTED
5-22	53170-00		** PLATE ASSEMBLY - Fuel gauge support, left	1	
	53170-01		** PLATE ASSEMBLY - Fuel gauge support, right	1	
-23	53169-00		** SHIM - Gauge support, plate	1	
-24	53172-00	D	** SHIM - Fuel cell access plate	1	31-5001 to 31-7405458 incl.
	53905-00		** SHIM - Fuel cell access plate	1	31-7405459 and up
-25	40585-16		* SKIN - Wing, top, center	1	
-26	40585-20		* SKIN - Wing, bottom, center	1	
-27	45647-10		* SKIN - Wing, top, inboard	1	
-28	40659-06		* SKIN ASSEMBLY - Wing, bottom, inboard left	1	
	4065g-07		* SKIN ASSEMBLY - Wing, bottom, inboard right	1	
-29	40586-44		* STRINGER - Wing skin (6 length)	1	
-30	45539-00		* SHIM - Wing top	1	
-31	42589-00		* PLATE - Fuel cell standoff	2	
-32	27065-02		* PLATE ASSEMBLY - Reinforcement, Sta. 162.3, right	1	
-33	44275-02	H	* STRIP - Flow	1	
-34	40492-06		* RIB ASSEMBLY - Wing tip, left, Sta. 239	1	
	40492-07		* RIB ASSEMBLY - Wing tip, right, Sta. 239	1	
-35	48616-02		* BRACKET ASSEMBLY - Power supply	1	
-36	40492-04		* RIB ASSEMBLY - Wing leading edge, left, Sta. 221.5	1	
	40492-05		* RIB ASSEMBLY - Wing leading edge, right, Sta. 221.5	1	
-37	53358-00		* BRACKET - Fuel cell flange mounting	4	
-38	44767-00		BRACKET ASSEMBLY - Crossfeed valve, left	1	
-39	44766-00	C	BRACKET - Fuel selector valve, left	1	31-5001 to 31-7305052 incl.
	53914-00		BRACKET - Fuel selector valve, left	1	31-7305053 and up
	44766-01	C	BRACKET - Fuel selector valve, right	1	31-5001 to 31-7305052 incl.
	53914-01		BRACKET - Fuel selector valve, right	1	31-7305053 and up
-40	71063-02	G	SKIN - Leading edge, inboard left	1	
	71063-1	G	SKIN - Leading edge, inboard right	1	

When ordering, always specify Part Number, Description, and Serial Number of Aircraft



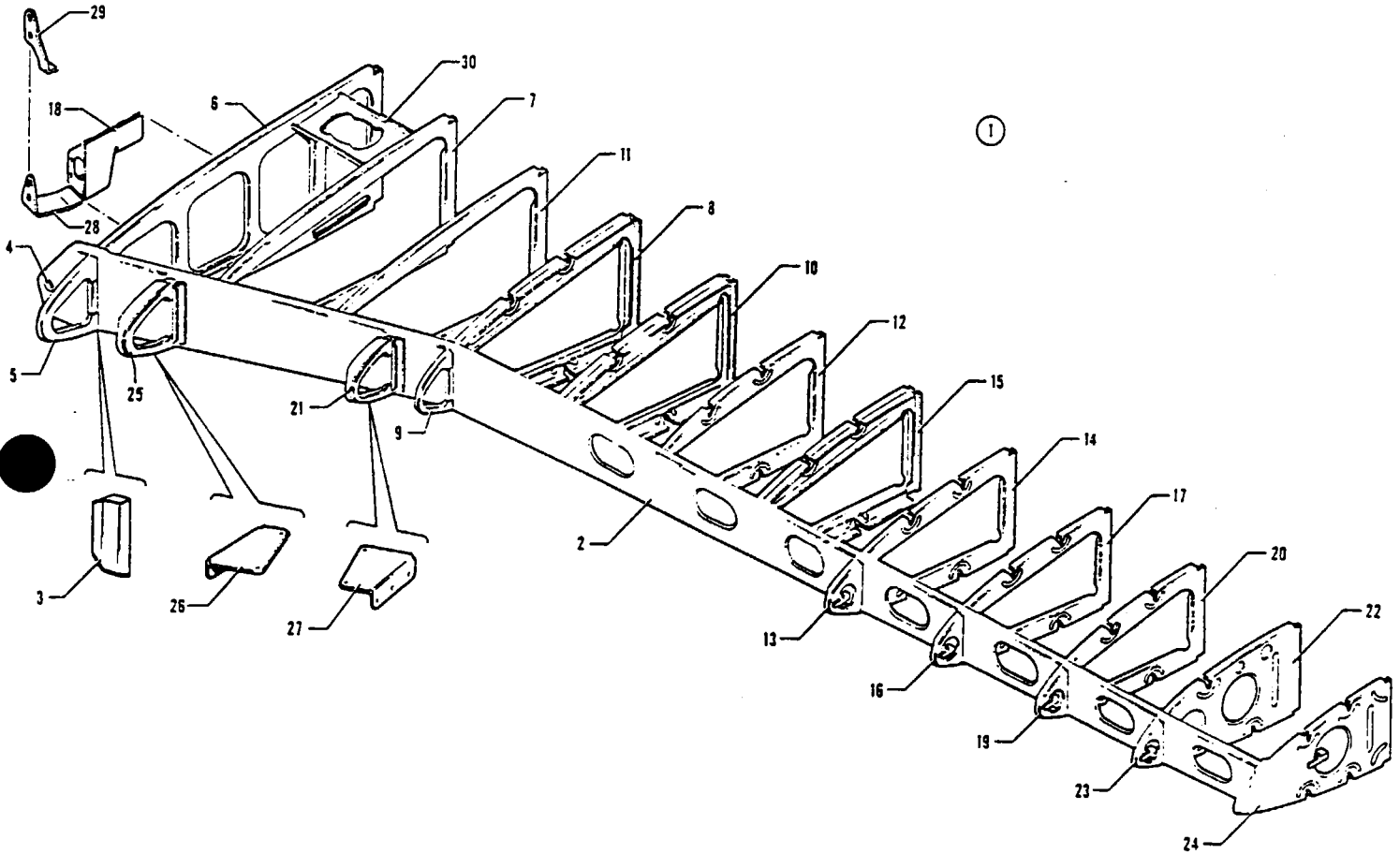


Figure 6. Leading Edge Spar Assembly

---

## PIPER PARTS CATALOG

---

### CODE EXPLANATIONS FOR FIGURE 6

- A - Used on aircraft with serial numbers 31-5001 to 31-7405478 inclusive if Fuel System Modification Kit 760 873 has been installed per Service Letter 722.
- B - Order part for serial numbers 31-7405479 and up if Fuel System Modification Kit 760 873 has been installed per Service Letter 722.

## PIPER PARTS CATALOG

Figure and Index Number	Part Number	Code	NOMENCLATURE	No. Req.	SERIAL NUMBERS AFFECTED
6-1	40487-04	B	SPAR ASSEMBLY - Wing front, complete, left	1	31-5001 to 31-7405478 incl
	40487-06	A	SPAR ASSEMBLY - Wing front, complete, left	1	31-7405479 and up
	40487-05	B	SPAR ASSEMBLY - Wing front, complete, right	1	31-5001 to 31-7405478 incl.
-2	40487-07	A	SPAR ASSEMBLY - Wing front, complete, right	1	31-7405479 and up
	40358-16	B	* SPAR ASSEMBLY - Left	1	31-5001 to 31-7405478 incl.
	40358-20	A	* SPAR ASSEMBLY - Left	1	31-7405479 and up
-3	40358-17	B	* SPAR ASSEMBLY - Right	1	31-5001 to 31-7405478 incl.
	40358-21	A	* SPAR ASSEMBLY - Right	1	31-7405479 and up
	44672-00	B	* * PLATE ASSEMBLY - Leading edge spar reinforcement, left	1	31-5001 to 31-7405478 incl
-4	44672-08	A	* * PLATE ASSEMBLY - Leading edge spar reinforcement, left	1	31-7405479 and up
	44672-01	B	* * PLATE ASSEMBLY - Leading edge spar reinforcement, right	1	31-5001 to 31-7405478 incl
	44672-09	A	* * PLATE ASSEMBLY - Leading edge spar reinforcement, right	1	31-7405479 and up
-5	49999-36		* * BUSHING - Leading edge spar, inboard, Sta. 25.608	1	
	40383-02		* RIB ASSEMBLY - Front spar, nose, Sta. 30, left	1	
-6	40383-03		* RIB ASSEMBLY - Front spar, nose, Sta. 30, right	1	
	40383-40		* RIB ASSEMBLY - Front spar, Sta. 30, left	1	
-7	40383-41		* RIB ASSEMBLY - Front spar, Sta. 30, right	1	
	40404-14		* RIB ASSEMBLY - Front spar, Sta. 39.5, left	1	
-8	40404-15		* RIB ASSEMBLY - Front spar, Sta. 39.5, right	1	
	40405-22		* RIB ASSEMBLY - Front spar, Sta. 58.5, left	1	
-9	40405-23		* RIB ASSEMBLY - Front spar, Sta. 58.5, right	1	
	40405-08		* RIB ASSEMBLY - Front spar, nose, Sta. 58.5, left	1	
-10	40405-09		* RIB ASSEMBLY - Front spar, nose, Sta. 58.5, right	1	
	40419-18		* RIB ASSEMBLY - Front spar, Sta. 67.5, left	1	
-11	40419-19		* RIB ASSEMBLY - Front spar, Sta. 67.5, right	1	
	40423-16		* RIB ASSEMBLY - Front spar, Sta. 49, left	1	
-12	40423-17		* RIB ASSEMBLY - Front spar, Sta. 49, right	1	
	40435-18		* RIB ASSEMBLY - Front spar, Sta. 77.5, left	1	
-13	40435-19		* RIB ASSEMBLY - Front spar, Sta. 77.5, right	1	
	40446-04		* RIB ASSEMBLY - Front spar, nose, Sta. 97.5, left	1	
-14	40446-05		* RIB ASSEMBLY - Front spar, nose, Sta. 97.5, right	1	
	40446-08		* RIB ASSEMBLY - Front spar, Sta. 97.5, left	1	
-15	40446-09		* RIB ASSEMBLY - Front spar, Sta. 97.5, right	1	
	40455-18		* RIB ASSEMBLY - Front spar, Sta. 87.5, left	1	
-16	40455-19		* RIB ASSEMBLY - Front spar, Sta. 87.5, right	1	
	50244-00		* RIB ASSEMBLY - Front spar, nose, Sta. 109.5, left	1	
-17	50244-01		* RIB ASSEMBLY - Front spar, nose, Sta. 109.5, right	1	
	40470-10		* RIB ASSEMBLY - Front spar, Sta. 109.5, left	1	
-18	40470-11		* RIB ASSEMBLY - Front spar, Sta. 109.5, right	1	
	41646-00	B	* BRACKET ASSEMBLY - Fuel filter and pump, left	1	31-5001 to 31-7405478 incl
-19	41646-16	A	* BRACKET ASSEMBLY - Fuel filter and pump, left	1	31-7405479 and up
	41646-01	B	* BRACKET ASSEMBLY - Fuel filter and pump, right	1	31-5001 to 31-7405478 incl
-20	41646-17	A	* BRACKET ASSEMBLY - Fuel filter and pump, right	1	31-7405479 and up
	50243-00		* RIB ASSEMBLY - Front spar, nose, Sta. 121.5, left	1	
-21	50243-01		* RIB ASSEMBLY - Front spar, nose, Sta. 121.5, right	1	
	40486-20		* RIB ASSEMBLY - Front spar, Sta. 121.5, left	1	
-22	40486-21		* RIB ASSEMBLY - Front spar, Sta. 121.5, right	1	
	40488-00		* RIB ASSEMBLY - Front spar, wing nose, Sta. 54, left	1	
-23	40488-01		* RIB ASSEMBLY - Front spar, wing nose, Sta. 54, right	1	
	40489-10		* RIB ASSEMBLY - Front spar, Sta. 134.5, left	1	
-24	40489-11		* RIB ASSEMBLY - Front spar, Sta. 134.5, right	1	
	50242-00		* RIB ASSEMBLY - Front spar, nose, Sta. 134.5, left	1	
-25	50242-01		* RIB ASSEMBLY - Front spar, nose, Sta. 134.5, right	1	
	40490-06		* RIB ASSEMBLY - Front spar, Sta. 147.5, left	1	
-26	40490-07		* RIB ASSEMBLY - Front spar, Sta. 147.5, right	1	
	40450-00		* RIB ASSEMBLY - Front spar, wing nose, Sta. 34.5, left	1	
	40450-01		* RIB ASSEMBLY - Front spar, wing nose, Sta. 34.5, right	1	

When ordering, always specify Part Number, Description and Serial Number of Aircraft

## PIPER PARTS CATALOG

Figure and Index Number	Part Number	Code	NOMENCLATURE	No. Req.	SERIAL NUMBERS AFFECTED
6-26	41636-04		BRACKET - Retaining block, Sta. 34.50, left	1	
	41636-05		BRACKET - Retaining block, Sta. 34.50, right	1	
-27	41636-02		BRACKET - Retaining block, Sta. 54, left	1	
	41636-03		BRACKET - Retaining block, Sta. 54, right	1	
-28	54329-02	A	BRACKET - Fuel control cable	1	31-7405479 and up
-29	54343-02	A	BRACKET - Fuel pump, left	1	31-7405479 and up
	54343-03	A	BRACKET - Fuel pump, right	1	31-7405479 and up
-30	40484-00		BRACKET - Front spar fuel cell support, Sta. 30 to Sta. 39.5	1	

When ordering, always specify Part Number, Description and Serial Number of Aircraft

PIPER PARTS CATALOG

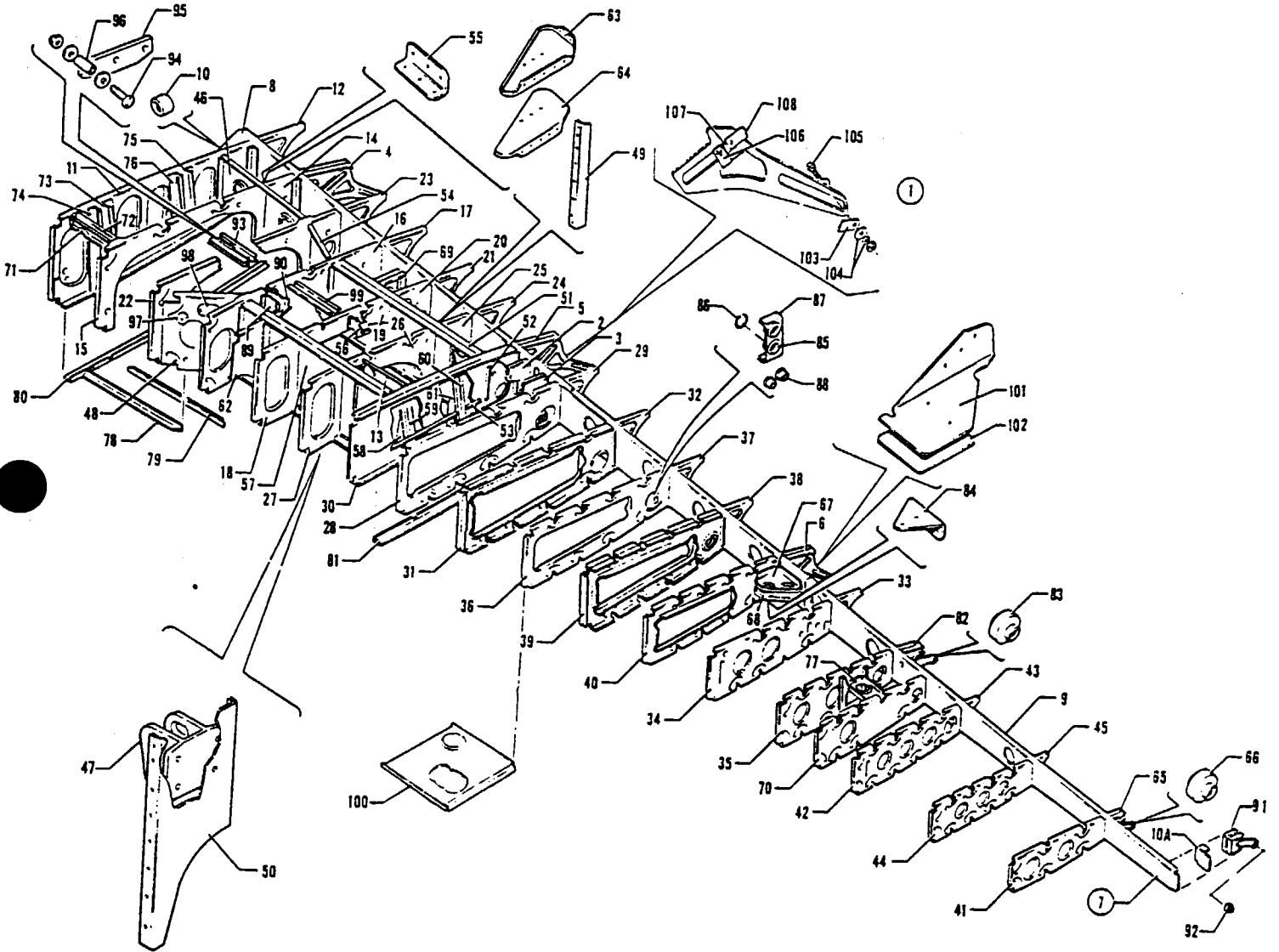


Figure 7 Wing Panel Rear Spar Assembly

# PIPER PARTS CATALOG

---

## CODE EXPLANATIONS FOR FIGURE 7

- A - Also used on aircraft with serial numbers 31-5001 to 31-8052025 inclusive, if Outboard Flap Track Inspection and Reinforcement Installation Kit 763 986 has been installed per Piper Service Bulletin 647A.
- B - Used if Flap Travel Restriction Kit 764 920 has been installed per Piper Service Letter 958, and/or Flap Travel Restriction and Placard Installation Kit 764 396 has been installed per Piper Service Bulletin 739.
- C - Order part for Serial Numbers 31-7952001 and up if Calco Flap System Installation Kit 764 938 has been installed per Piper Service Letter 959.
- D - See latest revision of Piper Service Bulletin 923.

PIPER PARTS CATALOG

Figure and Index Number	Part Number	Code	NOMENCLATURE	No. Req.	SERIAL NUMBERS AFFECTED
7-1	44740-00		REAR SPAR ASSEMBLY - Left	1	31-5001 to 31-7552016 incl.
	44740-01		REAR SPAR ASSEMBLY - Right	1	31-5001 to 21-7552016 incl
	44740-02		REAR SPAR ASSEMBLY - Left	1	31-7552017 to 31-7852171 incl
	44740-03		REAR SPAR ASSEMBLY - Right	1	31-7552017 to 31-7852171 incl
	44740-04		REAR SPAR ASSEMBLY - Left	1	31-7952001 and up
	44740-05		REAR SPAR ASSEMBLY - Right	1	31-7952001 and up
-2	45968-03		* BRACKET ASSEMBLY - Rear spar, flap actuator mounting, inboard, left	1	31-5001 to 31-7852171 incl.
	45968-13		* BRACKET ASSEMBLY - Rear spar, flap actuator mounting, inboard, left	1	31-7952001 and up
	45968-02		* BRACKET ASSEMBLY - Rear spar, flap actuator mounting, inboard, right	1	31-5001 to 31-7852171 incl
	45968-12		* BRACKET ASSEMBLY - Rear spar, flap actuator mounting, inboard, right	1	31-7952001 and up
-3	45968-04		* BRACKET ASSEMBLY - Rear spar, flap actuator mounting, outboard, left	1	31-5001 to 31-7852171 incl.
	45968-14		* BRACKET ASSEMBLY - Rear spar, flap actuator mounting, outboard, left	1	31-7952001 and up
	45968-05		* BRACKET ASSEMBLY - Rear spar, flap actuator mounting, outboard, right	1	31-5001 to 31-7852171 incl.
	45968-15		* BRACKET ASSEMBLY - Rear spar, flap actuator mounting, outboard, right	1	31-7952001 and up
	45379-07		* TRACK ASSEMBLY - Flap, inboard, Sta. 39.5	1	
-5	45809-10		* TRACK ASSEMBLY - Flap, inboard, Sta. 87.5	1	
-6	45381-14		* TRACK ASSEMBLY - Flap, outboard, Sta. 147.5 left	1	
	45381-15		* TRACK ASSEMBLY - Flap, outboard, Sta. 147.5 right	1	
-7	45165-00		* SPAR ASSEMBLY - Wing, rear, left	1	31-5001 to 31-7552016 incl.
	45165-01		* SPAR ASSEMBLY - Wing, rear, right	1	31-5001 to 31-7552016 incl.
	45165-18		* SPAR ASSEMBLY - Wing, rear, left	1	31-7552017 and up
	45165-19		* SPAR ASSEMBLY - Wing, rear, right	1	31-7552017 and up
-8	45165-02		* * INBOARD SPAR ASSEMBLY - Wing, rear, left	1	
	45165-03		* * INBOARD SPAR ASSEMBLY - Wing, rear, right	1	
	40362-24		* * OUTBOARD SPAR ASSEMBLY - Wing, rear, left	1	31-5001 to 31-7552016 incl.
-9	40362-25		* * OUTBOARD SPAR ASSEMBLY - Wing, rear, right	1	31-5001 to 31-7552016 incl.
	40362-30		* * OUTBOARD SPAR ASSEMBLY - Wing, rear, left	1	31-7552017 and up
	40362-31		* * OUTBOARD SPAR ASSEMBLY - Wing, rear, right	1	31-7552017 and up
	49999-04		* * BUSHING	1	
-10	54344-02		* * REINFORCEMENT - Outboard rear spar, left	1	31-7552017 and up
	54344-03		* * REINFORCEMENT - Outboard rear spar, right	1	31-7552017 and up
-11	40383-34		* RIB ASSEMBLY - Rear spar assembly, Sta. 30, left	1	
	40383-35		* RIB ASSEMBLY - Rear spar assembly, Sta. 30, right	1	
	40383-08		* RIB ASSEMBLY - Rear spar assembly, trailing edge, Sta 30, left	1	
-12	40383-09		* RIB ASSEMBLY - Rear spar assembly, trailing edge, Sta. 30, right	1	
	40389-00		* BRACKET - Rear spar, main landing gear actuator support, left	1	
-13	40389-01		* BRACKET - Rear spar, main landing gear actuator support, right	1	
	45439-02		* RIB ASSEMBLY - Rear spar assembly, trailing edge, Sta. 39.5, left	1	
-14	45439-03		* RIB ASSEMBLY - Rear spar assembly, trailing edge, Sta. 39.5, right	1	

When ordering, always specify Part Number, Description and Serial Number of Aircraft

## PIPER PARTS CATALOG

Figure and Index Number	Part Number	Code	NOMENCLATURE	No. Req.	SERIAL NUMBERS AFFECTED
7-15	74099-06		* RIB ASSEMBLY - Rear spar assembly, Sta. 39 5, left	1	
	74099-07		* RIB ASSEMBLY - Rear spar assembly, Sta. 39 5, right	1	
-16	44691-00		* RIB ASSEMBLY - Rear spar assembly, Sta. 58 5, left	1	
	44691-01		* RIB ASSEMBLY - Rear spar assembly, Sta. 58 5, right	1	
-17	45458-02		* RIB ASSEMBLY - Rear spar assembly, trailing edge, Sta. 58 5, left	1	
	45458-03		* RIB ASSEMBLY - Rear spar assembly, trailing edge, Sta. 58 5, right	1	
-18	40419-24		* RIB ASSEMBLY - Rear spar assembly, Sta. 67 5, left	1	
	40419-25		* RIB ASSEMBLY - Rear spar assembly, Sta. 67 5, right	1	
-19	45467-16		* RIB ASSEMBLY - Rear spar assembly, Sta. 67 5, left	1	
	45467-17		* RIB ASSEMBLY - Rear spar assembly, Sta. 67 5, right	1	
-20	45467-12		* RIB ASSEMBLY - Rear spar assembly, Sta. 67 5, left	1	
	45467-13		* RIB ASSEMBLY - Rear spar assembly, Sta. 67 5, right	1	
-21	45467-14		* RIB ASSEMBLY - Rear spar assembly, trailing edge, Sta. 67 5, left	1	
	45467-15		* RIB ASSEMBLY - Rear spar assembly, trailing edge, Sta. 67 5, right	1	
-22	40423-12		* RIB ASSEMBLY - Rear spar assembly, Sta. 49, left	1	31-5001 to 31-7852171 incl
	40423-22		* RIB ASSEMBLY - Rear spar assembly, Sta. 49, left	1	31-7952001 and up
	40423-13		* RIB ASSEMBLY - Rear spar assembly, Sta. 49, right	1	31-5001 to 31-7852171 incl
	40423-23		* RIB ASSEMBLY - Rear spar assembly, Sta. 49, right	1	31-7952001 and up
-23	45449-08		* RIB ASSEMBLY - Rear spar assembly, trailing edge, Sta. 49, left	1	
	45449-09		* RIB ASSEMBLY - Rear spar assembly, trailing edge, Sta. 49, right	1	
-24	45477-02		* RIB ASSEMBLY - Rear spar assembly, trailing edge, Sta. 77 5, left	1	
	45477-03		* RIB ASSEMBLY - Rear spar assembly, trailing edge, Sta. 77 5, right	1	
-25	45477-04		* RIB ASSEMBLY - Rear spar assembly, Sta. 77.5, left	1	
	45477-05		* RIB ASSEMBLY - Rear spar assembly, Sta. 77.5, right	1	
-26	45477-06		* RIB ASSEMBLY - Rear spar assembly, Sta. 77 5, left	1	
	45477-07		* RIB ASSEMBLY - Rear spar assembly, Sta. 77 5, right	1	
-27	40435-20		* RIB ASSEMBLY - Rear spar assembly, Sta. 77.5, left	1	
	40435-21		* RIB ASSEMBLY - Rear spar assembly, Sta. 77 5, right	1	
-28	40446-20		* RIB ASSEMBLY - Rear spar assembly, Sta. 97 5, left	1	
	40446-21		* RIB ASSEMBLY - Rear spar assembly, Sta. 97 5, right	1	
-29	45497-28	C	* RIB ASSEMBLY - Rear spar assembly, trailing edge, Sta. 97 5, left	1	31-5001 to 31-7852171 incl
	45497-34		* RIB ASSEMBLY - Rear spar assembly, trailing edge, Sta. 97 5, left	1	31-7952001 and up
	45497-15	C	* RIB ASSEMBLY - Rear spar assembly, trailing edge, Sta. 97 5, right	1	31-5001 to 31-7852171 incl
	45497-33		* RIB ASSEMBLY - Rear spar assembly, trailing edge, Sta. 97 5, right	1	31-7952001 and up
-30	40455-24		* RIB ASSEMBLY - Rear spar assembly, Sta. 87 5, left	1	
	40455-25		* RIB ASSEMBLY - Rear spar assembly, Sta. 87.5, right	1	
-31	40470-24		* RIB ASSEMBLY - Rear spar assembly, Sta. 109 5, left	1	
	40470-25		* RIB ASSEMBLY - Rear spar assembly, Sta. 109 5, right	1	
-32	45409-02		* RIB ASSEMBLY - Rear spar assembly, trailing edge, Sta. 109 5, left	1	
	45409-03		* RIB ASSEMBLY - Rear spar assembly, trailing edge, Sta. 109 5, right	1	
-33	45460-02		* RIB ASSEMBLY - Rear spar assembly, trailing edge, Sta. 160.5, left	1	
	45460-03		* RIB ASSEMBLY - Rear spar assembly, trailing edge, Sta. 160 5, right	1	

When ordering, always specify Part Number, Description and Serial Number of Aircraft



# PIPER PARTS CATALOG

Figure and Index Number	Part Number	Code	Nomenclature	No. Req.	Serial Numbers Affected
7-34	40475-06		* RIB ASSEMBLY - Rear spar assembly, Sta. 160.5, left	1	
	40475-07		* RIB ASSEMBLY - Rear spar assembly, Sta. 160.5, right	1	
-35	40480-00		* RIB ASSEMBLY - Rear spar assembly, Sta. 174.5, left	1	
	40480-01		* RIB ASSEMBLY - Rear spar assembly, Sta. 174.5, right	1	
-36	40486-16		* RIB ASSEMBLY - Rear spar assembly, Sta. 121.5, left	1	
	40486-17		* RIB ASSEMBLY - Rear spar assembly, Sta. 121.5, right	1	
-37	45421-02		* RIB ASSEMBLY - Rear spar assembly, trailing edge, Sta. 121.5, left	1	
	45421-03		* RIB ASSEMBLY - Rear spar assembly, trailing edge, Sta. 121.5, right	1	
-38	45434-02		* RIB ASSEMBLY - Rear spar assembly, trailing edge, Sta. 134.5, left	1	
	45434-03		* RIB ASSEMBLY - Rear spar assembly, trailing edge, Sta. 134.5, right	1	
-39	40489-22		* RIB ASSEMBLY - Rear spar assembly, Sta. 134.5, left	1	
	40489-23		* RIB ASSEMBLY - Rear spar assembly, Sta. 134.5, right	1	
-40	40490-12		* RIB ASSEMBLY - Rear spar assembly, Sta. 147.5, left	1	
	40490-13		* RIB ASSEMBLY - Rear spar assembly, Sta. 147.5, right	1	
-41	40492-22		* RIB ASSEMBLY - Rear spar assembly, Sta. 221.5, left	1	
	40492-03		* RIB ASSEMBLY - Rear spar assembly, Sta. 221.5, right	1	
-42	40530-04		* RIB ASSEMBLY - Rear spar assembly, Sta. 189.50, left	1	
	40530-05		* RIB ASSEMBLY - Rear spar assembly, Sta. 189.50, right	1	
-43	40530-14		* RIB ASSEMBLY - Rear spar assembly, trailing edge, Sta. 189.5, left	1	
	40530-15		* RIB ASSEMBLY - Rear spar assembly, trailing edge, Sta. 189.5, right	1	
-44	40530-10		* RIB ASSEMBLY - Rear spar assembly, Sta. 205, left	1	
	40530-11		* RIB ASSEMBLY - Rear spar assembly, Sta. 205, right	1	
-45	40530-16		* RIB ASSEMBLY - Rear spar assembly, trailing edge, Sta. 205, left	1	
	40530-17		* RIB ASSEMBLY - Rear spar assembly, trailing edge, Sta. 205, right	1	
-46	40474-02		* BULKHEAD - Rear spar assembly, wheel well rear, inboard, left	1	
	40474-03		* BULKHEAD - Rear spar assembly, wheel well rear, inboard, right	1	
-47	40652-00		* BRACKET - Rear spar assembly, main gear actuator	1	
-48	40434-00		* BULKHEAD ASSEMBLY - Rear spar assembly, wheel well front, left	1	
	40434-01		* BULKHEAD ASSEMBLY - Rear spar assembly, wheel well front, right	1	
-49	40438-00		* ANGLE - Rear spar assembly, wing rib rear attachment, left	1	
	40438-01		* ANGLE - Rear spar assembly, wing rib rear attachment, right	1	
-50	40439-00		* CHANNEL - Rear spar assembly, actuator bracket support, left	1	
	40439-01		* CHANNEL - Rear spar assembly, actuator bracket support, right	1	
-51	45501-00		* BULKHEAD ASSEMBLY - Rear spar assembly, main gear support, rear, left	1	
	45501-01		* BULKHEAD ASSEMBLY - Rear spar assembly, main gear support, rear, right	1	
-52	73786-02	D	* BRACKET - Rear spar assembly, main gear actuator reinforcement	1	
-53	40465-00		* ANGLE - Rear spar assembly, fuel cell liner support	1	
-54	40466-00		* BULKHEAD - Rear spar assembly, wheel well rear outboard, left	1	
	40466-01		* BULKHEAD - Rear spar assembly, wheel well rear outboard, right	1	

When ordering, always specify Part Number, Description, and Serial Number of Aircraft

## PIPER PARTS CATALOG

Figure and Index Number	Part Number	Code	NOMENCLATURE	No. Req.	SERIAL NUMBERS AFFECTED
7-55	40485-00		* ANGLE - Rear spar assembly, pulley bracket attachment, right	1	
-56	40658-00		* BRACKET ASSEMBLY - Rear spar assembly, main gear up switch	1	
-57	40500-00		* BULKHEAD ASSEMBLY - Rear spar assembly, main gear support, forward, left	1	
	40500-01		* BULKHEAD ASSEMBLY - Rear spar assembly, main gear support, forward, right	1	
-58	40502-02		* BRACKET ASSEMBLY - Rear spar assembly, main gear door outboard hinge, forward, left	1	
	40502-03		* BRACKET ASSEMBLY - Rear spar assembly, main gear door outboard hinge, forward, right	1	
-59	40502-05		* BRACKET ASSEMBLY - Rear spar assembly, main gear door outboard hinge, forward, left	1	
	40502-04		* BRACKET ASSEMBLY - Rear spar assembly, main gear door outboard hinge, forward, right	1	
-60	45691-03		* BRACKET ASSEMBLY - Rear spar assembly, main gear door outboard hinge, aft, left	1	
	45691-02		* BRACKET ASSEMBLY - Rear spar assembly, main gear door outboard hinge, aft, right	1	
-61	45691-04		* BRACKET ASSEMBLY - Rear spar assembly, main gear door outboard hinge, forward, left	1	
	45961-05		* BRACKET ASSEMBLY - Rear spar assembly, main gear door outboard hinge, forward, right	1	
-62	40507-02		* BULKHEAD - Wing rear spar assembly, Sta. 62 81, left	1	
	40507-03		* BULKHEAD - Wing rear spar assembly, Sta. 62 81, right	1	
-63	40509-02		* BRACKET - Rear spar assembly, aileron pulley, upper left	1	
	40509-03		* BRACKET - Rear spar assembly, aileron pulley, upper right	1	
-64	40509-05		* BRACKET - Rear spar assembly, aileron pulley, lower left	1	
	40509-04		* BRACKET - Rear spar assembly, aileron pulley, lower right	1	
-65	45380-00		* BRACKET ASSEMBLY - Rear spar assembly, aileron hinge, Sta. 221.624, left	1	
	45380-01		* BRACKET ASSEMBLY - Rear spar assembly, aileron hinge, Sta. 221 624, right	1	
-66	452 386		* * BEARING - Aileron hinge (NAS506-4)	1	
-67	40513-00		* BRACKET - Rear spar assembly, aileron pulley, Sta. 147.5, top, left	1	
	40513-01		* BRACKET - Rear spar assembly, aileron pulley, Sta. 147.5, top, right	1	
-68	40513-01		* BRACKET - Rear spar assembly, aileron pulley, Sta. 147 5, bottom, left	1	
	40513-00		* BRACKET - Rear spar assembly, aileron pulley, Sta. 147 5, bottom, right	1	
-69	45385-00		* BULKHEAD ASSEMBLY - Wing rear spar assembly, Sta. 62.81, left	1	
	45385-01		* BULKHEAD ASSEMBLY - Wing rear spar assembly, Sta. 62.81, right	1	
-70	40550-00		* RIB - Wing rear spar assembly, Sta. 182, left	1	
	40550-01		* RIB - Wing rear spar assembly, Sta. 182, right	1	
-71	46357-01		* BRACKET ASSEMBLY - Rear spar assembly, landing gear door cylinder support, forward, left	1	
	46357-00		* BRACKET ASSEMBLY - Rear spar assembly, landing gear door cylinder support, forward, right	1	
-72	46357-00		* BRACKET ASSEMBLY - Rear spar assembly, landing gear door cylinder support, aft, left	1	
	46357-01		* BRACKET ASSEMBLY - Rear spar assembly, landing gear door cylinder support, aft, right	1	
-73	40560-03		* BRACKET - Rear spar assembly, main gear door hinge, aft, left	1	
	40560-02		* BRACKET - Rear spar assembly, main gear door hinge, aft, right	1	

When ordering, always specify Part Number, Description and Serial Number of Aircraft

PIPER PARTS CATALOG

Figure and Index Number	Part Number	Code	NOMENCLATURE	No. Req.	SERIAL NUMBERS AFFECTED
7-74	40560-12		* BRACKET - Rear spar assembly, main gear door hinge, forward, left	1	
	40560-11		* BRACKET - Rear spar assembly, main gear door hinge, forward, right	1	
-75	40560-05		* BRACKET - Rear spar assembly, main gear door hinge, aft, left	1	
	40560-04		* BRACKET - Rear spar assembly, main gear door hinge, aft, right	1	
-76	40560-04		* BRACKET - Rear spar assembly, main gear door hinge, forward, left	1	
	40560-05		* BRACKET - Rear spar assembly, main gear door hinge, forward, right	1	
-77	40561-00		* BRACKET ASSEMBLY - Rear spar assembly, aileron bellcrank, left	1	
	40561-01		* BRACKET ASSEMBLY - Rear spar assembly, aileron bellcrank, right	1	
-78	45824-00		* ANGLE - Wing bottom, rear spar assembly, forward, left	1	
	45824-01		* ANGLE - Wing bottom, rear spar assembly, forward, right	1	
-79	45838-00		* ANGLE - Wing bottom, rear spar assembly, aft, left	1	
	45838-01		* ANGLE - Wing bottom, rear spar assembly, aft, right	1	
-80	45955-00		* ANGLE - Rear spar assembly, main gear door cutout, Sta. 32, left	1	
	45955-01		* ANGLE - Rear spar assembly, main gear door cutout, Sta. 32, right	1	
-81	45825-00		* ANGLE - Rear spar assembly, main gear door cutout, Sta. 85, left	1	
	45825-01		* ANGLE - Rear spar assembly, main gear door cutout, Sta. 85, right	1	
-82	45384-00		* BRACKET ASSEMBLY - Rear spar assembly, aileron hinge, inboard, left	1	
	45384-01		* BRACKET ASSEMBLY - Rear spar assembly, aileron hinge, inboard, right	1	
-83	452 386		* BEARING - (NAS506-4)	1	
-84	40515-00		* BRACKET - Rear spar assembly, aileron tab pulley, Sta. 147.50, right	1	
-85	40071-00		* SEGMENT - Cable fairlead	8	
-86	40081-00		* RING - Fairlead snap	4	
-87	41669-00		* BRACKET - Fairlead	2	
-88	453 732		* BUSHING - (SB-375-4)	4	
-89	40616-00		* BRACKET ASSEMBLY - Rear spar assembly, main landing gear uplock, left	1	31-5001 to 31-8152088 incl
	40616-16		* BRACKET ASSEMBLY - Rear spar assembly, main landing gear uplock, left	1	31-8152089 and up
	40616-01		* BRACKET ASSEMBLY - Rear spar assembly, main landing gear uplock, right	1	31-5001 to 31-8152088 incl.
	40616-17		* BRACKET ASSEMBLY - Rear spar assembly, main landing gear uplock, right	1	31-8152089 and up
-90	40616-03		* BRACKET ASSEMBLY - Rear spar assembly, main landing gear uplock, left	1	31-5001 to 31-8152088 incl.
	40616-19		* BRACKET ASSEMBLY - Rear spar assembly, main landing gear uplock, left	1	31-8152089 and up
	40616-02		* BRACKET ASSEMBLY - Rear spar assembly, main landing gear uplock, right	1	31-5001 to 31-8152088 incl.
	40616-18		* BRACKET ASSEMBLY - Rear spar assembly, main landing gear uplock, right	1	31-8152089 and up

When ordering, always specify Part Number, Description and Serial Number of Aircraft

## PIPER PARTS CATALOG

Figure and Index Number	Part Number	Code	NOMENCLATURE	No. Req.	SERIAL NUMBERS AFFECTED
7-91	54332-02		* BRACKET ASSEMBLY - Rear spar assembly, aileron hinge, Sta 239, left	1	31-7552017 and up
	54332-03		* BRACKET ASSEMBLY - Rear spar assembly, aileron hinge, Sta 239, right	1	31-7552017 and up
-92	452 386		* * BEARING - Aileron hinge (NAS506-4)	1	31-7552017 and up
-93	43016-00		BUMPER ASSEMBLY - Landing gear, left	1	31-5001 to 31-7852171 incl
	49457-02		BUMPER ASSEMBLY - Landing gear, left	1	31-7952001 to 31-8152088 incl
	49457-04		BUMPER ASSEMBLY - Landing gear, left	1	31-8152089 and up
	43016-01		BUMPER ASSEMBLY - Landing gear, right	1	31-5001 to 31-7852171 incl.
	49457-03		BUMPER ASSEMBLY - Landing gear, right	1	31-7952001 to 31-8152088 incl
	49457-05		BUMPER ASSEMBLY - Landing gear, right	1	31-8152089 and up
-94	411 538		* SCREW - (MS35207-269)	4	
	407 564		* WASHER - (AN960-10)	8	
	404 887		* NUT - (MS20365-1032C)	4	
-95	42746-00		* BUMPER - Landing gear	4	31-5001 to 31-7852171 incl
	49456-02		* BUMPER - Landing gear	4	31-7952001 to 31-8152088 incl
	49456-03		* BUMPER - Landing gear	4	31-8152089 and up
-96	41413-57		* BUSHING - Landing gear bumper	4	
-97	481 096		PLATE - Patch (A6914-1024-1)	4	
-98	44744-00		PLATE - Cover	2	
-99	40625-00		ANGLE - Rear spar assembly, main landing gear uplock	2	
-100	43961-00		BRACKET - Rear spar assembly, fuel cell upper support, left	1	
	43961-01		BRACKET - Rear spar assembly, fuel cell upper support, right	1	
-101	71132-02	A	GUSSET - Flap track reinforcement, inboard, left	1	31-8052026 and up
	71132-03	A	GUSSET - Flap track reinforcement, inboard, right	1	31-8052026 and up
	71132-04	A	GUSSET - Flap track reinforcement, outboard, right	1	31-8052026 and up
	71132-05	A	GUSSET - Flap track reinforcement, outboard, left	1	31-8052026 and up
-102	56956-14	A	PLATE - Filler, outboard, left and right	2	31-8052026 and up
	56956-15	A	PLATE - Filler, inboard, left and right	2	31-8052026 and up
-103	74245-02	B	STOP - Flap travel	2	31-5001 to 31-7852171 incl
-104	40559-07	B	WASHER	4	31-5001 to 31-7852171 incl
-105	401 266	B	BOLT - (AN3-5A)	2	31-5001 to 31-7852171 incl
	407 564	B	WASHER - (AN960-10)	2	31-5001 to 31-7852171 incl
	404 887	B	NUT - (MS20365-1032C)	2	31-5001 to 31-7852171 incl
-106	71888-02	B	CLIP - Flap travel stop	2	31-5001 to 31-7852171 incl
-107	71887-02	B	CLIP - Flap travel stop	2	31-5001 to 31-7852171 incl
-108	71888-03	B	CLIP - Flap travel stop	2	31-5001 to 31-7852171 incl

When ordering, always specify Part Number, Description and Serial Number of Aircraft

PIPER PARTS CATALOG

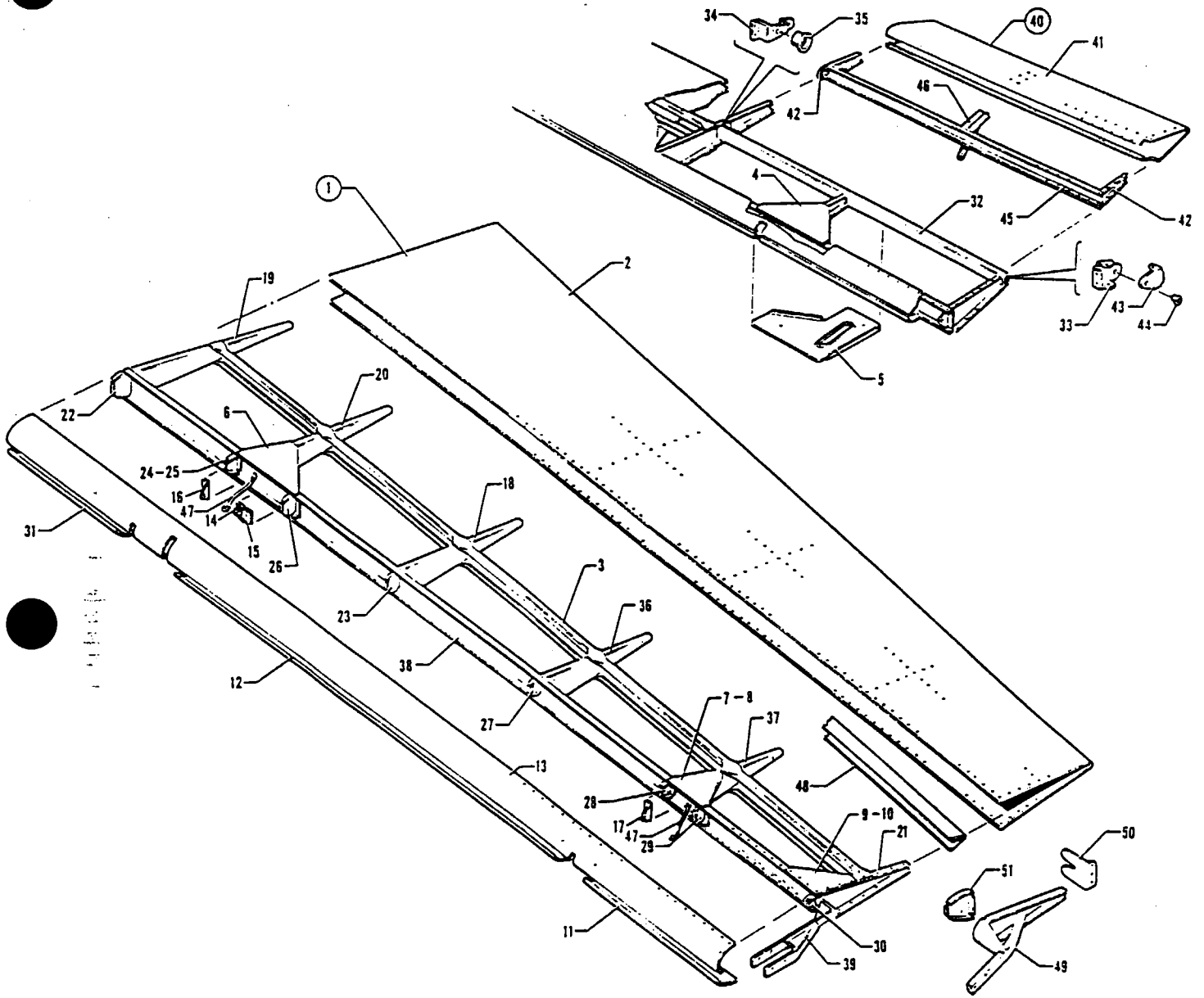


Figure 8. Aileron Assembly

---

# PIPER PARTS CATALOG

---

CODE EXPLANATIONS FOR FIGURE 8

# PIPER PARTS CATALOG

Figure and Index Number	Part Number	Code	Nomenclature	No. Req.	Serial Numbers Affected
8-1	40200-22		AILERON ASSEMBLY - Left	1	31-5001 to 31-7552016 incl.
	40200-41		AILERON ASSEMBLY - Right	1	31-5001 to 31-7552016 incl.
	40200-42		AILERON ASSEMBLY - Left	1	31-7552017 and up
	40200-43		AILERON ASSEMBLY - Right	1	31-7552017 and up
-2	40200-28		* SKIN ASSEMBLY - Aileron, left	1	
	40200-29		* SKIN ASSEMBLY - Aileron, right	1	
-3	40200-16		** CHANNEL - Aileron skin assembly, left	2	
	40200-17		** CHANNEL - Aileron skin assembly, right	2	
-4	40135-00		** GUSSET - Aileron, top, right, Sta. 175	1	
-5	40138-00		** PLATE - Aileron tab skin reinforcement, bottom, right	1	
-6	40113-00		** GUSSET - Aileron, inboard, left, top	1	
	40113-01		** GUSSET - Aileron, inboard, left, bottom	1	
-7	40114-00		** GUSSET - Aileron, Sta. 222, left, top	1	
	40114-01		** GUSSET - Aileron, Sta. 222, left, bottom	1	
-8	40114-01		** GUSSET - Aileron, Sta. 222, right, top	1	
	40114-00		** GUSSET - Aileron, Sta. 222, right, bottom	1	
-9	40200-19		* GUSSET - Aileron, outboard, bottom, left	1	
	40200-18		* GUSSET - Aileron, outboard, bottom, right	1	
-10	40200-18		* GUSSET - Aileron, outboard, top, left	1	
	40200-19		* GUSSET - Aileron, outboard, top, right	1	
-11	40200-10		* SKIN - Aileron, front bottom outboard, left	1	31-5001 to 31-7552016 incl.
	40200-11		* SKIN - Aileron, front bottom outboard, right	1	31-5001 to 31-7552016 incl.
	40200-48		* SKIN - Aileron, front bottom outboard, left	1	31-7552017 and up
	40200-47		* SKIN - Aileron, front bottom outboard, right	1	31-7552017 and up
-12	40200-08		* SKIN - Aileron, front bottom center, left	1	
	40200-09		* SKIN - Aileron, front bottom center, right	1	
-13	40200-04		* SKIN - Aileron, front top, left	1	31-5001 to 31-7552016 incl.
	40200-05		* SKIN - Aileron, front top, right	1	31-5001 to 31-7552016 incl.
	40200-50		* SKIN - Aileron, front top, left	1	31-7552017 and up
	40200-51		* SKIN - Aileron, front top, right	1	31-7552017 and up
-14	40109-00		* HORN - Aileron, front, inboard, left	1	
	40109-01		* HORN - Aileron, front, inboard, right	1	
-15	40109-01		* HORN - Aileron, front, outboard, left	1	
	40109-00		* HORN - Aileron, front, outboard, right	1	
-16	74461-02		* BRACKET - Aileron, front, Sta. 174.5, left	1	
	74461-03		* BRACKET - Aileron, front, Sta. 174.5, right	1	
-17	40112-02		* BRACKET - Aileron, front, Sta. 221.5, left	1	
	40112-03		* BRACKET - Aileron, front, Sta. 221.5, right	1	
-18	40115-00		* RIB - Aileron, Sta. 189.5, left	1	
	40115-01		* RIB - Aileron, Sta. 189.5, right	1	
-19	40182-00		* RIB - Aileron, Sta. 161.38, left	1	
	40116-00		* RIB - Aileron, Sta. 161.38, right	1	
-20	40117-00		* RIB - Aileron, Sta. 175.12, left	1	
	40118-00		* RIB - Aileron, Sta. 175.12, right	1	
-21	40119-00		* RIB - Aileron, outboard end, left	1	31-5001 to 31-7552016 incl.
	40119-01		* RIB - Aileron, outboard end, right	1	31-5001 to 31-7552016 incl.
-22	40127-02		* BULKHEAD - Aileron nose, Sta. 161.38, left	1	
	40127-03		* BULKHEAD - Aileron nose, Sta. 161.38, right	1	
-23	40127-04		* BULKHEAD - Aileron nose, Sta. 189.5, left	1	
	40127-05		* BULKHEAD - Aileron nose, Sta. 189.5, right	1	
-24	40128-02		* BULKHEAD - Aileron nose, Sta. 171, right	1	
-25	40128-03		* BULKHEAD - Aileron nose, Sta. 173, left	1	
-26	40129-02		* BULKHEAD - Aileron nose, Sta. 179, left	1	
	40129-03		* BULKHEAD - Aileron nose, Sta. 179, right	1	

When ordering, always specify Part Number, Description, and Serial Number of Aircraft

## PIPER PARTS CATALOG

Figure and Index Number	Part Number	Code	NOMENCLATURE	No. Req.	SERIAL NUMBERS AFFECTED
8-27	40130-00		* BULKHEAD - Aileron nose, Sta. 205, left	1	
	40130-01		* BULKHEAD - Aileron nose, Sta. 205, right	1	
-28	40132-02		* BULKHEAD - Aileron nose, Sta. 218.4, left	1	
	40132-03		* BULKHEAD - Aileron nose, Sta. 218.4, right	1	
-29	40132-04		* BULKHEAD - Aileron nose, Sta. 222, left	1	
	40132-05		* BULKHEAD - Aileron nose, Sta. 222, right	1	
-30	40133-00		* BULKHEAD - Aileron nose, Sta. 238, left	1	31-5001 to 31-7552016 incl
	40133-01		* BULKHEAD - Aileron nose, Sta. 238, right	1	31-5001 to 31-7552016 incl.
-31	40200-06		* SKIN - Aileron, front bottom inboard, left	1	
	40200-07		* SKIN - Aileron, front bottom inboard, right	1	
-32	40145-00		* SPAR - Aileron, stub, Sta. 161 to Sta. 189, right	1	
-33	40152-00		* BRACKET ASSEMBLY - Aileron tab attachment, right	1	
-34	40163-00		* BEARING ASSEMBLY - Aileron tab attachment, right	1	
-35	452 331		* * BEARING - Aileron bearing assembly (FF-310-3)	1	
-36	40183-00		* RIB - Aileron, Sta. 205, left	1	
	40183-01		* RIB - Aileron, Sta. 205, right	1	
-37	40184-00		* RIB - Aileron, Sta. 222, left	1	
	40184-01		* RIB - Aileron, Sta. 222, right	1	
-38	40190-08		* SPAR ASSEMBLY - Aileron, left	1	31-5001 to 31-7552016 incl.
	40190-15		* SPAR ASSEMBLY - Aileron, right	1	31-5001 to 31-7552016 incl.
	40190-16		* SPAR ASSEMBLY - Aileron, left	1	31-7552017 and up
	40190-17		* SPAR ASSEMBLY - Aileron, right	1	31-7552017 and up
-39	40375-00		* BRACKET ASSEMBLY - Aileron balance weight, left	1	31-5001 to 31-7552016 incl.
	40375-01		* BRACKET ASSEMBLY - Aileron balance weight, right	1	31-5001 to 31-7552016 incl
-40	40178-00		* TAB ASSEMBLY - Aileron, right	1	
-41	40178-02		* * SKIN - Aileron tab	1	
-42	40172-00		* * RIB - Aileron tab, Sta. 188 6, outboard	1	
	40149-00		* * RIB - Aileron tab, Sta. 161, inboard	1	
-43	40153-00		* * HINGE ASSEMBLY - Aileron tab assembly, Sta. 161	1	
-44	453 787		* * * BEARING - Aileron tab, hinge assembly (NAS77A5-19P)	1	
-45	40142-00		* * SPAR - Aileron tab assembly, Sta. 161 to Sta. 189	1	
-46	41860-00		* * HORN ASSEMBLY - Aileron tab, Sta. 172	1	
-47	49972-02		* STRAP ASSEMBLY - Lightning protector	3	
-48	40200-44		* CHANNEL - Aileron	1	
-49	54336-02		* RIB ASSEMBLY - Aileron balance weight, left	1	31-7552017 and up
	54336-07		* RIB ASSEMBLY - Aileron balance weight, right	1	31-7552017 and up
-50	54339-02		* REINFORCEMENT - Outboard aileron spar, left	1	31-7552017 and up
	54339-03		* REINFORCEMENT - Outboard aileron spar, right	1	31-7552017 and up
-51	54340-02		* BULKHEAD - Aileron nose, left	1	31-7552017 and up
	54340-03		* BULKHEAD - Aileron nose, right	1	31-7552017 and up

When ordering, always specify Part Number, Description and Serial Number of Aircraft



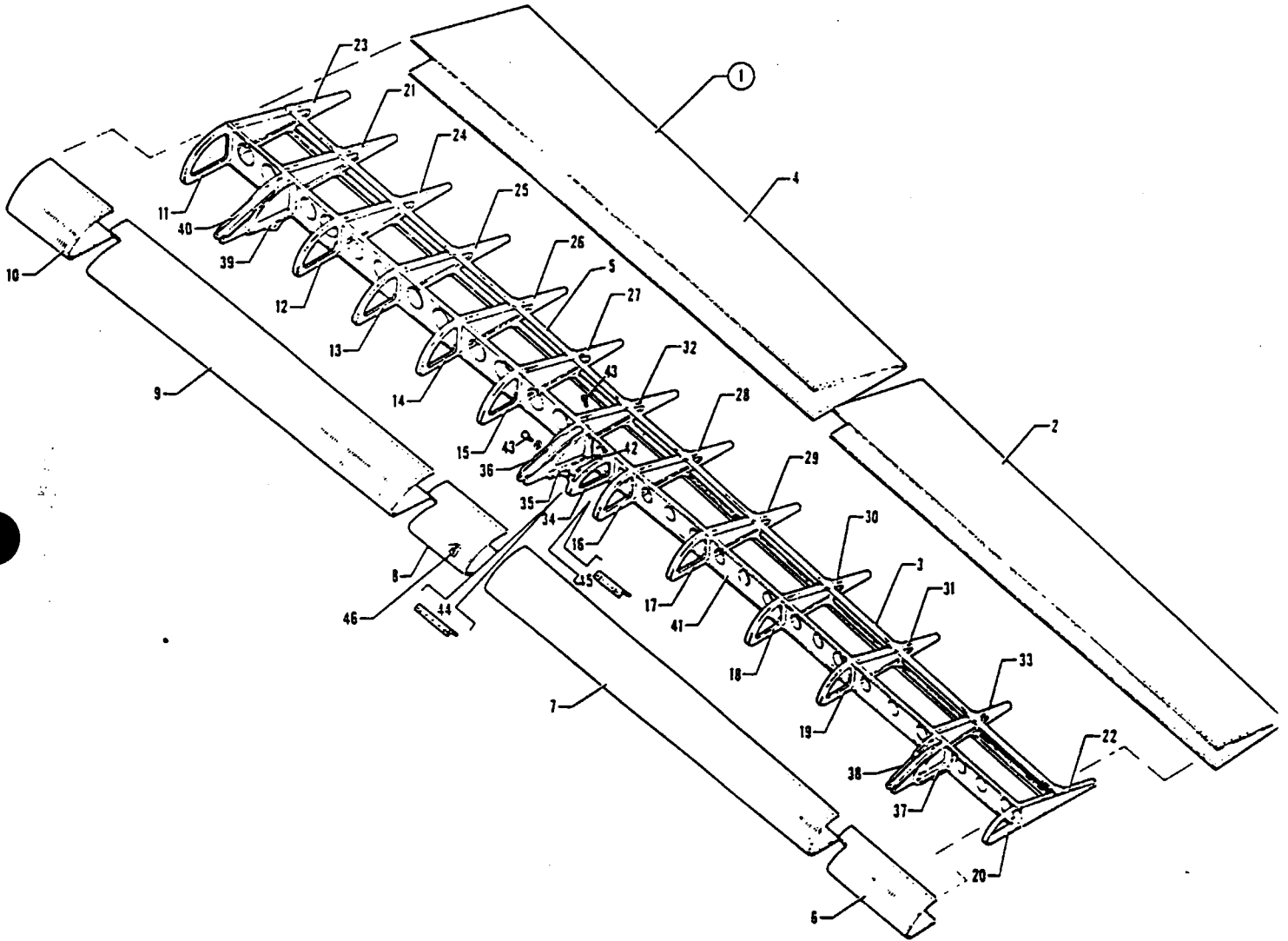


Figure 9. Flap Assembly

---

## PIPER PARTS CATALOG

---

### CODE EXPLANATIONS FOR FIGURE 9

- A - Ascertain Flap Assembly Part Numbers stamped on identification plate attached to inboard flap rib and order accordingly
- B - Used on Flap Assembly, Part No 40185-00
- C - Used on Flap Assembly, Part No 40185-01
- D - Used on Flap Assembly, Part No 40185-30
- E - Used on Flap Assembly, Part No 40185-31
- F - Used on Flap Assembly, Part No 40185-42
- G - Used on Flap Assembly, Part No 40185-43

PIPER PARTS CATALOG

Figure and Index Number	Part Number	Code	NOMENCLATURE	No. Req.	SERIAL NUMBERS AFFECTED
9-1	40185-42		FLAP ASSEMBLY - Left	1	
	40185-43		FLAP ASSEMBLY - Right	1	
-2	40185-18		* SKIN ASSEMBLY - Flap, trailing edge, outboard, left	1	
	40185-19		* SKIN ASSEMBLY - Flap, trailing edge, outboard, right	1	
-3	40185-17		* * CHANNEL - Flap, trailing edge, outboard	2	
-4	40185-20		* SKIN ASSEMBLY - Flap, trailing edge, inboard, left	1	
	40185-21		* SKIN ASSEMBLY - Flap, trailing edge, inboard, right	1	
-5	40185-16		* * CHANNEL - Flap, trailing edge, inboard	2	
-6	40185-06		* SKIN - Flap, leading edge, outboard, left	1	
	40185-07		* SKIN - Flap, leading edge, outboard, right	1	
-7	40185-08		* SKIN - Flap, leading edge, Sta. 97.5 to Sta. 147.5, left	1	
	40185-09		* SKIN - Flap, leading edge, Sta. 97.5 to Sta. 147.5, right	1	
-8	40185-10	A,B	* SKIN - Flap, leading edge, center, left	1	
	40185-38	A,D,F	* SKIN - Flap, leading edge, center, left	1	
	40185-11	A,C	* SKIN - Flap, leading edge, center, right	1	
	40185-39	A,E,G	* SKIN - Flap, leading edge, center, right	1	
-9	40185-12	A,B	* SKIN - Flap, leading edge, Sta. 40 to Sta. 87.5, left	1	
	40185-36	A,D,F	* SKIN - Flap, leading edge, Sta. 40 to Sta. 87.5, left	1	
	40185-13	A,C	* SKIN - Flap, leading edge, Sta. 40 to Sta. 87.5, right	1	
	40185-37	A,E,G	* SKIN - Flap, leading edge, Sta. 40 to Sta. 87.5, right	1	
-10	40185-14		* SKIN - Flap, leading edge, inboard, left	1	
	40185-15		* SKIN - Flap, leading edge, inboard, right	1	
-11	40137-02		* BULKHEAD - Flap nose, Sta. 30, left	1	
	40137-03		* BULKHEAD - Flap nose, Sta. 30, right	1	
-12	40137-04		* BULKHEAD - Flap nose, Sta. 49, left	1	
	40137-05		* BULKHEAD - Flap nose, Sta. 49, right	1	
-13	40144-02		* BULKHEAD - Flap nose, Sta. 58.5, left	1	
	40144-03		* BULKHEAD - Flap nose, Sta. 58.5, right	1	
-14	40144-04		* BULKHEAD - Flap nose, Sta. 67.5, left	1	
	40144-05		* BULKHEAD - Flap nose, Sta. 67.5, right	1	
-15	40144-06		* BULKHEAD - Flap nose, Sta. 77.5, left	1	
	40144-07		* BULKHEAD - Flap nose, Sta. 77.5, right	1	
-16	40147-02		* BULKHEAD - Flap nose, Sta. 97.5, left	1	
	40147-03		* BULKHEAD - Flap nose, Sta. 97.5, right	1	
-17	40147-04		* BULKHEAD - Flap nose, Sta. 109.5, left	1	
	40147-05		* BULKHEAD - Flap nose, Sta. 109.5, right	1	
-18	40147-06		* BULKHEAD - Flap nose, Sta. 121.5, left	1	
	40147-07		* BULKHEAD - Flap nose, Sta. 121.5, right	1	
-19	40147-08		* BULKHEAD - Flap nose, Sta. 134.5, left	1	
	40147-09		* BULKHEAD - Flap nose, Sta. 134.5, right	1	
-20	40147-10		* BULKHEAD - Flap nose, Sta. 160.5, left	1	
	40147-11		* BULKHEAD - Flap nose, Sta. 160.5, right	1	
-21	40157-00		* RIB - Flap, Sta. 39.5, left	1	
	40157-01		* RIB - Flap, Sta. 39.5, right	1	
-22	40165-00		* RIB - Flap, Sta. 160.5, left	1	
	40165-01		* RIB - Flap, Sta. 160.5, right	1	
-23	40166-00		* RIB - Flap, Sta. 30, left	1	
	40166-01		* RIB - Flap, Sta. 30, right	1	
-24	40166-02		* RIB - Flap, Sta. 49, left	1	
	40166-03		* RIB - Flap, Sta. 49, right	1	

When ordering, always specify Part Number, Description and Serial Number of Aircraft

PIPER PARTS CATALOG

Figure and Index Number	Part Number	Code	NOMENCLATURE	No. Req	SERIAL NUMBERS AFFECTED
9-25	40167-00		* RIB - Flap, Sta 58 5, left	1	
	40167-01		* RIB - Flap, Sta 58 5, right	1	
-26	40167-02		* RIB - Flap, Sta 67 5, left	1	
	40167-03		* RIB - Flap, Sta 67 5, right	1	
-27	40167-04		* RIB - Flap, Sta 77 5, left	1	
	40167-05		* RIB - Flap, Sta 77 5, right	1	
-28	40167-06		* RIB - Flap, Sta 97 5, left	1	
	40167-07		* RIB - Flap, Sta 97 5, right	1	
-29	40167-08		* RIB - Flap, Sta 109 5, left	1	
	40167-09		* RIB - Flap, Sta 109 5, right	1	
-30	40167-10		* RIB - Flap, Sta 121 5, left	1	
	40167-11		* RIB - Flap, Sta 121 5, right	1	
-31	40167-12		* RIB - Flap, Sta 134 5, left	1	
	40167-13		* RIB - Flap, Sta 134 5, right	1	
-32	40168-00		* RIB - Flap, Sta 87 5, left	1	
	40168-01		* RIB - Flap, Sta 87 5, right	1	
-33	40168-02		* RIB - Flap, Sta 147 5, left	1	
	40168-03		* RIB - Flap, Sta 147 5, right	1	
-34	42078-00	A.B	* BULKHEAD ASSEMBLY - Flap nose, Sta. 92 94, left	1	
	42078-04	A.D.F	* BULKHEAD ASSEMBLY - Flap nose, Sta. 92 94, left	1	
	42078-01	A.C	* BULKHEAD ASSEMBLY - Flap nose, Sta. 92 94, right	1	
	42078-05	A.E.G	* BULKHEAD ASSEMBLY - Flap nose, Sta. 92 94, right	1	
-35	40175-02	A.B	* BRACKET ASSEMBLY - Flap roller, Sta. 87 5, outboard, left	1	
	71109-02	A.D.F	* BRACKET ASSEMBLY - Flap roller, Sta. 87 5, outboard, left	1	
	40175-03	A.C	* BRACKET ASSEMBLY - Flap roller, Sta. 87 5, outboard, right	1	
	71109-03	A.E.G	* BRACKET ASSEMBLY - Flap roller, Sta. 87.5, outboard, right	1	
-36	40175-04	A.B	* BRACKET ASSEMBLY - Flap roller, Sta. 87 5, inboard, left	1	
	71109-04	A.D.F	* BRACKET ASSEMBLY - Flap roller, Sta. 87 5, inboard, left	1	
	40175-05	A.C	* BRACKET ASSEMBLY - Flap roller, Sta. 87 5, inboard, right	1	
	71109-05	A.E.G	* BRACKET ASSEMBLY - Flap roller, Sta. 87 5, inboard, right	1	
-37	40176-02	A.B D	* BRACKET ASSEMBLY - Flap roller, Sta. 147 5, outboard, left	1	
	72781-02	A.F	* BRACKET ASSEMBLY - Flap roller, Sta. 147 5, outboard, left	1	
	40176-03	A.C.E	* BRACKET ASSEMBLY - Flap roller, Sta. 147.5, outboard, right	1	
	72781-03	A.G	* BRACKET ASSEMBLY - Flap roller, Sta. 147 5, outboard, right	1	
-38	40176-04	A.B.D	* BRACKET ASSEMBLY - Flap roller, Sta. 147 5, inboard, left	1	
	72781-04	A.F	* BRACKET ASSEMBLY - Flap roller, Sta. 147 5, inboard, left	1	
	40176-05	A.C.E	* BRACKET ASSEMBLY - Flap roller, Sta. 147 5, inboard, right	1	
	72781-05	A.G	* BRACKET ASSEMBLY - Flap roller, Sta. 147 5, inboard, right	1	
-39	40177-02		* BRACKET ASSEMBLY - Flap roller, Sta. 39.5, outboard, left	1	
	40177-03		* BRACKET ASSEMBLY - Flap roller, Sta. 39.5, outboard, right	1	
-40	40177-04		* BRACKET ASSEMBLY - Flap roller, Sta. 39 5, inboard, left	1	
	40177-05		* BRACKET ASSEMBLY - Flap roller, Sta. 39.5, inboard, right	1	

When ordering, always specify Part Number, Description and Serial Number of Aircraft

PIPER PARTS CATALOG

Figure and Index Number	Part Number	Code	NOMENCLATURE	No. Req.	SERIAL NUMBERS AFFECTED
9-41	40162-00	A,B	* SPAR - Flap, left	1	
	40162-10	A,D,F	* SPAR - Flap, left	1	
	40162-01	A,C	* SPAR - Flap, right	1	
-42	40162-11	A,E,G	* SPAR - Flap, right	1	
	40124-00	A,B,C	* HORN ASSEMBLY - Flap control, Sta. 92.94	1	
	40124-04	A,D,E	* HORN ASSEMBLY - Flap control, Sta. 92.94	1	
-43	74120-02	A,F,G	* HORN ASSEMBLY - Flap control, Sta. 92.94	1	
	401 266	A,B,C	* BOLT - (AN3-5A)	2	
	400 003	A,D,E,F,G	* BOLT - (AN4-6A)	2	
	407 564	A,B,C	* WASHER - (AN960-10)	2	
	407 565	A,D,E,F,G	* WASHER - (AN960-416)	2	
-44	71118-02	A,B,C,D,E	* ANGLE - Flap reinforcement	1	
	71118-04	A,F	* ANGLE - Flap reinforcement, left	1	
	71118-05	A,G	* ANGLE - Flap reinforcement, right	1	
-45	42037-00		* ANGLE - Flap reinforcement, left	1	
	42037-01		* ANGLE - Flap reinforcement, right	1	
-46	41458-00		* ANGLE - Flap indicator arm attachment, left	1	

When ordering, always specify Part Number, Description and Serial Number of Aircraft

PIPER PARTS CATALOG

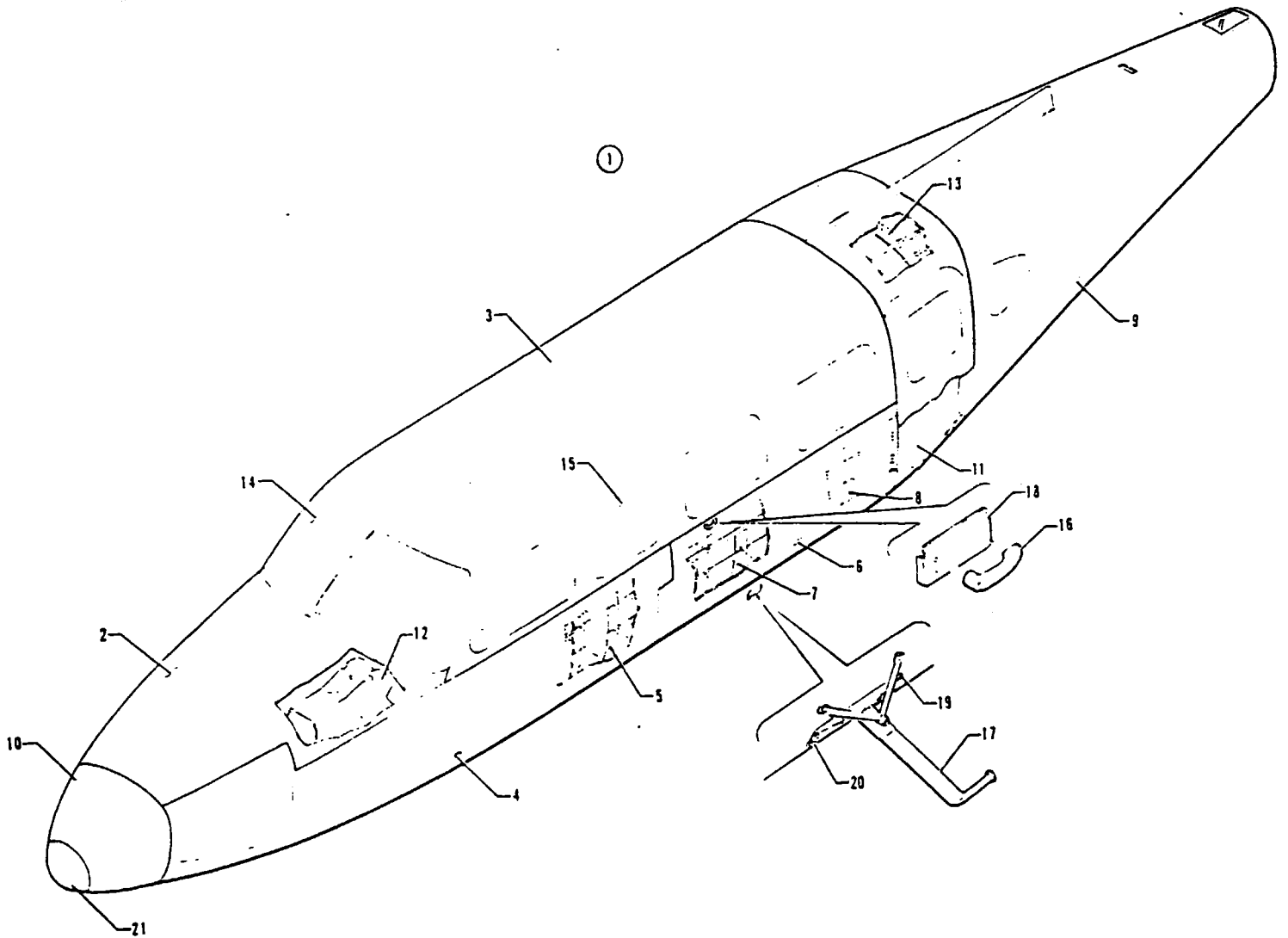


Figure 10. Fuselage Assembly

---

# PIPER PARTS CATALOG

---

## CODE EXPLANATIONS FOR FIGURE 10

- A - See Figure 11 for component parts.
- B - See Figure 12 for component parts.
- C - See Figure 14 for component parts.
- D - See Figure 15 for component parts.
- E - See Figure 16 for component parts.
- F - See Figure 17 for component parts.
- G - See Figure 18 for component parts.
- H - See Figure 20 for component parts.
- J - See Figure 21 for component parts.
- K - See Figure 22 for component parts.
- L - See Figure 23 for component parts.
- M - See Figure 24 for component parts.
- N - See Figure 25 for component parts.
- O - Used if pilot door is installed.
- P - See Figure 135, 135A, 135B, 135C, 136 or 136A if radar is installed.

PIPER PARTS CATALOG

Figure and Index Number	Part Number	Code	NOMENCLATURE	No. Req.	SERIAL NUMBERS AFFECTED
10-	52501 52500		DRAWING - Fuselage Assembly (Complete) DRAWING - Fuselage Assembly		
-1	52500-00 52500-02 52500-03		FUSELAGE ASSEMBLY FUSELAGE ASSEMBLY FUSELAGE ASSEMBLY	1 1 1	31-5001 to 31-7652177 incl. 31-7752001 to 31-7852171 incl. 31-7952001 and up
-2	41118-00	A	* UPPER FORWARD SECTION ASSEMBLY - Fuselage	1	
-3	52086-00 55393-02	B B	* UPPER CABIN SECTION ASSEMBLY - Fuselage * UPPER CABIN SECTION ASSEMBLY - Fuselage	1 1	31-5001 to 31-7652177 incl. 31-7752001 and up
-4	52146-00 52146-02 52146-03	C C C	* LOWER FORWARD SECTION ASSEMBLY - Fuselage * LOWER FORWARD SECTION ASSEMBLY - Fuselage * LOWER FORWARD SECTION ASSEMBLY - Fuselage	1 1 1	31-5001 to 31-7552027 incl. 31-7552028 to 31-7852171 incl. 31-7952001 and up
-5	52137-00	D	* * LOWER FORWARD FRAME ASSEMBLY - Fuselage	1	
-6	44852-00	E	* LOWER REAR SECTION ASSEMBLY - Fuselage	1	
-7	41300-02	F	* * LOWER CENTER FRAME ASSEMBLY - Fuselage	1	
-8	41360-02	G	* * LOWER REAR FRAME ASSEMBLY - Fuselage	1	
-9	44566-02  44566-04	H  H	* AFT SECTION - Fuselage  * AFT SECTION - Fuselage	1  1	31-5001 to 31-7405202 incl. 31-7405401 to 31-7405441 incl. 31-7405203 to 31-7405400 incl. 31-7405442 and up
-10	44277-06  44277-05	P  P	* CONE ASSEMBLY - Fuselage nose  * CONE ASSEMBLY - Fuselage nose	1  1	31-5001 to 31-7405248, 31-7405401 to 31-7405454 incl. 31-7405249 to 31-7405400 incl. 31-7405455 and up
-11		J	* FLOORBOARD INSTALLATION - Fuselage	1	
-12		K	* STRUCTURE INSTALLATION - Sta 57 to Sta. 215	1	
-13		L	* STRUCTURE INSTALLATION - Sta 215 to Sta 244	1	
-14		M	WINDSHIELD INSTALLATION	1	
-15		N	WINDOWS INSTALLATION - Exterior	1	
-16	17413-03	O	HANDLE - Cabin assist	1	
-17	44644-00	O	STEP ASSEMBLY - Pilot door	1	
-18	44646-00	O	REINFORCEMENT - Assist handle	1	
-19	44645-00	O	BRACKET ASSEMBLY - Pilot door step	1	
-20	401 266 407 564 404 887	O O O	BOLT - (AN3-5A) WASHER - (AN960-10) NUT - (MS20365-1032C)	8 16 8	
-21	486 685		RADOME BOOT - (SJ8665-FP23)	1	31-8352001 and up

When ordering, always specify Part Number, Description and Serial Number of Aircraft



PIPER PARTS CATALOG

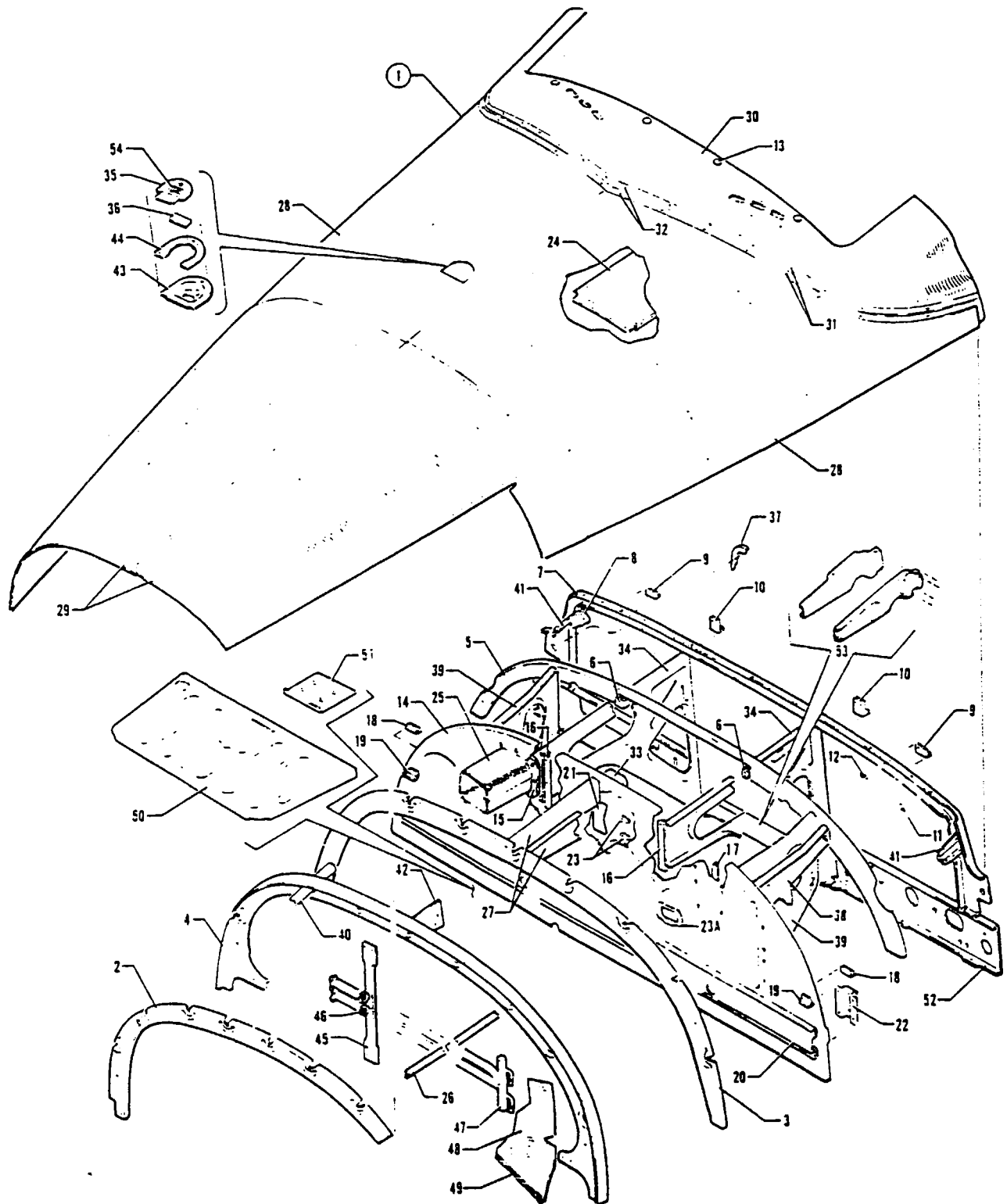


Figure 11. Fuselage Upper Forward Section

---

# PIPER PARTS CATALOG

---

## CODE EXPLANATIONS FOR FIGURE 11

A - If Engine Hour Meter Assembly Part Number 51006-00 has been installed on instrument panel, order part for Serial Numbers 31-7305033 to 31-7652177 inclusive.

## PIPER PARTS CATALOG

Figure and Index Number	Part Number	Code	NOMENCLATURE	No. Req.	SERIAL NUMBERS AFFECTED
11-1	41118-00		SECTION ASSEMBLY - Upper forward fuselage	1	
-2	40769-08		BULKHEAD - Fuselage, Sta. 18	1	
-3	40774-00		BULKHEAD - Fuselage, upper, Sta. 46	1	
-4	40867-00		BULKHEAD ASSEMBLY - Fuselage, upper, Sta. 35	1	
-5	41075-00		BULKHEAD ASSEMBLY - Fuselage, upper, Sta. 66.50	1	
-6	41073-00		ANGLE - Radio support bracket	2	
-7	41170-03		BULKHEAD ASSEMBLY - Instrument panel support	1	
-8	41168-00		BRACKET - Shock mount	2	31-5001 to 31-7852072 incl.
	49235-02		BRACKET - Shock mount, left	1	31-7852073 and up
	49235-03		BRACKET - Shock mount, right	1	31-7852073 and up
-9	41169-00		ANGLE ASSEMBLY - Eyebrow attachment, left	1	
	41169-01		ANGLE ASSEMBLY - Eyebrow attachment, right	1	
-10	41172-00		ANGLE ASSEMBLY - Eyebrow attachment	2	
-1	406 826		NUT - Anchor (NAS686A08K)	4	
-12	406 810		NUT - Anchor (NAS687A08K)	2	
-13	460 006		SOCKET - (XB-10224)	4	
-14	41267-00		BULKHEAD ASSEMBLY - Fuselage, upper, Sta. 57	1	31-5001 to 31-7405478 incl.
	41267-04		BULKHEAD ASSEMBLY - Fuselage, upper, Sta. 57	1	31-7405479 and up
-15	43506-04		PLATE - Reinforcement	1	
-16	40717-00		ANGLE - Radio support bracket	2	
-1	41272-00		ANGLE - Bulkhead reinforcement	1	
-18	41268-00		CLIP - Fuselage channel, left	1	
	41268-01		CLIP - Fuselage channel, right	1	
-19	40764-00		CLIP - Stringer, left	1	
	40764-01		CLIP - Stringer, right	1	
-20	41045-00		CHANNEL ASSEMBLY - Bulkhead reinforcement	1	
-21	41336-00		BLOCK - Rub	1	31-5001 to 31-7405419 incl.
-22	41568-00		BRACKET - Parking brake valve mounting	1	
-23	406 809		NUT - Anchor (NAS687A06K)	12	31-5001 to 31-7405419 incl.
	406 809		NUT - Anchor (NAS687A06K)	10	31-7405420 and up
-23a	54516-04		PLATE - Reinforcement	1	31-7405420 and up
-24	44109-02		PLATE - Windshield wiper reinforcement	1	
-25	43569-00		SHROUD ASSEMBLY - Fuselage harness	1	
-26	41331-28		STRINGER - Fuselage, upper forward (6¼ length)	1	
-27	41040-00		CHANNEL - Fuselage, left	1	
	41040-01		CHANNEL - Fuselage, right	1	
-28	40887-20		SKIN - Fuselage, top left	1	
	40887-19		SKIN - Fuselage, top right	1	
-29	40887-26		SKIN - Fuselage, top left	1	
	40887-27		SKIN - Fuselage, top right	1	
-30	41211-00		SKIN - Fuselage, fiberglass	1	
-31	406 834		NUT - Anchor (NAS686A08)	28	
-32	406 820		NUT - Anchor (NAS687A08)	8	
-33	40908-00		BRACKET - Windshield channel	1	
-34	40724-00		BRACKET ASSEMBLY - Radio support, left	1	
	40724-01		BRACKET ASSEMBLY - Radio support, right	1	
-35	42912-05		PLATE - Access	1	
-36	48023-00		PLACARD - Brake reservoir	1	
-37	42461-00		PLATE - Front window moulding trim, left	1	
	42461-01		PLATE - Front window moulding trim, right	1	
-38	42887-00		BRACKET ASSEMBLY - Elevator pulley	1	
-39	42884-02		BRACKET - Elevator forward control mounting, left	1	
	42884-03		BRACKET - Elevator forward control mounting, right	1	

When ordering, always specify Part Number, Description and Serial Number of Aircraft

PIPER PARTS CATALOG

Figure and Index Number	Part Number	Code	NOMENCLATURE	No. Req.	SERIAL NUMBERS AFFECTED
11-40	41603-00		* ANGLE - Stringer splice	7	
-41	41670-00		* REINFORCEMENT - Shock mount attachment, left	1	
	41670-01		* REINFORCEMENT - Shock mount attachment, right	1	
-42	43689-00		* PLATE ASSEMBLY - Diplexer mounting	1	
-43	43831-00		* PLATE ASSEMBLY - Hydraulic reservoir	1	
-44	43833-00		* PLATE ASSEMBLY - Hydraulic reservoir door reinforcement	1	
-45	42135-00		CHANNEL ASSEMBLY - Tow bar attachment	2	
-46	454 982		* CLIP - Tow bar (C-4956-020-16)	2	
-47	30762-00		TOW BAR ASSEMBLY	1	
-48	43790-04		SCREEN ASSEMBLY - Forward baggage compartment	1	
-49	149 111		* EXTRUSION - Nylon (40-101)	4'	
-50	41097-04		SHELF ASSEMBLY - Radio	1	31-5001 to 31-7752192 incl.
	41097-05		SHELF ASSEMBLY - Radio	1	31-7852001 and up
-51	54509-02		PLATE ASSEMBLY - Inverter mounting	1	31-5001 to 31-7752192 incl.
	55770-02		PLATE ASSEMBLY - Gyro mounting	1	31-7852001 and up
-52	41170-15	A	BULKHEAD ASSEMBLY - Instrument panel support, Sta. 76 (Collar and straps are components of this assembly)	1	31-5001 to 31-7305032 incl.
	41170-16		BULKHEAD ASSEMBLY - Instrument panel support, Sta. 76 (Collar and straps are components of this assembly)	1	31-7305033 to 31-7652177 incl.
	41170-18		BULKHEAD ASSEMBLY - Instrument panel support, Sta. 76 (Collar and straps are components of this assembly)	1	31-7752001 to 31-7752192 incl.
	41170-20		BULKHEAD ASSEMBLY - Instrument panel support, Sta. 76 (Collar and straps are components of this assembly)	1	31-7852001 to 31-7852171 incl.
	41170-22		BULKHEAD ASSEMBLY - Instrument panel support, Sta. 76 (Collar and straps are components of this assembly)	1	31-7952001 and up
-53	41946-00		BRACKET - Radar indicator mounting, left	1	31-5001 to 31-7405478 incl.
	54168-00		BRACKET - Radar indicator mounting, left	1	31-7405479 to 31-7405497 incl.
	41946-01		BRACKET - Radar indicator mounting, right	1	31-5001 to 31-7405478 incl.
	54168-01		BRACKET - Radar indicator mounting, right	1	31-7405479 to 31-7405497 incl.
-54	48022-00		DECAL - Brake reservoir	1	

When ordering, always specify Part Number, Description and Serial Number of Aircraft

PIPER PARTS CATALOG

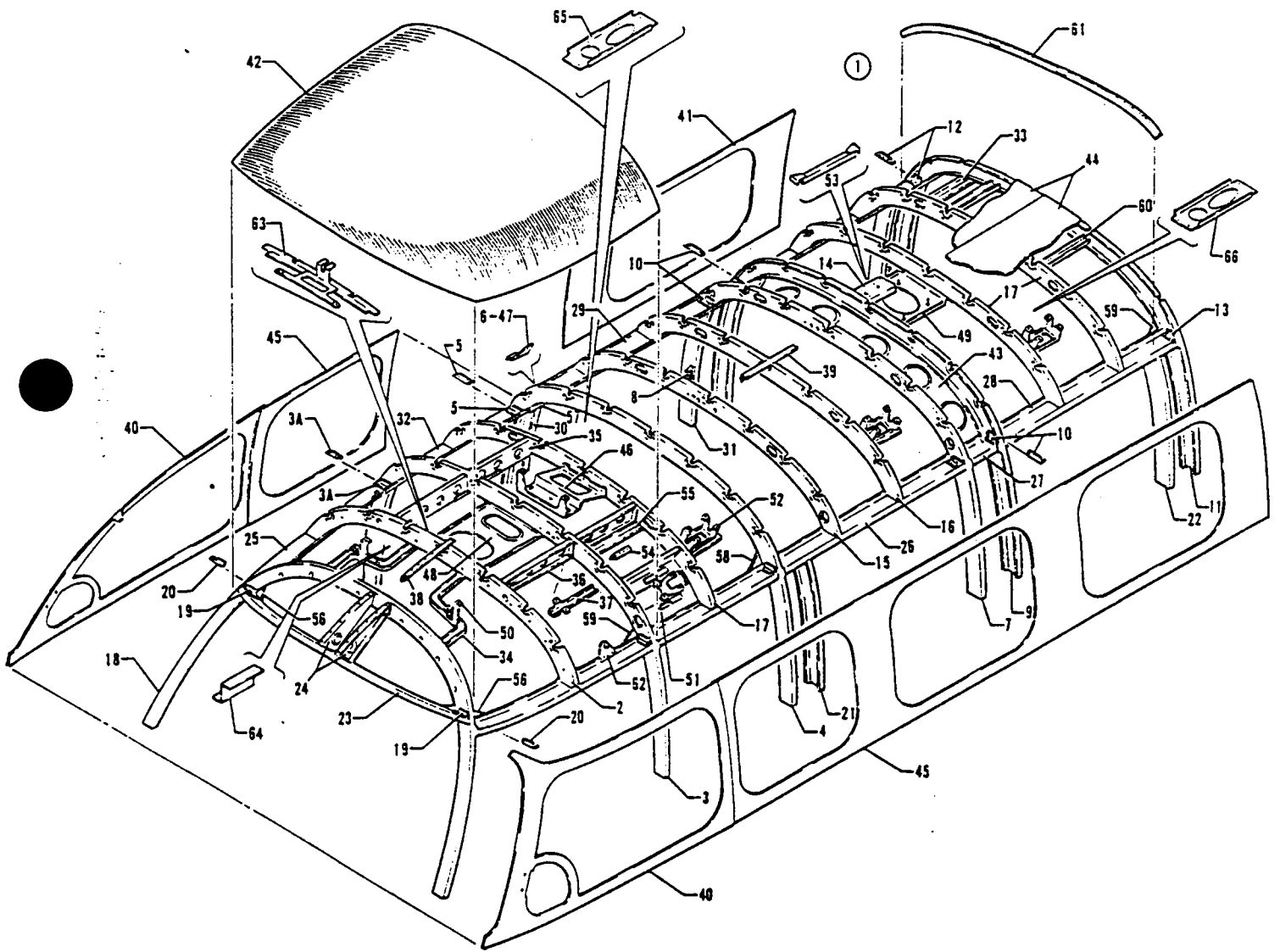


Figure 12. Fuselage Upper Cabin Section Assembly

---

# PIPER PARTS CATALOG

---

## CODE EXPLANATIONS FOR FIGURE 12

- A - See Figure 13 if pilot door is installed.
- B - See Figure 19 if cargo door is installed.

PIPER PARTS CATALOG

Figure and Index Number	Part Number	Code	NOMENCLATURE	No. Req.	SERIAL NUMBERS AFFECTED
12-1	52086-00		SECTION ASSEMBLY - Fuselage upper cabin	1	31-5001 to 31-7652177 incl
	55393-02		SECTION ASSEMBLY - Fuselage upper cabin	1	31-7752001 and up
-2	40798-00	A	* BULKHEAD ASSEMBLY - Fuselage, Sta. 102	1	
-3	44790-00		* BULKHEAD ASSEMBLY - Fuselage, top, Sta. 116	1	31-5001 to 31-7952250 incl
	44790-03		* BULKHEAD ASSEMBLY - Fuselage, top, Sta. 116	1	31-8052001 and up
-3a	52775-00		* * ANGLE - Fuselage, rear	2	
	52775-01		* * ANGLE - Fuselage, front	2	
-4	40971-09		* BULKHEAD ASSEMBLY - Fuselage, top, Sta. 140	1	31-5001 to 31-7952250 incl.
	40971-11		* BULKHEAD ASSEMBLY - Fuselage, top, Sta. 140	1	31-8052001 and up
-5	52775-00		* * ANGLE - Fuselage, rear	2	
	52775-01		* * ANGLE - Fuselage, front	2	
-6	40894-02		* BRACKET - Emergency exit cable pulley	1	
-7	40971-05		* BULKHEAD ASSEMBLY - Fuselage, top, Sta. 174	1	31-5001 to 31-7952250 incl
	40971-10		* BULKHEAD ASSEMBLY - Fuselage, top, Sta. 174	1	31-8052001 and up
-8	41047-00		* * BEARING - Emergency exit handle	1	
-9	41078-00		* BULKHEAD ASSEMBLY - Fuselage, top, Sta. 181	1	31-5001 to 31-7952250 incl
	41078-03		* BULKHEAD ASSEMBLY - Fuselage, top, Sta. 181	1	31-8052001 and up
-10	40738-00		* * ANGLE - Fuselage, rear	2	
	40738-01		* * ANGLE - Fuselage, front	2	
-11	41099-00		* BULKHEAD ASSEMBLY - Fuselage, top, Sta. 215	1	
-12	40738-00		* * ANGLE - Fuselage, right, front	1	
	40738-01		* * ANGLE - Fuselage, right, rear	1	
-13	40896-00		* * ANGLE - Attachment, left, front	1	
-14	31537-02		* PLATE - Antenna mounting	1	31-5001 to 31-8052116 incl
	71635-02		* PLATE - Antenna mounting	1	31-8052117 and up
-15	41104-05		* BULKHEAD ASSEMBLY - Fuselage, top, Sta. 151.3	1	
-16	41104-06		* BULKHEAD ASSEMBLY - Fuselage, top, Sta. 162.6	1	
-17	41104-07		* BULKHEAD ASSEMBLY - Fuselage, top, Sta. 127.3, Sta. 191.7 and Sta. 203	3	
-18	41173-00		* BULKHEAD ASSEMBLY - Fuselage, canted, Sta. 100 to Sta. 115	11	
-19	41115-00		* * ANGLE - Attachment	2	
-20	41116-00		* * ANGLE - Attachment, left	1	
	41116-01		* * ANGLE - Attachment, right	1	
-21	40897-00		* BULKHEAD ASSEMBLY - Fuselage, Sta. 145.5, left	1	31-5001 to 31-7952250 incl.
	40897-03		* BULKHEAD ASSEMBLY - Fuselage, Sta. 145.5, left	1	31-8052001 and up
-22	40900-00		* BULKHEAD ASSEMBLY - Fuselage, Sta. 209.5, left	1	31-5001 to 31-7952250 incl
	40900-04		* BULKHEAD ASSEMBLY - Fuselage, Sta. 209.5, left	1	31-8052001 and up
	40900-01		* BULKHEAD ASSEMBLY - Fuselage, Sta. 209.5, right	1	31-5001 to 31-7952250 incl
	40900-05		* BULKHEAD ASSEMBLY - Fuselage, Sta. 209.5, right	1	31-8052001 and up
-23	42367-00		* BULKHEAD - Windshield, upper support	1	
-24	40899-00		* BULKHEAD - Windshield channel attachment, left	1	
	40899-01		* BULKHEAD - Windshield channel attachment, right	1	
-25	40715-06	A	* CHANNEL - Window upper, left	1	
	40715-07		* CHANNEL - Window upper, right	1	
-26	40715-10		* CHANNEL - Window upper, left	1	
-27	40715-14		* CHANNEL - Window upper, left	1	
	40715-15		* CHANNEL - Window upper, right	1	
-28	40715-50		* CHANNEL ASSEMBLY - Window upper, left	1	
	40715-19		* CHANNEL ASSEMBLY - Window upper, right	1	
-29	40715-23		* CHANNEL - Window upper, right	1	
-30	41207-00		* CHANNEL - Window, Sta. 143	1	
-31	41208-00		* CHANNEL - Window, Sta. 173.37	1	
-32	44946-04		* CHANNEL - Window, Sta. 116, left	1	
	44946-05		* CHANNEL - Window, Sta. 116, right	1	
-33	52751-03		* CHANNEL ASSEMBLY - Support	1	31-5001 to 31-7652177 incl
-34	46811-00		* CHANNEL - Overhead switch panel mounting, left	1	31-5001 to 31-7652177 incl.
	46811-01		* CHANNEL - Overhead switch panel mounting, right	1	31-5001 to 31-7652177 incl

When ordering, always specify Part Number, Description and Serial Number of Aircraft

## PIPER PARTS CATALOG

Figure and Index Number	Part Number	Code	NOMENCLATURE	No. Req.	SERIAL NUMBERS AFFECTED
12-35	44958-00		* CHANNEL - Cargo barrier reinforcement, left	1	
	44958-01		* CHANNEL - Cargo barrier reinforcement, right	1	
-36	44959-00		* CHANNEL - Cargo barrier reinforcement, left	1	
	44959-01		* CHANNEL - Cargo barrier reinforcement, right	1	
-37	44960-00		* CHANNEL - Cargo barrier reinforcement	2	
-38	41331-28		* STRINGER - Fuselage, upper cabin, forward, (6' length)	AR	
-39	52080-09		* STRINGER - Fuselage, upper cabin, aft, (6' length)	AR	
-40	40887-14	A	* SKIN - Upper side, left	1	
	40887-35		* SKIN - Upper side, right	1	
-41	40887-05		* SKIN - Upper side, right	1	
-42	40887-21	A	* SKIN - Top	1	
-43	41234-00		* SKIN - Fuselage, inner top	1	
-44	52085-00		* SKIN - Fuselage, upper left	1	
	52088-00		* SKIN - Fuselage, upper right	1	
-45	52092-00		* SKIN - Fuselage, left	1	
	52094-00		* SKIN - Fuselage, right	1	
-46	52136-00		* BRACKET ASSEMBLY - No smoking sign	1	31-5001 to 31-7652177 incl
	55260-02		* BRACKET ASSEMBLY - No smoking sign	1	31-7752001 and up
-47	40894-03		* BRACKET - Emergency exit cable pulley	1	
-48	44811-00		* BRACKET ASSEMBLY - Speaker and light mounting	1	31-5001 to 31-7552120 incl
	44811-04		* BRACKET ASSEMBLY - Speaker and light mounting	1	31-7552121 to 31-7652177 incl
-49	44739-00		* BRACKET ASSEMBLY - Aft speaker	1	31-5001 to 31-7652177 incl
-50	46812-02		* BRACKET - Overhead switch panel mounting	2	31-5001 to 31-7652177 incl
-51	44774-00		* BRACKET ASSEMBLY - Shoulder harness and cargo barrier outboard	1	31-5001 to 31-7652177 incl
	44774-14		* BRACKET ASSEMBLY - Shoulder harness and cargo barrier outboard, left	1	31-7752001 and up
	44774-01		* BRACKET ASSEMBLY - Shoulder harness and cargo barrier outboard	1	31-5001 to 31-7652177 incl
	44774-13		* BRACKET ASSEMBLY - Shoulder harness and cargo barrier outboard, right	1	31-7752001 and up
-52	44746-00		* BRACKET ASSEMBLY - Reading light mounting	6	31-5001 to 31-7652177 incl
	44746-05		* BRACKET ASSEMBLY - Reading light mounting	6	31-7752001 and up
-53	43594-04		* ANGLE ASSEMBLY - Antenna mounting plate	1	
-54	40859-00		* ANGLE - Stringer splice	7	
-55	52264-00		* ANGLE - Divider panel attachment	2	31-5001 to 31-7652177 incl
	42324-00		* CHANNEL ASSEMBLY - Panel support	2	31-7752001 and up
-56	40752-00		* GUSSET - Bulkhead	2	
-57	41183-00		* GUSSET - Fuselage, Sta 140 right	1	
-58	41192-00		* GUSSET - Fuselage, Sta 140, left	2	
-59	44773-00		* GUSSET - Fuselage, Sta 116	2	
-60	52713-00		* CHANNEL - Support	2	
-61	53812-00	B	* ANGLE ASSEMBLY - Curtain track support	1	31-5001 to 31-7652177 incl
	53812-03	B	* ANGLE ASSEMBLY - Curtain track support	1	31-7752001 and up
-62	53687-00		* PLATE ASSEMBLY - Curtain track attachment	2	
-63	54467-02		* BRACKET ASSEMBLY - Light mounting	1	31-7752001 and up
-64	54820-02		* BRACKET - Speaker, left	1	31-7752001 and up
	54820-03		* BRACKET - Speaker, right	1	31-7752001 and up
-65	55365-03		* BRACKET - Overhead speaker, Sta. 127 30 to Sta 140	1	31-7752001 to 31-8052221 incl
	71673-03		* BRACKET - Overhead speaker, Sta. 127 30 to Sta 140	1	31-8152001 and up
-66	55365-02		* BRACKET - Overhead speaker, Sta. 191.7 to Sta. 203	1	31-7752001 to 31-8052221 incl
	71673-02		* BRACKET - Overhead speaker, Sta. 191.7 to Sta. 203	1	31-8152001 and up

When ordering, always specify Part Number, Description and Serial Number of Aircraft



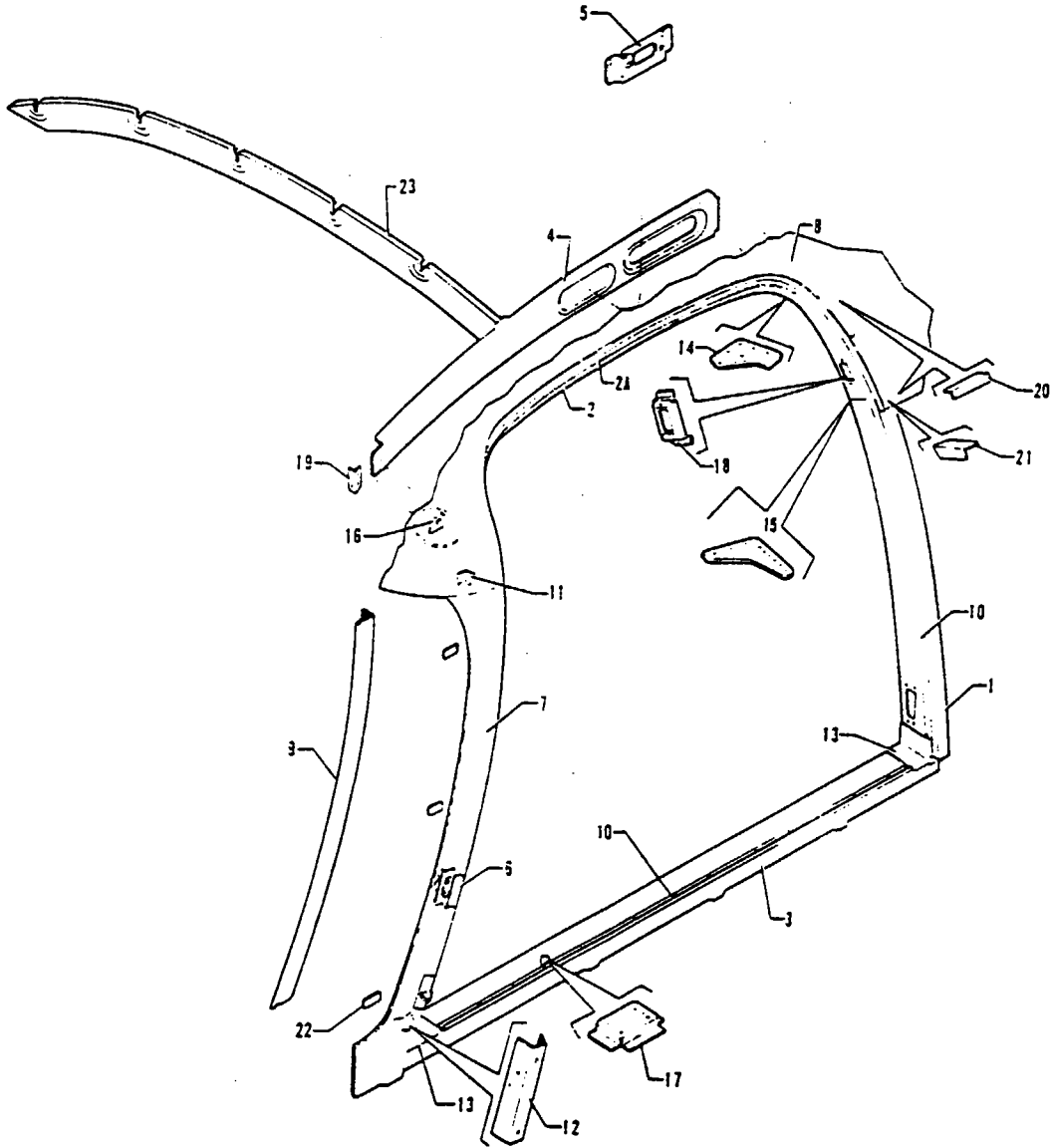


Figure 13. Pilot Door Fuselage Frame Installation

---

# PIPER PARTS CATALOG

CODE EXPLANATIONS FOR FIGURE 13

PIPER PARTS CATALOG

Figure and Index Number	Part Number	Code	NOMENCLATURE	No. Req.	SERIAL NUMBERS AFFECTED
13-	44743		DRAWING - Pilot Door Frame Installation		
-1	44666-00		FRAME ASSEMBLY - Pilot door, Sta. 140	1	
-2	44743-08		CHANNEL ASSEMBLY - Pilot door, Sta 126	1	
-2a	44743-04		* STRIKER - Pilot door frame, top	1	
-3	44687-00		CHANNEL ASSEMBLY - Pilot door frame, lower	1	31-5001 to 31-7552050 incl
	44687-04		CHANNEL ASSEMBLY - Pilot door frame, lower	1	31-7552051 and up
-4	53657-00		CHANNEL ASSEMBLY - Fuselage, pilot door	1	
-5	44667-00		* BRACKET ASSEMBLY - Latch support, lower	1	
-6	44743-02		CHANNEL - Fuselage, pilot door	1	
-7	44743-11		SKIN - Windshield retainer	1	
-8	44743-09		SKIN - Top	1	
-9	44743-10		RETAINER - Windshield	1	
-10	44743-03		STRIKER - Pilot door frame, forward	1	
	44743-14		STRIKER - Pilot door frame, bottom	1	
-11	44743-07		REINFORCEMENT - Hinge bracket, upper	1	
-12	44589-00		REINFORCEMENT - Hinge bracket, lower	1	
-13	44575-00		GUSSET - Door frame, lower front	1	31-5001 to 31-7552050 incl
	54376-02		GUSSET - Door frame, lower front	1	31-7552051 and up
	44588-00		GUSSET - Door frame, lower rear	1	31-5001 to 31-7552050 incl
	54375-02		GUSSET - Door frame, lower rear	1	31-7552051 and up
-14	54188-02		GUSSET - Bulkhead	1	
-15	52175-00		GUSSET - Fuselage	1	
-16	44572-00		BRACKET ASSEMBLY - Pilot door hinge, upper	1	
	44573-00		BRACKET ASSEMBLY - Pilot door hinge, lower	1	
-17	44600-00		BRACKET ASSEMBLY - Pilot door support, lower	1	
-18	44670-00		BRACKET ASSEMBLY - Latch support, rear	1	
-19	44696-00		ANGLE - Canted bulkhead	1	
-20	44791-00		ANGLE - Stringer	2	
-21	40738-00		ANGLE - Bulkhead, Sta 140	1	
-22	43519-00		CLIP - Fuselage harness attachment	3	
-23	44558-00		BULKHEAD - Fuselage, Sta 126	1	

When ordering, always specify Part Number, Description and Serial Number of Aircraft

PIPER PARTS CATALOG

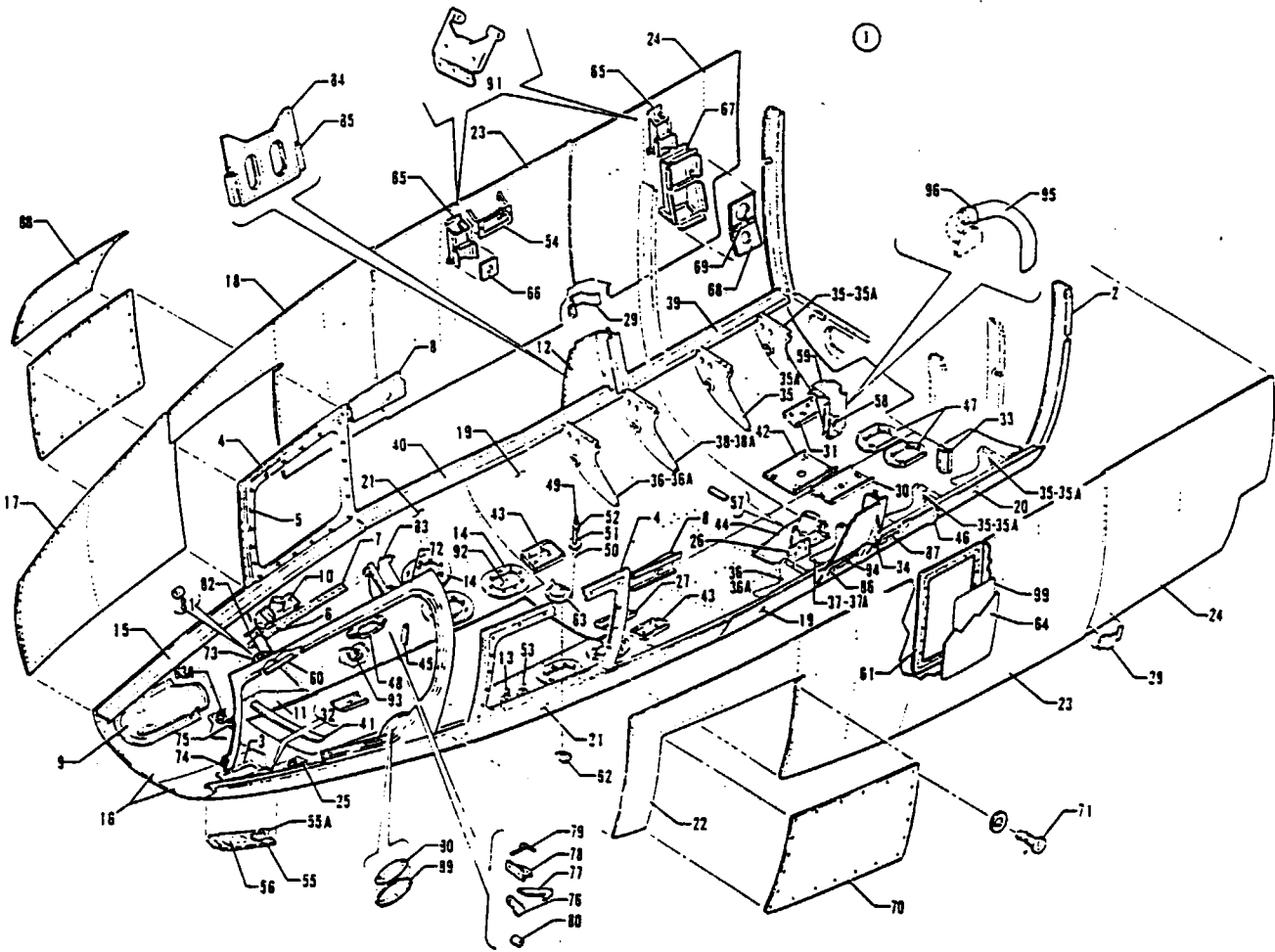


Figure 14. Fuselage Lower Forward Section Assembly

---

## PIPER PARTS CATALOG

---

### CODE EXPLANATIONS FOR FIGURE 14

- A - See Figure 15 for component parts
- B - Used on aircraft with Serial Nos 31-5001 to 31-7405482 inclusive, if Air Conditioning System Modification Kit 760 881 has been installed per Service Letter 730
- C - Used if propeller ice shield is not installed.
- D - Used if propeller ice shield is installed
- E - Order part for Serial No 31-7405483 and up if Air Conditioning System Modification Kit 760 881 has been installed per Service Letter 730
- F - See Figure 116A for serial numbers 31-7852030 and up
- G - Order part for Serial Numbers 31-8052001 and up if Combustion Air and Heater Air Inlet Scoop Replacements Kit 764 022 has been installed per Service Spares Letter No 361

# PIPER PARTS CATALOG

Figure and Index Number	Part Number	Code	Nomenclature	No. Req.	Serial Numbers Affected
14-1	52146-00		SECTION ASSEMBLY - Lower forward fuselage	1	31-5001 to 31-7552027 incl.
	52146-02		SECTION ASSEMBLY - Lower forward fuselage	1	31-7552028 to 31-7852171 incl.
	52146-03		SECTION ASSEMBLY - Lower forward fuselage	1	31-7952001 and up
-2	52137-00	A	* FRAME ASSEMBLY - Lower forward fuselage	1	
-3	42512-00		* DOOR FRAME ASSEMBLY - Power receptacle, lower forward fuselage	1	
-4	43899-04		* FRAME ASSEMBLY - Forward access, lower fuselage, Sta. 35 to Sta. 57, left	1	
	43899-05		* FRAME ASSEMBLY - Forward access, lower fuselage, Sta. 35 to Sta. 57, right	1	
-5	484 293		* * RECEPTACLE - (214-16D) forward access frame	17	
-6	41603-00		* ANGLE - Stringer splice, lower forward fuselage, right	1	
-7	52080-09		* STRINGER - Lower forward fuselage (6' length)	AR	
-8	41269-00		* BRACKET ASSEMBLY - Torque tube, lower forward fuselage, Sta. 57, left	1	
	41269-01		* BRACKET ASSEMBLY - Torque tube, lower forward fuselage, Sta. 57, right	1	
-9	41486-00	G	* SCOOP ASSEMBLY - Heater air, lower forward fuselage	1	31-5001 to 31-7952250 incl.
	71099-02		* SCOOP ASSEMBLY - Heater air, lower forward fuselage	1	31-8052001 and up
-10	40660-04	G	* TUBE ASSEMBLY - Take-off, lower forward fuselage, Sta. 37	1	31-5001 to 31-7952250 incl.
	71116-02		* BOX ASSEMBLY - Air inlet, lower forward fuselage, Sta. 37	1	31-8052001 and up
-11	41278-00		* GUSSET - Fuselage, lower forward section, Sta. 18 to Sta. 35	1	
-12	52135-00		* GUSSET - Fuselage, front spar fitting, Sta. 104.31	2	
-13	17758-08		* TUBE ASSEMBLY - Battery box ventilating, lower forward fuselage	1	
-14	20372-03		* PLATE ASSEMBLY - Access hole reinforcement, lower forward fuselage	5	
-15	40868-16		* CHANNEL ASSEMBLY - Floorboard support, lower forward fuselage, Sta. 2 to Sta. 57, left	1	
	40868-15		* CHANNEL ASSEMBLY - Floorboard support, lower forward fuselage, Sta. 2 to Sta. 57, right	1	
-16	40887-06		* SKIN - Lower forward fuselage, side, left	1	
	40887-07		* SKIN - Lower forward fuselage, side, right	1	
-17	40887-28		* SKIN - Lower forward fuselage, side, right	1	
-18	52118-00		* SKIN - Fuselage, right side, Sta 35 to Sta. 76	1	
-19	52129-00		* SKIN - Fuselage, bottom, Sta 72.25 to Sta. 111, left	1	
	52129-01		* SKIN - Fuselage, bottom, Sta 72.25 to Sta. 111, right	1	
-20	52127-00		* SKIN - Fuselage, bottom, Sta. 111 to Sta. 140, left	1	
	52127-01		* SKIN - Fuselage, bottom, Sta. 111 to Sta. 140, right	1	
-21	52124-00		* SKIN - Fuselage, bottom, Sta. 35 to Sta. 76, left	1	
	52124-02		* SKIN - Fuselage, bottom, Sta. 35 to Sta. 76, right	1	
-22	52107-00		* SKIN - Fuselage, left, Sta 30 to Sta. 76	1	
-23	52111-00		* SKIN - Fuselage, side, Sta 76 to Sta. 111, left	1	31-5001 to 31-7552027 incl.
	52111-02		* SKIN - Fuselage, side, Sta. 76 to Sta. 111, left	1	31-7552028 and up
	52111-01		* SKIN - Fuselage, side, Sta 76 to Sta. 111, right	1	
-24	52114-00		* SKIN - Fuselage, side, Sta 111 to Sta. 140, left	1	
	52114-01		* SKIN - Fuselage, side, Sta. 111 to Sta. 140, right	1	
-25	41486-00		* MAST ASSEMBLY - Pitot tube	1	
-26	41585-00		* BRACKET - Line support	1	

When ordering, always specify Part Number, Description, and Serial Number of Aircraft

# PIPER PARTS CATALOG

Figure and Index Number	Part Number	Code	Nomenclature	No. Req.	Serial Numbers Affected
14-27	43599-00		* BRACKET - Antenna mounting	1	31-5001 to 31-8152025 incl.
	71948-02		* BRACKET - Antenna mounting	1	31-8152026 and up
-28	42639-00		* BRACKET - Support, Sta. 111.50, left	1	
-29	44940-00		* BRACKET - Support, Sta. 111.50, right	1	
-30	30304-00		* BRACKET ASSEMBLY - Antenna mounting	1	
-31	42345-00		* BRACKET ASSEMBLY - Marker beacon mounting	1	
-32	43599-00		* BRACKET - Antenna mounting, transponder	1	31-5001 to 31-8152025 incl.
-33	52132-00		* BRACKET - Heat duct support	1	
-34	44758-00		* BULKHEAD ASSEMBLY - Front spar attachment, left	1	
	44758-01		* BULKHEAD ASSEMBLY - Front spar attachment, right	1	
-35	52119-02		* BULKHEAD ASSEMBLY - Seat track support, outboard, left	2	
	52119-03		* BULKHEAD ASSEMBLY - Seat track support, outboard, right	1	
-35a	406 789		* * NUT - Anchor, seat track (136R-02)	1	
-36	52119-06		* BULKHEAD ASSEMBLY - Seat track support, outboard, left	1	
	52119-07		* BULKHEAD ASSEMBLY - Seat track support, outboard, right	1	
-36a	406 789		* * NUT - Anchor, seat track (136R-02)	1	
-37	52119-10		* BULKHEAD ASSEMBLY - Seat track support, outboard, left	1	
-37a	406 789		* * NUT - Anchor, seat track (136R-02)	1	
-38	52119-11		* BULKHEAD ASSEMBLY - Seat track support, outboard, right	1	
-38a	406 789		* * NUT - Anchor, seat track (136R-02)	1	
-39	44801-00		* CHANNEL - Floorboard support, left	1	
	44801-01		* CHANNEL - Floorboard support, right	1	
-40	44804-00		* CHANNEL - Floorboard support, left	1	
	44804-01		* CHANNEL - Floorboard support, right	1	
-41	41841-00		* PLATE - Gear door stop	1	
-42	44215-00		* PLATE ASSEMBLY - Antenna	1	
-43	43845-00		* PLATE ASSEMBLY - Reinforcement, left	1	31-5001 to 31-7405142 incl.
	53910-00		* PLATE ASSEMBLY - Reinforcement, left	1	31-7405143 and up
	43845-01		* PLATE ASSEMBLY - Reinforcement, right	1	31-5001 to 31-7405142 incl.
	53910-01		* PLATE ASSEMBLY - Reinforcement, right	1	31-7405143 and up
-44	52203-00		* BOX ASSEMBLY - Outside air inlet	1	
-45	41070-00		* ANGLE - Longitudinal beam	2	
-46	52372-00		* ANGLE - Wing fillet bulkhead, left	1	
	52372-01		* ANGLE - Wing fillet bulkhead, right	1	
-47	41427-00		* PLATE ASSEMBLY - Access hole reinforcement	2	
-48	44821-00		* REINFORCEMENT - Heater exhaust tube	1	
-49	42150-00		* PLUG - Radio cooling tube	1	31-5001 to 31-7552027 incl.
-50	42543-00		* TUBE ASSEMBLY - Take-off radio cooling	1	31-5001 to 31-7552027 incl.
-51	82371-23		* HOSE - Radio cooling	1	31-5001 to 31-7552027 incl.
-52	454 987		* CLAMP - (SAE 12, Type "E")	2	31-5001 to 31-7552027 incl.
-53	44107-00		* TUBE ASSEMBLY - Powerpak vent	1	
-54	42496-00		* SUPPORT ASSEMBLY - Ash tray	2	31-5001 to 31-7552153 incl.
-55	42513-00		* DOOR ASSEMBLY - Power receptacle	1	
-55a	472 017		* * LATCH - Push button (KM610-32)	1	
-56	43809-00		* * PLACARD - Starting procedure, external power	1	
-57	52202-00		* STRIP - Outside air inlet	1	
-58	52247-00		* TUBE ASSEMBLY - Air take-off	1	
-59	52249-00		* DUCT - Outside air	1	
-60	41603-02		* ANGLE - Stringer splice, lower forward fuselage	2	
-61	54305-02		* FRAME ASSEMBLY - Circuit breaker access	1	31-7552028 and up
	54305-04		* * GASKET - Circuit breaker access	1	31-7552028 and up
-62	22482-00		* SCOOP - Radio cooling	1	31-7552028 and up
-63	54490-02		* BOX ASSEMBLY - Radio cooling	1	31-7552028 and up
-63a	54932-02		* TUBE ASSEMBLY - Battery drain	1	
-64	54305-06		COVER - Circuit breaker access	1	31-7552028 and up
-65	52582-00	E	VENTILATOR ASSEMBLY - Cabin air	4	31-5001 to 31-7405482 incl.
	53031-02	B,F	VENTILATOR ASSEMBLY - Cabin air	4	31-7405483 to 31-7852029 incl.
-66	52546-00		* SEAL - Air vent duct	1	31-5001 to 31-7405482 incl.
-67	52579-00		TUNNEL ASSEMBLY - Cabin air	2	31-5001 to 31-7405482 incl.

When ordering, always specify Part Number, Description, and Serial Number of Aircraft

PIPER PARTS CATALOG

Figure and Index Number	Part Number	Code	NOMENCLATURE	No. Req.	SERIAL NUMBERS AFFECTED
14-68	52547-00		* SEAL - Air tunnel	1	31-5001 to 31-7405482 incl
-69	52578-00		* PLATE - Seal retainer	1	31-5001 to 31-7405482 incl.
-70	43898-00	C	PANEL ASSEMBLY - Forward access, left	1	
	43898-08	D	PANEL ASSEMBLY - Forward access, left	1	
	43898-01	C	PANEL ASSEMBLY - Forward access, right	1	
	43898-09	D	PANEL ASSEMBLY - Forward access, right	1	
-71	487 733		* STUD - (4002-5)	17	
	484 755		* RING - Snap (R46)	17	
	463 400		* GROMMET - (4002-0)	17	
-72	40210-06		FRAME ASSEMBLY - Forward baggage compartment door	1	
-73	40206-00		BRACKET ASSEMBLY - Baggage compartment door hinge, rear	1	
	40206-01		BRACKET ASSEMBLY - Baggage compartment door hinge, front	1	
-74	40208-00		BRACKET - Baggage compartment door lock plate, front	1	
-75	44379-00		BRACKET - Baggage compartment door lock plate	2	
-76	42531-00		STOP - Baggage door latch	1	
-77	42533-00		LATCH - Baggage door	1	
-78	42534-00		ANGLE - Baggage door latch	1	
-79	42539-00		SPRING - Baggage door latch	1	
-80	41413-46		BUSHING - Baggage door latch	1	
-81	43133-00		BUSHING - Baggage door stop	2	
-82	40209-00		ANGLE - Baggage door hinge reinforcement, front	1	
-83	42546-00		BRACKET - Forward baggage door, left, forward	1	
	42546-01		BRACKET - Forward baggage door, right, forward	1	
-84	44807-00		PLATE - Fuselage reinforcement, Sta. 99 to Sta. 111, left	1	
	44807-01		PLATE - Fuselage reinforcement, Sta. 99 to Sta. 111, right	1	
-85	44802-00		ANGLE - Fuselage reinforcement, Sta. 99	4	
-86	41145-04		PLATE - Tube support, left, front	1	
	41145-05		PLATE - Tube support, right, front	1	
-87	52275-00		PLATE - Tube support, left, rear	1	
	52275-01		PLATE - Tube support, right, rear	1	
-88	53865-02		SHIELD ASSEMBLY - Propeller ice, left	1	
	53865-03		SHIELD ASSEMBLY - Propeller ice, right	1	
-89	40346-00		ANGLE - Floorboard support	1	
-90	40347-00		ANGLE ASSEMBLY - Floorboard support	1	
-91	52970-00	B	SUPPORT - Air duct	4	31-7405483 to 31-7852029 incl.
-92	20370-00		PLATE - Cover	7	
-93	22482-00		SCOOP - Air	2	
-94	406 863		RIVNUT - (A8K-75)	4	
-95	22369-11		TUBE - Plastic, right	1	31-7852090 and up
-96	454 983		CLAMP - (SAE TY-E8)	1	31-7852090 and up

When ordering, always specify Part Number, Description and Serial Number of Aircraft



PIPER PARTS CATALOG

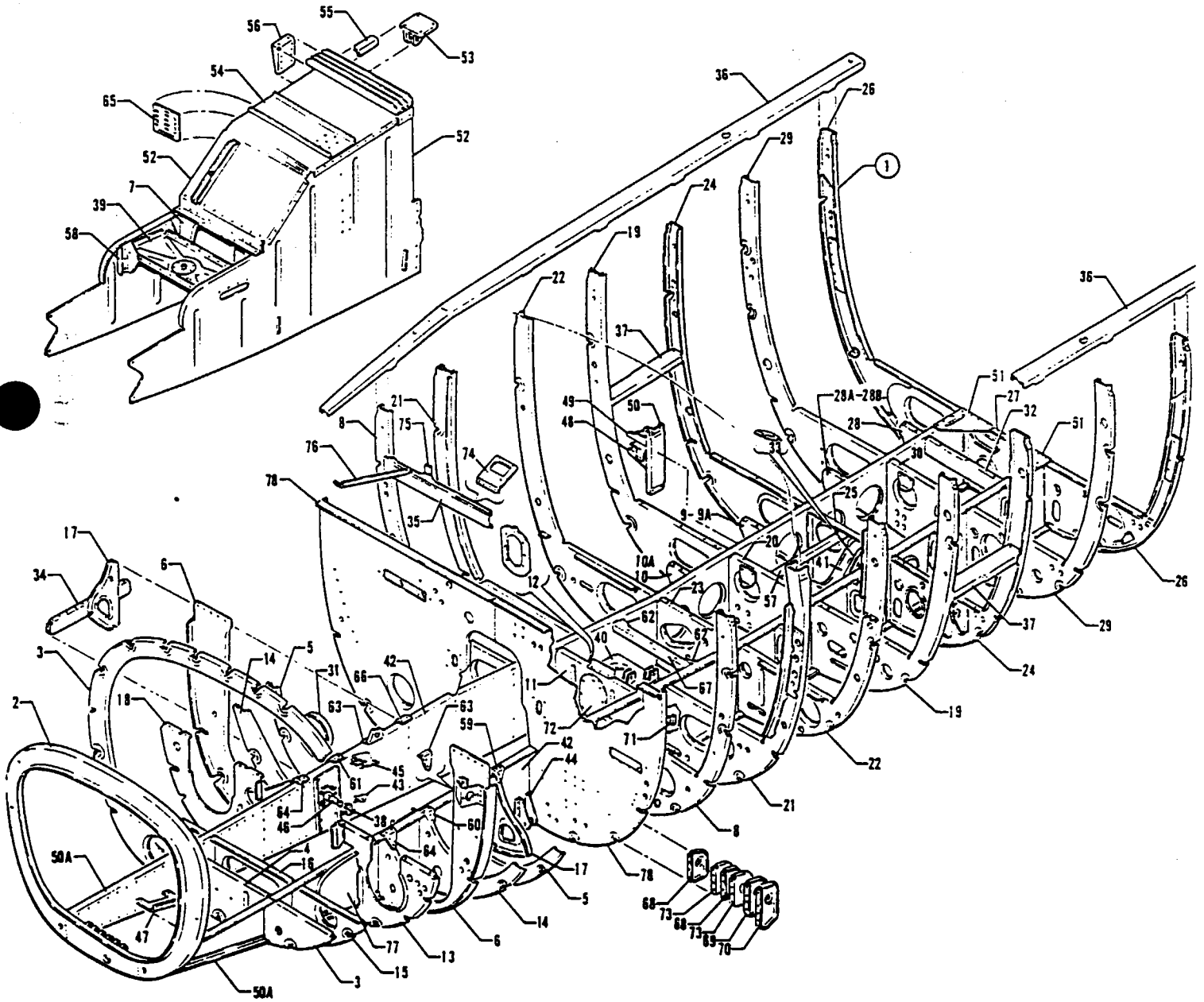


Figure 15. Fuselage Lower Forward Frame Assembly

---

# PIPER PARTS CATALOG

CODE EXPLANATIONS FOR FIGURE 15

PIPER PARTS CATALOG

Figure and Index Number	Part Number	Code	NOMENCLATURE	No. Req.	SERIAL NUMBERS AFFECTED
15-1	52137-00		FRAME ASSEMBLY - Lower forward fuselage	1	
-2	40189-03		* BULKHEAD ASSEMBLY - Lower forward frame, Sta 2	1	31-5001 to 31-7405248 incl
	71790-02		* BULKHEAD ASSEMBLY - Lower forward frame, Sta. 2	1	31-7405401 to 31-7405454 incl
					31-7405249 to 31-7405400 incl.
					31-7405455 and up
-3	40769-02		* BULKHEAD ASSEMBLY - Lower forward frame, Sta. 18, left	1	
	40769-03		* BULKHEAD ASSEMBLY - Lower forward frame, Sta. 18, right	1	
-4	40769-10		* BULKHEAD ASSEMBLY - Lower forward frame, Sta. 18, center	1	
-5	40772-00		* BULKHEAD - Lower forward frame, Sta. 46, left	1	
	40772-01		* BULKHEAD - Lower forward frame, Sta. 46, right	1	
-6	40863-00		* BULKHEAD ASSEMBLY - Lower forward frame, Sta 35, left	1	
	40866-00		* BULKHEAD ASSEMBLY - Lower forward frame, Sta. 35, right	1	
-7	40865-00		* BULKHEAD ASSEMBLY - Lower forward frame, Sta. 35, center	1	
-8	40962-02		* BULKHEAD ASSEMBLY - Lower forward frame, Sta. 66.50, left	1	
	40962-03		* BULKHEAD ASSEMBLY - Lower forward frame, Sta 66 50, right	1	
-9	52031-00		* BULKHEAD ASSEMBLY - Seat track support, right, inboard, Sta. 104 68	1	
	52029-00		* BULKHEAD ASSEMBLY - Seat track support, left, inboard, Sta 104.68	1	
-9a	406 789		* * NUT - Anchor, seat track (136R-02)	1	
-10	41005-02		* BULKHEAD ASSEMBLY - Seat track support, inboard, left, Sta 93 26	1	
	41003-00		* BULKHEAD ASSEMBLY - Seat track support, inboard, right, Sta 93 26	1	
-10a	406 812		* * NUT - Anchor, seat track (NAS687A3K)	1	
-11	41102-00		* BULKHEAD ASSEMBLY - Lower forward frame, Sta 72.25, center	1	
-12	41427-00		* * PLATE ASSEMBLY - Access hole reinforcement	1	
-13	41095-00		* BULKHEAD ASSEMBLY - Lower forward frame, Sta. 28.62, left	1	
-14	41125-00		* BULKHEAD ASSEMBLY - Lower forward frame, Sta 40.62, left	1	
	41126-00		* BULKHEAD ASSEMBLY - Lower forward frame, Sta. 40 62, right	1	
-15	41166-04		* BULKHEAD ASSEMBLY - Lower forward frame, Sta 22, left	1	
	44827-00		* BULKHEAD ASSEMBLY - Lower forward frame, Sta 22, right	1	
-16	41166-13		* BULKHEAD ASSEMBLY - Lower forward frame, Sta. 22, center	1	
-17	41209-00		* BULKHEAD ASSEMBLY - Lower forward frame, Sta. 51, right	1	
	41222-00		* BULKHEAD ASSEMBLY - Lower forward frame, Sta. 51, left	1	
-18	44883-00		* BULKHEAD ASSEMBLY - Lower forward frame, Sta. 28.62, right	1	31-5001 to 31-7652123 incl
					31-7652125 to 31-7852072 incl
	44883-05		* BULKHEAD ASSEMBLY - Lower forward frame, Sta. 28 62, right	1	31-7652124, 31-7852073 and up

When ordering, always specify Part Number, Description and Serial Number of Aircraft

## PIPER PARTS CATALOG

Figure and Index Number	Part Number	Code	NOMENCLATURE	No. Req.	SERIAL NUMBERS AFFECTED
15-19	44890-06		* BULKHEAD ASSEMBLY - Lower forward frame, Sta. 99, left	1	
	44890-05		* BULKHEAD ASSEMBLY - Lower forward frame, Sta. 99, right	1	
-20	44890-07		* BULKHEAD ASSEMBLY - Lower forward frame, Sta. 99, center	1	
-21	52060-02		* BULKHEAD ASSEMBLY - Lower forward frame, Sta. 76, left	1	
	52060-03		* BULKHEAD ASSEMBLY - Lower forward frame, Sta. 76, right	1	
-22	52157-06		* BULKHEAD ASSEMBLY - Lower forward frame, Sta. 87.50, left	1	
	52157-07		* BULKHEAD ASSEMBLY - Lower forward frame, Sta. 87.50, right	1	
-23	52157-05		* BULKHEAD ASSEMBLY - Lower forward frame, Sta. 87.50, center	1	
-24	52190-07		* BULKHEAD ASSEMBLY - Lower forward frame, Sta. 111, left	1	
	52190-06		* BULKHEAD ASSEMBLY - Lower forward frame, Sta. 111, right	1	
-25	52190-05		* BULKHEAD ASSEMBLY - Lower forward frame, Sta. 111, center	1	
-26	52289-07		* BULKHEAD ASSEMBLY - Lower forward frame, Sta. 135, right	1	
	52289-06		* BULKHEAD ASSEMBLY - Lower forward frame, Sta. 135, left	1	
-27	52289-05		* BULKHEAD ASSEMBLY - Lower forward frame, Sta. 135, center	1	
-28	52030-06		* BULKHEAD ASSEMBLY - Seat track support, left, inboard, Sta. 128.68	1	
	52683-00		* BULKHEAD ASSEMBLY - Seat track support, right, inboard, Sta. 128.68	1	
-28a	52030-00		* BULKHEAD ASSEMBLY - Seat track support, left, inboard, Sta. 117.28	1	
	52034-00		* BULKHEAD ASSEMBLY - Seat track support, right, inboard, Sta. 117.28	1	
-28b	406 789		* * NUT - Anchor, seat track (136R-02)	1	
-29	52084-07		* BULKHEAD ASSEMBLY - Lower forward frame, Sta. 123, right	1	
	52084-06		* BULKHEAD ASSEMBLY - Lower forward frame, Sta. 123, left	1	
-30	52084-05		* BULKHEAD ASSEMBLY - Lower forward frame, Sta. 123, center	1	
-31	30679-04		* CLAMP - Heater	1	
-32	41010-03		* CHANNEL ASSEMBLY - Floorboard support, lower forward frame, Sta. 128.68	1	
-33	40964-00		* CHANNEL - Guide, lower forward frame, Sta. 111	1	
-34	41238-00		* CHANNEL - Fuselage reinforcement, Sta. 46 to Sta. 57	1	
-35	41945-02		* CHANNEL - Brake fitting support	1	
-36	44946-02		* CHANNEL - Window, Sta. 57 to Sta. 140, left	1	
	44946-03		* CHANNEL - Window, Sta. 57 to Sta. 140, right	1	
-37	52028-02		* CHANNEL - Front spar attachment, Sta. 99 to 111, left	1	
	52028-03		* CHANNEL - Front spar attachment, Sta. 99 to Sta. 111, right	1	

When ordering, always specify Part Number, Description and Serial Number of Aircraft

## PIPER PARTS CATALOG

Figure and Index Number	Part Number	Code	NOMENCLATURE	No. Req.	SERIAL NUMBERS AFFECTED
15-38	40617-00		BRACKET ASSEMBLY - Stop, lower forward frame, Sta. 40.62	2	
-39	40913-00		BRACKET ASSEMBLY - Nose gear steering support	1	
-40	41316-00		BRACKET ASSEMBLY - Trim pulley mounting, lower forward frame	1	
-41	52068-00		BRACKET ASSEMBLY - Hydraulic hand pump, left	1	
	52068-01		BRACKET ASSEMBLY - Hydraulic hand pump, right	1	
-42	44877-00		BEAM ASSEMBLY - Longitudinal, lower forward frame, Sta. 2 to Sta. 140, left	1	
	44877-01		BEAM ASSEMBLY - Longitudinal, lower forward frame, Sta. 2 to Sta. 140, right	1	
-43	40620-00		BRACKET - Spring attachment longitudinal beam, left	1	
	40620-01		BRACKET - Spring attachment longitudinal beam, right	1	
-44	40990-00		BRACKET ASSEMBLY - Nose gear door hinge, aft	2	
	40990-01		BRACKET ASSEMBLY - Nose gear door hinge, forward	2	
-45	40998-00		STOP ASSEMBLY - Nose gear downlock, right	1	
-46	41033-00		FITTING ASSEMBLY - Nose gear door actuator, Sta. 39.188	1	
-47	41439-00		BRACKET - Power receptacle mounting, longitudinal beam Sta. 12, left	1	
-48	42594-02		BRACKET - Pulley, longitudinal beam, right, bottom	1	
-49	41555-00		BRACKET - Pulley, longitudinal beam, right, top	1	
	41555-01		BRACKET - Pulley, longitudinal beam, right, bottom	1	
-50	44870-00		CHANNEL - Longitudinal beam reinforcement	1	
-50a	41090-02		WEB - Beam assembly, Sta. 2 to Sta. 18, left	1	
	41090-03		WEB - Beam assembly, Sta. 2 to Sta. 18, right	1	
-51	52299-00		PLATE ASSEMBLY - Floor gusset, left	1	
	52299-01		PLATE ASSEMBLY - Floor gusset, right	1	
-52	40959-07		COVER ASSEMBLY - Nose gear, lower forward frame	1	
-53	40985-00		BRACKET - Nose gear actuator, nose gear cover	1	
-54	42997-00		PLATE - Ramp hailer reinforcement	1	
-55	40988-00		ANGLE - Nose gear cover, lower forward frame	2	
-56	40986-00		BRACKET - Nose gear cover, lower forward frame	1	
-57	52186-00		ANGLE ASSEMBLY - Floorboard support, Sta. 99	1	
-58	41264-00		BLOCK - Steering support bracket, lower forward frame	2	
-59	54000-00		CLIP - Bulkhead attachment, lower forward frame, Sta. 51	1	
-60	41123-00		CLIP - Bulkhead attachment, lower forward frame, Sta. 40.62 left	1	
-61	41124-00		CLIP - Bulkhead attachment, lower forward frame, Sta. 40.62 right	1	
-62	41014-00		CLIP - Floorboard support, forward frame, Sta. 80.58, left	1	
	41014-01		CLIP - Floorboard support, forward frame, Sta. 80.58, right	1	
-63	54000-00		CLIP - Bulkhead attachment, lower forward frame	2	
-64	40862-00		CLIP - Bulkhead attachment, lower forward frame, Sta. 35, left	1	
	40862-01		CLIP - Bulkhead attachment, lower forward frame, Sta. 35, right	1	
-65	40843-00		PLACARD - Hydraulic line routing, Sta. 57	1	
-66	40775-00		PLATE - Bulkhead attachment	1	

When ordering, always specify Part Number, Description and Serial Number of Aircraft

## PIPER PARTS CATALOG

Figure and Index Number	Part Number	Code	NOMENCLATURE	No. Req.	SERIAL NUMBERS AFFECTED
15-67	41013-00		* ANGLE ASSEMBLY - Floorboard support, Sta. 80.58	1	
-68	40999-01		BRACKET - Pulley, Sta 57	2	
-69	40999-03		BRACKET - Pulley, Sta 57	1	
-70	40953-00		BRACKET - Pulley, Sta 57	1	
-71	44188-00		BLOCK - Rudder cable deflector	1	
-72	20370-00		PLATE - Cover	1	
-73	40999-00		BRACKET - Pulley, Sta 57	2	
-74	44000-00		BRACKET - Altitude selector mounting, right	1	
-75	43908-00		PLATE ASSEMBLY - Glide slope amplifier support, right	1	
-76	42108-00		ANGLE - Parking brake support, left	1	
-77	42259-00		PLATE ASSEMBLY - Lower fuselage	1	
-78	40656-12		BULKHEAD ASSEMBLY - Lower forward frame, Sta. 57, left	1	
	40656-10		BULKHEAD ASSEMBLY - Lower forward frame, Sta. 57, right	1	

When ordering, always specify Part Number, Description and Serial Number of Aircraft

PIPER PARTS CATALOG

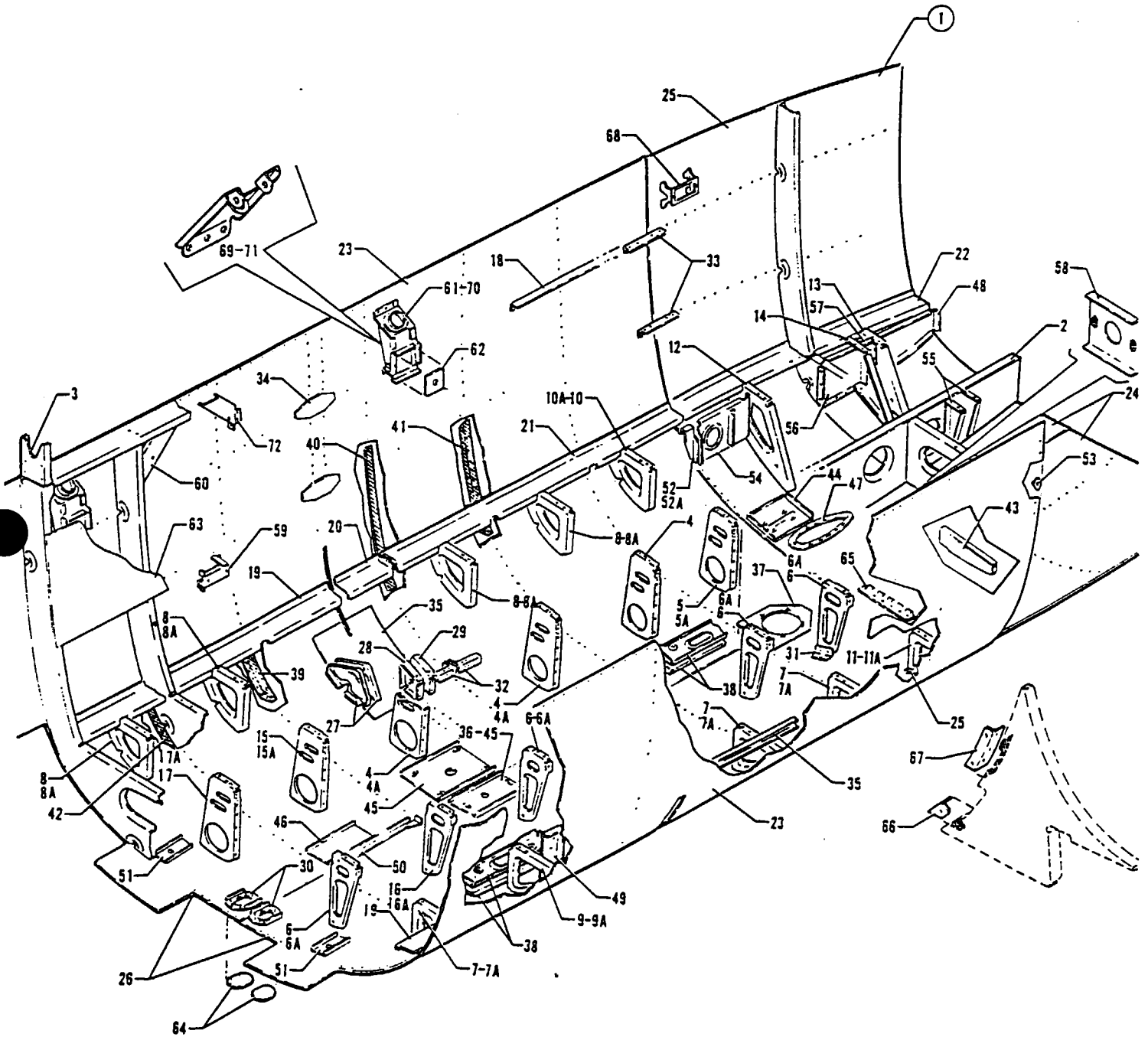


Figure 16. Lower Rear Section Assembly

---

## PIPER PARTS CATALOG

---

### CODE EXPLANATIONS FOR FIGURE 16

- A - See Figure 18 for component parts.
- B - See Figure 17 for component parts.
- C - Used if pilot door is installed.
- D - Order part for Serial Nos. 31-7405483 to 31-7652177 incl. if Air Conditioning System Modification Kit 760 881 has been installed per Service Letter 730.
- E - Used on aircraft with Serial Nos. 31-5001 to 31-7405482 incl. if Air Conditioning System Modification Kit 760 881 has been installed per Service Letter 730.
- F - See Figure 116A for Serial Nos 31-7852030 and up



PIPER PARTS CATALOG

Figure and Index Number	Part Number	Code	NOMENCLATURE	No. Req.	SERIAL NUMBERS AFFECTED
16-1	44852-00		SECTION ASSEMBLY - Lower rear fuselage	1	
-2	41360-02	A	* FRAME ASSEMBLY - Fuselage cabin, lower, rear	1	
-3	41300-02	B	* FRAME ASSEMBLY - Fuselage cabin, lower, center	1	
-4	41130-02		* BULKHEAD ASSEMBLY - Inboard seat track, right, Sta. 169.66, 187.75 and 197.35	3	
-4a	406 789		* * NUT - Anchor, seat track (136R-02)	1	
-5	41130-03		* BULKHEAD ASSEMBLY - Inboard seat track, right, Sta. 208.69	1	
-5a	406 789		* * NUT - Anchor, seat track (136R-02)	1	
-6	41180-00		* BULKHEAD ASSEMBLY - Inboard seat track, left, Sta. 145.62, 168.25, 197.35 and 208.69	4	
-6a	406 789		* * NUT - Anchor, seat track (136R-02)	1	
-7	41308-00		* BULKHEAD ASSEMBLY - Seat track, left, Sta. 197.35, 186.50 and 145.62	3	31-5001 to 31-8152027 incl
	71699-02		* BULKHEAD ASSEMBLY - Seat track, left, Sta. 197.35, 186.50 and 145.62	3	31-8152028 and up
-7a	406 812		* * NUT - Anchor, seat track (NAS687A3K)	1	
-8	41308-01		* BULKHEAD ASSEMBLY - Seat track, right, Sta. 145.12, 156.92, 185.75 and 197.35	4	31-5001 to 31-8152027 incl
	71699-03		* BULKHEAD ASSEMBLY - Seat track, right, Sta. 145.12, 156.92, 185.75 and 197.35	4	31-8152028 and up
-8a	406 812		* * NUT - Anchor, seat track (NAS687A3K)	1	
-9	41308-04		* BULKHEAD ASSEMBLY - Seat track, left, Sta. 156.92	1	31-5001 to 31-8152027 incl.
	71699-04		* BULKHEAD ASSEMBLY - Seat track, left, Sta. 156.92	1	31-8152028 and up
-9a	406 812		* * NUT - Anchor, seat track (NAS687A3K)	1	
-10	41308-07		* BULKHEAD ASSEMBLY - Seat track, right, Sta. 208.69	1	31-5001 to 31-8152027 incl
	71699-06		* BULKHEAD ASSEMBLY - Seat track, right, Sta. 208.69	1	31-8152028 and up
-10a	406 812		* * NUT - Anchor, seat track (NAS687A3K)	1	
-11	41308-06		* BULKHEAD ASSEMBLY - Seat track, left, Sta. 208.69	1	31-5001 to 31-8152027 incl.
	71699-05		* BULKHEAD ASSEMBLY - Seat track, left, Sta. 208.69	1	31-8152028 and up
-11a	406 812		* * NUT - Anchor, seat track (NAS687A3K)	1	
-12	40665-00		* BULKHEAD ASSEMBLY - Right, Sta. 221.68	1	
-13	40687-04		* BULKHEAD ASSEMBLY - Right, Sta. 236.19	1	
-14	42375-04		* BULKHEAD ASSEMBLY - Seat support, Sta. 234.56	1	
-15	41130-06		* BULKHEAD ASSEMBLY - Inboard seat track, right, Sta. 156.92	1	
-15a	406 789		* * NUT - Anchor, seat track (136R-02)	1	
-16	42847-00		* BULKHEAD ASSEMBLY - Inboard seat track, left, Sta. 156.92	1	
-16a	406 789		* * NUT - Anchor, seat track (136R-02)	1	
-17	41130-08		* BULKHEAD ASSEMBLY - Inboard seat track, right, Sta. 145.62	1	
-17a	406 789		* * NUT - Anchor, seat track (136R-02)	1	
-18	41331-28		* STRINGER - Fuselage, lower rear (6' length)	AR	
-19	40868-04		* CHANNEL - Floorboard support, Sta. 140 to Sta. 174, left	1	
	40868-05		* CHANNEL - Floorboard support, Sta. 140 to Sta. 174, right	1	
-20	40868-06		* CHANNEL - Floorboard support, Sta. 174 to Sta. 181, left	1	
	40868-07		* CHANNEL - Floorboard support, Sta. 174 to Sta. 181, right	1	
-21	40868-08		* CHANNEL - Floorboard support, Sta. 181 to Sta. 215, left	1	
	40868-09		* CHANNEL - Floorboard support, Sta. 181 to Sta. 215, right	1	
-22	40868-10		* CHANNEL - Floorboard support, Sta. 215 to Sta. 244, right	1	

When ordering, always specify Part Number, Description and Serial Number of Aircraft

PIPER PARTS CATALOG

Figure and Index Number	Part Number	Code	NOMENCLATURE	No. Req.	SERIAL NUMBERS AFFECTED
16-23	40887-04		* SKIN - Fuselage, lower side, left Sta. 135 to Sta. 215	1	
	40887-15		* SKIN - Fuselage, lower side, right, Sta. 135 to Sta. 215	1	
-24	40887-10		* SKIN - Fuselage, bottom, left, Sta. 203 to Sta. 244	1	
	40887-11		* SKIN - Fuselage, bottom, right, Sta. 203 to Sta. 244	1	
-25	40887-18		* SKIN - Fuselage, lower side, right, Sta. 215 to Sta. 244	1	
-26	41684-04		* SKIN ASSEMBLY - Fuselage, bottom, left, Sta. 135 to Sta. 203	1	
	41684-03		* SKIN ASSEMBLY - Fuselage, bottom, right, Sta. 135 to Sta. 203	1	
-27	42978-00		* BRACKET - Cable pulley, aileron balance, left forward and right rear	2	
	42978-01		* BRACKET - Cable pulley, aileron balance, left rear and right forward	2	
-28	41049-02		* BRACKET - Cable pulley, aileron, front	1	
-29	41049-04		* BRACKET ASSEMBLY - Cable pulley, aileron, rear	1	
-30	41427-00		* PLATE ASSEMBLY - Access hole reinforcement	2	
-31	41571-00		* ANGLE - Bulkhead attachment, Sta. 208.69	1	
-32	41177-00		* ANGLE ASSEMBLY - Fuselage, left forward and right rear, Sta. 174	2	
	41177-01		* ANGLE ASSEMBLY - Fuselage, right forward and left rear, Sta. 174	2	
-33	40859-00		* ANGLE - Stringer splice, right	2	
-34	41176-00		* GUSSET - Bulkhead, Sta. 174	6	
-35	42979-00		* PLATE - Fuselage reinforcement, Sta. 174	2	
-36	30304-00		* BRACKET ASSEMBLY - Antenna mounting (4 1/2" x 7 1/2" L)	1	
-37	42667-00		* PLATE ASSEMBLY - Beacon reinforcement	1	31-5001 to 31-7305052 incl
-38	41106-00		* BRACKET - Elevator pulley, upper	2	
	41106-01		* BRACKET - Elevator pulley, lower	2	
-39	43645-04		* ANGLE - Wing fillet bulkhead, left, Sta. 162.6	1	
	43645-05		* ANGLE - Wing fillet bulkhead, right, Sta. 162.6	1	
-40	43646-02		* ANGLE - Wing fillet bulkhead, left, Sta. 181	1	
	43646-03		* ANGLE - Wing fillet bulkhead, right, Sta. 181	1	
-41	43649-02		* ANGLE - Wing fillet bulkhead, left, Sta. 191.7	1	
	44582-03	C	* ANGLE - Wing fillet bulkhead, left, Sta. 191.7	1	
	43649-03		* ANGLE - Wing fillet bulkhead, right, Sta. 191.7	1	
-42	43683-04		* ANGLE - Wing fillet bulkhead, left, Sta. 151.3	1	
	43683-05		* ANGLE - Wing fillet bulkhead, right, Sta. 151.3	1	
-43	43779-00		* CHANNEL - Cabin vent door support	1	
-44	43845-00		* PLATE ASSEMBLY - Reinforcement, Sta. 215, left	1	
	43845-01		* PLATE ASSEMBLY - Reinforcement, Sta. 215, right	1	
-45	44215-00		* PLATE ASSEMBLY - Antenna (5 1/2" x 7 5/16" L.)	2	31-5001 to 31-7752192 incl
-46	31537-02		* PLATE - Antenna mounting	1	31-5001 to 31-8052116 incl
	71635-02		* PLATE - Antenna mounting	1	31-8052117 and up
-47	43888-00		* PLATE ASSEMBLY - Relief tube venturi attachment	1	
-48	52726-00		* SUPPORT - Floorboard, Sta. 236.19 to Sta. 244	1	
-49	42079-00		* REINFORCEMENT - Pulley bracket	1	
-50	43594-02		* ANGLE ASSEMBLY - Antenna mounting plate, rear	1	
-51	52660-00		* CHANNEL - Antenna reinforcement	2	
-52	52729-00		* BRACKET ASSEMBLY - Seat track support, Sta. 215	1	
-52a	406 807		* NUT - Anchor, seat track (NAS682A3)	1	
-53	484 217		* RECEPTACLE - (212-12ND)	2	
-54	52739-00		* SUPPORT ASSEMBLY - Floorboard, Sta. 215 to Sta. 226.68	1	
-55	52722-00		* SUPPORT ASSEMBLY - Floorboard	2	
-56	52724-00		* SUPPORT - Floorboard, Sta. 229 to 234 56	1	

When ordering, always specify Part Number, Description and Serial Number of Aircraft

PIPER PARTS CATALOG

Figure and Index Number	Part Number	Code	NOMENCLATURE	No. Req.	SERIAL NUMBERS AFFECTED
16-57	52725-00		* SUPPORT - Floorboard, Sta. 234 56 to 236.19	1	
-58	55771-02		* PLATE ASSEMBLY - Antenna	1	31-7852001 to 31-8052145 incl
	71738-02		* PLATE ASSEMBLY - Antenna	1	31-8052146 and up
-59	52697-00		BRACKET ASSEMBLY - Folding table, left	1	
	52697-01		BRACKET ASSEMBLY - Folding table, right	1	
-60	52557-00		BRACKET ASSEMBLY - Table support, left	1	
	52557-01		BRACKET ASSEMBLY - Table support, right	1	
-61	52582-00	D	VENTILATOR ASSEMBLY - Cabin air	4	31-5001 to 31-7405482 incl
	53031-02	E	VENTILATOR ASSEMBLY - Cabin air	4	31-7405483 to 31-7652177 incl
-62	52546-00		* SEAL - Air vent duct	1	31-5001 to 31-7405482 incl
-63	52585-00		PANEL - Air vent protector	2	
-64	20370-00		PLATE - Cover	2	
-65	43778-04		HINGE - Half, cabin vent door support	1	
-66	44582-04	C	ANGLE - Wing fillet bulkhead, left, Sta 191 7	1	
-67	44643-00	C	REINFORCEMENT - Wing fillet bulkhead, left, Sta. 191.7	1	
-68	42496-00		SUPPORT ASSEMBLY - Ash tray	1	
-69	52970-00	E	SUPPORT - Air duct	4	31-7405483 to 31-7652177 incl
-70	53031-02	F	VENTILATOR ASSEMBLY - Cabin air (Commutor)	4	31-7752001 to 31-7852029 incl
	55598-02	F	VENTILATOR ASSEMBLY - Cabin air (Executive)	4	31-7752001 to 31-7852029 incl
-71	52970-00		SUPPORT - Air duct (Commutor)	4	31-7752001 to 31-7852029 incl
	52970-02		SUPPORT - Air duct (Executive)	4	31-7752001 to 31-7852029 incl
-72	52544-00		BRACKET ASSEMBLY - Table support, left	1	
	52544-01		BRACKET ASSEMBLY - Table support, right	1	

When ordering, always specify Part Number, Description and Serial Number of Aircraft

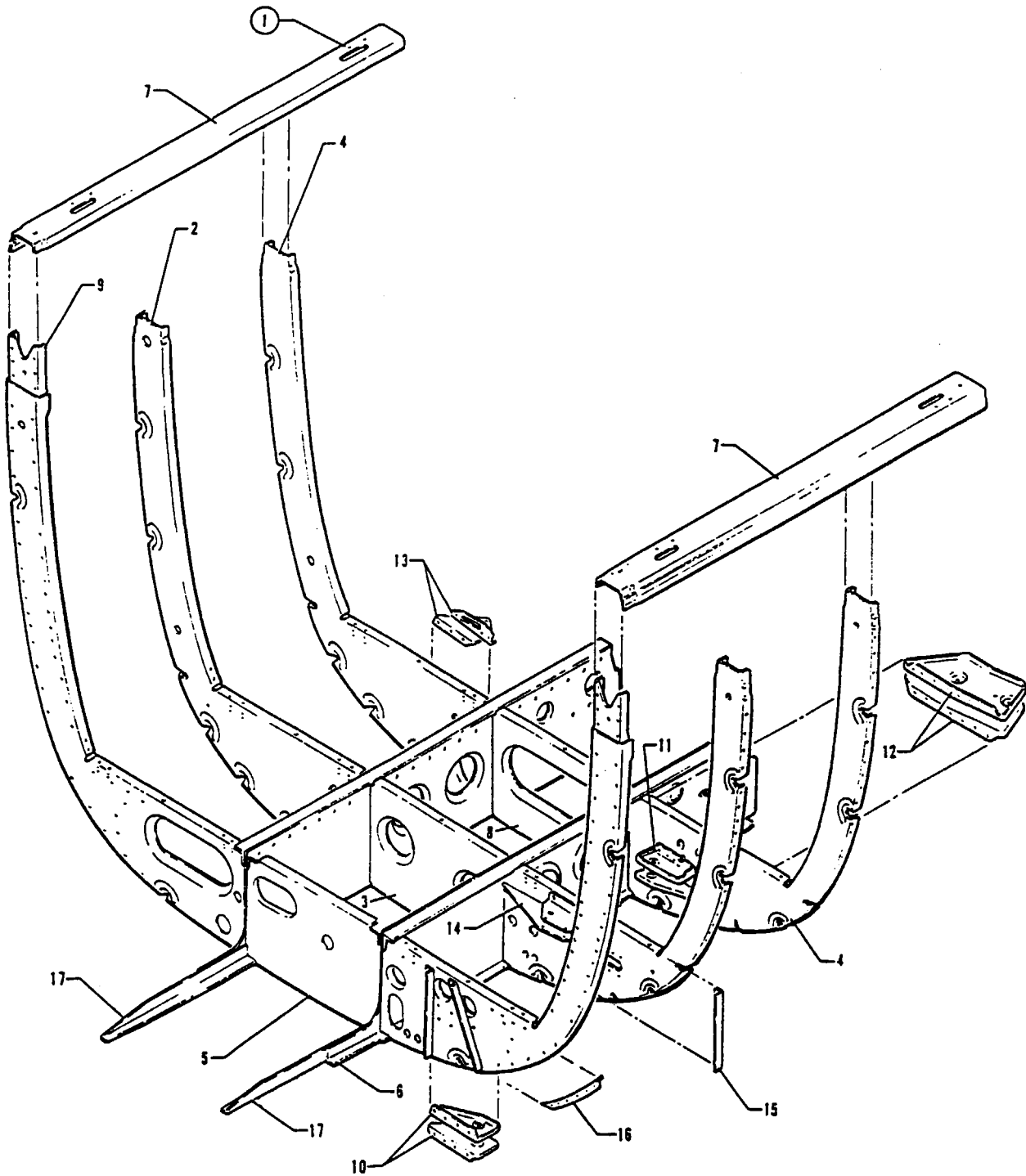


Figure 17. Fuselage Lower Center Frame Assembly

---

# PIPER PARTS CATALOG

CODE EXPLANATIONS FOR FIGURE 17

PIPER PARTS CATALOG

Figure and Index Number	Part Number	Code	NOMENCLATURE	No. Req.	SERIAL NUMBERS AFFECTED
17-1	41300-02		FRAME ASSEMBLY - Fuselage cabin, lower, center	1	
-2	41232-04		* BULKHEAD ASSEMBLY - Fuselage bottom, Sta 151 3, left	1	
	41232-02		* BULKHEAD ASSEMBLY - Fuselage bottom, Sta. 151 3, right	1	
-3	41232-06		* BULKHEAD ASSEMBLY - Fuselage bottom, Sta 151 3, center	1	
-4	41233-07		* BULKHEAD ASSEMBLY - Fuselage bottom, Sta. 162 6, left	1	
	41233-03		* BULKHEAD ASSEMBLY - Fuselage bottom, Sta 162 6, right	1	
-5	40995-07		* BULKHEAD ASSEMBLY - Fuselage, lower center frame, Sta 140 center	1	
-6	41119-02		* BEAM ASSEMBLY - Longitudinal, Sta 135 to Sta. 174, left	1	
	41119-03		* BEAM ASSEMBLY - Longitudinal, Sta 135 to Sta. 174, right	1	
-7	40715-40		* CHANNEL ASSEMBLY - Window, lower center fuselage frame, left	1	
	44954-00		* CHANNEL ASSEMBLY - Window, lower center fuselage frame right	1	
-8	41233-05		* BULKHEAD ASSEMBLY - Fuselage bottom, Sta 162 6, center	1	
-9	40995-18		* BULKHEAD ASSEMBLY - Fuselage, lower center frame, Sta 140, left	1	
	40995-17		* BULKHEAD ASSEMBLY - Fuselage, lower center frame, Sta 140, right	1	
-10	41120-03		* * BRACKET - Rudder cable pulley, Sta 140, upper, left	1	
	41120-04		* * BRACKET - Rudder cable pulley, Sta 140, lower, left	1	
-11	41120-02		BRACKET - Rudder cable pulley, Sta 162.6, upper, left	1	
	41120-04		BRACKET - Rudder cable pulley, Sta 162 6, lower, left	1	
-12	71814-02		BRACKET - Aileron pulley, Sta 162 6, upper, left	1	
	41299-00		BRACKET - Aileron pulley, Sta 162 6 lower, left	1	
-13	40944-00		BRACKET - Aileron trim pulley, Sta 162 6, lower, right	1	
-14	42478-05		BRACKET ASSEMBLY - Aileron servo pulley	1	
-15	41898-00		ANGLE - Bulkhead reinforcement	1	
-16	43648-04		ANGLE - Wing fillet bulkhead left, Sta 140	1	
	43648-05		ANGLE - Wing fillet bulkhead right, Sta 140	1	
-17	41066-00		ANGLE ASSEMBLY - Longitudinal beam reinforcement, left	1	
	41066-01		ANGLE ASSEMBLY - Longitudinal beam reinforcement, right	1	

When ordering, always specify Part Number, Description and Serial Number of Aircraft

PIPER PARTS CATALOG

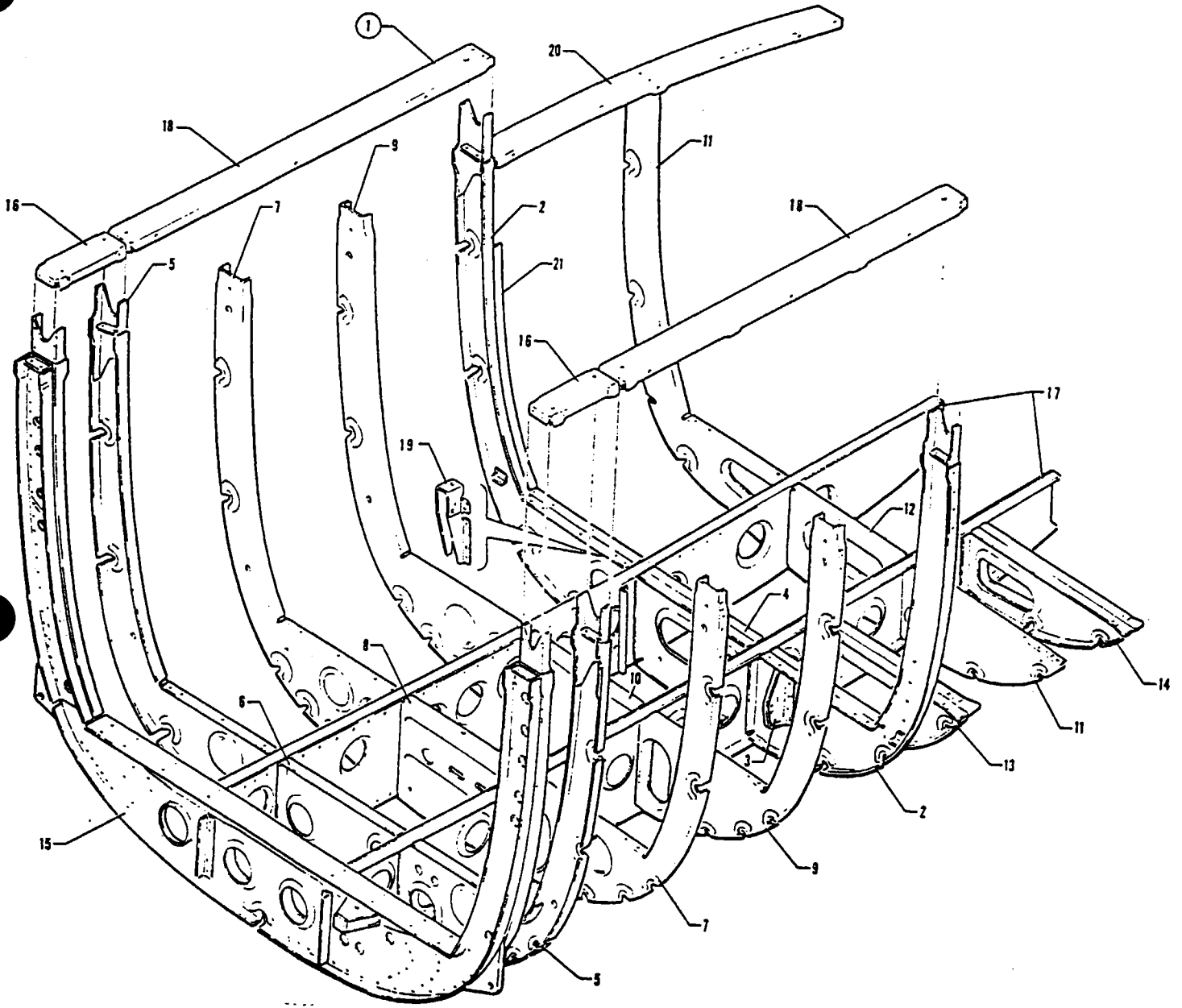


Figure 18. Fuselage Lower Rear Frame Assembly

---

# PIPER PARTS CATALOG

---

CODE EXPLANATIONS FOR FIGURE 18



PIPER PARTS CATALOG

Figure and Index Number	Part Number	Code	NOMENCLATURE	No. Req.	SERIAL NUMBERS AFFECTED
18-1	41360-02		FRAME ASSEMBLY - Fuselage cabin, lower, rear	1	
-2	40890-09		* BULKHEAD ASSEMBLY - Fuselage Sta 215, bottom, left	1	
	52754-00		* BULKHEAD ASSEMBLY - Fuselage, bottom, right, Sta 215	1	
-3	40759-00		* * BRACKET - Rudder cable pulley, Sta. 215, bottom, left	1	
-4	40890-06		* BULKHEAD ASSEMBLY - Fuselage, Sta 215, bottom, center	1	
-5	41315-02		* BULKHEAD ASSEMBLY - Fuselage bottom, Sta. 181, left	1	
	41315-04		* BULKHEAD ASSEMBLY - Fuselage bottom, Sta. 181, right	1	
-6	41315-06		* BULKHEAD ASSEMBLY - Fuselage bottom, Sta. 181, center	1	
-7	41354-08		* BULKHEAD ASSEMBLY - Fuselage bottom, Sta. 191.7, left	1	
	41354-06		* BULKHEAD ASSEMBLY - Fuselage bottom, Sta 191.7, right	1	
-8	41354-10		* BULKHEAD ASSEMBLY - Fuselage bottom, Sta 191 7, center	1	
-9	41354-04		* BULKHEAD ASSEMBLY - Fuselage bottom, Sta. 203, left	1	
	41354-02		* BULKHEAD ASSEMBLY - Fuselage bottom, Sta. 203, right	1	
-10	41354-10		* BULKHEAD ASSEMBLY - Fuselage bottom, Sta 203, center	1	
-11	40884-05		* BULKHEAD ASSEMBLY - Fuselage, Sta. 229, bottom, left	1	
	40884-07		* BULKHEAD ASSEMBLY - Fuselage, Sta 229, bottom, right	1	
-12	40884-06		* BULKHEAD ASSEMBLY - Fuselage, Sta. 229, bottom, center	1	
-13	41050-08		* BULKHEAD ASSEMBLY - Fuselage, lower frame, Sta. 220 2, left	1	
-14	41112-08		* BULKHEAD ASSEMBLY - Fuselage, lower frame, Sta. 236.7, left	1	
-15	41178-00		* BULKHEAD ASSEMBLY - Fuselage, lower frame, Sta. 174	1	
-16	40715-16		* CHANNEL - Window, lower aft frame, Sta 174 to Sta. 181, left	1	
	40715-17		* CHANNEL - Window, lower aft frame, Sta 174 to Sta. 181, right	1	
-17	41119-08		* BEAM ASSEMBLY - Longitudinal, Sta. 174 to Sta. 244, left	1	
	41119-19		* BEAM ASSEMBLY - Longitudinal, Sta. 174 to Sta 244, right	1	
-18	40715-20		* CHANNEL - Window, lower aft frame, Sta 181 to Sta. 215, left	1	
	40715-21		* CHANNEL - Window, lower aft frame, Sta. 181 to Sta. 215, right	1	
-19	52738-00		BRACKET ASSEMBLY - Seat track support, Sta. 215	1	
-20	40715-13		CHANNEL - Window, lower aft frame, Sta 215 to Sta. 244, right	1	
-21	43520-00		ANGLE - Bulkhead reinforcement, Sta. 215	1	

When ordering, always specify Part Number, Description and Serial Number of Aircraft

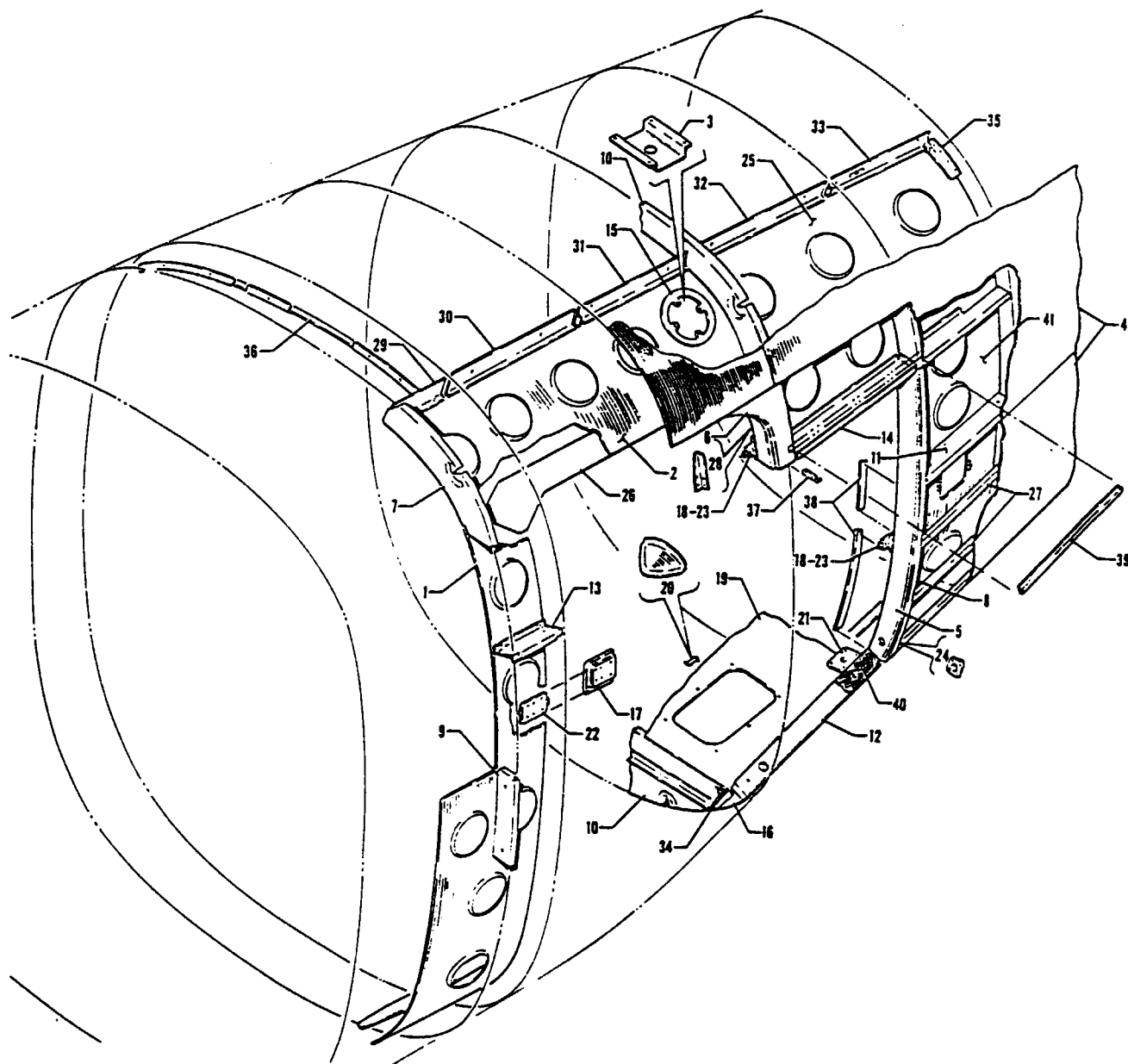


Figure 19. Cargo Door Fuselage Frame Installation

---

# PIPER PARTS CATALOG

CODE EXPLANATIONS FOR FIGURE 19

# PIPER PARTS CATALOG

Figure and Index Number	Part Number	Code	Nomenclature	No. Req.	Serial Numbers Affected
19-	44439		DRAWING - Cargo Door Fuselage Modification Installation		
-1	44439-08		SKIN ASSEMBLY - Inner, lower front	1	31-5001 to 31-8252085 incl.
	44439-14		SKIN ASSEMBLY - Inner, lower front	1	31-8352001 and up
-2	44439-03		SKIN - Inner, upper front	1	31-5001 to 31-7652177 incl.
	44439-12		SKIN ASSEMBLY - Inner, upper front	1	31-7752001 and up
-3	55297-04		* BRACKET - Oxygen and light mounting	1	31-7752001 and up
-4	40766-06		SKIN - Fuselage, top, Sta. 244 to Sta. 352	1	31-5001 to 31-7405202 incl.
	40766-24		SKIN - Fuselage, top, Sta. 244 to Sta. 352	1	31-7405401 to 31-7405441 incl. 31-7405203 to 31-7405400 incl. 31-7405442 and up
	40766-07		SKIN - Fuselage, bottom, Sta. 244 to Sta. 352	1	
-5	44586-00		FRAME - Fuselage, center, Sta. 261.38	1	
-6	43090-02		FRAME - Door, entrance, bottom	1	
	43090-03		FRAME - Door, entrance, top	1	
-7	44547-00		BULKHEAD - Fuselage, top, Sta. 209.50	1	
-8	44530-03		BULKHEAD - Fuselage, center, Sta. 261.38	1	
-9	44536-00		BULKHEAD - Fuselage, lower, Sta. 209.50	1	
-10	43627-13		BULKHEAD ASSEMBLY - Upper, Sta. 244	1	
	43627-11		BULKHEAD ASSEMBLY - Lower, Sta. 244	1	
-11	44554-00		CHANNEL - Fuselage reinforcement, lower, Sta. 261.38 to Sta. 274	1	
	44567-00		CHANNEL - Fuselage reinforcement, upper, Sta. 261.38 to Sta. 274	1	
-12	44520-00		CHANNEL ASSEMBLY - Floorboard support, Sta. 244 to Sta. 261.38	1	
-13	44538-00		CHANNEL - Fuselage reinforcement, Sta. 209.50 to Sta. 215	1	
-14	44553-00		CHANNEL - Cargo door upper frame	1	
-15	44594-00		PLATE ASSEMBLY - Light mounting	1	31-5001 to 31-7652177 incl.
-16	44540-00		PLATE ASSEMBLY - Door support	1	
-17	43110-04		PLATE - Door support trim, Sta. 215	1	31-5001 to 31-7652177 incl.
-18	43110-03		PLATE - Door support trim, Sta. 261.38	1	31-5001 to 31-7652177 incl.
	43110-05		PLATE - Door support trim, Sta. 244	1	31-5001 to 31-7652177 incl.
-19	44481-07		PLATE ASSEMBLY - Floorboard, aft section	1	
-20	42926-00		* PLATE - Cover, Sta. 274	1	
-21	43279-00		* PLATE - Relief tube disconnect	1	
-22	43586-06		BRACKET ASSEMBLY - Door support attachment	1	
-23	43586-11		BRACKET ASSEMBLY - Door support attachment Sta. 244	1	
	43586-03		BRACKET ASSEMBLY - Door support attachment Sta. 261.38	1	31-5001 to 31-8052153 incl.
	43586-07		BRACKET ASSEMBLY - Door support attachment Sta. 261.38	1	31-8052154 and up
-24	44501-00		GUIDE ASSEMBLY - Door latch pin	1	
-25	44569-00		GUSSET - Fuselage skin, Sta. 244 to Sta. 274	1	
-26	52376-00		GUSSET - Door frame, upper	1	31-5001 to 31-7952250 incl.
	52376-02		GUSSET ASSEMBLY - Door frame, upper	1	31-8052001 and up
-27	40860-13		STRINGER - Aft fuselage section (6' length)	AR	
-28	44931-00		ANGLE ASSEMBLY - Door frame reinforcement, Sta. 244	1	
-29	44519-00		ANGLE ASSEMBLY - Reinforcement, Sta. 209.5 to Sta. 215	1	
-30	44518-00		ANGLE ASSEMBLY - Reinforcement, Sta. 215 to Sta. 229	1	
-31	44544-00		ANGLE ASSEMBLY - Reinforcement, Sta. 229 to Sta. 244	1	
-32	44543-00		ANGLE ASSEMBLY - Reinforcement, Sta. 244 to Sta. 261.38	1	
-33	44537-00		ANGLE ASSEMBLY - Reinforcement, Sta. 261.38 to Sta. 274	1	
-34	44541-00		ANGLE - Panel attachment, Sta. 244	1	
-35	44552-00		ANGLE - Bulkhead attachment, Sta. 274	1	
-36	44485-00		ANGLE - Curtain track support	1	
-37	44584-00		CLIP - Channel attachment, Sta. 244	1	

When ordering, always specify Part Number, Description, and Serial Number of Aircraft

PIPER PARTS CATALOG

Figure and Index Number	Part Number	Code	NOMENCLATURE	No. Req.	SERIAL NUMBERS AFFECTED
19-38	44578-03		STRIP - Trim, upper, Sta 261 38	1	31-5001 to 31-7652177 incl
	44578-04		STRIP - Trim, lower, Sta 261 38	1	31-5001 to 31-7652177 incl
-39	53056-00		GUTTER - Rain, cargo door	1	
-40	55601-02		SILL - Cargo door	1	
-41	44439-04		SKIN - Inner, rear	1	

When ordering, always specify Part Number, Description and Serial Number of Aircraft

# PIPER PARTS CATALOG

---

GRIDS 1D22 THRU 1D24  
INTENTIONALLY LEFT BLANK

PIPER PARTS CATALOG

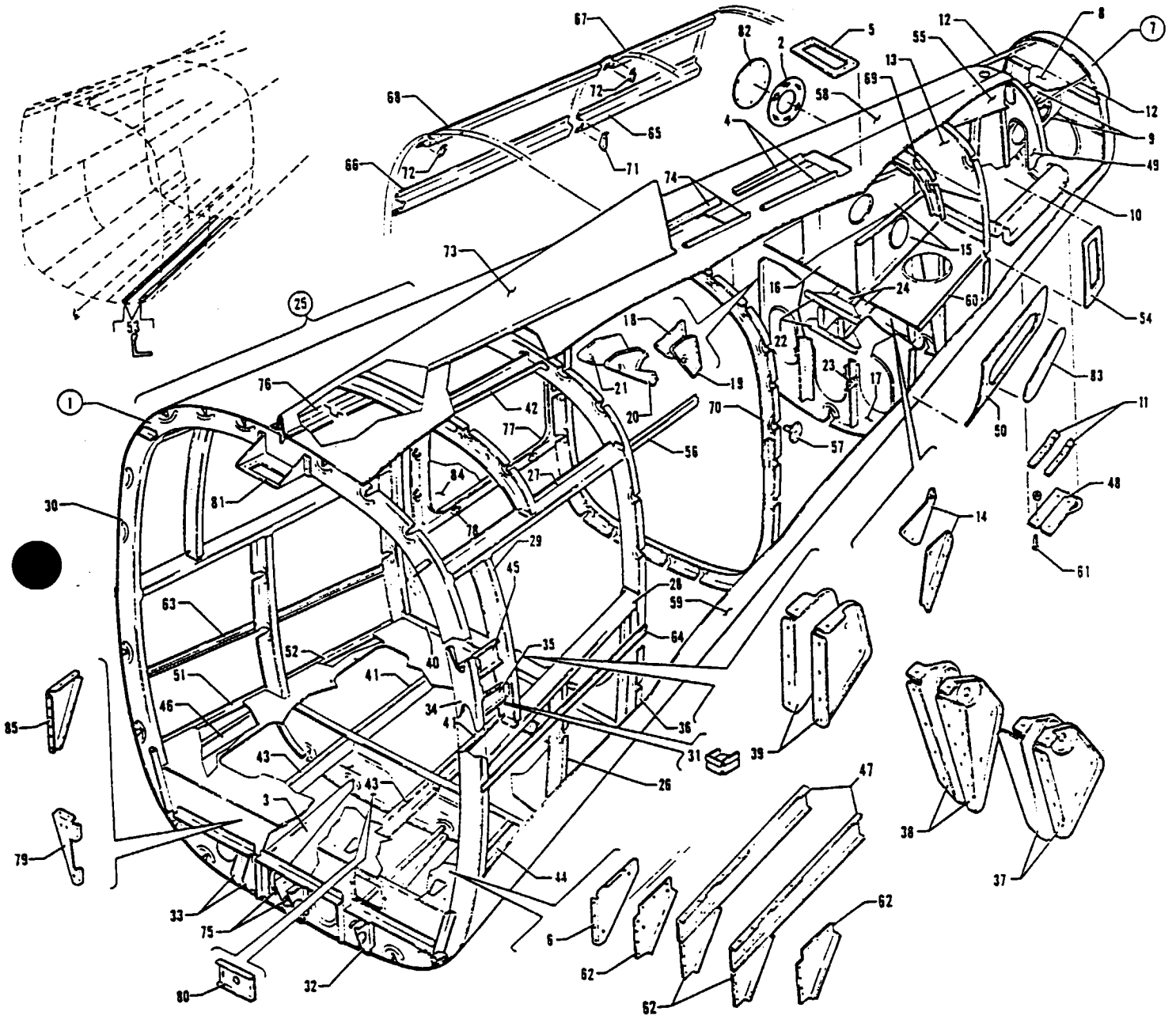


Figure 20. Fuselage Aft Section

---

# PIPER PARTS CATALOG

---

## CODE EXPLANATIONS FOR FIGURE 20

A - See Figure 19 if cargo door is installed.



## PIPER PARTS CATALOG

Figure and Index Number	Part Number	Code	NOMENCLATURE	No. Req.	SERIAL NUMBERS AFFECTED
20-1	44566-02		AFT SECTION - Fuselage	1	31-5001 to 31-7405202 incl.
	44566-04		AFT SECTION - Fuselage	1	31-7405401 to 31-7405441 incl. 31-7405203 to 31-7405400 incl. 31-7405442 and up
-2	17317-03		* PLATE ASSEMBLY - Access hole reinforcing	1	
-3	44489-00		* PLATE - Fuselage, aft, longitudinal beam, left	1	
	44489-01		* PLATE - Fuselage, aft, longitudinal beam, right	1	
-4	40787-00		* ANGLE - Fin fairing attachment, left	1	
	40787-01		* ANGLE - Fin fairing attachment, right	1	
-5	40688-00		* DOUBLER - Fuselage, aft, opening, Sta. 317.75	1	
-6	42515-00		* BRACKET ASSEMBLY - Floor support	1	
-7	40638-00		* BULKHEAD ASSEMBLY - Frame assembly, aft fuselage, Sta 352	1	
-8	40645-00		** PLATE - Aft fuselage bracket attachment, Sta. 350	1	
-9	40646-00		** BRACKET - Aft fuselage support, Sta. 342.5 to Sta. 352, left	1	
	40646-01		** BRACKET - Aft fuselage support, Sta. 342.5 to Sta. 352, right	1	
-10	44416-00		** CHANNEL ASSEMBLY - Aft fuselage, Sta. 342.25 to Sta. 352	1	
-11	40793-00		*** PLATE - Tail skid reinforcement, left	1	
	40793-01		*** PLATE - Tail skid reinforcement, right	1	
-12	40640-00		* ANGLE ASSEMBLY - Aft fuselage access panel, Sta. 342.25 to Sta. 352, left	1	
	40640-01		* ANGLE ASSEMBLY - Aft fuselage access panel, Sta. 342.25 to Sta. 352, right	1	
-13	40655-00		* BULKHEAD ASSEMBLY - Aft fuselage, Sta. 332	1	
-14	40730-02		* BRACKET - Rudder tab pulley, Sta. 332, left	1	
	40730-03		* BRACKET - Rudder tab pulley, Sta. 332, right	1	
-15	40632-00		* STIFFENER - Bulkhead, Sta. 317.75 to Sta. 332, left	1	
	40632-01		* STIFFENER - Bulkhead, Sta. 317.75 to Sta. 332, right	1	
-16	40709-02		* PLATE - Bulkhead stiffener, Sta. 317.75 to Sta. 332	1	
-17	40682-08		* BULKHEAD ASSEMBLY - Aft fuselage, Sta. 317.75	1	
-18	40683-00		* BRACKET - Rudder cable pulley, Sta. 317.75	1	
-19	41676-00		* BRACKET - Rudder cable pulley, Sta. 317.75	1	
-20	40685-02		* BRACKET - Rudder cable pulley, Sta. 317.75	1	
-21	41677-02		* BRACKET - Rudder cable pulley, Sta. 317.75	1	
-22	40689-02		* ANGLE - Aft fuselage channel attachment, Sta. 317.75, bottom	1	
	40689-03		* ANGLE - Aft fuselage channel attachment, Sta. 317.75, top	1	
-23	42595-00		* PLATE - Tube support, Sta. 317.75	2	
-24	40704-00		* BRACKET ASSEMBLY - Elevator bellcrank, Sta. 317.75, left	1	
	40704-01		* BRACKET ASSEMBLY - Elevator bellcrank, Sta. 317.75, right	1	
-25	44565-02		* FRAME ASSEMBLY - Aft section, Sta. 244 to Sta. 274	1	
-26	44556-00		* BULKHEAD ASSEMBLY - Aft fuselage, Sta. 261.38, bottom	1	
	44535-00		* BULKHEAD - Aft fuselage, Sta. 261.38, top	1	
-27	40715-42		* CHANNEL ASSEMBLY - Aft fuselage, Sta. 244 to Sta. 274, left	1	
	40715-43		* CHANNEL ASSEMBLY - Aft fuselage, Sta. 244 to Sta. 274, right	1	

When ordering, always specify Part Number, Description and Serial Number of Aircraft

## PIPER PARTS CATALOG

Figure and Index Number	Part Number	Code	NOMENCLATURE	No. Req.	SERIAL NUMBERS AFFECTED
20-28	40715-44	A	* * CHANNEL ASSEMBLY - Aft fuselage, Sta 244 to Sta 274, left	1	
	40715-45		* * CHANNEL ASSEMBLY - Aft fuselage, Sta. 244 to Sta. 274, right	1	
-29	40732-00	A	* * BULKHEAD - Aft fuselage, Sta. 249.38, left	1	31-5001 to 31-7952250 incl
	40732-04	A	* * BULKHEAD - Aft fuselage, Sta. 249.38, left	1	31-8052001 and up
	40732-01		* * BULKHEAD - Aft fuselage, Sta. 249.38, right	1	31-5001 to 31-7952250 incl
	40732-06		* * BULKHEAD ASSEMBLY - Aft fuselage, Sta 249 38, right	1	31-8052001 and up
-30	43627-09	A	* * BULKHEAD ASSEMBLY - Aft fuselage, Sta 244, left	1	
	43627-07		* * BULKHEAD ASSEMBLY - Aft fuselage, Sta 244, right	1	
-31	42162-00		* * * REINFORCEMENT ASSEMBLY - Door support chain bracket, left	1	
-32	40720-00		* * * BRACKET - Rudder pulley, Sta 244, left	1	
-33	40744-03		* * * BRACKET - Elevator and rudder trim pulley, Sta 244, inboard, right	1	
	40744-02		* * * BRACKET - Elevator and rudder trim pulley, Sta 244, outboard, right	1	
-34	42149-00		* * * CHANNEL - Bulkhead reinforcement, Sta 244, left	1	
-35	43529-00		* * * CHANNEL - Reinforcement, left	1	
-36	40768-00		* * BULKHEAD ASSEMBLY - Aft fuselage, Sta. 274	1	31-5001 to 31-7652177 incl
	40768-11		* * BULKHEAD ASSEMBLY - Aft fuselage, Sta. 274	1	31-7752001 to 31-7952250 incl
	40768-12		* * BULKHEAD ASSEMBLY - Aft fuselage, Sta. 274	1	31-8052001 and up
-37	40794-03		* * * BRACKET - Rudder cable pulley, Sta 274, left	1	
	40794-02		* * * BRACKET - Rudder cable pulley, Sta. 274, right	1	
-38	40795-03		* * * BRACKET - Rudder cable pulley, Sta 274, left	1	
	40795-02		* * * BRACKET - Rudder cable pulley, Sta 274, right	1	
-39	40654-00		* * * BRACKET - Elevator cable pulley, bottom, Sta 274, left	1	
	40654-01		* * * BRACKET - Elevator cable pulley, bottom, Sta. 274, right	1	
-40	42925-00		* * * ANGLE ASSEMBLY - Floorboard support	1	
-41	44482-02		* * CHANNEL - Aft section floorboard support, Sta. 261 38 to Sta 274, left	1	
	42278-02		* * CHANNEL - Aft section floorboard support, Sta. 261.38 to Sta 274, right	1	
-42	43098-03		* * CHANNEL ASSEMBLY - Coat rack	1	31-5001 to 31-7652177 incl.
	43098-06		* * CHANNEL ASSEMBLY - Coat rack	1	31-7752001 and up
-43	53561-02		* * CHANNEL ASSEMBLY - Aft section floorboard support, Sta. 244 to Sta. 259, left	1	
	44482-05		* * CHANNEL ASSEMBLY - Aft section floorboard support, Sta 244 to Sta 259, right	1	
-44	53561-04		* * CHANNEL ASSEMBLY - Aft section floorboard support, Sta 244 to Sta. 259 left	1	
-45	42821-02	A	* * BRACKET - Light switch mounting	1	
-46	44482-07		* * CHANNEL ASSEMBLY - Aft section floorboard support, Sta 244 to Sta. 261 38, right	1	
-47	53561-06		* * CHANNEL ASSEMBLY - Seat attachment support, Sta 244 to Sta 261 38, left	2	
-48	40790-00		* SKID ASSEMBLY - Tail	1	
-49	40639-07		* BULKHEAD ASSEMBLY - Frame assembly, aft fuselage, Sta 342.25	1	
-50	40799-00		* REINFORCEMENT ASSEMBLY - Fuselage aft section, left	1	
	40799-01		* REINFORCEMENT ASSEMBLY - Fuselage aft section, right	1	

When ordering, always specify Part Number, Description and Serial Number of Aircraft

PIPER PARTS CATALOG

Figure and Index Number	Part Number	Code	NOMENCLATURE	No. Req.	SERIAL NUMBERS AFFECTED
20-51	40857-06		ANGLE - Aft section floorboard support, left	1	
	40857-07		ANGLE - Aft section floorboard support, right	1	
-52	40857-08		ANGLE - Aft section floorboard support, left	1	
	40857-09		ANGLE - Aft section floorboard support, right	1	
-53	45040-00		SECTION - Extrusion, left	6'	
-54	40692-00		DOUBLER - Aft fuselage opening, Sta. 332	2	
-55	40633-00		STIFFENER - Aft fuselage bulkhead, Sta 332 to Sta 342, left	1	
	40633-01		STIFFENER - Aft fuselage bulkhead, Sta 332 to Sta 342, right	1	
-56	40860-13		STRINGER - Aft fuselage section (6' length)	AR	
-57	41995-00		FITTING ASSEMBLY - Static line vent	2	
-58	40766-14	A	SKIN - Aft fuselage, Sta 244 to Sta 352, top, left	1	31-5001 to 31-7405202 incl 31-7405401 to 31-7405441 incl
	40766-18		SKIN - Aft fuselage, Sta 244 to Sta 352, top, right	1	31-5001 to 31-7405202 incl 31-7405401 to 31-7405441 incl
	40766-21		SKIN - Aft fuselage, Sta 244 to Sta. 352, top, right	1	31-7405203 to 31-7405400 incl 31-7405442 and up
	40766-25		SKIN - Aft fuselage, Sta. 244 to Sta 352, top, left	1	31-7405203 to 31-7405400 incl 31-7405442 and up
-59	40766-16	A	SKIN - Aft fuselage, Sta. 244 to Sta 352, bottom, left	1	
	40766-19		SKIN - Aft fuselage, Sta. 244 to Sta 352, bottom, right	1	31-5001 to 31-7405202 incl 31-7405401 to 31-7405441 incl
	40766-23		SKIN - Aft fuselage, Sta 244 to Sta. 352, bottom, right	1	31-7405203 to 31-7405400 incl 31-7405442 and up
-60	40778-00		ANGLE - Aft fuselage stiffener support, Sta. 317.75 to Sta 332, left	1	
	40778-01		ANGLE - Aft fuselage stiffener support, Sta 317 75 to Sta 322 right	1	
-61	410 041		SCREW - (MS24694-S55)	4	
	404 887		NUT - (MS20365-1032C)	4	
-62	42516-00		GUSSET - Floor support	4	
-63	43013-04	A	SUPPORT - Side panel, left	1	
	43013-05		SUPPORT - Side panel, right	1	
-64	43013-06	A	SUPPORT - Side panel, left	1	
-65	52820-06		BRACKET ASSEMBLY - Oxygen bottle support	1	
-66	52820-07		BRACKET ASSEMBLY - Oxygen bottle support	1	
-67	52820-08		BRACKET ASSEMBLY - Oxygen bottle support	1	
-68	52820-09		BRACKET ASSEMBLY - Oxygen bottle support	1	
-69	40716-00		BULKHEAD - Aft fuselage, Sta 325	1	
-70	40748-06		BULKHEAD ASSEMBLY - Aft fuselage, Sta 296	1	
-71	52819-00		CLIP - Oxygen bottle support	1	
-72	80033-07		CLIP - Oxygen bottle support	2	
-73	46132-00		FIN ASSEMBLY - Dorsal, Sta 244 to Sta 296	1	

When ordering, always specify Part Number, Description and Serial Number of Aircraft

## PIPER PARTS CATALOG

Figure and Index Number	Part Number	Code	NOMENCLATURE	No. Req.	SERIAL NUMBERS AFFECTED
20-74	40786-00		ANGLE - Fin fairing attachment, left	1	
	40786-01		ANGLE - Fin fairing attachment, right	1	
-75	40719-00		BRACKET - Elevator pulley, Sta. 244, left	1	
	40719-01		BRACKET - Elevator pulley, Sta. 244, right	1	
-76	52751-00		CHANNEL ASSEMBLY - Support	1	
-77	53817-00		FRAME ASSEMBLY - Access, right	1	31-7405203 to 31-7405400 incl.
					31-7405442 and up
-78	484 293		RECEPTACLE - (214-160)	15	31-7405203 to 31-7405400 incl.
					31-7405442 and up
-79	53258-02		BRACKET ASSEMBLY - Floor support, forward	1	
	53258-04		BRACKET ASSEMBLY - Floor support, rear	1	
-80	49733-02		PLATE ASSEMBLY - Antenna	1	31-7852001 and up
-81	46491-00		BRACKET - Courtesy light	1	31-5001 to 31-7652177 incl.
-82	17318-03		COVER - Fuselage aft section access, right	1	
-83	40872-00		COVER - Fuselage aft section access	2	
-84	45904-01		COVER ASSEMBLY - Fuselage access, right	1	31-7405203 to 31-7405400 incl.
					31-7405442 and up
-85	53259-00		BRACKET ASSEMBLY - Floor support	1	

When ordering, always specify Part Number, Description and Serial Number of Aircraft

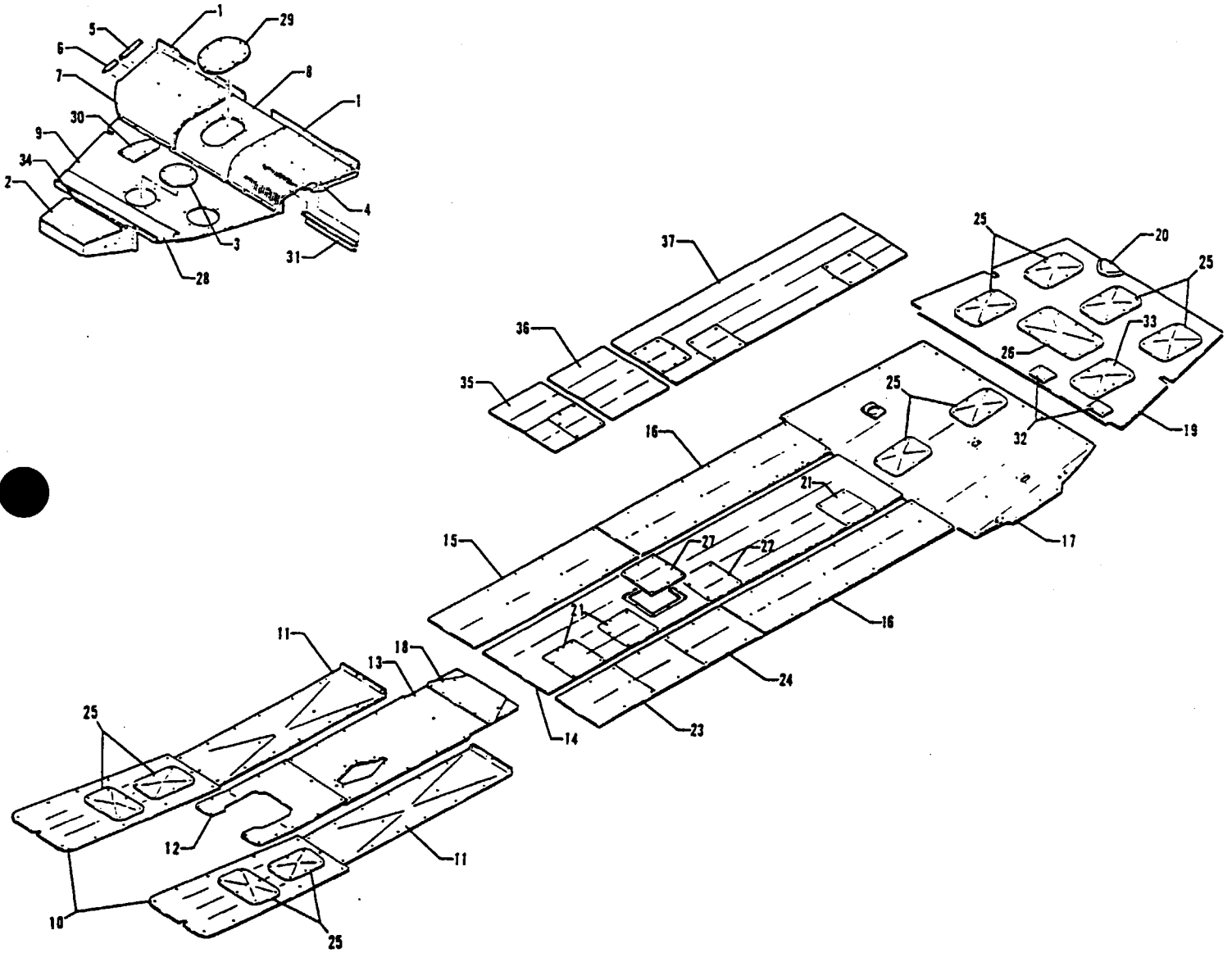


Figure 21. Floorboard Installation

---

# PIPER PARTS CATALOG

---

## CODE EXPLANATIONS FOR FIGURE 21

- A - See Figure 19 if cargo door is installed.
- B - See Figure 69 if Tenth Seat position is installed.

PIPER PARTS CATALOG

Figure and Index Number	Part Number	Code	NOMENCLATURE	No. Req.	SERIAL NUMBERS AFFECTED
21-	52334 41674		DRAWING - Floorboard Installation DRAWING - Baggage Compartment Floorboard Installation		
-1	40864-00 40864-01		CHANNEL ASSEMBLY - Floorboard support, left, Sta. 35 CHANNEL ASSEMBLY - Floorboard support, right, Sta. 35	1 1	
-2	44717-00  53959-00		BRACKET ASSEMBLY - Battery mounting  BRACKET ASSEMBLY - Battery mounting	1  1	31-5001 to 31-7405248 incl. 31-7405401 to 31-7405454 incl. 31-7405249 to 21-7405400 incl. 31-7405455 and up
-3	41494-00		COVER - Floorboard	2	
-4	41680-00		ANGLE ASSEMBLY - Floorboard attachment	1	
-5	41688-00		ANGLE ASSEMBLY - Floorboard attachment	1	
-6	41689-00		ANGLE ASSEMBLY - Floorboard attachment	1	
-7	41467-00  41493-00		FLOORBOARD - Baggage compartment, left, Sta. 21.31 to Sta. 34.81  FLOORBOARD - Baggage compartment, right, Sta. 21.31 to Sta. 34.81	1  1	
-8	41445-00		FLOORBOARD ASSEMBLY - Baggage compartment, center, Sta. 21.31 to Sta. 34.81	1	
-9	43307-00		FLOORBOARD ASSEMBLY - Baggage compartment, center, Sta. 8.28 to Sta. 22	1	
-10	52049-00 52049-01		FLOORBOARD ASSEMBLY - Left, Sta. 57 to Sta. 87.50 FLOORBOARD ASSEMBLY - Right, Sta. 57 to Sta. 87.50	1 1	
-11	44905-00 44905-01		FLOORBOARD - Outboard, Sta. 87.50 to Sta. 123, left FLOORBOARD - Outboard, Sta. 87.50 to Sta. 123, right	1 1	
-12	44926-00		FLOORBOARD - Sta. 80.58 to Sta. 99.62	1	
-13	44914-00		FLOORBOARD ASSEMBLY - Sta. 99 to Sta. 129.30	1	
-14	44956-00		FLOORBOARD ASSEMBLY - Center, Sta. 140 to Sta. 215	1	31-5001 to 31-7952038 incl
-15	41616-01		FLOORBOARD ASSEMBLY - Outboard, Sta. 140 to Sta. 174	1	
-16	41489-02		FLOORBOARD ASSEMBLY - Outboard, Sta. 174 to Sta. 215	2	
-17	52750-00		FLOORBOARD ASSEMBLY - Sta. 215 to Sta. 244	1	
-18	52304-00		FLOORBOARD - Center, Sta. 128.68 to Sta. 135	1	
-19	44481-00	A	PLATE ASSEMBLY - Fuselage aft section	1	
-20	42926-00		* PLATE - Cover	1	
-21	44720-00 44720-00		PLATE - Floorboard access PLATE - Floorboard access	3 2	31-5001 to 31-7952038 incl 31-7952039 and up
-22	44733-00		PLATE - Floorboard access	1	
-23	44734-00		PLATE - Floorboard access	2	
-24	44949-00		PLATE - Floorboard access	1	
-25	40788-00		PLATE - Floorboard access	10	
-26	43634-00		PLATE - Cover	1	
-27	43727-00		PLATE - Cover	1	
-28	43312-00		PLATE - Cover, baggage compartment	1	
-29	41868-00		PLATE - Floorboard	1	
-30	44418-00		PLATE - Access, transponder cable	1	
-31	40984-00		CHANNEL ASSEMBLY - Floorboard attachment, Sta. 52.62	1	
-32	41216-00	B	PLATE - Floorboard cover	2	
-33	40788-03		PLATE - Floorboard access	1	
-34	53967-03		HINGE - Battery door	1	31-7405249 to 31-7405400 incl. 31-7405455 and up
-35	44956-04		FLOORBOARD ASSEMBLY - Center, Sta. 140 to Sta. 151.30	1	31-7952039 and up
-36	44956-03		FLOORBOARD ASSEMBLY - Center, Sta. 151.30 to Sta. 162.60	1	31-7952039 and up
-37	44956-06		FLOORBOARD ASSEMBLY - Center, Sta. 162.60 to Sta. 215	1	31-7952039 and up

When ordering, always specify Part Number, Description and Serial Number of Aircraft

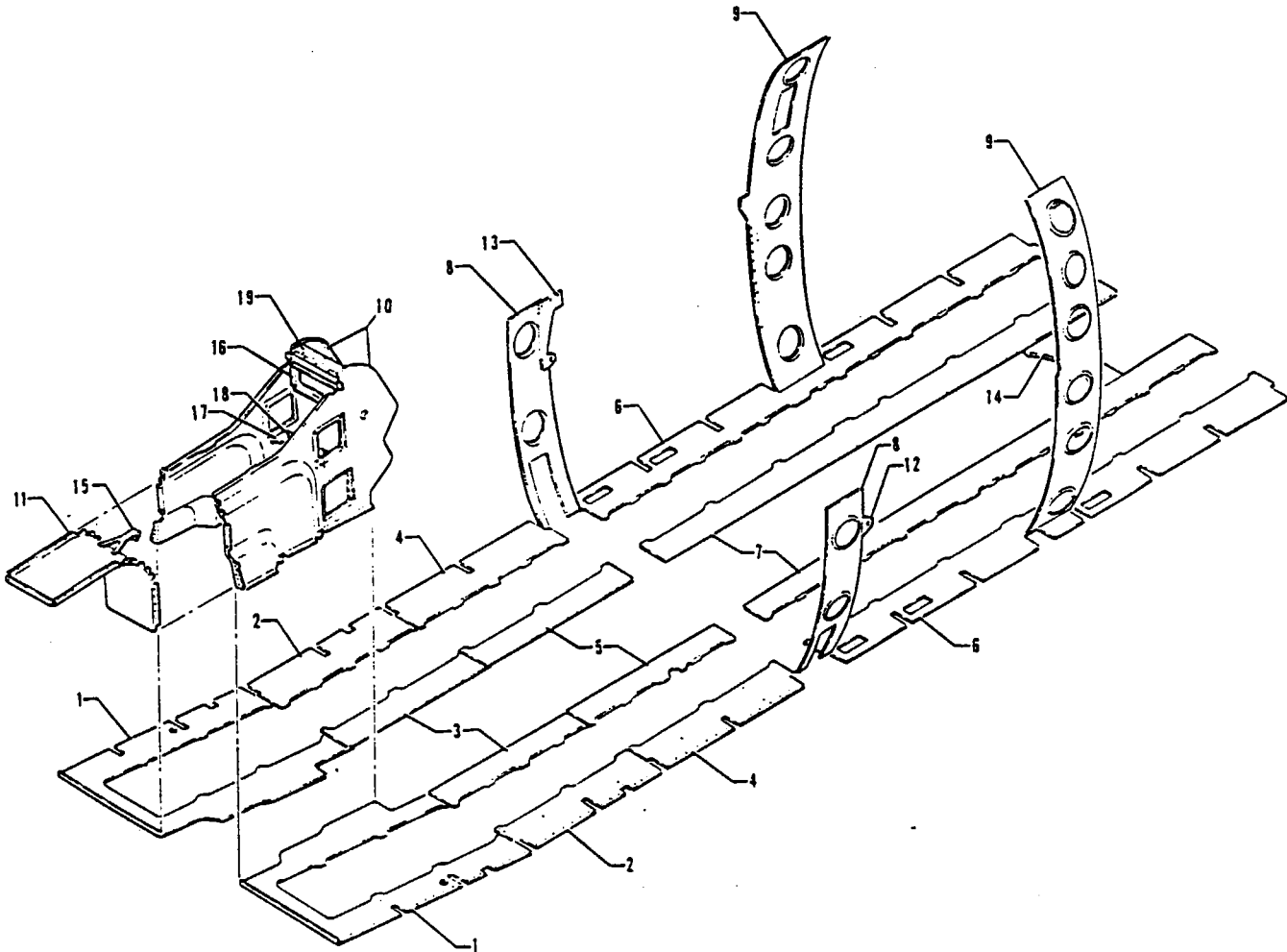


Figure 22. Structure Installation, Sta. 57 to Sta. 215



---

# PIPER PARTS CATALOG

---

CODE EXPLANATIONS FOR FIGURE 22

PIPER PARTS CATALOG

Figure and Index Number	Part Number	Code	NOMENCLATURE	No. Req.	SERIAL NUMBERS AFFECTED
22-	52315 41718 52323 52328 49250		DRAWING - Floorboard Support Installation DRAWING - Pedestal Housing Installation DRAWING - Fuselage Inner Skin Installation, Sta. 135 to Sta. 140 DRAWING - Fuselage Inner Skin Installation, Sta. 174 to Sta. 181 DRAWING - Fuselage Inner Skin Installation, Sta. 174 to Sta. 181		31-5001 to 31-7852029 incl. 31-7852030 and up
-1	41006-00 41006-01 41006-05		SUPPORT ASSEMBLY - Floorboard, outboard, left, Sta. 57 to Sta. 87.50 SUPPORT ASSEMBLY - Floorboard, outboard, right, Sta. 57 to Sta. 87.50 SUPPORT ASSEMBLY - Floorboard, outboard, right, Sta. 57 to Sta. 87.50	1 1 1	31-5001 to 31-7405202 31-7405401 to 31-7405443 incl. 31-7405203 to 31-7405400 incl. 31-7405444 and up
-2	44892-00 44892-01		SUPPORT ASSEMBLY - Floorboard, outboard, left, Sta. 87.50 to Sta. 111 SUPPORT ASSEMBLY - Floorboard, outboard, right, Sta. 87.50 to Sta. 111	1 1	
-3	41004-00 41004-01		SUPPORT ASSEMBLY - Floorboard, inboard, left, Sta. 87.50 to Sta. 111 SUPPORT ASSEMBLY - Floorboard, inboard, right, Sta. 87.50 to Sta. 111	1 1	
-4	44878-00 44878-01		SUPPORT ASSEMBLY - Floorboard, outboard, left, Sta. 111 to Sta. 135 SUPPORT ASSEMBLY - Floorboard, outboard, right, Sta. 111 to Sta. 135	1 1	
-5	44885-00 44885-01		SUPPORT ASSEMBLY - Floorboard, inboard, left, Sta. 111 to Sta. 135 SUPPORT ASSEMBLY - Floorboard, inboard, right, Sta. 111 to Sta. 135	1 1	
-6	41205-04 41205-05		SUPPORT ASSEMBLY - Floorboard, outboard, left, Sta. 140 to Sta. 215 SUPPORT ASSEMBLY - Floorboard, outboard, right, Sta. 140 to Sta. 215	1 1	
-7	41614-00 41615-00		SUPPORT ASSEMBLY - Floorboard, inboard, left, Sta. 140 to Sta. 215 SUPPORT ASSEMBLY - Floorboard, inboard, right, Sta. 140 to Sta. 215	1 1	
-8	40996-06 40996-07		PLATE ASSEMBLY - Fuselage, inner left, Sta. 135 to Sta. 140 PLATE ASSEMBLY - Fuselage, inner right, Sta. 135 to Sta. 140	1 1	
-9	41235-00 41235-02 41235-06 41236-02 41236-03 41236-07		SKIN - Fuselage, inner left, Sta. 174 to Sta. 180 SKIN - Fuselage, inner left, Sta. 174 to Sta. 180 SKIN - Fuselage, inner left, Sta. 174 to Sta. 180 SKIN - Fuselage, inner right, Sta. 174 to Sta. 180 SKIN - Fuselage, inner right, Sta. 174 to Sta. 180 SKIN - Fuselage, inner right, Sta. 174 to Sta. 180	1 1 1 1 1 1	31-5001 to 31-7652177 incl. 31-7752001 to 31-7852029 incl. 31-7852030 and up 31-5001 to 31-7652177 incl. 31-7752001 to 31-7852029 incl. 31-7852030 and up
-10	43179-00 43179-01		BULKHEAD ASSEMBLY - Pedestal side, left BULKHEAD ASSEMBLY - Pedestal side, right	1 1	
-11	41103-00		BULKHEAD - Wheel well	1	
-12	52807-00		PLATE ASSEMBLY - Inner skin, left	1	
-13	52808-00		REINFORCEMENT ASSEMBLY - Inner skin, right	1	
-14	44281-00		STIFFENER - Bulkhead; Sta. 203	1	
-15	41624-00		BRACKET ASSEMBLY - Vacuum manifold	1	
-16	40878-00		CHANNEL ASSEMBLY - Control lever support	1	
-17	40918-00		BRACKET ASSEMBLY - Engine control support	1	
-18	40905-00		KEEPER - Engine control cable	1	
-19	41545-00		BRACKET ASSEMBLY - Pedestal cover attachment	1	

When ordering, always specify Part Number, Description and Serial Number of Aircraft

PIPER PARTS CATALOG

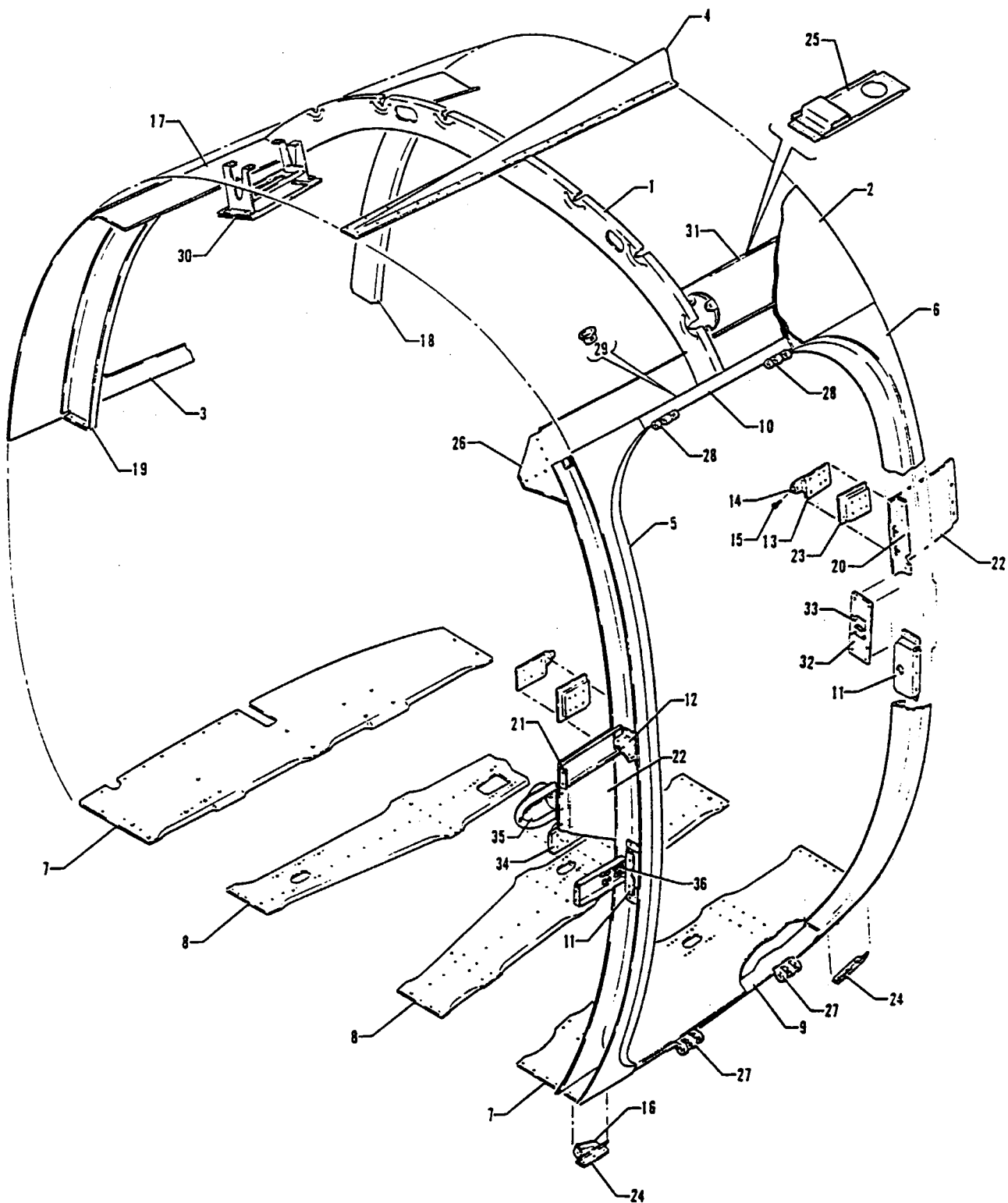


Figure 23. Structure Installation, Sta. 215 to Sta. 244

---

# PIPER PARTS CATALOG

---

## CODE EXPLANATIONS FOR FIGURE 23

- A - See Figure 19 if cargo door is installed.
- B - Used on aircraft with Serial Nos. 31-5001 to 31-7552052 inclusive if Cabin Door Safety Latch Installation Kit 760 927 has been installed per Service Letter 739.

## PIPER PARTS CATALOG

Figure and Index Number	Part Number	Code	NOMENCLATURE	No. Req.	SERIAL NUMBERS AFFECTED
23-	41190 52315		DRAWING - Cabin Door Frame Installation DRAWING - Floorboard Support Installation		
-1	41081-00		BULKHEAD ASSEMBLY - Fuselage, Sta. 229	1	
-2	40887-24		SKIN - Top, left, Sta. 215 to Sta. 244	1	
	40887-25		SKIN - Top, right, Sta. 215 to Sta. 244	1	
-3	40887-17		SKIN - Upper side, right	1	
-4	46133-00		FIN - Dorsal, Sta. 215 to Sta. 244	1	
-5	43089-00		FRAME - Door entrance, Sta. 215	1	
-6	43090-00	A	FRAME - Door entrance, Sta. 244	1	
-7	41200-00		SUPPORT ASSEMBLY - Floorboard, outboard, left, Sta. 215 to Sta. 244	1	
	52758-00		SUPPORT ASSEMBLY - Floorboard, outboard, right, Sta. 215 to Sta. 244	1	
-8	41022-00		SUPPORT ASSEMBLY - Floorboard, inboard, left, Sta. 215 to Sta. 244	1	
	41201-04		SUPPORT ASSEMBLY - Floorboard, inboard, right, Sta. 215 to Sta. 244	1	
-9	41189-00		CHANNEL ASSEMBLY - Door sill support	1	
-10	40702-00		CHANNEL ASSEMBLY - Door header	1	
-11	54187-02		REINFORCEMENT ASSEMBLY - Door frame latch plate, front	1	
	54186-02		REINFORCEMENT ASSEMBLY - Door frame latch plate, rear	1	
-12	42160-06		REINFORCEMENT ASSEMBLY - Door support chain bracket	1	
-13	43586-06		BRACKET ASSEMBLY - Door support attachment, front	1	
	43586-07		BRACKET ASSEMBLY - Door support attachment, rear	1	
-14	14175-114		* BUSHING - Door support bracket	1	
-15	419 981		* SCREW - Socket set (8-32 x 1/2)	1	
-16	43610-00		BRACKET - Panel support	1	
-17	40715-11		CHANNEL - Window, Sta. 215 to Sta. 244	1	
-18	41404-00		BULKHEAD ASSEMBLY - Fuselage, Sta. 241.25	1	31-5001 to 31-7952250 incl.
	41404-03		BULKHEAD ASSEMBLY - Fuselage, Sta. 241.25	1	31-8052001 and up
-19	41372-00		BULKHEAD ASSEMBLY - Fuselage, Sta. 217.75	1	31-5001 to 31-7952250 incl.
	41372-03		BULKHEAD ASSEMBLY - Fuselage, Sta. 217.75	1	31-8052001 and up
-20	43767-00		ANGLE ASSEMBLY - Door frame reinforcement, Sta. 244	1	
-21	43165-02		CHANNEL - Door frame reinforcement	1	
-22	43768-02		PLATE - Door support reinforcement, Sta. 215	1	31-5001 to 31-8252085 incl.
	43769-00		PLATE - Door support reinforcement, Sta. 244	1	
-23	43110-03		PLATE - Door support trim, Sta. 244	1	31-5001 to 31-7652177 incl.
	43110-04		PLATE - Door support trim, Sta. 215	1	31-5001 to 31-7652177 incl.
-24	41188-03		ANGLE - Inner door frame, front, 2.75"	1	
	41188-02		ANGLE - Inner door frame, rear, 3.75"	1	
-25	55297-02	A	BRACKET ASSEMBLY - Oxygen and light mounting	1	31-7752001 and up
-26	41110-00		GUSSET - Door frame, upper	1	31-5001 to 31-7952250 incl.
	41110-04		GUSSET ASSEMBLY - Door frame, upper	1	31-8052001 and up
-27	41065-00		HINGE HALF - Entrance, lower door	2	
-28	41420-02		HINGE HALF - Entrance, upper door	2	
-29	453 732		BUSHING - (SB375-4)	1	
-30	44746-00		BRACKET ASSEMBLY - Reading light mounting, Sta. 220	1	31-5001 to 31-7652177 incl.
	44746-05		BRACKET ASSEMBLY - Reading light mounting, Sta. 220	1	31-7752001 and up
-31	41025-00	A	BRACKET ASSEMBLY - Light mounting	1	31-5001 to 31-7652177 incl.
-32	54663-02	B	REINFORCEMENT - Door frame	1	31-7552053 and up
-33	54659-02	B	RECEPTACLE - Door latch safety pin	1	31-7552053 and up
-34	48348-00		BRACKET ASSEMBLY - Door snubber attachment, forward	1	31-8352001 and up
-35	74248-02		COVER - Door snubber bracket	1	31-8352001 and up
-36	74244-02		REINFORCEMENT ASSEMBLY - Snubber attachment	1	31-8352001 and up

When ordering, always specify Part Number, Description and Serial Number of Aircraft

1E16  
INTENTIONALLY LEFT BLANK

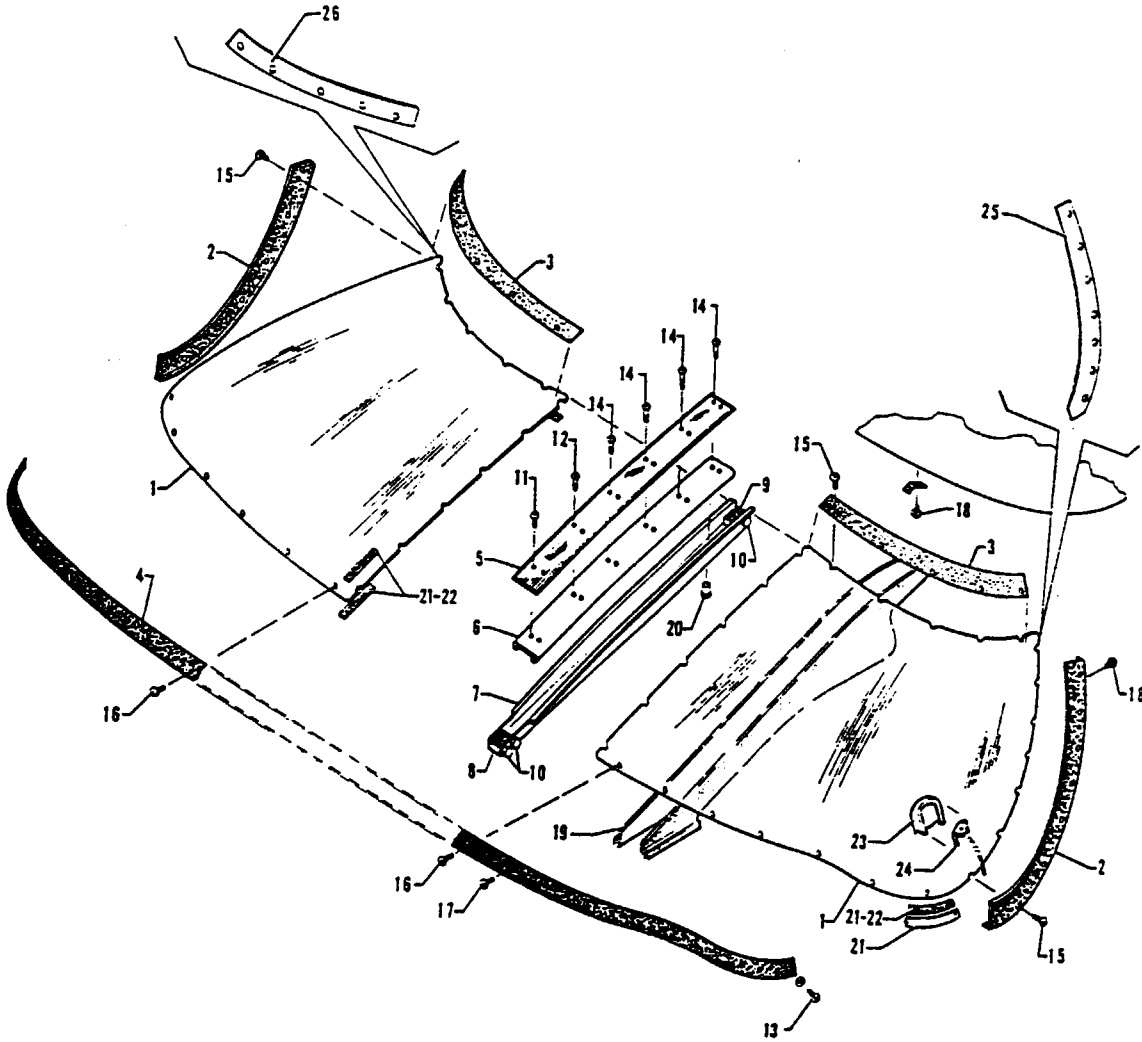


Figure 24 Windshield Installation

---

## PIPER PARTS CATALOG

---

### CODE EXPLANATIONS FOR FIGURE 24

- A - Used if heated windshield is installed.
- B - Used if heated windshield is not installed.
- C - Used if windshield wiper with unheated windshield is installed.
- D - Also used on Serial Nos. 31-7405479 to 31-7652041 incl. if heated windshield is installed.



# PIPER PARTS CATALOG

Figure and Index Number	Part Number	Code	Nomenclature	No. Req.	Serial Numbers Affected
24-	41738		DRAWING - Windshield Installation		
	42637		DRAWING - Heated Windshield Installation		
-1	41590-00		WINDSHIELD - Left	1	
	41543-02	C	WINDSHIELD - Left	1	
	41543-00		WINDSHIELD - Left, heated	1	
	41590-01		WINDSHIELD - Right	1	
-2	41738-02		STRIP - Retaining, windshield, side, left	1	
	41738-03		STRIP - Retaining, windshield, side, right	1	
-3	41738-04		STRIP - Retaining, windshield, top, left	1	
	41738-05		STRIP - Retaining, windshield, top, right	1	
-4	41673-00		COLLAR - Windshield	1	
-5	41672-00		TRIM STRIP - Windshield center	1	
-6	40936-00		PLATE - Windshield center support	1	
-7	40909-00		CHANNEL ASSEMBLY - Windshield center	1	
-8	40907-03		BLOCK - Windshield channel, center, bottom	1	
-9	40907-02		BLOCK - Windshield channel, center, top	1	
-10	400 450		BOLT - (AN3-17A)	3	
	404 835		NUT - (MS20364-1032C)	3	
-11	415 261		SCREW - (8-32 x 3/4 L.)	2	
-12	415 267		SCREW - (8-32 x 1 1/2 L.)	2	
-13	415 537		SCREW - (MS35206-247)	2	
-14	415 269		SCREW - (8-32 x 2 L.)	8	
-15	415 381		SCREW - (MS51957-46)	30	
	404 910		NUT - (MS20365-832C)	30	
-16	414 427		SCREW - (MS24693-52B)	18	
	494 118		WASHER - (A-3135-017-443)	18	
-17	414 427		SCREW - (MS24693-52B)	16	
	494 118		WASHER - (A-3135-017-443)	16	
-18	415 729		SCREW - (MS35206-228)	28	
	404 909		NUT - (MS20365-632C)	28	
-19	42583-00	B	COVER - Windshield channel trim	1	31-5001 to 31-7405478 incl.
	43522-00	A	COVER - Windshield channel trim	1	31-5001 to 31-7405478 incl.
	54330-02	B	COVER - Windshield channel trim	1	31-7405479 to 31-7652041 incl.
	54330-03	D	COVER - Windshield channel trim	1	31-7652042 to 31-7752192 incl.
	43522-00		COVER - Windshield channel trim	1	31-7852001 and up
-20	18359-00		NUT - Windshield, center	10	
-21	914 047		SEALANT - (2 1/2 ounce) PRC-1422B2	AR	
-22	924 355	A	TAPE - Vinyl sponge roll (542) 1" x 1/16"	1	
	180 400	B	TAPE - Vinyl sponge roll (163) 1" x 1/32"	1	
-23	43762-00	A	COVER - Heated windshield terminal	1	
-24	43763-00	A	BRACKET - Windshield terminal cover	1	
-25	73143-02		SHIM - Windshield, side	AR	31-8352030 and up
-26	73143 03		SHIM - Windshield, top	AR	31-8352030 and up

When ordering, always specify Part Number, Description, and Serial Number of Aircraft

**1E20**  
**INTENTIONALLY LEFT BLANK**

PIPER PARTS CATALOG

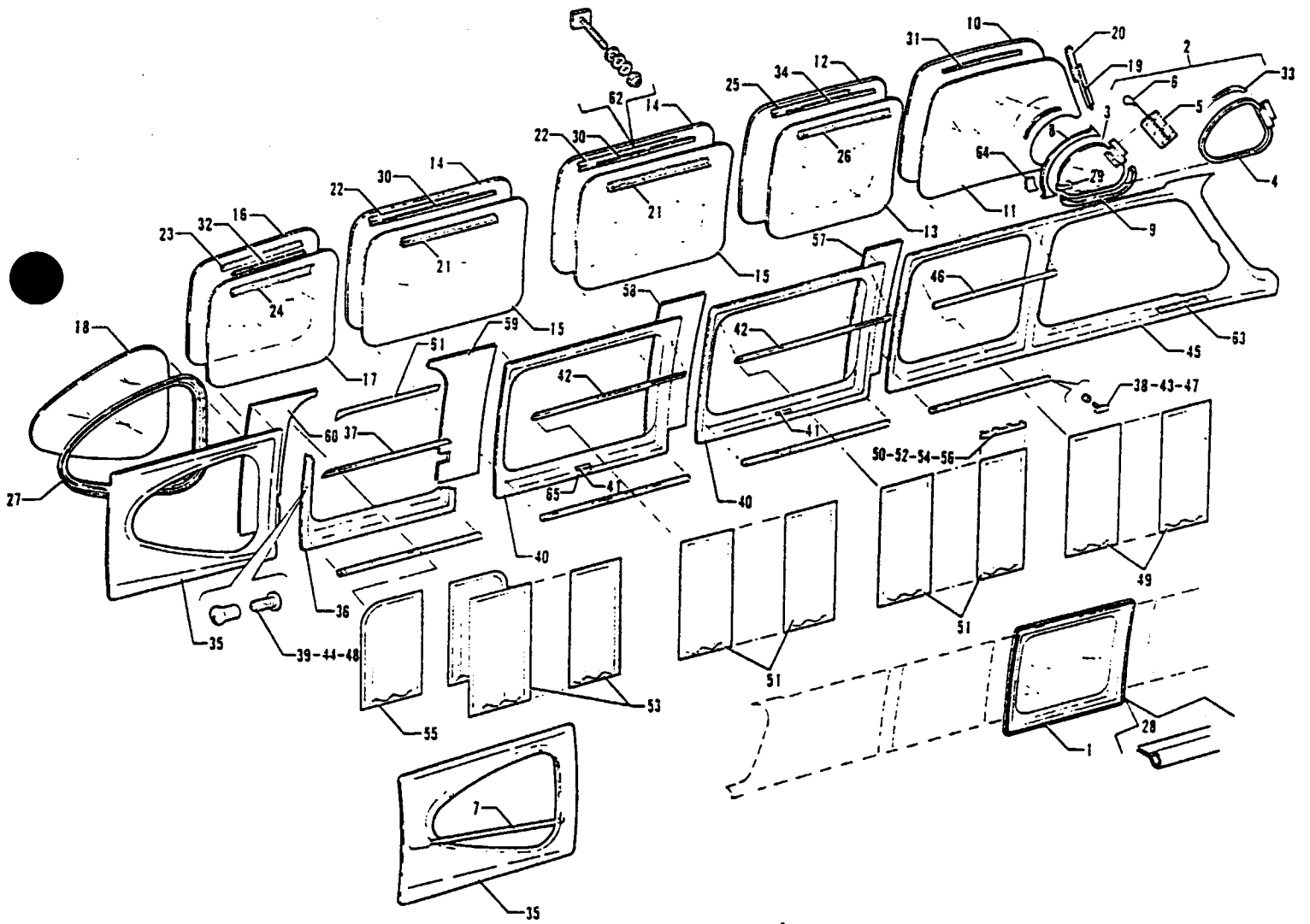


Figure 25. Window Installation (Serial Nos. 31-5001 to 31-7652177 incl.)

---

# PIPER PARTS CATALOG

---

## CODE EXPLANATIONS FOR FIGURE 25

- A - See Figure 26 for component parts.
- B - See Figure 32 and 33 if pilot door is installed.
- C - When ordering, specify color beige or white.
- D - Used if pilot door is installed.
- E - Used if cargo door is installed.
- F - Used on aircraft that comply with C.A.A. (United Kingdom) requirements.

PIPER PARTS CATALOG

Figure and Index Number	Part Number	Code	NOMENCLATURE	No. Req.	SERIAL NUMBERS AFFECTED
25-	52377 53202 52695 54465		DRAWING - Window Installation DRAWING - Window Trim Installation DRAWING - Tinted Window Installation DRAWING - Emergency Exit Window Installation		
-1	41558-06	A,C	WINDOW ASSEMBLY - Emergency exit	1	
	41558-07	A,C	WINDOW ASSEMBLY - Emergency exit (with tinted window)	1	
-2	43480-00	B	WINDOW ASSEMBLY - Storm, left	1	
	43480-01		WINDOW ASSEMBLY - Storm, right	1	
-3	41284-00		* WINDOW - Storm, left	1	
	41284-01		* WINDOW - Storm, right	1	
-4	42669-00		* RING ASSEMBLY - Storm window support, left	1	
	42669-01		* RING ASSEMBLY - Storm window support, right	1	
-5	53060-02		* HINGE ASSEMBLY - Storm window	1	
-6	43796-00		* * PIN - Storm window hinge	1	
-7	42128-00		TUBE - Window guard, right	1	
-8	41279-00	B	PLATE - Storm window interior trim	2	
-9	41282-00	B	RETAINER - Storm window moulding, left	1	
	41282-01		RETAINER - Storm window moulding, right	1	
-10	41293-02	B	WINDOW - Front, left, outer	1	
	41293-03		WINDOW - Front, right, outer	1	
-11	41293-04	B	WINDOW - Front, inner	2	
	41293-06	B	WINDOW - Front, inner, tinted	2	
-12	52355-02		WINDOW - Center, front, outer	2	
-13	52355-03		WINDOW - Center, front, inner	2	
	52355-04		WINDOW - Center, front, inner, tinted	2	
-14	41294-02		WINDOW - Center, outer	3	
-15	41294-03		WINDOW - Center, inner	3	
	41294-04		WINDOW - Center, inner, tinted	3	
-16	41295-03		WINDOW - Rear, center, outer, right	1	
-17	41295-04		WINDOW - Rear, center, inner, right	1	
	41295-06		WINDOW - Rear, center, inner, right, tinted	1	
-18	41296-00		WINDOW - Rear, left	1	
	41296-02		WINDOW - Rear, left, tinted	1	
	41296-01		WINDOW - Rear, right	1	
	41296-03		WINDOW - Rear, right, tinted	1	
-19	41357-04	B	STRIP - Window, retainer, front, left, inner	1	
	41357-05		STRIP - Window, retainer, front, right, inner	1	
-20	53436-03	B	STRIP - Window, retainer, front, left, outer	1	
	53436-04		STRIP - Window, retainer, front, right, outer	1	
-21	41425-03		STRIP - Window, retainer, left and right, inner	3	
-22	53436-05		STRIP - Window, retainer, left and right, outer	3	
-23	53436-02		STRIP - Window, retainer, outer, right	1	
-24	41335-04		STRIP - Window, retainer, inner, right	1	
-25	52354-02		STRIP - Window, retainer, left and right, outer	2	
-26	52354-03		STRIP - Window, retainer, left and right, inner	2	
-27	41330-00		STRIP - Window, retainer, left, rear	1	
	41330-01		STRIP - Window, retainer, right, rear	1	
-28	80041-04		STRIP ASSEMBLY - Weather	1	
-29	460 044		FASTENER ASSEMBLY - (62-99-191-10)	2	
-30	80045-08		STRIP - Rubber, window, left and right	3	
-31	80045-09	B	STRIP - Rubber, window, front left and right	2	
-32	80045-10		STRIP - Rubber, window, right	1	
-33	80045-11	B	STRIP - Rubber, storm window	2	
-34	80034-13		STRIP - Rubber, window, left and right	2	

When ordering, always specify Part Number, Description and Serial Number of Aircraft

PIPER PARTS CATALOG

Figure and Index Number	Part Number	Code	NOMENCLATURE	No. Req.	SERIAL NUMBERS AFFECTED
25-35	53220-00	C	MOULDING - Window, rear, left	1	
	53220-01	C	MOULDING - Window, rear, right	1	
-36	53211-00	C	MOULDING - Window, rear, right	1	
-37	149 392		TRACK - Curtain, window	3'	
-38	47494-00		STUD ASSEMBLY - Curtain track	10	
	404 596		NUT - (MS20341-4S)	10	
-39	460 039		POST - Moulding (D1983)	2	
	460 038		STUD - Moulding (D4366)	2	
-40	53221-00	C	MOULDING - Window, center, left	2	
	53221-01	C	MOULDING - Window, center, right	1	
-41	42457-00		PLACARD - Seat latching	1	
-42	149 392		TRACK - Curtain, window	3'	
-43	47494-00		STUD ASSEMBLY - Curtain track	10	
	404 596		NUT - (MS20341-4S)	10	
-44	460 039		POST - Moulding (D1983)	2	
	460 038		STUD - Moulding (D4366)	2	
-45	53216-00	C	MOULDING - Window, front, left	1	
	53554-00	C,D	MOULDING - Window, front, left	1	
	53216-01	C	MOULDING - Window, front, right	1	
-46	149 392		TRACK - Curtain, window	3'	
-47	47494-00		STUD ASSEMBLY - Curtain track	10	
	404 596		NUT - (MS20341-4S)	10	
-48	460 039		POST - Moulding (D1983)	2	
	460 038		STUD - Moulding (D4366)	2	
-49	53178-00	C	CURTAIN ASSEMBLY - Window, front, left and right	4	
-50	180 428		TAPE - Slider (XCT-25) 1/4" glides	3'	
-51	53186-00	C	CURTAIN ASSEMBLY - Window, center, left and right	8	
-52	180 428		TAPE - Slider (XCT-25) 1/4" glides	3'	
-53	53176-00	C	CURTAIN ASSEMBLY - Window, rear front, right	1	
	53177-00	C	CURTAIN ASSEMBLY - Window, rear aft, right	1	
-54	180 428		TAPE - Slider (XCT-25) 1/4" glides	3'	
-55	53189-00	C	CURTAIN ASSEMBLY - Door window, front	1	
	53190-00	C	CURTAIN ASSEMBLY - Door window, aft	1	
-56	180 428		TAPE - Slider (XCT-25) 1/4" glides	3'	
-57	53167-02	C	PANEL - Window trim, front, right	1	
	53167-03	C	PANEL - Window trim, front, left	1	
-58	53167-04	C	PANEL - Window trim, center, left	1	
	53166-00	C	PANEL - Window trim, center, right	1	
-59	53180-00	C	PANEL - Window trim, rear, left	1	
	53167-05	C	PANEL - Window trim, rear, right	1	
-60	53208-00	C	PANEL - Window trim, rear, left	1	
	53542-00	C,E	PANEL - Window trim, rear, left	1	
	53165-00	C	PANEL - Window trim, rear, right	1	
-61	53188-00	C	PANEL - Door trim	1	
-62	44103-00		STUD - Window retainer attachment	32	
	407 562		WASHER - (AN960-6)	64	
	404 594		NUT - (MS20341-6S)	32	
	81342-71		WASHER - Retainer attachment	32	
	404 909		NUT - (MS20365-632C)	32	
-63	54098-00	F	PLACARD - Armrest stowage	2	
-64	53880-00		PLATE - Storm window fastener, left	1	
	53880-01		PLATE - Storm window fastener, right	1	
-65	80280-02		PLACARD - Seat limitation		

When ordering, always specify Part Number, Description and Serial Number of Aircraft

PIPER PARTS CATALOG

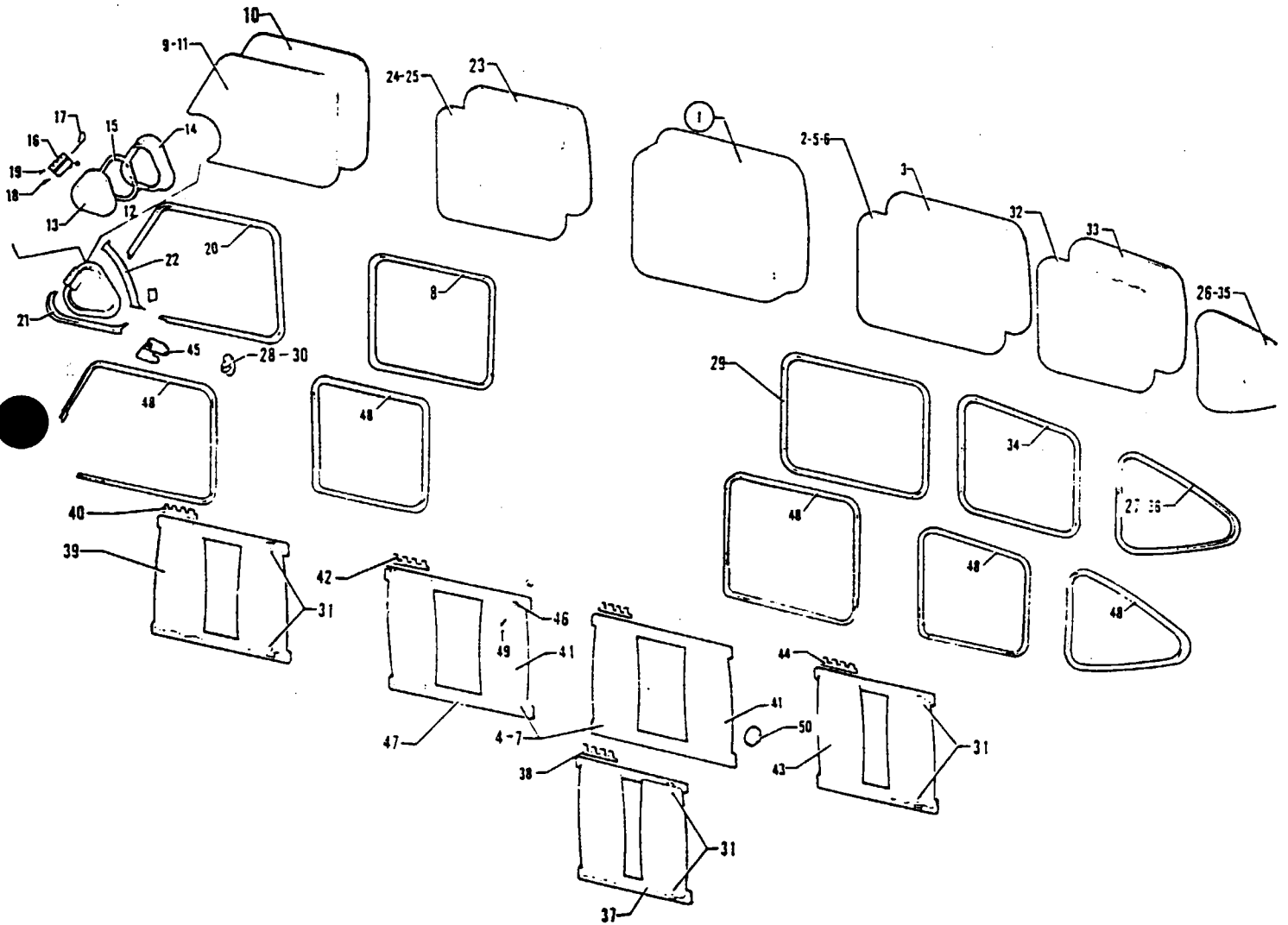


Figure 25A. Window Installation  
(Serial Nos. 31-7752001 and up)

---

# PIPER PARTS CATALOG

---

## CODE EXPLANATIONS FOR FIGURE 25A

- A - See Figure 26 for component parts.
- B - See Figures 32 and 33 if pilot door is installed.
- C - Serial number of aircraft must be supplied when ordering this part.



PIPER PARTS CATALOG

Figure and Index Number	Part Number	Code	NOMENCLATURE	No. Req.	SERIAL NUMBERS AFFECTED
25A-	54710 55500 55950 71693 74366 52695 73258		DRAWING - Window Installation DRAWING - Cabin Interior Finishing Installation DRAWING - Cabin Interior Finishing Installation DRAWING - Cabin Interior Finishing Installation DRAWING - Cabin Interior Finishing Installation DRAWING - Tinted Window Installation DRAWING - Tinted Window Installation		31-7752001 to 31-7852029 incl. 31-7852030 to 31-7952250 incl 31-8052001 to 31-8352042 incl 31-8452001 and up 31-7752001 to 31-8352042 incl. 31-8452001 and up
-1	55259-21 74609-06	A A	WINDOW ASSEMBLY - Emergency exit (clear) WINDOW ASSEMBLY - Emergency exit (clear)	1 1	31-7752001 to 31-8352042 incl 31-8452001 and up
-2	55259-23 55258-04 74611-03	A	WINDOW ASSEMBLY - Emergency exit (tinted) WINDOW - Center rear, right side, inner, clear WINDOW - Center rear, right side, inner, clear	1 1 1	31-7752001 to 31-8352042 incl 31-8452001 and up
-3	41294-02		WINDOW - Center front and rear, left side, center rear, right side, outer	3	
-4	462 884		GLIDE - Curtain, right side (G3)	AR	31-8152002 and up
-5	55258-05  74611-08		WINDOW - Center front and rear, left side, center rear, right side, inner, tinted WINDOW - Center front and rear, left side, center rear, right side, inner, tinted	3 3	31-7752001 to 31-8352042 incl. 31-8452001 and up
-6	55258-04 74611-03		WINDOW - Center, front and rear, left side, inner, clear WINDOW - Center, front and rear, left side, inner, clear	2 2	31-7752001 to 31-8352042 incl. 31-8452001 and up
-7	462 884		GLIDE - Curtain, left side (G3)	AR	31-8152002 and up
-8	54710-06		RETAINER - Intermediate window, left and right	2	
-9	55267-06	B	WINDOW - Front, inner, clear	1	
-10	41293-02 41293-03	B B	WINDOW - Front, left, outer WINDOW - Front, right, outer	1 1	
-11	55267-07	B	WINDOW - Front, left and right, inner, tinted	2	
-12	43480-02 43480-03	B B	WINDOW ASSEMBLY - Storm, left WINDOW ASSEMBLY - Storm, right	1 1	
-13	41284-00 41284-01	B B	* WINDOW - Storm, left * WINDOW - Storm, right	1 1	
-14	42669-00 42669-01	B B	* RING ASSEMBLY - Storm window support, left * RING ASSEMBLY - Storm window support, right	1 1	
-15	187 528		* * SEAL - Support ring (PN3103-11)	1	
-16	53060-04		* HINGE ASSEMBLY - Storm window	1	
-17	43796-00		* * PIN - Storm window hinge	1	
-18	18359-00 415 535		* NUT - Storm window hinge * SCREW - (MS35206-245)	3 3	
-19	415 533		* SCREW - (MS35206-243)	3	
-20	54710-04 54710-05		RETAINER - Window, front, left, outer RETAINER - Window, front, right, outer	1 1	
-21	41282-00 41282-01		RETAINER - Storm window moulding, left RETAINER - Storm window moulding, right	1 1	
-22	41279-02		PLATE - Storm window interior trim	2	
-23	52355-02		WINDOW - Intermediate, outer, clear, left and right	2	
-24	55266-09 74611-02		WINDOW - Intermediate, inner, clear, left and right WINDOW - Intermediate, inner, clear, left and right	2 2	31-7752001 to 31-8352042 incl. 31-8452001 and up
-25	55266-10 74611-07		WINDOW - Intermediate, inner, tinted, left and right WINDOW - Intermediate, inner, tinted, left and right	2 2	31-7752001 to 31-8352042 incl. 31-8452001 and up

When ordering, always specify Part Number, Description and Serial Number of Aircraft

PIPER PARTS CATALOG

Figure and Index Number	Part Number	Code	NOMENCLATURE	No. Req.	SERIAL NUMBERS AFFECTED
25A-26	41296-00		WINDOW - Aft, clear, left	1	
	41296-02		WINDOW - Aft, tinted, left	1	
-27	54710-10		RETAINER - Aft window, left	1	
-28	71064-02		LOCK - Storm window latch, left	1	31-8052001 to 31-8052056 incl.
	71064-03		LOCK - Storm window latch, right	1	31-8052001 to 31-8052056 incl.
-29	54710-07		RETAINER - Center, forward and aft, left; center, aft, right	3	
-30	71574-02		CLIP - Storm window latch	2	31-8052057 to 31-8152001 incl.
	71711-02		PLATE - Storm window latch	2	31-8152002 to 31-8352040 incl.
	71711-04		PLATE - Storm window latch	2	31-8352041 and up
-31	462 884		GLIDE - Curtain (G3)	AR	31-8152002 and up
-32	55254-04		WINDOW - Aft, forward, clear, inner	1	31-7752001 to 31-8352042 incl.
	74611-05		WINDOW - Aft, forward, clear, inner	1	31-8452001 and up
	55254-05		WINDOW - Aft, forward, tinted, inner	1	31-7752001 to 31-8352042 incl.
	74611-10		WINDOW - Aft, forward, tinted, inner	1	31-8452001 and up
-33	41295-09		WINDOW - Aft, forward, outer	1	
-34	54710-08		RETAINER - Aft window, forward, right	1	
-35	41296-01		WINDOW - Aft, clear, right	1	
	41296-03		WINDOW - Aft, tinted, right	1	
-36	54710-11		RETAINER - Aft window, right	1	
-37	53189-03	C	CURTAIN ASSEMBLY - Door window, forward	1	31-7752001 to 31-7852029 incl.
	49259-02	C	CURTAIN ASSEMBLY - Door window, forward	1	31-7852030 to 31-8152001 incl.
	71696-21	C	CURTAIN ASSEMBLY - Door window, forward	1	31-8152002 to 31-8352042 incl.
	74610-04	C	CURTAIN ASSEMBLY - Door window, forward	1	31-8452001 and up
	53190-03	C	CURTAIN ASSEMBLY - Door window, aft	1	31-7752001 to 31-7852029 incl.
	49273-02	C	CURTAIN ASSEMBLY - Door window, aft	1	31-7852030 to 31-8152001 incl.
	71696-22	C	CURTAIN ASSEMBLY - Door window, aft	1	31-8152002 to 31-8352042 incl.
	74610-05	C	CURTAIN ASSEMBLY - Door window, aft	1	31-8452001 and up
-38	180 428		* TAPE - Slider (XCT-25) 1/4" glides	3'	31-7752001 to 31-8152001 incl.
-39	53178-03	C	CURTAIN ASSEMBLY - Intermediate window, left and right	4	31-7752001 to 31-7852029 incl.
	49258-04	C	CURTAIN ASSEMBLY - Intermediate window, left and right	4	31-7852030 to 31-8152001 incl.
	71696-18	C	CURTAIN ASSEMBLY - Intermediate window, left and right	4	31-8152002 to 31-8352042 incl.
	74610-02	C	CURTAIN ASSEMBLY - Intermediate window, left and right	4	31-8452001 and up
-40	180 428		* TAPE - Slider (XCT-25) 1/4" glides	3'	31-7752001 to 31-8152001 incl.
-41	53186-03	C	CURTAIN ASSEMBLY - Center windows, left and right	8	31-7752001 to 31-7852029 incl.
	49258-05	C	CURTAIN ASSEMBLY - Center windows, left and right	8	31-7852030 to 31-8152001 incl.
	71696-17	C	CURTAIN ASSEMBLY - Center windows, left and right	8	31-8152002 to 31-8352042 incl.
	74610-03	C	CURTAIN ASSEMBLY - Center windows, left and right	8	31-8452001 and up
-42	180 428		* TAPE - Slider (XCT-25) 1/4" glides	3'	31-7752001 to 31-8152001 incl.
-43	53176-03	C	CURTAIN ASSEMBLY - Right rear window, forward	1	31-7752001 to 31-7852029 incl.
	49258-02	C	CURTAIN ASSEMBLY - Right rear window, forward	1	31-7852030 to 31-8152001 incl.
	71696-19	C	CURTAIN ASSEMBLY - Right rear window, forward	1	31-8152002 to 31-8352042 incl.
	74610-06	C	CURTAIN ASSEMBLY - Right rear window, forward	1	31-8452001 and up
	53177-03	C	CURTAIN ASSEMBLY - Right rear window, aft	1	31-7752001 to 31-7852029 incl.
	49258-03	C	CURTAIN ASSEMBLY - Right rear window, aft	1	31-7852030 to 31-8152001 incl.
	71696-20	C	CURTAIN ASSEMBLY - Right rear window, aft	1	31-8152002 to 31-8352042 incl.
	74610-07	C	CURTAIN ASSEMBLY - Right rear window, aft	1	31-8452001 and up
-44	180 428		* TAPE - Slider (XCT-25) 1/4" glides	3'	31-7752001 to 31-8152001 incl.
-45	460 044		FASTENER ASSEMBLY - (62-99-191-10)	2	
-46	81342-71		WASHER	60	
-47	149 392		TRACK - Curtain	3'	
-48	45506-00		MOULDING - Window, extruded (72" L.)	AR	
-49	47494-00		STUD ASSEMBLY - Curtain track	60	
	404 596		NUT - (MS20341-4S)	60	
-50	460 039		EYELET - Curtain (D1983)	12	
	460 038		STUD - Curtain (D4366)	12	31-7752001 to 31-7952250 incl.
	487 663		STUD - Curtain (BS12303)	12	31-8052001 and up

When ordering, always specify Part Number, Description and Serial Number of Aircraft

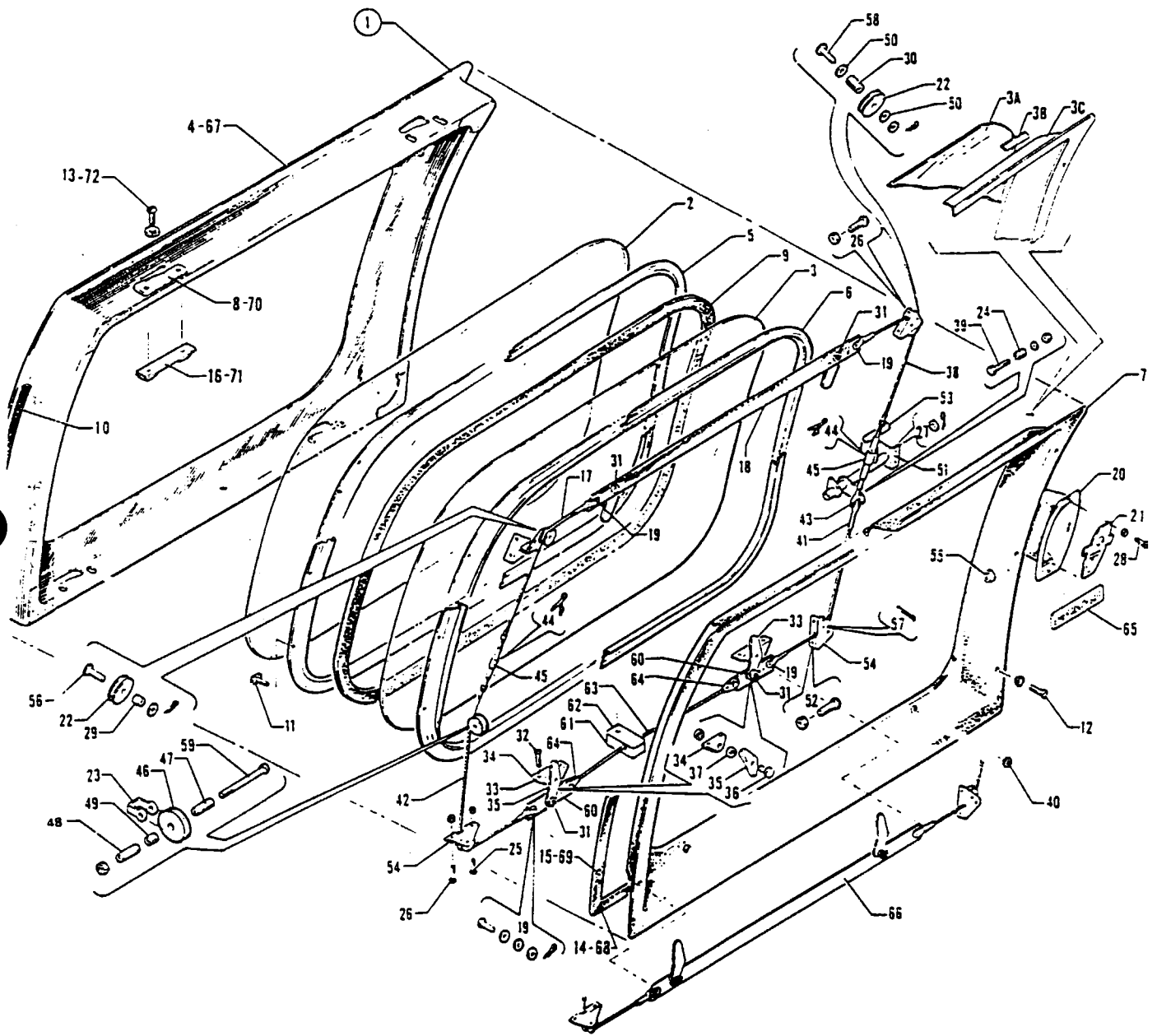


Figure 26. Emergency Exit Window Installation

---

# PIPER PARTS CATALOG

---

## CODE EXPLANATIONS FOR FIGURE 26

A - When ordering, specify color beige or white.

# PIPER PARTS CATALOG

Figure and Index Number	Part Number	Code	Nomenclature	No. Req.	Serial Numbers Affected
26-	54465 55259 74617 41633 52695		DRAWING - Emergency Exit Window Installation DRAWING - Center Window Moulding Installation DRAWING - Emergency Exit Curtain Frame Installation DRAWING - Emergency Exit Window Mechanism Installation DRAWING - Tinted Window Installation		31-5001 to 31-7652177 incl. 31-7752001 to 31-8352042 incl. 31-8452001 and up
-1	41558-06 55259-21 74609-06 41558-07 55259-23	A	WINDOW ASSEMBLY - Emergency exit, clear WINDOW ASSEMBLY - Emergency exit, clear WINDOW ASSEMBLY - Emergency exit, clear WINDOW ASSEMBLY - Emergency exit, tinted WINDOW ASSEMBLY - Emergency exit, tinted	1 1 1 1 1	31-5001 to 31-7652177 incl. 31-7752001 to 31-8352042 incl. 31-8452001 and up 31-5001 to 31-7652177 incl. 31-7752001 and up
-2	41294-02		* WINDOW - Emergency exit, outer (clear)	1	31-5001 to 31-7652177 incl.
-3	41294-03 55258-04 41294-04 55258-05		* WINDOW - Emergency exit, inner (tinted) * WINDOW - Emergency exit, inner (clear) * WINDOW - Emergency exit, inner (tinted) * WINDOW - Emergency exit, inner (tinted)	1 1 1 1	31-5001 to 31-7652177 incl. 31-7752001 to 31-8352042 incl. 31-5001 to 31-7652177 incl. 31-7752001 to 31-8352042 incl.
-3a	74611-03 74611-08		* WINDOW - Emergency exit, inner (clear) * WINDOW - Emergency exit, inner (tinted)	1 1	31-8452001 and up 31-8452001 and up
-3b	289 776		* TAPE - Foam, forward and aft (#4408)	AR	31-8452001 and up
-3c	74606-04		* FRAME - Window curtain	1	31-8452001 and up
-4	41426-00 41426-08		* FRAME ASSEMBLY - Emergency exit window * FRAME ASSEMBLY - Emergency exit window	1 1	31-5001 to 31-7652177 incl. 31-7752001 to 31-8352042 incl.
-5	41425-02 54710-07		* STRIP - Window retainer, outer * RETAINER - Window, outer	1 1	31-5001 to 31-7652177 incl. 31-7752001 and up
-6	41425-03 187 513		* STRIP - Window retainer, inner * MOULDING - Extruded (19795)	1 AR	31-5001 to 31-7652177 incl. 31-8452001 and up
-7	53215-03 55259-17 74614-02	A	* MOULDING - Emergency exit window * MOULDING - Emergency exit window * MOULDING - Emergency exit window	1 1 1	31-5001 to 31-7652177 incl. 31-7752001 to 31-8352042 incl. 31-8452001 and up
-8	41285-00		* PLATE - Emergency exit window lock	4	31-5001 to 31-8352042 incl.
-9	80045-08 45506-00		* STRIP - Rubber, emergency exit window * MOULDING - Window, extruded (72" L.)	1 AR	31-5001 to 31-7652177 incl. 31-7752001 and up
-10	187 531		* MOULDING - Emergency exit window (VS80545-1 Rev. B)	AR	
-11	44103-00 407 562 404 594 404 909 81342-71		* STUD - Window retainer attachment * WASHER - (AN960-6) * NUT - (MS20341-6S) * NUT - (MS20365-632C) * WASHER - Window retainer	18 36 18 18 18	31-5001 to 31-7652177 incl. 31-5001 to 31-7652177 incl. 31-5001 to 31-7652177 incl. 31-5001 to 31-7652177 incl. 31-5001 to 31-7652177 incl.
-12	414 750 494 102		* SCREW - (6-32 x 5/8) * WASHER - (C-394)	6 6	
-13	415 535 407 120		* SCREW - (MS35206-245) * WASHER - (AN936-B8)	8 8	31-5001 to 31-8352042 incl. 31-5001 to 31-8352042 incl.
-14	13945-93		* STRIP - Weather, emergency exit	2	31-5001 to 31-8352042 incl.
-15	13945-94 56983-02		* STRIP - Weather, emergency exit * STRIP - Weather, emergency exit	2 2	31-5001 to 31-7952250 incl. 31-8052001 to 31-8352042 incl.
-16	43864-00		* PLATE ASSEMBLY - Striker plate attachment	4	31-5001 to 31-8352042 incl.
-17	43575-04		CABLE ASSEMBLY - Emergency exit release, top front	1	
-18	41048-03		LINK - Emergency exit cable, top	1	
-19	424 174 407 564 407 584 424 051		PIN - (MS20392-2C11) WASHER - (AN960-10) WASHER - (AN960-10L) PIN - Cotter (MS24665-132)	4 4 4 4	
-20	53181-00		MOULDING - Emergency exit release	1	
-21	41307-03 73376-02		COVER ASSEMBLY - Emergency exit release * PLACARD - Emergency exit release (683 009)	1 1	
-22	20534-00		PULLEY - Emergency exit release	4	

When ordering, always specify Part Number, Description, and Serial Number of Aircraft

## PIPER PARTS CATALOG

Figure and Index Number	Part Number	Code	NOMENCLATURE	No. Req.	SERIAL NUMBERS AFFECTED
26-23	43570-00		GUARD - Pulley	1	
-24	42571-10		BUSHING - Emergency exit window	1	
-25	415 535		SCREW - (MS35206-245)	1	
	407 563		WASHER - (AN960-8)	1	
	404 910		NUT - (MS20365-832C)	1	
-26	415 533		SCREW - (MS35206-243)	3	
	404 910		NUT - (MS20365-832C)	3	
-27	407 569		WASHER - (AN960-816)	1	
	424 052		COTTER PIN - (MS24665-134)	1	
-28	419 690		SCREW - (6 x 1/2 L.)	2	
	494 102		WASHER - (C-394)	2	
-29	14843-34		BUSHING - Emergency exit window	1	
-30	14175-108		BUSHING - Emergency exit window	3	
-31	424 173		PIN - Flat head (MS20392-2C9)	4	
	407 564		WASHER - (AN960-10)	4	
	424 051		COTTER PIN - (MS24665-132)	4	
-32	415 535		SCREW - (MS35206-245)	8	
	404 910		NUT - (MS20365-832C)	8	
-33	43200-00		LATCH ASSEMBLY - Emergency exit	4	
-34	40976-00		* BRACKET - Emergency exit pawl	1	
-35	22612-00		* ARM - Door lock, emergency exit window	1	
-36	22613-00		* RIVET - Door lock, emergency exit window	1	
-37	407 565		* WASHER - (AN960-416)	1	
	407 585		* WASHER - (AN960-416L)	1	
-38	43575-02		CABLE ASSEMBLY - Emergency exit release, top rear	1	
-39	400 441		BOLT - (AN3-7A)	1	
	407 584		WASHER - (AN960-10L)	3	
	404 887		NUT - (MS20365-1032C)	1	
-40	453 694		BUTTON - Plug (D3005-B)	4	
-41	43574-00		CABLE ASSEMBLY - Emergency exit release, bottom rear	1	
-42	43575-03		CABLE ASSEMBLY - Emergency exit release, bottom front	1	
-43	461 131		TERMINAL - Fork (NAS645-16RS)	1	
-44	454 867		CLIP - Safety (NAS651-16S)	4	
-45	452 009		BARREL - Turnbuckle (NAS649-B16S)	2	
-46	43568-00		PULLEY - Emergency exit cable	1	
-47	42571-11		BUSHING - Emergency exit cable	1	
-48	42571-12		BUSHING - Emergency exit cable	1	
-49	42571-13		BUSHING - Emergency exit cable	1	
-50	407 565		WASHER - (AN960-416)	3	
	407 585		WASHER - (AN960-416L)	3	
-51	43573-00		BRACKET - Emergency exit handle	1	
-52	415 538		SCREW - (MS35206-248)	2	
	404 910		NUT - (MS20365-832C)	2	
-53	40979-00		HANDLE ASSEMBLY - Emergency exit release	1	
-54	40977-00		BRACKET - Emergency exit pulley	3	
-55	460 039		EYELET - Curtain (D1983)	2	31-7752001 and up
	460 038		STUD - Curtain (D4366)	2	31-7752001 to 31-7952250 incl
	487 663		STUD - Curtain (BS12303)	2	31-8052001 and up
-56	424 175		PIN - Flat head (MS20392-2C13)	1	
	407 564		WASHER - (AN960-10)	1	
	424 051		COTTER PIN - (MS24665-132)	1	
-57	424 052		COTTER PIN - (MS24665-134)	5	
-58	424 177		PIN - Flat head (MS20392-2C17)	3	
	407 565		WASHER - (AN960-416)	6	
	407 584		WASHER - (AN960-10L)	3	
	424 051		COTTER PIN - (MS24665-132)	1	

When ordering, always specify Part Number, Description and Serial Number of Aircraft

PIPER PARTS CATALOG

Figure and Index Number	Part Number	Code	NOMENCLATURE	No. Req.	SERIAL NUMBERS AFFECTED
26-59	400 935		BOLT - (AN24-52A)	1	
	407 585		WASHER - (AN960-416L)	1	
	404 836		NUT - (MS20364-428C)	1	
-60	52448-00		LINK - Emergency exit cable	2	31-5001 to 31-8152112 incl.
-61	52447-00		BLOCK ASSEMBLY - Emergency exit cable	1	31-5001 to 31-8152112 incl.
-62	52446-00		SPACER - Emergency exit cable block	1	31-5001 to 31-8152112 incl.
-63	52449-00		CABLE ASSEMBLY - Emergency exit	1	31-5001 to 31-8152112 incl.
-64	488 551		* TERMINAL - (MS20667-3)	2	31-5001 to 31-8152112 incl.
-65	80363-02		PLACARD - Emergency exit	1	31-7552093 and up
-66	41048-03		LINK - Emergency exit cable, bottom	1	31-8152113 and up
-67	41426-09		FRAME ASSEMBLY - Emergency exit window	1	31-8452001 and up
-68	56983-06		STRIP - Weather, emergency exit, forward and aft	2	31-8452001 and up
-69	56983-07		STRIP - Weather, emergency exit, upper and lower	2	31-8452001 and up
-70	41285-00		PLATE - Emergency exit window lock	4	31-8452001 and up
-71	43864-00		PLATE ASSEMBLY - Striker plate attachment	4	31-8452001 and up
-72	414 763		SCREW - (MS24693-S50)	8	31-8452001 and up
	407 120		WASHER - (AN936-88)	8	31-8452001 and up

When ordering, always specify Part Number, Description and Serial Number of Aircraft

PIPER PARTS CATALOG

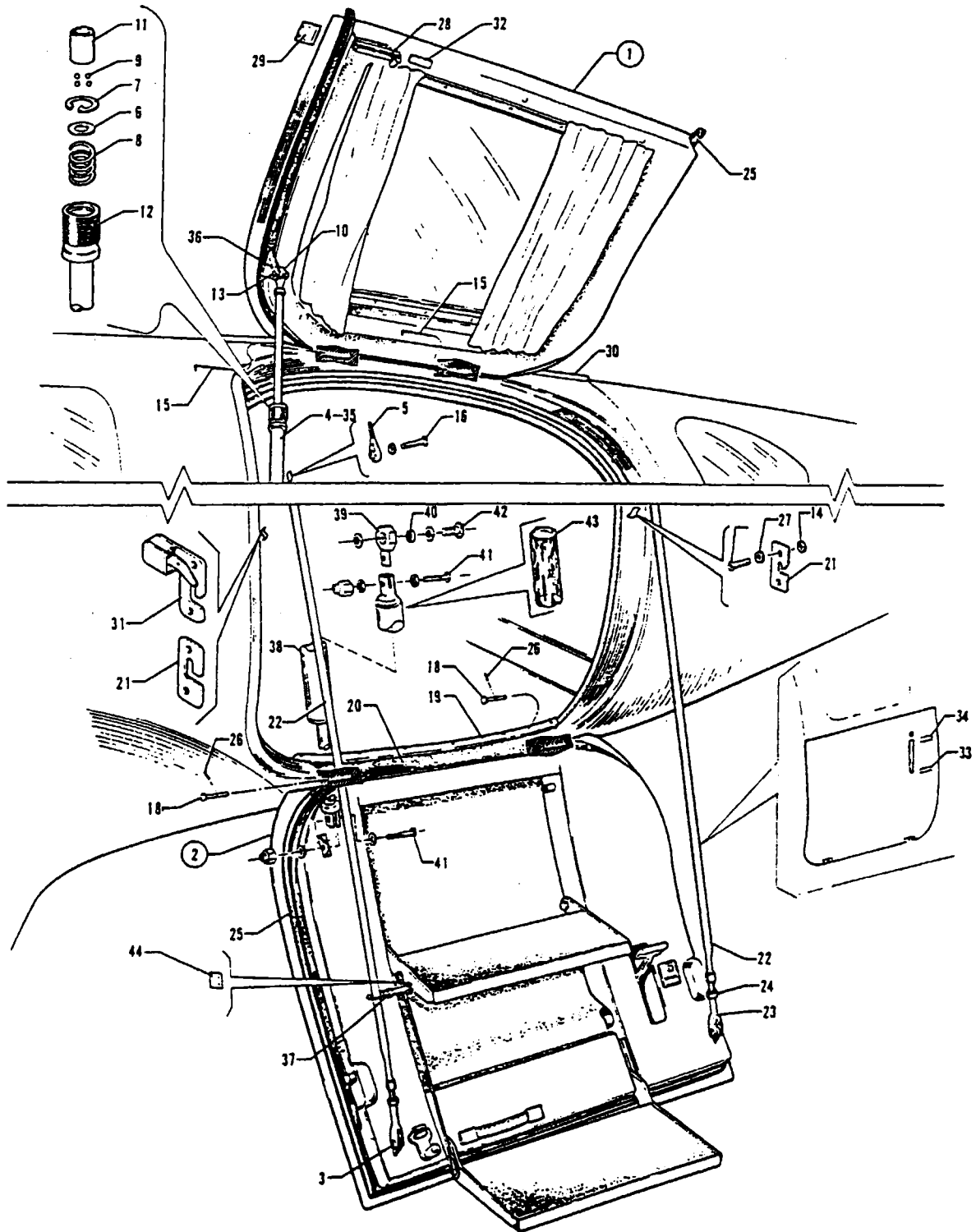


Figure 27 Cabin Entrance Door Installation



---

# PIPER PARTS CATALOG

---

## CODE EXPLANATIONS FOR FIGURE 27

- A - See Figure 28 for component parts.
- B - See Figure 29 for component parts.
- C - See Figure 31 if cargo door is installed.
- D - Serial number of aircraft must be supplied when ordering this part
- E - Used on aircraft with Serial Nos. 31-5001 to 31-7552052 inclusive, if Cabin Door Safety Latch Installation Kit 760 927 has been installed per Service Letter 739.
- F - Used if Plate Assembly has been installed per Service Letter No. 803
- G - Used on aircraft that comply with C A A. (United Kingdom) requirements.

# PIPER PARTS CATALOG

Figure and Index Number	Part Number	Code	Nomenclature	No. Req.	Serial Numbers Affected
27-	53335		DRAWING - Cabin Entrance Door Installation		
-1	41668-04	A,D	DOOR ASSEMBLY - Entrance, upper, complete	1	31-5001 to 31-7552052 incl.
	41668-06	A,D	DOOR ASSEMBLY - Entrance, upper, complete	1	31-7552053 to 31-7652177 incl.
	54714-02	A,D	DOOR ASSEMBLY - Entrance, upper, complete	1	31-7752001 to 31-8152203 incl.
	54714-12	A,D	DOOR ASSEMBLY - Entrance, upper, complete	1	31-8252001 to 31-8252085 incl.
	54714-18	A,D	DOOR ASSEMBLY - Entrance, upper, complete	1	31-8352001 to 31-8352042 incl.
	74364-03	A,D	DOOR ASSEMBLY - Entrance, upper, complete	1	31-8452001 and up
	41668-05	A,D	DOOR ASSEMBLY - Entrance, upper, complete (tinted)	1	31-5001 to 31-7552052 incl.
	41668-07	A,D	DOOR ASSEMBLY - Entrance, upper, complete (tinted)	1	31-7552053 to 31-7652177 incl.
	54714-03	A,D	DOOR ASSEMBLY - Entrance, upper, complete (tinted)	1	31-7752001 to 31-8152203 incl.
	54714-13	A,D	DOOR ASSEMBLY - Entrance, upper, complete (tinted)	1	31-8252001 to 31-8252085 incl.
	54714-19	A,D	DOOR ASSEMBLY - Entrance, upper, complete (tinted)	1	31-8352001 and up
-2	53296-02	B,D	DOOR ASSEMBLY - Entrance, lower, complete	1	31-5001 to 31-7552052 incl.
	53296-09	B,D	DOOR ASSEMBLY - Entrance, lower, complete	1	31-7552053 to 31-7652177 incl.
	53296-11	B,D	DOOR ASSEMBLY - Entrance, lower, complete	1	31-7752001
	53296-15	B,D	DOOR ASSEMBLY - Entrance, lower, complete	1	31-7752002 to 31-8252085 incl.
	53296-18	B,D	DOOR ASSEMBLY - Entrance, lower, complete	1	31-8352001 to 31-8452025 incl.
	53296-20	B,D	DOOR ASSEMBLY - Entrance, lower, complete	1	31-8452026 and up
-3	43584-00		NUT- Special	2	
	407 134		WASHER - (AN936-A8)	2	
	407 566		WASHER - (AN960-516)	4	
	416 987		SCREW - (AN526-1032R-4)	2	
-4	43853-00		SUPPORT ASSEMBLY - Upper door	1	31-5001 to 31-8152203 incl.
-5	452 383		* BEARING ASSEMBLY - Rod end (24166-00)	1	
-6	40559-21		* WASHER - Support assembly	1	
-7	484 783		* RING - Snap (N5000-77)	1	
-8	43850-00		* SPRING - Support assembly	1	
-9	452 036		* BEARING - Ball (MS19059-8)	4	
-10	452 357		* BEARING - Rod end (M34-14)	1	
-11	14843-114		* BUSHING - (Teflon) Under door support	1	
-12	43851-00		* SLEEVE - Door support adjusting	1	
-13	400 674		BOLT - (AN23-12)	1	31-5001 to 31-8152203 incl.
	406 702		NUT - Cap (22K1-02)	1	31-5001 to 31-8152203 incl.
-14	80122-111		WASHER - Door latch	AR	
-15	43515-00		PIN - Door hinge	2	
-16	400 915		BOLT - (AN24-25A) Front	1	31-5001 to 31-8152203 incl.
	407 565		WASHER - (AN960-416) Front	1	31-5001 to 31-8152203 incl.
	74072-02		STUD - Ball, door support, upper, front	1	31-8252001 and up
	400 909		BOLT - (AN24-19A) Rear	1	
	407 565		WASHER - (AN960-416) Rear	1	
-17	410 076		SCREW - (MS24694-S103)	4	
-18	43481-00		PIN - Special, door hinge	2	
-19	43321-00		STRIP - Seal retainer	1	
-20	43325-00		COVER - Lower door hinge	1	
-21	41256-02		PLATE - Door latch	2	
-22	44523-02		CABLE ASSEMBLY - Lower door support, front	1	31-5001 to 31-8252085 incl.
	44523-04		CABLE ASSEMBLY - Lower door support, front	1	31-8352001 and up
	44523-03	C	CABLE ASSEMBLY - Lower door support, rear	1	
-23	52847-00		* CLEVIS - Special	2	
-24	52846-00		* NUT- Special	2	
-25	187 527		EXTRUSION - Seal (130342)	14'	
-26	480 688		PIN - Roll (59-012-062-0500)	2	
-27	42245-02		WASHER - Door latch plate	4	
-28	71188-02	E	LATCH ASSEMBLY - Door	1	31-7552053 and up

When ordering, always specify Part Number, Description, and Serial Number of Aircraft

## PIPER PARTS CATALOG

Figure and Index Number	Part Number	Code	NOMENCLATURE	No. Req.	SERIAL NUMBERS AFFECTED
27-29	54245-02	E	PLATE - Door latch striker	1	31-7552053 and up
-30	44349-00		GUTTER - Rain	1	
-31	55633-03	F	PLATE ASSEMBLY - Door catch (complete)	1	
-32	71450-05	G	DECAL - "OPEN/LOCK"	1	31-7952247 and up
-33	71450-04	G	DECAL - "PULL HERE"	1	31-7952247 and up
-34	71450-03	G	DECAL - "PRESS HERE"	1	31-7952247 and up
-35	74044-03		SUPPORT ASSEMBLY - Upper door	1	31-8252001 and up
-36	43164-00		PLATE - Upper door support	1	31-5001 to 31-8152203 incl.
	74069-03		PLATE ASSEMBLY - Upper door support	1	31-8252001 and up
-37	71974-16		PULL-OUT ASSEMBLY - Door step extender	1	31-8352001 and up
-38	487 038		SNUBBER - Lower cabin door (500890-2)	1	31-8352001 and up
-39	74196-04		ADAPTER ASSEMBLY - Snubber attachment	1	31-8352001 and up
-40	452 353		* BEARING - (LSS-4)	1	31-8352001 and up
-41	400 675		BOLT - (AN23-13)	2	31-8352001 and up
	407 584		WASHER - (AN960-10L)	4	31-8352001 and up
	406 702		NUT - (22K1-02)	2	31-8352001 and up
-42	400 905		BOLT - (AN24-15A)	1	31-8352001 and up
	407 565		WASHER - (AN960-416)	1	31-8352001 and up
	14175-46		BUSHING	1	31-8352001 and up
-43	73106-02		SLEEVE - Door snubber	1	31-8352001 and up
-44	71974-23		SPACER - Door steps extender	1	31-8352001 and up

When ordering, always specify Part Number, Description and Serial Number of Aircraft

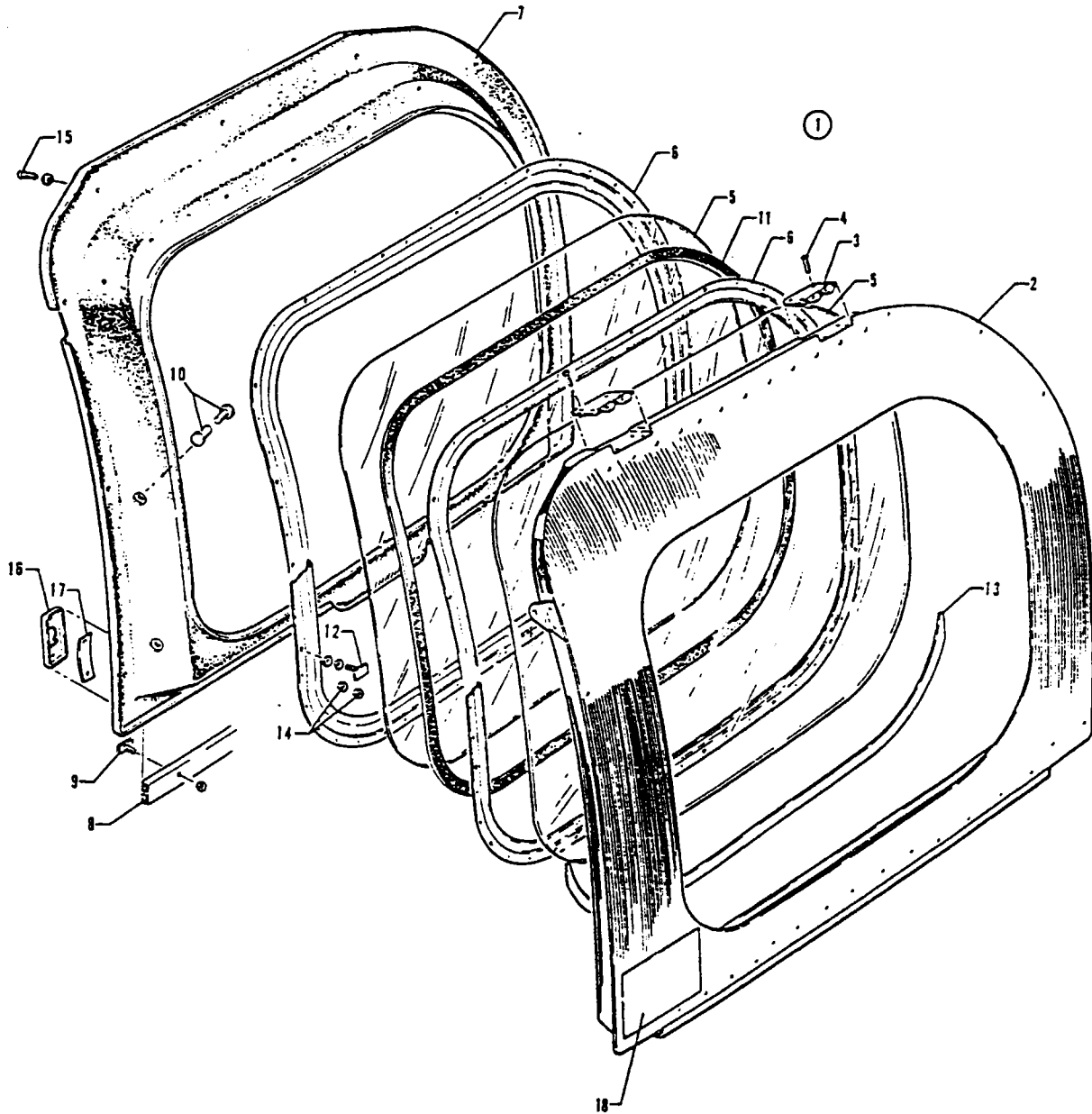


Figure 28. Upper Cabin Entrance Door

---

# PIPER PARTS CATALOG

---

## CODE EXPLANATIONS FOR FIGURE 28

- A - When ordering, specify color beige or white.
- B - Used on aircraft that comply with C.A.A. (United Kingdom) requirements.

## PIPER PARTS CATALOG

Figure and Index Number	Part Number	Code	NOMENCLATURE	No. Req.	SERIAL NUMBERS AFFECTED	
28-1	41668-04	A	DOOR ASSEMBLY - Entrance, upper, complete	1	31-5001 to 31-7552052 incl.	
	41668-06	A	DOOR ASSEMBLY - Entrance, upper, complete	1	31-7552053 to 31-7652177 incl.	
	54714-02	A	DOOR ASSEMBLY - Entrance, upper, complete	1	31-7752001 to 31-8152203 incl.	
	54714-12	A	DOOR ASSEMBLY - Entrance, upper, complete	1	31-8252001 to 31-8252085 incl.	
	54714-18	A	DOOR ASSEMBLY - Entrance, upper, complete	1	31-8352001 to 31-8352042 incl.	
	74364-02	A	DOOR ASSEMBLY - Entrance, upper, complete	1	31-8452001 and up	
	41668-05	A	DOOR ASSEMBLY - Entrance, upper, complete (with tinted window)	1	31-5001 to 31-7552052 incl.	
	41668-07	A	DOOR ASSEMBLY - Entrance, upper, complete (with tinted window)	1	31-7552053 to 31-7652177 incl.	
	54714-03	A	DOOR ASSEMBLY - Entrance, upper, complete (with tinted window)	1	31-7752001 to 31-8152203 incl.	
	54714-13	A	DOOR ASSEMBLY - Entrance, upper, complete (with tinted window)	1	31-8252001 to 31-8252085 incl.	
	54714-19	A	DOOR ASSEMBLY - Entrance, upper, complete (with tinted window)	1	31-8352001 and up	
	-2	41529-00		* DOOR ASSEMBLY - Entrance, upper	1	31-5001 to 31-7552052 incl.
		41529-06		* DOOR ASSEMBLY - Entrance, upper	1	31-7552053 to 31-7652177 incl.
		41529-07		* DOOR ASSEMBLY - Entrance, upper	1	31-7752001 to 31-8152203 incl.
41529-08			* DOOR ASSEMBLY - Entrance, upper	1	31-8252001 to 31-8252085 incl.	
41529-09			* DOOR ASSEMBLY - Entrance, upper	1	31-8352001 and up	
-3	41420-03		* * HINGE HALF - Upper door	2		
-4	416 785		* * SCREW - (AN507-1032R8)	8		
-5	41295-02		* WINDOW - Cabin door, outer	1		
	41295-04		* WINDOW - Cabin door, inner (clear)	1	31-5001 to 31-7652177 incl.	
	54714-05		* WINDOW - Cabin door, inner (clear)	1	31-7752001 to 31-8352042 incl.	
	74611-04		* WINDOW - Cabin door, inner (clear)	1	31-8452001 and up	
	41295-06		* WINDOW - Cabin door, inner (tinted)	1	31-5001 to 31-7652177 incl.	
	54714-06		* WINDOW - Cabin door, inner (tinted)	1	31-7752001 to 31-8352042 incl.	
	74611-09		* WINDOW - Cabin door, inner (tinted)	1	31-8452001 and up	
	-6	41335-02		* STRIP - Cabin door window, inboard	1	31-5001 to 31-7652177 incl.
		41335-03		* STRIP - Cabin door window, outboard	1	31-5001 to 31-7652177 incl.
		54714-07		* RETAINER - Cabin door window, outboard	1	31-7752001 and up
-7	53278-00		* MOULDING ASSEMBLY - Entrance door window	1	31-5001 to 31-7552052 incl.	
	53278-02	A	* MOULDING ASSEMBLY - Entrance door window	1	31-7552053 to 31-7652177 incl.	
	54714-04	A	* MOULDING ASSEMBLY - Entrance door window	1	31-7752001 to 31-8352042 incl.	
	74612-02	A	* MOULDING ASSEMBLY - Entrance door window	1	31-8452001 and up	
-8	149 211		* TRACK - Curtain window	3'	31-5001 to 31-8152001 incl.	
	149 392		* TRACK - Curtain window	3'	31-8152002 and up	
-9	47494-00		* STUD ASSEMBLY - Curtain track	10		
	404 596		* NUT - (MS20341-4S)	10		
-10	460 039		* POST - Moulding (D1983)	6	31-5001 to 31-8352042 incl.	
	460 039		* POST - Moulding (D1983)	2	31-8452001 and up	
	460 038		* STUD - Moulding (D4366)	6	31-5001 to 31-8352042 incl.	
	487 663		* STUD - Moulding (BS12303)	2	31-8452001 and up	
	80045-10		* STRIP - Rubber, entrance door window	1	31-5001 to 31-7652177 incl.	
-11	45506-00		* MOULDING - Window, extruded (72" long)	1	31-7752001 to 31-8352042 incl.	
	19795-00		* MOULDING - Window, extruded (72" long)	1	31-8452001 and up	
	44103-00		* STUD - Window retainer attachment	18	31-5001 to 31-7652177 incl.	
-12	42084-00		* PLATE - Shim, window retainer	1	31-5001 to 31-7652177 incl.	
-13	404 909		* NUT - (MS20365-632C)	18	31-5001 to 31-7652177 incl.	
	404 594		* NUT - (MS20341-6S)	18	31-5001 to 31-7652177 incl.	
-14	407 562		* WASHER - (AN960-6)	36	31-5001 to 31-7652177 incl.	
	415 245		* SCREW - (6-32 x 5/8)	10		
	494 102		* WASHER - (C-394)	10		
-15	41873-02		* PLATE - Door safety anchor	1	31-5001 to 31-7552052 incl.	
-16	43513-00		* SPRING - Safety chain latch	1	31-5001 to 31-7552052 incl.	
-17	71450-02	B	DECAL - "DOOR-OPEN"	1	31-7952247 and up	

When ordering, always specify Part Number, Description and Serial Number of Aircraft

PIPER PARTS CATALOG

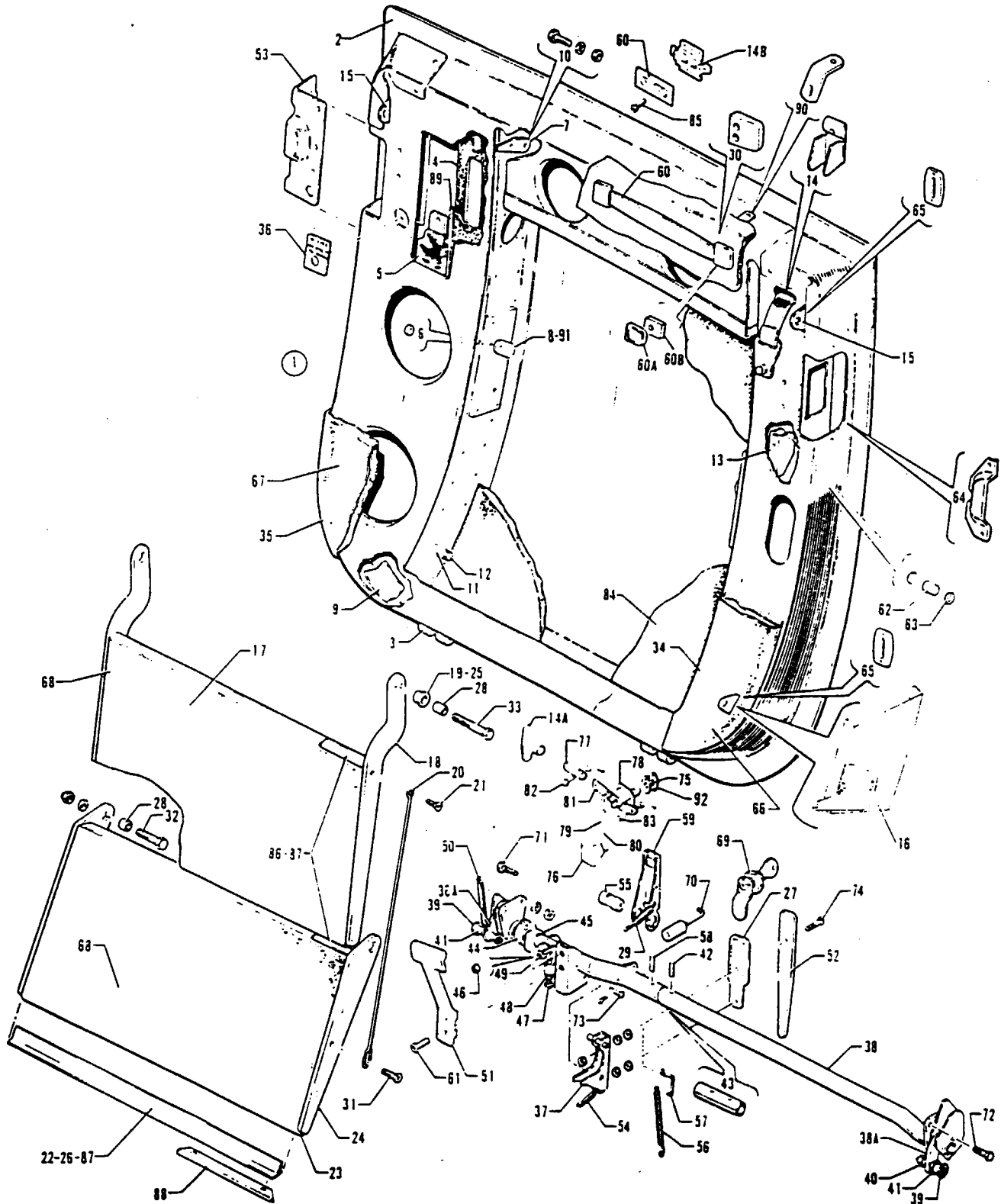


Figure 29. Lower Cabin Entrance Door

---

## PIPER PARTS CATALOG

---

### CODE EXPLANATIONS FOR FIGURE 29

- A - Serial number of aircraft and color desired must be supplied when ordering this part
- B - If matching cabin, baggage and nacelle locker locks are desired, order Part No. 25163-11; if matching cabin, baggage, pilot door and nacelle locker locks are desired, order Part No. 25163-12, if matching cabin, baggage, pilot door, nacelle locker locks and locking fuel caps are desired, order Part No. 461 665 (or Part No. 461 667 if Nayak Fuel System is installed)
- C - Used on aircraft with Serial Nos. 31-5001 to 31-7552052 inclusive, if Cabin Door Safety Latch Installation Kit 760 927 has been installed per Service Letter 739



## PIPER PARTS CATALOG

Figure and Index Number	Part Number	Code	NOMENCLATURE	No. Req.	SERIAL NUMBERS AFFECTED
29-1	53296-02	A	DOOR ASSEMBLY - Entrance, lower, complete	1	31-5001 to 31-7552052 incl
	53296-09	A	DOOR ASSEMBLY - Entrance, lower, complete	1	31-7552053 to 31-7652177 incl
	53296-11	A	DOOR ASSEMBLY - Entrance, lower, complete	1	31-7752001
	53296-15	A	DOOR ASSEMBLY - Entrance, lower, complete	1	31-7752002 to 31-8252085 incl
	53296-18	A	DOOR ASSEMBLY - Entrance, lower, complete	1	31-8352001 to 31-8452025 incl
	53296-20	A	DOOR ASSEMBLY - Entrance, lower, complete	1	31-8452026 and up
-2	41367-06		* DOOR ASSEMBLY - Entrance, lower	1	31-5001 to 31-7552052 incl.
	41367-08		* DOOR ASSEMBLY - Entrance, lower	1	31-7552053 to 31-7652177 incl.
	41367-10		* DOOR ASSEMBLY - Entrance, lower	1	31-7752001
	41367-08		* DOOR ASSEMBLY - Entrance, lower	1	31-7752002 to 31-8252085 incl.
	41367-14		* DOOR ASSEMBLY - Entrance, lower	1	31-8352001 and up
-3	41363-02		* * HINGE - Lower entrance door	2	
-4	42248-00		* * WEATHER SEAL - Door handle cutout	1	
-5	43937-00		* * SEAL ASSEMBLY - Cabin door handle	1	
-6	14843-55		* * BUSHING - Door step	1	
-7	41245-00		* * STOP - Door step, rear	1	
	81262-107		* * STOP - Door step, front	1	
-8	81262-108		* * LINK - Door step	2	31-5001 to 31-8252085 incl.
-9	43511-00		* * ANGLE - Door reinforcement	1	
-10	400 443		* * BOLT - (AN3-12A)	4	
-11	41413-45		* * BUSHING - Door step	1	
-12	401 269		* * BOLT - (AN3-10A)	1	
-13	43963-00		* * BRACKET ASSEMBLY - Safety catch	1	31-5001 to 31-7552052 incl
-14	43967-00		* * BRACKET ASSEMBLY - Safety catch	1	31-5001 to 31-7552052 incl.
-14a	54266-02	C	* * GUIDE ASSEMBLY - Door latch pin	1	31-7552053 and up
-14b	55377-02		* * BRACKET ASSEMBLY - Door handle	1	31-7752001
-15	43585-00		* * BRACKET - Door support cable	2	
-16	74237-05		* * BRACKET ASSEMBLY - Door snubber	1	31-8352001 and up
-17	44351-13	A	* STEP ASSEMBLY - Lower	1	31-5001 to 31-8252085 incl
	44351-14	A	* STEP ASSEMBLY - Lower	1	31-8352001 and up
-18	41314-00		* * ARM ASSEMBLY - Door lower step, front	1	
	41314-01		* * ARM ASSEMBLY - Door lower step, rear	1	
-19	453 733		* * * BUSHING - Step arm (NAS77-6-25)	1	
-20	42238-00		* * ROD - Step connecting	1	31-5001 to 31-8252085 incl
	73105-02		* * ROD - Step connecting	1	31-8352001 and up
-21	402 741		* * BOLT - (NAS333CPA10)	1	
-22	44348-00		* * STRIP - Door step protector	1	31-5001 to 31-7952250 incl.
-23	44351-12	A	* STEP ASSEMBLY - Upper	1	
-24	41355-00		* * ARM ASSEMBLY - Door upper step, front	1	
	41355-01		* * ARM ASSEMBLY - Door upper step, rear	1	
-25	453 733		* * * BUSHING - Step arm (NAS77-6-25)	1	
-26	44348-00		* * STRIP - Door step protector	1	31-5001 to 31-7952250 incl
-27	43509-00		* PLATE - Door handle lock	1	
-28	14843-107		* BUSHING - Door step	4	
-29	487 494		* SPRING - (LE-031D-5-MW)	1	
-30	52753-00		* SHIM - Tapered, door handle	1	31-5001 to 31-7652177 incl. 31-7752002 and up
-31	420 741		* BOLT - (NAS333CPA-10)	2	
-32	401 311		* BOLT - (AN4-11A)	2	
-33	401 312		* BOLT - (AN4-12A)	2	
-34	53229-00	A	* PANEL ASSEMBLY - Cabin door trim (includes safety strap)	1	31-5001 to 31-7552052 incl.
	54256-02	A	* PANEL ASSEMBLY - Cabin door trim	1	31-7552053 to 31-7652177 incl
	54256-04		* PANEL ASSEMBLY - Cabin door trim	1	31-7752001 and up
-35	53195-00	A	* PANEL ASSEMBLY - Cabin door trim, aft	1	31-5001 to 31-7652177 incl.
	53195-04	A	* PANEL ASSEMBLY - Cabin door trim, aft	1	31-7752001 and up
-36	43067-00		* * PLACARD - Door handle latch	1	
-37	43069-00		* ACTUATOR ASSEMBLY - Door latch mechanism	1	

When ordering, always specify Part Number, Description and Serial Number of Aircraft

PIPER PARTS CATALOG

Figure and Index Number	Part Number	Code	NOMENCLATURE	No. Req.	SERIAL NUMBERS AFFECTED
29-38	42240-04		* TUBE ASSEMBLY - Door mechanism, front	1	
	42239-04		* TUBE ASSEMBLY - Door mechanism, rear	1	31-5001 to 31-8452025 incl
	42239-06		* TUBE ASSEMBLY - Door mechanism, rear	1	31-8452026 and up
-38a	41258-00		* * HOOK - Latch, door mechanism, forward and aft	2	
-39	42245-03		* * WASHER - Door mechanism	1	
	410 050		* * SCREW - (MS24694-S63) Door mechanism	1	
	404 835		* * NUT - (MS20364-1032C) Door mechanism	1	
-40	41413-41		* * BUSHING - Door mechanism	1	
-41	20737-44		* * BUSHING - Door mechanism	1	
-42	480 731		* * PIN - Roll (59-028-125-0750)	1	
-43	82352-103		* * TUBE - Door mechanism connector	1	
-44	43062-00		* * PLATE ASSEMBLY - Safety latch rocker, door mechanism, rear	1	
-45	43063-00		* * ARM ASSEMBLY - Safety latch rocker, door mechanism, rear	1	
-46	61402-103		* * BUSHING - Door mechanism, rear	2	
-47	416 133		* * SCREW - (AN501-10-14) Door mechanism, rear	1	
-48	404 224		* * NUT - (AN315-3R) Door mechanism, rear	1	
-49	415 633		* * SCREW - (MS35206-333)	1	
	404 910		* * NUT - (MS20365-832C)	1	
	407 585		* * WASHER - (AN960-416L)	2	
	407 563		* * WASHER - (AN960-8)	2	
-50	53827-00		* * SPRING - Door latch	2	
-51	42250-00		* HANDLE - Door, inner	1	31-5001 to 31-8052094 incl.
	71415-03		* HANDLE - Door, inner	1	31-8052095 and up
-52	43546-00		* HANDLE - Door, outer	1	
-53	43690-03		* COVER - Door latch mechanism, front	1	
	43690-02		* COVER - Door latch mechanism, rear	1	
-54	83302-69		* SPRING - Door latch	1	
-55	43065-00		* BUSHING - Safety latch eccentric	1	
-56	83302-71		* SPRING - Door latch	1	
-57	42242-00		* HOOK - Door latch mechanism, rear	1	31-5001 to 31-8452025 incl
	73078-02		* HOOK - Door latch mechanism, rear	1	31-8452026 and up
-58	480 731		* PIN - Roll (59-028-125-0750)	1	
-59	43066-00		* BRACKET ASSEMBLY - Safety latch stop	1	
-60	53214-00	A	* HANDLE ASSEMBLY - Lower door	1	31-5001 to 31-7652177 incl
	55379-02	A	* HANDLE - Door, flush	1	31-7752001
	53214-02	A	* HANDLE ASSEMBLY - Lower door	1	31-7752002 and up
-60a	763 246		* * CAP - Decorative (321)	2	31-5001 to 31-7652177 incl. 31-7752002 and up
-60b	762 570		* * RETAINER - Door handle (324)	2	31-5001 to 31-7652177 incl 31-7752002 and up
-61	416 800		* SCREW - (MS24693-S278)	2	
	406 870		* RIVNUT - (A10K75)	2	
-62	49999-10		* BUSHING	1	31-5001 to 31-7552052 incl.
-63	81342-104		* WASHER	2	31-5001 to 31-7552052 incl.
-64	44311-02		* COVER - Door latch mechanism trim	1	31-5001 to 31-7652177 incl.
-65	44312-00		* COVER - Cable attachment trim	2	31-5001 to 31-8252085 incl.
	44312-00		* COVER - Cable attachment trim	3	31-8352001 and up
-66	53296-06		* COVER - Panel assembly, forward	1	
-67	53296-07		* COVER - Panel assembly, aft	1	
-68	53296-08		* COVER - Step assembly	2	
-69	752 369	B	* LOCK ASSEMBLY - Cabin door (with 2 keys)	1	
-70	43064-00		* ROD ASSEMBLY - Safety latch actuator	1	
-71	400 438		* BOLT - (AN3-4A)	2	

When ordering, always specify Part Number, Description and Serial Number of Aircraft

PIPER PARTS CATALOG

Figure and Index Number	Part Number	Code	NOMENCLATURE	No. Req.	SERIAL NUMBERS AFFECTED
29-72	400 438		* BOLT - (AN3-4A)	2	
	407 564		* WASHER - (AN960-10)	2	
	404 887		* NUT - (MS20365-1032C)	2	
-73	424 183		* PIN - (MS20392-2C29)	1	
	424 095		* COTTER PIN - (MS24665-151)	1	
-74	415 283		* SCREW - (10-32 x 1- oval head)	2	
	404 835		* NUT - (MS20364-1032C)	2	
-75	54237-02	C	* PLATE - Bellcrank bearing	2	31-7552053 and up
-76	54240-02	C	* ARM - Bellcrank actuating	1	31-7552053 to 31-8452025 incl.
-77	54242-02	C	* PIN - Door latch safety	1	31-7552053 to 31-8452025 incl
	45266-02		* PIN - Door latch safety	1	31-8452026 and up
-78	54243-02	C	* BELLCRANK ASSEMBLY - Door pin	1	31-7552053 to 31-8452025 incl.
	02042-02		* BELLCRANK ASSEMBLY - Door pin	1	31-8452026 and up
-79	54244-02	C	* ROD ASSEMBLY - Door latch bellcrank	1	31-7552053 to 31-8452025 incl
-80	54244-03	C	* ROD ASSEMBLY - Door latch bellcrank	1	31-7552053 to 31-8452025 incl
	02039-02		* ROD ASSEMBLY - Door latch bellcrank	1	31-8452026 and up
-81	54265-02	C	* LINK - Door plunger actuating	1	31-7552053 to 31-8452025 incl
	02037-02		* LINK - Door plunger actuating	1	31-8452026 and up
-82	424 175	C	* PIN - (MS20392-2C13)	1	31-7552053 to 31-8452025 incl
	424 140		* PIN - (MS20392-1C7)	1	31-8452026 and up
	407 584	C	* WASHER - (AN960-10L)	1	31-7552053 to 31-8452025 incl.
	407 583		* WASHER - (AN960-8L)	1	31-8452026 and up
	424 051	C	* COTTER PIN - (MS24665-132)	1	31-7552053 and up
-83	424 174	C	* PIN - (MS20392-2C7)	1	31-7552053 and up
	407 584	C	* WASHER - (AN960-10L)	1	31-7552053 and up
	424 051	C	* COTTER PIN - (MS24665-132)	1	31-7552053 and up
-84	53217-00	A	* INSERT - Cabin door trim	1	31-5001 to 31-7652177 incl
	55383-02	A	* CARPET - Cabin door trim	1	31-7752001
	55383-03	A	* CARPET - Cabin door trim	1	31-7752002 and up
-85	415 419		* SCREW - (8-32 x 1/2" L)	2	
-86	44348-00		* STRIP - Door step protector	2	31-5001 to 31-7952250 incl
-87	44348-02		* STRIP - Door step protector	4	31-8052001 and up
-88	71140-02		* STRIP - Step tread protector	4	31-8052001 and up
-89	43510-00		* SEAL - Door handle	1	
-90	43541-00		* PLATE - Striker, door ajar switch	1	
-91	81262-108		* LINK - Door step	2	31-8352001 and up
-92	02062-01		* PLATE - Bellcrank	1	31-8452026 and up

When ordering, always specify Part Number, Description and Serial Number of Aircraft

# PIPER PARTS CATALOG

---

GRIDS 1F22 THRU 1F24  
INTENTIONALLY LEFT BLANK

PIPER PARTS CATALOG

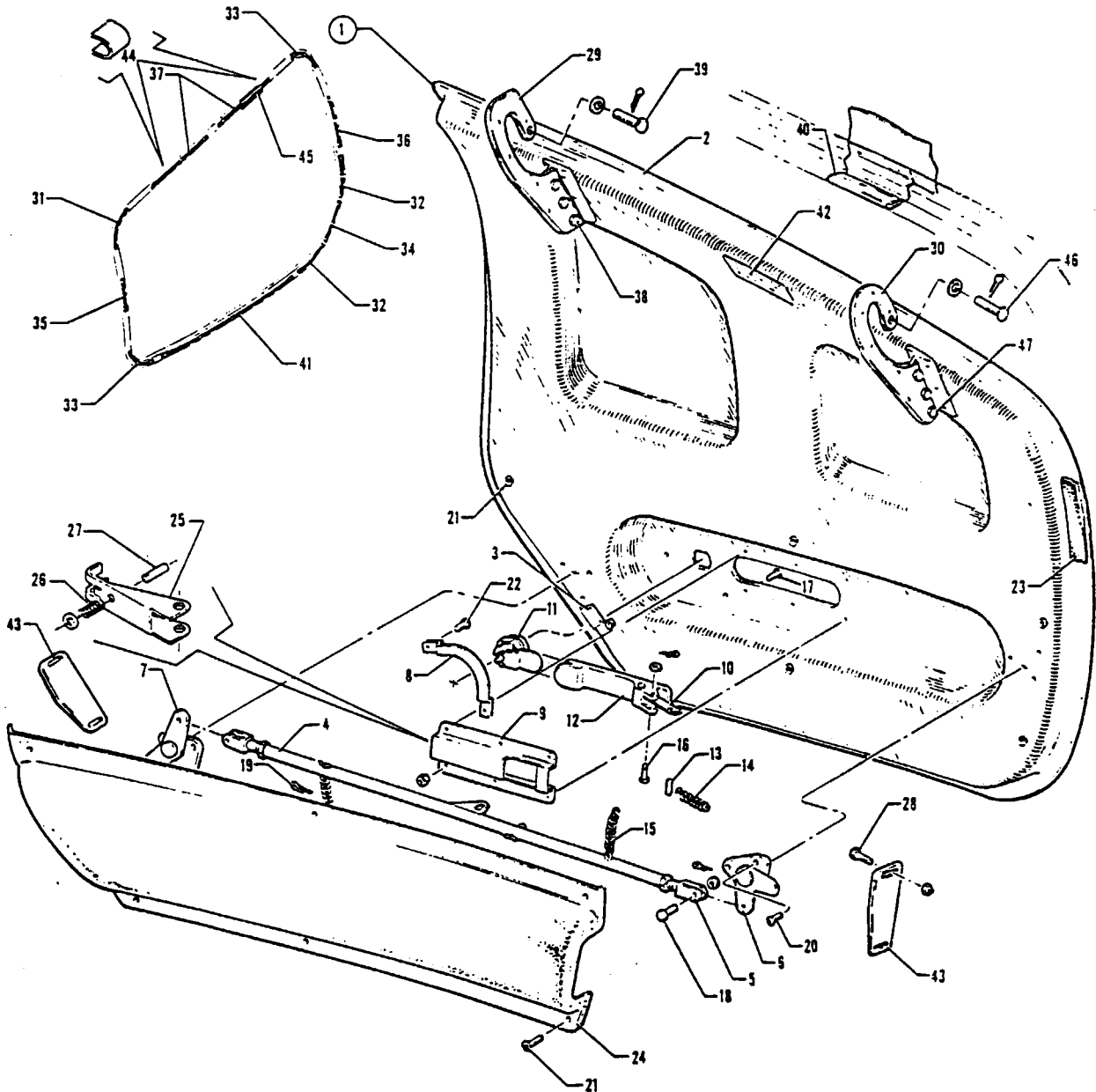


Figure 30. Forward Baggage Door Installation

---

## PIPER PARTS CATALOG

---

### CODE EXPLANATIONS FOR FIGURE 30

- A - If matching cabin, baggage and nacelle locker locks are desired, order Part No 25163-11, if matching cabin, baggage, pilot door and nacelle locker locks are desired, order Part No 25163-12, if matching cabin, baggage, pilot door, nacelle locker locks and locking fuel caps are desired, order Part No 461 665 (or Part No 461 667 if Nayak Fuel System is installed)
- B - Also used on Serial Nos 31-5001 to 31-7852129 inclusive if Kit 763 922 or Kit 763 923 has been installed per Service Bulletin 604A

## PIPER PARTS CATALOG

Figure and Index Number	Part Number	Code	NOMENCLATURE	No. Req.	SERIAL NUMBERS AFFECTED
30-	53433		DRAWING - Forward Baggage Door Installation		
-1	40198-02		BAGGAGE DOOR ASSEMBLY - (Complete) Forward	1	31-5001 to 31-7652177 incl.
	40198-04		BAGGAGE DOOR ASSEMBLY - (Complete) Forward	1	31-7752001 and up
-2	40197-00		BAGGAGE DOOR ASSEMBLY	1	
-3	44321-00		PLATE - Striker, switch	1	
-4	40195-00		TUBE ASSEMBLY - Baggage door, latch	1	
-5	30576-00		CLEVIS - Baggage door latch, tube assembly	2	
-6	40194-03		ARM ASSEMBLY - Baggage door lock, forward	1	
-7	40353-00		ARM ASSEMBLY - Baggage door lock, aft	1	
-8	30852-00		PLATE ASSEMBLY - Baggage door lock guide	1	
-9	30580-00		BRACKET - Baggage door handle	1	
-10	60054-14		LINK - Baggage door spring	1	
-11	752 350	A	LOCK ASSEMBLY - Baggage door (with 2 keys)	1	
-12	22641-02		HANDLE - Baggage door	1	
-13	480 691		ROLL PIN - Baggage door (52-028-125-0875)	1	
-14	14635-03		SPRING - Baggage door	1	
-15	83302-23		SPRING - Baggage door	2	
-16	424 183		PIN - (MS20392-2C29)	1	31-5001 to 31-7852129 incl
	424 186	B	PIN - (MS20392-2C35)	1	31-7852130 and up
	19513-53		WASHER	2	
	424 051		COTTER PIN - (MS24665-132)	1	
-17	415 518		SCREW - (MS35206-228)	6	
	404 909		NUT - (MS20365-632C)	6	
-18	424 176		PIN - (MS20392-2C15)	2	
	407 584		WASHER - (AN960-10L)	2	
	424 051		COTTER PIN - (MS24665-132)	2	
-19	424 051		COTTER PIN - (MS24665-132)	2	
-20	414 756		SCREW - (MS24693-S30)	6	
-21	406 848		RIVNUT - (A6K75)	6	
	415 520		SCREW - (MS35206-230)	6	
-22	415 518		SCREW - (MS35206-228)	2	
-23	85512-28		STRIP - Seal, baggage door moulding	1	
-24	40198-03		COVER - Baggage door, grey	1	31-5001 to 31-7652177 incl
	40196-00		COVER - Baggage door, sahara beige	1	31-7752001 and up
-25	28467-03	B	BRACKET - Baggage door handle	1	31-7852130 and up
-26	83302-67	B	SPRING - Baggage door handle	1	31-7852130 and up
-27	424 145	B	PIN - (MS20392-1C17)	1	31-7852130 and up
	407 562	B	WASHER - (AN960-6)	1	31-7852130 and up
	424 051	B	COTTER PIN - (MS24665-132)	1	31-7852130 and up
-28	415 520		SCREW - (MS35206-230)	4	
	404 829		NUT - (MS20364-632C)	4	
-29	42541-00		HINGE - Baggage door, rear	1	
-30	30603-00		HINGE ASSEMBLY - Baggage door, forward	1	
-31	25244-02		STRIP - Seal, baggage door moulding	1	
-32	25244-03		STRIP - Seal, baggage door moulding	2	
-33	25244-04		STRIP - Seal, baggage door moulding	2	
-34	25243-02		STRIP - Seal, baggage door moulding	1	
-35	25243-05		STRIP - Seal, baggage door moulding	1	
-36	25243-08		STRIP - Seal, baggage door moulding	1	
-37	25243-09		STRIP - Seal, baggage door moulding	2	

When ordering, always specify Part Number, Description and Serial Number of Aircraft

## PIPER PARTS CATALOG

Figure and Index Number	Part Number	Code	NOMENCLATURE	No. Req.	SERIAL NUMBERS AFFECTED
30-38	400 440		BOLT - (AN3-6A)	3	
	407 564		WASHER - (AN960-10)	3	
	404 887		NUT - (MS20365-1032C)	3	
-39	424 183		PIN - (MS20392-2C31)	1	
	407 564		WASHER - (AN960-10)	1	
	424 051		COTTER PIN - (MS24665-132)	1	
-40	149-111		EXTRUSION - Nylon (40-101)	4'	
-41	25243-03		STRIP - Seal, baggage door moulding	1	
-42	47545-00		PLACARD - Baggage door, baggage capacity	1	
-43	40207-00		PLATE - Baggage door lock	2	
-44	52794-00		CLIP - Seal retainer	2	31-5001 to 31-7952001 incl.
-45	23183-00		MOULDING - Baggage door seal	9'	
-46	424 182		PIN - (MS20392-2C29)	1	
	407 564		WASHER - (AN960-10)	1	
	424 051		COTTER PIN - (MS24665-132)	1	
-47	401 266		BOLT - (AN3-5A)	3	
	407 564		WASHER - (AN960-10)	3	
	404 887		NUT - (MS20365-1032C)	3	

When ordering, always specify Part Number, Description and Serial Number of Aircraft



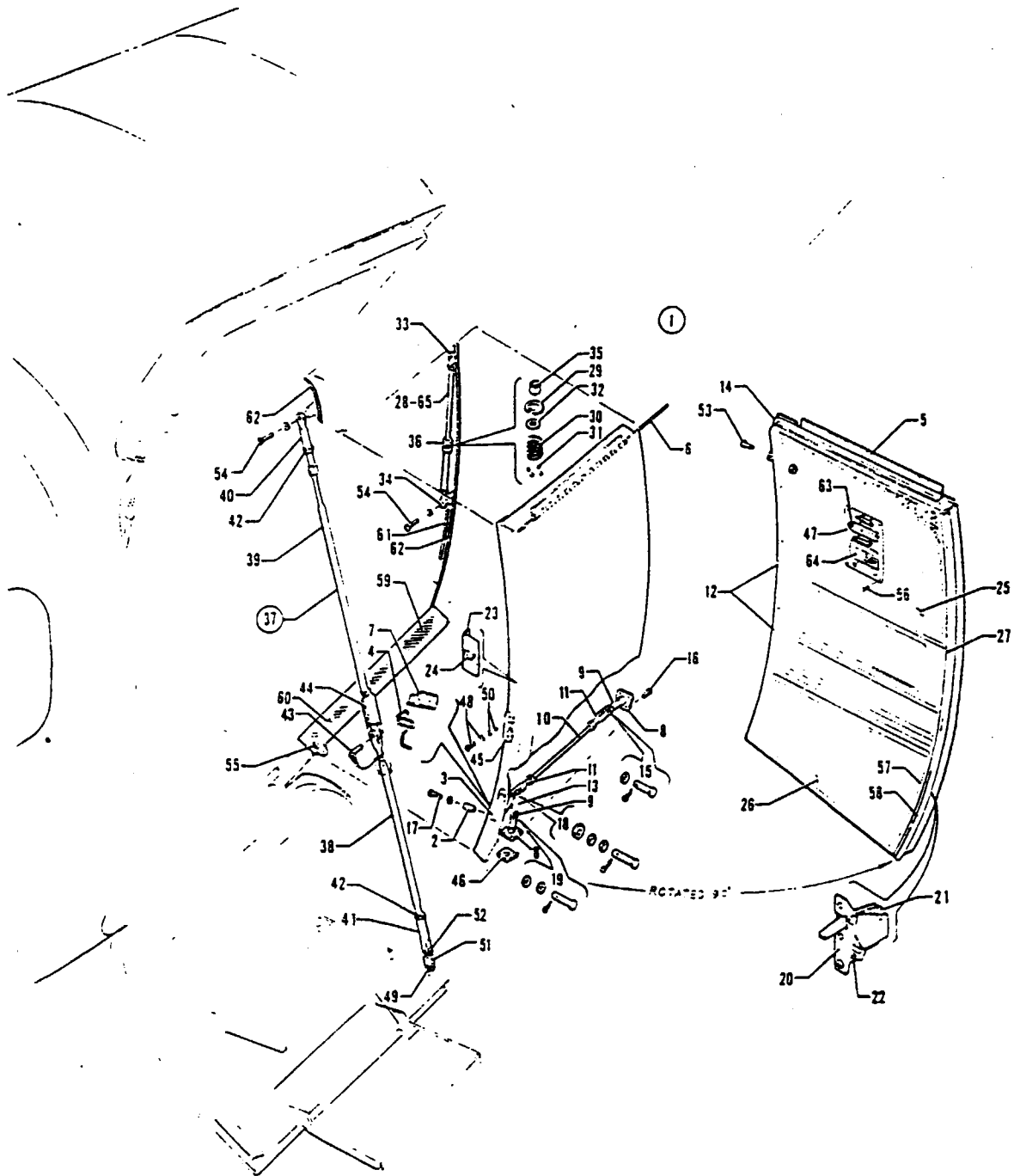


Figure 31. Cargo Door Assembly and Installation

---

## PIPER PARTS CATALOG

---

### CODE EXPLANATIONS FOR FIGURE 31

- A - Serial number of aircraft must be supplied when ordering this part.
- B - Used with classic interior only.
- C - Used with continental interior only
- D - When ordering, specify color beige or white
- E - Used on aircraft with Serial Nos. 31-5001 to 31-7552052 inclusive, if Cabin Door Safety Latch Installation Kit 760 927 has been installed per Service Letter 739.
- F - Used on aircraft with Serial Nos. 31-5001 to 31-7552052 inclusive, if Cabin Door Ajar Switch Installation Kit 760 870 has been installed per Service Letter 739
- G - Used if Nacelle Fuel System (Nayak) is installed. Used in conjunction with cargo loading placard P/N 52393-00

# PIPER PARTS CATALOG

Figure and Index Number	Part Number	Code	Nomenclature	No. Req.	Serial Numbers Affected
31-	53330		DRAWING - Cargo Door Installation		
-1	44581-00		DOOR ASSEMBLY - Cargo	1	31-5001 to 31-7652177 incl.
	44581-06		DOOR ASSEMBLY - Cargo	1	31-7752001 to 31-8152203 incl.
	44581-08		DOOR ASSEMBLY - Cargo	1	31-8252001 and up
	44581-02		* SKIN - Cargo door, outer	1	
-2	63900-22		* BUSHING - Cargo door handle	1	
-3	44534-00		* HANDLE - Cargo door latch	1	
-4	44497-00		* SPRING - Latch retainer (587 267)	1	
-5	44528-04		* HINGE ASSEMBLY - Cargo door	1	31-5001 to 31-8052202 incl.
	44528-06		* HINGE - Half, cargo door	1	31-8052203 and up
	44528-07		* HINGE - Half, fuselage	1	31-8052203 and up
-6	44528-03		** PIN - Cargo door hinge	1	31-5001 to 31-8052199 incl.
	56951-04		** PIN - Cargo door hinge	1	31-8052200 and up
-7	44498-00		* PLATE - Door spring retainer	1	
-8	44503-00		* GUIDE ASSEMBLY - Door latch pin, front	1	
	44504-00		* GUIDE ASSEMBLY - Door latch pin, rear	1	
-9	44506-00		* PIN - Door latch, front	1	
	44507-00		* PIN - Door latch, rear	1	
-10	44510-00		* ROD ASSEMBLY - Cargo door latch	1	
-11	454 901		* CLEVIS - (MS27975-4)	1	
-12	44509-00		* EXTRUSION - Cargo door trim panel	2	31-5001 to 31-7652177 incl.
	44509-00		* EXTRUSION - Cargo door trim panel	1	31-7752001 and up
-13	81262-110		* LINK - Door latch pin	1	
-14	187 527		* SEAL - Extrusion (130342)	6'	
-15	424 175		* PIN - (MS20392-2C13)	1	
	407 584		* WASHER - (AN960-10L)	2	
	424 095		* PIN - Cotter (MS24665-151)	1	
-16	410 055		* SCREW - (MS24694-C4)	8	
-17	400 882		* BOLT - (AN23-30A)	1	
	407 682		* WASHER - (AN960-C10L)	1	
-18	424 178		* PIN - (MS20392-2C19)	1	
	407 584		* WASHER - (AN960-10L)	2	
	80122-110		* WASHER - Door latch link	1	31-5001 to 31-7952044 incl.
	407 800		* WASHER - (AN970-3)	1	31-7952045 and up
	424 095		* PIN - Cotter (MS24665-151)	1	
-19	424 178		* PIN - (MS20392-2C19)	1	
	407 584		* WASHER - (AN960-10L)	2	
	424 095		* PIN - Cotter (MS24665-151)	1	
-20	54190-03	F	* SWITCH ASSEMBLY - Door ajar	1	31-7552053 and up
-21	487 819	F	* * SWITCH - (MS25253-3)	1	31-7552053 and up
-22	83303-02	F	* SPRING - Switch adjusting	1	31-7552053 and up
-23	54663-02	E	* REINFORCEMENT - Door frame	1	31-7552053 and up
-24	54659-02	E	* RECEPTACLE - Door latch safety pin	1	31-7552053 and up
-25	53424-00	D	PANEL - Cargo door trim, upper	1	31-5001 to 31-7652177 incl.
	55323-05	A	PANEL - Cargo door trim, upper	1	31-7752001 and up
-26	53235-00	A,B	PANEL ASSEMBLY - Cargo door trim, lower	1	31-5001 to 31-7652177 incl.
	53482-00	A,C	PANEL ASSEMBLY - Cargo door trim, lower	1	31-5001 to 31-7652177 incl.
	53482-07	A	PANEL ASSEMBLY - Cargo door trim	1	31-7752001 to 31-7852029 incl.
	55984-02	A	PANEL ASSEMBLY - Cargo door trim	1	31-7852030 to 31-8052245 incl.
	71636-02	A	PANEL ASSEMBLY - Cargo door trim	1	31-8052246 and up
-27	55274-02		PANEL ASSEMBLY - Cargo door trim, center	1	31-5001 to 31-7652177 incl.
-28	43853-00		SUPPORT ASSEMBLY - Cargo door	1	31-5001 to 31-8152203 incl.
-29	484 793		* RING - Snap (N5000-77)	1	
-30	43850-00		* SPRING - Support assembly	1	
-31	452 036		* BEARING - Ball (MS19059-08)	4	
-32	40559-21		* WASHER - Support assembly	1	
-33	452 357		* BEARING - Rod end (M34-14)	1	

When ordering, always specify Part Number, Description, and Serial Number of Aircraft

## PIPER PARTS CATALOG

Figure and Index Number	Part Number	Code	NOMENCLATURE	No. Req.	SERIAL NUMBERS AFFECTED
31-34	452 383		* BEARING ASSEMBLY - Rod end (24166-00)	1	
-35	14843-114		* BUSHING - Door support (Teflon)	1	
-36	43851-00		* SLEEVE - Door support adjusting	1	
-37	44564-00		CABLE ASSEMBLY - Door support (complete)	1	31-5001 to 31-7652177 incl.
	44564-02		CABLE ASSEMBLY - Door support (complete)	1	31-7752001 and up
-38	44562-00		* CABLE ASSEMBLY - Door support, lower	1	
-39	44563-00		* CABLE ASSEMBLY - Door support, upper	1	
-40	44561-00		* TERMINAL - Cable end	1	
-41	52847-00		* CLEVIS - Special	1	
-42	52846-00		* NUT - Special	2	
-43	53909-00		* PIN ASSEMBLY - Cargo door cable	1	
-44	53968-00		* BOOT - Cable assembly	1	31-5001 to 31-7652177 incl.
	53968-03		* BOOT - Cable assembly	1	31-7752001 and up
-45	41256-02		PLATE - Door latch	1	
-46	44502-00		PLATE - Door pin	1	
-47	52393-00		PLACARD - Cargo loading	1	
-48	410 076		SCREW - (MS24694-S103)	2	
	42245-02		WASHER - Countersunk	2	
-49	411 528		SCREW - (MS35207-259)	1	
	407 134		WASHER - (AN936-A8)	1	
	407 566		WASHER - (AN960-516)	2	
	43584-00		NUT - Special	1	
-50	80122-111		WASHER - Door latch	AR	
-51	53893-00		LINK - Door support cable	1	
-52	411 528		SCREW - (MS35207-259)	1	
	407 134		WASHER - (AN936-A8)	1	
	43584-00		NUT - Special	1	
-53	400 674		BOLT - (AN23-12)	1	31-5001 to 31-8152203 incl.
	406 702		NUT - Cap (22K1-02)	1	31-5001 to 31-8152203 incl.
-54	400 914		BOLT - (AN24-24A)	2	31-5001 to 31-8152203 incl.
	400 914		BOLT - (AN24-24A) Rear	1	31-8252001 and up
	74072-02		STUD - Ball, front	1	31-8252001 and up
	407 565		WASHER - (AN960-416)	2	31-5001 to 31-8152203 incl.
	407 565		WASHER - (AN960-416) Rear	1	31-8252001 and up
-55	402 070		BOLT - Eye (AN45-4A)	1	
-56	420 192		RIVET - (MS20470A3-3) Black anodized finish	6	
-57	147 120		STRIP - Trim (6' length) (844)	AR	
-58	53418-00		WINDLACING - Cargo door	1	31-5001 to 31-7952250 incl.
	71100-04		WINDLACING - Cargo door	1	31-8052001 and up
-59	55601-02		SILL - Cargo door	1	31-7752001 and up
-60	416 891		SCREW - (6 x 3/8 L., Type A, PH)	4	31-7752001 and up
	494 102		WASHER - (C-394)	4	31-7752001 and up
-61	55335-04		STRIP - Trim, aft	1	31-7752001 to 31-7852029 incl.
	55335-06		STRIP - Trim, aft	1	31-7852030 and up
-62	54169-12		WEATHER STRIP ASSEMBLY - Cargo door	1	31-5001 to 31-7952250 incl.
	71100-03		WEATHER STRIP ASSEMBLY - Cargo door	1	31-8052001 and up
-63	456 626	G	DECAL - Nacelle area, "F" (25356-3)	2	
-64	456 623	G	DECAL - Line F, "50 each" (25355-1)	1	
-65	74044-02		SUPPORT ASSEMBLY - Cargo door	1	31-8252001 and up

When ordering, always specify Part Number, Description and Serial Number of Aircraft

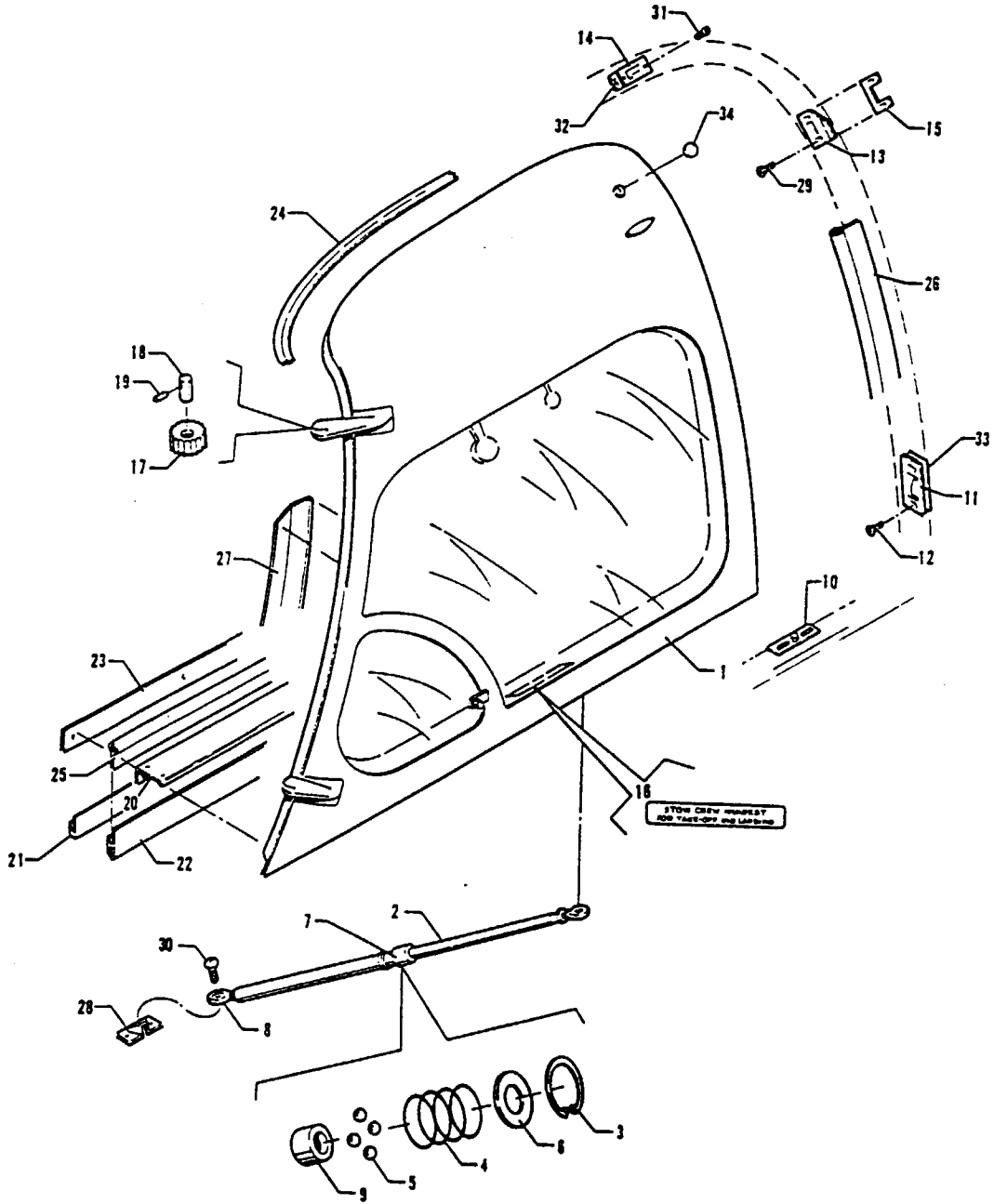


Figure 32. Pilot Door Installation

---

# PIPER PARTS CATALOG

---

## CODE EXPLANATIONS FOR FIGURE 32

- A - See Figure 33 for component parts.
- B - When ordering, specify color beige or white.
- C - Used on aircraft that comply with C.A.A. (United Kingdom) requirements.

## PIPER PARTS CATALOG

Figure and Index Number	Part Number	Code	NOMENCLATURE	No. Req	SERIAL NUMBERS AFFECTED
32-	53448 53439 55265		DRAWING - Pilot Door Installation DRAWING - Pilot Door Finishing Installation Modification DRAWING - Pilot Door Frame Molding Installation		31-5001 to 31-7752045 incl 31-7752046 and up
-1	44750-04 44750-09 54612-02 54612-06 44750-06 44750-22 54612-03 54612-07	A A,B A A A A,B A A	DOOR ASSEMBLY - Pilot, complete DOOR ASSEMBLY - Pilot, complete DOOR ASSEMBLY - Pilot, complete DOOR ASSEMBLY - Pilot, complete DOOR ASSEMBLY - Pilot, complete (with tinted window) DOOR ASSEMBLY - Pilot, complete (with tinted window) DOOR ASSEMBLY - Pilot, complete (with tinted window) DOOR ASSEMBLY - Pilot, complete (with tinted window)	1 1 1 1 1 1 1 1	31-5001 to 31-7552050 incl. 31-7552051 to 31-7752039 incl. 31-7752040 to 31-7752045 incl 31-7752046 and up 31-5001 to 31-7552050 incl. 31-7552051 to 31-7752039 incl 31-7752040 to 31-7752045 incl 31-7752046 and up
-2	43853-02		SUPPORT ASSEMBLY - Door	1	
-3	484 783		RING - Snap (N5000-77)	1	
-4	43850-00		SPRING - Support assembly	1	
-5	452 036		BEARING - Ball (MS19059-8)	4	
-6	40559-21		WASHER - Support assembly	1	
-7	43851-00		SLEEVE - Door support adjusting	1	
-8	452 383		BEARING - Rod end (24166-00)	1	
-9	14843-114		BUSHING - Door support (Teflon)	1	
-10	54358-02		BRACKET ASSEMBLY - Pilot door	1	31-7552051 and up
-11	44585-00		PLATE - Door lock lower striker	1	
-12	414 551		SCREW - (MS24693-S271)	2	
-13	44668-00		CATCH - Pilot door latch	1	
-14	44669-00		CATCH - Pilot door lock, top	1	
-15	44776-00		SHIM - Pilot door latch catch	AR	
-16	54098-00	C	PLACARD - Armrest stowage	1	
-17	21741-00 21741-02		BUSHING - Serrated door hinge, eccentric BUSHING - Serrated door hinge, concentric	2 2	
-18	20830-00		PIN - Door hinge	2	
-19	480 688		PIN - Roll (59-012-062-0500)	2	
-20	44681-00 44681-02		SILL - Pilot door SILL - Pilot door	1 1	31-5001 to 31-7552050 incl. 31-7552051 and up
-21	149 227		EXTRUSION - Trim (6' length)	AR	
-22	149 305		EXTRUSION - Trim (6' length)	AR	
-23	53432-00 53432-03 55265-05		STRIP ASSEMBLY - Pilot door trim, bottom STRIP ASSEMBLY - Pilot door trim, bottom MOULDING - Pilot door trim, bottom	1 1 1	31-5001 to 31-7552050 incl 31-7552051 to 31-7752045 incl 31-7752046 and up
-24	53698-00		STRIP ASSEMBLY - Pilot door trim, rear	1	31-5001 to 31-7752045 incl
-25	53412-00		WINDLACING ASSEMBLY - Pilot door, bottom	1	31-5001 to 31-7552050 incl
-26	53438-00 53438-04		WINDLACING ASSEMBLY - Pilot door, rear WINDLACING ASSEMBLY - Pilot door, rear	1 1	31-5001 to 31-7752045 incl 31-7752046 and up
-27	53450-00 55265-04	B B	MOULDING ASSEMBLY - Door support MOULDING ASSEMBLY - Door support	1 1	31-5001 to 31-7752045 incl 31-7752046 and up
-28	44557-00		BRACKET ASSEMBLY - Door support	1	
-29	414 763		SCREW - (MS24693-S50)	2	
-30	400 699		BOLT - (AN24-12)	1	
-31	411 531		SCREW - (MS35207-262)	4	
-32	53629-00		SHIM - Pilot door striker	AR	
-33	53628-00		SHIM - Pilot door catch	AR	
-34	44640-00		COVER ASSEMBLY - Lock	1	

When ordering, always specify Part Number, Description and Serial Number of Aircraft

# PIPER PARTS CATALOG

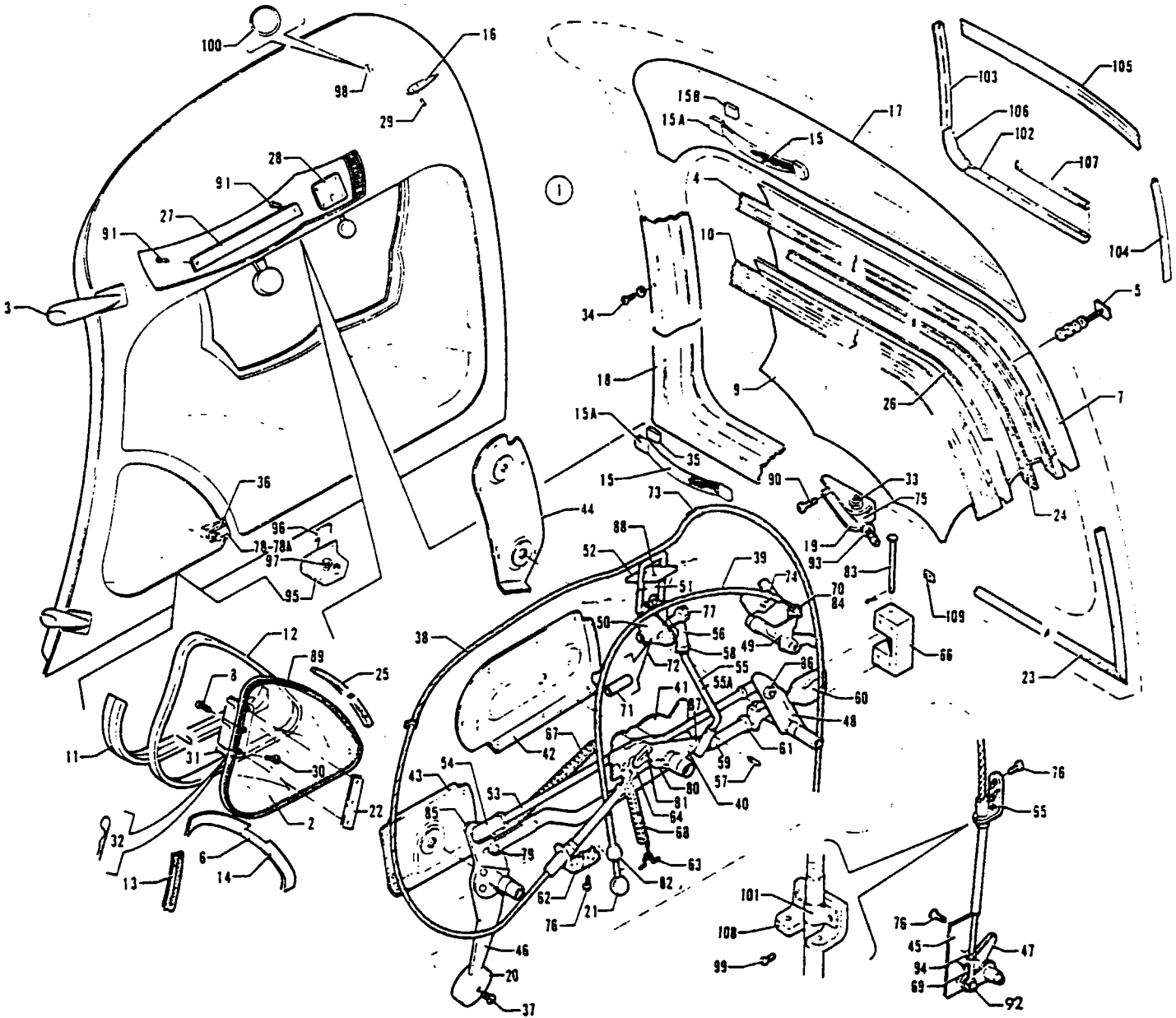


Figure 33. Pilot Door Assembly (Complete)



---

## PIPER PARTS CATALOG

---

### CODE EXPLANATIONS FOR FIGURE 33

- A - When ordering, specify color beige or white.
- B - If matching cabin, baggage, pilot door and nacelle locker locks are desired, order Part No. 25163-12; if matching cabin, baggage, pilot door, nacelle locker locks and locking fuel caps are desired, order Part No. 461 665 (or Part No. 461 667 if Nayak Fuel System is installed)
- C - Used if one piece outside window retainer is installed
- D - Used if five piece outside window retainer is installed.

PIPER PARTS CATALOG

Figure and Index Number	Part Number	Code	NOMENCLATURE	No. Req.	SERIAL NUMBERS AFFECTED
33-	44750 54612 44625		DRAWING - Pilot Door Assembly (Complete) DRAWING - Pilot Door Assembly (Complete) DRAWING - Pilot Door Latch and Lock Mechanism Installation		31-5001 to 31-7752039 incl. 31-7752040 and up
-1	44750-04 44750-09 54612-02 54612-06 44750-06 44750-11 54612-03 54612-07		DOOR ASSEMBLY - Pilot, complete DOOR ASSEMBLY - Pilot, complete DOOR ASSEMBLY - Pilot, complete DOOR ASSEMBLY - Pilot, complete DOOR ASSEMBLY - Pilot, complete (tinted window) DOOR ASSEMBLY - Pilot, complete (tinted window) DOOR ASSEMBLY - Pilot, complete (tinted window) DOOR ASSEMBLY - Pilot, complete (tinted window)	1 1 1 1 1 1 1 1	31-5001 to 31-7552050 incl. 31-7552051 to 31-7752039 incl 31-7752040 to 31-7752045 incl 31-7752046 and up 31-5001 to 31-7552050 incl. 31-7552051 to 31-7752039 incl 31-7752040 to 31-7752045 incl 31-7752046 and up
-2	44574-05		* WINDOW - Storm	1	
-3	44648-00 44722-00		* HINGE - Pilot door, lower * HINGE - Pilot door, upper	1 1	
-4	44571-02	C	* RETAINER - Pilot door window, outer	1	31-5001 to 31-7752039 incl
-5	44103-00 407 562 404 594 81342-71 404 909	C C C C C	* STUD - window retainer attachment * WASHER - (AN960-6) * NUT - (MS20341-6S) * WASHER - Window retainer attachment * NUT - (MS20365-632C)	14 28 14 14 14	31-5001 to 31-7752039 incl 31-5001 to 31-7752039 incl 31-5001 to 31-7752039 incl. 31-5001 to 31-7752039 incl. 31-5001 to 31-7752039 incl
-6	53589-00 54606-05	C D	* SHIM - Storm window ring * SHIM - Storm window ring	1 1	31-5001 to 31-7752039 incl. 31-7752040 and up
-7	44731-02 44749-21	C D	* WINDOW - Pilot door, outer * WINDOW - Pilot door, outer	1 1	31-5001 to 31-7752039 incl 31-7752040 and up
-8	415 535 18359-00		* SCREW - (MS35206-245) * NUT - Storm window	3 3	
-9	44731-03 44749-20 44731-04 44749-22	C D C D	* WINDOW - Pilot door, inner, clear * WINDOW - Pilot door, inner, clear * WINDOW - Pilot door, inner, tinted * WINDOW - Pilot door, inner, tinted	1 1 1 1	31-5001 to 31-7752039 incl 31-7752040 and up 31-5001 to 31-7752039 incl 31-7752040 and up
-10	44571-04	C	* RETAINER ASSEMBLY - Pilot door window, inner	1	31-5001 to 31-7752039 incl
-11	44574-02	C	* RETAINER - Storm window	1	31-5001 to 31-7752039 incl.
-12	44574-03 54606-03	C D	* RING - Storm window support * RING - Storm window support	1 1	31-5001 to 31-7752039 incl 31-7752040 and up
-13	187 528		* SEAL - Support ring (P. N. 3103-11)	3*	
-14	44574-04 54606-02	C D	* PLATE - Storm window support * PLATE - Storm window support	1 1	31-5001 to 31-7752039 incl 31-7752040 and up
-15	53214-02	A	* HANDLE ASSEMBLY - Pilot door	2	
-15a	763 246		* * CAP - Decorative (321)	2	
-15b	762 570		* * RETAINER - Door handle, top (324)	2	
-16	44726-00		* HANDLE - Pilot door	1	
-17	53548-00	A	* PANEL ASSEMBLY - Pilot door trim	1	31-5001 to 31-7752045 incl
-18	53447-00 44749-19 44749-28	A,C D D	* MOULDING ASSEMBLY - Pilot door * MOULDING ASSEMBLY - Pilot door * MOULDING ASSEMBLY - Pilot door	1 1 1	31-5001 to 31-7752039 incl 31-7752040 to 31-7752045 incl 31-7752046 and up
-19	44659-00		* BRACKET - Pilot door support	1	
-20	41415-00		* KNOB - Pilot door (open-closed)	1	
-21	471 064		* KNOB - Theft lock (222, 3/4") Black	1	
-22	44732-00 54606-06	D	* SHIM - Storm window hinge * SHIM - Storm window hinge	AR AR	31-5001 to 31-7752039 incl. 31-7752040 and up
-23	19063-02		* MOULDING - Pilot door	11*	
-24	80045-09 45506-00		* STRIP - Rubber * MOULDING - Window, extruded (6' L)	1 1	31-5001 to 31-7752039 incl. 31-7752040 and up
-25	80045-11		* STRIP - Rubber	2*	
-26	189 745		* TAPE - Vinyl (9 Mil.) 3/4"	AR	
-27	44673-00		* PLACARD - Pilot door (open-closed)	1	

When ordering, always specify Part Number, Description and Serial Number of Aircraft

## PIPER PARTS CATALOG

Figure and Index Number	Part Number	Code	NOMENCLATURE	No. Req.	SERIAL NUMBERS AFFECTED
33-28	44674-00		* PLACARD - Pilot door (theft lock)	1	
-29	480 731		* PIN - Roll (59-028-125-0750)	1	
-30	415 535		* SCREW - (MS35206-245)	3	
-31	53060-03		* HINGE ASSEMBLY - Storm window	1	
-32	43796-00		* * PIN - Storm window hinge, removable	1	
-33	400 869		* BOLT - (AN23-17A)	1	
	407 674		* WASHER - (AN960-C10)	2	
	404 835		* NUT - (MS20364-1032C)	1	
-34	415 246		* SCREW - (6-32 x 3/4-) Oval	20	
	494 102		* WASHER - (C-394)	20	
-35	484 464		* RETAINER - Handle (383)	2	
-36	460 044		* FASTENER - (62-99-191-10)	1	
-37	414 779		* SCREW - (MS24693-S49)	1	
-38	22860-03		* CABLE ASSEMBLY - Flexible, pilot door	1	
-39	44775-00		* CABLE ASSEMBLY - Pilot door lock mechanism	1	
-40	44583-00		* BELLCRANK ASSEMBLY - Pilot door latch	1	
-41	44591-00		* STOP ASSEMBLY - Pilot door latch bellcrank	1	
-42	44593-00		* PLATE ASSEMBLY - Inner, pilot door bellcrank	1	
-43	44596-00		* PLATE ASSEMBLY - Inner, pilot door handle	1	
-44	44615-00		* PLATE ASSEMBLY - Inner, pilot door latch	1	
45	44652-00		* PLATE ASSEMBLY - Pilot door	1	
-46	44597-00		* ARM ASSEMBLY - Pilot door handle	1	
-47	44656-00		* ARM ASSEMBLY - Pilot door lock	1	31-5001 to 31-7752039 incl.
	44656-06		* ARM ASSEMBLY - Pilot door lock	1	31-7752040 and up
-48	44611-00		* LATCH ASSEMBLY - Pilot door	1	
-49	44612-00		* LOCK ASSEMBLY - Pilot door	1	
-50	44621-00		* LOCK BAR ASSEMBLY - Pilot door	1	
-51	44618-00		* * LOCK BAR - Pilot door	1	
-52	44617-00		* GUIDE - Pilot door lock bar	1	
-53	44631-00		* ROD ASSEMBLY - Pilot door actuating, front	1	
	44630-00		* ROD ASSEMBLY - Pilot door actuating, rear	1	
-54	469 138		* * JOINT - Ball (R-107)	1	
-55	44633-00		* ROD ASSEMBLY - Top lock, pilot door	1	
-55a	44633-02		* * ROD - Top lock, pilot door	1	
-56	469 148		* * JOINT - Ball (F-103) Top lock	2	
-57	480 723		* * PIN - Roll (59-012-062-0375)	1	
-58	404 224		* * NUT - (AN315-3R)	1	
-59	44632-00		* TUBE ASSEMBLY - Pilot door latch	1	
-60	19644-00		* * LATCH - Pilot door	1	
-61	404 330		* * NUT - (AN316-6R)	1	
-62	44641-00		* CLIP ASSEMBLY - Door cable attachment	1	
-63	44657-00		* HOOK - Pilot door	1	
-64	44658-00		* TERMINAL - Pilot door	1	
-65	44660-00		* CLIP ASSEMBLY - Pilot door cable	1	31-5001 to 31-7752039 incl.
-66	44697-00		* BLOCK - Door latch guide	1	
-67	83302-83		* SPRING - Pilot door latch	1	
-68	587 272		* SPRING - (LE-055D-9)	1	
-69	554 757		* CLEVIS - (MS35812-1)	1	31-5001 to 31-7752039 incl.
	452 568		* BEARING - Rod end (PS10020-2-5RX)	1	31-7752040 and up
-70	407 584		* WASHER - (AN960-10L)	1	
-71	42129-29		* BUSHING - Lock bar assembly	1	
-72	80012-20		* BUSHING - Lock bar assembly	2	
-73	454 929		* CLAMP - (PS10017-2-4)	2	
-74	454 928		* CLAMP - (PS10017-2-3)	1	
-75	452 357		* BEARING - Rod end (M34-14)	1	
-76	415 544		* SCREW - (MS35206-244)	6	
-77	400 453		* BOLT - (AN3-21A)	1	
	407 584		* WASHER - (AN960-10L)	1	
	404 887		* NUT - (MS20365-1032C)	1	

When ordering, always specify Part Number, Description and Serial Number of Aircraft

## PIPER PARTS CATALOG

Figure and Index Number	Part Number	Code	NOMENCLATURE	No. Req.	SERIAL NUMBERS AFFECTED
33-78	53880-00		* PLATE - Storm window fastener	1	
-78a	71711-02		* PLATE - Storm window latch	1	31-8152002 to 31-8352040 incl
	71711-04		* PLATE - Storm window latch	1	31-8352041 and up
-79	424 177		* PIN - (MS20392-2C17)	1	
	407 564		* WASHER - (AN960-10)	1	
	424 032		* PIN - Cotter (MS24665-170)	1	
-80	424 181		* PIN - (MS20392-2C25)	1	
	407 584		* WASHER - (AN960-10L)	1	
	424 032		* PIN - Cotter (MS24665-170)	1	
-81	400 673		* BOLT - (AN23-11)	1	
	404 120		* NUT - (AN310-C3)	1	
	424 032		* PIN - Cotter (MS24665-170)	1	
-82	404 330		* NUT - (AN316-6R)	2	
	407 143		* WASHER - (AN936-8616)	1	
-83	424 197		* PIN - (MS20392-2C59)	1	
	424 051		* PIN - Cotter (MS24665-132)	1	
-84	411 532		* SCREW - (MS35207-263)	1	
	404 887		* NUT - (MS20365-1032C)	1	
-85	404 836		* NUT - (MS20364-428C)	1	
-86	404 530		* NUT - (MS21042-4)	1	
-87	404 887		* NUT - (MS20365-1032C)	2	
-88	410 242		* SCREW - (MS23694-S7)	3	
	407 583		* WASHER - (AN960-8L)	3	
	404 910		* NUT - (MS20365-832C)	3	
-89	189 729		* TAPE - PVC, PMS-K0003, Type 1 (1/8" x 1/2")	3	
-90	411 533		* SCREW - (MS35207-264)	2	
-91	420 189		* RIVET - (MS20470A3-9) Dull black	6	
	406 385		* NUT - (A 1553-012-01)	6	
-92	424 177		* PIN - (MS20392-2C17)	1	31-5001 to 31-7752039 incl
	407 564		* WASHER - (AN960-10)	1	31-5001 to 31-7752039 incl
	424 032		* PIN - Cotter (MS24665-170)	1	31-5001 to 31-7752039 incl
	400 440		* BOLT - (AN3-6A)	1	31-7752040 and up
	407 584		* WASHER - (AN960-10L)	1	31-7752040 and up
	404 887		* NUT - (MS35206-244)	1	31-7752040 and up
-93	404 321		* NUT - (AN316-C4R)	1	
-94	404 224		* NUT - (AN315-3R)	2	
-95	54357-02		* BRACKET ASSEMBLY - Pilot door handle	1	31-7552051 and up
-96	54360-02		* HANDLE ASSEMBLY - Pilot door latch	1	31-7552051 and up
-97	80122-151		* WASHER - Pilot door latch	1	31-7552051 and up
	424 052		* COTTER PIN - (MS23665-134)	1	31-7552051 and up
-98	25163-13	B	* LOCK ASSEMBLY - Pilot door (with 2 keys)	1	
-99	415 535		* SCREW - (MS35206-245)	2	31-7752040 and up
-100	484 823		* RING - "O" (2-017)	1	
-101	18219-00		* CLAMP - Control cable attachment	1	31-7752040 and up
-102	44749-15	D	* RETAINER - Pilot door window, lower	1	31-7752040 and up
-103	44749-16	D	* RETAINER - Pilot door window, rear	1	31-7752040 and up
-104	44749-17	D	* RETAINER - Pilot door window, forward	1	31-7752040 and up
-105	44749-18	D	* RETAINER - Pilot door window, top	1	31-7752040 and up
-106	44749-24	D	* RETAINER - Pilot door window	1	31-7752040 and up
-107	44749-27	D	* EXTRUSION - Pilot door window	1	31-7752040 and up
-108	18132-00		* LUG - Control cable support bracket	1	31-7752040 and up
-109	80298-02		* PLACARD - Latch	1	31-7552051 and up

When ordering, always specify Part Number, Description and Serial Number of Aircraft

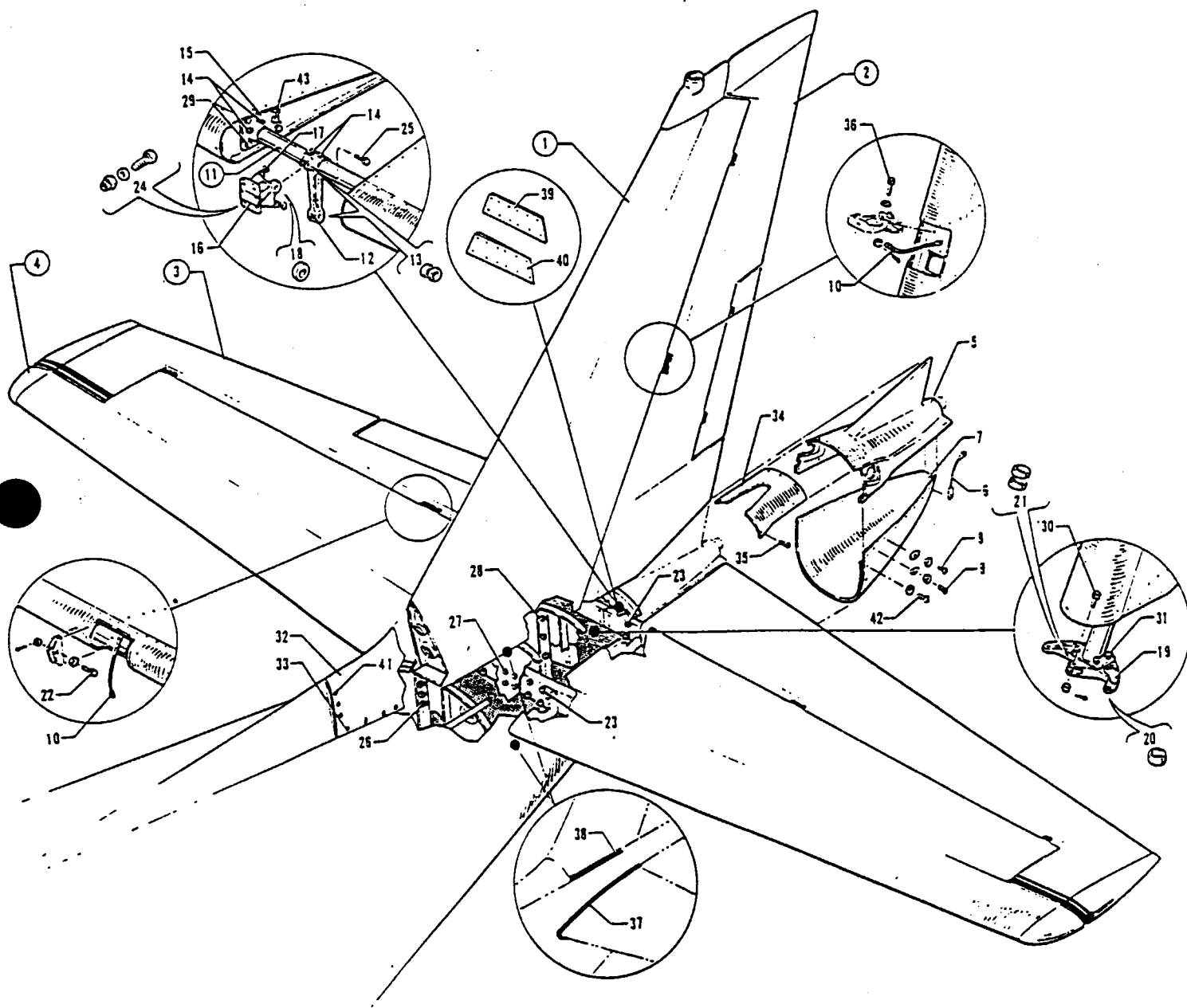


Figure 34. Tail Surfaces Installation

---

# PIPER PARTS CATALOG

---

## CODE EXPLANATIONS FOR FIGURE 34

- A - See Figure 35 for component parts
- B - See Figure 36 for component parts.
- C - See Figure 38 for component parts.
- D - See Figure 37 for component parts
- E - Used if rotating beacon is installed.
- F - Used if strobe lights are installed.
- G - Also used on serial numbers 31-5001 to 31-7952071 inclusive, if Kit 763 917 or Kit 764 028 has been installed per Service Bulletin No. 636.

PIPER PARTS CATALOG

Figure and Index Number	Part Number	Code	NOMENCLATURE	No. Req.	SERIAL NUMBERS AFFECTED
34-	40180		DRAWING - Tail Surfaces Installation		
-1	40170-00	A,E	FIN ASSEMBLY - Tail surfaces	1	31-5001 to 31-7305010 incl.
	40170-19	A,F	FIN ASSEMBLY - Tail surfaces	1	31-5001 to 31-7305010 incl.
	40170-22	A,E	FIN ASSEMBLY - Tail surfaces	1	31-7305011 to 31-7305052 incl
	40170-21	A,F	FIN ASSEMBLY - Tail surfaces	1	31-7305011 to 31-7305052 incl.
	40170-20	A	FIN ASSEMBLY - Tail surfaces	1	31-7305053 to 31-8152118 incl.
	40170-27		FIN ASSEMBLY - Tail surfaces	1	31-8152119 and up
-2	40046-30	B	RUDDER ASSEMBLY - Tail surface	1	31-5001 to 31-7405159 incl. 31-7405401 to 31-7405410 incl.
	40046-38	B	RUDDER ASSEMBLY - Tail surface	1	31-7405160 to 31-7405400 incl. 31-7405411 and up
-3	43757-184	C	ELEVATOR ASSEMBLY - Tail surface, left	1	31-5001 to 31-7652070 incl
	54232-24	C	ELEVATOR ASSEMBLY - Tail surface, left	1	31-7652071 and up
	43757-175	C	ELEVATOR ASSEMBLY - Tail surface, right	1	31-5001 to 31-7652070 incl.
	54232-35	C	ELEVATOR ASSEMBLY - Tail surface, right	1	31-7652071 and up
-4	40155-00	D	STABILIZER ASSEMBLY - Tail surface, left	1	31-5001 to 31-7652070 incl.
	40155-26	D	STABILIZER ASSEMBLY - Tail surface, left	1	31-7652071 and up
	40155-25	D	STABILIZER ASSEMBLY - Tail surface, right	1	31-5001 to 31-7652070 incl
	40155-27	D	STABILIZER ASSEMBLY - Tail surface, right	1	31-7652071 and up
-5	40365-02		FAIRING ASSEMBLY - Top, fuselage tail	1	31-5001 to 31-7305010 incl.
	40365-14		FAIRING ASSEMBLY - Top, fuselage tail	1	31-7305011 and up
-6	48460-00		* STRAP ASSEMBLY - Lightning protection	1	
-7	40365-03		FAIRING ASSEMBLY - Bottom, fuselage tail	1	31-5001 to 31-7305010 incl
	40365-13		FAIRING ASSEMBLY - Bottom, fuselage tail	1	31-7305011 and up
-8	414 748		SCREW - (MS24693-S28)	10	
	494 071		WASHER - (A3236-012-1)	10	
	406 824		NUT - (NAS686A06)	10	
-9	414 748		SCREW - (MS24693-S28)	2	
	494 071		WASHER - (A3236-012-1)	2	
	406 819		NUT - (NAS687A06)	2	
-10	49972-03		STRAP ASSEMBLY - Lightning protection	6	
-11	40070-05		TUBE ASSEMBLY - Elevator torque	1	
-12	40006-00		* HORN ASSEMBLY - Elevator torque	1	
-13	14843-106		* * BUSHING	4	
-14	402 321		* BOLT - (AN174-22A)	6	
	407 565		* WASHER - (AN960-416)	6	
	404 888		* NUT - (MS20365-428C)	6	
-15	40066-00		* BRACKET - Elevator torque tube	2	
-16	40249-00		HINGE ASSEMBLY - Elevator center	1	
-17	71533-02		* SCREW - Stop	2	
	506 619		* NUT - (MS21340-22)	2	
-18	452 386		* BEARING - (NAS506-4)	1	
-19	40253-00		HORN ASSEMBLY - Rudder	1	
-20	61402-93		* BUSHING	2	
-21	14843-106		* BUSHING	2	
-22	402 310		BOLT - (AN174-12) Inboard hinges	2	
	402 303		BOLT - (AN174-11) Outboard and center hinges	4	
	407 565		WASHER - (AN960-416)	6	
	404 101		NUT - (AN310-4)	6	
	424 052		COTTER PIN - (MS24665-134)	6	

When ordering, always specify Part Number, Description and Serial Number of Aircraft

## PIPER PARTS CATALOG

Figure and Index Number	Part Number	Code	NOMENCLATURE	No. Req.	SERIAL NUMBERS AFFECTED
34-23	401 189		BOLT - (AN5-11A)	16	
	407 566		WASHER - (AN960-516)	16	
	400 889		NUT - (MS20365-524C)	16	
-24	401 310		BOLT - (AN4-10A)	4	
	407 565		WASHER - (AN960-416)	8	
	404 888		NUT - (MS20365-428C)	4	
-25	402 313		BOLT - (AN174-13)	1	
	407 565		WASHER - (AN960-416) (under nut)	2	
	404 101		NUT - (AN310-4)	1	
	424 051		COTTER PIN - (MS24665-132)	1	
-26	401 187		BOLT - (AN5-7A)	6	
	407 566		WASHER - (AN960-516)	6	
	404 889		NUT - (MS20365-524C)	6	
-27	401 188		BOLT - (AN5-10A)	4	
	407 566		WASHER - (AN960-516)	4	
	404 889		NUT - (MS20365-524C)	4	
-28	401 187		BOLT - (AN5-7A)	6	
	407 566		WASHER - (AN960-516)	6	
	404 889		NUT - (MS20365-524C)	6	
-29	401 266		BOLT - (AN3-5A)	8	
	407 584		WASHER - (AN960-10L)	8	
-30	400 706		BOLT - (AN24-19)	1	
	404 393		NUT - (AN320-4)	1	
	424 051		COTTER PIN - (MS24665-132)	1	
-31	400 003		BOLT - (AN4-6A)	4	
	407 565		WASHER - (AN960-416)	4	
	404 888		NUT - (MS20365-428C)	4	
-32	46218-00		FAIRING ASSEMBLY - Fin	1	
-33	414 748		SCREW - (MS24693-S28)	20	
	494 071		WASHER - (A3236-012-1)	20	
	406 362		NUT - (C8095-632-1)	20	
-34	40770-00		PLATE - Access, Sta. 342 25 to Sta. 352	1	
-35	415 520		SCREW - (MS35206-230)	15	
-36	400 107		BOLT - (AN4-12)	2	
	407 565		WASHER - (AN960-416)	2	
	404 101		NUT - (AN310-4)	2	
	424 051		COTTER PIN - (MS24665-132)	2	
-37	20666-02		MOULDING - Stabilizer skin (475 159)	2	
-38	20666-04		MOULDING - Fin skin (475 164)	2	31-5001 to 31-7952141 incl.
	71059-06	G	ANGLE - Fin, drag, left	1	31-7952142 and up
	71059-07	G	ANGLE - Fin, drag, right	1	31-7952142 and up
-39	43709-02		SHIM - Flat (.032 thickness)	AR	
	43709-03		SHIM - Flat (.064 thickness)	AR	
	43709-04		SHIM - Flat (.091 thickness)	AR	
-40	43713-02		SHIM - Tapered (.064 thickness)	AR	
	43713-03		SHIM - Tapered (.091 thickness)	AR	
-41	414 763		SCREW - (MS24693-S50)	6	
-42	414 748		SCREW - (MS24693-S28)	16	
	494 071		WASHER - (A3236-012-1)	16	
-43	54931-02		SHIM - Elevator torque tube	AR	

. When ordering, always specify Part Number, Description and Serial Number of Aircraft



PIPER PARTS CATALOG

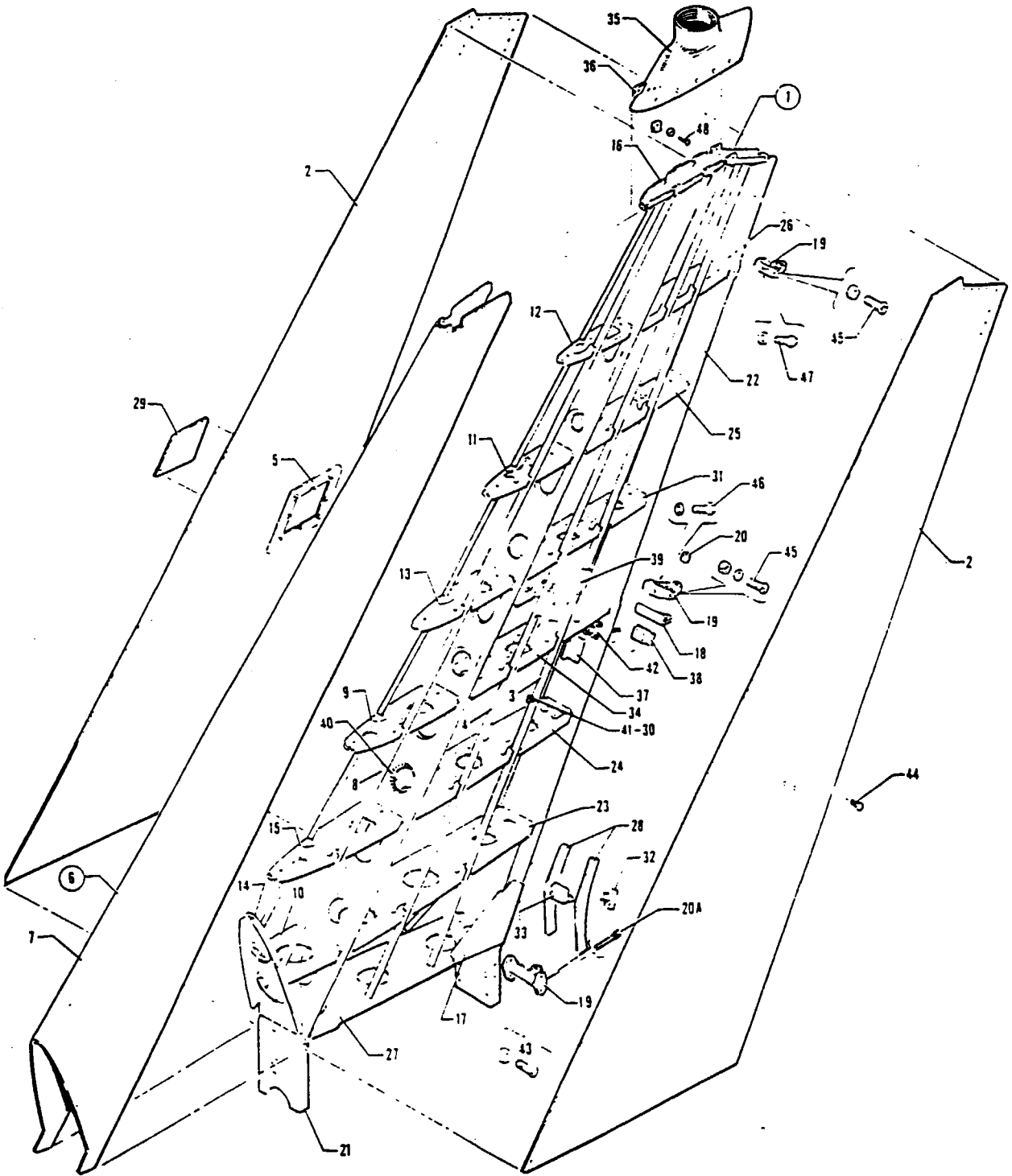


Figure 35. Fin Assembly

---

# PIPER PARTS CATALOG

---

## CODE EXPLANATIONS FOR FIGURE 35

- A - Used if rotating beacon is installed.
- B - Used if strobe lights are installed.
- C - See Figure 99 for component parts.
- D - Used if Ground Recognition Beacon is installed.

PIPER PARTS CATALOG

Figure and Index Number	Part Number	Code	NOMENCLATURE	No. Req.	SERIAL NUMBERS AFFECTED
35-1	40170-00	A	FIN ASSEMBLY - Tail surfaces	1	31-5001 to 31-7305010 incl.
	40170-19	B	FIN ASSEMBLY - Tail surfaces	1	31-5001 to 31-7305010 incl.
	40170-22	A	FIN ASSEMBLY - Tail surfaces	1	31-7305011 to 31-7305052 incl.
	40170-21	B	FIN ASSEMBLY - Tail surfaces	1	31-7305011 to 31-7305052 incl.
	40170-20		FIN ASSEMBLY - Tail surfaces	1	31-7305053 to 31-8152118 incl.
	40170-27		FIN ASSEMBLY - Tail surfaces	1	31-8152119 and up
-2	40170-30		* SKIN ASSEMBLY - Fin, left	1	
	40170-29		* SKIN ASSEMBLY - Fin, right	1	
-3	40170-02		** STRINGER - Fin, skin assembly, left	1	
	40170-03		** STRINGER - Fin, skin assembly, right	1	
-4	40170-04		** STRINGER - Fin, skin assembly, left	1	
	40170-05		** STRINGER - Fin, skin assembly, right	1	
-5	42303-00		** REINFORCEMENT PLATE - Fin, skin assembly, right	1	
-6	40170-14		* LEADING EDGE ASSEMBLY - Fin	1	
-7	40170-13		* SKIN ASSEMBLY - Fin, leading edge	1	
-8	40170-06		*** STRINGER - Fin, leading edge, left	1	
	40170-07		*** STRINGER - Fin, leading edge, right	1	
-9	40126-02		* RIB - Fin, leading edge, W.L. 55	1	
-10	40080-02		* RIB - Fin, leading edge, W.L. 36.75	1	
-11	40094-03		* RIB - Fin, leading edge, W.L. 74.5	1	
-12	40094-05		* RIB - Fin, leading edge, W.L. 84.5	1	
-13	40095-03		* RIB - Fin, leading edge, W.L. 64.75	1	
-14	40096-00		* RIB - Fin, leading edge, W.L. 30.125 to W.L. 44.75	1	
-15	40125-00		* RIB - Fin, leading edge, W.L. 46	1	
-16	40104-03		* RIB ASSEMBLY - Fin tip, rear	1	
	40104-05		* RIB ASSEMBLY - Fin tip, front	1	
-17	40170-16		* GUSSET - Fin, Sta. 342.25, W.L. 27.5, left	1	31-5001 to 31-7952071 incl
	40170-24		* GUSSET - Fin, Sta. 342.25, W.L. 27.5, left	1	31-7952072 and up
	40170-15		* GUSSET - Fin, Sta. 342.25, W.L. 27.5, right	1	31-5001 to 31-7952071 incl
	40170-23		* GUSSET - Fin, Sta. 342.25, W.L. 27.5, right	1	31-7952072 and up
-18	40002-00		* PLATE - Fin, rudder tab screw guide	1	
-19	40219-00		* HINGE ASSEMBLY - Rudder attachment, lower	1	
	40223-00		* HINGE ASSEMBLY - Rudder attachment, center	1	
	48055-00		* HINGE ASSEMBLY - Rudder attachment, upper	1	
-20	452 386		* BEARING - Fin, hinge assembly (NAS-506-4)	1	
-20a	71533-02		* SCREW - Stop, lower hinge	2	
	404 678		* NUT - (AN345-10), lower hinge	2	
-21	40026-02		* SPAR ASSEMBLY - Fin, front	1	
-22	40026-03		* SPAR ASSEMBLY - Fin, rear	1	
-23	40080-04		* RIB ASSEMBLY - Fin, main, W.L. 36.75	1	
-24	74027-02		* RIB ASSEMBLY - Fin, main, W.L. 46	1	
-25	40094-02		* RIB - Fin, main, W.L. 74.5	1	
-26	40094-04		* RIB - Fin, main, W.L. 84.5	1	
-27	44294-00		* RIB ASSEMBLY - Fin, main, bottom	1	
-28	40108-00		* PLATE - Fin, bottom rear spar reinforcement	2	
-29	42301-00		* PLATE - Fin, access hole cover	1	
-30	415 493		* SCREW - (MS35206-228)	1	
	404 909		* NUT - (MS20365-632C)	1	
-31	40095-04		* RIB ASSEMBLY - Fin, main, W.L. 64.85	1	
-32	40344-00		* CLIP - Fin, bottom rear and forward spar stiffener	8	
-33	40342-02		* CHANNEL - Fin, bottom rear spar stiffener	1	
	40342-03		* CHANNEL - Fin, bottom, forward spar stiffener	1	
-34	40126-04		* RIB ASSEMBLY - Fin, main, W.L. 55	1	
-35	50253-00	B	* TIP ASSEMBLY - Fin	1	31-5001 to 31-7305010 incl.
	40363-08	A	* TIP ASSEMBLY - Fin	1	31-5001 to 31-7305052 incl
	50253-11	B	* TIP ASSEMBLY - Fin	1	31-7305011 to 31-7305052 incl
	44943-03		* TIP ASSEMBLY - Fin	1	31-7305053 and up
	49511-02	D	* TIP ASSEMBLY - Fin	1	31-7852001 and up

When ordering, always specify Part Number, Description and Serial Number of Aircraft

PIPER PARTS CATALOG

Figure and Index Number	Part Number	Code	NOMENCLATURE	No. Req.	SERIAL NUMBERS AFFECTED
35-36	42819-00		* * FITTING - Antenna attachment, left	1	
	42819-01		* * FITTING - Antenna attachment, right	1	
-37	40777-00		* BRACKET ASSEMBLY - Rudder trim tab rheostat	1	
-38	40781-00		* PLATE - Fin spar filler	1	
-39	48613-02		* BRACKET - Antenna mounting, left	1	31-7405479 and up
	48613-03		* BRACKET - Antenna mounting, right	1	31-7405479 and up
-40	463 376		* GROMMET - Caterpillar (G51H, Type "A") Front spar	1	
-41	454 927		* CLAMP - (PS10017-2-2)	1	
-42	40038-00	C	* SCREW ASSEMBLY - Rudder trim tab	1	
-43	400 053		* BOLT - (AN3-6)	4	
	404 887		* NUT - (MS20365-1032C)	4	
-44	414 507		* SCREW - (MS24693-S26)	3	
-45	411 211		* SCREW - (NAS221-11)	2	
	407 584		* WASHER - (AN960-10L)	1	
	404 887		* NUT - (MS20365-1032C)	2	
-46	400 438		* BOLT - (AN3-4A)	1	
-47	401 266		* BOLT - (AN3-5A)	1	
	407 584		* WASHER - (AN960-10L)	1	
-48	414 748		* SCREW - Tip attachment (MS24693-S28)	12	
	494 071		* WASHER - Tip attachment (A3236-012-1)	12	
	406 355		* NUT - Tip attachment (A6052-632-1)	12	

When ordering, always specify Part Number, Description and Serial Number of Aircraft

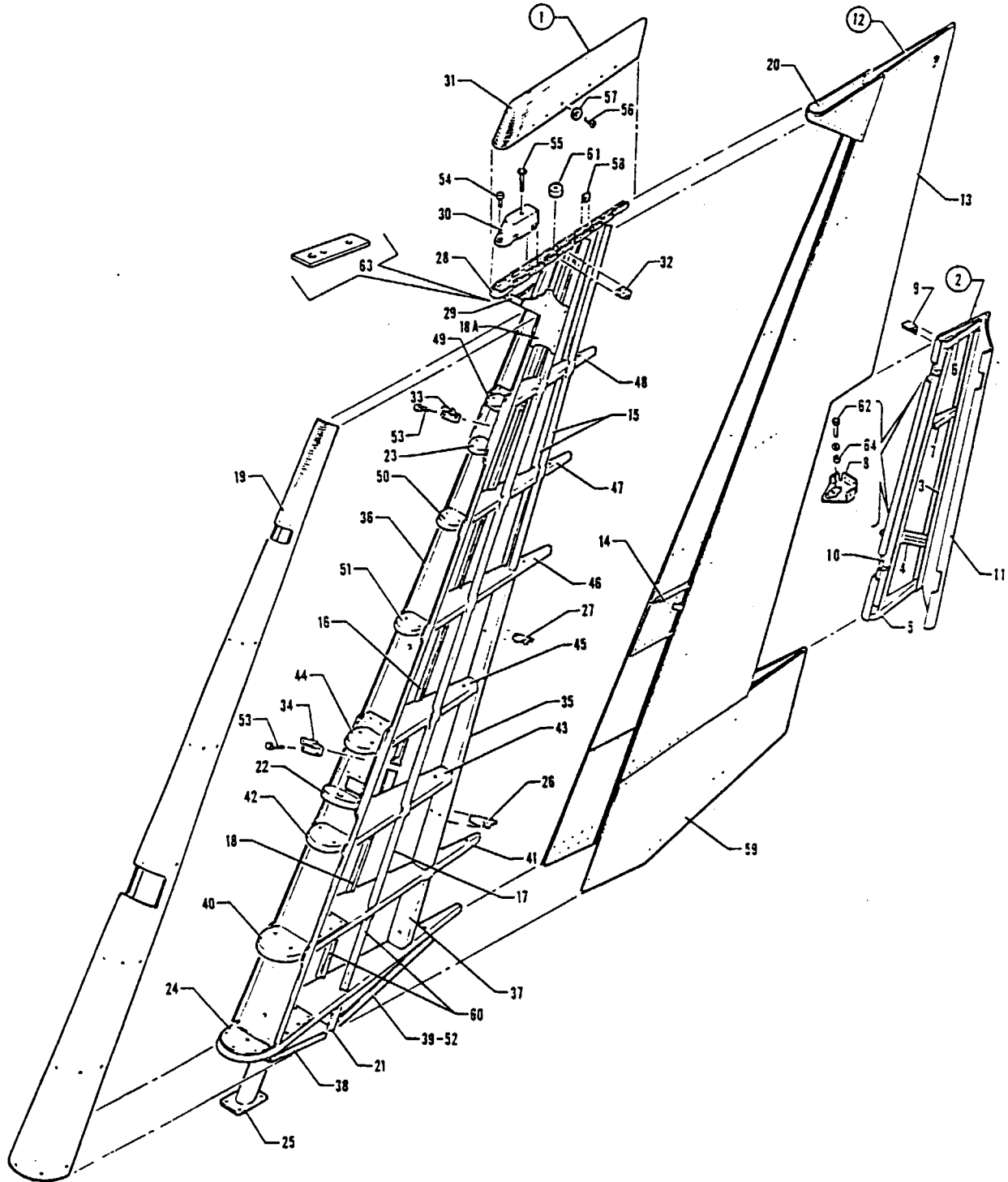


Figure 36. Rudder Assembly

---

# PIPER PARTS CATALOG

---

## CODE EXPLANATIONS FOR FIGURE 36

- A - Order part for Serial Nos. 31-7405160 to 31-7405400 inclusive, 31-7405411 and up, if Rudder Assembly Part No. 40046-30 has been replaced with Part No. 40046-38
- B - Used on aircraft with Serial Nos. 31-5001 to 31-7405159 inclusive, 31-7405401 to 31-7405410 inclusive, if Rudder Assembly Part No. 40046-30 has been replaced with Part No. 40046-38.
- C - Not used if Rudder Assembly Part No. 40046-30 has been replaced with Part No. 40046-38.

PIPER PARTS CATALOG

Figure and Index Number	Part Number	Code	NOMENCLATURE	No. Req.	SERIAL NUMBERS AFFECTED
36-1	40046-30		RUDDER ASSEMBLY	1	31-5001 to 31-7405159 incl
	40046-38		RUDDER ASSEMBLY	1	31-7405401 to 31-7405410 incl 31-7405160 to 31-7405400 incl 31-7405411 and up
-2	40008-00		* TAB ASSEMBLY - Rudder	1	
-3	40340-00		* * CHANNEL - Rudder tab	1	
-4	40015-00		* * HORN ASSEMBLY - Rudder tab	1	
-5	40014-02		* * RIB - Rudder tab, bottom	1	
-6	40014-03		* * RIB - Rudder tab, top	1	
-7	40013-04		* * RIB - Rudder tab	1	
-8	40012-03		* * HINGE ASSEMBLY - Tab, top	1	
	40012-02		* * HINGE ASSEMBLY - Tab, bottom	1	
-9	40010-00		* * CLIP - Rudder tab spar attachment	1	
-10	40009-00		* * SPAR - Rudder tab	1	
-11	40008-02		* * SKIN - Tab assembly	1	
-12	40046-03	A	* SKIN ASSEMBLY - Rudder	1	31-5001 to 31-7405159 incl. 31-7405401 to 31-7405410 incl
	40046-36		* SKIN ASSEMBLY - Rudder	1	31-7405160 to 31-7405400 incl 31-7405411 and up
-13	40046-02	A	* * SKIN - Rudder side	1	31-5001 to 31-7405159 incl 31-7405401 to 31-7405410 incl
	40046-35		* * SKIN - Rudder side	1	31-7405160 to 31-7405400 incl 31-7405411 and up
-14	40046-16		* * PLATE - Rudder tab control rod, opening reinforcement, right	1	
-15	40046-05		* * CHANNEL - Rudder skin reinforcement	2	
-16	40046-07		* * CHANNEL - Rudder skin reinforcement, right	1	
-17	40046-08		* * CHANNEL - Rudder skin reinforcement, left	1	
-18	40046-09		* * CHANNEL - Rudder skin reinforcement, right	1	
-18a	40046-32	B	* * GUSSET - Rudder reinforcement, left	1	31-7405160 to 31-7405400 incl 31-7405411 and up
	40046-33	B	* * GUSSET - Rudder reinforcement, right	1	31-7405160 to 31-7405400 incl 31-7405411 and up
-19	40046-11		* SKIN - Rudder leading edge	1	
-20	40046-04		* SKIN - Rudder leading edge, upper	1	
-21	40021-00		* CHANNEL - Rudder skin support	1	
-22	46959-00		* RIB - Rudder, leading edge, W L. 50.00	1	
-23	40023-03		* RIB - Rudder, leading edge, W L. 81.75	1	
-24	40039-00		* RIB - Rudder butt	1	
-25	40040-09		* TUBE ASSEMBLY - Rudder torque	1	
-26	40042-02		* BRACKET ASSEMBLY - Rudder tab hinge, bottom	1	
-27	40043-00		* BRACKET ASSEMBLY - Rudder tab hinge, top	1	
-28	40044-00		* RIB ASSEMBLY - Rudder tip	1	
-29	40045-00	A	* CHANNEL ASSEMBLY - Rudder tip support	1	31-5001 to 31-7405159 incl 31-7405401 to 31-7405410 incl
	40045-06		* CHANNEL ASSEMBLY - Rudder tip support	1	31-7405160 to 31-7405400 incl 31-7405411 and up
-30	53103-00	A	* BALANCE WEIGHT - Rudder	1	31-5001 to 31-7405159 incl 31-7405401 to 31-7405410 incl
	54159-00		* BALANCE WEIGHT - Rudder	1	31-7405160 to 31-7405400 incl. 31-7405411 and up
-31	40363-12		* TIP - Rudder	1	
-32	40048-00		* CLIP - Rudder spar	1	
-33	51108-04		* HINGE ASSEMBLY - Rudder, upper	1	
-34	51109-04		* HINGE ASSEMBLY - Rudder, lower	1	
-35	40067-00		* SPAR - Rudder stub	1	

When ordering, always specify Part Number, Description and Serial Number of Aircraft

PIPER PARTS CATALOG

Figure and Index Number	Part Number	Code	NOMENCLATURE	No. Req.	SERIAL NUMBERS AFFECTED
36-36	40068-05	A	SPAR ASSEMBLY - Rudder	1	31-5001 to 31-7405159 incl.
	40068-08		SPAR ASSEMBLY - Rudder	1	31-7405401 to 31-7405410 incl. 31-7405160 to 31-7405400 incl. 31-7405411 and up
-37	40069-00		CHANNEL - Rudder skin support	1	
-38	40077-02		ANGLE - Rudder skin support	2	
-39	40077-03		ANGLE - Rudder skin support, right	1	
-40	40078-02		RIB - Rudder, leading edge, W.L. 36.75	1	
-41	40078-03		RIB - Rudder, main, W.L. 36.75	1	
-42	40079-02		RIB - Rudder, leading edge, W.L. 46	1	
-43	40079-03		RIB - Rudder, main, W.L. 46	1	
-44	40079-04		RIB - Rudder, leading edge, W.L. 55	1	
-45	40079-05		RIB - Rudder, main, W.L. 55	1	
-46	40083-02		RIB - Rudder, main, W.L. 64.75	1	
-47	40083-03		RIB - Rudder, main, W.L. 74.5	1	
-48	40083-04		RIB - Rudder, main, W.L. 84.50	1	
-49	40083-05		RIB - Rudder, leading edge, W.L. 84.50	1	
-50	40083-06		RIB - Rudder, leading edge, W.L. 74.50	1	
-51	40083-07		RIB - Rudder, leading edge, W.L. 64.75	1	
-52	40077-04		ANGLE - Rudder skin support, left	1	
-53	400 438		BOLT - Rudder hinge attachment (AN3-4A)	4	
-54	400 441		BOLT - Rudder balance weight attachment (AN3-7A)	1	
-55	400 463		BOLT - Rudder balance weight attachment (AN3-40A)	1	
-56	414 748		SCREW - Rudder tip attachment (MS24693-S28)	16	
-57	494 071		WASHER - Rudder tip attachment (AN3236-012-1)	16	
-58	406 355		NUT - Rudder tip attachment (A6052-632-1)	16	
-59	40046-20		SKIN - Rudder	1	
-60	40046-18		CHANNEL - Rudder skin reinforcement, left	1	
	40046-19		CHANNEL - Rudder skin reinforcement, right	1	
-61	43332-00	C	WEIGHT - Balance	AR	31-5001 to 31-7405159 incl. 31-7405400 to 31-7405410 incl.
-62	400 440		BOLT - (AN3-6A)	2	
	81342-09		WASHER	2	
-63	53892-02		WEIGHT - Rudder	2	31-7405160 to 31-7405400 incl. 31-7405411 and up
-64	41413-51		BUSHING	2	

When ordering, always specify Part Number, Description and Serial Number of Aircraft



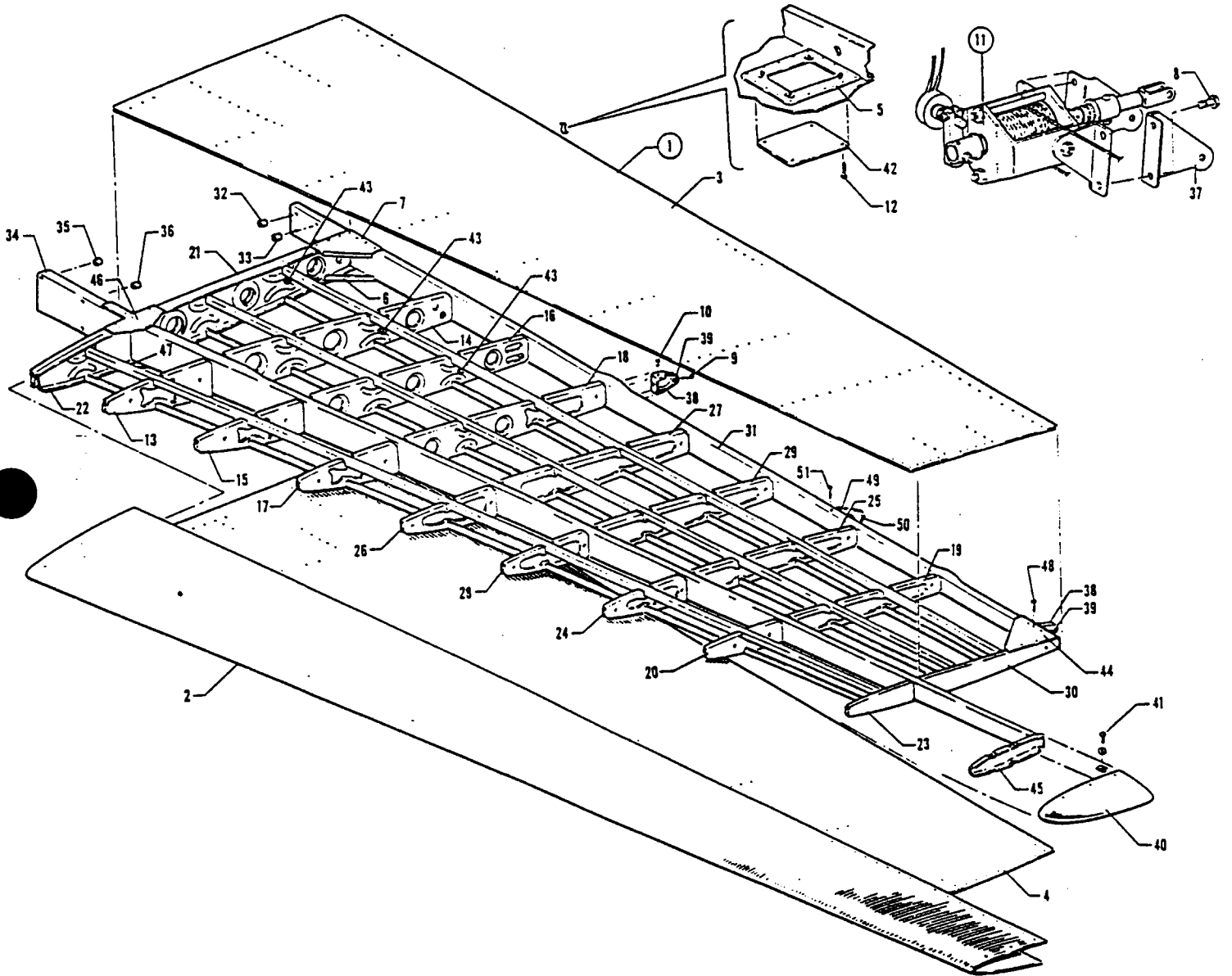


Figure 37. Stabilizer Assembly

---

# PIPER PARTS CATALOG

---

## CODE EXPLANATIONS FOR FIGURE 37

- A - See Figure 101 for component parts.
- B - Order part for serial numbers 31-8052180 and up, if Kit 764 054 or Kit 764 055 has been installed per Service Bulletin No. 687.
- C - Also used on serial numbers 31-5001 to 31-8052179 inclusive, if Kit 764 054 or 764 055 has been installed per Service Bulletin No. 687.

PIPER PARTS CATALOG

Figure and Index Number	Part Number	Code	NOMENCLATURE	No. Req.	SERIAL NUMBERS AFFECTED
37-1	40155-00		STABILIZER ASSEMBLY - Left	1	31-5001 to 31-7652070 incl
	40155-26		STABILIZER ASSEMBLY - Left	1	31-7652071 and up
	40155-25		STABILIZER ASSEMBLY - Right	1	31-5001 to 31-7652070 incl.
	40155-27		STABILIZER ASSEMBLY - Right	1	31-7652071 and up
-2	40155-14		* SKIN ASSEMBLY - Stabilizer, leading edge, left	1	
	40155-15		* SKIN ASSEMBLY - Stabilizer, leading edge, right	1	
-3	40155-16		* SKIN ASSEMBLY - Stabilizer, top, left	1	
	40155-19		* SKIN ASSEMBLY - Stabilizer, top, right	1	
-4	40155-18		* SKIN ASSEMBLY - Stabilizer, bottom, left	1	
	40155-17		* SKIN ASSEMBLY - Stabilizer, bottom, right	1	
-5	42317-00		* * PLATE ASSEMBLY - Access hole reinforcing, right	1	
-6	42258-00		* GUSSET - Stabilizer, bottom, left	1	
	42258-01		* GUSSET - Stabilizer, bottom, right	1	
-7	42226-00		* GUSSET - Stabilizer, top, left	1	
	42226-01		* GUSSET - Stabilizer, top, right	1	
-8	400 440		* BOLT - Elevator trim screw (AN3-6A)	4	
-9	400 440		* BOLT - (AN3-6A)	1	
	407 584		* WASHER - (AN960-10L)	1	
-10	411 211		* SCREW - (NAS221-11)	2	
	407 584		* WASHER - (AN960-10L)	2	
	404 887		* NUT - (MS20365-1032C)	2	
-11	53850-00	A	* SCREW ASSEMBLY - Elevator trim tab, right	1	
-12	414 763		* SCREW - (MS24693-S50)	4	
-13	40053-02		* RIB - Stabilizer, front, Sta. 19.5	1	
-14	40053-03		* RIB - Stabilizer, rear, Sta. 19.5	1	
-15	40055-02		* RIB - Stabilizer, front, Sta. 28.5	1	
-16	40055-03		* RIB - Stabilizer, rear, Sta. 28.5	1	
-17	40057-02		* RIB - Stabilizer, front, Sta. 38	1	
-18	40057-03		* RIB - Stabilizer, rear, Sta. 38, left	1	
	43213-00		* RIB ASSEMBLY - Stabilizer, rear, Sta. 38, right	1	
-19	40087-02		* RIB - Stabilizer, rear, Sta. 78	1	
-20	40087-03		* RIB - Stabilizer, front, Sta. 78	1	
-21	42230-10		* RIB ASSEMBLY - Stabilizer, rear, Sta. 12.62, left	1	
	42230-11		* RIB ASSEMBLY - Stabilizer, rear, Sta. 12.62, right	1	
-22	42230-12		* RIB ASSEMBLY - Stabilizer, front, Sta. 12.62, left	1	
	42230-13		* RIB ASSEMBLY - Stabilizer, front, Sta. 12.62, right	1	
-23	40091-00		* RIB - Stabilizer tip, Sta. 92	1	
-24	40100-02		* RIB - Stabilizer, front, Sta. 68	1	
-25	40100-03		* RIB - Stabilizer, rear, Sta. 68	1	
-26	40102-02		* RIB - Stabilizer, front, Sta. 48	1	
-27	40102-03		* RIB - Stabilizer, rear, Sta. 48	1	
-28	40102-04		* RIB - Stabilizer, front, Sta. 58	1	
-29	40102-05		* RIB - Stabilizer, rear, Sta. 58	1	
-30	41795-00		* RIB - Stabilizer tip, Sta. 91.12	1	
-31	40122-02		* SPAR ASSEMBLY - Stabilizer, left	1	
	40122-03		* SPAR ASSEMBLY - Stabilizer, right	1	
-32	61402-90		* * BUSHING - Stabilizer, spar assembly	2	
-33	453 780		* * BUSHING - Stabilizer, spar assembly (NAS77-5-38)	4	
-34	40122-16		* SPAR ASSEMBLY - Stabilizer, left	1	
	40122-15		* SPAR ASSEMBLY - Stabilizer, right	1	
-35	453 729		* * BUSHING - Stabilizer, spar assembly (NAS77-5-23)	2	
-36	453 781		* * BUSHING - Stabilizer, spar assembly (NAS77-5-43)	4	

When ordering, always specify Part Number, Description and Serial Number of Aircraft

## PIPER PARTS CATALOG

Figure and Index Number	Part Number	Code	NOMENCLATURE	No. Req.	SERIAL NUMBERS AFFECTED
37-37	43206-00		* ANGLE - Elevator tab pulley, left	1	
	43206-01		* ANGLE - Elevator tab pulley, right	1	
-38	40237-00		* HINGE ASSEMBLY - Elevator attachment, inboard	1	
	42235-00	B	* HINGE ASSEMBLY - Elevator attachment, outboard	1	31-5001 to 31-8052179 incl
	71700-02	C	* HINGE ASSEMBLY - Elevator attachment, outboard	1	31-8052180 and up
-39	452 386		* * BEARING - Stabilizer hinge assembly (NAS506-4)	1	
-40	40364-02		* TIP - Stabilizer, Sta. 92	1	
-41	414 748		* SCREW - Flat head (MS24693-S28)	6	
	494 071		* WASHER - (A3236-012-1)	6	
	406 355		* NUT - (A6052-632-1)	6	
-42	42316-00		* PLATE - Stabilizer, access hole cover, right	1	
-43	434 126		* GROMMET - Stabilizer wire, right (MS35489-4)	3	
-44	74037-02		* GUSSET - Stabilizer reinforcement	2	
-45	43210-00		* RIB - Stabilizer (B L 104 75)	1	
-46	42227-00		* GUSSET - Stabilizer, front spar, top, left	1	
	42227-01		* GUSSET - Stabilizer, front spar, top, right	1	
-47	42257-00		* GUSSET - Stabilizer, front spar, bottom, left	1	
	42257-01		* GUSSET - Stabilizer, front spar, bottom, right	1	
-48	411 212		* SCREW - (NAS221-12)	2	31-5001 to 31-7652070 incl.
	70353-02		* SCREW	2	31-7652071 to 31-8052179 incl
	407 584		* WASHER - (AN960-10L)	2	31-5001 to 31-7652070 incl
	404 887		* NUT - (MS20365-1032C)	2	31-5001 to 31-7652070 incl
-49	54228-02		* HINGE ASSEMBLY - Elevator (B L 65 75)	1	31-7652071 to 21-8052179 incl
	71700-03		* HINGE ASSEMBLY - Elevator (B L 65 75)	1	31-8052180 and up
-50	452 386		* * BEARING - Elevator hinge (NAS506-4)	1	31-7652071 and up
-51	411 212		* SCREW - (NAS221-12)	2	31-7652071 to 31-8052179 incl
	407 584		* WASHER - (AN960-10L)	2	31-7652071 to 31-8052179 incl
	404 887		* NUT - (MS20365-1032C)	2	31-7652071 to 31-8052179 incl

When ordering, always specify Part Number, Description and Serial Number of Aircraft

PIPER PARTS CATALOG

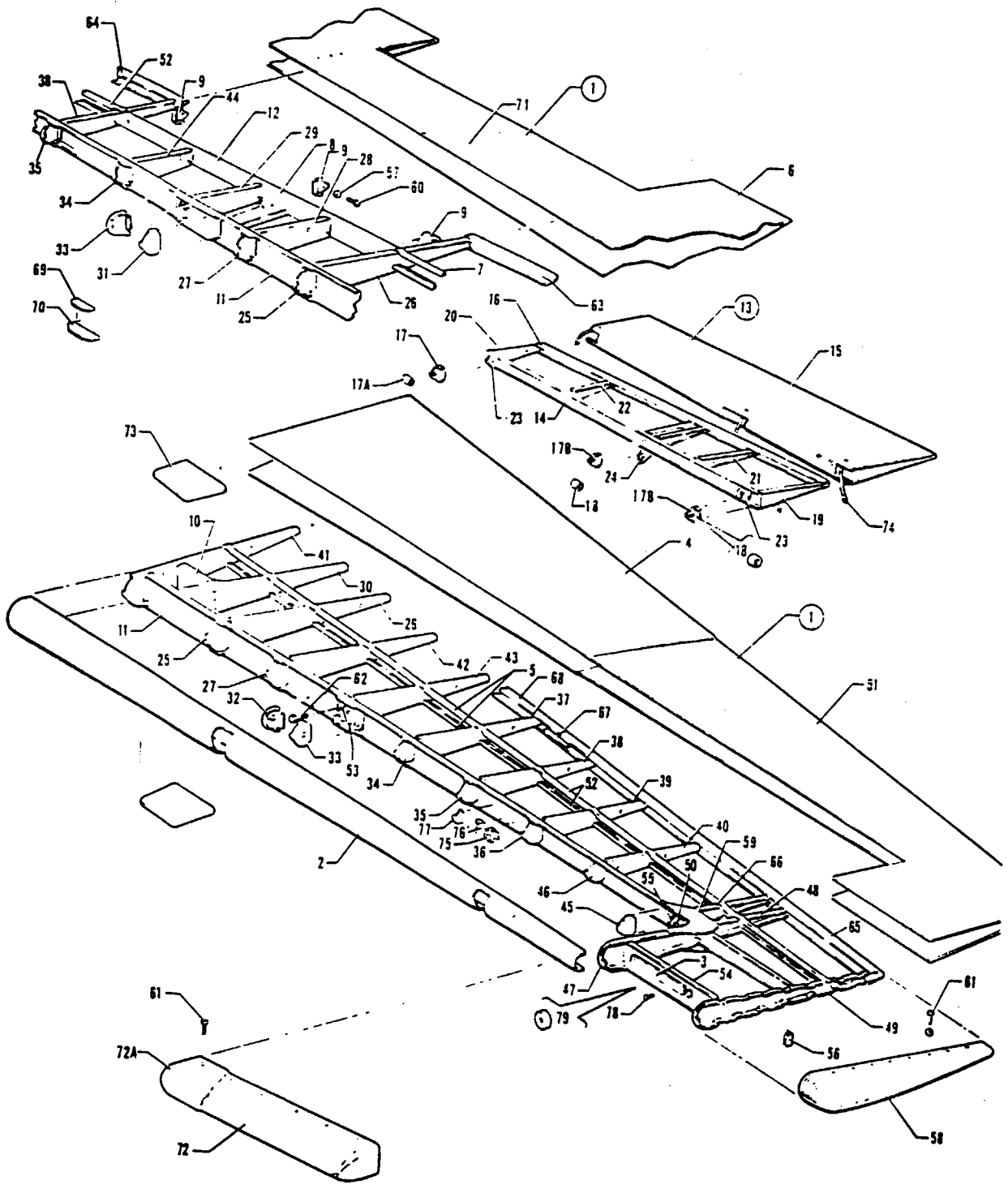


Figure 38. Elevator Assembly

---

# PIPER PARTS CATALOG

CODE EXPLANATIONS FOR FIGURE 38

PIPER PARTS CATALOG

Figure and Index Number	Part Number	Code	NOMENCLATURE	No. Req.	SERIAL NUMBERS AFFECTED
38-1	43757-184		ELEVATOR ASSEMBLY - Left	1	31-5001 to 31-7652070 incl.
	54232-24		ELEVATOR ASSEMBLY - Left	1	31-7652071 and up
	43757-175		ELEVATOR ASSEMBLY - Right	1	31-5001 to 31-7652070 incl
	54232-35		ELEVATOR ASSEMBLY - Right	1	31-7652071 and up
-2	40140-03		* SKIN - Elevator leading edge, left	1	31-5001 to 31-7652070 incl.
	54232-06		* SKIN - Elevator leading edge, left	1	31-7652071 and up
	40140-04		* SKIN - Elevator leading edge, right	1	31-5001 to 31-7652070 incl.
	54232-07		* SKIN - Elevator leading edge, right	1	31-7652071 and up
-3	53104-00		* WEIGHT - Balance	1	
-4	40140-12		* SKIN ASSEMBLY - Elevator, left	1	
-5	40140-07		* * CHANNEL - Elevator, center, left	2	
-6	40140-13		* SKIN ASSEMBLY - Elevator, right	1	
-7	40140-08		* * CHANNEL - Elevator, center, right	2	
-8	40140-11		* * PLATE - Reinforcement, tab control rod hole, right	1	
-9	40042-08		* BRACKET ASSEMBLY - Tab hinge, inboard, right	1	
	40042-09		* BRACKET ASSEMBLY - Tab hinge, center, right	1	
	40042-10		* BRACKET ASSEMBLY - Tab hinge, outboard, right	1	
-10	40060-00		* CHANNEL - Elevator, inboard	1	
-11	40075-09		* SPAR ASSEMBLY - Elevator, leading edge, left	1	31-5001 to 31-7652070 incl.
	40075-14		* SPAR ASSEMBLY - Elevator, leading edge, left	1	31-7652071 and up
	40075-11		* SPAR ASSEMBLY - Elevator, leading edge, right	1	31-5001 to 31-7652070 incl
	40075-16		* SPAR ASSEMBLY - Elevator, leading edge, right	1	31-7652071 and up
-12	40076-00		* SPAR - Elevator tab, center, right	1	
-13	42480-00		* TAB ASSEMBLY - Elevator, right	1	31-5001 to 31-7405478 incl.
	42480-04		* TAB ASSEMBLY - Elevator, right	1	31-7405479 and up
-14	43217-00		* * SPAR - Elevator tab, leading edge	1	31-5001 to 31-7405478 incl
	43217-02		* * SPAR - Elevator tab, leading edge	1	31-7405479 and up
-15	42480-02		* * SKIN - Elevator tab	1	31-5001 to 31-7405478 incl.
	42480-03		* * SKIN - Elevator tab	1	31-7405479 and up
-16	16754-02		* * CHANNEL - Elevator tab, trailing edge	1	
-17	40012-11		* * HINGE ASSEMBLY - Elevator tab, inboard	1	31-5001 to 31-7405478 incl.
	40012-22		* * HINGE ASSEMBLY - Elevator tab, inboard	1	31-7405479 and up
-17a	453 794		* * * BEARING - Elevator tab hinge assembly (NAS77-5-19)	1	
-17b	40012-12		* * HINGE ASSEMBLY - Elevator tab, center	1	
	40012-13		* * HINGE ASSEMBLY - Elevator tab, outboard	1	
-18	453 794		* * * BEARING - Elevator tab hinge assembly (NAS77-5-19)	1	
-19	43211-02		* * RIB - Elevator tab, B. L. 19.75	1	
-20	43212-02		* * RIB - Elevator tab, B. L. 57.12	1	
-21	40050-02		* * RIB - Elevator tab, B. L. 28.50	1	
-22	40050-05		* * RIB - Elevator tab, B. L. 48	1	
-23	43211-03		* * RIB - Elevator tab, inboard	1	
	43212-03		* * RIB - Elevator tab, outboard	1	
-24	43221-00		* * HORN ASSEMBLY - Elevator tab, B. L. 35.69	1	
-25	40052-02		* RIB - Elevator nose, leading edge, B. L. 19.5	1	
-26	40052-03		* RIB - Elevator, B. L. 19.5	1	
-27	40054-02		* RIB - Elevator nose, leading edge, B. L. 28.5	1	
-28	40054-03		* RIB - Elevator, B. L. 28.5, right	1	
-29	40056-00		* RIB - Elevator, B. L. 37.8, right	1	
-30	40058-00		* RIB - Elevator, B. L. 12	1	
-31	40059-08		* RIB - Elevator nose, leading edge, right	1	
-32	40059-03		* RIB - Elevator nose, leading edge, left	1	
-33	40059-04		* RIB - Elevator nose, leading edge	1	
-34	40086-02		* RIB - Elevator, leading edge, B. L. 48	1	
-35	40086-03		* RIB - Elevator, leading edge, B. L. 58	1	

When ordering, always specify Part Number, Description and Serial Number of Aircraft

## PIPER PARTS CATALOG

Figure and Index Number	Part Number	Code	NOMENCLATURE	No. Req.	SERIAL NUMBERS AFFECTED
38-36	40086-04		* RIB - Elevator, leading edge, B. L. 68	1	31-5001 to 31-7652070 incl.
	40086-08		* RIB - Elevator, leading edge, B. L. 68	1	31-7652071 and up
-37	40086-05		* RIB - Elevator, B. L. 48, left	1	
-38	40086-06		* RIB - Elevator, B. L. 58	1	
-39	40086-07		* RIB - Elevator, B. L. 68	1	
-40	40088-00		* RIB - Elevator, B. L. 77.8	1	
-41	40090-00		* RIB - Elevator, B. L. 7.42 canted	1	
-42	40098-00		* RIB - Elevator, B. L. 28.5, left	1	
-43	40099-00		* RIB - Elevator, B. L. 37.8, left	1	
-44	40173-00		* RIB - Elevator, B. L. 48, right	1	
-45	40059-07		* RIB - Elevator nose, B. L. 89	1	
-46	42214-00		* RIB - Elevator nose, B. L. 77.88	1	
-47	43745-00		* RIB - Elevator, B. L. 92.38	1	
-48	42218-04		* RIB - Elevator, B. L. 92.38	1	
-49	43743-00		* RIB ASSEMBLY - Elevator, B. L. 104.75, left	1	
	43743-01		* RIB ASSEMBLY - Elevator, B. L. 104.75, right	1	
-50	42231-04		* BRACKET ASSEMBLY - Elevator, outboard hinge	1	
-51	43757-16		* SKIN ASSEMBLY - Elevator, B. L. 58 to 104.75, left	1	
	43757-15		* SKIN ASSEMBLY - Elevator, B. L. 58 to 104.75, right	1	
-52	43757-05		* CHANNEL - Elevator, B. L. 58 to 104.75	2	
-53	44955-05		* HINGE ASSEMBLY - Elevator, Sta. 38.125	1	
-54	43744-00		* CHANNEL - Elevator, B. L. 92.38 to 104.75	1	31-5001 to 31-7652070 incl.
	43744-04		* CHANNEL - Elevator, B. L. 92.38 to 104.75	1	31-7652071 and up
-55	49758-02		* BRACKET ASSEMBLY - Elevator, outboard hinge	1	
-56	43752-00		* CLIP - Elevator spar attachment	1	
-57	41413-51		* BUSHING - Elevator, right	3	
-58	43741-00		* TIP ASSEMBLY - Elevator, left	1	
	43741-01		* TIP ASSEMBLY - Elevator, right	1	
-59	42225-00		* GUSSET - Elevator, B. L. 92.38	2	
-60	400 440		* BOLT - (AN3-6A) right	3	
	407 564		* WASHER - (AN960-10) right	3	
-61	414 748		* SCREW - (MS24693-S28)	26	
	494 071		* WASHER - (A3236-012-1)	26	
	406 355		* NUT - (A6052-632-1)	26	
-62	400 438		* BOLT - (AN3-4A)	2	
-63	40140-24		* CHANNEL - Trailing edge, inboard, right	1	
-64	40140-25		* CHANNEL - Trailing edge, outboard, right	1	
-65	40140-23		* CHANNEL - Trailing edge, left	1	
-66	42417-00		* RIB - Elevator, B. L. 89	1	
-67	40140-27		* SPLICE - Channel, trailing edge, left, B. L. 51.25	1	
-68	40140-26		* CHANNEL - Trailing edge, left	1	
-69	44974-00		* PLATE - Elevator, antiservo, right	1	
-70	43232-02		* PLATE - Elevator, antiservo, right	1	
-71	43384-02		* PLATE - Spar reinforcement cover, right	1	
-72	43748-00		* TIP ASSEMBLY - Elevator leading edge	1	
-72a	44322-02		* BOOT - Top, elevator leading edge	1	
-73	40140-10		* PLATE - Spar reinforcement, inboard	2	
-74	49972-04		* STRAP ASSEMBLY - Lightning protection	3	
-75	53885-02		* HINGE ASSEMBLY - Elevator center, outboard left, inboard right	1	31-7652071 and up
-76	53885-04		* HINGE - Elevator center, inboard left, outboard right	1	31-7652071 and up
-77	54227-02		* RIB - Elevator nose	1	31-7652071 and up

When ordering, always specify Part Number, Description and Serial Number of Aircraft



PIPER PARTS CATALOG

Figure and Index Number	Part Number	Code	NOMENCLATURE	No. Req	SERIAL NUMBERS AFFECTED
38-78	400 863		* BOLT - (AN23-11A) (used if no balance washers are installed)	6	31-5001 to 31-7552108 incl.
	401 269		* BOLT - (AN3-10A) (used if one balance washer is installed)	6	31-5001 to 31-7552108 incl.
	400 443		* BOLT - (AN3-12A) (used if two balance washers are installed)	6	31-5001 to 31-7552108 incl.
	400 440		* BOLT - (AN3-6A)	4	31-7552109 and up
	407 584		* WASHER - (AN960-10L)	6	31-5001 to 31-7552108 incl
	407 584		* WASHER - (AN960-10L) (inboard bolt)	1	31-7552109 and up
-79	43332-00		WASHER - Balance ( 035 thick)	AR	
	80122-122		WASHER - Balance ( 040 thick)	AR	

When ordering, always specify Part Number, Description and Serial Number of Aircraft

PIPER PARTS CATALOG

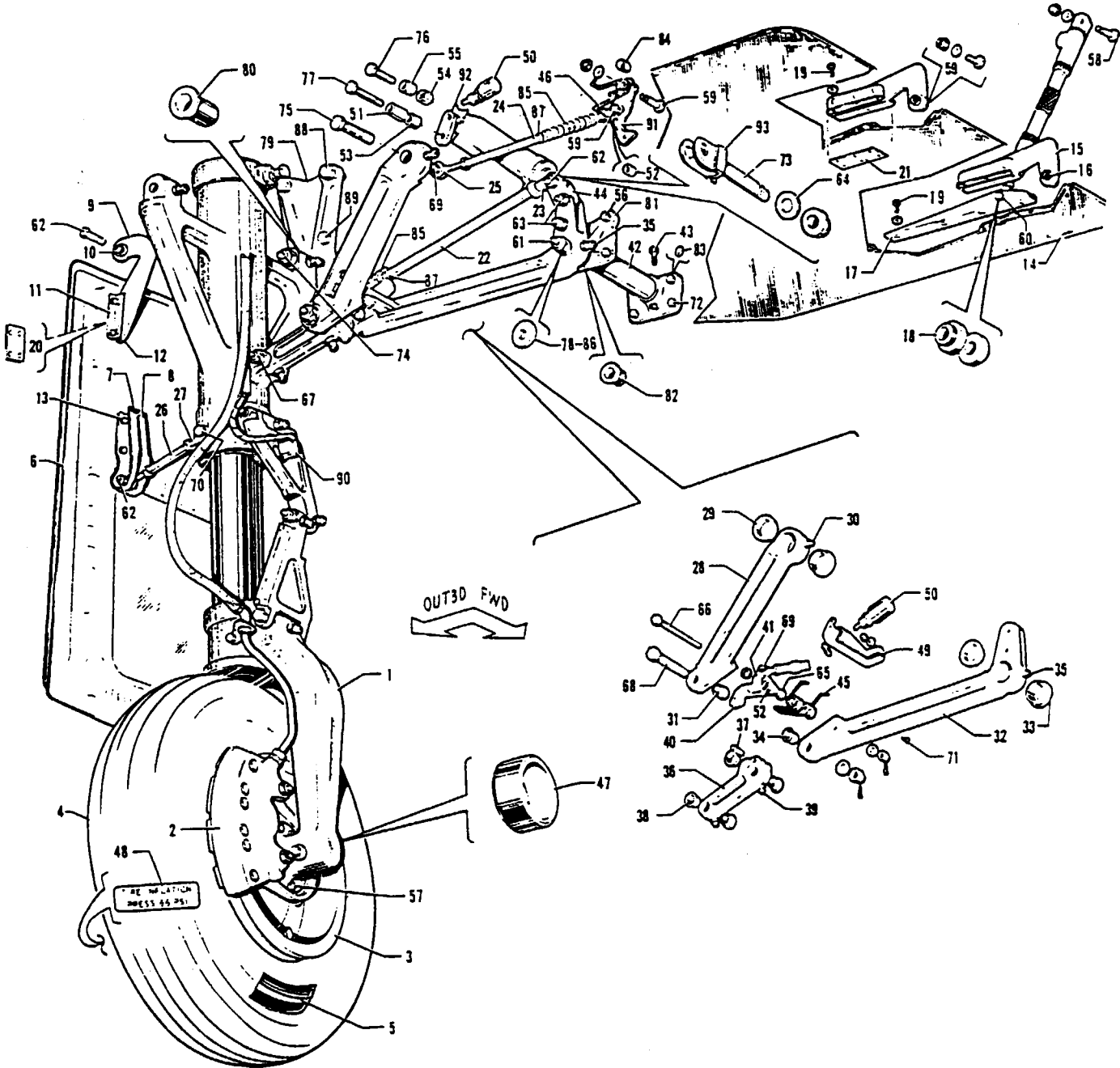


Figure 39. Main Landing Gear Installation

# PIPER PARTS CATALOG

## CODE EXPLANATIONS FOR FIGURE 39

- A - See Figure 40 for component parts.
- B - See Figure 42 for component parts
- C - See Figure 41 for component parts.
- D - Used if air conditioning or heated lift detector is installed.
- E - Used if Cleveland wheels, Part No. 40-102A or 40-130 and Cleveland brakes, Part No. 30-68A, 30-68B, 30-95 or 30-95A are installed.
- F - Used if Goodyear wheels, Part No. 9544171-1 and Goodyear brakes, Part No. 9544482 or Cleveland wheels, Part No. 40-141 and Cleveland brakes, Part No. 30-123 are installed.
- G - See Figure 42A for component parts.
- H - See Figure 41A for component parts
- J - Order Part No 551 730 or Part No. 551 731 if Heavy Duty Wheel and Brake Conversion Kit 761 064 has been installed.
- K - Order Part No. 551 769 if Heavy Duty Wheel and Brake Conversion Kit 761 064 has been installed.
- L - See Figure 42B for component parts.
- M - See Figure 42C for component parts
- N - Order part for Serial Numbers 31-8252021 and up, if Heated Lift Detector Installation Kit 764 021 has been installed.
- P - No longer available. See latest revision of Piper Service Bulletin 860.
- Q - See Piper Service Bulletin 845A, or latest revision.

# PIPER PARTS CATALOG

Figure and Index Number	Part Number	Code	Nomenclature	No. Req.	Serial Numbers Affected
39-	42053		DRAWING - Main Landing Gear Installation		
-1	45504-02	A,E	STRUT ASSEMBLY - Main landing gear, left	1	31-5001 to 31-8352036 incl.
	45504-24	A,E	STRUT ASSEMBLY - Main landing gear, left	1	31-8352037 and up
	45504-12	A,F	STRUT ASSEMBLY - Main landing gear, left	1	31-5001 to 31-8352036 incl.
	45504-26	A,F	STRUT ASSEMBLY - Main landing gear, left	1	31-8352037 and up
	45504-03	A,E	STRUT ASSEMBLY - Main landing gear, right	1	31-5001 to 31-8352036 incl.
	45504-25	A,E	STRUT ASSEMBLY - Main landing gear, right	1	31-8352037 and up
	45504-13	A,F	STRUT ASSEMBLY - Main landing gear, right	1	31-5001 to 31-8352036 incl.
	45504-27	A,F	STRUT ASSEMBLY - Main landing gear, right	1	31-8352037 and up
-2	758 128	B,J	BRAKE ASSEMBLY - (30-68A Cleveland)	2	31-5001 to 31-7405243 incl. 31-7405401 to 31-7405455 incl.
	551 719	B,J	BRAKE ASSEMBLY - (30-68B Cleveland)	2	31-7405244 to 31-7405400 incl. 31-7405456 to 31-7652075 incl.
	551 723	G	BRAKE ASSEMBLY - (30-95 LH Cleveland), left	1	31-7652076 to 31-7952209 incl.
	551 724	G	BRAKE ASSEMBLY - (30-95A RH Cleveland), right	1	31-7652076 to 31-7952209 incl.
	551 731	G	BRAKE ASSEMBLY - (30-95A LH Cleveland), left	1	31-7952210 and up
	551 730	G	BRAKE ASSEMBLY - (30-95A RH Cleveland), right	1	31-7952210 and up
	551 744	L	BRAKE ASSEMBLY - (30-123 Cleveland) Heavy duty	2	31-7852121, 31-8052031 & up
	551 710	M	BRAKE ASSEMBLY - (9544482 Goodyear)	2	
-3	756 619	C,K	WHEEL ASSEMBLY - (40-102A Cleveland)	2	31-5001 to 31-7652075 incl.
	551 769	C	WHEEL ASSEMBLY - (40-130 Cleveland)	2	31-7652076 and up
	551 793	C	WHEEL ASSEMBLY - (40-141 Cleveland) Heavy duty	1	31-7852121, 31-8052031 & up
	551 761	H	WHEEL ASSEMBLY - (9544171-1 Goodyear)	2	
-4	761 979		TIRE - (6.50 x 10, 8 ply) B. F. Goodrich	2	
	761 997		TIRE - (6.50 x 10, 8 ply) McCreary Airhawk	2	
	762 035		TIRE - (6.50 x 10, 8 ply) Goodyear Flight Custom II	2	
-5	451 738		TUBE - (6.50 x 10 Reg.)	2	
-6	42059-06		DOOR ASSEMBLY - Main landing gear, outboard	2	
-7	42025-00		* BRACKET ASSEMBLY - Gear door actuator, rear	2	
-8	42025-01		* BRACKET ASSEMBLY - Gear door actuator, forward	2	
-9	42059-07		* HINGE ASSEMBLY - Door, main gear, outboard	2	
-10	25704-00		** BEARING - Hinge assembly	1	
-11	46121-02		** ANGLE - Hinge attachment, rear	2	
-12	46121-03		** ANGLE - Hinge attachment, forward	2	
-13	400 438		* BOLT - (AN3-4A)	16	
-14	47529-30		DOOR ASSEMBLY - Main landing gear, inboard, left	1	
	47529-31		DOOR ASSEMBLY - Main landing gear, inboard, right	1	
-15	47529-32		* HINGE ASSEMBLY - Door, main landing gear, inboard	2	
-16	25704-00		** BEARING - Door hinge, main landing gear	1	
-17	43711-00		* BRACKET ASSEMBLY - Main gear door, inboard	1	
-18	20737-37		** BUSHING - Main gear door bracket assembly	2	
-19	401 266		* BOLT - (AN3-5A)	16	
	407 564		* WASHER - (AN960-10)	16	
-20	48070-00		SHIM - Landing gear door hinge	AR	
-21	48071-00		SHIM - Landing gear door hinge	AR	
-22	41949-02		ROD ASSEMBLY - Landing gear lock, main	2	31-5001 to 31-8252063 incl.
	72682-10		CABLE ASSEMBLY - Landing gear lock, main	2	31-8252064 and up
-23	452 383		* BEARING - (24166-00)	2	31-5001 to 31-8252063 incl.
	74087-02		* BEARING	2	31-8252064 and up
-24	41949-03		ROD ASSEMBLY - Landing gear lock, main	2	31-5001 to 31-8252063 incl.
	72682-12		CABLE ASSEMBLY - Landing gear lock, main	2	31-8252064 and up
-25	452 383		* BEARING - (24166-00)	2	31-5001 to 31-8252063 incl.
	74087-02		* BEARING	2	31-8252064 and up
-26	41297-00		ROD ASSEMBLY - Main landing gear, outboard door	4	
-27	452 441		* BEARING - (M 44-14)	2	

When ordering, always specify Part Number, Description, and Serial Number of Aircraft

# PIPER PARTS CATALOG

Figure and Index Number	Part Number	Code	Nomenclature	No. Req.	Serial Numbers Affected
39-28	40280-00		LINK ASSEMBLY - Main gear side, aft, left	1	
	40280-01		LINK ASSEMBLY - Main gear side, aft, right	1	
-29	753 468		* BUSHING - (NAS77-8-38)	2	
-30	460 823		* FITTING - Lubrication (MS15001-1)	1	
-31	753 469		* BUSHING - (NAS77-8-72)	1	
-32	85166-02	Q	LINK ASSEMBLY - Main gear side, forward, left	1	
	85166-03	Q	LINK ASSEMBLY - Main gear side, forward, right	1	
-33	753 470		* BUSHING - (NAS77-18-50)	2	
-34	753 469		* BUSHING - (NAS77-8-72)	1	
-35	460 823		* FITTING - Lubrication (MS15001-1)	1	
-36	40284-00		LINK ASSEMBLY - Landing gear side brace, lower	2	
-37	40376-00		* PIN - Main landing gear lock	1	
-38	453 777		* BUSHING - (NAS77-8-44)	4	
-39	460 691		* FITTING - Lubrication (AN944-101)	2	
-40	41983-00		HOOK ASSEMBLY - Main landing gear downlock, left	1	
	41983-01		HOOK ASSEMBLY - Main landing gear downlock, right	1	
-41	41982-03		* CLIP - Main gear downlock hook, forward	1	
	41982-02		* CLIP - Main gear downlock hook, aft	1	
-42	43286-02		SHAFT ASSEMBLY - Main landing gear brace pivot	2	
-43	400 012		* BOLT - (AN4-17A)	1	
	407 565		* WASHER - (AN960-416)	1	
	404 888		* NUT - (MS20365-428C)	1	
-44	42042-00		ARM - Main gear retraction	2	
-45	41952-00		SPRING - Main landing gear downlock	2	
-46	41979-00		SPRING - Landing gear uplock	2	
-47	40337-00	E	SPACER - Landing gear wheel bearing	2	
	40337-02	F	SPACER - Landing gear wheel bearing	2	
-48	41398-07		PLACARD - Tire inflation, main	2	
-49	41985-00		BRACKET - Main landing gear downlock switch, left	1	
	41985-01		BRACKET - Main landing gear downlock switch, right	1	
-50	487 862		SWITCH - Micro (1CH21-4)	4	
-51	42129-06		BUSHING - Main landing gear	2	
-52	42129-07		BUSHING - Main landing gear	2	
-53	42129-08		BUSHING - Main landing gear	2	
-54	42129-09		BUSHING - Main landing gear	2	
-55	42129-10		BUSHING - Main landing gear	2	
-56	401 311		BOLT - (AN4-11A)	16	
	407 585		WASHER - (AN960-416L)	32	
	404 888		NUT - (MS20365-428C)	16	
-57	401 187		BOLT - (AN5-7A)	12	
	404 889		NUT - (MS20365-524C)	12	
-58	401 270		BOLT - (AN3-11A)	2	
	407 564		WASHER - (AN960-10)	2	
	404 887		NUT - (MS20365-1032C)	2	
-59	400 008		BOLT - (AN4-13A)	8	
	407 565		WASHER - (AN960-416)	8	
	404 888		NUT - (MS20365-428C)	8	
-60	400 444		BOLT - (AN3-13A)	2	
	407 564		WASHER - (AN960-10)	2	
	404 887		NUT - (MS20365-1032C)	2	
-61	404 103		NUT - (AN310-6)	2	
	407 567		WASHER - (AN960-616)	2	
	424 060		COTTER PIN - (MS24665-285)	2	
-62	401 311		BOLT - (AN4-11A)	10	
	407 565		WASHER - (AN960-416)	10	
	404 888		NUT - (MS20365-428C)	10	

When ordering, always specify Part Number, Description, and Serial Number of Aircraft

## PIPER PARTS CATALOG

Figure and Index Number	Part Number	Code	Nomenclature	No. Req.	Serial Numbers Affected
39-63	400 212		BOLT - (AN6-17)	4	
	407 567		WASHER - (AN960-616)	4	
	404 103		NUT- (AN310-6)	4	
	424 060		COTTER PIN - (MS24665-285)	4	
-64	407 565		WASHER - (AN960-416)	2	
	404 888		NUT - (MS20365-428C)	2	
-65	407 566		WASHER - (AN960-516)	4	
-66	400 188		BOLT - (AN5-46)	2	
	407 566		WASHER - (AN960-516)	2	
	404 102		NUT- (AN310-5)	2	
	424 052		COTTER PIN - (MS24665-134)	2	
-67	402 517		BOLT- (AN178-26)	2	
	407 569		WASHER - (AN960-816)	2	
	404 105		NUT- (AN310-8)	2	
	424 060		COTTER PIN - (MS24665-285)	2	
-68	402 798		BOLT - (NAS1308-44D)	2	
	407 569		WASHER - (AN960-816)	2	
	404 105		NUT - (AN310-8)	2	
	424 060		COTTER PIN - (MS24665-285)	2	
-69	401 310		BOLT - (AN4-10A)	4	
	407 566		WASHER - (AN960-416)	4	
	404 888		NUT - (MS20365-428C)	4	
-70	43972-00		BOLT- Special nylon insert	4	
	407 565		WASHER - (AN960-416)	4	
-71	415 536		SCREW- (AN35206-246)	8	
	407 563		WASHER - (AN960-8)	8	
	404 910		NUT - (MS20365-832C)	8	
-72	400 003		BOLT - (AN4-6A)	8	
	407 565		WASHER - (AN960-416)	8	
-73	41789-00		FORK - Main gear lock rod attachment	2	
-74	400 384		BOLT - (AN10-36)	4	
	407 571		WASHER - (AN960-1061)	AR	
	80122-128		WASHER	AR	
	80122-154		WASHER	AR	
	404 107		NUT- (AN310-10)	4	
	424 068		COTTER PIN - (MS24665-355)	4	
-75	400 309		BOLT - (AN8-30)	2	
	407 569		WASHER - (AN960-816)	AR	
	404 105		NUT - (AN310-8)	2	
	424 060		COTTER PIN - (MS24665-285)	2	
-76	401 195		BOLT- (AN5-17A)	2	
	40559-34		WASHER	4	
	404 889		NUT - (MS20365-524C)	2	
-77	401 404		BOLT- (AN6-24A)	2	
	407 567		WASHER - (AN960-616)	2	
	404 890		NUT - (MS20365-624C)	2	
-78	85012-105		WASHER - Main gear link assembly	2	
-79	40288-00		TRUNNION ASSEMBLY - Landing gear, aft	2	
	40290-00		TRUNNION ASSEMBLY - Landing gear, forward	2	
-80	453 768		* BUSHING - Trunnion (NAS77-10-94)	1	
-81	40294-00		FITTING ASSEMBLY - Main gear side brace, aft	2	
	40309-00		FITTING ASSEMBLY - Main gear side brace, forward	2	
-82	453 770		* BUSHING - Fitting assembly (NAS77-8-84) aft	1	
	453 778		* BUSHING - Fitting assembly (NAS77-18-88) forward	1	

When ordering, always specify Part Number, Description, and Serial Number of Aircraft

## PIPER PARTS CATALOG

Figure and Index Number	Part Number	Code	Nomenclature	No. Req.	Serial Numbers Affected
39-83	43300-02		SHIM - Landing gear pivot shaft (.040)	AR	
	43300-03		SHIM - Landing gear pivot shaft (.032)	AR	
	43300-04		SHIM - Landing gear pivot shaft (.025)	AR	
	43300-05		SHIM - Landing gear pivot shaft (.020)	AR	
	43300-06		SHIM - Landing gear pivot shaft (.012)	AR	
-84	42129-04		BUSHING - Main landing gear	2	
-85	453 206		BOOT - Dust (ONN-401-4-13-2)	4	31-5001 to 31-8252063 incl.
-86	80122-129		WASHER - (.020 thickness)	AR	
	80122-130		WASHER - (.032 thickness)	AR	
	80122-131		WASHER - (.042 thickness)	AR	
	85012-125		WASHER - (.012 thickness)	AR	
	80122-155		WASHER - (.010 thickness)	AR	
-87	454 924		CLAMP - Boot (A3122-10-1)	4	31-5001 to 31-8252063 incl.
-88	401 188		BOLT - (AN5-10A) Top	8	
	401 189		BOLT - (AN5-11A) Bottom	8	
	407 566		WASHER - (AN960-516)	32	
	404 889		NUT - (MS20365-524C)	16	
-89	401 310		BOLT - (AN4-10A) Forward	4	
	407 565		WASHER - (AN960-416) Forward	8	
	404 888		NUT - (MS20365-428C) Forward	4	
-90	487 862		SWITCH - Micro (1CH21-4), left	1	
	47940-03	D,N	SWITCH - Micro, right	1	31-5001 to 31-7952250 incl.
	71605-02	D	SWITCH - Micro, right	1	31-8052001 to 31-8252020 incl.
	487 862	D	SWITCH - Micro (1CH-21-4) right	1	31-8252021 and up
-91	41797-03		HOOK ASSEMBLY - Landing gear uplock, main	2	
-92	42041-00		CRANK ASSEMBLY - Main gear uplock	2	
-93	73344-02	P	STOP - Downlock cable attachment fork, left	1	31-8252064 and up
	73344-03	P	STOP - Downlock cable attachment fork, right	1	31-8252064 and up
	73344-04		STOP - Downlock cable attachment fork, left	1	
	73344-05		STOP - Downlock cable attachment fork, right	1	

When ordering, always specify Part Number, Description, and Serial Number of Aircraft

PIPER PARTS CATALOG

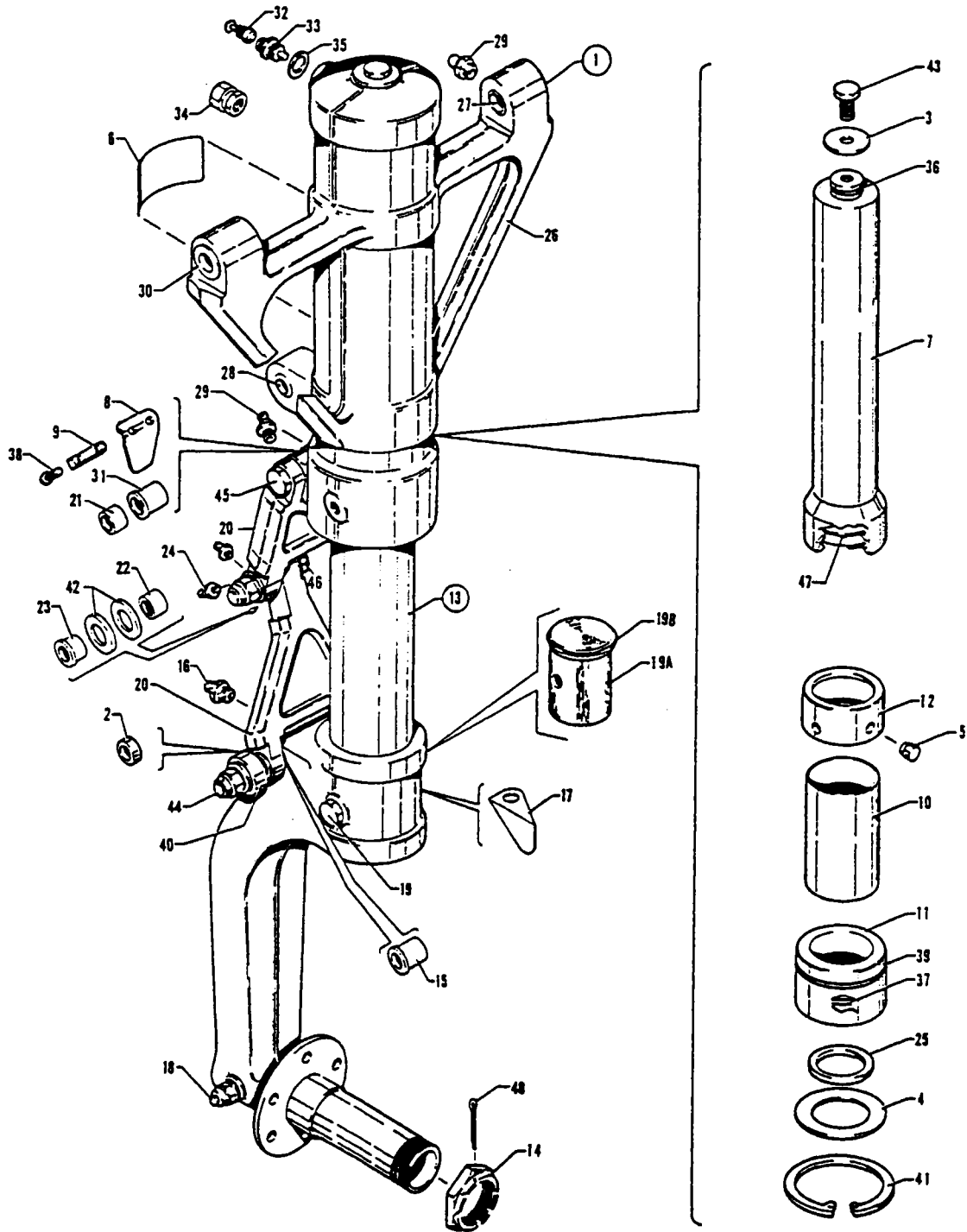


Figure 40. Main Gear Strut Assembly



---

## PIPER PARTS CATALOG

---

### CODE EXPLANATIONS FOR FIGURE 40

- A - When ordering, ascertain if bushing is notched or unnotched on the end and O.D.
- B - When ordering, ascertain if bearing is notched or unnotched on the end and O.D.
- C - if Housing Assembly incorporates a metal stamped part number 40327-3, Bearing part number 40247-02 must also be ordered when making replacement.
- D - Used only if retaining ring groove in orifice tube assembly is .105 wide.
- E - Used if Cleveland wheels, Part No. 40-102A or 40-130 and Cleveland brakes Part No. 30-68A, 30-68B, 30-95 or 30-95A are installed
- F - Used if Goodyear wheels, Part No. 9544171-1 and Goodyear brakes, Part No. 9544482 or Cleveland wheels, Part No. 40-141 and Cleveland brakes, Part No. 30-123 are installed

## PIPER PARTS CATALOG

Figure and Index Number	Part Number	Code	NOMENCLATURE	No. Req.	SERIAL NUMBERS AFFECTED
40-1	45504-02	E	STRUT ASSEMBLY - Main gear, left	1	31-5001 to 31-8352036 incl
	45504-24	E	STRUT ASSEMBLY - Main gear, left	1	31-8352037 and up
	45504-12	F	STRUT ASSEMBLY - Main gear, left	1	31-5001 to 31-8352036 incl
	45504-26	F	STRUT ASSEMBLY - Main gear, left	1	31-8352037 and up
	45504-03	E	STRUT ASSEMBLY - Main gear, right	1	31-5001 to 31-8352036 incl
	45504-25	E	STRUT ASSEMBLY - Main gear, right	1	31-8352037 and up
	45504-13	F	STRUT ASSEMBLY - Main gear, right	1	31-5001 to 31-8352036 incl
	45504-27	F	STRUT ASSEMBLY - Main gear, right	1	31-8352037 and up
-2	14175-106		* BUSHING - Main gear, retraction bearing spacer	1	
-3	19513-95		* WASHER - Orifice tube bolt	1	
-4	19513-96		* WASHER - Wiper strip retainer	1	
-5	01821-07		* PIN - Main gear bearing retainer	4	
-6	40292-04		* PLACARD - Oleo service instructions	1	
-7	44933-04		* TUBE ASSEMBLY - Main gear orifice (includes orifice plate and retaining ring)	1	
-8	40242-00		* DEFLECTOR - Anti-retraction switch, left	1	
	40242-01		* DEFLECTOR - Anti-retraction switch, right	1	
-9	40243-00		* PLATE - Anti-retraction switch attachment	1	
-10	40244-00		* TUBE - Main gear spacer	1	
-11	40246-00		* BEARING - Main gear, bottom	1	31-5001 to 31-8352036 incl
	40246-02		* BEARING - Main gear, bottom	1	31-8352037 and up
-12	40247-00	B	* BEARING - Main gear, top (3.248 O D.) unnotched	1	
	40247-02	B	* BEARING - Main gear, top (3.268 O D.) notched	1	
-13	45504-06	E	* FORK ASSEMBLY - Main gear, left (includes piston tube, fork and axle)	1	
	45504-04	F	* FORK ASSEMBLY - Main gear, left (includes piston tube, fork and axle)	1	
	45504-07	E	* FORK ASSEMBLY - Main gear, right (includes piston tube, fork and axle)	1	
	45504-05	F	* FORK ASSEMBLY - Main gear, right (includes piston tube, fork and axle)	1	
-14	45334-00	F	* * NUT - Axle	1	
	404 469	E	* * NUT - Axle (MS21025-24)	1	
-15	43256-02	A	* * BUSHING - Main gear fork (.514 O D.) notched	2	
	20737-40	A	* * BUSHING - Main gear fork (.5015 O D.) unnotched	2	
-16	460 691		* * FITTING - Lubrication (AN944-101)	1	
-17	41219-00		* * BRACKET - Main gear brake line, left	1	
	41219-01		* * BRACKET - Main gear brake line, right	1	
-18	401 410		* * BOLT - Axle attachment (AN6-31A)	1	
	407 567		* * WASHER - Axle attachment (AN960-616)	1	
	404 890		* * NUT - Axle attachment (MS20365-624C)	1	
-19	401 420		* * BOLT - Fork attachment (AN6-40A)	1	
	404 890		* * NUT - Fork attachment (MS20365-624C)	1	
-19a	45332-00		* * PLUG - Main gear piston tube	1	
-19b	484 781		* * GASKET - "O" Ring (MS28775-140)	1	
-20	40257-00		* LINK ASSEMBLY - Main gear torque	2	
-21	453 786		* * BUSHING - Main gear link (NAS75-6-011)	2	
-22	453 809		* * BUSHING - Main gear link (NAS75-7-011)	1	
-23	453 775		* * BUSHING - Main gear link (NAS77-7-35)	1	
-24	460 691		* * FITTING - Lubrication (AN944-101)	1	
-25	494 722		* WIPER - (4550A-02750-4)	1	
-26	40327-00	C	* HOUSING ASSEMBLY - Main gear	1	
-27	43256-05	B	* * BUSHING - Main gear housing (.7628 O D.) notched	2	
	61402-99	B	* * BUSHING - Main gear housing (.7518 O D.) unnotched	2	
-28	43256-03	B	* * BUSHING - Main gear housing (.6378 O D.) notched	2	
	61402-98	B	* * BUSHING - Main gear housing (.6268 O D.) unnotched	2	
-29	460 691		* * FITTING - Lubrication (AN944-101)	3	

When ordering, always specify Part Number, Description and Serial Number of Aircraft

PIPER PARTS CATALOG

Figure and Index Number	Part Number	Code	NOMENCLATURE	No. Req	SERIAL NUMBERS AFFECTED
40-30	43256-04	B	* * BUSHING - Main gear housing (.7628 O D ) notched	2	
	20737-23	B	* * BUSHING - Main gear housing ( 7518 O D ) unnotched	2	
-31	43256-02	B	* * BUSHING - Main gear housing ( 5140 O D ) notched	2	
	20737-40	B	* * BUSHING - Main gear housing (.5015 O D ) unnotched	2	
-32	455 124		* CORE - Air valve (AN809-1)	1	
-33	453 124		* BODY - Air valve (AN812-1)	1	
-34	454 053		* CAP - Air valve (AN813-1B)	1	
-35	751 834		* GASKET - Air valve (AN901-5A)	1	
-36	752 713		* PACKING - O-ring (AN6227-15)	1	
-37	484 760		* PACKING - O-ring (AN6227-38)	1	31-5001 to 31-8352036 incl
	486 305		* SEAL - Poly pak (1870-2750)	1	31-8352037 and up
-38	416 098		* SCREW - Switch mounting plate (MS35265-45)	2	
-39	462 051		* GASKET - O-ring (AN6230-14)	1	
-40	452 429		* BEARING - Main gear (6NBF817YJ)	1	
-41	484 762		* RING - Retaining (5000-350)	1	
-42	407 568		* WASHER - (AN960-716)	1	
	407 591		* WASHER - (AN960-716L)	AR	
-43	401 388		* BOLT - Orifice tube (AN6H-5A)	1	
-44	402 377		* BOLT - Torque link, lower (AN176-51)	1	
	407 567		* WASHER - Torque link, lower (AN960-616)	1	
	404 103		* NUT - Torque link, lower (AN310-6)	1	
	424 059		* PIN - Torque link, lower (MS24665-283)	1	
-45	402 370		* BOLT - Torque link, upper (AN176-42)	1	
	407 567		* WASHER - Torque link, upper (AN960-616)	1	
	404 103		* NUT - Torque link, upper (AN310-6)	1	
	424 059		* PIN - Torque link upper (MS24665-283)	1	
-46	400 263		* BOLT - Torque link, center (AN7-22)	1	
	407 591		* WASHER - Torque link, center (AN960-716L)	2	
	404 104		* NUT - Torque link center (AN310-7)	1	
	424 059		* PIN - Torque link center (MS24665-283)	1	
-47	54066-00	D	SHIM - Tube assembly	1	
-48	424 071		COTTER PIN - (MS24665-360)	2	

When ordering, always specify Part Number, Description and Serial Number of Aircraft

1H24  
INTENTIONALLY LEFT BLANK

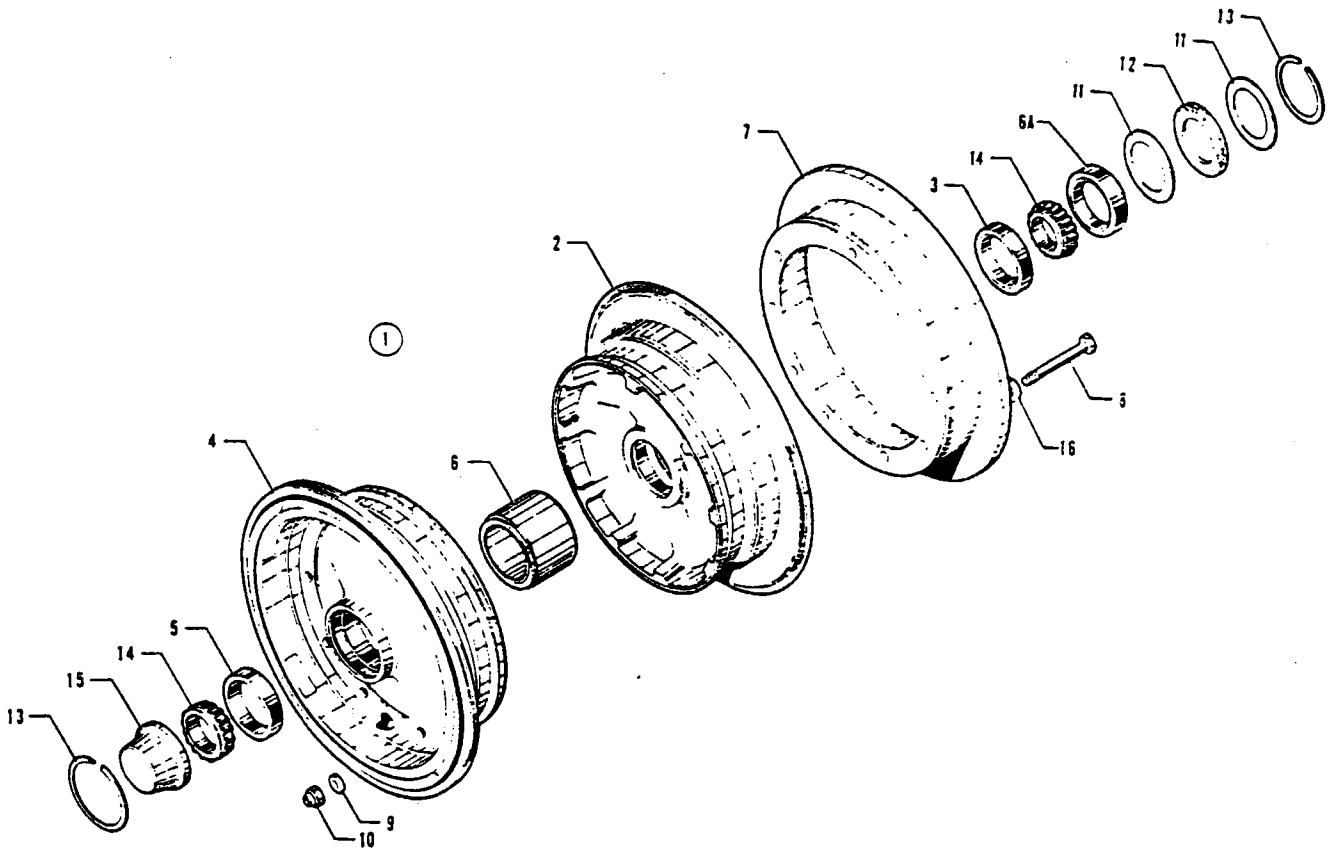


Figure 41. Main Wheel Assembly (Cleveland)

---

# PIPER PARTS CATALOG

---

## CODE EXPLANATIONS FOR FIGURE 41

- A - Used with wheel assembly 40-102A only
- B - Used with wheel assembly 40-130 only
- C - Order part number 551 769 if Heavy Duty Wheel and Brake Conversion Kit 761 064 has been installed.
- D - Used with wheel assembly 40-141 only

# PIPER PARTS CATALOG

Figure and Index Number	Part Number	Code	Nomenclature	No. Req.	Serial Numbers Affected
41-1	756 619	C	WHEEL ASSEMBLY - Main (40-102A) Cleveland	2	31-5001 to 31-7652075 incl. 31-7652076 and up 31-7852121, 31-8052031 & up
	551 769		WHEEL ASSEMBLY - Main (40-130) Cleveland	2	
	551 793		WHEEL ASSEMBLY - Main (40-141) Cleveland, heavy duty	2	
-2	753 219	A,B	* WHEEL HALF ASSEMBLY - Inner (161-19)	1	
	763 704	D	* WHEEL HALF ASSEMBLY - Inner (161-72)	1	
-3	763 287	A,B	** CUP - Bearing (214-01300)	1	
	757 896	D	** CUP - Bearing (LM501310)	1	
-4	753 220	A,B	* WHEEL HALF ASSEMBLY - Outer (162-35)	1	
	763 705	D	* WHEEL HALF ASSEMBLY - Outer (162-67)	1	
-5	763 287	A,B	** CUP - Bearing (214-01300)	1	
	757 896	D	** CUP - Bearing (LM501310)	1	
-6	756 276	A,B	* SPACER - (67-120)	1	
-6a	762 326	D	* SPACER - (67-39)	1	
-7	754 574	A	* DISC ASSEMBLY - Brake (164-44)	1	
	754 632	B	* DISC ASSEMBLY - Brake (164-79)	1	
	754 642	D	* DISC ASSEMBLY - Brake (164-77)	1	
-8	401 330	A,B	* BOLT- (AN4-32A)	9	
	401 375	D	* BOLT- (AN5-35A)	9	
-9	407 565	A,B	* WASHER - (AN960-416)	9	
	407 566	D	* WASHER - (AN960-516)	18	
-10	404 888	A,B	* NUT - (AN365-428)	9	
	404 889	D	* NUT - (MS20365-524C)	9	
-11	755 963	A,B	* RING - Grease seal (153-16)	2	
	763 703	D	* RING - Grease seal (153-19)	2	
-12	751 818	A,B	* FELT - Grease seal (154-16)	1	
	762 325	D	* FELT - Grease seal (154-26)	1	
-13	752 830	A,B	* RING - Snap (3023)	2	
	762 614	D	* RING - Snap (155-44)	2	
-14	753 448	A,B	* BEARING CONE - (LM29749)	2	
	757 895	D	* BEARING CONE - (LM501349)	2	
-15	751 511	A,B	* CAP - Hub (3026)	1	
	763 235	D	* CAP - Hub (158-13)	1	
-16	407 585	B	* WASHER - (AN960-416L)	9	

When ordering, always specify Part Number, Description, and Serial Number of Aircraft

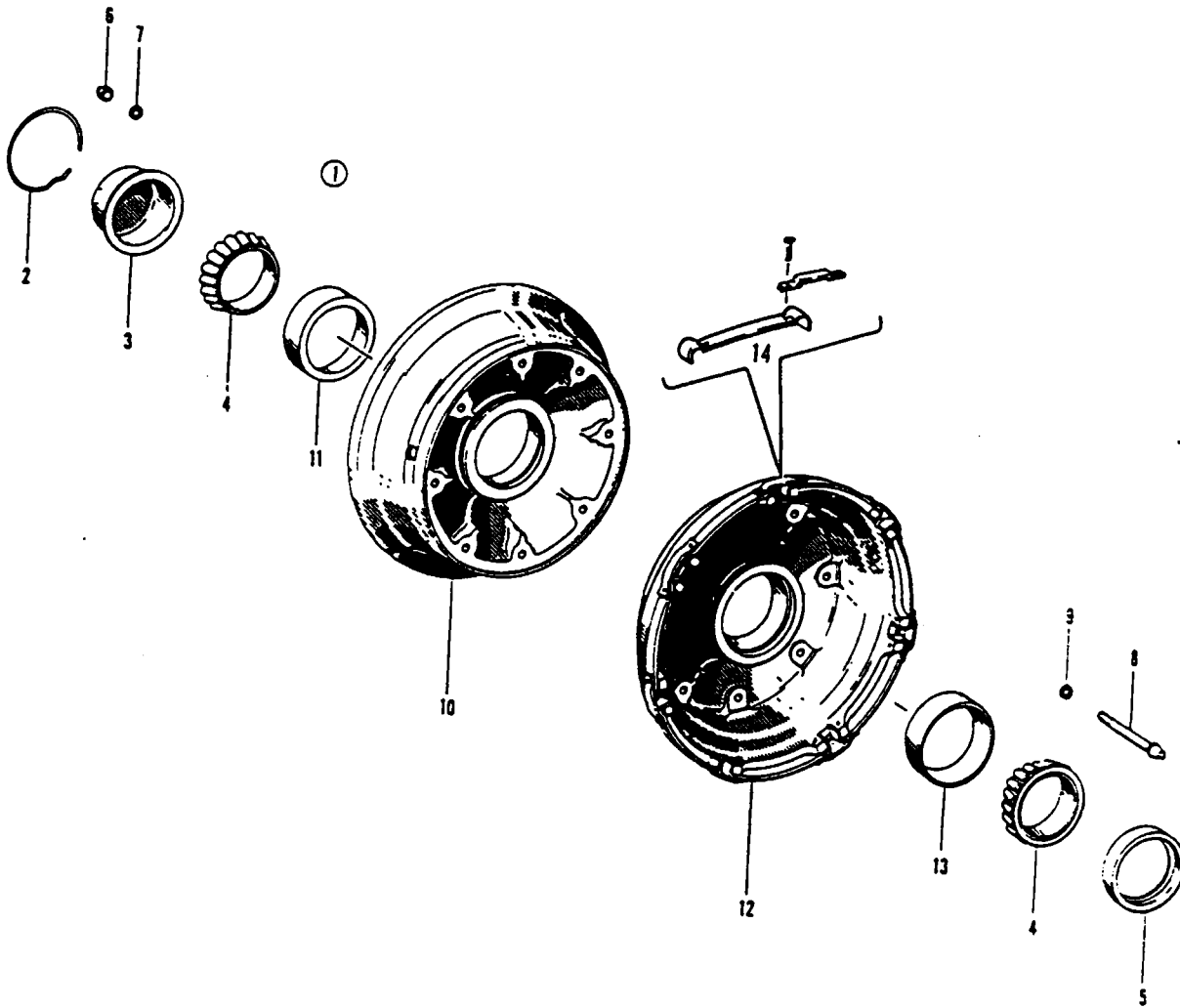


Figure 41A. Main Wheel Assembly (Goodyear)



---

# PIPER PARTS CATALOG

---

CODE EXPLANATIONS FOR FIGURE 41A

PIPER PARTS CATALOG

Figure and Index Number	Part Number	Code	NOMENCLATURE	No. Req.	SERIAL NUMBERS AFFECTED
41A-1	551 761		MAIN WHEEL ASSEMBLY - (9544171-1) Goodyear	2	
-2	756 031		RING - Retaining (9510848)	1	
-3	757 894		CAP - Hub (9536518)	1	
-4	757 895		CONE - Bearing (LM501349)	2	
-5	757 617		SEAL - Inboard bearing (9536508)	1	
-6	752 538		NUT - Self-locking (22FH-524)	8	
-7	756 628		WASHER - Plain (MS20002-5)	8	
-8	758 158		BOLT - Internal wrenching (MS20005-25)	8	
-9	756 629		WASHER - Countersunk (MS20002C5)	8	
-10	756 630		WHEEL SUB-ASSEMBLY - Outboard half (5001353)	1	
-11	757 896		CUP - Bearing (LM501310)	1	
-12	756 631		WHEEL SUB-ASSEMBLY - Inboard half (9536514)	1	
-13	757 896		CUP - Bearing (LM501310)	1	
-14	760 715		KIT - Wheel slot shield, liner keyway and rivet package (package contains amount required for one wheel)	1	

When ordering, always specify Part Number, Description and Serial Number of Aircraft

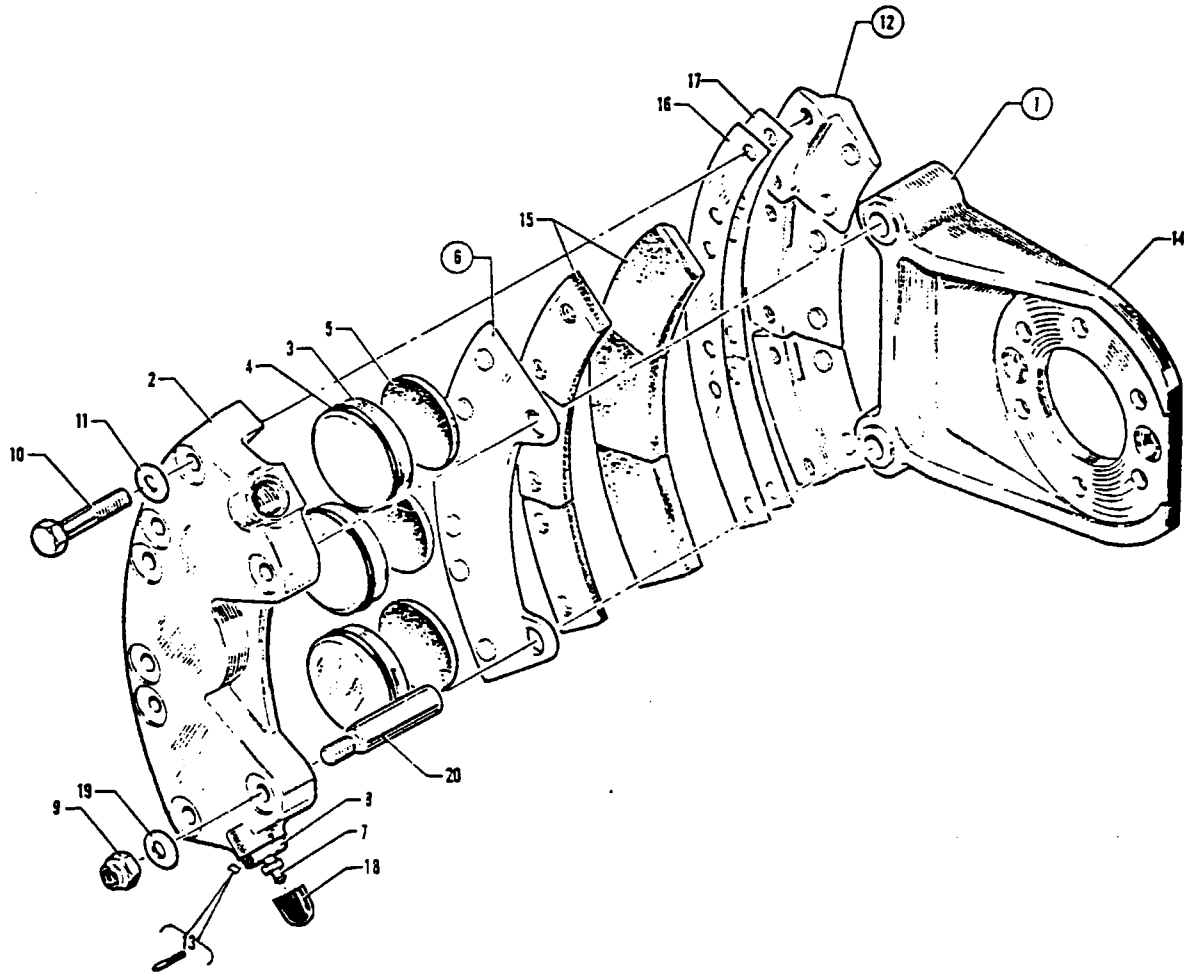


Figure 42. Main Wheel Brake Assembly (Cleveland)  
(Serial Nos. 31-5001 to 31-7652075 incl.)

---

# PIPER PARTS CATALOG

---

## CODE EXPLANATIONS FOR FIGURE 42

- A - Used on brake assembly 30-68A only
- B - Used on brake assembly 30-68B only

PIPER PARTS CATALOG

Figure and Index Number	Part Number	Code	NOMENCLATURE	No. Req.	SERIAL NUMBERS AFFECTED
42-1	758 128		BRAKE ASSEMBLY - (30-68A) Cleveland	2	31-5001 to 31-7405243 incl
	551 719		BRAKE ASSEMBLY - (30-68B) Cleveland	2	31-7405401 to 31-7405455 incl 31-7405244 to 31-7405400 incl 31-7405456 to 31-7652075 incl
-2	753 968	A	* CYLINDER - Brake (61-34)	1	
	758 015	B	* CYLINDER - Brake (61-34A)	1	
-3	755 838		* PISTON - (62-7)	3	
-4	484 698		* "O" RING - (AN6227-27)	3	
-5	752 094		* INSULATOR - (88-1)	3	
-6	757 240		* PLATE ASSEMBLY - Pressure (73-5)	1	
-7	752 965		* SCREW - Bleeder (79-3)	1	
-8	756 149		* SEAT - Bleeder (81-2)	1	
-9	404 888		* NUT - (AN365-428)	2	
-10	751 468		* BOLT - (AN4H-16A)	6	
-11	407 565		* WASHER - (AN960-416)	6	
-12	757 242		* PLATE ASSEMBLY - Back (74-5)	3	
-13	484 701		* "O" RING - (AN6227-7)	1	
-14	757 244		* PLATE ASSEMBLY - Torque (75-43)	1	
-15	752 363		* LINING - (66-33)	6	
-16	756 275		* SHIM - Back plate (68-16)	1	
-17	757 574	A	* SHIM - Back plate (68-20)	3	
-18	753 850		* CAP - Bleeder (183-1)	1	
-19	407 585		* WASHER - (AN960-416L)	2	
-20	753 407		* BOLT - Anchor (69-4)	2	

When ordering, always specify Part Number, Description and Serial Number of Aircraft

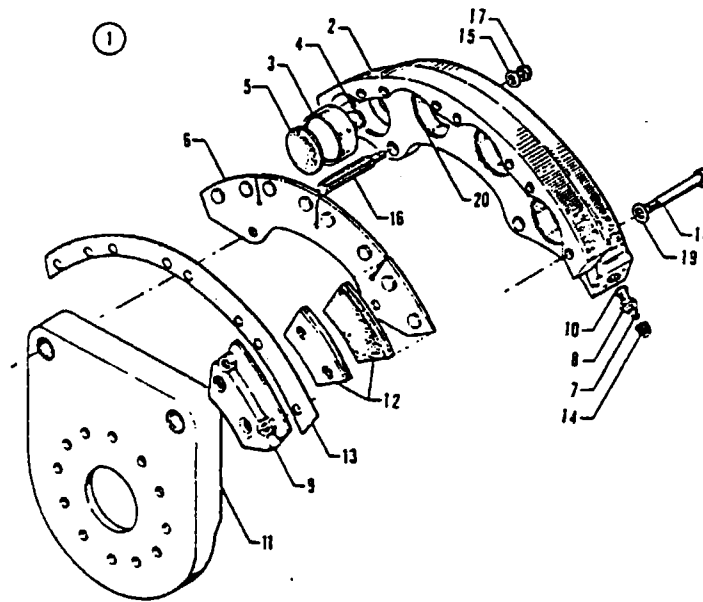


Figure 42A. Main Wheel Brake Assembly (Cleveland)  
(Serial Nos. 31-7652076 and up)

---

# PIPER PARTS CATALOG

---

## CODE EXPLANATIONS FOR FIGURE 42A

- A - Used on brake assembly 30-95 only
- B - Used on brake assembly 30-95A only

# PIPER PARTS CATALOG

Figure and Index Number	Part Number	Code	Nomenclature	No. Req.	Serial Numbers Affected
42A-1	551 723		BRAKE ASSEMBLY - (30-95 LH) Cleveland	1	31-7652076 to 31-7952209 incl.
	551 724		BRAKE ASSEMBLY - (30-95A RH) Cleveland	1	31-7652076 to 31-7952209 incl.
	551 731		BRAKE ASSEMBLY - (30-95A LH) Cleveland	1	31-7952210 and up
	551 730		BRAKE ASSEMBLY - (30-95A RH) Cleveland	1	31-7952210 and up
-2	758 077	A	* CYLINDER - Brake (61-50)	1	
	763 233	B	* CYLINDER - Brake (61-49)	1	
-3	757 472	A	* PISTON ASSEMBLY - (92-28)	4	
	763 420	B	* PISTON ASSEMBLY - (92-37)	4	
-4	757 741		** FRICTION SPRING - (82-20)	1	
-5	752 094		** INSULATOR - (88-1)	1	
-6	757 469	A	* PLATE ASSEMBLY - Pressure (73-32)	1	
	763 421	B	* PLATE ASSEMBLY - Pressure (73-40)	1	
-7	752 965		* SCREW - Bleeder (79-3)	1	
-8	756 149		* SEAT - Bleeder (81-2)	1	
-9	757 468	A	* PLATE ASSEMBLY - Back (74-25)	4	
	763 422	B	* PLATE ASSEMBLY - Back (74-32)	4	
-10	484 701		* O-RING - (AN6227-7)	1	
-11	757 470		* PLATE ASSEMBLY - Torque (075-11100), left	1	
	757 471		* PLATE ASSEMBLY - Torque (075-11150), right	1	
-12	752 363	A	* LINING - (66-33)	8	
	761 211	B	* LINING - (66-66)	8	
-13	762 250		* SHIM - Back plate (68-28)	1	
-14	753 850		* CAP - Bleeder (183-1)	1	
-15	407 585		* WASHER - (AN960-416L)	2	
-16	753 407		* BOLT - Anchor (69-4)	2	
-17	404 888		* NUT - (AN365-428)	2	
-18	401 319	A	* BOLT- (AN4H-20A)	8	
	751 470	B	* BOLT- (AN4H-21A)	8	
-19	407 585		* WASHER - (AN960-416L)	8	
-20	762 513		* O-RING - (MS28775-132)	4	

When ordering, always specify Part Number, Description, and Serial Number of Aircraft



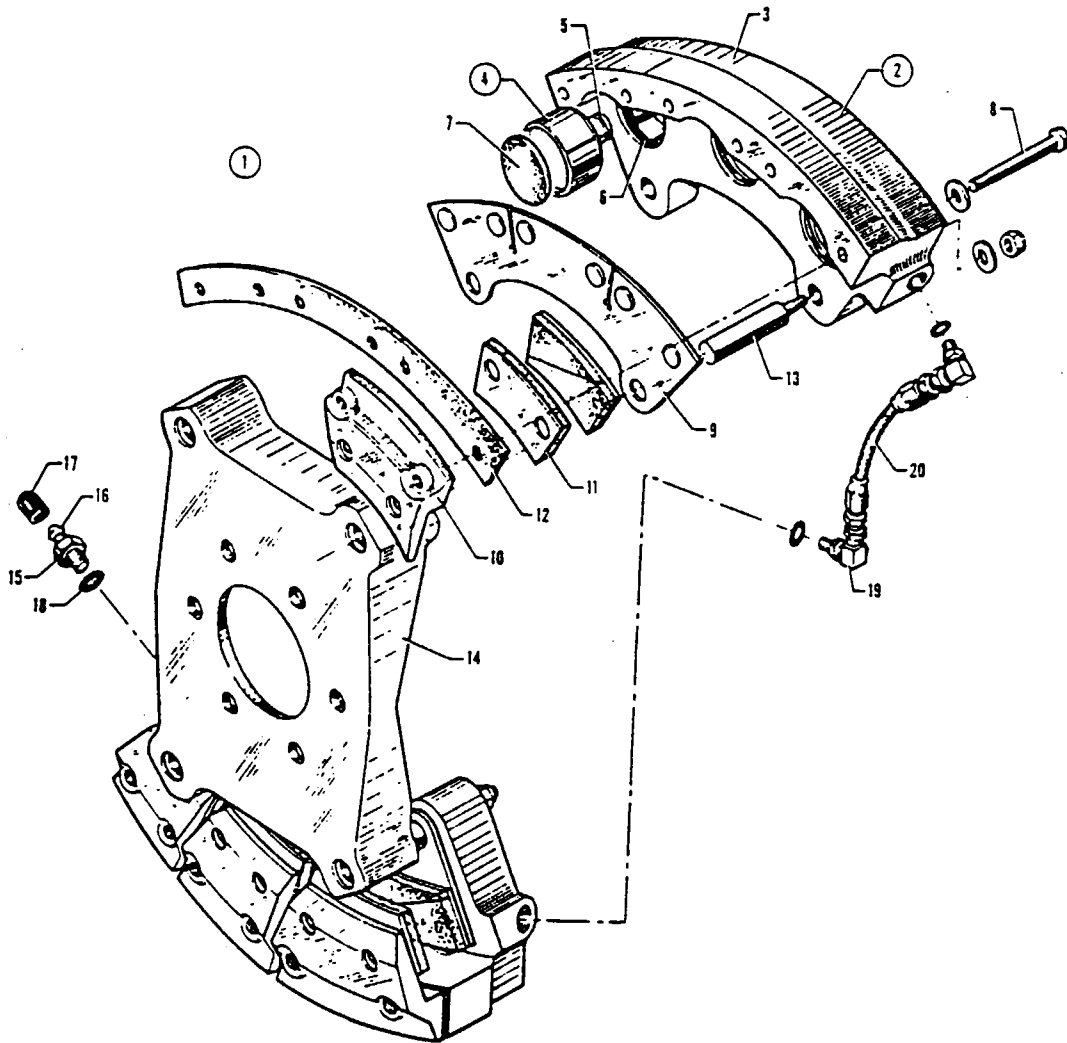


Figure 42B. Main Wheel Brake Assembly (Cleveland)  
(Serial Nos. 31-7852121, 31-8052031 and up)

---

# PIPER PARTS CATALOG

---

CODE EXPLANATIONS FOR FIGURE 42B

PIPER PARTS CATALOG

Figure and Index Number	Part Number	Code	NOMENCLATURE	No. Req.	SERIAL NUMBERS AFFECTED
42B-1	551 744		BRAKE ASSEMBLY - (30-123) Cleveland	2	
-2	763 332		* CYLINDER ASSEMBLY - (91-108)	2	
-3	763 333		* * CYLINDER - (61-87)	1	
-4	763 499		* * PISTON ASSEMBLY - (92-36)	3	
-5	757 741		* * * SPRING - Friction (82-20)	1	
-6	484 698		* * * "O" RING - Piston (AN6227-27)	1	
-7	755 488		* * * INSULATOR - Piston (88-2)	1	
-8	758 519		* BOLT - (103-118)	6	
	407 565		* WASHER - (AN960-416)	6	
-9	763 500		* * PLATE ASSEMBLY - Pressure (73-37)	1	
-10	763 422		* * PLATE ASSEMBLY - Back (74-32)	3	
-11	761 212		* LINING - (66-68)	6	
-12	762 421		* SHIM - (68-30)	1	
-13	758 523		* BOLT - Anchor (69-4)	2	
	407 585		* WASHER - (AN960-416L)	2	
	404 888		* NUT - (MS20365-428C)	2	
-14	763 501		* PLATE ASSEMBLY - Torque (75-141)	1	
-15	756 149		* SEAT - Bleeder (81-2)	1	
-16	752 965		* SCREW - Bleeder (79-3)	1	
-17	753 850		* CAP - Bleeder (183-1)	1	
-18	484 701		* "O" RING - Bleeder (AN6227-7)	1	
-19	754 857		* FITTING - Elbow (104-31)	2	
-20	755 285		* HOSE ASSEMBLY - (207-8)	1	

When ordering, always specify Part Number, Description and Serial Number of Aircraft

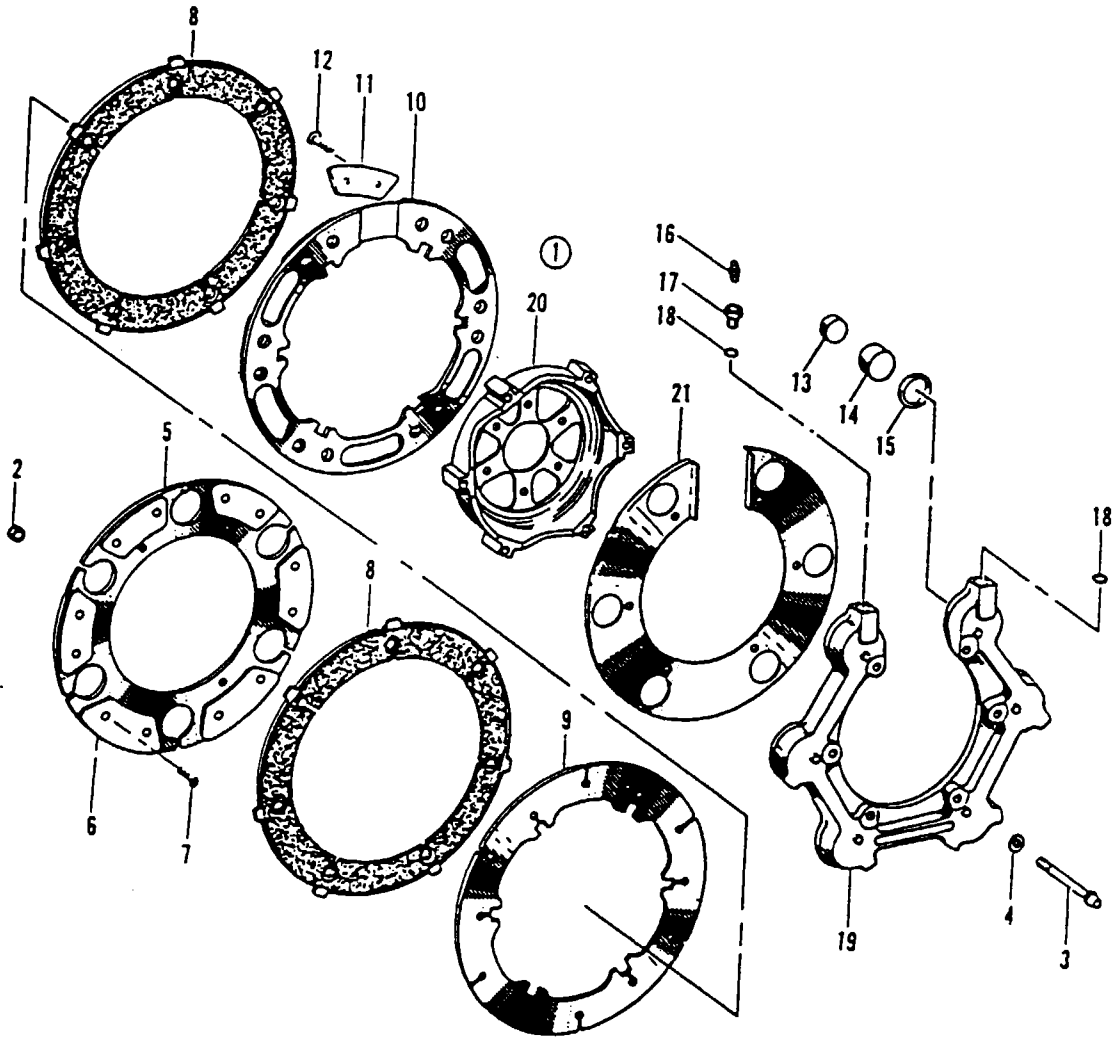


Figure 42C Main Wheel Brake Assembly (Goodyear)

---

# PIPER PARTS CATALOG

---

## CODE EXPLANATIONS FOR FIGURE 42C

- A - Used if pre-ground wear pads are not installed
- B - Used if pre-ground wear pads are installed.

PIPER PARTS CATALOG

Figure and Index Number	Part Number	Code	NOMENCLATURE	No. Req.	SERIAL NUMBERS AFFECTED
42C-1	551 710		BRAKE ASSEMBLY - (9544482) Goodyear	2	
-2	752 538		* NUT - Self-locking (22FH-524)	6	
-3	758 159		* BOLT - Brake (MS20005-34)	6	
-4	756 629		* WASHER - Countersunk (MS20002C5)	6	
-5	757 337		* BACK PLATE SUB-ASSEMBLY - (5006062)	1	
-6	757 383		* * PAD - Wear (9535621)	6	
	763 523		* * PAD - Wear, pre-ground (5002105)	6	
-7	756 054	A	* * RIVET - Wear pad (GY188-7)	12	
	762 631	B	* * RIVET - Wear pad (GYR884)	12	
-8	754 580		* DISC - Rotating (5000072)	2	
-9	754 581		* DISC - Stationary (5000073)	1	
-10	757 338		* PRESSURE PLATE SUB-ASSEMBLY - (5006061)	1	
-11	757 383		* * PAD - Wear (9535621)	6	
	763 523		* * PAD - Wear pre-ground (5002105)	6	
-12	756 054	A	* * RIVET - Wear pad (GY188-7)	12	
	762 631	B	* * RIVET - Wear pad (GYR884)	12	
-13	755 425		* INSULATOR - Piston (5000078)	6	
-14	757 339		* PISTON - (5000077)	6	
-15	484 693		* PACKING - O-ring (MS28775-220)	6	
-16	752 965		* VALVE - Bleeder (FC-6446)	1	
-17	751 305		* ADAPTER - Bleeder (511951)	1	
-18	757 276		* PACKING - O-ring (MS28778-4)	2	
-19	752 023		* HOUSING - Sub-assembly (5000076)	1	
-20	756 393		* TUBE - Torque (5000065)	1	
-21	757 705		* SHIELD - Snow (5000086)	1	

When ordering, always specify Part Number, Description and Serial Number of Aircraft

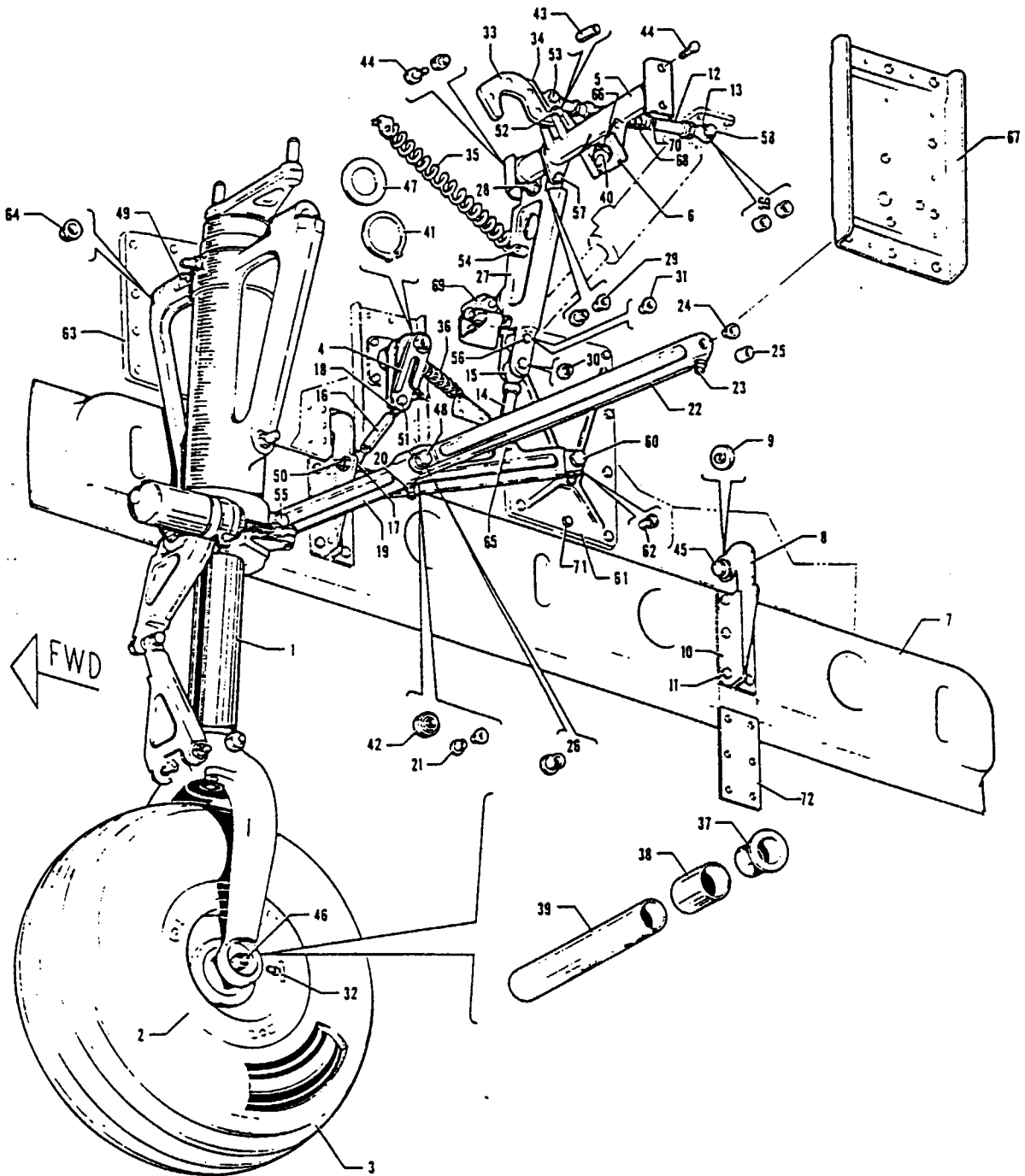


Figure 43. Nose Landing Gear Installation

---

## PIPER PARTS CATALOG

---

### CODE EXPLANATIONS FOR FIGURE 43

- A - See Figure 44 for component parts
- B - See Figure 45 for component parts.
- C - Order part for serial numbers 31-7852151 and up if Nose Gear Strut Assembly Modification Kit 763 982 has been installed per Service Spares Letter No. 352.
- D - Also used on serial numbers 31-5001 to 31-7852150 inclusive if Nose Gear Strut Assembly Modification Kit 763 982 has been installed per Service Spares Letter No. 352.



PIPER PARTS CATALOG

Figure and Index Number	Part Number	Code	NOMENCLATURE	No. Req.	SERIAL NUMBERS AFFECTED
43-	41950		DRAWING - Nose Landing Gear Installation		
-1	44388-00	A,C	STRUT ASSEMBLY - Nose gear	1	31-5001 to 31-7852150 incl.
	55214-02	A,D	STRUT ASSEMBLY - Nose gear	1	31-7852151 to 31-8352036 incl.
	55214-03	A	STRUT ASSEMBLY - Nose gear	1	31-8352037 and up
-2	451 784	B	WHEEL ASSEMBLY - Nose gear (40-76B)	1	31-5001 to 31-8152087 incl.
	551 791	B	WHEEL ASSEMBLY - Nose gear (40-140)	1	31-8152088 and up
-3	761 972		TIRE - (6.00 x 6,6 Ply) B.F. Goodrich	1	
	761 995		TIRE - (6.00 x 6,6 Ply) McCreary Airhawk	1	
	762 033		TIRE - (6.00 x 6,6 Ply) Goodyear Flight Custom II	1	
	451 735		TUBE - (6 00 x 6, Reg. balanced)	1	
-4	41794-00		ARM ASSEMBLY - Nose landing gear door actuator, left	1	
	41794-01		ARM ASSEMBLY - Nose landing gear door actuator, right	1	
-5	41770-00		TUBE ASSEMBLY - Nose landing gear idler link support	1	
-6	41771-00		* BRACKET - Nose gear up switch	1	
-7	41610-18		DOOR ASSEMBLY - Nose landing gear, left	1	
	41610-19		DOOR ASSEMBLY - Nose landing gear, right	1	
-8	41611-02		* HINGE ASSEMBLY - Nose landing gear door, forward	1	
	41611-03		* HINGE ASSEMBLY - Nose landing gear door, aft	1	
-9	25704-00		* * BEARING - Hinge assembly	1	
-10	41612-04		* ANGLE - Nose landing gear door hinge attachment	4	
-11	400 438		* BOLT - (AN3-4A)	12	
-12	41949-00		ROD ASSEMBLY - Landing gear lock, nose	1	31-5001 to 31-8252063 incl.
	72682-14		CABLE ASSEMBLY - Landing gear lock, nose	1	31-8252064 and up
-13	452 383		* BEARING - (24166-00)	2	31-5001 to 31-8252063 incl.
	74087-02		* BEARING	2	31-8252064 and up
-14	41790-00		ROD ASSEMBLY - Nose gear idler link	1	
-15	452 412		* BEARING - (HMX-4S)	2	
-16	41793-00		ROD ASSEMBLY - Nose landing gear door	2	
-17	452 439		* BEARING - (PS10020-17-1R)	1	
-18	452 412		* BEARING - (HMX-4S)	1	
-19	40317-00		LINK ASSEMBLY - Nose gear drag brace, lower	1	
-20	460 691		* FITTING - Lubrication (AN944-101)	2	
-21	453 776		* BUSHING - (NAS77-7-38)	4	
-22	40335-00		LINK ASSEMBLY - Nose gear drag brace, upper, left side	1	
	40336-00		LINK ASSEMBLY - Nose gear drag brace, upper, right side	1	
-23	460 823		* FITTING - Lubrication (MS15001)	1	
-24	453 776		* BUSHING - (NAS77-7-38)	1	
-25	753 471		* BUSHING - (NAS75-7-014)	1	
-26	453 723		* BUSHING - (NAS77-7-68)	1	
-27	46933-00		LINK ASSEMBLY - Nose gear idler	1	
-28	460 691		* FITTING - Lubrication (AN944-101)	1	
-29	453 774		* BUSHING - (NAS77-4-50)	2	
-30	20737-32		* BUSHING - Nose gear idler	2	
-31	20737-30		* BUSHING - Nose gear idler	2	
-32	41398-02		PLACARD - Tire inflation, nose	1	
-33	41797-02		HOOK ASSEMBLY - Landing gear uplock, nose	1	
-34	41796-00		SPRING - Nose landing gear uplock hook	1	
-35	83302-54		SPRING - Coil, nose landing gear	1	
-36	83302-32		SPRING - Coil, nose landing gear	2	
-37	752 731		PLUG - Axle, nose landing gear (PAC31798-00)	2	
-38	31786-02		SPACER - Wheel, nose landing gear	2	
-39	31797-02		AXLE - Nose landing gear	1	
-40	487 862		SWITCH - Micro (1CH21-4) gear up	1	
-41	484 768		RING - Snap (5100-62)	2	
-42	452 440		BEARING - (7NBC1015-YJ)	1	
-43	42129-04		BUSHING - Nose landing gear	1	

When ordering, always specify Part Number, Description and Serial Number of Aircraft

PIPER PARTS CATALOG

Figure and Index Number	Part Number	Code	NOMENCLATURE	No. Req.	SERIAL NUMBERS AFFECTED
43-44	400 002		BOLT - (AN4-5A)	4	
	407 565		WASHER - (AN960-416)	8	
	404 888		NUT - (MS20365-428C)	4	
-45	401 311		BOLT - (AN4-11A)	2	
	407 565		WASHER - (AN960-416)	2	
	404 888		NUT - (MS20365-428C)	2	
-46	401 455		BOLT - (AN6-74A)	1	
	404 838		NUT - (MS20364-624C)	1	
-47	407 601		WASHER - (AN960-1016L)	2	
-48	402 437		BOLT - (AN177-37)	1	
	407 568		WASHER - (AN960-716)	1	
	404 104		NUT - (AN310-7)	1	
	424 059		COTTER PIN - (MS24665-283)	1	
-49	400 363	C	BOLT - (AN9-30)	2	31-5001 to 31-7852150 incl
	400 365	D	BOLT - (AN9-32)	2	31-7852151 and up
	407 957		WASHER - (AN960-916L)	AR	
	404 106		NUT - (AN310-9)	2	
	424 067		COTTER PIN - (MS24665-353)	2	
-50	400 441		BOLT - (AN3-7A)	2	
	407 564		WASHER - (AN960-10)	2	
	404 887		NUT - (MS20365-1032C)	2	
-51	400 105		BOLT - (AN4-10)	2	
	407 565		WASHER - (AN960-416)	2	
	404 101		NUT - (AN310-4)	2	
	424 052		COTTER PIN - (MS24665-134)	2	
-52	400 108		BOLT - (AN4-13)	1	
	407 565		WASHER - (AN960-416)	2	
	404 101		NUT - (AN310-4)	1	
	424 052		COTTER PIN - (MS24665-134)	1	
-53	400 106		BOLT - (AN4-11)	1	
	407 565		WASHER - (AN960-416)	1	
	407 585		WASHER - (AN960-416L)	1	
	404 101		NUT - (AN310-4)	1	
	424 052		COTTER PIN - (MS24665-134)	2	
-54	402 031		BOLT - Eye (AN42B-4)	1	
	407 564		WASHER - (AN960-10)	1	
	404 887		NUT - (MS20365-1032C)	1	
-55	402 426		BOLT - (AN177-26)	1	
	407 568		WASHER - (AN960-716)	1	
	404 104		NUT - (AN310-7)	1	
	424 059		COTTER PIN - (MS24665-283)	1	
-56	400 108		BOLT - (AN4-13)	2	
	407 585		WASHER - (AN960-416L)	2	
	407 565		WASHER - (AN960-416)	2	
	404 101		NUT - (AN310-4)	2	
	424 052		COTTER PIN - (MS24665-134)	1	
-57	400 124		BOLT - (AN4-33)	1	
	404 101		NUT - (AN310-4)	1	
	424 052		COTTER PIN - (MS24665-134)	1	
-58	41792-00		BOLT - Hydraulic actuator, uplock rod	1	
	407 565		WASHER - (AN960-416)	2	
	404 888		NUT - (MS20365-428C)	1	
-59	42129-03		BUSHING - Hydraulic actuator, uplock rod	2	
-60	402 422		BOLT - (AN177-23)	2	
	407 591		WASHER - (AN960-716L)	AR	
	407 568		WASHER - (AN960-716)	AR	
	404 104		NUT - (AN310-7)	2	
	424 059		COTTER PIN - (MS24665-283)	2	

When ordering, always specify Part Number, Description and Serial Number of Aircraft

## PIPER PARTS CATALOG

Figure and Index Number	Part Number	Code	NOMENTCLATURE	No. Req.	SERIAL NUMBERS AFFECTED
43-61	40325-00		BRACKET ASSEMBLY - Nose gear drag link attachment, left	1	
	40325-01		BRACKET ASSEMBLY - Nose gear drag link attachment, right	1	
-62	453 736		* BUSHING - (NAS77-7-40)	1	
-63	41038-00		PLATE ASSEMBLY - Nose gear trunnion support, left	1	
	41038-01		PLATE ASSEMBLY - Nose gear trunnion support, right	1	
-64	453 782		* BUSHING - (NAS77-9-36)	1	
-65	400 107		BOLT - (AN4-12)	1	
	407 565		WASHER - (AN960-416)	1	
	404 101		NUT - (AN310-4)	1	
	424 052		COTTER PIN - (MS24665-134)	1	
-66	494 125		WASHER - Micro switch (EN10013)	2	
-67	41054-00		BRACKET - Drag link reinforcement, left	1	
	41054-01		BRACKET - Drag link reinforcement, right	1	
-68	453 206		BOOT - Dust (OMN-401-4-13-2)	1	31-5001 to 31-8252063 incl.
-69	487 862		SWITCH - Micro (1CH21-4)	1	
-70	454 924		CLAMP - Boot (A3122-10-1)	1	31-5001 to 31-8252063 incl.
-71	400 440		BOLT - (AN3-6A) Center	5	
	400 441		BOLT - (AN3-7A) Top and bottom	6	
	407 564		WASHER - (AN960-10)	11	
	404 887		NUT - (MS20365-1032C)	11	
-72	53853-00		SHIM - Nose landing gear door (.032 thick)	AR	
	53853-02		SHIM - Nose landing gear door (.064 thick)	AR	

When ordering, always specify Part Number, Description and Serial Number of Aircraft

1124

INTENTIONALLY LEFT BLANK

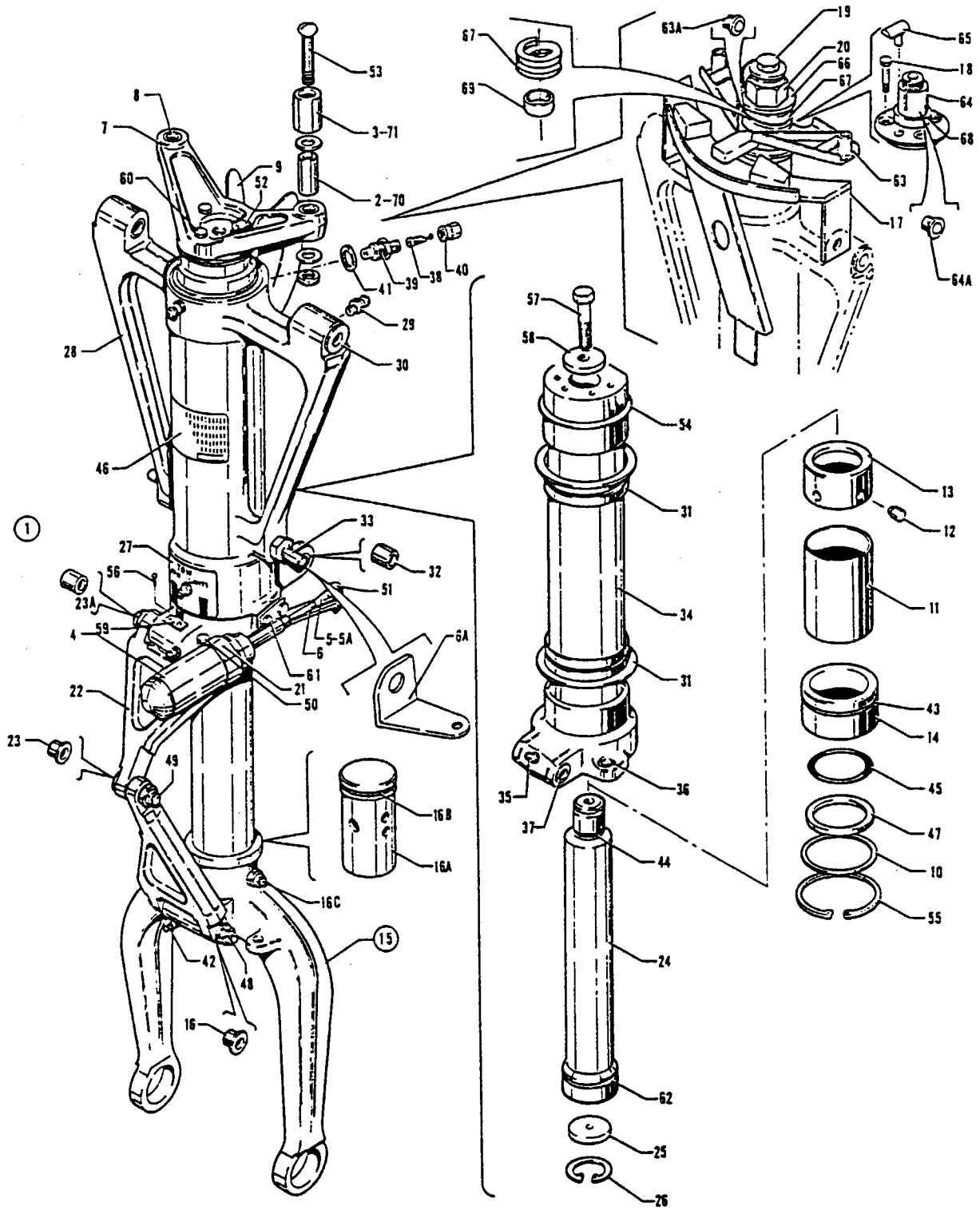


Figure 44. Nose Gear Strut Assembly

# PIPER PARTS CATALOG

## CODE EXPLANATIONS FOR FIGURE 44

- A - When ordering, ascertain if bushing is notched or unnotched on the end and O.D.
- B - Order part for serial numbers 31-7852151 and up if Nose Gear Strut Assembly Modification Kit 763 982 has been installed per Service Spares Letter No. 352.
- C - Also used on serial numbers 31-5001 to 31-7852150 inclusive if Nose Gear Strut Assembly Modification Kit 763 982 has been installed per Service Spares Letter No. 352.
- D - If Nose Gear Strut Assembly Modification Kit 763 982 has been installed per Service Spares Letter No. 352, refer to code "E."
- E - Before ordering, ascertain shimmy dampener vendor; Monroe or Gar-Kenyon. If Monroe shimmy dampener is installed, order part for serial numbers 31-7852151 to 31-8152124 inclusive; if Gar-Kenyon shimmy dampener is installed, order part for serial numbers 31-8152125 and up.
- F - Also used on aircraft with serial numbers 31-7852151 to 31-8152124 inclusive if Gar-Kenyon shimmy dampener has been installed
- G - Used if Monroe Shimmy Dampener Assembly is installed.
- H - Used if Gar-Kenyon Shimmy Dampener Assembly is installed.
- J - Also used on serial numbers 31-5001 to 31-8252012 inclusive if Spring, P/N 71094-03 has been installed.
- K - Order part for serial numbers 31-7852151 and up if Nose Gear Strut Assembly Modification Kit 763 982 has been installed per Service Spares Letter No. 352 or if Gar-Kenyon shimmy dampener has been installed.
- L - Also used on serial numbers 31-5001 to 31-7852150 inclusive if Nose Gear Strut Assembly Modification Kit 763 982 has been installed per Service Spares Letter No. 352 or if Gar-Kenyon shimmy dampener has been installed.
- M - Prior to ordering, ascertain if shimmy dampener is clamp mounted or if shimmy dampener incorporates a mounting lug. If shimmy dampener incorporates a mounting lug order clamp P/N 73009-02 also.
- N - No longer available. Ascertain shimmy dampener vendor; Monroe or Gar-Kenyon. If Monroe shimmy dampener is installed and Nose Gear Strut Assembly Modification Kit 763 982 has been installed per Service Spares Letter No. 352, refer to code "E". If Monroe shimmy dampener is installed and Nose Gear Strut Assembly Modification Kit 763 982 has not been installed, order Shimmy Dampener Replacement Kit 764 376L. If Gar-Kenyon shimmy dampener is installed, order part for serial nos. 31-8152125 and up.
- P - No longer available. Order Spring, P/N 71094-03, and Sleeve, P/N 74125-02, as a replacement. Install Sleeve internally in spring prior to installing spring on strut.
- Q - Prior to ordering, ascertain shimmy dampener vendor and order accordingly.

# PIPER PARTS CATALOG

Figure and Index Number	Part Number	Code	Nomenclature	No. Req.	Serial Numbers Affected
44-1	44388-00	B	STRUT ASSEMBLY - Nose gear	1	31-5001 to 31-7852150 incl.
	55214-02	C	STRUT ASSEMBLY - Nose gear	1	31-7852151 to 31-8352036 incl.
	55214-03		STRUT ASSEMBLY - Nose gear	1	31-8352037 and up
-2	14976-12		* BUSHING - Nose gear steering, inner	2	31-5001 to 31-7852150 incl.
-3	14976-13		* BUSHING - Nose gear steering, outer (3/4" O.D.)	2	31-5001 to 31-7852150 incl.
	14976-21		* BUSHING - Nose gear steering, outer (11/16" O.D.)	2	31-5001 to 31-7852150 incl.
	14976-23		* BUSHING - Nose gear steering, outer (5/8" O.D.)	2	31-5001 to 31-7852150 incl.
	14976-102		* BUSHING - Nose gear steering, outer (13/16" O.D.)	2	31-5001 to 31-7852150 incl.
	14175-113		* BUSHING - Nose gear steering, outer (1" O.D.)	2	31-5001 to 31-7852150 incl.
-4	21701-05	N	* DAMPENER ASSEMBLY - Nose wheel shimmy	1	31-5001 to 31-7852150 incl.
	764 400	E	* KIT - Shimmy dampener replacement	1	31-7852151 to 31-8152124 incl.
	71844-02	C,F,M,Q	* DAMPENER ASSEMBLY - Nose wheel shimmy (Gar-Kenyon)	1	31-8152125 and up
	456 014	Q	* DAMPENER ASSEMBLY - Nose wheel shimmy (Cleveland)	1	31-8152125 and up
-5	452 357	B	** BEARING - Shimmy dampener (M34-14)	1	31-5001 to 31-7852150 incl.
-5a	452 357	C	* BEARING - Shimmy dampener (M34-14)	1	31-7852151 and up
-6	25666-00	B,G	* BRACKET ASSEMBLY - Shimmy dampener attachment	1	31-5001 to 31-7852150 incl.
	74242-02	B,H	* BRACKET ASSEMBLY - Shimmy dampener attachment	1	31-5001 to 31-7852150 incl.
	47150-00	C	* BRACKET ASSEMBLY - Shimmy dampener attachment	1	31-7852151 and up
	47150-02	C,F	* BRACKET ASSEMBLY - Shimmy dampener attachment	1	31-8152125 and up
-7	44386-00	B	* ARM ASSEMBLY - Nose gear steering	1	31-5001 to 31-7852150 incl.
-8	14976-11	B	** BUSHING - Nose gear steering arm	2	31-5001 to 31-7852150 incl.
-9	21719-11	B	* BRACKET ASSEMBLY - Nose gear aligner guide	1	31-5001 to 31-7852150 incl.
	55201-02	C	* BRACKET ASSEMBLY - Nose gear aligner guide	1	31-7852151 to 31-8152136 incl.
	55201-05		* BRACKET ASSEMBLY - Nose gear aligner guide	1	31-8152137 and up
-10	31773-03		* WASHER - Nose gear lower bearing	1	
-11	31777-00		* SPACER - Nose gear bearing	1	
-12	01821-06		* PIN - Bearing retainer	4	
-13	751 363		* BEARING - Nose gear, upper (PAC 31779-00)	1	
-14	45328-00		* BEARING - Nose gear, lower	1	31-5001 to 31-8352036 incl.
	45328-03		* BEARING - Nose gear, lower	1	31-8352037 and up
-15	45333-03		* FORK ASSEMBLY - Nose gear (complete) (includes fork, piston tube and plug)	1	
-16	751 367		** BUSHING - Nose gear fork (PAC 31785-00)	2	
-16a	752 765		** PLUG - Nose gear piston (PAC 31791-00)	1	
-16b	484 695		** PACKING - O-ring (AN6227-25)	1	
-16c	402 360		** BOLT - Nose gear fork attachment (AN176-33A)	1	
	407 567		** WASHER - Nose gear fork attachment (AN960-616)	1	
	404 838		** NUT - Nose gear fork attachment (MS20364-624C)	1	
-17	55215-02		* STOP ASSEMBLY - Steering arm	2	
-18	401 267	C	* BOLT - (AN3H-5A)	3	31-7852151 to 31-8152165 incl.
	401 302		* BOLT - (AN4H-5A)	3	31-8152166 and up
-19	401 419	C	* BOLT - (AN6H-40A)	1	31-7852151 and up
	407 567	C	* WASHER - (AN960-616)	1	31-7852151 and up
-20	404 915	C	* NUT - (MS20365-1216C)	1	31-7852151 and up
-21	21702-00	D	* CLAMP - Shimmy dampener	1	31-5001 to 31-7852150 incl.
	47153-00	E	* CLAMP - Shimmy dampener	1	31-7852151 to 31-8152124 incl.
	73009-02	C,F,H	* CLAMP - Shimmy dampener	1	31-8152125 and up
-22	45318-00		* LINK ASSEMBLY - Nose gear torque	2	
-23	453 815		** BUSHING - Nose gear torque link (NAS77-4-42)	1	
-23a	453 808		** BUSHING - (NAS75-5-011)	2	
-24	45330-02		* TUBE ASSEMBLY - Nose gear orifice	1	
-25	40258-03		* PLATE - Nose gear orifice	1	
-26	484 756		* RING - Snap (NAS50-131)	1	
-27	42742-00	B	* PLACARD - Tow turn limits	1	31-5001 to 31-7852150 incl.
	45331-00	C	* PLACARD - Tow turn limits	1	31-7852151 and up
-28	40273-00	B	* HOUSING ASSEMBLY - Nose gear	1	31-5001 to 31-7852150 incl.
	45316-03	C	* HOUSING ASSEMBLY - Nose gear	1	31-7852151 and up
-29	460 691		** FITTING - Lubrication (AN944-101)	4	

When ordering, always specify Part Number, Description, and Serial Number of Aircraft

## PIPER PARTS CATALOG

Figure and Index Number	Part Number	Code	NOMENCLATURE	No. Req.	SERIAL NUMBERS AFFECTED
44-30	43262-00	A	* BUSHING - Nose gear housing (.7625 O.D.) notched	2	
	31766-02	A	* BUSHING - Nose gear housing (.7525 O.D.) unnotched	2	
-31	40250-02	A	* BUSHING - Nose gear housing, top and bottom (3.1285/3.1275 O.D.) unnotched	2	
	40250-03	A	* BUSHING - Nose gear housing, top and bottom (3.1385/3.1375 O.D.) notched	2	
-32	43256-07	A	* BUSHING - Nose gear housing (.5748 O.D.) notched	2	
	453 735	A	* BUSHING - Nose gear housing (NAS75-7-016) (.5638 O.D.) unnotched	2	
-33	40263-00		* STUD - Nose gear door pick-up	2	
-34	45314-00		* CYLINDER ASSEMBLY - Nose gear strut	1	31-5001 to 31-8152136 incl
	45314-05		* CYLINDER ASSEMBLY - Nose gear strut	1	31-8152137 and up
-35	460 691		* FITTING - Lubrication (AN944-101)	1	
-36	21831-04		* BUSHING - Nose gear strut cylinder	1	
-37	43256-06	A	* BUSHING - Nose gear strut cylinder (.4496 O.D.) notched	2	
	453 744	A	* BUSHING - Nose gear strut cylinder (NAS77-5-42) (.4386 O.D.) unnotched	2	
-38	455 124		* CORE - Air valve (AN809-1)	1	
-39	453 124		* BODY - Air valve (AN812-1)	1	
-40	454 053		* CAP - Air valve (AN813-1B)	1	
-41	751 834		* GASKET - Air valve (AN901-5A)	1	
-42	460 690		* FITTING - Lubrication (AN944-201A)	1	
-43	752 722		* GASKET - O-ring (AN6230-6)	1	
-44	752 713		* PACKING - O-ring (AN6227-15)	1	
-45	484 782		* PACKING - O-ring (AN6227-32)	1	31-5001 to 31-8352036 incl.
	686 012		* SEAL - (18702000)	1	31-8352037 and up
-46	40292-02		* PLACARD - O-Geo service instructions	1	
-47	494 721		* WIPER - (4550A-2000-4)	1	
-48	402 344		* BOLT - Nose gear torque link (AN175-32)	2	
	404 102		* NUT - Nose gear torque link (AN310-5)	2	
	424 052		* PIN - Nose gear torque link (MS24665-134)	2	
-49	402 312		* BOLT - Nose gear torque link, center (AN174-14)	1	
	407 565		* WASHER - Nose gear torque link, center (AN960-416)	1	
	407 585		* WASHER - Nose gear torque link, center (AN960-416L)	2	
	404 101		* NUT - Nose gear torque link, center (AN310-4)	1	
	424 052		* PIN - Nose gear torque link, center (MS24665-134)	1	
-50	400 109	K	* BOLT - Shimmy dampener attachment (AN4-14)	1	31-5001 to 31-7852150 incl.
	400 015	L	* BOLT - Shimmy dampener attachment (AN4-22A)	1	31-7852151 and up
	407 565		* WASHER - Shimmy dampener attachment (AN960-416)	2	
	404 101	K	* NUT - Shimmy dampener attachment (AN310-4)	1	31-5001 to 31-7852150 incl.
	404 888	L	* NUT - Shimmy dampener attachment (MS20365-428C)	1	31-7852151 and up
	14843-116	L	* BUSHING - Shimmy dampener attachment	1	31-7852151 and up
	424 051		* PIN - Shimmy dampener attachment (MS24665-132)	1	31-5001 to 31-7852150 incl
-51	400 441		* BOLT - Shimmy dampener attachment (AN3-7A)	1	31-5001 to 31-8152124 incl
	401 269	C,F	* BOLT - Shimmy dampener attachment (AN3-10A)	1	31T-8152125 and up
	407 584		* WASHER - Shimmy dampener attachment (AN960-10L)	1	
	404 887		* NUT - Shimmy dampener attachment (MS20365-1032C)	1	
-52	401 268		* BOLT - Orifice tube nut safety (AN3H-10A)	1	
	407 564		* WASHER - Orifice tube nut safety (AN960-10)	1	
-53	400 748	B	* BOLT - Nose gear steering bushing (AN25-36)	2	31-5001 to 31-7852150 incl.
	400 743	C	* BOLT - Nose gear steering bushing (AN25-38)	2	31-7852151 and up
	407 566		* WASHER - Nose gear steering bushing (AN960-516)	AR	
	404 394		* NUT - Nose gear steering bushing (AN320-5)	2	
	424 051		* PIN - Nose gear steering bushing (MS24665-132)	2	
-54	484 759		* RING - Retainer (NAS51-300)	1	
-55	484 757		* RING - Retainer (NAS50-262)	1	
-56	419 600		* SCREW - Drive (MS21318-15)	2	

When ordering, always specify Part Number, Description and Serial Number of Aircraft



# PIPER PARTS CATALOG

Figure and Index Number	Part Number	Code	Nomenclature	No. Req.	Serial Numbers Affected
44-57	401 388	B	* BOLT - (AN6H-5A)	1	31-5001 to 31-7852150 incl.
-58	45329-00	B	* WASHER - Nose gear	1	31-5001 to 31-7852150 incl.
-59	42740-00		* INDICATOR - Tow turn	1	
-60	401 265	B	* BOLT - (AN3H-7A)	2	31-5001 to 31-7852150 incl.
	407 564	B	* WASHER - (AN960-10)	2	31-5001 to 31-7852150 incl.
-61	401 263	B	* BOLT - Shimmy dampener bracket attachment (AN3H-3A)	2	31-5001 to 31-7852150 incl.
	407 584		* WASHER - Shimmy dampener bracket attachment (AN960-10L)	2	
-62	71360-02		* RING - Piston	1	
-63	55193-10	C	* ARM ASSEMBLY - Nose gear steering	1	31-7852151 and up
-63a	560 007	C	* * FITTING - Lubrication (1877)	1	31-7852151 and up
-64	55192-05	C	* PLATE ASSEMBLY - Nose gear steering	1	31-7852151 and up
-64a	560 007	C	* * FITTING - Lubrication (1877)	1	31-7852151 and up
-65	55195-02	C	* FOLLOWER - Cam, nose gear steering	2	31-7852151 and up
-66	55194-02	C	* WASHER - Nose gear steering	1	31-7852151 and up
-67	55223-02	P	* SPRING - Nose gear steering arm	1	31-7852151 to 31-7952145 incl.
	71094-02	P	* SPRING - Nose gear steering arm	1	31-7952146 to 31-8252012 incl.
	71094-03	C	* SPRING - Nose gear steering arm	1	31-8252013 and up
-68	452 663	C	* BEARING - Nose gear steering (TRA2031)	AR	31-7852151 and up
-69	74125-02	J	* SLEEVE - Spring spacer	1	31-8252013 and up
-70	14976-12		BUSHING - Nose gear steering, inner	2	31-7852151 and up
-71	14976-13		BUSHING - Nose gear steering, outer (3/4" O.D.)	2	31-7852151 and up
	14976-21		BUSHING - Nose gear steering, outer (11/16" O.D.)	2	31-7852151 and up
	14976-23		BUSHING - Nose gear steering, outer (5/8" O.D.)	2	31-7852151 and up
	14976-102		BUSHING - Nose gear steering, outer (13/16" O.D.)	2	31-7852151 and up
	56977-06		BUSHING - Nose gear steering, outer (7/8" O.D.)	2	31-7852151 and up
	56977-07		BUSHING - Nose gear steering, outer (15/16" O.D.)	2	31-7852151 and up
	14175-113		BUSHING - Nose gear steering, outer (1" O.D.)	2	31-7852151 and up

When ordering, always specify Part Number, Description, and Serial Number of Aircraft

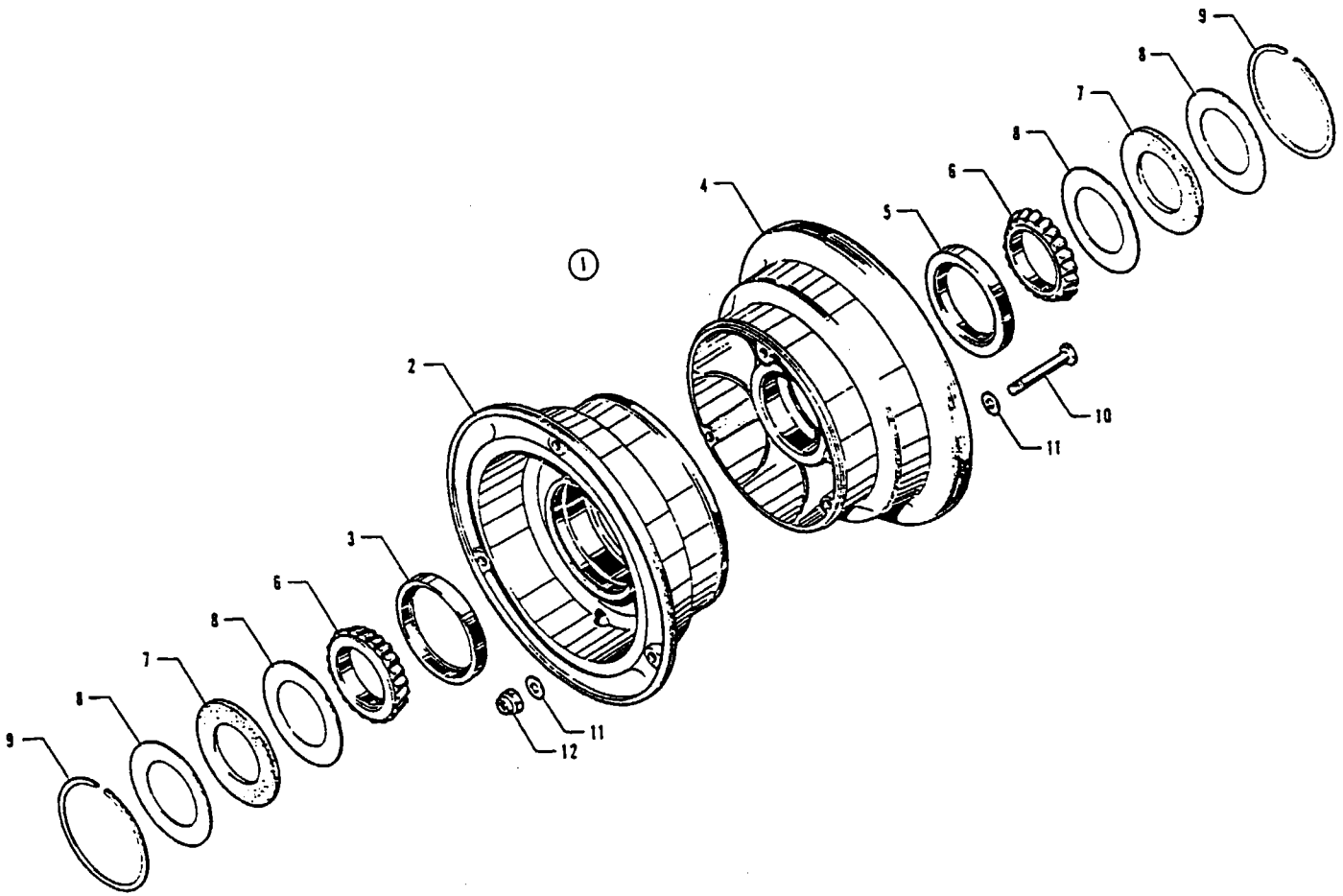


Figure 45. Nose Wheel Assembly

---

# PIPER PARTS CATALOG

---

## CODE EXPLANATIONS FOR FIGURE 45

- A - Used with Wheel Assembly 40-76B only
- B - Used with Wheel Assembly 40-140 only.

PIPER PARTS CATALOG

Figure and Index Number	Part Number	Code	NOMENCLATURE	No. Req.	SERIAL NUMBERS AFFECTED
45-1	451 784		WHEEL ASSEMBLY - Nose (40-76B)	1	31-5001 to 31-8152087 incl.
	551 791		WHEEL ASSEMBLY - Nose (40-140)	1	31-8152088 and up
-2	753 194	A	* WHEEL HALF ASSEMBLY - Outer (162-27) (with valve hole)	1	
	763 715	B	* WHEEL HALF ASSEMBLY - Outer (162-77) (with valve hole)	1	
-3	751 494		* * CUP - Bearing (13836)	1	
-4	753 195	A	* WHEEL HALF ASSEMBLY - Inner (161-30)	1	
	763 717	B	* WHEEL HALF ASSEMBLY - Inner (161-82)	1	
-5	751 494		* * CUP - Bearing (13836)	1	
-6	751 489		* BEARING CONE - (13889)	2	
-7	751 819		* FELT - Grease seal (154-14)	2	
-8	755 964		* RING - Grease seal (153-9)	4	
-9	752 830		* RING - Snap (3023)	2	
-10	751 405	A	* BOLT - (AN5-35A)	3	
	751 405	B	* BOLT - (AN5-35A)	6	
-11	407 566	A	* WASHER - (AN960-516)	6	
	407 566	B	* WASHER - (AN960-516)	12	
-12	404 889	A	* NUT - (AN365-524)	3	
	404 889	B	* NUT - (AN365-524)	6	

When ordering, always specify Part Number, Description and Serial Number of Aircraft

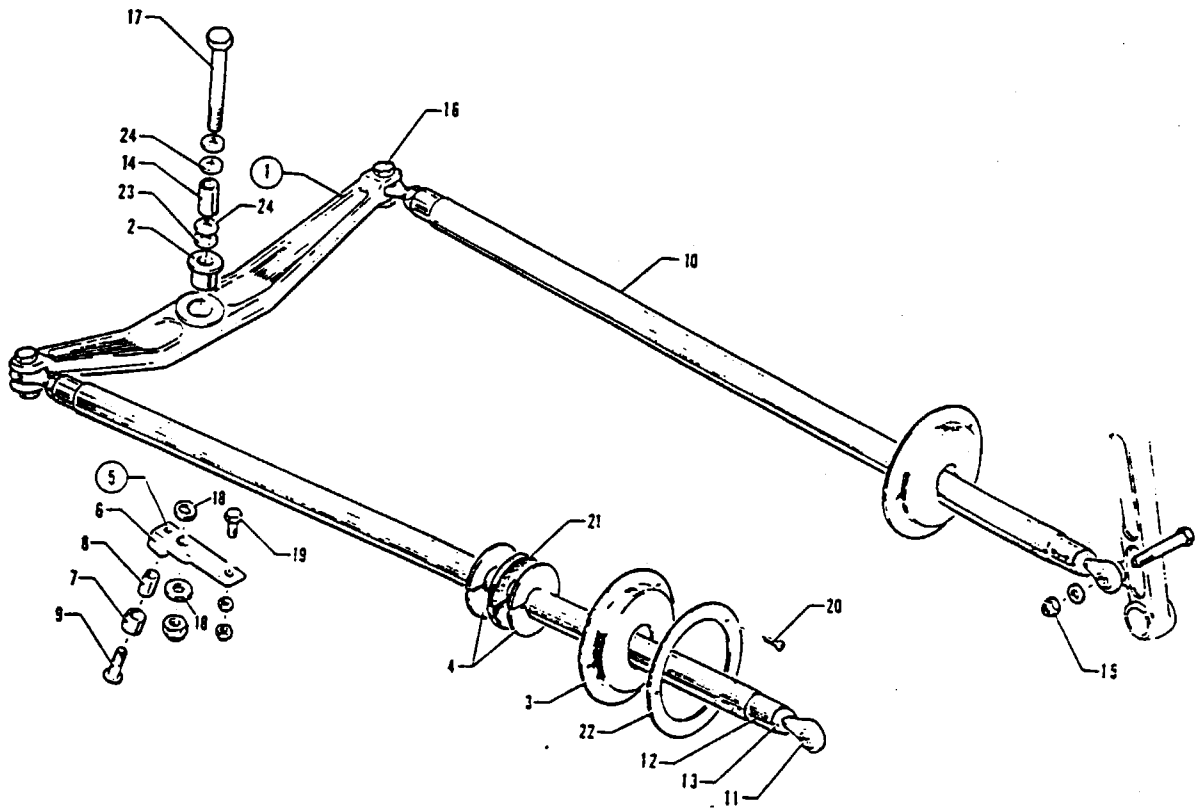


Figure 46. Nose Gear Steering Mechanism Installation

---

## PIPER PARTS CATALOG

---

### CODE EXPLANATIONS FOR FIGURE 46

- A - Order part for serial numbers 31-7852151 and up if Nose Gear Strut Assembly Modification Kit 763 982 has been installed per Service Letter No. 352.
- B - Also used on serial numbers 31-5001 to 31-7852150 inclusive if Nose Gear Strut Assembly Modification Kit 763 982 has been installed per Service Letter No. 352.

## PIPER PARTS CATALOG

Figure and Index Number	Part Number	Code	NOMENCLATURE	No. Req.	SERIAL NUMBERS AFFECTED
46-	41485		DRAWING - Rudder Pedal and Nose Gear Steering Mechanism Installation		
-1	40305-00		BELLCRANK ASSEMBLY - Nose wheel steering	1	
-2	21831-02		* BEARING - Bellcrank assembly	1	
-3	42924-00		RETAINER - Tube seal, Sta. 81	2	
-4	42679-00		SEAL - Tube, Sta. 81	4	
-5	21725-00	A	ALIGNER ASSEMBLY - Nose gear	1	31-5001 to 31-7852150 incl.
	55220-02	B	ALIGNER ASSEMBLY - Nose gear	1	31-7852151 and up
-6	21723-00	A	* BRACKET - Nose gear aligner	1	31-5001 to 31-7852150 incl.
	55219-02	B	* BRACKET - Nose gear aligner	1	31-7852151 and up
-7	14976-15	A	* BUSHING - Nose gear aligner	1	31-5001 to 31-7852150 incl.
	56977-02	B	* BUSHING - Nose gear aligner	1	31-7852151 and up
-8	14976-16	A	* BUSHING - Nose gear aligner	1	31-5001 to 31-7852150 incl.
	56977-03	B	* BUSHING - Nose gear aligner	1	31-7852151 and up
-9	411 349		* SCREW - Nylon insert (AN526-428-R14)	1	
-10	41437-00		TUBE ASSEMBLY - Nose gear steering	2	
-11	452 412		* BEARING - Magnfluxed (HMX-4S)	2	
-12	41438-00		* PLUG - Nose gear steering tube	2	
-13	52846-00		* NUT - Special	2	
-14	14976-17		BUSHING - Bellcrank assembly	1	
-15	401 318		BOLT - (AN4-20A)	2	
	407 565		WASHER - (AN960-416)	2	
	404 836		NUT - (MS20364-428C)	2	
-16	403 628		BOLT - (NAS6204-11)	2	
	407 565		WASHER - (AN960-416)	2	
	404 836		NUT - (MS20364-428C)	2	
-17	401 410	A	BOLT - (AN6-31A)	1	31-5001 to 31-7852150 incl.
	401 411	B	BOLT - (AN6-33A)	1	31-7852151 and up
	407 567	A	WASHER - (AN960-616)	1	31-5001 to 31-7852150 incl.
	407 567	B	WASHER - (AN960-616)	2	31-7852151 and up
	404 890	A	NUT - (MS20365-624C)	1	31-5001 to 31-7852150 incl.
	404 838	B	NUT - (MS20364-624C)	1	31-7852151 and up
-18	407 587		WASHER - (AN960-616L)	2	
-19	401 266		BOLT - (AN3-5A)	1	
	407 564		WASHER - (AN960-10)	1	
	404 835		NUT - (MS20364-1032C)	1	
-20	415 149		SCREW - (AN526-632R8)	6	
-21	42801-00		SPACER - Seal, Sta 81	2	
-22	42675-00		RING - Tube seal, Sta 81	2	
-23	407 567		WASHER - (AN960-616)	AR	
-24	407 686		WASHER - (AN960-C816L)	AR	31-8252060 and up

When ordering, always specify Part Number, Description, and Serial Number of Aircraft

# PIPER PARTS CATALOG

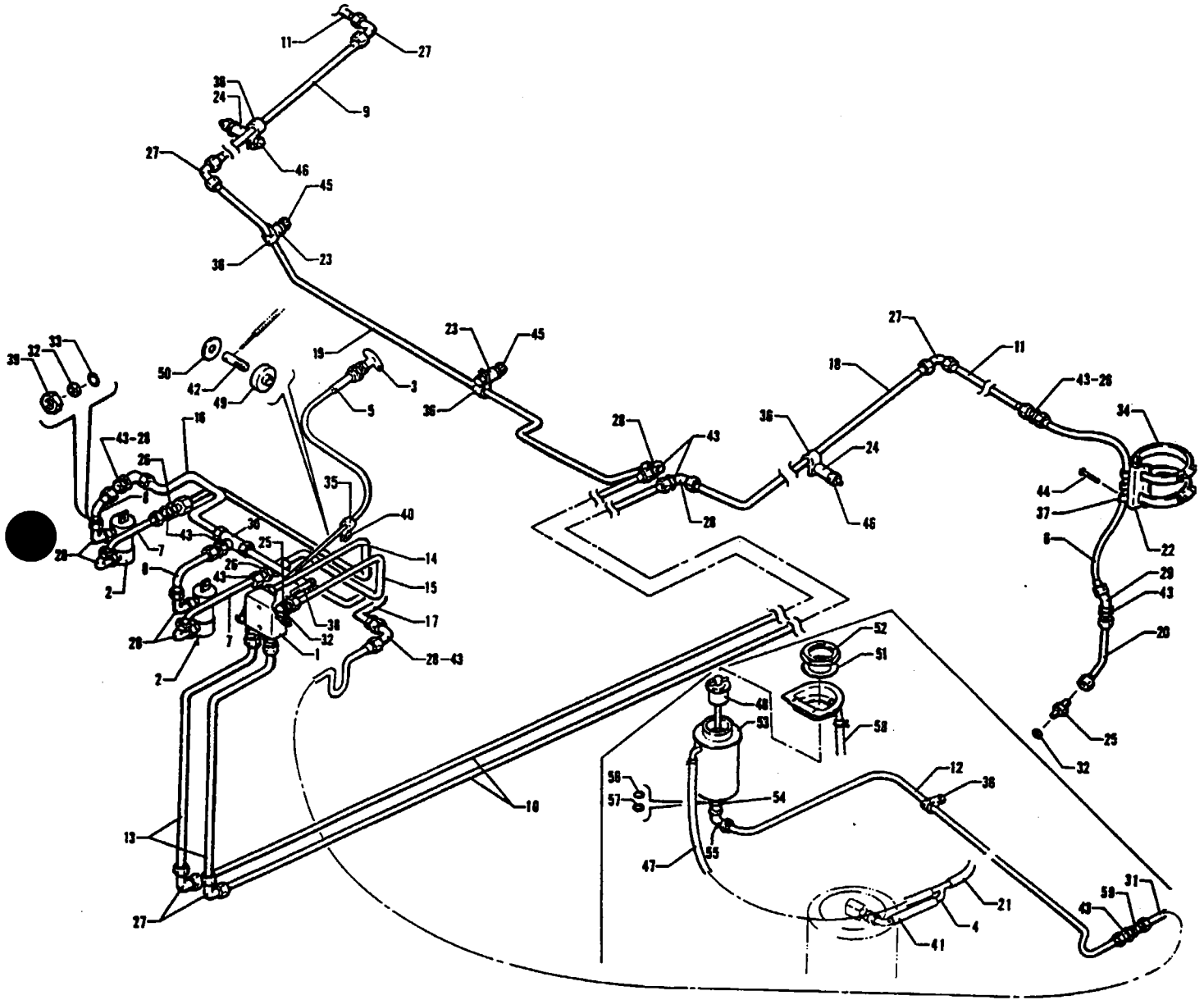


Figure 47 Brake System Installation



---

# PIPER PARTS CATALOG

---

## CODE EXPLANATIONS FOR FIGURE 47

- A - See Figure 49 for component parts.
- B - See Figure 48 if dual brake is installed.
- C - Used if Cleveland brakes 30-68A or 30-68B are installed.
- D - Used if Goodyear brakes are installed.
- E - Used if Cleveland brakes 30-95 or 30-95A are installed.
- F - Used if Cleveland brakes 30-123 are installed.

## PIPER PARTS CATALOG

Figure and Index Number	Part Number	Code	NOMENCLATURE	No. Req.	SERIAL NUMBERS AFFECTED
47-	52374		DRAWING - Hydraulic Brake System Installation		
-1	492 152	A	VALVE - Parking brake (060-00301)	1	
-2	455 943	A	MASTER CYLINDER ASSEMBLY - Brake (10-17)	2	31-5001 to 31-7852127 incl.
	455 967	A	MASTER CYLINDER ASSEMBLY - Brake (10-23)	2	31-7852128 and up
	455 971	A	MASTER CYLINDER ASSEMBLY - Brake (10-23A)	2	31-7852128 and up
-3	471 080		KNOB - Tee, parking brake (KN578A)	1	
-4	16632-00		TUBE ASSEMBLY - Drain connector	1	
-5	16775-03		CABLE ASSEMBLY - Parking brake	1	
-6	17766-73		HOSE ASSEMBLY - Main gear brake line	2	
-7	565 226		HOSE ASSEMBLY - Brake cylinder, lower port (80026-06)	2	
-8	565 225		HOSE ASSEMBLY - Brake cylinder, upper port (80026-07)	2	
-9	22673-78		TUBE ASSEMBLY - Hydraulic brake	1	
-10	42300-08		TUBE ASSEMBLY - Hydraulic brake	2	
-11	42300-03		TUBE ASSEMBLY - Hydraulic brake	2	
-12	43877-00		TUBE ASSEMBLY - Hydraulic brake (40.82" L)	1	31-5001 to 31-7752192 incl.
	49626-02		TUBE ASSEMBLY - Hydraulic brake (35.91" L)	1	31-7852001 and up
-13	42067-00		TUBE ASSEMBLY - Hydraulic brake	2	
-14	42068-00		TUBE ASSEMBLY - Hydraulic brake	1	
-15	42069-00		TUBE ASSEMBLY - Hydraulic brake	1	
-16	53992-00	B	TUBE ASSEMBLY - Hydraulic brake	1	
-17	42095-00	B	TUBE ASSEMBLY - Hydraulic brake	1	
-18	42180-00		TUBE ASSEMBLY - Hydraulic brake	1	
-19	42181-00		TUBE ASSEMBLY - Hydraulic brake	1	
-20	42112-00	C	TUBE ASSEMBLY - Main gear brake line, left	1	
	42112-01	C	TUBE ASSEMBLY - Main gear brake line, right	1	
	47556-00	D	TUBE ASSEMBLY - Main gear brake line, left and right	2	
	47556-02	E	TUBE ASSEMBLY - Main gear brake line, left and right	2	
	755 322	F	HOSE ASSEMBLY - Main gear brake line, left and right	2	
-21	80027-09		TUBE - Reservoir drain (32" L)	1	
-22	41220-00		BRACKET ASSEMBLY - Main gear brake line	2	
-23	42129-11		BUSHING - Hydraulic brake tube	2	
-24	42129-12		BUSHING - Hydraulic brake tube	2	
-25	491 050		UNION - (AN815-4D)	4	
-26	491 060		UNION - (AN832-4D)	4	
-27	458 880		ELBOW - (AN821-4D)	5	
-28	458 900		ELBOW - (AN833-4D)	4	
-29	458 910		ELBOW - (AN837-4D)	2	
-30	488 383	B	TEE - (AN834-4D)	1	
-31	53267-00		TUBE ASSEMBLY - Hydraulic brake	1	
-32	462 027		GASKET - (AN6290-4)	8	
	484 701	F	O-RING - (AN6227-7)	1	
-33	484 752		RING - (AN6291-4)	4	
-34	554 874		CLAMP - (QS200-M56S)	4	
-35	454 887		CLAMP - (A4886S-3-1)	1	
-36	454 929		CLAMP - (A4980S-4-91)	4	
-37	454 933		CLAMP - (A4980S-8-91)	6	
-38	417 703		SCREW - (AN526-1032R26)	2	
-39	477 676		NUT - (AN6289D4)	4	
-40	411 532		SCREW - (MS35207-263)	1	
	407 564		WASHER - (AN960-10)	1	
	404 887		NUT - (MS20365-1032C)	1	
-41	22369-14		TUBE - Powerpak drain	1	
-42	42809-00		STUD - Swivel fitting	1	
-43	477 618		NUT - (AN924-4D)	12	
	407 568		WASHER - (AN960-716)	12	
-44	411 530		SCREW - (MS35207-261)	6	

When ordering, always specify Part Number, Description and Serial Number of Aircraft

## PIPER PARTS CATALOG

Figure and Index Number	Part Number	Code	NOMENCLATURE	No. Req.	SERIAL NUMBERS AFFECTED
47-45	416 998		SCREW - (AN526-103R 18)	2	
	407 564		WASHER - (AN960-10)	2	
	404 887		NUT - (MS20365-1032C)	2	
-46	411 539		SCREW - (MS35207-270)	2	
	407 564		WASHER - (AN960-10)	2	
	404 887		NUT - (MS20365-1032C)	2	
-47	80027-08		TUBE - Reservoir drain (18" L)	1	
-48	44490-00		GAUGE ASSEMBLY - Hydraulic fluid level (550 571)	1	
-49	70371-02		FITTING - Swivel	1	
-50	407 584		WASHER - (AN960-10L)	1	
	404 100		NUT - (AN310-3)	1	
	424 051		PIN - Cotter (MS24665-132)	1	
-51	43840-00		GASKET - Hydraulic reservoir	1	
-52	43712-00		NUT - Hex, hydraulic reservoir	1	
-53	48028-00		RESERVOIR ASSEMBLY - Brake cylinder	1	
-54	477 676		* NUT - (AN6289-D-4)	1	
-55	458 900		* ELBOW - (AN833-4D)	1	
-56	484 752		* RING - (AN6291-4)	1	
-57	462 027		* GASKET - (AN6290-4)	1	
-58	19790-29		TUBE ASSEMBLY - Hydraulic reservoir drain	1	
-59	491 060		UNION - (AN832-4D)	1	31-5001 to 31-7752192 incl.
	458 900		ELBOW - (AN833-4D)	1	31-7852001 and up

When ordering, always specify Part Number, Description and Serial Number of Aircraft

REVISED: APRIL 1982

1J15

PA-31-350

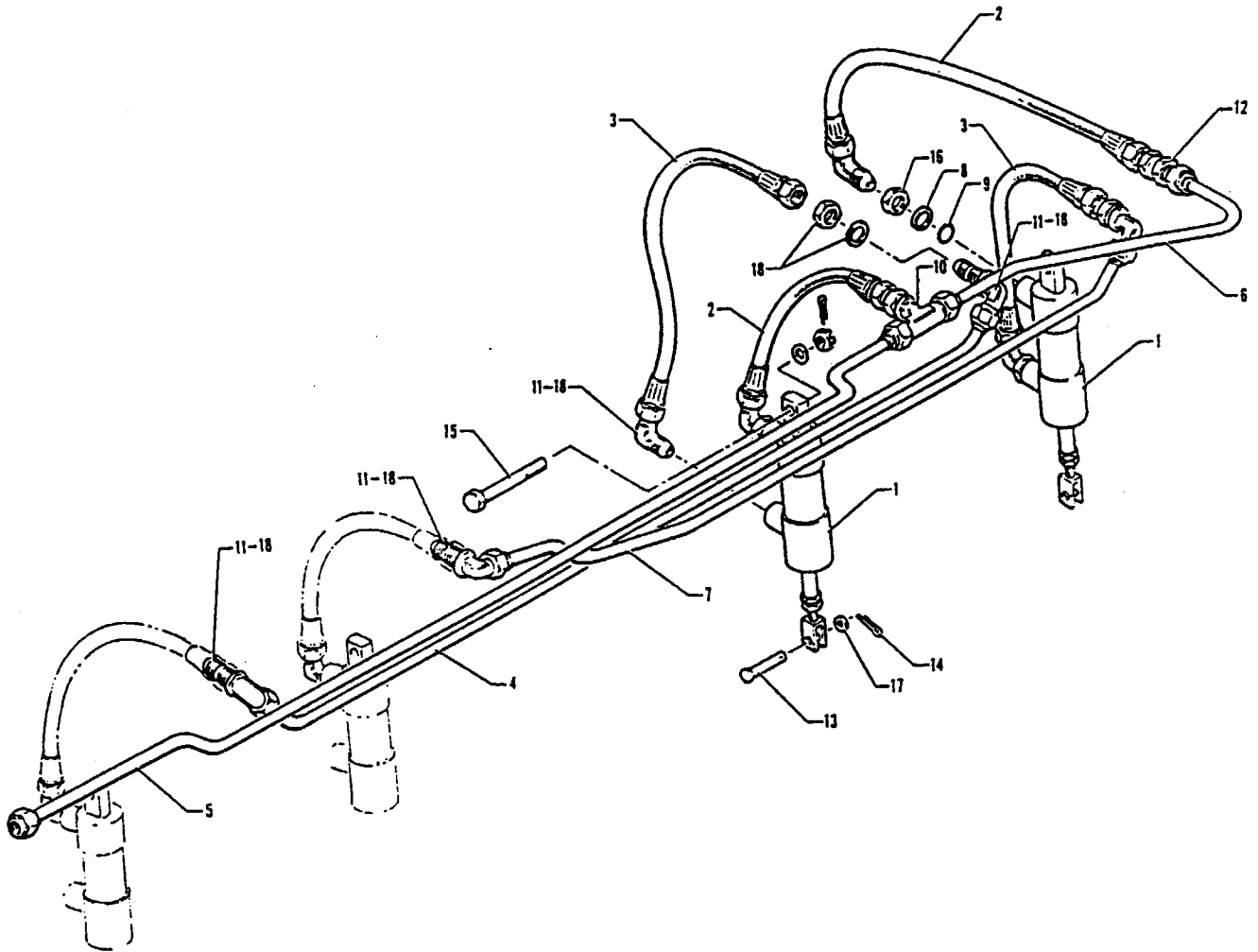


Figure 48. Dual Brake Installation

---

# PIPER PARTS CATALOG

---

## CODE EXPLANATIONS FOR FIGURE 48

A - See Figure 49 for component parts.

PIPER PARTS CATALOG

Figure and Index Number	Part Number	Code	NOMENCLATURE	No. Req.	SERIAL NUMBERS AFFECTED
48-	42386		DRAWING - Dual Brake Installation		
-1	455 943	A	MASTER CYLINDER ASSEMBLY - Brake (10-17)	2	31-5001 to 31-7852127 incl.
	455 967	A	MASTER CYLINDER ASSEMBLY - Brake (10-23)	2	31-7852128 and up
	455 971	A	MASTER CYLINDER ASSEMBLY - Brake (10-23A)	2	31-7852128 and up
-2	565 225		HOSE ASSEMBLY - Brake cylinder, upper port (80026-07)	2	
-3	565 226		HOSE ASSEMBLY - Brake cylinder, lower port (80026-06)	2	
-4	42062-00		TUBE ASSEMBLY - Hydraulic brake	1	
-5	42063-00		TUBE ASSEMBLY - Hydraulic brake	1	
-6	42064-00		TUBE ASSEMBLY - Hydraulic brake	1	
-7	42065-00		TUBE ASSEMBLY - Hydraulic brake	1	
-8	484 752		RING - (AN6291-4)	4	
-9	462 027		GASKET - (AN6290-4)	4	
-10	488 383		TEE - (AN834-4D)	1	
-11	458 900		ELBOW - (AN833-4D)	8	
-12	491 060		UNION - (AN832-4D)	1	
-13	424 176		PIN - Flat head (MS20392-2C15)	2	
-14	424 051		COTTER PIN - (MS24665-132)	2	
-15	400 116		BOLT - (AN4-23)	2	
	407 565		WASHER - (AN960-416)	2	
	404 101		NUT - (AN310-4)	2	
	424 052		COTTER PIN - (MS24665-134)	2	
-16	477 676		NUT - (AN6289-D4)	4	
-17	407 584		WASHER - (AN960-10L)	2	
-18	477 618		NUT - (AN924-4D)	6	
	407 568		WASHER - (AN960-716)	6	

When ordering, always specify Part Number, Description and Serial Number of Aircraft

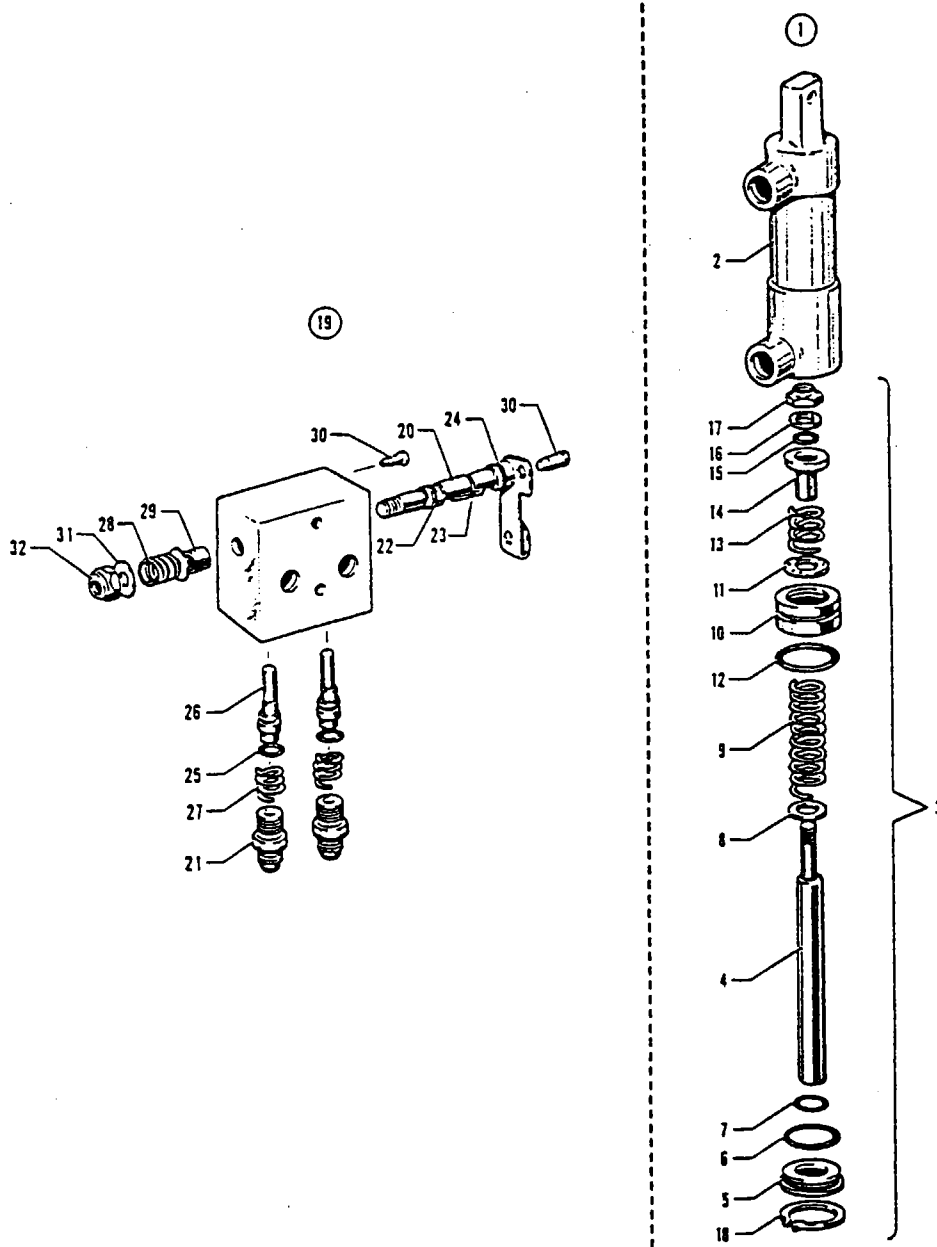


Figure 49. Master Cylinder and Parking Brake Valve

---

# PIPER PARTS CATALOG

---

## CODE EXPLANATIONS FOR FIGURE 49

- A - Used with Master Cylinder Assembly part number 10-17 only.
- B - Used with Master Cylinder Assembly part number 10-23 only.
- C - Used with Master Cylinder Assembly part number 10-23A only.



PIPER PARTS CATALOG

Figure and Index Number	Part Number	Code	NOMENCLATURE	No. Req.	SERIAL NUMBERS AFFECTED
49-1	455 943		MASTER CYLINDER ASSEMBLY - Brake (10-17)	2	31-5001 to 31-7852127 incl.
	455 967		MASTER CYLINDER ASSEMBLY - Brake (10-23)	2	31-7852128 and up
	455 971		MASTER CYLINDER ASSEMBLY - Brake (10-23A)	2	31-7852128 and up
-2	753 960	A	* CYLINDER ASSEMBLY - Hydraulic (189-10)	1	
	763 253	B	* CYLINDER ASSEMBLY - Hydraulic (189-25)	1	
	763 309	C	* CYLINDER ASSEMBLY - Hydraulic (144-36)	1	
-3	755 952	A	* ROD ASSEMBLY - Piston (182-8)	1	
	762 573	B,C	* ROD ASSEMBLY - Piston (182-24)	1	
-4	755 953		* * ROD - Piston (142-7)	1	
-5	751 890		* * GLAND - Packing (141-8)	1	
-6	484 730		* * O-RING - (AN6227-14)	1	
-7	484 701		* * O-RING - (AN6227-7)	1	
-8	407 567		* * WASHER - (AN960-616)	1	
-9	756 259		* * SPRING - (82-19)	1	
-10	757 219	A	* * PISTON - (148-8)	1	
	763 441	B,C	* * PISTON - (148-26)	1	
-11	753 215		* * WASHER - (95-251)	1	
-12	484 696	A	* * O-RING - (AN6227-13)	1	
	484 730	B,C	* * O-RING - (AN6227-14)	1	
-13	756 119		* * SPRING - (82-10)	1	
-14	756 508		* * VALVE - (146-5)	1	
-15	752 735		* * O-RING - (AN6227-3) (484 707)	1	
-16	407 564		* * WASHER - (AN960-10)	1	
-17	404 835		* * NUT - (AN364-1032)	1	
-18	755 955		* RING - Retaining (1RR3000-100) (155-11)	1	
-19	492 152		VALVE ASSEMBLY - Parking brake (060-00301)	1	
-20	757 879		* CAM ASSEMBLY - Valve (181-00301)	1	
-21	476 648		* FITTING - Tube (AN816-4D)	2	
-22	752 735		* O-RING - (AN6227-3) (484 707)	1	
-23	484 700		* O-RING - (AN6227-5)	1	
-24	484 708		* O-RING - (AN6227-6)	1	
-25	755 908		* O-RING - (AN6227-1)	2	
-26	753 110		* VALVE - (146-2)	2	
-27	762 333		* SPRING - (82-44)	2	
-28	756 119		* SPRING - (82-10)	1	
-29	751 445		* BUSHING - (145-7)	1	
-30	757 238		* PIN - (177-2)	2	
-31	407 564		* WASHER - (AN960-10)	2	
-32	404 835		* NUT - (AN364-1032)	1	

When ordering, always specify Part Number, Description and Serial Number of Aircraft

# PIPER PARTS CATALOG

---

GRIDS 1J22 THRU 1L24  
INTENTIONALLY LEFT BLANK



# AIRPLANE PARTS CATALOG

PA-31-350 CHIEFTAIN

CARD 2 OF 4

**PIPER AIRCRAFT  
CORPORATION**

[PART NUMBER 761 487]

2A1

REVISED: MARCH 10, 1994

# PIPER PARTS CATALOG

## AEROFICHE EXPLANATION AND REVISION STATUS

The Parts Catalog information in this set of Aerofiche cards is arranged in accordance with the general specifications of Aerofiche adopted by the General Aviation Manufacturer's Association.

Conversion of Aerofiche alpha/numeric code numbers:

First number is the Aerofiche card identifier.

Letter is the horizontal line reference per card.

Second number is the vertical line reference per card.

Example: 2J16 = Aerofiche card number two of given set. Grid location J16.

To aid in locating the various sections and related information desired, the following is provided:

A complete Catalog Table of Contents is given at Grid 1A9 of Aerofiche card number 1 of this set. Each additional card in this set will have a Table of Contents for all sections on that particular card. This table will start at Grid A3.

## REVISIONS

The information compiled in this Aerofiche Parts Catalog is kept current by revisions distributed periodically. Each revision is a complete Aerofiche card replacement and supersedes Aerofiche cards of the same number in the set.

Revisions to this PA-31-350 Parts Catalog issued September 30, 1975 are as follows:

761 487 (ORG750930)	Dated September 1975
761 487 (PR770114)	Dated January 1977
761 487 (PR770914)	Dated September 1977
761 487 (PR771125)	Dated November 1977
761 487 (PR780913)	Dated September 1978
761 487 (PR790615)	Dated June 1979
761 487 (PR790911)	Dated September 1979
761 487 (PR800318)	Dated March 1980
761 487 (PR800916)	Dated September 1980
761 487 (PR810423)	Dated April 1981
761 487 (PR810914)	Dated September 1981
761 487 (PR820412)	Dated April 1982
761 487 (PR821012)	Dated October 1982
761 487 (PR830311)	Dated March 1983
761 487 (PR831111)	Dated November 1983
761 487 (PR840509)	Dated May 1984
761 487 (IR860428)	Dated April 1986 (Interim Change)
761 487 (PR940310)	Dated March 1994

**NOTE.** Refer to Aerofiche Customer Service Information Catalog (1753 755) for revision dates and card effectivities for this parts catalog.

# TABLE OF CONTENTS

FIGURE NUMBER	FIGURE TITLE	GRID NUMBER
---------------	--------------	-------------

## SECTION V CABIN EQUIPMENT GROUP

50	Furnishings Installation - Cargo Version .....	2A5
51	Furnishings Installation - Commuter Version (S/N 31-5001 to 31-7652177 incl.) .....	2A9
51A	Furnishings Installation - Commuter Version (S/N 31-7752001 and up) .....	2A12
52	Furnishings Installation - Executive Commuter Version (S/N 31-5001 to 31-7652177 incl.) .....	2A18
53	Furnishings Installation - Executive Version (S/N 31-5001 to 31-7652177 incl.) .....	2A21
53A	Furnishings Installation - Executive Version (S/N 31-7752001 and up) .....	2B1
54	Cabin Interior Finishing Installation (S/N 31-5001 to 31-7652177 incl.) .....	2B9
54A	Cabin Interior Finishing Installation (S/N 31-7752001 to 31-7852029 incl.) .....	2B14
54B	Cabin Interior Finishing Installation (S/N 31-7852030 and up) .....	2B18
55	Cabin Headliner Installation .....	2C1
56	Carpet Installation .....	2C4
57	Baggage Compartments Finishing Installation .....	2C8
58	Seats Installation - Front .....	2C12
59	Seats Installation - Third and Fourth Forward Facing .....	2C19
59A	Seats Installation - Third and Fourth Forward Facing (S/N 31-8152001 and up) .....	2D1
60	Seats Installation - Third and Fourth Aft Facing .....	2D5
60A	Seats Installation - Third and Fourth Aft Facing (S/N 31-8152001 and up) .....	2D10
61	Seats Installation - Passenger .....	2D14
62	Seats Installation - Ninth .....	2E1
63	Seats Installation - Tenth .....	2E6
63A	Seats Installation - Tenth (S/N 31-8152001 and up) .....	2E10
64	Cabin Divider Panels Installation (S/N 31-5001 to 31-7652177 incl.) .....	2E14
64A	Cabin Privacy Curtain Installation .....	2E17
65	Refreshment Cabinet and Beverage Dispenser Instl. (S/N 31-5001 to 31-7652177 incl.) .....	2E20
66	Refreshment Cabinet and Beverage Dispenser Instl. (S/N 31-5001 to 31-7652177 incl.) .....	2F1
67	Toilet Installation - Side Facing .....	2F4
68	Toilet Installation - 9th Seat Position .....	2F8
68A	Toilet Installation - 9th Seat Position (S/N 31-7752001 and up) .....	2F12
69	Toilet Installation - 10th Seat Position (S/N 31-5001 to 31-7652177 incl.) .....	2F16

## SECTION VI INSTRUMENTS GROUP

70	Instrument Panel Installation .....	2F19
71	Dual Instrument Panel Installation .....	2G1
72	Miscellaneous Air and Fluid Lines Installation .....	2G5
73	Dual Instrument Air System Installation .....	2G9
74	Instrument Pressure System Installation (S/N 31-5001 to 31-7652123 incl.) .....	2G12
74A	Instrument Pressure System Installation (S/N 31-7652124 and up) .....	2G16
75	Static Pressure System Installation .....	2G20
76	Tachometer Shaft Installation .....	2H1

## SECTION VII POWER PLANT GROUP

77	Power Plant Installation .....	2H4
78	Engine Baffle Installation .....	2H9
79	Oil Cooler and Breather System Installation .....	2H12
80	Three Blade Propeller Assembly .....	2H16
81	Propeller Synchrophaser System Installation (S/N 31-5001 to 31-7852039 incl.) .....	2H20

# TABLE OF CONTENTS

FIGURE NUMBER	FIGURE TITLE	GRID NUMBER
<b>SECTION VII</b>		
<b>POWER PLANT GROUP (cont.)</b>		
81A	Propeller Synchrophaser System Installation (S/N 31-7852038 and up) .....	2I1
82	Engine Controls Installation .....	2I4
83	Engine Cowl Installation .....	2I8
84	Cowl Flap Actuating Mechanism Installation.....	2I11
85	Nacelle Installation .....	2I15
86	Nacelle Locker Door Assembly and Installation.....	2I20
<b>SECTION VIII</b>		
<b>FUEL SYSTEM GROUP</b>		
87	Left Engine Fuel System Installation .....	2J1
88	Right Engine Fuel System Installation .....	2J6
89	Fuel Flow and Pressure Gauge Installation .....	2J11
90	Fuel System Components .....	2J15
91	Fuel Controls Installation.....	2J18
92	Main Fuel Cell and Liner Installation .....	2K1
93	Auxiliary Fuel Cell and Liner Installation .....	2K5
93A	Nacelle Fuel System Installation (Nayak) (S/N 31-8152001 and up) .....	2K9

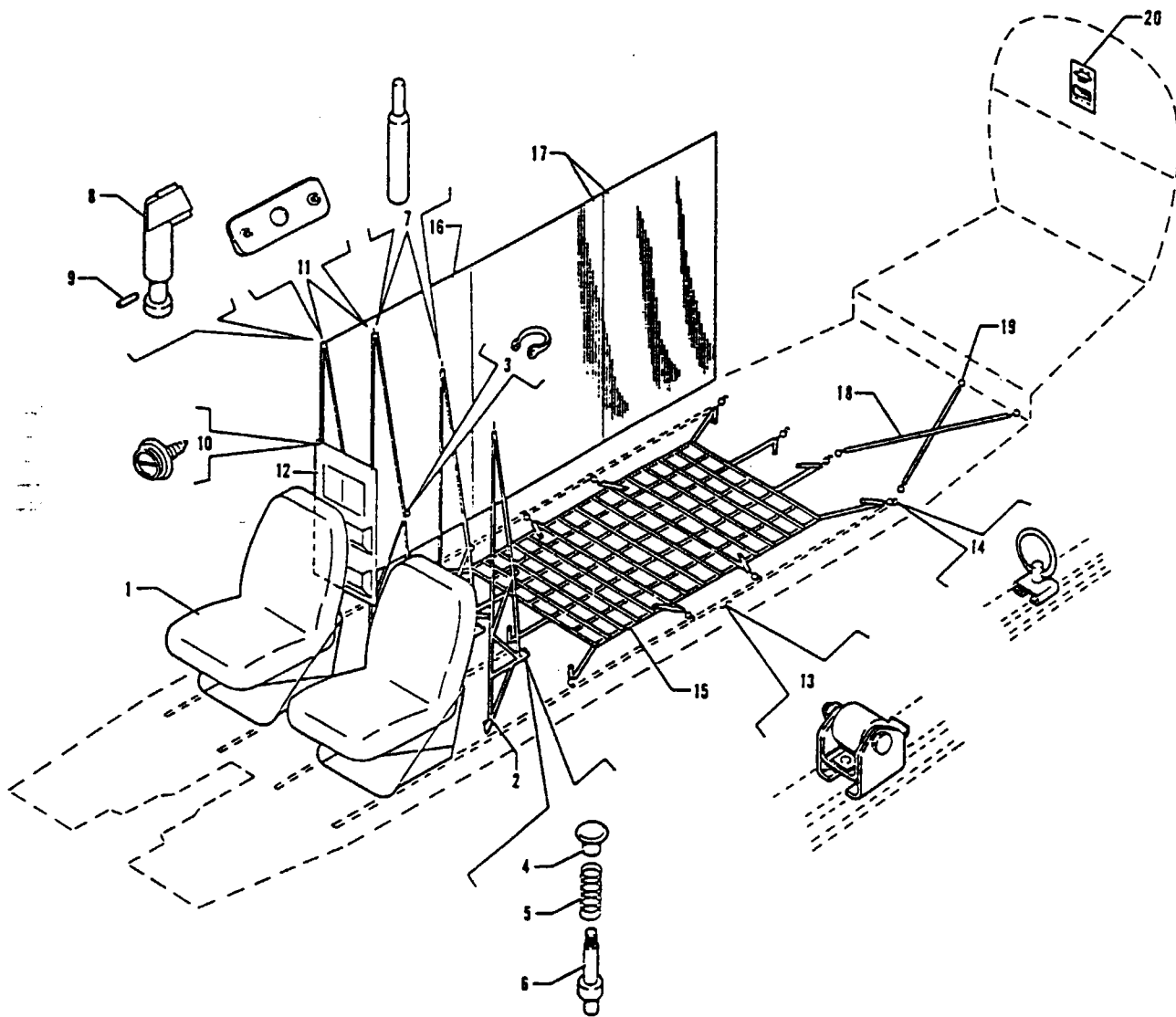


Figure 50. Furnishings Installation - Cargo Version

---

# PIPER PARTS CATALOG

---

## CODE EXPLANATIONS FOR FIGURE 50

- A - Serial number of aircraft must be supplied when ordering this part.
- B - See Figure 58 for component parts.



PIPER PARTS CATALOG

Figure and Index Number	Part Number	Code	NOMENCLATURE	No. Req.	SERIAL NUMBERS AFFECTED
50-	52410 52411 52414 53668 52477 52480 53638		DRAWING - Cargo Blanket Installation DRAWING - Cargo Straps Installation DRAWING - Cargo Net Installation (132 in long net) DRAWING - Cargo Net Installation (96 in long net) DRAWING - Cargo Roller Installation DRAWING - Cargo Barrier Installation DRAWING - Cargo Equipment Storage Container Installation		
-1	53273-02 53273-12 53273-16  53273-28 53273-03 53273-13 53273-17  53273-29	A,B A,B A,B  A,B A,B A,B A,B  A,B	SEAT ASSEMBLY - Front, (complete), left SEAT ASSEMBLY - Front, (complete) vinyl or leather, left SEAT ASSEMBLY - Front, (complete) fabric/vinyl or fabric/leather, left  SEAT ASSEMBLY - Front, (complete) leather or fabric/vinyl, left SEAT ASSEMBLY - Front, (complete), right SEAT ASSEMBLY - Front, (complete), vinyl or leather, right SEAT ASSEMBLY - Front, (complete) fabric/vinyl or fabric/leather, right  SEAT ASSEMBLY - Front, (complete) leather or fabric/vinyl, right	1 1 1  1 1 1 1  1 1	31-5001 to 31-7652177 incl. 31-7752001 to 31-7852029 incl.  31-7752001 to 31-7852029 incl. 31-7852030 and up 31-5001 to 31-7652177 incl. 31-7752001 to 31-7852029 incl.  31-7752001 to 31-7852029 incl. 31-7852030 and up
-2	52470-02 52470-03		BARRIER ASSEMBLY - Cargo, inboard BARRIER ASSEMBLY - Cargo, outboard	2 2	
-3	52471-00		RING - Cargo strap attachment	2	
-4	571 144		KNOB - (8113-10-STK)	2	
-5	587 289		SPRING - (LC-035E-12)	2	
-6	52096-00		PIN - Seat latch	2	
-7	52405-00		PIN - Cargo barrier, top, inboard	1	
-8	52468-00		FITTING ASSEMBLY - Cargo barrier attachment, top, outboard	1	
-9	480 697		PIN - Roll (59-022-094-0875)	1	
-10	487 560		STUD - (XX-10369-12)	1	
-11	44965-00 44966-00		COVER - Cargo barrier trim, inboard COVER - Cargo barrier trim, outboard	2 2	
-12	53637-00		CONTAINER ASSEMBLY - Cargo equipment storage	1	
-13	52465-00		ROLLER ASSEMBLY - Cargo	AR	
-14	46654-00		RING ASSEMBLY - Baggage tie down	AR	
-15	52413-00 53666-00		NET ASSEMBLY - Cargo (132 in. long) NET ASSEMBLY - Cargo (96 in. long)	1 1	
-16	53674-00 53674-01		BLANKET ASSEMBLY - Cargo, front, left BLANKET ASSEMBLY - Cargo, front, right	1 1	
-17	53674-02		BLANKET ASSEMBLY - Cargo	3	
-18	44935-00		STRAP ASSEMBLY - Cargo	2	
-19	54350-02		RING ASSEMBLY - Cargo strap tie down	2	
-20	52393-00		PLACARD - Cargo loading	1	

When ordering, always specify Part Number, Description and Serial Number of Aircraft

**2 A8**

**INTENTIONALLY LEFT BLANK**

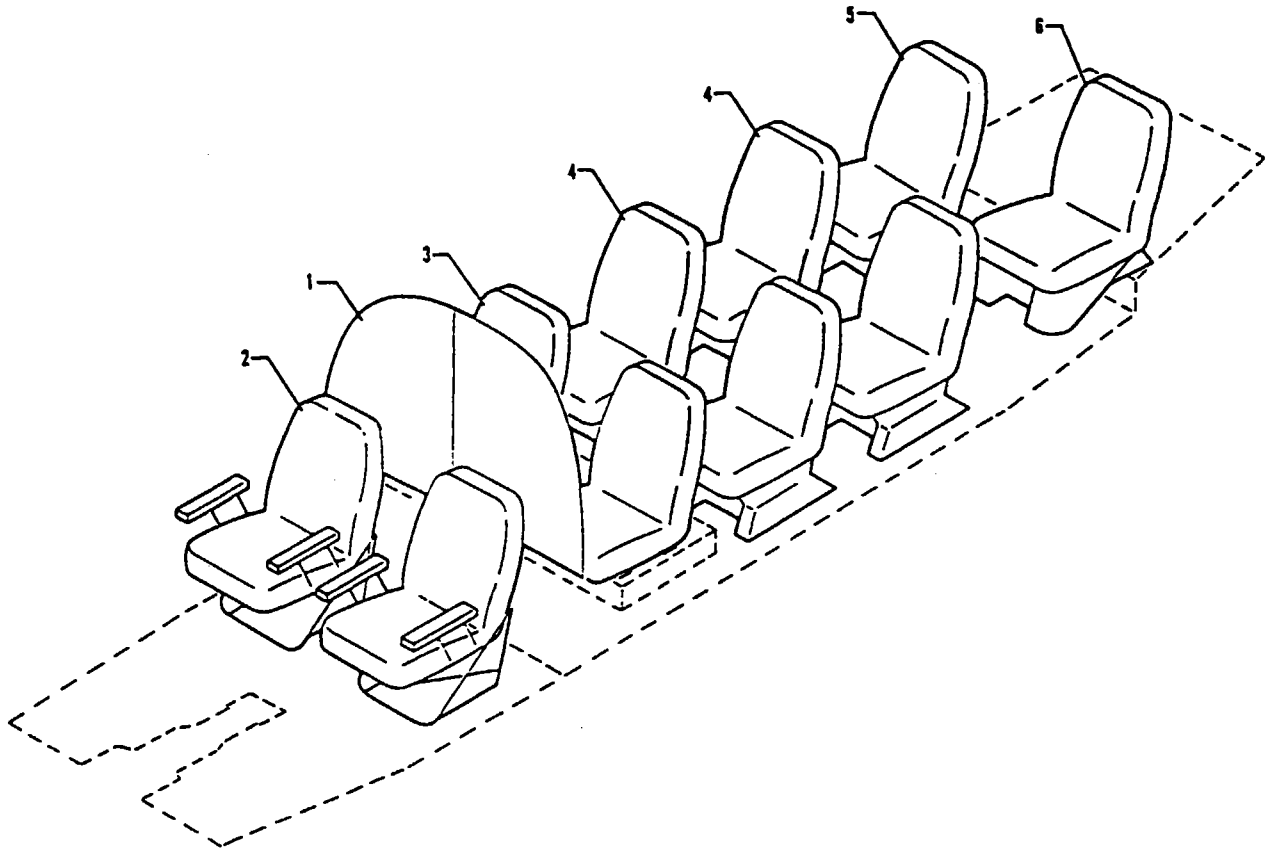


Figure 51. Furnishings Installation - Commuter Version  
(Serial Numbers 31-5001 to 31-7652177 incl.)

---

# PIPER PARTS CATALOG

---

## CODE EXPLANATIONS FOR FIGURE 51

- A - See Figure 58 for component parts.
- B - See Figure 59 for component parts.
- C - See Figure 61 for component parts.
- D - See Figure 62 for component parts.
- E - See Figure 63 for component parts.
- F - Serial number of aircraft must be supplied when ordering this part.
- G - See Figure 64A for component parts.

PIPER PARTS CATALOG

Figure and Index Number	Part Number	Code	NOMENCLATURE	No. Req.	SERIAL NUMBERS AFFECTED
51-1		G	FORWARD CURTAIN INSTALLATION	1	
-2	53273-04	A,F	SEAT ASSEMBLY - Front, left (complete) with ash tray	1	
	53273-05	A,F	SEAT ASSEMBLY - Front, right (complete) with ash tray	1	
	53273-08	A,F	SEAT ASSEMBLY - Front, left (complete) with ash tray and armrest	1	
	53273-09	A,F	SEAT ASSEMBLY - Front, right (complete) with ash tray and armrest	1	
-3	53269-02	B,F	SEAT ASSEMBLY - Left (complete) with armrest	1	
	53269-03	B,F	SEAT ASSEMBLY - Right (complete) with armrest	1	
	53269-04	B,F	SEAT ASSEMBLY - Left and right (complete) without armrest	2	
-4	53133-08	C,F	SEAT ASSEMBLY - Left (complete) with ash tray and armrest (3 1/2" thick back)	2	
	53133-09	C,F	SEAT ASSEMBLY - Right (complete) with ash tray and armrest (3 1/2" thick back)	2	
	53133-10	C,F	SEAT ASSEMBLY - Left and right (complete) with ash tray and without armrest (3 1/2" thick back)	4	
-5	53286-03	D,F	SEAT ASSEMBLY - Ninth (complete) 3 1/2" thick back	1	
-6	53565-02	E,F	SEAT ASSEMBLY - Tenth (complete) 3 1/2" thick back	1	

When ordering, always specify Part Number, Description and Serial Number of Aircraft

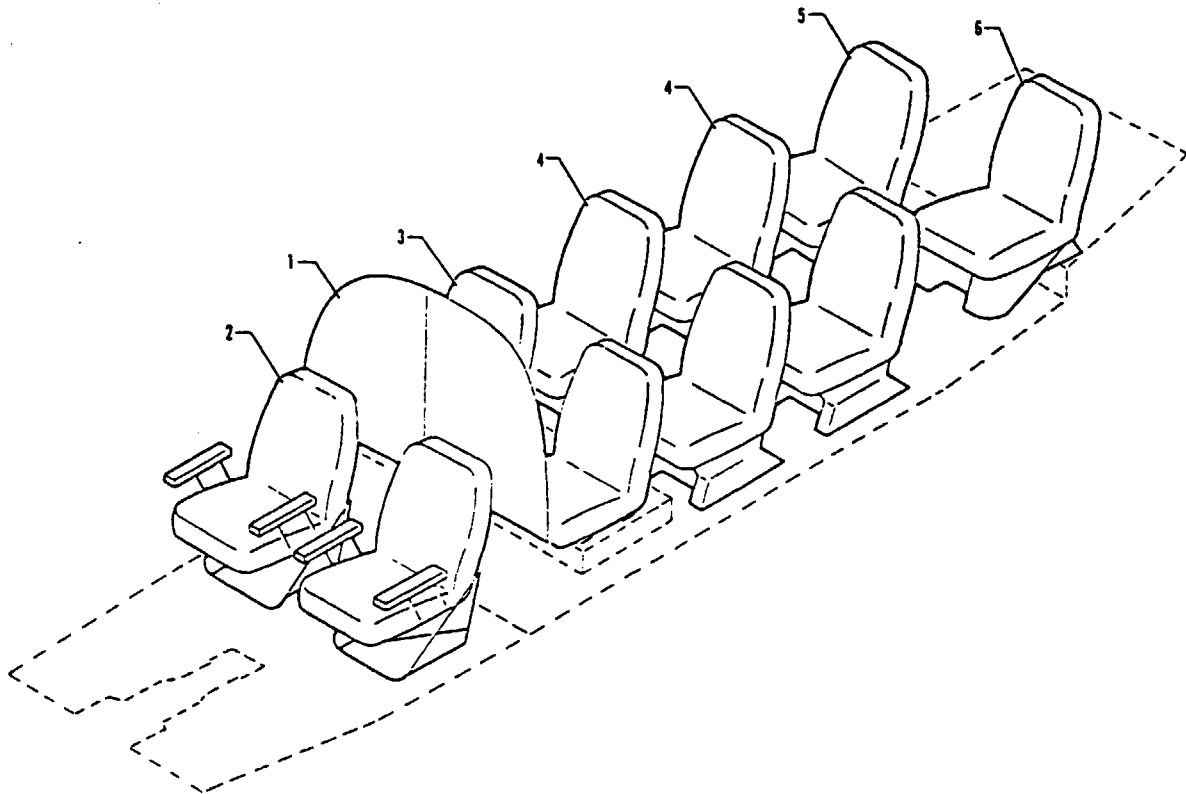


Figure 51A. Furnishings Installation-Commuter Version  
(Serial Numbers 31-7752001 and up)

---

# PIPER PARTS CATALOG

---

## CODE EXPLANATIONS FOR FIGURE 51A

- A - Serial number of aircraft must be supplied when ordering this part.
- B - See Figure 64A for component parts
- C - See Figure 58 for component parts.
- D - See Figure 59 for component parts.
- E - See Figure 61 for component parts
- F - See Figure 62 for component parts.
- G - See Figure 63 for component parts.
- H - See Figure 59A for component parts
- J - See Figure 63A for component parts.
- K - Used if seat assembly does not incorporate an integral shoulder harness.
- L - Used if seat assembly incorporates an integral shoulder harness.

PIPER PARTS CATALOG

Figure and Index Number	Part Number	Code	NOMENCLATURE	No. Req.	SERIAL NUMBERS AFFECTED	
51A-1 -2	53273-18	A.B	FORWARD CURTAIN INSTALLATION			
		A.C	SEAT ASSEMBLY - Front, left (complete) with ash tray and armrest (vinyl or leather)	1	31-7752001 to 31-7852029 incl.	
		53273-22	A.C	SEAT ASSEMBLY - Front, left (complete) with ash tray and armrest (fabric/vinyl or fabric/leather)	1	31-7752001 to 31-7852029 incl.
		53273-30	A.C	SEAT ASSEMBLY - Front, left (complete) with ash tray and armrest (leather or fabric/vinyl)	1	31-7852030 to 31-7852171 incl
		53273-34	A.C	SEAT ASSEMBLY - Front, left (complete) with ash tray and armrest (leather or fabric/vinyl)	1	31-7952001 to 31-7952250 incl.
		53273-19	A.C	SEAT ASSEMBLY - Front, right (complete) with ash tray and armrest (vinyl or leather)	1	31-7752001 to 31-7852029 incl.
		53272-23	A.C	SEAT ASSEMBLY - Front, right (complete) with ash tray and armrest (fabric/vinyl or fabric/leather)	1	31-7752001 to 31-7852029 incl
		53273-31	A.C	SEAT ASSEMBLY - Front, right (complete) with ash tray and armrest (leather or fabric/vinyl)	1	31-7852030 to 31-7852171 incl
		53273-35	A.C	SEAT ASSEMBLY - Front, left (complete) with ash tray and armrest (leather or fabric/vinyl)	1	31-7952001 to 31-7952250 incl.
		53273-20	A.C	SEAT ASSEMBLY - Front, left (complete) with ash tray, without armrest (vinyl or leather)	1	31-7752001 to 31-7852029 incl
		53273-24	A.C	SEAT ASSEMBLY - Front, left (complete) with ash tray, without armrest (fabric/vinyl or fabric/leather)	1	31-7752001 to 31-7852029 incl
		53273-32	A.C	SEAT ASSEMBLY - Front, left (complete) with ash tray, without armrest (leather or fabric/vinyl)	1	31-7852030 to 31-7952250 incl
		53273-21	A.C	SEAT ASSEMBLY - Front, right (complete) with ash tray, without armrest (vinyl or leather)	1	31-7752001 to 31-7852029 incl.
		53273-25	A.C	SEAT ASSEMBLY - Front, right (complete) with ash tray, without armrest (fabric/vinyl or fabric/leather)	1	31-7752001 to 31-7852029 incl
		53273-33	A.C	SEAT ASSEMBLY - Front, right (complete) with ash tray, without armrest (leather or fabric/vinyl)	1	31-7852030 to 31-7952250 incl
		53273-26	A.C	SEAT ASSEMBLY - Front, left (complete) without ash tray and with armrest (leather or fabric/vinyl)	1	31-7852030 to 31-8352042 incl
		53273-38	A.C	SEAT ASSEMBLY - Front, left (complete) without ash tray and with armrest (leather or fabric/vinyl)	1	31-8452001 and up
		53273-27	A.C	SEAT ASSEMBLY - Front, right (complete) without ash tray and with armrest (leather or fabric/vinyl)	1	31-7852030 to 31-8352042 incl.
		53273-39	A.C	SEAT ASSEMBLY - Front, right (complete) without ash tray and with armrest (leather or fabric/vinyl)	1	31-8452001 and up

When ordering, always specify Part Number, Description and Serial Number of Aircraft



PIPER PARTS CATALOG

Figure and Index Number	Part Number	Code	NOMENCLATURE	No. Req.	SERIAL NUMBERS AFFECTED	
51A-3	53269-12	A,D	SEAT ASSEMBLY - Left. (complete) with armrest. (fabric/vinyl or fabric/leather)	1	31-7752001 to 31-7852029 incl	
	53269-14	A,D	SEAT ASSEMBLY - Left. (complete) with armrest. (vinyl or leather)	1	31-7752001 to 31-7852029 incl	
	53269-18	A,D	SEAT ASSEMBLY - Left. (complete) with armrest. (leather or fabric/vinyl)	1	31-7852030 to 31-7952250 incl	
	53269-22	A,D,K	SEAT ASSEMBLY - Left. (complete) with armrests. (leather or fabric/vinyl)	1	31-8052001 to 31-8352042 incl	
	53269-26	A,D,K	SEAT ASSEMBLY - Left (complete) with armrests (leather or fabric/vinyl)	1	31-8452001 and up	
	53269-13	A,D	SEAT ASSEMBLY - Right. (complete) with armrest. (fabric/vinyl or fabric/leather)	1	31-7752001 to 31-7852029 incl	
	53269-15	A,D	SEAT ASSEMBLY - Right. (complete) with armrest. (vinyl or leather)	1	31-7752001 to 31-7852029 incl	
	53269-19	A,D	SEAT ASSEMBLY - Right. (complete) with armrest. (leather or fabric/vinyl)	1	31-7852030 to 31-7952250 incl	
	53269-23	A,D,K	SEAT ASSEMBLY - Right. (complete) with armrests. (leather or fabric/vinyl)	1	31-8052001 to 31-8352042 incl	
	53269-27	A,D,K	SEAT ASSEMBLY - Right. (complete) with armrests (leather or fabric/vinyl)	1	31-8452001 and up	
	53269-16	A,D	SEAT ASSEMBLY - Left and right. (complete) without armrest (fabric/vinyl or fabric/leather)	1	31-7752001 to 31-7852029 incl	
	53267-17	A,D	SEAT ASSEMBLY - Left and right. (complete) without armrest (vinyl or leather)	1	31-7752001 to 31-7852029 incl	
	53269-20	A,D	SEAT ASSEMBLY - Left. (complete) without armrest (leather or fabric/vinyl)	1	31-7852030 to 31-7952250 incl	
	53269-24	A,D,K	SEAT ASSEMBLY - Left. (complete) with outboard armrest only (leather or fabric/vinyl)	1	31-8052001 to 31-8352042 incl	
	53269-21	A,D	SEAT ASSEMBLY - Right. (complete) without armrest (leather or fabric/vinyl)	1	31-7852030 to 31-7952250 incl	
	53269-25	A,D,K	SEAT ASSEMBLY - Right. (complete) with outboard armrest only (leather or fabric/vinyl)	1	31-8052001 to 31-8352042 incl.	
	71823-08	A,H,L	SEAT ASSEMBLY - Spar (complete) left, without ash tray with armrests (leather or fabric/vinyl)	1	31-8152001 and up	
	71823-09	A,H,L	SEAT ASSEMBLY - Spar (complete) right, without ash tray, with armrests (leather or fabric/vinyl)	1	31-8152001 and up	
	-4	55430-08	A,E	SEAT ASSEMBLY - Left. (complete) with ash tray and armrest (vinyl or leather)	2	31-7752001 to 31-7852029 incl
		55430-16	A,E	SEAT ASSEMBLY - Left. (complete) with ash tray and armrest (fabric/vinyl or fabric/leather)	2	31-7752001 to 31-7852029 incl
55430-26		A,E	SEAT ASSEMBLY - Left. (complete) with ash tray and armrest (leather or fabric/vinyl)	2	31-7852030 to 31-7952250 incl	
55430-09		A,E	SEAT ASSEMBLY - Right. (complete) with ash tray and armrest (vinyl or leather)	2	31-7752001 to 31-7852029 incl	
55430-17		A,E	SEAT ASSEMBLY - Right. (complete) with ash tray and armrest (fabric/vinyl or fabric/leather)	2	31-7752001 to 31-7852029 incl	
55430-27		A,E	SEAT ASSEMBLY - Right. (complete) with ash tray and armrest (leather or fabric/vinyl)	2	31-7852030 to 31-7952250 incl	

When ordering, always specify Part Number, Description and Serial Number of Aircraft

PIPER PARTS CATALOG

Figure and Index Number	Part Number	Code	NOMENCLATURE	No. Req	SERIAL NUMBERS AFFECTED	
51A-4	55430-07	A.E	SEAT ASSEMBLY - Left and right (complete) with ash tray and without armrest (vinyl or leather)	2	31-7752001 to 31-7852029 incl	
	55430-15	A.E	SEAT ASSEMBLY - Left and right (complete) with ash tray and without armrest (fabric/vinyl or fabric/leather)	2	31-7752001 to 31-7852029 incl	
	55430-24	A.E	SEAT ASSEMBLY - Left, (complete) with ash tray and without armrest (leather or fabric/vinyl)	2	31-7852030 to 31-7952250 incl	
	55430-25	A.E	SEAT ASSEMBLY - Right, (complete) with ash tray and without armrest (leather or fabric/vinyl)	2	31-7852030 to 31-7952250 incl	
	55430-21	A.E	SEAT ASSEMBLY - Left, (complete) without ash tray and with armrest (leather or fabric/vinyl)	2	31-7852030 to 31-7952250 incl	
	55430-30	A.E.K	SEAT ASSEMBLY - Left, (complete) without ash tray and with armrests (leather or fabric/vinyl)	2	31-8052001 to 31-8352042 incl	
	55430-32	A.E.K	SEAT ASSEMBLY - Left, (complete) without ash tray and with armrests (leather or fabric/vinyl)	2	31-8452001 and up	
	55430-22	A.E	SEAT ASSEMBLY - Right, (complete) without ash tray and with armrest (leather or fabric/vinyl)	2	31-7852030 to 31-7952250 incl.	
	55430-31	A.E.K	SEAT ASSEMBLY - Right, (complete) without ash tray and with armrests (leather or fabric/vinyl)	2	31-8052001 to 31-8352042 incl	
	55430-33	A.E.K	SEAT ASSEMBLY - Right, (complete) without ash tray and with armrests (leather or fabric/vinyl)	2	31-8452001 and up	
	55430-18	A.E	SEAT ASSEMBLY - Left, (complete) without ash tray and armrest (leather or fabric/vinyl)	2	31-7852030 to 31-7952250 incl	
	55430-28	A.E.K	SEAT ASSEMBLY - Left, (complete) without ash tray, with outboard armrest only (leather or fabric/vinyl)	2	31-8052001 to 31-8352042 incl	
	55430-19	A.E	SEAT ASSEMBLY - Right, (complete) without ash tray and armrest (leather or fabric/vinyl)	2	31-7852030 to 31-7952250 incl	
	55430-29	A.E.K	SEAT ASSEMBLY - Right, (complete) without ash tray, with outboard armrest only (leather or fabric/vinyl)	2	31-8052001 to 31-8352042 incl	
	71823-02	A.E.L	SEAT ASSEMBLY - Left, (complete) without ash tray, with armrests and integral shoulder harness (leather or fabric/vinyl)	2	31-8152001 and up	
	71823-03	A.E.L	SEAT ASSEMBLY - Right, (complete) without ash tray, with armrests and integral shoulder harness (leather or fabric/vinyl)	2	31-8152001 and up	
	-5	55430-03	A.F	SEAT ASSEMBLY - Ninth (complete) without ash tray, without armrest (vinyl or leather)	1	31-7752001 to 31-7852029 incl.
		55430-11	A.F	SEAT ASSEMBLY - Ninth (complete) without ash tray, without armrest (fabric/vinyl or fabric/leather)	1	31-7752001 to 31-7852029 incl
		55430-20	A.F.K	SEAT ASSEMBLY - Ninth (complete) without ash tray, without armrest (leather or fabric/vinyl)	1	31-7852030 to 31-8352042 incl

When ordering, always specify Part Number, Description and Serial Number of Aircraft

PIPER PARTS CATALOG

Figure and Index Number	Part Number	Code	NOMENCLATURE	No. Req.	SERIAL NUMBERS AFFECTED
51A-5	55430-06	A,F	SEAT ASSEMBLY - Ninth (complete) without ash tray, with armrest (vinyl or leather)	1	31-7752001 to 31-7852029 incl
	55430-14	A,F	SEAT ASSEMBLY - Ninth (complete) without ash tray, with armrest (fabric/vinyl or fabric/leather)	1	31-7752001 to 31-7852029 incl
	55430-23	A,F,K	SEAT ASSEMBLY - Ninth (complete) without ash tray, with armrest (leather or fabric/vinyl)	1	31-7852030 to 31-8352042 incl.
	55430-34	A,F,K	SEAT ASSEMBLY - Ninth (complete) without ash tray and with armrest (leather or fabric/vinyl)	1	31-8052001 and up
	71823-11	A,F,L	SEAT ASSEMBLY - Ninth (complete) without ash tray, with armrests and integral shoulder harness (leather or fabric/vinyl)	1	31-8152001 and up
-6	55432-02	A,G	SEAT ASSEMBLY - Tenth (complete) (fabric/vinyl or fabric/leather)	1	31-7752001 to 31-7852029 incl
	55432-03	A,G	SEAT ASSEMBLY - Tenth (complete) (vinyl or leather)	1	31-7752001 to 31-7852029 incl
	55432-04	A,G,K	SEAT ASSEMBLY - Tenth (complete) (leather or fabric vinyl)	1	31-7852030 to 31-8352042 incl
	55432-05	A,G	SEAT ASSEMBLY - Tenth, (complete) (leather or fabric/vinyl)	1	31-8452001 and up
	71823-10	A,J,L	SEAT ASSEMBLY - Tenth (complete) (leather or fabric/vinyl)	1	31-8152001 and up

When ordering, always specify Part Number, Description and Serial Number of Aircraft

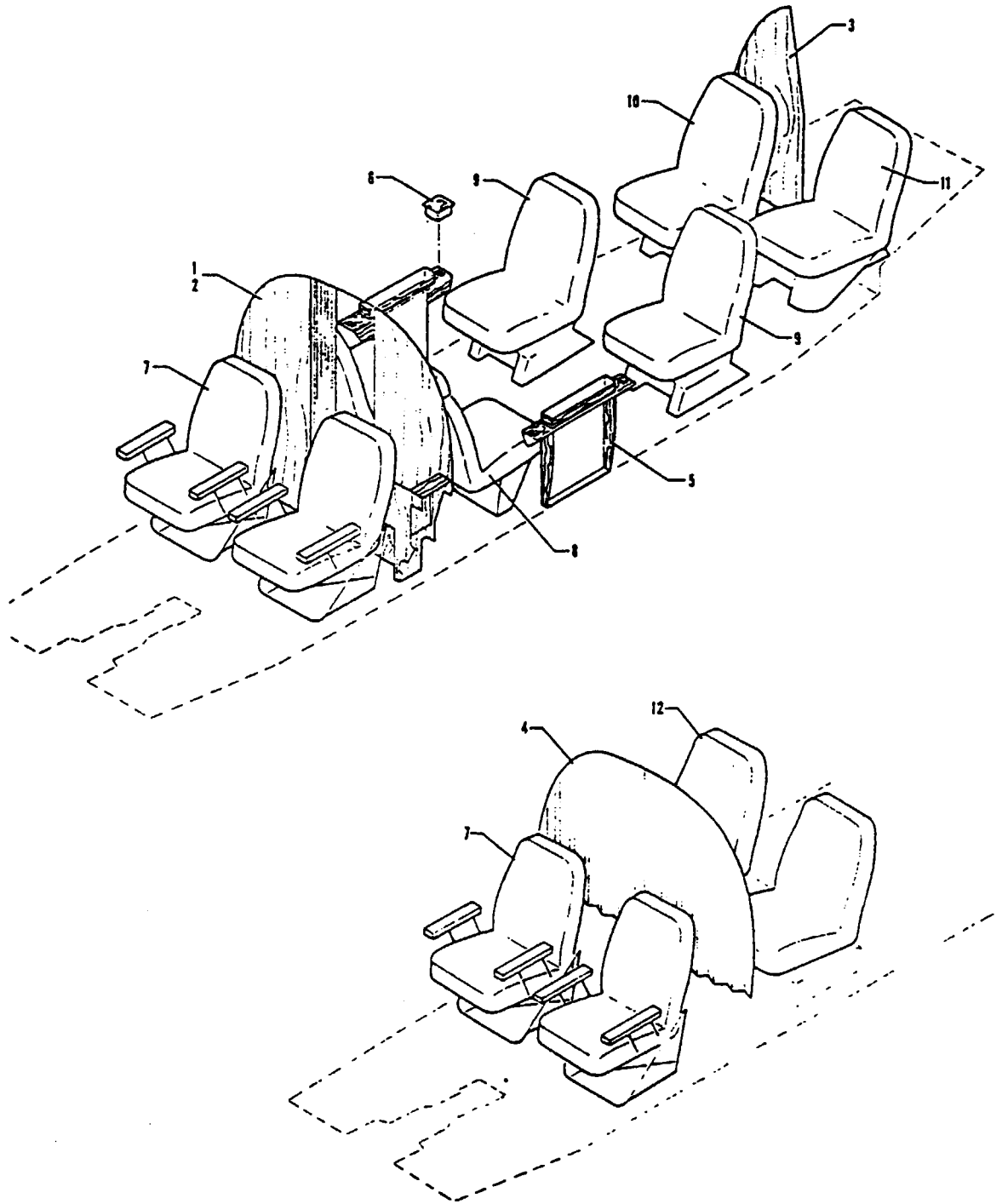


Figure 52. Furnishings Installation - Corporate Version  
(Serial Numbers 31-5001 to 31-7652177 incl.)

---

# PIPER PARTS CATALOG

---

## CODE EXPLANATIONS FOR FIGURE 52

- A - See Figure 64 for component parts.
- B - See Figure 57 for component parts.
- C - See Figure 58 for component parts.
- D - See Figure 60 for component parts.
- E - See Figure 61 for component parts.
- F - See Figure 62 for component parts.
- G - See Figure 63 for component parts.
- H - Serial number of aircraft must be supplied when ordering this part.
- J - See Figure 64A for component parts.
- K - See Figure 59 for component parts.

PIPER PARTS CATALOG

Figure and Index Number	Part Number	Code	NOMENCLATURE	No. Req.	SERIAL NUMBERS AFFECTED
52-1		A	FORWARD CABIN DIVIDER PANEL INSTALLATION	1	
-2		A	FORWARD STORAGE DIVIDER INSTALLATION	1	
-3		B	REAR DIVIDER PANEL AND HAT SHELF INSTALLATION	1	
-4		J	PRIVACY CURTAIN INSTALLATION	1	
-5	52036-00		TABLE ASSEMBLY - Folding	2	31-5001 to 31-7405234 incl. 31-7405401 to 31-7405462 incl.
-6	484 097		RECEIVER - Ash (6A33030)	2	
-7	53273-06	C,H	SEAT ASSEMBLY - Front, left (complete) with armrest and without ash tray	1	
	53273-04	C,H	SEAT ASSEMBLY - Front, left (complete) without armrest and with ash tray	1	
	53273-08	C,H	SEAT ASSEMBLY - Front, left (complete) with armrest and with ash tray	1	
	53273-07	C,H	SEAT ASSEMBLY - Front, right (complete) with armrest and without ash tray	1	
	53273-05	C,H	SEAT ASSEMBLY - Front, right (complete) without armrest and with ash tray	1	
	53275-09	C,H	SEAT ASSEMBLY - Front, right (complete) with armrest and with ash tray	1	
-8	53277-02	D,H	SEAT ASSEMBLY - Left (complete) with armrest	1	
	53277-03	D,H	SEAT ASSEMBLY - Right (complete) with armrest	1	
	53277-04	D,H	SEAT ASSEMBLY - Left and right (complete) without armrest	2	
-9	53133-03	E,H	SEAT ASSEMBLY - Left and right (complete) with ash tray and without armrest (4 1/2" thick back)	2	
	53133-06	E,H	SEAT ASSEMBLY - Left (complete) with ash tray and armrest (4 1/2" thick back)	1	
	53133-07	E,H	SEAT ASSEMBLY - Right (complete) with ash tray and armrest (4 1/2" thick back)	1	
-10	53286-02	F,H	SEAT ASSEMBLY - Ninth (complete)	1	
-11	53565-04	G,H	SEAT ASSEMBLY - Tenth (complete)	1	
-12	53269-05	K,H	SEAT ASSEMBLY - Left and right (complete) without armrest	2	
	53269-06	K,H	SEAT ASSEMBLY - Left (complete) with armrest	1	
	53269-07	K,H	SEAT ASSEMBLY - Right (complete) with armrest	1	

When ordering, always specify Part Number, Description and Serial Number of Aircraft

PIPER PARTS CATALOG

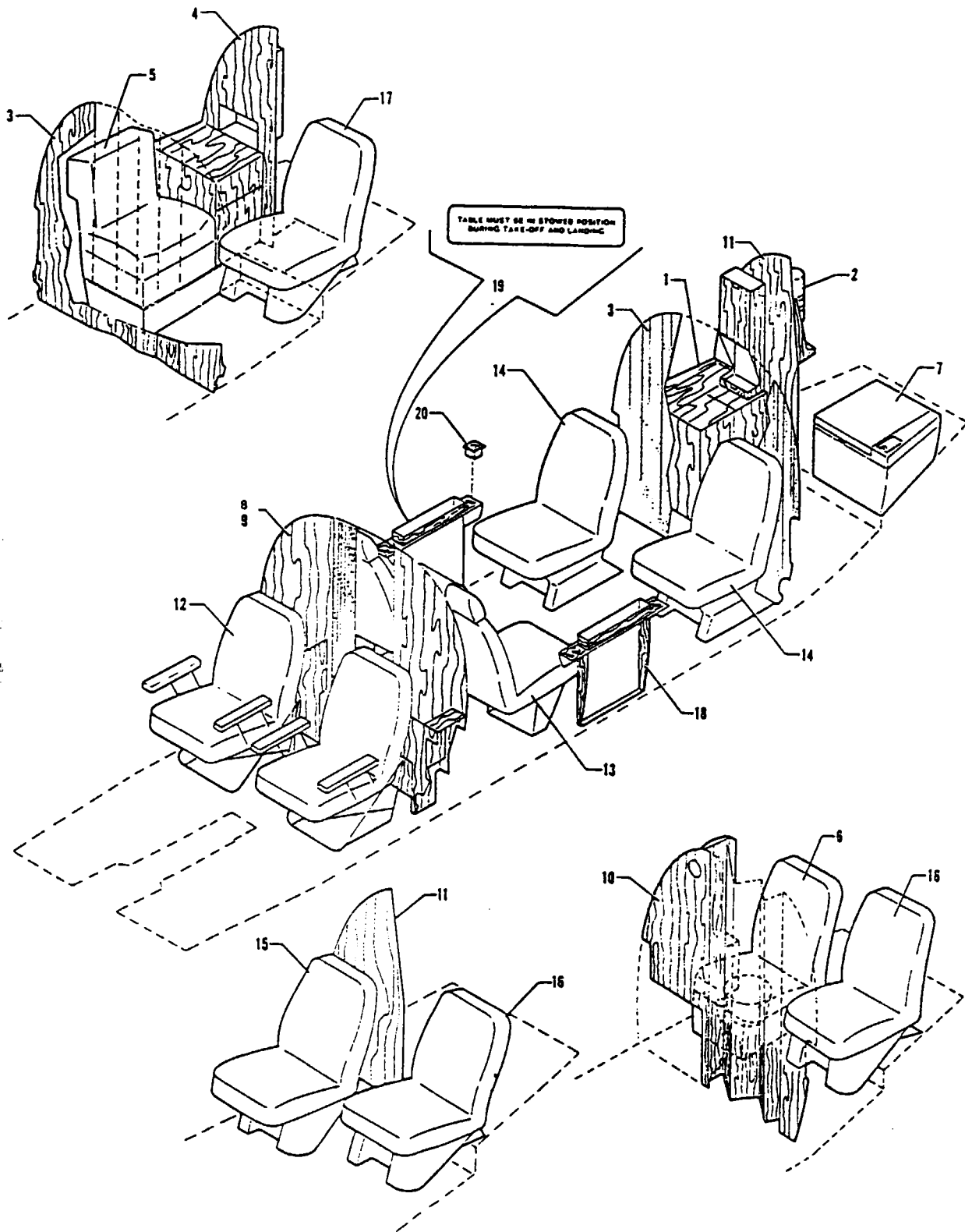


Figure 53. Furnishings installation - Executive Version  
Serial Numbers 31-6001 to 31-7652177 incl.

---

# PIPER PARTS CATALOG

---

## CODE EXPLANATIONS FOR FIGURE 53

- A - See Figure 65 for component parts.
- B - See Figure 64 for component parts.
- C - See Figure 67 for component parts.
- D - See Figure 68 for component parts.
- E - See Figure 69 for component parts.
- F - See Figure 66 for component parts.
- G - See Figure 57 for component parts.
- H - See Figure 58 for component parts.
- J - See Figure 60 for component parts.
- K - Serial number of aircraft must be supplied when ordering this part.
- L - See Figure 61 for component parts.
- M - See Figure 63 for component parts.
- N - See Figure 64A for component parts.
- O - See Figure 62 for component parts.



## PIPER PARTS CATALOG

Figure and Index Number	Part Number	Code	NOMENCLATURE	No. Req.	SERIAL NUMBERS AFFECTED
53-1		A	REFRESHMENT CABINET AND DISPENSER INSTALLATION	1	
-2		A	BEVERAGE DISPENSER INSTALLATION	1	
-3		N	PRIVACY CURTAIN INSTALLATION	1	
		B	PRIVACY PANEL INSTALLATION	1	
-4		F	REFRESHMENT CABINET INSTALLATION	1	
-5		C	TOILET INSTALLATION - Side facing	1	
-6		D	TOILET INSTALLATION - Ninth seat position	1	
-7		E	TOILET INSTALLATION - Tenth seat position	1	
-8		B	FORWARD CABIN DIVIDER PANEL INSTALLATION	1	
-9		B	FORWARD STORAGE DIVIDER INSTALLATION	1	
-10		F	REFRESHMENT CABINET INSTALLATION	1	
-11		G	REAR DIVIDER PANEL AND HAT SHELF INSTALLATION	1	
-12	53273-06	H,K	SEAT ASSEMBLY - Forward, left (complete) with armrest	1	
	53273-07	H,K	SEAT ASSEMBLY - Forward, right (complete) with armrest	1	
-13	53277-02	J,K	SEAT ASSEMBLY - Left (complete) with armrest	1	
	53277-03	J,K	SEAT ASSEMBLY - Right (complete) with armrest	1	
	53277-04	J,K	SEAT ASSEMBLY - Left and right (complete) without armrest	1	
-14	53133-02	K,L	SEAT ASSEMBLY - Left and right (complete) without armrest (4 1/2" thick back)	2	
	53133-04	K,L	SEAT ASSEMBLY - Left (complete) with armrest (4 1/2" thick back)	1	
	53133-05	K,L	SEAT ASSEMBLY - Right (complete) with armrest (4 1/2" thick back)	1	
-15	53286-02	K,O	SEAT ASSEMBLY - Ninth (complete) (4 1/2" thick back)	1	
-16	53565-03	K,M	SEAT ASSEMBLY - Tenth (complete) (4 1/2" thick back)	1	
-17	53565-04	K,M	SEAT ASSEMBLY - Tenth (complete) (4 1/2" thick back)	1	
-18	52036-00		TABLE ASSEMBLY - Folding	2	31-5001 to 31-7405457 incl.
	54604-02		TABLE ASSEMBLY - Folding	2	31-7405458 and up
-19	80468-02		PLACARD - Table storage	1	
-20	484 097		RECEIVER - Ash (6A33030)	2	

When ordering, always specify Part Number, Description and Serial Number of Aircraft

**2A24**  
**INTENTIONALLY LEFT BLANK**

# PIPER PARTS CATALOG

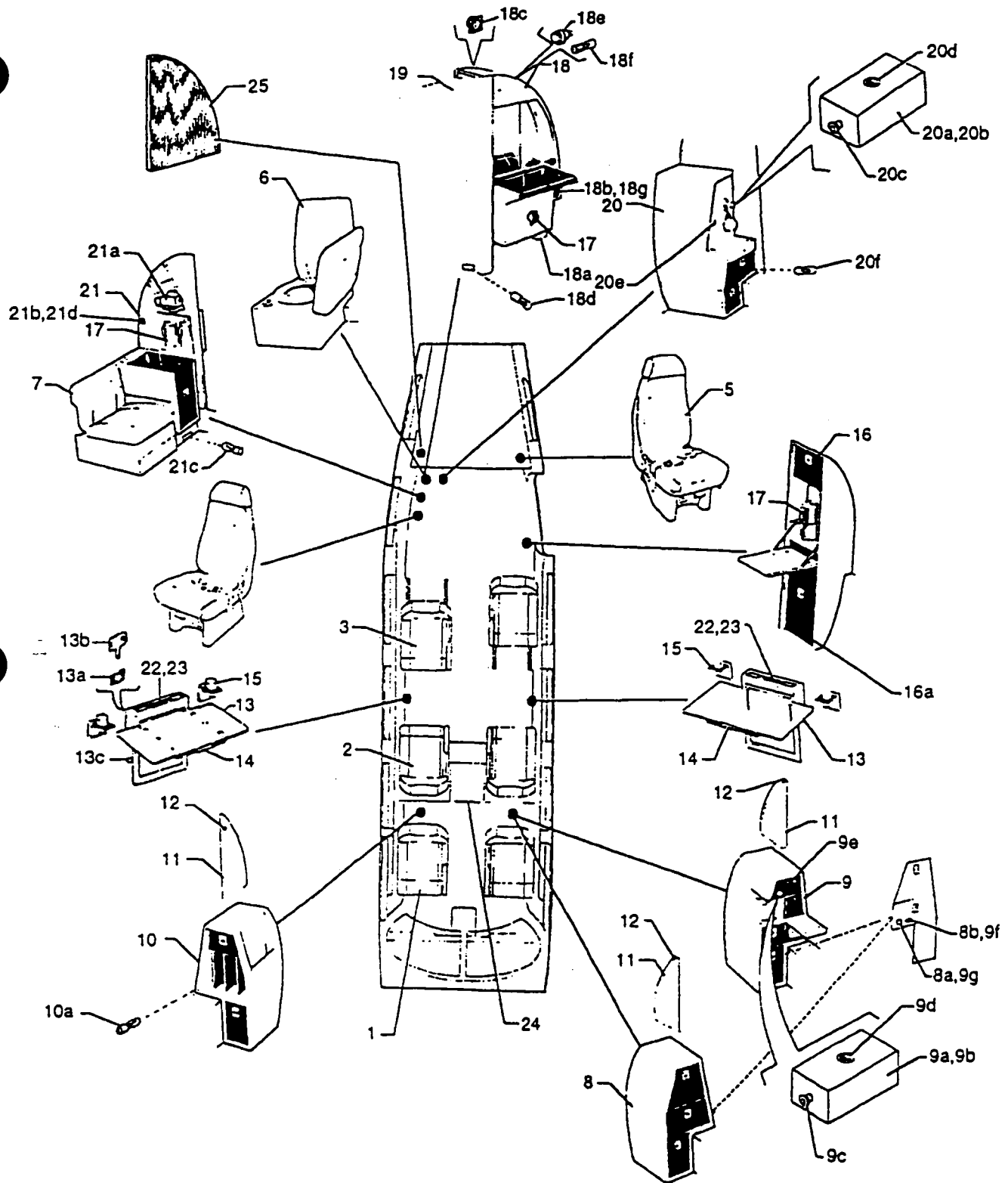


Figure 53A. Furnishing Installation - Executive Version  
(Serial Numbers 31-7752001 and up)

Revised: March 10, 1994

---

# PIPER PARTS CATALOG

---

## CODE EXPLANATIONS FOR FIGURE 53A

- A - Serial number of aircraft must be supplied when ordering this part.
- B - See Figure 58 for component parts
- C - See Figure 60 for component parts
- D - See Figure 61 for component parts.
- E - See Figure 62 for component parts
- F - See Figure 63 for component parts
- G - See Figure 68 for component parts
- H - See Figure 68A for component parts
- J - See Figure 67 for component parts
- K - See Figure 64A for component parts
- L - Used if Radio Telephone is not installed
- M - Used if Radio Telephone is installed
- N - See Figure 60A for component parts
- O - See Figure 63A for component parts
- P - Used if seat assembly does not incorporate an integral shoulder harness.
- Q - Used if seat assembly incorporates an integral shoulder harness
- R - Ascertain coffee unit model number marked on coffee unit placard and order accordingly.
- S - Used on Mapco coffee unit only.
- T - Used on switch containing a lens which measures .75 square.
- U - Used on switch containing a lens which measures 59 H. x 84 L.
- V - Used on switch containing a lens which measures 69 H. x 1.06 L.
- W - Used on Prepco coffee unit only

PIPER PARTS CATALOG

Figure and Index Number	Part Number	Code	NOMENCLATURE	No. Req.	SERIAL NUMBERS AFFECTED
53A-	55550 55560		DRAWING - Seats Installation DRAWING - Cabinetry Installation		31-7752001 and up 31-7752001 and up
-1	53273-10	A,B	SEAT ASSEMBLY - Front, left (complete) without ash tray and with armrest (vinyl or leather)	1	31-7752001 to 31-7852029 incl
	53273-14	A,B	SEAT ASSEMBLY - Front, left (complete) without ash tray and with armrest (fabric/vinyl or fabric/leather)	1	31-7752001 to 31-7852029 incl
	53273-26	A,B	SEAT ASSEMBLY - Front, left (complete) without ash tray and with armrest (leather or fabric/vinyl)	1	31-7852030 to 31-8352042 incl
	53273-38	A,B	SEAT ASSEMBLY - Front, left (complete) without ash tray and with armrest (leather or fabric/vinyl)	1	31-8452001 and up
	53273-11	A,B	SEAT ASSEMBLY - Front, right (complete) without ash tray and with armrest (vinyl or leather)	1	31-7752001 to 31-7852029 incl
	53273-15	A,B	SEAT ASSEMBLY - Front, right (complete) without ash tray and with armrest (fabric/vinyl or fabric/leather)	1	31-7752001 to 31-7852029 incl
	53273-27	A,B	SEAT ASSEMBLY - Front, right (complete) without ash tray and with armrest (leather or fabric/vinyl)	1	31-7852030 to 31-8352042 incl.
	53273-39	A,B	SEAT ASSEMBLY - Front, right (complete) without ash tray and with armrest (leather or fabric/vinyl)	1	31-8452001 and up
	53273-12	A,B	SEAT ASSEMBLY - Front, left (complete) without ash tray and armrest (vinyl or leather)	1	31-7752001 to 31-7852029 incl
	53273-16	A,B	SEAT ASSEMBLY - Front, left (complete) without ash tray and armrest (fabric/vinyl or fabric/leather)	1	31-7752001 to 31-7852029 incl.
	53273-28	A,B	SEAT ASSEMBLY - Front, left (complete) without ash tray and armrest (leather or fabric/vinyl)	1	31-7852030 and up
	53273-13	A,B	SEAT ASSEMBLY - Front, right (complete) without ash tray and armrest (vinyl or leather)	1	31-7752001 to 31-7852029 incl
	53273-17	A,B	SEAT ASSEMBLY - Front, right (complete) without ash tray and armrest (fabric/vinyl or fabric/leather)	1	31-7752001 to 31-7852029 incl
	53273-29	A,B	SEAT ASSEMBLY - Front, right (complete) without ash tray and armrest (leather or fabric/vinyl)	1	31-7852030 and up
-2	53277-10	A,C	SEAT ASSEMBLY - Third, (complete) aft facing, with armrest (fabric/vinyl or fabric/leather)	1	31-7752001 to 31-7852029 incl.
	53277-12	A,C	SEAT ASSEMBLY - Third, (complete) aft facing, with armrest (vinyl or leather)	1	31-7752001 to 31-7852029 incl.
	53277-16	A,C	SEAT ASSEMBLY - Third, (complete) aft facing, with armrest (leather or fabric/vinyl)	1	31-7852030 to 31-7852171 incl.
	53277-11	A,C	SEAT ASSEMBLY - Fourth, (complete) aft facing, with armrest (fabric/vinyl or fabric/leather)	1	31-7752001 to 31-7852029 incl.
	53277-13	A,C	SEAT ASSEMBLY - Fourth, (complete) aft facing, with armrest (vinyl or leather)	1	31-7752001 to 31-7852029 incl
	53277-17	A,C	SEAT ASSEMBLY - Fourth, (complete) aft facing, with armrest (leather or fabric/vinyl)	1	31-7852030 to 31-7852171 incl
	53277-14	A,C	SEAT ASSEMBLY - Third or fourth (complete) aft facing, without armrest (fabric/vinyl or fabric/leather)	1	31-7752001 to 31-7852029 incl
	53277-15	A,C	SEAT ASSEMBLY - Third or fourth (complete) aft facing, without armrest (vinyl or leather)	1	31-7752001 to 31-7852029 incl.
	53277-18	A,C	SEAT ASSEMBLY - Third, (complete) aft facing, without armrest (leather or fabric/vinyl)	1	31-7852030 to 31-7952250 incl.
	53277-19	A,C	SEAT ASSEMBLY - Fourth, (complete) aft facing, without armrest (leather or fabric/vinyl)	1	31-7852030 to 31-7952250 incl.
	53277-24	A,C	SEAT ASSEMBLY - Third, (complete) aft facing, with armrests (leather or fabric/vinyl)	1	31-7952001 to 31-7952250 incl.
	53277-25	A,C	SEAT ASSEMBLY - Fourth, (complete) aft facing, with armrests (leather or fabric/vinyl)	1	31-7952001 to 31-7952250 incl
	53277-26	A,C,P	SEAT ASSEMBLY - Third, (complete) aft facing, with outboard armrest (leather or fabric/vinyl)	1	31-8052001 to 31-8352042 incl

When ordering, always specify Part Number, Description and Serial Number of Aircraft

PIPER PARTS CATALOG

Figure and Index Number	Part Number	Code	NOMENCLATURE	No. Req.	SERIAL NUMBERS AFFECTED
53A-2	53277-27	A,C,P	SEAT ASSEMBLY - Fourth, (complete) aft facing, with outboard armrest (leather or fabric/vinyl)	1	31-8052001 to 31-8352042 incl.
	53277-28	A,C,P	SEAT ASSEMBLY - Third, (complete) aft facing, with armrests (leather or fabric/vinyl)	1	31-8052001 to 31-8352042 incl.
	53277-29	A,C,P	SEAT ASSEMBLY - Fourth, (complete) aft facing, with armrests (leather or fabric/vinyl)	1	31-8052001 to 31-8352042 incl.
	53277-30	A,C,P	SEAT ASSEMBLY - Third, (complete) aft facing, with armrests (leather or fabric/vinyl)	1	31-8452001 and up
	53277-31	A,C,P	SEAT ASSEMBLY - Fourth, (complete) aft facing, with armrests (leather or fabric/vinyl)	1	31-8452001 and up
	71823-06	A,N,Q	SEAT ASSEMBLY - Third, (complete) aft facing, with armrests (leather or fabric/vinyl)	1	31-8152001 and up
	71823-07	A,N,Q	SEAT ASSEMBLY - Fourth, (complete) aft facing, with armrests (leather or fabric/vinyl)	1	31-8152001 and up
-3	55430-08	A,D	SEAT ASSEMBLY - Pass. left (complete) with ash tray and armrest (leather or vinyl)	1	31-7752001 to 31-7852029 incl.
	55430-16	A,D	SEAT ASSEMBLY - Pass. left (complete) with ash tray and armrest (fabric/vinyl or fabric/leather)	1	31-7752001 to 31-7852029 incl.
	55430-26	A,D	SEAT ASSEMBLY - Pass. left (complete) with ash tray and armrest (leather or fabric/vinyl)	1	31-7852030 to 31-7952250 incl.
	55430-09	A,D	SEAT ASSEMBLY - Pass. right (complete) with ash tray and armrest (leather or vinyl)	1	31-7752001 to 31-7852029 incl.
	55430-17	A,D	SEAT ASSEMBLY - Pass. right (complete) with ash tray and armrest (fabric/vinyl or fabric/leather)	1	31-7752001 to 31-7852029 incl.
	55430-27	A,D	SEAT ASSEMBLY - Pass. right (complete) with ash tray and armrest (leather or fabric/vinyl)	1	31-7852030 to 31-7952250 incl.
	55430-07	A,D	SEAT ASSEMBLY - Pass. left and right (complete) with ash tray, without armrest (leather or vinyl)	1	31-7752001 to 31-7852029 incl.
	55430-15	A,D	SEAT ASSEMBLY - Pass. left and right (complete) with ash tray, without armrest (fabric/vinyl or fabric/leather)	1	31-7752001 to 31-7852029 incl.
	55430-24	A,D	SEAT ASSEMBLY - Pass. left (complete) with ash tray, without armrest (leather or fabric/vinyl)	1	31-7852030 to 31-7952250 incl.
	55430-25	A,D	SEAT ASSEMBLY - Pass. right (complete) with ash tray, without armrest (leather or fabric/vinyl)	1	31-7852030 to 31-7952250 incl.
	55430-21	A,D	SEAT ASSEMBLY - Pass. left (complete) without ash tray, with armrest (leather or fabric/vinyl)	1	31-7852030 to 31-7952250 incl.
	55430-30	A,D,P	SEAT ASSEMBLY - Left, (complete) without ash tray and with armrests (leather or fabric/vinyl)	1	31-8052001 to 31-8352042 incl.
	55430-32	A,D,P	SEAT ASSEMBLY - Left, (complete) without ash tray and with armrests (leather or fabric/vinyl)	1	31-8452001 and up
	55430-22	A,D	SEAT ASSEMBLY - Pass. right (complete) without ash tray, with armrest (leather or fabric/vinyl)	1	31-7852030 to 31-7952250 incl.
	55430-31	A,D,P	SEAT ASSEMBLY - Right, (complete) without ash tray and with armrests (leather or fabric/vinyl)	1	31-8052001 to 31-8352042 incl.
	55430-33	A,D,P	SEAT ASSEMBLY - Right, (complete) without ash tray and with armrests (leather or fabric/vinyl)	1	31-8452001 and up
	55430-18	A,D	SEAT ASSEMBLY - Pass. left (complete) without ash tray and armrest (leather or fabric/vinyl)	1	31-7852030 to 31-7952250 incl.
	55430-28	A,D,P	SEAT ASSEMBLY - Left, (complete) without ash tray, with outboard armrest only (leather or fabric/vinyl)	1	31-8052001 to 31-8352042 incl.
	55430-19	A,D	SEAT ASSEMBLY - Pass. right (complete) without ash tray and armrest (leather or fabric/vinyl)	1	31-7852030 to 31-7952250 incl.
	55430-29	A,D,P	SEAT ASSEMBLY - Right, (complete) without ash tray, with outboard armrest only (leather or fabric/vinyl)	1	31-8052001 to 31-8352042 incl.

When ordering, always specify Part Number, Description and Serial Number of Aircraft

PIPER PARTS CATALOG

Figure and Index Number	Part Number	Code	NOMENCLATURE	No. Req.	SERIAL NUMBERS AFFECTED
53A-3	71823-02	A,D,Q	SEAT ASSEMBLY - Pass. left (complete) without ash tray, with armrests and integral shoulder harness (leather or fabric/vinyl)	1	31-8152001 and up
	71823-03	A,D,Q	SEAT ASSEMBLY - Pass. right (complete) without ash tray, with armrests and integral shoulder harness (leather or fabric/vinyl)	1	31-8152001 and up
-4	55430-03	A,E	SEAT ASSEMBLY - Ninth (complete) without ash tray and without armrest (vinyl or leather)	1	31-7752001 to 31-7852029 incl.
	55430-11	A,E	SEAT ASSEMBLY - Ninth (complete) without ash tray and armrest (fabric/vinyl or fabric/leather)	1	31-7752001 to 31-7852029 incl
	55430-20	A,E,P	SEAT ASSEMBLY - Ninth (complete) without ash tray and without armrest (leather or fabric/vinyl)	1	31-7852030 to 31-8352042 incl
	55430-06	A,E	SEAT ASSEMBLY - Ninth (complete) without ash tray and with armrest (vinyl or leather)	1	31-7752001 to 31-7852029 incl
	55430-14	A,E	SEAT ASSEMBLY - Ninth (complete) without ash tray and with armrest (fabric/vinyl or fabric/leather)	1	31-7752001 to 31-7852029 incl
	55430-23	A,E,P	SEAT ASSEMBLY - Ninth (complete) without ash tray and with armrest (leather or fabric/vinyl)	1	31-7852030 to 31-8352042 incl.
	55430-34	A,E,P	SEAT ASSEMBLY - Ninth (complete) without ash tray and with armrest (leather or fabric/vinyl)	1	31-8452001 and up
	71823-11	A,E,Q	SEAT ASSEMBLY - Ninth (complete) without ash tray, with armrests and integral shoulder harness (leather or fabric/vinyl)	1	31-8152001 and up
	-5	55432-02	A,F	SEAT ASSEMBLY - Tenth (complete) (fabric/vinyl or fabric/leather)	1
55432-03		A,F	SEAT ASSEMBLY - Tenth (complete) (vinyl or leather)	1	31-7752001 to 31-7852029 incl
55432-04		A,F,P	SEAT ASSEMBLY - Tenth (complete) (leather or fabric/vinyl)	1	31-7852030 to 31-8352042 incl
55432-05		A,F,P	SEAT ASSEMBLY - Tenth (complete) (leather or fabric/vinyl)	1	31-8452001 and up
71823-10		A,O	SEAT ASSEMBLY - Tenth (complete) (leather or fabric/vinyl)	1	31-8152001 and up
-6	53488-03	A,G	SEAT ASSEMBLY - Toilet (with hinged cushion) (vinyl or leather)	1	31-7752001 to 31-7852029 incl.
	53488-04	A,G	SEAT ASSEMBLY - Toilet (with hinged cushion) (fabric/vinyl or fabric/leather)	1	31-7752001 to 31-7852029 incl
	53488-05	A,G	SEAT ASSEMBLY - Toilet (with hinged cushion) (fabric/vinyl or leather)	1	31-7852030 to 31-8352042 incl.
	53488-06	A,G	SEAT ASSEMBLY - Toilet (with hinged cushion) fabric/vinyl or leather)	1	31-8452001 and up
	55627-02	A,H	SEAT ASSEMBLY - Toilet (with removable cushion) (fabric/vinyl or fabric/leather)	1	31-7752096 to 31-7852029 incl.
	55627-03	A,H	SEAT ASSEMBLY - Toilet (with removable cushion) (vinyl or leather)	1	31-7752096 to 31-7852029 incl.
	55627-05	A,H	SEAT ASSEMBLY - Toilet (with removable cushion) (leather or fabric/vinyl)	1	31-7852030 to 31-7952053 incl.
	58909-02	A,H,P	SEAT ASSEMBLY - Toilet (with removable cushion) (leather or fabric/vinyl)	1	31-7952054 to 31-8352042 incl.
	58909-04	A,H,P	SEAT ASSEMBLY - Toilet (with removable cushion) (leather or fabric/vinyl)	1	31-8452001 and up
	58909-03	A,H,Q	SEAT ASSEMBLY - Toilet (with removable cushion) (leather or fabric/vinyl)	1	31-8152001 and up
-7	J		TOILET INSTALLATION - Side facing	1	

When ordering, always specify Part Number, Description and Serial Number of Aircraft

### PIPER PARTS CATALOG

Figure and Index Number	Part Number	Code	NOMENCLATURE	No. Req.	SERIAL NUMBERS AFFECTED
53A-8	55301-16		CABINET ASSEMBLY - Forward storage	1	31-7752001 to 31-7752192 incl.
	554 473		CABINET ASSEMBLY - Forward storage (8309-200)	1	31-7852001 to 31-7852029 incl.
	55301-30		CABINET ASSEMBLY - Forward storage	1	31-7852030 to 31-7852171 incl.
	653 052		CABINET ASSEMBLY - Forward storage (PS50135-5)	1	31-7952001 and up
-8a	587 788		* SWITCH - Aisle light (Round with 4 terminals)	1	
	764 824		* SWITCH - Aisle light (Round with 5 terminals)	1	
	764 814	U	* SWITCH - Aisle light (with lens)	1	
	761 297	U	* LENS - Aisle light switch (.59 H x .84 L.)	1	
	472 028	U	* BULB - Aisle light switch (PS10008-327)	2	
-8b	758 578		* BULB - Aisle light (24PS85)	1	
-9	55301-14		CABINET ASSEMBLY - Refreshment	1	31-7752001 to 31-7752192 incl
	554 474		CABINET ASSEMBLY - Refreshment (8310-200)	1	31-7852001 to 31-7852029 incl.
	55301-28		CABINET ASSEMBLY - Refreshment	1	31-7852030 to 31-7852171 incl
	653 050		CABINET ASSEMBLY - Refreshment (PS50135-2)	1	31-7952001 and up
-9a	753 090	R	* UNIT - Coffee (Mapco #764-20)	1	
	764 654	R	* UNIT - Coffee (Prepco #80064-1)	1	
	764 655	R	* UNIT - Coffee (Prepco #80064-10)	1	
	753 095	R	* UNIT - Coffee (Mapco #1359-10)	1	
-9b	754 796	S	* * ELEMENT - Heating, coffee unit	1	
-9c	764 825		* * SPIGOT - Coffee unit (#275)	1	
-9d	764 828	S	* * STOPPER - Coffee unit	1	
	764 826	W	* * STOPPER ASSEMBLY - Coffee unit	1	
-9e	762 355	T	* SWITCH MODULE - Coffee switch	1	
	755 297	T	* SWITCH HOUSING - Coffee switch	1	
	761 225	T	* LENS - Coffee switch ( 75 square)	1	
	472 047	T	* BULB - Coffee switch (PS10008-335)	1	
	764 814	U	* SWITCH - Coffee (with lens)	1	
	761 297	U	* LENS - Coffee switch ( 59 H x 84 L )	1	
	472 028	U	* BULB - Coffee switch (PS10008-327)	2	
	764 823	V	* SWITCH - Coffee (less lens)	1	
	761 298	V	* LENS - Coffee switch ( 63 H x 1.06 L.)	1	
	472 200	V	* BULB - Coffee switch (PS10008-85)	1	
-9f	758 578		* BULB - Aisle light (24PS85)	1	
-9g	587 788		* SWITCH - Aisle light (Round with 4 terminals)	1	
	764 824		* SWITCH - Aisle light (Round with 5 terminals)	1	
	764 814	U	* SWITCH - Aisle light (with lens)	1	
	761 297	U	* LENS - Aisle light switch ( 59 H. x .84 L.)	1	
	472 028	U	* BULB - Aisle light switch (PS10008-327)	2	
-10	55301-07		CABINET ASSEMBLY - Storage	1	31-7752001 to 31-7752192 incl
	554 472	L	CABINET ASSEMBLY - Storage	1	31-7852001 to 31-7852029 incl
	554 481	M	CABINET ASSEMBLY - Storage	1	31-7852001 to 31-7852029 incl
	653 049	L	CABINET ASSEMBLY - Storage (PS50135-1)	1	31-7852030 and up
	55301-33	M	CABINET ASSEMBLY - Storage	1	31-7852030 to 31-7852171 incl
	653 051	M	CABINET ASSEMBLY - Storage (PS50135-4)	1	31-7952001 and up
-10a	758 578		* BULB - Aisle light (24PS85)	1	
-11	580 837		DIVIDER - Storage and refreshment (PS50135-3)	2	
-12	477 712		NUT - Anchor (21-40310-17)	2	
-13	55302-05		TABLE ASSEMBLY - Folding (with no map)	1	31-7752001 to 31-7752192 incl.
	488 085		TABLE ASSEMBLY - Folding (with no map) (8307-100)	1	31-7852001 to 31-7852029 incl
	49227-06		TABLE ASSEMBLY - Folding (with no map)	1	31-7852030 to 31-7952250 incl.
	488 124		TABLE ASSEMBLY - Folding (with no map) (PS50135-10)	1	31-8052001 to 31-8252085 incl.
	488 147		TABLE ASSEMBLY - Folding (with no map) (PS50135-37)	1	31-8352001 and up
	55302-06		TABLE ASSEMBLY - Folding (with U. S. map)	1	31-7752001 to 31-7752192 incl
	488 086		TABLE ASSEMBLY - Folding (with U. S. map) (8307-200)	1	31-7852001 to 31-7852029 incl
	49227-07		TABLE ASSEMBLY - Folding (with U. S. map)	1	31-7852030 to 31-7952250 incl
	488 113		TABLE ASSEMBLY - Folding (with U. S. map) (PS50135-11)	1	31-8052001 to 31-8252085 incl.
	488 146		TABLE ASSEMBLY - Folding (with U. S. map) (PS50135-36)	1	31-8352001 and up
	55302-07		TABLE ASSEMBLY - Folding (with world map)	1	31-7752001 to 31-7752192 incl.
	488 087		TABLE ASSEMBLY - Folding (with world map) (8307-300)	1	31-7852001 to 31-7852029 incl

When ordering, always specify Part Number, Description and Serial Number of Aircraft



# PIPER PARTS CATALOG

Figure and Index Number	Part Number	Code	Nomenclature	No. Req.	Serial Numbers Affected
53A-13a	47386-00		CLIP - Folding table retainer	2	
-13b	55996-02		BRACKET - Folding table retainer	2	
-13c	71423-02		BRACKET - Table attachment	1	
-14	80468-02		PLACARD - Table storage	2	
-15	55304-03		HOLDER ASSEMBLY - Cup	4	
-16	55303-04		CABINET ASSEMBLY - Aft refreshment	1	31-7752001 to 31-7752192 incl.
	492 307		CABINET ASSEMBLY - Aft refreshment (8312-100)	1	31-7852001 to 31-7852029 incl.
	55303-09		CABINET ASSEMBLY - Aft refreshment	1	31-7852030 to 31-7852171 incl.
	653 053		CABINET ASSEMBLY - Aft refreshment (PS50135-6)	1	31-7952001 and up
-16a	758 578		* BULB - Aisle light (24PSB5)	1	
-17	553 228		PITCHER - Thermos (1 qt) (730)	2	
	456 437		DECANTER - Beverage (with pump) (C4W)	3	
-18	55303-07		VANITY ASSEMBLY - Aft refreshment	1	31-7752001 to 31-7752192 incl.
	554 476		VANITY ASSEMBLY - Aft refreshment (8313-100)	1	31-7852001 to 31-7852029 incl.
	55303-12		VANITY ASSEMBLY - Aft refreshment	1	31-7852030 to 31-7852171 incl.
	491 953		VANITY ASSEMBLY - Aft refreshment (PS50135-7)	1	31-7952001 and up
-18a	467 488		* INVERTER - Razor outlet (60-2526-3)	1	
	467 500		* INVERTER - Razor outlet (R-INV) Whelen	1	
-18b	762 355	T	* SWITCH - Razor outlet	1	
	755 297	T	* HOUSING - Razor outlet switch	1	
	761 225	T	* LENS - Razor outlet switch (.75 square)	1	
	472 047	T	* BULB - (PS10008-335)	1	
	764 814	U	* SWITCH - Razor outlet (with lens)	1	
	761 297	U	* LENS - Razor outlet switch (.59 H. x .84 L.)	1	
	472 028	U	* BULB - Razor outlet switch (PS10008-327)	2	
	764 823	V	* SWITCH - Razor outlet (less lens)	1	
	761 298	V	* LENS - Razor outlet switch (.69 H. x 1.06 L.)	1	
	472 200	V	* BULB - Razor outlet switch (PS10008-85)	1	
-18c	763 318		* CLOCK - Aft refreshment (B6-312)	1	31-7852001 to 31-7852171 incl.
	763 394		* CLOCK - Aft refreshment (LCD-DC1)	1	31-7952001 and up
-18d	758 578		* BULB - Aisle light (24PSB5)	1	
-18e	587 788		* SWITCH - Mirror lights (Round with 4 terminals)	2	
	764 824		* SWITCH - Mirror lights (Round with 5 terminals)	2	
-18f	472 057		* BULB - Mirror light (PS10008-313)	2	
-18g	762 510		* OUTLET - Razor	1	
-19	457 155		DOOR ASSEMBLY - Aft privacy (PS50135-8)	1	
-20	55305-03		PANEL ASSEMBLY - Rear refreshment	1	31-7752001 to 31-7752192 incl.
	479 492		PANEL ASSEMBLY - Rear refreshment (99132-02)	1	31-7852001 to 31-7852029 incl.
	55305-05		PANEL ASSEMBLY - Rear refreshment	1	31-7852030 to 31-7852171 incl.
	653 055		PANEL ASSEMBLY - Rear refreshment	1	31-7952001 and up
-20a	753 091	R	* UNIT - Coffee (Mapco #306-1468)	1	
	764 656	R	* UNIT - Coffee (Prepco #80037-2)	1	
-20b	754 797	S	** ELEMENT - Heating, coffee unit	1	
-20c	764 825		** SPIGOT - Coffee unit (#275)	1	
-20d	764 829	S	** STOPPER - Coffee unit	1	
-20e	762 355	T	* SWITCH MODULE - Coffee switch	1	
	755 297	T	* SWITCH HOUSING - Coffee switch	1	
	761 225	T	* LENS - Coffee switch (.75 square)	1	
	472 047	T	* BULB - Coffee switch (PS10008-335)	1	
	764 814	U	* SWITCH - Coffee (with lens)	1	
	761 297	U	* LENS - Coffee switch (.59 H. x .84 L.)	1	
	472 028	U	* BULB - Coffee switch (PS10008-327)	2	
	764 823	V	* SWITCH - Coffee (less lens)	1	
	761 298	V	* LENS - Coffee switch (.69 H. x 1.06 L.)	1	
	472 200	V	* BULB - Coffee switch (PS10008-85)	1	
-20f	758 578		* BULB - Aisle light (24PSB5)	1	
-21	55307-03		CABINET ASSEMBLY - Aft refreshment	1	31-7752001 to 31-7752192 incl.
	554 475		CABINET ASSEMBLY - Aft refreshment (8311-100)	1	31-7852001 to 31-7852029 incl.
	653 054		CABINET ASSEMBLY - Aft refreshment (PS50135-9)	1	31-7852030 and up

When ordering, always specify Part Number, Description, and Serial Number of Aircraft

## PIPER PARTS CATALOG

Figure and Index Number	Part Number	Code	NOMENCLATURE	No. Req.	SERIAL NUMBERS AFFECTED	
53A-21a	467 145		* INVERTER - Razor outlet (60-2526-1)	1	31-7752001 to 31-7952207 incl.	
	467 488		* INVERTER - Razor outlet (60-2526-3) Grimes	1	31-7952208 and up	
	467 500		* INVERTER - Razor outlet (R-INV) Whelen	1	31-7952208 and up	
	-21b	762 355	T	* SWITCH - Razor outlet	1	
		755 297	T	* HOUSING - Razor outlet switch	1	
		761 225	T	* LENS - Razor outlet switch (.75 square)	1	
		472 047	T	* BULB - Razor outlet switch (PS10008-335)	1	
		764 814	U	* SWITCH - Razor outlet (with lens)	1	
		761 297	U	* LENS - Razor outlet switch (.59 H. x .84 L.)	1	
		472 028	U	* BULB - Razor outlet switch (PS10008-327)	2	
764 823	V	* SWITCH - Razor outlet (less lens)	1			
761 298	V	* LENS - Razor outlet switch (.69 H. x 1.06 L.)	1			
472 200	V	* BULB - Razor outlet switch (PS10008-85)	1			
-21c	758 578		* BULB - Aisle light (24PSB5)	1		
-21d	762 510		* OUTLET - Razor	1		
-22	754 785		LIGHTER ASSEMBLY - Folding table (24 volt) (less housing)	2	31-7752001 to 31-7752095 incl	
	572 553		LIGHTER ASSEMBLY - Folding table (28 volt) (with housing)	2	31-7752096 to 31-8252085 incl	
-23	565 608		HOUSING - Lighter (207410)	2	31-7752001 to 31-7752095 incl.	
-24		K	CURTAIN INSTALLATION - Forward	1		
-25	456 828		PANEL ASSEMBLY - Rear divider (PS50135-27)	1	31-7952001 and up	

When ordering, always specify Part Number, Description and Serial Number of Aircraft

PIPER PARTS CATALOG

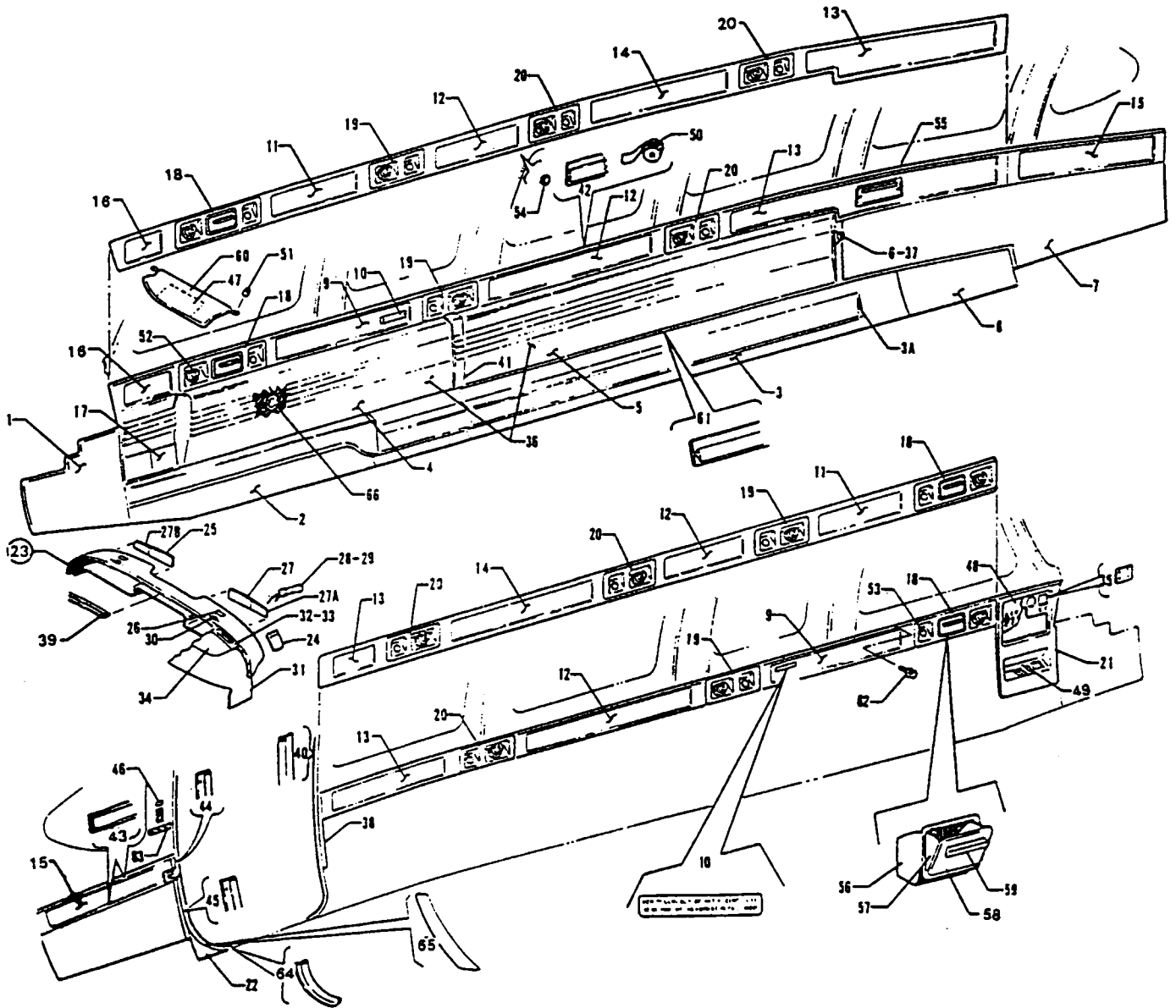


Figure 54 Cabin Interior Finishing Installation  
(Serial Numbers 31-5001 to 31-7652177 incl.)

---

# PIPER PARTS CATALOG

---

## CODE EXPLANATIONS FOR FIGURE 54

- A - Used if cargo door is installed.
- B - Used if eight place oxygen and air vent system is installed.
- C - Used if ten place oxygen and air vent system is installed.
- D - Serial number of aircraft must be supplied when ordering this part.
- E - Used with classic interior only.
- F - Used with continental interior only.
- G - Used if toilet tissue dispenser and ash tray are installed.
- H - Used if side facing toilet is installed.
- J - Used if ash tray only is installed.
- K - Used on aircraft that comply with C.A.A. (United Kingdom) requirements.
- L - Used only if cargo door is installed.
- M - Order complete panel assembly for Serial Nos. 31-7405483 and up, if Air Conditioning System Modification Kit 760 881 has been installed per Service Letter 730.
- N - Used on aircraft with Serial Nos. 31-5001 to 31-7405482 inclusive, if Air Conditioning System Modification Kit 760 881 has been installed per Service Letter 730.
- O - Order part for Serial Nos. 31-7405483 and up, if Air Conditioning System Modification Kit 760 881 has been installed per Service Letter 730.
- P - When ordering, specify color beige or white.

PIPER PARTS CATALOG

Figure and Index Number	Part Number	Code	NOMENCLATURE	No. Req.	SERIAL NUMBERS AFFECTED
54-	53200		DRAWING - Cabin Interior Finishing Installation		
-1	53142-00	D,E	PANEL ASSEMBLY - Left side, forward trim	1	
	53620-00	D,F	PANEL ASSEMBLY - Left side, forward trim	1	
	53157-00	D,E	PANEL ASSEMBLY - Right side, forward trim	1	
	53624-02	D,F	PANEL ASSEMBLY - Right side, forward trim	1	
-2	53143-00	D,O	PANEL ASSEMBLY - Cabin trim, lower forward, left	1	31-5001 to 31-7405482 incl.
	53143-01	D,O	PANEL ASSEMBLY - Cabin trim, lower forward, right	1	31-5001 to 31-7405482 incl.
	53143-06	D,N	PANEL ASSEMBLY - Cabin trim, lower forward, left	1	31-7405483 and up
	53143-07	D,N	PANEL ASSEMBLY - Cabin trim, lower forward, right	1	31-7405483 and up
-3	53148-00	D,E	PANEL ASSEMBLY - Cabin trim, lower center, left	1	
	53148-06	D,F	PANEL ASSEMBLY - Cabin trim, lower center, left	1	
	53148-01	D,E	PANEL ASSEMBLY - Cabin trim, lower center, right	1	
	53148-07	D,F	PANEL ASSEMBLY - Cabin trim, lower center, right	1	
-3a	473 184		* LOUVER ASSEMBLY - Cabin heat, right (51-00210)	1	
-4	52082-04	B,D,E,M	PANEL ASSEMBLY - Cabin trim, center forward, left	1	31-5001 to 31-7305102 incl
	52082-02	C,D,E,M	PANEL ASSEMBLY - Cabin trim, center forward, left	1	31-5001 to 31-7405482 incl.
	53175-02	B,D,F,M	PANEL ASSEMBLY - Cabin trim, center forward, left	1	31-5001 to 31-7305102 incl.
	52082-05	B,D,E,M	PANEL ASSEMBLY - Cabin trim, center forward, right	1	31-5001 to 31-7305102 incl.
	52082-03	C,D,E,M	PANEL ASSEMBLY - Cabin trim, center forward, right	1	31-5001 to 31-7405482 incl.
	53175-03	B,D,F,M	PANEL ASSEMBLY - Cabin trim, center forward, right	1	31-5001 to 31-7305102 incl.
-5	53145-04	B,D,E,M	PANEL ASSEMBLY - Cabin trim, center, left	1	31-5001 to 31-7305102 incl.
	53145-02	C,D,E,M	PANEL ASSEMBLY - Cabin trim, center, left	1	31-5001 to 31-7405482 incl.
	53164-02	B,D,F,M	PANEL ASSEMBLY - Cabin trim, center, left	1	31-5001 to 31-7305102 incl.
	53145-05	B,D,E,M	PANEL ASSEMBLY - Cabin trim, center, right	1	31-5001 to 31-7305102 incl.
	53145-03	C,D,E,M	PANEL ASSEMBLY - Cabin trim, center, right	1	31-5001 to 31-7405482 incl.
	53164-03	B,D,F,M	PANEL ASSEMBLY - Cabin trim, center, right	1	31-5001 to 31-7305102 incl.
-6	492 193		* VALVE ASSEMBLY - Air (2115-1)	1	31-5001 to 31-7405482 incl.
	484 822		* RING - Valve (2117)	1	31-5001 to 31-7405482 incl.
-7	53151-00	D,E	PANEL ASSEMBLY - Cabin trim, aft, left	1	
	53153-00	D,F	PANEL ASSEMBLY - Cabin trim, aft, left	1	
	53239-00	A,D,E	PANEL ASSEMBLY - Cabin trim, aft, left	1	
	53484-00	A,D,F	PANEL ASSEMBLY - Cabin trim, aft, left	1	
	53159-00	D,E	PANEL ASSEMBLY - Cabin trim, aft, right	1	
	53163-00	D,F	PANEL ASSEMBLY - Cabin trim, aft, right	1	
-8	53155-00	D	PANEL ASSEMBLY - Cabin trim, lower, rear, right	1	
-9	52599-02	B	PANEL ASSEMBLY - Cabin trim, upper, left	1	
	52599-03	B	PANEL ASSEMBLY - Cabin trim, upper, right	1	
-10	80429-02		* PLACARD - Aft facing seats	1	
-11	52599-07	C	PANEL ASSEMBLY - Cabin trim, upper	2	
-12	52599-08	B	PANEL ASSEMBLY - Cabin trim, upper	2	
	52599-04	C	PANEL ASSEMBLY - Cabin trim, upper	2	
-13	52599-10	B	PANEL ASSEMBLY - Cabin trim, upper, left	1	
	52599-09	C	PANEL ASSEMBLY - Cabin trim, upper, left	1	
	52603-02	B	PANEL ASSEMBLY - Cabin trim, upper, right	1	
	52603-04	B,H	PANEL ASSEMBLY - Cabin trim, upper, right	1	
	52603-08	B,G	PANEL ASSEMBLY - Cabin trim, upper, right	1	
	52603-07	B,J	PANEL ASSEMBLY - Cabin trim, upper, right	1	
	52603-03	C	PANEL ASSEMBLY - Cabin trim, upper, right	1	
-14	52599-11	C	PANEL ASSEMBLY - Cabin trim, upper	2	
-15	55271-02		PANEL ASSEMBLY - Cabin trim, upper, left	1	
	53523-00	A	PANEL ASSEMBLY - Cabin trim, upper, left	1	
	52602-00		PANEL ASSEMBLY - Cabin trim, upper, right	1	
-16	52589-00		PANEL ASSEMBLY - Cabin trim, upper, right	1	31-5001 to 31-7305102 incl.
	53787-00		PANEL ASSEMBLY - Cabin trim, upper, right	1	31-7305103 to 31-7652076 incl.
	52589-00		PANEL ASSEMBLY - Cabin trim, upper, right	1	31-7652077 and up

When ordering, always specify Part Number, Description and Serial Number of Aircraft

## PIPER PARTS CATALOG

Figure and Index Number	Part Number	Code	NOMENCLATURE	No. Req.	SERIAL NUMBERS AFFECTED
54-17	53160-00	D,E	PANEL ASSEMBLY - Cabin trim, right	1	31-5001 to 31-7305102 incl.
	53161-00	D,F	PANEL ASSEMBLY - Cabin trim, right	1	31-5001 to 31-7305102 incl.
	53796-00	D	PANEL ASSEMBLY - Cabin trim, right	1	31-7305103 and up
-18	52437-00		COVER - Oxygen, air vent and ash tray trim, left	1	
	52437-01		COVER - Oxygen, air vent and ash tray trim, right	1	
-19	53644-01	B	COVER - Oxygen and air vent trim, left	1	
	53644-00		COVER - Oxygen and air vent trim, right	1	
	44912-00	C	COVER - Oxygen and air vent trim, left	1	
	44912-01	C	COVER - Oxygen and air vent trim, left	1	
-20	44912-00		COVER - Oxygen and air vent trim, left	2	
	44912-01		COVER - Oxygen and air vent trim, right	2	
-21	44623-02		PANEL - Switch and circuit protector trim	1	
-22	53150-00	D,E	CARPET ASSEMBLY - Trim	1	
	53150-03	D,F	CARPET ASSEMBLY - Trim	1	
-23	53738-00		PANEL ASSEMBLY - Instrument panel trim	1	31-5001 to 31-7405202 incl.
	53956-06		PANEL ASSEMBLY - Instrument panel trim	1	31-7505401 to 31-7405443 incl. 31-7405203 to 31-7405400 incl. 31-7405444 and up
-24	53719-00		GLARE SHIELD - Instrument panel, left	1	31-5001 to 31-7405202 incl. 31-7405401 to 31-7405443 incl.
	53719-01		GLARE SHIELD - Instrument panel, right	1	31-5001 to 31-7405202 incl. 31-7405401 to 31-7405443 incl.
-25	53735-00		PLACARD - Operation category	1	
-26	53703-00		PLACARD - Map light	2	
-27	53732-00		PLACARD - Speed control, M P H.	1	31-5001 to 31-7405478 incl.
	53740-00	K	PLACARD - Speed control, knots	1	31-5001 to 31-7405478 incl.
	51147-00		PLATE - Cover	1	31-7405479 and up
-27a	53731-00		PLACARD - Stall warning	1	31-5001 to 31-7552074 incl.
	80353-02		PLACARD - Alternator inoperative	1	31-7552075 and up
-27b	53734-00		PLACARD - Operation category	1	
-28	472 868		LIGHT ASSEMBLY - (A1719-24)	2	
-29	753 476		BULB - (313)	1	
-30	487 876		SWITCH - (S-2012SD06-0)	2	
-31	53360-00		COVER - Windshield anti-glare	1	
-32	42736-06		PANEL ASSEMBLY - Instrument access	1	
-33	42737-00		PANEL - Instrument access	1	
-34	42736-07		PLATE ASSEMBLY - Left	1	
	42736-08		PLATE ASSEMBLY - Right	1	
-35	53641-00		COVER - Placard opening	1	
-36	53737-00	B,D,E,M	PANEL ASSEMBLY - Cabin trim, left (complete)	1	31-5001 to 31-7405482 incl
	53720-00	B,D,F,M	PANEL ASSEMBLY - Cabin trim, left (complete)	1	31-5001 to 31-7405482 incl
	53737-04	B,D,E,N	PANEL ASSEMBLY - Cabin trim, left (complete)	1	31-7405483 and up
	53720-20	B,D,F,N	PANEL ASSEMBLY - Cabin trim, left (complete)	1	31-7405483 and up
	53737-06	C,D,F,N	PANEL ASSEMBLY - Cabin trim, left (complete)	1	31-7405483 and up
	53720-22	C,D,E,N	PANEL ASSEMBLY - Cabin trim, left (complete)	1	31-7405483 and up
	53737-01	B,D,E,M	PANEL ASSEMBLY - Cabin trim, right (complete)	1	31-5001 to 31-7405482 incl
	53720-01	B,D,F,M	PANEL ASSEMBLY - Cabin trim, right (complete)	1	31-5001 to 31-7405482 incl
	53737-05	B,D,E,N	PANEL ASSEMBLY - Cabin trim, right (complete)	1	31-7405483 and up
	53720-21	B,D,F,N	PANEL ASSEMBLY - Cabin trim, right (complete)	1	31-7405483 and up
	53737-07	C,D,F,N	PANEL ASSEMBLY - Cabin trim, right (complete)	1	31-7405483 and up
	53720-23	C,D,E,N	PANEL ASSEMBLY - Cabin trim, right (complete)	1	31-7405483 and up
-37	492 193		VALVE ASSEMBLY - Air (2115)	1	31-7305103 and up
	484 822		RING - Valve (2117)	1	31-7305103 and up

When ordering, always specify Part Number, Description and Serial Number of Aircraft

PIPER PARTS CATALOG

Figure and Index Number	Part Number	Code	NOMENCLATURE	No. Req.	SERIAL NUMBERS AFFECTED
54-38	147-120		STRIP - Trim (6' length) (844)	AR	
-39	43078-00		STRIP - Access panel trim	1	
-40	54169-02		STRIP ASSEMBLY - Weather, white	1	
	54169-03	L	STRIP ASSEMBLY - Weather, white	1	
-41	53146-03	D,E	STRIP ASSEMBLY - Interior trim	1	31-5001 to 31-7405482 incl.
	53158-07	D,F	STRIP ASSEMBLY - Interior trim	2	31-5001 to 31-7305102 incl.
-42	42368-22		EXTRUSION - Side panel trim (6' length)	AR	
-43	42368-22		EXTRUSION - Side panel trim (6' length)	AR	
	44610-00	A	EXTRUSION - Side panel trim	2	
-44	44578-03	A	STRIP - Trim	1	
-45	44578-04	A	STRIP - Trim	1	
-46	41433-00		PLACARD - Overhead light switch	1	
-47	53224-00		PLACARD - Check list	1	
-48	44934-02		PLACARD - Circuit breaker panel	1	31-5001 to 31-7305052 incl.
	44934-03		PLACARD - Circuit breaker panel	1	31-7305053 to 31-7405478 incl
	44934-06		PLACARD - Circuit breaker panel	1	31-7405479 to 31-7552077 incl.
	80344-02		PLACARD - Circuit breaker panel, lower	1	31-7752078 and up
	80345-02		PLACARD - Circuit breaker panel, upper	1	31-7552078 and up
-49	52698-00		PLACARD - Master switch	1	
-50	189 713		TAPE - Walnut, 1" wide (33 ft. per roll)	AR	
-51	61402-105		BUSHING - Sun visor	2	
-52	492 203		VALVE ASSEMBLY - Air (2541)	AR	
-53	453 881		BUTTON - Plug (D3811)	AR	
-54	453 694		BUTTON - Plug (D3005 "B")	4	
-55	52764-00	H	EXTRUSION - Side panel trim	1	
-56	484 425		RETAINER ASSEMBLY - Ash tray (2A3310)	3	
-57	453 186		ASH BOX AND SNUFFER ASSEMBLY - (2A17682)	3	
-58	480 264		PANEL - Ash tray front (2A 16922)	3	
-59	42082-04		KNOB - Ash tray	3	
-60	53174-00	P	VISOR ASSEMBLY - Sun, left	1	
	53174-01	P	VISOR ASSEMBLY - Sun, right	1	
-61	43943-00		EXTRUSION - Side panel trim (6' length)	AR	
-62	487 560		STUD - Shoulder harness attachment (XX-10369-12)	1	
-63	53777-02		PLACARD - "Continental"	1	
	53777-03		PLACARD - "Classic"	1	
-64	53429-00	L	WINDLACING ASSEMBLY - Door trim, white	1	
-65	57258-02		PLATE - Carpet	1	
-66	52561-00		OUTLET - Air duct	6	

When ordering, always specify Part Number, Description and Serial Number of Aircraft

# PIPER PARTS CATALOG

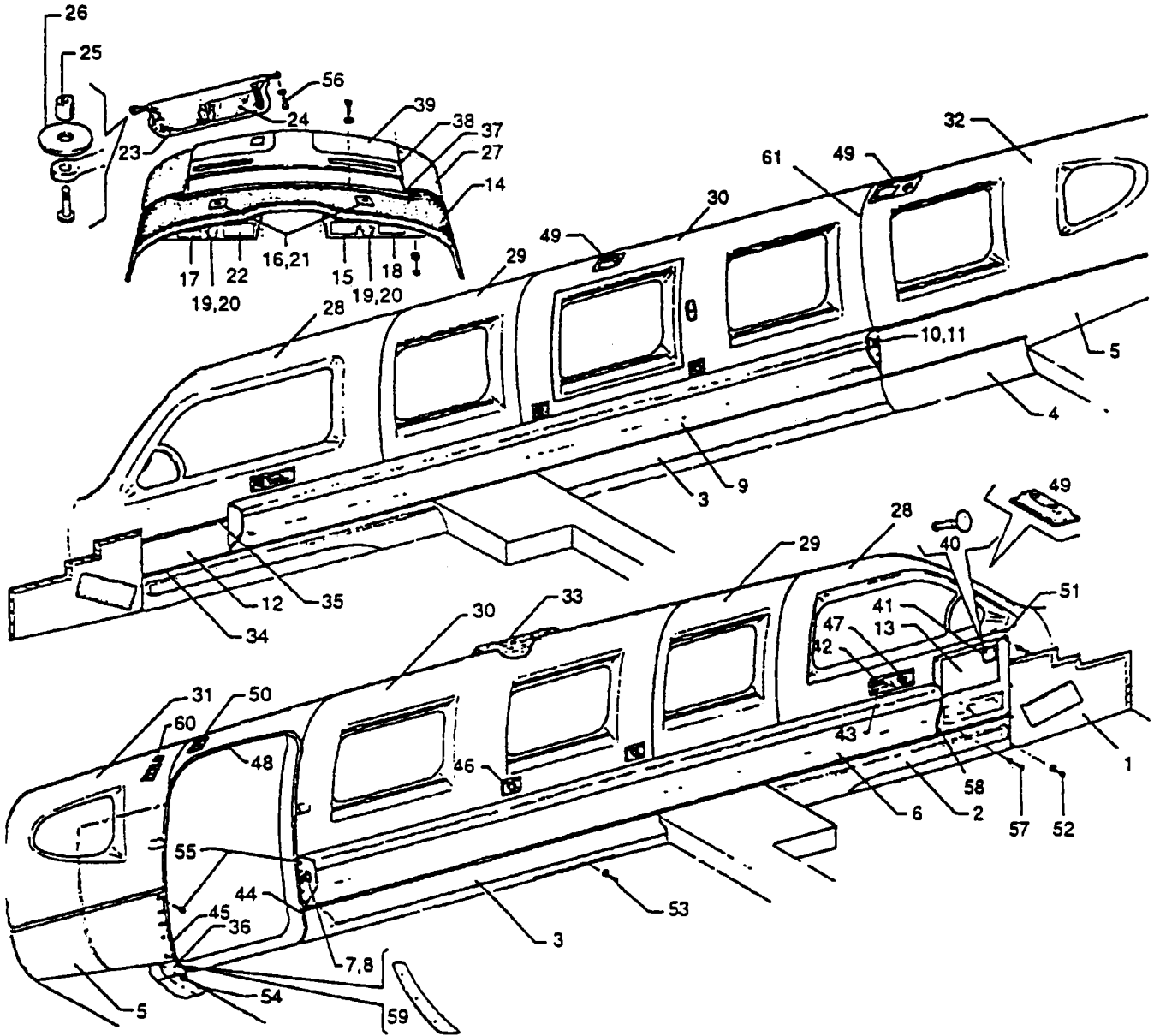


Figure 54A. Cabin Interior Finishing Installation  
(Serial Numbers 31-7752001 to 31-7852029 inclusive)



---

# PIPER PARTS CATALOG

---

## CODE EXPLANATIONS FOR FIGURE 54A

- A - Used on commuter version.
- B - Used on executive version
- C - Used if pilot door is installed.
- D - Used if cargo door is installed.
- E - Used when 6 or 8 outlet oxygen systems are installed.
- F - Serial number of aircraft must be supplied when ordering this part.

PIPER PARTS CATALOG

Figure and Index Number	Part Number	Code	NOMENCLATURE	No. Req.	SERIAL NUMBERS AFFECTED
54A-	55500		DRAWING - Cabin Interior Finishing Installation		31-7752001 and up
-1	53142-03	F	PANEL ASSEMBLY - Trim, forward, left	1	
	53157-04	F	PANEL ASSEMBLY - Trim, forward, right	1	
-2	53143-08	F	PANEL ASSEMBLY - Trim, lower forward, left	1	
	53143-09	F	PANEL ASSEMBLY - Trim, lower forward, right	1	
-3	53148-10	F	PANEL ASSEMBLY - Trim, lower center, left	1	
	53148-11	F	PANEL ASSEMBLY - Trim, lower center, right	1	
-4	53155-03	F	PANEL ASSEMBLY - Trim, lower rear, right	1	
-5	53153-08	F	PANEL ASSEMBLY - Trim, left	1	31-7752001 and up
	55938-02	D,F	PANEL ASSEMBLY - Trim, left	1	31-7752001 and up
	53163-05	F	PANEL ASSEMBLY - Trim, right	1	
-6	55268-02	A,F	PANEL ASSEMBLY - Trim, left	1	
	55268-04	B,F	PANEL ASSEMBLY - Trim, left	1	
-7	587 507		* STUD - (26539-18)	1	
	494 060		* LOCKWASHER - (2600 LW)	1	
-8	492 193		* VALVE ASSEMBLY - Air (2115)	1	
	484 822		* RING - Valve (2117)	1	
-9	55268-03	A,F	PANEL ASSEMBLY - Trim, right	1	
	55268-05	B,F	PANEL ASSEMBLY - Trim, right	1	
-10	587 507		* STUD - (26S29-18)	2	
	494 060		* LOCKWASHER - (2600 LW)	2	
-11	492 193		* VALVE ASSEMBLY - Air (2115-1)	1	
	484 822		* RING - Valve (2117)	1	
-12	53796-06	F	PANEL ASSEMBLY - Trim, right	1	
-13	44823-03		PANEL ASSEMBLY - Switch and circuit protector trim	1	
-14	53956-08		PANEL ASSEMBLY - Instrument panel, trim	1	31-7752001 to 31-7752192 incl.
	53956-12		PANEL ASSEMBLY - Instrument panel, trim	1	31-7852001 and up
-15	53735-00		* PLACARD - Operation category	1	
-16	53703-00		* PLACARD - Map light	2	
-17	80353-02		* PLACARD - Alternator inoperative	1	31-7752001 to 31-7752192 incl.
-18	53734-00		* PLACARD - Operation category	1	31-7752001 to 31-7752192 incl.
	80615-02		* PLACARD - Operation category	1	31-7852001 and up
-19	472 868		* LIGHT ASSEMBLY - (A1719-24)	2	
-20	753 476		* * BULB - (313)	1	
-21	487 876		* SWITCH - (S-2012SD06-0)	2	
-22	51147-00		* PLATE - Cover	1	
-23	53174-00		VISOR ASSEMBLY - Sun, left	1	
	53174-01		VISOR ASSEMBLY - Sun, right	1	
-24	53224-00		PLACARD - Check list	1	
-25	61402-105		BUSHING - Sun visor	2	
-26	54374-03		WASHER - Sun visor	2	
-27	53380-02		COVER - Windshield anti-glare	1	
-28	55267-04		MOULDING - Window, front, left	1	
	55265-04	C	MOULDING - Window, front, left	1	
	55267-05		MOULDING - Window, front, right	1	31-7752001 to 31-7752192 incl.
	55267-15		MOULDING - Window, front, right	1	31-7852001 and up
-29	55266-06		MOULDING - Window, intermediate, left	1	
	55266-07		MOULDING - Window, intermediate, right	1	
-30	55258-08		MOULDING - Window, center, left	1	
	55259-07		MOULDING - Window, center, right	1	
-31	55287-06		MOULDING - Window, aft, left	1	
	55315-05	D	MOULDING - Window, aft	1	
-32	55254-03		MOULDING - Window, aft, right	1	
-33	187 967		INSULATION - (Foam-sound-TAF 1/2) 34" wide	AR	
-34	43943-00		EXTRUSION - Side panel trim (6' length)	AR	

When ordering, always specify Part Number, Description and Serial Number of Aircraft

# PIPER PARTS CATALOG

Figure and Index Number	Part Number	Code	Nomenclature	No. Req.	Serial Numbers Affected
54A-35	41322-00		EXTRUSION - Side panel trim (8' length)	AR	
-36	55317-02	F	CARPET ASSEMBLY - Trim, left	1	
-37	43078-00		STRIP - Access panel trim	1	
-38	53369-13		PANEL ASSEMBLY - Instrument access	1	
-39	53369-11		* PLATE ASSEMBLY - (Used with fiberglass panel) left	1	
	53369-12		* PLATE ASSEMBLY - (Used with fiberglass panel) right	1	
-40	26870-00		BUTTON - Plug	4	
-41	53641-00		COVER - Placard opening	1	
-42	55877-04		COVER - Fresh air and ash tray, left	1	
	55877-05		COVER - Fresh air and ash tray, right	1	
-43	484 097		TRAY - Ash	2	
-44	43118-05		STRIP - Trim, forward	1	
-45	43118-04		STRIP - Trim, aft	1	
-46	55596-02		COVER - Air conditioning	4	
-47	492 203		VALVE ASSEMBLY - Air (2541)	AR	
-48	54169-13		STRIP ASSEMBLY - Weather	1	
-49	55281-02		COVER - Reading light trim	AR	
	55294-02	E	COVER - Light and oxygen trim	AR	
	55292-02	E	COVER - Oxygen outlet	1	
-50	55286-02		COVER - Oxygen outlet	1	
-51	494 120		WASHER - Nylomatic (5/32 x 1/4 x .032)	4	
-52	415 244		SCREW - (6-32 x 1/2)	8	
	494 102		WASHER - (C-394)	8	
-53	419 708		SCREW - (8 x 5/8)	59	
	494 004		WASHER - (PS10016-8)	59	
-54	419 708		SCREW - (6 x 5/8, Type A)	1	
	494 003		WASHER - (PS10016-6)	1	
-55	419 948		SCREW - (6 x 1/2, Type B)	5	
-56	415 283		SCREW - (10-32 x 1.00)	2	
-57	419 713		SCREW - (PS10012-29)	2	
	494 004		WASHER - (PS10016-8)	2	
-58	415 264		SCREW - (8-32 x 1 1/8)	4	
	494 004		WASHER - (PS10016-8)	4	
-59	57258-02		PLATE - Carpet	1	
-60	41433-00	D	PLACARD - Overhead light switch	1	
-61	149 529		EXTRUSION - Cap trim	AR	
	149 530		EXTRUSION - Cap trim base receptacle	AR	

When ordering, always specify Part Number, Description, and Serial Number of Aircraft

# PIPER PARTS CATALOG

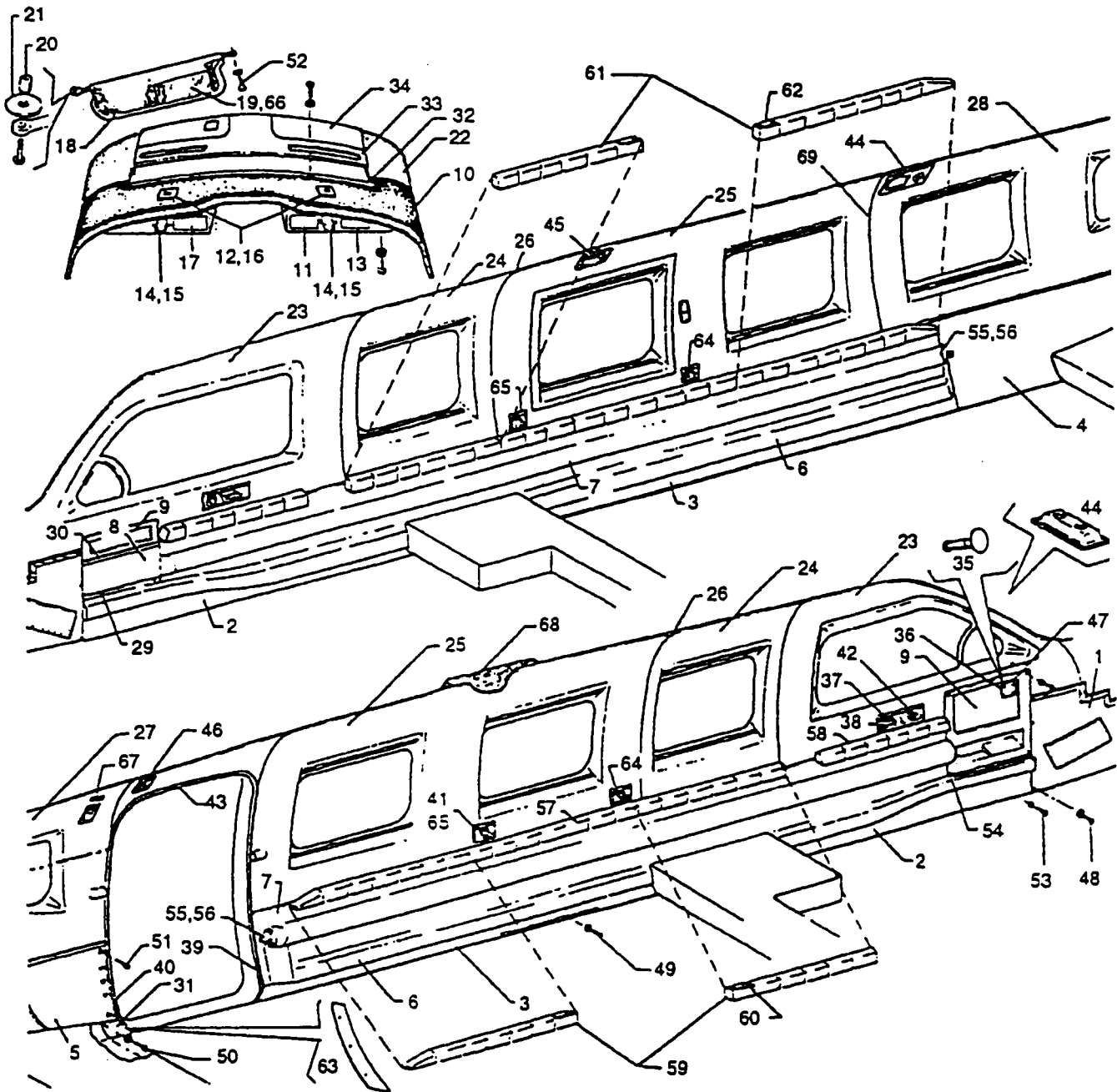


Figure 54B. Cabin Interior Finishing Installation  
(Serial Numbers 31-7852030 and up)

---

# PIPER PARTS CATALOG

---

## CODE EXPLANATIONS FOR FIGURE 548

- A - Serial number of aircraft must be supplied when ordering this part.
- B - Used if cargo door is installed.
- C - Used if pilot door is installed.
- D - See Figure 32 if pilot door is installed.
- E - Used when 6 or 8 outlet oxygen systems are installed.
- F - Used if folding table is installed.
- G - Used if folding table and vanity are installed.

PIPER PARTS CATALOG

Figure and Index Number	Part Number	Code	NOMENCLATURE	No. Req.	SERIAL NUMBERS AFFECTED
548-	55950 71693 74366		DRAWING - Cabin Interior Finishing Installation DRAWING - Cabin Interior Finishing Installation DRAWING - Cabin Interior Finishing Installation		31-7852030 to 31-7952250 incl. 31-8052001 to 31-8352042 incl 31-8452001 and up
-1	53142-03 53157-04	A A	PANEL ASSEMBLY - Trim, forward, left PANEL ASSEMBLY - Trim, forward, right	1 1	
-2	53143-14 53143-15	A A	PANEL ASSEMBLY - Trim, lower forward, left PANEL ASSEMBLY - Trim, lower forward, right	1 1	
-3	55891-02 55891-03	A A	PANEL ASSEMBLY - Trim, lower center, left PANEL ASSEMBLY - Trim, lower center, right	1 1	
-4	55954-02	A	PANEL ASSEMBLY - Trim, lower rear, right	1	
-5	55944-02 55981-02	A A,B	PANEL ASSEMBLY - Trim, left PANEL ASSEMBLY - Trim, left	1 1	
-6	55897-02 55897-03	A A	PANEL ASSEMBLY - Trim, left PANEL ASSEMBLY - Trim, right	1 1	
-7	55901-02 55901-16 55901-11 55901-03 55901-17 55901-12	A A A A A A	PANEL ASSEMBLY - Trim, upper, left (fabric) PANEL ASSEMBLY - Trim, upper, left PANEL ASSEMBLY - Trim, upper, left (leather) PANEL ASSEMBLY - Trim, upper, right (fabric) PANEL ASSEMBLY - Trim, upper, right PANEL ASSEMBLY - Trim, upper, right (leather)	1 1 1 1 1 1	31-7852030 to 31-7952250 incl. 31-8052001 and up 31-7852030 to 31-7952250 incl. 31-7852030 to 31-7952250 incl 31-8052001 and up 31-7852030 to 31-7952250 incl.
-8	53796-06	A	PANEL ASSEMBLY - Trim, right	1	
-9	44623-03 49713-02 55948-02 55948-03		PANEL - Switch and circuit protector trim, left PANEL - Switch and circuit protector trim, left PANEL - Switch and circuit protector trim, right PANEL - Switch and circuit protector trim, right	1 1 1 1	31-7852030 to 31-7852171 incl. 31-7952001 and up 31-7852030 to 31-7952138 incl. 31-7952139 and up
-10	53956-12		PANEL ASSEMBLY - Instrument panel, trim	1	
-11	71066-02		* PLACARD - Operation category	1	
-12	53703-00		* PLACARD - Map light	2	
-13	80615-02		* PLACARD - Operation category	1	
-14	472 868		* LIGHT ASSEMBLY - (A1719-24)	2	
-15	753 476		* * BULB - (313)	1	
-16	487 876		* SWITCH - (S-2012SD06-0)	2	
-17	51147-00		* PLATE - Cover	1	
-18	53174-02 71608-02 71608-04 53174-03 71608-03 71608-05		VISOR ASSEMBLY - Sun, left VISOR ASSEMBLY - Sun, left VISOR ASSEMBLY - Sun, left VISOR ASSEMBLY - Sun, right VISOR ASSEMBLY - Sun, right VISOR ASSEMBLY - Sun, right	1 1 1 1 1 1	31-7852030 to 31-7952250 incl. 31-8052001 to 31-8252076 incl. 31-8252077 and up 31-7852030 to 31-7952250 incl 31-8052001 to 31-8252076 incl. 31-8252077 and up
-19	53224-00 53224-02		PLACARD - Check list PLACARD - Check list:	1 1	31-7852030 to 31-7952250 incl 31-8052001 and up
-20	61402-105		BUSHING - Sun visor	2	
-21	54374-03		WASHER - Sun visor	2	
-22	53360-02		COVER - Windshield anti-glare	1	
-23	55267-04 55267-30 55267-15 55267-31	D D	MOULDING - Window, front, left MOULDING - Window, front, left MOULDING - Window, front, right MOULDING - Window, front, right	1 1 1 1	31-7852030 to 31-7952250 incl 31-8052001 and up 31-7852030 to 31-7952250 incl. 31-8052001 and up
-24	55266-18 55266-19 55266-08		MOULDING - Window, Sta. 116 to Sta. 140, left MOULDING - Window, Sta. 116 to Sta. 140, right MOULDING - Window, Sta. 116 to Sta. 140, left	1 1 1	31-7852030 to 31-8352042 incl. 31-7852030 to 31-8352042 incl.
-25	55258-08 55258-25 55259-07 55259-19	C	MOULDING - Window, Sta. 140 to Sta. 215, left MOULDING - Window, Sta. 140 to Sta. 215, left MOULDING - Window, Sta. 140 to Sta. 214.35, right MOULDING - Window, Sta. 140 to Sta. 214.35, right	1 1 1 1	31-7852030 to 31-7952250 incl. 31-8052001 to 31-8352042 incl. 31-7852030 to 31-7952250 incl. 31-8052001 to 31-8352042 incl.

When ordering, always specify Part Number, Description and Serial Number of Aircraft

## PIPER PARTS CATALOG

Figure and Index Number	Part Number	Code	NOMENCLATURE	No. Req.	SERIAL NUMBERS AFFECTED
548-26	74615-06		MOULDING - Window, Sta. 116 to Sta. 215, left	1	31-8452001 and up
	74615-07		MOULDING - Window, Sta. 116 to Sta. 214.35, right	1	31-8452001 and up
-27	55287-06		MOULDING - Window, aft, left	1	
	55315-05	B	MOULDING - Window, aft	1	
-28	55254-03		MOULDING - Window, aft, right	1	31-7852030 to 31-7952250 incl.
	55254-10		MOULDING - Window, aft, right	1	31-8052001 to 31-8352042 incl.
	74616-03		MOULDING - Window, aft, right	1	31-8452001 and up
-29	43943-00		EXTRUSION - Side panel trim (6' length)	AR	
-30	41322-00		EXTRUSION - Side panel trim (6' length)	AR	
-31	55317-02	A	CARPET ASSEMBLY - Trim, left	1	
-32	43078-00		STRIP - Access panel trim	1	31-7852030 to 31-8252085 incl.
-33	53369-13		PANEL ASSEMBLY - Instrument access	1	31-7852030 to 31-8252085 incl.
	74199-02		PANEL ASSEMBLY - Instrument access	1	31-8352001 and up
-34	53369-11		* PLATE ASSEMBLY - (Used with fiberglass panel) left	1	31-7852030 to 31-8252085 incl.
	53369-12		* PLATE ASSEMBLY - (Used with fiberglass panel) right	1	31-7852030 to 31-8252085 incl.
-35	26870-00		BUTTON - Plug	4	31-7852030 to 31-7952138 incl.
	415 408		SCREW - (MS51957-31B)	4	31-7952139 and up
	406 526		NUT - (C8090-632-1)	4	31-7952139 and up
-36	53641-00		COVER - Placard opening	1	
-37	55877-04		COVER - Fresh air and ash tray, left	1	
	55877-05		COVER - Fresh air and ash tray, right	1	
-38	484 097		TRAY - Ash (6A33030)	2	
-39	43118-05		STRIP - Trim, forward	1	
-40	43118-04		STRIP - Trim, aft	1	
-41	55334-02		COVER - Air conditioning	4	31-7852030 to 31-7952250 incl.
-42	492 203		VALVE ASSEMBLY - Air (2541)	AR	
-43	54169-13		STRIP ASSEMBLY - Weather	1	31-7852030 to 31-7952250 incl.
	71100-02		STRIP ASSEMBLY - Weather	1	31-8052001 and up
-44	55294-02	E	COVER - Light and oxygen trim	AR	
-45	55292-02	E	COVER - Oxygen outlet	1	
-46	55286-02		COVER - Oxygen outlet	1	
-47	494 120		WASHER - Nylomatic (5/32 x 1/4 x .032)	4	
-48	415 244		SCREW - (6-32 x 1/2)	8	
	494 102		WASHER - (C-394)	8	
-49	419 708		SCREW - (8 x 5/8)	59	
	494 004		WASHER - (PS10016-8)	59	
-50	419 708		SCREW - (6 x 5/8, Type A)	1	
	494 003		WASHER - (PS10016-6)	1	
-51	419 948		SCREW - (6 x 1/2, Type B)	5	
-52	415 283		SCREW - (10-32 x 1.00)	2	
-53	419 713		SCREW - (PS10012-29)	2	
	494 004		WASHER - (PS10016-8)	2	
-54	415 264		SCREW - (8-32 x 1/8)	4	
	494 004		WASHER - (PS10016-8)	4	
-55	55956-02	A	COVER ASSEMBLY - Air duct, left	1	
	55956-03	A	COVER ASSEMBLY - Air duct, right	1	
-56	492 193		* VALVE ASSEMBLY - Air (2115-1)	1	
	484 822		* RING - Valve (2117)	1	
-57	55958-02		ARMREST ASSEMBLY - Passenger, left	1	31-7852030 to 31-7852171 incl
	71079-02		ARMREST ASSEMBLY - Passenger, left	1	31-7952001 to 31-7952250 incl.
	55958-03		ARMREST ASSEMBLY - Passenger, right	1	31-7852030 to 31-7852171 incl.
	71079-03		ARMREST ASSEMBLY - Passenger, right	1	31-7952001 to 31-7952250 incl.
-58	55989-04		ARMREST ASSEMBLY - Crew, left	1	31-7852030 to 31-7852171 incl.
	71081-04		ARMREST ASSEMBLY - Crew, left	1	31-7952001 to 31-7952250 incl.
	71081-02		ARMREST ASSEMBLY - Crew, left	1	31-8052001 and up
	55989-05		ARMREST ASSEMBLY - Crew, right	1	31-7852030 to 31-7852171 incl
	71081-05		ARMREST ASSEMBLY - Crew, right	1	31-7952001 to 31-7952250 incl.
	71081-03		ARMREST ASSEMBLY - Crew, right	1	31-8052001 and up

When ordering, always specify Part Number, Description and Serial Number of Aircraft

# PIPER PARTS CATALOG

Figure and Index Number	Part Number	Code	Nomenclature	No. Req.	Serial Numbers Affected
54B-59	49252-04	F	ARMREST ASSEMBLY - Passenger, forward, left	1	31-7852030 to 31-7852171 incl.
	71073-04	F	ARMREST ASSEMBLY - Passenger, forward, left	1	31-7952001 to 31-7952250 incl.
	49251-04	F	ARMREST ASSEMBLY - Passenger, rear, left	1	31-7852030 to 31-7852171 incl.
	71074-04	F	ARMREST ASSEMBLY - Passenger, rear, left	1	31-7952001 to 31-7952250 incl.
-60	489 424		* TRAY - Ash (3130-4)	1	31-7952001 to 31-7952250 incl.
-61	49251-05	F	ARMREST ASSEMBLY - Passenger, forward, right	1	31-7852030 to 31-7852171 incl.
	71074-05	F	ARMREST ASSEMBLY - Passenger, forward, right	1	31-7952001 to 31-7952250 incl.
	49252-05	F	ARMREST ASSEMBLY - Passenger, rear, right	1	31-7852030 to 31-7852171 incl.
	71073-05	F	ARMREST ASSEMBLY - Passenger, rear, right	1	31-7952001 to 31-7952250 incl.
	57356-02	G	ARMREST ASSEMBLY - Passenger, rear, right	1	31-7952001 to 31-7952250 incl.
-62	489 424		* TRAY - Ash (3130-4)	1	31-7952001 to 31-7952250 incl.
-63	57258-02		PLATE - Carpet	1	
-64	55334-02		COVER - Air conditioning	2	31-8052001 and up
-65	55596-02		COVER - Air conditioning	2	31-8052001 and up
-66	74018-03		POWER SETTING TABLE	1	31-8152193 and up
-67	41433-00	B	PLACARD - Overhead light switch	1	
-68	187 967		INSULATION - (Foam-sound-TAF 1/2) 34" wide	AR	
-69	149 529		EXTRUSION - Cap trim	AR	
	149 530		EXTRUSION - Cap trim base receptacle	AR	

When ordering, always specify Part Number, Description, and Serial Number of Aircraft



# PIPER PARTS CATALOG

---

GRIDS 2B23 THRU 2B24  
INTENTIONALLY LEFT BLANK

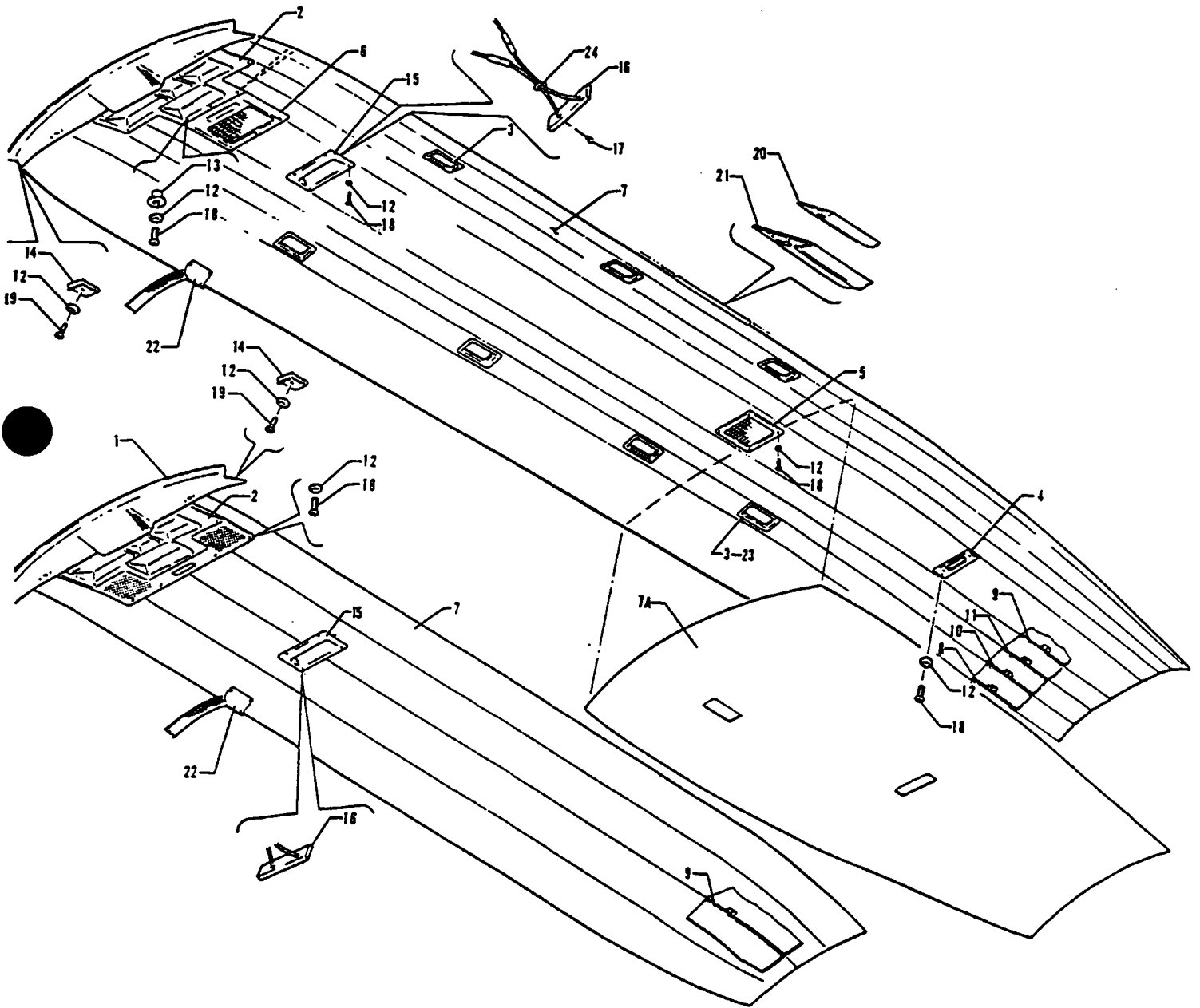


Figure 55. Cabin Headliner Installation

---

# PIPER PARTS CATALOG

---

## CODE EXPLANATIONS FOR FIGURE 55

- A - Used on aircraft that comply with C.A.A. (United Kingdom) requirements.
- B - When ordering, specify color black or beige.
- C - Used if aft divider curtain with or without refreshment cabinet is installed.
- D - Used if refreshment cabinet with folding door is installed.
- E - When ordering, specify color beige or white.

PIPER PARTS CATALOG

Figure and Index Number	Part Number	Code	NOMENCLATURE	No. Req.	SERIAL NUMBERS AFFECTED
55-	53205 55244 54151	A	DRAWING - Cabin Headliner Installation DRAWING - Cabin Headliner Installation DRAWING - Cabin Headliner Installation, Aft		31-5001 to 31-7652177 incl. 31-7752001 and up 31-5001 to 31-7652177 incl.
-1	53227-00 53227-02 53227-03 71152-02	B	PANEL - Overhead trim PANEL - Overhead trim PANEL - Overhead trim PANEL - Overhead trim	1 1 1 1	31-5001 to 31-7752010 incl. 31-7752011 to 31-7752192 incl. 31-7852001 to 31-7952250 incl. 31-8052001 and up
-2	44653-00 55256-02 71149-02	E	PANEL - Overhead switch, center PANEL - Overhead switch, center PANEL - Overhead switch, center	1 1 1	31-5001 to 31-7652177 incl. 31-7752001 to 31-7952250 incl. 31-8052001 and up
-3	53213-00	E	COVER - Reading light trim	7	31-5001 to 31-7652177 incl.
-4	53210-00	E	COVER - Courtesy light trim	1	31-5001 to 31-7652177 incl.
-5	44928-00	E	COVER ASSEMBLY - Speaker trim, rear	1	31-5001 to 31-7652177 incl.
-6	53197-00	E	COVER ASSEMBLY - Speaker and light, front	1	31-5001 to 31-7652177 incl.
-7	53639-00 55242-02	E	HEADLINER ASSEMBLY HEADLINER ASSEMBLY	1 1	31-5001 to 31-7652177 incl. 31-7752001 and up
-7a	54151-06 54151-07 55652-03	A,C A,D A	HEADLINER ASSEMBLY - White, aft cabin HEADLINER ASSEMBLY - White, aft cabin HEADLINER ASSEMBLY - Beige, aft cabin	1 1 1	31-5001 to 31-7652177 incl. 31-5001 to 31-7652177 incl. 31-7752001 and up
-8	44921-02 44921-03		TRACK - Headliner, left TRACK - Headliner, right	1 1	31-5001 to 31-7652177 incl. 31-5001 to 31-7652177 incl.
-9	44921-04 44921-05		TRACK - Headliner, left TRACK - Headliner, right	1 1	
-10	44921-06 44921-07		TRACK - Headliner, left TRACK - Headliner, right	1 1	31-5001 to 31-7652177 incl. 31-5001 to 31-7652177 incl.
-11	44921-08 44921-09		TRACK - Headliner, left TRACK - Headliner, right	1 1	31-5001 to 31-7652177 incl. 31-5001 to 31-7652177 incl.
-12	494 102		WASHER - (C-394)	22	
-13	406 848		RIVNUT - (AK6-75)	2	31-5001 to 31-7652177 incl.
-14	406 403		NUT - (NAS395-3-1)	4	
-15	53238-00 53237-02		COVER - Sign assembly COVER - Sign assembly	1 1	31-5001 to 31-7652177 incl. 31-7752001 and up
-16	52593-00 486 643 572 554		SIGN ASSEMBLY - No smoking and fasten seat belts SIGN ASSEMBLY - No smoking and fasten seat belts SIGN ASSEMBLY - No smoking and fasten seat belts	1 1 1	31-5001 to 31-7652177 incl. 31-7752001 to 31-8052183 incl. 31-8052184 and up
-17	472 028 758 472		* BULB - (PS10008-327) * BULB - (A-9906-7)	4 5	31-5001 to 31-7652177 incl. 31-7752001 and up
-18	415 245		SCREW - (6-32 x 5/8 L.) Nickel finish	18	
-19	415 230		SCREW - (6-32 x 1/2 L.)	4	
-20	149 227		EXTRUSION - Headliner (6' length)	AR	31-5001 to 31-7652177 incl.
-21	149 305		EXTRUSION - Headliner (6' length)	AR	31-5001 to 31-7652177 incl.
-22	52803-00 52803-01 54356-02 54356-03 55433-02 55433-03		COVER ASSEMBLY - Harness reel trim, left, white COVER ASSEMBLY - Harness reel trim, right, white COVER ASSEMBLY - Harness reel trim, left, beige COVER ASSEMBLY - Harness reel trim, right, beige COVER - Harness reel trim, left, beige COVER - Harness reel trim, right, beige	1 1 1 1 1 1	31-5001 to 31-7652177 incl. 31-5001 to 31-7652177 incl. 31-5001 to 31-7652177 incl. 31-5001 to 31-7652177 incl. 31-7752001 and up 31-7752001 and up
-23	53213-02	A,E	COVER - Reading light trim	1	31-5001 to 31-7652177 incl.
-24	434 176		GROMMET - (MS35489-6S)	1	31-5001 to 31-7652177 incl.

When ordering, always specify Part Number, Description and Serial Number of Aircraft

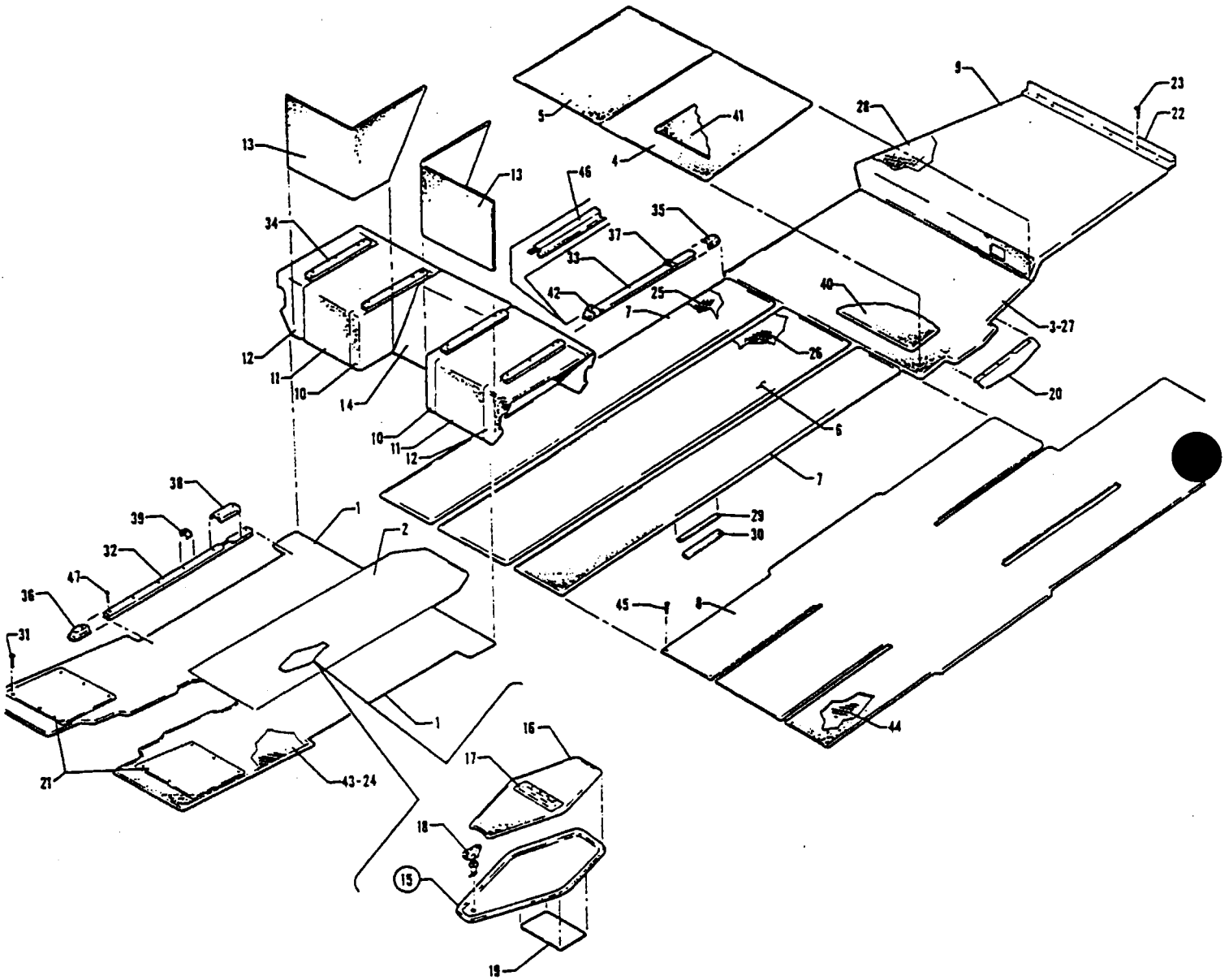


Figure 56. Carpet Installation

---

# PIPER PARTS CATALOG

---

## CODE EXPLANATIONS FOR FIGURE 56

- A - Serial number of aircraft must be supplied when ordering this part.
- B - Used with classic interior only.
- C - Used with continental interior only.
- D - Used if tenth seat is installed.
- E - Used with executive interior only.
- F - Used on serial numbers 31-7752001 and up with commuter interior, and on serial numbers 31-8352001 and up with executive interior.
- G - Used when fwd facing toilet is in ninth seat position.
- H - Used when side facing toilet is installed.

## PIPER PARTS CATALOG

Figure and Index Number	Part Number	Code	NOMENCLATURE	No. Req.	SERIAL NUMBERS AFFECTED
56-	53204 55351		DRAWING - Floor Carpet Installation DRAWING - Floor Carpet Installation		31-5001 to 31-7652177 incl. 31-7752001 and up
-1	53196-04 53618-04 55351-05 55351-09 53196-05 53618-05 55351-07 55351-11	A,B A,C A,E A,F A,B A,C A,E A,F	CARPET ASSEMBLY - Crew compartment, left CARPET ASSEMBLY - Crew compartment, left CARPET ASSEMBLY - Crew compartment, left CARPET ASSEMBLY - Crew compartment, left CARPET ASSEMBLY - Crew compartment, right CARPET ASSEMBLY - Crew compartment, right CARPET ASSEMBLY - Crew compartment, right CARPET ASSEMBLY - Crew compartment, right	1 1 1 1 1 1 1 1	31-5001 to 31-7652177 incl. 31-5001 to 31-7652177 incl. 31-7752001 to 31-8252085 incl.
-2	53196-03 53618-03 55351-06 55351-10	A,B A,C A,E A,F	CARPET ASSEMBLY - Crew compartment, center CARPET ASSEMBLY - Crew compartment, center CARPET ASSEMBLY - Crew compartment, center CARPET ASSEMBLY - Crew compartment, center	1 1 1 1	31-5001 to 31-7652177 incl. 31-5001 to 31-7652177 incl. 31-7752001 to 31-8252085 incl.
-3	53194-00 53626-06	A,B A,C	CARPET ASSEMBLY - Cabin entrance CARPET ASSEMBLY - Cabin entrance	1 1	31-5001 to 31-7652177 incl. 31-5001 to 31-7652177 incl.
-4	55331-05 55052-03	A,E A,F	CARPET ASSEMBLY - Cabin entrance, left outboard CARPET ASSEMBLY - Cabin entrance, left outboard	1 1	31-7752001 to 31-7852171 incl. 31-7752001 to 31-7852171 incl.
-5	55052-04		CARPET ASSEMBLY - Cabin entrance, right outboard	1	31-7752001 and up
-6	53218-02 53623-02 55351-13	A,B A,C A,F	CARPET ASSEMBLY - Passenger compartment, center CARPET ASSEMBLY - Passenger compartment, center CARPET ASSEMBLY - Passenger compartment, center	1 1 1	31-5001 to 31-7652177 incl. 31-5001 to 31-7652177 incl.
-7	53218-03 53623-03 55351-12	A,B A,C A,F	CARPET ASSEMBLY - Passenger compartment, outboard CARPET ASSEMBLY - Passenger compartment, outboard CARPET ASSEMBLY - Passenger compartment, outboard	2 2 2	31-5001 to 31-7652177 incl. 31-5001 to 31-7652177 incl.
-8	55351-04	A,E	CARPET ASSEMBLY - Passenger compartment, complete	1	31-7752001 to 31-8252085 incl.
-9	53825-00 53621-00 55331-10	A,B A,C A	CARPET ASSEMBLY - Baggage compartment CARPET ASSEMBLY - Baggage compartment CARPET ASSEMBLY - Baggage compartment	1 1 1	31-5001 to 31-7652177 incl. 31-5001 to 31-7652177 incl. 31-7752001 and up
-10	53226-00 53226-01 53615-00 53615-01	A,B A,B A,C A,C	CARPET ASSEMBLY - Air box, inboard, left CARPET ASSEMBLY - Air box, inboard, right CARPET ASSEMBLY - Air box, inboard, left CARPET ASSEMBLY - Air box, inboard, right	1 1 1 1	31-5001 to 31-7652177 incl. 31-5001 to 31-7652177 incl. 31-5001 to 31-7652177 incl. 31-5001 to 31-7652177 incl.
-11	53193-00 53193-01 53616-00 53616-01	A,B A,B A,C A,C	CARPET ASSEMBLY - Air box, center, left CARPET ASSEMBLY - Air box, center, right CARPET ASSEMBLY - Air box, center, left CARPET ASSEMBLY - Air box, center, right	1 1 1 1	31-5001 to 31-7652177 incl. 31-5001 to 31-7652177 incl. 31-5001 to 31-7652177 incl. 31-5001 to 31-7652177 incl.
-12	53234-00 53234-01 53614-00 53614-01	A,B A,B A,C A,C	CARPET ASSEMBLY - Air box, outboard, left CARPET ASSEMBLY - Air box, outboard, right CARPET ASSEMBLY - Air box, outboard, left CARPET ASSEMBLY - Air box, outboard, right	1 1 1 1	31-5001 to 31-7652177 incl. 31-5001 to 31-7652177 incl. 31-5001 to 31-7652177 incl. 31-5001 to 31-7652177 incl.
-13	55351-27 55351-28	A A	CARPET ASSEMBLY - Air box, left CARPET ASSEMBLY - Air box, right	1 1	31-7752001 and up 31-7752001 and up
-14	53198-00 53617-00 55351-08	A,B A,C A	CARPET ASSEMBLY - Spar cover CARPET ASSEMBLY - Spar cover CARPET ASSEMBLY - Spar cover	1 1 1	31-5001 to 31-7652177 incl. 31-5001 to 31-7652177 incl. 31-7752001 and up
-15	44053-06 44053-07 44053-08	A,B A,C A	DOOR ASSEMBLY - Hydraulic hand pump access DOOR ASSEMBLY - Hydraulic hand pump access DOOR ASSEMBLY - Hydraulic hand pump access	1 1 1	31-5001 to 31-7652177 incl. 31-5001 to 31-7652177 incl. 31-7752001 and up
-16	53199-00 53619-00 53199-03	A,B A,C A	* CARPET ASSEMBLY - Hand pump access door * CARPET ASSEMBLY - Hand pump access door * CARPET ASSEMBLY - Hand pump access door	1 1 1	31-5001 to 31-7652177 incl. 31-5001 to 31-7652177 incl. 31-7752001 and up
-17	21225-00		* PLACARD - Emergency gear extension	1	
-18	587 550 494 060		* STUD - Access door (26522-12) * WASHER - Access door (2600 L. W.)	1 1	

When ordering, always specify Part Number, Description and Serial Number of Aircraft

PIPER PARTS CATALOG

Figure and Index Number	Part Number	Code	NOMENCLATURE	No. Req.	SERIAL NUMBERS AFFECTED
56-19	48242-00		* PLACARD - Emergency gear extension operation	1	
-20	43581-02		PLATE - Threshold	1	31-5001 to 31-7652177 incl.
	54087-00	D	PLATE - Threshold	1	
-21	41703-00		PLATE - Heel	2	
-22	42046-00		MOULDING - Carpet edge, rear	1	
-23	419 693		SCREW - Carpet moulding (6 x 5/8 L.)	6	
-24	52272-00	A	COVER - Carpet, crew compartment	1	31-5001 to 31-7652177 incl
-25	47278-06	A	COVER - Carpet, passenger compartment, outboard	2	31-5001 to 31-7652177 incl
-26	47278-07	A	COVER - Carpet, passenger compartment, center	1	31-5001 to 31-7652177 incl
-27	43475-00	A	COVER - Carpet, cabin entrance	1	31-5001 to 31-7652177 incl
-28	43477-00	A	COVER - Carpet, baggage compartment	1	31-5001 to 31-7652177 incl.
-29	180 426		TAPE - Velcro pile V-330-2-75, black (25 yd. roll)	1	
-30	180 425		TAPE - Velcro hook V-330-1-75, black	1	31-7752001 and up
-31	514 765		SCREW - (MS24693-S52)	12	
-32	44936-00		TRACK - Seat, Sta 87 50 to Sta. 118	4	
-33	44944-00		TRACK - Seat, Sta. 140 to Sta. 215, inboard	2	31-5001 to 31-7405460 incl
	44944-03		TRACK - Seat, Sta. 140 to Sta 215, inboard	2	31-7405461 and up
	44944-02		TRACK - Seat, Sta. 140 to Sta. 215, outboard	2	31-5001 to 31-7405460 incl
	44944-04		TRACK - Seat, Sta. 140 to Sta. 215, outboard	2	31-7405461 and up
-34	52089-00		TRACK - Seat, air box	4	31-5001 to 31-8052218 incl
	71727-02		TRACK - Seat, air box	4	31-8052219 and up
-35	44023-00		COVER - Seat track end, rear	4	31-5001 to 31-8252085 incl
	25552-00		COVER - Seat track end, rear	4	31-8352001 and up
-36	25552-00		COVER - Seat track, forward	4	
-37	18842-00		STOP - Seat, Sta. 208.90	4	
-38	52338-00		STOP - Seat, Sta. 112 (3 12" L.)	4	
-39	43759-00		STOP - Seat, Sta. 112 ( 62" L.)	4	
-40	53799-00	A	MAT ASSEMBLY - Cabin	1	31-5001 to 31-7652177 incl
-41	49090-06	A	CARPET ASSEMBLY - Cabin entrance	1	31-7752001 and up
-42	18842-00		STOP - Seat, Sta. 153	4	
-43	55460-02	A	COVER ASSEMBLY - Carpet, crew compartment	1	31-7752001 to 31-7952250 incl.
	55460-06	A	COVER ASSEMBLY - Carpet, crew compartment	1	31-8052001 and up
-44	55455-06	A,G	COVER ASSEMBLY - Carpet, passenger compartment, complete	1	31-7752001 and up
	55457-02	A,H	COVER ASSEMBLY - Carpet, passenger compartment, complete	1	31-7752001 and up
-45	487 561		STUD - (XX-16366)	16	31-7752001 and up
-46	72796-05		COVER - Seat track	4	31-8352001 and up
-47	410 032		SCREW - Seat track (MS24694-S58)	AR	

When ordering, always specify Part Number, Description and Serial Number of Aircraft



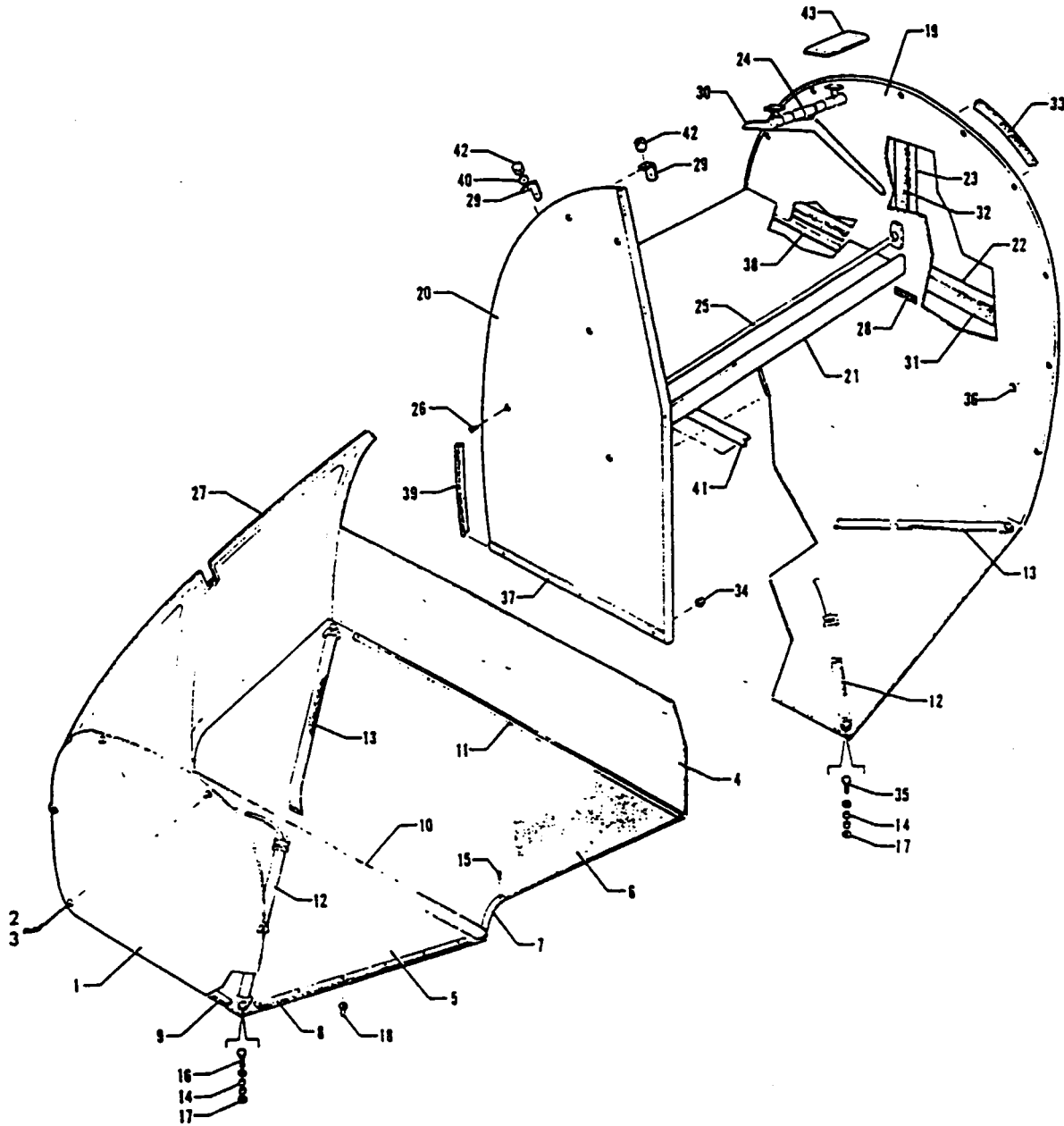


Figure 57. Baggage Compartments Finishing Installation

---

# PIPER PARTS CATALOG

---

## CODE EXPLANATIONS FOR FIGURE 57

A - Serial number of aircraft must be supplied when ordering this part.

PIPER PARTS CATALOG

Figure and Index Number	Part Number	Code	NOMENCLATURE	No. Req.	SERIAL NUMBERS AFFECTED
57-	53397 53203 53337 55500 55950 71693		DRAWING - Forward Baggage Compartment Installation DRAWING - Aft Baggage Compartment Installation DRAWING - Rear Divider Panel Installation DRAWING - Cabin Interior Finishing Installation DRAWING - Cabin Interior Finishing Installation DRAWING - Cabin Interior Finishing Installation		31-5001 to 31-7652177 incl. 31-5001 to 31-7652177 incl. 31-7752001 to 31-7852029 incl. 31-7852030 to 31-7952250 incl. 31-8052001 and up
-1	42340-03  53957-00		PANEL ASSEMBLY - Forward baggage compartment, front  PANEL ASSEMBLY - Forward baggage compartment, front	1  1	31-5001 to 31-7405248 incl. 31-7405401 to 31-7405454 incl. 31-7405249 to 31-7405400 incl. 31-7405455 and up
-2	487 583		* STUD - (2600-1)	6	
-3	494 060		* WASHER - (2600-LW)	6	
-4	42295-00 42295-02		PANEL - Forward baggage compartment, rear PANEL - Forward baggage compartment, rear	1 1	31-5001 to 31-7852171 incl. 31-7952001 and up
-5	53395-04 53395-06		CARPET - Baggage compartment, forward CARPET - Baggage compartment, forward	1 1	31-5001 to 31-7652177 incl. 31-7752001 and up
-6	53395-05 53395-07		CARPET - Baggage compartment, rear CARPET - Baggage compartment, rear	1 1	31-5001 to 31-7652177 incl. 31-7752001 and up
-7	53388-00		COVER - Floorboard support, baggage	1	
-8	20663-14		TRIM STRIP - Forward baggage	1	31-5001 to 31-8152181 incl.
-9	20663-15		TRIM STRIP - Forward baggage	1	
-10	43644-00		TRIM STRIP - Carpet attachment	1	
-11	44248-00		TRIM STRIP - Forward baggage	1	
-12	43375-02		STRAP ASSEMBLY - Baggage tie down, buckle end, fawn	4	
-13	43376-02		STRAP ASSEMBLY - Baggage tie down, tip end, fawn	4	
-14	14175-45		BUSHING - Baggage tie down strap	8	
-15	419 806		SCREW - (MS21207C6-8)	3	
-16	400 440		BOLT - (AN3-6A)	4	
-17	80122-07		WASHER - Baggage tie down strap	12	
-18	406 863		RIVNUT - (A8K-75)	12	
-19	53015-00 55382-02 55947-02	A A A	PANEL ASSEMBLY - Rear, Sta. 274 PANEL ASSEMBLY - Rear, Sta. 274 PANEL ASSEMBLY - Rear, Sta. 274	1 1 1	31-5001 to 31-7652177 incl. 31-7752001 to 31-7852029 incl. 31-7852030 and up
-20	53717-00		PANEL - Rear, Sta. 244	1	31-5001 to 31-7652177 incl.
-21	53228-00	A	SHELF ASSEMBLY - Rear baggage	1	31-5001 to 31-7652177 incl.
-22	42369-04 42369-09		CHANNEL ASSEMBLY - Rear panel support, Sta. 274 CHANNEL ASSEMBLY - Rear panel support, Sta. 274	1 1	31-5001 to 31-7952250 incl. 31-8052001 and up
-23	42369-05		CHANNEL - Rear panel support, Sta. 274	1	
-24	43954-00		RACK - Coat, rear baggage	1	
-25	53240-00		STRAP ASSEMBLY - Rear baggage shelf	1	31-5001 to 31-7652177 incl.
-26	43255-00		BUTTON - Plug	5	31-5001 to 31-7652177 incl.
-27	43265-02		PANEL - Forward baggage compartment, right	1	
-28	41432-00 47545-00		PLACARD - Rear baggage capacity PLACARD - Rear baggage capacity	1 1	31-5001 to 31-7652177 incl. 31-7752001 and up
-29	42326-03		CLIP - Rear baggage panel	2	31-5001 to 31-7652177 incl.
-30	43251-02 43251-03		HANGER - Coat (Walnut) HANGER - Coat (Light Teak)	6 6	31-5001 to 31-7652177 incl. 31-7752001 and up
-31	13945-78		STRIP - Rubber, rear baggage	AR	
-32	13945-79		STRIP - Rubber, rear baggage	AR	
-33	13945-80		STRIP - Rubber, rear baggage	AR	
-34	406 701		NUT - (Hex cap) (22K1-82)	3	31-5001 to 31-7652177 incl.
-35	400 441		BOLT - (AN3-7A)	4	
-36	494 102		WASHER - (C-394)	15	
-37	42652-00		CHANNEL - Panel support, Sta. 244	1	31-5001 to 31-7652177 incl.

When ordering, always specify Part Number, Description and Serial Number of Aircraft

## PIPER PARTS CATALOG

Figure and Index Number	Part Number	Code	NOMENCLATURE	No. Req.	SERIAL NUMBERS AFFECTED
57-38	43533-00	A	ANGLE - Baggage shelf attachment	1	31-5001 to 31-7652177 incl.
-39	80044-02		WELT ASSEMBLY - Trim	5*	31-5001 to 31-7652177 incl.
-40	19513-68		BUSHING - Rear baggage panel	1	31-5001 to 31-7652177 incl.
-41	43194-00		ANGLE - Shelf attachment	1	31-5001 to 31-7652177 incl.
-42	39994-10		BUSHING - Clip attachment	2	31-5001 to 31-7652177 incl.
-43	54817-02		PLATE - Coat rack protection	1	31-7552078 and up

When ordering, always specify Part Number, Description and Serial Number of Aircraft

PIPER PARTS CATALOG

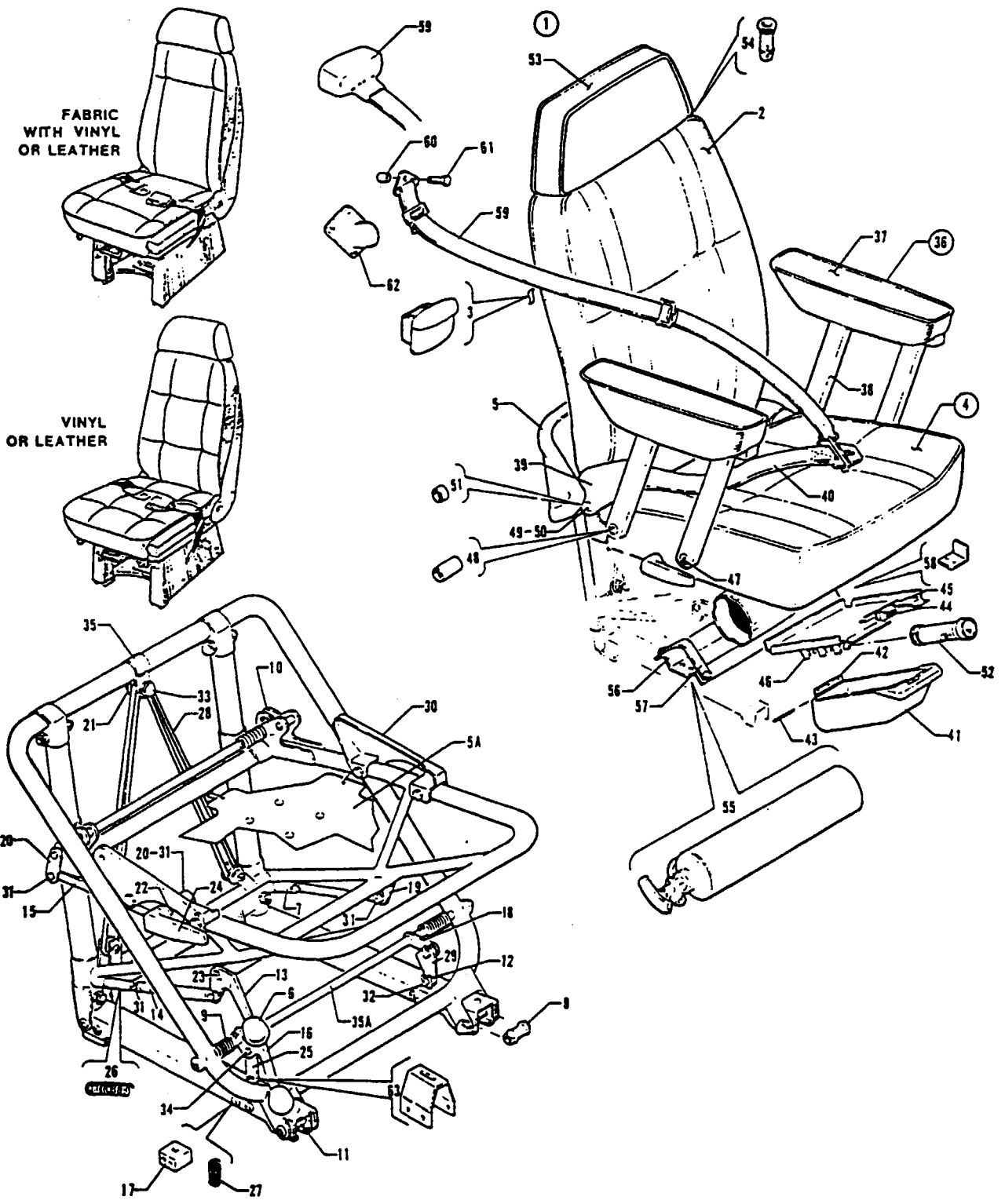


Figure 58. Seat Installation - Front

---

# PIPER PARTS CATALOG

---

## CODE EXPLANATIONS FOR FIGURE 58

- A - Serial number of aircraft must be supplied when ordering this part.
- B - Used if inertia reel type shoulder harness is installed
- C - Used if Seat Assembly incorporates both an ashtray and an armrest.
- D - Used on aircraft that comply with C.A.A. (United Kingdom) or D.O.T. (Australian) requirements.

PIPER PARTS CATALOG

Figure and Index Number	Part Number	Code	NOMENCLATURE	No. Req.	SERIAL NUMBERS AFFECTED
58-	55275 49420		DRAWING - Seats Installation DRAWING - Seats Installation		31-5001 to 31-7852029 incl. 31-7852030 and up
-1	53273-02	A	SEAT ASSEMBLY - Front, left (complete) without ash tray and armrest	1	31-5001 to 31-7652177 incl.
	53273-12	A	SEAT ASSEMBLY - Front, left (complete) without ash tray and armrest (vinyl or leather)	1	31-7752001 to 31-7852029 incl
	53273-16	A	SEAT ASSEMBLY - Front, left (complete) without ash tray and armrest (fabric/vinyl or fabric/leather)	1	31-7752001 to 31-7852029 incl
	53273-28	A	SEAT ASSEMBLY - Front, left (complete) without ash tray and armrest (leather or fabric/vinyl)	1	31-7852030 and up
	53273-03	A	SEAT ASSEMBLY - Front, right (complete) without ash tray and armrest	1	31-5001 to 31-7652177 incl
	53273-13	A	SEAT ASSEMBLY - Front, right (complete) without ash tray and armrest (vinyl or leather)	1	31-7752001 to 31-7852029 incl.
	53273-17	A	SEAT ASSEMBLY - Front, right (complete) without ash tray and armrest (fabric/vinyl or fabric/leather)	1	31-7752001 to 31-7852029 incl.
	53273-29	A	SEAT ASSEMBLY - Front, right (complete) without ash tray and armrest (leather or fabric/vinyl)	1	31-7852030 and up
	53273-04	A	SEAT ASSEMBLY - Front, left (complete) with ash tray and without armrest	1	31-5001 to 31-7652177 incl.
	53273-20	A	SEAT ASSEMBLY - Front, left (complete) with ash tray and without armrest (vinyl or leather)	1	31-7752001 to 31-7852029 incl.
	53273-24	A	SEAT ASSEMBLY - Front, left (complete) with ash tray and without armrest (fabric/vinyl or fabric/leather)	1	31-7752001 to 31-7852029 incl
	53273-32	A	SEAT ASSEMBLY - Front, left (complete) with ash tray and without armrest (leather or fabric/vinyl)	1	31-7852030 to 31-7952250 incl
	53273-05	A	SEAT ASSEMBLY - Front, right (complete) with ash tray and without armrest	1	31-5001 to 31-7652177 incl
	53273-21	A	SEAT ASSEMBLY - Front, right (complete) with ash tray and without armrest (vinyl or leather)	1	31-7752001 to 31-7852029 incl.
	53273-25	A	SEAT ASSEMBLY - Front, right (complete) with ash tray and without armrest (fabric/vinyl or fabric/leather)	1	31-7752001 to 31-7852029 incl.
	53273-33	A	SEAT ASSEMBLY - Front, right (complete) with ash tray and without armrest (leather or fabric/vinyl)	1	31-7852030 to 31-7952250 incl.
	53273-06	A	SEAT ASSEMBLY - Front, left (complete) without ash tray and with armrest	1	31-5001 to 31-7652177 incl
	53273-10	A	SEAT ASSEMBLY - Front, left (complete) without ash tray and with armrest (vinyl or leather)	1	31-7752001 to 31-7852029 incl
	53273-14	A	SEAT ASSEMBLY - Front, left (complete) without ash tray and with armrest (fabric/vinyl or fabric/leather)	1	31-7752001 to 31-7852029 incl
	53273-26	A	SEAT ASSEMBLY - Front, left (complete) without ash tray and with armrest (leather or fabric/vinyl)	1	31-7852030 to 31-8352042 incl.
	53273-38	A	SEAT ASSEMBLY - Front, left (complete) without ash tray and with armrest (leather or fabric/vinyl)	1	31-8452001 and up
	53273-07	A	SEAT ASSEMBLY - Front, right (complete) without ash tray and with armrest	1	31-5001 to 31-7652177 incl.
	53273-11	A	SEAT ASSEMBLY - Front, right (complete) without ash tray and without armrest (vinyl or leather)	1	31-7752001 to 31-7852029 incl.
	53273-15	A	SEAT ASSEMBLY - Front, right (complete) without ash tray and with armrest (fabric/vinyl or fabric/leather)	1	31-7752001 to 31-7852029 incl

When ordering, always specify Part Number, Description and Serial Number of Aircraft

## PIPER PARTS CATALOG

Figure and Index Number	Part Number	Code	NOMENCLATURE	No. Req.	SERIAL NUMBERS AFFECTED
58-1	53273-27	A	SEAT ASSEMBLY - Front, right (complete) without ash tray and with armrest (leather or fabric/vinyl)	1	31-7852030 to 31-8352042 incl.
	53273-39	A	SEAT ASSEMBLY - Front, right (complete) without ash tray and with armrest (leather or fabric/vinyl)	1	31-8452001 and up
	53273-08	A	SEAT ASSEMBLY - Front, left (complete) with ash tray and armrest	1	31-5001 to 31-7652177 incl.
	53273-18	A	SEAT ASSEMBLY - Front, left (complete) with ash tray and armrest (vinyl or leather)	1	31-7752001 to 31-7852029 incl.
	53273-22	A	SEAT ASSEMBLY - Front, left (complete) with ash tray and armrest (fabric/vinyl or fabric/leather)	1	31-7752001 to 31-7852029 incl.
	53273-30	A	SEAT ASSEMBLY - Front, left (complete) with ash tray and armrest (leather or fabric/vinyl)	1	31-7852030 to 31-7852171 incl.
	53273-34	A	SEAT ASSEMBLY - Front, left (complete) with ash tray and armrest (leather or fabric/vinyl)	1	31-7952001 to 31-7952250 incl
	53273-09	A	SEAT ASSEMBLY - Front, right (complete) with ash tray and armrest	1	31-5001 to 31-7652177 incl.
	53273-19	A	SEAT ASSEMBLY - Front, right (complete) with ash tray and armrest (vinyl or leather)	1	31-7752001 to 31-7852029 incl
	53273-23	A	SEAT ASSEMBLY - Front, right (complete) with ash tray and armrest (fabric/vinyl or fabric/leather)	1	31-7752001 to 31-7852029 incl.
	53273-31	A	SEAT ASSEMBLY - Front, right (complete) with ash tray and armrest (leather or fabric/vinyl)	1	31-7852030 to 31-7852171 incl.
	53273-35	A	SEAT ASSEMBLY - Front, right (complete) with ash tray and armrest (leather or fabric/vinyl)	1	31-7952001 to 31-7952250 incl.
	-2	53256-02	A	* CUSHION ASSEMBLY - Seat back, without ash tray	1
55375-02		A	* CUSHION ASSEMBLY - Seat back, without ash tray (vinyl or leather)	1	31-7752001 to 31-7852029 incl
55367-02		A	* CUSHION ASSEMBLY - Seat back, without ash tray (fabric)	1	31-7752001 to 31-7852029 incl
49406-02		A	* CUSHION ASSEMBLY - Seat back, without ash tray, left (leather or fabric/vinyl)	1	31-7852030 to 31-8352042 incl.
74627-02		A	* CUSHION ASSEMBLY - Seat back, without ash tray, left (leather or fabric/vinyl)	1	31-8452001 and up
49406-03		A	* CUSHION ASSEMBLY - Seat back, without ash tray, right (leather or fabric/vinyl)	1	31-7852030 to 31-8352042 incl.
74627-03		A	* CUSHION ASSEMBLY - Seat back, without ash tray, right (leather or fabric/vinyl)	1	31-8452001 and up
53256-03		A	* CUSHION ASSEMBLY - Seat back, with ash tray	1	31-5001 to 31-7652177 incl.
55375-03		A	* CUSHION ASSEMBLY - Seat back, with ash tray (vinyl or leather)	1	31-7752001 to 31-7852029 incl
55367-03		A	* CUSHION ASSEMBLY - Seat back, with ash tray (fabric)	1	31-7752001 to 31-7852029 incl
49406-14		A	* CUSHION ASSEMBLY - Seat back, with ash tray, left (leather or fabric/vinyl)	1	31-7852030 to 31-7952250 incl
49406-15		A	* CUSHION ASSEMBLY - Seat back, with ash tray, right (leather or fabric/vinyl)	1	31-7852030 to 31-7952250 incl
-2a		73048-02	D	** PLACARD - P O H Locator, right	1
	53128-00	A	** TRAY ASSEMBLY - Ash	1	31-5001 to 31-7652177 incl
-3	27754-02	A	** TRAY ASSEMBLY - Ash	1	31-7752001 to 31-7952250 incl
	53257-00	A	* CUSHION ASSEMBLY - Seat bottom, left, without armrest	1	31-5001 to 31-7652177 incl
-4	55364-02	A	* CUSHION ASSEMBLY - Seat bottom, left without armrest (vinyl or leather)	1	31-7752001 to 31-7852029 incl
	55356-02	A	* CUSHION ASSEMBLY - Seat bottom, left, without armrest (fabric/vinyl or fabric/leather)	1	31-7752001 to 31-7852029 incl
	49405-02	A	* CUSHION ASSEMBLY - Seat bottom, left, without armrest (leather or fabric/vinyl)	1	31-7852030 and up
	53257-01	A	* CUSHION ASSEMBLY - Seat bottom, right, without armrest	1	31-5001 to 31-7652177 incl.
	55364-03	A	* CUSHION ASSEMBLY - Seat bottom, right, without armrest (vinyl or leather)	1	31-7752001 to 31-7852029 incl.
	55356-03	A	* CUSHION ASSEMBLY - Seat bottom, right, without armrest (fabric/vinyl or fabric/leather)	1	31-7752001 to 31-7852029 incl

When ordering, always specify Part Number, Description and Serial Number of Aircraft



PIPER PARTS CATALOG

Figure and Index Number	Part Number	Code	NOMENCLATURE	No. Req	SERIAL NUMBERS AFFECTED
58-4	49405-03	A	* CUSHION ASSEMBLY - Seat bottom, right, without armrest (leather or fabric/vinyl)	1	31-7852030 and up
	53251-00	A	* CUSHION ASSEMBLY - Seat bottom, left, with armrest	1	31-5001 to 31-7652177 incl.
	55364-04	A	* CUSHION ASSEMBLY - Seat bottom, left, with armrest (vinyl or leather)	1	31-7752001 to 31-7852029 incl.
	55356-04	A	* CUSHION ASSEMBLY - Seat bottom, left, with armrest (fabric/vinyl or fabric/leather)	1	31-7752001 to 31-7852029 incl.
	49405-04	A	* CUSHION ASSEMBLY - Seat bottom, left, with armrest (leather or fabric/vinyl)	1	31-7852030 to 31-8352042 incl.
	74628-02	A	* CUSHION ASSEMBLY - Seat bottom, left, with armrest (leather or fabric/vinyl)	1	31-8452001 and up
	53251-01	A	* CUSHION ASSEMBLY - Seat bottom, right, with armrest	1	31-5001 to 31-7652177 incl.
	55364-05	A	* CUSHION ASSEMBLY - Seat bottom, right, with armrest (vinyl or leather)	1	31-7752001 to 31-7852029 incl.
	55356-05	A	* CUSHION ASSEMBLY - Seat bottom, right, with armrest (fabric/vinyl or fabric/leather)	1	31-7752001 to 31-7852029 incl.
	49405-05	A	* CUSHION ASSEMBLY - Seat bottom, right, with armrest (leather or fabric/vinyl)	1	31-7852030 to 31-8352042 incl.
	74628-03	A	* CUSHION ASSEMBLY - Seat bottom, right, with armrest (leather or fabric/vinyl)	1	31-8452001 and up
-5	53251-11	A	** COVER - Seat bottom trim	1	31-5001 to 31-7652177 incl.
	49074-06	A	** COVER - Seat bottom trim	1	31-7752001 and up
-5a	587 600		** SUSPENSION - Elastaseat (P-151)	1	
	41722-10		** NETTING - Nylon	1	
-6	471 065		** KNOB - Seat handle (187-1 3/8" x 1") black	2	
-7	12073-03		** PLUNGER - Seat catch	2	
-8	18968-00		** ROLLER - Seat	4	
-9	19336-00		** SPRING - Seat catch, left	2	
	19336-01		** SPRING - Seat catch, right	2	
-10	43097-00		** CAM ASSEMBLY - Reclining seat	2	31-5001 to 31-7852029 incl.
	19365-02		** CAM - Reclining seat	2	31-7852030 and up
-11	41413-38		** BUSHING - Seat roller	6	
-12	47678-00		** PLUNGER - Seat latch	2	31-5001 to 31-7305102 incl.
	53899-00		** PLUNGER - Seat latch	2	31-7305103 and up
-13	41691-00		** LEVER - Seat position	1	
-14	41693-02		** TUBE - Seat position mechanism	2	
-15	41693-03		** TUBE - Seat position mechanism	1	
-16	41694-00		** LEVER - Seat track latch, left	1	
	41694-01		** LEVER - Seat track latch, right	1	
-17	41695-02		** GUIDE - Seat latch	2	31-5001 to 31-7305102 incl.
	53900-00		** GUIDE - Seat latch	2	31-7305103 and up
-18	41698-02		** LINK - Seat mechanism	1	
-19	41698-03		** LINK - Seat mechanism	1	
-20	41698-04		** LINK - Seat mechanism	2	
-21	41699-00		** PULLEY - Seat position mechanism	3	
-22	41965-00		** TUBE - Seat handle attachment, left	1	
	41965-01		** TUBE - Seat handle attachment, right	1	
-23	41968-00		** TUBE - Seat mechanism	1	
-24	32380-00		** HANDLE - Seat recliner	1	
-25	60054-36		** LINK - Seat mechanism (2.50" L)	1	31-5001 to 31-7305102 incl.
	60054-43		** LINK - Seat mechanism (2.31" L)	1	31-7305103 and up
-26	50111-00		** SPRING - Seat plunger	2	
-27	83302-61		** SPRING - Seat plunger	2	
-28	31322-09		** RING - Shock cord	1	
-29	43538-00		** LINK - Seat mechanism (2.50" L)	1	31-5001 to 31-7305102 incl.
	60054-43		** LINK - Seat mechanism (2.31" L)	1	31-7305103 and up
-30	53071-00		** BRACKET ASSEMBLY - Armrest assembly, right seat	1	
	53071-01		** BRACKET ASSEMBLY - Armrest assembly, left seat	1	

When ordering, always specify Part Number, Description and Serial Number of Aircraft

## PIPER PARTS CATALOG

Figure and Index Number	Part Number	Code	NOMENCLATURE	No. Req.	SERIAL NUMBERS AFFECTED
58-31	424 143		* * PIN - (MS20392-1C13)	5	
	407 562		* * WASHER - (AN960-6)	5	
	424 051		* * COTTER PIN - (MS24665-132)	5	
-32	424 142		* * PIN - (MS20392-1C11)	4	
	407 562		* * WASHER - (AN960-6)	4	
	424 051		* * COTTER PIN - (MS24665-132)	4	
-33	400 867		* * BOLT - (AN23-15A)	3	
	407 564		* * WASHER - (AN960-10)	3	
	477 707		* * NUT - (26C-02) Top	1	
	404 887		* * NUT - (MS20365-1032C) Bottom	2	
-34	424 143		* * PIN - (MS20392-1C13)	1	
	81342-64		* * WASHER	1	
	407 562		* * WASHER - (AN960-6)	1	
	424 051		* * COTTER PIN - (MS24665-132)	1	
-35	80002-84		* * CLAMP - Pulley	1	
-35a	41980-00		* * TUBE - Seat latch mechanism (17.44" L.)	1	
	41980-02		* * TUBE - Seat latch mechanism (16.94" L.)	1	
-36	53260-02	A	* ARMREST ASSEMBLY - Seat (complete)	2	31-5001 to 31-7305072 incl.
	53260-02	A	* ARMREST ASSEMBLY - Seat (complete) inboard	1	31-7305073 to 31-7652177 incl.
	49099-04	A	* ARMREST ASSEMBLY - Seat, left (fabric and vinyl or leather)	1	31-7752001 and up
	49099-05	A	* ARMREST ASSEMBLY - Seat, right (fabric and vinyl or leather)	1	31-7752001 and up
-37	53249-02	A	* * PAD ASSEMBLY - Armrest	1	31-5001 to 31-7652177 incl.
	49086-04	A	* * PAD ASSEMBLY - Armrest, left (fabric and vinyl or leather)	1	31-7752001 and up
	49086-05	A	* * PAD ASSEMBLY - Armrest, right (fabric and vinyl or leather)	1	31-7752001 and up
-38	52904-02		* * SUPPORT ASSEMBLY - Armrest	1	
-39	53134-00	A	* SHROUD ASSEMBLY - Safety belt fitting	2	31-5001 to 31-7652177 incl
	49102-02	A	* SHROUD ASSEMBLY - Safety belt fitting	2	31-7752001 and up
-40	25801-08		* BELT ASSEMBLY - Safety, front, fawn	1	31-5001 to 31-7652177 incl
	25801-10		* BELT ASSEMBLY - Safety, front, black	1	31-5001 to 31-7652177 incl.
	25801-11		* BELT ASSEMBLY - Safety, front, blue	1	31-5001 to 31-7652177 incl.
	54534-05	B	* BELT ASSEMBLY - Safety, black	1	
-41	53255-02	A	* CONTAINER ASSEMBLY - Oxygen mask, pilot	1	31-5001 to 31-7652177 incl
	53255-03	A	* CONTAINER ASSEMBLY - Oxygen mask, copilot	1	31-5001 to 31-7652177 incl.
	53255-04		* CONTAINER ASSEMBLY - Oxygen mask, pilot	1	31-7752001 and up
	53255-05		* CONTAINER ASSEMBLY - Oxygen mask, copilot	1	31-7752001 and up
-42	43123-00		* * HINGE - Oxygen mask container	2	
-43	81761-65		* * PIN - Oxygen mask container	1	
-44	454 294		* * CATCH - Magnetic (9798)	1	
-45	43353-00		* * ANGLE - Container catch	1	
-46	554 914		* * CLIP - Flashlight (40)	1	
-47	400 907		* BOLT - (AN24-17A)	2	
-48	80012-116		* BUSHING - Armrest support	2	
-49	44114-00		* WASHER - Cover	2	
-50	400 919		* BOLT - (AN24-29A)	2	
	407 565		* WASHER - (AN960-416)	2	
	477 709		* NUT - (26C-048) Chrome	2	
-51	41413-26		* BUSHING - Seat belt attachment	2	
-52	460 928		FLASHLIGHT - (2D Cell)	1	
-53	53233-02	A	HEADREST ASSEMBLY - Front seat, left	1	31-5001 to 31-7652177 incl.
	53233-03	A	HEADREST ASSEMBLY - Front seat, right	1	31-5001 to 31-7652177 incl.
	49089-08	A	HEADREST ASSEMBLY - Front seat, left (fabric/vinyl or fabric/leather)	1	31-7752001 to 31-7852029 incl
	49089-09	A	HEADREST ASSEMBLY - Front seat, right (fabric/vinyl or fabric/leather)	1	31-7752001 to 31-7852029 incl.

When ordering, always specify Part Number, Description and Serial Number of Aircraft

PIPER PARTS CATALOG

Figure and Index Number	Part Number	Code	NOMENCLATURE	No. Req.	SERIAL NUMBERS AFFECTED
58-53	49421-02	A	HEADREST ASSEMBLY - Front seat, left (leather or fabric/vinyl)	1	31-7852030 and up
	49421-03	A	HEADREST ASSEMBLY - Front seat, right (leather or fabric/vinyl)	1	31-7852030 and up
	49421-12	A.C	HEADREST ASSEMBLY - Front seat, left (leather or fabric/vinyl)	1	31-7952001 to 31-7952250 incl.
	49421-13	A.C	HEADREST ASSEMBLY - Front seat, right (leather or fabric/vinyl)	1	31-7952001 to 31-7952250 incl.
-54	99361-00		RECEPTACLE - Headrest	4	
-55	459 848		EXTINGUISHER - Fire (42211-00) Scott	1	31-5001 to 31-8252085 incl.
	459 839		EXTINGUISHER - Fire (GH-2 1/2) General Fire Extinguisher Corp.	1	31-5001 to 31-8252085 incl.
	459 834		EXTINGUISHER - Fire (PS 50162-2)	1	31-8352001 and up
-56	52718-00		BRACKET ASSEMBLY - Fire extinguisher	1	
-57	52717-00		STRAP ASSEMBLY - Fire extinguisher	1	
-58	52716-00		ANGLE - Fire extinguisher retaining	1	
-59	43813-03		HARNES ASSEMBLY - Shoulder, fawn	2	31-5001 to 31-7652177 incl.
	43813-04		HARNES ASSEMBLY - Shoulder, black	2	31-5001 to 31-7652177 incl.
	43813-05		HARNES ASSEMBLY - Shoulder, blue	2	31-5001 to 31-7652177 incl.
	54534-07		HARNES ASSEMBLY - Shoulder, inertia reel, black	2	
-60	29999-10		BUSHING - Shoulder harness retainer	1	
-61	400 003		BOLT - (AN4-6A)	1	
	407 565		WASHER - (AN960-416)	1	
-62	55433-02		COVER - Shoulder harness, left	1	31-7752001 and up
	55433-03		COVER - Shoulder harness, right	1	31-7752001 and up
-63	55842-02		BRACKET - Seat frame	2	

When ordering, always specify Part Number, Description and Serial Number of Aircraft

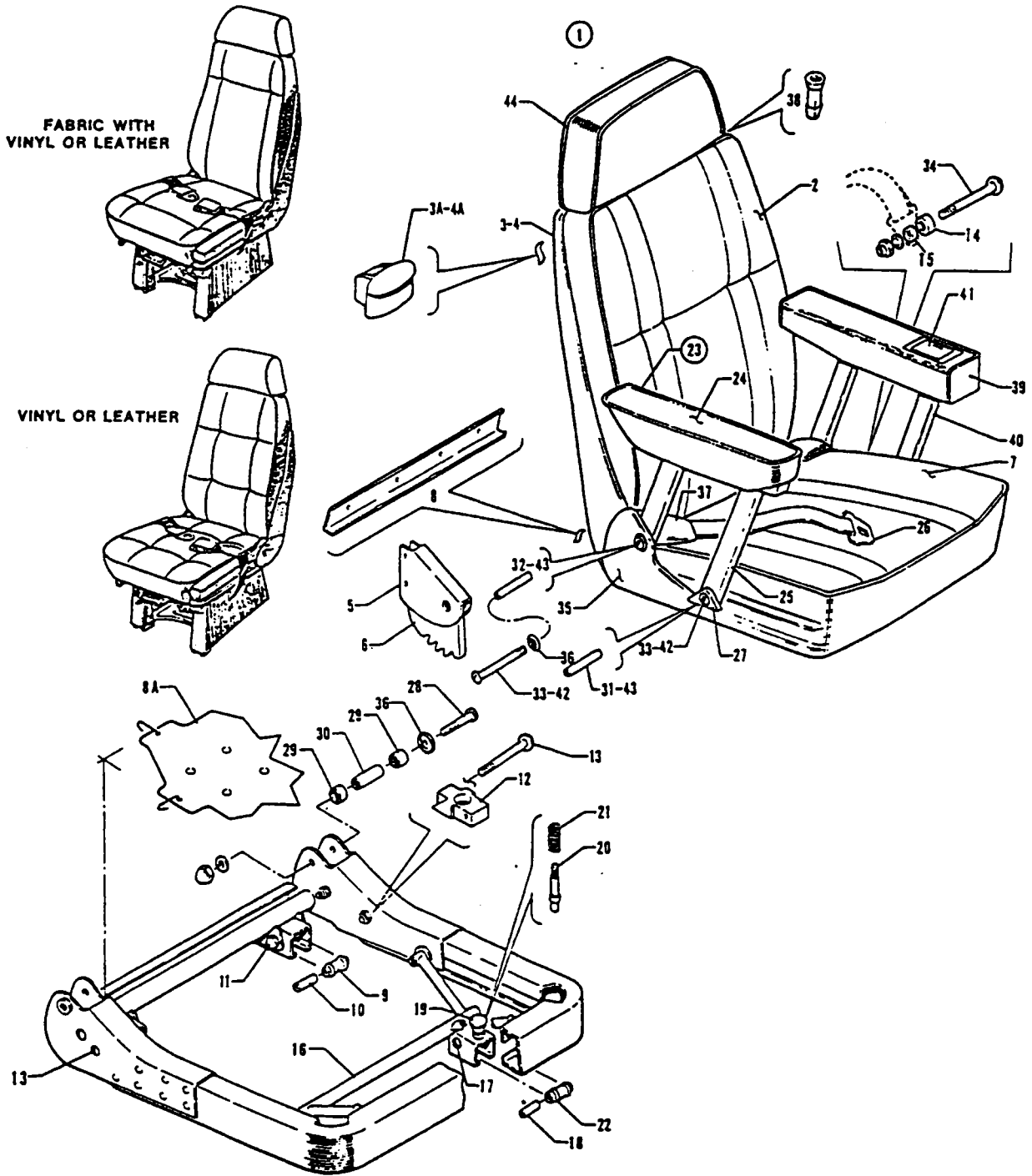


Figure 59. Seats Installation - Third and Fourth Forward Facing

---

# PIPER PARTS CATALOG

---

## CODE EXPLANATIONS FOR FIGURE 59

**A** - Serial number of aircraft must be supplied when ordering this part.

PIPER PARTS CATALOG

Figure and Index Number	Part Number	Code	NOMENCLATURE	No. Req.	SERIAL NUMBERS AFFECTED
59-	53279 49440		DRAWING - Seats Installation DRAWING - Seats Installation		31-5001 to 31-7852029 incl 31-7852030 and up
-1	53269-02	A	SEAT ASSEMBLY - Third, forward facing (complete) with armrest (3 1/2" thick back)	1	31-5001 to 31-7652177 incl.
	53269-06	A	SEAT ASSEMBLY - Third, forward facing (complete) with armrest (4 1/2" thick back)	1	31-5001 to 31-7652177 incl.
	53269-12	A	SEAT ASSEMBLY - Third, forward facing (complete) with armrest (fabric/vinyl or fabric/leather)	1	31-7752001 to 31-7852029 incl.
	53269-14	A	SEAT ASSEMBLY - Third, forward facing (complete) with armrest (vinyl or leather)	1	31-7752001 to 31-7852029 incl.
	53269-18	A	SEAT ASSEMBLY - Third, forward facing (complete) with armrest (leather or fabric/vinyl)	1	31-7852030 to 31-7952250 incl.
	53269-22	A	SEAT ASSEMBLY - Third, forward facing (complete) with armrests (leather or fabric/vinyl)	1	31-8052001 to 31-8352042 incl.
	53269-26	A	SEAT ASSEMBLY - Third, forward facing (complete) with armrests (leather or fabric/vinyl)	1	31-8452001 and up
	53269-03	A	SEAT ASSEMBLY - Fourth, forward facing (complete) with armrest (3 1/2" thick back)	1	31-5001 to 31-7652177 incl.
	53269-07	A	SEAT ASSEMBLY - Fourth, forward facing (complete) with armrest (4 1/2" thick back)	1	31-5001 to 31-7652177 incl.
	53269-13	A	SEAT ASSEMBLY - Fourth, forward facing (complete) with armrest (fabric/vinyl or fabric/leather)	1	31-7752001 to 31-7852029 incl.
	53269-15	A	SEAT ASSEMBLY - Fourth, forward facing (complete) with armrest (vinyl or leather)	1	31-7752001 to 31-7852029 incl.
	53269-19	A	SEAT ASSEMBLY - Fourth, forward facing (complete) with armrest (leather or fabric/vinyl)	1	31-7852030 to 31-7952250 incl.
	53269-23	A	SEAT ASSEMBLY - Fourth, forward facing (complete) with armrests (leather or fabric/vinyl)	1	31-8052001 to 31-8352042 incl.
	53269-27	A	SEAT ASSEMBLY - Fourth, forward facing (complete) with armrests (leather or fabric/vinyl)	1	31-8452001 and up
	53269-04	A	SEAT ASSEMBLY - Third or fourth, forward facing (complete) without armrest (3 1/2" thick back)	1	31-5001 to 31-7652177 incl.
	53269-05	A	SEAT ASSEMBLY - Third or fourth, forward facing (complete) without armrest (4 1/2" thick back)	1	31-5001 to 31-7652177 incl.
	53269-16	A	SEAT ASSEMBLY - Third or fourth, forward facing (complete) without armrest (fabric/vinyl or fabric/leather)	1	31-7752001 to 31-7852029 incl.
	53269-17	A	SEAT ASSEMBLY - Third or fourth, forward facing (complete) without armrest (vinyl or leather)	1	31-7752001 to 31-7852029 incl.
	53269-20	A	SEAT ASSEMBLY - Third, forward facing (complete) without armrest (leather or fabric/vinyl)	1	31-7852030 to 31-7952250 incl.
	53269-24	A	SEAT ASSEMBLY - Third, forward facing (complete) with outboard armrest only (leather or fabric/vinyl)	1	31-8052001 to 31-8352042 incl.
	53269-21	A	SEAT ASSEMBLY - Fourth, forward facing (complete) without armrest (leather or fabric/vinyl)	1	31-7852030 to 31-7952250 incl.
	53269-25	A	SEAT ASSEMBLY - Fourth, forward facing (complete) with outboard armrest only (leather or fabric/vinyl)	1	31-8052001 to 31-8352042 incl.
-2	53131-05	A	* CUSHION ASSEMBLY - Seat back (3 1/2" thick)	1	31-5001 to 31-7652177 incl.
	53131-04	A	* CUSHION ASSEMBLY - Seat back (4 1/2" thick)	1	31-5001 to 31-7652177 incl.
	55405-03	A	* CUSHION ASSEMBLY - Seat back (fabric/vinyl or fabric/leather)	1	31-7752001 to 31-7852029 incl.
	55389-03	A	* CUSHION ASSEMBLY - Seat back (vinyl or leather)	1	31-7752001 to 31-7852029 incl.
	49474-04	A	* CUSHION ASSEMBLY - Seat back, third (leather or fabric/vinyl)	1	31-7852030 to 31-7952250 incl.
	49474-05	A	* CUSHION ASSEMBLY - Seat back, fourth (leather or fabric/vinyl)	1	31-7852030 to 31-7952250 incl.

When ordering, always specify Part Number, Description and Serial Number of Aircraft

PIPER PARTS CATALOG

Figure and Index Number	Part Number	Code	NOMENCLATURE	No. Req.	SERIAL NUMBERS AFFECTED
59-2	49474-02	A	* CUSHION ASSEMBLY - Seat back, third (leather or fabric/vinyl)	1	31-8052001 to 31-8352042 incl.
	49474-03	A	* CUSHION ASSEMBLY - Seat back, fourth (leather or fabric/vinyl)	1	31-8052001 to 31-8352042 incl.
	74367-02	A	* CUSHION ASSEMBLY - Seat back, third or fourth (leather or fabric/vinyl)	1	31-8452001 and up
-3	53129-02	A	** PANEL ASSEMBLY - Seat back	1	31-5001 to 31-7652177 incl.
-3a	53128-00	A	** TRAY ASSEMBLY - Ash	1	31-5001 to 31-7652177 incl.
-4	55390-02	A	** PANEL ASSEMBLY - Seat back trim	1	31-7752001 to 31-7852029 incl.
	49324-10	A	** PANEL ASSEMBLY - Seat back trim, third (leather or fabric/vinyl)	1	31-7852030 to 31-8352042 incl.
	49324-11	A	** PANEL ASSEMBLY - Seat back trim, fourth (leather or fabric/vinyl)	1	31-7852030 to 31-8352042 incl.
	74367-20	A	** PANEL ASSEMBLY - Seat back trim, third or fourth (leather or fabric/vinyl)	1	31-8452001 and up
-4a	27754-02		** TRAY ASSEMBLY - Ash	1	31-7752001 to 31-7952250 incl.
-5	52849-00		** HINGE - Seat back, left	1	
	52849-01		** HINGE - Seat back, right	1	
-6	34447-00		** DETENT - Seat hinge	2	31-5001 to 31-8352042 incl.
	29259-02		** DETENT - Seat hinge	2	31-8452001 and up
-7	53261-00	A	* CUSHION ASSEMBLY - Seat bottom, third, with armrest	1	31-5001 to 31-7652177 incl.
	55372-02	A	* CUSHION ASSEMBLY - Seat bottom, third, with armrest (fabric/vinyl or fabric/leather)	1	31-7752001 to 31-7852029 incl.
	55404-02	A	* CUSHION ASSEMBLY - Seat bottom, third, with armrest (vinyl or leather)	1	31-7752001 to 31-7852029 incl.
	49458-04	A	* CUSHION ASSEMBLY - Seat bottom, third, with armrest (leather or fabric/vinyl)	1	31-7852030 to 31-8352042 incl.
	74368-06		* CUSHION ASSEMBLY - Seat bottom, third, with armrest (leather or fabric/vinyl)	1	31-8452001 and up
	53261-01	A	* CUSHION ASSEMBLY - Seat bottom, fourth, with armrest	1	31-5001 to 31-7652177 incl.
	55372-03	A	* CUSHION ASSEMBLY - Seat bottom, fourth, with armrest (fabric/vinyl or fabric/leather)	1	31-7752001 to 31-7852029 incl.
	55404-03	A	* CUSHION ASSEMBLY - Seat bottom, fourth, with armrest (vinyl or leather)	1	31-7752001 to 31-7852029 incl.
	49458-05	A	* CUSHION ASSEMBLY - Seat bottom, fourth, with armrest (leather or fabric/vinyl)	1	31-7852030 to 31-8352042 incl.
	74368-07		* CUSHION ASSEMBLY - Seat bottom, fourth, with armrest (leather or fabric/vinyl)	1	31-8452001 and up
	53266-00	A	* CUSHION ASSEMBLY - Seat bottom, third or fourth, without armrest	1	31-5001 to 31-7652177 incl.
	55372-04	A	* CUSHION ASSEMBLY - Seat bottom, third or fourth, without armrest (fabric/vinyl or fabric/leather)	1	31-7752001 to 31-7852029 incl.
	55404-04	A	* CUSHION ASSEMBLY - Seat bottom, third and fourth, without armrest (vinyl or leather)	1	31-7752001 to 31-7852029 incl.
	49458-02	A	* CUSHION ASSEMBLY - Seat bottom, third, without armrest (leather or fabric/vinyl)	1	31-7852030 to 31-8352042 incl.
	49458-03	A	* CUSHION ASSEMBLY - Seat bottom, fourth, without armrest (leather or fabric/vinyl)	1	31-7852030 to 31-8352042 incl.
-8	52625-00	A	** CHANNEL - Seat bottom	1	
-8a	587 600		** SUSPENSION - Elastaseat (P-151)	1	
	41722-10		** NETTING - Nylon	1	
-9	18968-00		** ROLLER - Seat	2	
-10	41413-38		** BUSHING - Seat roller	4	
-11	400 012		** BOLT - Seat roller (AN4-17A)	4	
	407 565		** WASHER - Seat roller (AN960-416)	4	
	407 585		** WASHER - Seat roller (AN960-416L)	4	
	404 836		** NUT - Seat roller (MS20364-428C)	4	

When ordering, always specify Part Number, Description and Serial Number of Aircraft

PIPER PARTS CATALOG

Figure and Index Number	Part Number	Code	NOMENCLATURE	No. Req.	SERIAL NUMBERS AFFECTED
59-12	52387-00		* * STOP - Seat bottom	2	
-13	400 878		* * BOLT - (AN23-26A)	2	
	407 584		* * WASHER - (AN960-10L)	2	
	404 835		* * NUT - (MS20364-1032C)	2	
-14	29999-11		* BUSHING - Stop, seat back assembly	2	
-15	29999-10		* BUSHING - Stop, seat back assembly	2	
-16	52301-00		* SUPPORT ASSEMBLY - Seat bottom frame	1	
-17	404 836		* * NUT - (MS20364-428C)	2	
	400 915		* * BOLT - (AN24-25A)	2	
-18	41413-38		* * BUSHING - Roller	2	
-19	571 078		* * KNOB - Black (3702-S)	2	
-20	53808-00		* * PIN - Support assembly stop	2	
-21	587 289		* * SPRING - (LC-035E-12)	2	
-22	18968-00		* * ROLLER - Support assembly, frame	2	
-23	53260-04	A	* ARMREST ASSEMBLY - (Complete)	1	31-5001 to 31-7652177 incl.
	49099-02	A	* ARMREST ASSEMBLY - (Complete), left, inboard	1	31-7752001 and up
	49099-03	A	* ARMREST ASSEMBLY - (Complete), right, inboard	1	31-7752001 and up
-24	53249-03	A	* * PAD ASSEMBLY - Armrest	1	31-5001 to 31-7652177 incl.
	49086-02	A	* * PAD ASSEMBLY - Armrest, left, inboard	1	31-7752001 and up
	49086-03	A	* * PAD ASSEMBLY - Armrest, right, inboard	1	31-7752001 and up
-25	52904-00		* * SUPPORT ASSEMBLY - Armrest, inboard	1	
-26	25801-08		* BELT ASSEMBLY - Safety, right or left, fawn	1	31-5001 to 31-7652177 incl.
	25801-10		* BELT ASSEMBLY - Safety, right or left, black	1	
	25801-11		* BELT ASSEMBLY - Safety, right or left, blue	1	31-5001 to 31-7652177 incl.
-27	52917-00		* COVER - Armrest bracket trim	1	
-28	400 920		* BOLT - (AN24-30A)	2	
	407 565		* WASHER - (AN960-416)	2	
	477 709		* NUT - (26C-048) Chrome	2	
-29	49982-31		* BUSHING - Seat back hinge	4	
-30	14175-111		* BUSHING - Seat back hinge	2	
-31	49982-27		* BUSHING - Front armrest support	1	
-32	49982-28		* BUSHING - Rear armrest support	1	
-33	400 890		* BOLT - (AN23-40A)	2	
-34	400 924		* BOLT - (AN24-34A)	2	
	407 565		* WASHER - (AN960-416)	2	
	404 836		* NUT - (MS20364-428C)	2	
-35	53246-00		* PANEL ASSEMBLY - Armrest trim, right	1	31-5001 to 31-7652177 incl.
	48537-15		* PANEL ASSEMBLY - Armrest trim, right	1	31-7752001 and up
	53246-01		* PANEL ASSEMBLY - Armrest trim, left	1	31-5001 to 31-7652177 incl
	48537-14		* PANEL ASSEMBLY - Armrest trim, left	1	31-7752001 and up
-36	44114-00		* WASHER - Cover	4	
-37	53134-00	A	* SHROUD ASSEMBLY - Safety belt fitting	1	31-5001 to 31-7652177 incl
	49102-02	A	* SHROUD ASSEMBLY - Safety belt fitting	1	31-7752001 and up
-38	99361-00		* RECEPTACLE - Headrest	4	
-39	71158-12	A	* ARMREST ASSEMBLY - Left, outboard (fabric or leather)	1	31-8052001 and up
	71158-13	A	* ARMREST ASSEMBLY - Right, outboard (fabric or leather)	1	31-8052001 and up
-40	58382-04		* * SUPPORT - Armrest, left, outboard	1	31-8052001 and up
	58382-05		* * SUPPORT - Armrest, right, outboard	1	31-8052001 and up
-41	489 424		* * ASH TRAY - (3130-4)	1	31-8052001 and up
-42	400 924		* BOLT - (AN24-34A) Aft, outboard	1	31-8052001 and up
	400 907		* BOLT - (AN24-17A) Forward, outboard	1	31-8052001 and up
-43	56957-40		* BUSHING - Aft, outboard	1	31-8052001 and up
	29999-11		* BUSHING - Forward, outboard	1	31-8052001 and up

When ordering, always specify Part Number, Description and Serial Number of Aircraft



PIPER PARTS CATALOG

Figure and Index Number	Part Number	Code	NOMENCLATURE	No. Req.	SERIAL NUMBERS AFFECTED
59-44	53288-00	A	HEADREST ASSEMBLY - Third or fourth seat	2	31-5001 to 31-7652177 incl.
	49089-02	A	HEADREST ASSEMBLY - Third or fourth seat	2	31-7752001 to 31-7852029 incl
	49425-02	A	HEADREST ASSEMBLY - Third seat	1	31-7852030 to 31-7852171 incl
	49425-12	A	HEADREST ASSEMBLY - Third seat	1	31-7952001 and up
	49425-03	A	HEADREST ASSEMBLY - Fourth seat	1	31-7852030 to 31-7852171 incl.
	49425-13	A	HEADREST ASSEMBLY - Fourth seat	1	31-7952001 and up

When ordering, always specify Part Number, Description and Serial Number of Aircraft

PIPER PARTS CATALOG

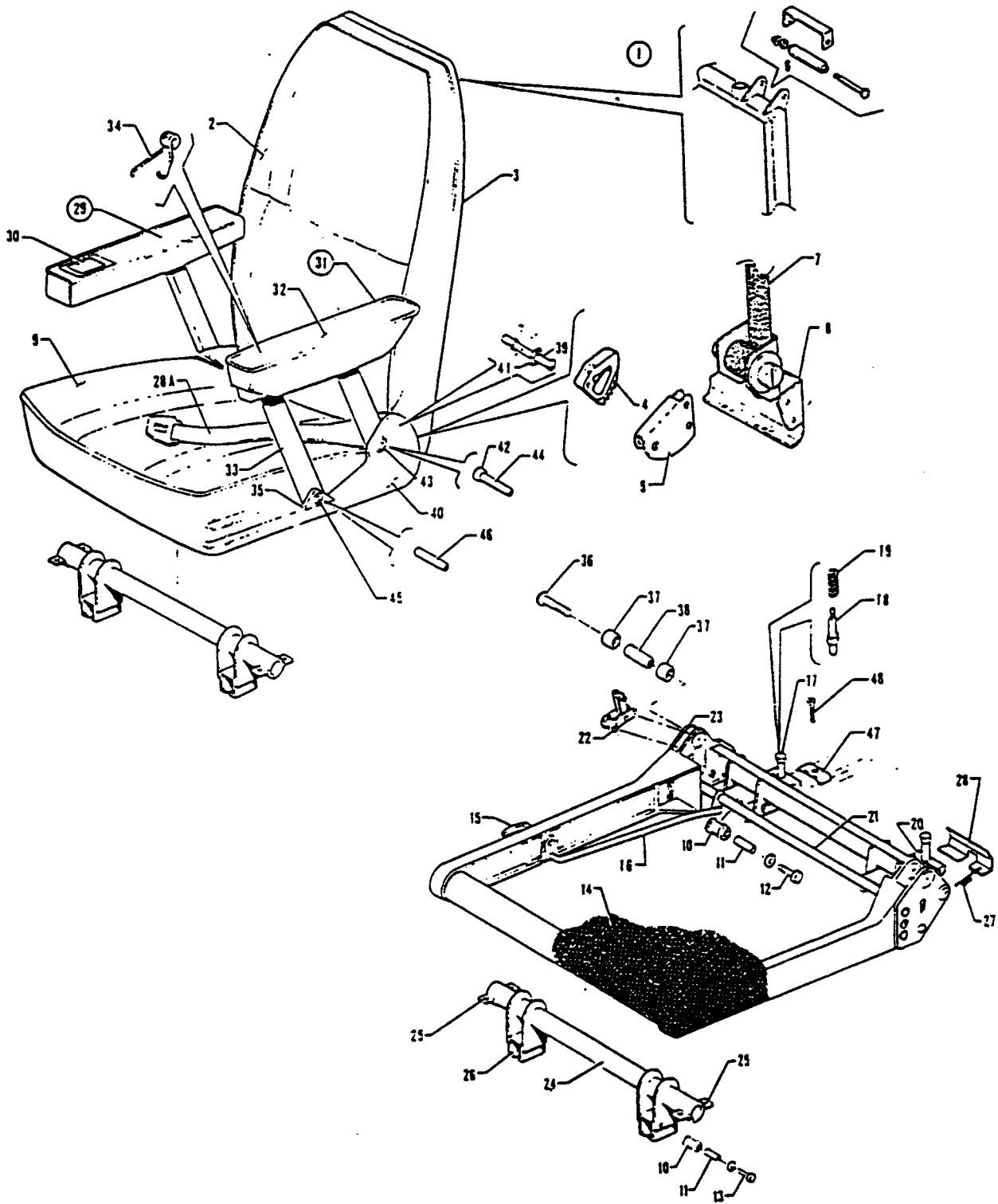


Figure 59A Seats Installation - Third and Fourth Forward Facing  
(Serial Numbers 31-8152001 and up)

---

# PIPER PARTS CATALOG

---

## CODE EXPLANATIONS FOR FIGURE 59A

A - Serial number of aircraft must be supplied when ordering this part.

PIPER PARTS CATALOG

Figure and Index Number	Part Number	Code	NOMENCLATURE	No. Req.	SERIAL NUMBERS AFFECTED
59A-	74004		DRAWING - Seat Installation		
-1	71823-08	A	SEAT ASSEMBLY - Passenger (complete) left, without ash tray, with armrests (leather or fabric/vinyl)	1	
	71823-09	A	SEAT ASSEMBLY - Passenger (complete) right, without ash tray, with armrests (leather or fabric/vinyl)	1	
-2	71914-02	A	* BACK ASSEMBLY - Seat, left	1	
	71914-03	A	* BACK ASSEMBLY - Seat, right	1	
-3	71914-12	A	* * PANEL ASSEMBLY - Seat back trim, left	1	
	71914-13	A	* * PANEL ASSEMBLY - Seat back trim, right	1	
-4	29259-02		* * DETENT - Seat hinge	2	
-5	52849-00		* * HINGE - Seat back, left	1	
	52849-01		* * HINGE - Seat back, right	1	
-6	401 280		* * BOLT - (AN3-26A)	2	
	404 887		* * NUT - (MS20365-1032C)	2	
	407 564		* * WASHER - (AN960-10)	2	
	60998-15		* * BUSHING - Outer	2	
	60998-16		* * BUSHING - Inner	2	
-7	54534-07		* * INERTIA REEL ASSEMBLY - Left and right (includes shoulder harness)	1	
-8	55846-04		* * BRACKET - Inertia reel, left	1	
	55846-05		* * BRACKET - Inertia reel, right	1	
-9	71824-04	A	* BOTTOM ASSEMBLY - Seat, left	1	
	71824-05	A	* BOTTOM ASSEMBLY - Seat, right	1	
-10	18968-00		* * ROLLER - Seat	4	
-11	41413-38		* * BUSHING - Seat roller	8	
-12	400 012		* * BOLT - (AN4-17A)	4	
	407 565		* * WASHER - (AN960-416)	4	
	407 585		* * WASHER - (AN960-416L)	4	
	404 836		* * NUT - (MS20364-428C)	4	
-13	400 012		* * BOLT - (AN4-17A)	4	
	407 565		* * WASHER - (AN960-416)	4	
	407 585		* * WASHER - (AN960-416L)	4	
	404 888		* * NUT - (MS20365-428C)	4	
-14	71824-08		* * NETTING - Nylon	1	
-15	32380-00		* * HANDLE - Seat recliner	1	
-16	71658-09		* * ROD - Seat recliner	1	
-17	571 078		* * KNOB - Black (3702S)	2	
-18	53808-00		* * PIN - Seat stop	2	
-19	587 289		* * SPRING - (LC-035E-12)	2	
-20	71658-03		* * BRACKET ASSEMBLY - Seat roller	2	
-21	71658-07		* * TUBE ASSEMBLY - Recliner	1	
-22	71658-02		* * STOP ASSEMBLY - Seat recliner	2	
-23	71658-54		* * PLATE ASSEMBLY - Frame, left	1	
	71658-53		* * PLATE ASSEMBLY - Frame, right	1	
-24	71654-06		* * SUPPORT ASSEMBLY - Seat bottom frame, forward	1	
-25	71654-09		* * ANGLE - Support attachment	4	
-26	47615-00		* * BRACKET - Seat roller	2	
-27	83303-03		* * SPRING - Seat recliner	2	
-28	71658-24		* * CHANNEL - Seat recliner	1	
-28a	54534-05		* * BELT ASSEMBLY - Safety, left or right	1	

When ordering, always specify Part Number, Description and Serial Number of Aircraft

## PIPER PARTS CATALOG

Figure and Index Number	Part Number	Code	NOMENCLATURE	No. Req.	SERIAL NUMBERS AFFECTED
59A-29	70476-12	A	* ARMREST ASSEMBLY - Left, outboard	1	
	70476-13	A	* ARMREST ASSEMBLY - Right, outboard	1	
-30	489 424		* * ASH TRAY - (3130-4)	1	
-31	49099-02	A	* ARMREST ASSEMBLY - Left, inboard	1	
	49099-03	A	* ARMREST ASSEMBLY - Right, inboard	1	
-32	49086-02	A	* * PAD ASSEMBLY - Armrest, left	1	
	49086-03	A	* * PAD ASSEMBLY - Armrest, right	1	
-33	52904-00		* * SUPPORT ASSEMBLY - Armrest	1	
-34	52877-00		* * * SPRING - Armrest actuator	1	
-35	52917-00		* COVER - Armrest bracket trim	1	
-36	400 922		* BOLT - (AN24-32A)	2	
	407 565		* WASHER - (AN960-416)	2	
	404 888		* NUT - (MS20365-428C)	2	
-37	71658-15		* BUSHING - Seat back	2	
-38	71658-14		* BUSHING - Seat back	1	
-39	400 922		* BOLT - (AN24-32A)	2	
	41413-26		* BUSHING - Seat belt	2	
	14175-111		* BUSHING - Seat belt	2	
-40	71936-02		* PANEL ASSEMBLY - Armrest trim, left	1	
	71936-03		* PANEL ASSEMBLY - Armrest trim, right	1	
-41	44114-00		* WASHER - Trim	3	
-42	56957-45		* BUSHING - Armrest support, rear, inboard	1	
-43	400 876		* BOLT - (AN23-24A) Armrest support, rear, inboard	1	
-44	56957-44		* BUSHING - Armrest support, rear, inboard	1	
-45	400 872		* BOLT - (AN23-21A) Armrest support, front, inboard	1	
-46	56957-43		* BUSHING - Armrest support, front, inboard	1	
-47	52543-00		STOP - Seat	2	
-48	411 532		SCREW - (MS35207-263)	2	

When ordering, always specify Part Number, Description and Serial Number of Aircraft

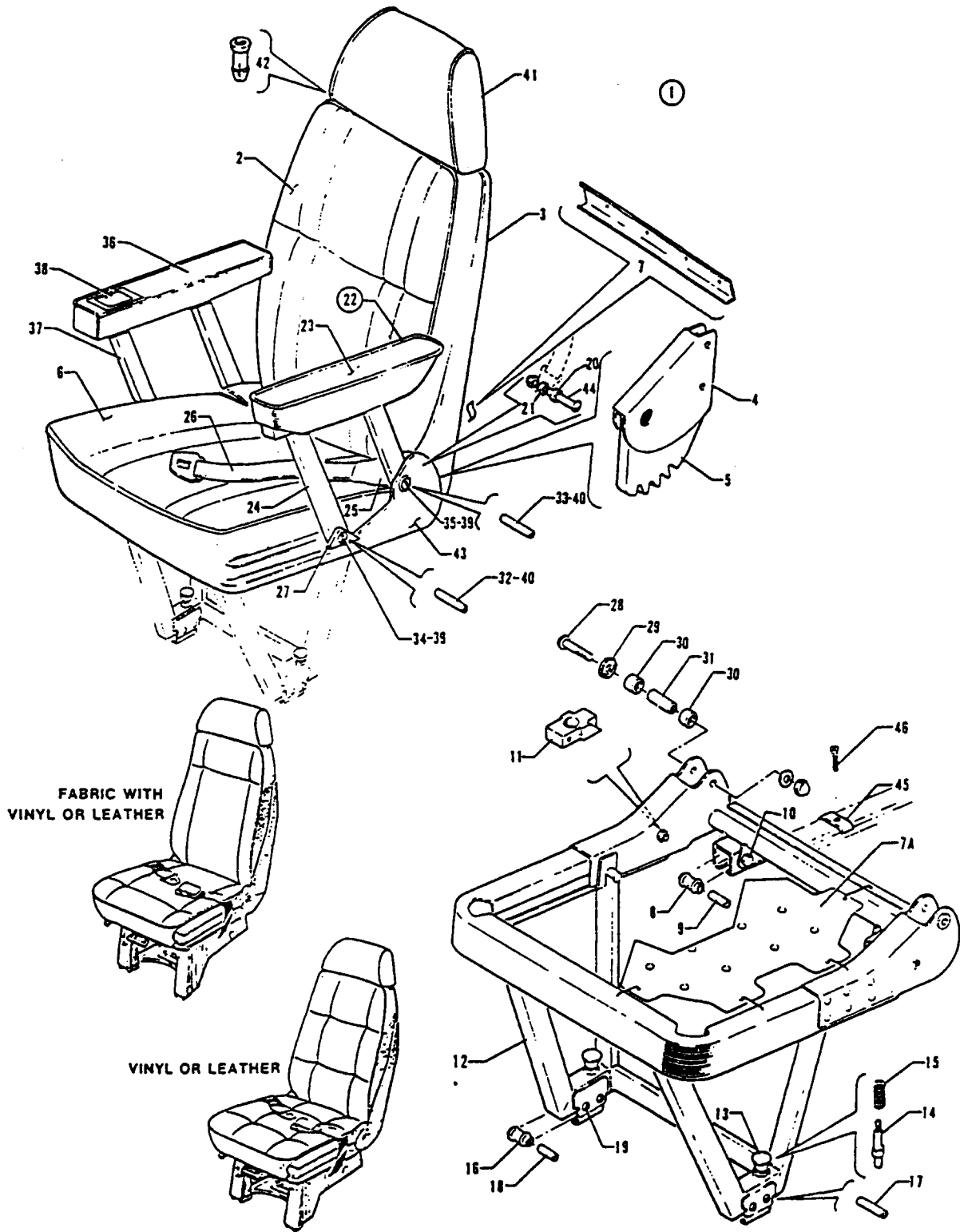


Figure 60. Seats Installation - Third and Fourth Aft Facing

---

# PIPER PARTS CATALOG

---

CODE EXPLANATIONS FOR FIGURE 60

A - Serial number of aircraft must be supplied when ordering this part.

PIPER PARTS CATALOG

Figure and Index Number	Part Number	Code	NOMENCLATURE	No. Req.	SERIAL NUMBERS AFFECTED
60-	53282 49430		DRAWING - Third and Fourth Aft Facing Seat Installation DRAWING - Third and Fourth Aft Facing Seat Installation		31-5001 to 31-7852029 incl. 31-7852030 and up
-1	53277-02 53277-10	A A	SEAT ASSEMBLY - Third (complete) aft facing, with armrest SEAT ASSEMBLY - Third (complete) aft facing, with armrest (fabric/vinyl or fabric/leather)	1 1	31-5001 to 31-7652177 incl. 31-7752001 to 31-7852029 incl.
	53277-12	A	SEAT ASSEMBLY - Third (complete) aft facing, with armrest (vinyl or leather)	1	31-7752001 to 31-7852029 incl.
	53277-16	A	SEAT ASSEMBLY - Third (complete) aft facing, with armrest (leather or fabric/vinyl)	1	31-7852030 to 31-7852171 incl
	53277-03 53277-11	A A	SEAT ASSEMBLY - Fourth (complete) aft facing, with armrest SEAT ASSEMBLY - Fourth (complete) aft facing, with armrest (fabric/vinyl or fabric/leather)	1 1	31-5001 to 31-7652177 incl. 31-7752001 to 31-7852029 incl.
	53277-13	A	SEAT ASSEMBLY - Fourth (complete) aft facing, with armrest (vinyl or leather)	1	31-7752001 to 31-7852029 incl.
	53277-17	A	SEAT ASSEMBLY - Fourth (complete) aft facing, with armrest (leather or fabric/vinyl)	1	31-7852030 to 31-7852171 incl.
	53277-04	A	SEAT ASSEMBLY - Third or fourth (complete) aft facing, without armrest	2	31-5001 to 31-7652177 incl.
	53277-14	A	SEAT ASSEMBLY - Third or fourth (complete) aft facing, without armrest (fabric/vinyl or fabric/leather)	2	31-7752001 to 31-7852029 incl.
	53277-15	A	SEAT ASSEMBLY - Third or fourth (complete) aft facing, without armrest (vinyl or leather)	2	31-7752001 to 31-7852029 incl.
	53277-18	A	SEAT ASSEMBLY - Third (complete) aft facing, without armrest (leather or fabric/vinyl)	1	31-7852030 to 31-7952250 incl
	53277-19	A	SEAT ASSEMBLY - Fourth (complete) aft facing, without armrest (leather or fabric/vinyl)	1	31-7852030 to 31-7952250 incl
	53277-24	A	SEAT ASSEMBLY - Third (complete) aft facing, with armrest (leather or fabric/vinyl)	1	31-7952001 to 31-7952250 incl
	53277-25	A	SEAT ASSEMBLY - Fourth (complete) aft facing, with armrest (leather or fabric/vinyl)	1	31-7952001 to 31-7952250 incl.
	53277-26	A	SEAT ASSEMBLY - Third (complete) aft facing, with outboard armrest only (leather or fabric/vinyl)	1	31-8052001 to 31-8352042 incl
	53277-27	A	SEAT ASSEMBLY - Fourth (complete) aft facing, with outboard armrest only (leather or fabric/vinyl)	1	31-8052001 to 31-8352042 incl.
	53277-28	A	SEAT ASSEMBLY - Third (complete) aft facing, with armrests (leather or fabric/vinyl)	1	31-8052001 to 31-8352042 incl
	53277-29	A	SEAT ASSEMBLY - Fourth (complete) aft facing, with armrests (leather or fabric/vinyl)	1	31-8052001 to 31-8352042 incl.
	53277-30	A	SEAT ASSEMBLY - Third, (complete) aft facing, with armrests (leather or fabric/vinyl)	1	31-8452001 and up
	53277-31	A	SEAT ASSEMBLY - Fourth, (complete) aft facing, with armrests (leather or fabric/vinyl)	1	31-8452001 and up
-2	53131-02 55405-02	A A	* CUSHION ASSEMBLY - Seat back * CUSHION ASSEMBLY - Seat back (fabric/vinyl or fabric/ leather)	1 1	31-5001 to 31-7652177 incl. 31-7752001 to 31-7852029 incl.
	55389-02 49474-03	A A	* CUSHION ASSEMBLY - Seat back (vinyl or leather) * CUSHION ASSEMBLY - Seat back (leather or fabric/vinyl) third seat	1 1	31-7752001 to 31-7852029 incl. 31-7852030 to 31-8352042 incl.
	49474-02	A	* CUSHION ASSEMBLY - Seat back (leather or fabric/vinyl) fourth seat	1	31-7852030 to 31-8352042 incl
	74367-03		* CUSHION ASSEMBLY - Seat back (leather or fabric/vinyl) third and fourth seats	1	31-8452001 and up

When ordering, always specify Part Number, Description and Serial Number of Aircraft



## PIPER PARTS CATALOG

Figure and Index Number	Part Number	Code	NOMENCLATURE	No. Req.	SERIAL NUMBERS AFFECTED
60-3	53129-03	A	* * PANEL ASSEMBLY - Seat back trim	1	31-5001 to 31-7652177 incl.
	55390-02	A	* * PANEL ASSEMBLY - Seat back trim	1	31-7752001 to 31-7852029 incl.
	49324-11	A	* * PANEL ASSEMBLY - Seat back trim, third seat	1	31-7852030 to 31-8352042 incl.
	49324-10	A	* * PANEL ASSEMBLY - Seat back trim, fourth seat	1	31-7852030 to 31-8352042 incl.
	74367-21	A	* * PANEL ASSEMBLY - Seat back trim, third and fourth seats	1	31-8452001 and up
-4	52849-00		* * HINGE - Seat back, left	1	
	52849-01		* * HINGE - Seat back, right	1	
-5	34447-00		* * DETENT - Seat hinge	2	
-6	53261-01	A	* CUSHION ASSEMBLY - Seat bottom, third, with armrest	1	31-5001 to 31-7652177 incl.
	55372-03	A	* CUSHION ASSEMBLY - Seat bottom, third, with armrest (fabric/vinyl or fabric/leather)	1	31-7752001 to 31-7852029 incl.
	55404-03	A	* CUSHION ASSEMBLY - Seat bottom, third, with armrest (vinyl or leather)	1	31-7752001 to 31-7852029 incl.
	49458-05	A	* CUSHION ASSEMBLY - Seat bottom, third, with armrest (leather or fabric/vinyl)	1	31-7852030 to 31-8352042 incl.
	53261-00	A	* CUSHION ASSEMBLY - Seat bottom, fourth, with armrest	1	31-5001 to 31-7652177 incl.
	55372-02	A	* CUSHION ASSEMBLY - Seat bottom, fourth, with armrest (fabric/vinyl or fabric/leather)	1	31-7752001 to 31-7852029 incl.
	55404-02	A	* CUSHION ASSEMBLY - Seat bottom, fourth, with armrest (vinyl or leather)	1	31-7752001 to 31-7852029 incl.
	49458-04	A	* CUSHION ASSEMBLY - Seat bottom, fourth, with armrest (leather or fabric/vinyl)	1	31-7852030 to 31-8352042 incl.
	53266-00	A	* CUSHION ASSEMBLY - Seat bottom, third or fourth, without armrest	1	31-5001 to 31-7652177 incl.
	55372-04	A	* CUSHION ASSEMBLY - Seat bottom, third or fourth, without armrest (fabric/vinyl or fabric/leather)	1	31-7752001 to 31-7852029 incl.
	55404-04	A	* CUSHION ASSEMBLY - Seat bottom, third or fourth, without armrest (vinyl or leather)	1	31-7752001 to 31-7852029 incl.
	49458-02	A	* CUSHION ASSEMBLY - Seat bottom, third without armrest (leather or fabric/vinyl)	1	31-7852030 to 31-8352042 incl.
	49458-03	A	* CUSHION ASSEMBLY - Seat bottom, fourth, without armrest (leather or fabric/vinyl)	1	31-7852030 to 31-8352042 incl.
	74368-04	A	* CUSHION ASSEMBLY - Seat bottom, third, with armrests (leather or fabric/vinyl)	1	31-8452001 and up
	74368-05	A	* CUSHION ASSEMBLY - Seat bottom, fourth, with armrests (leather or fabric/vinyl)	1	31-8452001 and up
-7	52625-00	A	* * CHANNEL - Seat bottom	1	
-7a	587 600		* * SUSPENSION - Elastaseat (P-151)	1	
	41722-10		* * NETTING - Nylon	1	
-8	18968-00		* * ROLLER - Seat	2	
-9	41413-38		* * BUSHING - Seat roller	4	
-10	400 012		* * BOLT - Seat roller (AN4-17A)	4	
	407 565		* * WASHER - (AN960-416)	4	
	407 585		* * WASHER - (AN960-416L)	4	
	404 836		* * NUT - (MS20364-428C)	4	
-11	52387-00		* * STOP - Seat bottom	2	
-12	53832-00		* SUPPORT ASSEMBLY - Seat bottom frame	1	
-13	571 078		* * KNOB - Black (3702-S)	2	
-14	52096-00		* * PIN - Support assembly stop	2	
-15	587 289		* * SPRING - (LC-035E-12)	2	
-16	18968-00		* * ROLLER - Support assembly, frame	2	
-17	52160-00		* * BUSHING - Roller and support	4	
-18	41413-38		* * BUSHING - Roller	2	
-19	486 221		* * SCREW - Nylon insert (MS35207-264)	8	

When ordering, always specify Part Number, Description and Serial Number of Aircraft

PIPER PARTS CATALOG

Figure and Index Number	Part Number	Code	NOMENCLATURE	No. Req.	SERIAL NUMBERS AFFECTED
60-20	29999-11		* BUSHING - Stop, seat back and safety belt attachment	2	
-21	29999-10		* BUSHING - Stop, seat back and safety belt attachment	2	
-22	53260-04	A	* ARMREST ASSEMBLY - (Complete)	1	31-5001 to 31-7652177 incl.
	49099-02	A	* ARMREST ASSEMBLY - (Complete), left, inboard	1	31-7752001 and up
	49099-03	A	* ARMREST ASSEMBLY - (Complete), right, inboard	1	31-7752001 and up
-23	53249-03	A	* * PAD ASSEMBLY - Armrest	1	31-5001 to 31-7652177 incl.
	49086-02	A	* * PAD ASSEMBLY - Armrest, left, inboard	1	31-7752001 and up
	49086-03	A	* * PAD ASSEMBLY - Armrest, right, inboard	1	31-7752001 and up
-24	52904-00		* * SUPPORT ASSEMBLY - Armrest, inboard	1	
-25	53134-00	A	* SHROUD ASSEMBLY - Safety belt fitting	2	31-5001 to 31-7652177 incl.
	49102-02	A	* SHROUD ASSEMBLY - Safety belt fitting	2	31-7752001 and up
-26	25801-08		* BELT ASSEMBLY - Safety, third or fourth, fawn	1	31-5001 to 31-7652177 incl.
	25801-10		* BELT ASSEMBLY - Safety, third or fourth, black	1	
	25801-11		* BELT ASSEMBLY - Safety, third or fourth, blue	1	31-5001 to 31-7652177 incl.
-27	52917-00		* COVER - Armrest bracket trim	1	
-28	400 920		* BOLT - (AN24-30A)	2	
	477 709		* NUT - (26C-048) Chrome	2	
	407 565		* WASHER - (AN960-416)	2	
-29	44114-00		* WASHER - Cover	4	
-30	49982-31		* BUSHING - Seat back hinge	4	
-31	14175-111		* BUSHING - Seat back hinge	2	
-32	49982-27		* BUSHING - Front armrest support	1	
-33	49982-28		* BUSHING - Rear armrest support	1	
-34	400 890		* BOLT - (AN23-40A)	2	
-35	400 878		* BOLT - (AN23-26A)	2	
	404 835		* NUT - (MS20364-1032C)	2	
	407 584		* WASHER - (AN960-10L)	2	
-36	71158-14	A	* ARMREST ASSEMBLY - Left, outboard (fabric or leather)	1	31-8052001 and up
	71158-15	A	* ARMREST ASSEMBLY - Right, outboard (fabric or leather)	1	31-8052001 and up
-37	58382-06		* * SUPPORT - Armrest, left, outboard	1	31-8052001 and up
	58382-07		* * SUPPORT - Armrest, right, outboard	1	31-8052001 and up
-38	489 424		* * ASH TRAY - (3130-4)	1	31-8052001 and up
-39	400 924		* BOLT - (AN24-34A) Aft, outboard	1	31-8052001 and up
	400 907		* BOLT - (AN24-17A) Forward, outboard	1	31-8052001 and up
-40	56957-40		* BUSHING - Aft, outboard	1	31-8052001 and up
	29999-11		* BUSHING - Forward, outboard	1	31-8052001 and up
-41	53276-00	A	* HEADREST ASSEMBLY - Third or fourth seat	1	31-5001 to 31-7652177 incl.
	49103-02	A	* HEADREST ASSEMBLY - Third or fourth seat	1	31-7752001 to 31-7852029 incl
	49428-02	A	* HEADREST ASSEMBLY - Third seat	1	31-7852030 to 31-7852171 incl.
	49428-03	A	* HEADREST ASSEMBLY - Fourth seat	1	31-7852030 to 31-7852171 incl
	49428-10	A	* HEADREST ASSEMBLY - Third seat	1	31-7952001 to 31-8352042 incl
	49428-11	A	* HEADREST ASSEMBLY - Fourth seat	1	31-7952001 to 31-8352042 incl
	72950-16	A	* HEADREST ASSEMBLY - Third or fourth seat	1	31-8452001 and up
-42	99361-00		* RECEPTACLE - Headrest	2	
-43	53246-00		* PANEL ASSEMBLY - Armrest trim, left	1	31-5001 to 31-7652177 incl.
	48537-14		* PANEL ASSEMBLY - Armrest trim, left	1	31-7752001 and up
	53246-01		* PANEL ASSEMBLY - Armrest trim, right	1	31-5001 to 31-7652177 incl.
	48537-15		* PANEL ASSEMBLY - Armrest trim, right	1	31-7752001 and up
-44	400 924		* BOLT - (AN24-34A)	2	
	404 836		* NUT - (MS20364-428C)	2	
	407 565		* WASHER - (AN960-416)	2	
-45	52543-00		STOP - Seat	2	31-7752001 to 31-8052218 incl.
	43759-00		STOP - Seat	2	31-8052219 and up
-46	411 532		SCREW - (MS35207-263)	2	31-7752001 to 31-8052218 incl.
	410 046		SCREW - (MS24694-S59)	2	31-8052219 and up

When ordering, always specify Part Number, Description and Serial Number of Aircraft

# PIPER PARTS CATALOG

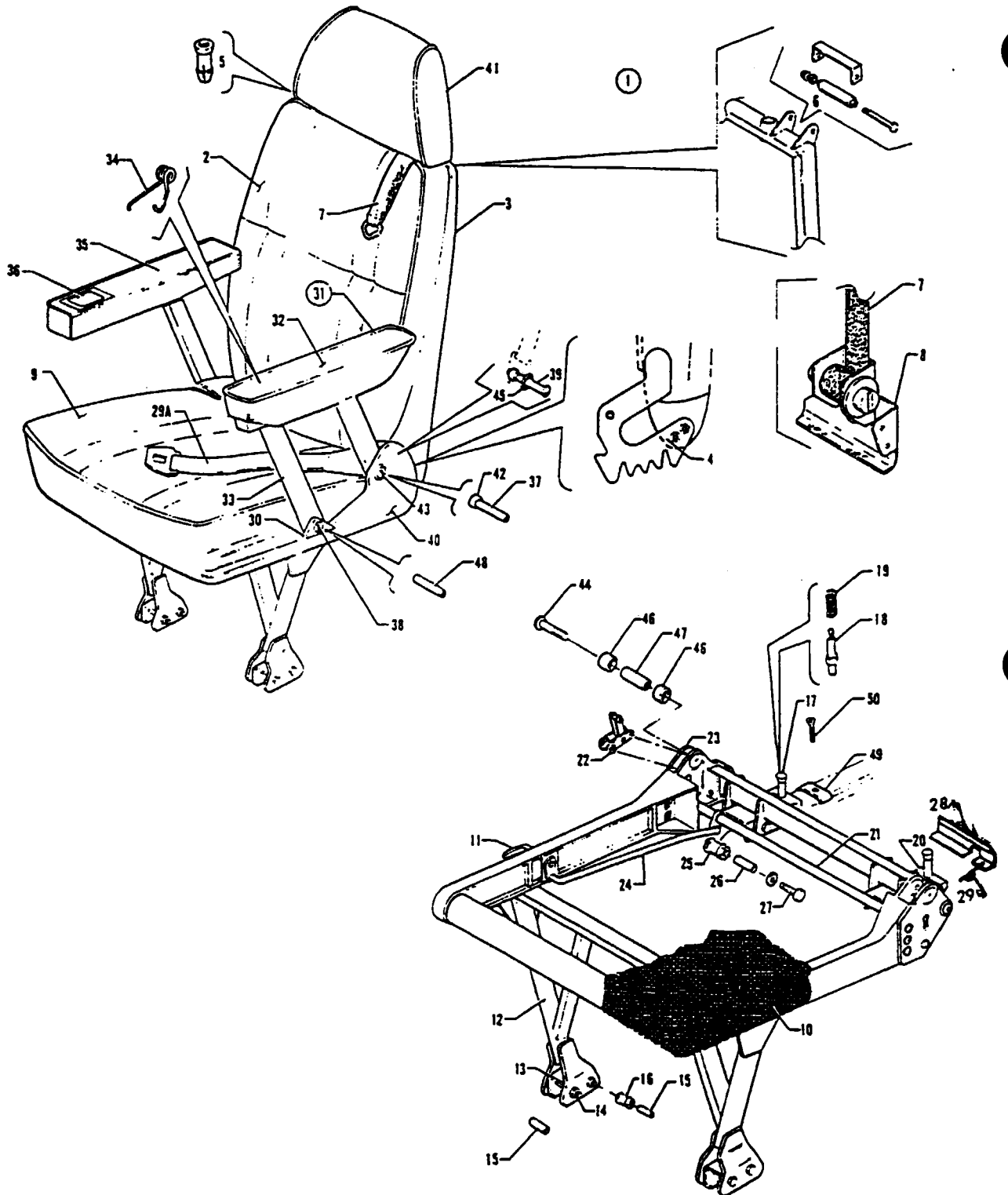


Figure 60A. Seats Installation - Third and Fourth Aft Facing  
(Serial Numbers 31-8152001 and up)

---

# PIPER PARTS CATALOG

---

CODE EXPLANATIONS FOR FIGURE 60A

A - Serial number of aircraft must be supplied when ordering this part.

REVISED: MAY 1984

2D11

PA-31-350

PIPER PARTS CATALOG

Figure and Index Number	Part Number	Code	NOMENCLATURE	No. Req.	SERIAL NUMBERS AFFECTED
60A-	74004		DRAWING - Seat Installation		
-1	71823-06	A	SEAT ASSEMBLY - Third (complete) aft facing, with armrests (leather or fabric/vinyl)	1	
	71823-07	A	SEAT ASSEMBLY - Fourth (complete) aft facing, with armrests (leather or fabric/vinyl)	1	
-2	71914-16	A	* BACK ASSEMBLY - Seat, left	1	
	71914-17	A	* BACK ASSEMBLY - Seat, right	1	
-3	71914-12	A	* * PANEL ASSEMBLY - Seat back trim, left	1	
	71914-13	A	* * PANEL ASSEMBLY - Seat back trim, right	1	
-4	71656-04		* * DETENT - Seat hinge	2	
-5	99361-00		* * RECEPTACLE - Headrest	2	
-6	401 280		* * BOLT - (AN3-26A)	1	
	60998-15		* * BUSHING - Outer	1	
	60998-16		* * BUSHING - Inner	1	
	407 564		* * WASHER - (AN960-10)	1	
	404 887		* * NUT - (MS20365-1032C)	1	
-7	72607-03		* * INERTIA REEL ASSEMBLY - (Includes shoulder harness)	1	
-8	71660-14		* * SUPPORT - Harness, left	1	
	71660-15		* * SUPPORT - Harness, right	1	
-9	71824-02		* * BOTTOM ASSEMBLY - Seat, left	1	
	71824-03		* * BOTTOM ASSEMBLY - Seat, right	1	
-10	71824-08		* * NETTING - Nylon	1	
-11	32380-00		* * HANDLE - Seat recliner	1	
-12	71676-07		* * SUPPORT ASSEMBLY - Seat bottom frame	1	
-13	47615-00		* * * BRACKET - Seat roller	2	
-14	400 012		* * * BOLT - (AN4-17A)	4	
	407 565		* * * WASHER - (AN960-416)	4	
	407 585		* * * WASHER - (AN960-416L)	4	
	404 836		* * * NUT - (MS20364-428C)	4	
-15	41413-38		* * * BUSHING - Roller	4	
-16	18968-00		* * * ROLLER - Seat	2	
-17	571 078		* * KNOB - Black (3702S)	2	
-18	53808-00		* * PIN - Seat stop	2	
-19	587 289		* * SPRING - (LC-035E-12)	2	
-20	71658-03		* * BRACKET ASSEMBLY - Seat roller	2	
-21	71658-07		* * TUBE ASSEMBLY - Recliner	1	
-22	71658-30		* * STOP ASSEMBLY - Seat recliner	2	
-23	71658-56		* * PLATE ASSEMBLY - Frame, left	1	
	71658-55		* * PLATE ASSEMBLY - Frame, right	1	
-24	71658-09		* * ROD - Seat recliner, right	1	
	71658-63		* * ROD - Seat recliner, left	1	
-25	18968-00		* * ROLLER - Seat	2	
-26	41413-38		* * BUSHING - Seat roller	4	
-27	400 012		* * BOLT - (AN4-17A)	4	
	407 565		* * WASHER - (AN960-416)	4	
	407 585		* * WASHER - (AN960-416L)	4	
	404 836		* * NUT - (MS20364-428C)	4	
-28	71658-24		* * CHANNEL - Seat recliner	1	
-29	83303-03		* * SPRING - Seat recliner	2	
-29a	54534-05		* * BELT ASSEMBLY - Safety	1	
-30	52917-00		* COVER - Armrest bracket trim	1	
-31	49099-03	A	* ARMREST ASSEMBLY - Left, inboard	1	
	49099-02	A	* ARMREST ASSEMBLY - Right, inboard	1	

When ordering, always specify Part Number, Description and Serial Number of Aircraft

PIPER PARTS CATALOG

Figure and Index Number	Part Number	Code	NOMENCLATURE	No. Req.	SERIAL NUMBERS AFFECTED
60A-32	49086-03	A	* * PAD ASSEMBLY - Armrest, left	1	
	49086-02	A	* * PAD ASSEMBLY - Armrest, right	1	
-33	52904-00		* * SUPPORT ASSEMBLY - Armrest	1	
-34	52877-00		* * * SPRING - Armrest actuator	1	
-35	70476-13	A	* ARMREST ASSEMBLY - Left, outboard	1	
	70476-12	A	* ARMREST ASSEMBLY - Right, outboard	1	
-36	489 424		* * ASHTRAY - (3130-4)	1	
-37	56957-44		* BUSHING - Armrest support, rear, inboard	1	
-38	400 872		* BOLT - (AN23-21A) Armrest support, front, inboard	1	
-39	400 922		* BOLT - (AN24-32A)	2	
	41413-26		* BUSHING - (.19 L.)	2	
	14175-111		* BUSHING - (1.156 L.)	2	
-40	71936-03	A	* PANEL ASSEMBLY - Armrest trim, left	1	
	71936-02	A	* PANEL ASSEMBLY - Armrest trim, right	1	
-41	49735-27	A	* HEADREST ASSEMBLY - Left	1	
	49735-26	A	* HEADREST ASSEMBLY - Right	1	
-42	56957-45		* BUSHING - Armrest support, rear, inboard	1	
-43	400 876		* BOLT - (AN23-24A) Armrest support, rear, inboard	1	
-44	402 717		* BOLT - (NAS1106-26)	2	
	407 587		* WASHER - (AN960-616L)	2	
	404 856		* NUT - (MS20364-624)	2	
-45	44114-00		* WASHER - Trim	3	
-46	71658-15		* BUSHING - Seat back hinge	4	
-47	71658-25		* BUSHING - Seat back hinge	2	
-48	56957-43		* BUSHING - Armrest support, front, inboard	1	
-49	43759-00		STOP - Seat	2	
-50	410 046		SCREW - (MS24694-S59)	2	

When ordering, always specify Part Number, Description and Serial Number of Aircraft

PIPER PARTS CATALOG

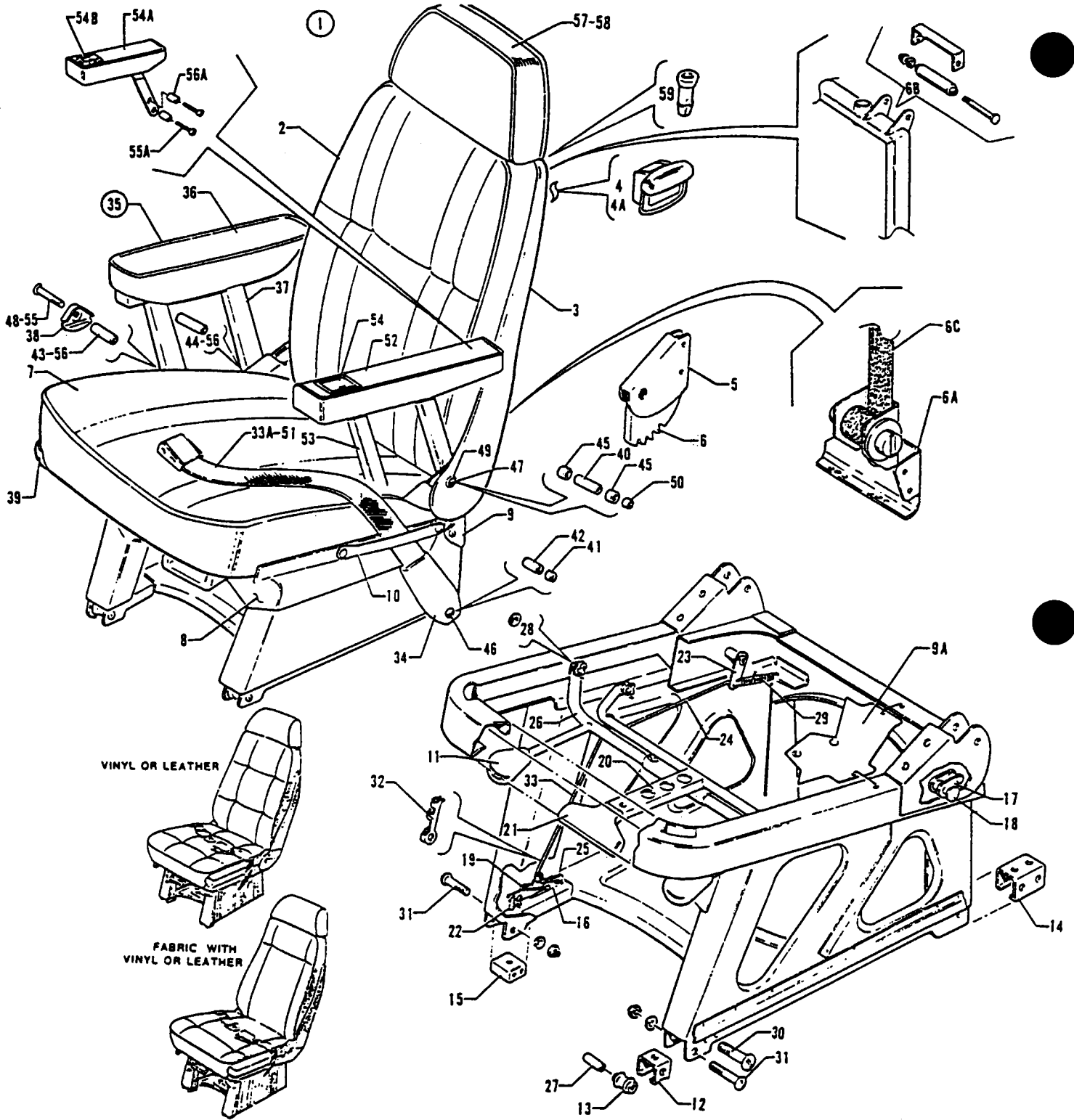


Figure 61. Seats Installation - Passenger

---

# PIPER PARTS CATALOG

---

## CODE EXPLANATIONS FOR FIGURE 61

- A - Serial number of aircraft must be supplied when ordering this part.
- B - Used if seat assembly does not incorporate an integral shoulder harness.
- C - Used if seat assembly incorporates an integral shoulder harness.



PIPER PARTS CATALOG

Figure and Index Number	Part Number	Code	NOMENCLATURE	No. Req.	SERIAL NUMBERS AFFECTED
61-	53135 55439 49450 74004		DRAWING - Passenger Seats Installation DRAWING - Passenger Seats Installation DRAWING - Passenger Seats Installation DRAWING - Passenger Seats Installation		31-5001 to 31-7652177 incl. 31-7752001 to 31-7852029 incl. 31-7852030 and up 31-8152001 and up
-1	53133-02	A	SEAT ASSEMBLY - Passenger (complete) without ash tray and armrest (4 1/2" thick back)	2	31-5001 to 31-7652177 incl.
	53133-03	A	SEAT ASSEMBLY - Passenger (complete) with ash tray and without armrest (4 1/2" thick back)	2	31-5001 to 31-7652177 incl.
	53133-10	A	SEAT ASSEMBLY - Passenger (complete) with ash tray and without armrest (3 1/2" thick back)	2	31-5001 to 31-7652177 incl.
	55430-07	A	SEAT ASSEMBLY - Passenger (complete) with ash tray and without armrest (leather or vinyl)	2	31-7752001 to 31-7852029 incl.
	55430-15	A	SEAT ASSEMBLY - Passenger (complete) with ash tray and without armrest (fabric/vinyl or fabric/leather)	2	31-7752001 to 31-7852029 incl.
	53133-04	A	SEAT ASSEMBLY - Passenger, left (complete) without ash tray and with armrest (4 1/2" thick back)	1	31-5001 to 31-7652177 incl.
	53133-06	A	SEAT ASSEMBLY - Passenger, left (complete) with ash tray and armrest (4 1/2" thick back)	1	31-5001 to 31-7652177 incl.
	53133-08	A	SEAT ASSEMBLY - Passenger, left (complete) with ash tray and armrest (3 1/2" thick back)	1	31-5001 to 31-7652177 incl.
	55430-08	A	SEAT ASSEMBLY - Passenger, left (complete) with ash tray and armrest (leather or vinyl)	1	31-7752001 to 31-7852029 incl.
	55430-16	A	SEAT ASSEMBLY - Passenger, left (complete) with ash tray and armrest (fabric/vinyl or fabric/leather)	1	31-7752001 to 31-7852029 incl.
	55430-26	A	SEAT ASSEMBLY - Passenger, left (complete) with ash tray and armrest (leather or fabric/vinyl)	1	31-7852030 to 31-7952250 incl.
	55430-24	A	SEAT ASSEMBLY - Passenger, left (complete) with ash tray and without armrest (leather or fabric/vinyl)	1	31-7852030 to 31-7952250 incl.
	55430-21	A	SEAT ASSEMBLY - Passenger, left (complete) without ash tray and with armrest (leather or fabric/vinyl)	1	31-7852030 to 31-7952250 incl.
	55430-30	A,B	SEAT ASSEMBLY - Passenger, left (complete) without ash tray and with armrests (leather or fabric/vinyl)	1	31-8052001 to 31-8352042 incl.
	55430-32	A,B	SEAT ASSEMBLY - Passenger, left (complete) without ash tray and with armrests (leather or fabric/vinyl)	1	31-8452001 and up
	55430-18	A	SEAT ASSEMBLY - Passenger, left (complete) without ash tray and armrest (leather or fabric/vinyl)	1	31-7852030 to 31-7952250 incl.
	55430-28	A,B	SEAT ASSEMBLY - Passenger, left (complete) without ash tray, with outboard armrest only (leather or fabric/vinyl)	1	31-8052001 to 31-8352042 incl.
	71823-02	A,C	SEAT ASSEMBLY - Passenger, left (complete) without ash tray, with armrests and integral shoulder harness (leather or fabric/vinyl)	1	31-8152001 and up
	53133-05	A	SEAT ASSEMBLY - Passenger, right (complete) without ash tray and with armrest (4 1/2" thick back)	1	31-5001 to 31-7652177 incl.
	53133-07	A	SEAT ASSEMBLY - Passenger, right (complete) with ash tray and armrest (4 1/2" thick back)	1	31-5001 to 31-7652177 incl.

When ordering, always specify Part Number, Description and Serial Number of Aircraft

## PIPER PARTS CATALOG

Figure and Index Number	Part Number	Code	NOMENCLATURE	No. Req.	SERIAL NUMBERS AFFECTED	
61-1	53133-09	A	SEAT ASSEMBLY - Passenger, right (complete) with ash tray and armrest (3 1/2" thick back)	1	31-5001 to 31-7652177 incl.	
	55430-09	A	SEAT ASSEMBLY - Passenger, right (complete) with ash tray and armrest (leather or vinyl)	1	31-7752001 to 31-7852029 incl.	
	55430-17	A	SEAT ASSEMBLY - Passenger, right (complete) with ash tray and armrest (fabric/vinyl or fabric/leather)	1	31-7752001 to 31-7852029 incl.	
	55430-27	A,B	SEAT ASSEMBLY - Passenger, right (complete) with ash tray and armrest (leather or fabric/vinyl)	1	31-7852030 to 31-7952250	
	55430-25	A,B	SEAT ASSEMBLY - Passenger, right (complete) with ash tray and without armrest (leather or fabric/vinyl)	1	31-7852030 to 31-7952250	
	55430-22	A	SEAT ASSEMBLY - Passenger, right (complete) without ash tray and with armrest (leather or fabric/vinyl)	1	31-7852030 to 31-7952250 incl.	
	55430-31	A,B	SEAT ASSEMBLY - Passenger, right (complete) without ash tray and with armrests (leather or fabric/vinyl)	1	31-8052001 to 31-8352042 incl.	
	55430-33	A,B	SEAT ASSEMBLY - Passenger, right (complete) without ash tray and with armrests (leather or fabric/vinyl)	1	31-8452001 and up	
	55430-19	A	SEAT ASSEMBLY - Passenger, right (complete) without ash tray and armrest (leather or fabric/vinyl)	1	31-7852030 to 31-7952250 incl.	
	55430-29	A,B	SEAT ASSEMBLY - Passenger, right (complete) without ash tray, with outboard armrest only (leather or fabric/vinyl)	1	31-8052001 to 31-8352042 incl.	
	71823-03	A,C	SEAT ASSEMBLY - Passenger, right (complete) without ash tray, with armrests and integral should harness (leather or fabric/vinyl)	1	31-8152001 and up	
	-2	53131-02	A	* CUSHION ASSEMBLY - Seat back, without ash tray	1	31-5001 to 31-7652177 incl.
		53131-04	A	* CUSHION ASSEMBLY - Seat back, with ash tray (4 1/2" thick back)	1	31-5001 to 31-7652177 incl.
		55389-03	A	* CUSHION ASSEMBLY - Seat back, with ash tray, (leather or vinyl)	1	31-7752001 to 31-7852029 incl.
53131-05		A	* CUSHION ASSEMBLY - Seat back, with ash tray (3 1/2" thick back)	1	31-5001 to 31-7652177 incl.	
55405-03		A	* CUSHION ASSEMBLY - Seat back, with ash tray (fabric/vinyl or fabric/leather)	1	31-7752001 to 31-7852029 incl.	
49474-02		A,B	* CUSHION ASSEMBLY - Seat back, left, without ash tray (leather or fabric/vinyl)	1	31-7852030 to 31-8352042 incl.	
49474-03		A,B	* CUSHION ASSEMBLY - Seat back, right, without ash tray (leather or fabric/vinyl)	1	31-7852030 to 31-8352042 incl.	
74367-02		A,B	* CUSHION ASSEMBLY - Seat back, left or right, without ash tray (leather or fabric/vinyl)	1	31-8452001 and up	
49474-04		A	* CUSHION ASSEMBLY - Seat back, left, with ash tray (leather or fabric/vinyl)	1	31-7852030 to 31-7952250 incl.	
49474-05		A	* CUSHION ASSEMBLY - Seat back, right, with ash tray (leather or fabric/vinyl)	1	31-7852030 to 31-7952250 incl.	
71914-02		A,C	* CUSHION ASSEMBLY - Seat back, left, without ash tray, (leather or fabric/vinyl)	1	31-8152001 and up	
71914-03		A,C	* CUSHION ASSEMBLY - Seat back, right, without ash tray, (leather or fabric/vinyl)	1	31-8152001 and up	

When ordering, always specify Part Number, Description and Serial-Number of Aircraft

PIPER PARTS CATALOG

Figure and Index Number	Part Number	Code	NOMENCLATURE	No. Req.	SERIAL NUMBERS AFFECTED	
61-3	53129-03	A	** PANEL ASSEMBLY - Seat back trim, without ash tray	1	31-5001 to 31-7652177 incl.	
	53129-02	A	** PANEL ASSEMBLY - Seat back trim, with ash tray	1	31-5001 to 31-7652177 incl	
	55390-02	A	** PANEL ASSEMBLY - Seat back trim	1	31-7752001 to 31-7852029 incl	
	49324-10	A,B	** PANEL ASSEMBLY - Seat back trim, left	1	31-7852030 to 31-8352042 incl.	
	49324-11	A,B	** PANEL ASSEMBLY - Seat back trim, right	1	31-7852030 to 31-8352042 incl.	
	74367-20	A,B	** PANEL ASSEMBLY - Seat back trim, left or right	1	31-8452001 and up	
	71914-12	A,C	** PANEL ASSEMBLY - Seat back trim, left	1	31-8152001 and up	
	71914-13	A,C	** PANEL ASSEMBLY - Seat back trim, right	1	31-8152001 and up	
	-4	53128-00	A	** TRAY ASSEMBLY - Ash	1	31-5001 to 31-7652177 incl.
	-4a	27754-02	A	** TRAY ASSEMBLY - Ash	1	31-7752001 to 31-7952250 incl.
	-5	52849-00		** HINGE - Seat back, left	1	
		52849-01		** HINGE - Seat back, right	1	
	-6	34447-00	B	** DETENT - Seat hinge	2	
29259-02		C	** DETENT - Seat hinge	2		
-6a	55846-04	C	** BRACKET - Inertia reel, left	1		
	55846-05	C	** BRACKET - Inertia reel, right	1		
-6b	401 280	C	** BOLT - (AN3-26A)	1		
	60998-15	C	** BUSHING - Outer	1		
	60998-16	C	** BUSHING - Inner	1		
	407 564	C	** WASHER - (AN960-10)	1		
	404 887	C	** NUT - (MS20365-1032C)	1		
	54534-07	C	** INERTIA REEL ASSEMBLY - (Includes shoulder harness)	1		
	-7	53123-17	A	* CUSHION ASSEMBLY - Seat bottom, without armrest	1	31-5001 to 31-7652177 incl.
	55387-02	A	* CUSHION ASSEMBLY - Seat bottom, without armrest, (leather or vinyl)	1	31-7752001 to 31-7852029 incl.	
	55386-02	A	* CUSHION ASSEMBLY - Seat bottom, without armrest, (fabric/vinyl or fabric/leather)	1	31-7752001 to 31-7852029 incl	
	53280-00	A	* CUSHION ASSEMBLY - Seat bottom, left, with armrest	1	31-5001 to 31-7652177 incl	
	55387-04	A	* CUSHION ASSEMBLY - Seat bottom, left, with armrest (leather or vinyl)	1	31-7752001 to 31-7852029 incl	
	55386-04	A	* CUSHION ASSEMBLY - Seat bottom, left, with armrest (fabric/vinyl or fabric/leather)	1	31-7752001 to 31-7852029 incl.	
	49396-02	A,B	* CUSHION ASSEMBLY - Seat bottom, left, with armrest (leather or fabric/vinyl)	1	31-7852030 to 31-8352042 incl	
	74368-02	A,B	* CUSHION ASSEMBLY - Seat bottom, left, with armrest (leather or fabric/vinyl)	1	31-8452001 and up	
	49397-02	A,B	* CUSHION ASSEMBLY - Seat bottom, left, without armrest (leather or fabric/vinyl)	1	31-7852030 to 31-8352042 incl.	
	49396-22	A,C	* CUSHION ASSEMBLY - Seat bottom, left, with armrests (leather or fabric/vinyl)	1	31-8152001 and up	
	53280-01	A	* CUSHION ASSEMBLY - Seat bottom, right, with armrest	1	31-5001 to 31-7652177 incl	
	55387-05	A	* CUSHION ASSEMBLY - Seat bottom, right, with armrest (leather or vinyl)	1	31-7752001 to 31-7852029 incl.	
	55386-05	A	* CUSHION ASSEMBLY - Seat bottom, right, with armrest (fabric/vinyl or fabric/leather)	1	31-7752001 to 31-7852029 incl.	
	49396-03	A,B	* CUSHION ASSEMBLY - Seat bottom, right, with armrest (leather or fabric/vinyl)	1	31-7852030 to 31-8352042 incl.	
	74368-03	A,B	* CUSHION ASSEMBLY - Seat bottom, right, with armrest (leather or fabric/vinyl)	1	31-8452001 and up	
	49397-03	A,B	* CUSHION ASSEMBLY - Seat bottom, right, without armrest (leather or fabric/vinyl)	1	31-7852030 to 31-8352042 incl.	
	49396-23	A,C	* CUSHION ASSEMBLY - Seat bottom, right, with armrests (leather or fabric/vinyl)	1	31-8152001 and up	
-8	48529-03	A	** COVER - Seat bottom frame trim, forward	1	31-5001 to 31-7652177 incl.	
	53122-05	A	** COVER - Seat bottom frame trim, forward	1	31-7752001 to 31-7852029 incl.	
	49092-06	A	** COVER - Seat bottom frame trim, forward	1	31-7852030 and up	
-9	53123-16	A	** COVER - Seat bottom frame trim, aft	1	31-5001 to 31-7652177 incl.	
	53128-02	A	** COVER - Seat bottom frame trim, aft	1	31-7752001 to 31-7852029 incl.	
	49092-07	A	** COVER - Seat bottom frame trim, aft	1	31-7852030 and up	

When ordering, always specify Part Number, Description and Serial Number of Aircraft

## PIPER PARTS CATALOG

Figure and Index Number	Part Number	Code	NOMENCLATURE	No. Req.	SERIAL NUMBERS AFFECTED
51-9a	587 600	B	* * SUSPENSION - Elastaseat (P-151)	1	
	41722-10	B	* * NETTING - Nylon	1	
	48531-12	C	* * NETTING - Nylon	1	
-10	53120-00	A	* * LOOP ASSEMBLY - Seat belt	1	31-5001 to 31-7652177 incl.
	49092-08	A	* * LOOP ASSEMBLY - Seat belt	1	31-7752001 and up
-11	571 091		* * KNOB - (225)	2	
-12	12074-03	B	* * BRACKET - Seat roller, forward	2	
	29281-02	C	* * BRACKET - Seat roller, forward	2	
-13	18968-00		* * ROLLER - Seat	4	
-14	47615-00		* * BRACKET - Seat roller	2	
-15	41695-02	B	* * GUIDE - Seat latch	2	
	29282-02	C	* * GUIDE - Seat latch	2	
-16	41763-00		* * BRACKET - Seat track lock	2	
-17	42074-00	B	* * PAWL ASSEMBLY - Seat recliner	2	
	29184-02	C	* * PAWL ASSEMBLY - Seat recliner	2	
-18	42098-00		* * PLUG - Seat recliner mechanism tube	2	
-19	42282-00		* * SPRING - Seat track latch	2	
-20	44029-00		* * HANDLE ASSEMBLY - Seat track latch release	1	31-5001 to 31-7552023 incl.
	44029-02		* * HANDLE ASSEMBLY - Seat track latch release	1	31-7552024 and up
-21	45255-00		* * HANDLE - Seat track latch release	1	
-22	47678-00		* * PLUNGER - Seat latch	2	
-23	47959-00		* * ARM ASSEMBLY - Seat recliner mechanism	2	
-24	47960-00		* * ROD - Seat recliner mechanism	2	31-5001 to 31-7552023 incl.
	54179-04		* * ROD - Seat recliner mechanism	2	31-7552024 and up
-25	47963-00		* * LINK - Seat track lock	2	
-26	47964-00		* * TUBE ASSEMBLY - Seat recliner release	1	31-5001 to 31-7552023 incl.
	54182-02		* * TUBE ASSEMBLY - Seat recliner release	1	31-7552024 and up
-27	41413-38		* * BUSHING - Seat roller	4	
-28	80122-06		* * WASHER - Seat recliner release	2	
-29	83303-03		* * SPRING - Seat recliner	2	
-30	400 882		* * BOLT - (AN23-30A)	4	
	407 584		* * WASHER - (AN960-10L)	4	
	477 707		* * NUT - (26C-02)	4	
-31	400 920		* * BOLT - (AN24-30A)	4	
	407 585		* * WASHER - (AN960-416L)	4	
	477 709		* * NUT - (26C-048) Chrome	4	
-32	406 369		* * NUT - (A 1037-012-3) (with 1/8" dia. rod)	4	31-5001 to 31-7552023 incl.
	554 671		* * CLIP - (HS-99339-2L) (with 5/32" dia. rod) left	3	31-7552024 and up
	554 670		* * CLIP - (HS-99355-2R) (with 5/32" dia. rod) right	3	31-7552024 and up
-33	47960-00		* * ROD - Seat latch	2	31-5001 to 31-7552023 incl.
	54179-02		* * ROD - Seat latch, left	1	31-7552024 and up
	54179-03		* * ROD - Seat latch, right	1	31-7552024 and up
-33a	54534-05	C	* * BELT ASSEMBLY - Safety	1	
-34	53134-00	A	* * SHROUD ASSEMBLY - Seat belt fitting	2	31-5001 to 31-7652177 incl.
-35	53260-04	A	* * ARMREST ASSEMBLY - Seat (complete)	1	31-5001 to 31-7652177 incl.
	49099-02	A	* * ARMREST ASSEMBLY - Seat (complete) left, inboard	1	31-7752001 and up
	49099-03	A	* * ARMREST ASSEMBLY - Seat (complete) right, inboard	1	31-7752001 and up
-36	53249-03	A	* * PAD ASSEMBLY - Armrest	1	31-5001 to 31-7652177 incl.
	49086-02	A	* * PAD ASSEMBLY - Armrest, left, inboard	1	31-7752001 and up
	49086-03	A	* * PAD ASSEMBLY - Armrest, right, inboard	1	31-7752001 and up
-37	52904-00		* * SUPPORT ASSEMBLY - Armrest, inboard	1	
-38	52917-00		* * COVER - Armrest bracket trim	1	
-39	53246-00	A	* * PANEL ASSEMBLY - Armrest trim, left	1	31-5001 to 31-7652177 incl.
	48537-14	A	* * PANEL ASSEMBLY - Armrest trim, left	1	31-7752001 and up
	53246-01	A	* * PANEL ASSEMBLY - Armrest trim, right	1	31-5001 to 31-7652177 incl.
	48537-15	A	* * PANEL ASSEMBLY - Armrest trim, right	1	31-7752001 and up

When ordering, always specify Part Number, Description and Serial Number of Aircraft

PIPER PARTS CATALOG

Figure and Index Number	Part Number	Code	NOMENCLATURE	No. Req.	SERIAL NUMBERS AFFECTED
61-40	14175-111		* BUSHING - Seat attachment	2	
-41	41413-26		* BUSHING - Safety belt attachment	2	
-42	41413-38		* BUSHING - Safety belt attachment	2	31-5001 to 31-7652177 incl.
-43	49982-27		* BUSHING - Armrest attachment	1	
-44	49982-28		* BUSHING - Armrest attachment	1	
-45	49982-31		* BUSHING - Seat attachment	4	
-46	400 926		* BOLT - (AN24-36A)	2	31-5001 to 31-7652177 incl.
	407 565		* WASHER - (AN960-416)	2	31-5001 to 31-7652177 incl.
	407 585		* WASHER - (AN960-416L)	2	31-5001 to 31-7652177 incl.
	477 709		* NUT - (26C-048) Chrome	2	31-5001 to 31-7652177 incl.
-47	400 920		* BOLT - (AN24-30A)	2	
	407 565		* WASHER - (AN960-416)	2	
	477 709		* NUT - (26C-048) Chrome	2	
-48	400 890		* BOLT - (AN23-40A)	2	
-49	44114-00		* WASHER - Cover	5	
-50	41413-26		* BUSHING	1	
-51	25801-02	B	* BELT ASSEMBLY - Safety, black	1	
	25801-03		* BELT ASSEMBLY - Safety, blue	1	31-5001 to 31-7652177 incl.
	25801-04		* BELT ASSEMBLY - Safety, fawn	1	31-5001 to 31-7652177 incl.
-52	71158-16	A,B	* ARMREST ASSEMBLY - Left, outboard (fabric or leather)	1	31-8052001 and up
	71158-17	A,B	* ARMREST ASSEMBLY - Right, outboard (fabric or leather)	1	31-8052001 and up
-53	58382-08	B	* * SUPPORT - Armrest, left, outboard	1	31-8052001 and up
	58382-09	B	* * SUPPORT - Armrest, right, outboard	1	31-8052001 and up
-54	489 424	B	* * ASH TRAY - (3130-4)	1	31-8052001 and up
-54a	70476-02	A,C	* ARMREST ASSEMBLY - Left, outboard (fabric or leather)	1	
	70476-03	A,C	* ARMREST ASSEMBLY - Right, outboard (fabric or leather)	1	
-54b	489 424	C	* * ASH TRAY - (3130-4)	1	
-55	400 924	B	* BOLT - (AN24-34A) Aft, outboard	1	31-8052001 and up
	400 907	B	* BOLT - (AN24-17A) Forward, outboard	1	31-8052001 and up
-55a	400 922	C	* BOLT - (AN24-32A)	2	
	477 709	C	* NUT - (26C-048) Chrome	2	
-56	56957-40	B	* BUSHING - Aft, outboard	1	31-8052001 and up
	29999-11	B	* BUSHING - Forward, outboard	1	31-8052001 and up
-56a	56957-38	C	* BUSHING - Outboard armrest, upper	1	
	14175-111	C	* BUSHING - Outboard armrest, lower	1	
-57	72950-16		* HEADREST ASSEMBLY - Passenger	1	31-8452001 and up
-58	53288-00	A	HEADREST ASSEMBLY - Passenger	4	31-5001 to 31-7652177 incl.
	49089-02	A	HEADREST ASSEMBLY - Passenger	4	31-7752001 to 31-7852029 incl.
	49425-02	A	HEADREST ASSEMBLY - Fifth and seventh seat	2	31-7852030 to 31-7852171 incl.
	49425-12	A,B	HEADREST ASSEMBLY - Fifth and seventh seat	2	31-7952001 to 31-8352042 incl.
	49425-03	A	HEADREST ASSEMBLY - Sixth and eighth seat	2	31-7852030 to 31-7852171 incl.
	49425-13	A,B	HEADREST ASSEMBLY - Sixth and eighth seat	2	31-7952001 to 31-8352042 incl.
-59	99361-00		RECEPTACLE - Headrest	8	

When ordering, always specify Part Number, Description and Serial Number of Aircraft

# PIPER PARTS CATALOG

---

GRIDS 2D21 THRU 2D24  
INTENTIONALLY LEFT BLANK

PIPER PARTS CATALOG

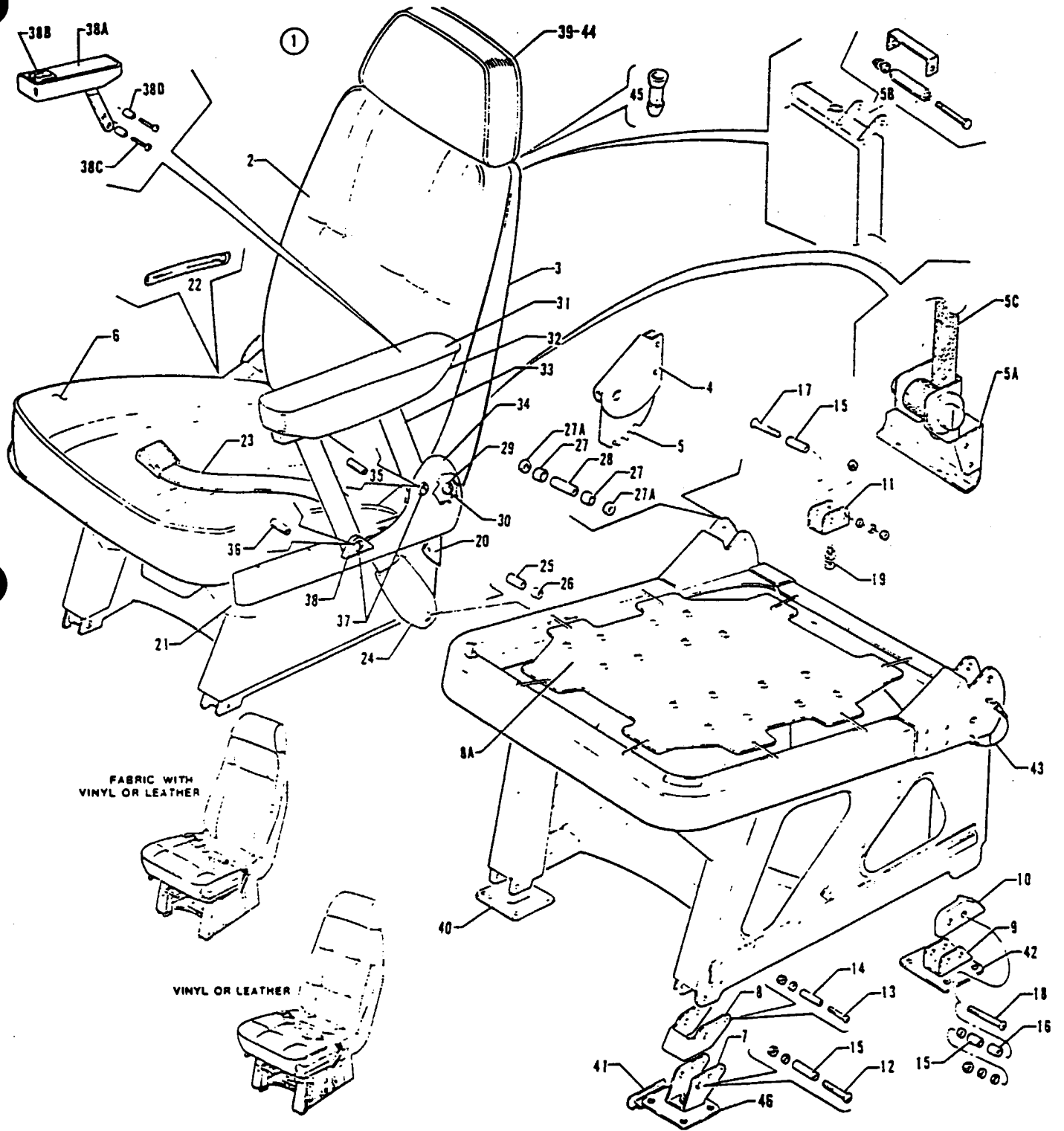


Figure 62. Seat Installation - Ninth

---

# PIPER PARTS CATALOG

---

## CODE EXPLANATIONS FOR FIGURE 62

- A - Serial number of aircraft must be supplied when ordering this part.
- B - Used if seat assembly incorporates an integral shoulder harness.
- C - Used if seat assembly does not incorporate an integral shoulder harness.



PIPER PARTS CATALOG

Figure and Index Number	Part Number	Code	NOMENCLATURE	No. Req.	SERIAL NUMBERS AFFECTED
62-	53287 49460 74004		DRAWING - Ninth Seat Installation DRAWING - Ninth Seat Installation DRAWING - Seat Installation		31-5001 to 31-7852029 incl 31-7852030 and up 31-8152001 and up
-1	53286-02 53286-03 55430-03  55430-11  55430-20  55430-06  55430-14  55430-23  55430-34  71823-11	A A A  A  A.C  A  A  A.C  A.C  A.B	SEAT ASSEMBLY - Ninth (complete) (4 1/2" thick back) SEAT ASSEMBLY - Ninth (complete) (3 1/2" thick back) SEAT ASSEMBLY - Ninth (complete) without ash tray or armrest (leather or vinyl) SEAT ASSEMBLY - Ninth (complete) without ash tray or armrest (fabric/vinyl or fabric/leather) SEAT ASSEMBLY - Ninth (complete) without ash tray or armrest (leather or fabric/vinyl) SEAT ASSEMBLY - Ninth (complete) without ash tray and with armrest (leather or vinyl) SEAT ASSEMBLY - Ninth (complete) without ash tray and with armrest (fabric/vinyl or fabric/leather) SEAT ASSEMBLY - Ninth (complete) without ash tray and with armrest (leather or fabric/vinyl) SEAT ASSEMBLY - Ninth (complete) without ash tray, and with armrest (leather or fabric/vinyl) SEAT ASSEMBLY - Ninth (complete) without ash tray, with armrests and integral shoulder harness (leather or fabric/vinyl)	1 1 1  1  1  1  1  1  1  1	31-5001 to 31-7652177 incl. 31-5001 to 31-7652177 incl. 31-7752001 to 31-7852029 incl  31-7752001 to 31-7852029 incl.  31-7852030 to 31-8352042 incl  31-7752001 to 31-7852029 incl  31-7752001 to 31-7852029 incl.  31-7852030 to 31-8352042 incl  31-8452001 and up
-2	53131-02 53131-03 55389-02 55405-02  49474-03 74367-02 71914-03	A A A A  A.C A.C A.B	* CUSHION ASSEMBLY - Seat back (4 1/2" thick) * CUSHION ASSEMBLY - Seat back (3 1/2" thick) * CUSHION ASSEMBLY - Seat back (leather or vinyl) * CUSHION ASSEMBLY - Seat back (fabric/vinyl or fabric/leather) * CUSHION ASSEMBLY - Seat back (leather or fabric/vinyl) * CUSHION ASSEMBLY - Seat back (leather or fabric/vinyl) * CUSHION ASSEMBLY - Seat back (leather or fabric/vinyl)	1 1 1 1  1 1 1	31-8152001 and up 31-5001 to 31-7652177 incl 31-5001 to 31-7652177 incl. 31-7752001 to 31-7852029 incl  31-7752001 to 31-7852029 incl 31-7852030 to 31-8352042 incl 31-8452001 and up
-3	53129-03 55390-02 49324-11 74367-20 71914-13	A A A.C A.C A.B	* * PANEL ASSEMBLY - Seat back trim * * PANEL ASSEMBLY - Seat back trim * * PANEL ASSEMBLY - Seat back trim * * PANEL ASSEMBLY - Seat back trim * * PANEL ASSEMBLY - Seat back trim	1 1 1 1 1	31-5001 to 31-7652177 incl 31-7752001 to 31-7852029 incl 31-7852030 to 31-8352042 incl 31-8452001 and up 31-8152001 and up
-4	52849-00 52849-01		* * HINGE - Seat back, left * * HINGE - Seat back, right	1 1	
-5	34447-00 29259-02	C B	* * DETENT - Seat hinge * * DETENT - Seat hinge	2 2	
-5a	55846-05	B	* * BRACKET - Inertia reel	1	
-5b	401 280 60998-15 60998-16 407 584 404 887	B B B B B	* * BOLT - (AN3-26A) * * BUSHING - Outer * * BUSHING - Inner * * WASHER - (AN960-10) * * NUT - (MS20365-1032C)	1 1 1 1 1	
-5c	54534-07	B	* * INERTIA REEL ASSEMBLY - (Includes shoulder harness)	1	
-6	53123-18 55387-03	A A	* CUSHION ASSEMBLY - Seat bottom * CUSHION ASSEMBLY - Seat bottom (leather or vinyl) (without armrest)	1 1	31-5001 to 31-7652177 incl 31-7752001 to 31-7852029 incl

When ordering, always specify Part Number, Description and Serial Number of Aircraft

## PIPER PARTS CATALOG

Figure and Index Number	Part Number	Code	NOMENCLATURE	No. Req.	SERIAL NUMBERS AFFECTED
62-6	55386-03	A	* CUSHION ASSEMBLY - Seat bottom (fabric/vinyl or fabric/leather)(without armrest)	1	31-7752001 to 31-7852029 incl.
	49397-05	A,C	* CUSHION ASSEMBLY - Seat bottom (leather or fabric/vinyl)(without armrest)	1	31-7852030 and up
	55387-06	A	* CUSHION ASSEMBLY - Seat bottom (leather or vinyl) (with armrest)	1	31-7752001 to 31-7852029 incl.
	55386-06	A	* CUSHION ASSEMBLY - Seat bottom (fabric/vinyl or fabric/leather)(with armrest)	1	31-7752001 to 31-7852029 incl.
	49396-05	A,C	* CUSHION ASSEMBLY - Seat bottom (leather or fabric/vinyl)(with armrest)	1	31-7852030 to 31-8352042 incl.
	74368-08	A,C	* CUSHION ASSEMBLY - Seat bottom (leather or fabric/vinyl)(with armrest)	1	31-8452001 and up
	49396-24	A,B	* CUSHION ASSEMBLY - Seat bottom (leather or fabric/vinyl)	1	31-8152001 and up
-7	42558-00		* * BRACKET ASSEMBLY - Seat attachment, forward	2	
-8	42561-00		* * COVER - Seat attachment	2	
-8a	587 600	C	* * SUSPENSION - Elastaseat (P-151)	1	
	41722-10		* * NETTING - Nylon	1	
-9	46711-00		* * BRACKET - Seat attachment, aft, left	1	
-10	46704-00		* * COVER - Seat attachment trim, left	1	
-11	42570-00		* * BRACKET - Seat attachment, right	1	
-12	400 920		* * BOLT - (AN24-30A)	2	
	407 585		* * WASHER - (AN960-416L)	2	
	404 836		* * NUT - (MS20364-428C)	2	
-13	400 882		* * BOLT - (AN23-30A)	4	
	407 584		* * WASHER - (AN960-10L)	4	
	404 835		* * NUT - (MS20364-1032C)	4	
-14	14976-97		* * BUSHING - Seat attachment	4	
-15	42571-02		* * BUSHING - Seat attachment	4	
-16	14843-108		* * BUSHING - Seat attachment, left, rear	1	
-17	400 922		* * BOLT - (AN24-32A)	1	
	407 565		* * WASHER - (AN960-416)	2	
	477 708		* * NUT - (26C-048)	1	
-18	400 932		* * BOLT - (AN24-46A)	1	
	407 565		* * WASHER - (AN960-416)	3	
	477 708		* * NUT - (26C-048)	1	
-19	487 712		* * STUD - (295460-3-4)	2	
	404 888		* * NUT - (MS20365-428C)	2	
-20	53123-16	A	* * COVER - Seat bottom frame trim, aft	1	31-5001 to 31-7652177 incl.
	53126-02	A	* * COVER - Seat bottom frame trim, aft	1	31-7752001 to 31-7852029 incl.
	49092-07	A	* * COVER - Seat bottom frame trim, aft	1	31-7852030 and up
-21	48529-02	A	* * COVER - Seat bottom frame trim, forward	1	31-5001 to 31-7652177 incl.
	53122-05	A	* * COVER - Seat bottom frame trim, forward	1	31-7752001 to 31-7852029 incl.
	49092-34	A	* * COVER - Seat bottom frame trim, forward	1	31-7852030 and up
-22	53120-00	A	* * LOOP ASSEMBLY - Seat belt	1	31-5001 to 31-7652177 incl.
	49092-08	A	* * LOOP ASSEMBLY - Seat belt	1	31-7752001 and up
-23	25801-02	C	* * BELT ASSEMBLY - Safety, black	1	
	25801-03		* * BELT ASSEMBLY - Safety, blue	1	31-5001 to 31-7652177 incl.
	25801-04		* * BELT ASSEMBLY - Safety, fawn	1	31-5001 to 31-7652177 incl.
	54534-05	B	* * BELT ASSEMBLY - Safety	1	
-24	53134-00	A	* SHROUD ASSEMBLY - Safety belt fitting	2	31-5001 to 31-7652177 incl.
-25	14843-109		* BUSHING - Safety belt	1	31-5001 to 31-7652177 incl.
-26	86102-11		* BUSHING - Safety belt	1	31-5001 to 31-7652177 incl.
-27	49982-31		* BUSHING - Seat attachment	4	
-27a	41413-26	C	* BUSHING - Seat attachment	2	31-7752001 and up
-28	14175-111		* BUSHING - Seat attachment	2	
-29	44114-00		* WASHER - Cover	3	

When ordering, always specify Part Number, Description and Serial Number of Aircraft

PIPER PARTS CATALOG

Figure and Index Number	Part Number	Code	NOMENCLATURE	No. Req.	SERIAL NUMBERS AFFECTED
2-30	400 920	C	* BOLT - (AN24-30A)	4	
	400 917	B	* BOLT - (AN24-27A)	4	
	407 565		* WASHER - (AN960-416)	4	
	477 709		* NUT - (26C-048) Chrome	4	
-31	49099-03	A	* ARMREST ASSEMBLY - Passenger (complete)(leather or vinyl and fabric) inboard	1	31-7752001 and up
-32	49086-03	A	* * PAD ASSEMBLY - Armrest (leather or vinyl and fabric)	1	31-7752001 and up
	49086-17	A	* * PAD ASSEMBLY - Armrest (leather or vinyl)	1	31-7752001 and up
-33	52904-00		* * SUPPORT ASSEMBLY - Armrest	1	31-7752001 and up
-34	48537-15	C	* PANEL ASSEMBLY - Armrest trim	1	31-7752001 and up
	48537-14	B	* PANEL ASSEMBLY - Armrest trim	1	
-35	49982-27		* BUSHING - Armrest attachment	1	31-7752001 and up
-36	49982-28		* BUSHING - Armrest attachment	1	31-7752001 and up
-37	400 890		* BOLT - (AN23-40A)	2	31-7752001 and up
-38	52917-00		* COVER - Armrest bracket trim	1	31-7752001 and up
-38a	70476-03	A,B	* ARMREST ASSEMBLY - Passenger (complete)(leather or vinyl and fabric) outboard	1	
-38b	489 424	B	* * ASH TRAY - (3130-4)	1	
-38c	400 922	B	* BOLT - (AN24-32A)	2	
	477 709	B	* NUT - (26C-048)	2	
-38d	56957-38	B	* BUSHING - Armrest attachment, upper	1	
	14175-111	B	* BUSHING - Armrest attachment, lower	1	
-39	72950-16		* HEADREST ASSEMBLY - Ninth seat	1	31-8452001 and up
-40	41215-00		PLATE - Seat attachment, closure, forward	2	
-41	46696-00		PLATE - Wedjit trim	4	
-42	494 338		WEDJIT ASSEMBLY - (295 307)	2	
-43	43986-00	C	LANYARD ASSEMBLY - Lock, seat back	2	
-44	53288-00	A	HEADREST ASSEMBLY - Ninth seat	1	31-5001 to 31-7652177 incl
	49089-02	A	HEADREST ASSEMBLY - Ninth seat (fabric/vinyl or fabric/leather)	1	31-7752001 to 31-7852029 incl
	49425-03	A	HEADREST ASSEMBLY - Ninth seat (leather or fabric/vinyl)	1	31-7852030 to 31-7852171 incl
	49425-13	A,C	HEADREST ASSEMBLY - Ninth seat	1	31-7952001 to 31-8352042 incl.
-45	99361-00	C	RECEPTACLE - Headrest	2	
-46	41214-03		PLATE - Seat attachment, forward	2	

When ordering, always specify Part Number, Description and Serial Number of Aircraft

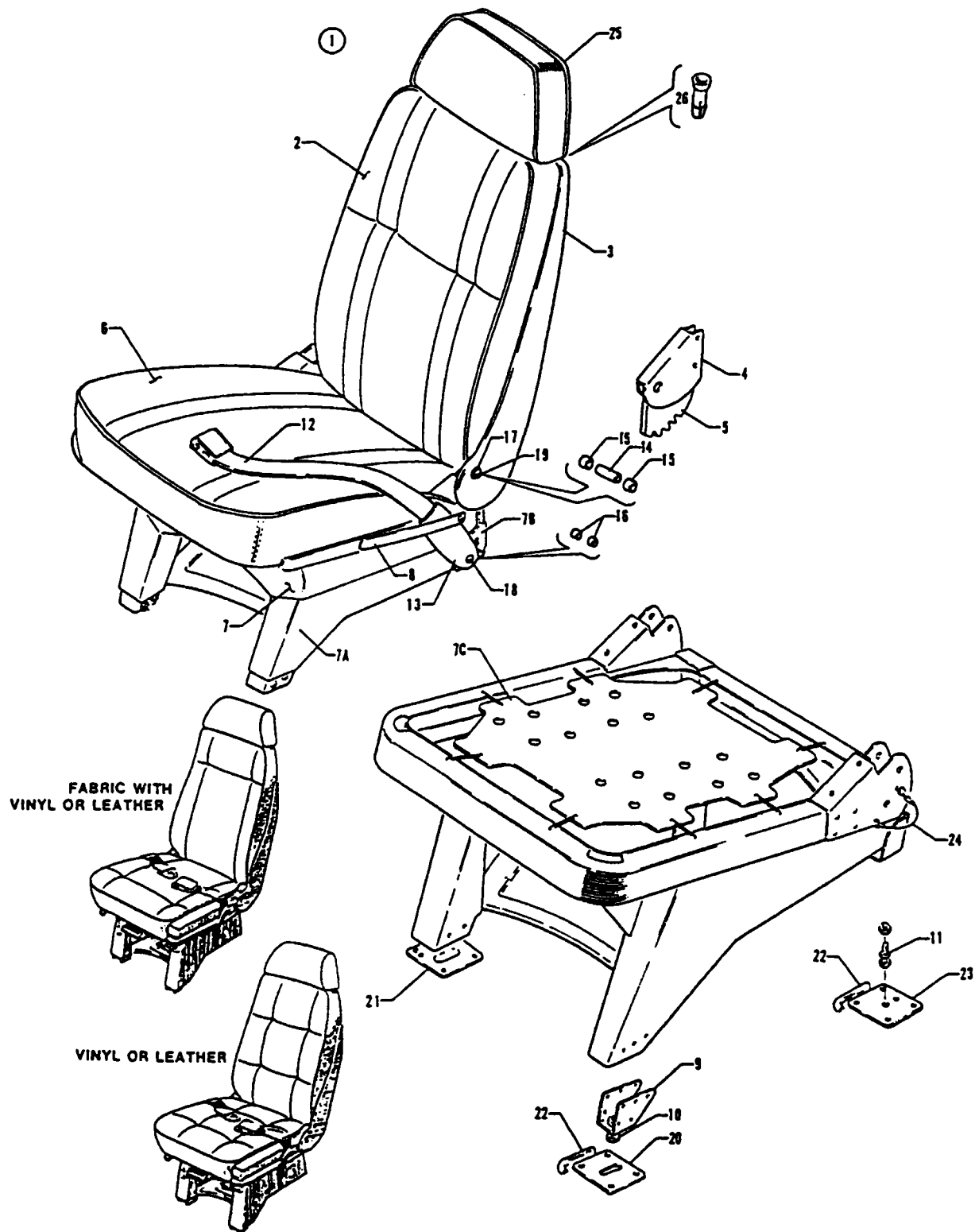


Figure 63. Seat Installation - Tenth

---

# PIPER PARTS CATALOG

---

## CODE EXPLANATIONS FOR FIGURE 63

- A - Used if forward facing toilet seat on right side is installed.
- B - Used if forward facing toilet seat on right side is not installed.
- C - Serial number of aircraft must be supplied when ordering this part.

PIPER PARTS CATALOG

Figure and Index Number	Part Number	Code	NOMENCLATURE	No. Req.	SERIAL NUMBERS AFFECTED
63-	53569 49470		DRAWING - Tenth Seat Installation DRAWING - Tenth Seat Installation		31-5001 to 31-7852029 incl. 31-7852030 and up
-1	53565-02 53565-03 53565-04 55432-02	C A,C B,C C	SEAT ASSEMBLY - Tenth (complete) (3 1/2" thick back) SEAT ASSEMBLY - Tenth (complete) (4 1/2" thick back) SEAT ASSEMBLY - Tenth (complete) (4 1/2" thick back) SEAT ASSEMBLY - Tenth (complete)(fabric/vinyl or fabric/leather)	1 1 1 1	31-5001 to 31-7652177 incl. 31-5001 to 31-7652177 incl. 31-5001 to 31-7652177 incl.
	55432-03 55432-04 55432-05	C C C	SEAT ASSEMBLY - Tenth (complete) (leather or vinyl) SEAT ASSEMBLY - Tenth (complete) (leather or fabric/vinyl) SEAT ASSEMBLY - Tenth (complete) (leather or fabric/vinyl)	1 1 1	31-7752001 to 31-7852029 incl 31-7752001 to 31-7852029 incl 31-7852030 to 31-8352042 incl.
-2	53131-03 53131-02 53347-03 55405-02		* CUSHION ASSEMBLY - Seat back (3 1/2" thick) * CUSHION ASSEMBLY - Seat back (4 1/2" thick) * CUSHION ASSEMBLY - Seat back (4 1/2" thick) * CUSHION ASSEMBLY - Seat back (fabric/vinyl or fabric/leather)	1 1 1 1	31-5001 to 31-7652177 incl 31-5001 to 31-7652177 incl. 31-5001 to 31-7652177 incl
	55389-02 49474-02 74367-02	C C C	* CUSHION ASSEMBLY - Seat back (vinyl or leather) * CUSHION ASSEMBLY - Seat back (leather or fabric/vinyl) * CUSHION ASSEMBLY - Seat back (leather or fabric/vinyl)	1 1 1	31-7752001 to 31-7852029 incl 31-7852030 to 31-8352042 incl. 31-8452001 and up
-3	53129-03 55390-02 49324-10 74367-20	C C C C	** PANEL ASSEMBLY - Seat back trim ** PANEL ASSEMBLY - Seat back trim ** PANEL ASSEMBLY - Seat back trim ** PANEL ASSEMBLY - Seat back trim	1 1 1 1	31-5001 to 31-7652177 incl. 31-7752001 to 31-7852029 incl. 31-7852030 to 31-8352042 incl 31-8452001 and up
-4	52849-00 52849-01		** HINGE - Seat back, left ** HINGE - Seat back, right	1 1	
-5	34447-00 29259-02		** DETENT - Seat hinge ** DETENT - Seat hinge	2 2	31-5001 to 31-8352042 incl. 31-8452001 and up
-6	53608-00 53555-00 55391-04	B,C A,C C	* CUSHION ASSEMBLY - Seat bottom * CUSHION ASSEMBLY - Seat bottom * CUSHION ASSEMBLY - Seat bottom (fabric/vinyl or fabric/leather)	1 1 1	31-5001 to 31-7652177 incl 31-5001 to 31-7652177 incl.
	55391-05 49441-03 74368-10	C C C	* CUSHION ASSEMBLY - Seat bottom (vinyl or leather) * CUSHION ASSEMBLY - Seat bottom (leather or fabric/ vinyl) * CUSHION ASSEMBLY - Seat bottom (leather or fabric/ vinyl)	1 1 1	31-7752001 to 31-7852029 incl 31-7752001 to 31-7852029 incl. 31-7852030 to 31-8352042 incl
-7	48529-02 49096-04	C C	** COVER - Seat bottom frame trim, forward ** COVER ASSEMBLY - Skirt, upper	1 1	31-5001 to 31-7652177 incl 31-7752001 to 31-7752143 incl. 31-7852030 and up
-7a	55391-14 55391-13	C C	** COVER ASSEMBLY - Skirt, left (complete) ** COVER ASSEMBLY - Skirt, right (complete)	1 1	31-7752144 to 31-7852029 incl 31-7752144 to 31-7852029 incl.
-7b	53126-02 49092-07	C C	** COVER ASSEMBLY - Seat bottom frame trim, aft ** COVER - Seat bottom frame trim, aft	1 1	31-7752001 to 31-7852029 incl 31-7852030 and up
-7c	587 600 41722-10		** SUSPENSION - Elastaseat (P-151) ** NETTING - Nylon	1 1	
-8	53120-00 49092-08	C C	** LOOP ASSEMBLY - Seat belt ** LOOP ASSEMBLY - Seat belt	2 2	31-5001 to 31-7652177 incl. 31-7752001 and up
-9	53546-00		** BRACKET ASSEMBLY - Seat attachment	2	
-10	400 899		** * BOLT - (AN24-9A)	1	
-11	487 712 85012-121 404 888		** STUD - (295460-3-4) ** WASHER - Seat attachment ** NUT - (MS20365-428C)	2 2 2	
-12	25801-05 25801-06 25801-07		** BELT ASSEMBLY - Safety, black ** BELT ASSEMBLY - Safety, blue ** BELT ASSEMBLY - Safety, fawn	1 1 1	31-5001 to 31-7652177 incl. 31-5001 to 31-7652177 incl.

When ordering, always specify Part Number, Description and Serial Number of Aircraft

## PIPER PARTS CATALOG

Figure and Index Number	Part Number	Code	NOMENCLATURE	No. Req.	SERIAL NUMBERS AFFECTED
63-13	53134-00	C	* SHROUD ASSEMBLY - Safety belt fitting	1	31-5001 to 31-7652177 incl
	49102-02	C	* SHROUD ASSEMBLY - Safety belt fitting	1	31-7752001 and up
-14	14175-111		* BUSHING - Seat adjustment	2	
-15	49982-31		* BUSHING - Seat adjustment	4	
-16	86102-11		* BUSHING - Seat belt attachment	2	
-17	44114-00		* WASHER - Cover	4	
-18	400 901		* BOLT - (AN24-11A)	2	
	407 565		* WASHER - (AN960-416)	4	
-19	400 917		* BOLT - (AN24-27A)	4	
	407 565		* WASHER - (AN960-416)	4	
	477 709		* NUT - (26C-048) Chrome	4	
-20	41214-02		PLATE - Seat attachment, forward	2	
-21	41215-00		PLATE - Seat attachment closure, forward	2	
-22	46696-00		PLATE - Wedjit trim	4	
-23	494 338		WEDJIT ASSEMBLY - (295-307)	2	
-24	43986-00		LANYARD ASSEMBLY - Lock, seat back	2	
-25	53288-00	C	HEADREST ASSEMBLY	1	31-5001 to 31-7652177 incl.
	49089-02	C	HEADREST ASSEMBLY	1	31-7752001 to 31-7852029 incl
	49425-02	C	HEADREST ASSEMBLY	1	31-7852030 to 31-7852171 incl.
	49425-12	C	HEADREST ASSEMBLY	1	31-7952001 and up
-26	99361-00		RECEPTACLE - Headrest	2	

When ordering, always specify Part Number, Description and Serial Number of Aircraft

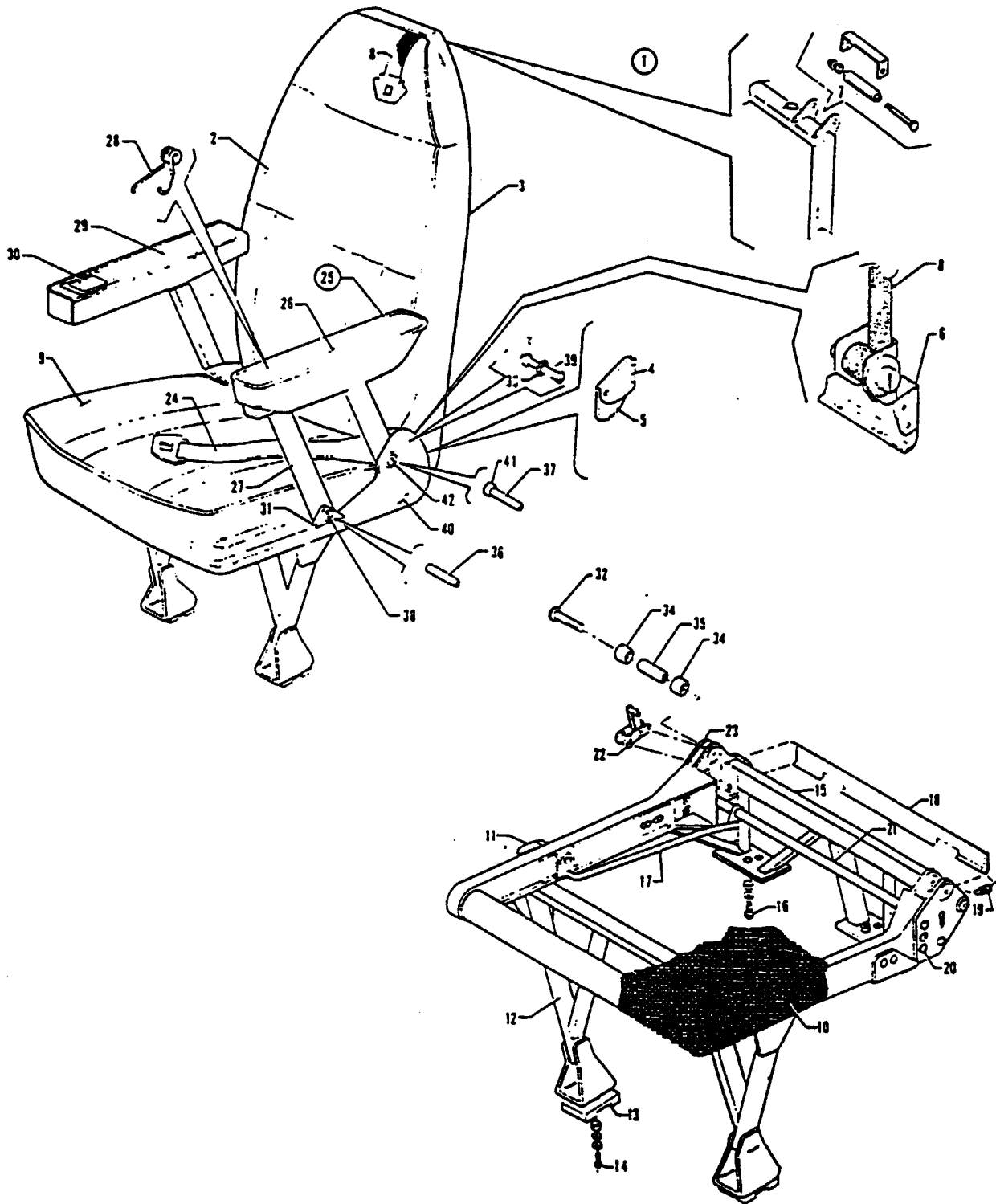


Figure 83A. Seats Installation - Tenth  
(Serial Numbers 31-8152001 and up)



---

# PIPER PARTS CATALOG

---

CODE EXPLANATIONS FOR FIGURE 63A

A - Serial number of aircraft must be supplied when ordering this part.

PIPER PARTS CATALOG

Figure and Index Number	Part Number	Code	NOMENCLATURE	No. Req.	SERIAL NUMBERS AFFECTED
63A-	74004		DRAWING - Seats Installation		
-1	71823-10	A	SEAT ASSEMBLY - Tenth (complete) (leather or fabric/vinyl)	1	
-2	71914-02	A	* BACK ASSEMBLY - Seat	1	
-3	71914-12	A	* * PANEL ASSEMBLY - Seat back trim	1	
-4	55849-00		* * HINGE - Seat back, left	1	
	55849-01		* * HINGE - Seat back, right	1	
-5	29259-02		* * DETENT - Seat hinge	2	
-6	55846-04		* * BRACKET - Inertia reel	1	
-7	401 280		* * BOLT - (AN3-26A)	1	
	60998-15		* * BUSHING - Outer	1	
	60998-16		* * BUSHING - Inner	1	
	407 564		* * WASHER - (AN960-10)	1	
	404 887		* * NUT - (MS20365-1032C)	1	
-8	54534-07		* * INERTIA REEL ASSEMBLY - (Includes shoulder harness)	1	
-9	71824-06	A	* BOTTOM ASSEMBLY - Seat	1	
-10	71824-08		* * NETTING - Nylon	1	
-11	32380-00		* * HANDLE - Seat recliner	1	
-12	71722-09		* * SUPPORT ASSEMBLY - Seat, front	1	
-13	71658-47		* * * PLATE - Bolt attachment	2	
-14	400 902		* * * BOLT - Clevis (AN24-12A)	2	
	407 585		* * * WASHER - (AN960-416L)	2	
	404 322		* * * NUT - Jam (AN316-4R)	4	
-15	71722-08		* * SUPPORT ASSEMBLY - Seat, aft	1	
-16	487 712		* * * STUD - (295460-3-4)	2	
	85012-121		* * * WASHER - Special	2	
	404 888		* * * NUT - (MS20365-428C)	2	
-17	71658-09		* * ROD - Seat recliner	1	
-18	71658-24		* * CHANNEL - Seat recliner	1	
-19	83303-03		* * SPRING - Seat recliner	2	
-20	411 531		* * SCREW - (MS35207-262)	4	
-21	71658-07		* * TUBE ASSEMBLY - Seat recliner	1	
-22	71658-02		* * PAWL ASSEMBLY - Seat recliner	2	
-23	71658-54		* * PLATE ASSEMBLY - Left	1	
	71658-53		* * PLATE ASSEMBLY - Right	1	
-24	54534-05		* BELT ASSEMBLY - Safety	1	
-25	49099-02	A	* ARMREST ASSEMBLY - Inboard	1	
-26	49086-02	A	* * PAD ASSEMBLY - Armrest	1	
-27	52904-00		* * SUPPORT ASSEMBLY - Armrest	1	
-28	52877-00		* * * SPRING - Armrest actuator	1	
-29	70476-12	A	* ARMREST ASSEMBLY - Outboard	1	
-30	489 424		* * ASH TRAY - (3130-4)	1	
-31	52917-00		* COVER - Armrest trim	1	
-32	400 922		* SCREW - (AN24-32A)	2	
	44114-00		* WASHER - Special	2	
	407 565		* WASHER - (AN960-416)	2	
	404 893		* NUT - (MS20365-428A)	2	
-33	44114-00		* WASHER - Seat belt trim	1	
-34	71658-15		* BUSHING - Seat assembly	4	
-35	71658-14		* BUSHING - Seat assembly	2	
-36	56957-43		* BUSHING - Armrest support, inboard, forward	1	
-37	56957-44		* BUSHING - Armrest support, inboard, rear	1	
-38	400 873		* BOLT - (AN23-21A) Armrest support, inboard, forward	1	

When ordering, always specify Part Number, Description and Serial Number of Aircraft

PIPER PARTS CATALOG

Figure and Index Number	Part Number	Code	NOMENCLATURE	No. Req.	SERIAL NUMBERS AFFECTED
63A-39	400 922		• BOLT - (AN24-32A)	2	
	41413-26		• BUSHING - ( 19 L.)	2	
	14175-11		• BUSHING - (1.156 L.)	2	
-40	71936-02		• PANEL ASSEMBLY - Armrest	1	
-41	56957-45		• BUSHING - Armrest support, inboard, rear	1	
-42	400 876		• BOLT - (AN23-24A) Armrest support, inboard, rear	1	

When ordering, always specify Part Number, Description and Serial Number of Aircraft

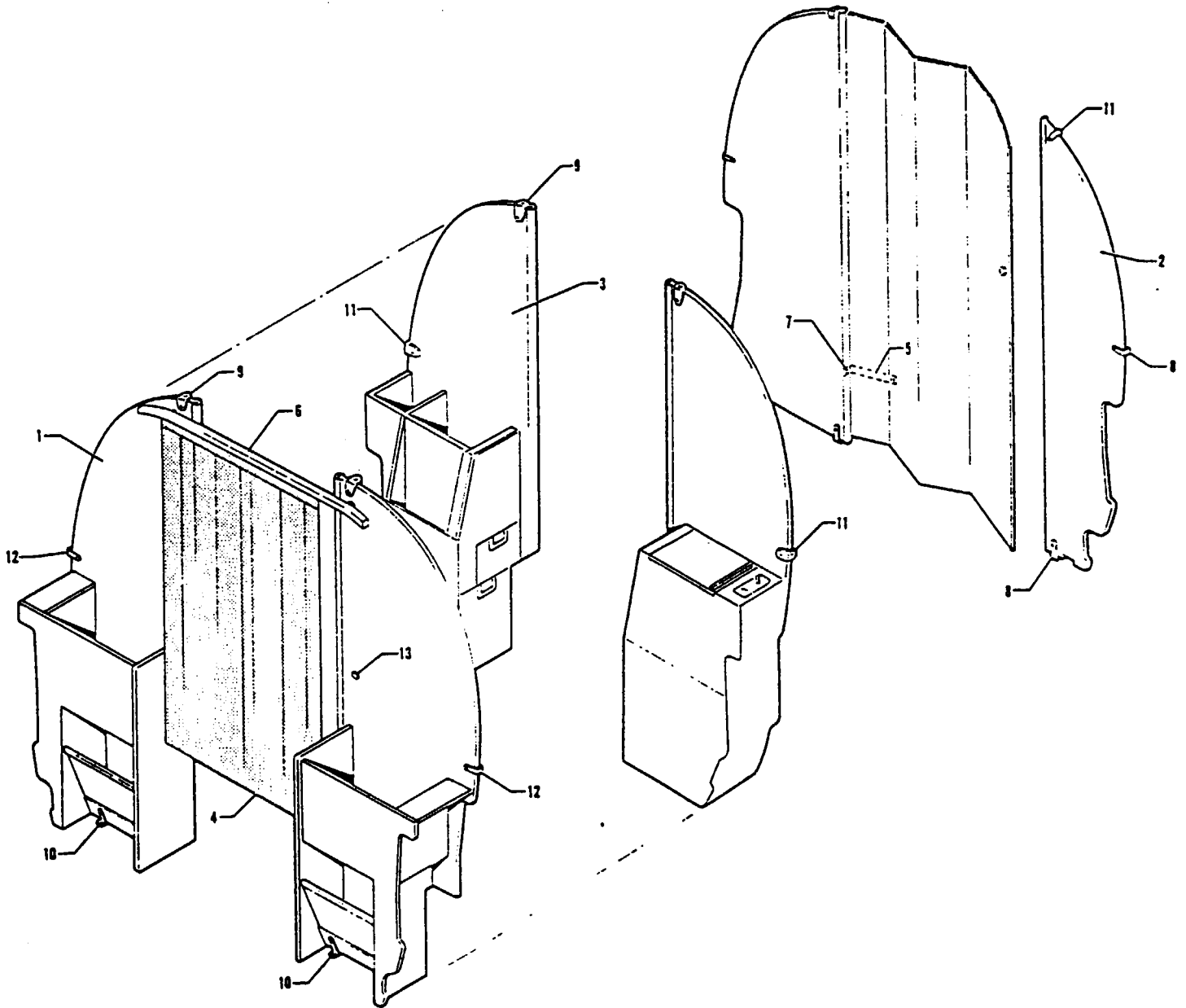


Figure 64. Cabin Divider Panels Installation (Serial No's. 31-5001 to 31-7852177 incl.)

---

# PIPER PARTS CATALOG

---

## CODE EXPLANATIONS FOR FIGURE 64

A - Serial number of aircraft must be supplied when ordering this part.

PIPER PARTS CATALOG

Figure and Index Number	Part Number	Code	NOMENCLATURE	No. Req.	SERIAL NUMBERS AFFECTED
64-	52504 53030 52667		DRAWING - Forward Cabin Divider Panel Installation DRAWING - Forward Storage Divider Installation DRAWING - Privacy Panel Installation, Aft		
-1	52479-00 52479-01		PANEL ASSEMBLY - Cabin divider, forward, left PANEL ASSEMBLY - Cabin divider, forward, right	1 1	
-2	52638-00 52634-00		PANEL ASSEMBLY - Cabin divider, aft, left PANEL ASSEMBLY - Cabin divider, aft, right	1 1	
-3	52948-00		DIVIDER ASSEMBLY - Forward storage, left (includes liquid container)	1	
-4	52949-00 53191-00		DIVIDER ASSEMBLY - Forward storage, right CURTAIN ASSEMBLY - Forward cabin divider	1 1	
-5	53786-00	A	STRAP ASSEMBLY - Folding door	1	
-6	52503-02	A	TRACK - Curtain, forward	1	
-7	494 102 419 690		WASHER - (C-394) SCREW - (6 x 1/2 L) Nickel finish	1 1	
-8	42326-05		CLIP - Aft divider panel	5	
-9	52989-00 52989-01		CLIP - Cabin divider, left CLIP - Cabin divider, right	2 2	
-10	52484-00		CLIP - Cabin divider, forward	1	
-11	52990-00		CLIP - Cabin divider, forward	3	
-12	53231-00 53231-01		CLIP - Cabin divider, forward, left CLIP - Cabin divider, forward, right	1 1	
-13	487 560		STUD - (XX-10369-12)	5	

When ordering, always specify Part Number, Description and Serial Number of Aircraft

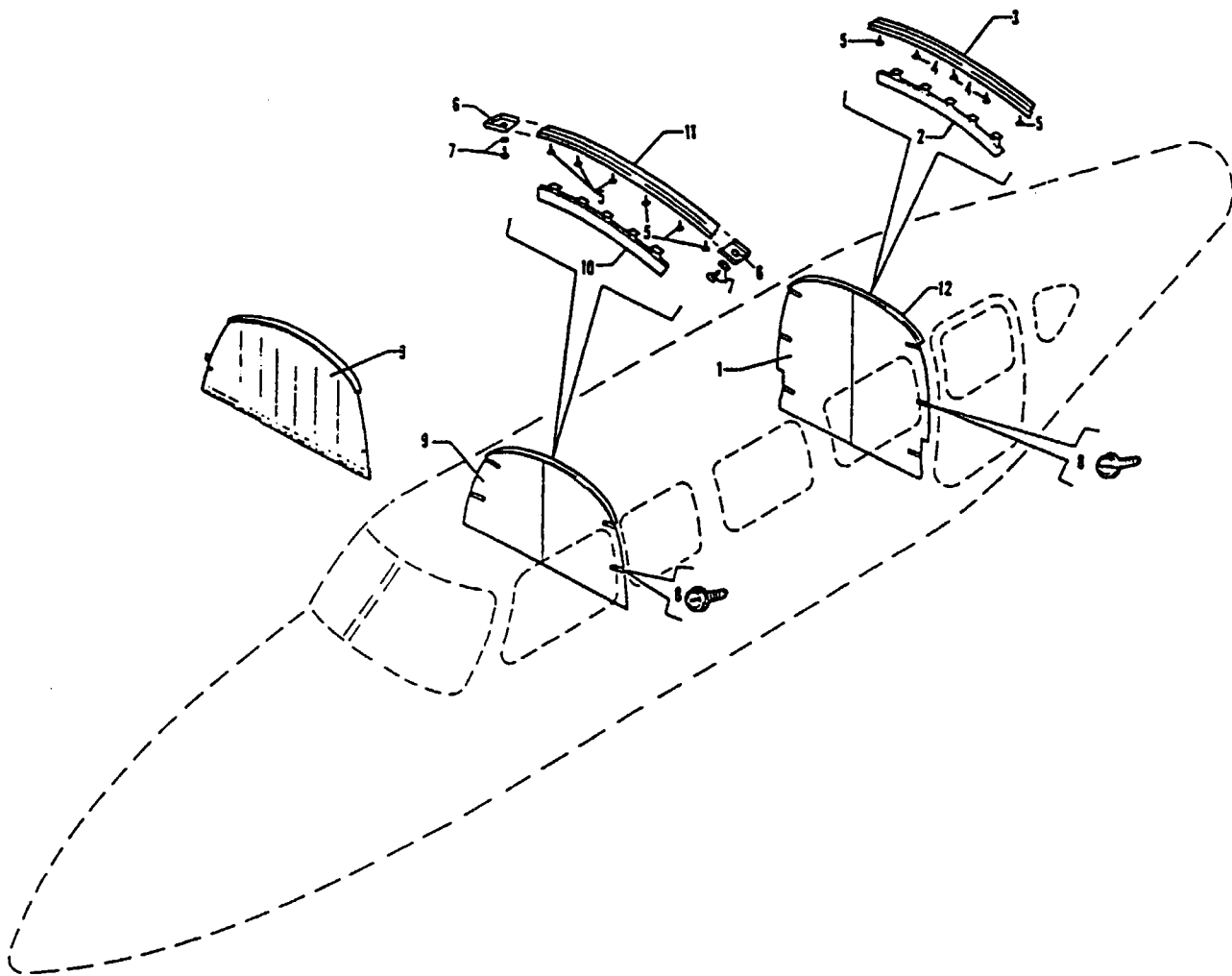


Figure 84A. Cabin Privacy Curtain Installation

---

# PIPER PARTS CATALOG

---

## CODE EXPLANATIONS FOR FIGURE 64A

- A - Serial number of aircraft must be supplied when ordering this part.
- B - Used if pilot door is not installed.
- C - Used if pilot door is installed.
- D - Used if cabinet dividers are installed.
- E - Used if Cabinet dividers are not installed.



PIPER PARTS CATALOG

Figure and Index Number	Part Number	Code	NOMENCLATURE	No. Req.	SERIAL NUMBERS AFFECTED
64A-	53710 55413 52368 55426		DRAWING - Forward Curtain Installation DRAWING - Forward Curtain Installation DRAWING - Privacy Curtain Installation, Aft DRAWING - Privacy Curtain Installation, Aft		31-5001 to 31-7652177 incl. 31-7752001 and up 31-5001 to 31-7652177 incl. 31-7752001 and up
-1	53367-00 53367-06 53367-01 53367-07	A A A A	CURTAIN ASSEMBLY - Aft cabin, left CURTAIN ASSEMBLY - Aft cabin, left CURTAIN ASSEMBLY - Aft cabin, right CURTAIN ASSEMBLY - Aft cabin, right	1 1 1 1	31-5001 to 31-7652177 incl. 31-7752001 and up 31-5001 to 31-7652177 incl. 31-7752001 and up
-2	180 428		* TAPE - Slider (XCT-25) 1/4" glides	2'	31-5001 to 31-7652177 incl.
-3	52503-03 55410-03		TRACK - Curtain, aft TRACK - Curtain, aft	1 1	31-5001 to 31-7652177 incl. 31-7752001 and up
-4	415 501		SCREW - (MS35206-236) Ni fin	1	31-7752001 and up
-5	415 500		SCREW - (MS35206-234) Ni fin	10	31-7752001 and up
-6	49124-02		COVER - Curtain track trim	2	31-7752001 and up
-7	494 102 419 690		WASHER - (C-394) SCREW - (6 x 1/2, Type A, Oval hd, ni fin)	2 2	31-7752001 and up 31-7752001 and up
-8	487 560		STUD - (XX-10369-12)	10	
-9	53688-00 53688-06 53688-01 53688-07 55421-02	A E A E D	CURTAIN ASSEMBLY - Forward cabin, left CURTAIN ASSEMBLY - Forward cabin, left CURTAIN ASSEMBLY - Forward cabin, right CURTAIN ASSEMBLY - Forward cabin, right CURTAIN ASSEMBLY - Forward cabin	1 1 1 1 1	31-5001 to 31-7652177 incl. 31-7752001 and up 31-5001 to 31-7652177 incl. 31-7752001 and up 31-7752001 and up
-10	180 428		* TAPE - Slider (XCT-25) 1/4" glides	2'	
-11	53696-03 53696-02 55410-02	B C C	TRACK - Curtain, forward TRACK - Curtain, forward TRACK - Curtain, forward	1 1 1	31-5001 to 31-7652177 incl. 31-5001 to 31-7652177 incl. 31-7752001 and up
-12	53805-00 53805-03		ANGLE - Curtain track support ANGLE - Curtain track support	1 1	31-5001 to 31-7652177 incl. 31-7752001 and up

When ordering, always specify Part Number, Description and Serial Number of Aircraft

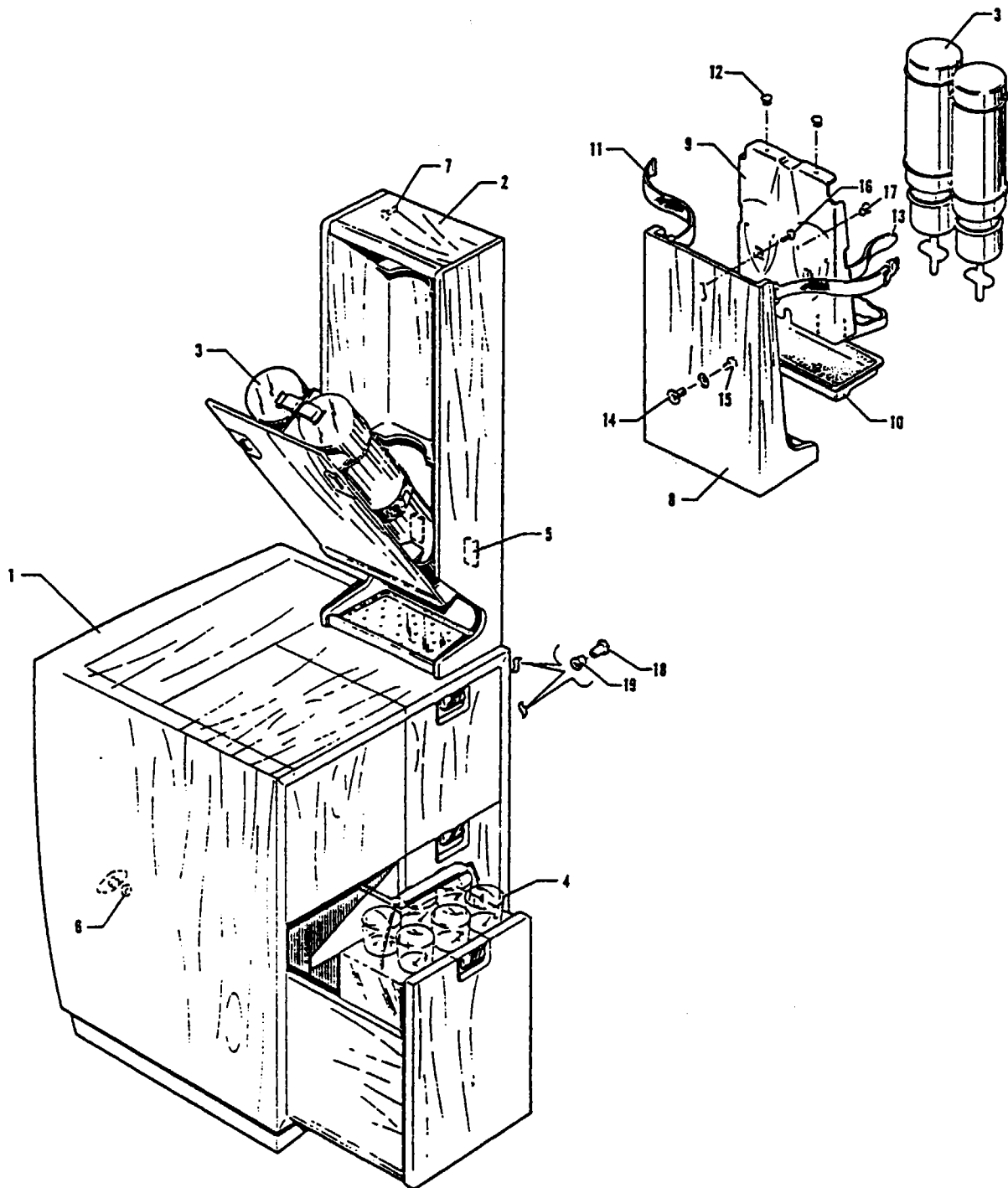


Figure 65. Refreshment Cabinet and Beverage Dispenser Installation  
(Serial Numbers 31-5001 to 31-7652177 incl.)

---

# PIPER PARTS CATALOG

CODE EXPLANATIONS FOR FIGURE 65

PIPER PARTS CATALOG

Figure and Index Number	Part Number	Code	NOMENCLATURE	No. Req.	SERIAL NUMBERS AFFECTED
65-	43030 43702		DRAWING - Refreshment Cabinet Installation DRAWING - Beverage Dispenser Installation		
-1	41865-00		CABINET ASSEMBLY - Refreshment (454 288)	1	
-2	41866-00		DISPENSER ASSEMBLY - Beverage (456 709)	1	
-3	453 189		BOTTLE ASSEMBLY - Thermos (A5417)	2	
-4	43272-00		GLASS SET - Beverage (6-10½ oz. glasses) "NAVAJO" (462 880)	1	
-5	43030-02		BLOCK - Rubatex (G-208C)	2	
-6	80122-11		WASHER - Spring fastener	3	
-7	416 997		SCREW - (AN526-1032R12)	2	
-8	43700-00		DISPENSER ASSEMBLY - Beverage (456 715)	1	
-9	43699-00		BEVERAGE CARRIER ASSEMBLY - Bottle (554 007)	1	
-10	43682-00		PAN - Beverage drip	1	
-11	43696-00		STRAP ASSEMBLY - Beverage bottle tie down, outboard	1	
	43697-00		STRAP ASSEMBLY - Beverage bottle tie down, inboard	1	
-12	453 812		BUMPER - Grommet (1561)	6	
-13	484 780		RING - Velcord "D" (H463-1-250-14)	2	
-14	581 333		PLUG - Beverage dispenser (P103F10-0)	2	
-15	486 924		SLEEVE - Beverage dispenser (S103F1032-08)	2	
-16	416 996		SCREW - (AN526-1032R10)	1	
-17	453 887		BUMPER - Stem (11F)	4	
-18	486 924		PLUG - Fastener (S103F1032-08)	2	
-19	581 333		SLEEVE - Fastener (P103F10-0)	2	

When ordering, always specify Part Number, Description and Serial Number of Aircraft

# PIPER PARTS CATALOG

---

GRIDS 2E23 THRU 2E24  
INTENTIONALLY LEFT BLANK

PIPER PARTS CATALOG

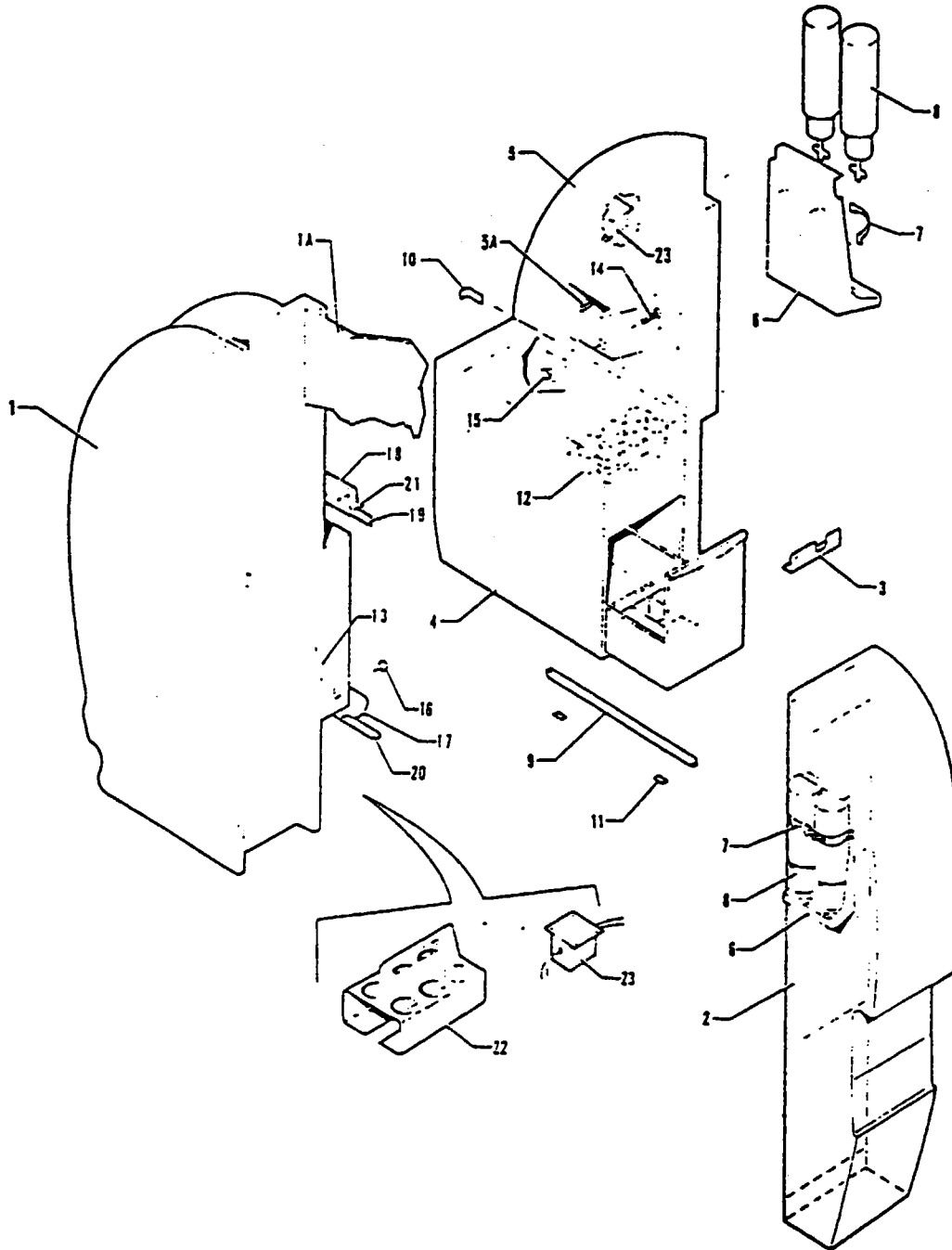


Figure 66. Refreshment Cabinet and Beverage Dispenser Installation  
(Serial Numbers 31-5001 to 31-7652177 incl.)

---

# PIPER PARTS CATALOG

---

## CODE EXPLANATIONS FOR FIGURE 66

A - Used on aircraft that comply with C.A.A. (United Kingdom) requirements.

PIPER PARTS CATALOG

Figure and Index Number	Part Number	Code	NOMENCLATURE	No. Req.	SERIAL NUMBERS AFFECTED
66-	53557 47473		DRAWING - Refreshment Cabinet Installation DRAWING - Refreshment Unit Cabinet Installation		
-1	53556-00		CABINET ASSEMBLY - Refreshment (includes folding door)	1	
-1a	53556-02		* DOOR ASSEMBLY - Refreshment cabinet	1	
-2	53485-00		DISPENSER ASSEMBLY - Beverage	1	
-3	53519-00		BRACKET - Mounting	1	
-4	47464-00		CABINET ASSEMBLY - Refreshment	1	
-5	52727-00		PANEL ASSEMBLY - Rear divider	1	31-5001 to 31-7405456 incl
	53894-00		PANEL ASSEMBLY - Rear divider (includes receptacle and inverter)	1	31-7405457 and up
-5a	762 510		* OUTLET - Razor	1	
-6	43699-00		BEVERAGE CARRIER ASSEMBLY - Bottle (554 007)	1	
-7	43697-03		STRAP ASSEMBLY - Beverage bottle tie down, outboard	1	
	43696-03		STRAP ASSEMBLY - Beverage bottle tie down, inboard	1	
-8	453 189		BOTTLE ASSEMBLY - Thermos (A5417)	2	
-9	46802-05		CHANNEL ASSEMBLY - Divider panel support	1	
-10	42326-03		CLIP - Divider panel support	1	
-11	47306-02		SPACER - Divider panel support	2	
-12	43272-00		GLASS SET - Beverage (6-10½ oz. glasses) "NAVAJO" (462 880)	1	
-13	53786-02		STRAP ASSEMBLY - Folding door	1	
-14	415 632		SCREW - (MS35206-332)	3	
	407 672		WASHER - (AN960-C8L)	3	
-15	477 891		NUT - Tee (SS-58191-K2915)	3	
-16	487 560		STUD - (XX-10369-12)	1	
-17	54154-00	A	PAD ASSEMBLY - Refreshment cabinet, lower	1	
-18	54157-00	A	PAD ASSEMBLY - Refreshment cabinet, upper	1	
-19	54118-00	A	STRIP ASSEMBLY - Pad attachment	1	
-20	54138-00	A	STRIP - Pad attachment	1	
-21	54146-00	A	STRIP - Pad attachment	1	
-22	54223-02		CARRIER ASSEMBLY - Beverage glass	1	
-23	467 145		INVERTER - Razor outlet (60-2526-1)	1	

When ordering, always specify Part Number, Description and Serial Number of Aircraft



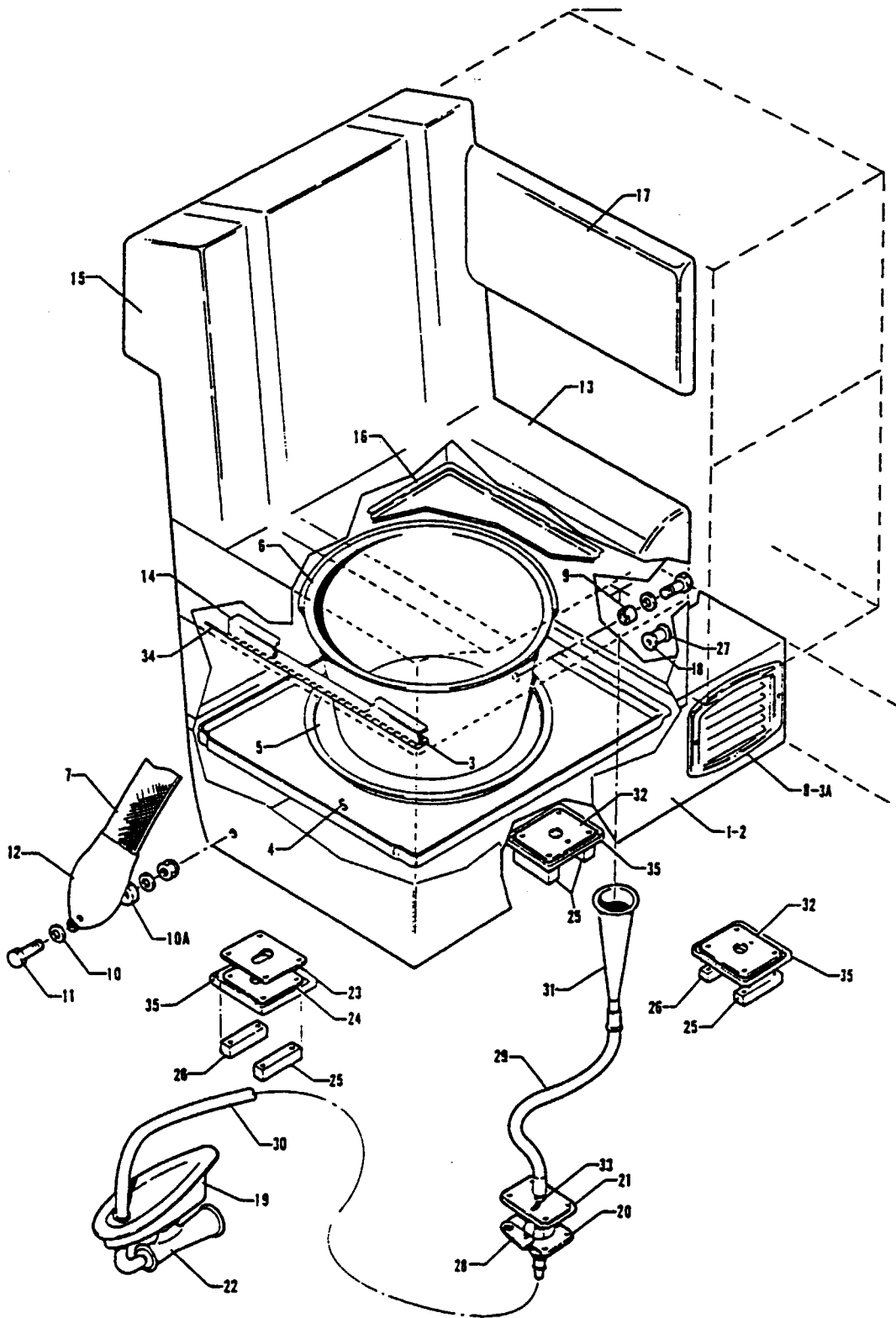


Figure 67. Toilet Installation - Side Facing

---

# PIPER PARTS CATALOG

---

## CODE EXPLANATIONS FOR FIGURE 67

A - Serial number of aircraft must be supplied when ordering this part.

PIPER PARTS CATALOG

Figure and Index Number	Part Number	Code	NOMENCLATURE	No. Req.	SERIAL NUMBERS AFFECTED
67-	53310		DRAWING - Refreshment Unit and Toilet Combination Installation		
-1	47479-19	A	SEAT ASSEMBLY - Toilet bottom (complete)	1	31-5001 to 31-7652177 incl.
	47479-20	A	SEAT ASSEMBLY - Toilet bottom (complete)	1	31-7752001 to 31-7852029 incl.
	47479-25	A	SEAT ASSEMBLY - Toilet bottom (complete)	1	31-7852030 and up
-2	53250-00	A	* FRAME ASSEMBLY - Toilet seat	1	31-5001 to 31-7652177 incl.
	53250-04	A	* FRAME ASSEMBLY - Toilet seat	1	31-7752001 to 31-7852029 incl.
	49359-02	A	* FRAME ASSEMBLY - Toilet seat	1	31-7852030 and up
-3	47448-00		* * HINGE HALF - Toilet seat	1	
-3a	452 687		* * BEZEL - Heater louver	1	31-7852030 and up
	473 190		* * LOUVER - Heater outlet box	1	31-7852030 and up
-4	48549-00	A	* PANEL - Toilet seat bottom	1	31-5001 to 31-7652177 incl.
	48547-02	A	* PANEL - Toilet seat bottom	1	31-7752001 and up
-5	42787-00		* LID - Toilet pail	1	
-6	42789-00		* PAIL ASSEMBLY - Toilet	1	
-7	25801-02		* BELT ASSEMBLY - Safety, black	1	
	25801-03		* BELT ASSEMBLY - Safety, blue	1	31-5001 to 31-7652177 incl.
	25801-04		* BELT ASSEMBLY - Safety, fawn	1	31-5001 to 31-7652177 incl.
-8	42973-00		* LOUVER - Heater outlet box	1	31-5001 to 31-7852029 incl.
-9	41413-26		* BUSHING - Seat belt, aft	1	
-10	41413-26		* BUSHING - Seat belt, forward (.50 O. D.)	1	
-10a	49982-05		* BUSHING - Seat belt, forward (.62 O. D.)	1	
-11	400 904		* BOLT - (AN24-14A) Forward	1	
	400 003		* BOLT - (AN4-6A) Aft	1	
	407 565		* WASHER - (AN960-416)	3	
	404 888		* NUT - (MS20365-428C)	2	
-12	53134-00	A	* SHROUD ASSEMBLY - Safety belt fitting	1	31-5001 to 31-7652177 incl.
	49102-02	A	* SHROUD ASSEMBLY - Safety belt fitting	1	31-7752001 and up
-13	53306-02	A	LID ASSEMBLY - Toilet (complete)	1	31-5001 to 31-7652177 incl.
	55417-02	A	LID ASSEMBLY - Toilet (complete) (fabric)	1	31-7752001 to 31-7852029 incl.
	55427-02	A	LID ASSEMBLY - Toilet (complete) (leather or vinyl)	1	31-7752001 to 31-7852029 incl.
	49423-02	A	LID ASSEMBLY - Toilet (complete) (leather or fabric/vinyl)	1	31-7852030 to 31-8352042 incl.
	74622-02	A	LID ASSEMBLY - Toilet (complete) (leather or fabric)	1	31-8452001 and up
-14	48872-02		* HINGE HALF - Toilet lid	1	
-15	53307-00	A	BACK ASSEMBLY - Toilet seat (complete)	1	31-5001 to 31-7652177 incl.
	55407-02	A	BACK ASSEMBLY - Toilet seat (complete) (fabric)	1	31-7752001 to 31-7852029 incl.
	55414-02	A	BACK ASSEMBLY - Toilet seat (complete) (leather or vinyl)	1	31-7752001 to 31-7852029 incl.
	49422-02	A	BACK ASSEMBLY - Toilet seat (complete) (leather or fabric/vinyl)	1	31-7852030 to 31-8352042 incl.
	74621-02	A	BACK ASSEMBLY - Toilet seat (complete) (leather or fabric/vinyl)	1	31-8452001 and up
-16	53354-00		SEAT ASSEMBLY - Toilet	1	
-17	54296-02	A	PAD ASSEMBLY - Refreshment unit	1	31-5001 to 31-7652177 incl.
	49104-04	A	PAD ASSEMBLY - Refreshment unit	1	31-7752001 to 31-7852029 incl.
	49431-02	A	PAD ASSEMBLY - Refreshment unit	1	31-7852030 and up
-18	486 924		SLEEVE - Fastener (S103F1032-08)	3	
-19	43643-00		PYLON ASSEMBLY - Relief tube venturi	1	
-20	43288-00		DISCONNECT ASSEMBLY - Relief tube	1	
-21	43284-00		PLATE - Relief tube disconnect trim	1	
-22	43949-00		VENTURI ASSEMBLY - Relief tube	1	
-23	41214-02		PLATE - Seat attachment	1	
-24	41215-00		PLATE - Seat attachment closure	1	
-25	46695-02		SPACER - Wedjit attachment	4	
-26	46695-03		SPACER - Wedjit attachment	2	
-27	581 333		PLUG - Fastener (P103F-10-0)	3	

When ordering, always specify Part Number, Description and Serial Number of Aircraft

PIPER PARTS CATALOG

Figure and Index Number	Part Number	Code	NOMENCLATURE	No. Req.	SERIAL NUMBERS AFFECTED
67-28	43278-00		COVER ASSEMBLY - Relief tube disconnect	1	
-29	49998-03		HOSE - Horn to disconnect, upper (50" L)	1	
-30	49998-35		HOSE - Disconnect to venturi, lower (25" L)	1	
-31	565 238		HORN - Relief (AN8018-1)	1	
-32	494 338		WEDJIT ASSEMBLY - (295 307)	2	
-33	456 712		DISCONNECT - Quick, size "8" (64027) male	1	
-34	86092-87		PIN - Hinge	1	
-35	46696-00		PLATE - Wedjit trim	3	

When ordering, always specify Part Number, Description and Serial Number of Aircraft

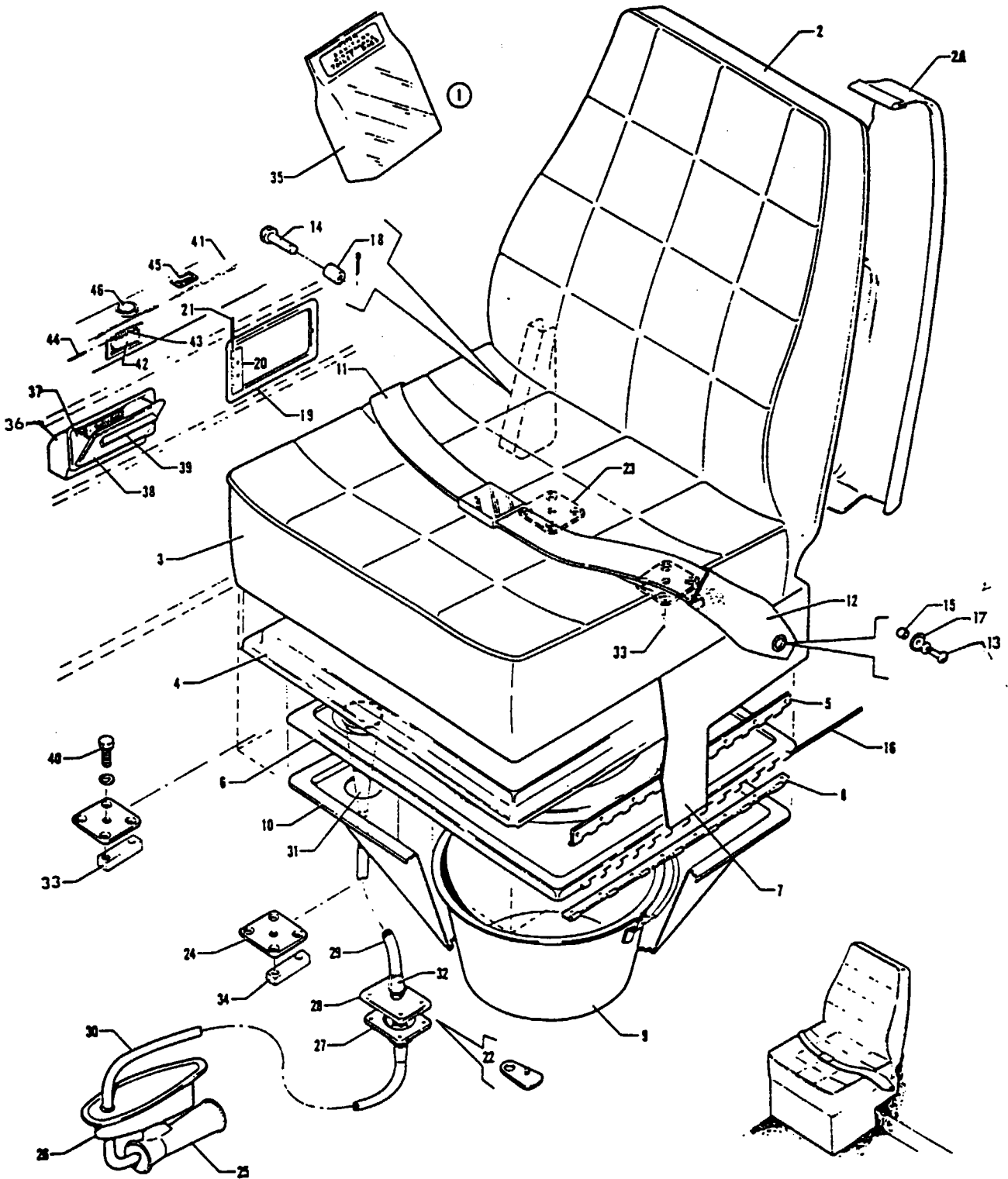


Figure 68. Toilet Installation - 9th Seat Position

---

# PIPER PARTS CATALOG

---

## CODE EXPLANATIONS FOR FIGURE 68

A - Serial number of aircraft must be supplied when ordering this part.

PIPER PARTS CATALOG

Figure and Index Number	Part Number	Code	NOMENCLATURE	No. Req.	SERIAL NUMBERS AFFECTED
68-	53535		DRAWING - Toilet Installation		
-1	53488-00	A	SEAT ASSEMBLY - Toilet	1	31-5001 to 31-7652177 incl.
	53488-03	A	SEAT ASSEMBLY - Toilet (vinyl or leather)	1	31-7752001 to 31-7852029 incl
	53488-04	A	SEAT ASSEMBLY - Toilet (fabric/vinyl or fabric/leather)	1	31-7752001 to 31-7852029 incl.
	53488-05	A	SEAT ASSEMBLY - Toilet (leather or fabric/vinyl)	1	31-7852030 to 31-8352042 incl
	53488-06	A	SEAT ASSEMBLY - Toilet (leather or fabric/vinyl)	1	31-8452001 and up
-2	53347-02	A	* BACK ASSEMBLY - Toilet	1	31-5001 to 31-7652177 incl.
	55389-11	A	* BACK ASSEMBLY - Toilet (vinyl or leather)	1	31-7752001 to 31-7852029 incl.
	55405-11	A	* BACK ASSEMBLY - Toilet (fabric/vinyl or fabric/leather)	1	31-7752001 to 31-7852029 incl
	49465-02	A	* BACK ASSEMBLY - Toilet (leather or fabric/vinyl)	1	31-7852030 to 31-7952046 incl.
	49465-08	A	* BACK ASSEMBLY - Toilet (leather or fabric/vinyl)	1	31-7952047 to 31-8352042 incl.
	74367-04	A	* BACK ASSEMBLY - Toilet (leather or fabric/vinyl)	1	31-8452001 and up
-2a	53875-00	A	* * PANEL ASSEMBLY - Seat back trim	1	31-5001 to 31-7652177 incl.
	55390-02	A	* * PANEL ASSEMBLY - Seat back trim	1	31-7752001 to 31-7852029 incl.
	49324-10	A	* * PANEL ASSEMBLY - Seat back trim	1	31-7852030 to 31-7952046 incl.
	71001-02	A	* * PANEL ASSEMBLY - Seat back trim	1	31-7952047 to 31-8352042 incl.
	74367-19	A	* * PANEL ASSEMBLY - Seat back trim	1	31-8452001 and up
-3	53457-00	A	* LID ASSEMBLY - Toilet	1	31-5001 to 31-7652177 incl.
	55429-02	A	* LID ASSEMBLY - Toilet (vinyl or leather)	1	31-7752001 to 31-7852029 incl
	55435-02	A	* LID ASSEMBLY - Toilet (fabric/vinyl or fabric/leather)	1	31-7752001 to 31-7852029 incl.
	49486-02	A	* LID ASSEMBLY - Toilet (leather or fabric/vinyl)	1	31-7852030 to 31-8352042 incl.
	74625-02	A	* LID ASSEMBLY - Toilet (leather or fabric/vinyl)	1	31-8452001 and up
-4	53308-02	A	* * COVER - Toilet trim	1	
-5	53299-03		* * HINGE HALF - Toilet	1	
-6	55392-02		* SEAT ASSEMBLY - Toilet	1	
-7	53449-00	A	* FRAME ASSEMBLY - Toilet bottom (complete)	1	31-5001 to 31-7652177 incl.
	53449-06	A	* FRAME ASSEMBLY - Toilet bottom (complete)	1	31-7752001 and up
-8	53299-04		* * HINGE HALF - Toilet bottom	1	
-9	42789-00		* PAIL ASSEMBLY - Toilet	1	
-10	53495-00		* PANEL - Toilet retainer	1	31-5001 to 31-7652177 incl.
	53304-02		* PANEL - Toilet retainer	1	31-7752001 and up
-11	25801-02		* BELT ASSEMBLY - Safety, black	1	
	25801-03		* BELT ASSEMBLY - Safety, blue	1	31-5001 to 31-7652177 incl.
	25801-04		* BELT ASSEMBLY - Safety, fawn	1	31-5001 to 31-7652177 incl
-12	53134-00		* SHROUD ASSEMBLY - Safety belt fitting	1	
-13	400 902		* BOLT - (AN24-12A)	2	
	407 565		* WASHER - (AN960-416)	2	
	407 585		* WASHER - (AN960-416L)	2	
	404 888		* NUT - (MS20365-428C)	2	
-14	424 184		* PIN - (MS20392-2C31)	4	
	424 051		* PIN - Cotter (MS24665-132)	4	
-15	41413-26		* BUSHING - Seat belt	2	
-16	81761-47		* PIN - Seat bottom hinge	1	
-17	44114-00		* WASHER - Seat hinge trim	2	
-18	41413-42		* BUSHING - Seat hinge	4	
-19	53525-00		DISPENSER ASSEMBLY - Toilet paper	1	31-5001 to 31-7652177 incl.
-20	43018-03		* HINGE - Tissue dispenser	1	31-5001 to 31-7652177 incl.
-21	81761-43		* PIN - Tissue dispenser hinge	1	31-5001 to 31-7652177 incl.
-22	43278-00		COVER ASSEMBLY - Relief tube disconnect	1	
-23	32884-07		PLATE ASSEMBLY - Seat mounting, rear	2	
-24	32884-08		PLATE ASSEMBLY - Seat mounting, forward	2	
-25	43949-00		VENTURI ASSEMBLY - Relief tube	1	
-26	43643-00		PYLON ASSEMBLY - Relief tube venturi	1	
-27	43288-00		DISCONNECT ASSEMBLY - Relief tube	1	
-28	43284-00		PLATE - Relief tube disconnect	1	

When ordering, always specify Part Number, Description and Serial Number of Aircraft

## PIPER PARTS CATALOG

Figure and Index Number	Part Number	Code	NOMENCLATURE	No. Req.	SERIAL NUMBERS AFFECTED
68-29	49998-03		HOSE - Horn to disconnect, upper (50- L)	1	
-30	49998-35		HOSE - Disconnect to venturi, lower (25- L)	1	
-31	565 238		HORN - Relief (AN8018-1)	1	
-32	456 712		DISCONNECT - Quick, size -B- (64027) male	1	
-33	46695-07		SPACER - Seat attachment	6	
-34	46695-08		SPACER - Seat attachment	2	
-35	43274-00		PACK ASSEMBLY - Disposable bags	1	
-36	484 425		RETAINER ASSEMBLY - Ash tray (2A3310)	1	
-37	453 186		ASH BOX AND SNUFFER ASSEMBLY - (2A17682)	1	
-38	480 264		PANEL - Ash tray front (2A16922)	1	
-39	42082-04		KNOB - Ash tray	1	
-40	400 002		BOLT - (AN4-5A)	4	
	407 565		WASHER - (AN960-416)	4	
-41	55440-02		PANEL ASSEMBLY - Armrest	1	31-7752001 to 31-7852171 incl.
	71084-02		PANEL ASSEMBLY - Armrest	1	31-7952001 and up
-42	53525-00		* DISPENSER ASSEMBLY - Toilet paper	1	31-7752001 and up
-43	43018-03		* * HINGE - Tissue dispenser	1	31-7752001 and up
-44	81761-43		* * PIN - Tissue dispenser	1	31-7752001 and up
-45	489 436		* TRAY - Ash (3130)	1	31-7752001 and up
-46	565 604		* HOLDER - Cup (3028)	1	31-7752001 and up

When ordering, always specify Part Number, Description and Serial Number of Aircraft



PIPER PARTS CATALOG

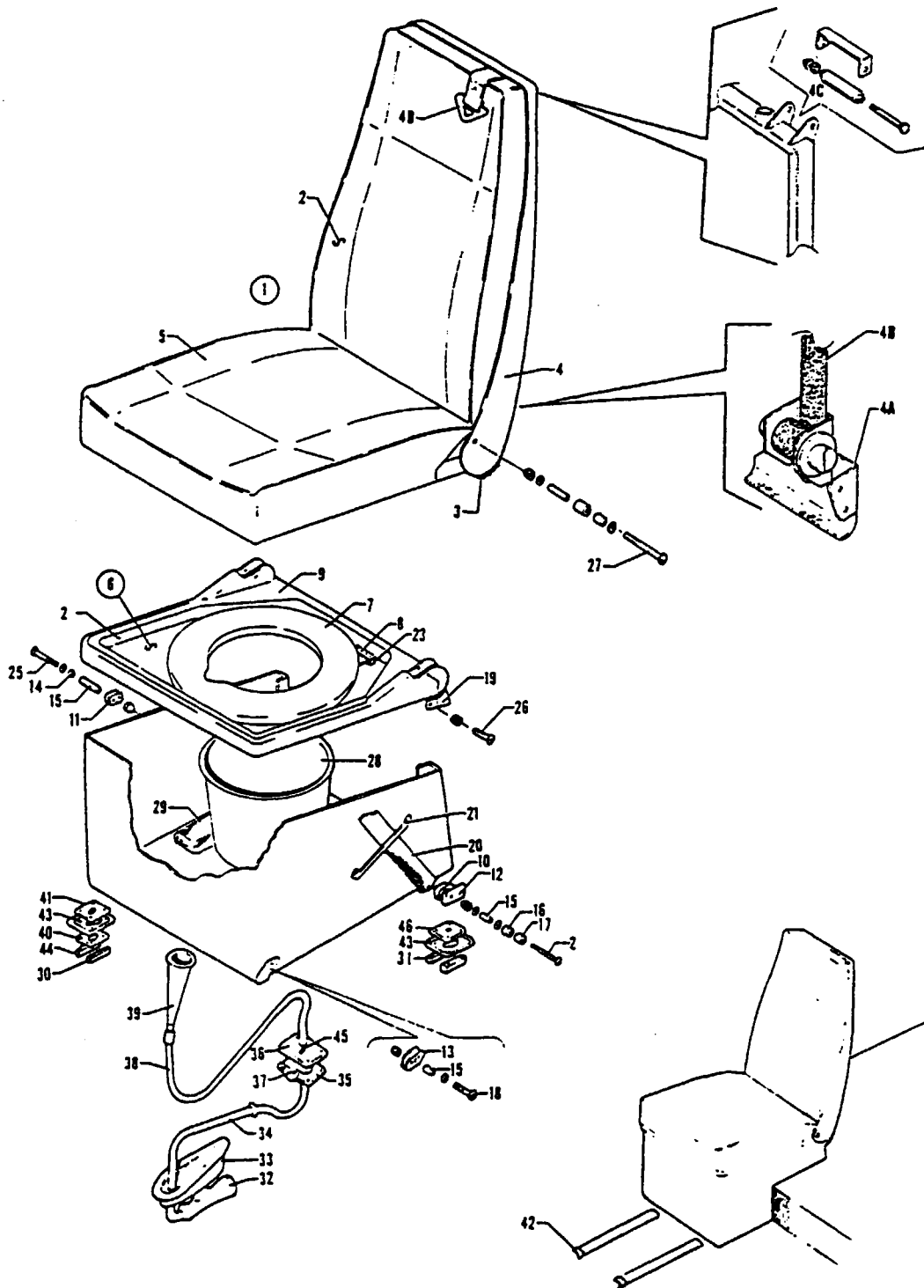


Figure 68A. Toilet Installation - 9th Seat Position  
(Serial Numbers 31-7752096 and up)

---

# PIPER PARTS CATALOG

---

## CODE EXPLANATIONS FOR FIGURE 68A

- A - Serial number of aircraft must be supplied when ordering this part.
- B - Used if seat assembly does not incorporate an integral shoulder harness.
- C - Used if seat assembly incorporates an integral shoulder harness.
- D - Used on aircraft with serial numbers 31-7852030 to 31-8352042 inclusive and serial numbers 31-8152001 and up, if seat assembly incorporates an integral shoulder harness.

PIPER PARTS CATALOG

Figure and Index Number	Part Number	Code	NOMENCLATURE	No. Req.	SERIAL NUMBERS AFFECTED
68A-	55628 59329		DRAWING - Toilet Seat Installation DRAWING - Toilet Seat Installation		31-7752096 to 31-7952053 incl. 31-7952054 and up
-1	55627-02	A	SEAT ASSEMBLY - Toilet (complete) (fabric/vinyl or fabric/leather)	1	31-7752096 to 31-7852029 incl.
	55627-03	A	SEAT ASSEMBLY - Toilet (complete) (vinyl or leather)	1	31-7752096 to 31-7852029 incl.
	55627-05	A	SEAT ASSEMBLY - Toilet (complete) (leather or fabric/vinyl)	1	31-7852030 to 31-7952053 incl.
	58909-02	A,B	SEAT ASSEMBLY - Toilet (complete) (leather or fabric/vinyl)	1	31-7952054 to 31-8352042 incl
	58909-04	A,B	SEAT ASSEMBLY - Toilet (complete) (leather or fabric/vinyl)	1	31-8452001 and up
	58909-03	A,C	SEAT ASSEMBLY - Toilet (complete) with integral shoulder harness (leather or fabric/vinyl)	1	31-8152001 and up
-2	55405-02	A	* BACK ASSEMBLY - Toilet (fabric/vinyl or fabric/leather)	1	31-7752096 to 31-7852029 incl
	55389-02	A	* BACK ASSEMBLY - Toilet (vinyl or leather)	1	31-7752096 to 31-7852029 incl
	49474-03	A,B	* BACK ASSEMBLY - Toilet (leather or fabric/vinyl)	1	31-7852030 to 31-8352042 incl.
	74367-02	A,B	* BACK ASSEMBLY - Toilet (leather or fabric/vinyl)	1	31-8452001 and up
	71914-18	A,C	* BACK ASSEMBLY - Toilet (leather or fabric/vinyl)	1	
-3	34447-00	B	* * DETENT	2	
	29259-02	C	* * DETENT	2	
-4	55390-02	A	* * PANEL ASSEMBLY - Seat back trim	1	31-7752096 to 31-7852029 incl.
	49324-11	A,B	* * PANEL ASSEMBLY - Seat back trim	1	31-7852030 to 31-8352042 incl
	74367-20	A,B	* * PANEL ASSEMBLY - Seat back trim	1	31-8452001 and up
	71914-19	A,C	* * PANEL ASSEMBLY - Seat back trim	1	
-4a	55846-05	C	* * BRACKET - Inertia reel	1	
-4b	72607-03	C	* * INERTIA REEL ASSEMBLY - (Includes shoulder harness)	1	
-4c	401 280	C	* * BOLT - (AN3-26A)	1	
	60998-15	C	* * BUSHING - Outer	1	
	60998-16	C	* * BUSHING - Inner	1	
	407 564	C	* * WASHER - (AN960-10)	1	
	404 887	C	* * NUT - (MS20365-1032C)	1	
-5	55626-02	A	* CUSHION ASSEMBLY - Seat bottom (fabric/vinyl or fabric/leather)	1	31-7752096 to 31-7852029 incl
	55626-03	A	* CUSHION ASSEMBLY - Seat bottom (vinyl or leather)	1	31-7752096 to 31-7852029 incl
	49461-02	A,D	* CUSHION ASSEMBLY - Seat bottom (leather or fabric/vinyl)	1	
	74624-02	A	* CUSHION ASSEMBLY - Seat bottom (leather or fabric/vinyl)	1	31-8452001 and up
-6	55607-02		* SEAT ASSEMBLY - Toilet, bottom (complete)	1	31-7752096 to 31-7952053 incl.
	58905-02	B	* SEAT ASSEMBLY - Toilet, bottom (complete)	1	31-7952054 and up
	58905-09	C	* SEAT ASSEMBLY - Toilet, bottom (complete)	1	
-7	55603-02		* * SEAT - Toilet	1	
-8	55589-03		* * * HINGE HALF - Toilet	1	
-9	55606-02		* * COVER - Seat bottom plate	1	
-10	46711-00		* * BRACKET - Seat attachment, aft	1	
-11	42570-00		* * BRACKET - Seat attachment, aft	1	
-12	46704-00		* * COVER - Seat attachment, trim	1	
-13	42558-00		* * BRACKET ASSEMBLY - Seat attachment, forward	2	
-14	41413-26		* * BUSHING	1	
-15	42571-03		* * BUSHING	4	31-7752096 to 31-7952053 incl.
	42571-02		* * BUSHING	4	31-7952054 and up
-16	14843-108		* * BUSHING	1	
-17	14843-109		* * BUSHING	1	
-18	400 921		* * BOLT - (AN24-31A)	2	
	407 585		* * WASHER - (AN960-416L)	2	
	404 888		* * NUT - (MS20364-428C)	2	
-19	49092-07	A	* * COVER ASSEMBLY - Rear trim	1	

When ordering, always specify Part Number, Description and Serial Number of Aircraft

PIPER PARTS CATALOG

Figure and Index Number	Part Number	Code	NOMENCLATURE	No. Req.	SERIAL NUMBERS AFFECTED
68A-20	25801-02	B	* * BELT ASSEMBLY - Safety (black)	1	
-	72607-04	C	* * BELT ASSEMBLY - Safety (black)	1	
-21	49092-08	A	* * LOOP ASSEMBLY - Safety belt	2	
-22	494 021		* * WASHER - Finish 4 (nickel finish)	12	
	419 932		* * SCREW - (4 x 1/2" L)	12	
-23	55590-02		* * SPACER - Hinge	1	
-24	400 932		* * BOLT - (AN24-46A)	1	
	407 565		* * WASHER - (AN960-416)	3	
	477 709		* * NUT - (26C-048) Chrome	1	
-25	400 926		* * BOLT - (AN24-36A)	1	
	407 565		* * WASHER - (AN960-416)	2	
	477 709		* * NUT - (26C-048) Chrome	1	
-26	400 917		* BOLT - (AN24-27A)	2	
	477 709		* NUT - (26C-048) Chrome	2	
-27	400 920		* BOLT - (AN24-30A)	2	
	44114-00		* WASHER	2	
	41413-26		* BUSHING	2	
	49982-31		* BUSHING	4	
	14175-111		* BUSHING	2	
	407 565		* WASHER - (AN960-416)	2	
	477 709		* NUT - (26C-048) Chrome	2	
-28	55599-02		* PAIL - Toilet	1	
-29	43274-00		* PACK ASSEMBLY - Disposable bags	1	
-30	46695-03		SPACER - Seat attachment	AR	
-31	46695-06		SPACER - Seat attachment	AR	
-32	43949-00		VENTURI ASSEMBLY - Relief tube	1	
-33	43643-00		PYLON ASSEMBLY - Relief tube venturi	1	
-34	49998-35		HOSE - Disconnect to venturi, lower (25" L.)	1	
-35	43288-00		DISCONNECT ASSEMBLY - Relief tube	1	
-36	43284-00		PLATE - Relief tube disconnect	1	
-37	43278-00		COVER ASSEMBLY - Relief tube disconnect	1	
-38	49998-03		HOSE - Horn to disconnect, upper (50" L.)	1	
-39	565 238		HORN - Relief (AN8018-1)	1	
-40	41215-00		PLATE - Seat attachment, forward	2	
-41	41214-03		PLATE - Seat attachment, forward	2	
-42	18842-00		STOP - Seat (Sta 208.90)	2	
-43	46696-00		PLATE - Wedjit trim	4	
-44	46695-02		SPACER - Seat attachment	AR	
-45	456 712		DISCONNECT - Quick, size "B" (64027) Male	1	
-46	494 338		WEDJIT ASSEMBLY - (295307)	2	

When ordering, always specify Part Number, Description and Serial Number of Aircraft

PIPER PARTS CATALOG

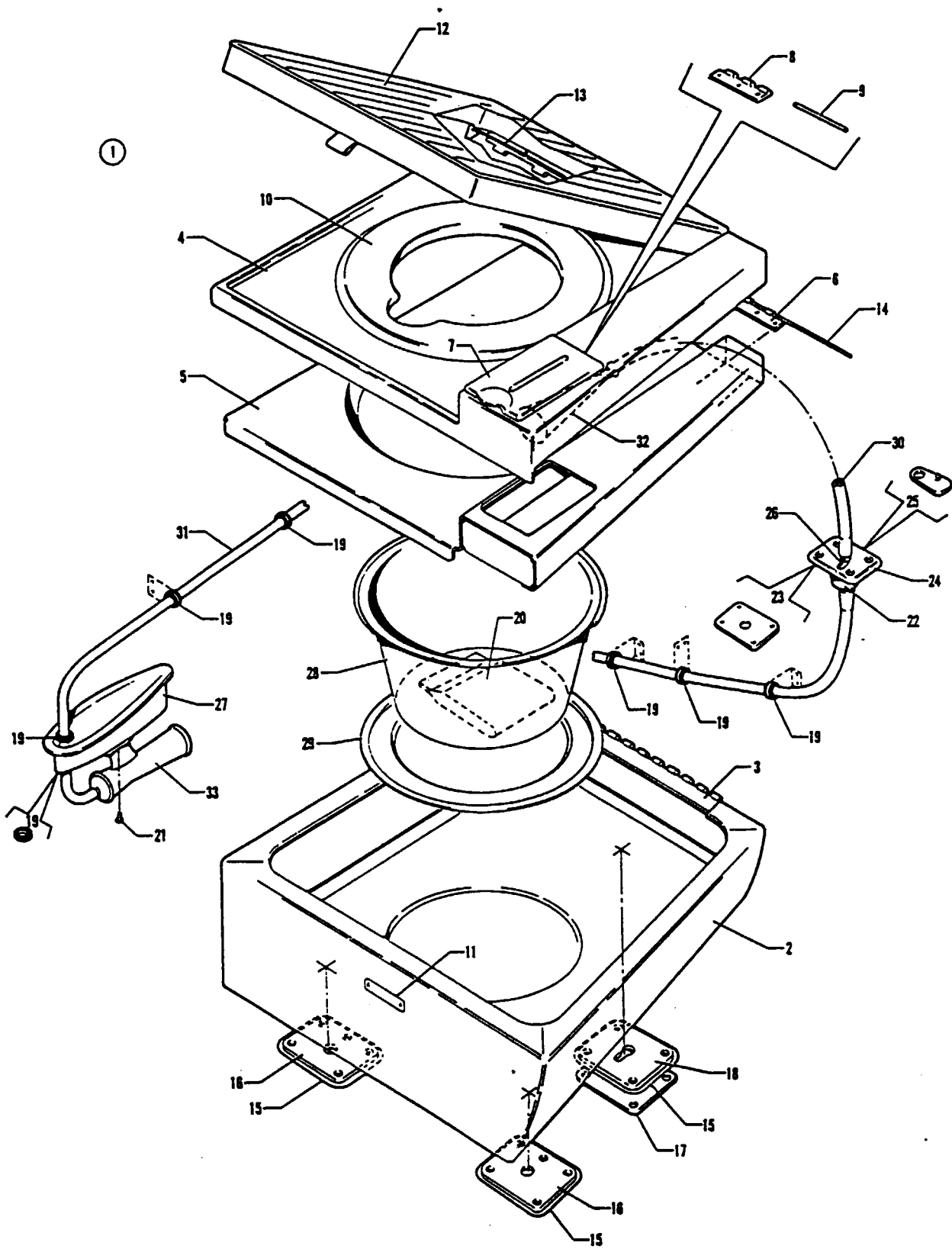


Figure 69. Toilet Installation - 10th Seat Position  
(Serial Numbers 31-5001 to 31-7652177 incl.)

---

# PIPER PARTS CATALOG

---

## CODE EXPLANATIONS FOR FIGURE 69

A - Serial number of aircraft must be supplied when ordering this part.

PIPER PARTS CATALOG

Figure and Index Number	Part Number	Code	NOMENCLATURE	No. Req.	SERIAL NUMBERS AFFECTED
69-	53332		DRAWING - Toilet Installation		
-1	44345-11	A	TOILET ASSEMBLY - (Complete)	1	
-2	53300-00	A	TOILET ASSEMBLY - Bottom (complete)	1	
-3	42832-03		HINGE - Toilet bottom assembly	1	
-4	53292-02	A	PANEL - Toilet seat trim	1	
-5	44306-03		PLATE ASSEMBLY - Toilet seat	1	
-6	42831-00		HINGE - Toilet seat	1	
-7	43027-00		DISPENSER ASSEMBLY - Toilet tissue	1	
-8	43018-04		HINGE - Tissue dispenser	1	
-9	81761-43		PIN - Tissue dispenser hinge	1	
-10	484 776		RING - Seat (1012)	1	
-11	41430-00		PLACARD - Toilet seat	1	
-12	53298-02	A	LID ASSEMBLY - Toilet, complete	1	
-13	42832-04		HINGE - Toilet lid assembly	1	
-14	86092-87		PIN - Toilet hinge	1	
-15	46698-00		PLATE - Wedjit trim	3	
-16	494 338		WEDJIT ASSEMBLY - (295307)	2	
-17	41215-00		PLATE - Toilet seat attachment	1	
-18	41214-02		PLATE - Toilet seat attachment	1	
-19	434 138		GROMMET - (MS35489-17)	7	
-20	43274-00		PACK ASSEMBLY - Disposable bags	1	
-21	415 535		SCREW - (MS35206-245)	2	
-22	43288-00		DISCONNECT ASSEMBLY - Relief tube	1	
-23	43279-00		PLATE - Relief tube disconnect	1	
-24	43284-00		PLATE - Relief tube disconnect trim	1	
-25	43278-00		COVER ASSEMBLY - Relief tube disconnect	1	
-26	466 712		DISCONNECT - Quick, size "B" (64027) Male	1	
-27	43643-00		PYLON ASSEMBLY - Relief tube venturi	1	
-28	42789-00		PAIL ASSEMBLY - Toilet	1	
-29	42787-00		LID - Toilet pail	1	
-30	49998-03		HOSE - Horn venturi, upper (50" L)	1	
-31	49998-04		HOSE - Horn venturi, lower (77" L)	1	
-32	565 238		HORN - Relief (AN8018-1)	1	
-33	43949-00		VENTURI ASSEMBLY - Relief tube	1	

When ordering, always specify Part Number, Description and Serial Number of Aircraft

PIPER PARTS CATALOG

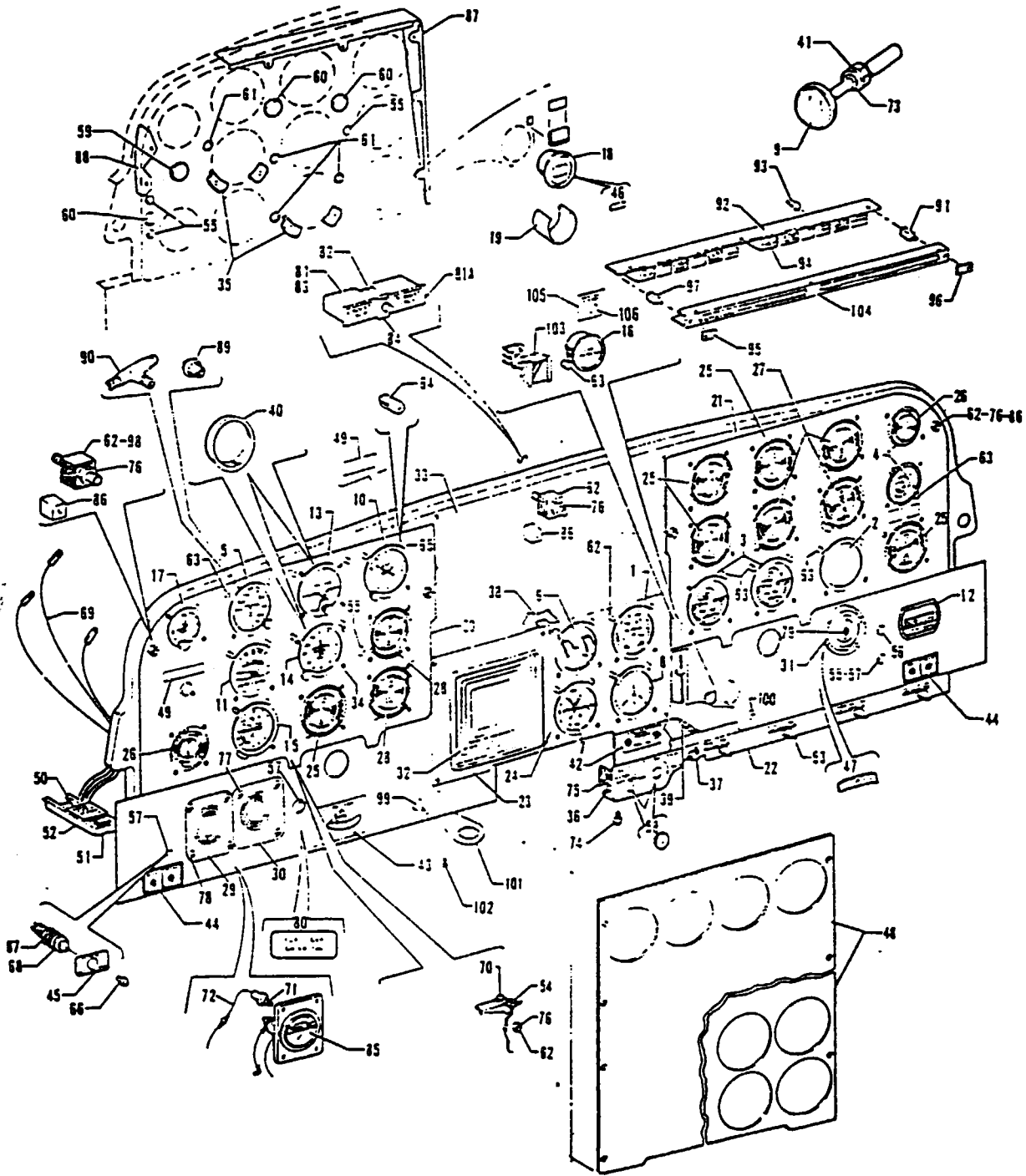


Figure 70. Instrument Panel Installation



# PIPER PARTS CATALOG

## CODE EXPLANATIONS FOR FIGURE 70

- A - Standard left instrument panel will accept the Narco Radios with single or dual Bendix ADF or Single or Dual King ADF and AltiMatic III B-1 (with AutoFlite II) or AltiMatic V-1 Installation.
- B - See appropriate figure in Electronics Group if AutoPilot is installed.
- C - Used on aircraft that comply with C.A.A. (United Kingdom) requirements.
- D - If engine hour meter part number 51006-00 has been installed, order part for serial number 31-7305033 and up.
- E - If aircraft comply with C.A.A. (United Kingdom) requirements, order part for serial numbers 31-7405153 to 31-7405428 inclusive.
- F - Standard left instrument panel will accept the Narco Radios with Single or Dual Bendix ADF or Single or Dual King ADF and AltiMatic III B-1 (without AutoFlite II) or AltiMatic V-1 Installation.
- G - Used on aircraft that comply with D.O.T. (Australian) requirements.
- H - If aircraft comply with C.A.A. (United Kingdom) requirements, order part for serial numbers 31-7405153 to 31-7652123 incl.
- J - Used on aircraft that comply with S.G.A.C. (French) regulations.
- K - If special instruments and/or avionics are installed, check part number stamped on back of panel and order that part number.
- L - Used if Aero Mechanism Inc. Encoding Altimeter is installed.
- M - Used if United Instruments Inc. Encoding Altimeter is installed.
- N - When ordering, specify color black or beige.
- P - Order indicator, part no. 71128-14, if Calco Flap System Installation Kit 764 938L has been installed per Service Letter 959.
- Q - Used on aircraft with serial numbers 31-5001 to 31-7852171 inclusive if Calco Flap System Installation Kit 764 938L has been installed per Service Letter 959.
- R - Also used on aircraft with serial numbers 31-5001 to 31-7852171 inclusive if Calco Flap System Installation Kit 764 938L has been installed per Service Letter 959.
- V - These parts must be ordered from Service Spares Dept., Piper Aircraft, Vero Beach, Fla.

## PIPER PARTS CATALOG

Figure and Index Number	Part Number	Code	NOMENCLATURE	No. Req.	SERIAL NUMBERS AFFECTED
70-	52489 15564 15570	L M	DRAWING - Instrument Panel Installation DRAWING - Encoding Altimeter Installation DRAWING - Encoding Altimeter Installation		31-7552001 and up 31-7552001 and up
-1	25700-03 548 302		TACHOMETER ASSEMBLY - Dual TACHOMETER ASSEMBLY - Dual (PS50048-13-1)	1 1	31-5001 to 31-7952250 incl. 31-8052001 and up
-2	548 013		GAUGE ASSEMBLY - Dual fuel pressure (PS50116-3)	1	
-3	41506-02  74240-02		GAUGE ASSEMBLY - Engine, oil pressure and temperature, cylinder head temperature (A.I.D. 18P2.00 or Edo-Aire 22-804-00) GAUGE ASSEMBLY - Engine, oil pressure and temperature, cylinder head temperature	2 2	
-4	46320-00		GAUGE ASSEMBLY - Gyro pressure	1	
-5	41507-09 41507-12 41507-15 46566-05 46566-08	C G G	GAUGE ASSEMBLY - Airspeed indicator, M.P.H. GAUGE ASSEMBLY - Airspeed indicator, M.P.H. and knots GAUGE ASSEMBLY - Airspeed indicator, knots GAUGE ASSEMBLY - Airspeed indicator, knots GAUGE ASSEMBLY - Airspeed indicator, knots	1 1 1 1 1	31-5001 to 31-7652177 incl. 31-5001 to 31-7652177 incl. 31-7752001 and up 31-5001 to 31-7652177 incl. 31-7752001 and up
-6	19697-08 19697-10 751 904		GAUGE ASSEMBLY - Manifold pressure GAUGE ASSEMBLY - Manifold pressure GAUGE ASSEMBLY - Exhaust gas temperature (41498-00)	1 1 1	31-5001 to 31-7952250 incl. 31-8052001 and up 31-5001 to 31-7405240 incl.
-7	548 036		GAUGE ASSEMBLY - Exhaust gas temperature (PS50101-33L)	1	31-7405245 to 31-7405459 incl. 31-7405241 to 31-7405244 incl. 31-7405460 and up
-8	550 420 548 250 52346-04 41707-00		GAUGE ASSEMBLY - Dual fuel flow (PS50031-50-2) GAUGE ASSEMBLY - Dual fuel flow (PS50031-51-2) GAUGE ASSEMBLY - Dual fuel flow GAUGE ASSEMBLY - Outside air temperature (Sunshield 3.56" L.)	1 1 1 1	31-5001 to 31-7852059 incl. 31-7852060 to 31-8152020 incl. 31-8152021 and up
-9	54507-03		GAUGE ASSEMBLY - Outside air temperature (Sunshield 4.00" L.)	1	
-10	32281-03 32281-04 548 330  548 331  548 045 548 039	V L M	INSTRUMENT - Altimeter, sensitive (scale in inches of mercury) INSTRUMENT - Altimeter, sensitive (scale in millibars) INSTRUMENT - Altimeter, sensitive (scale in inches of mercury and millibars) INSTRUMENT - Altimeter, sensitive (scale in inches of mercury and millibars) INSTRUMENT - Encoding altimeter (8141B) INSTRUMENT - Encoding altimeter (PS50008-6-2)	1 1 1 1 1 1	31-5001 to 31-7952250 incl. 31-8052001 and up 31-7752001 and up
-11	32737-06 43220-00 44378-00 980024-501		INSTRUMENT ASSEMBLY - Turn and bank (Mitchell) INSTRUMENT ASSEMBLY - Turn and bank (R. C. Allen) INSTRUMENT - Turn coordinator (R. C. Allen) INSTRUMENT - Turn coordinator (United Instruments) (9000-N11)	1 1 1 1	
-12	41502-00 51006-00	D	INSTRUMENT ASSEMBLY - Engine hour meter INSTRUMENT ASSEMBLY - Engine hour meter	1 1	31-5001 to 31-7305032 incl. 31-7305033 to 31-7652177 incl.
-13	755 428 53707-00	B B,C	INDICATOR ASSEMBLY - Attitude gyro INDICATOR ASSEMBLY - Attitude gyro	1 1	
-14	755 427	B	INDICATOR ASSEMBLY - Directional gyro	1	
-15	550 684 467 482		INDICATOR ASSEMBLY - Rate of climb (0-4000 ft./mn.) INDICATOR ASSEMBLY - Instantaneous vertical speed (SLZ9851D6LP)	1 1	31-8252001 and up
-16	55567-04 55650-04 55991-08 71128-14 49684-02 71128-11	P C,J,P P Q	INDICATOR - Wing flap INDICATOR - Wing flap INDICATOR - Wing flap INDICATOR - Wing flap INDICATOR - Wing flap INDICATOR - Wing flap	1 1 1 1 1 1	31-5001 to 31-7752192 incl. 31-5001 to 31-7752192 incl. 31-7852001 to 31-7852171 incl. 31-7952001 to 31-7952155 incl. 31-7952156 and up

When ordering, always specify Part Number, Description and Serial Number of Aircraft

## PIPER PARTS CATALOG

Figure and Index Number	Part Number	Code	NOMENCLATURE	No. Req.	SERIAL NUMBERS AFFECTED
70-17	450 706		CLOCK ASSEMBLY - (W-33-7510ET)	1	
	29692-02		CLOCK ASSEMBLY - Digital	1	31-8252001 and up
-18	47990-02		COMPASS ASSEMBLY - (Includes compass card and holder)	1	
-19	11473-101		GASKET - Compass assembly	1	
-20	52836-12	A,E,K	PANEL - Instrument, left (standard)	1	31-5001 to 31-7405152 incl.
	53795-08	A,K	PANEL - Instrument, left (standard)	1	31-7405153 to 31-7405428 incl.
	53795-12	F,K,N	PANEL - Instrument, left (standard)	1	31-7405429 to 31-7652123 incl.
	54379-02	K	PANEL - Instrument	1	31-7652124 and up
-21	52457-02	H,K	PANEL - Instrument, right	1	31-5001 to 31-7405152 incl.
	53804-02	K,N	PANEL - Instrument, right	1	31-7405153 to 31-7652123 incl.
	54429-02	K	PANEL - Instrument, right	1	31-7652124 and up
-22	52485-02		PANEL - Cabin air control	1	31-5001 to 31-7952250 incl.
	52485-03		PANEL - Cabin air control	1	31-8052001 to 31-8052130 incl.
	52485-04		PANEL - Cabin air control	1	31-8052131 and up
-23	43489-00	K	PANEL - Radar mounting	1	31-5001 to 31-7405478 incl.
-24	43490-00	K	PANEL - Engine instrument mounting	1	31-5001 to 31-7405478 incl.
-25	41678-06	N	PLATE - Cover	5	
-26	41679-00	N	PLATE - Cover	2	31-5001 to 31-7652177 incl.
-27	41678-04	N	PLATE - Cover	3	
-28	52798-00	N	PLATE - Cover	1	
-29	52876-00		PLATE - Cover	1	31-5001 to 31-7405478 incl.
	53973-00		PLATE - Cover	1	31-7405479 to 31-7652177 incl.
	53973-03		PLATE - Cover	1	31-7752001 and up
-30	52875-00		PLATE - Cover	1	31-5001 to 31-7405478 incl.
	54156-00		PLATE - Cover	1	31-7405479 to 31-7652177 incl.
-31	53864-02		PLATE - Cover	1	
-32	42802-00		COVER ASSEMBLY - Radar mounting	1	31-5001 to 31-7405478 incl.
-33	42029-00	K	COVER - Instrument panel center	1	31-5001 to 31-7405478 incl.
-34	52826-02		COVER - Instrument mounting	1	
-35	52826-03		COVER - Instrument mounting	4	
-36	41377-06		CHANNEL ASSEMBLY - Cabin air control	1	
-37	41373-00		BRACKET - Cabin air control	4	
-38	43488-00		BRACKET ASSEMBLY - Instrument panel	1	31-5001 to 31-7405478 incl.
-39	22433-00		ARM ASSEMBLY - Control cable actuator	4	
-40	40885-00		SPACER - Attitude gyro mounting (1/2" thick)	1	31-5001 to 31-7652177 incl.
	40885-02		SPACER - Attitude gyro mounting (5/8" thick)	1	31-5001 to 31-7652177 incl.
	40885-03		SPACER - Directional gyro mounting (1/2" thick)	1	31-5001 to 31-7652177 incl.
-41	42596-00		SPACER - Outside air temperature gauge	1	
-42	40575-00		PLACARD - Alternate air	1	
-43	41429-02		PLACARD - Parking brake	1	
-44	41347-00		PLACARD - Mike and phone jacks	2	
-45	27178-00		PLACARD - Pitch out of trim	1	
-46	41345-00		PLACARD - Heated windshield	1	
-47	42640-00		CLIP ASSEMBLY - Cover plate	1	
-48	54065-04	K	PANEL ASSEMBLY - Engine instrument mounting	1	31-7405479 to 31-7652123 incl.
	54562-02	K	PANEL ASSEMBLY - Engine instrument mounting	1	31-7652124 and up
-49	54076-03		PLACARD - Speed control, M.P.H., black	1	31-7405479 to 31-7652177 incl.
	54076-04	C	PLACARD - Speed control, knots, black	1	31-7505479 to 31-7652177 incl.
	80512-02		PLACARD - Speed control, knots, black	1	31-7752001 to 31-7752192 incl.
	80584-02		PLACARD - Speed control, knots, black	1	31-7852001 and up
	54076-06		PLACARD - Speed control, M.P.H., beige	1	31-7552001 to 31-7652177 incl.
	54076-07	C	PLACARD - Speed control, knots, beige	1	31-7552001 to 31-7652177 incl.
	80512-03		PLACARD - Speed control, knots, beige	1	31-7752001 to 31-7752192 incl.
	80584-03		PLACARD - Speed control, knots, beige	1	31-7852001 and up
-50	475 162		MODULE - (A6SMM20T-1)	5	
-51	554 868		CLAMP - End, terminal module (AMMC-2)	2	
-52	41194-02		TRACK - Terminal strip mounting	1	
-53	22287-00		KNOB ASSEMBLY - Control	4	
-54	42034-00		STRAP - Ground	4	

When ordering, always specify Part Number, Description and Serial Number of Aircraft

# PIPER PARTS CATALOG

Figure and Index Number	Part Number	Code	Nomenclature	No. Req.	Serial Numbers Affected
0-55	453 691		BUTTON - Plug (SS-48151)	4	31-5001 to 31-7952250 incl.
	453 691		BUTTON - Plug (SS-48151)	3	31-8052001 and up
-56	453 694		BUTTON - Plug (D3005 "B")	1	
-57	453 709		BUTTON - Plug (SS-48152)	2	31-5001 to 31-7952250 incl.
	453 709		BUTTON - Plug (SS-48152)	3	31-8052001 and up
-58	453 661		BUTTON - Plug (SS-51051)	2	
-59	453 817		BUTTON - Plug (SS-51338) Black finish	2	
-60	453 891		BUTTON - Plug (SS-50705) Black finish	3	
-61	26870-00		BUTTON - Plug	4	
-62	475 109		MOUNT - (J-7219-22)	8	31-5001 to 31-7852072 incl.
	475 109		MOUNT - (J-7219-22)	2	31-7852073 and up
-63	472 742		LIGHT - Post (Glar Ban) (P-65-3-CW-28)	29	
	472 829		LIGHT - Post (Grimes) (20-0121-15-B-24)	29	
	572 625		LIGHT - Post (Whelen) (75619-06)	29	
-64	472 028		* BULB - Post light (327)	1	
-65	757 877		* CAP ASSEMBLY - Blue lens (Glar Ban) (5952-2CW)	1	
	755 351		* HOOD ASSEMBLY - (Grimes) (21-0230-9)	1	
	755 352		* HEAD ASSEMBLY - (Whelen) (02-0350189-00)	1	
-66	472 028		LAMP - (24V, 327)	1	
-67	472 816		LIGHT - Trim warning (800-1030-0333-504)	1	
-68	757 938		* CAP ASSEMBLY - (800-0333-500)	1	
-69	556 743		CONNECTOR - (5954-8ND-2)	AR	
	557 373		CONNECTOR - (75619-02) (Used with 572 625 Post light)	AR	
-70	415 535		SCREW - (MS35206-245)	4	
	404 833		NUT - (MS20364-832C)	4	
-71	453 791		BULB - (PS10008-356)	1	31-7552128 and up
-72	47755-00		SOCKET ASSEMBLY - Light	1	31-7552128 and up
-73	81342-101		WASHER - Temperature gauge mounting	1	
-74	414 507		SCREW - (MS24693-S26)	2	
-75	415 517		SCREW - (MS35206-227)	5	
-76	406 704		NUT - Cap (22K1-82) hex	8	31-5001 to 31-7852072 incl.
	406 704		NUT - Cap (22K1-82) hex	2	31-7852073 and up
	407 563		WASHER - (AN960-8)	15	31-5001 to 31-7852072 incl.
	407 563		WASHER - (AN960-8)	6	31-7852073 and up
	404 833		NUT - (MS20364-832C)	8	31-5001 to 31-7852072 incl.
	404 833		NUT - (MS20364-832C)	4	31-7852073 and up
-77	415 535		SCREW - (MS35206-245) Dull black nickel	3	
	404 910		NUT - (MS20365-832C)	3	
-78	415 520		SCREW - (MS35206-230) Dull black nickel	4	
-79	414 508		SCREW - (MS24693-S28) Dull black nickel	1	
-80	80247-02		PLACARD - Cigar lighter	1	
-81	54378-04		LIGHT ASSEMBLY - Boost pump inoperative	1	31-5001 to 31-7405478 incl.
	54378-05		LIGHT ASSEMBLY - Boost pump inoperative	1	31-7405479 to 31-7552023 incl.
	54338-03		LIGHT ASSEMBLY - Boost pump inoperative and fuel flow warning	1	31-7552024 to 31-7752192 incl.
-81a	54337-02		* PLACARD - Left fuel flow warning (582 354)	1	31-5001 to 31-7752192 incl.
	54337-03		* PLACARD - Right fuel flow warning (582 355)	1	31-5001 to 31-7752192 incl.
	54337-04		* PLACARD - Left boost inoperative (582 356)	1	31-5001 to 31-7752192 incl.
	54337-05		* PLACARD - Right boost inoperative (582 357)	1	31-5001 to 31-7752192 incl.
-82	487 938		* SWITCH - Press to test (46-200B)	1	31-5001 to 31-7752192 incl.
-83	472 028		* LAMP - (PS10008-327)	AR	31-5001 to 31-7752192 incl.
-84	48550-00		* PLACARD - Press to test	1	31-5001 to 31-7752192 incl.
-85	43816-00		VOLTMETER ASSEMBLY - (550 767)	1	31-7552128 and up
-86	55693-02		BRACKET - Instrument panel spacer	4	31-7752001 to 31-7852072 incl.
	55693-02		BRACKET - Instrument panel spacer	2	31-7852073 and up
-87	55279-02		BRACKET - Cover, left	1	31-7752001 to 31-7752192 incl.
	55279-04		BRACKET - Cover, left	1	31-7852001 and up
	55279-03		BRACKET - Cover, right	1	31-7752001 and up

When ordering, always specify Part Number, Description, and Serial Number of Aircraft

# PIPER PARTS CATALOG

Figure and Index Number	Part Number	Code	Nomenclature	No. Req.	Serial Numbers Affected
70-88	52109-00		BRACKET ASSEMBLY - Support, left	1	31-7752001 to 31-7952250 incl.
	71479-02		BRACKET ASSEMBLY - Support, left	1	31-8052001 and up
	52109-04		BRACKET ASSEMBLY - Support, right	1	31-7752001 to 31-7952250 incl.
	71479-03		BRACKET ASSEMBLY - Support, right	1	31-8052001 and up
-89	476 647		NIPPLE - (AN816-3D)	1	31-7752001 and up
-90	488 316		TEE - (MS20826-4D)	1	31-7752001 and up
-91	588 084		SWITCH - Annunciator Hi/Lo	1	31-7852001 to 31-7952164 incl.
	588 171		SWITCH - Annunciator Hi/Lo (MPA103D)	1	31-7952165 and up
-92	55930-03		LIGHT ASSEMBLY - Annunciator display	1	31-7852001 to 31-7852171 incl.
	55930-05		LIGHT ASSEMBLY - Annunciator display	1	31-7952001 to 31-7952250 incl.
	55930-07		LIGHT ASSEMBLY - Annunciator display	1	31-8052001 and up
-93	472 058		* BULB - (387) 28V	18	31-7852001 and up
-94	763 398		* CAP ASSEMBLY - "Trim"	1	
	763 399		* CAP ASSEMBLY - "L. Pneu. Inop."	1	
	763 400		* CAP ASSEMBLY - "L. Low Fuel Flow"	1	
	764 601		* CAP ASSEMBLY - "L. Alt. Inop."	1	
	764 602		* CAP ASSEMBLY - "R. Alt. Inop."	1	
	764 603		* CAP ASSEMBLY - "R. Low Fuel Flow"	1	
	764 604		* CAP ASSEMBLY - "R. Pneu. Inop."	1	
	764 605		* CAP ASSEMBLY - "Cabin Dr. Unsafe"	1	
	764 606		* CAP ASSEMBLY - "Nose/Bag. Dr. Ajar"	1	
	764 607		* CAP ASSEMBLY - "L. Fuel Boost Inop."	1	
	764 608		* CAP ASSEMBLY - "R. Fuel Boost Inop."	1	
	764 609		* CAP ASSEMBLY - "Flap"	1	
	764 610		* CAP ASSEMBLY - "Htr. Fail"	1	
	653 181		* CAP ASSEMBLY - Blank, green bar	AR	
-95	80755-02		PLACARD - Annunciator test	1	31-7852001 and up
-96	80614-02		PLACARD - Annunciator Hi/Lo	1	31-7852001 and up
-97	588 085		SWITCH - Annunciator test	1	31-7852001 to 31-7952164 incl.
	588 172		SWITCH - Annunciator test (MPA103F)	1	31-7952165 and up
-98	475 183		MOUNT - (SL2337-08)	6	31-7852073 and up
-99	587 965		SWITCH - Avionics Power (7101 K)	1	
-100	59105-02	R	PLACARD - Flap system test	1	31-7952001 and up
-101	54628-03		HOLDER - Crew cup	2	
-102	411 533		* SCREW - (MS35207-264)	2	
	407 564		* WASHER - (AN960-10)	2	
	80012-06		* BUSHING	2	
	408 813		* WASHER - Spring (3502-10-79-0511)	2	
	19513-38		* WASHER	2	
-103	71047-02		SWITCH ASSEMBLY - Ground clearance	1	31-7952001 and up
	452 059		BARRIER - Mounting, ground clearance switch	2	31-7952001 and up
-104	49234-02		BRACKET - Annunciator mounting	1	31-7852001 and up
-105	72966-03	Q	PLACARD - Flap malfunction (583 945)	1	
-106	472 648	Q	LIGHT ASSEMBLY - Indicator, flap malfunction (MS25041-2)	1	
	472 028	Q	LAMP - (PS10008-327)	1	

When ordering, always specify Part Number, Description, and Serial Number of Aircraft

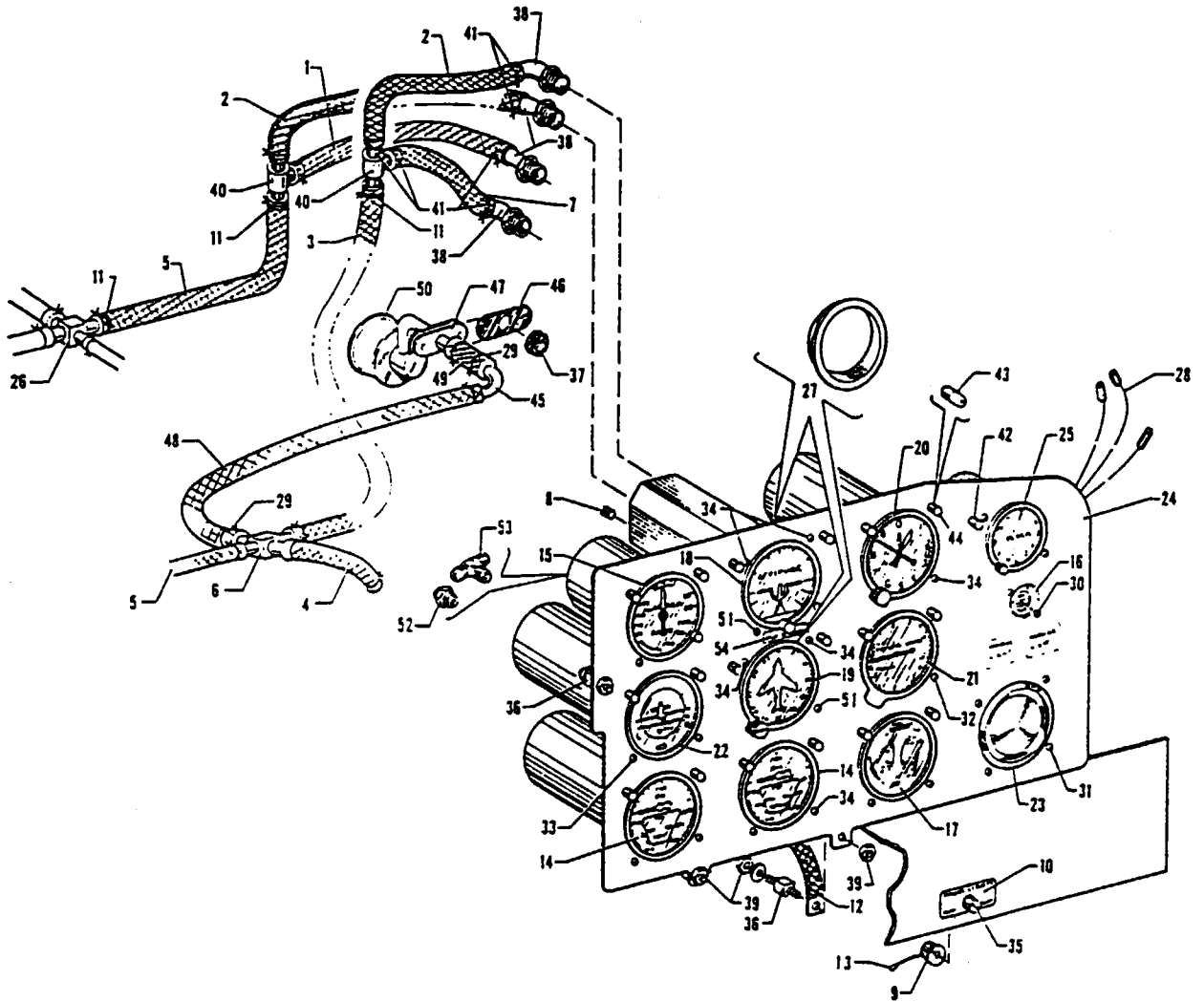


Figure 71. Dual Instrument Panel Installation

---

# PIPER PARTS CATALOG

---

## CODE EXPLANATIONS FOR FIGURE 71

- A - See Figure 140 or Figure 141 if AltiMatic V F/D-1 or AltiMatic V-1 with copilot gyros are installed.
- B - Used on aircraft that comply with C.A.A. (United Kingdom) requirements.
- C - Used if AltiMatic V F/D-1 or AltiMatic V-1 with copilot gyros are installed.
- D - Used if electric gyros are installed.
- E - Used if air gyros are installed.
- F - If aircraft comply with C.A.A. (United Kingdom) requirements, order part for serial numbers 31-7405153 to 31-7652177 incl.
- G - Used on aircraft that comply with D.C.A. (Australian) requirements.
- H - If special instruments and/or avionics are installed, check part number stamped on back of panel and order that part number.
- J - When ordering, specify color black or beige
- K - Used only if attitude gyro P/N 71181-02 is installed

PIPER PARTS CATALOG

Figure and Index Number	Part Number	Code	NOMENCLATURE	No. Req.	SERIAL NUMBERS AFFECTED
71-	52364		DRAWING - Dual Instrument Panel Installation (with Electric Gyros)		
	52488		DRAWING - Dual Instrument Panel Installation (with Air Gyros)		
-1	82371-51		HOSE - Directional gyro to vent	1	
-2	16633-81		HOSE - Gyro horizon to check valve	2	
-3	61541-43		HOSE - Connector, check valve	1	
-4	49998-32		HOSE - Tee to check valve	1	
-5	16633-79		HOSE - Tee to vent	2	
-6	455 404		FITTING - (1K38-10-8-8-8)	1	
-7	16633-83		HOSE - Directional gyro to check valve	AR	
-8	24712-02		PLUG - Gyro horizon and directional gyro	AR	
-9	484 590		RHEOSTAT - Panel lights (E-35-R1-352)	1	31-5001 to 31-7852171 incl.
	49503-02		POTENTIOMETER - Panel lights	1	31-7952001 to 31-7952250 incl.
-10	41383-00		PLACARD - Panel lights	1	31-5001 to 31-7852171 incl.
	80682-02		PLACARD - Panel lights	1	31-7952001 to 31-7952250 incl.
-11	454 987		CLAMP - (SAE 12)	8	
-12	42034-00		CLAMP - Ground	2	
-13	581 482		PLUG - Rheostat (1519P)	1	
-14	41506-02		GAUGE ASSEMBLY - Engine, oil pressure and temperature, cylinder head temperature (A.I.D. 18P2.00 or Edo-Aire 22-804-00)	2	
	41506-03		GAUGE ASSEMBLY - Engine, oil pressure and temperature, cylinder head temperature (W378-0003-4 Edo-Aire)	2	
-15	41507-09		GAUGE ASSEMBLY - Airspeed indicator, M. P. H.	1	31-5001 to 31-7652177 incl.
	41507-12	B	GAUGE ASSEMBLY - Airspeed indicator, M. P. H. and knots	1	31-5001 to 31-7652177 incl.
	41507-15		GAUGE ASSEMBLY - Airspeed indicator, knots	1	31-7752001 and up
	46566-05	G	GAUGE ASSEMBLY - Airspeed indicator, knots	1	31-5001 to 31-7652177 incl.
	46566-08	G	GAUGE ASSEMBLY - Airspeed indicator, knots	1	31-7752001 and up
-16	46320-00		GAUGE ASSEMBLY - Gyro pressure	1	
-17	548 013		GAUGE ASSEMBLY - Dual fuel pressure (PS50116-3)	1	
-18	755 428	A	INDICATOR ASSEMBLY - Attitude gyro, air	1	
	53707-00	A	INDICATOR ASSEMBLY - Attitude gyro, air, (with covered adjusting knob)	1	
	48150-00	A	INDICATOR ASSEMBLY - Attitude gyro, electric	1	31-5001 to 31-7752053 incl.
	55684-02	A	INDICATOR ASSEMBLY - Attitude gyro, electric (R. C. Allen)	1	31-7752054 and up
	46912-00	A	INDICATOR ASSEMBLY - Attitude gyro, electric (A.I.M.)	1	31-7752054 and up
	71181-02		INDICATOR ASSEMBLY - Attitude gyro, electric (AERITALIA)	1	
	53709-00	A	INDICATOR ASSEMBLY - Attitude gyro, electric, (with covered adjusting knob)	1	31-5001 to 31-8152038 incl.
	71549-02	A	INDICATOR ASSEMBLY - Attitude gyro, electric, (with covered adjusting knob)	1	31-8152039 and up
-19	755 427	A	INDICATOR ASSEMBLY - Directional gyro, air	1	
	48149-00	A	INDICATOR ASSEMBLY - Directional gyro, electric	1	31-5001 to 31-7752053 incl.
	55683-02	A	INDICATOR ASSEMBLY - Directional gyro, electric (R. C. Allen)	1	31-7752054 and up
	46911-00	A	INDICATOR ASSEMBLY - Directional gyro, electric (A.I.M.)	1	31-7752054 and up
	71183-02		INDICATOR ASSEMBLY - Directional gyro, electric (AERITALIA)	1	
-20	32281-03		INSTRUMENT - Altimeter, sensitive (scale in inches of mercury)	1	
	32281-04		INSTRUMENT - Altimeter, sensitive (scale in millibars)	1	
	548 331		INSTRUMENT - Altimeter, sensitive (scale in inches of mercury and millibars)	1	
-21	550 684		INDICATOR ASSEMBLY - Rate of climb (0-4000 ft./min.)	1	
	755 450		INDICATOR ASSEMBLY - Instantaneous vertical speed (SLZ9068D6WB)	1	
	467 482		INDICATOR ASSEMBLY - Instantaneous vertical speed (SLZ9851D6LP)	1	31-8252001 and up

When ordering, always specify Part Number, Description and Serial Number of Aircraft



# PIPER PARTS CATALOG

Figure and Index Number	Part Number	Code	Nomenclature	No. Req.	Serial Numbers Affected
71-22	44378-00		INSTRUMENT ASSEMBLY - Tum coordinator (R. C. Allen)	1	
	43220-00		INSTRUMENT ASSEMBLY - Tum and bank (R. C. Allen)	1	
	32737-06		INSTRUMENT ASSEMBLY - Tum and bank (Mitchell)	1	
	980024-501		INSTRUMENT - Tum coordinator (United Instruments) (9000-N11)	1	
-23	41678-06	J	PLATE - Cover	1	
-24	52457-02	C,E,F,H	PANEL - Instrument, right	1	31-5001 to 31-7405152 incl.
	53804-02	C,E,H,J	PANEL - Instrument, right	1	31-7405153 to 31-7652177 incl.
	52457-03	D,F,H	PANEL - Instrument, right	1	31-5001 to 31-7405152 incl.
	53804-03	D,H,J	PANEL - Instrument, right	1	31-7405153 to 31-7652177 incl.
	54429-02	H	PANEL - Instrument, right	1	31-7752001 and up
-25	450 706		CLOCK - (W-33-7510ET)	1	
-26	460 855		FITTING - (1K38-8-8-8-4)	1	
-27	40885-00	E	SPACER - Gyro mounting (1/2" thick)	2	31-5001 to 31-7652177 incl.
	40885-02	E	SPACER - Gyro mounting (5/8" thick)	1	
	40885-03	D	SPACER - Gyro mounting (1/2" thick)	2	
-28	556 743		CONNECTOR - (5954-8ND-2)	20	
-29	554 802		CLAMP - (SAE 14) Type "E"	4	
-30	514 748		SCREW - (MS24693-S28) Dull black nickel	2	
-31	514 748		SCREW - (MS24693-S28) Dull black nickel	4	
	477 828		NUT - (NAS 487-20)	4	
-32	514 750		SCREW - (MS24693-S30) Dull black nickel	1	
	477 828		NUT - (NAS 487-20)	1	
-33	514 749		SCREW - (MS24693-S29) Dull black nickel	2	
-34	514 750		SCREW - (MS24693-S30) Dull black nickel	13	
-35	571 080		KNOB - Panel lights (1910-8)	1	31-5001 to 31-7852171 incl.
	571 126		KNOB - Panel lights (525-D)	1	31-7952001 to 31-7952250 incl.
-36	475 109		MOUNT - (J-7219-22)	4	
-37	434 135		GROMMET - Pressure regulator (AN931-8-13)	1	
-38	558 913		ELBOW - (1K9-4-6)	4	
-39	477 793		NUT - Cap (26C-02)	8	
	407 563		WASHER - (AN960-8)	14	
	404 833		NUT - (MS20364-832C)	8	
-40	488 520		TEE - (1K30-8-6-6)	2	
-41	454 832		CLAMP - (SAE 10)	8	
-42	472 742		LIGHT - Post (P-65-3-CW-28) Glar Ban	20	
-43	472 028		* BULB - Post light (327)	1	
-44	757 877		* CAP ASSEMBLY - Blue lens (5952-2CW)	1	
-45	43409-00		ELBOW - Hose fitting	1	
-46	43408-00		GASKET - Pressure regulator	1	
-47	43407-00		PLATE - Pressure regulator	1	
-48	82371-102		HOSE - Pressure regulator	1	
-49	82371-35		HOSE - Pressure regulator	1	
-50	484 135		REGULATOR - (2H30-8)	1	
-51	514 752		SCREW - (MS24693-S32) Dull black nickel	3	
-52	476 647		NIPPLE - (AN816-3D)	1	31-7752001 and up
-53	488 316		TEE - (MS20826-4D)	1	31-7752001 and up
-54	74106-02	K	PLACARD - "Pull to erect"	1	

When ordering, always specify Part Number, Description, and Serial Number of Aircraft

PIPER PARTS CATALOG

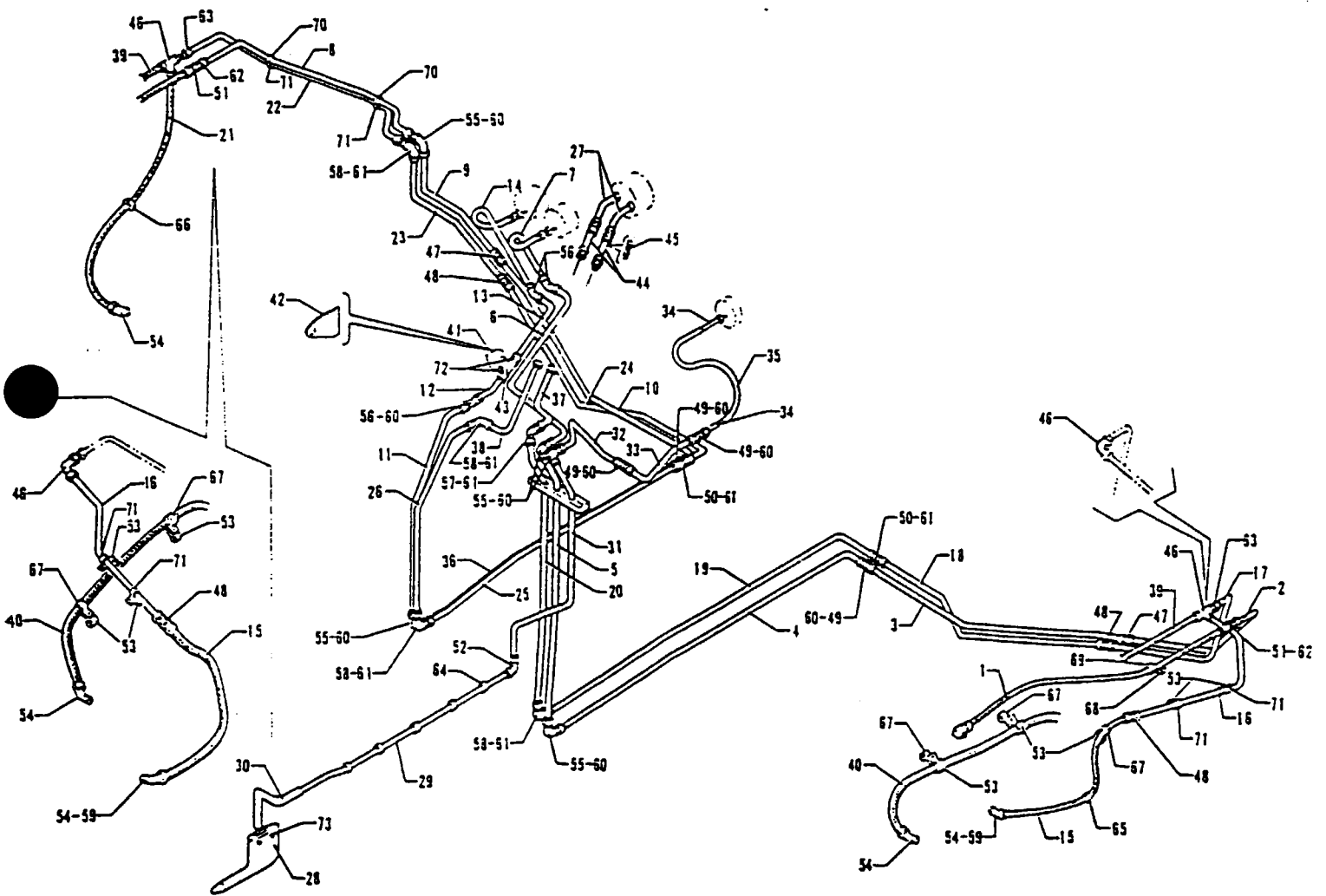


Figure 72. Miscellaneous Air and Fluid Lines Installation

---

# PIPER PARTS CATALOG

CODE EXPLANATIONS FOR FIGURE 72

## PIPER PARTS CATALOG

Figure and Index Number	Part Number	Code	NOMENCLATURE	No. Req.	SERIAL NUMBERS AFFECTED
72-	52395		DRAWING - Miscellaneous Air and Fluid Lines Installation		
-1	23745-14		HOSE ASSEMBLY - Flexible, oil pressure line	2	
-2	41918-00		TUBE ASSEMBLY - Oil pressure line, left	1	
-3	22673-72		TUBE ASSEMBLY - Oil pressure line, left	1	
-4	52969-00		TUBE ASSEMBLY - Oil pressure line, left	1	
-5	41916-00		TUBE ASSEMBLY - Oil pressure line, left	1	
-6	41915-00		TUBE ASSEMBLY - Oil pressure line, left	1	31-5001 to 31-7552066 incl.
	54705-02		TUBE ASSEMBLY - Oil pressure line, left	1	31-7552067 and up
-7	17766-99		HOSE ASSEMBLY - Flexible, oil pressure line, left	1	
-8	71366-02		TUBE ASSEMBLY - Oil pressure line, right	1	31-5001 to 31-8252067 incl.
	74086-02		TUBE ASSEMBLY - Oil pressure line, right	1	31-8252068 and up
-9	41905-00		TUBE ASSEMBLY - Oil pressure line, right	1	
-10	22673-72		TUBE ASSEMBLY - Oil pressure line, right	1	
-11	41989-00		TUBE ASSEMBLY - Oil pressure line, right	1	
-12	71739-02		TUBE ASSEMBLY - Oil pressure line, right	1	
-13	42124-00		TUBE ASSEMBLY - Oil pressure line, right	1	31-5001 to 31-7552066 incl.
	80024-47		TUBE ASSEMBLY - Oil pressure line, right	1	31-7552067 and up
-14	17766-98		HOSE ASSEMBLY - Flexible, oil pressure line, right	1	
-15	17766-100		HOSE ASSEMBLY - Flexible, manifold pressure line, left	1	31-5001 to 31-7305099 incl.
	17766-100		HOSE ASSEMBLY - Flexible, manifold pressure line	2	31-7305100 and up
-16	42304-00		TUBE ASSEMBLY - Manifold pressure line, left	1	31-5001 to 31-7305099 incl.
	42304-00		TUBE ASSEMBLY - Manifold pressure line	2	31-7305100 and up
-17	41919-00		TUBE ASSEMBLY - Manifold pressure line, left	1	
-18	52378-00		TUBE ASSEMBLY - Manifold pressure line, left	1	
-19	52978-00		TUBE ASSEMBLY - Manifold pressure line, left	1	
-20	41917-00		TUBE ASSEMBLY - Manifold pressure line, left	1	
-21	17766-96		HOSE ASSEMBLY - Flexible, manifold pressure line, right	1	31-5001 to 31-7305099 incl.
-22	71364-02		TUBE ASSEMBLY - Manifold pressure line, right	1	
-23	41904-00		TUBE ASSEMBLY - Manifold pressure line, right	1	
-24	42123-00		TUBE ASSEMBLY - Manifold pressure line, right	1	
-25	52967-00		TUBE ASSEMBLY - Manifold pressure line, right	1	
-26	41988-00		TUBE ASSEMBLY - Manifold pressure line, right	1	
-27	43405-00		TUBE ASSEMBLY - Manifold pressure	2	
-28	42530-03		TUBE ASSEMBLY - Heated pitot	1	
-29	43923-00		TUBE ASSEMBLY - Instrument air pressure	1	
-30	83161-25		HOSE - Pitot pressure line	1	
-31	41536-00		TUBE ASSEMBLY - Instrument air pressure	1	
-32	42126-00		TUBE ASSEMBLY - Pitot pressure line	1	
-33	42127-00		TUBE ASSEMBLY - Pitot pressure line	1	
-34	17881-04		LINE ASSEMBLY - Pitot pressure line	2	
-35	83161-25		HOSE - Pitot pressure line	1	
-36	80024-13		TUBE ASSEMBLY - Oil pressure line, right	1	
-37	43398-00		TUBE ASSEMBLY - Manifold pressure, left	1	
-38	43402-00		TUBE ASSEMBLY - Manifold pressure, right	1	
-39	39999-11		HOSE ASSEMBLY - Differential pressure controller	2	31-5001 to 31-7305099 incl.
-40	39999-14		HOSE ASSEMBLY - Differential pressure controller	2	31-7305100 to 31-8152137 incl.
	39997-02		HOSE ASSEMBLY - Differential pressure controller	2	31-8152138 and up
-41	41511-00		SWITCH ASSEMBLY - Pressure sensing, engine hour meter	1	
-42	41625-00		BRACKET - Pressure sensing switch	1	
-43	488 474		TEE - Pressure sensing switch (AN917-1D)	1	
-44	43404-00		FILTER ASSEMBLY - Manifold pressure gauge	2	
-45	754 817		* FILTER - Manifold pressure gauge line	1	
-46	488 542		TEE - (AN804-4)	2	31-5001 to 31-7305099 incl.
	458 934		ELBOW - (AN833-4)	2	31-7305100 and up

When ordering, always specify Part Number, Description and Serial Number of Aircraft

PIPER PARTS CATALOG

Figure and Index Number	Part Number	Code	NOMENCLATURE	No. Req.	SERIAL NUMBERS AFFECTED
72-47	491 049		UNION - (AN815-3D)	2	
-48	491 050		UNION - (AN815-4D)	4	
-49	491 059		UNION - (AN832-3D)	4	
-50	491 060		UNION - (AN832-4D)	2	
-51	491 067		UNION - (AN832-3)	2	
-52	458 879		ELBOW - (AN821-3D)	1	
-53	454 868		CLAMP - (PS10017-2-12)	10	
-54	458 891		ELBOW - (AN823-4D)	5	
-55	458 899		ELBOW - (AN833-3D)	5	
-56	458 909		ELBOW - (AN837-3D)	3	
-57	458 910		ELBOW - (AN837-4D)	1	
-58	458 900		ELBOW - (AN833-4D)	4	
-59	453 618		BUSHING - Reducer (AN912-3D)	2	
-60	477 617		NUT - (AN924-3D)	10	
	407 567		WASHER - (AN960-616)	10	
-61	477 618		NUT - (AN924-4D)	7	
	407 568		WASHER - (AN960-716)	7	
-62	477 628		NUT - (AN924-3)	2	
	407 567		WASHER - (AN960-616)	2	
-63	477 629		NUT - (AN924-4)	2	
	407 568		WASHER - (AN960-716)	2	
-64	434 168		GROMMET - (MS35489-5S)	10	
-65	434 157		GROMMET - (MS35489-16S)	1	
-66	434 140		GROMMET - (MS35489-135)	1	
-67	454 933		CLAMP - (PS10017-2-8)	6	
-68	454 935		CLAMP - (PS10017-2-10)	2	
-69	454 862		CLAMP - (PS10017-2-14)	2	
-70	454 928		CLAMP - (PS10017-2-3)	2	
-71	454 929		CLAMP - (PS10017-2-4)	6	
-72	476 847		NIPPLE - Pressure sensing switch (AN816-3D)	2	
-73	407 102		WASHER - (AN935-6)	4	

When ordering, always specify Part Number, Description and Serial Number of Aircraft

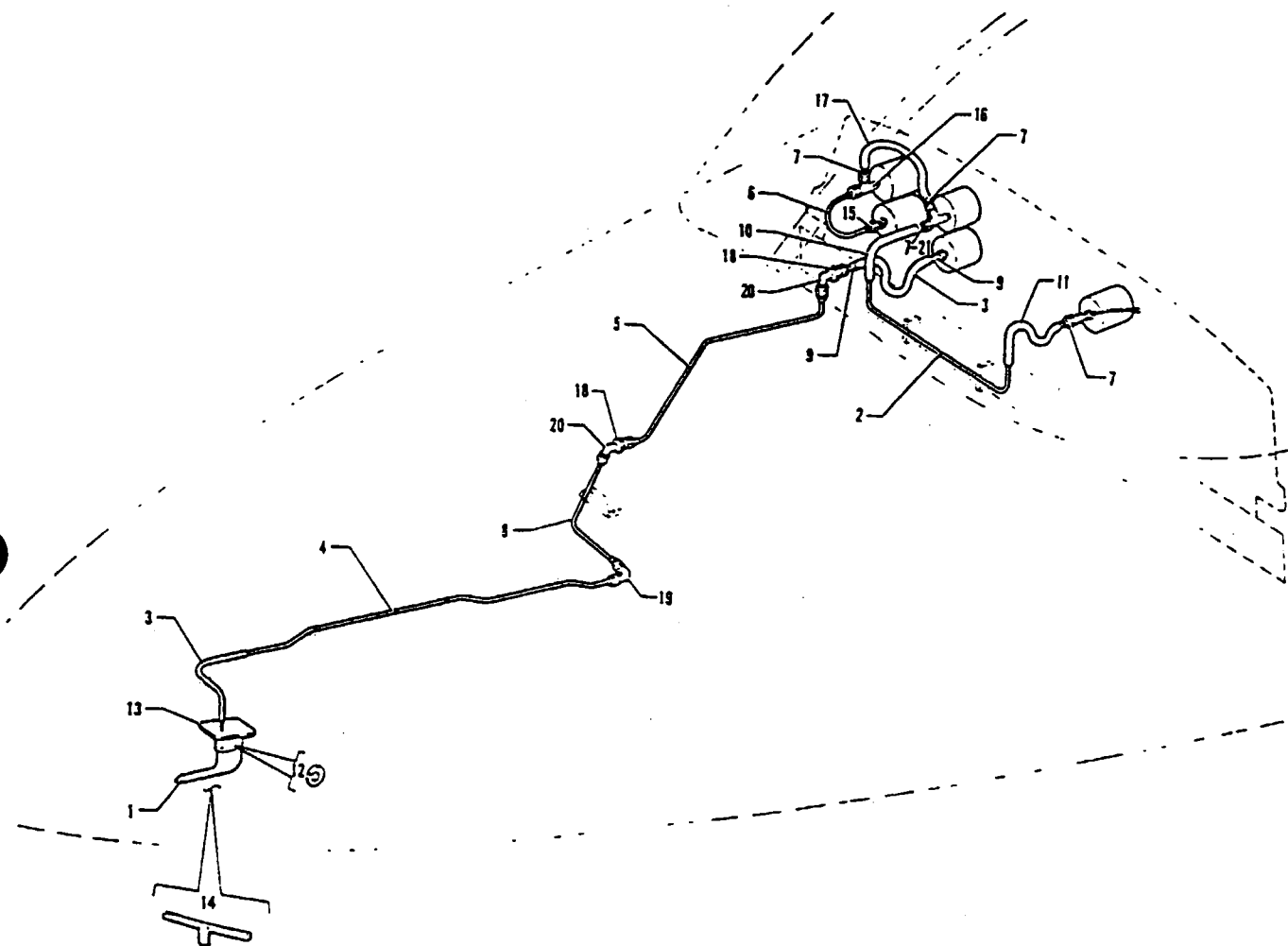


Figure 73. Dual Instrument Air System Installation

---

# PIPER PARTS CATALOG

---

## CODE EXPLANATIONS FOR FIGURE 73

- A - Used if Instantaneous Vertical Speed Indicator, Part No. SLZ9851D6LP is installed.
- B - Used if Instantaneous Vertical Speed Indicator, Part No. SLZ9851D6LP is not installed.

PIPER PARTS CATALOG

Figure and Index Number	Part Number	Code	NOMENCLATURE	No. Req.	SERIAL NUMBERS AFFECTED
73-	44266		DRAWING - Dual Instrument Air System Installation		
-1	42530-03		TUBE ASSEMBLY - Heated pitot	1	
-2	44236-00		TUBE - Instrument static air	1	
-3	83161-25		HOSE - Instrument air pressure	2	
-4	43923-00		TUBE ASSEMBLY - Instrument air pressure (fittings one end)	1	
-5	42523-00		TUBE ASSEMBLY - Instrument air pressure	1	
-6	44246-00	B	TUBE ASSEMBLY - Static air	1	
	74067-02	A	HOSE ASSEMBLY - Static air	1	31-8252001 and up
-7	17881-06		LINE ASSEMBLY - Static air	4	31-5001 to 31-8152137 incl.
	17881-06		LINE ASSEMBLY - Static air	3	31-8152138 and up
-8	52380-00		TUBE ASSEMBLY - Instrument air pressure	1	
-9	17881-04		TUBE - Instrument air pressure	2	
-10	49998-21		HOSE - Static air	1	
-11	49998-20		HOSE - Static air	1	
-12	407 041		WASHER - (MS35338-41)	4	
-13	41466-01		MAST ASSEMBLY - Pitot tube	1	
-14	43561-00		COVER ASSEMBLY - Pitot tube	1	
-15	476 648		NIPPLE - (AN816-4D)	1	
-16	488 316		TEE - (MS20826-4D)	1	
-17	49998-22		HOSE - Static air	1	
-18	477 617		NUT - (AN924-3D)	2	
	407 567		WASHER - (AN960-616)	2	
-19	458 879		ELBOW - (AN821-3D)	1	
-20	458 889		ELBOW - (AN833-3D)	2	
-21	46722-00		LINE ASSEMBLY - Static air	1	31-8152138 and up

When ordering, always specify Part Number, Description and Serial Number of Aircraft



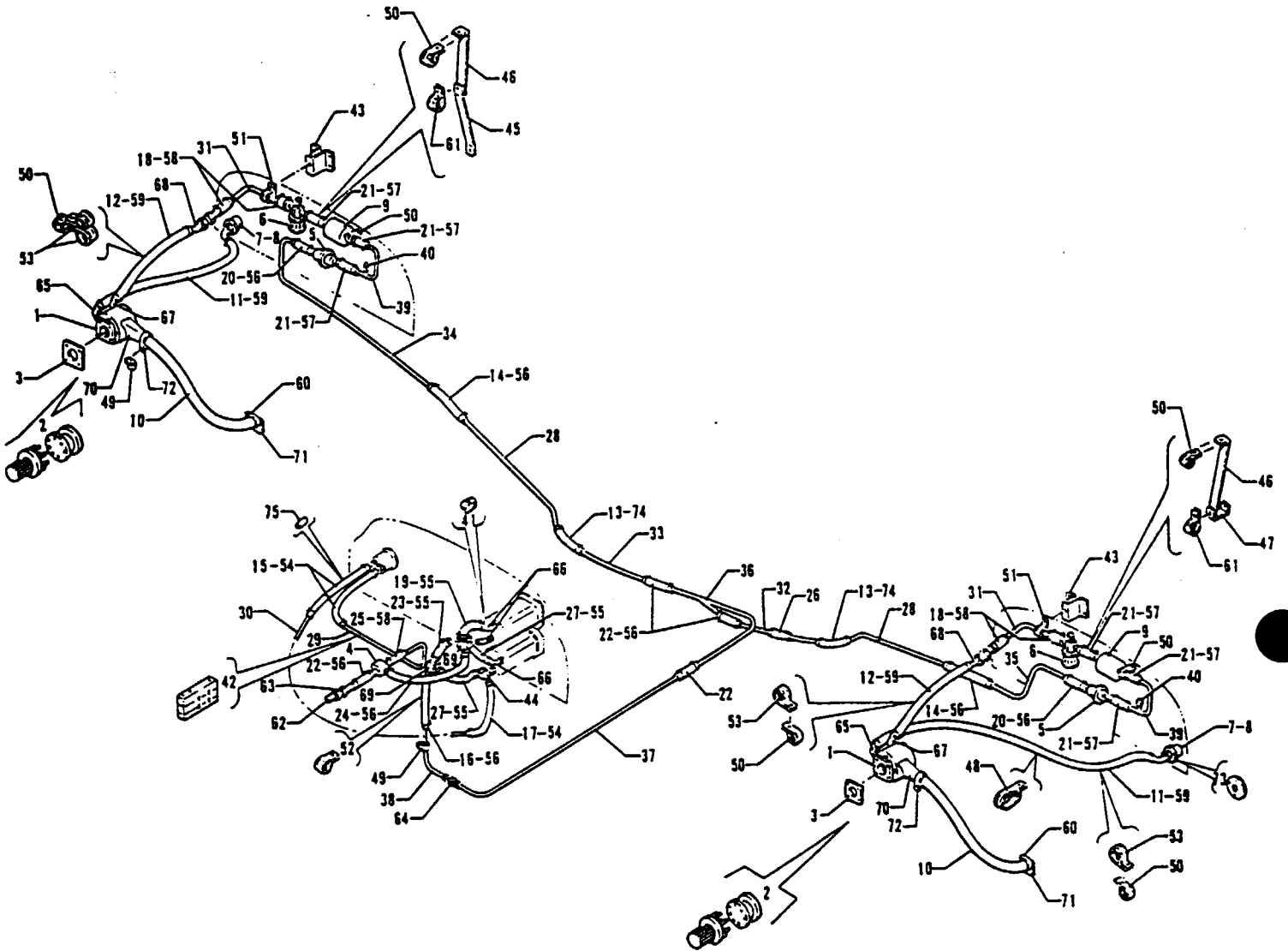


Figure 74. Instrument Pressure System Installation  
(Serial Numbers 31-5001 to 31-7652123 incl.)

---

# PIPER PARTS CATALOG

---

## CODE EXPLANATIONS FOR FIGURE 74

- A - See Figure 123 if Pneumatic Deicing System is installed.
- B - Used if dual instruments and Pneumatic Deicing System is installed.
- C - Used if dual instruments are installed.
- D - See Figure 141 if AltiMatic V-1 is installed on serial numbers 31-7552094 and up.
- E - Used on pneumatic pumps 211CC and 212CW only.
- F - Used on pneumatic pumps 441CC-7 and 442CW-6 only.
- G - Used if single instruments are installed.

# PIPER PARTS CATALOG

Figure and Index Number	Part Number	Code	Nomenclature	No. Req.	Serial Numbers Affected
74-	52311		DRAWING - Instrument Pressure System Installation		
-1	79399-00		PUMP ASSEMBLY - Dry pneumatic (211CC) left	1	
	26749-09	B	PUMP ASSEMBLY - Dry pneumatic (441CC-7) left	1	
	79399-02		PUMP ASSEMBLY - Dry pneumatic (212CW) right	1	
	26749-10	B	PUMP ASSEMBLY - Dry pneumatic (442CW-6) right	1	
-2	753 910	E	* COUPLING ASSEMBLY KIT - Vacuum pump drive (No. 350)	1	
	757 865	F	* COUPLING ASSEMBLY KIT - Vacuum pump drive (No. 352)	1	
-3	751 859		** GASKET - Pump mounting (G3-1-2)	1	
-4	488 548		TEE - (1K30-8-4-8)	1	
-5	492 195		VALVE ASSEMBLY - Check (1H37-4)	2	
-6	492 243	A,G	VALVE ASSEMBLY - Pressure relief (2H30-6)	2	
	492 242	A,C	VALVE ASSEMBLY - Pressure relief (2H30-1)	2	
-7	460 853		FILTER - Air (1J1-3)	2	
-8	751 815		FILTER - Air (B-3005A1)	1	
-9	460 866		FILTER - Inline (1J4-6)	2	
-10	10525-86	B	HOSE - Pump cooling	2	
-11	49997-09		HOSE - Air filter, left	1	
	49997-08		HOSE - Air filter, right	1	
-12	49997-05		HOSE - Pump to relief valve	2	
-13	61541-42		HOSE - Pressure line	2	
-14	82371-25		HOSE - Pressure line	2	
-15	61541-30		HOSE - Pressure gauge	2	
-16	82371-111	A	HOSE - Pressure line	1	
-17	82371-112		HOSE - Pressure line	1	
-18	82371-106		HOSE - Relief valve connector	4	
-19	82371-51		HOSE - Attitude gyro to tee	1	
-20	82371-47		HOSE - Inline filter tube connector	2	
-21	82371-35		HOSE - Inline filter tube connector	6	
-22	82371-23		HOSE - Tube connector	4	
-23	16633-80		HOSE - Attitude gyro to tee	1	
-24	16633-78	D	HOSE - Gyro tee to pressure gauge vent	1	
-25	16633-39		HOSE - Pressure gauge vent	1	
-26	16633-64		HOSE - Pressure line connector	1	
-27	16633-49		HOSE - Directional gyro to tee	2	
-28	41787-00		TUBE - Pressure	2	
-29	43044-00		TUBE - Pressure vent	1	
-30	43047-00		TUBE - Pressure vent	1	
-31	44396-03	A	TUBE ASSEMBLY - Relief valve	2	
-32	52268-00		TUBE - Pressure	1	
-33	52290-00		TUBE - Pressure	1	
-34	52308-02	A	TUBE - Check valve to pressure line	1	
-35	52255-02	A	TUBE - Check valve to pressure line	1	
-36	52295-00	A	TUBE ASSEMBLY - Pressure	1	
-37	52227-00		LINE ASSEMBLY - Instrument air pressure	1	
-38	52235-00		LINE ASSEMBLY - Instrument air pressure	1	
-39	52243-00		TUBE ASSEMBLY - Inline filter to check valve	2	
-40	53897-00		SWITCH - Pressure, check valve	2	
-41	24712-02		PLUG - Gyro port	AR	
-42	54799-02		BLOCK ASSEMBLY - Tube retaining	2	

When ordering, always specify Part Number, Description, and Serial Number of Aircraft

PIPER PARTS CATALOG

Figure and Index Number	Part Number	Code	NOMENCLATURE	No. Req.	SERIAL NUMBERS AFFECTED
74-43	44421-00	A	BRACKET - Tube support	2	
-44	460 856		FITTING - Gyro inlet (1K40-4-4-6)	1	
-45	52237-00		BRACE - Tube support	1	
-46	52238-00		ANGLE - Tube support	2	
-47	52226-00		CHANNEL - Tube support	1	
-48	487 722		STRAP - (PS10017-3-3-6F)	1	
-49	454 933		CLAMP - (PS10017-2-8)	2	
-50	454 935		CLAMP - (PS10017-2-10)	7	
-51	454 868		CLAMP - (PS10017-2-12)	2	
-52	554 906		CLAMP - (PS10017-2-13)	1	
-53	454 862		CLAMP - (PS10017-2-14)	4	
-54	454 983		CLAMP - (SAE TY E-8)	6	
-55	454 832		CLAMP - (SAE TY E-10)	8	
-56	454 987		CLAMP - (SAE TY E-12)	20	
-57	554 802		CLAMP - (SAE TY E-14)	12	
-58	554 806		CLAMP - (SAE TY E-18)	8	
-59	454 921		CLAMP - (SAE TY F-10)	8	
-60	454 993	B	CLAMP - (SAE TY A-3 1/16)	2	
-61	454 940		CLAMP - (A2980S-12-1)	2	
-62	451 921		ADAPTER - (AN807-8D)	1	
-63	477 621		NUT - (AN924-8D)	1	
-64	491 053		UNION - (AN815-8D)	1	
-65	558 926		ELBOW - (1K1-6-12)	2	
	558 925	B	ELBOW - (1K1-8-12) 90 degrees	2	
-66	558 913		ELBOW - (1K9-4-6)	3	
-67	558 932		ELBOW - (1K9-6-12)	2	
	558 931	B	ELBOW - (1K9-8-12)	2	
-68	558 933		ELBOW - (1K36-12-12)	2	
-69	488 520	D	TEE - (1K30-8-6-6)	2	
-70	43093-00	B	SHROUD - Pneumatic pump cooling	2	
-71	43092-00	B	TAKE-OFF ASSEMBLY - Pump duct	2	
-72	80002-25	B	CLAMP - Oil cooler hose	2	
-73	43799-00		PLATE ASSEMBLY - Pneumatic filter cover	2	
-74	554 871		CLAMP - (SAE TY F-6)	4	
-75	479 403		ORIFICE ASSEMBLY - (1K94-1)	2	31-7652051 and up

When ordering, always specify Part Number, Description and Serial Number of Aircraft

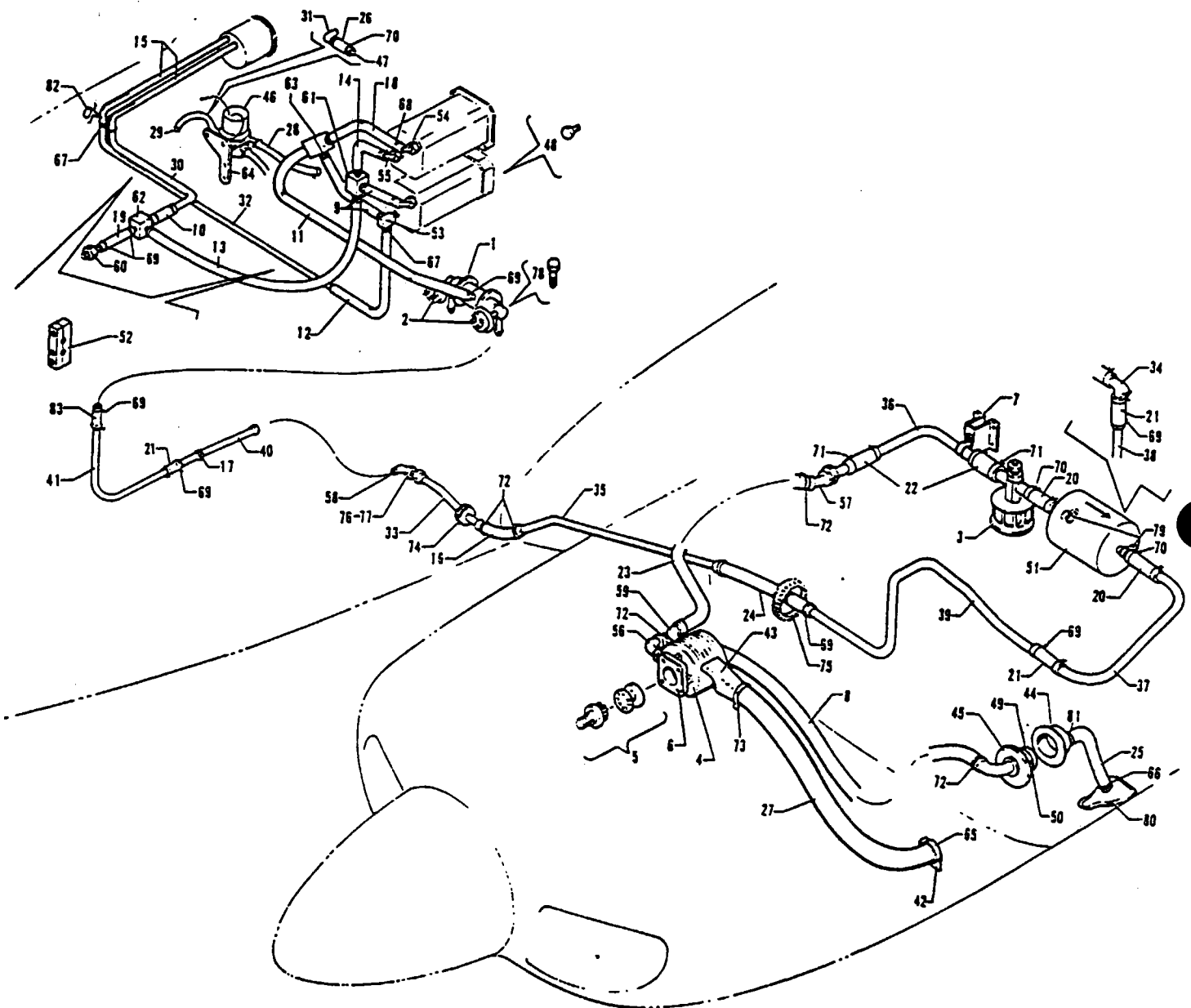


Figure 74A. Instrument Pressure System Installation  
(Serial Numbers 31-7652124 and up)

---

# PIPER PARTS CATALOG

---

## CODE EXPLANATIONS FOR FIGURE 74A

- A - See Figure 123A or Figure 123B if Pneumatic Deicing System is installed.
- B - Used if dual instruments are installed.
- C - Used if dual instruments or Pneumatic Deicing System is installed.
- D - Used with Pneumatic Pumps 211CC and 212CW only.
- E - Used on Pneumatic Pumps 441CC-7 and 442CW-6 only.
- F - Used if AltiMatic V F/D or V F/D-1 is not installed.
- G - Used if AltiMatic V F/D or V F/D-1 is installed.
- H - Used if single instruments are installed.

# PIPER PARTS CATALOG

Figure and Index Number	Part Number	Code	Nomenclature	No. Req.	Serial Numbers Affected
74A-	44456 54697		DRAWING - Instrument Pressure System Installation DRAWING - Gyro, AutoPilot and De-icer Lines Installation		
-1	43139-04		VALVE ASSEMBLY - Manifold and check	1	
-2	53897-00		* SWITCH - Pressure	2	
-3	492 243	A,H	VALVE - Pressure relief (2H30-6)	2	
	492 242	A,B	VALVE - Pressure relief (2H30-1)	2	
-4	79399-00		PUMP ASSEMBLY - Dry pneumatic (211CC) left	1	
	26749-09	C	PUMP ASSEMBLY - Dry pneumatic (441CC-7) left	1	
	79399-02		PUMP ASSEMBLY - Dry pneumatic (212CW) right	1	
	26749-10	C	PUMP ASSEMBLY - Dry pneumatic(442CW-6) right	1	
-5	753 910	D	* COUPLING ASSEMBLY KIT - Vacuum pump drive (no. 350)	1	
	757 865	E	* COUPLING ASSEMBLY KIT - Vacuum pump drive (no. 352)	1	
-6	751 859		* * GASKET - Pneumatic pump mtg. (B3-1-2)	1	
-7	44421-00	A	BRACKET ASSEMBLY - Instrument air support	2	
-8	49997-09		HOSE - Pneumatic pump to air filter, left	1	
	49997-08		HOSE - Pneumatic pump to air filter, right	1	
-9	16633-49	F	HOSE - Directional gyro to tee	2	
-10	16633-75		HOSE - Pressure gauge line to tee	1	
-11	82371-111		HOSE - Manifold check valve	1	
-12	82371-112		HOSE - Gyro gauge pressure	1	
-13	16633-78	F	HOSE - Gyro tee to outlet vent	1	
-14	16633-80		HOSE - Attitude gyro to tee	1	
	82371-89	G	HOSE - Attitude gyro to tee	1	
-15	61541-30		HOSE - Pressure gauge	2	
-16	61541-42		HOSE - Manifold check valve line	2	
-17	434 156		GROMMET - (MS35489-14S)	2	
-18	82371-51		HOSE - Attitude gyro to tee	1	
	61541-45	G	HOSE - Attitude gyro to tee	1	
-19	82371-23		HOSE - Pressure tube connector	1	
-20	82371-35	A	HOSE - Relief valve and inline filter attachment	4	
-21	82371-47	A	HOSE - Inline filter tube and manifold	4	
-22	82371-106	A	HOSE - Relief valve connector	4	
-23	49997-05		HOSE - Relief valve to pneumatic pump	2	
-24	82371-54		HOSE - Pressure tube connector, left	1	
	82371-25		HOSE - Pressure tube connector, right	1	
-25	49997-10		HOSE - Air filter box to scoop	2	31-7652124 to 31-7952250 incl.
	56952-15		HOSE - Air filter box to scoop	2	31-8052001 and up
-26	82371-23	H	HOSE - Pneumatic relay port	1	31-7652124 to 31-7852171 incl.
	82371-47	H	HOSE - Pneumatic relay port	1	31-7952001 and up
-27	10525-86	C	HOSE - Pump cooling	2	
-28	82371-92		HOSE - Pneumatic relay	1	
-29	82371-93		HOSE - Pneumatic relay	1	
-30	54709-02		TUBE - Pneumatic pressure gauge	1	
-31	22369-35	H	TUBE - Pneumatic relay port	1	31-7652124 to 31-7852171 incl.
-32	53996-00		TUBE - Gyro gauge pressure	1	
-33	41788-00		TUBE ASSEMBLY - Pressure, left	1	
	41798-00		TUBE ASSEMBLY - Pressure, right	1	
-34	43140-00	A	TUBE ASSEMBLY - Inline filter, right	1	
-35	41787-00		TUBE - Pressure	1	
-36	44396-03	A	TUBE ASSEMBLY - Instrument air	2	
-37	44417-00	A	TUBE ASSEMBLY - Instrument air, left	1	
-38	44442-00		TUBE - Instrument air, right	1	
-39	44443-00		TUBE - Instrument air, left	1	
-40	54668-02		TUBE ASSEMBLY - Pressure	2	
-41	54673-02		TUBE - Pressure	2	
-42	43092-00	C	TAKE-OFF ASSEMBLY - Pump duct	2	
-43	43093-00	C	SHROUD - Pneumatic pump cooling	2	

When ordering, always specify Part Number, Description, and Serial Number of Aircraft

PIPER PARTS CATALOG

Figure and Index Number	Part Number	Code	NOMENCLATURE	No. Req.	SERIAL NUMBERS AFFECTED
74A-44	43798-00		BOX ASSEMBLY - Pneumatic air filter	2	
-45	43799-00		PLATE ASSEMBLY - Pneumatic air filter cover	2	
-46	52307-00		VALVE ASSEMBLY - Pneumatic relay shutoff	1	
-47	43326-00	H	PLUG - Pneumatic relay port hose	1	31-7652124 to 31-7852171 incl.
	42150-00	H	PLUG - Pneumatic relay port hose	1	31-7952001 and up
-48	24712-02		PLUG - Gyro port	AR	
-49	460 853		FILTER - Air (1J1-3)	2	
-50	751 815		* FILTER - Air (B3-5-1)	1	
-51	460 866	A	FILTER - Inline (1J4-6)	2	
-52	54799-02		BLOCK ASSEMBLY - Tube retaining	2	
-53	460 856	F	FITTING - Gyro inlet (1K40-4-4-6)	1	
-54	458 945		ELBOW - (1K1-4-6)	1	
	558 991	G	ELBOW - (1K1-4-8)	1	
-55	558 913		ELBOW - (1K9-4-6)	1	
	558 992	G	ELBOW - (1K9-4-8)	1	
-56	558 926		ELBOW - (1K1-6-12)	2	
	558 925	C	ELBOW - (1K1-8-12) 90 degree	2	
-57	558 933	A	ELBOW - (1K36-12-12)	2	
-58	458 905		ELBOW - (AN833-8D)	2	
-59	558 932		ELBOW - (1K9-6-12)	2	
	558 931	C	ELBOW - (1K9-8-12)	2	
-60	451 921		ADAPTER - (AN807-8D)	1	
-61	488 520		TEE - (1K30-8-6-6)	1	
-62	488 548		TEE - (1K30-8-4-8)	1	
-63	488 520		TEE - (1K30-8-6-6)	1	
	588 385	G	TEE - (1K30-8-8-4)	1	
-64	52306-00		BRACKET - Pneumatic relay attachment	1	
-65	454 994	C	CLAMP - (H2-1160)	2	
-66	554 919		CLAMP - (SAE 20, Type "E")	2	
-67	454 983		CLAMP - (SAE 8, Type "E")	8	
-68	454 832		CLAMP - (SAE 10, Type "E")	8	
-69	454 987		CLAMP - (SAE 12, Type "E")	26	
-70	554 802		CLAMP - (SAE 14, Type "E")	12	
-71	554 806		CLAMP - (SAE TY E-18)	8	
-72	554 888		CLAMP - (SAE TY F-6)	12	
-73	80002-85	C	CLAMP - Oil cooler hose	2	
-74	434 137		GROMMET - (MS35489-15)	2	
-75	189 625		GROMMET - Pressure line (MS21266-IN) 12 3/4" L	AR	
-76	477 621		NUT - (AN924-8D)	3	
-77	407 593		WASHER - (AN960-PD1216)	3	
-78	400 438		BOLT - (AN3-4A)	2	
-79	400 437		BOLT - (AN3-3A)	4	
	404 887		NUT - (MS20365-1032C)	4	
-80	43894-00		INLET ASSEMBLY - Air, recessed	2	
-81	554 971		CLAMP - (SAE TY F-16SS)	2	
-82	479 403	D	ORIFICE - (1K94-1)	1	
-83	61541-45		HOSE - Manifold check valve line	2	

When ordering, always specify Part Number, Description and Serial Number of Aircraft



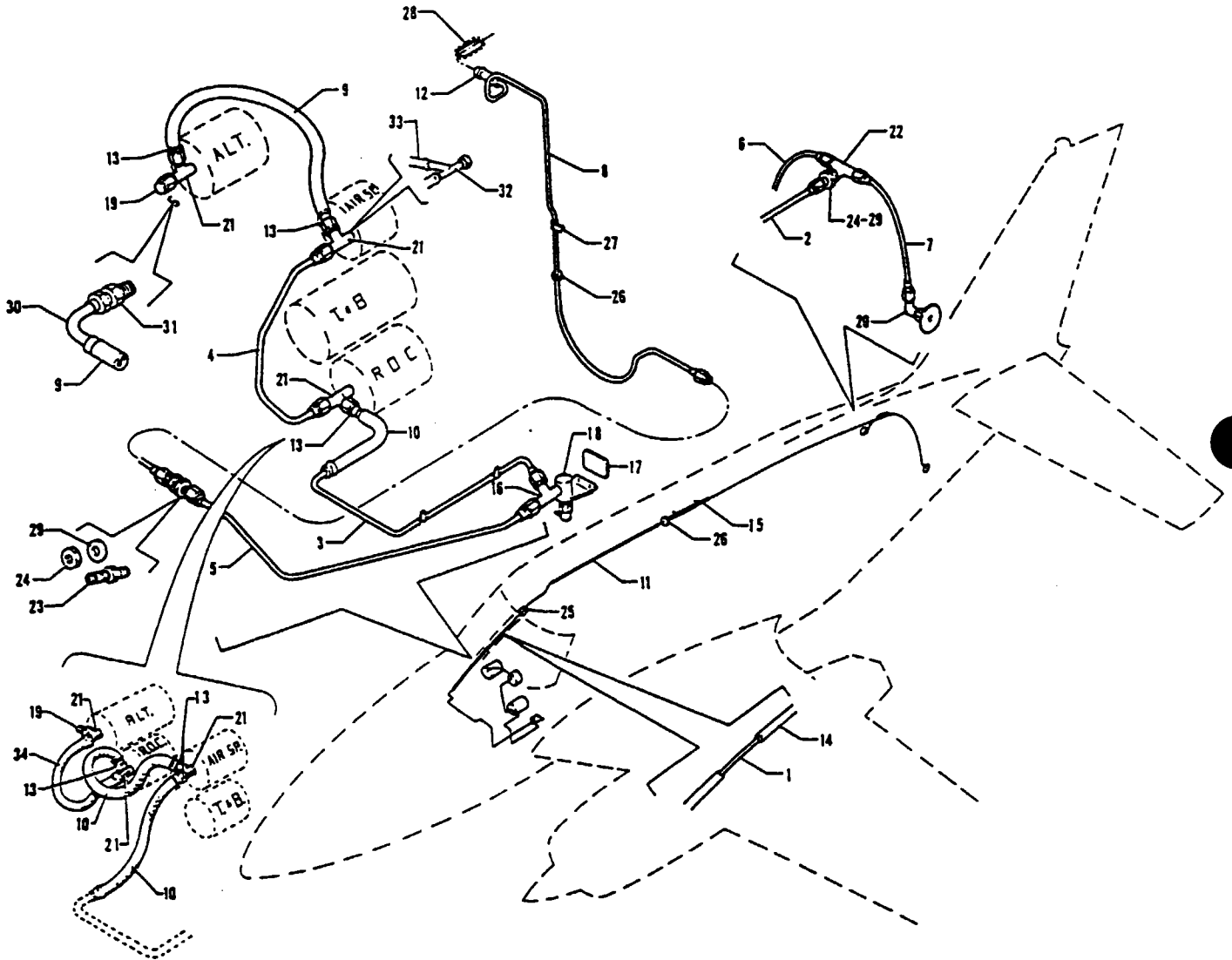


Figure 75. Static Pressure System Installation

---

# PIPER PARTS CATALOG

---

## CODE EXPLANATIONS FOR FIGURE 75

- A - Used on aircraft that comply with C.A.A (United Kingdom) requirements.
- B - Used if Aero Mechanism Inc. Encoding Altimeter is installed.
- C - Used if Altimatic 111C is installed.
- D - Used if rate of climb indicator is installed beneath turn and bank indicator.
- E - Used if rate of climb indicator is installed beneath directional gyro.
- F - Used on aircraft with serial number 31-7952057 and up if Altimatic X is installed.
- G - Used if instantaneous vertical speed indicator, Part No. SLZ9851D6LP is installed
- H - Used if instantaneous vertical speed indicator, Part No. SLZ9851D6LP is not installed.

PIPER PARTS CATALOG

Figure and Index Number	Part Number	Code	NOMENCLATURE	No. Req.	SERIAL NUMBERS AFFECTED
75-	44261		DRAWING - Static Pressure System Installation		
-1	44237-00		TUBE - Static pressure	1	
-2	44238-02		TUBE ASSEMBLY - Static pressure	1	
-3	44240-00		TUBE ASSEMBLY - Airspeed	1	
-4	53665-00	D	TUBE ASSEMBLY - Airspeed to rate of climb (11.8" L)	1	
-5	44247-00		TUBE ASSEMBLY - Static pressure	1	
-6	44252-02		TUBE ASSEMBLY - Static pressure	1	
-7	44252-03		TUBE ASSEMBLY - Static pressure	1	
-8	44254-00		TUBE ASSEMBLY - Static pressure	1	31-5001 to 31-7305071 incl.
	44848-00		TUBE ASSEMBLY - Static pressure	1	31-7305072 and up
-9	49998-22	D	HOSE - Altimeter (8" L)	1	
	80007-33	B	HOSE - Altimeter (17" L)	1	31-7552001 and up
-10	49998-19		HOSE - Alternate air source	2	
-11	49998-18		HOSE - Static pressure	1	
-12	49998-23		HOSE - Static pressure	1	
-13	17881-06		LINE ASSEMBLY - Static air	3	
-14	80006-04		SLEEVE - Static pressure line	1	
-15	80006-25		SLEEVE - Static pressure line	1	
-16	488 316		TEE - (MS20826-4D)	1	
-17	41472-00		PLACARD - Alternate static source	1	
	53739-00	A	PLACARD - Alternate static source	1	
-18	492 100		VALVE ASSEMBLY - (CCA-7450) Alternate static source	1	
-19	454 173		CAP - Altimeter (AN929-4)	1	
-20	458 894		ELBOW - (MS20822-4D)	2	
-21	488 316		TEE - (MS20826-4D)	3	
-22	488 383		TEE - (AN834-4D)	3	
-23	491 060		UNION - (AN832-4D)	1	
-24	477 618		NUT - (AN924-4D)	2	
-25	434 134		GROMMET - (MS35489-11)	1	
-26	434 128		GROMMET - (MS35489-8)	16	
-27	454 929		CLAMP - (PS10017-2-4)	3	
-28	189 825		GROMMET - Caterpillar (MS21266-1N) 4.00 L	1	
-29	407 698		WASHER - (AN960-D716)	3	
-30	48835-02		LINE ASSEMBLY - Encoding altimeter	1	31-7552001 and up
-31	476 648		NIPPLE - Encoding altimeter (AN816-4D)	1	31-7552001 and up
-32	44253-00	C,F	TUBE ASSEMBLY - Connector, airspeed	1	
-33	17766-109	C,F	HOSE - Airspeed to altitude hold	1	
-34	44246-00	E,H	TUBE ASSEMBLY - Altimeter to rate of climb	1	
	74067-02	G	HOSE ASSEMBLY - Altimeter to instantaneous vertical speed	1	

When ordering, always specify Part Number, Description and Serial Number of Aircraft

# PIPER PARTS CATALOG

---

GRIDS 2G23 THRU 2G24  
INTENTIONALLY LEFT BLANK

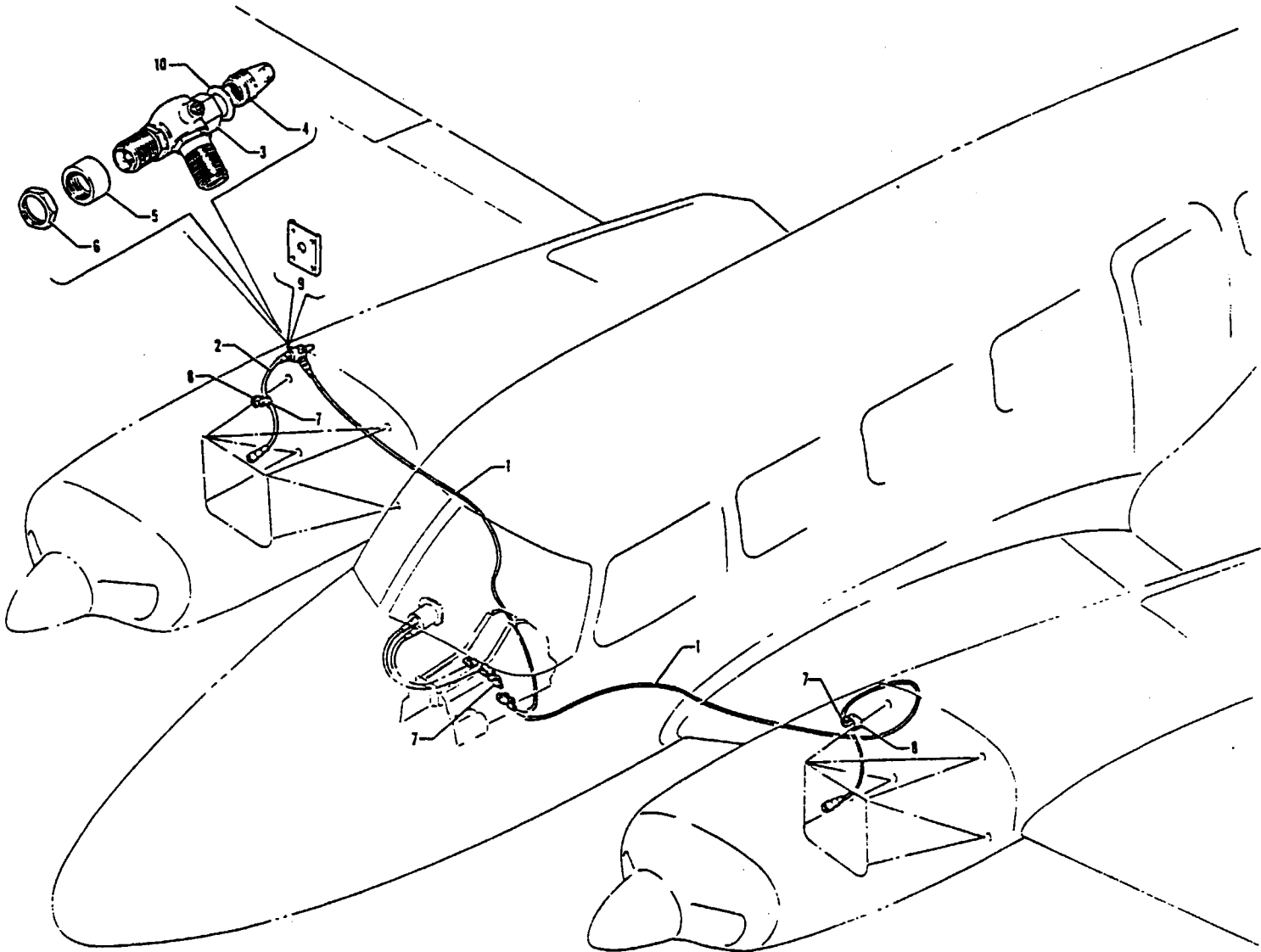


Figure 76. Tachometer Shaft Installation

---

# PIPER PARTS CATALOG

---

## CODE EXPLANATIONS FOR FIGURE 76

A - See Figure 81 if Propeller Synchrophaser is installed on Serial Numbers 31-5001 to 31-7852037 inclusive, or Figure 81A if Propeller Synchrophaser is installed on Serial Numbers 31-7852038 and up.

PIPER PARTS CATALOG

Figure and Index Number	Part Number	Code	NOMENCLATURE	No. Req.	SERIAL NUMBERS AFFECTED
6-	52787		DRAWING - Tachometer Shaft Installation		
-1	486 637		SHAFT ASSEMBLY - Tachometer (PS50044-20)	2	31-5001 to 31-8152093 incl.
	486 637		SHAFT ASSEMBLY - Tachometer, left engine (PS50044-20)	1	31-8152094 and up
	486 556		SHAFT ASSEMBLY - Tachometer, right engine (PS50044-11)	1	31-8152094 and up
-2	486 628	A	SHAFT ASSEMBLY - Tachometer, right engine (PS50044-17)	1	
-3	52785-03	A	ADAPTER - Dual drive	1	
-4	52786-00		PLUG - Drive adapter	1	
-5	52788-00		COLLAR - Dual drive adapter	1	
-6	52789-00		NUT - Special	1	
-7	454 931		CLAMP - (PS10017-2-5)	8	
-8	454 935		CLAMP - (PS10017-2-10)	2	
-9	52783-00		REINFORCEMENT - Firewall	1	
-10	407 575		WASHER - (AN960-1416)	1	

When ordering, always specify Part Number, Description and Serial Number of Aircraft

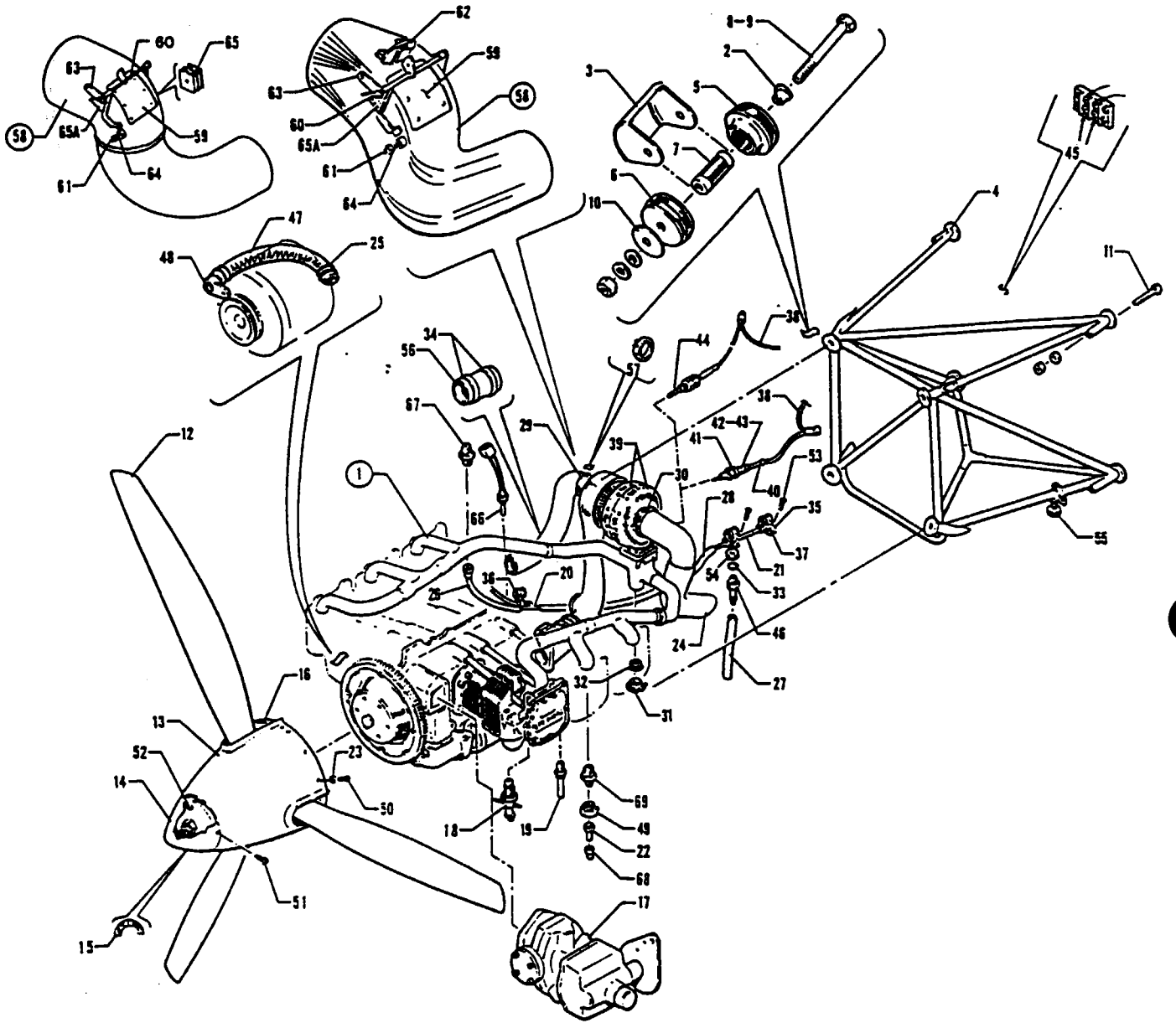


Figure 77. Power Plant Installation



# PIPER PARTS CATALOG

## CODE EXPLANATIONS FOR FIGURE 77

- A - Secure from Textron-Lycoming Corporation, Williamsport, PA.
- B - See Figure 80 for component parts.
- C - See Figure 81 or Figure 81A if propeller synchrophaser system installation is installed.
- D - Used if top mounted magnet is installed.
- E - Used if side mounted magnet is installed.
- F - Not available. Order propeller part number 550 967 (HC-E3YR-2ATF/FC8468-6R) which incorporates a feather assist spring kit. The opposite propeller must also include a feather assist spring kit per Piper Service Letter No. 753 and Hartzell Service Letter No. 101.
- G - Not available. Order propeller part number 550 968 (HC-E3YR-2ALTF/FJC8468-6R) which incorporates a feather assist spring kit. The opposite propeller must also include a feather assist spring kit per Piper Service Letter No. 753 and Hartzell Service Letter No. 101.
- H - Order part for serial numbers 31-7852035 and up, if Spinner Replacement Kit 763 884 has been installed.
- J - Order part for serial numbers 31-7852035 and up, if Spinner Replacement Kit 763 884 has been installed.
- K - Used if polished spinner assembly is installed.
- L - See Piper Service Bulletin 644D, or latest revision.

PIPER PARTS CATALOG

Figure and Index Number	Part Number	Code	NOMENCLATURE	No. Req.	SERIAL NUMBERS AFFECTED
77-	52682		DRAWING - Power Plant Installation		
-1		A	ENGINE ASSEMBLY - Lycoming, left (TIO-540-J2BD)	1	
		A	ENGINE ASSEMBLY - Lycoming, right (LTIO-540-J2BD)	1	
-2	20737-20		BUSHING - Shoulder, engine mount	4	
-3	24754-05		SHIELD ASSEMBLY - Heat	4	
-4	40007-07		MOUNT ASSEMBLY - Engine	2	
-5	475 117		MOUNT ASSEMBLY - Top rear, bottom front (J9612-8)	8	
-6	475 116		MOUNT ASSEMBLY - Top front, bottom rear (J7763-1)	8	
-7	487 436		SPACER - Mount (J-7766-9)	8	31-5001 to 31-7405139 incl. 31-7405401 to 31-7405411 incl.
	587 307		SPACER - Mount (J-10931-5)	8	31-7405140 to 31-7405400 incl. 31-7405412 and up
-8	400 277		BOLT - (AN7-40) Top	4	
	407 568		WASHER - (AN960-716) Top	8	
	477 664		NUT - (32FL-720) Top	4	
-9	400 277		BOLT - (AN7-40) Bottom	4	
	407 568		WASHER - (AN960-716) Bottom	4	
	477 664		NUT - (32FL-720) Bottom	4	
-10	85012-101		WASHER - Mount assembly	8	
-11	401 421		BOLT - (AN6-41A)	8	
	407 567		WASHER - (AN960-616)	8	
	404 890		NUT - (MS20365-624C)	8	
-12	550 942	B,F	PROPELLER ASSEMBLY - Hartzell (HC-E3YR-2AF/FC8468-6R) left	1	31-5001 to 31-7652123 incl.
	550 967	B	PROPELLER ASSEMBLY - Hartzell (HC-E3YR-2ATF/FC8468-6R) left	1	31-7652124 and up
	550 943	B,G	PROPELLER ASSEMBLY - Hartzell (HC-E3YR-2ALF/FJC8468-6R) right	1	31-5001 to 31-7652123 incl
	550 968	B	PROPELLER ASSEMBLY - Hartzell (HC-E3YR-2ALTFFJC8468-6R) right	1	31-7652124 and up
-13	43940-00	H	SPINNER ASSEMBLY - Propeller, left engine	1	31-5001 to 31-7852034 incl.
	43940-08		SPINNER ASSEMBLY - Propeller, left engine	1	31-7852035 and up
	43940-308		SPINNER ASSEMBLY - Propeller, left engine (polished)	1	31-7852035 and up
	43940-01	J	SPINNER ASSEMBLY - Propeller, right engine	1	31-5001 to 31-7852034 incl.
	43940-09		SPINNER ASSEMBLY - Propeller, right engine	1	31-7852035 and up
	43940-309		SPINNER ASSEMBLY - Propeller, right engine (polished)	1	31-7852035 and up
-14	43929-02		CAP ASSEMBLY - Propeller spinner	2	
	43929-302		CAP ASSEMBLY - Propeller spinner (polished)	2	
-15	55316-02		* DECAL - Pressure temperature	1	
-16	43933-04	H	BULKHEAD ASSEMBLY - Spinner, rear, left engine	1	31-5001 to 31-7852034 incl.
	43933-08		BULKHEAD ASSEMBLY - Spinner, rear, left engine	1	31-7852035 and up
	43933-03	J	BULKHEAD ASSEMBLY - Spinner, rear, right engine	1	31-5001 to 31-7852034 incl.
	43933-07		BULKHEAD ASSEMBLY - Spinner, rear, right engine	1	31-7852035 and up
-17	24622-18		GOVERNOR ASSEMBLY - Hartzell, left (F-6-24)	1	31-5001 to 31-7952020 incl.
	24622-24		GOVERNOR ASSEMBLY - Hartzell, left (F-6-24Z)	1	31-7952021 and up
	24622-11	C	GOVERNOR ASSEMBLY - Hartzell, right (F-6-24L)	1	31-5001 to 31-7952020 incl.
	24622-23	C	GOVERNOR ASSEMBLY - Hartzell, right (F-6-24LZ)	1	31-7952021 and up
-18	14184-00		VALVE ASSEMBLY - Oil drain, inboard	2	
-19	41287-00		VALVE ASSEMBLY - Fuel drain, inboard	2	
-20	16632-00		TUBE ASSEMBLY - Drain connector	2	
-21	54396-02		TUBE ASSEMBLY - Drain	2	
-22	42047-00		TUBE - Induction fuel drain	2	
-23	494 119		WASHER - Nylomatic (3/16 x 3/8 x .032)	18	31-5001 to 31-7852034 incl.
	494 119		WASHER - Nylomatic (3/16 x 3/8 x .032)	30	31-7852035 and up
-24	40310-09		TAIL PIPE ASSEMBLY - Bottom (488 043)	2	
	40310-10		TAIL PIPE ASSEMBLY - Top (488 061)	2	
-25	454 985		CLAMP - Alternate air hose (SAE TY A-1)	4	

When ordering, always specify Part Number, Description and Serial Number of Aircraft

# PIPER PARTS CATALOG

Figure and Index Number	Part Number	Code	Nomenclature	No. Req.	Serial Numbers Affected
77-26	17766-108		HOSE ASSEMBLY - Fuel pump drain	2	
-27	16633-61		HOSE - Drain	2	
-28	16633-62		HOSE - Drain	2	
-29	53551-00		COUPLING - Nose, induction	2	
-30	557 369	L	COUPLING - (NH1005798-10)	2	
-31	455 302		COUPLING - (18276-225-M)	2	
-32	462 062		GASKET - (24096-225-N)	2	
-33	462 027		GASKET - (AN6290-4)	2	
-34	554 726		CLAMP - (SAE TY F-64)	4	
-35	454 868		CLAMP - (PS10017-2-12)	4	
-36	454 933		CLAMP - (PS10017-2-8)	2	
-37	454 929		CLAMP - (PS10017-2-4)	6	
-38	756 623		WIRE - Extension (A-108)	2	31-5001 to 31-7405240 incl.
	494 686		WIRE - Extension (3199127)	2	31-7405245 to 31-7405459 incl. 31-7405241 to 31-7405244 incl. 31-7405460 and up
-39	452 940		BLANKET - Insulation, turbocharger housing, lower half (6-727341-3)	2	
	452 941		BLANKET - Insulation, turbocharger housing, upper rear (6-727341-5)	2	
	452 939		BLANKET - Insulation, turbocharger housing, upper forward (6-727341-7)	2	
-40	756 317		THERMOCOUPLE - Exhaust, gas temperature (A-101-1)	2	31-5001 to 31-7405240 incl.
-41	753 972		CONNECTOR - Exhaust, gas temperature (MK-125-A)	2	31-7405245 to 31-7405459 incl. 31-5001 to 31-7405240 incl.
-42	756 273		SPACER - Exhaust, gas temperature (A-126) Large	AR	31-7405245 to 31-7405459 incl. 31-5001 to 31-7405240 incl.
-43	756 274		SPACER - Exhaust, gas temperature (A-127) Small	AR	31-7405245 to 31-7405459 incl. 31-5001 to 31-7405240 incl.
-44	55841-02		PROBE - Exhaust, gas temperature	2	31-7405245 to 31-7405244 incl. 31-7405460 and up
-45	752 134		JUNCTION ASSEMBLY - Exhaust, gas temperature (00092-2010)	2	31-7405241 to 31-7405244 incl. 31-7405460 to 31-7405485 incl.
-46	451 853		ADAPTER - (AN807-4D)	2	
-47	10525-95		HOSE - Alternator air, left	1	
	29998-11		HOSE - Alternator air, right	1	31-5001 to 31-8252040 incl.
	56952-43		HOSE - Alternator air, right	1	31-8252041 and up
-48	42366-00		TUBE ASSEMBLY - Alternator air take-off, left	1	
	53848-00		TUBE ASSEMBLY - Alternator air take-off, right	1	
-49	477 612		NUT - (AN818-4D)	2	
-50	411 532	H,J	SCREW - (MS35207-263)	18	31-5001 to 31-7852034 incl.
	411 533		SCREW - (MS35207-264)	30	31-7852035 and up
	415 379	K	SCREW - (MS51958-63) polished spinner	30	31-7852035 and up
-51	414 763		SCREW - (MS24693-S50)	12	
	414 781	K	SCREW - (MS24693-C50) polished spinner	12	31-7852035 and up
-52	416 131		SCREW - (AN501-A10-8)	2	
	404 835		NUT - (MS20364-1032C)	2	
-53	411 532		SCREW - (MS35207-263)	6	
	404 887		NUT - (MS20365-1032C)	6	
-54	477 618		NUT - (AN924-4D)	2	
-55	44184-03		SUPPORT ASSEMBLY - Bottom cowl support	4	
-56	42172-00		HOSE - Coupling, induction	2	
-57	554 897		CLAMP - (SAE TY F-80)	2	
-58	54916-02		TUBE ASSEMBLY - Air induction (Side mounted magnet)	2	

When ordering, always specify Part Number, Description, and Serial Number of Aircraft

# PIPER PARTS CATALOG

Figure and Index Number	Part Number	Code	Nomenclature	No. Req.	Serial Numbers Affected
77-59	53479-09		* DOOR ASSEMBLY - Induction air	1	
-60	53472-00		* SHAFT ASSEMBLY - Induction air door	1	
-61	26977-03	D	* SHAFT - Induction air door	1	
	55221-02	E	* SHAFT ASSEMBLY - Induction air door	1	
-62	53477-00	D	* CATCH - Magnetic	1	
-63	53492-00		* ARM ASSEMBLY - Induction air door	1	
-64	26978-00		* SPRING - Induction air door	1	
-65	55224-02	E	* CATCH - Magnetic	1	
-65a	53478-05		* BRACKET ASSEMBLY - Induction air door, front	1	
	53478-04		* BRACKET ASSEMBLY - Induction air door, rear	1	
-66	53583-00		BULB ASSEMBLY - Oil temperature	1	
-67	476 648		NIPPLE - (AN816-4D)	2	
-68	486 897		SLEEVE - (MS20819-4D)	2	
-69	476 648		NIPPLE - (AN816-4D)	2	
	458 891		ELBOW - (AN823-4D)	2	

When ordering, always specify Part Number, Description, and Serial Number of Aircraft

# PIPER PARTS CATALOG

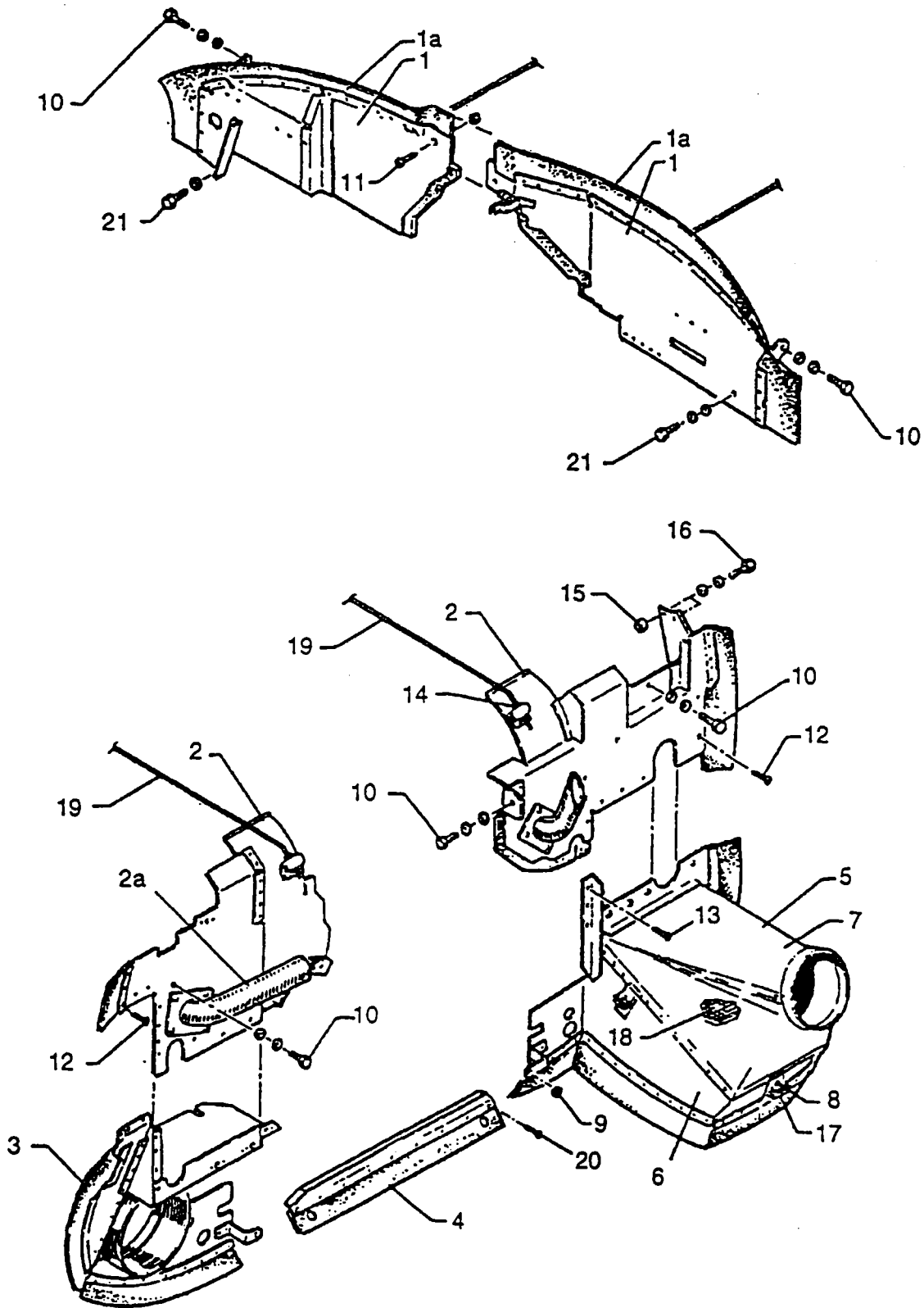


Figure 78. Engine Baffle Installation

# PIPER PARTS CATALOG

---

## CODE EXPLANATIONS FOR FIGURE 78

- A - Used if air conditioning is installed.
- B - Order part for serial numbers 31-8052086 and up, if Engine Front Baffle Replacement Kit 764 093 has been installed per Piper Service Letter 875. See also Piper Aircraft Airworthiness Directive 93-23-13.
- C - Also used on serial numbers 31-5001 to 31-8052085 inclusive, if Engine Front Baffle Replacement Kit 764 093 has been installed per Piper Service Letter 875. See also Piper Aircraft Airworthiness Directive 93-23-13.

# PIPER PARTS CATALOG

Figure and Index Number	Part Number	Code	Nomenclature	No. Req.	Serial Numbers Affected
78-	41987		DRAWING - Engine Baffle Installation		
-1	41605-11	B	BAFFLE ASSEMBLY - Engine, left front	2	31-5001 to 31-8052085 incl.
	41605-15	C	BAFFLE ASSEMBLY - Engine, left front	2	31-8052086 and up
	41606-13	B	BAFFLE ASSEMBLY - Engine, right front	2	31-5001 to 31-8052085 incl.
	41606-15	C	BAFFLE ASSEMBLY - Engine, right front	2	31-8052086 and up
-1a	71646-08		* STRIP - Baffle, left front	1	
	71646-07		* STRIP - Baffle, right front	1	31-5001 to 31-8252063 incl.
	71646-10		* STRIP - Baffle, right front	1	31-8252064 and up
-2	41607-13		BAFFLE ASSEMBLY - Engine, top, right rear	2	
	41974-07		BAFFLE ASSEMBLY - Engine, top, left rear	2	
-2a	41944-00		* TAKE-OFF ASSEMBLY - Air	1	
-3	52777-02		BAFFLE ASSEMBLY - Engine, bottom	2	
	52777-02	A	BAFFLE ASSEMBLY - Engine, bottom, left engine	1	
	52777-04	A	BAFFLE ASSEMBLY - Engine, bottom, right engine	1	
-4	41927-08		BAFFLE ASSEMBLY - Engine, center, rear	2	
-5	41594-02		PLENUM ASSEMBLY - Air filter (complete)	2	
-6	41704-00		* PLENUM ASSEMBLY - Air filter	1	
-7	41549-05		* DUCT ASSEMBLY - Air filter	1	
-8	415 450		SCREW - (AN525-832R10)	6	
-9	408 811		WASHER - Lock, shakeproof (1214-00-00-0511)	4	
-10	418 419		SCREW - Cap (1/4-20 UNC2A x 1/2 L.)	10	
	408 811		WASHER - Lock, shakeproof (1214-00-00-0511)	10	
	407 565		WASHER - (AN960-416)	10	
-11	415 754		SCREW - (AN515-832R8)	2	
	404 910		NUT - (MS20365-832C)	2	
-12	415 449		SCREW - (AN526-832R8)	18	
	404 910		NUT - (MS20365-832C)	18	
-13	415 449		SCREW - (AN525-832R8)	18	
-14	404 909		NUT - (MS20365-632C)	8	
-15	61402-81		BUSHING	4	
-16	418 418		SCREW - Cap (1/4-20 UNC2A x 3/4 L.)	4	
	408 811		WASHER - Lock, shakeproof (1214-00-00-0511)	4	
	407 565		WASHER - (AN960-416)	4	
-17	52451-00		BRACKET ASSEMBLY - Air filter attachment	6	
-18	460 817		FILTER - Air (P10-6590)	2	
-19	41975-00	B	ROD - Baffle tie	4	31-5001 to 31-8052085 incl.
	71562-03	C	ROD - Baffle tie, outboard left, inboard right	2	31-8052086 and up
	71562-02	C	ROD - Baffle tie, outboard right, inboard left	2	31-8052086 and up
-20	415 450		SCREW - (AN525-832R10)	2	
	404 910		NUT - (MS20365-832C)	2	
-21	418 421		SCREW - Cap (1/4-20 UNC2A x 5/8 L.)	4	
	408 811		WASHER - Lock, shakeproof (1214-00-00-0511)	4	
	407 565		WASHER - (AN960-416)	4	

When ordering, always specify Part Number, Description, and Serial Number of Aircraft

Revised: March 10, 1994

PA-31-350

PIPER PARTS CATALOG

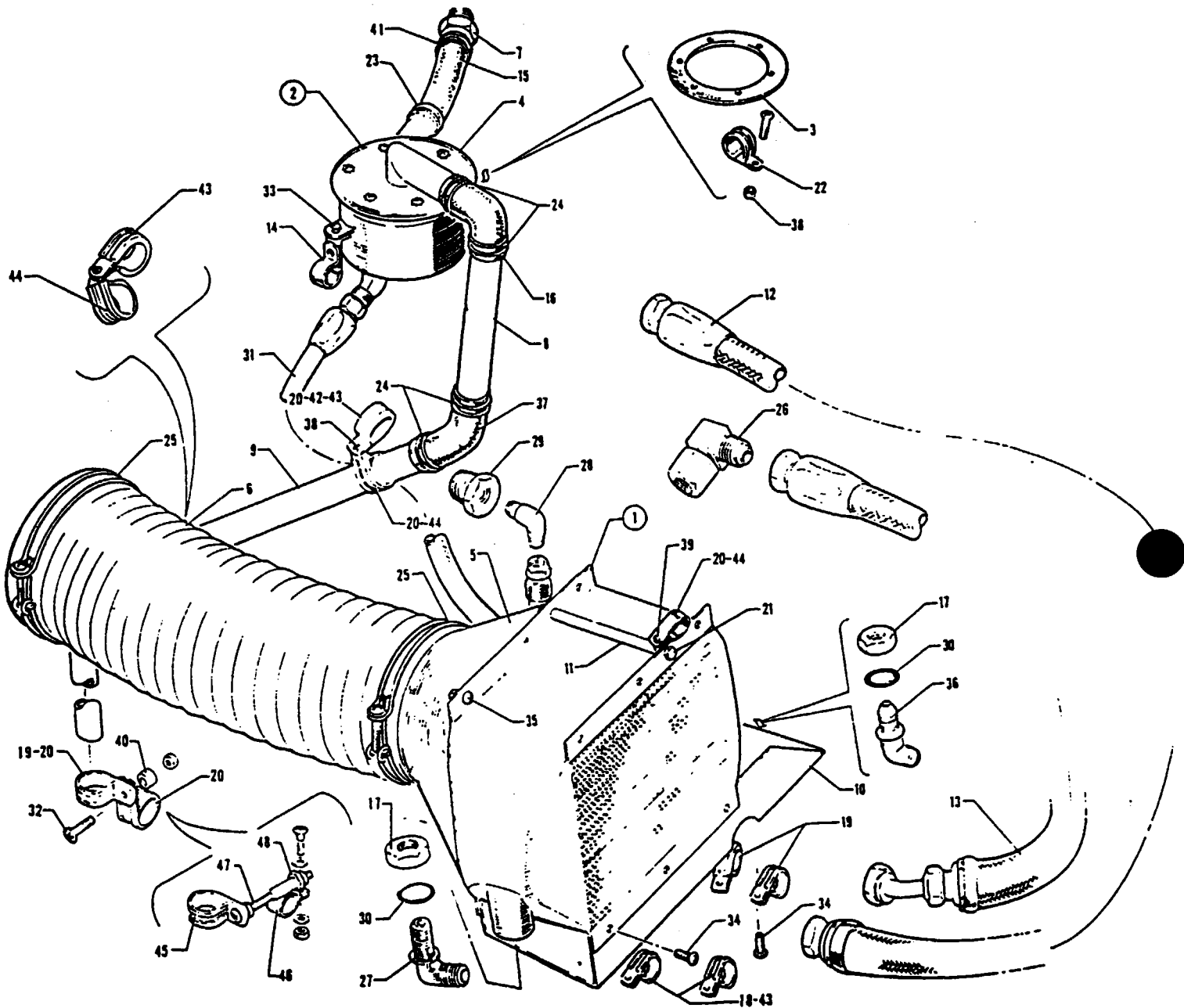


Figure 79. Oil Cooler and Breather System Installation



---

# PIPER PARTS CATALOG

---

## CODE EXPLANATIONS FOR FIGURE 79

- A - Order part for serial numbers 31-7852099 to 31-8152077 inclusive if left engine oil breather tube has been relocated per Service Letter No. 878A.
- B - Also used on serial numbers 31-5001 to 31-7852098 inclusive if left engine oil breather tube has been relocated per Service Letter No. 878A.

PIPER PARTS CATALOG

Figure and Index Number	Part Number	Code	NOMENCLATURE	No. Req.	SERIAL NUMBERS AFFECTED
79-	52654		DRAWING - Oil Cooler and Breather System Installation		
-1	41635-00		COOLER ASSEMBLY - Oil	2	
-2	42409-00		SEPARATOR ASSEMBLY - Oil	2	
-3	42414-00		* GASKET - Oil separator	1	
-4	42422-00		* COVER ASSEMBLY - Oil separator	1	
-5	52779-00		DUCT ASSEMBLY - Oil cooler	2	31-5001 to 31-7652139 incl.
	54927-02		DUCT ASSEMBLY - Oil cooler	2	31-7652140 and up
-6	48244-02		HOSE - Air duct, oil cooler	2	
-7	42412-00		ADAPTER - Oil separator	2	
-8	42410-00		TUBE - Crankcase breather vent, left	1	31-5001 to 31-8152077 incl.
	71830-02		TUBE - Crankcase breather vent, left	1	31-8152078 and up
	42410-00		TUBE - Crankcase breather vent, right	1	
-9	42408-00	A	TUBE - Crankcase breather, left engine	1	31-5001 to 31-7852098 incl
	49449-02	B	TUBE - Crankcase breather, left engine	1	31-7852099 to 31-8152077 incl.
	71832-02		TUBE - Crankcase breather, left engine	1	31-8152078 and up
	42408-00		TUBE - Crankcase breather, right engine	1	
-10	41559-00		BRACKET ASSEMBLY - Oil cooler mounting	2	
-11	41572-00		SPACER ASSEMBLY - Oil cooler	2	
-12	39995-05		HOSE - Oil cooler, inlet (30- length)	2	
-13	39995-02		HOSE - Oil cooler, outlet (26.75- length)	2	
-14	53689-00		CLAMP - Oil separator	2	
-15	82371-104		HOSE - Oil separator	2	
-16	45850-00		ELBOW - Moulded, oil separator	2	
-17	477 621		NUT - (AN924-8D)	4	
-18	454 868		CLAMP - (PS10017-2-12) Left and right	4	31-5001 to 31-8152077 incl.
	454 868		CLAMP - (PS10017-2-12) Right	2	31-8152078 and up
-19	454 862		CLAMP - (PS10017-2-14) Left and right	5	31-5001 to 31-8152077 incl
	454 862		CLAMP - (PS10017-2-14) Left and right	4	31-8152078 and up
-20	454 977		CLAMP - (PS10017-2-16) Left and right	10	31-5001 to 31-8152077 incl.
	454 977		CLAMP - (PS10017-2-16) Right	5	31-8152078 and up
-21	400 463		BOLT - (AN3-40A)	2	
	407 564		WASHER - (AN960-10)	4	
	404 887		NUT - (MS20365-1032C)	2	
-22	454 933		CLAMP - (PS10017-2-8)	2	
-23	454 997		CLAMP - (SAE TY A-1 1/16)	2	
-24	454 981		CLAMP - (SAE TY A-1 5/16)	8	
-25	554 848		CLAMP - (SAE TY F-96SS)	4	
-26	558 898		ELBOW - 90 Degrees (RASC-2000-8)	2	
-27	41622-00		ELBOW - (458 860)	2	
-28	458 895		ELBOW - (AN822-6D)	2	
-29	453 772		BUSHING - (AN912-9D)	2	
-30	462 031		GASKET - (AN6290-8)	4	
-31	39999-10		HOSE - Separator	2	
-32	411 534		SCREW - (MS35207-265)	2	
	404 887		NUT - (MS20365-1032C)	2	
-33	415 535		SCREW - (MS35206-245)	4	
	404 910		NUT - (MS20365-832C)	4	
-34	411 532		SCREW - (MS35207-263)	26	
-35	400 438		BOLT - (AN3-4A)	6	
	407 564		WASHER - (AN960-10)	6	
	404 887		NUT - (MS20365-1032C)	6	
-36	458 914		ELBOW - (AN837-8D)	2	
-37	45850-00		ELBOW - Moulded, breather vent	2	
-38	411 532		SCREW - (MS35207-263)	2	
	404 887		NUT - (MS20365-1032C)	2	

When ordering, always specify Part Number, Description and Serial Number of Aircraft

PIPER PARTS CATALOG

Figure and Index Number	Part Number	Code	NOMENCLATURE	No. Req.	SERIAL NUMBERS AFFECTED
79-39	415 533		SCREW - (MS35206-243)	2	
	404 910		NUT - (MS20365-832C)	2	
-40	14843-74		BUSHING - Breather tube	2	
-41	554 947		CLAMP - (SAE TY F-10SS)	2	
-42	554 776		CLAMP - (PS10017-2-22)	1	31-7852106 to 31-8152077 incl.
-43	454 868		CLAMP - (PS10017-2-12) Left	4	31-8152078 and up
-44	454 977		CLAMP - (PS10017-2-16) Left	3	31-8152078 and up
-45	454 852		CLAMP - (PS10017-2-18) Left	1	31-8152078 and up
-46	44184-04		CLAMP ASSEMBLY - Engine mount to breather tube, left	1	31-8152078 and up
-47	411 544		SCREW - (MS35207-275) Left	1	31-8152078 and up
	404 224		NUT - (AN315-3R) Left	2	31-8152078 and up
-48	404 887		NUT - (MS20365-1032C) Left	1	31-8152078 and up

When ordering, always specify Part Number, Description and Serial Number of Aircraft

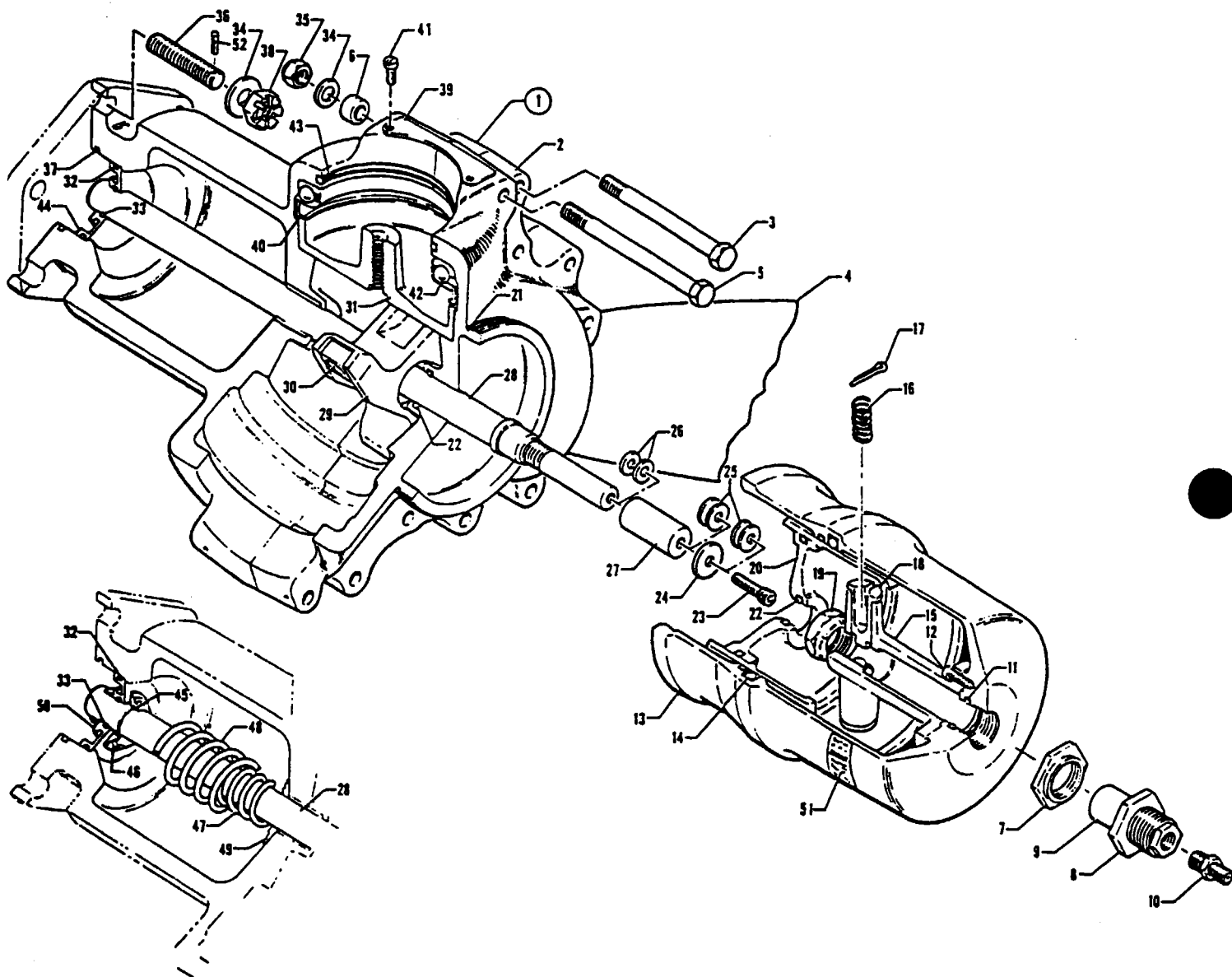


Figure 80. Three Blade Propeller Assembly

---

# PIPER PARTS CATALOG

---

## CODE EXPLANATIONS FOR FIGURE 80

- A - Parts included in Propeller Repair Kit, Part No. 760 246.
- B - Used with Hartzell Propeller HC-E3YR-2AF/FC8468-6R and HC-E3YR-2ATF/FC8468-6R.
- C - Used with Hartzell Propeller HC-E3YR-2ALF/FJC8468-6R and HC-E3YR-2ALT/FJC8468-6R.
- D - Not available. Order Propeller Part No. 550 967 (HC-E3YR-2ATF/FC8468-6R) which incorporates a feather assist spring kit. The opposite propeller must also include a feather assist spring kit per Piper Service Letter No. 753 and Hartzell Service Letter No. 101.
- E - Not available. Order Propeller Part No. 550 968 (HC-E3YR-2ALT/FJC8468-6R) which incorporates a feather assist spring kit. The opposite propeller must also include a feather assist spring kit per Piper Service Letter No. 753 and Hartzell Service Letter No. 101.
- F - Used on Propeller assemblies HC-E3YR-2ATF/FC8468-6R and HC-E3YR-2ALT/FJC8468-6R.

PIPER PARTS CATALOG

Figure and Index Number	Part Number	Code	NOMENCLATURE	No. Req.	SERIAL NUMBERS AFFECTED
80-1	550 942	D	PROPELLER ASSEMBLY - Hartzell (HC-E3YR-2AF/FC8468-6R) left	1	
	550 967		PROPELLER ASSEMBLY - Hartzell (HC-E3YR-2ATF/FC8468-6R) left	1	31-7652124 and up
	550 943	E	PROPELLER ASSEMBLY - Hartzell (HC-E3YR-2ALF/FJC8468-6R) right	1	
	550 968		PROPELLER ASSEMBLY - Hartzell (HC-E3YR-2ALT/FJC8468-6R) right	1	31-7652124 and up
-2	755 226		HUB ASSEMBLY - Propeller (D-3261-2F)	1	
-3	753 461		BOLT - Hex head (A-2431)	9	
-4	758 202	B	BLADE - Propeller (FC8468-6R)	3	
	758 232	C	BLADE - Propeller (FJC8468-6R)	3	
-5	753 462		BOLT - Hex head (A-2433)	6	
-6	757 593		SPACER - (A-2246-3)	6	
-7	752 515		NUT - Check (A-2405)	1	
-8	752 510		NUT - Check (A-2405-1)	1	
-9	756 293		STOP - Low pitch (A-2404-1)	1	
-10	756 510		AIR VALVE - Schrader (A625)	1	
-11	755 933	A	"O" RING - Stop seal (PRP-914-17)	1	
-12	756 286		SCREW - Filister head (AN501A418-10)	4	
-13	753 982		CYLINDER UNIT - (B-2423-1)	1	
-14	755 977	A	"O" RING - Cylinder (A-3223)	1	
-15	753 467		BRACKET - High stop (B-2406-1)	1	
-16	756 242	A	SPRING - High stop (A-884-4)	2	
-17	424 061	A	COTTER PIN - High stop (MS24665-287)	2	
-18	757 251		PIN - High stop (A-2407-2)	4	
-19	752 531		NUT - Flexlock, piston (AN364-1018)	1	
-20	757 250		PISTON UNIT - (B-2486)	1	
-21	755 935	A	"O" RING - Cylinder mounting (PRP-909-25)	1	
-22	752 713	A	"O" RING - Seal (PRP-902-15)	2	
-23	756 291		SCREW - Socket head cap (A-3205)	1	
-24	756 606		WASHER - Feathering stop (A-2411-1)	1	
-25	407 676		WASHER - (AN960C-516)	AR	
	407 677		WASHER - (AN960C-516L)	AR	
-26	756 603		WASHER - High pitch adjustment (A-2435)	AR	
	756 604		WASHER - High pitch adjustment (A-2435-1)	AR	
-27	756 289		SLEEVE - High stop (A-2499-10)	1	
-28	756 040		ROD UNIT - Piston (B-2491-4S)	1	
-29	754 808	B	FORK - Pitch change (B-3252)	1	
	754 813	C	FORK - Pitch change (B-3252L)	1	
-30	758 205		BLOCK - Pitch change (A-3253-2)	3	
-31	757 249		PLATE UNIT - Preload (B-2256)	3	
-32	755 931	A	"O" RING - Plug (PRP-909-4)	1	
-33	755 932	A	"O" RING - Plug (PRP-902-13)	1	
-34	407 567	A	WASHER - Hub (AN960-616)	15	
-35	752 511	A	NUT - Elastic (A-2043)	15	
-36	757 583		STUD - Flange (A-2067)	6	
-37	755 800	A	"O" RING - Shaft (PRP-909-6)	1	
-38	752 530		NUT - Castle (A-2069)	6	
-39	756 607		WEIGHT - Balance (A-2424)	AR	
-40	755 968		RING - Bearing guide (A-2204)	3	
-41	756 294		SCREW - Weight (AN501-A10-10)	AR	
-42	753 463		BEARING - Split (A-2202)	2	
-43	755 934		"O" RING - Blade (PRP-902-42)	3	
-44	757 253		PLUG - Shaft (A-2481)	1	
-45	760 454	F	KEEPER - (A2272)	1	
-46	762 533	F	RETAINER - Spring (A-2269-1)	1	

When ordering, always specify Part Number, Description and Serial Number of Aircraft

## PIPER PARTS CATALOG

Figure and Index Number	Part Number	Code	NOMENCLATURE	No. Req.	SERIAL NUMBERS AFFECTED
80-47	762 281	F	• SPRING - Feathering (B-2381)	1	
-48	762 282	F	• SPRING - Feathering (B-2380)	1	
-49	755 052	F	• GUIDE - Spring (A-2293)	1	
-50	757 486	F	• PLUG - Shaft (A-2481-3)	1	
-51	48348-07	F	• DECAL - Propeller, pressure temperature	1	
-52	763 417		• PIN - Roll (31-S-094-0750)	6	

When ordering, always specify Part Number, Description and Serial Number of Aircraft

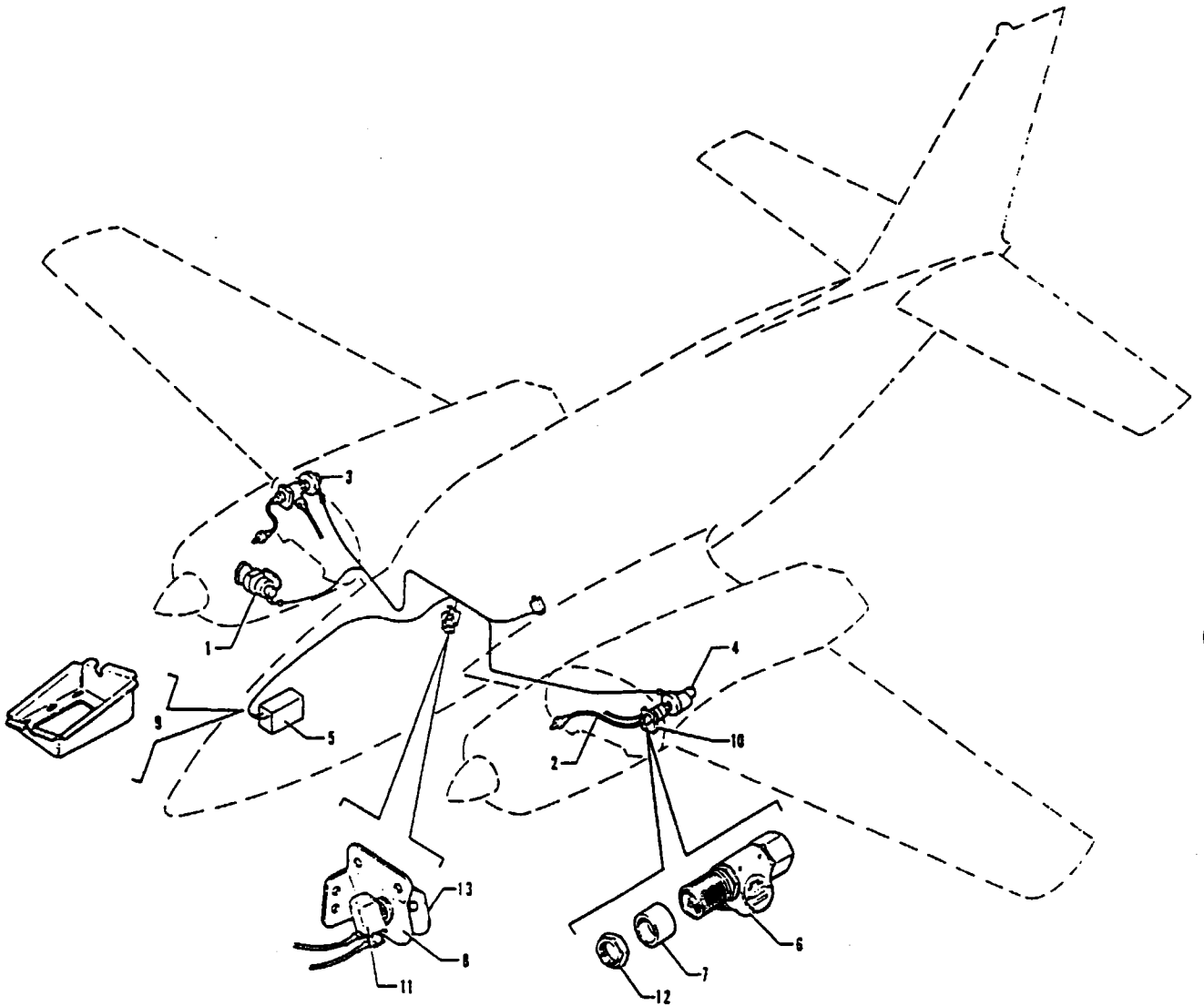


Figure 81. Propeller Synchrophaser System Installation  
(Serial Numbers 31-5001 to 31-7852037 incl.)



---

# PIPER PARTS CATALOG

---

## CODE EXPLANATIONS FOR FIGURE 81

- A - Used if RMI is not installed.
- B - Used if RMI is installed.
- C - Refer to Figure 76 for right engine dual drive adapter and associated parts.

## PIPER PARTS CATALOG

Figure and Index Number	Part Number	Code	NOMENCLATURE	No. Req.	SERIAL NUMBERS AFFECTED
81-	52947		DRAWING - Propeller Synchrophaser System Installation		
-1	24622-14		GOVERNOR ASSEMBLY - Right (F-8-24L)	1	
-2	486 630		SHAFT ASSEMBLY - Tachometer, left engine (PS50044-19)	1	
-3	757 687		STROBE SENSOR - (C-3966)	1	
-4	757 375		PULSE GENERATOR ASSEMBLY - (B-3956)	1	
-5	757 947		COMPUTER ASSEMBLY - (D-4303)	1	
-6	52785-05		ADAPTER - Dual drive, left engine	1	
		C	ADAPTER - Dual drive, right engine	1	
-7	52788-00		COLLAR - Dual drive adapter	1	
-8	52940-00	A	BRACKET - Propeller synchrophaser control	1	31-5001 to 31-7652069 incl.
	52941-00	B	BRACKET - Propeller synchrophaser control	1	31-5001 to 31-7652069 incl.
	54637-02		BRACKET - Propeller synchrophaser control	1	31-7652070 and up
-9	52939-00		BRACKET ASSEMBLY - Computer mounting	1	
-10	52783-00		REINFORCEMENT - Firewall	1	
-11	487 790		SWITCH - (110-S-73)	1	
-12	52789-00		NUT - Special	1	
-13	80372-02		PLACARD - Propeller synchrophaser control	1	31-7652070 and up

When ordering, always specify Part Number, Description and Serial Number of Aircraft

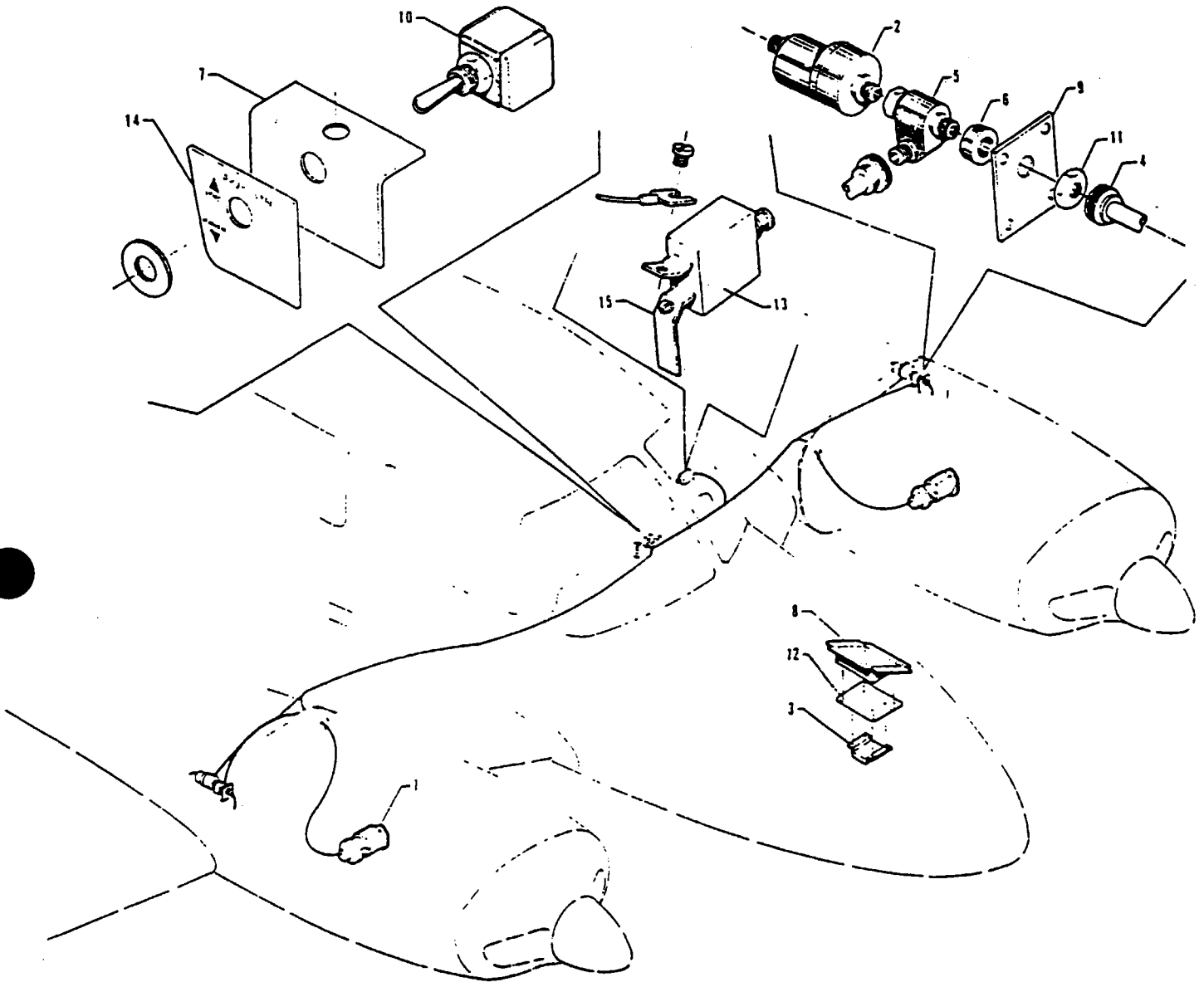


Figure 81A. Propeller Synchrophaser System Installation  
(Serial Number 31-7852038 and up)

---

# PIPER PARTS CATALOG

---

## CODE EXPLANATIONS FOR FIGURE 81A

A - Refer to Figure 76 for right engine dual drive adapter and associated parts.

PIPER PARTS CATALOG

Figure and Index Number	Part Number	Code	NOMENCLATURE	No. Req.	SERIAL NUMBERS AFFECTED
81A-	49694		DRAWING - Propeller Synchrophaser System Installation		
-1	24622-21		GOVERNOR ASSEMBLY - Right (F-8-48L)	1	
-2	783 434		PULSE GENERATOR ASSEMBLY - (A-4478)	2	
-3	783 249		COMPUTER ASSEMBLY - (C-4362-1)	1	
-4	486 630		SHAFT - Tachometer (PS50044-19), left engine	1	
-5	52785-05		ADAPTER - Dual drive, left engine	1	
		A	ADAPTER - Dual drive, right engine	1	
-6	52788-00		COLLAR - Dual drive adapter	1	
-7	54637-02		BRACKET - Propeller synchrophaser control	1	
-8	52939-00		BRACKET ASSEMBLY - Computer mounting	1	
-9	52783-00		REINFORCEMENT - Firewall	1	
-10	487 896		SWITCH - (2FB54-73)	1	
-11	52789-00		NUT - Special	1	
-12	49436-02		PLATE - Computer mounting	1	
-13	454 656		CIRCUIT BREAKER - (PS50120-3-7)	1	
-14	80372-02		PLACARD - Propeller synchrophaser control	1	
-15	16439-00		BAR - Bus	1	

When ordering, always specify Part Number, Description and Serial Number of Aircraft

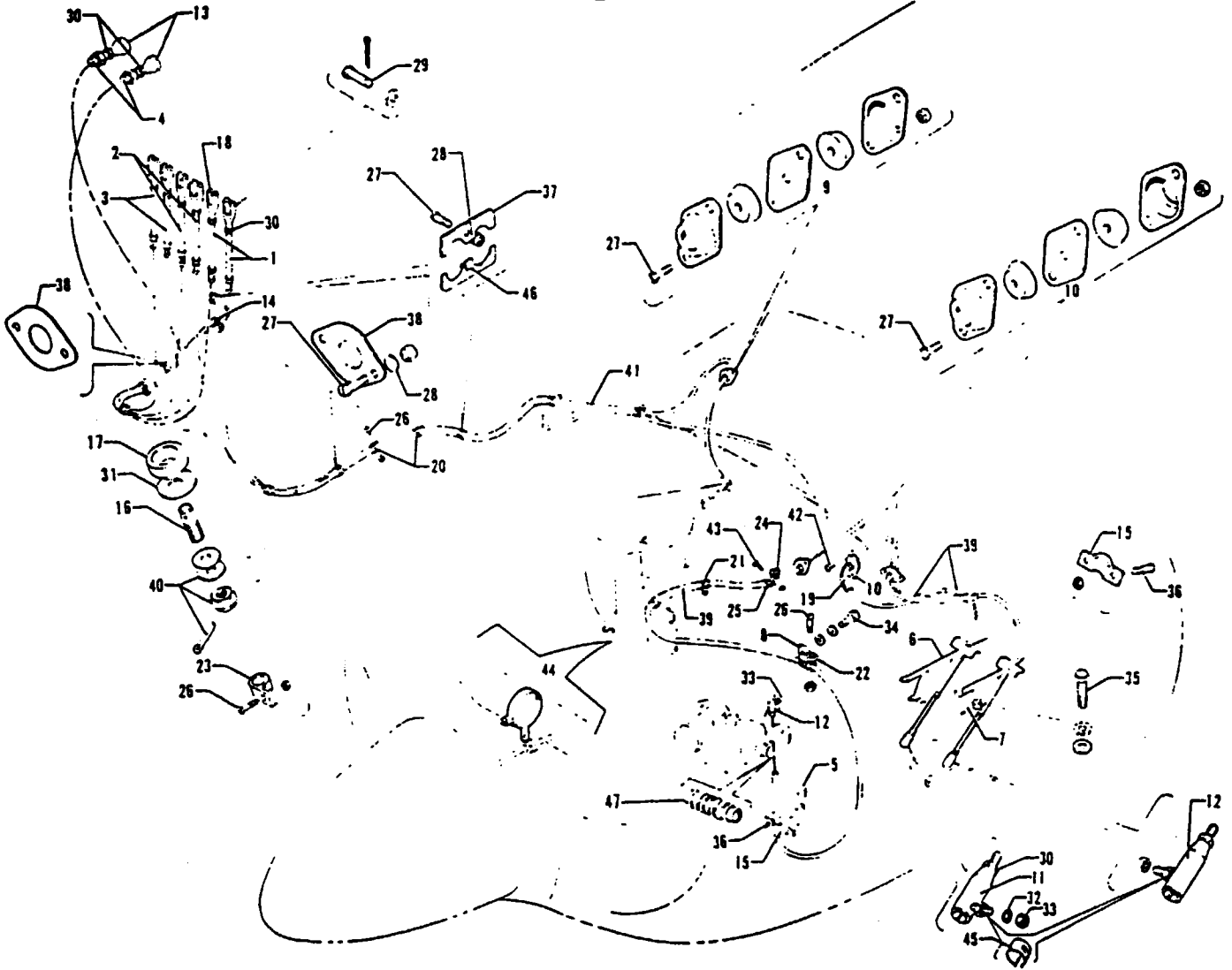


Figure 82. Engine Controls Installation

---

# PIPER PARTS CATALOG

CODE EXPLANATIONS FOR FIGURE 82

PIPER PARTS CATALOG

Figure and Index Number	Part Number	Code	NOMENCLATURE	No. Req.	SERIAL NUMBERS AFFECTED
82-	52350		DRAWING - Engine Controls Installation		
-1	24894-18		CABLE ASSEMBLY - Throttle, left engine	1	
	24894-02		CABLE ASSEMBLY - Throttle, right engine	1	
-2	24894-10		CABLE ASSEMBLY - Propeller pitch, left engine	1	
	24894-17		CABLE ASSEMBLY - Propeller pitch, right engine	1	
-3	24894-18		CABLE ASSEMBLY - Mixture, left engine	1	
	24894-02		CABLE ASSEMBLY - Mixture, right engine	1	
-4	17969-15		CABLE ASSEMBLY - Alternator air	2	
-5	16604-00		BRACKET ASSEMBLY - Propeller pitch control	2	
-6	52469-00		BRACKET ASSEMBLY - Support, mixture control	2	
-7	41369-05		BRACKET ASSEMBLY - Support, throttle control	2	
-8	42115-00		BRACKET - Support, propeller pitch control	2	
-9	22103-02		PLATE - Firewall seal grommet	4	
	22105-03		GASKET - Firewall seal	2	
	22104-03		GROMMET - Firewall seal	4	
-10	22103-02		PLATE - Firewall seal grommet	12	
	22104-08		GROMMET - Firewall seal	12	
	22105-10		GASKET - Firewall seal	6	
-11	31747-00		JOINT ASSEMBLY - Ball (469 141)	2	
-12	54175-00		JOINT - Ball (BL-103)	4	
-13	571 088		KNOB - Red (3702-S)	2	
-14	149 111		EXTRUSION - Nylon (40-101)	4'	
-15	18219-02		CLAMP - Control cable attachment	6	
-16	42809-00		STUD - Swivel, alternate air box	2	31-5001 to 31-7305016 incl.
	70371-03		STUD - Swivel, alternate air box	2	31-7305017 and up
-17	91193-00		FITTING - Swivel, alternate air box	2	31-5001 to 31-7305016 incl.
	70371-02		FITTING - Swivel, alternate air box	2	31-7305017 and up
-18	554 757		CLEVIS - (MS35812-1)	6	
-19	16633-37		NOSE - Flexible, cable guard	2	
-20	454 868		CLAMP - (PS10017-2-12)	8	
-21	454 929		CLAMP - (PS10017-2-4)	3	
-22	454 828		CLAMP - (PS10017-2-3)	2	
-23	454 887		CLAMP - (PS10017-1-3)	2	
-24	454 933		CLAMP - (PS10017-2-8) Right engine	1	
-25	454 935		CLAMP - (PS10017-2-10) Right engine	1	
-26	411 532		SCREW - (MS35207-263)	7	
	404 887		NUT - (MS20365-1032C)	7	
-27	415 535		SCREW - (MS35206-245)	22	
	404 910		NUT - (MS20365-832C)	22	
-28	407 563		WASHER - (AN960-8)	12	
-29	424 177		PIN - (MS20392-2C17)	6	
	407 564		WASHER - (AN960-10)	6	
	424 051		COTTER PIN - (MS24665-132)	6	
-30	404 224		NUT - (AN315-3R)	14	
-31	407 585		WASHER - (AN960-416L)	4	31-5001 to 31-7305016 incl.
-32	407 584		WASHER - (AN960-10L)	2	
-33	404 835		NUT - (MS20364-1032C)	6	
-34	418 420		SCREW - Cap (1/4-20NC-3 x 1/2)	2	
	407 044		WASHER - Lock (MS35338-44)	2	
	407 585		WASHER - (AN960-416L)	2	

When ordering, always specify Part Number, Description and Serial Number of Aircraft



## PIPER PARTS CATALOG

Figure and Index Number	Part Number	Code	NOMENCLATURE	No. Req.	SERIAL NUMBERS AFFECTED
82-35	418 433		BOLT - (MS35291-13)	4	
	407 127		WASHER - (AN936-B416)	4	
	407 565		WASHER - (AN960-416)	4	
-36	415 535		SCREW - (MS35206-245)	12	
	404 833		NUT - (MS20364-832C)	12	
-37	41848-04		PLATE - Cable attachment	4	
-38	41849-00		PLATE - Cable attachment	8	
-39	16633-89		HOSE - Flexible, cable guard	8	
-40	81342-18		WASHER - Swivel, alternate air	2	
	404 392		NUT - (AN320-3)	2	
	424 051		COTTER PIN - (MS24665-132)	2	
-41	80000-05		HOSE - Flexible, cable guard	1	
-42	415 533		SCREW - (MS35206-243)	6	
	404 910		NUT - (MS20365-832C)	6	
-43	411 533		SCREW - (MS35207-264) Right	1	
-44	52104-00		CLAMP ASSEMBLY - Support	2	
-45	55447-02		RETAINER - Ball joint	6	
-46	406 863		RIVNUT - (A8K-75)	4	
-47	553 330		BOOT - Dust/ice protection (AD1204-2)	2	

When ordering, always specify Part Number, Description and Serial Number of Aircraft

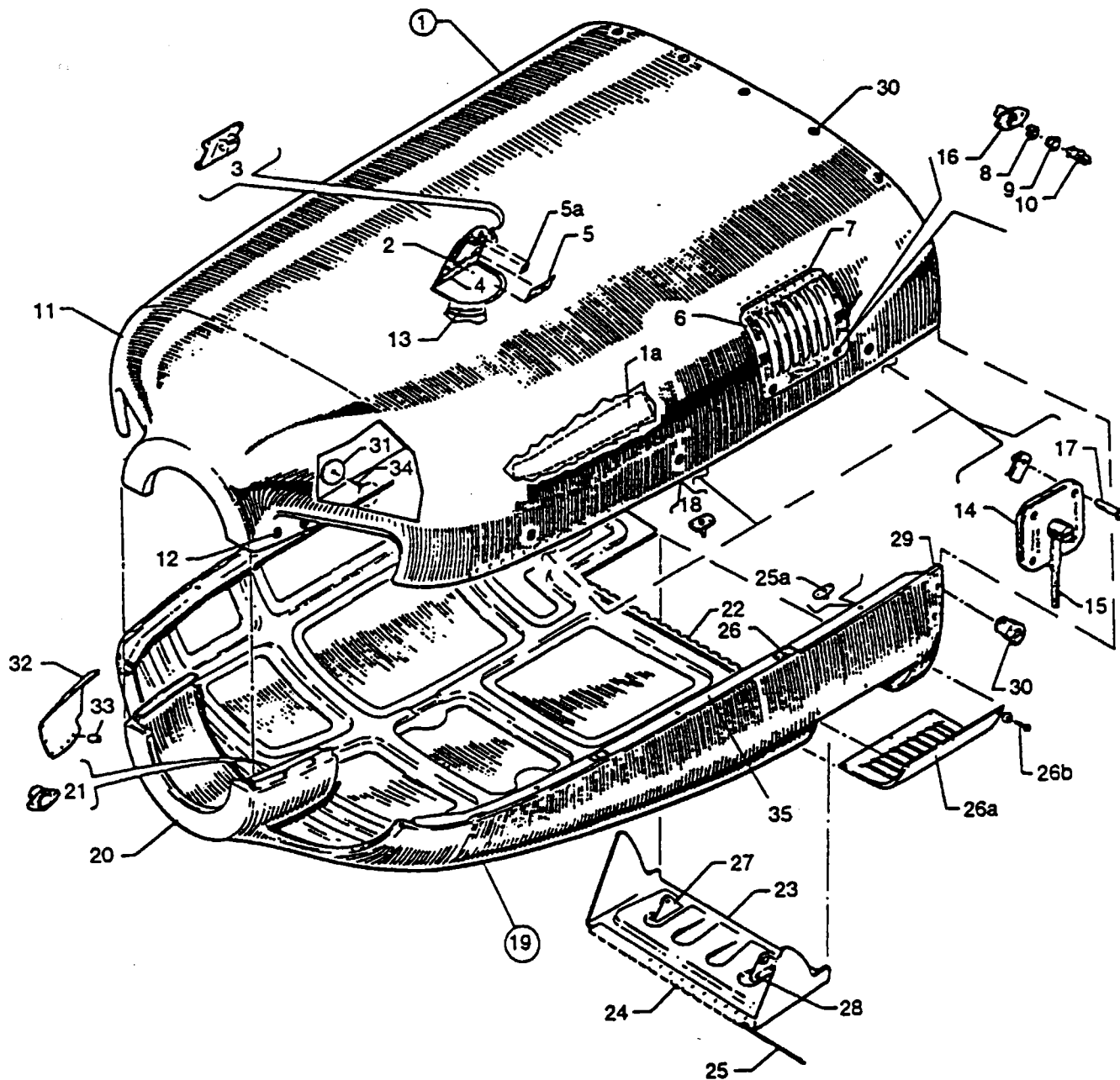


Figure 83. Engine Cowl Installation

---

# PIPER PARTS CATALOG

---

## CODE EXPLANATIONS FOR FIGURE 83

- A - Also used on serial numbers 31-5001 to 31-7852015 inclusive, if Right Engine Cowl Louver Kit 763 802 has been installed per Service Letter 821.
- B - Order part for serial numbers 31-7852099 and up if left engine oil breather tube has been relocated per Service Letter No. 878A.
- C - Also used on serial numbers 31-5001 to 31-7852098 inclusive if left engine oil breather tube has been relocated per Service Letter No. 878A.

# PIPER PARTS CATALOG

Figure and Index Number	Part Number	Code	Nomenclature	No. Req.	Serial Numbers Affected
83-	42137		DRAWING - Engine Cowl Installation		
-1	41834-06		COWL ASSEMBLY - Upper	2	
-1a	41805-00		* SEAL ASSEMBLY - Engine baffle, left	1	
	41813-00		* SEAL ASSEMBLY - Engine baffle, right	1	
-2	41144-00		* PLATE ASSEMBLY - Oil filter access	1	
-3	472 017		** LATCH - Access assembly (KM-610-32)	1	
-4	41143-02		** HINGE - Access plate assembly	1	
-5	80454-02		** PLACARD - Lubrication	1	
-5a	80455-02		** PLACARD - Oil capacity (12 qt.)	1	
-6	41800-00		* LOUVER ASSEMBLY - Top cowl, left	1	
	41800-01		* LOUVER ASSEMBLY - Top cowl, right	1	
-7	41800-05		** HINGE - Louver assembly	1	
-8	484 755		** RING - Snap (R4G)	2	
-9	463 416		** GROMMET - (4002N)	2	
-10	587 548		** STUD - (4002-3W)	2	
-11	41838-08		* NOSE COWL ASSEMBLY - Upper	1	
-12	487 728		** STUD - (FX10-1558-2R)	4	
-13	43413-00		* PLATE - Cutout reinforcement	1	
-14	565 251		* HOUSING ASSEMBLY - (H767-K868)	6	
-15	553 399		* BOLT - Eye (H897-5)	6	
-16	484 312		* RECEPTACLE - (244-16D)	4	
-17	417 776		* SCREW - (AN520-10R10)	24	
	406 714		* NUT - (RMS2LHA 4972-10-02)	24	
-18	41812-00		* PIN ASSEMBLY - Cowl	6	
-19	41836-07	B	COWL ASSEMBLY - Lower, left engine	1	31-5001 to 31-7852098 incl.
	41836-09	C	COWL ASSEMBLY - Lower, left engine	1	31-7852099 and up
	52009-00		COWL ASSEMBLY - Lower, right engine	1	31-5001 to 31-7852015 incl.
	52009-07	A	COWL ASSEMBLY - Lower, right engine	1	31-7852016 and up
-20	41838-20		* NOSE COWL ASSEMBLY - Lower, left	1	
	44984-00		* NOSE COWL ASSEMBLY - Lower, right	1	
-21	484 301		** RECEPTACLE - (FX10-1502)	4	
-22	41829-00		* HINGE HALF - Lower cowl assembly	1	
-23	41803-00		* FLAP ASSEMBLY - Cowl	1	
-24	41829-00		** HINGE HALF - Cowl flap assembly	1	
-25	81761-63		* PIN - Hinge, cowl flap actuating	2	
-25a	406 827		* NUT - Anchor (NAS686A4K)	6	
-26	41808-00		* RECEPTACLE - Retainer pin	6	
-26a	49277-02	A	LOUVER - Right cowl, bottom, inboard	1	31-7852016 and up
	49277-03	A	LOUVER - Right cowl, bottom, outboard	1	31-7852016 and up
-26b	415 533	A	SCREW - (MS35206-243)	16	31-7852016 and up
	407 563	A	WASHER - (AN960-8)	16	31-7852016 and up
	404 833	A	NUT - (MS20364-832C)	16	31-7852016 and up
-27	53423-00		BRACKET ASSEMBLY - Cowl flap, outboard left, inboard right	2	
	53423-01		BRACKET ASSEMBLY - Cowl flap, outboard right, inboard left	2	
-28	415 449		SCREW - (MS35206-245)	8	
	404 910		NUT - (MS20365-832C)	8	
-29	189 743		TAPE - (T-18) 1 inch	7	
-30	487 704		STUD - (FX10-1558-1P)	13	
-31	474 641		MIRROR - Left nacelle, inboard (G300)	1	
-32	53640-02		SHIELD ASSEMBLY - Nose cowl	1	31-5001 to 31-7305012 incl.
-33	53640-05		BUSHING - Shield attachment	2	31-5001 to 31-7305012 incl.
-34	415 517		SCREW - (MS35206-227)	1	
-35	41809-00		CHANNEL ASSEMBLY - Left	1	
	41809-01		CHANNEL ASSEMBLY - Right	1	

When ordering, always specify Part Number, Description, and Serial Number of Aircraft

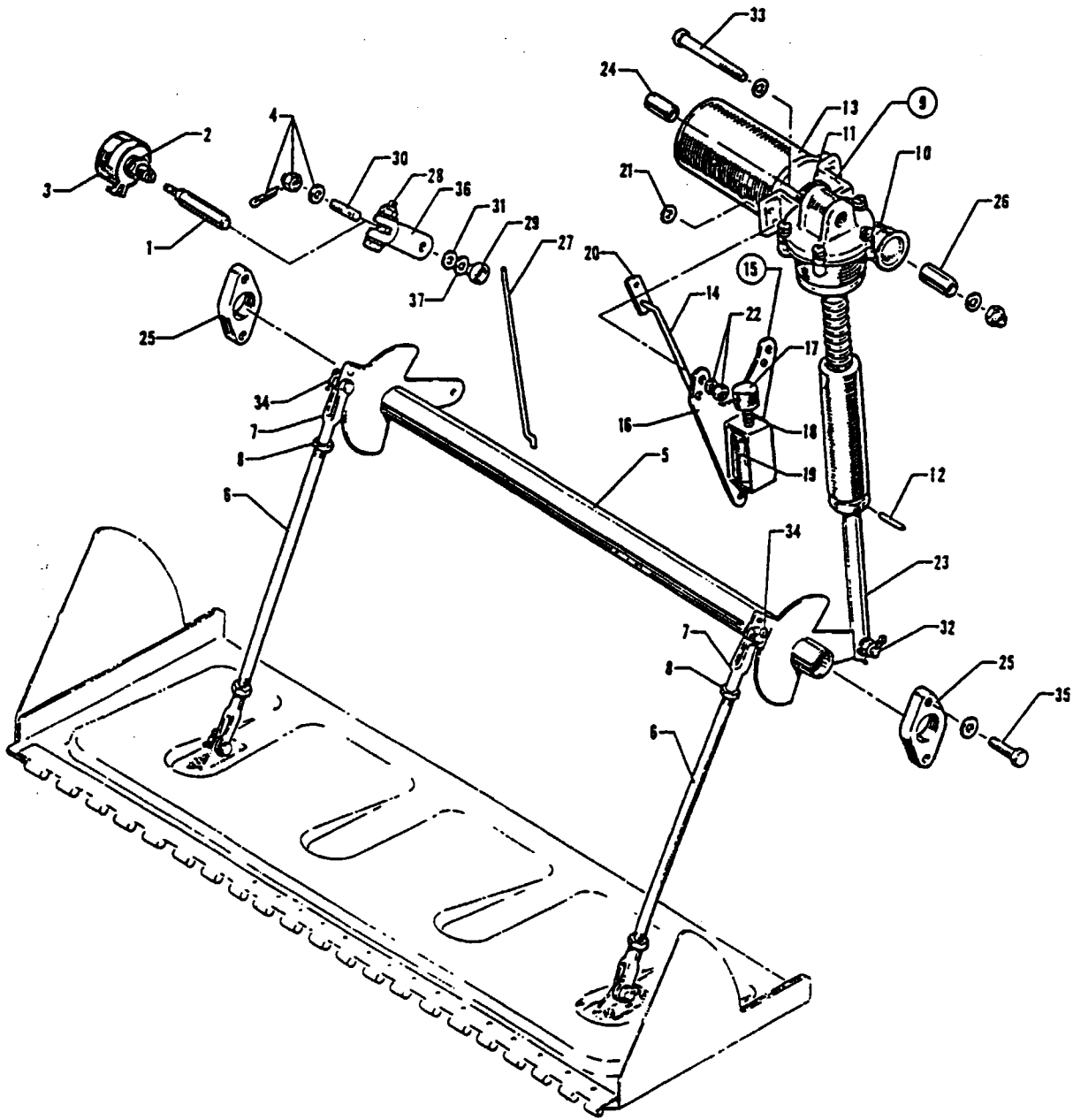


Figure 84. Cowl Flap Actuating Mechanism Installation

---

# PIPER PARTS CATALOG

---

CODE EXPLANATIONS FOR FIGURE 84

PIPER PARTS CATALOG

Figure and Index Number	Part Number	Code	NOMENCLATURE	No. Req.	SERIAL NUMBERS AFFECTED
34-	53451		DRAWING - Cowl Flap Actuating Mechanism Installation		
-1	40958-00		SHAFT - Rheostat, cowl flap actuating	2	
-2	407 143		WASHER - (AN936-B616)	2	
-3	41229-00		RHEOSTAT - Cowl flap actuating	2	
-4	407 584		WASHER - (AN960-10L)	2	
	404 100		NUT - (AN310-3)	2	
	424 051		COTTER PIN - (MS24665-132)	2	
-5	41807-00		TUBE ASSEMBLY - Torque, cowl flap	2	
-6	41817-05		ROD ASSEMBLY - Cowl flap, inboard left, outboard right	2	
	53417-00		ROD ASSEMBLY - Cowl flap, inboard right, outboard left	2	
-7	454 901		* CLEVIS - (MS27975-4)	2	
-8	404 322		* NUT - Check (AN316-4R)	2	
-9	42574-00		TRANSMISSION ASSEMBLY - Cowl flap actuating, complete	2	
-10	53801-02		* TRANSMISSION ASSEMBLY - Cowl flap actuating (489 490)	1	
-11	757 833		* * COUPLING - Transmission	1	
-12	480 740		* PIN - Roll (59-012-062-1000) (.062 width)	1	
	480 707		* PIN - Roll (59-022-094-1000) (.094 width)	1	
-13	475 194		* MOTOR - Flap actuating (MO581177A)	1	
-14	21418-02		* ROD - Motor brake support	1	
-15	24948-02		* BRAKE AND ARM ASSEMBLY - (Complete)	1	
-16	24932-00		* * ARM - Spring attachment	1	
-17	24933-00		* * PLUNGER - Brake solenoid	1	
-18	83302-61		* * SPRING - Solenoid plunger	1	
-19	43988-03		* * SOLENOID - Motor brake	1	
-20	60054-18		* LINK - Spring attachment	1	
-21	407 564		* WASHER - (AN960-10)	2	
-22	407 104		* WASHER - (AN935-10)	2	
	405 312		* NUT - (10-32 Hex)	2	
-23	42904-00		* ROD - Transmission push	1	
-24	42129-23		* BUSHING - Cowl flap actuating	1	
-25	41820-00		BEARING - Torque tube	4	
-26	42129-02		BUSHING - Cowl flap actuating	2	
-27	22470-14		CONTROL WIRE - Potentiometer connecting	2	
-28	416 095		SCREW - (MS35265-32)	2	
	404 909		NUT - (MS20365-632C)	2	
-29	91193-00		FITTING - Swivel, potentiometer actuating	2	
-30	42809-00		STUD - Swivel, potentiometer actuating	2	
-31	408 803		WASHER - Spring (3515-14-06)	2	
-32	400 054		BOLT - (AN3-7)	2	
	407 584		WASHER - (AN960-10L)	2	
	404 100		NUT - (AN310-3)	2	
	424 051		COTTER PIN - (MS24665-132)	2	
-33	401 274		BOLT - (AN3-15A)	2	
	407 584		WASHER - (AN960-10L)	2	
	407 564		WASHER - (AN960-10)	2	
	407 567		WASHER - (AN960-616)	2	
	407 587		WASHER - (AN960-616L)	4	
	404 887		NUT - (MS20365-1032C)	2	

When ordering, always specify Part Number, Description and Serial Number of Aircraft

PIPER PARTS CATALOG

Figure and Index Number	Part Number	Code	NOMENCLATURE	No. Req.	SERIAL NUMBERS AFFECTED
84-34	424 174		PIN - Clevis (MS20392-2C11)	8	
	407 584		WASHER - (AN960-10L)	8	
	424 051		COTTER PIN - (MS24665-132)	8	
-35	401 307		BOLT - (AN4-4A)	8	
	407 044		WASHER - (MS35338-44)	8	
-36	42785-00		ARM - Potentiometer actuator	2	
-37	407 565		WASHER - (AN960-416)	2	

When ordering, always specify Part Number, Description and Serial Number of Aircraft



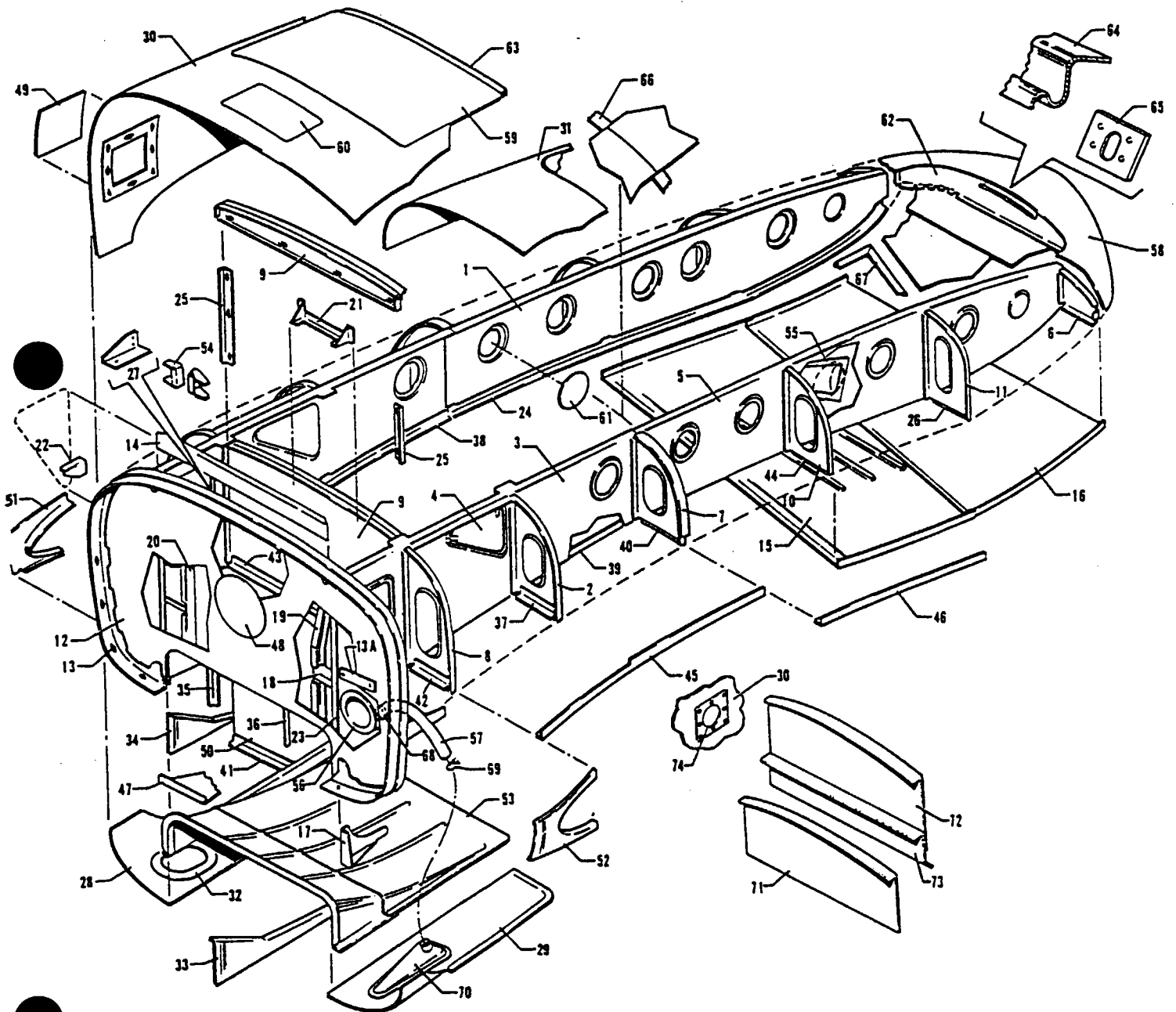


Figure 85. Nacelle Installation

---

# PIPER PARTS CATALOG

---

## CODE EXPLANATIONS FOR FIGURE 85

- A - Used if Nacelle Fuel System (Nayak) is not installed.
- B - Used if Nacelle Fuel System (Nayak) is installed.

# PIPER PARTS CATALOG

Figure and Index Number	Part Number	Code	Nomenclature	No. Req.	Serial Numbers Affected
	44455		DRAWING -Nacelle Installation		
	44495-00		FRAME ASSEMBLY - Left nacelle	1	
	44495-01		FRAME ASSEMBLY - Right nacelle	1	
-2	44494-00		* BULKHEAD - Inboard, Sta. 135, left nacelle	1	
	44494-01		* BULKHEAD - Inboard, Sta. 135, right nacelle	1	
	44419-02		* BULKHEAD - Outboard, Sta. 135, left nacelle	1	
	44419-03		* BULKHEAD - Outboard, Sta. 135, right nacelle	1	
-3	44437-04		* BULKHEAD ASSEMBLY - Inboard, longitudinal, left nacelle	1	
	44437-05		* BULKHEAD ASSEMBLY - Inboard, longitudinal, right nacelle	1	
	44438-04		* BULKHEAD ASSEMBLY - Outboard, longitudinal, left nacelle	1	
	44438-05		* BULKHEAD ASSEMBLY - Outboard, longitudinal, right nacelle	1	
-4	44441-00		** COVER ASSEMBLY - Bulkhead, left nacelle, outboard	1	
	44441-01		** COVER ASSEMBLY - Bulkhead, left nacelle, inboard	1	
-5	44437-06		* BULKHEAD - Inboard, longitudinal, left nacelle	1	
	44437-07		* BULKHEAD - Inboard, longitudinal, right nacelle	1	
	44438-06		* BULKHEAD - Outboard, longitudinal, left nacelle	1	
	44438-07		* BULKHEAD - Outboard, longitudinal, right nacelle	1	
-6	44457-00		* BULKHEAD - Inboard, Sta. 210, left nacelle	1	
	44457-01		* BULKHEAD - Inboard, Sta. 210, right nacelle	1	
	44458-00		* BULKHEAD - Outboard, Sta. 210, left nacelle	1	
	44458-01		* BULKHEAD - Outboard, Sta. 210, right nacelle	1	
-7	44461-00		* BULKHEAD ASSEMBLY - Inboard, Sta. 154, left nacelle	1	
	44461-01		* BULKHEAD ASSEMBLY - Inboard, Sta. 154, right nacelle	1	
	44462-04		* BULKHEAD ASSEMBLY - Outboard, Sta. 154, left nacelle	1	
	44462-05		* BULKHEAD ASSEMBLY - Outboard, Sta. 154, right nacelle	1	
-8	44474-08		* BULKHEAD - Inboard, Sta. 121, left nacelle	1	
	44474-09		* BULKHEAD - Inboard, Sta. 121, right nacelle	1	
	44474-02		* BULKHEAD - Outboard, Sta. 121, left nacelle	1	
	44474-03		* BULKHEAD - Outboard, Sta. 121, right nacelle	1	
-9	44474-06		* BULKHEAD ASSEMBLY - Sta. 121, left nacelle	1	
	44474-07		* BULKHEAD ASSEMBLY - Sta. 121, right nacelle	1	
0	44475-00		* BULKHEAD - Inboard, Sta. 174, left nacelle	1	
	44475-01		* BULKHEAD - Inboard, Sta. 174, right nacelle	1	
	44476-02		* BULKHEAD - Outboard, Sta. 174, left nacelle	1	
	44476-03		* BULKHEAD - Outboard, Sta. 174, right nacelle	1	
-11	44491-02		* BULKHEAD - Inboard, Sta. 192, left nacelle	1	
	44491-03		* BULKHEAD - Inboard, Sta. 192, right nacelle	1	
	44492-02		* BULKHEAD - Outboard, Sta. 192, left nacelle	1	
	44492-03		* BULKHEAD - Outboard, Sta. 192, right nacelle	1	
-12	40676-13		* FIREWALL ASSEMBLY - Sta. 111.50, left nacelle	1	
	40676-14		* FIREWALL ASSEMBLY - Sta. 111.50, right nacelle	1	
-13	484 301		** RECEPTACLE - (FX10-1502)	15	
	40496-00		** BRACKET - Receptacle mounting	15	
-13a	53822-00		** PLATE - Firewall cover	1	
-14	40677-00		* CHANNEL - Firewall reinforcement	1	
-15	44493-04		* FLOOR - Locker, front, left nacelle	1	
	44493-05		* FLOOR - Locker, front, right nacelle	1	
-16	44493-02		* FLOOR - Locker, rear, left nacelle	1	
	44493-03		* FLOOR - Locker, rear, right nacelle	1	

When ordering, always specify Part Number, Description, and Serial Number of Aircraft

PIPER PARTS CATALOG

Figure and Index Number	Part Number	Code	NOMENCLATURE	No. Req.	SERIAL NUMBERS AFFECTED
85-17	40553-00		* BRACKET ASSEMBLY - Engine mount attachment, outboard top, inboard bottom	2	
	40553-01		* BRACKET ASSEMBLY - Engine mount attachment, inboard top, outboard bottom	2	
-18	40668-00		* BRACKET - Hydraulic filter support	2	
-19	41815-00		* BRACKET ASSEMBLY - Torque tube support, left	1	
	41815-01		* BRACKET ASSEMBLY - Torque tube support, right	1	
-20	41819-00		* BRACKET - Torque tube support, left	1	
	41819-01		* BRACKET - Torque tube support, right	1	
-21	44397-00		* BRACKET - Air filter	1	
-22	44420-02		* BRACKET - Pneumatic air support, right	1	
-23	41632-00		* ANGLE - Nacelle longitudinal bulkhead, inboard	1	
	41587-00		* ANGLE - Nacelle longitudinal bulkhead, outboard	1	
-24	44437-12		* ANGLE - Inboard, longitudinal, left nacelle	1	
	44437-13		* ANGLE - Inboard, longitudinal, right nacelle	1	
	44438-12		* ANGLE - Outboard, longitudinal, left nacelle	1	
	44438-13		* ANGLE - Outboard, longitudinal, right nacelle	1	
-25	44467-00		* ANGLE ASSEMBLY - Plate attachment, inboard Sta. 121, right nacelle	1	
	44468-00		* ANGLE ASSEMBLY - Plate attachment, outboard Sta. 121, right nacelle	1	
-26	44491-04		* ANGLE - Bulkhead attachment, inboard, Sta. 192	1	
	44492-04		* ANGLE - Bulkhead attachment, outboard, Sta. 192	1	
-27	44420-03		* BRACKET - Pneumatic air support, left	1	
-28	41667-08		SKIN - Bottom inboard, left nacelle	1	
	41667-09		SKIN - Bottom inboard, right nacelle	1	
-29	41667-06		SKIN - Bottom outboard, left nacelle	1	
	41667-07		SKIN - Bottom outboard, right nacelle	1	
-30	44465-04		SKIN ASSEMBLY - Left nacelle, Sta. 111.50 to Sta. 154	1	
	44465-15		SKIN ASSEMBLY - Right nacelle, Sta. 111.50 to Sta. 154	1	
-31	44484-00		SKIN ASSEMBLY - Left nacelle, Sta. 154 to Sta. 210	1	
	44484-01		SKIN ASSEMBLY - Right nacelle, Sta. 154 to Sta. 210	1	
-32	20372-03		PLATE ASSEMBLY - Access hole reinforcement, nacelle	2	
-33	40667-00		ANGLE - Shear plate mounting, left nacelle, wing Sta. 89.31	1	
	40667-01		ANGLE - Shear plate mounting, right nacelle, wing Sta. 89.31	1	
-34	40670-00		ANGLE - Shear plate mounting, left nacelle, wing Sta. 65.69	1	
	40670-01		ANGLE - Shear plate mounting, right nacelle, wing Sta. 65.69	1	
-35	42297-00		ANGLE - Longitudinal bulkhead, outboard, left nacelle	1	
	42297-01		ANGLE - Longitudinal bulkhead, outboard, right nacelle	1	
-36	42298-00		ANGLE - Longitudinal bulkhead, inboard, left nacelle	1	
	42298-01		ANGLE - Longitudinal bulkhead, inboard, right nacelle	1	
-37	44419-04		ANGLE - Bulkhead attachment, Sta. 135	4	
-38	44437-10		ANGLE - Longitudinal bulkhead, inboard, left nacelle	1	
	44437-11		ANGLE - Longitudinal bulkhead, inboard, right nacelle	1	
-39	44438-10		ANGLE - Longitudinal bulkhead, outboard, left nacelle	1	
	44438-11		ANGLE - Longitudinal bulkhead, outboard, right nacelle	1	
-40	44462-08		ANGLE - Bulkhead attachment, Sta. 154	4	
-41	44469-00		ANGLE - Plate attachment, right nacelle, Sta. 121	1	
-42	44474-14		ANGLE - Bulkhead attachment, inboard, Sta. 121	2	
	44474-12		ANGLE - Bulkhead attachment, outboard, Sta. 121	2	
-43	44474-10		ANGLE - Bulkhead attachment, center, Sta. 121	1	
-44	44476-04		ANGLE - Bulkhead attachment, inboard, Sta. 174	2	
	53119-00		ANGLE - Bulkhead attachment, outboard, Sta. 174	2	

When ordering, always specify Part Number, Description and Serial Number of Aircraft

PIPER PARTS CATALOG

Figure and Index Number	Part Number	Code	NOMENCLATURE	No. Req.	SERIAL NUMBERS AFFECTED
-45	44483-04		ANGLE - Skin attachment, inboard, left nacelle	1	
	44483-05		ANGLE - Skin attachment, inboard, right nacelle	1	
	44483-06		ANGLE - Skin attachment, outboard, left nacelle	1	
	44483-07		ANGLE - Skin attachment, outboard, right nacelle	1	
-46	44483-02		ANGLE - Skin attachment, inboard, left nacelle	1	
	44483-03		ANGLE - Skin attachment, inboard, right nacelle	1	
	44483-08		ANGLE - Skin attachment, outboard, left nacelle	1	
	44483-09		ANGLE - Skin attachment, outboard, right nacelle	1	
-47	40671-00		PLATE ASSEMBLY - Firewall shear, left nacelle	1	
	40671-01		PLATE ASSEMBLY - Firewall shear, right nacelle	1	
-48	40675-00		PLATE - Firewall access cover	2	
-49	44398-02		PLATE - Access	7	
-50	44472-00		PLATE - Bulkhead center, right nacelle, Sta. 121	1	
-51	41663-00		PLATE - Skin attachment, inboard, left nacelle	1	
	41663-01		PLATE - Skin attachment, inboard, right nacelle	1	
-52	41664-00		PLATE - Skin attachment, outboard, left nacelle	1	
	41664-01		PLATE - Skin attachment, outboard, right nacelle	1	
-53	41604-00		SHIELD ASSEMBLY - Exhaust heat, left nacelle	1	
	41604-01		SHIELD ASSEMBLY - Exhaust heat, right nacelle	1	
-54	41810-00		BRACKET - Transmission mounting	4	
-55	44546-05		BRACKET ASSEMBLY - Door holder support	2	31-5001 to 31-7952250 incl.
	44546-06		BRACKET ASSEMBLY - Door holder support	2	31-8052001 and up
-56	43798-00		BOX ASSEMBLY - Pneumatic air filter	2	
-57	49997-10		HOSE - Pneumatic air filter box	2	31-5001 to 31-7952250 incl.
	56952-15		HOSE - Pneumatic air filter box	2	31-8052001 and up
-58	44444-00		TIP ASSEMBLY - Locker, left nacelle	1	
	44444-01		TIP ASSEMBLY - Locker, right nacelle	1	
-59	44465-08	A	COVER - Access	2	
	579 225	B	PANEL ASSEMBLY - Fuel cell, left (25303-1)	1	
-60	44465-09		COVER - Access	2	
-61	44529-00		PLATE - Cover	12	
-62	44724-00		CHANNEL - Nacelle tip	2	
-63	44515-00		CHANNEL - Nacelle skin attachment	2	
-64	44508-00		STRIKER - Nacelle locker door	2	
-65	44406-00		CATCH ASSEMBLY - Nacelle locker door	2	
-66	44511-00		STRIP - Nacelle skin attachment	2	
-67	187 610		MOULDING - Rubber (1923)	12	
-68	554 623		CLAMP - Filter box hose (PS10017-20-16)	2	
-69	554 919		CLAMP - Filter box hose (SAE 20, Type "E")	2	
-70	43894-00		INLET ASSEMBLY - Air, recessed	2	
-71	553 527	B	BULKHEAD - Left nacelle, Sta. 147.72 (25307-1)	1	
-72	553 529	B	BULKHEAD - Right nacelle, upper, Sta. 170.67 (25316-1)	1	
-73	553 528	B	BULKHEAD - Right nacelle, lower, Sta. 170 67 (25313-1)	1	
-74	44398-02	B	COVER - Access, left, nacelle, inboard and outboard	2	

When ordering, always specify Part Number, Description and Serial Number of Aircraft

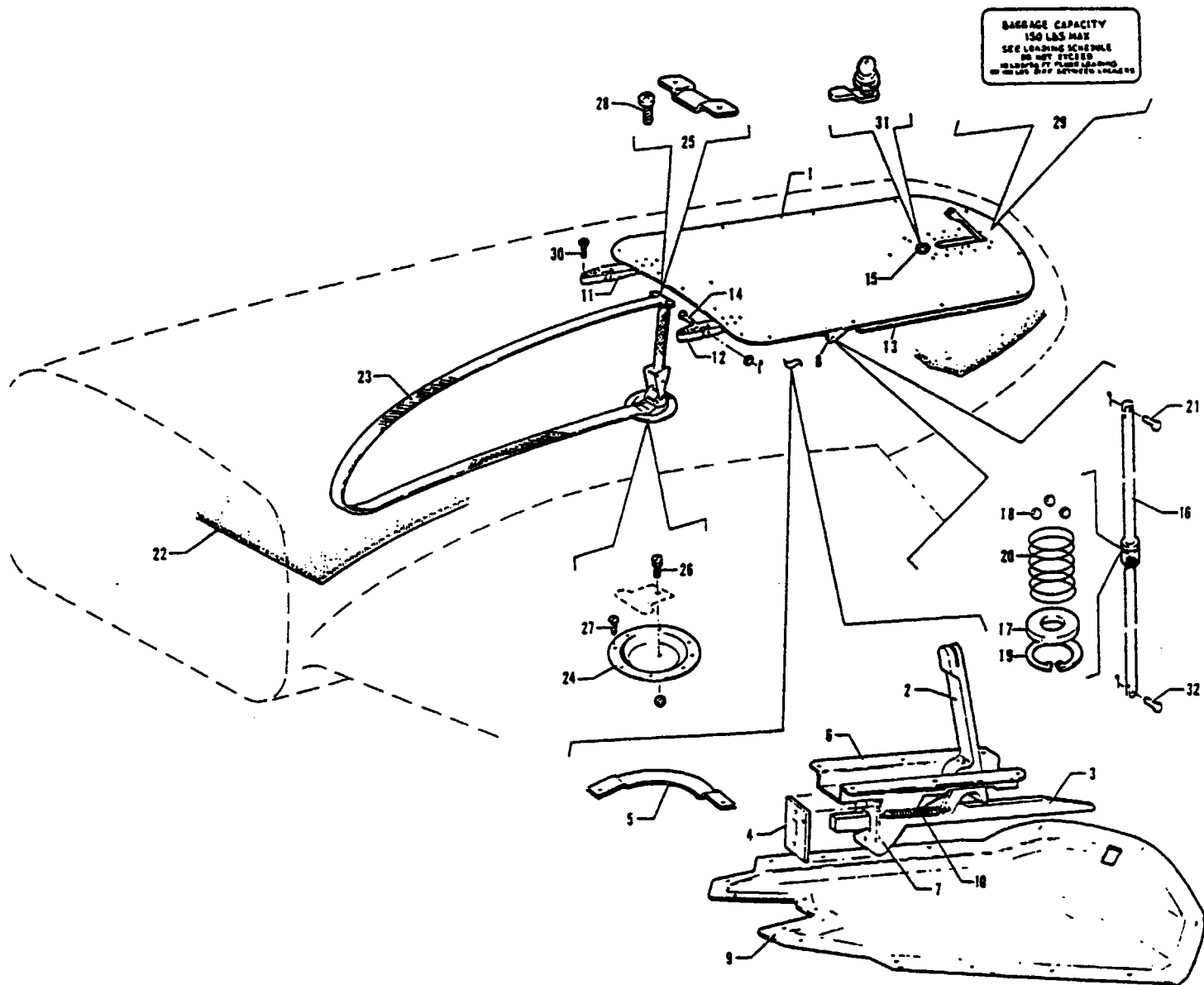


Figure 86. Nacelle Locker Door Assembly and Installation

---

## PIPER PARTS CATALOG

---

### CODE EXPLANATIONS FOR FIGURE 86

- A - If matching cabin, baggage and nacelle locker locks are desired, order Part No. 25163-11; for matching cabin, baggage, pilot door and nacelle locker locks, order Part No. 25163-12; for matching cabin, baggage, pilot door, nacelle locker locks and locking fuel caps, order Part No. 461 665 (or Part No. 461 667 if Nayak Fuel System is installed).
- B - Serial number of aircraft must be supplied when ordering this part.
- C - Used in right nacelle only when air conditioning is installed.
- D - Used if Nacelle Fuel System (Nayak) is not installed.
- E - Used if Nacelle Fuel System (Nayak) is installed.

PIPER PARTS CATALOG

Figure and Index Number	Part Number	Code	NOMENCLATURE	No. Req.	SERIAL NUMBERS AFFECTED
86-	44455 44688 71590 53469		DRAWING - Nacelle Installation DRAWING - Nacelle Locker Door Support Installation DRAWING - Nacelle Locker Door Support Installation DRAWING - Nacelle Locker Carpet and Baggage Strap Installation		31-5001 to 31-7952250 incl. 31-8052001 and up
-1	44524-00		DOOR ASSEMBLY - Nacelle locker	2	
-2	22641-03		* HANDLE - Nacelle locker door	1	
-3	44424-00		* LATCH - Nacelle locker door	1	
-4	44425-00		* PLATE - Locker door latch guide	1	
-5	30852-00		* PLATE ASSEMBLY - Door lock guide	1	
-6	30580-02		* BRACKET - Locker door handle	1	
-7	44427-00		* BRACKET - Locker door latch	1	
-8	44686-00 71589-02		* BRACKET - Locker door support * BRACKET - Locker door support	1 1	31-5001 to 31-7952250 incl. 31-8052001 and up
-9	44436-00		* COVER - Locker door latch	1	
-10	83302-47		* SPRING - Coil, door handle	1	
-11	44433-00  44433-01		* HINGE - Locker door, inboard, left nacelle, outboard, right nacelle * HINGE - Locker door, outboard, left nacelle, inboard, right nacelle	1  1	
-12	44434-00  44434-01		* HINGE - Locker door, inboard, left nacelle, outboard, right nacelle * HINGE - Locker door, outboard, left nacelle, inboard, right nacelle	1  1	
-13	44431-00		* SEAL - Nacelle locker door	10	
-14	424 185 407 584 424 051		* PIN - (MS20392-2C33) * WASHER - (AN960-10L) * PIN - Cotter (MS24665-132)	2 2 2	
-15	25590-00		* WASHER	1	
-16	44422-00 457 156		SUPPORT ASSEMBLY - Nacelle locker door SUPPORT ASSEMBLY - Nacelle locker door (FA34-PI-25)	2 2	31-5001 to 31-7952250 incl. 31-8052001 and up
-17	49981-04		* WASHER - Support assembly	1	31-5001 to 31-7952250 incl.
-18	452 040		* BALL - Chrome (3/32" diameter)	3	31-5001 to 31-7952250 incl.
-19	484 819		* RING - Snap (N5000-50)	1	31-5001 to 31-7952250 incl.
-20	83302-82		* SPRING - Support assembly	1	31-5001 to 31-7952250 incl.
-21	424 143 424 141 587 177 424 051		PIN - (MS20392-1C13) PIN - (MS20392-1C9) SPACER - (NAS 43HT 1-8) PIN - Cotter (MS24665-132)	2 2 2 2	31-5001 to 31-7952250 incl. 31-8052001 and up 31-8052001 and up
-22	53469-03 53469-04 53469-06 53469-07 53469-08 53469-09	B B,C B,C,D B,D B,E B,E	CARPET - Nacelle locker CARPET - Nacelle locker CARPET - Nacelle locker CARPET - Nacelle locker CARPET - Nacelle locker, left CARPET - Nacelle locker, right	2 1 1 2 1 1	31-5001 to 31-7652141 incl. 31-7652142 to 31-7852171 incl. 31-7952001 and up 31-7952001 and up
-23	44517-00		STRAP ASSEMBLY - Baggage, nacelle locker	4	
-24	44415-00 74092-02	D E	PLATE - Anchor, baggage strap PLATE - Anchor, baggage strap, right	4 2	
-25	44413-00		GUIDE - Baggage tie down strap	4	
-26	47378-00 404 888		STUD - Strap attachment NUT - (MS20365-428C)	4 4	

When ordering, always specify Part Number, Description and Serial Number of Aircraft



PIPER PARTS CATALOG

Figure and Index Number	Part Number	Code	NOMENCLATURE	No. Req.	SERIAL NUMBERS AFFECTED
6-27	414 508	D	SCREW - (MS24693-S28)	32	
	414 508	E	SCREW - (MS24693-S28), right	14	
-28	411 533		SCREW - (MS35207-264)	8	
-29	44719-00	D	PLACARD - Nacelle locker baggage	2	
	74048-02	E	PLACARD - Nacelle locker baggage	2	
-30	414 769		SCREW - (MS24693-S53)	12	
	477 706		NUT - Cap (27CL-82)	12	
-31	752 350	A	LOCK ASSEMBLY - Nacelle lockers (with 2 keys)	2	
-32	424 141		PIN - (MS20392-1C9)	2	31-5001 to 31-7952250 incl.
	424 173		PIN - (MS20392-2C9)	2	31-8052001 and up
	587 186		SPACER - (NAS 43HT 3-8)	2	31-8052001 and up
	424 051		PIN - Cotter (MS24665-132)	2	

When ordering, always specify Part Number, Description and Serial Number of Aircraft

2124  
INTENTIONALLY LEFT BLANK

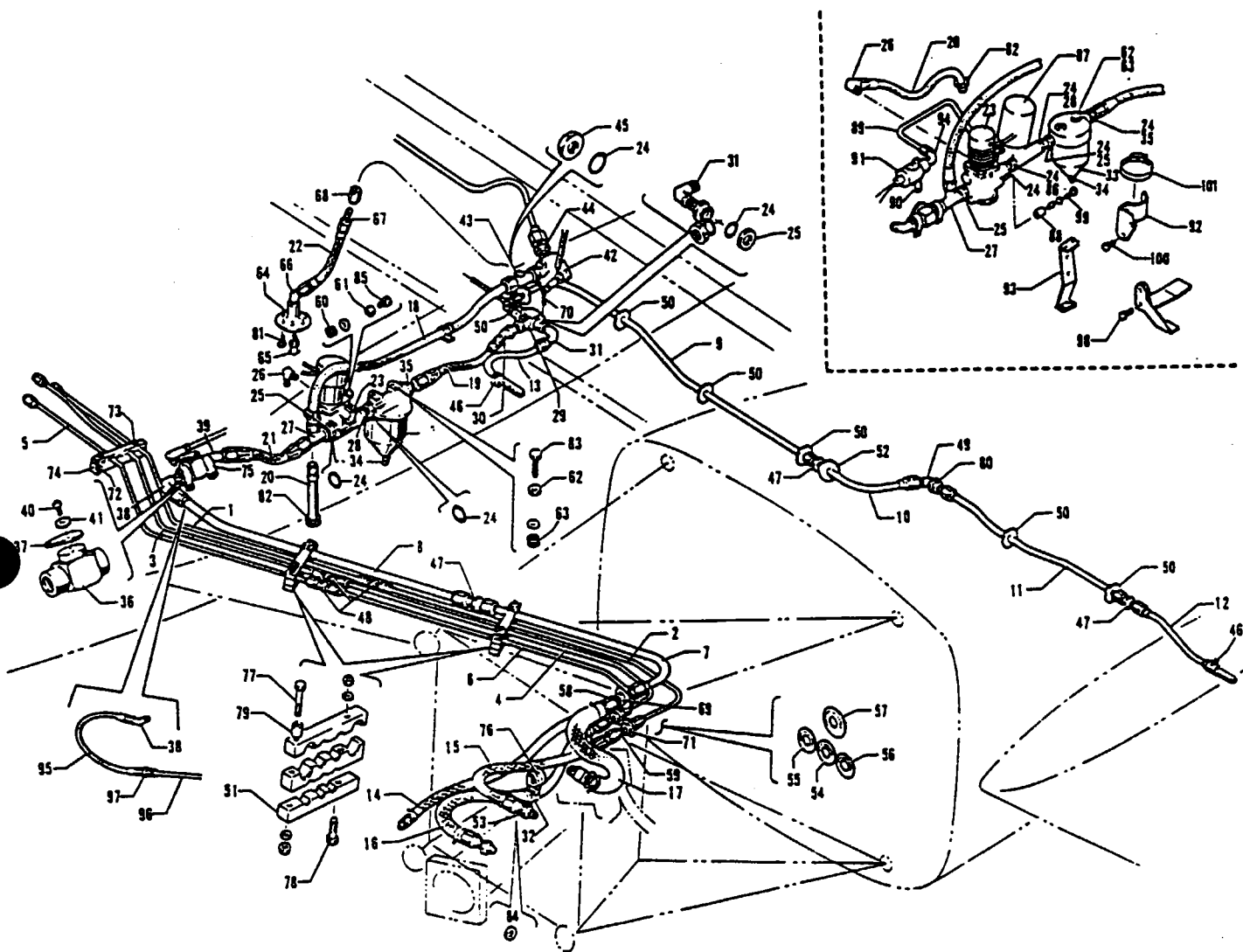


Figure 87. Left Engine Fuel System Installation

# PIPER PARTS CATALOG

---

## CODE EXPLANATIONS FOR FIGURE 87

- A - See Figure 90 for component parts.
- B - If Dukas fuel selector valve has been installed, order part for serial numbers 31-7305053 and up.
- C - Used on aircraft with serial numbers 31-5001 to 31-7405478 inclusive, if Fuel System Modification Kit 760 873 has been installed per Piper Service Letter 722.
- D - Order part for serial numbers 31-7405479 and up, if Fuel System Modification Kit 760 873 has been installed per Piper Service Letter 722.
- E - No longer available. Order Filter Assembly 74134-04.

# PIPER PARTS CATALOG

Figure and Index Number	Part Number	Code	Nomenclature	No. Req.	Serial Numbers Affected
87-	52125 54300		DRAWING - Fuel System Installation DRAWING - Fuel System Installation		31-5001 to 31-7405478 incl. 31-7405479 and up
-1	22673-22		TUBE ASSEMBLY - Instrument air, deck pressure	1	
-2	22673-20		TUBE ASSEMBLY - Instrument air, deck pressure	1	
-3	22673-41		TUBE ASSEMBLY - Fuel pressure	1	
-4	22673-40		TUBE ASSEMBLY - Fuel pressure	1	
-5	22673-60		TUBE ASSEMBLY - Fuel flow pressure	1	
-6	22673-100		TUBE ASSEMBLY - Fuel flow pressure	1	
-7	41650-00		TUBE ASSEMBLY - Fuel	1	
-8	41651-00		TUBE ASSEMBLY - Fuel	1	31-5001 to 31-7405478 incl.
-9	41647-00		TUBE ASSEMBLY - Fuel	1	
-10	41648-00		TUBE ASSEMBLY - Fuel	1	
-11	41649-00		TUBE ASSEMBLY - Fuel	1	
-12	41656-00		STRAINER ASSEMBLY - Fuel tank finger (outboard)	1	
-13	41657-00		STRAINER ASSEMBLY - Fuel tank finger (inboard)	1	
-14	39995-13		HOSE ASSEMBLY - Fuel flow pressure	1	
-15	17766-93		HOSE ASSEMBLY - Instrument air, deck pressure	1	
-16	23745-15		HOSE ASSEMBLY - Fuel pressure	1	
-17	39995-34		HOSE ASSEMBLY - Fuel (565 498)	1	
-18	41230-07 39997-09	D C	HOSE ASSEMBLY - Fuel (22" L) HOSE ASSEMBLY - Fuel (25" L)	1 1	31-5001 to 31-7405478 incl. 31-7405479 and up
-19	41230-04		HOSE ASSEMBLY - Fuel	1	
-20	17766-90		HOSE ASSEMBLY - Drain, emergency fuel pump	1	
-21	41230-10		HOSE ASSEMBLY - Fuel, left	1	31-5001 to 31-7405478 incl.
-22	17766-101		HOSE ASSEMBLY - Crossfeed drain	1	
-23	53050-02 42113-05	A,D A,C	PUMP ASSEMBLY - Fuel emergency PUMP ASSEMBLY - Fuel emergency	1 1	31-5001 to 31-7405478 incl. 31-7405479 and up
-24	462 061		GASKET - (MS29512-8)	11	
-25	477 621		NUT - Emergency fuel pump (AN924-8D)	8	
-26	458 894		ELBOW - Emergency fuel pump (AN822-4D)	1	
-27	41618-00 41618-02	D C	TEE - Emergency fuel pump TEE - Emergency fuel pump	1 1	31-5001 to 31-7405478 incl. 31-7405479 and up
-28	41617-02		UNION - Emergency fuel pump	1	
-29	492 109 492 239	A,B A	VALVE ASSEMBLY - Fuel selector (800412-00) Scott VALVE ASSEMBLY - Fuel selector (3487-00-1) Dukas	1 1	31-5001 to 31-7305052 incl. 31-7305053 and up
-30	41623-00		ELBOW - Fuel valve (458 861)	1	
-31	41622-00		ELBOW - Fuel valve (458 860)	2	
-32	454 868		CLAMP - (PS10017-2-12)	1	
-33	74134-02 74134-04	A,E A	FILTER ASSEMBLY - Fuel (561 010) FILTER ASSEMBLY - Fuel (561 044)	1 1	
-34	492 100		* VALVE - Drain, fuel filter (CCA-7450)	1	
-35	41620-00		UNION - Fuel filter assembly	1	
-36	492 111	A	VALVE - Fuel shutoff, left (PA-757A)	1	
-37	41626-00		ARM - Valve actuator	1	
-38	458 898		ELBOW - Fuel shutoff, left (AN822-8D)	1	
-39	458 886		ELBOW - Fuel shutoff, left (AN823-8D)	1	31-5001 to 31-7405478 incl.
-40	415 752		SCREW - Fuel shutoff, left (AN815-832R6)	2	
-41	407 120		WASHER - Tooth lock (AN936-B8)	2	
-42	492110	A	VALVE - Fuel, crossfeed (800411-00) Left	1	
-43	41618-00		TEE - Crossfeed valve	1	
-44	491 053		UNION - Crossfeed valve (AN815-8D)	1	
-45	477 621		NUT - Crossfeed valve (AN924-8D)	1	
-46	554 552		CLAMP - (PS10017-23-10)	2	
-47	491 053		UNION - (AN815-8D)	3	
-48	491 048		UNION - (AN815-2D)	3	
-49	458 914		ELBOW - (AN837-8D) 45 degrees	1	

When ordering, always specify Part Number, Description, and Serial Number of Aircraft

## PIPER PARTS CATALOG

Figure and Index Number	Part Number	Code	NOMENCLATURE	No. Req.	SERIAL NUMBERS AFFECTED
87-50	41588-00		GROMMET - Fuel line	6	
-51	41580-05		BLOCK - Retaining, fuel line	2	
-52	434 144		GROMMET - (MS35489-23)	1	
-53	484 351		REDUCER - (AN919-2D)	1	
-54	40849-07		PLACARD - "Fuel Pressure"	1	
-55	40849-08		PLACARD - "Fuel Flow Pressure"	1	
-56	40849-09		PLACARD - "Instrument Air Deck Pressure"	1	
-57	40849-11		PLACARD - "Fuel Supply"	1	
-58	491 088		UNION - (AN832-8)	1	
-59	23319-00		UNION - Flared tube	3	
-60	434 129		GROMMET - (MS35489-9)	3	
-61	41413-15		BUSHING - Emergency fuel pump	3	
-62	41413-16		BUSHING - Fuel filter	2	
-63	434 166		GROMMET - Fuel filter (MS35489-40)	2	
-64	41683-05		VALVE ASSEMBLY - Fuel drain	1	
-65	492 100		* VALVE - Fuel drain (CCA-7450)	1	
-66	458 891		* ELBOW - Fuel drain (AN823-4D)	1	
-67	484 297		REDUCER - Crossfeed (8-4TRTX-D)	1	
-68	477 624		NUT - Crossfeed (AN818-8D)	1	
-69	477 691		NUT - (AN924-8)	1	
-70	415 541		SCREW - (MS35206-251)	4	
	404 910		NUT - (MS20365-832C)	4	
-71	477 628		NUT - (AN924-3)	3	
-72	400 441		BOLT - (AN3-7A)	2	
	404 887		NUT - (MS20365-1032C)	2	
-73	401 273		BOLT - (AN3-14A)	2	
	404 887		NUT - (MS20365-1032C)	2	
-74	41584-00		BLOCK ASSEMBLY - Tube retaining	1	
-75	42335-00		CLAMP - Fuel shutoff valve	2	
-76	554 885		CLAMP - (PS10017-2-24)	1	
-77	400 453		BOLT - (AN3-21A)	2	
	407 564		WASHER - (AN960-10)	2	
	404 887		NUT - (MS20365-1032C)	2	
-78	401 274		BOLT - (AN3-15A)	2	
	407 564		WASHER - (AN960-10)	2	
	404 887		NUT - (MS20365-1032C)	2	
-79	80012-59		SPACER - Control cable clamp	2	
-80	407 573		WASHER - (AN960-1216)	1	
	477 621		NUT - (AN924-8D)	1	
-81	415 533		SCREW - (MS35206-243)	6	
-82	434 135		GROMMET - (MS35489-14)	1	
-83	418 448		SCREW - Cap (MS35291-33)	2	
	81342-08		WASHER - Fuel filter mount	2	
	407 144		WASHER - Lock (AN936-8516)	2	
-84	462 027		GASKET - (AN6290-4)	1	
-85	418 431		SCREW - Cap (MS35291-6)	3	
	85012-65		WASHER - Fuel pump mount	3	
	407 127		WASHER - Lock (AN936-8416)	3	
-86	41817-02	C	UNION - Special	1	31-7405479 and up
-87	481 801	C	PUMP - Fuel boost (PS50109-8)	1	31-7405479 and up
-88	14976-106	C	BUSHING - Emergency pump mount	1	31-7405479 and up
-89	23195-17	C	LINE ASSEMBLY - Fuel	1	31-7405479 and up

When ordering, always specify Part Number, Description and Serial Number of Aircraft

## PIPER PARTS CATALOG

Figure and Index Number	Part Number	Code	NOMENCLATURE	No. Req.	SERIAL NUMBERS AFFECTED
87-90	47222-00	C	CUP - Pressure switch	1	31-7405479 and up
-91	74093-02	C	SWITCH - Pressure (688 192)	1	31-7405479 and up
-92	54326-02	C	BRACKET - Fuel boost pump	1	31-7405479 and up
-93	54335-02	C	BRACKET ASSEMBLY - Valve, fuel shutoff	1	31-7405479 and up
-94	458 872	C	ELBOW - (MS20822-2D)	1	31-7405479 and up
-95	41230-06	C	HOSE ASSEMBLY - Fuel	1	31-7405479 and up
-96	80004-18	C	TUBE ASSEMBLY - Fuel	1	31-7405479 and up
-97	491 053	C	UNION - (AN815-8D)	1	31-7405479 and up
-98	418 431	C	SCREW - Cap (MS35291-6)	2	31-7405479 and up
	41413-15	C	BUSHING - Emergency pump mount	2	31-7405479 and up
	434 175	C	GROMMET - (MS35489-38)	2	31-7405479 and up
	85012-65	C	WASHER - Emergency pump mount	2	31-7405479 and up
	407 127	C	WASHER - Lock (AN936-B416)	2	31-7405479 and up
-99	418 351	C	SCREW - (1/4-20NC 3 x 1)	1	31-7405479 and up
	85012-65	C	WASHER - Emergency pump mount	1	31-7405479 and up
	407 127	C	WASHER - (AN936-B416)	1	31-7405479 and up
	41413-15	C	BUSHING - Emergency pump mount	1	31-7405479 and up
-100	400 002	C	BOLT - (AN4-5A)	2	31-7405479 and up
	41413-15	C	BUSHING-Boost pump mount	2	31-7405479 and up
	85012-65	C	WASHER - Boost pump mount	2	31-7405479 and up
	407 127	C	WASHER - Lock (AN936-B416)	2	31-7405479 and up
	404 888	C	NUT - (MS20365-428C)	2	31-7405479 and up
	434 129	C	GROMMET -(MS35489-9)	2	31-7405479 and up
	407 585	C	WASHER - (AN960-416L)	4	31-7405479 and up
-101	554 649	C	CLAMP - (PS10017-20-48)	1	31-7405479 and up

When ordering, always specify Part Number, Description, and Serial Number of Aircraft

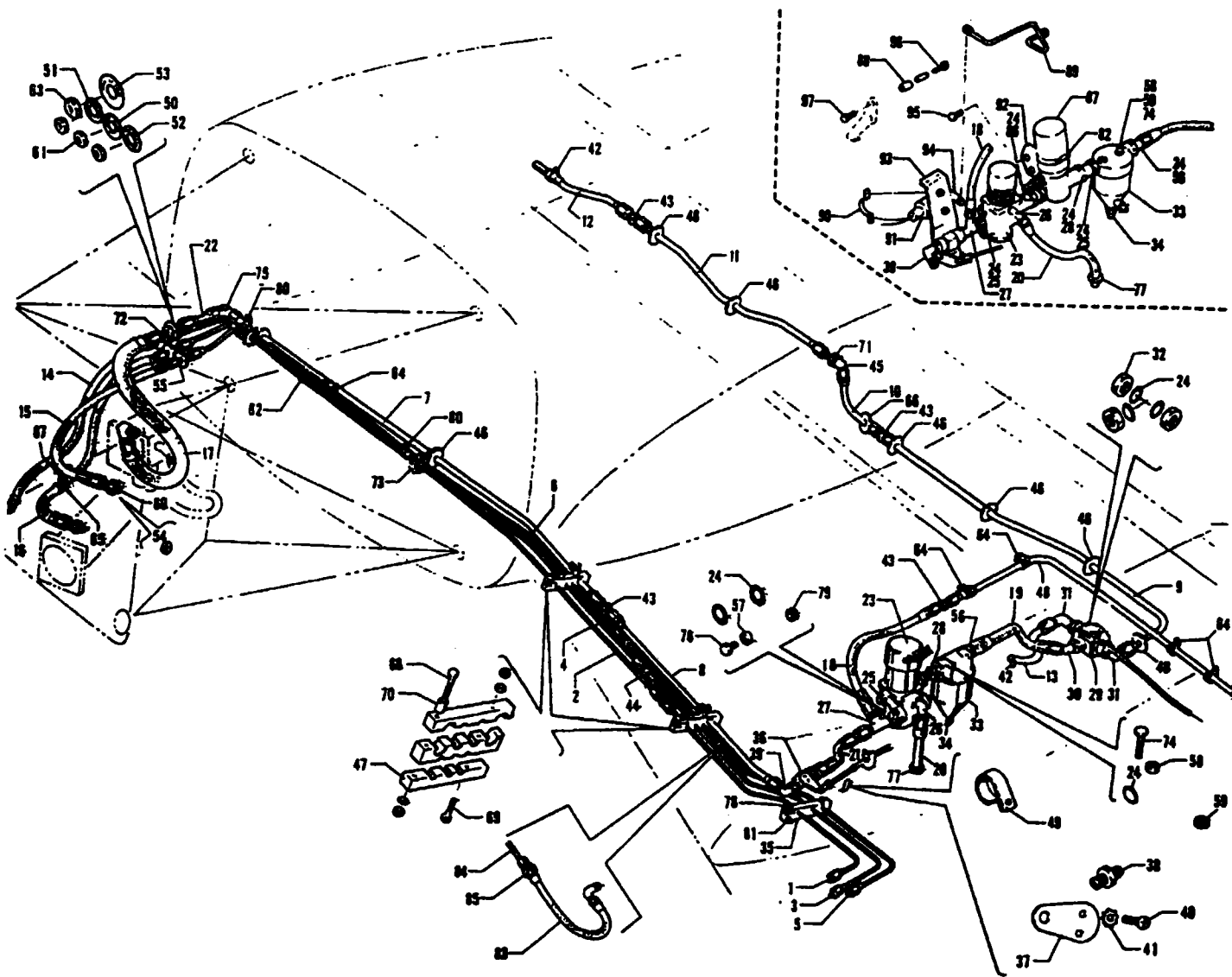


Figure 88 Right Engine Fuel System Installation



# PIPER PARTS CATALOG

---

## CODE EXPLANATIONS FOR FIGURE 88

- A - See Figure 90 for component parts.
- B - If Dukes fuel selector valve has been installed, order part for serial numbers 31-7305053 and up.
- C - Used on aircraft with serial numbers 31-5001 to 31-7405478 inclusive, if Fuel System Modification Kit 760 873 has been installed per Piper Service Letter 722.
- D - Order part for serial numbers 31-7405479 and up, if Fuel System Modification Kit 760 873 has been installed per Piper Service Letter 722.
- E - No longer available. Order Filter Assembly 74134-05.

# PIPER PARTS CATALOG

Figure and Index Number	Part Number	Code	Nomenclature	No. Req.	Serial Numbers Affected
88-	52125 54300		DRAWING - Fuel System Installation DRAWING - Fuel System Installation		31-5001 to 31-7405478 incl. 31-7405479 and up
-1	22673-28		TUBE ASSEMBLY - Instrument air, deck pressure	1	
-2	22673-26		TUBE ASSEMBLY - Instrument air, deck pressure	1	
-3	22673-47		TUBE ASSEMBLY - Fuel pressure	1	
-4	22673-45		TUBE ASSEMBLY - Fuel pressure	1	
-5	22673-66		TUBE ASSEMBLY - Fuel flow pressure	1	
-6	22673-64		TUBE ASSEMBLY - Fuel flow pressure	1	
-7	41653-00		TUBE ASSEMBLY - Fuel	1	
-8	41651-00		TUBE ASSEMBLY - Fuel	1	31-5001 to 31-7405478 incl.
-9	41647-01		TUBE ASSEMBLY - Fuel	1	
-10	41648-00		TUBE ASSEMBLY - Fuel	1	
-11	41649-00		TUBE ASSEMBLY - Fuel	1	
-12	41656-00		STRAINER ASSEMBLY - Fuel tank finger (outboard)	1	
-13	41657-00		STRAINER ASSEMBLY - Fuel tank finger (inboard)	1	
-14	39995-13		HOSE ASSEMBLY - Fuel flow pressure	1	
-15	17786-93		HOSE ASSEMBLY - Instrument air, deck pressure	1	
-16	23745-15		HOSE ASSEMBLY - Fuel pressure	1	
-17	39995-34		HOSE ASSEMBLY - Fuel (565 498)	1	
-18	41230-06	D	HOSE ASSEMBLY - Fuel (13" L)	1	31-5001 to 31-7405478 incl.
	39997-10	C	HOSE ASSEMBLY - Fuel (18" L)	1	31-7405479 and up
-19	41230-04		HOSE ASSEMBLY - Fuel	1	
-20	17766-90		HOSE ASSEMBLY - Drain, emergency fuel pump	1	
-21	80011-06		HOSE ASSEMBLY - Fuel, right	1	31-5001 to 31-7405478 incl.
-22	41655-00		TUBE ASSEMBLY - Fuel	1	
-23	53050-02	A,D	PUMP ASSEMBLY - Emergency fuel	1	31-5001 to 31-7405478 incl.
	42113-05	A,C	PUMP ASSEMBLY - Emergency fuel	1	31-7405479 and up
-24	462 061		GASKET - Emergency fuel pump (MS29512-8)	12	
-25	477 621		NUT - Emergency fuel pump (AN924-8D)	3	
-26	458 894		ELBOW - Emergency fuel pump (AN822-4D)	1	
-27	41618-00	D	TEE - Emergency fuel pump	1	31-5001 to 31-7405478 incl.
	41618-02	C	TEE - Emergency fuel pump	1	31-7405479 and up
-28	41617-02		UNION - Emergency fuel pump	1	
-29	492 109	A,B	VALVE ASSEMBLY - Fuel selector (800412-00) Scott	1	31-5001 to 31-7305052 incl.
	492 239	A	VALVE ASSEMBLY - Fuel selector (3487-00-1) Dukes	1	31-7305053 and up
-30	41623-00		ELBOW - Fuel valve (458 861)	1	
-31	41622-00		ELBOW - Fuel valve (458 860)	2	
-32	477 621		NUT - (AN924-8D)	3	
-33	74134-03	A,E	FILTER ASSEMBLY - Fuel (561 011)	1	
	74134-05	A	FILTER ASSEMBLY - Fuel (561 045)	1	
-34	492 100		* VALVE - Drain, fuel filter (CCA-7450)	1	
-35	41584-00		BLOCK ASSEMBLY - Tube retaining	1	
-36	492 111	A	VALVE - Shutoff, right (PA-757A)	1	
-37	41626-00		ARM - Valve actuator	1	
-38	476 664		NIPPLE - Fuel shutoff, right (AN816-8D)	1	31-5001 to 31-7405478 incl.
-39	458 896	D	ELBOW - Fuel shutoff, right (AN822-8D)	1	31-5001 to 31-7405478 incl.
	458 886	C	ELBOW - Fuel shutoff, right (AN823-8D)	1	31-7405479 and up
-40	415 752		SCREW - Fuel shutoff, right (AN515-832R6)	2	
-41	407 120		WASHER - Tooth lock (AN836-88)	2	
-42	554 552		CLAMP - (PS10017-23-10)	2	
-43	491 053		UNION - (AN815-8D)	4	
-44	491 048		UNION - (AN815-2D)	3	
-45	458 914		ELBOW - 45 Degrees (AN837-8D)	1	
-46	41586-00		GROMMET - Fuel line	8	
-47	41580-05		BLOCK - Retaining, fuel line	2	
-48	52045-00		TUBE ASSEMBLY - Fuel	1	
-49	42335-00		CLAMP - Fuel shutoff valve	2	

When ordering, always specify Part Number, Description, and Serial Number of Aircraft

PIPER PARTS CATALOG

Figure and Index Number	Part Number	Code	NOMENCLATURE	No. Req.	SERIAL NUMBERS AFFECTED
88-50	40849-07		PLACARD - "Fuel Pressure"	1	
-51	40849-08		PLACARD - "Fuel Flow Pressure"	1	
-52	40849-09		PLACARD - "Instrument Air Deck Pressure"	1	
-53	40849-11		PLACARD - "Fuel Supply"	1	
-54	462 027		GASKET - (AN6290-4)	1	
-55	23319-00		UNION - Flared tube	3	
-56	41620-00		UNION - Fuel filter assembly	1	
-57	41413-15		BUSHING - Emergency fuel pump	3	
-58	41413-16		BUSHING - Fuel filter	2	
-59	434 166		GROMMET - Fuel filter (MS35489-40)	2	
-60	484 351		REDUCER - (AN919-2D)	1	
-61	477 628		NUT - (AN924-3)	3	
-62	454 931		CLAMP - (PS10017-2-5)	1	
-63	477 691		NUT - (AN924-8)	1	
-64	454 933		CLAMP - (PS10017-2-8)	3	
-65	554 885		CLAMP - (PS10017-2-24)	1	
-66	434 144		GROMMET - (MS35489-23)	1	
-67	454 868		CLAMP - (PS10017-2-12)	1	
-68	400 453		BOLT - (AN3-21A)	2	
	407 584		WASHER - (AN960-10)	2	
	404 887		NUT - (MS20365-1032C)	2	
-69	401 274		BOLT - (AN3-15A)	2	
	407 564		WASHER - (AN960-10)	2	
	404 887		NUT - (MS20365-1032C)	2	
-70	80012-59		SPACER - Control cable clamp	2	
-71	407 573		WASHER - (AN960-1216)	1	
	477 621		NUT - (AN924-8D)	1	
-72	491 068		UNION - (AN832-8)	1	
-73	189 625		GROMMET - Caterpillar (G51H, Type "A") 12 3/4" L	AR	
-74	418 448		SCREW - Cap (MS35291-33)	2	
	407 127		WASHER - Lock (AN936-B416)	2	
	81342-08		WASHER - Fuel filter mount	2	
-75	458 881		ELBOW - (AN821-8D)	1	
-76	418 431		SCREW - Cap (MS35291-6)	3	
	407 127		WASHER - Lock (AN936-B416)	3	
	85012-65		WASHER - Fuel pump mount	3	
-77	434 135		GROMMET - (MS35489-14)	1	
-78	401 273		BOLT - (AN3-14A)	2	
	404 887		NUT - (MS20365-1032C)	2	
-79	434 129		GROMMET - (MS35489-9)	3	
-80	454 862		CLAMP - (PS10017-2-14)	2	
-81	400 441		BOLT - (AN3-7A)	2	
	404 887		NUT - (MS20365-1032C)	2	
-82	554 849	C	CLAMP - (PS10017-20-48)	1	31-7405479 and up
-83	41230-06	C	HOSE ASSEMBLY - Fuel	1	31-7405479 and up
-84	80004-18	C	TUBE ASSEMBLY - Fuel	1	31-7405479 and up
-85	491 053	C	UNION - (AN815-8D)	1	31-7405479 and up
-86	41617-02	C	UNION - Fuel boost to emergency	1	31-7405479 and up
-87	481 802	C	PUMP - Fuel boost (PS50109-7)	1	31-7405479 and up
-88	14976-106	C	BUSHING - Emergency pump mount	1	31-7405479 and up
-89	23195-17	C	LINE ASSEMBLY - Fuel	1	31-7405479 and up

When ordering, always specify Part Number, Description and Serial Number of Aircraft

# PIPER PARTS CATALOG

Figure and Index Number	Part Number	Code	Nomenclature	No. Req.	Serial Numbers Affected
88-90	47222-00	C	CLIP - Pressure switch	1	31-7405479 and up
-91	74093-02	C	SWITCH - Pressure (688 192)	1	31-7405479 and up
-92	54326-03	C	BRACKET - Fuel boost pump	1	31-7405479 and up
-93	54341-02	C	BRACKET ASSEMBLY - Valve, fuel shutoff	1	31-7405479 and up
-94	458 872	C	ELBOW - (MS20822-2D)	1	31-7405479 and up
-95	400 002	C	BOLT - (AN4-5A)	2	31-7405479 and up
	41413-15	C	BUSHING - Boost pump mount	2	31-7405479 and up
	85012-65	C	WASHER - Boost pump mount	2	31-7405479 and up
	407 127	C	WASHER - Lock (AN936-B416)	2	31-7405479 and up
	404 888	C	NUT - (MS20365-428C)	2	31-7405479 and up
	434 129	C	GROMMET - (MS35489-9)	2	31-7405479 and up
	407 585	C	WASHER - (AN960-416L)	4	31-7405479 and up
-96	418 351	C	SCREW - Cap (1/4-20NC 3 x 1)	1	31-7405479 and up
	85012-65	C	WASHER - Emergency pump mount	1	31-7405479 and up
	407 127	C	WASHER - Lock (AN936-B416)	1	31-7405479 and up
	41413-15	C	BUSHING - Emergency pump mount	1	31-7405479 and up
-97	418 431	C	SCREW - Cap (MS35291-6)	2	31-7405479 and up
	41413-15	C	BUSHING - Emergency pump mount	2	31-7405479 and up
	434 175	C	GROMMET - (MS35489-38)	2	31-7405479 and up
	85012-65	C	WASHER - Emergency pump mount	2	31-7405479 and up
	407 127	C	WASHER - Lock (AN936-B416)	2	31-7405479 and up

When ordering, always specify Part Number, Description, and Serial Number of Aircraft

# PIPER PARTS CATALOG

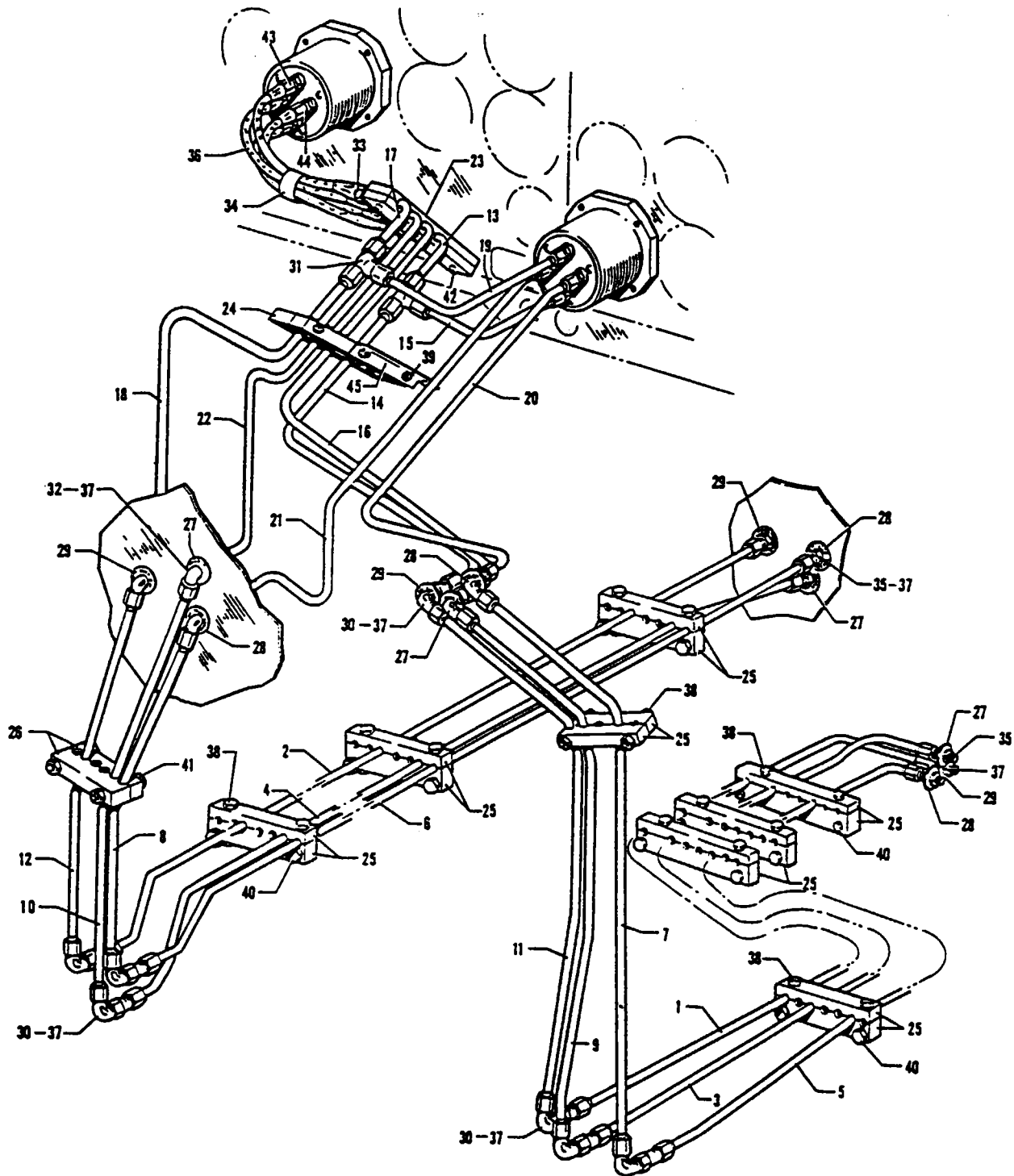


Figure 89. Fuel Flow and Pressure Gauge Installation

---

# PIPER PARTS CATALOG

---

## CODE EXPLANATIONS FOR FIGURE 89

A - Order part for serial numbers 31-7305104 and up, if Heater System Modification Kit 760 804 has been installed per Service Letter 692.

PIPER PARTS CATALOG

Figure and Index Number	Part Number	Code	NOMENCLATURE	No. Req.	SERIAL NUMBERS AFFECTED
89-	52125 54300		DRAWING - Fuel System Installation DRAWING - Fuel System Installation		31-5001 to 31-7405478 incl. 31-7405479 and up
-1	80024-07		TUBE ASSEMBLY - Instrument air, deck pressure, left	1	
-2	80024-08		TUBE ASSEMBLY - Instrument air, deck pressure, right	1	
-3	80024-09		TUBE ASSEMBLY - Fuel pressure, left	1	
-4	80024-10		TUBE ASSEMBLY - Fuel pressure, right	1	
-5	80024-11		TUBE ASSEMBLY - Fuel flow pressure, left	1	
-6	80024-12		TUBE ASSEMBLY - Fuel flow pressure, right	1	
-7	22673-71		TUBE ASSEMBLY - Fuel flow pressure, left	1	
-8	22673-69		TUBE ASSEMBLY - Fuel flow pressure, right	1	
-9	22673-53		TUBE ASSEMBLY - Fuel pressure, left	1	
-10	22673-51		TUBE ASSEMBLY - Fuel pressure, right	1	
-11	80004-11		TUBE ASSEMBLY - Instrument air, deck pressure, left	1	
-12	22673-34		TUBE ASSEMBLY - Instrument air, deck pressure, right	1	
-13	22673-12		TUBE ASSEMBLY - Instrument air, deck pressure, left	1	31-5001 to 31-7552066 incl.
-14	22673-10		TUBE ASSEMBLY - Instrument air, deck pressure, left	1	
-15	22673-16		TUBE ASSEMBLY - Instrument air, deck pressure, left	1	31-5001 to 31-7952122 incl.
	22673-32		TUBE ASSEMBLY - Instrument air, deck pressure, left	1	31-7952123 and up
-16	22673-55		TUBE ASSEMBLY - Fuel pressure, left	1	31-5001 to 31-7552066 incl.
	22673-51		TUBE ASSEMBLY - Fuel pressure, left	1	31-7552067 to 31-7852027 incl.
	22673-49		TUBE ASSEMBLY - Fuel pressure, left	1	31-7852028 and up
-17	22673-12		TUBE ASSEMBLY - Instrument air, deck pressure, right	1	31-5001 to 31-7552066 incl.
-18	22673-14		TUBE ASSEMBLY - Instrument air, deck pressure, right	1	
-19	22673-18		TUBE ASSEMBLY - Instrument air, deck pressure, right	1	31-5001 to 31-7952122 incl.
	22673-28		TUBE ASSEMBLY - Instrument air, deck pressure, right	1	31-7952123 and up
-20	22673-38		TUBE ASSEMBLY - Fuel flow pressure, left	1	31-5001 to 31-7952122 incl.
	22673-100		TUBE ASSEMBLY - Fuel flow pressure, left	1	31-7952123 and up
-21	22673-36		TUBE ASSEMBLY - Fuel flow, right	1	31-5001 to 31-7952122 incl.
	22673-100		TUBE ASSEMBLY - Fuel flow, right	1	31-7952123 and up
-22	22673-57		TUBE ASSEMBLY - Fuel pressure, right	1	31-5001 to 31-7552066 incl.
	26673-55		TUBE ASSEMBLY - Fuel pressure, right	1	31-7552067 to 31-7852027 incl.
	22673-69		TUBE ASSEMBLY - Fuel pressure, right	1	31-7852028 and up
-23	41583-00		BLOCK - Tube retaining	2	31-5001 to 31-7552066 incl.
-24	41630-00		BLOCK - Tube retaining	2	
-25	41584-00		BLOCK ASSEMBLY - Tube retaining	8	
-26	53606-00		BLOCK ASSEMBLY - Tube retaining	1	
-27	40849-07		PLACARD - "Fuel Pressure"	4	
-28	40849-08		PLACARD - "Fuel Flow Pressure"	4	
-29	40849-09		PLACARD - Instrument air, deck pressure	4	
-30	458 876		ELBOW - (AN833-2D) 90 Degrees	11	
-31	488 318		TEE - (AN824-2D)	2	
-32	458 876	A	ELBOW - (AN833-2D) 90 Degrees	1	31-5001 to 31-7305103 incl.
	488 519		TEE - (AN804-2D)	1	31-7305104 and up
-33	491 048		UNION - (AN815-2D)	4	
-34	487 624		STRAP ASSEMBLY - (P.V.C.G.-123)	1	
-35	491 058		UNION - (AN832-2D)	6	
-36	80048-04		HOSE ASSEMBLY - Fuel pressure	4	
-37	477 619		NUT - (AN924-2D)	18	
	407 566		WASHER - (AN960-516)	18	
-38	401 273		BOLT - (AN3-14A)	16	
	404 887		NUT - (MS20365-1032C)	16	
-39	415 523		SCREW - (MS35206-233)	3	
	404 909		NUT - (MS20365-632C)	3	
-40	400 441		BOLT - (AN3-7A)	14	
	404 887		NUT - (MS20365-1032C)	14	
-41	401 269		BOLT - (AN3-10A)	2	
	404 887		NUT - (MS20365-1032C)	2	

When ordering, always specify Part Number, Description and Serial Number of Aircraft

PIPER PARTS CATALOG

Figure and Index Number	Part Number	Code	NOMENCLATURE	No. Req.	SERIAL NUMBERS AFFECTED
89-42	415 633		SCREW - (MS35206-333)	3	
	404 910		NUT - (MS20365-832C)	3	
-43	476 649		NIPPLE - (AN816-2D)	2	
-44	54209-02		NIPPLE - Pressure snubber	2	
-45	54706-02		ANGLE - Line support	1	31-7552067 and up

When ordering, always specify Part Number, Description and Serial Number of Aircraft



# PIPER PARTS CATALOG

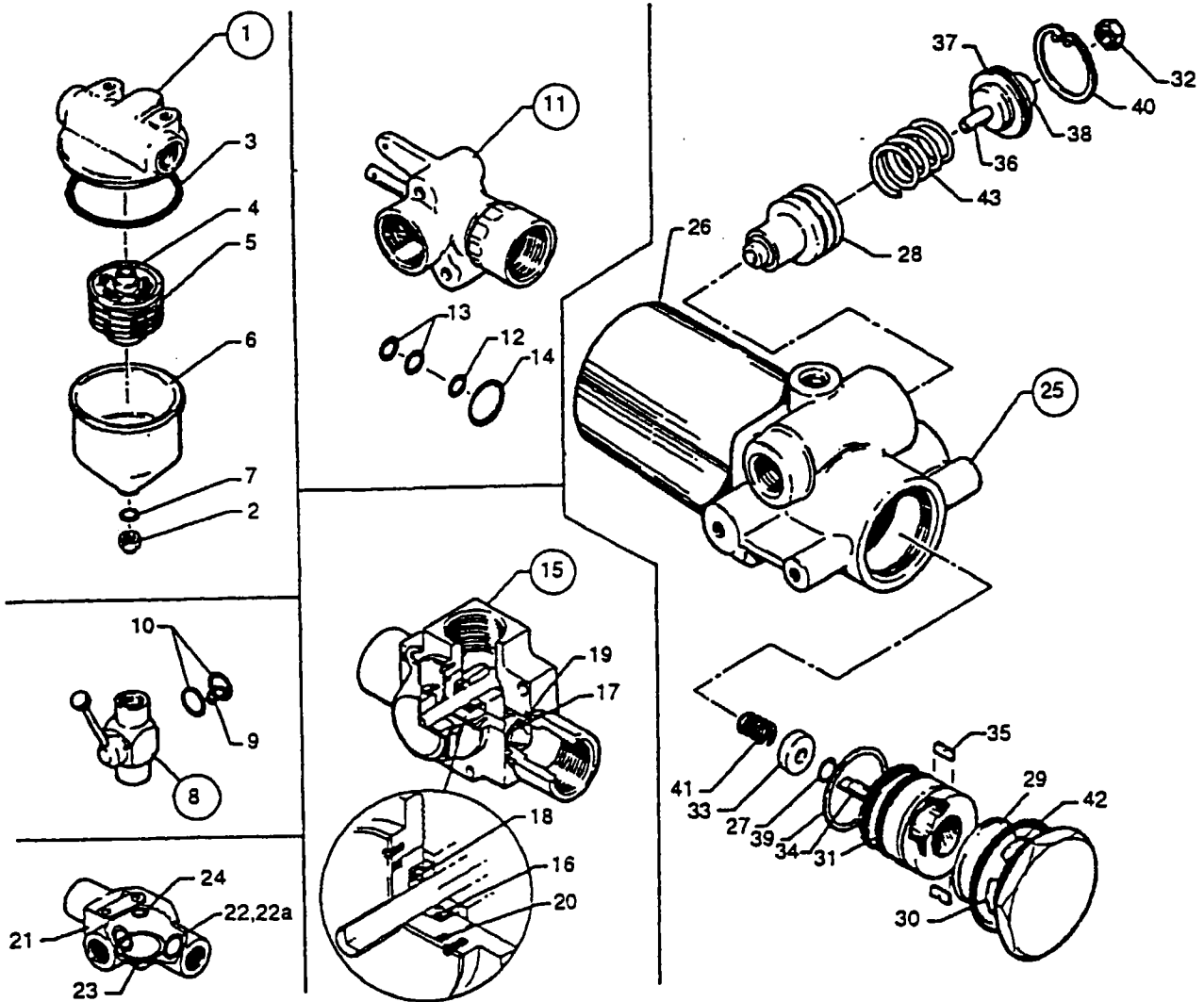


Figure 90. Fuel System Components

# PIPER PARTS CATALOG

---

## CODE EXPLANATIONS FOR FIGURE 90

- A - If Dukes fuel selector valve has been installed, order part number 492 239.
- B - Order part number 42113-05 if Fuel System Modification Kit 760 873 has been installed per Piper Service Letter 722.
- C - Used with fuel pump assembly part number 53050-00 (Model 10014-B) only.
- D - Used with fuel pump assembly part number 53050-02 (Model A10014-C or Model A10014-D) only.
- E - Used with fuel pump assembly part number 42113-05 (Model A10014C-40 or Model A10014D-40) only.
- F - No longer available. Order Filter Assembly 74134-04.
- G - No longer available. Order Filter Assembly 74134-05.
- H - Used on 74134-02 and 74134-03 Filter Assemblies.
- J - Used on 74134-04 and 74134-05 Filter Assemblies.

# PIPER PARTS CATALOG

Figure and Index Number	Part Number	Code	Nomenclature	No. Req.	Serial Numbers Affected
90-1	74134-02	F	FILTER ASSEMBLY - Fuel, left (561 010)	1	
	74134-03	G	FILTER ASSEMBLY - Fuel, right (561 011)	1	
	74134-04		FILTER ASSEMBLY - Fuel, left (561 044)	1	
	74134-05		FILTER ASSEMBLY - Fuel, right (561 045)	1	
-2	752 517	H	* NUT - Container (02S0711-164)	1	
	755 649	J	* NUT - Container (150164-016)	1	
-3	757 255		* PACKING - O-ring, head and stud assembly (AN-123-992)	1	
-4	753 986	H	* CARTRIDGE ASSEMBLY - Fuel filter (02W1059-231)	1	
	764 800	J	* CARTRIDGE ASSEMBLY - Fuel filter (02W1296-231)	1	
-5	751 821		* * FILTER - Cartridge assembly (B16588)	5	
-6	753 987		* CONTAINER - Fuel filter (150005-001-01)	1	
-7	751 898		* GASKET - Container nut (38515)	1	
-8	492 111		VALVE - Fuel shutoff (PA-757A)	2	
-9	757 257		* PACKING - O-ring, shutoff valve	1	
-10	757 256		* PACKING - O-ring, shutoff valve	2	
-11	492 110		VALVE ASSEMBLY - Fuel crossfeed (800411-00)	1	
-12	757 258		* PACKING - O-ring, fuel crossfeed	1	
-13	752 742		* PACKING - O-ring, fuel crossfeed	2	
-14	752 760		* PACKING - O-ring, fuel crossfeed	1	
-15	492 109	A	VALVE ASSEMBLY - Fuel selector (800412-00) Scott	2	31-5001 to 31-7305052 incl.
-16	757 633		* SEAL - Fuel selector valve	1	31-5001 to 31-7305052 incl.
-17	760 504		* KIT - Valve O-rings (package of four)	1	31-5001 to 31-7305052 incl.
-18	755 835		* PACKING - O-ring, fuel selector	1	31-5001 to 31-7305052 incl.
-19	755 836		* PACKING - O-ring, fuel selector	2	31-5001 to 31-7305052 incl.
-20	755 834		* PACKING - O-ring, fuel selector	1	31-5001 to 31-7305052 incl.
-21	492 239		VALVE ASSEMBLY Fuel selector (3487-00-1) Dukes	2	31-7305053 and up
-22	755 909		* PACKING - O-ring, fuel selector (MS29513-15)	3	31-7305053 and up
-22a	765 479		* SEAL - Fuel selector (248705-1)	3	31-7305053 and up
-23	757 259		* PACKING - O-ring, fuel selector (MS29513-28)	1	31-7305053 and up
-24	756 069		* PACKING - O-ring, fuel selector (MS29513-7)	1	31-7305053 and up
-25	53050-02	B	PUMP ASSEMBLY - Emergency fuel	2	31-5001 to 31-7405478 incl.
	42113-05		PUMP ASSEMBLY - Emergency fuel	2	31-7405479 and up
-26	761 054	C	* MOTOR ASSEMBLY - Fuel pump	1	
	761 621	D,E	* MOTOR ASSEMBLY - Fuel pump	1	
-27	757 324		* PACKING - O-ring	1	
-28	757 329		* PISTON ASSEMBLY	1	
-29	757 315		* PLATE - Wear, fuel pump assembly	1	
-30	757 259		* PACKING - O-ring	1	
-31	757 260		* PACKING - O-ring	2	
-32	752 518		* NUT - Lock, valve	1	
-33	756 608		* WASHER - Seal (Brass)	1	
-34	756 062		* ROTOR - Fuel pump assembly	1	
-35	758 130		* BLADE - Fuel pump assembly	2	
-36	757 622		* SCREW - Valve adjustment	1	
-37	755 843		* PACKING - O-ring	1	
-38	751 918		* GUIDE - Adjustment	1	
-39	762 524		* RING - Blade retainer	1	
-40	755 973		* RING - Retaining	1	
-41	756 298		* SPRING - Seal	1	
-42	757 578		* SPRING - Fuel pump assembly	1	
-43	756 296		* SPRING - Valve	1	

When ordering, always specify Part Number, Description, and Serial Number of Aircraft

Revised: March 10, 1994

PA-31-350

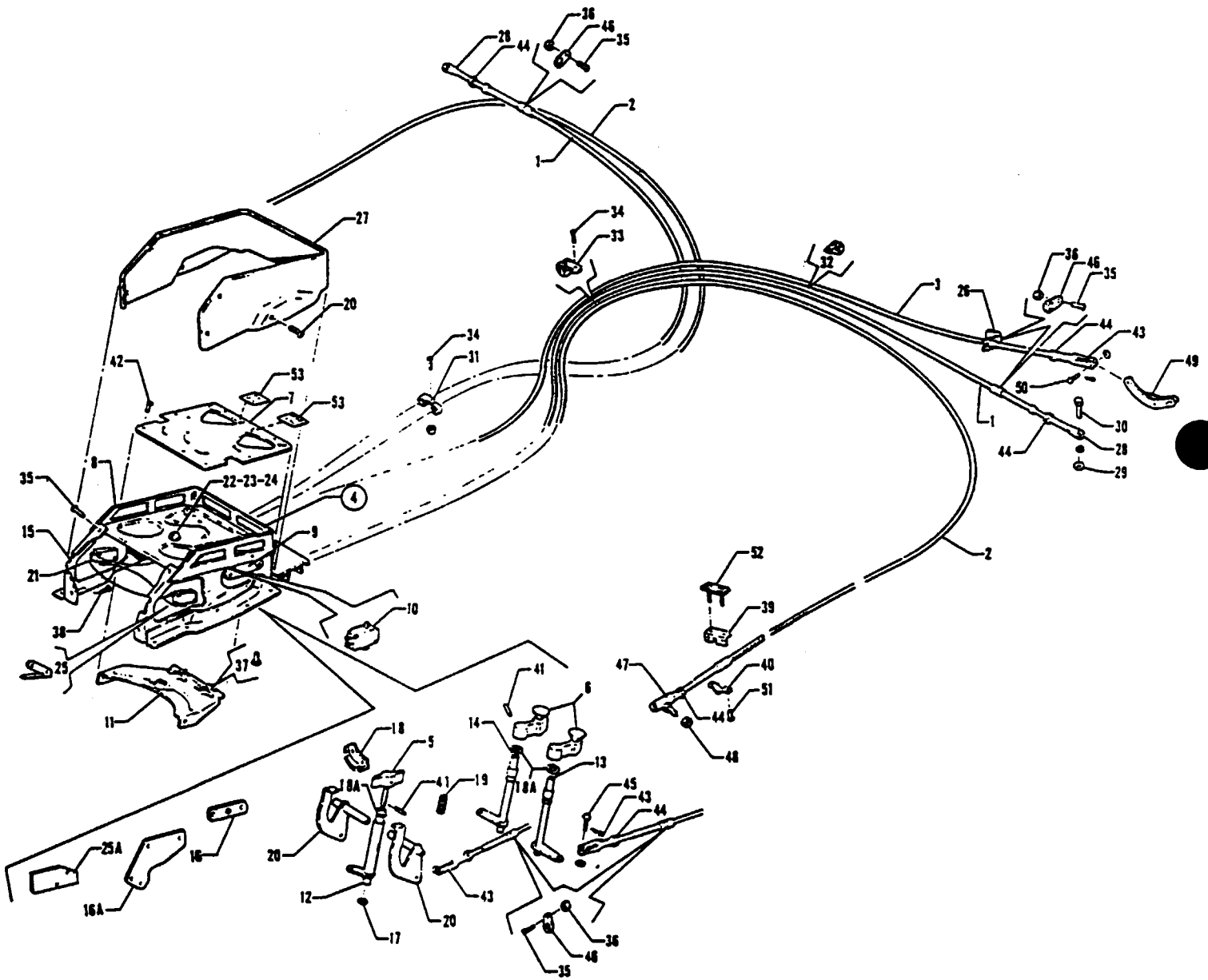


Figure 91. Fuel Controls Installation

---

# PIPER PARTS CATALOG

---

## CODE EXPLANATIONS FOR FIGURE 91

- A - Used on aircraft with serial numbers 31-5001 to 31-7405478 inclusive, if Fuel System Modification Kit 760 873 has been installed per Service Letter 722.
- B - Order part for serial numbers 31-7405479 and up, if Fuel System Modification Kit 760 873 has been installed per Service Letter 722.
- C - Used if Nacelle Fuel System (Nayak) is installed.

PIPER PARTS CATALOG

Figure and Index Number	Part Number	Code	NOMENCLATURE	No. Req.	SERIAL NUMBERS AFFECTED
91-	52326		DRAWING - Fuel Controls Installation		
-1	42628-04		CABLE ASSEMBLY - "Push-Pull" control, flexible	2	
-2	42628-05		CABLE ASSEMBLY - "Push-Pull" control, flexible	2	
-3	42628-06		CABLE ASSEMBLY - "Push-Pull" control, flexible	1	
-4	52325-00		CONSOLE ASSEMBLY - Fuel control	1	31-5001 to 31-7305117 incl.
	53814-00		CONSOLE ASSEMBLY - Fuel control	1	31-7305118 and up
-5	53821-00		* HANDLE ASSEMBLY - Crossfeed	1	
-6	53890-05		* HANDLE ASSEMBLY - Fuel selector valve control	2	
-7	52194-00		* PLACARD - Fuel control	1	31-5001 to 31-7305117 incl.
	54139-00		* PLACARD ASSEMBLY - Fuel control	1	31-7305118 and up
-8	52216-00		* RAIL - Fuel control console	1	
-9	52220-00		* PLATE ASSEMBLY - Fuel control switch	1	
-10	487 804		* * LIMIT SWITCH - Fuel control (MS25253-1)	4	
-11	52259-00		* BRACKET ASSEMBLY - Fuel control mounting, lower	1	
-12	53824-00		* SHAFT ASSEMBLY - Fuel control	1	
-13	52263-02		* SHAFT ASSEMBLY - Fuel control	1	
-14	52263-03		* SHAFT ASSEMBLY - Fuel control	1	
-15	52280-00		* HOUSING ASSEMBLY - Fuel control console	1	
-16	52257-00		* PLATE ASSEMBLY - Fuel control mounting	2	31-5001 to 31-7305117 incl.
-16a	53811-00		* PLATE ASSEMBLY - Fuel control mounting, left	1	31-7305118 and up
	53811-01		* PLATE ASSEMBLY - Fuel control mounting, right	1	31-7305118 and up
-17	81232-77		* DISC - Shaft assembly, fuel control	1	
-18	54148-00		* LOCK - Crossfeed control	1	
-18a	58975-10		* WASHER	AR	31-8052200 and up
-19	83302-88		* SPRING - Fuel control shaft	1	
-20	52260-00		* LEVER ASSEMBLY - Fuel control, left	1	31-5001 to 31-7305117 incl.
	52260-01		* LEVER ASSEMBLY - Fuel control, right	1	31-5001 to 31-7305117 incl.
	53810-00		* LEVER ASSEMBLY - Fuel control, left	1	31-7305118 and up
	53810-01		* LEVER ASSEMBLY - Fuel control, right	1	31-7305118 and up
-21	487 819		* LIMIT SWITCH - (MS25253-3)	2	31-7305118 and up
-22	472 694		* LIGHT - Indicator (L1010)	1	31-7305118 and up
-23	472 331		* LENS - (A040195) Amber	1	31-7305118 and up
-24	472 028		* LAMP - (PS10008-327)	1	31-7305118 and up
-25	46541-00		* PLATE - Switch actuator, left	1	31-7305118 and up
	46541-01		* PLATE - Switch actuator, right	1	31-7305118 and up
-25a	41059-00		* PLATE - Switch insulator	2	31-7552033 and up
-26	52232-00		BRACKET - Fuel control cable	1	
-27	53863-02		COVER - Fuel control console	1	
-28	44658-00		TERMINAL - Fuel selector	2	
-29	41413-60		BUSHING - Fuel selector	2	
-30	400 440		BOLT - (AN3-6A)	2	
	407 565		WASHER (AN960-416)	4	
	404 887		NUT - (MS20365-1032C)	2	
-31	454 929		CLAMP - (PS10017-2-4)	9	
-32	454 932		CLAMP - (PS10017-2-7)	1	
-33	454 933		CLAMP - (PS10017-2-8)	1	
-34	411 583		SCREW - (MS35207-263)	8	
	404 887		NUT - (MS20365-1032C)	8	
-35	415 535		SCREW - (MS35206-245)	12	
-36	404 910		NUT - (MS20365-832C)	5	
-37	515 714		SCREW - Dull black (MS35206-245)	7	

When ordering, always specify Part Number, Description and Serial Number of Aircraft

PIPER PARTS CATALOG

Figure and Index Number	Part Number	Code	NOMENCLATURE	No. Req.	SERIAL NUMBERS AFFECTED
91-38	415 518		SCREW - (MS35206-228)	2	
-39	18132-00		LUG - Control cable support bracket	2	
-40	18219-00		CLAMP - Control cable attachment	2	
-41	480 682		PIN - Roll (59-022-094-0750)	3	
-42	515 713		SCREW - Dull black (MS35206-243)	8	
-43	24091-03		CLEVIS - Fuel selector valve control rod	6	
-44	404 224		NUT - (AN315-3R)	10	
-45	424 176		PIN - (MS20392-2C15)	5	
	407 584		WASHER - (AN960-10L)	5	
	424 051		COTTER PIN - (MS24665-132)	5	
-46	52244-00		RETAINER - Fuel control cable	8	
-47	54175-00	B	JOINT - Ball	2	31-5001 to 31-7405478 incl.
	31747-00	A	JOINT - Ball	2	31-7405479 and up
-48	404 887		NUT - (MS20365-1032C)	2	31-5001 to 31-7405478 incl.
	404 835		NUT - (MS20364-1032C)	2	31-7405479 and up
-49	52245-00		ARM ASSEMBLY - Crossfeed valve	1	
-50	424 175		PIN - (MS20392-2C13)	1	
	407 584		WASHER - (AN960-10L)	1	
	424 051		COTTER PIN - (MS24665-132)	1	
-51	415 535		SCREW - (MS35206-245)	4	31-5001 to 31-7405478 incl.
	404 910		NUT - (MS20365-832C)	4	31-5001 to 31-7405478 incl.
-52	54345-02	A	PLATE ASSEMBLY - Bolt	2	31-7405479 and up
	404 833		NUT - (MS20364-832C)	4	31-7405479 and up
-53	456 580	C	DECAL - 80 gal. (25329-1)	2	

When ordering, always specify Part Number, Description and Serial Number of Aircraft

# PIPER PARTS CATALOG

---

GRIDS 2J22 THRU 2J24  
INTENTIONALLY LEFT BLANK



# PIPER PARTS CATALOG

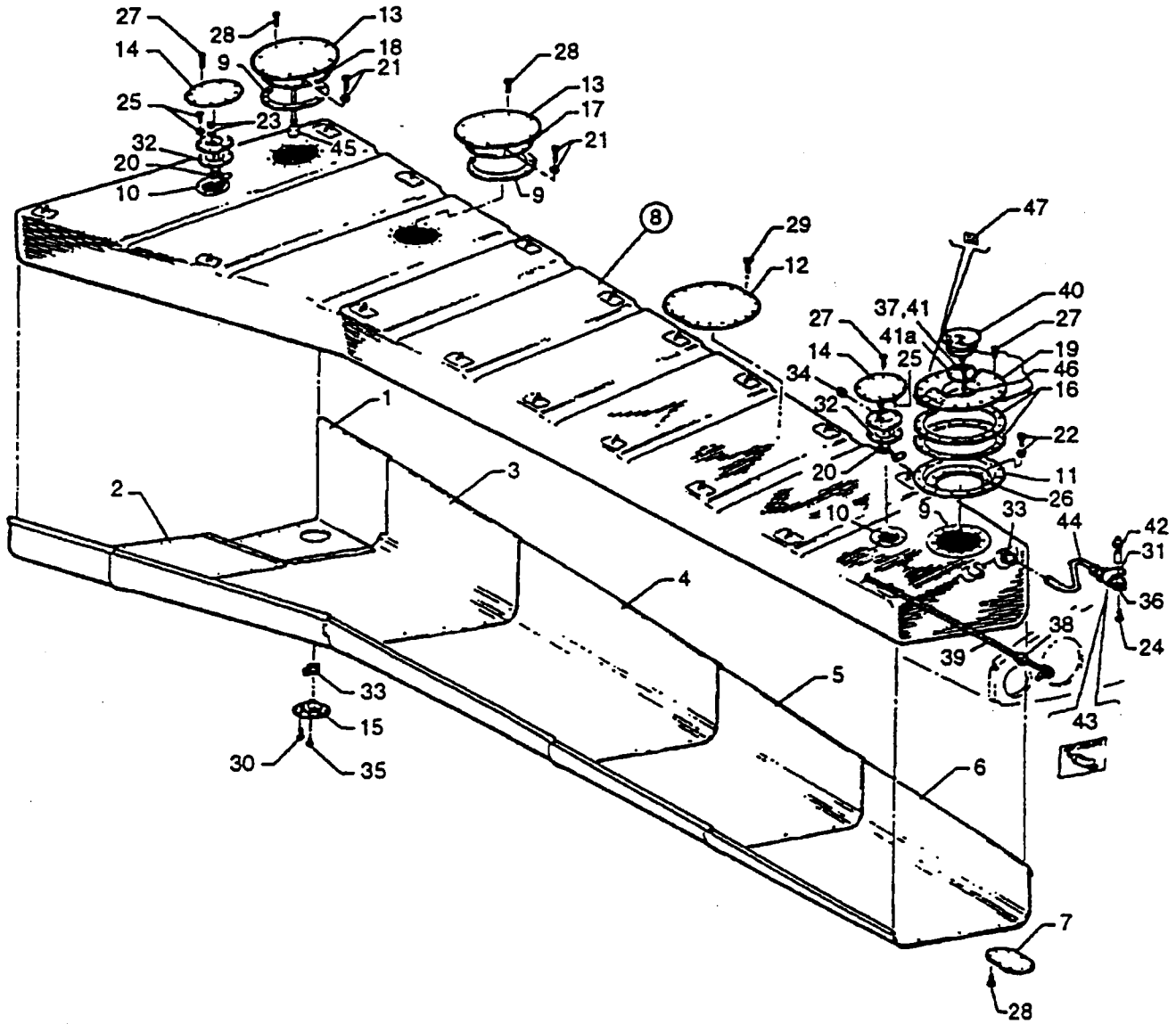


Figure 92. Main Fuel Cell and Liner Installation

# PIPER PARTS CATALOG

---

## CODE EXPLANATIONS FOR FIGURE 92

- A - Used if safety walk has been installed on wing.
- B - Used on Cap Assembly, Part No. 454 258 (416-50).
- C - Used on Cap Assembly, Part No. 554 257 (431-139) and Cap Assembly, Part No. 763 388 (431-326-1-3).
- D - Used on Cap Assembly, Part No. 554 482 (457-370-6).
- E - See Figure 93A if factory Nacelle Fuel System (Nayak) is installed.
- F - If matching cabin door, baggage door, nacelle locker door, pilot door locks and locking fuel caps are desired, order Part No. 461 665 (or Part No. 461 667 if Nayak Fuel System is installed).
- G - Used if locking fuel cap is not installed.

# PIPER PARTS CATALOG

Figure and Index Number	Part Number	Code	Nomenclature	No. Req.	Serial Numbers Affected
-	40539 53427		DRAWING - Main Fuel Cell Liner Installation DRAWING - Main Fuel Cell Installation		
-1	40537-18		LINER - Fuel cell, Sta. 30 to Sta. 39, back, left	1	
	40537-19		LINER - Fuel cell, Sta. 30 to Sta. 39, back, right	1	
-2	40537-10		LINER - Fuel cell, Sta. 30 to Sta. 39, front, left	1	
	40537-11		LINER - Fuel cell, Sta. 30 to Sta. 39, front, right	1	
-3	40537-08		LINER - Fuel cell, Sta. 39.5 to Sta. 58.5, left	1	
	40537-09		LINER - Fuel cell, Sta. 39.5 to Sta. 58.5, right	1	
-4	40537-06		LINER - Fuel cell, Sta. 58.5 to Sta. 87.5, left	1	
	40537-07		LINER - Fuel cell, Sta. 58.5 to Sta. 87.5, right	1	
-5	40537-04		LINER - Fuel cell, Sta. 87.5 to Sta. 109.5, left	1	
	40537-05		LINER - Fuel cell, Sta. 87.5 to Sta. 109.5, right	1	
-6	40537-02		LINER - Fuel cell, Sta. 109.5 to Sta. 134.5, left	1	
	40537-03		LINER - Fuel cell, Sta. 109.5 to Sta. 134.5, right	1	
-7	20370-00		PLATE - Fuel cell access hole cover	2	
-8	71028-04		FUEL CELL ASSEMBLY - Main, left (461 713)	1	
	71028-05		FUEL CELL ASSEMBLY - Main, right (461 712)	1	
-9	755 016		* GASKET - Fuel cell	2	
-10	755 017		* GASKET - Fuel sender unit	2	
-11	40524-00		BRACKET ASSEMBLY - Fuel cell filler neck	2	
-12	40544-02		COVER - Fuel cell access (6.76 x 8.26)	2	
	53907-00		COVER - Fuel cell access (8.34 x 10.08)	2	
-13	40545-04	E	COVER - Fuel cell access	4	
	44817-03	A,E	COVER ASSEMBLY - Fuel cell access, inboard, left	1	
-14	40546-08		COVER - Fuel cell access	4	
	44816-04	A	COVER ASSEMBLY - Fuel cell access, inboard, left	1	
-15	40549-03		PLATE ASSEMBLY - Fuel drain valve	2	
-16	40555-00		GASKET - Fuel cell	4	
-17	40558-00		COVER - Fuel cell	2	
-18	40558-00		COVER - Fuel cell	2	31-5001 to 31-7552023 incl.
	40558-02		COVER - Fuel cell	2	31-7552024 and up
-19	40343-00		ADAPTER - Filler can	2	31-5001 to 31-7305071 incl.
	53797-00		ADAPTER - Filler can	2	31-7305072 and up
-20	40648-02	E	GAUGE ASSEMBLY - Main fuel cell, outboard (6427512)	2	
	40648-03	E	GAUGE ASSEMBLY - Main fuel cell, inboard (6427511)	2	
-21	401 307		BOLT - (AN4-4A)	48	
	407 136		WASHER - (AN936-A416)	48	
-22	400 002		BOLT - (AN4-5A)	24	
	407 136		WASHER - (AN936-A416)	24	
-23	407 043		WASHER - (MS35338-43)	4	
	405 312		HEX NUT - (10-32)	4	
-24	415 537		SCREW - (MS35206-247)	2	
-25	411 532		SCREW - (MS35207-253)	20	
	494 063		WASHER - (3/8 O.D. x 3/16 I.D.)	20	
-26	42191-00		PLATE - Fuel cell attachment	2	
-27	414 763		SCREW - (MS24693-S50)	72	
-28	414 779		SCREW - (MS24693-S49)	80	
-29	414 761		SCREW - (MS24693-S48)	48	
-30	415 535		SCREW - (MS35206-245)	12	
-31	454 977		CLAMP - (PS10017-2-16)	2	
-32	42470-00		GASKET - Fuel sender	4	

When ordering, always specify Part Number, Description, and Serial Number of Aircraft

Revised: March 10, 1994

2K3

PA-31-350

# PIPER PARTS CATALOG

Figure and Index Number	Part Number	Code	Nomenclature	No. Req.	Serial Numbers Affected
92-33	554 678		CLAMP - (PS10017-23-6)	4	
-34	434 126		GROMMET - (MS35489-4)	4	
-35	492 100		VALVE - Drain (CCA-7450)	2	
-36	492 108	E	VALVE - Check (366-00N)	2	
-37	454 593		CHAIN ASSEMBLY - (417-20-6)	2	31-5001 to 31-7305071 incl.
-38	453 732		BUSHING - Snap (PS10064-375-4)	44	
-39	180 613		CORD - Nylon	AR	
-40	454 258		CAP ASSEMBLY - (416-50)	2	31-5001 to 31-7305071 incl.
	554 257		CAP ASSEMBLY - (431-139)	2	31-7305072 and up
	554 482		CAP ASSEMBLY - (457-370-6) Lightning proof	2	31-7305072 to 31-7852171 incl.
	763 388	F	CAP ASSEMBLY - Locking (431-326-1-3)	2	31-8252001 and up
-41	472 059	G	* RETAINER - (452-16-6)	1	31-7305072 and up
-41a	762 514	B	* O-RING - (MS29513-232)	1	
	762 515	C	* O-RING - (MS29513-338)	1	
	762 516	D	* O-RING - (457-98-1)	1	
-42	86102-12		BUSHING - Check valve clamp	2	
-43	53983-02		PLACARD - Fuel vent check valve, left	1	
	53983-03		PLACARD - Fuel vent check valve, right	1	
-44	45711-00	E	TUBE ASSEMBLY - Fuel cell vent	2	
-45	54751-02		PROBE ASSEMBLY - Low level fuel sensor	2	31-7552024 and up
-46	42332-00	E	DECAL - Fuel cell quantity, main	2	
-47	456 682		DECAL - "Avgas only" (000002)	2	

When ordering, always specify Part Number, Description, and Serial Number of Aircraft

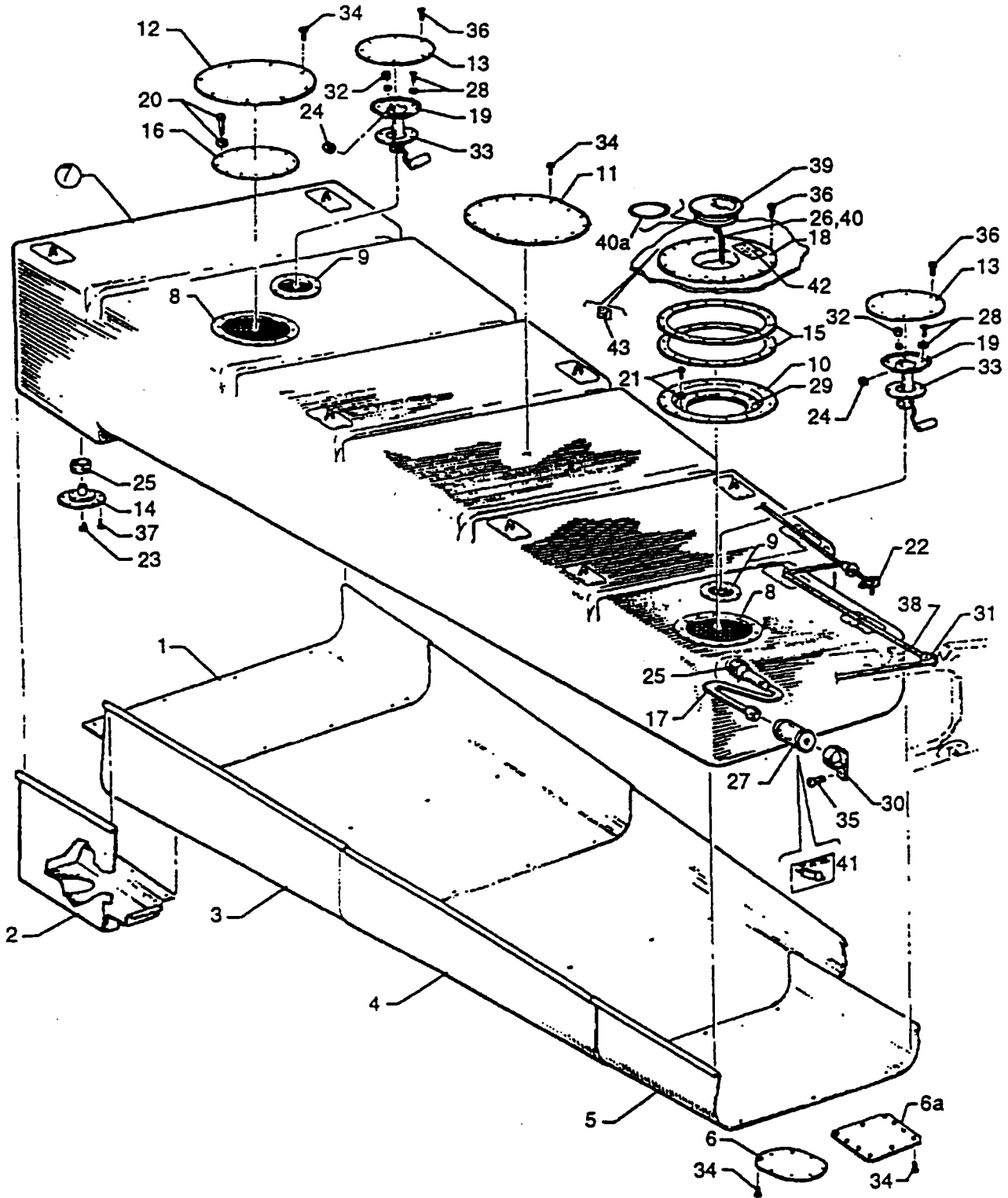


Figure 93. Auxiliary Fuel Cell and Liner Installation

---

# PIPER PARTS CATALOG

---

## CODE EXPLANATIONS FOR FIGURE 93

- A - Used on Cap Assembly, Part No. 454 258 (416-50).
- B - Used on Cap Assembly, Part No. 554 257 (431-139) and Cap Assembly 763 388 (431-326-1-3).
- C - Used on Cap Assembly, Part No. 554 482 (457-370-6).
- D - If matching cabin door, baggage door, nacelle locker door locks, pilot door locks and locking fuel caps are desired, order Part No. 461 665 (or Part No. 461 667 if Nayak Fuel System is installed).
- E - Used if locking fuel cap is not installed.

# PIPER PARTS CATALOG

Figure and Index Number	Part Number	Code	Nomenclature	No. Req.	Serial Numbers Affected
93-	40657		DRAWING - Auxiliary Fuel Cell Installation		
	40718		DRAWING - Auxiliary Fuel Cell Liner Installation		
-1	40538-10		LINER - Fuel cell, Sta. 87 to Sta. 97, rear, left	1	
	40538-11		LINER - Fuel cell, Sta. 87 to Sta. 97, rear, right	1	
-2	40538-12		LINER - Fuel cell, Sta. 87 to Sta. 97, front, left	1	
	40538-13		LINER - Fuel cell, Sta. 87 to Sta. 97, front, right	1	
-3	40538-06		LINER - Fuel cell, Sta. 97.5 to Sta. 121.5, left	1	
	40538-07		LINER - Fuel cell, Sta. 97.5 to Sta. 121.5, right	1	
-4	40538-04		LINER - Fuel cell, Sta. 121.5 to Sta. 147.5, left	1	
	40538-05		LINER - Fuel cell, Sta. 121.5 to Sta. 147.5, right	1	
-5	40538-02		LINER - Fuel cell, Sta. 147.5 to Sta. 160.5, left	1	
	40538-03		LINER - Fuel cell, Sta. 147.5 to Sta. 160.5, right	1	
-6	20370-00		PLATE - Fuel cell access hole cover (5.25" L)	2	
-6a	45544-00		PLATE - Fuel cell access hole cover (6.62" L)	2	
-7	71027-04		FUEL CELL ASSEMBLY - Auxiliary, left (461 714)	1	
	71027-05		FUEL CELL ASSEMBLY - Auxiliary, right (461 715)	1	
-8	755 016		* GASKET - Fuel cell	2	
-9	755 017		* GASKET - Fuel sander unit	2	
-10	40524-00		BRACKET ASSEMBLY - Fuel cell filler neck	2	
-11	40544-02		COVER - Fuel cell access	2	
-12	40545-04		COVER - Fuel cell access	2	
-13	40546-08		COVER - Fuel cell access	4	
-14	40549-03		PLATE ASSEMBLY - Fuel drain valve	2	
-15	40555-00		GASKET - Fuel cell	4	
-16	40558-00		COVER - Fuel cell	2	
-17	40564-00		TUBE ASSEMBLY - Fuel cell vent	2	
-18	40343-00		ADAPTER - Filler cap	2	31-5001 to 31-7305071 incl.
	53797-00		ADAPTER - Filler cap	1	31-7305072 and up
-19	40648-04		GAUGE ASSEMBLY - Auxiliary fuel cell, outboard (6427514)	2	
	40648-05		GAUGE ASSEMBLY - Auxiliary fuel cell, inboard (6427513)	2	
-20	401 307		BOLT - (AN4-4A)	24	
	407 136		WASHER - (AN936-A416)	24	
-21	400 002		BOLT - (AN4-5A)	24	
	407 136		WASHER - (AN936-A416)	24	
-22	407 565		WASHER - (AN960-416)	8	
-23	492 100		VALVE - Drain (CCA-7450)	2	
-24	434 126		GROMMET - (MS35489-4)	4	
-25	554 678		CLAMP - (PS10017-23-6)	4	
-26	454 593		CHAIN ASSEMBLY - (417-20-6)	2	31-5001 to 31-7305071 incl.
-27	492 108		VALVE - Check (366-00N)	2	
-28	411 532		SCREW - (MS35207-263)	20	
	494 063		WASHER - (3/8 O.D. x 3/16 I.D.)	20	
-29	42191-00		PLATE - Fuel cell attachment	2	
-30	454 852		CLAMP - (PS10017-2-18)	2	
-31	453 732		BUSHING - (PS10064-375-4)	30	
-32	405 312		NUT - Hex (10-32)	4	
	407 043		WASHER - (MS35338-43)	4	

When ordering, always specify Part Number, Description, and Serial Number of Aircraft

Revised: March 10, 1994

PA-31-350

# PIPER PARTS CATALOG

Figure and Index Number	Part Number	Code	Nomenclature	No. Req.	Serial Numbers Affected
93-33	42470-00		GASKET - Fuel sender	4	
-34	414 761		SCREW - (MS24693-S48)	86	
-35	415 538		SCREW - (MS35206-248)	2	
-36	414 763		SCREW - (MS24693-S50)	72	
-37	415 535		SCREW - (MS35206-245)	12	
-38	180 613		CORD - Nylon	AR	
-39	454 258		CAP ASSEMBLY - (416-50)	2	31-5001 to 31-7305071 incl.
	554 257		CAP ASSEMBLY - (431-139)	2	31-7305072 and up
	554 482		CAP ASSEMBLY - (457-370-6) Lightning proof	2	31-7305072 to 31-7852171 incl.
	763 388	D	CAP ASSEMBLY - Locking (431-326-1-3)	2	31-8252001 and up
-40	472 059	E	* RETAINER - (452-16-6)	1	31-7305072 and up
-40a	762 514	A	* O-RING - (MS29513-232)	1	
	762 515	B	* O-RING - (MS29513-338)	1	
	762 516	C	* O-RING - (457-98-1)	1	
-41	53983-03		PLACARD - Fuel vent check valve, left	1	
	53983-02		PLACARD - Fuel vent check valve, right	1	
-42	42333-00		DECAL - Fuel cell quantity, auxiliary	2	
-43	456 682		DECAL - "Avgas only" (000002)	2	

When ordering, always specify Part Number, Description, and Serial Number of Aircraft



# PIPER PARTS CATALOG

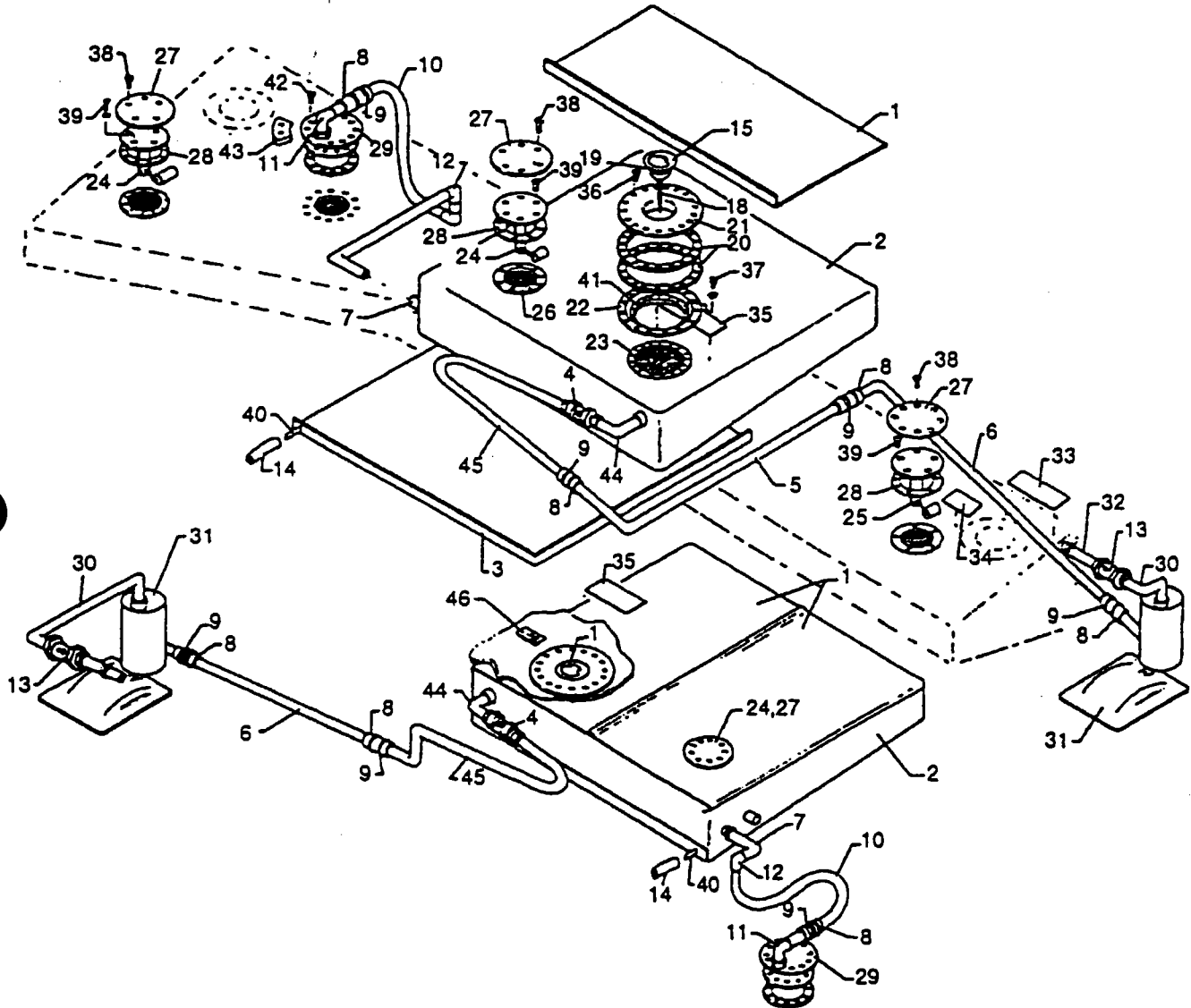


Figure 93A. Nacelle Fuel System Installation (Nayak)  
(Serial Numbers 31-8152001 and up)

---

# PIPER PARTS CATALOG

---

## CODE EXPLANATIONS FOR FIGURE 93A

- A - If matching cabin door, baggage door, nacelle locker door locks, pilot door locks and locking fuel caps are desired, order Part No. 461 667.
- B - Used if locking fuel cap is not installed.

# PIPER PARTS CATALOG

Figure and Index Number	Part Number	Code	Nomenclature	No. Req.	Serial Numbers Affected
3A-	72000		DRAWING - Nacelle Fuel System Installation (Nayak)		
-1	572 564		LINER ASSEMBLY - Fuel cell, left (25309-3)	1	
	572 565		LINER ASSEMBLY - Fuel cell, right (25315-1)	1	
	572 566		LINER ASSEMBLY - Fuel cell, right (25315-3)	1	
-2	453 005		FUEL CELL - Nacelle, left (25353-1)	1	
	453 006		FUEL CELL - Nacelle, right (25353-2)	1	
-3	460 970		FLOOR ASSEMBLY - Fuel cell, left (25308-1)	1	
	460 972		FLOOR ASSEMBLY - Fuel cell, right (25314-1)	1	
-4	491 994		VALVE - Check, fuel vent	2	
-5	492 349		TUBE - Fuel cell vent, left (25344-1)	1	
-6	492 345		TUBE - Fuel cell vent, left (25339-1)	1	
	492 346		TUBE - Fuel cell vent, right (25339-3)	1	
-7	687 536		STRAINER ASSEMBLY - Fuel tank finger, left (25340-1)	1	
	687 537		STRAINER ASSEMBLY - Fuel tank finger, right (25340-3)	1	
-8	665 915		HOSE - (25300-5)	7	
-9	454 921		CLAMP - (SAE TY F-10)	14	
-10	552 527		ADAPTER ASSEMBLY - Strainer, left (25317-1)	1	
	552 528		ADAPTER ASSEMBLY - Strainer, right (25317-2)	1	
-11	458 925		ELBOW - (AN842-80)	2	
-12	458 898		ELBOW - (AN822-80)	2	
-13	491 994		VALVE - Check (1556-00-1)	2	
-14	16633-70		HOSE - Drain	2	
-15	554 257		CAP ASSEMBLY - (431-139)	2	
	763 388	A	CAP ASSEMBLY - Locking (431-326-1-3)	2	
-16	-----				
-17	-----				
-18	472 059	B	* RETAINER - (452-16-6)	1	
-19	762 515		* O RING - (MS29513-338)	1	
-20	40555-00		GASKET - Fuel cell	4	
-21	53797-00		ADAPTER - Filler can	2	
-22	40524-00		BRACKET ASSEMBLY - Fuel cell filler neck	2	
-23	755 016		GASKET - Fuel cell	2	
-24	548 551		GAUGE ASSEMBLY - Fuel cell, nacelle and main inboard (25348-1)	4	
-25	548 552		GAUGE ASSEMBLY - Fuel cell, main outboard (25349-1)	2	
-26	42470-00		GASKET - Nacelle fuel gauge	2	
-27	40546-08		COVER - Fuel cell access	6	
-28	53170-01		BRACKET ASSEMBLY - Fuel gauge	4	
-29	556 942		COVER - Fuel cell access (25302-1)	2	
-30	589 841		TUBE - Fuel cell vent, left (25323-1)	1	
	589 842		TUBE - Fuel cell vent, right (25323-2)	1	
-31	492 343		VENT ASSEMBLY - Anti-ice, left (25319-1)	1	
	492 344		VENT ASSEMBLY - Anti-ice, right (25319-2)	1	
-32	589 840		TUBE - Main fuel cell vent (25311-1)	2	
-33	456 582		DECAL - Fuel capacity at wing (25331-1)	2	
-34	456 581		DECAL - Caution, filler cap (25330-1)	2	
-35	456 583		DECAL - Fuel capacity at nacelle (25332-1)	2	
-36	414 763		SCREW - (AN507-8R-8)	32	
-37	400 002		BOLT - (AN4-5A)	24	
	407 136		WASHER - (AN936-A416)	24	
-38	414 761		SCREW - (AN507-8R-6)	40	
-39	411 212		SCREW - (NAS221-12)	20	
	407 584		WASHER - (AN960-10L)	20	

When ordering, always specify Part Number, Description, and Serial Number of Aircraft

Revised: March 10, 1994

PA-31-350

PIPER PARTS CATALOG

Figure and Index Number	Part Number	Code	NOMENCLATURE	No. Req.	SERIAL NUMBERS AFFECTED
93A-40	457 365		DRAIN ASSEMBLY - Fuel, left (25354-1)	1	
	457 366		DRAIN ASSEMBLY - Fuel, right (25354-2)	1	
-41	42191-00		PLATE - Fuel cell filler neck	2	
-42	401 311		BOLT - (AN4-11A)	8	
-43	585 118		SPACER - (25342-1)	4	
-44	589 897		TUBE - Vent, left, tank to valve (25343-4)	1	
	589 899		TUBE - Vent, right, tank to valve (25343-6)	1	
-45	589 898		TUBE - Vent, left, valve to vent (25343-5)	1	
	589 900		TUBE - Vent, right, valve to vent (25343-7)	1	
-46	456 682		DECAL - "Avgas only" (000002)	2	

When ordering, always specify Part Number, Description and Serial Number of Aircraft

# PIPER PARTS CATALOG

---

GRIDS 2K13 THRU 2L24  
INTENTIONALLY LEFT BLANK



# AIRPLANE PARTS CATALOG

PA-31-350 CHIEFTAIN

CARD 3 OF 4

**PIPER AIRCRAFT  
CORPORATION**

[PART NUMBER 761 487]

3A1

REVISED: MARCH 10, 1994

# PIPER PARTS CATALOG

## AEROFICHE EXPLANATION AND REVISION STATUS

The Parts Catalog information in this set of Aerofiche cards is arranged in accordance with the general specifications of Aerofiche adopted by the General Aviation Manufacturer's Association.

### Conversion of Aerofiche alpha/numeric code numbers:

First number is the Aerofiche card identifier.

Letter is the horizontal line reference per card.

Second number is the vertical line reference per card.

Example: 2J16 = Aerofiche card number two of given set. Grid location J16.

To aid in locating the various sections and related information desired, the following is provided:

A complete Catalog Table of Contents is given at Grid 1A9 of Aerofiche card number 1 of this set. Each additional card in this set will have a Table of Contents for all sections on that particular card. This table will start at Grid A3.

## REVISIONS

The information compiled in this Aerofiche Parts Catalog is kept current by revisions distributed periodically. Each revision is a complete Aerofiche card replacement and supersedes Aerofiche cards of the same number in the set.

Revisions to this PA-31-350 Parts Catalog issued September 30, 1975 are as follows:

761 487 (ORG750930)	Dated September 1975
761 487 (PR770114)	Dated January 1977
761 487 (PR770914)	Dated September 1977
761 487 (PR771125)	Dated November 1977
761 487 (PR780913)	Dated September 1978
761 487 (PR790615)	Dated June 1979
761 487 (PR790911)	Dated September 1979
761 487 (PR800318)	Dated March 1980
761 487 (PR800916)	Dated September 1980
761 487 (PR810423)	Dated April 1981
761 487 (PR810914)	Dated September 1981
761 487 (PR820412)	Dated April 1982
761 487 (PR821012)	Dated October 1982
761 487 (PR830311)	Dated March 1983
761 487 (PR831111)	Dated November 1983
761 487 (PR840509)	Dated May 1984
761 487 (IR860428)	Dated April 1986 (Interim Change)
761 487 (PR940310)	Dated March 1994

**NOTE:** Refer to Aerofiche Customer Service Information Catalog (1753 755) for revision dates and card effectivities for this parts catalog.

# TABLE OF CONTENTS

FIGURE NUMBER	FIGURE TITLE	GRID NUMBER
<b>SECTION IX CONTROL SYSTEM GROUP</b>		
94	Pedestal Installation .....	3A6
95	Pedestal Control Assembly .....	3A11
96	Aileron Control Installation .....	3A15
97	Aileron Trim Installation .....	3A19
98	Rudder Control Installation .....	3B1
99	Rudder Trim Installation .....	3B5
100	Elevator Control Installation .....	3B9
101	Elevator Trim Installation .....	3B13
102	Flap Control Installation .....	3B17
103	Control Wheel Installation .....	3C1
104	Rudder Pedal Installation .....	3C6
<b>SECTION X HYDRAULIC SYSTEM GROUP</b>		
105	Forward Hydraulic System Installation .....	3C10
106	Aft Hydraulic System Installation .....	3C14
107	Hydraulic Pumps Installation .....	3C17
108	Hydraulic System Components (Ozone) .....	3C21
108A	Hydraulic System Components (Wiebel) .....	3D1
109	Hydraulic Powerpak Assembly (Ozone) .....	3D5
109A	Hydraulic Powerpak Components (Ozone) .....	3D9
110	Hydraulic Powerpak Assembly (Wiebel) .....	3D12
110A	Hydraulic Powerpak Components (Wiebel) .....	3D16
111	Landing Gear Selector Mechanism Installation .....	3D19
<b>SECTION XI ENVIRONMENTAL GROUP</b>		
112	Heater and Defroster System Installation (S/N 31-5001 to 31-8052130 incl.) .....	3E1
112A	Heater and Defroster System Installation (S/N 31-8052131 and up) .....	3E5
113	Heater Installation .....	3E9
113A	Heater Installation .....	3E12
114	Heater Assembly .....	3E15
115	Heater Components .....	3E19
116	Ventilation System Installation .....	3F1
116A	Air Distribution Duct Installation (S/N 31-7852030 and up) .....	3F5
117	Cabin Exhaust Vent and Blower Installation .....	3F8
118	Air Conditioning Evaporator Installation .....	3F11
119	Air Conditioning Freon System Installation .....	3F14
120	Air Conditioning Condenser and Scoop Installation .....	3F17
121	Oxygen System Installation (Forward Mounted Bottle) (S/ N 31-5001 to 31-7652177 incl.) .....	3F20
121A	Oxygen System Installation (Forward Mounted Bottle) (S/N 31-7752001 and up) .....	3G1
122	Oxygen System Installation (Aft Mounted Bottle) (S/N 31-5001 to 31-7652177 incl.) .....	3G5
122A	Oxygen System Installation (Aft Mounted Bottle) (S/N 31-7752001 and up) .....	3G9
123	Forward Pneumatic Deicing System Installation (S/N 31-5001 to 31-7652123 incl ) .....	3G13
123A	Forward Pneumatic Deicing System Installation (S/N 31-7652124 to 31-7952250 incl ) .....	3G17
123B	Forward Pneumatic Deicing System Installation (S/N 31-8052001 and up) .....	3G21
124	Aft Pneumatic Deicing System Installation (31-5001 to 31-7652123 incl.) .....	3H1
124A	Aft Pneumatic Deicing System Installation (31-7652124 and up) .....	3H4



# TABLE OF CONTENTS

FIGURE NUMBER	FIGURE TITLE	GRID NUMBER
SECTION XII ELECTRICAL SYSTEM GROUP		
125	Forward Electrical System Installation.....	3H7
126	Aft Electrical System Installation.....	3H12
127	Fuselage Harness Installation .....	3H15
128	Primary and Auxiliary Electrical Power Installation .....	3H19
129	Switch and Circuit Breaker System Installation .....	3I1
130	Overhead Switch Panel Assembly .....	3I5
131	Landing Light Installation .....	3I9
132	Propeller Electric Deicer Installation.....	3I12
133	Electric Windshield Wiper Installation.....	3I15
134	Strobe Lights Installation.....	3I18
134A	Strobe Lights Installation.....	3I21

3A5

INTENTIONALLY LEFT BLANK

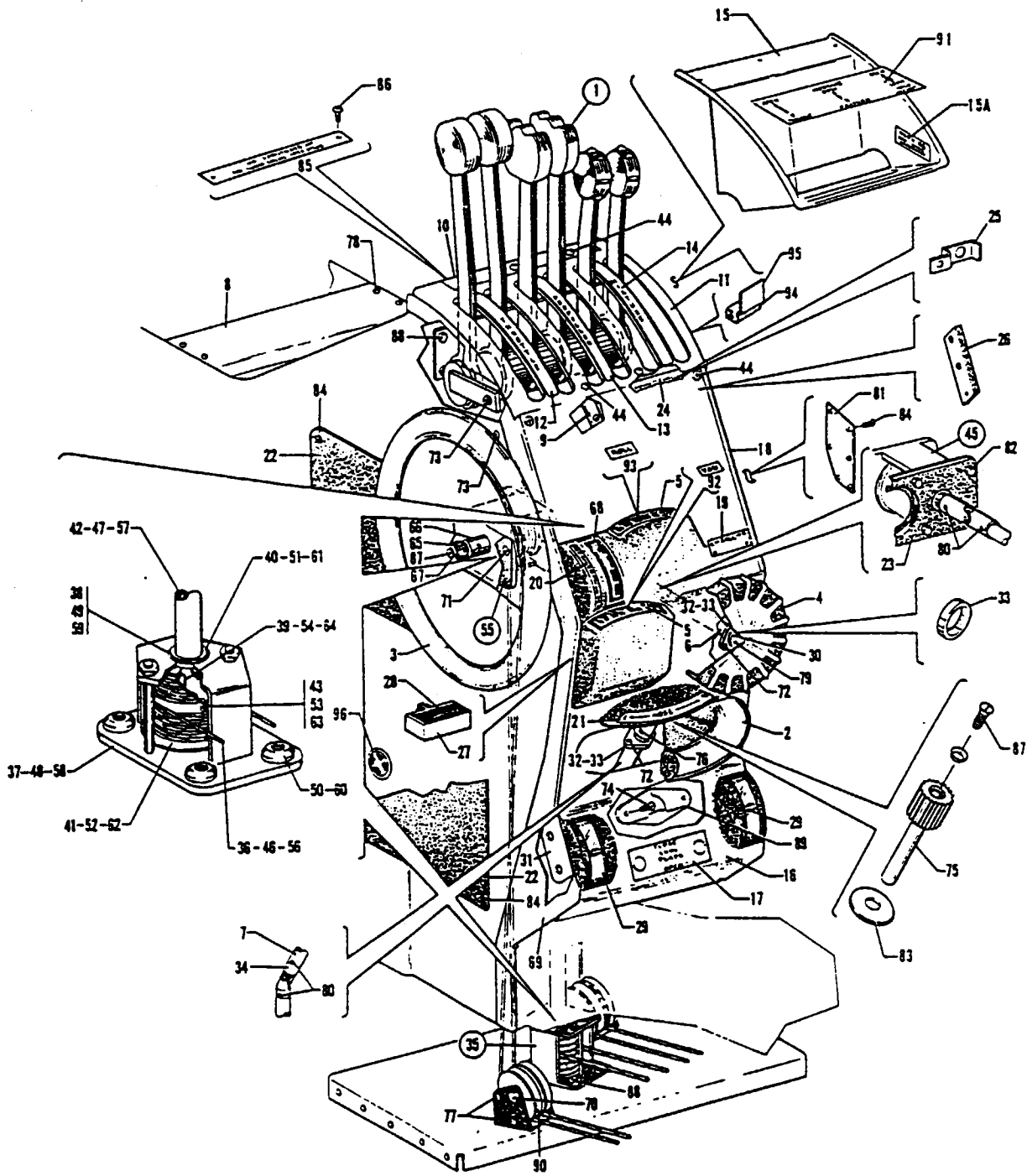


Figure 94 Pedestal Installation

---

# PIPER PARTS CATALOG

---

## CODE EXPLANATIONS FOR FIGURE 94

- A - See Figure 95 for component parts.
- B - See appropriate figure in Electronics Group if autopilot is installed.
- C - Used if AltiMatic V-1, AltiMatic V F/D-1, Bendix FCS-810 Autopilot, Bendix FCS-810 F/D Autopilot, AltiMatic X Autopilot, AltiMatic X F/D Autopilot, King KAP-200 Autopilot or King KFC-200 Autopilot is installed.
- D - Used if AltiMatic V-1, AltiMatic V F/D-1, Bendix FCS-810 Autopilot, Bendix FCS-810 F/D Autopilot, AltiMatic X Autopilot, AltiMatic X F/D Autopilot, King KAP-200 Autopilot or King KFC-200 Autopilot is not installed.
- E - Used on aircraft that comply with C.A.A. (United Kingdom) requirements.
- F - Used on aircraft that do not comply with C.A.A. (United Kingdom) requirements.
- G - Used if air conditioning is installed.
- H - Used if AltiMatic V-1, AltiMatic V F/D-1, Bendix FCS-810 Autopilot, Bendix FCS-810 F/D Autopilot, AltiMatic X F/D Autopilot, Bendix FCS-870 Autopilot or Bendix FCS-870 F/D Autopilot is installed.
- J - Used on serial numbers 31-5001 to 31-7952199 inclusive if King KAP-200 Autopilot or King KFC-200 Autopilot is installed. Also used on serial numbers 31-5001 to 31-7952074 inclusive if AltiMatic X Autopilot is installed.
- K - Used on serial numbers 31-7952200 and up if King KAP-200 Autopilot or King KFC-200 Autopilot is installed, serial numbers 31-7952075 and up if AltiMatic X Autopilot is installed, and serial numbers 31-8252001 and up if Century 41 Autopilot or Century 41 F/D Autopilot is installed.
- L - Used if Bendix FCS-810 Autopilot, Bendix FCS-810 F/D Autopilot or Bendix FCS-870 F/D Autopilot is installed.
- M - Used if King KFC-200 F/D Autopilot or AltiMatic X F/D Autopilot is installed.
- N - Used if King KAP-200 Autopilot, Bendix FCS-870 Autopilot or AltiMatic 111C is installed.

# PIPER PARTS CATALOG

Figure and Index Number	Part Number	Code	Nomenclature	No. Req.	Serial Numbers Affected
94-	52349		DRAWING - Pedestal Installation		
-1	43438-00	A,D	CONTROL ASSEMBLY - Pedestal	1	
	43438-03	A,H,J	CONTROL ASSEMBLY - Pedestal	1	
	71112-02	A,K	CONTROL ASSEMBLY - Pedestal	1	
	48072-00	A,D,E	CONTROL ASSEMBLY - Pedestal	1	31-5001 to 31-8052201 incl.
	48072-03	A,E,N	CONTROL ASSEMBLY - Pedestal	1	31-8052202 and up
	48072-02	A,C,E	CONTROL ASSEMBLY - Pedestal	1	31-5001 to 31-8052201 incl.
	48072-04	A,E,L	CONTROL ASSEMBLY - Pedestal	1	31-8052202 and up
	48072-05	A,E,M	CONTROL ASSEMBLY - Pedestal	1	31-8052202 and up
-2	43750-00		WHEEL ASSEMBLY - Rudder trim control (494 576)	1	
-3	43751-00		WHEEL ASSEMBLY - Elevator trim control (494 577)	1	
-4	43749-00		KNOB ASSEMBLY - Aileron trim control (571 104)	1	
-5	41510-00		INDICATOR - Trim	2	
-6	41523-07		SHAFT - Trim control	1	
-7	41523-08		SHAFT - Trim control	1	
-8	41556-00		CHANNEL ASSEMBLY - Pedestal reinforcement	1	
-9	41459-00	F	CHANNEL ASSEMBLY - Pedestal cover support	2	
-10	53860-02	F	PLATE - Pedestal cover top	1	
-11	53798-00	F	PLATE ASSEMBLY - Pedestal cover face	1	
-12	40583-03		* PLACARD - Throttle control	1	
-13	40584-03		* PLACARD - Propeller control	1	
-14	40594-03		* PLACARD - Mixture control	1	
-15	53757-00	E	COVER ASSEMBLY - Pedestal, front, upper	1	
-15a	48075-00	E	* PLACARD - Quadrant warning (581 748)	2	
-16	53791-00		COVER ASSEMBLY - Bottom pedestal	1	
-17	43183-00		* PLACARD - Cowl flap	1	
-18	53437-04	B	COVER ASSEMBLY - Center pedestal	1	
-19	43185-00		* PLACARD - Trim control, lateral	1	
-20	40579-00		* PLACARD - Trim control, longitudinal	1	
-21	43184-00		* PLACARD - Trim control, directional	1	
-22	41273-00		COVER - Side pedestal	3	
-23	41462-00		BRACKET ASSEMBLY - Trim drum mounting	1	
-24	43186-00		BRACKET ASSEMBLY - Aileron trim indicator	1	
-25	43166-00		* BRACKET - Lamp mounting, trim indicator	2	
-26	42960-00		* STRIP - Spacer	2	
-27	42798-00		BRACKET - Retaining, rudder trim indicator	1	
-28	11473-104		PLATE - Rudder trim indicator	1	
-29	43145-00		INDICATOR - Cowl flap	2	
-30	19513-101		WASHER - Shaft, trim control	1	
-31	43168-00		BRACKET ASSEMBLY - Cowl flap indicator	1	
-32	41477-00		BLOCK ASSEMBLY - Trim controls bearing	2	
-33	452 434		* BEARING - (FF-503-6)	1	
-34	43246-00		JOINT ASSEMBLY - Universal	2	
-35	41395-02		SCREW ASSEMBLY - Rudder trim	1	
-36	41734-30		* CABLE ASSEMBLY - Rudder trim	1	
-37	40035-03		* BRACKET ASSEMBLY - Rudder trim drum	1	
-38	452 381		* * BEARING - (FF-509-1)	2	
-39	83285-02		* PIN - Cable, rudder trim	1	
-40	41393-00		* BUSHING - Rudder trim drum	1	
-41	41394-00		* DRUM - Rudder trim	1	
-42	41523-05		* SHAFT - Rudder trim	1	
-43	480 711		* PIN - Roll (59-040-187-1375)	1	
-44	515 738		SCREW- (AN526-632R6) Dull black nickel	15	

When ordering, always specify Part Number, Description, and Serial Number of Aircraft

# PIPER PARTS CATALOG

Figure and Index Number	Part Number	Code	Nomenclature	No. Req.	Serial Numbers Affected
94-45	41396-04		SCREW ASSEMBLY - Aileron trim	1	
-46	41734 26		* CABLE ASSEMBLY - Aileron trim	1	
-47	41523-03		* SHAFT - Aileron trim	1	
-48	40035-00		* BRACKET ASSEMBLY - Aileron trim	1	
-49	452 381		** BEARING - (FF-609-1)	2	
-50	477 684		** NUT - Splines (22ND8-02)	4	
-51	41393-00		* BUSHING - Aileron trim	1	
-52	41394-00		* DRUM - Aileron trim	1	
-53	480 711		* PIN - Roll (59-040-187-1375)	1	
-54	83285-02		* PIN - Cable, aileron trim	1	
-55	52067-02		SCREW ASSEMBLY - Elevator trim	1	
-56	41734-28		* CABLE ASSEMBLY - Elevator trim	1	31-5001 to 31-8152059 incl.
	41734-76		* CABLE ASSEMBLY - Elevator trim	1	31-8152060 and up
-57	41523-06		* SHAFT - Elevator trim	1	
-58	40035-00		* BRACKET ASSEMBLY - Elevator trim	1	
-59	452 381		** BEARING - (FF-609-1)	2	
-60	477 684		** NUT - Splines (22ND8-02)	4	
-61	41393-00		* BUSHING - Elevator trim	1	
-62	41394-00		* DRUM - Elevator trim	1	
-63	480 711		* PIN - Roll (59-040-187-1375)	1	
-64	83285-02		* PIN - Cable, elevator trim	1	
-65	42379-00		* SHAFT - Trim wheel attachment	1	
-66	480 729		* PIN - Roll (59-028-125-0375)	1	
-67	49979-02		* WASHER - Spacer (494 195)	1	
-68	53444-00		INDICATOR - Elevator trim (550 461)	1	
-69	52347-00	F	COVER - Side pedestal, left	1	
	52347-01	F	COVER - Side pedestal, right	1	
	53793-02	E	COVER - Side pedestal, left	1	
	53793-03	E	COVER - Side pedestal, right	1	
-70	400 008		BOLT - (AN4-13A)	2	
	407 565		WASHER - (AN960-416)	2	
	404 888		NUT - (MS20365-428C)	2	
-71	510 239		SCREW - (AN509-10R6) Dull black nickel	4	
	404 887		NUT - (MS20365-1032C)	4	
-72	414 748		SCREW - (MS24693-S28)	4	
	404 887		NUT - (MS20365-1032C)	4	
-73	514 748		SCREW - (MS24693-S28) Dull black nickel	10	
-74	515 739		SCREW - (AN526-632R8) Dull black nickel	2	
-75	42379-00		SHAFT - Trim wheel attachment	1	
-76	480 729		PIN - Roll (59-028-125-0375)	1	
-77	424 510		PIN - (NAS427-K16)	3	
-78	411 532		SCREW - (MS35207-263)	2	
	407 562		WASHER - (AN960-10)	2	
-79	480 731		PIN - Roll (59-028-125-0750)	1	
-80	480 705		PIN - Roll (59-028-125-0500)	4	
-81	43623-00		COVER - Pedestal, right side	1	
-82	400 437		BOLT - (AN3-3A)	4	
	407 584		WASHER - (AN960-10L)	4	
-83	49979-02		WASHER - Spacer (494 195)	1	
-84	514 747		SCREW - (AN507-632R6) Dull black nickel	14	
-85	52141-00	G	PLACARD - Air conditioning	1	
-86	415 493	G	SCREW - (MS35206-228)	2	
-87	414 515		SCREW - (MS24693-S48)	2	
	494 081		WASHER - (A3135-017-1)	2	
-88	400 438		BOLT - (AN3-4A)	7	

When ordering, always specify Part Number, Description, and Serial Number of Aircraft

PIPER PARTS CATALOG

Figure and Index Number	Part Number	Code	NOMENCLATURE	No. Req.	SERIAL NUMBERS AFFECTED
94-89	52351-00		RECEPTACLE ASSEMBLY - Fuel control light	1	
-90	481 626		PULLEY - Aileron and elevator trim (MS20219-2)	4	
-91	48052-00	E	PLACARD - Throttle quadrant (581 746)	1	
-92	53769-00	E	PLACARD - Yaw	1	
-93	53770-00	E	PLACARD - Roll	1	
-94	71052-02		POTENTIOMETER ASSEMBLY - Trim indicators	2	31-7952165 and up
-95	71054-02		BRACKET - Potentiometer assembly	1	31-7952165 and up
-96	565 367	L	HORN - Trim warning (SC-628)	1	31-8052001 and up

When ordering, always specify Part Number, Description and Serial Number of Aircraft

PIPER PARTS CATALOG

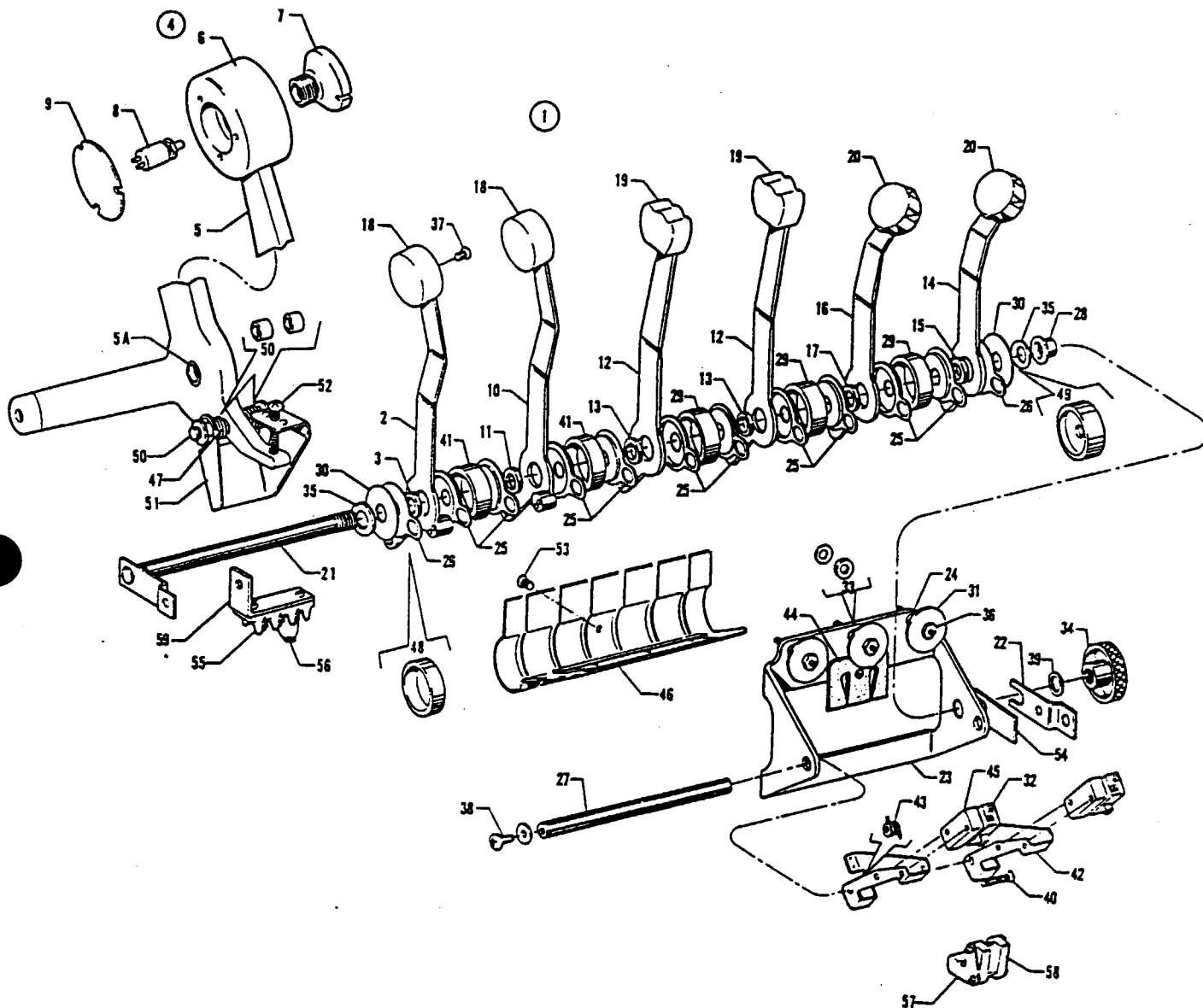


Figure 95. Pedestal Control Assembly



# PIPER PARTS CATALOG

## CODE EXPLANATIONS FOR FIGURE 95

- A - Used if AltiMatic V-1, AltiMatic V F/D-1, Bendix FCS-810 Autopilot, Bendix FCS-810 F/D Autopilot, AltiMatic X Autopilot, AltiMatic X F/D Autopilot, King KAP-200 Autopilot or King KFC-200 Autopilot is not installed.
- B - Used if AltiMatic V-1, AltiMatic V F/D-1, Bendix FCS-810 Autopilot, Bendix FCS-810 F/D Autopilot, AltiMatic X Autopilot, AltiMatic X F/D Autopilot, King KAP-200 Autopilot or King KFC-200 Autopilot is installed.
- C - Used on aircraft that comply with C.A.A. (United Kingdom) requirements.
- D - Used if AltiMatic V-1, AltiMatic V F/D-1, Bendix FCS-810 Autopilot, Bendix FCS-810 F/D Autopilot, Bendix FCS-870 Autopilot or Bendix FCS-870 F/D Autopilot is installed.
- E - Used if AltiMatic X Autopilot or AltiMatic X F/D Autopilot is installed.
- F - Used if AltiMatic V-1, AltiMatic V F/D-1, Bendix FCS-810 Autopilot, Bendix FCS-810 F/D Autopilot or AltiMatic X F/D Autopilot is installed.
- G - Used on serial numbers 31-5001 to 31-7952182 inclusive if King KAP-200 Autopilot or King KFC-200 Autopilot is installed. Also used on serial numbers 31-5001 to 31-7952074 inclusive if AltiMatic X Autopilot is installed.
- H - Used on serial numbers 31-7952183 and up if King KAP-200 Autopilot or King KFC-200 Autopilot is installed, serial numbers 31-7952075 and up if AltiMatic X Autopilot is installed and serial numbers 31-8252001 if Century 41 Autopilot or Century 41 F/D Autopilot is installed
- J - Used if King KFC-200 Autopilot F/D is installed.
- K - Used if Bendix FCS-870 Autopilot or Bendix FCS-870 F/D Autopilot is installed.
- L - Used if King KAP-200 Autopilot, Bendix FCS-870 Autopilot or AltiMatic 111C is installed.

PIPER PARTS CATALOG

Figure and Index Number	Part Number	Code	NOMENCLATURE	No. Req.	SERIAL NUMBERS AFFECTED
95-1	43438-00	A	CONTROL ASSEMBLY - Pedestal	1	
	43438-03	F,G,K	CONTROL ASSEMBLY - Pedestal	1	
	71112-02	H	CONTROL ASSEMBLY - Pedestal	1	
	48072-00	A,C	CONTROL ASSEMBLY - Pedestal	1	31-5001 to 31-8052201 incl.
	48072-03	C,L	CONTROL ASSEMBLY - Pedestal	1	31-8052202 and up
	48072-02	B,C	CONTROL ASSEMBLY - Pedestal	1	31-5001 to 31-8052201 incl.
	48072-04	C,D	CONTROL ASSEMBLY - Pedestal	1	31-8052202 and up
	48072-05	C,E,J	CONTROL ASSEMBLY - Pedestal	1	31-8052202 and up
-2	43454-00	A	* LEVER ASSEMBLY - Throttle	1	
	48045-00	A,C	* LEVER ASSEMBLY - Throttle	1	
-3	452 359		* * BEARING - (A-306-11)	1	
-4	52024-00	F,G,K	* LEVER ASSEMBLY - Throttle (complete)	1	
	52024-02	C,F,H,K	* LEVER ASSEMBLY - Throttle (complete)	1	
	71042-02	H	* LEVER ASSEMBLY - Throttle (complete)	1	
	71042-03	C,J	* LEVER ASSEMBLY - Throttle (complete)	1	
-5	43454-06		* * LEVER ASSEMBLY - Throttle	1	
	48045-06	C	* * LEVER ASSEMBLY - Throttle	1	
-5a	452 359		* * * BEARING - (A-306-11)	1	
-6	52017-00		* * KNOB - Throttle control and switch housing	1	
-7	52020-00		* * GUARD - Switch	1	
-8	487 775	D,G,K	* * SWITCH - "Go Around" (39-2)	1	
	487 904	C,E,H	* * SWITCH - "Go Around" (39-1)	1	
-9	52018-00		* DISC - Throttle control knob	1	
-10	43454-02		* LEVER ASSEMBLY - Throttle	1	
	48045-02	C	* LEVER ASSEMBLY - Throttle	1	
-11	452 359		* * BEARING - (A-306-11)	1	
-12	41475-00		* LEVER ASSEMBLY - Propeller control	2	31-5001 to 31-8052201 incl.
	71594-02		* LEVER ASSEMBLY - Propeller control	2	31-8052202 and up
-13	452 359		* * BEARING - (A-306-11)	2	
-14	41476-00		* LEVER ASSEMBLY - Mixture control	1	
-15	452 359		* * BEARING - (A-306-11)	1	
-16	41476-02		* LEVER ASSEMBLY - Mixture control	1	
-17	452 359		* * BEARING - (A-306-11)	1	
-18	41415-00		* KNOB - Throttle control	2	
-19	41416-00		* KNOB - Propeller control	2	
-20	41417-00		* KNOB - Mixture control	2	
-21	41526-00		* SHAFT ASSEMBLY - Pedestal controls	1	
	48049-00	C	* SHAFT ASSEMBLY - Pedestal controls	1	
-22	41525-00		* BRACKET - Pedestal control shaft	1	
-23	40891-00		* BRACKET ASSEMBLY - Engine control lever	1	
	48042-00	C	* BRACKET ASSEMBLY - Engine control lever	1	
-24	19936-00		* STUD - Control lever stop	3	
-25	17852-02		* PLATE - Friction, pedestal controls	10	
-26	17852-03		* PLATE - Friction, pedestal controls	2	
	17852-02	C	* PLATE - Friction, pedestal controls	2	
-27	17850-00		* TUBE - Pedestal control keeper	1	
	17850-03	C	* TUBE - Pedestal control keeper	1	
-28	17848-00		* BEARING - Pedestal control shaft	1	
	17848-03	C	* BEARING - Pedestal control shaft	1	
-29	14175-37		* BUSHING - Pedestal controls	3	
-30	81342-68		* WASHER - Pedestal controls	2	
-31	81342-100		* WASHER - Pedestal controls	3	
-32	487 940		* SWITCH - (MS25253-2)	2	
-33	404 224		* NUT - (AN315-3R)	1	
	407 584		* WASHER - (AN960-10L)	1	

When ordering, always specify Part Number, Description and Serial Number of Aircraft

PIPER PARTS CATALOG

Figure and Index Number	Part Number	Code	NOMENCLATURE	No. Req.	SERIAL NUMBERS AFFECTED
95-34	471 044		* KNOB - Black (646) pedestal shaft assembly	1	
-35	408 833		* WASHER - Shakeproof (3702-18-29-2514)	2	
-36	404 224		* NUT - (AN315-3R)	3	
-37	414 779		* SCREW - (MS24693-S49)	6	
-38	411 532		* SCREW - (MS35207-263)	2	
	407 043		* WASHER - (MS35338-43)	1	
	416 785	C	* SCREW - (MS24693-S272)	2	
	407 129	C	* WASHER - (AN936-D10)	2	
-39	407 566		* WASHER - (AN960-516)	1	
-40	414 705		* SCREW - (MS24693-S11)	4	
	406 638		* NUT - Hex (H10-04)	4	
-41	43455-00		* BUSHING - Pedestal controls	2	
	14175-37	C	* BUSHING - Pedestal controls	2	
-42	43435-00		* BRACKET ASSEMBLY - Throttle switch, left	1	
	43435-02		* BRACKET ASSEMBLY - Throttle switch, right	1	
-43	43457-00		* SPRING - Throttle switch	2	
-44	43551-02		* PLATE - Friction	1	31-5001 to 31-8052201 incl.
	71599-02	C	* PLATE ASSEMBLY - Friction	1	31-8052202 and up
-45	43981-00		* BLOCK - Spacer	2	
-46	48043-00	C	* COVER ASSEMBLY - Control lever	1	
-47	48048-00	C	* SPRING - Throttle switch	2	
-48	49982-13	C	* BUSHING - Pedestal control shaft, left	1	
-49	43455-03	C	* BUSHING - Pedestal control shaft, right	1	
-50	415 539	C	* SCREW - (MS35206-249)	2	
	80012-57	C	* BUSHING	4	
	404 833	C	* NUT - (MS20364-832C)	2	
-51	48050-00	C	* BRACKET ASSEMBLY - Throttle switch	2	
-52	415 522	C	* SCREW - (MS35206-232)	1	
-53	419 927		* SCREW - (4 x 1/4 L., Type "A")	2	
-54	54214-02		* SHIM - Control assembly (.020 thick)	AR	
	54214-03		* SHIM - Control assembly (.040 thick)	AR	
-55	488 421		BLOCK - Terminal (MS27212-1-3)	1	
-56	44040-00		DIODE ASSEMBLY - Throttle switch	1	
-57	48041-00	C	BRACKET - Micro switch	1	
-58	487 940	C	SWITCH - Micro (MS25253-3)	2	
-59	43456-00		BRACKET ASSEMBLY - Terminal block mounting	1	

When ordering, always specify Part Number, Description and Serial Number of Aircraft

# PIPER PARTS CATALOG

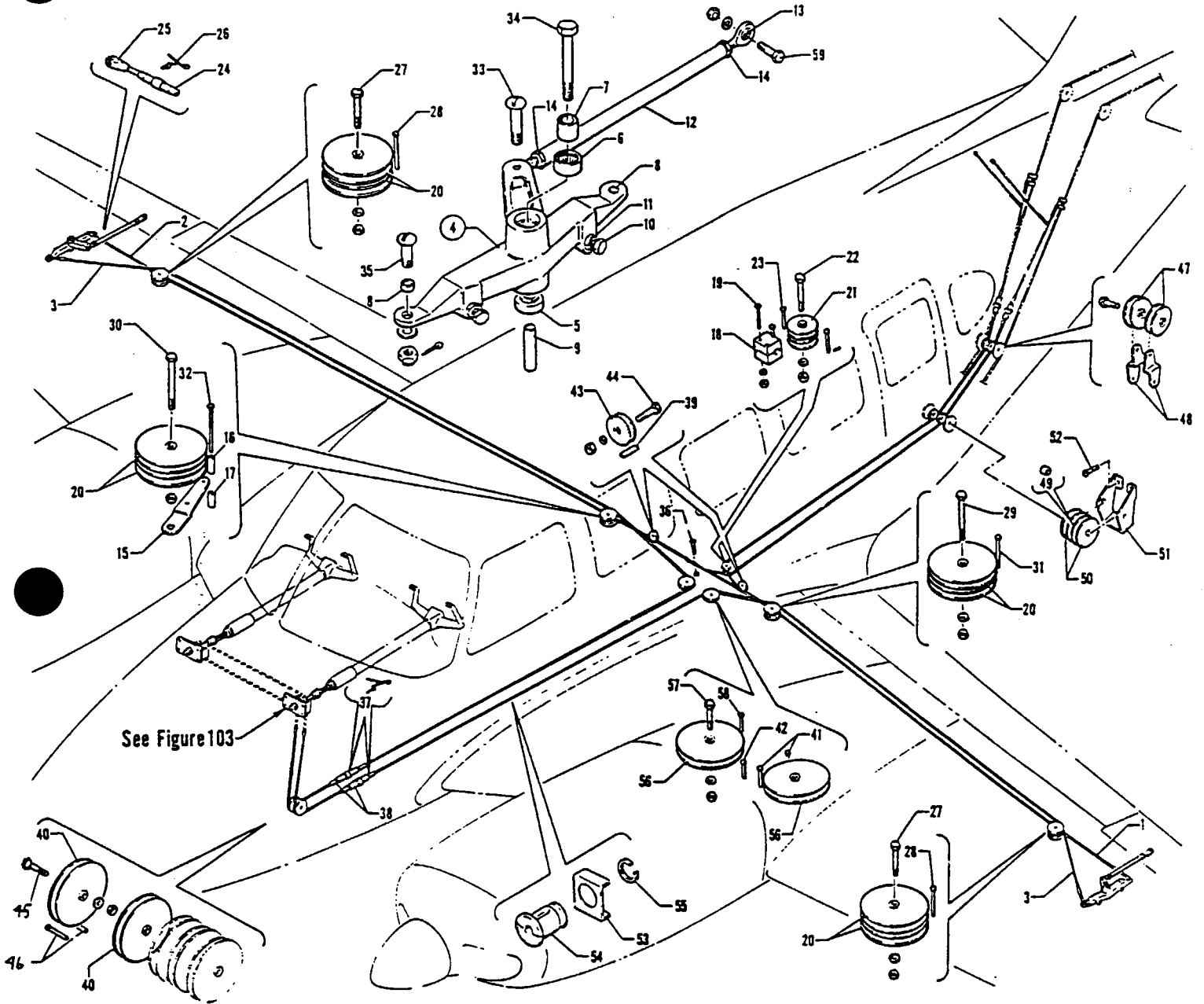


Figure 96. Aileron Control Installation

---

# PIPER PARTS CATALOG

---

CODE EXPLANATIONS FOR FIGURE 96

# PIPER PARTS CATALOG

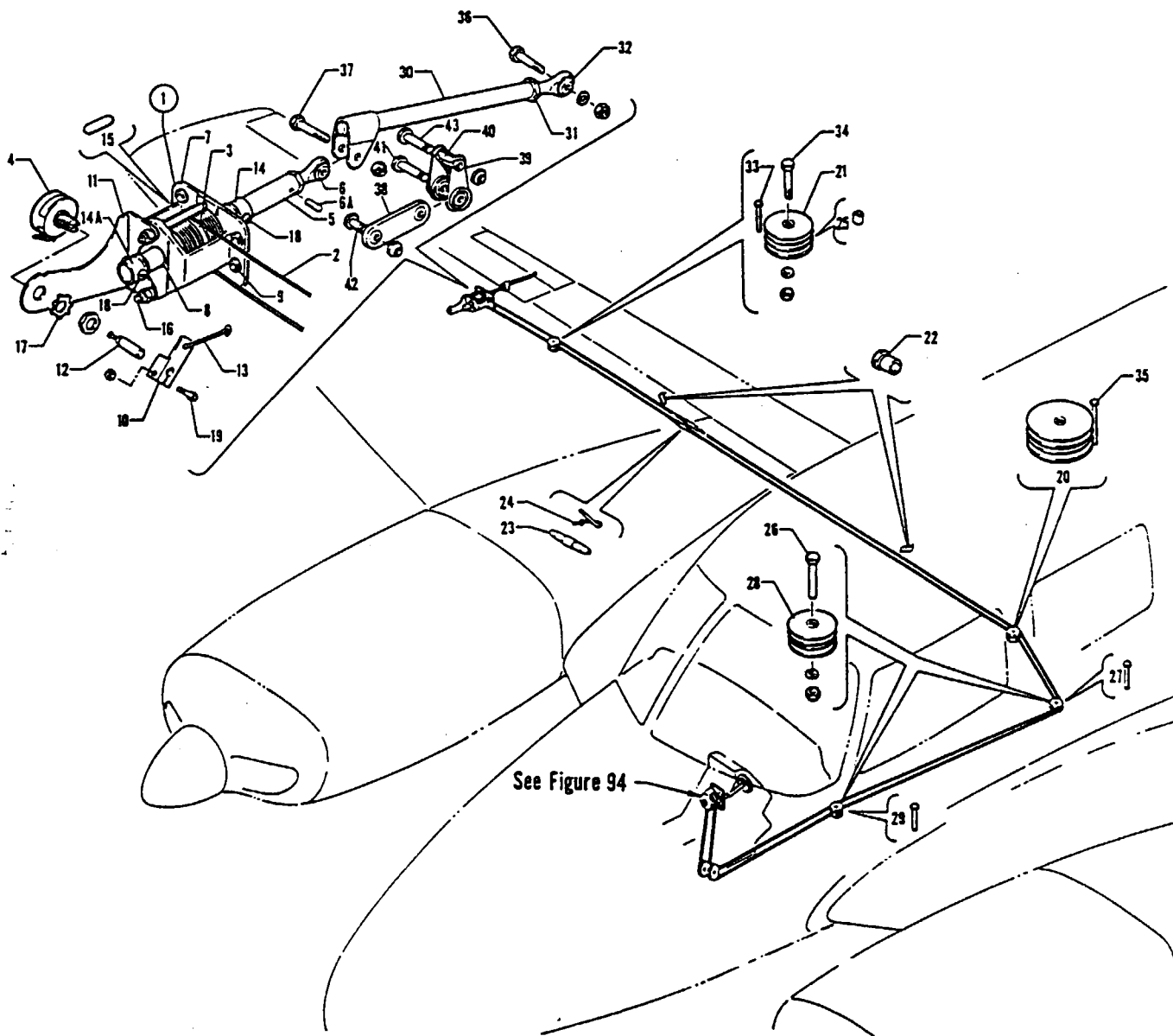
Figure and Index Number	Part Number	Code	Nomenclature	No. Req.	Serial Numbers Affected
6-	41963 41565		DRAWING - Control System Installation DRAWING - Aileron Installation		
-1	41724-00 55406-02 74034-02		CABLE ASSEMBLY - Aileron balance, left CABLE ASSEMBLY - Aileron balance, left CABLE ASSEMBLY - Aileron balance, left	1 1 1	31-5001 to 31-7652132 incl. 31-7652133 to 31-8152062 incl. 31-8152063 and up
-2	41717-00 55408-02 74035-02		CABLE ASSEMBLY - Aileron balance, right CABLE ASSEMBLY - Aileron balance, right CABLE ASSEMBLY - Aileron balance, right	1 1 1	31-5001 to 31-7652132 incl. 31-7652133 to 31-8152062 incl. 31-8152063 and up
-3	41754-06 41754-07		CABLE ASSEMBLY - Control, aileron, left CABLE ASSEMBLY - Control, aileron, right	1 1	
-4	40339-00 40339-01		BELLCRANK ASSEMBLY - Aileron, left (452 432) BELLCRANK ASSEMBLY - Aileron, right (452 433)	1 1	
-5	452 344		* BEARING - (5035)	1	
-6	452 361		* BEARING - (B-86)	1	
-7	452 362		* BEARING - Race (1RA-5)	1	
-8	80022-74		* BUSHING - Aileron bellcrank	2	
-9	80022-87		* BUSHING - Aileron bellcrank	1	
-10	71698-02		* SCREW - Special	2	
-11	405 580		* NUT - Hex (1/4-20NC-3) cadmium plated	2	
-12	40599-03		ROD ASSEMBLY - Aileron control	2	
-13	24166-02		* BEARING ASSEMBLY - Rod, aileron control	2	
-14	404 322		* NUT - (AN316-4R)	2	
-15	40494-00		GUARD - Aileron pulley, right	1	
-16	42571-04		BUSHING - Pulley, right, Sta. 30	1	
-17	42571-05		BUSHING - Pulley, right, Sta. 30	1	
-18	42337-00		FAIRLEAD - Aileron balance cable	2	
-19	415 633 407 563 404 910		SCREW - (MS35206-333) WASHER - (AN960-8) NUT - (MS20365-832C)	2 2 2	
-20	481 627		PULLEY - Control cable (MS24566-4B)	8	
-21	481 626		PULLEY - (MS20219-2)	2	
-22	400 008 407 565 404 888		BOLT - (AN4-13A) WASHER - (AN960-416) NUT - (MS20365-428C)	1 1 1	
-23	424 154 424 051		PIN - (MS20392-1C33) COTTER PIN - (MS24665-132)	3 3	
-24	452 011		BARREL - Tumbuckle (NAS649-B32S)	4	
-25	461 133		FORK - Tumbuckle (NAS645-32RS)	4	
-26	454 867		CLIP - Tumbuckle locking (NAS651-16S)	8	
-27	400 009 407 565 404 888		BOLT - (AN4-14A) WASHER - (AN960-416) NUT - (MS20365-428C)	2 2 2	
-28	424 514		PIN - (NAS427-K20)	2	
-29	400 008 407 565 404 888		BOLT - (AN4-13A) WASHER - (AN960-416) NUT - (MS20365-428C)	1 1 1	
-30	400 016 404 888		BOLT - (AN4-23A) NUT - (MS20365-428C)	1 1	
-31	424 512		PIN - (NAS427-K18)	1	
-32	424 527		PIN - (NAS427-K32)	1	
-33	400 703 407 585 404 393 424 051		BOLT - (AN24-16) WASHER - (AN960-416L) NUT - (AN320-4) COTTER PIN - (MS24665-132)	2 2 2 2	

When ordering, always specify Part Number, Description, and Serial Number of Aircraft

## PIPER PARTS CATALOG

Figure and Index Number	Part Number	Code	NOMENCLATURE	No. Req.	SERIAL NUMBERS AFFECTED
96-34	401 366		BOLT - (AN5-27A)	2	
	407 566		WASHER - (AN960-516)	2	
-35	400 700		BOLT - (AN24-13)	4	
	407 585		WASHER - (AN960-416L)	4	
	404 393		NUT - (AN320-4)	4	
	424 051		COTTER PIN - (MS24665-132)	4	
-36	400 673		BOLT - (AN23-11)	1	
	404 392		NUT - (AN320-3)	1	
-37	454 867		CLIP - Turnbuckle (NAS651-16S)	4	
-38	452 011		BARREL - Turnbuckle (NAS6498-32S)	2	
-39	424 506		PIN - (NAS427-K12)	2	
-40	481 627		PULLEY - (MS24566-4B)	2	
-41	424 508		PIN - (NAS427-K14)	2	
-42	424 510		PIN - (NAS427-K16)	1	
-43	481 651		PULLEY - (MS20220-1)	2	
-44	401 189		BOLT - (AN5-11A)	2	
	407 566		WASHER - (AN960-516)	2	
	404 837		NUT - (MS20364-524C)	2	
-45	401 310		BOLT - (AN4-10A)	1	
	407 565		WASHER - (AN960-416)	1	
	404 836		NUT - (MS20364-428C)	1	
-46	424 507		PIN - (NAS427-K13)	2	
-47	481 626		PULLEY - (MS20219-2)	2	
-48	41451-00		BRACKET ASSEMBLY - Cable pulley, left, Sta. 274	1	
	41451-01		BRACKET ASSEMBLY - Cable pulley, right, Sta. 274	1	
-49	41413-30		BUSHING - Spacer, aileron cable pulley	1	
-50	481 626		PULLEY - (MS20219-2)	2	
-51	41449-00		GUARD - Cable pulley, Sta. 244	1	
-52	415 518		SCREW - (MS35206-228)	2	
-53	11151-02		BRACKET - Fairlead	2	
-54	40701-03		SEGMENT - Cable fairlead	4	
-55	40081-00		RING - Snap, fairlead	2	
-56	481 627		PULLEY - (MS24566-4B)	2	
-57	401 310		BOLT - (AN4-10A)	2	
	407 565		WASHER - (AN960-416)	2	
	404 836		NUT - (MS20364-428C)	2	
-58	424 507		PIN - (NAS427-K13)	1	
-59	402 317		BOLT - (AN174-11A)	2	
	407 565		WASHER - (AN960-416)	2	
	404 888		NUT - (MS20365-428C)	2	

When ordering, always specify Part Number, Description and Serial Number of Aircraft



See Figure 94

Figure 97. Aileron Trim Installation



---

# PIPER PARTS CATALOG

CODE EXPLANATIONS FOR FIGURE 97

# PIPER PARTS CATALOG

Figure and Index Number	Part Number	Code	Nomenclature	No. Req.	Serial Numbers Affected
97-	41565		DRAWING - Aileron Installation		
	41716		DRAWING - Trim Tab System Installation		
-1	41863-00		SCREW ASSEMBLY - Aileron trim tab, right	1	31-5001 to 31-7552016 incl.
	48809-03		SCREW ASSEMBLY - Aileron trim tab, right	1	31-7552017 and up
-2	41734-02		* CABLE ASSEMBLY - Aileron trim	1	
-3	17088-00		* DRUM - Trim tab	1	
-4	41229-00		* RHEOSTAT ASSEMBLY - Trim tab	1	
-5	42985-00		* SCREW ASSEMBLY - Aileron trim tab	1	31-5001 to 31-7552016 incl.
	51271-02		* SCREW - Aileron trim tab	1	31-7552017 and up
-6	452 357		** BEARING - Aileron trim tab (M34-14)	1	31-5001 to 31-7552016 incl.
-6a	480 735		** ROLL PIN - (79-028-125-0500)	1	31-5001 to 31-7552016 incl.
-7	40035-00		* BRACKET ASSEMBLY - Trim drum support	1	
-8	452 381		** BEARING - (FF-609-1)	2	
-9	477 684		** NUT - Splines (22ND8-02)	4	
-10	42785-02		* ARM - Trim rheostat actuator	1	31-5001 to 31-7952034 incl.
	42785-06		* ARM - Trim rheostat actuator	1	31-7952035 and up
-11	40928-00		* BRACKET - Trim tab rheostat	1	
-12	40958-00		* SHAFT - Trim tab rheostat	1	
-13	40930-02		* ROD - Trim tab screw	1	
-14	40027-00		* BUSHING - Trim tab screw stop	1	31-5001 to 31-7552016 incl.
-14a	40027-00		* BUSHING - Trim tab screw stop (.50 L)	1	31-5001 to 31-7552016 incl.
	48437-02		* BUSHING - Trim tab screw stop (.66 L)	1	31-7552017 and up
-15	83285-02		* PIN - Aileron trim cable	1	
-16	410 253		* SCREW - (AN509-8R-38)	2	
	407 563		* WASHER - (AN960-8)	2	
	404 910		* NUT - (MS20365-832C)	2	
-17	407 143		* WASHER - (AN936-B616)	1	
-18	400 868		* BOLT - Clevis (AN23-16A)	2	
	404 887		* NUT - (MS20365-1032C)	2	
-19	416 094		* BOLT - (AN500-6-12)	1	
	404 909		* NUT - (MS20365-632C)	1	
-20	481 626		PULLEY - Sta. 30, right (MS20219-2)	2	
-21	481 640		PULLEY - Aileron cable (MS24566-1B)	2	
-22	453 732		BUSHING - Snap (PS10064-375-4)	4	
-23	452 015		BARREL - Tumbuckle (NAS649-B8S)	2	
-24	454 867		CLIP - Tumbuckle locking (NAS651-16S)	4	
-25	80022-113		BUSHING - Aileron tab control	1	
-26	401 269		BOLT - (AN3-10A)	2	
	407 564		WASHER - (AN960-10)	2	
	404 835		NUT - (MS20364-1032C)	2	
-27	424 506		PIN - (NAS427-K12)	1	
-28	481 640		PULLEY - (MS24566-1B)	4	
-29	424 505		PIN - (NAS427-K11)	1	
-30	41859-00		TUBE ASSEMBLY - Aileron tab control, right	1	31-5001 to 31-7552016 incl.
	41859-08		TUBE ASSEMBLY - Aileron tab control, right	1	31-7552017 and up
-31	404 322		* NUT - (AN316-4R)	1	
-32	452 357		* BEARING - Aileron tab control (M34-14)	1	

When ordering, always specify Part Number, Description, and Serial Number of Aircraft

## PIPER PARTS CATALOG

Figure and Index Number	Part Number	Code	NOMENCLATURE	No. Req.	SERIAL NUMBERS AFFECTED
97-33	424 513		PIN - (NAS427-K19)	1	
-34	400 444		BOLT - (AN3-13A)	1	
	407 564		WASHER - (AN960-10)	1	
	404 887		NUT - (MS20365-1032C)	1	
-35	424 510		PIN - (NAS427-K16)	1	
-36	402 258		BOLT - (AN173-7A)	1	
	407 564		WASHER - (AN960-10)	1	
	404 887		NUT - (MS20365-1032C)	1	
-37	400 441		BOLT - (AN3-7A)	1	31-5001 to 31-7552016 incl.
	404 887		NUT - (MS20365-1032C)	1	31-5001 to 31-7552016 incl.
-38	48807-02		LINK ASSEMBLY - Aileron tab control, right	1	31-7552017 to 31-8252047 incl.
	72858-02		LINK ASSEMBLY - Aileron tab control, right	1	31-8252048 and up
-39	48808-02		LINK ASSEMBLY - Aileron tab idler, right	1	31-7552017 and up
-40	29999-21		BUSHING - Aileron link assembly, right	1	31-7552017 and up
-41	400 450		BOLT - (AN3-17A)	1	31-7552017 and up
	407 800		WASHER - (AN970-3)	2	31-7552017 to 31-8252047 incl.
	407 564		WASHER - (AN960-10)	2	31-8252048 and up
	404 887		NUT - (MS20365-1032C)	1	31-7552017 and up
-42	401 269		BOLT - (AN3-10A)	1	31-7552017 and up
	404 887		NUT - (MS20365-1032C)	1	31-7552017 and up
-43	400 450		BOLT - (AN3-17A)	1	31-7552017 and up
	404 887		NUT - (MS20365-1032C)	1	31-7552017 and up

When ordering, always specify Part Number, Description and Serial Number of Aircraft

# PIPER PARTS CATALOG

---

GRIDS 3A23 THRU 3A24  
INTENTIONALLY LEFT BLANK

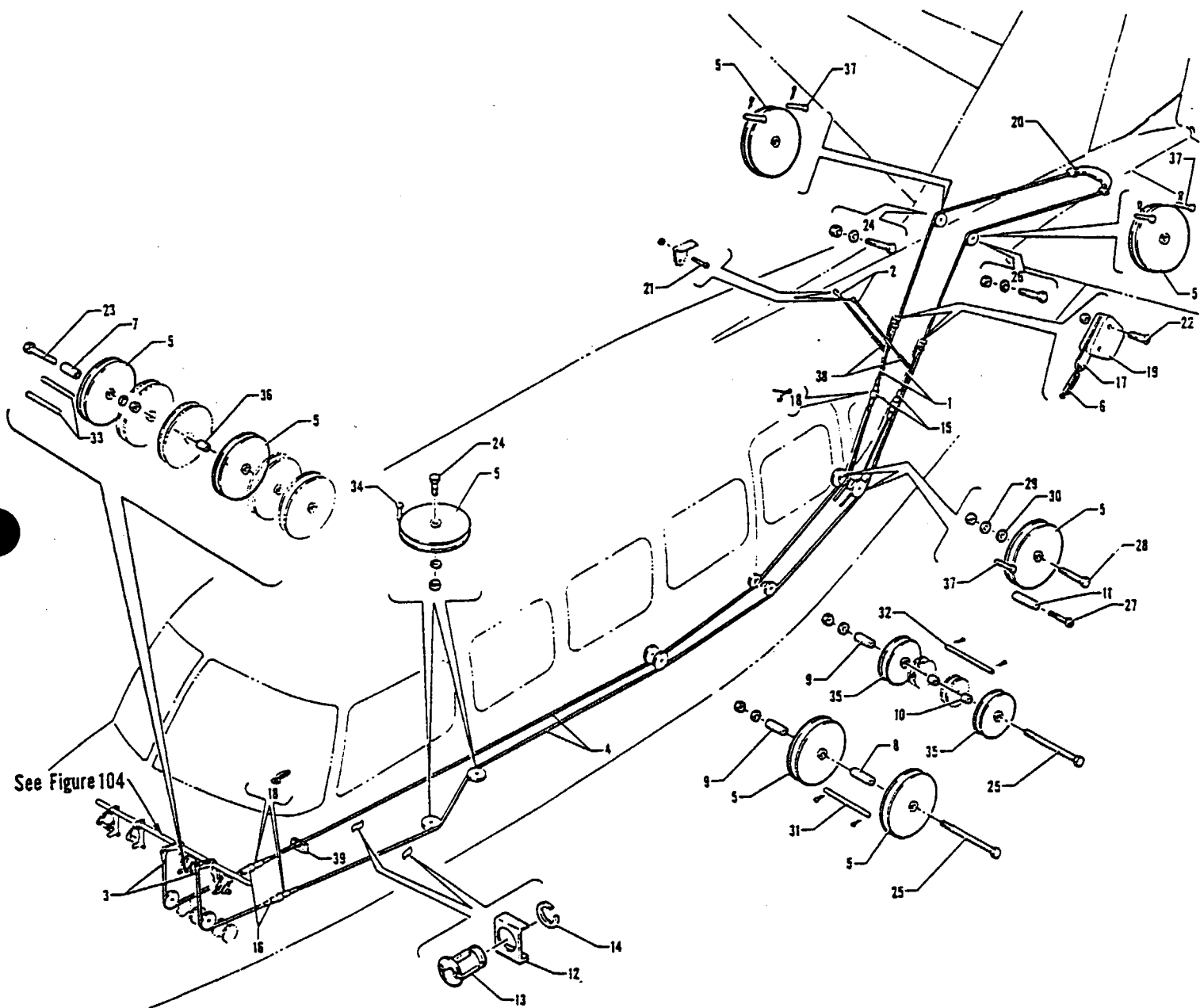


Figure 98. Rudder Control Installation

---

# PIPER PARTS CATALOG

CODE EXPLANATIONS FOR FIGURE 98

## PIPER PARTS CATALOG

Figure and Index Number	Part Number	Code	NOMENCLATURE	No. Req.	SERIAL NUMBERS AFFECTED
98-	41963		DRAWING - Control System Installation		
-1	24631-07		CABLE ASSEMBLY - Connector, rudder cable support, left	1	
	24631-08		CABLE ASSEMBLY - Connector, rudder cable support, right	1	
-2	41925-00		CABLE ASSEMBLY - Support, rudder cable, left	1	
	41925-02		CABLE ASSEMBLY - Support, rudder cable, right	1	
-3	41947-03		CABLE ASSEMBLY - Rudder control, forward	2	
-4	41953-03		CABLE ASSEMBLY - Rudder control, left rear	1	
	41953-04		CABLE ASSEMBLY - Rudder control, right rear	1	
-5	481 627		PULLEY - (MS24566-48)	10	
-6	24629-00		SPRING - Control cable connector	2	
-7	41413-11		BUSHING - Spacer, rudder cable pulley	1	
-8	41413-20		BUSHING - Spacer, rudder cable pulley	1	
-9	41413-21		BUSHING - Spacer, rudder cable pulley	2	
-10	41413-29		BUSHING - Spacer, rudder cable pulley	1	
-11	41413-31		BUSHING - Spacer, rudder cable pulley	2	
-12	11151-02		BRACKET - Fairlead	2	
-13	40701-03		SEGMENT - Cable fairlead	4	
-14	40081-00		RING - Snap, fairlead	2	
-15	452 015		BARREL - Turnbuckle (NAS649B-8S)	2	
-16	452 011		BARREL - Turnbuckle (NAS649B-32S)	2	
-17	52168-00		PLATE - Cable attachment (1.29 L)	2	
	52168-03		PLATE - Cable attachment (2.00 L)	2	
-18	454 867		CLIP - Turnbuckle (NAS651-16S)	4	
-19	52167-00		PLATE - Cable attachment	4	
-20	400 675		BOLT - (AN23-13)	2	
	407 564		WASHER - (AN960-10)	2	
	404 392		NUT - (AN320-3)	2	
	424 051		COTTER PIN - (MS24665-132)	2	
-21	415 518		SCREW - (MS35206-228)	4	
	404 829		NUT - (MS20364-632C)	4	
-22	415 521		SCREW - (MS35206-231)	4	
	404 909		NUT - (MS20365-632C)	4	
-23	400 012		BOLT - (AN4-17A)	1	
	407 565		WASHER - (AN960-416)	1	
	404 836		NUT - (MS20364-428C)	1	
-24	401 310		BOLT - (AN4-10A)	3	
	407 565		WASHER - (AN960-416)	3	
	404 836		NUT - (MS20364-428C)	3	
-25	401 334		BOLT - (AN4-36A)	2	
	407 565		WASHER - (AN960-416)	2	
	407 836		NUT - (MS20364-428C)	2	
-26	401 311		BOLT - (AN4-11A)	1	
	407 565		WASHER - (AN960-416)	2	
	404 836		NUT - (MS20364-428C)	1	
-27	415 514		SCREW - (MS35206-234)	1	
-28	400 009		BOLT - (AN4-14A) Inboard	1	
	400 912		BOLT - (AN24-22A) Outboard	1	
	407 565		WASHER - (AN960-416)	2	
	404 836		NUT - (MS20364-428C)	2	

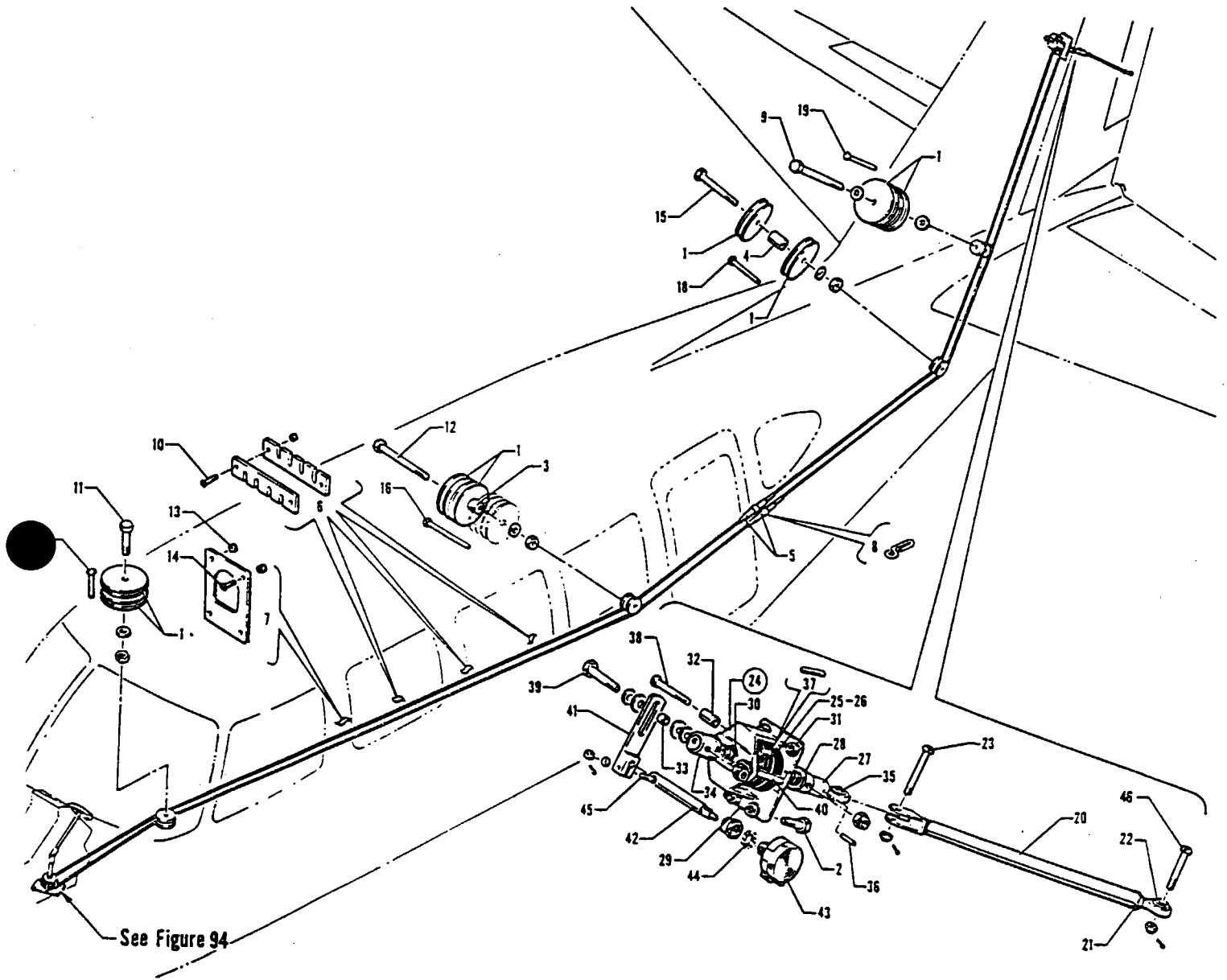
When ordering, always specify Part Number, Description and Serial Number of Aircraft

PIPER PARTS CATALOG

Figure and Index Number	Part Number	Code	NOMENCLATURE	No. Req.	SERIAL NUMBERS AFFECTED
98-29	407 565		WASHER - (AN960-416)	2	
-30	407 585		WASHER - (AN960-416L)	2	
-31	41576-02		PIN - Rudder cable guard, forward	1	
	424 051		COTTER PIN - (MS24665-132)	2	
-32	41576-03		PIN - Rudder cable guard, rear	1	
	424 051		COTTER PIN - (MS24665-132)	2	
-33	424 522		PIN - (NAS427-K27)	2	
-34	424 149		PIN - (MS20392-1C25)	2	
	424 051		COTTER PIN - (MS24665-132)	2	
-35	41001-03		PULLEY - Control cable	2	
-36	41413-10		BUSHING - Spacer, elevator cable pulley	1	
-37	424 507		PIN - (NAS427-K13)	6	
-38	487 291		SPRING - Cable (180C 2 1/2)	4	
-39	44188-00		BLOCK - Deflector	1	

When ordering, always specify Part Number, Description and Serial Number of Aircraft





See Figure 94

Figure 99. Rudder Trim Installation

---

# PIPER PARTS CATALOG

---

## CODE EXPLANATIONS FOR FIGURE 99

A - Component part of Fin Assembly.

# PIPER PARTS CATALOG

Figure and Index Number	Part Number	Code	Nomenclature	No. Req.	Serial Numbers Affected
99-	41716		DRAWING - Trim Tab System Installation		
-1	481 640		PULLEY - (MS24566-1B)	8	
-2	401 266	A	BOLT - (AN3-5A)	4	
-3	41413-17		BUSHING - Spacer, rudder trim pulley	1	
-4	41413-19		BUSHING - Spacer, rudder trim pulley	1	
-5	452 015		BARREL - Tumbuckle (NAS649B-8S)	2	
-6	40619-00		BLOCK - Rub, rudder trim	6	
-7	43377-00		BLOCK - Rub, wing spar	1	
-8	464 867		CLIP - Tumbuckle (NAS651-16S)	4	
-9	401 270		BOLT - (AN3-11A)	1	
	407 564		WASHER - (AN960-10)	1	
	407 584		WASHER - (AN960-10L)	1	
-10	415 688		SCREW - (4-40 x 1/2 L, Rd. Hd.)	6	
	404 908		NUT - (MS20365-440C)	6	
-11	401 269		BOLT - (AN3-10A)	1	
	407 564		WASHER - (AN960-10)	1	
	404 835		NUT - (MS20364-1032C)	1	
-12	400 450		BOLT - (AN3-17A)	1	
	407 564		WASHER - (AN960-10)	1	
	404 835		NUT - (MS203641032C)	1	
-13	407 564		WASHER - (AN960-10)	2	
-14	415 536		SCREW - (MS35206-246)	4	
	404 833		NUT - (MS20364-832C)	4	
-15	401 273		BOLT - (AN3-14A)	1	
	407 584		WASHER - (AN960-10L)	1	
	404 835		NUT - (MS20364-1032C)	1	
-16	424 520		PIN - (NAS427-K25)	1	
-17	424 505		PIN - (NAS427-K11)	1	
-18	424 513		PIN - (NAS427-K19)	1	
-19	424 506		PIN - (NAS427-K12)	1	
-20	40105-00		TUBE ASSEMBLY - Rudder tab control	1	
-21	404 322		* NUT - (AN316-4R)	1	
-22	452 480		* BEARING - Rod end (MVV34-14B)	1	
-23	400 055		BOLT - (AN3-10)	1	
	404 100		NUT - (AN310-3)	1	
	424 051		COTTER PIN - (MS24665-132)	1	
-24	40038-00	A	SCREW ASSEMBLY - Rudder trim tab	1	
-25	41734-06		* CABLE ASSEMBLY - Screw, rudder trim tab	1	
-26	17088-00		* DRUM - Screw, rudder trim tab	1	
-27	40029-00		* SCREW - Rudder trim tab	1	
-28	40027-00		* BUSHING - Screw, rudder trim tab	1	
-29	40035-00		* BRACKET ASSEMBLY - Rudder trim	1	
-30	452 381		** BEARING - (FF-609-1)	2	
-31	477 684		** NUT - Spline (22ND8-02)	4	
-32	80022-103		* BUSHING - Rudder trim	1	
-33	14976-105		* BUSHING - Rudder trim	1	
-34	40870-00		* BUSHING - Rudder trim	1	
-35	452 427		* BEARING - Rod end (F33-14)	1	
-36	480 735		* PIN - Roll (79-028-125-0500)	2	
-37	83285-02		* PIN - Screw, rudder trim	1	

When ordering, always specify Part Number, Description, and Serial Number of Aircraft

PIPER PARTS CATALOG

Figure and Index Number	Part Number	Code	NOMENCLATURE	No. Req.	SERIAL NUMBERS AFFECTED
99-38	400 873		• BOLT - Clevis (AN23-21A)	1	
	404 887		• NUT - (MS20365-1032C)	1	
-39	400 443		• BOLT - (AN3-12A)	1	
	407 584		• WASHER - (AN960-10L)	2	
	404 887		• NUT - (MS20365-1032C)	1	
	407 585		• WASHER - (AN960-416L)	2	
-40	410 251		• SCREW - (AN509-8R36)	2	
	407 563		• WASHER - (AN960-8)	4	
	404 910		• NUT - (MS20365-832C)	2	
-41	42903-02		• ARM - Trim rheostat actuator	1	
-42	486 591	A	SHAFT - Round (RS-2)	1	31-5001 to 31-8152118 incl.
	40958-02	A	SHAFT - Trim tab rheostat	1	31-8152119 and up
-43	41229-00	A	RHEOSTAT - Pick-a-shaft	1	
-44	407 143	A	WASHER - (AN936-B616)	1	
-45	416 094	A	SCREW - (AN500-6-12)	1	
	404 909	A	NUT - (MS20365-632C)	1	
-46	400 441		BOLT - (AN3-7A)	1	
	404 887		NUT - (MS20365-1032C)	1	

When ordering, always specify Part Number, Description and Serial Number of Aircraft

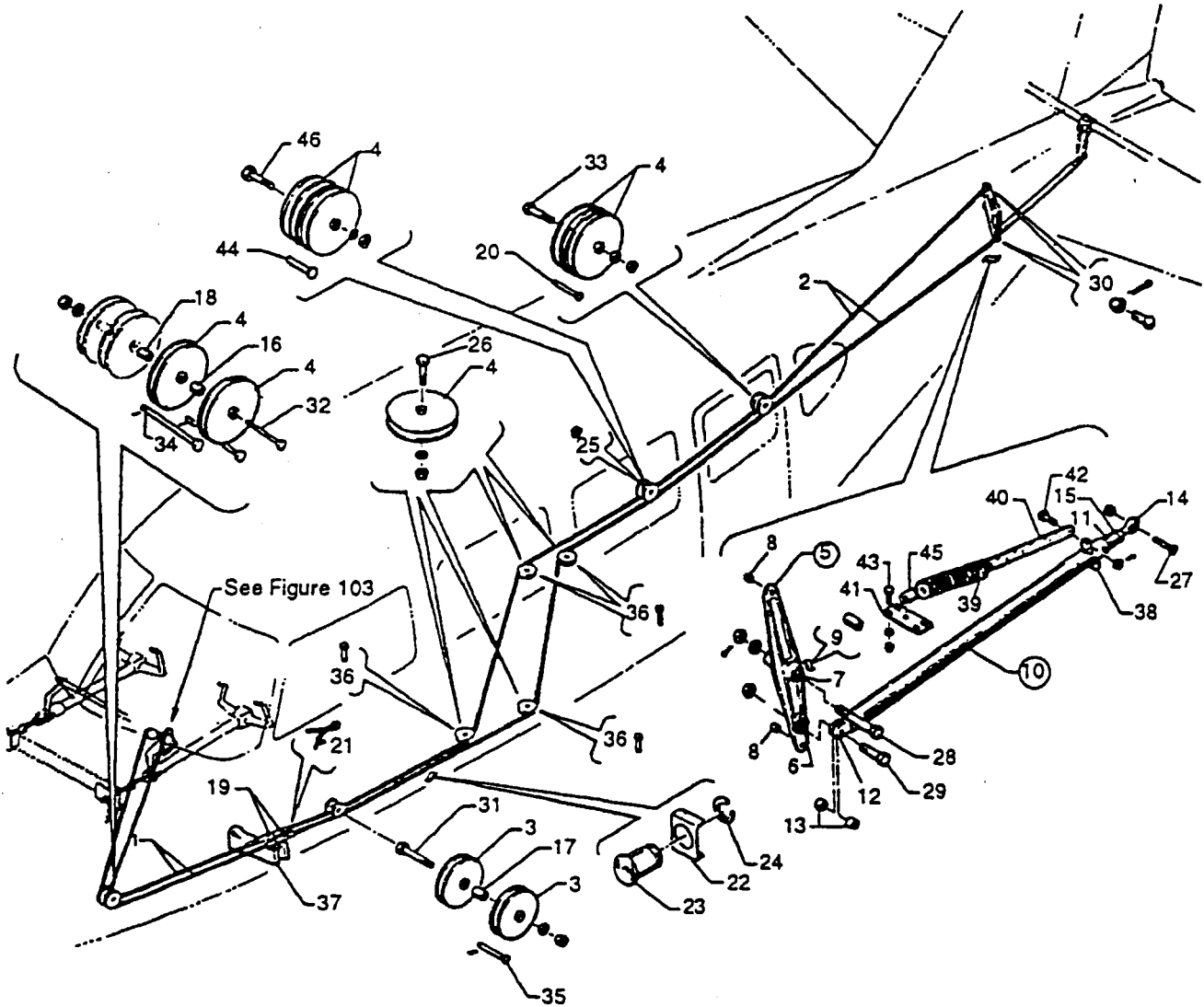


Figure 100. Elevator Control Installation

---

# PIPER PARTS CATALOG

---

## CODE EXPLANATIONS FOR FIGURE 100

A - These parts must be installed as a unit on serial nos. 31-5001 to 31-7952045 incl., if existing spring and link have not been replaced per Service Bulletin 6268

PIPER PARTS CATALOG

Figure and Index Number	Part Number	Code	NOMENCLATURE	No. Req.	SERIAL NUMBERS AFFECTED
100-	41963		DRAWING - Control System Installation		
-1	41942-00		CABLE ASSEMBLY - Elevator control, forward (up)	1	
	41942-02		CABLE ASSEMBLY - Elevator control, forward (down)	1	
-2	41947-06		CABLE ASSEMBLY - Elevator control, rear (up)	1	
	41947-05		CABLE ASSEMBLY - Elevator control, rear (down)	1	
-3	41001-03		PULLEY - Elevator control cable	2	
-4	481 627		PULLEY - (MS24566-48)	10	
-5	40307-00		BELLCRANK ASSEMBLY - Elevator	1	
-6	49265-02		* BEARING - Spherical	1	
-7	452 344		* BEARING - (5035)	2	
-8	61402-101		* BUSHING - Bellcrank	2	
-9	61402-102		* BUSHING - Bellcrank	1	
-10	40847-00		TUBE ASSEMBLY - Elevator control	1	
-11	17235-00		* FITTING - Elevator control tube	1	
-12	19086-03		* FITTING ASSEMBLY - Elevator control tube	1	
-13	41413-03		* * BUSHING - Elevator control tube fitting	2	
-14	49261-02		* BEARING - Rod end	1	
-15	404 226		* NUT - (AN315-5R)	1	
-16	41413-10		BUSHING - Spacer, elevator cable pulley	1	
-17	41413-12		BUSHING - Spacer, elevator cable pulley	1	
-18	41413-14		BUSHING - Spacer, elevator trim pulley	1	
-19	452 011		BARREL - Turnbuckle (NAS6498-32S)	2	
-20	424 515		PIN - (NAS427-K21)	1	
-21	454 867		CLIP - Turnbuckle (NAS651-16S)	4	
-22	11151-02		BRACKET - Fairlead, cable (up) 1.000 wide	1	
	11151-05		BRACKET - Fairlead, cable (down) .900 wide	1	
-23	40701-00		SEGMENT - Cable fairlead	4	
-24	40081-00		RING - Snap, fairlead	2	
-25	19513-103		WASHER - Spacer	1	
-26	401 310		BOLT - (AN4-10A)	4	
	407 565		WASHER - (AN960-416)	4	
	404 836		NUT - (MS20364-428C)	4	
-27	402 317		BOLT - (AN174-11A)	1	
	404 888		NUT - (MS20365-428C)	1	
-28	400 168		BOLT - (AN5-25)	1	
	407 566		WASHER - (AN960-516)	1	
	404 102		NUT - (AN310-5)	1	31-5001 to 31-7752059 incl.
	404 889		NUT - (MS20365-524C)	1	31-7752060 and up
	424 051		COTTER PIN - (MS24665-132)	1	31-5001 to 31-7752059 incl.
-29	402 311		BOLT - (AN174-12A)	1	
	404 888		NUT - (MS20365-428C)	1	
-30	400 053		BOLT - (AN3-6)	2	
	404 100		NUT - (AN310-3)	2	
	424 051		COTTER PIN - (MS24665-132)	2	
-31	401 318		BOLT - (AN4-20A)	1	
	407 565		WASHER - (AN960-416)	1	
	404 836		NUT - (MS20364-428C)	1	

When ordering, always specify Part Number, Description and Serial Number of Aircraft

PIPER PARTS CATALOG

Figure and Index Number	Part Number	Code	NOMENCLATURE	No. Req.	SERIAL NUMBERS AFFECTED
100-32	401 335		BOLT - (AN4-40A)	1	
	407 565		WASHER - (AN960-416)	1	
	404 836		NUT - (MS20364-428C)	1	
-33	400 009		BOLT - (AN4-14A)	1	
	407 565		WASHER - (AN960-416)	1	
	404 836		NUT - (MS20364-428C)	1	
-34	424 541		PIN - Elevator and rudder cable (NAS427-K62)	2	
-35	424 164		PIN - (MS20392-1C55)	1	
	424 051		COTTER PIN - (MS24665-132)	1	
-36	424 507		PIN - (NAS427-K13)	4	
-37	40963-00		GUARD - Cable	1	
-38	402 038		BOLT - Eye (AN42B-13A)	1	
	407 564		WASHER - (AN960-10)	1	
	404 887		NUT - (MS20365-1032C)	1	
-39	71056-02	A	SPRING - Elevator bungee	1	
-40	71086-03	A	LINK - Elevator bungee (6" L.)	1	
-41	53387-00		PLATE - Bungee spring attachment	1	
-42	400 051		BOLT - (AN3-4)	1	
	407 564		WASHER - (AN960-10)	1	
	400 100		NUT - (AN310-3)	1	
	424 051		PIN - Cotter (MS24665-132)	1	
-43	400 438		BOLT - (AN3-4A)	5	
	407 584		WASHER - (AN960-10L)	5	
	404 887		NUT - (MS20365-1032C)	5	
-44	424 518		PIN - (NAS427-K23)	1	
-45	81262-109		LINK - Bungee spring attachment	1	31-5001 to 31-7952170 incl.
	56981-02		LINK - Bungee spring attachment	1	31-7952171 and up
-46	401 315		BOLT - (AN4-15A)	1	
	407 565		WASHER - (AN960-416)	1	
	404 836		NUT - (MS20364-428C)	1	

When ordering, always specify Part Number, Description and Serial Number of Aircraft



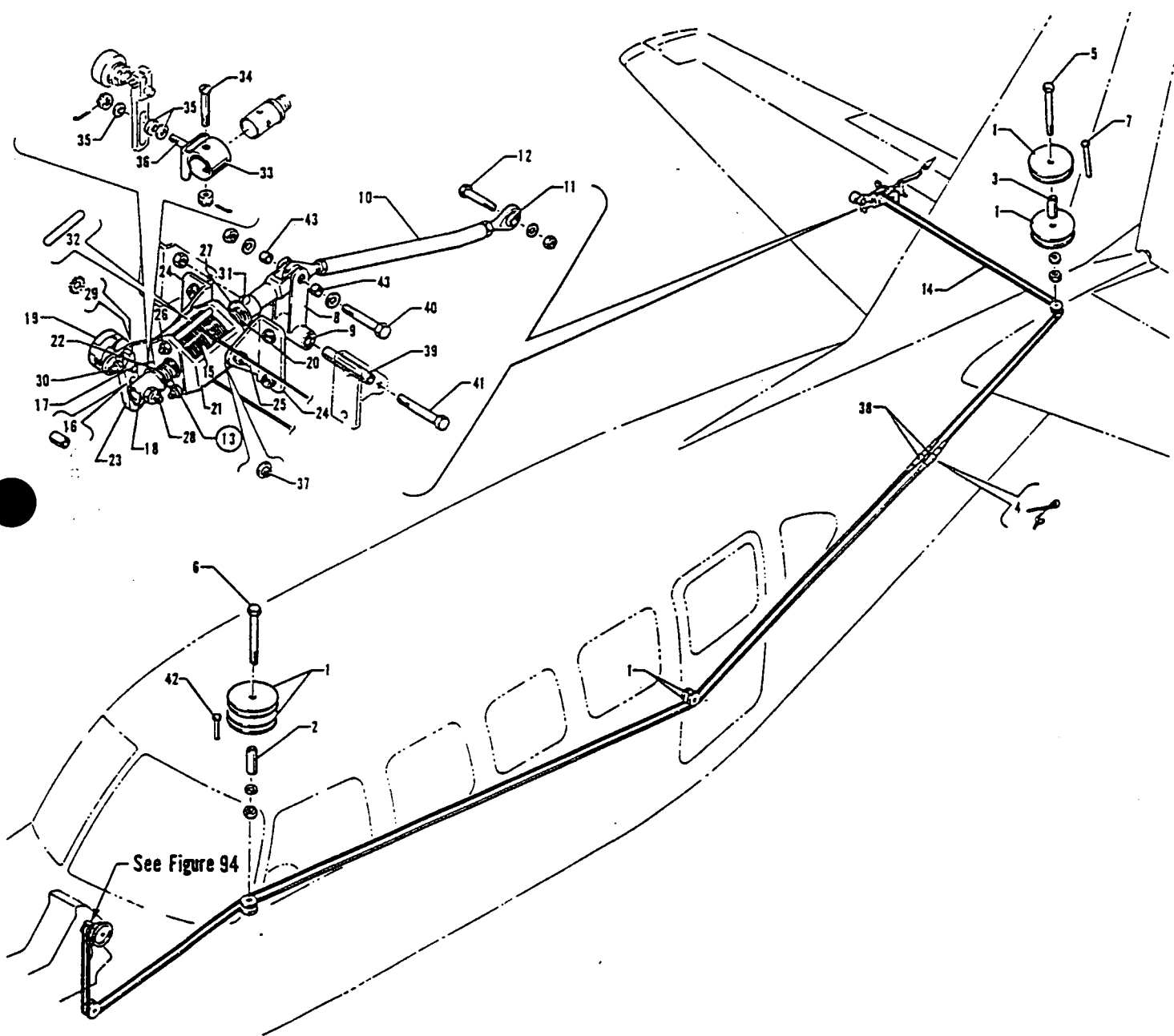


Figure 101. Elevator Trim Installation

---

# PIPER PARTS CATALOG

---

## CODE EXPLANATIONS FOR FIGURE 101

A - Component part of 40155-25 and 40155-27 Stabilizer Assemblies.

PIPER PARTS CATALOG

Figure and Index Number	Part Number	Code	NOMENCLATURE	No. Req.	SERIAL NUMBERS AFFECTED
101-	41716		DRAWING - Trim Tab System Installation		
-1	481 640		PULLEY - (MS24566-1B)	6	
-2	80012-112		BUSHING - Spacer, elevator trim pulley	1	
-3	41413-18		BUSHING - Spacer, elevator trim pulley	1	
-4	454 867		CLIP - Turnbuckle (NAS651-16S)	4	
-5	400 450		BOLT - (AN3-17A)	1	
	407 584		WASHER - (AN960-10L)	1	
	404 835		NUT - (MS20364-1032C)	1	
-6	400 450		BOLT - (AN3-17A)	1	
	407 564		WASHER - (AN960-10)	1	
	404 835		NUT - (MS20364-1032C)	1	
-7	424 052		PIN - (NAS427-K25)	1	
-8	43224-00		ARM ASSEMBLY - Elevator, right	1	
-9	452 347		* BEARING - (B-47)	2	
-10	43203-00		ROD ASSEMBLY - Elevator tab, right	1	
-11	452 480		* BEARING - Rod end (MVV34-148)	2	
-12	401 289		BOLT - (AN3-10A) Right	1	
	407 564		WASHER - (AN960-10) Right	1	
	404 887		NUT - (MS20365-1032C) Right	1	
-13	53850-00	A	SCREW ASSEMBLY - Elevator anti-servo tab	1	
-14	41734-78		* CABLE ASSEMBLY - Elevator trim tab	1	
-15	17088-00		* DRUM - Elevator trim tab	1	
-16	14843-32		* BUSHING - Elevator trim tab	1	31-5001 to 31-7752177 incl.
-17	40958-00		* SHAFT - Trim tab rheostat	1	
-18	48437-02		* BUSHING - Trim tab screw stop	1	
-19	41229-00		* RHEOSTAT ASSEMBLY - Trim tab	1	
-20	43198-00		* SCREW - Elevator trim tab	1	31-5001 to 31-7752177 incl.
	43198-02		* SCREW - Elevator trim tab	1	31-7752178 and up
-21	43202-00		* BRACKET ASSEMBLY - Elevator trim drum	1	31-5001 to 31-7752177 incl.
	43202-03		* BRACKET ASSEMBLY - Elevator trim drum	1	31-7752178 and up
-22	452 381		* * BEARING - (FF-609-1)	2	
-23	43204-00		* ARM - Trim rheostat actuator	1	31-5001 to 31-7752177 incl.
	42803-03		* ARM - Trim rheostat actuator	1	31-7752178 and up
-24	44151-00		* ANGLE ASSEMBLY - Elevator tab drum, left	1	
	44151-01		* ANGLE ASSEMBLY - Elevator tab drum, right	1	
-25	402 726		* BOLT - (NAS333CPA-6)	2	
	407 564		* WASHER - (AN960-10)	4	
	80122-11		* WASHER	2	
	404 887		* NUT - (MS20365-1032C)	2	
-26	410 253		* SCREW - (MS24694-S35)	2	
	404 910		* NUT - (MS20365-832C)	2	
-27	40027-00		* BUSHING - Elevator trim tab	1	
-28	400 060		* BOLT - (AN3-15)	1	31-5001 to 31-7752177 incl.
	407 564		* WASHER - (AN960-10)	2	31-5001 to 31-7752177 incl.
	404 100		* NUT - (AN310-3)	1	31-5001 to 31-7752177 incl.
	424 051		* COTTER PIN - (MS24665-132)	1	31-5001 to 31-7752177 incl.
-29	407 143		* WASHER - Lock (AN936-8616)	1	
	43553-00		* CLIP - Trim tab sender	1	
-30	415 522		* SCREW - (MS35206-232)	1	
	404 909		* NUT - (MS20365-632C)	1	
-31	400 677		* BOLT - (AN23-15)	1	
	407 564		* WASHER - (AN960-10)	1	
	404 887		* NUT - (MS20365-1032C)	1	

When ordering, always specify Part Number, Description and Serial Number of Aircraft

# PIPER PARTS CATALOG

Figure and Index Number	Part Number	Code	Nomenclature	No. Req.	Serial Numbers Affected
101-32	83285-02		* PIN - Elevator trim cable	1	
-33	49398-02		* BRACKET ASSEMBLY - Elevator trim tab	1	31-7752178 and up
-34	400 869		* BOLT - (AN23-17A)	1	31-7752178 and up
	404 835		* NUT - (MS20364-1032C)	1	31-7752178 and up
-35	41413-60		* BUSHING	1	31-7752178 and up
	407 584		* WASHER - (AN960-10L)	2	31-7752178 and up
-36	400 051		* BOLT - (AN3-4)	1	31-7752178 and up
	404 392		* NUT - (AN320-3)	1	31-7752178 and up
	424 051		* COTTER PIN - (MS24665-132)	1	31-7752178 and up
-37	44150-00		* BUSHING - Spacer	2	
-38	452 015		BARREL - Tumbuckle (NAS649B-8S)	2	
-39	42571-08		BUSHING - Elevator, right	1	
-40	402 288		BOLT - (AN173-13A) Right	1	
	407 564		WASHER - (AN960-10) Right	2	
	404 887		NUT - (MS20365-1032C) Right	1	
-41	402 298		BOLT - (AN173-23A) Right	1	
	404 887		NUT - (MS20365-1032C) Right	1	
-42	424 505		PIN - (NAS427-K11)	1	
-43	42571-07		BUSHING - Elevator, right	2	

When ordering, always specify Part Number, Description, and Serial Number of Aircraft

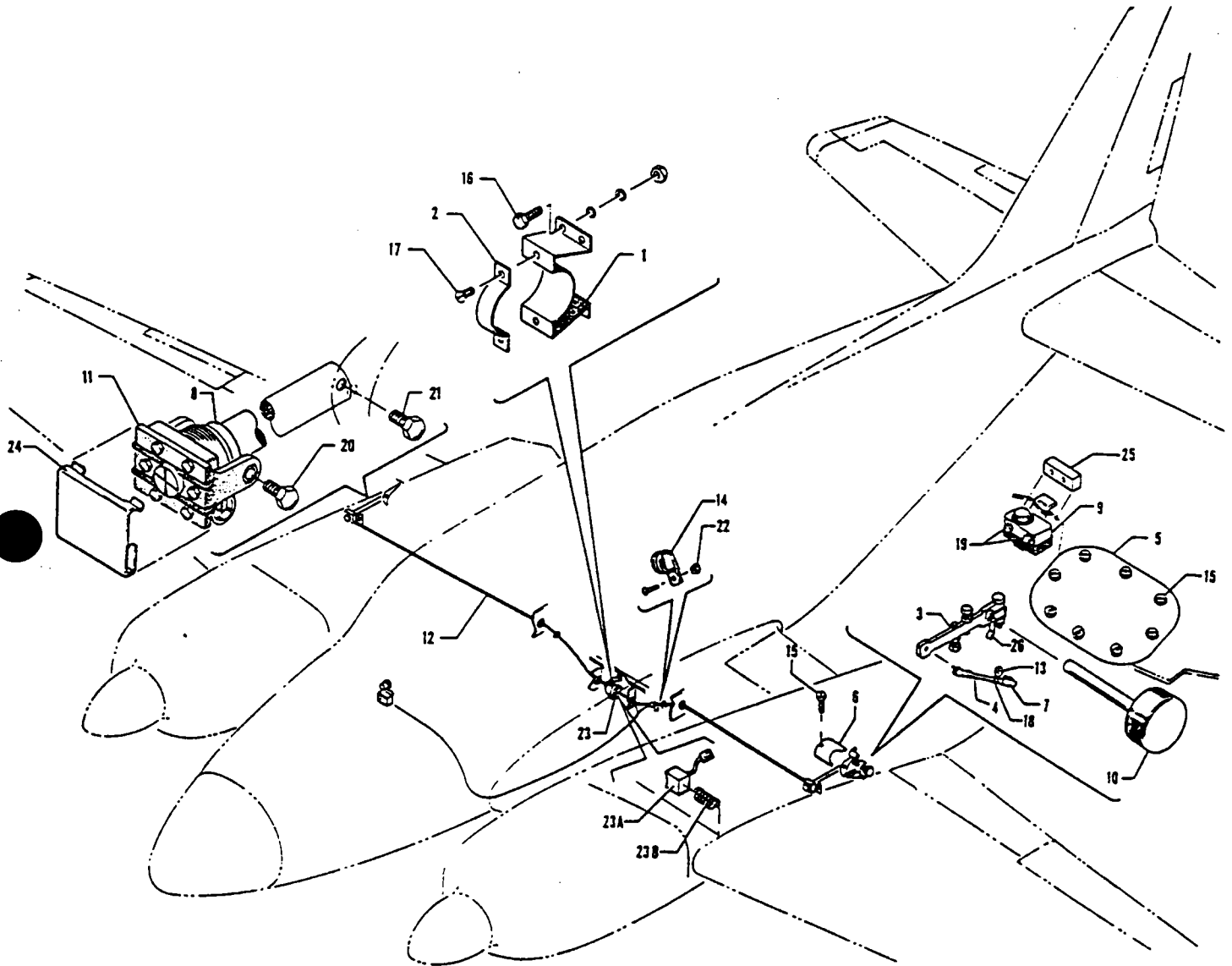


Figure 102. Flap Control Installation

---

## PIPER PARTS CATALOG

---

### CODE EXPLANATIONS FOR FIGURE 102

- A - Used on Flap Control Motor 8405M1 only.
- B - Used on aircraft with serial numbers 31-5001 to 31-7852171 inclusive if Flap Travel Restriction and Placard Installation Kit 764 396 has been installed per Service Bulletin 739.
- C - Order part for serial numbers 31-7952001 and up if Calco Flap System Installation Kit 764 938L has been installed per Service Letter 959.
- D - Order transmission assembly, part no. 489 516, if Flap Transmission Replacement Kit 764 957L has been installed per Service Letter 959.
- E - Used on aircraft with serial numbers 31-5001 to 31-7852171 inclusive if Flap Transmission Replacement Kit 764 957L has been installed per Service Letter 959.
- F - On aircraft with serial numbers 31-5001 to 31-7852171 inclusive, if Calco Flap System Installation Kit 764 938L has been installed per Service Letter 959, order part for serial numbers 31-8152109 and up.
- G - Order part for serial numbers 31-8052104 and up if Calco Flap System Installation Kit 764 938L has been installed per Service Letter 959.

PIPER PARTS CATALOG

Figure and Index Number	Part Number	Code	NOMENCLATURE	No. Req.	SERIAL NUMBERS AFFECTED
102-	41488		DRAWING - Flap Installation		
-1	41358-00		BRACKET ASSEMBLY - Flap actuating motor, left	1	
-2	41359-00	C	MOUNTING CLAMP - Flap actuating motor, left	1	31-5001 to 31-7852171 incl.
	29254-02		MOUNTING CLAMP - Flap actuating motor, left	1	31-7952001 and up
-3	41454-04	C	ACTUATOR ASSEMBLY - Flap position and limit switch, left	1	31-5001 to 31-7852171 incl.
	49415-06		ACTUATOR ASSEMBLY - Flap position and limit switch, left	1	31-7952001 and up
	49415-07		ACTUATOR ASSEMBLY - Flap position and limit switch, right	1	31-7952001 and up
-4	43555-00	C	ROD - Flap position and limit switch, left	1	31-5001 to 31-7852171 incl.
	43555-00		ROD - Flap position and limit switch	2	31-7952001 and up
-5	40607-00	C	PLATE - Wing access, left	1	31-5001 to 31-7852171 incl.
	40607-00		PLATE - Wing access	2	31-7952001 and up
-6	40608-00	F	PLATE - Flap actuator access, left	1	31-5001 to 31-8152108 incl.
	40608-04		PLATE - Flap actuator access, left	1	31-8152109 and up
	40608-03		PLATE - Flap actuator access, right	1	31-7952001 to 31-8152108 incl.
	40608-05		PLATE - Flap actuator access, right	1	31-8152109 and up
-7	54175-00	C	JOINT - Ball (BL-103) left	2	31-5001 to 31-7852171 incl.
	54175-00		JOINT - Ball (BL-103)	4	31-7952001 and up
-8	760 367		KIT - Flap transmission bumper replacement	1	31-5001 to 31-7852171 incl.
-9	487 927		SWITCH - (6PL41)	2	
-10	43394-00	C	POTENTIOMETER ASSEMBLY - Left	1	31-5001 to 31-7852171 incl.
	74243-02		POTENTIOMETER ASSEMBLY	2	31-7952001 and up
-11	489 425	C,D	TRANSMISSION ASSEMBLY - (Dukes 1209-00-1) Left	1	31-5001 to 31-7852171 incl.
	489 426	C,D	TRANSMISSION ASSEMBLY - (Dukes 1210-00-1) Right	1	31-5001 to 31-7852171 incl.
	489 516	E	TRANSMISSION ASSEMBLY - (Calco 8537)	2	
	451 813		TRANSMISSION ASSEMBLY - (Calco 8407)	2	31-7952001 and up
-12	486 597	G	SHAFT ASSEMBLY - Flexible (12131Y)	2	31-5001 to 31-7852171 incl.
	486 542		SHAFT ASSEMBLY - Flexible (8412-3)	2	31-7952001 to 31-8052103 incl.
	486 667		SHAFT ASSEMBLY - Flexible (8412-6)	2	31-8052104 and up
-13	404 887		NUT - (MS20365-1032C)	2	31-5001 to 31-7852171 incl.
	404 887		NUT - (MS20365-1032C)	4	31-7952001 and up
-14	454 932		CLAMP - (PS10017-2-7)	2	
-15	415 533		SCREW - (MS35206-243) Left	22	31-5001 to 31-7852171 incl.
	415 533		SCREW - (MS35206-243)	44	31-7952001 and up
-16	400 438		BOLT - (AN3-4A)	4	
	407 584		WASHER - (AN960-10L)	4	
	404 887		NUT - (MS20365-1032C)	4	
-17	411 530		SCREW - (MS35207-261)	2	31-5001 to 31-7852171 incl.
	411 534		SCREW - (MS35207-265)	2	31-7952001 and up
-18	405 312		NUT - Hex (10-32) Left	2	31-5001 to 31-7852171 incl.
	405 312		NUT - Hex (10-32)	4	31-7952001 and up
-19	415 514		SCREW - (MS35206-234) Left	4	
	404 909		NUT - (MS20365-632C) Left	4	
-20	400 103	C	BOLT - (AN4-6)	4	31-5001 to 31-7852171 incl.
	400 698		BOLT - (AN24-11)	4	31-7952001 and up
	407 565	C	WASHER - (AN960-416)	4	31-5001 to 31-7852171 incl.
	407 585		WASHER - (AN960-416L)	4	31-7952001 and up
	404 101	C	NUT - (AN310-4)	4	31-5001 to 31-7852171 incl.
	404 393		NUT - (AN320-4)	4	31-7952001 and up
	424 052		COTTER PIN - (AN380-2-3)	4	
-21	400 110		BOLT - (AN4-15)	2	
	407 565		WASHER - (AN960-416)	2	
	404 101		NUT - (AN310-4)	2	
	424 052		COTTER PIN - (MS24665-134)	2	
-22	400 446		SCREW - (AN3-16A)	2	
	41413-55		BUSHING	2	
	404 887		NUT - (MS20365-1032C)	2	

When ordering, always specify Part Number, Description and Serial Number of Aircraft

PIPER PARTS CATALOG

Figure and Index Number	Part Number	Code	NOMENCLATURE	No. Req.	SERIAL NUMBERS AFFECTED
102-23	475 208	C	MOTOR - Flap control (1202-00-1)	1	31-5001 to 31-7852171 incl.
	475 212		MOTOR - Flap actuator (8405 M1)	1	31-7952001 and up
-23a	758 451	A	* BRUSH ASSEMBLY - Flap motor (8405-8)	2	
-23b	762 354	A	* SPRING - Flap motor brush (8405-24)	2	
-24	43486-00		COVER - Flap transmission	2	31-5001 to 31-7852171 incl.
-25	49718-02		BLOCK - Rub. right (Phenolic)	1	31-7952001 and up
-26	71951-02	B	ARM - Flap position actuator	1	

When ordering, always specify Part Number, Description and Serial Number of Aircraft



# PIPER PARTS CATALOG

---

GRIDS 3B21 THRU 3B24  
INTENTIONALLY LEFT BLANK

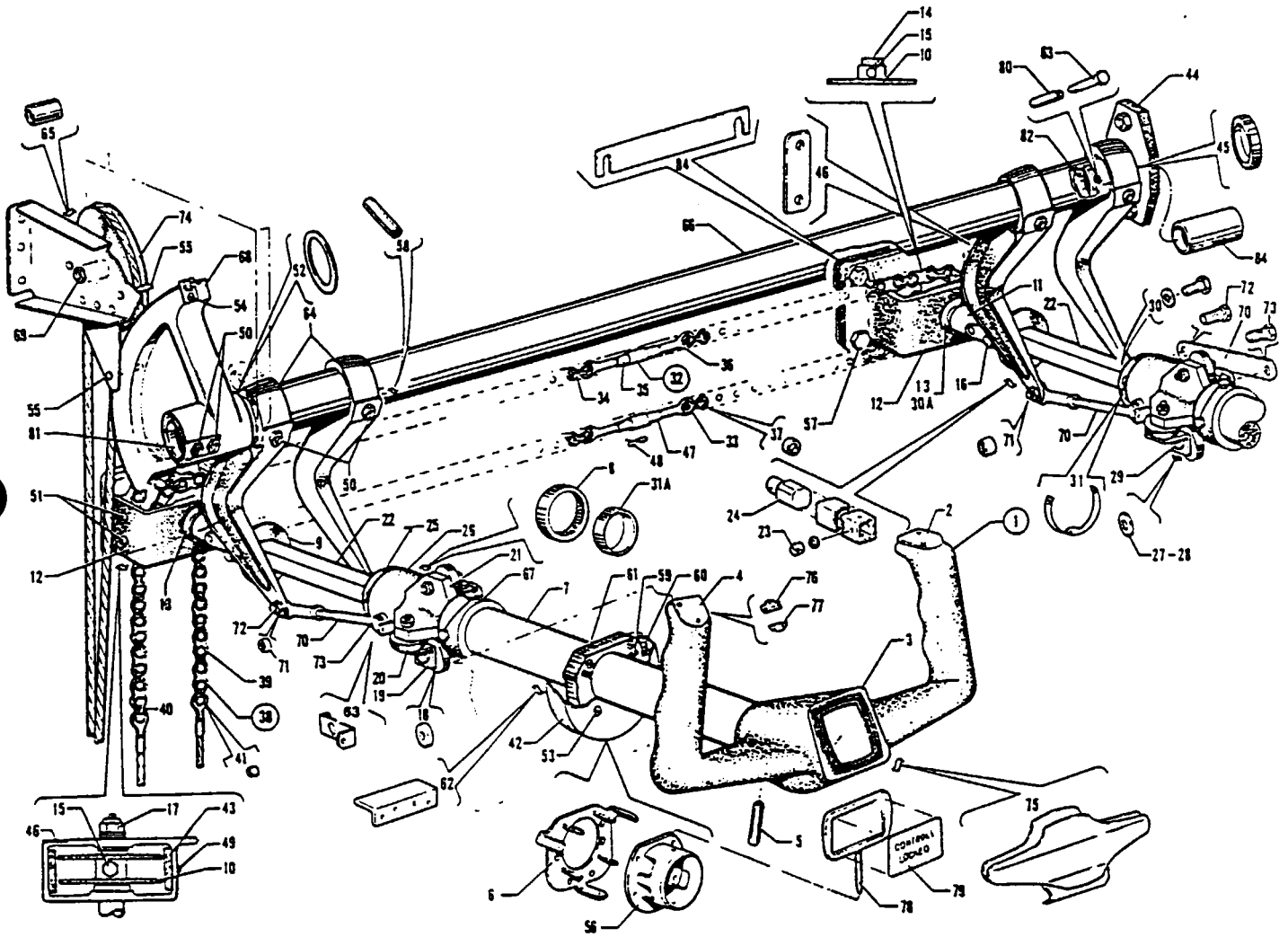


Figure 103. Control Wheel Installation

---

# PIPER PARTS CATALOG

---

## CODE EXPLANATIONS FOR FIGURE 103

- A - Used with flat aluminum link assembly.
- B - Used with rod end bearing link assembly.
- C - Used on aircraft with serial numbers 31-5001 to 31-7305046 inclusive, 31-7305048 to 31-7305050 inclusive, 31-7305058, 31-7305059 and 31-7305062.
- D - Used on aircraft with serial numbers 31-7305047, 31-7305051 to 31-7305057 inclusive, 31-7305060, 31-7305061, 31-7305063 and up.
- E - When ordering, specify color black or beige.

## PIPER PARTS CATALOG

Figure and Index Number	Part Number	Code	NOMENCLATURE	No. Req.	SERIAL NUMBERS AFFECTED
103-	41546		DRAWING - Elevator and Aileron Controls Mechanism Installation		
-1	43052-04		WHEEL ASSEMBLY - Control, black	2	31-5001 to 31-8052221 incl.
	43052-09		WHEEL ASSEMBLY - Control, black	2	31-8152001 and up
	43052-07		WHEEL ASSEMBLY - Control, beige	2	31-5001 to 31-8052221 incl.
	43052-08		WHEEL ASSEMBLY - Control, beige	2	31-8152001 and up
-2	53856-03	E	* PLATE - Control wheel, cover	1	
-3	474 345		* MEDALLION - Control wheel (Red and Silver "P" Crest)	1	
	48657-00		* MEDALLION - Control wheel (Red, Blue and Silver Logo)	1	
-4	53856-00	E	* PLATE - Control wheel, cover	1	
-5	480 710		* PIN - Roll (59-040-187-1875)	1	
-6	43688-00		COLLAR - Control wheel shaft, left	1	31-5001 to 31-7305052 incl
-7	42994-00	C	TUBE ASSEMBLY - Control, left	1	
	46349-07	D	TUBE ASSEMBLY - Control, left	1	
	42994-02	C	TUBE ASSEMBLY - Control, right	1	
	46349-08	D	TUBE ASSEMBLY - Control, right	1	
-8	452 458		* BEARING - Control tube assembly (B543)	2	
-9	40950-00		* COLLAR - Control wheel stop	1	
-10	40983-00		* SPROCKET - Double, left	1	
	20999-00		* SPROCKET - Right	1	
-11	41422-00	C	* UNIVERSAL ASSEMBLY - Control wheel shaft	1	
	46203-02	D	* UNIVERSAL ASSEMBLY - Control wheel shaft	1	
-12	41446-00	C	* BRACKET ASSEMBLY - Control tube, left	1	
	41446-02	C	* BRACKET ASSEMBLY - Control tube, right	1	
	29197-02	D	* BRACKET ASSEMBLY - Control tube	2	
-13	452 340	C	* * BEARING - Control wheel shaft, left (46677-00)	2	
	453 824	D	* * BUSHING - Control wheel shaft (NAS77A7-25)	2	
-14	21001-00		* BUSHING - Spacer, right	1	
-15	402 868		* BOLT - (NAS464-3A12)	1	
	407 564		* WASHER - (AN960-10)	1	
	406 636		* NUT - (H10-3 Hex)	1	
-16	402 867		* BOLT - (NAS464-3A14)	1	
	407 564		* WASHER - (AN960-10)	1	
	404 835		* NUT - (MS20364-1032C)	1	
-17	407 568	C	* WASHER - (AN960-716)	2	
	404 891	C	* NUT - (MS20365-720C)	1	
-18	20956-00		* BUSHING - Control shaft	4	
-19	20957-00		* ANGLE - Control shaft support	2	
-20	25358-00		* BEARING ASSEMBLY - Ball	4	
-21	41852-00		* FITTING - Roller attachment	1	
-22	01623-02		* TUBE ASSEMBLY - Control shaft	1	
-23	21470-00		* * BLOCK - Guide, control wheel tube	4	
	81342-78		* * WASHER - Guide block	AR	
-24	42938-03		* * STUD - Control shaft	1	
-25	42943-00		* COLLAR - Control shaft	1	
-26	42945-00		* HOUSING - Control shaft bearing	1	
-27	81342-89		* WASHER - (.012 thickness)	AR	
	81342-90		* WASHER - (.016 thickness)	AR	
	81342-91		* WASHER - (.020 thickness)	AR	
-28	81342-92		* WASHER - (.064 thickness)	4	
-29	400 444		* BOLT - (AN3-13A)	4	
	407 564		* WASHER - (AN960-10)	8	
	404 835		* NUT - (MS20364-1032C)	4	
-30	401 264		* BOLT - (AN3H-4A)	2	
	407 584		* WASHER - (AN960-10L)	2	

When ordering, always specify Part Number, Description and Serial Number of Aircraft

## PIPER PARTS CATALOG

Figure and Index Number	Part Number	Code	NOMENCLATURE	No. Req.	SERIAL NUMBERS AFFECTED
103-30a	452 340	C	* BEARING - Control wheel shaft, right (46677-00)	2	
-31	53785-00		* STRAP - Safety wire restraining	1	
-31a	53971-00		* SPACER - Housing control shaft	1	
-32	21619-02		CHAIN ASSEMBLY - Upper control column	1	
-33	13445-03		* CHAIN ASSEMBLY - Roller, left	1	
	13445-04		* CHAIN ASSEMBLY - Roller, right	1	
-34	472 684		* LINK - Connector	4	
-35	452 011		* BARREL - Turnbuckle (NAS6498-32S)	1	
-36	459 930		* EYE - Turnbuckle (NAS648-22-RS) Left	2	
	459 928		* EYE - Turnbuckle (NAS648-22-LS) Right	4	
-37	80012-95		* BUSHING - Eye	4	
-38	41532-00		CHAIN ASSEMBLY - Aileron control	1	
-39	13445-06		* CHAIN ASSEMBLY - Roller	1	
-40	472 684		* LINK - Connector	2	
-41	80012-95		* BUSHING - Eye	2	
-42	43640-00		COVER - Control wheel shaft, left	1	31-5001 to 31-7305052 incl.
	42537-02		COVER - Control wheel shaft, right	1	31-5001 to 31-7305052 incl.
	42537-02		COVER - Control wheel shaft	2	31-7305053 and up
-43	40954-02		GUARD - Aileron chain, left	1	
	40954-03		GUARD - Aileron chain, right	1	
-44	44272-00		BEARING ASSEMBLY - Torque tube end	2	
-45	452 512		* BEARING - (KP168S A1405)	1	
-46	41179-00	C	SHIM - Control wheel shaft bracket	2	
-47	452 011		BARREL - Turnbuckle (NAS6498-32S)	1	
-48	454 867		CLIP - Turnbuckle (NAS651-16S)	4	
-49	419 883		SCREW - (4 x 1/4" L.) R. H., Type "Z"	2	
-50	415 528		SCREW - (MS35206-238)	6	
	407 562		WASHER - (AN960-6)	12	
	404 909		NUT - (MS20365-632C)	6	
-51	419 886		SCREW - (4 x 3/8" L.) R. H., Type "Z"	2	
-52	40559-35		WASHER - Torque tube (.062 thick)	1	
	40559-40		WASHER - Torque tube (.032 thick)	1	
-53	515 719		SCREW - (PS10084-52-2)	4	
-54	415 535		SCREW - (MS35206-245)	2	
	407 042		WASHER - (MS35338-42)	2	
-55	424 519		PIN - (NAS427-K24)	3	
-56	43687-00		BUSHING - Control lock retainer	1	31-5001 to 31-7305052 incl.
-57	401 266		BOLT - (AN3-5A)	8	
	407 584		WASHER - (AN960-10L)	8	
-58	480 743		PIN - Roll (59-048-250-1750)	6	
-59	42538-00		SLIDE - Control shaft	6	
-60	415 521		SCREW - (MS35206-231)	2	
	407 562		WASHER - (AN960-6)	AR	
	404 829		NUT - (MS20364-632C)	2	
-61	42536-02		COLLAR - Control shaft, left	1	31-5001 to 31-7305052 incl.
	42536-00		COLLAR - Control shaft, right	1	31-5001 to 31-7305052 incl.
	42536-00		COLLAR - Control shaft	2	31-7305053 and up
-62	40796-00		STOP - Control wheel	2	31-5001 to 31-7852171 incl.
	40796-00		STOP - Control wheel, left	1	31-7952001 and up
	40796-02		STOP - Control wheel, right	1	31-7952001 and up
-63	415 158		SCREW - (AN526-632R26)	2	
	407 562		WASHER - (AN960-6)	4	
	404 909		NUT - (MS20365-632C)	2	
-64	42756-00		CONTROL ARM - Elevator actuator, left	2	
	42756-01		CONTROL ARM - Elevator actuator, right	2	

When ordering, always specify Part Number, Description and Serial Number of Aircraft

PIPER PARTS CATALOG

Figure and Index Number	Part Number	Code	NOMENCLATURE	No. Req.	SERIAL NUMBERS AFFECTED
103-65	42571-06		BUSHING - Elevator control	1	
-66	42901-02		TUBE - Torque, elevator control	1	
-67	42942-00		RING - Control shaft	2	
-68	40323-02		SECTOR - Elevator control	1	
-69	401 193		BOLT - (AN5-15A)	1	
	407 566		WASHER - (AN960-516)	1	
	404 889		NUT - (MS20365-524C)	1	
-70	42944-00		LINK ASSEMBLY - Control shaft, left inboard, right outboard	2	
	28546-02		LINK ASSEMBLY - Control shaft, left outboard, right inboard	2	
-71	453 790		* BUSHING - (NAS76A6-008)	2	
-72	42964-00	A	BOLT - Special (463 191) Front	2	
	400 106	B	BOLT - (AN4-11) Front	2	
-73	42965-00	A	BOLT - Special (453 192) Rear	2	
	401 191	B	BOLT - (AN5H-7A) Rear	2	
	40559-41	B	WASHER - Flat	2	
	408 825	B	WASHER - Shakeproof (3512-20-03-0511)	2	
-74	481 652		PULLEY - (MS20220-2)	1	
-75	43618-00		CLIP ASSEMBLY - Map	1	31-5001 to 31-8052221 incl.
	43618-08		CLIP ASSEMBLY - Map	1	31-8152001 and up
-76	43362-00		PLACARD - "MIKE A/P OFF"	1	
	43364-00		PLACARD - "MIKE"	1	
-77	43360-00		PLACARD - "DOWN-UP"	1	
-78	43691-00		LOCK ASSEMBLY - Control shaft	1	31-5001 to 31-7305052 incl.
-79	43693-00		* PLACARD - Control shaft lock	1	31-5001 to 31-7305052 incl.
-80	480 767		PIN - Roll (59-048-250-1250)	2	
-81	44271-00		TUBE - Torque extension	1	
-82	44270-00		TUBE - Torque extension	1	31-5001 to 31-7405478 incl.
	44270-02		TUBE - Torque extension	1	31-7405479 and up
-83	42540-02		STOP - Bolt (1.94" long between bends)	4	
	54945-02		STOP - Bolt ( .96" long between bends)	4	
-84	55817-02		SHIM - Control shaft	AR	

When ordering, always specify Part Number, Description and Serial Number of Aircraft

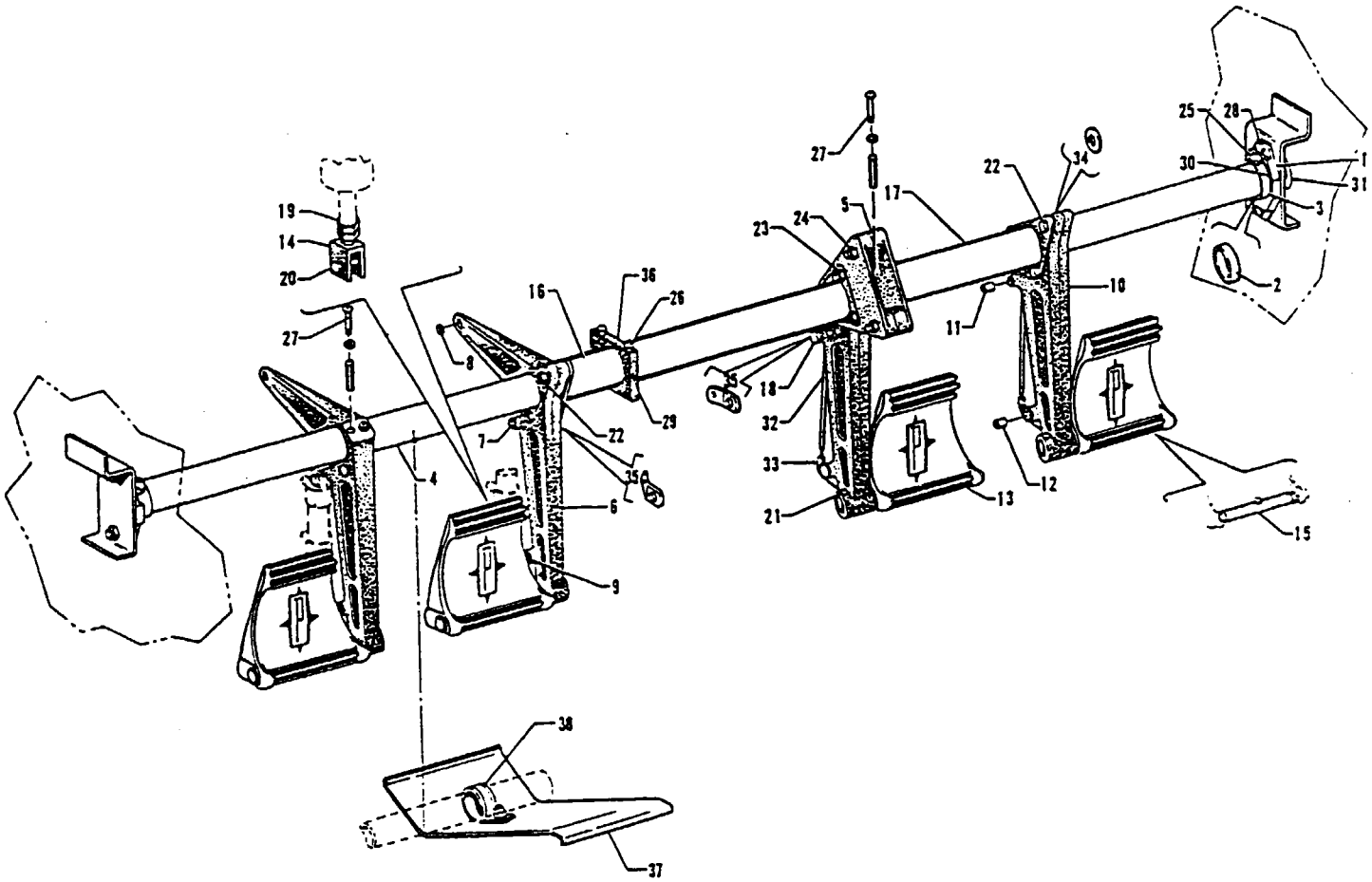


Figure 104. Rudder Pedal Installation

---

# PIPER PARTS CATALOG

CODE EXPLANATIONS FOR FIGURE 104



PIPER PARTS CATALOG

Figure and Index Number	Part Number	Code	NOMENCLATURE	No. Req.	SERIAL NUMBERS AFFECTED
104-	41485		DRAWING - Rudder Pedal and Nose Gear Steering Mechanism Installation		
-1	40968-04		BEARING ASSEMBLY - Torque tube end	2	
-2	452 431		BEARING - (B-208)	1	
-3	41453-00		COLLAR - Brake and rudder pedal torque tube	2	
-4	41465-00		TUBE - Brake and rudder pedal torque	1	
-5	40313-00		LINK - Rudder pedal torque tube	2	
-6	40298-03		ARM ASSEMBLY - Rudder pedal, left inboard	1	
	40298-02		ARM ASSEMBLY - Rudder pedal, left outboard	1	
-7	80012-108		BUSHING - Rudder pedal arm assembly	1	
-8	80012-109		BUSHING - Rudder pedal arm assembly	1	
-9	80012-110		BUSHING - Rudder pedal arm assembly	1	
-10	40302-02		ARM ASSEMBLY - Rudder pedal, right inboard	1	
	40302-03		ARM ASSEMBLY - Rudder pedal, right outboard	1	
-11	80012-108		BUSHING - Rudder pedal arm assembly	1	
-12	80012-110		BUSHING - Rudder pedal arm assembly	1	
-13	44182-00		PEDAL - Brake and rudder, left	2	31-5001 to 31-7952250 incl
	44182-02		PEDAL - Brake and rudder, left	2	31-8052001 and up
	44182-01		PEDAL - Brake and rudder, right	2	31-5001 to 31-7952250 incl.
	44182-03		PEDAL - Brake and rudder, right	2	31-8052001 and up
-14	12605-00		CLEVIS - Brake cylinder	2	
-15	41402-00		TUBE - Brake and rudder pedal spacer	4	
-16	41423-03		TUBE ASSEMBLY - Interconnecting torque, center	1	
-17	41435-00		TUBE ASSEMBLY - Interconnecting torque, right	1	31-5001 to 31-7952250 incl
	41435-03		TUBE ASSEMBLY - Interconnecting torque, right	1	31-8052001 and up
-18	400 116		BOLT - (AN4-23)	4	
	407 565		WASHER - (AN960-416)	4	
	404 101		NUT - (AN310-4)	4	
	424 051		COTTER PIN - (MS24665-132)	4	
-19	404 322		NUT - (AN316-4R)	4	
-20	424 176		PIN - Flat head (AN393-15)	4	
	407 584		WASHER - (AN960-10L)	4	
	424 051		COTTER PIN - (MS24665-132)	4	
-21	424 185		PIN - Flat head (AN393-33)	4	
	407 584		WASHER - (AN960-10L)	4	
	424 051		COTTER PIN - (MS24665-132)	4	
-22	400 451		BOLT - (AN3-20A)	6	
	407 584		WASHER - (AN960-10L)	6	
	404 835		NUT - (MS20364-1032C)	6	
-23	410 042		SCREW - (AN509-10R-12)	6	
	407 564		WASHER - (AN960-10)	6	
	404 835		NUT - (MS20364-1032C)	6	
-24	400 018		BOLT - (AN4-25A)	2	
	407 565		WASHER - (AN960-416)	2	
	404 836		NUT - (MS20364-428C)	2	
-25	400 446		BOLT - (AN3-16A)	2	
	407 564		WASHER - (AN960-10)	2	
	404 835		NUT - (MS20364-1032C)	2	
-26	400 451		BOLT - (AN3-20A)	2	
-27	480 744		PIN - Roll (59-048-250-1875)	4	
	415 161		SCREW - (AN526-632R34)	4	
	407 562		WASHER - (AN960-6)	8	
	404 829		NUT - (MS20364-832C)	4	
-28	400 003		BOLT - (AN4-6A)	4	

When ordering, always specify Part Number, Description and Serial Number of Aircraft

PIPER PARTS CATALOG

Figure and Index Number	Part Number	Code	NOMENCLATURE	No. Req.	SERIAL NUMBERS AFFECTED
104-29	81102-35		WASHER - Square, shim (.012)	AR	
	81102-36		WASHER - Square, shim (.020)	AR	
	81102-37		WASHER - Square, shim (.037)	AR	
-30	40559-06		WASHER - Collar, torque tube	2	
-31	481 096		PLATE - Patch (A6914-1024-1)	1	
-32	42143-00		LINK ASSEMBLY - Rudder pedal	2	
-33	12605-00		CLEVIS - Rudder pedal link assembly	1	
-34	81342-89		WASHER - (.012 thickness)	AR	
	81342-90		WASHER - (.016 thickness)	AR	
	81342-91		WASHER - (.020 thickness)	AR	
-35	45511-00		CLIP - Rudder balance cable	2	
-36	41473-00		BLOCK - Torque tube bearing	2	
-37	54174-02		GUARD - Rudder torque tube, left	2	31-7405459 and up
-38	554 963		CLAMP - (PS10017-8-24)	2	31-7405459 and up

When ordering, always specify Part Number, Description and Serial Number of Aircraft

# PIPER PARTS CATALOG

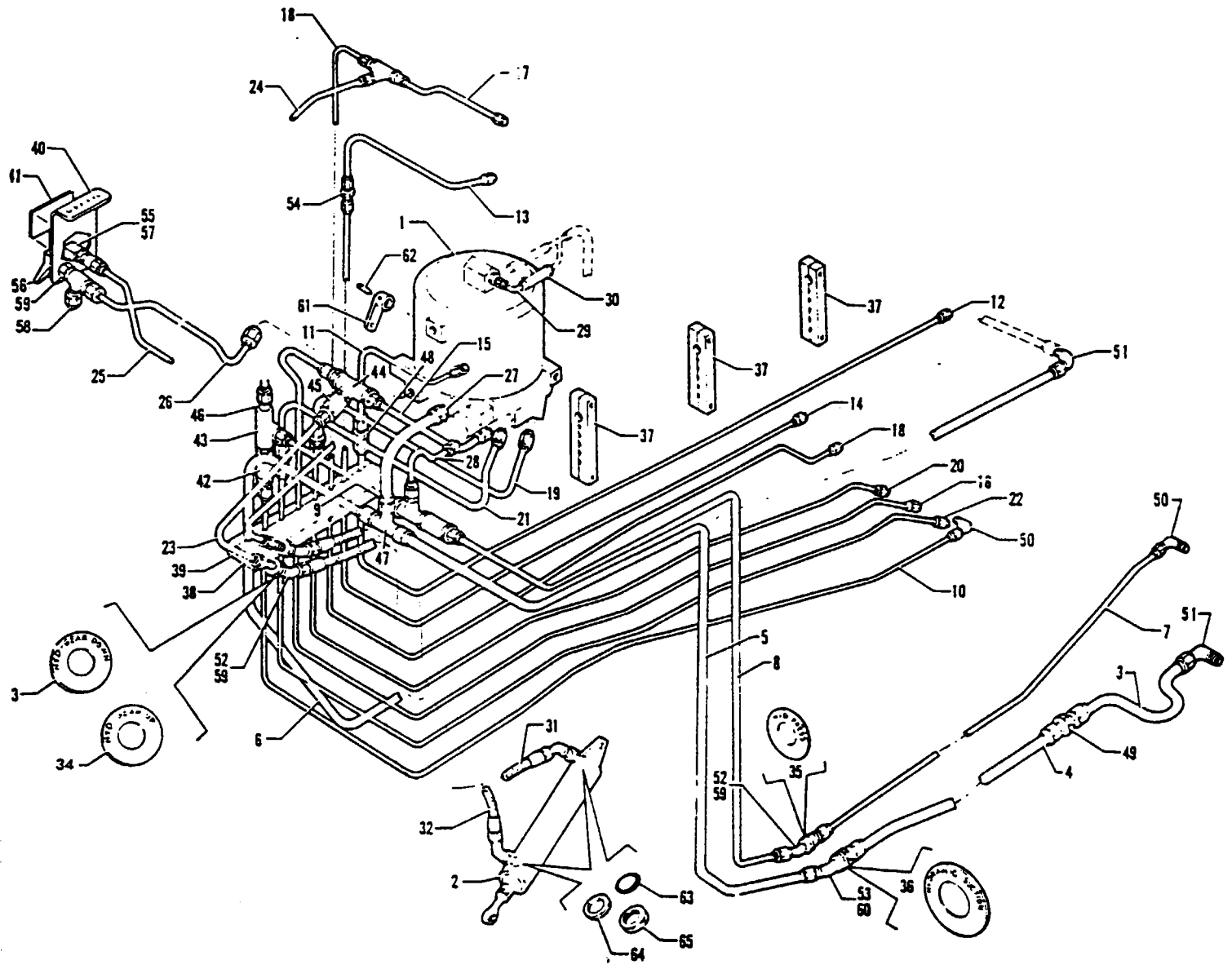


Figure 105. Forward Hydraulic System Installation

---

# PIPER PARTS CATALOG

---

## CODE EXPLANATIONS FOR FIGURE 105

- A - See Figure 109 and 109A for component parts.
- B - See Figure 108 for component parts
- C - See Figure 110 and 110A for component parts.
- D - See Figure 108A for component parts.

PIPER PARTS CATALOG

Figure and Index Number	Part Number	Code	NOMENCLATURE	No. Req.	SERIAL NUMBERS AFFECTED
105-	52375		DRAWING - Hydraulic System Installation		
-1	481 140	A	POWERPAK - New (Ozone OAS2930-5)	1	31-5001 to 31-7305125 incl.
	757 374	A	POWERPAK - Reconditioned (Ozone OAS2930-5)	1	31-5001 to 31-7305125 incl.
	757 473	C	POWERPAK - New (Wiebel 2135-3)	1	31-5001 to 31-7305125 incl.
	481 166	A	POWERPAK - New (Ozone OAS2930-7)	1	31-7405126 and up
	757 457	A	POWERPAK - Reconditioned (Ozone OAS2930-7)	1	31-7405126 and up
	481 171	C	POWERPAK - New (Wiebel 2135-1)	1	31-7405126 and up
-2	451 826	B	ACTUATOR - Hydraulic (Ozone OAS2923-3)	1	
	451 825	D	ACTUATOR - Hydraulic (Wiebel 2115-1)	1	
-3	52385-00		TUBE ASSEMBLY - Hydraulic, engine pump suction	1	
-4	52386-00		TUBE ASSEMBLY - Hydraulic, engine pump suction	1	
-5	40808-00		TUBE ASSEMBLY - Hydraulic, engine pump suction	1	31-5001 to 31-7405478 incl.
	74177-02		TUBE ASSEMBLY - Hydraulic, engine pump suction	1	31-7405479 and up
-6	52987-00		TUBE ASSEMBLY - Hydraulic, engine pump suction	1	
-7	40822-03		TUBE ASSEMBLY - Hydraulic, engine pump pressure	1	
-8	40820-00		TUBE ASSEMBLY - Hydraulic, engine pump pressure	1	31-5001 to 31-7405478 incl.
	74178-02		TUBE ASSEMBLY - Hydraulic, engine pump pressure	1	31-7405479 and up
-9	80024-06		TUBE ASSEMBLY - Hydraulic, engine pump pressure	1	
-10	52993-00		TUBE ASSEMBLY - Hydraulic, engine pump pressure	1	
-11	40850-00		TUBE ASSEMBLY - Hydraulic, hand pump suction	1	
-12	40852-00		TUBE ASSEMBLY - Hydraulic, hand pump suction	1	
-13	40854-00		TUBE ASSEMBLY - Hydraulic, hand pump pressure	1	
-14	40855-00		TUBE ASSEMBLY - Hydraulic, hand pump pressure	1	
-15	40837-00		TUBE ASSEMBLY - Hydraulic, gear up	1	
-16	40838-00		TUBE ASSEMBLY - Hydraulic, gear up	1	
-17	40844-00		TUBE ASSEMBLY - Hydraulic, gear down	1	
-18	40845-00		TUBE ASSEMBLY - Hydraulic, gear down	1	
-19	40833-00		TUBE ASSEMBLY - Hydraulic, door open	1	
-20	40834-00		TUBE ASSEMBLY - Hydraulic, door open	1	
-21	40826-00		TUBE ASSEMBLY - Hydraulic, door close	1	
-22	40827-00		TUBE ASSEMBLY - Hydraulic, door close	1	
-23	41061-00		TUBE ASSEMBLY - Hydraulic, gear up	1	
-24	41063-00		TUBE ASSEMBLY - Hydraulic, gear down	1	
-25	44982-00		TUBE ASSEMBLY - Hydraulic pressure	1	
-26	44977-00		TUBE ASSEMBLY - Hydraulic drain	1	
-27	40802-00		TUBE ASSEMBLY - Hydraulic, engine pump suction	1	
-28	40812-00		TUBE ASSEMBLY - Hydraulic, engine pump pressure	1	
-29	46722-00		LINE ASSEMBLY - Static pressure	1	
-30	22369-14		TUBE - Plastic	1	
-31	17766-04		HOSE ASSEMBLY - Flexible, hydraulic pressure	1	
-32	17766-92		HOSE ASSEMBLY - Flexible, hydraulic suction	1	
-33	40849-02		PLACARD - Identification fitting (HYD Gear Down)	1	
-34	40849-03		PLACARD - Identification fitting (HYD Gear Up)	1	
-35	40849-06		PLACARD - Identification fitting (HYD Press)	1	
-36	40849-10		PLACARD - Identification fitting (HYD Suction)	1	
-37	40919-00		BLOCK - Tube retaining	6	
-38	40923-02		BLOCK - Hydraulic tube retaining	2	
-39	40923-03		BLOCK - Hydraulic tube retaining	2	
-40	44983-00		BRACKET ASSEMBLY - Hydraulic valve support	1	
-41	48030-00		PLACARD - Hydraulic system	1	
-42	492 106		VALVE - Hydraulic check (AN6249-4D)	2	
-43	488 351		TEE - (AN784D4)	1	
-44	488 510		TEE - (AN938D4)	2	
-45	484 459		VALVE - Restrictor (1143-A0610)	1	
-46	491 050		UNION - (AN815-4D)	6	
-47	488 509		TEE - (AN824-8D)	1	

When ordering, always specify Part Number, Description and Serial Number of Aircraft

## PIPER PARTS CATALOG

Figure and Index Number	Part Number	Code	NOMENCLATURE	No. Req.	SERIAL NUMBERS AFFECTED
105-48	491 051		UNION - (AN815-5D)	1	
-49	491 053		UNION - (AN815-8D)	1	
-50	458 880		ELBOW - (AN821-4D) 90 Degrees	2	
-51	458 881		ELBOW - (AN821-8D) 90 Degrees	2	
-52	458 910		ELBOW - (AN837-4D) 45 Degrees	5	
-53	458 914		ELBOW - (AN837-8D) 45 Degrees	1	
-54	492 170		VALVE - Check (2C9326)	1	
-55	492 190		VALVE - (2C5836)	1	
-56	492 191		VALVE - (7-1470-3)	1	
-57	454 173		CAP - (AN929-4)	1	
-58	454 299		CAP - (AN929-6)	1	
-59	477 618		NUT - (AN924-4D)	4	
	407 568		WASHER - (AN960-716)	4	
-60	477 621		NUT - (AN924-8D)	1	
	407 573		WASHER - (AN960-1216)	1	
-61	40879-07		ARM ASSEMBLY - Powerpak actuating (Ozone)	1	
	763 009		ARM ASSEMBLY - Powerpak actuating (Wiebel)	1	
-62	480 705		ROLL PIN - (59-028-125-0500)	1	
-63	462 027		GASKET - (AN6290-4)	9	
-64	484 752		RING - (AN6291-4)	2	
-65	477 676		NUT - (AN6289-D4)	2	

When ordering, always specify Part Number, Description and Serial Number of Aircraft

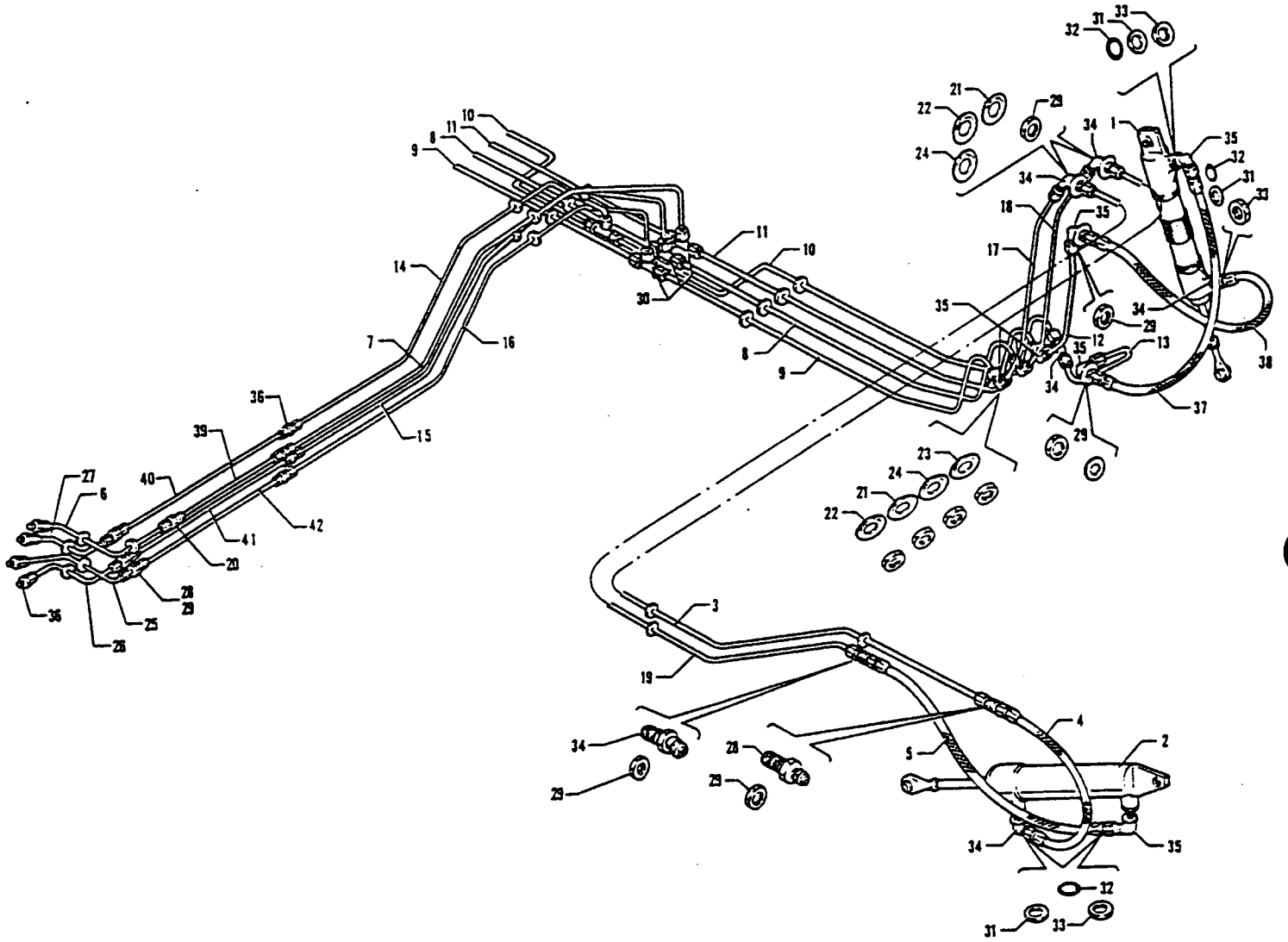


Figure 106. Aft Hydraulic System Installation

---

# PIPER PARTS CATALOG

---

## CODE EXPLANATIONS FOR FIGURE 106

- A - See Figure 108 for component parts.
- B - See Figure 108A for component parts.



## PIPER PARTS CATALOG

Figure and Index Number	Part Number	Code	NOMENCLATURE	No. Req.	SERIAL NUMBERS AFFECTED
106-	52375		DRAWING - Hydraulic System Installation		
-1	455 946	A	CYLINDER - Lock (Ozone OAS2924-3)	2	
	455 961	B	CYLINDER - Lock (Wiebel 2114-1)	2	
-2	451 826	A	ACTUATOR - Hydraulic (Ozone OAS2923-3)	2	
	451 825	B	ACTUATOR - Hydraulic (Wiebel 2115-1)	2	
-3	40848-00		TUBE ASSEMBLY - Hydraulic, gear down, left	1	
	40848-01		TUBE ASSEMBLY - Hydraulic, gear down, right	1	
-4	17766-27		HOSE ASSEMBLY - Flexible, hydraulic anti-retraction valve	2	
-5	17766-91		HOSE ASSEMBLY - Flexible, hydraulic anti-retraction valve	2	
-6	40828-00		TUBE ASSEMBLY - Hydraulic, door close	1	
-7	52975-00		TUBE ASSEMBLY - Hydraulic, door close	1	
-8	40830-02		TUBE ASSEMBLY - Hydraulic, gear down, right	1	
	40830-09		TUBE ASSEMBLY - Hydraulic, gear down, left	1	
-9	40830-03		TUBE ASSEMBLY - Hydraulic, gear up, right	1	
	40830-07		TUBE ASSEMBLY - Hydraulic, gear up, left	1	
-10	42204-00		TUBE ASSEMBLY - Hydraulic, door open, left	1	
	42204-01		TUBE ASSEMBLY - Hydraulic, door open, right	1	
-11	40830-08		TUBE ASSEMBLY - Hydraulic, door close, left	1	
	40830-05		TUBE ASSEMBLY - Hydraulic, door close, right	1	
-12	40832-00		TUBE ASSEMBLY - Hydraulic, door close	2	
-13	40836-00		TUBE ASSEMBLY - Hydraulic, door open, left	1	
	40836-01		TUBE ASSEMBLY - Hydraulic, door open, right	1	
-14	52979-00		TUBE ASSEMBLY - Hydraulic, door open	1	
-15	52994-00		TUBE ASSEMBLY - Hydraulic, gear down	1	
-16	52995-00		TUBE ASSEMBLY - Hydraulic, gear up	1	
-17	17766-02		HOSE ASSEMBLY - Hydraulic, gear up	2	
-18	17766-02		HOSE ASSEMBLY - Hydraulic, gear down	2	
-19	40841-00		TUBE ASSEMBLY - Hydraulic, gear up, left	1	
	40841-01		TUBE ASSEMBLY - Hydraulic, gear up, right	1	
-20	491 050		UNION - (AN815-4D)	1	
-21	40849-02		PLACARD - Fitting identification (HYD Gear Down)	4	
-22	40849-03		PLACARD - Fitting identification (HYD Gear Up)	4	
-23	40849-04		PLACARD - Fitting identification (HYD Door Open)	4	
-24	40849-05		PLACARD - Fitting identification (HYD Door Close)	4	
-25	42103-00		TUBE ASSEMBLY - Hydraulic, gear up	1	
-26	42102-00		TUBE ASSEMBLY - Hydraulic, gear down	1	
-27	42104-00		TUBE ASSEMBLY - Hydraulic, door open	1	
-28	491 060		UNION - (AN832-4D)	5	
-29	477 618		NUT - (AN924-4D)	23	
	407 568		WASHER - (AN960-716)	23	
-30	488 320		TEE - (AN824-4D)	4	
-31	484 752		RING - (AN6291-4)	8	
-32	462 027		GASKET - (AN6290-4)	8	
-33	477 676		NUT - (AN6289-D4)	8	
-34	458 910		ELBOW - (AN837-4D) 45 Degrees	12	
-35	458 900		ELBOW - (AN833-4D) 90 Degrees	14	
-36	491 050		UNION - (AN815-4D)	8	
-37	17766-02		HOSE ASSEMBLY - Hydraulic pressure, door open	2	
-38	17766-04		HOSE ASSEMBLY - Hydraulic pressure, door close	2	
-39	80024-50		TUBE ASSEMBLY - Hydraulic, door close	1	
-40	80024-49		TUBE ASSEMBLY - Hydraulic, door open	1	
-41	80024-48		TUBE ASSEMBLY - Hydraulic, gear down	1	
-42	80024-51		TUBE ASSEMBLY - Hydraulic, gear up	1	

When ordering, always specify Part Number, Description and Serial Number of Aircraft

PIPER PARTS CATALOG

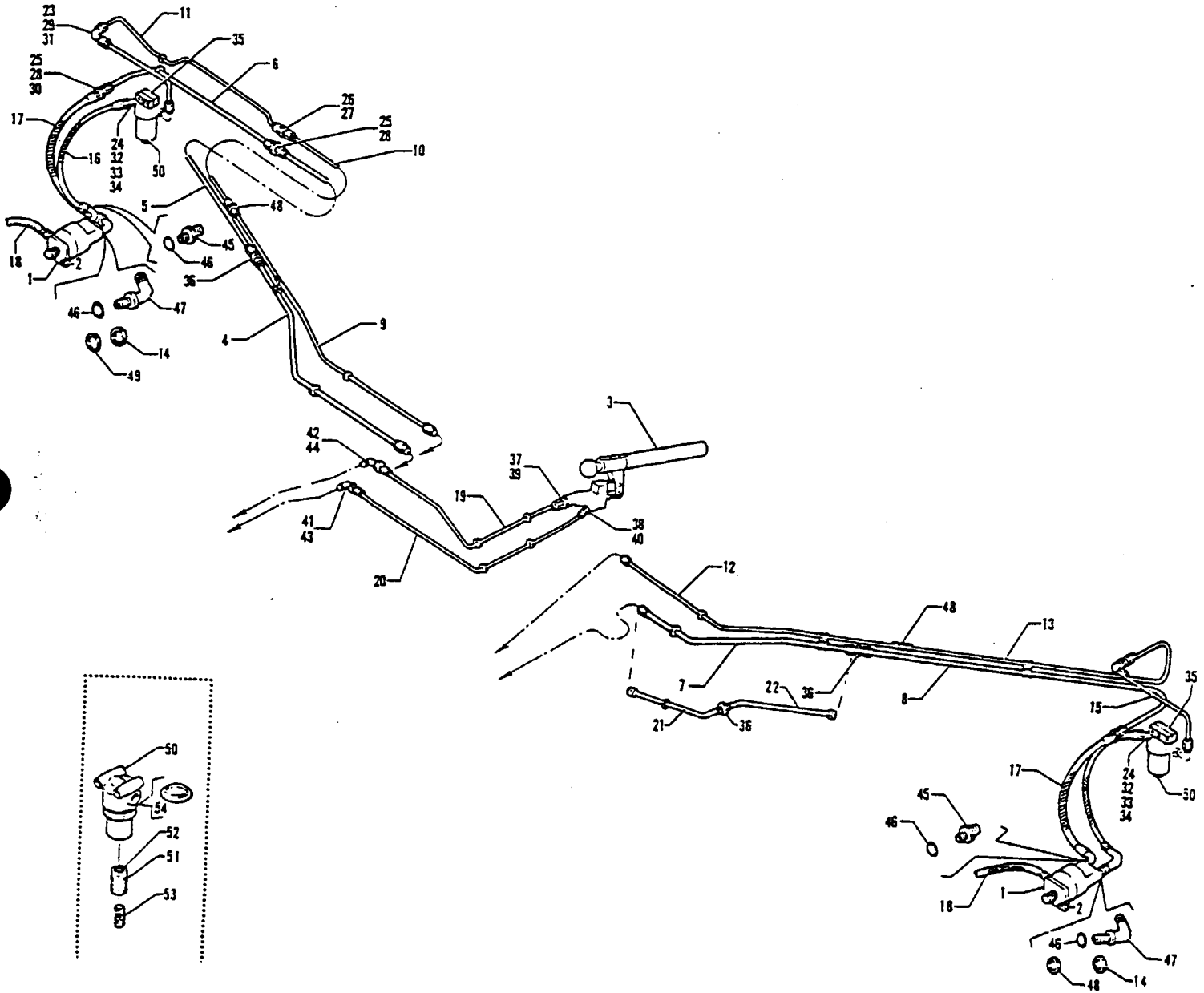


Figure 107. Hydraulic Pumps Installation

REVISED: SEPTEMBER 1979

3C17

PA-31-350

---

# PIPER PARTS CATALOG

---

## CODE EXPLANATIONS FOR FIGURE 107

- A - See Figure 108 for component parts.
- B - Used if Purolator Filter is installed.
- C - Used if Bendix Filter is installed.
- D - See Figure 108A for component parts.

PIPER PARTS CATALOG

Figure and Index Number	Part Number	Code	NOMENCLATURE	No. Req.	SERIAL NUMBERS AFFECTED
107-	52375		DRAWING - Hydraulic System Installation		
-1	26802-08		PUMP ASSEMBLY - Hydraulic (1213 HBG TYPE 310) (CW and CCW) Left or right	2	
	26802-10		PUMP ASSEMBLY - Hydraulic (CW), left	1	
	26802-11		PUMP ASSEMBLY - Hydraulic (CCW), right	1	
-2	462 023		* GASKET - Seal (AN4045-1)	1	
-3	481 717	A	PUMP - Hand (Ozone OAS2950-9)	1	
	481 771	D	PUMP - Hand (Wiebel 2112-1)	1	
-4	52397-00		TUBE ASSEMBLY - Hydraulic, engine pump suction	1	
-5	40806-00		TUBE ASSEMBLY - Hydraulic, engine pump suction	1	
-6	40807-00		TUBE ASSEMBLY - Hydraulic, engine pump suction	1	
-7	52384-00		TUBE ASSEMBLY - Hydraulic, engine pump suction, (25.65" L)	1	
-8	40811-00		TUBE ASSEMBLY - Hydraulic, engine pump suction	1	
-9	53828-00		TUBE ASSEMBLY - Hydraulic, engine pump pressure	1	
-10	40817-00		TUBE ASSEMBLY - Hydraulic, engine pump pressure	1	
-11	40818-00		TUBE ASSEMBLY - Hydraulic, engine pump pressure	1	
-12	52398-00		TUBE ASSEMBLY - Hydraulic, engine pump pressure	1	
-13	54750-02		TUBE ASSEMBLY - Hydraulic, engine pump pressure	1	
-14	477 733		NUT - (AN6289-D8)	2	
-15	40819-00		TUBE ASSEMBLY - Hydraulic, engine pump pressure	2	
-16	23745-13		HOSE ASSEMBLY - Flexible, hydraulic pressure	2	
-17	39995-04		HOSE ASSEMBLY - Flexible, hydraulic suction	2	
-18	17766-90		HOSE ASSEMBLY - Flexible, hydraulic pump drain	2	
-19	52961-00		TUBE ASSEMBLY - Hydraulic, hand pump suction	1	
-20	52966-00		TUBE ASSEMBLY - Hydraulic, hand pump pressure	1	
-21	55313-02		LINE ASSEMBLY - Hydraulic, engine pump suction, (8.25" L)	1	
-22	55312-03		LINE ASSEMBLY - Hydraulic, engine pump suction, (16.01" L)	1	
-23	458 934		ELBOW - (AN833-4) 90 Degrees	4	
-24	40910-00		ELBOW - 45 Degrees	2	
-25	491 068		UNION - (AN832-8)	3	
-26	491 060		UNION - (AN832-4D)	1	
-27	477 618		NUT - (AN924-4D)	1	
	407 568		WASHER - (AN960-718)	1	
-28	477 691		NUT - (AN924-8)	3	
	407 563		WASHER - (AN960-1216)	3	
-29	40849-06		PLACARD - Identification fitting (HYD Press)	2	
-30	40849-10		PLACARD - Identification fitting (HYD Suction)	2	
-31	477 629		NUT - (AN924-4)	2	
	407 568		WASHER - (AN960-716)	2	
-32	484 752		RING - (AN6291-4)	4	
-33	462 027		GASKET - (AN6290-4)	4	
-34	477 713		NUT (AN6289-4)	4	
-35	40920-00		BLOCK - Back-up	2	
-36	491 053		UNION - (AN815-8D)	3	
-37	462 028		GASKET - (AN6290-5)	1	
-38	462 026		GASKET - (AN6290-3)	1	
-39	491 051		UNION - (AN815-5D)	1	
-40	491 049		UNION - (AN815-3D)	1	
-41	458 899		ELBOW - (AN833-3D) 90 Degrees	1	
-42	458 878		ELBOW - (AN833-5D) 90 Degrees	1	
-43	477 617		NUT - (AN924-3D)	1	
	409 567		WASHER - (AN960-616)	1	
-44	477 623		NUT - (AN924-5D)	1	
	407 567		WASHER - (AN960-816)	1	
-45	484 283		REDUCER - (AN919-10D)	2	
-46	462 031		GASKET - (AN6290-8)	4	
-47	458 905		ELBOW - (AN833-8D)	2	

When ordering, always specify Part Number, Description and Serial Number of Aircraft

PIPER PARTS CATALOG

Figure and Index Number	Part Number	Code	NOMENCLATURE	No. Req.	SERIAL NUMBERS AFFECTED
107-48	491 050		UNION - (AN815-4D)	2	
-49	484 827		RING - (AN6291-8)	2	
-50	460 635		FILTER ASSEMBLY - Oil (AN6234-1)	2	
-51	751 759		• ELEMENT - Filter (AN6235-1A)	1	
-52	484 701		• • PACKING - "O" Ring (AN6227-7)	1	
-53	756 164		• SPRING - (572 755)	1	
-54	752 604	B	• "O" Ring - (MS28778-16)	1	
	751 869	C	• "O" Ring (AN6227-B22)	1	

When ordering, always specify Part Number, Description and Serial Number of Aircraft

# PIPER PARTS CATALOG

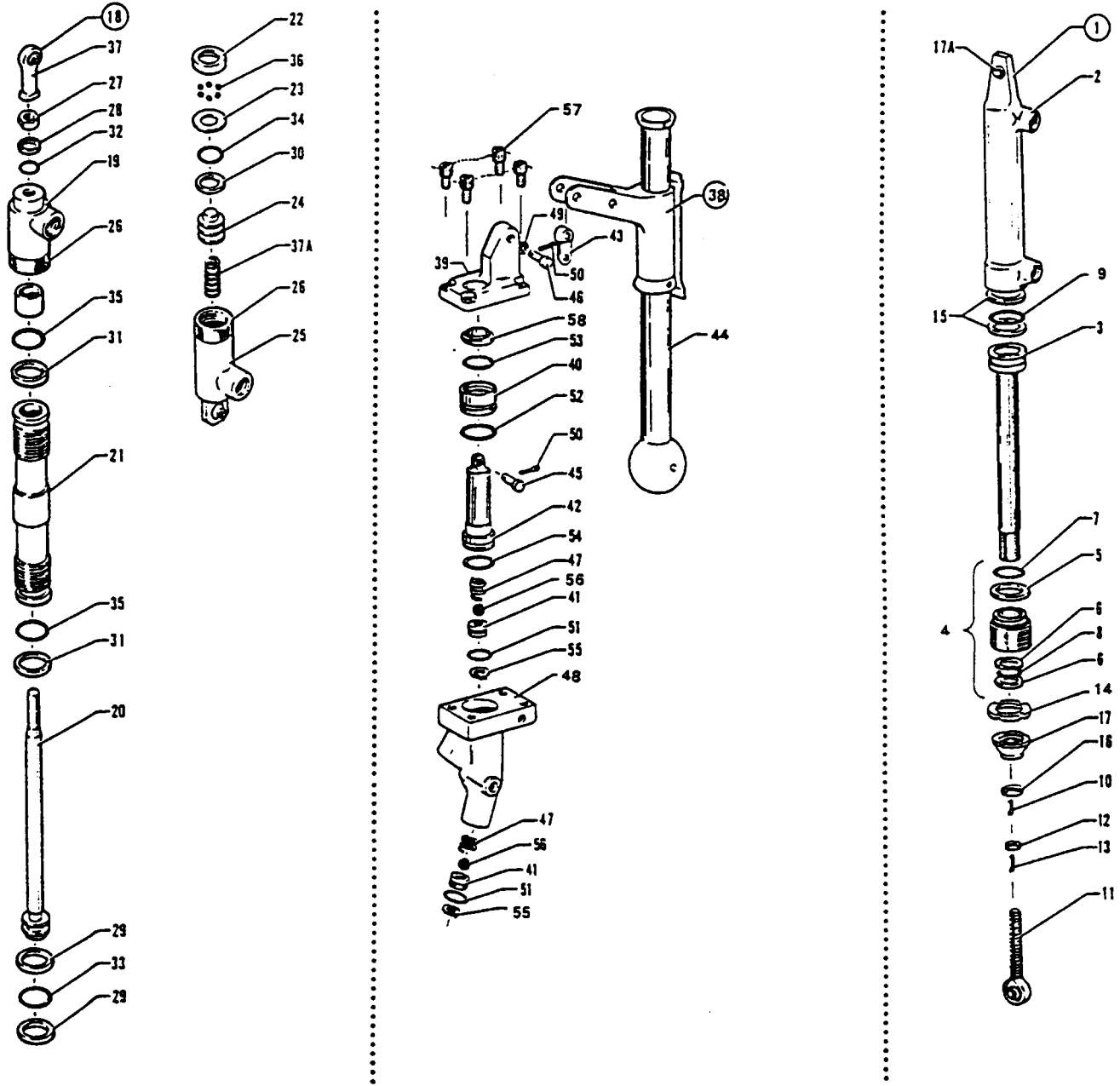


Figure 108. Hydraulic System Components (Ozone)

---

# PIPER PARTS CATALOG

CODE EXPLANATIONS FOR FIGURE 108

PIPER PARTS CATALOG

Figure and Index Number	Part Number	Code	NOMENCLATURE	No. Req.	SERIAL NUMBERS AFFECTED
108-1	451 826		ACTUATOR - Hydraulic (Ozone OAS2923-3)	3	
-2	757 864		* CYLINDER ASSEMBLY - (292310-1)	1	
-3	757 319		* PISTON - (292308-1)	1	
-4	760 389		* KIT - Actuator gland	1	
-5	756 020		* * RING - Glyd (S-12547-026)	1	
-6	756 022		* * RING - Back-up (MS28774-114)	2	
-7	757 320		* * PACKING - (MS28775-025)	1	
-8	757 223		* * PACKING - (MS28775-114)	1	
-9	757 224		* PACKING - (MS28775-216)	1	
-10	754 550		* LOCK - (NAS559-1)	1	
-11	762 554		* ROD END - (MXK-46-16A)	1	
-12	752 526		* NUT - (NAS509-6)	1	
-13	752 365		* LOCK - (NAS559-2)	1	
-14	752 358		* LOCK NUT - (292304-1)	1	
-15	756 021		* RING - Back-up (MS28774-216)	2	
-16	752 359		* LOCK NUT - (292305-1)	1	
-17	756 263		* STOP - (292306-1)	1	
-17a	453 845		* BUSHING - (NAS77-5-15)	2	
-18	455 946		CYLINDER - Lock (Ozone OAS2924-3)	2	
-19	753 965		* CAP - End (292401-101)	1	
-20	757 225		* PISTON - (294903-105)	1	
-21	753 444		* BARREL - (294902-101)	1	
-22	755 957		* RACE - (294904-101)	1	
-23	753 216		* WASHER - (294905-101)	1	
-24	757 226		* PLUNGER - (294906-101)	1	
-25	753 966		* CLEVIS ASSEMBLY - End (294908-041)	1	
-26	752 508		* NUT - (294909-101)	2	
-27	754 551		* DYNALOCK - (A80428-SCN3)	1	
-28	755 902		* RING - (MS28774-011) Back-up	1	
-29	755 958		* RING - (MS28774-111) Back-up	2	
-30	755 959		* RING - (MS28774-112) Back-up	1	
-31	755 960		* RING - (MS28774-18) Back-up	2	
-32	755 941		* PACKING - (MS28775-011)	1	
-33	757 227		* PACKING - (MS28775-111)	1	
-34	757 228		* PACKING - (MS28775-112)	1	
-35	757 229		* PACKING - (MS28775-018)	2	
-36	753 445		* BALL - (MS150453)	6	
-37	755 961		* ROD END - (F34-14)	1	
-37a	756 265		* SPRING - (294715-1)	1	
-38	481 717		PUMP - Hand (Ozone OAS2950-9)	1	
-39	753 446		* BRACKET ASSEMBLY - (295002-1)	1	
-40	751 892		* GLAND - Packing (294050-1)	1	
-41	756 267		* SEAL - (294051-1)	2	
-42	757 232		* PLUNGER - (294053-1)	1	
-43	752 360		* LINK - (294055-1)	1	
-44	755 277		* HANDLE AND LEVER ASSEMBLY - Hand pump	1	
-45	757 230		* PIN - (294025-1)	2	
-46	757 231		* PIN - (293025-3)	1	
-47	756 266		* SPRING - (294018-1)	2	
-48	758 166		* BODY - Hand pump (295001-1)	1	
-49	753 217		* WASHER - (294079-1)	3	
-50	757 237		* COTTER PIN - (MS24665-148)	3	
-51	755 941		* PACKING - (MS28775-011)	2	
-52	757 233		* PACKING - (MS28775-021)	1	
-53	757 223		* PACKING - (MS28775-114)	1	
-54	757 234		* PACKING - (MS28775-115)	1	
-55	755 962		* RETAINER - (5000-43H)	2	
-56	753 484		* BALL - (MS150457)	2	

When ordering, always specify Part Number, Description and Serial Number of Aircraft



PIPER PARTS CATALOG

Figure and Index Number	Part Number	Code	NOMENCLATURE	No. Req.	SERIAL NUMBERS AFFECTED
108-57 -58	756 271 756 269		SCREW - (NAS608C4H8) SCRAPER - (MS28776-3)	4 1	

When ordering, always specify Part Number, Description and Serial Number of Aircraft

# PIPER PARTS CATALOG

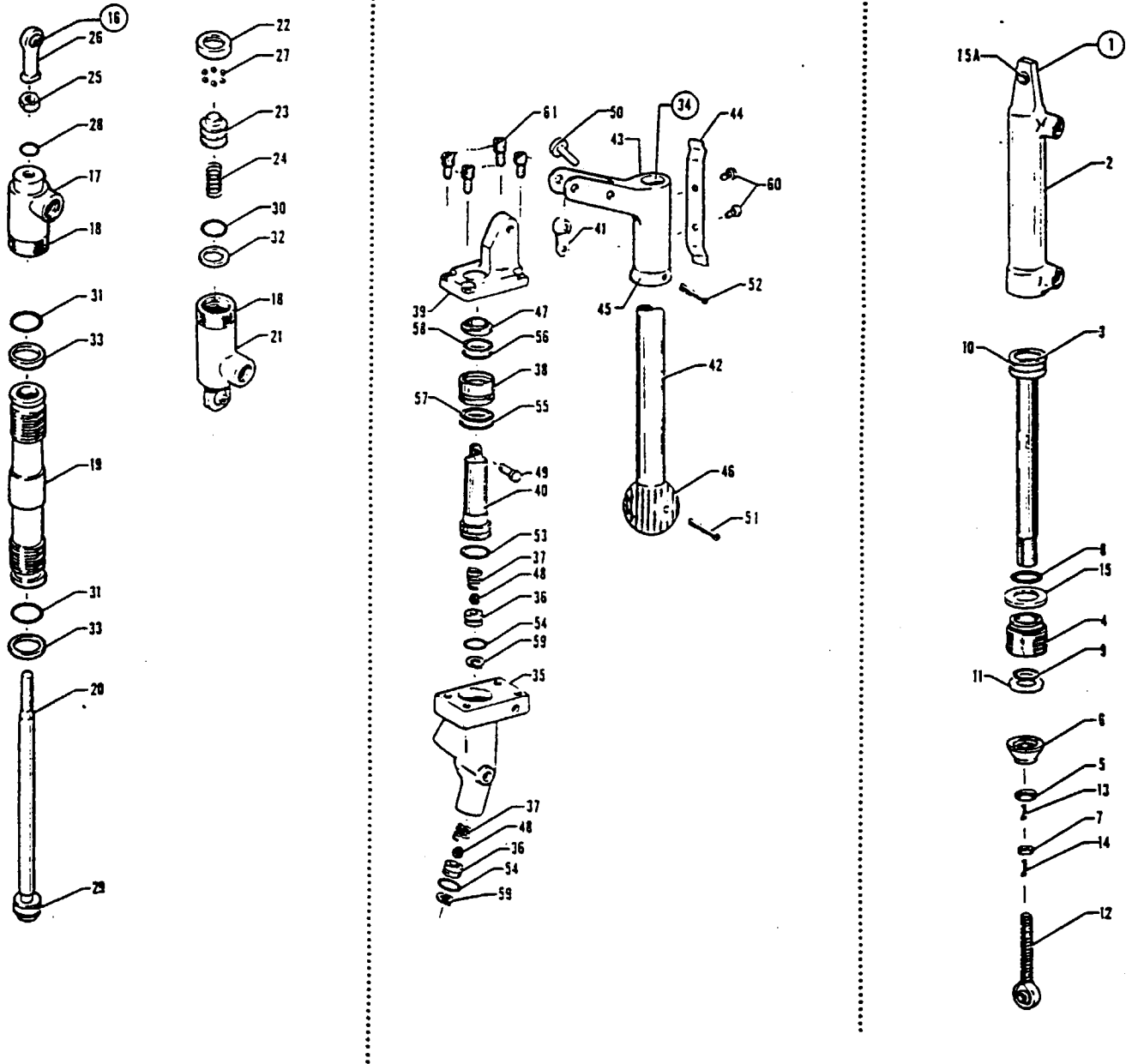


Figure 108A. Hydraulic System Components (Wiebel)

---

# PIPER PARTS CATALOG

---

CODE EXPLANATION FOR FIGURE 108A

# PIPER PARTS CATALOG

Figure and Index Number	Part Number	Code	Nomenclature	No. Req.	Serial Numbers Affected
108A-1	451 825		ACTUATOR - Hydraulic (Wiebel 2115-1)	3	
-2	763 211		* CYLINDER ASSEMBLY - (2115001-1)	1	
-3	757 499		* PISTON - (2115002-1)	1	
-4	763 208		* CAP - End (2115003-1)	1	
-5	752 568		* NUT - (2115005-1)	1	
-6	762 313		* STOP - (2115006-1)	1	
-7	404 528		* NUT - (MS21042-6)	1	
-8	752 588		* O-RING - (MS28775-124)	1	
-9	762 548		* RING - Seal (7114FS-160-T)	1	
-10	762 549		* RING - Seal (7216MS-160-T)	1	
-11	762 285		* SCRAPER - (S-11065-3)	1	
-12	762 554		* ROD END - (MXK-46-16A)	1	
-13	754 550		* LOCK - (NAS559-1)	1	
-14	761 115		* KEY - (2115004-1)	1	
-15	762 541		* RETAINER - Back-up (MS28774-124)	1	
-15a	453 845		* BUSHING - (NAS77-5-15)	2	
-16	455 961		CYLINDER - Lock (Wiebel 2114-1)	2	
-17	763 209		* CAP - End (2114001-1)	1	
-18	752 569		* NUT - (2114002-1)	2	
-19	758 377		* BARREL - (2114003-1)	1	
-20	757 500		* PISTON - (2114004-1)	1	
-21	754 854		* FITTING ASSEMBLY - (2114005-1)	1	
-22	762 535		* RACE - (2114006-1)	1	
-23	763 404		* PLUNGER - (2114007-1)	1	
-24	762 308		* SPRING - (2114008-1)	1	
-25	752 570		* NUT - (10081 ESLOK)	1	
-26	755 961		* ROD END - (F-34-14)	1	
-27	753 445		* BALL - (MS150453)	6	
-28	762 550		* RING - Seal (7011FS-160-T)	1	
-29	762 551		* RING - Seal (7111MS-160-T)	1	
-30	757 266		* O-RING - (MS28775-015)	1	
-31	757 229		* O-RING - (MS28775-018)	2	
-32	762 539		* RETAINER - Back-up (MS28774-015)	1	
-33	755 960		* RETAINER - Back-up (MS28774-018)	2	
-34	481 771		PUMP - Hand (Wiebel 2112-1)	1	
-35	758 385		* BODY ASSEMBLY - Hand pump (2112001-1)	1	
-36	762 316		* SEAT - (2112002-1)	2	
-37	762 302		* SPRING - (2112003-1)	2	
-38	755 055		* GLAND - (2112004-1)	1	
-39	758 386		* BRACKET ASSEMBLY - (2112005-1)	1	
-40	763 405		* PLUNGER - (2112006-1)	1	
-41	761 205		* LINK - (211007-1)	1	
-42	755 276		* HANDLE - (2112008-1)	1	
-43	761 204		* LEVER ASSEMBLY - (2112009-1)	1	
-44	762 309		* SPRING - (2112010-1)	1	
-45	762 314		* STOP - (2112011-1)	1	
-46	755 096		* GRIP - (2112012-1)	1	
-47	762 285		* SCRAPER - (S-11065-3)	1	
-48	753 484		* BALL - (MS150457)	2	
-49	757 496		* PIN - Quick click (3/16 x .437)	1	
-50	757 497		* PIN - Quick click (3/16 x .750)	2	
-51	757 236		* PIN - Spring (MS171537)	1	
-52	757 494		* PIN - Spring (MS171532)	1	
-53	762 552		* RING - Seal (7115MS-160-T)	1	
-54	755 941		* O-RING - (MS28775-011)	2	
-55	757 233		* O-RING - (MS28775-021)	1	
-56	757 223		* O-RING - (MS28775-114)	1	
-57	762 540		* RETAINER - Back-up (MS28774-021)	1	

When ordering, always specify Part Number, Description, and Serial Number of Aircraft

PIPER PARTS CATALOG

Figure and Index Number	Part Number	Code	NOMENCLATURE	No. Req.	SERIAL NUMBERS AFFECTED
108A-58 -59 -60 -61	762 542 755 962 762 292 762 291		RETAINER - Back-up (MS28774-114) RETAINER - Snap Ring (5000-43H) SCREW - Drive (AN535-4-3) SCREW - (NAS 1351C4-10)	1 2 2 4	

When ordering, always specify Part Number, Description and Serial Number of Aircraft

PIPER PARTS CATALOG

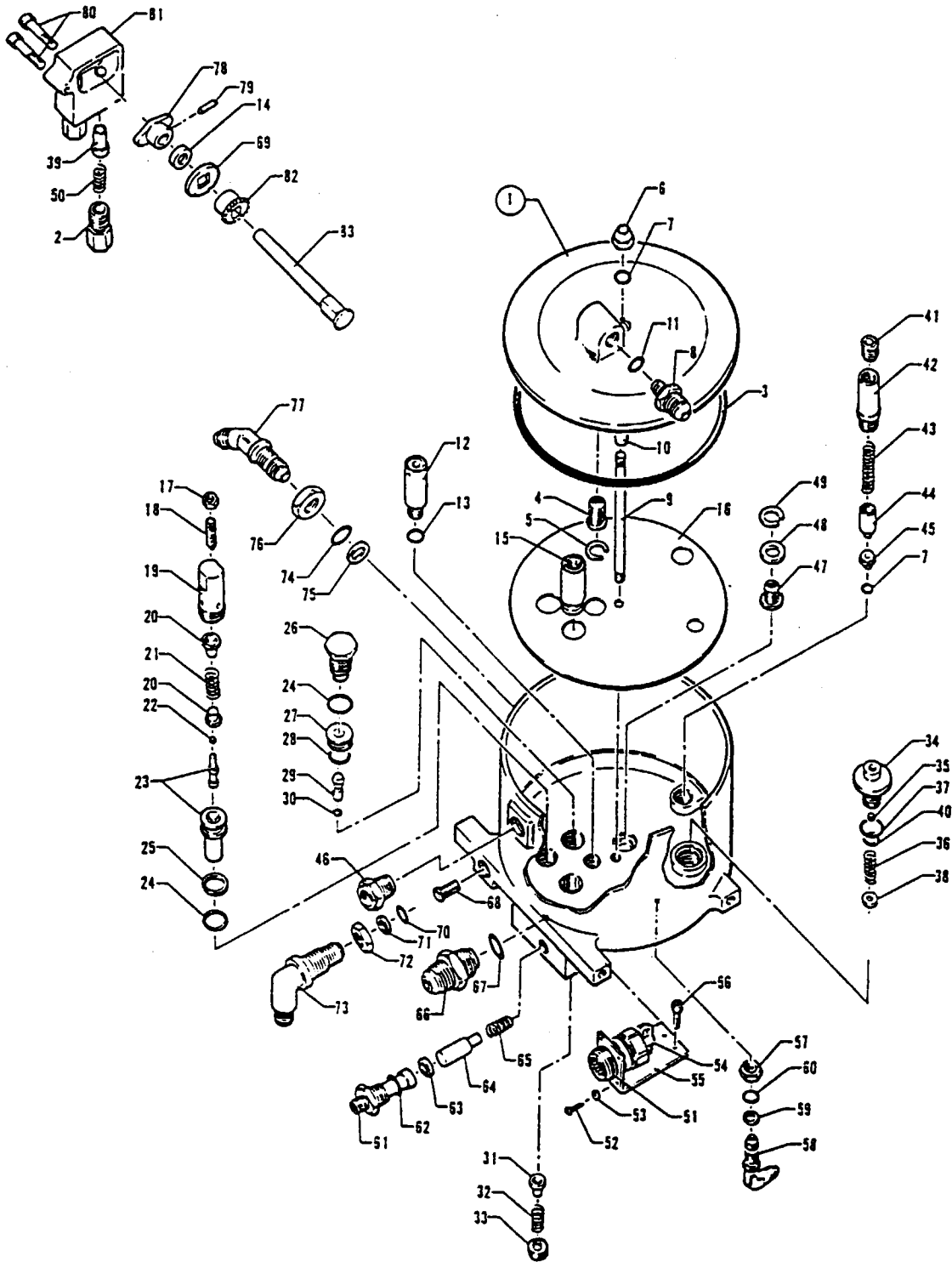


Figure 109. Hydraulic Powerpak Assembly (Ozone)

---

# PIPER PARTS CATALOG

---

## CODE EXPLANATIONS FOR FIGURE 109

A - See Figure 109A for balance of powerpak components.

PIPER PARTS CATALOG

Figure and Index Number	Part Number	Code	NOMENCLATURE	No. Req.	SERIAL NUMBERS AFFECTED
109-1	481 140	A	POWERPAK ASSEMBLY - New (Ozone OAS2930-5)	1	31-5001 to 31-7305125 incl.
	757 374	A	POWERPAK ASSEMBLY - Reconditioned (Ozone OAS2930-5)	1	31-5001 to 31-7305125 incl.
	481 166	A	POWERPAK ASSEMBLY - New (Ozone OAS2930-7)	1	31-7405126 and up
	757 457	A	POWERPAK ASSEMBLY - Reconditioned (Ozone OAS2930-7)	1	31-7405126 and up
-2	757 327		* PLUG ASSEMBLY - (293011-1)	2	
-3	757 262		* PACKING - (MS28775-257)	1	
-4	751 822		* FILTER - (294061-3)	1	
-5	755 980		* RING - Snap (5000-50H)	1	
-6	752 519		* NUT - (294081-1)	1	
-7	757 263		* PACKING - (MS28775-010)	2	
-8	484 353		* REDUCER - (AN919-6D)	1	
-9	755 981		* ROD - (294046-1)	1	
-10	757 502		* SPACER - (294044-1)	1	
-11	462 029		* PACKING - (AN6290-6)	1	
-12	756 511		* VALVE - Vent (OAS2925-1)	1	
-13	757 265		* PACKING - (MS28778-3)	1	
-14	757 533		* SPACER - (294068-1)	1	
-15	751 823		* FILTER ASSEMBLY - (293008-1)	1	
-16	753 479		* BAFFLE - (294042)	1	
-17	752 520		* NUT - (NAS509-5)	1	
-18	757 503		* SCREW - (294032-1)	1	
-19	755 982		* RETAINER - (294033-1)	1	
-20	753 480		* BUTTON - (294034-1)	2	
-21	757 504		* SPRING - (294035-1)	1	
-22	753 481		* BALL - (MS150455)	1	
-23	757 505		* SEAT AND POPPET - (294007-1)	1	
-24	757 266		* PACKING - (MS28775-015)	2	
-25	753 482		* BACK-UP - (MS28774-15)	1	
-26	755 983		* RETAINER ASSEMBLY - (294036-1)	1	
-27	757 506		* SEAT - (294037-1)	1	
-28	757 267		* PACKING - (MS28775-014)	1	
-29	757 285		* POPPET - (294038-1)	1	
-30	757 268		* PACKING - (MS28775-006)	1	
-31	753 483		* BUTTON - (294039-1)	1	
-32	757 507		* SPRING - (294090-1)	1	
-33	755 984		* RETAINER - (294064-1)	1	
-34	755 985		* RETAINER - (294020-1)	1	
-35	753 484		* BALL - (MS150457)	1	
-36	756 266		* SPRING - (294018-1)	1	
-37	757 269		* PACKING - (MS28775-016)	1	
-38	757 509		* SPACER - (294019-1)	1	
-39	757 328		* PLUNGER ASSEMBLY - (293012-1)	2	
-40	757 270		* PACKING - (MS28775-012)	1	
-41	755 986		* RETAINER ASSEMBLY - (294030-1)	1	
-42	753 485		* BODY - (294045-1)	1	
-43	757 524		* SPRING - (294087-1)	1	
-44	757 286		* POPPET - (294091-1)	1	
-45	757 512		* SEAT - (294092-1)	1	
-46	751 900		* GAUGE - Oil (4040)	1	
-47	754 810		* FILTER ASSEMBLY - (293023-1)	1	
-48	757 513		* SPACER - (294062-1)	1	
-49	757 514		* SNAP RING - (CR-62)	1	
-50	757 594		* SPRING - (293013-1)	2	
-51	753 999		* CONNECTOR - (MS2100A14S-2P)	1	

When ordering, always specify Part Number, Description and Serial Number of Aircraft



PIPER PARTS CATALOG

Figure and Index Number	Part Number	Code	NOMENCLATURE	No. Req.	SERIAL NUMBERS AFFECTED
109-52	757 517		SCREW - (NAS609-448-4)	4	
-53	407 101		WASHER - (AN935-4)	4	
-54	757 801		CLAMP - (MS3057-6A)	1	
-55	757 289		PLATE - Mounting (294074-1)	1	
-56	757 518		SCREW - (NAS608C3H6)	2	
-57	752 524		NUT - (AN6289D3)	1	
-58	458 899		ELBOW - (AN833-3D)	1	
-59	753 490		BACK-UP - (MS28777-3)	1	
-60	757 265		PACKING - (MS28778-3)	1	
-61	754 801		FITTING - (294066-1)	1	
-62	755 940		PACKING - (MS28778-6)	1	
-63	755 941		PACKING - (MS28775-011)	1	
-64	757 290		PLUNGER - (294065-1)	1	
-65	757 526		SPRING - (294072-1)	1	
-66	491 053		UNION - (AN815-8D)	1	
-67	757 275		PACKING - (MS28778-8)	1	
-68	754 800		FILTER ASSEMBLY - (294061-5)	1	
-69	757 804		CAM - (295203-1)	1	
-70	755 940		PACKING - (MS28778-6)	1	
-71	753 486		BACK-UP - (MS28777-6)	1	
-72	752 521		NUT - (AN6289-06)	1	
-73	458 901		ELBOW - (AN833-6D)	1	
-74	757 283		PACKING - (MS28777-5)	1	
-75	757 284		PACKING - (MS28778-5)	1	
-76	752 525		NUT - (AN6289D5)	1	
-77	458 911		ELBOW - (AN837-5D)	1	
-78	757 803		CAM - (294009-1)	1	
-79	757 291		PIN - Spring (MS171528)	1	
-80	757 528		SCREW - (NAS608C4H16)	2	
-81	752 013		HOUSING - (293010-1)	1	
-82	751 902		GEAR - (294063-1)	1	
-83	757 532		SHAFT - (294043-1)	1	

When ordering, always specify Part Number, Description and Serial Number of Aircraft

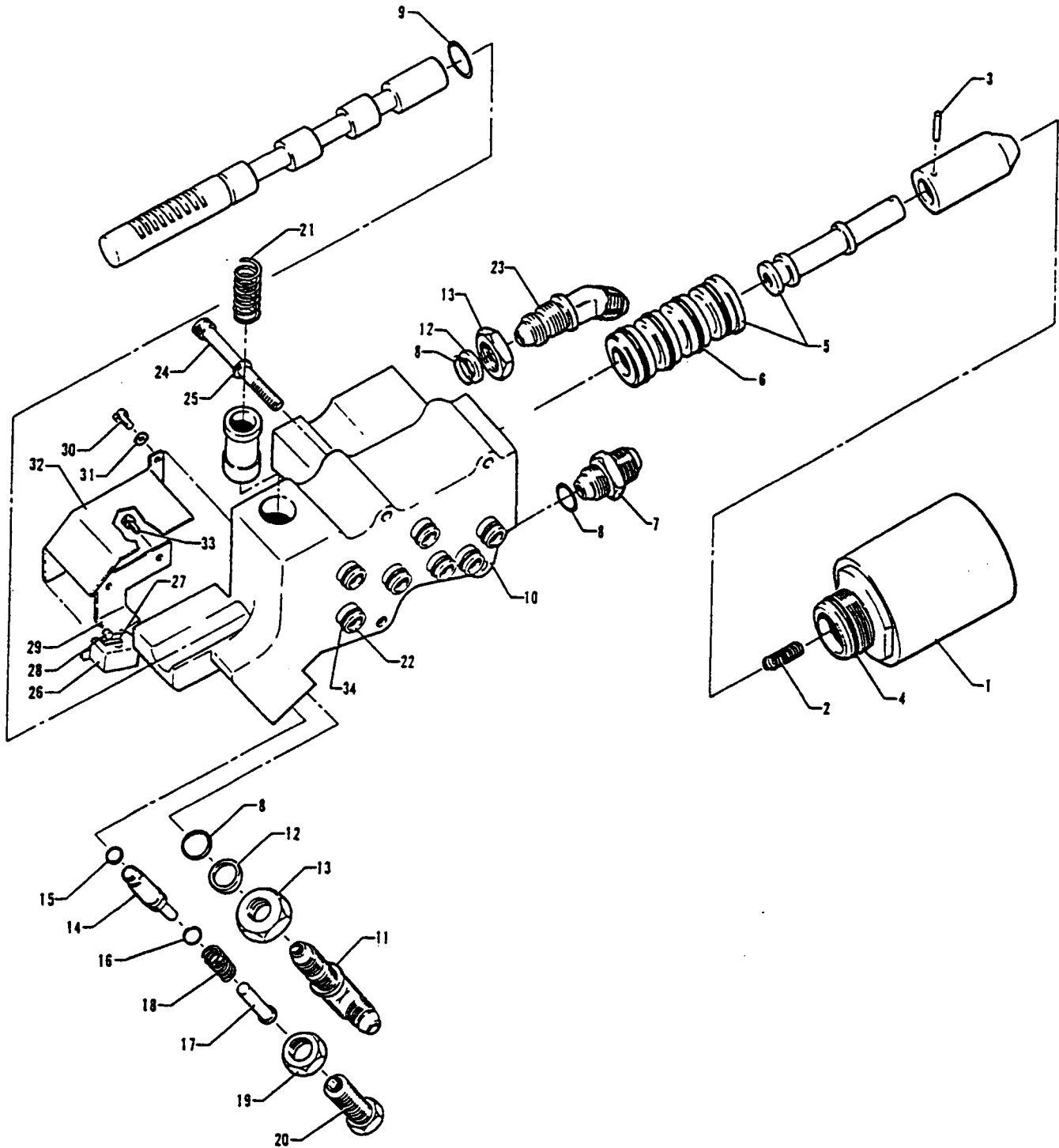


Figure 109A. Hydraulic Powerpak Components (Ozone)

---

# PIPER PARTS CATALOG

---

CODE EXPLANATIONS FOR FIGURE 109A

PIPER PARTS CATALOG

Figure and Index Number	Part Number	Code	NOMENCLATURE	No. Req.	SERIAL NUMBERS AFFECTED
109A-1	757 515		SOLENOID - (294013-3)	1	
-2	757 516		SPRING - (294014-1)	1	
-3	757 288		PIN - (294015-1)	1	
-4	757 229		PACKING - (MS28775-018)	1	
-5	757 519		SLEEVE AND SPOOL - (294016-3)	1	
-6	757 269		PACKING - (MS28775-016)	4	
-7	491 050		UNION - (AN815-4D)	2	
-8	757 276		PACKING - (MS28778-4)	4	
-9	757 277		PACKING - (MS28775-013)	1	
-10	753 790		MANIFOLD ASSEMBLY - (294002-3)	1	
-11	458 900		ELBOW - (AN833-4D)	1	
-12	484 752		BACK-UP - (AN6291-4)	2	
-13	477 876		NUT - (AN6289D-4)	2	
-14	757 287		POPPET ASSEMBLY - (294028-1)	1	
-15	757 268		PACKING - (MS28775-006)	1	
-16	757 279		PACKING - (MS28775-008)	1	
-17	751 901		GUIDE - (294088-1)	1	
-18	757 524		SPRING - (294087-1)	1	
-19	752 523		NUT - (NAS509-7)	1	
-20	755 988		RETAINER - (294089-1)	1	
-21	757 510		SPRING - (294017-1)	1	
-22	756 323		TUBE - Transfer (294076-1)	7	
-23	458 910		ELBOW - (AN837-4D)	1	
-24	757 527		SCREW - (NAS608C3H24)	4	
-25	756 610		WASHER - (NAS620C10)	4	
-26	757 529		SWITCH ASSEMBLY - (294070-3)	1	
-27	757 530		STRAP - Mounting (80-160028)	1	
-28	751 281		ACTUATOR - (294071-1)	1	
-29	753 491		BRACKET - (294069-1)	1	
-30	756 270		SCREW - (AN500AD6-3)	2	
-31	753 218		WASHER - (MS122028)	2	
-32	757 802		COVER - (294082-1)	1	
-33	757 537		SCREW - (NAS608C3H6)	2	
-34	755 941		PACKING - (MS28775-011)	15	

When ordering, always specify Part Number, Description and Serial Number of Aircraft

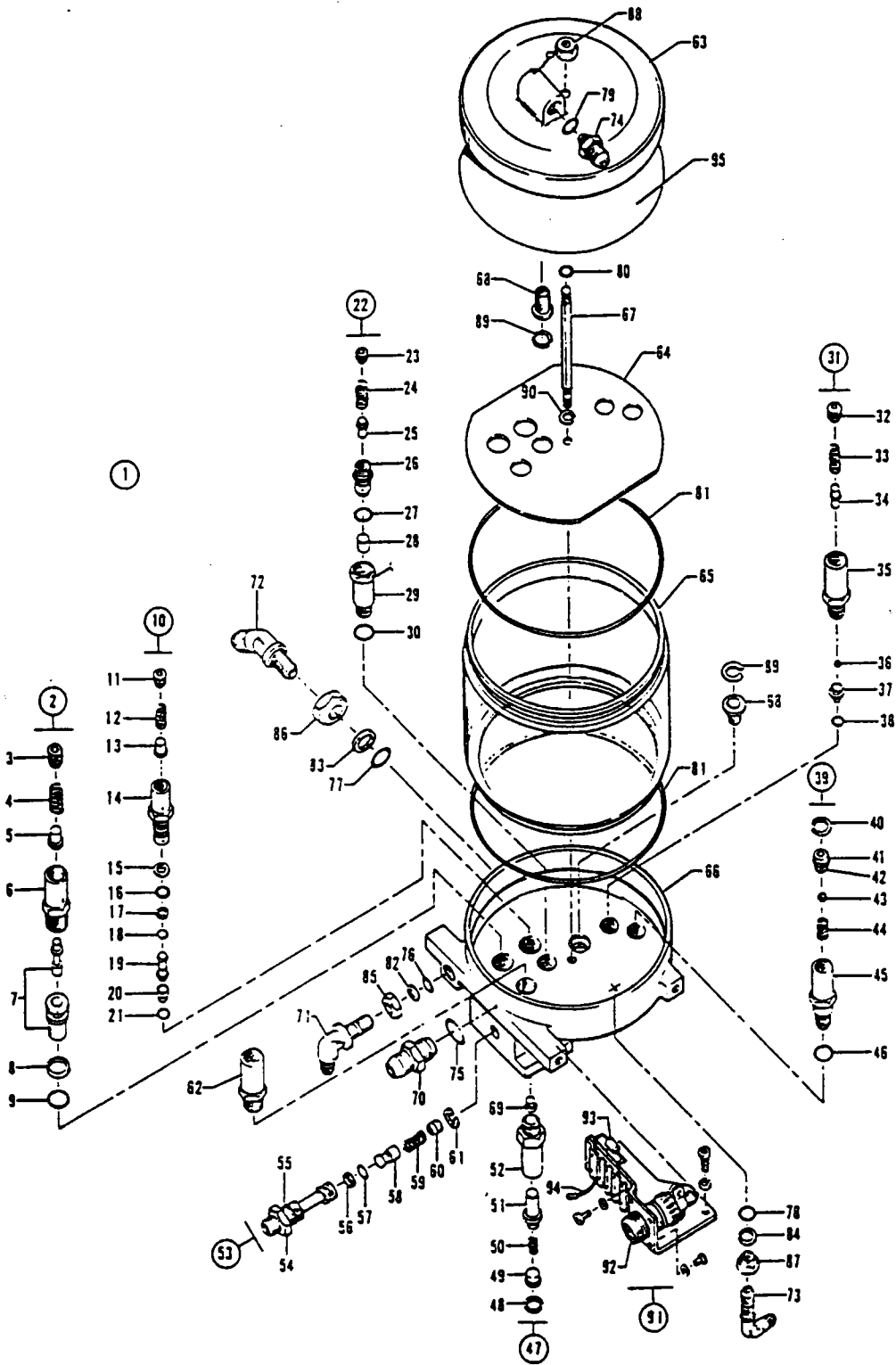


Figure 110. Hydraulic Powerpak Assembly (Wiebel)

---

# PIPER PARTS CATALOG

---

CODE EXPLANATION FOR FIGURE 110

A - See Figure 110A for balance of powerpak components.

PIPER PARTS CATALOG

Figure and Index Number	Part Number	Code	NOMENCLATURE	No. Req.	SERIAL NUMBERS AFFECTED
110-1	757 473	A	POWERPAK ASSEMBLY - New (Wiebel 2135-3)	1	31-5001 to 31-7305125 incl.
	481 171	A	POWERPAK ASSEMBLY - New (Wiebel 2135-1)	1	31-7405126 and up
-2	756 549		* PRIMARY RELIEF VALVE ASSEMBLY - (2135-101)	1	
-3	762 286		** SCREW - Adjusting (2135008-1)	1	
-4	762 298		** SPRING - (2135010-1)	1	
-5	758 387		** BUTTON - Guide (2135009-1)	1	
-6	758 379		** BODY - Relief valve (2135007-1)	1	
-7	763 408		** POPPET AND SEAT - (2135006-1)	1	
-8	762 536		** RETAINER - Back-up (MS28774-013)	1	
-9	757 277		** "O" RING - (MS28775-013)	1	
-10	756 550		* PRIORITY VALVE ASSEMBLY - (2135-102)	1	
-11	762 286		** SCREW - Adjusting (2135008-1)	1	
-12	762 299		** SPRING - (2135012-1)	1	
-13	758 387		** BUTTON - Guide (2135009-1)	1	
-14	758 380		** BODY - Priority valve (2135011-1)	1	
-15	762 536		** RETAINER - Back-up (MS28774-013)	1	
-16	757 277		** "O" RING - (MS28775-013)	1	
-17	762 537		** RETAINER - Back-up (MS28774-006)	1	
-18	757 268		** "O" RING - (MS28775-006)	1	
-19	763 406		** POPPET - (2135013-1)	1	
-20	762 293		** SEAT - Poppet (2135014-1)	1	
-21	757 270		** "O" RING - (MS28775-012)	1	
-22	756 551		* DOOR VENT VALVE ASSEMBLY - (2135-106)	1	
-23	762 287		** SCREW - Adjusting (2135045-1)	1	
-24	762 300		** SPRING - (2135044-1)	1	
-25	762 311		** STEM - Guide (2135043-1)	1	
-26	762 296		** SLEEVE - (2135042-1)	1	
-27	757 263		** "O" RING - (MS28775-010)	1	
-28	757 498		** PISTON - (2135041-1)	1	
-29	758 381		** BODY - Vent valve (2135040-1)	1	
-30	757 265		** "O" RING - (MS28778-3)	1	
-31	756 552		* HAND PUMP RELIEF VALVE ASSEMBLY - (2135-107)	1	
-32	762 288		** SCREW - Adjusting (2135028-1)	1	
-33	762 301		** SPRING - (2135029-1)	1	
-34	762 312		** STEM - Guide (2135031-1)	1	
-35	758 382		** BODY - Relief valve (2135030-1)	1	
-36	753 445		** BALL - (MS150453)	1	
-37	762 317		** SEAT - Ball (2135032-1)	1	
-38	755 941		** "O" RING - (MS28775-011)	1	
-39	756 553		* TIME DELAY CHECK VALVE ASSEMBLY - (2135-105)	1	
-40	755 962		** RING - Snap (5000-43H)	1	
-41	755 941		** "O" RING - (MS28775-011)	1	
-42	762 316		** SEAT - (2112002-1)	1	
-43	753 484		** BALL - (MS150457)	1	
-44	762 302		** SPRING - (2112003-1)	1	
-45	758 383		** BODY - Delay valve (2135027-1)	1	
-46	757 265		** "O" RING - (MS28778-3)	1	
-47	763 204		* CARTRIDGE ASSEMBLY - Handle return (2135-104)	2	
-48	755 980		** RING - Snap (5000-50H)	1	
-49	758 388		** BUTTON - Plug (2135024-1)	1	
-50	762 303		** SPRING - (2135023-1)	1	
-51	763 402		** PLUNGER - (2135022-1)	1	
-52	758 384		** BODY - Handle return (2135021-1)	1	
-53	756 554		* ENGINE PUMP CHECK VALVE ASSEMBLY - (2135-108)	1	
-54	754 853		** FITTING - (2135035-1)	1	
-55	757 266		** "O" RING - (MS28775-015)	1	
-56	762 536		** RETAINER - Back-up (MS28774-013)	1	

When ordering, always specify Part Number, Description and Serial Number of Aircraft

## PIPER PARTS CATALOG

Figure and Index Number	Part Number	Code	NOMENCLATURE	No. Req.	SERIAL NUMBERS AFFECTED
110-57	757 277		"O" RING - (MS28775-013)	1	
-58	763 407		POPPET - (2135038-1)	1	
-59	762 304		SPRING - (2135037-1)	1	
-60	758 389		BUTTON - Plug (2135036-1)	1	
-61	762 546		RING - Snap (5000-31H)	1	
-62	754 851		STAND PIPE FILTER - (2135039-1)	1	
-63	763 210		COVER - Reservoir (2135004-1)	1	
-64	763 401		PLATE - Baffle (2135046-1)	1	
-65	762 545		RESERVOIR - (2135058-1)	1	
-66	758 378		BODY - Powerpak (2135001-1)	1	
-67	762 553		ROD - (2135033-1)	1	
-68	754 852		FILTER - (2135034-1)	2	
-69	762 289		SCREW - Stop (2135018-1)	2	
-70	491 053		UNION - (AN815-8D)	1	
-71	458 901		ELBOW - (AN833-6D)	1	
-72	458 911		ELBOW - (AN837-5D)	1	
-73	458 899		ELBOW - (AN833-3D)	1	
-74	491 050		UNION - (AN815-4D)	1	
-75	757 275		"O" RING - (MS28778-8)	1	
-76	755 940		"O" RING - (MS28778-6)	1	
-77	757 284		"O" RING - (MS28778-5)	1	
-78	757 265		"O" RING - (MS28778-3)	1	
-79	757 276		"O" RING - (MS28778-4)	1	
-80	752 587		"O" RING - (MS28775-009)	1	
-81	752 589		"O" RING - (2-257N-304-75)	2	
-82	753 486		RETAINER - Back-up (MS28777-6)	1	
-83	757 283		RETAINER - Back-up (MS28777-5)	1	
-84	753 490		RETAINER - Back-up (MS28777-3)	1	
-85	752 521		NUT - (AN6289-D6)	1	
-86	752 525		NUT - (AN6289-D5)	1	
-87	752 524		NUT - (AN6289-D3)	1	
-88	752 520		NUT - (NAS509-5)	1	
-89	755 980		RETAINER - Snap ring (5000-50H)	2	
-90	762 547		RETAINER - Snap ring (5133-37)	1	
-91	758 390		BRACKET ASSEMBLY - Receptacle and capacitor (2135055-102)	1	
-92	762 555		RECEPTACLE ASSEMBLY - (2135055-103)	1	
-93	763 212		CAPACITOR ASSEMBLY - (2135055-104)	1	
-94	755 057		GROUND WIRE ASSEMBLY - (2135055-105)	1	
-95	763 411		PLATE - Deflector (2135060-1)	1	

When ordering, always specify Part Number, Description and Serial Number of Aircraft



PIPER PARTS CATALOG

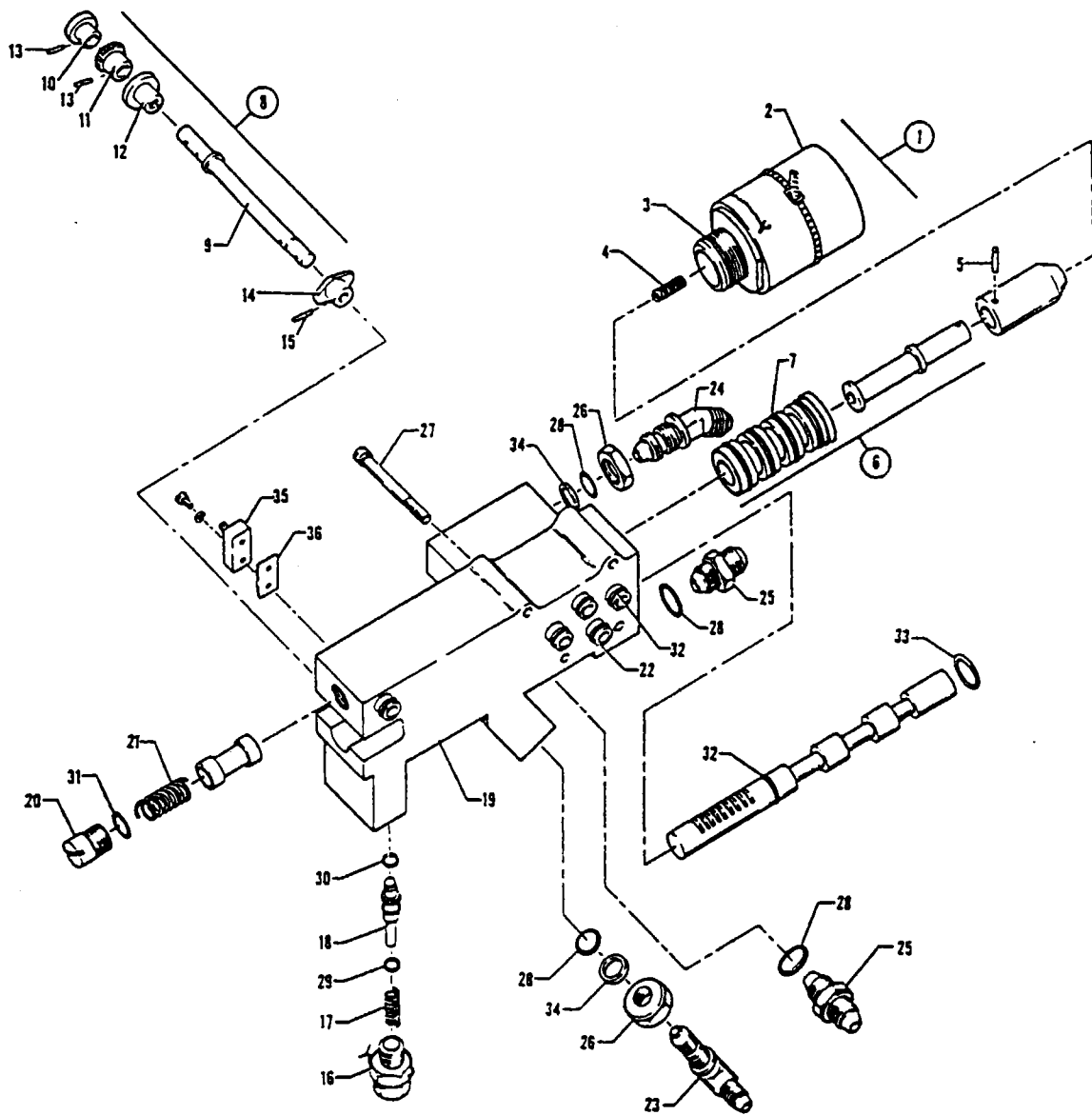


Figure 110A. Hydraulic Powerpak Components (Wiebel)

---

# PIPER PARTS CATALOG

---

CODE EXPLANATIONS FOR FIGURE 110A

PIPER PARTS CATALOG

Figure and Index Number	Part Number	Code	NOMENCLATURE	No. Req.	SERIAL NUMBERS AFFECTED
110A-1	756 555		SOLENOID VALVE ASSEMBLY - (2135-109)	1	
-2	762 310		* SOLENOID ASSEMBLY - (2135015-1)	1	
-3	757 229		* "O" RING - (MS28775-018)	1	
-4	762 305		* SPRING - Plunger return (2135053-1)	1	
-5	757 495		* PIN - (2135054-1)	1	
-6	762 297		* SLEEVE AND SPOOL - (2135005-1)	1	
-7	757 269		* "O" RING - (MS28775-016)	4	
-8	762 294		INPUT SHAFT ASSEMBLY - (2135-103)	1	
-9	762 295		* SHAFT - Input (2135020-1)	1	
-10	763 207		* CAM - Switch (2135048-1)	1	
-11	755 054		* GEAR - Spur (2135026-1)	1	
-12	763 205		* CAM - Detent (2135025-1)	1	
-13	757 291		* ROLLPIN - (MS171528)	2	
-14	763 206		CAM - Rocker (2135019-1)	1	
-15	757 291		ROLLPIN - (MS171528)	1	
-16	762 543		RETAINER - (2135016-1)	1	
-17	762 306		SPRING - (2135057-1)	1	
-18	763 403		PLUNGER - (2135017-1)	1	
-19	761 656		MANIFOLD ASSEMBLY - (2135002-1)	1	
-20	762 544		RETAINER - (2135049-1)	1	
-21	762 307		SPRING - (2135050-1)	1	
-22	761 983		TUBE - Transfer (2135051-1)	5	
-23	458 900		ELBOW - (AN833-4D)	1	
-24	458 910		ELBOW - (AN837-4D)	1	
-25	491 050		UNION - (AN815-4D)	2	
-26	477 676		NUT - (AN6289-D4)	2	
-27	762 290		SCREW - (NAS1351C4-28)	4	
-28	757 276		"O" RING - (AN28778-4)	4	
-29	757 263		"O" RING - (MS28775-010)	1	
-30	757 279		"O" RING - (MS28775-008)	1	
-31	757 270		"O" RING - (MS28775-012)	1	
-32	755 941		"O" RING - (MS28775-011)	11	
-33	757 277		"O" RING - (MS28775-013)	1	
-34	762 538		RETAINER - Back-up (MS28777-4)	2	
-35	762 315		SWITCH ASSEMBLY - (2135055-101)	1	
-36	763 409		PLATE - Insulating (2135055-11)	1	

When ordering, always specify Part Number, Description and Serial Number of Aircraft

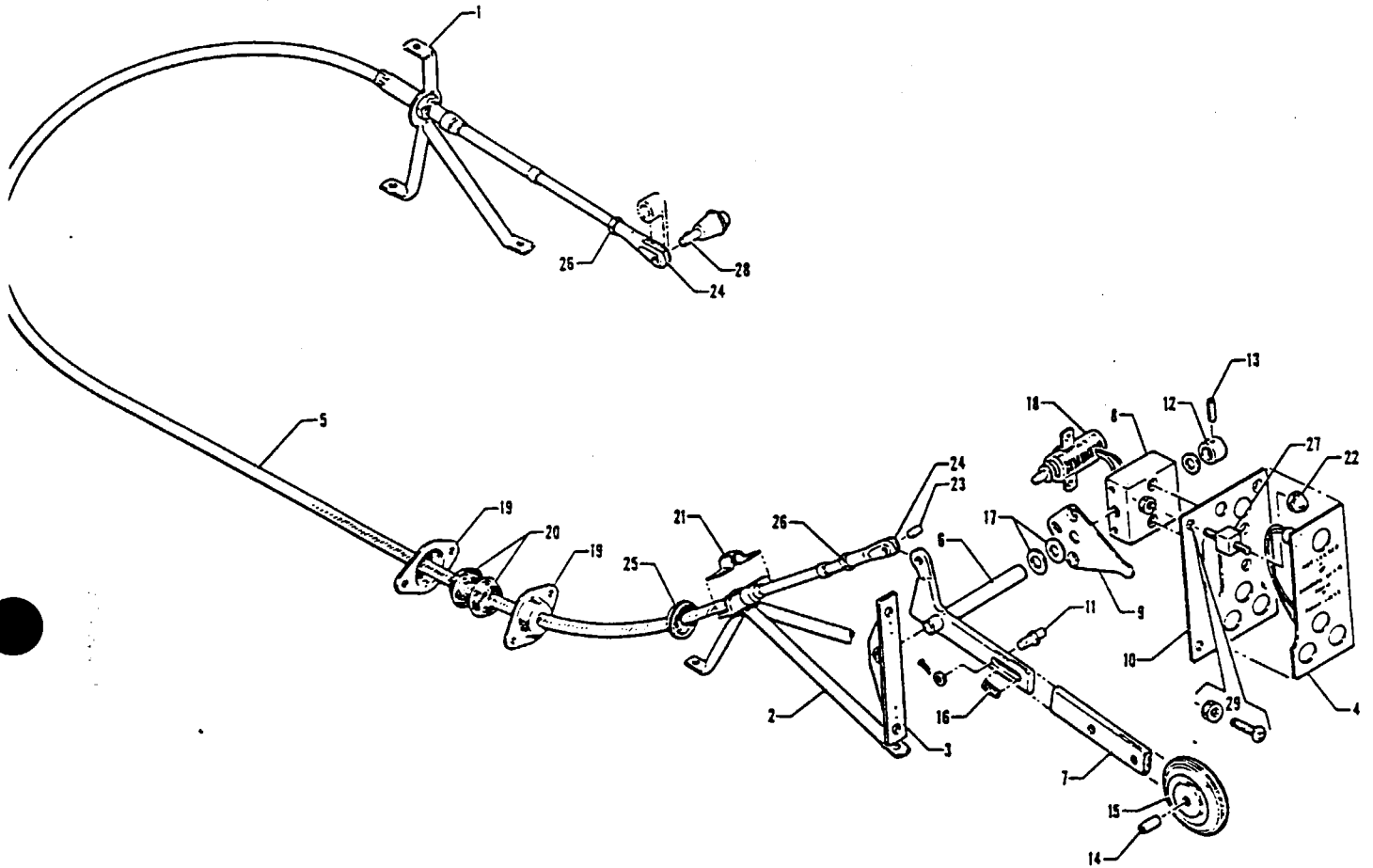


Figure 111. Landing Gear Selector Mechanism Installation

---

# PIPER PARTS CATALOG

---

CODE EXPLANATIONS FOR FIGURE 111

PIPER PARTS CATALOG

Figure and Index Number	Part Number	Code	NOMENCLATURE	No. Req.	SERIAL NUMBERS AFFECTED
111-	44169		DRAWING - Landing Gear Selector Mechanism Installation		
-1	44166-00		BRACKET ASSEMBLY - Powerpak control	1	
-2	46258-05		BRACKET ASSEMBLY - Hydraulic powerpak control	1	
-3	46256-04		ANGLE ASSEMBLY - Gear selector mounting	1	
-4	44187-00		PANEL ASSEMBLY - Electroluminescent	1	
-5	55416-02		CABLE ASSEMBLY - Flexible push-pull control (554 401)	1	
-6	46259-05		LEVER ASSEMBLY - Landing gear control	1	
-7	41089-00		SLEEVE - Gear selector handle	1	
-8	44162-00		BLOCK - Gear selector lever mounting	1	
-9	41139-00		STOP - Gear selector lever	1	
-10	44161-00		PLATE ASSEMBLY - Gear selector mounting	1	
-11	41228-00		PIN - Stop, gear selector handle	1	
	407 984		WASHER - (AN960-10L)	1	
	424 050		PIN - Cotter (AN380-2-1)	1	
-12	46255-00		BUSHING - Gear selector mechanism	1	
-13	480 705		PIN - Roll (59-028-125-0500)	1	
	408 815		WASHER - (3502-18-04)	1	
-14	480 738		PIN - Roll (59-040-187-0500)	1	
-15	571 077		KNOB - (OAS294-078-1)	1	
-16	487 464		SPRING - (LC-026B-11)	1	
-17	407 566		WASHER - (AN960-516)	AR	
	407 586		WASHER - (AN960-516L)	AR	
-18	487 155		SOLENOID ASSEMBLY - (L-3011)	1	
-19	22103-02		PLATE - Firewall seal grommet	2	
-20	22104-15		GROMMET	2	
-21	18219-05		CLAMP - Control cable attachment	1	
-22	406 701		NUT - Cap (22-K1-82)	1	31-5001 to 31-7852072 incl.
	404 833		NUT - (MS20364-832C)	1	31-5001 to 31-7852072 incl.
-23	424 175		PIN - (MS20392-2C13)	1	
	407 584		WASHER - (AN960-10L)	1	
	424 051		PIN - Cotter (MS24665-132)	1	
-24	488 327		TERMINAL - (AN665-21R)	1	
-25	434 134		GROMMET - (MS35489-11)	1	
-26	404 224		NUT - (AN315-3R)	2	
-27	475 109		MOUNT - (J7219-22)	1	31-5001 to 31-7852072 incl.
-28	53599-00		PIN - Cable attachment	1	
-29	515 714		SCREW - (PS10084-47-2)	1	31-7852073 and up
	404 910		NUT - (MS20365-832C)	1	31-7852073 and up

When ordering, always specify Part Number, Description and Serial Number of Aircraft

# PIPER PARTS CATALOG

---

GRIDS 3D22 THRU 3D24  
INTENTIONALLY LEFT BLANK

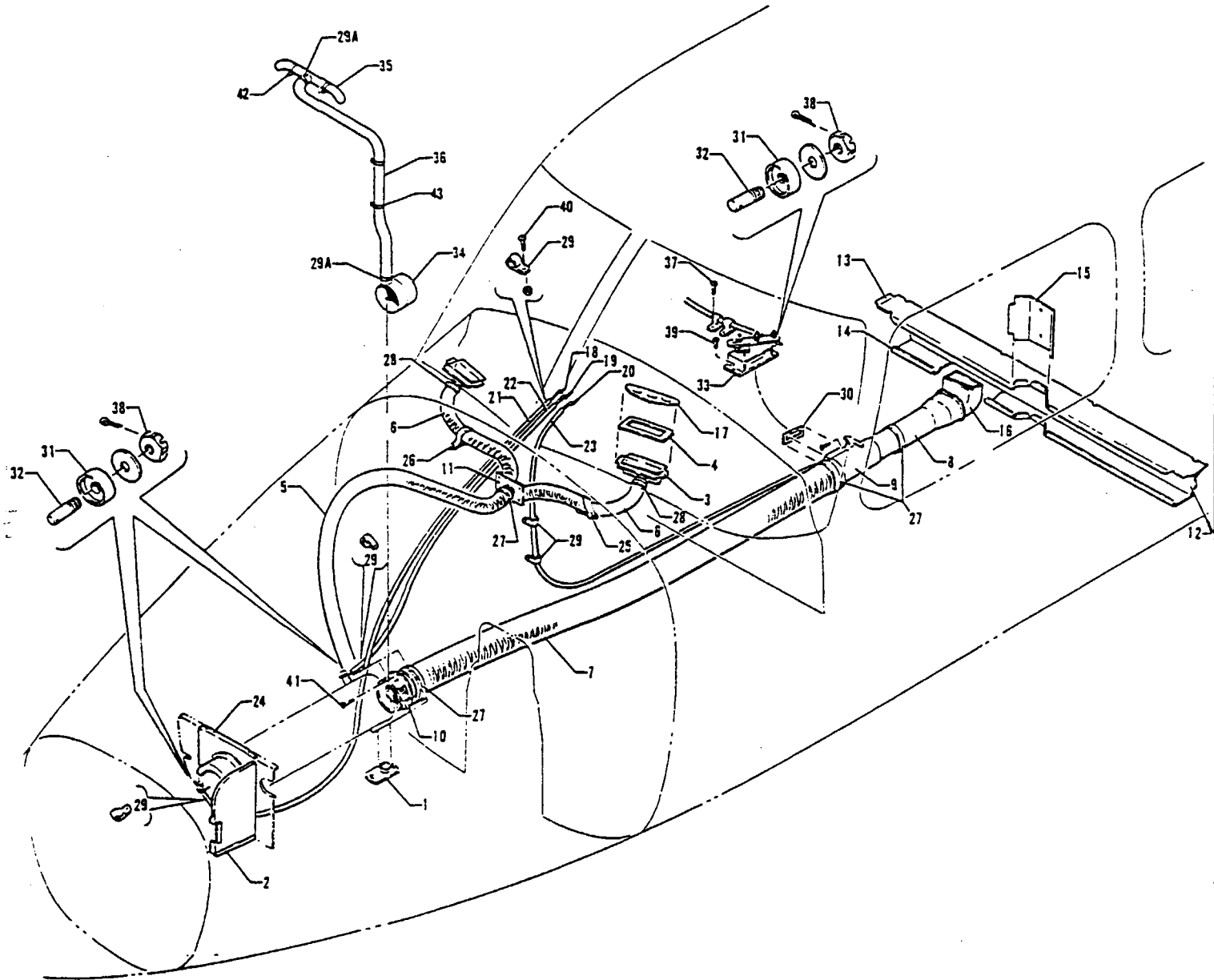


Figure 112. Heater and Defroster System Installation  
(See Code "A")



---

# PIPER PARTS CATALOG

---

## CODE EXPLANATIONS FOR FIGURE 112

- A - Used on serial numbers 31-5001 to 31-8052130 inclusive. See Figure 112A if Heater Air Valve Relocation Kit 764 005 has been installed per Service Letter No. 894.
- B - See Figure 115 for component parts.
- C - Used on aircraft with serial numbers 31-5001 to 31-7405202 inclusive, 31-7405401 to 31-7405443 inclusive, if Pilot and Co-Pilot Cabin Heat Refinement Kit 760 924 has been installed per Service Letter 733.

PIPER PARTS CATALOG

Figure and Index Number	Part Number	Code	NOMENCLATURE	No. Req.	SERIAL NUMBERS AFFECTED
112-	52551 52537		DRAWING - Heater and Defroster Installation DRAWING - Heat Duct Installation		
-1	44823-00		PLATE ASSEMBLY - Heater exhaust tube	1	
-2	44814-00		PLATE ASSEMBLY - Lower fuselage	1	
-3	41958-04		BOX ASSEMBLY - Defroster air	2	
-4	41957-00		* GASKET - Defroster air box	1	
-5	22502-72		DUCT - Defroster air	1	
-6	565 322		DUCT - Defroster air (OLSH-100-12-80-6)	2	
-7	49997-16		DUCT - Heater air distribution (67" L.)	1	
-8	52497-00		DUCT ASSEMBLY - Heat	1	
-9	52512-00		DUCT ASSEMBLY - Heat	1	
-10	52458-00		TUBE ASSEMBLY - Air distribution	1	31-5001 to 31-7405202 incl.
	52458-05		TUBE ASSEMBLY - Air distribution	1	31-7405401 to 31-7405443 incl. 31-7405203 to 31-7405400 incl. 31-7405444 to 31-8052130 incl.
-11	43951-05		DUCT ASSEMBLY - Defroster	1	
-12	52327-03		PANEL - Heat duct	1	
-13	52327-04		PANEL - Heat duct	1	
-14	52298-00		PLATE - Heat duct	1	
-15	52335-00		PLATE - Heat duct	1	
-16	52494-00		ELBOW ASSEMBLY - Heat duct	1	
-17	42778-00		PLATE - Defroster outlet trim	2	
-18	22470-19		WIRE - Heater inlet valve	1	
-19	22470-11		WIRE - Defroster air control	1	
-20	22470-17		WIRE - Cockpit heat control	1	
-21	22472-26		HOUSING - Heater inlet valve wire	1	
-22	22472-21		HOUSING - Defroster air control wire	1	
-23	22472-23		HOUSING - Cockpit heat control wire	1	
-24	44891-00		PLATE ASSEMBLY - Bulkhead (Sta. 28.62)	1	
-25	487 679		STRAP - (PS10017-3-3-12F)	1	
-26	487 746		STRAP - (PS10017-3-12-12F)	1	
-27	554 834		CLAMP - (SAE TY F-40)	5	
-28	554 929		CLAMP - (SAE TY A-1 11/16)	4	
-29	454 887		CLAMP - (PS10017-1-3)	7	
-29a	554 701	C	CLAMP - (SAE TY F-16)	2	31-7405203 to 31-7405400 incl. 31-7405444 to 31-8052130 incl.
-30	24671-00		GASKET - Cabin heat distribution duct	1	
-31	70371-02		FITTING - Control wire heat distribution	3	
-32	70371-03		STUD - Control wire heat distribution	3	
-33	757 726	B	SWITCH ASSEMBLY - Adjustable duct (250 Degrees) (68001)	1	
-34	54005-00	C	TUBE ASSEMBLY - Air distribution	1	31-7405203 to 31-7405400 incl. 31-7405444 to 31-8052130 incl.
-35	54007-00	C	TUBE ASSEMBLY - Air distribution	1	31-7405203 to 31-7405400 incl. 31-7405444 to 31-8052130 incl.
-36	80005-09	C	HOSE - Air duct	1	31-7405203 to 31-7405400 incl. 31-7405444 to 31-8052130 incl.

When ordering, always specify Part Number, Description and Serial Number of Aircraft

PIPER PARTS CATALOG

Figure and Index Number	Part Number	Code	NOMENCLATURE	No. Req.	SERIAL NUMBERS AFFECTED
112-37	411 532		SCREW - (MS35207-263)	4	
-38	404 392		NUT - (AN320-3)	3	
	81342-19		WASHER	3	
	424 051		COTTER PIN - (MS24665-132)	3	
-39	415 521		SCREW - (MS35206-231)	2	
-40	415 535		SCREW - (MS35206-245)	7	
	404 910		NUT - (MS20365-832C)	7	
-41	415 535		SCREW - (MS35206-245)	4	
-42	454 977	C	CLAMP - Tube assembly (PS10017-2-16)	2	31-7405203 to 31-7405400 incl. 31-7405444 to 31-8052130 incl.
-43	554 941	C	CLAMP - Hose (PS10017-2-20)	2	31-7405203 to 31-7405400 incl. 31-7405444 to 31-8052130 incl.

When ordering, always specify Part Number, Description and Serial Number of Aircraft

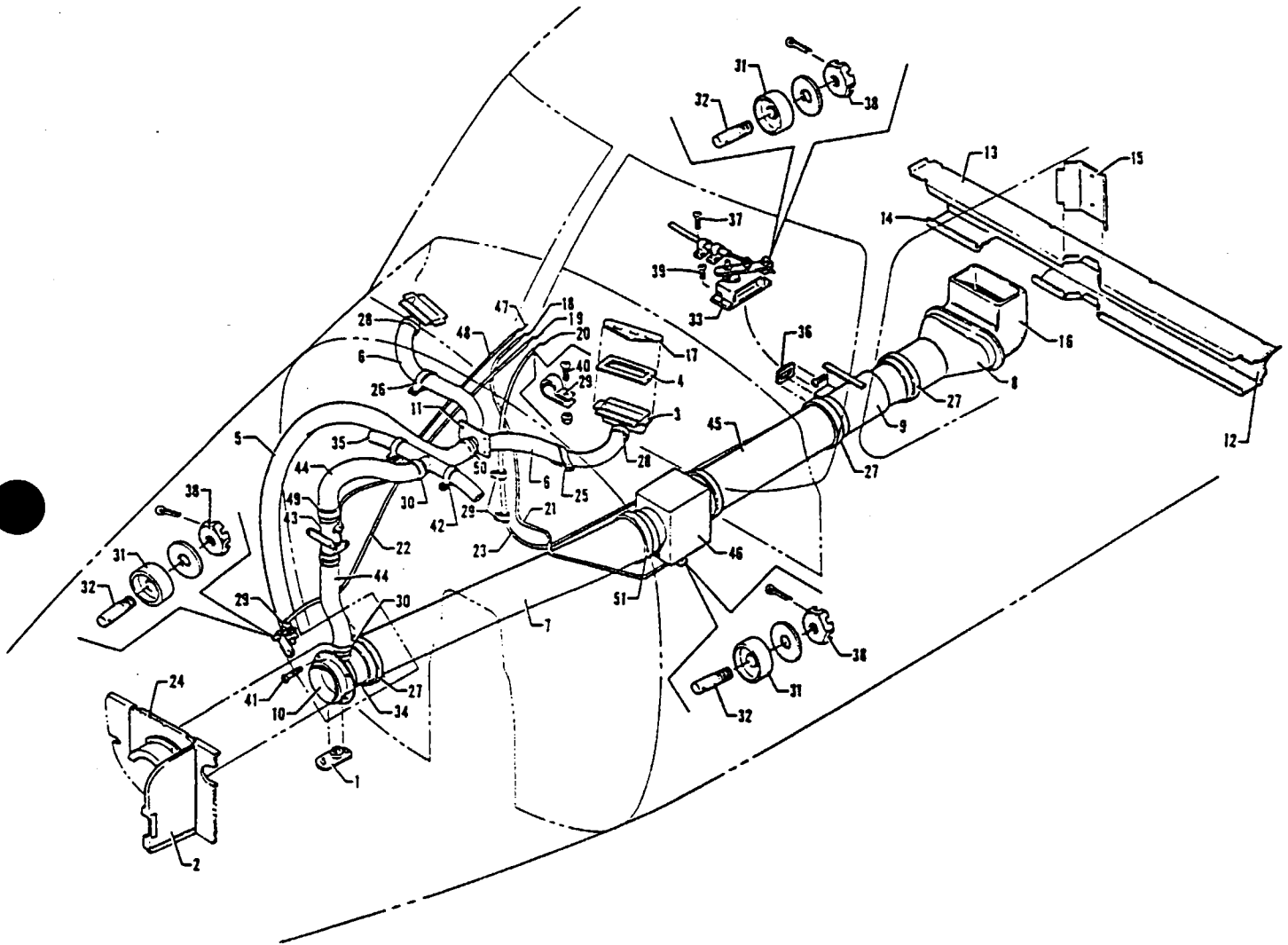


Figure 112A. Heater and Defroster System Installation  
(See Code "A")

---

# PIPER PARTS CATALOG

---

## CODE EXPLANATIONS FOR FIGURE 112A

- A - Used on serial numbers 31-8052131 and up. Also used on serial numbers 31-5001 to 31-8052130 inclusive if Heater Air Valve Relocation Kit 764 005 has been installed per Service Letter No. 894.
- B - See Figure 115 for component parts.

PIPER PARTS CATALOG

Figure and Index Number	Part Number	Code	NOMENCLATURE	No. Req.	SERIAL NUMBERS AFFECTED
112A-	52551 52537		DRAWING - Heater and Defroster Installation DRAWING - Heat Duct Installation		
-1	44823-00		PLATE ASSEMBLY - Heater exhaust tube	1	
-2	44814-00		PLATE ASSEMBLY - Lower fuselage	1	
-3	41958-04		BOX ASSEMBLY - Defroster air	2	
-4	41957-00		* GASKET - Defroster air box	1	
-5	22502-72		DUCT - Defroster air	1	
-6	565 322		DUCT - Defroster air (OLSH-100-12-80-6)	2	
-7	56952-23		DUCT - Heater air distribution, forward	1	
-8	52497-00		DUCT ASSEMBLY - Heat	1	
-9	52512-00		DUCT ASSEMBLY - Heat	1	
-10	52458-05		TUBE ASSEMBLY - Air distribution	1	
-11	43951-05		DUCT ASSEMBLY - Defroster	1	
-12	52327-03		PANEL - Heat duct	1	
-13	52327-04		PANEL - Heat duct	1	
-14	52298-00		PLATE - Heat duct	1	
-15	52335-00		PLATE - Heat duct	1	
-16	52494-00		ELBOW ASSEMBLY - Heat duct	1	
-17	42778-00		PLATE - Defroster outlet trim	2	
-18	22470-19		WIRE - Heater inlet valve	1	
-19	22470-11		WIRE - Defroster air control	1	
-20	22470-17		WIRE - Cockpit heat control	1	
-21	22472-26		HOUSING - Heater inlet valve wire	1	
-22	22472-21		HOUSING - Defroster air control wire	1	
-23	22472-23		HOUSING - Cockpit heat control wire	1	
-24	44891-00		PLATE ASSEMBLY - Bulkhead (Sta. 28.62)	1	
-25	487 679		STRAP - (PS10017-3-3-12F)	1	
-26	487 746		STRAP - (PS10017-3-12-12F)	1	
-27	554 834		CLAMP - (SAE TY F-40)	3	
-28	554 929		CLAMP - (SAE TY A-1 11/16)	4	
-29	454 887		CLAMP - (PS10017-1-3)	7	
-30	554 701		CLAMP - (SAE TY F-16)	2	
-31	70371-02		FITTING - Control wire heat distribution	3	
-32	70371-03		STUD - Control wire heat distribution	3	
-33	757 726	B	SWITCH ASSEMBLY - Adjustable duct (250 Degrees) (68D01)	1	
-34	54005-00		TUBE ASSEMBLY - Air distribution	1	
-35	54007-00		TUBE ASSEMBLY - Air distribution	1	
-36	24671-00		GASKET - Cabin heat distribution duct	1	

When ordering, always specify Part Number, Description and Serial Number of Aircraft

PIPER PARTS CATALOG

Figure and Index Number	Part Number	Code	NOMENCLATURE	No. Req.	SERIAL NUMBERS AFFECTED
112A-37	411 532		SCREW - (MS35207-263)	4	
-38	404 392		NUT - (AN320-3)	3	
	81342-19		WASHER	3	
	424 051		COTTER PIN - (MS24665-132)	3	
-39	415 521		SCREW - (MS35206-231)	2	
-40	411 532		SCREW - (MS35207-263)	7	
	404 887		NUT - (MS20365-1032C)	7	
-41	415 535		SCREW - (MS35206-245)	4	
-42	454 977		CLAMP - Tube assembly (PS10017-2-16)	2	
-43	71478-02		VALVE ASSEMBLY - Air duct	1	
-44	56952-21		HOSE - Air duct, upper	1	
	56952-22		HOSE - Air duct, lower	1	
-45	56952-24		DUCT - Heater air distribution, aft	1	
-46	43974-06		BOX ASSEMBLY - Heater air distribution	1	
-47	22470-20		WIRE - Air duct control	1	
-48	22472-28		HOUSING - Air duct control wire	1	
-49	554 623		CLAMP - (PS10017-20-16)	2	
-50	454 912		CLAMP - (A3122-34-1)	2	
-51	454 914		CLAMP - (A3122-50-1J)	2	

When ordering, always specify Part Number, Description and Serial Number of Aircraft

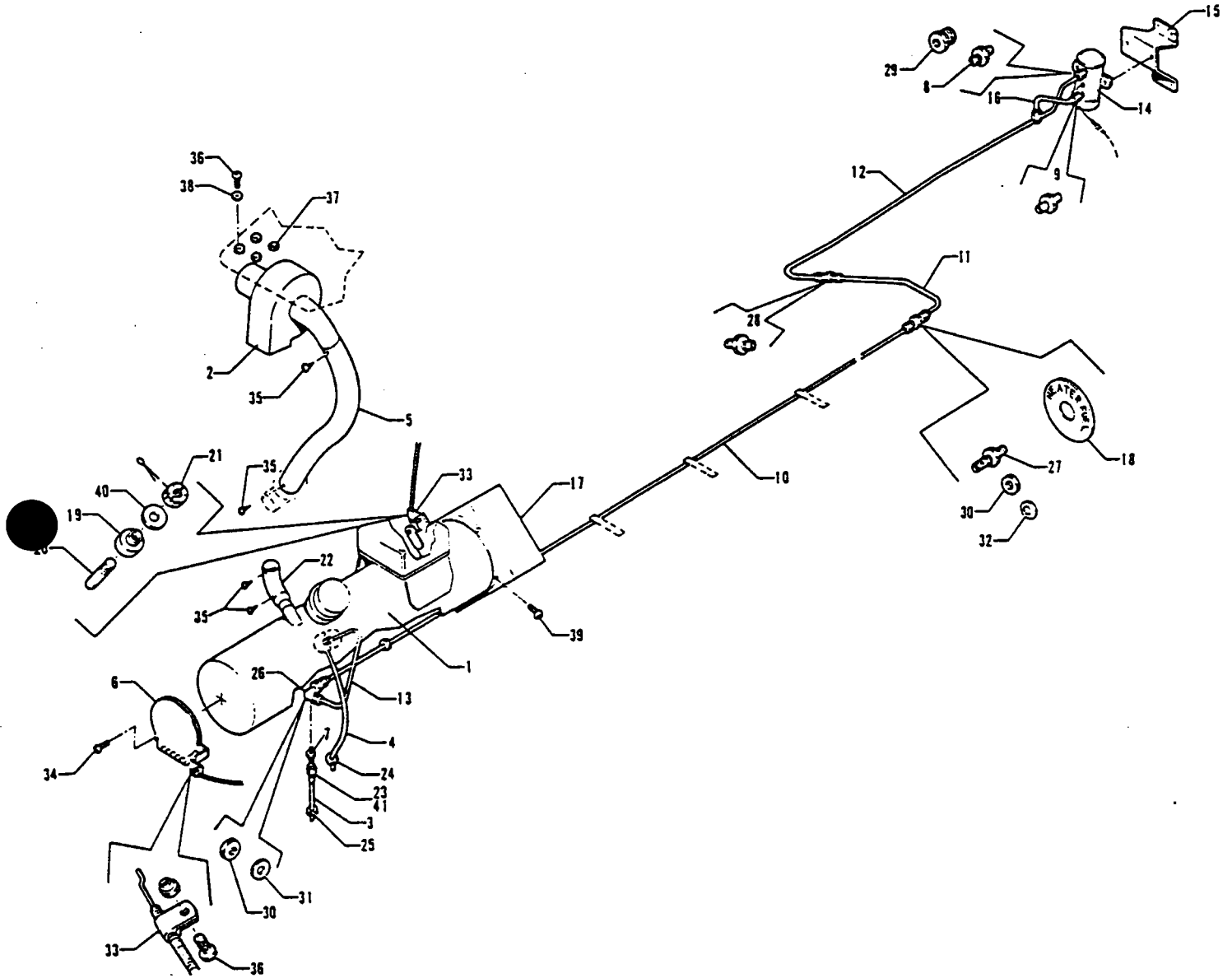


Figure 113. Heater Installation  
(See Code "A" On Next Page For Effectivity)



---

# PIPER PARTS CATALOG

---

## CODE EXPLANATIONS FOR FIGURE 113

- A - Used on aircraft with serial numbers 31-5001 to 31-7305103 inclusive. Refer to Figure 113A if Heater System Modification Kit 760 804 has been installed per Service Letter 692.
- B - See Figure 114 for component parts
- C - See Figure 115 for component parts.

PIPER PARTS CATALOG

Figure and Index Number	Part Number	Code	NOMENCLATURE	No. Req.	SERIAL NUMBERS AFFECTED
13-	52551 52641		DRAWING - Heater and Defroster Installation DRAWING - Heater Fuel System Installation		
-1		B	HEATER ASSEMBLY	1	
-2		C	COMBUSTION AIR BLOWER AND MOTOR ASSEMBLY	1	
-3	41775-00		TUBE - Heater drain	1	
-4	22369-34		TUBE - Heater drain	1	
-5	85052-47		TUBE - Flexible, heater	1	
-6	52509-02		VALVE ASSEMBLY - Heater air inlet	1	
-7	476 686		NIPPLE - (AN816-4)	1	
-8	476 697		NIPPLE - (AN816-3D)	1	
-9	476 679		NIPPLE - (AN816-4-4D)	1	
-10	52443-00		LINE ASSEMBLY - Heater fuel	1	
-11	52452-00		LINE ASSEMBLY - Heater fuel	1	
-12	52454-00		LINE ASSEMBLY - Heater fuel	1	
-13	52456-00		LINE ASSEMBLY - Heater fuel	1	
-14	481 726		PUMP ASSEMBLY - Heater fuel (480563)	1	
-15	44190-00		BRACKET ASSEMBLY - Fuel pump	1	
-16	53572-00		TUBE ASSEMBLY - Heater fuel	1	
-17	53108-06		BOX ASSEMBLY - Heat distribution	1	
-18	40849-13		PLACARD - Heater fuel	1	
-19	70371-02		FITTING - Air inlet control wire	2	
-20	70371-03		STUD - Air inlet control wire	2	
-21	404 392		NUT - (AN320-3)	2	
-22	761 909		TUBE - Housing outlet	1	
-23	486 906		SLEEVE - (MS20819-4)	1	
-24	434 129		GROMMET - (MS35489-9)	1	
-25	434 128		GROMMET - (MS35489-6)	1	
-26	31647-00		ELBOW - Special	1	
-27	491 059		UNION - (AN832-3D)	1	
-28	491 049		UNION - (AN815-3D)	1	
-29	453 616		REDUCER - (AN912-1D)	1	
-30	477 617		NUT - (AN924-3D)	2	
-31	407 567		WASHER - (AN960-616)	1	
-32	407 587		WASHER - (AN960-616L)	1	
-33	454 887		CLAMP - (PS10017-1-3)	2	
-34	415 532		SCREW - (MS35206-242)	2	
	407 134		WASHER - (AN936-A8)	2	
-35	419 691		SCREW - (6 x 3/8 L, Type "A")	4	
-36	411 532		SCREW - (MS35207-263)	4	
	404 835		NUT - (MS20364-1032C)	4	
-37	434 126		GROMMET - (MS35489-4)	4	
-38	407 564		WASHER - (AN960-10)	8	
-39	415 533		SCREW - (MS35206-243)	4	
	407 563		WASHER - (AN960-8)	4	
	407 042		WASHER - Lock (MS35338-42)	4	
-40	81342-19		WASHER	2	
	424 051		COTTER PIN - (MS24665-132)	2	
-41	477 634		COUPLING - Nut (AN818-4)	1	

When ordering, always specify Part Number, Description and Serial Number of Aircraft

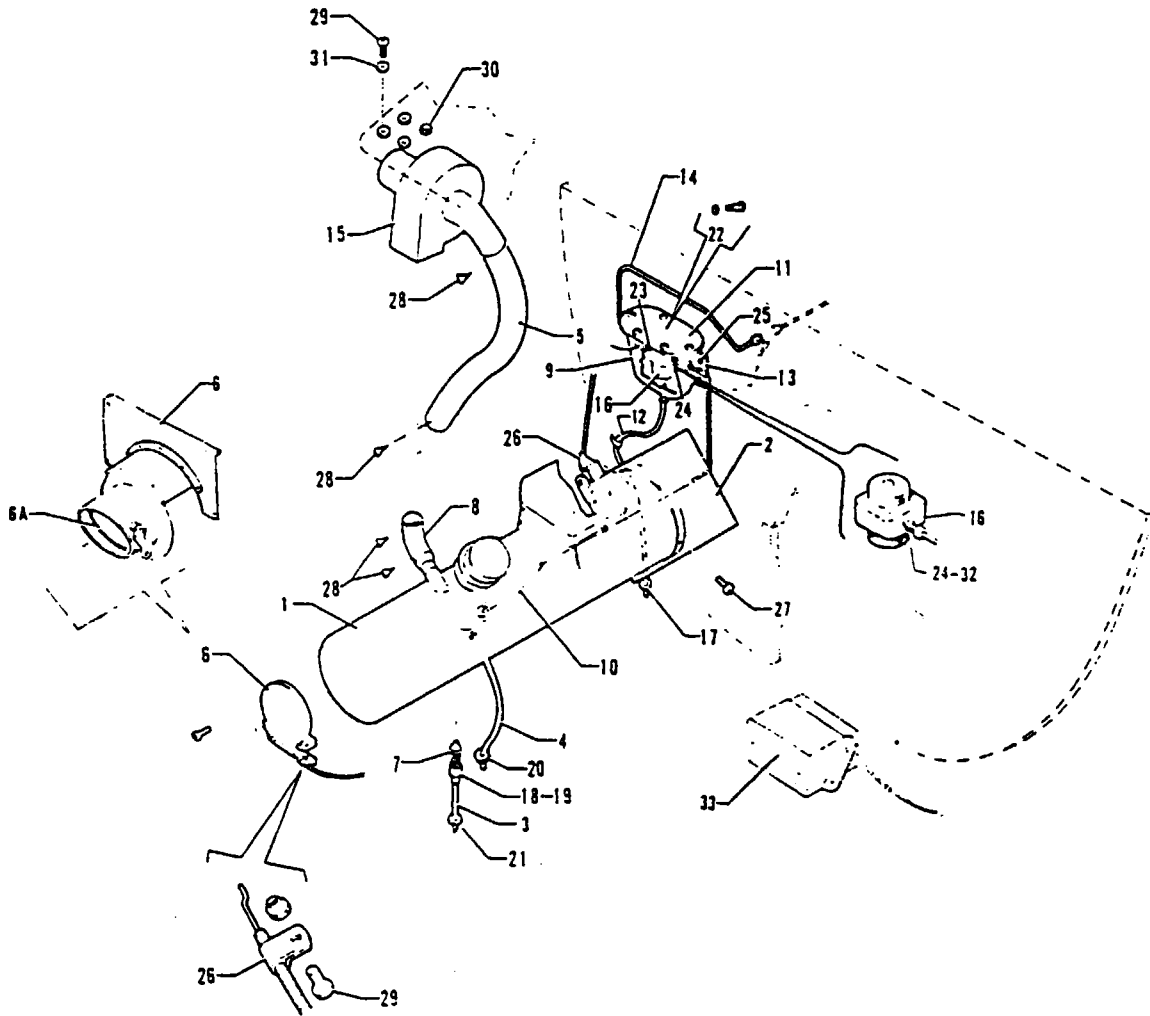


Figure 113A. Heater Installation  
(See Code "A" on Next Page for Effectivity)

---

# PIPER PARTS CATALOG

---

## CODE EXPLANATIONS FOR FIGURE 113A

- A - Used on aircraft with serial numbers 31-7305104 and up. Also used on 31-5001 to 31-7305103 inclusive, if Heater System Modification Kit 760 804 has been installed per Service Letter 692
- B - See Figure 114 for component parts
- C - See Figure 115 for component parts
- D - Also used on serial numbers 31-5001 to 31-8152203 inclusive, if Heater Hour Meter Installation Kit 764 304 has been installed per Service Spares Letter No. 389.

PIPER PARTS CATALOG

Figure and Index Number	Part Number	Code	NOMENCLATURE	No. Req.	SERIAL NUMBERS AFFECTED
113A-	52551		DRAWING - Heater and Defroster Installation		
-1		B	HEATER ASSEMBLY	1	
-2	53108-06		BOX ASSEMBLY - Heat distribution	1	
-3	41775-00		TUBE - Heater drain	1	
-4	22369-34		TUBE - Heater drain	1	
-5	85052-47		TUBE - Flexible, heater	1	31-5001 to 31-8152039 incl.
	56985-03		TUBE - Flexible, heater	1	31-8152040 and up
-6	52509-02		VALVE ASSEMBLY - Heater air inlet	1	31-7305104 to 31-7652123 incl. 31-7652125 to 31-7852072 incl.
	55873-02		PLATE AND VALVE ASSEMBLY - Heater air inlet	1	31-7652124, 31-7852073 to 31-8052123 incl.
-6a	55873-07		* GASKET - Plate assembly	1	31-7652124, 31-7852073 to 31-8052123 incl.
-7	476 686		NIPPLE - (AN816-4)	1	
-8	761 909		TUBE - Housing outlet (A23D54)	1	31-5001 to 31-7952250 incl.
	762 022		TUBE - Housing outlet (B23D54)	1	31-8052001 and up
-9	43493-03		SHROUD ASSEMBLY - Heater fuel valve	1	
-10	54113-00		LINE ASSEMBLY - Heater fuel	1	31-5001 to 31-7305103 incl.
	54004-00		LINE ASSEMBLY - Heater fuel	1	31-7305104 and up
-11	43492-00		COVER ASSEMBLY - Heater valve shroud	1	
-12	56976-06		TUBE - Heater fuel regulator vent	1	31-5001 to 31-8052039 incl.
	71522-03		HOSE ASSEMBLY - Heater fuel regulator vent	1	31-8052040 and up
-13	23765-02		BRACKET - Heater fuel regulator mounting	1	
-14	80024-23		LINE ASSEMBLY - Heater fuel	1	
-15		C	COMBUSTION AIR BLOWER AND MOTOR ASSEMBLY	1	
-16	756 513		FUEL REGULATOR AND SHUTOFF VALVE (A23D04-7 0)	1	31-5001 to 31-7952250 incl
	756 560		FUEL REGULATOR AND SHUTOFF VALVE (A23D04-7 5)	1	31-8052001 and up
-17	434 135		GROMMET - (MS35489-14)	1	
-18	477 634		COUPLING - Nut (AN818-4)	1	
-19	486 906		SLEEVE - (MS20819-4)	1	
-20	434 129		GROMMET - (MS35489-9)	1	
-21	434 128		GROMMET - (MS35489-6)	1	
-22	400 438		BOLT - (AN3-4A)	2	
	407 043		WASHER - (MS35338-43)	2	
-23	476 649		NIPPLE - (AN816-2D)	1	
-24	476 648		NIPPLE - (AN816-4D)	1	
-25	415 518		SCREW - (MS35206-228)	6	
-26	454 887		CLAMP - (PS10017-1-3)	2	31-5001 to 31-8052130 incl
	454 887		CLAMP - (PS10017-1-3)	1	31-8052131 and up
-27	415 533		SCREW - (MS35206-243)	4	
	407 563		WASHER - (AN960-8)	4	
	407 042		WASHER - Lock (MS35338-42)	4	
-28	419 691		SCREW - (6 x 3/8 L. Type "A")	4	
-29	411 532		SCREW - (MS35207-263)	4	31-5001 to 31-8052130 incl
	411 532		SCREW - (MS35207-263)	3	31-8052131 and up
	404 835		NUT - (MS20364-1032C)	4	31-5001 to 31-8052130 incl
	404 835		NUT - (MS20364-1032C)	3	31-8052131 and up
-30	434 126		GROMMET - (MS35489-4)	4	
-31	407 564		WASHER - (AN960-10)	8	
-32	477 895		NUT - (TSE01-13) Tru seal	2	
-33	51006-00	D	METER ASSEMBLY - Hour, heater	1	31-8252001 and up

When ordering, always specify Part Number, Description and Serial Number of Aircraft

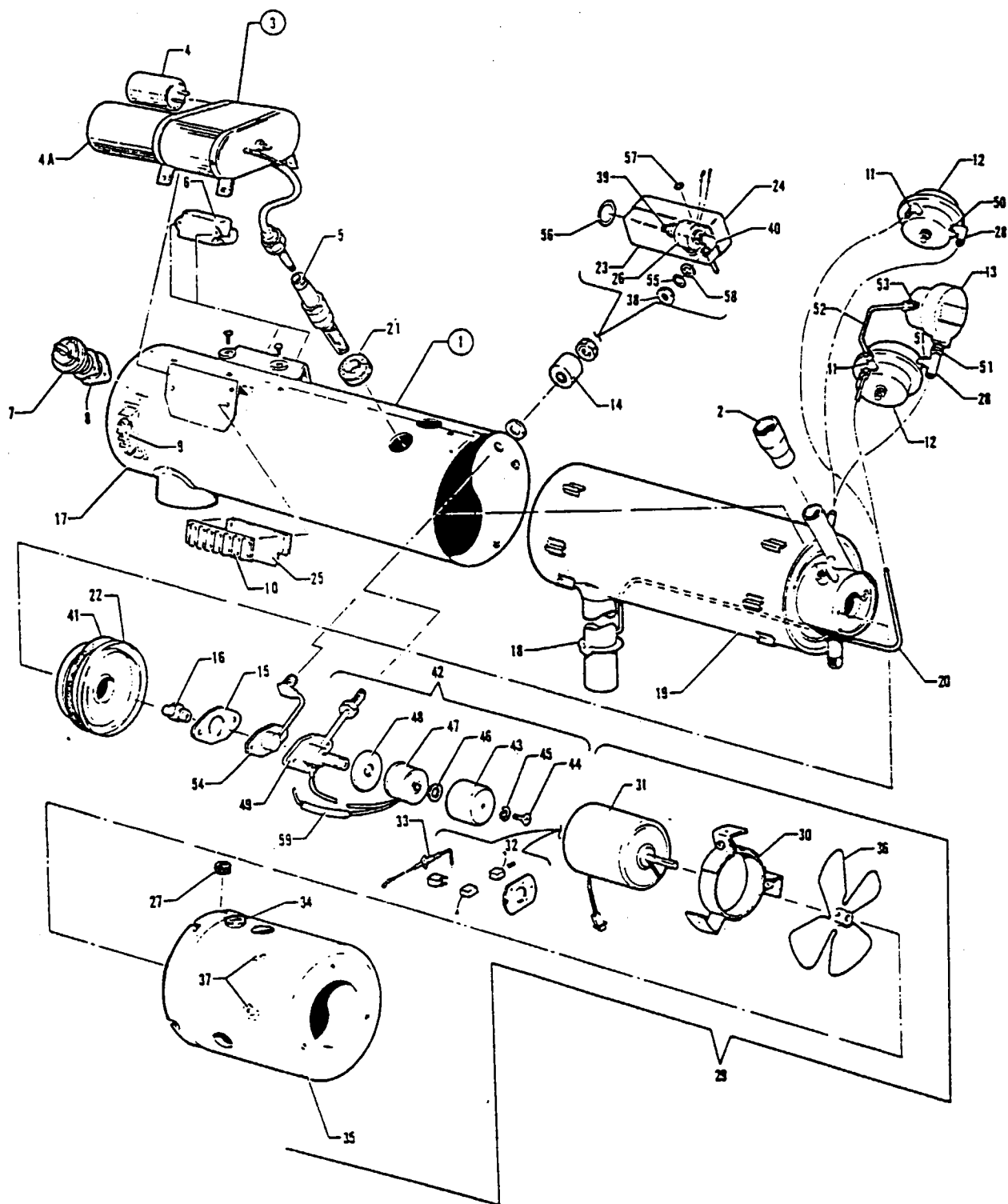


Figure 114. Heater Assembly

---

## PIPER PARTS CATALOG

---

### CODE EXPLANATIONS FOR FIGURE 114

- A - Used on aircraft with serial numbers 31-7305104 to 31-7405461, 31-7405463 to 31-7552032, 31-7552037 and 31-7552038. If Heater Assembly 65D79-1 has been replaced with 65D79-2, order P/N 755 263.
- B - Used on aircraft with serial numbers 31-7405462, 31-7552033 to 31-7552036, 31-7552039 to 31-7952250 incl.
- C - Used with Heater Assembly 65D79 only
- D - Used with Heater Assembly 65D79-1 only
- E - Used with Heater Assembly 65D79-2 only
- F - Used with Heater Assembly 65D79-3 only
- G - Used on aircraft with serial numbers 31-8052001 and up.

PIPER PARTS CATALOG

Figure and Index Number	Part Number	Code	NOMENCLATURE	No. Req.	SERIAL NUMBERS AFFECTED
114-1	755 234		HEATER ASSEMBLY - (65D79)	1	31-5001 to 31-7305103 incl.
	755 248	A	HEATER ASSEMBLY - (65D79-1)	1	
	755 263	B	HEATER ASSEMBLY - (65D79-2)	1	
	755 311	G	HEATER ASSEMBLY - (65D79-3)	1	
-2	751 274		* ADAPTER	1	
-3	755 443	C,D	* IGNITION ASSEMBLY	1	
	755 464	E,F	* IGNITION ASSEMBLY	1	
-4	756 577		* * VIBRATOR - Ignition (solid state)	1	
-4a	757 888		* * COIL - Ignition	1	
-5	757 334		* PLUG - Spark	1	
-6	751 801	C	* FILTER - Radio noise	1	
-7	756 177	C,D,E	* SWITCH - Limit	1	
	762 393	F	* SWITCH - Limit	1	
-8	751 874		* GASKET - Limit switch	AR	
-9	756 178		* SWITCH - Cycling	1	
-10	753 049	C,D	* STRIP - Terminal	1	
	761 946	E,F	* STRIP - Terminal	1	
-11	761 905	C	* TEE	1	
	754 771	D,E,F	* ELBOW	1	
-12	757 602		* SWITCH - Pressure	1	
-13	757 577	C	* SWITCH - Combustion air pressure	1	
-14	757 723	C	* SHROUD - Fuel fitting	1	
-15	751 922		* GASKET - Valve assembly	1	
-16	752 543		* NOZZLE - Fuel spray	1	
-17	752 131	C	* JACKET ASSEMBLY - Heater	1	
	752 133	D	* JACKET ASSEMBLY - Heater	1	
	752 137	E,F	* JACKET ASSEMBLY - Heater	1	
-18	751 877	C	* GASKET - Asbestos	1	
	755 033	D,E	* GASKET - Asbestos	1	
	755 098	F	* GASKET - Asbestos	1	
-19	761 906	C	* TUBE - Combustion	1	
	761 952	D,E,F	* TUBE - Combustion	1	
-20	761 907	C	* * TUBE - Combustion air switch	1	
	761 944	D,E,F	* * TUBE - Combustion air switch	1	
-21	434 139		* GROMMET - (MS35489-18)	1	
-22	755 236	C	* HEAD ASSEMBLY - Combustion	1	
	755 243	D,E,F	* HEAD ASSEMBLY - Combustion	1	
-23	758 263	D	* BOX ASSEMBLY - Fuel shroud, lower	1	
	758 299	E,F	* BOX ASSEMBLY - Fuel shroud, lower	1	
-24	758 264	D	* BOX - Fuel shroud, upper	1	
	758 300	E,F	* BOX - Fuel shroud, upper	1	
-25	755 401		* INSULATOR - Terminal strip	1	
-26	762 215	D,E,F	* SOLENOID ASSEMBLY - Fuel	1	
-27	434 145		* GROMMET - (MS35489-35)	1	
-28	488 474	C	* TEE - (AN917-1D)	1	
	754 782	D,E,F	* ELBOW	1	
-29	758 233		* BLOWER ASSEMBLY - Vent air	1	
-30	758 234		* * BRACKET ASSEMBLY - Motor	1	
-31	761 529		* * MOTOR ASSEMBLY - Vent air blower	1	
-32	757 419		* * * PLATE ASSEMBLY - Brush	1	
-33	757 969		* * * CAPACITOR AND CABLE ASSEMBLY	1	
-34	434 128		* * GROMMET - (MS35489-6)	1	
-35	755 266		* * HOUSING - Blower	1	
-36	754 828		* * FAN - Vent air blower	1	
-37	756 646		* * WASHER	3	

When ordering, always specify Part Number, Description and Serial Number of Aircraft



## PIPER PARTS CATALOG

Figure and Index Number	Part Number	Code	NOMENCLATURE	No. Req.	SERIAL NUMBERS AFFECTED
114-38	752 549	D	* NUT - Fuel shroud	1	
	752 563	E,F	* NUT - Fuel shroud	1	
-39	752 548	D,E	* NIPPLE - (AN816-4-4)	1	
	755 615	F	* NIPPLE - (16E07-3)	1	
-40	754 779	D,E,F	* ELBOW - Fuel inlet	1	
-41	751 920		* GASKET - Combustion head	1	
-42	756 512	C	* FUEL FEED, NOZZLE HOLDER AND VALVE ASSEMBLY	1	
-43	753 900	C	* * COVER - Solenoid	1	
-44	415 752	C	* * SCREW - (AN515-8R6)	1	
-45	407 103	C	* * WASHER - (AN935-8)	1	
-46	755 865	C	* * PACKING - "O" ring	1	
-47	757 805	C	* * COIL ASSEMBLY - Solenoid	1	
-48	755 864	C	* * PLATE - Solenoid base	1	
-49	753 121	C	* * VALVE ASSEMBLY - Fuel	1	
-50	752 560	D,E,F	* NIPPLE	1	
-51	476 643	C	* NIPPLE - (AN911-1D)	2	
-52	761 908	C	* TUBE - Pressure switch	1	
-53	757 970	C	* CONNECTOR	1	
-54	754 833	D,E,F	* FUEL FEED AND NOZZLE HOLDER	1	
-55	755 022	D,E,F	* GASKET - Fuel shroud	1	
-56	434 160	D,E,F	* GROMMET - (MS35489-8S)	1	
-57	434 128	D,E,F	* GROMMET - (MS35489-6)	1	
-58	407 597	D,E,F	* WASHER - (AN960-916L)	1	
-59	762 452	C	* SLEEVE - High temperature	1	

When ordering, always specify Part Number, Description and Serial Number of Aircraft

PIPER PARTS CATALOG

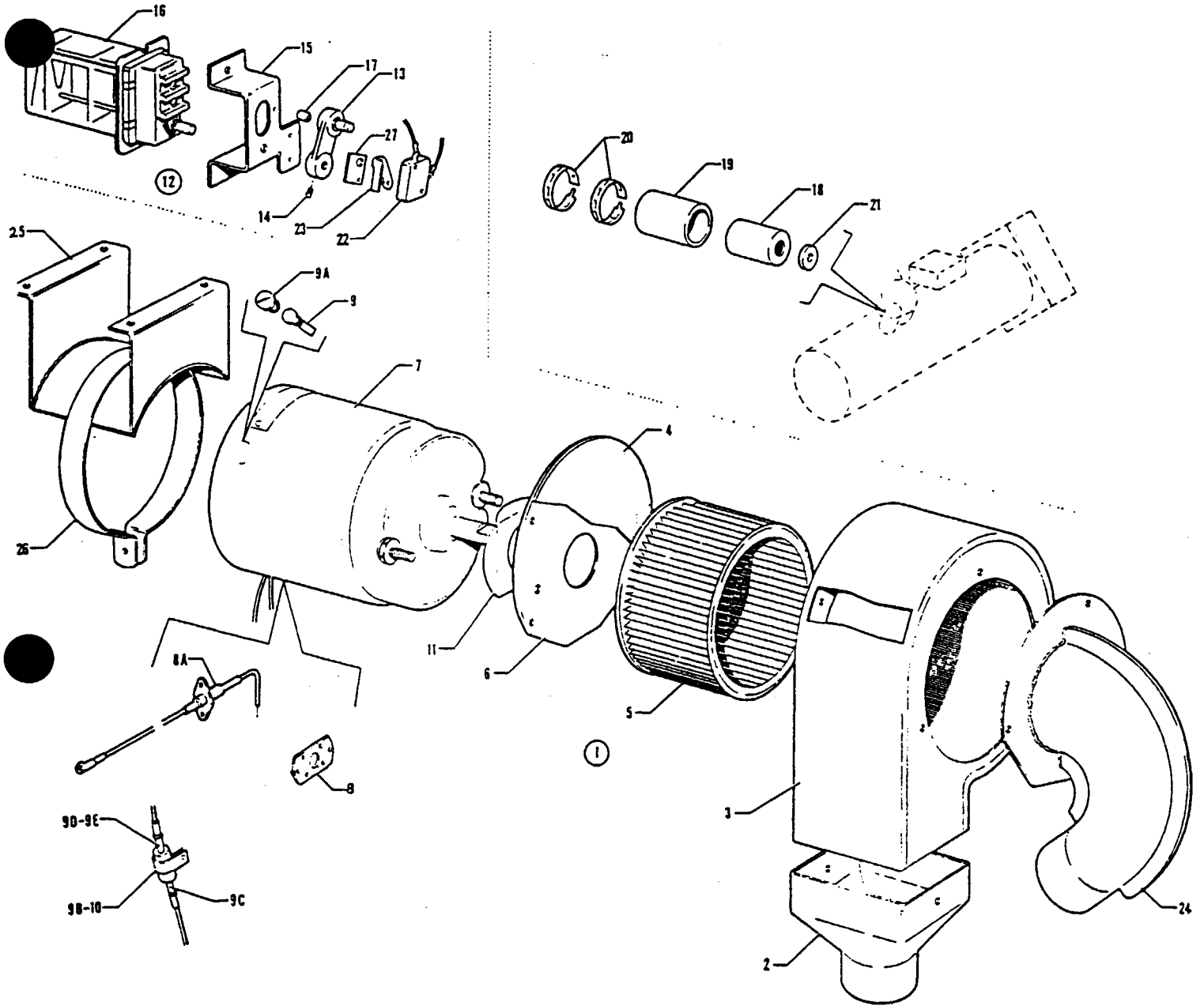


Figure 115. Heater Components

REVISED: APRIL 1982

3E19

PA-31-350

---

# PIPER PARTS CATALOG

---

## CODE EXPLANATIONS FOR FIGURE 115

- A - Used with Combustion Air Blower and Motor Assembly Model B30D40 only.
- B - Used with Combustion Air Blower and Motor Assembly Model B05D99 only.
- C - Used with Combustion Air Blower and Motor Assembly Model 89D22-2 only.
- D - Used on aircraft with serial numbers 31-7305104 to 31-7405461, 31-7405463 to 31-7552032, 31-7552037 and 31-7552038. If Combustion Air Blower and Motor Assembly B05D99 has been replaced with 89D22-2, order part number 758 048.
- E - Used on aircraft with serial numbers 31-7405462, 31-7552033 to 31-7552036, 31-7552039 and up.
- F - Used on aircraft with serial numbers 31-5001 to 31-7305103 inclusive. If Heater System Modification Kit 760 804 has been installed per Service Letter 692, order part number 758 000.

PIPER PARTS CATALOG

Figure and Index Number	Part Number	Code	NOMENCLATURE	No. Req.	SERIAL NUMBERS AFFECTED
115-1	757 971	F	COMBUSTION AIR BLOWER & MOTOR ASSEMBLY (B30D40)	1	
	758 000	D	COMBUSTION AIR BLOWER & MOTOR ASSEMBLY (B05D99)	1	
	758 048	E	COMBUSTION AIR BLOWER & MOTOR ASSEMBLY (89D22-2)	1	
-2	751 273	A,B	* ADAPTER - Outlet	1	
-3	751 977	A,B	* HOUSING - Blower	1	
	755 253	C	* HOUSING - Blower, outer half	1	
	755 252	C	* HOUSING - Blower, inner half	1	
-4	755 020	A	* GASKET - Back plate	1	
	751 878	B	* GASKET - Back plate	1	
-5	751 817		* FAN - Combustion air blower	1	
-6	757 420	A	* PLATE - Back	1	
	755 866	B	* PLATE - Back	1	
-7	761 530	A	* MOTOR ASSEMBLY - Combustion air blower	1	
	753 760	B	* MOTOR ASSEMBLY - Combustion air blower	1	
	761 608	C	* MOTOR ASSEMBLY - Combustion air blower	1	
-8	757 419	A	* * PLATE ASSEMBLY - Brush	1	
-8a	757 969	A	* * CAPACITOR AND CABLE ASSEMBLY	1	
-9	753 391	B,C	* * BRUSH ASSEMBLY - Motor	1	
-9a	753 392	B,C	* * CAP	1	
-9b	758 013	C	* * CAPACITOR	1	
-9c	762 456	C	* * SLEEVE - High temperature	1	
-9d	762 455	C	* * SLEEVE - High temperature	1	
-9e	762 451	B	* SLEEVE - High temperature	1	
-10	758 013	B	* CAPACITOR	1	
-11	756 184	B,C	* SPACER - Motor	1	
-12	757 726		SWITCH ASSEMBLY - Adjustable duct (250 Degrees) (68D01)	1	
-13	752 367		* LEVER - Switch	1	
-14			* SCREW - (AN565D8H3)	1	
-15			* BRACKET ASSEMBLY - Switch	1	
-16	756 262		* SWITCH - Adjustable duct	1	
-17			* SPACER	1	
-18	757 727		SHROUD - Fuel fitting	1	31-5001 to 31-7305103 incl.
-19	751 962		HOSE - Fuel fitting shroud	1	31-5001 to 31-7305103 incl.
-20	753 904		CLAMP - Hose	2	31-5001 to 31-7305103 incl.
-21	434 155		GROMMET - (MS35489-7S)	1	31-5001 to 31-7305103 incl.
-22	487 940		SWITCH - Micro (MS25253-2)	1	
-23	46541-01		PLATE - Switch actuator	1	
-24	52517-00		ADAPTER ASSEMBLY - Heater blower	1	
-25	52461-00		BRACKET ASSEMBLY - Combustion air blower	1	
-26	454 808		CLAMP - (SAE TY F-60)	1	
-27	53918-02		PLATE - Insulator	1	

When ordering, always specify Part Number, Description and Serial Number of Aircraft

# PIPER PARTS CATALOG

---

GRIDS 3E22 THRU 3E24  
INTENTIONALLY LEFT BLANK

PIPER PARTS CATALOG

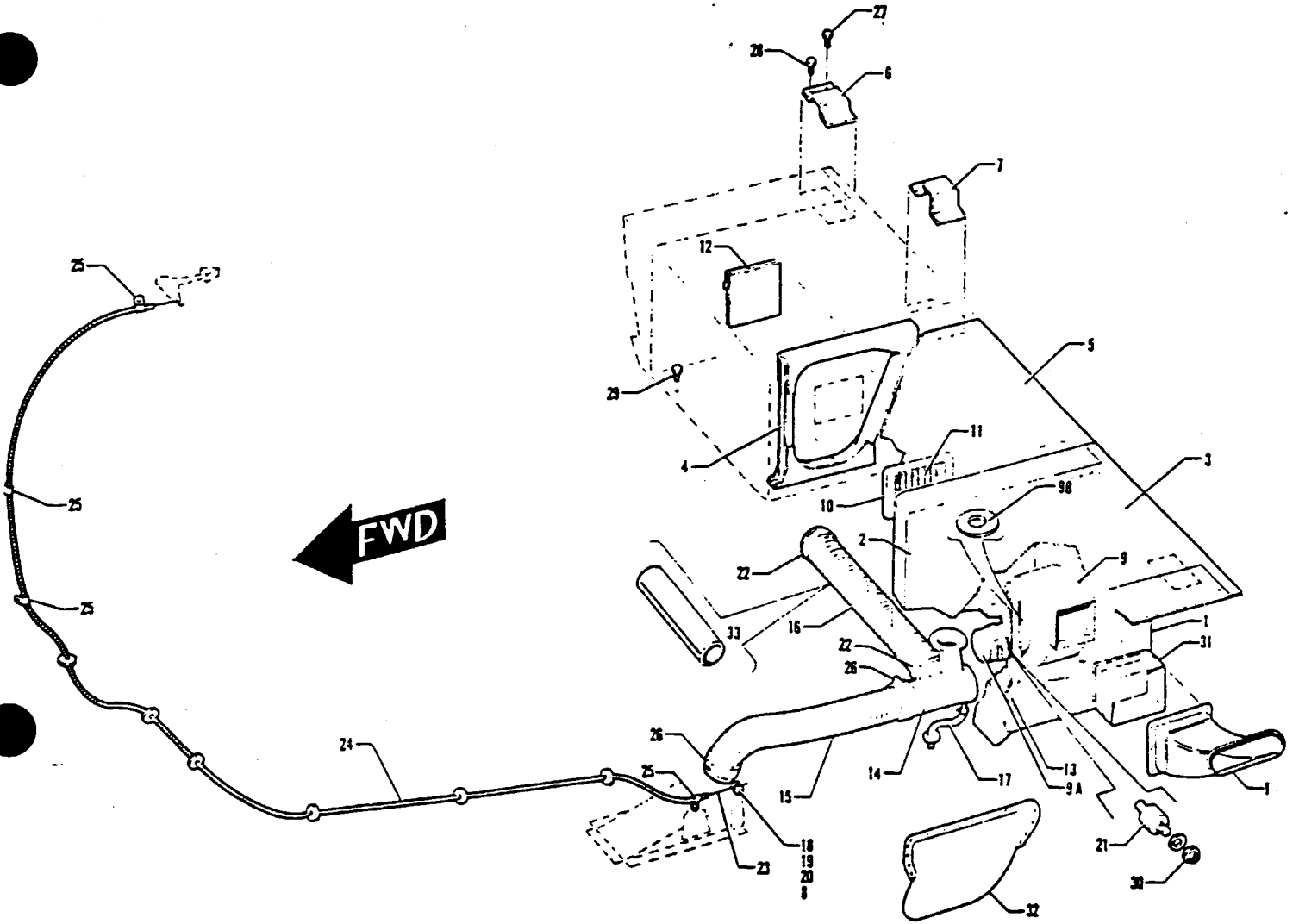


Figure 116: Ventilation System Installation

---

## PIPER PARTS CATALOG

---

### CODE EXPLANATIONS FOR FIGURE 116

- A - If Air Conditioning Improvement Kit 760 881 has been installed per Service Letter 730, order part for serial numbers 31-7405483 and up
- B - Used on aircraft with serial numbers 31-5001 to 31-7405482 inclusive, if Air Conditioning Improvement Kit 760 881 has been installed per Service Letter 730.
- C - No longer available. Order complete blower assembly, P/N 453 009 (Dukes, Inc. #1482-00-3) or P/N 453 010 (Dukes, Inc. #1483-00-3), as a replacement. If blower assembly P/N 453 009 or P/N 453 010 has previously been installed, order Blower Motor Replacement Kit 764 382.
- D - Also used on aircraft with serial numbers 31-8052001 to 31-8252020 inclusive if blower assembly, P/N 453 009 (Dukes, Inc. #1482-00-3) or P/N 453 010 (Dukes, Inc. #1483-00-3), has been installed.
- E - No longer available. Order (1) Recirculation Fans Replacement Kit 764 416L as a replacement. (NOTE: One kit 764 416L replaces both left and right blower assemblies at the same time.) If Recirculation Fans Replacement Kit 764 416L has previously been installed, order new blower assembly listed for serial numbers 31-8052001 and up as desired.
- F - Order part for serial numbers 31-8052001 and up if two speed recirculation fans are installed.

PIPER PARTS CATALOG

Figure and Index Number	Part Number	Code	NOMENCLATURE	No. Req.	SERIAL NUMBERS AFFECTED
116-	52524 52343		DRAWING - Outside Air System Installation DRAWING - Air Box Installation		
-1	52675-00 52675-01 53039-00 53039-01 53039-02 53039-03	A A B B B B	BOX ASSEMBLY - Air, left BOX ASSEMBLY - Air, right BOX ASSEMBLY - Air, left BOX ASSEMBLY - Air, right BOX ASSEMBLY - Air, left BOX ASSEMBLY - Air, right	1 1 1 1 1 1	31-5001 to 31-7405482 incl. 31-5001 to 31-7405482 incl. 31-7405483 to 31-7852029 incl. 31-7405483 to 31-7852029 incl. 31-7852030 and up 31-7852030 and up
-1a	54470-02 55870-02	B A	* DUCT ASSEMBLY - Lower fan exhaust * DUCT ASSEMBLY - Lower fan exhaust	1 1	31-7405483 to 31-7852029 incl. 31-7852030 and up
-2	52663-02 52663-03		COVER - Air box access, front, left COVER - Air box access, front, right	1 1	
-3	52664-00 52664-01		COVER - Air box access, top, left COVER - Air box access, top, right	1 1	
-4	52630-00 52630-06 71697-02		FRAME ASSEMBLY - Seat track support FRAME ASSEMBLY - Seat track support FRAME ASSEMBLY - Seat track support	4 4 4	31-5001 to 31-7952250 incl. 31-8052001 to 31-8052218 incl. 31-8052219 and up
-5	52665-00		COVER ASSEMBLY - Main spar	1	
-6	52633-02 52633-03		BRACKET ASSEMBLY - Air box support, outboard, left BRACKET ASSEMBLY - Air box support, outboard, right	1 1	
-7	52633-04 52633-05		BRACKET ASSEMBLY - Air box support, inboard, left BRACKET ASSEMBLY - Air box support, inboard, right	1 1	
-8	404 392 424 051		NUT - (AN320-3) COTTER PIN - (MS24665-132)	1 1	
-9	44916-02 44916-03 452 984 452 983 453 010 453 009	E E E E E E	BLOWER ASSEMBLY - Ventilating, left BLOWER ASSEMBLY - Ventilating, right BLOWER ASSEMBLY - Ventilating, left BLOWER ASSEMBLY - Ventilating, right BLOWER ASSEMBLY - Ventilating, left BLOWER ASSEMBLY - Ventilating, right	1 1 1 1 1 1	31-5001 to 31-7852029 incl. 31-5001 to 31-7852029 incl. 31-7852030 to 31-7952250 incl. 31-7852030 to 31-7952250 incl. 31-8052001 and up 31-8052001 and up
-9a	475 213 475 214 764 382	C C D	* MOTOR - Blower, right (FO017248FT) * MOTOR - Blower, left (FO017249FT) * KIT - Blower motor replacement, left and right	1 1 1	31-8052001 to 31-8252020 incl. 31-8052001 to 31-8252020 incl. 31-8252021 and up
-9b	755 105	D	* GASKET - Vibration (1483-30-1)	1	31-8252021 and up
-10	52642-00 52956-00	A B	COVER - Air box grill COVER - Air box grill	2 2	31-5001 to 31-7405482 incl. 31-7405483 and up
-11	52640-00 52955-00	A B	GRILL - Air box GRILL - Air box	2 2	31-5001 to 31-7405482 incl. 31-7405483 and up
-12	52639-00		VALVE ASSEMBLY - Air box	2	31-5001 to 31-7405482 incl.
-13	52629-00 52629-01 52629-06 52629-05	F F F F	BRACKET ASSEMBLY - Blower support, left BRACKET ASSEMBLY - Blower support, right BRACKET ASSEMBLY - Blower support, left BRACKET ASSEMBLY - Blower support, right	1 1 1 1	31-5001 to 31-7952250 incl. 31-5001 to 31-7952250 incl. 31-8052001 and up 31-8052001 and up
-14	52248-00		BOX ASSEMBLY - Outside air	1	
-15	49997-17		HOSE - Air inlet	1	
-16	49997-18 49990-22		HOSE - Air inlet (14" L.) HOSE - Air inlet (1 75" L.)	1 2	31-5001 to 31-7852089 incl. 31-7852090 and up
-17	22369-14		HOSE - Plastic	1	
-18	70371-03		STUD - Control wire, air box	1	
-19	70371-02		FITTING - Control wire, outside air	1	
-20	81342-19		WASHER - Outside air box	1	
-21	475 109		MOUNT - Air distribution motor (J-7219-22)	6	

When ordering, always specify Part Number, Description and Serial Number of Aircraft



PIPER PARTS CATALOG

Figure and Index Number	Part Number	Code	NOMENCLATURE	No. Req.	SERIAL NUMBERS AFFECTED
116-22	554 945		CLAMP - (SAE TY F-28)	2	31-5001 to 31-7852089 incl.
	554 945		CLAMP - (SAE TY F-28)	4	31-7852090 and up
-23	22470-18		WIRE - Outside air control	1	
-24	22472-24		HOUSING - Outside air control wire	1	
-25	454 887		CLAMP - (PS10017-1-3)	4	
-26	554 834		CLAMP - (SAE TY F-40)	2	
-27	400 441		BOLT - (AN3-7A)	8	
	407 564		WASHER - (AN960-10)	8	
	404 887		NUT - (MS20365-1032C)	8	
-28	401 289		BOLT - (AN3-10A)	6	
	407 564		WASHER - (AN960-10)	6	
	404 887		NUT - (MS20365-1032C)	8	
-29	400 438		BOLT - (AN3-4A)	4	
	407 584		WASHER - (AN960-10L)	4	
-30	404 833		NUT - (MS20364-832C)	12	
	407 563		WASHER - (AN960-8)	12	
-31	53027-00	B	CONNECTOR ASSEMBLY - Duct	2	31-7405483 to 31-7952250 incl.
	53027-06		CONNECTOR ASSEMBLY - Duct	2	31-8052001 and up
-32	54469-02	B	DUCT ASSEMBLY - Upper fan exhaust, left	1	31-7405483 and up
	54469-03	B	DUCT ASSEMBLY - Upper fan exhaust, right	1	31-7405483 and up
-33	86142-49		TUBING - Air inlet	1	31-7852090 and up

When ordering, always specify Part Number, Description and Serial Number of Aircraft

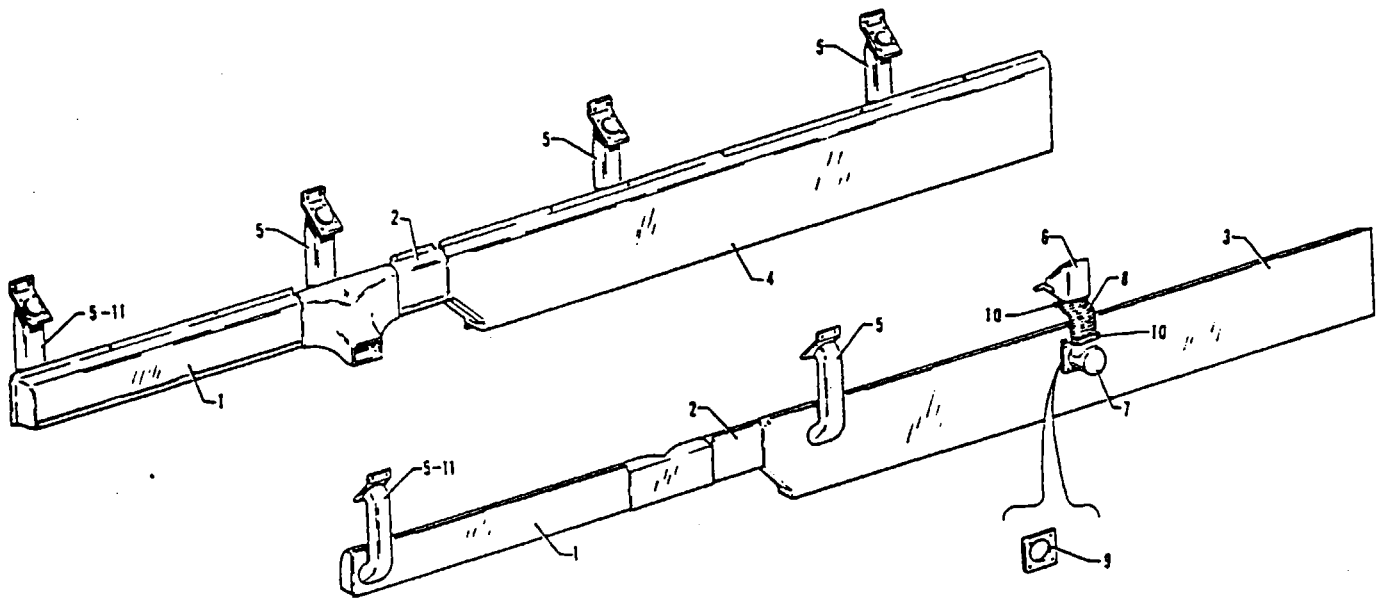


Figure 116A. Air Distribution Duct Installation  
(Serial Numbers 31-7852030 and up)

---

# PIPER PARTS CATALOG

---

CODE EXPLANATIONS FOR FIGURE 116A

- A - Used on Executive version only.
- B - Used on Commuter version only.

PIPER PARTS CATALOG

Figure and Index Number	Part Number	Code	NOMENCLATURE	No. Req.	SERIAL NUMBERS AFFECTED
116A-	55869		DRAWING - Air Distribution Duct Installation		
-1	55852-02		DUCT ASSEMBLY - Fresh air, left	1	
	55852-03		DUCT ASSEMBLY - Fresh air, right	1	
-2	55852-04		DUCT ASSEMBLY - Fresh air	2	
-3	55868-02	A	DUCT ASSEMBLY - Fresh air, left	1	
	55868-04	B	DUCT ASSEMBLY - Fresh air, left	1	
-4	55868-03	A	DUCT ASSEMBLY - Fresh air, right	1	
	55868-05	B	DUCT ASSEMBLY - Fresh air, right	1	
-5	55867-02		DUCT ASSEMBLY - Fresh air vent	AR	
-6	49266-02	A	BOX ASSEMBLY - Fresh air vent, upper	2	
-7	55939-02	A	BOX ASSEMBLY - Fresh air vent, lower	2	
-8	10525-107	A	HOSE - Fresh air vent	2	
-9	49272-02	A	SEAL - Fresh air box	2	
-10	454 818	A	CLAMP - (SAE TY F-32)	4	
-11	55867-08		DUCT ASSEMBLY - Fresh air vent	2	31-7852041 and up

When ordering, always specify Part Number, Description and Serial Number of Aircraft .

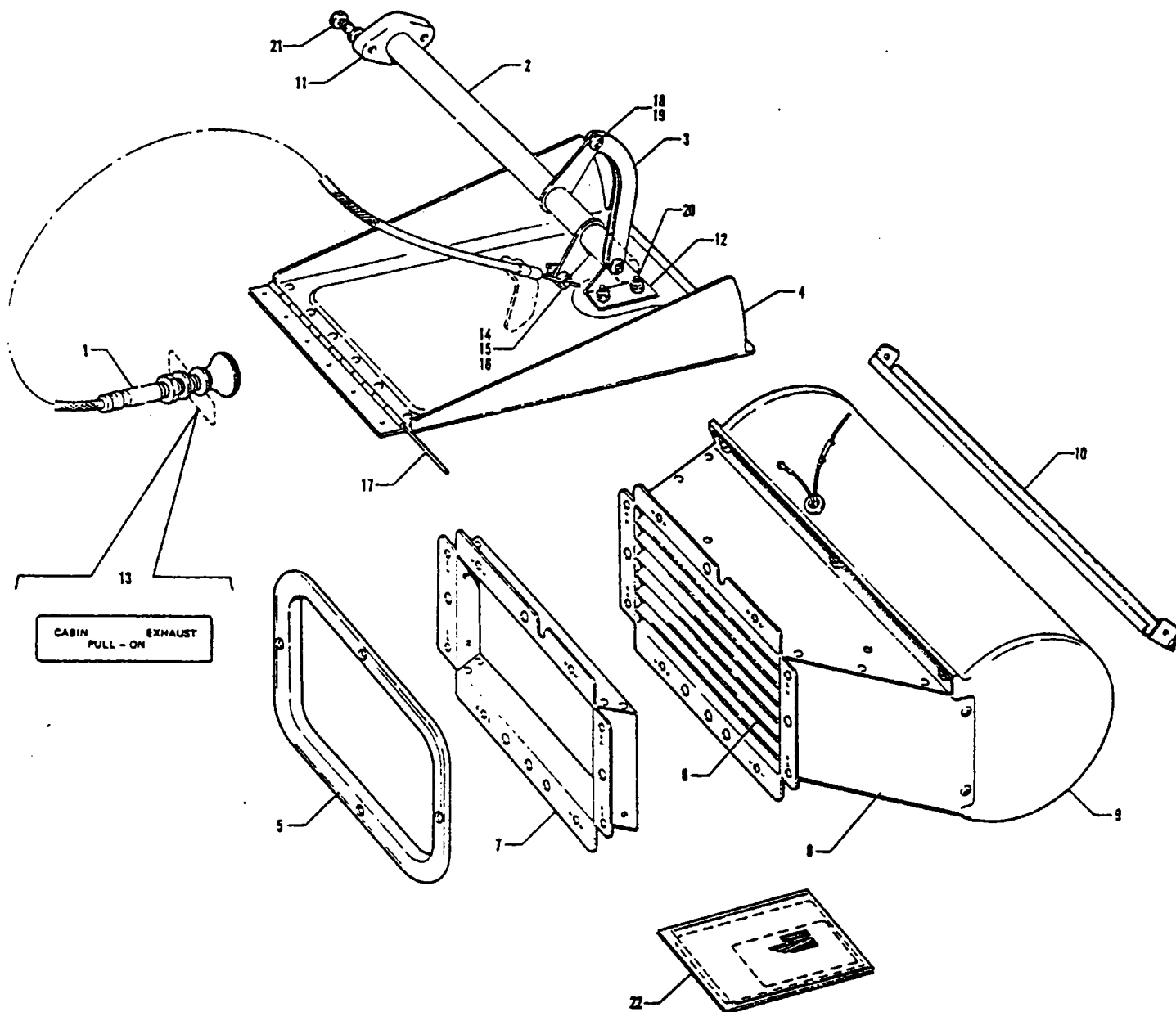


Figure 117. Cabin Exhaust Vent and Blower Installation

---

# PIPER PARTS CATALOG

---

## CODE EXPLANATIONS FOR FIGURE 117

A - Used if ground ventilation fan has been installed.

PIPER PARTS CATALOG

Figure and Index Number	Part Number	Code	NOMENCLATURE	No. Req.	SERIAL NUMBERS AFFECTED
117-	43827 52516		DRAWING - Cabin Exhaust Vent Installation DRAWING - Ground Ventilation Fan Installation		
-1	43866-02 43866-04		CABLE ASSEMBLY - Control, cabin exhaust vent CABLE ASSEMBLY - Control, cabin exhaust vent	1 1	31-5001 to 31-7952016 incl. 31-7952017 and up
-2	43782-00		ROD ASSEMBLY - Torque, cabin vent door	1	
-3	43781-00		ARM - Control, cabin vent door	2	
-4	43778-00		DOOR ASSEMBLY - Cabin vent	1	
-5	43625-00		RETAINER - Carpet	1	
-6	43822-00		GRILL - Ventilating fan	1	
-7	43834-00		BRACKET ASSEMBLY - Grill attachment	1	
-8	43630-00	A	DUCT ASSEMBLY - Ventilation fan	1	
-9	452 959		FAN - Ventilation (Dukes 1163-00-1)	1	
-10	43624-00	A	CHANNEL - Blower support	1	
-11	41820-00		BEARING - Torque tube	2	
-12	41804-02		ANGLE - Cabin vent door	1	
-13	43854-00		PLACARD - Cabin exhaust	1	
-14	70371-02		FITTING - Swivel	1	
-15	70371-03		STUD - Swivel	1	
-16	81342-19 404 392 424 051		WASHER - Swivel fitting NUT - (AN320-3) COTTER PIN - (MS24665-132)	1 1 1	
-17	86092-92		PIN - Cabin vent door	1	
-18	424 171 407 584 424 051		PIN - (AN393-7) WASHER - (AN960-10L) COTTER PIN - (MS24665-132)	2 4 2	
-19	407 584		WASHER - (AN960-10L)	AR	
-20	415 533 404 910		SCREW - (MS35206-243) NUT - (MS20365-832C)	2 2	
-21	401 307 407 044		BOLT - (AN4-4A) WASHER - (MS35338-44)	4 4	
-22	43996-00		KIT ASSEMBLY - Ventilation fan cover	1	

When ordering, always specify Part Number, Description and Serial Number of Aircraft

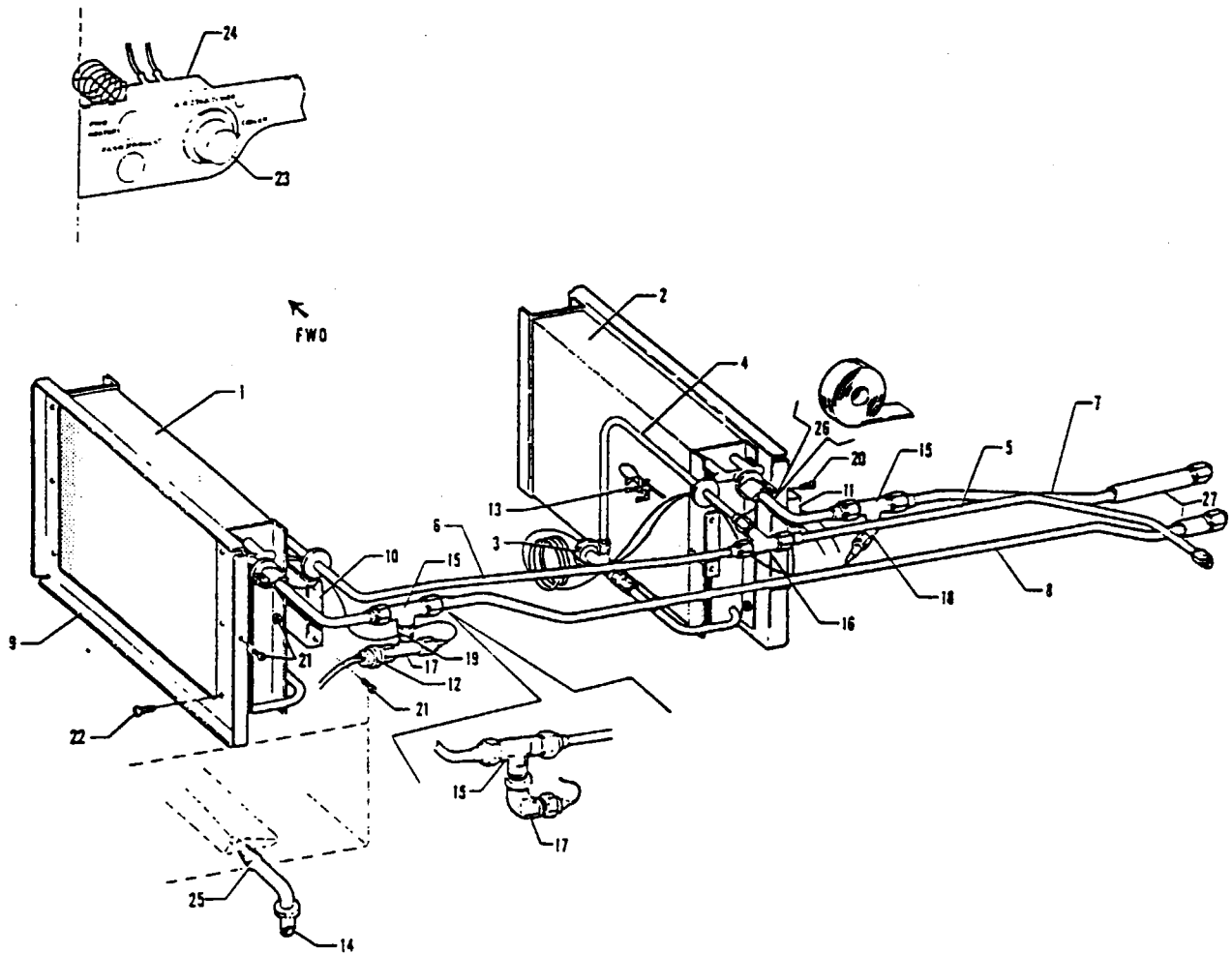


Figure 118. Air Conditioning Evaporator Installation



---

# PIPER PARTS CATALOG

CODE EXPLANATIONS FOR FIGURE 118

PIPER PARTS CATALOG

Figure and Index Number	Part Number	Code	NOMENCLATURE	No. Req.	SERIAL NUMBERS AFFECTED
118-	52705		DRAWING - Air Conditioning Evaporator Installation		
-1	52671-02		EVAPORATOR ASSEMBLY - (Complete) Left	1	
-2	52670-02		EVAPORATOR ASSEMBLY - (Complete) Right	1	
-3	492 192		VALVE - Thermostatic expansion (226FNP35)	2	
-4	52678-00		LINE ASSEMBLY - Freon pressure	1	
-5	52679-00		LINE ASSEMBLY - Freon pressure	1	
-6	52680-00		LINE ASSEMBLY - Freon pressure	1	
-7	52685-00		LINE ASSEMBLY - Freon suction	1	
-8	52686-00		LINE ASSEMBLY - Freon suction	1	
-9	52635-04		BRACKET ASSEMBLY - Evaporator support, left	1	
	52635-05		BRACKET ASSEMBLY - Evaporator support, right	1	
-10	52636-00		BRACKET ASSEMBLY - Evaporator support (2.88 long)	2	
	54385-02		BRACKET ASSEMBLY - Evaporator support, left (3.28 long)	1	
	54385-03		BRACKET ASSEMBLY - Evaporator support, right (3.28 long)	1	
-11	44903-00		SWITCH ASSEMBLY - Temperature control	1	31-5001 to 31-7952093 incl.
	74051-02		SWITCH ASSEMBLY - Temperature control	1	31-7952094 and up
-12	588 018		SWITCH - Low freon pressure (20PS00FC040K010D)	1	31-5001 to 31-8052187 incl.
-13	44843-00		FASTENER - Evaporator line	2	
-14	22369-12		TUBE - Plastic	2	
-15	47651-00		TEE - Freon (special)	2	
-16	488 319		TEE - (AN824-6D)	1	
-17	588 388		TEE - (45-4)	1	31-5001 to 31-8052187 incl.
	458 894		ELBOW - (MS20822-4D)	1	31-8052188 and up
-18	458 894		ELBOW - (MS20822-4D)	1	
-19	451 854		ADAPTER - Pipe (3200 x 2)	1	31-5001 to 31-8052187 incl.
-20	415 520		SCREW - (MS35206-230)	2	
-21	415 535		SCREW - (MS35206-245)	18	
-22	411 532		SCREW - (MS35207-263)	16	
-23	571 112		KNOB - (105D)	1	
-24	74040-02		SWITCH ASSEMBLY - Temperature control	1	
-25	454 983		CLAMP - (SAE TY E-8)	2	
-26	189 777		TAPE - Insulating (1/8" x 2) (30' roll)	AR	
-27	82371-114		HOSE - Flexible	2	

When ordering, always specify Part Number; Description and Serial Number of Aircraft

PIPER PARTS CATALOG

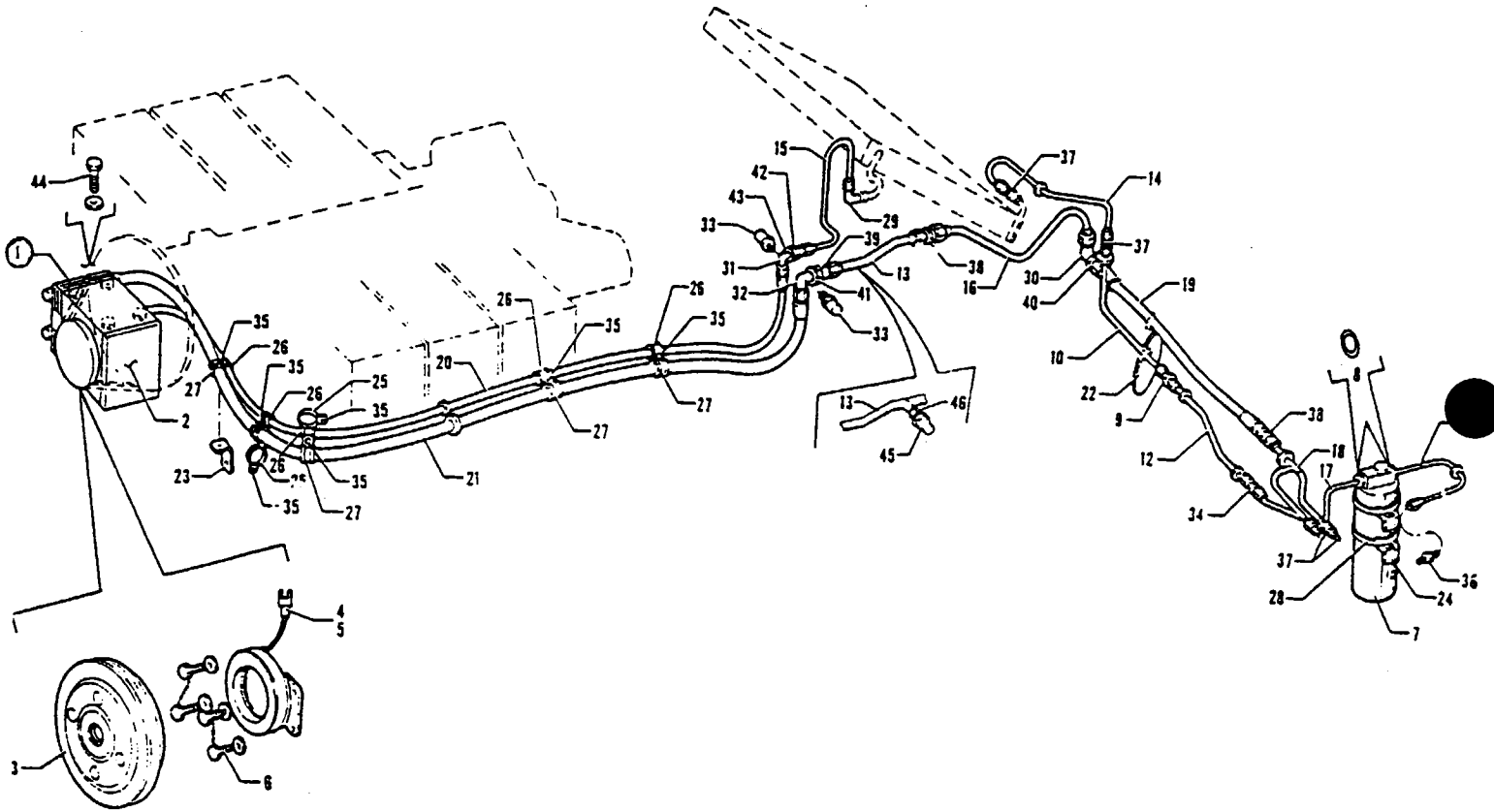


Figure 119. Air Conditioning Freon System Installation

# PIPER PARTS CATALOG

---

CODE EXPLANATIONS FOR FIGURE 119

A - See Piper Service Spares Letter 408.

Revised: March 10, 1994

3F15

PA-31-350

# PIPER PARTS CATALOG

Figure and Index Number	Part Number	Code	Nomenclature	No. Req.	Serial Numbers Affected
119-	52066		DRAWING - Freon System Installation		
-1	46334-00		COMPRESSOR ASSEMBLY - Freon (complete)	1	
-2	47854-00		* COMPRESSOR - Freon	1	
-3	46336-00		* CLUTCH ASSEMBLY - Magnetic	1	
	764 787	A	* COIL - Compressor clutch (13928)	1	
-4	488 478		* TERMINAL - (1189 ATL)	1	
-5	581 482		* PLUG - (1619P)	1	
-6	401 919		* BOLT - (MS20074-04-04)	4	
	80122-123		* WASHER	4	
-7	456 622		DEHYDRATOR ASSEMBLY - (3046236)	1	
-8	484 794		O-RING - (2-11C147-7)	2	
-9	491 053		UNION - (AN815-8D)	1	
-10	44831-00		LINE ASSEMBLY - Freon	1	
-11	44836-00		LINE ASSEMBLY - Freon	1	
-12	44838-00		LINE ASSEMBLY - Freon	1	
-13	44863-00		LINE ASSEMBLY - Freon	1	31-5001 to 31-8052187 incl.
	71550-02		LINE ASSEMBLY - Freon	1	31-8052188 and up
-14	44866-00		LINE ASSEMBLY - Freon	1	
-15	44888-00		LINE ASSEMBLY - Freon	1	
-16	44896-00		LINE ASSEMBLY - Freon	1	
-17	44967-00		LINE ASSEMBLY - Freon	1	
-18	52472-00		LINE ASSEMBLY - Freon	1	
-19	56200-02		HOSE ASSEMBLY - Flexible	1	
-20	56200-03		HOSE ASSEMBLY - Flexible	1	
-21	56200-04		HOSE ASSEMBLY - Flexible	1	
-22	40468-02		PLATE - Cover	1	
-23	42115-00		BRACKET - Support	1	
-24	44833-02		BRACKET - Receiver dehydrator mounting	1	
-25	52104-00		CLAMP ASSEMBLY - Hose support	2	
-26	454 868		CLAMP - (PS10017-2-12)	5	
-27	554 775		CLAMP - (PS10017-2-15)	5	
-28	554 927		CLAMP - (TY F-48)	2	
-29	458 881		ELBOW - (AN821-8D)	1	
-30	458 852		ELBOW - (AN833-12D)	1	
-31	52097-02		ELBOW - Special	1	
-32	52097-03		ELBOW - Special	1	
-33	460 574		FITTING - Service valve (VU1-4A)	2	
-34	484 359		REDUCER - (AN919-12D)	1	
-35	411 532		SCREW - (MS35207-263)	7	
	404 887		NUT - (MS20365-1032C)	7	
-36	491 052		UNION - (AN815-6D)	1	
-37	491 053		UNION - (AN815-8D)	4	
-38	491 073		UNION - (AN815-12D)	2	
-39	407 576		WASHER - (AN960-1716)	1	
-40	477 738		NUT - (AN924-12D)	1	
-41	477 737		NUT - (AN924-12)	1	
-42	477 691		NUT - (AN924-8)	1	
-43	407 573		WASHER - (AN960-1216)	1	
-44	418 757		SCREW - Cap (MS90728-62)	4	
	407 046		WASHER - (MS35338-46)	4	
-45	588 018		SWITCH - Low pressure (20PS000FC040K010D)	1	31-8052188 and up
-46	460 682		FITTING - Male (48 x 4)	1	31-8052188 and up

When ordering, always specify Part Number, Description, and Serial Number of Aircraft

PIPER PARTS CATALOG

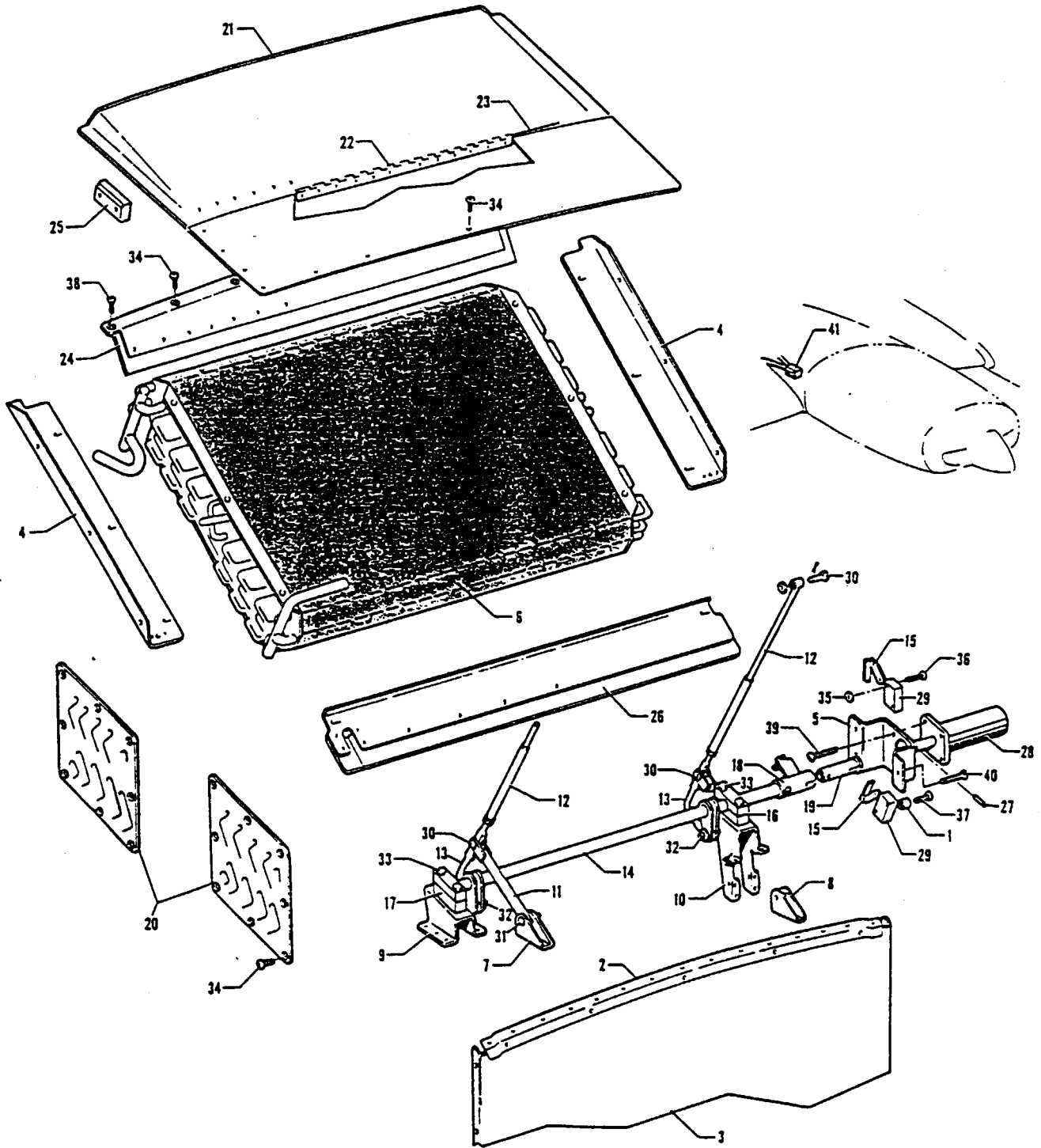


Figure 120. Air Conditioning Condenser and Scoop Installation

---

# PIPER PARTS CATALOG

CODE EXPLANATIONS FOR FIGURE 120

PIPER PARTS CATALOG

Figure and Index Number	Part Number	Code	NOMENCLATURE	No. Req.	SERIAL NUMBERS AFFECTED
120-	52065		DRAWING - Condenser and Scoop Equipment Installation		
-1	41413-46		BUSHING - Condenser and scoop motor bracket	2	
-2	44803-03		ANGLE ASSEMBLY - Nacelle center, Sta. 136.75	1	
-3	44803-04		BULKHEAD - Nacelle center, Sta. 136.75	1	
-4	44851-00		BRACKET ASSEMBLY - Condenser, inboard	1	
	44851-01		BRACKET ASSEMBLY - Condenser, outboard	1	
-5	44859-00		BRACKET - Scoop torque tube motor	1	
-6	44860-00		CONDENSER ASSEMBLY - Complete	1	
-7	44990-02		BRACKET - Scoop mechanism swivel	1	
-8	44990-03		BRACKET - Scoop mechanism swivel	1	
-9	44992-00		BRACKET ASSEMBLY - Torque tube, inboard	1	
-10	44993-00		BRACKET ASSEMBLY - Torque tube, outboard	1	
-11	44994-00		TUBE ASSEMBLY - Scoop mechanism swivel	2	
-12	44995-00		ARM ASSEMBLY - Condenser scoop actuating	2	
-13	49313-02		ARM - Condenser scoop, lower actuating	2	
-14	44997-00		TUBE ASSEMBLY - Scoop torque	1	
-15	46541-01		PLATE - Switch actuator	2	
-16	47819-00		BLOCK - Torque tube bearing	1	
-17	47820-00		BLOCK - Torque tube bearing	1	
-18	47821-04		SLEEVE ASSEMBLY - Scoop torque tube	1	
-19	47830-00		BUSHING - Scoop torque tube	1	
-20	52001-00		OUTLET - Condenser air, inboard	2	
	52001-01		OUTLET - Condenser air, outboard	2	
-21	52050-00		SCOOP ASSEMBLY - Condenser air inlet (complete)	1	
-22	52046-00		HINGE - Condenser scoop assembly	2	
-23	86092-98		PIN - Condenser scoop assembly	1	
-24	52052-00		BAFFLE ASSEMBLY - Condenser	1	
-25	52056-00		RUB BLOCK - Condenser scoop	2	
-26	52070-00		SEAL ASSEMBLY - Condenser	1	
-27	86092-96		PIN - Torque tube	1	
-28	475 198		MOTOR - (317A246)	1	
-29	487 804		SWITCH - (MS25253-1)	2	
-30	424 177		PIN - (MS20392-2C17)	4	
	407 564		WASHER - (AN960-10)	4	
	424 051		COTTER PIN - (MS24665-132)	4	
-31	424 182		PIN - (MS20392-2C27)	2	
	407 564		WASHER - (AN960-10)	2	
	424 051		COTTER PIN - (MS24665-132)	2	
-32	424 173		PIN - (MS20392-2C9)	2	
	407 564		WASHER - (AN960-10)	2	
	424 051		COTTER PIN - (MS24665-132)	2	
-33	400 444		BOLT - (AN3-13A)	4	
-34	414 779		SCREW - (MS24693-S49)	54	
-35	407 561		WASHER - (AN960-4)	2	
-36	415 508		SCREW - (MS35206-218)	2	
	407 040		WASHER - Lock (MS35338-40)	2	
	404 596		NUT - (MS20341-4S)	2	
-37	415 510		SCREW - (MS35206-220)	2	
	407 040		WASHER - (MS35338-40)	2	
	404 596		NUT - (MS20341-4S)	2	
-38	414 763		SCREW - (MS24693-S50)	2	
-39	415 505		SCREW - (MS35206-215)	5	
	404 908		NUT - (MS20365-440C)	5	
-40	411 530		SCREW - (MS35207-261)	3	
-41	44972-00		RELAY ASSEMBLY - Nacelle scoop	1	

When ordering, always specify Part Number, Description and Serial Number of Aircraft



PIPER PARTS CATALOG

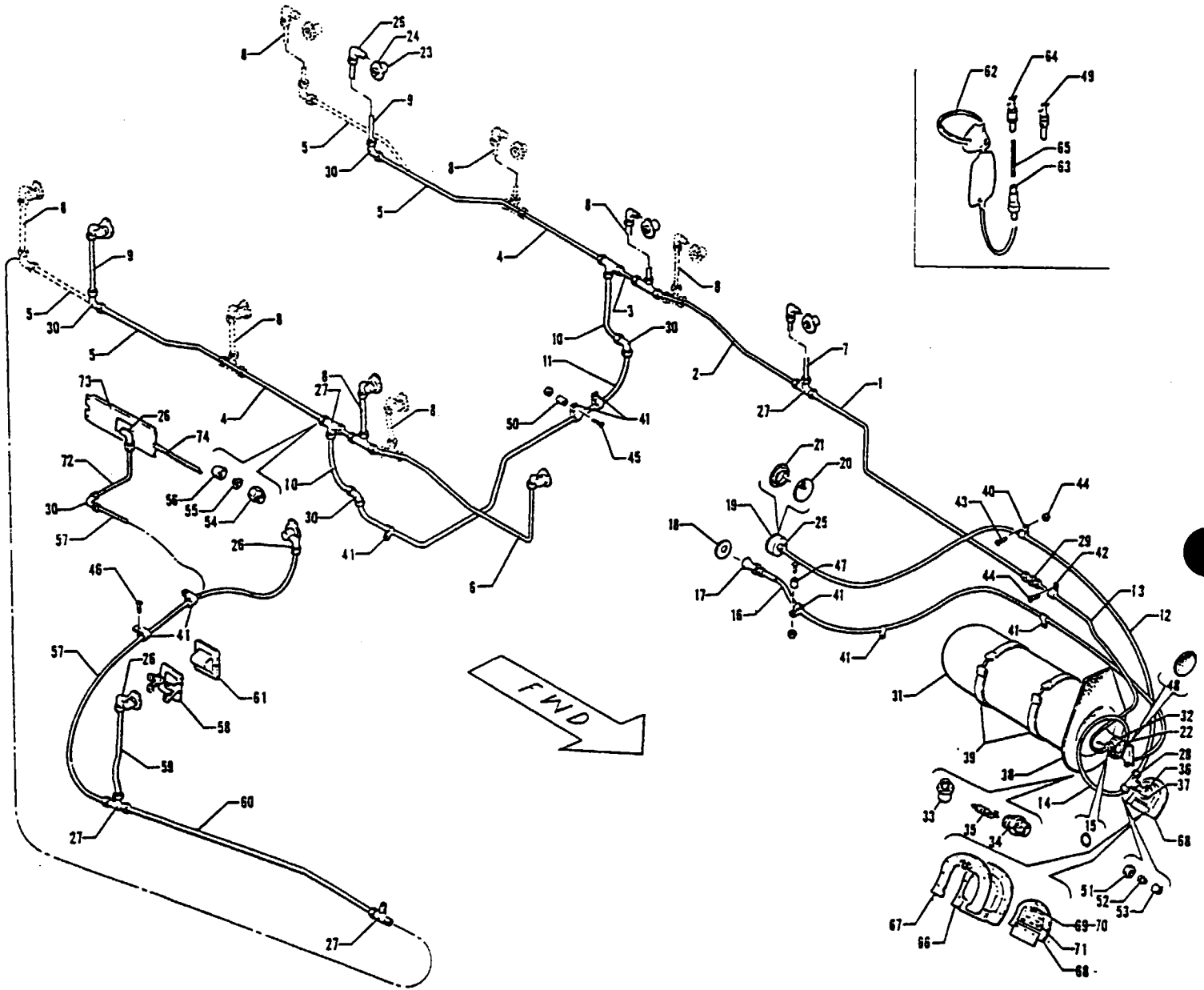


Figure 121. Oxygen System Installation (Forward Mounted Bottle)  
 (Serial Numbers 31-5001 to 31-7652177 inclusive)

---

# PIPER PARTS CATALOG

---

## CODE EXPLANATIONS FOR FIGURE 121

- A - Used if Six Place Oxygen System is installed.
- B - Used if Eight Place Oxygen System is installed.
- C - Nuts and ferrules supplied with fittings.
- D - Used if left rear oxygen outlet is located at Sta. 247.12.
- E - Used if left rear oxygen outlet is located at Sta. 267.75.
- F - No longer available. Order mask assembly part number 474 111 or part number 479 445 or part number 753 743.
- G - Used if Boom Mike is installed.
- H - Used if Boom Mike is not installed.

## PIPER PARTS CATALOG

Figure and Index Number	Part Number	Code	NOMENCLATURE	No. Req.	SERIAL NUMBERS AFFECTED
121-	52618 52619 52620		DRAWING - Oxygen System Installation, Six Outlets DRAWING - Oxygen System Installation, Eight Outlets DRAWING - Oxygen System, Additional Outlets		31-5001 to 31-7652177 incl. 31-5001 to 31-7652177 incl. 31-5001 to 31-7652177 incl.
-1	42189-25		LINE - Oxygen, low pressure	1	
-2	42189-43	A	LINE - Oxygen, low pressure	1	
	42189-07	B	LINE - Oxygen, low pressure	1	
-3	42189-30	B	LINE - Oxygen, low pressure	2	
	42189-39	A	LINE - Oxygen, low pressure	2	
-4	42189-42	B	LINE - Oxygen, low pressure	3	
-5	42189-40	A	LINE - Oxygen, low pressure	2	
	42189-41	B	LINE - Oxygen, low pressure	2	
-6	42189-38	A	LINE - Oxygen, low pressure	1	
	42189-43	B	LINE - Oxygen, low pressure	1	
-7	42189-37		LINE - Oxygen, low pressure	1	
-8	42189-37	A	LINE - Oxygen, low pressure	2	
	42189-37	B	LINE - Oxygen, low pressure	6	
-9	42189-30	A	LINE - Oxygen, low pressure	2	
-10	42189-23		LINE - Oxygen, low pressure	2	
-11	42189-25		LINE - Oxygen, low pressure	1	
-12	42189-10		LINE - Oxygen, high pressure	1	
-13	42189-17		LINE - Oxygen, low pressure	1	
-14	756 318		TUBE ASSEMBLY - High pressure	1	
-15	755 946		* "O" RING - Tube assembly	1	
-16	17969-13		CABLE ASSEMBLY - Push-pull control	1	
-17	571 073		KNOB - (KN679D-1)	1	
-18	754 547		DECAL - Control cable	1	
-19	751 896		GAUGE ASSEMBLY - Oxygen (includes mounting bracket)	1	
-20	752 355		* LENS - Oxygen gauge	1	
-21	753 433		* BEZEL - Oxygen gauge	1	
-22	753 437		BRACKET ASSEMBLY - Control cable	1	
-23	752 583		OUTLET ASSEMBLY - Oxygen	AR	
-24	757 213		PLATE - Outlet assembly, instruction	AR	
-25	753 945	C	CONNECTOR - (33525-702)	1	
-26	754 761	C	ELBOW - (33529-106)	AR	
-27	756 302	C	TEE - Low pressure (33529-204)	AR	
-28	756 327	C	TEE - High pressure (33522-802)	1	
-29	753 079	C	UNION - Bulkhead (33529-603)	1	
-30	754 762	C	ELBOW - (33529-704)	AR	
-31	753 946		CYLINDER AND REGULATOR ASSEMBLY	1	
-32	756 038		* REGULATOR ASSEMBLY - Oxygen	1	
-33	756 507		** RELIEF VALVE - Regulator assembly	1	
-34	756 505		** VALVE ASSEMBLY - Charging	1	
-35	753 947		** CORE - Valve assembly	1	
-36	756 514		VALVE ASSEMBLY - Recharge	1	
-37	415 537		SCREW - (MS35206-247)	3	
	407 563		WASHER - (AN960-8)	3	
	404 910		NUT - (MS20365-832C)	3	
-38	42196-00		SEAL - Oxygen cylinder, Sta. 28.62	1	
-39	43710-02	B	CLAMP - Oxygen cylinder, forward	1	
	43710-02	A	CLAMP - Oxygen cylinder, forward	1	31-5001 to 31-7405478 incl.
	43710-04	A	CLAMP - Oxygen cylinder, forward	1	31-7405479 and up
	43710-03		CLAMP - Oxygen cylinder, rear	1	
-40	454 927		CLAMP - (PS10017-2-2)	8	
-41	454 929		CLAMP - (PS10017-2-4)	9	
-42	454 931		CLAMP - (PS10017-2-5)	1	

When ordering, always specify Part Number, Description and Serial Number of Aircraft

## PIPER PARTS CATALOG

Figure and Index Number	Part Number	Code	NOMENCLATURE	No. Req.	SERIAL NUMBERS AFFECTED
121-43	415 535		SCREW - (MS35206-245)	3	
-44	415 535		SCREW - (MS35206-245)	8	
	404 910		NUT - (MS20365-832C)	8	
-45	415 632		SCREW - (MS35206-332)	2	
	404 910		NUT - (MS20365-832C)	2	
-46	415 518		SCREW - (MS35206-228)	2	
-47	14175-47		BUSHING - Control cable	1	
-48	43950-00		SEAL - Oxygen cylinder, Sta. 22	1	
-49	753 941		COUPLING - Oxygen plug-in, therapeutic	AR	
-50	42129-11		BUSHING	2	
-51	752 504		NUT - Flareless fitting (1/8")	AR	
-52	751 811		FERRULE - Flareless fitting, front (1/8")	AR	
-53	751 812		FERRULE - Flareless fitting, rear (1/8")	AR	
-54	752 505		NUT - Flareless fitting (1/4")	AR	
-55	751 813		FERRULE - Flareless fitting, front (1/4")	AR	
-56	751 814		FERRULE - Flareless fitting, rear (1/4")	AR	
-57	42189-44	D	LINE - Oxygen, low pressure	1	
	42189-61	E	LINE - Oxygen, low pressure	1	
-58	43560-00		PLATE ASSEMBLY - Oxygen mounting, left, Sta. 247.12	1	
	42659-02		PLATE ASSEMBLY - Oxygen mounting, right	1	31-5001 to 31-7405478 incl.
	54010-00		PLATE ASSEMBLY - Oxygen mounting, right	1	31-7405479 and up
-59	42189-04		LINE - Oxygen, low pressure	1	
-60	42189-15		LINE - Oxygen, low pressure	1	
-61	52439-02		COVER - Oxygen trim, left	1	
	52439-03		COVER - Oxygen trim, right	1	31-5001 to 31-7405478 incl.
	27678-00		COVER - Oxygen trim, right	1	31-7405479 and up
-62	474 055	F	MASK ASSEMBLY - Oxygen, nasal type (crew) 2.0 LPM	AR	
	474 085		MASK ASSEMBLY - Oxygen, sky mask (crew) 2.0 LPM	AR	
	474 087		MASK ASSEMBLY - Oxygen, sky mask (passenger) 1.5 LPM	AR	
	753 743	G	MASK ASSEMBLY - Oxygen, oronasal with microphone (pilot) 2.0 LPM	1	
	474 111	G	MASK ASSEMBLY - Oxygen, duo-seal mask with microphone, 2.0 LPM (crew)	AR	
	479 445	H	MASK ASSEMBLY - Oxygen, duo-seal mask with microphone and remote switch, 2.0 LPM (crew)	AR	
-63	752 122		FLOW INDICATOR	1	
-64	753 974		COUPLING - Oxygen plug-in, 2.0 LPM	1	
	753 975		COUPLING - Oxygen plug-in, 1.5 LPM	1	
-65	753 074		TUBING - Plastic, oxygen mask (5' length)	1	
	756 319		TUBING - Rubber, oxygen mask (4 1/2' length)	1	
-66	42910-00		PLATE - Oxygen recharge valve mounting	1	
-67	42913-00		PLATE ASSEMBLY - Oxygen recharge valve doubler	1	
-68	42912-00		PLATE ASSEMBLY - Access, oxygen recharge	1	
-69	487 583		STUD - (2600-1)	1	
-70	494 060		WASHER - Lock (2600 LW)	1	
-71	42971-00		PLACARD - Oxygen recharge	1	
-72	42189-42	E	LINE - Oxygen, low pressure	1	
-73	55280-02	E	BRACKET ASSEMBLY - Oxygen outlet	1	
-74	43013-07	E	SUPPORT - Side panel, oxygen outlet	1	

When ordering, always specify Part Number, Description and Serial Number of Aircraft

3F24

INTENTIONALLY LEFT BLANK

PIPER PARTS CATALOG

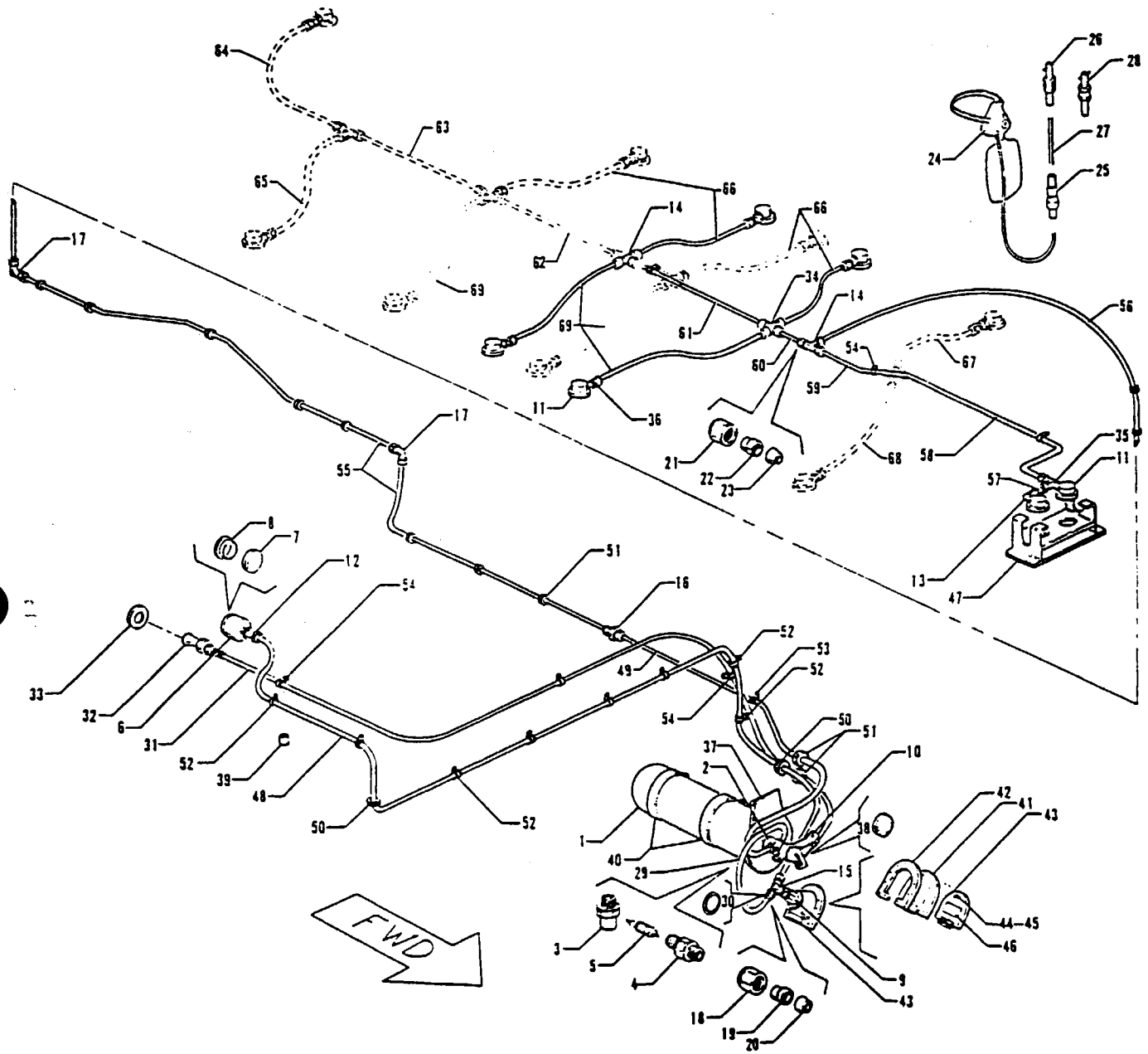


Figure 121A. Oxygen System Installation (Forward Mounted Bottle)  
(Serial Numbers 31-7752001 and up)

---

# PIPER PARTS CATALOG

---

## CODE EXPLANATIONS FOR FIGURE 121A

- A - Nuts and ferrules supplied with fittings.
- B - Used if Six Place Oxygen System is installed.
- C - Used if Eight Place Oxygen System is installed.
- D - Used if Additional outlets are installed at Sta. 220 right side and Sta. 241. 12 left side.
- E - No longer available. Order mask assembly part number 474 111 or part number 479 445 or part number 753 743.
- F - Used if Boom Mike is installed.
- G - Used if Boom Mike is not installed.

## PIPER PARTS CATALOG

Figure and Index Number	Part Number	Code	NOMENCLATURE	No. Req.	SERIAL NUMBERS AFFECTED
121A-	55328 55333 55337		DRAWING - Oxygen System Installation, Six Outlets DRAWING - Oxygen System Installation, Eight Outlets DRAWING - Oxygen System, Additional Outlets		31-7752001 and up 31-7752001 and up 31-7752001 and up
-1	455 974		CYLINDER AND REGULATOR ASSEMBLY - (800112-13)	1	
-2	756 038		* REGULATOR ASSEMBLY - Oxygen	1	
-3	756 507		* * RELIEF VALVE - Regulator assembly	1	
-4	756 505		* * VALVE ASSEMBLY - Charging	1	
-5	753 947		* * * CORE - Valve assembly	1	
-6	461 915		GAUGE ASSEMBLY - Oxygen (includes mounting bracket) (800435-00)	1	
-7	752 355		* LENS - Oxygen gauge	1	
-8	753 433		* BEZEL - Oxygen gauge	1	
-9	491 973		VALVE ASSEMBLY - Recharge (26875-115)	1	
-10	453 502		BRACKET ASSEMBLY - Control cable (800356-00)	1	
-11	479 451		OUTLET ASSEMBLY - Oxygen	AR	
-12	74011-06	A	CONNECTOR - Female	1	
-13	74011-03	A	ELBOW	1	
-14	74011-10	A	TEE - Low pressure	AR	
-15	74011-08	A	TEE - High pressure	1	
-16	74011-11	A	UNION - Bulkhead	1	
-17	74011-09	A	ELBOW	AR	
-18	752 504		NUT - Flareless fitting (1/8")	AR	
-19	751 811		FERRULE - Flareless fitting, front (1/8")	AR	
-20	751 812		FERRULE - Flareless fitting, rear (1/8")	AR	
-21	752 505		NUT - Flareless fitting (1/4")	AR	
-22	751 813		FERRULE - Flareless fitting, front (1/4")	AR	
-23	751 814		FERRULE - Flareless fitting, rear (1/4")	AR	
-24	474 055 474 085 474 087 753 743 474 111 479 445	E  F F G	MASK ASSEMBLY - Oxygen, nasal type (crew) 2.0 LPM MASK ASSEMBLY - Oxygen, sky mask (crew) 2.0 LPM MASK ASSEMBLY - Oxygen, sky mask (passenger) 1.5 LPM MASK ASSEMBLY - Oxygen, oronasal with microphone (pilot) 2.0 LPM MASK ASSEMBLY - Oxygen, duo-seal mask with microphone 2.0 LPM (crew) MASK ASSEMBLY - Oxygen, duo-seal mask with microphone and remote switch, 2.0 LPM (crew)	AR AR AR 1 AR AR	31-7752001 to 31-8252022 incl.
-25	752 122		* FLOW - Indicator	1	
-26	753 974 753 975		* COUPLING - Oxygen plug-in, 2.0 LPM * COUPLING - Oxygen plug-in, 1.5 LPM	1 1	
-27	753 074 756 319		* TUBING - Plastic, oxygen mask (5' length) * TUBING - Rubber, oxygen mask (4 1/2' length)	1 1	
-28	753 941		COUPLING - Oxygen plug-in, therapeutic	AR	
-29	589 843		TUBE ASSEMBLY - High pressure (800214-02)	1	
-30	755 946		* "O" RING - Tube assembly	1	
-31	17969-13		CABLE ASSEMBLY - Push-pull control	1	
-32	571 073		KNOB - (KN679D-1)	1	
-33	583 578		DECAL - Control cable (10000337)	1	
-34	74011-05		CROSS - Union	2	
-35	74011-07		TEE	1	
-36	74011-04		CONNECTOR - Male	AR	
-37	42196-00		SEAL - Oxygen cylinder, Sta. 28.62	1	
-38	43950-00		SEAL - Oxygen cylinder, Sta. 22	1	
-39	14175-47		BUSHING - Control cable	1	
-40	43710-04 43710-03		CLAMP - Oxygen cylinder, forward CLAMP - Oxygen cylinder, rear	1 1	
-41	42910-00		PLATE - Oxygen recharge valve mounting	1	

When ordering, always specify Part Number, Description and Serial Number of Aircraft



PIPER PARTS CATALOG

Figure and Index Number	Part Number	Code	NOMENCLATURE	No. Req.	SERIAL NUMBERS AFFECTED
121A-42	42913-00		PLATE ASSEMBLY - Oxygen recharge valve doubler	1	
-43	42912-00		PLATE ASSEMBLY - Access, oxygen recharge	1	
-44	487 583		* STUD - (2600-1)	1	
-45	494 060		* WASHER - Lock (2600 LW)	1	
-46	42971-00		* PLACARD - Oxygen recharge	1	
-47	55293-02		BRACKET ASSEMBLY - Oxygen mounting	1	
-48	589 877		LINE - Oxygen, high pressure	1	
-49	49222-30		LINE - Oxygen, low pressure	1	
-50	434 125		GROMMET - (MS35489-2)	AR	
-51	434 128		GROMMET - (MS35489-6)	AR	
-52	454 927		CLAMP - (PS10017-2-2)	8	
-53	454 931		CLAMP - (PS10017-2-5)	1	
-54	454 929		CLAMP - (PS10017-2-4)	AR	
-55	49222-02		LINE - Oxygen, low pressure	2	
-56	49222-04		LINE - Oxygen, low pressure	1	
-57	49222-06		LINE - Oxygen, low pressure	1	
-58	49222-18	C	LINE - Oxygen, low pressure	1	
-59	49222-14	B	LINE - Oxygen, low pressure	1	
		C	LINE - Oxygen, low pressure	1	
-60	49222-06	B	LINE - Oxygen, low pressure	1	
	49222-20	C	LINE - Oxygen, low pressure	1	
-61	49222-15	B	LINE - Oxygen, low pressure	1	
-62	49222-07		LINE - Oxygen, low pressure	1	
-63	49222-25	D	LINE - Oxygen, low pressure	1	
-64	49222-18	D	LINE - Oxygen, low pressure	1	
-65	49222-11	D	LINE - Oxygen, low pressure	1	
-66	49222-13		LINE - Oxygen, low pressure	2	
-67	49222-20	C	LINE - Oxygen, low pressure	1	
-68	49222-19	C	LINE - Oxygen, low pressure	1	
-69	49222-11		LINE - Oxygen, low pressure	2	

When ordering, always specify Part Number, Description and Serial Number of Aircraft

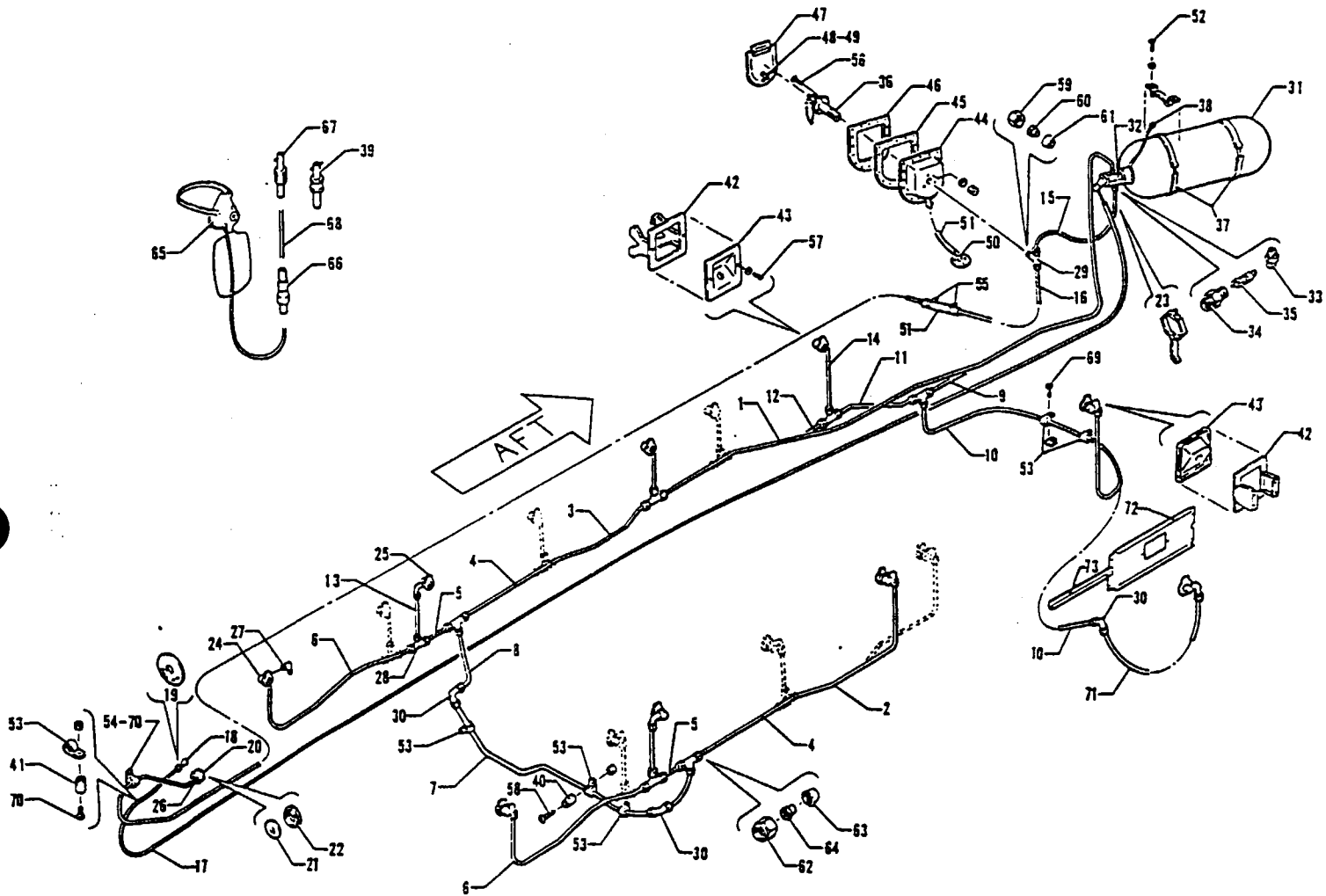


Figure 122. Oxygen System Installation (Aft Mounted Bottle)  
 (Serial Numbers 31-5001 to 31-7652177 incl.)

---

# PIPER PARTS CATALOG

---

## CODE EXPLANATIONS FOR FIGURE 122

- A - Used if Six Place Oxygen System is installed.
- B - Used if Eight Place Oxygen System is installed.
- C - Nuts and ferrules supplied with fittings.
- D - Used if left rear oxygen outlet is located at Sta. 247.12.
- E - Used if left rear oxygen outlet is located at Sta. 267.75.
- F - No longer available. Order mask assembly part number 474 111 or part number 479 445 or part number 753 743.
- G - Used if Boom Mike is installed.
- H - Used if Boom Mike is not installed.

### PIPER PARTS CATALOG

Figure and Index Number	Part Number	Code	NOMENCLATURE	No. Req.	SERIAL NUMBERS AFFECTED
122-	52928 52929 52930		DRAWING - Oxygen System Installation, Six Outlets DRAWING - Oxygen System Installation, Eight Outlets DRAWING - Oxygen System, Additional Outlets		31-5001 to 31-7652177 incl. 31-5001 to 31-7652177 incl. 31-5001 to 31-7652177 incl.
-1	42189-47	A	LINE - Oxygen, low pressure	1	
	42189-48	B	LINE - Oxygen, low pressure	1	
-2	42189-18	B	LINE - Oxygen, low pressure	1	
	42189-46	A	LINE - Oxygen, low pressure	1	
-3	42189-41	B	LINE - Oxygen, low pressure	1	
	42189-18	A	LINE - Oxygen, low pressure	1	
-4	42189-42	B	LINE - Oxygen, low pressure	2	
-5	42189-30	B	LINE - Oxygen, low pressure	1	
	42189-39	A	LINE - Oxygen, low pressure	2	
-6	42189-38	A	LINE - Oxygen, low pressure	2	
	42189-43	B	LINE - Oxygen, low pressure	2	
-7	42189-25		LINE - Oxygen, low pressure	1	
-8	42189-23		LINE - Oxygen, low pressure	2	
-9	42189-14		LINE - Oxygen, low pressure	1	
-10	42189-45	D	LINE - Oxygen, low pressure	1	
	42189-62	E	LINE - Oxygen, low pressure	1	
-11	42189-34		LINE - Oxygen, low pressure	1	
-12	42189-28		LINE - Oxygen, low pressure	1	
-13	42189-37		LINE - Oxygen, low pressure	AR	
-14	42189-04		LINE - Oxygen, low pressure	1	
-15	756 343		LINE - Oxygen, high pressure	1	31-5001 to 31-7405202 incl. 31-7405401 to 31-7405441 incl.
	761 931		LINE - Oxygen, high pressure	1	31-7405203 to 31-7405400 incl. 31-7405442 and up
-16	42189-49		LINE - Oxygen, high pressure	1	31-5001 to 31-7405202 incl. 31-7405401 to 31-7405441 incl.
	42189-50		LINE - Oxygen, high pressure	1	31-7405203 to 31-7405400 incl. 31-7405442 and up
-17	43866-03		CABLE ASSEMBLY - Push-pull control	1	
-18	571 073		* KNOB - (KN679D-1) Push-pull control	1	
-19	754 547		DECAL - Control cable	1	
-20	751 896		GAUGE ASSEMBLY - Oxygen (includes mounting bracket)	1	
-21	752 355		* LENS - Oxygen gauge	1	
-22	753 433		* BEZEL - Oxygen gauge	1	
-23	753 437		BRACKET ASSEMBLY - Control cable	1	
-24	752 583		OUTLET ASSEMBLY - Oxygen	AR	
-25	757 213		PLATE - Outlet assembly, instruction	AR	
-26	753 945	C	CONNECTOR - Gauge assembly (33525-702)	1	
-27	754 761	C	ELBOW - (33529-106)	AR	
-28	756 302	C	TEE - Low pressure (33529-204)	AR	
-29	756 327	C	TEE - High pressure (33522-602)	1	
-30	754 762	C	ELBOW - (33529-704)	2	
-31	753 946		CYLINDER AND REGULATOR ASSEMBLY	1	
-32	756 038		* REGULATOR ASSEMBLY - Oxygen	1	
-33	756 507		* * RELIEF VALVE - Regulator assembly	1	
-34	756 505		* * VALVE ASSEMBLY - Charging	1	
-35	753 947		* * * CORE - Valve assembly	1	
-36	756 514		VALVE ASSEMBLY - Recharge	1	
-37	758 236		BRACKET ASSEMBLY - Oxygen cylinder	2	
-38	25397-04		CABLE ASSEMBLY - Oxygen cylinder	1	
-39	753 941		COUPLING - Oxygen plug-in, therapeutic	AR	
-40	42129-11		BUSHING	2	
-41	14175-47		BUSHING - Control cable clamp	1	

When ordering, always specify Part Number, Description and Serial Number of Aircraft

PIPER PARTS CATALOG

Figure and Index Number	Part Number	Code	NOMENCLATURE	No. Req.	SERIAL NUMBERS AFFECTED
122-42	43560-00		PLATE - Oxygen mounting, left Sta. 247.12	1	
	42659-02		PLATE - Oxygen mounting, right	1	31-5001 to 31-7405478 incl.
	54010-00		PLATE - Oxygen mounting, right	1	31-7405479 and up
-43	52439-02		COVER - Oxygen trim, left	1	
	52439-03		COVER - Oxygen trim, right	1	31-5001 to 31-7405478 incl.
	27678-00		COVER - Oxygen trim, right	1	31-7405479 and up
-44	25697-00		PLATE ASSEMBLY - Access, oxygen recharge	1	
-45	25394-00		PLATE ASSEMBLY - Oxygen recharge valve doubler	1	
-46	25603-00		PLATE - Reinforcement	1	
-47	19802-05		PLATE ASSEMBLY - Access, oxygen recharge	1	
-48	487 584		STUD - (2600-2)	1	
-49	494 060		LOCK WASHER - (2600 LW)	1	
-50	24623-00		TUBE ASSEMBLY - Drain connector	1	
-51	80027-06		TUBE - Access drain	1	
-52	400 438		BOLT - (AN3-4A)	4	
	19513-72		WASHER - Oxygen cylinder bracket	4	
-53	454 929		CLAMP - (PS10017-2-4)	6	
-54	454 927		CLAMP - (PS10017-2-2)	1	
-55	454 930		CLAMP - (PS10017-2-6)	2	
-56	415 535		SCREW - (MS35206-245)	3	
	407 563		WASHER - (AN960-8)	3	
	404 833		NUT - (MS20364-832C)	3	
-57	415 246		SCREW - Oval, chrome (6-32 x 3/4 L)	4	
	494 102		WASHER - (C-394)	4	
-58	415 632		SCREW - (MS35206-332)	2	
	404 910		NUT - (MS20365-832C)	2	
-59	752 504		NUT - Flareless fitting (1/8")	AR	
-60	751 811		FERRULE - Flareless fitting, front (1/8")	AR	
-61	751 812		FERRULE - Flareless fitting, rear (1/8")	AR	
-62	752 505		NUT - Flareless fitting (1/4")	AR	
-63	751 813		FERRULE - Flareless fitting, front (1/4")	AR	
-64	751 814		FERRULE - Flareless fitting, rear (1/4")	AR	
-65	474 055	F	MASK ASSEMBLY - Oxygen, nasal type (crew) 2.0 LPM	AR	
	474 085		MASK ASSEMBLY - Oxygen, sky mask (crew) 2.0 LPM	AR	
	474 087		MASK ASSEMBLY - Oxygen, sky mask (passenger) 1.5 LPM	AR	
	753 743	G	MASK ASSEMBLY - Oxygen, oronasal with microphone (pilot) 2.0 LPM	1	
	474 111	G	MASK ASSEMBLY - Oxygen, duo-seal mask with microphone, 2.0 LPM (crew)	AR	
	479 445	H	MASK ASSEMBLY - Oxygen, duo-seal mask with microphone and remote switch, 2.0 LPM (crew)	AR	
-66	752 122		FLOW INDICATOR	1	
-67	753 974		COUPLING - Oxygen plug-in, 2.0 LPM	1	
	753 975		COUPLING - Oxygen plug-in, 1.5 LPM	1	
-68	753 074		TUBING - Plastic, oxygen mask (5' length)	1	
	756 319		TUBING - Rubber, oxygen mask (4 1/2' length)	1	
-69	415 518		SCREW - (MS35206-228)	2	
	406 435		NUT - (NAS395-5-1)	2	
-70	415 535		SCREW - (MS35206-245)	2	
	404 910		NUT - (MS20365-832C)	2	
-71	42189-42	E	LINE - Oxygen, low pressure	1	
-72	55280-02	E	BRACKET ASSEMBLY - Oxygen outlet	1	
-73	43013-07	E	SUPPORT - Side panel, oxygen outlet	1	

When ordering, always specify Part Number, Description and Serial Number of Aircraft

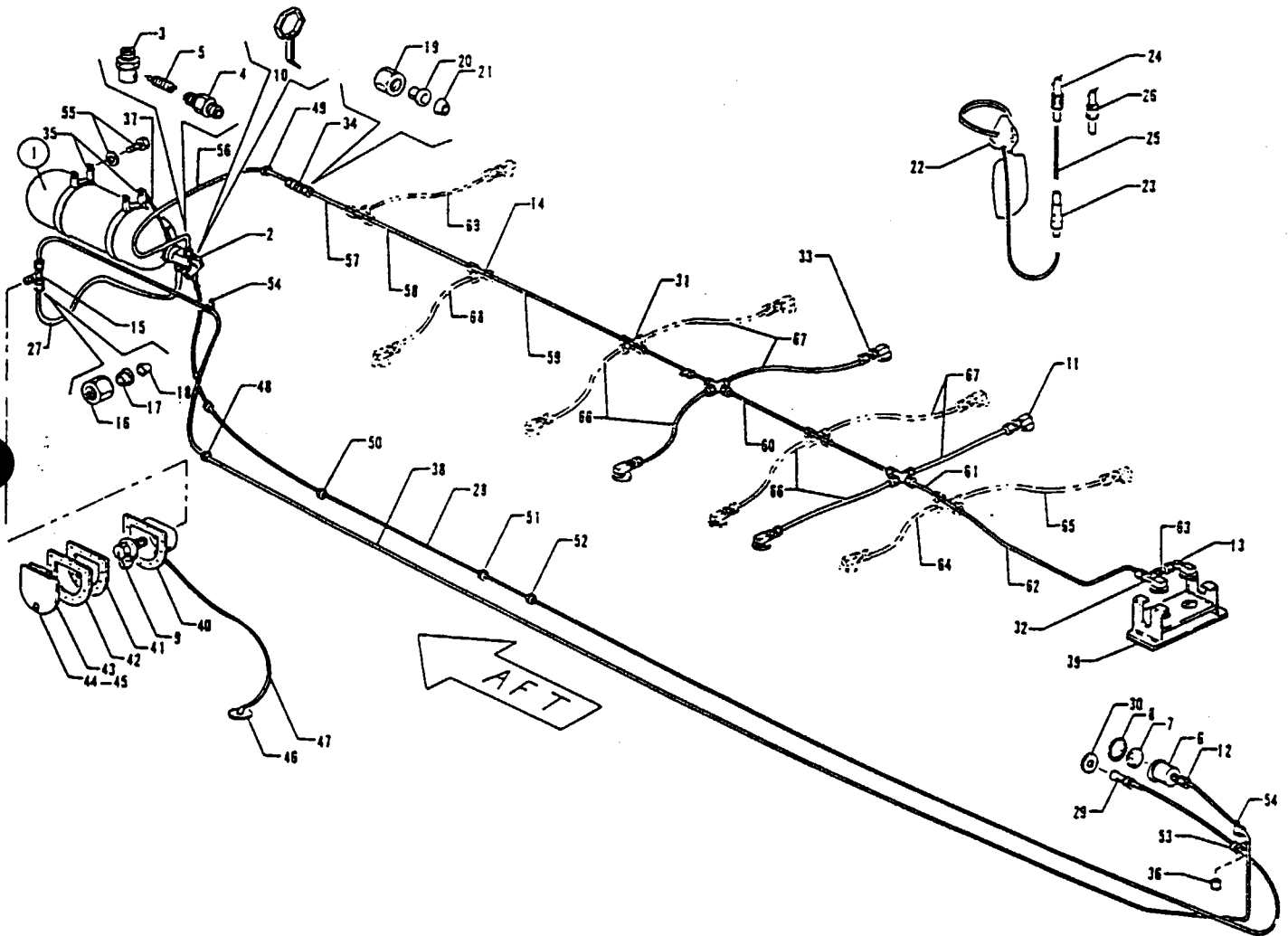


Figure 122A. Oxygen System Installation (Aft Mounted Bottle)  
 (Serial Numbers 31-7752001 and up)

---

# PIPER PARTS CATALOG

---

## CODE EXPLANATIONS FOR FIGURE 122A

- A - Nuts and ferrules supplied with fittings.
- B - Used if Six Place Oxygen System is installed.
- C - Used if Eight Place Oxygen System is installed.
- D - Used if additional outlets are installed at Sta. 220 right side and Sta. 241.12 left side.
- E - No longer available. Order mask assembly part number 474 111 or part number 479 445 or part number 753 743.
- F - Used if Boom Mike is installed.
- G - Used if Boom Mike is not installed.

PIPER PARTS CATALOG

Figure and Index Number	Part Number	Code	NOMENCLATURE	No. Req.	SERIAL NUMBERS AFFECTED
122A-	55343 55355 55363		DRAWING - Oxygen System Installation, Six Outlets DRAWING - Oxygen System Installation, Eight Outlets DRAWING - Oxygen System, Additional Outlets		31-7752001 and up 31-7752001 and up 31-7752001 and up
-1	455 974		CYLINDER AND REGULATOR ASSEMBLY - (800112-13)	1	
-2	756 038		* REGULATOR ASSEMBLY - Oxygen	1	
-3	756 507		* * RELIEF VALVE - Regulator assembly	1	
-4	756 505		* * VALVE ASSEMBLY - Charging	1	
-5	753 947		* * * CORE - Valve assembly	1	
-6	461 915		GAUGE ASSEMBLY - Oxygen (includes mounting bracket) (800435-00)	1	
-7	752 355		* LENS - Oxygen gauge	1	
-8	753 433		* BEZEL - Oxygen gauge	1	
-9	491 973		VALVE ASSEMBLY - Recharge (26875-115)	1	
-10	453 502		BRACKET ASSEMBLY - Control cable (800356-00)	1	
-11	479 451		OUTLET ASSEMBLY - Oxygen	AR	
-12	74011-06	A	CONNECTOR - Female	1	
-13	74011-03	A	ELBOW	AR	
-14	74011-10	A	TEE - Low pressure	AR	
-15	74011-08	A	TEE - High pressure	1	
-16	752 504		NUT - Flareless fitting (1/8")	AR	
-17	751 811		FERRULE - Flareless fitting, front (1/8")	AR	
-18	751 812		FERRULE - Flareless fitting, rear (1/8")	AR	
-19	752 505		NUT - Flareless fitting (1/4")	AR	
-20	751 813		FERRULE - Flareless fitting, front (1/4")	AR	
-21	751 814		FERRULE - Flareless fitting, rear (1/4")	AR	
-22	474 055	E	MASK ASSEMBLY - Oxygen, nasal type (crew) 2.0 LPM	AR	
	474 085		MASK ASSEMBLY - Oxygen, sky mask (crew) 2.0 LPM	AR	
	474 087		MASK ASSEMBLY - Oxygen, sky mask (passenger) 1.5 LPM	AR	31-7752001 to 31-8252022 incl.
	753 743	F	MASK ASSEMBLY - Oxygen, oronasal with microphone (pilot) 2.0 LPM	1	
	474 111	F	MASK ASSEMBLY - Oxygen, duo-seal mask with microphone, 2.0 LPM (crew)	AR	
	479 445	G	MASK ASSEMBLY - Oxygen, duo-seal mask with microphone and remote switch, 2.0 LPM (crew)	AR	
-23	752 122		* FLOW - Indicator	1	
-24	753 974		* COUPLING - Oxygen plug-in, 2.0 LPM	1	
	753 975		* COUPLING - Oxygen plug-in, 1.5 LPM	1	
-25	753 074		* TUBING - Plastic, oxygen mask (5' length)	1	
	756 319		* TUBING - Rubber, oxygen mask (4 1/2' length)	1	
-26	753 941		COUPLING - Oxygen plug-in, therapeutic	AR	
-27	589 844		LINE - Oxygen, high pressure (800214-05)	1	
-28	43866-03		CABLE ASSEMBLY - Push-pull control	1	
-29	571 073		* KNOB - (KN679D-1)	1	
-30	583 578		DECAL - Control cable (10000337)	1	
-31	74011-05		CROSS - Union	3	
-32	74011-07		TEE - Male run	1	
-33	74011-04		CONNECTOR - Male	AR	
-34	74011-02		UNION	1	
-35	453 501		BRACKET ASSEMBLY - Oxygen cylinder (25048)	2	
-36	14175-47		BUSHING - Control cable	1	
-37	25397-04		CABLE ASSEMBLY - Oxygen cylinder	1	
-38	589 878		LINE - Oxygen, high pressure (10004893)	1	
-39	55293-02		BRACKET ASSEMBLY - Oxygen mounting	1	
-40	25697-00		PLATE ASSEMBLY - Access, oxygen recharge	1	31-7752001 to 31-7752192 incl.
	25697-02		PLATE ASSEMBLY - Access, oxygen recharge	1	31-7852001 and up
-41	25394-00		PLATE ASSEMBLY - Oxygen recharge valve doubler	1	
-42	25603-00		PLATE - Reinforcement	1	

When ordering, always specify Part Number, Description and Serial Number of Aircraft



PIPER PARTS CATALOG

Figure and Index Number	Part Number	Code	NOMENCLATURE	No. Req.	SERIAL NUMBERS AFFECTED
122A-43	19802-05		PLATE ASSEMBLY - Access, oxygen recharge	1	
-44	487 584		STUD - (2600-2)	1	
-45	494 060		LOCK WASHER - (2600 LW)	1	
-46	24623-00		TUBE ASSEMBLY - Drain connector	1	31-7752001 to 31-7752192 incl.
-47	80027-06		TUBE - Access drain	1	31-7752001 to 31-7752192 incl.
-48	434 125		GROMMET - (MS25489-2)	18	
-49	434 128		GROMMET - (MS35489-6)	AR	
-50	434 129		GROMMET - (MS35489-9)	4	
-51	434 138		GROMMET - (MS35489-17)	12	
-52	189 631		GROMMET - (PS10003-7N)	1	
-53	454 929		CLAMP - (PS10017-2-4)	AR	
-54	454 927		CLAMP - (PS10017-2-2)	2	
-55	400 438		BOLT - (AN3-4A)	4	
	19513-72		WASHER - Oxygen cylinder bracket	4	
-56	49222-16		LINE - Oxygen, low pressure	1	
-57	49222-23	D	LINE - Oxygen, low pressure	1	
-58	49222-08	D	LINE - Oxygen, low pressure	1	
-59	49222-17	B	LINE - Oxygen, low pressure	1	
	49222-22	C	LINE - Oxygen, low pressure	1	
	49222-25	D	LINE - Oxygen, low pressure	1	
-60	49222-15	B	LINE - Oxygen, low pressure	1	
	49222-07	C	LINE - Oxygen, low pressure	1	
-61	49222-14	B	LINE - Oxygen, low pressure	1	
	49222-21	C	LINE - Oxygen, low pressure	1	
-62	49222-18	C	LINE - Oxygen, low pressure	1	
-63	49222-06		LINE - Oxygen, low pressure	1	
-64	49222-19	C	LINE - Oxygen, low pressure	1	
-65	49222-20	C	LINE - Oxygen, low pressure	1	
-66	49222-11		LINE - Oxygen, low pressure	2	
-67	49222-13		LINE - Oxygen, low pressure	2	
-68	49222-11	D	LINE - Oxygen, low pressure, Sta. 220	1	
-69	49222-24	D	LINE - Oxygen, low pressure, Sta. 241.12	1	

When ordering, always specify Part Number, Description and Serial Number of Aircraft .

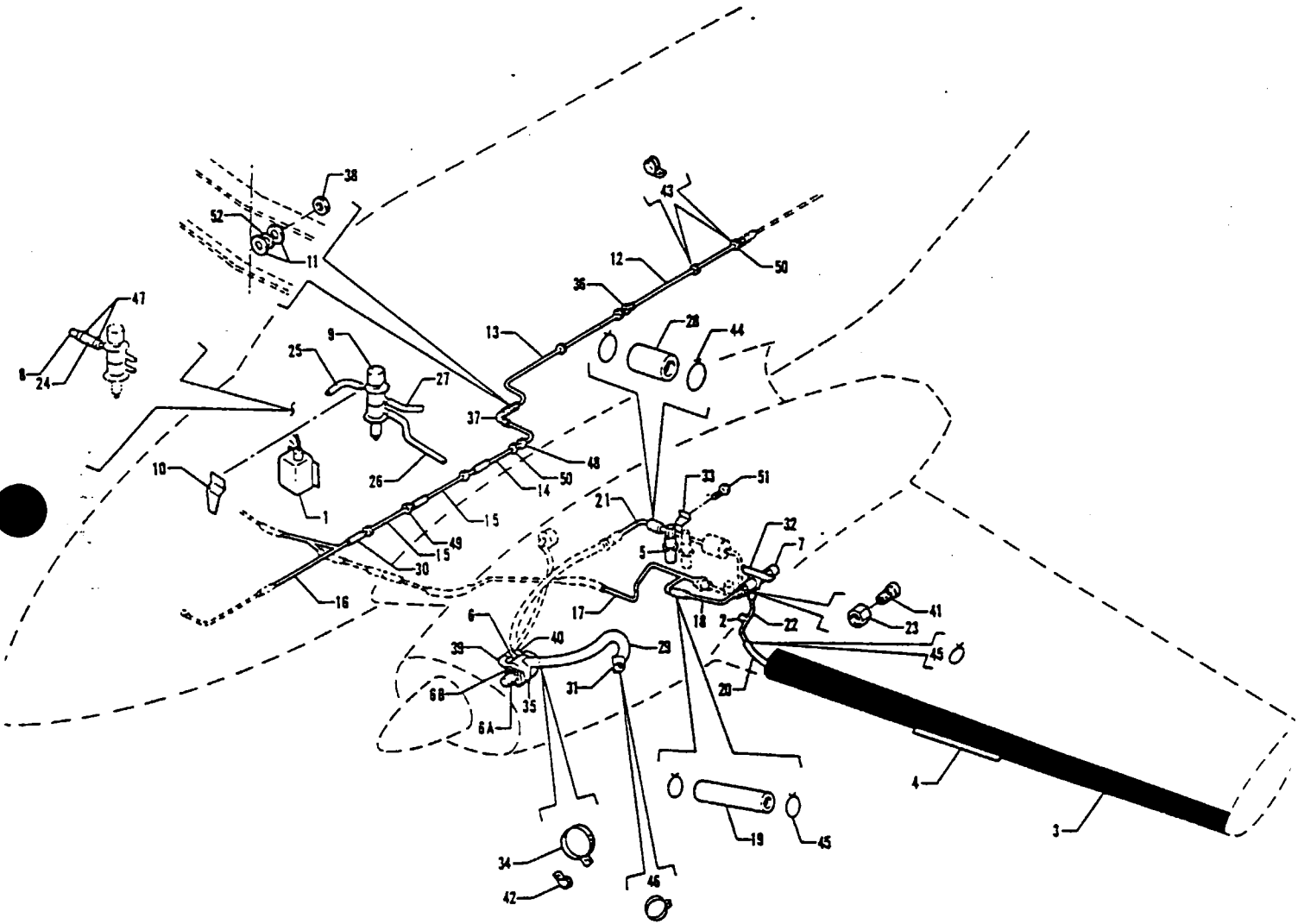


Figure 123. Forward Pneumatic De-Icing System Installation  
(Serial Numbers 31-5001 to 31-7652123 Incl.)

---

# PIPER PARTS CATALOG

---

## CODE EXPLANATIONS FOR FIGURE 123

- A - Used on Single Instruments Installation only.
- B - Used on Dual Instruments Installation only.
- C - Used if one pilots vacuum gyro is installed.
- D - Used if two pilots vacuum gyros are installed.

PIPER PARTS CATALOG

Figure and Index Number	Part Number	Code	NOMENCLATURE	No. Req.	SERIAL NUMBERS AFFECTED
123-	52105 52155		DRAWING - Wing De-icer Equipment Installation DRAWING - Pneumatic De-icing System Installation		31-5001 to 31-7652123 incl. 31-5001 to 31-7652123 incl.
-1	761 910		TIMER - De-icer	1	
-2	757 560		SWITCH - Pressure	2	
-3	758 237		DE-ICER - Left wing	1	
	758 238		DE-ICER - Right wing	1	
-4	44275-03		STRIP - Flow (left and right wing)	2	
-5	492 271		VALVE - Relief (2H22-11)	2	
-6	26749-09		PUMP - Dry pneumatic, left (441CCW)	1	
	26749-10		PUMP - Dry pneumatic, right (442CW)	1	
-6a	757 865		* * COUPLER ASSEMBLY KIT - Vacuum pump drive (No. 352)	1	
-6b	751 859		* * * GASKET - Vacuum pump mtg. (B3-1-2)	1	
-7	756 527		VALVE - Ejector flow control	2	
-8	43326-00	A	PLUG - Hose	1	31-5001 to 31-7405459 incl.
-9	52307-00		VALVE ASSEMBLY - Pneumatic relay shutoff	1	31-5001 to 31-7405459 incl.
	52307-00	B	VALVE ASSEMBLY - Pneumatic relay shutoff	1	31-7405460 and up
	52609-00	A,C	VALVE ASSEMBLY - Pneumatic regulator assembly	1	31-7405460 and up
	52609-02	A,D	VALVE ASSEMBLY - Pneumatic regulator assembly	1	31-7405460 and up
-10	52306-00		BRACKET - Valve assembly	1	31-5001 to 31-7405459 incl.
	52306-00	B	BRACKET - Valve assembly	1	31-7405460 and up
	52608-00	A	BRACKET - Valve assembly	1	31-7405460 and up
-11	49979-09		WASHER	2	
-12	44410-00		LINE ASSEMBLY - De-icer	1	
-13	43873-02		TUBE ASSEMBLY - De-icer	1	
-14	52223-00		LINE ASSEMBLY - De-icer	1	
-15	52600-00		TUBE ASSEMBLY - De-icer	2	
-16	52242-00		TUBE ASSEMBLY - De-icer	1	
-17	52294-00		TUBE ASSEMBLY - Pneumatic pressure, left	1	
	52309-00		TUBE ASSEMBLY - Pneumatic pressure, right	1	
-18	52880-00		LINE ASSEMBLY - Pneumatic pressure, left	1	
	52882-00		LINE ASSEMBLY - Pneumatic pressure, right	1	
-19	16633-03		HOSE - De-icer	2	
-20	16633-24		HOSE - Flow control valve to de-icer, left	1	
	16633-60		HOSE - Flow control valve to de-icer, right	1	
-21	44396-02		TUBE ASSEMBLY - De-icer	2	
-22	52222-00		TUBE ASSEMBLY - De-icer, left	1	
	52222-01		TUBE ASSEMBLY - De-icer, right	1	
-23	477 702		NUT - Coupling (AN818-10D)	4	
-24	82371-23	A	HOSE	1	31-5001 to 31-7405459 incl.
-25	82371-93	B	HOSE - Copilot gyros	1	
-26	16633-34		HOSE - Pilot gyros	1	
-27	82371-92		HOSE - Air source	1	
-28	82371-106		HOSE - Pressure control valve tube connector	2	
-29	10525-86		HOSE - Pump cooling	2	
-30	16633-83		HOSE - De-icer	3	
-31	43092-00		TAKE-OFF ASSEMBLY - Pump duct	2	
-32	52074-00		BRACKET ASSEMBLY - Ejector flow valve	2	
-33	43033-02		BRACKET - Relief valve	2	
-34	80002-85		CLAMP - Pump cooling hose	2	
-35	43093-00		SHROUD - Dry pump cooling	2	

When ordering, always specify Part Number, Description and Serial Number of Aircraft

PIPER PARTS CATALOG

Figure and Index Number	Part Number	Code	NOMENCLATURE	No. Req.	SERIAL NUMBERS AFFECTED
123-36	491 052		UNION - (AN815-6D)	1	
-37	458 901		ELBOW - (AN833-6D)	1	
-38	477 620		NUT - (AN924-6D)	1	
-39	558 925		ELBOW - (1K1-8-12) 90 Degrees	2	
-40	558 931		ELBOW - (1K9-8-12)	2	
-41	484 295		REDUCER - (A55C-10-6)	4	
-42	454 933		CLAMP - (PS10017-2-8)	2	
-43	454 868		CLAMP - (PS10017-2-12)	2	
-44	554 806		CLAMP - (SAE TY E-18)	4	
-45	454 832		CLAMP - (SAE TY E-10)	4	31-5001 to 31-7405459 incl.
-46	454 993		CLAMP - (SAE TY A-3 1/16)	2	
-47	454 983		CLAMP - (SAE TY E-8)	2	
-48	434 190		GROMMET - (MS35489-46)	1	
-49	434 134		GROMMET - (MS35489-11)	3	
-50	434 133		GROMMET - (MS35489-12)	3	
-51	400 437		BOLT - (AN3-3A)	8	
	404 887		NUT - (MS20365-1032C)	8	
-52	40699-37		WASHER	1	

When ordering, always specify Part Number, Description and Serial Number of Aircraft

# PIPER PARTS CATALOG

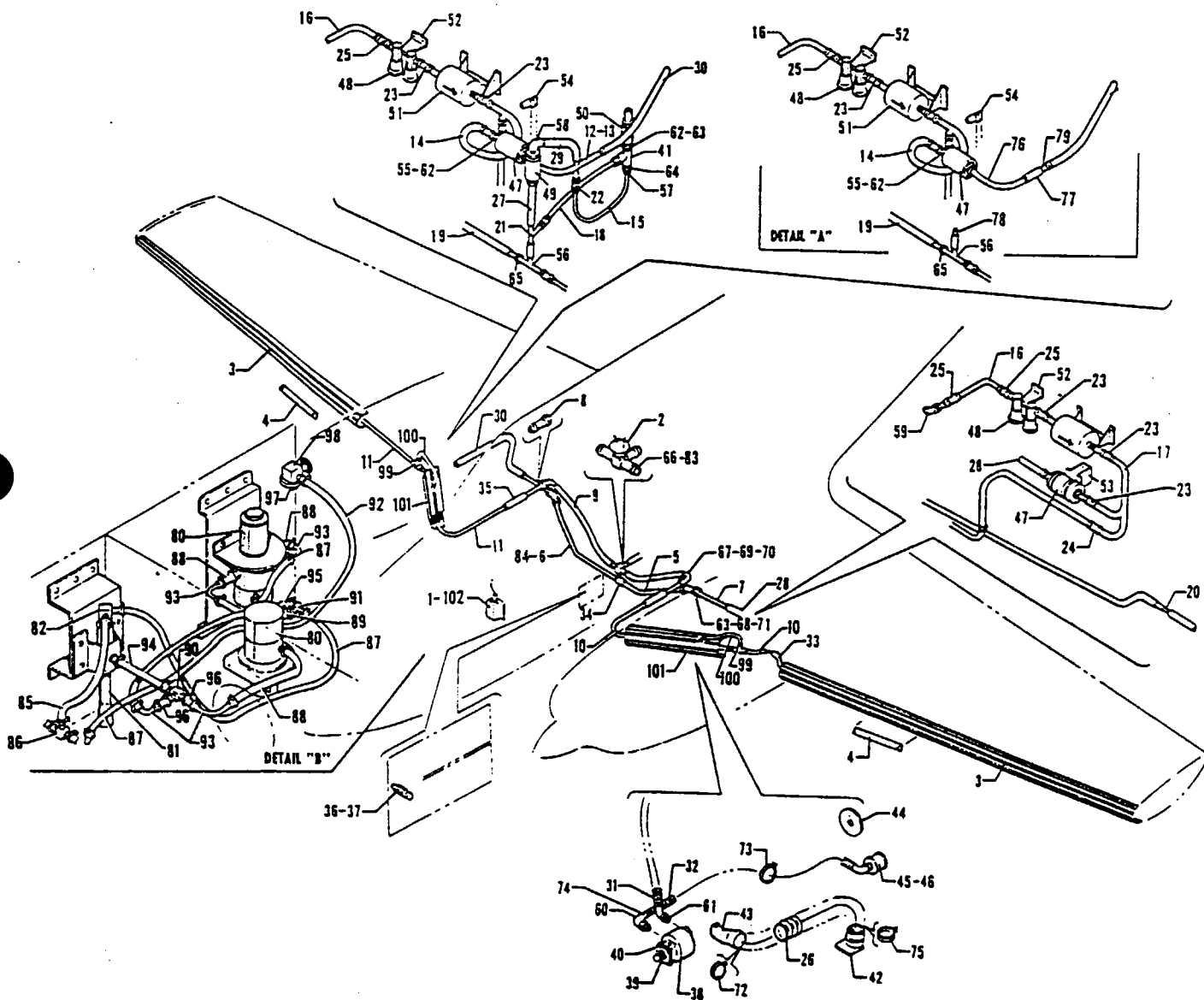


Figure 123A Forward Pneumatic De-Icing System Installation  
(Serial Numbers 31-7652124 to 31-7952250 incl.)

---

# PIPER PARTS CATALOG

---

## CODE EXPLANATIONS FOR FIGURE 123A

- A - Used if Pneumatic System Modification Kit 764 016 or Pneumatic Deicer System Kit 764 017 has been installed per Service Spares Letter No. 361.
- B - Not used if Pneumatic System Modification Kit 764 016 or Pneumatic Deicer System Kit 764 017 has been installed per Service Spares Letter No. 361. Refer to detail "A" or detail "B" on illustration for appropriate parts if one of these two kits has been installed

# PIPER PARTS CATALOG

Figure and Index Number	Part Number	Code	Nomenclature	No. Req.	Serial Numbers Affected
123A-	54925		DRAWING - Pneumatic De-icing System Installation		31-7652124 to 31-7952250 incl.
	54926		DRAWING - Engine Compartment De-icing Installation		31-7652124 to 31-7952250 incl.
-1	488 699		TIMER - De-icer	1	
-2	587 842		SWITCH - Pressure (1D1470-10)	1	
-3	758 237		DE-ICER - Left wing	1	
	758 238		DE-ICER - Right wing	1	
-4	44275-03		STRIP - Flow	2	
-5	43462-00		TUBE ASSEMBLY - De-icing	1	
-6	43463-00	B	TUBE ASSEMBLY - De-icing	1	
-7	42877-00		TUBE ASSEMBLY - De-icing	2	
-8	54924-02		TUBE ASSEMBLY - De-icing	2	
-9	54925-07		TUBE ASSEMBLY - De-icing (1/2 I.D. x 30" L)	2	
-10	54925-08		TUBE ASSEMBLY - De-icing (1/2 I.D. x 110" L) left wing	1	
-11	54925-09		TUBE ASSEMBLY - De-icing (1/2 I.D. x 80" L) right wing	1	
-12	44445-05	B	TUBE ASSEMBLY - De-icing manifold, right	1	
-13	454 289		* CAP - (AN929-3)	1	
-14	44430-00		TUBE ASSEMBLY - De-icing, right	1	
-15	44466-00	B	TUBE ASSEMBLY - De-icing, right	1	
-16	44396-02		TUBE - De-icing	2	
-17	44414-00		TUBE ASSEMBLY - De-icing, left	1	
-18	54644-02	B	TUBE ASSEMBLY - De-icing, right	1	
-19	54926-03		TUBE - De-icing, right (3/8" x 45" L)	1	
-20	54926-05		TUBE ASSEMBLY - De-icing, left	1	
-21	54638-02	B	TUBE ASSEMBLY - De-icing	1	
-22	16633-44	B	TUBE - De-icing, right	1	
-23	82371-35	B	HOSE - De-icing	9	
-24	82371-47		HOSE - De-icing	2	
-25	82371-106		HOSE - De-icing	1	
-26	10525-86		HOSE - Oil cooler	2	
-27	49998-39	B	HOSE - De-icing, right	1	
-28	82371-137		HOSE - De-icing, left	1	
-29	82371-44	B	HOSE - De-icing, right	1	
-30	82371-138		HOSE - De-icing, right	1	
-31	49997-05		HOSE - De-icing	2	
-32	49997-09		HOSE - Air filter, left	1	
	49997-08		HOSE - Air filter, right	1	
-33	16633-60		HOSE - De-icing	1	
-34	16633-73		HOSE - De-icing	1	
-35	82371-135		HOSE - Split	2	
-36	42724-02		LIGHT ASSEMBLY - De-icing indicator	1	
-37	472 028		* BULB - De-icer indicator (327)	1	
-38	26749-09		PUMP ASSEMBLY - Dry pneumatic, left (441CCW)	1	
	26749-10		PUMP ASSEMBLY - Dry pneumatic, right (442CW)	1	
-39	757 865		* COUPLING ASSEMBLY KIT - Vacuum pump drive (No 352)	1	
-40	751 859		** GASKET - Pump mounting (B3-1-2)	1	
-41	43243-03	B	EJECTOR ASSEMBLY - Pneumatic de-icing, right	1	
-42	43092-00		TAKE-OFF ASSEMBLY - Pump duct	2	
-43	43093-00		SHROUD - Pump cooling	2	
-44	43799-00		PLATE ASSEMBLY - Pneumatic air filter cover	2	
-45	460 853		FILTER - Air (1J1-3)	2	
-46	751 815		* FILTER - Air (B3-5-1)	1	
-47	492 120		VALVE - Check (MS28050-04)	2	

When ordering, always specify Part Number, Description, and Serial Number of Aircraft

Revised: March 10, 1994



## PIPER PARTS CATALOG

Figure and Index Number	Part Number	Code	Nomenclature	No. Req.	Serial Numbers Affected
123A-48	492 271		VALVE - Relief (2H22-11)	2	
-49	492 264	B	VALVE - De-icer control (1075-00-1) right	1	
-50	492 263	B	VALVE - De-icer control (1074-00-1) right	1	
-51	460 866		FILTER - Inline (1J4-6)	2	
-52	43033-02		BRACKET - Relief valve	2	
-53	44408-00		BRACKET - Check valve, left	1	
-54	44473-00		BRACKET - Check valve, right	1	
-55	43072-00		ADAPTER - De-icer	4	
-56	44395-03		FITTING ASSEMBLY - De-icer, right	1	
-57	484 295	B	REDUCER - (A55C-10-6) right	1	
-58	54642-02	B	ELBOW - De-icer solenoid	1	
-59	558 933		ELBOW - (1K36-12-12) 45 degree	2	
-60	558 925		ELBOW - (1K1-8-12) 90 degree	2	
-61	558 931		ELBOW - (1K9-8-12)	2	
-62	462 053		GASKET - (AN6290-10)	6	
-63	477 704		NUT - (AN924-10D)	4	
-64	477 702		NUT - (AN818-10D)	1	
-65	189 625		GROMMET - (MS21266-1N)	4	
-66	54923-02	B	TEE - Special	1	
-67	558 907		ELBOW - (1K13-8-8)	2	
-68	458 858		ELBOW - (AN837-10D)	2	
-69	477 621		NUT - (AN924-8D)	2	
-70	407 573		WASHER - (AN960-1216)	2	
-71	407 575		WASHER - (AN960-1416)	2	
-72	80002-85		CLAMP - Pump cooling hose	2	
-73	487 722		STRAP ASSEMBLY - (668-3-6FR) left	1	
-74	454 921		CLAMP - (QS100-M10)	8	
-75	454 994		CLAMP - (H2-1160)	2	
-76	71606-02	A	TUBE ASSEMBLY - De-icing	1	
-77	82371-46	A	HOSE - De-icing	1	
-78	42150-02	A	PLUG - Hose	1	
-79	56959-19	A	TUBE - De-icing	1	
-80	492 279	A	VALVE - De-icer (2H59-8)	2	
-81	71176-02	A	EJECTOR ASSEMBLY - Pneumatic de-icing	1	
-82	49054-02	A	FITTING - De-icer	1	
-83	71164-02	A	TEE - Special	1	
-84	71627-02	A	TUBE ASSEMBLY - De-icing	1	
-85	82371-45	A	HOSE - De-icing	1	
-86	588 534	A	TEE - (1K30-10-10-8)	1	
-87	16633-79	A	HOSE - De-icing	3	
-88	82371-47	A	HOSE - De-icing	3	
-89	56932-131	A	HOSE - De-icing	1	
-90	588 536	A	TEE - (1K14-8-8-8)	1	
-91	588 621	A	TEE - (1K30-8-4-4)	1	
-92	82371-72	A	HOSE - De-icing	1	
-93	71689-02	A	TUBE - De-icing (aluminum)	4	
-94	16633-64	A	HOSE - De-icing	1	
-95	80007-39	A	HOSE - De-icing	1	
-96	82371-23	A	HOSE - De-icing	2	
-97	587 842	A	SWITCH - Pressure (1D1470-10)	1	
-98	49856-02	A	ELBOW - Special	1	
-99	588 386	A	TEE - (1K30-8-8-6)	2	
-100	16633-86	A	HOSE - De-icing	2	
-101	758 491	A	BOOT - De-icer, left wing, inboard (25S-7D5026-07)	1	
	758 492	A	BOOT - De-icer, right wing, inboard (25S-7D5026-08)	1	
-102	488 704	A	TIMER - De-icer	1	

When ordering, always specify Part Number, Description, and Serial Number of Aircraft

PIPER PARTS CATALOG

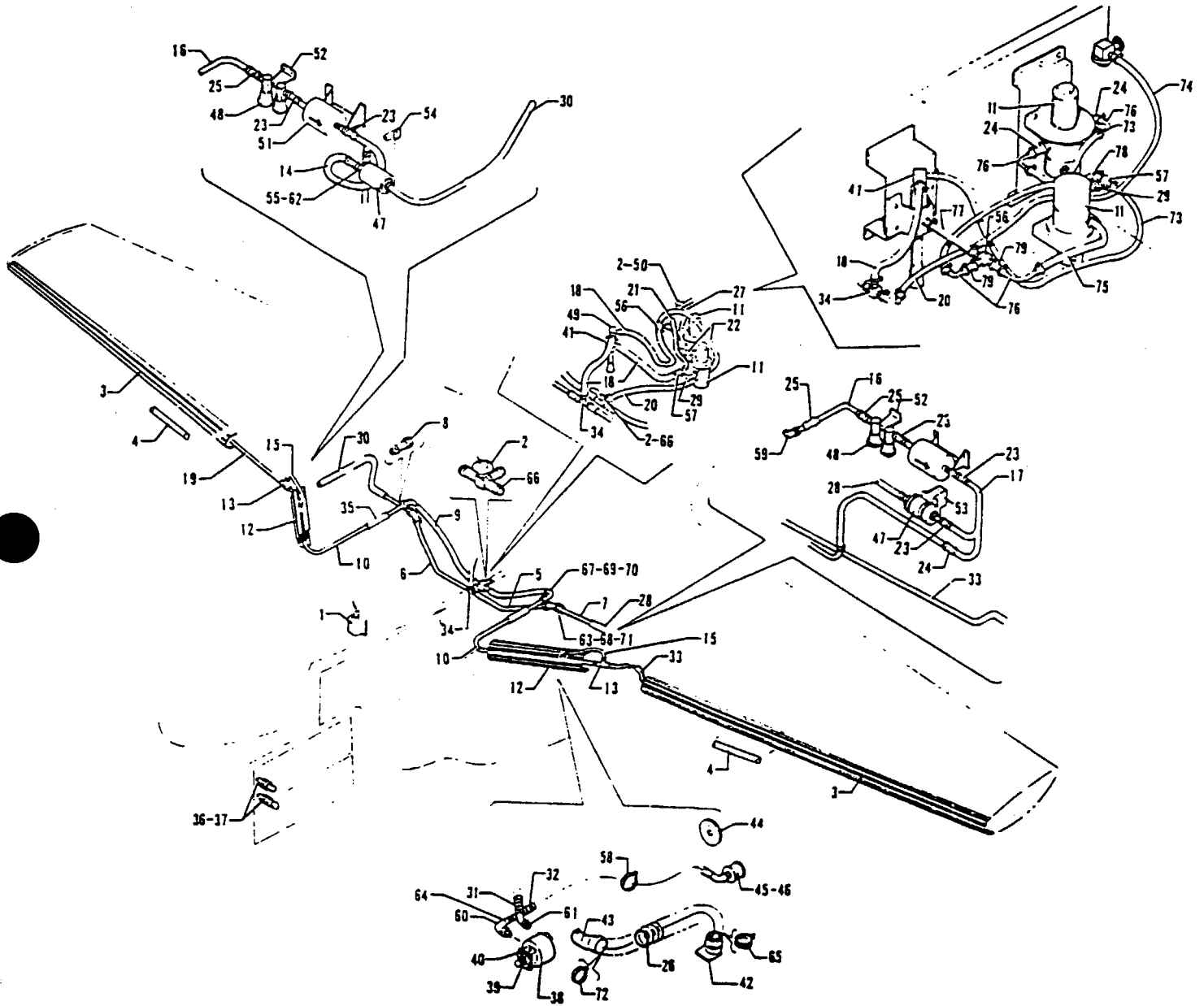


Figure 123B. Forward Pneumatic De-Icing System Installation  
(Serial Numbers 31-8052001 and up)

---

# PIPER PARTS CATALOG

---

CODE EXPLANATIONS FOR FIGURE 123B

# PIPER PARTS CATALOG

Figure and Index Number	Part Number	Code	Nomenclature	No. Req.	Serial Numbers Affected
123B-	49850		DRAWING - Pneumatic De-icing System Installation		31-8052001 and up
	49848		DRAWING - Engine Compartment De-icing Installation		31-8052001 and up
-1	488 704		TIMER - Deicer (479-1)	1	31-8052001 to 31-8052113 incl.
	761 910		TIMER - Deicer (3D1472-10)	1	31-8052114 to 31-8052126 incl.
	488 704		TIMER - Deicer (479-1)	1	31-8052127 and up
-2	587 842		SWITCH - Pressure (1D1470-10)	2	
-3	758 237		DE-ICER - Left wing (25S-7D5026-01)	1	
	758 238		DE-ICER - Right wing (25S-7D5026-02)	1	
-4	44275-03		STRIP - Flow	2	
-5	43462-02		TUBE ASSEMBLY - Deicing (5/8 I.D. x 27.35 L)	1	31-8052001 to 31-8052146 incl.
	43462-00		TUBE ASSEMBLY - Deicing (5/8 I.D. x 30.60 L)	1	31-8052147 and up
-6	71627-02		TUBE ASSEMBLY - Deicing	1	
-7	42877-00		TUBE ASSEMBLY - Deicing	2	
-8	54924-02		TUBE ASSEMBLY - Deicing	2	
-9	54925-07		TUBE ASSEMBLY - Deicing, left	1	
	54925-10		TUBE ASSEMBLY - Deicing, right	1	
-10	54925-11		TUBE ASSEMBLY - Deicing	2	
-11	492 279		VALVE - Deicer (2H59-8)	2	
-12	758 491		BOOT - Deicer, left wing inboard (25S-7D5026-07)	1	
	758 492		BOOT - Deicer, right wing inboard (25S-7D5026-08)	1	
-13	488 520		TEE - (1K30-8-6-6)	2	
-14	44430-00		TUBE ASSEMBLY - Deicing, right	1	
-15	16633-86		HOSE - Deicing	2	
-16	44396-02		TUBE - Deicing	2	
-17	44414-00		TUBE ASSEMBLY - Deicing, left	1	
-18	82371-45		HOSE - Deicing	3	31-8052001 to 31-8052146 incl.
	82371-45		HOSE - Deicing	1	31-8052147 and up
-19	54926-03		TUBE - Deicing, right (3/8" x 45" L)	1	
-20	82371-92		HOSE - Deicing (1/2 I.D. x 17 L)	1	31-8052001 to 31-8052146 incl.
	16633-79		HOSE - Deicing (1/2 I.D. x 19 L)	1	31-8052147 and up
-21	82371-148		HOSE - Deicing	1	31-8052001 to 31-8052146 incl.
-22	82371-110		HOSE - Deicing	2	31-8052001 to 31-8052146 incl.
-23	82371-35		HOSE - Deicing	6	
-24	82371-47		HOSE - Deicing	2	
-25	82371-106		HOSE - Deicing	4	
-26	10525-86		HOSE - Oil cooler	2	
-27	49998-08		HOSE - Deicing	1	31-8052001 to 31-8052146 incl.
-28	82371-137		HOSE - Deicing, left	1	
-29	56972-131		HOSE - Deicing	1	
-30	82371-137		HOSE - Deicing, right	1	
-31	49997-05		HOSE - Deicing	2	
-32	49997-09		HOSE - Air filter, left	1	
	49997-08		HOSE - Air filter, right	1	
-33	49850-07		HOSE - Deicing	1	
-34	588 534		TEE - (1K30-10-10-8)	1	
-35	82371-135		HOSE - Split	2	
-36	71085-02		LIGHT ASSEMBLY - Deicer indicator	1	
-37	472 028		* BULB - Deicer indicator (327)	2	
-38	26749-09		PUMP ASSEMBLY - Dry pneumatic, left (441CCW)	1	
	26749-10		PUMP ASSEMBLY - Dry pneumatic, right (442CW)	1	
-39	757 865		* COUPLING ASSEMBLY KIT - Vacuum pump drive (No. 352)	1	
-40	751 859		** GASKET - Pump mounting (B3-1-2)	1	
-41	71176-02		EJECTOR ASSEMBLY - Pneumatic de-icing	1	
-42	43092-00		TAKE-OFF ASSEMBLY - Pump duct	2	
-43	43093-00		SHROUD - Pump cooling	2	
-44	43799-00		PLATE ASSEMBLY - Pneumatic air filter cover	2	

When ordering, always specify Part Number, Description, and Serial Number of Aircraft

Revised: March 10, 1994

PA-31-350

PIPER PARTS CATALOG

Figure and Index Number	Part Number	Code	NOMENCLATURE	No. Req.	SERIAL NUMBERS AFFECTED
1238-45	460 853		FILTER - Air (1J1-3)	2	
-46	751 815		* FILTER - Air (B3-5-1)	1	
-47	492 120		VALVE - Check (MS28050-04)	2	
-48	492 271		VALVE - Relief (2H22-11)	2	
-49	49054-02		FITTING - De-icer	1	
-50	49856-02		ELBOW - Special	1	
-51	460 866		FILTER - Inline (1J4-6)	2	
-52	43033-02		BRACKET - Relief valve	2	
-53	44408-00		BRACKET - Check valve, left	1	
-54	44473-00		BRACKET - Check valve, right	1	
-55	43072-00		ADAPTER - De-icer	4	
-56	588 536		TEE - (1K14-8-8-8)	1	
-57	588 621		TEE - (1K30-8-4-4)	1	
-58	487 722		STRAP ASSEMBLY - (668-3-6FR) left	1	
-59	558 933		ELBOW - (1K36-12-12) 45 degree	2	
-60	558 925		ELBOW - (1K1-8-12) 90 degree	2	
-61	558 931		ELBOW - (1K9-8-12)	2	
-62	462 053		GASKET - (AN6290-10)	4	
-63	477 704		NUT - (AN924-100)	2	
-64	454 921		CLAMP - (QS100-M10)	8	
-65	454 994		CLAMP - (H2-1160)	2	
-66	71164-02		TEE - Special	1	
-67	558 907		ELBOW - (1K13-8-8)	2	
-68	458 858		ELBOW - (AN837-10D)	2	
-69	477 621		NUT - (AN924-8D)	2	
-70	407 573		WASHER - (AN960-1216)	2	
-71	407 575		WASHER - (AN960-1416)	2	
-72	80002-85		CLAMP - Pump cooling hose	2	
-73	16633-79		HOSE - Deicing (1/2 I.D. x 19 L.)	2	31-8052147 and up
-74	82371-72		HOSE - Deicing (1/2 I.D. x 12 L.)	1	31-8052147 and up
-75	82371-47		HOSE - Deicing (1/2 I.D. x 2 1/2 L.)	3	31-8052147 and up
-76	71689-02		TUBE - Deicing	4	31-8052147 and up
-77	16633-64		HOSE - Deicing (1/2 I.D. x 30 L.)	1	31-8052147 and up
-78	80007-39		HOSE - Deicing (1/4 I.D. x 5 L.)	1	31-8052147 and up
-79	82371-23		HOSE - Deicing (1/2 I.D. x 3 L.)	2	31-8052147 and up

When ordering, always specify Part Number, Description and Serial Number of Aircraft

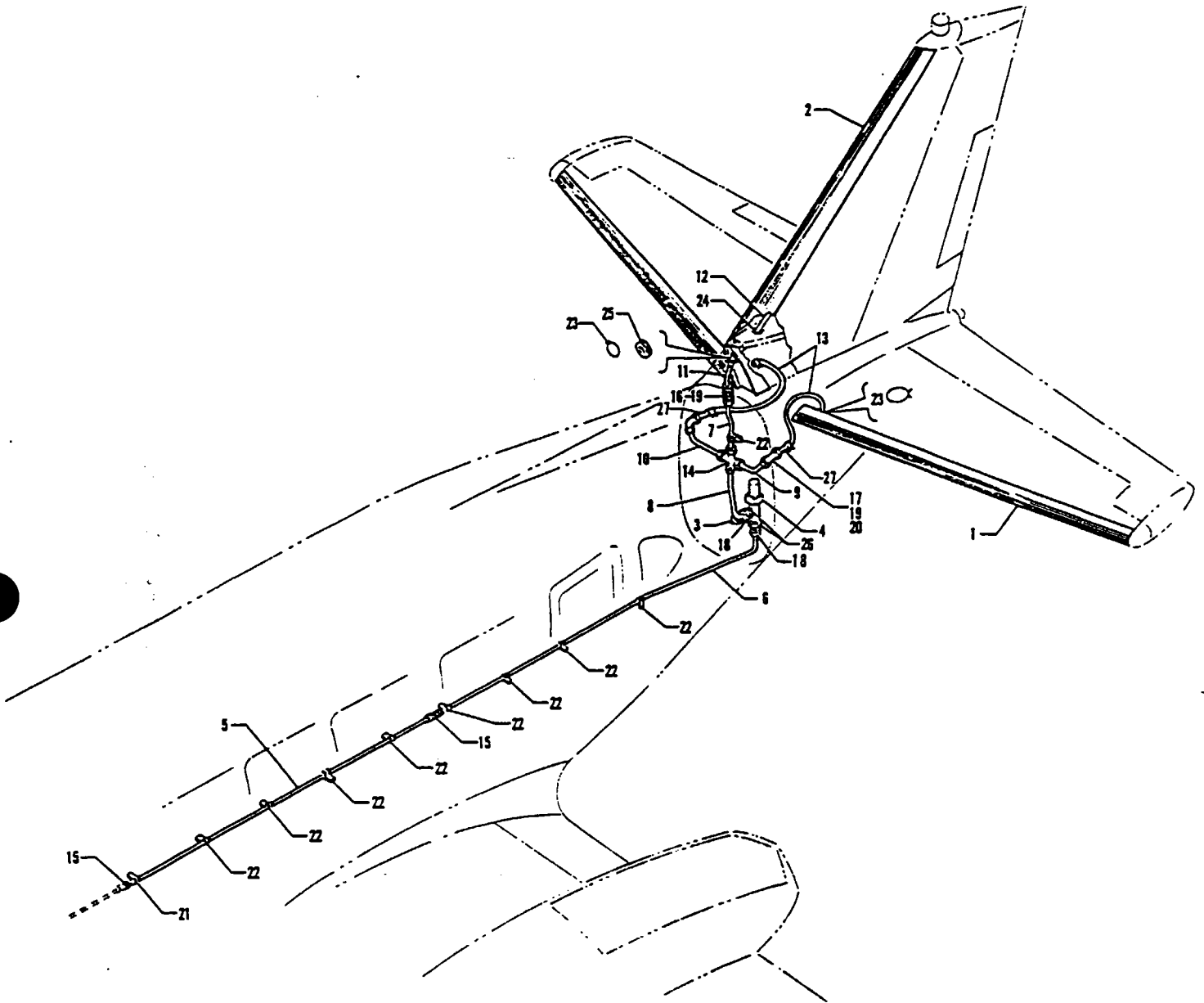


Figure 124. Aft Pneumatic De-Icing System Installation  
(Serial Numbers 31-5001 to 31-7852123 incl.)

---

# PIPER PARTS CATALOG

CODE EXPLANATIONS FOR FIGURE 124

PIPER PARTS CATALOG

Figure and Index Number	Part Number	Code	NOMENCLATURE	No. Req.	SERIAL NUMBERS AFFECTED
124-	52155		DRAWING - Pneumatic De-icing System Installation		31-5001 to 31-7652123 incl.
-1	758 239		DE-ICER - Horizontal stabilizer, left	1	
	758 240		DE-ICER - Horizontal stabilizer, right	1	
-2	758 241		DE-ICER - Vertical fin	1	
-3	757 560		SWITCH - Pressure	1	
-4	756 527		VALVE - Ejector flow control	1	
-5	42706-02		LINE ASSEMBLY - De-icer	1	
-6	52035-00		LINE ASSEMBLY - De-icer	1	
-7	42621-00		TUBE ASSEMBLY - De-icer	1	
-8	52297-00		TUBE ASSEMBLY - De-icer	1	
-9	42635-00		TUBE ASSEMBLY - De-icer	1	
-10	42636-00		TUBE ASSEMBLY - De-icer	1	
-11	42657-00		TUBE ASSEMBLY - De-icer	1	
-12	16633-28		HOSE - De-icer	1	
-13	16633-86		HOSE - De-icer	2	
-14	455 420		CROSS - (AN827-6D)	1	
-15	491 052		UNION - (AN815-6D)	2	
-16	491 052		UNION - (AN832-6D)	1	
-17	458 901		ELBOW - (AN833-6D)	2	
-18	484 295		REDUCER - (A55C-10-6)	2	
-19	477 620		NUT - (AN924-6D)	3	
-20	407 570		WASHER - (AN960-916)	3	
-21	454 868		CLAMP - (PS10017-2-12)	1	
-22	454 830		CLAMP - (PS10017-2-6)	9	
-23	554 916		CLAMP - (SAE TY F-10)	6	
-24	189 625		GROMMET - Caterpillar (MS21226-1N) 12 3/4" L	AR	
-25	434 138		GROMMET - (MS35489-17)	1	
-26	477 702		NUT - Coupling (AN818-10D)	2	
-27	42704-00		TUBE ASSEMBLY - De-icer	2	

When ordering, always specify Part Number, Description and Serial Number of Aircraft



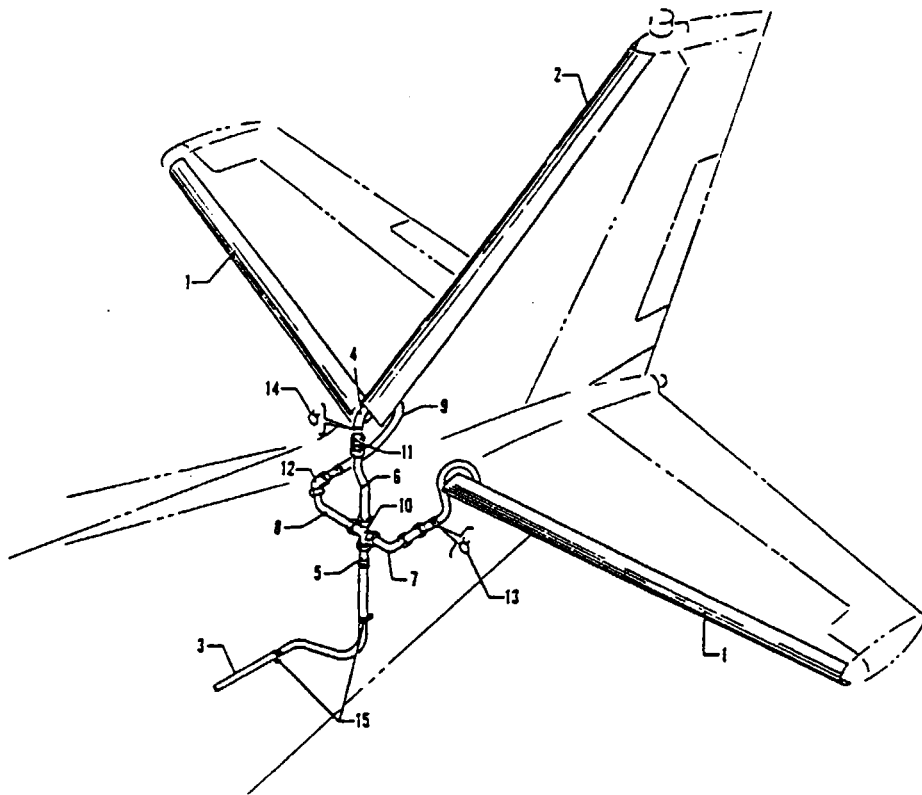


Figure 124A. Aft Pneumatic De-Icing System Installation  
(Serial Numbers 31-7652124 and up)

---

# PIPER PARTS CATALOG

CODE EXPLANATIONS FOR FIGURE 124A

PIPER PARTS CATALOG

Figure and Index Number	Part Number	Code	NOMENCLATURE	No. Req.	SERIAL NUMBERS AFFECTED
124A-	54925 49850		DRAWING - Pneumatic De-icing System Installation DRAWING - Pneumatic De-icing System Installation		31-7652124 to 31-7952250 incl 31-8052001 and up
-1	758 239 758 240		DE-ICER - Horizontal stabilizer, left DE-ICER - Horizontal stabilizer, right	1 1	
-2	758 241		DE-ICER - Vertical fin	1	
-3	54925-06		TUBE - De-icer (3/8 I.D. x 202" L)	1	
-4	54925-05		TUBE - De-icer (3/8 I.D. x 30" L)	1	
-5	42704-00		TUBE ASSEMBLY - De-icer	3	
-6	42621-00		TUBE ASSEMBLY - De-icer	1	
-7	42635-00		TUBE ASSEMBLY - De-icer	1	
-8	42636-00		TUBE ASSEMBLY - De-icer	1	
-9	16633-86		HOSE - De-icer	2	
-10	455 420		CROSS - (AN827-6D)	1	
-11	451 852 407 570 477 620		ADAPTER - (AN807-6D) WASHER - (AN960-916) NUT - (AN924-6D)	1 1 1	
-12	458 901 407 570 477 620		ELBOW - (AN833-6D) WASHER - (AN960-916) NUT - (AN924-6D)	2 2 2	
-13	454 832		CLAMP - (SAE 10) Type "E"	4	
-14	454 983		CLAMP - (SAE 8) Type "E"	2	
-15	454 933		CLAMP - (PS10017-2-8)	2	

When ordering, always specify Part Number, Description and Serial Number of Aircraft

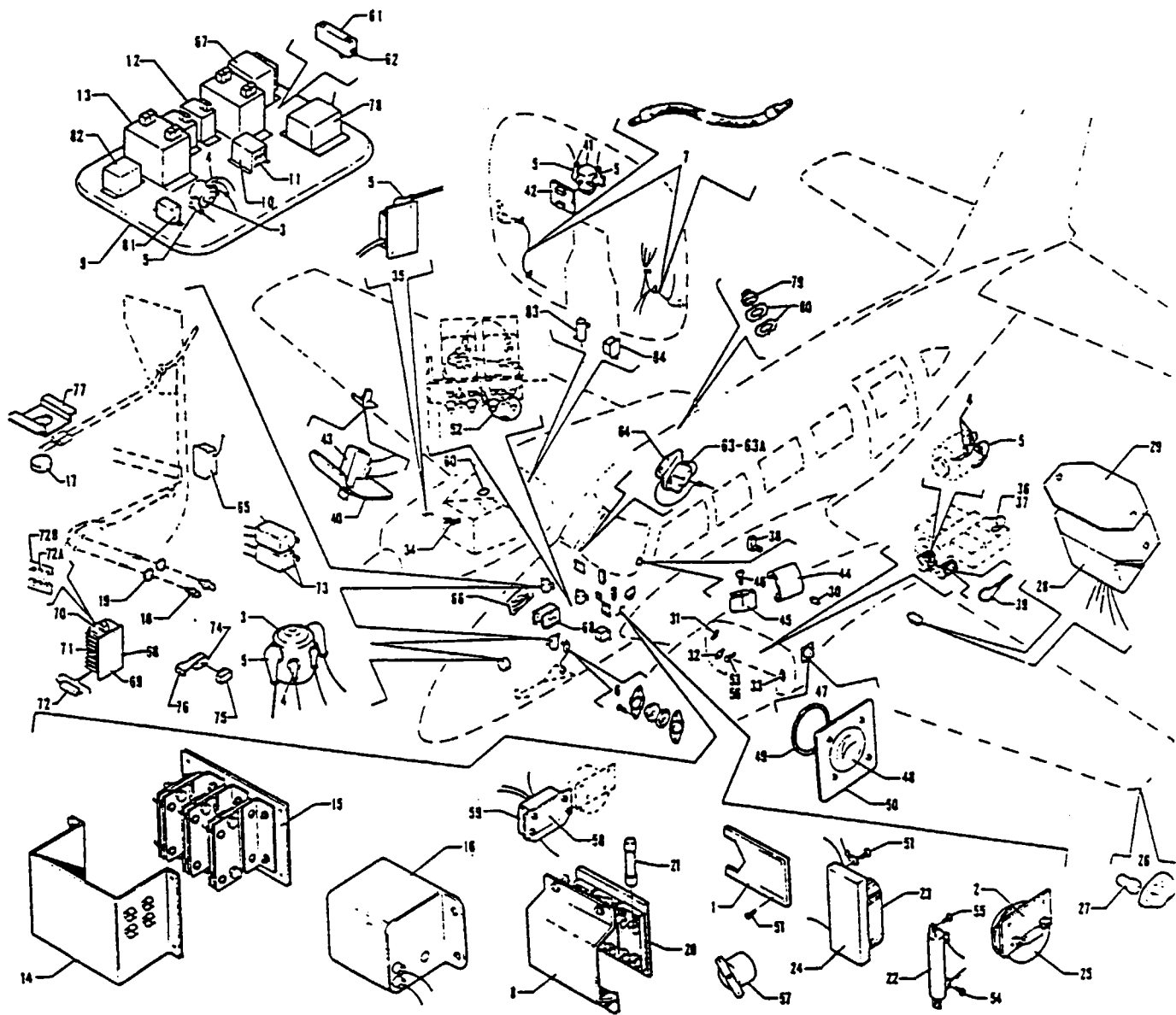


Figure 125. Forward Electrical System Installation

---

## PIPER PARTS CATALOG

---

### CODE EXPLANATIONS FOR FIGURE 125

- A - Used on serial numbers 31-7652077, 31-7652079 and up. Also used on aircraft that comply with C.A.A. (United Kingdom) requirements on serial numbers 31-5001 and up.
- B - Used on aircraft that do not comply with C.A.A. (United Kingdom) requirements.
- C - Refer to Figure 134 if wing tip strobe lights are installed.
- D - See Figure 134A for aircraft with serial numbers 31-7305053 and up.
- E - Before ordering individual transistor(s), ascertain if existing dimmer control assembly incorporates six fuses. If existing dimmer control assembly does not incorporate six fuses, it is recommended that a new dimmer control assembly (with six fuses) P/N 57900-02 be installed.
- F - Also used on aircraft with serial numbers 31-5001 to 31-7952250 inclusive if Heated Lift Detector Installation Kit 764 021 has been installed.
- G - Used if heated lift detector is installed. Also used on aircraft with serial numbers 31-5001 to 31-7952250 inclusive if Heated Lift Detector Installation Kit 764 021 has been installed
- H - Also used on aircraft with serial numbers 31-5001 to 31-7852171 inclusive if Calco Flap System Installation Kit 764 938L has been installed per Service Letter 959

PIPER PARTS CATALOG

Figure and Index Number	Part Number	Code	NOMENCLATURE	No. Req.	SERIAL NUMBERS AFFECTED
125-	44929 42637 52661		DRAWING - Electrical Details, Forward Fuselage DRAWING - Heated Windshield Installation DRAWING - Ice Detection Light Installation		
-1	41337-00		BLOCK - Rub	1	
-2	44235-00		PLATE - Stall warning horn mounting	1	
-3	487 167		SOLENOID - Landing light (26898-05)	2	
-4	23969-02		NIPPLE - Electric terminal	8	
-5	23969-03		NIPPLE - Electric terminal	10	
-6	22103-03		GROMMET HOLDER - Nose gear limit switch, harness	2	
	22104-08		GROMMET - Nose gear limit switch, harness	2	
-7	41530-11		CABLE ASSEMBLY - Starter, right	1	31-5001 to 31-8052152 incl.
	71644-10		CABLE ASSEMBLY - Starter, right	1	31-8052153 and up
	41530-12		CABLE ASSEMBLY - Starter, left	1	31-5001 to 31-8052152 incl.
	71644-03		CABLE ASSEMBLY - Starter, left	1	31-8052153 and up
-8	43582-00		COVER ASSEMBLY - Fuse holder	1	
-9	52674-00		PLATE ASSEMBLY - Regulator mounting	1	31-5001 to 31-7752192 incl.
	55758-02		PLATE ASSEMBLY - Regulator mounting	1	31-7852001 to 31-8052221 incl.
	55758-04		PLATE ASSEMBLY - Regulator mounting	1	31-8152001 to 31-8252085 incl.
	55758-06		PLATE ASSEMBLY - Regulator mounting	1	31-8352001 and up
-10	43756-00		BRACKET - Relay assembly	1	
-11	43758-00		RELAY ASSEMBLY - Ground gear warning horn	1	
-12	484 182		RELAY - Overvoltage (B-00266-2)	2	
-13	550 390		REGULATOR - Voltage (B-00286-1) 24 volt	2	
-14	41533-06		COVER ASSEMBLY - Shunt plate	1	
-15	41534-00		PLATE ASSEMBLY - Shunt	1	
-16	492 685		VIBRATOR - Starting (10-382808-24)	1	
-17	71429-02		LIGHT ASSEMBLY - Forward baggage	1	
-18	487 878		SWITCH - Baggage light and door ajar (9251)	2	31-5001 to 31-8052221 incl.
	487 878		SWITCH - Baggage light (9251)	1	31-8152001 and up
-19	407 566		WASHER - (AN960-516)	2	
-20	43580-00		PLATE ASSEMBLY - Fuse holder	1	
-21	461 623		FUSE - (AGC-5)	11	
-22	484 520		RESISTOR - Circuit breaker and lighter (0400K)	1	31-5001 to 31-7652027 incl.
-23	460 901	B	FLASHER - Stall and gear warning (617)	1	31-5001 to 31-7952250 incl.
-24	452 897	B	BLOCK - Flasher (4753)	1	31-5001 to 31-7952250 incl.
-25	565 323		HORN - Stall warning (02054-4) 28 volt	1	
-26	43258-04	C,D	LIGHT ASSEMBLY - Wing tip, red, left	1	31-5001 to 31-7305052 incl.
	43258-03	C,D	LIGHT ASSEMBLY - Wing tip, green, right	1	31-5001 to 31-7305052 incl.
-27	753 478	C,D	* BULB - (A7512-24)	1	31-5001 to 31-7305052 incl.
-28	44407-00		SWITCH ASSEMBLY - Time delay	1	31-5001 to 31-7852171 incl.
-29	44399-00		GASKET - Time delay switch	1	
-30	22103-03		GROMMET HOLDER	2	
	22104-05		GROMMET - Wing harness, left	1	
	22104-07		GROMMET - Wing harness, right	1	
	22105-07		GASKET - Grommet harness	2	
-31	22103-02		GROMMET HOLDER - Firewall seal, forward	2	
	22103-03		GROMMET HOLDER - Firewall seal, aft	2	
	22105-06		GASKET - Firewall seal, forward	2	
	22104-04		GROMMET - Firewall seal	4	
-32	22103-02		GROMMET HOLDER - Firewall seal, forward	2	
	22103-03		GROMMET HOLDER - Firewall seal, aft	2	
	22105-07		GASKET - Firewall seal, forward	2	
	22104-06		GROMMET - Firewall seal	4	

When ordering, always specify Part Number, Description and Serial Number of Aircraft

## PIPER PARTS CATALOG

Figure and Index Number	Part Number	Code	NOMENCLATURE	No. Req.	SERIAL NUMBERS AFFECTED
125-33	22103-02		GROMMET HOLDER - Firewall seal, forward	2	
	22103-03		GROMMET HOLDER - Firewall seal, aft	2	
	22105-07		GASKET - Firewall seal, forward	2	
	22104-06		GROMMET - Firewall seal	4	
-34	17604-33		CABLE ASSEMBLY - Ground to engine	4	
-35	43843-00		FILTER ASSEMBLY - Alternator	2	
-36	460 664		FITTING - (AN4076-1) Cylinder head temperature	2	
-37	453 751		BULB - Cylinder head temperature (AN5546-1)	2	
-38	487 933		SWITCH - Main gear door ajar (BZ-2RQ181)	2	31-5001 to 31-8052127 incl.
	487 929		SWITCH - Main gear door ajar (BZ-2RQ181-A2)	2	31-8052128 and up
-39	23969-04		NIPPLE - Electrical terminal	2	
-40	19807-00		PLATE - Lift detector mounting	1	
-41	487 167		SOLENOID - Heated windshield (26898-05)	1	
-42	555 799		TIMER - Heated windshield (HYLZ-8882-1)	1	
-43	450 742		LIFT DETECTOR - (C-52207-4) Non-heated	1	
	456 556	F	LIFT DETECTOR - (187-2) Heated	1	31-8052001 and up
-44	43762-00		COVER - Terminal heated windshield	1	
-45	43763-00		BRACKET - Windshield terminal cover	1	
-46	411 528		SCREW - (MS35207-259)	1	
-47	44402-00		LIGHT ASSEMBLY - Wing inspection	1	
-48	472 049		* LAMP - (PS10008-4593)	1	
-49	42109-00		* GASKET - Wing inspection light	1	
-50	44398-03		* PLATE - Wing inspection light	1	
-51	415 521		SCREW - (MS35206-231)	4	
-52	44040-00		DIODE ASSEMBLY - Gear warning horn	1	
-53	401 307		BOLT - (AN4-5A)	4	
	404 888		NUT - (MS20365-428C)	4	
-54	415 520		SCREW - (MS35206-230)	2	
	404 902		NUT - (MS20365-632C)	2	
-55	415 521		SCREW - (MS35206-231)	6	
	404 902		NUT - (MS20365-632C)	6	
-56	407 044		WASHER - (MS35338-44)	2	
-57	565 274		HORN - Landing gear warning (AC-155) 24 volt	1	
-58	53780-00	A	PLATE - Time delay mounting	1	
-59	588 083		SWITCH - Time delay, stall warning (PS50125-2)	1	
-60	22105-02		GASKET - Firewall seal, right	1	
	52784-00		COVER - Firewall, right	1	
-61	48171-02		BOX ASSEMBLY - Voltage clamper (complete)	1	31-7405153 to 31-7405400 incl. 31-7405402 and up
-62	456 705		* DIODE - (1N2984B)	1	31-7405153 to 31-7405400 incl. 31-7405402 and up
-63	54368-02		SWITCH ASSEMBLY - Low fuel warning	1	31-7552024 and up
-63a	587 966		* RELAY - Low fuel warning switch (PS50110-1)	1	31-7552024 and up
-64	54369-03		BRACKET - Low fuel warning switch	1	31-7552024 and up
-65	551 992		AMPLIFIER - (8482) Calco	1	31-7952001 to 31-8252021 incl.
	552 501	H	AMPLIFIER - (8502) Calco	1	31-8252022 and up
-66	55543-02		RESISTOR ASSEMBLY - Cigar lighter	1	31-7752096 to 31-8052094 incl.
-67	49353-03		CONTROLLER ASSEMBLY - Annunciator	1	
-68	57900-02		CONTROL ASSEMBLY - Dimmer	1	31-7952001 and up
-69	58253-02		* HEAT SINK - Dimmer control	2	
-70	489 439	E	* TRANSISTOR - (2N6282)	4	
-71	484 560		* RESISTOR - (RCR07618OKS) 180 ohms	4	
-72	484 561		* RESISTOR - (RCR076510KS) 510 ohms	4	
-72a	461 659		* FUSE - (GMW/FM01) 5 amp	6	
	461 660		* FUSEHOLDER - (HWA)	6	
-72b	72850-02		* PLACARD - Dimmer control	1	
-73	584 016		RELAY - Heater reset (267F)	2	31-8052001 and up
-74	71707-02		SWITCH ASSEMBLY - Baggage door ajar	1	31-8152001 and up

When ordering, always specify Part Number, Description and Serial Number of Aircraft

PIPER PARTS CATALOG

Figure and Index Number	Part Number	Code	NOMENCLATURE	No. Req.	SERIAL NUMBERS AFFECTED
125-75	552 506		ACTUATOR - Baggage door ajar (76-1210)	1	31-8152001 and up
-76	71705-04		BRACKET ASSEMBLY - Switch, door ajar	1	31-8152001 and up
-77	71610-02		BRACKET - Baggage light	1	31-8152001 and up
-78	71620-02		CHIME ASSEMBLY - No smoking, fasten seat belts	1	31-8152001 and up
-79	71624-02		SPEAKER ASSEMBLY - Chimes	1	31-8152001 and up
-80	71675-02		GASKET - Speaker	1	31-8152001 and up
	71674-02		PLATE ASSEMBLY - Speaker	1	31-8152001 and up
-81	584 016		RELAY - Courtesy light timer (267F)	1	31-8352001 and up
-82	488 751		TIMER - Courtesy light	1	31-8352001 and up
-83	71143-02	G	RESISTOR ASSEMBLY - Lift detector ground protection (18 ohm, 50 watt)	1	31-8052001 and up
-84	584 016	G	RELAY - Lift detector heat (20607-82)	1	31-8052001 and up

When ordering, always specify Part Number, Description and Serial Number of Aircraft



# PIPER PARTS CATALOG

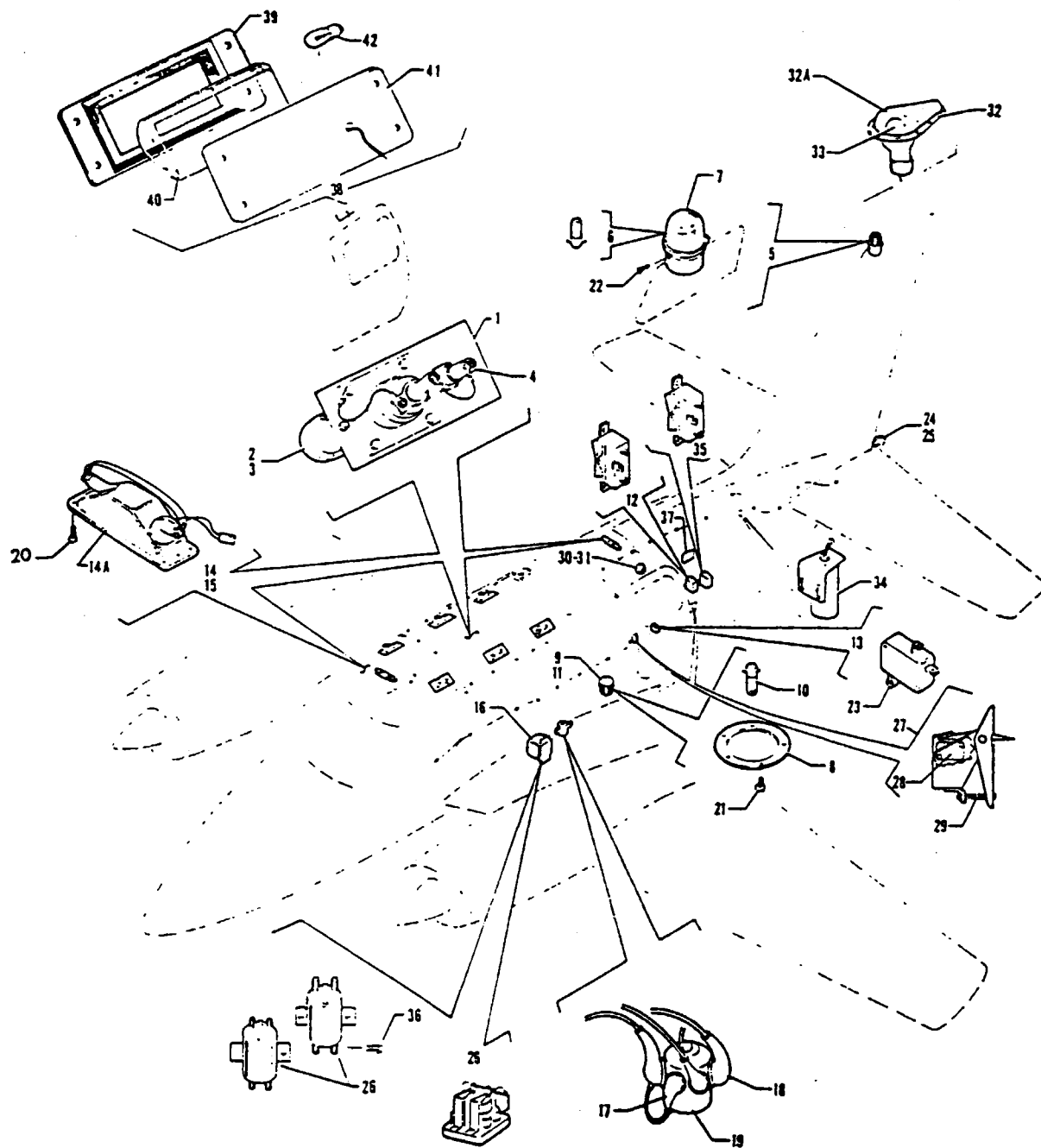


Figure 126. Aft Electrical System Installation

---

# PIPER PARTS CATALOG

---

## CODE EXPLANATIONS FOR FIGURE 126

- A - See Figure 134A if red strobe light is installed.
- B - See Figure 134A for aircraft with serial numbers 31-7305053 and up.
- C - Used on aircraft with serial numbers 31-5001 to 31-7552052 inclusive, if Cabin Door Ajar Switch Installation Kit 760 870 has been installed per Service Letter 739.
- D - Order part for serial numbers 31-7752193 and up, if Flap Solenoid and Relay Replacement Kit 763 822 has been installed per Service Letter 834, or if Calco Flap System Installation Kit 764 938 has been installed per Service Letter 959.

PIPER PARTS CATALOG

Figure and Index Number	Part Number	Code	NOMENCLATURE	No. Req.	SERIAL NUMBERS AFFECTED
126-	44930		DRAWING - Electrical Details, Aft Fuselage		
-1	52422-00		LIGHT ASSEMBLY - Reading	7	
-2	472 846		* LIGHT ASSEMBLY - (2525)	1	
-3	453 886		* * BULB - Reading (1309)	1	
-4	487 974		* SWITCH - Reading (L-20794-1)	1	
-5	452 471	A	BEACON ASSEMBLY - Rotating (40-0103-25)	1	31-5001 to 31-7305052 incl.
-6	753 440		* BULB - Rotating beacon (1939X, 24 volt)	1	31-5001 to 31-7305052 incl.
-7	754 549		* DOME - Rotating beacon (Grimes 41-1063-1)	1	31-5001 to 31-7305052 incl.
-8	21523-02		GASKET - Rotating beacon	1	31-5001 to 31-7305052 incl.
-9	452 444	A	BEACON ASSEMBLY - Rotating (40-0101-5-24)	1	31-5001 to 31-7305052 incl.
-10	753 440		* BULB - Rotating beacon (1939X, 24 volt)	1	31-5001 to 31-7305052 incl.
-11	754 555		* DOME - Rotating beacon (Grimes 41-1063-3)	1	31-5001 to 31-7305052 incl.
-12	487 913		SWITCH - Rear entrance (T1LB64-1S-WH-F)	1	
-13	487 819		SWITCH ASSEMBLY - Entrance cabin door (MS25253-3)	1	31-5001 to 31-8252085 incl.
	487 819		SWITCH ASSEMBLY - Entrance cabin door (MS25253-3)	2	31-8352001 and up
-14	472 788		LIGHT ASSEMBLY - Dome (B-8110-1)	2	
-14a	761 238		* LENS - Cabin dome light (B-5846-1)	2	
-15	758 151		* BULB - (MS15584-15)	2	
-16	42626-02		COVER - Flap motor	1	31-5001 to 31-7852171 incl.
-17	23969-02		NIPPLE - Electrical terminal	2	31-5001 to 31-7852171 incl.
-18	23969-03		NIPPLE - Electrical terminal	2	31-5001 to 31-7852171 incl.
-19	487 157	D	SOLENOID - Flap (26898-04)	1	31-5001 to 31-7752191 incl.
	487 084		SOLENOID - Flap (124-314111)	1	31-7752192 and up
-20	414 508		SCREW - (MS24693-S28)	4	
	404 909		NUT - (MS20365-632C)	4	
-21	415 520		SCREW - (MS35206-230)	5	31-5001 to 31-7305052 incl.
	415 520		SCREW - (MS35206-230)	2	31-7952001 and up
-22	415 518		SCREW - (MS35206-228)	3	31-5001 to 31-7305052 incl.
-23	451 841		ACTUATOR - Cabin door (JV-5)	1	31-5001 to 31-8252085 incl.
	451 827		ACTUATOR - Cabin door (JV-82)	2	31-8352001 and up
-24	43346-00	B	LIGHT ASSEMBLY - Tail	1	31-5001 to 31-7305052 incl.
-25	753 477	B	* BULB - Tail light (1683)	1	31-5001 to 31-7305052 incl.
-26	484 377	D	RELAY - (PR5DY) 25 amp	1	31-5001 to 31-7752191 incl.
	487 084		SOLENOID - (124-314111)	1	31-7752192 to 31-7852171 incl.
	487 084		SOLENOID - (124-314111)	2	31-7952001 and up
-27	54190-02	C	SWITCH ASSEMBLY - Door ajar, forward	1	31-7552053 and up
	54190-03	C	SWITCH ASSEMBLY - Door ajar, rear	1	31-7552053 and up
-28	487 819	C	* SWITCH - (MS25253-3)	1	31-7552053 and up
-29	83303-02	C	* SPRING - Switch adjusting	1	31-7552053 and up
-30	49382-02		LIGHT ASSEMBLY - Entrance	1	31-7752001 to 31-7952250 incl.
-31	758 375		* BULB - Entrance (1495 X)	1	31-7752001 to 31-7952250 incl.
-32	49518-02		LIGHT ASSEMBLY - Ground recognition beacon	1	31-7852001 and up
-32a	761 290		* LENS - Ground recognition beacon light (A-2376-1)	1	31-7852001 and up
-33	758 418		* BULB - (AN3120-1047)	1	31-7852001 and up
-34	49517-02		FLASHER ASSEMBLY - Ground recognition beacon	1	31-7852001 and up
-35	487 913		SWITCH - Cabinetry lights (T1LB64-1S-WH-F)	1	31-7952001 and up
-36	411 545		SCREW - (MS35207-276)	4	31-7952001 and up
-37	71092-02		PLACARD - Floor lighting	1	31-7952001 and up
-38	71455-02		LIGHT ASSEMBLY - Aft cabin door	1	31-8052001 and up
-39	71455-07		* FRAME - Aft cabin door light	1	31-8052001 and up
-40	71455-10		* LENS - Aft cabin door light	1	31-8052001 and up
-41	71455-05		* PLATE ASSEMBLY - Aft cabin door light	1	31-8052001 and up
-42	553 508		* * BULB - (464)	1	31-8052001 and up

When ordering, always specify Part Number, Description and Serial Number of Aircraft

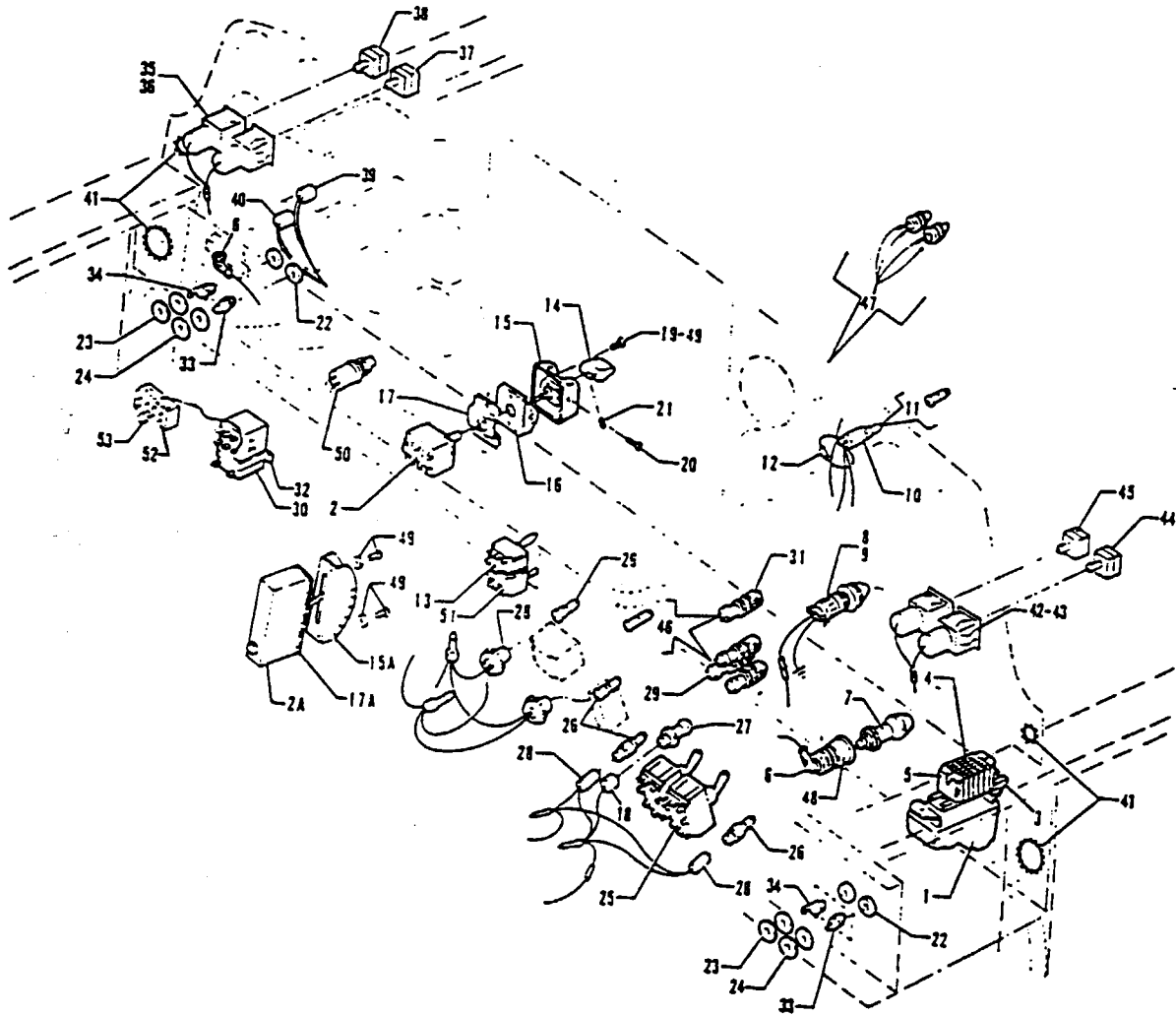


Figure 127. Fuselage Harness Installation

---

# PIPER PARTS CATALOG

---

## CODE EXPLANATIONS FOR FIGURE 127

- A - Also used on aircraft with serial numbers 31-5001 to 31-7852171 inclusive if Calco Flap System Installation Kit 764 938L has been installed per Service Letter 959.
- B - Order part for serial numbers 31-7952001 and up if Calco Flap System Installation Kit 764 938L has been installed per Service Letter 959

PIPER PARTS CATALOG

Figure and Index Number	Part Number	Code	NOMENCLATURE	No. Req.	SERIAL NUMBERS AFFECTED
127-	52427		DRAWING - Fuselage Harness Installation		
-1	467 094 467 477		INVERTER - (X17512) 28 volt INVERTER - (71254-8)	1 1	31-5001 to 31-7652177 incl. 31-7752001 and up
-2	487 839	B	SWITCH - Wing flap (4TL57-1)	1	31-5001 to 31-7852171 incl.
-2a	553 235	A	CONTROL BOX - Wing flap (8411)	1	31-7952001 and up
-3	41194-02		TRACK - Terminal strip mounting	1	
-4	475 162		MODULE - (A6SMM20T-1)	5	
-5	554 868		CLAMP - End terminal module (AMMC-2)	2	
-6	23969-02		NIPPLE - Electrical terminal	4	
-7	754 785		LIGHTER ASSEMBLY - 24 volt (less housing)	1	31-5001 to 31-7752095 incl.
	572 553		LIGHTER ASSEMBLY - (207959) 28 volt.	1	31-7752096 and up
-8	44170-00		PLUG ASSEMBLY - Mitchell turn and bank	1	
	74060-02		PLUG ASSEMBLY - United Instruments turn and bank	1	
-9	21788-03		PLUG ASSEMBLY - R. C. Allen turn and bank	1	
-10	472 741		LIGHT ASSEMBLY - Stall warning (911-112-1631-525) (less bulb)	1	31-5001 to 31-7552074 incl.
-11	472 028		BULB - Stall warning (PS10008-327)	1	31-5001 to 31-7552074 incl.
-12	484 420		RESISTOR - Stall warning (100 ohm, 10 watt)	1	31-5001 to 31-7552074 incl.
-13	487 898		SWITCH - Heater (2GM54-73)	1	
-14	23943-00		KNOB - Flap switch	1	
-15	53398-00	B	GUARD ASSEMBLY - Flap switch, black	1	31-5001 to 31-7852171 incl.
-15a	51677-02		GUARD ASSEMBLY - Flap switch	1	31-7952001 to 31-8052221 incl.
	71649-02	A	GUARD ASSEMBLY - Flap switch	1	31-8152001 and up
-16	41164-00	B	BRACKET ASSEMBLY - Flap switch	1	31-5001 to 31-7852171 incl.
-17	41094-00	B	BRACKET - Flap switch	1	31-5001 to 31-7852171 incl.
-17a	55858-02	A	SHIM - Flap switch	1	31-7952001 and up
-18	487 120		SOCKET - Lamp (56551-49)	1	
-19	415 520		SCREW - (MS35206-230)	2	31-5001 to 31-7852171 incl.
	407 562		WASHER - (AN960-6)	2	31-5001 to 31-7852171 incl.
	404 909		NUT - (MS20365-632C)	2	31-5001 to 31-7852171 incl.
-20	415 518		SCREW - (MS35206-228)	2	31-5001 to 31-7852171 incl.
-21	419 984		SCREW - Set (10-32 x 1/4 L.)	1	
-22	18397-02		BUSHING - Panel, mike and phone jacks	4	
-23	80122-78		WASHER - Panel, mike and phone jacks	4	
-24	85012-94		WASHER - Panel, mike and phone jacks	4	
-25	487 960		SWITCH - Cowl flap (HM27S-73)	2	
-26	472 047		BULB - Indicator (PS10008-335)	4	
-27	453 791		BULB - Fuel control panel (PS10008-356)	1	
-28	487 170		SOCKET - Lamp (16-40)	4	
-29	472 740		LIGHT ASSEMBLY - Gear down, green (801-1030-0332-504) (less bulb)	1	
-30	484 207		RELAY - (T154-2C-24VDC)	1	
-31	472 739		LIGHT ASSEMBLY - Gear unlock, red (801-1030-0331-504) (less bulb)	1	
-32	52188-00		CLAMP - Relay	1	
-33	468 002		JACK - Mike (S-12B)	2	
-34	468 006		JACK - Phone (11)	2	
-35	452 038		BASE ASSEMBLY - Pneumatic source malfunction (513-0109-001)	2	31-5001 to 31-7405152 incl.
-36	472 058		BULB - Pneumatic source information (PS10008-387)	2	31-5001 to 31-7405152 incl.
-37	50406-05		CAP ASSEMBLY - Warning light, left pneumatic source malfunction	1	31-5001 to 31-7405152 incl.
-38	50406-06		CAP ASSEMBLY - Warning light, right pneumatic source malfunction	1	31-5001 to 31-7405152 incl.

When ordering, always specify Part Number, Description and Serial Number of Aircraft

PIPER PARTS CATALOG

Figure and Index Number	Part Number	Code	NOMENCLATURE	No. Req.	SERIAL NUMBERS AFFECTED
127-39	52363-02		HARNESS ASSEMBLY - Attitude gyro (electric)	1	
-40	52363-03		HARNESS ASSEMBLY - Directional gyro (electric)	1	
-41	189 625		GROMMET - Harness (MS21266-1N) 12 3/4" L.	AR	
-42	452 038		BASE ASSEMBLY - Pneumatic source malfunction (513-0109-001)	2	31-7405153 to 31-7752192 incl
-43	472 058		BULB - Pneumatic source malfunction (PS10008-387)	2	31-7405153 to 31-7752192 incl.
-44	50406-05		CAP ASSEMBLY - Warning light, left pneumatic source malfunction	1	31-7405153 to 31-7752192 incl.
-45	50406-06		CAP ASSEMBLY - Warning light, right pneumatic source malfunction	1	31-7405153 to 31-7752192 incl.
-46	472 028		BULB - (PS10008-327)	1	
-47	472 861		LIGHT - Alternator inoperative (106S-R-FB59)	2	31-7552079 to 31-7752192 incl.
-48	565 608		HOUSING - Lighter (207410)	1	31-5001 to 31-7752095 incl
-49	517 808		SCREW - (PS10084-50)	2	31-7952001 and up
	407 135		WASHER - (AN936-A10)	2	31-7952001 and up
-50	59106-02	A	SWITCH ASSEMBLY - Flap test	1	31-7952001 and up
-51	587 979		SWITCH - Heater start/reset (6FA54-73)	1	31-8052001 and up
-52	484 084		RELAY - (HCM11DB-24)	1	31-8052183 and up
-53	456 714		DIODE - (IN4001)	2	31-8052183 and up

When ordering, always specify Part Number, Description and Serial Number of Aircraft

# PIPER PARTS CATALOG

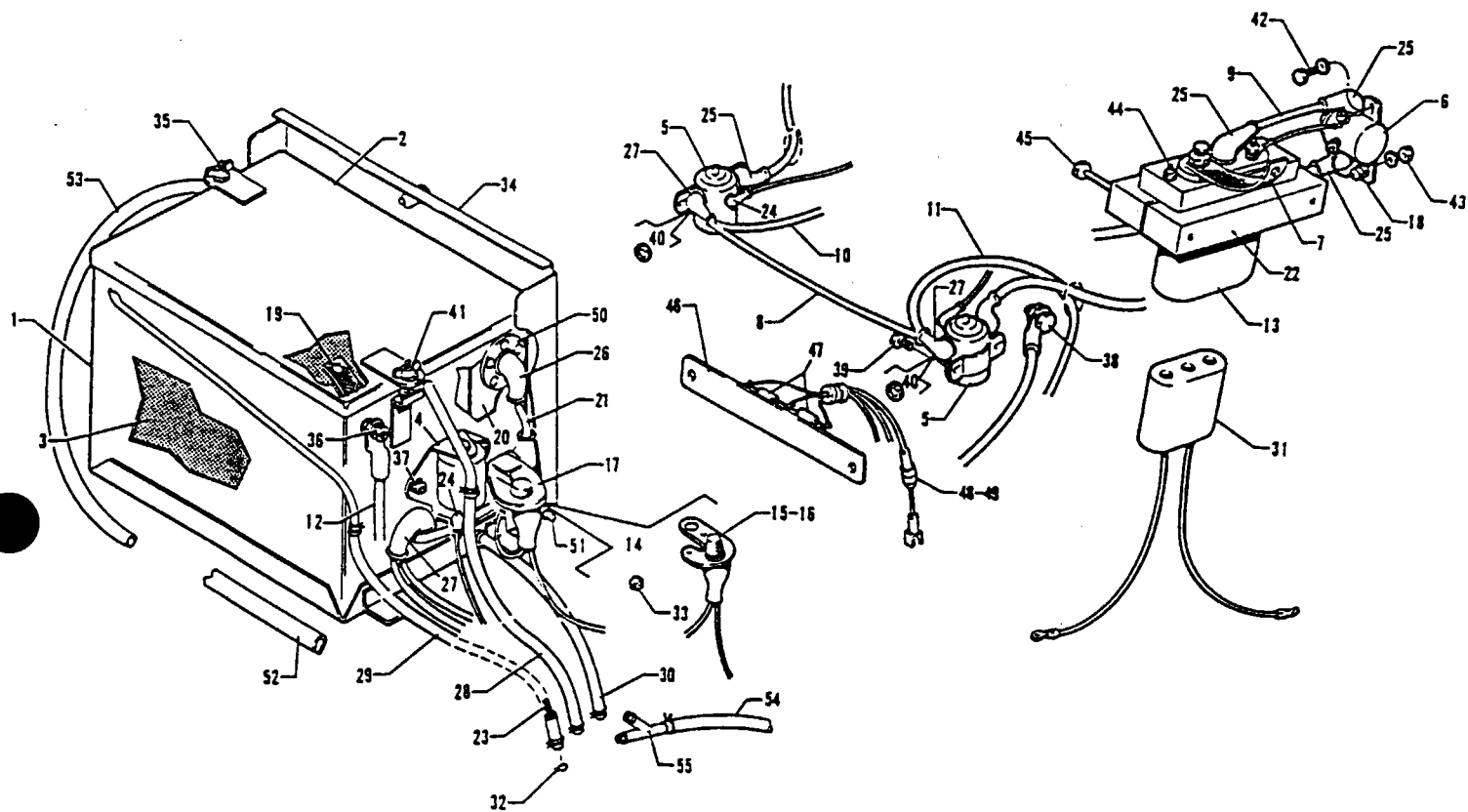


Figure 128. Primary and Auxiliary Electrical Power Installation



---

# PIPER PARTS CATALOG

---

## CODE EXPLANATIONS FOR FIGURE 128

- A - Used if 17 Ampere/Hour Battery is installed.
- B - Used if 25 Ampere/Hour Battery is installed.
- C - Used on aircraft that comply with C.A.A. (United Kingdom) requirements.
- D - Also order Battery Box Replacement Kit 760 888 for serial numbers 31-7405249 to 31-7405256, 31-7405455 to 31-7405467 inclusive, if the existing battery box incorporates the air vent tube in front of the battery box.

PIPER PARTS CATALOG

Figure and Index Number	Part Number	Code	NOMENCLATURE	No. Req.	SERIAL NUMBERS AFFECTED
128-	41544		DRAWING - Power Installation, Electrical, Primary and Auxiliary		
-1	44729-00		BOX ASSEMBLY - Battery	1	31-5001 to 31-7405248 incl. 31-7405401 to 31-7405454 incl.
	53960-00	D	BOX ASSEMBLY - Battery	1	31-7405249 to 31-7405400 incl. 31-7405455 and up
-2	44727-02	A	LID ASSEMBLY - Battery box	1	31-5001 to 31-7405248 incl. 31-7405401 to 31-7405454 incl.
	53955-02	A	LID ASSEMBLY - Battery box	1	31-7405249 to 31-7405400 incl. 31-7405455 and up
	44727-03	B	LID ASSEMBLY - Battery box	1	31-5001 to 31-7405248 incl. 31-7405401 to 31-7405454 incl.
	53955-03	B	LID ASSEMBLY - Battery box	1	31-7405249 to 31-7405400 incl. 31-7405455 and up
-3	450 031		BATTERY - (PS-12-24)	1	
	450 032		BATTERY - (PS12-9)	1	
-4	455 211		CONTACTOR - Battery box (6041-H202A)	1	
-5	487 152		SOLENOID - Left and right starter (26898-03)	2	
-6	487 167		SOLENOID - Auxiliary power (26898-05)	1	
-7	17604-34		CABLE ASSEMBLY - Auxiliary power ground	1	
-8	44716-03		CABLE - Solenoid	1	
-9	71644-05		WIRE ASSEMBLY - Auxiliary power receptacle	1	
-10	41530-09		WIRE ASSEMBLY - Auxiliary power solenoid	1	31-5001 to 31-8052152 incl.
	71644-09		WIRE ASSEMBLY - Auxiliary power solenoid	1	31-8052153 and up
-11	71644-04		WIRE ASSEMBLY - Solenoid to contactor	1	
-12	80009-04		WIRE ASSEMBLY - Battery ground	1	31-5001 to 31-8052152 incl.
	71644-12		WIRE ASSEMBLY - Battery ground	1	31-8052153 and up
-13	44259-00		RECEPTACLE - Auxiliary power	1	
-14	44009-00		LINK ASSEMBLY - Bus bar, battery box	1	
-15	465 256		* HOLDER - Fuse (HKP-GG)	1	
-16	461 623		* FUSE - (AGC-5)	1	
-17	43680-00		COVER ASSEMBLY - Master contactor	1	
-18	456 706		DIODE - (1N2154) Auxiliary power	1	
-19	14069-02		TERMINAL ASSEMBLY - Battery box	2	
-20	17555-00		PLATE - Battery box insulator	1	
-21	41530-04		WIRE ASSEMBLY - Battery box terminal	1	31-5001 to 31-8052152 incl.
	71644-11		WIRE ASSEMBLY - Battery box terminal	1	31-8052153 and up
-22	74075-02		BLOCK - Power receptacle mounting	2	
-23	83302-84		SPRING - Air scoop	1	31-5001 to 31-7405248 incl. 31-7405401 to 31-7405454 incl.
-24	23969-02		NIPPLE - Electrical terminal (476 680)	3	
-25	23969-04		NIPPLE - Electrical terminal (476 682)	5	
-26	23969-05		NIPPLE - Electrical terminal (476 683)	2	
-27	453 171		BOOT - Electrical terminal (5466)	3	
-28	80006-11		TUBE - Plastic, battery box vent (6.38" Length)	1	
	80006-03		TUBE - Plastic, battery box vent (14.50" Length)	1	
-29	80006-11		TUBE - Plastic, battery box air intake (7.75" Length)	1	31-5001 to 31-7405248 incl. 31-7405401 to 31-7405454 incl.
-30	80006-11		TUBE - Plastic, battery box drain (7.75" Length)	1	
-31	757 862		CABLE ASSEMBLY - External power (X8349-312)	1	
-32	454 983		CLAMP - (SAE 8, Type "E")	6	
-33	477 721		NUT - Cap nylon (6-32)	1	
-34	53969-00		DOOR ASSEMBLY - Battery	1	31-7405249 to 31-7405400 incl. 31-7405455 and up

When ordering, always specify Part Number, Description and Serial Number of Aircraft

PIPER PARTS CATALOG

Figure and Index Number	Part Number	Code	NOMENCLATURE	No. Req.	SERIAL NUMBERS AFFECTED
128-35	417 784		SCREW - (AN520-10R22)	2	
	407 043		WASHER - Lock (MS35338-43)	2	
	405 312		NUT - (10-32)	2	
-36	407 045		WASHER - Lock (MS35338-45)	2	
	404 638		NUT - (AN340-B516)	2	
-37	400 100		BOLT - (AN4-3)	2	
	407 044		WASHER - Lock (MS35338-44)	2	
	404 888		NUT - (MS20365-428C)	2	
-38	401 185		BOLT - (AN5-5A)	1	
	404 226		NUT - (AN315-5R)	1	
	407 137		WASHER - Lock (AN936-A516)	1	
	407 677		WASHER - (AN960C-516L)	1	
-39	400 438		BOLT - (AN3-4A)	4	
	407 564		WASHER - (AN960-10)	4	
-40	407 043		WASHER - Lock (MS35338-43)	4	
-41	404 752		NUT - Wing (AN350-1032)	2	
	407 564		WASHER - (AN960-10)	2	
-42	401 307		BOLT - (AN4-4A)	1	
	407 565		WASHER - (AN960-416)	1	
-43	407 044		WASHER - Lock (MS35338-44)	1	
	404 225		NUT - (AN315-4R)	1	
-44	416 794		SCREW - (MS24693-S275)	2	
	404 887		NUT - (MS20365-1032C)	2	
-45	400 459		BOLT - (AN3-3A)	2	
	407 564		WASHER - (AN960-10)	2	
-46	48060-00	C	PLATE ASSEMBLY - Diode mounting	1	31-7305068 and up
-47	456 758		* DIODE - (1N4005)	2	31-7305068 and up
-48	461 628	C	* FUSE HOLDER - (HHJ-A)	1	31-7305068 and up
-49	461 618	C	* FUSE - (AGC-3)	1	31-7305068 and up
-50	81342-56		WASHER	1	
	407 566		WASHER - (AN960-516)	5	
	407 045		WASHER - Lock (MS35338-45)	3	
	404 638		NUT - (AN340-B516)	5	
-51	86092-107		PIN - Hinge	1	31-7405249 to 31-7405400 incl. 31-7405455 and up
-52	149 111		EXTRUSION - (40-101)	1	31-7405249 to 31-7405400 incl. 31-7405455 and up
-53	80006-18		TUBE - Plastic, battery box air intake (25" Length)	1	31-7405248 to 31-7405400 incl. 31-7405455 and up
-54	80006-02		TUBE - Plastic, drain	1	
-55	54684-02		TUBE ASSEMBLY - Drain	1	

When ordering, always specify Part Number, Description and Serial Number of Aircraft

# PIPER PARTS CATALOG

---

GRIDS 3H23 THRU 3H24  
INTENTIONALLY LEFT BLANK

Revised: March 10, 1994

3H23

PA-31-350

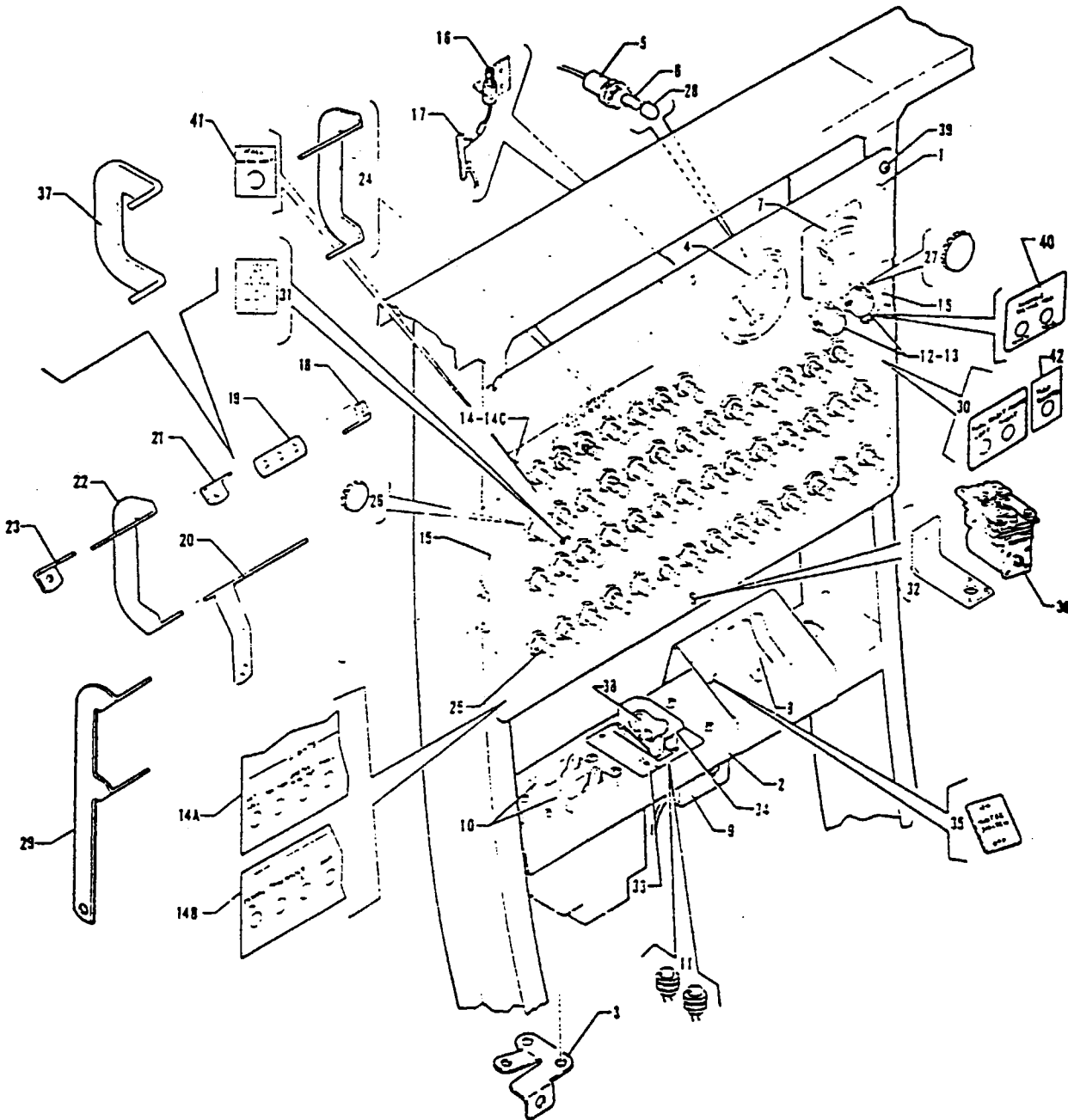


Figure 129. Switch and Circuit Breaker System Installation

---

## PIPER PARTS CATALOG

---

### CODE EXPLANATIONS FOR FIGURE 129

- A - Used if Yaw Damper is installed.
- B - Order part number for serial numbers 31-8052098 and up, if Master Switch Replacement Kit 764 090 has been installed per Service Letter No. 886.
- C - Also used on serial numbers 31-5001 to 31-8052097 inclusive, if Master Switch Replacement Kit 764 090 has been installed per Service Letter No. 886.
- D - Used if Pneumatic System Modification Kit 764 016 or Pneumatic Deicer System Kit 764 017 has been installed per Service Spares Letter 361.
- E - Used if Heated Lift Detector Installation Kit 764 021 has been installed per Service Spares Letter 361.
- F - Used on aircraft with serial numbers 31-5001 to 31-7852171 inclusive if Calco Flap System Installation Kit 764 938L has been installed per Service Letter 959.

PIPER PARTS CATALOG

Figure and Index Number	Part Number	Code	NOMENCLATURE	No. Req.	SERIAL NUMBERS AFFECTED
129-	44683 55986		DRAWING - Switch and Circuit Protector System Installation DRAWING - Switch and Circuit Protector System Installation		31-5001 to 31-7752192 incl. 31-7852001 and up
-1	44619-02 44619-06		PANEL ASSEMBLY - Circuit breaker mounting PANEL ASSEMBLY - Circuit breaker mounting	1 1	31-5001 to 31-7852171 incl. 31-7952001 and up
-2	52696-00 52696-06		CHANNEL ASSEMBLY - Switch mounting CHANNEL ASSEMBLY - Switch mounting	1 1	31-5001 to 31-8052097 incl. 31-8052098 and up
-3	52673-00 54299-02 54641-02		LINK - Bus bar LINK - Bus bar LINK - Bus bar	1 1 1	31-5001 to 31-7552027 incl. 31-7552028 to 31-7552049 incl. 31-7552050 and up
-4	43816-00		VOLTMETER ASSEMBLY - (550 767)	1	31-5001 to 31-7552127 incl
-5	47755-02		SOCKET ASSEMBLY - Light	1	31-5001 to 31-7552127 incl
-6	453 791		BULB - (PS10008-356)	1	31-5001 to 31-7552127 incl.
-7	751 298		AMMETER - Deicer	1	
-8	27274-00 49819-02 71187-02 71187-03	B B C C	SWITCH - (T11K54-2L-D-RD-RN) (587 866) SWITCH - Master SWITCH - Master, left SWITCH - Master, right	1 1 1 1	31-5001 to 31-7852171 incl 31-7952001 to 31-8052097 incl. 31-8052098 and up 31-8052098 and up
-9	587 857		SWITCH - (AO0258-2) "Alternator Inop."	2	
-10	454 712		SWITCH - Circuit protector (616-290-102)	2	
-11	472 861		LIGHT - Indicator (106S-R-FB59)	2	31-5001 to 31-7552078 incl
-12	472 061		LIGHT - Indicator (801-1030-0334-504) (less bulb)	2	
-13	472 028		BULB - (327)	2	
-14	44934-02 44934-03 44934-06		PLACARD - Circuit breaker panel PLACARD - Circuit breaker panel PLACARD - Circuit breaker panel	1 1 1	31-5001 to 31-7305052 incl. 31-7305053 to 31-7405478 incl. 31-7405479 to 31-7552077 incl
-14a	80345-02 80357-02	A	PLACARD - Circuit breaker panel, top PLACARD - Circuit breaker panel, top	1 1	31-7552078 to 31-7652177 incl 31-7552078 to 31-7652177 incl
-14b	80344-02 80374-02	A	PLACARD - Circuit breaker panel, bottom PLACARD - Circuit breaker panel, bottom	1 1	31-7752078 to 31-7652177 incl 31-7552078 to 31-7652177 incl.
-14c	80564-02 80563-02 80680-02 71915-02 80675-02 80680-03 71087-04	D	PLACARD - Circuit breaker panel (pilot) PLACARD - Circuit breaker panel (co-pilot) PLACARD - Circuit breaker, illuminated (pilot) PLACARD - Circuit breaker, illuminated (pilot) PLACARD - Circuit breaker, illuminated (co-pilot) PLACARD - Circuit breaker, illuminated (pilot) PLACARD - Circuit breaker, illuminated (pilot)	1 1 1 1 1 1 1	31-7752001 to 31-7852171 incl. 31-7752001 to 31-7852171 incl. 31-7952001 to 31-7952138 incl. 31-7952001 to 31-7952250 incl. 31-7952001 and up 31-7952139 to 31-7952250 incl 31-8052001 and up
-15	44651-00		BLOCK - Spacer	2	
-16	456 705		DIODE - (1N298-4B)	1	31-5001 to 31-7405152 incl.
-17	484 491		RESISTOR - 15 ohm, 12 watt	1	31-5001 to 31-7405152 incl.
-18	16439-00		LINK - Bus bar, circuit breaker	5	
-19	31506-02 31506-04 31506-05 31506-06 31506-07		LINK - Bus bar, circuit breaker (1 25" L.) LINK - Bus bar, circuit breaker (2.75" L.) LINK - Bus bar, circuit breaker (3 50" L.) LINK - Bus bar, circuit breaker (2 00" L.) LINK - Bus bar, circuit breaker (4 25" L.)	AR AR AR AR AR	31-5001 to 31-7752192 incl
-20	44629-00		LINK - Bus bar, circuit breaker	1	31-5001 to 31-7552077 incl.
-21	53405-00 53405-00		LINK - Bus bar, circuit breaker LINK - Bus bar, circuit breaker	1 2	31-5001 to 31-7752192 incl. 31-7852001 and up
-22	44622-00		LINK - Bus bar, circuit breaker	1	31-5001 to 31-7552077 incl
-23	42328-00		LINK - Bus bar jumper	1	
-24	52610-00		LINK - Bus bar jumper	1	

When ordering, always specify Part Number, Description and Serial Number of Aircraft

PIPER PARTS CATALOG

Figure and Index Number	Part Number	Code	NOMENCLATURE	No. Req.	SERIAL NUMBERS AFFECTED
129-25	454 656		CIRCUIT BREAKER - (PS50120-3-7) 5 amp	AR	31-5001 to 31-7852171 incl
	454 680		CIRCUIT BREAKER - (PS50120-3-9) 7.5 amp	AR	31-7952001 and up
	454 677		CIRCUIT BREAKER - (PS50120-3-10) 7.5 amp	AR	
	454 657		CIRCUIT BREAKER - (PS50120-3-12) 10 amp	AR	
	454 658		CIRCUIT BREAKER - (PS50120-3-14) 15 amp	AR	
	454 659		CIRCUIT BREAKER - (PS50120-3-16) 20 amp	AR	
	454 660		CIRCUIT BREAKER - (PS50120-3-17) 25 amp	AR	
	454 662		CIRCUIT BREAKER - (PS50120-3-25) 50 amp	AR	
	454 694		CIRCUIT BREAKER - (PS50120-3-23) 2 amp	AR	
	454 695		CIRCUIT BREAKER - (PS50120-3-24) 3 amp	AR	
	454 663		CIRCUIT BREAKER - (PS50120-3-19) 35 amp	AR	
	454 693		CIRCUIT BREAKER - (PS50120-3-22) 1 amp	AR	31-7952001 and up
	454 688		CIRCUIT BREAKER - (PS50120-3-32) 3 amp	AR	
-26	581 656		BUTTON - Plug (P-375)	AR	
-27	581 807		BUTTON - Plug (P-562)	2	
-28	560 690		FILTER - Lamp (1813/27B-1)	1	31-5001 to 31-7552127 incl.
-29	54463-02		LINK - Bus bar	1	31-7552078 and up
-30	80294-02		PLACARD - Fuel boost pump	1	31-5001 to 31-7405478 incl.
-31	80436-02		PLACARD - Circuit breaker	1	31-7652042 and up
-32	53670-00		BRACKET - Power relay mounting	1	31-5001 to 31-7652124 incl
-33	52701-00		PLACARD - Alternator circuit breakers and lights	1	31-5001 to 31-7552074 incl.
	80354-02		PLACARD - Alternator switch	1	31-7552075 to 31-7652177 incl.
	80536-02		PLACARD - Emergency avionics bus bar	1	31-7752001 to 31-7752176 incl.
	80558-02		PLACARD - Emergency avionics bus bar	1	31-7752177 and up
-34	49196-02		GUARD - Switch	1	
-35	52698-00		PLACARD - Master switch	1	
-36	484 192		RELAY - Avionics power (MB4D)	1	
-37	54250-04		LINK - Bus bar, circuit protector	1	31-7852001 and up
-38	454 691		CIRCUIT BREAKER - Emergency avionics bus power (PS50120-7-1) 50 Amp (switch type)	1	
-39	415 408		SCREW - (MS51957-318)	6	31-7952001 and up
-40	71732-02	D	PLACARD - Surface De-ice Indicator	1	31-7652124 to 31-7852171 incl
-41	71730-02	E	PLACARD - Stall Warning Heat	1	31-5001 to 31-7852171 incl.
-42	72966-02	F	PLACARD - Flap Control (583 944)	1	

When ordering, always specify Part Number, Description and Serial Number of Aircraft



PIPER PARTS CATALOG

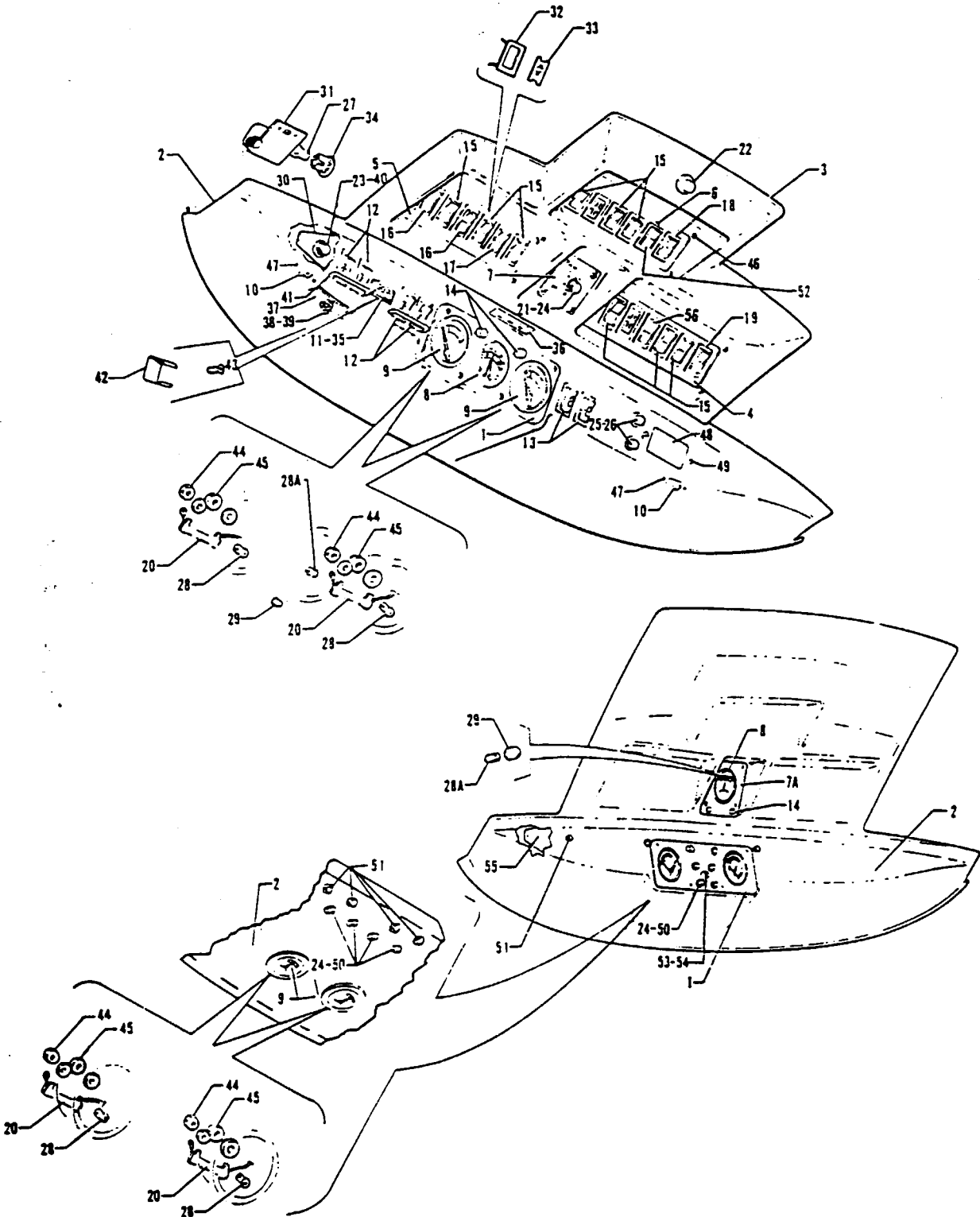


Figure 130. Overhead Switch Panel Assembly

---

# PIPER PARTS CATALOG

---

## CODE EXPLANATIONS FOR FIGURE 130

- A - Used on aircraft that comply with C.A.A. (United Kingdom) requirements.
- B - When ordering, specify color beige or white
- C - Used if air conditioning is installed
- D - Used if wing tip strobe lights are installed.
- E - Used if fin tip ground recognition beacon is installed.
- F - Used if wing tip recognition light assembly is installed.
- G - Used if pneumatic deicing system is installed.
- H - Used if Nacelle Fuel System (Nayak) is installed.
- J - Also used on aircraft with serial numbers 31-5001 to 31-7952250 inclusive if Recirculation Fans Replacement Kit 764 416L has been installed.
- K - Used if heated lift detector is installed.

# PIPER PARTS CATALOG

Figure and Index Number	Part Number	Code	Nomenclature	No. Req.	Serial Numbers Affected
130-	40726		DRAWING - Overhead Switch Panel Assembly		31-5001 to 31-7952250 incl.
	71154		DRAWING - Overhead Switch Panel Assembly		31-8052001 and up
	44751		DRAWING - Overhead Switch Panel Assembly, Center		31-5001 to 31-7652177 incl.
	55257		DRAWING - Overhead Switch Panel Assembly, Center		31-7752001 to 31-7952250 incl.
	71151		DRAWING - Overhead Switch Panel Assembly, Center		31-8052001 and up
-1	43121-03		PANEL - Overhead instrument escutcheon, white	1	31-5001 to 31-7552062 incl.
	54380-02		PANEL - Overhead instrument escutcheon, beige	1	31-7552063 to 31-7952250 incl.
	71193-03		PANEL - Overhead instrument escutcheon	1	31-8052001 to 31-8252069 incl.
-2	53227-00	B	PANEL - Overhead trim	1	31-5001 to 31-7652177 incl.
	53227-02		PANEL - Overhead trim	1	31-7752001 to 31-7752192 incl.
	53227-03		PANEL - Overhead trim	1	31-7852001 to 31-7952250 incl.
	71152-04		PANEL - Overhead trim	1	31-8052001 to 31-8252069 incl.
	71152-06		PANEL - Overhead trim	1	31-8252070 and up
-3	44653-00	B	PANEL - Overhead switch	1	31-5001 to 31-7652177 incl.
	55256-02	B	PANEL - Overhead switch	1	31-7752001 to 31-7952250 incl.
	71149-02	B	PANEL - Overhead switch	1	31-8052001 and up
-4	46895-00		PANEL - Electroluminescent (558 950)	1	
-5	47875-00		PANEL - Electroluminescent (558 981)	1	
-6	44627-02		PANEL - Electroluminescent (579 138)	1	
-7	44707-00		PANEL - Electroluminescent (558 955)	1	31-5001 to 31-7952250 incl.
-7a	71147-03		PANEL - Ammeter and alternator test switches	1	31-8052001 and up
-8	41505-00		AMMETER - (550 690)	1	
-9	43242-02		GAUGE ASSEMBLY - Fuel quantity (550 434)	2	
-10	85169-02		SWITCH ASSEMBLY - Map light	2	
-11	487 882		SWITCH - Starter (4TP12-7)	1	
-12	487 958		SWITCH - Magneto (LTILA64-1S-WH-RCX-PA4) (black)	4	31-5001 to 31-7952250 incl.
	588 214		SWITCH - Magneto (8906K3264)	4	31-8052001 and up
-13	487 959		SWITCH - Fuel pump (LTILA64-1S-WH-RCX-PA-1C) (black)	2	31-5001 to 31-7952250 incl.
	588 283		SWITCH - Fuel pump (TILA64-1S-WH-FN-BL-5/32)	2	31-8052001 and up
-14	487 938		SWITCH - Alternator test (46-200B-D.P.D.T.)	2	
-15	47664-02		SWITCH - (487 772)	9	
-16	47664-03		SWITCH - (487 773)	2	
-17	47664-02		SWITCH - (487 772)	1	
	47664-07	D	SWITCH - (587 816)	1	31-5001 to 31-7305052 incl.
	47664-12	F	SWITCH - (588 102)	1	31-7852001 and up
	47664-11	E	SWITCH - (588 098)	1	31-7852001 and up
-18	47664-02		SWITCH - (487 772)	1	
	47664-06	C	SWITCH - (587 815)	1	
-19	47664-08		SWITCH - (587 919)	1	
	47664-09	G	SWITCH - (587 991)	1	31-7652124 to 31-7952250 incl.
	47664-14	G	SWITCH - (588 200)	1	31-8052001 and up
-20	43496-00		RESISTOR ASSEMBLY - Fuel gauge (484 429)	2	
-21	47732-02		DIMMER ASSEMBLY - Potentiometer, panel lights	1	31-5001 to 31-7852171 incl.
	49503-02		POTENTIOMETER - Panel lights	1	31-7952001 to 31-7952250 incl.
-22	46987-00		SWITCH ASSEMBLY - Dome light	1	
-23	571 080		KNOB - Overhead lights, black (1910-8)	1	31-5001 to 31-7952250 incl.
-24	571 126		KNOB - Dimmer switch (525D)	1	31-5001 to 31-7952250 incl.
	571 192		KNOB - Rheostat (RB-67-0-SB-M)	4	31-8052001 and up
-25	472 741		LIGHT ASSEMBLY - Door ajar (911-1112-1631-525) (less bulb)	2	31-5001 to 31-7752192 incl.
-26	472 028		BULB - (PS10008-327)	2	31-5001 to 31-7752192 incl.
-27	472 052		LAMP - Panel (PS10008-304)	2	

When ordering, always specify Part Number, Description, and Serial Number of Aircraft

Revised: March 10, 1994

PA-31-350

# PIPER PARTS CATALOG

Figure and Index Number	Part Number	Code	Nomenclature	No. Req.	Serial Numbers Affected
130-28	453 792		LAMP - Fuel gauge (PS10008-1828)	2	
-28a	472 078		BULB - Ammeter (PS10008-1450)	1	
-29	560 690		FILTER - Lamp, ammeter (1813/27 B-1)	1	31-5001 to 31-7952250 incl.
-30	41042-00		BRACKET - Overhead switch mounting	1	
-31	43028-00		BRACKET ASSEMBLY - Map light, left	1	
	43028-01		BRACKET ASSEMBLY - Map light, right	1	
-32	453 424		BRACKET - "F" narrow snap-in	AR	
-33	32510-00		PLATE - Cover (581 445)	AR	
-34	487 144		SOCKET - Plug bottom (12-240)	2	
-35	41554-00		PLACARD - Starter switch	1	31-5001 to 31-7952250 incl.
	71637-02		PLACARD - Starter switch	1	31-8052001 and up
-36	43819-00	A	PLACARD - Fuel tank capacities	1	31-5001 to 31-7552062 incl.
	80333-02	A	PLACARD - Fuel tank capacities	1	31-7552063 and up
	74047-02	A,H	PLACARD - Fuel tank capacities	1	
-37	53978-00	A	PLACARD - Starter energized	1	31-7305068 and up
-38	54078-00	A	LIGHT ASSEMBLY - Starter energized	1	31-7305068 and up
-39	758 293	A	* BULB - (FB-59)	1	31-7305068 and up
-40	484 590		RHEOSTAT - Overhead lights (E-35R1-352)	1	31-5001 to 31-7952250 incl.
-41	53916-00		GUARD - Switch	2	31-7305092 and up
-42	54173-00		INSULATOR - Starter switch	1	
-43	414 756		SCREW - (MS24693-S30)	2	
-44	407 042		WASHER - (MS35338-42)	2	
	405 100		NUT - Hex (8-32)	2	
-45	407 043		WASHER - (MS35338-43)	2	
	405 312		NUT - Hex(10-32)	2	
-46	415 686		SCREW - (4-40 x 3/8)	16	31-5001 to 31-7952250 incl.
	515 716		SCREW - (PS10084-41-2)	12	31-8052001 and up
	407 132		WASHER - (AN936-A4)	16	31-5001 to 31-7952250 incl.
	407 132		WASHER - (AN936-A4)	12	31-8052001 and up
	404 596		NUT - (MS20341-4S)	16	31-5001 to 31-7952250 incl.
	404 596		NUT - (MS20341-4S)	12	31-8052001 and up
-47	415 493		SCREW - (MS35206-228)	4	31-5001 to 31-7952250 incl.
	515 715		SCREW - (PS10084-42-2)	4	31-8052001 and up
	406 346		NUT - (A1181-632-1)	4	
-48	51006-00		METER ASSEMBLY - Engine hour	1	31-7752001 and up
-49	415 493		SCREW - (MS35206-228)	2	31-7752001 to 31-7952250 incl.
	515 715		SCREW - (PS10084-42-2)	2	31-8052001 and up
	407 133		WASHER - (AN936-A6)	2	31-7752001 to 31-7952250 incl.
	404 909		NUT - (MS20365-632C)	2	31-7752001 and up
-50	481 374		RHEOSTAT - Placard lighting	4	31-8052001 and up
-51	472 742		LIGHT - Post (P-65-3-CW-28) Giar Ban	5	31-8052001 and up
	472 829		LIGHT - Post (20-0121-15-B-24) Grimes	5	31-8052001 and up
-52	56953-06	J	SWITCH - Fan (TIGL54-1S-WH)	1	31-8052001 and up
-53	71616-02		LIGHT ASSEMBLY - Overhead panel	1	31-8052001 to 31-8252069 incl.
-54	472 028		* BULB - (PS10008-327)	1	31-8052001 to 31-8252069 incl.
-55	71165-03		BRACKET - Overhead switch mounting	1	31-8052001 to 31-8252069 incl.
	71614-02		BRACKET - Overhead switch mounting	1	31-8252070 and up
-56	47664-02		SWITCH - (487 772)	1	
	47664-03	K	SWITCH - (487 773)	1	

When ordering, always specify Part Number, Description, and Serial Number of Aircraft

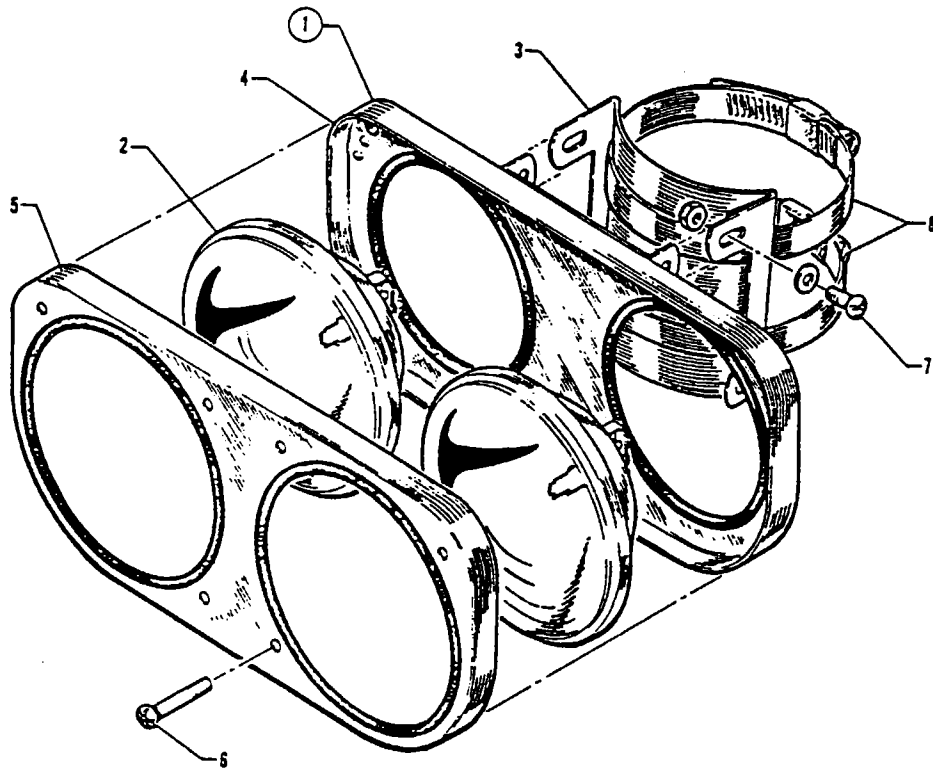


Figure 131. Landing Light Installation

---

# PIPER PARTS CATALOG

CODE EXPLANATIONS FOR FIGURE 131

PIPER PARTS CATALOG

Figure and Index Number	Part Number	Code	NOMENCLATURE	No. Req.	SERIAL NUMBERS AFFECTED
131-1	43048-00		LIGHT ASSEMBLY - Landing.	1	
-2	472 769		• LIGHT - (4596) 250 Watt, 28 Volt	2	
-3	43020-00		• BRACKET - Landing light assembly	1	
-4	43021-00		• PLATE ASSEMBLY - Landing light	1	
-5	43022-00		• PLATE ASSEMBLY - Landing light face	1	
-6	415 745		• SCREW - (AN515-632R18)	6	
-7	415 146		• SCREW - (AN526-632R7)	4	
	407 562		• WASHER - (AN960-6)	8	
	404 829		• NUT - (MS20364-632C)	4	
-8	554 901		CLAMP - (64SS)	2	

When ordering, always specify Part Number, Description and Serial Number of Aircraft

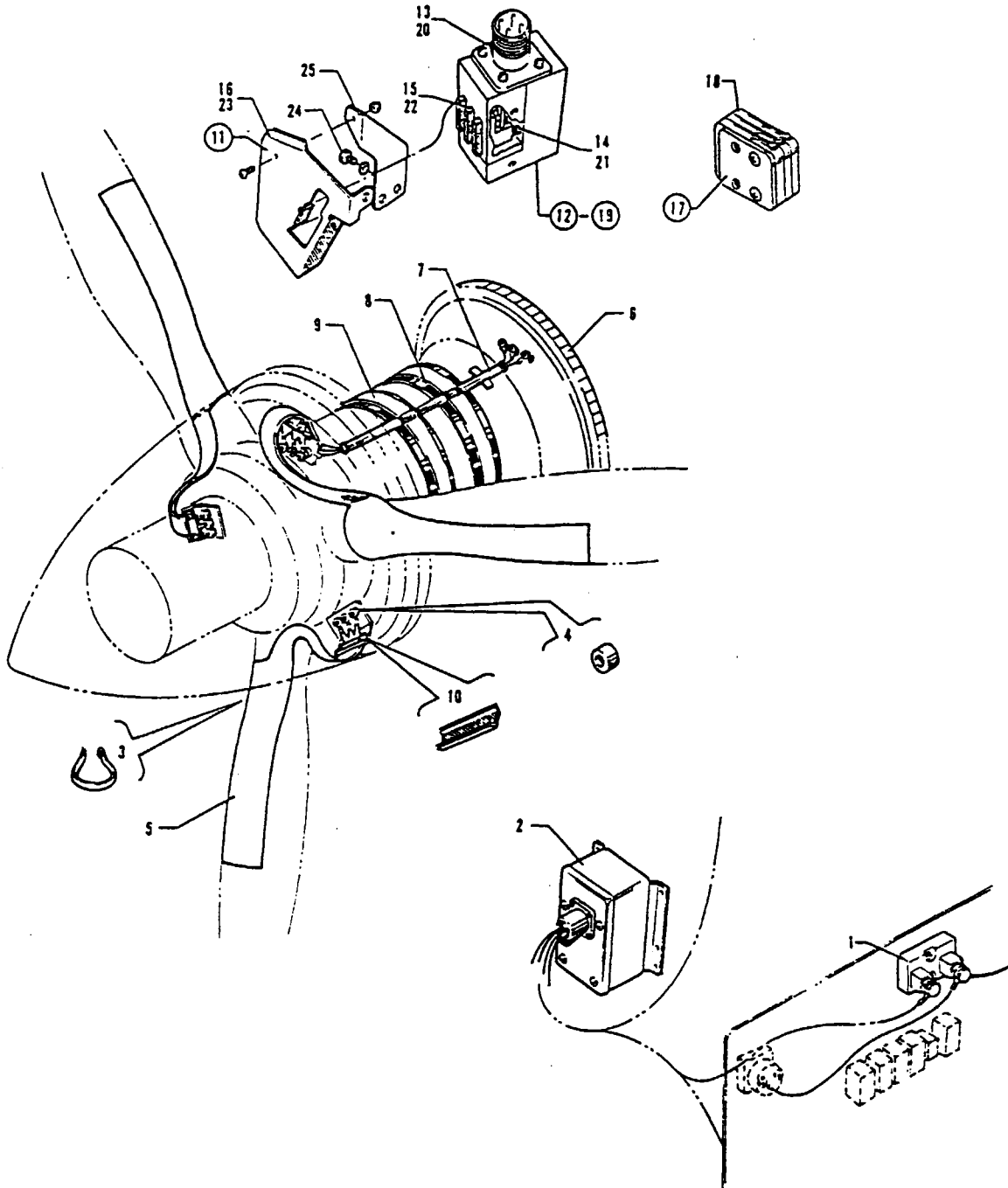


Figure 132. Propeller Electric De-Icer Installation



---

# PIPER PARTS CATALOG

---

## CODE EXPLANATIONS FOR FIGURE 132

- A - No longer available. Order Brush Block Assembly Replacement Kit 763 856.
- B - It is recommended that new springs, item 14, be installed when replacing brushes.
- C - This kit is required when replacing a Brush Block Assembly with a Modular Brush Assembly.
- D - Used if Modular Brush Assembly is installed.
- E - It is recommended that new springs, item 21, be installed when replacing brushes.

PIPER PARTS CATALOG

Figure and Index Number	Part Number	Code	NOMENCLATURE	No. Req.	SERIAL NUMBERS AFFECTED
132-	43947		DRAWING - Propeller Electric De-Icer Installation		
-1	757 541		SHUNT	1	
-2	761 990		TIMER	1	
-3	757 673		STRAP - Tie	6	
-4	758 102		BUSHING - (2E1260)	18	31-5001 to 31-7952101 incl.
	758 487		BUSHING - (1E1442)	18	31-7952102 and up
-5	758 101		BOOT - Propeller de-icer, left engine	3	
	758 154		BOOT - Propeller de-icer, right engine	3	
-6	757 584		STARTER GEAR SLIP RING ASSEMBLY - Left engine	1	
	757 728		STARTER GEAR SLIP RING ASSEMBLY - Right engine	1	
-7	752 008		WIRE HARNESS - Slip ring	6	
-8	757 585		SPACER - Rubber	12	
-9	554 992		CLAMP - (QS-200-M88S)	4	
-10	757 809		CLIP - Lead	6	
-11	758 167		BRUSH BLOCK AND BRACKET ASSEMBLY - Left engine	1	
-12	758 168	A	BRUSH BLOCK ASSEMBLY - (4E1350-5) Left engine	1	
-13	756 032		RETAINER ASSEMBLY - Brush (3E1356)	1	
-14	756 236		SPRING - (4E1513)	3	
-15	758 170	B	BRUSH - (3E1443-2)	3	
-16	758 104		BRACKET - Brush holder (4E1594)	1	
-17	763 856	C	KIT - Brush Block Assembly Replacement (65-403)	1	
	758 433	D	MODULAR BRUSH ASSEMBLY - (3E2046-1)	1	
-18	758 434	D	BRUSH MODULE ASSEMBLY - (3E2011-1)	1	
	758 435	D	BRUSH MODULE ASSEMBLY - (3E2011-2)	1	
	758 436	D	BRUSH MODULE ASSEMBLY - (3E2011-3)	1	
-19	758 212		BRUSH BLOCK ASSEMBLY - (4E1908-1) Right engine	1	
-20	756 056		RETAINER ASSEMBLY - Brush (3E1789)	1	
-21	757 626		SPRING - (1E1136)	3	
-22	758 175	E	BRUSH - (3E1443-1)	3	
-23	758 235		BRACKET - Brush holder, right engine (3E1807)	1	
-24	401 985		BOLT - (AN76A-5)	4	
	407 678		WASHER - (AN960C-616)	4	
-25	43497-00		BRACKET - Brush holder support, left engine	1	

When ordering, always specify Part Number, Description and Serial Number of Aircraft

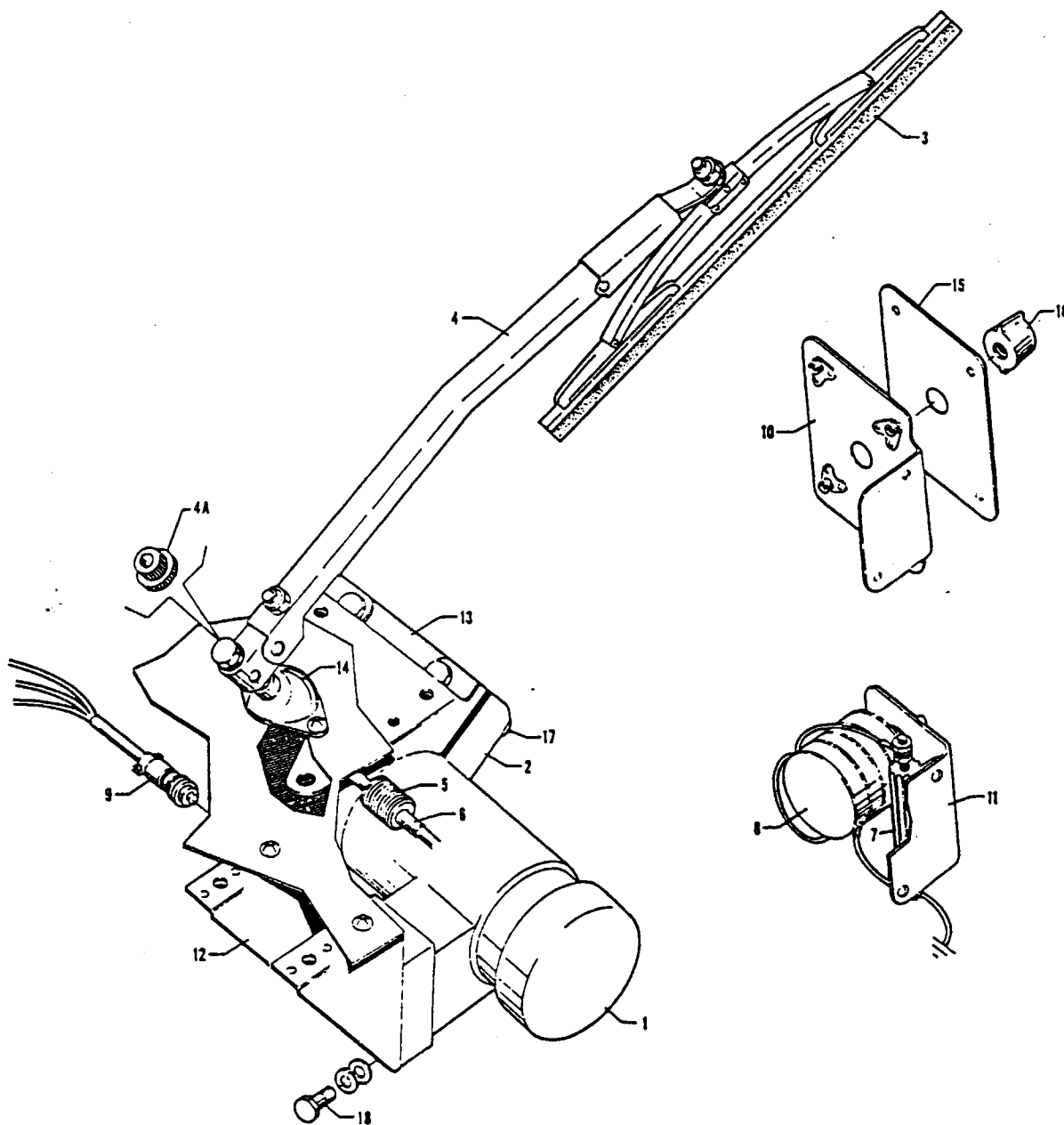


Figure 133. Electric Windshield Wiper Installation

---

# PIPER PARTS CATALOG

CODE EXPLANATIONS FOR FIGURE 133

PIPER PARTS CATALOG

Figure and Index Number	Part Number	Code	NOMENCLATURE	No. Req.	SERIAL NUMBERS AFFECTED
133-	44115		DRAWING - Electric Windshield Wiper Installation		
-1	475 197		MOTOR - Windshield wiper	1	
-2	555 356		CONVERTER - Windshield wiper (50 Degree sweep)	1	
-3	452 918		BLADE - Windshield wiper	1	
-4	551 920		ARM - Windshield wiper	1	
-4a	764 807		* SLEEVE - Splined, wiper arm (W-20362)	1	
-5	476 701		NIPPLE - Windshield wiper	1	
-6	555 355		COUPLING - Windshield wiper	1	
-7	484 452		RESISTOR - Windshield wiper	1	
-8	487 977		SWITCH - Windshield wiper	1	
-9	44113-00		HARNES ASSEMBLY - Electric windshield wiper	1	
-10	44110-00		BRACKET ASSEMBLY - Windshield wiper switch attachment	1	
-11	44112-00		BRACKET - Resistor mounting	1	
-12	45881-00		BRACKET ASSEMBLY - Windshield wiper motor	1	
-13	45892-00		BRACKET ASSEMBLY - Windshield wiper mounting	1	
-14	45889-00		COVER - Windshield wiper shaft	1	
-15	52707-00		PLACARD - Windshield wiper switch, M.P.H., black	1	31-5001 to 31-7405478 incl.
	54055-00		PLACARD - Windshield wiper switch, M.P.H., black	1	31-7405479 to 31-7652177 incl.
	80504-02		PLACARD - Windshield wiper switch, knots, black	1	31-7752001 and up
	54055-02		PLACARD - Windshield wiper switch, M.P.H., beige	1	31-7552001 to 31-7652177 incl.
	80504-03		PLACARD - Windshield wiper switch, knots, beige	1	31-7752001 and up
-16	571 116		KNOB - (106) Black	1	
-17	401 273		BOLT - (AN3-14A)	4	
	407 564		WASHER - (AN960-10)	4	
	404 887		NUT - (MS20365-1032C)	4	
-18	401 307		BOLT - (AN4-4A)	4	
	407 044		WASHER - (MS35338-44)	4	
	407 565		WASHER - (AN960-416)	4	

When ordering, always specify Part Number, Description and Serial Number of Aircraft

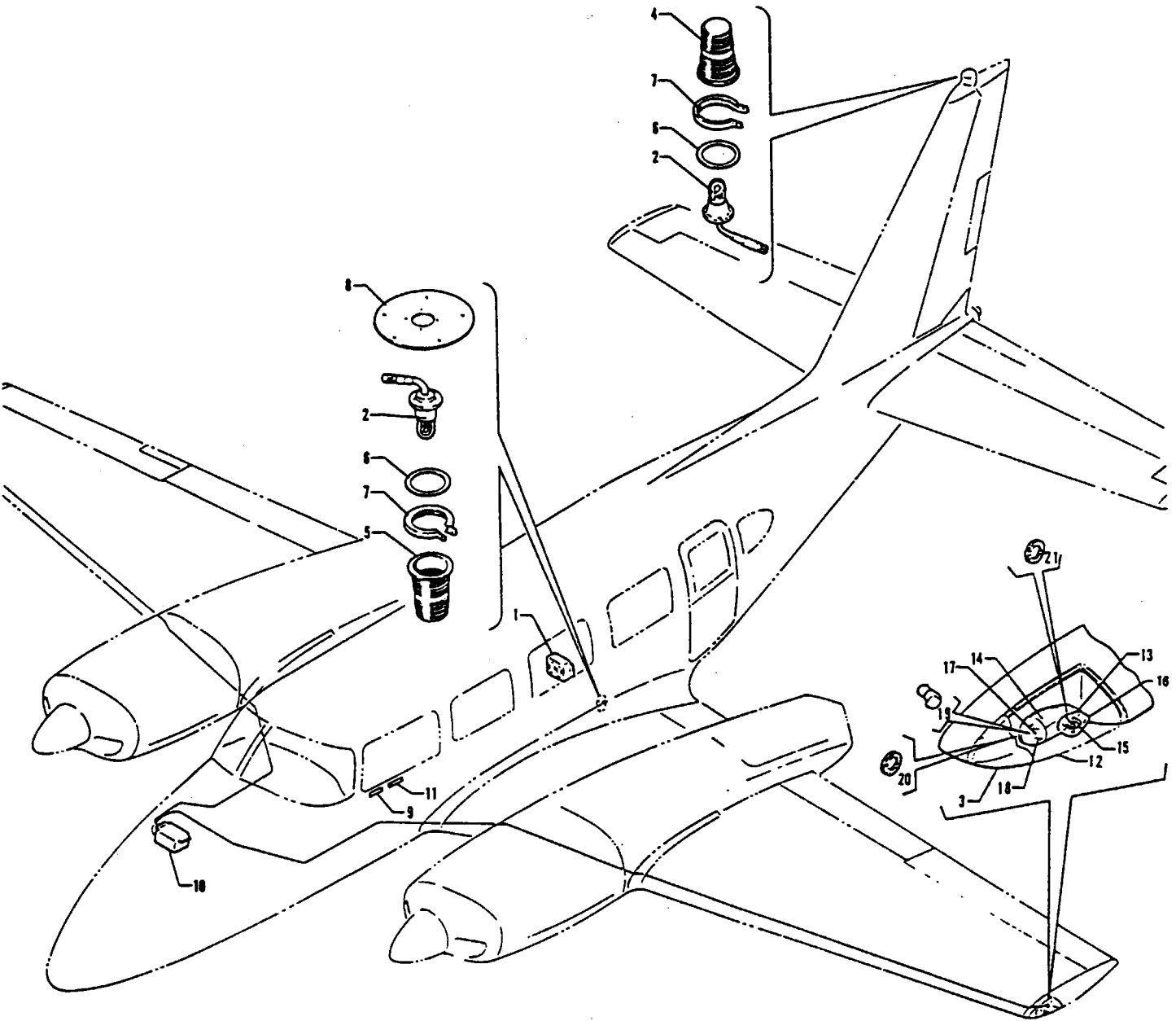


Figure 134. Strobe Lights Installation  
(Serial Nos. 31-5001 to 31-7305052 inclusive)

---

# PIPER PARTS CATALOG

---

## CODE EXPLANATIONS FOR FIGURE 134

- A - Used if red strobe lights are installed.
- B - Used if white strobe lights are installed.

PIPER PARTS CATALOG

Figure and Index Number	Part Number	Code	NOMENCLATURE	No. Req.	SERIAL NUMBERS AFFECTED
134-	44325 52605		DRAWING - Red Strobe Light Installation DRAWING - White Strobe Light Installation		
-1	481 203	A	POWER SUPPLY - Strobe light	1	
-2	757 762	A	LIGHT ASSEMBLY - Strobe	2	
-3	44587-04		PLEXIGLASS - Wing tip assembly, left	1	
	44587-05		PLEXIGLASS - Wing tip assembly, right	1	
-4	44291-02	A	LENS - Strobe light, fin	1	
-5	44291-03	A	LENS - Strobe light, fuselage bottom	1	
-6	755 042	A	GASKET - Strobe light	2	
-7	755 200	A	CLAMP ASSEMBLY - Ring	2	
-8	48015-00	A	PLATE ASSEMBLY - Adapter mounting	1	
-9	33048-00		PLACARD - Strobe light	1	
-10	481 203	A	POWER SUPPLY - Strobe light	1	
-11	48625-00		PLACARD - Strobe light	1	
-12	44587-02		TIP ASSEMBLY - Wing, left	1	31-5001 to 31-7305010 incl.
	44587-16		TIP ASSEMBLY - Wing, left	1	31-7305011 and up
	44587-03		TIP ASSEMBLY - Wing, right	1	31-5001 to 31-7305010 incl.
	44587-17		TIP ASSEMBLY - Wing, right	1	31-7305011 and up
-13	761 154	B	LIGHT ASSEMBLY - Navigation and strobe, tip, red, left	1	
	761 155	B	LIGHT ASSEMBLY - Navigation and strobe, tip, green, right	1	
-14	756 037	B	* RETAINER - Light lens	1	
-15	761 156	B	* TUBE ASSEMBLY - Flash, tip	1	
-16	761 157	B	* LENS - Wing tip strobe	1	
-17	472 710	B	* LIGHT ASSEMBLY - Type "E" Green	1	
	472 709	B	* LIGHT ASSEMBLY - Type "E" Red	1	
-18	751 201	B	* LENS - Green	1	
	751 202	B	* LENS - Red	1	
-19	753 478	B	* BULB - Light assembly	1	
-20	755 075		* GASKET - Navigation light (W1283)	1	
-21	755 076		* GASKET - Wing strobe (A-427-4)	1	

When ordering, always specify Part Number, Description and Serial Number of Aircraft



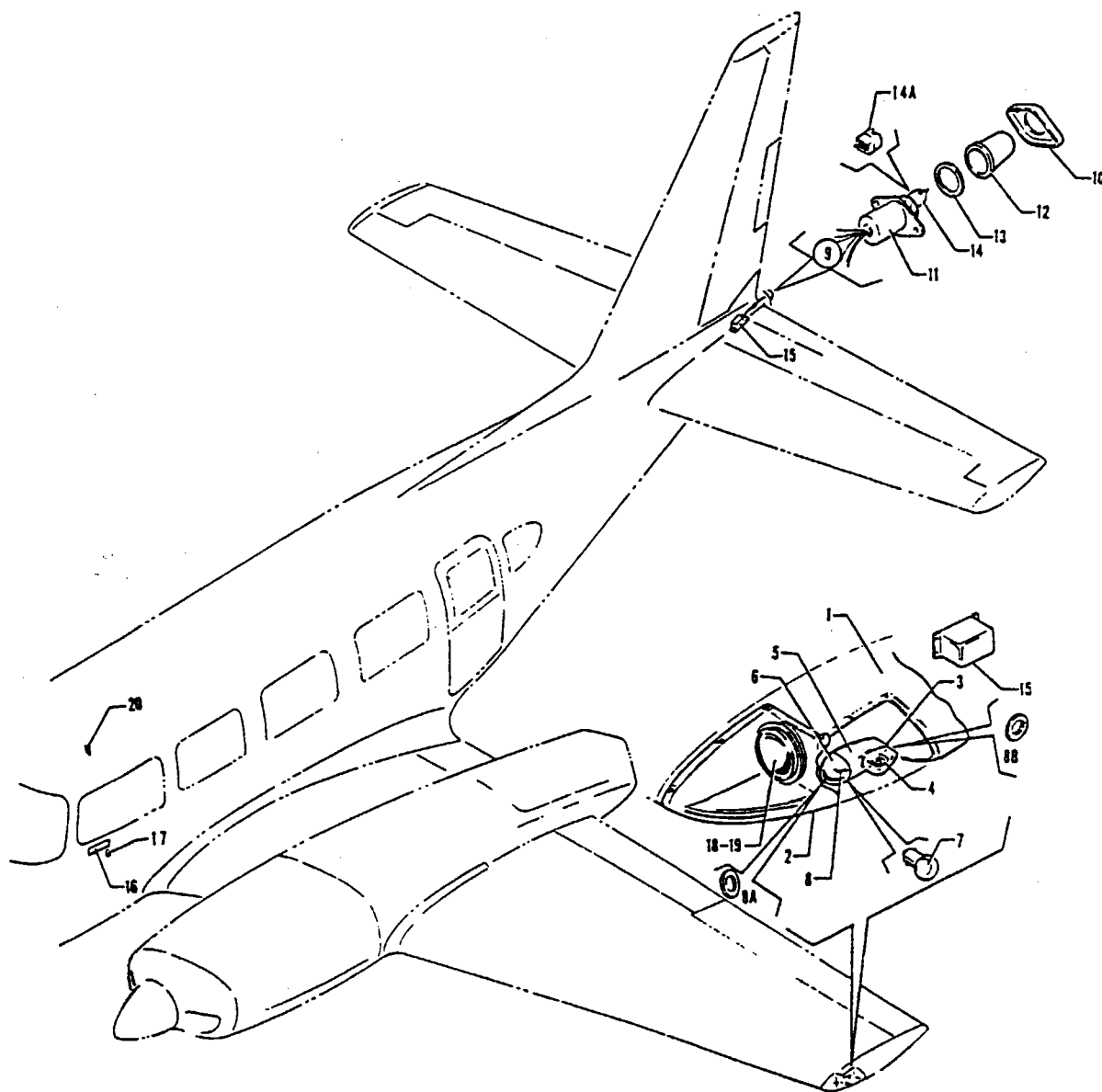


Figure 134A. Strobe Lights Installation  
(Serial Numbers 31-7305053 and up)

---

# PIPER PARTS CATALOG

---

## CODE EXPLANATIONS FOR FIGURE 134A

- A - Used if wing tip incorporates both a navigation and strobe light assembly and a recognition light assembly.
- B - Used if wing tip incorporates a navigation and strobe light assembly only.

# PIPER PARTS CATALOG

Figure and Index Number	Part Number	Code	Nomenclature	No. Req.	Serial Numbers Affected
134A-	55802	A	DRAWING - Recognition Lights Installation		31-7852001 and up
-1	44587-16	B	TIP ASSEMBLY - Wing, left	1	31-7305053 to 31-7552016 incl.
	44587-22	B	TIP ASSEMBLY - Wing, left	1	31-7552017 and up
	55802-12	A	TIP ASSEMBLY - Wing, left	1	31-7852001 and up
	44587-17	B	TIP ASSEMBLY - Wing, right	1	31-7305053 to 31-7552016 incl.
	44587-23	B	TIP ASSEMBLY - Wing, right	1	31-7552017 and up
	55802-13	A	TIP ASSEMBLY - Wing, right	1	31-7852001 and up
-2	44587-04	B	PLEXIGLASS - Wing tip, left	1	
	55802-16	A	PLEXIGLASS - Wing tip, left	1	31-7852001 and up
	44587-05	B	PLEXIGLASS - Wing tip, right	1	
	55802-15	A	PLEXIGLASS - Wing tip, right	1	31-7852001 and up
-3	51210-02		NAVIGATION AND STROBE LIGHT ASSEMBLY - Tip, red (shielded)	1	31-7305053 to 31-8252030 incl.
	572 605		NAVIGATION AND STROBE LIGHT ASSEMBLY - Tip, red (shielded) (A650-PR-D-M-28)	1	31-8252031 and up
	51210-03		NAVIGATION AND STROBE LIGHT ASSEMBLY - Tip, green (shielded)	1	31-7305053 to 31-8252030 incl.
	572 604		NAVIGATION AND STROBE LIGHT ASSEMBLY - Tip, green (shielded) (A650-PG-D-M-28)	1	31-8252031 and up
-4	761 187		* LIGHT ASSEMBLY - Wing tip strobe	1	31-7305053 to 31-8252030 incl.
	762 003		* LIGHT ASSEMBLY - Wing tip strobe	1	31-8252031 and up
-5	761 162		* LENS AND RETAINER ASSEMBLY - Wing tip strobe	1	31-7305053 to 31-8252030 incl.
	761 223		* LENS AND RETAINER ASSEMBLY - Wing tip strobe	1	31-8252031 and up
-6	472 710		* LIGHT ASSEMBLY - Wing, type "E", green	1	
	472 709		* LIGHT ASSEMBLY - Wing, type "E", red	1	
-7	753 478		** BULB - Light assembly	1	
-8	751 201		** LENS - Green	1	
	751 202		** LENS - Red	1	
-8a	755 075		* GASKET - Navigation light (W1283)	1	
-8b	755 076		* GASKET - Wing strobe (A-427-4)	1	
-9	51213-02		NAVIGATION AND STROBE LIGHT ASSEMBLY - Tail	1	
-10	756 072		* RETAINER - Light lens	1	
-11	761 207		* LIGHT ASSEMBLY - Strobe and socket base, tail	1	
-12	761 184		* LENS ASSEMBLY - Light	1	
-13	755 021		* GASKET - Light assembly	1	
-14	761 183		* LAMP - Navigation light assembly (round base)	1	
	761 208		* LAMP - Navigation light assembly (rectangular base)	1	
-14a	762 320		* SHIELD - Rectangular based lamp	1	
-15	51212-04		POWER SUPPLY - Strobe light	3	
-16	48625-00		PLACARD - Strobe light	1	
-17	47664-12	A	SWITCH - Recognition and strobe lights	1	31-7852001 and up
-18	472 981	A	LIGHT ASSEMBLY - Recognition (30-1290-5)	2	31-7852001 and up
-19	761 214		* LAMP - (LP1982SP) 28V., 75W.	1	31-7852001 and up
-20	454 677	A	CIRCUIT BREAKER - (PS50120-3-10) 7.5amp	1	31-7852001 and up

When ordering, always specify Part Number, Description, and Serial Number of Aircraft

# PIPER PARTS CATALOG

---

GRIDS 3I24 THRU 3L24  
INTENTIONALLY LEFT BLANK



# AIRPLANE PARTS CATALOG

PA-31-350 CHIEFTAIN

CARD 4 OF 4

**PIPER AIRCRAFT  
CORPORATION**

[PART NUMBER 761 487]

4A1

REVISED: MARCH 10, 1994

# PIPER PARTS CATALOG

## AEROFICHE EXPLANATION AND REVISION STATUS

The Parts Catalog information in this set of Aerofiche cards is arranged in accordance with the general specifications of Aerofiche adopted by the General Aviation Manufacturer's Association.

Conversion of Aerofiche alpha/numeric code numbers:

First number is the Aerofiche card identifier.

Letter is the horizontal line reference per card.

Second number is the vertical line reference per card.

Example: 2J16 = Aerofiche card number two of given set. Grid location J16.

To aid in locating the various sections and related information desired, the following is provided:

A complete Catalog Table of Contents is given at Grid 1A9 of Aerofiche card number 1 of this set. Each additional card in this set will have a Table of Contents for all sections on that particular card. This table will start at Grid A3.

## REVISIONS

The information compiled in this Aerofiche Parts Catalog is kept current by revisions distributed periodically. Each revision is a complete Aerofiche card replacement and supersedes Aerofiche cards of the same number in the set.

Revisions to this PA-31-350 Parts Catalog issued September 30, 1975 are as follows:

761 487 (ORG750930)	Dated September 1975
761 487 (PR770114)	Dated January 1977
761 487 (PR770914)	Dated September 1977
761 487 (PR771125)	Dated November 1977
761 487 (PR780913)	Dated September 1978
761 487 (PR790615)	Dated June 1979
761 487 (PR790911)	Dated September 1979
761 487 (PR800318)	Dated March 1980
761 487 (PR800916)	Dated September 1980
761 487 (PR810423)	Dated April 1981
761 487 (PR810914)	Dated September 1981
761 487 (PR820412)	Dated April 1982
761 487 (PR821012)	Dated October 1982
761 487 (PR830311)	Dated March 1983
761 487 (PR831111)	Dated November 1983
761 487 (PR840509)	Dated May 1984
761 487 (IR860428)	Dated April 1986 (Interim Change)
761 487 (PR940310)	Dated March 1994

**NOTE.** Refer to Aerofiche Customer Service Information Catalog (1753 755) for revision dates and card effectivities for this parts catalog.



4A4

INTENTIONALLY LEFT BLANK



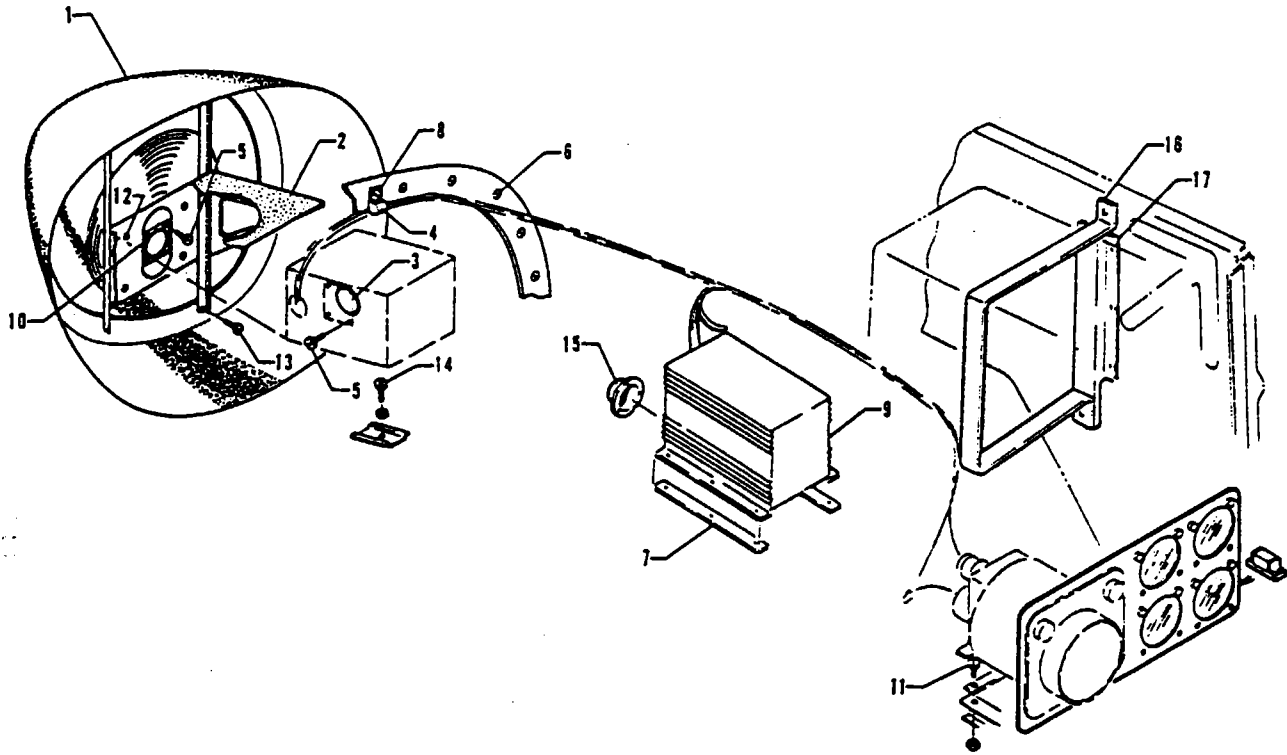


Figure 135. Bendix Radar Installation (RDR-110)

---

# PIPER PARTS CATALOG

---

## CODE EXPLANATIONS FOR FIGURE 135

- A - Used if Basler Inverter is installed.
- B - Used if Filteronics Inverter is installed.
- C - Used if King Silver Crown Radios are installed.

PIPER PARTS CATALOG

Figure and Index Number	Part Number	Code	NOMENCLATURE	No. Req.	SERIAL NUMBERS AFFECTED
135-	44287		DRAWING - Bendix Radar Installation (RDR-110)		31-5001 to 31-7405497 incl
-1	44276-10		CONE ASSEMBLY - Fuselage nose	1	31-5001 to 31-7405248, 31-7405401 to 31-7405454 incl
	44276-12		CONE ASSEMBLY - Fuselage nose	1	31-7405249 to 31-7405400, 31-7405455 to 31-7405497 incl
-2	42432-00		BRACKET ASSEMBLY - Radar equipment mounting	1	
-3	484 773		"O" RING - (AN6227-18)	2	
-4	454 935		CLAMP - (PS10017-2-10)	3	
-5	412 676		SCREW - Brass (AN515-B6R8)	12	
	407 041		WASHER - (MS35338-41)	12	
-6	411 532		SCREW - (MS35207-263)	21	
-7	43263-00	A	BLOCK - Mounting	2	
	53092-00	B	BLOCK - Mounting	2	
-8	411 532		SCREW - (MS35207-263)	3	
	404 835		NUT - (MS20364-1032C)	3	
-9	596 267		INVERTER - (PC-14-100VA) Filteronics	1	
-10	596 155		ADAPTER - Waveguide, formed bend, 45 Degrees (2068070-0706)	1	
-11	415 533		SCREW - (MS35206-243)	4	
-12	400 003		BOLT - (AN4-6A)	4	
-13	400 438		BOLT - (AN3-4A)	4	
-14	415 537		SCREW - (MS35206-247)	4	
	407 563		WASHER - (AN960-8)	4	
-15	44160-00		COVER - Radar plug	1	
-16	53594-00	C	STRAP ASSEMBLY - Radar mounting	1	
-17	53595-00	C	BRACKET ASSEMBLY - Radar mounting	1	

When ordering, always specify Part Number, Description and Serial Number of Aircraft

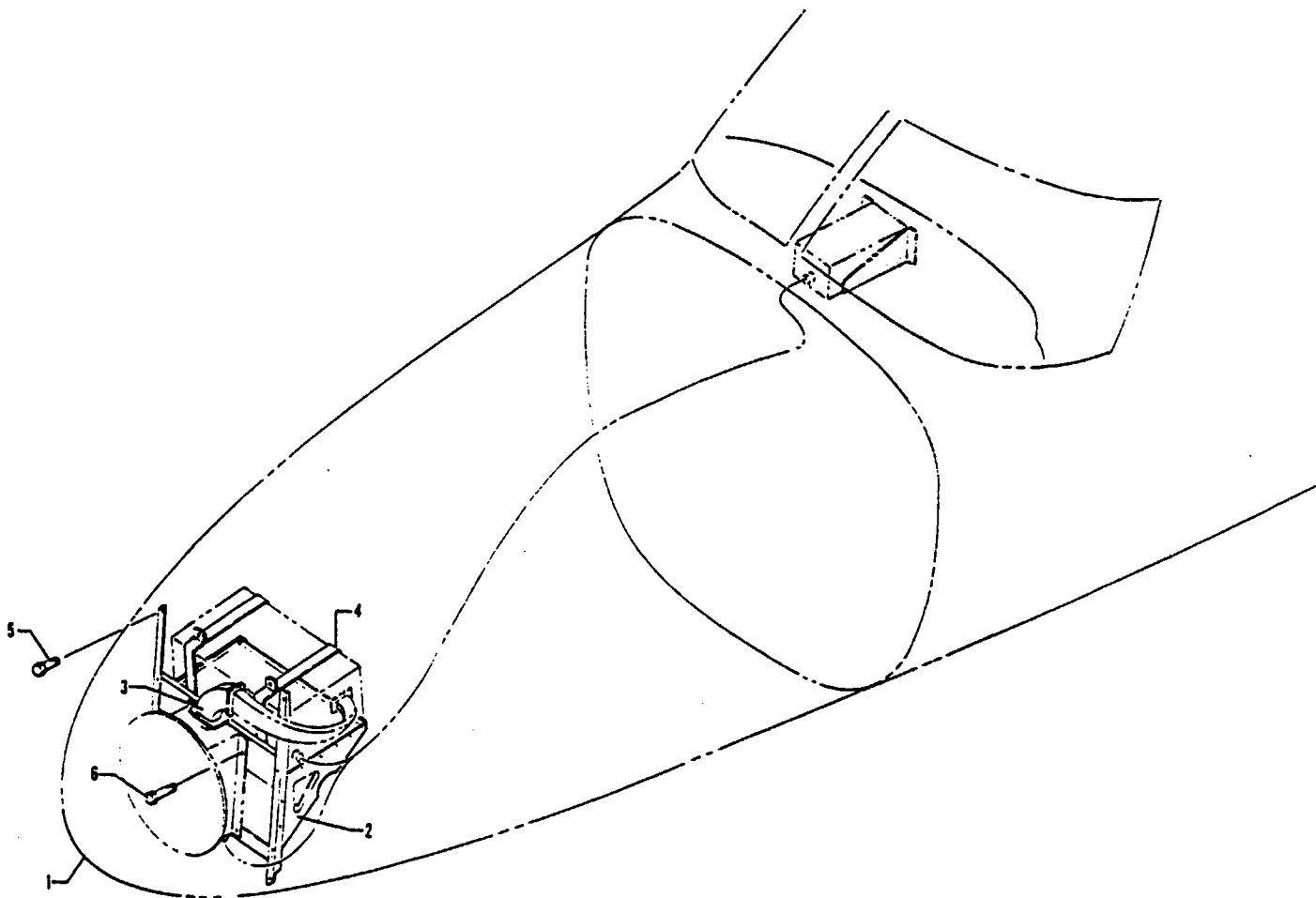


Figure 135A. Bendix Radar Installation (RDR-130)

---

# PIPER PARTS CATALOG

CODE EXPLANATIONS FOR FIGURE 135A

PIPER PARTS CATALOG

Figure and Index Number	Part Number	Code	NOMENCLATURE	No. Req.	SERIAL NUMBERS AFFECTED
135A-	54584		DRAWING - Bendix Radar Installation (RDR-130)		31-7552001 and up
-1	44276-12		CONE ASSEMBLY - Fuselage nose	1	
-2	53059-04		BRACKET ASSEMBLY - Radar equipment mounting	1	
-3	596 038		ADAPTER - Waveguide, formed bend, 90 Degrees (X8248)	1	
-4	475 180		MOUNT - Shock (M1-592083)	1	
-5	400 438		BOLT - (AN3-4A)	4	
-6	401 307		BOLT - (AN4-4A)	4	

When ordering, always specify Part Number, Description and Serial Number of Aircraft

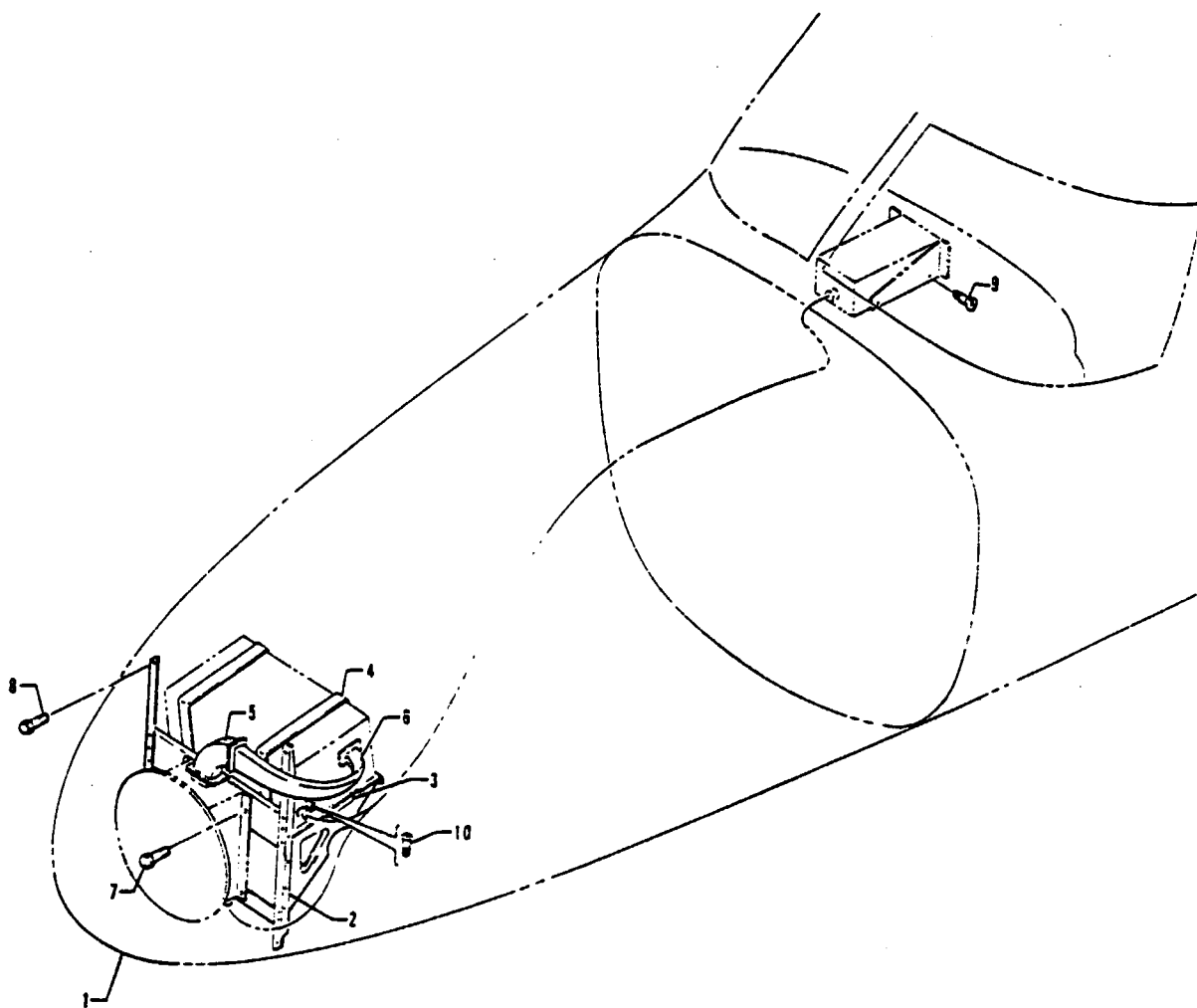


Figure 135B. Bendix Radar Installation (RDR-140)

---

# PIPER PARTS CATALOG

CODE EXPLANATIONS FOR FIGURE 1358



PIPER PARTS CATALOG

Figure and Index Number	Part Number	Code	NOMENCLATURE	No. Req.	SERIAL NUMBERS AFFECTED
1358-	54687		DRAWING - Bendix Radar Installation (RDR-140)		31-7552124 and up
-1	44276-12		CONE ASSEMBLY - Fuselage nose	1	
-2	53059-04		BRACKET ASSEMBLY - Radar equipment mounting	1	
-3	51292-03		TRAY ASSEMBLY - Receiver/transmitter mounting	1	31-7552124 to 31-7852125 incl
	475 180		MOUNT - Receiver/transmitter (M1592083) RCA	1	31-7852126 and up
-4	51290-04		STRAP ASSEMBLY - Receiver/transmitter mounting	2	31-7552124 to 31-7852125 incl
-5	551 865		ADAPTER - Waveguide (X623B) "E" bend	1	
-6	596 038		ADAPTER - Waveguide (X624B) "H" plane 90 Degrees	1	
-7	401 307		BOLT - (AN4-4A)	4	
-8	400 438		BOLT - (AN3-4A)	4	
-9	414 507		SCREW - (MS24693-S26)	4	
-10	411 532		SCREW - (MS35207-263)	4	31-7552124 to 31-7852125 incl
	415 538		SCREW - (MS35206-248)	4	31-7852126 and up
	404 887		NUT - (MS20365-1032C)	4	31-7552124 to 31-7852125 incl
	405 407		NUT - (MS25082-2)	8	31-7852126 and up

When ordering, always specify Part Number, Description and Serial Number of Aircraft

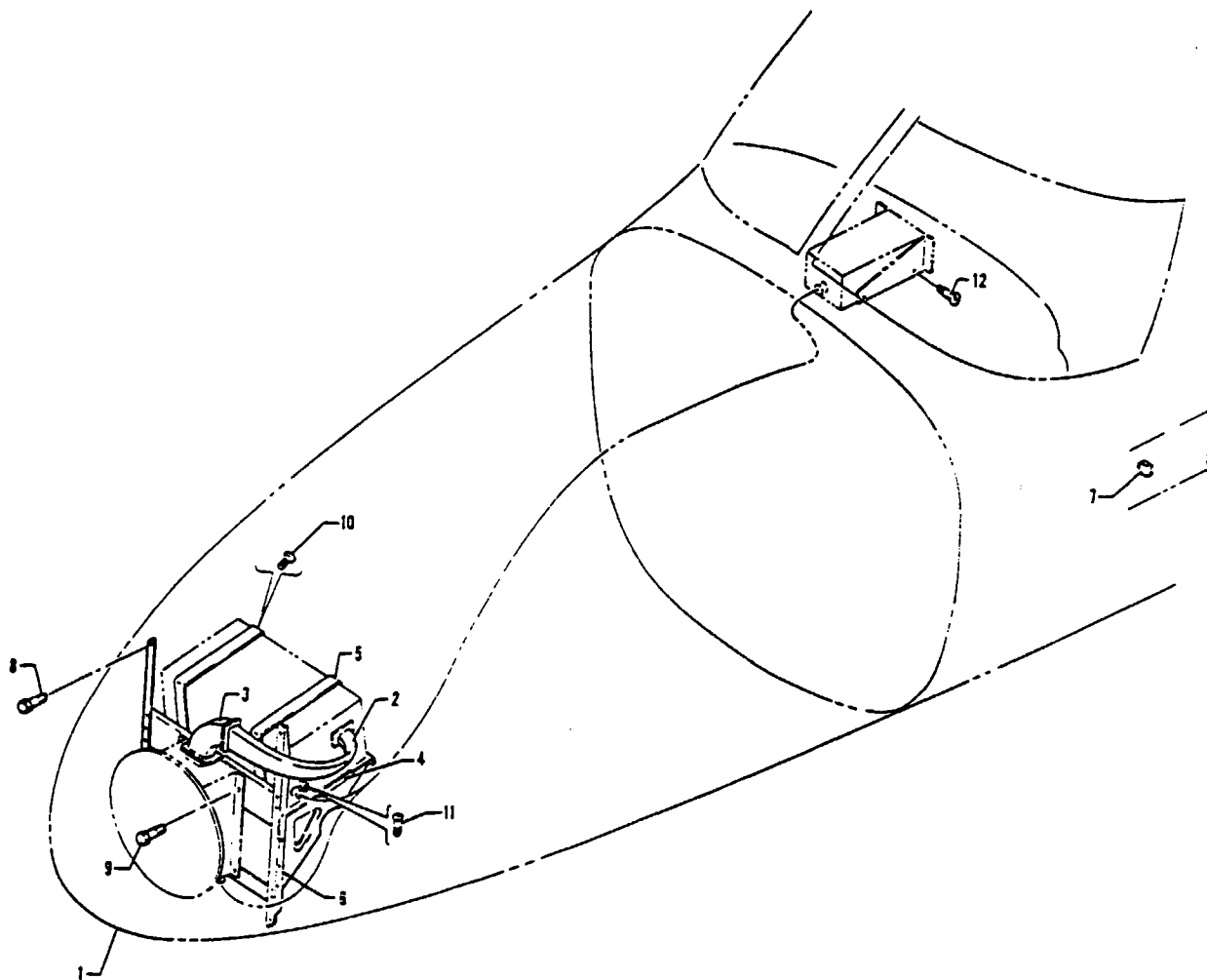


Figure 135C. Bendix Radar Installation (RDR-150)

---

# PIPER PARTS CATALOG

CODE EXPLANATIONS FOR FIGURE 135C

## PIPER PARTS CATALOG

Figure and Index Number	Part Number	Code	NOMENCLATURE	No. Req.	SERIAL NUMBERS AFFECTED
135C-	55453		DRAWING - Bendix Radar Installation (RDR-150)		31-7752001 and up
-1	44276-12		CONE ASSEMBLY - Fuselage nose	1	
-2	596 038		ADAPTER - Waveguide (X6248) "H" Plane 90	1	
-3	597 250		WAVEGUIDE - (AT 7-8-090-18) (18" L)	1	
-4	51292-03		TRAY ASSEMBLY - Receiver/transmitter	1	31-7752001 to 31-7852125 incl.
	475 180		MOUNT - Shock (M1592083)	1	31-7852126 and up
-5	51290-04		STRAP ASSEMBLY - Receiver/transmitter	1	31-7752001 to 31-7852125 incl
-6	53059-04		BRACKET ASSEMBLY - Equipment mounting	1	
-7	454 656		BREAKER - Circuit (PS50120-3-7)	1	
-8	400 438		BOLT - (AN3-4A)	4	
-9	401 307		BOLT - (AN4-4A)	4	
-10	415 518		SCREW - (MS35206-228)	4	31-7752001 to 31-7852125 incl
-11	411 532		SCREW - (MS35207-263)	4	31-7752001 to 31-7852125 incl
	415 538		SCREW - (MS35206-248)	4	31-7852126 and up
	404 887		NUT - (MS20365-1032C)	4	31-7752001 to 31-7852125 incl
	405 407		NUT - (MS25082-2)	8	31-7852126 and up
-12	414 507		SCREW - (MS24693-S26)	4	

When ordering, always specify Part Number, Description and Serial Number of Aircraft

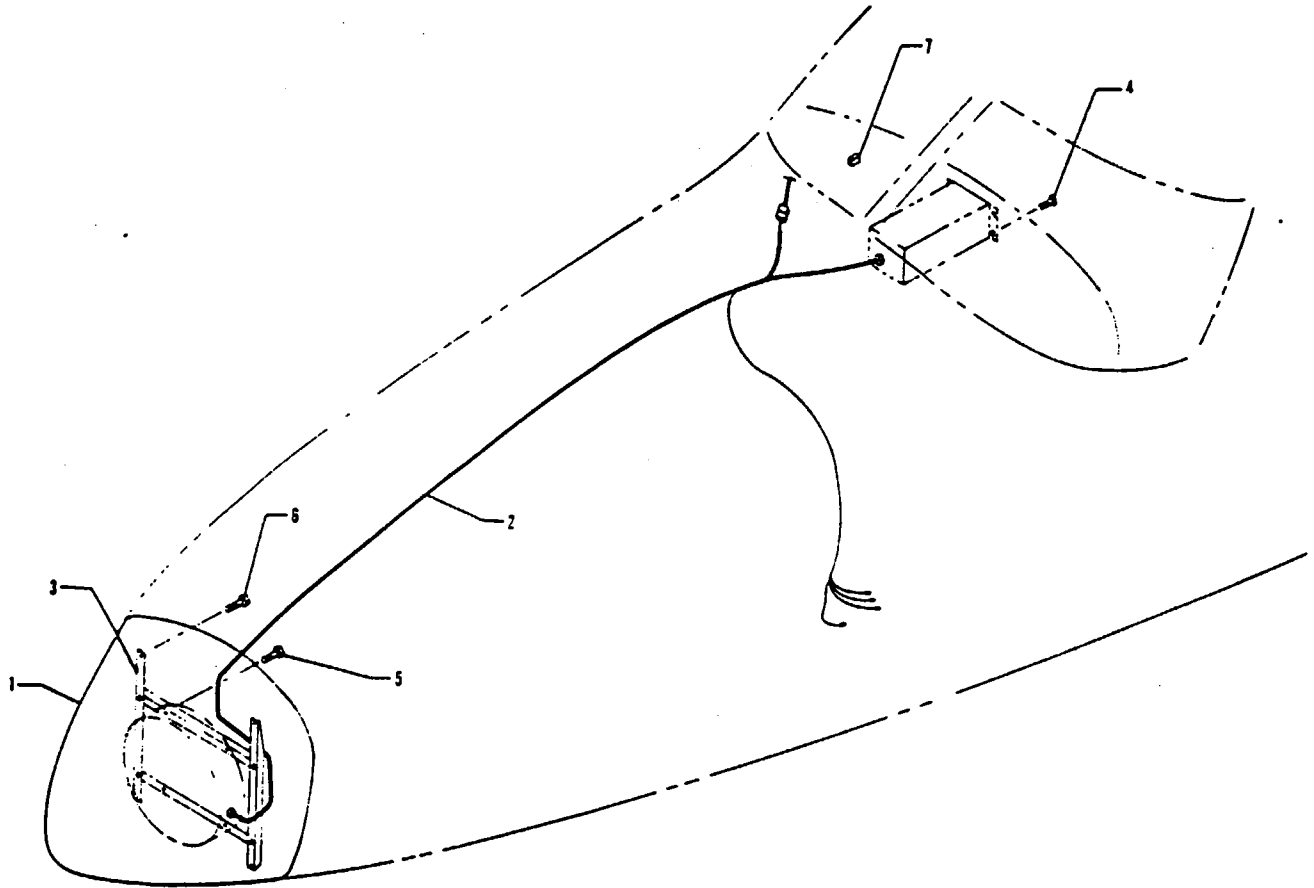


Figure 135D. Bendix Radar Installation (RDR-160)

---

# PIPER PARTS CATALOG

---

CODE EXPLANATIONS FOR FIGURE 135D

PIPER PARTS CATALOG

Figure and Index Number	Part Number	Code	NOMENCLATURE	No. Req.	SERIAL NUMBERS AFFECTED
135D-	55726		DRAWING - Bendix Radar Installation (RDR-160)		31-7952001 and up
-1	44276-12		CONE ASSEMBLY - Fuselage nose	1	
-2	55509-02		HARNES ASSEMBLY	1	
-3	71018-02		BRACKET ASSEMBLY - Equipment mount	1	
-4	414 746		SCREW - (MS24693-S24)	4	
	404 909		NUT - (MS20365-632C)	2	
-5	401 336		BOLT - (AN4-37A)	4	
-6	400 438		BOLT - (AN3-4A)	4	
-7	454 656		CIRCUIT BREAKER - (PS50120-3-7) 5 amp	1	

When ordering, always specify Part Number, Description and Serial Number of Aircraft

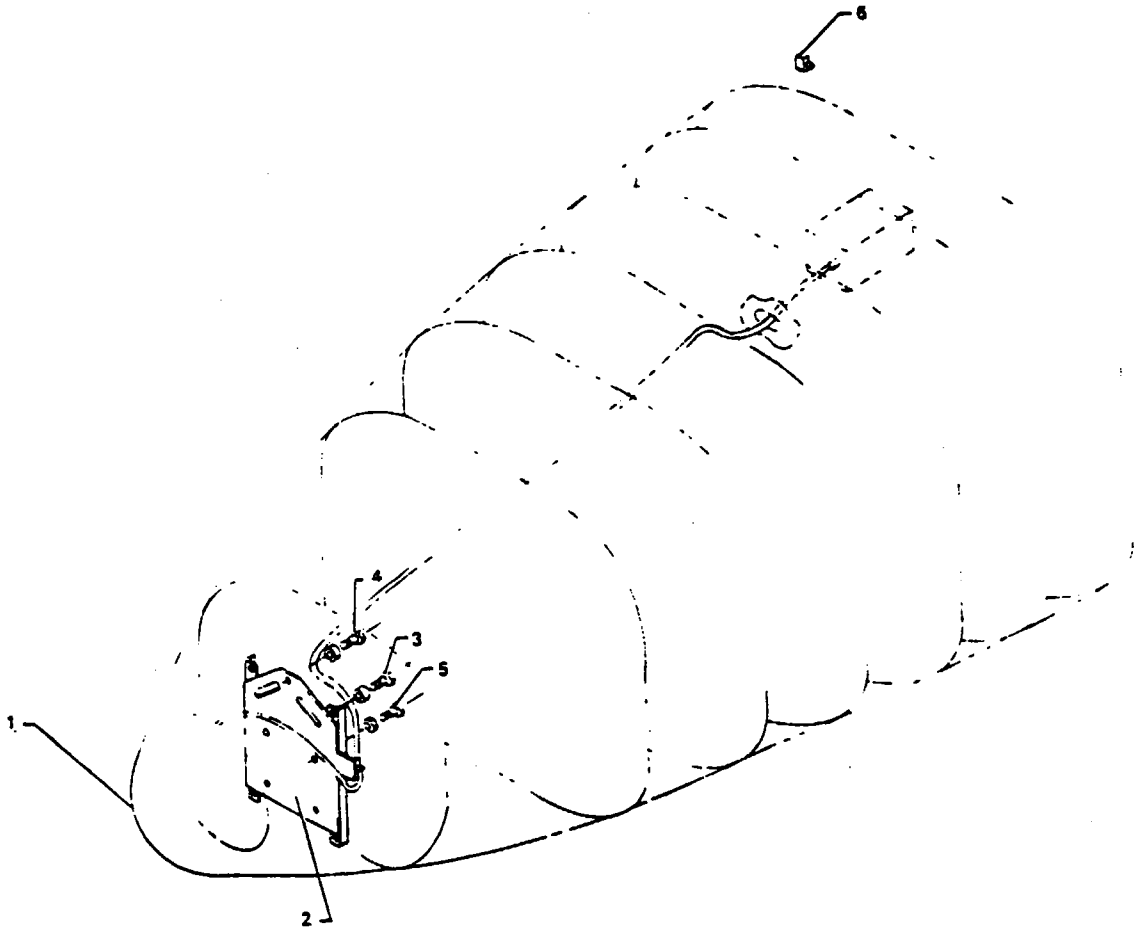


Figure 135E. Bendix Radar Installation (RDR-230 HP)



---

# PIPER PARTS CATALOG

---

CODE EXPLANATIONS FOR FIGURE 135E

PIPER PARTS CATALOG

Figure and Index Number	Part Number	Code	NOMENCLATURE	No. Req.	SERIAL NUMBERS AFFECTED
135E-	74205		DRAWING - Bendix Radar Installation (RDR-230 HP)		
-1	44276-12		CONE ASSEMBLY - Fuselage nose	1	
-2	71945-02		BRACKET ASSEMBLY - Equipment mounting	1	
-3	400 451		BOLT - (AN3-20A)	4	
	71944-02		SPACER	4	
-4	400 446		BOLT - (AN3-16A)	1	
	71944-03		SPACER	1	
-5	400 004		BOLT - (AN4-7A)	4	
	404 888		NUT - (MS20365-428C)	4	
-6	454 656		CIRCUIT BREAKER - (PS50120-3-7)	1	

When ordering, always specify Part Number, Description and Serial Number of Aircraft

4A23

INTENTIONALLY LEFT BLANK

4A24

INTENTIONALLY LEFT BLANK

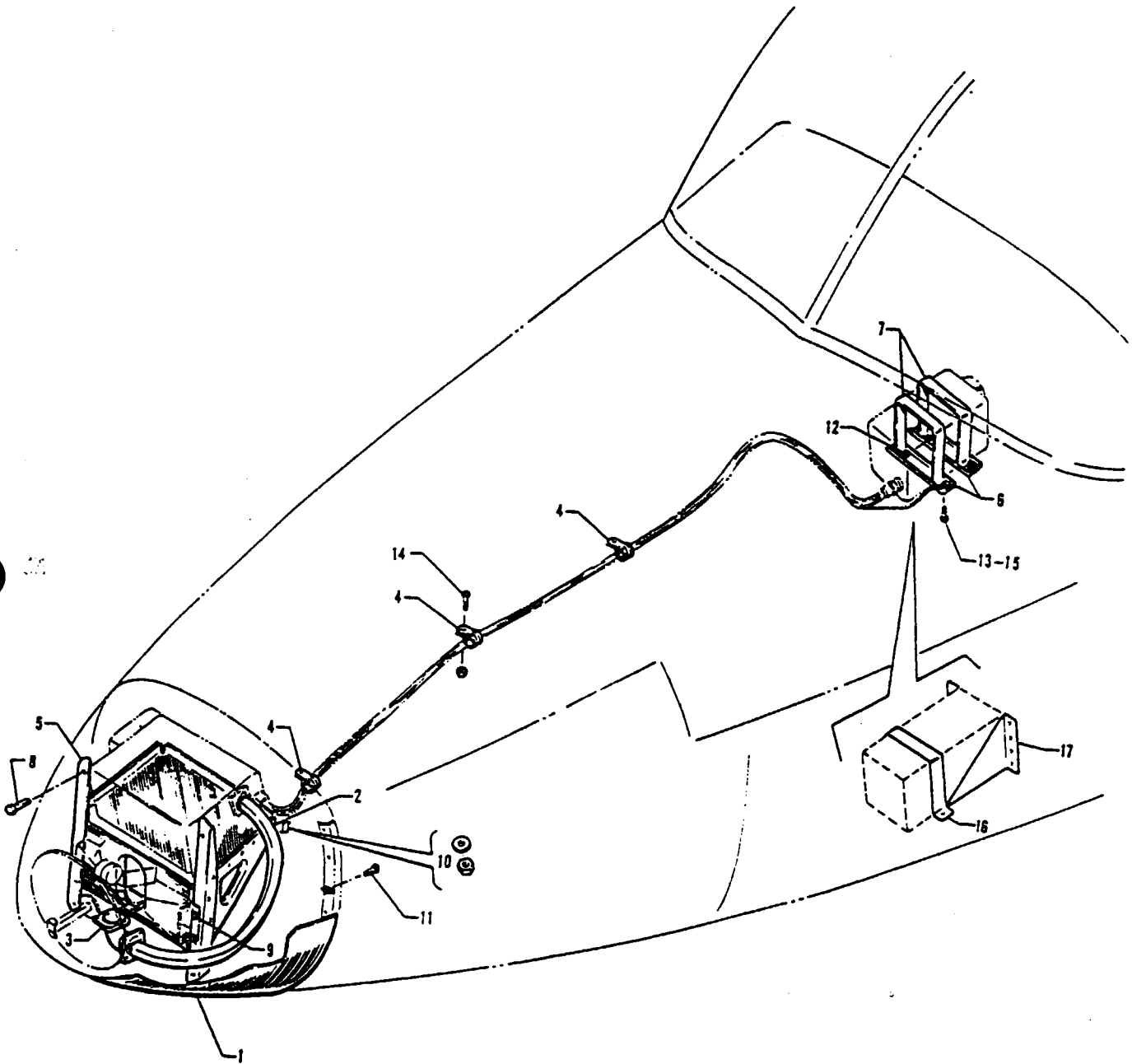


Figure 136. RCA Radar Installation

---

# PIPER PARTS CATALOG

---

## CODE EXPLANATIONS FOR FIGURE 136

- A - Used if King Silver Crown Radios are not installed.
- B - Used if King Silver Crown Radios are installed.

PIPER PARTS CATALOG

Figure and Index Number	Part Number	Code	NOMENCLATURE	No. Req.	SERIAL NUMBERS AFFECTED
136-	43396		DRAWING - RCA Radar Installation		
-1	44276-10		CONE ASSEMBLY - Fuselage nose	1	31-5001 to 31-7405248, 31-7405401 to 31-7405454 incl
	44276-12		CONE ASSEMBLY - Fuselage nose	1	31-7405249 to 31-7405400, 31-7405455 and up
-2	596 249		WAVEGUIDE - Flexible (AT-7-B-090-24)	1	
-3	596 038		ADAPTER - Waveguide (X624B) "H" plane, 90 degrees	1	
-4	454 935		CLAMP - (PS10017-2-10)	3	
-5	53059-00		BRACKET ASSEMBLY - Radar equipment mounting	1	
-6	43392-00	A	BRACKET - Radar indicator mounting	2	
	53595-00	B	BRACKET - Radar indicator mounting	1	
-7	43393-00	A	STRAP ASSEMBLY - Radar indicator mounting	2	
	53594-00	B	STRAP ASSEMBLY - Radar indicator mounting	1	
-8	400 438		BOLT - (AN3-4A)	4	
-9	401 307		BOLT - (AN4-4A)	4	
-10	407 042		WASHER - (MS35338-42)	4	
	405 100		NUT - (8-32) Plated	4	
-11	411 532		SCREW - (MS35207-263)	21	
-12	415 535	A	SCREW - (MS35206-245)	4	
-13	415 518	A	SCREW - (MS35206-228)	4	
-14	411 532		SCREW - (MS35207-263)	3	
	404 835		NUT - (MS20364-1032C)	3	
-15	411 531	B	SCREW - (MS35207-262)	2	
-16	48818-02		BRACKET ASSEMBLY - Radar mounting	1	31-7552001 and up
-17	48830-02		BRACKET ASSEMBLY - Radar mounting	1	31-7552001 and up

When ordering, always specify Part Number, Description and Serial Number of Aircraft

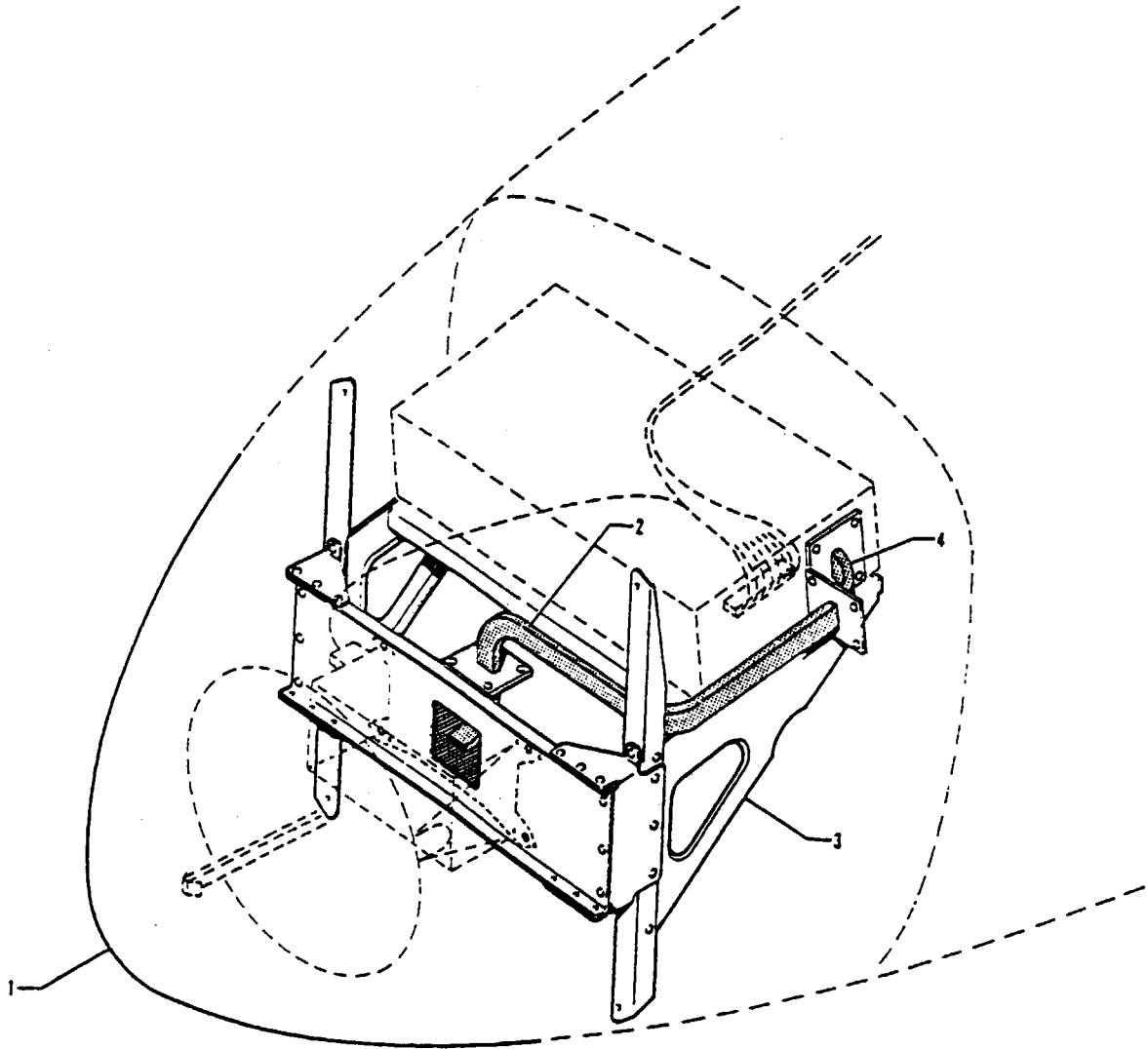


Figure 136A. King Radar Installation (KWX-40/KWX-50)



---

# PIPER PARTS CATALOG

---

## CODE EXPLANATIONS FOR FIGURE 136A

- A - Used with King Radar KWX-40.
- B - Used with King Radar KWX-50.

PIPER PARTS CATALOG

Figure and Index Number	Part Number	Code	NOMENCLATURE	No. Req.	SERIAL NUMBERS AFFECTED
136A-	54289 55716		DRAWING - King Radar Installation (KWX-40) DRAWING - King Radar Installation (KWX-50)		31-7552001 to 31-7852171 incl 31-7952001 and up
-1	44276-12		CONE ASSEMBLY - Fuselage nose	1	
-2	596 249		WAVEGUIDE - Flexible (AT-7-B-090-24)	1	
-3	54287-02	A	BRACKET ASSEMBLY - Radar mounting	1	
	54287-06	B	BRACKET ASSEMBLY - Radar mounting	1	
-4	596 507		ADAPTER - (024-5011-00) 90 Degrees	2	31-7552001 to 31-7852171
	596 507		ADAPTER - (024-5011-00) 90 Degrees	1	31-7952001 and up
-5	454 656	B	CIRCUIT BREAKER - (PSS0120-3-7) 5 amp	1	

When ordering, always specify Part Number, Description and Serial Number of Aircraft

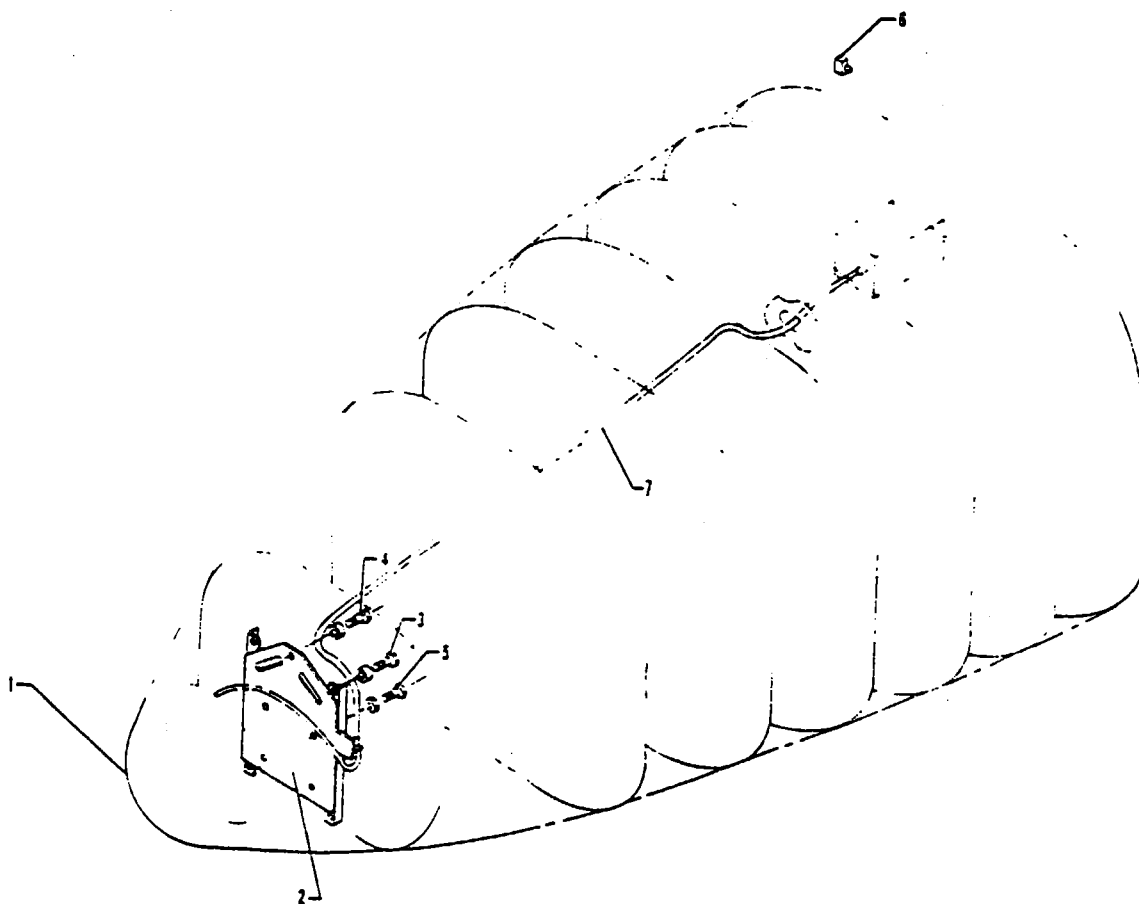


Figure 1368 King Radar Installation (KWX-56)

---

# PIPER PARTS CATALOG

---

CODE EXPLANATIONS FOR FIGURE 136B

PIPER PARTS CATALOG

Figure and Index Number	Part Number	Code	NOMENCLATURE	No. Req.	SERIAL NUMBERS AFFECTED
1368-	74275		DRAWING - King Radar Installation (KWX-56)		31-8352025 and up
-1	44276-12		CONE ASSEMBLY - Fuselage nose	1	
-2	71945-02		BRACKET ASSEMBLY - Equipment mounting	1	
-3	401 277		BOLT - (AN3-14A)	4	
	71944-02		SPACER	4	
-4	400 443		BOLT - (AN3-12A)	1	
	71944-03		SPACER	1	
-5	415 372		SCREW - (MS27039C4-15)	4	
	407 695		WASHER - (AN960D416)	4	
	404 888		NUT - (MS20365-428C)	4	
-6	454 656		CIRCUIT BREAKER - (PS50120-3-7)	1	
-7	73172-02		HARNES ASSEMBLY	1	

When ordering, always specify Part Number, Description and Serial Number of Aircraft

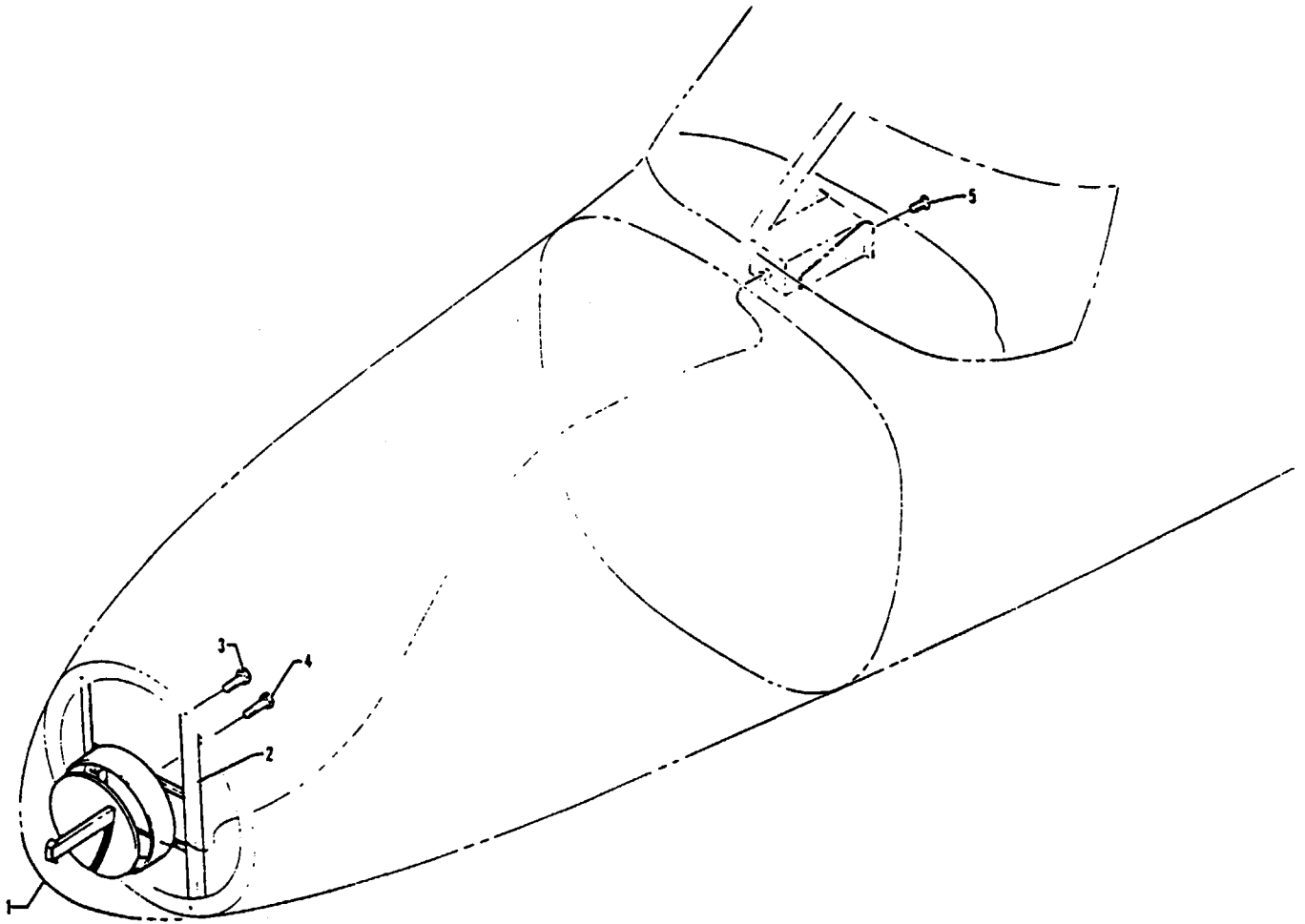


Figure 136C RCA Radar Installation (Primus 200)

---

# PIPER PARTS CATALOG

---

CODE EXPLANATIONS FOR FIGURE 136C

PIPER PARTS CATALOG

Figure and Index Number	Part Number	Code	NOMENCLATURE	No. Req.	SERIAL NUMBERS AFFECTED
136C-	71825		DRAWING - RCA Radar Installation (Primus 200)		31-8152001 and up
-1	44276-06		CONE ASSEMBLY - Fuselage nose	1	
-2	71018-02		BRACKET ASSEMBLY - Radar mounting	1	
-3	400 438		BOLT - (AN3-4A)	4	
-4	400 009		BOLT - (AN4-14A)	4	
-5	414 746		SCREW - (MS24693-S24)	4	

When ordering, always specify Part Number, Description and Serial Number of Aircraft



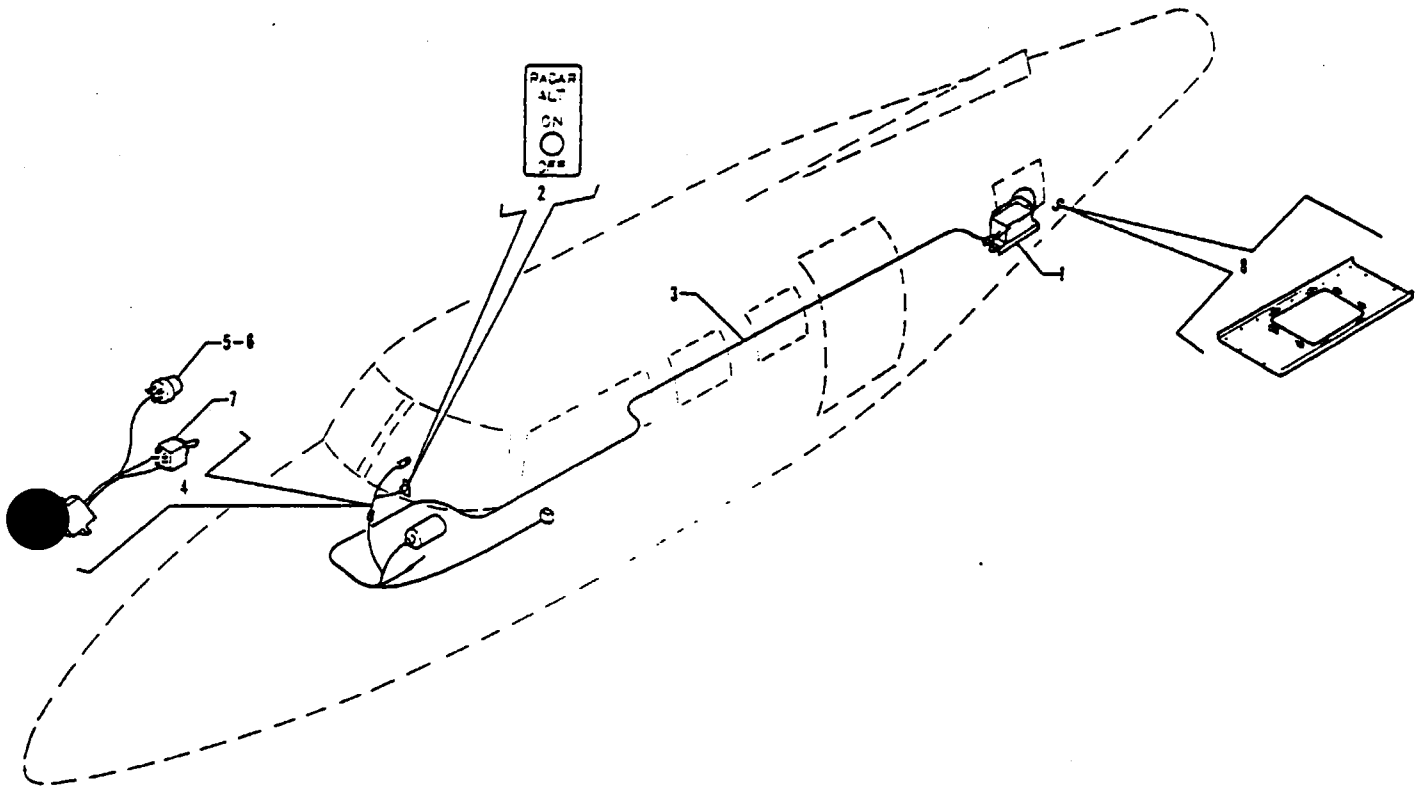


Figure 137. Radar Altimeter Installation (Bonzer)

---

# PIPER PARTS CATALOG

---

## CODE EXPLANATIONS FOR FIGURE 137

- A - Used if Yaw Damper is installed with the AltiMatic III C.
- B - Used if King KAP-200 Autopilot or King KFC-200 F/D Autopilot is not installed.
- C - Used if King KAP-200 Autopilot or King KFC-200 F/D Autopilot is installed.

## PIPER PARTS CATALOG

Figure and Index Number	Part Number	Code	Nomenclature	No. Req.	Serial Numbers Affected
137-	52837		DRAWING - Radar Altimeter Installation (Bonzer)		
-1	48265-00		SHELF ASSEMBLY - Receiver/Transmitter	1	31-5001 to 31-7752192 incl.
	48265-03	A	SHELF ASSEMBLY - Receiver/Transmitter	1	31-7552054 to 31-7752192 incl.
	48265-03		SHELF ASSEMBLY - Receiver/Transmitter	1	31-7852001 and up
-2	52838-00		PLACARD - Radar altimeter, black	1	
	48673-00		PLACARD - Radar altimeter, beige	1	
-3	52839-03		HARNESS ASSEMBLY - Radar altimeter	1	31-5001 to 31-7552100 incl.
	54580-03		HARNESS ASSEMBLY - Radar altimeter	1	31-7552101 to 31-7752192 incl.
	49569-03		HARNESS ASSEMBLY - Radar altimeter	1	31-7852001 and up
-4	48284-00	B	HARNESS ASSEMBLY - Radar altimeter	1	
	71939-02	C	HARNESS ASSEMBLY - Radar altimeter	1	
-5	761 163	B	* LIGHT ASSEMBLY - Indicator (0136-0020-00)	1	
-6	472 028	B	* BULB - (PS10008-327)	1	
-7	487 915		* SWITCH - Radar altimeter (7101)	1	
-8	54815-02		PLATE ASSEMBLY - Antenna mounting	1	31-7552101 and up

When ordering, always specify Part Number, Description, and Serial Number of Aircraft

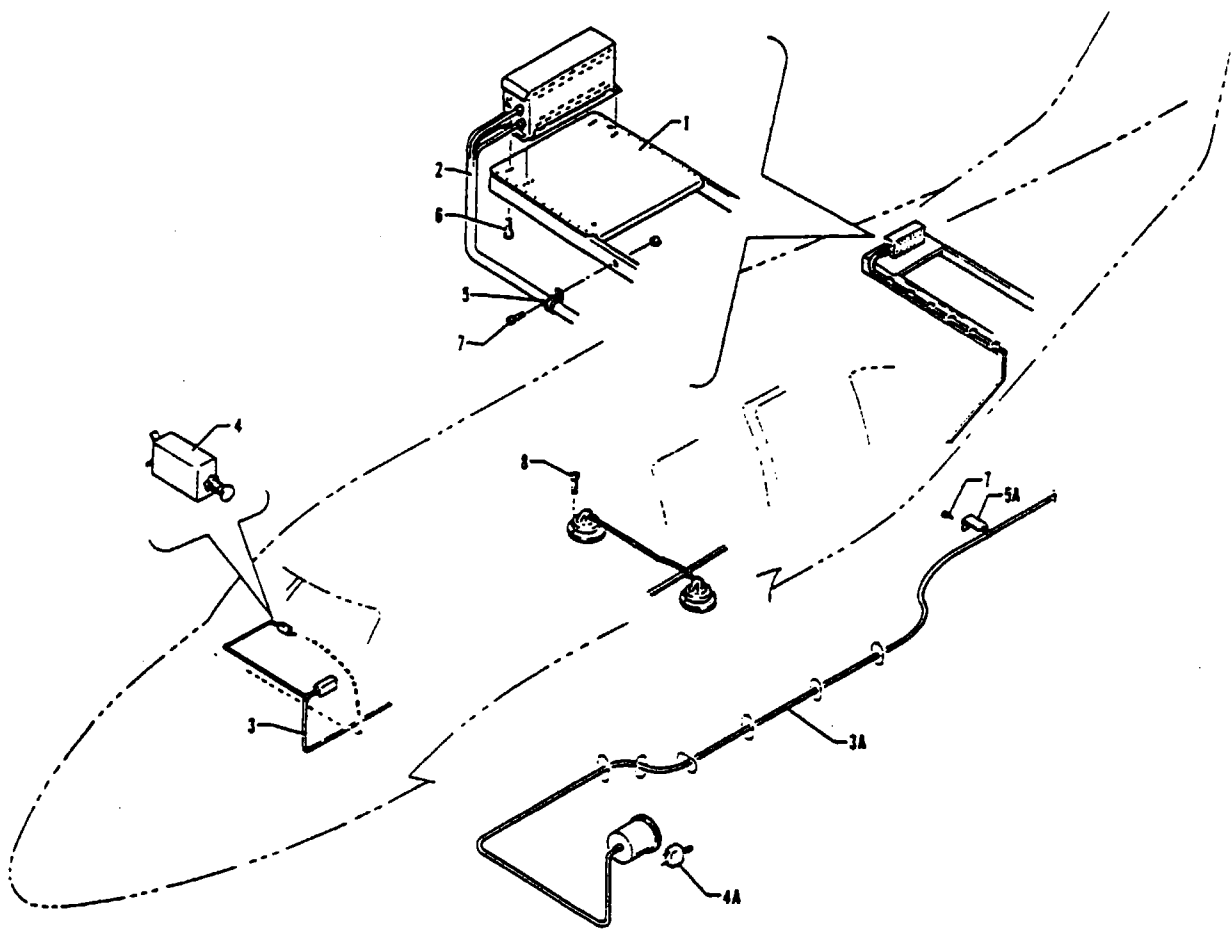


Figure 137A. Radar Altimeter Installation (King)  
(Serial Numbers 31-7852001 and up)

---

# PIPER PARTS CATALOG

---

## CODE EXPLANATIONS FOR FIGURE 137A

- A - Used with King KRA-405 Radar Altimeter Installation.
- B - Used with King KRA-10 Radar Altimeter Installation.

PIPER PARTS CATALOG

Figure and Index Number	Part Number	Code	NOMENCLATURE	No. Req.	SERIAL NUMBERS AFFECTED
137A-	49356 71075		DRAWING - Radar Altimeter Installation KRA-405 (King) DRAWING - Radar Altimeter Installation KRA-10 (King)		
-1	49364-02 71077-04	A B	SHELF ASSEMBLY - Receiver/transmitter SHELF ASSEMBLY - Receiver/transmitter	1 1	
-2	49355-04	A	HARNESS ASSEMBLY - Radar altimeter	2	
-3	49355-03	A	HARNESS ASSEMBLY - Radar altimeter	1	
-3a	71076-03	B	HARNESS ASSEMBLY - Radar altimeter	1	
-4	454 695	A	CIRCUIT PROTECTOR - (PS50120-3-24)	1	
	454 693	B	CIRCUIT PROTECTOR - (PS50120-3-22)	1	
-4a	71305-02	B	SWITCH ASSEMBLY - Radar altimeter	1	
-5	454 868	A	CLAMP - (PS10017-2-12)	6	
-5a	18522-21	B	CLIP - Harness assembly	1	
-6	415 522	A	SCREW - (MS35206-232)	4	
	415 535	B	SCREW - (MS35206-245)	2	
	414 764	B	SCREW - (AN505-832R8)	2	
-7	411 532		SCREW - (MS35207-263)	6	
	404 887		NUT - (MS20365-1032C)	6	
-8	416 788	A	SCREW - (MS24693-S274)	16	

When ordering, always specify Part Number, Description and Serial Number of Aircraft

PIPER PARTS CATALOG

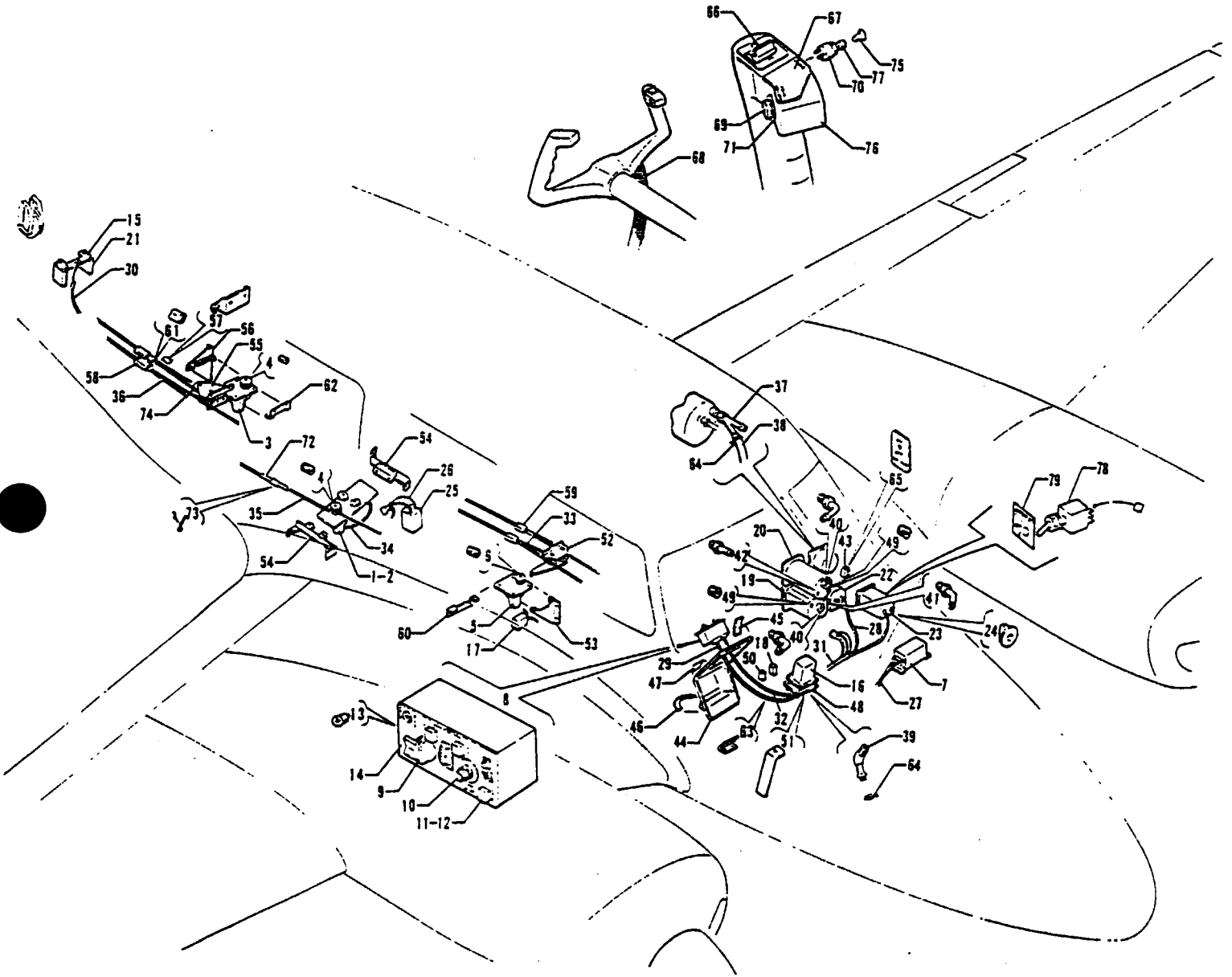


Figure 138. AltMatic Pilot III B-1 Installation

---

# PIPER PARTS CATALOG

---

## CODE EXPLANATIONS FOR FIGURE 138

- A - Used on aircraft that comply with C.A.A. (United Kingdom) requirements.
- B - Used if boom mike is installed.
- C - Used on aircraft with serial numbers 31-5001 to 31-7405185 inclusive, 31-7405187 to 31-7405419 inclusive, 31-7405421 to 31-7405428 inclusive.
- D - Used on aircraft with serial numbers 31-7405186, 31-7405420, 31-7405429 to 31-7552053 inclusive.



## PIPER PARTS CATALOG

Figure and Index Number	Part Number	Code	NOMENCLATURE	No. Req.	SERIAL NUMBERS AFFECTED
138-	52699 53976	C D	DRAWING - AltiMatic Pilot III B-1 Installation DRAWING - AltiMatic Pilot III B-1 Installation		
-1	757 755		SERVO ASSEMBLY - Trim (1C463-1-413)	1	
-2	751 303		AMPLIFIER - Servo (79C53-2)	1	
-3	43909-15		SERVO ASSEMBLY - Pitch (1C470-1-413P)	1	
-4	757 579		SET SCREW - Capstan (3S326)	1	
-5	43909-16		SERVO ASSEMBLY - Roll (1C465-1-413R)	1	
-6	757 579		SET SCREW - Capstan (3S326)	1	
-7	751 314		AMPLIFIER - (1C515-1)	1	
-8	26882-02		CONSOLE - AltiMatic III B-1 (1C519-2)	1	
-9	757 052		KNOB - Roll (36A-98)	1	
-10	575 051		KNOB - Selector (36A123)	1	
-11	758 207		BULB - Blue (65A22-1)	3	
	752 317		BULB - Clear (327)	3	
-12	758 179		BUTTON - Push (36S137)	3	
-13	758 295		BULB - Console, roll switch (65A28-1)	1	
-14	757 382		PLATE ASSEMBLY - Face (138-439-1) (with four bulbs)	1	
-15	757 550		SENSOR ASSEMBLY - Trim (1C365-187)	1	
-16	44377-04		ALTITUDE SELECTOR - (1D391-2)	1	
-17	755 991	C	RELAY SWITCHING BOX - (1B405-24)	1	
-18	754 807		FILTER - Noise (1A479)	1	
-19	550 778		INSTRUMENT - Directional gyro (32168-00) (3 inch)	1	
-20	550 559		INSTRUMENT - Attitude gyro (32173-02) (3 inch)	1	
	53708-00	A	INSTRUMENT - Attitude gyro (3 inch)	1	
-21	758 194		BLOCK - Trim sensor mounting (7A-815)	2	
-22	52586-03	C	INDICATOR ASSEMBLY - Turn and bank (550 498)	1	
-23	551 114		COUPLER ASSEMBLY - Omni (25690-00)	1	
-24	757 052		KNOB - (36A98)	1	
-25	756 347		TRIM WARNING ASSEMBLY UNIT - (1C547)	1	
-26	755 202		HARNESS ASSEMBLY - Trim warning (30C358)	1	
-27	25689-05		HARNESS ASSEMBLY - AltiMatic III B-1	1	
-28	52588-03	C	HARNESS ASSEMBLY - Turn and bank (30C402)	1	
-29	32210-07		HARNESS ASSEMBLY - Trim servo	1	
-30	32005-03		CABLE ASSEMBLY - Pitch trim sensor	1	
-31	32007-02		CABLE ASSEMBLY - Pitch trim servo	1	
-32	32212-03		CABLE ASSEMBLY - Flexible (81A16-183) (21" L)	1	
	758 055		CABLE ASSEMBLY - Flexible (81B16-36) (36" L)	1	
-33	25960-06		CABLE ASSEMBLY - Bridle, roll servo	1	
-34	32203-10		CABLE ASSEMBLY - Pitch servo extension	1	
-35	42484-02		CABLE ASSEMBLY - Elevator trim	1	
-36	25960-22		CABLE ASSEMBLY - Bridle, pitch servo	1	
-37	44253-00		TUBE ASSEMBLY - Connector	1	
-38	49998-05		HOSE - Pressure air lines	1	
-39	458 940		ELBOW - (AN844-4D)	1	
-40	458 945		ELBOW - (1K1-4-6)	2	
-41	558 913		ELBOW - (1K9-4-6)	1	
-42	451 939		ADAPTER - (1K10-4-6)	1	
-43	487 860	C	SWITCH - (2FA54-73)	1	
-44	53437-05		COVER ASSEMBLY - Pedestal, center	1	
-45	40579-00		PLACARD - Trim control, longitudinal	1	
-46	43184-00		PLACARD - Trim control, directional	1	
-47	43185-00		PLACARD - Trim control, lateral	1	

When ordering, always specify Part Number, Description and Serial Number of Aircraft

# PIPER PARTS CATALOG

Figure and Index Number	Part Number	Code	Nomenclature	No. Req.	Serial Numbers Affected
138-48	475 130		MOUNT - Shock, altitude selector (323B)	4	
-49	24712-02		PLUG - Pipe, plated (581 212)	2	
-50	758 260		BOX ASSEMBLY - Relay (1A526-1)	1	
-51	44076-00		BRACKET - Altitude selector support	1	
-52	42478-04		BRACKET ASSEMBLY - Aileron servo pulley	1	
-53	43719-00		BRACKET ASSEMBLY - Roll servo mounting	1	
-54	47501-04		BRACKET ASSEMBLY - Servo mounting, inboard	1	
	47510-03		BRACKET ASSEMBLY - Servo mounting, outboard	1	
-55	42475-03		BRACKET - Pitch servo pulley, top	1	
	42475-02		BRACKET - Pitch servo pulley, bottom	1	
-56	42940-00		BRACKET ASSEMBLY - Pitch servo mounting	1	
-57	43444-00		BRACKET ASSEMBLY - Cable guide	1	
-58	757 829		CLAMP ASSEMBLY - Pitch bridle cable (42A173)	2	
-59	757 872		CLAMP ASSEMBLY - Roll bridle cable (42A184)	2	
-60	44022-00		ANGLE - Roll servo mounting.	1	
-61	26100-02		SLEEVE - Safety, control cable	4	
-62	43718-04		ANGLE ASSEMBLY - Pitch servo mounting	1	
-63	43181-00		ANGLE ASSEMBLY - Harness support	1	
-64	454 983		CLAMP - (SAE TY E-8)	2	
-65	52598-00	C	PLACARD - AutoFlite ("ON-OFF")	1	
-66	587 950		SWITCH ASSEMBLY - (1C670-2)	1	
-67	53913-02		PLACARD - Control wheel, black	1	
	53913-03	B	PLACARD - Control wheel, black	1	
-68	26934-00		CORD ASSEMBLY - Control wheel	1	
-69	587 916		SWITCH ASSEMBLY - (SB4011NCM)	1	
-70	487 904	B	SWITCH ASSEMBLY - (39-1)	1	
-71	477 788		NUT - (7C1040)	1	
-72	452 015		BARREL - Tumbuckle (NAS649B-8S)	1	
-73	454 867		CLIP - Tumbuckle (NAS651-16S)	2	
-74	481 626		PULLEY - (MS20219-2)	4	
-75	26870-00		BUTTON - Plug	1	
-76	53755-02		BRACKET ASSEMBLY - Switch, control wheel	1	
-77	454 277	B	CAP - (30B1012)	1	
-78	487 917		SWITCH - Coupler	1	
-79	53847-00		PLACARD - NAV selector	1	

When ordering, always specify Part Number, Description, and Serial Number of Aircraft

# PIPER PARTS CATALOG

---

GRIDS 4B23 THRU 4B24  
INTENTIONALLY LEFT BLANK

PIPER PARTS CATALOG

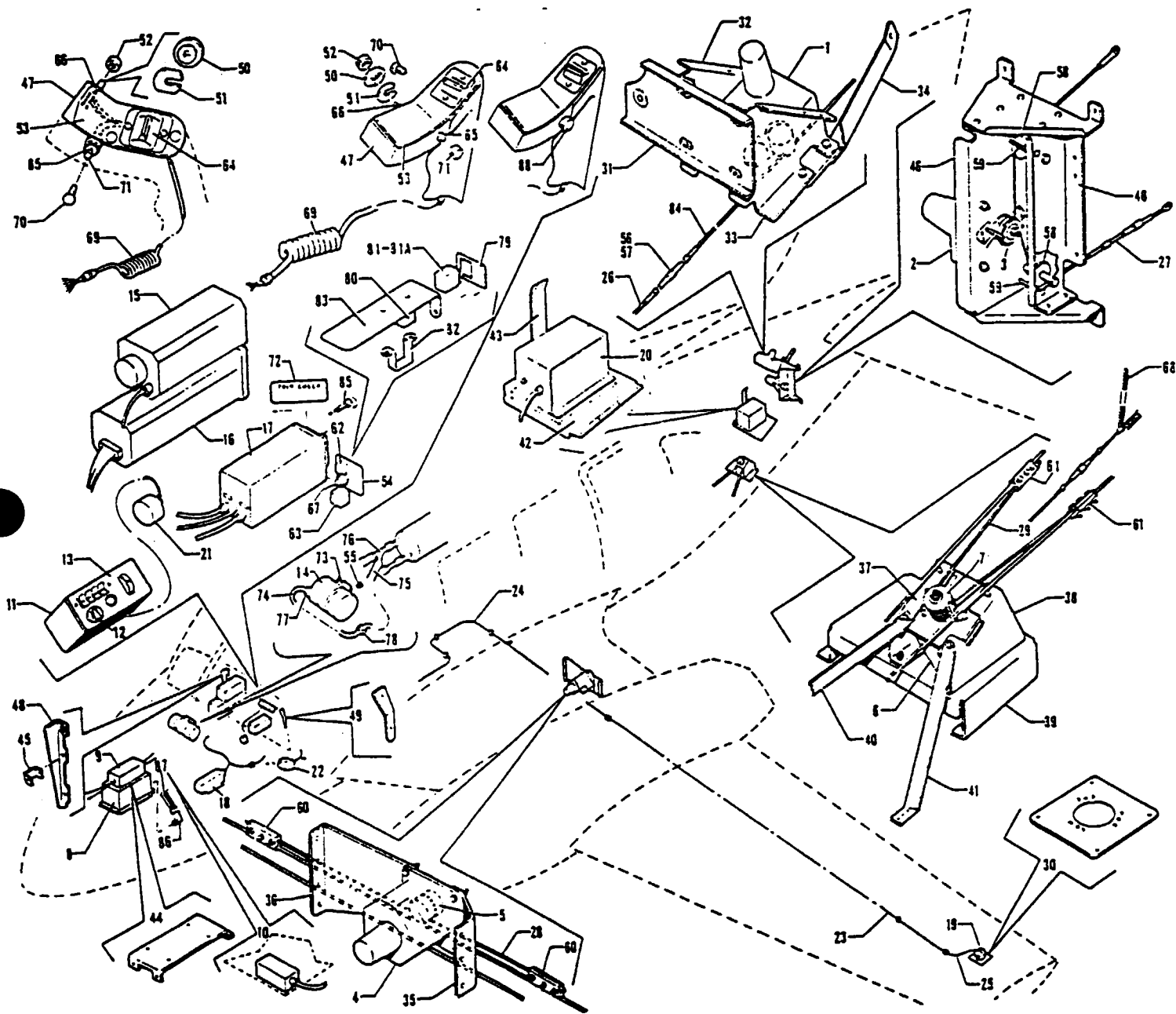


Figure 138A. AltiMatic Pilot III C Installation  
(Serial Nos. 31-7552054 to 31-8152203 incl.)

---

# PIPER PARTS CATALOG

---

## CODE EXPLANATIONS FOR FIGURE 138A

- A - Used if Yaw Damper System is installed.
- B - Used if Boom Mike is installed.
- C - Used if RMI is not installed.
- D - Used if RMI is installed.
- E - Used only with Avionics Installation, CT-1-31 group.
- F - Used only if Horizontal Situation Indicator (NSD-360 (23) 52D137-1020) is installed.

## PIPER PARTS CATALOG

Figure and Index Number	Part Number	Code	NOMENCLATURE	No. Req.	SERIAL NUMBERS AFFECTED
138A-	54550 54546 49516		DRAWING - AltiMatic Pilot III C Installation DRAWING - Yaw Damper System Installation DRAWING - Yaw Damper System Installation		31-7552054 to 31-8152203 incl. 31-7552054 to 31-7852056 incl. 31-7852057 to 31-8152203 incl.
-1	762 217		SERVO ASSEMBLY - Trim (1C469-6-498)	1	
-2	762 218		SERVO ASSEMBLY - Pitch (1C470-1-498P)	1	
-3	757 579		* SET SCREW - Capstan (3S326)	1	
-4	762 219		SERVO ASSEMBLY - Roll (1C465-1-498R)	1	
-5	757 579		* SET SCREW - Capstan (3S326)	1	
-6	762 220	A	SERVO ASSEMBLY - Rudder (1C465-1-491Y)	1	
-7	757 579		* SET SCREW - Capstan (3S326)	1	
-8	751 314		AMPLIFIER - (1C515-1)	1	
-9	751 340		AMPLIFIER - Trim (1C709-6)	1	
-10	597 618	C	AMPLIFIER - Gyro slaving (1C714)	1	
	751 348	D	AMPLIFIER - Gyro slaving (1C722)	1	31-7652073 to 31-8052221 incl.
	598 007	D	AMPLIFIER - Gyro slaving (1D755)	1	31-8152001 and up
-11	758 026		CONSOLE - (1D720)	1	
-12	760 899		* KNOB - Roll (36B141)	1	
-13	757 456		* PLATE - Face (13C767) (with six bulbs)	1	
-14	751 287		ALTITUDE HOLD - (1C407)	1	
-15	550 559		INSTRUMENT - Attitude gyro (32173-02)	1	
-16	596 510		INSTRUMENT - Horizontal situation indicator (NSD-360 (23) 52D137-1020)	1	31-7552054 to 31-7752153 incl.
	596 756		INSTRUMENT - Horizontal situation indicator (NSD-360 A (26) 52D137-1333)	1	31-7752154 and up
-17	25690-02		COUPLER ASSEMBLY - Omni (1C388-2)	1	
-18	596 508	E	CONVERTER - Navigation (1C707)	1	31-7552054 and up
	596 820	F	ADAPTER - NAV flag (1C775)	1	31-7552054 to 31-7752153 incl.
-19	456 554		FLUX DETECTOR - Magnetic (1B495)	1	
-20	753 228		YAW DAMPER - (1C651-3)	1	
-21	754 807		FILTER - Noise (1A479)	1	
-22	758 260		BOX - Relay (1A526-1)	1	
-23	52117-00		HARNES ASSEMBLY - Flux detector	1	31-7552054 to 31-8052221 incl.
	71864-02		HARNES ASSEMBLY - Flux detector	1	31-8152001 and up
-24	54461-03	C	HARNES ASSEMBLY - Gyro slaving	1	
	71020-03	D	HARNES ASSEMBLY - Gyro slaving	1	31-8052056 and up
-25	54558-02		HARNES ASSEMBLY - Flux sensor	1	
-26	42484-03		EXTENSION CABLE ASSEMBLY - Elevator trim servo	1	
-27	54569-02		CABLE ASSEMBLY - Bridle, pitch servo	1	
-28	54567-03		CABLE ASSEMBLY - Bridle, roll servo	1	
-29	54567-02		CABLE ASSEMBLY - Bridle, rudder servo	1	
-30	54541-02		PLATE ASSEMBLY - Flux detector	1	
-31	52023-00		PLATE ASSEMBLY - Elevator trim servo	1	
-32	54446-02		BRACKET - Elevator trim servo, right	1	
-33	54530-02		BRACKET - Elevator trim servo, left	1	
-34	54447-02		BRACKET - Elevator trim servo	1	
-35	54458-02		BRACKET - Aileron servo	1	
-36	54457-02		BRACKET - Aileron servo	1	
-37	54451-02		BRACKET - Rudder servo	1	
-38	54453-02		BRACKET - Rudder servo	1	
-39	54449-02		BRACKET - Rudder servo	1	
-40	54454-02		BRACKET - Rudder servo	1	
-41	54455-02		BRACKET - Rudder servo	1	
-42	54531-02		BRACKET - Yaw damper	1	
-43	54529-02		BRACKET - Yaw damper	1	
-44	15596-02		BRACKET - Trim amplifier	1	
-45	52110-00		BRACKET - Instrument panel spacer	2	31-7552054 to 31-7652177 incl.
-46	44975-02		BRACKET ASSEMBLY - Servo mounting	1	

When ordering, always specify Part Number, Description and Serial Number of Aircraft

# PIPER PARTS CATALOG

Figure and Index Number	Part Number	Code	Nomenclature	No. Req.	Serial Numbers Affected
138A-47	53755-09		BRACKET ASSEMBLY - Switch, control wheel	1	31-7552054 to 31-7852056 incl.
	28339-03		BRACKET ASSEMBLY - Switch, control wheel	1	31-7852057 and up
-48	52108-00		BRACKET ASSEMBLY - Cover	1	31-7552054 to 31-7652177 incl.
-49	52109-00		BRACKET ASSEMBLY - Support	1	31-7552054 to 31-7652177 incl.
-50	15660-02		ADAPTER - Trim switch	1	
-51	15661-02		ADAPTER - Trim switch	1	
-52	553 686		CAP - Switch (8Z0082)	1	31-7552054 to 31-8052179 incl.
	553 522		CAP - Switch (C-22-2)	1	31-8052180 and up
-53	80338-02		PLACARD - Control wheel	1	31-7552054 to 31-7852056 incl.
	80338-03	B	PLACARD - Control wheel	1	31-7552054 to 31-7852056 incl.
	80669-02		PLACARD - Control wheel	1	31-7852057 and up
-54	80341-02		PLACARD - Autopilot function, black	1	
	80341-03		PLACARD - Autopilot function, beige	1	
	80340-02	A	PLACARD - Autopilot function, black	1	31-7552054 to 31-7652177 incl.
	80340-03	A	PLACARD - Autopilot function, beige	1	31-7552054 to 31-7652177 incl.
-55	475 098		SHOCK MOUNT - (JA-6984-1)	3	
-56	452 015		BARREL - Tumbuckle (MS21251-B2S)	1	
-57	454 867		CLIP - Tumbuckle (NAS651-16S)	2	
-58	481 617		PULLEY - Pitch servo (MS20219-1)	2	
-59	424 522		PIN - (NAS427K-27)	2	
-60	757 872		CLAMP - Roll bridle cable (42A 184)	2	
-61	757 863		CLAMP - Rudder bridle cable (42A 173-1)	2	
-62	587 994	C	SWITCH - (7303)	1	
	487 915	D	SWITCH - (7101)	1	31-8052056 and up
-63	762 222		SWITCH - Yaw damper, on-off (40B74-1)	1	31-7552054 to 31-7852056 incl.
-64	587 950		SWITCH - (1C670-2)	1	
-65	487 904	B	SWITCH - (39-1)	1	
-66	587 985		SWITCH - (8N3021)	1	31-7552054 to 31-8052179 incl.
	688 148		SWITCH - (MPA-306F)	1	31-8052180 and up
-67	587 888		SWITCH - Trim master (7201)	1	
-68	762 221		SPRING - (41A134)	2	
-69	26934-00		CORD ASSEMBLY - Control wheel	1	31-7552054 to 31-7852056 incl.
	49568-04		CORD ASSEMBLY - Control wheel	1	31-7852057 and up
-70	26870-00		BUTTON - Plug	1	
-71	454 277	B	CAP - Switch (30B1012)	1	
-72	80442-02	C	PLACARD - Trim check, black	1	
	80442-03	C	PLACARD - Trim check, beige	1	
	71648-02	D	PLACARD - Trim check, black	1	31-8052056 and up
-73	15595-02		BRACKET ASSEMBLY - Altitude hold	1	
-74	17766-74		HOSE - Altitude hold to bulkhead	1	
-75	17766-109		HOSE - Airspeed indicator to bulkhead	1	
-76	44253-00		TUBE ASSEMBLY - "Y" Connector, airspeed	1	
-77	458 940		ELBOW - (AN844-4D)	1	
-78	458 900		ELBOW - (AN833-4D)	1	
	477 618		NUT - (AN924-4D)	1	
-79	80642-02		PLACARD - Yaw damper	1	31-7852057 and up
-80	484 085		RELAY - Impulse (KUR11D11)	1	31-7852057 and up
-81	49527-02		SWITCH ASSEMBLY - Yaw damper, on-off	1	31-7852057 and up
-81a	758 569		* BULB - (AT602-L, 28V)	1	
-82	49529-02		CLAMP ASSEMBLY - Relay mounting	1	31-7852057 and up
-83	49528-02		BRACKET - Relay mounting	1	31-7852057 and up
-84	41734-78		CABLE ASSEMBLY - Elevator trim	1	
-85	472 829		LIGHT - Post (20-0121-15-B-24) Grimes	AR	
	472 742		LIGHT - Post (P-65-3-CW-28) Glar Ban	AR	
-86	458 894		FITTING - (MS20822-4D)	1	
-87	17766-100		HOSE - Amplifier to altitude hold	1	
-88	487 904		SWITCH - Transponder remote ident. (39-1)	1	31-8152001 and up

When ordering, always specify Part Number, Description, and Serial Number of Aircraft

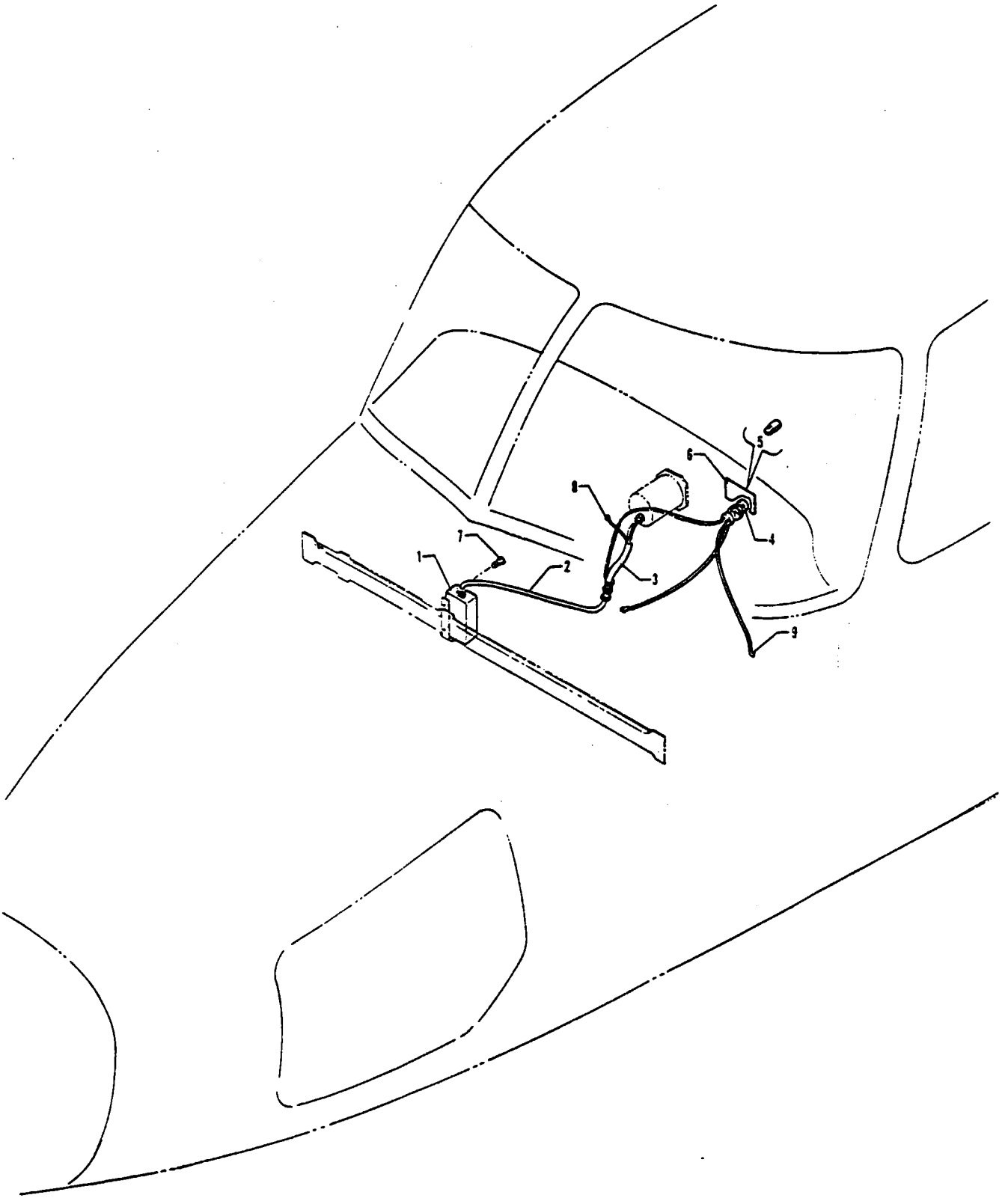


Figure 139. Glide Slope Coupler Installation



---

# PIPER PARTS CATALOG

---

CODE EXPLANATIONS FOR FIGURE 139

PIPER PARTS CATALOG

Figure and Index Number	Part Number	Code	NOMENCLATURE	No. Req.	SERIAL NUMBERS AFFECTED
139-	43921 54551		DRAWING - Glide Slope Coupler Installation DRAWING - Glide Slope Coupler Installation		31-5001 to 31-7552053 incl. 31-7552054 and up
-1	751 300		COUPLER ASSEMBLY - Glide slope (1C493)	1	
-2	752 010		HARNESS ASSEMBLY - Glide slope (30C291)	1	
-3	752 011		HARNESS ASSEMBLY - Glide slope (30B295)	1	
-4	752 371		LIGHT ASSEMBLY - Indicator (30A296)	1	
-5	472 028		LAMP - Indicator (PS10008-327)	1	
-6	43918-00		PLACARD - Glide slope, black	1	
	53835-00		PLACARD - Glide slope, beige	1	
-7	415 149		SCREW - (AN525-632R8)	2	
-8	488 406		TERMINAL - (PS10025-2-6S)	1	31-5001 to 31-7552053 incl.
-9	488 358		TERMINAL - (PS10025-5-2)	1	

When ordering, always specify Part Number, Description and Serial Number of Aircraft



---

# PIPER PARTS CATALOG

---

## CODE EXPLANATIONS FOR FIGURE 140

- A - This installation is relative only to associated Piper Aircraft Corporation parts that are used when installing Bendix Altimatic V F/D-1 AutoPilot. All Bendix equipment and components must be procured from an approved Bendix Service Facility or from Bendix Avionics Repair Services, Department 390, Post Office Box 9414, Fort Lauderdale, Florida, 33310.
- B - Used if Boom Mike is installed.
- C - Used only if Narco NAV 14 Radios are installed.
- D - Used only if King Radios are installed
- E - Used if Bendix Copilot Gyros are installed

# PIPER PARTS CATALOG

Figure and Index Number	Part Number	Code	Nomenclature	No. Req.	Serial Numbers Affected
140-	52147 52433		DRAWING - Altimatec V F/D-1 Autopilot Installation DRAWING - Copilot Gyro Installation (Bendix)		31-5001 to 31-7752099 incl.
-1	52145-00 53840-00		PLACARD - Trim warning, trim test, black PLACARD - Trim warning, trim test, beige	1 1	
-2	52179-00 53837-00	D	PLACARD - Marker beacon lights, black PLACARD - Marker beacon lights, beige	1 1	31-5001 to 31-7405478 incl. 31-5001 to 31-7405478 incl.
-3	52205-00 53838-00		PLACARD - Altimatec V F/D-1, black PLACARD - Altimatec V F/D-1, beige	1 1	
-4	52277-00	E	BOX ASSEMBLY - Attitude gyro switching	1	
-5	484 141	E	* RELAY - (TF-154-4C-24VDC)	1	
-6	484 211	E	* RELAY - (1245-2C-24D)	1	
-7	456 758	E	* DIODE - (1N4005)	2	
-8	555 409	E	* CONNECTOR - (57-40240)	1	
-9	33173-00	E	BOX ASSEMBLY - Reverse course datum	1	
-10	596 200		PLATE - Mooring (073-0044-01)	1	
-11	54165-00		SUMP ASSEMBLY - Static air	1	
-12	54167-00		ELBOW - Sump assembly	1	
-13	462 058		O-RING - (MS29512-04)	2	
-14	491 050		UNION - (AN815-4D)	1	
-15	477 618		NUT - (AN924-4D)	1	
-16	54542-02		PLATE ASSEMBLY - Flux detector mounting	1	
-17	54757-02		PLATE ASSEMBLY - Power supply mount	1	31-7552127 and up
-18	43295-00 44137-00		ANGLE ASSEMBLY - Computer mount, left ANGLE ASSEMBLY - Computer mount, right	1 1	31-7552127 and up 31-7552127 and up
-19	44957-00		SHELF - Altitude controller	1	
-20	52057-00		SHELF ASSEMBLY - Autopilot equipment	1	31-5001 to 31-7552126 incl.
-21	44975-00		MOUNTING ASSEMBLY - Elevator servo	1	
-22	33067-06		CABLE ASSEMBLY - Roll servo	1	
-23	42484-03		CABLE ASSEMBLY - Trim servo (8.84" L.)	1	
-24	52004-00		CABLE ASSEMBLY - Pitch servo	1	
-25	52023-00		SUPPORT ASSEMBLY - Elevator trim servo	1	
-26	80024-14		LINE ASSEMBLY - Static air	1	
-27	54163-00		LINE ASSEMBLY - Static air	1	
-27a	54164-00		LINE ASSEMBLY - Static air	1	
-28	44947-00		ANGLE - Support	1	
-29	26934-00		CORD ASSEMBLY - Altimatec	1	
-30	587 916		SWITCH ASSEMBLY - (SB4011NCM)	1	
-31	487 904	B	SWITCH - (39-1)	1	
-32	587 822		SWITCH ASSEMBLY - (S22048-0001)	1	
-33	454 277	B	CAP - (30B1012)	1	
-34	53755-08		BRACKET ASSEMBLY - Switch, control wheel	1	
-35	26870-00		BUTTON - Plug	1	
-36	477 788		NUT - (7C1040)	1	
-37	53768-02 53768-03	B	PLACARD - Control wheel PLACARD - Control wheel	1 1	
-38	453 855		BUTTON - Plug (207-170201-00)	1	
-39	52274-00		BOX ASSEMBLY - Relay, NAV heading switching	1	
-40	484 144		* RELAY - (TF154-CCC-CCC-24VDC)	1	
-41	481 141		* POTENTIOMETER - (AS3609)	1	
-42	82371-119		* HOSE - Screw mounting	2	
-43	52188-00		* CLAMP - Relay	1	
-44	53437-05		COVER ASSEMBLY - Pedestal, center	1	

When ordering, always specify Part Number, Description, and Serial Number of Aircraft

PIPER PARTS CATALOG

Figure and Index Number	Part Number	Code	NOMENCLATURE	No. Req.	SERIAL NUMBERS AFFECTED
140-45	40579-00		* PLACARD - Trim control, longitudinal	1	
-46	43184-00		* PLACARD - Trim control, directional	1	
-47	43185-00		* PLACARD - Trim control, lateral	1	
-48	472 054		LAMP - Indicator (PS10008-330) 14 volt	1	
-49	33187-00	C	PLACARD - NAV test, fast slave, black	1	
	53839-00	C	PLACARD - NAV test, fast slave, beige	1	
	52595-00	D	PLACARD - Fast slave, black	1	
	48681-00	D	PLACARD - Fast slave, beige	1	
-50	33166-00	C	SWITCH ASSEMBLY - NAV test and fast slave	1	
	52594-00	D	SWITCH ASSEMBLY - Fast slave	1	
-51	587 820		SWITCH ASSEMBLY - (46-1018)	1	
-52	52293-00		SWITCH ASSEMBLY - AltiMatic V F/D	1	
-53	33078-02		CLAMP - Cable	4	
-54	52292-02	E	HARNESS ASSEMBLY - Copilot gyro switching, black	1	
	52292-05	E	HARNESS ASSEMBLY - Copilot gyro switching, beige	1	
-55	487 915	E	* SWITCH - (7101)	3	
-56	53876-03	D	HARNESS ASSEMBLY - DME	1	31-5001 to 31-7405478 incl.
-57	52117-00		HARNESS ASSEMBLY - Compensator	1	
-58	33093-02		HARNESS ASSEMBLY - Flux sensor	1	
-59	52177-00	D	HARNESS ASSEMBLY - Marker beacon lights	1	31-5001 to 31-7405478 incl.
-60	487 904		* SWITCH - (39-1)	1	31-5001 to 31-7405478 incl.
-61	484 382		* RESISTOR - Type 5 KT, 40 ohm, 5 watt	1	31-5001 to 31-7405478 incl.
-62	456 707		* DIODE - (1N4002)	3	31-5001 to 31-7405478 incl.
-63	472 833		* LIGHT - Indicator (106S-A-F9)	1	31-5001 to 31-7405478 incl.
-64	472 831		* LIGHT - Indicator (106S-B-F9)	1	31-5001 to 31-7405478 incl.
-65	472 832		* LIGHT - Indicator (106S-W-F9)	1	31-5001 to 31-7405478 incl.
-66	52180-00		* ANGLE ASSEMBLY - Diode mounting	1	31-5001 to 31-7405478 incl.
-67	52318-00		HARNESS ASSEMBLY - Circuit protector	1	
-68	53830-00	E	HARNESS ASSEMBLY - Directional gyro adapter	1	
-69	46008-00		ANGLE - Radio shelf, upper, Sta. 296	1	31-5001 to 31-7405202 incl.
	46008-02		ANGLE - Radio shelf, upper, Sta. 296	1	31-7405401 to 31-7405441 incl.
	46006-00		ANGLE - Radio shelf, upper, Sta. 310	1	31-7405203 to 31-7405400 incl.
	46006-02		ANGLE - Radio shelf, upper, Sta. 310	1	31-7405442 to 31-7552126 incl.
-70	47747-00		BRACKET ASSEMBLY - Flux detector	1	
-71	52072-00		BRACKET ASSEMBLY - N-S/E-W corrector mounting	1	
-72	52108-00		BRACKET ASSEMBLY - Cover	1	31-5001 to 31-7652177 incl.
-73	52109-00		BRACKET ASSEMBLY - Support	1	31-5001 to 31-7652177 incl.
-74	52110-00		BRACKET - Instrument panel spacer	2	31-5001 to 31-7652177 incl.
-75	52025-00		BRACKET ASSEMBLY - Elevator trim servo	1	
-76	45767-00		BRACKET - Radio shelf, rear, left	1	31-5001 to 31-7552126 incl.
	45767-01		BRACKET - Radio shelf, rear, right	1	31-5001 to 31-7405202 incl.
	45767-03		BRACKET - Radio shelf, rear, right	1	31-7405401 to 31-7405441 incl.
					31-7405203 to 31-7405400 incl.
					31-7405442 to 31-7552126 incl.
-77	52058-00		BRACKET ASSEMBLY - Aileron servo	1	
-78	52039-00		PLATE ASSEMBLY - Cable run strip mounting	1	
-79	47720-00		GUARD - Cable	1	31-5001 to 31-7552126 incl.
-80	481 617		PULLEY - (MS20219-1)	2	
-81	52014-00		STRIP - Rub. elevator trim cable	1	
-82	52013-00		STRIP - Rub. elevator trim cable	1	

When ordering, always specify Part Number, Description and Serial Number of Aircraft

PIPER PARTS CATALOG

Figure and Index Number	Part Number	Code	NOMENCLATURE	No. Req.	SERIAL NUMBERS AFFECTED
140-83	52040-00		STRIP - Rub aileron, inboard	1	
	52042-00		STRIP - Rub aileron, outboard	1	
-84	41995-00		FITTING ASSEMBLY - Static line vent	2	
-85	40885-00	E	SPACER - Gyro mounting	1	31-5001 to 31-7652177 incl.
-86	458 894		ELBOW - (AN822-4D)	1	
-87	488 316		TEE - (AN826-4D)	1	
-88	40885-00		SPACER - Gyro mounting (1/2" thick)	1	31-5001 to 31-7652177 incl.
	40885-02		SPACER - Gyro mounting (5/8" thick)	1	31-5001 to 31-7652177 incl.
-89	452 015		BARREL - Turnbuckle (NAS649-88S)	1	
-90	459 958		EYE - Turnbuckle (NAS648-8RS)	1	
-91	454 867		CLIP - Turnbuckle barrel (NAS651-16S)	4	
-92	489 873		TURNBUCKLE - (MS21251-82S)	1	
-93	472 827		LIGHT ASSEMBLY - (162-8430-0931-502)	1	

When ordering, always specify Part Number, Description and Serial Number of Aircraft

PIPER PARTS CATALOG



Figure 141. AltiMatic V-1 Autopilot Installation  
(Serial Numbers 31-5001 to 31-7752099 inclusive)  
(See Code "A")



---

# PIPER PARTS CATALOG

---

## CODE EXPLANATIONS FOR FIGURE 141

- A - This installation is relative only to associated Piper Aircraft Corporation parts that are used when installing Bendix Altimatic V-1 AutoPilot. All Bendix equipment and components must be procured from an approved Bendix Service Facility or from Bendix Avionics Repair Services, Department 390, Post Office Box 9414, Fort Lauderdale, Florida, 33310.
- B - Used if Bendix Copilot Gyros are installed.
- C - Used if Boom Mike is installed.
- D - Used if Narco Spectrum Radios are installed.
- E - Used if King Radios are installed.

# PIPER PARTS CATALOG

Figure and Index Number	Part Number	Code	Nomenclature	No. Req.	Serial Numbers Affected
141-	52322 54722 52433		DRAWING - AltiMatic Autopilot Installation DRAWING - AltiMatic Autopilot Installation DRAWING - Copilot Gyro Installation (Bendix)		31-5001 to 31-7552093 incl. 31-7552094 and up
-1	472 054		LAMP - (PS10008-330)	1	31-7552094 and up
-2	52594-00	E	SWITCH ASSEMBLY - Fast slave	1	31-7552094 and up
-3	52595-00	E	PLACARD - Fast slave, black	1	31-7552094 and up
	48681-00	E	PLACARD - Fast slave, beige	1	31-7552094 and up
-4	82371-89		HOSE	1	31-7552094 and up
-5	454 987		CLAMP - (SAE TY E-12)	2	31-7552094 and up
-6	488 539		TEE - (1K30-8-8-4)	1	31-7552094 and up
-7	596 200		PLATE - (073-0044-01)	1	31-7552094 and up
-8	475 109		MOUNT - (J-7219-22)	4	31-7552094 to 31-7652177 incl.
-9	52110-00		BRACKET - Instrument panel spacer	2	31-7552094 to 31-7652177 incl.
-10	54757-02		PLATE ASSEMBLY - Power supply mount	1	31-7552127 and up
-11	43295-00		ANGLE ASSEMBLY - Computer mount, left	1	31-7552127 and up
	44137-00		ANGLE ASSEMBLY - Computer mount, right	1	31-7552127 and up
-12	44957-00		SHELF - Altitude controller	1	
-13	52057-00		SHELF ASSEMBLY - Autopilot equipment	1	31-5001 to 31-7552126 incl.
-14	44975-00		MOUNTING ASSEMBLY - Elevator servo	1	
-15	33067-06		CABLE ASSEMBLY - Roll servo	1	
-16	42484-03		CABLE ASSEMBLY - Trim servo	1	
-17	52004-00		CABLE ASSEMBLY - Pitch servo	1	
-18	52023-00		SUPPORT ASSEMBLY - Elevator trim servo	1	
-19	80024-14		LINE ASSEMBLY - Static air	1	
-20	54163-00		LINE ASSEMBLY - Static air	1	
-20a	54164-00		LINE ASSEMBLY - Static air	1	
-21	33173-00		BOX ASSEMBLY - Reverse course datum	1	31-5001 to 31-7552093 incl.
-22	53437-05		COVER ASSEMBLY - Pedestal, center	1	
-23	40579-00		* PLACARD - Trim control, longitudinal	1	
-24	43184-00		* PLACARD - Trim control, directional	1	
-25	43185-00		* PLACARD - Trim control, lateral	1	
-26	52274-00		BOX ASSEMBLY - Relay, NAV heading switching	1	
-27	484 376		* RELAY - (TF154-CCC-CCC-24VDC)	1	
-28	481 141		* POTENTIOMETER - (AS3609)	1	
-29	82371-119		* HOSE - Screw mounting	2	
-30	52188-00		* CLAMP - Relay	1	
-31	26934-00		CORD ASSEMBLY - AltiMatic	1	
-32	587 916		SWITCH ASSEMBLY - (SB4011NCM)	1	
-33	487 904	C	SWITCH - (39-1)	1	
-34	587 822		SWITCH ASSEMBLY - (S22048-0001)	1	
-35	454 277	C	CAP - (30B1012)	1	
-36	53755-08		BRACKET ASSEMBLY - Switch, control wheel	1	
-37	26870-00		BUTTON - Plug	1	
-38	477 788		NUT - (7C1040)	1	
-39	53768-02		PLACARD - Control wheel	1	
	53768-03	C	PLACARD - Control wheel	1	
-40	33117-00		BOX ASSEMBLY - Accessory (complete)	1	31-5001 to 31-7552093 incl.
-41	554 175		* CAPACITOR - (308G030JS4) Type 39D	1	
-42	484 254		* RELAY - (KA11DG) 10 AMP	1	
-43	555 451		* CONNECTOR - (D8F-25P)	1	

When ordering, always specify Part Number, Description, and Serial Number of Aircraft

## PIPER PARTS CATALOG

Figure and Index Number	Part Number	Code	NOMENCLATURE	No. Req.	SERIAL NUMBERS AFFECTED
141-44	52293-00		SWITCH ASSEMBLY - Autopilot	1	
-45	40885-00	B	SPACER - Gyro mounting (1/2" thick)	1	31-5001 to 31-7552093 incl.
	40885-02	B	SPACER - Gyro mounting (5/8" thick)	1	31-5001 to 31-7552093 incl.
-46	587 820		SWITCH - (46-101B)	1	31-7552094 and up
-47	587 820		SWITCH ASSEMBLY - (46-101B)	1	
-48	472 827		LIGHT ASSEMBLY - (162-8430-0931-502)	1	
-49	472 054		LAMP - Indicator (PS10008-330) 14 volt	1	
-50	52292-03	B	HARNES ASSEMBLY - Copilot gyro switching, black	1	
	52292-06	B	HARNES ASSEMBLY - Copilot gyro switching, beige	1	
-51	487 915	B	* SWITCH - (7101)	3	
-52	52318-00		HARNES ASSEMBLY - Circuit protector	1	
-53	52339-00		HARNES ASSEMBLY - Directional gyro adapter	1	31-5001 to 31-7552093 incl.
-54	52025-00		BRACKET ASSEMBLY - Elevator trim servo	1	
-55	45767-00		BRACKET - Radio shelf, rear, left	1	31-5001 to 31-7552126 incl.
	45767-01		BRACKET - Radio shelf, rear, right	1	31-5001 to 31-7405202 incl.
	45767-03		BRACKET - Radio shelf, rear, right	1	31-7405401 to 31-7405441 incl. 31-7405203 to 31-7405400 incl. 31-7405442 to 31-7552126 incl.
-56	52058-00		BRACKET ASSEMBLY - Aileron servo	1	
-57	52039-00		PLATE ASSEMBLY - Cable rub strip mounting	1	
-58	47720-00		GUARD - Cable	1	31-5001 to 31-7552126 incl.
-59	481 617		PULLEY - (MS20219-1)	2	
-60	52014-00		STRIP - Rub, elevator trim cable	1	
-61	52013-00		STRIP - Rub, elevator trim cable	1	
-62	52040-00		STRIP - Rub, aileron, inboard	1	
	52042-00		STRIP - Rub, aileron, outboard	1	
-63	41995-00		FITTING ASSEMBLY - Static line vent	2	
-64	40885-00	B	SPACER - Gyro mounting	1	31-5001 to 31-7552093 incl.
-65	458 894		ELBOW - (AN822-4D)	1	
-66	488 316		TEE - (AN826-4D)	1	
-67	458 945		ELBOW - (1K1-4-6)	1	
-68	558 991		ELBOW - (1K1-4-8)	2	
-69	33078-02		CLAMP - Cable	4	
-70	452 015		BARREL - Turnbuckle (NAS649-88S)	1	
-71	459 958		EYE - Turnbuckle (NAS648-8RS)	1	
-72	454 867		CLIP - Turnbuckle barrel (NAS651-16S)	4	
-73	489 873		TURNBUCKLE - (MS21251-B2S)	1	
-74	558 913		ELBOW - (1K9-4-6)	1	31-5001 to 31-7552093 incl.
-75	52145-00		PLACARD - Trim warning, black	1	
	53840-00		PLACARD - Trim warning, beige	1	
-76	52320-00		PLACARD - AltiMatic V-1 ("ON-OFF"), black	1	31-5001 to 31-7552093 incl.
	53841-00		PLACARD - AltiMatic V-1 ("ON-OFF"), beige	1	31-5001 to 31-7552093 incl.
-77	40885-00		SPACER - Mounting, directional gyro	1	31-5001 to 31-7652177 incl.
-78	40885-00		SPACER - Mounting, attitude horizon (8 degrees)	1	31-5001 to 31-7652177 incl.
	40885-02		SPACER - Mounting, attitude horizon (8 degrees)	1	31-5001 to 31-7652177 incl.
-79	472 827		LIGHT ASSEMBLY - (162-8430-0931-502)	1	31-7552094 and up
-80	44947-00		ANGLE - Support	1	
-81	46008-00		ANGLE - Radio shelf, upper, Sta. 296	1	31-5001 to 31-7405202 incl. 31-7405401 to 31-7405441 incl.
	46008-02		ANGLE - Radio shelf, upper, Sta. 296	1	31-7405203 to 31-7405400 incl. 31-7405442 to 31-7552126 incl.
	46006-00		ANGLE - Radio shelf, upper, Sta. 310	1	31-5001 to 31-7405202 incl.
	46006-02		ANGLE - Radio shelf, upper, Sta. 310	1	31-7405401 to 31-7405441 incl. 31-7405203 to 31-7405400 incl. 31-7405442 to 31-7552126 incl.

When ordering, always specify Part Number, Description and Serial Number of Aircraft

PIPER PARTS CATALOG

Figure and Index Number	Part Number	Code	NOMENCLATURE	No. Req.	SERIAL NUMBERS AFFECTED
141-82	52277-00	B	BOX ASSEMBLY - Attitude gyro switching	1	
-83	484 141	B	RELAY - (TF-154-4C-24VDC)	1	
-84	484 211	B	RELAY - (1245-2C-24D)	1	
-85	456 758	B	DIODE - (1N4005)	2	
-86	555 409	B	CONNECTOR - (57-40240)	1	
-87	53830-00	B	HARNESS ASSEMBLY - Directional gyro adapter	1	
-88	54165-00		SUMP ASSEMBLY - Static air	1	
-89	54167-00		ELBOW - Sump assembly	1	
-90	482 058		RING - "O" (MS29512-04)	2	
-91	491 050		UNION - (AN815-4D)	1	
-92	477 618		NUT - (AN924-4D)	1	
-93	53611-00		SWITCH ASSEMBLY - NAV selector	1	31-7405479 and up
-94	53610-00		PLACARD - NAV selector, black	1	31-7405478 and up
	53847-00		PLACARD - NAV selector, beige	1	31-7405479 and up
-95	33093-02		HARNESS ASSEMBLY - Flux, sensor	1	31-7552094 and up
-96	33166-00	D	SWITCH ASSEMBLY - NAV Test and fast slave	1	31-7552094 and up
-97	33167-00	D	PLACARD - NAV Test and fast slave	1	31-7552094 and up
-98	52109-00		BRACKET ASSEMBLY - Support	1	31-7552094 to 31-7652177 incl.
-99	52117-00		HARNESS ASSEMBLY - Compensator	1	31-7552094 and up
-100	52108-00		BRACKET ASSEMBLY - Cover	1	31-7552094 to 31-7652177 incl.

When ordering, always specify Part Number, Description and Serial Number of Aircraft

# PIPER PARTS CATALOG

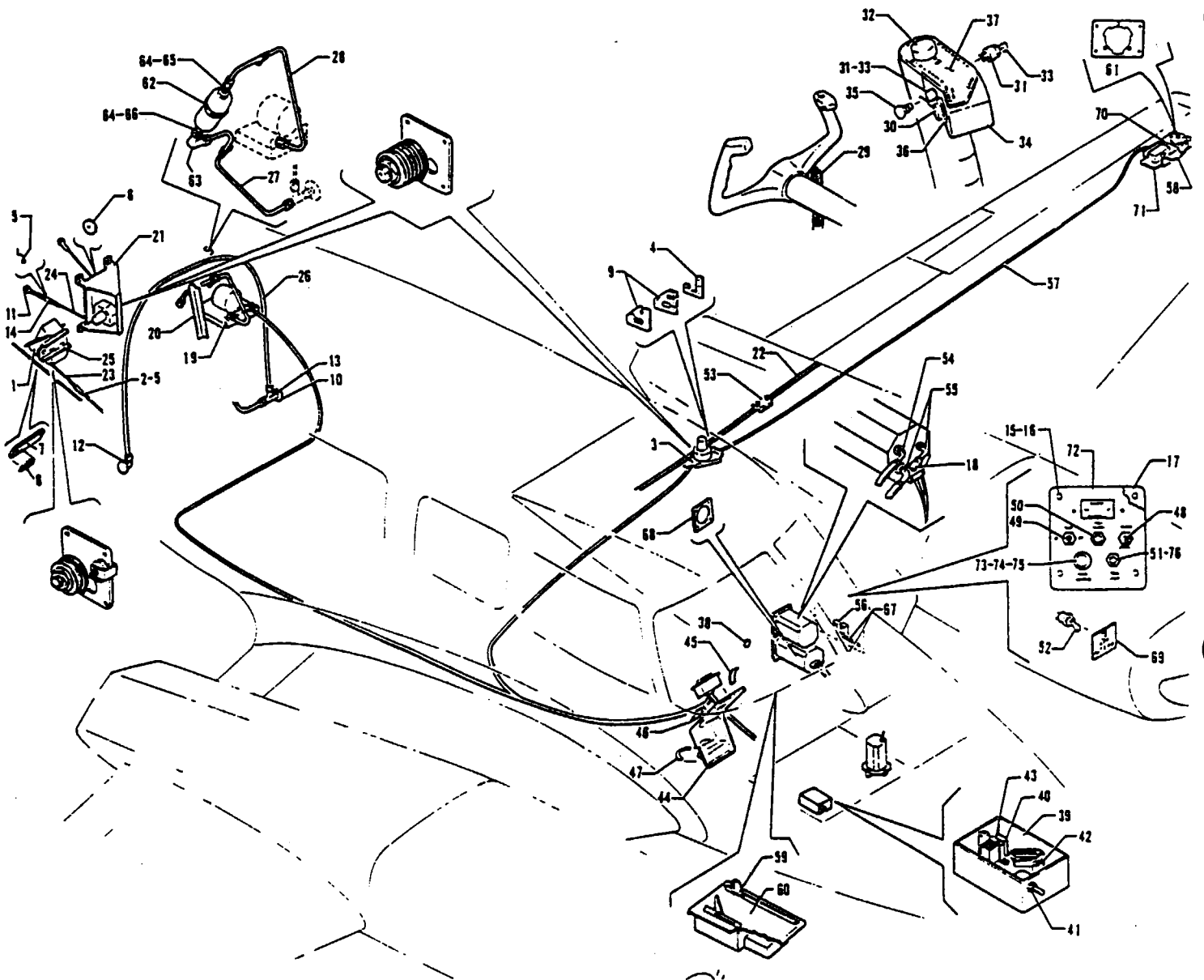


Figure 142. Flight Director/AutoPilot Installation (Bendix FCS-810)  
(Serial Numbers 31-7752100 to 31-8052221 incl.)  
(See Code "A")

---

## PIPER PARTS CATALOG

---

### CODE EXPLANATIONS FOR FIGURE 142

- A - This installation is relative only to associated Piper Aircraft Corporation parts that are used when installing Bendix FCS-810 F/D AutoPilot. All Bendix equipment and components must be procured from an approved Bendix Service Facility or from Bendix Avionics Repair Services, Department 390, Post Office Box 9414, Fort Lauderdale, Florida, 33310.
- B - Used if Boom Mike is not installed

# PIPER PARTS CATALOG

Figure and Index Number	Part Number	Code	Nomenclature	No. Req.	Serial Numbers Affected
142-	55810		DRAWING - Flight Director/Autopilot Installation		31-7752100 to 31-8052221 incl.
-1	52025-00		BRACKET ASSEMBLY - Elevator trim servo	1	
-2	489 873		TURNBUCKLE - (MS21251-82S)	1	
-3	52058-00		BRACKET ASSEMBLY - Aileron servo	1	
-4	52039-00		PLATE ASSEMBLY - Cable rub strip mounting	1	
-5	454 867		CLIP - Turnbuckle barrel (NAS651-16S)	4	
-6	481 617		PULLEY - (MS20219-1)	2	
-7	52014-00		STRIP - Rub, elevator trim cable	1	
-8	52013-00		STRIP - Rub, elevator trim cable	1	
-9	52040-00		STRIP - Rub, aileron, inboard	1	
	52042-00		STRIP - Rub, aileron, outboard	1	
-10	41995-00		FITTING - Static line vent	2	
-11	459 958		EYE - Turnbuckle (NAS648-8RS)	1	
-12	458 894		ELBOW - (AN822-4D)	1	
-13	488 316		TEE - (AN826-4D)	1	
-14	452 015		BARREL - Turnbuckle (NAS649-B8S)	1	
-15	472 742		LIGHT - Post (P-65-3-CW-28) (Glar Ban)	2	31-7852001 and up
-16	556 743		CONNECTOR - (5954-8ND-2)	2	31-7852001 and up
-17	28303-02		PANEL - Function switch	1	31-7752100 to 31-7752192 incl.
	49424-02		PANEL - Function switch	1	31-7852001 to 31-7952078 incl.
	71024-02		PANEL - Function switch	1	31-7952079 and up
-18	82371-89		HOSE - Air pressure	1	
-19	44957-00		SHELF - Altitude controller	1	
-20	44947-00		ANGLE - Support	1	
-21	44975-00		MOUNTING ASSEMBLY - Elevator servo	1	
-22	33067-06		CABLE ASSEMBLY - Roll servo	1	
-23	42484-03		CABLE ASSEMBLY - Trim servo (8.84" L.)	1	
-24	52004-00		CABLE ASSEMBLY - Pitch servo	1	
-25	52023-00		SUPPORT ASSEMBLY - Elevator trim servo	1	
-26	80024-14		LINE ASSEMBLY - Static air	1	
-27	54163-00		LINE ASSEMBLY - Static air	1	
-28	54164-00		LINE ASSEMBLY - Static air	1	
-29	26934-00		CORD ASSEMBLY - Control wheel	1	
-30	587 916		SWITCH ASSEMBLY - (SB4011NCM)	1	31-7752100 to 31-7952250 incl.
	588 140		SWITCH ASSEMBLY - (8N1021)	1	31-8052001 and up
-31	487 904		SWITCH - (39-1)	2	
-32	587 822		SWITCH ASSEMBLY - (S22048-0001)	1	31-7752100 to 31-7952250 incl.
	596 717		SWITCH ASSEMBLY - (200-1902-00)	1	31-8052001 and up
-33	454 277		CAP - (30B1012)	2	
-34	28339-02		BRACKET ASSEMBLY - Switch, control wheel	1	31-7752100 to 31-7952250 incl.
	49655-02		BRACKET ASSEMBLY - Switch, control wheel	1	31-8052001 and up
-35	26870-00	B	BUTTON - Plug	1	
-36	477 788		NUT - (7C1040)	1	31-7752100 to 31-7952250 incl.
-37	80668-02		PLACARD - Control wheel	1	31-7752100 to 31-7952250 incl.
	71486-02		PLACARD - Control wheel	1	31-8052001 and up
-38	453 855		BUTTON - Plug (207-170201-00)	1	
-39	52274-00		BOX ASSEMBLY - Relay, nav, heading switch	1	31-7752100 to 31-7952046 incl.
-40	484 144		* RELAY - (TF-154-CCC-CCC-24VDC)	1	31-7752100 to 31-7952046 incl.
-41	481 141		* POTENTIOMETER - (AS3609)	1	31-7752100 to 31-7952046 incl.
-42	82371-119		* HOSE - Screw mounting	2	31-7752100 to 31-7952046 incl.
-43	52188-00		* CLAMP - Relay	1	31-7752100 to 31-7952046 incl.

When ordering, always specify Part Number, Description, and Serial Number of Aircraft

## PIPER PARTS CATALOG

Figure and Index Number	Part Number	Code	NOMENCLATURE	No. Req.	SERIAL NUMBERS AFFECTED
142-44	53437-05		COVER ASSEMBLY - Pedestal, center	1	
-45	40579-00		* PLACARD - Trim control, longitudinal	1	
-46	43184-00		* PLACARD - Trim control, directional	1	
-47	43185-00		* PLACARD - Trim control, lateral	1	
-48	587 888		SWITCH - Slaving (7201)	1	
-49	587 943		SWITCH - Slew (SFISHX191)	1	
-50	587 849		SWITCH - Fast slave (30-1)	1	
-51	587 820		SWITCH ASSEMBLY - Trim test (46-101B)	1	31-7752100 to 31-7952046 incl.
-52	52293-00		SWITCH ASSEMBLY - FD/AP	1	31-7752100 to 31-7952046 incl.
-53	33078-02		CLAMP - Cable	4	
-54	451 881		ELBOW - (1K10-2-4)	1	
-55	558 992		ELBOW - (1K9-4-8)	2	
-56	454 656		CIRCUIT BREAKER - (PS50120-3-7) 5 amp	3	
-57	52117-00		HARNESS ASSEMBLY - Compensator	1	
-58	33093-02		HARNESS ASSEMBLY - Flux sensor	1	
-59	43295-00		ANGLE ASSEMBLY - Computer mount, left	1	
	44137-00		ANGLE ASSEMBLY - Computer mount, right	1	
-60	54757-02		PLATE ASSEMBLY - Power supply mounting	1	
-61	54542-02		PLATE ASSEMBLY - Flux detector mounting	1	
-62	54165-00		SUMP ASSEMBLY - Static air	1	
-63	54167-00		ELBOW - Sump assembly	1	
-64	462 058		RING - "O" (MS29512-04)	2	
-65	491 050		UNION - (AN815-4D)	1	
-66	477 618		NUT - (AN924-4D)	1	
-67	52318-00		HARNESS ASSEMBLY - Circuit breaker	1	
-68	596 200		PLATE - Mooring (073-0044-01)	1	31-7752100 to 31-7952097 incl
	57279-02		PLATE - Mounting	1	31-7952098 and up
-69	80537-02		PLACARD - FD/AP, Black	1	31-7752100 to 31-7952046 incl
	80537-03		PLACARD - FD/AP, Beige	1	31-7752100 to 31-7952046 incl
-70	47831-00		PLATE ASSEMBLY - Flux sensor mounting	1	
-71	52072-00		BRACKET ASSEMBLY - N-S/E-W corrector mounting	1	
-72	80520-02		PLACARD - Switch panel	1	31-7752100 to 31-7952046 incl
	80624-02		PLACARD - Switch panel	1	31-7752100 to 31-7952046 incl
	71025-02		PLACARD - Switch panel	1	31-7952047 and up
-73	472 827		LIGHT ASSEMBLY - (162-8430-0931-502)	1	31-7752100 to 31-7752192 incl.
-74	472 054		LAMP - Indicator (PS10008-330) 14V	1	31-7752100 to 31-7752192 incl
-75	587 820		SWITCH ASSEMBLY - Trim test (46-101B)	1	31-7952047 and up
-76	487 915		SWITCH ASSEMBLY - FD/AP (7101)	1	31-7952047 and up

When ordering, always specify Part Number, Description and Serial Number of Aircraft



# PIPER PARTS CATALOG

---

GRIDS 4C22 THRU 4C24  
INTENTIONALLY LEFT BLANK

# PIPER PARTS CATALOG

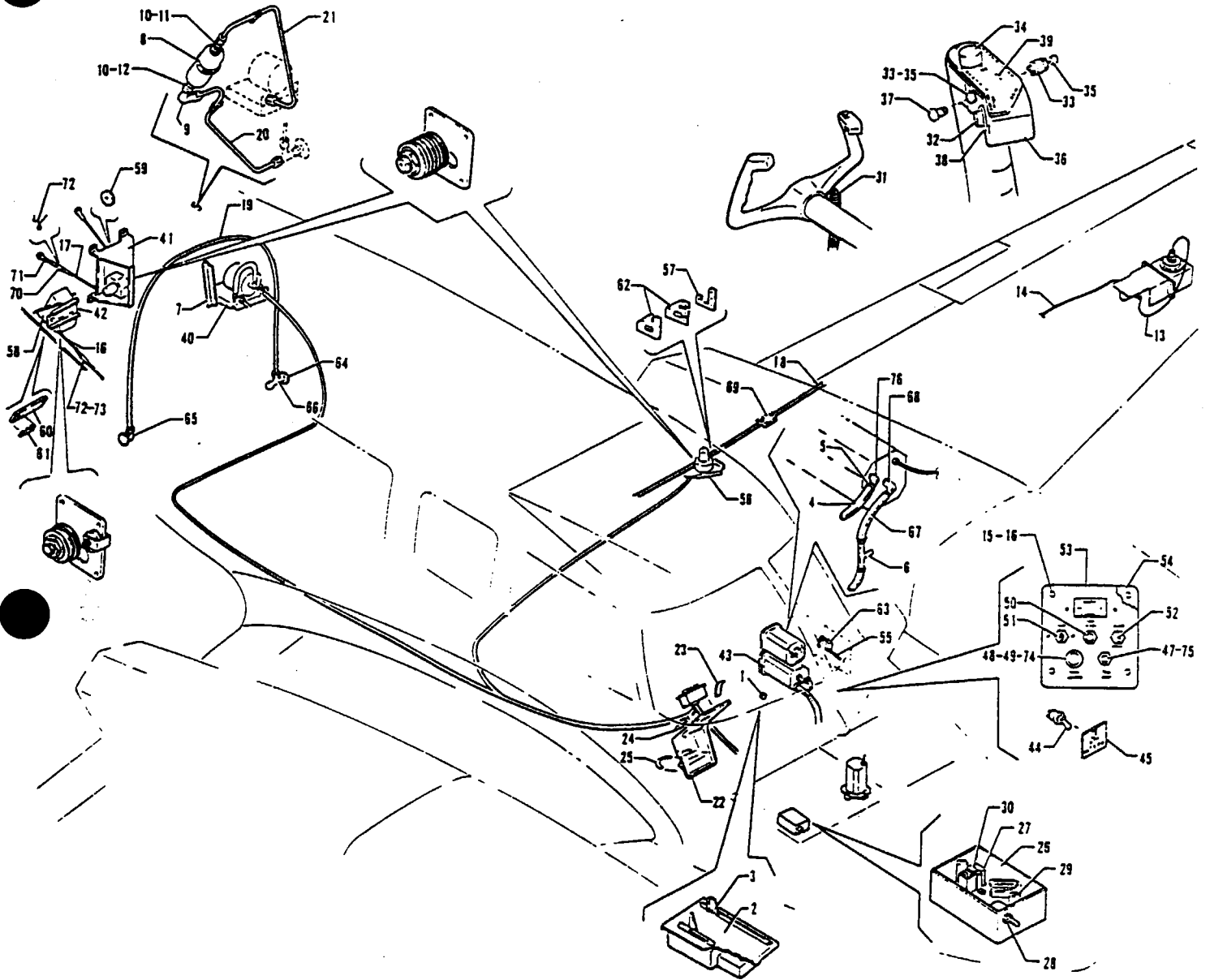


Figure 143 AutoPilot Installation (Bendix FCS-810)  
(Serial Numbers 31-7752100 to 31-8052221 incl.)  
(See Code "A")

---

# PIPER PARTS CATALOG

---

## CODE EXPLANATIONS FOR FIGURE 143

- A - This installation is relative only to associated Piper Aircraft Corporation parts that are used when installing Bendix FCS-810 AutoPilot. All Bendix equipment and components must be procured from an approved Bendix Service Facility or from Bendix Avionics Repair Services, Department 390, Post Office Box 9414, Fort Lauderdale, Florida, 33310.
- B - Used if Boom Mike is not installed.

# PIPER PARTS CATALOG

Figure and Index Number	Part Number	Code	Nomenclature	No. Req.	Serial Numbers Affected
143-	55811		DRAWING - AutoPilot Installation		31-7752100 to 31-8052221 incl.
-1	453 855		BUTTON - Plug (207-170201-00)	1	
-2	54757-02		PLATE ASSEMBLY - Power supply mount	1	
-3	43295-00		ANGLE ASSEMBLY - Computer mount, left	1	
	44137-00		ANGLE ASSEMBLY - Computer mount, right	1	
-4	82371-89		HOSE	1	
-5	454 987		CLAMP - (SAE TY E-12)	2	
-6	488 539		TEE - (1K30-8-8-4)	1	
-7	44947-00		ANGLE - Support	1	
-8	54165-00		SUMP ASSEMBLY - Static air	1	
-9	54167-00		ELBOW - Sump assembly	1	
-10	462 058		O-RING - (MS29512-04)	2	
-11	491 050		UNION - (AN815-4D)	1	
-12	477 618		NUT - (AN924-4D)	1	
-13	33093-02		HARNES ASSEMBLY - Flux sensor	1	
-14	52117-00		HARNES ASSEMBLY - Compensator	1	
-15	472 742		LIGHT - Post (P-65-3-CW-28) (Glar Ban)	2	31-7852001 and up
-16	42484-03		CABLE ASSEMBLY - Trim servo	1	
-17	52004-00		CABLE ASSEMBLY - Pitch servo	1	
-18	33067-06		CABLE ASSEMBLY - Roll servo	1	
-19	80024-14		LINE ASSEMBLY - Static air	1	
-20	54163-00		LINE ASSEMBLY - Static air	1	
-21	54164-00		LINE ASSEMBLY - Static air	1	
-22	53437-05		COVER ASSEMBLY - Pedestal, center	1	
-23	40579-00		* PLACARD - Trim control, longitudinal	1	
-24	43184-00		* PLACARD - Trim control, directional	1	
-25	43185-00		* PLACARD - Trim control, lateral	1	
-26	52274-00		BOX ASSEMBLY - Relay, nav heading switch	1	31-7752100 to 31-7952046 incl.
-27	484 144		* RELAY - (TF-154-CCC-CCC-24VDC)	1	31-7752100 to 31-7952046 incl.
-28	481 141		* POTENTIOMETER - (AS3609)	1	31-7752100 to 31-7952046 incl.
-29	82371-119		* HOSE - Screw mounting	1	31-7752100 to 31-7952046 incl.
-30	52188-00		* CLAMP - Relay	1	31-7752100 to 31-7952046 incl.
-31	26934-00		CORD ASSEMBLY - Control wheel	1	
-32	587 916		SWITCH ASSEMBLY - (SB4011NCM)	1	31-7752100 to 31-7952250 incl.
	588 140		SWITCH ASSEMBLY - (8N1021)	1	31-8052001 and up
-33	487 904		SWITCH - (39-1)	2	
-34	587 822		SWITCH ASSEMBLY - (S22048-0001)	1	31-7752100 to 31-7952250 incl.
	596 717		SWITCH ASSEMBLY - (200-1902-00)	1	31-8052001 and up
-35	454 277		CAP - (30B1012)	2	
-36	28339-02		BRACKET ASSEMBLY - Switch, control wheel	1	31-7752100 to 31-7952250 incl.
	49655-02		BRACKET ASSEMBLY - Switch, control wheel	1	31-8052001 and up
-37	26870-00	B	BUTTON - Plug	1	
-38	477 788		NUT - (7C1040)	1	31-7752100 to 31-7952250 incl.
-39	80668-02		PLACARD - Control wheel	1	31-7752100 to 31-7952250 incl.
	71486-02		PLACARD - Control wheel	1	31-8052001 and up
-40	44957-00		SHELF - Altitude controller	1	
-41	44975-00		MOUNTING ASSEMBLY - Elevator servo	1	
-42	52023-00		SUPPORT ASSEMBLY - Elevator trim servo	1	
-43	596 200		PLATE - Mooring (073-0044-01)	1	31-7752100 to 31-7952046 incl.
-44	52293-00		SWITCH ASSEMBLY - Autopilot	1	31-7752100 to 31-7952046 incl.
-45	80538-02		PLACARD - Autopilot ("on-off"), black	1	31-7752100 to 31-7952046 incl.
	80538-03		PLACARD - Autopilot ("on-off"), beige	1	31-7752100 to 31-7952046 incl.
-46	556 743		CONNECTOR - (5954-8ND-2)	2	31-7852001 and up

When ordering, always specify Part Number, Description, and Serial Number of Aircraft

PIPER PARTS CATALOG

Figure and Index Number	Part Number	Code	NOMENCLATURE	No. Req.	SERIAL NUMBERS AFFECTED
143-47	587 820		SWITCH ASSEMBLY - (46-101B)	1	31-7752100 to 31-7952046 incl.
-48	472 827		LIGHT ASSEMBLY - (162-8430-0931-502)	1	31-7752100 to 31-7752192 incl.
-49	472 054		LAMP - Indicator (PS10008-330) 14 volt	1	31-7752100 to 31-7752192 incl.
-50	587 849		SWITCH - Fast slave (30-1)	1	
-51	587 943		SWITCH - Slew (SFISHX191)	1	
-52	587 888		SWITCH - Slaving (7201)	1	
-53	80520-02		PLACARD - Switch panel	1	31-7752100 to 31-7752192 incl.
	80624-02		PLACARD - Switch panel	1	31-7852001 to 31-7952046 incl.
	71026-02		PLACARD - Switch panel	1	31-7952047 and up
-54	28303-02		PANEL - Function switch	1	31-7752100 to 31-7752192 incl.
	49242-02		PANEL - Function switch	1	31-7852001 to 31-7952078 incl.
	71024-02		PANEL - Function switch	1	31-7952079 and up
-55	52318-00		HARNESS ASSEMBLY - Circuit breaker	1	
-56	52058-00		BRACKET ASSEMBLY - Aileron servo	1	
-57	52039-00		PLATE ASSEMBLY - Cable rub strip mounting	1	
-58	52025-00		BRACKET ASSEMBLY - Elevator trim servo	1	
-59	481 617		PULLEY - (MS20219-1)	2	
-60	52014-00		STRIP - Rub. elevator trim cable	1	
-61	52013-00		STRIP - Rub. elevator trim cable	1	
-62	52040-00		STRIP - Rub. aileron, inboard	1	
	52042-00		STRIP - Rub. aileron, outboard	1	
-63	454 656		CIRCUIT BREAKER - (PS50120-3-7) 5 amp	3	
-64	41995-00		FITTING ASSEMBLY - Static line vent	2	
-65	458 894		ELBOW - (AN822-4D)	1	
-66	488 318		TEE - (AN826-4D)	1	
-67	61541-45		HOSE - Air	1	
-68	558 992		ELBOW - (1K9-4-8)	2	31-7752100 to 31-7952104 incl.
	558 992		ELBOW - (1K9-4-8)	1	31-7952105 and up
-69	33078-02		CLAMP - Cable	4	
-70	452 015		BARREL - Turnbuckle (NAS649-B8S)	1	
-71	459 958		EYE - Turnbuckle (NAS648-8RS)	1	
-72	454 867		CLIP - Turnbuckle (NAS651-16S)	4	
-73	489 873		TURNBUCKLE - (MS21251-B2S)	1	
-74	587 820		SWITCH ASSEMBLY - (46-101B)	1	31-7952047 and up
-75	487 915		SWITCH ASSEMBLY - FD/AP (7101)	1	31-7952047 and up
-76	558 991		ELBOW - Air inlet (1K1-4-8)	1	31-7952105 and up

When ordering, always specify Part Number, Description and Serial Number of Aircraft

PIPER PARTS CATALOG

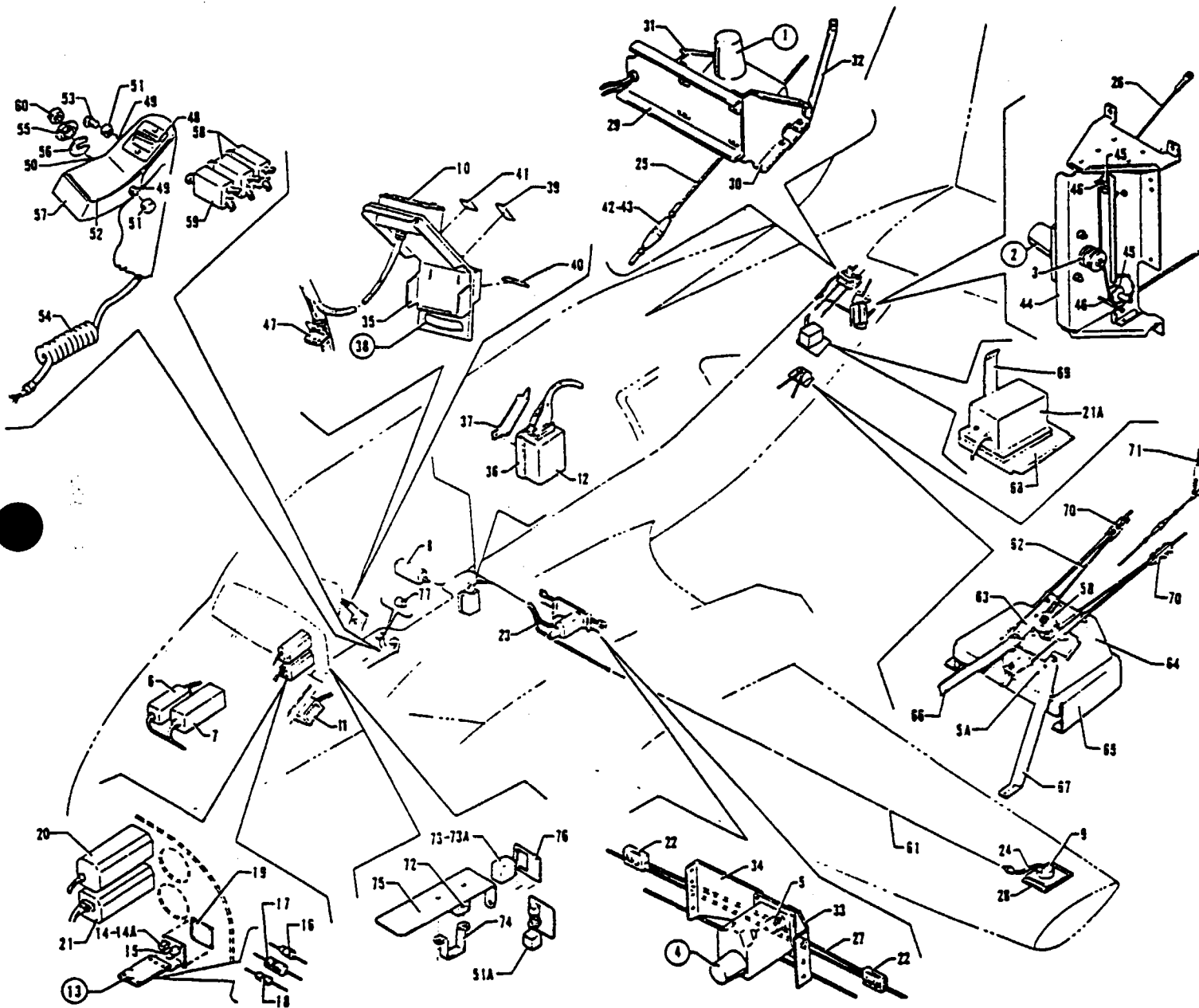


Figure 144. AltiMatic X F/D AutoPilot Installation  
(Serial Numbers 31-7852001 to 31-8152203 incl.)

---

# PIPER PARTS CATALOG

---

## CODE EXPLANATIONS FOR FIGURE 144

- A - Used if Cross-Pointer Director Horizon is installed.
- B - Used if V-Bar Director Horizon is installed.
- C - Used if RMI is not installed.
- D - Used if RMI is installed.
- E - Used if Boom Mike is not installed.
- F - Used if Yaw Damper System is installed.

# PIPER PARTS CATALOG

Figure and Index Number	Part Number	Code	Nomenclature	No. Req.	Serial Numbers Affected
144-	49411 54546 49516		DRAWING - Altimatec X F/D AutoPilot Installation DRAWING - Yaw Damper System Installation DRAWING - Yaw Damper System Installation		31-7852001 to 31-8152203 incl. 31-7852001 to 31-7852056 incl. 31-7852057 to 31-8152203 incl.
-1	762 217		SERVO ASSEMBLY - Trim (1C469-6-498)	1	
-2	762 218		SERVO ASSEMBLY - Pitch (1C470-1-498P)	1	
-3	757 579		* SET SCREW - Capstan (3S326)	1	
-4	762 219		SERVO ASSEMBLY - Roll (1C465-1-498R)	1	
-5	757 579		* SET SCREW - Capstan (3S326)	1	
-5a	762 220	F	SERVO ASSEMBLY - Rudder (1C465-1-491Y)	1	
-5b	757 579		* SET SCREW - Capstan (3S326)	1	
-6	751 340		AMPLIFIER - Trim (1C709-6)	1	
-7	596 822	A	AMPLIFIER - Computer (1D496-12404)	1	
	596 821	B	AMPLIFIER - Computer (1D496-12102)	1	
-8	597 618	C	AMPLIFIER - Gyro slaving (1C714)	1	
	751 348	D	AMPLIFIER - Gyro slaving (1C722)	1	31-7852001 to 31-8052221 incl.
	598 007	D	AMPLIFIER - Gyro slaving (1D755)	1	31-8152001 and up
-9	456 554		FLUX DETECTOR - Magnetic (1B495)	1	
-10	596 928		PROGRAMMER - Flight (1C497-10)	1	
-11	596 929		BOX - Relay (1B544)	1	
-12	596 930		COUPLER - System (1C543-1)	1	
-13	71080-03	C	PANEL ASSEMBLY - Function switch (complete)	1	
	71080-05	D	PANEL ASSEMBLY - Function switch (complete)	1	31-8052056 and up
-14	587 967		* SWITCH - (SC2CXL191-96)	2	
-14a	758 569		* * BULB - (AT602-L, 28V)	1	
-15	587 994	C	* SWITCH - Gyro slaving (7303)	1	
	487 915	D	* SWITCH - Gyro slaving (7101)	1	31-8052056 and up
-16	456 758		* DIODE - (1N4005)	4	
-17	484 427		* RESISTOR - (4785) 68 ohm	2	
-18	484 545		* RESISTOR - (4580) 50 ohm	2	
-19	80623-02	C	* PLACARD - Function switch panel	1	
	71650-02	D	* PLACARD - Function switch panel	1	31-8052056 and up
-20	596 758	A	INDICATOR - Director horizon (52D177)	1	
	596 754	B	INDICATOR - Director horizon (52C77-2)	1	
-21	596 756		INDICATOR - Horizontal Situation Display (NSD-360A (26) 52D137-1333)	1	
-21a	753 228		YAW DAMPER - (1C651-3)	1	
-22	758 082		CLAMP - Bridle (42A184-1)	2	
-23	54461-03		HARNESS ASSEMBLY - Gyro slaving	1	
-24	54558-02		HARNESS ASSEMBLY - Flux sensor	1	
-25	42484-03		CABLE ASSEMBLY - Elevator trim	1	
-26	54569-02		CABLE ASSEMBLY - Bridle, pitch servo	1	
-27	54567-03		CABLE ASSEMBLY - Bridle, roll servo	1	
-28	54541-02		PLATE ASSEMBLY - Flux detector	1	
-29	52023-00		PLATE ASSEMBLY - Elevator trim servo	1	
-30	54446-02		BRACKET - Elevator trim servo, right	1	
-31	54530-02		BRACKET - Elevator trim servo, left	1	
-32	54447-02		BRACKET - Elevator trim servo	1	
-33	54458-02		BRACKET - Aileron servo	1	
-34	54457-02		BRACKET - Aileron servo	1	
-35	49401-02		BRACKET ASSEMBLY - Mounting, flight programmer	1	
-36	49409-02		BRACKET - System coupler	1	
-37	49414-02		BRACKET - System coupler	1	
-38	53437-06		COVER ASSEMBLY - Pedestal, center	1	
-39	40579-00		* PLACARD - Trim control, longitudinal	1	
-40	43184-00		* PLACARD - Trim control, directional	1	

When ordering, always specify Part Number, Description, and Serial Number of Aircraft



# PIPER PARTS CATALOG

Figure and Index Number	Part Number	Code	Nomenclature	No. Req.	Serial Numbers Affected
144-41	43185-00		* PLACARD - Trim control, lateral	1	
-42	454 867		CLIP - Turnbuckle (NAS651-16S)	2	
-43	489 873		TURNBUCKLE - (MS21251-B2S)	1	
-44	44975-02		BRACKET ASSEMBLY - Servo mounting	1	
-45	481 617		PULLEY - Pitch servo (MS20219-1)	2	
-46	424 522		PIN - (NAS427K-27)	2	
-47	43181-00		ANGLE ASSEMBLY - AutoPilot harness support	1	
-48	587 950		SWITCH - (1C670-2)	1	
-49	487 904		SWITCH - (39-1)	2	
-50	587 985		SWITCH - (8N3021)	1	
-51	454 277		CAP - (30B1012)	2	
-51a	762 222		SWITCH - Yaw damper, on-off (40B74-1)	1	31-7852001 to 31-7852056 incl.
-52	80669-02		PLACARD - Control wheel	1	
-53	26870-00	E	BUTTON - Plug	1	
-54	49568-04		CORD ASSEMBLY - Control wheel (44607-0002)	1	
-55	15660-02		ADAPTER - Trim switch	1	
-56	15661-02		ADAPTER - Trim switch	1	
-57	28339-03		BRACKET ASSEMBLY - Control wheel	1	
-58	454 656		CIRCUIT BREAKER - (PS50120-3-7)	3	
-59	454 639		CIRCUIT BREAKER - (D7271-8-5)	1	
-60	553 600		CAP - Switch (8Z0083)	1	
-61	52117-00		HARNES ASSEMBLY - Flux detector	1	
-62	54567-02		CABLE ASSEMBLY - Bridle, rudder servo	1	
-63	54451-02		BRACKET - Rudder servo	1	
-64	54453-02		BRACKET - Rudder servo	1	
-65	54449-02		BRACKET - Rudder servo	1	
-66	54454-02		BRACKET - Rudder servo	1	
-67	54455-02		BRACKET - Rudder servo	1	
-68	54531-02		BRACKET - Yaw damper	1	
-69	54529-02		BRACKET - Yaw damper	1	
-70	757 863		CLAMP - Rudder bridle cable (42A173-1)	1	
-71	762 221		SPRING - (41A134)	2	
-72	484 085		RELAY - Impulse (KUR11D11)	1	31-7852057 and up
-73	49527-02		SWITCH ASSEMBLY - Yaw damper, on-off	1	31-7852057 and up
-73a	758 569		* BULB - (AT602-L, 28V)	1	
-74	49529-02		CLAMP ASSEMBLY - Relay mounting	1	31-7852057 and up
-75	49528-02		BRACKET - Relay mounting	1	31-7852057 and up
-76	80642-02		PLACARD - Yaw damper	1	31-7852057 and up
-77	487 904		SWITCH - Transponder remote ident (39-1)	1	31-8152001 and up

When ordering, always specify Part Number, Description, and Serial Number of Aircraft

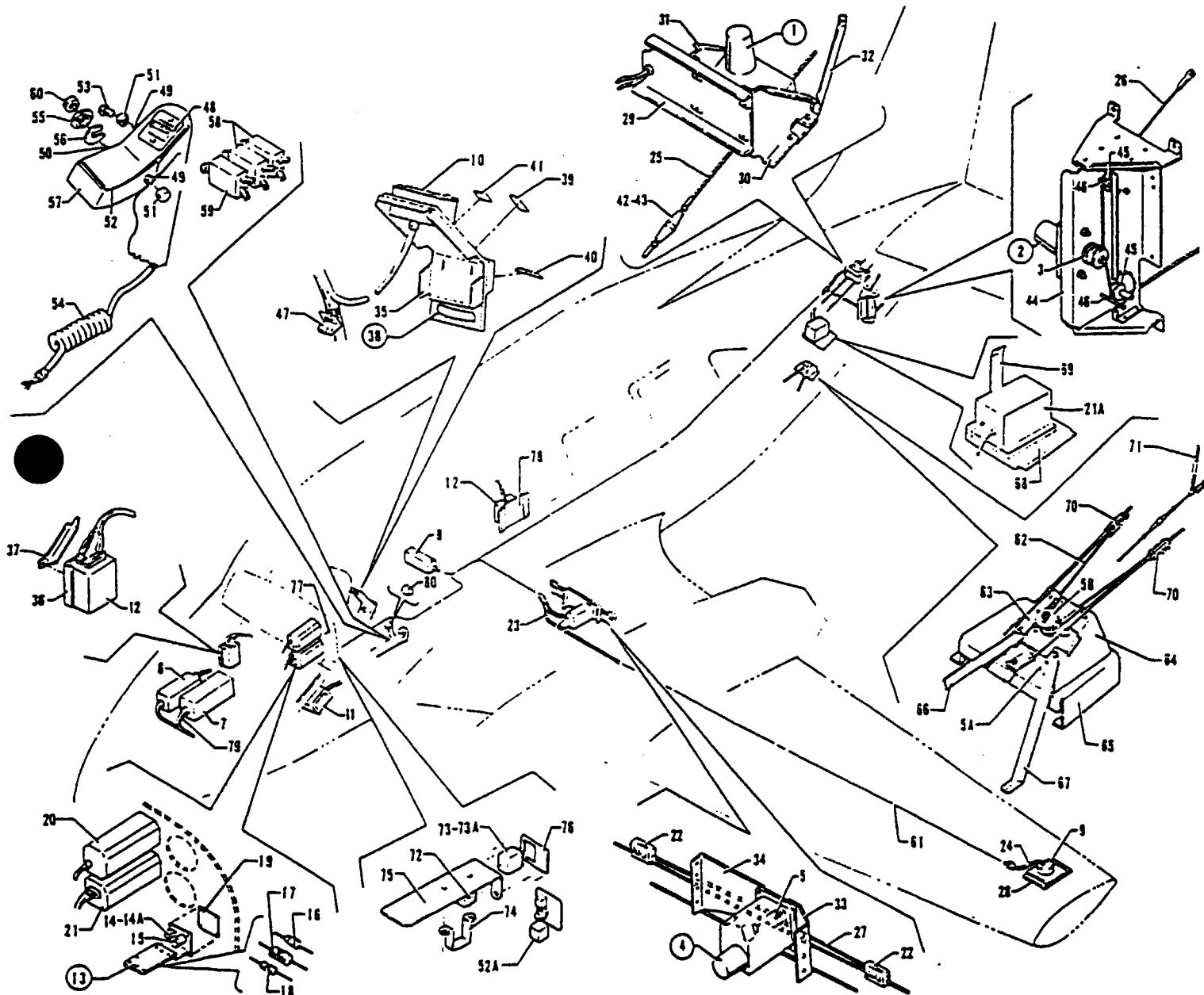


Figure 145. AltiMatic X AutoPilot Installation  
(Serial Nos. 31-7852001 to 31-8152203 incl.)

---

# PIPER PARTS CATALOG

---

## CODE EXPLANATIONS FOR FIGURE 145

- A - Used if RMI is not installed.
- B - Used if RMI is installed.
- C - Used if Boom Mike is not installed.
- D - Used if Yaw Damper System is installed.

# PIPER PARTS CATALOG

Figure and Index Number	Part Number	Code	Nomenclature	No. Req.	Serial Numbers Affected
145-	49410 54546 49516		DRAWING - AltMatic X AutoPilot Installation DRAWING - Yaw Damper System Installation DRAWING - Yaw Damper System Installation		31-7852001 to 31-8152203 incl. 31-7852001 to 31-7852056 incl. 31-7852057 to 31-8152203 incl.
-1	762 217		SERVO ASSEMBLY - Trim (1C469-6-498)	1	
-2	762 218		SERVO ASSEMBLY - Pitch (1C470-1-498P)	1	
-3	757 579		* SET SCREW - Capstan (3S326)	1	
-4	762 219		SERVO ASSEMBLY - Roll (1C465-1-498B)	1	
-5	757 579		* SET SCREW - Capstan (3S326)	1	
-5a	762 220	D	SERVO ASSEMBLY - Rudder (1C465-1-491Y)	1	
-5b	757 579		* SET SCREW - Capstan (3S326)	1	
-6	751 340		AMPLIFIER - Trim (1C709-6)	1	
-7	596 822		AMPLIFIER - Computer (1D496-12404)	1	
-8	597 618	A	AMPLIFIER - Gyro slaving (1C714)	1	
	751 348	B	AMPLIFIER - Gyro slaving (1C722)	1	31-7852001 to 31-8052221 incl
	598 007	B	AMPLIFIER - Gyro slaving (1D755)	1	31-8152001 and up
-9	456 554		FLUX DETECTOR - Magnetic (1B495)	1	
-10	596 928		PROGRAMMER - Flight (1C497-10)	1	
-11	596 929		BOX - Relay (1B544)	1	
-12	596 930		COUPLER - System (1C543-1)	1	
-13	71080-02	A	PANEL ASSEMBLY - Function switch (complete)	1	
	71080-04	B	PANEL ASSEMBLY - Function switch (complete)	1	31-8052056 and up
-14	587 967		* SWITCH - Trim master (SC2CXL191-96)	2	
-14a	758 569		* * BULB - (AT602-L, 28V)	1	
-15	587 994	A	* SWITCH - Gyro slaving (7303)	1	
	487 915	B	* SWITCH - Gyro slaving (7101)	1	31-8052056 and up
-16	456 758		* DIODE - (1N4005)	4	
-17	484 427		* RESISTOR - (4785) 68 ohm	2	
-18	484 545		* RESISTOR - (4580) 50 ohm	2	
-19	80622-02	A	* PLACARD - Function switch panel	1	
	71651-02	B	* PLACARD - Function switch panel	1	31-8052056 and up
-20	596 960		INDICATOR - Artificial horizon (52D167M)	1	
-21	596 756		INDICATOR - Horizontal Situation Display (NSD-360A (26) 52D137-1333)	1	
-21a	753 228		YAW DAMPER - (1C651-3)	1	
-22	758 082		CLAMP - Bridle (42A184-1)	2	
-23	54461-03		HARNESS ASSEMBLY - Gyro slaving	1	
	71020-03		HARNESS ASSEMBLY - Gyro slaving	1	31-8052056 and up
-24	54558-02		HARNESS ASSEMBLY - Flux sensor	1	
-25	42484-03		CABLE ASSEMBLY - Elevator trim	1	
-26	54569-02		CABLE ASSEMBLY - Bridle, pitch servo	1	
-27	54567-03		CABLE ASSEMBLY - Bridle, roll servo	1	
-28	54541-02		PLATE ASSEMBLY - Flux detector	1	
-29	52023-00		PLATE ASSEMBLY - Elevator trim servo	1	
-30	54446-02		BRACKET - Elevator trim servo, right	1	
-31	54530-02		BRACKET - Elevator trim servo, left	1	
-32	54447-02		BRACKET - Elevator trim servo	1	
-33	54458-02		BRACKET - Aileron servo	1	
-34	54457-02		BRACKET - Aileron servo	1	
-35	49401-02		BRACKET ASSEMBLY - Mounting, flight programmer	1	
-36	49409-02		BRACKET - System coupler	1	31-7852001 to 31-7952074 incl.
-37	49414-02		BRACKET - System coupler	1	31-7852001 to 31-7952074 incl.
-38	53437-06		COVER ASSEMBLY - Pedestal, center	1	
-39	40579-00		* PLACARD - Trim control, longitudinal	1	
-40	43184-00		* PLACARD - Trim control, directional	1	
-41	43185-00		* PLACARD - Trim control, lateral	1	
-42	454 867		CLIP - Turnbuckle (NAS651-16S)	2	
-43	489 873		TURNBUCKLE - (MS21251-B2S)	1	
-44	44975-02		BRACKET ASSEMBLY - Servo mounting	1	

When ordering, always specify Part Number, Description, and Serial Number of Aircraft

# PIPER PARTS CATALOG

Figure and Index Number	Part Number	Code	Nomenclature	No. Req.	Serial Numbers Affected
145-45	481 617		PULLEY - Pitch servo (MS20219-1)	2	
-46	424 522		PIN - (NAS427K-27)	2	
-47	43181-00		ANGLE ASSEMBLY - Autopilot harness support	1	
-48	587 950		SWITCH - (1C670-2)	1	
-49	487 904		SWITCH - (39-1)	2	
-50	587 985		SWITCH - (8N3021)	1	31-7852001 to 31-8052179 incl.
	688 148		SWITCH - (MPA-306F)	1	31-8052180 and up
-51	454 277		CAP - (30B1012)	2	
-52	80669-02		PLACARD - Control wheel	1	
-52a	762 222		SWITCH - Yaw damper, on-off (40B74-1)	1	31-7852001 to 31-7852056 incl.
-53	26870-00	C	BUTTON - Plug	1	
-54	49568-04		CORD ASSEMBLY - Control wheel (44067-0002)	1	
-55	15660-02		ADAPTER - Trim switch	1	
-56	15661-02		ADAPTER - Trim switch	1	
-57	28339-03		BRACKET ASSEMBLY - Control wheel	1	
-58	454 656		CIRCUIT BREAKER - (PS50120-3-7)	3	
-59	454 639		CIRCUIT BREAKER - (D7271-8-5)	1	
-60	553 686		CAP - Switch (8Z0082)	1	31-7852001 to 31-8052179 incl.
	553 522		CAP - Switch (C-22-2)	1	31-8052180 and up
-61	52117-00		HARNESS ASSEMBLY - Flux detector	1	31-7852001 to 31-8052221 incl.
	71864-02		HARNESS ASSEMBLY - Flux detector	1	31-8152001 and up
-62	54567-02		CABLE ASSEMBLY - Bridle, rudder servo	1	
-63	54451-02		BRACKET - Rudder servo	1	
-64	54453-02		BRACKET - Rudder servo	1	
-65	54449-02		BRACKET - Rudder servo	1	
-66	54454-02		BRACKET - Rudder servo	1	
-67	54455-02		BRACKET - Rudder servo	1	
-68	54531-02		BRACKET - Yaw damper	1	
-69	54529-02		BRACKET - Yaw damper	1	
-70	757 863		CLAMP - Rudder bridle cable (42A173-1)	2	
-71	762 221		SPRING - (41A134)	2	
-72	484 085		RELAY - Impulse (KUR11D11)	1	31-7852057 and up
-73	49527-02		SWITCH ASSEMBLY - Yaw damper, on-off	1	31-7852057 and up
-73a	758 569		* BULB - (AT602-L, 28V)	1	
-74	49529-02		CLAMP ASSEMBLY - Relay mounting	1	31-7852057 and up
-75	49528-02		BRACKET - Relay mounting	1	31-7852057 and up
-76	80642-02		PLACARD - Yaw damper	1	31-7852057 and up
-77	472 829		LIGHT - Post (20-0121-15-B-24) Grimes	AR	
	472 742		LIGHT - Post (P-65-3-CW-28) Giar Ban	AR	
-78	59199-02		BRACKET - System coupler	1	31-7952075 and up
-79	17766-100		HOSE - Bulkhead to computer amplifier	1	31-7952057 and up
-80	487 904		SWITCH - Transponder remote ident (39-1)	1	31-8152001 and up

When ordering, always specify Part Number, Description, and Serial Number of Aircraft

# PIPER PARTS CATALOG

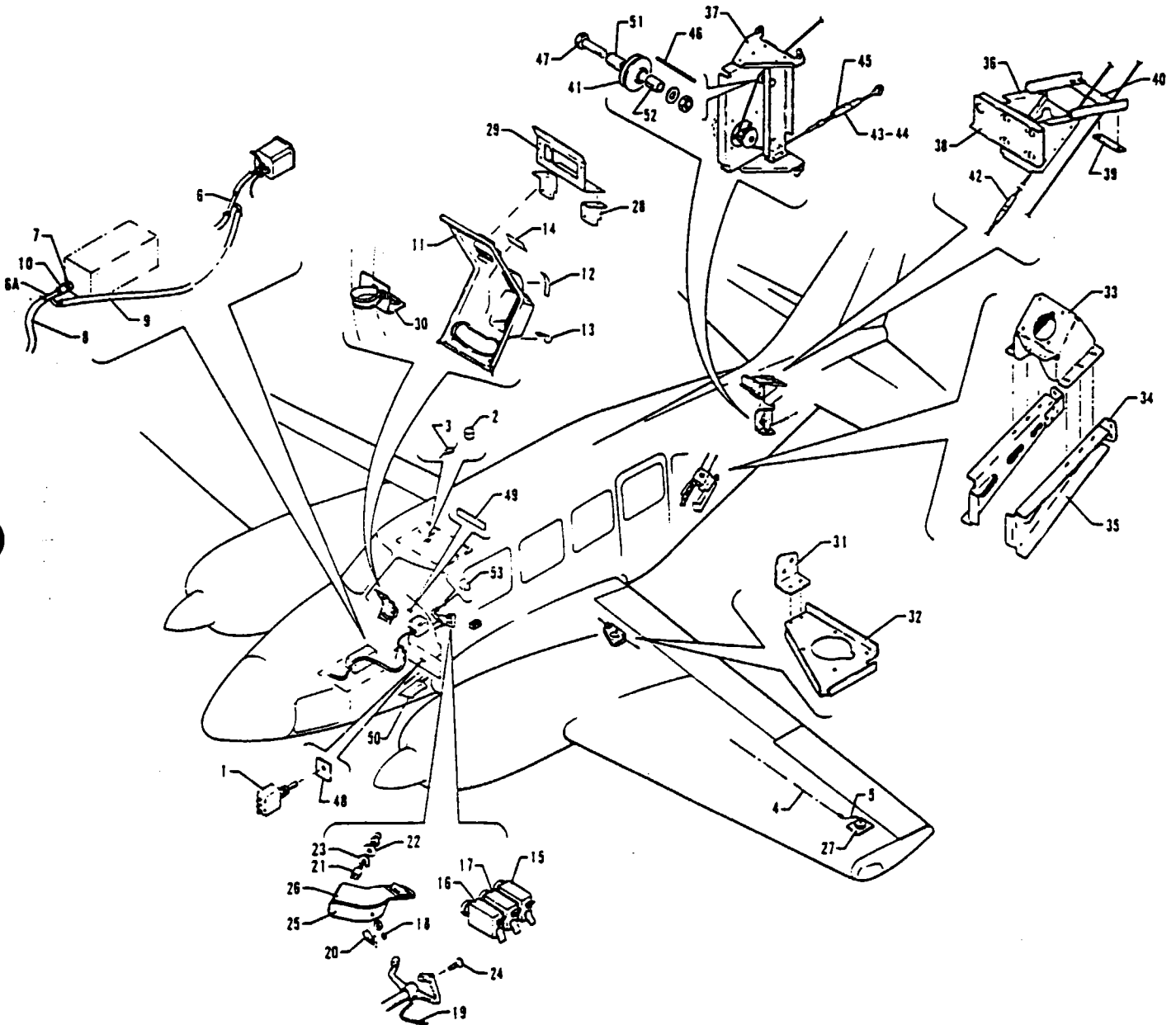


Figure 145A. King AutoPilot (KAP-200) and King AutoPilot F/D (KFC-200) Installations (See Code "A") (Serial Nos. 31-7952002 and up)

---

# PIPER PARTS CATALOG

---

## CODE EXPLANATIONS FOR FIGURE 145A

- A - This installation is relative only to associated Piper Aircraft Corporation parts that are used when installing King (KAP-200) AutoPilot and King (KFC-200) AutoPilot, F/D. All King equipment and components must be procured from King Radio Corporation, 400 N. Rogers Road, Olathe, Kansas, 66061.
- B - Used if Yaw Damper is not installed.
- C - Used if Yaw Damper is installed.

PIPER PARTS CATALOG

Figure and Index Number	Part Number	Code	NOMENCLATURE	No. Req.	SERIAL NUMBERS AFFECTED
145A-	71040		DRAWING - King Autopilot (KAP-200) and King Autopilot F/D (KFC-200) Installation		
-1	588 139		SWITCH - Test. accelerometer (7105S)	1	
-2	565 367		HORN - Trim warning (SC-628)	1	
-3	456 753		DIODE - (1N4003)	1	
-4	52117-00		HARNESS ASSEMBLY - Flux detector	1	31-7952002 to 31-8052221 incl
	71864-02		HARNESS ASSEMBLY - Flux detector	1	31-8152001 and up
-5	54558-02		HARNESS ASSEMBLY - Flux detector	2	
-6	16632-00		TUBE ASSEMBLY - Drain connector	2	31-7952002 to 31-8052221 incl
	16632-00		TUBE ASSEMBLY - Drain connector	1	31-8152001 and up
-6a	588 494		TEE - Hose connector (1K14-4-4-4)	1	31-8152001 and up
-7	17881-06		LINE ASSEMBLY - Static air	1	
-8	49998-30		HOSE - Static air (13" L)	1	
-9	49998-43		HOSE - Static air (48" L)	1	
-10	49998-26		HOSE - Static air (3" L)	1	
-11	53437-06		COVER ASSEMBLY - Pedestal, center	1	
-12	40579-00		* PLACARD - Trim control, longitudinal	1	
-13	43184-00		* PLACARD - Trim control, directional	1	
-14	43185-00		* PLACARD - Trim control, lateral	1	
-15	454 695		CIRCUIT BREAKER - (PS50120-3-24)	1	
-16	454 657		CIRCUIT BREAKER - (PS50120-3-12)	1	
-17	454 656	B	CIRCUIT BREAKER - (PS50120-3-7)	1	
	454 656	C	CIRCUIT BREAKER - (PS50120-3-7)	2	
-18	454 277		CAP - (30B1012) (A/P Sync)	1	
	454 277		CAP - (30B1012) (Boom Mike and A/P Sync)	2	
-19	49588-04		CORD - Coiled	2	
-20	487 904		SWITCH - (39-1) (A, P Sync)	1	
	487 904		SWITCH - (39-1) (Boom Mike and A/P Sync)	2	
-21	587 985		SWITCH - (8N3021) (Trim interrupt and disconnect)	1	31-7952002 to 31-8052179 incl
	688 148		SWITCH - (MPA-306F) (Trim interrupt and disconnect)	1	31-8052180 and up
-22	15660-02		ADAPTER - Trim switch	1	
-23	15661-02		ADAPTER - Trim switch	1	
-24	26870-00		BUTTON - Plug	1	
-25	49655-02		BRACKET ASSEMBLY - Switch	1	
-26	80669-02		PLACARD - Control wheel	1	
-27	54541-02		PLATE ASSEMBLY - Flux detector	1	
-28	49812-02		BRACKET - Control panel, upper	1	
	49812-03		BRACKET - Control panel lower	1	
-29	49813-04	B	BRACKET ASSEMBLY - Control panel	1	
	49813-05	C	BRACKET ASSEMBLY - Control panel	1	
-30	43181-00		ANGLE ASSEMBLY - Support harness	1	
-31	49811-02		BRACKET - Aileron support	1	
-32	49763-02		BRACKET - Aileron, servo mounting	1	31-7952002 to 31-8052009 incl
	49763-03		BRACKET - Aileron, servo mounting	1	31-8052010 and up
-33	49785-02	C	BRACKET ASSEMBLY - Rudder servo	1	
-34	49803-03	C	BRACKET - End support, inboard	1	
	49803-02	C	BRACKET - End support, outboard	1	
-35	49789-02	C	BRACKET - Mounting, rudder servo, left	1	
	49790-02	C	BRACKET - Mounting, rudder servo, right	1	
-36	49781-02		BRACKET ASSEMBLY - Elevator trim servo	1	
-37	44975-03		BRACKET ASSEMBLY - Elevator servo mounting	1	
-38	52023-00		PLATE ASSEMBLY - Elevator trim servo	1	
-39	52013-00		STRIP - Rub. elevator trim cable	1	
-40	52014-00		STRIP - Rub. elevator trim cable	1	
-41	481 617		PULLEY - (MS20219-1)	2	
-42	489 873		TURNBUCKLE - (MS21251-82S)	1	

When ordering, always specify Part Number, Description and Serial Number of Aircraft



PIPER PARTS CATALOG

Figure and Index Number	Part Number	Code	NOMENCLATURE	No. Req.	SERIAL NUMBERS AFFECTED
145A-43	452 015		BARREL - Turnbuckle (NAS649-88S)	1	
-44	459 958		EYE - Turnbuckle (NAS648-8RS)	1	
-45	454 867		CLIP - Turnbuckle (NAS651-16S)	4	
-46	424 522		PIN - (NAS427K-27)	2	
-47	400 014		BOLT - (AN4-21A)	2	
	82732-56		BUSHING	2	31-7952002 to 31-7952102 incl.
	407 565		WASHER - (AN960-416)	4	
	404 888		NUT - (MS20365-428C)	2	
-48	71386-02		PLACARD - Accelerometer test switch	1	
-49	80704-02		PLACARD - Preflight test	1	
-50	71015-02		BOX - Relay	1	
-51	56977-04		BUSHING	2	31-7952103 and up
-52	56977-05		BUSHING	2	31-7952103 and up
-53	487 904		SWITCH - Transponder remote ident (39-1)	1	31-8152001 and up

When ordering, always specify Part Number, Description and Serial Number of Aircraft

PIPER PARTS CATALOG

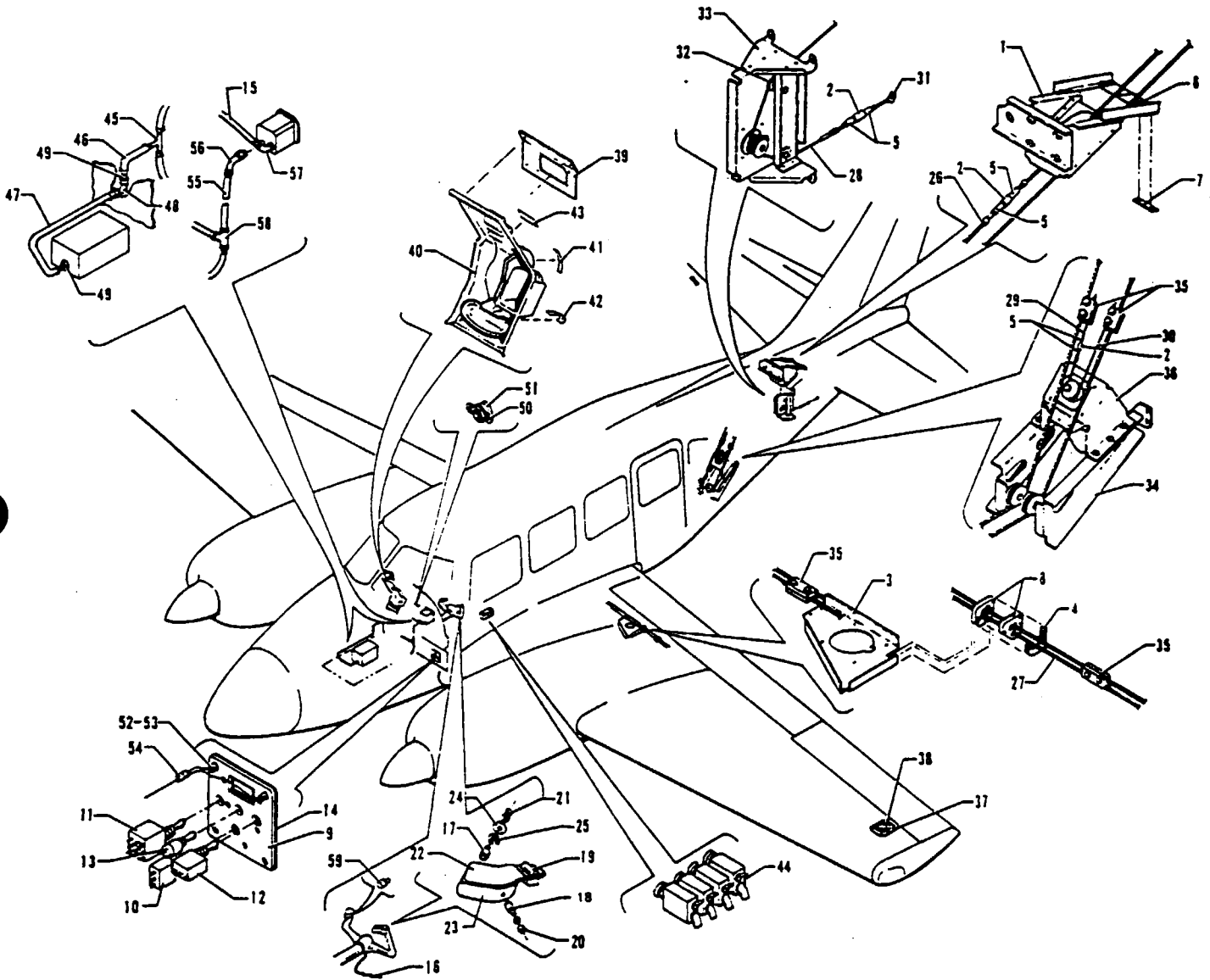


Figure 145B. Bendix FCS-870 Autopilot and F/D Autopilot Installation  
(Serial Numbers 31-8152001 and up)  
(See Code "A")

---

# PIPER PARTS CATALOG

---

## CODE EXPLANATIONS FOR FIGURE 145B

- A - This installation is relative only to associated Piper Aircraft Corporation parts that are used when installing Bendix FCS-870 F/D Autopilot. All Bendix equipment and components must be procured from an approved Bendix Service Facility or from Bendix Avionics Repair Services, Department 390, Post Office Box 9414, Fort Lauderdale, Florida, 33310.
- B - Used if yaw damper is installed
- C - Used if F/D Autopilot is installed.
- D - Used if Autopilot only is installed

PIPER PARTS CATALOG

Figure and Index Number	Part Number	Code	NOMENCLATURE	No. Req.	SERIAL NUMBERS AFFECTED
145B-	71820		DRAWING - Flight Director/Autopilot Installation		
-1	71854-02		BRACKET ASSEMBLY - Elevator trim servo	1	
-2	489 873		TURNBUCKLE - (MS21251-82S)	3	
-3	52058-02		BRACKET - Aileron servo	1	
-4	52039-00		PLATE ASSEMBLY - Cable rub strip mounting	1	
-5	454 867		CLIP - Turnbuckle barrel (NAS651-16S)	6	
-6	52014-00		STRIP - Rub, elevator trim cable	1	
-7	52013-00		STRIP - Rub, elevator trim cable	1	
-8	52040-00		STRIP - Rub, aileron servo cable, inboard	1	
	52042-00		STRIP - Rub, aileron servo cable, outboard	1	
-9	74023-02		PANEL - Function switch	1	
-10	487 915		SWITCH - AP/FD on-off (7101)	1	
-11	587 888		SWITCH - Slaving (7201)	1	
-12	587 943		SWITCH - Slew (SFISX191)	1	
-13	587 849		SWITCH - Fast slave (30-1)	1	
-14	74022-02	C	PLACARD - Switch panel	1	
	74020-02	D	PLACARD - Switch panel	1	
-15	82371-89		HOSE - Flexible	1	
-16	71534-04		CORD - Control wheel	1	
-17	587 985		SWITCH - A/P disconnect (8N3021)	1	
-18	487 904		SWITCH - Sync (39-1)	1	
-19	596 717		SWITCH - Trim (200-1902-00)	1	
-20	454 277		CAP - (30B1012)	1	
-21	553 686		BUTTON - Cap (8Z0082)	1	
-22	80669-02		PLACARD - Control wheel	1	
-23	49655-02		BRACKET ASSEMBLY - Switch, control wheel	1	
-24	15660-02		ADAPTER - A/P disconnect switch, external	1	
-25	15661-02		ADAPTER - A/P disconnect switch, internal	1	
-26	71853-02		CABLE ASSEMBLY - Elevator trim servo	1	
-27	33067-06		CABLE ASSEMBLY - Aileron servo	1	
-28	52004-00		CABLE ASSEMBLY - Elevator servo	1	
-29	71833-03	B	CABLE ASSEMBLY - Rudder servo (4.75 L)	1	
-30	71833-02	B	CABLE ASSEMBLY - Rudder servo (49.75 L)	1	
-31	459 958		EYE - Turnbuckle (NAS648-8RS)	1	
-32	481 617		PULLEY - (MS20219-1)	2	
-33	44975-05		MOUNTING ASSEMBLY - Elevator servo	1	
-34	49790-03	B	BRACKET - Rudder servo, inboard	1	
	49789-03	B	BRACKET - Rudder servo, outboard	1	
-35	33078-02		CLAMP - Cable	8	
-36	71839-04	B	BRACKET - Rudder servo mounting	1	
-37	54542-02		PLATE ASSEMBLY - Flux detector mounting	1	
-38	47831-00		PLATE ASSEMBLY - Flux Detector mounting	1	
-39	74012-02	B	BRACKET ASSEMBLY - Flight controller mounting	1	
	74012-04		BRACKET ASSEMBLY - Flight controller mounting	1	
-40	53437-06		COVER ASSEMBLY - Pedestal, center	1	

When ordering, always specify Part Number, Description and Serial Number of Aircraft

## PIPER PARTS CATALOG

Figure and Index Number	Part Number	Code	Nomenclature	No. Req.	Serial Numbers Affected
145B-41	40579-00		* PLACARD - Trim control, longitudinal	1	
-42	43184-00		* PLACARD - Trim control, directional	1	
-43	43185-00		* PLACARD - Trim control, lateral	1	
-44	454 695		CIRCUIT PROTECTOR - (PS50120-3-24) 3 AMP	3	
	454 657		CIRCUIT PROTECTOR - (PS50120-3-12) 10 AMP	1	
-45	16632-00		TEE ASSEMBLY - Static Air	1	
-46	49998-43		HOSE - Flexible	1	
-47	17766-109		HOSE - Flexible	1	
-48	458 900		ELBOW - (AN833-4D)	1	
	407 568		WASHER - (AN960-716)	1	
	477 618		NUT - (AN924-4D)	1	
-49	17881-06		LINE ASSEMBLY - Static air	1	
-50	597 583		BRACKET - Trim warning horn (047-3748-01)	1	
-51	565 367		HORN - Trim warning (SC628)	1	
-52	472 829		LIGHT - Post (20-0121-15-B-24) Grimes	2	
-53	472 028		* BULB - (PS10008-327)	1	
-54	556 743		CONNECTOR - Post light	2	
-55	61541-45		HOSE - Flexible	1	
-56	558 991		ELBOW - Air inlet (1K1-4-8)	1	
-57	558 992		ELBOW - Air outlet (1K9-4-8)	1	
-58	588 385		TEE - (1K30-8-8-4)	1	
-59	487 904		SWITCH - Transponder remote ident	1	

When ordering, always specify Part Number, Description, and Serial Number of Aircraft

PIPER PARTS CATALOG

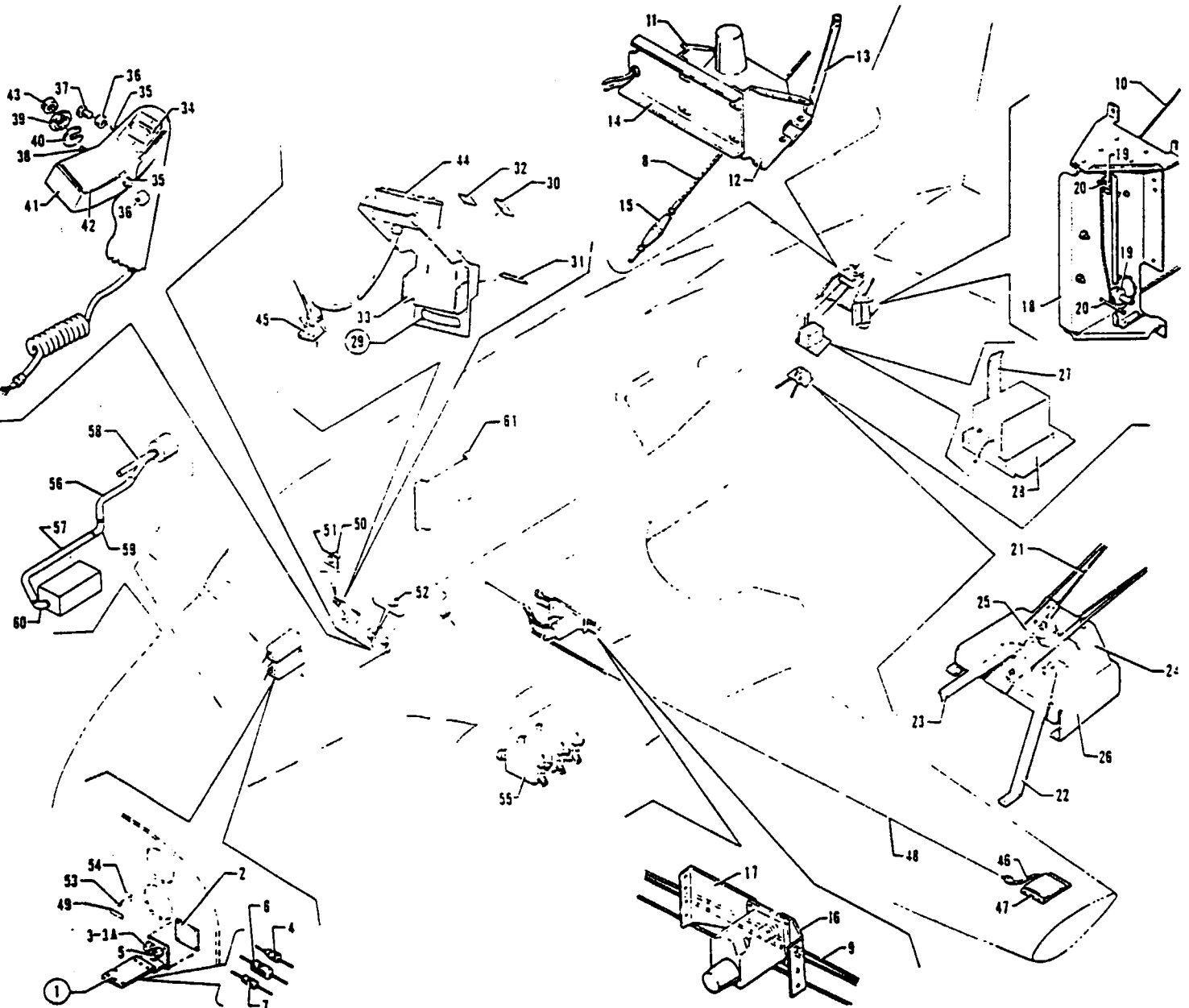


Figure 145C. Century 41 Autopilot and F/D Autopilot Installation  
(Serial Numbers 31-8252001 and up)  
(See Code "A")

---

## PIPER PARTS CATALOG

---

### CODE EXPLANATIONS FOR FIGURE 145C

- A - This installation is relative only to associated Piper Aircraft Corporation parts that are used when installing Mitchell Century 41 Autopilot. All Mitchell equipment and components must be procured from an authorized Mitchell Service Center or from Edo-Aire Mitchell, Post Office Box, 610, Municipal Airport, Mineral Wells, Texas 76067.
- B - Used if Flight Director is installed.
- C - Used if Flight Director is not installed.
- D - Used if RMI is installed.
- E - Used if RMI is not installed.
- F - Used if Yaw Damper is installed.
- G - Used if Yaw Damper is not installed.
- H - Used if Boom Mike is installed.
- J - Used if Boom Mike is not installed.
- K - Used only if Edo-Aire Mitchell attitude gyro P/N 52C77-4 is installed.

# PIPER PARTS CATALOG

Figure and Index Number	Part Number	Code	Nomenclature	No. Req.	Serial Numbers Affected
145C-	71941		DRAWING - Century 41 Autopilot System Installation		
-1	71080-02	C,E	PANEL ASSEMBLY - Function switch (complete)	1	
	71080-06	C,D	PANEL ASSEMBLY - Function switch (complete)	1	
	71080-03	B,E	PANEL ASSEMBLY - Function switch (complete)	1	
	71080-07	B,D	PANEL ASSEMBLY - Function switch (complete)	1	
-2	80622-02	C,E	* PLACARD - Function switch panel	1	
	80623-02	B,E	* PLACARD - Function switch panel	1	
	71650-02	B,D	* PLACARD - Function switch panel	1	
	71651-02	C,D	* PLACARD - Function switch panel	1	
-3	587 967		* SWITCH - (SC2CXL191-96)	2	
-3a	758 569		* * BULB - (AT602-L, 28V)	1	
-4	456 758		* DIODE - (IN4005)	4	
-5	587 994	E	* SWITCH - Gyro slaving (7303)	1	
	587 984	D	* SWITCH - Gyro slaving (7301)	1	
-6	484 427		* RESISTOR - (4785) 68 ohm	2	
-7	484 545		* RESISTOR - (4580) 50 ohm	2	
-8	42484-03		CABLE ASSEMBLY - Elevator trim	1	
-9	54567-03		CABLE ASSEMBLY - Roll servo	1	
-10	54569-02		CABLE ASSEMBLY - Pitch servo	1	
-11	54530-02		BRACKET - Elevator trim servo, left	1	
-12	54446-02		BRACKET - Elevator trim servo, right	1	
-13	54447-02		BRACKET - Elevator trim servo	1	
-14	52023-00		PLATE ASSEMBLY - Elevator trim servo	1	
-15	489 873		TURNBUCKLE - (MS21251-B2S)	1	
	454 867		CLIP - (NAS651-16S)	2	
-16	54458-02		BRACKET - Aileron servo	1	
-17	54457-02		BRACKET - Aileron servo	1	
-18	44975-02		BRACKET ASSEMBLY - Servo mounting	1	
-19	481 617		PULLEY - Pitch servo (MS20219-1)	2	
-20	424 522		PIN - (NAS427K-27)	2	
-21	54567-02	F	CABLE ASSEMBLY - Rudder servo	1	
-22	54455-02	F	BRACKET - Rudder servo	1	
-23	54454-02	F	BRACKET - Rudder servo	1	
-24	54453-02	F	BRACKET - Rudder servo	1	
-25	54451-02	F	BRACKET - Rudder servo	1	
-26	54449-02	F	BRACKET - Rudder servo	1	
-27	54529-02	F	BRACKET - Yaw damper	1	
-28	54531-02	F	BRACKET - Yaw damper	1	
-29	53437-06		COVER ASSEMBLY - Pedestal, center	1	
-30	40579-00		* PLACARD - Trim control, longitudinal	1	
-31	43184-00		* PLACARD - Trim control, directional	1	
-32	43185-00		* PLACARD - Trim control, lateral	1	
-33	49401-02	G	BRACKET ASSEMBLY - Flight programmer mounting	1	
	49401-03	F	BRACKET ASSEMBLY - Flight programmer mounting	1	
-34	596 717		SWITCH - Trim (200-1902-00)	1	
-35	487 904	H	SWITCH - (39-1)	2	
	487 904	J	SWITCH - (39-1)	1	
-36	454 277	H	CAP - (30B1012)	2	
	454 277	J	CAP - (30B1012)	1	
-37	412 673	J	SCREW - (AN515-B6R5)	1	
	404 829	J	NUT - (MS20364-632C)	1	
-38	688 148		SWITCH - (MPA-306F)	1	
-39	15660-02		ADAPTER - Trim switch	1	
-40	15661-02		ADAPTER - Trim switch	1	
-41	49655-02		BRACKET ASSEMBLY - Control wheel	1	

When ordering, always specify Part Number, Description, and Serial Number of Aircraft



PIPER PARTS CATALOG

Figure and Index Number	Part Number	Code	NOMENCLATURE	No. Req.	SERIAL NUMBERS AFFECTED
145C-42	80669-02		PLACARD - Control wheel	1	
-43	553 522		BUTTON - Cap (C-22-2)	1	
-44	74122-02	F	PLATE - Mounting, autopilot control	1	
	74122-03	G	PLATE - Mounting, autopilot control	1	
-45	43181-00		ANGLE ASSEMBLY - Autopilot harness support	1	
-46	54558-02		HARNESS ASSEMBLY - Flux sensor	1	
-47	54541-02		PLATE ASSEMBLY - Flux detector	1	
-48	71864-02		HARNESS ASSEMBLY - Flux detector	1	
-49	80704-02		PLACARD - Preflight test	1	
-50	565 367		HORN - Trim warning (SCL28)	1	
-51	597 583		BRACKET - Trim warning horn (047-3748-01)	1	
-52	487 904		SWITCH - Transponder remote ident (39-1)	1	
-53	587 888	K	SWITCH - Stow (CKC 7201)	1	
-54	74107-02	K	PLACARD - Stow switch	1	
-55	454 656	F	CIRCUIT BREAKER - (PS50120-3-7)	4	
	454 656	G	CIRCUIT BREAKER - (PS50120-3-7)	3	
-56	17766-100		HOSE - Airspeed indicator to bulkhead	1	
-57	17766-109		HOSE - Bulkhead to flight computer	1	
-58	44253-00		CONNECTOR - Hose "Y"	1	
-59	458 900		FITTING - Bulkhead (AN833-4D)	1	
	407 588		WASHER - (AN960-716)	1	
	477 618		NUT - (AN924-4D)	1	
-60	458 894		ELBOW - (MS20822-4D)	1	
-61	59199-02		BRACKET - Slaving amp	1	

When ordering, always specify Part Number, Description and Serial Number of Aircraft

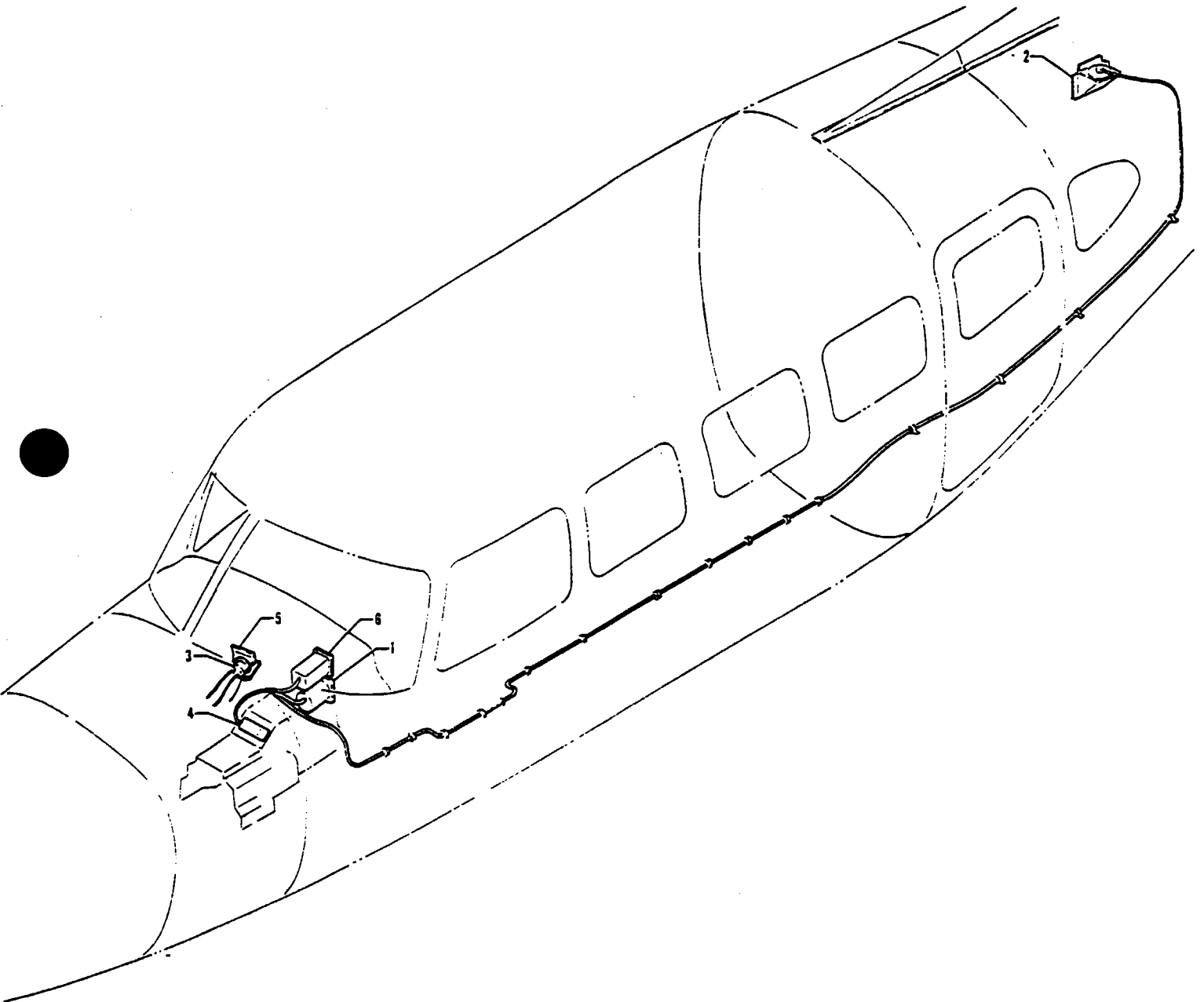


Figure 146. RMI System Installation  
(Radio Magnetic Indicator)

---

# PIPER PARTS CATALOG

---

## CODE EXPLANATIONS FOR FIGURE 148

- A - Used if Altimatec III B-1 and King Single ADF is installed.
- B - Used if Altimatec III B-1 and King Dual ADF is installed.
- C - Used if Altimatec V F/D-1 and King Single ADF is installed.
- D - Used if Altimatec V F/D-1 and King Dual ADF is installed.

PIPER PARTS CATALOG

Figure and Index Number	Part Number	Code	NOMENCLATURE	No. Req.	SERIAL NUMBERS AFFECTED
146-	44355 52450	A,B C,D	DRAWING - RMI System Installation DRAWING - RMI System Installation		
-1	755 415 596 175 550 513	A,B C D	INDICATOR - RMI (289-1D) INDICATOR - RMI (2105D-8-6) INDICATOR - RMI (2109D-8-6)	1 1 1	
-2	596 173	A,B	FLUX DETECTOR - (254-11)	1	
-3	596 174	A,B	SLAVING METER - (254-147)	1	
-4	596 054 596 172	A C	INVERTER - RMI (39053) INVERTER - RMI (P-20)	1 1	
-5	43537-00	A,B	BRACKET - Slaving meter	1	
-6	596 738	C,D	INDICATOR - Horizontal situation display (1N-831A-40001728503)	1	

When ordering, always specify Part Number, Description and Serial Number of Aircraft

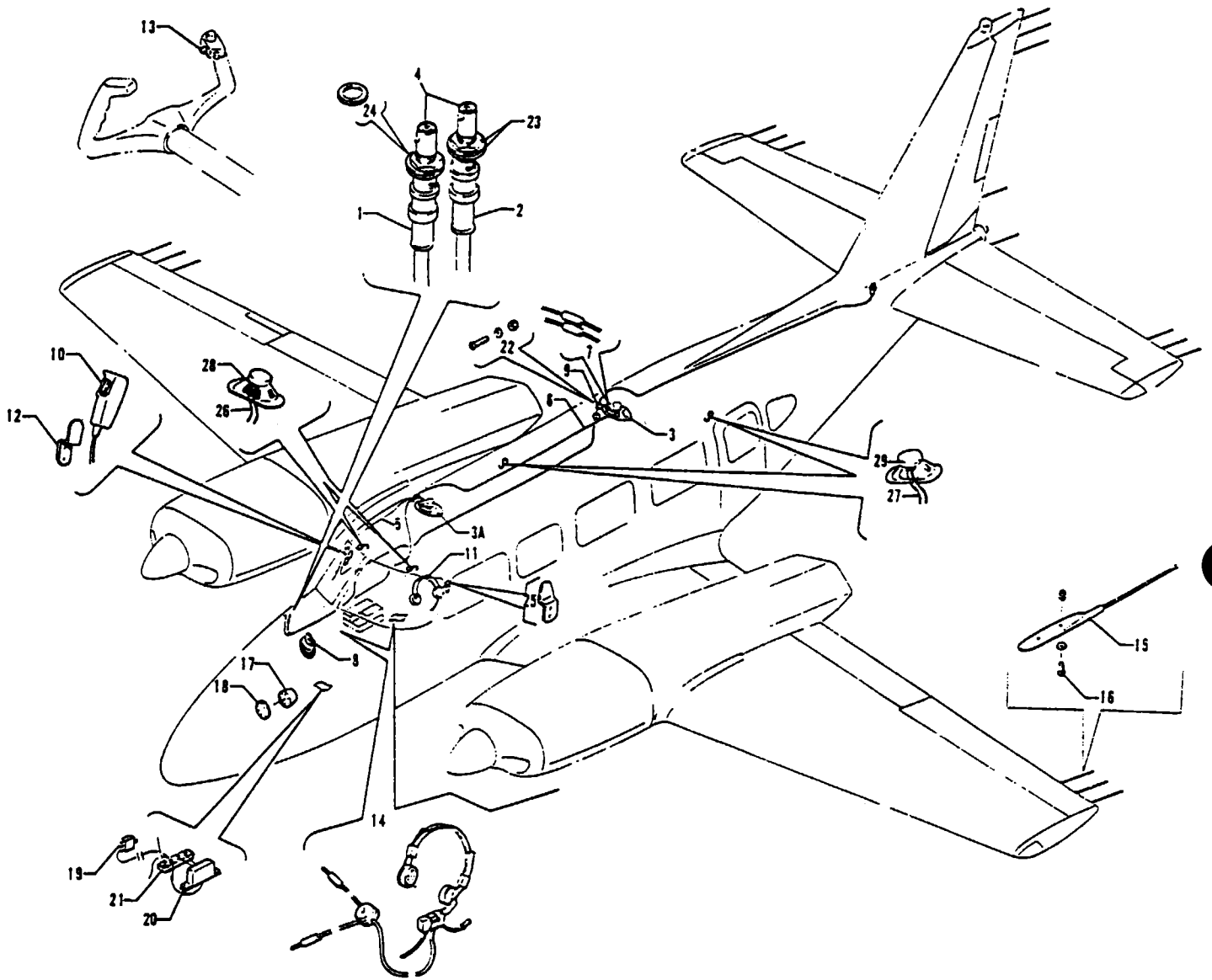


Figure 147 Antenna Cable, Speaker, Static Wicks, Ramp Hailer and Mike Installation

---

# PIPER PARTS CATALOG

---

## CODE EXPLANATIONS FOR FIGURE 147

- A - Used with Shure Brothers microphone
- B - Used with Telex microphone.
- C - Used if ramp hailer installation is installed
- D - Used if ramp hailer installation is not installed.

PIPER PARTS CATALOG

Figure and Index Number	Part Number	Code	NOMENCLATURE	No. Req.	SERIAL NUMBERS AFFECTED
147-	52389		DRAWING - Antenna Cable and Speaker Installation		31-5001 to 31-8052221 incl
	71579		DRAWING - Antenna Cable and Speaker Installation		31-8152001 and up
	42387		DRAWING - Static Wicks Installation		31-5001 to 31-7952250 incl
	71065		DRAWING - Static Wicks Installation		31-8052001 and up
	42842	B	DRAWING - Copilot Headset and Mike Installation		
	43773	A	DRAWING - Copilot Headset and Mike Installation		
	25617	A	DRAWING - Pilot Headset and Mike Installation		
	52913	B	DRAWING - Pilot Headset and Mike Installation		
	43369		DRAWING - Boom Mike Installation		
	54398		DRAWING - Copilot Boom Mike Installation		31-7552001 and up
-1	16931-99		CABLE ASSEMBLY - Antenna, co-ax	1	31-5001 to 31-7752192 incl
	49985-84		CABLE ASSEMBLY - Antenna, co-ax	1	31-7852001 and up
-2	42743-05		CABLE ASSEMBLY - Co-ax	1	31-5001 to 31-7752192 incl.
	49985-82		CABLE ASSEMBLY - Co-ax	1	31-7852001 and up
-3	42777-00		SPEAKER ASSEMBLY - Radio, rear	1	31-5001 to 31-7652177 incl.
-3a	42777-00		SPEAKER ASSEMBLY - Radio, front	1	31-5001 to 31-7552120 incl.
	42777-02		SPEAKER ASSEMBLY - Radio, front	1	31-7552121 to 31-7652177 incl
-4	453 839		CONNECTOR - (UF-492 D/U)	2	
-5	21534-67		WIRE ASSEMBLY - Shielded, single	1	31-5001 to 31-7652177 incl.
-6	80017-22		WIRE ASSEMBLY - Shielded, single	1	31-5001 to 31-7652177 incl.
-7	90797-72		SLEEVE - Wire	4	31-5001 to 31-7652177 incl.
-8	487 722		STRAP - (PS10017-3-3-6F)	1	
-9	454 928		CLAMP - (PS10017-2-3)	3	
-10	474 849		MICROPHONE - (Telex Model 66C)	AR	
	474 857		MICROPHONE - (Telex Model 100T)	AR	
	474 656		MICROPHONE - (Shure CM-16TF)	AR	
	474 655		MICROPHONE - (Narco M-700A)	AR	31-7552001 and up
-11	464 327		HEADPHONE - (P23, 300 ohms)	AR	
	464 362		HEADSET - (Telex Model 61650-03)	AR	
-12	453 415		BRACKET ASSEMBLY - Microphone (used with Telex Model 66C)	1	
	453 445		BRACKET ASSEMBLY - Microphone (used with Shure)	1	
-13	487 904		SWITCH ASSEMBLY - Boom mike	1	
-14	27004-00		HEADSET AND BOOM MIKE ASSEMBLY - (464 369)	1	
-15	494 678		WICK - Static (SW 10-98-3)	10	31-5001 to 31-7952250 incl.
	456 802		WICK - Static (ESD-3)	18	31-8052001 and up
-16	415 520		SCREW - (MS35206-230)	20	31-5001 to 31-7952250 incl
	415 520		SCREW - (MS35206-230)	36	31-8052001 and up
	407 041		WASHER - (MS35338-41)	20	31-5001 to 31-7952250 incl.
	407 041		WASHER - (MS35338-41)	36	31-8052001 and up
	406 848		RIVNUT - (A6K-75)	20	31-5001 to 31-7952250 incl.
-17	454 343		SPEAKER ASSEMBLY - Ramp hailer (3623)	1	31-5001 to 31-8152129 incl.
	585 111		SPEAKER ASSEMBLY - Ramp hailer (MIS 8)	1	31-8152130 and up
-18	462 054		GASKET - Bell (36G22)	1	31-5001 to 31-8152129 incl
-19	53516-00		SWITCH ASSEMBLY - Speaker, ramp hailer	1	31-5001 to 31-7405409 incl.
-20	53573-00	C	TRANSFORMER ASSEMBLY - Ramp hailer	1	31-5001 to 31-8052221 incl.
	484 491	D	RESISTOR - (15 ohm, 12.5 w.)	1	31-8052212 and up
-21	588 342		TERMINAL BLOCK - (MS27212-2-4)	1	
-22	415 149		SCREW - (MS35207-263)	4	
	404 887		NUT - (MS20365-1032C)	4	
-23	80122-139		WASHER - Special	4	
-24	80122-140		WASHER - Special	2	
-25	565 446		BRACKET - Boom mike headset (XP-96208)	1	

When ordering, always specify Part Number, Description and Serial Number of Aircraft

PIPER PARTS CATALOG

Figure and Index Number	Part Number	Code	NOMENCLATURE	No. Req.	SERIAL NUMBERS AFFECTED
147-26	80017-29		WIRE ASSEMBLY - Shielded, single	1	31-7752001 and up
-27	80017-31		WIRE ASSEMBLY - Shielded, single, left rear speaker	1	31-7752001 and up
	80017-30		WIRE ASSEMBLY - Shielded, single, right rear speaker	1	31-7752001 to 31-8052221 incl.
	71900-08		WIRE ASSEMBLY - Shielded, single, right rear speaker	1	31-8152001 and up
-28	54848-03		SPEAKER ASSEMBLY - Radio, left, front	1	31-7752001 and up
	54848-04		SPEAKER ASSEMBLY - Radio, right, front	1	31-7752001 and up
-29	54848-05		SPEAKER ASSEMBLY - Radio, Sta. 197.35, left, rear	1	31-7752001 and up
	54848-06		SPEAKER ASSEMBLY - Radio, Sta. 133.65, right, rear	1	31-7752001 to 31-8052221 incl
	71578-02		SPEAKER ASSEMBLY - Radio, Sta. 133.65, right, rear	1	31-8152001 and up

When ordering, always specify Part Number, Description and Serial Number of Aircraft



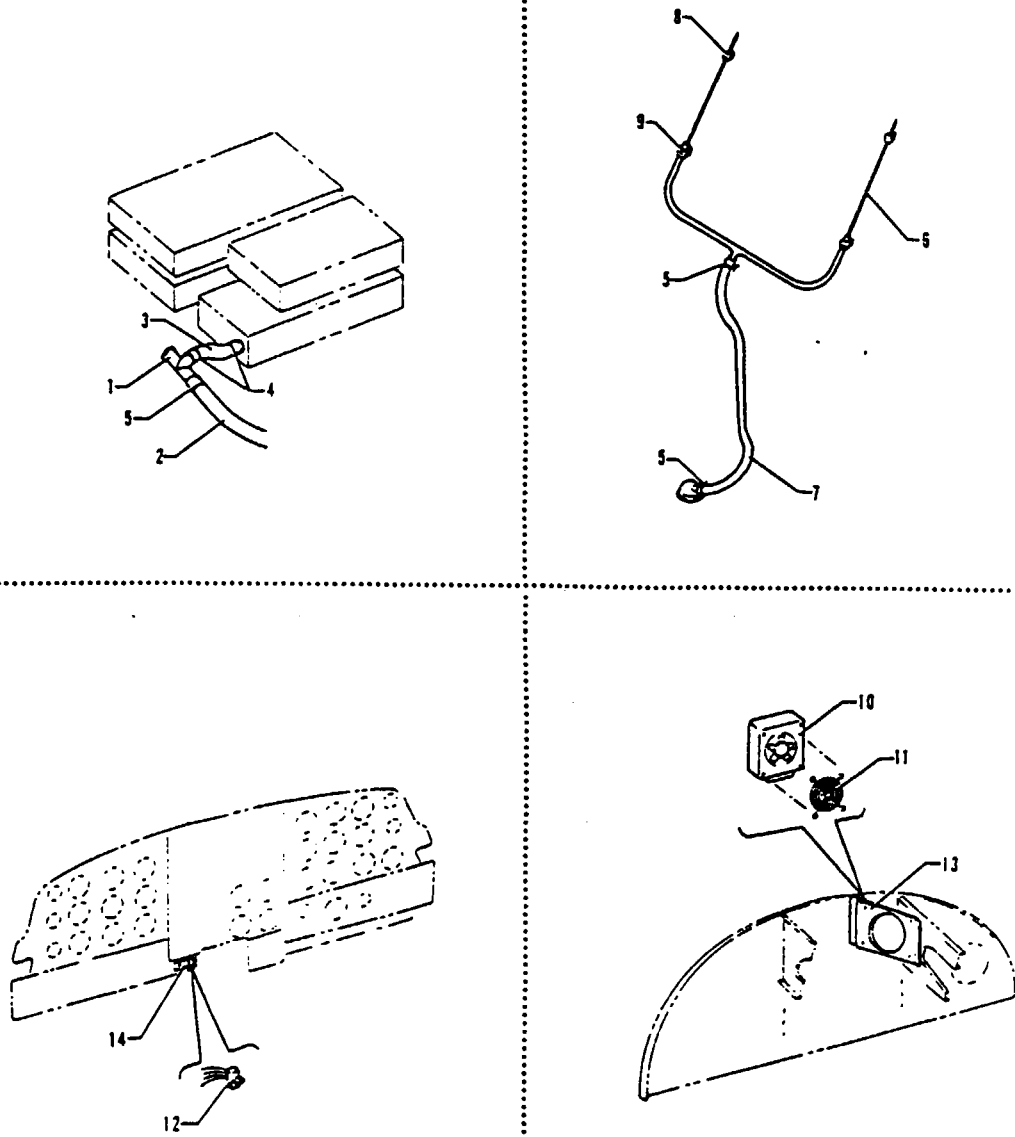


Figure 148. Radio Cooling Installation

---

# PIPER PARTS CATALOG

CODE EXPLANATIONS FOR FIGURE 148

PIPER PARTS CATALOG

Figure and Index Number	Part Number	Code	NOMENCLATURE	No. Req.	SERIAL NUMBERS AFFECTED
148-	42545 54306		DRAWING - Radio Cooling Installation DRAWING - Radio Cooling Installation		31-5001 to 31-7405497 incl. 31-7552001 to 31-7852009, 31-7852011 to 31-7852021 incl.
	55798		DRAWING - Radio Cooling Fan Installation		31-7852010, 31-7852022 and up
-1	44411-00		TUBE ASSEMBLY - Tee	1	31-5001 to 31-7405497 incl.
-2	61541-47		HOSE - Radio cooling (42" L)	1	31-5001 to 31-7405497 incl.
-3	61541-50		HOSE - Radio cooling (3" L)	1	31-5001 to 31-7405497 incl.
-4	554 802		CLAMP - (SAE TY E-14)	2	31-5001 to 31-7405497 incl.
-5	454 987		CLAMP - (SAE TY E-12)	2	31-5001 to 31-7852009, 31-7852011 to 31-7852021 incl.
-6	54307-02		TUBE ASSEMBLY - Radio cooling	1	31-5001 to 31-7852009, 31-7852011 to 31-7852021 incl.
-7	80007-35		HOSE - Radio cooling (37 5" L)	2	31-7552001 to 31-7852009, 31-7852011 to 31-7852021 incl.
-8	454 930		CLAMP - Tube (PS10017-2-6)	2	31-7552001 to 31-7852009, 31-7852011 to 31-7852021 incl.
-9	454 933		CLAMP - Tube (PS10017-2-8)	2	31-7552001 to 31-7852009, 31-7852011 to 31-7852021 incl.
-10	49113-02		FAN ASSEMBLY - Radio cooling	1	31-7852010, 31-7852022 and up
-11	486 154		SCREEN - Fan (055002)	1	31-7852010, 31-7852022 and up
-12	49115-02		SWITCH ASSEMBLY - Radio cooling fan	1	31-7852010, 31-7852022 and up
-13	55853-02		BRACKET ASSEMBLY - Radio cooling fan	1	31-7852010, 31-7852022 and up
-14	80443-02		PLACARD - Avionics light and master	1	31-7852010, 31-7852022 to 31-7952250 incl.
	80443-03		PLACARD - Avionics master	1	31-8052001 and up

When ordering, always specify Part Number, Description and Serial Number of Aircraft

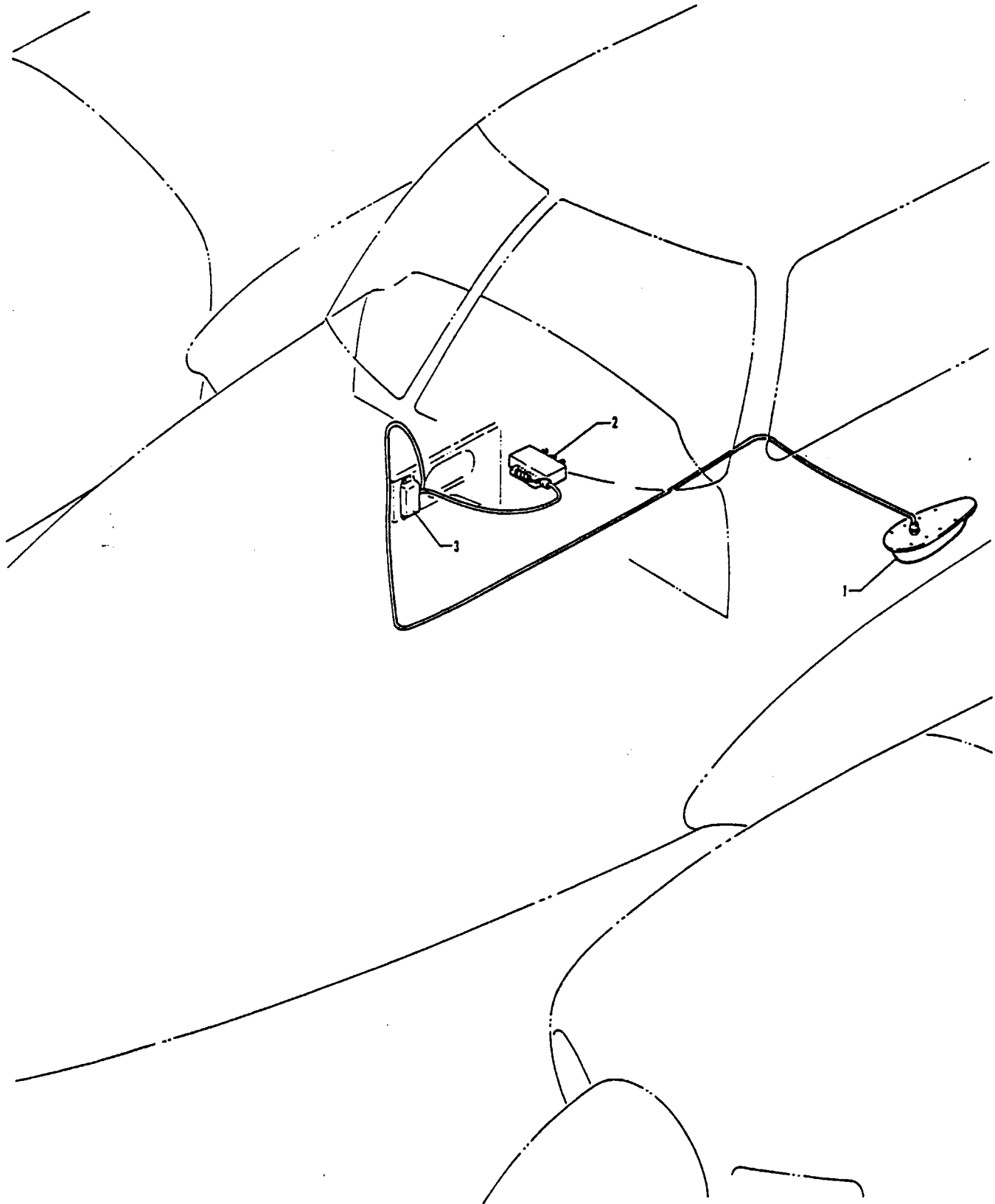


Figure 149 Piper PM-1 Marker Beacon Installation

---

# PIPER PARTS CATALOG

---

CODE EXPLANATIONS FOR FIGURE 149

PIPER PARTS CATALOG

Figure and Index Number	Part Number	Code	NOMENCLATURE	No. Req.	SERIAL NUMBERS AFFECTED
149-	52887		DRAWING - Audio Amplifier and Marker Beacon Installation KA-25 (King) and PM-1 (Piper)		
-1	551 216		RECEIVER - Marker beacon (1-950005)	1	
-2	551 223		PANEL ASSEMBLY - Marker beacon control (1-950012)	1	
-3	43517-00		CONVERTER ASSEMBLY - Marker beacon power	1	

When ordering, always specify Part Number, Description and Serial Number of Aircraft

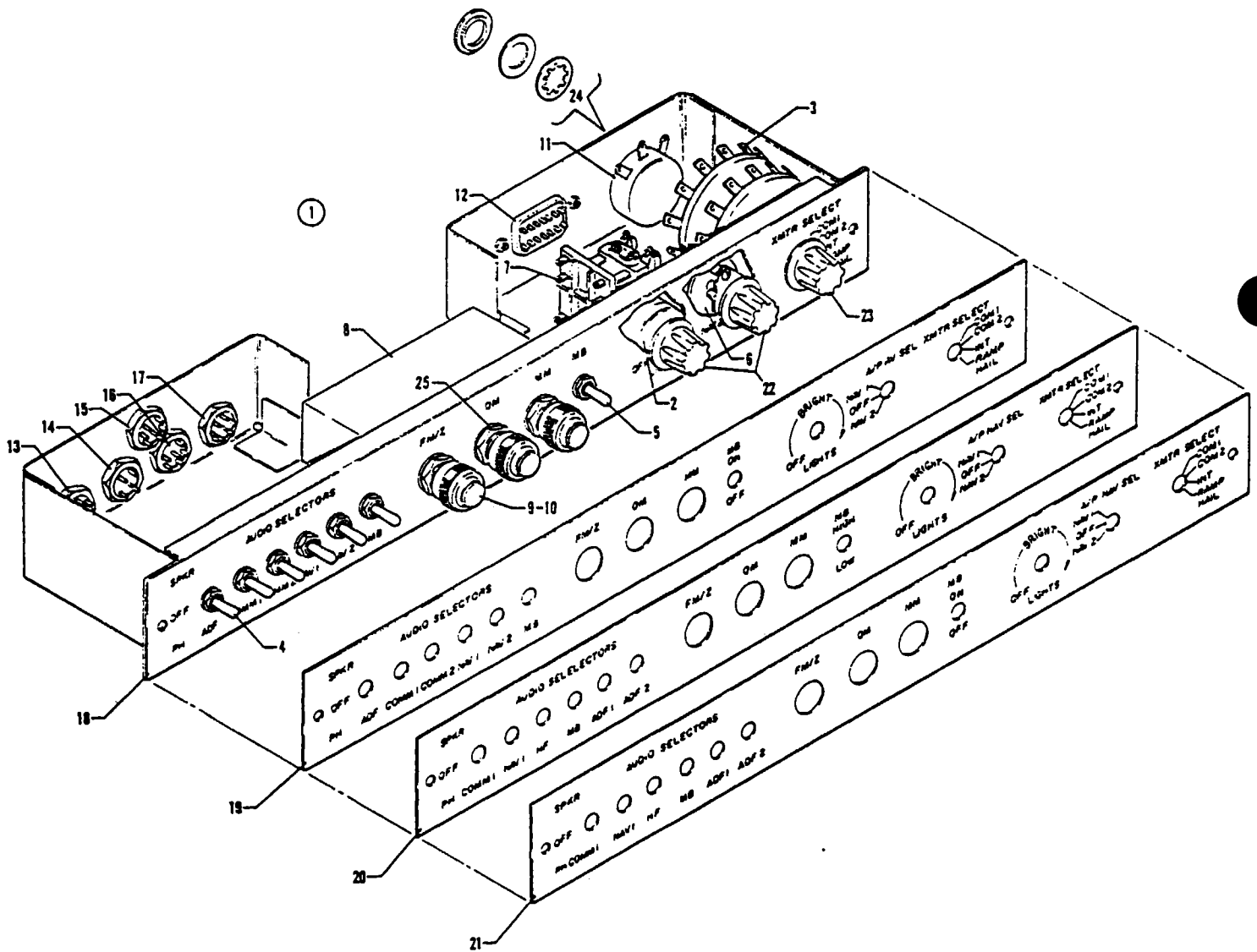


Figure 150. Radio Junction Boxes

---

# PIPER PARTS CATALOG

---

## CODE EXPLANATIONS FOR FIGURE 150

- A - Used with Dual Narco (Domestic) COM II, ADF-T-12 Series or KR-85 King ADF, DME and Piper Marker Beacon.
- B - Used with Dual Narco (Domestic) COM II, ADF-T-12 Series or KR-85 King ADF, DME and Narco Marker Beacon
- C - Used with Narco (International) COM II, Dual ADF-T-12 Series or Dual KR-85 King ADF, SA-14R Series Transceiver and Piper Marker Beacon
- D - Used with Narco (International) COM II, Dual ADF-T-12 Series or Dual KR-85 King ADF, SA-14R Series Transceiver and Narco Marker Beacon



PIPER PARTS CATALOG

Figure and Index Number	Part Number	Code	NOMENCLATURE	No. Req.	SERIAL NUMBERS AFFECTED
150-1	52817-02	A	BOX ASSEMBLY - Radio junction (complete)	1	
	52817-03	B	BOX ASSEMBLY - Radio junction (complete)	1	
	52817-04	C	BOX ASSEMBLY - Radio junction (complete)	1	
	52817-05	D	BOX ASSEMBLY - Radio junction (complete)	1	
-2	47279-02		* RHEOSTAT - Junction box	1	
-3	44258-00		* SWITCH ASSEMBLY - Transmitter	1	
-4	487 916		* SWITCH - (7103)	6	
-5	487 917		* SWITCH - Piper marker beacon (7203)	1	
	487 915		* SWITCH - Narco marker beacon (7101)	1	
-6	43765-00		* SWITCH - Selector (487 941)	1	
-7	484 211		* RELAY - (1245-2C-24D)	1	
-8	551 233	A,C	* CONTROL PANEL ASSEMBLY - Marker beacon (1-950012) (with lights)	1	
-9	44788-00	B,D	* HARNESS ASSEMBLY - Marker beacon lights	1	
-10	453 695		* * BULB - (PS10008-328)	3	
-11	455 337		* CONTROL - "L" Pad (TSA-10)	1	
-12	555 347		* CONNECTOR - Receptacle (57-40140)	1	
-13	455 226		* CONNECTOR - (126-197)	1	
-14	455 227		* CONNECTOR - (126-198)	1	
-15	455 228		* CONNECTOR - (126-216)	1	
-16	455 309		* CONNECTOR - (126-219)	1	
-17	455 229		* CONNECTOR - (126-221)	1	
-18	52802-02	A	* PANEL ASSEMBLY - Radio control, electroluminescent (Piper Marker Beacon)	1	
-19	52802-03	B	* PANEL ASSEMBLY - Radio control, electroluminescent (Narco Marker Beacon)	1	
-20	52802-04	C	* PANEL ASSEMBLY - Radio control, electroluminescent (Piper Marker Beacon)	1	
-21	52802-05	D	* PANEL ASSEMBLY - Radio control, electroluminescent (Narco Marker Beacon)	1	
-22	571 154		* KNOB - (1-126) Black	2	
-23	571 153		* KNOB - (126) Black	1	
-24	494 067		* WASHER - (6529-M)	1	
	494 068		* WASHER - (6517-M)	1	
	407 138		* WASHER - (AN936-A616)	1	
-25	494 111		* WASHER - Nylomatic (7/16 x 5/8 x .032)	3	

When ordering, always specify Part Number, Description and Serial Number of Aircraft

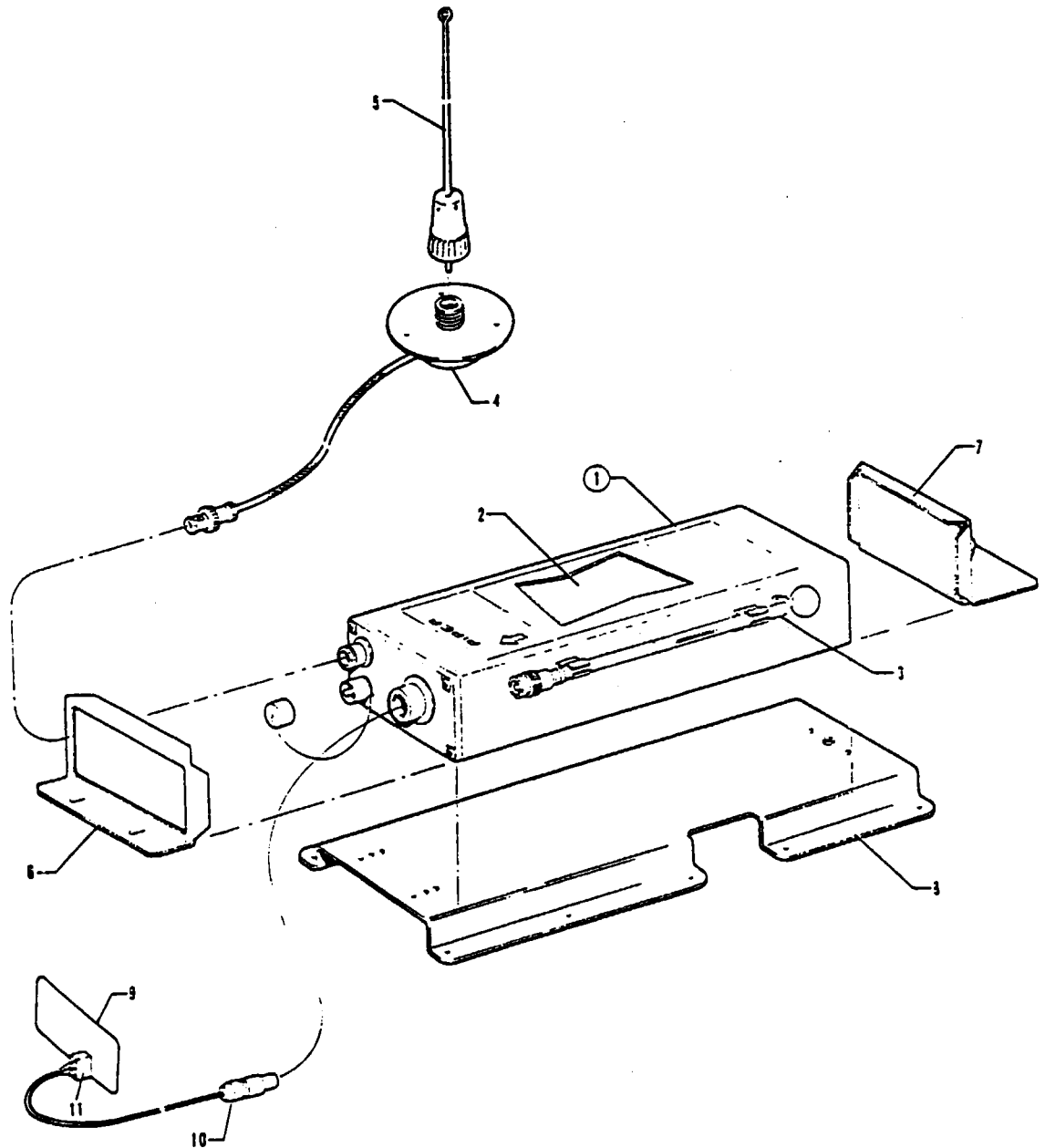


Figure 151. Piper Automatic Locator (ELT) Installation  
(Garrett Mfg. Ltd.)

---

# PIPER PARTS CATALOG

---

## CODE EXPLANATIONS FOR FIGURE 151

- A - Used with Transmitter Assembly 756 398 (Model 627484-1).
- B - Used with Transmitter Assembly 761 939 (Model 627674-1).
- C - Used with Transmitter Assembly 761 967 (Model 627810-1).
- D - No longer available. Order ELT Replacement Kit 764 082 (Garrett ELT to Narco ELT10) as a replacement.

PIPER PARTS CATALOG

Figure and Index Number	Part Number	Code	NOMENCLATURE	No. Req.	SERIAL NUMBERS AFFECTED
151-	53106 53730	A B,C	DRAWING - Piper Automatic Locator (ELT) Installation DRAWING - Piper Automatic Locator (ELT) Installation		
-1	756 398	D	TRANSMITTER ASSEMBLY - Automatic locator (627484-1) (includes magnesium battery pack)	1	
	761 939	D	TRANSMITTER ASSEMBLY - Automatic locator (627674-1) (includes magnesium battery pack)	1	
	761 967	D	TRANSMITTER ASSEMBLY - Automatic locator (627810-1) (includes lithium battery pack)	1	
-2	758 281	A,B	* BATTERY PACK - Transmitter assembly (magnesium)	1	
	758 364	C,D	* BATTERY PACK - Transmitter assembly (lithium)	1	
-3	751 316		* ANTENNA ASSEMBLY - Telescopic	1	
-4	751 318		CABLE AND BASE ASSEMBLY - Whip antenna	1	
-5	751 319		ANTENNA ASSEMBLY - Whip (less cable and base)	1	
-6	758 266		BRACKET - Forward transmitter mounting	1	
-7	758 267		BRACKET ASSEMBLY - Aft transmitter mounting (includes lock knob)	1	
-8	53093-00		BRACKET ASSEMBLY - Emergency indicator transmitter	1	
-9	33543-00	B	PLACARD - Warning (E.L.T.)	1	
	80418-02	C	PLACARD - Warning (E.L.T.)	1	
-10	555 731	B,C	CONNECTOR - (612129-3)	1	
-11	587 951	B	SWITCH - ELT (7103K)	1	
	587 965	C	SWITCH - ELT (7101K)	1	

When ordering, always specify Part Number, Description and Serial Number of Aircraft

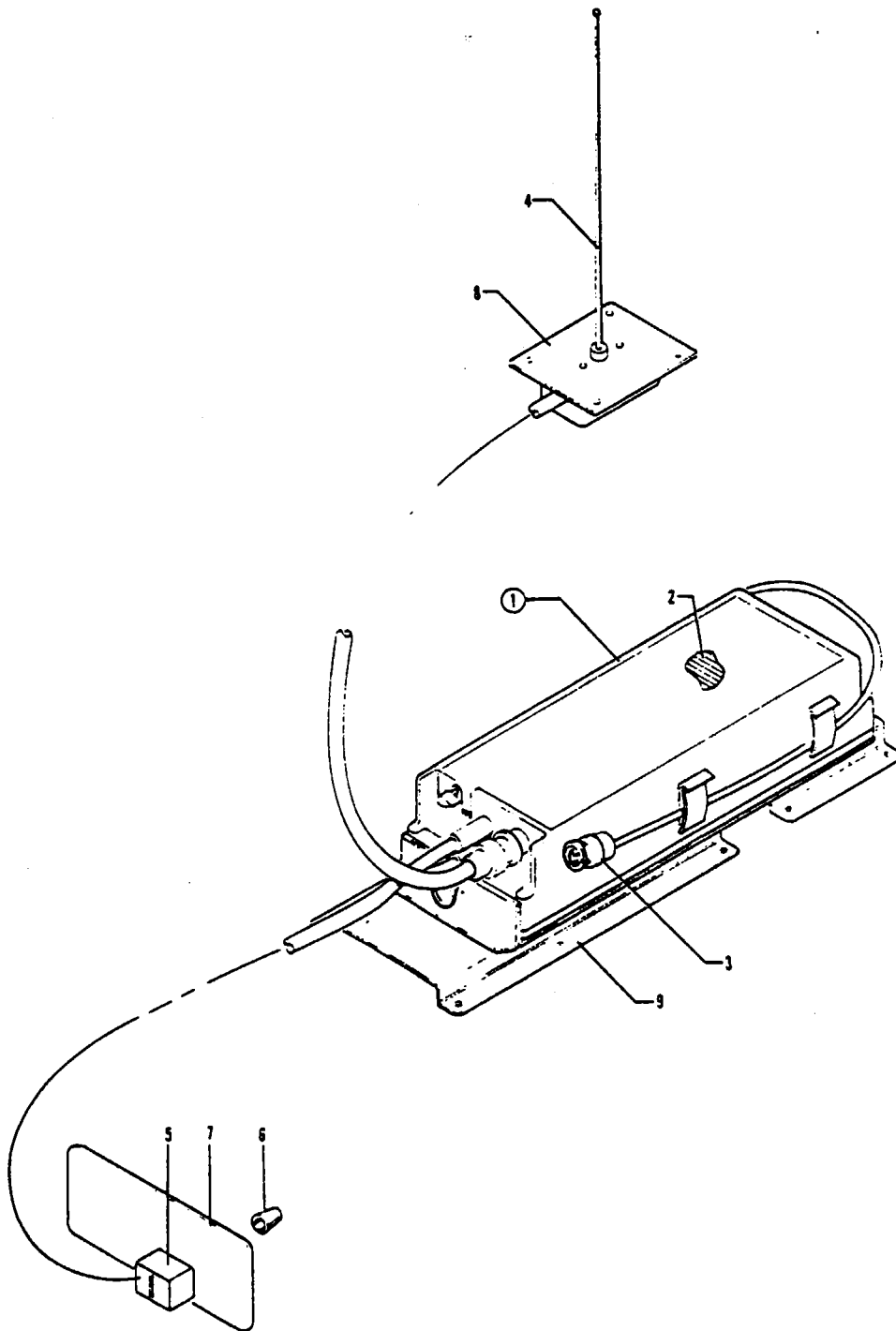


Figure 152. Piper Automatic Locator (ELT) Installation  
(Communications Components Corp.)

---

# PIPER PARTS CATALOG

---

## CODE EXPLANATIONS FOR FIGURE 152

V - These parts must be ordered from Service Spares Department, Piper Aircraft Corp., Vero Beach, Florida.

PIPER PARTS CATALOG

Figure and Index Number	Part Number	Code	NOMENCLATURE	No. Req.	SERIAL NUMBERS AFFECTED
152-	55675		DRAWING - Piper Automatic Locator (ELT) Installation		
-1	762 030	V	TRANSMITTER ASSEMBLY - Automatic locator (C1R-11-2), (includes alkaline battery pack)	1	
-2	758 528	V	* BATTERY PACK - Transmitter assembly (alkaline)	1	
-3	758 092	V	* ANTENNA ASSEMBLY - Portable (10-249)	1	
-4	763 004	V	ANTENNA ASSEMBLY - Whip (10-234)	1	
-5	588 043		SWITCH - (7207)	1	
-6	477 829		NUT - Dress (8025)	1	
-7	80529-02		PLACARD - Warning (ELT)	1	
-8	60704-02		PLATE - Doubler	1	
-9	53093-04		BRACKET ASSEMBLY - ELT mounting	1	

When ordering, always specify Part Number, Description and Serial Number of Aircraft

# PIPER PARTS CATALOG

---

GRIDS 4E23 THRU 4E24  
INTENTIONALLY LEFT BLANK



PIPER PARTS CATALOG

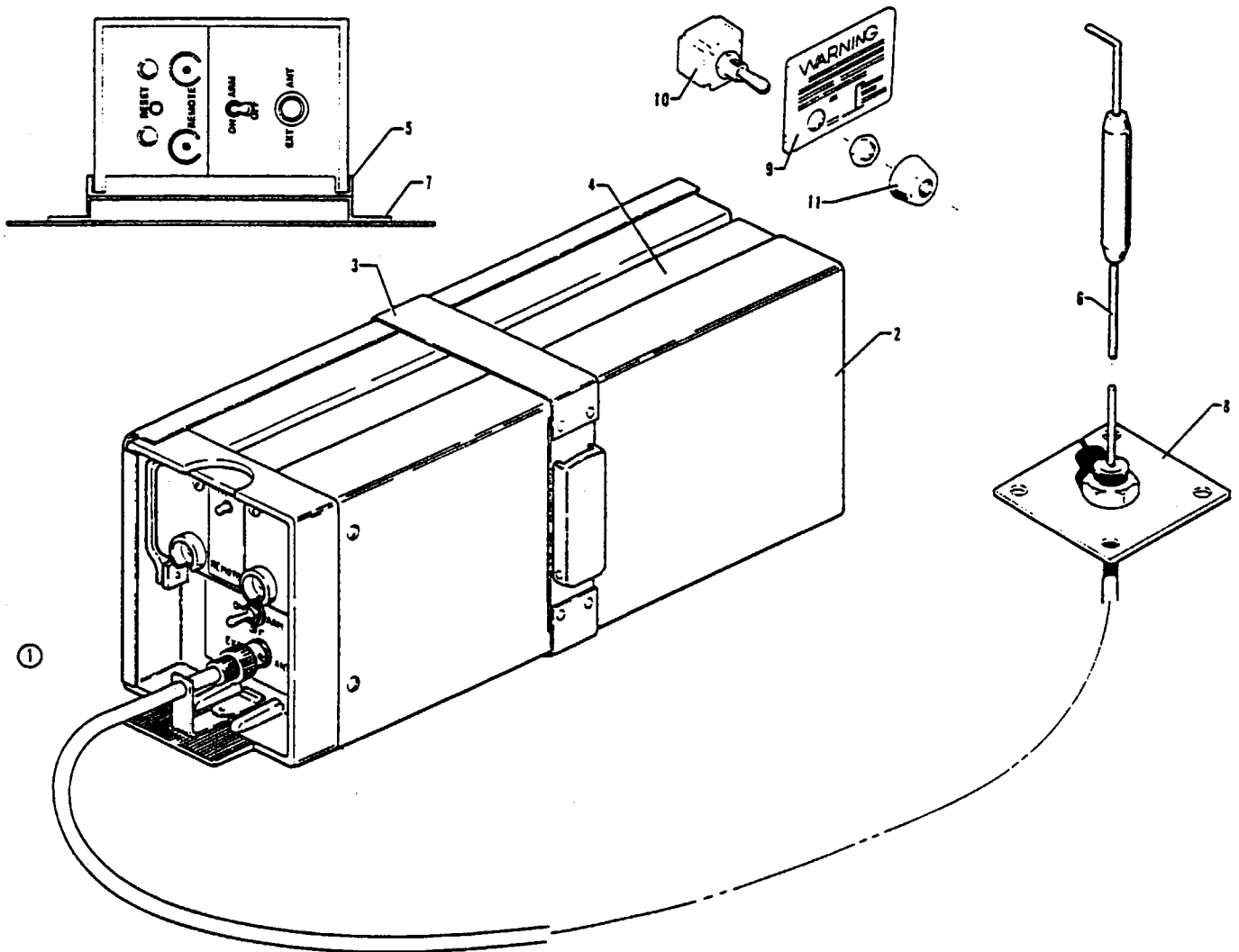


Figure 152A. Piper Automatic Locator (ELT) Installation (Narco Avionics)

---

# PIPER PARTS CATALOG

CODE EXPLANATIONS FOR FIGURE 152A

PIPER PARTS CATALOG

Figure and Index Number	Part Number	Code	NOMENCLATURE	No. Req.	SERIAL NUMBERS AFFECTED
152A-	49736		DRAWING - Piper Automatic Locator (ELT) Installation		
-1	54800-54		TRANSMITTER ASSEMBLY - Automatic locator (ELT 10) (includes alkaline battery pack)	1	
-2	758 452		* BATTERY PACK - Transmitter assembly (57674-0001)	1	
-3	762 357		* STRAP - Transmitter assembly (57682-0101)	1	
-4	763 019		* ANTENNA - Blade, portable (57667-0001)	1	
-5	758 453		* BASE - Transmitter assembly (57666-0001)	1	
-6	597 257		ANTENNA ASSEMBLY - E.L.T. (01652-0101)	1	
-7	39273-02		BRACKET ASSEMBLY - E.L.T., mounting	1	
-8	60704-02		BRACKET - Doubler	1	
-9	80687-02		PLACARD - Warning, E L T	1	
-10	587 965		SWITCH - (7101-K)	1	
-11	477 829		NUT - Dress (8025)	1	

When ordering, always specify Part Number, Description and Serial Number of Aircraft

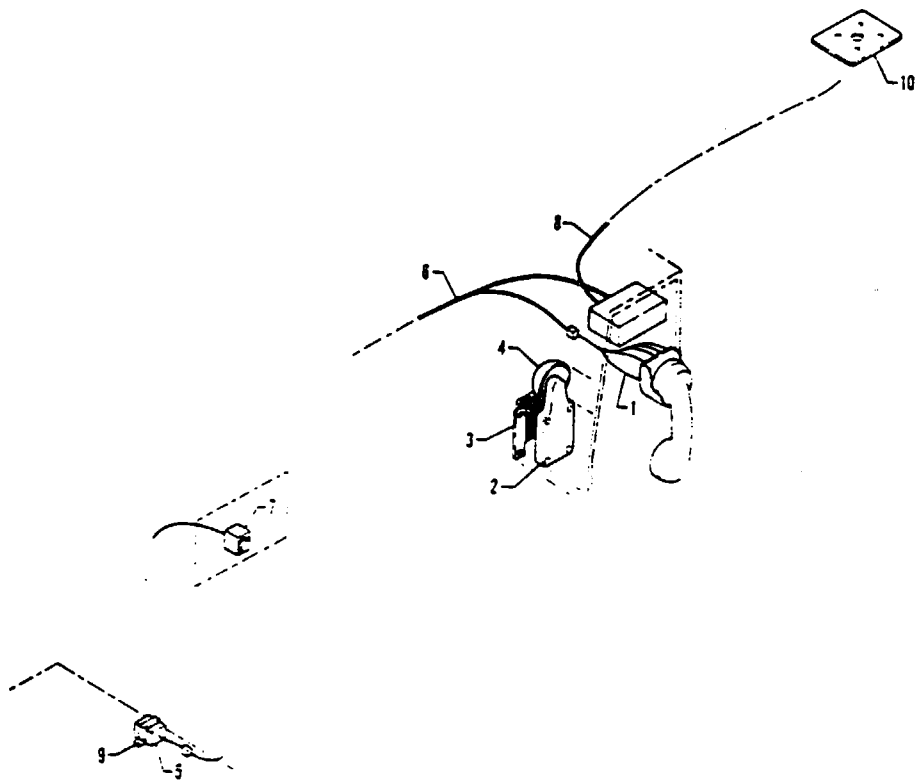


Figure 152B. King Radio Telephone Installation

---

# PIPER PARTS CATALOG

---

CODE EXPLANATIONS FOR FIGURE 152B

PIPER PARTS CATALOG

Figure and Index Number	Part Number	Code	NOMENCLATURE	No. Req.	SERIAL NUMBERS AFFECTED
152B-	49383		DRAWING - King Radio Telephone Installation		31-7852001 and up
-1	49381-02		HARNES ASSEMBLY - Handset	1	
-2	49383-04		BELL ASSEMBLY	1	
-3	71565-02		* COVER - Bell resistor	1	
-4	452 668		* BELL - Radio telephone	1	
-5	49371-02		RELAY ASSEMBLY	1	
-6	55799-02		HARNES ASSEMBLY - Radio phone	1	
-7	454 695		CIRCUIT BREAKER - (PS50120-3-24) 3 amp	1	
-8	49985-81		CABLE ASSEMBLY	1	
-9	52188-00		STRAP - Relay	1	
-10	71013-02		PLATE ASSEMBLY - Antenna	1	

When ordering, always specify Part Number, Description and Serial Number of Aircraft

---

PIPER PARTS CATALOG

THIS SPACE INTENTIONALLY LEFT BLANK

Radio Installation Drawings

REVISED: APRIL 1981

4F7

PA-31-350

---

# PIPER PARTS CATALOG

---

## CODE EXPLANATIONS FOR RADIO INSTALLATION DRAWINGS

- A - Components of Narco Radio Installation (Domestic Group A).
- B - Components of Narco Radio Installation (International Group B).
- C - Components of King Gold Radio Installation (Domestic Group C).
- D - Components of King Gold Crown Radio Installation (International Group C).
- E - Used with King KN-60C DME and King KX-170A NAV/COMM 1 and NAV/COMM 2 Radios.
- F - Components of Avionics Installation KS-31-3, Group 611.
- G - Components of Avionics Installation KTS-31-3, Group 612.
- H - Components of Avionics Installation KTG-31-3, Group.
- J - Components of Avionics Installation KTG-31, Group.
- K - Components of Avionics Installation KTS-31-1, Group.
- L - Components of Avionics Installation KTS-31, Group.



PIPER PARTS CATALOG

Figure and Index Number	Part Number	Code	NOMENCLATURE	No. Req.	SERIAL NUMBERS AFFECTED
	52687 52688 52689		DRAWING - Narco Radio Installation (Domestic Group A) DRAWING - Narco Radio Installation (International Group B) DRAWING - King Gold Crown Radio Installation (Domestic and International Group C)		31-5001 to 31-7405478 incl. 31-5001 to 31-7405478 incl.
	52425 52493 42840 42984 52868 52873 52895 52896 42963 43600 43177 43427 52532	C,D C,D C,D C,D A,B A,B A A C,D A,C,D D B C	DRAWING - King KTR-900A (COMM 1) Radio Installation DRAWING - King KTR-900A (COMM 2) Radio Installation DRAWING - King KNI-500L (NAV 1) Radio Installation DRAWING - King KNI-500 (NAV 2) Radio Installation DRAWING - Narco COM 11A (COMM 1) Radio Installation DRAWING - Narco NAV 12 (NAV 1) Radio Installation DRAWING - Narco COM 11 (COMM 2) Radio Installation DRAWING - Narco NAV 11 (NAV 2) Radio Installation DRAWING - King KDM-700A DME Radio Installation DRAWING - King KXP-750A Transponder Installation DRAWING - Sunair SA-14RA Radio Installation DRAWING - Sunair SA-14RA Radio Installation DRAWING - King KDF-800 Single ADF Radio Installation (with or without dual control head)		31-5001 to 31-7405478 incl. 31-5001 to 31-7405478 incl. 31-5001 to 31-7405478 incl. 31-5001 to 31-7405478 incl. 31-5001 to 31-7405478 incl. 31-5001 to 31-7405478 incl. 31-5001 to 31-7405478 incl. 31-5001 to 31-7405478 incl. 31-5001 to 31-7405478 incl. 31-5001 to 31-7405478 incl. 31-5001 to 31-7405478 incl. 31-5001 to 31-7405478 incl.
	52533 52534 52535	D B B	DRAWING - King KDF-800 Dual ADF Radio Installation DRAWING - King KR-85 Dual ADF Radio Installation DRAWING - Bendix ADF-T-12C Dual ADF Installation (with or without BFO) and Bendix ADF-T-12D Dual ADF Installation (Digital with BFO)		31-5001 to 31-7405478 incl. 31-5001 to 31-7405478 incl.
	52536	A	DRAWING - Bendix ADF-T-12C Radio Installation (with or without BFO), Bendix ADF-T-12D Radio Installation (Digital with BFO) and King KR-85 Single ADF Installation		31-5001 to 31-7405478 incl.
	52763 52886	A A,B	DRAWING - King KN-60C DME Installation DRAWING - King KA-25 Audio Amplifier and Piper PM-1 Marker Beacon Installation		31-5001 to 31-7405478 incl. 31-5001 to 31-7405478 incl.
	52817 52809 52815 52887	A,B A B A,B	BOX ASSEMBLY - Radio Junction (Complete) WIRING DIAGRAM WIRING DIAGRAM DRAWING - King KA-25 Audio Amplifier and Narco MBT-R-24 Marker Beacon Installation		31-5001 to 31-7405478 incl. 31-5001 to 31-7405478 incl. 31-5001 to 31-7405478 incl.
	52817 52835 52834 53569	A,B A B C,D	BOX ASSEMBLY - Radio Junction (Complete) WIRING DIAGRAM WIRING DIAGRAM DRAWING - King KAA-445 and KA-37 Audio Amplifier Installation		31-5001 to 31-7405478 incl. 31-5001 to 31-7405478 incl. 31-5001 to 31-7405478 incl.
	53587 52536 53534 53567 53578 53575 53604 53609 54120 53938 53558 53569 53575 54077 53598 53604 52536	E         K    K  L	DRAWING - King Silver Crown Radio Installation (NON-Tso'd) DRAWING - Single King KR-85 with ADF DRAWING - King KN-60C DME Radio Installation DRAWING - King KX-170A NAV/COMM 1 Installation DRAWING - King KX-170A NAV/COMM 2 Installation DRAWING - King KMA-20 Audio Amplifier and M/B Installation DRAWING - King KT-76 Transponder Installation DRAWING - Avionics Installation KTS-31, Group DRAWING - Avionics Installation KTS-31-1, Group DRAWING - Dual King KR-85 ADF Installation DRAWING - King KX-175B NAV/COMM 1 Installation DRAWING - King KX-175B NAV/COMM 2 Installation DRAWING - King KMA-20 Audio Amplifier and M/B Installation DRAWING - Sunair ASB-13 HF COMM Installation DRAWING - King KN-65 DME Radio Installation DRAWING - King KT-76 Transponder Installation DRAWING - Single King KR-85 With ADF		31-5001 to 31-7405478 incl. 31-5001 to 31-7405478 incl. 31-5001 to 31-7405478 incl. 31-5001 to 31-7405478 incl. 31-5001 to 31-7405478 incl. 31-5001 to 31-7405478 incl. 31-5001 to 31-7405478 incl. 31-5001 to 31-7552044 incl. 31-7405479 to 31-7552044 incl. 31-7405479 to 31-7552044 incl. 31-5001 to 31-7405478 incl. 31-5001 to 31-7405478 incl. 31-5001 to 31-7405478 incl. 31-7405479 to 31-7552044 incl. 31-5001 to 31-7405478 incl. 31-5001 to 31-7405478 incl. 31-5001 to 31-7405478 incl.

When ordering, always specify Part Number, Description and Serial Number of Aircraft

PIPER PARTS CATALOG

Figure and Index Number	Part Number	Code	NOMENCLATURE	No. Req.	SERIAL NUMBERS AFFECTED
53816			DRAWING - King KX-170A NAV/COMM 1 Installation		31-5001 to 31-7405478 incl.
53940			DRAWING - Avionics Installation, KTS-31-1, Group 612		31-7405409 to 31-7405478 incl
53941			DRAWING - Avionics Installation, KS-31-1, Group 611		31-7405409 to 31-7405478 incl.
43427		F,G	* DRAWING - Sunair SA-14RA Installation		31-7405409 to 31-7405478 incl.
53558		G	* DRAWING - King KX-175 NAV/COMM 1 Installation		31-7405409 to 31-7405478 incl.
53567		H	* DRAWING - King KX-170A NAV/COMM 1 Installation		31-7405409 to 31-7405478 incl.
53559		G	* DRAWING - King KX-175 NAV/COMM 2 Installation		31-7405409 to 31-7405478 incl
53578		H	* DRAWING - King KX-170A NAV/COMM 2 Installation		31-7405409 to 31-7405478 incl
53575		F,G	* DRAWING - King KMA-20 Audio Amplifier and M/B Installation		31-7405409 to 31-7405478 incl
54070			DRAWING - Avionics Installation, KTG-31, Group		31-7405479 to 31-7552044 incl.
54080			DRAWING - Avionics Installation, KTG-31-1, Group		31-7405479 to 31-7552044 incl
54100		H,J	* DRAWING - King KTR-900A (COMM 1 and COMM 2) Installation		31-7405479 to 31-7552044 incl
54079		H,J	* DRAWING - King KNI-520 (NAV 1) Installation		31-7405079 to 31-7552044 incl
54056		H,J	* DRAWING - King KNI-520 (NAV 2) Installation		31-7405479 to 31-7552044 incl
54074		J	* DRAWING - King KDM-705 DME Installation		31-7405479 to 31-7552044 incl.
52532		J	* DRAWING - King KDF-800, Single ADF Installation		31-7405479 to 31-7552044 incl
52533		H	* DRAWING - King KDF-800, Dual ADF Installation		31-7405479 to 31-7552044 incl
54077		H	* DRAWING - Sunair ASB-130 HF COMM Installation		31-7405479 to 31-7552044 incl.
53669		H,J	* DRAWING - King KAA-445 and KA-37 Audio Amplifier Installation		31-7405479 to 31-7552044 incl.
43600		J	* DRAWING - King KXP-750A Transponder Installation		31-7405479 to 31-7552044 incl
54030			DRAWING - Avionics Installation, NT-31, Group		31-7405479 to 31-7552044 incl.
54037			* DRAWING - Narco NAV 112, NAV 1 Installation		31-7405479 to 31-7552044 incl.
54038			* DRAWING - Narco NAV 111, NAV 2 Installation		31-7405479 to 31-7552044 incl
54034			* DRAWING - Narco COMM 111, COMM 1 Installation		31-7405479 to 31-7552044 incl
54035			* DRAWING - Narco COMM 111, COMM 2 Installation		31-7405479 to 31-7552044 incl
54032			* DRAWING - Narco CP125 Audio Amplifier and M/B Installation		31-7405479 to 31-7552044 incl
54102			* DRAWING - Bendix ADF Installation		31-7405479 to 31-7552044 incl
53902			* DRAWING - Narco AT50A Transponder Installation		31-7405479 to 31-7552044 incl
53598			* DRAWING - King KN-65 DME Installation		31-7405479 to 31-7552044 incl
54200			DRAWING - Avionics Installation, CT-1-31, Group		31-7552045 to 31-8052221 incl
54315			DRAWING - Avionics Installation, KTS-1-31		31-7552045 and up
54270			DRAWING - Avionics Installation, KTG-3-31		31-7552045 to 31-8052221 incl.
54439			DRAWING - Avionics Installation, NT-1-31 TSO (Narco)		31-7552045 to 31-7752192 incl.
54416			* DRAWING - Narco ADF-140 ADF Installation		31-7552045 to 31-7752192 incl.
54428			* DRAWING - Narco CP127 Audio Panel Installation		31-7552045 to 31-7752192 incl.
54034			* DRAWING - Narco COMM 111/111 B, COMM 1 Installation		31-7552045 to 31-7752192 incl
54035			* DRAWING - Narco COMM 111/111 B, COMM 2 Installation		31-7552045 to 31-7752192 incl
54036			* DRAWING - Narco NAV 114, NAV 1 Installation		31-7552045 to 31-7752192 incl
53902			* DRAWING - Narco AT50A Transponder Installation		31-7552045 to 31-7752192 incl
54417			* DRAWING - Narco DME 190 DME Installation		31-7552045 to 31-7552192 incl
54038			* DRAWING - Narco NAV 111, NAV 2 Installation		31-7552045 to 31-7752192 incl.
54436			DRAWING - Avionics Installation, NT-2-31 (1) TSO (Narco)		31-7552099 to 31-7752192 incl.
54428			* DRAWING - Narco CP127 Audio Panel Installation		31-7552099 to 31-7752192 incl
54500			* DRAWING - Narco Dual ADF-140 ADF Installation		31-7552099 to 31-7752192 incl
54034			* DRAWING - Narco COMM 111/111 B, COMM 1 Installation		31-7552099 to 31-7752192 incl.
54035			* DRAWING - Narco COMM 111/111 B, COMM 2 Installation		31-7552099 to 31-7752192 incl
54036			* DRAWING - Narco NAV 114, NAV 1 Installation		31-7552099 to 31-7752192 incl.
54077			* DRAWING - Sunair ASB-130 HF COMM Installation		31-7552099 to 31-7752192 incl.

When ordering, always specify Part Number, Description and Serial Number of Aircraft

PIPER PARTS CATALOG

Figure and Index Number	Part Number	Code	NOMENCLATURE	No. Req.	SERIAL NUMBERS AFFECTED
	54038		* DRAWING - Narco NAV 111, NAV 2 Installation		31-7552099 to 31-7752192 incl.
	53919		DRAWING - Avionics Installation, KTG-3-31 (1) Group		31-7552128 to 31-7952250 incl.
	54650		DRAWING - Avionics Installation, KTS-2-31 (1)		31-7552128 to 31-7952250 incl.
	55160		DRAWING - Avionics Installation, CTM-1-31		31-7752001 and up
	55336		DRAWING - VOR/LOC Repeater Installation		31-7752001 to 31-7952250 incl
	55725		DRAWING - R C A Radar Installation (Primus 20B)		31-7952001 to 31-8052221 incl
	55941		DRAWING - Avionics Battery Installation		31-7852001 and up
	71800		DRAWING - Avionics Installation, KTS-2-31		31-8152001 and up

When ordering, always specify Part Number, Description and Serial Number of Aircraft

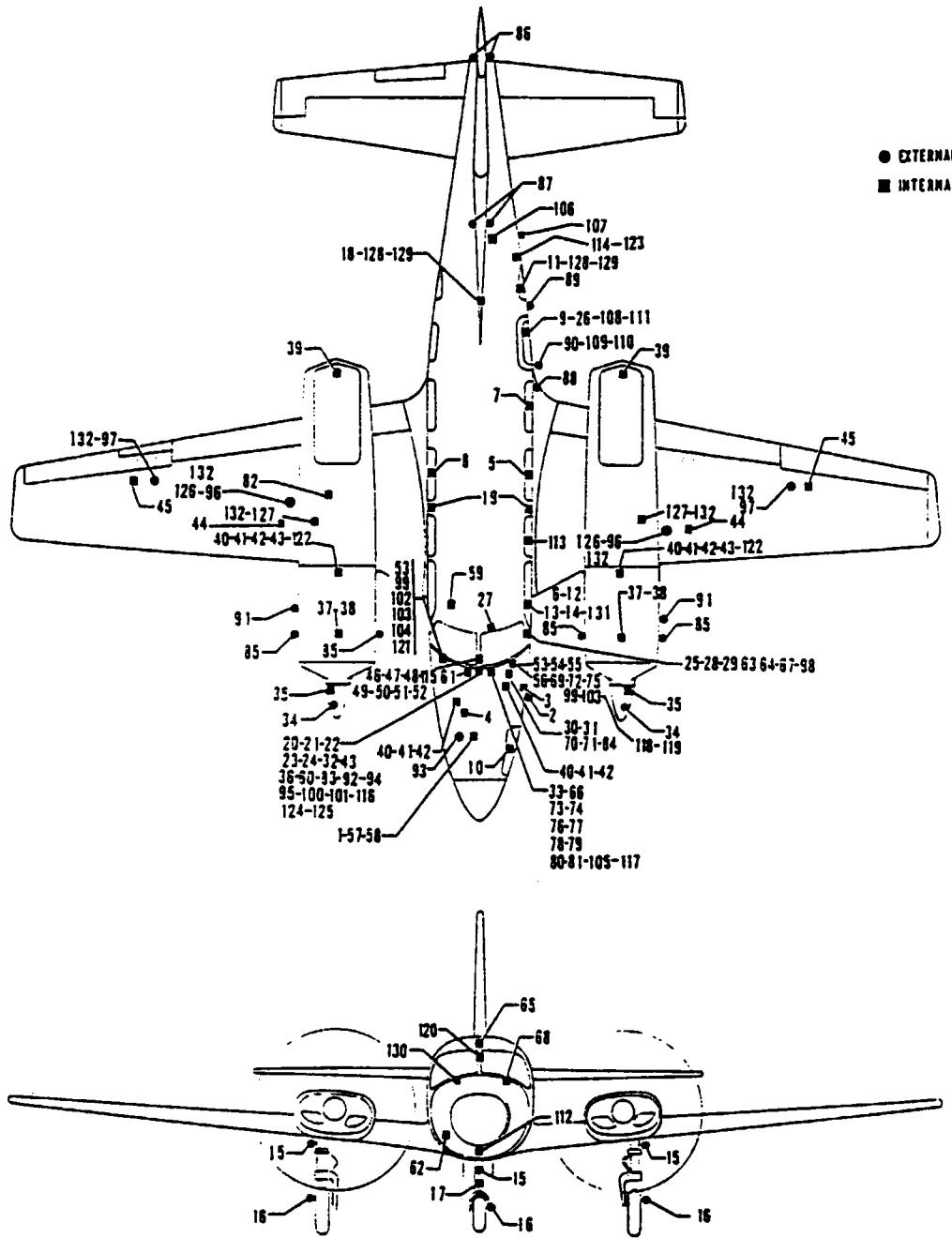


Figure 153. Placards and Exterior Stencils

---

## PIPER PARTS CATALOG

---

### CODE EXPLANATIONS FOR FIGURE 153

- A - Used on aircraft that comply with C A A (United Kingdom) requirements
- B - Main fuel cells
- C - Auxiliary fuel cells
- D - See Figure 138 if AltiMatic III B-1 is installed, Figure 140 if AltiMatic V F/D Autopilot is installed or Figure 141 if AltiMatic V-1 Autopilot is installed
- E - Used if air conditioning is installed
- F - Used if boom mike is installed
- G - Used on aircraft with serial numbers 31-5001 to 31-7405185 inclusive, 31-7405187 to 31-7405419 inclusive, 31-7405421 to 31-7405428 inclusive
- H - Used if Yaw Damper System is installed
- J - Used if Narco 14 radios are installed
- K - Used only if King radios are installed
- L - Used with Transmitter Assembly 761 939 (Model 627674-1)
- M - Used with Transmitter Assembly 761 967 (Model 627810-1)
- N - Used with Transmitter Assembly 596 644 (Model CIR-11-2)
- O - Used if RMI is not installed
- P - Used if RMI is installed
- Q - Used if Nacelle Fuel System (Nayak) is not installed
- R - Used if Nacelle Fuel System (Nayak) is installed
- S - Used in conjunction with cargo loading placard P/N 52393-00
- T - Used only if attitude gyro P/N 71181-02 is installed
- V - These parts must be ordered from Service Spares Department, Piper Aircraft Corporation, Vero Beach, Florida
- W - Used on aircraft with serial numbers 31-5001 to 31-7852171 inclusive if Flap Travel Restriction and Placard Installation Kit 764 396 have been installed per Service Bulletin 739
- X - Used on aircraft with serial numbers 31-5001 to 31-7852171 inclusive if Flap Transmission Replacement Kit 764 957L has been installed per Service Letter 959

PIPER PARTS CATALOG

Figure and Index Number	Part Number	Code	NOMENCLATURE	No. Req.	SERIAL NUMBERS AFFECTED
153-1	43801-00		PLACARD - Hydraulic reservoir	1	
-2	49172-02		DECAL - Access panel	1	31-7752062 and up
-3	80495-02		PLACARD - Access panel	1	
-4	40843-00		PLACARD - Hydraulic line routing, Sta. 57	1	
-5	42457-00		PLACARD - Seat latching	1	
-6	54098-00		PLACARD - Armrest stowage	1	
-7	80280-02		PLACARD - Seat limitation	1	
-8	80363-02		PLACARD - Emergency exit	1	31-7552093 and up
-9	43067-00		PLACARD - Door latch handle	1	
-10	47545-00		PLACARD - Baggage door, baggage capacity	1	
-11	52393-00		PLACARD - Cargo loading	1	
-12	44673-00		PLACARD - Pilot door (open-closed)	1	
-13	44674-00		PLACARD - Pilot door (theft lock)	1	
-14	80298-02		PLACARD - Latch	1	31-7552051 and up
-15	40292-04		PLACARD - Oleo service instructions, main	2	
	40292-02		PLACARD - Oleo service instructions, nose	1	
-16	41398-02		PLACARD - Tire inflation, nose	1	
	41398-07		PLACARD - Tire inflation, main	1	
-17	42742-00		PLACARD - Tow turn limits	1	31-5001 to 31-7852071 incl.
	45331-00		PLACARD - Tow turn limits	1	31-7852072 and up
-18	52393-00		PLACARD - Cargo loading	1	
-19	80468-02		PLACARD - Table storage	2	
-20	53735-00		PLACARD - Operation category	1	
-21	53703-00		PLACARD - Map light	2	
-22	53732-00		PLACARD - Speed control, M P H	1	31-5001 to 31-7405478 incl.
	53740-00	A	PLACARD - Speed control, knots	1	31-5001 to 31-7405478 incl.
-23	53731-00		PLACARD - Stall warning	1	31-5001 to 31-7552074 incl.
	80353-02		PLACARD - Alternator inoperative	1	31-7552075 to 31-7752192 incl.
-24	53734-00		PLACARD - Operation category	1	31-5001 to 31-7752192 incl.
	80615-02		PLACARD - Operation category	1	31-7852001 and up
	71066-02		PLACARD - Operation category	1	31-7852030 and up
-25	44934-02		PLACARD - Circuit breaker panel	1	31-5001 to 31-7305052 incl.
	44934-03		PLACARD - Circuit breaker panel	1	31-7305053 to 31-7405478 incl.
	44934-06		PLACARD - Circuit breaker panel	1	31-7405479 to 31-7552077 incl.
	80344-02		PLACARD - Circuit breaker panel, lower	1	31-7552078 to 31-7652177 incl.
	80374-02	A	PLACARD - Circuit breaker panel, top	1	31-7552078 to 31-7652177 incl.
	80345-02		PLACARD - Circuit breaker panel, upper	1	31-7552078 to 31-7652177 incl.
	80357-02	A	PLACARD - Circuit breaker panel, bottom	1	31-7552078 to 31-7652177 incl.
	80564-02		PLACARD - Circuit breaker panel (pilot)	1	31-7752001 to 31-7852171 incl.
	80563-02		PLACARD - Circuit breaker panel (co-pilot)	1	31-7752001 to 31-7852171 incl.
	80680-02		PLACARD - Circuit breaker, illuminated (pilot)	1	31-7952001 to 31-7952138 incl.
	80675-02		PLACARD - Circuit breaker, illuminated (co-pilot)	1	31-7952001 and up
	80680-03		PLACARD - Circuit breaker, illuminated (pilot)	1	31-7952139 to 31-7952250 incl.
	71087-02		PLACARD - Circuit breaker, illuminated (pilot)	1	31-8052001 and up
-26	41433-00		PLACARD - Overhead light switch	1	
-27	53224-00		PLACARD - Check list	1	31-7852030 to 31-7952250 incl.
	53224-02		PLACARD - Check list	1	31-8052001 and up
-28	52698-00		PLACARD - Master switch	1	
-29	52701-00		PLACARD - Alternator circuit breaker and lights	1	31-5001 to 31-7552074 incl.
	80354-02		PLACARD - Alternator switch	1	31-7552075 to 31-7652177 incl.
-30	54076-03		PLACARD - Speed control, M. P. H., black	1	31-7405479 to 31-7652177 incl.
	54076-04	A	PLACARD - Speed control, knots, black	1	31-7405479 to 31-7652177 incl.
	80512-02		PLACARD - Speed control, knots, black	1	31-7752001 to 31-7752192 incl.
	80584-02		PLACARD - Speed control, knots, black	1	31-7852001 and up
	54076-06		PLACARD - Speed control, M. P. H., beige	1	31-7552001 to 31-7652177 incl.
	54076-07	A	PLACARD - Speed control, knots, beige	1	31-7552001 to 31-7652177 incl.
	80512-03		PLACARD - Speed control, knots, beige	1	31-7752001 to 31-7752192 incl.
	80584-03		PLACARD - Speed control, knots, beige	1	31-7852001 and up

When ordering, always specify Part Number, Description and Serial Number of Aircraft

PIPER PARTS CATALOG

Figure and Index Number	Part Number	Code	NOMENCLATURE	No. Req.	SERIAL NUMBERS AFFECTED
153-31	80247-02		PLACARD - Cigar lighter	1	
-32	48550-00		PLACARD - Press to test	1	
-33	41472-00		PLACARD - Alternate static source	1	
	53739-00	A	PLACARD - Alternate static source	1	
-34	55316-02		DECAL - Pressure temperature	2	
-35	46348-07		DECAL - Propeller, pressure temperature	2	
-36	80372-02		PLACARD - Propeller synchronizer control	1	31-7652070 and up
-37	80454-02		PLACARD - Lubrication	2	
-38	80455-02		PLACARD - Oil capacity (12 qt)	2	
-39	44719-00	Q	PLACARD - Nacelle locker baggage	2	
	74046-02	R	PLACARD - Nacelle locker baggage	2	
-40	40849-07		PLACARD - "Fuel Pressure"	2	
-41	40849-08		PLACARD - "Fuel Flow Pressure"	2	
-42	40849-09		PLACARD - "Instrument Air Deck Pressure"	2	
-43	52194-00		PLACARD - Fuel control	1	31-5001 to 31-7305117 incl
	54139-00		PLACARD ASSEMBLY - Fuel control	1	31-7305118 to 31-7852171 incl
	54139-02		PLACARD ASSEMBLY - Fuel control	1	31-7952001 and up
	456 580		DECAL - (25329-1)	2	
-44	53983-02	B	PLACARD - Fuel vent check valve, left	1	
	53983-03	B	PLACARD - Fuel vent check valve, right	1	
-45	53983-03	C	PLACARD - Fuel vent check valve, left	1	
	53983-02	C	PLACARD - Fuel vent check valve, right	1	
-46	40583-03		PLACARD - Throttle control	1	
	40584-03		PLACARD - Propeller control	1	
	40594-03		PLACARD - Mixture control	1	
-47	48075-00	A	PLACARD - Quadrant warning (581 748)	2	
-48	43183-00		PLACARD - Cowl flap	1	
-49	43185-00	D	PLACARD - Trim control, lateral	1	
	40579-00	D	PLACARD - Trim control longitudinal	1	
	43184-00	D	PLACARD - Trim control, directional	1	
-50	52141-00	E	PLACARD - Air conditioning	1	
-51	48052-00	A	PLACARD - Throttle quadrant (581 746)	1	
-52	53769-00	A	PLACARD - Yaw	1	
	53770-00	A	PLACARD - Roll	1	
-53	474 345		MEDALLION - Control wheel (Red and Silver "P" Crest)	2	
	48657-00		MEDALLION - Control wheel (Red, Blue and Silver Logo)	2	
-54	43362-00		PLACARD - "Mike A/P OFF"	1	
	43364-00		PLACARD - "Mike"	1	
-55	43360-00		PLACARD - "Down-Up"	1	
-56	43693-00		PLACARD - Control shaft lock	1	31-5001 to 31-7305052 incl
-57	40849-02		PLACARD - Identification fitting (HYD Gear Down)	AR	
	40849-03		PLACARD - Identification fitting (HYD Gear Up)	AR	
	40849-04		PLACARD - Identification fitting (HYD Door Open)	AR	
	40849-05		PLACARD - Identification fitting (HYD Door Close)	AR	
	40849-06		PLACARD - Identification fitting (HYD Press)	AR	
	40849-10		PLACARD - Identification fitting (HYD Suction)	AR	
-58	48030-00		PLACARD - Hydraulic system	1	
-59	40849-13		PLACARD - Heater fuel	1	
-60	43854-00		PLACARD - Cabin exhaust	1	
-61	754 547		DECAL - Control cable (Forward oxygen system installation)	1	
-62	42971-00		PLACARD - Oxygen recharge	1	
-63	80436-02		PLACARD - Beverage unit vent fan	1	31-7652042 and up
-64	80294-02		PLACARD - Fuel boost pump	1	31-5001 to 31-7405478 incl
-65	41554-00		PLACARD - Starter switch	1	31-5001 to 31-7952250 incl
	71637-02		PLACARD - Starter switch	1	31-8052001 and up
	43819-00	A	PLACARD - Fuel tank capacities	1	31-5001 to 31-7552062 incl
	80333-02	A	PLACARD - Fuel tank capacities	1	31-7552063 and up
	53978-00	A	PLACARD - Starter energized	1	31-7552063 and up

When ordering, always specify Part Number, Description and Serial Number of Aircraft

PIPER PARTS CATALOG

Figure and Index Number	Part Number	Code	NOMENCLATURE	No. Req.	SERIAL NUMBERS AFFECTED
153-66	52707-00		PLACARD - Windshield wiper switch, M. P. H., black	1	31-5001 to 31-7405478 incl.
	54055-00		PLACARD - Windshield wiper switch, M. P. H., black	1	31-7405479 to 31-7652177 incl.
	80504-02		PLACARD - Windshield wiper switch, knots, black	1	31-7752001 and up
	54055-02		PLACARD - Windshield wiper switch, M. P. H., beige	1	31-7752009 to 31-7652177 incl.
	80504-03		PLACARD - Windshield wiper switch, knots, beige	1	31-7752001 and up
-67	33048-00		PLACARD - Strobe light	1	31-5001 to 31-7305052 incl.
	48625-00		PLACARD - Strobe light	1	31-7305053 and up
-68	52838-00		PLACARD - Radar altimeter, black	1	
	48673-00		PLACARD - Radar altimeter, beige	1	
-69	53913-02		PLACARD - Control wheel, black	1	
	53913-03	F	PLACARD - Control wheel, black	1	
-70	52598-00	G	PLACARD - AutoFlite ("On-Off")	1	
-71	53847-00		PLACARD - Nav selector	1	
-72	80338-02		PLACARD - Control wheel	1	31-7552054 to 31-7852056 incl.
	80338-03	F	PLACARD - Control wheel	1	31-7552054 to 31-7852056 incl.
	80669-02		PLACARD - Control wheel	1	31-7852057 and up
	80668-02		PLACARD - Control wheel	1	31-7752100 to 31-7952250 incl.
	71486-02		PLACARD - Control wheel	1	31-8052001 and up
-73	80341-02		PLACARD - Autopilot function, black	1	
	80341-03		PLACARD - Autopilot function, beige	1	
	80340-02	H	PLACARD - Autopilot function, black	1	31-5001 to 31-7652177 incl.
	80340-03	H	PLACARD - Autopilot function, beige	1	31-5001 to 31-7652177 incl.
	80442-02	O	PLACARD - Trim check, black	1	
	80442-03	O	PLACARD - Trim check, beige	1	
	71648-02	P	PLACARD - Trim check, black	1	31-8052056 and up
-74	43918-00		PLACARD - Glide slope, black	1	
	53835-00		PLACARD - Glide slope, beige	1	
-75	53768-02		PLACARD - Control wheel (AltiMatic V F/D-1 Autopilot Installation)	1	
	53768-03	F	PLACARD - Control wheel (AltiMatic V F/D-1 Autopilot Installation)	1	
-76	33167-00	J	PLACARD - Nav test, fast slave, black	1	
	53839-00	J	PLACARD - Nav test, fast slave, beige	1	
	52595-00	K	PLACARD - Fast slave, black	1	
	48681-00	K	PLACARD - Fast slave, beige	1	
-77	52145-00		PLACARD - Trim warning, trim test, black	1	
	53840-00		PLACARD - Trim warning, trim test, beige	1	
-78	52179-00	K	PLACARD - Marker beacon lights, black	1	31-5001 to 31-7405478 incl.
	53837-00	K	PLACARD - Marker beacon lights, beige	1	31-5001 to 31-7405478 incl.
-79	52205-00		PLACARD - AltiMatic V F/D-1, black	1	
	53838-00		PLACARD - AltiMatic V F/D-1, beige	1	
-80	52320-00		PLACARD - AltiMatic V-1 ("On-Off"), black	1	31-5001 to 31-7552093 incl.
	53841-00		PLACARD - AltiMatic ("On-Off"), beige	1	31-5001 to 31-7552093 incl.
-81	53610-00		PLACARD - Nav selector, black	1	31-7405478 and up
	53847-00		PLACARD - Nav selector, beige	2	31-7405478 and up
-82	52595-00	K	PLACARD - Fast slave, black	1	31-7552094 and up
	48681-00	K	PLACARD - Fast slave, beige	1	31-7552094 and up
-83	80443-02		PLACARD - Avionics light and master	1	31-7752134 and up
-84	33543-00		PLACARD - Warning (E.L.T.)	1	
	80418-02	M	PLACARD - Warning (E.L.T.)	1	
	80529-02	N	PLACARD - Warning (E.L.T.)	1	
	80687-02		PLACARD - Warning (E.L.T.)	1	
-85	55548-02		DECAL - "Navajo"	4	31-5001 to 31-7752192 incl.
-86	55549-02		DECAL - "Piper"	2	31-5001 to 31-7752192 incl.
	49374-02		DECAL - "Piper"	2	31-7852001 and up
-87	53806-00		DECAL - "Navajo Chieftain"	2	31-5001 to 31-7752192 incl.
	49378-02		DECAL - "Chieftain"	2	31-7852001 to 31-7852171 incl.
-88	79315-00	V	DECAL - "Piper Aire"	1	
-89	43029-00		PLACARD - "Radar Equipped"	1	

When ordering, always specify Part Number, Description and Serial Number of Aircraft



# PIPER PARTS CATALOG

Figure and Index Number	Part Number	Code	Nomenclature	No. Req.	Serial Numbers Affected
153-90	48784-00		PLATE - Piper Logo	1	31-5001 to 31-7852171 incl.
	49809-02		DECAL - Piper Logo	1	31-7952001 and up
-91	27122-00		DECAL - "Turbo Charged"	2	
-92	59105-02		PLACARD - Flap system test	1	31-7952001 and up
-93	48022-00		DECAL - Brake reservoir	1	
-94	80755-02		PLACARD - Annunciator test	1	31-7852001 and up
-95	80614-02		PLACARD - Annunciator Hi/Lo	1	31-7852001 and up
-96	42332-00	Q	DECAL - Fuel cell quantity, main	2	
	456 582	R	DECAL - (25331-1)	2	
-97	42333-00		DECAL - Fuel cell quantity, auxiliary	2	
-98	80536-02		PLACARD - Emergency avionics bus bar	1	31-7752001 to 31-7752176 incl.
	80558-02		PLACARD - Emergency avionics bus bar	1	31-7752177 and up
-99	80549-02		PLACARD - Control wheel	1	31-7752100 and up
	80550-02	F	PLACARD - Control wheel	1	31-7752100 and up
-100	80520-02		PLACARD - Switch panel	1	31-7752100 to 31-7952046 incl.
	80624-02		PLACARD - Switch panel	1	31-7752100 to 31-7952046 incl.
	71025-02		PLACARD - Switch panel	1	31-7952047 and up
	71026-02		PLACARD - Switch panel	1	31-7952047 and up
-101	80538-02		PLACARD - Autopilot ("On-Off"), black	1	
	80538-03		PLACARD - Autopilot ("On-Off"), beige	1	
	80537-02		PLACARD - FD/AP, black	1	31-7752100 to 31-7952046 incl.
	80537-03		PLACARD - FD/AP, beige	1	31-7752100 to 31-7952046 incl.
-102	80623-02	O	PLACARD - Function switch panel	1	
	71650-02	P	PLACARD - Function switch pane	1	31-8052056 and up
-103	80590-02		PLACARD - Control wheel	1	
	80591-02	F	PLACARD - Control wheel	1	
-104	80622-02	O	PLACARD - Function switch panel	1	31-7852001 and up
	71651-02	P	PLACARD - Function switch panel	1	31-8052056 and up
-105	80642-02		PLACARD - Yaw damper	1	31-7852057 and up
-106	41432-00		PLACARD - Rear baggage capacity	1	31-5001 to 31-7652177 incl.
	47545-00		PLACARD - Rear baggage capacity	1	31-7752001 and up
-107	49805-02		DECAL - "Chieftain"	1	31-7952001 and up
-108	71450-05		DECAL - "Open-Lock"	1	31-7952247 and up
-109	71450-04		DECAL - "Pull Here"	1	31-7952247 and up
-110	71450-03		DECAL - "Press Here"	1	31-7952247 and up
-111	71450-02		DECAL - Door, open	1	31-7952247 and up
-112	43809-00		PLACARD - Starting procedure, external power	1	
-113	80429-02		PLACARD - Aft facing seats	1	31-5001 to 31-7652177 incl.
-114	53777-02		PLACARD - "Continental"	1	
	53777-03		PLACARD - "Classic"	1	
-115	21225-02		PLACARD - Emergency gear extension	1	
	48242-00		PLACARD - Emergency gear extension operation	1	
-116	40575-00		PLACARD - Alternate air	1	
-117	41429-02		PLACARD - Parking brake	1	
-118	41347-00		PLACARD - Mike and phone jacks	2	
-119	27178-00		PLACARD - Pitch out of trim	1	
-120	41345-00		PLACARD - Heated windshield	1	
-121	41383-00		PLACARD - Panel lights	1	31-5001 to 31-7852171 incl.
	80682-02		PLACARD - Panel lights	1	31-7952001 to 31-7952250 incl
-122	40849-11		PLACARD - "Fuel supply"	2	
-123	71092-02		PLACARD - Floor lighting	1	31-8052001 and up
-124	71386-02		PLACARD - Accelerometer test switch	1	31-7952002 and up
-125	80704-02		PLACARD - Preflight test	1	31-7952002 and up

When ordering, always specify Part Number, Description, and Serial Number of Aircraft

PIPER PARTS CATALOG

Figure and Index Number	Part Number	Code	NOMENCLATURE	No. Req.	SERIAL NUMBERS AFFECTED
153-126	456 581	R	DECAL - (25330-1)	2	
-127	456 583	R	DECAL - (25332-1)	2	
-128	456 626	R,S	DECAL - Nacelle area, "F" (25356-3)	2	
-129	456 623	R,S	DECAL - Line F, "50 each" (25355-1)	1	
-130	74106-02	T	PLACARD - "Pull to erect"	1	
-131	71934-02	W	PLACARD - Flap limitations	1	
	71934-03	X	PLACARD - Flap caution	1	
-132	456 682		DECAL - "Avgas only" (000002)	6	

When ordering, always specify Part Number, Description and Serial Number of Aircraft

---

**PIPER PARTS CATALOG**

THIS SPACE INTENTIONALLY LEFT BLANK

Optional Equipment Kits and Repair Kits

ISSUED: SEPTEMBER 1975

4F19

PA-31-350

# PIPER PARTS CATALOG

## CODE EXPLANATIONS FOR OPTIONAL EQUIPMENT KITS AND REPAIR KITS

- A - Used with Eastern Industries Hydraulic Pump, Part No. 26802-08 (1213HBG, Type 310).
- B - If single instruments only are installed, it will be necessary to secure Kit 760 735 in addition to this kit.
- C - If single instruments only are installed, it will be necessary to secure Kit 761 123 in addition to this kit.
- D - This kit will convert Cleveland Wheel Assemblies 40-102 or 40-102A to Wheel Assemblies 40-130, and Cleveland Brake Assemblies 30-68, 30-68A or 30-68B to Brake Assemblies 30-95A on one aircraft.
- E - This kit will convert aircraft with Goodyear Wheel Assemblies 9544171-1 to Cleveland Wheel Assemblies 40-141, and Goodyear Brake Assemblies 9544482 to Cleveland Brake Assemblies 30-123 on one aircraft.
- F - This kit is applicable to aircraft desiring certification for flight into "Light to Moderate Icing Conditions". Refer to Piper Service Spares Letter 361 for applicable service kits if certification for flight into "Known Icing Conditions" is desired.
- G - This kit may not be installed as an independent option. This kit may be installed only in conjunction with other service kits and/or existing aircraft systems to obtain certification for flight into "Known Icing Conditions", as specified in the Limitations Section of the aircraft Pilot's Operating Handbook.
- H - When installing this kit on aircraft with serial numbers 31-7952001 to 31-7952250 inclusive, also order a new pilot side circuit protector panel (P/N 71915-02).
- J - Three seals required per valve.

# PIPER PARTS CATALOG

Figure and Index Number	Part Number	Code	Nomenclature	No. Req.	Serial Numbers Affected
-------------------------	-------------	------	--------------	----------	-------------------------

## OPTIONAL EQUIPMENT KITS

71162-02			CARD - Passenger briefing	AR	
42766-06			PLOTTER ASSEMBLY - Weight and Balance		
760 197			RADAR - R.C.A. AVQ-47 (Complete with Installation)		
757 147			RADAR INSTALLATION - R.C.A., AVQ-47 (Installation Only)		
760 376			RADAR - Bendix RDR-110 (Complete with Installation)		
760 377			RADAR INSTALLATION - Bendix RDR-110 (Installation Only)		
760 733	B		PNEUMATIC DE-ICER SYSTEM		31-5001 to 31-7652123 incl.
761 118	C,F		PNEUMATIC DE-ICER SYSTEM		31-7652124 to 31-7952250 incl.
764 018	C,G		PNEUMATIC DE-ICER SYSTEM		31-8052001 and up
760 736			PROPELLER ELECTRIC DE-ICER		
760 431			STATIC WICKS INSTALLATION		31-5001 to 31-7952250 incl.
757 114			DUAL TOW BRAKE INSTALLATION		31-5001 to 31-7852127 incl.
760 826			HEATED WINDSHIELD INSTALLATION		31-5001 to 31-7752192 incl.
764 019			HEATED WINDSHIELD INSTALLATION		31-7852001 and up
760 827			ELECTRIC WINDSHIELD WIPER INSTALLATION		
760 828			ICE DETECTION LIGHT INSTALLATION		
760 829			PROPELLER SYNCHROPHASER INSTALLATION		31-5001 to 31-7852037 incl.
763 972			PROPELLER SYNCHROPHASER INSTALLATION		31-7852038 and up
760 832			ICE SHIELD INSTALLATION		
760 906			GOODYEAR MAIN WHEELS AND BRAKES INSTALLATION		
761 064	D		HEAVY DUTY WHEEL AND BRAKE CONVERSION - (Cleveland Wheels and Brakes)		31-5001 to 31-7652075 incl.
764 936	E		HEAVY DUTY WHEEL AND BRAKE CONVERSION - (Cleveland Wheels and Brakes)		
761 096			CIRCUIT PROTECTOR ACCESS PANEL INSTALLATION		31-5001 to 31-7552027 incl.
764 062			CARGO TRANSPORT CONVERSION		
764 082			ELT REPLACEMENT (Garrett ELT to Narco ELT 10)		
763 907			RADAR INSTALLATION HARDWARE - (RCA Primus 20B)		31-5001 to 31-8052221 incl.
764 908			MAP CLIP INSTALLATION		31-8152001 and up
764 021	H		HEATED LIFT DETECTOR INSTALLATION		31-5001 to 31-7952250 incl.
764 020			HEATED LIFT DETECTOR INSTALLATION		31-8052001 and up
765 000			CARGO DOOR SUPPORT SNUBBER INSTALLATION		31-5001 to 31-8152203 incl.
765 101			UPPER CABIN ENTRANCE DOOR SNUBBER INSTALLATION		31-5001 to 31-8152203 incl.
765 102			LOWER CABIN ENTRANCE DOOR SNUBBER AND STEP EXTENDER INSTALLATION		31-5001 to 31-8252085 incl.
766 206			INCREASED LANDING GEAR EXTENSION SPEEDS		31-7405126 to 31-7652177 incl.
766 207			INCREASED LANDING GEAR EXTENSION SPEEDS		31-7752001 to 31-7752192 incl.

## REPAIR KITS

757 125	A	HYDRAULIC PUMP SEALS AND RINGS		
760 630	A	HYDRAULIC PUMP CENTERPLATE ASSEMBLY		
760 631	A	HYDRAULIC PUMP SHAFTS		
760 400	A	HYDRAULIC PUMP MISCELLANEOUS HARDWARE		
760 632	A	HYDRAULIC PUMP DRIVE SIDE ASSEMBLY		
760 633	A	HYDRAULIC PUMP REAR SIDE ASSEMBLY		
760 246		PROPELLER REPAIR KIT		
760 247		POWERPAK - O Rings (Ozone)		
914 046		CARTRIDGE - Semkit sealer B2 (6 oz.)		
914 047		CARTRIDGE - Semkit sealer B2 (2 1/2 oz.)		
923 120		GREASE - Flap transmission packing - (Dukes flap transmissions only) 1 lb. can		
566 502		FUEL PORT ADAPTER (with two caps and inserts)		31-5001 to 31-7305071 incl.
566 500		FUEL PORT ADAPTER (with two caps and inserts)		31-7305072 to 31-8452021 incl.
765 361		WINDSHIELD HEAT FUSE INSTALLATION		

- REPAIR KITS CONTINUED ON NEXT PAGE -

When ordering, always specify Part Number, Description, and Serial Number of Aircraft

# PIPER PARTS CATALOG

Figure and Index Number	Part Number	Code	Nomenclature	No. Req.	Serial Numbers Affected
-------------------------	-------------	------	--------------	----------	-------------------------

## REPAIR KITS (continued)

763 986			OUTBOARD FLAP TRACK INSPECTION AND REINFORCEMENT INSTALLATION		
764 920			FLAP TRAVEL RESTRICTION		
764 396			FLAP TRAVEL RESTRICTION AND PLACARD INSTALLATION		
764 938			CALCO FLAP SYSTEM INSTALLATION		
765 479		J	FUEL SELECTOR VALVE TEFLON SEAL (for Dukas selector valve, p/n 3487-00-01)		31-5001 to 31-7852171 incl.

## SPECIAL TOOLS

71505-02			TOOL ASSEMBLY - Flap check, left		
71505-03			TOOL ASSEMBLY - Flap check, right		
71694-02			TOOL ASSEMBLY - Rudder and rudder trim tab check		
71695-02			TOOL ASSEMBLY - Elevator and elevator trim tab check		
71817-02			TOOL - Aileron bellcrank neutral positioning		
71834-02			TOOL ASSEMBLY - Nose wheel alignment		
71973-02			TOOL ASSEMBLY - Jack pad		
72025-02			TOOL ASSEMBLY - Aileron check, left		
72159-02			TOOL ASSEMBLY - Aileron check, right		
764 963			JANITROL HEATER PRESSURE CHECK KIT		

When ordering, always specify Part Number, Description, and Serial Number of Aircraft

# PIPER PARTS CATALOG

---

GRIDS 4F23 THRU 4F24  
INTENTIONALLY LEFT BLANK

## PIPER PARTS CATALOG

Part Number	Figure and Index No.	Part Number	Figure and Index No.	Part Number	Figure and Index No.	Part Number	Figure and Index No.
01623-02	103-22	14175-113	44-71	16632-00	47-4	17758-08	14-13
01821-06	44-12	14175-114	23-14	16632-00	77-20	17766-02	106-17
01821-07	40-5	14184-00	77-18	16632-00	145B-45	17766-02	106-18
02037-02	29-81	14635-03	30-14	16632-02	145A-6	17766-02	106-37
02039-02	29-80	14843-32	101-16	16633-03	123-19	17766-04	105-31
02042-02	29-78	14843-34	26-29	16633-24	123-20	17766-04	106-38
02062-01	29-92	14843-55	29-6	16633-28	124-12	17766-27	106-4
10525-86	74-10	14843-74	79-40	16633-34	123-26	17766-73	47-6
10525-86	74A-27	14843-106	34-13	16633-37	82-19	17766-74	138A-74
10525-86	123-29	14843-106	34-21	16633-39	74-25	17766-90	87-20
10525-86	123A-26	14843-107	29-28	16633-44	123A-22	17766-90	88-20
10525-86	123B-26	14843-108	62-16	16633-49	74-27	17766-90	107-18
10525-95	77-47	14843-108	68A-16	16633-49	74A-9	17766-91	106-5
10525-107	116A-8	14843-108	68A-22	16633-60	123-20	17766-92	105-32
11151-02	96-53	14843-109	62-25	16633-60	123A-33	17766-93	87-15
11151-02	98-12	14843-109	68A-17	16633-61	77-27	17766-93	88-15
11151-02	100-22	14843-114	27-11	16633-62	77-28	17766-96	72-21
11151-05	100-22	14843-114	31-35	16633-64	74-26	17766-98	72-14
11473-101	70-19	14843-114	32-9	16633-64	123A-94	17766-99	72-7
11473-104	94-28	14843-116	44-50	16633-64	123B-77	17766-100	72-15
12073-03	58-7	14976-11	44-8	16633-70	93A-14	17766-100	138A-87
12074-03	61-12	14976-12	44-2	16633-73	123A-34	17766-100	145-79
12605-00	104-14	14976-12	44-70	16633-75	74A-10	17766-100	145C-56
12605-00	104-33	14976-13	44-3	16633-78	74-24	17766-101	87-22
13445-03	103-33	14976-13	44-71	16633-78	74A-13	17766-108	77-26
13445-04	103-33	14976-15	46-7	16633-79	71-5	17766-109	75-33
13445-06	103-39	14976-16	46-8	16633-79	123A-87	17766-109	145C-57
13945-78	57-31	14976-17	46-14	16633-79	123B-20	17766-109	138A-75
13945-79	57-32	14976-21	44-71	16633-79	123B-73	17766-109	145B-47
13945-80	57-33	14976-21	44-3	16633-80	74-23	17848-00	95-28
13945-93	26-14	14976-23	44-3	16633-80	74A-14	17848-03	95-28
13945-94	26-15	14976-23	44-71	16633-81	71-2	17850-00	95-27
14069-02	128-19	14976-97	62-14	16633-83	71-7	17850-03	95-27
14175-37	95-29	14976-102	44-3	16633-83	123-30	17852-02	95-25
14175-37	95-41	14976-102	44-71	16633-86	123A-100	17852-02	95-26
14175-45	57-14	14976-105	99-33	16633-86	123B-15	17852-03	95-26
14175-46	27-42	14976-106	87-88	16633-86	124-13	17881-04	72-34
14175-47	121-47	14976-106	88-88	16633-86	124A-9	17881-04	73-9
14175-47	121A-39	15595-02	138A-73	16633-89	82-39	17881-06	73-7
14175-47	122-41	15596-02	138A-44	16754-02	38-16	17881-06	75-13
14175-47	122A-36	15660-02	138A-50	16775-03	47-5	17881-06	145A-7
14175-106	40-2	15660-02	144-55	16931-99	147-1	17881-06	145B-49
14175-108	26-30	15660-02	145-55	17088-00	97-3	17969-13	121-16
14175-111	59-30	15660-02	145A-22	17088-00	99-26	17969-13	121A-31
14175-111	59A-39	15660-02	145B-24	17088-00	101-15	17969-15	82-4
14175-111	60-31	15660-02	145C-39	17235-00	100-11	18132-00	33-108
14175-111	60A-39	15661-02	138A-51	17315-00	2-69	18132-00	91-39
14175-111	61-40	15661-02	144-56	17315-06	2-69	18219-00	33-101
14175-111	61-56a	15661-02	145-56	17317-03	20-2	18219-00	91-40
14175-111	62-28	15661-02	145A-23	17318-02	2-66	18219-02	82-15
14175-111	62-38d	15661-02	145B-25	17318-03	20-82	18219-05	111-21
14175-111	63-14	15661-02	145C-40	17413-03	10-16	18359-00	24-20
14175-111	63A-39	16439-00	81A-15	17555-00	128-20	18359-00	25A-18
14175-111	68A-27	16439-00	129-18	17604-33	125-34	18359-00	33-7
14175-113	44-3	16604-00	82-5	17604-34	128-7	18397-02	127-22



## PIPER PARTS CATALOG

Part Number	Figure and Index No.	Part Number	Figure and Index No.	Part Number	Figure and Index No.	Part Number	Figure and Index No.
18457-00	4-1	20737-20	77-2	22105-07	125-33	22673-69	89-8
18522-21	137A-5a	20737-23	40-30	22105-10	82-10	22673-69	89-22
18842-00	56-37	20737-30	43-31	22287-00	70-53	22673-71	89-7
18842-00	56-42	20737-32	43-30	22369-11	14-95	22673-72	72-3
18842-00	68A-42	20737-37	39-18	22369-12	118-14	22673-72	72-10
18968-00	58-8	20737-40	40-15	22369-14	47-41	22673-78	47-9
18968-00	59-9	20737-40	40-31	22369-14	105-30	22673-100	87-6
18968-00	59-22	20737-44	29-41	22369-14	116-17	22673-100	89-20
18968-00	59A-10	20830-00	32-18	22369-34	113-4	22673-100	89-21
18968-00	60-8	20956-00	103-18	22369-34	113A-4	22860-03	33-38
18968-00	60-16	20957-00	103-19	22369-35	74A-31	23183-00	30-45
18968-00	60A-16	20999-00	103-10	22433-00	70-39	23195-17	87-89
18968-00	60A-25	21001-00	103-14	22470-11	112A-19	23195-17	88-89
18968-00	61-13	21225-00	56-17	22470-14	84-27	23319-00	87-59
19063-02	33-23	21225-02	153-115	22470-17	112A-20	23319-00	88-55
19086-03	100-12	21418-02	84-14	22470-18	116-23	23745-13	107-16
19336-00	58-9	21470-00	103-23	22470-19	112A-18	23745-14	72-1
19336-01	58-9	21523-02	126-8	22470-20	112A-47	23745-15	87-16
19365-02	58-10	21534-67	147-5	22472-21	112A-22	23745-15	88-16
19513-38	70-102	21619-02	103-32	22472-23	112A-23	23765-02	113A-13
19513-53	30-16	21701-05	44-4	22472-24	116-24	23943-00	127-14
19513-64	2-46	21702-00	44-21	22472-26	112A-21	23969-02	125-4
19513-68	57-40	21719-11	44-9	22472-28	112A-48	23969-02	126-17
19513-72	122-52	21723-00	46-6	22482-00	14-62	23969-02	127-6
19513-72	122A-55	21725-00	46-5	22482-00	14-93	23969-02	128-24
19513-95	40-3	21741-00	32-17	22502-72	112A-5	23969-03	125-5
19513-96	40-4	21741-02	32-17	22612-00	26-35	23969-03	126-18
19513-101	94-30	21788-03	127-9	22613-00	26-36	23969-04	125-39
19513-103	100-25	21831-02	46-2	22641-02	30-12	23969-04	128-25
19644-00	33-60	21831-04	44-36	22641-03	86-2	23969-05	128-26
19697-08	70-6	22103-02	82-9	22673-10	89-14	24091-03	91-43
19697-10	70-6	22103-02	82-10	22673-12	89-13	24166-02	96-13
19790-29	47-58	22103-02	111-19	22673-12	89-17	24622-14	81-1
19795-00	28-11	22103-02	125-31	22673-14	89-18	24622-21	81A-1
19799-00	2-73	22103-02	125-32	22673-20	87-2	24622-23	77-17
19802-05	122-47	22103-02	125-33	22673-22	87-1	24622-24	77-17
19802-05	122A-43	22103-03	125-6	22673-26	88-2	24623-00	122-50
19803-04	2-71	22103-03	125-30	22673-28	88-1	24623-00	122A-46
19807-00	125-40	22103-03	125-31	22673-28	89-19	24629-00	98-6
19936-00	95-24	22103-03	125-32	22673-32	89-15	24631-07	98-1
20370-00	2-19	22103-03	125-33	22673-34	89-12	24631-08	98-1
20370-00	14-92	22104-03	82-9	22673-40	87-4	24671-00	112A-36
20370-00	15-72	22104-04	125-31	22673-41	87-3	24712-02	71-8
20370-00	16-64	22104-05	125-30	22673-45	88-4	24712-02	74-41
20370-00	92-7	22104-06	125-32	22673-47	88-3	24712-02	74A-48
20370-00	93-6	22104-06	125-33	22673-49	89-16	24712-02	138-49
20372-03	4-9	22104-07	125-30	22673-51	89-16	24754-05	77-3
20372-03	14-14	22104-08	82-10	22673-51	89-10	24894-02	82-1
20372-03	85-32	22104-08	125-6	22673-53	89-9	24894-02	82-3
20372-07	4-9	22104-15	111-20	22673-55	89-16	24894-10	82-2
20534-00	26-22	22105-02	125-60	22673-55	89-22	24894-17	82-2
20663-14	57-8	22105-03	82-9	22673-57	89-22	24894-18	82-1
20663-15	57-9	22105-06	125-31	22673-60	87-5	24894-18	82-3
20666-02	34-37	22105-07	125-30	22673-64	88-6	24932-00	84-16
20666-04	34-38	22105-07	125-32	22673-66	88-5	24933-00	84-17

## PIPER PARTS CATALOG

Part Number	Figure and Index No.	Part Number	Figure and Index No.	Part Number	Figure and Index No.	Part Number	Figure and Index No.
24948-02	84-15	25801-11	60-26	28339-03	145-57	32007-02	138-31
25163-13	33-98	25960-06	138-33	28362-06	144-13	32203-10	138-34
25243-02	30-34	25960-22	138-36	28467-03	30-25	32210-07	138-29
25243-03	30-41	26100-02	138-61	28546-02	103-70	32212-03	138-32
25243-05	30-35	26749-09	74-1	29127-02	103-12	32281-03	70-10
25243-08	30-36	26749-09	74A-4	29184-02	61-17	32281-03	71-20
25243-09	30-37	26749-09	123-6	29254-02	102-2	32281-04	70-10
25244-02	30-31	26749-09	123A-38	29259-02	59-6	32281-04	71-20
25244-03	30-32	26749-09	123B-38	29259-02	59A-4	32380-00	58-24
25244-04	30-33	26749-10	74-1	29259-02	61-6	32380-00	59A-15
25358-00	103-20	26749-10	74A-4	29259-02	62-5	32380-00	60A-11
25394-00	122-45	26749-10	123-6	29259-02	63-5	32380-00	63A-11
25394-00	122A-41	26749-10	123A-38	29259-02	63A-5	32510-00	130-33
25397-04	122-38	26749-10	123B-38	29259-02	68A-3	32737-06	70-11
25397-04	12A-37	26802-08	107-1	29281-02	61-12	32737-06	71-22
25552-00	56-35	26802-10	107-1	29282-02	61-15	32884-07	68-23
25552-00	56-36	26802-11	107-1	29692-02	70-17	32884-08	68-24
25590-00	86-15	26870-00	54A-40	29998-11	77-47	33048-00	134-9
25597-00	3-9	26870-00	54B-35	29999-10	58-60	33048-00	153-67
25603-00	122-46	26870-00	70-61	29999-10	59-15	33067-06	140-22
25603-00	122A-42	26870-00	138-75	29999-10	60-21	33067-06	141-15
25666-00	44-6	26870-00	138A-70	29999-11	59-14	33067-06	142-22
25689-05	138-27	26870-00	140-35	29999-11	59-43	33067-06	143-18
25690-02	138A-17	26870-00	141-37	29999-11	60-20	33067-06	145B-27
25697-00	122-44	26870-00	142-35	29999-11	60-40	33078-02	140-53
25697-00	122A-40	26870-00	143-37	29999-11	61-56	33078-02	141-69
25697-02	122A-40	26870-00	144-53	29999-21	97-40	33078-02	142-53
25700-03	70-1	26870-00	145-53	30304-00	14-30	33078-02	143-69
25704-00	39-10	26870-00	145A-24	30304-00	16-36	33078-02	145B-35
25704-00	39-16	26882-02	138-8	30576-00	30-5	33093-02	140-58
25704-00	43-9	26934-00	138-68	30580-00	30-9	33093-02	141-95
25801-02	61-51	26934-00	138A-69	30580-02	86-6	33093-02	142-58
25801-02	62-23	26934-00	140-29	30603-00	30-30	33093-02	143-13
25801-02	67-7	26934-00	141-31	30679-04	15-31	33093-02	143-86
25801-02	68-11	26934-00	142-29	30762-00	11-50	33117-00	141-40
25801-02	68A-20	26934-00	143-31	30852-00	30-8	33166-00	140-50
25801-03	61-51	26977-03	77-61	30852-00	86-5	33166-00	141-96
25801-03	62-23	26978-00	77-64	31322-09	58-28	33167-00	140-49
25801-03	67-7	27004-00	147-14	31506-02	129-19	33167-00	140-95
25801-03	68-11	27065-02	5-32	31506-03	129-19	33167-00	141-97
25801-04	61-51	27122-00	153-91	31506-04	129-19	33167-00	153-76
25801-04	62-23	27178-00	70-45	31506-05	129-19	33173-00	140-9
25801-04	67-7	27178-00	153-119	31506-06	129-19	33173-00	140-104
25801-04	68-11	27274-00	129-8	31506-07	129-19	33173-00	141-21
25801-05	63-12	27678-00	121-61	31537-02	12-14	33543-00	151-9
25801-06	63-12	27678-00	122-43	31537-02	16-46	33543-00	153-84
25801-07	63-12	27754-02	58-3	31647-00	113-26	34447-00	59-6
25801-08	58-40	27754-02	59-4a	31747-00	82-11	34447-00	60-5
25801-08	59-26	27754-02	61-4a	31747-00	91-47	34447-00	61-6
25801-08	60-26	28303-02	142-17	31766-02	44-30	34447-00	62-5
25801-10	58-40	28303-02	143-54	31773-03	44-10	34447-00	63-5
25801-10	59-26	28339-02	142-34	31777-00	44-11	34447-00	68A-3
25801-10	60-26	28339-02	143-36	31786-02	43-38	39273-02	152A-7
25801-11	58-40	28339-03	138A-47	31797-02	43-39	39994-10	57-42
25801-11	59-26	28339-03	144-57	32005-03	138-30	39995-02	79-13

## PIPER PARTS CATALOG

Part Number	Figure and Index No.	Part Number	Figure and Index No.	Part Number	Figure and Index No.	Part Number	Figure and Index No.
39995-04	107-17	40046-02	36-13	40078-02	36-40	40113-00	8-6
39995-05	79-12	40046-03	36-12	40078-03	36-41	40113-01	8-6
39995-13	87-14	40046-04	36-20	40079-02	36-42	40114-00	8-7
39995-13	88-14	40046-05	36-15	40079-03	36-43	40114-00	8-8
39995-34	87-17	40046-07	36-16	40079-04	36-44	40114-01	8-7
39995-34	88-17	40046-08	36-17	40079-05	36-45	40114-01	8-8
39997-02	72-40	40046-09	36-18	40080-02	35-10	40115-00	8-18
39997-09	87-18	40046-11	36-19	40080-04	35-23	40115-01	8-18
39997-10	88-18	40046-16	36-14	40081-00	7-86	40116-00	8-19
39999-10	79-31	40046-18	36-60	40081-00	96-55	40117-00	8-20
39999-11	72-39	40046-19	36-60	40081-00	98-14	40118-00	8-20
39999-14	72-40	40046-20	36-59	40081-00	100-24	40119-00	8-21
40002-00	35-18	40046-30	34-2	40083-02	36-46	40119-01	8-21
40006-00	34-12	40046-30	36-1	40083-03	36-47	40122-02	37-31
40007-07	77-4	40046-32	36-18a	40083-04	36-48	40122-03	37-31
40008-00	36-2	40046-33	36-18a	40083-05	36-49	40122-15	37-34
40008-02	36-11	40046-35	36-13	40083-06	36-50	40122-16	37-34
40009-00	36-10	40046-36	36-12	40083-07	36-51	40124-00	9-42
40010-00	36-9	40046-38	34-2	40086-02	38-34	40124-04	9-42
40012-02	36-8	40046-38	36-1	40086-03	38-35	40125-00	35-15
40012-03	36-8	40048-00	36-32	40086-04	38-36	40126-02	35-9
40012-11	38-17	40050-02	38-21	40086-05	38-37	40126-04	35-34
40012-12	38-17b	40050-05	38-22	40086-06	38-38	40127-02	8-22
40012-13	38-17b	40052-02	38-25	40086-07	38-39	40127-03	8-22
40012-22	38-17	40052-03	38-26	40086-08	38-36	40127-04	8-23
40013-04	36-7	40053-02	37-13	40087-02	37-19	40127-05	8-23
40014-02	36-5	40053-03	37-14	40087-03	37-20	40128-02	8-24
40014-03	36-6	40054-02	38-27	40088-00	38-40	40128-03	8-25
40015-00	36-4	40054-03	38-28	40090-00	38-41	40129-02	8-26
40021-00	36-21	40055-02	37-15	40091-00	37-23	40129-03	8-26
40023-03	36-23	40055-03	37-16	40094-02	35-25	40130-00	8-27
40026-02	35-21	40056-00	38-29	40094-03	35-11	40130-01	8-27
40026-03	35-22	40057-02	37-17	40094-04	35-26	40132-02	8-28
40027-00	97-14	40057-03	37-18	40094-05	35-12	40132-03	8-28
40027-00	97-14a	40058-00	38-30	40095-03	35-13	40132-04	8-29
40027-00	99-28	40059-03	38-32	40095-04	35-31	40132-05	8-29
40027-00	101-27	40059-04	38-33	40096-00	35-14	40133-00	8-30
40029-00	99-27	40059-07	38-45	40098-00	38-42	40133-01	8-30
40035-00	94-48	40059-08	38-31	40099-00	38-43	40135-00	8-4
40035-00	94-58	40060-00	38-10	40100-02	37-24	40137-02	9-11
40035-00	97-7	40066-00	34-15	40100-03	37-25	40137-03	9-11
40035-00	99-29	40067-00	36-35	40102-02	37-26	40137-04	9-12
40035-03	94-37	40068-05	36-36	40102-03	37-27	40137-05	9-12
40038-00	35-42	40068-08	36-36	40102-04	37-28	40138-00	8-5
40038-00	99-24	40069-00	36-37	40102-05	37-29	40140-03	38-2
40039-00	36-24	40070-05	34-11	40104-03	35-16	40140-04	38-2
40040-09	36-25	40071-00	7-85	40104-05	35-16	40140-07	38-5
40042-02	36-26	40075-09	38-11	40105-00	99-20	40140-08	38-7
40042-08	38-9	40075-11	38-11	40108-00	35-28	40140-10	38-73
40042-09	38-9	40075-14	38-11	40109-00	8-14	40140-11	38-8
40042-10	38-9	40075-16	38-11	40109-00	8-15	40140-12	38-4
40043-00	36-27	40076-00	38-12	40109-01	8-14	40140-13	38-6
40044-00	36-28	40077-02	36-38	40109-01	8-15	40140-23	38-65
40045-00	36-29	40077-03	36-39	40112-02	8-17	40140-24	38-63
40045-06	36-29	40077-04	36-52	40112-03	8-17	40140-25	38-64

## PIPER PARTS CATALOG

Part Number	Figure and Index No.	Part Number	Figure and Index No.	Part Number	Figure and Index No.	Part Number	Figure and Index No.
40140-26	38-68	40167-05	9-27	40182-00	8-19	40200-29	8-2
40140-27	38-67	40167-06	9-28	40183-00	8-36	40200-41	8-1
40142-00	8-45	40167-07	9-28	40183-01	8-36	40200-42	8-1
40144-02	9-13	40167-08	9-29	40184-00	8-37	40200-43	8-1
40144-03	9-13	40167-09	9-29	40184-01	8-37	40200-44	8-48
40144-04	9-14	40167-10	9-30	40185-06	9-6	40200-47	8-11
40144-05	9-14	40167-11	9-30	40185-07	9-6	40200-48	8-11
40144-06	9-15	40167-12	9-31	40185-08	9-7	40200-50	8-13
40144-07	9-15	40167-13	9-31	40185-09	9-7	40200-51	8-13
40145-00	8-32	40168-00	9-32	40185-10	9-8	40206-00	14-73
40147-02	9-16	40168-01	9-32	40185-11	9-8	40206-01	14-73
40147-03	9-16	40168-02	9-33	40185-12	9-9	40207-00	30-43
40147-04	9-17	40168-03	9-33	40185-13	9-9	40208-00	14-74
40147-05	9-17	40170-00	34-1	40185-14	9-10	40209-00	14-82
40147-06	9-18	40170-00	35-1	40185-15	9-10	40210-06	14-72
40147-07	9-18	40170-02	35-3	40185-16	9-5	40219-00	35-19
40147-08	9-19	40170-03	35-3	40185-17	9-3	40233-00	35-19
40147-09	9-19	40170-04	35-4	40185-18	9-2	40237-00	37-38
40147-10	9-20	40170-05	35-4	40185-19	9-2	40242-00	40-8
40147-11	9-20	40170-06	35-8	40185-20	9-4	40242-01	40-8
40149-00	8-42	40170-07	35-8	40185-21	9-4	40243-00	40-9
40152-00	8-33	40170-13	35-7	40185-36	9-9	40244-00	40-10
40153-00	8-43	40170-14	35-6	40185-37	9-9	40246-00	40-11
40155-00	34-4	40170-15	35-17	40185-38	9-8	40246-02	40-11
40155-00	37-1	40170-16	35-17	40185-39	9-8	40247-00	40-12
40155-14	37-2	40170-19	34-1	40185-42	9-1	40247-02	40-12
40155-15	37-2	40170-19	35-1	40185-43	9-1	40249-00	34-16
40155-16	37-3	40170-20	34-1	40189-03	15-2	40250-02	44-31
40155-17	37-4	40170-20	35-1	40190-08	8-38	40250-03	44-31
40155-18	37-4	40170-21	34-1	40190-15	8-38	40253-00	34-19
40155-19	37-3	40170-21	35-1	40190-16	8-38	40257-00	40-20
40155-25	34-4	40170-22	34-1	40190-17	8-38	40258-03	44-25
40155-25	37-1	40170-22	35-1	40194-03	30-6	40263-00	44-33
40155-26	34-4	40170-23	35-17	40195-00	30-4	40273-00	44-28
40155-26	37-1	40170-24	35-17	40196-00	30-24	40280-00	39-28
40155-27	34-4	40170-27	34-1	40197-00	30-2	40280-01	39-28
40155-27	37-1	40170-27	35-1	40198-02	30-1	40284-00	39-36
40157-00	9-21	40170-29	35-2	40198-03	30-24	40288-00	39-79
40157-01	9-21	40170-30	35-2	40198-04	30-1	40290-00	39-79
40162-00	9-41	40172-00	8-42	40200-04	8-13	40292-02	44-46
40162-01	9-41	40173-00	38-44	40200-05	8-13	40292-02	153-15
40162-10	9-41	40175-02	9-35	40200-06	8-31	40292-04	40-6
40162-11	9-41	40175-03	9-35	40200-07	8-31	40292-04	153-15
40163-00	8-34	40175-04	9-36	40200-08	8-12	40294-00	39-81
40165-00	9-22	40175-05	9-36	40200-09	8-12	40298-02	104-6
40165-01	9-22	40176-02	9-37	40200-10	8-11	40298-03	104-6
40166-00	9-23	40176-03	9-37	40200-11	8-11	40302-02	104-10
40166-01	9-23	40176-04	9-38	40200-16	8-3	40302-03	104-10
40166-02	9-24	40176-05	9-38	40200-17	8-3	40305-00	46-1
40166-03	9-24	40177-02	9-39	40200-18	8-9	40307-00	100-5
40167-00	9-25	40177-03	9-39	40200-18	8-10	40309-00	39-81
40167-01	9-25	40177-04	9-40	40200-19	8-9	40310-09	77-24
40167-02	9-26	40177-05	9-40	40200-19	8-10	40310-10	77-24
40167-03	9-26	40178-00	8-40	40200-22	8-1	40313-00	104-5
40167-04	9-27	40178-02	8-41	40200-28	8-2	40317-00	43-19

## PIPER PARTS CATALOG

Part Number	Figure and Index No.	Part Number	Figure and Index No.	Part Number	Figure and Index No.	Part Number	Figure and Index No.
40319-00	2-22	40404-14	6-7	40475-12	5-4	40510-01	2-8
40323-02	103-68	40404-15	6-7	40475-13	5-4	40513-00	7-67
40325-00	43-61	40405-08	6-9	40479-02	5-5	40513-00	7-68
40325-01	43-61	40405-09	6-9	40479-03	5-5	40513-01	7-67
40327-00	40-26	40405-22	6-8	40480-00	7-35	40513-01	7-68
40335-00	43-22	40405-23	6-8	40480-01	7-35	40515-00	7-84
40336-00	43-22	40419-18	6-10	40484-00	6-30	40522-04	4-16
40337-00	39-47	40419-19	6-10	40485-00	7-55	40522-05	4-16
40337-02	39-47	40419-24	7-18	40486-16	7-36	40524-00	92-11
40339-00	96-4	40419-25	7-18	40486-17	7-36	40524-00	93-10
40339-01	96-4	40423-12	7-22	40486-20	6-20	40524-00	93A-22
40340-00	36-3	40423-13	7-22	40486-21	6-20	40526-05	4-17
40342-02	35-33	40423-16	6-11	40487-04	5-6	40526-05	5-20
40342-03	35-33	40423-17	6-11	40487-04	6-1	40530-02	5-12
40343-00	92-19	40423-22	7-22	40487-05	5-6	40530-03	5-12
40343-00	93-18	40423-23	7-22	40487-05	6-1	40530-04	7-42
40344-00	35-32	40434-00	7-48	40487-06	5-6	40530-05	7-42
40346-00	14-89	40434-01	7-48	40487-06	6-1	40530-08	5-13
40347-00	14-90	40435-18	6-12	40487-07	5-6	40530-09	5-13
40353-00	30-7	40435-19	6-12	40487-07	6-1	40530-10	7-44
40358-16	6-2	40435-20	7-27	40488-00	6-21	40530-11	7-44
40358-17	6-2	40435-21	7-27	40488-01	6-21	40530-14	7-43
40358-20	6-2	40438-00	7-49	40489-10	6-22	40530-15	7-43
40358-21	6-2	40438-01	7-49	40489-11	6-22	40530-16	7-45
40362-24	7-9	40439-00	7-50	40489-22	7-39	40530-17	7-45
40362-25	7-9	40439-01	7-50	40489-23	7-39	40532-06	3-25
40362-30	7-9	40446-04	6-13	40490-06	6-24	40532-06	5-14
40362-31	7-9	40446-05	6-13	40490-07	6-24	40533-00	3-6
40363-08	35-35	40446-08	6-14	40490-12	7-40	40533-01	3-6
40363-12	36-31	40446-09	6-14	40490-13	7-40	40534-08	3-7
40364-02	37-40	40446-20	7-28	40492-03	7-41	40534-09	3-7
40365-02	34-5	40446-21	7-28	40492-04	5-36	40535-00	4-3
40365-03	34-7	40450-00	6-25	40492-05	5-36	40535-01	4-3
40365-13	34-7	40450-01	6-25	40492-06	5-34	40535-05	4-3
40365-14	34-5	40455-18	6-15	40492-07	5-34	40535-06	4-3
40375-00	8-39	40455-19	6-15	40492-22	7-41	40535-11	4-3
40375-01	8-39	40455-24	7-30	40492-23	4-20	40535-12	4-3
40376-00	39-37	40455-25	7-30	40492-24	4-20	40535-13	4-3
40378-06	3-26	40456-02	3-2	40494-00	96-15	40536-00	4-4
40378-06	5-2	40456-03	3-2	40496-00	85-13	40536-01	4-4
40378-07	3-26	40460-00	3-3	40500-00	7-57	40536-06	4-4
40378-07	5-2	40464-00	3-4	40500-01	7-57	40536-07	4-4
40378-10	3-26	40465-00	7-53	40502-02	7-58	40537-02	92-6
40378-11	3-26	40466-00	7-54	40502-03	7-58	40537-03	92-6
40383-02	6-5	40466-01	7-54	40502-04	7-59	40537-04	92-5
40383-03	6-5	40468-00	2-15	40502-05	7-59	40537-05	92-5
40383-08	7-12	40468-02	119-22	40506-12	5-10	40537-06	92-4
40383-09	7-12	40470-10	6-17	40506-13	5-10	40537-07	92-4
40383-34	7-11	40470-11	6-17	40507-02	7-62	40537-08	92-3
40383-35	7-11	40470-24	7-31	40507-03	7-62	40537-09	92-3
40383-40	6-6	40470-25	7-31	40509-02	7-63	40537-10	92-2
40383-41	6-6	40474-02	7-46	40509-03	7-63	40537-11	92-2
40389-00	7-13	40474-03	7-46	40509-04	7-64	40537-18	92-1
40389-01	7-13	40475-06	7-34	40509-05	7-64	40537-19	92-1
40396-00	4-2	40475-07	7-34	40510-00	2-8	40538-02	93-5

## PIPER PARTS CATALOG

Part Number	Figure and Index No.	Part Number	Figure and Index No.	Part Number	Figure and Index No.	Part Number	Figure and Index No.
40538-03	93-5	40570-00	3-17	40626-00	5-9	40685-02	20-20
40538-04	93-4	40575-00	70-42	40626-01	5-9	40687-04	16-13
40538-05	93-4	40575-00	153-116	40628-00	4-13	40688-00	20-5
40538-06	93-3	40579-00	94-20	40628-01	4-13	40689-02	20-22
40538-07	93-3	40579-00	138-45	40629-00	2-9	40689-03	20-22
40538-10	93-1	40579-00	140-45	40629-01	2-9	40692-00	20-54
40538-11	93-1	40579-00	141-23	40632-00	20-15	40701-00	100-23
40538-12	93-2	40579-00	142-45	40632-01	20-15	40701-03	96-54
40538-13	93-2	40579-00	143-23	40633-00	20-55	40701-03	98-13
40544-02	92-12	40579-00	144-39	40633-01	20-55	40702-00	23-10
40544-02	93-11	40579-00	145-39	40635-00	4-10	40704-00	20-24
40545-04	92-13	40579-00	145A-12	40635-01	4-10	40704-01	20-24
40545-04	93-12	40579-00	145B-4	40636-00	2-10	40709-02	20-16
40546-08	92-14	40579-00	145C-30	40636-01	2-10	40715-06	12-25
40546-08	93-13	40579-00	153-49	40638-00	20-7	40715-07	12-25
40546-08	93A-27	40583-03	94-12	40639-07	20-49	40715-10	12-26
40549-03	92-15	40583-03	153-46	40640-00	20-12	40715-11	23-10
40549-03	93-14	40584-03	94-13	40640-01	20-12	40715-13	18-20
40550-00	7-70	40584-03	153-46	40645-00	20-8	40715-14	12-27
40550-01	7-70	40585-08	5-7	40646-00	20-9	40715-15	12-27
40553-00	85-17	40585-09	5-7	40646-01	20-9	40715-16	18-16
40553-01	85-17	40585-10	5-8	40648-02	92-20	40715-17	18-16
40555-00	92-16	40585-11	5-8	40648-03	92-20	40715-19	12-28
40555-00	93-15	40585-13	4-6	40648-04	93-19	40715-20	18-18
40555-00	93A-20	40585-16	5-25	40648-05	93-19	40715-21	18-18
40558-00	92-17	40585-20	5-26	40652-00	7-47	40715-23	12-29
40558-00	92-18	40585-28	5-16	40654-00	20-39	40715-40	17-7
40558-00	93-16	40585-29	5-16	40654-01	20-39	40715-42	20-27
40558-02	92-18	40586-44	3-11	40655-00	20-13	40715-43	20-27
40559-06	104-30	40586-44	4-21	40656-10	15-78	40715-44	20-28
40559-07	7-104	40586-44	5-29	40656-12	15-78	40715-45	20-28
40559-21	27-6	40587-00	2-14	40658-00	7-56	40715-50	12-28
40559-21	31-32	40587-01	2-14	40659-02	5-17	40716-00	20-69
40559-21	32-6	40594-03	94-14	40659-04	5-18	40717-00	11-16
40559-34	39-76	40594-03	153-46	40659-05	5-18	40719-00	20-75
40559-35	103-52	40599-03	96-12	40659-06	5-28	40719-01	20-75
40559-40	103-52	40599-37	123-52	40659-07	5-28	40720-00	20-32
40559-41	103-73	40607-00	2-80	40659-10	5-17	40722-04	4-14
40559-42	2-48	40607-00	102-5	40659-16	5-18	40722-05	4-14
40559-43	2-48	40608-00	102-6	40659-17	5-18	40722-06	4-12
40560-02	7-73	40608-04	102-6	40660-04	14-10	40722-14	4-15
40560-03	7-73	40608-05	102-6	40665-00	16-12	40722-15	4-15
40560-04	7-75	40616-00	7-89	40667-00	85-33	40724-00	11-34
40560-04	7-76	40616-01	7-89	40667-01	85-33	40724-01	11-34
40560-05	7-75	40616-02	7-90	40668-00	85-18	40730-02	20-14
40560-05	7-76	40616-03	7-90	40670-00	85-34	40730-03	20-14
40560-11	7-74	40616-16	7-89	40670-01	85-34	40732-00	20-29
40560-12	7-74	40616-17	7-89	40671-00	85-47	40732-01	20-29
40561-00	7-77	40616-18	7-90	40671-01	85-47	40732-04	20-29
40561-01	7-77	40616-19	7-90	40675-00	85-48	40732-06	20-29
40563-00	2-17	40617-00	15-38	40676-13	85-12	40738-00	12-5
40564-00	93-17	40619-00	99-6	40676-14	85-12	40738-00	12-10
40567-00	2-13	40620-00	15-43	40677-00	85-14	40738-00	12-12
40568-00	3-16	40620-01	15-43	40682-08	20-17	40738-00	13-21
40569-00	2-12	40625-00	7-99	40683-00	20-18	40738-01	12-5

## PIPER PARTS CATALOG

Part Number	Figure and Index No.	Part Number	Figure and Index No.	Part Number	Figure and Index No.	Part Number	Figure and Index No.
40738-01	12-10	40807-00	107-6	40849-09	87-56	40885-00	141-78
40738-01	12-12	40808-00	105-5	40849-09	88-52	40885-02	70-40
40744-02	20-33	40811-00	107-8	40849-09	89-29	40885-02	71-27
40744-03	20-33	40812-00	105-28	40849-09	153-42	40885-02	140-88
40748-06	20-70	40817-00	107-10	40849-10	105-36	40885-02	141-45
40752-00	12-56	40818-00	107-11	40849-10	107-30	40885-02	141-78
40759-00	18-3	40819-00	107-15	40849-10	153-57	40885-03	70-40
40764-00	11-19	40820-00	105-8	40849-11	87-57	40885-03	71-27
40764-01	11-19	40822-03	105-7	40849-11	88-53	40887-04	16-23
40766-06	19-4	40826-00	105-21	40849-11	153-122	40887-05	12-41
40766-07	19-4	40827-00	105-22	40849-13	113-18	40887-06	14-16
40766-14	20-58	40828-00	106-6	40849-13	153-59	40887-07	14-16
40766-16	20-59	40830-02	106-8	40850-00	105-11	40887-10	16-24
40766-18	20-58	40830-03	106-9	40852-00	105-12	40887-11	16-24
40766-19	20-59	40830-05	106-11	40854-00	105-13	40887-14	12-40
40766-21	20-58	40830-07	106-9	40855-00	105-14	40887-15	16-23
40766-23	20-59	40830-08	106-11	40857-06	20-51	40887-17	23-3
40766-24	19-4	40830-09	106-8	40857-07	20-51	40887-18	16-25
40766-25	20-58	40832-00	106-12	40857-08	20-52	40887-19	11-28
40768-00	20-36	40833-00	105-19	40857-09	20-52	40887-20	11-28
40768-11	20-36	40834-00	105-20	40859-00	12-54	40887-21	12-42
40769-02	15-3	40836-00	106-13	40859-00	16-33	40887-24	23-2
40769-03	15-3	40836-01	106-13	40860-13	19-27	40887-25	23-2
40769-05	11-2	40837-00	105-15	40860-13	20-56	40887-26	11-29
40769-08	11-2	40838-00	105-16	40862-00	15-64	40887-27	11-29
40769-10	15-4	40841-00	106-19	40862-01	15-64	40887-28	14-17
40770-00	34-34	40841-01	106-19	40863-00	15-6	40887-35	12-40
40772-00	15-5	40843-00	15-65	40864-00	21-1	40890-06	18-4
40772-01	15-5	40843-00	153-4	40864-01	21-1	40890-09	18-2
40774-00	11-3	40844-00	105-17	40865-00	15-7	40891-00	95-23
40775-00	15-66	40845-00	105-18	40866-00	15-6	40894-02	12-6
40777-00	35-37	40847-00	100-10	40867-00	11-4	40894-03	12-47
40778-00	20-60	40848-00	106-3	40868-04	16-19	40896-00	12-13
40778-01	20-60	40848-01	106-3	40868-05	16-19	40897-00	12-21
40781-00	35-38	40849-02	105-33	40868-06	16-20	40897-03	12-21
40786-00	20-74	40849-02	106-21	40868-07	16-20	40899-00	12-24
40786-01	20-74	40849-02	153-57	40868-08	16-21	40899-01	12-24
40787-00	20-4	40849-03	105-34	40868-09	16-21	40900-00	12-22
40787-01	20-4	40849-03	106-22	40868-10	16-22	40900-01	12-22
40788-00	21-25	40849-03	153-57	40868-15	14-15	40900-04	12-22
40788-03	21-33	40849-04	106-23	40868-16	14-15	40900-05	12-22
40790-00	20-48	40849-04	153-57	40870-00	99-34	40905-00	22-18
40793-00	20-11	40849-05	106-24	40872-00	20-83	40907-02	24-9
40793-01	20-11	40849-05	153-57	40878-00	22-16	40907-03	24-8
40794-02	20-37	40849-06	105-35	40879-07	105-61	40908-00	11-33
40794-03	20-37	40849-06	107-29	40884-05	18-11	40909-00	24-7
40795-02	20-38	40849-06	153-57	40884-06	18-12	40910-00	107-24
40795-03	20-38	40849-07	87-54	40884-07	18-11	40913-00	15-39
40796-00	103-62	40849-07	88-50	40885-00	70-40	40918-00	22-17
40796-02	103-62	40849-07	89-27	40885-00	71-27	40919-00	105-37
40798-00	12-2	40849-07	153-40	40885-00	140-85	40920-00	107-35
40799-00	20-50	40849-08	87-55	40885-00	140-88	40923-02	105-38
40799-01	20-50	40849-08	88-51	40885-00	141-45	40923-03	105-39
40802-00	105-27	40849-08	89-28	40885-00	141-64	40928-00	97-11
40806-00	107-5	40849-08	153-41	40885-00	141-77	40930-02	97-13

## PIPER PARTS CATALOG

Part Number	Figure and Index No.	Part Number	Figure and Index No.	Part Number	Figure and Index No.	Part Number	Figure and Index No.
40936-00	24-6	41028-00	2-18	41120-02	17-11	41214-03	62-46
40944-00	17-13	41033-00	15-46	41120-03	17-10	41214-03	68A-41
40950-00	103-9	41038-00	43-63	41120-04	17-10	41215-00	62-40
40953-00	15-70	41038-01	43-63	41120-04	17-11	41215-00	63-21
40954-02	103-43	41040-00	11-27	41123-00	15-60	41215-00	67-24
40954-03	103-43	41040-01	11-27	41124-00	15-61	41215-00	68A-40
40958-00	84-1	41042-00	130-30	41125-00	15-14	41215-00	69-17
40958-00	97-12	41045-00	11-20	41126-00	15-14	41216-00	21-32
40958-00	101-17	41047-00	12-8	41130-02	16-4	41219-00	40-17
40958-02	99-42	41048-03	26-18	41130-03	16-5	41219-01	40-17
40959-07	15-52	41048-03	26-66	41130-06	16-15	41220-00	47-22
40962-02	15-8	41049-02	16-28	41130-08	16-17	41222-00	15-17
40962-03	15-8	41049-04	16-29	41139-00	111-9	41228-00	111-11
40963-00	100-37	41050-08	18-13	41143-02	83-4	41229-00	84-3
40964-00	15-33	41054-00	43-67	41144-00	83-2	41229-00	97-4
40968-04	104-1	41054-01	43-67	41145-04	14-86	41229-00	99-43
40971-05	12-7	41059-00	91-25a	41145-05	14-86	41229-00	101-19
40971-09	12-4	41061-00	105-23	41164-00	127-16	41230-04	87-19
40971-10	12-7	41063-00	105-24	41166-04	15-15	41230-04	88-19
40971-11	12-4	41065-00	23-27	41166-13	15-16	41230-06	87-95
40976-00	26-34	41066-00	17-17	41168-00	11-8	41230-06	88-18
40977-00	26-54	41066-01	17-17	41169-00	11-9	41230-06	88-83
40979-00	26-53	41070-00	14-45	41169-01	11-9	41230-07	87-18
40983-00	103-10	41073-00	11-6	41170-03	11-7	41230-10	87-21
40984-00	21-21	41075-00	11-5	41170-15	11-55	41232-02	17-2
40985-00	15-53	41078-00	12-9	41170-16	11-55	41232-04	17-2
40986-50	15-56	41078-03	12-9	41170-18	11-55	41232-06	17-3
40988-00	15-55	41081-00	23-1	41170-20	11-55	41233-03	17-4
40990-00	15-44	41089-00	111-7	41170-22	11-55	41233-05	17-8
40990-01	15-44	41090-02	15-50a	41172-00	11-10	41233-07	17-4
40995-07	17-5	41090-03	15-50a	41173-00	12-18	41234-00	12-43
40995-17	17-9	41094-00	127-17	41176-00	16-34	41235-00	22-9
40995-18	17-9	41095-00	15-13	41177-00	16-32	41235-02	22-9
40996-06	22-8	41097-04	11-53	41177-01	16-32	41235-06	22-9
40996-07	22-8	41097-05	11-50	41178-00	18-15	41236-02	22-9
40998-00	15-45	41099-00	12-11	41179-00	103-46	41236-03	22-9
40999-00	15-73	41102-00	15-11	41180-00	16-6	41236-07	22-9
40999-01	15-68	41103-00	22-11	41183-00	12-57	41238-00	15-34
40999-03	15-69	41104-05	12-15	41188-02	23-24	41245-00	29-7
41001-03	98-35	41104-06	12-16	41188-03	23-24	41256-02	27-21
41001-03	100-3	41104-07	12-17	41189-00	23-9	41256-02	31-45
41003-00	15-10	41106-00	16-38	41192-00	12-58	41258-00	29-38a
41004-00	22-3	41106-01	16-38	41194-02	70-52	41264-00	15-58
41004-01	22-3	41110-00	23-26	41194-02	127-3	41267-00	11-14
41005-02	15-10	41110-04	23-26	41200-00	23-7	41267-04	11-14
41006-00	22-1	41112-08	18-14	41201-04	23-8	41268-00	11-18
41006-01	22-1	41115-00	12-19	41205-04	22-6	41268-01	11-18
41006-05	22-1	41116-00	12-20	41205-05	22-6	41269-00	14-8
41010-03	15-32	41116-01	12-20	41207-00	12-30	41269-01	14-8
41013-00	15-67	41118-00	10-2	41208-00	12-31	41272-00	11-17
41014-00	15-62	41118-00	11-1	41209-00	15-17	41273-00	94-22
41014-01	15-62	41119-02	17-6	41211-00	11-30	41278-00	14-11
41022-00	23-8	41119-03	17-6	41214-02	63-20	41279-00	25-8
41025-00	23-31	41119-08	18-17	41214-02	67-23	41279-02	25A-22
41027-10	2-6	41119-19	18-17	41214-02	69-18	41282-00	25-9



## PIPER PARTS CATALOG

Part Number	Figure and Index No.	Part Number	Figure and Index No.	Part Number	Figure and Index No.	Part Number	Figure and Index No.
41282-00	25A-21	41322-00	54A-35	41398-07	153-16	41413-42	68-18
41282-01	25-9	41322-00	54B-30	41402-00	104-15	41413-45	29-11
41282-01	25A-21	41330-00	25-27	41404-00	23-18	41413-46	14-80
41284-00	25-3	41330-01	25-27	41404-03	23-18	41413-51	2-88
41284-00	25A-13	41331-28	11-26	41413-03	100-13	41413-51	36-64
41284-01	25-3	41331-28	12-38	41413-05	2-50	41413-51	38-57
41284-01	25A-13	41331-28	16-18	41413-10	98-36	41413-55	102-22
41285-00	26-8	41335-02	28-6	41413-10	100-16	41413-57	7-96
41285-00	26-70	41335-03	28-6	41413-11	98-7	41413-60	91-29
41287-00	77-19	41335-04	25-24	41413-12	100-17	41413-60	101-35
41293-02	25-10	41336-00	11-21	41413-14	100-18	41415-00	33-20
41293-02	25A-10	41337-00	125-1	41413-15	87-61	41415-00	95-18
41293-03	25-10	41345-00	70-46	41413-15	87-98	41416-00	95-19
41293-03	25A-10	41345-00	153-120	41413-15	87-99	41417-00	95-20
41293-04	25-11	41347-00	70-44	41413-15	87-100	41420-02	23-28
41293-06	25-11	41347-00	153-118	41413-15	88-57	41420-03	28-3
41294-02	25-14	41354-02	18-9	41413-15	88-95	41422-00	103-11
41294-02	25A-3	41354-04	18-9	41413-15	88-96	41423-03	104-16
41294-02	26-2	41354-06	18-7	41413-15	88-97	41425-02	26-5
41294-03	25-15	41354-08	18-7	41413-16	87-62	41425-03	25-21
41294-03	26-3	41354-10	18-8	41413-16	88-58	41425-03	26-6
41294-04	25-15	41354-10	18-10	41413-17	99-3	41426-00	26-4
41294-04	26-3	41355-00	29-24	41413-18	101-3	41426-08	26-4
41295-02	28-5	41355-01	29-24	41413-19	99-4	41426-09	26-67
41295-03	25-16	41357-04	25-19	41413-20	98-8	41427-00	14-47
41295-04	25-17	41357-05	25-19	41413-21	98-9	41427-00	15-12
41295-04	28-5	41358-00	102-1	41413-26	58-51	41427-00	16-30
41295-06	25-17	41359-00	102-2	41413-26	59A-39	41429-02	70-43
41295-06	28-5	41360-02	10-8	41413-26	60A-39	41429-02	153-117
41295-09	25A-33	41360-02	16-2	41413-26	61-41	41430-00	69-11
41296-00	25-18	41360-02	18-1	41413-26	61-50	41432-00	57-28
41296-00	25A-26	41363-00	29-3	41413-26	62-27a	41432-00	153-106
41296-01	25-18	41363-02	29-3	41413-26	63A-39	41433-00	54-46
41296-01	25A-35	41367-06	29-2	41413-26	67-9	41433-00	54A-60
41296-02	25-18	41367-08	29-2	41413-26	67-10	41433-00	54B-67
41296-02	25A-26	41367-10	29-2	41413-26	68-15	41433-00	153-26
41296-03	25-18	41367-14	29-2	41413-26	68A-14	41435-00	104-17
41296-03	25A-35	41369-05	82-7	41413-26	68A-27	41435-03	104-17
41297-00	39-26	41372-00	23-19	41413-29	98-10	41437-00	46-10
41299-00	17-12	41372-03	23-19	41413-30	96-49	41438-00	46-12
41300-02	10-7	41373-00	70-37	41413-31	98-11	41439-00	15-47
41300-02	16-3	41377-06	70-36	41413-36	2-37	41445-00	21-8
41300-02	17-1	41383-00	71-10	41413-36	120-1	41446-00	103-12
41307-00	26-21	41383-00	153-121	41413-37	2-53	41446-02	103-12
41308-00	16-7	41393-00	94-40	41413-38	58-11	41449-00	96-51
41308-01	16-8	41393-00	94-51	41413-38	59-10	41451-00	96-48
41308-04	16-9	41393-00	94-61	41413-38	59-18	41451-01	96-48
41308-06	16-11	41394-00	94-41	41413-38	59A-11	41453-00	104-3
41308-07	16-10	41394-00	94-52	41413-38	60-9	41454-04	102-3
41314-00	29-18	41394-00	94-62	41413-38	60-18	41458-00	9-46
41314-01	29-18	41395-02	94-35	41413-38	60A-15	41459-00	94-9
41315-02	18-5	41396-04	94-45	41438-38	60A-26	41462-00	94-23
41315-04	18-5	41398-02	43-32	41413-38	61-27	41465-00	104-4
41315-06	18-6	41398-02	153-16	41413-38	61-42	41466-00	14-25
41316-00	15-40	41398-07	39-48	41413-41	29-40	41466-01	73-13

## PIPER PARTS CATALOG

Part Number	Figure and Index No.	Part Number	Figure and Index No.	Part Number	Figure and Index No.	Part Number	Figure and Index No.
41467-00	21-7	41558-06	26-1	41622-00	88-31	41677-02	20-21
41472-00	75-17	41558-07	25-1	41623-00	87-30	41678-04	70-27
41472-00	153-33	41558-07	26-1	41623-00	88-30	41678-06	70-25
41473-00	104-36	41559-00	79-10	41624-00	22-15	41678-06	71-23
41475-00	95-12	41568-00	11-22	41625-00	72-42	41679-00	70-26
41476-00	95-14	41571-00	16-31	41626-00	87-37	41680-00	21-4
41476-02	95-16	41572-00	79-11	41626-00	88-37	41683-05	87-64
41477-00	94-32	41576-02	98-31	41630-00	89-24	41684-03	16-26
41486-00	14-9	41576-03	98-32	41632-00	85-23	41684-04	16-26
41489-02	21-16	41580-05	87-51	41635-00	79-1	41688-00	21-5
41493-00	21-7	41580-05	88-47	41636-02	6-27	41689-00	21-6
41494-00	21-3	41583-00	89-23	41636-03	6-27	41691-00	58-13
41502-00	70-12	41584-00	87-74	41636-04	6-26	41693-02	58-14
41505-00	130-8	41584-00	88-35	41636-05	6-26	41693-03	58-15
41506-02	70-3	41584-00	89-25	41646-00	6-18	41694-00	58-16
41506-02	71-14	41585-00	14-26	41646-01	6-18	41694-01	58-16
41506-03	71-14	41586-00	87-50	41646-16	6-18	41695-02	58-17
41507-09	70-5	41586-00	88-46	41646-17	6-18	41695-02	61-15
41507-09	71-15	41587-00	85-23	41647-00	87-9	41698-02	58-18
41507-12	70-5	41590-00	24-1	41647-01	88-9	41698-03	58-19
41507-12	71-15	41590-01	24-1	41648-00	87-10	41698-04	58-20
41507-15	70-5	41594-02	78-5	41648-00	88-10	41699-00	58-21
41507-15	71-15	41601-00	3-10	41649-00	87-11	41703-00	56-21
41510-00	94-5	41601-03	3-10	41649-00	88-11	41704-00	78-6
41511-00	72-41	41603-00	11-40	41650-00	87-7	41707-00	70-9
41523-03	94-47	41603-00	14-6	41651-00	87-8	41717-00	96-2
41523-05	94-42	41603-02	14-60	41651-02	88-8	41722-10	58-5a
41523-06	94-57	41604-00	85-53	41653-00	88-7	41722-10	59-8a
41523-07	94-6	41604-01	85-53	41655-00	88-22	41722-10	60-7a
41523-08	94-7	41605-11	78-1	41656-00	87-12	41722-10	61-9a
41525-00	95-22	41605-15	78-1	41656-00	88-12	41722-10	62-8a
41526-00	95-21	41606-13	78-1	41657-00	87-13	41722-10	63-7c
41529-00	28-2	41606-15	78-1	41657-00	88-13	41724-00	96-1
41529-06	28-2	41607-13	78-2	41663-00	85-51	41734-02	97-2
41529-07	28-2	41610-18	43-7	41663-01	85-51	41734-06	99-25
41529-08	28-2	41610-19	43-7	41664-00	85-52	41734-26	94-46
41529-09	28-2	41611-02	43-8	41664-01	85-52	41734-28	94-56
41530-04	128-21	41611-03	43-8	41667-06	85-29	41734-30	94-36
41530-09	128-10	41612-04	43-10	41667-07	85-29	41734-76	94-56
41530-11	125-7	41614-00	22-7	41667-08	85-28	41734-78	101-14
41530-12	125-7	41615-00	22-7	41667-09	85-28	41734-78	138A-84
41532-00	103-38	41616-01	21-15	41668-04	27-1	41738-02	24-2
41533-06	125-14	41617-02	87-28	41668-04	28-1	41738-03	24-2
41534-00	125-15	41617-02	87-86	41668-05	27-1	41738-04	24-3
41536-00	72-31	41617-02	88-28	41668-05	28-1	41738-05	24-3
41543-00	24-1	41617-02	88-86	41668-06	27-1	41754-06	96-3
41543-02	24-1	41618-00	87-27	41668-06	28-1	41754-07	96-3
41545-00	22-19	41618-00	87-43	41668-07	27-1	41763-00	61-16
41549-05	78-7	41618-00	88-27	41668-07	28-1	41770-00	43-5
41554-00	130-35	41618-02	87-27	41669-00	7-87	41771-00	43-6
41554-00	153-65	41618-02	88-27	41670-00	11-41	41775-00	113-3
41555-00	15-49	41620-00	87-35	41670-01	11-4	41775-00	113A-3
41555-01	15-49	41620-00	88-56	41672-00	24-5	41787-00	74-28
41556-00	94-8	41622-00	79-27	41673-00	24-4	41787-00	74A-35
41558-06	25-1	41622-00	87-31	41676-00	20-19	41788-00	74A-33

## PIPER PARTS CATALOG

Part Number	Figure and Index No.	Part Number	Figure and Index No.	Part Number	Figure and Index No.	Part Number	Figure and Index No.
41789-00	39-73	41916-00	72-5	42027-07	2-1	42129-02	84-26
41790-00	43-14	41917-00	72-20	42027-08	2-1	42129-03	43-59
41792-00	43-58	41918-00	72-2	42027-15	2-1	42129-04	39-84
41793-00	43-16	41919-00	72-17	42027-16	2-1	42129-04	43-43
41794-00	43-4	41925-00	98-2	42029-00	70-33	42129-06	39-51
41794-01	43-4	41925-02	98-2	42034-00	70-54	42129-07	39-52
41795-00	37-30	41927-08	78-4	42034-00	71-12	42129-08	39-53
41796-00	43-34	41942-00	100-1	42037-00	9-45	42129-09	39-54
41797-02	43-33	41942-02	100-1	42037-01	9-45	42129-10	39-55
41797-03	39-91	41944-00	78-2a	42041-00	39-92	42129-11	47-23
41798-00	74A-33	41945-02	15-35	42042-00	39-44	42129-11	121-50
41800-00	83-6	41946-00	11-56	42046-00	56-22	42129-11	122-40
41800-01	83-6	41946-01	11-56	42047-00	77-22	42129-12	47-24
41800-05	83-7	41947-03	98-3	42059-06	39-6	42129-23	84-24
41803-00	83-23	41947-05	100-2	42059-07	39-9	42129-29	33-71
41804-02	117-12	41947-06	100-2	42060-00	2-23	42130-00	2-68
41805-00	83-1a	41949-00	43-12	42062-00	48-4	42130-01	2-68
41807-00	84-5	41949-02	39-22	42063-00	48-5	42135-00	11-48
41808-00	83-26	41949-03	39-24	42064-00	48-6	42143-00	104-32
41809-00	83-35	41952-00	39-45	42065-00	48-7	42149-00	20-34
41809-01	83-35	41953-03	98-4	42067-00	47-13	42150-00	14-49
41810-00	85-54	41953-04	98-4	42068-00	47-14	42150-00	74A-47
41812-00	83-18	41957-00	112A-4	42069-00	47-15	42150-02	123A-78
41813-00	83-1a	41958-04	112A-3	42074-00	61-17	42160-06	23-12
41815-00	85-19	41965-00	58-22	42078-00	9-34	42162-00	20-31
41815-01	85-19	41965-01	58-22	42078-01	9-34	42172-00	77-56
41817-05	84-6	41968-00	58-23	42078-04	9-34	42173-00	2-72
41819-00	85-20	41974-07	78-2	42078-05	9-34	42180-00	47-18
41819-01	85-20	41975-00	78-19	42079-00	16-49	42181-00	47-19
41820-00	84-25	41979-00	39-46	42082-04	54-59	42189-04	121-59
41820-00	117-11	41980-00	58-35a	42082-04	68-39	42189-04	122-14
41829-00	83-22	41980-02	58-35a	42084-00	28-13	42189-07	121-2
41829-00	83-24	41982-02	39-41	42095-00	47-17	42189-10	121-12
41834-06	83-1	41982-03	39-41	42098-00	61-18	42189-14	122-9
41836-07	83-19	41983-00	39-40	42102-00	106-26	42189-15	121-60
41836-09	83-19	41983-01	39-40	42103-00	106-25	42189-17	121-13
41838-08	83-11	41985-00	39-49	42104-00	106-27	42189-18	122-2
41838-20	83-20	41985-01	39-49	42108-00	15-76	42189-18	122-3
41840-03	2-67	41988-00	72-26	42109-00	125-49	42189-23	121-10
41841-00	14-41	41989-00	72-11	42112-00	47-20	42189-23	122-8
41848-04	82-37	41995-00	20-57	42112-01	47-20	42189-25	121-1
41849-00	82-38	41995-00	140-84	42113-05	87-23	42189-25	121-11
41852-00	103-21	41995-00	141-63	42113-05	88-23	42189-25	122-7
41859-00	97-30	41995-00	142-10	42113-05	90-25	42189-28	122-12
41859-08	97-30	41995-00	142-84	42115-00	82-8	42189-30	121-3
41860-00	8-46	41995-00	143-64	42115-00	119-23	42189-30	121-9
41863-00	97-1	42003-00	2-61	42117-00	4-11	42189-30	122-5
41865-00	65-1	42003-01	2-61	42117-01	4-11	42189-34	122-11
41866-00	65-2	42008-00	2-74	42118-00	2-11	42189-37	121-7
41868-00	21-29	42025-00	39-7	42118-01	2-11	42189-37	121-8
41873-02	28-16	42025-01	39-8	42123-00	72-24	42189-37	122-13
41898-00	17-15	42027-02	2-2	42124-00	72-13	42189-38	121-6
41904-00	72-23	42027-03	2-2	42126-00	72-32	42189-38	122-6
41905-00	72-9	42027-04	2-3	42127-00	72-33	42189-39	121-3
41915-00	72-6	42027-05	2-3	42128-00	25-7	42189-39	122-5

## PIPER PARTS CATALOG

Part Number	Figure and Index No.	Part Number	Figure and Index No.	Part Number	Figure and Index No.	Part Number	Figure and Index No.
42189-40	121-5	42259-00	15-77	42422-00	79-4	42543-00	14-50
42189-41	121-5	42278-02	20-41	42426-00	3-19	42546-00	14-83
42189-41	122-3	42279-00	2-77	42426-01	3-19	42546-01	14-83
42189-42	121-4	42279-01	2-77	42432-00	135-2	42558-00	62-7
42189-42	121-72	42279-02	2-77	42455-08	3-20	42558-00	68A-13
42189-42	122-4	42279-03	2-77	42455-09	3-20	42561-00	62-8
42189-42	122-71	42279-04	2-77	42455-10	3-21	42570-00	62-11
42189-43	121-2	42279-05	2-77	42455-11	3-21	42570-00	68A-11
42189-43	121-6	42282-00	60-19	42455-12	3-22	42571-02	62-15
42189-43	122-6	42295-00	57-4	42455-13	3-22	42571-02	68A-15
42189-44	121-57	42295-02	57-4	42457-00	25-41	42571-04	96-16
42189-45	122-10	42297-00	85-35	42457-00	153-5	42571-05	96-17
42189-46	122-2	42297-01	85-35	42461-00	11-37	42571-06	103-65
42189-47	122-1	42298-00	85-36	42461-01	11-37	42571-07	101-43
42189-48	122-2	42298-01	85-36	42465-00	5-19	42571-08	101-39
42189-49	122-16	42300-03	47-11	42465-01	5-19	42571-10	26-24
42189-50	122-16	42300-08	47-10	42470-00	92-32	42571-11	26-47
42189-61	121-57	42301-00	35-29	42470-00	93-33	42571-12	26-48
42189-62	122-10	42303-00	35-5	42470-00	93A-26	42571-13	26-49
42191-00	92-26	42304-00	72-16	42475-02	138-55	42574-00	84-9
42191-00	93-29	42308-00	2-78	42475-03	138-55	42583-00	24-19
42191-00	93A-41	42316-00	37-42	42478-04	138-52	42589-00	5-31
42196-00	121-38	42317-00	37-5	42478-05	17-14	42590-00	4-18
42196-00	121A-37	42324-00	12-55	42480-00	38-13	42590-00	5-21
42204-00	106-10	42326-03	57-29	42480-02	38-15	42594-02	15-48
42204-01	106-10	42326-03	66-10	42480-03	38-15	42595-00	20-23
42214-00	38-46	42326-05	64-8	42480-04	38-13	42596-00	70-41
42218-04	38-48	42328-00	129-23	42484-02	138-35	42601-00	46-21
42224-03	2-62	42332-00	92-46	42484-03	138A-26	42621-00	124-7
42224-04	2-62	42332-00	153-96	42484-03	140-23	42621-00	124A-6
42225-00	38-59	42333-00	93-42	42484-03	141-16	42626-02	126-16
42226-00	37-7	42333-00	153-97	42484-03	142-23	42628-04	91-1
42226-01	37-7	42335-00	87-75	42484-03	143-16	42628-05	91-2
42227-00	37-46	42335-00	88-49	42484-03	144-25	42628-06	91-3
42227-01	37-46	42337-00	96-18	42484-03	145-25	42635-00	124-9
42230-10	37-21	42340-03	57-1	42484-03	145C-8	42635-00	124A-7
42230-11	37-21	42342-00	2-64	42496-00	14-54	42636-00	124-10
42230-12	37-22	42342-01	2-64	42496-00	16-68	42636-00	124A-8
42230-13	37-22	42345-00	14-31	42512-00	14-3	42638-00	4-22
42231-04	38-50	42366-00	77-48	42513-00	14-55	42639-00	14-28
42235-00	37-38	42367-00	12-23	42515-00	20-6	42640-00	70-47
42238-00	29-20	42368-22	54-42	42516-00	20-62	42652-00	57-37
42239-04	29-38	42368-22	54-43	42523-00	73-5	42657-00	124-11
42239-06	29-38	42369-04	57-22	42530-03	72-28	42659-02	121-58
42240-04	29-38	42369-05	57-23	42530-03	73-1	42659-02	122-42
42242-00	29-57	42369-09	57-22	42531-00	14-76	42667-00	16-37
42245-02	27-27	42375-04	16-14	42533-00	14-77	42669-00	25-4
42245-02	31-48	42379-00	94-65	42534-00	14-78	42669-00	25A-14
42245-03	29-39	42379-00	94-75	42536-00	103-61	42669-01	25-4
42248-00	29-4	42408-00	79-9	42536-02	103-61	42669-01	25A-14
42250-00	29-51	42409-00	79-2	42537-02	103-42	42675-00	46-22
42257-00	37-47	42410-00	79-8	42538-00	103-59	42679-00	46-4
42257-01	37-47	42412-00	79-7	42539-00	14-79	42704-00	124-27
42258-00	37-6	42414-00	79-3	42540-02	103-83	42704-00	124A-5
42258-01	37-6	42417-00	38-66	42541-00	30-29	42706-02	124-5

## PIPER PARTS CATALOG

Part Number	Figure and Index No.	Part Number	Figure and Index No.	Part Number	Figure and Index No.	Part Number	Figure and Index No.
42724-02	123A-36	42925-00	20-40	43065-00	29-55	43184-00	94-21
42736-06	54-32	42926-00	19-20	43066-00	29-59	43184-00	138-46
42736-07	54-34	42926-00	21-20	43067-00	29-36	43184-00	140-46
42736-08	54-34	42938-03	103-24	43067-00	153-9	43184-00	141-24
42737-00	54-33	42940-00	138-56	43069-00	29-37	43184-00	142-46
42740-00	44-59	42942-00	103-67	43072-00	123A-55	43184-00	143-24
42742-00	44-27	42943-00	103-25	43072-00	123B-55	43184-00	144-40
42742-00	153-17	42944-00	103-70	43078-00	54-39	43184-00	145-40
42743-05	147-2	42945-00	103-26	43078-00	54A-37	43184-00	145A-13
42746-00	7-95	42960-00	94-26	43078-00	54B-32	43184-00	145B-42
42756-00	103-64	42964-00	103-72	43089-00	23-5	43184-00	145C-31
42756-01	103-64	42965-00	103-73	43090-00	23-6	43184-00	153-49
42766-06	Misc.	42971-00	121-71	43090-02	19-6	43185-00	94-19
42777-00	147-3	42971-00	121A-46	43090-03	19-6	43185-00	138-47
42777-00	147-3a	42971-00	153-62	43092-00	74-71	43185-00	140-47
42777-02	147-3a	42973-00	67-8	43092-00	74A-42	43185-00	141-25
42778-00	112A-17	42978-00	16-27	43092-00	123-31	43185-00	142-47
42785-00	84-36	42978-01	16-27	43092-00	123A-42	43185-00	143-25
42785-02	97-10	42979-00	16-35	43092-00	123B-42	43185-00	144-41
42785-06	97-10	42985-00	97-5	43093-00	74-70	43185-00	145-41
42787-00	67-5	42994-00	103-7	43093-00	74A-43	43185-00	145A-14
42787-00	69-29	42994-02	103-7	43090-00	123-35	43185-00	145B-43
42789-00	67-6	42997-00	15-54	43093-00	123A-43	43185-00	145C-32
42789-00	68-9	43004-00	2-65	43093-00	123B-43	43185-00	153-49
42789-00	69-28	43013-04	20-63	43097-00	58-10	43186-00	94-24
42798-00	94-27	43013-05	20-63	43098-03	20-42	43194-00	57-41
42802-00	70-32	43013-06	20-64	43098-06	20-42	43198-00	101-20
42803-02	99-41	43013-07	121-74	43110-03	19-18	43198-02	101-20
42803-03	101-23	43013-07	122-73	43110-03	23-23	43200-00	26-33
42809-00	47-42	43016-00	7-93	43110-04	19-17	43202-00	101-21
42809-00	82-16	43016-01	7-93	43110-04	23-23	43202-03	101-21
42809-00	84-30	43018-03	68-20	43110-05	19-18	43203-00	101-10
42819-00	35-36	43018-03	68-43	43118-04	54A-45	43204-00	101-23
42819-01	35-36	43018-04	69-8	43118-04	54B-40	43206-00	37-37
42821-02	20-45	43020-00	131-3	43118-05	54A-44	43206-01	37-37
42831-00	69-6	43021-00	131-4	43118-05	54B-39	43210-00	37-45
42832-03	69-3	43022-00	131-5	43121-03	130-1	43211-02	38-19
42832-04	69-13	43027-00	69-7	43123-00	58-42	43211-03	38-23
42847-00	16-16	43028-00	130-31	43133-00	14-81	43212-02	38-20
42877-00	123A-7	43028-01	130-31	43139-04	74A-1	43212-03	38-23
42877-00	123B-7	43029-00	153-89	43140-00	74A-34	43213-00	37-18
42884-02	11-39	43030-02	65-5	43145-00	94-29	43217-00	38-14
42884-03	11-39	43033-02	123-33	43164-00	27-36	43217-02	38-14
42887-00	11-38	43033-02	123A-52	43165-02	23-21	43220-00	70-11
42901-02	103-66	43033-02	123B-52	43166-00	94-25	43220-00	71-22
42904-00	84-23	43044-00	74-29	43168-00	94-31	43221-00	38-24
42910-00	121-66	43047-00	74-30	43179-00	22-10	43224-00	101-8
42910-00	121A-41	43048-00	131-1	43179-01	22-10	43232-02	38-70
42912-00	121-68	43052-04	103-1	43181-00	138-63	43242-02	130-9
42912-00	121A-43	43052-07	103-1	43181-00	144-47	43243-03	123A-41
42912-04	11-45	43052-08	103-1	43181-00	145-47	43246-00	94-34
42912-05	11-35	43052-09	103-1	43181-00	145A-30	43251-02	57-30
42913-00	121-67	43062-00	29-44	43181-00	145C-45	43251-03	57-30
42913-00	121A-42	43063-00	29-45	43183-00	94-17	43255-00	57-26
42924-00	46-3	43064-00	29-70	43183-00	153-48	43256-02	40-15

## PIPER PARTS CATALOG

Part Number	Figure and Index No.	Part Number	Figure and Index No.	Part Number	Figure and Index No.	Part Number	Figure and Index No.
43256-02	40-31	43360-00	103-77	43508-00	2-89	43627-11	19-10
43256-03	40-28	43360-00	153-55	43509-00	29-27	43627-13	19-10
43256-04	40-30	43362-00	103-76	43510-00	29-89	43630-00	117-8
43256-05	40-27	43362-00	153-54	43511-00	29-9	43634-00	21-26
43256-06	44-37	43364-00	103-76	43513-00	28-17	43640-00	103-42
43256-07	44-32	43364-00	153-54	43515-00	27-15	43643-00	67-19
43258-03	2-4	43375-02	57-12	43517-00	149-3	43643-00	68-26
43258-03	125-26	43376-02	57-13	43519-00	13-22	43643-00	68A-33
43258-04	2-4	43377-00	99-7	43520-00	18-21	43643-00	69-27
43258-04	125-26	43384-02	38-71	43522-00	24-19	43644-00	57-10
43262-00	44-30	43392-00	136-6	43529-00	20-35	43645-00	2-57
43263-00	135-7	43393-00	136-7	43533-00	57-38	43645-01	2-57
43265-02	57-27	43394-00	102-10	43537-00	146-5	43645-04	16-39
43272-00	65-4	43398-00	72-37	43538-00	58-29	43645-05	16-39
43272-00	66-12	43402-00	72-38	43541-00	29-90	43646-02	16-40
43274-00	68-35	43404-00	72-44	43546-00	29-52	43646-03	16-40
43274-00	68A-29	43405-00	72-27	43551-02	95-44	43646-04	2-55
43274-00	69-20	43407-00	71-47	43553-00	101-29	43646-05	2-55
43278-00	67-28	43408-00	71-46	43555-00	102-4	43648-00	2-58
43278-00	68-22	43409-00	71-45	43560-00	121-58	43648-01	2-58
43278-00	68A-37	43413-00	83-13	43560-00	122-42	43648-04	17-16
43278-00	69-25	43435-00	95-42	43561-00	73-14	43648-05	17-16
43279-00	19-21	43435-02	95-42	43568-00	26-46	43649-02	16-41
43279-00	69-23	43438-00	94-1	43569-00	11-25	43649-03	16-41
43284-00	67-21	43438-00	95-1	43570-00	26-23	43649-04	2-56
43284-00	68-28	43438-03	94-1	43573-00	26-51	43649-05	2-56
43284-00	68A-36	43438-03	95-1	43574-00	26-41	43680-00	128-17
43284-00	69-24	43444-00	138-57	43575-02	26-38	43682-00	65-10
43286-02	39-42	43454-00	95-2	43575-03	26-42	43683-00	2-60
43288-00	67-20	43454-02	95-10	43575-04	26-17	43683-01	2-60
43288-00	68-27	43454-06	95-5	43580-00	125-20	43683-04	16-42
43288-00	68A-35	43455-00	95-41	43581-02	56-20	43683-05	16-42
43288-00	69-22	43455-03	95-49	43582-00	125-8	43687-00	103-56
43295-00	140-18	43456-00	95-59	43584-00	27-3	43688-00	103-6
43295-00	140-113	43457-00	95-43	43584-00	31-49	43689-00	11-42
43295-00	141-11	43462-00	123A-5	43584-00	31-52	43690-02	29-53
43295-00	141-120	43462-00	123B-5	43585-00	29-15	43690-03	29-53
43295-00	142-59	43462-02	123B-5	43586-03	19-23	43691-00	103-78
43295-00	143-3	43463-00	123A-6	43586-06	19-22	43693-00	103-79
43295-00	143-76	43475-00	56-27	43586-06	23-13	43693-00	153-56
43300-02	39-83	43477-00	56-28	43586-07	19-23	43696-00	65-11
43300-03	39-83	43480-00	25A-12	43586-07	23-13	43696-03	66-7
43300-04	39-83	43480-01	25-2	43586-11	19-23	43697-00	65-11
43300-05	39-83	43480-02	25A-12	43594-02	16-50	43697-03	66-7
43300-06	39-83	43480-03	25A-12	43594-04	12-53	43699-00	65-9
43307-00	21-9	43481-00	27-18	43599-00	14-27	43699-00	66-6
43312-00	21-28	43486-00	102-24	43599-00	14-32	43700-00	65-8
43321-00	27-19	43488-00	70-38	43610-00	23-16	43709-02	34-39
43325-00	27-20	43489-00	70-23	43618-00	103-75	43709-03	34-39
43326-00	74A-47	43490-00	70-24	43618-08	103-75	43709-04	34-39
43326-00	123-8	43492-00	113A-11	43623-00	94-81	43710-02	121-39
43332-00	36-61	43493-03	113A-9	43624-00	117-10	43710-03	121-39
43332-00	38-79	43496-00	130-20	43625-00	117-5	43710-03	121A-40
43346-00	126-24	43497-00	132-25	43627-07	20-30	43710-04	121-39
43353-00	58-45	43506-04	11-15	43627-09	20-30	43710-04	121A-40

## PIPER PARTS CATALOG

Part Number	Figure and Index No.	Part Number	Figure and Index No.	Part Number	Figure and Index No.	Part Number	Figure and Index No.
43711-00	39-17	43801-00	153-1	43918-00	139-6	44103-00	28-12
43712-00	47-52	43809-00	14-56	43918-00	153-74	44103-00	33-5
43713-02	34-40	43809-00	153-112	43923-00	72-29	44107-00	14-53
43713-03	34-40	43813-03	58-59	43923-00	73-4	44109-02	11-24
43718-04	138-62	43813-04	58-59	43929-02	77-14	44110-00	133-10
43719-00	138-53	43813-05	58-59	43929-302	77-14	44112-00	133-11
43727-00	21-27	43816-00	70-85	43933-03	77-16	44113-00	133-9
43741-00	38-58	43816-00	129-4	43933-04	77-16	44114-00	58-49
43741-01	38-58	43819-00	130-36	43933-07	77-16	44114-00	59-36
43743-00	38-49	43819-00	153-65	43933-08	77-16	44114-00	59A-41
43743-01	38-49	43822-00	117-6	43936-00	5-11	44114-00	60-29
43744-00	38-54	43831-00	11-43	43936-01	5-11	44114-00	60A-45
43744-04	38-54	43833-00	11-44	43937-00	29-5	44114-00	61-49
43745-00	38-47	43834-00	117-7	43940-00	77-13	44114-00	62-29
43748-00	38-72	43840-00	47-51	43940-01	77-13	44114-00	63-17
43749-00	94-4	43843-00	125-35	43940-08	77-13	44114-00	63A-32
43750-00	94-2	43845-00	14-43	43940-09	77-13	44114-00	63A-33
43751-00	94-3	43845-00	16-44	43940-308	77-13	44114-00	68-17
43752-00	38-56	43845-01	14-43	43940-309	77-13	44114-00	68A-27
43756-00	125-10	43845-01	16-44	43943-00	54-61	44137-00	140-18
43757-05	38-52	43850-00	27-8	43943-00	54A-34	44137-00	140-113
43757-15	38-51	43850-00	31-30	43943-00	54B-29	44137-00	141-11
43757-16	38-51	43850-00	32-4	43949-00	67-22	44137-00	141-120
43757-175	34-3	43851-00	27-12	43949-00	68-25	44137-00	142-59
43757-175	38-1	43851-00	31-36	43949-00	68A-32	44137-00	143-3
43757-184	34-3	43851-00	32-7	43949-00	69-33	44137-00	143-76
43757-184	38-1	43853-00	27-4	43950-00	121-48	44150-00	101-37
43758-00	125-11	43853-00	31-28	43950-00	121A-38	44151-00	101-24
43759-00	56-39	43853-02	32-2	43951-05	112A-11	44151-01	101-24
43759-00	60-45	43854-00	117-13	43954-00	57-24	44155-00	2-25
43759-00	60A-49	43854-00	153-60	43961-00	7-100	44160-00	135-15
43762-00	24-23	43864-00	26-16	43961-01	7-100	44161-00	111-10
43762-00	125-44	43864-00	26-71	43963-00	29-13	44162-00	111-8
43763-00	24-24	43866-02	117-1	43967-00	29-14	44166-00	111-1
43763-00	125-45	43866-03	122-17	43972-00	39-70	44170-00	127-8
43765-00	150-6	43866-03	122A-28	43974-06	112A-46	44182-00	104-13
43767-00	23-20	43866-04	117-1	43981-00	95-45	44182-01	104-13
43768-02	23-22	43873-02	123-13	43986-00	62-43	44182-02	104-13
43769-00	23-22	43877-00	47-12	43986-00	63-24	44182-03	104-13
43778-00	117-4	43888-00	16-47	43988-03	84-19	44184-03	77-55
43778-04	16-65	43894-00	74A-80	43996-00	117-22	44184-04	79-46
43779-00	16-43	43894-00	85-70	44000-00	15-74	44187-00	111-4
43781-00	117-3	43898-00	14-70	44009-00	128-14	44188-00	15-71
43782-00	117-2	43898-01	14-70	44022-00	138-60	44188-00	98-39
43790-04	11-51	43898-08	14-70	44023-00	56-35	44190-00	113-15
43796-00	25-6	43898-09	14-70	44029-00	61-20	44215-00	14-42
43796-00	25A-17	43899-04	14-4	44029-02	61-20	44215-00	16-45
43796-00	33-32	43899-05	14-4	44040-00	95-56	44235-00	125-2
43798-00	74A-44	43908-00	15-75	44040-00	125-52	44236-00	73-2
43798-00	85-56	43909-15	138-3	44053-06	56-15	44237-00	75-1
43799-00	74-73	43909-16	138-5	44053-07	56-15	44238-02	75-2
43799-00	74A-45	43910-00	4-5	44053-08	56-15	44240-00	75-3
43799-00	123A-44	43910-01	4-5	44076-00	138-51	44246-00	73-6
43799-00	123B-44	43911-00	5-15	44103-00	25-62	44246-00	75-34
43801-00	11-46	43911-01	5-15	44103-00	26-11	44247-00	75-5

## PIPER PARTS CATALOG

Part Number	Figure and Index No.	Part Number	Figure and Index No.	Part Number	Figure and Index No.	Part Number	Figure and Index No.
44248-00	57-11	44386-00	44-7	44438-04	85-3	44481-00	21-19
44252-02	75-6	44388-00	43-1	44438-05	85-3	44481-07	19-19
44252-03	75-7	44388-00	44-1	44438-06	85-5	44482-02	20-41
44253-00	75-32	44395-03	123A-56	44438-07	85-5	44482-05	20-43
44253-00	138-37	44396-02	123-21	44438-10	85-39	44482-07	20-46
44253-00	138A-76	44396-02	123A-16	44438-11	85-39	44483-02	85-46
44253-00	145C-58	44396-02	123B-16	44438-12	85-24	44483-03	85-46
44254-00	75-8	44396-03	74-31	44438-13	85-24	44483-04	85-45
44258-00	150-3	44396-03	74A-36	44439-03	19-2	44483-05	85-45
44259-00	128-13	44397-00	85-21	44439-04	19-41	44483-06	85-45
44270-00	103-82	44398-02	85-49	44439-08	19-1	44483-07	85-45
44270-02	103-82	44398-02	85-74	44439-12	19-2	44483-08	85-46
44271-00	103-81	44398-03	125-50	44439-14	19-1	44483-09	85-46
44272-00	103-44	44399-00	125-29	44441-00	85-4	44484-00	85-31
44275-02	5-33	44402-00	125-47	44441-01	85-4	44484-01	85-31
44275-03	123-4	44406-00	85-65	44442-00	74A-38	44485-00	19-36
44275-03	123A-4	44407-00	125-28	44443-00	74A-39	44489-00	20-3
44275-03	123B-4	44408-00	123A-53	44444-00	85-58	44489-01	20-3
44276-02	136B-1	44408-00	123B-53	44444-01	85-58	44490-00	47-48
44276-06	136C-1	44410-00	123-12	44445-05	123A-12	44491-02	85-11
44276-10	135-1	44411-00	148-1	44448-00	3-14	44491-03	85-11
44276-10	136-1	44413-00	86-25	44457-00	85-6	44491-04	85-26
44276-12	135-1	44414-00	123A-17	44457-01	85-6	44492-02	85-11
44276-12	135A-1	44414-00	123B-17	44458-00	85-6	44492-03	85-11
44276-12	135B-1	44415-00	86-24	44458-01	85-6	44492-04	85-26
44276-12	135C-1	44416-00	20-10	44461-00	85-7	44493-02	85-16
44276-12	135D-1	44417-00	74A-37	44461-01	85-7	44493-03	85-16
44276-12	135E-1	44418-00	21-30	44462-04	85-7	44493-04	85-15
44276-12	136-1	44419-02	85-2	44462-05	85-7	44493-05	85-15
44276-12	136A-1	44419-03	85-2	44462-08	85-40	44494-00	85-2
44276-12	136B-1	44419-04	85-37	44465-04	85-30	44494-01	85-2
44277-05	10-10	44420-02	85-22	44465-08	85-59	44495-00	85-1
44277-06	10-10	44420-03	85-27	44465-09	85-60	44495-01	85-1
44281-00	22-14	44421-00	74-43	44465-15	85-30	44497-00	31-4
44291-02	134-4	44421-00	74A-7	44466-00	123A-15	44498-00	31-7
44291-03	134-5	44422-00	86-16	44467-00	85-25	44501-00	19-24
44294-00	35-27	44424-00	86-3	44468-00	85-25	44502-00	31-46
44306-03	69-5	44425-00	86-4	44469-00	85-41	44503-00	31-8
44311-02	29-64	44427-00	86-7	44472-00	85-50	44504-00	31-8
44312-00	29-65	44430-00	123A-14	44473-00	123A-54	44506-00	31-9
44321-00	30-3	44430-00	123B-14	44473-00	123B-54	44507-00	31-9
44322-02	38-72a	44431-00	86-13	44474-02	85-8	44508-00	85-64
44345-11	69-1	44433-00	86-11	44474-03	85-8	44509-00	31-12
44348-00	29-22	44433-01	86-11	44474-06	85-9	44510-00	31-10
44348-00	29-26	44434-00	86-12	44474-07	85-9	44511-00	85-66
44348-00	29-86	44434-01	86-12	44474-08	85-8	44515-00	85-63
44348-02	29-87	44436-00	86-9	44474-09	85-8	44517-00	86-23
44349-00	27-30	44437-04	85-3	44474-10	85-43	44518-00	19-30
44351-12	29-23	44437-05	85-3	44474-12	85-42	44519-00	19-29
44351-13	29-17	44437-06	85-5	44474-14	85-42	44520-00	19-12
44351-14	29-17	44437-07	85-5	44475-00	85-10	44523-02	27-22
44377-04	138-16	44437-10	85-38	44475-01	85-10	44523-03	27-22
44378-00	70-11	44437-11	85-38	44476-02	85-10	44523-04	27-22
44378-00	71-22	44437-12	85-24	44476-03	85-10	44524-00	86-1
44379-00	14-75	44437-13	85-24	44476-04	85-44	44528-03	31-6



## PIPER PARTS CATALOG

Part Number	Figure and Index No.	Part Number	Figure and Index No.	Part Number	Figure and Index No.	Part Number	Figure and Index No.
44528-04	31-5	44583-00	33-40	44651-00	129-15	44723-09	3-1
44528-06	31-5	44584-00	19-37	44652-00	33-45	44723-10	3-1
44528-07	31-5	44585-00	32-11	44653-00	55-2	44723-11	3-1
44529-00	85-61	44586-00	19-5	44653-00	130-3	44723-12	3-1
44530-03	19-8	44587-02	134-12	44654-00	2-16	44724-00	85-62
44534-00	31-3	44587-03	134-12	44655-02	2-28	44726-00	33-16
44535-00	20-26	44587-04	134-3	44656-00	33-47	44727-02	128-2
44536-00	19-9	44587-04	134A-2	44656-06	33-47	44727-03	128-2
44537-00	19-33	44587-05	134-3	44657-00	33-63	44729-00	128-1
44538-00	19-13	44587-05	134A-2	44658-00	33-64	44731-02	33-7
44540-00	19-16	44587-16	2-1	44658-00	91-28	44731-03	33-9
44541-00	19-34	44587-16	134-12	44659-00	33-19	44731-04	33-9
44543-00	19-32	44587-16	134A-1	44660-00	33-65	44732-00	33-22
44544-00	19-31	44587-17	2-1	44666-00	13-1	44733-00	21-22
44546-05	85-55	44587-17	134-12	44667-00	13-5	44734-00	21-23
44546-06	85-55	44587-17	134A-1	44668-00	32-13	44739-00	12-49
44547-00	19-7	44587-22	2-1	44669-00	32-14	44740-00	3-5
44552-00	19-35	44587-22	134A-1	44670-00	13-18	44740-00	7-1
44553-00	19-14	44587-23	2-1	44672-00	6-3	44740-01	3-5
44554-00	19-11	44587-23	134A-1	44672-01	6-3	44740-01	7-1
44556-00	20-26	44588-00	13-13	44672-08	6-3	44740-02	3-5
44557-00	32-28	44589-00	13-12	44672-09	6-3	44740-02	7-1
44558-00	13-23	44591-00	33-41	44673-00	33-27	44740-03	3-5
44561-00	31-40	44593-00	33-42	44673-00	153-12	44740-03	7-1
44562-00	31-38	44594-00	19-15	44674-00	33-28	44740-04	3-5
44563-00	31-39	44596-00	33-43	44674-00	153-13	44740-04	7-1
44564-00	31-37	44597-00	33-46	44677-00	5-3	44740-05	3-5
44564-02	31-37	44600-00	13-17	44677-01	5-3	44740-05	7-1
44565-02	20-25	44610-00	54-43	44681-00	32-20	44743-02	13-6
44566-02	10-9	44611-00	33-48	44681-02	32-20	44743-03	13-10
44566-02	20-1	44612-00	33-49	44686-00	86-8	44743-04	13-2a
44566-04	10-9	44615-00	33-44	44687-00	13-3	44743-07	13-11
44566-04	20-1	44617-00	33-52	44687-04	13-3	44743-08	13-2
44567-00	19-11	44618-00	33-51	44691-00	7-16	44743-09	13-8
44569-00	19-25	44619-02	129-1	44691-01	7-16	44743-10	13-9
44571-02	33-4	44619-06	129-1	44694-00	2-21	44743-11	13-7
44571-04	33-10	44621-00	33-50	44696-00	13-19	44743-14	13-10
44572-00	13-16	44622-00	129-22	44697-00	33-66	44744-00	7-98
44573-00	13-16	44623-00	54-21	44707-00	130-7	44746-00	12-52
44574-02	33-11	44623-03	54A-13	44710-00	3-24	44746-00	23-30
44574-03	33-12	44623-03	54B-9	44710-01	3-24	44746-05	12-52
44574-04	33-14	44627-02	130-6	44711-00	3-27	44746-05	23-30
44574-05	33-2	44629-00	129-20	44711-01	3-27	44747-02	3-12
44575-00	13-13	44630-00	33-53	44716-03	128-8	44747-02	5-1
44578-03	19-38	44631-00	33-53	44717-00	21-2	44747-03	3-12
44578-03	54-44	44632-00	33-59	44719-00	86-29	44747-03	5-1
44578-04	19-38	44633-00	33-55	44719-00	153-39	44749-15	33-102
44578-04	54-45	44633-02	33-55a	44720-00	21-21	44749-16	33-103
44581-00	31-1	44640-00	32-34	44722-00	33-3	44749-17	33-104
44581-02	31-1	44641-00	33-62	44723-02	3-13	44749-18	33-105
44581-06	31-1	44643-00	16-67	44723-03	3-13	44749-19	33-18
44581-08	31-1	44644-00	10-17	44723-05	3-15	44749-20	33-9
44582-02	2-56	44645-00	10-19	44723-06	3-15	44749-21	33-7
44582-03	16-41	44646-00	10-18	44723-07	3-1	44749-22	33-9
44582-04	16-66	44648-00	33-3	44723-08	3-1	44749-24	33-106

## PIPER PARTS CATALOG

Part Number	Figure and Index No.	Part Number	Figure and Index No.	Part Number	Figure and Index No.	Part Number	Figure and Index No.
44749-27	33-107	44859-00	120-5	44935-00	50-18	44993-00	120-10
44749-28	33-17	44860-00	120-6	44936-00	56-32	44994-00	120-11
44749-28	33-18	44863-00	119-13	44940-00	14-29	44995-00	120-12
44750-04	32-1	44866-00	119-14	44943-03	35-35	44997-00	120-14
44750-04	33-1	44870-00	15-50	44944-00	56-33	45040-00	20-53
44750-06	32-1	44872-00	2-85	44944-02	56-33	45155-00	2-20
44750-06	33-1	44877-00	15-42	44944-03	56-33	45165-00	7-7
44750-09	22-1	44877-01	15-42	44944-04	56-33	45165-01	7-7
44750-09	31-1	44878-00	22-4	44946-02	15-36	45165-02	7-8
44750-11	22-1	44878-01	22-4	44946-03	15-36	45165-03	7-8
44750-11	31-1	44879-00	2-7	44946-04	12-32	45165-18	7-7
44758-00	14-34	44879-00	2-24	44946-05	12-32	45165-19	7-7
44758-01	14-34	44883-00	15-18	44947-00	140-28	45255-00	60-21
44766-00	5-39	44883-05	15-18	44947-00	141-80	45266-02	29-77
44766-01	5-39	44885-00	22-5	44947-00	142-20	45314-00	44-34
44767-00	5-38	44885-01	22-5	44947-00	143-7	45314-05	44-34
44773-00	12-59	44888-00	119-15	44947-00	143-80	45316-03	44-28
44774-00	12-51	44890-05	15-19	44949-00	21-24	45318-00	44-22
44774-01	12-51	44890-06	15-19	44954-00	17-7	45320-00	44-16
44774-13	12-51	44890-07	15-20	44955-05	38-53	45327-00	40-15
44774-14	12-51	44891-00	112A-24	44956-00	21-14	45328-00	44-14
44775-00	33-39	44892-00	22-2	44956-03	21-36	45328-02	44-14
44776-00	32-15	44892-01	22-2	44956-04	21-35	45328-03	44-14
44788-00	150-9	44896-00	119-16	44956-05	21-37	45329-00	44-58
44790-00	12-3	44903-00	118-11	44957-00	140-19	45330-02	44-24
44790-03	12-3	44905-00	21-11	44957-00	141-12	45331-00	44-27
44791-00	13-20	44905-01	21-11	44957-00	142-19	45331-00	153-17
44801-00	14-39	44912-00	54-19	44957-00	143-40	45333-03	44-15
44875-00	2-86	44912-00	54-20	44958-00	12-35	45332-00	40-19a
44801-01	14-39	44912-01	54-19	44958-01	12-35	45379-07	7-4
44802-00	14-85	44912-01	54-20	44959-00	12-36	45380-00	7-65
44803-03	120-2	44914-00	21-13	44959-01	12-36	45380-01	7-65
44803-04	120-3	44916-02	116-9	44960-00	12-37	45381-14	7-6
44804-00	14-40	44916-03	116-9	44965-00	50-11	45381-15	7-6
44804-01	14-40	44921-02	55-8	44966-00	50-11	45382-00	5-19
44807-00	14-84	44921-03	55-8	44967-00	119-17	45382-01	5-19
44807-01	14-84	44921-04	55-9	44972-00	120-41	45384-00	7-82
44811-00	12-48	44921-05	55-9	44974-00	38-69	45385-00	7-69
44811-04	12-48	44921-06	55-10	44975-00	140-21	45385-01	7-69
44814-00	112A-2	44921-07	55-10	44975-00	141-14	45409-02	7-32
44816-04	92-14	44921-08	55-11	44975-00	142-21	45409-03	7-32
44817-03	92-13	44921-09	55-11	44975-00	143-41	45412-02	4-15
44821-00	14-48	44926-00	21-12	44975-02	138A-46	45412-03	4-15
44823-00	112A-1	44928-00	55-5	44975-02	144-44	45412-07	4-12
44827-00	15-15	44931-00	19-28	44975-02	145-44	45412-08	4-8
44831-00	119-10	44933-04	40-7	44975-02	145C-18	45412-09	4-8
44833-02	119-24	44934-02	54-48	44975-03	145A-37	45412-10	4-6
44836-00	119-11	44934-02	129-14	44975-05	145B-33	45421-02	7-37
44838-00	119-12	44934-02	153-25	44977-00	105-26	45421-03	7-37
44843-00	118-13	44934-03	54-48	44982-00	105-25	45434-02	7-38
44848-00	75-8	44934-03	129-14	44983-00	105-40	45434-03	7-38
44851-00	120-4	44934-03	153-25	44984-00	83-20	45439-02	7-14
44851-01	120-4	44934-06	54-48	44990-02	120-7	45439-03	7-14
44852-00	10-6	44934-06	129-14	44990-03	120-8	45449-08	7-23
44852-00	16-1	44934-06	153-25	44992-00	120-9	45449-09	7-23

## PIPER PARTS CATALOG

Part Number	Figure and Index No.	Part Number	Figure and Index No.	Part Number	Figure and Index No.	Part Number	Figure and Index No.
45458-02	7-17	45691-05	7-61	46320-00	71-16	47278-07	56-26
45458-03	7-17	45711-00	92-44	46334-00	119-1	47279-02	150-2
45460-02	7-33	45767-00	140-76	46336-00	119-3	47306-02	66-11
45460-03	7-33	45767-00	141-55	46348-07	80-51	47378-00	86-26
45467-12	7-20	45767-01	140-76	46348-07	153-35	47386-00	53A-13a
45467-13	7-20	45767-01	141-55	46349-07	103-7	47448-00	67-3
45467-14	7-21	45767-03	140-76	46349-08	103-7	47464-00	66-4
45467-15	7-21	45767-03	141-55	46357-00	7-71	47479-19	67-1
45467-16	7-19	45809-10	7-5	46357-00	7-72	47479-20	67-1
45467-17	7-19	45824-00	7-78	46357-01	7-71	47479-25	67-1
45477-02	7-24	45824-01	7-78	46357-01	7-72	47494-00	25-38
45477-03	7-24	45825-00	7-81	46491-00	20-81	47494-00	25-43
45477-04	7-25	45825-01	7-81	46541-00	91-25	47494-00	25-47
45477-05	7-25	45838-00	7-79	46541-01	91-25	47494-00	25A-49
45477-06	7-26	45838-01	7-79	46541-01	115-23	47494-00	28-9
45477-07	7-26	45850-00	79-16	46541-01	120-15	47501-04	138-54
45497-15	7-29	45850-00	79-37	46566-05	70-5	47510-03	138-54
45497-28	7-29	45881-00	133-12	46566-05	71-15	47529-30	39-14
45497-33	7-29	45888-04	4-16	46566-08	70-5	47529-31	39-14
45497-34	7-29	45888-05	4-16	46566-08	71-15	47529-32	39-15
45501-00	7-51	45889-00	133-14	46654-00	50-14	47545-00	30-42
45501-01	7-51	45892-00	133-13	46695-02	67-25	47545-00	57-28
45504-02	39-1	45904-01	20-84	46695-02	68A-44	47545-00	153-10
45504-02	40-1	45955-00	7-80	46695-03	67-26	47545-00	153-106
45504-03	39-1	45955-01	7-80	46695-03	68A-30	47556-00	47-20
45504-03	40-1	45968-02	7-2	46695-06	68A-31	47556-02	47-20
45504-04	40-13	45968-03	7-2	46695-07	68-33	47615-00	59A-26
45504-05	40-13	45968-04	7-3	46695-08	68-34	47615-00	60A-13
45504-06	40-13	45968-05	7-3	46696-00	62-41	47615-00	61-14
45504-07	40-13	45968-12	7-2	46696-00	63-22	47651-00	118-15
45504-12	39-1	45968-13	7-2	46696-00	67-35	47664-02	130-15
45504-12	40-1	45968-14	7-3	46696-00	68A-43	47664-02	130-17
45504-13	39-1	45968-15	7-3	46696-00	69-15	47664-02	130-18
45504-13	40-1	45997-00	3-8	46704-00	62-10	47664-02	130-56
45504-24	39-1	45997-01	3-8	46704-00	68A-12	47664-03	130-16
45504-24	40-1	46006-00	140-69	46711-00	62-9	47664-03	130-56
45504-25	39-1	46006-00	141-81	46711-00	68A-10	47664-06	130-18
45504-25	40-1	46006-02	140-69	46722-00	73-21	47664-07	130-17
45504-26	39-1	46006-02	141-81	46722-00	105-29	47664-08	130-19
45504-26	40-1	46008-00	140-69	46802-05	66-9	47664-09	130-19
45504-27	39-1	46008-00	141-81	46811-00	12-34	47664-10	134A-17
45504-27	40-1	46008-02	140-69	46811-01	12-34	47664-11	130-17
45506-00	25A-48	46008-02	141-81	46812-02	12-50	47664-12	130-17
45506-00	26-9	46012-00	4-24	46895-00	130-4	47664-12	134A-17
45506-00	28-11	46121-02	39-11	46911-00	71-19	47664-14	130-19
45506-00	33-24	46121-03	39-12	46912-00	71-18	47678-00	58-12
45511-00	104-35	46132-00	20-73	46933-00	43-27	47678-00	61-22
45539-00	5-30	46133-00	23-4	46959-00	36-22	47720-00	140-79
45544-00	93-6a	46203-02	103-11	46987-00	130-22	47720-00	141-58
45545-00	4-11a	46218-00	34-32	47150-00	44-6	47732-02	130-21
45545-01	4-11a	46255-00	111-12	47150-02	44-6a	47744-00	4-7
45647-10	5-27	46256-04	111-3	47153-00	44-21	47745-00	4-28
45691-02	7-60	46258-05	111-2	47222-00	87-90	47747-00	4-26
45691-03	7-60	46259-05	111-6	47222-00	88-90	47747-00	140-70
45691-04	7-61	46320-00	70-4	47278-06	56-25	47755-00	70-72

## PIPER PARTS CATALOG

Part Number	Figure and Index No.	Part Number	Figure and Index No.	Part Number	Figure and Index No.	Part Number	Figure and Index No.
47755-02	129-5	48242-00	153-115	49086-02	60A-32	49196-02	129-34
47819-00	120-16	48244-02	79-6	49086-02	61-36	49222-02	121A-55
47820-00	120-17	48265-00	137-1	49086-02	63A-26	49222-04	121A-56
47821-04	120-18	48265-03	137-1	49086-03	59-24	49222-06	121A-57
47830-00	120-19	48284-00	137-4	49086-03	59A-32	49222-06	121A-60
47831-00	4-25	48348-00	23-34	49086-03	60-23	49222-06	122A-63
47831-00	142-70	48437-02	97-14a	49086-03	60A-32	49222-07	121A-62
47831-00	145B-38	48437-02	101-18	49086-03	61-36	49222-07	122A-60
47854-00	119-2	48460-00	34-6	49086-03	62-32	49222-08	122A-58
47875-00	130-5	48529-02	62-21	49086-04	58-37	49222-11	121A-65
47940-03	39-90	48529-02	63-7	49086-05	58-37	49222-11	121A-69
47959-00	61-23	48529-03	61-8	49086-17	62-32	49222-11	122A-66
47960-00	61-24	48531-12	61-9a	49089-02	59-39	49222-11	122A-68
47960-00	61-33	48537-14	59-35	49089-02	61-58	49222-13	121A-66
47963-00	61-25	48537-14	60-43	49089-02	62-44	49222-13	122A-67
47964-00	61-26	48537-14	61-39	49089-02	63-25	49222-14	121A-59
47990-02	70-18	48537-14	62-34	49089-08	58-53	49222-14	122A-61
48015-00	134-8	48537-15	59-35	49089-09	58-53	49222-15	121A-61
48022-00	11-57	48537-15	60-43	49090-06	56-41	49222-15	122A-60
48022-00	153-93	48537-15	61-39	49092-06	61-8	49222-16	122A-56
48023-00	11-36	48537-15	62-34	49092-07	61-9	49222-17	122A-59
48028-00	47-53	48547-02	67-4	49092-07	62-20	49222-18	121A-58
48030-00	105-41	48549-00	67-4	49092-07	63-7b	49222-18	121A-64
48030-00	153-58	48550-00	70-84	49092-07	68A-19	49222-18	122A-62
48041-00	95-57	48550-00	153-32	49092-08	61-10	49222-19	121A-68
48042-00	95-23	48613-02	35-39	49092-08	62-22	49222-19	122A-64
48043-00	95-46	48613-03	35-39	49092-08	63-8	49222-20	121A-60
48045-00	95-2	48616-02	5-35	49092-08	68A-21	49222-20	121A-67
48045-02	95-10	48625-00	134-11	49092-34	62-21	49222-20	122A-65
48045-06	95-5	48625-00	134A-16	49096-04	63-7	49222-21	122A-61
48048-00	95-47	48625-00	153-67	49099-02	59-23	49222-22	122A-59
48049-00	95-21	48657-00	103-3	49099-02	59A-31	49222-23	122A-57
48050-00	95-51	48657-00	153-53	49099-02	60-22	49222-24	122A-69
48052-00	94-91	48673-00	137-2	49099-02	60A-31	49222-25	121A-63
48052-00	153-51	48673-00	153-68	49099-02	61-35	49222-25	122A-59
48055-00	35-19	48681-00	140-49	49099-02	63A-25	49222-30	121A-49
48060-00	128-46	48681-00	140-95	49099-03	59-23	49227-06	53A-13
48070-00	39-20	48681-00	141-3	49099-03	59A-31	49227-07	53A-13
48071-00	39-21	48681-00	141-108	49099-03	60-22	49234-02	70-104
48072-00	94-1	48681-00	153-76	49099-03	60A-31	49235-02	11-8
48072-00	95-1	48681-00	153-82	49099-03	61-35	49235-03	11-8
48072-02	94-1	48784-00	153-90	49099-03	62-31	49251-04	54B-59
48072-02	95-1	48807-02	97-38	49099-04	58-36	49251-05	54B-61
48072-03	94-1	48808-02	97-39	49099-05	58-36	49252-04	54B-59
48072-03	95-1	48809-03	97-1	49102-02	58-39	49252-05	54B-61
48072-04	94-1	48818-02	136-16	49102-02	59-37	49258-02	25A-43
48072-04	95-1	48830-02	136-17	49102-02	60-25	49258-03	25A-43
48072-05	94-1	48835-02	75-30	49102-02	63-13	49258-04	25A-39
48072-05	95-1	48872-02	67-14	49102-02	67-12	49258-05	25A-41
48075-00	94-15a	49054-02	123A-82	49103-02	60-41	49259-02	25A-37
48075-00	153-47	49054-02	123B-49	49104-04	67-17	49261-02	100-14
48149-00	71-19	49074-06	58-5	49113-02	148-10	49265-02	100-6
48150-00	71-18	49086-02	59-24	49115-02	148-12	49266-02	116A-6
48171-02	125-61	49086-02	59A-32	49124-02	64A-6	49272-02	116A-9
48242-00	56-19	49086-02	60-23	49172-02	153-2	49273-02	25A-37

## PIPER PARTS CATALOG

Part Number	Figure and Index No.	Part Number	Figure and Index No.	Part Number	Figure and Index No.	Part Number	Figure and Index No.
49277-02	83-26a	49421-02	58-53	49474-03	68A-2	49819-02	129-8
49277-03	83-26a	49421-03	58-53	49474-04	59-2	49850-07	123B-33
49313-02	120-13	49421-12	58-53	49474-04	61-2	49856-02	123A-98
49324-10	59-4	49421-13	58-53	49474-05	59-2	49856-02	123B-50
49324-10	60-3	49422-02	67-15	49474-05	61-2	49972-02	8-47
49324-10	61-3	49423-02	67-13	49486-02	68-3	49972-03	34-10
49324-10	63-3	49424-02	142-17	49503-02	71-9	49972-04	38-74
49324-10	68-2a	49424-02	143-54	49503-02	130-21	49979-02	94-67
49324-11	59-4	49425-02	59-39	49511-02	35-35	49979-02	94-83
49324-11	60-3	49425-02	59-44	49517-02	126-34	49979-09	123-11
49324-11	61-3	49425-02	61-58	49518-02	126-32	49981-04	86-17
49324-11	62-3	49425-02	63-25	49527-02	138A-81	49982-05	67-10a
49324-11	68A-4	49425-03	59-39	49527-02	144-73	49982-13	95-48
49351-02	2-92	49425-03	61-58	49527-02	145-73	49982-27	59-31
49351-03	2-92	49425-03	62-44	49528-02	138A-83	49982-27	60-32
49352-02	2-93	49425-12	59-39	49528-02	144-75	49982-27	61-43
49353-03	125-67	49425-12	61-58	49528-02	145-75	49982-27	62-35
49355-03	137A-3	49425-12	63-25	49529-02	138A-82	49982-28	59-32
49355-04	137A-2	49425-13	59-39	49529-02	144-74	49982-28	60-33
49359-02	67-2	49425-13	61-58	49229-02	145-74	49982-28	61-44
49364-02	137A-1	49425-13	62-44	49568-04	138A-69	49982-28	62-36
49371-02	152B-5	49428-02	60-41	49568-04	144-54	49982-31	59-29
49374-02	153-86	49428-03	60-41	49568-04	145-54	49982-31	60-30
49378-02	153-87	49428-10	60-41	49568-04	145A-19	49982-31	61-45
49381-02	152B-1	49428-11	60-41	49569-03	137-3	49982-31	62-27
49382-02	126-30	49431-02	67-17	49626-02	47-12	49982-31	63-15
49383-04	152B-2	49436-02	81A-12	49655-02	142-34	49982-31	68A-27
49396-02	61-7	49441-03	63-6	49655-02	143-36	49982-43	2-49
49396-03	61-7	49449-02	79-9	49655-02	145A-25	49985-81	152B-8
49396-05	62-6	49455-12	61-53	49655-02	145B-23	49985-82	147-2
49396-22	61-7	49456-02	7-95	49655-02	145C-41	49985-84	147-1
49396-23	61-7	49456-03	7-95	49684-02	70-16	49990-22	116-16
49396-24	62-6	49457-02	7-93	49713-02	54B-9	49997-05	74-12
49397-02	61-7	49457-03	7-93	49718-02	102-25	49997-05	74A-23
49397-03	61-7	49457-04	7-93	49733-02	20-80	49997-05	123A-31
49397-05	62-6	49457-05	7-93	49735-26	60A-41	49997-05	123B-31
49398-02	101-33	49458-02	59-7	49735-27	60A-41	49997-08	74-11
49401-02	144-35	49458-02	60-6	49758-02	38-55	49997-08	74A-8
49401-02	145-35	49458-03	59-7	49763-02	145A-32	49997-08	123A-32
49401-02	145C-33	49458-03	60-6	49763-03	145A-32	49997-08	123B-32
49401-03	145C-33	49458-04	59-7	49781-02	145A-36	49997-09	74-11
49405-02	58-4	49458-04	60-6	49785-02	145A-33	49997-09	74A-8
49405-03	58-4	49458-05	59-7	49789-02	145A-35	49997-09	123A-32
49405-04	58-4	49458-05	60-6	49789-03	145B-34	49997-09	123B-32
49405-05	58-4	49461-02	68A-5	49790-02	145A-35	49997-10	74A-25
49406-02	58-2	49465-02	68-2	49790-03	145B-34	49997-10	85-57
49406-03	58-2	49465-08	68-2	49803-02	145A-34	49997-17	116-15
49406-14	58-2	49474-02	59-2	49803-03	145A-34	49997-18	116-16
49406-15	58-2	49474-02	60-2	49805-02	153-107	49998-03	67-29
49409-02	144-36	49474-02	61-2	49809-02	153-90	49998-03	68-29
49409-02	145-36	49474-02	63-2	49811-02	145A-31	49998-03	68A-38
49414-02	144-37	49474-03	59-2	49812-02	145A-28	49998-03	69-30
49414-02	145-37	49474-03	60-2	49812-03	145A-28	49998-04	69-31
49415-06	102-3	49474-03	61-2	49813-04	145A-29	49998-05	138-38
49415-07	102-3	49474-03	62-2	49813-05	145A-29	49998-08	123B-27

## PIPER PARTS CATALOG

Part Number	Figure and Index No.	Part Number	Figure and Index No.	Part Number	Figure and Index No.	Part Number	Figure and Index No.
49998-18	75-11	52004-00	140-24	52039-00	145B-4	52096-00	50-6
49998-19	75-10	52004-00	141-17	52040-00	140-83	52096-00	60-14
49998-20	73-11	52004-00	142-24	52040-00	141-62	52097-02	119-31
49998-21	73-10	52004-00	143-17	52040-00	142-9	52097-03	119-32
49998-22	73-17	52004-00	145B-28	52040-00	142-83	52104-00	82-44
49998-22	75-9	52009-00	83-19	52040-00	143-62	52104-00	119-25
49998-23	75-12	52009-07	83-19	52040-00	145B-8	52107-00	14-22
49998-26	145A-10	52013-00	140-82	52042-00	140-83	52108-00	138A-48
49998-30	145A-8	52013-00	141-61	52042-00	141-62	52108-00	140-72
49998-32	71-4	52013-00	142-8	52042-00	142-9	52108-00	141-100
49998-35	67-30	52013-00	142-82	52042-00	142-83	52109-00	70-88
49998-35	68-30	52013-00	143-61	52042-00	143-62	52109-00	138A-49
49998-35	68A-34	52013-00	145A-39	52042-00	145B-8	52109-00	140-73
49998-39	123A-27	52013-00	145B-7	52045-00	88-48	52109-00	141-98
49998-43	145A-9	52014-00	140-81	52046-00	120-22	52109-04	70-88
49998-43	145B-46	52014-00	141-60	52049-00	21-10	52110-00	138A-45
49999-04	7-10	52014-00	142-7	52049-01	21-10	52110-00	140-74
49999-10	29-62	52014-00	142-81	52050-00	120-21	52110-00	141-9
49999-36	6-4	52014-00	143-60	52052-00	120-24	52110-00	141-118!
50111-00	58-26	52014-00	145A-40	52054-03	3-18	52111-00	14-23
50128-06	3-11a	52014-00	145B-6	52054-04	2-87	52111-01	14-23
50224-02	3-28	52017-00	95-6	52056-00	120-25	52111-02	14-23
50224-03	3-28	52018-00	95-9	52057-00	140-20	52114-00	14-24
50242-00	6-23	52020-00	95-7	52057-00	141-13	52114-01	14-24
50242-01	6-23	52023-00	138A-31	52058-00	140-77	52117-00	138A-23
50243-00	6-19	52023-00	140-25	52058-00	141-56	52117-00	140-57
50243-01	6-19	52023-00	141-18	52058-00	142-3	52117-00	141-99
50244-00	6-16	52023-00	142-25	52058-00	142-77	52117-00	142-57
50244-01	6-16	52023-00	143-42	52058-00	143-56	52117-00	143-14
50253-00	35-35	52023-00	144-29	52058-02	145B-3	52117-00	143-87
50253-11	35-35	52023-00	145-29	52060-02	15-21	52117-00	144-61
50406-05	127-37	52023-00	145A-38	52060-03	15-21	52117-00	145-61
50406-05	127-44	52023-00	145C-14	52068-00	15-41	52117-00	145A-4
50406-06	127-38	52024-00	95-4	52068-01	15-41	52118-00	14-18
50406-06	127-45	52024-02	95-4	52070-00	120-26	52119-02	14-35
51006-00	70-12	52025-00	140-75	52072-00	4-27	52119-03	14-35
51006-00	113A-33	52025-00	141-54	52072-00	140-71	52119-06	14-36
51006-00	130-48	52025-00	142-1	52072-00	142-71	52119-07	14-36
51108-04	36-33	52025-00	142-75	52074-00	123-32	52119-10	14-37
51109-04	36-34	52025-00	143-58	52080-09	12-39	52119-11	14-38
51147-00	54-27	52028-02	15-37	52080-09	14-7	52124-00	14-21
51147-00	54A-22	52028-03	15-37	52082-02	54-4	52124-02	14-21
51147-00	54B-17	52029-00	15-9	52082-03	54-4	52127-00	14-20
51210-02	134A-3	52030-00	15-28a	52082-04	54-4	52127-01	14-20
51210-03	134A-3	52030-06	15-28	52082-05	54-4	52129-00	14-19
51212-04	134A-15	52031-00	15-9	52084-05	15-30	52129-01	14-19
51213-02	134A-9	52034-00	15-28a	52084-06	15-29	52132-00	14-33
51271-02	97-5	52035-00	124-6	52084-07	15-29	52135-00	14-12
51290-04	135B-4	52036-00	52-5	52085-00	12-44	52136-00	12-46
51290-04	135C-5	52036-00	53-18	52086-00	10-3	52137-00	10-5
51292-03	135B-3	52039-00	140-78	52086-00	12-1	52137-00	14-2
51292-03	135C-4	52039-00	141-57	52088-00	12-44	52137-00	15-1
51677-02	127-15a	52039-00	142-4	52089-00	56-34	52141-00	94-85
52001-00	120-20	52039-00	142-78	52092-00	12-45	52141-00	153-50
52001-01	120-20	52039-00	143-57	52094-00	12-45	52145-00	140-1

## PIPER PARTS CATALOG

Part Number	Figure and Index No.	Part Number	Figure and Index No.	Part Number	Figure and Index No.	Part Number	Figure and Index No.
52145-00	140-96	52248-00	116-14	52327-03	112A-12	52456-00	113-13
52145-00	141-75	52249-00	14-59	52327-04	112A-13	52457-02	70-21
52145-00	153-77	52255-02	74-35	52335-00	112A-15	52457-02	71-24
52146-00	10-4	52257-00	91-16	52338-00	56-38	52457-03	71-24
52146-00	14-1	52259-00	91-11	52339-00	141-53	52458-00	112-10
52146-02	10-4	52260-00	91-20	52346-04	70-8	52458-05	112A-10
52146-02	14-1	52260-01	91-20	52347-00	94-69	52461-00	115-25
52146-03	10-4	52263-02	91-13	52347-01	94-69	52465-00	50-13
52146-03	14-1	52263-03	91-14	52351-00	94-89	52468-00	50-8
52157-05	15-23	52264-00	12-55	52354-02	25-25	52469-00	82-6
52157-06	15-22	52268-00	74-32	52354-03	25-26	52470-02	50-2
52157-07	15-22	52272-00	56-24	52355-02	25-12	52470-03	50-2
52160-00	60-17	52274-00	140-39	52355-02	25A-26	52471-00	50-3
52167-00	98-19	52274-00	141-26	52355-03	25-13	52472-00	119-18
52168-00	98-17	52274-00	142-39	52355-04	25-13	52479-00	64-1
52168-03	98-17	52274-00	143-26	52361-00	2-70	52479-01	64-1
52175-00	13-15	52275-00	14-87	52361-01	2-70	52484-00	64-10
52177-00	140-59	52275-01	14-87	52363-02	127-39	52485-02	70-22
52179-00	140-2	52277-00	140-4	52363-03	127-40	52485-03	70-22
52179-00	140-97	52277-00	140-99	52370-00	2-59	52485-04	70-22
52179-00	153-78	52277-00	141-82	52370-01	2-59	52494-00	112A-16
52180-00	140-66	52280-00	91-15	52372-00	14-46	52497-00	112A-8
52186-00	15-57	52289-06	15-26	52372-01	14-46	52500-00	10-1
52188-00	127-32	52289-05	15-27	52376-00	19-26	52500-02	10-1
52188-00	140-43	52289-07	15-26	52376-02	19-26	52500-03	10-1
52188-00	141-30	52290-00	74-33	52378-00	72-18	52503-02	64-6
52188-00	142-43	52292-02	140-54	52380-00	73-8	52503-03	64A-3
52188-00	143-30	52292-03	141-50	52384-00	107-7	52509-02	113-6
52188-00	152B-9	52292-05	140-54	52385-00	105-3	52509-02	113A-6
52190-05	15-25	52292-06	141-50	52386-00	105-4	52512-00	112A-9
52190-06	15-24	52293-00	140-52	52387-00	59-12	52517-00	115-24
52190-07	15-24	52293-00	141-44	52387-00	60-11	52543-00	59A-47
52194-00	91-7	52293-00	142-52	52393-00	31-47	52543-00	60-45
52194-00	153-43	52293-00	143-44	52393-00	50-20	52544-00	16-72
52202-00	14-57	52294-00	123-17	52393-00	153-11	52544-01	16-72
52203-00	14-44	52295-00	74-36	52393-00	153-18	52546-00	14-66
52205-00	140-3	52297-00	124-8	52397-00	107-4	52546-00	16-62
52205-00	140-98	52298-00	112A-14	52398-00	107-12	52547-00	14-68
52205-00	153-79	52299-00	15-51	52405-00	50-7	52557-00	16-60
52216-00	91-8	52299-01	15-51	52413-00	50-15	52557-01	16-60
52220-00	91-9	52301-00	59-16	52422-00	126-1	52561-00	54-66
52222-00	123-22	52304-00	21-18	52437-00	54-18	52578-00	14-69
52222-01	123-22	52306-00	74A-64	52437-01	54-18	52579-00	14-67
52223-00	123-14	52306-00	123-10	52439-02	121-61	52582-00	14-65
52226-00	74-47	52307-00	74A-46	52439-02	122-43	52582-00	16-61
52227-00	74-37	52307-00	123-9	52439-03	121-61	52585-00	16-63
52232-00	91-26	52308-02	74-34	52439-03	122-43	52586-03	138-22
52235-00	74-38	52309-00	123-17	52443-00	113-10	52588-03	138-28
52237-00	74-45	52318-00	140-67	52446-00	26-62	52589-00	54-16
52238-00	74-46	52318-00	141-52	52447-00	26-61	52593-00	55-16
52242-00	123-16	52318-00	142-67	52448-00	26-60	52594-00	140-50
52243-00	74-39	52318-00	143-55	52449-00	26-63	52594-00	141-2
52244-00	91-46	52320-00	141-76	52451-00	78-17	52594-00	141-107
52245-00	91-49	52320-00	153-80	52452-00	113-11	52595-00	140-49
52247-00	14-58	52325-00	91-4	52454-00	113-12	52595-00	140-95

## PIPER PARTS CATALOG

Part Number	Figure and Index No.	Part Number	Figure and Index No.	Part Number	Figure and Index No.	Part Number	Figure and Index No.
52595-00	141-3	52675-00	116-1	52788-00	81A-6	52904-00	60-24
52595-00	141-108	52675-01	116-1	52789-00	76-6	52904-00	60A-33
52595-00	153-76	52678-00	118-4	52789-00	81-12	52904-00	61-37
52595-00	153-82	52679-00	118-5	52789-00	81A-11	52904-00	62-33
52598-00	138-65	52680-00	118-6	52794-00	30-44	52904-00	63A-27
52598-00	153-70	52683-00	15-28	52798-00	70-28	52904-02	58-38
52599-02	54-9	52685-00	118-7	52802-02	150-18	52917-00	59-27
52599-03	54-9	52686-00	118-8	52802-03	150-19	52917-00	59A-35
52599-04	54-12	52696-00	129-2	52802-04	150-20	52917-00	60-27
52599-07	54-11	52696-06	129-2	52802-05	150-21	52917-00	60A-30
52599-08	54-12	52697-00	16-59	52803-00	55-22	52917-00	61-38
52599-09	54-13	52697-01	16-59	52803-01	55-22	52917-00	62-38
52599-10	54-13	52698-00	54-49	52807-00	22-12	52917-00	63A-31
52599-11	54-14	52698-00	129-35	52808-00	22-13	52939-00	81-9
52600-00	123-15	52698-00	153-28	52817-02	150-1	52939-00	81A-8
52602-00	54-15	52701-00	129-33	52817-03	150-1	52940-00	81-8
52603-02	54-13	52701-00	153-29	52817-04	150-1	52941-00	81-8
52603-03	54-13	52707-00	133-15	52817-05	150-1	52948-00	64-3
52603-04	54-13	52707-00	153-66	52819-00	20-71	52949-00	64-3
52603-07	54-13	52713-00	12-60	52820-06	20-65	52955-00	116-11
52603-08	54-13	52716-00	58-58	52820-07	20-66	52956-00	116-10
52608-00	123-10	52717-00	58-57	52820-08	20-67	52961-00	107-19
52609-00	123-9	52718-00	58-56	52820-09	20-68	52966-00	107-20
52609-02	123-9	52722-00	16-55	52826-02	70-34	52967-00	72-25
52610-00	129-24	52724-00	16-56	52826-03	70-35	52969-00	72-4
52625-00	59-8	52725-00	16-57	52836-12	70-20	52970-00	14-91
52625-00	60-7	52726-00	16-48	52838-00	137-2	52970-00	16-69
52629-00	116-13	52727-00	66-5	52838-00	153-68	52970-00	16-71
52629-01	116-13	52729-00	16-52	52839-03	137-3	52970-02	16-71
52629-05	116-13	52738-00	18-19	52846-00	27-24	52975-00	106-7
52629-06	116-13	52739-00	16-54	52846-00	31-42	52978-00	72-19
52630-00	116-4	52750-00	21-17	52846-00	46-13	52979-00	106-14
52630-06	116-4	52751-00	20-76	52847-00	27-23	52987-00	105-6
52633-02	116-6	52751-03	12-33	52847-00	31-41	52989-00	64-9
52633-03	116-6	52753-00	29-30	52849-00	59-5	52989-01	64-9
52633-04	116-7	52754-00	18-15	52849-00	59A-5	52990-00	64-11
52633-05	116-7	52758-00	23-7	52849-00	60-4	52993-00	105-10
52634-00	64-2	52764-00	54-55	52849-00	61-5	52994-00	106-15
52635-04	118-9	52775-00	12-3a	52849-00	62-4	52995-00	106-16
52635-05	118-9	52775-00	12-5	52849-00	63-4	53015-00	57-19
52636-00	118-10	52775-01	12-3a	52849-01	59-5	53027-00	116-31
52638-00	64-2	52775-01	12-5	52849-01	59A-5	53027-06	116-31
52639-00	116-12	52777-02	78-3	52849-01	60-4	53031-02	14-65
52640-00	116-11	52777-04	78-3	52849-01	61-5	53031-02	16-61
52642-00	116-10	52779-00	79-5	52849-01	62-4	53031-02	16-70
52660-00	16-51	52783-00	76-9	52849-01	63-4	53039-00	116-1
52663-02	116-2	52783-00	81-10	52875-00	70-30	53039-01	116-1
52663-03	116-2	52783-00	81A-9	52876-00	70-29	53039-02	116-1
52664-00	116-3	52784-00	125-60	52877-00	59A-34	53039-03	116-1
52664-01	116-3	52785-03	76-3	52877-00	60A-34	53050-02	87-23
52665-00	116-5	52785-05	81-6	52877-00	63A-28	53050-02	88-23
52670-02	118-2	52785-05	81A-5	52880-00	123-18	53050-02	90-25
52671-02	118-1	52786-00	76-4	52882-00	123-18	53056-00	19-39
52673-00	129-3	52788-00	76-5	52904-00	59-25	53059-00	136-5
52674-00	125-9	52788-00	81-7	52904-00	59A-33	53059-04	135A-2



## PIPER PARTS CATALOG

Part Number	Figure and Index No.	Part Number	Figure and Index No.	Part Number	Figure and Index No.	Part Number	Figure and Index No.
53059-04	135B-2	53133-04	61-1	53160-00	54-17	53199-03	56-16
53059-04	135C-6	53133-05	53-14	53161-00	54-17	53208-00	25-60
53060-02	25-5	53133-05	61-1	53163-00	54-7	53210-00	55-4
53060-03	33-31	53133-06	52-9	53163-05	54A-5	53211-00	25-36
53060-04	25A-16	53133-06	61-1	53164-02	54-5	53213-00	55-3
53071-00	58-30	53133-07	52-9	53164-03	54-5	53213-02	55-23
53071-01	58-30	53133-07	61-1	53165-00	25-60	53214-00	29-60
53092-00	135-7	53133-08	51-4	53166-00	25-58	53214-02	29-60
53093-00	151-8	53133-08	61-1	53167-02	25-57	53214-02	33-15
53093-04	152-9	53133-09	51-4	53167-03	25-57	53215-03	26-7
53103-00	36-30	53133-09	61-1	53167-04	25-58	53216-00	25-45
53104-00	38-3	53133-10	51-4	53167-05	25-59	53216-01	25-45
53107-02	2-43	53133-10	61-1	53168-00	3-23	53217-00	29-84
53107-03	2-43	53134-00	58-39	53169-00	5-23	53218-02	56-6
53108-06	113-17	53134-00	59-37	53170-00	5-22	53218-03	56-7
53108-06	113A-2	53134-00	60-25	53170-01	5-22	53220-00	25-35
53119-00	85-44	53134-00	61-34	53170-01	93A-28	53220-01	25-35
53120-00	61-10	53134-00	62-24	53171-00	3-29	53221-00	25-40
53120-00	62-22	53134-00	63-13	53172-00	4-19	53221-01	25-40
53120-00	63-8	53134-00	67-12	53172-00	5-24	53224-00	54-47
53122-05	61-8	53134-00	68-12	53174-00	54-60	53224-00	54A-24
53122-05	62-21	53142-00	54-1	53174-00	54A-23	53224-00	54B-19
53123-16	61-9	53142-03	54A-1	53174-01	54-60	53224-00	153-27
53123-16	62-20	53142-03	54B-1	53174-01	54A-23	53224-02	54B-19
53123-17	61-7	53143-00	54-2	53174-02	54B-18	53224-02	153-27
53123-18	62-6	53143-01	54-2	53174-03	54B-18	53226-00	56-10
53126-02	61-9	53143-06	54-2	53175-02	54-4	53226-01	56-10
53126-02	62-20	53143-07	54-2	53175-03	54-4	53227-00	55-1
53126-02	63-7b	53143-08	54A-2	53176-00	25-53	53227-00	130-2
53128-00	58-3	53143-09	54A-2	53176-03	25A-43	53227-02	55-1
53128-00	59-3a	53143-14	54B-2	53177-00	25-53	53227-02	130-2
53128-00	61-4	53143-15	54B-2	53177-03	25A-43	53227-03	55-1
53129-02	59-3	53145-02	54-5	53178-00	25-49	53227-03	130-2
53129-02	61-3	53145-03	54-5	53178-03	25A-39	53228-00	57-21
53129-03	60-3	53145-04	54-5	53180-00	25-59	53229-00	29-34
53129-03	61-3	53145-05	54-5	53181-00	26-20	53231-00	64-12
53129-03	62-3	53146-03	54-41	53186-00	25-51	53231-01	64-12
53129-03	63-3	53148-00	54-3	53186-03	25A-41	53233-02	58-53
53130-00	2-63	53148-01	54-3	53188-00	25-61	53233-03	58-53
53130-01	2-63	53148-06	54-3	53189-00	25-55	53234-00	56-12
53131-02	60-2	53148-07	54-3	53189-03	25A-37	53234-01	56-12
53131-02	61-2	53148-10	54A-3	53190-00	25-55	53235-00	31-26
53131-02	62-2	53148-11	54A-3	53190-03	25A-37	53237-02	55-15
53131-02	63-2	53150-00	54-22	53191-00	64-4	53238-00	55-15
53131-03	62-2	53150-03	54-22	53193-00	56-11	53239-00	54-7
53131-03	63-2	53151-00	54-7	53193-01	56-11	53240-00	57-25
53131-04	59-2	53153-00	54-7	53194-00	56-3	53246-00	59-35
53131-04	61-2	53153-08	54A-5	53195-00	29-35	53246-00	60-43
53131-05	59-2	53155-00	54-8	53195-04	29-35	53246-00	61-39
53131-05	61-2	53155-03	54A-4	53196-03	56-2	53246-01	59-35
53133-02	53-14	53157-00	54-1	53196-04	56-1	53246-01	60-43
53133-02	61-1	53157-04	54A-1	53196-05	56-1	53246-01	61-39
53133-03	52-9	53157-04	54B-1	53197-00	55-6	53249-02	58-37
53133-03	61-1	53158-07	54-41	53198-00	56-14	53249-03	59-24
53133-04	53-14	53159-00	54-7	53199-00	56-16	53249-03	60-23

## PIPER PARTS CATALOG

Part Number	Figure and Index No.	Part Number	Figure and Index No.	Part Number	Figure and Index No.	Part Number	Figure and Index No.
53249-03	61-36	53269-19	59-1	53273-17	50-1	53277-03	53-13
53250-00	67-2	53269-20	51A-3	53273-17	53A-1	53277-03	60-1
53250-04	67-2	53269-20	59-1	53273-17	58-1	53277-04	52-8
53251-00	58-4	53269-21	51A-3	53273-18	51A-2	53277-04	53-13
53251-01	58-4	53269-21	59-1	53273-18	58-1	53277-04	60-1
53251-11	58-5	53269-22	51A-3	53273-19	51A-2	53277-10	53A-2
53255-02	58-41	53269-22	59-1	53273-19	58-1	53277-10	60-1
53255-03	58-41	53269-23	51A-3	53273-20	51A-2	53277-11	53A-2
53255-04	58-41	53269-23	59-1	53273-20	58-1	53277-11	60-1
53255-05	58-41	53269-24	51A-3	53273-21	51A-2	53277-12	53A-2
53256-02	58-2	53269-24	59-1	53273-21	58-1	53277-12	60-1
53256-03	58-2	53269-25	51A-3	53273-22	51A-2	53277-12	60-1
53257-00	58-4	53269-25	59-1	53273-22	58-1	53277-13	53A-2
53257-01	58-5	53269-26	51A-3	53273-23	51A-2	53277-13	60-1
53258-02	20-79	53269-26	59-1	53273-23	58-1	53277-14	53A-2
53258-04	20-79	53269-27	51A-3	53273-24	51A-2	53277-14	60-1
53259-00	20-85	53269-27	59-1	53273-24	58-1	53277-15	53A-2
53260-02	58-36	53273-02	50-1	53273-25	51A-2	53277-15	60-1
53260-04	59-23	53273-02	58-1	53273-25	58-1	53277-16	53A-2
53260-04	60-22	53273-03	50-1	53273-26	51A-2	53277-16	60-1
53260-04	61-35	53273-03	58-1	53273-26	53A-1	53277-17	53A-2
53261-00	59-7	53273-04	51-2	53273-26	58-1	53277-17	60-1
53261-00	60-6	53273-04	52-7	53273-27	51A-2	53277-18	53A-2
53261-01	59-7	53273-04	58-1	53273-27	53A-1	53277-18	60-1
53261-01	60-6	53273-05	51-2	53273-27	58-1	53277-19	53A-2
53266-00	59-7	53273-05	52-7	53273-28	50-1	53277-19	60-1
53266-00	60-6	53273-05	58-1	53273-28	53A-1	53277-24	53A-2
53267-00	47-31	53273-06	52-7	53273-28	58-1	53277-24	60-1
53269-02	51-3	53273-06	53-12	53273-28	50-1	53277-25	53A-2
53269-02	59-1	53273-06	58-1	53273-29	53A-1	53277-25	60-1
53269-03	51-3	53273-07	52-7	53273-29	58-1	53277-26	53A-2
53269-03	59-1	53273-07	53-12	53273-29	58-1	53277-26	60-1
53269-04	51-3	53273-07	58-1	53273-30	51A-2	53277-27	53A-2
53269-04	59-1	53273-07	58-1	53273-30	58-1	53277-27	60-1
53269-05	52-12	53273-08	51-2	53273-31	51A-2	53277-27	60-1
53269-05	59-1	53273-08	52-7	53273-31	58-1	53277-28	53A-2
53269-06	52-12	53273-08	58-1	53273-32	51A-2	53277-28	60-1
53269-06	59-1	53273-09	51-2	53273-32	58-1	53277-29	53A-2
53269-07	52-12	53273-09	58-1	53273-33	51A-2	53277-29	60-1
53269-07	59-1	53273-10	53A-1	53273-33	58-1	53277-30	53A-2
53269-12	51A-3	53273-10	58-1	53273-34	51A-2	53277-30	60-1
53269-12	59-1	53273-11	53A-1	53273-34	58-1	53277-31	53A-2
53269-13	51A-3	53273-11	58-1	53273-35	51A-2	53277-31	60-1
53269-13	59-1	53273-12	50-1	53273-35	58-1	53278-00	28-7
53269-14	51A-3	53273-12	53A-1	53273-38	51A-2	53278-02	28-7
53269-14	59-1	53273-12	58-1	53273-38	53A-1	53280-00	61-7
53269-15	51A-3	53273-13	50-1	53273-38	58-1	53280-01	61-7
53269-15	59-1	53273-13	53A-1	53273-39	51A-2	53286-02	52-10
53269-16	51A-3	53273-13	58-1	53273-39	53A-1	53286-02	53-15
53269-16	59-1	53273-14	53A-1	53273-39	58-1	53286-02	62-1
53269-16	59-1	53273-14	58-1	53275-09	52-7	53286-03	51-5
53269-17	51A-3	53273-15	53A-1	53276-00	60-41	53286-03	62-1
53269-17	59-1	53273-15	58-1	53277-02	52-8	53288-00	59-44
53269-18	51A-3	53273-16	50-1	53277-02	53-13	53288-00	61-58
53269-18	59-1	53273-16	53A-1	53277-02	60-1	53288-00	62-44
53269-19	51A-3	53273-16	58-1	53277-03	52-8	53288-00	63-25
						53292-02	69-4

## PIPER PARTS CATALOG

Part Number	Figure and Index No.	Part Number	Figure and Index No.	Part Number	Figure and Index No.	Part Number	Figure and Index No.
53296-02	27-2	53432-00	32-23	53525-00	68-42	53640-05	83-33
53296-02	29-1	53432-03	22-23	53542-00	25-60	53641-00	54-35
53296-06	29-66	53436-02	25-23	53546-00	63-9	53641-00	54A-41
53296-07	29-67	53436-03	25-20	53548-00	33-17	53641-00	54B-36
53296-08	29-68	53436-04	25-20	53551-00	77-29	53644-00	54-19
53296-09	27-2	53436-05	25-22	53554-00	25-45	53644-01	54-19
53296-09	29-1	53437-04	94-18	53555-00	63-6	53657-00	13-4
53296-11	27-2	53437-05	138-44	53556-00	66-1	53665-00	75-4
53296-11	29-1	53437-05	140-44	53556-02	66-1a	53666-00	50-15
53296-15	27-2	53437-05	141-22	53561-02	20-43	53670-00	129-32
53296-15	29-1	53437-05	142-44	53561-04	20-44	53674-00	50-16
53296-18	27-2	53437-05	143-22	53561-06	20-47	53674-01	50-16
53296-18	29-1	53437-06	144-38	53565-02	51-6	53687-00	12-62
53296-20	27-2	53437-06	145-38	53565-02	63-1	53688-00	64A-9
53296-20	29-1	53437-06	145A-11	53565-03	53-16	53688-01	64A-9
53298-02	69-12	53437-06	145B-40	53565-03	63-1	53688-06	64A-9
53299-03	68-5	53437-06	145C-29	53565-04	52-11	53688-07	64A-9
53299-04	68-8	53438-00	32-26	53565-04	53-17	53689-00	79-14
53300-00	69-2	53438-04	32-26	53565-04	63-1	53696-02	64A-11
53304-02	68-10	53444-00	94-68	53572-00	113-16	53696-03	64A-11
53306-02	67-13	53447-00	33-18	53573-00	147-20	53698-00	32-24
53307-00	67-15	53449-00	68-7	53583-00	77-66	53703-00	54-26
53308-02	68-4	53449-06	68-7	53589-00	33-6	53703-00	54A-16
53347-02	68-2	53450-00	32-27	53594-00	135-16	53703-00	54B-12
53347-03	63-2	53457-00	68-3	53594-00	136-7	53703-00	153-21
53354-00	67-16	53469-03	86-22	53595-00	135-17	53707-00	70-13
53358-00	5-37	53469-04	86-22	53595-00	136-6	53707-00	71-18
53360-00	54-31	53469-06	86-22	53599-00	111-28	53708-00	138-20
53360-02	54A-27	53469-07	86-22	53606-00	89-26	53709-00	71-18
53360-02	54B-22	53469-08	86-22	53608-00	63-6	53717-00	57-20
53367-00	64A-1	53469-09	86-22	53610-00	141-94	53719-00	54-24
53367-01	64A-1	53472-00	77-60	53610-00	153-81	53719-01	54-24
53367-06	64A-1	53477-00	77-62	53611-00	141-93	53720-00	54-36
53367-07	64A-1	53478-04	77-65a	53614-00	56-12	53720-a1	54-36
53369-11	54A-39	53478-05	77-65a	53614-01	56-12	53720-20	54-36
53369-11	54B-34	53479-09	77-59	53615-00	56-10	53720-21	54-36
53369-12	54A-39	53482-00	31-26	53615-01	56-10	53720-22	54-36
53369-12	54B-34	53482-07	31-26	53616-00	56-11	53720-23	54-36
53369-13	54A-38	53484-00	54-7	53616-01	56-11	53731-00	54-27a
53369-13	54B-33	53485-00	66-2	53617-00	56-14	53731-00	153-23
53387-00	100-41	53488-00	68-1	53618-03	56-2	53732-00	54-27
53388-00	57-7	53488-03	53A-6	53618-04	56-1	53732-00	153-22
53395-04	57-5	53488-03	68-1	53618-05	56-1	53734-00	54-27b
53395-05	57-6	53488-04	53A-6	53619-00	56-16	53734-00	54A-18
53395-06	57-5	53488-04	68-1	53620-00	54-1	53734-00	153-23
53395-07	57-6	53488-05	53A-6	53621-00	56-9	53735-00	54-25
53398-00	127-15	53488-05	68-1	53623-02	56-6	53735-00	54A-15
53405-00	129-21	53488-06	53A-6	53623-03	56-7	53735-00	54B-11
53412-00	32-25	53488-06	68-1	53624-02	54-1	53735-00	153-20
53417-00	84-6	53492-00	77-63	53626-06	56-3	53737-00	54-36
53418-00	31-58	53495-00	68-10	53628-00	32-33	53737-01	54-36
53423-00	83-27	53516-00	147-19	53629-00	32-32	53737-04	54-36
53423-01	83-27	53519-00	66-3	53637-00	50-12	53737-05	54-36
53424-00	31-25	53523-00	54-15	53639-00	55-7	53737-06	54-36
53429-00	54-64	53525-00	68-19	53640-02	83-32	53737-07	54-36

## PIPER PARTS CATALOG

Part Number	Figure and Index No.	Part Number	Figure and Index No.	Part Number	Figure and Index No.	Part Number	Figure and Index No.
53738-00	54-23	53810-01	91-20	53885-04	38-76	54000-00	15-63
53739-00	75-17	53811-00	91-16a	53890-05	91-6	54004-00	113A-10
53739-00	153-33	53811-01	91-16a	53892-02	36-63	54005-00	112A-34
53740-00	54-27	53812-00	12-61	53893-00	31-51	54007-00	112A-35
53740-00	153-22	53812-03	12-61	53894-00	66-5	54010-00	121-58
53755-02	138-76	53814-00	91-4	53897-00	74-40	54010-00	122-42
53755-08	140-34	53817-00	20-77	53897-00	74A-2	54055-00	133-15
53755-08	141-36	53821-00	90-5	53899-00	58-12	54055-00	153-66
53755-09	138A-47	53822-00	85-13a	53900-00	58-17	54055-02	133-15
53757-00	94-15	53824-00	90-12	53905-00	5-24	54055-02	153-66
53768-02	140-37	53825-00	56-9	53906-00	5-21	54065-04	70-48
53768-02	141-39	53827-00	29-50	53906-01	5-21	54066-00	40-47
53768-02	153-73	53828-00	107-9	53907-00	92-12	54076-03	70-49
53768-02	153-75	53830-00	140-68	53908-00	5-20	54076-03	153-30
53768-03	140-37	53830-00	141-87	53908-01	5-20	54076-04	70-49
53768-03	141-39	53832-00	60-12	53909-00	31-43	54076-04	153-30
53768-03	153-75	53835-00	139-6	53910-00	14-43	54076-06	70-49
53769-00	94-92	53835-00	153-74	53910-01	14-43	54076-06	153-30
53769-00	153-52	53837-00	140-2	53913-02	138-67	54076-07	70-49
53770-00	94-93	53837-00	140-97	53913-02	153-69	54076-07	153-30
53770-00	153-52	53837-00	153-78	53913-03	138-67	54078-00	130-38
53777-02	54-63	53838-00	140-3	53913-03	153-69	54087-00	56-20
53777-02	153-114	53838-00	140-98	53914-00	5-39	54098-00	25-63
53777-03	54-63	53838-00	153-79	53914-01	5-39	54098-00	32-16
53777-03	153-114	53839-00	140-49	53916-00	130-41	54098-00	153-6
53777-20	53A-2	53839-00	140-95	53918-02	115-27	54113-00	113A-10
53780-00	125-58	53839-00	153-76	53955-02	128-2	54118-00	66-19
53785-00	103-31	53840-00	140-1	53955-03	128-2	54138-00	66-20
53786-00	64-5	53840-00	140-96	53956-06	54-23	54139-00	91-7
53786-02	66-13	53840-00	141-75	53956-08	54A-14	54139-00	153-43
53787-00	54-16	53840-00	153-77	53956-12	54A-14	54139-02	153-43
53791-00	94-16	53841-00	141-76	53956-12	54B-10	54146-00	66-21
53793-02	94-69	53841-00	153-80	53957-00	57-1	54148-00	91-18
53793-03	94-69	53847-00	138-79	53959-00	21-2	54151-06	55-7a
53795-08	70-20	53847-00	141-94	53960-00	128-1	54151-07	55-7a
53795-12	70-20	53847-00	153-71	53967-03	21-34	54154-00	66-17
53796-00	54-17	53847-00	153-81	53968-00	31-44	54156-00	70-30
53796-06	54A-12	53848-00	77-48	53968-03	31-44	54157-00	66-18
53796-06	54B-8	53850-00	37-11	53969-00	128-34	54159-00	36-30
53797-00	92-19	53850-00	101-13	53971-00	103-31a	54163-00	140-27
53797-00	93-18	53853-00	43-72	53973-00	70-29	54163-00	141-20
53797-00	93A-21	53853-02	43-72	53973-03	70-29	54163-00	142-27
53798-00	94-11	53856-00	103-4	53978-00	130-37	54163-00	143-20
53799-00	56-40	53856-03	103-2	53978-00	153-65	54164-00	140-27a
53801-02	84-10	53860-02	94-10	53983-02	92-43	54164-00	141-20a
53804-02	70-21	53863-02	91-27	53983-02	93-41	54164-00	142-28
53804-02	71-24	53864-02	70-31	53983-02	153-44	54164-00	143-21
53804-03	71-24	53865-02	14-88	53983-02	153-45	54165-00	140-11
53805-00	64A-12	53865-03	14-88	53983-03	92-43	54165-00	140-106
53805-03	64A-12	53875-00	68-2a	53983-03	93-41	54165-00	141-88
53806-00	153-87	53876-03	140-56	53983-03	153-44	54165-00	142-62
53808-00	59-20	53880-00	25-64	53983-03	153-45	54165-00	143-8
53808-00	59A-18	53880-00	33-78	53992-00	47-16	54165-00	143-81
53808-00	60A-18	53880-01	25-64	53996-00	74A-32	54167-00	140-12
53810-00	91-20	53885-02	38-75	54000-00	15-59	54167-00	140-107

## PIPER PARTS CATALOG

Part Number	Figure and Index No.	Part Number	Figure and Index No.	Part Number	Figure and Index No.	Part Number	Figure and Index No.
54167-00	141-89	54305-02	14-61	54429-02	70-21	54530-02	145-31
54167-00	142-63	54305-04	14-61	54429-02	71-24	54530-02	145C-11
54167-00	143-9	54305-06	14-64	54446-02	138A-32	54531-02	138A-42
54167-00	143-82	54307-02	148-6	54446-02	144-30	54531-02	144-68
54168-00	11-56	54325-02	2-43	54446-02	145-30	54531-02	145-68
54168-01	11-56	54325-03	2-43	54446-02	145C-12	54531-02	145C-28
54169-02	54-40	54326-02	87-92	54447-02	138A-34	54534-05	58-40
54169-03	54-40	54326-03	88-92	54447-02	144-32	54534-05	59A-28a
54169-12	31-62	54329-02	6-28	54447-02	145-32	54534-05	60A-29a
54169-13	54A-48	54330-02	24-19	54447-02	145C-13	54534-05	61-33a
54169-13	54B-43	54330-03	24-19	54449-02	138A-39	54534-05	62-23
54173-00	130-42	54331-02	2-5a	54449-02	145-65	54534-05	63A-24
54174-02	104-37	54331-02	2-8	54449-02	145C-26	54534-07	58-59
54175-00	82-12	54331-03	2-5a	54451-02	138A-37	54534-07	59A-7
54175-00	91-47	54331-03	2-8	54451-02	144-63	54534-07	61-6c
54175-00	102-7	54332-02	7-91	54451-02	145-63	54534-07	62-5c
54179-02	61-33	54332-03	7-91	54451-02	145C-25	54534-07	63A-8
54179-03	61-33	54335-02	87-93	54453-02	138A-38	54536-03	58-59
54179-04	61-24	54336-02	8-49	54453-02	144-64	54540-02	4-26
54182-02	61-26	54336-07	8-49	54453-02	145-64	54541-02	138A-30
54186-02	23-11	54337-02	70-81a	54453-02	145C-24	54541-02	144-28
54187-02	23-11	54337-03	70-81a	54454-02	138A-40	54541-02	145-28
54188-02	13-14	54337-04	70-81a	54454-02	144-66	54541-02	145A-27
54190-02	126-27	54337-05	70-81a	54454-02	145-66	54541-02	145C-47
54190-03	31-20	54338-03	70-81	54454-02	145C-23	54542-02	140-16
54190-03	126-27	54339-02	8-50	54455-02	138A-41	54542-02	140-111
54195-02	2-44	54339-03	8-50	54455-02	144-67	54542-02	142-61
54209-02	89-44	54340-02	8-51	54455-02	145-67	54542-02	145B-37
54214-02	95-54	54340-03	8-51	54455-02	145C-22	54558-02	138A-25
54214-03	95-54	54341-02	88-93	54457-02	138A-36	54558-02	144-24
54223-02	66-22	54343-02	6-29	54457-02	144-34	54558-02	145-24
54227-02	38-77	54343-03	6-29	54457-02	145-34	54558-02	145A-5
54228-02	37-49	54344-02	7-10a	54457-02	145C-17	54558-02	145C-46
54232-06	38-2	54344-03	7-10a	54458-02	138A-35	54562-02	70-48
54232-07	38-2	54345-02	91-52	54458-02	144-33	54567-02	144-62
54232-24	34-3	54350-02	50-19	54458-02	145-33	54567-02	145-62
54232-24	38-1	54356-02	55-22	54458-02	145C-16	54567-02	145C-21
54232-35	34-3	54356-03	55-22	54461-03	138A-24	54567-03	138A-28
54232-35	38-1	54357-02	33-95	54461-03	144-23	54567-03	144-27
54237-02	29-75	54358-02	32-10	54461-03	145-23	54567-03	145-27
54240-02	29-76	54360-02	33-96	54463-02	129-29	54567-03	145C-9
54242-02	29-77	54368-02	125-63	54467-02	12-63	54567-08	138A-29
54243-02	29-78	54369-03	125-64	54469-02	116-32	54569-02	138A-27
54244-02	29-79	54374-03	54A-26	54469-03	116-32	54569-02	144-26
54244-03	29-80	54374-03	54B-21	54470-02	116-1a	54569-02	145-26
54245-02	27-29	54375-02	13-13	54490-02	14-63	54569-02	145C-10
54250-04	129-37	54378-04	70-81	54507-03	70-9	54580-03	137-3
54256-02	29-34	54378-05	70-81	54509-02	11-54	54604-02	53-18
54256-04	29-34	54379-02	70-20	54516-04	11-23a	54606-02	33-14
54265-02	29-81	54380-02	130-1	54529-02	138A-43	54606-03	33-12
54266-02	29-14a	54385-02	118-10	54529-02	144-69	54606-05	33-6
54287-02	136A-3	54385-03	118-10	54529-02	145-69	54606-06	33-22
54287-06	136A-3	54395-02	2-44	54529-02	145C-27	54612-02	32-1
54296-02	67-17	54395-03	2-44	54530-02	138A-33	54612-02	33-1
54299-02	123-3	54396-02	77-21	54530-02	144-31	54612-03	32-1

## PIPER PARTS CATALOG

Part Number	Figure and Index No.	Part Number	Figure and Index No.	Part Number	Figure and Index No.	Part Number	Figure and Index No.
54612-03	33-1	54757-02	143-75	55256-02	130-3	55293-02	121A-47
54612-06	32-1	54799-02	74-42	55258-04	26-3	55293-02	122A-39
54612-06	33-1	54799-02	74A-52	55258-04	25A-2	55294-02	54A-49
54612-07	32-1	54800-54	152A-1	55258-04	25A-6	55294-02	54B-44
54612-07	33-1	54817-02	57-43	55258-05	25A-5	55297-02	23-25
54615-02	137-8	54820-02	12-64	55258-05	26-3	55297-04	19-3
54628-03	70-101	54820-03	12-64	55258-08	54A-30	55301-07	53A-10
54637-02	81-8	54848-03	147-28	55258-08	54B-25	55301-14	53A-9
54637-02	81A-7	54848-04	147-28	55258-22	54B-25	55301-16	53A-8
54638-02	123A-21	54848-05	147-29	55259-07	54A-30	55301-28	53A-9
54641-02	129-3	54848-06	147-29	55259-07	54B-25	55301-30	53A-8
54642-02	123A-58	54916-02	77-58	55259-09	25A-1	55301-33	53A-10
54644-02	123A-18	54923-02	123A-66	55259-09	26-1	55302-05	53A-13
54659-02	23-33	54924-02	123A-8	55259-17	26-7	55302-06	53A-13
54659-02	31-24	54924-02	123B-8	55259-19	54B-25	55302-07	53A-13
54663-02	23-32	54925-05	124A-4	55259-23	25A-1	55303-04	53A-16
54663-02	31-23	54925-06	124A-3	55259-23	26-1	55303-07	53A-18
54668-02	74A-40	54925-07	123A-9	55260-02	12-46	55303-09	53A-16
54673-02	74A-41	54925-07	123B-9	55265-04	32-27	55303-12	53A-18
54684-02	128-55	54925-08	123A-10	55265-04	54A-28	55304-03	53A-15
54705-02	72-6	54925-09	123A-11	55265-05	32-23	55305-03	53A-20
54706-02	89-45	54925-10	123B-9	55266-06	54A-29	55305-05	53A-20
54709-02	74A-30	54925-11	123B-10	55266-07	54A-29	55307-03	53A-21
54710-04	25A-20	54926-03	123A-19	55266-08	54B-24	55312-03	107-22
54710-05	25A-20	54926-03	123B-19	55266-09	25A-24	55313-02	107-21
54710-06	25A-8	54926-05	123A-20	55266-10	25A-25	55315-05	54A-31
54710-06	25A-27	54927-02	79-5	55266-18	54B-24	55315-05	54B-27
54710-07	25A-29	54931-02	34-43	55266-19	54B-24	55316-02	77-15
54710-08	25A-34	54932-02	14-63a	55267-04	54A-28	55316-02	153-34
54710-10	25A-27	54945-02	103-83	55267-04	54B-23	55317-02	54A-36
54710-11	25A-36	55052-03	56-4	55267-05	54A-28	55317-02	54B-31
54714-02	27-1	55052-04	56-5	55267-06	25A-9	55323-05	31-25
54714-02	28-1	55192-02	44-64	55267-07	25A-11	55331-05	56-4
54714-03	27-1	55192-05	44-64	55267-15	54A-28	55331-10	56-9
54714-03	28-1	55193-10	44-63	55267-15	54B-23	55334-02	54B-41
54714-04	28-7	55194-02	44-66	55267-30	54B-23	55334-02	54B-64
54714-05	28-5	55195-02	44-65	55267-31	54B-23	55335-04	31-61
54714-06	28-5	55201-02	44-9	55268-02	54A-6	55335-06	31-61
54714-07	28-6	55201-05	44-9	55268-03	54A-9	55351-04	56-8
54714-12	27-1	55214-02	43-1	55268-04	54A-6	55351-05	56-1
54714-12	28-1	55214-02	44-1	55268-05	54A-9	55351-06	56-2
54714-13	27-1	55214-03	43-1	55271-02	54-15	55351-07	56-1
54714-13	28-1	55215-02	44-17	55274-02	31-27	55351-08	56-14
54714-18	27-1	55219-02	46-6	55278-06	54B-27	55351-09	56-1
54714-18	28-1	55220-02	46-5	55279-02	70-87	55351-10	56-2
54714-19	27-1	55221-02	77-61	55279-03	70-87	55351-11	56-1
54714-19	28-1	55223-02	44-67	55279-04	70-87	55351-12	56-7
54750-02	107-13	55224-02	77-65	55280-02	121-73	55351-13	56-6
54751-02	92-45	55242-02	55-7	55280-02	122-72	55351-27	56-13
54757-02	140-17	55254-03	54A-32	55281-02	54A-49	55351-28	56-13
54757-02	140-112	55254-03	54B-28	55286-02	54A-50	55356-02	58-4
54757-02	141-10	55254-04	25A-32	55286-02	54B46	55356-03	58-4
54757-02	141-119	55254-05	25A-32	55287-06	54A-31	55356-04	58-4
54757-02	142-60	55254-10	54B-28	55292-02	54A-49	55356-05	58-4
54757-02	143-2	55256-02	55-2	55292-02	54B-45	55364-02	58-4

## PIPER PARTS CATALOG

Part Number	Figure and Index No.	Part Number	Figure and Index No.	Part Number	Figure and Index No.	Part Number	Figure and Index No.
55364-03	58-4	55404-04	59-7	55430-19	61-1	55432-05	51A-6
55364-04	58-4	55404-04	60-6	55430-20	51A-5	55432-05	53A-5
55364-05	58-4	55405-02	60-2	55430-20	53A-4	55432-05	63-1
55365-02	12-66	55405-02	62-2	55430-20	62-1	55433-02	55-22
55365-03	12-65	55405-02	63-2	55430-21	51A-4	55433-02	58-62
55367-02	58-2	55405-02	68A-2	55430-21	53A-3	55433-03	55-22
55367-03	58-2	55405-03	59-2	55430-21	61-1	55433-03	58-62
55372-02	59-7	55405-03	61-2	55430-22	51A-4	55435-02	68-3
55372-02	60-6	55405-11	68-2	55430-22	53A-3	55440-02	68-41
55372-03	59-7	55406-02	96-1	55430-22	61-1	55447-02	82-45
55372-03	60-6	55407-02	67-15	55430-23	51A-5	55455-02	56-44
55372-04	59-7	55408-02	96-2	55430-23	53A-4	55455-06	56-44
55372-04	60-6	55410-02	64A-1	55430-23	62-1	55457-02	56-44
55375-02	58-2	55410-03	64A-3	55430-24	51A-4	55460-02	56-43
55375-03	58-2	55414-02	67-15	55430-24	53A-3	55460-06	56-43
55377-02	29-14b	55416-02	111-5	55430-24	61-1	55509-02	135D-2
55379-02	29-60	55417-02	67-13	55430-25	51A-4	55543-02	125-66
55382-02	57-19	55421-02	64A-9	55430-25	53A-3	55548-02	153-85
55383-02	29-84	55427-02	67-13	55430-25	61-1	55549-02	153-86
55383-03	29-84	55429-02	68-3	55430-26	51A-4	55567-04	70-16
55386-02	61-7	55430-03	51A-5	55430-26	53A-3	55589-03	68A-8
55386-03	62-6	55430-03	53A-4	55430-26	61-1	55590-02	68A-23
55386-04	61-7	55430-03	62-1	55430-27	51A-4	55596-02	54A-46
55386-05	61-7	55430-06	51A-5	55430-27	53A-3	55596-02	54B-65
55386-06	62-6	55430-06	53A-4	55430-27	61-1	55598-02	16-70
55387-02	61-7	55430-06	62-1	55430-28	51A-4	55599-02	68A-28
55387-03	62-6	55430-07	51A-4	55430-28	53A-3	55601-02	19-40
55387-04	61-7	55430-07	53A-3	55430-28	61-1	55601-02	31-59
55387-05	61-7	55430-07	61-1	55430-29	51A-4	55603-02	68A-7
55387-06	62-6	55430-08	51A-4	55430-29	53A-3	55606-02	68A-9
55389-02	60-2	55430-08	53A-3	55430-29	61-1	55607-02	68A-6
55389-02	62-2	55430-08	61-1	55430-30	51A-4	55626-02	68A-5
55389-02	63-2	55430-09	51A-4	55430-30	53A-3	55626-03	68A-5
55389-02	68A-2	55430-09	53A-3	55430-30	61-1	55627-02	53A-6
55389-03	59-2	55430-09	61-1	55430-31	51A-4	55627-02	68A-1
55389-03	61-2	55430-11	51A-5	55430-31	53A-3	55627-03	53A-6
55389-11	68-2	55430-11	53A-4	55430-31	61-1	55627-03	68A-1
55390-02	59-4	55430-11	62-1	55430-32	51A-4	55627-05	53A-6
55390-02	60-3	55430-14	51A-5	55430-32	53A-3	55627-05	68A-1
55390-02	61-3	55430-14	53A-4	55430-32	61-1	55633-03	27-31
55390-02	62-3	55430-14	62-1	55430-33	51A-4	55650-04	70-16
55390-02	63-3	55430-15	51A-4	55430-33	53A-3	55652-03	55-7a
55390-02	68-2a	55430-15	53A-3	55430-33	61-1	55683-02	71-19
55390-02	68A-4	55430-15	61-1	55430-34	51A-5	55684-02	71-18
55391-04	63-6	55430-16	51A-4	55430-34	53A-4	55693-02	70-86
55391-05	63-6	55430-16	53A-3	55430-34	62-1	55758-02	125-9
55391-13	63-7a	55430-16	61-1	55432-02	51A-6	55758-04	125-9
55391-14	63-7a	55430-17	51A-4	55432-02	53A-5	55758-06	125-9
55392-02	68-6	55430-17	53A-3	55432-02	63-1	55770-02	11-51
55393-02	10-3	55430-17	61-1	55432-03	51A-6	55771-02	16-58
55393-02	12-1	55430-18	51A-4	55432-03	53A-5	55799-02	152B-6
55404-02	59-7	55430-18	53A-3	55432-03	63-1	55802-12	134A-1
55404-02	60-6	55430-18	61-1	55432-04	51A-6	55802-13	134A-1
55404-03	59-7	55430-19	51A-4	55432-04	53A-5	55802-15	134A-2
55404-03	60-6	55430-19	53A-3	55432-04	63-1	55802-16	134A-2

## PIPER PARTS CATALOG

Part Number	Figure and Index No.	Part Number	Figure and Index No.	Part Number	Figure and Index No.	Part Number	Figure and Index No.
55817-02	103-84	55984-02	31-26	58382-03	60-37	61541-45	145B-55
55841-02	77-44	55989-04	54B-58	58382-04	59-40	61541-47	148-2
55842-02	58-63	55989-05	54B-58	58382-05	59-40	61541-50	148-3
55846-04	59A-8	55991-08	70-16	58382-08	61-53	63900-22	31-2
55846-04	61-6a	55996-02	53A-13b	58382-09	61-53	70353-02	37-48
55846-04	63A-6	56200-02	119-19	58905-02	68A-6	70371-02	47-49
55846-05	59A-8	56200-03	119-20	58905-09	68A-6	70371-02	82-17
55846-05	61-6a	56200-04	119-21	58909-02	53A-6	70371-02	112A-31
55846-05	62-5a	56932-131	123A-89	58909-02	68A-1	70371-02	113-19
55846-05	68A-4a	56951-04	31-6	58909-03	53A-6	70371-02	116-19
55849-00	63A-4	56952-15	74A-25	58909-03	68A-1	70371-02	117-14
55849-01	63A-4	56952-15	85-57	58909-04	53A-6	70371-03	82-16
55852-02	116A-1	56952-21	112A-44	58909-04	68A-1	70371-03	112A-32
55852-03	116A-1	56952-22	112A-44	59105-02	70-100	70371-03	113-20
55852-04	116A-2	56952-23	112A-7	59105-02	153-92	70371-03	116-18
55853-02	148-13	56952-24	112A-45	59199-02	145-78	70371-03	117-15
55858-02	127-17a	56952-43	77-43	59199-02	145C-61	70476-02	61-54a
55867-02	116A-5	56953-06	130-52	60054-14	30-10	70476-03	61-54a
55867-08	116A-11	56957-38	61-56a	60054-18	84-20	70476-03	62-38a
55868-02	116A-3	56957-38	62-38d	60054-36	58-25	70476-12	59A-29
55868-03	116A-4	56957-40	59-43	60054-43	58-25	70476-12	60A-35
55868-04	116A-3	56957-40	60-40	60054-43	58-29	70476-12	63A-29
55868-05	116A-4	56957-40	61-56	60704-02	152-8	70476-13	59A-29
55870-02	116-1a	56957-43	59A-46	60704-02	152A-8	70476-13	60A-35
55873-02	113A-6	56957-43	60A-48	60998-15	59A-6	70768-12	20-36
55873-07	113A-6a	56957-43	63A-36	60998-15	60A-6	71001-02	68-2a
55877-04	54A-42	56957-44	59A-44	60998-15	61-6b	71013-02	152B-10
55877-04	54B-37	56957-44	60A-37	60998-15	62-5b	71015-02	145A-50
55877-05	54A-42	56957-44	63A-37	60998-15	63A-7	71018-02	135D-3
55877-05	54B-37	56957-45	59A-42	60998-15	68A-4c	71018-02	136C-2
55891-02	54B-3	56957-45	60A-42	60998-16	59A-6	71020-03	138A-24
55891-03	54B-3	56957-45	63A-41	60998-16	60A-6	71020-03	145-23
55897-02	54B-6	56959-19	123A-79	60998-16	61-6b	71024-02	142-17
55897-03	54B-6	56972-131	123B-29	60998-16	62-5b	71024-02	143-54
55901-02	54B-7	56975-10	91-18a	60998-16	63A-7	71025-02	142-72
55901-03	54B-7	56976-06	113A-12	60998-16	68A-4c	71025-02	153-100
55901-11	54B-7	56977-02	46-7	61402-81	78-15	71026-02	143-53
55901-12	54B-7	56977-03	46-8	61402-90	37-32	71026-02	153-100
55901-16	54B-7	56977-04	145A-51	61402-93	34-20	71027-04	93-7
55901-17	54B-7	56977-05	145A-52	61402-98	40-28	71027-05	93-7
55930-03	70-92	56977-06	44-71	61402-99	40-27	71028-04	92-8
55930-05	70-92	56977-07	44-71	61402-101	100-8	71028-05	92-8
55930-07	70-92	56981-02	100-45	61402-102	100-9	71042-02	95-4
55938-02	54A-5	56983-02	26-15	61402-103	29-46	71042-03	95-4
55939-02	116A-7	56983-06	26-28	61402-105	54-51	71047-02	70-103
55944-02	54B-5	56983-07	26-69	61402-105	54A-25	71052-02	94-94
55947-02	57-19	56985-03	113A-5	61402-105	54B-20	71054-02	94-95
55948-02	54B-9	57258-02	54-65	61541-30	74-15	71056-02	100-39
55948-03	54B-9	57258-02	54A-59	61541-30	74A-15	71059-06	34-38
55954-02	54B-4	57258-02	54B-63	61541-42	74-13	71059-07	34-38
55956-02	54B-55	57279-02	142-68	61541-42	74A-16	71063-02	5-40
55956-03	54B-55	57356-02	54B-61	61541-43	71-3	71063-03	5-40
55958-02	54B-57	57900-02	125-68	61541-45	74A-18	71064-02	25A-28
55958-03	54B-57	58253-02	125-69	61541-45	74A-83	71064-03	25A-28
55981-02	54B-5	58382-02	60-37	61541-45	143-67	71066-02	54B-11



## PIPER PARTS CATALOG

Part Number	Figure and Index No.	Part Number	Figure and Index No.	Part Number	Figure and Index No.	Part Number	Figure and Index No.
71066-02	153-24	71158-02	60-36	71574-02	25A-30	71658-14	59A-38
71073-04	54B-59	71158-03	60-36	71578-02	147-29	71658-14	63A-35
71073-05	54B-61	71158-12	59-39	71589-02	86-8	71658-15	59A-37
71074-03	54B-57	71158-13	59-39	71594-02	95-12	71658-15	60A-46
71074-04	54B-59	71158-16	61-52	71599-02	95-44	71658-15	63A-34
71074-05	54B-61	71158-17	61-52	71605-02	39-90	71658-24	59A-28
71076-03	137A-3a	71162-02	Misc.	71606-02	123A-76	71658-24	60A-28
71077-04	137A-1	71164-02	123A-83	71608-02	54B-18	71658-24	63A-17
71079-02	54B-57	71164-02	123B-66	71608-03	54B-18	71658-25	60A-47
71080-02	145-13	71165-03	130-55	71608-04	54B-18	71658-30	60A-22
71080-02	145C-1	71176-02	123A-81	71608-05	54B-18	71658-47	63A-13
71080-03	144-13	71176-02	123B-41	71610-02	125-77	71658-53	59A-23
71080-03	145C-1	71181-02	71-18	71614-02	130-55	71658-53	63A-23
71080-04	145-13	71183-02	71-19	71616-02	130-53	71658-54	59A-23
71080-05	144-13	71187-02	129-8	71620-02	125-78	71658-54	63A-23
71080-06	145C-1	71187-03	129-8	71624-02	125-79	71658-55	60A-23
71080-07	145C-1	71188-02	27-28	71627-02	123A-84	71658-56	60A-23
71081-02	54B-58	71193-03	130-1	71627-02	123B-6	71658-63	60A-24
71081-03	54B-58	71305-02	137A-4a	71635-02	12-14	71660-14	60A-8
71081-04	54B-58	71360-02	44-62	71635-02	16-46	71660-15	60A-8
71081-05	54B-58	71364-02	72-22	71636-02	31-26	71673-02	12-66
71084-02	68-41	71366-02	72-8	71637-02	130-35	71673-03	12-65
71085-02	123B-36	71386-02	145A-48	71637-02	153-65	71674-02	125-80
71086-03	100-40	71386-02	153-124	71644-03	125-7	71675-02	125-80
71087-02	153-25	71415-03	29-51	71644-04	128-11	71676-07	60A-12
71087-04	129-14c	71423-02	53A-13c	71644-05	128-9	71689-02	123A-93
71092-02	126-37	71450-02	28-18	71644-09	128-10	71689-02	123B-76
71092-02	153-123	71450-02	153-111	71644-10	125-7	71694-02	Misc.
71094-02	44-67	71450-03	27-34	71644-11	128-21	71695-02	Misc.
71094-03	44-67	71450-03	153-110	71644-12	128-12	71696-17	25A-41
71099-02	14-9	71450-04	27-33	71646-07	78-1a	71696-18	25A-39
71100-02	54B-43	71450-04	153-109	71646-08	78-1a	71696-19	25A-43
71100-03	31-62	71450-05	27-32	71646-10	78-1a	71696-20	25A-43
71100-04	31-58	71450-05	153-108	71648-02	138A-72	71696-21	25A-37
71109-02	9-35	71455-02	126-38	71648-02	153-73	71696-22	25A-37
71109-03	9-35	71455-05	126-41	71649-02	127-15a	71697-02	116-4
71109-04	9-36	71455-07	126-39	71650-02	144-19	71698-02	96-10
71109-05	9-36	71455-10	126-40	71650-02	145C-2	71699-02	16-7
71112-02	94-1	71478-02	112A-43	71650-02	153-102	71699-03	16-8
71112-02	95-1	71479-02	70-88	71651-02	145-19	71699-04	16-9
71116-02	14-10	71479-03	70-88	71651-02	145C-2	71699-05	16-11
71118-02	9-44	71486-02	142-37	71651-02	153-104	71699-06	16-10
71118-04	9-44	71486-02	143-39	71654-06	59A-24	71700-02	37-38
71118-05	9-44	71486-02	153-72	71654-09	59A-25	71700-03	37-49
71128-11	70-16	71505-02	Misc.	71656-04	60A-4	71705-04	125-76
71128-14	70-16	71505-03	Misc.	71658-02	59A-22	71707-02	125-74
71139-02	2-13	71522-03	113A-12	71658-02	63A-22	71711-02	25A-30
71140-02	29-88	71533-02	34-17	71658-03	59A-20	71711-02	33-78a
71143-02	125-83	71533-02	35-20a	71658-03	60A-20	71711-04	25A-30
71147-03	130-7a	71534-04	145B-16	71658-07	59A-21	71711-04	33-78a
71149-02	55-2	71549-02	71-18	71658-07	60A-21	71722-08	63A-15
71149-02	130-3	71550-02	119-13	71658-07	63A-21	71722-09	63A-12
71152-02	55-1	71562-02	78-19	71658-09	59A-16	71727-02	56-34
71152-04	130-2	71562-03	78-19	71658-09	60A-24	71730-02	129-41
71152-06	130-2	71565-02	152B-3	71658-09	63A-17	71732-02	129-40

## PIPER PARTS CATALOG

Part Number	Figure and Index No.	Part Number	Figure and Index No.	Part Number	Figure and Index No.	Part Number	Figure and Index No.
71738-02	16-58	71914-03	61-2	73048-02	58-2a	74087-02	39-23
71739-02	72-12	71914-03	62-2	73078-02	29-57	74087-02	39-25
71790-02	15-2	71914-12	59A-3	73105-02	29-20	74087-02	43-13
71814-02	17-12	71914-12	60A-3	73106-02	27-43	74092-02	86-24
71817-02	Misc.	71914-12	61-3	73143-02	24-25	74093-02	87-91
71823-02	51A-4	71914-12	63A-3	73143-03	24-26	74093-02	88-91
71823-02	53A-3	71914-13	59A-3	73172-02	136B-7	74099-06	7-15
71823-02	61-1	71914-13	60A-3	73344-02	39-93	74099-07	7-15
71823-03	51A-4	71914-13	61-3	73344-03	39-93	74106-02	71-54
71823-03	53A-3	71914-13	62-3	73344-04	39-93	74106-02	153-130
71823-03	61-1	71914-16	60A-2	73344-05	39-93	74107-02	145C-54
71823-06	53A-2	71914-17	60A-2	73376-02	26-21	74120-02	9-42
71823-06	60A-1	71914-18	68A-2	73786-02	7-52	74122-02	145C-44
71823-07	53A-2	71914-19	68A-4	74011-02	122A-34	74122-03	145C-44
71823-07	60A-1	71915-02	129C-14c	74011-03	121A-13	74125-02	44-69
71823-08	51A-3	71934-02	153-131	74011-03	122A-13	74134-02	87-33
71823-08	59A-1	71934-03	153-131	74011-04	121A-36	74134-02	90-1
71823-09	51A-3	71936-02	59A-40	74011-04	122A-33	74134-03	88-33
71823-09	59A-1	71936-02	60A-40	74011-05	121A-34	74134-03	90-1
71823-10	51A-6	71936-02	63A-40	74011-05	122A-31	74134-04	87-33
71823-10	53A-5	71936-03	59A-40	74011-06	121A-12	74134-04	90-1
71823-10	63A-1	71936-03	60A-40	74011-06	122A-12	74134-05	88-33
71823-11	51A-5	71939-02	137-4	74011-07	121A-35	74134-05	90-1
71823-11	53A-4	71944-02	135E-3	74011-07	122A-32	74177-02	105-5
71823-11	62-1	71944-02	136B-3	74011-08	121A-15	74178-02	105-8
71824-02	60A-9	71944-03	135E-3	74011-08	122A-15	74196-04	27-39
71824-03	60A-9	71944-03	136B-4	74011-09	121A-17	74199-02	54B-33
71824-04	59A-9	71945-02	135E-2	74011-10	121A-14	74237-05	29-16
71824-05	59A-9	71945-02	136B-2	74011-10	122A-14	74240-02	70-3
71824-06	63A-9	71948-02	14-27	74011-11	121A-16	74242-02	44-6
71824-08	59A-14	71951-02	102-26	74012-02	145B-39	74243-02	102-10
71824-08	60A-10	71973-02	Misc	74012-04	145B-39	74244-02	23-36
71824-08	63A-10	71974-16	27-37	74018-03	54B-66	74245-02	7-103
71830-02	79-8	71974-23	27-44	74020-02	145B-14	74248-02	23-35
71832-02	79-9	72025-02	Misc.	74022-02	145B-14	74364-03	27-1
71833-02	145B-30	72159-02	Misc.	74023-02	145B-9	74364-03	28-1
71833-03	145B-29	72607-03	60A-7	74027-02	35-24	74367-02	59-2
71834-02	Misc.	72607-03	68A-4b	74034-02	96-1	74367-02	61-2
71839-04	145B-36	72607-04	68A-20	74035-02	96-2	74367-02	62-2
71844-02	44-4	72682-10	39-22	74037-02	37-44	74367-02	63-2
71853-02	145B-26	72682-12	39-24	74044-02	31-65	74367-02	68A-2
71854-02	145B-1	72682-14	43-12	74044-03	27-35	74367-03	60-2
71864-02	138A-23	72781-02	9-37	74046-02	86-29	74367-04	68-2
71864-02	144-61	72781-03	9-37	74046-02	118-24	74367-19	68-2a
71864-02	145-61	72781-04	9-38	74046-02	153-39	74367-20	59-4
71864-02	145A-4	72781-05	9-38	74047-02	130-36	74367-20	61-3
71864-02	145C-48	72796-05	56-46	74051-02	118-11	74367-20	62-3
71887-02	7-107	72850-02	125-72b	74060-02	127-8	74367-20	63-3
71888-02	7-106	72858-02	97-38	74067-02	73-6	74367-20	68A-4
71888-03	7-108	72950-16	60-41	74067-02	75-34	74367-21	60-3
71900-08	147-27	72950-16	61-57	74069-03	27-36	74368-02	61-7
71914-02	59A-2	72950-16	62-39	74072-02	27-16	74368-03	61-7
71914-02	61-2	72966-02	129-42	74072-02	31-54	74368-04	60-6
71914-02	63A-2	72966-03	70-105	74075-02	128-22	74368-05	60-6
71914-03	59A-2	73009-02	44-21	74086-02	72-8	74368-06	59-7

## PIPER PARTS CATALOG

Part Number	Figure and Index No.	Part Number	Figure and Index No.	Part Number	Figure and Index No.	Part Number	Figure and Index No.
74368-07	59-7	80006-04	75-14	80027-09	47-21	80344-02	54-48
74368-08	62-6	80006-11	128-28	80033-07	20-72	80344-02	129-14b
74368-10	63-6	80006-11	128-29	80034-13	25-34	80344-02	153-25
74461-02	8-16	80006-11	128-30	80041-04	25-28	80345-02	54-48
74461-03	8-16	80006-18	128-53	80044-02	57-39	80345-02	129-14a
74606-04	26-3c	80006-25	75-15	80045-08	25-30	80345-02	153-25
74609-06	25A-1	80007-33	75-9	80045-08	26-9	80353-02	54-27a
74609-06	26-1	80007-35	148-7	80045-09	25-31	80353-02	54A-17
74610-02	25A-39	80007-39	123A-95	80045-09	33-24	80353-02	153-23
74610-03	25A-41	80007-39	123B-78	80045-10	25-32	80354-02	129-33
74610-04	25A-37	80009-04	128-12	80045-10	28-11	80354-02	153-29
74610-05	25A-37	80011-06	88-21	80045-11	25-33	80357-02	129-14a
74610-06	25A-43	80012-06	70-102	80045-11	33-25	80357-02	153-25
74610-07	25A-43	80012-20	33-72	80048-04	89-36	80363-02	26-65
74611-02	25A-24	80012-57	95-50	80122-06	61-28	80363-02	153-8
74611-03	25A-2	80012-59	87-79	80122-07	57-17	80372-02	81-13
74611-03	25A-6	80012-59	88-70	80122-11	65-6	80372-02	81A-14
74611-03	26-3a	80012-95	103-37	80122-11	101-25	80372-02	153-36
74611-04	28-5	80012-95	103-41	80122-78	127-23	80374-02	129-14b
74611-05	25A-32	80012-108	104-7	80122-110	31-18	80374-02	153-25
74611-07	25A-25	80012-108	104-11	80122-111	27-14	80418-02	151-9
74611-08	25A-5	80012-109	104-8	80122-111	31-50	80418-02	153-84
74611-08	26-3a	80012-110	104-9	80122-122	38-79	80429-02	54-10
74611-09	28-5	80012-110	104-12	80122-123	119-6	80429-02	153-113
74611-10	25A-32	80012-112	101-2	80122-128	39-74	80436-02	129-31
74612-02	28-7	80012-116	58-48	80122-129	39-86	80436-02	153-63
74614-02	26-7	80017-22	147-6	80122-130	39-86	80442-02	138A-72
74615-06	54B-26	80017-29	147-26	80122-131	39-86	80442-02	153-73
74615-07	54B-26	80017-30	147-27	80122-139	147-23	80442-03	138A-72
74616-03	54B-28	80017-31	147-27	80122-140	147-24	80442-03	153-73
74621-02	67-15	80022-74	96-8	80122-151	33-97	80443-02	148-14
74622-02	67-13	80022-87	96-9	80122-154	39-74	80443-02	153-83
74624-02	68A-5	80022-103	99-32	80122-155	39-86	80443-03	148-14
74625-02	68-3	80022-113	97-25	80247-02	70-80	80454-02	83-5
74627-02	58-2	80024-06	105-9	80247-02	153-31	80454-02	153-37
74627-03	58-2	80024-07	89-1	80280-02	25-65	80455-02	83-5a
74628-02	58-4	80024-08	89-2	80280-02	153-7	80455-02	153-38
74628-03	58-4	80024-09	89-3	80294-02	129-30	80468-02	53-19
79315-00	153-88	80024-10	89-4	80294-02	153-64	80468-02	53A-14
79399-00	74-1	80024-11	89-5	80298-02	33-109	80468-02	153-19
79399-00	74A-4	80024-12	89-6	80298-02	153-14	80495-02	153-3
79399-02	74-1	80024-13	72-36	80333-02	130-36	80504-02	133-15
79399-02	74A-4	80024-14	140-26	80333-02	153-65	80504-02	153-66
80000-05	82-41	80024-14	141-19	80338-02	138A-53	80504-03	133-15
80002-25	74-72	80024-14	142-26	80338-02	153-72	80504-03	153-66
80002-84	58-35	80024-14	143-19	80338-03	138A-53	80512-02	70-49
80002-85	74A-73	80024-23	113A-14	80338-03	153-72	80512-02	153-30
80002-85	123-34	80024-47	72-13	80340-02	138A-54	80512-03	70-49
80002-85	123A-72	80024-48	106-41	80340-02	153-73	80512-03	153-30
80002-85	123B-72	80024-49	106-40	80340-03	138A-54	80520-02	142-72
80004-11	89-11	80024-50	106-39	80340-03	153-73	80520-02	143-53
80004-18	87-96	80024-51	106-42	80341-02	138A-54	80520-02	153-100
80004-18	88-84	80027-06	122-51	80341-02	153-73	80529-02	152-7
80006-02	128-54	80027-06	122A-47	80341-03	138A-54	80529-02	153-84
80006-03	128-28	80027-08	47-47	80341-03	153-73	80536-02	129-33

## PIPER PARTS CATALOG

Part Number	Figure and Index No.	Part Number	Figure and Index No.	Part Number	Figure and Index No.	Part Number	Figure and Index No.
80536-02	153-98	80669-02	144-52	81342-91	103-28	82371-104	79-15
80537-02	142-69	80669-02	145-52	81342-100	95-31	82371-106	74-18
80537-02	153-101	80669-02	145A-26	81342-101	70-73	82371-106	74A-22
80537-03	142-69	80669-02	145B-22	81342-104	29-63	82371-106	123-28
80537-03	153-101	80669-02	145C-42	81761-43	68-21	82371-106	123A-25
80538-02	143-45	80669-02	153-72	81761-43	68-44	82371-106	123B-25
80538-02	153-101	80675-02	129-14c	81761-43	69-9	82371-110	123B-22
80538-03	143-45	80675-02	153-25	81761-47	68-16	82371-111	74-16
80538-03	153-101	80680-02	129-14c	81761-63	83-25	82371-111	74A-11
80549-02	142-37	80680-02	153-25	81761-65	58-43	82371-112	74-17
80549-02	143-39	80680-03	129-14c	82352-103	29-43	82371-112	74A-12
80549-02	153-99	80680-03	153-25	82371-23	14-51	82371-114	118-27
80550-02	142-37	80682-02	71-10	82371-23	74-22	82371-119	140-42
80550-02	143-39	80682-02	153-121	82371-23	74A-19	82371-119	141-29
80550-02	153-99	80687-02	152A-9	82371-23	74A-26	82371-119	142-42
80558-02	129-33	80687-02	153-84	82371-23	123-24	82371-119	143-29
80558-02	153-98	80704-02	145A-49	82371-23	123A-96	82371-135	123A-35
80563-02	129-14c	80704-02	145C-49	82371-23	123B-79	82371-135	123B-35
80563-02	153-25	80704-02	153-125	82371-25	74-14	82371-137	123A-28
80564-02	129-14c	80755-02	70-95	82371-25	74A-24	82371-137	123B-28
80564-02	153-25	80755-02	153-94	82371-35	71-49	82371-137	123B-30
80584-02	70-49	81102-35	104-29	82371-35	74-21	82371-138	123A-30
80584-02	153-30	81102-36	104-29	82371-35	74A-20	82371-148	123B-21
80584-03	70-49	81102-37	104-29	82371-35	123A-23	82732-56	145A-47
80584-03	153-30	81232-77	91-17	82371-35	123B-23	83161-25	72-30
80590-02	138A-53	81262-107	29-7	82371-44	123A-29	83161-25	72-35
80590-02	144-52	81262-108	29-8	82371-45	123A-85	83161-25	73-3
80590-02	145-52	81262-108	29-91	82371-45	123B-18	83285-02	94-39
80590-02	153-103	81262-109	100-45	82371-45	123B-18	83285-02	94-54
80591-02	138A-53	81262-110	31-13	82371-46	123A-77	83285-02	94-64
80591-02	144-52	81342-05	44-71	82371-47	74-20	83285-02	97-15
80591-02	145-52	81342-08	87-83	82371-47	74A-21	83285-02	99-37
80591-02	153-103	81342-08	88-74	82371-47	74A-26	83285-02	101-32
80614-02	70-96	81342-09	2-45	82371-47	123A-24	83302-23	30-15
80614-02	153-95	81342-09	36-62	82371-47	123A-88	83302-32	43-36
80615-02	54A-18	81342-09	38-60	82371-47	123B-75	83302-47	86-10
80615-02	54B-13	81342-18	82-40	82371-51	71-1	83302-54	43-35
80615-02	153-24	81342-19	112A-38	82371-51	74-19	83302-61	58-27
80622-02	145-19	81342-19	113-40	82371-51	74A-18	83302-61	84-18
80622-02	145C-2	81342-19	116-20	82371-54	74A-24	83302-67	30-26
80622-02	153-104	81342-19	117-16	82371-72	123A-92	83302-69	29-54
80623-02	144-19	81342-56	128-50	82371-72	123B-74	83302-71	29-56
80623-02	145C-2	81342-64	58-34	82371-89	74A-14	83302-82	86-20
80623-02	153-102	81342-68	95-30	82371-89	141-4	83302-83	33-67
80624-02	142-72	81342-71	25-62	82371-89	141-109	83302-84	128-23
80624-02	143-53	81342-71	25A-46	82371-89	142-18	83302-88	90-19
80624-02	153-100	81342-71	26-11	82371-89	143-4	83303-02	31-22
80642-02	138A-79	81342-71	33-5	82371-89	143-77	83303-02	126-29
80642-02	144-76	81342-78	103-23	82371-89	145B-15	83303-03	59A-27
80642-02	145-76	81342-89	103-27	82371-92	74A-28	83303-03	60A-29
80642-02	153-105	81342-89	104-34	82371-92	123-27	83303-03	61-29
80668-02	142-37	81342-90	103-27	82371-92	123B-20	83303-03	63A-19
80668-02	143-39	81342-90	104-34	82371-93	74A-29	85012-65	87-85
80668-02	153-72	81342-91	103-27	82371-93	123-25	85012-65	87-98
80669-02	138A-53	81342-91	104-34	82371-102	71-48	85012-65	87-99

## PIPER PARTS CATALOG

Part Number	Figure and Index No.	Part Number	Figure and Index No.	Part Number	Figure and Index No.	Part Number	Figure and Index No.
85012-65	87-100	147 120	54-38	400 002	87-100	400 116	104-18
85012-65	88-76	149 111	11-52	400 002	88-95	400 124	43-57
85012-65	88-95	149 111	30-40	400 002	92-22	400 168	100-28
85012-65	88-96	149 111	82-14	400 002	93-21	400 188	39-66
85012-65	88-97	149 111	128-52	400 002	93A-37	400 212	39-63
85012-94	127-24	149 205	3-11	400 003	9-43	400 263	40-46
85012-101	77-10	149 211	28-8	400 003	34-31	400 277	77-8
85012-105	39-78	149 227	32-21	400 003	39-72	400 277	77-9
85012-121	63-11	149 227	55-20	400 003	58-61	400 309	39-75
85012-121	63A-16	149 305	32-22	400 003	67-11	400 363	43-49
85012-125	39-86	149 305	55-21	400 003	104-28	400 365	43-49
85052-47	113-5	149 392	25-37	400 003	135-12	400 384	39-74
85052-47	113A-5	149 392	25-42	400 004	135E-5	400 437	74A-79
85166-02	39-32	149 392	25-46	400 008	39-59	400 437	94-82
85166-03	39-32	149 392	25A-47	400 008	94-70	400 437	123-51
85169-02	130-10	149 392	28-8	400 008	96-22	400 438	29-71
85512-28	30-23	180 400	24-22	400 008	96-29	400 438	29-72
86092-87	67-34	180 425	56-30	400 009	2-91	400 438	35-46
86092-87	69-14	180 426	56-29	400 009	96-27	400 438	36-53
86092-92	117-17	180 428	25-50	400 009	98-28	400 438	38-62
86092-96	120-27	180 428	25-52	400 009	100-33	400 438	39-13
86092-98	120-23	180 428	25-54	400 009	136C-4	400 438	43-11
86092-107	128-51	180 428	25-56	400 011	2-29	400 438	74A-78
86102-11	62-26	180 428	25A-38	400 012	39-43	400 438	79-35
86102-11	63-16	180 428	25A-40	400 012	59-11	400 438	94-88
86102-12	92-42	180 428	25A-42	400 012	59A-12	400 438	100-43
86102-104	2-49	180 428	25A-44	400 012	59A-13	400 438	102-16
86102-105	2-49	180 428	64A-2	400 012	60-10	400 438	113A-22
86102-106	2-49	180 428	64A-10	400 012	60A-14	400 438	116-29
86142-49	116-33	180 613	92-39	400 012	60A-27	400 438	122-52
90797-72	2-26	180 613	93-38	400 012	98-23	400 438	122A-55
90797-72	147-7	187 513	26-6	400 014	145A-47	400 438	128-39
91193-00	82-17	187 527	31-14	400 015	44-50	400 438	135-13
91193-00	84-29	187 528	25A-15	400 016	96-30	400 438	135A-5
99361-00	58-54	187 528	33-13	400 018	104-24	400 438	135B-8
99361-00	59-38	187 531	26-10	400 051	100-42	400 438	135C-8
99361-00	60-42	187 542	27-25	400 051	101-36	400 438	135D-6
99361-00	60A-5	187 610	85-67	400 053	35-43	400 438	136-8
99361-00	61-59	187 967	54A-33	400 053	100-30	400 438	136C-3
99361-00	62-45	187 967	54B-68	400 054	84-32	400 440	2-45
99361-00	63-26	189 625	74A-75	400 055	99-23	400 440	30-38
980024-501	70-11	189 625	75-28	400 060	101-28	400 440	33-92
980024-501	71-22	189 625	88-73	400 100	100-42	400 440	36-62
		189 625	123A-65	400 100	128-37	400 440	37-8
		189 625	124-24	400 103	102-20	400 440	37-9
		189 625	127-41	400 105	43-51	400 440	38-60
		189 631	122A-52	400 106	43-53	400 440	38-78
		189 713	54-50	400 106	103-72	400 440	43-71
		189 729	33-89	400 107	34-36	400 440	57-16
		189 743	83-29	400 107	43-65	400 440	91-30
		189 745	33-26	400 108	43-52	400 441	2-83
		189 777	118-26	400 108	43-56	400 441	26-39
149 529	54A-61	289 776	26-3b	400 109	44-50	400 441	36-54
149 529	54B-69	400 002	43-44	400 110	102-21	400 441	43-50
149 530	54A-61	400 002	68-40	400 116	48-15	400 441	43-71
149 530	54B-69						
147 120	31-57						

## PIPER PARTS CATALOG

Part Number	Figure and Index No.	Part Number	Figure and Index No.	Part Number	Figure and Index No.	Part Number	Figure and Index No.
400 441	44-51	400 743	44-53	400 922	60A-39	401 270	99-9
400 441	57-35	400 748	44-53	400 922	61-55a	401 270	103-15
400 441	87-72	400 863	38-78	400 922	62-17	401 273	87-73
400 441	88-81	400 867	58-33	400 922	62-38c	401 273	88-78
400 441	89-40	400 868	97-18	400 922	63A-32	401 273	89-38
400 441	97-37	400 889	33-33	400 922	63A-39	401 273	99-15
400 441	99-46	400 869	101-34	400 924	59-34	401 273	133-17
400 441	116-27	400 872	59A-45	400 924	59-42	401 274	84-33
400 443	29-10	400 872	60A-38	400 924	60-39	401 274	87-78
400 443	38-78	400 873	63A-38	400 924	60-44	401 274	88-69
400 443	99-39	400 873	99-38	400 924	61-55	401 277	136B-3
400 443	103-16	400 874	2-90	400 926	61-46	401 280	59A-6
400 443	136B-4	400 876	59A-43	400 926	68A-25	401 280	60A-6
400 444	39-60	400 876	60A-43	400 932	62-18	401 280	61-6b
400 444	97-34	400 876	63A-42	400 932	68A-24	401 280	62-5b
400 444	103-29	400 878	59-13	400 935	26-59	401 280	63A-7
400 444	120-33	400 878	60-35	401 185	128-38	401 280	68A-4c
400 446	2-47	400 882	2-90	401 186	2-35	401 302	44-18
400 446	102-22	400 882	31-17	401 187	34-26	401 307	84-35
400 446	104-25	400 882	61-30	401 187	34-28	401 307	92-21
400 446	135E-4	400 882	62-13	401 187	39-57	401 307	93-20
400 450	24-10	400 888	2-90	401 188	34-27	401 307	117-21
400 450	97-41	400 889	34-23	401 188	39-88	401 307	125-53
400 450	97-43	400 890	59-33	401 189	34-23	401 307	128-42
400 450	99-12	400 890	60-34	401 189	39-88	401 307	133-18
400 450	101-5	400 890	61-48	401 189	96-44	401 307	135A-6
400 450	101-6	400 890	62-37	401 191	103-73	401 307	135B-7
400 451	2-47	400 899	63-10	401 193	103-69	401 307	135C-9
400 451	104-22	400 901	63-18	401 195	39-76	401 307	136-9
400 451	104-26	400 902	63A-14	401 263	44-61	401 310	2-84
400 451	135E-3	400 902	68-13	401 264	103-30	401 310	34-24
400 453	2-47	400 905	27-42	401 265	44-60	401 310	39-69
400 453	33-77	400 907	58-47	401 266	2-30	401 310	39-89
400 453	87-77	400 907	59-42	401 266	7-105	401 310	96-45
400 453	88-68	400 907	60-39	401 266	9-43	401 310	96-57
400 455	2-47	400 907	61-55	401 266	10-20	401 310	98-24
400 459	128-45	400 909	27-16	401 266	30-47	401 310	100-26
400 460	2-54	400 912	98-28	401 266	34-29	401 311	2-46
400 461	136B-4	400 914	31-54	401 266	35-47	401 311	29-32
400 463	36-55	400 915	27-16	401 266	39-19	401 311	39-56
400 463	79-21	400 915	59-17	401 266	46-19	401 311	39-62
400 478	2-90	400 917	62-30	401 266	99-2	401 311	43-45
400 621	2-39	400 917	63-19	401 266	103-57	401 311	93A-42
400 673	33-81	400 917	68A-26	401 267	44-70	401 311	98-26
400 673	96-36	400 919	58-50	401 268	44-52	401 312	2-52
400 674	27-13	400 920	59-28	401 269	2-34	401 312	29-33
400 674	31-53	400 920	60-28	401 269	29-12	401 315	100-46
400 675	27-41	400 920	61-31	401 269	38-78	401 318	46-15
400 675	98-20	400 920	61-47	401 269	44-51	401 318	100-31
400 677	101-31	400 920	62-12	401 269	89-41	401 319	42A-18
400 698	102-20	400 920	62-30	401 269	97-26	401 330	41-8
400 699	32-30	400 920	68A-27	401 269	97-42	401 334	98-25
400 700	96-35	400 921	68A-18	401 269	101-12	401 335	100-32
400 703	96-33	400 922	59A-36	401 269	116-28	401 336	135D-5
400 706	34-30	400 922	59A-39	401 270	39-58	401 353	2-36

## PIPER PARTS CATALOG

Part Number	Figure and Index No.	Part Number	Figure and Index No.	Part Number	Figure and Index No.	Part Number	Figure and Index No.
401 353	2-38	404 100	101-28	404 392	96-36	404 835	49-17
401 365	2-37	404 101	34-22	404 392	98-20	404 835	49-32
401 366	96-34	404 101	34-25	404 392	101-36	404 835	59-13
401 375	41-8	404 101	34-36	404 392	112A-38	404 835	60-35
401 388	40-43	404 101	43-51	404 392	113-21	404 835	62-13
401 388	44-57	404 101	43-52	404 392	116-8	404 835	77-52
401 394	2-33	404 101	43-53	404 392	117-16	404 835	82-33
401 395	2-82	404 101	43-56	404 393	34-30	404 835	91-48
401 404	39-77	404 101	43-57	404 393	96-33	404 835	97-26
401 410	40-18	404 101	43-65	404 393	96-35	404 835	99-11
401 410	46-17	404 101	44-49	404 393	102-20	404 835	99-12
401 411	46-17	404 101	44-50	404 394	44-53	404 835	99-15
401 419	44-71	404 101	48-15	404 469	40-14	404 835	101-5
401 420	40-19	404 101	102-20	404 528	108A-7	404 835	101-6
401 421	77-11	404 101	102-21	404 530	33-86	404 835	101-34
401 455	43-46	404 101	104-18	404 594	25-62	404 835	103-16
401 504	2-40	404 102	39-66	404 594	26-11	404 835	103-29
401 919	119-6	404 102	44-48	404 594	28-14	404 835	104-22
401 985	132-24	404 102	100-28	404 594	33-5	404 835	104-23
401 985	132-28	404 103	39-61	404 596	25-38	404 835	104-25
402 031	43-54	404 103	39-63	404 596	25-43	404 835	113-36
402 038	100-38	404 103	40-44	404 596	25-47	404 835	113A-29
402 070	31-55	404 103	40-45	404 596	25A-49	404 835	113A-29
402 258	97-36	404 104	40-46	404 596	28-9	404 835	135-8
402 288	101-40	404 104	43-48	404 596	120-36	404 835	136-14
402 298	101-41	404 104	43-55	404 596	120-37	404 836	26-59
402 303	34-22	404 104	43-60	404 596	130-46	404 836	33-85
402 310	34-22	404 105	39-67	404 596	130-46	404 836	46-15
402 311	100-29	404 105	39-68	404 638	128-36	404 836	46-16
402 312	44-49	404 105	39-75	404 638	128-50	404 836	59-11
402 313	34-25	404 106	43-49	404 678	35-20a	404 836	59-17
402 317	96-59	404 107	39-74	404 752	128-41	404 836	59-34
402 317	100-27	404 120	33-81	404 829	30-28	404 836	59A-12
402 321	34-14	404 224	29-48	404 829	98-21	404 836	60-10
402 344	44-48	404 224	33-58	404 829	103-60	404 836	60-44
402 360	44-16c	404 224	33-94	404 829	104-27	404 836	60A-14
402 360	44-19	404 224	79-47	404 829	131-7	404 836	60A-27
402 370	40-45	404 224	82-30	404 829	145C-37	404 836	62-12
402 377	40-44	404 224	91-44	404 833	70-70	404 836	96-45
402 422	43-60	404 224	95-33	404 833	70-76	404 836	96-57
402 426	43-55	404 224	95-36	404 833	71-39	404 836	98-23
402 437	43-48	404 224	111-26	404 833	82-36	404 836	98-24
402 517	39-67	404 225	128-43	404 833	82-26b	404 836	98-26
402 717	60A-44	404 226	100-15	404 833	91-52	404 836	98-28
402 726	101-25	404 226	128-38	404 833	95-50	404 836	100-26
402 741	29-21	404 321	33-93	404 833	99-14	404 836	100-31
402 798	39-68	404 322	63A-14	404 833	111-22	404 836	100-32
402 867	103-16	404 322	84-8	404 833	116-30	404 836	100-33
402 868	103-15	404 322	96-14	404 833	122-56	404 836	100-46
403 628	46-16	404 322	97-31	404 835	2-47	404 836	104-24
404 100	47-50	404 322	99-21	404 835	24-10	404 837	96-44
404 100	84-4	404 322	104-19	404 835	29-39	404 838	43-46
404 100	84-32	404 330	33-61	404 835	29-74	404 838	44-16c
404 100	99-23	404 330	33-82	404 835	33-33	404 838	44-19
404 100	100-30	404 392	82-40	404 835	46-19	404 838	46-17

## PIPER PARTS CATALOG

Part Number	Figure and Index No.	Part Number	Figure and Index No.	Part Number	Figure and Index No.	Part Number	Figure and Index No.
404 856	60A-44	404 887	88-81	404 888	41-10	404 891	103-17
404 887	2-30	404 887	89-38	404 888	42-9	404 900	2-39
404 887	2-34	404 887	89-40	404 888	42A-17	404 902	125-54
404 887	2-54	404 887	89-41	404 888	42B-13	404 902	125-55
404 887	2-83	404 887	91-30	404 888	43-44	404 908	99-10
404 887	2-90	404 887	91-34	404 888	43-45	404 908	120-39
404 887	7-94	404 887	91-48	404 888	43-58	404 909	24-18
404 887	7-105	404 887	94-71	404 888	44-50	404 909	25-62
404 887	10-20	404 887	94-72	404 888	59A-13	404 909	26-11
404 887	20-61	404 887	97-18	404 888	59A-36	404 909	28-14
404 887	26-39	404 887	97-34	404 888	62-19	404 909	30-17
404 887	29-72	404 887	97-36	404 888	63-11	404 909	33-5
404 887	30-38	404 887	97-37	404 888	63A-16	404 909	35-30
404 887	30-47	404 887	97-41	404 888	67-11	404 909	78-14
404 887	33-77	404 887	97-42	404 888	68-13	404 909	84-28
404 887	33-84	404 887	97-43	404 888	68A-18	404 909	89-39
404 887	33-87	404 887	99-38	404 888	86-26	404 909	97-19
404 887	33-92	404 887	99-39	404 888	87-100	404 909	98-22
404 887	35-43	404 887	99-46	404 888	88-95	404 909	99-45
404 887	35-45	404 887	100-38	404 888	94-70	404 909	101-30
404 887	37-10	404 887	100-43	404 888	96-22	404 909	102-19
404 887	37-48	404 887	101-12	404 888	96-27	404 909	103-50
404 887	37-51	404 887	101-25	404 888	96-29	404 909	103-63
404 887	39-58	404 887	101-31	404 888	96-30	404 909	126-20
404 887	39-60	404 887	101-40	404 888	96-59	404 909	127-19
404 887	40-50	404 887	101-41	404 888	100-27	404 909	130-49
404 887	43-54	404 887	102-13	404 888	100-29	404 909	135D-4
404 887	43-71	404 887	102-16	404 888	125-53	404 910	24-15
404 887	44-51	404 887	102-22	404 888	128-37	404 910	26-25
404 887	47-40	404 887	112A-40	404 888	135E-5	404 910	26-26
404 887	47-45	404 887	116-27	404 888	136B-5	404 910	26-32
404 887	47-46	404 887	116-28	404 888	145A-47	404 910	26-52
404 887	58-33	404 887	119-35	404 889	2-35	404 910	29-49
404 887	59A-6	404 887	123-51	404 889	2-36	404 910	33-88
404 887	60A-6	404 887	128-44	404 889	2-37	404 910	39-71
404 887	61-6b	404 887	133-17	404 889	2-38	404 910	70-77
404 887	62-5b	404 887	135B-10	404 889	34-26	404 910	78-11
404 887	63A-7	404 887	135C-11	404 889	34-27	404 910	78-12
404 887	68A-4c	404 887	137A-7	404 889	34-28	404 910	78-20
404 887	74A-79	404 887	147-22	404 889	39-57	404 910	79-33
404 887	77-53	404 888	2-29	404 889	39-76	404 910	79-39
404 887	79-21	404 888	2-46	404 889	39-88	404 910	82-27
404 887	79-32	404 888	2-52	404 889	41-10	404 910	82-42
404 887	79-35	404 888	2-84	404 889	45-12	404 910	83-28
404 887	79-38	404 888	2-91	404 889	100-28	404 910	87-70
404 887	79-48	404 888	34-14	404 889	103-69	404 910	89-42
404 887	82-26	404 888	34-24	404 890	2-33	404 910	91-36
404 887	84-33	404 888	34-31	404 890	2-82	404 910	91-51
404 887	87-72	404 888	39-43	404 890	39-77	404 910	96-19
404 887	87-73	404 888	39-56	404 890	40-19	404 910	97-16
404 887	87-77	404 888	39-59	404 890	40-44	404 910	99-40
404 887	87-78	404 888	39-62	404 890	46-17	404 910	101-26
404 887	88-68	404 888	39-64	404 890	77-11	404 910	111-29
404 887	88-69	404 888	39-69	404 893	63A-32	404 910	117-20
404 887	88-78	404 888	39-89	404 891	2-40	404 910	121-37



## PIPER PARTS CATALOG

Part Number	Figure and Index No.	Part Number	Figure and Index No.	Part Number	Figure and Index No.	Part Number	Figure and Index No.
404 910	121-44	406 812	16-7a	407 127	87-98	407 563	99-40
404 910	121-45	406 812	16-8a	407 127	87-99	407 563	107-28
404 910	122-58	406 812	16-9a	407 127	87-100	407 563	113-39
404 910	122-70	406 812	16-10a	407 127	88-74	407 563	113A-27
404 915	44-72	406 812	16-11a	407 127	88-76	407 563	116-30
405 100	130-45	406 819	34-9	407 127	88-95	407 563	121-37
405 100	136-10	406 820	11-32	407 127	88-96	407 563	122-56
405 312	84-22	406 824	34-8	407 127	88-97	407 563	135-14
405 312	92-23	406 826	11-11	407 129	95-38	407 564	2-54
405 312	93-32	406 827	83-25a	407 132	130-46	407 564	2-83
405 312	102-18	406 834	11-31	407 132	130-46	407 564	7-94
405 312	128-35	406 848	30-21	407 133	130-49	407 564	7-105
405 312	130-44	406 848	55-13	407 134	27-3	407 564	9-43
405 407	135B-10	406 848	147-16	407 134	31-49	407 564	10-20
405 407	135C-11	406 863	14-94	407 134	31-52	407 564	26-19
405 533	102-15	406 863	57-18	407 134	113-34	407 564	26-31
405 580	96-11	406 863	82-46	407 135	127-49	407 564	26-56
406 346	130-47	406 870	29-61	407 136	92-21	407 564	29-72
406 355	35-48	407 040	120-36	407 136	92-22	407 564	30-38
406 355	36-58	407 040	120-37	407 136	93-20	407 564	30-39
406 355	37-41	407 041	73-12	407 136	93-21	407 564	30-46
406 355	38-61	407 041	135-5	407 136	93A-37	407 564	30-47
406 362	2-42	407 041	147-16	407 137	128-38	407 564	33-79
406 362	34-33	407 042	103-54	407 138	150-24	407 564	33-92
406 369	61-32	407 042	113-39	407 143	33-82	407 564	38-60
406 385	33-91	407 042	113A-27	407 143	84-2	407 564	39-21
406 403	55-14	407 042	130-45	407 143	97-17	407 564	39-58
406 434	2-31	407 042	136-10	407 143	99-44	407 564	39-60
406 435	122-69	407 043	92-23	407 143	101-29	407 564	40-50
406 526	54B-35	407 043	93-32	407 144	87-83	407 564	43-54
406 636	103-15	407 043	95-38	407 561	120-35	407 564	43-71
406 638	95-40	407 043	113A-22	407 562	25-62	407 564	44-52
406 701	57-34	407 043	128-35	407 562	26-11	407 564	44-60
406 701	111-22	407 043	128-40	407 562	28-14	407 564	46-19
406 702	27-13	407 043	130-39	407 562	30-27	407 564	47-40
406 702	27-41	407 044	82-34	407 562	33-5	407 564	47-45
406 702	31-53	407 044	84-35	407 562	58-31	407 564	47-46
406 704	70-76	407 044	117-21	407 562	58-32	407 564	49-16
406 714	83-17	407 044	125-56	407 562	58-34	407 564	49-31
406 789	14-35a	407 044	128-37	407 562	94-78	407 564	58-33
406 789	14-36a	407 044	128-43	407 562	103-50	407 564	59A-6
406 789	14-37a	407 044	133-18	407 562	103-60	407 564	60A-6
406 789	14-38a	407 045	128-36	407 562	103-63	407 564	61-6b
406 789	15-9a	407 045	128-50	407 562	104-27	407 564	62-5b
406 789	15-28b	407 046	119-44	407 562	127-19	407 564	63A-7
406 789	16-4a	407 101	109-53	407 562	131-7	407 564	68A-4c
406 789	16-5a	407 102	72-73	407 563	26-25	407 564	70-102
406 789	16-6a	407 103	114-45	407 563	29-49	407 564	79-21
406 789	16-15a	407 104	84-22	407 563	39-71	407 564	79-35
406 789	16-16a	407 120	26-13	407 563	70-76	407 564	82-29
406 789	16-17a	407 120	26-72	407 563	71-39	407 564	84-21
406 807	16-52a	407 120	87-41	407 563	82-28	407 564	84-33
406 809	11-23	407 120	88-41	407 563	83-26b	407 564	87-77
406 810	11-12	407 127	82-35	407 563	96-19	407 564	87-78
406 812	15-10a	407 127	87-85	407 563	97-16	407 564	88-68

## PIPER PARTS CATALOG

Part Number	Figure and Index No.	Part Number	Figure and Index No.	Part Number	Figure and Index No.	Part Number	Figure and Index No.
407 564	88-69	407 565	39-72	407 565	96-22	407 567	40-45
407 564	97-26	407 565	39-89	407 565	96-27	407 567	44-16c
407 564	97-34	407 565	40-17	407 565	96-29	407 567	44-19
407 564	97-36	407 565	41-9	407 565	96-45	407 567	44-71
407 564	97-41	407 565	42-11	407 565	96-57	407 567	46-17
407 564	98-20	407 565	42B-8	407 565	96-59	407 567	46-23
407 564	99-9	407 565	43-44	407 565	98-23	407 567	49-8
407 564	99-11	407 565	43-45	407 565	98-24	407 567	72-60
407 564	99-12	407 565	43-51	407 565	98-25	407 567	72-62
407 564	99-13	407 565	43-52	407 565	98-26	407 567	73-18
407 564	100-38	407 565	43-53	407 565	98-28	407 567	77-11
407 564	100-42	407 565	43-56	407 565	98-29	407 567	80-34
407 564	101-6	407 565	43-58	407 565	100-26	407 567	84-33
407 564	101-12	407 565	43-65	407 565	100-31	407 567	107-44
407 564	101-25	407 565	44-49	407 565	100-32	407 567	113-31
407 564	101-28	407 565	44-50	407 565	100-33	407 568	40-42
407 564	101-31	407 565	46-15	407 565	100-46	407 568	43-48
407 564	101-40	407 565	46-16	407 565	102-20	407 568	43-55
407 564	103-15	407 565	48-15	407 565	102-21	407 568	43-60
407 564	103-16	407 565	58-50	407 565	104-18	407 568	47-43
407 564	103-29	407 565	58-61	407 565	104-24	407 568	48-18
407 564	104-23	407 565	59-11	407 565	128-42	407 568	72-61
407 564	104-25	407 565	59-28	407 565	133-18	407 568	72-63
407 564	113-38	407 565	59-34	407 565	145A-47	407 568	77-8
407 564	113A-31	407 565	59A-12	407 566	2-35	407 568	77-9
407 564	116-27	407 565	59A-13	407 566	2-36	407 568	103-17
407 564	116-28	407 565	59A-36	407 566	2-38	407 568	105-59
407 564	120-30	407 565	60-10	407 566	27-3	407 568	106-29
407 564	120-31	407 565	60-28	407 566	31-49	407 568	107-27
407 564	120-32	407 565	60-44	407 566	34-23	407 568	107-31
407 564	128-39	407 565	60A-14	407 566	34-26	407 568	145B-48
407 564	128-41	407 565	60A-27	407 566	34-27	407 568	145C-59
407 564	128-45	407 565	60A-44	407 566	34-28	407 569	2-39
407 564	133-17	407 565	61-46	407 566	39-65	407 569	26-27
407 565	2-29	407 565	61-47	407 566	39-66	407 569	39-67
407 565	2-52	407 565	62-17	407 566	39-88	407 569	39-68
407 565	9-43	407 565	62-18	407 566	41-9	407 569	39-75
407 565	27-42	407 565	62-30	407 566	44-53	407 570	43-49
407 565	26-37	407 565	63-18	407 566	45-11	407 570	124-20
407 565	26-50	407 565	63-19	407 566	89-37	407 570	124A-11
407 565	26-58	407 565	63A-32	407 566	95-39	407 570	124A-12
407 565	27-16	407 565	67-11	407 566	96-34	407 571	39-74
407 565	31-54	407 565	68-13	407 566	96-44	407 573	87-80
407 565	34-14	407 565	68-40	407 566	100-28	407 573	88-71
407 565	34-22	407 565	68A-24	407 566	103-69	407 573	105-60
407 565	34-24	407 565	68A-25	407 566	111-17	407 573	119-43
407 565	34-25	407 565	68A-27	407 566	125-19	407 573	123A-70
407 565	34-31	407 565	78-10	407 566	128-50	407 573	123B-70
407 565	34-36	407 565	78-16	407 567	2-33	407 575	76-10
407 565	39-43	407 565	78-21	407 567	2-82	407 575	123A-71
407 565	39-59	407 565	82-35	407 567	39-61	407 576	119-39
407 565	39-62	407 565	84-37	407 567	39-63	407 576	119-39
407 565	39-64	407 565	91-30	407 567	39-77	407 583	29-82
407 565	39-69	407 565	93-22	407 567	40-18	407 583	33-88
407 565	39-70	407 565	94-70	407 567	40-44	407 584	2-34

## PIPER PARTS CATALOG

Part Number	Figure and Index No.	Part Number	Figure and Index No.	Part Number	Figure and Index No.	Part Number	Figure and Index No.
407 584	2-47	407 584	104-22	407 677	128-38	411 532	77-53
407 584	2-83	407 584	111-23	407 678	132-24	411 532	79-34
407 584	2-90	407 584	116-29	407 682	31-17	411 532	79-38
407 584	26-19	407 584	117-18	407 686	46-24	411 532	82-26
407 584	26-39	407 584	117-19	407 695	1368-5	411 532	92-25
407 584	26-58	407 585	2-91	407 698	75-29	411 532	93-28
407 584	27-41	407 585	26-37	407 800	31-18	411 532	94-78
407 584	29-82	407 585	26-50	407 800	97-41	411 532	95-38
407 584	29-83	407 585	26-59	407 836	98-25	411 532	112A-37
407 584	30-18	407 585	29-49	407 957	43-49	411 532	112A-40
407 584	31-15	407 585	39-56	407 984	111-11	411 532	113-36
407 584	31-18	407 585	41-16	408 803	84-31	411 532	113A-29
407 584	31-19	407 585	42A-15	408 811	78-9	411 532	113A-29
407 584	33-70	407 585	42A-19	408 811	78-10	411 532	118-22
407 584	33-77	407 585	42B-13	408 811	78-16	411 532	119-35
407 584	33-80	407 585	43-53	408 811	78-21	411 532	135-6
407 584	33-92	407 585	43-56	408 813	70-102	411 532	135-8
407 584	34-29	407 585	44-49	408 815	111-13	411 532	135B-10
407 584	35-45	407 585	59-11	408 816	95-35	411 532	135C-11
407 584	35-47	407 585	59A-12	408 825	103-73	411 532	136-11
407 584	37-9	407 585	59A-13	408 833	95-35	411 532	136-14
407 584	37-10	407 585	60-10	408 837	2-51	411 532	137A-7
407 584	37-48	407 585	60A-14	409 567	107-43	411 533	33-90
407 584	37-51	407 585	60A-27	410 032	56-47	411 533	70-102
407 584	38-78	407 585	61-31	410 041	20-61	411 533	77-50
407 584	44-51	407 585	61-46	410 042	104-23	411 533	82-43
407 584	44-61	407 585	62-12	410 046	60-46	411 533	86-28
407 584	47-50	407 585	63A-14	410 046	60A-50	411 534	79-32
407 584	48-17	407 585	82-31	410 050	29-39	411 534	102-17
407 584	59-13	407 585	82-34	410 055	31-16	411 535	102-22
407 584	60-35	407 585	87-100	410 076	27-17	411 538	7-94
407 584	61-30	407 585	88-95	410 076	31-48	411 539	47-46
407 584	62-13	407 585	96-33	410 242	33-88	411 544	79-47
407 584	82-32	407 585	96-35	410 251	99-40	411 545	126-36
407 584	84-4	407 585	98-30	410 253	97-16	411 583	91-34
407 584	84-32	407 585	99-39	410 253	101-26	412 673	145C-37
407 584	84-33	407 585	102-20	411 211	35-45	412 676	135-5
407 584	84-34	407 586	111-17	411 211	37-10	414 425	2-94
407 584	86-14	407 587	46-18	411 212	37-48	414 427	24-16
407 584	91-45	407 587	60A-44	411 212	37-51	414 427	24-17
407 584	91-50	407 587	84-33	411 212	93A-39	414 507	35-44
407 584	93A-39	407 587	113-32	411 349	46-9	414 507	70-74
407 584	94-82	407 588	68-13	411 528	31-49	414 507	135B-9
407 584	95-33	407 588	68A-18	411 528	31-52	414 507	135C-12
407 584	99-9	407 591	2-40	411 528	125-46	414 508	70-79
407 584	99-15	407 591	40-42	411 530	47-44	414 508	86-27
407 584	99-39	407 591	40-46	411 530	102-17	414 508	126-20
407 584	100-43	407 591	43-60	411 530	120-40	414 515	94-87
407 584	101-5	407 593	74A-77	411 531	32-31	414 551	32-12
407 584	101-35	407 597	114-58	411 531	63A-20	414 705	95-40
407 584	102-16	407 601	43-47	411 531	136-15	414 746	135D-4
407 584	103-30	407 672	66-14	411 532	33-84	414 746	136C-5
407 584	103-57	407 674	33-33	411 532	47-40	414 748	2-42
407 584	104-20	407 676	80-25	411 532	59A-48	414 748	34-8
407 584	104-21	407 677	80-25	411 532	60-46	414 748	34-9

## PIPER PARTS CATALOG

Part Number	Figure and Index No.	Part Number	Figure and Index No.	Part Number	Figure and Index No.	Part Number	Figure and Index No.
414 748	34-33	415 381	24-15	415 533	2-41	415 632	121-45
414 748	34-42	415 408	54B-35	415 533	2-81	415 632	122-58
414 748	35-48	415 408	129-39	415 533	4-23	415 633	29-49
414 748	36-56	415 419	29-85	415 533	25A-19	415 633	89-42
414 748	37-41	415 449	78-12	415 533	26-26	415 633	96-19
414 748	38-61	415 449	78-13	415 533	79-39	415 686	130-46
414 748	94-72	415 449	83-28	415 533	82-42	415 688	99-10
414 750	26-12	415 450	78-8	415 533	83-26b	415 729	24-18
414 756	30-20	415 450	78-20	415 533	87-81	415 745	131-6
414 756	130-43	415 493	35-30	415 533	102-15	415 752	87-40
414 761	92-29	415 493	94-86	415 533	113-39	415 752	88-40
414 761	93-34	415 493	130-47	415 533	113A-27	415 752	114-44
414 761	93A-38	415 493	130-49	415 533	117-20	415 754	78-11
414 763	2-79	415 500	64A-5	415 533	135-11	416 094	97-19
414 763	26-72	415 501	64A-4	415 535	2-32	416 094	99-45
414 763	32-29	415 505	120-39	415 535	25A-18	416 095	84-28
414 763	34-41	415 508	120-36	415 535	26-13	416 098	40-38
414 763	37-12	415 510	120-37	415 535	26-25	416 131	77-52
414 763	77-51	415 514	98-27	415 535	26-32	416 133	29-47
414 763	92-27	415 514	102-19	415 535	33-8	416 691	31-60
414 763	93-36	415 517	70-75	415 535	33-30	416 785	28-4
414 763	93A-36	415 517	83-34	415 535	33-99	416 785	95-38
414 763	120-38	415 518	2-31	415 535	69-21	416 788	137A-8
414 764	137A-6	415 518	30-17	415 535	70-70	416 794	128-44
414 769	86-30	415 518	30-22	415 535	70-77	416 800	29-61
414 779	2-27	415 518	91-38	415 535	79-33	416 987	27-3
414 779	2-94	415 518	96-52	415 535	82-27	416 996	65-16
414 779	33-37	415 518	98-21	415 535	82-36	416 997	65-7
414 779	92-28	415 518	113A-25	415 535	91-35	416 998	47-45
414 779	95-37	415 518	121-46	415 535	91-51	417 703	47-38
414 779	120-34	415 518	122-69	415 535	92-30	417 776	83-17
414 781	77-51	415 518	126-22	415 535	93-37	417 784	128-35
415 146	131-7	415 518	127-20	415 535	103-54	418 351	87-99
415 149	46-20	415 518	135C-10	415 535	112A-41	418 351	88-96
415 149	139-7	415 518	136-13	415 535	118-21	418 418	78-16
415 149	147-22	415 520	30-21	415 535	121-43	418 419	78-10
415 158	103-63	415 520	30-28	415 535	121-44	418 420	82-34
415 161	104-27	415 520	34-35	415 535	122-56	418 421	78-21
415 230	55-19	415 520	70-78	415 535	122-70	418 431	87-85
415 244	54A-52	415 520	118-20	415 535	136-12	418 431	87-98
415 244	54B-48	415 520	125-54	415 535	137A-6	418 431	88-76
415 245	28-15	415 520	126-21	415 536	39-71	418 431	88-97
415 245	55-18	415 520	127-19	415 536	99-14	418 433	82-35
415 246	33-34	415 520	147-16	415 537	24-13	418 448	87-83
415 246	122-57	415 521	98-22	415 537	92-24	418 448	88-74
415 261	24-11	415 521	103-60	415 537	121-37	418 757	119-44
415 264	54A-58	415 521	112A-39	415 537	135-14	419 600	44-56
415 264	54B-54	415 521	125-51	415 538	26-52	419 690	26-28
415 267	24-12	415 521	125-55	415 538	93-35	419 690	64-7
415 269	24-14	415 522	95-52	415 538	135B-10	419 690	64A-7
415 283	29-74	415 522	101-30	415 538	135C-11	419 691	113-35
415 283	54A-56	415 522	137A-6	415 539	95-50	419 691	113A-28
415 283	54B-52	415 523	89-39	415 541	87-70	419 693	56-23
415 372	136B-5	415 528	103-50	415 544	33-76	419 708	54A-53
415 379	77-50	415 532	113-34	415 632	66-14	419 708	54A-54

## PIPER PARTS CATALOG

Part Number	Figure and Index No.	Part Number	Figure and Index No.	Part Number	Figure and Index No.	Part Number	Figure and Index No.
419 708	54B-49	424 051	96-23	424 061	80-17	424 505	101-42
419 708	54B-50	424 051	96-33	424 067	43-49	424 506	96-39
419 713	54A-57	424 051	96-35	424 068	39-74	424 506	97-27
419 713	54B-53	424 051	96-36	424 071	40-48	424 506	99-19
419 806	57-15	424 051	98-20	424 095	29-73	424 507	96-46
419 883	103-49	424 051	98-31	424 095	31-15	424 507	96-58
419 886	103-51	424 051	98-32	424 095	31-18	424 507	98-37
419 927	95-53	424 051	98-34	424 095	31-19	424 507	100-36
419 932	68A-22	424 051	99-23	424 140	29-82	424 508	96-41
419 948	54A-55	424 051	100-28	424 141	86-21	424 510	97-35
419 948	54B-51	424 051	100-30	424 141	86-32	424 510	94-77
419 981	23-15	424 051	100-35	424 142	58-32	424 510	96-42
419 984	127-21	424 051	100-42	424 143	58-31	424 512	96-31
420 189	33-91	424 051	101-28	424 143	58-34	424 513	97-33
420 192	31-56	424 051	101-36	424 143	86-21	424 513	99-18
420 741	29-31	424 051	104-18	424 145	30-27	424 514	96-28
424 032	33-79	424 051	104-20	424149	98-34	424 515	100-20
424 032	33-80	424 051	104-21	424 154	96-23	424 518	100-44
424 032	33-81	424 051	111-23	424 164	100-35	424 519	103-55
424 032	33-92	424 051	112A-38	424 171	117-18	424 520	99-16
424 050	111-11	424 051	113-40	424 173	26-31	424 522	98-33
424 051	26-19	424 051	116-8	424 173	86-32	424 522	138A-59
424 051	26-31	424 051	117-16	424 173	120-32	424 522	144-46
424 051	26-56	424 051	117-18	424 174	26-19	424 522	145-66
424 051	26-58	424 051	120-30	424 174	29-83	424 522	145A-46
424 051	29-82	424 051	120-31	424 174	84-34	424 522	145C-20
424 051	29-83	424 051	120-32	424 175	26-56	424 527	96-32
424 051	30-16	424 052	26-27	424 175	29-82	424 541	100-34
424 051	30-18	424 052	26-57	424 175	31-15	434 125	121A-50
424 051	30-19	424 052	33-97	424 175	91-50	434 125	122A-48
424 051	30-27	424 052	34-22	424 175	111-23	434 126	37-43
424 051	30-39	424 052	39-66	424 176	30-18	434 126	92-34
424 051	30-46	424 052	43-51	424 176	48-13	434 126	93-24
424 051	33-83	424 052	43-52	424 176	91-45	434 126	113-37
424 051	34-25	424 052	43-53	424 176	104-20	434 126	113A-30
424 051	34-30	424 052	43-56	424 177	26-58	434 128	3-30
424 051	34-36	424 052	43-57	424 177	33-79	434 128	75-26
424 051	44-50	424 052	43-65	424 177	33-92	434 128	113-25
424 051	44-53	424 052	44-48	424 177	82-29	434 128	113A-21
424 051	47-50	424 052	44-49	424 177	120-30	434 128	114-34
424 051	48-14	424 052	48-15	424 178	31-18	434 128	114-57
424 051	58-31	424 052	101-7	424 178	31-19	434 128	121A-51
424 051	58-32	424 052	102-20	424 181	33-80	434 128	122A-49
424 051	58-34	424 052	102-21	424 182	30-46	434 129	87-60
424 051	68-14	424 059	40-44	424 182	120-31	434 129	87-100
424 051	82-29	424 059	40-45	424 183	29-73	434 129	88-79
424 051	82-40	424 059	40-46	424 183	30-16	434 129	88-95
424 051	84-4	424 059	43-48	424 183	30-39	434 129	113-24
424 051	84-32	424 059	43-55	424 184	68-14	434 129	113A-20
424 051	84-34	424 059	43-60	424 185	86-14	434 129	122A-50
424 051	86-14	424 060	39-61	424 185	104-21	434 133	123-50
424 051	86-21	424 060	39-63	424 186	30-16	434 134	75-25
424 051	86-32	424 060	39-67	424 197	33-83	434 134	111-25
424 051	91-45	424 060	39-68	424 505	97-29	434 134	123-49
424 051	91-50	424 060	39-75	424 505	99-17	434 135	71-37

## PIPER PARTS CATALOG

Part Number	Figure and Index No.	Part Number	Figure and Index No.	Part Number	Figure and Index No.	Part Number	Figure and Index No.
434 135	87-82	452 015	97-23	452 386	7-92	453 691	70-55
434 135	88-77	452 015	98-15	452 386	34-18	453 694	26-40
434 135	113A-17	452 015	99-5	452 386	35-20	453 694	54-54
434 137	74A-74	452 015	101-38	452 386	37-39	453 694	70-56
434 138	69-19	452 015	138-72	452 386	37-50	453 695	150-10
434 138	122A-51	452 015	138A-56	452 412	43-15	453 709	70-57
434 138	124-25	452 015	140-89	452 412	43-18	453 723	43-26
434 139	114-21	452 015	141-70	452 412	46-11	453 729	37-35
434 140	72-66	452 015	142-14	452 427	99-35	453 732	7-88
434 144	87-52	452 015	142-88	452 429	40-40	453 732	23-29
434 144	88-66	452 015	143-70	452 431	104-2	453 732	92-38
434 145	114-27	452 015	145A-43	452 434	94-33	453 732	93-31
434 155	115-21	452 036	27-9	452 439	43-17	453 732	97-22
434 156	74A-17	452 036	31-31	452 440	43-42	453 733	29-19
434 157	72-65	452 036	32-5	452 441	39-27	453 733	29-25
434 160	114-56	452 038	127-35	452 444	126-9	453 735	44-32
434 166	87-63	452 038	127-42	452 458	103-8	453 736	43-62
434 166	88-59	452 040	86-18	452 471	126-5	453 744	44-37
434 168	72-64	452 059	70-103	452 480	99-22	453 751	125-37
434 175	87-98	452 331	8-35	452 480	101-11	453 768	39-80
434 175	88-97	452 340	103-13	452 512	103-45	453 770	39-82
434 176	55-24	452 340	103-30a	452 568	33-69	453 772	79-29
434 190	123-48	452 344	96-5	452 663	44-68	453 774	43-29
450 031	128-3	452 344	100-7	452 668	152B-4	453 775	40-23
450 032	128-3	452 347	101-9	452 687	67-3a	453 776	43-21
450 706	70-17	452 353	27-40	452 897	125-24	453 776	43-24
450 706	71-25	452 357	27-10	452 918	133-3	453 777	39-38
450 742	125-43	452 357	31-33	452 939	77-39	453 778	39-82
451 735	43-3	452 357	33-75	452 940	77-39	453 780	37-33
451 738	39-5	452 357	44-5	452 941	77-39	453 781	37-36
451 784	43-2	452 357	44-5a	452 959	117-9	453 782	43-64
451 784	45-1	452 357	97-6	452 983	116-9	453 786	40-21
451 813	102-11	452 357	97-32	452 984	116-9	453 787	8-44
451 825	105-2	452 359	95-3	453 005	93A-2	453 790	103-71
451 825	106-2	452 359	95-5a	453 006	93A-2	453 791	70-71
451 825	108A-1	452 359	95-11	453 009	116-9	453 791	127-27
451 826	105-2	452 359	95-13	453 010	116-9	453 791	129-6
451 826	106-2	452 359	95-15	453 124	40-33	453 792	130-28
451 826	108-1	452 359	95-17	453 124	44-39	453 794	38-17a
451 827	126-23	452 361	96-6	453 171	128-27	453 794	38-18
451 841	126-23	452 362	96-7	453 186	54-57	453 808	44-23a
451 852	124A-11	452 381	94-38	453 186	68-37	453 809	40-22
451 853	77-46	452 381	94-49	453 189	65-3	453 812	65-12
451 854	118-19	452 381	94-59	453 189	66-8	453 815	44-23
451 881	142-54	452 381	97-8	453 206	39-85	453 817	70-59
451 921	74-62	452 381	99-30	453 206	43-68	453 824	103-13
451 921	74A-60	452 381	101-22	453 415	147-12	453 839	147-4
451 939	138-42	452 383	27-5	453 424	130-32	453 845	108-17a
452 009	26-45	452 383	31-34	453 445	147-12	453 845	108A-15a
452 011	96-24	452 383	32-8	453 501	122A-35	453 855	140-38
452 011	96-38	452 383	39-23	453 502	121A-10	453 855	142-38
452 011	98-16	452 383	39-25	453 502	122A-10	453 855	143-1
452 011	100-19	452 383	43-13	453 616	113-29	453 855	143-74
452 011	103-35	452 386	7-66	453 618	72-59	453 881	54-53
452 011	103-47	452 386	7-83	453 661	70-58	453 886	126-3

## PIPER PARTS CATALOG

Part Number	Figure and Index No.	Part Number	Figure and Index No.	Part Number	Figure and Index No.	Part Number	Figure and Index No.
453 887	65-17	454 694	129-25	454 887	112A-29	454 935	74-50
453 891	70-60	454 695	129-25	454 887	113-33	454 935	76-8
454 053	40-34	454 695	137A-4	454 887	113A-26	454 935	82-25
454 053	44-40	454 695	145A-15	454 887	116-25	454 935	135-4
454 173	75-19	454 695	145B-44	454 901	31-11	454 935	136-4
454 173	105-57	454 695	152B-7	454 901	84-7	454 940	74-61
454 258	92-40	454 712	129-10	454 912	112A-50	454 977	79-20
454 258	93-39	454 808	115-26	454 914	112A-51	454 977	79-44
454 277	138-77	454 818	116A-10	454 921	74-59	454 977	92-31
454 277	138A-71	454 832	71-41	454 921	93A-9	454 977	112A-42
454 277	140-33	454 832	74-55	454 921	123A-74	454 981	79-24
454 277	141-35	454 832	74A-68	454 921	123B-64	454 982	11-49
454 277	142-33	454 832	123-45	454 924	39-87	454 983	14-96
454 277	143-35	454 832	124A-13	454 924	43-70	454 983	74-54
454 277	144-51	454 852	79-45	454 927	35-41	454 983	74A-67
454 277	145-5 1	454 852	93-30	454 927	121-40	454 983	118-25
454 277	145A-18	454 862	72-69	454 927	121A-52	454 983	123-47
454 277	145B-20	454 862	74-53	454 927	122-54	454 983	124A-14
454 277	145C-36	454 862	79-19	454 927	122A-54	454 983	128-32
454 289	123A-13	454 862	88-80	454 928	33-74	454 983	138-64
454 294	58-44	454 867	26-44	454 928	72-70	454 985	77-25
454 299	105-58	454 867	96-26	454 928	82-22	454 987	14-52
454 343	147-17	454 867	96-37	454 928	147-9	454 987	71-11
464 593	92-37	454 867	97-24	454 929	33-73	454 987	74-56
454 593	93-26	454 867	98-18	454 929	47-36	454 987	74A-69
454 639	144-59	454 867	99-8	454 929	72-71	454 987	141-5
454 639	145-59	454 867	100-21	454 929	75-27	454 987	141-110
454 656	81A-13	454 867	101-4	454 929	77-37	454 987	143-5
454 656	129-25	454 867	103-48	454 929	82-21	454 987	143-78
454 656	135C-7	454 867	138-73	454 929	91-31	454 987	148-5
454 656	135D-7	454 867	138A-57	454 929	121-41	454 993	74-60
454 656	135E-6	454 867	140-91	454 929	121A-54	454 993	123-46
454 656	136A-5	454 867	141-72	454 929	122-53	454 994	74A-65
454 656	136B-6	454 867	142-5	454 929	122A-53	454 994	123A-75
454 656	142-56	454 867	142-79	454 930	122-55	454 994	123B-65
454 656	143-63	454 867	143-72	454 930	124-22	454 997	79-23
454 656	144-58	454 867	144-42	454 930	148-8	455 124	40-32
454 656	145-58	454 867	145-42	454 931	76-7	455 124	44-38
454 656	145A-17	454 867	145A-45	454 931	88-62	455 211	128-4
454 656	145C-55	454 867	145B-5	454 931	121-42	455 226	150-13
454 657	129-25	454 867	145C-15	454 931	121A-53	455 227	150-14
454 657	145A-16	454 868	72-53	454 932	91-32	455 228	150-15
454 657	145B-77	454 868	74-51	454 932	102-14	455 229	150-17
454 658	129-25	454 868	77-35	454 933	47-37	455 302	77-31
454 659	129-25	454 868	79-18	454 933	72-67	455 309	150-16
454 660	129-25	454 868	79-43	454 933	74-49	455 337	150-11
454 662	129-25	454 868	82-20	454 933	77-36	455 404	71-6
454 663	129-25	454 868	87-32	454 933	79-22	455 420	124-14
454 677	129-25	454 868	88-67	454 933	82-24	455 420	124A-10
454 677	134A-20	454 868	119-26	454 933	88-64	455 943	47-2
454 680	129-25	454 868	123-43	454 933	91-33	455 943	48-1
454 688	129-25	454 868	124-21	454 933	123-42	455 943	49-1
454 691	129-38	454 868	137A-5	454 933	124A-15	455 946	106-1
454 693	129-25	454 887	47-35	454 933	148-9	455 946	108-18
454 693	137A-4	454 887	82-23	454 935	72-68	455 961	106-1

## PIPER PARTS CATALOG

Part Number	Figure and Index No.	Part Number	Figure and Index No.	Part Number	Figure and Index No.	Part Number	Figure and Index No.
455 961	108A-16	457 365	93A-40	458 901	110-71	460 044	33-36
455 967	47-2	457 366	93A-40	458 901	123-37	460 574	119-33
455 967	48-1	458 852	119-30	458 901	124-17	460 635	107-50
455 967	49-1	458 858	123A-68	458 901	124A-12	460 664	125-36
455 971	47-2	458 858	123B-68	458 905	74A-58	460 682	119-46
455 971	48-1	458 872	87-94	458 905	107-47	460 690	44-42
455 971	49-1	458 872	88-94	458 909	72-56	460 691	39-39
455 974	121A-1	458 876	89-30	458 910	47-29	460 691	40-16
455 974	122A-1	458 876	89-32	458 910	72-57	460 691	40-24
456 014	44-4	458 878	107-42	458 910	105-52	460 691	40-29
456 437	53A-17	458 879	72-52	458 910	106-34	460 691	43-20
456 554	138A-19	458 879	73-19	458 910	109A-23	460 691	43-28
456 554	144-9	458 880	47-27	458 910	110A-24	460 691	44-29
456 554	145-9	458 880	105-50	458 911	109-77	460 691	44-35
456 556	125-43	458 881	88-75	458 911	110-72	460 817	78-18
456 580	91-53	458 881	105-51	458 914	79-36	460 823	39-30
456 580	153-43	458 881	119-29	458 914	87-49	460 823	39-35
456 581	93A-34	458 886	87-39	458 914	88-45	460 823	43-23
456 581	153-126	458 886	88-39	458 914	105-53	460 853	74-7
456 582	93A-33	458 889	73-20	458 925	93A-11	460 853	74A-49
456 582	153-96	458 891	72-54	458 934	72-46	460 853	123A-45
456 583	93A-35	458 891	77-69	458 934	107-23	460 853	123B-45
456 583	153-127	458 891	87-66	458 940	138-39	460 855	71-26
456 622	119-7	458 894	75-20	458 940	138A-77	460 856	74-44
456 623	31-64	458 894	87-26	458 945	74A-54	460 856	74A-53
456 623	50-22	458 894	88-26	458 945	138-40	460 866	74-9
456 623	153-129	458 894	118-17	458 945	141-67	460 866	74A-51
456 626	31-63	458 894	118-18	459 834	58-55	460 866	123A-51
456 626	50-21	458 894	138A-86	459 839	58-55	460 866	123B-51
456 626	153-128	458 894	140-86	459 848	58-55	460 901	125-23
456 682	92-47	458 894	141-65	459 928	103-36	460 928	58-52
456 682	93-43	458 894	142-12	459 930	103-36	460 970	93A-3
456 682	93A-46	458 894	142-86	459 958	140-90	460 972	93A-3
456 682	153-132	458 894	143-65	459 958	141-71	461 131	26-43
456 705	125-62	458 894	145C-60	459 958	142-11	461 133	96-25
456 705	129-16	458 895	79-28	459 958	142-85	461 618	128-49
456 706	128-18	458 898	87-38	459 958	143-71	461 623	125-21
456 707	140-62	458 898	88-39	459 958	145A-44	461 623	128-16
456 712	67-33	458 898	93A-12	459 958	145B-31	461 628	128-48
456 712	68-32	458 899	72-55	460 006	11-13	461 659	125-72a
456 712	68A-45	458 899	107-41	460 038	25-39	461 660	125-72a
456 712	69-26	458 899	109-58	460 038	25-44	461 915	121A-6
456 714	127-53	458 899	110-73	460 038	25-48	461 915	122A-6
456 753	145A-3	458 900	47-28	460 038	25A-50	462 023	107-2
456 758	128-47	458 900	47-55	460 038	26-55	462 026	107-38
456 758	140-7	458 900	47-59	460 038	28-10	462 027	47-32
456 758	140-102	458 900	48-11	460 039	25-39	462 027	47-57
456 758	141-85	458 900	72-58	460 039	25-44	462 027	48-9
456 758	144-16	458 900	106-35	460 039	25-48	462 027	77-33
456 758	145-16	458 900	109A-11	460 039	25A-50	462 027	87-84
456 758	145C-4	458 900	110A-23	460 039	26-55	462 027	88-54
456 802	147-15	458 900	138A-78	460 039	28-10	462 027	105-63
456 828	53A-25	458 900	145B-48	460 039	28-10	462 027	106-32
457 155	53A-19	458 900	145C-59	460 044	25-29	462 027	107-33
457 156	86-16	458 901	109-73	460 044	25A-45	462 028	107-37



## PIPER PARTS CATALOG

Part Number	Figure and Index No.	Part Number	Figure and Index No.	Part Number	Figure and Index No.	Part Number	Figure and Index No.
462 029	109-11	472 028	70-106	472 742	70-63	474 656	147-10
462 031	79-30	472 028	71-43	472 742	71-42	474 657	147-10
462 031	107-46	472 028	91-24	472 742	130-51	475 098	138A-55
462 051	40-39	472 028	123A-37	472 742	138A-85	475 109	70-62
462 053	123A-62	472 028	123B-37	472 742	142-15	475 109	71-36
462 053	123B-62	472 028	127-11	472 742	143-15	475 109	111-27
462 054	147-18	472 028	127-46	472 742	145-77	475 109	116-21
462 058	140-13	472 028	129-13	472 769	131-2	475 109	141-8
462 058	140-108	472 028	130-26	472 788	126-14	475 109	141-117
462 058	141-90	472 028	130-54	472 816	70-67	475 116	77-6
462 058	142-64	472 028	137-6	472 827	140-93	475 117	77-5
462 058	143-10	472 028	139-5	472 827	141-48	475 130	138-48
462 058	143-83	472 028	145B-53	472 827	141-79	475 162	70-50
462 061	87-24	472 047	53A-9e	472 827	141-105	475 162	127-4
462 061	88-24	472 047	53A-18b	472 827	142-73	475 180	135A-4
462 062	77-32	472 047	53A-20e	472 827	143-48	475 180	135B-3
462 884	25A-4	472 047	53A-21b	472 829	70-63	475 180	135C-4
462 884	25A-7	472 047	127-26	472 829	130-51	475 183	70-98
462 884	25A-31	472 049	125-48	472 829	138A-85	475 194	84-13
463 376	35-40	472 052	130-27	472 829	145-77	475 197	133-1
463 391	2-67	472 054	140-48	472 829	145B-52	475 198	120-28
463 400	14-71	472 054	140-94	472 831	140-64	475 208	102-23
463 416	83-9	472 054	141-1	472 832	140-65	475 212	102-23
464 327	147-11	472 054	141-49	472 833	140-63	475 213	116-9a
464 362	147-11	472 054	141-106	472 840	125-17	475 214	116-9a
465 256	128-15	472 054	142-74	472 846	126-2	476 643	114-51
467 094	127-1	472 054	143-49	472 861	127-47	476 647	70-89
467 145	53A-21a	472 057	53A-18f	472 861	129-11	476 647	71-52
467 145	66-23	472 058	70-93	472 868	54-28	476 647	72-72
467 477	127-1	472 058	127-36	472 868	54A-19	476 648	49-21
467 482	70-15	472 058	127-43	472 868	54B-14	476 648	73-15
467 482	71-21	472 059	92-41	472 981	134A-18	476 648	75-31
467 488	53A-18a	472 059	93-40	473 184	54-3a	476 648	77-67
467 500	53A-18a	472 059	93A-18	473 190	67-3a	476 648	77-69
467 500	53A-21a	472 061	129-12	474 055	121-62	476 648	113A-24
468 002	127-33	472 078	130-28a	474 055	121A-24	476 649	89-43
468 006	127-34	472 200	53A-9e	474 055	122-65	476 649	113A-23
469 138	33-54	472 200	53A-18b	474 055	122A-22	476 664	88-38
469 148	33-56	472 200	53A-20e	474 085	121-62	476 679	113-9
471 044	95-34	472 200	53A-21b	474 085	121A-24	476 686	113-7
471 064	33-21	472 331	91-23	474 085	122-65	476 686	113A-7
471 065	58-6	472 602	134A-3	474 085	122A-22	476 697	113-8
471 080	47-3	472 603	134A-3	474 087	121-62	476 701	133-5
472 017	14-55a	472 648	70-106	474 087	121A-24	477 612	77-49
472 017	83-3	472 684	103-34	474 087	122-65	477 617	72-60
472 028	53A-8a	472 684	103-40	474 087	122A-22	477 617	73-18
472 028	53A-9e	472 694	91-22	474 111	121-62	477 617	107-43
472 028	53A-9g	472 709	134-17	474 111	121A-24	477 617	113-30
472 028	53A-18b	472 709	134A-6	474 111	122-65	477 618	47-43
472 028	53A-20e	472 710	134-17	474 111	122A-22	477 618	48-18
472 028	53A-21b	472 710	134A-6	474 345	103-3	477 618	72-61
472 028	55-17	472 739	127-31	474 345	153-53	477 618	75-24
472 028	70-64	472 740	127-29	474 641	83-31	477 618	77-54
472 028	70-66	472 741	127-10	474 649	147-10	477 618	105-59
472 028	70-83	472 741	130-25	474 655	147-10	477 618	106-29

## PIPER PARTS CATALOG

Part Number	Figure and Index No.	Part Number	Figure and Index No.	Part Number	Figure and Index No.	Part Number	Figure and Index No.
477 618	107-27	477 702	123A-64	480 691	30-13	481 627	96-20
477 618	138A-78	477 702	124-26	480 697	50-9	481 627	96-40
477 618	140-15	477 704	123A-63	480 705	94-80	481 627	96-56
477 618	140-110	477 704	123B-63	480 705	105-62	481 627	98-5
477 618	141-92	477 706	86-30	480 705	111-13	481 627	100-4
477 618	142-66	477 707	58-33	480 707	84-12	481 640	97-21
477 618	143-12	477 707	61-30	480 710	84-5	481 640	97-28
477 618	143-85	477 708	62-17	480 711	94-43	481 640	99-1
477 618	145B-48	477 708	62-18	480 711	94-53	481 640	101-1
477 618	145C-59	477 709	58-50	480 711	94-63	481 651	96-43
477 619	89-37	477 709	59-28	480 723	33-57	481 652	103-74
477 620	123-38	477 709	60-28	480 729	94-66	481 717	107-3
477 620	124-19	477 709	61-31	480 729	94-76	481 717	108-38
477 620	124A-11	477 709	61-46	480 731	29-42	481 726	113-14
477 620	124A-12	477 709	61-47	480 731	29-58	481 771	107-3
477 621	74-63	477 709	61-55a	480 731	33-29	481 771	108A-34
477 621	74A-76	477 709	62-30	480 731	94-79	481 801	87-87
477 621	79-17	477 709	62-38c	480 735	97-6a	481 802	88-87
477 621	87-25	477 709	63-19	480 735	99-36	484 084	127-52
477 621	87-45	477 709	68A-24	480 738	111-14	484 085	138A-80
477 621	87-80	477 709	68A-25	480 740	84-12	484 085	144-72
477 621	88-25	477 709	68A-26	480 743	103-58	484 085	145-72
477 621	88-32	477 709	68A-27	480 744	104-27	484 097	52-6
477 621	88-71	477 712	53A-12	480 767	103-80	484 097	53-20
477 621	105-60	477 713	107-34	481 096	7-97	484 097	54A-43
477 621	123A-69	477 721	128-33	481 096	104-31	484 097	54B-38
477 621	123B-69	477 733	107-14	481 140	105-1	484 135	71-50
477 623	107-44	477 737	119-41	481 140	109-1	484 141	140-5
477 624	87-68	477 738	119-40	481 141	140-41	484 141	140-100
477 628	72-62	477 788	138-71	481 141	141-28	484 141	141-83
477 628	87-71	477 788	140-36	481 141	142-41	484 144	140-40
477 628	88-61	477 788	141-38	481 141	143-28	484 144	142-40
477 629	72-63	477 788	142-36	481 166	105-1	484 144	143-27
477 629	107-31	477 788	143-38	481 166	109-1	484 182	125-12
477 634	113-41	477 793	71-39	481 171	105-1	484 192	129-36
477 634	113A-18	477 828	71-31	481 171	110-1	484 207	127-30
477 664	77-8	477 828	71-32	481 203	134-1	484 211	140-6
477 664	77-9	477 829	152-6	481 374	130-50	484 211	140-101
477 676	47-39	477 829	152A-11	481 617	138A-58	484 211	141-84
477 676	47-54	477 891	66-15	481 617	140-80	484 211	150-7
477 676	48-16	477 895	113A-32	481 617	141-59	484 217	16-53
477 676	105-65	479 403	74-75	481 617	142-6	484 254	141-42
477 676	106-33	479 403	74A-82	481 617	142-80	484 283	107-45
477 676	109A-13	479 445	121-62	481 617	143-59	484 293	14-5
477 676	110A-26	479 445	121A-24	481 617	144-45	484 293	20-78
477 679	40-14	479 445	122-65	481 617	145-45	484 295	123-41
477 684	94-50	479 445	122A-22	481 617	145A-41	484 295	123A-57
477 684	94-60	479 451	121A-11	481 617	145B-32	484 295	124-18
477 684	97-9	479 451	122A-11	481 617	145C-19	484 297	87-67
477 684	99-31	479 492	53A-20	481 626	94-90	484 301	83-21
477 691	87-69	480 264	54-58	481 626	96-21	484 301	85-13
477 691	88-63	480 264	68-38	481 626	96-47	484 312	83-16
477 691	107-28	480 682	91-41	481 626	96-50	484 351	87-53
477 691	119-42	480 688	27-26	481 626	97-20	484 351	88-60
477 702	123-23	480 688	32-19	481 626	138-74	484 353	109-8

## PIPER PARTS CATALOG

Part Number	Figure and Index No.	Part Number	Figure and Index No.	Part Number	Figure and Index No.	Part Number	Figure and Index No.
484 359	119-34	484 781	40-19b	487 561	56-45	487 904	145-49
484 376	141-27	484 782	44-45	487 583	57-2	487 904	145-80
484 377	126-26	484 783	27-7	487 583	121-69	487 904	145A-20
484 382	140-61	484 783	32-3	487 583	121A-44	487 904	145A-53
484 420	127-12	484 793	31-29	487 584	122-48	487 904	145B-18
484 425	54-56	484 794	119-8	487 584	122A-44	487 904	145B-59
484 425	68-36	484 819	86-19	487 614	2-75	487 904	145C-35
484 427	144-17	484 822	54-6	487 624	89-34	487 904	145C-52
484 427	145-17	484 822	54-37	487 663	25A-50	487 904	147-13
484 427	145C-6	484 822	54A-8	487 663	26-55	487 913	126-12
484 452	133-7	484 822	54A-11	487 663	28-10	487 913	126-35
484 459	105-45	484 822	54B-56	487 679	112A-25	487 915	137-7
484 464	33-35	484 823	33-100	487 704	83-30	487 915	138A-62
484 491	129-17	484 827	107-49	487 712	62-19	487 915	140-55
484 491	147-20	486 154	148-11	487 712	63-11	487 915	141-51
484 520	125-22	486 221	60-19	487 712	63A-16	487 915	142-76
484 545	144-18	486 305	40-37	487 722	74-48	487 915	143-75
484 545	145-18	486 542	102-12	487 722	123A-73	487 915	144-15
484 545	145C-7	486 556	76-1	487 722	123B-58	487 915	145-15
484 560	125-71	486 591	99-42	487 722	147-8	487 915	145B-10
484 561	125-72	486 597	102-12	487 728	83-12	487 915	150-5
484 590	71-9	486 628	76-2	487 733	14-71	487 916	150-4
484 590	130-40	486 630	81-2	487 746	112A-26	487 917	138-78
484 693	42C-15	486 630	81A-4	487 775	95-8	487 917	150-5
484 695	44-16b	486 637	76-1	487 790	81-11	487 927	102-9
484 695	44-18	486 643	55-16	487 804	91-10	487 929	125-38
484 696	49-12	486 667	102-12	487 804	120-29	487 933	125-38
484 698	42B-6	486 685	10-21	487 819	31-21	487 938	70-82
484 700	49-23	486 897	77-68	487 819	91-21	487 938	130-14
484 701	42A-10	486 906	113-23	487 819	126-13	487 938	130-14
484 701	42B-18	486 906	113A-19	487 819	126-28	487 940	95-32
484 701	47-32	486 924	65-15	487 839	127-2	487 940	95-58
484 701	49-7	486 924	65-18	487 860	138-43	487 940	115-22
484 701	107-52	486 924	67-18	487 862	39-50	487 958	130-12
484 708	49-24	487 038	27-38	487 862	39-90	487 959	130-13
484 730	49-6	487 084	126-19	487 862	43-40	487 960	127-25
484 730	49-12	487 084	126-26	487 862	43-69	487 974	126-4
484 752	47-33	487 120	127-18	487 862	54-30	487 977	133-8
484 752	47-56	487 144	130-34	487 876	54A-21	488 085	53A-13
484 752	48-8	487 152	128-5	487 876	54B-16	488 086	53A-13
484 752	105-64	487 155	111-18	487 876	125-18	488 087	53A-13
484 752	106-31	487 157	126-19	487 878	130-11	488 113	53A-13
484 752	107-32	487 167	125-3	487 882	130-11	488 124	53A-13
484 752	109A-12	487 167	125-41	487 896	81A-10	488 146	53A-13
484 755	14-71	487 167	125-41	487 898	127-13	488 147	53A-13
484 755	83-8	487 170	128-6	487 904	95-8	488 177	53A-13
484 756	44-26	487 170	127-28	487 904	138-70	488 316	70-90
484 757	44-55	487 291	98-38	487 904	138A-65	488 316	71-53
484 759	44-54	487 436	77-7	487 904	138A-88	488 316	73-16
484 760	40-37	487 464	111-16	487 904	140-31	488 316	75-16
484 762	40-41	487 494	29-29	487 904	140-60	488 316	75-21
484 768	43-41	487 560	50-10	487 904	141-33	488 316	140-87
484 773	135-3	487 560	54-62	487 904	142-31	488 316	141-66
484 776	69-10	487 560	64-13	487 904	143-33	488 316	142-13
484 780	65-13	487 560	64A-8	487 904	144-49	488 316	142-87
		487 560	66-16	487 904	144-77	488 316	143-66
				487 904		488 318	89-31

## PIPER PARTS CATALOG

Part Number	Figure and Index No.	Part Number	Figure and Index No.	Part Number	Figure and Index No.	Part Number	Figure and Index No.
488 319	118-16	489 873	145A-42	491 068	107-25	492 307	53A-16
488 320	106-30	489 873	145B-2	491 073	119-38	492 343	93A-31
488 327	111-24	489 873	145C-15	491 953	53A-18	492 344	93A-31
488 351	105-43	491 048	87-48	491 973	121A-9	492 345	93A-6
488 358	139-9	491 048	88-44	491 973	122A-9	492 346	93A-6
488 383	47-30	491 048	89-33	491 994	93A-4	492 349	93A-5
488 383	48-10	491 049	72-47	491 994	93A-13	492 685	125-16
488 383	75-22	491 049	107-40	492 100	75-18	494 003	54A-54
488 406	139-8	491 049	113-28	492 100	87-34	494 003	54B-50
488 421	95-55	491 050	47-25	492 100	87-65	494 004	54A-53
488 474	72-43	491 050	72-48	492 100	88-34	494 004	54A-57
488 474	114-28	491 050	105-46	492 100	92-35	494 004	54A-58
488 478	119-4	491 050	106-20	492 100	93-23	494 004	54B-49
488 509	105-47	491 050	106-36	492 106	105-42	494 004	54B-53
488 510	105-44	491 050	107-48	492 108	92-36	494 004	54B-54
488 519	89-32	491 050	109A-7	492 108	93-27	494 021	68A-22
488 520	71-40	491 050	110-74	492 109	87-29	494 060	2-76
488 520	74-69	491 050	110A-25	492 109	88-29	494 060	54A-7
488 520	74A-61	491 050	140-14	492 109	90-15	494 060	54A-10
488 520	74A-63	491 050	140-109	492 110	87-42	494 060	56-18
488 520	123B-13	491 050	141-91	492 110	90-11	494 060	57-3
488 539	141-6	491 050	142-65	492 111	87-36	494 060	121-70
488 539	141-111	491 050	143-11	492 111	88-36	494 060	121A-45
488 539	143-6	491 050	143-84	492 111	90-8	494 060	122-49
488 539	143-79	491 051	105-48	492 120	123A-47	494 060	122A-45
488 542	72-46	491 051	107-39	492 120	123B-47	494 063	92-25
488 548	74-4	491 052	119-36	492 152	47-1	494 063	93-28
488 548	74A-62	491 052	123-36	492 152	49-19	494 067	150-24
488 551	26-64	491 052	124-15	492 170	105-54	494 068	150-24
488 699	123A-1	491 053	74-64	492 190	105-55	494 071	2-42
488 704	123A-102	491 053	87-44	492 191	105-56	494 071	34-8
488 704	123B-1	491 053	87-47	492 192	118-3	494 071	34-9
488 751	125-82	491 053	87-97	492 193	54-6	494 071	34-33
489 424	54B-60	491 053	88-43	492 193	54-37	494 071	34-42
489 424	54B-62	491 053	88-85	492 193	54A-8	494 071	35-48
489 424	59-41	491 053	105-49	492 193	54A-11	494 071	36-57
489 424	59A-30	491 053	107-36	492 193	54B-56	494 071	37-41
489 424	60-38	491 053	109-66	492 195	74-5	494 071	38-61
489 424	60A-36	491 053	110-70	492 203	54-52	494 081	94-87
489 424	61-54	491 053	119-9	492 203	54A-47	494 102	26-12
489 424	61-54b	491 053	119-37	492 203	54B-42	494 102	26-28
489 424	62-38b	491 058	89-35	492 239	87-29	494 102	28-15
489 424	63A-30	491 059	72-49	492 239	88-29	494 102	31-60
489 425	102-11	491 059	113-27	492 239	90-21	494 102	33-34
489 426	102-11	491 060	47-26	492 242	74-6	494 102	54A-52
489 436	68-45	491 060	47-59	492 242	74A-3	494 102	54B-48
489 439	125-70	491 060	48-12	492 243	74-6	494 102	55-12
489 516	102-11	491 060	72-50	492 243	74A-3	494 102	57-36
489 873	140-92	491 060	75-23	492 263	123A-50	494 102	64-7
489 873	141-73	491 060	106-28	492 264	123A-49	494 102	64A-7
489 873	142-2	491 060	107-26	492 271	123-5	494 102	122-71
489 873	142-76	491 062	124-16	492 271	123A-48	494 111	150-25
489 873	143-73	491 067	72-51	492 271	123B-48	494 118	24-16
489 873	144-43	491 068	87-58	492 279	123A-80	494 118	24-17
489 873	145-43	491 068	88-72	492 279	123B-11	494 119	77-23

## PIPER PARTS CATALOG

Part Number	Figure and Index No.	Part Number	Figure and Index No.	Part Number	Figure and Index No.	Part Number	Figure and Index No.
494 120	54A-51	550 942	80-1	554 257	93-39	554 971	74A-81
494 120	54B-47	550 943	77-12	554 257	93A-15	554 992	132-9
494 125	43-66	550 943	80-1	554 472	53A-10	555 347	150-12
494 338	62-42	550 967	77-12	554 473	53A-8	555 355	133-6
494 338	63-23	550 967	80-1	554 474	53A-9	555 356	133-2
494 338	67-32	550 968	77-12	554 475	53A-21	555 409	140-8
494 338	68A-46	550 968	80-1	554 476	53A-18	555 409	140-103
494 338	69-16	551 114	138-23	554 481	53A-10	555 409	141-86
494 678	147-15	551 216	149-1	554 482	92-40	555 451	141-43
494 686	77-38	551 223	149-2	554 482	93-39	555 731	151-10
494 721	44-47	551 233	150-8	554 552	87-46	555 799	125-42
494 722	40-25	551 710	39-2	554 552	88-42	556 743	70-69
506 619	34-17	551 710	42C-1	554 623	85-68	556 743	71-28
510 239	94-71	551 719	39-2	554 623	112A-49	556 743	142-16
514 747	94-84	551 723	39-2	554 649	87-101	556 743	143-46
514 748	71-30	551 723	42A-1	554 649	88-82	556 743	145B-54
514 748	71-31	551 724	39-2	554 670	61-32	556 942	93A-29
514 748	94-73	551 724	42A-1	554 671	61-32	557 369	77-30
514 749	71-33	551 730	39-2	554 678	92-33	557 373	70-69
514 750	71-32	551 730	42A-1	554 678	93-25	558 898	79-26
514 750	71-34	551 731	39-2	554 701	112A-30	558 907	123A-67
514 752	71-51	551 731	42A-1	554 726	77-34	558 907	123B-67
514 765	56-31	551 744	39-2	554 757	33-69	558 913	71-38
515 713	91-42	551 744	42B-1	554 757	82-18	558 913	74-66
515 714	91-37	551 761	39-3	554 775	119-27	558 913	74A-55
515 714	111-29	551 761	41A-1	554 776	79-42	558 913	138-41
515 715	130-47	551 769	39-3	554 802	71-29	558 913	141-74
515 715	130-49	551 769	41-1	554 802	74-57	558 925	74-65
515 716	130-46	551 791	43-2	554 802	74A-70	558 925	74A-56
515 719	103-53	551 791	45-1	554 802	148-4	558 925	123-39
515 738	94-44	551 793	39-3	554 806	74-58	558 925	123A-60
515 739	94-74	551 793	41-1	554 806	74A-71	558 925	123B-60
517 808	127-49	551 865	135B-5	554 806	123-44	558 926	74-65
533 235	127-2a	551 920	133-4	554 834	112A-27	558 926	74A-56
548 013	70-2	551 992	125-65	554 834	116-26	558 931	74-67
548 013	71-17	552 501	125-65	554 848	79-25	558 931	74A-59
548 036	70-7	552 506	125-75	554 868	70-51	558 931	123-40
548 039	70-10	552 527	93A-10	554 868	127-5	558 931	123A-61
548 045	70-10	552 528	93A-10	554 871	74-74	558 931	123B-61
548 250	70-8	553 228	53A-17	554 874	47-34	558 932	74-67
548 302	70-1	553 330	82-47	554 874	47-34	558 932	74A-59
548 330	70-10	553 399	83-15	554 885	87-76	558 932	74-68
548 331	70-10	553 508	126-42	554 885	88-65	558 933	74-68
548 331	71-20	553 522	138A-52	554 888	74A-72	558 933	74A-57
548 551	93A-24	553 522	145-60	554 897	77-57	558 933	123A-59
548 552	93A-25	553 522	145C-43	554 901	131-8	558 933	123B-59
550 390	125-13	553 527	85-71	554 906	74-52	558 991	74A-54
550 420	70-8	553 528	85-73	554 914	58-46	558 991	141-68
550 513	146-1	553 528	85-73	554 916	124-23	558 991	143-76
550 559	138-20	553 529	85-72	554 919	74A-66	558 991	145B-56
550 559	138A-15	553 600	144-60	554 919	85-69	558 992	74A-55
550 684	70-15	553 686	138A-52	554 927	119-28	558 992	142-55
550 684	71-21	553 686	145-60	554 929	112A-28	558 992	143-68
550 684	71-21	553 686	145B-21	554 945	116-22	558 992	145B-57
550 778	138-19	554 175	141-41	554 947	79-41	560 007	44-63a
550 942	77-12	554 257	92-40	554 963	104-38	560 007	44-64a

## PIPER PARTS CATALOG

Part Number	Figure and Index No.	Part Number	Figure and Index No.	Part Number	Figure and Index No.	Part Number	Figure and Index No.
560 690	129-28	580 837	53A-11	587 857	129-9	588 388	118-17
560 690	130-29	581 333	65-14	587 888	138A-67	588 494	145A-6a
563 367	94-96	581 333	65-19	587 888	142-48	588 534	123A-86
565 225	47-8	581 333	67-27	587 888	143-52	588 534	123B-34
565 225	48-2	581 482	71-13	587 888	145B-11	588 536	123A-90
565 226	47-7	581 482	119-5	587 888	145C-53	588 536	123B-56
565 226	48-3	581 656	129-26	587 916	138-69	588 621	123A-91
565 238	67-31	581 807	129-27	587 916	140-30	588 621	123B-57
565 238	68-31	583 578	121A-33	587 916	141-32	589 840	93A-32
565 238	68A-39	583 578	122A-30	587 916	142-30	589 841	93A-30
565 238	69-32	584 016	125-73	587 916	143-32	589 842	93A-30
565 251	83-14	584 016	125-81	587 943	142-49	589 843	121A-29
565 274	125-57	584 016	125-84	587 943	143-51	589 844	122A-27
565 322	112A-6	585 111	147-17	587 943	145B-12	589 877	121A-48
565 323	125-25	585 118	93A-43	587 950	138-66	589 878	122A-38
565 367	145A-2	587 177	86-21	587 950	138A-64	589 897	93A-44
565 367	145B-51	587 186	86-32	587 950	144-48	589 898	93A-45
565 367	145C-50	587 272	33-68	587 950	145-48	589 899	93A-44
565 446	147-25	587 289	50-5	587 951	151-11	589 900	93A-45
565 604	68-46	587 289	59-21	587 965	70-99	596 038	135A-3
565 608	53A-23	587 289	59A-19	587 965	151-11	596 038	135B-6
565 608	127-48	587 289	60-15	587 965	152A-10	596 038	135C-2
566 500	Misc.	587 289	60A-19	587 966	125-63a	596 038	136-3
566 502	Misc.	587 307	77-7	587 967	144-14	596 054	146-4
571 073	121-17	587 507	54A-7	587 967	145-14	596 155	135-10
571 073	121A-32	587 507	54A-10	587 967	145C-3	596 172	146-4
571 073	122-18	587 548	83-10	587 979	127-51	596 173	146-2
571 073	122A-29	587 550	56-18	587 984	145C-5	596 174	146-3
571 077	111-15	587 600	58-5a	587 985	138A-66	596 175	146-1
571 078	59-13	587 600	59-8a	587 985	144-50	596 200	140-10
571 078	59A-17	587 600	60-7a	587 985	145-50	596 200	140-105
571 078	60-19	587 600	61-9a	587 985	145A-21	596 200	141-7
571 078	60A-17	587 600	62-8a	587 985	145B-17	596 200	141-116
571 080	71-35	587 600	63-7c	587 994	138A-62	596 200	142-68
571 080	130-23	587 788	53A-8a	587 994	144-15	596 200	143-43
571 088	82-13	587 788	53A-8g	587 994	145-15	596 249	136-2
571 091	61-11	587 788	53A-18e	587 994	145C-5	596 249	136A-2
571 112	118-23	587 820	140-51	588 018	118-12	596 267	135-9
571 116	133-16	587 820	141-46	588 018	119-45	596 507	136A-4
571 126	71-35	587 820	141-47	588 043	152-5	596 508	138A-18
571 126	130-24	587 820	141-104	588 083	125-59	596 510	138A-16
571 144	50-4	587 820	142-51	588 084	70-91	596 717	142-32
571 153	150-23	587 820	142-75	588 085	70-97	596 717	143-34
571 154	150-22	587 820	143-47	588 140	142-30	596 717	145B-19
571 192	130-24	587 820	143-74	588 140	143-32	596 717	145C-34
572 553	53A-22	587 822	140-32	588 171	70-91	596 738	146-6
572 553	127-7	587 822	141-34	588 172	70-97	596 754	144-20
572 554	55-16	587 822	142-32	588 139	145A-1	596 756	138A-16
572 564	93A-1	587 822	143-34	588 214	130-12	596 756	144-21
572 565	93A-1	587 842	123A-2	588 282	130-12	596 756	145-21
572 566	93A-1	587 842	123A-97	588 282	130-13	596 758	144-20
572 604	134A-3	587 842	123B-2	588 342	147-21	596 820	138A-18
572 605	134A-3	587 849	142-50	588 385	74A-63	596 821	144-7
572 625	70-63	587 849	143-50	588 385	145B-58	596 822	144-7
579 225	85-59	587 849	145B-13	588 386	123A-99	596 822	145-7

## PIPER PARTS CATALOG

Part Number	Figure and Index No.	Part Number	Figure and Index No.	Part Number	Figure and Index No.	Part Number	Figure and Index No.
596 928	144-10	751 348	144-8	751 898	90-7	752 520	110-88
596 928	145-10	751 348	145-8	751 900	109-46	752 521	109-72
596 929	144-11	751 363	44-13	751 901	109A-17	752 521	110-85
596 929	145-11	751 367	44-17	751 902	109-82	752 523	109A-19
596 930	144-12	751 405	45-10	751 904	70-7	752 524	109-57
596 930	145-12	751 445	49-29	751 918	90-38	752 524	110-87
596 960	145-20	751 468	42-10	751 920	114-41	752 525	109-76
597 250	135C-3	751 470	42A-18	751 922	114-15	752 525	110-86
597 257	152A-6	751 489	45-6	751 962	115-19	752 526	108-12
597 583	145B-50	751 494	45-3	751 977	115-3	752 530	80-38
597 583	145C-51	751 494	45-5	752 008	132-7	752 531	80-19
597 618	138A-10	751 511	41-15	752 010	139-2	752 538	41A-6
597 618	144-8	751 759	107-51	752 011	139-3	752 538	42C-2
597 618	145-8	751 801	114-6	752 013	109-81	752 543	114-16
598 007	138A-10	751 811	121-52	752 023	42C-19	752 548	114-39
598 007	144-8	751 811	121A-19	752 094	42A-5	752 549	114-38
598 007	145-8	751 811	122-60	752 122	121-63	752 560	114-50
653 049	53A-10	751 811	122A-17	752 122	121A-25	752 563	114-38
653 050	53A-9	751 812	121-53	752 122	122-66	752 568	108A-5
653 051	53A-10	751 812	121A-20	752 122	122A-23	752 569	108A-18
653 052	53A-8	751 812	122-61	752 131	114-17	752 570	108A-25
653 053	53A-16	751 812	122A-18	752 133	114-17	752 583	121-23
653 054	53A-21	751 813	121-55	752 134	77-45	752 583	122-24
653 055	53A-20	751 813	121A-22	752 137	114-17	752 587	110-80
653 181	70-94	751 813	122-63	752 317	138-11	752 588	108A-8
665 915	93A-8	751 813	122A-20	752 350	30-11	752 589	110-81
686 012	44-45	751 814	121-56	752 350	86-31	752 604	107-54
687 536	93A-7	751 814	121A-23	752 355	121-20	752 713	40-36
687 537	93A-7	751 814	122-64	752 355	121A-7	752 713	44-44
688 148	138A-66	751 814	122A-21	752 355	122-21	752 713	80-22
688 148	144-50	751 815	74-8	752 355	122A-7	752 722	44-43
688 148	145-50	751 815	74A-50	752 358	108-14	752 731	43-37
688 148	145A-21	751 815	123A-46	752 359	108-16	752 735	49-15
688 148	145C-38	751 815	123B-46	752 360	108-43	752 735	49-22
751 201	134-18	751 817	115-5	752 363	42A-12	752 742	90-13
751 201	134A-8	751 818	41-12	752 365	108-13	752 760	90-14
751 202	134-18	751 819	45-7	752 367	115-13	752 765	44-16a
751 202	134A-8	751 821	90-5	752 369	29-69	752 765	44-20
751 273	115-2	751 822	109-4	752 371	139-4	752 830	41-13
751 274	114-2	751 823	109-15	752 504	121-51	752 830	45-9
751 281	109A-28	751 834	40-35	752 504	121A-18	752 907	44-11
751 287	138A-14	751 834	44-41	752 504	122-59	752 965	42-7
751 298	129-7	751 859	74-3	752 504	122A-16	752 965	42A-7
751 300	139-1	751 859	74A-6	752 505	121-54	752 965	42C-16
751 303	138-2	751 859	123-6b	752 505	121A-21	752 965	42B-16
751 305	42C-17	751 859	123A-40	752 505	122-62	753 049	114-10
751 314	138-7	751 859	123B-40	752 505	122A-19	753 074	121-65
751 314	138A-8	751 869	107-54	752 508	108-26	753 074	121A-27
751 316	151-3	751 874	114-8	752 510	80-8	753 074	122-68
751 318	151-4	751 877	114-18	752 511	80-35	753 074	122A-25
751 319	151-5	751 878	115-4	752 515	80-7	753 079	121-29
751 340	138A-9	751 890	49-5	752 517	90-2	753 090	53A-9a
751 340	144-6	751 892	108-40	752 518	90-32	753 091	53A-20a
751 340	145-6	751 896	121-19	752 519	109-6	753 095	53A-9a
751 348	138A-10	751 896	122-20	752 520	109-17	753 110	49-26

## PIPER PARTS CATALOG

Part Number	Figure and Index No.	Part Number	Figure and Index No.	Part Number	Figure and Index No.	Part Number	Figure and Index No.
753 121	114-49	753 485	109-42	754 580	42C-8	755 236	114-22
753 194	45-2	753 486	109-71	754 581	42C-9	755 243	114-22
753 195	45-4	753 486	110-82	754 632	41-7	755 248	114-1
753 215	49-11	753 490	109-59	754 642	41-7	755 252	115-3
753 216	108-23	753 490	110-84	754 761	121-26	755 253	115-3
753 217	108-49	753 491	109A-29	754 761	122-27	755 263	114-1
753 218	109A-31	753 743	121-62	754 762	121-30	755 266	114-35
753 219	41-2	753 743	121A-24	754 762	122-30	755 276	108A-42
753 220	41-4	753 743	122-65	754 771	114-11	755 277	108-44
753 228	138A-20	753 743	122A-22	754 779	114-40	755 285	42B-20
753 228	144-21a	753 760	115-7	754 782	114-28	755 297	53A-9e
753 228	145-21a	753 790	109A-10	754 785	53A-22	755 297	53A-18b
753 391	115-9	753 850	42A-14	754 785	127-7	755 297	53A-20e
753 392	115-9a	753 850	42B-17	754 796	53A-9b	755 297	53A-21b
753 407	42A-16	753 900	114-43	754 797	53A-20b	755 311	114-1
753 433	121-21	753 904	115-20	754 800	109-68	755 322	47-20
753 433	121A-8	753 910	74-2	754 801	109-61	755 351	70-65
753 433	122-22	753 910	74A-5	754 807	138-18	755 352	70-65
753 433	122A-8	753 941	121-49	754 807	138A-21	755 401	114-25
753 437	121-22	753 941	121A-28	754 808	80-29	755 415	146-1
753 437	122-23	753 941	122-39	754 810	109-47	755 425	42C-13
753 440	126-6	753 941	122A-26	754 813	80-29	755 427	70-14
753 440	126-10	753 945	121-25	754 817	72-45	755 427	71-19
753 444	108-21	753 945	122-26	754 828	114-36	755 428	70-13
753 445	108-36	753 946	121-31	754 833	114-54	755 428	71-18
753 445	108A-27	753 946	122-31	754 851	110-62	755 443	114-3
753 445	110-36	753 947	121-35	754 852	110-68	755 450	71-21
753 446	108-39	753 947	121A-5	754 853	110-54	755 464	114-3
753 448	41-14	753 947	122-35	754 854	108A-21	755 488	42B-7
753 461	80-3	753 947	122A-5	754 857	42B-19	755 615	114-39
753 462	80-5	753 960	49-2	755 016	92-9	755 800	80-37
753 463	80-42	753 965	108-19	755 016	93-8	755 834	90-20
753 467	80-15	753 966	108-25	755 016	93A-23	755 835	90-18
753 468	39-29	753 972	77-41	755 017	92-10	755 836	90-19
753 469	39-31	753 974	121-64	755 017	93-9	755 843	90-37
753 469	39-34	753 974	121A-26	755 020	115-4	755 864	114-48
753 470	39-33	753 974	122-67	755 021	134A-13	755 865	114-46
753 471	43-25	753 974	122A-24	755 022	114-55	755 866	115-6
753 476	54-29	753 975	121-64	755 025	134-20	755 902	108-28
753 476	54A-20	753 975	121A-26	755 033	114-18	755 908	49-25
753 476	54B-15	753 975	122-67	755 042	134-6	755 909	90-22
753 477	126-25	753 975	122A-24	755 052	80-49	755 931	80-32
753 478	2-5	753 982	80-13	755 054	110A-11	755 932	80-33
753 478	125-27	753 986	90-4	755 055	108A-38	755 933	80-11
753 478	134-19	753 987	90-6	755 057	110-94	755 934	80-43
753 478	134A-7	753 999	109-51	755 075	134A-8a	755 935	80-21
753 479	109-16	754 547	121-18	755 076	134-21	755 940	109-62
753 480	109-20	754 547	122-19	755 076	134A-8b	755 940	109-70
753 481	109-22	754 547	153-61	755 096	108A-46	755 940	110-76
753 482	109-25	754 549	126-7	755 098	114-18	755 941	108-32
753 483	109-31	754 550	108-10	755 105	116-9d	755 941	108-51
753 484	108-56	754 550	108A-13	755 200	134-7	755 941	108A-54
753 484	108A-48	754 551	108-27	755 202	138-26	755 941	109-63
753 484	109-35	754 555	126-11	755 226	80-2	755 941	109A-34
753 484	110-43	754 574	41-7	755 234	114-1	755 941	110-38



## PIPER PARTS CATALOG

Part Number	Figure and Index No.	Part Number	Figure and Index No.	Part Number	Figure and Index No.	Part Number	Figure and Index No.
755 941	110-41	756 164	107-53	756 514	122-36	757 236	108A-51
755 941	110A-32	756 177	114-7	756 527	123-7	757 237	108-50
755 946	121-15	756 178	114-9	756 527	124-4	757 238	49-30
755 946	121A-30	756 184	115-11	756 549	110-2	757 240	42-6
755 952	49-3	756 236	132-14	756 550	110-10	757 249	80-31
755 953	49-4	756 242	80-16	756 551	110-22	757 250	80-20
755 955	49-18	756 259	49-9	756 552	110-31	757 251	80-18
755 957	108-22	756 262	115-16	756 553	110-39	757 253	80-44
755 958	108-29	756 263	108-17	756 554	110-53	757 255	90-3
755 959	108-30	756 265	108-37a	756 555	110A-1	757 256	90-10
755 960	108-31	756 266	108-47	756 560	113A-16	757 257	90-9
755 960	108A-33	756 266	109-36	756 577	114-4	757 258	90-12
755 961	108-37	756 267	108-41	756 603	80-26	757 259	90-23
755 961	108A-26	756 269	108-58	756 604	80-26	757 259	90-30
755 962	108-55	756 270	109A-30	756 606	80-24	757 260	90-31
755 962	108A-59	756 271	108-57	756 607	80-39	757 262	109-3
755 962	110-40	756 273	77-42	756 608	90-33	757 263	109-7
755 963	41-11	756 274	77-43	756 610	109A-25	757 263	110-27
755 964	45-8	756 276	41-6	756 619	39-3	757 263	110A-29
755 968	80-40	756 286	80-12	756 619	41-1	757 265	109-13
755 973	90-40	756 289	80-27	756 623	77-38	757 265	109-60
755 977	80-14	756 291	80-23	756 628	41A-7	757 265	110-30
755 980	109-5	756 293	80-9	756 629	41A-9	757 265	110-46
755 980	110-48	756 294	80-41	756 629	42C-4	757 265	110-78
755 980	110-89	756 296	90-43	756 630	41A-10	757 266	108A-30
755 981	109-9	756 298	90-41	756 631	41A-12	757 266	109-24
755 983	109-19	756 302	121-27	756 646	114-37	757 266	110-55
755 983	109-26	756 302	122-28	756 947	122-35	757 267	109-28
755 984	109-33	756 317	77-40	757 051	138-10	757 268	109-30
755 985	109-34	756 318	121-14	757 052	138-9	757 268	109A-15
755 986	109-41	756 319	121-65	757 052	138-24	757 268	110-18
755 988	109A-20	756 319	121A-27	757 114	Misc.	757 269	109-37
755 991	138-17	756 319	122-68	757 125	Misc.	757 269	109A-6
756 020	108-5	756 319	122A-25	757 147	Misc.	757 269	110A-7
756 021	108-15	756 323	109A-22	757 213	121-24	757 270	109-40
756 022	108-6	756 327	121-28	757 213	122-25	757 270	110-21
756 031	41A-2	756 327	122-29	757 219	49-10	757 270	110A-31
756 032	132-13	756 343	122-15	757 223	108-8	757 275	109-67
756 037	134-14	756 347	138-25	757 223	108-53	757 275	110-75
756 038	121-32	756 393	42C-20	757 223	108A-56	757 276	42C-18
756 038	121A-2	756 398	151-1	757 224	108-9	757 276	109A-8
756 038	122-32	756 505	121-34	757 225	108-20	757 276	110-79
756 038	122A-2	756 505	121A-4	757 226	108-24	757 276	110A-28
756 040	80-28	756 505	122-34	757 227	108-33	757 277	109A-9
756 054	42C-7	756 505	122A-4	757 228	108-34	757 277	110-9
756 054	42C-12	756 507	121-33	757 229	108-35	757 277	110-16
756 056	132-20	756 507	121A-3	757 229	108A-31	757 277	110-57
756 062	90-34	756 507	122-33	757 229	109A-4	757 277	110A-33
756 069	90-24	756 507	122A-3	757 229	110A-3	757 279	109A-16
756 072	134A-10	756 508	49-14	757 230	108-45	757 279	110A-30
756 119	49-13	756 510	80-10	757 231	108-46	757 283	109-74
756 119	49-28	756 511	109-12	757 232	108-42	757 283	110-83
756 149	42-8	756 512	114-42	757 233	108-52	757 284	109-75
756 149	42A-8	756 513	113A-16	757 233	108A-55	757 284	110-77
756 149	42B-15	756 514	121-36	757 234	108-54	757 285	109-29

## PIPER PARTS CATALOG

Part Number	Figure and Index No.	Part Number	Figure and Index No.	Part Number	Figure and Index No.	Part Number	Figure and Index No.
757 286	109-44	757 512	109-45	757 755	138-1	758 154	132-5
757 287	109A-14	757 513	109-48	757 762	134-2	758 158	41A-8
757 288	109A-3	757 514	109-49	757 801	109-54	758 159	42C-3
757 289	109-55	757 515	109A-1	757 802	109A-32	758 166	108-48
757 290	109-64	757 516	109A-2	757 803	109-78	758 167	132-11
757 291	109-79	757 517	109-52	757 804	109-69	758 168	132-12
757 291	110A-13	757 518	109-56	757 805	114-47	758 170	132-15
757 291	110A-15	757 519	109A-5	757 809	132-10	758 175	132-22
757 315	90-29	757 524	109-43	757 829	138-58	758 179	138-12
757 319	108-3	757 524	109A-18	757 833	84-11	758 194	138-21
757 320	108-7	757 526	109-65	757 862	128-31	758 202	80-4
757 324	90-27	757 527	109A-24	757 863	138A-61	758 205	80-30
757 327	109-2	757 528	109-80	757 863	144-70	758 207	138-11
757 327	109-84	757 529	109A-26	757 863	145-70	758 212	132-19
757 328	109-39	757 530	109A-27	757 864	108-2	758 232	80-4
757 329	90-28	757 532	109-83	757 865	74-2	758 233	114-29
757 334	114-5	757 533	109-14	757 865	74A-5	758 234	114-30
757 337	42C-5	757 537	109A-33	757 865	123-6a	758 235	132-23
757 338	42C-10	757 541	132-1	757 865	123A-39	758 236	122-37
757 339	42C-14	757 550	138-15	757 865	123B-39	758 237	123-3
757 355	134-10	757 560	123-2	757 872	138-59	758 237	123A-3
757 374	105-1	757 560	124-3	757 872	138A-60	758 237	123B-3
757 374	109-1	757 577	114-13	757 877	70-65	758 237	123-3
757 375	81-4	757 578	90-42	757 877	71-44	758 238	123A-3
757 382	138-14	757 579	138-4	757 879	49-20	758 238	123B-3
757 383	42C-6	757 579	138-6	757 888	114-4a	758 239	124-1
757 383	42C-11	757 579	138A-3	757 894	41A-3	758 239	124A-1
757 419	114-32	757 579	138A-5	757 895	41-14	758 240	124-1
757 419	115-8	757 579	138A-7	757 895	41A-4	758 240	124A-1
757 420	115-6	757 579	144-3	757 896	41-3	758 241	124-2
757 456	138A-13	757 579	144-5	757 896	41-5	758 241	124A-2
757 457	105-1	757 579	144-5b	757 896	41A-11	758 241	124A-2
757 457	109-1	757 579	145-3	757 896	41A-13	758 260	138-50
757 468	42A-9	757 579	145-5	757 896	70-68	758 260	138A-22
757 469	42A-6	757 579	145-5b	757 938	81-5	758 263	114-23
757 470	42A-11	757 583	80-36	757 947	81-5	758 264	114-24
757 471	42A-11	757 584	132-6	757 969	114-33	758 266	151-6
757 472	105-1	757 584	132-6	757 969	115-8a	758 267	151-7
757 473	110-1	757 585	132-8	757 970	114-53	758 267	151-7
757 486	80-50	757 593	80-6	757 971	115-1	758 281	151-2
757 494	108A-52	757 594	109-50	758 000	115-1	758 293	130-39
757 495	110A-5	757 602	114-12	758 013	115-9b	758 295	138-13
757 496	108A-49	757 617	41A-5	758 013	115-10	758 299	114-23
757 497	108A-50	757 622	90-36	758 026	138A-11	758 300	114-24
757 498	110-28	757 626	132-21	758 048	115-1	758 364	151-2
757 499	108A-3	757 633	90-16	758 055	138-32	758 369	145C-3a
757 500	108A-20	757 673	132-3	758 077	42A-2	758 375	126-31
757 502	109-10	757 687	81-3	758 082	144-22	758 377	108A-19
757 503	109-18	757 705	42C-21	758 082	145-22	758 378	110-66
757 504	109-21	757 723	114-14	758 092	152-3	758 379	110-6
757 505	109-23	757 726	112A-33	758 101	132-5	758 380	110-14
757 506	109-27	757 726	115-12	758 102	132-4	758 381	110-29
757 507	109-32	757 727	115-18	758 104	132-16	758 382	110-35
757 509	109-38	757 728	132-6	758 128	39-2	758 383	110-45
757 510	109A-21	757 741	42A-4	758 130	90-35	758 384	110-52
		757 741	42B-5	758 151	126-15	758 385	108A-35
						758 386	108A-39

## PIPER PARTS CATALOG

Part Number	Figure and Index No.	Part Number	Figure and Index No.	Part Number	Figure and Index No.	Part Number	Figure and Index No.
758 387	110-5	760 827	Misc.	761 910	123-1	762 297	110A-6
758 387	110-13	760 828	Misc.	761 910	123B-1	762 298	110-4
758 388	110-49	760 829	Misc.	761 931	122-15	762 299	110-12
758 389	110-60	760 832	Misc.	761 939	151-1	762 300	110-24
758 390	110-91	760 899	138A-12	761 944	114-20	762 301	110-33
758 407	144-11	760 906	Misc.	761 946	114-10	762 302	108A-37
758 418	126-33	761 054	90-26	761 952	114-19	762 302	110-44
758 433	132-17	761 064	Misc.	761 967	151-1	762 303	110-50
758 434	132-18	761 096	Misc.	761 972	43-3	762 304	110-59
758 435	132-18	761 115	108A-14	761 979	39-4	762 305	110A-4
758 436	132-18	761 118	Misc.	761 983	110A-22	762 306	110A-17
758 451	102-23a	761 154	134-13	761 990	132-2	762 307	110A-21
758 452	152A-2	761 155	134-13	761 995	43-3	762 308	108A-24
758 453	152A-5	761 156	134-15	761 997	39-4	762 309	108A-44
758 472	55-17	761 157	134-16	762 003	134A-4	762 310	110A-2
758 487	132-4	761 162	134A-5	762 022	113A-8	762 311	110-25
758 491	123A-101	761 163	137-5	762 030	152-1	762 312	110-34
758 491	123B-12	761 183	134A-14	762 033	43-3	762 313	108A-6
758 492	123A-101	761 184	134A-12	762 035	39-4	762 314	108A45
758 492	123B-12	761 187	134A-4	762 215	114-26	762 315	110A-35
758 519	42B-8	761 204	108A-43	762 217	138A-1	762 316	108A-36
758 523	42B-13	761 205	108A-11	762 217	144-1	762 316	110-42
758 528	152-2	761 207	134A-11	762 217	145-1	762 317	110-37
758 569	138A-81a	761 208	134A-14	762 218	138A-2	762 320	134A-14a
758 569	144-14a	761 211	42A-12	762 218	144-2	762 325	41-12
758 569	144-73a	761 212	42B-11	762 218	145-2	762 326	41-6a
758 569	145-14a	761 214	134A-19	762 219	138A-4	762 333	49-27
758 569	145-73a	761 223	134A-5	762 219	144-4	762 354	102-23b
758 569	145C-3a	761 225	53A-9e	762 219	145-4	762 355	53A-9e
758 578	53A-8b	761 225	53A-20e	762 220	138A-6	762 355	53A-18b
758 578	53A-9f	761 225	53A-18b	762 220	144-5a	762 355	53A-20e
758 578	53A-10a	761 225	53A-21b	762 220	145-5a	762 355	53A-21b
758 578	53A-16a	761 238	126-14a	762 221	138A-68	762 357	152A-3
758 578	53A-18d	761 290	126-32a	762 221	144-71	762 393	114-7
758 578	53A-20f	761 297	53A-8a	762 221	145-71	762 421	42B-12
758 578	53A-21c	761 297	53A-9e	762 222	138A-63	762 451	115-9e
760 197	Misc.	761 297	53A-9g	762 222	144-51a	762 452	114-59
760 246	Misc.	761 297	53A-18b	762 222	145-52a	762 455	115-9d
760 247	Misc.	761 297	53A-20e	762 250	42A-13	762 456	115-9c
760 367	102-8	761 297	53A-21b	762 281	80-47	762 510	53A-18g
760 376	Misc.	761 298	53A-9e	762 282	80-48	762 510	53A-21d
760 377	Misc.	761 298	53A-18b	762 285	108A-11	762 510	66-5a
760 389	108-4	761 298	53A-20e	762 285	108A-47	762 513	42A-20
760 400	Misc.	761 298	53A-21b	762 286	110-3	762 514	92-41a
760 431	Misc.	761 529	114-31	762 286	110-11	762 514	93-40a
760 454	80-45	761 530	115-7	762 287	110-23	762 515	92-41a
760 504	90-17	761 608	115-7	762 288	110-32	762 515	93-40a
760 630	Misc.	761 621	90-26	762 289	110-69	762 515	93A-19
760 631	Misc.	761 656	110A-19	762 290	110A-27	762 516	92-41a
760 632	Misc.	761 905	114-11	762 291	108A-61	762 516	93-40a
760 633	Misc.	761 906	114-19	762 292	108A-60	762 524	90-39
760 715	41A-14	761 907	114-20	762 293	110-20	762 533	80-46
760 733	Misc.	761 908	114-52	762 294	110A-8	762 535	108A-22
760 736	Misc.	761 909	113-22	762 295	110A-9	762 536	110-8
760 826	Misc.	761 909	113A-8	762 296	110-26	762 536	110-15

## PIPER PARTS CATALOG

Part Number	Figure and Index No.	Part Number	Figure and Index No.	Part Number	Figure and Index No.	Part Number	Figure and Index No.
762 536	110-56	763 388	93A-15	764 787	119-3		
762 537	110-17	763 394	53A-18c	764 807	133-4a		
762 538	110A-34	763 398	70-94	764 814	53A-8a		
762 539	108A-32	763 399	70-94	764 814	53A-9e		
762 540	108A-57	763 400	70-94	764 814	53A-9g		
762 541	108A-15	763 401	110-64	764 814	53A-18b		
762 542	108A-58	763 402	110-51	764 814	53A-20e		
762 543	110A-16	763 403	110A-18	764 814	53A-21b		
762 544	110A-20	763 404	108A-23	764 823	53A-9e		
762 545	110-65	763 405	108A-40	764 823	53A-18b		
762 546	110-61	763 406	110-19	764 823	53A-20e		
762 547	110-90	763 407	110-58	764 823	53A-21b		
762 548	108A-9	763 408	110-7	764 824	53A-8a		
762 549	108A-10	763 409	110A-36	764 824	53A-9g		
762 550	108A-28	763 411	110-95	764 824	53A-18e		
762 551	108A-29	763 417	80-52	764 825	53A-9c		
762 552	108A-53	763 419	144-10	764 825	53A-20c		
762 553	110-67	763 420	42A-3	764 826	53A-9d		
762 554	108-11	763 421	42A-6	764 828	53A-9d		
762 554	108A-12	763 422	42A-9	764 829	53A-20d		
762 555	110-92	763 422	42B-10	764 908	Misc.		
762 570	29-60b	763 434	81A-2	764 936	Misc.		
762 570	33-15b	763 441	49-10	764 963	Misc.		
762 573	49-3	763 499	42B-4	765 361	Misc.		
762 614	41-13	763 500	42B-9	765 479	Misc.		
762 631	42C-7	763 501	42B-14	766 206	Misc.		
762 631	42C-12	763 523	42C-6	766 207	Misc.		
763 004	152-4	763 523	42C-11	767 488	53A-21a		
763 009	105-61	763 703	41-11	914 046	Misc.		
763 017	152A-6	763 704	41-2	914 047	Misc.		
763 019	152A-4	763 705	41-4	914 047	24-21		
763 204	110-47	763 715	45-2	923 120	Misc.		
763 205	110A-12	763 717	45-4	924 355	24-22		
763 206	110A-14	763 856	132-17				
763 207	110A-10	763 907	Misc.				
763 208	108A-4	763 972	Misc.				
763 209	108A-17	764 018	Misc.				
763 210	110-63	764 019	Misc.				
763 211	108A-2	764 020	Misc.				
763 212	110-93	764 021	Misc.				
763 227	144-12	764 082	Misc.				
763 233	42A-2	764 400	44-4				
763 235	41-15	764 601	70-94				
763 246	29-60a	764 602	70-94				
763 246	33-15a	764 603	70-94				
763 249	81A-3	764 604	70-94				
763 253	49-2	764 605	70-94				
763 287	41-3	764 606	70-94				
763 287	41-5	764 607	70-94				
763 309	49-2	764 608	70-94				
763 318	53A-18c	764 609	70-94				
763 332	42B-2	764 610	70-94				
763 333	42B-3	764 654	53A-9a				
763 388	92-40	764 655	53A-9a				
763 388	93-39	764 656	53A-20a				

**PIPER PARTS CATALOG**

---

GRIDS 4114 THRU 4L24  
INTENTIONALLY LEFT BLANK