



ARROW IV PARTS CATALOG

CARD 1 OF 2

PA-28RT-201 ARROW IV

PA-28RT-201T TURBO ARROW IV

PIPER AIRCRAFT CORPORATION

Courtesy of Bomar Flying Service
www.bomar.biz

[PART NUMBER 761 693]

PIPER PARTS CATALOG

AEROFICHE EXPLANATION AND REVISION STATUS

The Parts Catalog information incorporated in this set of Aerofiche cards has been arranged in accordance with the general specifications of Aerofiche adopted by the General Aviation Manufacturers Association.

Conversion of Aerofiche alpha/numeric code numbers:

First number is the Aerofiche card identifier.

Letter is the horizontal line reference per card.

Second number is the vertical line reference per card.

Example: 2J16 = Aerofiche card number two of given set, Grid location J16.

To aid in locating the various sections and related information desired, the following is provided:

A complete Catalog Table of Contents is given at Grid 1A8 of Aerofiche card number 1 of this set. Each additional card in this set will have a Table of Contents for all sections on that particular card. This table will start at Grid A3.

REVISIONS

The information compiled in this Aerofiche Parts Catalog will be kept current by revisions distributed periodically. These revisions will supersede all previous revisions and will be complete Aerofiche card replacements and shall supersede Aerofiche cards of the same number in the set.

Current Revisions to this PA-28RT-201 and PA-28RT-201T Parts Catalog issued November 2, 1978 are as follows:

761 693 (PR790410)	Dated April 1979
761 693 (PR790810)	Dated August 1979
761 693 (PR800311)	Dated March 1980
761 693 (PR800812)	Dated August 1980
761 693 (PR810415)	Dated April 1981
761 693 (PR810713)	Dated July 1981
761 693 (PR820210)	Dated February 1982
761 693 (PR820712)	Dated July 1982
761 693 (PR830112)	Dated January 1983
761 693 (PR830808)	Dated August 1983
761 693 (PR840213)	Dated February 1984
761 693 (PR840710)	Dated July 1984
761 693 (IR950303)*	Dated March 1995

*INTERIM CHANGE TO PARTS CATALOG 761-693

Changes have been made to Sections II, VII, and IX of Card 1. There are no other changes included in this interim change revision. Please discard your current card 1, and replace it with the revised card 1. DO NOT DISCARD CARD 2.

NOTE: Refer to the last card of the Piper - Parts Price List -Aerofiche for a checklist of current revision dates and card effectivities for this parts catalog.

INTRODUCTION

This illustrated Parts Catalog is designed to provide simple but positive identification of replacement parts for the Piper Model PA-28RT-201 Arrow IV and PA28RT-201T Turbo Arrow IV, manufactured by the Piper Aircraft Corporation of Vero Beach, Florida.

NOTE: UNDER NO CIRCUMSTANCES SHALL THIS CATALOG BE USED FOR RIGGING AND INSTALLATION PURPOSES.

It is suggested that this catalog be thoroughly studied to determine its arrangement prior to its utilization.

1. The catalog is divided into fourteen (14) major sections described as follows:
 - a. Section I to XIII inclusive contains all replacement parts for the complete airplane. Each section is subdivided and each division includes an illustration and a parts listing.
 - b. Section XIV is the Miscellaneous Group. This group includes an illustration and parts list for the Placards and Exterior Stencils and a listing of the Optional Equipment Kits, Repair Kits and Special Tools.
2. The following is a brief explanation of the columns in the parts lists: (Refer to EXAMPLE below).
 - a. The "FIGURE AND INDEX NUMBER" column indicates the illustration figure number and its part index number. EXAMPLE: (2-1), the 2 is the figure number and the 1 is the index number. The figure number appears only at the top of each parts list page.
 - b. The "PART NUMBER" column contains the identifying number of the replacement part and this number must be shown on all Parts Orders.
 - c. The "CODE" column is for the purpose of indicating special uses of the part. An explanation of the letter code used is shown on the grid (page) preceding each parts listing and pertains to that listing only.

ALL PARTS CODED WITH A "W" MUST BE PURCHASED FROM
PIPER AIRCRAFT CORPORATION, LOCK HAVEN, PENNA.

ALL PARTS NOT CODED WITH A "W" MUST BE PURCHASED FROM
PIPER AIRCRAFT CORPORATION, VERO BEACH, FLORIDA.

- d. The "NOMENCLATURE" column indicates the part name. This name must be shown on all Parts Orders.
- e. The "NO. REQ." (Number Required) column represents the total quantity of parts used per figure when the part is not indented and the quantity of parts used per assembly when the part is indented. The symbol "AR" listed in this column means "As Required."
- f. The "SERIAL NUMBERS AFFECTED" column indicates the part application by airplane serial number.

EXAMPLE					
Figure and Index Number	Part Number	Code	NOMENCLATURE	No. Req.	SERIAL NUMBERS AFFECTED
2-1	XXXXX-XX		DOOR ASSEMBLY - Baggage compartment	X	
-2	XXXXX-XX		* TUBE ASSEMBLY - Baggage door latch	X	
-3	XXXXX-XX		** CLEVIS - Door latch tube assembly	X	
-4	XXXXX-XX		** CLIP - Door latch tube assembly	X	

In the Nomenclature column, the next higher assembly relationship of items covered is shown by the degree of indentation of each item and is indicated by an asterisk (*). One asterisk signifies one indentation, two signifies two indentions, etc. The example listing above is interpreted as follows:

If the DOOR ASSEMBLY (not indented) is ordered, it will include the three items indented under the Door Assembly.

If the TUBE ASSEMBLY (indented one space) is ordered, it will include the two items indented under the Tube Assembly.

If you want only a CLEVIS or CLIP, you order only that item.

PIPER PARTS CATALOG

3. The "ATTACHING PARTS" such as nuts, bolts, screws, etc., that are available as commercial hardware items, are not generally supplied by the Piper Aircraft Corporation. The catalog lists, for your convenience, those attaching parts required for main assemblies and installations. The identifying number for these parts appears after the part name.
4. All items of Optional Equipment are contained in the parts list in their proper sequence and sections. These items were not marked optional, since they are fully identified by their descriptions.

HOW TO IDENTIFY A PART IF YOU KNOW WHAT IT LOOKS LIKE AND KNOW WHERE IT IS LOCATED

1. Refer to Figure 1 to determine the section number in which the part is used.
2. Refer to the Table of Contents and locate the section. Note the figure numbers that illustrate the various subgroups of this main section.
 - a. Select the Figure title you think might contain that part you wish to identify and proceed to the grid (page) specified.
3. NOTE: If you don't find the part on this illustration, try another figure in this group.
4. Refer to the "Figure and Index Number" in the Parts Listing for complete description of the part.

HOW TO ORDER PARTS

In ordering parts for your Piper Airplanes, observe the following instructions which will aid in your getting the right parts required without delay:

- a. Place your order with the distributor or dealer for your territory, since parts are available only through our distributor organization.
- b. Always specify the model and serial number of your airplane.
- c. Always specify Part Number, Name, Type and Quantity Required. >
- d. Specify the method of shipment: freight, express, parcel post, air express, air freight or air parcel post. Where the nature of the shipment requires it or when no instructions are given, we reserve the right to ship most suitable way.

GENERAL INFORMATION

a. Shortages.

All orders are checked and rechecked before leaving our Shipment Department. A packing slip is enclosed with the shipment and claims for errors or shortages must be made within three (3) days after receipt of orders.

b. Returned Goods.

No material should be returned to us without first securing our written permission. Material sent in without notice will be held at the owner's risk for thirty (30) days and will then be disposed of as we see fit.

Transportation charges must be PREPAID on returned goods or the shipment will be refused.

c. Transportation Liabilities.

The Piper Aircraft Corporation cannot be held liable for damages to parts in transit from the factory. If a shipment is received in a damaged condition, have the delivery man or Transportation Company make a notation of the damage and file your claim with the Carrier. In case of concealed damage, do not attempt to remove the part from the shipping container, or endeavor to repair the damage, but call the Carrier and have his Claim Agent inspect the damage before filing your claim with the Carrier.

PIPER PARTS CATALOG

PA-28RT-201 AND PA-28RT-201T SERIAL NUMBER INFORMATION

The following information should be kept in mind when ordering from this Catalog:

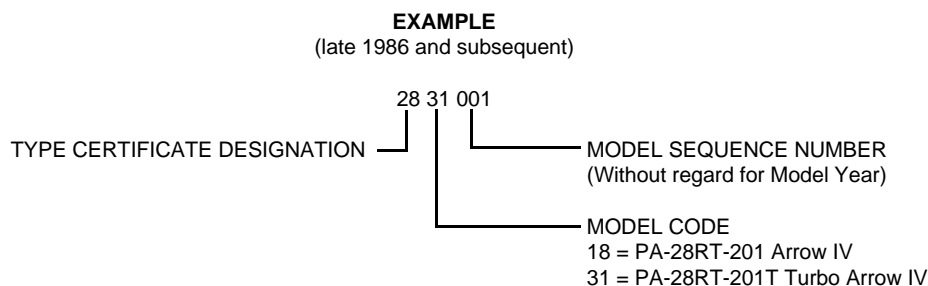
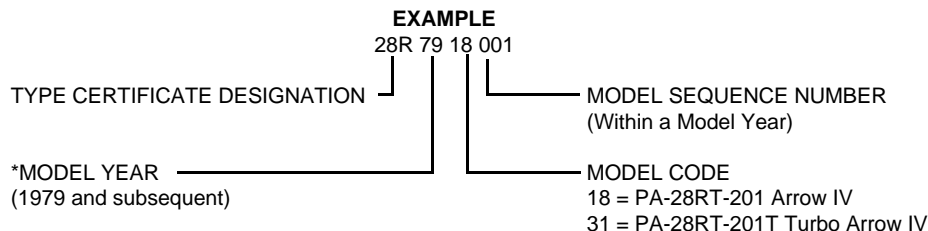
a. The serial numbers of the aircraft covered by this Parts Catalog are as follows:

PA-28RT-201, Arrow IV - 1979 - Serial Numbers 28R-7918002 to 28R-7918267 inclusive
PA-28RT-201, Arrow IV - 1980 - Serial Numbers 28R-8018001 to 28R-8018106 inclusive
PA-28RT-201, Arrow IV - 1981 - Serial Numbers 28R-8118001 to 28R-8118082 inclusive
PA-28RT-201, Arrow IV - 1982 - Serial Numbers 28R-8218001 to 28R-8218026 inclusive
PA-28RT-201T, Turbo Arrow IV - 1979 - Serial Numbers 28R-7931002 to 28R-7931310 inclusive
PA-28RT-201T, Turbo Arrow IV - 1980 - Serial Numbers 28R-8031001 to 28R-8031178 inclusive
PA-28RT-201T, Turbo Arrow IV - 1981 - Serial Numbers 28R-8131001 to 28R-8131208 inclusive
PA-28RT-201T, Turbo Arrow IV - 1982 - Serial Numbers 28R-8231001 to 28R-8231080 inclusive
PA-28RT-201T, Turbo Arrow IV - 1983 - Serial Numbers 28R-8331001 to 28R-8331051 inclusive
PA-28RT-201T, Turbo Arrow IV - 1984 - Serial Numbers 28R-8431001 to 28R-8431032 inclusive
PA-28RT-201T, Turbo Arrow IV - 1985 - Serial Numbers 28R-8531001 to 28R-8531015 inclusive
PA-28RT-201T, Turbo Arrow IV - 1986 - Serial Numbers 28R-8631001 and 28R-8631005 inclusive
PA-28RT-201T, Turbo Arrow IV - 1987 - Serial Numbers 28R-8631002 to 28R-8631004 inclusive
Serial Numbers 2831001 to 2831033 inclusive
PA-28RT-201T, Turbo Arrow IV - 1988 - Serial Numbers 2831034 to 2831038 inclusive.

SERIAL NUMBER EXPLANATION

The Serial Number on the Manufacturer's Identification Plate is based on either a 3- or 4-set numbering system. In the 4-set system, the first set defines the Type Certificate Designation, the second set is the Model Year, the third set is the Model Code, while the fourth set is the Model Sequence Number (within a model year).

The 3-set system omits the model year* and begins a new sequence with 2831001. This new sequence continues without renumbering for a new year.



PIPER PARTS CATALOG

STANDARD PAINT CHART

EXTERIOR	MFG. NO.	PIPER PART NUMBER	
		QUART	GALLON
ACRYLIC LACQUER			
Madrid Red	B-5511	4175 593	1175 593
Bahama Blue	B-9170	4175 436	1175 436
Avocado	G-2352	4175 331	1175 331
Las Vegas Gold	G-2124-A	4175 332	1175 332
Dakota Black	H-6117-R	4175 373	1175 373
Ocala Orange (base coat)	P7946	4175 499	1175 499
Ocala Orange (top coat)	C-2065-A	4175 500	1175 500
Juneau White	B-7784-B	4175 657	1175 657
Lime Green	D-6449	4175 380	1175 380
Baja Yellow	D-6448	4175 379	1175 379
Denver Brown (base coat)	K-2790	4175 299	1175 299
Denver Brown (top coat)	B-5460	4175 409	1175 409
Matador Red	R4418	4175 389	1175 389
Royal Blue	X5700	4175 390	1175 390
Hickory Brown	Y9775	4175 392	1175 392
Indian Silver	M9514	4175 391	1175 391
Sage Green	R3796R	4175 304	1175 304
Firethorn Red	R3956R	4175 305	1175 305
Dark Blue	R3957R	4175 306	1175 306
Silver	M9514R	4175 307	1175 307
Buckskin	R3959R	4175 303	1175 303
Sandalwood Tan	R8175R	4175 309	1175 309
Platinum Gray	R8174R	4175 308	1175 308
Dark Claret	R3955	4175 311	1175 311
Thinner	B5408-B	4179 402	1179 402

PIPER PARTS CATALOG

STANDARD PAINT CHART

EXTERIOR	MFG. NO.	PIPER PART NUMBER QUART	GALLON
POLYURETHANE ENAMEL (Dupont Imron)			
Baja Yellow	H7850U	4175 461	1175 461
Juneau White	H7848U	4175 462	1175 462
Ocala Orange	H7857UM	4175 463	1175 463
Madrid Red	H7851UM	4175 464	1175 464
Bahama Blue	H7853U	4175 465	1175 465
Avocado	H7852U	4175 466	1175 466
Las Vegas Gold	5242U	4176 121	1176 121
Dakota Black	99U	4175 467	1175 467
Denver Brown	H7859U	4176 122	1176 122
Matador Red	H7858U	4175 468	1175 468
Royal Blue	H7856U	4175 469	1175 469
Hickory Brown	H7855U	4175 470	1175 470
Silver	45431U	4176 123	1176 123
Lime Green	H7854U	4175 460	1175 460
Sage Green	K7887U	4176 132	1176 132
Firethorn	K7888UW	4176 133	1176 133
Buckskin	K7890U	4176 135	1176 135
Dark Blue	K7891U	4176 136	1176 136
Platinum Gray	N7819U	4176 126	1176 126
Sandalwood Tan	N7818U	4176 127	1176 127
Dark Claret	K7886U	4176 131	1176 131
Burnished Gold	N8068U	4763 528	1763 528
Light Blue	K8149U	4763 529	1763 529
Dark Saddle	N8070U	4763 530	1763 530
Dark Green	N8071U	4763 531	1763 531
Saffron	K7889UH	4763 532	1763 532
Light Sandalwood	W8275	4763 533	1763 533
Light Platinum	W8274	4763 534	1763 534
Catalyst (Activator)	192S	4179 950	1179 950
Reducer	Y8485S	4179 145	1179 145
Retarder	8100S	4179 559	1179 559
Accelerator	189S	4179 951	
POLYURETHANE PRIMER (Dupont Imron)			
Wash Primer	B9287	4170 766	1170 766
Wash Primer Thinner	K1733	4179 452	1179 452
Acid Thinner	B9289	4179 403	1179 403

TABLE OF CONTENTS

FIGURE NUMBER	FIGURE TITLE	GRID NUMBER
1	View of Complete Airplane	1A12
SECTION I WING GROUP		
2	Wing Installation	1A13
3	Wing Leading Edge Assembly	1A18
4	Wing Trailing Edge Assembly	1A21
5	Aileron Assembly	1B1
6	Flap Assembly	1B4
SECTION II FUSELAGE GROUP		
7	Fuselage Assembly - Complete	1B7
8	Fuselage Upper Forward Cockpit Assembly	1B11
9	Fuselage Upper Center Cockpit Assembly	1B15
10	Fuselage Lower Forward Cockpit Assembly	1B19
11	Fuselage Lower Aft Cockpit Assembly	1C1
12	Fuselage Aft Section	1C4
13	Fuselage Cabin and Baggage Door Installation	1C8
14	Fuselage Enclosure Installation	1C13
SECTION III TAIL SURFACES GROUP		
15	Tail Surfaces Installation	1C18
16	Stabilator Assembly	1D1
17	Fin Assembly	1D5
18	Rudder Assembly	1D8
SECTION IV LANDING GEAR GROUP		
19	Nose Landing Gear Installation	1D11
20	Nose Landing Gear Assembly	1D16
21	Nose Wheel Assembly (Cleveland)	1D20
22	Nose Wheel Assembly (McCauley)	1E1
23	Main Landing Gear Installation	1E4
24	Main Landing Gear Assembly	1E9
25	Main Wheel Assembly	1E13
26	Brake Assembly	1E16
27	Landing Gear Door Installation (PA-28RT-201)	1E19
28	Landing Gear Door Installation (PA-28RT-201T)	1F1
29	Hand Brake Installation	1F4
30	Toe Brake Installation	1F7
31	Toe Brake Master Cylinder Assembly	1F10
SECTION V CABIN EQUIPMENT GROUP		
32	Cockpit Finishing Installation	1F13
33	Window Curtains Installation	1F21
34	Carpet Installation	1G1

TABLE OF CONTENTS

FIGURE NUMBER	FIGURE TITLE	GRID NUMBER
SECTION V CABIN EQUIPMENT GROUP (cont.)		
35	Seats Installation	1G6
36	Vertically Adjustable Front Seat Assembly.....	1G11
SECTION VI INSTRUMENTS GROUP		
37	Instrument Panel Installation	1G16
38	Vacuum System Installation	1G21
39	Pitot Static System Installation	1H1
SECTION VII POWER PLANT GROUP		
40	Power Plant Installation (PA-28RT-201)	1H4
41	Power Plant Installation (PA-28RT-201T)	1H9
42	Engine Instrument Lines Installation (PA-28RT-201T).....	1H13
43	Engine Exhaust System Installation (PA-28RT-201).....	1H16
44	Engine Baffle Installation (PA-28RT-201)	1H19
45	Engine Baffle Installation (PA-28RT-201T)	1H22
46	Engine Cowl Installation (PA-28RT-201).....	1I1
47	Engine Cowl Installation (PA-28RT-201T)	1I4
48	Two Blade Propeller Assembly (McCauley) (PA-28RT-201).....	1I7
49	Two Blade Propeller Assembly (Hartzell) (PA-28RT-201 - S/N 28R-7918001 to 28R-7918306 incl.).....	1I10
50	Two Blade Propeller Assembly(Hartzell)(PA-28RT-201T)	1I13
51	Three Blade Propeller Assembly (Hartzell) (PA-28RT-201T).....	1I16
52	Engine Controls Installation (PA-28RT-201)	1I19
53	Engine Controls Installation (PA-28RT-201T)	1J1
SECTION VIII FUEL SYSTEM GROUP		
54	Fuel System Installation (PA-28RT-201)	1J5
55	Fuel System Installation (PA-28RT-201T).....	1J9
56	Fuel Tank Assembly	1J13
SECTION IX CONTROL SYSTEM GROUP		
57	Aileron Control Installation	1J16
58	Flap Control Installation.....	1J20
59	Stabilator Control Installation	1K1
60	Stabilator Trim Installation.....	1K4
61	Rudder Control Installation.....	1K8
62	Rudder Trim Mechanism Installation.....	1K11
63	Control Wheel Installation	1K14
64	Rudder Pedal Installation	1K18

TABLE OF CONTENTS

FIGURE NUMBER	FIGURE TITLE	GRID NUMBER
SECTION X HYDRAULIC SYSTEM GROUP		
65	Hydraulic System Installation (PA-28RT-201 S/N 28R-7918001 to 28R-7918069 incl., PA-28RT-201T - S/N 28R-7931001 to 28R-7931099 incl.).....	1K21
65A	Hydraulic System Installation (PA-28RT-201 - S/N 28R-7918070 and up, PA-28RT-201T - S/N 28R-7931100 and up).....	1L1
SECTION XI ENVIRONMENTAL GROUP		
66	Heat and Defrost System Installation (PA-28RT-201).....	2A5
67	Heat and Defrost System Installation (PA-28RT-201T)	2A8
68	Fresh Air Ventilation Installation	2A12
69	Air Conditioning Compressor Refrigerant Lines and Alternator Installation (PA-28RT-201).....	2A16
70	Air Conditioning Compressor and Refrigerant Lines Installation (PA-28RT-201T)	2A20
71	Air Conditioning Duct and Evaporator Installation.....	2B1
72	Air Conditioning Condenser Installation	2B4
73	Oxygen System Installation (Portable) (PA-28RT-201T)	2B8
73A	Oxygen System Installation (Fixed) (PA-28RT-201T S/N 28R-8131001 and up)	2B11
SECTION XII ELECTRICAL SYSTEM GROUP		
74	Electrical System Installation.....	2B15
75	Instrument Panel Electrical Installation	2B19
76	Air Conditioning Electrical Installation	2C1
77	Battery Installation.....	2C4
78	External Power Supply Installation (PA-28RT-201)	2C7
79	External Power Supply Installation (PA-28RT-201T)	2C10
80	Alternator Assembly and Installation (Chrysler) (PA-28RT-201).....	2C13
81	Alternator Assembly (Prestolite) (PA-28RT-201)	2C17
82	Strobe Lights Installation	2C20
SECTION XIII ELECTRONICS GROUP		
83	Electric Trim Installation	2D1
84	AutoFlite II Installation	2D4
85	AutoControl III B Installation (PA-28RT-201 S/N 28R-7918001 and up, PA-28RT-201T S/N 28R-7931001 to 28R-8231092 incl.).....	2D7
85A	Century 21 AutoPilot Installation (PA-28RT-201 S/N 28R-8118001 and up, PA-28RT-201 T S/N 28R-8131001 and up).....	2D10
86	AltiMatic III C Installation (PA-28RT-201 S/N 28R-7918001 to 28R-8018116 incl., PA-28RT-201T S/N 28R-7931001 to 28R-8031188 incl.).....	2D13
86A	Century 41 AutoPilot Installation (PA-28RT-201 S/N 28R-8118001 and up, PA-28RT-201T S/N 28R-8131001 and up)	2D17
86B	King KAP 100/150/KFC 150 AutoPilot Installation (PA-28RT-201T S/N 28R-8331001 and up)	2D20
87	Piper Automatic Locator (ELT) Installation (Communciations Components Corp.)	2E1
87A	Piper Automatic Locator (ELT) Installation (Narco Avionics)	2E4
87B	Radar Altimeter Installation (Bonzer)	2E7

TABLE OF CONTENTS

FIGURE NUMBER	FIGURE TITLE	GRID NUMBER
SECTION XIII (cont.) ELECTRONICS GROUP		
87C	Radar Altimeter Installation (King) (PA-28RT-201 S/N 28R-8018001 and up, PA-28RT-201 T S/N 28R-8031001 and up)	2E10
88	Encoder Installation (Narco - AR 500 and United - 5125-P3)	2E13
89	Radio, Antenna System and Static Wicks Installation	2E16
90	Audio Selector Assembly	2E19
91	Avionics Cooling Installation.....	2F1
	Radio Installation Drawings	2F4
SECTION XIV MISCELLANEOUS GROUP		
92	Placards and Exterior Stencils	2F7
	Optional Equipment Kits and Repair Kits	2F12
	NUMERICAL INDEX	2F14

PIPER PARTS CATALOG

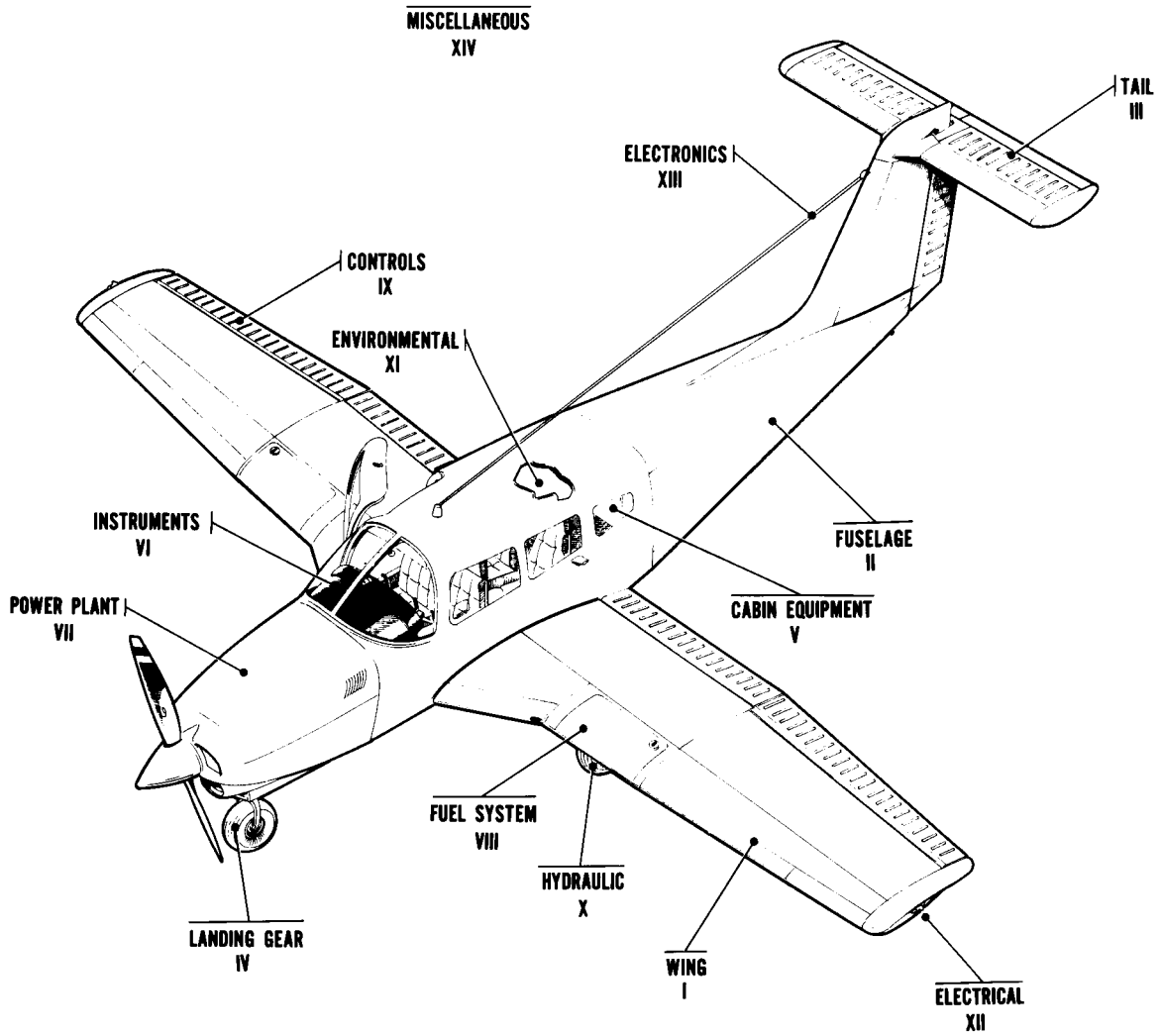


Figure 1. Complete Airplane

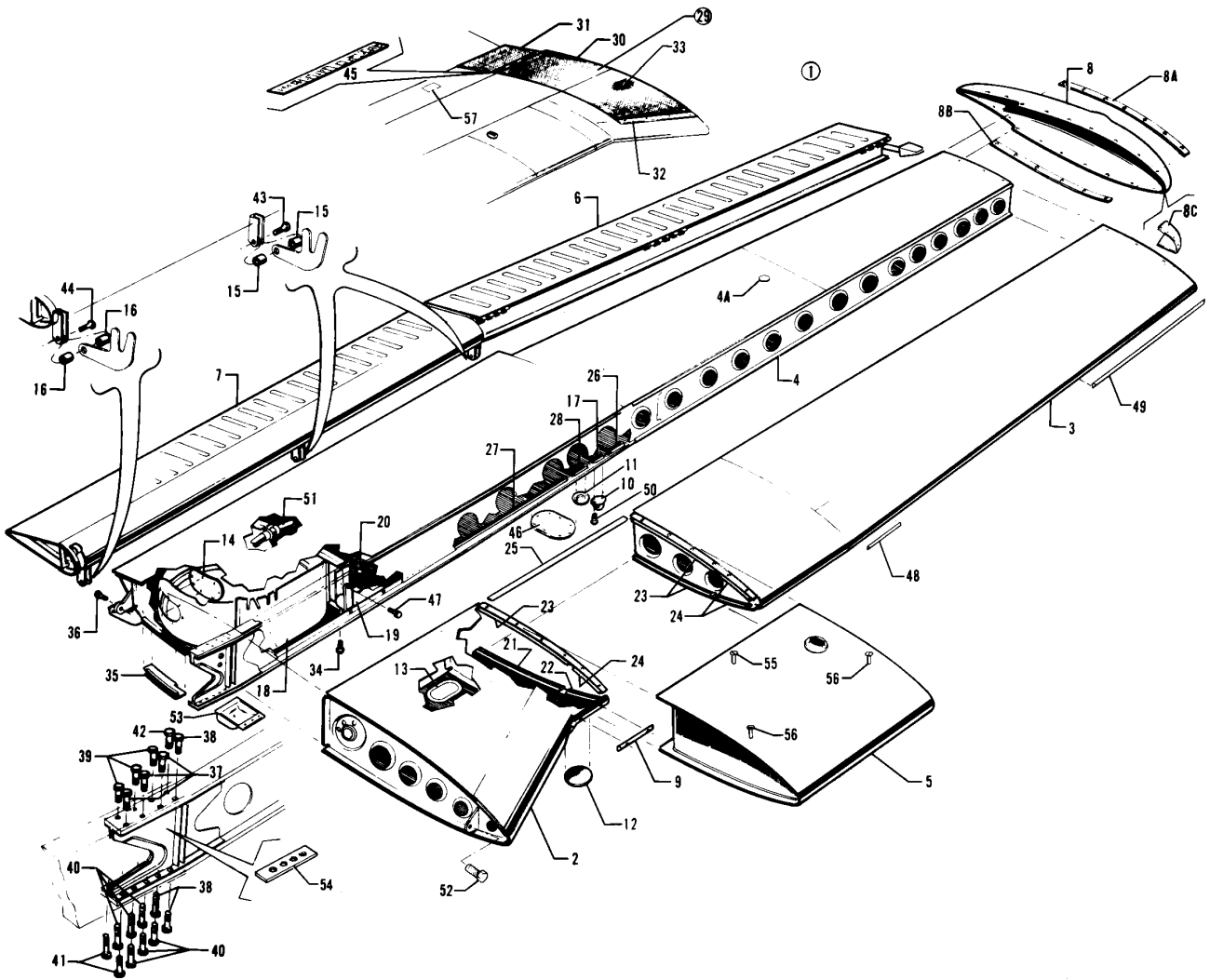


Figure 2. Wing Installation

PIPER PARTS CATALOG

CODE EXPLANATIONS FOR FIGURE 2

- A - See Figure 3 for component parts.
- B - See Figure 4 for component parts.
- C - See Figure 56 for component parts.
- D - See Figure 5 for component parts.
- E - See Figure 6 for component parts.
- F - Used if navigation or strobe lights are not installed.
- G - Used if navigation or strobe lights are installed.
- H - This assembly includes brake lines, hydraulic lines, pitot lines (in left wing only), electrical harness, inspection cover plates, and cable guard tubes.
- J - Used on PA-28RT-201 airplanes only.
- K - Used on PA-28RT-201T airplanes only.
- L - Complete kit required if replacing safety walk compound painted on wing.
- M - Serial number of aircraft must be supplied when ordering this part.
- N - Used on PA-28RT-201 with serial nos. 28R-7918001 to 28R-7918263 incl., and PA-28RT-201T with serial nos. 28R-7931001 to 28R-7931304 incl.
- O - Used on PA-28RT-201 with serial nos. 28R-7918264 and up, and PA-28RT-201T with serial nos. 28R-7931305 and up.
- P - Used on PA-28RT-201 with serial numbers 28R-7918001 to 28R-8118073 inclusive, and PA-28RT-201T with serial numbers 28R-7931001 to 28R-8131162 inclusive.
- Q - Used on PA-28RT-201 with serial numbers 28R-8118074 and up, and PA-28RT-201T with serial numbers 28R-8131163 and up.
- R - Used on PA28RT-201 with serial numbers 28R-7918001 to 28R-8018097 inclusive, and PA-28RT-201T with serial numbers 28R-7931001 to 28R-8031164 inclusive.
- S - Used on PA-28RT-201 with serial numbers 28R-8018098 and up, and PA-28RT-201T with serial numbers 28R-8031165 and up.
- T - Used if recognition lights are installed.
- W - These parts must be ordered from Service Spares Department, Piper Aircraft, Lock Haven, Penna.

PIPER PARTS CATALOG

Figure and Index Number	Part Number	Code	NOMENCLATURE	No. Req.	SERIAL NUMBERS AFFECTED
2-	35630		DRAWING - Wing Installation		
-1	35630-992	H,J,M	WING ASSEMBLY - Left	1	
	35630-987	H,K,M	WING ASSEMBLY - Left	1	
	35630-993	H,J,M	WING ASSEMBLY - Right	1	
	35630-989	H,K,M	WING ASSEMBLY - Right	1	
-2	35630-926	A	* LEADING EDGE ASSEMBLY - Wing inboard, left	1	
	35630-927	A	* LEADING EDGE ASSEMBLY - Wing inboard, right	1	
-3	35630-928	A	* LEADING EDGE ASSEMBLY - Wing outboard, left	1	
	35630-929	A	* LEADING EDGE ASSEMBLY - Wing outboard, right	1	
-4	35630-984	B,M	* TRAILING EDGE ASSEMBLY - Wing aft section, left	1	
	35630-933	B,M	* TRAILING EDGE ASSEMBLY - Wing aft section, right	1	
-4a	453 966		* BUTTON - Plug (HS48172-K2215)	2	
-5	35716-08	C	TANK ASSEMBLY - Fuel, left	1	
	35716-09	C	TANK ASSEMBLY - Fuel, right	1	
-6	35640-24	D	AILERON ASSEMBLY - Left	1	
	35640-25	D	AILERON ASSEMBLY - Right	1	
-7	65591-00	E	FLAP ASSEMBLY - Left	1	
	65590-01	E	FLAP ASSEMBLY - Right	1	
-8	35641-12	F,P	TIP ASSEMBLY - Wing, left	1	
	35641-14	G,P	TIP ASSEMBLY - Wing, left	1	
	36739-08	F,Q	TIP ASSEMBLY - Wing, left	1	
	36739-06	G,Q	TIP ASSEMBLY - Wing, left	1	
	36739-21	K,T	TIP ASSEMBLY - Wing, left	1	28R-8531001 and up
	35641-13	F,P	TIP ASSEMBLY - Wing, right	1	
	35641-15	G,P	TIP ASSEMBLY - Wing, right	1	
	36739-09	F,Q	TIP ASSEMBLY - Wing, right	1	
	36739-07	G,Q	TIP ASSEMBLY - Wing, right	1	
	36739-22	K,T	TIP ASSEMBLY - Wing, right	1	28R-8531001 and up
-8a	35641-06		* STIFFENER - Wing tip, upper, left	1	
	35641-07		* STIFFENER - Wing tip, upper, right	1	
-8b	35641-08		* STIFFENER - Wing tip, lower, left	1	
	35641-09		* STIFFENER - Wing tip, lower, right	1	
-8c	36739-28	K,T	* LENS - Wing tip, left	1	28R-8531001 and up
	36739-29	K,T	* LENS - Wing tip, right	1	28R-8531001 and up
-9	35802-02		STRIP - Stall	2	
-10	35692-02		RING - Tie down	2	
-11	35725-02		PAD - Jack	2	
-12	38118-05		COVER - Access hole	2	
-13	62109-00		COVER - Access hole	14	
-14	67101-00		COVER - Access hole	2	
-15	63900-19		BUSHING - Flap hinge, center and outboard	8	
-16	63900-20		BUSHING - Flap hinge, inboard	4	
-17	66529-00		CHANNEL - Gang	2	
-18	67164-00		COVER - Cylinder access, left	1	
	67164-01		COVER - Cylinder access, right	1	
-19	95643-06		BRACKET ASSEMBLY - Main gear truss, left	1	
	95643-07		BRACKET ASSEMBLY - Main gear truss, right	1	
-20	460 801	W	* FITTING - Lubricator, 90 degrees (MS15001-4)	1	
-21	96926-00		CHANNEL - Gang	2	
-22	96927-00		CHANNEL - Gang	2	
-23	406 942		CHANNEL - Gang (PS10062-2-7)	6	
-24	96926-00		CHANNEL - Gang	6	
-25	406 932		CHANNEL - Gang (PS10062-2-8)	2	
-26	406 933		CHANNEL - Gang (PS10062-2-9)	2	

When ordering, always specify Part Number, Description, and Serial Number of Aircraft

PIPER PARTS CATALOG

Figure and Index Number	Part Number	Code	NOMENCLATURE	No. Req.	SERIAL NUMBERS AFFECTED
2-27	406 934		CHANNEL - Gang (PS10062-2-10)	4	
-28	406 935		CHANNEL - Gang (PS10062-2-11)	2	
-29	763 848	L	KIT - Pressure sensitive wing walk installation	1	
-30	79174-00		* WING WALK - Safety, wing	1	
-31	79174-04		* WING WALK - Safety, flap	1	
-32	69736-02		* RETAINER - Wing walk	1	
-33	179 872		SAFETY WALK COMPOUND - Black (one quart can)	AR	
-34	486 291		SCREW - (NAS617-4-9)	4	
	407 585	W	WASHER - (AN960-416L)	4	
	404 888	W	NUT - (MS20365-428C)	4	
-35	67723-00		PLATE ASSEMBLY - Aft wing access, left	1	
	67723-01		PLATE ASSEMBLY - Aft wing access, right	1	
-36	401 186	R,W	BOLT - (AN5-6A)	2	
	402 915	S	BOLT - (NAS464P6LA6)	2	
	407 566	R,W	WASHER - (AN960-516)	AR	
	407 567	S,W	WASHER - (AN960-616)	4	
	407 587	S,W	WASHER - (AN960-616L)	2	
	404 889	R,W	NUT - (MS20365-524C)	2	
	404 532	S	NUT - (MS21042-6)	2	
-37	402 351	W	BOLT - (AN176-12A)	6	
	407 567	W	WASHER - (AN960-616)	6	
	96352-03		WASHER	6	
	404 532		NUT (MS21042-6)	6	
-38	402 352	W	BOLT - (AN176-13A)	6	
	407 667	W	WASHER - (AN960-616)	6	
	96352-03		WASHER	6	
	404 532		NUT - (MS21042-6)	6	
-39	402 352	W	BOLT - (AN176-13A)	6	
	407 567	W	WASHER - (AN960-616)	12	
	404 532		NUT - (MS21042-6)	6	
-40	402 352	W	BOLT - (AN176-13A)	12	
	96352-03		WASHER	12	
	407 567	W	WASHER - (AN960-616)	24	
	404 532		NUT - (MS21042-6)	12	
-41	402 352	W	BOLT - (AN176-13A)	4	
	96352-03		WASHER	8	
	404 532		NUT - (MS21042-6)	4	
-42	402 349		BOLT - (AN176-14A)	2	
	407 567	W	WASHER - (AN960-616)	4	
	404 532		NUT - (MS21042-6)	2	
-43	401 270	W	BOLT - (AN3-11A)	4	
	407 564	W	WASHER - (AN960-10)	4	
	404 887	W	NUT - (MS20365-1032C)	4	
-44	400 444	W	BOLT - (AN3-13A)	2	
	407 564	W	WASHER - (AN960-10)	2	
	404 887	W	NUT - (MS20365-1032C)	2	
-46	35664-02		PLACARD - Warning	1	
-46	62109-00		COVER - Access hole	2	
-47	400 004	W	BOLT - (AN4-7A)	6	
	407 567	W	WASHER - (AN960-416)	6	
	404 888	W	NUT - (MS20365-428C)	6	
-48	35802-03		STRIP - Stall	2	
-49	98700-02		STRIP - Stall	2	
-50	410 043	W	SCREW - (MS24694-S56)	4	
-51	63904-24		HOSE	4	

When ordering, always specify Part Number, Description, and Serial Number of Aircraft

PIPER PARTS CATALOG

Figure and Index Number	Part Number	Code	NOMENCLATURE	No. Req.	SERIAL NUMBERS AFFECTED
2-52	402 680		BOLT - (NAS1104-17)	2	
	407 565	W	WASHER - (AN960-416)	2	
	407 585	W	WASHER - (AN960-416L)	2	
	404 561	N	NUT - (MS21045-4)	2	
	404 530	O,W	NUT - (MS21042-4)	2	
-53	63942-00		COVER - Wing bolt, left	1	
	63942-01		COVER - Wing bolt, right	1	
-54	62121-00		SHIM - Wing attachment	2	
-55	415 312		SCREW - (MS27039-0812)	90	
-56	415 309		SCREW - (MS27039-0809)	78	
-57	87341-04		PLACARD - No step	2	

When ordering, always specify Part Number, Description, and Serial Number of Aircraft

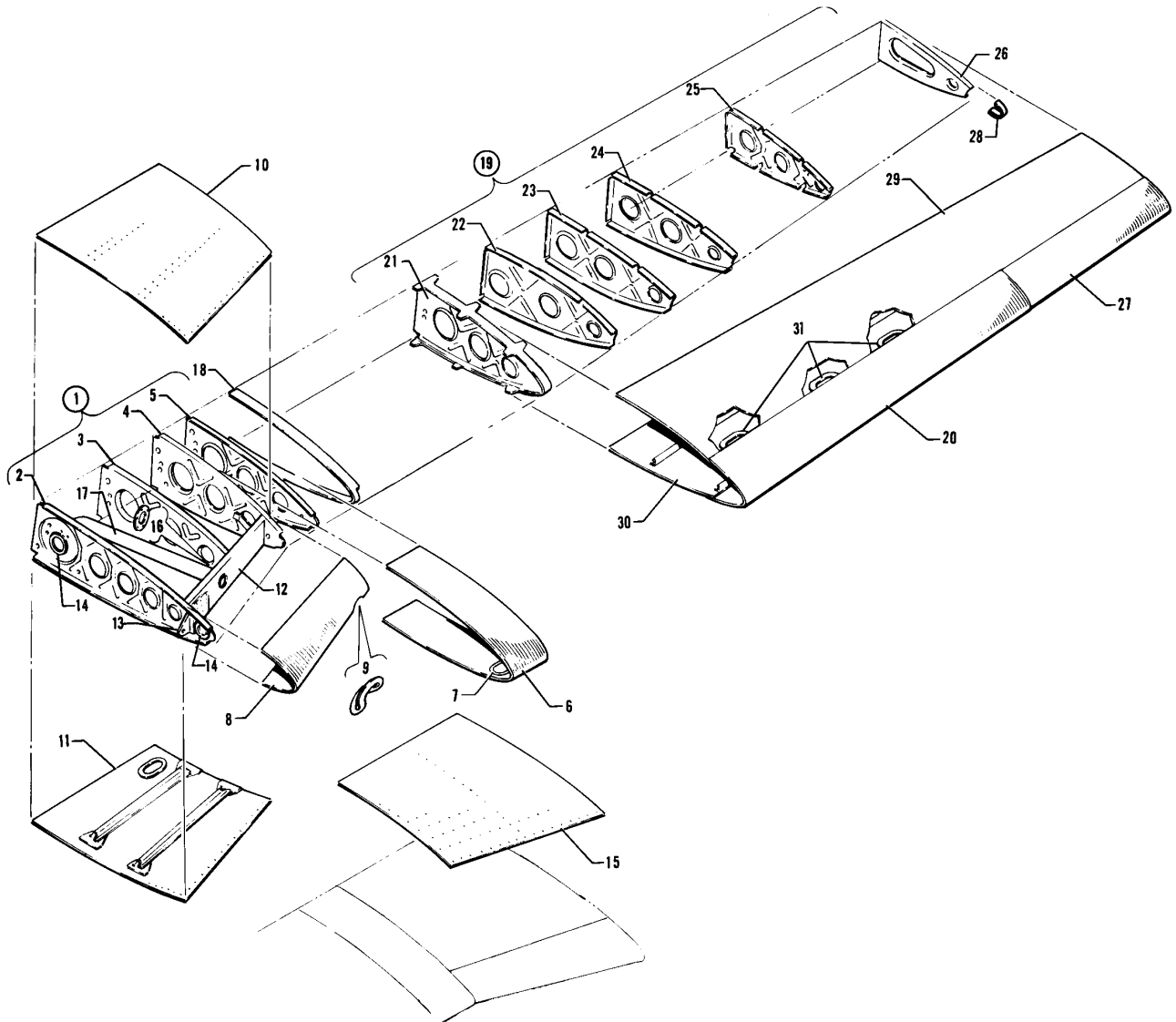


Figure 3. Wing Leading Edge Assembly

PIPER PARTS CATALOG

CODE EXPLANATIONS FOR FIGURE 3

PIPER PARTS CATALOG

Figure and Index Number	Part Number	Code	NOMENCLATURE	No. Req.	SERIAL NUMBERS AFFECTED
3-1	35630-926		LEADING EDGE ASSEMBLY - Wing inboard, left	1	
	35630-927		LEADING EDGE ASSEMBLY - Wing inboard, right	1	
-2	95639-02		* RIB - Wing nose, root, left	1	
	95639-03		* RIB - Wing nose, root, right	1	
-3	35724-04		* RIB ASSEMBLY - Wing nose, Sta. 36.92, left	1	
	35724-05		* RIB ASSEMBLY - Wing nose, Sta. 36.92, right	1	
-4	62021-00		* RIB - Wing nose, Sta. 49.25, left	1	
	62021-01		* RIB - Wing nose, Sta. 49.25, right	1	
-5	35642-00		* RIB - Wing nose, Sta. 57.00, left	1	
	35642-01		* RIB - Wing nose, Sta. 57.00, right	1	
-6	38118-00		* SKIN ASSEMBLY - Inboard wing	1	
-7	38118-03		** DOUBLER ASSEMBLY - Leading edge wing	1	
-8	68113-200		* SKIN ASSEMBLY - Leading edge, left	1	
	68113-201		* SKIN ASSEMBLY - Leading edge, right	1	
-9	68111-00		** DOUBLER - Air inlet	1	
-10	62087-05		* SKIN ASSEMBLY - Top inboard root, left	1	
-11	38217-00		* SKIN ASSEMBLY - Bottom inboard root, left	1	
	38217-01		* SKIN ASSEMBLY - Bottom inboard root, right	1	
-12	66623-00		* SPAR - Leading edge, inboard, left	1	
	66623-01		* SPAR - Leading edge, inboard, right	1	
-13	66761-02		* FITTING ASSEMBLY - Forward spar, left	1	
	66761-03		* FITTING ASSEMBLY - Forward spar, right	1	
-14	68119-00		* GASKET - Air duct	2	
-15	62061-05		* WING WALK - Forward, right	1	
-16	66621-00		* DOUBLER - Forward spar	1	
-17	66620-00		* TUBE ASSEMBLY - Air duct	1	
-18	62091-02		* STRAP - Fuel tank attachment	1	
-19	35630-928		LEADING EDGE ASSEMBLY - Wing outboard, left	1	
	35630-929		LEADING EDGE ASSEMBLY - Wing outboard, right	1	
-20	35118-28		* SKIN - Forward, left	1	
	35118-29		* SKIN - Forward, right	1	
-21	35733-02		* RIB ASSEMBLY - Wing nose, Sta. 106.19, left	1	
	35733-03		* RIB ASSEMBLY - Wing nose, Sta. 106.19, right	1	
-22	35592-00		* RIB - Wing nose, Sta. 117.50, left	1	
	35592-01		* RIB - Wing nose, Sta. 117.50, right	1	
-23	35118-30		* RIB - Wing nose, Sta. 131.60, left	1	
	35118-31		* RIB - Wing nose, Sta. 131.60, right	1	
-24	35118-22		* RIB - Wing nose, Sta. 148.60, left	1	
	35118-23		* RIB - Wing nose, Sta. 148.60, right	1	
-25	35166-00		* RIB - Wing nose, Sta. 174, left	1	
	35166-01		* RIB - Wing nose, Sta. 174, right	1	
-26	35615-02		* RIB - Wing nose, Sta. 206.70, left	1	
	35615-03		* RIB - Wing nose, Sta. 206.70, right	1	
-27	35118-49		* SKIN - Forward, left	1	
	35118-47		* SKIN - Forward, right	1	
-28	35615-04		* STRAP - Skin attachment, Sta. 206.70, left	1	
	35615-05		* STRAP - Skin attachment, Sta. 206.70, right	1	
-29	35118-24		* SKIN - Aft, top, left	1	
	35118-25		* SKIN - Aft, top, right	1	
-30	35118-803		* SKIN ASSEMBLY - Aft, bottom, left	1	
	35118-804		* SKIN ASSEMBLY - Aft, bottom, right	1	
-31	95094-00		** DOUBLER - Cover plate attachment	3	

When ordering, always specify Part Number, Description, and Serial Number of Aircraft

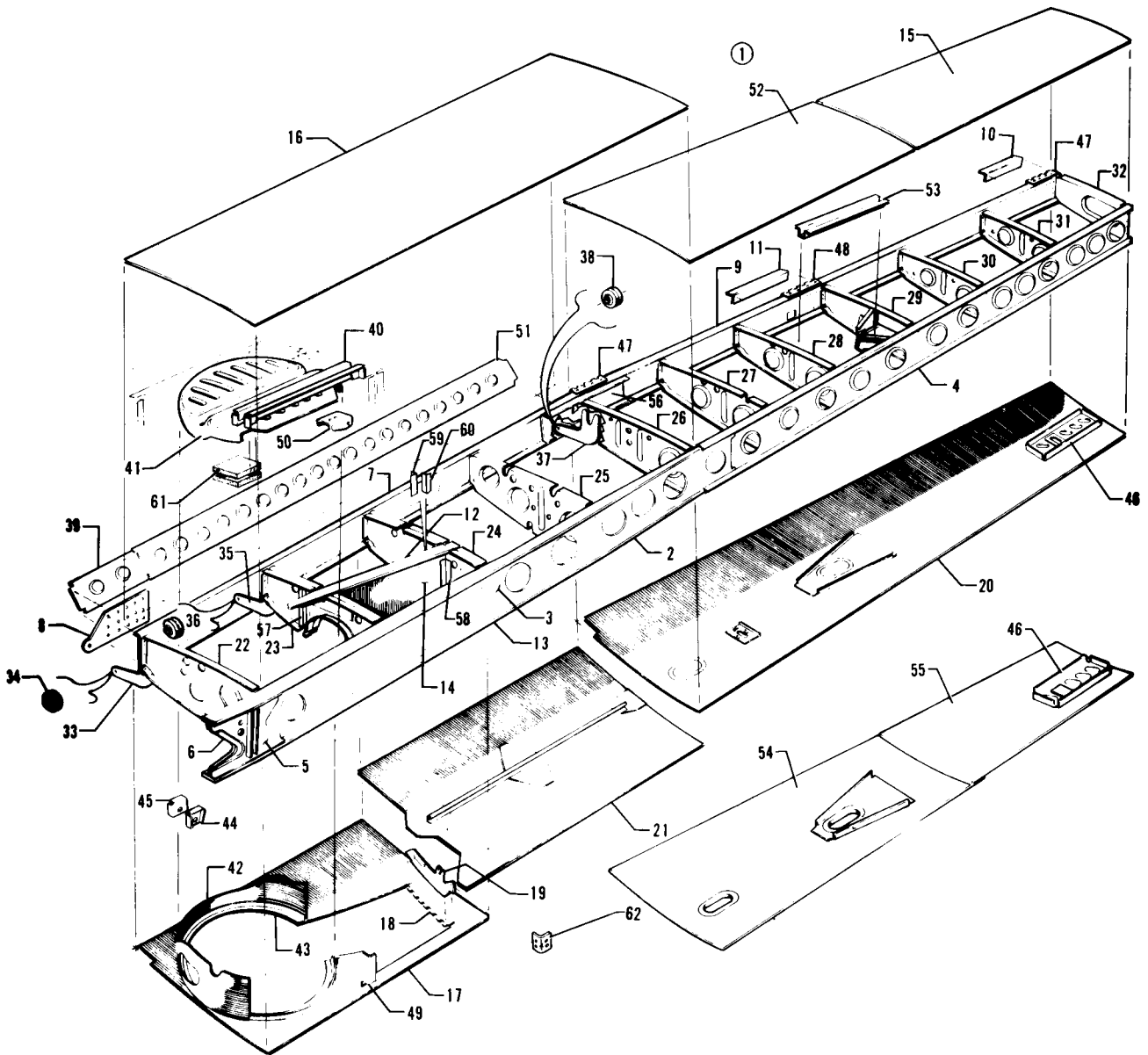


Figure 4. Wing Trailing Edge Assembly

PIPER PARTS CATALOG

CODE EXPLANATIONS FOR FIGURE 4

- A - Serial number of aircraft must be supplied when ordering this part.
- B - Used on PA-28RT-201 with serial numbers 28R-7918001 to 28RT-7918165 inclusive, and PA-28RT-201T with serial numbers 28R-7931001 to 28R-7931217 inclusive.
- C- Used on PA-28RT-201 with serial numbers 28R-7918166 and up, and PA-28RT-201T with serial numbers 28R-7931218 and up.
- D- Used on PA-28RT-201 with serial numbers 28R-7918001 to 28R-8018037 inclusive, and PA-28RT-201T with serial numbers 28R-7931001 to 28R-8031062 inclusive.
- E- Used on PA-28RT-201 with serial numbers 28R-8018038 and up, and PA-28RT-201T with serial numbers 28R-8031063 and up.
- F- Used on PA-28RT-201 with serial numbers 28R-7918001 to 28R-8018098 inclusive, and PA-28RT-201T with serial numbers 28R-7931001 to 28R-8031165 inclusive.
- G- Used on PA-28RT-201 with serial numbers 28R-8018099 and up, and PA-28RT-201T with serial numbers 28R-8031166 and up.

PIPER PARTS CATALOG

Figure and Index Number	Part Number	Code	NOMENCLATURE	No. Req.	SERIAL NUMBERS AFFECTED
4-1	35630-984		TRAILING EDGE ASSEMBLY - Wing aft section, left		
	35630-933	A	TRAILING EDGE ASSEMBLY - Wing aft section, right	1	
-2	35168-14	B	* SPAR ASSEMBLY - Wing main, left	1	
	35168-15	B	* SPAR ASSEMBLY - Wing main, right	1	
	35168-20	C	* SPAR ASSEMBLY - Wing main, left	1	
	35168-21	C	* SPAR ASSEMBLY - Wing main, right	1	
-3	67069-02		** SPAR ASSEMBLY - Main inboard, left	1	
	67069-03		** SPAR ASSEMBLY - Main inboard, right	1	
-4	35168-12		** SPAR ASSEMBLY - Main outboard, left	1	
	35168-13		** SPAR ASSEMBLY - Main outboard, right	1	
-5	62071-00		** DOUBLER ASSEMBLY - Forward, left	1	
	62071-01		** DOUBLER ASSEMBLY - Forward, right	1	
-6	62072-00		** DOUBLER ASSEMBLY - Aft, left	1	
	62072-01		** DOUBLER ASSEMBLY - Aft, right	1	
-7	35174-04		* SPAR ASSEMBLY - Wing aft, inboard, left	1	
	35174-05		* SPAR ASSEMBLY - Wing aft, inboard, right	1	
-8	66762-00		** PLATE - Aft spar	1	
-9	35632-02		* SPAR ASSEMBLY - Wing aft, outboard, left	1	
	35632-03		* SPAR ASSEMBLY - Wing aft, outboard, right	1	
-10	62105-00		* DOUBLER - Aft spar, rear	2	
-11	62105-02		* DOUBLER - Aft spar, rear	1	
-12	67097-00		* CAP - False spar, top, left	1	
	67097-01		* CAP - False spar, top, right	1	
-13	67689-00		* CAP - False spar, bottom, left	1	
	67689-01		* CAP - False spar, bottom, right	1	
-14	67079-00		* WEB - False spar, left	1	
	67079-01		* WEB - False spar, right	1	
-15	35603-20		* SKIN ASSEMBLY - Top, outboard, left	1	
	35603-21		* SKIN ASSEMBLY - Top, outboard, right	1	
-16	35734-02		* SKIN ASSEMBLY - Top, inboard, left	1	
	35734-03		* SKIN ASSEMBLY - Top, inboard, right	1	
-17	67690-00	F	* SKIN ASSEMBLY - Bottom, inboard, left	1	
	67690-01	F	* SKIN ASSEMBLY - Bottom, inboard, right	1	
	67690-16	G	* SKIN ASSEMBLY - Bottom, inboard, left	1	
	67690-17	G	* SKIN ASSEMBLY - Bottom, inboard, right	1	
-18	67095-00		** HINGE - Main gear door, left	1	
	67095-01		** HINGE - Main gear door, right	1	
-19	95668-00	F	** BRACKET - Main gear up switch, left	1	
	95668-01	F	** BRACKET - Main gear up switch, right	1	
	36718-02	G	** BRACKET - Main gear up switch, left	1	
	36718-03	G	** BRACKET - Main gear up switch, right	1	
-20	35634-08	D	* SKIN ASSEMBLY - Bottom, outboard, left	1	
	35634-05	D	* SKIN ASSEMBLY - Bottom, outboard, right	1	
-21	38206-04		* SKIN ASSEMBLY - Bottom, center, left	1	
	38206-05		* SKIN ASSEMBLY - Bottom, center, right	1	
-22	95636-00		* RIB - Sta. 24.24, left	1	
	95636-01		* RIB - Sta. 24.24, right	1	
-23	78475-04		* RIB ASSEMBLY - Sta. 49.25, left	1	
	78475-05		* RIB ASSEMBLY - Sta. 49.25, right	1	
-24	78500-08		* RIB ASSEMBLY - Sta. 69.24, left	1	
	78500-09		* RIB ASSEMBLY - Sta. 69.24, right	1	
-25	66598-00		* RIB - Sta. 86.03, left	1	
	66598-01		* RIB - Sta. 86.03, right	1	
-26	35616-00		* RIB - Sta. 106.19, left	1	
	35616-01		* RIB - Sta. 106.19, right	1	
-27	35617-00		* RIB - Sta. 123.15, left	1	
	35617-01		* RIB - Sta. 123.15, right	1	

When ordering, always specify Part Number, Description, and Serial Number of Aircraft

PIPER PARTS CATALOG

Figure and Index Number	Part Number	Code	NOMENCLATURE	No. Req.	SERIAL NUMBERS AFFECTED
4-28	35618-00		* RIB - Sta. 140.09, left	1	
	35618-01		* RIB - Sta. 140.09, right	1	
-29	35619-02		* RIB ASSEMBLY - Sta. 157, left	1	
	35619-03		* RIB ASSEMBLY - Sta. 157, right	1	
-30	35620-00		* RIB - Sta. 174, left	1	
	35620-01		* RIB - Sta. 174, right	1	
-31	35621-00		* RIB - Sta. 190, left	1	
	35621-01		* RIB - Sta. 190, right	1	
-32	35637-00		* RIB - Sta. 207.40, left	1	
	35637-01		* RIB - Sta. 207.40, right	1	
-33	65898-00		* SUPPORT ASSEMBLY - Flap, inboard, left	1	
	65898-01		* SUPPORT ASSEMBLY - Flap, inboard, right	1	
-34	452 387		* * BEARING - (KP3A)	1	
-35	65898-04		* SUPPORT ASSEMBLY - Flap, center	1	
-36	452 387		* * BEARING - (KP3A)	1	
-37	65898-07		* SUPPORT ASSEMBLY - Flap, outboard	1	
-38	452 387		* * BEARING - (KP3A)	1	
-39	62129-08		* STIFFENER - Left outboard	1	
	62129-07		* STIFFENER - Right outboard	1	
-40	67670-00		* COVER - Control cable, left	1	
	67670-01		* COVER - Control cable, right	1	
-41	67673-00		* PAN - Wheel well	1	
-42	67694-00		* WEB - Wheel well	1	
-43	67687-00		* ANGLE - Wheel well, left	1	
	67687-01		* ANGLE - Wheel well, right	1	
-44	67677-00		* BRACKET - Pulley, aft wing, left	1	
	67677-01		* BRACKET - Pulley, aft wing, right	1	
-45	67678-00		* BRACKET ASSEMBLY - Pulley, aft wing, left	1	
	67678-01		* BRACKET ASSEMBLY - Pulley, aft wing, right	1	
-46	86633-02		* CHANNEL ASSEMBLY - Pitot static, left	1	
-47	62371-08		* HINGE ASSEMBLY - Aileron, inboard and outboard	2	
-48	35636-00		* HINGE ASSEMBLY - Aileron, center	1	
-49	67691-00		* BRACKET - Wheel well, left	1	
	67691-01		* BRACKET - Wheel well, right	1	
-50	67071-00		* BRACKET - Main gear cylinder, left	1	
	67071-01		* BRACKET - Main gear cylinder, right	1	
-51	62129-04		* STIFFENER - Left outboard	1	
	62129-03		* STIFFENER - Right outboard	1	
-52	35603-26		* SKIN ASSEMBLY - Top, center, left	1	
	35603-27		* SKIN ASSEMBLY - Top, center, right	1	
-53	35731-00		* * CHANNEL ASSEMBLY - Bellcrank support, left	1	
	35731-01		* * CHANNEL ASSEMBLY - Bellcrank support, right	1	
-54	35634-16	E	* SKIN ASSEMBLY - Bottom, center, left	1	
	35634-11	E	* SKIN ASSEMBLY - Bottom, center, right	1	
-55	35634-18	E	* SKIN - Bottom, outboard, left	1	
	35634-15	E	* SKIN - Bottom, outboard, right	1	
-56	35632-04		* DOUBLER - Aft spar, left	1	
	35632-05		* DOUBLER - Aft spar, right	1	
-57	67065-00		* ANGLE - False spar	1	
-58	78158-02		* ANGLE - False spar	1	
-59	78159-00		* ANGLE - Aft rib	1	
-60	68817-35		* PLATE - False spar	1	
-61	63078-17		* PAD - Bumper, rubber	2	
-62	95648-00		ANGLE - Main gear up switch, left	1	
	95648-01		ANGLE - Main gear up switch, right	1	

When ordering, always specify Part Number, Description, and Serial Number of Aircraft

PIPER PARTS CATALOG

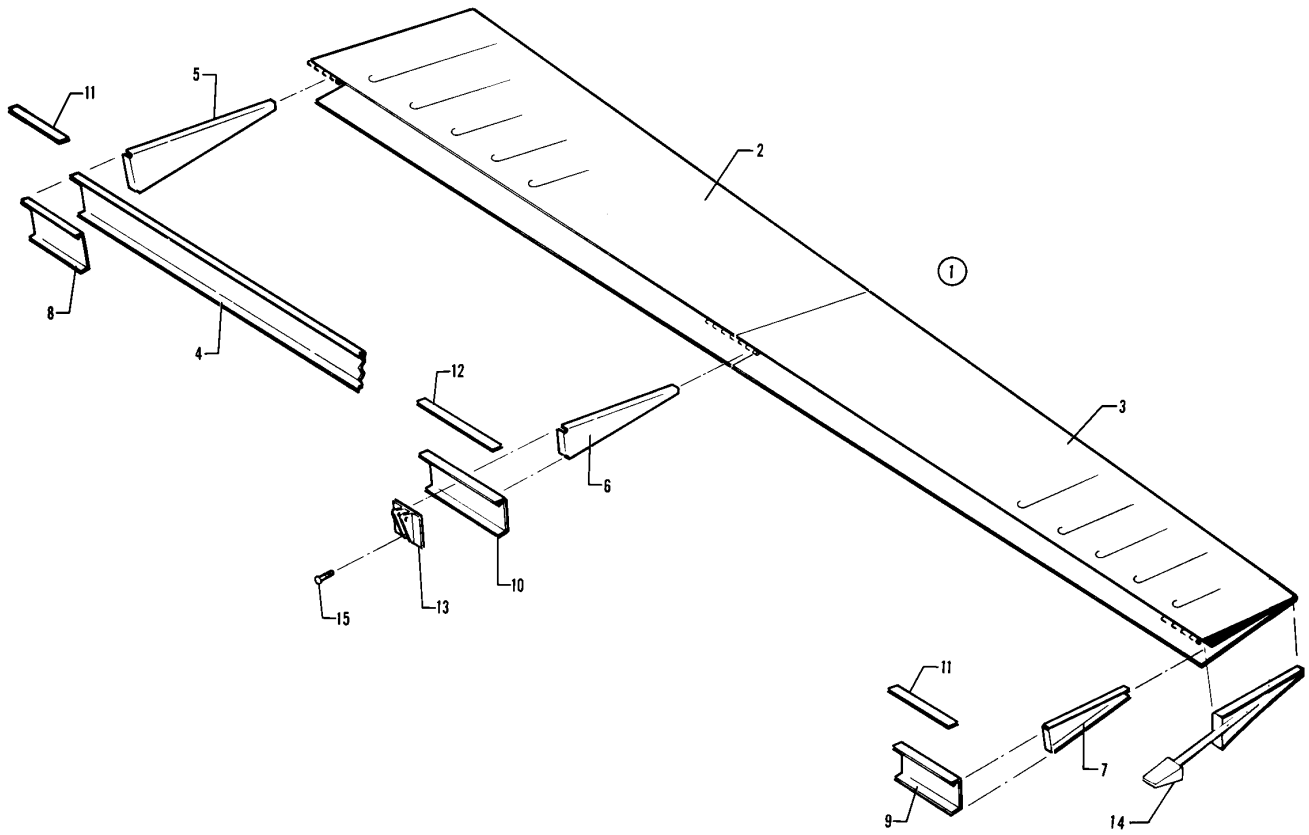


Figure 5. Aileron Assembly

PIPER PARTS CATALOG

CODE EXPLANATIONS FOR FIGURE 5

W - These parts must be ordered from Service Spares Department, Piper Aircraft, Lock Haven, Penna.

PIPER PARTS CATALOG

Figure and Index Number	Part Number	Code	NOMENCLATURE	No. Req.	SERIAL NUMBERS AFFECTED
5-1	35640-24		AILERON ASSEMBLY - Left	1	
	35640-25		AILERON ASSEMBLY - Right	1	
-2	35640-02		* SKIN - Aileron, left inboard	1	
	35640-03		* SKIN - Aileron, right inboard	1	
-3	35640-04		* SKIN - Aileron, left outboard	1	
	35640-05		* SKIN - Aileron, right outboard	1	
-4	35640-06		* SPAR - Aileron, left	1	
	35640-07		* SPAR - Aileron, right	1	
-5	35640-08		* RIB - Aileron, left inboard	1	
	35640-09		* RIB - Aileron, right inboard	1	
-6	35640-10		* RIB - Aileron, left center	1	
	35640-11		* RIB - Aileron, right center	1	
-7	35640-12		* RIB - Aileron, left outboard	1	
	35640-13		* RIB - Aileron, right outboard	1	
-8	35640-14		* DOUBLER - Aileron, left inboard	1	
	35640-15		* DOUBLER - Aileron, right inboard	1	
-9	35640-16		* DOUBLER - Aileron, left outboard	1	
	35640-17		* DOUBLER - Aileron, right outboard	1	
-10	35640-18		* DOUBLER - Aileron, left center	1	
	35640-19		* DOUBLER - Aileron, right center	1	
-11	35640-20		* FILLER - Aileron	2	
-12	35640-21		* FILLER - Aileron	1	
-13	35640-22		* FITTING - Aileron	1	
-14	35770-02		* BALANCE WEIGHT ASSEMBLY - Left	1	
	35770-03		* BALANCE WEIGHT ASSEMBLY - Right	1	
-15	410 035		* SCREW - (MS24694-S53)	2	
	407 564	W	* WASHER - (AN960-10)	2	
	404 887	W	* NUT - (MS20365-1032C)	2	

When ordering, always specify Part Number, Description, and Serial Number of Aircraft

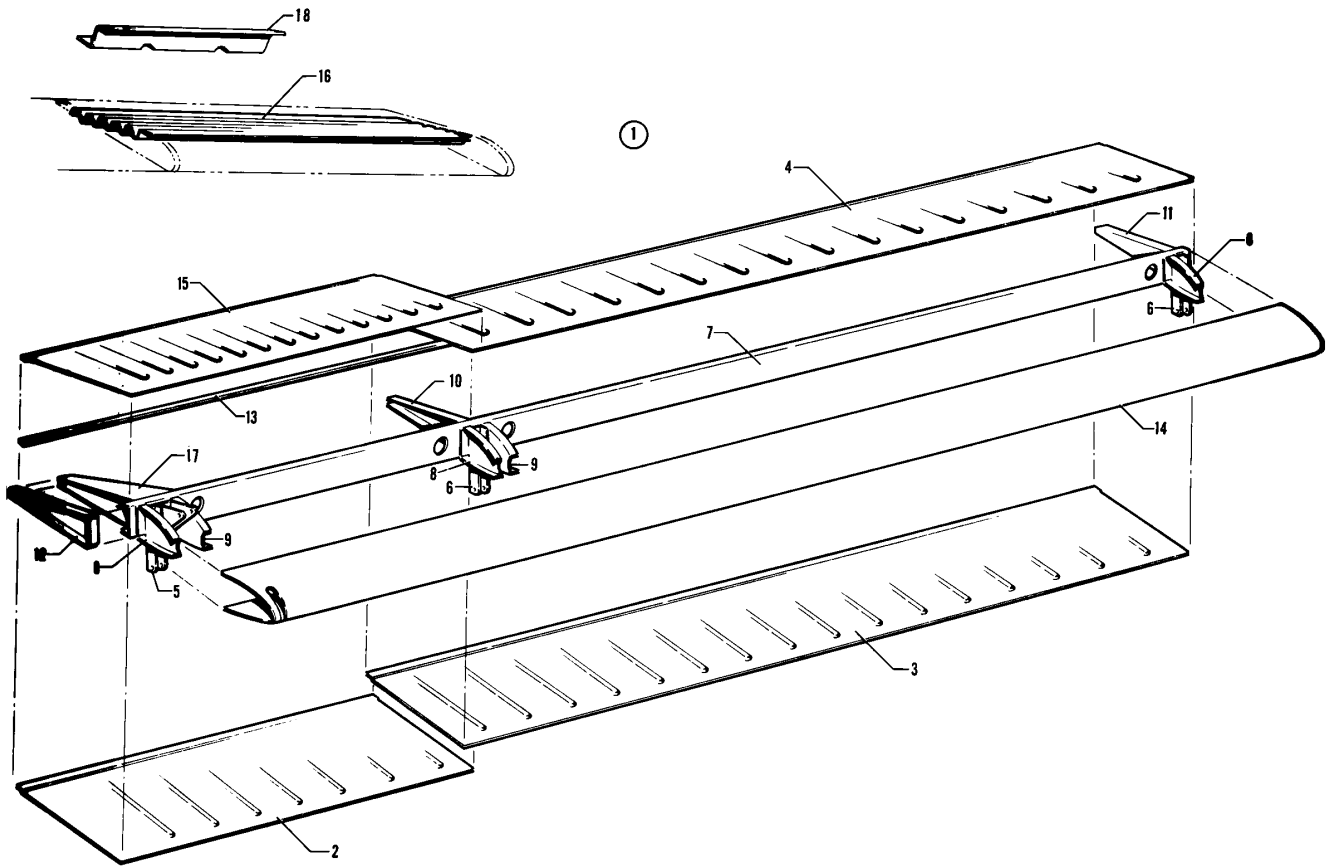


Figure 6. Flap Assembly

PIPER PARTS CATALOG

CODE EXPLANATIONS FOR FIGURE 6

PIPER PARTS CATALOG

Figure and Index Number	Part Number	Code	NOMENCLATURE	No. Req.	SERIAL NUMBERS AFFECTED
6-1	65591-00		FLAP ASSEMBLY - Left	1	
	65590-01		FLAP ASSEMBLY - Right	1	
-2	65592-00		* SKIN - Flap, bottom, left, inboard	1	
	65592-01		* SKIN - Flap, bottom, right, inboard	1	
-3	65588-00		* SKIN - Flap, bottom, left and right, outboard	1	
-4	65589-00		* SKIN - Flap, top, left and right, outboard	1	
-5	62324-00		* HINGE - Flap, inboard, left	1	
	62324-01		* HINGE - Flap, inboard, right	1	
-6	65899-00		* BRACKET - Flap hinge, center and outboard	2	
-7	62327-00		* SPAR - Flap	2	
-8	62328-00		* RIB - Left flap	3	
	62328-01		* RIB - Right flap	3	
-9	62328-01		* RIB - Left flap	2	
	62328-00		* RIB - Right flap	2	
-10	62332-02		* RIB - Flap, left, wing, Sta. 49	1	
	62332-00		* RIB - Flap, right, wing, Sta. 49	1	
-11	62330-00		* RIB - Flap, left	1	
	62330-01		* RIB - Flap, right	1	
-12	62331-00		* RIB - Flap, left, inboard	1	
	62331 01		* RIB - Flap, right, inboard	1	
-13	62320-03		* STRIP - Flap	1	
-14	65586-04		* SKIN - Flap, left, nose	1	
	65586-05		* SKIN - Flap, right, nose	1	
-15	65587-00		* SKIN - Flap, top, left, inboard	1	
	65594-01		* SKIN - Flap, top, right, inboard	1	
-16	65593-01		* CORRUGATION - Flap, top, right, inboard	1	
-17	62336-00		* DOUBLER ASSEMBLY - Left	1	
	62336-01		* DOUBLER ASSEMBLY - Right	1	
-18	65595-01		* ZEE - Flap, inboard right	1	

When ordering, always specify Part Number, Description, and Serial Number of Aircraft

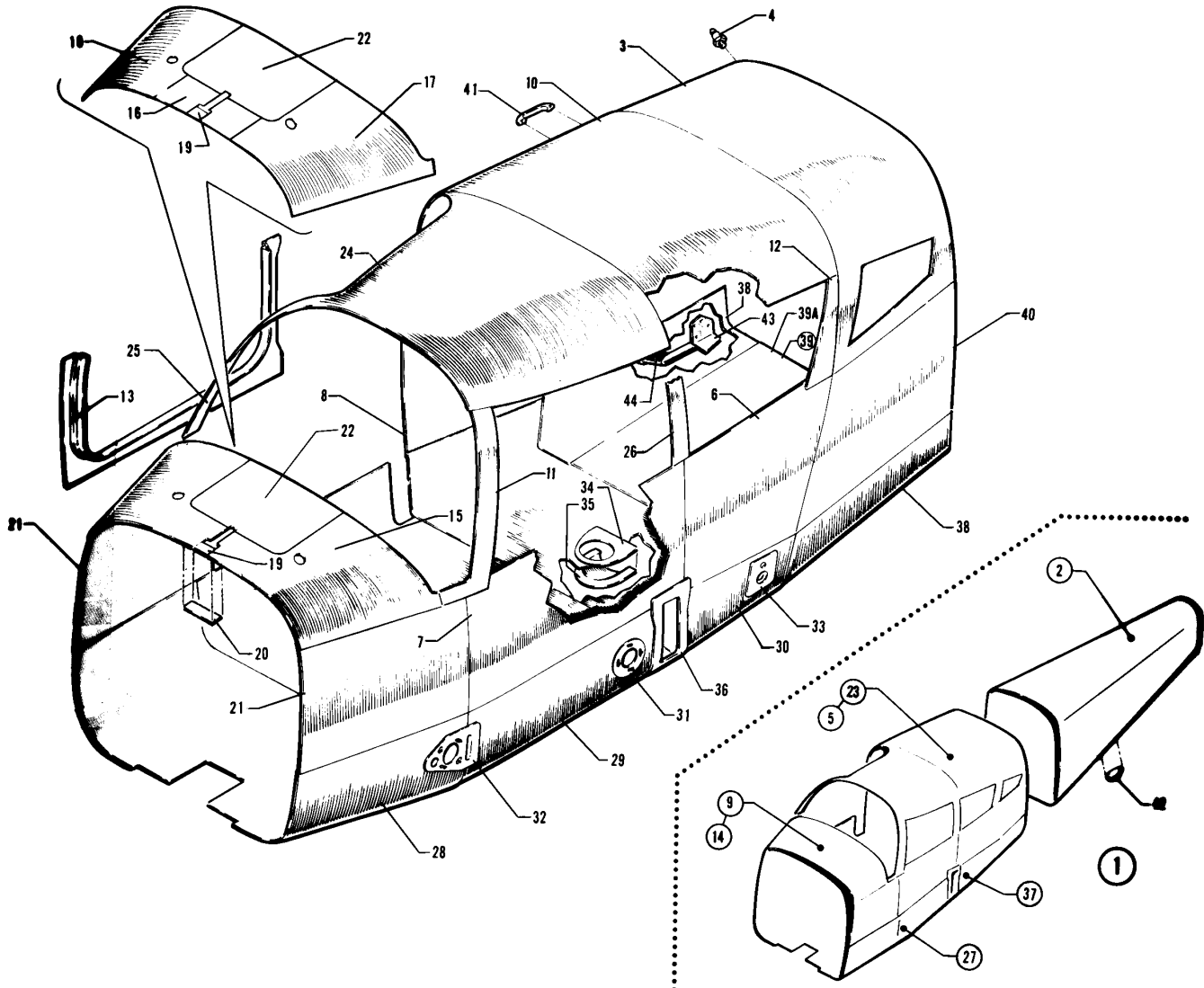


Figure 7. Fuselage Assembly - Complete

PIPER PARTS CATALOG

CODE EXPLANATIONS FOR FIGURE 7

- A- Used on PA-28RT-201 only.
- B- Used on PA-28RT-201T only.
- C- Used if air conditioning is installed.
- D- See Figure 8 for balance of component parts.
- E - See Figure 9 for balance of component parts.
- F - See Figures 10 and 11 for balance of component parts.
- G - See Figure 11 for balance of component parts.
- H- Used if cabin fresh air ventilation system is installed.
- J - Serial number of aircraft must be supplied when ordering this part.
- K - When ordering for 1979 models, specify with or without provisions for air conditioning. When ordering for 1980 models and up, specify if air conditioning or fresh air ventilation system is installed.
- L - See Figure 12 for component parts.
- W - These parts must be ordered from Service Spares Department, Piper Aircraft, Lock Haven, Penna.

PIPER PARTS CATALOG

Figure and Index Number	Part Number	Code	NOMENCLATURE	No. Req.	SERIAL NUMBERS AFFECTED
7-	67930 35707	A B	DRAWING - Fuselage Assembly (Complete) DRAWING - Fuselage Assembly (Complete)		
-1	67930-03 35707-04	A,K B,K	FUSELAGE ASSEMBLY FUSELAGE ASSEMBLY	1 1	
-2	86463-05 86463-04	A,K,L B,K,L	* AFT SECTION - Fuselage * AFT SECTION - Fuselage	1 1	
-3	79577-900		* SKIN - Cockpit, top rear	1	
-4	487 674		* STUD - Fastener (XX-16362 x 3/8)	1	
-5	67930-923 35707-903	A B	* COCKPIT ASSEMBLY - Fuselage * COCKPIT ASSEMBLY - Fuselage	1 1	
-6	76476-900		** SKIN - Cockpit, left side	1	
-7	76474-900 76474-800	A B	** SKIN - Cockpit, left side ** SKIN - Cockpit, left side	1 1	
-8	76476-901		** SKIN - Cockpit, right side	1	
-9	67930-928 35707-908	A B	** UPPER COCKPIT ASSEMBLY - Fuselage ** UPPER COCKPIT ASSEMBLY - Fuselage	1 1	
-10	79573-901		*** SKIN - Upper cockpit, top, center	1	
-11	76255-00		*** SKIN - Windshield trim, left side	1	
-12	76297-00 76297-01		*** SKIN ASSEMBLY - Window trim, left side *** SKIN ASSEMBLY - Window trim, right side	1 1	
-13	76467-02		*** PAN - Door trim, right side	1	
-14	67930-929 35707-909	A,D,J B,D	*** UPPER COCKPIT ASSEMBLY - Forward *** UPPER COCKPIT ASSEMBLY - Forward	1 1	
-15	79569-901	A	**** SKIN - Forward upper cockpit, top	1	
-16	35707-801	B	**** SKIN ASSEMBLY - Upper cockpit, center	1	
-17	35707-802	B	**** SKIN ASSEMBLY - Upper cockpit, left	1	
-18	35707-803	B	**** SKIN ASSEMBLY - Upper cockpit, right	1	
-19	62507-00 62507-02	A B	**** FILLER - Forward upper cockpit, top **** FILLER - Forward upper cockpit, top	1 1	
-20	68817-50	A	**** DOUBLER - Forward upper cockpit, top	1	
-21	79563-901 79563-905		**** SKIN - Cockpit, left front **** SKIN - Cockpit, right front	1 1	
-22	78112-05		**** COVER - Cowl deck	1	
-23	67930-920 35707-910	ALE B,E	*** UPPER COCKPIT ASSEMBLY - Center *** UPPER COCKPIT ASSEMBLY - Center	1 1	
-24	79576-901		**** SKIN - Windshield trim, top front	1	
-25	79561-03		**** SKIN - Windshield trim, right side	1	
-26	76256-00 76257-00		**** SKIN - Window trim, left side **** SKIN - Window trim, right side	1 1	
-27	67930-925 35707-905	A,F B,F	** LOWER COCKPIT ASSEMBLY - Fuselage ** LOWER COCKPIT ASSEMBLY - Fuselage	1 1	
-28	79582-901		*** SKIN - Lower cockpit, front	1	
-29	79585-902 79585-903	A B	*** SKIN - Lower cockpit, center front *** SKIN - Lower cockpit, center front	1 1	
-30	79578-903		*** SKIN - Lower cockpit, center rear	1	
-31	68539-00		*** DOUBLER ASSEMBLY - Lower cockpit	2	
-32	68540-00 68540-01		*** DOUBLER ASSEMBLY - Lower cockpit, left *** DOUBLER ASSEMBLY - Lower cockpit, right	1 1	
-33	62549-00		*** DOUBLER - Lower cockpit	2	
-34	65556-00 65556-02		*** DOUBLER - Lower cockpit air scoop (with 4" hole) *** DOUBLER - Lower cockpit air scoop (less 4" hole)	1 1	
-35	66609-00 66965-00	C H	*** SCOOP - Cabin air exhaust *** SCOOP - Cabin air exhaust	1 1	
-36	62541-00 62541-01		*** DOUBLER - Lower cockpit, left *** DOUBLER - Lower cockpit, right	1 1	
-37	76470-907	G	*** LOWER COCKPIT ASSEMBLY - Aft	1	

When ordering, always specify Part Number, Description, and Serial Number of Aircraft

PIPER PARTS CATALOG

Figure and Index Number	Part Number	Code	NOMENCLATURE	No. Req.	SERIAL NUMBERS AFFECTED
7-38	79580-900		**** SKIN - Lower cockpit, left rear	1	
	79580-901		**** SKIN - Lower cockpit, right rear	1	
-39	76470-963		**** SKIN ASSEMBLY - Lower cockpit, center	1	
-39a	79581-900		***** SKIN - Lower cockpit, center	1	
-40	76475-900		* SKIN - Cockpit, left rear	1	
-41	481 772	W	* HANDLE - Upper cockpit (N12865)	1	
-42	79427-02		COVER - ADF antenna closeout	1	
-43	65384-00		STEP ASSEMBLY - Fuselage	1	
-44	65431-00		* STRIP - Safety	1	

When ordering, always specify Part Number, Description, and Serial Number of Aircraft

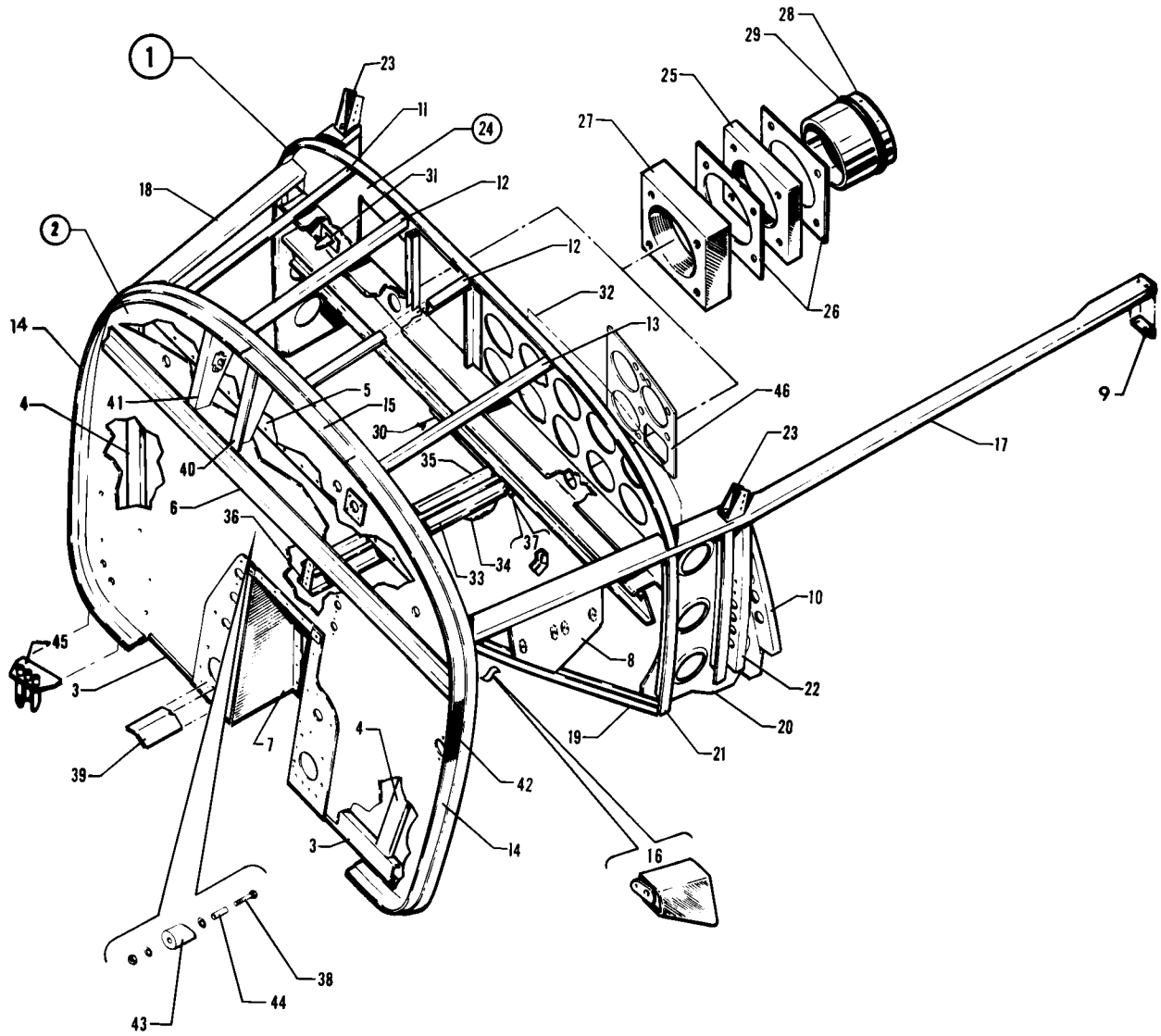


Figure 8. Fuselage Upper Forward Cockpit Assembly

PIPER PARTS CATALOG

CODE EXPLANATIONS FOR FIGURE 8

- A- Used on PA-28RT-201 only.
- B- Used on PA-28RT-201T only.
- C- Used if NSD-360 is installed.
- D- Serial number of aircraft must be supplied when ordering this part.
- E- Used on PA-28RT-201 with serial numbers 28R-7918001 to 28R-8018116 inclusive, and PA-28RT-201T with serial numbers 28R-7931001 to 28R-8031188 inclusive.
- F- Used on PA-28RT-201 with serial numbers 28R-8118001 and up, PA-28RT-201T with serial numbers 28R-8131001 and up.
- G- Used if Century 21 AutoPilot is installed.
- H- Used if Century 41 AutoPilot is installed.
- J- Used if King KAP 100/150/KFC 150 AutoPilot is installed.
- W - These parts must be ordered from Service Spares Department, Piper Aircraft, Lock Haven, Penna.

PIPER PARTS CATALOG

Figure and Index Number	Part Number	Code	NOMENCLATURE	No. Req.	SERIAL NUMBERS AFFECTED
8-1	67930-929	A,D	UPPER COCKPIT ASSEMBLY - Forward	1	
	35707-909	B	UPPER COCKPIT ASSEMBLY - Forward	1	
-2	76437-04	A	* FIREWALL ASSEMBLY - Upper cockpit	1	28R-7918002 to 28R-7918306 incl.
	76437-06	A	* FIREWALL ASSEMBLY- Upper cockpit	1	28R-7918001, 28R-8018001 and up
	35753-02	B	* FIREWALL ASSEMBLY - Upper cockpit	1	
-3	67257-00		** CHANNEL- Firewall, left	1	
	67257-01		** CHANNEL- Firewall, right	1	
-4	63436-00		** CHANNEL- Firewall, left	1	
	63436-01		** CHANNEL- Firewall, right	1	
-5	67266-02	A	** BEAM - Firewall	1	
	35754-00	B	** BEAM - Firewall	1	
-6	63423-04		** CHANNEL ASSEMBLY - Firewall	1	
-7	76436-00		** WHEEL WELL ASSEMBLY - Firewall	1	
-7a	67294-00		** ANGLE - Firewall, left	1	
	67294-01		** ANGLE - Firewall, right	1	
-8	79655-02	E	* PLATE ASSEMBLY - Voltage regulator support, left	1	
	39769-02	F	* PLATE ASSEMBLY - Voltage regulator support, left	1	
-9	62506-00		* CLIP - Upper cockpit, left	1	
-10	76137-02		* CHANNEL - Sta. 73.04	1	
-11	67258-00		* ANGLE - Stiffener, upper forward cockpit	1	
-12	67259-02		* ANGLE - Stiffener, upper forward cockpit	2	
-13	35759-02	B	* ANGLE - Stiffener, upper forward cockpit	1	
-14	79795-04		* FLANGE - Nose cowl attaching, top left	1	
	79795-03		* FLANGE - Nose cowl attaching, top right	1	
-15	79795-02		* FLANGE - Nose cowl attaching, top center	1	
-16	79739-02		* FITTING ASSEMBLY - Engine mount, left	1	
	79739-03		* FITTING ASSEMBLY - Engine mount, right	1	
-17	76489-02		* LONGERON - Upper forward cockpit, left	1	
-18	62473-02		* LONGERON - Upper forward cockpit, right	1	
-19	62485-00		* CHANNEL - Upper forward cockpit, left	1	
	62485-01		* CHANNEL - Upper forward cockpit, right	1	
-20	76136-00	A	* WEB - Upper forward cockpit, left	1	
	35727-00	B	* WEB - Upper forward cockpit, left	1	
	62499-02		* WEB ASSEMBLY - Upper forward cockpit, right	1	
-21	62674-03		* ZEE - Upper forward cockpit, left	1	
	62674-01		* ZEE - Upper forward cockpit, right	1	
-22	62653-06		* FRAME ASSEMBLY - Upper forward cockpit, left	1	
-23	79553-00		* FITTING - Upper forward cockpit, left	1	
	79553-01		* FITTING - Upper forward cockpit, right	1	
-24	79329-03	E	PANEL ASSEMBLY - Instrument	1	
	79329-08	F	PANEL ASSEMBLY - Instrument	1	
-25	68272-02		* PLATE - Control wheel	2	
-26	68272-03		* PLATE - Control wheel	4	
-27	68272-04		* PLATE - Control wheel	2	
-28	68273-02		* BUSHING - Control wheel	2	
-29	484 792		* "O" RING - Control wheel (MS28775-218)	2	
-30	67125-00		* CHANNEL - Hand brake	1	
-31	79863-02		* CONTROL ASSEMBLY - Heat and defroster	1	
-32	79567-00	C	PANEL- Instrument, left	1	
	79567-03	F,G	PANEL- Instrument, left	1	
	79567-04	F,H	PANEL- Instrument, left	1	
	39875-02	B,J	PANEL- Instrument, left	1	28R-8331001 and up
-33	67137-00		CHANNEL ASSEMBLY - Brake support, left	1	
-34	63354-00		* RATCHET- Brake handle	1	
-35	67138-00		CHANNEL ASSEMBLY - Brake support ,right	1	

When ordering, always specify Part Number, Description, and Serial Number of Aircraft

PIPER PARTS CATALOG

Figure and Index Number	Part Number	Code	NOMENCLATURE	No. Req.	SERIAL NUMBERS AFFECTED
8-36	67139-00		CHANNEL - Brake support, forward	1	
-37	67140-02		CHANNEL - Brake support, aft	1	
-38	400 444	W	BOLT - (AN3-13A)	1	
	407 564	W	WASHER - (AN960-10)	1	
	404 887	W	NUT - (MS20365-1032C)	1	
-39	67365-00		SHIELD - Nose wheel hydraulic cylinder	1	
-40	35846-02		ANGLE ASSEMBLY - Battery support, left	1	
-41	35846-03		ANGLE ASSEMBLY - Battery support, right	1	
-42	187 356	A	SEAL - Cowl anti-squeak	9'	
-43	63927-00		BUMPER - Tee bar	1	
-44	63900-64		BUSHING - Tee bar bumper	1	
-45	35847-02	A	VENT ASSEMBLY - Battery	1	
-46	79566-00	C	DOUBLER - Instrument panel	1	
	79566-02	F,G	DOUBLER - Instrument panel	1	
	39876-02	B,J	DOUBLER - Instrument panel	1	28R-8331001 and up

When ordering, always specify Part Number, Description, and Serial Number of Aircraft

PIPER PARTS CATALOG

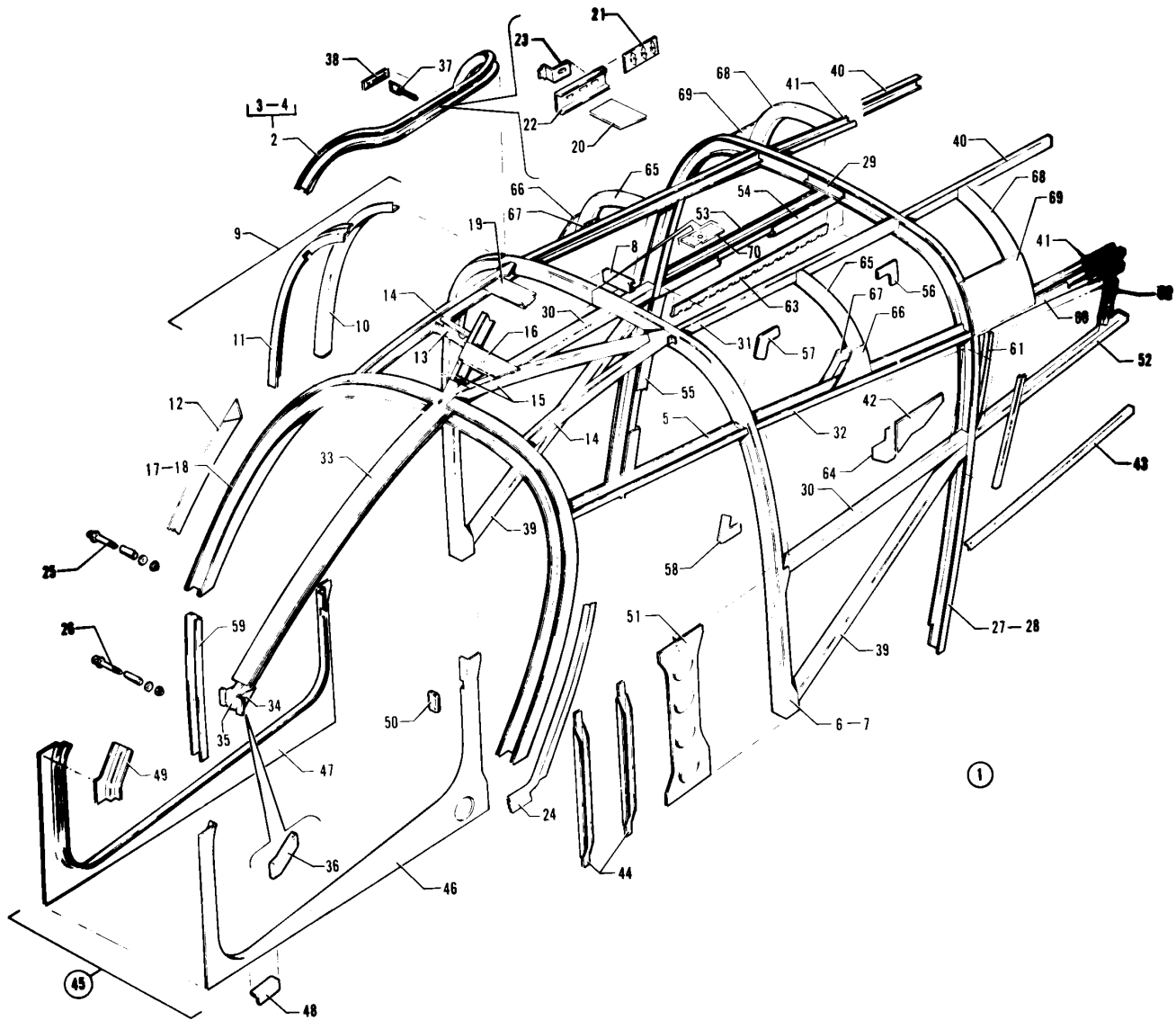


Figure 9. Fuselage Upper Center Cockpit Assembly

PIPER PARTS CATALOG

CODE EXPLANATIONS FOR FIGURE 9

- A- Used on PA-28RT-201 only.
- B- Used on PA-28RT-201T only.
- C- Used if .250 thick sound reduction windshield is installed.
- W - These parts must be ordered from Service Spares Department, Piper Aircraft, Lock Haven, Penna.

PIPER PARTS CATALOG

Figure and Index Number	Part Number	Code	NOMENCLATURE	No. Req.	SERIAL NUMBERS AFFECTED
9-1	67930-920	B	UPPER COCKPIT ASSEMBLY - Center	1	
	35707-910		UPPER COCKPIT ASSEMBLY - Center	1	
-2	79561-900		* PAN ASSEMBLY - Upper center	1	
-3	79561-09		** PAN - Outer	1	
-4	79561-10		** PAN - Inner	1	
-5	76132-03		* CHANNEL - Led front window, top	1	
-6	62426-06		* FRAME ASSEMBLY - Fuselage, Sta. 108.16	1	
-7	62427-00		** CHANNEL - Fuselage frame, left	1	
	62427-02		** CHANNEL - Fuselage frame, right	1	
-8	62429-00		** CHANNEL - Splice plate	1	
-9	79561-903		* PAN ASSEMBLY - Side	1	
-10	79561-08		** PAN - Inner	1	
-11	79561-07		** PAN - Outer	1	
-12	79561-04		* JAMB - Door, forward	1	
-13	63038-02		* CHANNEL - Support	1	
-14	76140-03		* CHANNEL - Upper center cockpit, left	1	
	76140-04		* CHANNEL - Upper center cockpit, right	1	
-15	66969-02		* CHANNEL - Upper center fuselage, left	1	
	66969-03		* CHANNEL - Upper center fuselage, right	1	
-16	79161-00		* DOUBLER - Antenna	1	
-17	76468-00		* FRAME ASSEMBLY - Canted, fuselage, Sta. 85.6	1	
-18	76468-02		** CHANNEL - Left	1	
	76468-03		** CHANNEL - Right	1	
-19	76239-00		* CHANNEL - Upper cockpit	1	
-20	76365-00		* PLATE - Door latch	1	
-21	69738-00		* PLATE ASSEMBLY - Door latch	1	
-22	69740-02		* CHANNEL - Door latch	1	
-23	69739-00		* CLIP - Door latch	1	
-24	69891-10		RETAINER - Windshield, left, upper	1	
	69891-12	C	RETAINER - Windshield, left, upper	1	
	69891-02		RETAINER - Windshield, left, lower	1	
	69891-04	C	RETAINER - Windshield, left, lower	1	
	69891-11		RETAINER - Windshield, right, upper	1	
	69891-13	C	RETAINER - Windshield, right, upper	1	
	69891-03		RETAINER - Windshield, right, lower	1	
	69891-05	C	RETAINER - Windshield, right, lower	1	
-25	402 057		BOLT - Eye, upper door hinge attachment (AN44-17A)	1	
	407 586	W	WASHER - (AN960-516L)	1	
	404 837	W	NUT - (MS20364-524C)	1	
	63900-47		BUSHING - Upper door hinge	1	
-26	402 057		BOLT - Eye, lower door hinge attachment (AN44-17A)	1	
	407 586	W	WASHER - (AN960-516L)	1	
	404 837	W	NUT - (MS20364-524C)	1	
	63900-46		BUSHING - Lower door hinge	1	
-27	62412-02		FRAME ASSEMBLY - Fuselage, Sta. 128.737, upper	1	
-28	62410-00		* CHANNEL - Upper frame, left	1	
	62410-01		* CHANNEL - Upper frame, right	1	
-29	62430-00		* CHANNEL - Splice plate	1	
-30	65572-00		LONGERON - Upper center cockpit, left	1	
	65572-01		LONGERON - Upper center cockpit, right	1	
-31	62477-00		CHANNEL - Upper center cockpit, left	1	
	62477-01		CHANNEL - Upper center cockpit, right	1	
-32	67262-02		CHANNEL - Upper center cockpit, left	1	
	67262-03		CHANNEL - Upper center cockpit, right	1	

When ordering, always specify Part Number, Description, and Serial Number of Aircraft

PIPER PARTS CATALOG

Figure and Index Number	Part Number	Code	NOMENCLATURE	No. Req.	SERIAL NUMBERS AFFECTED
9-33	62609-03		HAT ASSEMBLY - Windshield	1	
	62609-04	A,C	HAT ASSEMBLY - Windshield	1	
	35767-802	B	HAT ASSEMBLY - Windshield	1	
	35767-803	B,C	HAT ASSEMBLY - Windshield	1	
-34	62505-00	A	* BRACKET - Windshield	1	
-35	62423-00	A	* FITTING - Upper engine mount	1	
-36	35756-00	B	* BRACKET - Windshield bow, left	1	
	35756-01	B	* BRACKET - Windshield bow, right	1	
-37	63037-00		LOOP ASSEMBLY - Door latch	1	
-38	79234-00		PLATE - Door latch	1	
-39	65570-00		CHANNEL - Upper center cockpit, left	1	
	65570-01		CHANNEL - Upper center cockpit, right	1	
-40	62639-00		CHANNEL - Upper center cockpit, left	1	
	62639-01		CHANNEL - Upper center cockpit, right	1	
-41	67291-00		STRINGER - Upper center cockpit, left	1	
	67291-01		STRINGER - Upper center cockpit, right	1	
-42	65117-00		GUSSET - Upper center cockpit, left	1	
	65116-00		GUSSET - Upper center cockpit, right	1	
-43	62677-00		STIFFENER - Left side, rear	1	
-44	99421-00		SUPPORT- Left	2	
-45	76467-00		PAN ASSEMBLY - Lower, upper cockpit	1	
-46	76467-03		* PAN - Inboard	1	
-47	76467-02		* PAN - Outboard	1	
-48	62655-00		* ANGLE ASSEMBLY - Door holder	1	
-49	76467-04		* CHANNEL - Door frame splice	1	
-50	79639-02		* PLATE - Door latch	1	
-51	62644-00		WEB - Upper center fuselage, left	1	
-52	62637-00		CHANNEL - Fuselage rear, left	1	
-53	62635-00		CHANNEL - Baggage door frame, top, inner	1	
-54	62634-00		CHANNEL - Baggage door frame, top, outer	1	
-55	62636-00		CHANNEL - Baggage door frame, front	1	
-56	76279-00		GUSSET - Baggage door frame, top, rear	1	
-57	62632-00		GUSSET - Baggage door frame, top, front	1	
-58	62633-00		GUSSET - Baggage door frame, bottom, front	1	
-59	62483-02		CHANNEL - Right door, front, Sta. 72.6	1	
-60	67267-00		CHANNEL- Support, left	1	
	76267-01		CHANNEL - Support, right	1	
-61	76261-00		ANGLE - Support, left	1	
	76261-01		ANGLE - Support, right	1	
-62	76262-00		ANGLE - Support, left	1	
-63	62419-11		HINGE HALF - Baggage door	1	
-64	62671-00		GUSSET - Baggage door frame, bosom, rear	1	
-65	99690-00		CHANNEL - Upper cockpit, left	1	
	99690-01		CHANNEL - Upper cockpit, right	1	
-66	99692-00		DOUBLER - Shoulder harness, left	1	
	99692-01		DOUBLER - Shoulder harness, right	1	
-67	99741-00		GUSSET - Headliner attachment left	1	
	99741-01		GUSSET - Headliner attachment right	1	
-68	99691-00		CHANNEL - Upper cockpit, rear, left	1	
	99691-01		CHANNEL - Upper cockpit, rear, right	1	
-69	99693-00		DOUBLER - Shoulder harness, rear	2	
-70	87501-02	B	DOUBLE ASSEMBLY - Antenna	1	2BR-8231044 and up

When ordering, always specify Part Number, Description, and Serial Number of Aircraft

PIPER PARTS CATALOG

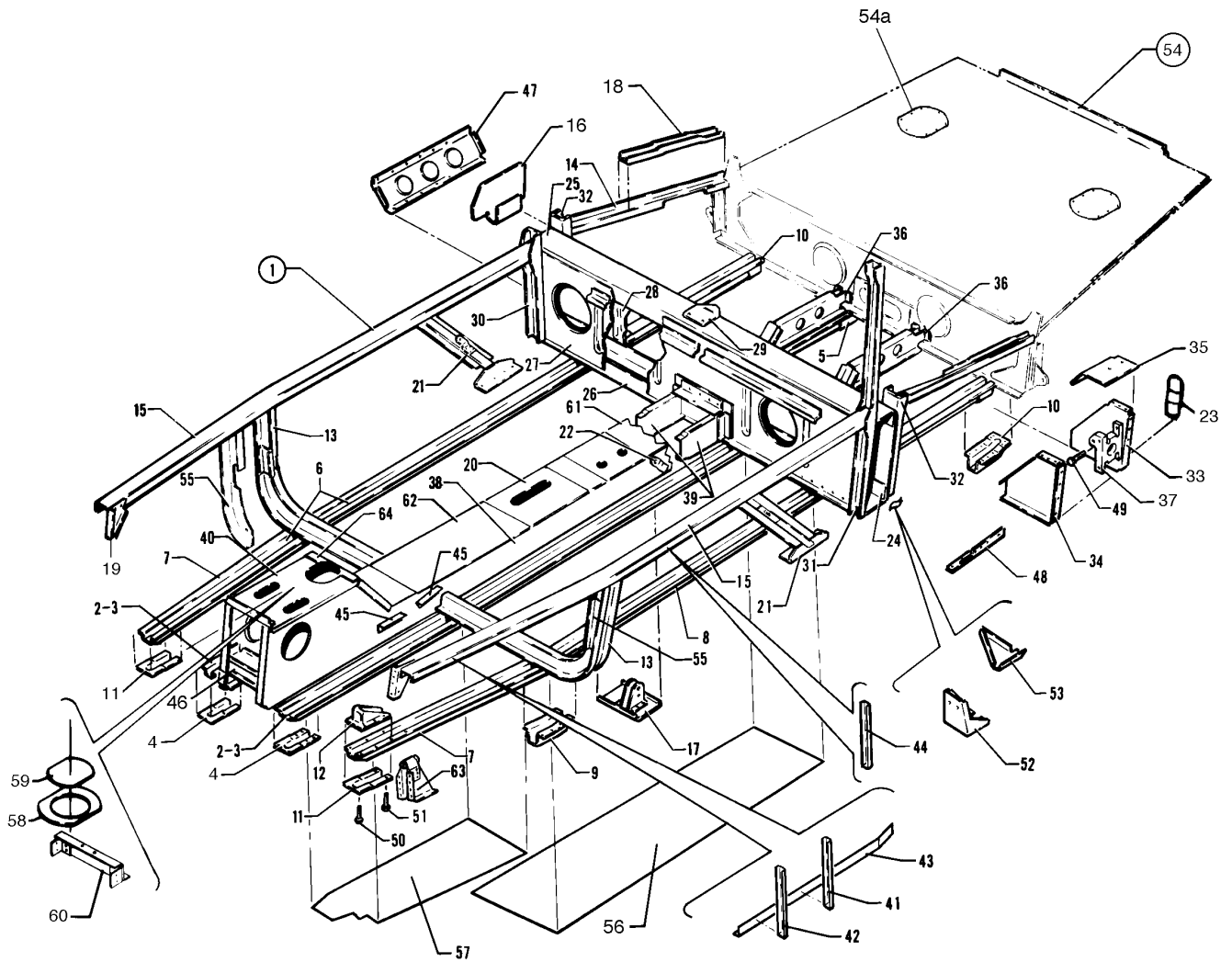


Figure 10. Fuselage Lower Forward Cockpit Assembly

PIPER PARTS CATALOG

CODE EXPLANATIONS FOR FIGURE 10

- A- Used if air conditioning is installed.
- B- Used on PA-28RT-201 only.
- C- Used on PA-28RT-201T only.
- D - See Figure 11 for component parts.
- E - See latest revision of Piper Service Bulletin 977.

PIPER PARTS CATALOG

Figure and Index Number	Part Number	Code	NOMENCLATURE	No. Req.	SERIAL NUMBERS AFFECTED
10-1	67930-925	B	COCKPIT ASSEMBLY - Lower	1	
	35707-905	C	COCKPIT ASSEMBLY - Lower	1	
-2	76469-946		* HAT ASSEMBLY - Inboard, left	1	
	76116-00		* HAT ASSEMBLY - Inboard, right	1	
-3	76114-00		** HAT	1	
-4	62543-00		** FAIRING - Front, left	1	
	62543-02	A	** FAIRING - Front, left	1	
	67271-00		** FAIRING - Front, right (with jack pad fitting)	1	
-5	62554-00		** FAIRING - Rear	1	
-6	76469-947		* HAT ASSEMBLY - Outboard, left	1	
	76469-948		* HAT ASSEMBLY - Outboard, right	1	
-7	62528-00		** HAT - Front, left	1	
	62528-01		** HAT - Front, right	1	
-8	76115-00		** HAT - Rear, left	1	
	76115-01		** HAT - Rear, right	1	
-9	62558-00		** FAIRING - Center, left	1	
	62558-01		** FAIRING - Center, right	1	
-10	62554-00		** FAIRING - Rear, left and right	2	
-11	62544-00		** FAIRING - Front, left	1	
	62544-01		** FAIRING - Front, right	1	
-12	62441-00		* FITTING - Engine, lower, left	1	
	62441-01		* FITTING - Engine, lower, right	1	
-13	76126-00		* FRAME ASSEMBLY - Fuselage, Sta. 73.04	1	
-14	62525-00		* STRINGER - Rear of spar box, left	1	
	62525-01		* STRINGER - Rear of spar box, right	1	
-15	76490-02		* LONGERON - Lower cockpit, left	1	
	76490-03		* LONGERON - Lower cockpit, right	1	
-16	62542-00		* GUSSET - Lower cockpit, left	1	
	62542-01		* GUSSET - Lower cockpit, right	1	
-17	65636-00		* BRACKET ASSEMBLY - Pulley mounting	1	
-18	62551-00		* CHANNEL - Lower cockpit, left	1	
	62551-01		* CHANNEL - Lower cockpit, right	1	
-19	62581-02		* BRACKET - Lower cockpit, right	1	
	62581-01		* BRACKET - Lower cockpit, left	1	
-20	67562-00		* PLATE ASSEMBLY - Tunnel	1	
-21	96890-00		* HAT ASSEMBLY - Seat belt attachment, left	1	
	96890-01		* HAT ASSEMBLY - Seat belt attachment, right	1	
-22	96887-02		* BRACKET - Seat belt attachment, left	1	
	96887-00		* BRACKET - Seat belt attachment, right	1	
-23	79319-00		* BRACKET - Seat belt attachment	1	
-24	35744-02		* BOX ASSEMBLY - Spar, lower cockpit	1	
-25	35745-02		** CHANNEL - Spar box, top	1	
-26	62540-00		** CHANNEL - Spar box, bottom	1	
-27	35744-03		** WEB - Spar box, front	1	
-28	35747-02		** WEB - Spar box, rear	1	
-29	99045-00		** BRACKET - Flap return spring	1	
-30	67286-00		** CHANNEL - Spar box, right	1	
-31	62546-00		** CHANNEL - Spar box, left	1	
-32	62428-00		** CHANNEL - Spar box, left	1	
	62428-01		** CHANNEL - Spar box, right	1	
-33	62536-04		* SUPPORT - Rear seat bottom, left	1	
	62536-05		* SUPPORT - Rear seat bottom, right	1	
-34	62550-00		* SUPPORT - Rear seat bottom, left	1	
	62550-01		* SUPPORT - Rear seat bottom, right	1	

When ordering, always specify Part Number, Description, and Serial Number of Aircraft

PIPER PARTS CATALOG

Figure and Index Number	Part Number	Code	NOMENCLATURE	No. Req.	SERIAL NUMBERS AFFECTED
10-35	62583-00		* PLATE - Flap torque tube support, left	1	
	62583-01		* PLATE - Flap torque tube support, right	1	
-36	62763-00		* SUPPORT - Torque shaft center	2	
-37	62421-00		* FITTING - Flap torque assembly, left	1	
	62421-01		* FITTING - Flap torque assembly, right	1	
-38	76118-00		* CHANNEL - Tunnel, side, left	1	
	76118-01		* CHANNEL - Tunnel, side, right	1	
-39	76119-00		* CHANNEL - Tunnel, side extension, left	1	
	76119-01		* CHANNEL - Tunnel, side extension, right	1	
-40	67275-00		* PLATE - Tunnel, top front	1	
-41	35761-00	C	* CHANNEL - Lower cockpit, left	1	
	35761-01	C	* CHANNEL - Lower cockpit, right	1	
-42	35762-00	C	* CHANNEL - Lower cockpit, left	1	
	35762-01	C	* CHANNEL - Lower cockpit, right	1	
-43	35763-00	C	* ANGLE - Cockpit floor, left	1	
	35763-01	C	* ANGLE - Cockpit floor, right	1	
-44	35760-01	C	* CHANNEL - Lower cockpit	2	
-45	99417-00		* ANGLE - Tunnel, heat duct	4	
-46	67276-04		* BRACKET ASSEMBLY - Pulley, bottom	1	
	67276-03		* BRACKET - Pulley, top	1	
-47	65126-00		* STIFFENER - Lower cockpit, right	1	
-48	65127-00		* STIFFENER - Lower cockpit, left	1	
	65126-01		* STIFFENER - Lower cockpit, left	1	
-49	401 269		* BOLT - Top forward (AN3-10A)	2	
	401 266		* BOLT - Bottom forward and rear (AN3-5A)	6	
	407 694		* WASHER - (AN960-D10)	10	
	404 887		* NUT - (MS20365-1032)	8	
-50	415 322		* BOLT - (MS27039-1-12)	4	
	407 694		* WASHER - (AN960-D10)	4	
	404 887		* NUT - (MS20365-1032C)	4	
-51	415 323		* BOLT - (MS27039-1-13)	8	
	407 694		* WASHER - (AN960-D10)	8	
	404 888		* NUT - (MS20365-428C)	8	
-52	67572-00		* SUPPORT - Landing gear override	1	
-53	67574-00		* SUPPORT- Diaphragm	1	
-54	76470-907	D	* LOWER COCKPIT ASSEMBLY - Aft	1	
-54a	62109-00	E	* * COVER - Inspection access	2	
-55	76120-00		* CHANNEL - Sta. 67.68, left	1	
	76120-01		* CHANNEL - Sta. 67.68, right	1	
-56	96684-00		* FLOORBOARD	2	
-57	76123-04		* FLOORBOARD - Left	1	
	76123-05		* FLOORBOARD - Right	1	
-58	36565-03		* DOUBLER ASSEMBLY - Transponder antenna access	1	
-59	36565-02		* PLATE - Transponder antenna access	1	
-60	62664-00		* ZEE ASSEMBLY - Tunnel	2	
-61	76121-00		PLATE - Tunnel, top rear	1	
-62	63287-00		PLATE - Tunnel, top, center rear	1	
-63	79258-02		BRACKET ASSEMBLY - Rudder pedal stop, left	1	
	79258-03		BRACKET ASSEMBLY - Rudder pedal stop, right	1	
-64	63288-00		PLATE - Tunnel, top, center front	1	
	69095-00		PLATE - Tunnel, top, center front	1	

When ordering, always specify Part Number, Description, and Serial Number of Aircraft

**1B23 THRU 1B24
INTENTIONALLY LEFT BLANK**

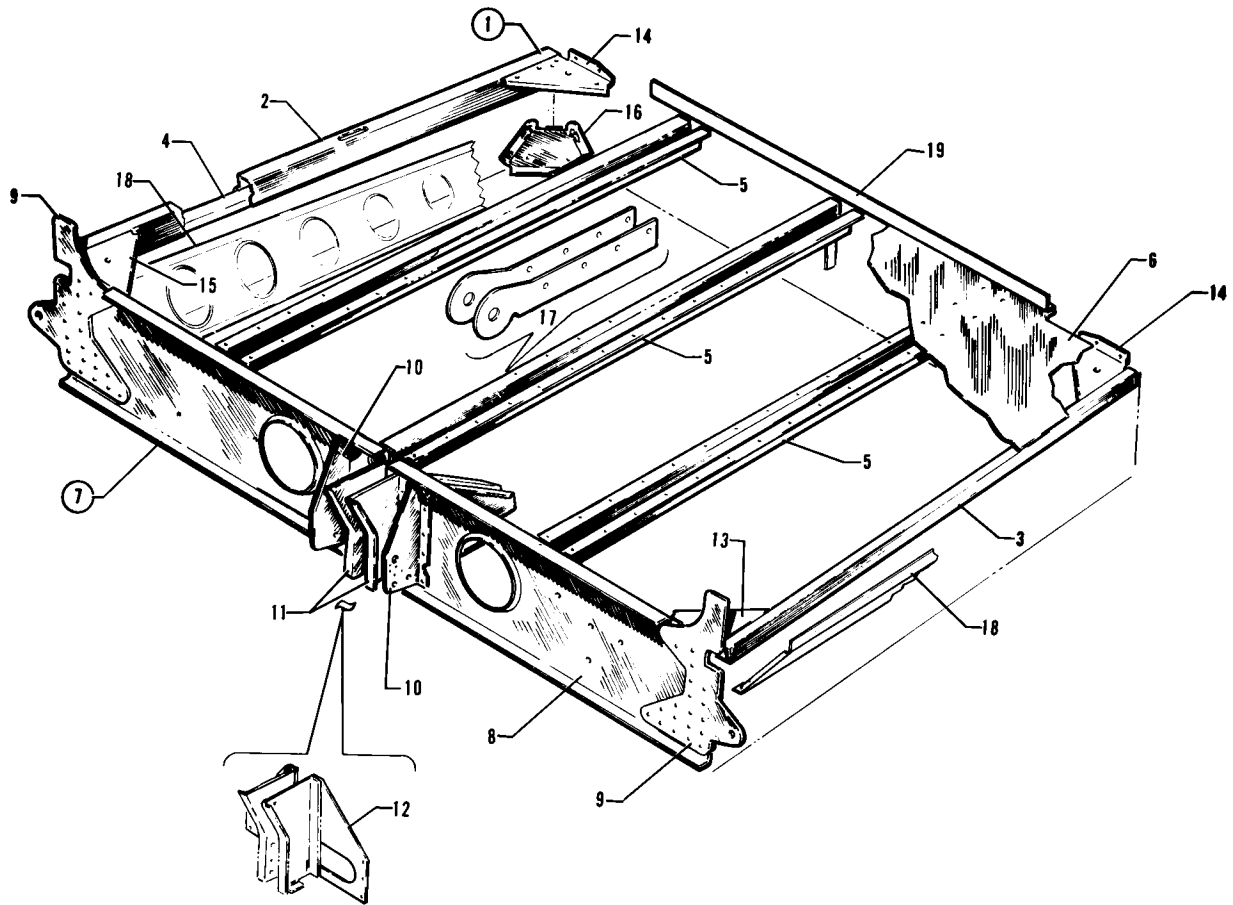


Figure 11. Fuselage Lower Aft Cockpit Assembly

PIPER PARTS CATALOG

CODE EXPLANATIONS FOR FIGURE 11

A - See latest revision of Piper Service Bulletin 977.

PIPER PARTS CATALOG

Figure and Index Number	Part Number	Code	NOMENCLATURE	No. Req.	SERIAL NUMBERS AFFECTED
11-1	76470-907		LOWER COCKPIT ASSEMBLY - Aft	1	
-2	66796-00		* CHANNEL - Baggage compartment, right	1	
-3	62537-00		* STRINGER ASSEMBLY - Left	1	
-4	62534-00		* CHANNEL - Right	1	
-5	62531-00		* HAT - Baggage floor	3	
-6	66795-00	A	* FLOOR ASSEMBLY - Baggage compartment	1	
	66795-02	A	** FLOOR - Baggage compartment	1	
-7	62695-04		* FRAME ASSEMBLY - Lower Sta. 128.737	1	
-8	62411-02		** CHANNEL - Lower cockpit	1	
-9	62448-02		** FITTING - Lower cockpit, left	1	
	62448-03		** FITTING - Lower cockpit, right	1	
-10	62563-02		** BRACKET - Lower cockpit, left	1	
	62563-01		** BRACKET - Lower cockpit, right	1	
-11	35142-00		** BRACKET - Rear seat belt support, left	1	
	35142-01		** BRACKET - Rear seat belt support, right	1	
-12	99701-00		** DOUBLER - Seat belt attachment	1	
-13	62529-00		* BRACKET - Baggage compartment	1	
-14	62618-00		* BRACKET - Baggage compartment, left	1	
	62618-01		* BRACKET - Baggage compartment, right	1	
-15	62619-00		* BRACKET - Baggage compartment, right	1	
-16	65383-00		* DOUBLER ASSEMBLY - Step	1	
-17	99699-00		* CHANNEL - Seat belt attachment	1	
-18	65128-00		* DOUBLER - Baggage compartment, left	1	
	65128-01		* DOUBLER - Baggage compartment, right	1	
-19	62859-00		ANGLE - Lower cockpit	1	

When ordering, always specify Part Number, Description, and Serial Number of Aircraft

PIPER PARTS CATALOG

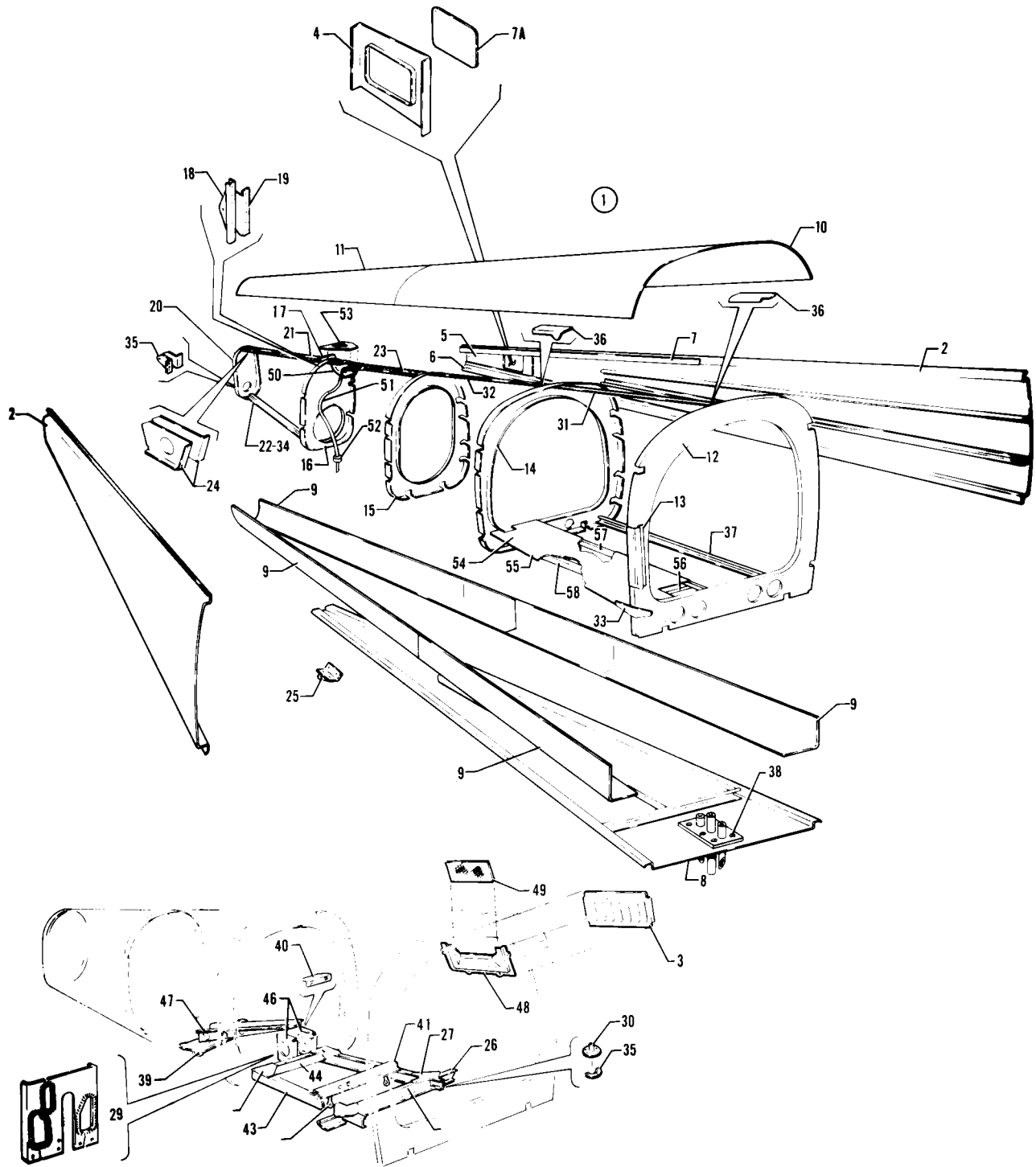


Figure 12. Fuselage Aft Section

PIPER PARTS CATALOG

CODE EXPLANATIONS FOR FIGURE 12

- A- Used if air conditioning is installed.
- B - When ordering for 1979 models, specify with or without provisions for air conditioning. When ordering for 1980 models and up, specify if air conditioning or fresh air ventilation system is installed.
- C- Used on PA-28RT-201T only.
- D- Used on PA-28RT-201 only.
- E- Used on PA-28RT-201 with serial numbers 28R-7918001 to 28R-7918065 inclusive, and PA-28RT-201T with serial numbers 28R-7931001 to 28R-7931068 inclusive.
- F- Used on PA-28RT-201 with serial numbers 28R-8018001 and up, and PA-28RT-201T with serial numbers 28R-8031001 and up, when fresh air ventilation system is installed.
- G - If part being replaced is a one piece skin, order one each of forward and aft skins.
- H - Also used on serial numbers 28R-7918001 to 28R-8218022 inclusive if Aft Fuselage Drain Kit 764 386 has been installed per Service Letter 951.
- W - These parts must be ordered from Service Spares Department. Piper Aircraft, Lock Haven, Penna.

PIPER PARTS CATALOG

Figure and Index Number	Part Number	Code	NOMENCLATURE	No. Req.	SERIAL NUMBERS AFFECTED
12-	86463		DRAWING - Fuselage Assembly, Aft Section		
-1	86463-04	B,C	FUSELAGE ASSEMBLY - Aft section	1	
	86463-05	B,D	ASSEMBLY - Aft section	1	
-2	86480-02		* SKIN ASSEMBLY - Side, left	1	
	86480-800	F	* SKIN ASSEMBLY - Side, left	1	
	86480-03		* SKIN ASSEMBLY - Side, right	1	
	35872-04	A	* SKIN ASSEMBLY - Side, left	1	
	35872-05	A	* SKIN ASSEMBLY - Side, right	1	
-3	99559-00	A	** LOUVER - Air conditioning exhaust, left	1	
	99559-01	A	** LOUVER - Air conditioning exhaust, right	1	
-4	86480-10		** DOUBLER - Access cover	1	
-5	86480-06		** DOUBLER - Skin	1	
-6	86480-12		** ZEE - Aft fuselage skin, lower left	1	
	86480-11		** ZEE - Aft fuselage skin, lower right	1	
-7	86480-14		** ZEE - Aft fuselage skin, upper left	1	
	86480-13		** ZEE - Aft fuselage skin, upper right	1	
-7a	86480-15		* COVER - Access	1	
-8	86485-02		* SKIN ASSEMBLY - Lower center	1	
	35872-06	A	* SKIN ASSEMBLY - Lower center	1	
-9	86486-04	G	* SKIN - Lower side, left, forward	1	
	86486-05	G	* SKIN - Lower side, right, forward	1	
	86486-06	G	* SKIN - Lower side, left, aft	1	
	86486-07	G	* SKIN - Lower side, right, aft	1	
-10	86488-02		* SKIN - Top center, forward	1	
-11	86489-02		* SKIN - Top center	1	
-12	65640-06		* BULKHEAD ASSEMBLY - Fuselage, Sta. 156	1	
-13	62630-00		* CHANNEL - Baggage door, right	1	
-14	86460-06		* BULKHEAD ASSEMBLY - Fuselage, Sta. 191	1	
-15	86461-02		* BULKHEAD ASSEMBLY - Fuselage, Sta. 219	1	
-16	86462-02		* BULKHEAD ASSEMBLY - Fuselage, Sta. 247	1	
-17	86462-04		** FITTING - Frame	1	
-18	86477-02		** BRACKET - Pulley, left	1	
	86477 03		** BRACKET - Pulley, right	1	
-19	86476-02		** BRACKET - Pulley, left	1	
	86476-03		** BRACKET - Pulley, right	1	
-20	86490-03		* BULKHEAD ASSEMBLY - Fuselage, Sta. 274	1	
-21	86482-02		* HAT ASSEMBLY - Aft fuselage, top rear	1	
-22	86491-02		* HAT - Aft fuselage, bottom, center	1	
-23	86492-03		* HAT ASSEMBLY - Aft fuselage, top, center	1	
-24	86493-02		* BRACKET ASSEMBLY - Stabilator bellcrank, left	1	
	86493-03		* BRACKET ASSEMBLY - Stabilator bellcrank, right	1	
-25	66769-04		* SKID ASSEMBLY - Tail	1	
-26	99487-02	A	* BRACE - Condenser frame, left	1	
	99487-01	A	* BRACE - Condenser frame, right	1	
-27	99488-00	A	* GUSSET - Condenser frame, forward	2	
-28	99280-00	A	* GUSSET - Condenser frame, aft, left	1	
	99280-02	A	* GUSSET - Condenser frame, aft, right	1	
-29	35890-02	A,E	* PANEL ASSEMBLY - Fairlead	1	
-30	99609-00	A	* VENT ASSEMBLY - Evaporator	1	
-31	65114-00		* STRINGER - Top, Sta. 156 to Sta. 191	1	
-32	86494-02		* STRINGER - Top, Sta. 191 to Sta. 219	1	
-33	68991-00		* GUSSET - Aft fuselage	2	
-34	86491-03		* DOUBLER - Aft fuselage, bottom	1	

When ordering, always specify Part Number, Description, and Serial Number of Aircraft

PIPER PARTS CATALOG

Figure and Index Number	Part Number	Code	NOMENCLATURE	No. Req.	SERIAL NUMBERS AFFECTED
12-35	22482-00	A,W	* SCOOP - Evaporator vent	1	
-36	99813-02		* DOUBLER - Antenna mount, forward	1	
	99805-03		* DOUBLER - Antenna mount, aft	1	
-37	86721-05		* STIFFENER	1	
-38	63947-00	C	* VENT ASSEMBLY - Battery box	1	
-39	99545-00	A	* BRACKET - Motor support	1	
-40	99555-00	A	* BRACKET - Brace	1	
-41	99496-02	A	* BRACKET ASSEMBLY - Condenser door actuation	1	
-42	99561-00	A	* * BEARING ASSEMBLY - Condenser door actuation	2	
-43	99272-00	A	* CHANNEL - Condenser door frame	2	
-44	99273-00	A	* STIFFENER - Condenser door frame	1	
-45	99278-03	A	* ZEE ASSEMBLY - Condenser door frame	1	
-46	99552-00	A	* BRACKET ASSEMBLY - Condenser door bellcrank, left	1	
	99552-02	A	* BRACKET ASSEMBLY - Condenser door bellcrank, right	1	
-47	99558-00	A	* BRACKET - Motor mount condenser actuator	1	
-48	99615-00	A	* COVER - Air conditioning exhaust louver, left	1	
	99615-01	A	* COVER - Air conditioning exhaust louver, right	1	
-49	99631-00	A	* FILTER - Air conditioning exhaust	2	
-50	86711-06	D,H	* FITTING ASSEMBLY - Water drain	1	28R-8218023 and up
-51	63904-89	D,H	* HOSE - Water drain (36.00" L.)	1	28R-8218023 and up
-52	79290-00	D,H	* TUBE ASSEMBLY - Drain	1	28R-8218023 and up
-53	87444-02	D,H	* SCOOP - Drain	1	28R-8218023 and up
-54	67367-00		SHELF ASSEMBLY - Battery	1	
-55	79453-00		* WEB - Battery shelf	1	
-56	62465-00		* CHANNEL - Battery shelf, front	2	
-57	62463-00		* CHANNEL - Battery shelf, inboard	1	
-58	62464-00		* CHANNEL - Battery shelf, outboard	1	

When ordering, always specify Part Number, Description, and Serial Number of Aircraft

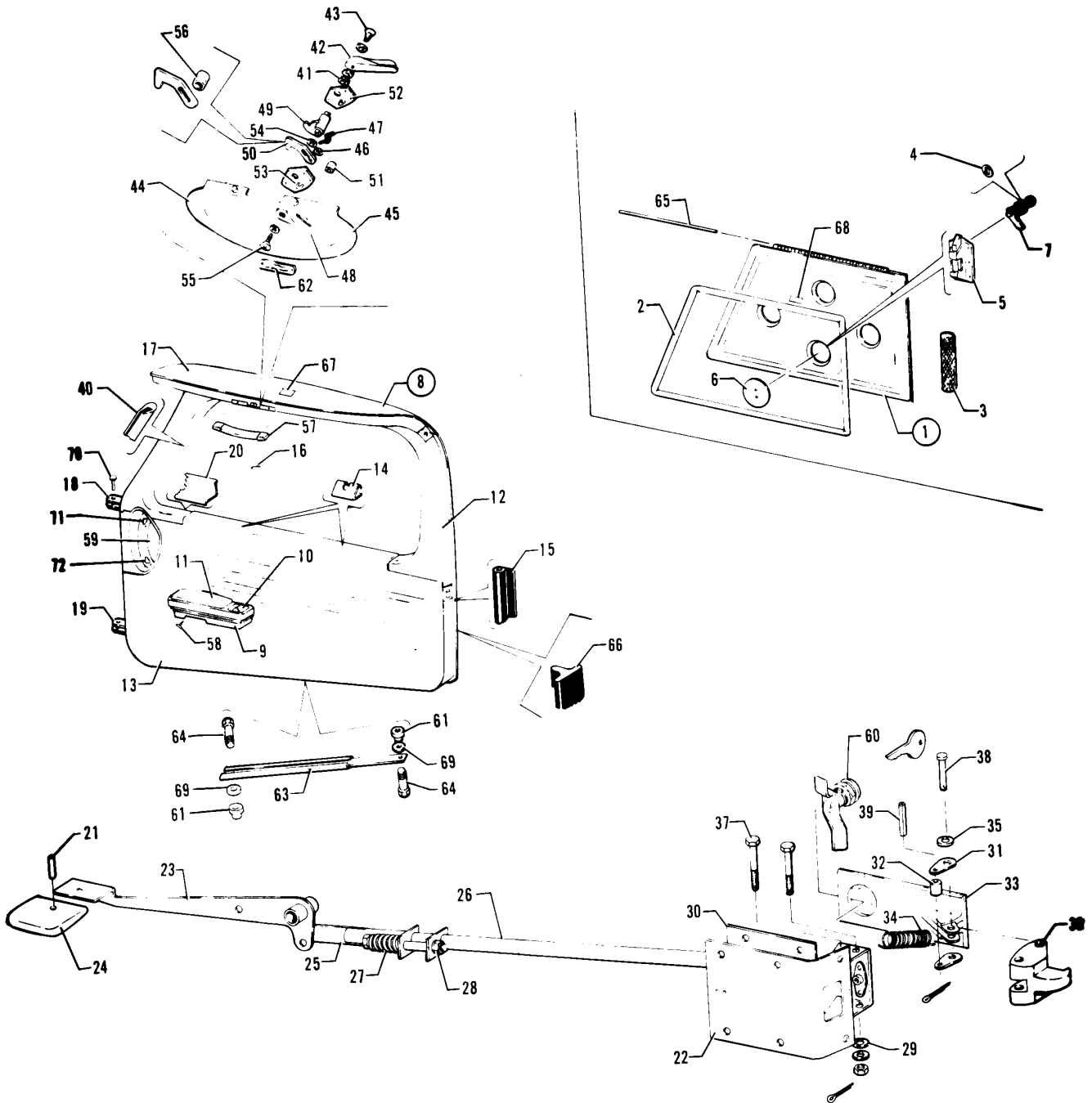


Figure 13. Fuselage Cabin and Baggage Door Installation

PIPER PARTS CATALOG

CODE EXPLANATIONS FOR FIGURE 13

- A - If matching cabin door lock, baggage door lock and ignition switch are desired, order Kit 87329-03.
- B - Complete door assembly not available. Order component parts.
- C - Specify color "bark II" or black.
- D- Used on PA-28RT-201 with serial numbers 28R-7918001 to 28R-7918164 inclusive, and PA-28RT-201T with serial numbers 28R-7931001 to 28R-7931216 inclusive.
- E- Used on PA-28RT-201 with serial numbers 28R-7918165 and up, and PA-28RT-201T with serial numbers 28R-7931217 and up.
- F- Used on PA-28RT-201 with serial numbers 28R-8018001 and up, and PA-28RT-201T with serial numbers 28R-8031001 and up.
- G- Used on PA-28RT-201 with serial numbers 28R-7918001 to 28R-7918306 inclusive, and PA-28RT-201T with serial numbers 28R-7931001 to 28R-7931353 inclusive.
- H- Used with door latch hook assembly that has a 3/8 O.D. welded stud.
- J- Used with door latch hook assembly that has a 1/4 O.D. welded stud and 3/8 O.D. removable roller.
- K- Used on PA-28RT-201 with serial numbers 28R-8018062 and up, and PA-28RT-201T with serial numbers 28R-8031090 and up.
- L- Used on PA-28RT-201 with serial numbers 28R-8118001 and up, and PA-28RT-201T with serial numbers 28R-8131001 and up.
- M- Used on PA-28RT-201 with serial numbers 28R-8218001 and up, and PA-28RT-201T with serial numbers 28R-8231001 and up. .
- N- Used on PA-28RT-201 with serial numbers 28R-8118001 and up, and PA-28RT-201T with serial numbers 28R-8131001 to 28R-8231092 inclusive.
- O- Used on PA-28RT-201 with serial numbers 28R-8018001 and up, and PA-28RT-201T with serial numbers 28R-8031001 to 28R-8231092 inclusive.
- P- Used on PA-28RT-201 with serial numbers 28R-7918001 and up. and PA-28RT-201T with serial numbers 28R-7931001 to 28R-8231092 inclusive.
- Q- Used on PA-28RT-201T only.
- R- Used on PA-28RT-201 with serial numbers 28R-8218001 and up, and PA-28RT-201T with serial numbers 28R-8231001 to 28R-8231092 inclusive.
- W - These parts must be ordered from Service Spares Department, Piper Aircraft, Lock Haven, Penna.

PIPER PARTS CATALOG

Figure and Index Number	Part Number	Code	NOMENCLATURE	No. Req.	SERIAL NUMBERS AFFECTED
13-	79546 36722	K	DRAWING - Doors Installation DRAWING - Door Snubber Installation		
-1	66793-18		DOOR ASSEMBLY - Baggage compartment (bonded) (less lock assembly)	1 1	
-2	19063-02 189 139	W	* MOULDING - Baggage door (quarter-round type) * MOULDING - Baggage door (bulb type)	9' 9'	
-3	65440-07		* STRAP ASSEMBLY - Baggage door (11.75" L.)	1	
-4	21176-00		* SPACER - Door lock	1	
-5	472 010		* LATCH - Push bottom (H38-.064-.460)	1	
-6	12761-02 79452-00	W	* COVER ASSEMBLY - Lock access (4.75 dia.) * COVER - Lock access (5.75 dia.)	1 1	
-7	87329-08	A	LOCK ASSEMBLY - Baggage door	1	
-8	79545-03	B	DOOR ASSEMBLY - Complete (less lock assembly)	1	
-9	66710-17		* HOLDER ASSEMBLY - Armrest	1	
-10	763 003		* * BOX ASSEMBLY - Ash tray (S-25-AR-C)	1	
-11	580 731	P	* PAD - Armrest, camel	1	
	579 507	G	* PAD - Armrest, olivetone	1	
	579 508	D	* PAD - Armrest, midnight blue	1	
	579 474	E	* PAD - Armrest, dark blue (velour)	1	
	579 228	N	* PAD - Armrest, dark blue (vinyl)	1	
	559 758	Q	* PAD - Armrest, dark blue (leather)	1	28R-8331001 and up
	680 002	Q	* PAD - Armrest, blue (vinyl)	1	28R-8331001 and up
	579 509	G	* PAD - Armrest, black	1	
	579 510	G	* PAD - Armrest, tan	1	
	579 472	F	* PAD - Armrest, firethorn red (velour)	1	
	579 227	N	* PAD - Armrest, firethorn red (vinyl)	1	
	559 793	Q	* PAD - Armrest, firethorn red (leather)	1	28R-8331001 and up
	680 001	Q	* PAD - Armrest, red (vinyl)	1	28R-8331001 and up
	579 473	O	* PAD - Armrest, buckskin (velour)	1	
	680 003	Q	* PAD - Armrest, light buckskin (vinyl)	1	28R-8331001 and up
	559 805	Q	* PAD - Armrest, light buckskin (leather)	1	28R-8331001 and up
	579 226	L	* PAD - Armrest, dark cedar (knit)	1	
	579 115	R	* PAD - Armrest, dark cedar (velour)	1	
	559 782	Q	* PAD - Armrest, dark cedar (leather)	1	28R-8331001 and up
	579 113	R	* PAD - Armrest, dark carmine	1	
	579 114	M	* PAD - Armrest, sandalwood	1	
	680 131	Q	* PAD - Armrest, patrician sandalwood	1	28R-8331001 and up
	680 000	Q	* PAD - Armrest, dark saddle (knit)	1	28R-8331001 and up
	559 770	Q	* PAD - Armrest, dark saddle (leather)	1	28R-8331001 and up
-12	79542-04		* COVER - Cabin door, upper	1	
-13	579 410	P	* PANEL ASSEMBLY - Cabin door trim, white/camel/black	1	
	579 559	G	* PANEL ASSEMBLY - Cabin door trim, olivetone	1	
	579 560	D	* PANEL ASSEMBLY - Cabin door trim, midnight blue	1	
	579 316	E	* PANEL ASSEMBLY - Cabin door trim, dark blue (velour)	1	
	579 263	N	* PANEL ASSEMBLY - Cabin door trim, dark blue (vinyl)	1	
	680 117	Q	* PANEL ASSEMBLY - Cabin door trim, light blue (velour)	1	28R-8331001 and up
	680 049	Q	* PANEL ASSEMBLY - Cabin door trim, blue (vinyl)	1	28R-8331001 and up
	579 561	G	* PANEL ASSEMBLY - Cabin door trim, raspberry/black	1	
	579 562	G	* PANEL ASSEMBLY - Cabin door trim, tan/seal	1	
	579 338	F	* PANEL ASSEMBLY - Cabin door trim, firethorn red (fabric)	1	
	579 262	N	* PANEL ASSEMBLY - Cabin door trim, firethorn red (vinyl)	1	
	680 048	Q	* PANEL ASSEMBLY - Cabin door trim, red (vinyl)	1	28R-8331001 and up
	579 339	O	* PANEL ASSEMBLY - Cabin door trim, buckskin	1	
	680 050	Q	* PANEL ASSEMBLY - Cabin door trim, light buckskin	1	28R-8331001 and up

When ordering, always specify Part Number, Description, and Serial Number of Aircraft

PIPER PARTS CATALOG

Figure and Index Number	Part Number	Code	NOMENCLATURE	No. Req.	SERIAL NUMBERS AFFECTED
13-13	579 261		* PANEL ASSEMBLY - Cabin door trim, dark cedar (knit)	1	28R-8331001 and up
	579 082	M	* PANEL ASSEMBLY - Cabin door trim, dark cedar (velour)	1	
	579 080	M	* PANEL ASSEMBLY - Cabin door trim, dark carmine	1	
	579 081	M	* PANEL ASSEMBLY - Cabin door trim, sandalwood	1	
	580 047	Q	* PANEL ASSEMBLY - Cabin door trim, dark saddle	1	
-14	99943-00		* RETAINER - Side panel	2	
-15	189 139		* MOULDING - Cabin door (bulb type)	13'	
-16	79475-20		* WINDOW - Cabin door (.080 thick) clear	1	
	79475-69		* WINDOW - Cabin door (.125 thick) clear	1	
	79475-68		* WINDOW - Cabin door (.080 thick) tinted	1	
	79475-60		* WINDOW - Cabin door (.126 thick) tinted	1	
-17	79475-16		* DOOR ASSEMBLY - Cabin (less window and lock assembly)	1	
-18	79475-07		** HINGE - Cabin door, upper	1	
-19	79475-08		** HINGE - Cabin door, lower	1	
-20	79475-22		** RETAINER - Window	1	
-21	486 145		** SCREW- (P70FS420-4C)	1	
-22	79515-35		** COVER - Cabin door latch	1	
-23	79515-13		** HANDLE - Cabin clear	1	
-24	79647-02		** KNOB - Door handle	1	
-25	79515-04		** LATCH ASSEMBLY - Door	1	
-26	79515-06		*** TUBE ASSEMBLY - Door latch	1	
-27	587 398		**** SPRING - Door latch tube (PS10087-2-1)	1	
-28	400 113	W	**** BOLT - (AN-20)	1	
	407 565	W	**** WASHER - (AN960-416)	3	
	404 101	W	**** NUT - (AN310-4)	1	
	424 051	W	**** COTTER PIN - (MS24665-132)	1	
-29	407 582		*** WASHER - (AN960-6L)	2	
-30	79515-07		*** BOX-ASSEMBLY - Door latch	1	
-31	79514-08		*** LINK - Door latch mechanism	2	
-32	79514-16		*** BUSHING - Door latch mechanism	1	
-33	79530-02		*** HANDLE - Door latch mechanism	1	
-34	587 381		*** SPRING - (E0240-037-1760S)	1	
-35	62833-105		*** WASHER - Door latch mechanism	1	
-36	79532-02		*** LATCH - Cabin door	1	
-37	400 665		*** BOLT - (AN21-31)	2	
	407 562	W	*** WASHER - (AN960-6)	2	
	404 391		*** NUT - (AN320-1)	2	
	424 041		*** COTTER PIN - (MS24665-5)	2	
-38	424 178	W	*** PIN - (MS20392-2C19)	1	
	424 041		*** COTTER PIN - (MS24665-5)	1	
-39	480 800		*** PIN - Spring (MS9048-111)	1	
-40	99997-00		* EXTRUSION - Vinyl	7'	
-41	62833-21		* WASHER - Neoprene	1	
-42	63039-00		* HANDLE - Door. auxiliary latch	1	
-43	519 853		* SCREW - (MS24622-43)	1	
	62833-107		v * WASHER - Teflon	1	
	407 680	W	* WASHER - (AN960-C816)	1	
-44	36598-02		* LATCH ASSEMBLY - Door, auxiliary	1	
-45	79475-34		** PAN - Door latch, white	1	
-46	62833-06		** WASHER	1	
-47	63045-00		** SPRING - Door latch	1	
-48	36590-02		** HANDLE - Door, auxiliary	1	
-49	63042-03		** CAM - Door latch	1	
-50	63036-03		** HOOK ASSEMBLY - Door latch (with 3/8 O.D. welded stud)	1	
	63036-04		** HOOK ASSEMBLY - Door latch (with 1/4 O.D. welded stud)	1	
-51	63900-50		** BUSHING	3	

When ordering, always specify Part Number, Description, and Serial Number of Aircraft

PIPER PARTS CATALOG

Figure and Index Number	Part Number	Code	NOMENCLATURE	No. Req.	SERIAL NUMBERS AFFECTED
13-52	68179-00		** PLATE - Door latch	1	
	68179-07	J	** PLATE - Door latch	1	
-53	68179-02	H	** PLATE - Door latch	1	
	68179-08	J	** PLATE - Door latch	1	
-54	407 680	W	** WASHER - (AN960-C816)	1	
-55	519 853		** SCREW - (MS24622-43)	1	
	407 586	W	** WASHER - (AN960-516L)	1	
	62833-107		** WASHER - Teflon	1	
-56	36572-03		** ROLLER - Door latch (3/8 O.D.)	1	
-57	464 412		* HANDLE - Door assist (PS10091-1)	1	
-58	419 594		* SCREW - (AN530-10R36)	2	
-59	79542-06	C	* PAN - Door latch	1	
-60	87329-07	A	LOCK ASSEMBLY - Cabin door	1	
-61	63020-02		BUSHING - Door holder	2	
-62	68555-05		PLACARD - Door lock	1	
-63	65727-00		DOOR HOLDER ASSEMBLY	1	
-64	400 862		BOLT - (AN23-10A)	2	
-65	62400-02		PIN - Baggage door hinge	1	
-66	36722-04	K	SEAL - Door snubber (150" long)	1	
-67	87334-02		PLACARD - Door release	1	
-68	87337-02		PLACARD - Max. baggage	1	
-69	62833-39		WASHER - Door holder (neoprens)	2	
-70	424 204		PIN - (MS20392-3C13)	2	
	407 585	W	WASHER - (AN960-416L)	4	
	424 051	W	COTTER PIN - (MS246665132)	2	
-71	69669-117		PLACARD - Open	1	
-72	69669-118		PLACARD - Latch	1	

When ordering, always specify Part Number, Description, and Serial Number of Aircraft

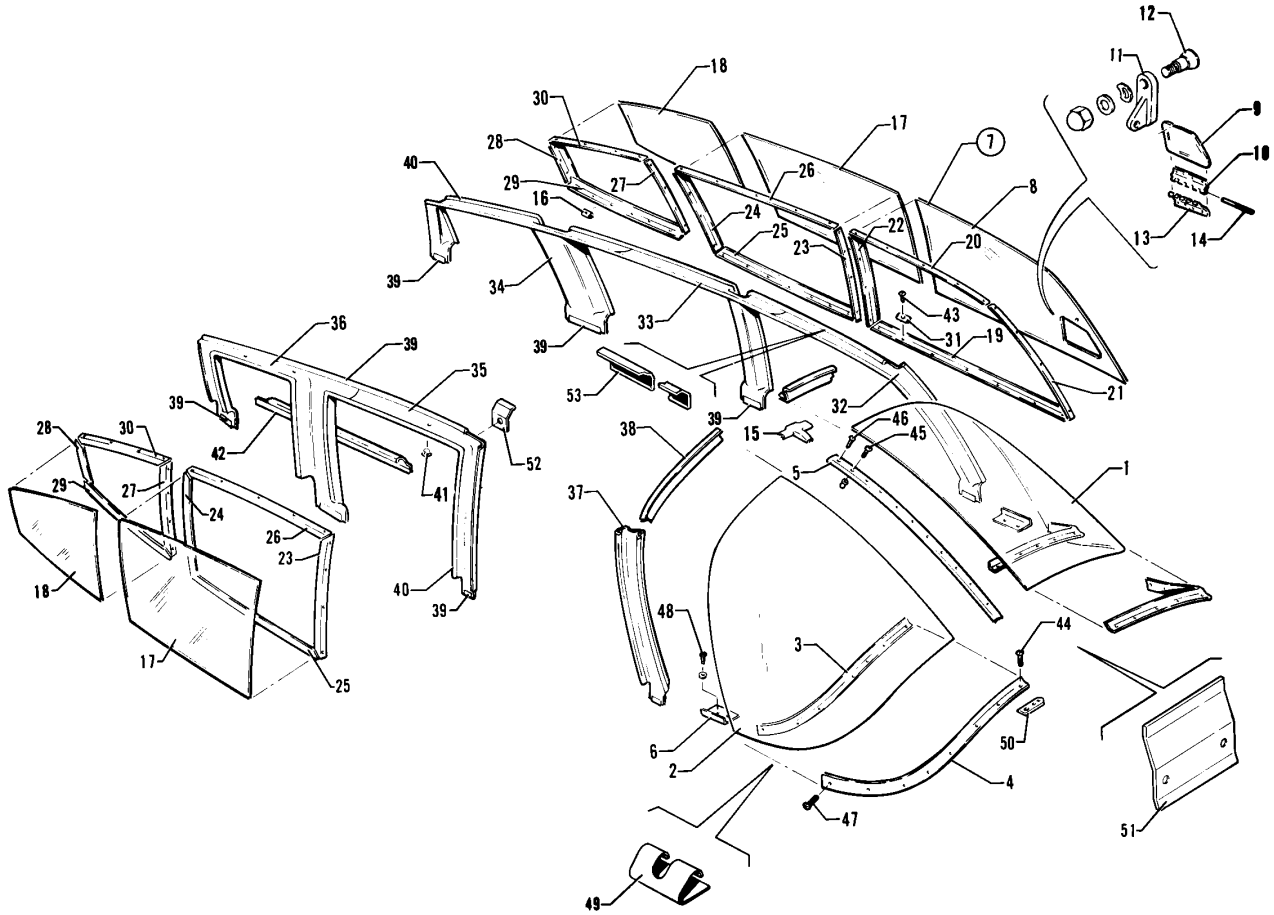


Figure 14. Fuselage Enclosure Installation

PIPER PARTS CATALOG

CODE EXPLANATIONS FOR FIGURE 14

- A- Used if gray tinted windshield and windows are installed.
- B- Used if .250 thick sound reduction windshield is installed.
- C- Used on PA-28RT-201 with serial numbers 28R-7918001 to 28R-7918164 inclusive, and PA-28RT-201T with serial numbers 28R-7931001 to 28R-7931216 inclusive.
- D- Used on PA-28RT-201 with serial numbers 28R-7918165 and up, and PA-28RT-201T with serial numbers 28R-7931217 and up.
- E- Used on PA-28RT-201 with serial numbers 28R-7918001 to 28R-7918306 inclusive, and PA-28RT-201T with serial numbers 28R-7931001 to 28R-7931353 inclusive.
- F- Used on PA-28RT-201 with serial numbers 28R-8018001 and up, and PA-28RT-201T with serial numbers 28R-8031001 and up.
- G- Used on PA-28RT-201 with serial numbers 28R-8118001 and up, and PA-28RT-201T with serial numbers 28R-8131001 and up.
- H- Used on PA-28RT-201 with serial numbers 28R-8218001 and up, and PA-28RT-201T with serial numbers 28R-8231001 and up.
- J- Used on PA-28RT-201 with serial numbers 28R-8118001 and up, and PA-28RT-201T with serial numbers 28R-8131001 to 28R-8231092 inclusive.
- K- Used on PA-28RT-201 with serial numbers 28R-7918001 and up, and PA-28RT-201T with serial numbers 28R-7931001 to 28R-8231092 inclusive.
- L- Used on PA-28RT-201 with serial numbers 28R-8018001 and up, and PA-28RT-201T with serial numbers 28R-8031001 to 28R-8231092 inclusive.
- M- Used on PA-28RT-201T only.
- N- Used on PA-28RT-201T with serial numbers 28R-8218001 and up, and PA-28RT-201T with serial numbers 28R-8231001 to 28R-8231092 inclusive.
- W - These parts must be ordered from Service Spares Department. Piper Aircraft, Lock Haven, Penna.

PIPER PARTS CATALOG

Figure and Index Number	Part Number	Code	NOMENCLATURE	No. Req.	SERIAL NUMBERS AFFECTED
14-	63070 76361 79171		DRAWING - Windshield Installation DRAWING - Window Installation DRAWING - Window Frame Installation		
-1	63070-46 79296-16		WINDSHIELD - Left (.125 thick) WINDSHIELD - Left (.250 thick)	1 1	
	63070-42 79296-18	A A	WINDSHIELD - Left (.125 thick) WINDSHIELD - Left (.250 thick)	1 1	
-2	63070-45 79296-17		WINDSHIELD - Right (.125 thick) WINDSHIELD - Right (.250 thick)	1 1	
	63070-41 79296-19	A A	WINDSHIELD - Right (.125 thick) WINDSHIELD - Right (.250 thick)	1 1	
-3	63070-43 63070-44		COLLAR - Inside, left COLLAR - Inside, right	1 1	
-4	63070-11 63070-05		COLLAR - Outside, left COLLAR - Outside, right	1 1	
-5	79557-00		TRIM STRIP - Windshield, center	1	
-6	79154-00 79155-00		RETAINER - Windshield moulding, left RETAINER - Windshield moulding, right	1 1	
-7	65826-05 65826-06		WINDOW ASSEMBLY - Front, left WINDOW ASSEMBLY - Front, left	1 1	
-8	65798-03 65798-04	A A	* WINDOW - Front, left * WINDOW - Front, left	1 1	
-9	65896-00 65896-02		* WINDOW ASSEMBLY - Storm * WINDOW ASSEMBLY - Storm	1 1	
-10	65895-00		** HINGE - Half	1	
-11	65742-00	W	* LATCH ASSEMBLY - Storm window	1	
-12	79572-00 408 826 407 041 477 696		* SCREW - Storm window attachment * WASHER - Shakeproof (3502-10-71) * WASHER - (MS35338-41) * NUT - Dome (8061-NP)	1 1 1 1	
	65782-00	W	* HINGE - Half	1	
-14	63744-09		* PIN - Hinge	1	
-15	67556-04		TRIM - Windshield, white	1	
-16	78086-00		RETAINER - Side panel	2	
-17	76275-00 76275-03 76275-02 76275 04 76276-00 76276-03 76276-02 76276-04		WINDOW - Center. left (.080 thick) WINDOW - Center, left (.125 thick) WINDOW - Center. left (.080 thick) WINDOW - Center, left (.125 thick) WINDOW - Center, right (.080 thick) WINDOW - Center, right (.125 thick) WINDOW - Center, right (.080 thick) WINDOW - Center, right (.125 thick)	1 1 1 1 1 1 1 1	
	76276-02 76276-04	A A	WINDOW - Center, right (.080 thick) WINDOW - Center, right (.125 thick)	1 1	
-18	76277-00 76277-03 76277-02 76277-04 76278-00 76278-03 76278-02 76278-04		WINDOW - Rear, left (.080 thick) WINDOW - Rear, left (.125 thick) WINDOW - Rear, left (.080 thick) WINDOW - Rear, left (.125 thick) WINDOW - Rear, right (.080 thick) WINDOW - Rear, right (.125 thick) WINDOW - Rear, right (.080 thick) WINDOW - Rear, right (.125 thick)	1 1 1 1 1 1 1 1	
	76278-02 76278-04	A A	WINDOW - Rear, right (.080 thick) WINDOW - Rear, right (.125 thick)	1 1	
-19	76197-00		RETAINER - Front window, bottom, left	1	
-20	76143-00		RETAINER - Front window, top, left	1	
-21	79562-00		RETAINER - Front window, front, left	1	

When ordering, always specify Part Number, Description, and Serial Number of Aircraft

PIPER PARTS CATALOG

Figure and Index Number	Part Number	Code	NOMENCLATURE	No. Req.	SERIAL NUMBERS AFFECTED
14-22	63071-12		RETAINER - Front window, rear, left	1	
-23	76264-00		RETAINER - Center window, front, left	1	
	63071-18		RETAINER - Center window, front, right	1	
-24	76267-00		RETAINER - Center window, rear, left	1	
	76267-01		RETAINER - Center window, rear, right	1	
-25	76268-00		RETAINER - Center window, bottom, left	1	
	76269-00		RETAINER - Center window, bottom, right	1	
-26	76265-00		RETAINER - Center window, top, left	1	
	76266-00		RETAINER - Center window, top, right	1	
-27	76270-00		RETAINER - Rear window, front, left	1	
	76270-01		RETAINER - Rear window, front, right	1	
-28	76272-00		RETAINER - Rear window, rear, left	1	
	76272-01		RETAINER - Rear window, rear, right	1	
-29	76273-00		RETAINER - Rear window, bottom, left	1	
	76274-00		RETAINER - Rear window, bottom, right	1	
-30	76271-00		RETAINER - Rear window, top	2	
-31	99943-00		RETAINER - Side parted	1	
-32	79171-14		COVER - Window frame front, left	1	
-33	79171-11		COVER - Window frame center, left	1	
-34	79171-10		COVER - Window frame, rear, left	1	
-35	79171-08		COVER - Window framed center, right	1	
-36	79171-09		COVER - Window frame, rear, right	1	
-37	79171-13		COVER - Windshield bow, lower, right	1	
-38	63149-20		COVER - Windshield bow, upper, left	1	
	63149-21		COVER - Windshield bow, upper, right	11	
-39	78051-25		RETAINER	1	
-40	99997-00		EXTRUSION - Vinyl	AR	
-41	581 928		PLUG - (207-200201-00-0103)	10	
-42	556 315	J	COVER ASSEMBLY - Windowsill, white	1	
	556 119	K	COVER ASSEMBLY - Windowsill, camel	1	
	556 266	F	COVER ASSEMBLY - Windowsill, olivetone	1	
	556 267	C	COVER ASSEMBLY - Windowsill, midnight blue	1	
	556 713	D	COVER ASSEMBLY - Windowsill, dark blue (velour)	1	
	556 941	J	COVER ASSEMBLY - Windowsill, dark bide (vinyl)	1	
	559 759	M	COVER ASSEMBLY - Windowsill, dark blue (leather)	1	28R 8331001 and up
	557 200	M	COVER ASSEMBLY - Windowsill, blue (vinyl)	1	28R 8331001 and up
	556 268	F	COVER ASSEMBLY - Windowsill, raspberry	1	
	556 269	F	COVER ASSEMBLY - Windowsill, tan	1	
	556 693	F	COVER ASSEMBLY - Windowsill, firethorn red (velour)	1	
	556 940	J	COVER ASSEMBLY - Windowsill, firethorn red (vinyl)	1	
	559 794	M	COVER ASSEMBLY - Windowsill, firethorn red heather)	1	28R 8331001 and up
	557 199	M	COVER ASSEMBLY - Windowsill, red (vinyl)	1	28R 8331001 and up
	556 694	L	COVER ASSEMBLY - Windowsill, buckskin	1	
	557 201	M	COVER ASSEMBLY - Windowsill, light buckskin (vinyl)	1	28R 8331001 and up
	559 806	M	COVER ASSEMBLY - Windowsill, light buckskin (leather)	1	28R 8331001 and up
	556 939	G	COVER ASSEMBLY - Windowsill, dark cedar (knit)	1	
	557 059	N	COVER ASSEMBLY - Windowsill, dark cedar (velour)	1	
	559 783	M	COVER ASSEMBLY - Windowsill, dark cedar (leather)	1	28R 8331001 and up
	557 057	N	COVER ASSEMBLY - Windowsill, dark carmine	1	
	557 058	H	COVER ASSEMBLY - Windowsill, sandalwood	1	
	557 198	M	COVER ASSEMBLY - Windowsill, dark saddle (knit)	1	28R 8331001 and up
	559 771	M	COVER ASSEMBLY - Windowsill, dark saddle (leather)	1	28R 8331001 and up
-43	419 641		SCREW - (4 x 1 2" L) Type "A" Truss	90	
-44	486 286		SCREW - (NAS601-8P)	24	
	406 823	W	NUT PLATE - (NAS686 A06K)	20	
-45	415 536	W	SCREW - (MS35206-246)	8	
	415 537	B,W	SCREW - (MS35206-247)	8	

When ordering, always specify Part Number, Description, and Serial Number of Aircraft

PIPER PARTS CATALOG

Figure and Index Number	Part Number	Code	NOMENCLATURE	No. Req.	SERIAL NUMBERS AFFECTED
14-46	415 544		SCREW - (MS35206-244)	1	
	415 535	B	SCREW - (MS35206-245)	1	
-47	486 286		SCREW - (NAS601-8P)	2	
-48	419 681	W	SCREW - (PS10012-4)	4	
	494 001	W	WASHER - (PS10016-4)	4	
-49	99943-00		RETAINER - Windshield	2	
-50	406 809	W	NUT PLATE - (NAS687-A06K)	4	
-51	69219-00		PLATE	1	
-52	78051-19		RETAINER	1	
-53	78051-26		RETAINER	1	

When ordering, always specify Part Number, Description, and Serial Number of Aircraft

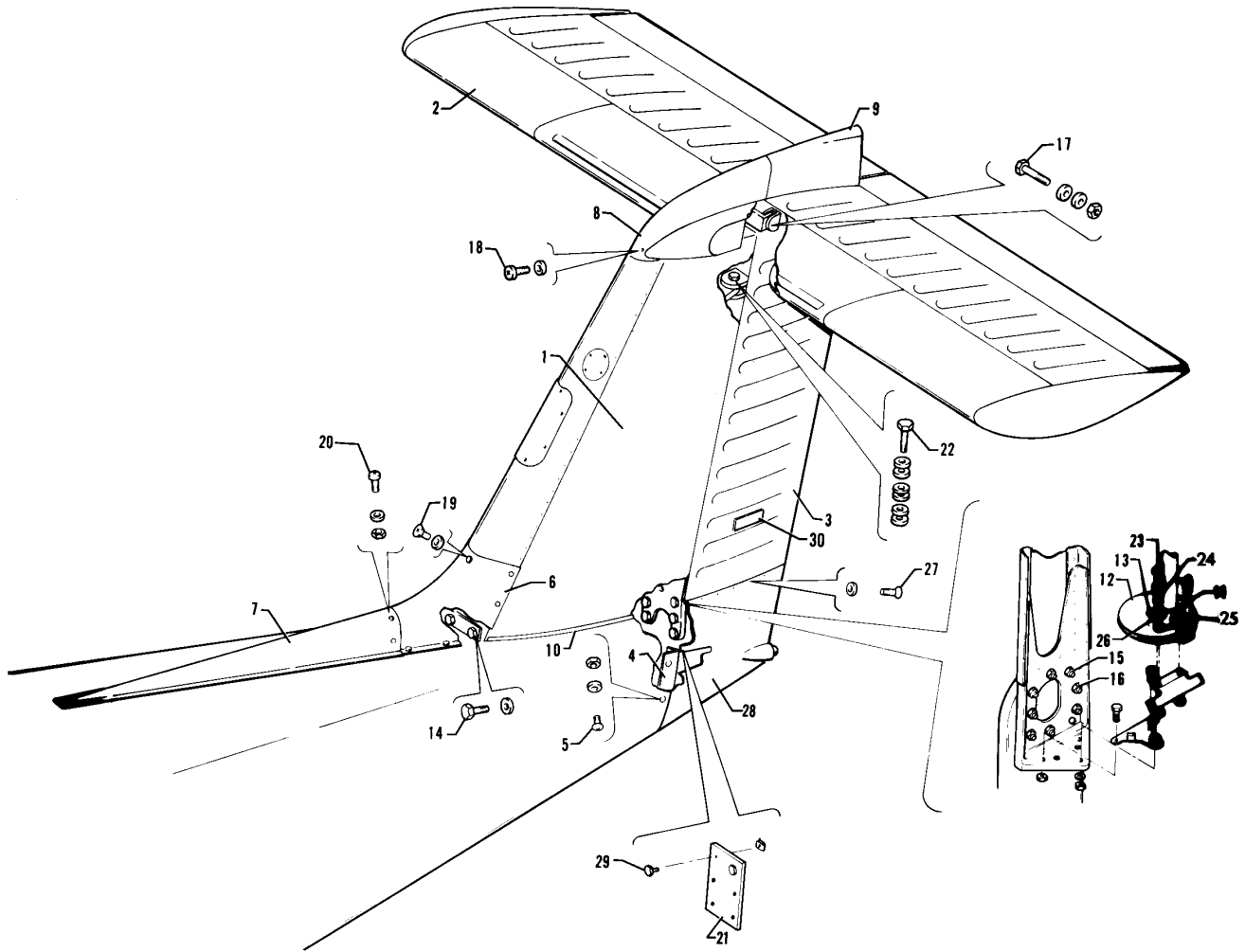


Figure 15. Tail Surfaces Installation

PIPER PARTS CATALOG

CODE EXPLANATIONS FOR FIGURE 15

- A - See Figure 17 for component parts.
- B - See Figure 16 for component parts.
- C - See Figure 18 for component parts.
- D - Used if rudder tip tail light is installed.
- E - Used if rudder tip tail light is not installed.
- F - Used on PA-28RT-201 with serial numbers 28R-7918001 to 28R-7918306 inclusive, and PA-28RT-201T with serial numbers 28R-7931001 to 28R-7931353 inclusive.
- G - Used on PA-28RT-201 only.
- H - Used on PA-28RT-201T only.
- J - Used on PA-28RT-201 with serial numbers 28R-7918001 to 28R-8118092 inclusive, and PA-28RT-201T with serial numbers 28R-7931001 to 28R-81 31229 inclusive.
- K - Used on PA-28RT-201 with serial numbers 28R-8218001 and up, and PA-28RT-201T with serial numbers 28R-8231001 and up.
- L - Used if Rudder Torque Tube Fitting Inspection Kit 764 100v has not been installed.
- M - Used if Rudder Torque Tube Fitting Inspection Kit 764 100v has been installed per Service Bulletin 699.
- W - These parts must be ordered from Service Spares Department, Piper Aircraft, Lock Haven, Penna.

PIPER PARTS CATALOG

Figure and Index Number	Part Number	Code	NOMENCLATURE	No. Req.	SERIAL NUMBERS AFFECTED
15-	35873		DRAWING - Fin Assembly and Installation		
	35894		DRAWING - Stabilator Assembly and Installation		
	35879		DRAWING - Rudder Assembly and Installation		
	38402	J	DRAWING - Fin Tip Assembly and Installation		
	36714	K	DRAWING - Fin Tip Assembly and Installation		
	35897		DRAWING - Tailcone Fairing Assembly and Installation		
	78913		DRAWING - Dorsal Fin Assembly and Installation		
	35885	J	DRAWING - Rudder Tip Assembly and Installation		
	36707	K	DRAWING - Rudder Tip Assembly and Installation		
-1	35873-03	A,F	FIN ASSEMBLY	1	
	35873-10	A,G	FIN ASSEMBLY	1	28R-8018001 and up
	35873-09	A,H	FIN ASSEMBLY	1	28R-8031001 and up
-2	35894-03	B	STABILATOR ASSEMBLY	1	
-3	35879-03	C	RUDDER ASSEMBLY	1	
-4	35897-03		FAIRING ASSEMBLY - Tailcone	1	
-5	411 514	W	SCREW-(MS35207-245)	8	
	407 583	W	WASHER - (AN960-8L)	8	
-6	78913-07		DORSAL FIN - Aft	1	
-7	78913-04		DORSAL FIN - Forward	1	
-8	38402-12	J	TIP ASSEMBLY - Fin, forward	1	
	36714-03	K	TIP ASSEMBLY - Fin, forward	1	
-9	38402-05		TIP - Fin, aft (with provisions for tail light)	1	
	36714-04		TIP - Fin, aft (without provisions for tail light)	1	
-10	35873-06		MOULDING - Extruded	2	
-11	96319-00		FITTING - Rudder torque tube	1	
-12	86496-06		SECTOR ASSEMBLY - Rudder	1	
-13	452 719		* BEARING - (PS10020-7-17)	1	
-14	400 003	W	BOLT - (AN4-6A)	2	
	407 565	W	WASHER - (AN960-416)	2	
-15	401 186	W	BOLT - (AN5-6A)	3	
	407 566	W	WASHER - (AN960-516)	3	
	407 586	W	WASHER - (AN960-516L)	3	
-16	401 186	W	BOLT - (AN5-6A)	5	
	407 566	W	WASHER - (AN960-516)	5	
	407 586	W	WASHER - (AN960-516L)	5	
	404 889	W	NUT - (MS20365-524C)	5	
-17	402 680		BOLT - (NAS1104-17)	2	
	407 565	W	WASHER - (AN960-416)	3	
	407 585	W	WASHER - (AN960-416L)	1	
	404 561		NUT - (MS21045-4)	2	
-18	510 058		SCREW - (NAS514P832-8)	16	
	494 101	W	WASHER - (PS10092-1-2C)	16	
-19	414 779		SCREW - (MS24693-S49)	16	
	494 101	W	WASHER - (PS10092-1-2C)	16	
-20	415 533	W	SCREW - (MS35206-243)	4	
	407 583	W	WASHER - (AN960-8L)	4	
	477 673		NUT - (PS10062-5-2)	4	
-21	35885-07		COVER - Rudder tip, leading edge	1	
-22	400 443		BOLT - (AN3-12A)	1	
	407 564	W	WASHER - (AN960-10)	4	
	407 584	W	WASHER - (AN960-10L)	2	
-23	402 316		BOLT - (AN174-15A)	1	
	407 565	W	WASHER - (AN960-416)	2	
	404 888	W	NUT - (MS20365-428C)	1	
-24	400 004	W	BOLT - (AN4-7A)	2	
	407 565	W	WASHER - (AN960-416)	2	
	404 888	W	NUT - (MS20365-428C)	2	

When ordering, always specify Part Number, Description, and Serial Number of Aircraft

PIPER PARTS CATALOG

Figure and Index Number	Part Number	Code	NOMENCLATURE	No. Req.	SERIAL NUMBERS AFFECTED
15-25	402 291		BOLT - (AN173-16A)	2	
	758 551	M	BOLT - (AN174-16A)	2	
	407 574	L,W	WASHER - (AN960-PD10)	6	
	407 588	M,W	WASHER - (AN960-PD416L)	2	
	407 613	M,W	WASHER - (AN960-PD416)	2	
	404 887	L,W	NUT - (MS20365-1032C)	2	
	404 888	M,W	NUT - (MS20365-428C)	2	
-26	553 266		BOLT - (NKN428-3-7)	2	
	404 224	W	NUT - (AN315-3R)	2	
-27	510 058		SCREW - (NAS514P832-8)	12	
	494 101	W	WASHER - (PS10092-1-2C)	12	
-28	35885-10	E,J	FAIRING ASSEMBLY	1	
	36707-03	E,K	FAIRING ASSEMBLY	1	
	35885-03	D	FAIRING ASSEMBLY	1	
-29	400 437	W	BOLT - (AN3-3A)	6	
	477 671	W	NUT - Clip (PS10062-5-7)	6	
-30	87341-02		PLACARD - Do Not Push	2	

When ordering, always specify Part Number, Description, and Serial Number of Aircraft

**1C22 THRU 1C24
INTENTIONALLY LEFT BLANK**

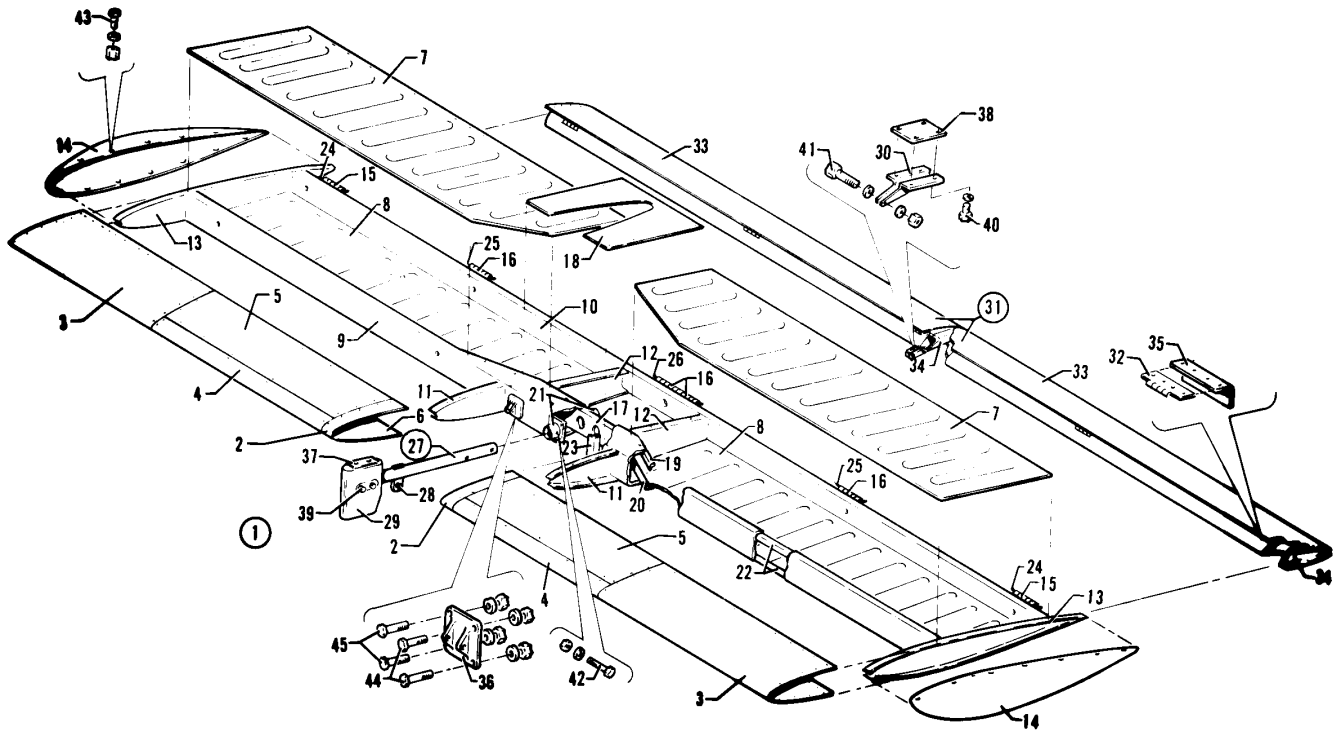


Figure 16. Stabilator Assembly

PIPER PARTS CATALOG

CODE EXPLANATIONS FOR FIGURE 16

W - These parts must be ordered from Service Spares Department, Piper Aircraft, Lock Haven, Penna.

PIPER PARTS CATALOG

Figure and Index Number	Part Number	Code	NOMENCLATURE	No. Req.	SERIAL NUMBERS AFFECTED
16-	35894		DRAWING - Stabilator Assembly and Installation		
-1	35894-03		STABILATOR ASSEMBLY	1	
-2	35894-10		* SKIN - Leading edge, inboard left	1	
	35894-11		* SKIN - Leading edge, inboard right	1	
-3	35894-12		* SKIN - Leading edge, outboard left	1	
	35894-13		* SKIN - Leading edge, outboard right	1	
-4	35894-08		* SKIN - Leading edge, center front	2	
-5	35894-07		* SKIN - Leading edge, center aft	2	
-6	35894-09		* SKIN - Leading edge, center bottom	2	
-7	63392-00		* SKIN - Aft, top left	1	
	63392-01		* SKIN - Aft, top right	1	
-8	63393-00		* SKIN - Aft, bottom left	1	
	63393-01		* SKIN - Aft, bottom right	1	
-9	63561-06		* SPAR - Stabilator, main	1	
-10	63572-00		* SPAR - Stabilator, rear	1	
-11	63569-00		* RIB - Stabilator, nose	2	
-12	63570-00		* RIB - Stabilator, aft	2	
-13	63571-00		* RIB - Stabilator, outboard	2	
-14	65300-00		* TIP - Stabilator	2	
-15	38400-07		* HINGE - Extruded, outboard	2	
-16	38400-04		* HINGE - Extruded, inboard and center	4	
-17	63565-02		* CLOSURE - Stabilator	1	
-18	78937-02		* SKIN - Center, top	1	
	78937-03		* SKIN - Center, bottom	1	
-19	63566-03		* STIFFENER - Stabilator, top, left	1	
	63566-02		* STIFFENER - Stabilator, top, right	1	
-20	63666-02		* STIFFENER - Stabilator, bottom, left	1	
	63666-03		* STIFFENER - Stabilator, bottom, right	1	
-21	63667-00		* FITTING - Balance weight attachment	2	
-22	63562-00		* CAP - Stabilator spar	2	
-23	63564-00		* ANGLE - Stabilator	2	
-24	62002-02		* PIN - Hinge, outboard	2	
-25	62002-03		* PIN - Hinge, outboard	2	
-26	62002-04		* PIN - Hinge, outboard	1	
-27	38298-03		* TUBE ASSEMBLY - Stabilator balance	1	
-28	452 719		* * BEARING - (PS10020-7-17)	1	
-29	38606-03		* WEIGHT - Stabilator balance	1	
-30	78967-03		* HORN - Stabilator trim tab control	1	
-31	38399-06		* TAB ASSEMBLY - Stabilator trim, left	1	
	38399-07		* TAB ASSEMBLY - Stabilator trim, right	1	
-32	38399-04		* * HINGE - Half, Stabilator tab	3	
-33	63586-02		* * SKIN - Stabilator trim tab, left	1	
	63586-03		* * SKIN - Stabilator trim tab, right	1	
-34	63587-00		* * RIB - Outboard	1	
	63587-01		* * RIB - Inboard	1	
-35	63588-03		* * DOUBLER	3	
-36	63563-03		* FITTING - Stabilator hinge	2	
-37	96564-00		* PLATE - Stabilator balance	AR	
-38	78968-02		* PLATE - Control horn tie, bottom	1	
-39	401 325		* BOLT- (AN4H-21A)	2	
	407 565	W	* WASHER - (AN960-416)	4	
	404 888	W	* NUT - (MS20365-428C)	2	
-40	400 438	W	* BOLT - (AN3-4A)4	1	
	407 584	W	* WASHER - (AN960-10L)	4	
-41	401 269	W	* BOLT- (AN3-10A)	1	
	407 564	W	* WASHER - (AN960-10)	2	
	404 887	W	* NUT - (MS20365-1032C)	1	

When ordering, always specify Part Number, Description, and Serial Number of Aircraft

PIPER PARTS CATALOG

Figure and Index Number	Part Number	Code	NOMENCLATURE	No. Req.	SERIAL NUMBERS AFFECTED
16-42	400 450		* BOLT - (AN3- 17A)	2	
	407 564	W	* WASHER - (AN960-10)	6	
	404 887	W	* NUT - (MS20365-1032C)	2	
-43	510 058		* SCREW- (NAS514P832-8)	24	
	494 101	W	* WASHER - (PS10092-1-2C)	24	
	477 672		* NUT - (PS10062-5-1)	24	
-44	400 003	W	* BOLT - (AN4-6A) inboard	4	
	407 565	W	* WASHER - (AN960-416) inboard	8	
	404 888	W	* NUT - (MS20365-428C) inboard	4	
-45	400 004	W	* BOLT - (AN4-7A) outboard	4	
	407 565	W	* WASHER - (AN960-416)	8	
	404 888	W	* NUT - (MS20365-428C)	4	

When ordering, always specify Part Number, Description, and Serial Number of Aircraft

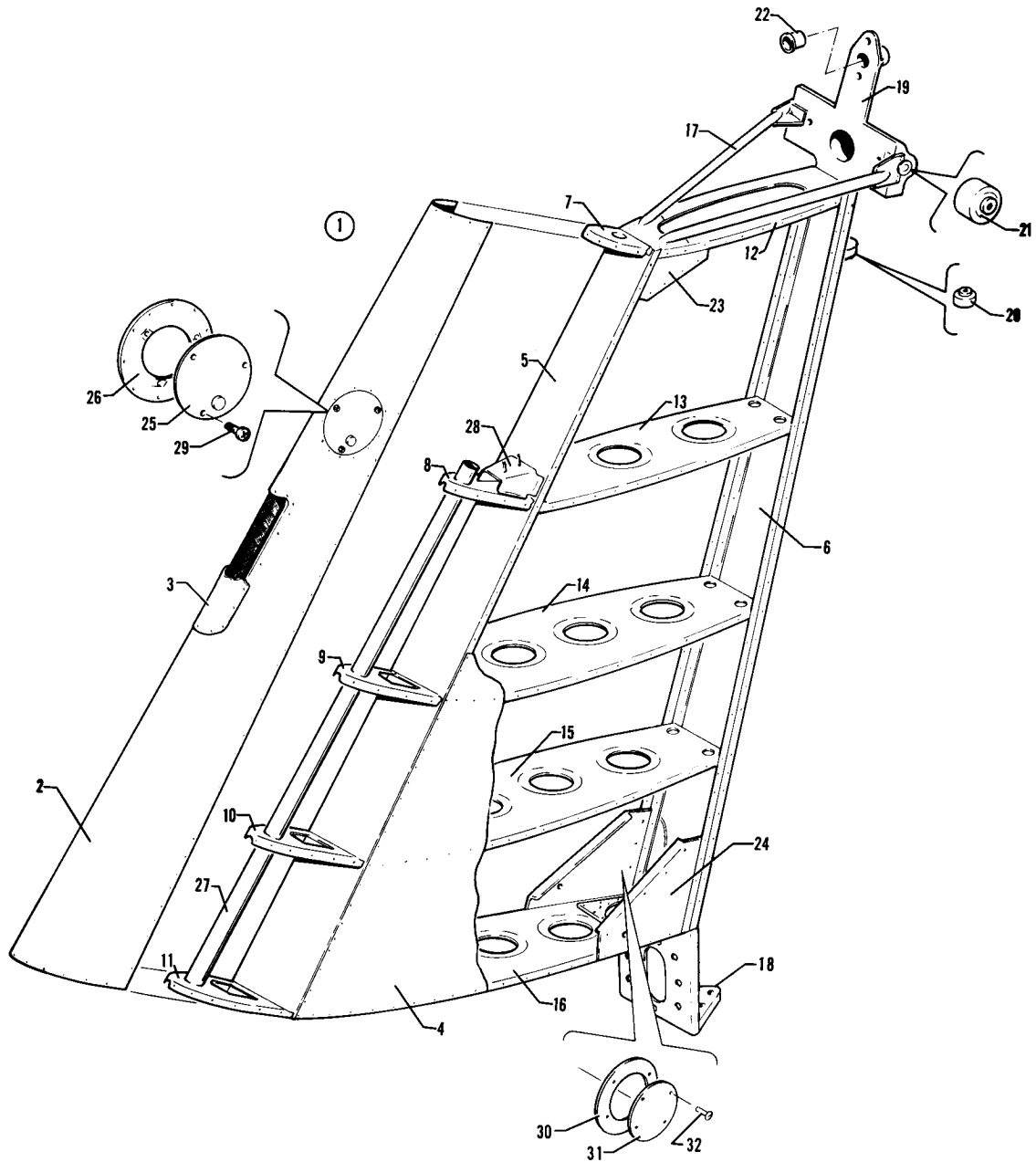


Figure 17. Fin Assembly

PIPER PARTS CATALOG

CODE EXPLANATIONS FOR FIGURE 17

- A - Used on PA-28RT-201 with serial nos. 28R-7918001 to 28R-7918306 incl., and PA-28RT-201T with serial nos. 28R-7931001 to 28R-7931353 inclusive.
- B - Used on PA-28RT-201 only.
- C - Used on PA-28RT-201T only.
- W - These parts must be ordered from Service Spares Department, Piper Aircraft, Lock Haven, Penna.

PIPER PARTS CATALOG

Figure and Index Number	Part Number	Code	NOMENCLATURE	No. Req.	SERIAL NUMBERS AFFECTED
17-	35873		DRAWING - Vertical Fin Assembly and Installation		
-1	35873-03	A	FIN ASSEMBLY	1	
	35873-10	B	FIN ASSEMBLY	1	28R-8018001 and up
	35873-09	C	FIN ASSEMBLY	1	28R-8031001 and up
-2	78908-04	A	* SKIN ASSEMBLY - Leading edge, fin	1	
	78908-28	B	* SKIN ASSEMBLY - Leading edge, fin	1	28R-8018001 and up
	78908-26	C	* SKIN ASSEMBLY - Leading edge, fin	1	28R-8031001 and up
-3	78908-11	A	** COVER - Air inlet	1	
-4	35873-04		* SKIN - Fin, left	1	
	35873-05		* SKIN - Fin, right	1	
-5	78935-28		* SPAR ASSEMBLY - Fin, front	1	
-6	78935-27		* SPAR ASSEMBLY - Fin, rear	1	
-7	38321-02		* RIB ASSEMBLY - Fin nose	1	
-8	38347-02		* RIB - Fin nose	1	
-9	78935-19		* RIB - Fin nose	1	
-10	78935-35		* RIB - Fin nose	1	
-11	78935-17		* RIB - Fin nose	1	
-12	38622-02		* RIB ASSEMBLY - Upper fin root	1	
-13	78935-31		* RIB - Fin root	1	
-14	78935-32		* RIB - Fin root	1	
-15	78935-21		* RIB - Fin root	1	
-16	78935-42		* RIB ASSEMBLY - Fin root	1	
-17	35697-02		* SUPPORT ASSEMBLY - Vertical fin	1	
-18	86548-02		* FITTING - Vertical fin attachment	1	
-19	78927-02		* FITTING ASSEMBLY - Stabilator attachment	1	
-20	452 387		** BEARING - (KP3A)	1	
-21	452 538		** BEARING - (PS10020-21-1)	2	
-22	452 627		** BEARING - (FF-1207-3)	1	
-23	38346-04		* DOUBLER - Fin, top, left	1	
	38346-05		* DOUBLER - Fin, top, right	1	
-24	78935-08		* DOUBLER - Fin, left	1	
	78935-09		* DOUBLER - Fin, right	1	
-25	38381-02		* DOOR ASSEMBLY - Antenna	1	
-26	38382-02		* DOUBLER ASSEMBLY - Antenna door	1	
-27	95264-02		* CONDUIT - Fin, leading edge	1	
-28	38379-02		* BRACKET - Antenna mounting	1	
-29	415 533	W	* SCREW - (MS35206-243)	3	
-30	78935-46		* DOUBLER ASSEMBLY - Cover, left	1	
-31	78935-47		* COVER - Access, left	1	
-32	415 533	W	* SCREW - (MS35206-243)	4	

When ordering, always specify Part Number, Description, and Serial Number of Aircraft

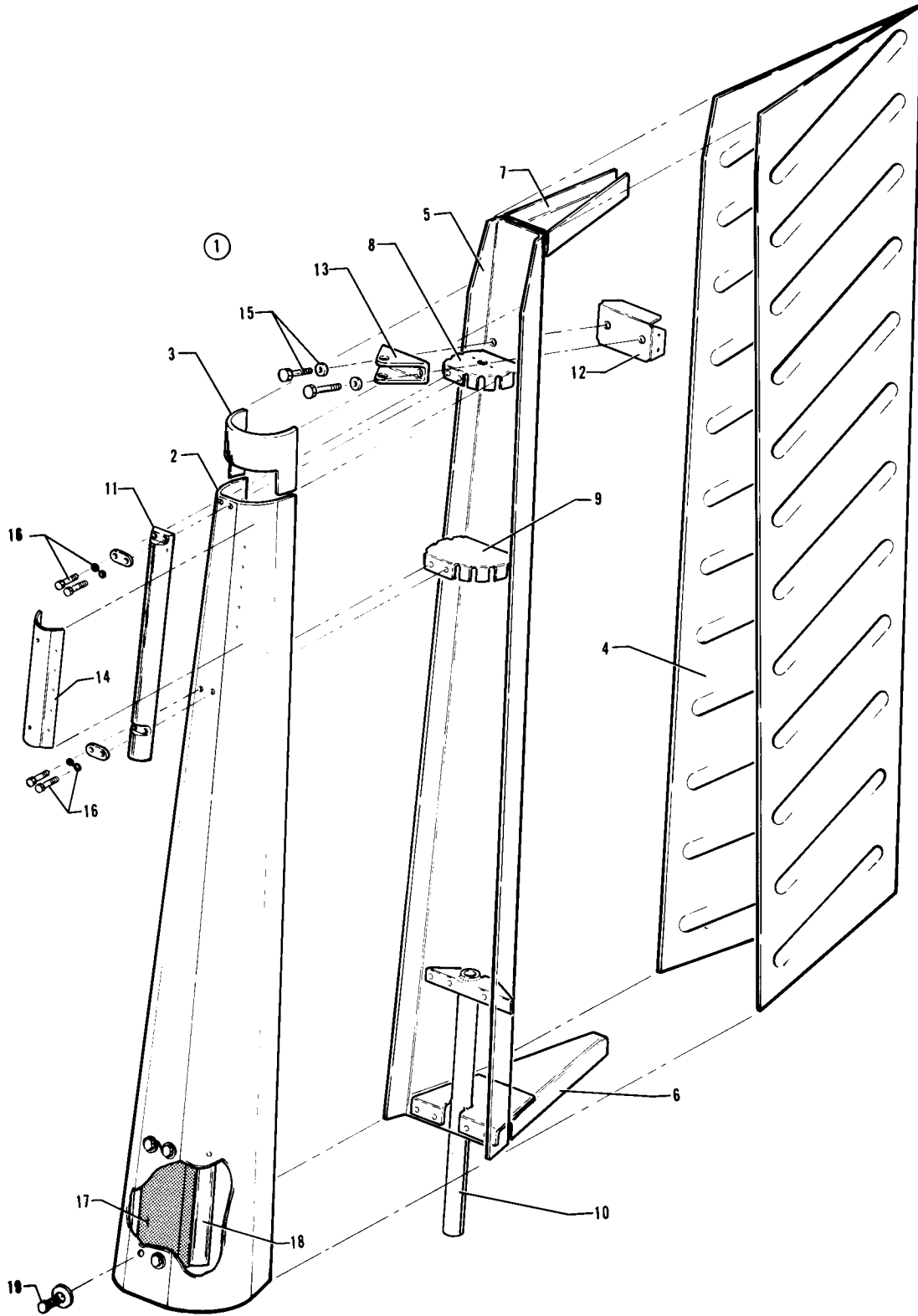


Figure 18. Rudder Assembly

PIPER PARTS CATALOG

CODE EXPLANATIONS FOR FIGURE 18

W - These parts must be ordered from Service Spares Department, Piper Aircraft, Lock Haven, Penna.

PIPER PARTS CATALOG

Figure and Index Number	Part Number	Code	NOMENCLATURE	No. Req.	SERIAL NUMBERS AFFECTED
18-	35879		DRAWING - Rudder Assembly and Installation		
-1	35879-03		RUDDER ASSEMBLY	1	
-2	78981-10		* SKIN - Leading edge, lower	1	
-3	78981 -11		* SKIN - Leading edge, upper	1	
-4	78928-02		* SKIN - Rudder, aft	1	
-5	78981-05		* SPAR - Rudder	1	
-6	78981-06		* RIB - Rudder root	1	
-7	78981-07		* RIB - Rudder tip	1	
-8	78981-15		* RIB ASSEMBLY - Nose	1	
-9	78981-16		* RIB ASSEMBLY - Nose	1	
-10	78915-03		* TORQUE TUBE ASSEMBLY - Rudder	1	
-11	78982-02		* WEIGHT - Rudder balance	1	
-12	78981-17		* DOUBLER ASSEMBLY - Rubber nose	1	
-13	78981-08		* HINGE- Rudder	1	
-14	78981-18		* COVER PLATE - Balance weight	1	
-15	400 438	W	* BOLT - (AN3-4A)	2	
	407 584	W	* WASHER - (AN960-10L)	2	
-16	401 258		* BOLT - (AN3H-6A)	4	
	407 584	W	* WASHER - (AN960-10L)	4	
-17	35820-02		* BALANCE WEIGHT	1	
-18	35879-05		* SUPPORT	1	
-19	401 258		* EXULT- (AN3H-6A)	4	
	407 584	W	* WASHER - (AN960-10L)	4	

When ordering, always specify Part Number, Description, and Serial Number of Aircraft

PIPER PARTS CATALOG

CODE EXPLANATIONS FOR FIGURE 19

- A - See Figure 20 for component parts.
- B - Used on PA-28RT-201 only.
- C - Used on PA-28RT-201T only.
- D - Used with 1/4-20 x 1 stop bolt only.
- E - Used if shock absorber is stamped with Monroe part number 18737.
- F - Used with hydraulic cylinder P/N 35797-02 only.
- W - These parts must be ordered from Service Spares Department, Piper Aircraft, Lock Haven, Penna.

PIPER PARTS CATALOG

Figure and Index Number	Part Number	Code	NOMENCLATURE	No. Req.	SERIAL NUMBERS AFFECTED
19-	76426 35705	C	DRAWING - Nose Landing Gear Installation DRAWING - Nose Landing Gear Installation		
-1	67100-04 67100-10	A,C A,B	GEAR ASSEMBLY - Nose (less tire, tube and wheel assembly) GEAR ASSEMBLY - Nose (less tire, tube and wheel assembly)	1 1	
-2	35797-03 35797-02	B C	CYLINDER - Hydraulic, nose gear CYLINDER - Hydraulic, nose gear (Gar-Kenyon P/N 94951)	1 1	
-3	752 595	F	* "O" RING - (MS28775-120)	1	
-4	752 585	F	* "O" RING - (MS28775-110)	1	
-5	752 596	F	* "O" RING - (MS28775-122)	1	
-6	67109-00 35735-02	B C	ARM ASSEMBLY - Nose gear spring ARM ASSEMBLY - Nose gear spring	1 1	
-7	82732-99	W	* BUSHING - Nose gear arm assembly	1	
-8	76426-03		LINK AND BRACE ASSEMBLY - Gear downlock	1	
-9	87319-03		* BEARING	2	
-10	87319-02		* BEARING	2	
-11	63900-120		* BUSHING - Upper drag brace assembly	1	
-12	61402-93		* BUSHING - Upper drag brace assembly	1	
-13	67598-00		* BUSHING - Special	1	
-14	402 940 407 565 404 393 424 052	 W W W	* BOLT - (NAS464P4-27) * WASHER - (AN960-416) * NUT - (AN320-4) * COTTER PIN - (MS24665-134)	1 2 1 1	
-15	76409-00 35829-02	B C	CAM ASSEMBLY - Steering CAM ASSEMBLY - Steering	1 1	
-16	452 445 35830-02	B C	* BEARING - (FF600-5) * BEARING	1 1	
-17	67168-00		SPRING - Nose gear arm assembly, inner	1	
-18	67169-00		SPRING - Nose gear arm assembly, outer	1	
-19	87357-03		DAMPENER ASSEMBLY - Nose wheel shimmy	1	
-20	11601-03	W	* BOLT - Eye, shimmy dampener	1	
-21	404 322	W	* NUT - Shimmy dampener (AN316-4R)	1	
-22	67244-00	E	CLAMP - Shimmy dampener	1	
-23	76425-00 76425-03 76425-02 76425-04	B C B C	BUNGEE ASSEMBLY - Nose wheel, left BUNGEE ASSEMBLY - Nose wheel, left BUNGEE ASSEMBLY - Nose wheel, right BUNGEE ASSEMBLY - Nose wheel, right	1 1 1 1	
-24	62832-02		* CLIP - Bungee	2	
-25	452 334		* BEARING - (PS10020-1-6RX)	1	
-26	452 334 452 590	B C	* BEARING - (PS10020-1-6RX) * BEARING - (PS10020-11-4)	1 1	
-27	76407-03		BELLCRANK ASSEMBLY - Nose wheel steering	1	
-28	452 445		* BEARING - (FF600-5)	1	
-29	63900-41		* BUSHING	1	
-30	401 274 407 584 404 887	W W W	* BOLT - (AN3-15A) * WASHER - (AN960-10L) * NUT - (MS20365-1032C)	1 3 1	
-31	35282-00		RING - Bungee seal	1	
-32	65003-45		BUSHING	2	
-33	453 158	W	BOOT - (F-2131)	2	
-34	67114-00		BRACKET ASSEMBLY - Shimmy dampener	1	
-35	67192-00		NUT - Cylinder rod end (special)	1	
-36	67510-00		BEARING	1	
-37	35281-00		PLATE - Bungee seal	1	

When ordering, always specify Part Number, Description, and Serial Number of Aircraft

PIPER PARTS CATALOG

Figure and Index Number	Part Number	Code	NOMENCLATURE	No. Req.	SERIAL NUMBERS AFFECTED
19-38	452 729		BEARING - (PS10020-1-7RX)	1	
-39	554 005	B,D	CAP - Bolt (519)	1	
-40	452 386		BEARING - (NAS506-4)	1	
-41	453 199	B	BOLT - (1/4-20 x 1)	1	
	37970-02	B	STOP ASSEMBLY - (5/16 - 18 x 1.95)	1	
	37970-02	C	STOP ASSEMBLY - (5/16 - 18 x 1.95)	1	
-42	67150-04	B	DOWNLOCK ASSEMBLY - Nose gear	1	
	67150-06	C	DOWNLOCK ASSEMBLY - Nose gear	1	
-43	65003-37		* BUSHING - Nose gear downlock	1	
-44	400 871		* BOLT - (AN23-19A)	1	
	404 835	W	* NUT - (MS20364-1032C)	1	
-45	400 873		* BOLT - (AN23-21A)	1	
	65003-30		* BUSHING	1	
	407 564	W	* WASHER - (AN960-10)	1	
	404 887	W	* NUT - (MS20365-1032C)	1	
-46	67752-02	B	* CLIP - Switch actuator	1	
	67752-03	C	* CLIP - Switch actuator	1	
-47	35270-00		BOOT - Nose wheel bungee	1	
-48	63656-02		PACKING - Seal	1	
-49	63925-00		RING - Spacer	2	
-60	63656-00		PACKING - Seal	2	
-51	63910-02		HOUSING - Seal ring retainer	2	
-52	63911-00		HOUSING - Seal ring	4	
-53	63912-00		PLATE - Trim	2	
-54	63327-23		ROD ASSEMBLY - Nose wheel control	2	
-55	452 334		* BEARING - (PS10020-1-6RX)	2	
-56	63327-22		* TUBE - Rod assembly	1	
-57	402 889		BOLT - (NAS464P3-14)	1	
	407 564	W	WASHER - (AN960-10)	2	
	404 526		NUT - (MS21042-3)	1	
-58	35283-00		HOUSING - Bungee seal	2	
-59	401 274	W	BOLT - (AN3-15A)	3	
	407 584	W	WASHER - (AN960-10L)	3	
	404 887	W	NUT - (MS20365-1032C)	3	
-60	400 108	W	BOLT - (AN4-13)	1	
	407 565	W	WASHER - (AN960-416)	1	
	407 585	W	WASHER - (AN960-416L)	1	
	404 101	W	NUT - (AN310-4)	1	
	424 051	W	COTTER PIN - (MS24665-132)	1	
-61	400 112	W	BOLT - (AN4-17)	1	
	407 585	W	WASHER - (AN960-416L)	3	
	404 101	W	NUT - (AN310-4)	1	
	424 051	W	COTTER PIN - (MS24665-132)	1	
-62	400 191		BOLT - (AN5-51)	1	
	407 586	W	WASHER - (AN960-516L)	2	
	407 566	W	WASHER - (AN960-516)	1	
	404 102	W	NUT - (AN310-5)	1	
	424 052	W	COTTER PIN - (MS24665-134)	1	
-63	400 218	W	BOLT - (AN6-25)	2	
	404 123		NUT - (AN310-C6)	2	
	424 061	W	COTTER PIN - (MS24665-287)	2	
-64	62833-43		WASHER	2	
-65	62533-87	.	WASHER - (Teflon)	2	

When ordering, always specify Part Number, Description, and Serial Number of Aircraft

PIPER PARTS CATALOG

Figure and Index Number	Part Number	Code	NOMENCLATURE	No. Req.	SERIAL NUMBERS AFFECTED
19-66	400 279		BOLT - (AN7-42)	2	
	400 272	B	BOLT - (AN7-32)	2	
	407 568	W	WASHER - (AN960-716)	6	
	404 124		NUT - (AN310-C7)	2	
	424 061	W	COTTER PIN - (MS24665-287)	2	
-67	35284-02		HOUSING - Bungee seal	1	
-68	400 885	B	BOLT - (AN23-36A)	1	
	400 889	C	BOLT - (AN23-38A)	1	
	407 564	W	WASHER - (AN960-10)	1	
	404 887	W	NUT - (MS20365-1032C)	1	
-69	400 723	B	BOLT - (AN24-42)	1	
	400 717	C	BOLT - (AN24-30)	1	
	80122-20	W	WASHER - (.75 O. D.)	2	
	407 585	C,W	WASHER - (AN960-416L)	1	
	404 101	W	NUT - (AN310-4)	1	
	424 052	W	COTTER PIN - (MS24665-134)	1	
-70	407 044	W	WASHER - Lock (MS35338-44) .25 I.D.	1	
	407 106	W	WASHER - Lock (AN935-516) .319 I.D.	1	
	405 450	C	NUT - (MS35649-2312) 5/16-18 thread	1	
	404 599	B,W	NUT - (AN340-416) 1/4 - 20 thread	1	
	405 450	B	NUT - (MS35649-2312) 5/16 - 18 thread	1	
-71	400 774		BOLT - (AN26-40)	1	
	407 587	W	WASHER - (AN960-616L)	1	
	404 395	W	NUT - (AN320-6)	1	
	424 060	W	COTTER PIN - (MS24665-285)	1	
-72	402 312		BOLT- (AN174-14)	1	
	407 565	W	WASHER - (AN960-416)	AR	
	404 101	W	NUT- (AN310-4)	1	
	424 052	W	COTTER PIN - (MS24665-134)	1	
-73	400 055	B,W	BOLT - (AN3-10A)	2	
	402 678	C	BOLT - (NAS1104-13D)	2	
	95061-174	C	WASHER - (.42 O. D.)	4	
	407 565	C,W	WASHER - (AN960-416)	2	
	407 585	C,W	WASHER - (AN960-416L)	2	
	404 100	B,W	NUT - (AN310-3)	2	
	404 393	C,W	NUT - (AN320-4)	2	
	424 051	W	COTTER PIN - (MS24665-132)	2	
-74	411 349		SCREW - (M35FS428R-14CR)	1	
-75	400 762	B	BOLT - (AN26-24A)	1	
	400 756	C	BOLT - (AN26-20A)	1	
	407 143	B,W	WASHER - (AN936-B616)	2	
	407 143	C,W	WASHER - (AN936-B616)	1	
	62833-10	B	WASHER - (1.00 O. D.)	3	
	62833-10	C	WASHER - (1.00 O. D.)	2	
	407 587	W	WASHER - (AN960-616L)	1	
	404 838	W	NUT - (MS20364-624C)	1	
-76	400 440	W	BOLT - (AN3-6A)	2	
	407 564	W	WASHER - (AN960-10)	2	
	404 887	W	NUT - (MS20365- 1032C)	2	
-77	401 269	W	BOLT- (AN3-10A)	2	
	407 584	W	WASHER - (AN960-I0L)	2	
	404 887	W	NUT - (MS20365- 1032C)	2	
-78	67189-00		SPRING - Nose gear downlock	1	
-79	14976-15		BUSHING - Steering cam assembly, outer	1	
-80	14976-16		BUSHING - Steering cam assembly, inner	1	
-81	65003-15	B	BUSHING - Steering cam assembly	2	
	95061-173	C	BUSHING - Steering cam assembly	2	

When ordering, always specify Part Number, Description, and Serial Number of Aircraft

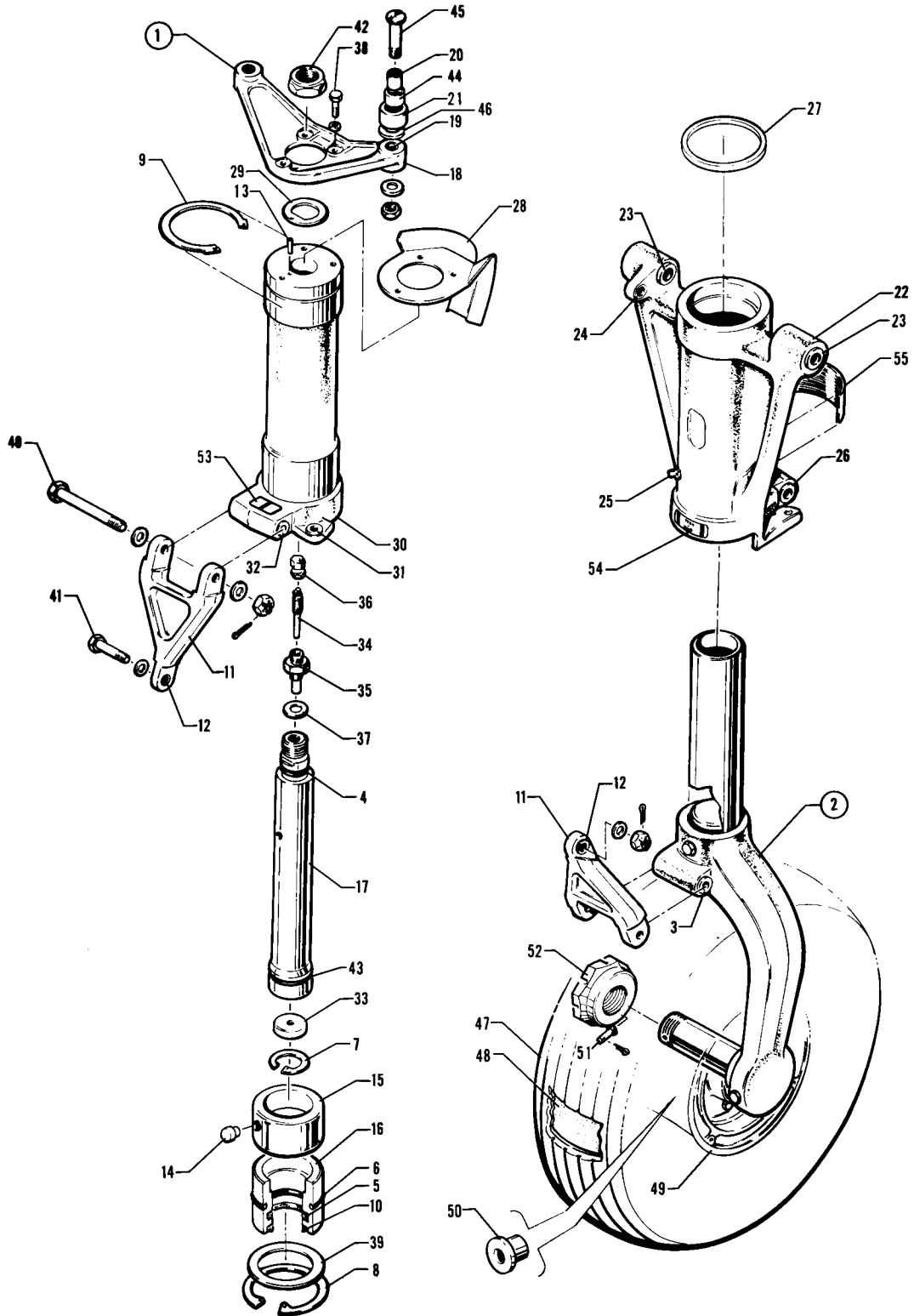


Figure 20. Nose Landing Gear Assembly

PIPER PARTS CATALOG

CODE EXPLANATIONS FOR FIGURE 20

- A - See Figure 21 for component parts.
- B - Used on PA-28RT-201T only.
- C - Used on PA-28RT-201 only.
- D - See Figure 22 for component parts.
- E - Used with McCauley nose wheel only.
- W - These parts must be ordered from Service Spares Department, Piper Aircraft, Lock Haven, Penna.

PIPER PARTS CATALOG

Figure and Index Number	Part Number	Code	NOMENCLATURE	No. Req.	SERIAL NUMBERS AFFECTED
20-	35705 76426	B C	DRAWING - Nose Landing Gear Installation DRAWING - Nose Landing Gear Installation		
-1	67100-04	B	GEAR ASSEMBLY - Nose (less tire, tube and wheel assembly)	1	
	67100-10	C	GEAR ASSEMBLY - Nose (less tire, tube and wheel assembly)	1	
-2	67050-02		* STRUT ASSEMBLY - Nose gear, lower	1	
-3	67026-07		** BEARING	2	
-4	484 790		* "O" RING - (MS28775-210)	1	
-5	484 799		* "O" RING - (MS28775-327)	1	
-6	462 034	W	* "O" RING - (AN6230-5)	1	
-7	484 684		* RING - Snap (N5000-118MD)	1	
-8	484 685		* RING - Snap (N5000-250MD)	1	
-9	484 723	W	* RING - Snap (5100-268)	1	
-10	187 627		* STRIP - Wiper (S-35-29 Code 10V90-117)	1	
-11	20735-05		* LINK ASSEMBLY - Nose gear torque	2	
-12	452 366	W	** BEARING - (F-310-5)	1	
-13	480 700	W	* PIN - Roll (59-022-094-0375)	1	
-14	20784-00	W	* PIN - Bearing retaining	2	
-15	67909-00		* BEARING - Strut tube, upper	1	
-16	67755-00		* BEARING - Strut tube, lower	1	
-17	21712-02	W	* TUBE - Nose gear orifice	1	
-18	44386-03		* ARM ASSEMBLY - Nose wheel steering	1	
-19	14976-11	W	** BUSHING - Arm assembly	2	
-20	95061-178	B	* BUSHING - Nose gear inner (1.03 long)	2	
	63900-109	C	* BUSHING - Nose gear inner (.789 long)	2	
-21	95061-179	B	* BUSHING - Nose gear outer (1.00 long)	2	
	63900-122	C	* BUSHING - Nose gear outer (.750 long)	2	
-22	67054-03		* TRUNNION ASSEMBLY - Nose gear	1	
-23	67026-11		** BEARING	4	
-24	95061-144	W	** BUSHING - Trunnion assembly	1	
-25	460 691	W	** FITTING - Grease (AN944-101)	1	
-26	67026-07		** BEARING	2	
-27	62833-45		* SPACER - Trunnion	AR	
-28	67107-00		* BRACKET - Nose gear aligner guide	1	
-29	21710-00	W	* WASHER - Nose gear lock	1Z	
-30	67148-00		* TUBE ASSEMBLY - Nose gear strut, upper	1	
-31	21831-04	W	** BEARING - Tube assembly, nose gear strut	1	
-32	67026-07		** BEARING	2	
-33	67245-00		* PLATE - Orifice	1	
-34	455 124	W	* CORE - Air valve (AN809-1)	1	
-35	453 124	W	* BODY - Air valve (AN812-1)	1	
-36	454 053	W	* CAP - Air valve (AN813-1B)	1	
-37	462 024	W	* GASKET - Air valve (AN901-5A)	1	
-38	401 265	W	* BOLT - (AN3-H7A)	3	
	407 564	W	* WASHER - (AN960-10)	3	
-39	80122-88	W	* WASHER - Nose gear	1	
-40	402 344	W	* BOLT - (AN175-32)	2	
	407 566	W	* WASHER - (AN960-516)	2	
	404 102	W	* NUT - (AN310-5)	2	
	424 052	W	* COTTER PIN - (MS24665-134)	2	
-41	402 313	W	* BOLT - (AN174-13)	1	
	407 585	W	* WASHER - (AN960-416L)	1	
	407 565	W	* WASHER - (AN960-416)	2	
	404 101	W	* NUT - (AN310-4)	1	
	424 052	W	* COTTER PIN - (MS24665-134)	1	
-42	404 840	W	* NUT - (MS20364-1414C)	1	
-43	484 828		* RING - Compression (R19047)	1	

When ordering, always specify Part Number, Description, and Serial Number of Aircraft

PIPER PARTS CATALOG

Figure and Index Number	Part Number	Code	NOMENCLATURE	No. Req.	SERIAL NUMBERS AFFECTED
20-44	95061-177		* BEARING - Sleeve (1.00 long)	2	
	452 477	C	* BEARING - Sleeve (.750 long)	2	
-45	400 747	B	* BOLT - (AN25-36A)	2	
	400 744	C	* BOLT - (AN25-30A)	2	
	407 586	W	* WASHER - (AN960-516L)	2	
	404 837		* NUT - (MS20364-524C)	2	
-46	62833-122	B	* WASHER - (.875 O.D.)	2	
-47	451 728		TIRE - (5.00 x 5, 4 ply) McCreary	1	
	761 974	W	TIRE - (5.00 x 5, 4 ply) B.F. Goodrich	1	
-48	451 739		TUBE - (5.00 x 5)	1	
-49	551 792	A	WHEEL ASSEMBLY - (40-77B) Cleveland	1	
	551 772	D	WHEEL ASSEMBLY - (D-30500) McCauley	1	
-50	758 397	E	* BUSHING - Valve stem (A-30653)	1	
-51	424 146		PIN - (MS20392-1C19)	1	
	407 561	W	WASHER - (AN960-4)	1	
	424 052	W	COTTER PIN - (MS24665-134)	1	
-52	67106-00		NUT - Nose gear axle	1	
-53	35669-05		PLACARD - Turn limit center mark	1	
-54	35669-08		PLACARD - Turn limit	1	
-55	20781-02	W	PLACARD - Oleo service instructions	1	

When ordering, always specify Part Number, Description, and Serial Number of Aircraft

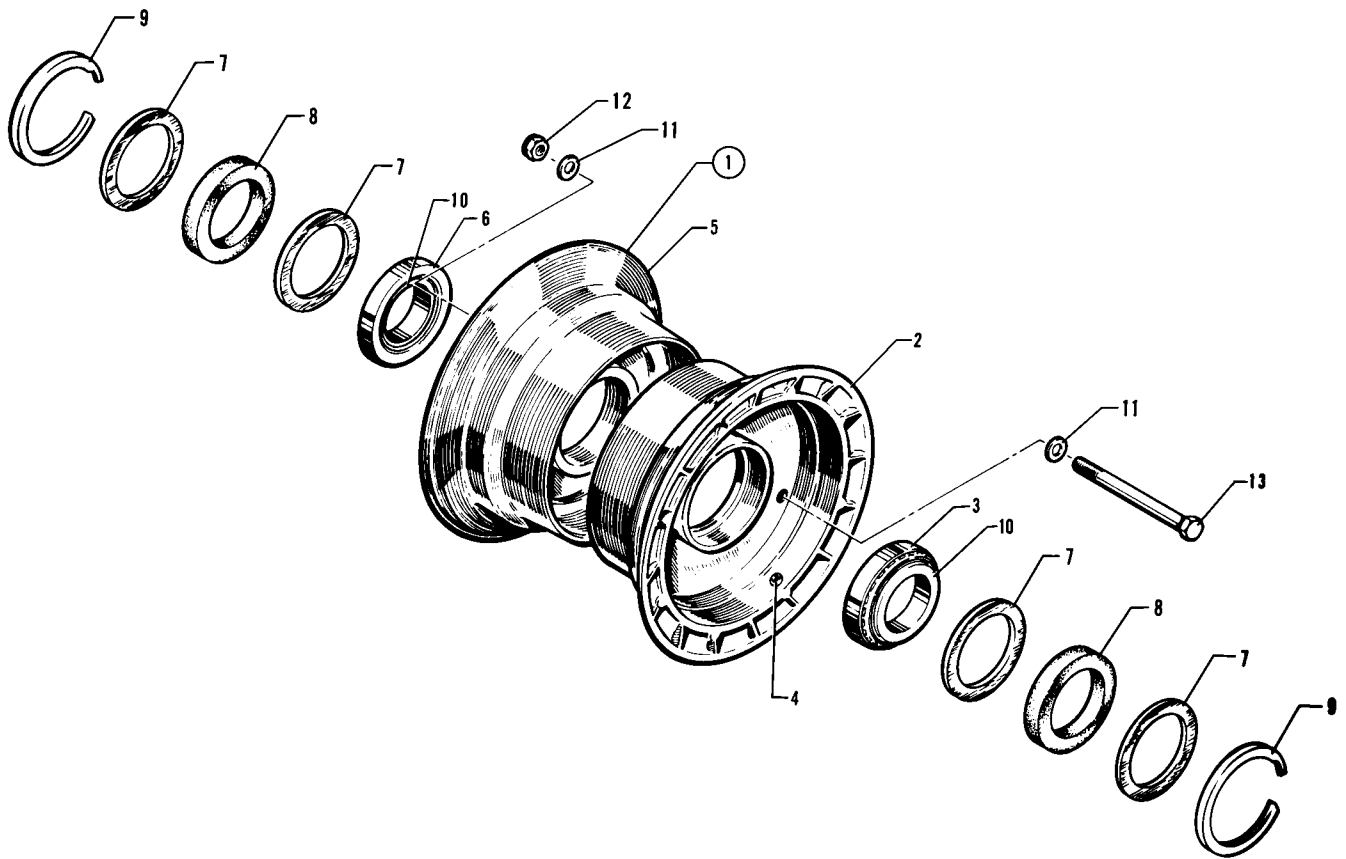


Figure 21. Nose Wheel Assembly (Cleveland)

PIPER PARTS CATALOG

CODE EXPLANATIONS FOR FIGURE 21

W - These parts must be ordered from Service Spares Department, Piper Aircraft, Lock Haven, Penna.

PIPER PARTS CATALOG

Figure and Index Number	Part Number	Code	NOMENCLATURE	No. Req.	SERIAL NUMBERS AFFECTED
21-1	551 792		WHEEL ASSEMBLY - Nose (40-77B)	1	
-2	756 667		* WHEEL HALF ASSEMBLY - Outer (162-53) (with valve hole)	1	
-3	757 831		** CUP - Bearing (08231)	1	
-4	755 048		** GROMMET - (217-00100)	1	
-5	756 668		* WHEEL HALF ASSEMBLY - Inner (161-55)	1	
-6	757 831		* CUP - Bearing (08231)	1	
-7	756 007		* RING - Grease seal (153-8)	4	
-8	754 804		* FELT - Grease seal (154-6)	2	
-9	756 008		* RING - Snap (155-2)	2	
-10	750 063	W	* BEARING - Cone (08125)	2	
-11	407 565	W	* WASHER - Wheel bolt (AN960-416)	6	
-12	404 888	W	* NUT - Wheel bolt (AN365-428)	3	
-13	400 015	W	* BOLT - Wheel (AN4-22A)	3	

When ordering, always specify Part Number, Description, and Serial Number of Aircraft

**1D23 THRU 1D24
INTENTIONALLY LEFT BLANK**

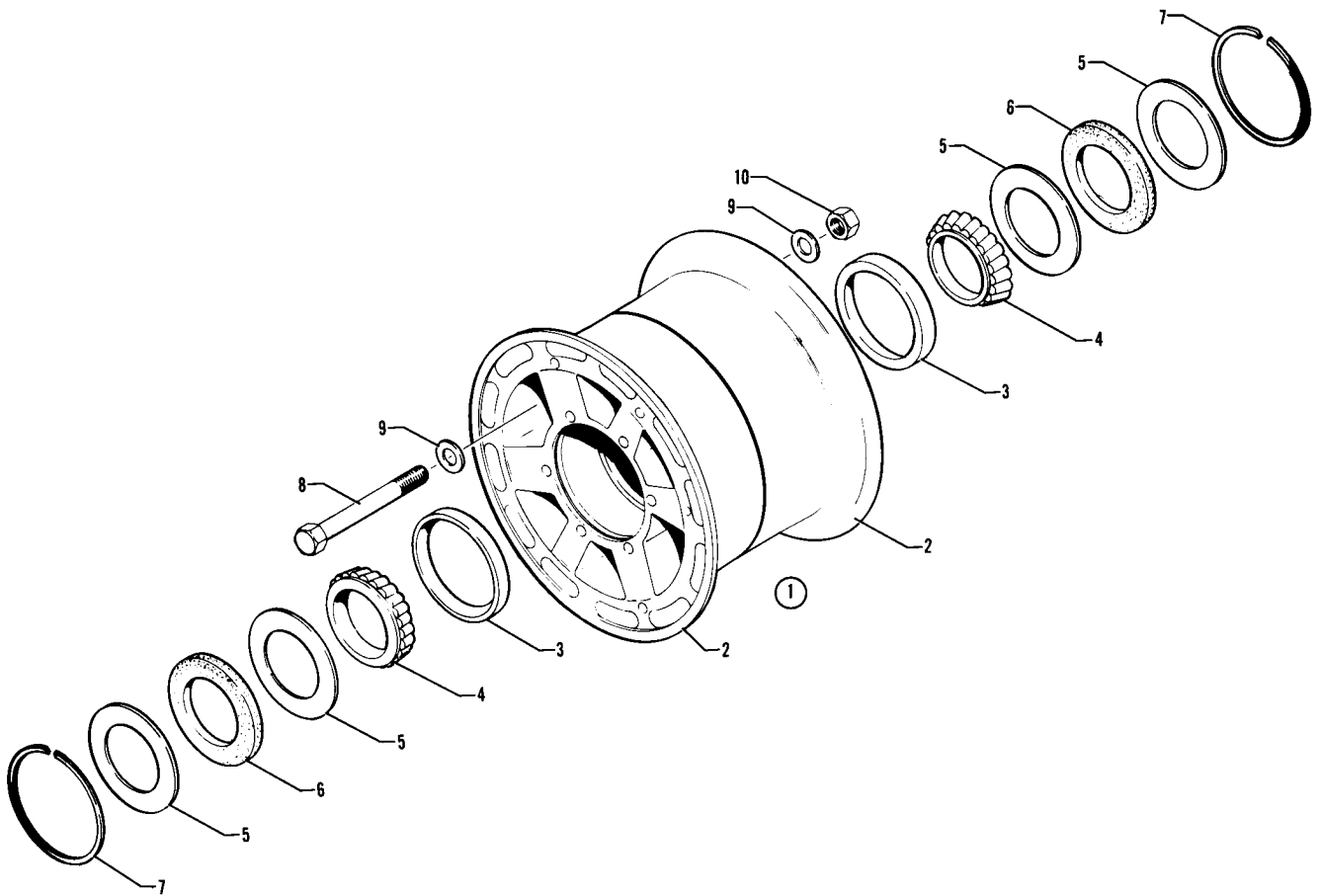


Figure 22. Nose Wheel Assembly (McCauley)

PIPER PARTS CATALOG

CODE EXPLANATIONS FOR FIGURE 22

PIPER PARTS CATALOG

Figure and Index Number	Part Number	Code	NOMENCLATURE	No. Req.	SERIAL NUMBERS AFFECTED
22-1	551 772		WHEEL ASSEMBLY - Nose (D-30500)	1	
-2	756 686		* WHEEL - Half (C-30598)	2	
-3	763 215		* * CUP - Bearing (A-30078-1)	1	
-4	758 391		* BEARING - Cone (A-30078-2)	2	
-5	762 560		* RETAINER - (A-30048)	4	
-6	754 856		* FELT - (A-30047)	2	
-7	762 561		* RING - Retaining (A-1636-23)	2	
-8	758 393		* BOLT - (A-2513-73)	3	
-9	756 685		* WASHER - (A-1638-1)	6	
-10	752 571		* NUT - (A-1639-1)	3	

When ordering, always specify Part Number, Description, and Serial Number of Aircraft

PIPER PARTS CATALOG

CODE EXPLANATIONS FOR FIGURE 23

- A - See Figure 24 for component parts.
- B - Used on PA-28RT-201 with serial numbers 28R-7918001 to 28R-7918165 inclusive, and PA-28RT-201T with serial numbers 28R-7931001 to 28R-7931217 inclusive.
- C - Used on PA-28RT-201 with serial numbers 28R-7918166 and up, and PA-28RT-201T with serial numbers 28R-7931218 and up.
- D - Used on PA-28RT-201 with serial numbers 28R-7918001 to 28R-8018098 inclusive, and PA-28RT-201T with serial numbers 28R-7931001 to 28R-8031165 inclusive.
- E - Used on PA-28RT-201 with serial numbers 28R-8,018099 and up, and PA-28RT-201T with serial numbers 28R-8031166 and up.
- F - Used on PA-28RT-201 with serial numbers 28R-7918001 to 28R-8218010 inclusive, and PA-28RT-201T with serial numbers 28R-7931001 to 28R-8231020 inclusive.
- G - Used on PA-28RT 201 with serial numbers 28R-8018099 to 28R-8218010 inclusive, and PA28RT-201T with serial numbers 28R-8031166 to 28R-8231020 inclusive.
- H - Used on PA-28RT-201 with serial numbers 28R-8218011 and up, and PA28RT-201T with serial numbers 28R-8231021 and up.
- J - Used on hydraulic cylinder P/N 96860-00 (Syncro Devices P/N SFA 232-3 or SFA 232-4) only.
- K - Used on hydraulic cylinder P/N 96860-02 (Syncro Devices P/N SFA 232-5) only.
- W - These parts must be ordered from Service Spares Department, Piper Aircraft, Lock Haven, Penna.

PIPER PARTS CATALOG

Figure and Index Number	Part Number	Code	NOMENCLATURE	No. Req.	SERIAL NUMBERS AFFECTED
23-	67030		DRAWING - Main Landing Gear Installation		
-1	67927-08	A	GEAR ASSEMBLY - Main, left (less tire, tube, wheel and brake assembly)	1	
	67927-09	A	GEAR ASSEMBLY - Main, right (less tire, tube, wheel and brake assembly)	1	
-2	67040-12	B	FITTING ASSEMBLY - Forward trunnion, left	1	
	67040-14	C	FITTING ASSEMBLY - Forward trunnion, left	1	
	67040-13	B	FITTING ASSEMBLY - Forward trunnion, right	1	
	67040-15	C	FITTING ASSEMBLY - Forward trunnion, right	1	
-3	460 691	W	* FITTING - Lubricator (AN944-101)	1	
-4	484 719		* RING - Retainer (5008-175)	2	
-5	452 575		* BEARING - Spherical (PS10020-10-2)	1	
-6	62833-44		* SPACER	AR	
-7	67042-12	B	FITTING ASSEMBLY - Aft trunnion	2	
	67042-13	C	FITTING ASSEMBLY - Aft trunnion	2	
-8	460 691	W	* FITTING - Lubricator (AN944-101)	1	
-9	484 719		* RING - Retainer (5008-175)	2	
-10	452 575		* BEARING - Spherical (PS10020-10-2)	1	
-11	62833-44		* SPACER	AR	
-12	67025-05	D	TRUSS ASSEMBLY - Main gear, left	1	
	67025-06	D	TRUSS ASSEMBLY - Main gear, right	1	
	67025-07	G	TRUSS ASSEMBLY - Main gear, left	1	
	67025-08	G	TRUSS ASSEMBLY - Main gear, right	1	
	67025-09	H	TRUSS ASSEMBLY - Main gear, left	1	
	67025-10	H	TRUSS ASSEMBLY - Main gear, right	1	
-13	63900-88		* BUSHING - Main gear truss assembly	1	
-14	63900-130		* BUSHING - Main gear truss assembly	2	
-15	67025-02	F	* LINK ASSEMBLY - Main gear truss assembly	1	
	67025-11	H	* LINK ASSEMBLY - Main gear truss assembly	1	
-16	63900-89		** BUSHING - Main gear truss assembly	2	
-17	14843-16	W	** BUSHING - Main gear truss assembly	4	
-18	452 368		* BEARING - Main gear truss assembly (PS10020-2-2RG)	1	
-19	67797-04	D	* LINK ASSEMBLY - Main gear truss, left	1	
	67797-05	D	* LINK ASSEMBLY - Main gear truss, right	1	
	67797-06	E	* LINK ASSEMBLY - Main gear truss, left	1	
	67797-07	E	* LINK ASSEMBLY - Main gear truss, right	1	
-20	65003-44		** BUSHING - Main gear truss assembly	2	
-21	460 860	D,W	* FITTING - Lubricator (MS15001-2)	1	
	460 690	E	** FITTING - Lubricator (MS15002-3)	1	
-22	67031-02		* FITTING - Gear retraction, left	1	
	67031-03		* FITTING - Gear retraction, right	1	
-23	67024-00	F	* PLATE - Left gear, front and right gear, rear	1	
	67024-01	F	* PLATE - Left gear, rear and right gear, front	1	
-24	67028-00		* HOOK - Main gear truss assembly	2	
-25	461 131		* FORK - (NAS645-16RS)	1	
-26	554 979	W	* CLIP - Turnbuckle (MS21256-1)	1	
-27	452 009	W	* BARREL - Turnbuckle (NAS649B-16S)	1	
-28	459 957		* EYE - Turnbuckle (NAS648-16LS)	1	
-29	86700-30	F	* BUSHING - Main gear truss assembly	1	
-30	402 927		* BOLT - (NAS464-6-16)	1	
	407 587	W	* WASHER - (AN960-616L)	1	
	404 395	W	* NUT - (AN320-6)	1	
	424 059	W	* COTTER PIN - (MS24665-283)	1	
-31	400 880		* BOLT - (AN23-28)	1	
	407 584	W	* WASHER - (AN960-10L)	AR	
	404 100	W	* NUT - (AN310-3)	1	
	424 051	W	* COTTER PIN - (MS24665-132)	1	

When ordering, always specify Part Number, Description, and Serial Number of Aircraft

PIPER PARTS CATALOG

Figure and Index Number	Part Number	Code	NOMENCLATURE	No. Req.	SERIAL NUMBERS AFFECTED
23-32	404 326		* NUT - Check (AN316-8R)	1	
-33	424 181	W	* PIN - Flat head (MS20392-2C25)	1	
	407 584	W	* WASHER - (AN960-10L)	3	
	424 051	W	* COTTER PIN - (MS24665-132)	1	
-34	400 711	W	* BOLT - (AN24-26)	1	
	407 565	W	* WASHER - (AN960-416)	1	
	404 393	W	* NUT - (AN320-4)	1	
	424 051	W	* COTTER PIN - (MS24665-132)	1	
-35	400 880		* BOLT - (AN23-28)	1	
	407 564	W	* WASHER - (AN960-10)	2	
	407 584	W	* WASHER - (AN960-10L)	1	
	404 100	W	* NUT - (AN310-3)	1	
	424 051	W	* COTTER PIN - (MS24665-132)	1	
-36	407 565	H,W	* WASHER - (AN960-416)	AR	
	407 585	H,W	* WASHER - (AN960-416L)	AR	
-37	63900-85		BUSHING - Spring attachment	2	
-38	67203-00		SPRING - Main gear downlock	2	
-39	96860-02		CYLINDER - Hydraulic, main gear	2	
-40	484 706	W	* "O" RING - (AN6227-11)	2	
-41	752 746	J,W	* "O" RING - (AN6227-8)	1	
	762 084	K	* T-SEAL - (600RS-110-04182)	1	
-42	755 997		* RETAINER - Main gear cylinder (SFD1400-1)	1	
-43	756 053	J	* RING - Back-up (MS28782-8)	1	
-44	95643-06		BRACKET ASSEMBLY - Main gear truss, left	1	
	95643-07		BRACKET ASSEMBLY - Main gear truss, right	1	
-45	460 691	W	* FITTING - Lubricator, straight (AN944-101)	1	
	460 801	W	* FITTING - Lubricator. 90 degrees (MS15001-4)	1	
-46	78717-02		* STUD - Main gear side brace	1	
-47	62833-109		* WASHER - (.062 thick)	AR	
	62833-112		* WASHER - (.025 thick)	AR	
	404 399		* NUT - (AN320-10)	1	
-48	480 691	W	* ROLL PIN - (52-028-125-0875)	1	
-49	67026-12		* BUSHING	1	
-50	65003-41		* BUSHING	1	
-51	401 310	B,W	BOLT - (AN4-10A)	8	
	401 188	C,W	BOLT - (AN5-10A)	8	
	407 565	B,W	WASHER - (AN960-416)	16	
	407 566	C,W	WASHER - (AN960-516)	16	
	404 888	B,W	NUT - (MS20365-428C)	8	
	404 889	C,W	NUT - (MS20365-524C)	8	
-52	401 311	B,W	BOLT - (AN4-11A)	8	
	401 189	C,W	BOLT - (AN5-11A)	8	
	407 565	B,W	WASHER - (AN960-416)	16	
	407 566	C,W	WASHER - (AN960-516)	16	
-53	402 960		BOLT - (NAS464P8A-44)	2	
	407 569	W	WASHER - (AN960-816)	2	
	404 832	W	NUT - (MS20364-820C)	2	
-54	67198-00		WASHER - Main gear	2	
-55	95061-64		BUSHING	2	
-56	67502-00		RETAINER ASSEMBLY - Main gear	2	
-57	400 451	W	BOLT - (AN3-20A)	2	
	407 564	W	WASHER - (AN960-10)	2	
	404 887	W	NUT - (MS20365-1032C)	2	
-58	404 225	W	NUT - (AN315-4R)	2	
-59	400 761	W	BOLT - (AN26-25)	2	
	407 567	W	WASHER - (AN960-616)	2	
	404 395	W	NUT - (AN320-6)	2	
	424 059	W	COTTER PIN - (MS24665-283)	2	

When ordering, always specify Part Number, Description, and Serial Number of Aircraft

PIPER PARTS CATALOG

Figure and Index Number	Part Number	Code	NOMENCLATURE	No. Req.	SERIAL NUMBERS AFFECTED
23-60	424 187	W	PIN - (MS20392-2C37)	2	
	407 564	W	WASHER - (AN960-10)	2	
	424 052	W	COTTER PIN - (MS24665-134)	2	
-61	401 335	W	BOLT - (AN4-40A)	2	
	406 660	W	NUT - Barrel (1452-048)	2	
-62	400012	W	BOLT - (AN4-17A)	2	
	62833-124		WASHER	2	
	406 660	W	NUT - Barrel (1452-048)	2	
-63	67071-00		BRACKET - Main gear cylinder, left	1	
	67071-01		BRACKET - Main gear cylinder, right	1	
-64	452 334		BEARING - (PS10020-1-6RX)	2	
-66	67202-00		SWIVEL ASSEMBLY - Side brace spring attachment	2	
-66	21822-00	W	BUSHING - Tapered, truss assembly	4	

When ordering, always specify Part Number, Description, and Serial Number of Aircraft

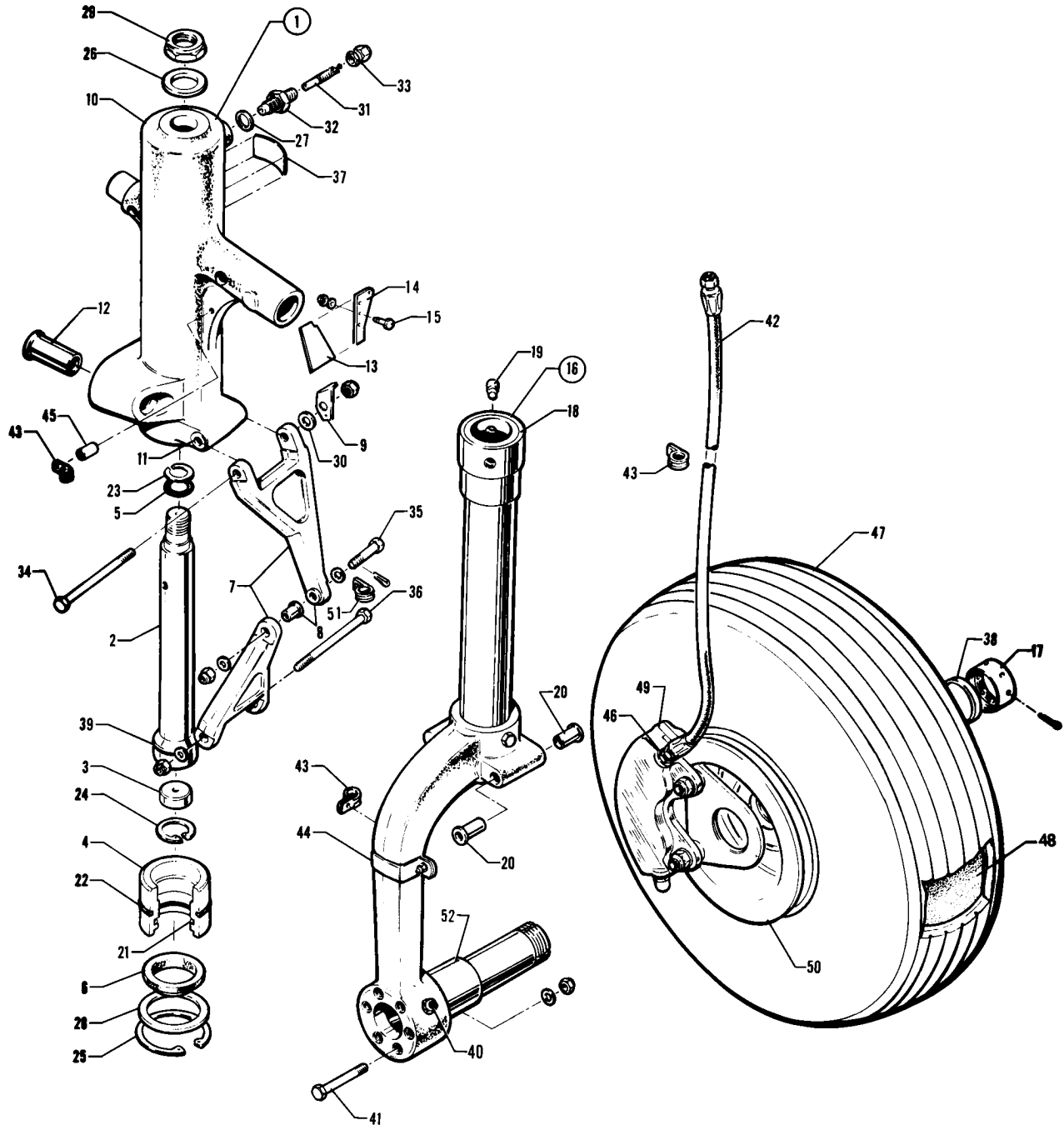


Figure 24. Main Landing Gear Assembly

PIPER PARTS CATALOG

CODE EXPLANATIONS FOR FIGURE 24

- A - See Figure 25 for component parts.
- B - See Figure 26 for component parts.
- W - These parts must be ordered from Service Spares Department, Piper Aircraft, Lock Haven, Penna.

PIPER PARTS CATALOG

Figure and Index Number	Part Number	Code	NOMENCLATURE	No. Req.	SERIAL NUMBERS AFFECTED
24-	67030		DRAWING - Main Landing Gear Installation		
-1	67927-08		GEAR ASSEMBLY - Main, left (less tire, tube, wheel and brake assembly)	1	
	67927-09		GEAR ASSEMBLY - Main, right (less tire, tube, wheel and brake assembly)	1	
-2	20754-02	W	* ORIFICE - Main landing gear	1	
-3	79800-02		* PLATE - Orifice	1	
-4	67755-00		* BEARING - Landing gear	1	
-5	484 790		* "O" RING - (MS28775-210)	1	
-6	187 627		* STRIP - Wiper (S-35-29, Code 10V90-117)	1	
-7	67012-00		* LINK ASSEMBLY - Landing gear torque	2	
-8	751 369	W	* * BUSHING - Landing gear strut	1	
-9	67023-00		* BRACKET - Squat switch actuator, left	1	
-10	67926-12		* TRUNNION ASSEMBLY - Main gear, left	1	
	67926-13		* TRUNNION ASSEMBLY - Main gear, right	1	
-11	67026-07		* * BEARING	2	
-12	67026-05		* * BUSHING - Main trunnion assembly	1	
-13	37732-00		* * BRACKET - Gear switch, left	1	
-14	67753-00		* * PLATE	1	
-15	401 266	W	* * BOLT - (AN3-5A)	2	
	407 584	W	* * WASHER - (AN960-10L)	2	
	404 887	W	* * NUT - (MS20365-1032C)	2	
-16	67037-06		* STRUT ASSEMBLY - Main gear	2	
-17	66820-00		* * NUT - Main gear axle assembly	1	
-18	67036-00		* * BEARING - Main strut, upper	1	
-19	20784-00	W	* * PIN - Main strut	2	
-20	67026-07		* * BEARING	2	
-21	484 799		* "O" RING - (MS28775-327)	1	
-22	462 034	W	* "O" RING - (AN6230-5)	1	
-23	484 714	W	* RING - Retainer (MS28782-15)	1	
-24	484 684		* RING - Snap (N5000-118MD)	1	
-25	484 685		* RING - Snap (N5000-250MD)	1	
-26	80122-89	W	* WASHER - Main gear	1	
-27	462 024	W	* GASKET - Air valve (AN901-5A)	1	
-28	80122-88	W	* WASHER - Main gear	1	
-29	404 843	W	* NUT - (MS20364-1216C)	1	
-30	494 114		* WASHER - (96312) Left	1	
-31	455 124	W	* CORE - Air valve (AN809-1)	1	
-32	453 124	W	* BODY - Air valve (AN812-1)	1	
-33	454 053	W	* CAP - Air valve (AN813-1B)	1	
-34	402 345	W	* BOLT - (AN175-33) Left	1	
	402 344	W	* BOLT - (AN175-32) Right	1	
	407 566	W	* WASHER - (AN960-516) Right	1	
	404 102	W	* NUT - (AN310-5)	1	
	424 051	W	* COTTER PIN - (MS24665-132)	1	
-35	402 312		* BOLT - (AN174-14)	1	
	407 565	W	* WASHER - (AN960-416)	4	
	404 101	W	* NUT - (AN310-4)	1	
	424 050	W	* COTTER PIN - (AN380-2-1)	1	
-36	402 344	W	* BOLT - (AN175-32)	1	
	407 586	W	* WASHER - (AN960-516L)	1	
	404 102	W	* NUT - (AN310-5)	1	
	424 051	W	* COTTER PIN - (MS24665-132)	1	
-37	67242-00		* PLACARD - Oleo service instructions	2	
-38	63484-00		* BUSHING - Main gear axle	1	
-39	484 828		* RING - Compression (R19047)	1	

When ordering, always specify Part Number, Description, and Serial Number of Aircraft

PIPER PARTS CATALOG

Figure and Index Number	Part Number	Code	NOMENCLATURE	No. Req.	SERIAL NUMBERS AFFECTED
24-40	401 329		* BOLT - (AN4-31A)	1	
	407 585	W	* WASHER - (AN960-416L)	1	
	404 836	W	* NUT - (MS20364-428C)	1	
-41	401 320		BOLT - (AN4-C20A)	12	
	407 675	W	WASHER - (AN960-C416)	12	
	404 888	W	NUT - (MS20365-428C)	12	
-42	63901-17		HOSE ASSEMBLY - Brake line	2	
-43	554 734		CLAMP - (PS10017-14-9)	4	
-44	67277-00	W	CLAMP	2	
-45	63900-11		BUSHING - Main gear	2	
-46	476 648	W	NIPPLE - (AN816-4D)	2	
-47	761 972	W	TIRE - (6.00 x 6, 6 ply) B.F. Goodrich	2	
	761 995	W	TIRE - (6.00 x 6, 6 ply) McCreary Airhawk	2	
-48	451 735	W	TUBE - (6.00 x 6)	2	
-49	551 705	B	BRAKE ASSEMBLY - Main (30-55)	2	
-50	551 764	A	WHEEL ASSEMBLY - Main (40-86B)	2	
-51	554 735		CLAMP - (PS10017-15-8)	2	
-52	63900-159		BUSHING - Main gear	2	

When ordering, always specify Part Number, Description, and Serial Number of Aircraft

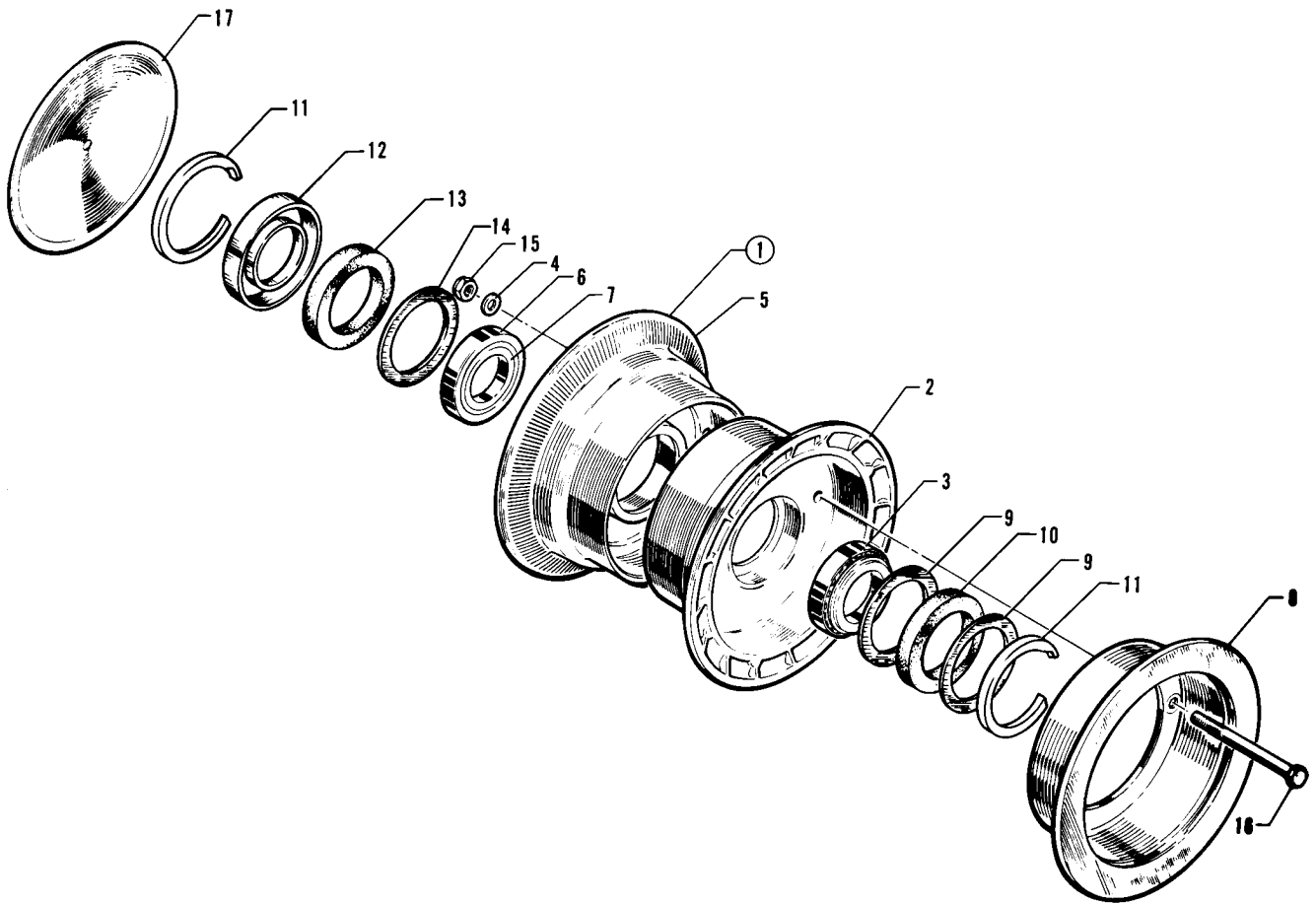


Figure 25. Main Wheel Assembly

PIPER PARTS CATALOG

CODE EXPLANATIONS FOR FIGURE 25

W - These parts must be ordered from Service Spares Department, Piper Aircraft, Lock Haven, Penna.

PIPER PARTS CATALOG

Figure and Index Number	Part Number	Code	NOMENCLATURE	No. Req.	SERIAL NUMBERS AFFECTED
25-1	551 764		WHEEL ASSEMBLY - Main (40-86B)	2	
-2	756 666		* WHEEL HALF ASSEMBLY - Inner (16147)	1	
-3	751 494	W	* * CUP - Bearing (13836)	1	
-4	407 566	W	* WASHER - Wheel bolt (AN960-516)	3	
-5	756 665		* WHEEL HALF ASSEMBLY - Outer (162-45)	1	
-6	751 494	W	* * CUP - Bearing (13836)	1	
-7	751 489	W	* BEARING - Cone, Timken (13889)	2	
-8	754 535		* DISC ASSEMBLY - Brake (164-20)	1	
-9	755 999	W	* RING - Grease seal (153-4)	2	
-10	751 772	W	* FELT - Grease seal (3021)	1	
-11	752 830	W	* RING - Snap (3023)	2	
-12	755 999	W	* RING - Grease seal (153-4)	1	
-13	751 772	W	* FELT - Grease seal (3021)	1	
-14	755 999	W	* RING - Grease seal (153-4)	1	
-15	404 889	W	* NUT - Wheel bolt (AN365-524)	3	
-16	751 405	W	* BOLT - Wheel (AN5-35A)	3	
-17	451 783		SHIELD - Dust (157-9)	2	

When ordering, always specify Part Number, Description, and Serial Number of Aircraft

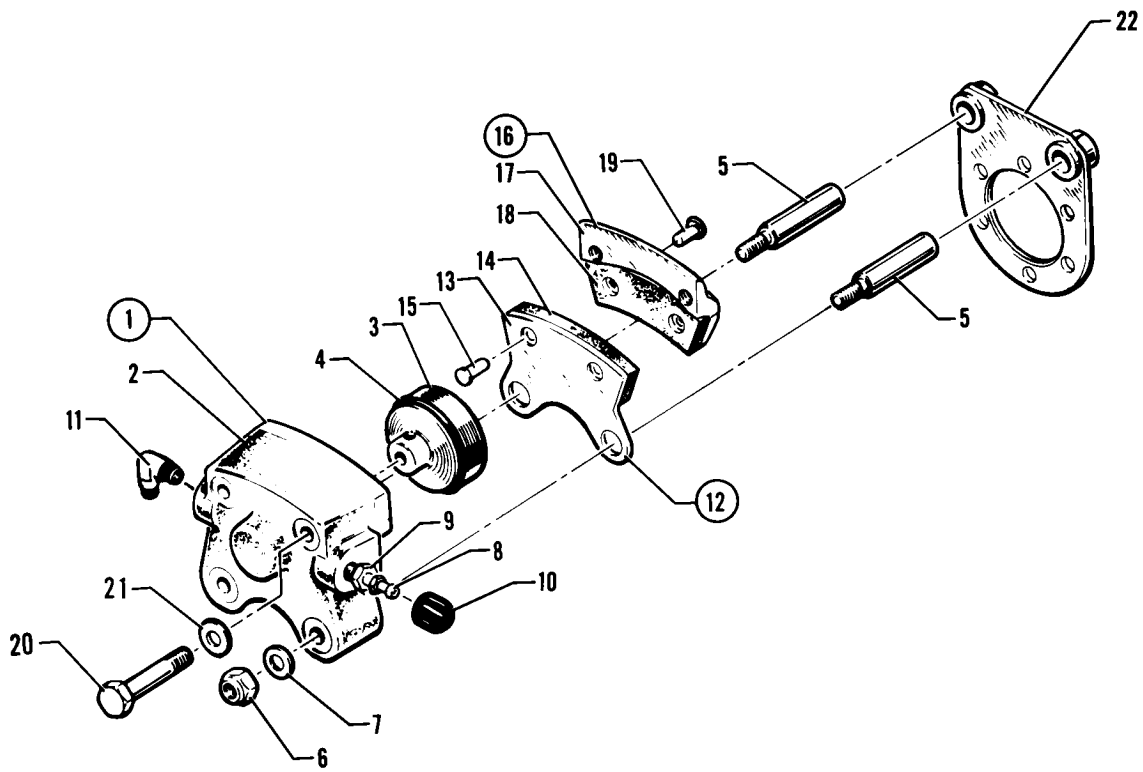


Figure 26. Brake Assembly

PIPER PARTS CATALOG

CODE EXPLANATIONS FOR FIGURE 26

W - These parts must be ordered from Service Spares Department, Piper Aircraft, Lock Haven, Penna.

PIPER PARTS CATALOG

Figure and Index Number	Part Number	Code	NOMENCLATURE	No. Req.	SERIAL NUMBERS AFFECTED
26-1	551 705		BRAKE ASSEMBLY - (30-55)	2	
-2	753 920		* CYLINDER - Brake (61-21)	1	
-3	755 887		* PISTON - (62-15)	1	
-4	484 698	W	* 'O' RING - (AN6227-27)	1	
-5	753 407	W	* BOLT - Anchor (69-4)	2	
-6	404 888	W	* NUT - Anchor bolt (MS20365-428C)	2	
-7	407 585	W	* WASHER - Anchor bolt (AN960-416L)	2	
-8	752 965	W	* SCREW - Bleeder (FC6446)	1	
-9	752 966	W	* SEAT - Bleeder (37-206)	1	
-10	753 850	W	* CAP - Bleeder (183-1)	1	
-11	458 894	W	* ELBOW - (AN822-4D)	1	
-12	755 883		* PLATE ASSEMBLY - Pressure (73-11)	1	
-13	755 884		** PLATE - Pressure (63-12)	1	
-14	752 342		** LINING - (66-30)	1	
-15	752 826	W	** RIVET - (561)	2	
-16	755 885		* PLATE ASSEMBLY - Back (74-10)	1	
-17	755 886		** PLATE - Back (64-15)	1	
-18	752 342		** LINING - (66-30)	1	
-19	752 826	W	** RIVET - (561)	2	
-20	753 408		* BOLT - Through (LP4-17AM)	2	
-21	407 585	W	* WASHER - Through bolt (AN960-416L)	2	
-22	755 818	W	* TORQUE PLATE ASSEMBLY - (75-16)	1	

When ordering, always specify Part Number, Description, and Serial Number of Aircraft

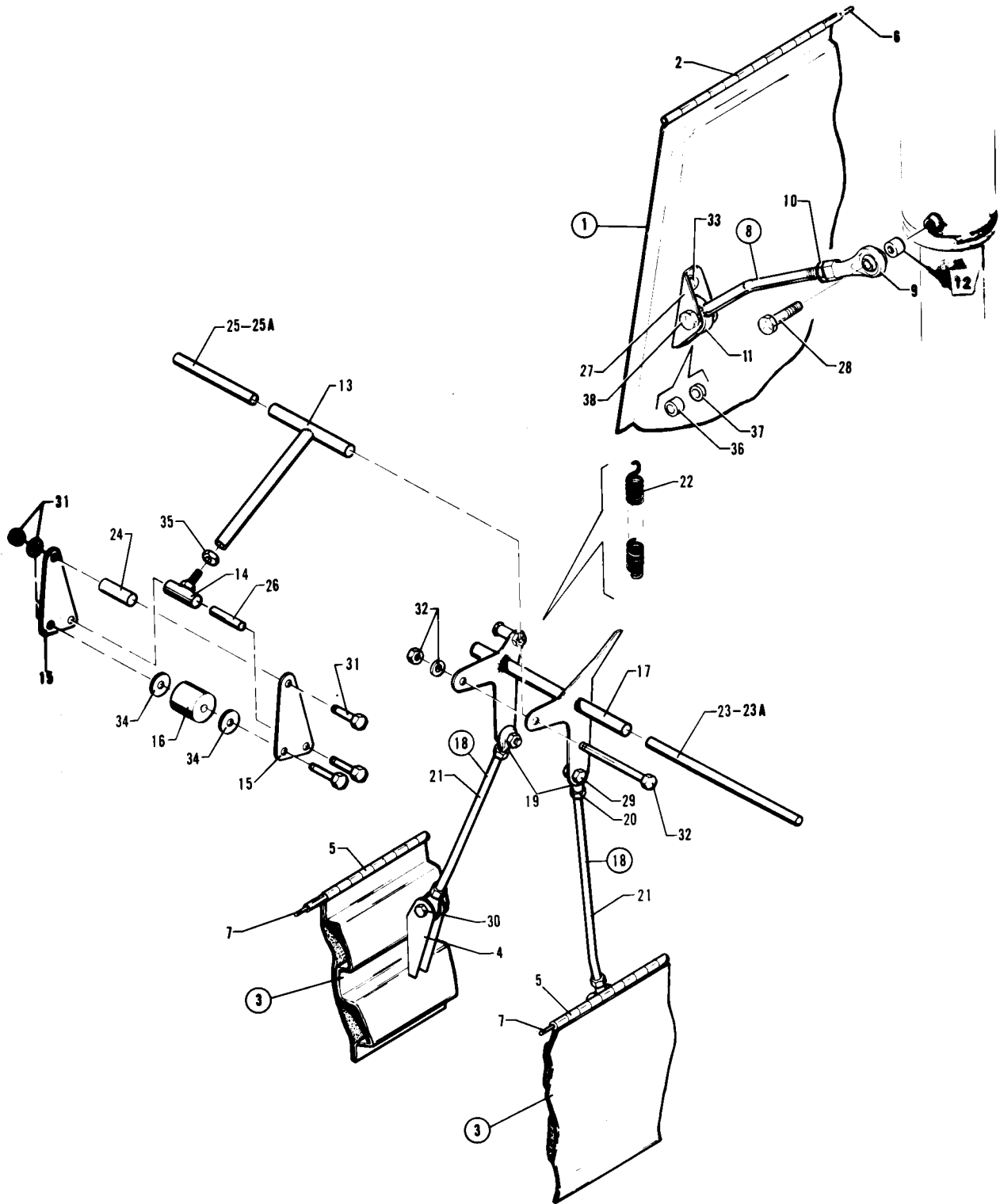


Figure 27. Landing Gear Door Installation

PIPER PARTS CATALOG

CODE EXPLANATIONS FOR FIGURE 27

W - These parts must be ordered from Service Spares Department, Piper Aircraft, Lock Haven, Penna.

PIPER PARTS CATALOG

Figure and Index Number	Part Number	Code	NOMENCLATURE	No. Req.	SERIAL NUMBERS AFFECTED
27-	67030 67349 67356		DRAWING - Main Gear Installation DRAWING - Cowl Assembly (Complete) DRAWING - Nose Gear Door Retraction Installation		
-1	67090-10 67090-11		DOOR ASSEMBLY - Main gear, left DOOR ASSEMBLY - Main gear, right	1 1	
-2	67093-04 67093-05		* HINGE HALF - Main gear door, left * HINGE HALF - Main gear door, right	1 1	
-3	67352-00 67352-01		DOOR ASSEMBLY - Nose gear, left DOOR ASSEMBLY - Nose gear, right	1 1	
-4	67364-00		* BRACKET - Nose gear door	1	
-5	67355-00 67355-01		* HINGE HALF - Nose gear door, left * HINGE HALF - Nose gear door, right	1 1	
-6	63744-11		PIN - Hinge, main gear door	2	
-7	63744-12		PIN - Hinge, nose gear door	2	
-8	37722-02		ROD ASSEMBLY - Main gear door	2	
-9	452 355	W	* BEARING - Rod end (PS10020-2-1RX)	1	
-10	404 321	W	* NUT - (AN316-C4R)	1	
-11	452 584	W	* BEARING - (PS10020-7-3)	1	
-12	63900-147		BUSHING	2	
-13	67357-00		LINK ASSEMBLY - Nose gear door	1	
-14	67358-00		LINK ASSEMBLY - Nose gear door link	1	
-15	67359-00		PLATE - Nose gear door link	2	
-16	67360-00		ROLLER - Nose gear door link	1	
-17	67361-00		BELLCRANK ASSEMBLY - Nose gear door	1	
-18	67362-00		ROD ASSEMBLY - Nose gear door	2	
-19	452 335	W	* BEARING - Rod end (PS10020-2-1RX)	2	
-20	404 321	W	* NUT - (AN316-C4R)	2	
-21	67362-02		* ROD - Rod assembly	1	
-22	67363-00		SPRING - Nose gear door	1	
-23	67356-200		SLEEVE AND BUSHING ASSEMBLY - Nose gear door actuating	1	
-23a	63882-28		* SLEEVE - Teflon, nose gear door actuating	1	
-24	63882-29		SLEEVE - Teflon, nose gear door actuating	2	
-25	67356-201		SLEEVE AND BUSHING ASSEMBLY - Nose gear door actuating	1	
-25a	63882-30		* SLEEVE - Teflon, nose gear door actuating	1	
-26	65003-27		BUSHING - Nose gear door actuating	3	
-27	67091-00		BRACKET ASSEMBLY - Main gear door	2	
-28	401 257 407 674 407 682	W W W	BOLT - (AN3CH-10A) WASHER - (AN960-C10) WASHER - (AN960-C10L)	2 2 4	
-29	403 054 407 674 404 887	W W W	BOLT - (AN3-C7A) WASHER - (AN960-C10) NUT - (MS20365-1032C)	2 4 2	
-30	403 055 407 674 404 887	W W W	BOLT - (AN3-C10A) WASHER - (AN960-C10) NUT - (MS20365-1032C)	2 6 2	
-31	401 275 407 682 404 887	W W W	BOLT - (AN3-C14A) WASHER - (AN960-C10L) NUT - (MS20365-1032C)	3 3 3	
-32	401 286 407 682 404 887	W W W	BOLT - (AN3-C30A) WASHER - (AN960-C10L) NUT - (MS20365-1032C)	1 1 1	
-33	411 536 407 564 404 887	W W W	SCREW - (MS35207-267) WASHER - (AN960-10) NUT - (MS20365-1032C)	4 4 4	

When ordering, always specify Part Number, Description, and Serial Number of Aircraft

PIPER PARTS CATALOG

Figure and Index Number	Part Number	Code	NOMENCLATURE	No. Req.	SERIAL NUMBERS AFFECTED
27-34	407 675		WASHER - (AN960-C416)	2	
-35	404 321	W	NUT - (AN316-C4R)	1	
-36	63900-31		BUSHING - (.19 long)	2	
-37	62833-103		WASHER	2	
-38	400 867	W	BOLT - (AN23-15A)	2	
	407 674	W	WASHER - (AN960-C10)	4	
	404 887	W	NUT - (MS20365-1032C)	2	

When ordering, always specify Part Number, Description, and Serial Number of Aircraft

**1E23 THRU 1E24
INTENTIONALLY LEFT BLANK**

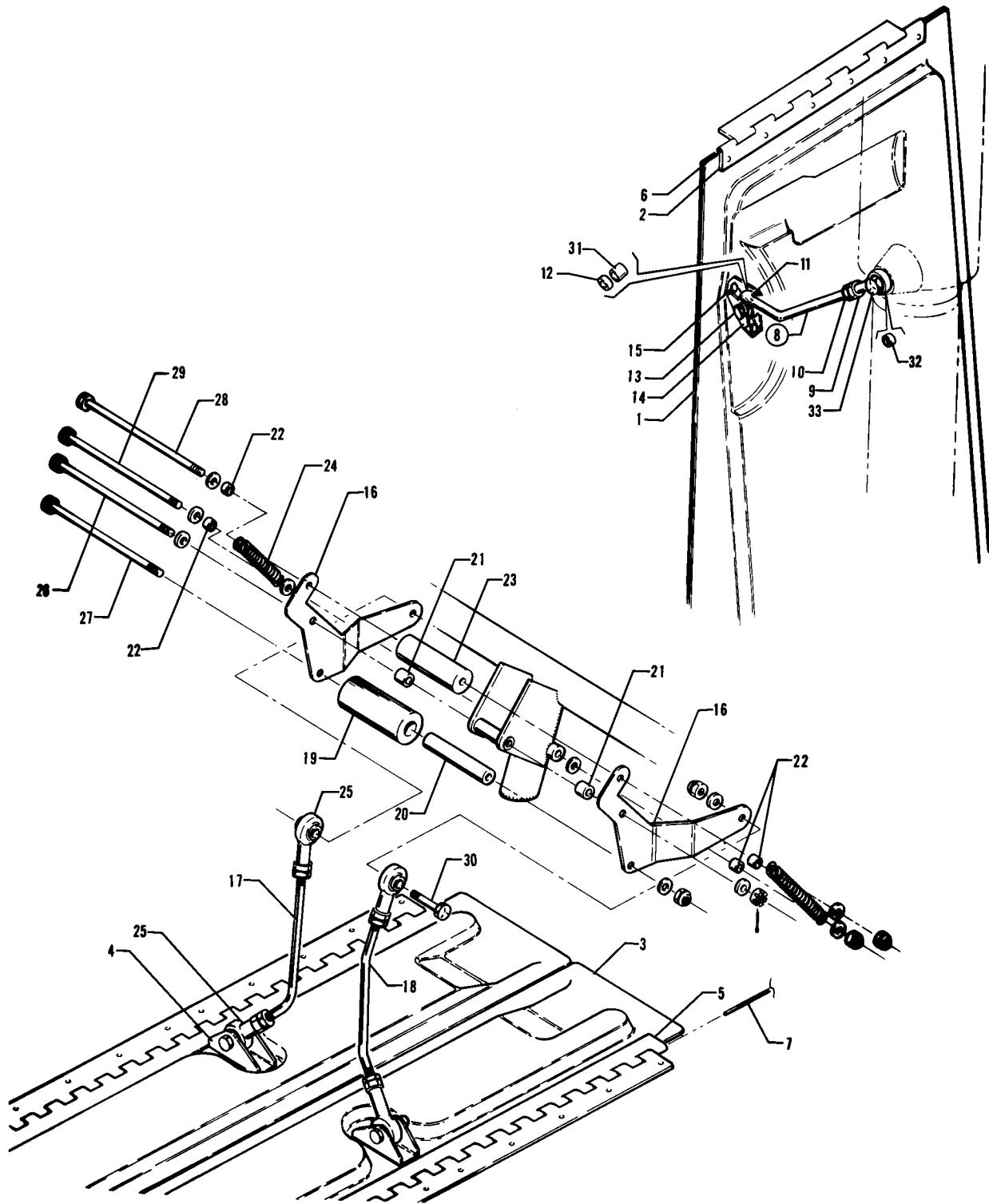


Figure 28. Landing Gear Door Installation

PIPER PARTS CATALOG

CODE EXPLANATIONS FOR FIGURE 28

W - These parts must be ordered from Service Spares Department, Piper Aircraft, Lock Haven, Penna.

PIPER PARTS CATALOG

Figure and Index Number	Part Number	Code	NOMENCLATURE	No. Req.	SERIAL NUMBERS AFFECTED
28-	67030 35742 35737		DRAWING - Main Gear Installation DRAWING - Cowl Assembly Installation DRAWING - Nose Gear Retraction Installation		
-1	67090-10 67090-11		DOOR ASSEMBLY - Main gear, left DOOR ASSEMBLY - Main gear, right	1 1	
-2	67093-04 67093-05		* HINGE HALF - Main gear door, left * HINGE HALF - Main gear door, right	1 1	
-3	35739-02 35739-03		DOOR ASSEMBLY - Nose gear, left DOOR ASSEMBLY - Nose gear, right	1 1	
-4	35739-09		* BRACKET - Nose gear door	1	
-5	35739-08		* HINGE HALF - Nose gear door	1	
-6	63744-11		PIN - Hinge, main gear door	2	
-7	35742-46		PIN - Hinge, nose gear door	2	
-8	37722-02		ROD ASSEMBLY - Main gear door	2	
-9	452 335	W	* BEARING - Rod end (PS10020-2-1RX)	1	
-10	404 321	W	* NUT - (AN316-C4R)	1	
-11	452 584	W	* BEARING - (PS10020-7-3)	1	
-12	62833-103		WASHER	1	
-13	400 867	W	BOLT - (AN23-15A)	2	
	407 674	W	WASHER - (AN960-C10)	4	
	404 887	W	NUT - (MS20365-1032C)	2	
-14	67091-00		BRACKET - Main gear door	2	
-15	411 536		SCREW - (MS35207-267)	4	
	407 564	W	WASHER - (AN960-10)	4	
	404 887	W	NUT - (MS20365-1032C)	4	
-16	35737-04 35737-05		ARM - Nose gear retraction, left ARM - Nose gear retraction, right	1 1	
-17	35737-06		ROD - Nose gear retraction	1	
-18	35737-09		ROD - Nose gear retraction	1	
-19	35737-07		ROLLER - Nose gear retraction	1	
-20	35737-08		BUSHING - Nose gear retraction	1	
-21	96061-25		BUSHING - Nose gear retraction	2	
-22	96061-20		BUSHING - Nose gear retraction	4	
-23	35737-10		BUSHING - Nose gear retraction	1	
-24	96178-00		SPRING - Nose gear retraction	2	
-25	452 335		WBEARING - (PS10020-2-1RX)	4	
-26	400 071		BOLT - (AN3-24)	1	
	407 564	W	WASHER - (AN960-10)	2	
	404 100	W	NUT - (AN310-3)	1	
	424 095	W	COTTER PIN - (AN380C2-2)	1	
-27	400 449	W	BOLT - (AN3-24A)	1	
	407 564	W	WASHER - (AN960-10)	1	
	404 887	W	NUT - (MS20365-1032C)	1	
-28	401 280		BOLT - (AN3-26A)	1	
	407 564	W	WASHER - (AN960-10)	2	
	404 887	W	NUT - (MS20365-1032C)	1	
-29	400 453	W	BOLT - (AN3-21A)	1	
	407 584	W	WASHER - (AN960-10L)	4	
	404 887	W	NUT - (MS20365-1032C)	1	
-30	400 861		BOLT - (AN23-13A)	2	
	407 584	W	WASHER - (AN960-10L)	2	
	404 835	W	NUT - (MS20364-1032C)	2	
-31	63900-31		BUSHING - (.19 long)	2	
-32	63900-147		BUSHING	2	
-33	401 257		BOLT - (AN3CH-10A)	2	
	407 674	W	WASHER - (AN960-C10)	2	
	407 682	W	WASHER - (AN960-C10L)	2	

When ordering, always specify Part Number, Description, and Serial Number of Aircraft

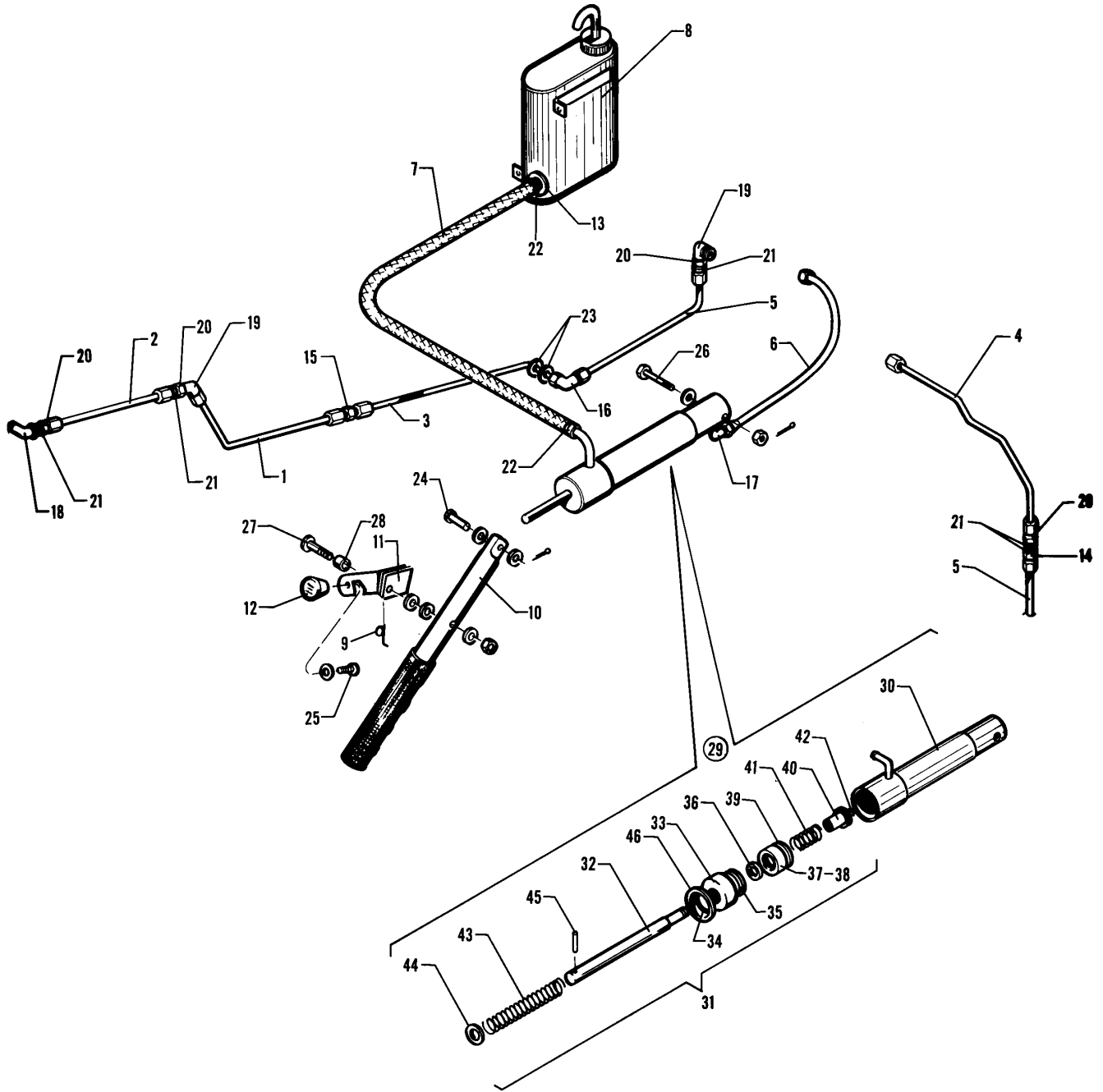


Figure 29. Hand Brake Installation

PIPER PARTS CATALOG

CODE EXPLANATION FOR FIGURE 29

W - These parts must be ordered from Service Spares Department, Piper Aircraft, Lock Haven, Penna.

PIPER PARTS CATALOG

Figure and Index Number	Part Number	Code	NOMENCLATURE	No. Req.	SERIAL NUMBERS AFFECTED
29-	67014		DRAWING - Hand Brake Installation		
-1	67338-00		LINE ASSEMBLY - Brake	2	
-2	67549-00		LINE ASSEMBLY - Brake	2	
-3	68467-00		LINE ASSEMBLY - Brake	1	
-4	63466-00		LINE ASSEMBLY - Brake, left	1	
-5	67700-58		LINE ASSEMBLY - Brake	2	
-6	63901-09		HOSE ASSEMBLY - Flexible	1	
-7	63913-10		HOSE - Flexible	1	
-8	63355-09		RESERVOIR ASSEMBLY - Brake cylinder	1	
-9	63356-00		SPRING - Brake handle	1	
-10	63357-00		HANDLE ASSEMBLY - Brake	1	
-11	67135-03		LATCH ASSEMBLY - Hand brake	1	
-12	63914-07		KNOB ASSEMBLY - Hand brake	1	
-13	63915-06		DISC - Firewall seal	1	
-14	491 060	W	UNION - (AN832-4D)	1	
-15	491 050	W	UNION - (AN815-4D)	2	
-16	458 881	W	ELBOW - (AN821-4D)	2	
-17	458 894	W	ELBOW - (AN822-4D)	1	
-18	458 900	W	ELBOW - (AN833-4D)	2	
-19	458 910	W	ELBOW - (AN837-4D)	3	
-20	477 618	W	NUT - (AN924-4D)	6	
-21	407 568	W	WASHER - (AN960-716)	8	
-22	554 861	W	CLAMP - (PS10017-10)	2	
-23	434 151		GROMMET - (AN931 -5S-12)	5	
-24	424 178	W	PIN - (AN393-19)	1	
	407 584	W	WASHER - (AN960-10L)	2	
	424 051	W	COTTER PIN - (MS24665-132)	1	
-25	416 994	W	SCREW - (AN526-1032R6)	1	
	407 124		WASHER - (AN935-10L)	1	
-26	400 113	W	BOLT - (AN4-20)	2	
	407 565	W	WASHER - (AN960-416)	6	
	404 101	W	NUT - (AN310-4)	2	
	424 051	W	COTTER PIN - (MS24665-132)	2	
-27	400 876		BOLT- (AN23-24A)	1	
	407 564	W	WASHER - (AN960-10)	3	
	404 887	W	NUT - (MS20365-1032C)	1	
-28	63900-131		BUSHING	1	
-29	455 938		CYLINDER ASSEMBLY - Master (10-22)	1	
-30	753 956		* HYDRAULIC CYLINDER ASSEMBLY - (189-9)	1	
-31	755 948		* PISTON ROD ASSEMBLY - (182-7)	1	
-32	755 949		** ROD - Piston (142-9)	1	
-33	751 889		** GLAND - Packing (141-10)	1	
-34	484 701	W	** PACKING - "O" Ring (AN6227-7)	1	
-35	484 727		** PACKING - "O" Ring (AN6227-12)	1	
-36	753 172	W	** WASHER - Dyna-seal (110-3/16)	1	
-37	757 216		** PISTON ASSEMBLY - (92-19)	1	
-38	757 217		*** PISTON - (148-10)	1	
-39	484 706	W	*** PACKING - "O" Ring (AN6227-11)	1	
-40	753 381	W	** BUSHING - (145-15)	1	
-41	756 117	W	** SPRING - (82-8)	1	
-42	752 855	W	** RING - Snap (155-5)	1	
-43	756 118	W	** SPR ING - (82-9)	1	
-44	407 567	W	** WASHER - (AN960-616)	1	
-45	755 882	W	** ROLL PIN - (223-1)	1	
-46	755 950		** RING - Snap (155-10)	1	

When ordering, always specify Part Number, Description, and Serial Number of Aircraft

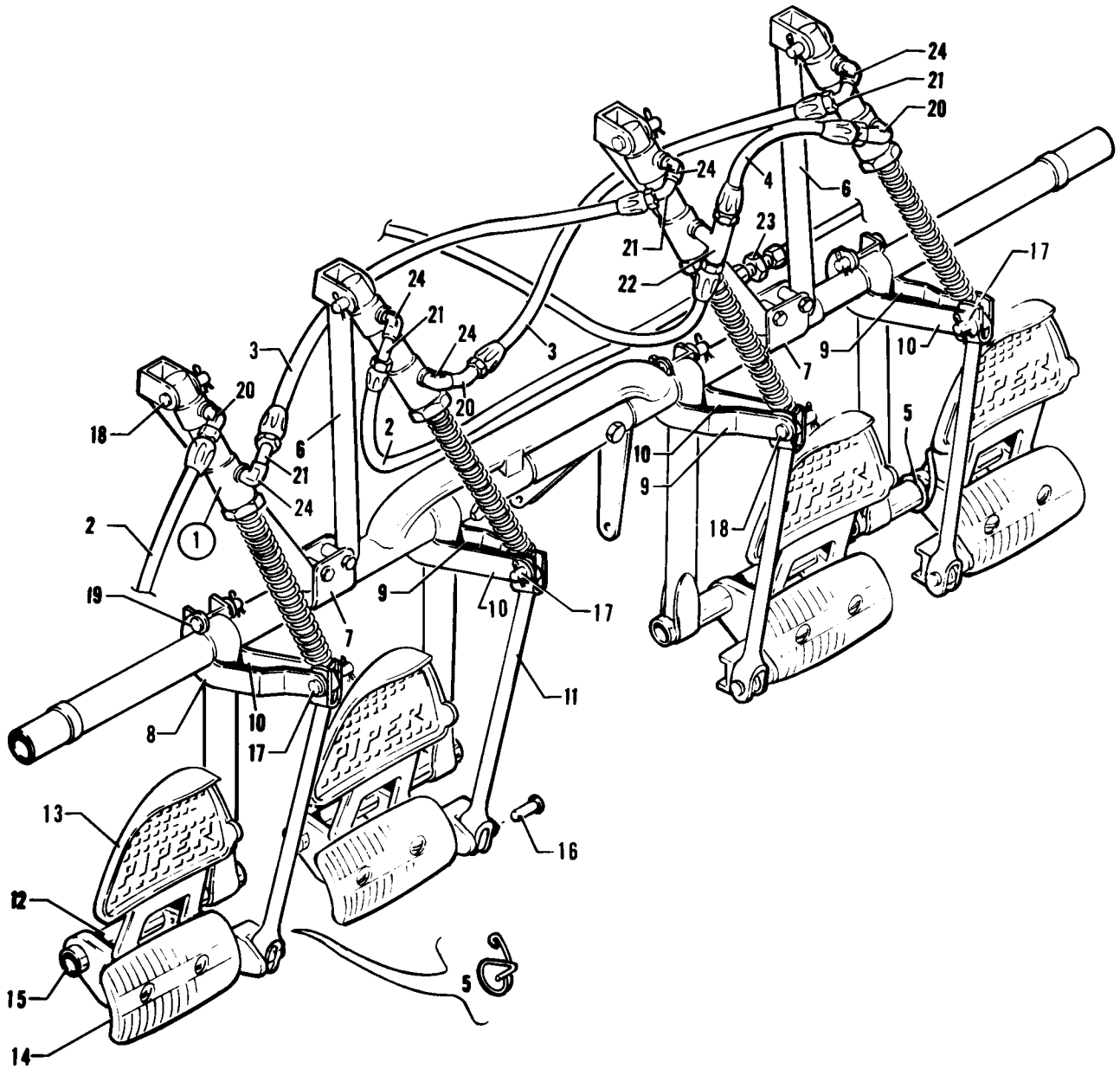


Figure 30. Toe Brake Installation

PIPER PARTS CATALOG

CODE EXPLANATION FOR FIGURE 30

A - See Figure 31 for component parts.

W - These parts must be ordered from Service Spares Department, Piper Aircraft, Lock Haven, Penna.

PIPER PARTS CATALOG

Figure and Index Number	Part Number	Code	NOMENCLATURE	No. Req.	SERIAL NUMBERS AFFECTED
30-	63476 67175 35869		DRAWING - Dual Toe Brake Line Installation DRAWING - Dual Toe Brake Cylinder Assembly DRAWING - Control System Installation		
-1	455 968 455 944	A A	CYLINDER ASSEMBLY - Master (10-30) Cleveland CYLINDER ASSEMBLY - Master (17000) Gar-Kenyon	4 4	
-2	63901-09		HOSE ASSEMBLY - Flexible	2	
-3	63901-21		HOSE ASSEMBLY - Flexible	2	
-4	63901-22		HOSE ASSEMBLY - Flexible	1	
-5	63594-00 63594-01		CLIP - Spring, left outboard pedal CLIP - Spring, right outboard pedal	1 1	
-6	63464-00		BRACE ASSEMBLY - Toe brake	2	
-7	63468-00		BRACKET - Toe brake	2	
-8	63469-00		ARM - Toe brake	1	
-9	63469-01		ARM - Toe brake	3	
-10	63470-00		ARM - Toe brake	4	
-11	79430-00		CLEVIS ASSEMBLY - Toe brake	4	
-12	63478-00		SPACER - Toe brake	4	
-13	63485-00 63485-02 63485-01 63485-03		PEDAL ASSEMBLY - Toe brake, left inboard PEDAL ASSEMBLY - Toe brake, left outboard PEDAL ASSEMBLY - Toe brake, right inboard PEDAL ASSEMBLY - Toe brake, right outboard	1 1 1 1	
-14	62867-02		* PAD ASSEMBLY - Brake pedal	1	
-15	453 714		BEARING - Brake pedal (PS10065-37)	8	
-16	424 175	W	PIN - Flat head (MS20392-2C13)	4	
-17	424 181	W	PIN - Flat head (MS20392-2C25)	3	
-18	424 184		PIN - Flat head (MS20392-2C31)	5	
-19	424 357		PIN - Flat head (MS20392-2C39)	4	
-20	458 894	W	ELBOW - (MS20822-4D)	3	
-21	458 891	W	ELBOW - (MS20823-4D)	4	
-22	488 499		TEE - (MS20825-4D)	1	
-23	491 050	W	UNION-(AN815-4D)	1	
-24	458 904	W	ELBOW - (AN914-1D)	5	

When ordering, always specify Part Number, Description, and Serial Number of Aircraft

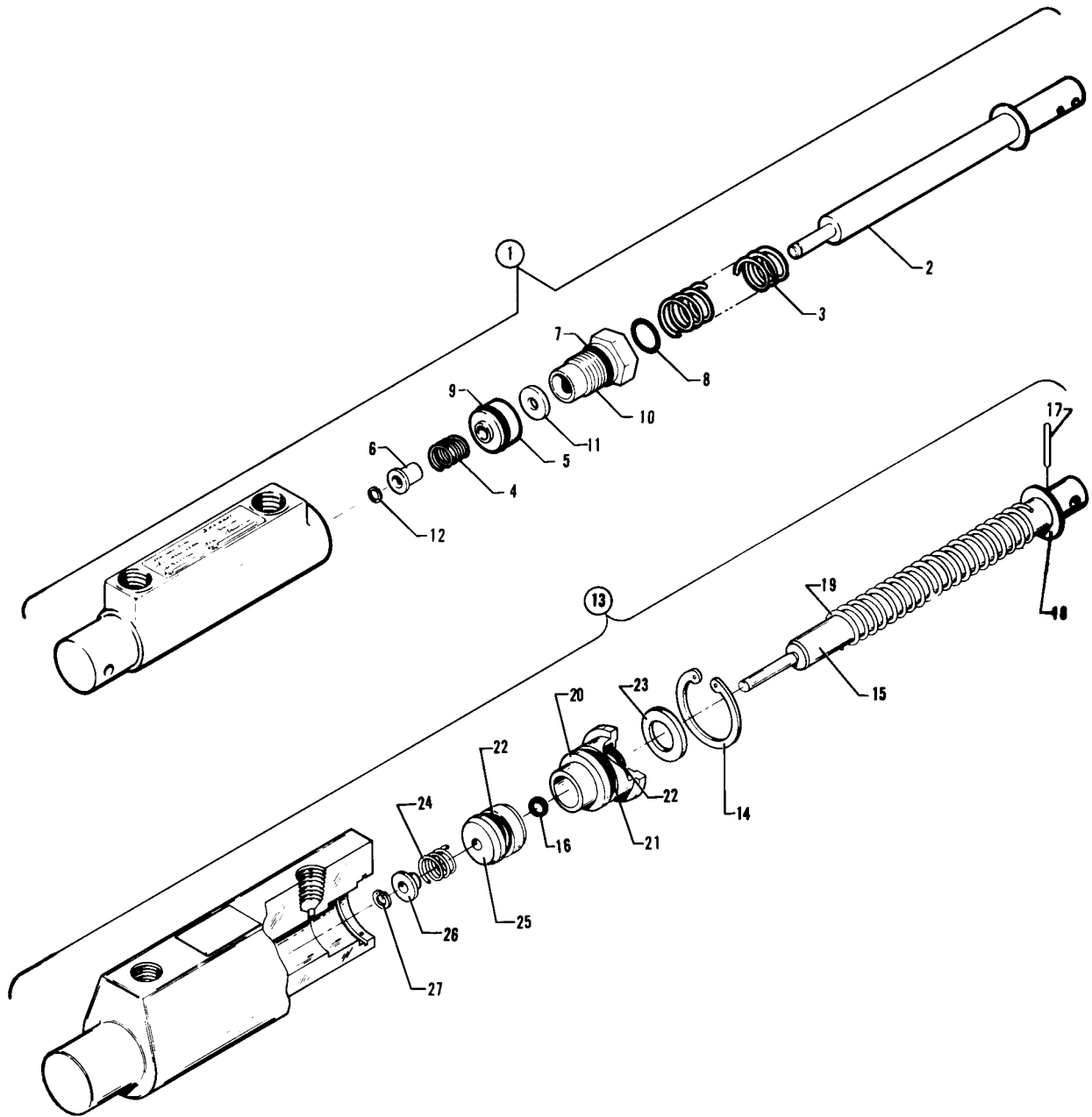


Figure 31. Toe Brake Master Cylinder Assembly

PIPER PARTS CATALOG

CODE EXPLANATIONS FOR FIGURE 31

W - These parts must be ordered from Service Spares Department, Piper Aircraft, Lock Haven, Penna.

PIPER PARTS CATALOG

Figure and Index Number	Part Number	Code	NOMENCLATURE	No. Req.	SERIAL NUMBERS AFFECTED
31-1	455 944		CYLINDER ASSEMBLY - Master (17000) Gar-Kenyon	4	
-2	757 480		* PISTON ROD AND RING ASSEMBLY - (95404) includes spring retaining ring	1	
-3	762 276		* SPRING - (17005)	1	
-4	762 277		* SPRING - (17006)	1	
-5	757 479		* PISTON - (17003)	1	
-6	762 275		* SLEEVE - (17007)	1	
-7	752 584		* "O" RING - (MS28775-113)	1	
-8	484 788		* "O" RING - (MS2877-012)	1	
-9	752 585		* "O" RING - (MS28775-110)	1	
-10	754 848		* FITTING - (17002)	1	
-11	21586-00		* SEAL - (110-3/16)	1	
-12	762 531		* RING - Retaining (XRC-313)	1	
-13	455 968		CYLINDER ASSEMBLY - Master (10-30) Cleveland	4	
-14	762 587		* RING - Snap (155-47)	1	
-15	763 451		* PISTON ROD ASSEMBLY - (182-22)	1	
-16	762 585		** "O" RING - (101-1)	1	
-17	757 318		** ROLL PIN - (223-00500)	1	
-18	756 622		** WASHER - (095-10100)	1	
-19	756 118	W	** SPRING - (82-9)	1	
-20	756 082		** GLAND - Packing (141-26)	1	
-21	756 018		** "O" RING - (101-01100)	1	
-22	756 016		** "O" RING - (101-00800)	2	
-23	756 621		** WASHER - Wiper (096-01300)	1	
-24	757 680		** SPRING - (082-02100)	1	
-25	763 450		** PISTON - (148-26)	1	
-26	758 467		** BUSHING - (146-58)	1	
-27	762 586		** RING - Snap (T5304-15)	1	

When ordering, always specify Part Number, Description, and Serial Number of Aircraft

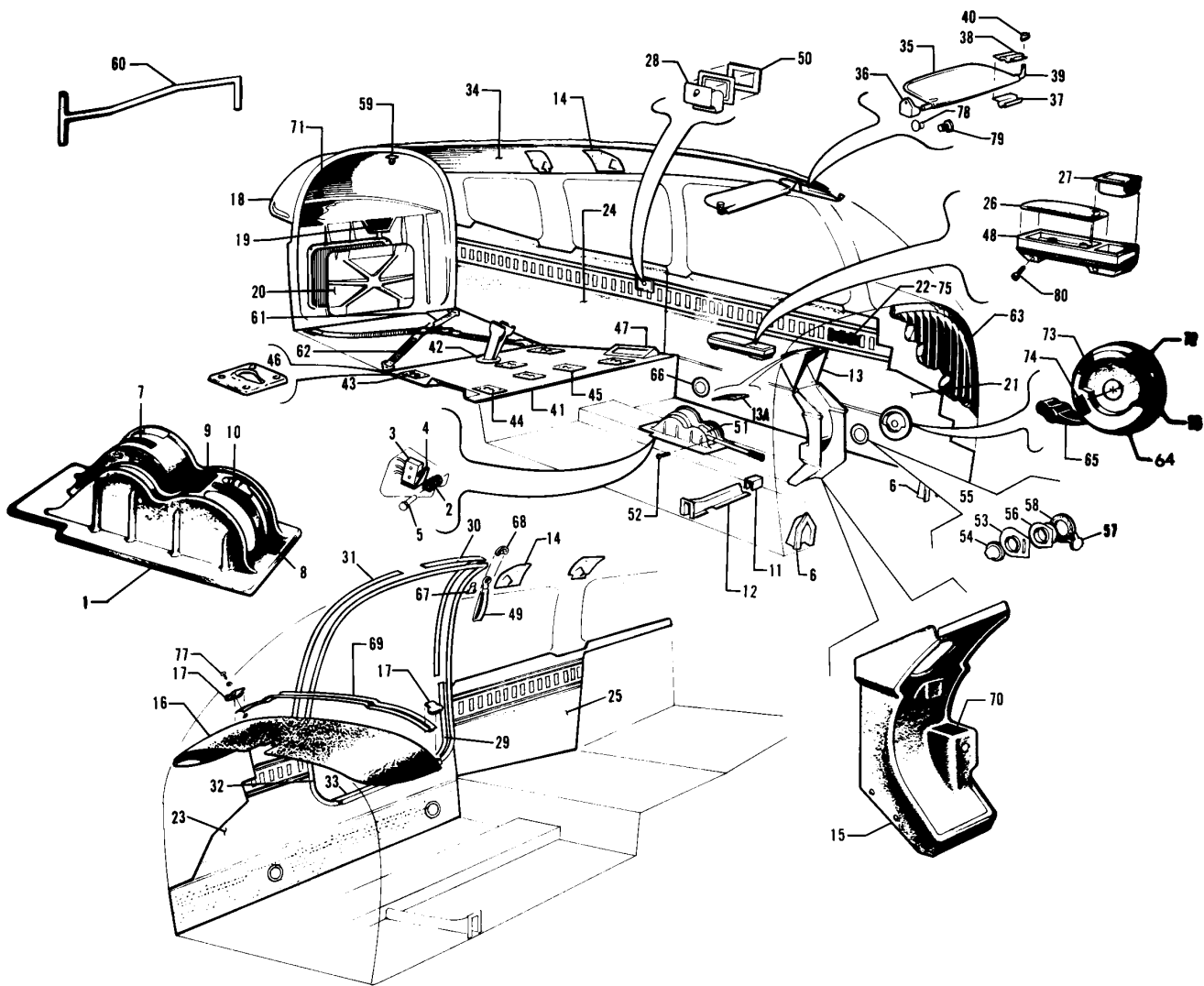


Figure 32. Cockpit Finishing Installation

PIPER PARTS CATALOG

CODE EXPLANATIONS FOR FIGURE 32

- A - Used on PA-28RT-201 only.
- B - Used on PA-28RT-201T only.
- C - When ordering, specify color "bark II" or black.
- D - Used on PA-28RT-201 with serial numbers 28R-8218001 and up, and PA-28RT-201T with serial numbers 28R-8231001 and up.
- E - Used on PA-28RT-201 with serial numbers 28R-7918001 to 28R-7918164 inclusive, and PA-28RT-201T with serial numbers 28R-7931001 to 28R-7931216 inclusive.
- F - Used on PA-28RT-201 with serial numbers 28R-7918165 and up, and PA-28RT-201T with serial numbers 28R-7931217 and up.
- G - Used on PA-28RT-201 with serial numbers 28R-7918001 to 28R-7918306 inclusive, and PA-28RT-201T with serial numbers 28R-7931001 to 28R-7931353 inclusive.
- H - Used on PA-28RT-201 with serial numbers 28R-8018001 and up, and PA-28RT-201T with serial numbers 28R-8031001 and up.
- J - Used if air conditioning is not installed.
- K - Used if air conditioning is installed.
- L - Used on PA-28RT-201 with serial numbers 28R-8118001 and up, and PA-28RT-201T with serial numbers 28R-8131001 to 28R-8231092 inclusive.
- M - Used if fixed shoulder harnesses are installed.
- N - Used if shoulder belts with inertia reel are installed.
- O - Used on PA-28RT-201 with serial numbers 28R-7918165 to 28R-8018116 inclusive, and PA-28RT-201T with serial numbers 28R-7931217 to 28R-8031188 inclusive.
- P - Used on PA-28RT-201 with serial numbers 28R-8018001 to 28R-8018116 inclusive, and PA-28RT-201T with serial numbers 28R-8031001 to 28R-8031188 inclusive.
- Q - Used on PA-28RT-201 with serial numbers 28R-7918001 and up, and PA-28RT-201T with serial numbers 28R-7931001 to 28R-8231092 inclusive.
- R - Used on PA-28RT-201 with serial numbers 28R-8118001 and up, and PA-28RT-201T with serial numbers 28R-8131001 to 28R-8231092 inclusive.
- S - Used on PA-28RT-201 with serial numbers 28R-8018001 and up, and PA-28RT-201T with serial numbers 28R-8031001 to 28R-8231092 inclusive.
- T - Used on PA-28RT-201 with serial numbers 28R-8218001 and up, and PA-28RT-201T with serial numbers 28R-8231001 to 28R-8231092 inclusive.
- W - These parts must be ordered from Service Spares Department, Piper Aircraft, Lock Haven, Penna.

PIPER PARTS CATALOG

Figure and Index Number	Part Number	Code	NOMENCLATURE	No. Req.	SERIAL NUMBERS AFFECTED
32-	79768 99902 66991		DRAWING - Cockpit Finishing Installation DRAWING - Interior Panels Installation DRAWING - Sun Visor Installation		
-1	67917-06	C	COVER - Flap handle	1	
-2	67911-00		* SPRING - Override lever lock	1	
-3	487 922		* SWITCH - Gear override (1SE1)	1	
-4	451 824		* ACTUATOR - Gear override (JE73)	1	
-5	67910-00		* PIN - Override lever lock	1	
-6	78735-02		COVER - Rudder pedal stop bracket	2	
-7	67786-00		PLACARD - Stabilator trim	1	
-8	67592-02		PLACARD - "Emergency Down"	1	
-9	67921-00		PLACARD - "Override Engage"	1	
-10	67702-00		PLACARD - "Emergency Gear Lever"	1	
-11	63144-00		COVER - Fuselage frame, inboard, Sta. 73.04	2	
-12	65674-15	C	COVER ASSEMBLY - Fuselage frame, Sta. 73.04	2	
-13	67232-41	C	COVER ASSEMBLY - Engine controls	1	
-13a	69669-45		* PLACARD - Engine controls	1	
-14	78054-02		COVER - Inertia reel, left	1	
	99801-02		COVER - Inertia reel, right	1	
-15	67330-10	C	COVER - Console	1	
-16	67325-00		COVER - Cowl	1	
-17	79125-00		CAP - Trim, left	1	
	79125-01		CAP - Trim, right	1	
-18	79838-02	G,J	BULKHEAD ASSEMBLY - Rear cabin	1	
	36589-03	G,K	BULKHEAD ASSEMBLY - Rear cabin	1	
	79838-02	H	BULKHEAD ASSEMBLY - Rear cabin	1	
-19	68399-02		PLACARD - Baggage limitations	1	
-20	79445-00		DOOR ASSEMBLY - Access cover	1	
-21	579 419	A	PANEL ASSEMBLY - Left front cockpit, white/camel/black (with heather carpet)	1	
	579 579	A	PANEL ASSEMBLY - Left front cockpit, olivetone (with palm carpet)	1	28R-7918001 to 28R-7918306 incl.
	579 580	A	PANEL ASSEMBLY - Left front cockpit, midnight blue (with royal blue carpet)	1	28R-7918001 to 28R-7918164 incl.
	579 358	A	PANEL ASSEMBLY - Left front cockpit, dark blue (with royal blue carpet)	1	28R-7918165 to 28R-8018116 incl.
	579 202	A	PANEL ASSEMBLY - Left front cockpit, dark blue (with dark blue carpet)	1	28R-8118001 and up
	579 294	A	PANEL ASSEMBLY - Left front cockpit, dark blue (with heather carpet)	1	28R-8118001 and up
	579 581	A	PANEL ASSEMBLY - Left front cockpit, raspberry/black (with raspberry carpet)	1	28R-7918001 to 28R-7918306 incl.
	579 582	A	PANEL ASSEMBLY - Left front cockpit, tan/seal (with brown carpet)	1	28R-7918001 to 28R-7918306 incl.
	579 350	A	PANEL ASSEMBLY - Left front cockpit, firethorn red (with raspberry carpet)	1	28R-8018001 to 28R-8018116 incl.
	579 376	A	PANEL ASSEMBLY - Left front cockpit, firethorn red (with firethorn red carpet)	1	28R-8018001 and up
	579 293	A	PANEL ASSEMBLY - Left front cockpit, firethorn red (with heather carpet)	1	28R-8118001 and up
	579 351	A	PANEL ASSEMBLY - Left front cockpit, buckskin (with brown carpet)	1	28R-8018001 to 28R-8018116 incl.
	579 377	A	PANEL ASSEMBLY - Left front cockpit, buckskin (with medium saddle carpet)	1	28R-8018001 and up

When ordering, always specify Part Number, Description, and Serial Number of Aircraft

PIPER PARTS CATALOG

Figure and Index Number	Part Number	Code	NOMENCLATURE	No. Req.	SERIAL NUMBERS AFFECTED	
32-21	579 292		PANEL ASSEMBLY - Left front cockpit, dark cedar (with dark cedar carpet) (knit)	1	28R-8118001 and up	
	579 100	A	PANEL ASSEMBLY - Left front cockpit, dark cedar (with dark cedar carpet) (velour)	1	28R-8218001 and up	
	579 098	A	PANEL ASSEMBLY - Left front cockpit, dark carmine (with dark carmine carpet)	1	28R-8218001 and up	
	579 099	A	PANEL ASSEMBLY - Left front cockpit, sandalwood (with dark saddle carpet)	1	28R-8218001 and up	
	579 418	B	PANEL ASSEMBLY - Left front cockpit, white/camel/black (with heather carpet)	1	28R-7931001 to 28R-8231092 incl.	
	579 575	B	PANEL ASSEMBLY - Left front cockpit, olivetone (with palm carpet)	1	28R-7931001 to 28R-7931363 incl.	
	579 576	B	PANEL ASSEMBLY - Left front cockpit, midnight blue (with royal blue carpet)	1	28R-7931001 to 28R-7931216 incl.	
	579 357	B	PANEL ASSEMBLY - Left front cockpit, dark blue (with royal blue carpet)	1	28R-7931217 to 28R-8031188 incl.	
	579 203	B	PANEL ASSEMBLY - Left front cockpit, dark blue (with dark blue carpet)	1	28R-8131001 and up	
	579 290	B	PANEL ASSEMBLY - Left front cockpit, dark blue (with heather carpet)	1	28R-8131001 to 28R-8231092 incl.	
	680 123	B	PANEL ASSEMBLY - Left front cockpit, light blue (velour) (with light blue carpet)	1	28R-8331001 and up	
	680 088	B	PANEL ASSEMBLY - Left front cockpit, blue (vinyl) (with light blue carpet)	1	28R-8331001 and up	
	579 577	B	PANEL ASSEMBLY - Left front cockpit, raspberry/black (with raspberry carpet)	1	28R-7931001 to 28R-7931353 incl.	
	579 578	B	PANEL ASSEMBLY - Left front cockpit, tan/seal (with brown carpet)	1	28R-7931001 to 28R-7931353 incl.	
	579 348	B	PANEL ASSEMBLY - Left front cockpit, firethorn red (with raspberry carpet)	1	28R-8031001 to 28R-8031188 incl.	
	579 374	B	PANEL ASSEMBLY - Left front cockpit, firethorn red (with firethorn red carpet)	1	28R-8031001 and up	
	579 291	B	PANEL ASSEMBLY - Left front cockpit, firethorn red (with heather carpet)	1	28R-8131001 to 28R-8231092 incl.	
	680 087	B	PANEL ASSEMBLY - Left front cockpit, red (vinyl) (with dark carmine carpet)	1	28R-8331001 and up	
	579 349	B	PANEL ASSEMBLY - Left front cockpit, buckskin (with brown carpet)	1	28R-8031001 to 28R-8031188 incl.	
	579 375	B	PANEL ASSEMBLY - Left front cockpit, buckskin (with medium saddle carpet)	1	28R-8031001 to 28R-8231092i incl.	
	680 089	B	PANEL ASSEMBLY - Left front cockpit, light buckskin (with dark saddle carpet)	1	28R-8331001 and up	
	579 289	B	PANEL ASSEMBLY - Left front cockpit, dark cedar (with dark cedar carpet) (knit)	1	28R-8131001 and up	
	579 097	B	PANEL ASSEMBLY - Left front cockpit, dark cedar (with dark cedar carpet) (velour)	1	28R-8231001 and up	
	579 095	B	PANEL ASSEMBLY - Left front cockpit, dark carmine (with dark carmine carpet)	1	28R-8231001 and up	
	579 096	B	PANEL ASSEMBLY - Left front cockpit, sandalwood (with dark saddle carpet)	1	28R-8231001 and up	
	680 086	B	PANEL ASSEMBLY - Left front cockpit, dark saddle (with dark saddle carpet)	1	28R-8331001 and up	
	-22	79884-02	G	* PLATE - Placard attachment, left	1	

When ordering, always specify Part Number, Description, and Serial Number of Aircraft

PIPER PARTS CATALOG

Figure and Index Number	Part Number	Code	NOMENCLATURE	No. Req.	SERIAL NUMBERS AFFECTED
32-23	579 412		PANEL ASSEMBLY - Right front cockpit, white/camel/black (with heather carpet)	1	
	579 567	G	PANEL ASSEMBLY - Right front cockpit, olivetone (with palm carpet)	1	
	579 568	E	PANEL ASSEMBLY - Right front cockpit, midnight blue (with royal blue carpet)	1	
	579 354	O	PANEL ASSEMBLY - Right front cockpit, dark blue (with royal blue carpet)	1	
	579 201	L	PANEL ASSEMBLY - Right front cockpit, dark blue (with dark blue carpet)	1	
	579 271	R	PANEL ASSEMBLY - Right front cockpit, dark blue (with heather carpet)	1	
	680 119	B	PANEL ASSEMBLY - Right front cockpit, light blue (velour) (with light blue carpet)	1	28R-8331001 and up
	680 060	B	PANEL ASSEMBLY - Right front cockpit, blue (vinyl) (with light blue carpet)	1	28R-8331001 and up
	579 569	G	PANEL ASSEMBLY - Right front cockpit, raspberry/black (with raspberry carpet)	1	
	579 570	G	PANEL ASSEMBLY - Right front cockpit, tan/seal (with brown carpet)	1	
	579 342	P	PANEL ASSEMBLY - Right front cockpit, firethorn red (with raspberry carpet)	1	
	579 370	H	PANEL ASSEMBLY - Right front cockpit, firethorn red (with firethorn red carpet)	1	
	579 270	R	PANEL ASSEMBLY - Right front cockpit, firethorn red (with heather carpet)	1	
	680 059	B	PANEL ASSEMBLY - Right front cockpit, red (with dark carmine carpet)	1	28R-8331001 and up
	579 343	P	PANEL ASSEMBLY - Right front cockpit, buckskin (with brown carpet)	1	
	579 371	S	PANEL ASSEMBLY - Right front cockpit, buckskin (with medium saddle carpet)	1	
	680 061	B	PANEL ASSEMBLY - Right front cockpit, light buckskin (with dark saddle carpet)	1	28R-8331001 and up
	579 269	L	PANEL ASSEMBLY - Right front cockpit, dark cedar (with dark cedar carpet) (knit)	1	
	579 088	D	PANEL ASSEMBLY - Right front cockpit, dark cedar (with dark cedar carpet) (velour)	1	
	579 086	D	PANEL ASSEMBLY - Right front cockpit, dark carmine (with dark carmine carpet)	1	
	579 087	D	PANEL ASSEMBLY - Right front cockpit, sandalwood (with dark saddle carpet)	1	
	680 058	B	PANEL ASSEMBLY - Right front cockpit, dark saddle (with dark saddle carpet)	1	28R-8331001 and up
	-24	579 411	Q	PANEL ASSEMBLY - Left rear cockpit, white/camel/black	1
579 563		G	PANEL ASSEMBLY - Left rear cockpit, olivetone	1	
579 564		E	PANEL ASSEMBLY - Left rear cockpit, midnight blue	1	
579 317		F	PANEL ASSEMBLY - Left rear cockpit, dark blue (velour)	1	
579 268		R	PANEL ASSEMBLY - Left rear cockpit, dark blue (vinyl)	1	
680 118		B	PANEL ASSEMBLY - Left rear cockpit, light blue (velour)	1	28R-8331001 and up
680 056		B	PANEL ASSEMBLY - Left rear cockpit, blue (vinyl)	1	28R-8331001 and up
579 565		G	PANEL ASSEMBLY - Left rear cockpit, raspberry/black	1	
579 566		G	PANEL ASSEMBLY - Left rear cockpit, tan/seal	1	

When ordering, always specify Part Number, Description, and Serial Number of Aircraft

PIPER PARTS CATALOG

Figure and Index Number	Part Number	Code	NOMENCLATURE	No. Req.	SERIAL NUMBERS AFFECTED
32-24	579 340	H	PANEL ASSEMBLY - Left rear cockpit, firethorn red (velour)	1	
	579 267	R	PANEL ASSEMBLY - Left rear cockpit, firethorn red (vinyl)	1	
	6B0 055	B	PANEL ASSEMBLY - Left rear cockpit, red (vinyl)	1	28R-8331001 and up
	579 341	S	PANEL ASSEMBLY - Left rear cockpit, buckskin	1	
	680 057	B	PANEL ASSEMBLY - Left rear cockpit, light buckskin	1	28R-8331001 and up
	579 266	L	PANEL ASSEMBLY - Left rear cockpit, dark cedar (knit)	1	
	579 085	D	PANEL ASSEMBLY - Left rear cockpit, dark cedar (velour)	1	
	579 083	D	PANEL ASSEMBLY - Left rear cockpit, dark carmine	1	
	579 084	D	PANEL ASSEMBLY - Left rear cockpit, sandalwood	1	
	680 054	B	PANEL ASSEMBLY - Left rear cockpit, dark saddle	1	28R-8331001 and up
-25	579 413	Q	PANEL ASSEMBLY - Right rear cockpit, white/camel/black	1	
	579 571	G	PANEL ASSEMBLY - Right rear cockpit, olivetone	1	
	579 572	E	PANEL ASSEMBLY - Right rear cockpit, midnight blue	1	
	579 356	F	PANEL ASSEMBLY - Right rear cockpit, dark blue (velour)	1	
	579 286	R	PANEL ASSEMBLY - Right rear cockpit, dark blue (vinyl)	1	
	680 122	B	PANEL ASSEMBLY - Right rear cockpit, light blue (velour)	1	28R8331001 and up
	680 078	B	PANEL ASSEMBLY - Right rear cockpit, blue (vinyl)	1	28R8331001 and up
	579 573	G	PANEL ASSEMBLY - Right rear cockpit, raspberry/black	1	
	579 574	G	PANEL ASSEMBLY - Right rear cockpit, tan/seal	1	
	579 346	P	PANEL ASSEMBLY - Right rear cockpit, firethorn red	1	
	579 282	L	PANEL ASSEMBLY - Right rear cockpit, firethorn red (velour)	1	
	579 285	R	PANEL ASSEMBLY - Right rear cockpit, firethorn red (vinyl)	1	
	680 077	B	PANEL ASSEMBLY - Right rear cockpit, red (vinyl)	1	28R 8331001 and up
	579 347	P	PANEL ASSEMBLY - Right rear cockpit, buckskin	1	
	579 283	R	PANEL ASSEMBLY - Right rear cockpit, buckskin	1	
	6B0 079	B	PANEL ASSEMBLY - Right rear cockpit, light buckskin	1	28R8331001 and up
	579 284	L	PANEL ASSEMBLY - Right rear cockpit, dark cedar (knit)	1	
	579 121	D	PANEL ASSEMBLY - Right rear cockpit, dark cedar (velour)	1	
	579 119	D	PANEL ASSEMBLY - Right rear cockpit, dark carmine	1	
	579 120	D	PANEL ASSEMBLY - Right rear cockpit, sandalwood	1	
	680 076	B	PANEL ASSEMBLY - Right rear cockpit, dark saddle	1	28R-8331001 and up
-26	580 731	Q	PAD ASSEMBLY - Armrest, camel	1	
	579 507	G	PAD ASSEMBLY - Armrest, olivetone	1	
	579 508	E	PAD ASSEMBLY - Armrest, midnight blue	1	
	579 474	F	PAD ASSEMBLY - Armrest, dark blue (velour)	1	
	579 228	R	PAD ASSEMBLY - Armrest, dark blue (vinyl)	1	
	559 758	B	PAD ASSEMBLY - Armrest, dark blue (leather)	1	28R-8331001 and up
	680 002	B	PAD ASSEMBLY - Armrest, blue (vinyl)	1	28R-8331001 and up
	579 509	G	PAD ASSEMBLY - Armrest, black	1	
	579 510	G	PAD ASSEMBLY - Armrest, tan	1	
	579 472	H	PAD ASSEMBLY - Armrest, firethorn red (velour)	1	
	579 227	R	PAD ASSEMBLY - Armrest, firethorn red (vinyl)	1	
	559 793	B	PAD ASSEMBLY - Armrest, firethorn red (leather)	1	28R-8331001 and up
	680 001	B	PAD ASSEMBLY - Armrest, red (vinyl)	1	28R-8331001 and up
	579 473	S	PAD ASSEMBLY - Armrest, buckskin (velour)	1	
	680 003	B	PAD ASSEMBLY - Armrest, light buckskin (vinyl)	1	28R-8331001 and up
	559 805	B	PAD ASSEMBLY - Armrest, light buckskin (leather)	1	28R-8331001 and up
	579 226	L	PAD ASSEMBLY - Armrest, dark cedar (knit)	1	
	579 115	T	PAD ASSEMBLY - Armrest, dark cedar (velour)	1	
	559 782	B	PAD ASSEMBLY - Armrest, dark cedar (leather)	1	28R-8331001 and up
	579 113	T	PAD ASSEMBLY - Armrest, dark carmine	1	
	579 114	D	PAD ASSEMBLY - Armrest, sandalwood	1	
	680 000	B	PAD ASSEMBLY - Armrest, dark saddle (knit)	1	28R-8331001 and up
	559 770	B	PAD ASSEMBLY - Armrest, dark saddle (leather)	1	28R-8331001 and up
	680 131	B	PAD ASSEMBLY - Armrest, patrician sandalwood	1	28R-8331001 and up
-27	751 345		BOX ASSEMBLY - Ash tray	1	
-28	489 388		ASH RECEIVER - (Complete) Chrome (2A20580)	2	

When ordering, always specify Part Number, Description, and Serial Number of Aircraft

PIPER PARTS CATALOG

Figure and Index Number	Part Number	Code	NOMENCLATURE	No. Req.	SERIAL NUMBERS AFFECTED
32-29	63142-56		TRIM STRIP - Door frame, bottom, rear	1	
-30	63142-55		TRIM STRIP - Door frame, top, rear	1	
-31	63142-51		TRIM STRIP - Door frame, top, front	1	
-32	69403-03		WINDLACING - Door seal	1	
-33	76191-02		SILL- Door	1	
-34	76462-00		HEADLINER - Cockpit (464 385)	1	
-35	79787-02	A	BLADE - Sun visor (pilot)	1	28R-7918001 to 28R-7918306 incl.
	35956-02	A	BLADE - Sun visor (pilot)	1	28R-8018001 and up
	35819-02	B	BLADE - Sun visor (pilot)	1	28R-7931001 to 28R-7931353 incl.
	36976-02	B	BLADE - Sun visor (pilot)	1	28R-8031001 and up
	65866-00		BLADE - Sun visor (copilot)	1	
-36	65865-00		RETAINER - Sun visor	2	
-37	66870-00		CLIP - Sun visor, upper left, lower right	2	
-38	65871-00		CLIP - Sun visor, upper right, lower left	2	
-39	65867-00		ROD - Sun visor	2	
-40	65869-00		BEARING - Sun visor	4	
-41	79828-03		PANEL- Floor	1	
-42	99240-00		RING - Boot attachment	1	
-43	79781-02		PLATE ASSEMBLY - Seat attachment, aft	4	
-44	99141-03		PLATE - Seat attachment	1	
-45	99140-03		PLATE - Seat attachment	1	
-46	68094-03		PLATE - Seat attachment top	4	
-47	99252-10	C	COVER - Exhaust vent	2	
-48	66710-16		HOUSING ASSEMBLY - Armrest, left side	1	
-49	79455-00		STRAP - Assist	1	
-50	65269-02		DOUBLER - Ash tray	2	
-51	65672-05		SHIELD - Flap handle cover	1	
-52	15086-00	W	SCREW - Self tapping (4 x 1/4) (486 187)	2	
-53	65735-19	C	FLANGE - Air vent	4	
-54	65735-18	C	CUP - Air vent	4	
-55	68416-02		VENT ASSEMBLY - Air, forward, left	1	
	68416-03		VENT ASSEMBLY - Air, forward, right	1	
-56	68671-00		* VALVE ASSEMBLY - Air vent	1	
-57	68499-04		* SHAFT ASSEMBLY - Air vent valve, left	1	
	68499-05		* SHAFT ASSEMBLY - Air vent valve, right	1	
-58	68584-00		GASKET - Air vent	4	
-59	487 629		STUD ASSEMBLY - Coat hanger (KM894-1A)	2	
-60	67336-00		TOW BAR ASSEMBLY	1	
-61	66804-00	B	STRAP ASSEMBLY - Baggage tie down (tip end)	2	
-62	66805-00	B	STRAP ASSEMBLY - Baggage tie down (buckle end)	2	
-63	99819-00		BLANKET ASSEMBLY - Firewall	1	
-64	99635-09	A,C	COVER - Fuel selector	1	
	35773-02	B,C	COVER - Fuel selector	1	
-65	99181-03		HANDLE ASSEMBLY - Fuel selector	1	
-66	68556-00		VENT ASSEMBLY - Air, rear, left	1	
	68556-01		VENT ASSEMBLY - Air, rear, right	1	
-67	76221-00	L,M	CLIP - Shoulder harness retaining	4	
	76221-00	N	CLIP - Shoulder harness retaining	1	
-68	79456-00		CAP - Assist strap	1	
-69	99967-00		RETAINER - Glareshield, left	1	
	99968-00		RETAINER - Glareshield, right	1	
-70	65219-00		PLACARD - Rudder trim	1	
-71	66787-00		PLACARD - "Soft Wear Only"	1	

When ordering, always specify Part Number, Description, and Serial Number of Aircraft

PIPER PARTS CATALOG

Figure and Index Number	Part Number	Code	NOMENCLATURE	No. Req.	SERIAL NUMBERS AFFECTED
32-72	69669-169		PLACARD - "R" tank, 36 gallons	1	
-73	69669-170		PLACARD - "L" tank, 36 gallons	1	
-74	99184-02		PLACARD - Fuel off	1	
-75	66987-00	G	PLACARD - Aircraft limitations	1	
	35669-140	H	PLACARD - Aircraft limitations	1	
-76	99184-06		PLACARD - Fuel	1	
-77	515 710	W	SCREW - (PS10084-44-2)	2	
	407 562	W	WASHER - (AN960-6)	2	
	404 909	W	NUT - (MS20365-632C)	2	
-78	484 691		RIVET - Plastic (201-120751-00-0103)	2	
-79	36588-04		SCREW AND POST ASSEMBLY - Retainer	1	
-80	419 594		SCREW - (AN530-10R36)	2	

When ordering, always specify Part Number, Description, and Serial Number of Aircraft

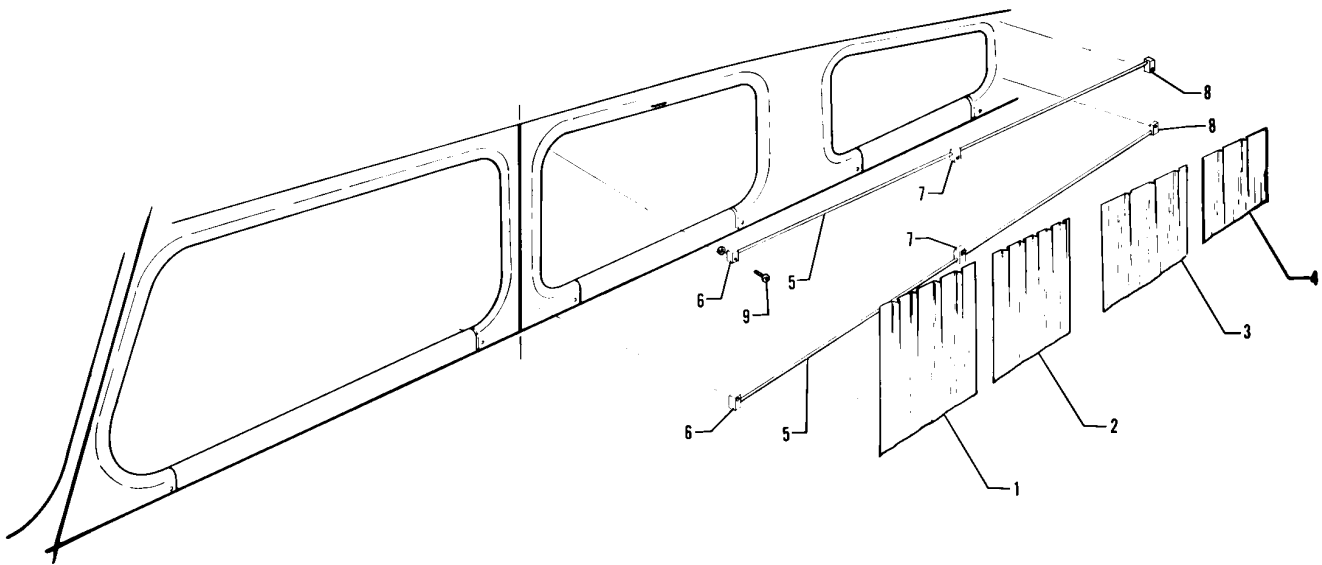


Figure 33. Window Curtains Installation

PIPER PARTS CATALOG

CODE EXPLANATIONS FOR FIGURE 33

W - These parts must be ordered from Service Spares Department, Piper Aircraft, Lock Haven, Penna.

PIPER PARTS CATALOG

Figure and Index Number	Part Number	Code	NOMENCLATURE	No. Req.	SERIAL NUMBERS AFFECTED
33-	67955		DRAWING - Curtain and Rod Installation		
-1	67968-12		CURTAIN ASSEMBLY - Window, center front, left	1	
	67968-13		CURTAIN ASSEMBLY - Window, center front, right	1	
-2	67968-14		CURTAIN ASSEMBLY - Window, center rear, left	1	
	67968-15		CURTAIN ASSEMBLY - Window, center rear, right	1	
-3	67968-16		CURTAIN ASSEMBLY - Window, rear front, left	1	
	67968-17		CURTAIN ASSEMBLY - Window, rear front, right	1	
-4	67968-18		CURTAIN ASSEMBLY - Window, rear front, left	1	
	67968-19		CURTAIN ASSEMBLY - Window, rear front, right	1	
-5	67969-15		ROD - Window curtain	4	
-6	67969-02		BRACKET - Window rod attachment, front	4	
-7	67969-04		BRACKET - Window rod attachment, center	4	
-8	67969-03		BRACKET - Window rod attachment, rear	4	
-9	415 539	W	SCREW - (MS35206-249)	12	
	477 778		NUT - (PS10062-6-2)	12	

When ordering, always specify Part Number, Description, and Serial Number of Aircraft

1F24
INTENTIONALLY LEFT BLANK

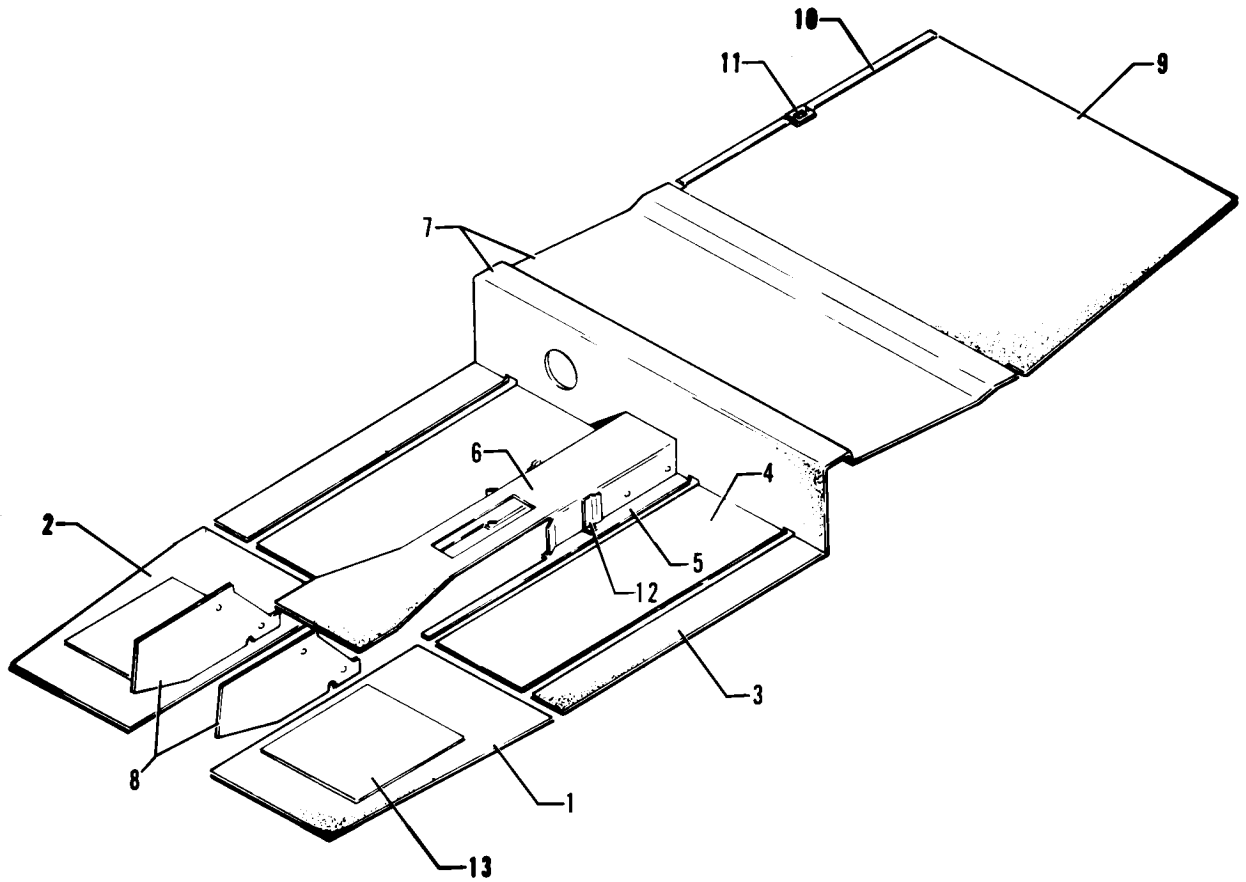


Figure 34. Carpet Installation

PIPER PARTS CATALOG

CODE EXPLANATIONS FOR FIGURE 34

- A - Used if sound reduction carpeting is installed
- B - When ordering, specify color heather, black, palm, raspberry, brown, firethorn red, medium saddle, dark saddle dark cedar dark carmine or light blue. Specify color royal blue (color code 781) for PA-28RT-201 with serial numbers 28R-7918001 to 28R-7918164 inclusive, and PA-28RT-201T with serial numbers 28R-7931001 to 28R-7931216 inclusive. Specify color dark blue (color code 796) for PA-28RT-201 with serial numbers 28R-7918166 and up, and PA-28RT-201T with serial numbers 28R-7931217 and up.
- C - When ordering, specify color brown, green, red, blue or buckskin.
- D - Used on PA-28RT-201 with serial numbers 28R-7918001 to 28R-8018116 inclusive, and PA-28RT-201T with serial numbers 28R-7931001 to 28R-8031188 inclusive.
- E - Used on PA-28RT-201 with serial numbers 28R-7918166 and up, and PA-28RT-201T with serial numbers 28R-7931217 and up.
- F - Used on PA-28RT-201 with serial numbers 28R-791 8001 to 28R-7918306 inclusive, and PA-28RT-201T with serial numbers 28R-7931001 to 28R-7931363 inclusive.
- G - Used on PA-28RT-201 with serial numbers 28R-8018001 and up and PA-28RT-201T with serial numbers 28R-8031001 and up.
- H - Used on PA-28RT-201 with serial numbers 28R-8118001 and up, and PA-28RT-201T with serial numbers 28R-8131001 and up.
- J - Used on PA-28RT-201 with serial numbers 28R-8218001 and up, and PA-28RT-201T with serial numbers 28R-8231001 and up.
- K - Used on PA-28RT-201 with serial numbers 28R-7918001 and up, and PA-28RT-201T with serial numbers 28R-7931001 to 28R-8231092 inclusive.
- L - Used on PA-28RT-201 with serial numbers 28R-8018001 and up, and PA-28RT-201T with serial numbers 28R-8031001 to 28R-8231092 inclusive.
- M - Used on PA-28RT-201T only.

PIPER PARTS CATALOG

Figure and Index Number	Part Number	Code	NOMENCLATURE	No. Req.	SERIAL NUMBERS AFFECTED	
34-	79768		DRAWING - Cockpit Finishing Installation			
-1	591 545	K	CARPET - Floor, front left, heather	1	28R-8331001 and up	
	591 148	F	CARPET - Floor, front left, black	1		
	591 700	D	CARPET - Floor, front left, palm	1		
	591 701	D	CARPET - Floor, front left, royal blue	1		
	591 827	E	CARPET - Floor, front left, dark blue	1		
	592 098	M	CARPET - Floor, front left, light blue	1		
	591 702	D	CARPET - Floor, front left, raspberry	1		
	591 703	D	CARPET - Floor, front left, brown	1		
	591 903	G	CARPET - Floor, front left, firethorn red	1		
	591 904	L	CARPET - Floor, front left, medium saddle	1		
	591 964	H	CARPET - Floor, front left, dark cedar	1		
	592 038	J	CARPET - Floor, front left, dark carmine	1		
	592 039	J	CARPET - Floor, front left, dark saddle	1		
	79236-10	A,B	CARPET - Floor, front left	1		
-2	591 547	K	CARPET - Floor, front right, heather	1		28R-8331001 and up
	591 153	F	CARPET - Floor, front right, black	1		
	591 704	D	CARPET - Floor, front right, palm	1		
	591 705	D	CARPET - Floor, front right, royal blue	1		
	591 828	E	CARPET - Floor, front right, dark blue	1		
	592 099	M	CARPET - Floor, front right, light blue	1		
	591 706	D	CARPET - Floor, front right, raspberry	1		
	591 707	D	CARPET - Floor, front right, brown	1		
	591 905	G	CARPET - Floor, front right, firethorn red	1		
	591 906	L	CARPET - Floor, front right, medium saddle	1		
	591 965	H	CARPET - Floor, front right, dark cedar	1		
	592 040	J	CARPET - Floor, front right, dark carmine	1		
	592 041	J	CARPET - Floor, front right, dark saddle	1		
	79236-11	A,B	CARPET - Floor, front right	1		
-3	591 501	K	CARPET - Floor, Sta. 74 to Sta. 105, outboard, heather	2	28R-8331001 and up	
	591 027	F	CARPET - Floor, Sta. 74 to Sta. 105, outboard, black	2		
	591 620	D	CARPET - Floor, Sta. 74 to Sta. 105, outboard, palm	2		
	591 621	D	CARPET - Floor, Sta. 74 to Sta. 105, outboard, royal blue	2		
	591 806	E	CARPET - Floor, Sta. 74 to Sta. 105, outboard, dark blue	2		
	592 078	M	CARPET - Floor, Sta. 74 to Sta. 105, outboard, light blue	2		
	591 622	D	CARPET - Floor, Sta. 74 to Sta. 105, outboard, raspberry	2		
	591 623	D	CARPET - Floor, Sta. 74 to Sta. 105, outboard, brown	2		
	591 859	G	CARPET - Floor, Sta. 74 to Sta. 105, outboard, firethorn red	2		
	591 860	L	CARPET - Floor, Sta. 74 to Sta. 105, outboard, medium saddle	2		
	591 943	H	CARPET - Floor, Sta. 74 to Sta. 105, outboard, dark cedar	2		
	591 996	J	CARPET - Floor, Sta. 74 to Sta. 105, outboard, dark carmine	2		
	591 997	J	CARPET - Floor, Sta. 74 to Sta. 105, outboard, dark saddle	2		
	79236-16	A,B	CARPET - Floor, Sta. 74 to Sta. 105, outboard	2		
-4	591 503	K	CARPET - Floor, Sta. 74 to Sta. 105, center, heather	2		28R-8331001 and up
	591 032	F	CARPET - Floor, Sta. 74 to Sta. 105, center, black	2		
	591 624	D	CARPET - Floor, Sta. 74 to Sta. 105, center, palm	2		
	591 625	D	CARPET - Floor, Sta. 74 to Sta. 105, center, royal blue	2		
	591 807	E	CARPET - Floor, Sta. 74 to Sta. 105, center, dark blue	2		
	592 079	M	CARPET - Floor, Sta. 74 to Sta. 105, center, light blue	2		
	591 626	D	CARPET - Floor, Sta. 74 to Sta. 105, center, raspberry	2		
	591 627	D	CARPET - Floor, Sta. 74 to Sta. 105, center, brown	2		

When ordering, always specify Part Number, Description, and Serial Number of Aircraft

PIPER PARTS CATALOG

Figure and Index Number	Part Number	Code	NOMENCLATURE	No. Req.	SERIAL NUMBERS AFFECTED	
34-4	591 861	G	CARPET - Floor, Sta. 74 to Sta. 105, center, firethorn red	2	28R-8331001 and up	
	591 862	L	CARPET - Floor, Sta. 74 to Sta. 105, center, medium saddle	2		
	591 944	H	CARPET - Floor, Sta. 74 to Sta. 105, center, dark cedar	2		
	591 998	J	CARPET - Floor, Sta. 74 to Sta. 105, center, dark carmine	2		
	591 999	J	CARPET - Floor, Sta. 74 to Sta. 105, center, dark saddle	2		
-5	79236-05	A,B	CARPET - Floor, Sta. 74 to Sta. 105, center	2		
	591 549	K	CARPET - Floor, Sta. 74 to Sta. 105, inboard left, heather	1		
	591 158	F	CARPET - Floor, Sta. 74 to Sta. 105, inboard left, black	1		
	591 708	D	CARPET - Floor, Sta. 74 to Sta. 105, inboard left, palm	1		
	591 709	D	CARPET - Floor, Sta. 74 to Sta. 105, inboard left, royal blue	1		
	591 829	E	CARPET - Floor, Sta. 74 to Sta. 105, inboard left, dark blue	1		
	592 100	M	CARPET - Floor, Sta. 74 to Sta. 105, inboard left, light blue	1		
	591 710	D	CARPET - Floor, Sta. 74 to Sta. 105, inboard left, raspberry	1		
	591 711	D	CARPET - Floor, Sta. 74 to Sta. 105, inboard left, brown	1		
	591 907	G	CARPET - Floor, Sta. 74 to Sta. 105, inboard left, firethorn red	1		
	591 908	L	CARPET - Floor, Sta. 74 to Sta. 105, inboard left, medium saddle	1		
	591 966	H	CARPET - Floor, Sta. 74 to Sta. 105, inboard left, dark cedar	1		
	592 042	J	CARPET - Floor, Sta. 74 to Sta. 105, inboard left, dark carmine	1		
	592 043	J	CARPET - Floor, Sta. 74 to Sta. 105, inboard left, dark saddle	1		
	591 551	K	CARPET - Floor, Sta. 74 to Sta. 105, inboard right, heather	1		
	591 163	F	CARPET - Floor, Sta. 74 to Sta. 105, inboard right, black	1		
	591 712	D	CARPET - Floor, Sta. 74 to Sta. 105, inboard right, palm	1		
	591 713	D	CARPET - Floor, Sta. 74 to Sta. 105, inboard right, royal blue	1		
	591 830	E	CARPET - Floor, Sta. 74 to Sta. 105, inboard right, dark blue	1		
	592 101	M	CARPET - Floor, Sta. 74 to Sta. 105, inboard right, light blue	1		
	591 714	D	CARPET - Floor, Sta. 74 to Sta. 105, inboard right, raspberry	1		
	591 715	D	CARPET - Floor, Sta. 74 to Sta. 105, inboard right, brown	1		
	591 909	G	CARPET - Floor, Sta. 74 to Sta. 105, inboard right, firethorn red	1		
	591 910	L	CARPET - Floor, Sta. 74 to Sta. 105, inboard right, medium saddle	1		
	591 967	H	CARPET - Floor, Sta. 74 to Sta. 105, inboard right, dark cedar	1		
	592 044	J	CARPET - Floor, Sta. 74 to Sta. 105, inboard right, dark carmine	1		
	592 045	J	CARPET - Floor, Sta. 74 to Sta. 105, inboard right, dark saddle	1		
	-6	591 543	K	CARPET - Tunnel, top, heather		1
		591 143	F	CARPET - Tunnel, top, black		1
		591 696	D	CARPET - Tunnel, top, palm		1
591 697		D	CARPET - Tunnel, top, royal blue	1		
591 825		E	CARPET - Tunnel, top, dark blue	1		
592 096		M	CARPET - Tunnel, top, light blue	1		
591 698		D	CARPET - Tunnel, top, raspberry	1		
591 699		D	CARPET - Tunnel, top, brown	1		
591 899		G	CARPET - Tunnel, top, firethorn red	1		
591 900		L	CARPET - Tunnel, top, medium saddle	1		
591 962		H	CARPET - Tunnel, top, dark cedar	1		
592 034		J	CARPET - Tunnel, top, dark carmine	1		
592 035		J	CARPET - Tunnel, top, dark saddle	1		
-7		591 585	K	CARPET - Floor, sparbox and rear, heather		1
		591 587	F	CARPET - Floor, sparbox and rear, black		1

When ordering, always specify Part Number, Description, and Serial Number of Aircraft

PIPER PARTS CATALOG

Figure and Index Number	Part Number	Code	NOMENCLATURE	No. Req.	SERIAL NUMBERS AFFECTED		
34-7	591 588	D	CARPET - Floor, sparbox and rear, palm	1	28R-8331001 and up		
	591 589	D	CARPET - Floor, sparbox and rear, royal blue	1			
	591 798	E	CARPET - Floor, sparbox and rear, dark blue	1			
	592 070	M	CARPET - Floor, sparbox and rear, light blue	1			
	591 590	D	CARPET - Floor, sparbox and rear, raspberry	1			
	591 591	D	CARPET - Floor, sparbox and rear, brown	1			
	591 843	G	CARPET - Floor, sparbox and rear, firethorn red	1			
	591 844	L	CARPET - Floor, sparbox and rear, medium saddle	1			
	591 935	H	CARPET - Floor, sparbox and rear, dark cedar	1			
	591 980	J	CARPET - Floor, sparbox and rear, dark carmine	1			
	591 981	J	CARPET - Floor, sparbox and rear, dark saddle	1			
	-8	591 497	K	CARPET - Tunnel, left side, heather		1	28R-8331001 and up
		591 017	F	CARPET - Tunnel, left side, black		1	
		591 612	D	CARPET - Tunnel, left side, palm		1	
591 613		D	CARPET - Tunnel, left side, royal blue	1			
591 804		E	CARPET - Tunnel, left side, dark blue	1			
592 076		M	CARPET - Tunnel, left side, light blue	1			
591 614		D	CARPET - Tunnel, left side, raspberry	1			
591 615		D	CARPET - Tunnel, left side, brown	1			
591 855		G	CARPET - Tunnel, left side, firethorn red	1			
591 856		L	CARPET - Tunnel, left side, medium saddle	1			
591 941		H	CARPET - Tunnel, leg side, dark cedar	1			
591 992		J	CARPET - Tunnel, left side, dark carmine	1			
591 993		J	CARPET - Tunnel, left side, dark saddle	1			
591 499		K	CARPET - Tunnel, right side, heather	1			
-9	591 022	F	CARPET - Tunnel, right side, black	1	28R-8331001 and up		
	591 616	D	CARPET - Tunnel, right side, palm	1			
	591 617	D	CARPET - Tunnel, right side, royal blue	1			
	591 805	E	CARPET - Tunnel, right side, dark blue	1			
	592 077	M	CARPET - Tunnel, right side, light blue	1			
	591 618	D	CARPET - Tunnel, right side, raspberry	1			
	591 619	D	CARPET - Tunnel, right side, brown	1			
	591 857	G	CARPET - Tunnel, right side, firethorn red	1			
	591 858	L	CARPET - Tunnel, right side, medium saddle	1			
	591 942	H	CARPET - Tunnel, right side, dark cedar	1			
	591 994	J	CARPET - Tunnel, right side, dark carmine	1			
	591 995	J	CARPET - Tunnel, right side, dark saddle	1			
	591 491	K	CARPET - Baggage compartment, heather	1			
	591 472	F	CARPET - Baggage compartment, black	1			
-10	591 608	D	CARPET - Baggage compartment, palm	1	28R-8331001 and up		
	591 609	D	CARPET - Baggage compartment, royal blue	1			
	591 803	E	CARPET - Baggage compartment, dark blue	1			
	592 075	M	CARPET - Baggage compartment, light blue	1			
	591 610	D	CARPET - Baggage compartment, raspberry	1			
	591 611	D	CARPET - Baggage compartment, brown	1			
	591 853	G	CARPET - Baggage compartment, firethorn red	1			
	591 854	L	CARPET - Baggage compartment, medium saddle	1			
	591 940	H	CARPET - Baggage compartment, dark cedar	1			
	591 990	J	CARPET - Baggage compartment, dark carmine	1			
	591 991	J	CARPET - Baggage compartment, dark saddle	1			
	63185-06		TRIMSTRIP - Baggage compartment	1			
	63293-00		PLATE - Striker, baggage door	1			
	99433-00		CLIP - Carpet, left	1			
99433-01		CLIP - Carpet, right	1				
-13	63130-02		PLATE - Heel	2			

When ordering, always specify Part Number, Description, and Serial Number of Aircraft

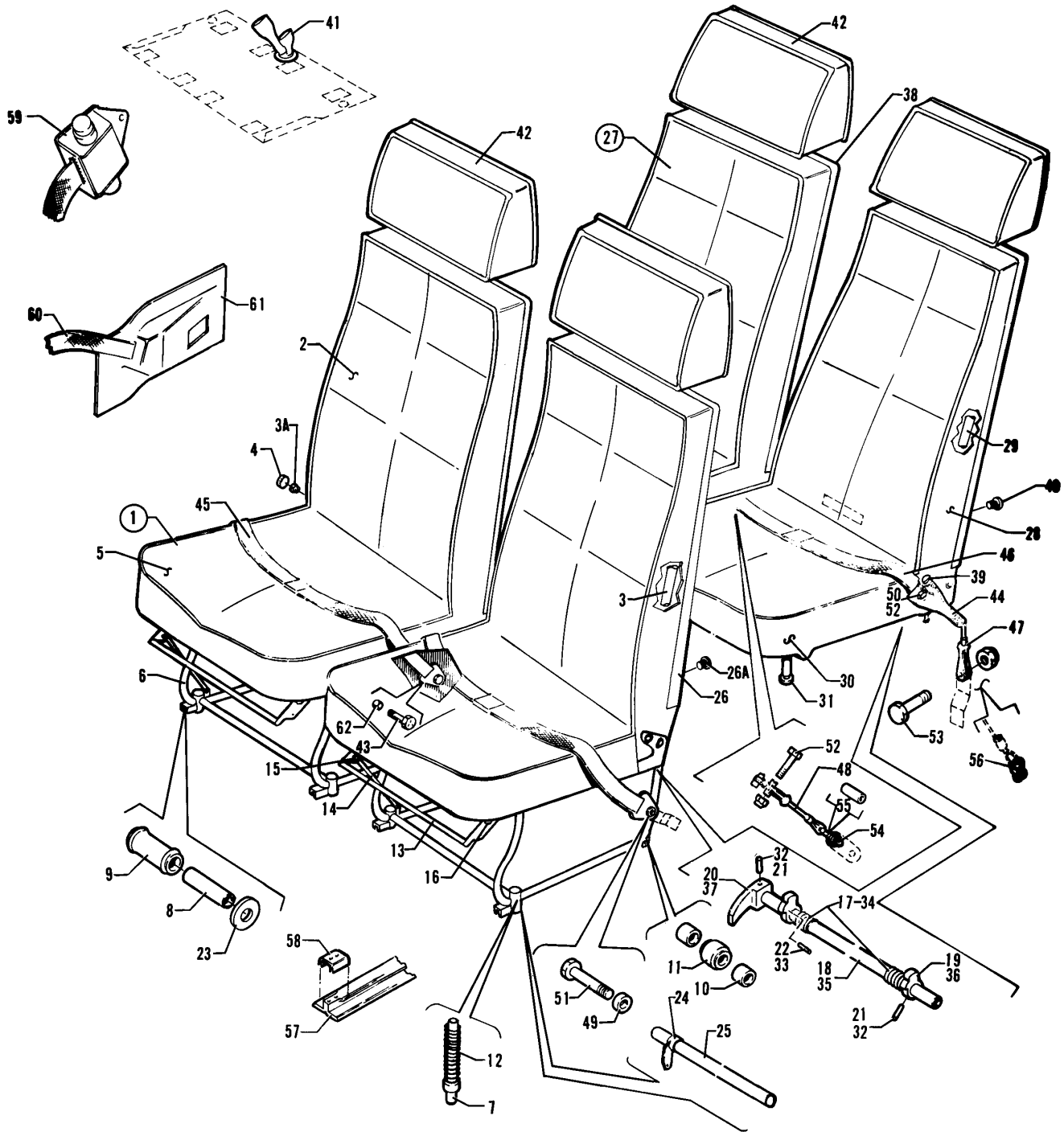


Figure 35. Seats Installation

PIPER PARTS CATALOG

CODE EXPLANATIONS FOR FIGURE 35

NOTE: Refer to Figure 36 if vertically adjustable front seats are installed.

- A - When ordering, specify color red, blue, gold, navajo sepia, or navajo cactus. Specify trim color black or camel, if applicable.
- B - When ordering, specify color olivetone, raspberry or tan for PA-28RT-201 with serial numbers 28R-7918001 to 28R-7918306 inclusive, and PA-28RT-201T with serial numbers 28R-7931001 to 28R-7931353 inclusive. Specify color midnight blue (color code 785) for PA-28RT-201 with serial numbers 28R-7918001 to 28R-7918164 inclusive, and PA-28RT-201T with serial numbers 28R-7931001 to 28R-7931216 inclusive. Specify color dark blue (color code 796) for PA-28RT-201 with serial numbers 28R-7918165 and up, and PA-28RT-201T with serial numbers 28R-7931217 and up. Specify color firethorn red, buckskin, dark cedar, dark carmine, or sandalwood, for PA-28RT-201 with serial numbers 28R-8018001 and up, and PA-28RT-201T with serial numbers 28R-8031001 and up. When ordering dark cedar, specify knit or velour.
- C - Used on PA-28RT-201 with serial numbers 28R-7918001 to 28R-7918306 inclusive, and PA-28RT-201T with serial numbers 28R-7931001 to 28R-7931353 inclusive.
- D - Used on PA-28RT-201 with serial numbers 28R-8118001 and up, and PA-28RT-201T with serial numbers 28R-8131001 to 28R-8231092 inclusive.
- E - When ordering, specify color "bark II" or black.
- F - Before ordering, ascertain O.D. at center of seat roller. If O.D. of roller measures .42, (2) rollers P/N 87332-02 must be ordered. If O.D. of roller measures .62, order roller(s) as required.
- G - Used on PA-28RT-201 with serial numbers 28R-7918001 and up, and PA-28RT-201T with serial numbers 28R-7931001 to 28R-8231092 inclusive.
- H - When ordering, specify color madrid red, bahama blue, dark blue, buckskin, light buckskin, firethorn red, dark firethorn, dark cedar, dark saddle, sandalwood, or patrician sandalwood. Also specify material cloth, velour, knit, or leather.
- J - Used on PA-28RT-201T only.
- W - These parts must be ordered from Service Spares Department, Piper Aircraft, Lock Haven, Penna.

PIPER PARTS CATALOG

Figure and Index Number	Part Number	Code	NOMENCLATURE	No. Req.	SERIAL NUMBERS AFFECTED
35-	76170 79164		DRAWING - Seats Installation DRAWING - Shoulder Harness Installation		
-1	79337-21	A,G	SEAT ASSEMBLY - Front, left	1	
	79337-58	H,J	SEAT ASSEMBLY - Front, left	1	28R-8331001 and up
	79337-43	B,G	SEAT ASSEMBLY - Front, left (luxurious)	1	
	79337-70	H,J	SEAT ASSEMBLY - Front, left (luxurious)	1	28R-8331001 and up
	79337-22	A,G	SEAT ASSEMBLY - Front, right	1	
	79337-61	H,J	SEAT ASSEMBLY - Front, right	1	28R-8331001 and up
	79337-44	B,G	SEAT ASSEMBLY - Front, right (luxurious)	1	
	79337-73	H,J	SEAT ASSEMBLY - Front, right (luxurious)	1	28R-8331001 and up
-2	79337-16	A,G	* CUSHION AND FRAME ASSEMBLY - Back, left	1	
	79337-59	H,J	* CUSHION AND FRAME ASSEMBLY - Back, left	1	28R-8331001 and up
	79337-27	B,G	* CUSHION AND FRAME ASSEMBLY - Back, left (luxurious)	1	
	79337-71	H,J	* CUSHION AND FRAME ASSEMBLY - Back, left (luxurious)	1	28R-8331001 and up
	79337-17	A,G	* CUSHION AND FRAME ASSEMBLY - Back, right	1	
	79337-62	H,J	* CUSHION AND FRAME ASSEMBLY - Back, right	1	28R-8331001 and up
	79337-28	B,G	* CUSHION AND FRAME ASSEMBLY - Back, right (luxurious)	1	
	79337-74	H,J	* CUSHION AND FRAME ASSEMBLY - Back, right (luxurious)	1	28R-8331001 and up
-3	79555-00		** FRAME ASSEMBLY - Back, left	1	
	79555-01		** FRAME ASSEMBLY - Back, right	1	
-3a	453 732	W	*** BUSHING - Seat back, right (PS10064-375-4)	1	
-4	79554-02		** KNOB - Seat back release, right	1	
-5	79337-23	A,G	* CUSHION AND FRAME ASSEMBLY - Bottom, left	1	
	79337-60	H,J	* CUSHION AND FRAME ASSEMBLY - Bottom, left	1	28R-8331001 and up
	79337-32	B,G	* CUSHION AND FRAME ASSEMBLY - Bottom, left (luxurious)	1	
	79337-72	H,J	* CUSHION AND FRAME ASSEMBLY - Bottom, left (luxurious)	1	28R -8331001 and up
	79337-24	A,G	* CUSHION AND FRAME ASSEMBLY - Bottom, right	1	
	79337-63	H,J	* CUSHION AND FRAME ASSEMBLY - Bottom, right	1	28R-8331001 and up
	79337-33	B,G	* CUSHION AND FRAME ASSEMBLY - Bottom, right (luxurious)	1	
	79337-75	H,J	* CUSHION AND FRAME ASSEMBLY - Bottom, right (luxurious)	1	28R-8331001 and up
-6	79819-02		** FRAME ASSEMBLY - Bottom, left	1	
	79819-03		** FRAME ASSEMBLY - Bottom, right	1	
-7	76175-03		*** PLUNGER - Seat bottom	2	
-8	95061-106		*** SPACER - Seat roller, front legs	2	
-9	87332-02	F	*** ROLLER - Seat track, front legs	2	
-10	95061-161		*** SPACER - Seat roller, aft legs	4	
-11	452 386		*** ROLLER - Aft legs (NAS506-4)	2	
-12	587 299		*** SPRING - Seat plunger (LC-038F-6SS)	2	
-13	79207-00		*** HANDLE ASSEMBLY - Seat release	1	
-14	79322-06		*** ROD - Seat release mechanism (9.60" L.)	1	
-15	407 561	W	*** WASHER - (AN960-4)	2	
	406 369		*** NUT - (A1037-012-3)	2	

When ordering, always specify Part Number, Description, and Serial Number of Aircraft

PIPER PARTS CATALOG

Figure and Index Number	Part Number	Code	NOMENCLATURE	No. Req.	SERIAL NUMBERS AFFECTED
35-16	400 002		*** BOLT - (AN4-5A)	2	
	494 040		*** WASHER - (PS10011-12) Nylon	6	
	404 836	W	*** NUT - (MS20364-428C)	2	
-17	19336-00	W	*** SPRING - Seat back adjustment, inboard	1	
	19336-01	W	*** SPRING - Seat back adjustment, outboard	1	
-18	79230-00		*** TUBE - Reclining mechanism	1	
-19	19365-02	W	*** CAM - Reclining seat	2	
-20	79442-00		*** HANDLE - Seat back adjustment	1	
-21	480 701	W	*** PIN - Roll (59-028-1250625)	3	
-22	480 732	W	*** PIN - Roll (59-040-1870937)	2	
-23	62833-78		*** WASHER - Seat roller	8	
-24	76178-00		*** ARM ASSEMBLY - Seat latch	1	
-25	76172-00		*** BELLCRANK ASSEMBLY - Seat latch	1	
-26	78041-00	E,G	* COVER - Seat back	1	
	78041-09	B,G	* COVER - Seat back (luxurious)	1	
-26a	67958-03	B,G	* BUTTON ASSEMBLY - Seat back	5	
	67958-05	H,J	* BUTTON ASSEMBLY - Seat back	5	28R-8331001 and up
-27	96827-22	A,G	SEAT ASSEMBLY - Rear, left	1	
	96827-35	H,J	SEAT ASSEMBLY - Rear, left	1	28R-8331001 and up
	96827-29	B,G	SEAT ASSEMBLY - Rear, left (luxurious)	1	
	96827-41	H,J	SEAT ASSEMBLY - Rear, left (luxurious)	1	28R-8331001 and up
	96827-23	A,G	SEAT ASSEMBLY - Rear, right	1	
	96827-37	H,J	SEAT ASSEMBLY - Rear, right	1	28R-8331001 and up
	96827-30	B,G	SEAT ASSEMBLY - Rear, right (luxurious)	1	
	96827-43	H,J	SEAT ASSEMBLY - Rear, right (luxurious)	1	28R-8331001 and up
-28	79337-16	A,G	* CUSHION AND FRAME ASSEMBLY - Seat back, left and right	1	
	79337-59	H,J	* CUSHION AND FRAME ASSEMBLY - Seat back, left and right	1	28R-8331001 and up
	79337-27	B,G	* CUSHION AND FRAME ASSEMBLY - Seat back, left and right (luxurious)	1	
	79337-71	H,J	* CUSHION AND FRAME ASSEMBLY - Seat back, left and right (luxurious)	1	28R-8331001 and up
-29	79555-00		** FRAME ASSEMBLY - Seat back	1	
-30	96827-26	A,G	* CUSHION AND FRAME ASSEMBLY - Bottom, left	1	
	96827-36	H,J	* CUSHION AND FRAME ASSEMBLY - Bottom, left	1	28R-8331001 and up
	96827-31	B,G	* CUSHION AND FRAME ASSEMBLY - Bottom, left (luxurious)	1	
	96827-42	H,J	* CUSHION AND FRAME ASSEMBLY - Bottom, left (luxurious)	1	28R-8331001 and up
	96827-27	A,G	* CUSHION AND FRAME ASSEMBLY - Bottom, right	1	
	96827-38	H,J	* CUSHION AND FRAME ASSEMBLY - Bottom, right	1	28R-8331001 and up
	96827-32	B,G	* CUSHION AND FRAME ASSEMBLY - Bottom, right (luxurious)	1	
	96827-44	H,J	* CUSHION AND FRAME ASSEMBLY - Bottom, right (luxurious)	1	28R-8331001 and up
-31	99077-16		** FRAME ASSEMBLY - Seat bottom, left	1	
	99077-17		** FRAME ASSEMBLY - Seat bottom, right	1	
-32	480 701	W	** PIN - Roll (59-028-125-0625)	3	
-33	480 732	W	** PIN - Roll (59-040-187-0937)	2	
-34	19336-00	W	** SPRING - Seat back adjustment, inboard	1	
	19336-01	W	** SPRING - Seat back adjustment, outboard	1	
-35	19392-15	W	** TUBE - Reclining mechanism	2	
-36	19365-02	W	** CAM - Reclining seat	2	
-37	79442-00		** HANDLE - Seat back adjustment	1	
-38	78041-02	E,G	* COVER ASSEMBLY - Rear seat, back	1	
	78041-10	B,G	* COVER ASSEMBLY - Rear seat, back (luxurious)	1	
-39	400 916	W	* BOLT - (AN24-26A)	2	
	407 565	W	* WASHER - (AN960-416)	2	
	477 709	W	* NUT - (26C-048)	2	

When ordering, always specify Part Number, Description, and Serial Number of Aircraft

PIPER PARTS CATALOG

Figure and Index Number	Part Number	Code	NOMENCLATURE	No. Req.	SERIAL NUMBERS AFFECTED
35-40	67958-03	B,G	* BUTTON ASSEMBLY - Seat back	5	28R-8331001 and up
	67958-05	H,J	* BUTTON ASSEMBLY - Seat back	5	
-41	99242-13		BOOT ASSEMBLY - Seat belt	1	28R-8331001 and up
-42	79764-02	A,C	HEADREST ASSEMBLY Complete (10" high)	4	
	79337-18	A,G	HEADREST ASSEMBLY - Complete (8" high)	4	28R-8331001 and up
	79337-41	B,G	HEADREST ASSEMBLY - Complete (6" high) luxurious	4	
	79764-04	B,C	HEADREST ASSEMBLY - Complete (10" high) luxurious	4	28R-8331001 and up
	36938-04	H,J	HEADREST ASSEMBLY - Complete	4	
-43	400 863	W	BOLT - (AN23-11A), left	1	28R-8331001 and up
	401 269	W	BOLT - (AN3-10A), right .	1	
-44	68022-14		BOOT - Seat belt attachment	2	28R-8331001 and up
-45	551 390		BELT ASSEMBLY - Safety, front (PS50039-4-2A)	2	
-46	551 374		BELT ASSEMBLY - Safety, rear (PS50039-4-3)	2	28R-8331001 and up
-47	96908-00		CABLE ASSEMBLY - Seat belt attachment, rear, outboard	2	
-48	96908-00		CABLE ASSEMBLY - Seat belt attachment, rear, inboard	2	28R-8331001 and up
-49	63900-145		BUSHING - Front seat safety belt attachment	2	
-50	63900-149		BUSHING - Rear seat safety belt attachment	4	28R-8331001 and up
-51	401 269	W	BOLT - (AN3-10A)	2	
-52	401 187	W	BOLT - (AN5-7A)	4	28R-8331001 and up
	407 566	W	WASHER - (AN960-516)	4	
	404 837	W	NUT - (MS20364-524C)	4	28R-8331001 and up
-53	400 004	W	BOLT - (AN4-7A)	2	
	407 565	W	WASHER - (AN960-416)	2	28R-8331001 and up
	404 888	W	NUT - (MS20365-428C)	2	
-54	401 355	W	BOLT - (AN5-14A)	1	28R-8331001 and up
	407 566	W	WASHER - (AN960-516)	1	
	404 889	W	NUT - (MS20365-524C)	1	28R-8331001 and up
-55	95061-91		BUSHING - Rear seat cable attachment	1	
-56	486 560		SHACKLE - (MS20115F5)	2	28R-8331001 and up
-57	62557-04		TRACK - Seat	4	
-58	62654-00		STOP - Seat	8	28R-8331001 and up
-59	551 425	D	BELT ASSEMBLY - Shoulder, front (fixed) (PS50039-4-23)	2	
	452 680		BELT ASSEMBLY - Shoulder, front (with inertia reel) (PS50039-4-20)	2	28R-8331001 and up
-60	551 424	D	BELT ASSEMBLY - Shoulder, rear (fixed) (PS50039-4-22)	2	
	452 679		BELT ASSEMBLY - Shoulder, rear (with inertia reel) (PS50039-4- 19)	2	28R-8331001 and up
-61	99920-02		COVER ASSEMBLY - Inertia reel, left	1	
	99920-03		COVER ASSEMBLY - Inertia reel, right	1	28R-8331001 and up
-62	95061-186		BUSHING - Front seat safety belt attachment, left (.25" L.)	1	
	95061-180		BUSHING - Front seat safety belt attachment, right (34"L)	1	

When ordering, always specify Part Number, Description, and Serial Number of Aircraft

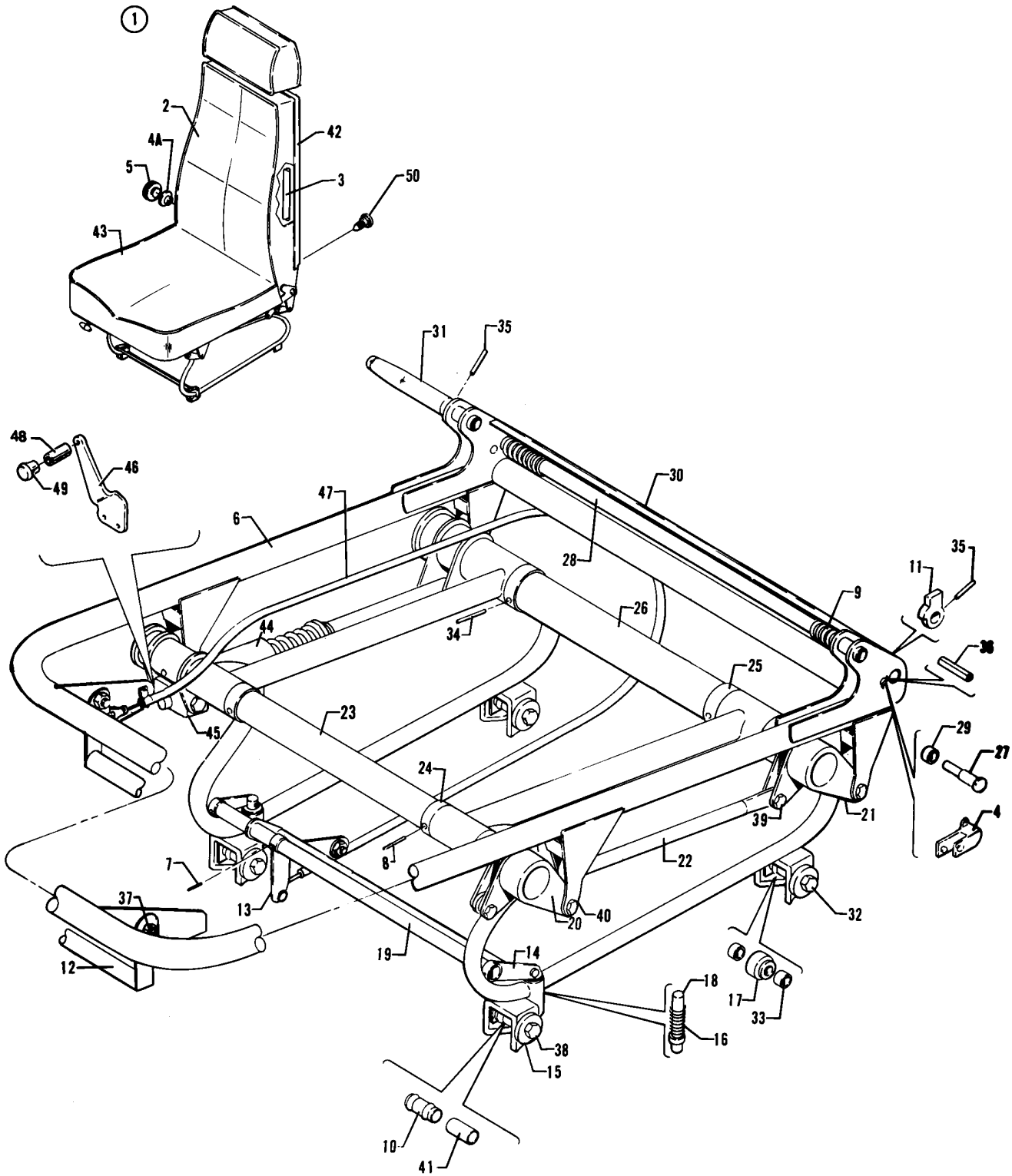


Figure 36. Vertically Adjustable Front Seat Assembly

PIPER PARTS CATALOG

CODE EXPLANATIONS FOR FIGURE 36

- A - When ordering, specify color red, blue, gold, navajo sepia. or navajo cactus. Specify trim color black or camel, if applicable.
- B - When ordering, specify color olivetone, raspberry or tan for PA-28RT-201 with serial numbers 28R-7918001 to 28R-7918306 inclusive, and PA-28RT-201T with serial numbers 28R-7931001 to 28R-7931353 inclusive. Specify color midnight blue (color code 785) for PA-28RT-201 with serial numbers 28R-7918001 to 28R-7918164 inclusive, and PA-28RT-201T with serial numbers 28R-7931001 to 28R-7931216 inclusive. Specify color dark blue (color code 796) for PA-28RT-201 with serial numbers 28R-7918165 and up, and PA-28RT-201T with serial numbers 28R-7931217 and up. Specify color firethorn red, buckskin, dark cedar, dark carmine, or sandalwood for PA-28RT-201 with serial numbers 28R-8018001 and up, and PA-28RT-201T with serial numbers 28R-8031001 and up. When ordering dark cedar, specify knit or velour.
- C - Used if a welded bellcrank assembly is installed.
- D - Used if a forged bellcrank assembly is installed.
- E - Used on PA-28RT-201 with serial numbers 28R-7918001 to 28R-7918164 inclusive, and PA-28RT-201T with serial numbers 28R-7931001 to 28R-7931216 inclusive.
- F - Used on PA-28RT-201 with serial numbers 28R-7918165 and up, and PA-28RT-201T with serial numbers 28R-7931217 and up.
- G - Used on PA-28RT-201 with serial numbers 28R-7918001 to 28R-7918306 inclusive, and PA-28RT-201T with serial numbers 28R-7931001 to 28R-7931353 inclusive.
- H - Used on PA-28RT-201 with serial numbers 28R-8018001 and up, and PA-28RT-201T with serial numbers 28R-8031001 and up.
- J - When ordering, specify color "bark II" or black.
- K - Used on PA-28RT-201 with serial numbers 28R-8118001 and up, and PA-28RT-201T with serial numbers 28R-8131001 and up.
- L - Used on PA-28RT-201 with serial numbers 28R-7918001 to 28R-8018116 inclusive, and PA-28RT-201T with serial numbers 28R-7931001 to 28R-8031188 inclusive.
- M - Before ordering, ascertain O.D. at center of seat roller. If O.D. of roller measures .42, (2) rollers P/N 87332-02 must be ordered. If O.D. of roller measures .62, order roller(s) as required.
- N - Used on PA-28RT-201 with serial numbers 28R-8218001 and up. and PA-28RT-201T with serial numbers 28R-8231001 and up.
- O - Used on PA-28RT-201 with serial numbers 28R-8018001 and up, and PA-28RT-201T with serial numbers 28R-8031001 to 28R-8231092 inclusive.
- P - Used on PA-28RT-201T only.
- Q - Used on PA-28RT-201 with serial numbers 28R-7918001 and up, and PA-28RT-201T with serial numbers 28R-7931001 to 28R-8231092 inclusive.
- R - Used on PA-28RT-201 with serial numbers 28R-8118001 and up, and PA-28RT-201T with serial numbers 28R-8131001 to 28R-8231092 inclusive.
- S - Used on PA-28RT-201 with serial numbers 28R-7918001 and up, and PA-28RT-201T with serial numbers 28R-7931001 to 28R-8231092 inclusive.
- T - When ordering, specify color madrid red, bahama blue, dark blue, buckskin, light buckskin, firethorn red, dark firethorn, dark cedar, dark saddle, sandalwood, or patrician sandalwood. Also specify material cloth, velour, knit, or leather.
- W - These parts must be ordered from Service Spares Department, Piper Aircraft. Lock Haven, Penna.

PIPER PARTS CATALOG

Figure and Index Number	Part Number	Code	NOMENCLATURE	No. Req.	SERIAL NUMBERS AFFECTED	
36-1	79591-02	A,S	SEAT ASSEMBLY - Adjustable front, left	1	28R-8331001 and up	
	79591-08	P,T	SEAT ASSEMBLY - Adjustable front, left	1		
	79591-04	B,S	SEAT ASSEMBLY - Adjustable front, left (luxurious)	1		
	79591-10	P,T	SEAT ASSEMBLY - Adjustable front, left (luxurious)	1		
	79591-03	A,S	SEAT ASSEMBLY - Adjustable front, right	1		
	79591-09	P,T	SEAT ASSEMBLY - Adjustable front, right	1		
	79591-05	B,S	SEAT ASSEMBLY - Adjustable front, right (luxurious)	1		
	79591-11	P,T	SEAT ASSEMBLY - Adjustable front, right (luxurious)	1		
	-2	79337-16	A,S	* CUSHION ASSEMBLY - Back, left		1
		79337-59	P,T	* CUSHION ASSEMBLY - Back, left		1
		79337-27	B,S	* CUSHION ASSEMBLY - Back, left (luxurious)		1
79337-71		P,T	* CUSHION ASSEMBLY - Back, left (luxurious)	1		
79337-17		A,S	* CUSHION ASSEMBLY - Back, right	1		
79337-62		P,T	* CUSHION ASSEMBLY - Back, right	1		
79337-28		B,S	* CUSHION ASSEMBLY - Back, right (luxurious)	1		
79337-74		P,T	* CUSHION ASSEMBLY - Back, right (luxurious)	1		
-3	79555-00		** FRAME ASSEMBLY - Back, left	1		
	79555-01		** FRAME ASSEMBLY - Back, right	1		
-4	99718-05		*** STOP ASSEMBLY - Seat latch	1		
-4a	453 732	W	*** BUSHING - Seat back, right (PS10064-375-4)	1		
-5	79554-02		** KNOB - Seat back release, right	1		
-6	79539-02		* FRAME ASSEMBLY - Bottom, left	1		
	79539-03		* FRAME ASSEMBLY - Bottom, right	1		
-7	480 777		** PIN - (MS9048-100) .50 long	3		
	480 592		** PIN - (MS9048-101) .56 long	3		
-8	480 789		** PIN - (MS9048-170)	4		
-9	19336-00	W	** SPRING - Seat back adjustment, left	1		
	19336-01	W	** SPRING - Seat back adjustment, right	1		
-10	87332-02	M	** ROLLER - Seat	2		
-11	19365-02	W	** CAM - Reclining seat	2		
-12	79207-00		** HANDLE ASSEMBLY - Seat release	1		
-13	76187-00		** ARM ASSEMBLY - Seat release	1		
-14	36858-02		** ARM ASSEMBLY - Seat latch (forged)	2		
-15	62833-78		** WASHER	8		
-16	587 299		** SPRING - Seat plunger (LC-038F-6SS)	2		
-17	452 386		** ROLLER - (NAS506-4)	2		
-18	76175-00		** PLUNGER	2		
-19	76172-03		** TUBE - Bellcrank	1		
-20	36856-02		** BELLCRANK ASSEMBLY - Forward (forged)	1		
-21	36857-02		** BELLCRANK ASSEMBLY - Aft (forged)	1		
-22	76342-00		** LINK ASSEMBLY - Seat	1		
-23	76343-00		** TUBE ASSEMBLY - Forward	1		
-24	76351-02		** BUSHING - Seat	2		
-25	76351-03		** BUSHING - Seat	2		
-26	37848-02		** TUBE ASSEMBLY - Aft	1		
-27	79229-00		** BEARING SHAFT - Seat release, right	1		
-28	79230-02		** TUBE - Seating reclining	1		
-29	79235-00		** BUSHING - Seat back release, right	1		
-30	76176-00		** COVER - Reclining seat	1		
-31	79442-02		** HANDLE - Seat back adjustment, black	1		
-32	401 318	W	** BOLT - (AN4-20A)	2		
	477 708		** NUT - (26C-048)	2		
-33	95061-161		** SPACER - Seat	4		
-34	480 801		** PIN - (MS9048-173) (1.37 L.)	4		
-35	480 701	W	** PIN - Roll (59-028-125-0625)	3		
-36	480 732	W	** PIN - Roll (59-040-187-0937)	2		
-37	400 002	W	** BOLT - (AN4-5A)	2		
	494 040		** WASHER - (PS10011-12)	6		
	404 836	W	** NUT - (MS20364-428C)	2		

When ordering, always specify Part Number, Description, and Serial Number of Aircraft

PIPER PARTS CATALOG

Figure and Index Number	Part Number	Code	NOMENCLATURE	No. Req.	SERIAL NUMBERS AFFECTED
36-38	401 318		** BOLT - (AN4-20A)	2	
	404 888	W	** NUT - (MS20365-428C)	2	
-39	424 205	C	** PIN - (MS20392-3C17)	2	
	424 204	D	** PIN - (MS20392-3C15)	2	
	407 565	C,W	** WASHER - (AN960-416)	2	
	407 585	D,W	** WASHER - (AN960-416L)	2	
	424 051	W	** COTTER PIN - (MS24665-132)	2	
-40	424 172		** PIN - (MS20392-2C11)	4	
	407 564	W	** WASHER - (AN960-10)	4	
	424 051	W	** COTTER PIN - (MS24665-132)	4	
-41	95061-106		** SPACER	2	
-42	78041-00	J	* COVER ASSEMBLY - Seat back	1	
	78041 -09	B	* COVER ASSEMBLY - Seat back (luxurious)	1	
-43	556 469	L	* COVER ASSEMBLY - Seat bottom, red with black trim	1	
	556 470	L	* COVER ASSEMBLY - Seat bottom, blue with black trim	1	
	556 471	Q	* COVER ASSEMBLY - Seat bottom, gold with black trim	1	
	555 884	Q	* COVER ASSEMBLY - Seat bottom, navajo sepia with camel trim	1	
	555 895	Q	* COVER ASSEMBLY - Seat bottom, navajo cactus with camel trim	1	
	555 888	Q	* COVER ASSEMBLY - Seat bottom, navajo sepia with black trim	1	
	555 889	Q	* COVER ASSEMBLY - Seat bottom, navajo cactus with black trim	1	
	556 472	L	* COVER ASSEMBLY - Seat bottom, red with camel trim	1	
	556 473	L	* COVER ASSEMBLY - Seat bottom, blue with camel trim	1	
	556 474	Q	* COVER ASSEMBLY - Seat bottom, gold with camel trim	1	
	556 932	R	* COVER ASSEMBLY - Seat bottom, red	1	
	566 933	R	* COVER ASSEMBLY - Seat bottom, blue	1	
	556 236	G	* COVER ASSEMBLY - Seat bottom, olivetone (luxurious)	1	
	556 237	E	* COVER ASSEMBLY - Seat bottom, midnight blue (luxurious)	1	
	556 705	F	* COVER ASSEMBLY - Seat bottom, dark blue (luxurious)	1	
	559 700	P	* COVER ASSEMBLY - Seat bottom, dark blue (velour)	1	28R-8331001 and up
	559 748	P	* COVER ASSEMBLY - Seat bottom, dark blue (leather)	1	28R-8331001 and up
	559 828	P	* COVER ASSEMBLY - Seat bottom, bahama blue (cloth)	1	28R-8331001 and up
	556 238	G	* COVER ASSEMBLY - Seat bottom, raspberry (luxurious)	1	
	556 239	G	* COVER ASSEMBLY - Seat bottom, tan (luxurious)	1	
	559 827	P	* COVER ASSEMBLY - Seat bottom, madrid red (cloth)	1	28R-8331001 and up
	556 677	H	* COVER ASSEMBLY - Seat bottom, firethorn red (luxurious)	1	
	559 721	P	* COVER ASSEMBLY - Seat bottom, firethorn red (velour)	1	28R-8331001 and up
	559 784	P	* COVER ASSEMBLY - Seat bottom, dark firethorn (leather)	1	28R-8331001 and up
	556 678	O	* COVER ASSEMBLY - Seat bottom, buckskin (luxurious)	1	
	559 829	P	* COVER ASSEMBLY - Seat bottom, buckskin (cloth)	1	28R-8331001 and up
	559 795	P	* COVER ASSEMBLY - Seat bottom, light buckskin (leather)	1	28R-8331001 and up
	556 921	K	* COVER ASSEMBLY - Seat bottom, dark cedar (luxurious, knit)	1	
	557 035	N	* COVER ASSEMBLY - Seat bottom, dark cedar (luxurious, velour)	1	
	559 707	P	* COVER ASSEMBLY - Seat bottom, dark cedar (knit)	1	28R-8331001 and up
	559 772	P	* COVER ASSEMBLY - Seat bottom, dark cedar (leather)	1	28R-8331001 and up
	557 033	N	* COVER ASSEMBLY - Seat bottom, dark carmine (luxurious)	1	
	557 034	N	* COVER ASSEMBLY - Seat bottom, sandalwood (luxurious)	1	
	559 735	P	* COVER ASSEMBLY - Seat bottom, sandalwood (fabric)	1	28R-8331001 and up
	559 728	P	* COVER ASSEMBLY - Seat bottom, patrician sandalwood (fabric)	1	28R-8331001 and up

When ordering, always specify Part Number, Description, and Serial Number of Aircraft

PIPER PARTS CATALOG

Figure and Index Number	Part Number	Code	NOMENCLATURE	No. Req.	SERIAL NUMBERS AFFECTED	
36-43	559 714	P	* COVER ASSEMBLY - Seat bottom, dark saddle (knit)	1	28R-8331001 and up	
	559 760		* COVER ASSEMBLY - Seat bottom, dark saddle (leather)	1	28R-8331001 and up	
-44	587 404		* CONTROL ASSEMBLY - Seat adjustment (Gas Spring Corp. P/N 06-10-080-310-025)	1		
-45	37902-06		* ADAPTER - Seat control	1		
-46	37902-08		* CONTROL ARM - Actuator	1		
-47	554 422		* CABLE ASSEMBLY - Seat track release (crew operated, length 27 ") (PS50146-8-1)	1		
-48	37902-05		* BUSHING - Actuator	1		
-49	471 084		* KNOB - Actuator (233)	1		
-50	67958-03		B,S	* BUTTON ASSEMBLY - Seat back	5	
	67958-05		P,T	* BUTTON ASSEMBLY - Seat back	5	28R-8331001 and up

When ordering, always specify Part Number, Description, and Serial Number of Aircraft

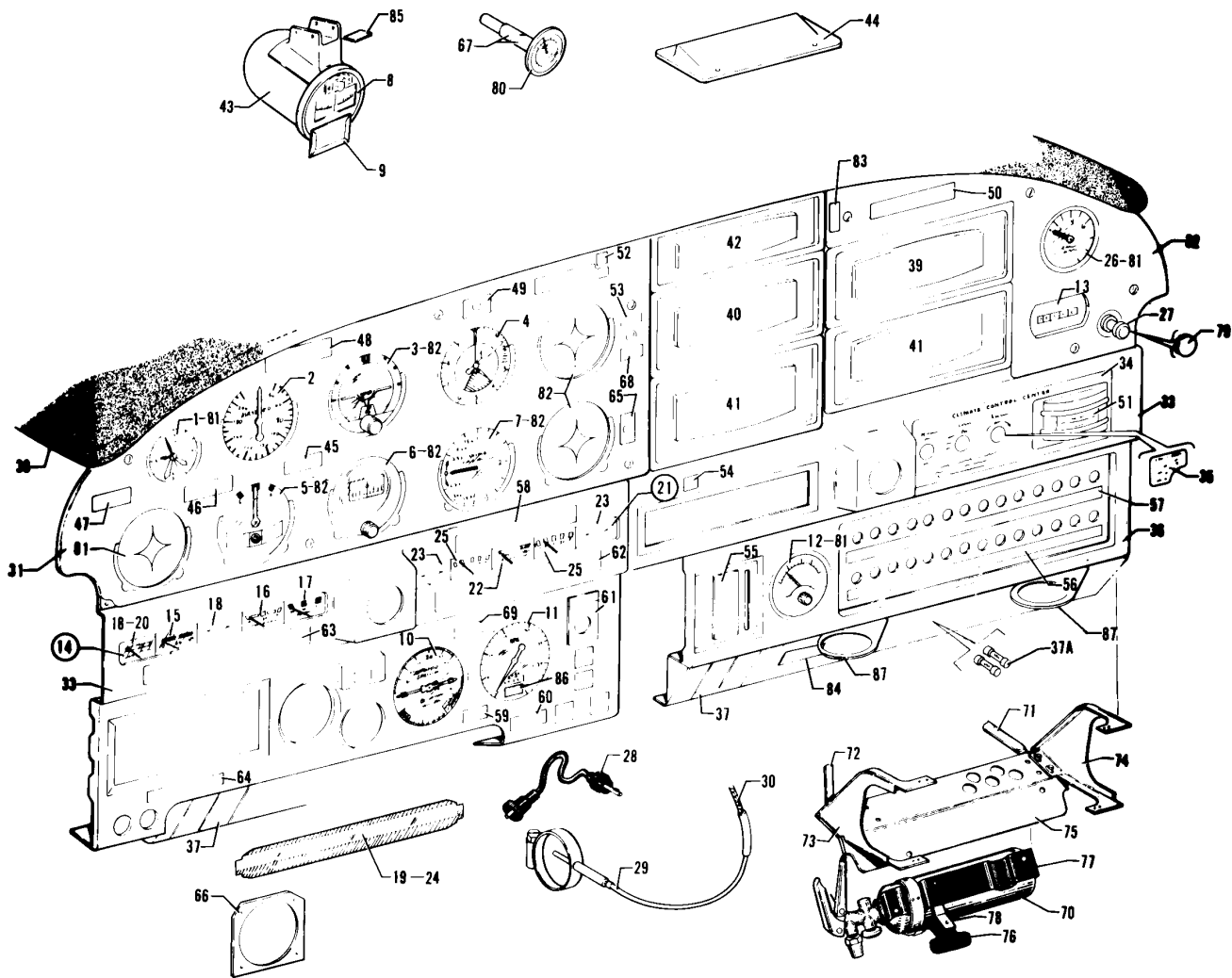


Figure 37. Instrument Panel Installation

PIPER PARTS CATALOG

CODE EXPLANATIONS FOR FIGURE 37

- A - Used on PA-28RT-201 only.
- B - Used on PA-28RT-201T only.
- C - Used if air conditioning is installed.
- D - Used if fresh air blower is installed.
- E - When ordering, specify color "bark II" or black.
- F - When ordering, specify color camel, black or mocha.
- G - Used only if Hartzell two-bladed propeller is installed.
- H - Used on PA-28RT-201 with serial numbers 28R-7918142 and up, and PA-28RT-201T with serial numbers 28R-7931199 and up.
- J - See Figure 85 if AutoControl III B is installed, or Figure 86 if AltiMatic III C is installed.
- K - See Figure 84 if AutoFlite II is installed.
- L - Used if NSD-360 is installed.
- M - Used if AltiMatic III C with dual omni coupler is installed.
- N - Used if AltiMatic III C with dual omni coupler and NSD-360-A is installed.
- O - Used on PA-28RT-201 with serial numbers 28R-7918001 to 28R-7918306 inclusive, and PA-28RT-201T with serial numbers 28R-7931001 to 28R-7931353 inclusive.
- P - Used on PA-28RT-201 with serial numbers 28R-8018001 and up, and PA-28RT-201T with serial numbers 28R-8031001 and up.
- Q - Used on PA-28RT-201 with serial numbers 28R-7918264 and up, and PA-28RT-201T with serial numbers 28R-7931 305 and up.
- R - Used on PA-28RT-201 with serial numbers 28R-8018061 and up, and PA-28RT-201T with serial numbers 28R-8031086 and up. This part includes cable assembly.
- S - Used on PA-28RT-201 with serial numbers 28R-7918001 to 28R-8018116 inclusive, and PA-28RT-201T with serial numbers 28R - 7931001 to 28R-80311 88 inclusive.
- T - Used on PA-28RT-201 with serial numbers 28R-8118001 and up, and PA-28RT-201T with serial numbers 28R-8131001 and up.
- U - Used on PA-28RT-201 with serial numbers 28R-7918001 to 28R-8118058 inclusive, and PA-28RT-201T with serial numbers 28R-7931001 to 28R-8131110 inclusive.
- V - Used on PA-28RT-201 with serial numbers 28R-8118059 and up, and PA-28RT-201T with serial numbers 28R-8131111 and up.
- W - These parts must be ordered from Service Spares Department, Piper Aircraft, Lock Haven, Penna.
- X - Used if Century 21 AutoPilot is installed.
- Y - Used if Century 41 AutoPilot is installed.
- Z - Used if King KAP 100/150/KFC 150 AutoPilot is installed without provisions for Collins DME 451.
- AA - Used if King KAP 100/150/KFC 150 AutoPilot is installed with provisions for Collins DME 451.
- AB - Located on right hand shin guard channel assembly only.

PIPER PARTS CATALOG

Figure and Index Number	Part Number	Code	NOMENCLATURE	No. Req.	SERIAL NUMBERS AFFECTED
37-	35800 79043 37872 87453	B	DRAWING - Instrument Panel Installation DRAWING - Instrument Panel Cover Installation DRAWING - Fire Extinguisher Installation DRAWING - Crew Cup Holder Installation		28R-8331001 and up
-1	548 679		INSTRUMENT - Clock, electric (CA7287)	1	
-2	548 309	A	INSTRUMENT - Airspeed indicator (PS50049-50S)	1	
	548 310	A	INSTRUMENT - True airspeed indicator (PS50049-50T)	1	
	548 307	B	INSTRUMENT - Airspeed indicator (PS50049-51S)	1	
	548 308	B	INSTRUMENT - True airspeed indicator (PS50049-51T)	1	
-3	99002-03	J	INSTRUMENT - Gyro horizon (Edo-Aire 500B-9)	1	
	99002-08	J	INSTRUMENT - Gyro horizon (Aeritalia S.P.A. 36101P)	1	
-4	550 493	A,W	INSTRUMENT - Altimeter, sensitive (scale in inches of mercury to 20,000 feet)	1	
	550 491	A,W	INSTRUMENT - Altimeter, sensitive (scale in millibars to 20,000 feet)	1	
	550 489	B,W	INSTRUMENT - Altimeter, sensitive (scale in inches of mercury to 35,000 feet)	1	
	550 488	B,W	INSTRUMENT - Altimeter, sensitive (scale in millibars to 35,000 feet)	1	
	548 330	A	INSTRUMENT - Altimeter, sensitive (scale in inches of mercury and millibars to 20,000 feet)	1	
	548 331	A	INSTRUMENT - Altimeter, sensitive (scale in inches of mercury and millibars to 35,000 feet)	1	
	548 039	W	INSTRUMENT - Altimeter, encoding (scale in inches of mercury to 35,000 feet)	1	
	548 040		INSTRUMENT - Altimeter, encoding (scale in millibars to 35,000 feet)	1	
	548 407		INSTRUMENT - Altimeter, encoding (scale in inches of mercury and millibars to 35,000 feet)	1	
-5	550 483	K	INSTRUMENT - Turn and bank (1234T100-5) electric	1	
	548 190	K	INSTRUMENT - Turn coordinator (1394T100) electric	1	
	548 517	K,R	INSTRUMENT - Turn coordinator (PS50030-13-2) (with internal lighting)	1	
-6	99003-03	J	INSTRUMENT - Directional gyro (Edo-Aire 4000 B-9)	1	
	99003-07	J	INSTRUMENT - Directional gyro (Aeritalia S.P.A. 31101 P)	1	
-7	99010-05		INSTRUMENT - Rate of climb	1	
-8	67462-06		COMPASS ASSEMBLY	1	
-9	79650-02		* HOLDER - Compass card	1	
-10	550 464	A	INSTRUMENT - Manifold pressure and fuel flow gauge	1	
	35711-02	B	INSTRUMENT - Manifold pressure and fuel flow gauge	1	
-11	62177-03	A	INSTRUMENT - Tachometer	1	28R-7918002 to 28R-7918306 incl.
	62177-14	A	INSTRUMENT - Tachometer	1	28R-7918001, 28R-8018001 and up
	37629-02	B	INSTRUMENT - Tachometer (Stewart Warner)	1	
	87379-02	B	INSTRUMENT - Tachometer (Rochester)	1	
-12	751 912	A	GAUGE - Mixture control indicator	1	
	755 053	B	GAUGE - Mixture control indicator	1	
-13	36660-02		INDICATOR - Engine hour meter	1	
-14	95241-11	A	CLUSTER ASSEMBLY - Instrument, left	1	
	95241-21	B	CLUSTER ASSEMBLY - Instrument, left	1	
-15	38226-00	A	* INSTRUMENT - Oil pressure	1	
	79373-00	A	* INSTRUMENT - Oil pressure	1	
	37340-00	B	* INSTRUMENT - Oil pressure	1	
-16	79367-00	A	* INSTRUMENT - Oil temperature	1	
	37338-00	B	* INSTRUMENT - Oil temperature	1	

When ordering, always specify Part Number, Description, and Serial Number of Aircraft

PIPER PARTS CATALOG

Figure and Index Number	Part Number	Code	NOMENCLATURE	No. Req.	SERIAL NUMBERS AFFECTED
37-17	79362-00		* INSTRUMENT - Ammeter	1	
	37337-00	B	* INSTRUMENT - Ammeter	1	
-18	79376-00		* COVER - Instrument cluster	2	
-19	79381-00		* LENS - Cluster assembly	1	
-20	550 543	A	GAUGE - Cylinder head temperature	1	
-21	95241-23	A	CLUSTER ASSEMBLY - Instrument, right	1	
	95241-22	B	CLUSTER ASSEMBLY - Instrument, right	1	
-22	35798-02	B	* INSTRUMENT - Cylinder head temperature	1	
	79371-00	A	* INSTRUMENT - Fuel pressure gauge	1	
-23	79376-00		* COVER - Instrument cluster	2	
-24	79381-00		* LENS - Cluster assembly	1	
-25	38224-03		INSTRUMENT - Fuel gauge, left and right	2	
-26	99480-00		GAUGE - Suction	1	
-27	472 969		LIGHTER - Cigar (204575)	1	
-28	486 575	A,W	SHAFT - Tachometer (PS50044-3)	1	
	486 594	B	SHAFT - Tachometer (PS50044-6)	1	
-29	757 310	A	PROBE - Mixture control	1	
	37578-03	B	PROBE - Mixture control	1	
-30	756 616	A	WIRE ASSEMBLY - Mixture control	1	
	756 683	B	WIRE ASSEMBLY - Mixture control	1	
-31	79044-07	B,E	COVER - Instrument panel, upper left	1	28R-7931001 to 28R-7931198 incl.
	79044-08	A,E	COVER - Instrument panel, upper left	1	28R-7918001 to 28R-7918141 incl.
	36567-03	E,H	COVER - Instrument panel, upper left	1	
	76477-03	A,E,L	COVER - Instrument panel, upper left	1	28R-7918001 to 28R-7918141 incl.
	76477-04	B,E,L	COVER - Instrument panel, upper left	1	28R-7931001 to 28R-7931198 incl.
	36567-02	E,H,L	COVER - Instrument panel, upper left	1	
	79044-06	A,E,M	COVER - Instrument panel, upper left	1	
	79044-09	B,E,M	COVER - Instrument panel, upper left	1	
	76477-05	B,E,N	COVER - Instrument panel, upper left	1	
	36567-05	E,T,X	COVER - Instrument panel, upper left	1	
	36567-06	E,T,Y	COVER - Instrument panel, upper left	1	
	39877-02	B,E,Z	COVER - Instrument panel, upper left	1	28R-8331001 and up
	39877-03	B,E,AA	COVER - Instrument panel, upper left	1	28R-8331001 and up
-32	99959-05	E	COVER - Instrument panel, upper right	1	
-33	67228-09		COVER - Instrument panel, upper left	1	
	67229-07		COVER - Instrument panel, upper right	1	
	99513-05	C	COVER - Instrument panel, upper right	1	
	76311-03	D	COVER - Instrument panel, upper right	1	
-34	79112-02	C	* PLACARD - Climate control center	1	
-35	35669-38	C	* PLACARD - Vent fan	1	
-36	67920-14	E,S	COVER ASSEMBLY - Instrument panel, lower left	1	
	67920-18	E,T	COVER ASSEMBLY - Instrument panel, lower left	1	
	67920-20	E,T,Y	COVER ASSEMBLY - Instrument panel, lower left	1	
	79527-02	E	COVER ASSEMBLY - Instrument panel, lower right	1	
-37	76205 00	F,U	CHANNEL ASSEMBLY - Shin guard, left	1	
	76205 05	F,V	CHANNEL ASSEMBLY - Shin guard, left	1	
	99950-00	F	CHANNEL ASSEMBLY - Shin guard, right	1	
-37a	461 629	AB	* FUSE - Spare (311005)	2	
-38	99952-00		SHIELD ASSEMBLY - Glare	1	
-39	99059-06	E	COVER ASSEMBLY - Radio opening (6.56 x 2.90)	1	
-40	99060-06	E	COVER ASSEMBLY - Radio opening (6.56 x 3.25)	1	
-41	99061-06	E	COVER ASSEMBLY - Radio opening (6.56 x 3.56)	2	
-42	99062-06	E	COVER ASSEMBLY - Radio opening (6.50 x 1.78)	1	
-43	79600-00		HOUSING ASSEMBLY - Compass	1	
-44	79404-00		COVER - Radio cooling trim	1	
-45	69669-121	A	PLACARD - Maneuvering speed	1	28R7918001 to 28R-7918306 incl.
	35669-146	A	PLACARD - Maneuvering speed	1	28R-8018001 and up
	69669-117	B	PLACARD - Maneuvering speed	1	28R-7931001 to 28R-7931353 incl.
	35669-147	B	PLACARD - Maneuvering speed	1	28R-8031001 and up

When ordering, always specify Part Number, Description, and Serial Number of Aircraft

PIPER PARTS CATALOG

Figure and Index Number	Part Number	Code	NOMENCLATURE	No. Req.	SERIAL NUMBERS AFFECTED
37-46	76222-00		PLACARD - Crosswind component	1	
-47	67428-00	O	PLACARD - Maneuvers limitations	1	
-48	35669-120	A	PLACARD - Gear actuation speeds	1	28R-7918001 to 28R-7918306 incl.
	35669-114	B	PLACARD - Gear actuation speeds	1	28R-7931001 to 28R-7931353 incl.
-49	69669-39		PLACARD - Annunciator, press to test	1	
-50	63408-00	O	PLACARD - Oil cooler winterization	1	
-51	35669-28		PLACARD - Heater and defroster (lift to actuate)	1	
-52	69669-101	B	PLACARD - Emergency fuel on	1	
-53	69669-158	B	PLACARD - Primer	1	
-54	69669-159	B	PLACARD - Auxiliary fuel pump	1	
-55	69545-00		PLACARD - Alternate air	1	
-56	69669-16		PLACARD - Circuit protector, lower	1	
-57	35669-103	A	PLACARD - Circuit breaker, upper	1	
	35669-103	B	PLACARD - Circuit breaker, upper	1	28R-7931001 to 28R-7931296 incl.
	35669-156	B	PLACARD - Circuit breaker, upper	1	28R-7931297 and up
-58	69669-176	O	PLACARD - Fuel	1	
-59	69669-68	B,G	PLACARD - Ground operation	1	28R-7931001 to 28R-7931353 incl.
-60	69669-185	A	PLACARD - In-flight rpm restrictions	1	28R-7918001 to 28R-7918306 incl.
	35669-155	A	PLACARD - In-flight rpm restrictions	1	28R-8018001 and up
	69669-70	B,G	PLACARD - In-flight rpm restrictions	1	28R-7931001 to 28R-7931353 incl.
	35669-152	B,G	PLACARD - In-flight rpm restrictions	1	28R-8031001 and up
-61	35669-118	A	PLACARD - Gear switch	1	
	35669-116	B	PLACARD - Gear switch	1	
-62	35669-119	A	PLACARD - Landing checklist	1	28R-7918001 to 28R-7918306 incl.
	35669-115	B	PLACARD - Landing checklist	1	28R-7931001 to 28R-7931353 incl.
-63	67879-00	A	PLACARD - Take-off checklist	1	28R-7918001 to 28R-7918306 incl.
	69669-163	B	PLACARD - Take-off checklist	1	28R-7931001 to 28R-7931353 incl.
-64	67768-00		PLACARD - Alternate static source	1	
-65	99921-00		PLACARD - Air condition door light	1	
-66	99214-00	A	PLATE - Support	AR	
-67	79314-00		SPACER - Air temperature gauge, inner	1	
	79314-02		SPACER - Air temperature gauge, outer	1	
-68	69669-182	B	PLACARD - Optional engine primer	1	
-69	69669-186	B	PLACARD - Fuel flow	1	28R-7931001 to 28R-7931353 incl.
-70	459 849		FIRE EXTINGUISHER - (HA1014-01)	1	
-71	37872-03		BRACE - Fire extinguisher support	1	
-72	37872-04		BRACE - Fire extinguisher support	1	
-73	37872-05		BRACKET ASSEMBLY - Fire extinguisher	1	
-74	37872-07		BRACKET ASSEMBLY - Fire extinguisher	1	
-75	35680-26		BRACKET ASSEMBLY - Fire extinguisher	1	
-76	35680-11		TAB ASSEMBLY - Fire extinguisher	1	
-77	35680-12		BRACKET ASSEMBLY - Fire extinguisher	1	
-78	35680-22		BRACKET - Fire extinguisher	1	
-79	453 687		PLUG BUTTON - (SS-48189)	1	
-80	99479-02		GAUGE - Air temperature	1	
-81	67431-04		PLATE - Instrument panel	4	
-82	67431-00		PLATE - Instrument panel	6	
-83	35669-125	P	PLACARD - Radio power, on-off	1	
-84	36937-02	P	PLACARD - Emergency bus switch	1	
-85	87369-27	O	PLACARD - Caution	1	
-86	35669-179	A	PLACARD - R.P.M. instructions	1	
-87	87451-03	B	HOLDER - Crew cup	2	28R-8331001 and up

When ordering, always specify Part Number, Description, and Serial Number of Aircraft

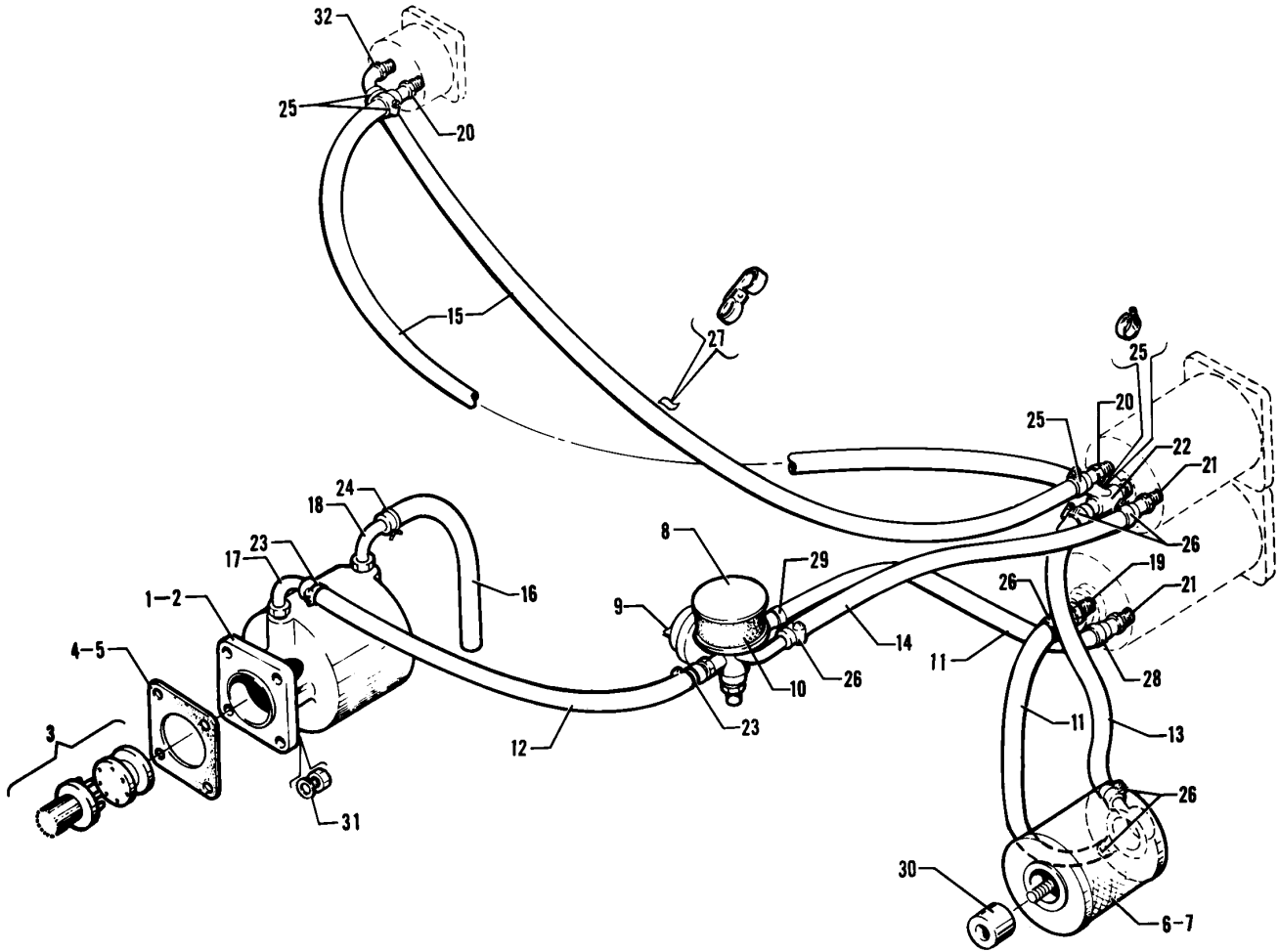


Figure 38. Vacuum System Installation

PIPER PARTS CATALOG

CODE EXPLANATIONS FOR FIGURE 38

- A - Used on PA-28RT-201 only.
- B - Used on PA-28RT-201T only.
- C - See Figure 70 if air conditioning is installed.
- D - Used with Vacuum Pump P/N 26749-07 (Airborne 211CC) only.
- E - Used with Vacuum Pump P/N 36535-02 (Edo-Aire IUI28-002) only.
- F - See Figure 86 if AltiMatic III C is installed.
- G - See Figure 86B for PA-28RT-201T with serial numbers 28R-8331001 and up if King KAP 100/150/KFC 150 AutoPilot is installed.
- W - These parts must be ordered from Service Spares Department, Piper Aircraft, Lock Haven, Penna.

PIPER PARTS CATALOG

Figure and Index Number	Part Number	Code	NOMENCLATURE	No. Req.	SERIAL NUMBERS AFFECTED
38-	69272 35709	B	DRAWING - Vacuum System Installation DRAWING - Vacuum System Installation		
-1	450 380	A,W	KIT - Vacuum pump drive (69439)	1	
-2	26749-07 36535-02	W	PUMP - Dry vacuum (Airborn 211CC) PUMP - Dry vacuum (Edo-Aire 1U128-002)	1 1	
-3	753 910	D,W	* COUPLING ASSEMBLY KIT - Vacuum pump drive (No. 350)	1	
-4	751 859	D,W	* * GASKET - Vacuum pump mounting (B3-1-2)	1	
-5	462 023	E,W	* GASKET - Vacuum pump mounting (AN4045-1)	1	
-6	460 888	W	FILTER ASSEMBLY - Air (66673-00)	1	
-7	757 899	W	* CARTRIDGE - Air filter (D9-18-1)	1	
-8	492 240		VALVE - Suction regulating (2H3-19)	1	
-9	757 790		* SWITCH - (F7-16-1)	1	
-10	751 815	W	* FILTER - Regulating (B3-5-1)	1	
-11	63913-07	G	HOSE - Directional gyro to air filter and regulating valve	2	
-12	63913-81 63913-84	A B,C	HOSE - Regulating valve to vacuum pump HOSE - Regulating valve to vacuum pump	1 1	
-13	63913-44	F	HOSE - Gyro horizon to air filter	1	
-14	63913-47	F,G	HOSE - Gyro horizon to regulating valve (11.50" L.)	1	
-15	63913-49	F,G	HOSE - Gyro horizon to suction gauge	2	
-16	63904-29 63904-29 63913-64	A B,D B,E	HOSE - Vacuum pump exhaust HOSE - Vacuum pump exhaust HOSE - Vacuum pump exhaust	1 1 1	
-17	458 958	W	ELBOW - (1K1-6-10)	1	
-18	558 900 558 900 458 958	A,W B,D,W B,E,W	ELBOW - (1K8-6-8) ELBOW - (1K8-6-8) ELBOW - (1K1-6-10)	1 1 1	
-19	558 912	W	ELBOW - (1K9-4-6)	1	
-20	451 881	G,W	ADAPTER - (1K10-2-4)	2	
-21	451 939	G,W	ADAPTER - (1K10-4-6)	2	
-22	560 835	F	FITTING - (1K31-4-6-4)	1	
-23	554 659	W	CLAMP - (SAE TYE-8)	2	
-24	554 985 554 985 554 808	A B,D B,E	CLAMP - (SAE TYE-11) CLAMP - (SAE TYE-11) CLAMP - (SAE TYE-13)	1 1 1	
-25	554 861	W	CLAMP - (SAE TY F-4)	4	
-26	554 888	W	CLAMP - (SAE TY F-6)	6	
-27	554 958	G	CLAMP - (PS10017-8-8)	2	
-28	554 598	G	CLAMP - (NAS397-12)	1	
-29	554 888 554 598	B,W A	CLAMP - (SAE TY F-6) CLAMP - (NAS397-12)	1 1	
-30	63900-145		SPACER - Air filter	1	
-31	404 004 407 565	A A,W	NUT - (PS10024-420) WASHER - (AN960-416)	4 4	
-32	458 948 451 881	A B,W	ELBOW - (1K1-2-4) ADAPTER - (1K10-2-4)	1 1	

When ordering, always specify Part Number, Description, and Serial Number of Aircraft

1G24
INTENTIONALLY LEFT BLANK

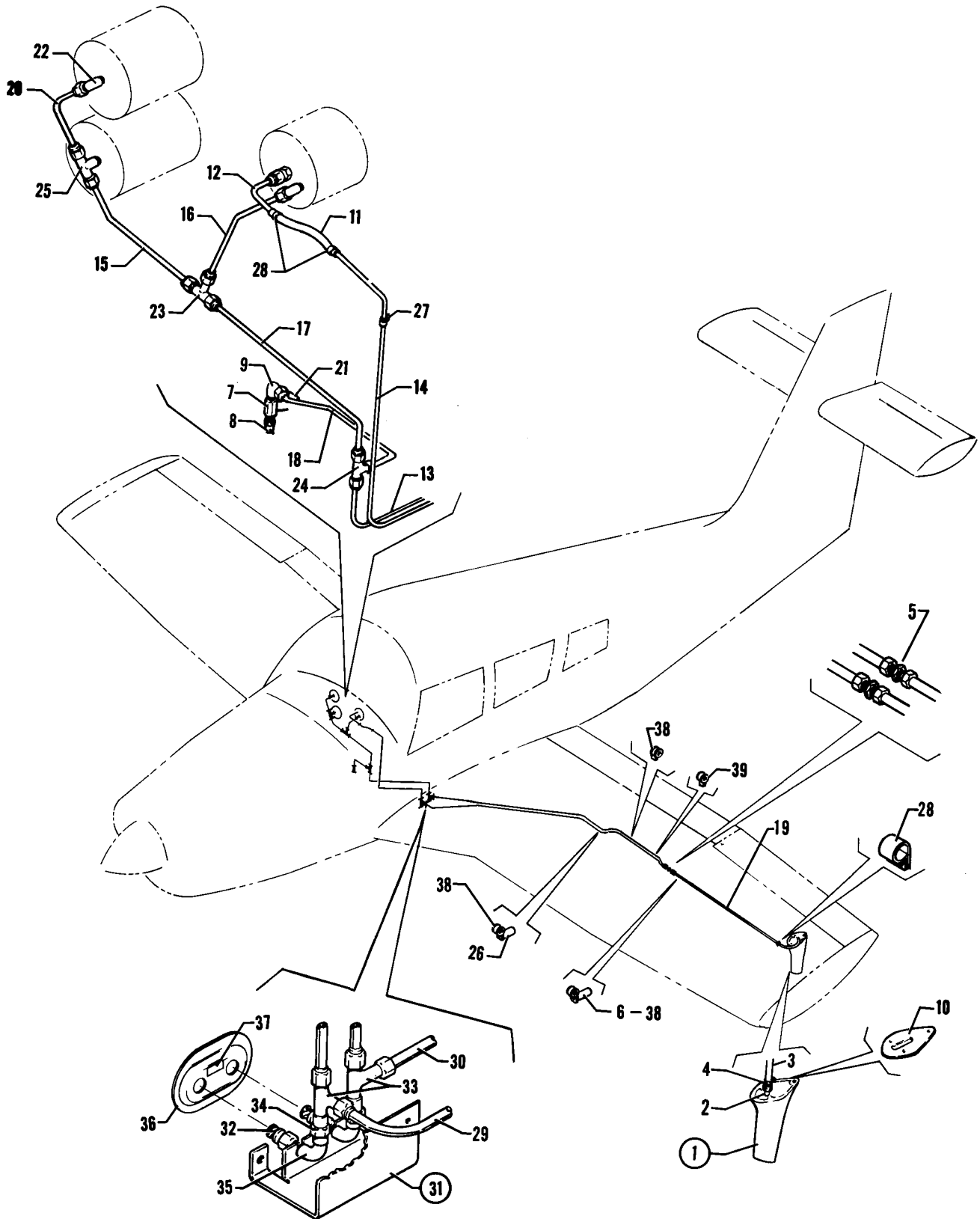


Figure 39. Pitot Static System Installation

PIPER PARTS CATALOG

CODE EXPLANATIONS FOR FIGURE 39

- A - Used if heated pitot head is installed.
- B - Used if encoding altimeter is installed.
- C - Used if rate of climb instrument is installed.
- D - See Figure 88 if narco encoder is installed.
- E - Used if alternate static system is installed.
- F - When ordering, specify color "bark II" or black.
- G - Used on PA-28RT-201 with serial numbers 28R-7918001 to 28R-8218004 inclusive, and PA-28RT-201T with serial numbers 28R-7931001 to 28R-8231010 inclusive.
- H - Used on PA-28RT-201 with serial numbers 28R-8218005 and up, and PA-28RT-201T with serial numbers 28R-8231011 and up.
- W - These parts must be ordered from Service Spares Department, Piper Aircraft, Lock Haven, Penna.

PIPER PARTS CATALOG

Figure and Index Number	Part Number	Code	NOMENCLATURE	No. Req.	SERIAL NUMBERS AFFECTED
39-	35896		DRAWING - Pitot Static System Installation		
1	96393-03		HEAD ASSEMBLY - Pitot (unheated)	1	
	96392-04	G	HEAD ASSEMBLY - Pitot (heated)	1	
	96392-07	H	HEAD ASSEMBLY - Pitot (heated)	1	
-2	556 105		* CONNECTOR - (1068 x 4)	2	
-3	63913-34		* HOSE - Pitot air	2	
-4	554 861	W	* CLAMP - (SAE TY F-4)	2	
-5	491 112		UNION - (62 x 3)	2	
-6	63900-25		BUSHING - Clamp	1	
-7	96143-00		VALVE ASSEMBLY - Static air vent	1	
-8	492 100	W	* VALVE - (CCA-7450)	1	
-9	458 893	W	* ELBOW - (AN822-3D)	1	
-10	69042-02		GASKET - Pitot head	1	
	69042-00	A	GASKET - Pitot head	1	
-11	63913-106		HOSE - Pitot pressure	1	
-12	63207-00		TUBE - Pitot	1	
-13	67700-301		TUBE ASSEMBLY - Pitot static	1	
-14	67700-300		TUBE ASSEMBLY - Pitot pressure	1	
-15	67700-65		TUBE ASSEMBLY - Pitot static	1	
-16	67700-66		TUBE ASSEMBLY - Pitot static	1	
-17	67700-67		TUBE ASSEMBLY - Pitot static	1	
-18	67700-172	D	TUBE ASSEMBLY - Pitot static	1	
-19	67700-334		TUBE ASSEMBLY - Pitot static	1	
	67700-395		TUBE ASSEMBLY - Pitot pressure	1	
-20	95153-101		TUBE ASSEMBLY - Pitot static	1	
	95153-158	B	TUBE ASSEMBLY - Pitot static	1	
-21	78113-00		CLIP ASSEMBLY - Alternate static source	1	
-22	458 893	W	ELBOW - (AN822-3D)	1	
-23	488 315	W	TEE - (AN824-3D)	1	
-24	491 059	D,W	UNION - (AN832-3D)	1	
	488 315	D,W,E	TEE - (AN824-3D)	1	
-25	491 059	W	UNION - (AN832-3D)	1	
	488 380	C,W	TEE - (AN825-3D)	1	
-26	63900-85		BUSHING - Clamp	1	
-27	554 953		CLAMP - (PS10017-8-3)	1	
-28	554 861	W	CLAMP - (SAE TY F-4)	4	
-29	67700-394		TUBE ASSEMBLY - Pitot pressure	1	
-30	67700-333		TUBE ASSEMBLY - Pitot static	1	
-31	37994-02		SUMP ASSEMBLY - Pitot static	1	
-32	492 241		* VALVE - (PS50036-2-2)	2	
-33	488 310	W	* TEE - (AN826-3D)	2	
-34	455 173	W	* COUPLING - (AN910-1D)	2	
-35	35692-02		* ELBOW	2	
-36	35507-02	F	COVER ASSEMBLY - Pitot static drain	1	
-37	69669-115		* PLACARD - Pitot drain	1	
-38	454 928	W	CLAMP - (PS10017-2-3)	6	
-39	454 813		CLAMP - (PS10017-4-4)	2	

When ordering, always specify Part Number, Description, and Serial Number of Aircraft

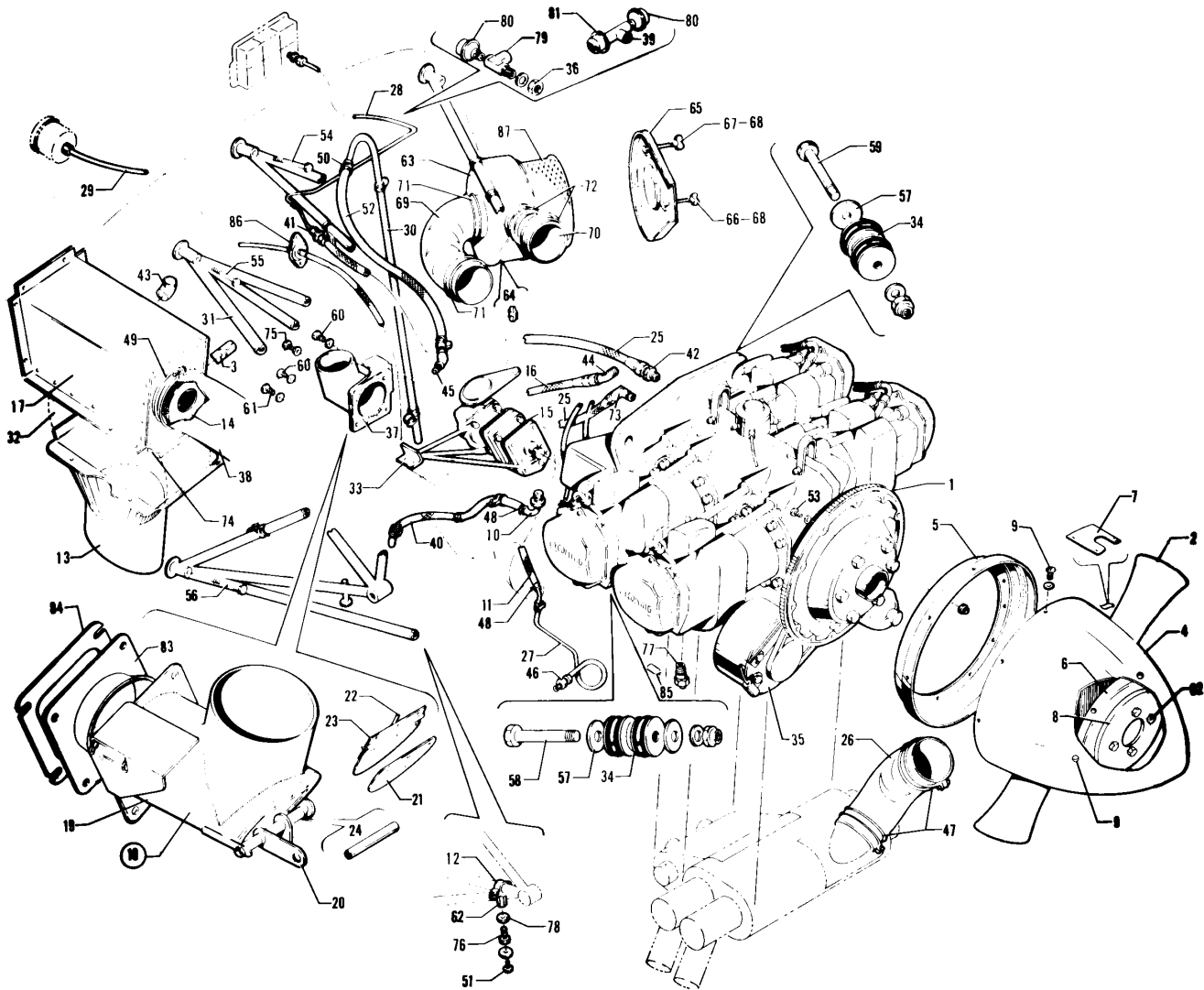


Figure 40. Power Plant Installation

PIPER PARTS CATALOG

CODE EXPLANATIONS FOR FIGURE 40

- A - Secure from Lycoming Division-Avco Corporation, Williamsport, Penna.
- B - See Figure 48 for component parts.
- C - Used with McCauley propeller only.
- D - Used with Hartzell propeller only.
- E - See Figure 49 for component parts.
- F - Used if Engine Hour Meter is installed.
- G - See Figure 80 for component parts if a Chrysler alternator is installed. See figure 69 if a Prestolite alternator, with air conditioning, is installed.
- W - These parts must be ordered from Service Spares Department, Piper Aircraft, Lock Haven, Penna.

PIPER PARTS CATALOG

Figure and Index Number	Part Number	Code	NOMENCLATURE	No. Req.	SERIAL NUMBERS AFFECTED
40-	67800		DRAWING - Power Plant Installation		
-1		A	ENGINE - Lycoming (10-360-C1C6)	1	
-2	550 974	B	PROPELLER - McCauley, two blade (B2D34C213/9ODHA-16)	1	28R-7918001 to 28R-7918306 incl.
	550 976	E	PROPELLER - Hartzell, two blade (HC-C2YK-1 BF/F7666A-2R)	2	28R-7918001 to 28R-7918306 incl.
	550 992	B	PROPELLER - McCauley, two blade (2D34C215/9ODJA-14E)	1	28R-8018001 and up
-3	67847-00		CLIP	1	
-4	67790-00		SPINNER SHELL - Propeller	1	
-5	67791-00		BULKHEAD ASSEMBLY - Spinner, aft	1	
-6	35827-02	C	BULKHEAD ASSEMBLY - Spinner, forward	1	
	67793-00	D	BULKHEAD ASSEMBLY - Spinner, forward	1	28R-7918001 to 28R-7918306 incl.
-7	67794-00		CUFF - Spinner	2	
-8	99499-00	D	PLATE - Spinner	1	28R-7918001 to 28R-7918306 incl.
-9	415 379		SCREW - (MS51958-63)	28	
	494 227		WASHER - Fiber (PS10063-2)	28	
-10	24995-00	W	VALVE ASSEMBLY - Drain	2	
-11	63913-26		HOSE - Flexible	1	
-12	554 918		CLAMP - Cowl support mount (MS27406-T6)	2	
-13	67844-00		DUCT ASSEMBLY	1	28R-7918001 to 28R-7918306 incl.
-14	67849-00		WINTERIZATION KIT ASSEMBLY - Oil cooler	1	
-15	66634-04		GOVERNOR - Propeller	1	
-16	63901 -36		HOSE ASSEMBLY - Flexible	1	
-17	67845-00		PLENUM ASSEMBLY	1	
-18	99047-00		ADAPTER ASSEMBLY - Alternate air inlet and throttle bracket (with air gate)	1	
-19	67779-00		* TUBE ASSEMBLY - Alternate air inlet	1	
-20	67777-00		* LEVER ASSEMBLY - Alternate air inlet	1	
-21	67776-00		* SEAL - Alternate air inlet	1	
-22	24582-00	W	* SPRING - Alternate air inlet	1	
-23	23809-05	W	* HINGE - Half, alternate air inlet	2	
-24	63900-96		* BUSHING - Alternate air inlet	1	
-25	63901-43		HOSE ASSEMBLY - Oil cooler	2	
-26	67876-00		HOSE - Air duct	1	
-27	36692-02		TUBE ASSEMBLY - Manifold pressure	1	
-28	67700-89		TUBE ASSEMBLY - Oil pressure, forward	1	
	67700-87		TUBE ASSEMBLY - Oil pressure, aft	1	
-29	67700-29		TUBE ASSEMBLY - Manifold pressure group	1	
-30	76434-00		TUBE - Engine breather	1	28R-7918001 to 28R-7918306 incl.
	35957-02		TUBE - Engine breather	1	28R-8018001 and up
-31	67119-57		MOUNT ASSEMBLY - Engine	1	28R-7918001 to 28R-8018098 incl.
	67119-61		MOUNT ASSEMBLY - Engine	1	28R-8018099 and up
-32	67848-00		OIL RADIATOR	1	
-33	68026-00		BRACKET ASSEMBLY - Governor support	1	
-34	475 124		MOUNT - Engine (J-9613-40)	4	
-35		G	ALTERNATOR INSTALLATION		
-36	407 591	W	WASHER - (AN960-716L)	4	
	477 629	W	NUT - (AN924-4)	8	
-37	63684-04		GASKET - Vellumoid	1	
-38	63633-63		HOSE - Air duct	1	
-39	588 469	F	TEE - (1/8 MMS-S)	1	

When ordering, always specify Part Number, Description, and Serial Number of Aircraft

PIPER PARTS CATALOG

Figure and Index Number	Part Number	Code	NOMENCLATURE	No. Req.	SERIAL NUMBERS AFFECTED
40-40	69015-06		HOSE - Flexible	1	
-41	491 055	W	UNION - (AN815-4)	1	
-42	476 688		NIPPLE - (AN816-8)	2	
-43	458 855		ELBOW - (AN823-8)	1	
-44	68778-00		ELBOW- Restricted 45 degrees	1	
-45	458 870		ELBOW - (AN844-10D) 45 degrees	1	
-46	460 685	W	CONNECTOR - (200 x 4)	1	
-47	554 866		CLAMP - (SAE TY F-48SS)	1	
-48	454 983	W	CLAMP - (SAE 8) Type "E"	4	
-49	554 897	W	CLAMP - (SAE TY F-80)	2	
-50	454 837		CLAMP - (SAE TY A-7/8)	2	
-51	486 335		SCREW- (Nyloc 3/4 x 10-32)	2	
	407 564	W	WASHER - (AN960-10)	2	
-52	63913-64		HOSE - Flexible	1	
-53	401 310	W	BOLT - (AN4-10A)	12	
	407 565	W	WASHER - (AN960-416)	12	
	404 888	W	NUT - (MS20365-428C)	12	
-54	401 417		BOLT - (AN6-37A)	1	
	407 567	W	WASHER - (AN960-616)	1	
	477 887		NUT - (PS10062-8-624C)	1	
-55	401 405	W	BOLT - (AN6-25A)	2	
	407 567	W	WASHER - (AN960-616)	2	
	477 887		NUT - (PS10062-8-624C)	2	
-56	401 411		BOLT - (AN6-33A)	2	
	407 567	W	WASHER - (AN960-616)	2	
	477 887		NUT - (PS10062-8-624C)	2	
-57	85012-101		WASHER - Engine mount	6	
-58	401 544		BOLT- (AN7-44A)	2	
	407 568	W	WASHER - (AN960-716)	2	
	404 891	W	NUT - (MS20365-720C)	2	
-59	401 543		BOLT- (AN7-43A)	2	
	407 568	W	WASHER - (AN960-716)	4	
	404 891	W	NUT - (MS20365-720C)	2	
-60	401 919	W	BOLT- (MS20074-04-04)	2	
	407 565	W	WASHER - (AN960-416)	2	
-61	401 919	W	BOLT- (MS20074-04-04)	1	
	407 136	W	WASHER - Lock (AN936-A416)	1	
	407 565	W	WASHER - (AN960-416)	1	
-62	67724-00		MOUNT ASSEMBLY - Cowl support	2	
-63	67616-00		BOX ASSEMBLY - Air filter	1	28R-7918001 to 28R-7918306 incl.
	67616-04		BOX ASSEMBLY - Air filter	1	28R-8018001 and up
-64	484 342	W	* RECEPTACLE - (212-12D)	3	
-65	67745-00		COVER ASSEMBLY - Air filter box	1	
-66	487 724	W	* STUD - (2600-123W)	1	
-67	487 723	W	* STUD - (2600-114W)	2	
-68	494 060	W	* WASHER (2600-LW)	3	
-69	99849-06		HOSE - Air filter box	1	
-70	99849-07		HOSE - Air filter box	1	28R7918001 to 28R-7918306 incl.
	99849-21		HOSE - Air filter box	1	28R-8018001 and up
-71	554 803		CLAMP - (SAE TYA 3 3/8)	2	
-72	554 804	W	CLAMP - (SAE TYA 3 5/8)	2	28R-7918001 to 28R-7918306 incl.
	554 803		CLAMP - (SAE TYA 3 3/8)	2	28R-8018001 and up
-73	458 855		ELBOW - (AN823-8)	1	
-74	67829-00		SEAL ASSEMBLY - Oil radiator	2	

When ordering, always specify Part Number, Description, and Serial Number of Aircraft

PIPER PARTS CATALOG

Figure and Index Number	Part Number	Code	NOMENCLATURE	No. Req.	SERIAL NUMBERS AFFECTED
40-75	401 919		BOLT- (MS20074-04-04)	1	
	407 565	W	WASHER - (AN960-416)	1	
-76	67725-02		BOLT - Cowl support adjusting	2	
-77	492 172		VALVE ASSEMBLY - Oil drain (1H50-1)	1	
-78	406 669		NUT - (9RF51624)	2	
-79	79038-00		TEE - Bulkhead fitting	1	
-80	587 961		SWITCH - (M-4011)	1	
-81	587 990	F	SWITCH - (M-4006-4)	1	
-82	401 301	D	BOLT- (AN4H-3A)	4	
	407 565	D,W	WASHER - (AN960-416)	4	
-83	35960-02		COLLAR ASSEMBLY - Injector	1	28R-8018001 and up
-84	63684-04		GASKET - Vellumoid	1	28R-8018001 and up
-85	87369-26		PLACARD - Caution, oil drain valve	2	
-86	68771-09		GASKET - Firewall	1	
	66789-00		PLATE - Firewall	2	
	68770-11		GROMMET- Firewall	2	
-87	460 630	W	FILTER - Air (CA-144PL)	1	

When ordering, always specify Part Number, Description, and Serial Number of Aircraft

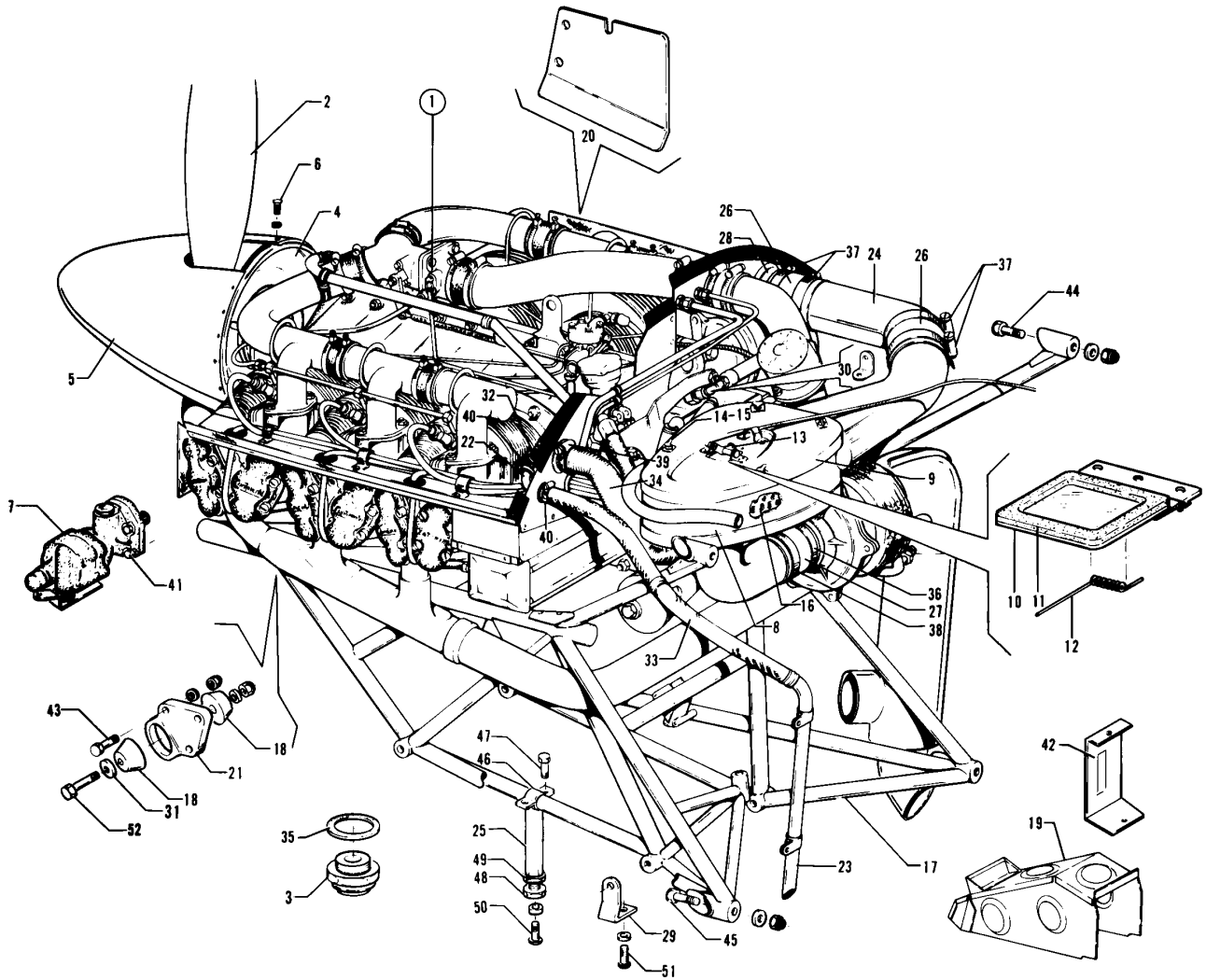


Figure 41. Power Plant Installation

PIPER PARTS CATALOG

CODE EXPLANATIONS FOR FIGURE 41

- A - See Figure 50 for component parts.
- B - Determine manufacture of governor assembly before ordering. Order governor assembly of same manufacture.
- C - See Figure 51 for component parts.
- D - Used with two bladed propeller assembly spinner only.
- E - Used with three bladed propeller assembly spinner only.
- F - Order part for serial numbers 28R-8431001 and up if Magneto Pressurization Kit 764 921V has been installed per Service Spares Letter 396.
- W - These parts must be ordered from Service Spares Department, Piper Aircraft, Lock Haven, Penna.

PIPER PARTS CATALOG

Figure and Index Number	Part Number	Code	NOMENCLATURE	No. Req.	SERIAL NUMBERS AFFECTED
41-	35703 35706		DRAWING - Power Plant Installation DRAWING - Engine Air Induction System Installation		
-1		F	ENGINE - Continental (TS10-360-FB8)	1	28R-7931001 to 28R-8331051 incl. 28R-8431001 and up
			ENGINE - Continental (TS10-360-FB9)	1	
-2	550 964	A	PROPELLER - Hartzell, two blade (BHC-C2YF-1 BF/F8459A-8R)	1	
	550 986	C	PROPELLER - Hartzell, three blade (PHC-C3YF-1()F/F7663-2R)	1	
-3	492 283		VALVE - Quick drain (BJ107)	1	
-4	35703-08	D	BULKHEAD - Spinner (C-3569)	1	
	35703-12	E	BULKHEAD - Spinner (C-3532- 14)	1	
-5	35703-09	D	DOME - Spinner (C-3532-19)	1	
	35703-13	E	DOME - Spinner (C-3571)	1	
-6	415 379	D	SCREW - (MS51958-63)	16	
	415 379	E	SCREW - (MS51958-63)	18	
	756 669	D,W	WASHER - (A1020)	16	
	756 669	E,W	WASHER - (A1020)	18	
-7	37845-02	B	GOVERNOR ASSEMBLY - Propeller (E-5) Hartzell	1	
	37476-03	B	GOVERNOR ASSEMBLY - Propeller (G210681) Woodward	1	
-8	35706-05		BOX ASSEMBLY - Air filter, bottom	1	
-9	35706-08		COVER ASSEMBLY - Air filter box	1	
-10	23809-07		* DOOR ASSEMBLY - Alternate air inlet	1	
-11	23809-04		** GASKET - Rubber sponge	1	
-12	24582-00	W	** SPRING - Alternate air inlet door	1	
-13	69074-00		* LEVER ASSEMBLY - Alternate air door	1	
-14	487 724	W	* STUD - (2600- 123W)	4	
-15	594 089		* WASHER - (28S10-2)	4	
-16	460 632	W	FILTER - (CA-161-PL)	1	
-17	35704-02		MOUNT ASSEMBLY - Engine	1	28R-7931001 to 28R-8031165 incl. 28R-8031166 and up
	35704-84		MOUNT ASSEMBLY - Engine	1	
-18	470 908		MOUNT - Engine (J-9613-58)	4	
-19	67950-02		SHIELD ASSEMBLY - Exhaust heat	1	
-20	35814-02		HEAT SHIELD - Engine mount	1	
-21	37107-00		BRACKET - Engine mount	4	
-22	67700-309		TUBE	1	
-23	35791 -05		TUBE	1	
-24	35706-09		TUBE - Air induction	1	
-25	35721-02		SUPPORT ASSEMBLY - Cowl, left	1	
	35721-03		SUPPORT ASSEMBLY - Cowl, right	1	
-26	37032-25		SUPPORT	6	
-27	37032-26		SLEEVE	1	
-28	37032-27		SLEEVE	2	
-29	35722-02		CLIP - Cowl support	1	
-30	35811-02		CLIP - Magneto blast tube	1	
-31	62833-99		WASHER	4	
-32	63913-182		HOSE	1	
-33	63913-147		HOSE	1	
-34	63633-183		HOSE - Alternator cooling	1	
-35	462 003		GASKET - Drain valve (OHO-10)	1	
-36	554 641		CLAMP - (MS21920-26)	1	
-37	554 762	W	CLAMP - (SAE TY F-52SS)	4	
-38	554 866		CLAMP - (SAE TY F-48SS)	1	
-39	554 925		CLAMP - (SAE TY F-24)	2	
-40	454 997	W	CLAMP - (SAE TYA-1 1/16)	4	

When ordering, always specify Part Number, Description, and Serial Number of Aircraft

PIPER PARTS CATALOG

Figure and Index Number	Part Number	Code	NOMENCLATURE	No. Req.	SERIAL NUMBERS AFFECTED
41-41	407 559		WASHER - (AN960-5)	4	
	404 531		NUT - (MS21042-5)	4	
42	37793-02		PLATE ASSEMBLY - Oil cooler baffle	1	
43	400 014	W	BOLT - (AN4-21A)	12	
	407 565	W	WASHER - (AN960-416)	12	
	404 888	W	NUT - (MS20365-428C)	12	
-44	401 389	W	BOLT - (AN6- 11A)	2	
	407 565	W	WASHER - (AN960-616)	2	
	477 887		NUT - (PS10062-8-624C)	2	
-45	401 393	W	BOLT - (AN6-12A)	2	
	407 567	W	WASHER - (AN960-616)	2	
	477 887		NUT - (PS10062-8-624C)	2	
-46	554 918		CLAMP - (MS27405-T6)	2	
-47	400 440	W	BOLT - (AN3-6A)	4	
	407 564	W	WASHER - (AN960-10)	4	
	404 887	W	NUT - (MS20365-1032C)	4	
-48	67725-02		BOLT - Cowl support adjusting	2	
-49	406 669		NUT- (RF51624)	2	
-50	486 335		SCREW - (3/4 x 1032 Nylon)	2	
	407 564	W	WASHER - (AN960-10)	2	
-51	415 321		SCREW - (MS27039-1-11)	2	
	407 564	W	WASHER - (AN960-10)	2	
-52	401 546		BOLT- (AN7-46A)	4	
	407 568	W	WASHER - (AN960-716)	4	
	404 891	W	NUT - (MS20365-720C)	4	

When ordering, always specify Part Number, Description, and Serial Number of Aircraft

PIPER PARTS CATALOG

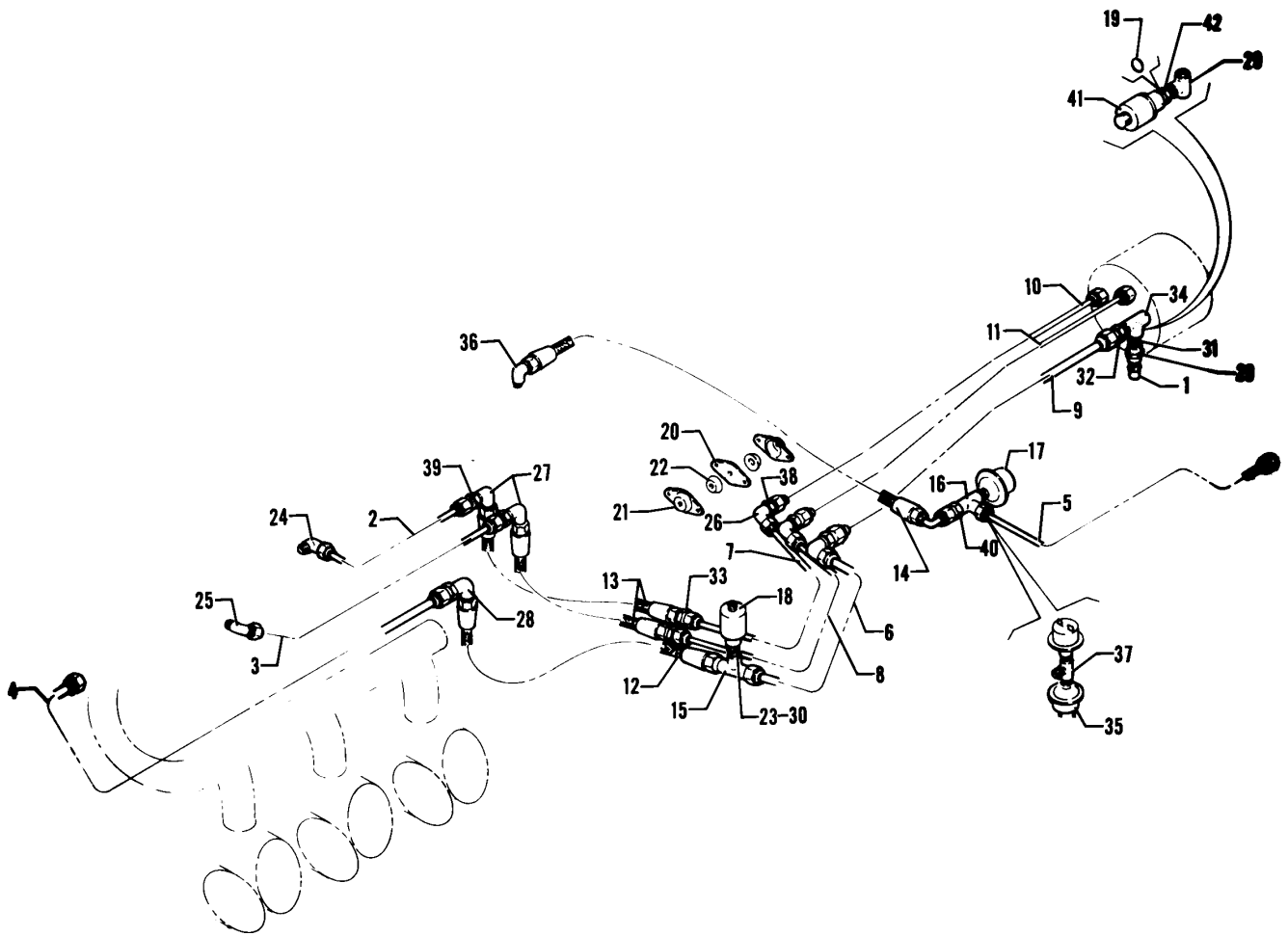


Figure 42. Engine Instrument Lines Installation

PIPER PARTS CATALOG

CODE EXPLANATIONS FOR FIGURE 42

- A - Used if air conditioning is installed.
- B - Used if Engine Hour Meter is installed.
- C - If Magneto Pressurization Kit 764 921V has been installed per Service Spares Letter 396, order part for serial numbers 28R-8431001 and up.
- D - Used if Magneto Pressurization Kit 764 921V has not been installed.
- W - These parts must be ordered from Service Spares Department, Piper Aircraft, Lock Haven, Penna.

PIPER PARTS CATALOG

Figure and Index Number	Part Number	Code	NOMENCLATURE	No. Req.	SERIAL NUMBERS AFFECTED
42-	35786		DRAWING - Engine Instrument Lines Installation		
-1	492 241		VALVE - Drain (PS50036-2-2)	1	
-2	37343-32		TUBE ASSEMBLY - Fuel flow pressure	1	
-3	37343-33	C	TUBE ASSEMBLY - Fuel flow vent	1	28R-7931001 to 28R-8331051 incl.
	37343-39		TUBE ASSEMBLY - Fuel flow vent	1	28R-8431001 and up
-4	37343-34		TUBE ASSEMBLY - Manifold pressure	1	
-5	67700-87		TUBE ASSEMBLY - Oil pressure	1	
-6	67700-157		TUBE ASSEMBLY - Manifold pressure	1	
-7	67700-132		TUBE ASSEMBLY - Fuel flow pressure	1	
-8	67700-133		TUBE ASSEMBLY - Fuel flow vent	1	
-9	67700-159		TUBE ASSEMBLY - Manifold pressure	1	
-10	67700-137		TUBE ASSEMBLY - Manifold pressure	1	
-11	67700-136		TUBE ASSEMBLY - Fuel flow vent	1	
-12	63901-41		HOSE ASSEMBLY - Manifold pressure	1	
-13	63901-81		HOSE ASSEMBLY - Fuel flow vent and fuel flow pressure	2	
-14	97499-04		HOSE ASSEMBLY - Oil pressure	1	
-15	588 513		TEE - (MS51513-B4)	1	
-16	79038-00		TEE - Bulkhead fitting	1	
-17	587 956		SWITCH - (M4009-15)	1	
-18	588 027		SWITCH - Pressure (214C40-1-54)	1	
-19	462 058	A,W	"O" RING - (MS29512-04)	1	
-20	22105-05		GASKET- Firewall	1	
-21	66789-00		PLATE - Firewall	2	
-22	68770-18		GROMMET- Firewall	2	
-23	462 058	W	"O" RING - (MS29512-04)	1	
-24	37390-02		ELBOW	1	
-25	458 887	D,W	ELBOW - (AN823-3)	1	28R7931001 to 28R-8331051 incl.
-26	458 933	W	ELBOW - (AN833-2)	2	
-27	458 847	W	ELBOW - (AN833-3)	2	
-28	458 934	W	ELBOW - (AN833-4)	2	
-29	455 173	W	COUPLING - (AN910-1D)	1	
	488 474	A,W	TEE - (AN917-1D)	1	
-30	476 686		NIPPLE - (AN816-5)	1	
-31	476 643	W	NIPPLE - (AN911-1D)	1	
-32	476 648	W	NIPPLE - (AN816-4D)	1	
-33	484 162		REDUCER - (AN919-0)	2	
-34	488 474	W	TEE - (AN917-1D)	1	
-35	587 990	B	SWITCH - (M4006-4)	1	
-36	37390-00		ELBOW	1	
-37	588 469	B	TEE - (1/8 MMS-S)	1	
-38	477 627	W	NUT - (AN924-2)	2	
	407 566	W	WASHER - (AN960-516)	2	
-39	477 628	W	NUT - (AN924-3)	2	
	407 567	W	WASHER - (AN960-616)	2	
-40	477 629	W	NUT - (AN924-4)	3	
	407 568	W	WASHER - (AN960-716)	3	
-41	588 028	A	SWITCH - (214C40-1-55)	1	
-42	476 648	A,W	NIPPLE - (AN816-4D)	1	

When ordering, always specify Part Number, Description, and Serial Number of Aircraft

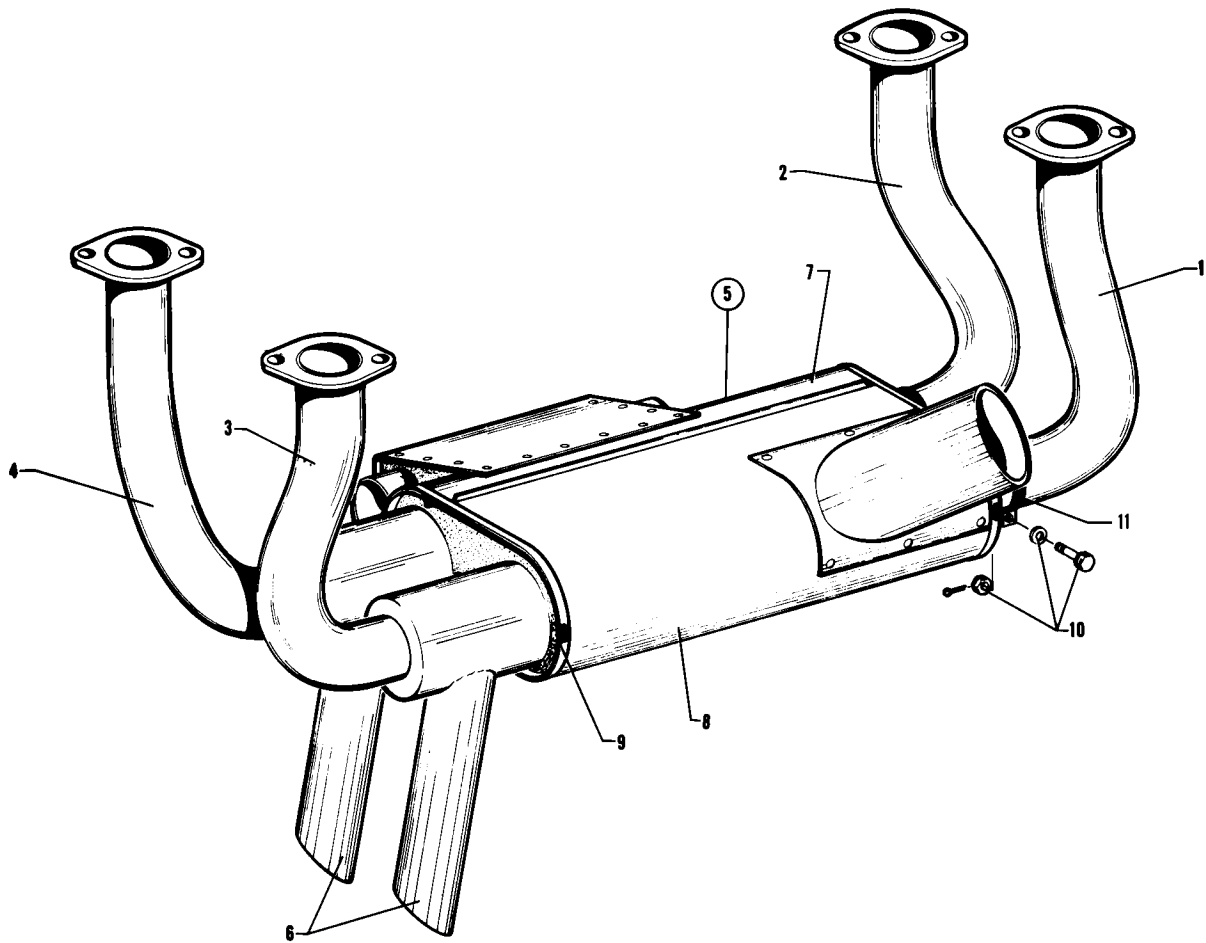


Figure 43. Engine Exhaust System installaton

PIPER PARTS CATALOG

CODE EXPLANATIONS FOR FIGURE 43

W - These parts must be ordered from Service Spares Department, Piper Aircraft, Lock Haven, Penna.

PIPER PARTS CATALOG

Figure and Index Number	Part Number	Code	NOMENCLATURE	No. Req.	SERIAL NUMBERS AFFECTED
43-	99603		DRAWING - Exhaust System Installation		
-1	67810-00		STACK ASSEMBLY - Left front	1	
-2	67811-00		STACK ASSEMBLY - Left rear	1	
-3	67809-00		STACK ASSEMBLY - Right front	1	
-4	67812-00		STACK ASSEMBLY - Right rear	1	
-5	99601-00		MUFFLER ASSEMBLY - Complete	1	
-6	67517-00		* MUFFLER ASSEMBLY	2	
-7	67808-00		* SHROUD ASSEMBLY - Muffler, bottom	1	
-8	99600-00		* SHROUD ASSEMBLY - Muffler, top	1	
-9	67652-00		* TAB - Muffler	4	
-10	400 103	W	BOLT- (AN4-6)	2	
	407 565	W	WASHER - (AN960-416)	4	
	404 101	W	NUT - (AN310-4)	2	
	424 051	W	COTTER PIN - (MS24665-132)	2	
-11	63243-02		CLAMP ASSEMBLY - Exhaust stack	2	

When ordering, always specify Part Number, Description, and Serial Number of Aircraft

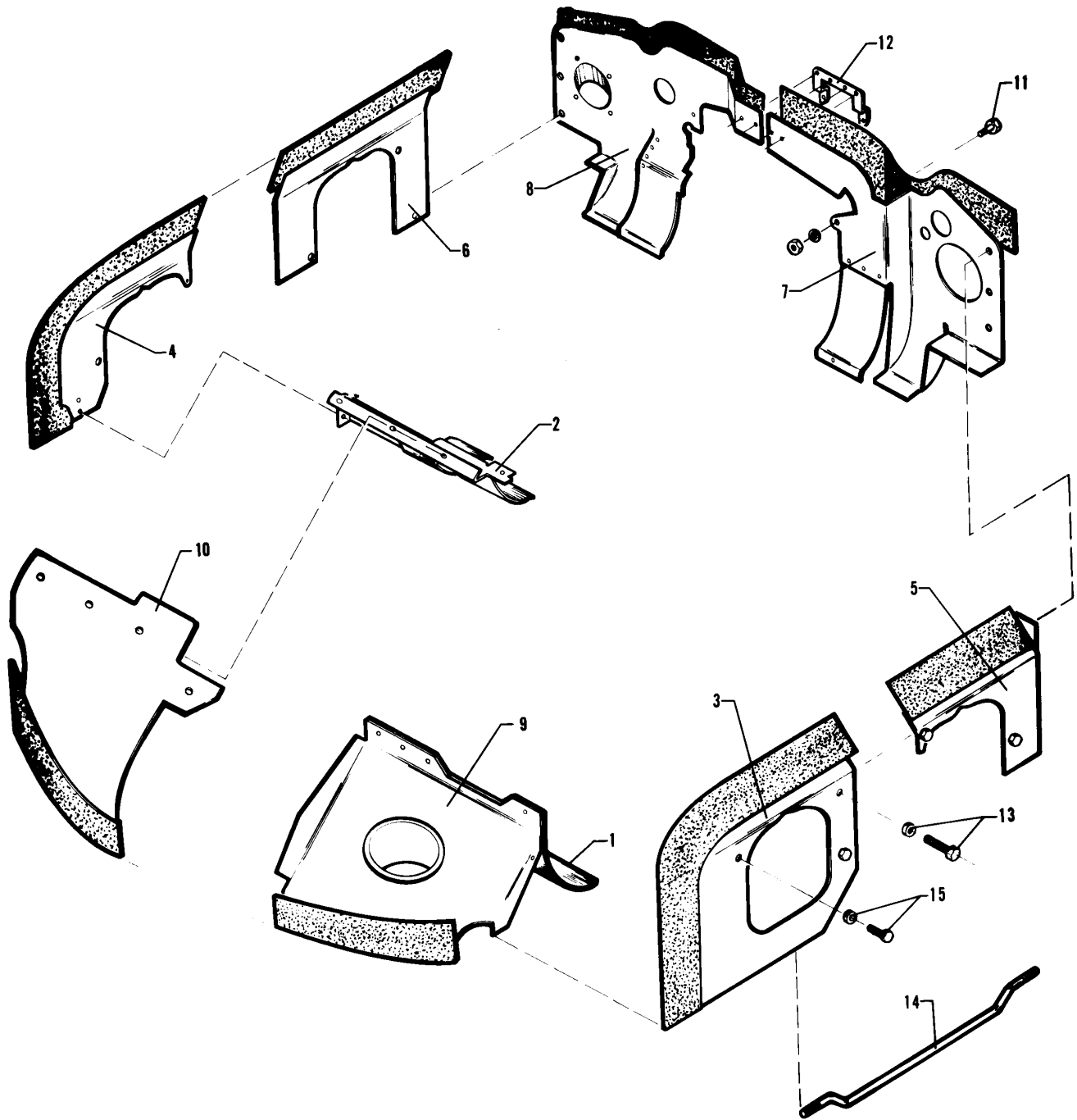


Figure 44. Engine Baffle Installation

PIPER PARTS CATALOG

CODE EXPLANATIONS FOR FIGURE 44

W - These parts must be ordered from Service Spares Department, Piper Aircraft, Lock Haven, Penna.

PIPER PARTS CATALOG

Figure and Index Number	Part Number	Code	NOMENCLATURE	No. Req.	SERIAL NUMBERS AFFECTED
44-	67803		DRAWING - Engine Baffle Installation		
-1	99792-00		BAFFLE ASSEMBLY - Left front	1	
-2	99595-00		BAFFLE ASSEMBLY - Right front	1	
-3	67830-00		BAFFLE ASSEMBLY - Left side front	1	
-4	67822-00		BAFFLE ASSEMBLY - Right side front	1	
-5	67831-00		BAFFLE ASSEMBLY - Left side rear	1	
-6	67823-00		BAFFLE ASSEMBLY - Right side rear	1	
-7	67825-00		BAFFLE ASSEMBLY - Left rear	1	28R-7918001 to 28R-7918306 incl.
	67825-06		BAFFLE ASSEMBLY - Left rear	1	28R-8018001 and up
-8	67824-00		BAFFLE ASSEMBLY - Right rear	1	
-9	99589-00		FAIRING ASSEMBLY - Left front baffle	1	
-10	99594-00		FAIRING ASSEMBLY - Right front baffle	1	
-11	400 002	W	BOLT - (AN4-5A)	1	
	407 585	W	WASHER - (AN960-416L)	1	
	404 836	W	NUT - (MS20364-428C)	1	
-12	63605-00		BRACKET - Rear baffle reinforcement	1	
-13	418 351		SCREW - Cap (1/4-20NC3 x 1)	4	
	407 565	W	WASHER - (AN960-416)	4	
	407 136	W	WASHER - Lock (AN936-A416)	4	
-14	87392-02		TIE ROD - Engine baffle	2	
-15	418 420		SCREW - Cap (1/4-20NC3 x 1/2)	7	
	407 565	W	WASHER - (AN960-416)	7	
	407 136	W	WASHER - Lock (AN936-A416)	7	

When ordering, always specify Part Number, Description, and Serial Number of Aircraft

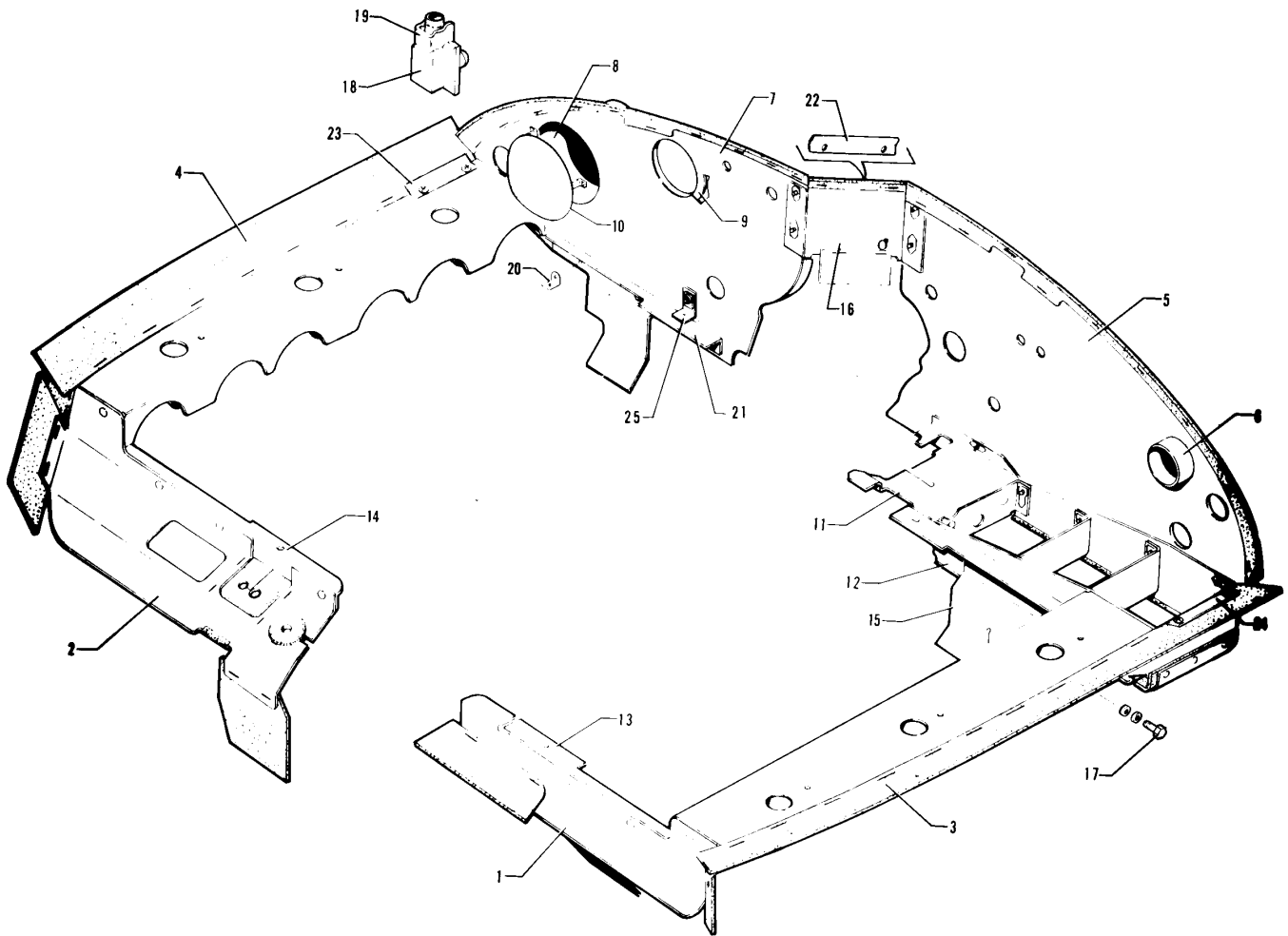


Figure 45. Engine Baffle Installation

PIPER PARTS CATALOG

CODE EXPLANATIONS FOR FIGURE 45

- A - If Powerplant Cooling Kit 764 152V has been installed per Service Spares Letter 388, order part number for serial numbers 28R8231001 and up.
- B - Also used on serial numbers 28R-7931001 to 28R-8131229 inclusive if Powerplant Cooling Kit 764 152V has been installed per Service Spares Letter 388.
- C - If Powerplant Cooling Kit 764 152V has been installed per Service Spares Letter 388, and Magneto Pressurization Kit 764 921V has not been installed, order part for serial numbers 28R-8231001 to 28R-8331051 inclusive. If both Powerplant Cooling Kit 764 152V and Magneto Pressurization Kit 764 921V have been installed, order part for serial numbers 28R-8431001 and up.
- D - If Magneto Pressurization Kit 764 921V has been installed per Service Spares Letter 396, order part for serial numbers 28R-8431001 and up.
- W - These parts must be ordered from Service Spares Department, Piper Aircraft, Lock Haven, Penna.

PIPER PARTS CATALOG

Figure and Index Number	Part Number	Code	NOMENCLATURE	No. Req.	SERIAL NUMBERS AFFECTED
45-	35748		DRAWING - Engine Baffle Installation		
-1	37119-00		BAFFLE ASSEMBLY - Left forward	1	
-2	35812-02	A	BAFFLE ASSEMBLY - Right forward	1	28R-7931001 to 28R-8131229 incl.
	35812-04		BAFFLE ASSEMBLY - Right forward	1	28R-8231001 and up
-3	35740-16	A	BAFFLE ASSEMBLY - Left side	1	28R-7931001 to 28R-8131229 incl.
	87404-04		BAFFLE ASSEMBLY - Left side	1	28R-8231001 and up
-4	35740-17	A	BAFFLE ASSEMBLY - Right side	1	28R-7931001 to 28R-8131229 incl.
	87404-05		BAFFLE ASSEMBLY - Right side	1	28R-8231001 and up
-5	35740-14	C	BAFFLE ASSEMBLY - Left rear	1	28R-7931001 to 28R-8131229 incl.
	87404-02	D	BAFFLE ASSEMBLY - Left rear	1	28R-8231001 to 28R-8331051 incl.
	87404-24		BAFFLE ASSEMBLY - Left rear	1	28R-8431001 and up
-6	37598-00		* FLANGE ASSEMBLY - Baffle	1	
-7	35740-15	A	BAFFLE ASSEMBLY - Right rear	1	28R-7931001 to 28R-8131229 incl.
	87404-03		BAFFLE ASSEMBLY - Right rear	1	28R-8231001 and up
-8	37177-00		* TUBE ASSEMBLY - Turbo air	1	
-9	37189-00		* STIFFENER - Baffle	1	
-10	37142-00		* DEFLECTOR ASSEMBLY - Air duet	1	
-11	37179-00	A	BAFFLE ASSEMBLY - Oil cooler	1	28R 7931001 to 28R-8131229 incl.
	87403-02		BAFFLE ASSEMBLY - Oil cooler	1	28R-8231001 and up
-12	37126-00		BAFFLE ASSEMBLY - Oil cooler	1	28R-7931001 to 28R-8131229 incl.
	37126-08	A	BAFFLE ASSEMBLY - Oil cooler	1	28R-8231001 and up
-13	37463-00		BAFFLE ASSEMBLY - Left front	1	
-14	37464-03		BAFFLE ASSEMBLY - Right front	1	
-15	37512-00	A	BAFFLE ASSEMBLY - Left rear	1	28R-7931001 to 28R-8131229 incl.
	87401-02		BAFFLE ASSEMBLY - Left rear	1	28R-8231001 and up
-16	35740-18	A	BRACKET ASSEMBLY - Rear baffle	1	28R-7931001 to 28R-8131229 incl.
	87404-10		BRACKET ASSEMBLY - Rear baffle	1	28R-8231001 and up
-17	418 420		SCREW - (1/4-20NC3 x 1/2)	6	
	407 136	W	WASHER - (AN936-A416)	6	
	407 675	W	WASHER - (AN960-C416)	6	
-18	481 359		ADAPTER - Oil quick drain (107B)	1	
-19	454 873	W	CLIP - Oil quick drain adapter	1	
-20	37688-00		BRACKET	1	
-21	37463-00	A	BAFFLE ASSEMBLY - Right rear	1	28R-7931001 to 28R-8131229 incl.
	87402-02		BAFFLE ASSEMBLY - Right rear	1	28R-8231001 and up
-22	87404-16	B	RETAINER - Baffle, rear	1	28R-8231001 and up
-23	87404-17	B	RETAINER - Baffle, right	1	28R-8231001 and up
-24	87404-22	B	PLATE - Baffle, left	1	28R-8231001 and up
-25	87430-02	B	CLIP - Baffle support	1	28R-8231001 and up

When ordering, always specify Part Number, Description, and Serial Number of Aircraft

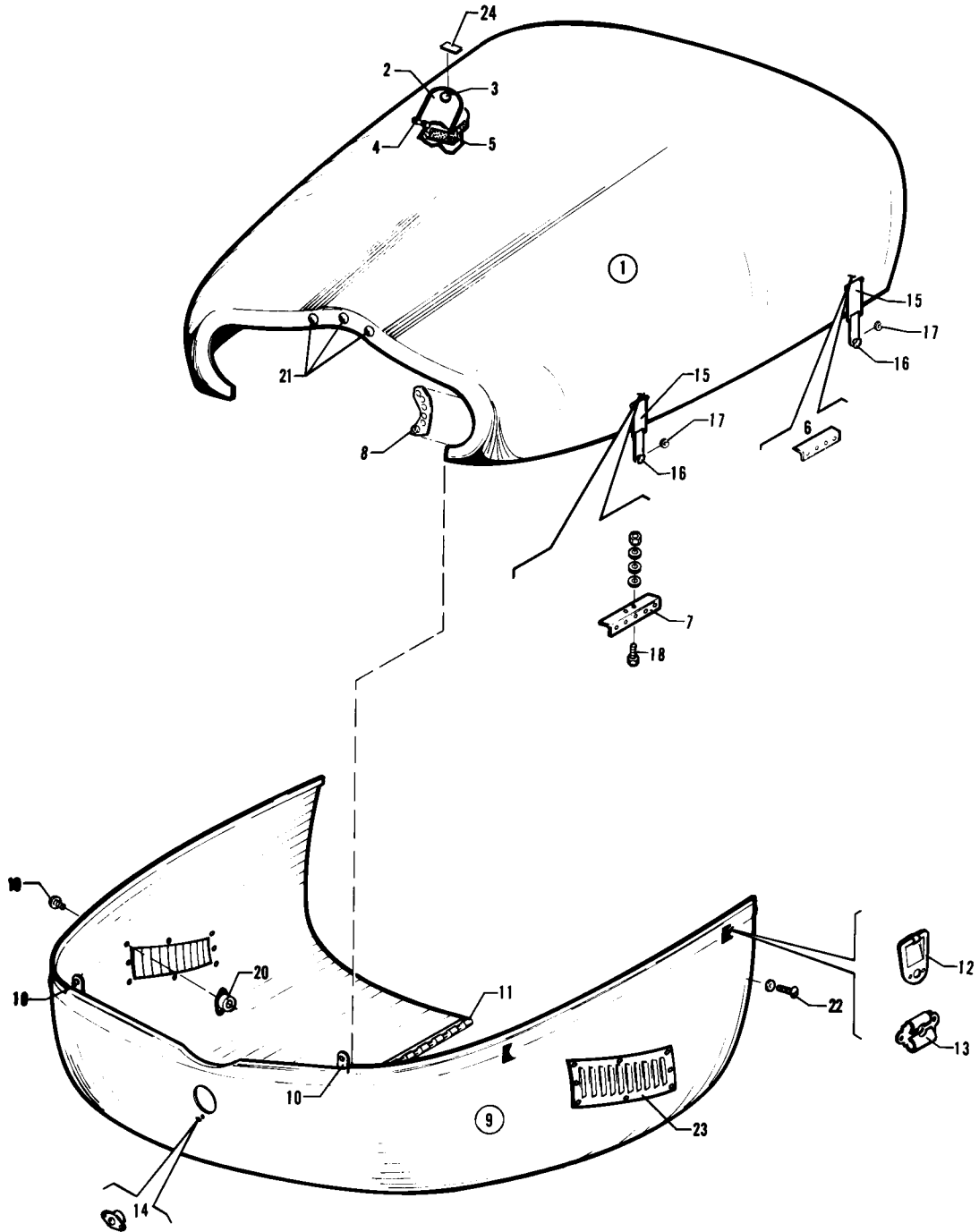


Figure 46. Engine Cowl Installation

PIPER PARTS CATALOG

CODE EXPLANATIONS FOR FIGURE 46

PIPER PARTS CATALOG

Figure and Index Number	Part Number	Code	NOMENCLATURE	No. Req.	SERIAL NUMBERS AFFECTED
46-	67349		DRAWING - Cowl Assembly (Complete)		
-1	67350-00		COWL ASSEMBLY - Top	1	
-2	99096-00		* DOOR ASSEMBLY - Oil filler	1	
-3	472 017		* * LATCH - Oil filler door (KM610-32)	1	
-4	65291-03		* * HINGE ASSEMBLY - Oil filler door	1	
-5	99094-02		* PLATE ASSEMBLY - Reinforcement oil filler door	1	
-6	65240-00		* ANGLE - Cowl fastener, rear, left	1	
	65240-01		* ANGLE - Cowl fastener, rear, right	1	
-7	65241-00		* ANGLE - Cowl fastener, front	2	
-8	65148-00		* PLATE ASSEMBLY - Cowl pin, left	1	
	65148-01		* PLATE ASSEMBLY - Cowl pin, right	1	
-9	67846-10		COWL ASSEMBLY - Bottom	1	28R-7918002 to 28R-7918306 incl.
	67846-11		COWL ASSEMBLY - Bottom	1	28R-7918001, 28R-8018001 and up
-10	69791-00		* PLATE ASSEMBLY - Bottom cowl	2	
	484 840		** RING - Retaining	1	
	69790-00		** BUSHING	1	
-11	67355-00		* HINGE HALF - Bottom cowl, left	1	
	67355-01		* HINGE HALF - Bottom cowl, right	1	
-12	65889-00		* CUP ASSEMBLY - Cowl fastener	4	
-13	484 483		* RECEPTACLE - (PS10077-1-62)	4	
-14	406 646		* NUT - Anchor (MAS1068A06L)	1	
-15	65202-05		FASTENER ASSEMBLY - Cowl	4	
-16	487 719		* STUD - (5-W-260)	1	
-17	484 428		* RETAINER - (PS10077-1-65)	1	
-18	400 438		BOLT - (AN3-4A)	8	
	407 564		WASHER - (AN960-10)	24	
	404 835		NUT - (MS20364-1032C)	8	
-19	414 763		SCREW - (MS24693-50)	8	
-20	406 834		NUT - Anchor (NAS686A08)	8	
-21	581 025		PLUG - (15-903)	3	
-22	411 533		SCREW - (MS35207-264)	10	
	407 584		WASHER - (AN960-10L)	10	
-23	65151-00		LOUVER - Bottom cowl	1	28R-7918002 to 28R-7918306 incl.
-24	87340-02		PLACARD - Oil spec	1	

When ordering, always specify Part Number, Description, and Serial Number of Aircraft

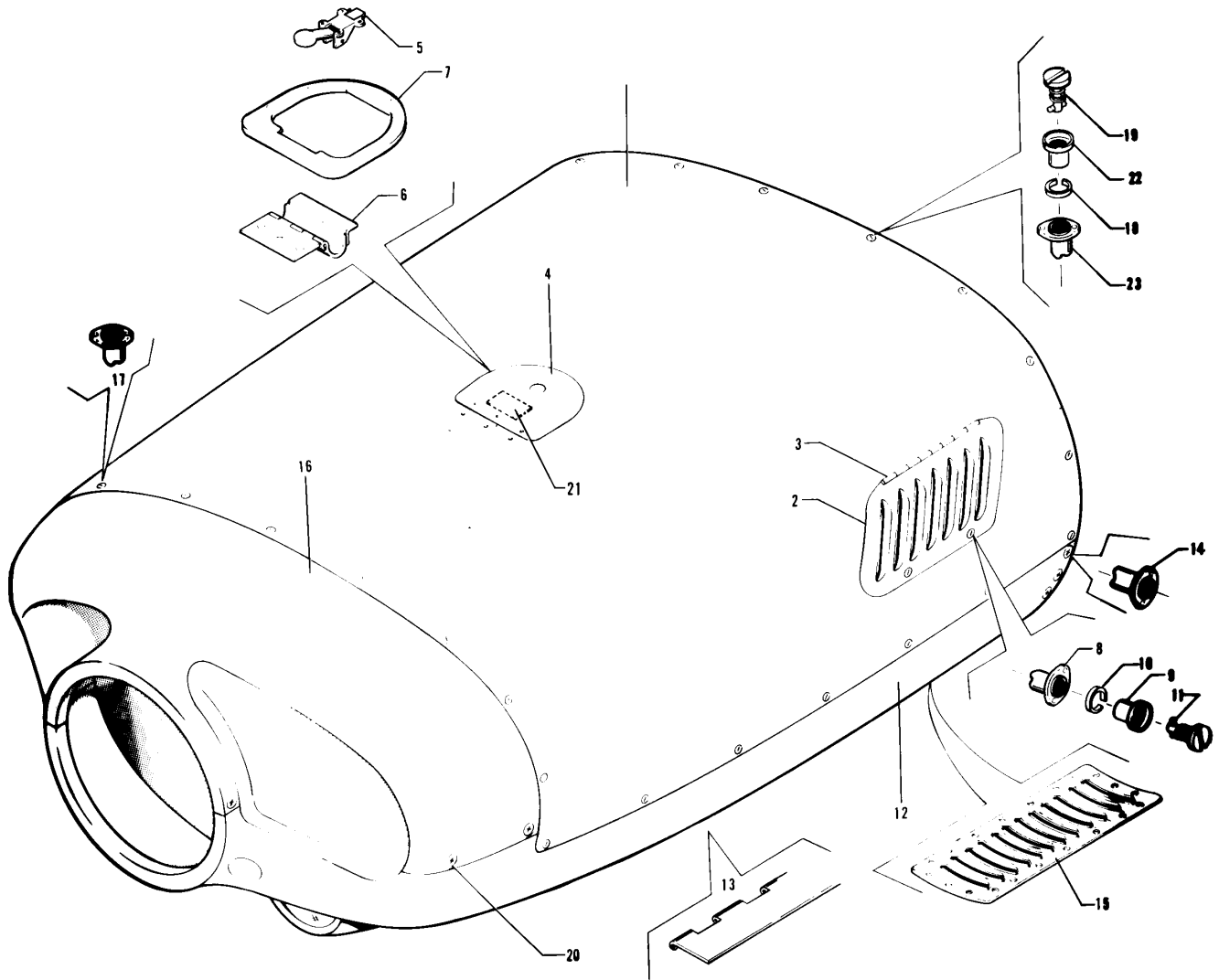


Figure 47. Engine Cowl Installation

PIPER PARTS CATALOG

CODE EXPLANATIONS FOR FIGURE 47

- A - If Powerplant Cooling Kit 764 152V has been installed per Service Spares Letter 388, order part for serial numbers 28R-8231001 and up.
- B - Also used on serial numbers 28R-7931001 to 28R-8131229 inclusive if Powerplant Cooling Kit 764 152V has been installed per Service Spares Letter 388.
- W - These parts must be ordered from Service Spares Department, Piper Aircraft, Lock Haven, Penna.

PIPER PARTS CATALOG

Figure and Index Number	Part Number	Code	NOMENCLATURE	No. Req.	SERIAL NUMBERS AFFECTED
47-	35742		DRAWING - Cowl Assembly Installation		
-1	35742-31		COWL ASSEMBLY - Top	1	
-2	35742-32		* DOOR ASSEMBLY - Cowl, left	1	
	35742-33		* DOOR ASSEMBLY - Cowl, right	1	
-3	35742-41		* * HINGE ASSEMBLY - Cowl door	1	
-4	35793-02		* DOOR ASSEMBLY - Oil filler	1	
-5	472 017	W	* * LATCH - Oil filler door (KM610-32)	1	
-6	35794-02		* HINGE ASSEMBLY - Oil filler door	1	
-7	35742-43		* PLATE - Doubler	1	
-8	484 293	W	* RECEPTACLE - (214-16D)	4	
-9	463 416	W	* GROMMET - (4002-N)	4	
-10	484 755	W	* SNAP RING - (R4G)	4	
-11	487 710	W	* STUD - (4002-2)	4	
-12	35742-03	A	COWL ASSEMBLY - Bottom	1	28R-7931001 to 28R-8131229 incl.
	35742-56		COWL ASSEMBLY - Bottom	1	28R-8231001 and up
-13	35742-04		* HINGE HALF - Bottom cowl, left	1	
	35742-05		* HINGE HALF - Bottom cowl, right	1	
-14	584 019		* RECEPTACLE - (214-16)	12	
-15	87405-02	B	* LOUVER - Bottom cowl, left	1	28R-8231001 and up
	87405-03	B	* LOUVER - Bottom cowl, right	1	28R-8231001 and up
-16	35742-30		COWL ASSEMBLY- Nose, upper	1	
-17	584 019		* RECEPTACLE - (214-16)	8	
-18	484 755	W	SNAP RING - (R4G)	31	
-19	487 685	W	STUD - (4002-8) length 0.87"	31	
	487 686	W	STUD - (4002-9) length 0.90"	31	
	487 687	W	STUD - (4002-10) length 0.93"	31	
-20	494 037	W	WASHER - (PS10092-1-3C)	8	
	410 040	W	SCREW - (MS24694-S52)	8	
-21	87339-02		PLACARD - Oil spec	1	
-22	463 416	W	GROMMET - (4002-N)	31	
-23	584 019		RECEPTACLE - (214-16)	8	

When ordering, always specify Part Number, Description, and Serial Number of Aircraft

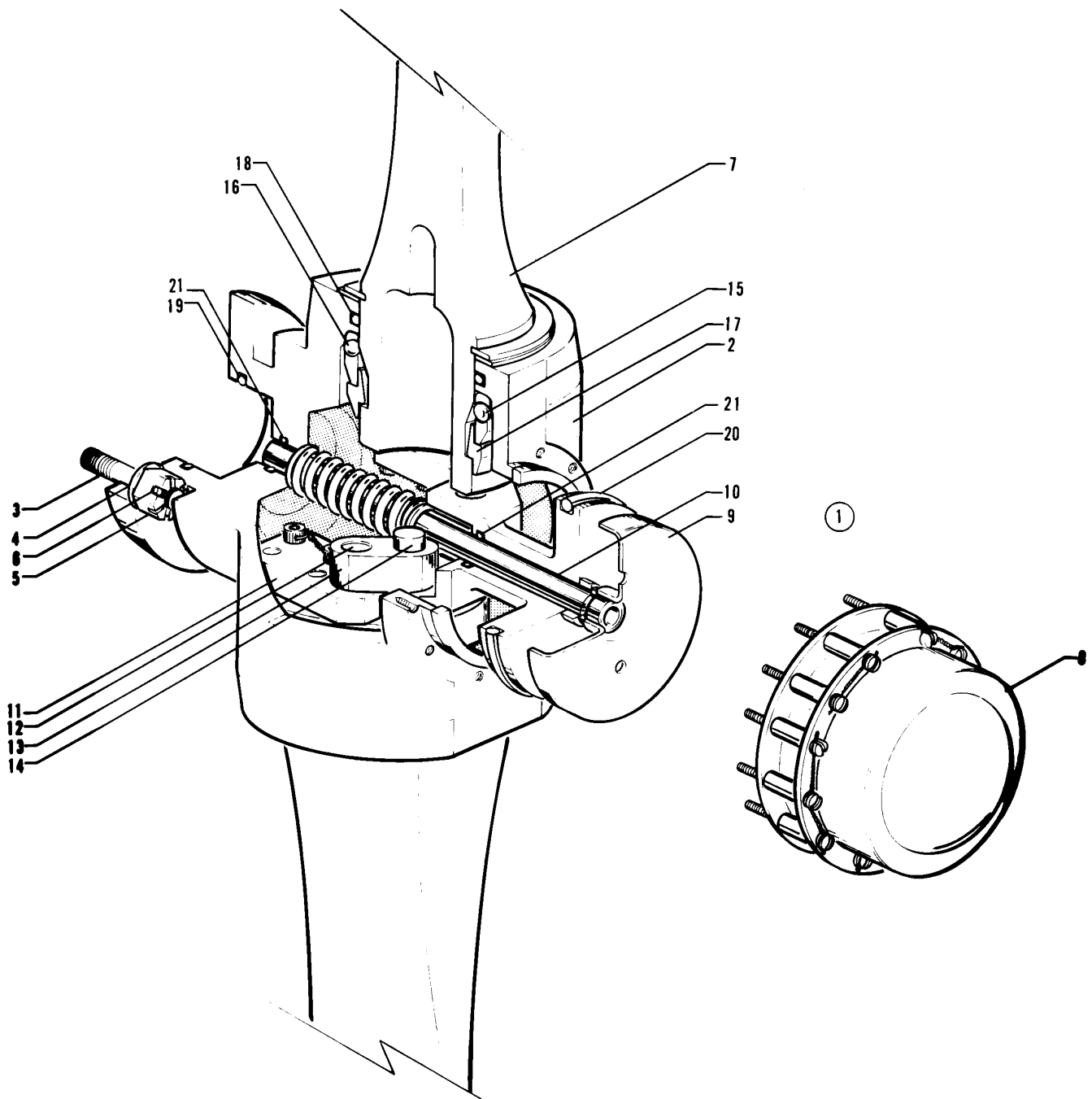


Figure 48. Two Blade Propeller Assembly (McCauley)

PIPER PARTS CATALOG

CODE EXPLANATIONS FOR FIGURE 48

- A - Used with Propeller Assembly B2D34C213/90DHA-16 only.
- B - Used with Propeller Assembly 2D34C215/90DJA-14E only.

PIPER PARTS CATALOG

Figure and Index Number	Part Number	Code	NOMENCLATURE	No. Req.	SERIAL NUMBERS AFFECTED
48-1	550 974		PROPELLER ASSEMBLY - McCauley, two blade (B2D34C213/90DHA-16)	1	28R-7918001 to 28R-7918306 incl.
	550 992		PROPELLER ASSEMBLY - McCauley, two blade (2D34C215/90DJA-14E)	1	28R-8018001 and up
-2	755 278	A	* HUB ASSEMBLY - Propeller (C-4326/C213)	1	
	755 314	B	* HUB ASSEMBLY - Propeller (C-5098/C215)	1	
-3	762 319	A	** STUD - Propeller mounting (B-3121)	6	
	762 395	B	** STUD - Propeller mounting (B-5077)	6	
-4	756 689		** WASHER - (A-1638-10)	6	
-5	752 572		** NUT - (A-1639-9)	6	
-6	762 564		** ROLL PIN - (A-3150-1)	6	
-7	758 396	A	* BLADE - Propeller (90DHA-16)	2	
	758 497	B	* BLADE - Propeller (90DJA-14E)	2	
-8	763 217		* CYLINDER - (C-4645)	1	
-9	763 413		* PISTON - Blade actuating (C-3418)	1	
-10	761 984		* TUBE - Piston rod (B-2345)	1	
-11	763 005		* ACTUATING PIN AND BASE ASSEMBLY - (B-3905)	2	
-12	763 414		** PIN - Dowel (A-2973-8)	1	
-13	761 206		* LINK - Blade actuating (A-3902)	2	
-14	763 412		* PIN - Piston rod (B-3414)	2	
-15	762 318		* SEPARATOR - Ball (B-4014)	80	
-16	758 395		* BALL - Bearing (A-1634-6)	80	
-17	762 563		* RETAINER - Split (C-3903) (matched pairs)	2	
-18	752 591		* "O" RING - (A-1633-37)	2	
-19	752 592		* "O" RING - (A-1633-11)	1	
-20	752 593		* "O" RING - (A-1633-12)	1	
-21	752 594		* "O" RING - (A-1633-9)	2	

When ordering, always specify Part Number, Description, and Serial Number of Aircraft

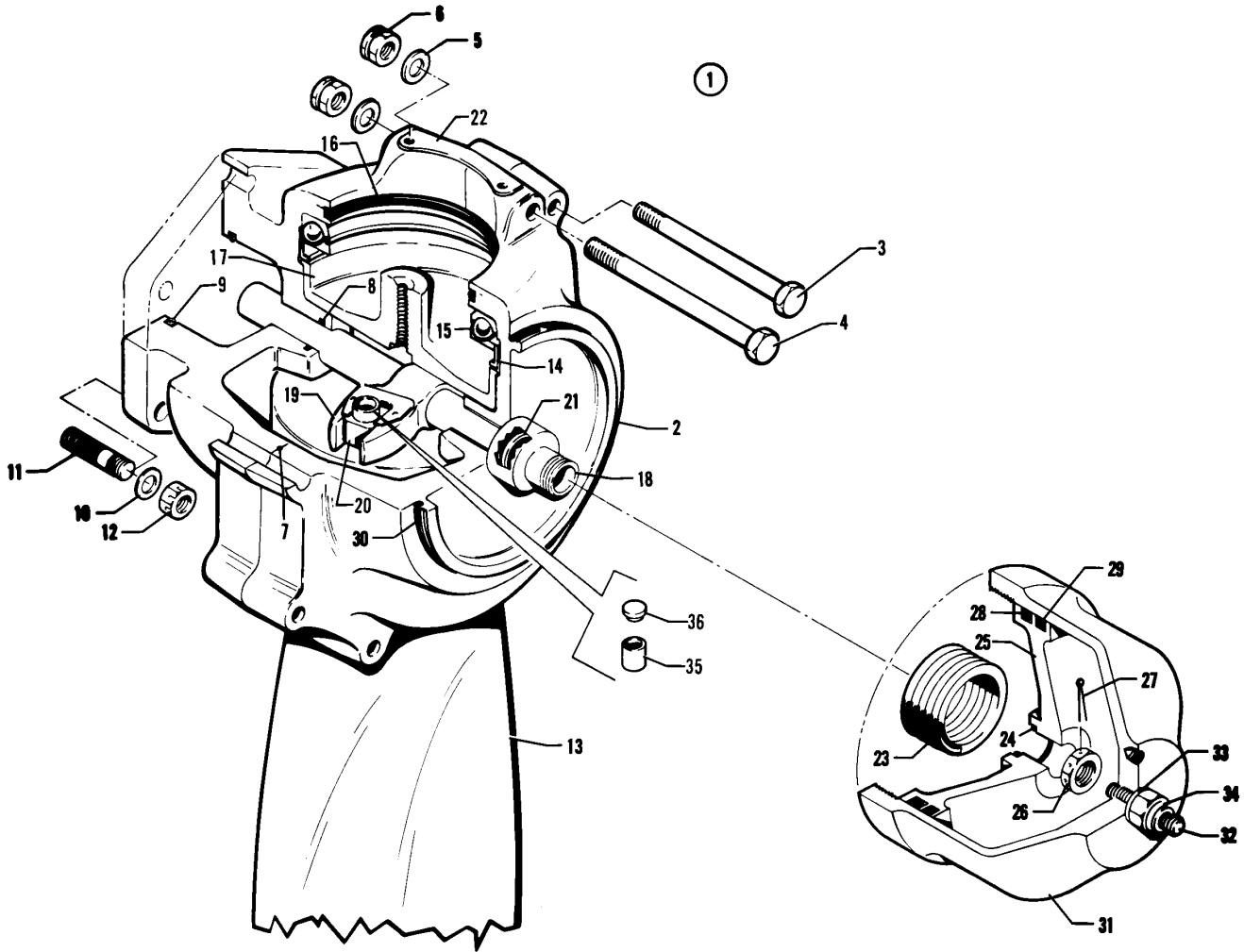


Figure 49. Two Blade Propeller Assembly (Hartzell)
 (Serial Nos. 28R-7918001 to 28R-7918306 incl.)

PIPER PARTS CATALOG

CODE EXPLANATIONS FOR FIGURE 49

W - These parts must be ordered from Service Spares Department, Piper Aircraft, Lock Haven, Penna.

PIPER PARTS CATALOG

Figure and Index Number	Part Number	Code	NOMENCLATURE	No. Req.	SERIAL NUMBERS AFFECTED
49-1	550 976		PROPELLER ASSEMBLY - Hartzell (HC-C2YK-1BF/F7666A-2R)	1	
-2	755 222	W	* HUB ASSEMBLY - Propeller (D-2201-3F)	1	
-3	753 461	W	* BOLT - Hex head (A-2431)	6	
-4	758 111	W	* BOLT - Hex head (A-2432)	4	
-5	407 567	W	* WASHER - (AN960-616)	10	
-6	752 511	W	* NUT - Elastic (A-2043)	10	
-7	756 241	W	* SEAL - Hub (A-2436)	2	
-8	755 932	W	* "O" RING - Rod (PRP-902-13)	1	
-9	755 800	W	* "O" RING - Rod (PRP-909-6)	1	
-10	756 626	W	* WASHER - (A-1381)	6	
-11	757 583	W	* STUD - Flange (A-2067)	6	
-12	752 533	W	* NUT - Castle (A-2069)	6	
-13	758 400		* BLADE - Propeller (F7666A-2R)	2	
-14	755 968	W	* RING - Bearing guide (A-2204)	2	
-15	753 463	W	* BEARING - Blade, split (A-2202)	2	
-16	755 934	W	* "O" RING - Blade (PRP-902-42)	2	
-17	757 249	W	* PRELOAD PLATE UNIT - (B-2256)	2	
-18	755 993	W	* ROD - Piston (A-2418-2)	1	
-19	754 826	W	* FORK UNIT - Pitch change (B-2457-3)	1	
-20	758 204	W	* BLOCK - Pitch change (A-2217-3)	2	
-21	755 972	W	* SPLIT - Retainer (A-2430)	1	
-22	756 607	W	* WEIGHTS - Balance (A-2424)	AR	
-23	757 556	W	* SPRING - (A-2213-1)	1	
-24	755 995	W	* "O" RING - Piston seal (PRP-914-6)	1	
-25	757 302	W	* PISTON - (B-2419)	1	
-26	752 513	W	* NUT - Rod (A-2211)	1	
-27	424 061	W	* COTTER PIN - (AN380-3-5)	1	
-28	755 994	W	* "O" RING - Piston (PRP-902-51)	1	
-29	757 557	W	* SEAL - Felt (B-1843)	1	
-30	755 935	W	* "O" RING - Cylinder (PRP-909-25)	1	
-31	757 828	W	* CYLINDER - (B-2428-1)	1	
-32	757 558	W	* SCREW - Low stop (A-2421)	1	
-33	757 559	W	* SEAL - Parker (7000-3/8)	1	
-34	752 534	W	* NUT - (52NTE-064)	1	
-35	758 280		* BUSHING - Propeller (A-2413-2)	1	
-36	758 282		* BUTTON - Propeller (A-3212-1)	1	

When ordering, always specify Part Number, Description, and Serial Number of Aircraft

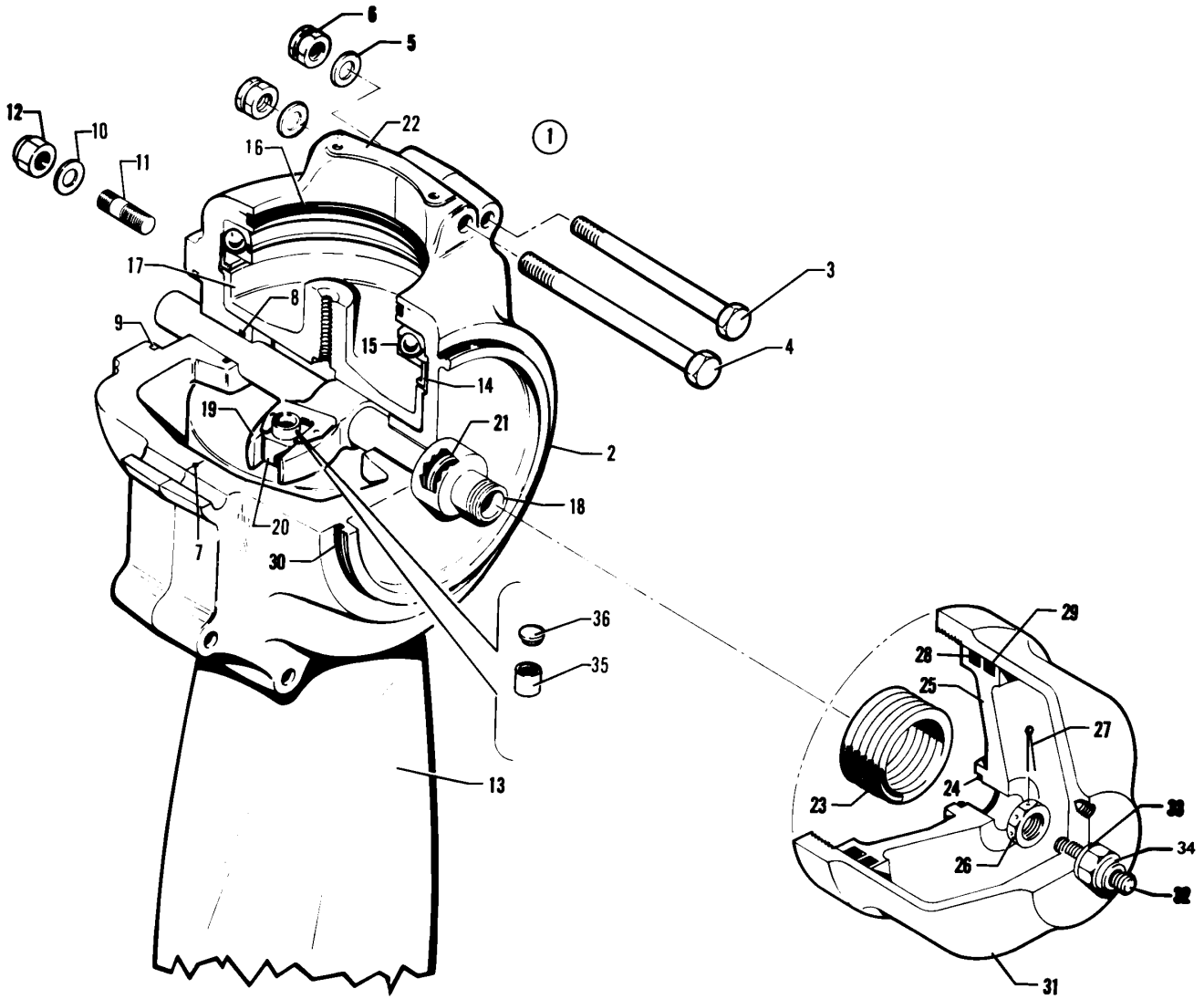


Figure 50. Two Blade Propeller Assembly (Hartzell)

PIPER PARTS CATALOG

CODE EXPLANATIONS FOR FIGURE 50

A - Parts included in Propeller Repair Kit, Part No. 756 892.

W - These parts must be ordered from Service Spares Department, Piper Aircraft, Lock Haven, Penna.

PIPER PARTS CATALOG

Figure and Index Number	Part Number	Code	NOMENCLATURE	No. Req.	SERIAL NUMBERS AFFECTED
50-1	550 964		PROPELLER ASSEMBLY - Hartzell, two blade (BHC-C2YF-1BF/F8459A-8R)	1	
-2	755 274		* HUB ASSEMBLY - Propeller (D-2201-5)	1	
-3	753 461	W	* BOLT - Hex head (A-2431)	6	
-4	758 111	W	* BOLT - Hex head (A-2432)	4	
-5	407 567	A,W	* WASHER - (AN960-616)	10	
-6	752 511	A,W	* NUT - Elastic (A-2043)	10	
-7	756 241	A,W	* SEAL - Hub (A-2436)	2	
-8	755 932	A,W	* "O" RING - Rod (PRP-902-13)	1	
-9	755 800	A,W	* "O" RING - Rod (PRP-909-6)	1	
-10	407 569	W	* WASHER - (AN960-816)	6	
-11	757 742	W	* STUD - (A-2429-4)	6	
-12	752 544	W	* NUT - (A-2044)	6	
-13	758 372		* BLADE - Propeller (F8459A-8R)	2	
-14	755 968	W	* RING - Bearing guide (A-2204)	2	
-15	753 463	W	* BEARING - Blade, split (A-2202)	2	
-16	755 934	A,W	* "O" RING - Blade (PRP-902-42)	2	
-17	757 249	W	* PRELOAD PLATE UNIT - (B-2256)	2	
-18	755 993	W	* ROD - Piston (A-2418-2)	1	
-19	754 826	W	* FORK UNIT - Pitch change (B-2457-3)	1	
-20	758 204	W	* BLOCK - Pitch change (A-2217-3)	2	
-21	755 972	W	* SPLIT - Retainer (A-2430)	1	
-22	756 607	W	* WEIGHTS - Balance (A-2424)	AR	
-23	757 556	W	* SPRING - (A-2213-1)	1	
-24	755 995	A,W	* "O" RING - Piston seal (PRP-914-6)	1	
-25	757 302	W	* PISTON - (B-2419)	1	
-26	752 513	W	* NUT - Rod (A-2211)	1	
-27	424 061	W	* COTTER PIN - (AN380-3-5)	1	
-28	755 994	A,W	* "O" RING - Piston (PRP-902-51)	1	
-29	757 557	A,W	* SEAL - Felt (B-1843)	1	
-30	755 935	A,W	* "O" RING - Cylinder (PRP-909-25)	1	
-31	757 828	W	* CYLINDER - (B-2428-1)	1	
-32	757 558	W	* SCREW - Low stop (A-2421)	1	
-33	757 559	A,W	* SEAL - Parker (7000-3/8)	1	
-34	752 534	W	* NUT - (52NTE-064)	1	
-35	758 280		* BUSHING - Propeller (A-2413-2)	1	
-36	758 282		* BUTTON - Propeller (A-3212-1)	1	

When ordering, always specify Part Number, Description, and Serial Number of Aircraft

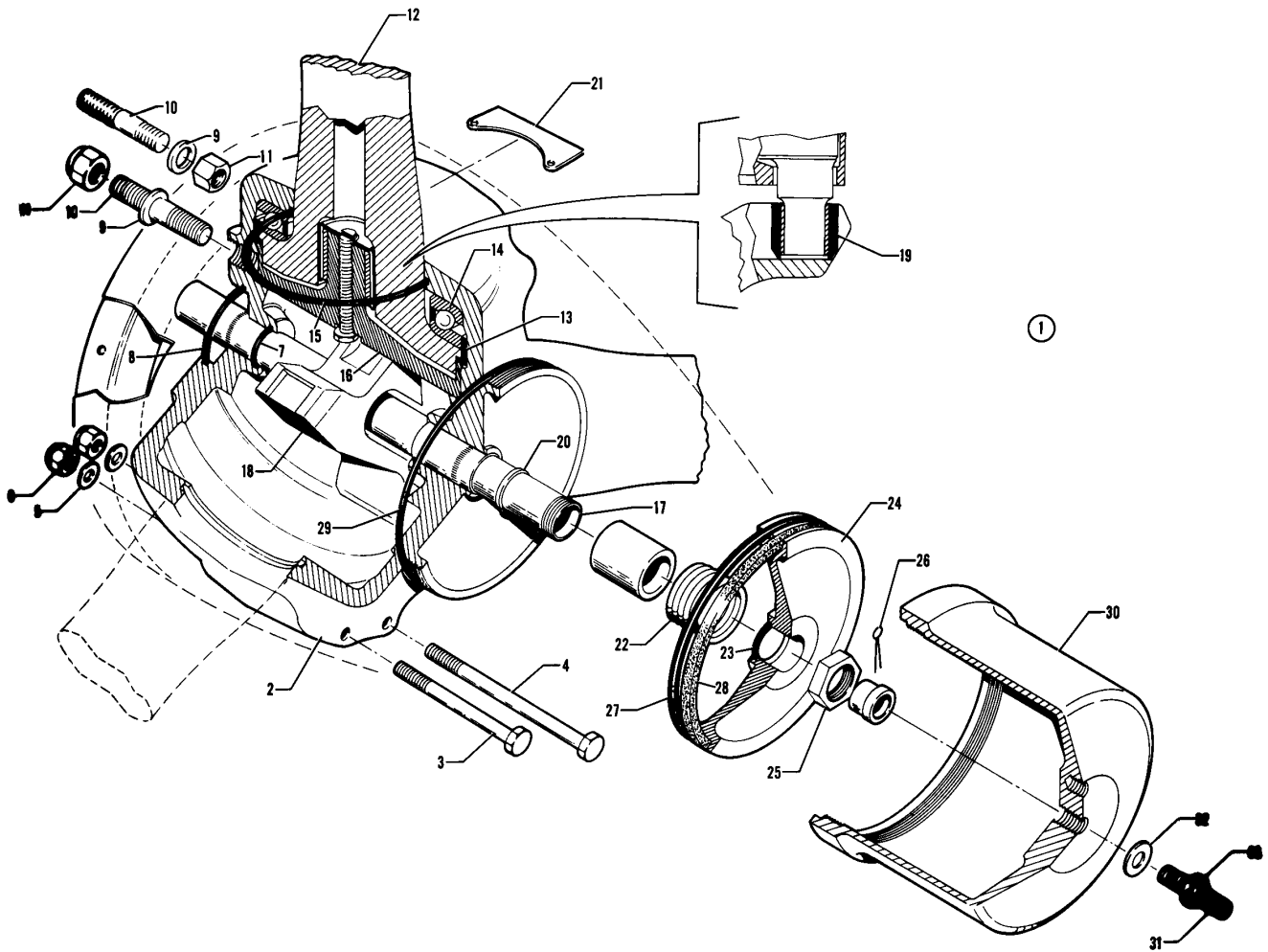


Figure 51. Three Blade Propeller Assembly (Hartzell)

PIPER PARTS CATALOG

CODE EXPLANATIONS FOR FIGURE 51

A - Parts included in Propeller Repair Kit, P/N 763 888.

W - These parts must be ordered from Service Spares Department, Piper Aircraft, Corporation Lock Haven, Penna.

PIPER PARTS CATALOG

Figure and Index Number	Part Number	Code	NOMENCLATURE	No. Req.	SERIAL NUMBERS AFFECTED
51-1	550 986		PROPELLER ASSEMBLY - Hartzell, three blade (PHC-C3YF-1()F/F7663-2R)	1	
-2	755 299		* HUB ASSEMBLY - Propeller (D-3251-8R)	1	
-3	753 461	W	* BOLT - Hex head (A-2431)	9	
-4	753 462	W	* BOLT - Hex head (A-2433)	6	
	757 593	W	* SPACER - (A-2246-3)	12	
	407 567	W	* WASHER - (AN960-616)	12	
	752 565	W	* NUT - (22 FT-624)	6	
-5	407 587	A,W	* WASHER - (AN960-616L)	9	
-6	752 511	A,W	* NUT - Elastic (A-2043)	9	
-7	755 932	A,W	* "O" RING - Rod (PRP-902-13)	1	
-8	755 800	A,W	* "O" RING - Rod (PRP-909-6)	1	
-9	407 569	W	* WASHER - (AN960-816)	6	
-10	757 742	W	* STUD - (A-2429-4)	6	
-11	752 544	W	* NUT - (A-2044)	6	
-12	758 458		* BLADE - Propeller (F7663-2R)	3	
-13	755 968	W	* RING - Bearing guide (A-2204)	3	
-14	753 463	W	* BEARING - Blade, split (A-2202)	3	
-15	755 934	A,W	* "O" RING - Blade (PRP-902-42)	3	
-16	757 249	W	* PRELOAD PLATE UNIT - (B-2256)	3	
-17	755 993	W	* ROD - Piston (A-2418-2)	1	
-18	754 808	W	* FORK - Pitch change (B-3252)	1	
-19	758 205	W	* BLOCK - Pitch change (A-3253-2)	3	
-20	755 972	W	* RETAINER - Split (A-2430)	1	
-21	756 607	W	* WEIGHT - Balance (A-2424)	AR	
-22	757 556	W	* SPRING - (A-2213-1)	1	
-23	755 995	A,W	* "O" RING - Piston seal (PRP-914-6)	1	
-24	757 458	W	* PISTON— (B-2280)	1	
-25	752 513	W	* NUT - Rod (A-2211)	1	
-26	424 061	A,W	* COTTER PIN - (AN380-3-5)	1	
-27	762 504	A,W	* "O" RING - Piston (PRP-902-53)	1	
-28	762 211	A,W	* SEAL - Felt (B-1843-1)	1	
-29	755 937	A,W	* "O" RING - Cylinder (MS28775-29)	1	
-30	758 033	W	* CYLINDER - (B-2281)	1	
-31	757 558	W	* SCREW - Low stop (A-2421)	1	
-32	757 559	A,W	* SEAL - Parker (7000-3/8)	1	
-33	752 534	W	* NUT - (52NTE-064)	1	

When ordering, always specify Part Number, Description, and Serial Number of Aircraft

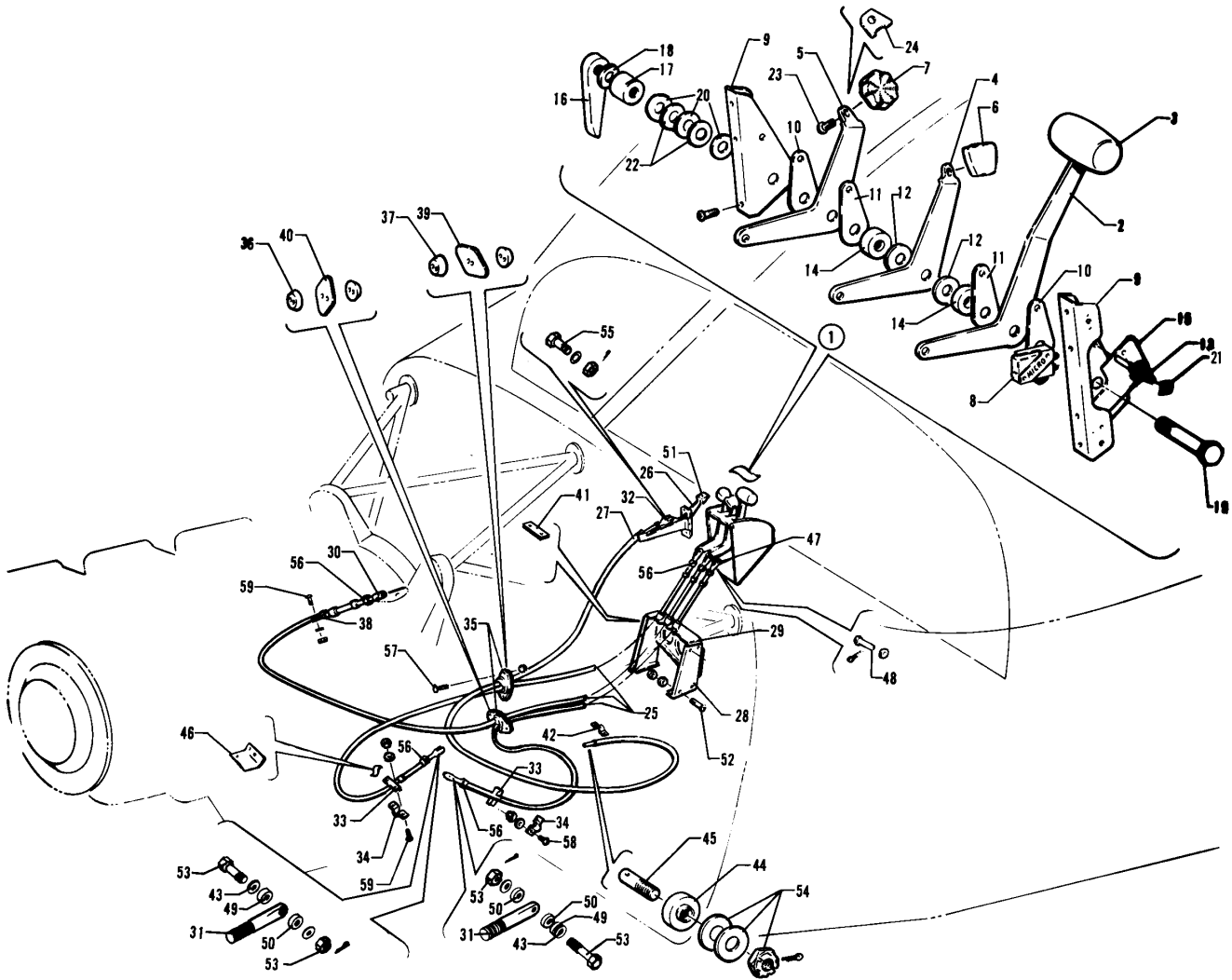


Figure 52. Engine Controls Installation

PIPER PARTS CATALOG

CODE EXPLANATIONS FOR FIGURE 52

- A - See Figure 86A if Century 41 AutoPilot is installed.
- B - Used if a 2.72" L. quadrant adjusting handle (P/N 6677300) is installed.
- C - Used if a 2.94" L. quadrant adjusting handle (P/N 63039-04) is installed.
- W - These parts must be ordered from Service Spares Department, Piper Aircraft, Lock Haven, Penna.

PIPER PARTS CATALOG

Figure and Index Number	Part Number	Code	NOMENCLATURE	No. Req.	SERIAL NUMBERS AFFECTED
52-	67834		DRAWING - Engine Controls Installation		
-1	67210-03		QUADRANT ASSEMBLY- Control	1	
-2	67223-03		* LEVER ASSEMBLY - Throttle	1	
-3	66979-00	A	* * KNOB - Throttle lever	1	
-4	67213-00		* LEVER - Propeller control	1	
-5	67214-00		* LEVER - Mixture control	1	
-6	24047-00	W	* KNOB - Propeller control	1	
-7	24048-00	W	* KNOB - Mixture control	1	
-8	487 925		* SWITCH - Quadrant control (V3-1)	1	
-9	67215-03		* BRACKET ASSEMBLY- Quadrant, left	1	
	67216-00		* BRACKET ASSEMBLY - Quadrant, right	1	
-10	67218-00		* PLATE - Quadrant control, friction	2	
-11	67218-02		* PLATE - Quadrant control, friction	2	
-12	62833-50		* WASHER - Quadrant control, friction	2	
-13	67221-00		* PIN - Quadrant friction plate	1	
-14	68699-10		* SPACER - Quadrant control	2	
-15	67729-00		* MOUNT - Gear warning switch	1	
-16	66773-00		* HANDLE - Quadrant adjusting (2.72" L.)	1	
	63039-04		* HANDLE - Quadrant adjusting (2.94" L.)	1	
-17	66774-00		* CAM - Quadrant adjusting	1	
-18	62833-46		* WASHER - Quadrant control	1	
-19	400 749	B	* BOLT - (AN25-52)	1	
	400 171	C,W	* BOLT - (AN5-30)	1	
	404 394	W	* NUT - (AN320-5)	1	
	424 051	W	* COTTER PIN - (MS24665-132)	1	
-20	407 586	W	* WASHER - (AN960-516L)	AR	
-21	406 345	W	* NUT - (A109-014-1)	2	
-22	408 815	W	* WASHER - (3502-18-04)	2	
-23	415 448	W	* SCREW - (AN526-832R6)	2	
-24	79473-00		* PLATE - Mixture control	1	
-25	455 322		CONTROL ASSEMBLY - Push-pull (PS50146-13-10)	3	
-26	66835-00		CONTROL MOUNT - Alternate air	1	
-27	554 130		CABLE ASSEMBLY - Alternate air control (PS50146-1-1)	1	
-28	67206-02		SUPPORT ASSEMBLY - Engine control	1	
-29	67224-03		* BRACKET ASSEMBLY - Engine control	1	
-30	31747-00	W	JOINT ASSEMBLY- Ball	1	
-31	452 606	W	BEARING - Rod end (PS10020-16-2)	2	
-32	454 905	W	CLEVIS - (RA13-187-2C)	1	
-33	18132-00	W	LUG - Cable control	2	
-34	18219-00	W	CLAMP - Cable control	2	
-35	66789-00		PLATE - Firewall seal	4	
-36	68770-07		GROMMET- Firewall seal	2	
-37	68770-08		GROMMET- Firewall seal	2	
-38	18219-02	W	CLAMP - Cable control	1	
-39	68771-12		GASKET- Firewall seal	1	
-40	68771-13		GASKET - Firewall seal	1	
-41	67225-00		RETAINER - Engine control	1	
-42	66853-00		CLAMP - Alternate air control	1	
-43	62833-101		WASHER - Throttle control lever	2	
-44	70371-02	W	FITTING - Swivel, alternate air	1	
-45	70371-03	W	STUD - Alternate air	1	
-46	67804-00		BRACKET	1	
-47	488 327	W	TERMINAL - (AN665-21R)	3	
-48	524 145		PIN - (MS20392-2C11)	3	
	407 584	W	WASHER - (AN960-10L)	3	
	424 050	W	COTTER PIN - (MS24665-132)	3	
-49	63900-78		BUSHING	2	

When ordering, always specify Part Number, Description, and Serial Number of Aircraft

PIPER PARTS CATALOG

Figure and Index Number	Part Number	Code	NOMENCLATURE	No. Req.	SERIAL NUMBERS AFFECTED
52-50	407 043	W	WASHER - (MS35338-43)	3	
-51	66980-00		KNOB - Alternate air control	1	
-52	415 544	W	SCREW - (MS35206-244)	2	
	407 563	W	WASHER - (AN960-8)	2	
	404 910	W	NUT - (MS20365-832C)	2	
-53	400 056	W	BOLT - (AN3-11)	2	
	407 564	W	WASHER - (AN960-10)	2	
	404 100	W	NUT - (AN310-3)	2	
	424 051	W	COTTER PIN - (MS24665-132)	2	
-54	407 564	W	WASHER - (AN960-10)	1	
	407 584	W	WASHER - (AN960-10L)	1	
	404 392	W	NUT - (AN320-3)	1	
	424 051	W	COTTER PIN - (MS24665-132)	1	
-55	400 674	W	BOLT - (AN23-12)	1	
	407 564	W	WASHER - (AN960-10)	2	
	404 100	W	NUT - (AN310-3)	1	
	424 051	W	COTTER PIN - (MS24665-132)	1	
-56	407 043	W	WASHER - (MS35338-43)	6	
	404 224	W	NUT - (AN315-3R)	6	
-57	415 535		SCREW - (MS35206-245)	4	
	404 910	W	NUT - (MS20365-832C)	4	
-58	415 537	W	SCREW - (MS35206-247)	2	
	407 563	W	WASHER - (AN960-8)	2	
	404 910	W	NUT - (MS20365-832C)	2	
-59	415 631		SCREW - (MS35206-331)	4	
	407 563	W	WASHER - (AN960-8)	4	
	404 910	W	NUT - (MS20365-832C)	4	

When ordering, always specify Part Number, Description, and Serial Number of Aircraft

**1123 THRU 1124
INTENTIONALLY LEFT BLANK**

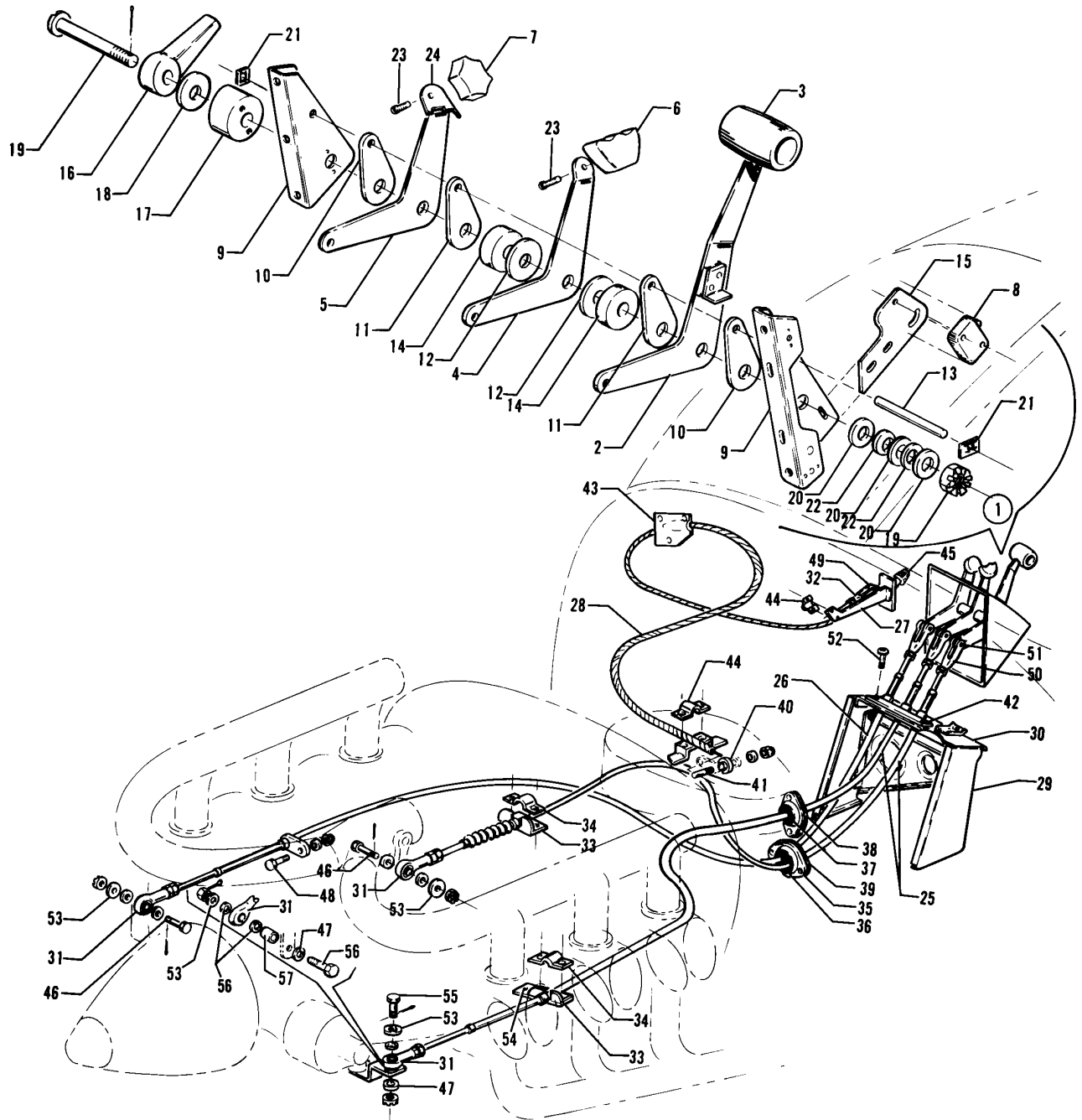


Figure 53. Engine Controls Installation

PIPER PARTS CATALOG

CODE EXPLANATIONS FOR FIGURE 53

- A - Used when Woodward Governor is installed.
- B - Used when Hartzell Governor is installed.
- C - See Figure 86A if Century 41 AutoPilot is installed.
- D - Used if a 2.72" L. quadrant adjusting handle (P/N 66773-00) is installed.
- E - Used if a 2.94" L. quadrant adjusting handle (P/N 63039-04) is installed.
- W - These parts must be ordered from Service Spares Department, Piper Aircraft, Lock Haven, Penna.

PIPER PARTS CATALOG

Figure and Index Number	Part Number	Code	NOMENCLATURE	No. Req.	SERIAL NUMBERS AFFECTED
63-		35708	DRAWING - Engine Controls Installation		
-1	67210-05		QUADRANT ASSEMBLY - Control	1	
-2	67223-04		* LEVER ASSEMBLY - Throttle	1	
-3	66979-00	C	* * KNOB - Throttle lever	1	
-4	67213-00		* LEVER - Propeller control	1	
-5	67214-02		* LEVER - Mixture control	1	
-6	24047-00	W	* KNOB - Propeller control	1	
-7	24048-00	W	* KNOB - Mixture control	1	
-8	487 925		* SWITCH - Quadrant control (V3-1)	1	
-9	67215-03		* BRACKET ASSEMBLY - Quadrant, left	1	
	67216-00		* BRACKET ASSEMBLY - Quadrant, right	1	
-10	67218-00		* PLATE - Quadrant control, friction	2	
-11	67218-02		* PLATE - Quadrant control, friction	2	
-12	62833-50		* WASHER - Quadrant control, friction	2	
-13	67221-00		* PIN - Quadrant friction plate	1	
-14	68699-10		* SPACER - Quadrant control	2	
-15	67729-00		* MOUNT - Gear warning switch	1	
-16	66773-00		* HANDLE - Quadrant adjusting (2.72" L.)	1	
	63039-04		* HANDLE - Quadrant adjusting (2.94" L.)	1	
-17	66774-00		* CAM - Quadrant adjusting	1	
-18	62833-46		* WASHER - Quadrant control	1	
-19	400 749	D	* BOLT - (AN25-52)	1	
	400 171	E,W	* BOLT - (AN5-30)	1	
	404 394	W	* NUT - (AN320-5)	1	
	424 051	W	* COTTER PIN - (MS24665-132)	1	
-20	407 586	W	* WASHER - (AN960-516L)	AR	
-21	406 345	W	* NUT - (A109-014-1)	2	
-22	408 815	W	* WASHER - (3502-18-04)	2	
-23	415 448	W	* SCREW - (AN526-832R6)	2	
-24	79473-00		* PLATE - Mixture control	1	
-25	455 322		CONTROL ASSEMBLY - Push-pull (PS5014613-10)	2	
-26	455 361		CONTROL ASSEMBLY - Mixture (PS5014613-8)	1	
-27	66835-00		CONTROL MOUNT - Alternate air	1	
-28	554 387		CABLE ASSEMBLY - Alternate air control (PS50146-1-5)	1	
-29	67206-02		SUPPORT ASSEMBLY - Engine control	1	
-30	67224-03		* BRACKET ASSEMBLY - Engine control	1	
-31	452 606	W	BEARING - Rod end (PS10020-16-2)	4	
-32	554 757	W	CLEVIS - (MS35812-1)	1	
-33	18132-00	W	LUG - Cable control	2	
-34	18219-00	W	CLAMP - Cable control	2	
-35	66789-00		PLATE - Firewall seal	4	
-36	68770-07		GROMMET - Firewall seal	2	
-37	68770-15		GROMMET - Firewall seal	2	
-38	68771-06		GASKET - Firewall seal	2	
-39	68771-13		GASKET - Firewall seal	2	
-40	70371-02	W	FITTING - Swivel, alternate air	1	
-41	70371-03	W	STUD - Alternate air	1	
-42	67225-00		RETAINER - Engine controls	1	
-43	69275-00		CLAMP	1	
-44	66853-00		CLAMP - Alternate air control	2	
-45	65980-00		KNOB - Alternate air control	1	
-46	400 054	W	BOLT - (AN3-7)	3	
	407 043	W	WASHER - (MS35338-43)	6	
	404 100	W	NUT - (AN310-3)	3	
	424 051	W	COTTER PIN - (MS24665-132)	3	
-47	407 564	W	WASHER - (AN960-10)	1	

When ordering, always specify Part Number, Description, and Serial Number of Aircraft

PIPER PARTS CATALOG

Figure and Index Number	Part Number	Code	NOMENCLATURE	No. Req.	SERIAL NUMBERS AFFECTED
53-48	400 002	W	BOLT - (AN4-5A)	1	
	407 565	W	WASHER - (AN960-416)	1	
	404 888	W	NUT - (MS20365-428C)	1	
-49	400 674	W	SCREW - (AN23-12)	1	
	407 564	W	WASHER - (AN960-10)	2	
	404 100	W	NUT - (AN310-3)	1	
	424 051	W	COTTER PIN - (MS24665-132)	1	
-50	488 327	W	TERMINAL - (AN665-21R)	3	
-51	424 174	W	PIN - (MS20392-2C11)	3	
	407 584	W	WASHER - (AN960-10L)	3	
	424 051	W	COTTER PIN - (MS24665-132)	3	
-52	415 536	W	SCREW - (MS35206-246)	2	
-53	62833-101		WASHER	3	
-54	35708-03	B	PLATE - Control cable support	1	
-55	400 054	B,W	BOLT - (AN3-7)	1	
	407 043	B,W	WASHER - (MS35338-43)	2	
	404 100	B,W	NUT - (AN310-3)	1	
	424 051	B,W	COTTER PIN - (MS24665-132)	1	
-56	400 058	A,W	BOLT - (AN3-13)	1	
	407 043	A,W	WASHER - (MS35338-43)	2	
	404 100	A,W	NUT - (AN310-3)	1	
	424 051	A,W	COTTER PIN - (MS24665-132)	1	
-57	95061-118	A	BUSHING	1	

When ordering, always specify Part Number, Description, and Serial Number of Aircraft

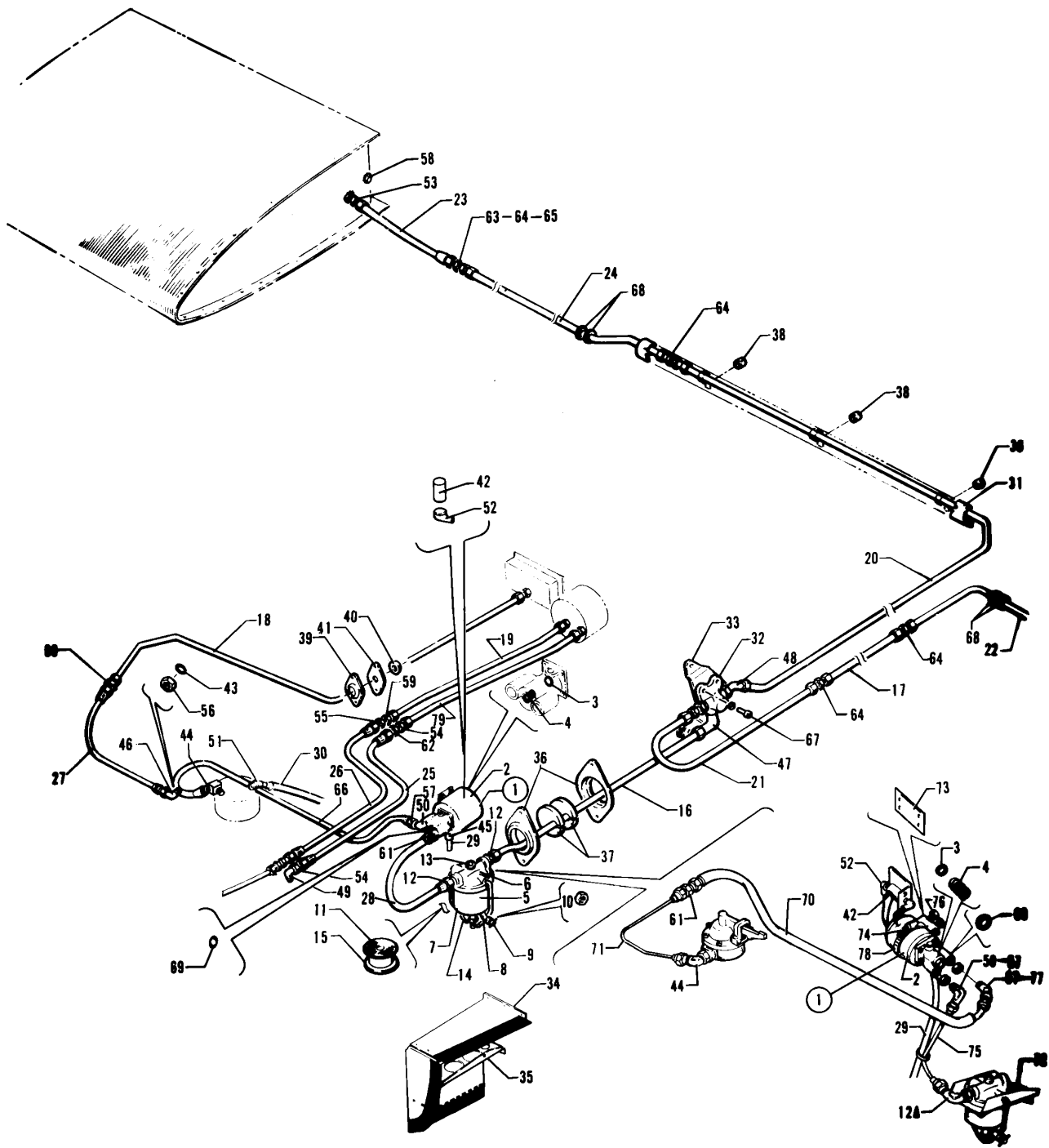


Figure 54. Fuel System Installation

PIPER PARTS CATALOG

CODE EXPLANATIONS FOR FIGURE 54

W - These parts must be ordered from Service Spares Department, Piper Aircraft, Lock Haven, Penna.

PIPER PARTS CATALOG

Figure and Index Number	Part Number	Code	NOMENCLATURE	No. Req.	SERIAL NUMBERS AFFECTED
54-	78980		DRAWING - Fuel System Installation		
-1	481 780		PUMP ASSEMBLY - Electric fuel (8120-G)	1	
-2	761 599		* MOTOR ASSEMBLY - Fuel (8850-5)	1	
-3	756 155	W	* SEAL - Shaft (8500)	1	
-4	757 561	W	* SPRING - Valve (8707)	1	
-5	67604-02		GASCOLATOR ASSEMBLY - Fuel	1	28R-7918001 to 28R-7918306 incl.
	78980-04		GASCOLATOR ASSEMBLY - Fuel	1	28R-8018001 and up
-6	87477-02	W	* COVER - Fuel strainer	1	
-7	63479-00		* BOWL ASSEMBLY - Gascolator	1	
-8	458 946		* * ELBOW - (AN915-1D)	1	
-9	492 022	W	* * VALVE - (CCA-1550)	1	
-10	477 677	W	* * NUT - Tru seal fitting (1/8 pipe)	1	
-11	35789-02		* SCREEN - Wire fuel strainer	1	
-12	476 678	W	* NIPPLE - (AN816-6)	1	
-12a	476 678	W	* NIPPLE - (AN816-6)	1	28R-7918001 to 28R-7918306 incl.
	458 868	W	* ELBOW - (MS20822-6)	1	28R-8018001 and up
-13	580 887	W	* PLUG - (AN932-2)	1	
-14	494 644	W	* WIRE ASSEMBLY - Bail (1PAS)	1	
-15	462 049	W	* GASKET - (44PA)	1	
-16	62305-00		TUBE ASSEMBLY - Fuel line	1	
-17	67700-25		TUBE ASSEMBLY - Fuel line	1	
-18	67700-338		TUBE ASSEMBLY - Fuel line	1	
-19	67700-28		TUBE ASSEMBLY - Fuel line	1	
-20	67700-56		TUBE ASSEMBLY - Fuel line	1	
-21	67700-57		TUBE ASSEMBLY - Fuel line	1	
-22	98044-70		TUBE ASSEMBLY - Fuel line	1	
-23	98044-71		TUBE ASSEMBLY - Fuel line	2	
-24	98044-72		TUBE ASSEMBLY - Fuel line	1	
-25	63901-39		HOSE ASSEMBLY - Fuel line	1	
-26	63901-45		HOSE ASSEMBLY - Fuel line	1	
-27	63901-41		HOSE ASSEMBLY - Fuel line	1	
-28	63901-14		HOSE ASSEMBLY - Fuel line	1	28R-7918001 to 28R-7918306 incl.
-29	69015-05		HOSE- Drain	1	
-30	63913-03		HOSE- Drain	1	
-31	67661-00		GUARD- Fuel line	1	
-32	491 947		VALVE - Fuel selector (6S122)	1	
-33	99754-02		SUPPORT ASSEMBLY - Fuel selector cover	1	
-34	67881-06		COVER ASSEMBLY - Fuel pump	1	28R-7918001 to 28R-7918306 incl.
-35	67603-00		BRACKET- Gascolator assembly	1	28R-7918001 to 28R-7918306 incl.
-36	18321-00	W	RETAINER - Firewall disc	2	
-37	63915-14		DISC - Firewall seal	2	
-38	67656-02		SPACER	3	
-39	66789-00		PLATE - Firewall seal grommet	2	
-40	68770-18		GROMMET- Firewall seal	2	
-41	22105-10	W	GASKET - Firewall seal	1	
-42	460 594		FILTER - Fuel pump noise (NF1C270-4-2MFD)	1	
-43	462 058	W	"O" RING - (MS29512-4)	1	
-44	558 830		ELBOW - (RA2000C6)	1	
-45	451 857	W	ADAPTER - (AN840-4D)	1	28R-7918001 to 28R-7918306 incl.
-46	69033-00		ELBOW - 90 degrees restricted	1	
-47	458 895	W	ELBOW - (AN822-6D)	1	

When ordering, always specify Part Number, Description, and Serial Number of Aircraft

PIPER PARTS CATALOG

Figure and Index Number	Part Number	Code	NOMENCLATURE	No. Req.	SERIAL NUMBERS AFFECTED
54-48	458 892	W	ELBOW - (AN823-6D)	1	
-49	458 876	W	ELBOW - (AN833-2D)	1	
-50	458 936	W	ELBOW - (AN833-6)	1	
-51	458 940	W	ELBOW - (AN844-4D)	1	
-52	23969-02	W	NIPPLE	1	
-53	476 662	W	NIPPLE - (AN816-6D)	2	
-54	477 627	W	NUT - (AN924-2)	2	
-55	477 628	W	NUT - (AN924-3)	1	
-56	477 629	W	NUT - (AN924-4)	1	
-57	477 631	W	NUT - (AN924-6)	1	
-58	582 632		PLUG - (AN933-D1)	1	
-59	23319-00		UNION - Flared tube	1	
-60	491 055	W	UNION - (AN815-4)	1	
-61	476 678	W	UNION - (AN815-6)	1	
-62	491 064	W	UNION - (AN832-2)	1	
-63	477 670		NUT - (6B12D)	2	
-64	491 082		UNION - (6H12D)	5	
-65	460 464		FERRULE - (6T12D)	2	
-66	35801-08		HOSE ASSEMBLY- Fuel line	1	28R-7918001 to 28R-7918306
incl.					
-67	418 650	W	SCREW - (MS24678-11)	2	
	407 124		WASHER - Lock (AN935-10L)	2	
-68	434 132	W	GROMMET - (MS35489-19)	4	
-69	462 060	W	"O" RING - (MS29512-6)	1	
-70	35801-11		HOSE ASSEMBLY - Fuel line	1	28R-8018001 and up
-71	67700-349		TUBE ASSEMBLY - Fuel line	1	28R-8018001 and up
-72	35454-00		BRACKET ASSEMBLY - Gascolator	1	28R-8018001 and up
-73	67601-00		PLATE - Fuel pump mounting	1	28R-8018001 and up
-74	67882-02		BRACKET ASSEMBLY - Fuel pump mounting	2	28R-8018001 and up
-75	67700-345		TUBE ASSEMBLY - Fuel line	1	28R-8018001 and up
-76	401 307	W	BOLT - (AN4-4A)	4	28R-8018001 and up
	407 585	W	WASHER - (AN960-416L)	8	28R-8018001 and up
	404 888	W	NUT - (MS20365-428C)	4	28R-8018001 and up
-77	458 864		ELBOW - (AN837-6)	1	28R-8018001 and up
-78	554 984		CLAMP - (SAE TY F-36)	1	28R-8018001 and up
-79	67700-383		TUBE ASSEMBLY - Fuel line	1	

When ordering, always specify Part Number, Description, and Serial Number of Aircraft

PIPER PARTS CATALOG

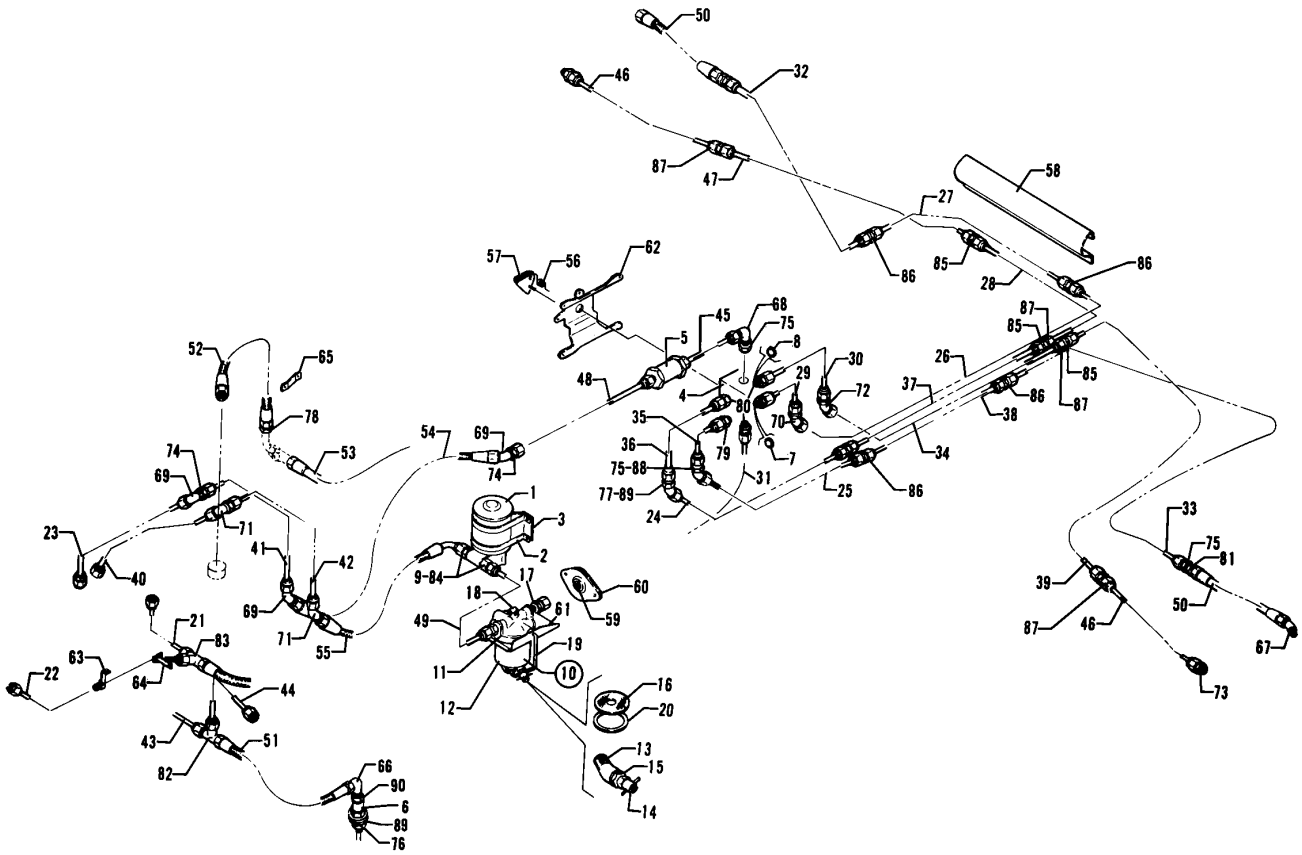


Figure 55. Fuel System Installation

PIPER PARTS CATALOG

CODE EXPLANATIONS FOR FIGURE 55

W - These parts must be ordered from Service Spares Department, Piper Aircraft, Lock Haven, Penna.

PIPER PARTS CATALOG

Figure and Index Number	Part Number	Code	NOMENCLATURE	No. Req.	SERIAL NUMBERS AFFECTED
55-	35715		DRAWING - Fuel System Installation		
-1	481 776		PUMP - Electric fuel (2B6-44)	1	
-2	98489-02		STRAP- Fuel pump	2	
-3	98490-02		BASE - Fuel pump	1	
-4	492 289		VALVE - Fuel selector (PS50088-3)	1	
-5	492 233	W	VALVE - Check (366-00)	1	
-6	492 253		VALVE - Drain (1H19-5)	1	
-7	462 058	W	"O" RING - (MS29512-04)	3	
-8	462 060	W	"O" RING - (MS29512-06)	3	
-9	462 061		"O" RING - (MS29512-08)	2	
-10	35715-03		GASCOLATOR ASSEMBLY- Fuel	1	
-11	87477-02		* COVER - Fuel strainer	1	
-12	63479-00		* BOWL ASSEMBLY - Gascolator	1	
-13	458 946		* * ELBOW- (AN915-1D)	1	
-14	492 022	W	* * VALVE - (CCA-1550) Drain	1	
-15	477 677	W	* * NUT - Tru seal fitting (1/8 pipe)	1	
-16	35789-02		* SCREEN - Wire fuel strainer	1	
-17	476 678	W	* NIPPLE - (AN816-6)	2	
-18	580 887	W	* PLUG - (AN932-2)	1	
-19	494 644	W	* WIRE ASSEMBLY - Bail (1PAS)	1	
-20	462 049	W	* GASKET - (44PA)	1	
-21	95153-148		TUBE ASSEMBLY - Cylinder drain	1	
-22	95153-149		TUBE ASSEMBLY - Cylinder drain	1	
-23	95153-154		TUBE ASSEMBLY - Vapor return	1	
-24	95153-177		TUBE ASSEMBLY - Fuel supply	1	
-25	95153-178		TUBE ASSEMBLY - Fuel return	1	
-26	95153-179		TUBE ASSEMBLY - Fuel return	1	
-27	95153-180		TUBE ASSEMBLY - Fuel return	1	
-28	95153-182		TUBE ASSEMBLY - Fuel supply	1	
-29	95153-183		TUBE ASSEMBLY - Fuel return	1	
-30	95153-184		TUBE ASSEMBLY - Fuel supply	1	
-31	95153-185		TUBE ASSEMBLY - Fuel supply	1	
-32	95153-186		TUBE ASSEMBLY - Fuel return	1	
-33	95153-187		TUBE ASSEMBLY - Fuel return	1	
-34	95153-188		TUBE ASSEMBLY - Fuel supply	1	
-35	95153-189		TUBE ASSEMBLY - Fuel return	1	
-36	95153-190		TUBE ASSEMBLY - Fuel supply	1	
-37	95153-191		TUBE ASSEMBLY - Fuel supply	1	
-38	95153-192		TUBE ASSEMBLY - Fuel return	1	
-39	95153-193		TUBE ASSEMBLY - Fuel supply	1	
-40	95153-194		TUBE ASSEMBLY - Fuel supply	1	
-41	95153-195		TUBE ASSEMBLY - Fuel return	1	
-42	95153-196		TUBE ASSEMBLY - Fuel supply	1	
-43	95153-197		TUBE ASSEMBLY - Fuel drain	1	
-44	95153-198		TUBE ASSEMBLY - Fuel drain	1	
-45	95153-199		TUBE ASSEMBLY - Fuel return	1	
-46	98044-71		TUBE ASSEMBLY - Fuel supply	2	
-47	98044-72		TUBE ASSEMBLY - Fuel supply	1	
-48	67700-140		TUBE ASSEMBLY - Fuel return	1	
-49	67700-141		TUBE ASSEMBLY - Fuel pump to gascolator	1	
-50	63901-30		HOSE ASSEMBLY - Fuel return	2	
-51	63901-133		HOSE ASSEMBLY - Fuel drain	1	
-52	97499-21		HOSE ASSEMBLY - Overboard fuel drain	1	
-53	35801-02		HOSE ASSEMBLY - Overboard fuel drain	1	
-54	35801-03		HOSE ASSEMBLY - Fuel vapor return	1	
-55	35801-04		HOSE ASSEMBLY - Fuel supply	1	

When ordering, always specify Part Number, Description, and Serial Number of Aircraft

PIPER PARTS CATALOG

Figure and Index Number	Part Number	Code	NOMENCLATURE	No. Req.	SERIAL NUMBERS AFFECTED
55-56	99756-00		SPRING - Fuel selector stop	1	
-57	99774-00		STOP ASSEMBLY - Fuel selector handle	1	
-58	67661-00		GUARD - Fuel line	1	
-59	63915-14		DISC - Firewall seal	2	
-60	18321-00	W	RETAINER - Firewall seal	2	
-61	35454-00		BRACKET ASSEMBLY - Gascolator	1	
-62	35776-04		BRACKET - Fuel valve	1	
-63	37499-03		SUPPORT - Cylinder drain tube	1	
-64	37660-00		SUPPORT - Cylinder drain tube	1	
-65	37123-00		BRACKET - Fuel manifold drain	1	
-66	458 875		ELBOW - (AN822-4)	1	
-67	458 891	W	ELBOW - (AN823-4D)	2	
-68	458 900	W	ELBOW - (AN833-4D)	1	
-69	458 938	W	ELBOW - (AN837-4)	3	
-70	458 910	W	ELBOW - (AN837-4D)	2	
-71	458 864		ELBOW - (AN837-6)	2	
-72	458 913	W	ELBOW - (AN837-6D)	2	
-73	476 662	W	NIPPLE - (AN816-6D)	2	
-74	477 629	W	NUT - (AN924-4)	2	
-75	477 618	W	NUT - (AN924-4D)	5	
-76	477 631	W	NUT - (AN924-6)	2	
-77	477 620	W	NUT - (AN924-6D)	2	
-78	484 349		REDUCER - (AN919-1D)	1	
-79	491 050	W	UNION - (AN815-4D)	2	
-80	491 052	W	UNION - (AN815-6D)	3	
-81	491 060	W	UNION - (AN832-4D)	2	
-82	588 497		TEE - (AN824-4)	1	
-83	488 320	W	TEE - (AN824-4D)	1	
-84	553 610		BUSHING - (AN894-8-6)	2	
-85	491 082		UNION - (6H1D)	6	
-86	491 046		UNION - (4H1D)	4	
-87	477 670		NUT - (6B12D)	4	
	460 464		FERRULE - (6T12D)	4	
-88	407 568	W	WASHER - (AN960-716)	9	
-89	407 570	W	WASHER - (AN960-916)	7	
-90	453 680	W	NIPPLE - (AN912-1C)	1	

When ordering, always specify Part Number, Description, and Serial Number of Aircraft

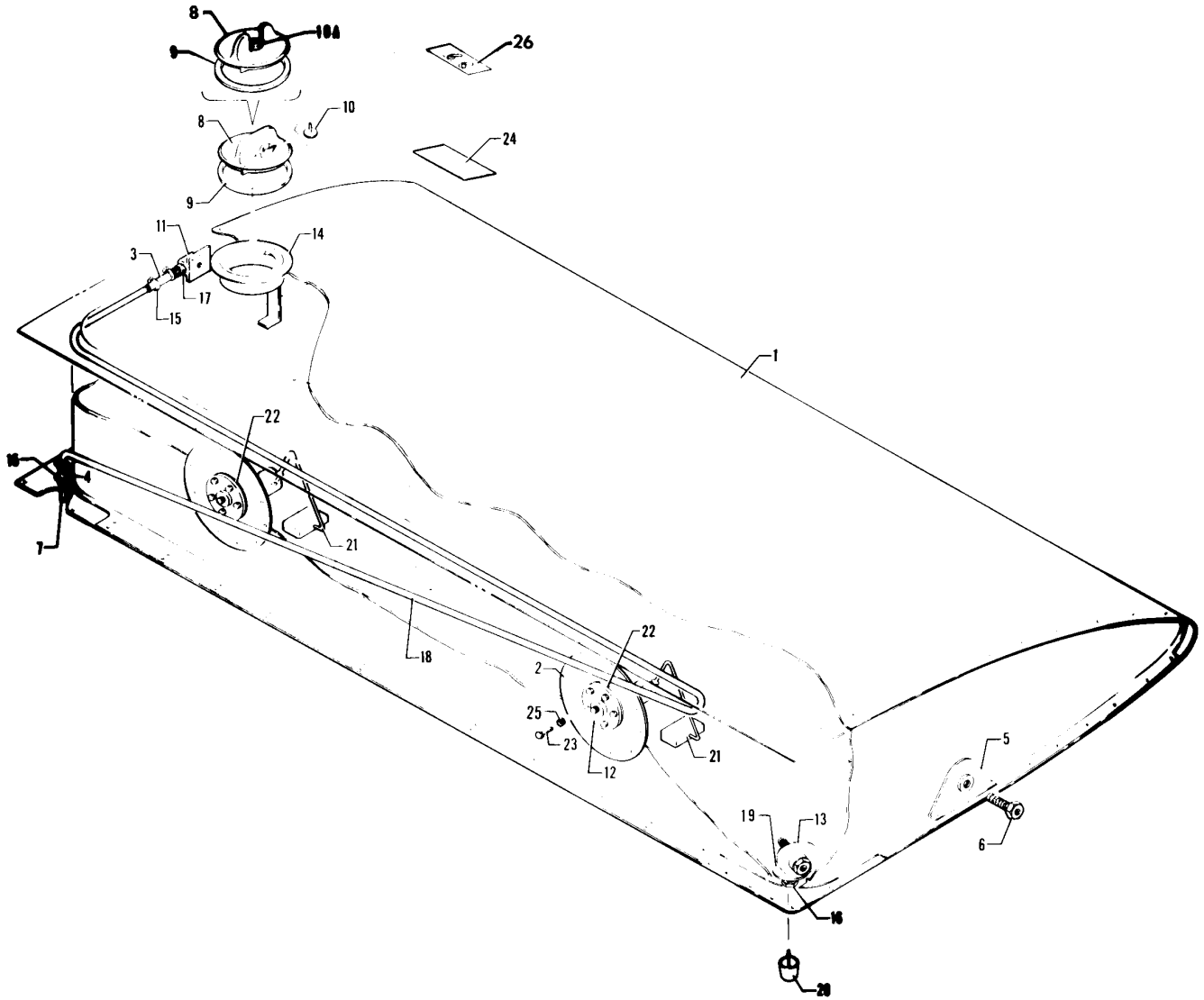


Figure 56. Fuel Tank Assembly

PIPER PARTS CATALOG

CODE EXPLANATIONS FOR FIGURE 56

- A - Used on PA-28RT-201 with serial numbers 28R-8018021 and up, and PA-28RT-201T with serial numbers 28R-8031031 to 28R-8431010 inclusive.
- B - Used with PS10013-6 (P/N 550 504) fuel sender only.
- C - Used on PA-28RT-201 with serial numbers 28R-7918001 to 28R-8018020 inclusive, and PA-28RT-201T with serial numbers 28R-7931001 to 28R8031030 inclusive.
- D - Kit includes (2) cap assemblies with matching locks.
- E - Used with fuel cap assembly P/N 66817-00 only.
- F - Used with Fuel Cap Assembly Kit P/N 39830-800 only.
- W - These parts must be ordered from Service Spares Department, Piper Aircraft, Lock Haven, Penna.

PIPER PARTS CATALOG

Figure and Index Number	Part Number	Code	NOMENCLATURE	No. Req.	SERIAL NUMBERS AFFECTED
56-1	35716-08		TANK ASSEMBLY- Fuel, left wing	1	
	35716-09		TANK ASSEMBLY - Fuel, right wing	1	
-2	66633-00		* DOUBLER - Fuel tank	2	
-3	63913-193		* HOSE- Connector	1	
-4	63913-194		* HOSE - Connector	1	
-5	35638-00		* OUTLET ASSEMBLY - Fuel tank, left	1	
	35638-01		* OUTLET ASSEMBLY - Fuel tank, right	1	
-6	72091-00	W	* STRAINER ASSEMBLY - Fuel tank	1	
-7	36625-02		* VENT ASSEMBLY - Fuel tank, left	1	
	36625-03		* VENT ASSEMBLY - Fuel tank, right	1	
-8	66817-00		* CAP ASSEMBLY - Fuel tank (non-locking)	1	
	39830-800	D	* CAP ASSEMBLY KIT - Fuel tank (with locks)	1	
-9	66815-00	E	** GASKET - Fuel cap	1	
	39829-02	F	** GASKET - Fuel cap	1	
-10	492 153	E	** VALVE - Fuel cap vent (VA3123)	1	
-10a	39856-02	F	** LOCK ASSEMBLY - Fuel cap	2	
-11	62059-00		* FITTING - Fuel line	1	
-12	62044-00		* PLATE - Fuel tank	2	
-13	35719-00		* INLET ASSEMBLY - Fuel tank	1	
-14	69785-03		* FILLER NECK ASSEMBLY	1	
-15	554 861	W	* CLAMP - (SAE TY F-4)	4	
-16	491 806		* VALVE - (F391-187B)	1	
-17	560 951		* ADAPTER - (1068 x 6 x 2)	1	
-18	62060-06		* VENT TUBE - Left	1	
	62060-07		* VENT TUBE - Right	1	
-19	62033-00		* PLATE - Drain	1	
-20	67728-00		SAMPLER - Fuel	1	
-21	550 503		SENDER - Fuel (PS10013-5 Rochester 7740-40) inboard	2	
	550 504		SENDER - Fuel (PS10013-6 Rochester 7740-41) outboard	2	
-22	755 049		* GASKET - Fuel sender (15-716)	1	
-23	401 266	W	BOLT- (AN3-5A) inboard	10	
	400 440	W	BOLT - (AN3-6A) outboard	10	
	407 564	W	WASHER - (AN960-10)	10	
	407 043	W	WASHER - (MS35338-43)	10	
-24	35807-02	C	PLACARD - Fuel	2	
	35669-163	A	PLACARD - Fuel	2	
-25	494 191	B	WASHER - Fiber, inboard sender only (PS10063-4)	10	
-26	456 682		DECAL - Avgas (000002)	2	

When ordering, always specify Part Number, Description, and Serial Number of Aircraft

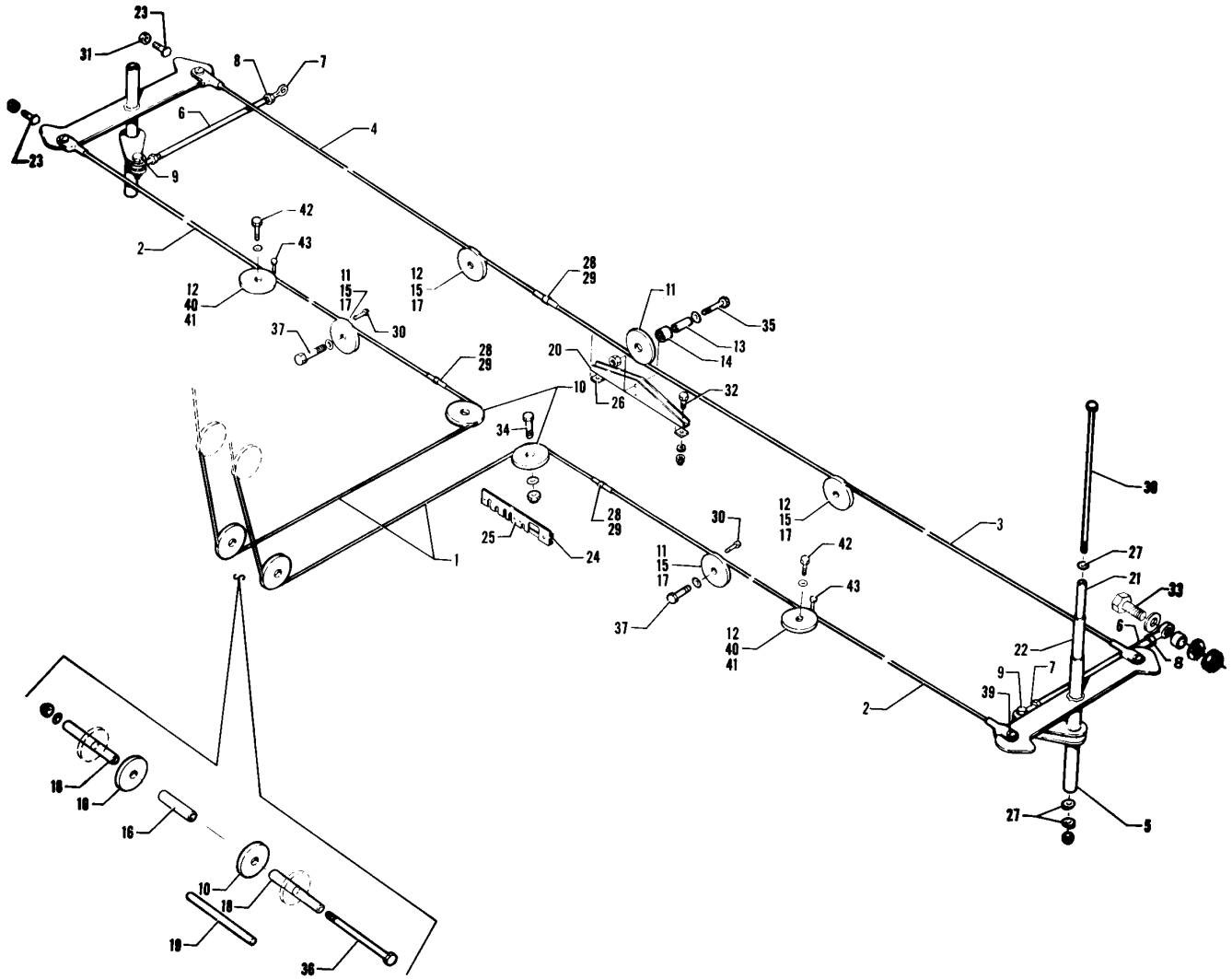


Figure 57. Aileron Control Installation

PIPER PARTS CATALOG

CODE EXPLANATIONS FOR FIGURE 57

W - These parts must be ordered from Service Spares Department, Piper Aircraft, Lock Haven, Penna.

PIPER PARTS CATALOG

Figure and Index Number	Part Number	Code	NOMENCLATURE	No. Req.	SERIAL NUMBERS AFFECTED
57-	35869		DRAWING - Control System Installation		
-1	62701-99		CABLE ASSEMBLY - Aileron, forward	2	
-2	62701-143		CABLE ASSEMBLY - Aileron, wing	2	
-3	62701-123		CABLE ASSEMBLY - Aileron balance, left	1	
-4	62701-124		CABLE ASSEMBLY - Aileron balance, right	1	
-5	35730-02		BELLCRANK ASSEMBLY - Aileron, left	1	
	35730-03		BELLCRANK ASSEMBLY - Aileron, right	1	
-6	35476-01		ROD - Aileron	1	
-7	452 335	W	BEARING - Rod end (PS10020-2-1RX)	2	
-8	404 322	W	NUT - (AN316-4R)	2	
-9	400 678	W	BOLT - (AN23-16)	2	
	407 564	W	WASHER - (AN960-10)	4	
	404 392	W	NUT - (AN320-3)	2	
	424 051	W	COTTER PIN - (MS24665-132)	2	
-10	41001-10		PULLEY	4	
-11	62711-02		PULLEY	3	
-12	62711-05		PULLEY	4	
-13	62712-03		BEARING - Pulley, inner	1	
-14	62713-03		BEARING - Pulley, outer	1	
-15	62713-04		BEARING - Pulley, outer	4	
-16	62743-06		BUSHING	1	
-17	65003-47		BUSHING - Inner	4	
-18	62743-12		BUSHING	2	
-19	62710-02		PIN - Cable guard	1	
-20	62746-00		BRACKET - Pulley	1	
-21	65003-57		BUSHING	2	
-22	63882-68		SLEEVE	2	
-23	66614-00		BUMPER - Aileron bellcrank	4	
-24	67158-00		FAIRLEAD - Lower	1	
-25	67159-00		FAIRLEAD - Upper	1	
-26	62762-00		FILLER BLOCK	2	
-27	494 103		WASHER - Aileron bellcrank (97322)	4	
-28	489 910		TURNBUCKLE - (MS21251-B5S)	3	
-29	554 979	W	CLIP - (MS21256-1)	6	
-30	424 513	W	PIN - (NAS427K19)	2	
-31	404 224	W	NUT - (AN315-3R)	4	
-32	401 266	W	BOLT - (AN3-5A)	2	
	407 564	W	WASHER - (AN960-10)	2	
	404 887	W	NUT - (MS20365-1032C)	2	
-33	400 452	W	BOLT - (AN3-11A)	2	
	407 564	W	WASHER - (AN960-10)	2	
	407 584	W	WASHER - (AN960-10L)	4	
	404 887	W	NUT - (MS20365-1032C)	2	
-34	401 188	W	BOLT - (AN5-10A)	2	
	407 566	W	WASHER - (AN960-516)	2	
	407 586	W	WASHER - (AN960-516L)	4	
	404 889	W	NUT - (MS20365-524C)	2	
-35	400 008	W	BOLT - (AN4-13A)	1	
	407 566	W	WASHER - (AN960-516)	2	
	407 565	W	WASHER - (AN960-416)	1	
	404 888	W	NUT - (MS20365-428C)	1	
-36	401 385		BOLT - (AN5-64A)	1	
	407 566	W	WASHER - (AN960-516)	2	
	404 889	W	NUT - (MS20365-524C)	1	
-37	401 315	W	BOLT - (AN4-15A)	4	
	407 565	W	WASHER - (AN960-416)	4	

When ordering, always specify Part Number, Description, and Serial Number of Aircraft

PIPER PARTS CATALOG

Figure and Index Number	Part Number	Code	NOMENCLATURE	No. Req.	SERIAL NUMBERS AFFECTED
57-38	401 289		BOLT - (AN3-63A)	2	
	407 564	W	WASHER - (AN960-10)	2	
	404 887	W	NUT - (MS20365-1032C)	2	
-39	400 674	W	BOLT - (AN23-12)	4	
	63900-31		BUSHING	4	
	407 564	W	WASHER - (AN960-10)	8	
	404 392	W	NUT - (AN320-3)	4	
	424 051	W	COTTER PIN - (MS24665-132)	4	
-40	62713-02		BEARING - Pulley, outer	2	
-41	65003-29		BUSHING - Inner	2	
-42	401 310	W	BOLT - (AN4-10A)	2	
	407 565	W	WASHER - (AN960-416)	8	
	404 888	W	NUT - (MS20365-428C)	2	
-43	424 502		PIN - (NAS427-K8)	2	

When ordering, always specify Part Number, Description, and Serial Number of Aircraft

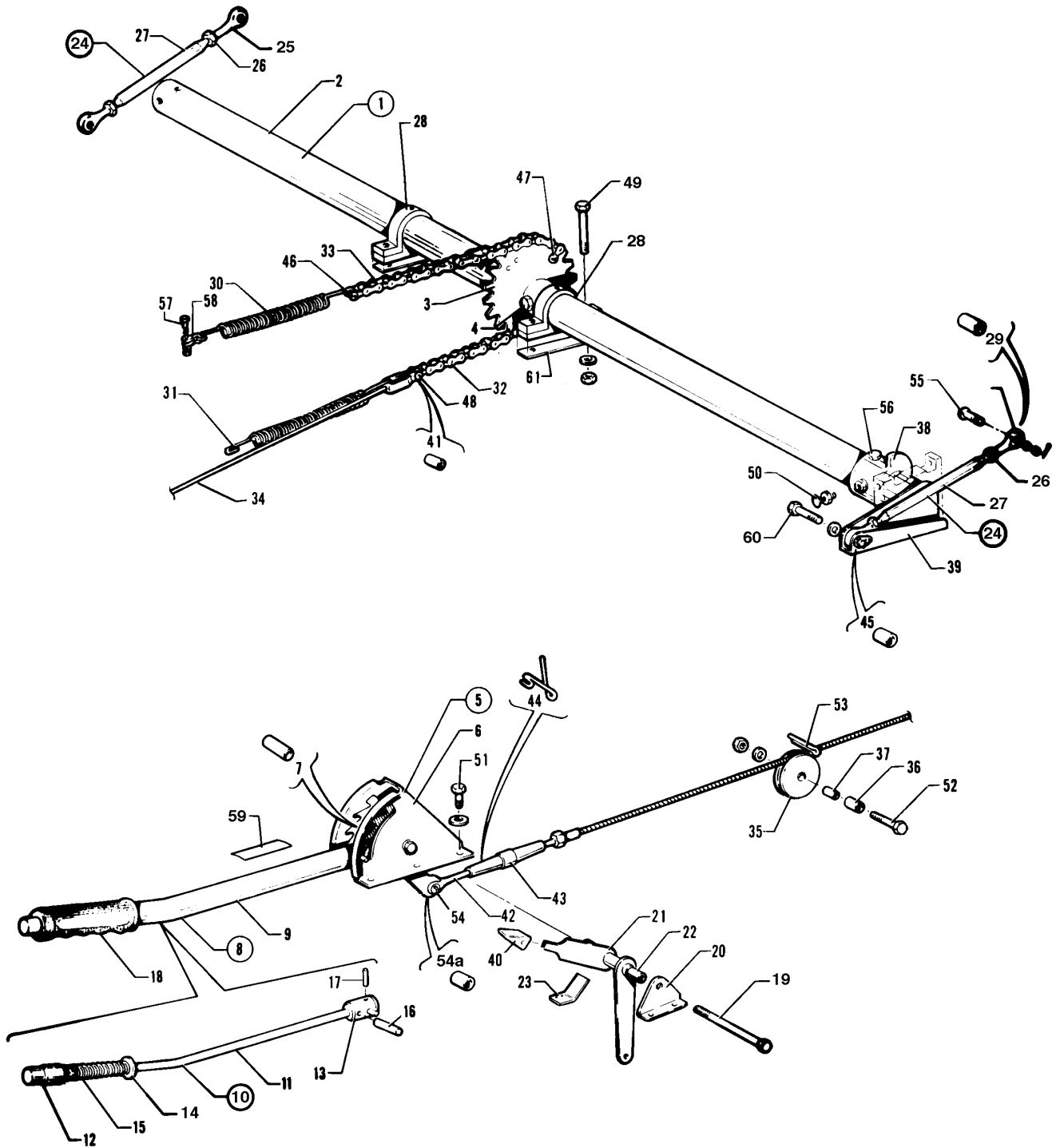


Figure 58. Flap Control Installation

PIPER PARTS CATALOG

CODE EXPLANATIONS FOR FIGURE 58

- A - Used if two or more torque shaft support shims, P/N 35402-04, are installed with each torque shaft support clamp assembly.
- B - See latest revision of Piper Service Bulletin 965.

PIPER PARTS CATALOG

Figure and Index Number	Part Number	Code	NOMENCLATURE	No. Req.	SERIAL NUMBERS AFFECTED
58-	35869		DRAWING - Control System Installation		
-1	62705 00		FLAP TORQUE TUBE ASSEMBLY - Complete	1	
-2	62725-00		* TORQUE TUBE - Flap	1	
-3	62789-02		* SPROCKET ASSEMBLY - Flap torque tube	1	
-4	400 011		* BOLT - (AN4-16A)	2	
	407 585		* WASHER - (AN960-416)	2	
	404 836		* NUT - (MS20365-428C)	2	
-5	67582-03		LEVER ASSEMBLY - Flap control and emergency gear extender	1	
-6	65654-05		* BRACKET ASSEMBLY - Flap lever	1	
-7	62740-00		* BUSHING - Flap lever	1	
-8	63782-04		* HANDLE ASSEMBLY - Flap lever	1	
-9	63781-00		** TUBE ASSEMBLY - Flap lever	1	
-10	63391-03		** PLUNGER ASSEMBLY - Flap lever	1	
-11	63391-02		*** TUBE - Plunger	1	
-12	62733-00		*** PLUG - Plunger, upper	1	
-13	62734-02		*** PLUG - Plunger, lower	1	
-14	62736-00		*** WASHER	1	
-15	50111-00		*** SPRING	1	
-16	480 696		*** PIN - Roll (59-022-094-0625)	2	
-17	480 812		** PIN - Roll (52-012-062-0625)	1	
-18	63779-00		** GRIP - Flap lever	1	
-19	400 462		* BOLT - (AN3-37A)	1	
	407 564		* WASHER - (AN960-10)	2	
	407 584		* WASHER - (AN960-10L)	1	
	404 887		* NUT - (MS20365-1032C)	1	
-20	67564-00		* BRACKET - Emergency gear lever	1	
-21	67566-00		* LEVER ASSEMBLY - Emergency gear extender	1	
-22	63900-99		* BUSHING - Flap and emergency gear lever	1	
-23	67713-00		* SPRING - Emergency gear extender lever	1	
-24	62764-00		ROD ASSEMBLY - Flap tube	2	
-25	452 335		* BEARING - (PS10020-2-1 RX RH thread)	1	
	452 336		* BEARING - (PS10020-1-1 LX LH thread)	1	
-26	404 322		* NUT - (AN316-4R RH thread)	1	
	404 320		* NUT - (AN316-4L LH thread)	1	
-27	62764-02		* TUBE - Flap	1	
-28	35402-00		CLAMP ASSEMBLY - Torque shaft support	2	
-29	63900-39		BUSHING - Flap rod end	2	
-30	62820-00		SPRING - Flap return	1	
-31	62821-00		SPRING - Flap cable tension	1	
-32	62858-03		CHAIN - (No. 65 diamond 1/8 roller, length 8.5")	1	
-33	62858-04		CHAIN - (No. 65 diamond 1/8 roller, length 6.0")	1	
-34	62701-101		CABLE ASSEMBLY - Flap	1	
-35	62711-02		PULLEY - Flap	1	
-36	62713-02		BEARING - Outer	1	
-37	62712-02		BEARING - Inner	1	
-38	62856-00		FITTING ASSEMBLY - Left	1	
	62856-01		FITTING ASSEMBLY - Right	1	
-39	62727-00		TUBE ASSEMBLY - Flap torque tube, left	1	
	62727-01		TUBE ASSEMBLY - Flap torque tube, right	1	
-40	66980-02		KNOB - Emergency gear lever	1	
-41	82732-76		BUSHING	1	
-42	461 136		FORK - (NAS645-22RS)	1	
-43	489 910		BARREL - (MS21251-B5S)	1	
-44	554 979		CLIP - (MS21256-1)	2	
-45	63900-38		BUSHING - Flap bellcrank	2	

When ordering, always specify Part Number, Description, and Serial Number of Aircraft

PIPER PARTS CATALOG

Figure and Index Number	Part Number	Code	NOMENCLATURE	No. Req.	SERIAL NUMBERS AFFECTED
58-46	400 652		BOLT - (AN21-8)	1	
	407 562		WASHER - (AN960-6)	1	
	404 391		NUT - (AN320-1)	1	
	424 041		COTTER PIN - (MS24665-5)	1	
-47	400 653		BOLT - Clevis (AN21-9)	2	
	407 562		WASHER - (AN960-6)	8	
	404 391		NUT - (AN320-1)	2	
	424 041		COTTER PIN - (MS24665-5)	2	
-48	400 653		BOLT - (AN21-9)	1	
	404 391		NUT - (AN320-1)	1	
	424 041		COTTER PIN - (MS24665-5)	1	
-49	400 440		BOLT - (AN3-6A)	4	
	400 441	A	BOLT - (AN3-7A)	4	
	407 564		WASHER - (AN960-10)	4	
	407 564	A	WASHER - (AN960-10)	12	
	404 887		NUT - (MS20365-1032C)	4	
-50	411 538		SCREW - (MS35207-269)	2	
	404 224		NUT - (AN315-3R)	2	
-51	400 438		BOLT - (AN3-4A)	6	
-52	400 004		BOLT - (AN4-7A)	1	
	407 585		WASHER - (AN960-416L)	1	
	404 888		NUT - (MS20365-428C)	1	
-53	424 052		COTTER PIN - (MS24665-134)	1	
-54	400 673	B	BOLT - (AN23-11)	1	
	407 564	B	WASHER - (AN960-10)	1	
	404 392	B	NUT - (AN320-3)	1	
	424 051	B	COTTER PIN - (MS24665-132)	1	
-54a	63900-174	B	BUSHING	1	
-55	400 680		BOLT - Clevis (AN23-18)	1	
	407 564		WASHER - (AN960-10)	1	
	404 100		NUT - (AN310-3)	1	
	424 051		COTTER PIN - (MS24665-132)	1	
-56	401 318		BOLT - (AN4-20A)	4	
	407 565		WASHER - (AN960-416)	4	
	404 888		NUT - (MS20365-428C)	4	
-57	401 266		BOLT - (AN3-5A)	1	
	407 564		WASHER - (AN960-10)	1	
	404 887		NUT - (MS20365-1032C)	1	
-58	486 563		SHACKLE - (AN115 -16)	1	
-59	35669-27		PLACARD - Flap lever	1	
-60	400 443		BOLT - (AN3-12A)	2	
	407 564		WASHER - (AN960-10)	2	
-61	35402-04		SHIM - Torque shaft support	AR	

When ordering, always specify Part Number, Description, and Serial Number of Aircraft

1J24
INTENTIONALLY LEFT BLANK

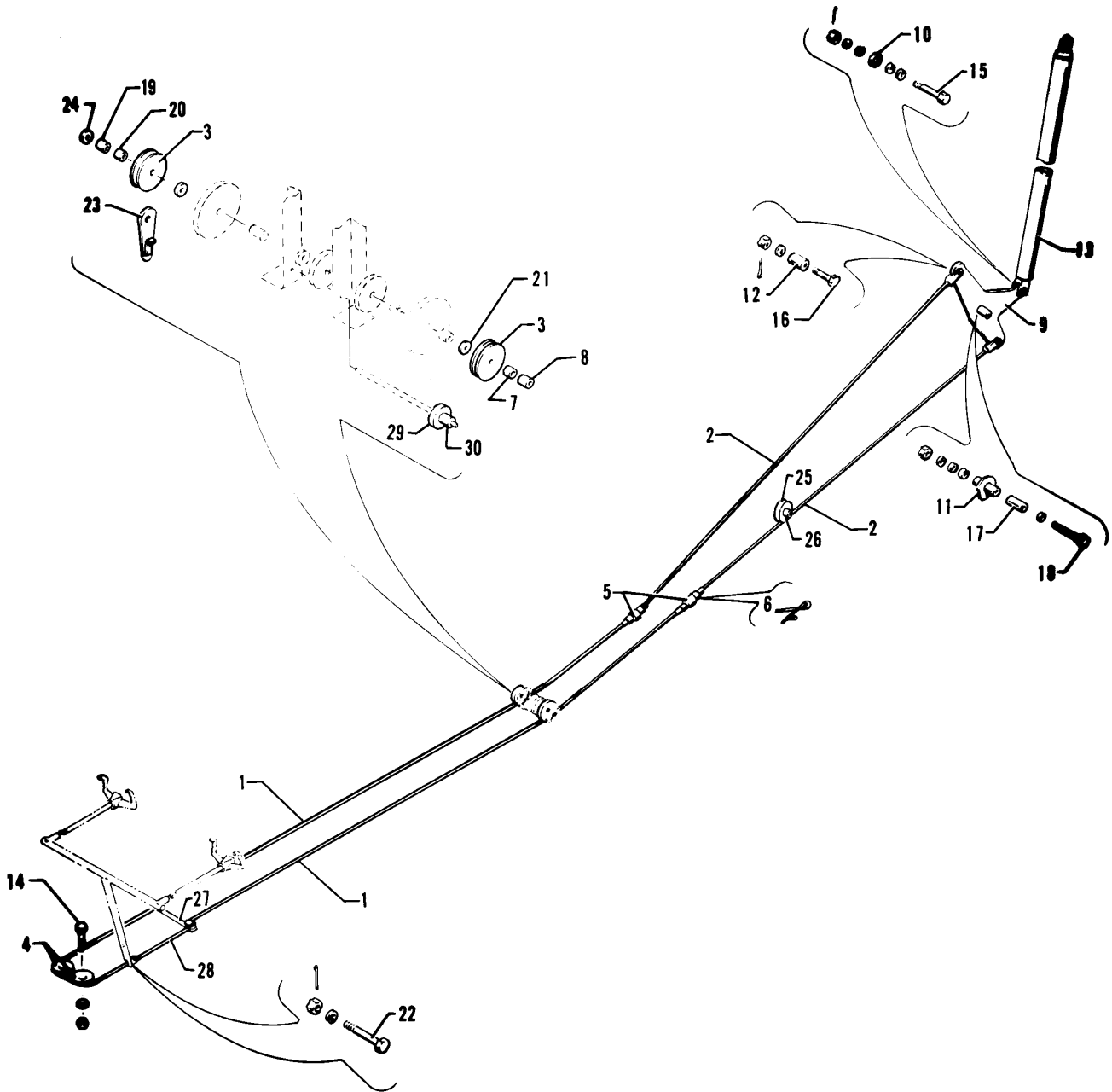


Figure 59. Stabilator Control Installation

PIPER PARTS CATALOG

CODE EXPLANATIONS FOR FIGURE 59

W - These parts must be ordered from Service Spares Department, Piper Aircraft, Lock Haven, Penna.

PIPER PARTS CATALOG

Figure and Index Number	Part Number	Code	NOMENCLATURE	No. Req.	SERIAL NUMBERS AFFECTED
59-	35869		DRAWING - Control System Installation		
-1	62701-102		CABLE ASSEMBLY - Stabilator control, forward right	1	
	62701-103		CABLE ASSEMBLY - Stabilator control, forward left	1	
-2	62701-169		CABLE ASSEMBLY - Stabilator control, aft upper	1	
	62701-170		CABLE ASSEMBLY - Stabilator control, aft lower	1	
-3	62711-03		PULLEY - Stabilator control	2	
-4	41001-11		PULLEY - Stabilator control	2	
-5	489 910		TURNBUCKLE - (MS21251-B5S)	2	
-6	554 979	W	CLIP - (MS21256-1)	4	
-7	62715-05		BEARING - Pulley, outer	1	
-8	62714-06		BEARING - Pulley, inner	1	
-9	35883-02		BELLCRANK ASSEMBLY - Stabilator	1	
-10	452 719		* BEARING - (PS10020-7-17)	1	
-11	78919-02		* BUSHING ASSEMBLY	1	
-12	95061-148		* BUSHING	2	
-13	78918-04		PUSHROD ASSEMBLY - Stabilator	1	
-14	401 189	W	BOLT - (AN5-11A)	2	
	407 566	W	WASHER - (AN960-516)	6	
	404 889	W	NUT - (MS20365-524C)	2	
-15	400 107	W	BOLT - (AN4-12)	2	
	407 465	W	WASHER - (AN960-416)	6	
	404 101	W	NUT - (AN310-4)	2	
	424 051	W	COTTER PIN - (MS24665-132)	2	
-16	400 673	W	BOLT - (AN23-11)	2	
	407 584	W	WASHER - (AN960-10L)	2	
	404 392	W	NUT - (AN320-3)	2	
	424 051	W	COTTER PIN - (MS24665-132)	2	
-17	95061-150		BUSHING - Stabilator bellcrank	1	
-18	400 121		BOLT - (AN4-30)	1	
	407 565	W	WASHER - (AN960-416)	2	
	407 585	W	WASHER - (AN960-416L)	2	
	404 101	W	NUT - (AN310-4)	1	
	424 051	W	COTTER PIN - (MS24665-132)	1	
-19	62715-02		BEARING - Pulley, outer	1	
-20	62714-03		BEARING - Pulley, inner	1	
-21	407 566	W	WASHER - (AN960-516)	1	
-22	400 055	W	BOLT - (AN3-10)	1	
	407 564	W	WASHER - (AN960-10)	1	
	404 100	W	NUT - (AN310-3)	1	
	424 051	W	COTTER PIN - (MS24665- 132)	1	
-23	62709-00		HOLDER - Cable guide	1	
-24	407 567	W	WASHER - (AN960-616)	2	
-25	62711-05		PULLEY - Aft lower cable	2	
-26	62713-04		BUSHING	1	
-27	67066-00		ARM ASSEMBLY - Stabilator idler	1	
-28	67108-00		LINK ASSEMBLY - Stabilator control	1	
-29	65639-00		GUARD - Stabilator control pulley	1	
-30	63900-124		BUSHING	1	

When ordering, always specify Part Number, Description, and Serial Number of Aircraft

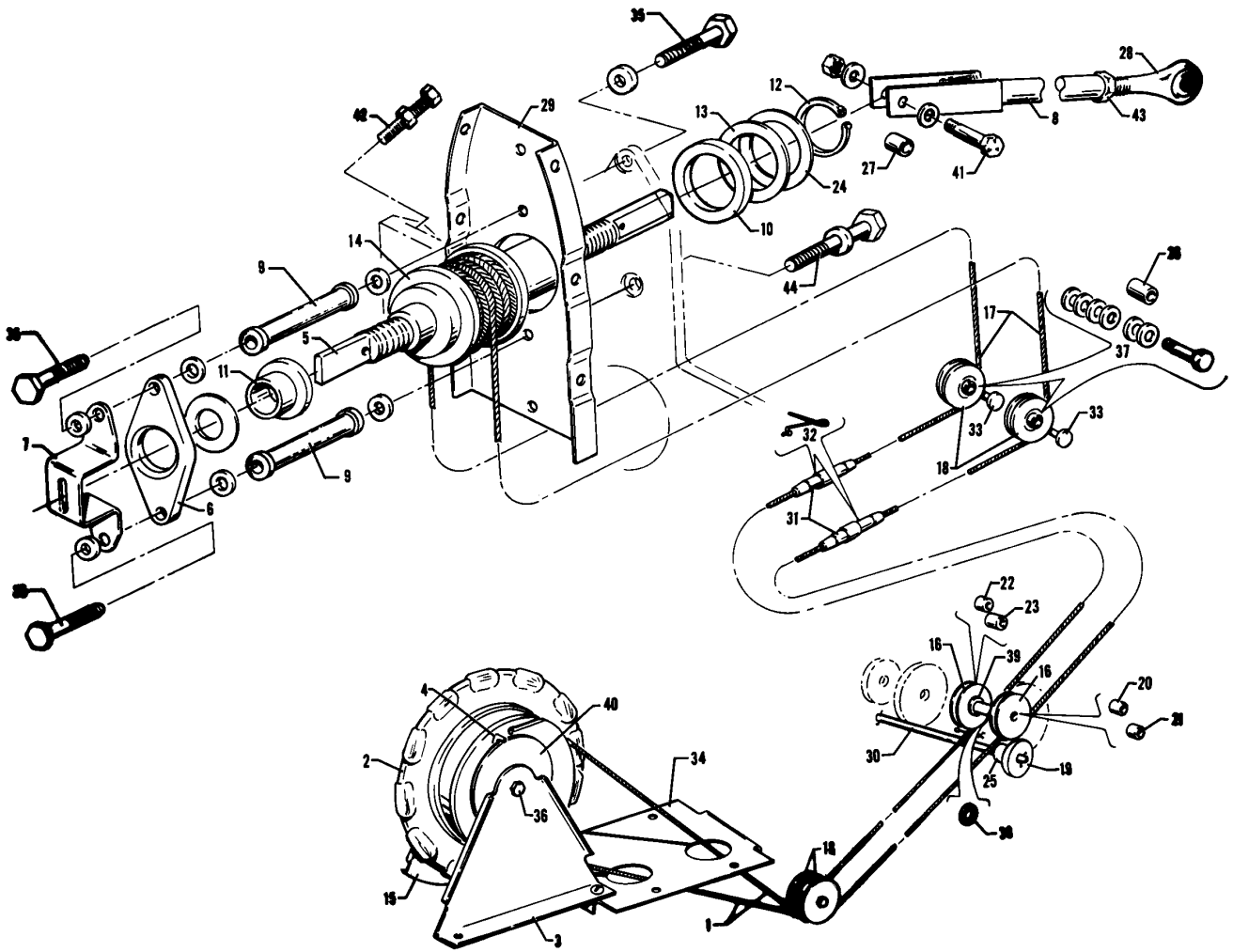


Figure 60. Stabilator Trim Installation

PIPER PARTS CATALOG

CODE EXPLANATIONS FOR FIGURE 60

- A - Used on PA-28RT-201 with serial numbers 28R-7918001 to 28R-7918121 inclusive, and PA-28RT-201T with serial numbers 28R-7931001 to 28R-7931178 inclusive.
- B - Used on PA-28RT-201 with serial numbers 28R-7918122 and up, and PA-28RT-201T with serial numbers 28R-7931179 and up.
- W - These parts must be ordered from Service Spares Department, Piper Aircraft, Lock Haven, Penna.

PIPER PARTS CATALOG

Figure and Index Number	Part Number	Code	NOMENCLATURE	No. Req.	SERIAL NUMBERS AFFECTED
60-	35869		DRAWING - Control System Installation		
-1	62701-189		CABLE - Stabilator trim, forward	2	
-2	68414-03		WHEEL ASSEMBLY - Trim tab	1	
-3	65633-00		BRACKET ASSEMBLY - Trim tab	1	
-4	68488-02		INDICATOR - Stabilator trim	1	
-5	78926-02		SCREWJACK - Stabilator trim	1	
-6	78969-02		RETAINER - Stabilator trim barrel	1	
-7	78970-02		GUIDE - Stabilator trim screw	1	
-8	78921-10		PUSHROD ASSEMBLY - Stabilator trim	1	
-9	38458-02		SPACER - Trim barrel assembly	2	
-10	452 628		BEARING - (TT-1602)	1	
-11	452 626		BEARING - (FF-1011-2)	1	
-12	484 855		SNAP RING - (5108-100)	1	
-13	62833-108		SHIM	AR	
-14	78925-03		BARREL - Stabilator trim	1	
-15	65635-00		BRACKET - Trim tab	1	
-16	62711-03		PULLEY - Trim tab	2	
-17	62701-155		CABLE - Stabilator trim, aft	1	
-18	481 640		PULLEY - (MS24566-1B)	4	
-19	65639-02		GUARD - Trim pulley	1	
-20	62715-05		BUSHING - Pulley, outer, trim tab	1	
-21	62714-06		BUSHING - Pulley, inner, trim tab	1	
-22	62715-02		BUSHING - Pulley, outer, trim tab	1	
-23	62714-02		BUSHING - Pulley, inner, trim tab	1	
-24	407 572		WASHER - (AN960-1616L)	2	
-25	63900-39		BUSHING	1	
-26	95061-31		SPACER	2	
-27	452 625		BEARING - (NAS76A3-014)	1	
-28	452 439	W	BEARING - (PS10020-17-1R) Rod end	1	
-29	38378-02		FRAME ASSEMBLY - Fin tip support	1	
-30	62710-02		PIN - Cable guard	1	
-31	489 873	W	TURNBUCKLE - Barrel (MS21251-B2S)	2	
-32	554 979	W	CLIP - (MS21256-1)	4	
-33	424 506	W	PIN - (NAS427K12)	2	
-34	65632-03		PLATE - Stabilator trim	1	
-35	401 264	W	BOLT - (AN3H-4A)	3	
	407 564	W	WASHER - (AN960-10)	3	
-36	400 450	W	BOLT - (AN3-17A)	1	
	63900-61		BUSHING	1	
	407 584	W	WASHER - (AN960-10L)	2	
	407 564	W	WASHER - (AN960-10)	1	
	407 587	W	WASHER - (AN960-616L)	1	
	404 887	W	NUT - (MS20365-1032C)	1	
-37	401 269	A,W	BOLT - (AN3 -10A)	2	
	401 270	B,W	BOLT - (AN3-11A)	2	
	407 584	W	WASHER - (AN960-10L)	2	
	407 564	B,W	WASHER - (AN960-10)	2	
	404 835	B,W	NUT - (MS20364-1032C)	2	
-38	407 567	W	WASHER - (AN960-616)	1	
-39	407 587	W	WASHER - (AN960-616L)	2	
-40	62833-37		WASHER	1	
-41	401 269	W	BOLT - (AN3-10A)	1	
	407 564	W	WASHER - (AN960-10L)	2	
	404 887	W	NUT - (MS20365-1032C)	1	
-42	553 267		BOLT - (NKN428-3-10)	2	
	404 224	W	NUT - (AN315-3R)	2	

When ordering, always specify Part Number, Description, and Serial Number of Aircraft

PIPER PARTS CATALOG

Figure and Index Number	Part Number	Code	NOMENCLATURE	No. Req.	SERIAL NUMBERS AFFECTED
60-43 -44	404 323 401 893 407 564	W	NUT - (AN316-5R) BOLT-(MS20073-03-11) WASHER - (AN960-10)	1 1 1	

When ordering, always specify Part Number, Description, and Serial Number of Aircraft

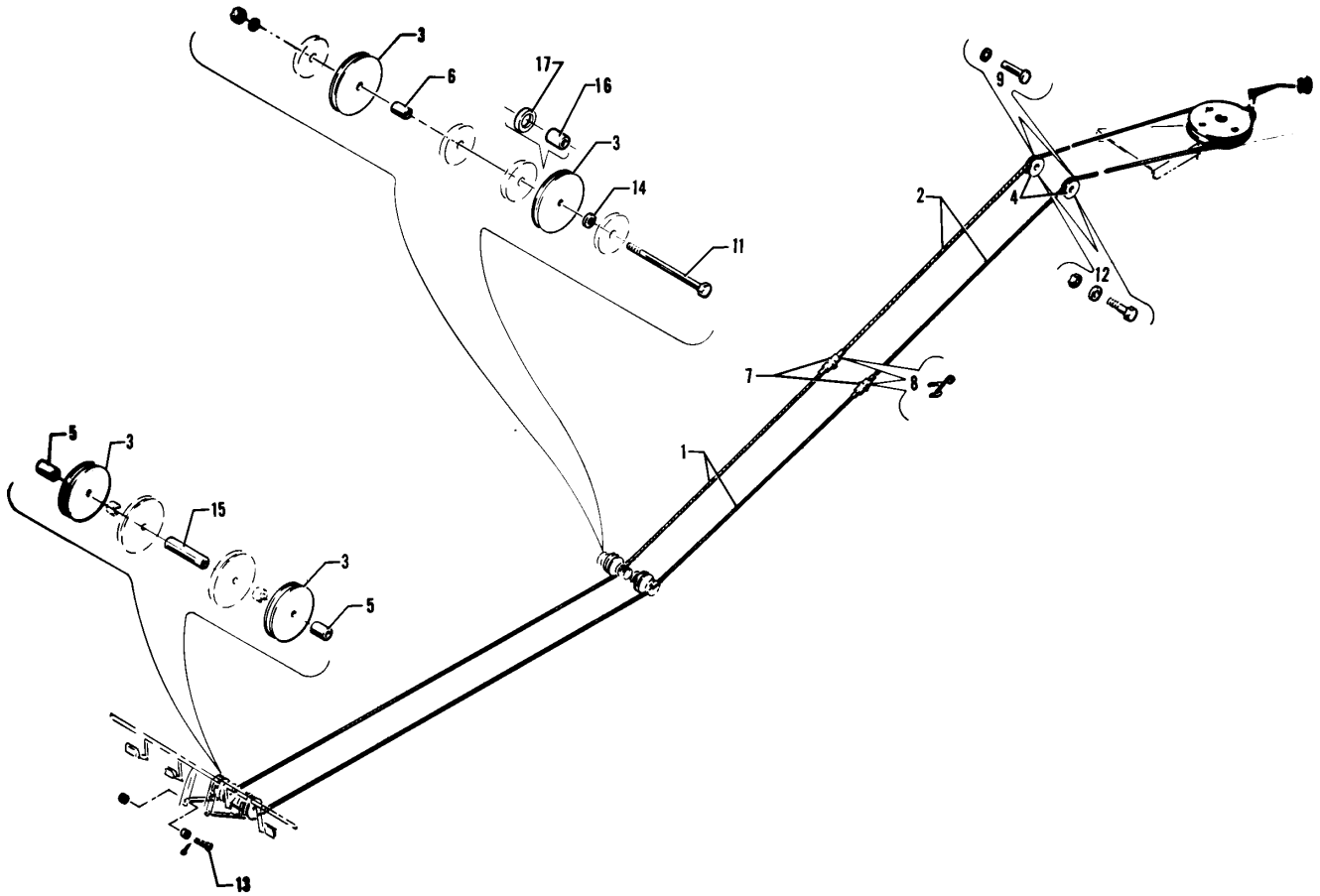


Figure 61. Rudder Control Installation

PIPER PARTS CATALOG

CODE EXPLANATIONS FOR FIGURE 61

W - These parts must be ordered from Service Spares Department, Piper Aircraft, Lock Haven, Penna.

PIPER PARTS CATALOG

Figure and Index Number	Part Number	Code	NOMENCLATURE	No. Req.	SERIAL NUMBERS AFFECTED
61-	35869		DRAWING - Control System Installation		
-1	62701-100		CABLE ASSEMBLY - Rudder control, forward	2	
-2	62701-168		CABLE ASSEMBLY - Rudder control, aft	1	
-3	41001-10		PULLEY - Rudder control	4	
-4	481 652	W	PULLEY - Rudder control (MS20220-2)	2	
-5	62743-04		SPACER - Rudder control .	2	
-6	62743-05		BUSHING - Rudder control	1	
-7	489 910		TURNBUCKLE - Rudder cable (MS21251-B5S)	2	
-8	554 979	W	CLIP - Rudder cable (MS21256-1)	4	
-9	424 506	W	PIN - (NAS427K12)	2	
-10	424 059	W	COTTER PIN - (MS24665-283)	2	
-11	401 385		BOLT - (AN5-64A)	1	
	407 566	W	WASHER - (AN960-516)	2	
	404 889	W	NUT - (MS20365-524C)	1	
-12	401 189	W	BOLT - (AN5-11A)	2	
	407 566	W	WASHER - (AN960-516)	2	
	404 889	W	NUT - (MS20365-524C)	2	
-13	400 672	W	BOLT - (AN23-10)	2	
	407 564	W	WASHER - (AN960-10)	2	
	404 392	W	NUT - (AN320-3)	2	
	424 051	W	COTTER PIN - (MS24665-132)	2	
-14	407 586	W	WASHER - (AN960-516L)	1	
-15	62743-13		SPACER - Rudder control	1	
-16	62714-06		BUSHING - Spacer	1	
-17	407 587	W	WASHER - (AN960-616L)	1	

When ordering, always specify Part Number, Description, and Serial Number of Aircraft

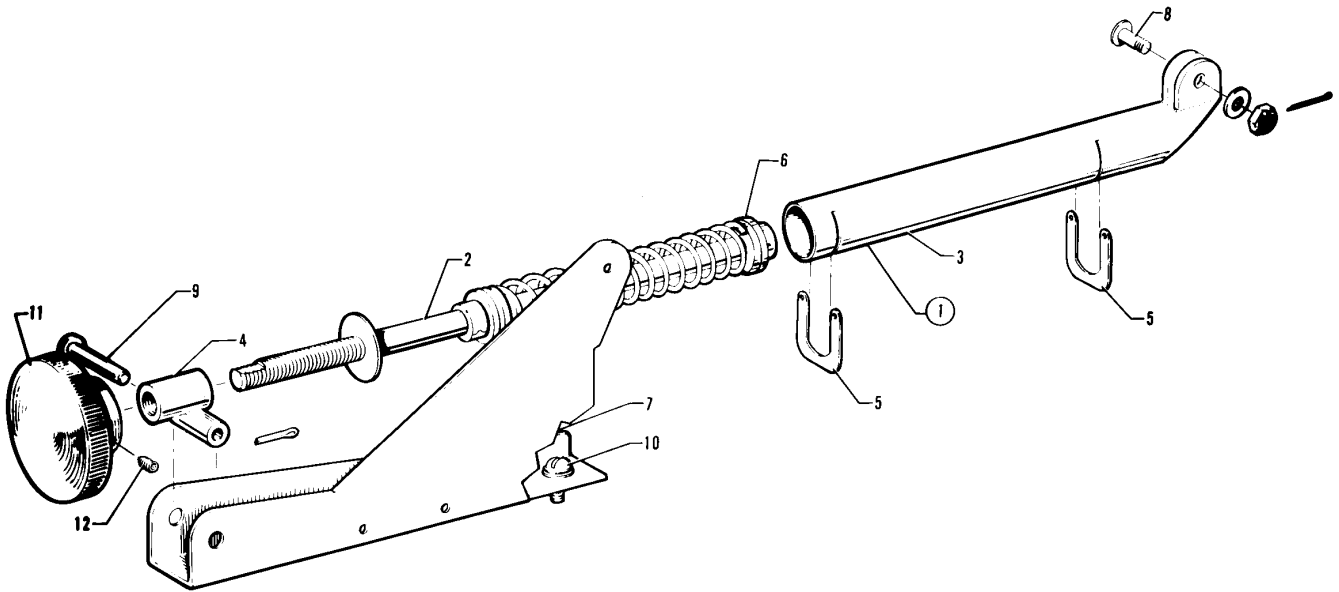


Figure 62. Rudder Trim Mechanism Installation

PIPER PARTS CATALOG

CODE EXPLANATIONS FOR FIGURE 62

W - These parts must be ordered from Service Spares Department, Piper Aircraft, Lock Haven, Penna.

PIPER PARTS CATALOG

Figure and Index Number	Part Number	Code	NOMENCLATURE	No. Req.	SERIAL NUMBERS AFFECTED
62-	35869 67384		DRAWING - Control System Installation DRAWING - Rudder Trim Mechanism Installation		
-1	67384-03		ADJUSTMENT ASSEMBLY - Rudder trim	1	
-2	66659-00		* SHAFT ASSEMBLY - Rudder trim	1	
-3	66658-00		* HOUSING ASSEMBLY	1	
-4	62831-02		* BUSHING ASSEMBLY - Rudder trim	1	
-5	62832-00		* CLIP - Rudder trim	2	
-6	62833-127		* WASHER	1	
-7	69318-00		CHANNEL - Rudder trim	1	
-8	400 672	W	BOLT - (AN23-10)	1	
	404 392	W	NUT - (AN320-3)	1	
	424 051	W	COTTER PIN - (MS24665-132)	1	
	407 584	W	WASHER - (AN960-10L)	1	
-9	424 186	W	PIN - Flat head (MS20392-2-35)	1	
	424 051	W	COTTER PIN - (MS24665-132)	1	
-10	415 544	W	SCREW - (MS35206-244)	2	
	407 583	W	WASHER - (AN960-8L)	2	
-11	62838-00		KNOB	1	
-12	419 967		SCREW - Set (MS51964-132)	1	

When ordering, always specify Part Number, Description, and Serial Number of Aircraft

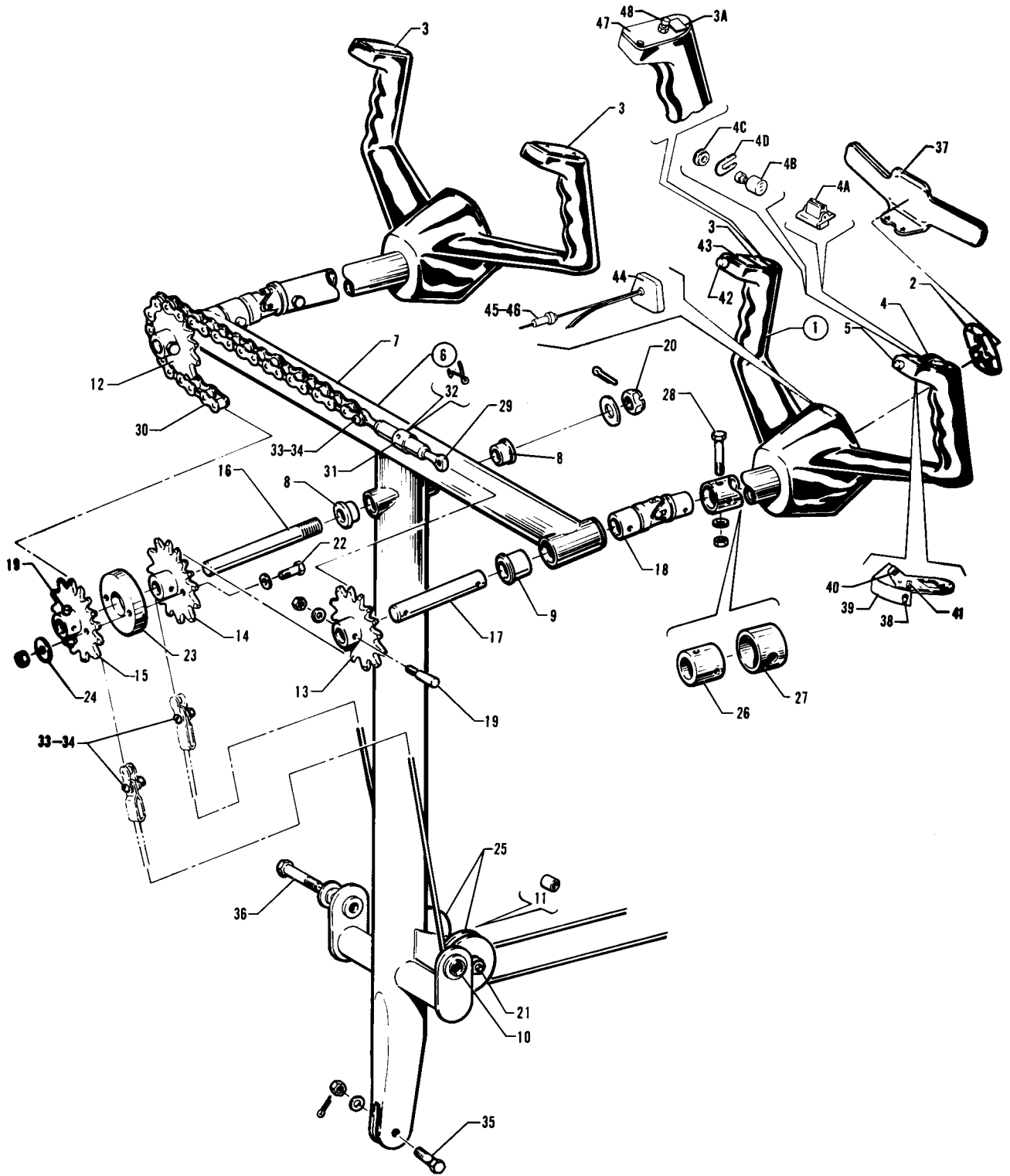


Figure 63. Control Wheel Installation

PIPER PARTS CATALOG

CODE EXPLANATIONS FOR FIGURE 63

- A - Control wheel assembly does not include switches. Order desired switches separately.
- B - Used if boom mike is installed.
- C - Used if boom mike with electric trim and AutoFlite II is installed.
- D - Used if AltiMatic IIIC is installed.
- E - Used on PA-28RT-201 with serial numbers 28R-8118001 and up, and PA-28RT-201T with serial numbers 28R-8131001 and up.
- F - Used if Century 41 AutoPilot is installed.
- W - These parts must be ordered from Service Spares Department, Piper Aircraft, Lock Haven, Penna.

PIPER PARTS CATALOG

Figure and Index Number	Part Number	Code	NOMENCLATURE	No. Req.	SERIAL NUMBERS AFFECTED
63-	35869		DRAWING - Control System Installation		
-1	79276-12	A	WHEEL ASSEMBLY - Control (both grips cored)	2	
-2	79275-00		* MEDALLION - Control wheel	1	
-3	67491-00		* PLATE - Control wheel cover (standard)	1	
-3a	87369-16	E,F	PLACARD - Pitch sync (left wheel)	1	
-4	79652-03		SWITCH ASSEMBLY - Manual electric trim	1	
	79652-05	B	SWITCH ASSEMBLY - Manual electric trim	1	
	96994-03	D	SWITCH ASSEMBLY - Manual electric trim and trim interrupt A/P disconnect	1	
-4a	587 862	D	* SWITCH - Manual electric trim (IC670)	1	
-4b	762 226	D	* SWITCH - Trim interrupt A/P disconnect (40S77)	1	
-4c	15660-02	D,W	ADAPTER - Trim interrupt A/P disconnect switch	1	
-4d	15661-02	D,W	ADAPTER - Trim interrupt A/P disconnect switch	1	
-5	67463-00		SWITCH ASSEMBLY - AutoFlite	1	
-6	67219-00		CONTROL COLUMN ASSEMBLY	1	
-7	67219-02		* TEE BAR ASSEMBLY - Control column	1	
-8	452 372		* BEARING - (F-504-2)	2	
-9	452 389		* BEARING - (F-825-2)	4	
-10	452 388		* BEARING - (F4DD)	2	
-11	62712-04		* BUSHING - Control column pulley	2	
-12	62845-02		* SPROCKET - Control column, right	1	
-13	62839-00		* SPROCKET ASSEMBLY - Control column, left	1	
-14	62778-00		* SPROCKET - Control column, center rear	1	
-15	63404-00		* SPROCKET - Control column, center rear	1	
-16	69077-00		* SHAFT - Control column, center	1	
-17	62716-07		* SHAFT - Control column	2	
-18	62834-02		* UNIVERSAL JOINT - Control column	2	
-19	480 730		* PIN - (AN386-1-6A)	5	
	494 093		* WASHER - (AN975-3)	5	
	404 835	W	* NUT - (MS20364-1032C)	5	
-20	407 568	W	* WASHER - (AN960-716)	1	
	404 104	W	* NUT - (AN310-7)	1	
	424 060	W	* COTTER PIN - (AN380-3-4)	1	
-21	401 333		* BOLT - (AN4-35A)	1	
	407 565	W	* WASHER - (AN960-416)	4	
	404 888	W	* NUT - (MS20365-428C)	1	
-22	401 269	W	* BOLT - (AN3-10A)	2	
	407 564	W	* WASHER - (AN960-10)	2	
	407 584	W	* WASHER - (AN960-10L)	2	
	404 887	W	* NUT - (MS20365-1032C)	2	
-23	62782-00		* SPACER - Control column	1	
-24	62784-00		* WASHER - Control column	2	
-25	481 651	W	* PULLEY - Control column (MS20220-1)	2	
-26	68557-00		* BUSHING - Control column	2	
-27	67193-05		STOP - Tee bar, left	1	
-28	66546-00		BOLT - Special	4	
	407 584	W	WASHER - (AN960-10L)	4	
	404 835	W	NUT - (MS20364-1032C)	4	
-29	62840-02		EYE BOLT - Turnbuckle, left	1	
	62840-03		EYE BOLT - Turnbuckle, right	1	
-30	62858-02		CHAIN - Control	2	
-31	489 910		BARREL - Turnbuckle (MS21251-B5S)	1	
-32	554 979	W	CLIP - Turnbuckle (MS21256-1)	2	
-33	82732-76		BUSHING - Control chain	4	

When ordering, always specify Part Number, Description, and Serial Number of Aircraft

PIPER PARTS CATALOG

Figure and Index Number	Part Number	Code	NOMENCLATURE	No. Req.	SERIAL NUMBERS AFFECTED
63-34	400 653		BOLT - (AN21-9)	4	
	404 391		NUT - (AN320-1)	4	
	424 041		COTTER PIN - (AN380-1-2)	4	
-35	400 055	W	BOLT - (AN3-10)	1	
	407 564	W	WASHER - (AN960-10)	1	
	404 100	W	NUT - (AN310-3)	1	
	424 051	W	COTTER PIN - (MS24665-132)	1	
-36	401 310	W	BOLT - (AN4-10A)	2	
	62833-85		WASHER - (O.D.1.50")	2	
	62833-86		WASHER - (O.D. 75")	2	
	404 888	W	NUT - (MS20365-428C)	2	
-37	67984-02		CLIP ASSEMBLY - Map	1	
-38	487 904	W	SWITCH - Boom mike (39-1)	1	
-39	37729-02	C	BRACKET ASSEMBLY - Switch	1	
	37729-00	E,F	ASSEMBLY - Switch	1	
-40	35669-16		PLACARD - A/P INTR.	1	
-41	35669-17		PLACARD - Mike	1	
-42	487 904	E,W	SWITCH - Remote transponder identifier (39-1)	1	
-43	35669-188	E	PLACARD - Transponder identifier	1	
-44	548 561		CLOCK - Control wheel (AT4210PO)	1	
-45	465 258		FUSEHOLDER - (155020)	1	
-46	461 629		FUSE - (311005)	1	
-47	67491-03	E,F	PLATE - Control wheel cover, right	1	
-48	67463-02	E,F	SWITCH ASSEMBLY - Century 41 AutoPilot	1	

When ordering, always specify Part Number, Description, and Serial Number of Aircraft

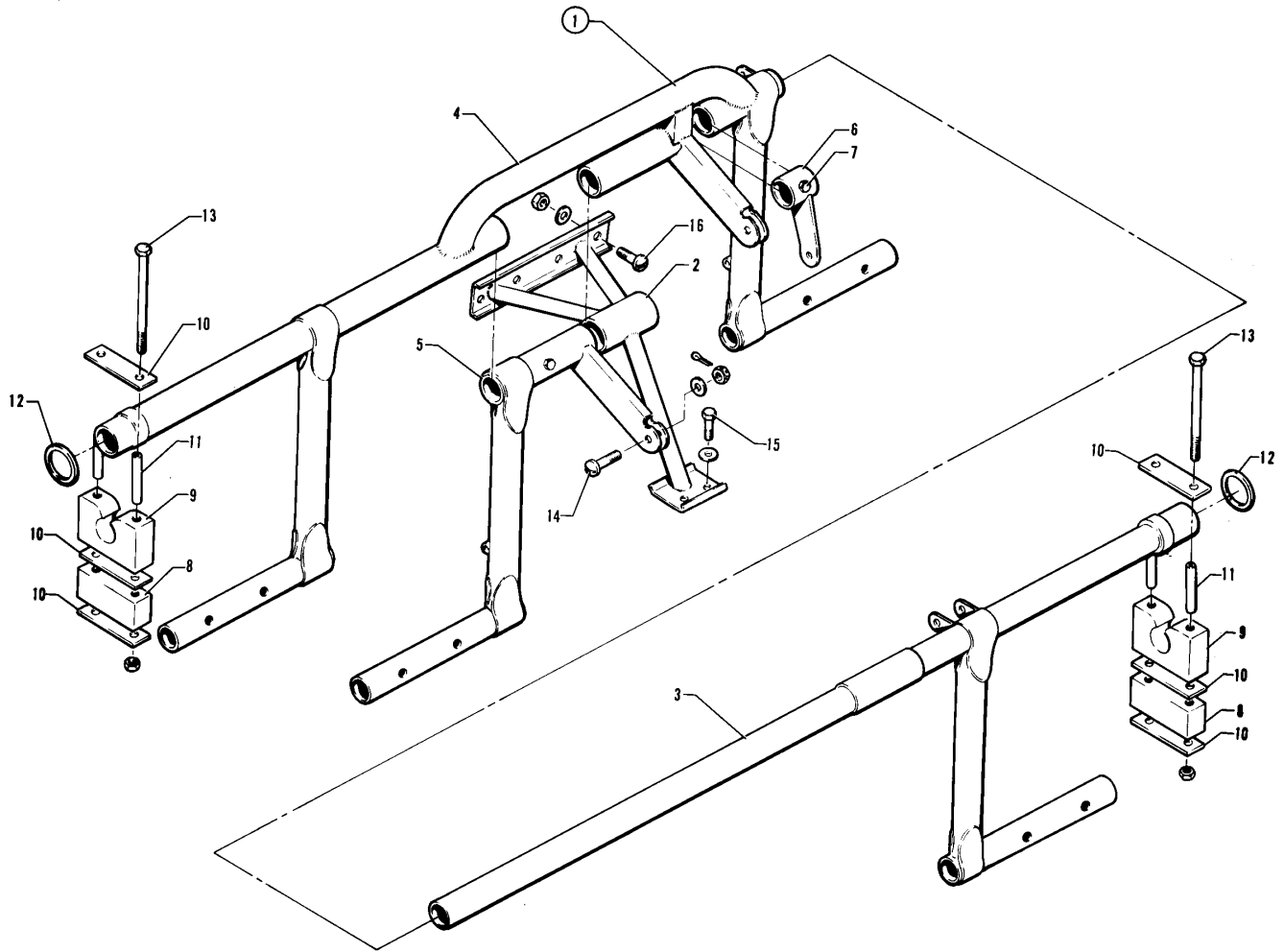


Figure 64. Rudder Pedal Installation

PIPER PARTS CATALOG

CODE EXPLANATIONS FOR FIGURE 64

W - These parts must be ordered from Service Spares Department, Piper Aircraft, Lock Haven, Penna.

PIPER PARTS CATALOG

Figure and Index Number	Part Number	Code	NOMENCLATURE	No. Req.	SERIAL NUMBERS AFFECTED
64-	35869		DRAWING - Control System Installation		
-1	67180-04		RUDDER PEDAL ASSEMBLY - Complete	1	
-2	67176-00		* SUPPORT ASSEMBLY - Rudder bar	1	
-3	63419-00		* PEDAL AND BAR ASSEMBLY	1	
-4	67174-02		* PEDAL AND BAR ASSEMBLY	1	
-5	67173-03		* PEDAL AND BAR ASSEMBLY	1	
-6	67171-00		* ARM ASSEMBLY - Rudder control	1	
-7	402 314		* BOLT - (AN174-13A)	2	
	407 585	W	* WASHER - (AN960-416)	2	
	404 836	W	* NUT - (MS20364-428C)	2	
-8	63456-00		BLOCK - Rudder bar support, bottom	2	
-9	65050-00		BLOCK - Rudder bar support, top	2	
-10	63455-00		PLATE - Rudder bar support	6	
-11	65003-03		BUSHING - Rudder bar support	4	
-12	62833-17		WASHER - Rudder bar support	2	
-13	400 456	W	BOLT - (AN3-13A)	4	
	404 887	W	NUT - (MS20365-1032C)	4	
-14	400 672	W	BOLT - (AN23-10)	2	
	407 564	W	WASHER - (AN960-10)	2	
	404 392	W	NUT - (AN320-3)	2	
	424 051	W	COTTER PIN - (MS24665-132)	2	
-15	400 438	W	BOLT - (AN3-4A)	2	
	407 564	W	WASHER - (AN960-10)	2	
-16	401 438	W	BOLT - (AN3-4A)	4	
	407 564	W	WASHER - (AN960-10)	8	
	404 887	W	NUT - (MS20365-1032C)	4	

When ordering, always specify Part Number, Description, and Serial Number of Aircraft

PIPER PARTS CATALOG

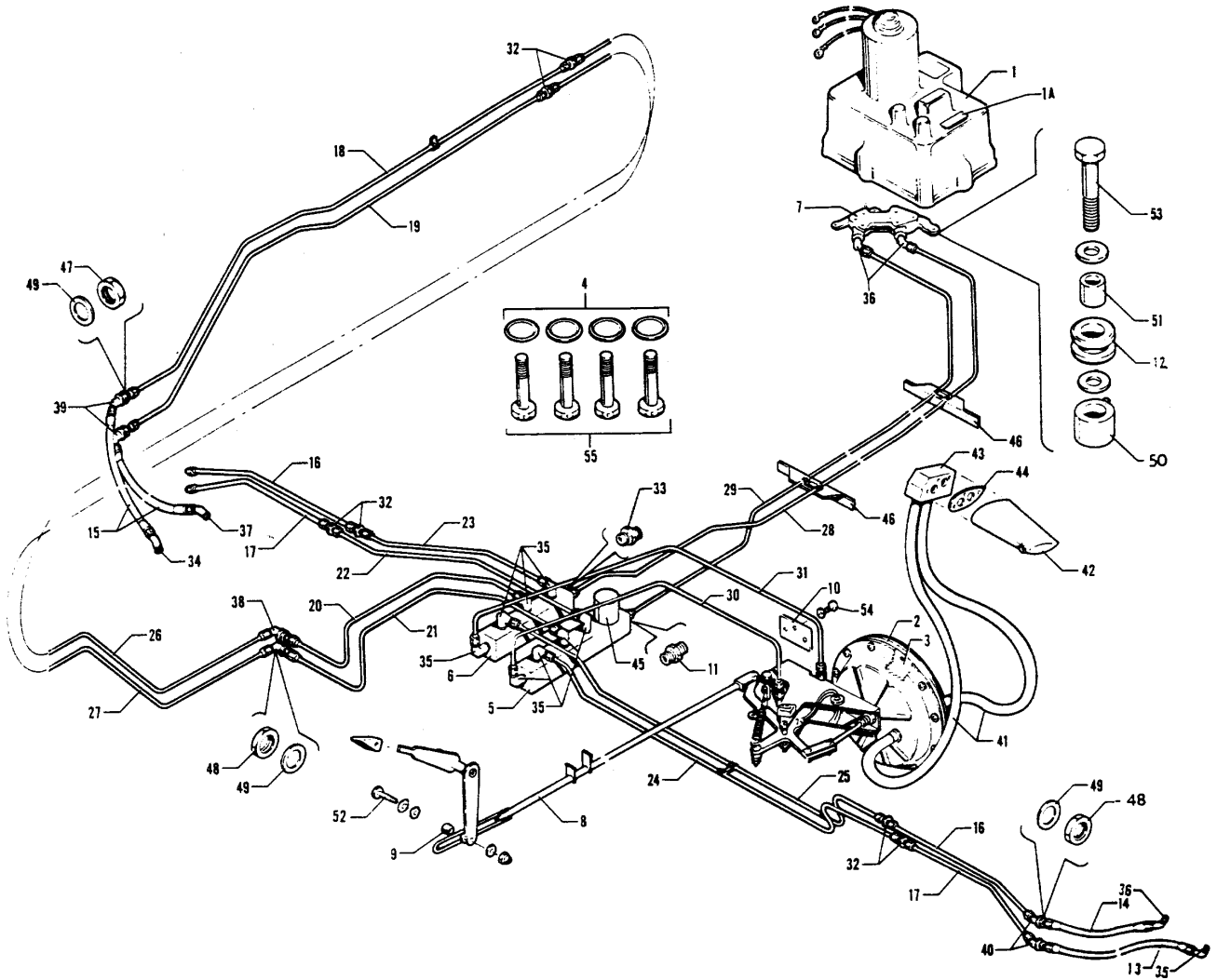


Figure 65. Hydraulic System Installation
 (PA-28RT-201 - Serial Nos. 28R-7918001 to 28R-7918069 inclusive)
 (PA-28RT-201T - Serial Nos. 28R-7931001 to 28R-7931099 inclusive)

PIPER PARTS CATALOG

CODE EXPLANATIONS FOR FIGURE 65

- A - Used on PA-28RT-201 with serial numbers 28R-7918001 to 28R-7918069 inclusive, and PA-28RT-201T with serial numbers 28R-7931001 to 28R-7931099 inclusive.
- B - Used on PA-28RT-201 only.
- C - Used on PA-28RT-201T only.
- W - These parts must be ordered from Service Spares Department, Piper Aircraft, Lock Haven, Penna.

PIPER PARTS CATALOG

Figure and Index Number	Part Number	Code	NOMENCLATURE	No. Req.	SERIAL NUMBERS AFFECTED
65-	67500		DRAWING - Hydraulic Landing Gear Installation		
-1	96671-02		PUMP ASSEMBLY - Hydraulic	1	
-1a	87369-22		* PLACARD - Hydraulic fluid spec.	1	
-2	67748-03	B	ACTUATOR ASSEMBLY - Back-up gear extender	1	
	67748-04	C	ACTUATOR ASSEMBLY - Back-up gear extender	1	
-3	761 138		* DIAPHRAGM REPLACEMENT KIT	1	
-4	484 788		"O" RING - Hydraulic pump mount (MS28775-012)	4	
-5	67520-00		MANIFOLD - Hydraulic, left	1	
-6	67521-00		MANIFOLD - Hydraulic, right	1	
-7	96902-00		MOUNT ASSEMBLY - Hydraulic pump	1	
-8	67747-05		ROD ASSEMBLY - Emergency gear extender	1	
-9	65003-48		BUSHING - Emergency gear extender rod	1	
-10	67749-00		GUIDE ASSEMBLY - Diaphragm rod	1	
-11	67600-00		NIPPLE - Restricted	1	
-12	434 120		GROMMET - (MS35489-64)	3	
-13	63901-21		HOSE ASSEMBLY - Main gear cylinder	2	
-14	63901-30		HOSE ASSEMBLY - Main gear cylinder	2	
-15	63901-41		HOSE ASSEMBLY - Nose gear cylinder	2	
-16	67700-06		TUBE ASSEMBLY - Main gear cylinder	2	
-17	67700-07		TUBE ASSEMBLY - Main gear cylinder	2	
-18	67700-182		TUBE ASSEMBLY - Nose gear cylinder, top	1	
-19	67700-181		TUBE ASSEMBLY - Nose gear cylinder, bottom	1	
-20	67700-15		TUBE ASSEMBLY - Nose gear to left manifold	1	
-21	67700-14		TUBE ASSEMBLY - Nose gear to right manifold	1	
-22	67700-16		TUBE ASSEMBLY - Main gear to left manifold	1	
-23	67700-17		TUBE ASSEMBLY - Main gear to right manifold	1	
-24	67700-31		TUBE ASSEMBLY - Main gear to left manifold	1	
-25	67700-19		TUBE ASSEMBLY - Main gear to right manifold	1	
-26	67700-61		TUBE ASSEMBLY - Nose gear, top	1	
-27	67700-62		TUBE ASSEMBLY - Nose gear, bottom	1	
-28	67700-24		TUBE ASSEMBLY - Hydraulic pump to left manifold	1	
-29	67700-23		TUBE ASSEMBLY - Hydraulic pump to right manifold	1	
-30	67700-34		TUBE ASSEMBLY - Hydraulic valve to left manifold	1	
-31	67700-35		TUBE ASSEMBLY - Hydraulic valve to right manifold	1	
-32	491 050	W	UNION - (AN815-4D)	6	
-33	476 648	W	NIPPLE - (AN816-4D)	1	
-34	67524-00		ELBOW- Restricted	1	
-35	458 894	W	ELBOW- (AN822-4D)	10	
-36	458 891	W	ELBOW - (AN823-4D)	4	
-37	458 865		ELBOW - (AN823-4)	1	
-38	458 900	W	ELBOW - (AN833-4D)	2	
-39	458 934	W	ELBOW - (AN833-4)	2	
-40	458 910	W	ELBOW- (AN837-4D)	4	
-41	63913-66		HOSE - Flexible, vacuum	2	
-42	67731-00		HEAD - Pressure vacuum (unheated)	1	
	67738-00		HEAD ASSEMBLY - Pressure vacuum (heated)	1	
-43	67743-02		BLOCK ASSEMBLY - Vacuum head	1	
-44	67732-00		GASKET - Vacuum head block	2	
-45	587 847		SWITCH - Pressure (211C243-12)	1	
-46	67534-00		ANGLE ASSEMBLY - Hydraulic line	2	
-47	477 629	W	NUT - (AN924-4)	2	
-48	477 618	W	NUT - (AN924-4D)	6	
-49	407 568	W	WASHER - (AN960-716)	8	
-50	65003-21		BUSHING - Hydraulic pump mount	3	
-51	65003-30		BUSHING - Hydraulic pump mount	3	

When ordering, always specify Part Number, Description, and Serial Number of Aircraft

PIPER PARTS CATALOG

Figure and Index Number	Part Number	Code	NOMENCLATURE	No. Req.	SERIAL NUMBERS AFFECTED
65-52	400 438		BOLT - (AN3-4A)	1	
	407 584	W	WASHER - (AN960-10L)	2	
	494 133		WASHER - (1/4 I.D. Nylon)	2	
	404 887	W	NUT - (MS20365-1032C)	1	
-53	400 443	W	BOLT - (AN3-12A)	3	
	494 192		WASHER - (5712-45)	6	
-54	400 437	W	BOLT - (AN3-3A)	2	
	407 584	W	WASHER - (AN960-10L)	2	
	404 887	W	NUT - (MS20365-1032C)	2	
-55	401 313		BOLT - (AN4H-12A)	4	

When ordering, always specify Part Number, Description, and Serial Number of Aircraft

PIPER PARTS CATALOG

CODE EXPLANATIONS FOR FIGURE 65A

- A - Used on PA-28RT-201 with serial numbers 28R-7918070 and up, and PA-28RT-201T with serial numbers 28R-7931100 and up.
- B - Used on PA28RT-201 only.
- C - Used on PA-28RT-201T only.
- D - Used on PA-28RT-201 with serial numbers 28R-7918001 to 28R-8218004 inclusive, and PA-28RT201T with serial numbers 28R-7931001 to 28R-8231010 inclusive.
- E - Used on PA-28RT-201 with serial numbers 28R-8218005 and up, and PA-28RT201T with serial numbers 28R-8231011 and up.
- W - These parts must be ordered from Service Spares Department, Piper Aircraft, Lock Haven, Penna.

PIPER PARTS CATALOG

Figure and Index Number	Part Number	Code	NOMENCLATURE	No. Req.	SERIAL NUMBERS AFFECTED
65A-	67500		DRAWING - Hydraulic Landing Gear Installation		
-1	96671-02		PUMP ASSEMBLY - Hydraulic	1	
-1a	87369-22		* PLACARD - Hydraulic fluid spec.	1	
-2	67748-03	B	ACTUATOR ASSEMBLY - Back-up gear extender	1	
	67748-04	C	ACTUATOR ASSEMBLY - Back-up gear extender	1	
-3	761 138		* DIAPHRAGM REPLACEMENT KIT	1	
-4	484 788		"O" RING - Hydraulic pump mount (MS28775012)	4	
-5	587 847		SWITCH - Pressure (211 C243-12)	1	
-6	96902-00		MOUNT ASSEMBLY - Hydraulic pump	1	
-7	67747-05		ROD ASSEMBLY - Emergency gear extender	1	
-8	67534-00		ANGLE ASSEMBLY - Hydraulic line	2	
-9	65003-48		BUSHING - Emergency gear extender rod	1	
-10	67749-00		GUIDE ASSEMBLY - Diaphragm rod	1	
-11	491 050	W	UNION - (AN815-4D)	3	
-12	67600-00		NIPPLE - Restricted	1	
-13	63901-21		HOSE ASSEMBLY - Main gear cylinder	2	
-14	63901-30		HOSE ASSEMBLY - Main gear cylinder	2	
-15	63901-41		HOSE ASSEMBLY - Nose gear cylinder	2	
-16	67700-06		TUBE ASSEMBLY - Main gear cylinder	2	
-17	67700-07		TUBE ASSEMBLY - Main gear cylinder	2	
-18	67700-182		TUBE ASSEMBLY - Nose gear cylinder, top	1	
-19	67700-181		TUBE ASSEMBLY - Nose gear cylinder, bottom	1	
-20	67700-343		TUBE ASSEMBLY - Nose gear	1	
-21	67700-342		TUBE ASSEMBLY - Nose gear	1	
-22	67700-306		TUBE ASSEMBLY - Main gear	1	
-23	67700-307		TUBE ASSEMBLY - Main gear	1	
-24	67700-302		TUBE ASSEMBLY - Main gear	2	
-25	67700-304		TUBE ASSEMBLY - Hydraulic valve	1	
-26	67700-61		TUBE ASSEMBLY - Nose gear, top	1	
-27	67700-62		TUBE ASSEMBLY - Nose gear, bottom	1	
-28	67700-24		TUBE ASSEMBLY - Hydraulic pump	1	
-29	67700-23		TUBE ASSEMBLY - Hydraulic pump	1	
-30	67700-305		TUBE ASSEMBLY - Hydraulic valve	1	
-31	67700-303		TUBE ASSEMBLY	2	
-32	488 320	W	TEE - (AN824-4D)	5	
-33	488 499		TEE - (AN825-4D)	2	
-34	67524-00		ELBOW - Restricted	1	
-35	458 894	W	ELBOW - (AN822-4D)	2	
-36	458 891	W	ELBOW - (AN823-4D)	4	
-37	458 865		ELBOW - (AN823-4)	1	
-38	458 900	W	ELBOW - (AN833-4D)	2	
-39	458 934	W	ELBOW - (AN833-4)	2	
-40	458 910	W	ELBOW - (AN837-4D)	4	
-41	63913-66		HOSE - Flexible, vacuum	2	
-42	67731-00		HEAD - Pressure vacuum (unheated)	1	
	67738-00	D	HEAD ASSEMBLY - Pressure vacuum (heated)	1	
	67738-03	E	HEAD ASSEMBLY - Pressure vacuum (heated)	1	
-43	67743-02		BLOCK ASSEMBLY - Vacuum head	1	
-44	67732-00		GASKET - Vacuum head block	2	
-45	455 173	W	COUPLING - (AN910-1D)	2	
-46	400 443	W	BOLT - (AN3-12A)	3	
	494 192		WASHER - (5712-45)	6	
-47	477 629	W	NUT - (AN924-4)	2	
-48	477 618	W	NUT - (AN924-4D)	4	
-49	407 568	W	WASHER - (AN960-716)	10	

When ordering, always specify Part Number, Description, and Serial Number of Aircraft

PIPER PARTS CATALOG

Figure and Index Number	Part Number	Code	NOMENCLATURE	No. Req.	SERIAL NUMBERS AFFECTED
65A-50	65003-21		BUSHING - Hydraulic pump mount	3	
-51	65003-30		BUSHING - Hydraulic pump mount	3	
-52	434 120		GROMMET - (MS35489-64)	3	
-53	400 437	W	BOLT - (AN3-3A)	2	
	407 584	W	WASHER - (AN960-10L)	4	
	404 887	W	NUT - (MS20365-1032C)	2	
-54	401 313		BOLT - (AN4H-12A)	4	
	407 585	W	WASHER - (AN960-416L)	4	
-55	400 438	W	BOLT - (AN3-4A)	1	
	407 584	W	WASHER - (AN960-10L)	1	
	494 133		WASHER - (1/4 I.D. Nylon)	1	
	404 887	W	NUT - (MS20365-1032C)	1	

When ordering, always specify Part Number, Description, and Serial Number of Aircraft

**1L5 THRU 1L24
INTENTIONALLY LEFT BLANK**



ARROW IV PARTS CATALOG

CARD 2 OF 2

PA-28RT-201 ARROW IV

PA-28RT-201T TURBO ARROW IV

PIPER AIRCRAFT CORPORATION

Courtesy of Bomar Flying Service
www.bomar.biz

(PART NUMBER 761 693)

PIPER PARTS CATALOG

AEROFICHE EXPLANATION AND REVISION STATUS

The Parts Catalog information incorporated in this set of Aerofiche cards has been arranged in accordance with the general specifications of Aerofiche adopted by the General Aircraft Manufacturer's Association.

Conversion of Aerofiche alpha/numeric code numbers:

First number is the Aerofiche card identifier.

Letter is the horizontal line reference per card.

Second number is the vertical line reference per card.

Example: 2J16 = Aerofiche card number two of given set, Grid location J16.

To aid in locating the various sections and related information desired, the following is provided:

A complete Catalog Table of Contents is given at Grid 1A8 of Aerofiche card number 1 of this set. Each additional card in this set will have a Table of Contents for all sections on that particular card. This table will start at Grid A3.

REVISIONS

The information compiled in this Aerofiche Parts Catalog will be kept current by revisions distributed periodically. These revisions will supersede all previous revisions and will be complete Aerofiche card replacements and shall supersede Aerofiche cards of the same number in the set.

Current Revisions to this PA-28RT-201 and PA-28RT-201T Parts Catalog issued November 2, 1978 are as follows:

761 693 (PR790410).....	Dated April 1979
761 693 (PR790810).....	Dated August 1979
761 693 (PR800311).....	Dated March 1980
761 693 (PR800812).....	Dated August 1980
761 693 (PR810415).....	Dated April 1981
761 693 (PR810713).....	Dated July 1981
761 693 (PR820210).....	Dated February 1982
761 693 (PR820712).....	Dated July 1982
761 693 (PR830112).....	Dated January 1983
761 693 (PR830808).....	Dated August 1983
761 693 (PR840213).....	Dated February 1984
761 693 (PR840710).....	Dated July 1984

NOTE: Refer to the last card of the Piper - Parts Price List - Aerofiche for a check list of current revision dates and card effectivities for this parts catalog.

TABLE OF CONTENTS

FIGURE NUMBER	FIGURE TITLE	GRID NUMBER
SECTION XI ENVIRONMENTAL GROUP		
66	Heat and Defrost System Installation (PA-28RT-201).....	2A5
67	Heat and Defrost System Installation (PA-28RT-201T)	2A8
68	Fresh Air Ventilation Installation.....	2A12
69	Air Conditioning Compressor Refrigerant Lines and Alternator Installation (PA-28RT-201)..	2A16
70	Air Conditioning Compressor and Refrigerant Lines Installation (PA-28RT-201T).....	2A20
71	Air Conditioning Duct and Evaporator Installation.....	2B1
72	Air Conditioning Condenser Installation.....	2B4
73	Oxygen System Installation (Portable) (PA-28RT-201T).....	2B8
73A	Oxygen System Installation (Fixed) (PA-28RT-201T S/N 28R8131001 and up)	2B11
SECTION XII ELECTRICAL SYSTEM GROUP		
74	Electrical System Installation.....	2B15
75	Instrument Panel Electrical Installation	2B19
76	Air Conditioning Electrical Installation.....	2C1
77	Battery Installation.....	2C4
78	External Power Supply Installation (PA-28RT-201).....	2C7
79	External Power Supply Installation (PA-28RT-201T).....	2C10
80	Alternator Assembly and Installation (Chrysler) (PA-28RT-201).....	2C13
81	Alternator Assembly (Prestolite) (PA-28RT-201)	2C17
82	Strobe Lights Installation.....	2C20
SECTION XIII ELECTRONICS GROUP		
83	Electric Trim Installation.....	2D1
84	AutoLite II Installation.....	2D4
85	AutoControl III B Installation (PA-28RT-201 S/N 28R-7918001 and up, PA-28RT-201T S/N 28R-7931001 to 28R-8231092 incl.).....	2D7
85A	Century 21 AutoPilot Installation (PA-28RT-201 S/N 28R-8118001 and up, PA-28RT-201T S/N 28R-8131001 and up).....	2D10
86	AltiMatic III C Installation (PA-28RT-201 S/N 28R7918001 to 28R8018116 incl., PA-28RT-201T S/N 28R7931001 to 28R8031188 incl.).....	2D13
86A	Century 41 AutoPilot Installation (PA-28RT-201 S/N 28R8118001 and up, PA-28RT-201T S/N 28R8131001 and up)	2D17
86B	King KAP 100/150/KFC 150 AutoPilot Installation (PA-28RT-201T S/N 28R8331001 and up).....	2D20
87	Piper Automatic Locator (ELT) Installation (Communications Components Corp.)	2E1
87A	Piper Automatic Locator (ELT) Installation (Narco Avionics)	2E4
87B	Radar Altimeter Installation (Bonzer)	2E7
87C	Radar Altimeter Installation (King) (PA-28RT-201 S/N 28R8018001 and up, PA-28RT-201T S/N 28R8031001 and up)	2E10
88	Encoder Installation (Narco-AR 500 and United-5125-P3).....	2E13
89	Radio, Antenna System and Static Wicks Installation.....	2E16
90	Audio Selector Assembly	2E19
91	Avionics Cooling Installation.....	2F1
	Radio Installation Drawings.....	2F4

TABLE OF CONTENTS

FIGURE NUMBER	FIGURE TITLE	GRID NUMBER
	SECTION XIV MISCELLANEOUS GROUP	
92	Placards and Exterior Stencils.....	2F7
	Optional Equipment Kits and Repair Kits.....	2F12
	NUMERICAL INDEX	2F14

PIPER PARTS CATALOG

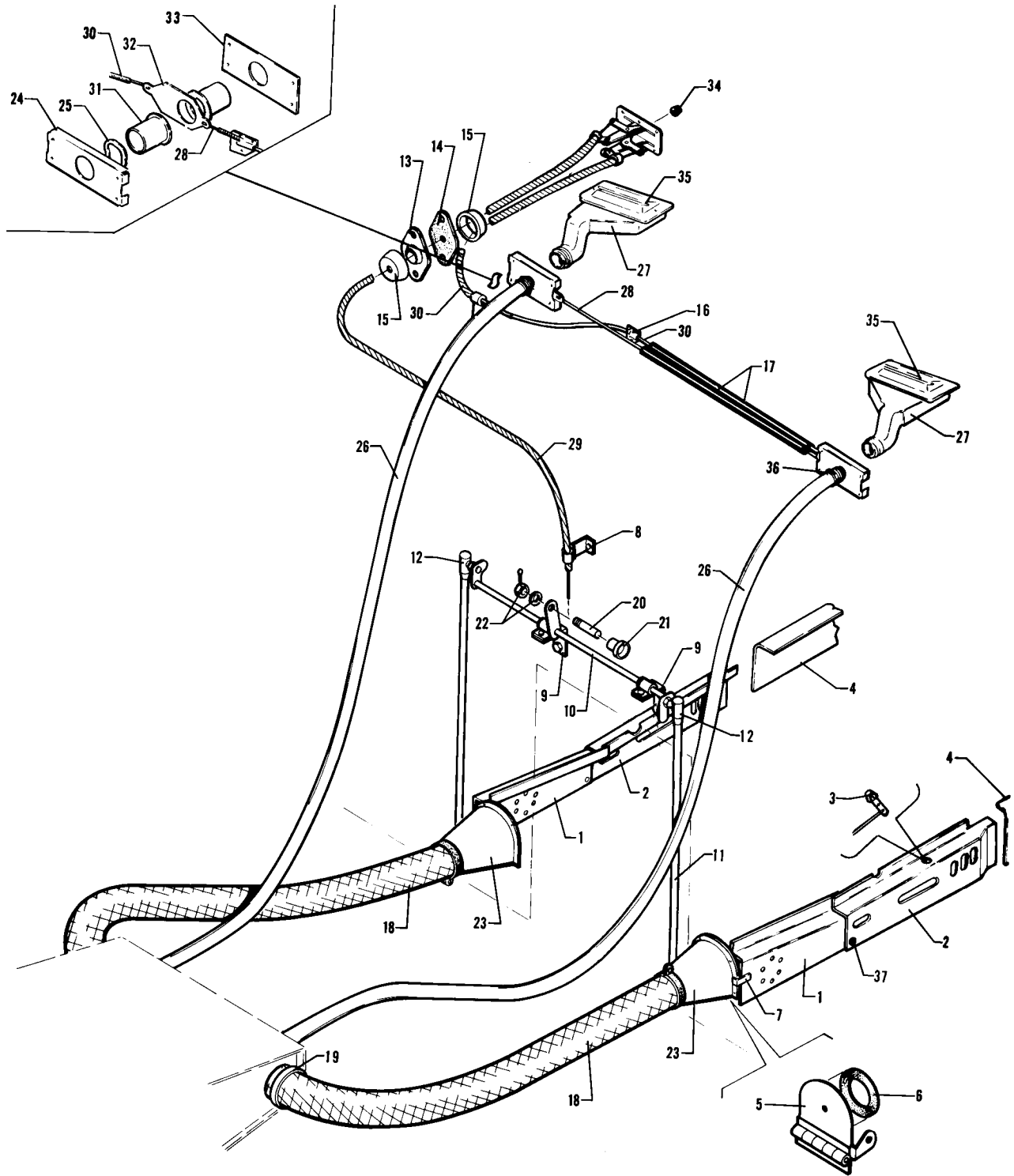


Figure 66. Heat and Defrost System Installation

PIPER PARTS CATALOG

CODE EXPLANATIONS FOR FIGURE 66

A - When ordering, specify color "bark II" or black.

W - These parts must be ordered from Service Spares Department, Piper Aircraft, Lock Haven, Penna.

PIPER PARTS CATALOG

Figure and Index Number	Part Number	Code	NOMENCLATURE	No. Req.	SERIAL NUMBERS AFFECTED
66-	99028 99029		DRAWING - Cabin Heat System Installation DRAWING - Defroster System Installation		
-1	67205-02 67205-03		DUCT - Cabin heat, left front DUCT - Cabin heat, right front	1 1	
-2	36511-02 36511-03	A A	DUCT ASSEMBLY - Cabin heat, center, left DUCT ASSEMBLY - Cabin heat, center, right	1 1	
-3	66980-00		* KNOB - Heat duct	1	
-4	76129-06 76129-07		DUCT - Cabin heat, left rear DUCT - Cabin heat, right rear	1 1	
-5	67386-00		DOOR ASSEMBLY - Cabin heat valve	2	
-6	62833-35		* SEAL - Cabin heat valve door	1	
-7	67387-00		CLIP - Cabin heat valve	2	
-8	67344-00		BRACKET - Heater cable	1	
-9	67347-00		BRACKET - Cabin heat valve torque tube	2	
-10	67389-00		TUBE ASSEMBLY - Cabin heat valve torque	1	
-11	67391-00		ROD ASSEMBLY - Cabin heat valve	2	
-12	31747-00	W	* JOINT ASSEMBLY - Ball	1	
-13	66789-00		PLATE - Firewall seal	2	
-14	22105-03	W	GASKET - Firewall seal	1	
-15	68770-14		GROMMET - Firewall seal	2	
-16	69275-00		CLAMP - Defroster cable	1	
-17	63882-31		SLEEVE - Defroster cable	2	
-18	63633-45		HOSE - Cabin heat	2	
-19	454 994		CLAMP - Cabin heat hose (SAE TY A-2 1/16)	4	
-20	70371-03	W	STUD - Swivel fitting	2	
-21	91193-00	W	FITTING - Swivel	1	
-22	407 565 404 392 424 051	W W W	WASHER - (AN960-416) NUT - (AN320-3) COTTER PIN - (MS24665-132)	4 1 1	
-23	67401-00 67401-03		SHROUD - Cabin heat valve, left SHROUD - Cabin heat valve, right	1 1	
-24	69273-00		HOUSING - Defroster valve	2	
-25	494 123		WASHER - Spring (35)	4	
-26	63633-51		HOSE-Defroster	2	
-27	79615-02 79615-03		DUCT ASSEMBLY - Defroster air, left DUCT ASSEMBLY - Defroster air, right	1 1	
-28	554 144		CABLE ASSEMBLY - Defroster (PS50146-6-1)	1	
-29	554 150		CABLE ASSEMBLY - Cabin heat control (PS50146-4-1)	1	
-30	554 143		CABLE ASSEMBLY - Defroster control (PS50146-6-2)	1	
-31	69279-00		TUBE - Defroster valve	4	
-32	67705-00		GATE - Defroster valve	2	
-33	69274-00		PLATE - Defroster valve	2	
-34	66980-00		KNOB - Cabin heat and defroster	2	
-35	65318-00		OUTLET - Defroster air	2	
-36	454 985	W	CLAMP - Defroster hose (H-10000)	8	
-37	419 683 494 001	W W	SCREW - Heat duct (4 x 1/2 L. oval head) WASHER Heat duct (4)	34 34	

When ordering, always specify Part Number, Description, and Serial Number of Aircraft

PIPER PARTS CATALOG

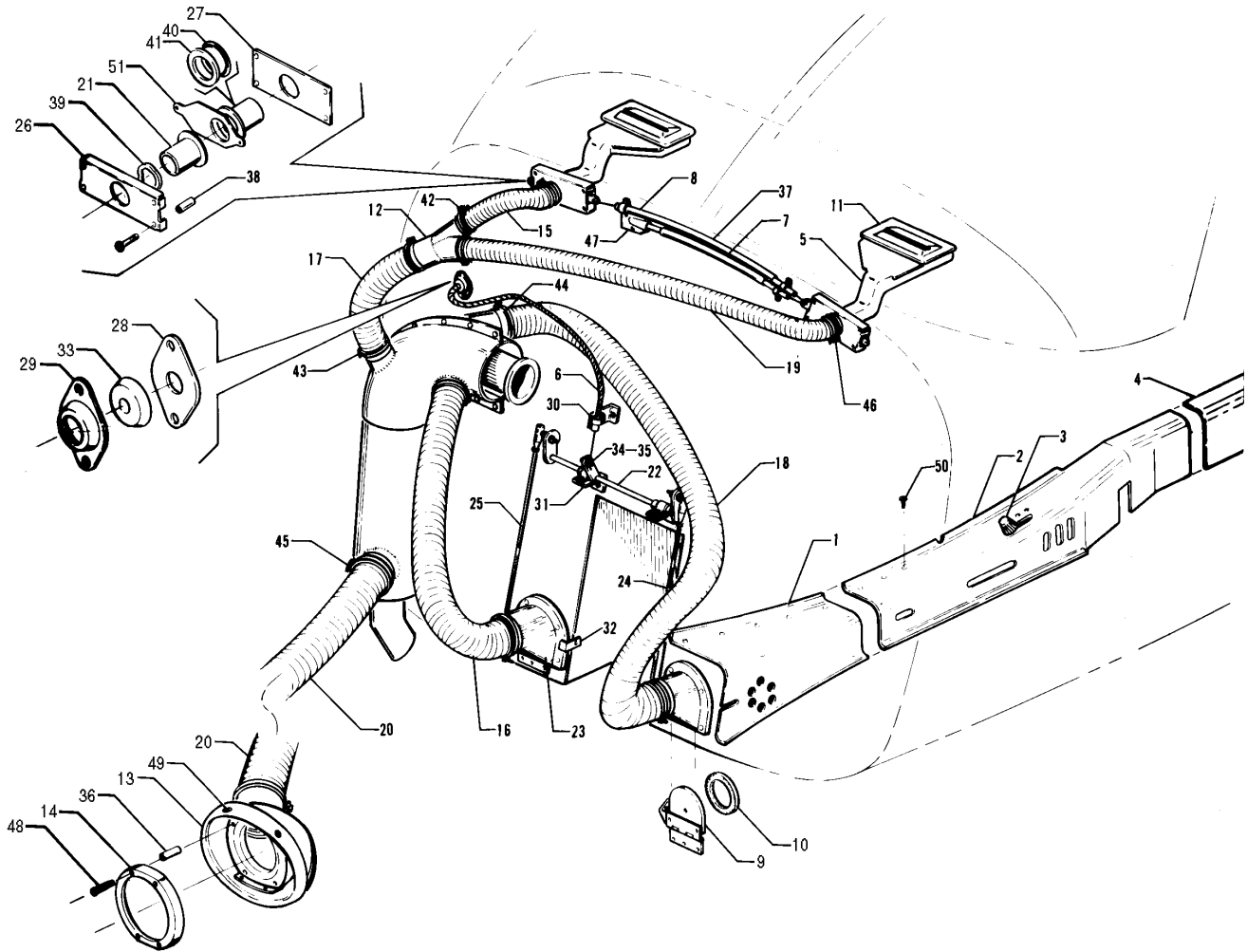


Figure 67. Heat and Defrost System Installation

PIPER PARTS CATALOG

CODE EXPLANATIONS FOR FIGURE 67

- A - See Figure 74 if landing light is installed.
- B - When ordering, specify color "bark II" or black.
- W - These parts must be ordered from Service Spares Department, Piper Aircraft, Lock Haven, Penna.

PIPER PARTS CATALOG

Figure and Index Number	Part Number	Code	NOMENCLATURE	No. Req.	SERIAL NUMBERS AFFECTED
67-	35777		DRAWING - Cabin Heat and Defrost System Installation		
-1	67205-02		DUCT - Cabin heat, left front	1	
	67205-03		DUCT - Cabin heat, right front	1	
-2	36511-02	B	DUCT ASSEMBLY - Cabin heat, center, left	1	
	36511-03	B	DUCT ASSEMBLY - Cabin heat, center, right	1	
-3	66980-00		* KNOB - Heat duct	1	
-4	76129-06		DUCT - Cabin heat, left rear	1	
	76129-07		DUCT - Cabin heat, right rear	1	
-5	79615-02		DUCT ASSEMBLY - Defroster air, left	1	
	79615-03		DUCT ASSEMBLY - Defroster air, right	1	
-6	66856-08		CABLE ASSEMBLY - Cabin heat control	1	
-7	554 143		CABLE ASSEMBLY - Defroster control (PS50146-6-2)	1	
-8	554 144		CABLE ASSEMBLY - Defroster control (PS50146-6-1)	1	
-9	67386-00		DOOR ASSEMBLY - Cabin heat valve	2	
-10	62833-35		* SEAL - Cabin heat valve door	1	
-11	65318-00		OUTLET - Defroster air	2	
-12	69229-00		TAKEOFF ASSEMBLY - Defroster air	1	
-13	35777-03		HOUSING ASSEMBLY - Heater air inlet and landing light support	1	
-14	35777-09	A	COVER - Landing light support	1	
-15	63633-15		HOSE ASSEMBLY - Defrost, right	1	
-16	63633-19		HOSE ASSEMBLY - Heat duct, right	1	
-17	63633-30		HOSE ASSEMBLY-Defrost	1	
-18	63633-40		HOSE ASSEMBLY - Heat duct, left	1	
-19	63633-60		HOSE ASSEMBLY - Defrost, left	1	
-20	63633-111		HOSE ASSEMBLY - Air inlet	1	
-21	69279-00		TUBE - Defroster valve	4	
-22	67389-00		TUBE ASSEMBLY - Cabin heat valve torque	1	
-23	67401-00		SHROUD - Cabin heat valve, left	1	
	67401-03		SHROUD - Cabin heat valve, right	1	
-24	67391-00		PUSHROD ASSEMBLY - Cabin heat valve, left	1	
-25	67391-03		PUSHROD ASSEMBLY - Cabin heat valve, right	1	
-26	69273-00		HOUSING - Defroster valve	2	
-27	69274-00		PLATE - Defroster valve	2	
-28	22105-03	W	GASKET - Firewall seal	1	
-29	66789-00		PLATE - Firewall seal	2	
-30	67344-00		BRACKET - Heater cable	1	
-31	67347-00		BRACKET - Cabin heat valve torque tube	2	
-32	67387-00		CLIP - Cabin heat valve	2	
-33	68770-14		GROMMET-Firewall seal	2	
-34	70371-03	W	STUD - Swivel fitting	1	
-35	91193-00	W	FITTING - Swivel	1	
-36	95061-162		SPACER - Landing light cover plate	4	
-37	63882-31		SLEEVE - Control cables	2	
-38	65003-43		BUSHING	8	
-39	494 123		WASHER - Spring (35)	2	
-40	484 841	W	"O" RING - (NAS 1593-213)	2	
-41	62833-104		WASHER - Defroster valve	2	
-42	454 985	W	CLAMP - (SAE TY A-1)	4	
-43	554 896		CLAMP - (SAE TY A-1 1/2)	2	
-44	554 837	W	CLAMP - (SAE TY A-2)	4	
-45	554 752		CLAMP - (SAE TY A-2 1 /2)	2	
-46	454 985	W	CLAMP - (H-10000)	4	
-47	69275-00		CLAMP - Defroster cable	1	
-48	415 539	W	SCREW - (MS35206-249)	4	

When ordering, always specify Part Number, Description, and Serial Number of Aircraft

PIPER PARTS CATALOG

Figure and Index Number	Part Number	Code	NOMENCLATURE	No. Req.	SERIAL NUMBERS AFFECTED
67-49	494 037 410 039	W	WASHER - (PS10092-1-3C) SCREW - (MS24694-S51)	4 4	
-50	419 683	W	SCREW - Heat duct (4 x 1/2 L oval head)	34	
	494 001	W	WASHER - Heat duct (4)	34	
-51	67705-00		GATE - Defroster valve	2	

When ordering, always specify Part Number, Description, and Serial Number of Aircraft

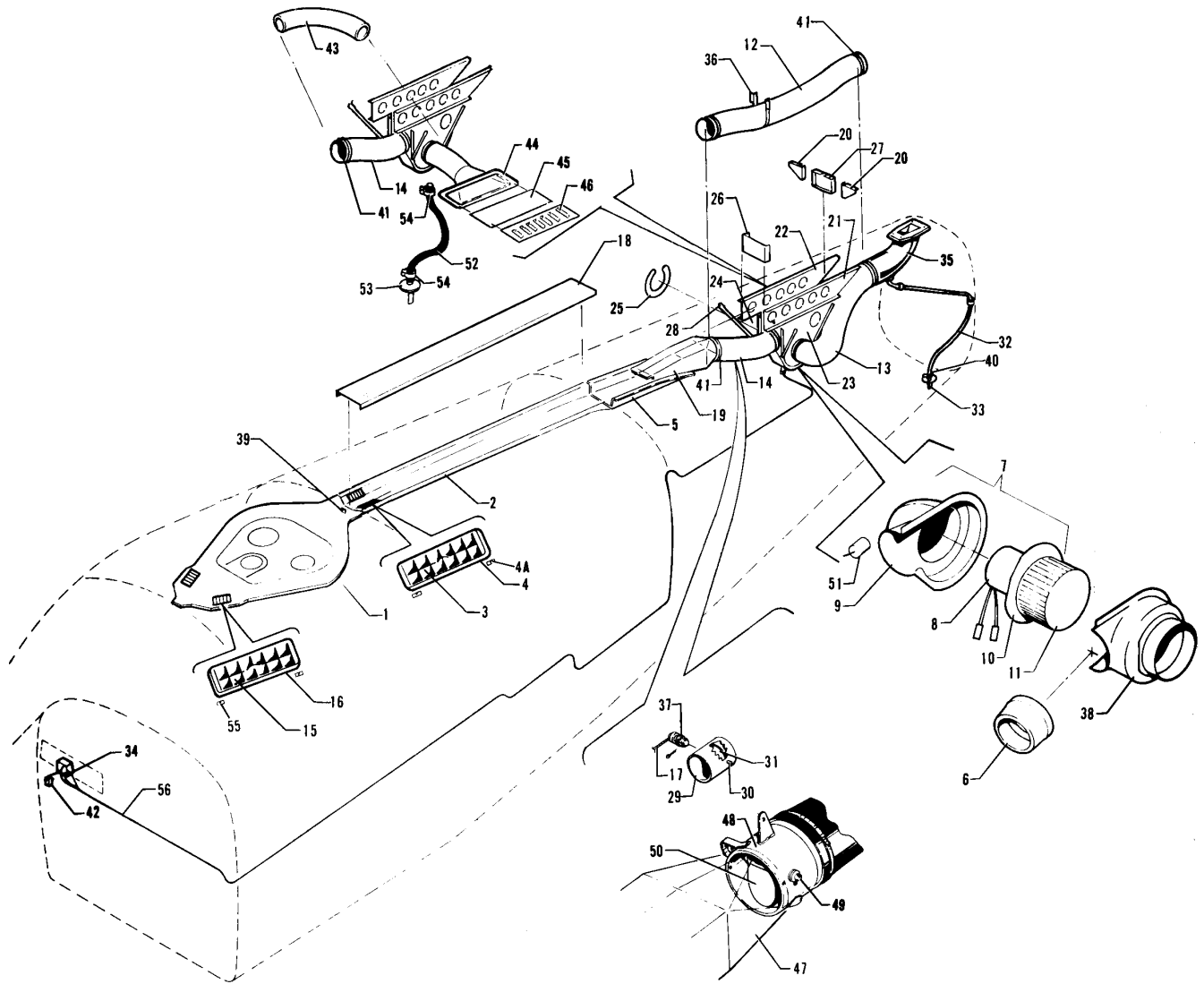


Figure 68. Fresh Air Ventilation Installation

PIPER PARTS CATALOG

CODE EXPLANATIONS FOR FIGURE 68

- A - Used on PA-28RT-201 with serial numbers 28R-7918001 to 28R-7918306 inclusive, and PA-28RT-201T with serial numbers 28R-7931001 to 28R-7931353 inclusive.
- B - Used on PA-28RT-201 with serial numbers 28R-8018001 and up, and PA-28RT-201T with serial numbers 28R-8031001 and up.
- C - Used on PA-28RT-201 with serial numbers 28R-7918265 and up, and PA-28RT-201T with serial numbers 28R-7931306 and up.
- D - See Figure 73A if fixed oxygen system is installed on PA-28RT-201T with serial numbers 28R-8131001 and up.
- W - These parts must be ordered from Service Spares Department, Piper Aircraft, Lock Haven, Penna.

PIPER PARTS CATALOG

Figure and Index Number	Part Number	Code	NOMENCLATURE	No. Req.	SERIAL NUMBERS AFFECTED
68-	76304	A	DRAWING - Fresh Air Ventilation System Installation		
	79853	B	DRAWING - Fresh Air Ventilation System Installation		
	79273	A	DRAWING - Blower Ventilation Installation		
	79278	A	DRAWING - Ram Air Ventilation Installation		
	36983	B	DRAWING - Ram Air and Blower Ventilation Installation		
-1	99500-08	A	PANEL ASSEMBLY - Ventilation (less speaker hole)	1	
	99500-06	A	PANEL ASSEMBLY - Ventilation (with speaker hole)	1	
	76496-03	B,D	PANEL ASSEMBLY - Ventilation (less speaker hole)	1	
	76496-02	B,D	PANEL ASSEMBLY - Ventilation (with speaker hole)	1	
-2	76307-07	A	DUCT ASSEMBLY - Center, ventilation	1	
	76494-02	B,D	DUCT ASSEMBLY - Center, ventilation	1	
-3	473 187		* LOUVER - (136-1M), silver	2	
	473 195		* LOUVER - (336-1HS), black	2	
-4	461 386		* FRAME - (173-M), silver	2	
	461 391		* FRAME - (173B), black	2	
-4a	406 424		* NUT - (C2733-040-1)	8	
-5	76305-00	A	DUCT - Ventilation	1	
-6	99633-00		DUCT - Hose connect	1	
-7	99642-02		BLOWER ASSEMBLY - Fresh air	1	
-8	475 210		* MOTOR ASSEMBLY - Blower (UN-YY1S062)	1	
-9	37997-02		* COVER - Fresh air blower	1	
-10	99641-00		* PLATE ASSEMBLY - Motor mounting	1	
-11	452 935		* BLOWER - (AE424-316-1)	1	
-12	63633-131	A	HOSE	1	
-13	63633-177	A	HOSE	1	
-14	63633-148		HOSE	1	
-15	473 187		LOUVER - (136-1M), silver	2	
	473 195		LOUVER - (336-1HS), black	2	
-16	461 386		FRAME - (173-M), silver	2	
	461 391		FRAME - (173B), black	2	
-17	554 365	D	CABLE ASSEMBLY - Fresh air flapper (PS50146-2-3)	1	
-18	76309-00	A	CHANNEL - Ventilation	1	
	76309-02	B	CHANNEL - Ventilation	1	
-19	79192-00	A	INTERCONNECT - Ventilation bulkhead	1	
-20	79035-00		GUSSET ASSEMBLY - Intercostal	2	
-21	79280-00		INTERCOSTAL - Blower bracket support, left	1	
-22	79287-00		INTERCOSTAL - Blower bracket support, right	1	
-23	79281-00		HANGER ASSEMBLY - Blower, left	1	
-24	79282-00		HANGER ASSEMBLY - Blower, right	1	
-25	79284-00		RETAINER - Housing	1	
-26	79285-00		BRACKET - Intercostal, forward	1	
-27	79286-00		BRACKET-Intercostal, aft	1	
-28	79303-00		BRACE - Hanger	2	
-29	69885-00	A	FLAPPER VALVE ASSEMBLY - Fresh air intake	1	
-30	69885-02	A	* SHAFT ASSEMBLY	1	
-31	69885-03	A	* FLAPPER ASSEMBLY	1	
-32	63904-89	A	TUBE - Drain	1	
-33	79290-00	A	TUBE ASSEMBLY - Drain	1	
-34	588 109		SWITCH - (MS35058-21)	1	
-35	86711-02	A	FITTING ASSEMBLY - Air duct, lower	1	
-36	79292-00		STRAP - Fresh air hose support	1	
-37	70371-02	W	FITTING - Swivel	1	
	70371-03	W	STUD - Swivel fitting	1	
	407 564	W	WASHER - (AN960-10)	1	
	404 392	W	NUT - (AN320-3)	1	
	424 051	W	COTTER PIN - (MS24665-132)	1	
-38	79264-00		COVER ASSEMBLY - Fresh air blower	1	

When ordering, always specify Part Number, Description, and Serial Number of Aircraft

PIPER PARTS CATALOG

Figure and Index Number	Part Number	Code	NOMENCLATURE	No. Req.	SERIAL NUMBERS AFFECTED
68-39	69669-77		PLACARD - Cabin air	1	
-40	554 861	A,W	CLAMP - (SAE TY F-4)	2	
-41	554 640		CLAMP - (SAE TY A-4 5/8)	4	
-42	454 709		CIRCUIT BREAKER - (PS50120-1-9) 20 amp, Mech. Products Inc.	1	
	454 743	C	CIRCUIT BREAKER - (PS50120-3-36) 20 amp, Wood Electric Corp.	1	
-43	63633-127	B	HOSE - Air vent	1	
-44	36615-05	B	DUCT ASSEMBLY - Air vent (with filter)	1	
-45	36616-03	B	* FILTER - Air vent	1	
-46	36612-03	B	LOUVER - Air vent	1	
-47	76495-02	B	DUCT AND FLAPPER VALVE ASSEMBLY - Aft	1	
-48	69885-12	B	FLAPPER VALVE ASSEMBLY - Fresh air intake	1	
-49	69885-02	B	* SHAFT ASSEMBLY	1	
-50	69885-03	B	* FLAPPER ASSEMBLY	1	
-51	63897-06	B	CAPACITOR ASSEMBLY	1	
-52	63904-113	B	HOSE - Drain	1	
-53	79290-00	B	TUBE ASSEMBLY - Drain	1	
-54	554 861	B,W	CLAMP - (SAE TY F-4)	2	
-55	406 424		NUT - (C2733-040-1)	8	
-56	79293-04		CABLE - Blower	1	

When ordering, always specify Part Number, Description, and Serial Number of Aircraft

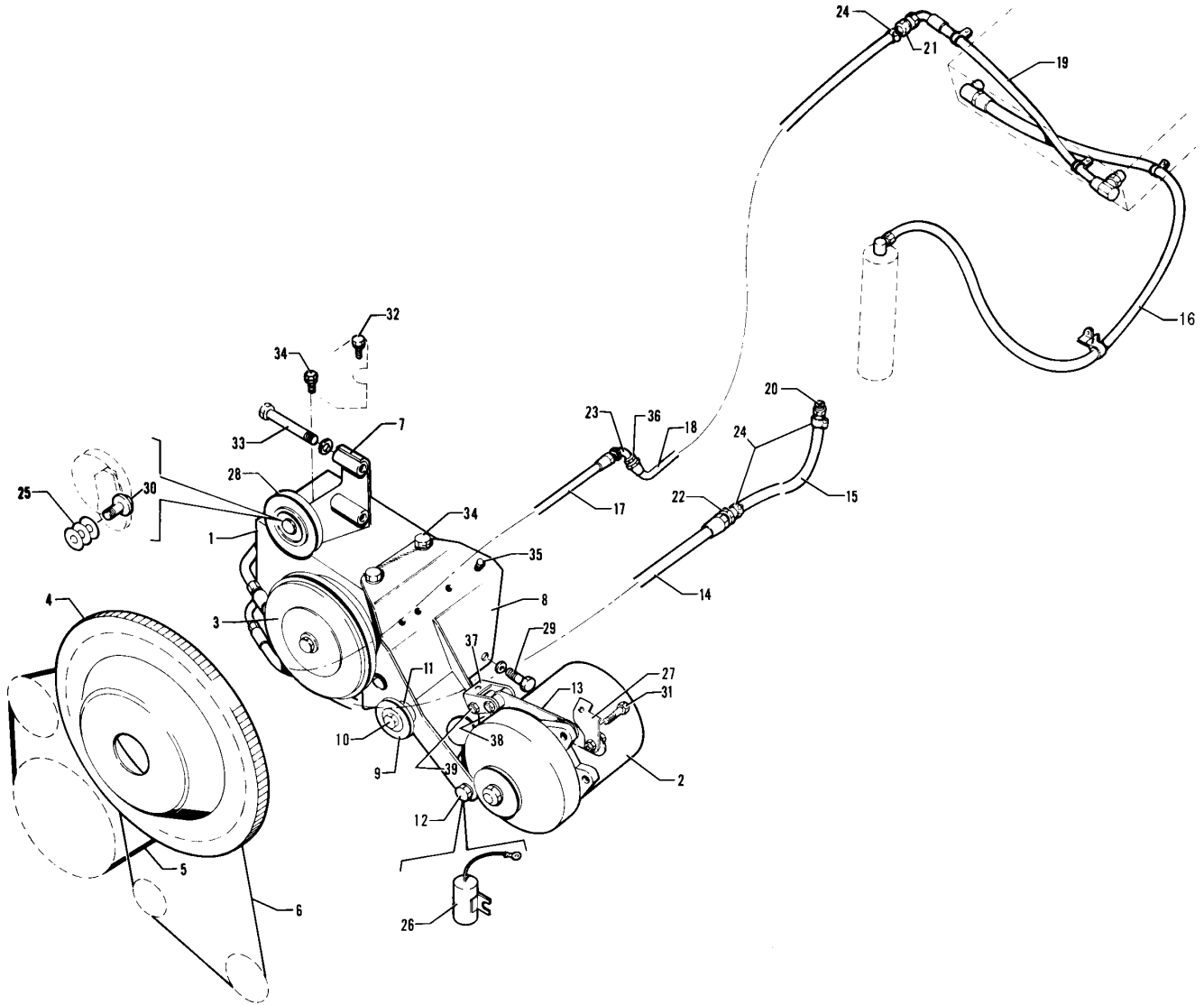


Figure 69. Air Conditioning Compressor, Refrigerant Lines and Alternator Installation

PIPER PARTS CATALOG

CODE EXPLANATIONS FOR FIGURE 69

- A - See Figure 81 for component parts.
- B - Order parts for serial numbers 28R-8218008 and up if Refrigerant Line Fitting Replacement Kit 764 248 has been installed per Service Spares Letter 387.
- C - Used if Refrigerant Line Fitting Replacement Kit 764 248 has not been installed.
- W - These parts must be ordered from Service Spares Department, Piper Aircraft, Lock Haven, Penna.

PIPER PARTS CATALOG

Figure and Index Number	Part Number	Code	NOMENCLATURE	No. Req.	SERIAL NUMBERS AFFECTED
69-	99109		DRAWING - Air Conditioning Compressor and Alternator Installation		
	99602		DRAWING - Air Conditioning Refrigerant Lines Installation		
-1	555 412		COMPRESSOR ASSEMBLY - (F209-16764)	1	
-2	551 983	A	ALTERNATOR ASSEMBLY - Prestolite (ALY-6422)	1	
-3	554 761		CLUTCH ASSEMBLY - (10616)	1	
-4	462 112		RING GEAR ASSEMBLY - (LW16581)	1	
-5	452 824		BELT - (PS10069-1-4)	1	
-6	452 823		BELT - (PS10069-1-3)	1	
-7	99624-00		BRACKET ASSEMBLY - Compressor, upper	1	
-8	79584-08		BRACKET ASSEMBLY - Compressor, lower	1	
-9	99072-00		* PULLEY ASSEMBLY - Alternator drive	1	
-10	553 230		* BOLT - (NAS2906-20)	1	
	62833-82		* WASHER - Alternator pulley	2	
	79558-02		* NUT - Alternator pulley	1	
-11	95061-151		* BUSHING - Alternator idler pulley	1	
-12	401 394	W	* BOLT - (AN6-13A)	2	
	407 567	W	* WASHER - (AN960-616)	2	
	404 890	W	* NUT - (MS20365-624C)	2	
-13	79886-04		ARM ASSEMBLY - Alternator support	1	
-14	99592-07		HOSE ASSEMBLY - Suction	1	
-15	63904-72		HOSE - Suction	1	
-16	565 578		HOSE ASSEMBLY - Receiver dehydrator to condenser	1	
-17	99592-06		HOSE ASSEMBLY - Discharge	1	
-18	565 564		HOSE - Discharge (length 117")	1	
-19	565 576		HOSE ASSEMBLY - Discharge (length 25")	1	
-20	451 906	B	ADAPTER - (PS10022-6-4)	1	28R-7918001 to 28R-8218007 incl.
	561 012		FITTING - (FC9158-0808S)	1	28R-8218008 and up
	584 258		REDUCER - (661FHD-8-10)	1	28R-8218008 and up
-21	451 907	B	ADAPTER - (PS10022-6-13)	1	28R-7918001 to 28R-8218007 incl.
	561 013		FITTING - (FC9158-0606S)	1	28R-8218008 and up
	584 256		REDUCER - (42F-8-6)	1	28R-8218008 and up
-22	451 908	B	ADAPTER - (PS10022-6-14)	1	28R-7918001 to 28R-8218007 incl.
	561 012		FITTING - (FC9158-0808S)	1	28R-8218008 and up
	584 257		REDUCER - (42F-10-8)	1	28R-8218008 and up
-23	67982-02		ELBOW-Special	1	
-24	554 678	C	CLAMP - (H-6)	3	28R-7918001 to 28R- 8218007 incl.
-25	62833-83		WASHER	3	
-26	63897-06		CAPACITOR ASSEMBLY	1	
-27	99580-00		CLIP ASSEMBLY - Left front baffle	1	
-28	99080-00		IDLER PULLEY ASSEMBLY - Compressor drive	1	
-29	401 988		BOLT - (MS20074-06-11)	2	
	407 587	W	WASHER - (AN960-616L)	2	
-30	400 616		BOLT - (AN8H-7A)	1	
	407 569	W	WASHER - (AN960-816)	1	
-31	401 970		BOLT - (MS20074-05-05)	1	
	407 566	W	WASHER - (AN960-516)	2	
-32	401 987		BOLT-(MS20074-06-06)	1	
	407 587	W	WASHER - (AN960-616L)	1	
-33	401 461		BOLT - (AN6H-22A)	2	
	407 567	W	WASHER - (AN960-616)	4	
	407 587	W	WASHER - (AN960-616L)	2	
	407 046		WASHER - (MS35338-46)	2	

When ordering, always specify Part Number, Description, and Serial Number of Aircraft

PIPER PARTS CATALOG

Figure and Index Number	Part Number	Code	NOMENCLATURE	No. Req.	SERIAL NUMBERS AFFECTED
69-34	401 966		BOLT - (MS20074-06-05)	3	
	407 587	W	WASHER - (AN960-616L)	3	
-35	401 970		BOLT (MS20074-05-05)	4	
	407 586	W	WASHER - (AN960-516L)	4	
-36	477 691	W	NUT - (AN924-8)	2	
-37	79886-03		CHANNEL ASSEMBLY - Alternator support	1	
-38	79886-07		ARM ASSEMBLY - Alternator support	1	
-39	400 009	W	BOLT (AN4-14A)	2	
	407 585	W	WASHER - (AN960-416L)	2	
	404 888	W	NUT - (MS20365-428C)	2	

When ordering, always specify Part Number, Description, and Serial Number of Aircraft

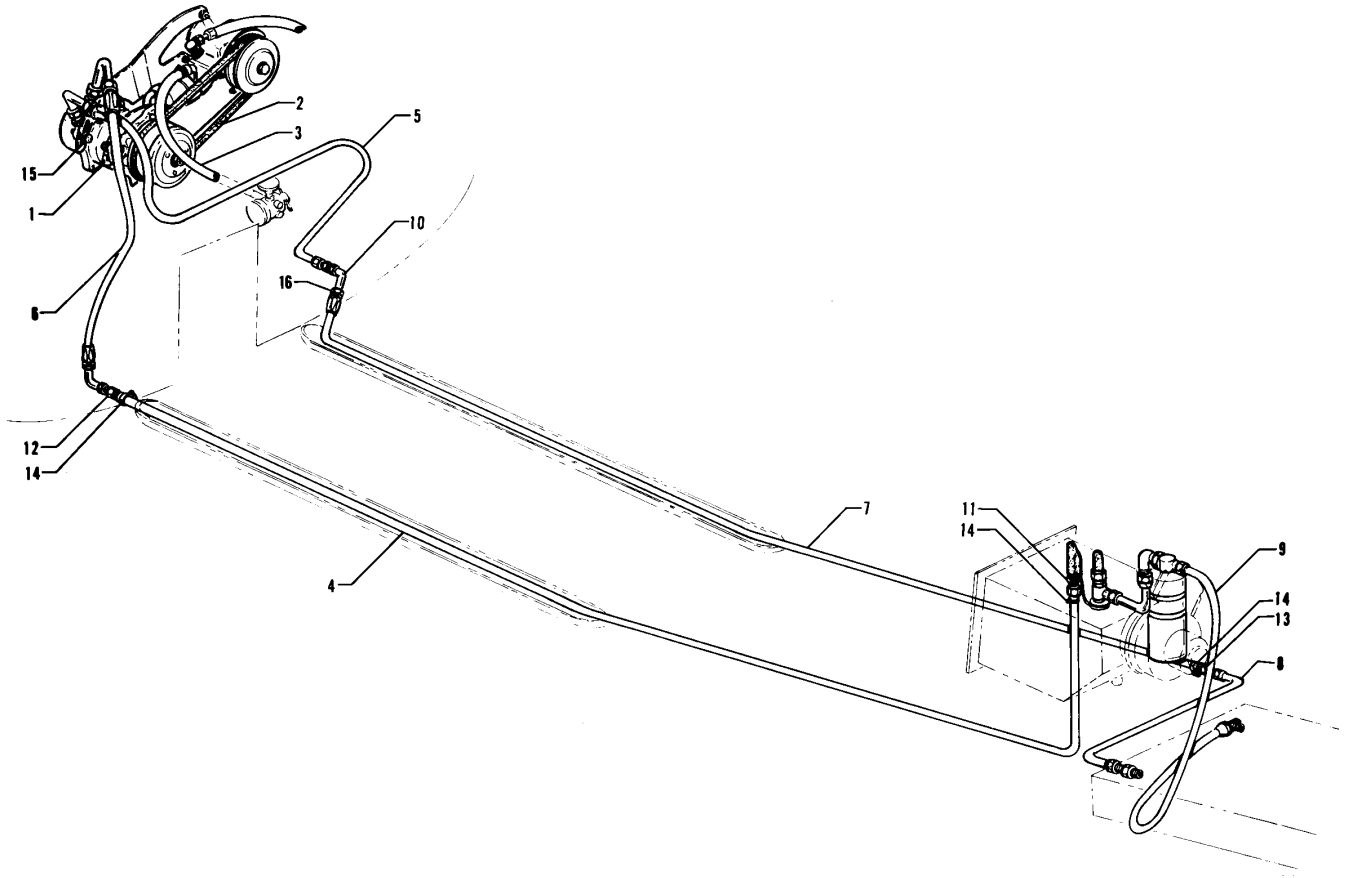


Figure 70. Air Conditioning Compressor and Refrigerant Lines Installation

PIPER PARTS CATALOG

CODE EXPLANATIONS FOR FIGURE 70

- A - Order parts for serial numbers 28R-8231016 and up if Refrigerant Line Fitting Replacement Kit 764 248 has been installed per Service Spares Letter 387.
- B - Used if Refrigerant Line Fitting Replacement Kit 764 248 has been installed.
- W - These parts must be ordered from Service Spares Department, Piper Aircraft, Lock Haven, Penna.

PIPER PARTS CATALOG

Figure and Index Number	Part Number	Code	NOMENCLATURE	No. Req.	SERIAL NUMBERS AFFECTED
70-	35785 99602		DRAWING - Air Conditioner Compressor Installation DRAWING - Refrigerant Lines Installation		
-1	555 919		COMPRESSOR ASSEMBLY - (507)	1	
-2	452 651		BELT - Compressor (N7350)	1	
-3	63913-81		HOSE - Vacuum pump to regulating valve	1	
-4	63904-72		HOSE- Suction	1	
-5	99592-10		HOSE- Discharge	1	
-6	99592-11		HOSE - Suction	1	
-7	565 564		HOSE ASSEMBLY - Discharge	1	
-8	565 576		HOSE ASSEMBLY - Discharge	1	
-9	565 578		HOSE ASSEMBLY - Receiver dehydrator to condenser	1	
-10	67982-02		ELBOW - Special	1	
-11	451 906	A	ADAPTER - (PS10022-6-4)	1	28R-7931001 to 28R-8231015 incl.
	561 012		FITTING - (FC9158-0808S)	1	28R-8231016 and up
	584 258		REDUCER - (661FHD-8-10)	1	28R-8231016 and up
-12	451 908	A	ADAPTER-(PS10022-6-14)	1	28R-7931001 to 28R 8231015 incl.
	561 012		FITTING - (FC9158-0808S)	1	28R-8231016 and up
	584 257		REDUCER - (42F-10-8)	1	28R-8231016 and up
-13	451 907	A	ADAPTER - (PS10022-6-13)	1	28R-7931001 to 28R-8231015 incl.
	561 013		FITTING - (FC9158-0606S)	1	28R-8231016 and up
	584 256		REDUCER - (42F-8-6)	1	28R-8231016 and up
-14	554 678	B	CLAMP - (H-6)	3	28R-7931001 to 28R-8231015 incl.
-15	401 394	W	BOLT - (AN6-13A)	4	
	62833-117		WASHER - (1.00 O. D.)	4	
	407 567	W	WASHER - (AN960-616)	4	
	404 890	W	NUT - (MS20365-624C)	4	
-16	477 691	W	NUT - (AN924-8)	2	

When ordering, always specify Part Number, Description, and Serial Number of Aircraft

**2A23 THRU 2A24
INTENTIONALLY LEFT BLANK**

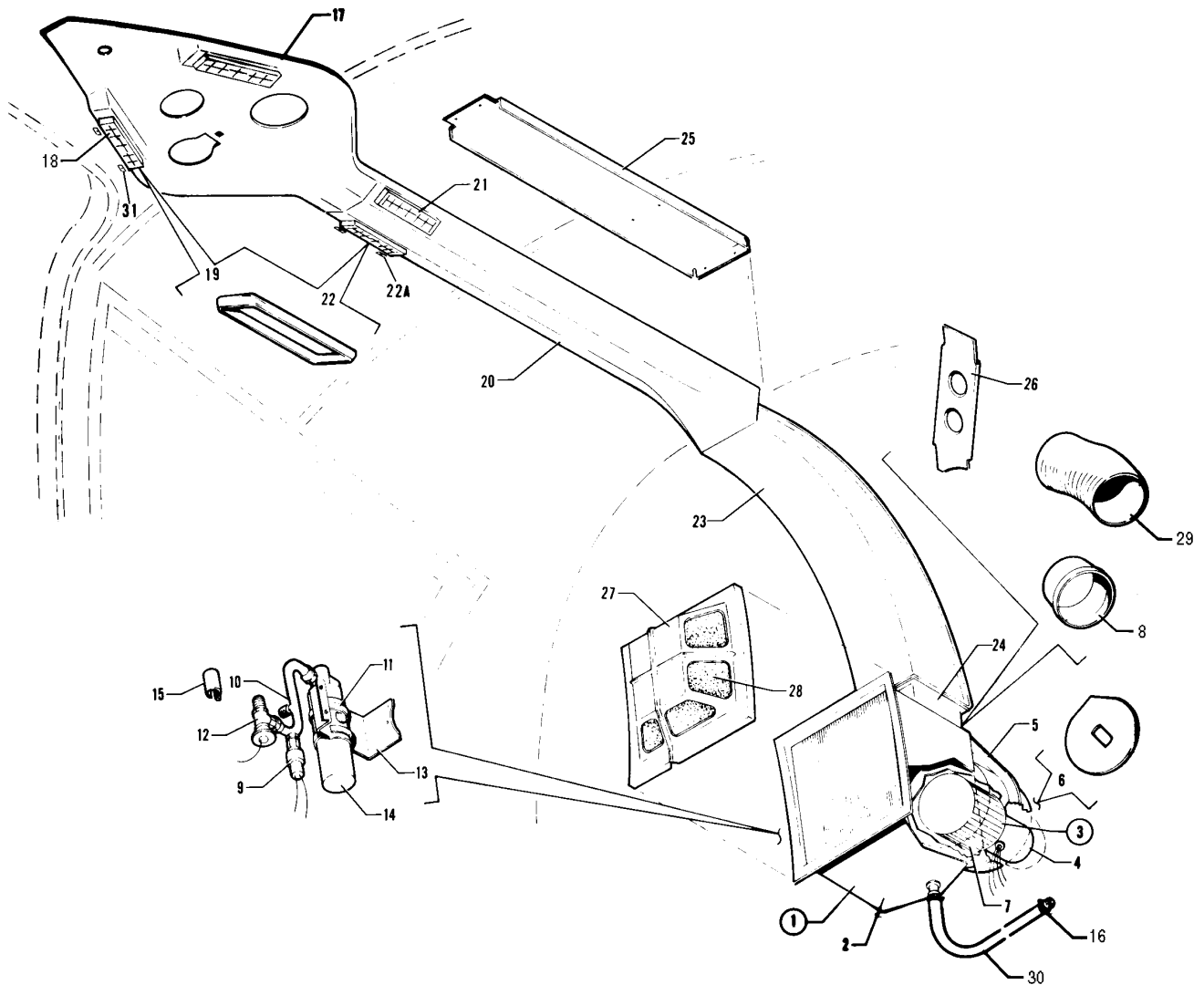


Figure 71. Air Conditioning Duct and Evaporator Installation

PIPER PARTS CATALOG

CODE EXPLANATIONS FOR FIGURE 71

- A - Used on PA-28RT-201 with serial numbers 28R-7918001 to 28R-7918306 inclusive and PA-28RT-201T with serial numbers 28R-7931001 to 28R-7931353 inclusive.
- B - Used on PA-28RT-201 with serial numbers 28R-8018001 and up, and PA-28RT-201T with serial numbers 28R-8031001 and up.
- C - If interconnect duct assembly and aft cabin bulkhead duct are bonded (not riveted) to aft cabin bulkhead order part listed for PA-28RT 201 with serial numbers 28R-8018001 and up and PA-28RT-201T with serial numbers 28R-8031001 and up.
- D - See Figure 73A for PA-28RT-201T with serial numbers 28R-8131001 and up if Fixed Oxygen System is installed.
- W - These parts must be ordered from Service Spares Department Piper Aircraft, Lock Haven, Penna.

PIPER PARTS CATALOG

Figure and Index Number	Part Number	Code	NOMENCLATURE	No. Req.	SERIAL NUMBERS AFFECTED
71-	76306	A	DRAWING - Air Conditioning Duct Installation		
	76493	B	DRAWING - Air Conditioning Duct Installation		
	99292	A	DRAWING - Evaporator Bulkhead Assembly		
	79849	B	DRAWING - Evaporator Bulkhead Assembly		
-1	99640-02		EVAPORATOR ASSEMBLY - Air conditioning	1	
-2	99640-04		* EVAPORATOR AND HOUSING ASSEMBLY - Air conditioning	1	
-3	99642-03		* BLOWER ASSEMBLY - Evaporator	1	
-4	475 210		** MOTOR ASSEMBLY - Evaporator blower (UN-YY1S062)	1	
-5	37997-02		** COVER - Evaporator blower	1	
-6	99641-00		** PLATE ASSEMBLY - Motor mounting	1	
-7	452 935		* BLOWER - (AE424-316-1)	1	
-8	99633-00		* DUCT - Hose connect	1	
-9	99646-02		* SWITCH ASSEMBLY - Pressure	1	
-10	589 688		* TUBE ASSEMBLY - Evaporator inlet (37245-6-6S)	1	
-11	554 926	W	* CLAMP - (SAE TY F-44)	2	
-12	99648-00		* VALVE ASSEMBLY - Evaporator expansion	1	
-13	99650-00		* BRACKET - Receiver dehydrator	1	
-14	456 615		* RECEIVER DEHYDRATOR - (1106)	1	
-15	99661-00		* CLAMP - Bulb, expansion valve	1	
-16	554 861	W	CLAMP - (SAE TY F-4)	2	
-17	99500-06	A	PANEL ASSEMBLY - Cabin light and air conditioning duct	1	
	76496-03	B,D	BED ASSEMBLY - Cabin light and air conditioning duct (without speaker hole)	1	
	76496-02	B,D	PANEL ASSEMBLY - Cabin light and air conditioning duct (with speaker hole)	1	
-18	473 187		LOUVER - (136-1M), silver	2	
	473 195		LOUVER - (336-1HS), black	2	
-19	461 386		FRAME - (173M), silver	2	
	461 391		FRAME - (173B), black	2	
-20	99541-02	A	DUCT ASSEMBLY - Air conditioning	1	
	76494-02	B,D	DUCT ASSEMBLY - Air conditioning	1	
-21	473 187		* LOUVER - (136-1M), silver	2	
	473 195		* LOUVER - (336-1HS), black	2	
-22	461 386		* FRAME - (173M), silver	2	
	461 391		* FRAME - (173B), black	2	
-22a	406 424		* NUT - (C2733-040-1)	8	
-23	99506-00	A,C	DUCT ASSEMBLY - Aft cabin bulkhead	1	
	79839-02	B	DUCT ASSEMBLY - Aft cabin bulkhead	1	
-24	99634-00	A,C	DUCT ASSEMBLY - Interconnect	1	
	79840-04	B	DUCT ASSEMBLY - Interconnect	1	
-25	76309-00	A	CHANNEL - Air conditioning	1	
	76309-02	B	CHANNEL - Air conditioning	1	
-26	99539-00		SUPPORT ASSEMBLY - Evaporator box	1	
-27	99550-02		COVER - Evaporator filter	1	
-28	99644-00		FILTER- Evaporator	1	
-29	63633-100		HOSE - Air conditioning	1	
-30	63913-199		HOSE - Evaporator drain	1	
-31	406 424		NUT (C733-040-1)	8	

When ordering, always specify Part Number, Description, and Serial Number of Aircraft

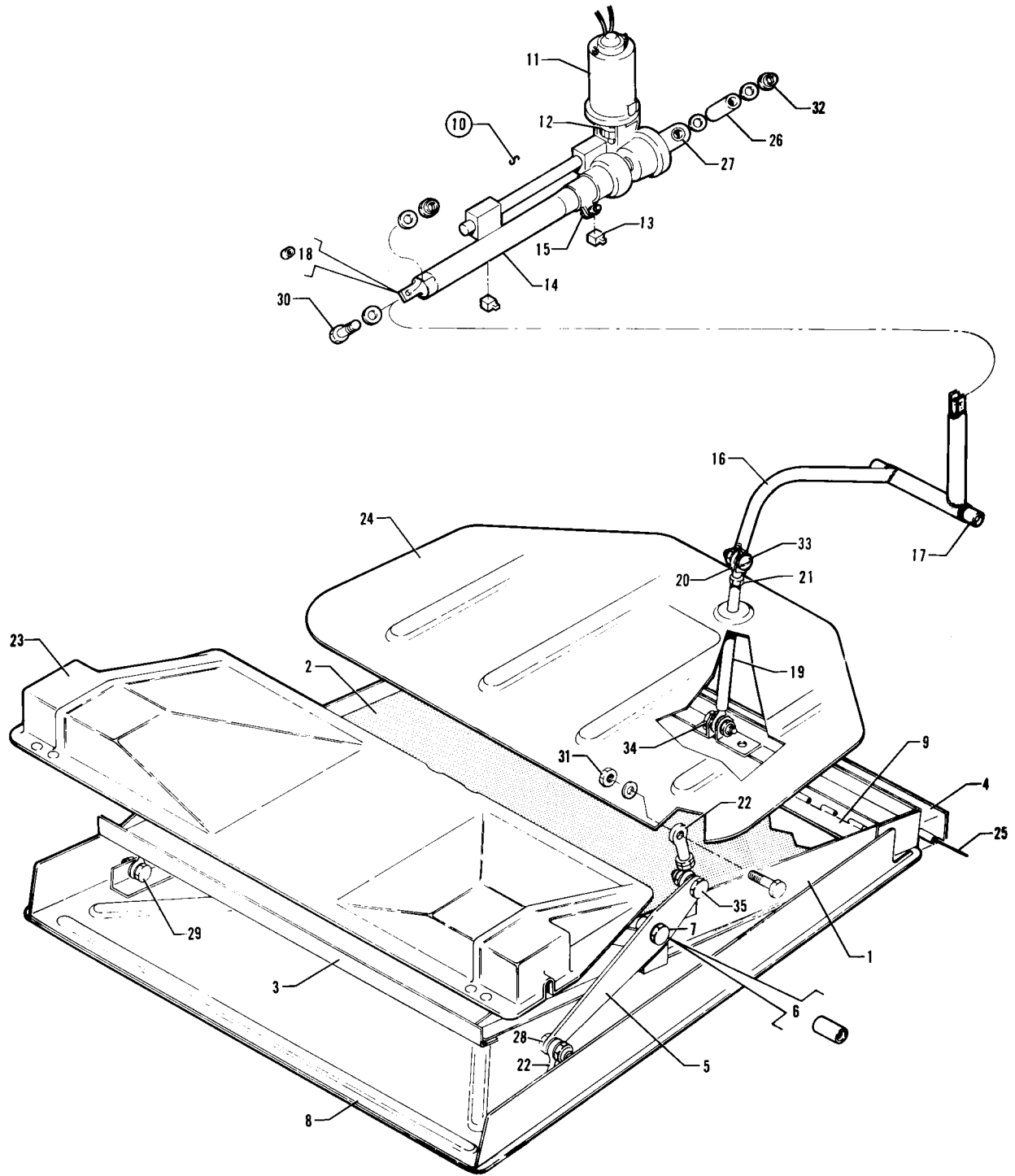


Figure 72. Air Conditioning Condenser Installation

PIPER PARTS CATALOG

CODE EXPLANATIONS FOR FIGURE 72

W - These parts must be ordered from Service Spares Department, Piper Aircraft, Lock Haven, Penna.

PIPER PARTS CATALOG

Figure and Index Number	Part Number	Code	NOMENCLATURE	No. Req.	SERIAL NUMBERS AFFECTED
72-	99855		DRAWING - Air Conditioning Condenser Installation		
-1	99387-00		CONDENSER ASSEMBLY - Air conditioning (complete)	1	
-2	555 457		* CONDENSER - (1E-1415C)	1	
-3	99263-00		* HINGE ASSEMBLY - Condenser door	1	
-4	99275-02		* HINGE - Half	1	
-5	99495-00		* BELLCRANK ASSEMBLY - Condenser door mechanism	2	
-6	65003-56		* BUSHING	2	
-7	401 273	W	* BOLT - (AN3-14A)	2	
	407 584	W	* WASHER - (AN960-10L)	4	
	404 887	W	* NUT - (MS20365-1032C)	2	
-8	99271-00		DOOR ASSEMBLY - Louver	1	
-9	99275-02		* HINGE - Half	1	
-10	99854-00		TRANSMISSION ASSEMBLY - Condenser door actuating (complete)	1	
-11	761 519		* MOTOR ASSEMBLY - Transmission (C145-200)	1	
-12	753 085		* UNIVERSAL ASSEMBLY - (B100-06)	1	
-13	757 718		* SWITCH - Limit (V3L-3-D9)	2	
-14	99853-00		* TUBE ASSEMBLY - Actuator	1	
-15	554 714		* CLAMP - (AN741-8P)	1	
-16	99867-00		BELLCRANK ASSEMBLY - Condenser	1	
-17	452 570		* BUSHING - Bronze (FF565-2)	2	
-18	452 571		BEARING - (AA225-1)	1	
-19	99557-00		ROD ASSEMBLY - Condenser push	1	
-20	452 558		* BEARING - Rod end (PS10020-5-1R)	2	
-21	400 224	W	* NUT - (AN315-3R)	1	
-22	99561-00		BEARING ASSEMBLY - Condenser door actuating	4	
-23	99572-04		COVER ASSEMBLY - Forward	1	
-24	99569-00		COVER ASSEMBLY - Aft	1	
-25	99275-04		PIN - Hinge	1	
-26	65165-87		TUBE	2	
-27	452 561		BEARING - (AA304-20)	1	
-28	400 861		BOLT - (AN23-13A)	2	
	407 564	W	WASHER - (AN960-10)	2	
	62833-101		WASHER - (.56 O.D.)	2	
	404 887	W	NUT - (MS20365-1032C)	2	
-29	400 861		BOLT - (AN23-13A)	2	
	407 564	W	WASHER - (AN960-10)	4	
	62833-101		WASHER - (.56 O.D.)	2	
	404 887	W	NUT - (MS20365-1032C)	2	
-30	400 861		BOLT - (AN23-13A)	1	
	407 564	W	WASHER - (AN960-10)	1	
	404 887	W	NUT - (MS20365-1032C)	1	
-31	400 441	W	BOLT - (AN3-7A)	2	
	407 564	W	WASHER - (AN960-10)	6	
	404 887	W	NUT - (MS20365-1032C)	2	
-32	401 334	W	BOLT- (AN4-36A)	1	
	407 565	W	WASHER - (AN960-416)	3	
	404 888	W	NUT - (MS20365-428C)	1	
-33	400 861		BOLT- (AN23-13A)	1	
	407 564	W	WASHER - (AN960-10)	1	
	404 887	W	NUT - (MS20365-1032C)	1	
-34	401 269	W	BOLT - (AN3-10A)	1	
	407 564	W	WASHER - (AN960-10)	3	
	404 887	W	NUT - (MS20365-1032C)	1	

When ordering, always specify Part Number, Description, and Serial Number of Aircraft

PIPER PARTS CATALOG

Figure and Index Number	Part Number	Code	NOMENCLATURE	No. Req.	SERIAL NUMBERS AFFECTED
72-35	400 440 407 564 404 835	W W W	BOLT - (AN3-6A) WASHER - (AN960-10) NUT (MS20364-1032C)	2 4 2	

When ordering, always specify Part Number, Description, and Serial Number of Aircraft

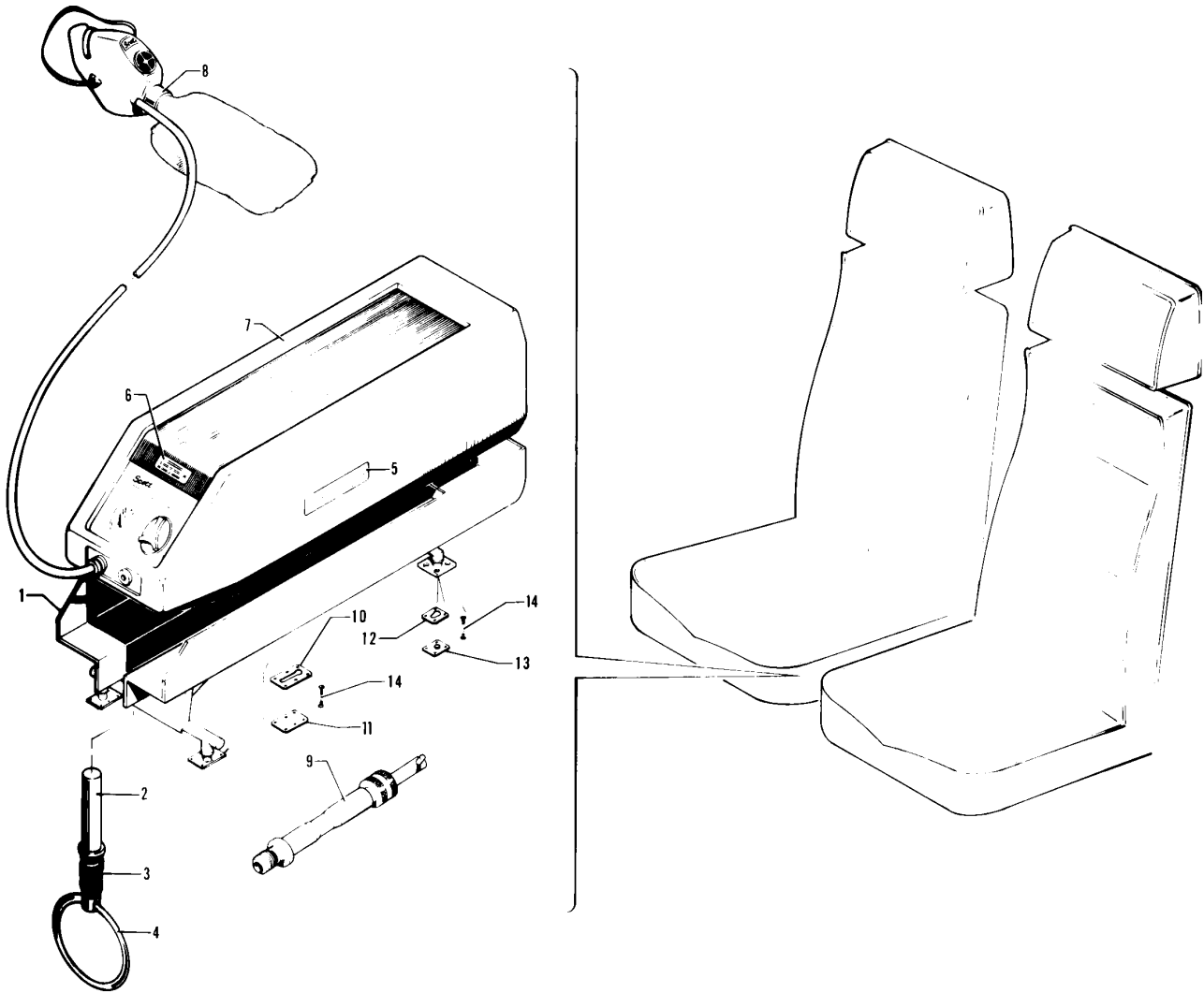


Figure 73. Oxygen System Installation (Portable)

PIPER PARTS CATALOG

CODE EXPLANATIONS FOR FIGURE 73

- A - Manifold connector assembly is equipped for one or two mask operation.
- B - When ordering, specify color "bark 11" or black.
- W - These parts must be ordered from Service Spares Department, Piper Aircraft, Lock Haven, Penna.

PIPER PARTS CATALOG

Figure and Index Number	Part Number	Code	NOMENCLATURE	No. Req.	SERIAL NUMBERS AFFECTED
73-	35822		DRAWING - Oxygen System Installation		
-1	35822-21	B	SUPPORT ASSEMBLY - Oxygen	1	
-2	35822-13		* STUD	1	
-3	587 403		* SPRING - (LC-022D-10)	1	
-4	484 868		* RING - (R-1)	1	
-5	69669-177		* PLACARD - Oxygen support	1	
-6	35669-32		PLACARD - Warning	1	
-7	470 993		KIT - Complete oxygen system (802180-04)	1	28R-7931001 to 28R-8131194 incl.
	470 639		KIT - Complete oxygen system (802180-07)	1	28R-8131195 and up
-8	761 654		* TWO SKY MASKS WITH DUAL MANIFOLD ASSEMBLY - Passenger (with 5' hose)	1	
	761 706	A	* SKY MASK WITH DUAL MANIFOLD CONNECTOR ASSEMBLY	1	
	761 707		* SKY MASK WITH MICROPHONE AND QUICK DISCONNECT- (includes lap mike switch and single manifold assembly)	1	28R-7931001 to 28R-8131194 incl.
	761 742		* SKY MASK WITH MICROPHONE AND QUICK DISCONNECT- (includes single manifold assembly)	1	28R-8131195 and up
-9	761 741		** MANIFOLD ASSEMBLY - Single (quick disconnect)	1	
-10	99141-03		PLATE - Support attachment	2	
-11	99140-03		PLATE - Support attachment	2	
-12	68094-03		PLATE - Support attachment	1	
-13	79781-02		PLATE ASSEMBLY - Support attachment	1	
-14	415 538	W	SCREW - (MS35206-248)	16	
	477 683		TEENUT - (SS-58162)	16	

When ordering, always specify Part Number, Description, and Serial Number of Aircraft

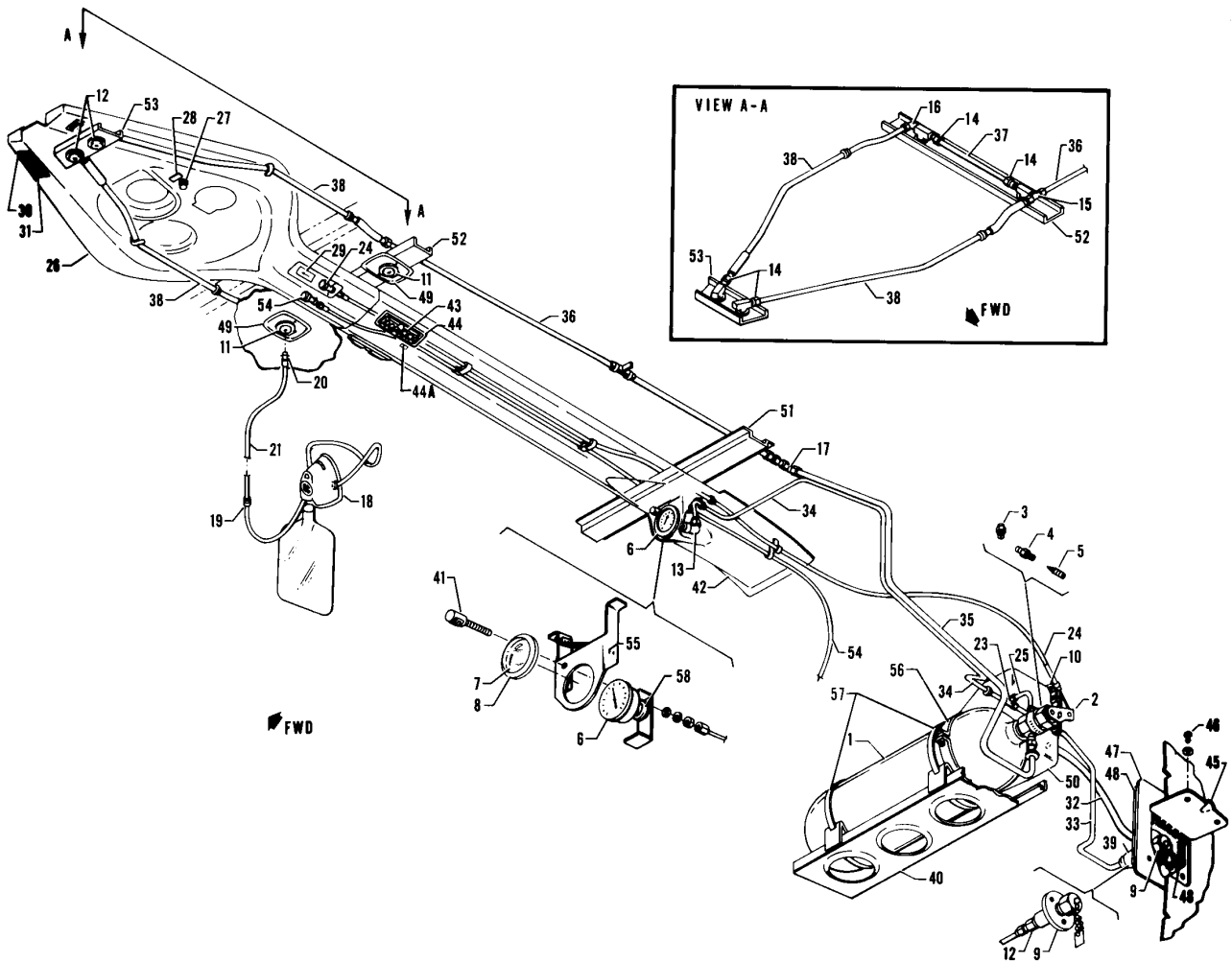


Figure 73A. Oxygen System Installation (Fixed)
 (Serial Nos. 28R-8131001 and up)

PIPER PARTS CATALOG

CODE EXPLANATIONS FOR FIGURE 73A

W - These parts must be ordered from Service Spares Department, Piper Aircraft, Lock Haven, Penna.

PIPER PARTS CATALOG

Figure and Index Number	Part Number	Code	NOMENCLATURE	No. Req.	SERIAL NUMBERS AFFECTED
73A-	36960		DRAWING - Oxygen System Installation		
-1	757 890	W	CYLINDER AND REGULATOR ASSEMBLY - (800112-01)	1	
-2	756 038	W	* REGULATOR ASSEMBLY - Oxygen (800114-04)	1	
-3	756 507	W	** RELIEF VALVE - Regulator assembly (5043-14)	1	
-4	756 505	W	** VALVE ASSEMBLY - Charging	1	
-5	753 947	W	*** CORE - Valve assembly (57524)	1	
-6	751 896	W	GAUGE ASSEMBLY - Oxygen (includes mounting bracket) (800435)	1	
-7	752 355	W	* LENS - Oxygen gauge (13753)	1	
-8	753 433	W	* BEZEL - Oxygen gauge (8808-1)	1	
-9	756 524	W	VALVE ASSEMBLY - Recharge (26875-48)	1	
-10	753 437	W	BRACKET ASSEMBLY - Control cable (800356-00)	1	
-11	752 610		OUTLET ASSEMBLY - Rear (23599-12)	2	
-12	752 609		OUTLET ASSEMBLY - Forward (23599-11)	2	
-13	754 798		ELBOW - High pressure (33521-403)	1	
-14	753 944	W	CONNECTOR - Low pressure (33529-009)	4	
-15	756 301	W	TEE - Low pressure (33529-805)	1	
-16	754 761	W	ELBOW - Low pressure (33529-106)	1	
-17	754 762	W	ELBOW - Low pressure (33529-704)	1	
-18	474 124		MASK ASSEMBLY - Oxygen, sky mask, passenger (28314-11)	3	
	761 744		MASK ASSEMBLY - Oxygen, duo-seal mask with microphone, crew (28316-11)	1	
-19	755 122		* FLOW - Indicator (8540)	1	
-20	753 939	W	* COUPLING - Oxygen plug-in (8570-00)	1	
-21	753 074		* TUBING - Plastic, oxygen mask (5' length)	1	
-22	763 310		CONNECTOR - Female (33525-202)	1	
-23	762 023		TEE - (1 /8" dia.) (33521-002)	1	
-24	753 938	W	CABLE - Push-pull control (800177-00)	1	
-25	762 024		TUBE ASSEMBLY - High pressure (800214-06)	1	
-26	86887-02		PANEL ASSEMBLY - Overhead (with speaker and light holes)	1	
	86887-03		PANEL ASSEMBLY - Overhead (with light holes only)	1	
	86887-04		PANEL ASSEMBLY - Overhead (with speaker hole only)	1	
	86887-05		PANEL ASSEMBLY - Overhead (without speaker and light holes)	1	
-27	36965-03		SWITCH ASSEMBLY - Oxygen gauge light	1	
-28	35669-137		PLACARD - Oxygen gauge light	1	
-29	35669-157		PLACARD - Oxygen	1	
-30	461 391		FRAME - (173B)	1	
-31	473 195		LOUVER - (336-1HS)	1	
-32	36960-10		TUBE - Vent	1	
-33	36960-13		TUBE - High pressure	1	
-34	36960-20		TUBE - High pressure	1	
-35	36960-16		TUBE - Low pressure	1	
-36	36960-15		TUBE - Low pressure	1	
-37	36960-06		TUBE - Low pressure	1	
-38	36960-14		TUBE - Low pressure	2	
-39	36959-02		SHROUD ASSEMBLY - Charging valve	1	
-40	36956-03		SHELF ASSEMBLY - Support	1	
-41	572 514		LIGHT - Bolt (5952-8ND-CW-12)	1	
-42	76494-04		DUCT ASSEMBLY - Cabin fresh air	1	
-43	473 195		* LOUVER - (336-1HS)	2	
-44	461 391		* FRAME - (173B)	2	
-44a	406 424		* NUT - (C2733-040-1)	8	

When ordering, always specify Part Number, Description, and Serial Number of Aircraft

PIPER PARTS CATALOG

Figure and Index Number	Part Number	Code	NOMENCLATURE	No. Req.	SERIAL NUMBERS AFFECTED
73A-45	36957-04		DOOR ASSEMBLY - Access, oxygen recharge	1	
-46	487 584	W	* STUD - (2600-2)	2	
	494 060	W	* LOCKWASHER - (2600-LW)	2	
-47	36957-05		DOUBLER - Access, oxygen recharge	1	
-48	36957-06		DISH ASSEMBLY - Access, oxygen	1	
-49	452 813		BEZEL - Oxygen outlet (A320)	2	
-50	36962-06		SHROUD ASSEMBLY - Oxygen bottle, aft	1	
	36962-07		SHROUD ASSEMBLY - Oxygen bottle, forward	1	
-51	68364-00		CHANNEL - Support, aft	1	
-52	86888-02		CHANNEL - Support, center	1	
-53	86888-03		CHANNEL - Support, forward	1	
-54	554 365		CABLE - Fresh air flapper (PS50146-2-3)	1	
-55	36963-02		BRACKET- Gauge mount	1	
-56	36963-03		BRACKET Gauge mount	1	

When ordering, always specify Part Number, Description, and Serial Number of Aircraft

PIPER PARTS CATALOG

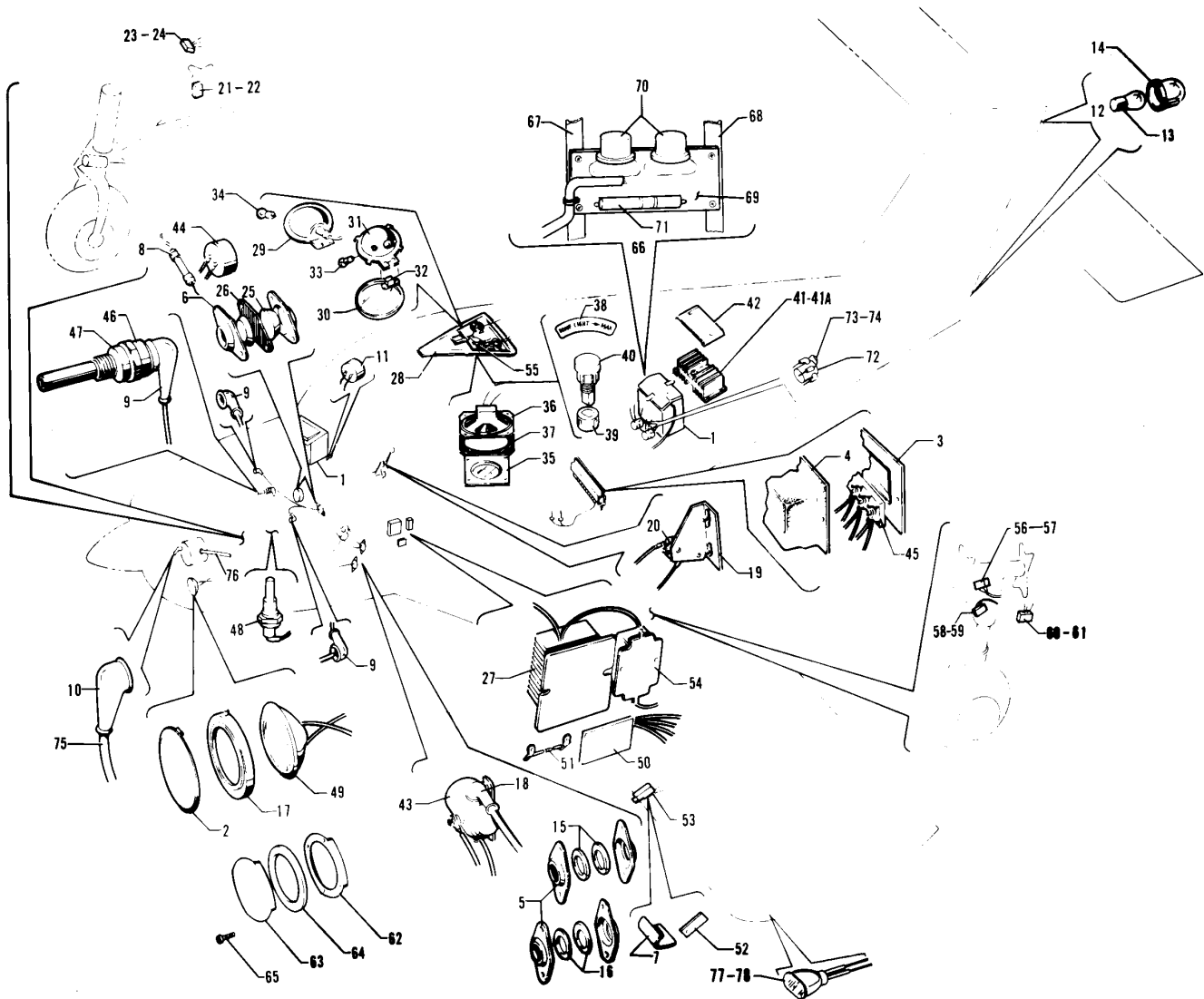


Figure 74. Electrical System Installation

PIPER PARTS CATALOG

CODE EXPLANATIONS FOR FIGURE 74

- A - Used on PA-28RT-201 only
- B - Used on PA-28RT-201T only
- C - See Figure 77 for component parts.
- D - Without cutouts.
- E - With cutouts, but less radio speaker cutout.
- F - With cutouts.
- G - See Figure 68 if fresh air ventilation is installed, or Figure 71 if air conditioning is installed, or Figure 73A if oxygen system is installed.
- H - Used if air conditioning is installed.
- J - Used if landing light is not installed.
- K - Used if Optional Fuel Primer System Installation is installed.
- L - Used on PA-28RT-201 with serial numbers 28R-7918001 to 28R-8018098 inclusive, and PA-28RT-201T with serial numbers 28R-7931001 to 28R-8031165 inclusive.
- M - Used on PA-28RT-201 with serial numbers 28R-8018099 and up, and PA-28RT-201T with serial numbers 28R-8031166 and up.
- N - Used on PA-28RT-201 with serial numbers 28R-7918001 to 28R-8118092 inclusive, and PA-28RT-201T with serial numbers 28R-7931001 to 28R-8131229 inclusive. Also used on PA-28RT-201 with serial numbers 28R-8218001 and up and PA-28RT-201T with serial numbers 28R-8231001 and up if aircraft complies with United Kingdom requirements.
- O - Used on PA-28RT-201 with serial numbers 28R-8218005 and up, and PA-28RT-201T with serial numbers 28R-8231011 and up.
- P - Used on PA-28RT-201 with serial numbers 28R-7918001 to 28R-8218004 inclusive, and PA-28RT-201T with serial numbers 28R-7931001 to 28R-8231010 inclusive.
- Q - Used if a Chrysler alternator is installed.
- R - Used on PA-28RT-201 with serial numbers 28R-7918001 and up, and PA-28RT-201T with serial numbers 28R-7931001 to 28R-8431009 inclusive.
- S - Used if recognition lights are installed.
- W - These parts must be ordered from Service Spares Department, Piper Aircraft, Lock Haven, Penna.

PIPER PARTS CATALOG

Figure and Index Number	Part Number	Code	NOMENCLATURE	No. Req.	SERIAL NUMBERS AFFECTED
74-	78978 35738 78984	B A	DRAWING - Electrical System Installation DRAWING - Electrical System Schematic DRAWING - Electrical System Schematic		
-1		C	BATTERY INSTALLATION	1	
-2	12761-02	A,J,W	COVER ASSEMBLY - Landing light opening	1	
-3	67404-02		COVER ASSEMBLY - Terminal strip	1	
-4	67404-03		COVER - Terminal strip	1	
-5	18321-00	W	PLATE - Firewall seal	4	
-6	66789-00		PLATE - Firewall seal	2	
-7	450 745		PLATE - Lift detector mounting (C-52207-02)	1	
-8	38149-03	P	FLASHER ASSEMBLY - Gear warning	1	
	38149-04	O	FLASHER ASSEMBLY - Gear warning	1	
-9	23969-02	W	NIPPLE - Electrical	11	
-10	23969-03	W	NIPPLE - Electrical	5	
-11	35214-00		HORN ASSEMBLY - Stall warning	1	
-12	472 736	N	LIGHT - Tail (A2064-1073)	2	
-13	753 431	N	* BULB - (1073)	2	
-14	751 203	N	* LENS - White	2	
-15	63915-05		DISC- Firewall seal	2	
-16	63915-19		DISC - Firewall seal	2	
-17	65372-00	A	RETAINER ASSEMBLY - Landing light	1	
-18	66580-02		NIPPLE - Terminal (476 695)	2	
-19	67196-00	A	BRACKET ASSEMBLY - Cutout switch	1	
-20	487 925	A	SWITCH - Cutout (V3-1)	1	
-21	67411-03		SWITCH ASSEMBLY - Nose gear down limit	1	
-22	451 823		* ACTUATOR - (JE73)	1	
-23	67411-06	L	SWITCH ASSEMBLY - Nose gear, up limit	1	
	36742-13	M	SWITCH ASSEMBLY - Nose gear, up limit	1	
-24	451 823	L	* ACTUATOR - (JE73)	1	
-25	68770-03		GROMMET - Firewall seal	2	
-26	68771-03		GASKET - Firewall seal	1	
-27	68804-03	R	REGULATOR ASSEMBLY - Voltage	1	
	68804-04	B	CONTROL ASSEMBLY - Voltage	1	28R-8431010 and up
-28	99222-02	D,G	PANEL- Cabin light	1	
	99222-09	E,G	PANEL- Cabin light	1	
	99222-10	F,G	PANEL- Cabin light	1	
-29	572 582		LIGHT ASSEMBLY - Overhead panel (A300-W-14)	1	
-30	472 330		LENS - Dome light (12715-00)	1	
-31	66632-00		REFLECTOR ASSEMBLY - Dome light	1	
-32	487 777		* SWITCH - (5518)	1	
-33	472 036		BULB - (89)	1	
-34	472 038		BULB - (93)	1	
-35	99744-00	H	GRILL - Radio speaker	1	
	99198-00		GRILL - Radio speaker	1	
-36	585 015		SPEAKER - Radio, circular (6FU3211)	1	
-37	99745-00		GASKET - Radio speaker	1	
-38	69669-20		PLACARD - Dome light maximum	1	
-39	571 136		KNOB - (PS10067-4-1)	1	
-40	95228-00		DIMMER ASSEMBLY - Potentiometer	1	
-41	79412-06	A	DIODE AND COOLER ASSEMBLY	1	28R-7918001 to 28R-8218004 incl.
	79412-02	B	DIODE AND COOLER ASSEMBLY	1	28R-7931001 to 28R-8231010 incl.
	79412-09	O	DIODE AND COOLER ASSEMBLY	1	
-41a	467 067		* INSULATOR - Cooler (103)	4	
-42	79414-00		COVER - Diode assembly	1	
-43	99130-02		SOLENOID - Starter (487 169)	1	

When ordering, always specify Part Number, Description, and Serial Number of Aircraft

PIPER PARTS CATALOG

Figure and Index Number	Part Number	Code	NOMENCLATURE	No. Req.	SERIAL NUMBERS AFFECTED
74-44	565 288	W	HORN - Landing gear warning (02054-3)	1	
-45	488 545		STRIP - Terminal (MS25123-1-12)	1	
-46	550 487		SENDER UNIT - Oil temperature (362-EW)	1	
-47	462 012		GASKET - (AH-1522)	1	
-48	550 549		SENDER UNIT - Cylinder head temperature (333-B)	1	
-49	472 661		LIGHT - Landing (4509-100w12v)	1	
-50	38255-02		BLOCK - Terminal	1	
-51	67487-02		DIODE ASSEMBLY	1	
-52	450 741		DECAL - Lift detector (C52207-3)	1	
-53	450 742		DETECTOR - Lift (C52207-4)	1	
-54	450 397	R	RELAY - Overvoltage (PS50034-1)	1	
-55	484 375		RELAY - Microphone (11F-2300G-SIL)	1	
-56	67411-02	L	SWITCH ASSEMBLY - Down limit, left	1	
	36742-14	M	SWITCH ASSEMBLY - Down limit, left	1	
	67411-04	L	SWITCH ASSEMBLY - Down limit, right	1	
	36742-14	M	SWITCH ASSEMBLY - Down limit, right	1	
-57	451 823	L	* ACTUATOR - (JE73)	1	
-58	67411-08	L	SWITCH ASSEMBLY Squat, left	1	
	36742-13	M	SWITCH ASSEMBLY - Squat, left	1	
-59	451 823	L	* ACTUATOR - (JE73)	1	
-60	67411-05	L	SWITCH ASSEMBLY - Up limit, left	1	
	67411-07	L	SWITCH ASSEMBLY - Up limit, right	1	
	36742-15	M	SWITCH ASSEMBLY - Up limit, left and right	2	
-61	451 823	L	* ACTUATOR - (JE73)	1	
-62	35777-07	B	BEZEL - Landing light	1	
-63	35777-09	B,J	COVER - Landing light opening	1	
-64	63186-09	B	SEAL - Landing light	1	
-65	410 039	B	SCREW - (MS24694-S51)	4	
-66	35750-04	B	CONTROL ASSEMBLY Auxiliary fuel (without diverter valve)	1	
	35750-05	B,K	CONTROL ASSEMBLY - Auxiliary fuel (with diverter valve)	1	
-67	35749-07		* SUPPORT ASSEMBLY Auxiliary fuel control, forward	1	
-68	35749-08		* SUPPORT ASSEMBLY Auxiliary fuel control, aft	1	
-69	35749-02		* PLATE - Auxiliary fuel control support	1	
-70	484 209		* RELAY ASSEMBLY Power (PS50053-2-2)	2	
-71	484 525		RESISTOR - (4DA-0-10 ohm, 50 watt)	1	
-72	484 373	W	RELAY - Landing gear power (24059)	2	
-73	67487-03		WIRE ASSEMBLY - Diode	2	
-74	456 703		* DIODE - (IN2071A)	1	
-75	78140-175		WIRE ASSEMBLY Alternator to ammeter (104.5" L.)	1	
-76	69325-122	Q	WIRE ASSEMBLY Ground (9.3" L.)	1	
-77	87742-02	B,S	LIGHT ASSEMBLY - Recognition	2	28R-8531001 and up
-78	761 279	B,S	* LAMP - Recognition light	1	28R 8531001 and up

When ordering, always specify Part Number, Description, and Serial Number of Aircraft

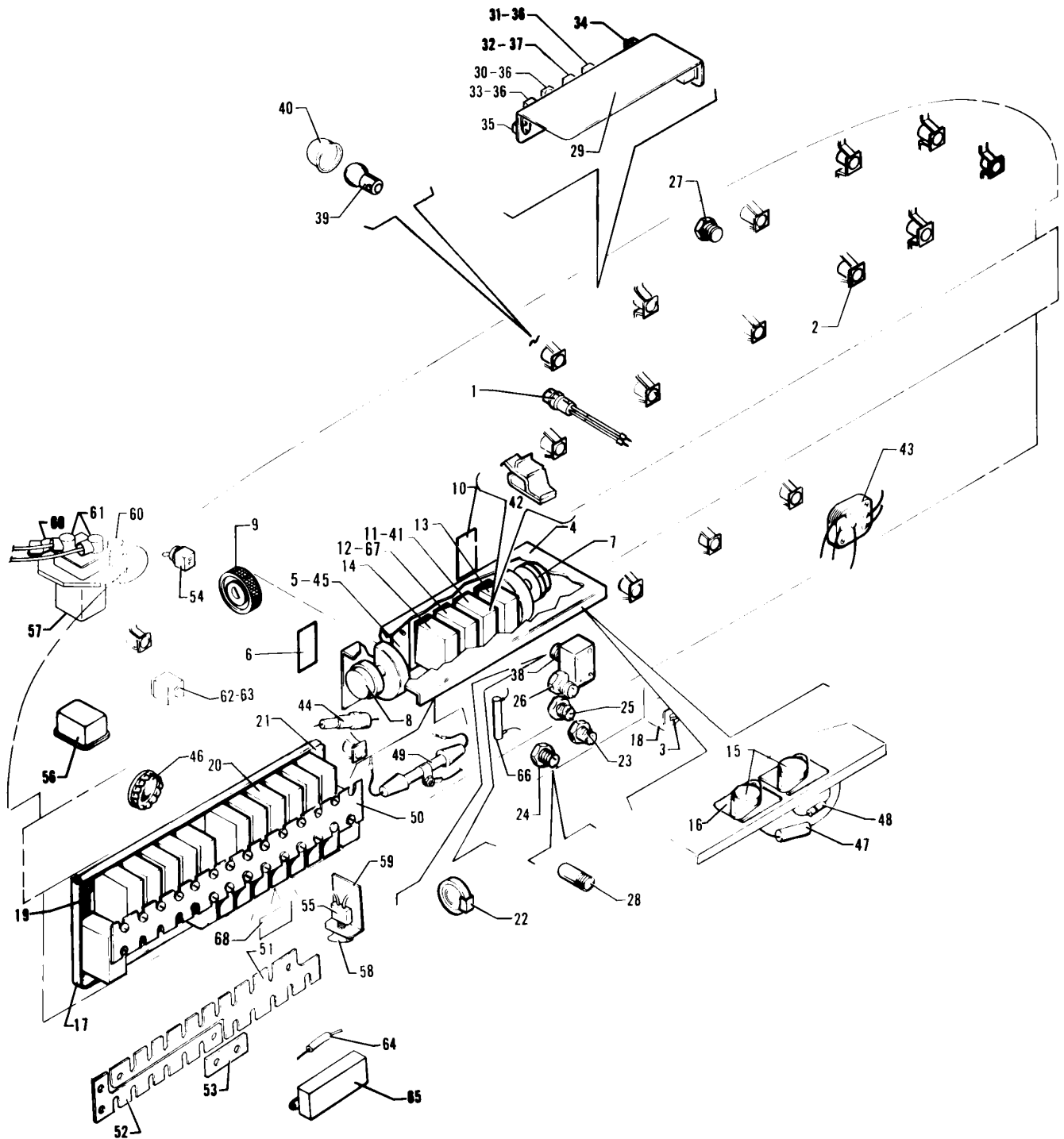


Figure 75. Instrument Panel Electrical Installation

PIPER PARTS CATALOG

CODE EXPLANATIONS FOR FIGURE 75

- A - Used on PA-28RT-201 only.
- B - Used on PA-28RT-201T only.
- C - If matching cabin door lock, baggage door lock and ignition switch are desired, order Kit 87329-03.
- D - Used on PA-28RT-201 with serial numbers 28R-7918001 to 28R-7918306 incl., and PA-28RT-201T with serial numbers 28R-7931001 to 28R-7931296 incl.
- E - Used on PA-28RT-201 with serial numbers 28R-8018001 and up, and PA-28RT-201T with serial numbers 28R-8031001 and up.
- F - Used on PA-28RT-201 with serial nos. 28R-7918265 and up, and PA-28RT-201T with serial nos. 28R-7931306 and up.
- G - Used on PA-28RT-201 with serial numbers 28R-7918001 to 28R-8118073 inclusive, and PA-28RT-201T with serial numbers 28R - 7931001 to 28R-8131159 inclusive.
- H - Used on PA-28RT-201 with serial numbers 28R-8118074 and up, and PA-28RT-201T with serial numbers 28R-8131160 and up.
- J - Used on PA-28RT-201 with serial numbers 28R-7918001 to 28R-8218004 inclusive, and PA-28RT-201T with serial numbers 28R-7931001 to 28R-8231010 inclusive.
- K - Used on PA-28RT-201 with serial numbers 28R-8218005 and up, and PA-28RT-201T with serial numbers 28R-8231011 and up.
- L - Used on PA-28RT-201 with serial numbers 28R-8018001 and up, and PA-28RT-201T with serial numbers 28R-8031001 to 28R-8231092 inclusive.
- M - See Figure 86B for PA-28RT-201T if King KAP 100/150/KFC 150 is installed.
- N - Used if recognition lights are installed.
- W - These parts must be ordered from Service Spares Department, Piper Aircraft, Lock Haven, Penna.

PIPER PARTS CATALOG

Figure and Index Number	Part Number	Code	NOMENCLATURE	No. Req.	SERIAL NUMBERS AFFECTED
75-29	79333-00		PANEL ASSEMBLY - Annunciator	1	
	79333-02	B	PANEL ASSEMBLY - Annunciator	1	
-30	67422-12		* LIGHT - Indicator (oil)	1	
-31	67422-13		* LIGHT - Indicator (vacuum)	1	
-32	67422-14		* LIGHT - Indicator (alternator)	1	
-33	67422-21	B	* LIGHT - Indicator (over boost)	1	
-34	487 904	W	* SWITCH - (39-1)	1	
-35	472 916		* LIGHT - Indicator (SDLBDA-04-7219)	1	
-36	472 054	W	* BULB - (PS10008-330)	3	
-37	453 695	W	* BULB - (PS10008-328)	1	
-38	487 936		SWITCH - Landing gear (8906-K1385)	1	
-39	472 056		BULB - (53) Clear	20	
-40	460 602		FILTER - (1813-26)	16	
-41	99377-29	B	SWITCH - Fuel pump (588 006)	1	
-42	35766-02	B	TAB - Lock-out	1	
-43	688 178	C,W	SWITCH - Ignition (10-357200-1)	1	
-44	461 629		FUSE - (311005) 5 amp	1	
-45	99377-04		SWITCH - Pitot heat	1	
-46	453 602	W	BUTTON - Plug (SS48152)	AR	
-47	484 467	B	RESISTOR - (4392)	1	
-48	456 714	B	DIODE - (IN4001)	1	
-49	38149-05	J	FLASHER ASSEMBLY - Gear warning	1	
	38149-07	K	FLASHER ASSEMBLY - Gear warning	1	
-50	35208-00	D	STRIP - Circuit breaker	1	
	35208-06	B	STRIP - Circuit breaker	1	28R-7931297 to 28R-7931353 incl.
-51	35208-02	A	STRIP - Circuit breaker	1	28R-8018001 and up
	35208-07	B,M	STRIP - Circuit breaker	1	28R-8031001 and up
-52	35208-03	E,M	STRIP - Circuit breaker	1	
-53	35208-04	E,M	STRIP - Circuit breaker	1	
-54	587 923	E	SWITCH - Radio master (PS10095-1)	1	
-55	36935-02	E	SWITCH ASSEMBLY - Emergency bus	1	
-56	484 209	L	RELAY - (PS50053-2-2)	1	
-57	584 279	B	RELAY - (6041H298)	1	28R-8331001 and up
-58	463 615	E	GUARD - (MS25224-1)	1	
-59	36934-02	E	BRACKET - Emergency bus switch	1	
-60	23969-02	B,W	NIPPLE - Electrical	1	28R-8331001 and up
-61	23969-03	B,W	NIPPLE - Electrical	1	28R-8331001 and up
-62	688 139	B	SWITCH - Ground clearance (AML21CBA2AB)	1	28R-8331001 and up
-63	472 151	B	LAMP - Ground clearance (PS10008-37)	1	28R-8331001 and up
-64	584 291	B	RELAY - Ground clearance switch (20607-81)	1	28R-8331001 and up
-65	456 703	B	DIODE - Ground clearance switch (IN2071A)	1	28R-8331001 and up
-66	484 438		RESISTOR - (75 ohm, 1 3/4 IRC)	1	
-67	99377-66	B,N	SWITCH - Recognition and landing lights	1	28R-8531001 and up
-68	87369-53	B,N	PLACARD - Landing and recognition lights	1	28R-8531001 and up

When ordering, always specify Part Number, Description, and Serial Number of Aircraft

**2B23 THRU 2B24
INTENTIONALLY LEFT BLANK**

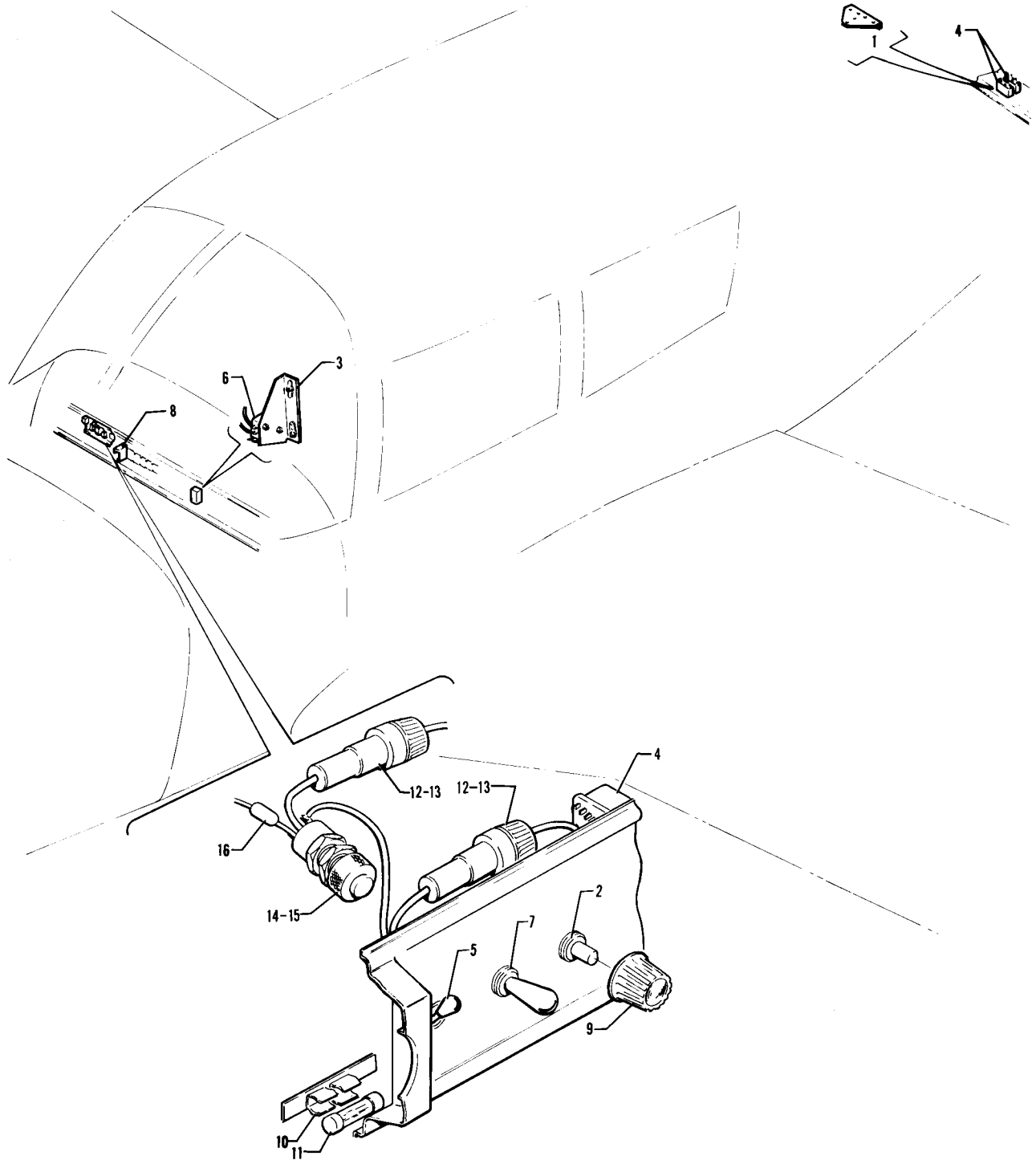


Figure 76. Air Conditioning Electrical Installation

PIPER PARTS CATALOG

CODE EXPLANATIONS FOR FIGURE 76

A - Used on PA-28RT-201 only.

B - Used on PA-28RT-201 with serial nos. 28R-7918265 and up, and PA-28RT-201T with serial nos. 28R-7931306 and up.

W - These parts must be ordered from Service Spares Department, Piper Aircraft, Lock Haven, Penna.

PIPER PARTS CATALOG

Figure and Index Number	Part Number	Code	NOMENCLATURE	No. Req.	SERIAL NUMBERS AFFECTED
76-	99979		DRAWING - Air Conditioning Electrical Installation		
-1	99862-00		MOUNT ASSEMBLY - Relay	1	
-2	99717-00		THERMOSTAT - Air conditioning	1	
-3	67196-00	A	BRACKET ASSEMBLY- Switch	1	
-4	484 209		RELAY - (PS50053-2-2)	3	
-5	587 903		SWITCH - (MS35058-22)	1	
-6	487 925	A	SWITCH - (V3-1)	1	
-7	688 235		SWITCH - (8946K942)	1	
-8	454 709	B	CIRCUIT BREAKER - (PS50120-1-9) 20 amp, Mech. Products Inc.	1	
	454 743	B	CIRCUIT BREAKER - (PS50120-3-36) 20 amp, Wood Electric Corp.	1	
-9	571 162		KNOB - Control (RB-67-1-SB-M)	1	
-10	99999-00		HOLDER ASSEMBLY - Fuse	1	
-11	461 629		* FUSE - (311005)	1	
-12	465 258		HOLDER ASSEMBLY - Fuse (155020)	4	
-13	461 629		FUSE - (311005)	4	
-14	472 054	W	LAMP - (PS10008-330)	1	
-15	472 844		LIGHT - (MS25041-4)	1	
-16	484 467		RESISTOR - (4392)	1	

When ordering, always specify Part Number, Description, and Serial Number of Aircraft

PIPER PARTS CATALOG

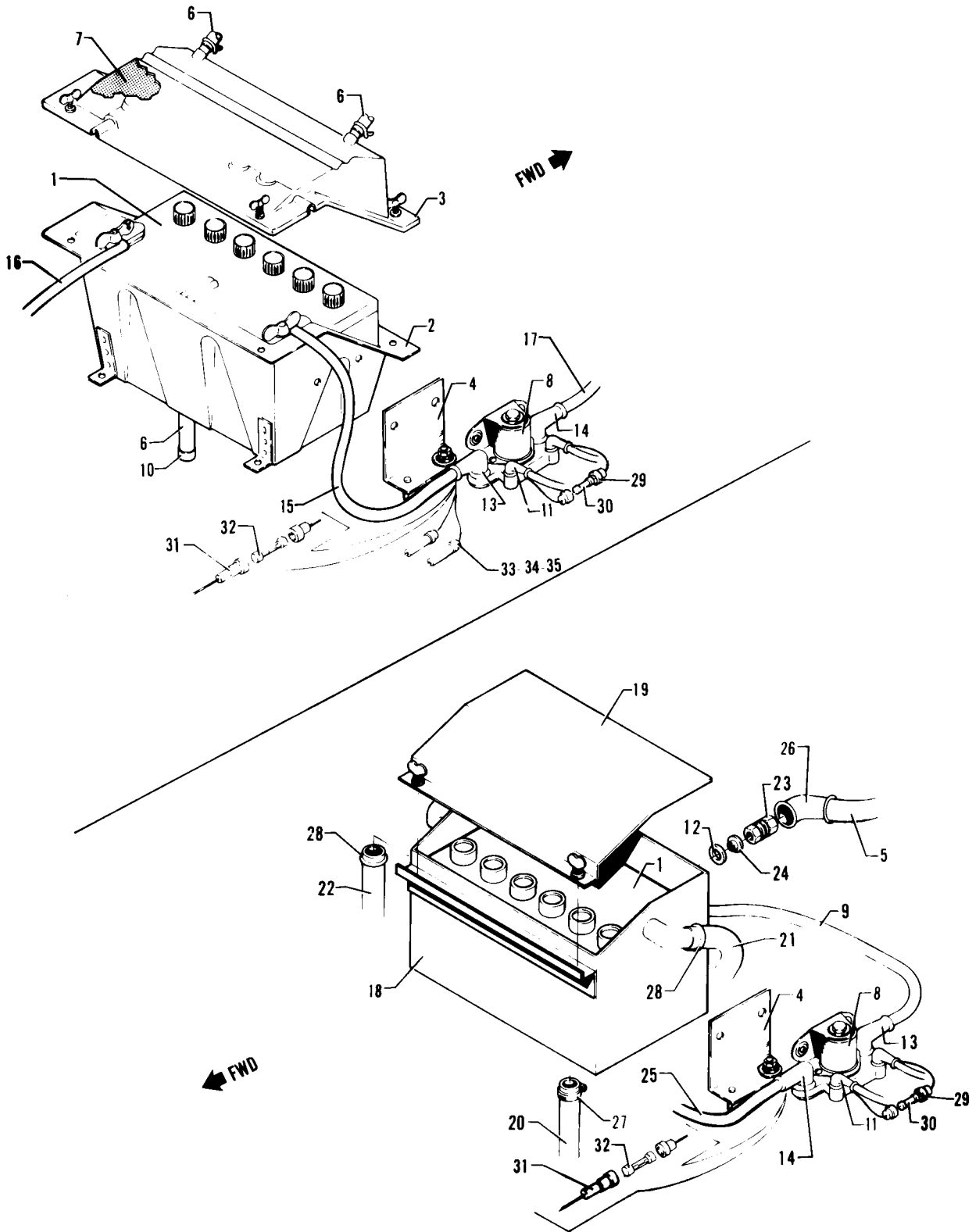


Figure 77. Battery Installation

PIPER PARTS CATALOG

CODE EXPLANATIONS FOR FIGURE 77

A - Used on PA-28RT-201 only.

B - Used on PA-28RT-201T only.

C - Used on PA-28RT-201 with serial numbers 28R-8118001 and up, and PA-28RT-201T with serial numbers 28R-8131001 and up.

D - Used on PA-28RT-201 with serial numbers 28R-8218005 and up, and PA-28RT-201T with serial numbers 28R-8231011 and up.

W - These parts must be ordered from Service Spares Department, Piper Aircraft, Lock Haven, Penna.

PIPER PARTS CATALOG

Figure and Index Number	Part Number	Code	NOMENCLATURE	No. Req.	SERIAL NUMBERS AFFECTED
77-	78978		DRAWING - Electrical System Installation		
-1	450 030		BATTERY - (S25) 25 amp hour	1	
	450 035		BATTERY - (R35) 35 amp hour	1	
-2	35202-00	B	BOX ASSEMBLY Battery	1	
-3	35201-00	B	COVER ASSEMBLY Battery	1	
-4	62279-00		DIODE ASSEMBLY - Master relay	1	
-5	79653-121		WIRE ASSEMBLY Battery to ground	1	
-6	63904-06	B	HOSE Battery vent, left (19.0" L)	3	
-7	63978-00	B	SPACER - Battery box (urethane)	1	
-8	455 151	W	CONTACTOR Power relay (6041H105A)	1	
-9	79653-97	A	WIRE ASSEMBLY - Battery to solenoid	1	
-10	454 161	B,W	CAP Vent (1704-9-Y)	1	
-11	23969-02	W	NIPPLE - Terminal	2	
-12	81342-56	A	WASHER Battery box	2	
-13	23969-05	W	NIPPLE - Terminal	1	
-14	66580-02		NIPPLE - Terminal (476 695)	1	
-15	78140-39	B	WIRE ASSEMBLY - Battery to solenoid	1	
-16	78140-33	B	WIRE ASSEMBLY Battery to ground	1	
-17	63862-136	B	WIRE ASSEMBLY - Power relay to starter solenoid	1	
-18	35845-02	A	BOX ASSEMBLY - Battery	1	
-19	63977-00	A	COVER ASSEMBLY - Battery	1	
-20	63904 105	A	HOSE - Battery drain	1	
-21	63904-106	A	HOSE - Battery vent	1	
-22	63904-107	A	HOSE - Battery vent	1	
-23	66616-00	A	TERMINAL ASSEMBLY - Battery box	2	
-24	17555-00	A,W	PLATE - Battery insulation	2	
-25	79653-96	A	WIRE ASSEMBLY - Power relay to starter solenoid	2	
-26	23969-05	A,W	NIPPLE - Terminal	2	
-27	554 861	W	CLAMP (SAE TY F-4)	1	
-28	454 983	W	CLAMP - (SAE TY E-8)	2	
-29	79595-19	C	FUSE ASSEMBLY Voltage spike suppression	1	
-30	461 657	C	* FUSE (312001) 1 amp	1	
-31	79595-20	D	FUSE ASSEMBLY - Hourmeter and clock	1	
-32	461 629	D	* FUSE (311005) 5 amp	1	
-33	87502-03	B	FUSE ASSEMBLY - Ground clearance switch	1	28R-8331001 and up
-34	461 648	B	* FUSE Com/Nav 1 (312010,10 amp)	1	28R-8331001 and up
-35	461 828		* FUSE- Audio panel (311005, 5 amp)	1	28R-8331001 and up

When ordering, always specify Part Number, Description, and Serial Number of Aircraft

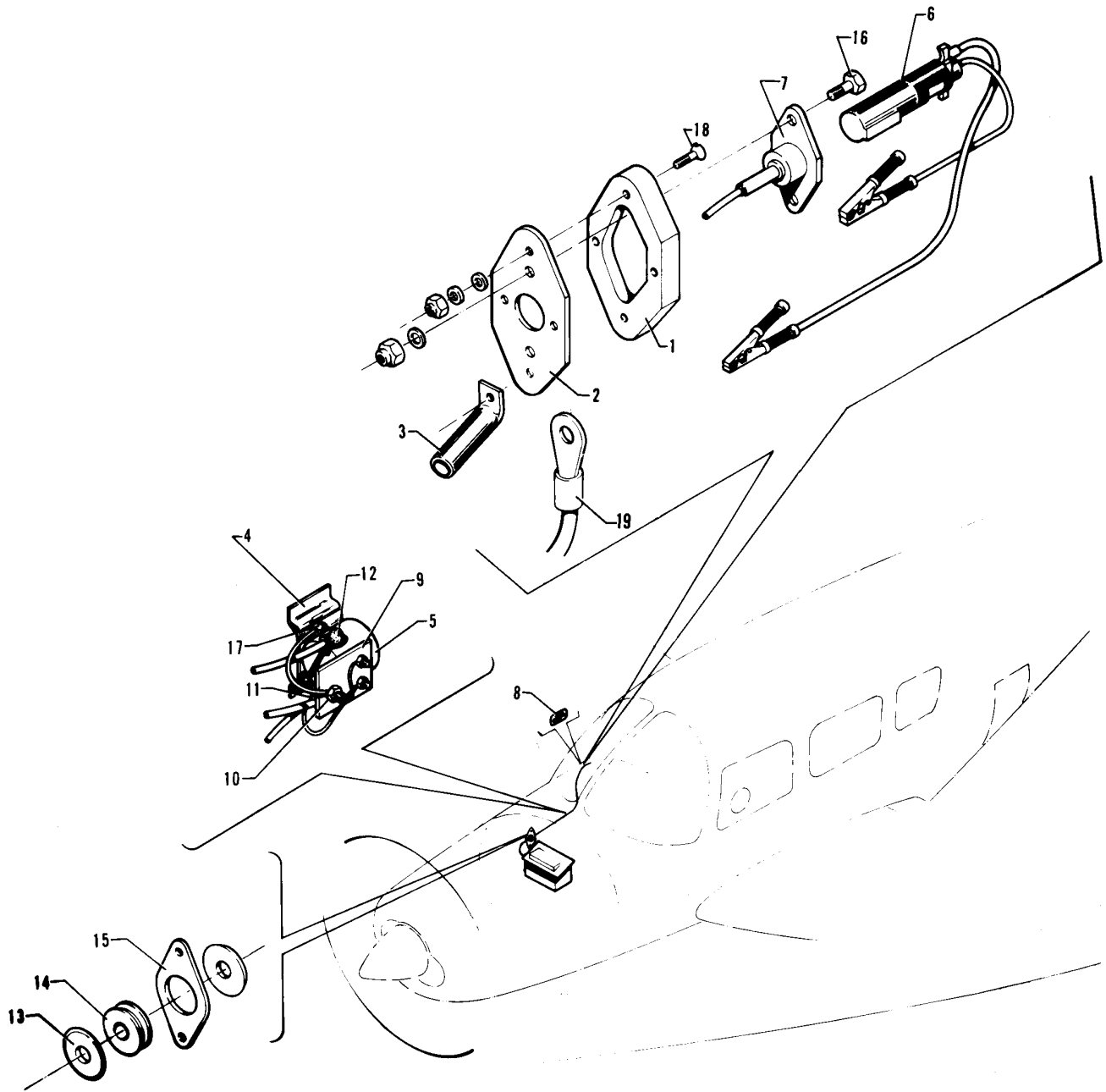


Figure 78. External Power Supply Installation

PIPER PARTS CATALOG

CODE EXPLANATIONS FOR FIGURE 78

W - These parts must be ordered from Service Spares Department, Piper Aircraft, Lock Haven, Penna.

PIPER PARTS CATALOG

Figure and Index Number	Part Number	Code	NOMENCLATURE	No. Req.	SERIAL NUMBERS AFFECTED
78-	35842		DRAWING - External Power Supply Installation		
-1	62226-00	W	SPACER - Auxiliary power receptacle	1	28-7918001 to 28-7918048 incl.
-2	62227-00	W	PLATE - Auxiliary power receptacle	1	
-3	35843-02		BRACE - Auxiliary power receptacle	1	
-4	35840-02		BRACKET ASSEMBLY - Auxiliary power relay	1	
-5	484 373	W	SOLENOID - (24059)	1	
-6	62355-02	W	PLUG ASSEMBLY - Power connector	1	
-7	62355-03	W	SOCKET ASSEMBLY - Power connector	1	
-8	69669-173		PLACARD - External power	1	
-9	68198-00		SUPPORT - Diode mounting	1	
-10	456 728	W	DIODE - (IN3208)	1	
-11	23969-02	W	NIPPLE	1	
-12	23969-05	W	NIPPLE	3	
-13	66789-00		PLATE	2	
-14	68770-04		GROMMET	2	
-15	68771-04		GASKET	1	
-16	400 728		BOLT - (AN25-11A)	2	
	407 566	W	WASHER - (AN960-516)	2	
	407 106	W	WASHER - (AN935-516)	2	
	404 323		NUT - (AN316-5R)	2	
-17	401 307	W	BOLT - (AN4-4A)	2	
	407 565	W	WASHER - (AN960-416)	2	
-18	416 794	W	SCREW - (MS24693-S275)	4	
	494 087	W	WASHER - Countersunk (A3235-020-1)	4	
	407 564	W	WASHER - (AN960-10)	4	
	404 835	W	NUT - (MS20364-1032C)	4	
-19	79653-104		WIRE - Ground	1	28-7918049 and up

When ordering, always specify Part Number, Description, and Serial Number of Aircraft

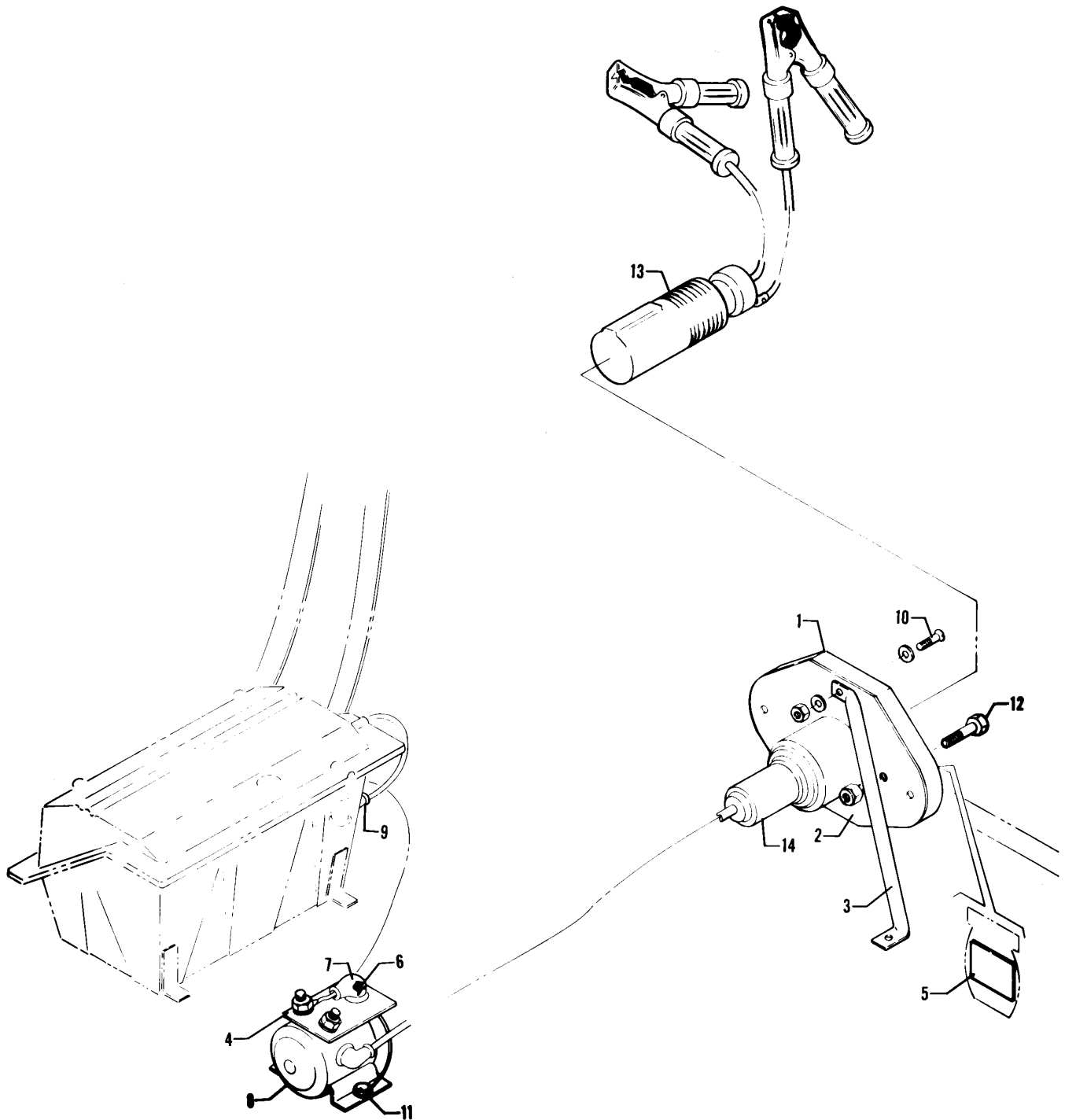


Figure 79. External Power Supply Installation

PIPER PARTS CATALOG

CODE EXPLANATIONS FOR FIGURE 79

W - These parts must be ordered from Service Spares Department, Piper Aircraft, Lock Haven, Penna.

PIPER PARTS CATALOG

Figure and Index Number	Part Number	Code	NOMENCLATURE	No. Req.	SERIAL NUMBERS AFFECTED
79-	79454		DRAWING - External Power Supply Installation		
-1	62226-00	W	SPACER - Auxiliary power receptacle	1	
-2	62227-00	W	PLATE - Auxiliary power receptacle	1	
-3	65649-00		TUBE - Auxiliary power receptacle support	1	
-4	68198-00		SUPPORT - Diode mounting	1	
-5	69669-173		PLACARD - External power	1	
-6	456 728	W	DIODE - (IN3208)	1	
-7	23969-02	W	NIPPLE	1	
-8	484 373	W	SOLENOID - (24059)	1	
-9	23969-05	W	NIPPLE	1	
-10	416 794	W	SCREW - (MS24693-S275)	4	
	494 087	W	WASHER - (A3235-020-1)	4	
	407 564	W	WASHER - (AN960-10)	4	
	404 835	W	NUT - (MS20364-1032C)	4	
-11	401 307	W	BOLT - (AN4-4A)	2	
	407 565	W	WASHER - (AN960-416)	2	
	404 888	W	NUT - (MS20365-428C)	2	
-12	400 728		BOLT - (AN25-11A)	2	
	407 566	W	WASHER - (AN960-516)	2	
	407 106	W	WASHER - (AN935-516)	2	
	404 323		NUT - (AN316-5R)	2	
-13	62355-02	W	PLUG ASSEMBLY - Power connector	1	
-14	62355-03	W	SOCKET ASSEMBLY - Power connector	1	

When ordering, always specify Part Number, Description, and Serial Number of Aircraft

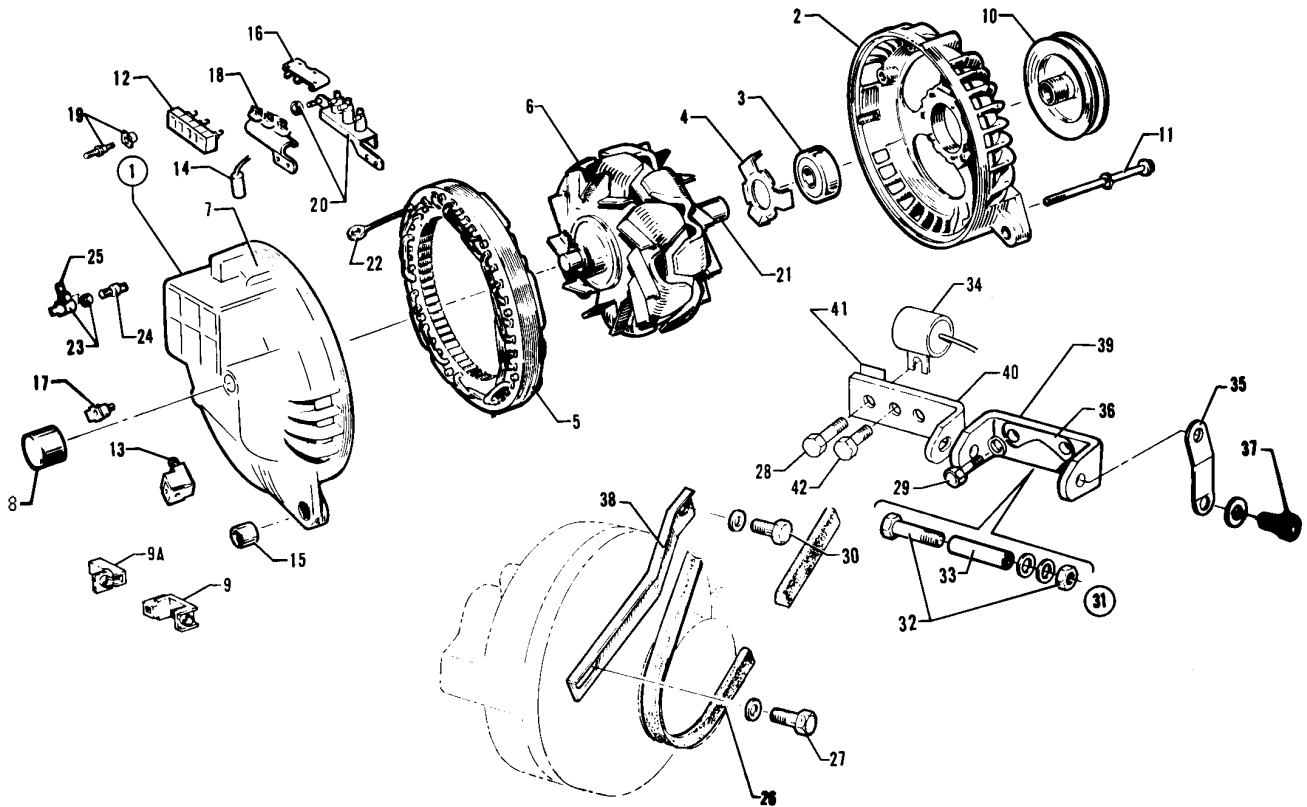


Figure 80. Standard Alternator Assembly and Installation (Chrysler)
(See Code "A")

PIPER PARTS CATALOG

CODE EXPLANATIONS FOR FIGURE 80

- A - Refer to Figure 69 and 81 if air conditioning is installed.
- B - Used with Alternator Assembly P/N 69670-03 (Chrysler No. 3656624) only.
- C - Used with Alternator Assembly P/N 69670-04 (Chrysler No. 4111810) only.
- D - If Alternator/Capacitor Mounting Kit 764 372 has been installed per Service Spares Letter 366A, order part for serial number 28R-8218018 and up.
- E - Also used on serial numbers 28R-7918001 to 28R-8218017 inclusive if Alternator/Capacitor Mounting Kit 764 372 has been installed per Service Spares Letter 366A.
- W - These parts must be ordered from Service Spares Department, Piper Aircraft, Lock Haven, Penna.

PIPER PARTS CATALOG

Figure and Index Number	Part Number	Code	NOMENCLATURE	No. Req.	SERIAL NUMBERS AFFECTED
80-	99935 87323		DRAWING - Alternator Installation DRAWING - Alternator Installation		28R-7918001 to 28R-8018099 incl. 28R-8018100 and up
-1	69670-04		ALTERNATOR ASSEMBLY - (Chrysler No. 4111810)	1	
-2	756 159	B	* SHIELD ASSEMBLY - Drive end (2098634)	1	
	762 490	C	* SHIELD ASSEMBLY - Drive end (4111822)	1	
-3	753 375	B	* BEARING - Drive end shield (2098478)	1	
	758 575	C	* BEARING - Drive end shield (3656444)	1	
-4	755 846		* PLATE - Bearing retainer (2095012)	1	
-5	757 745	B	* STATOR ASSEMBLY - (3438768)	1	
	762 489	C	* STATOR ASSEMBLY - (4111804)	1	
-6	756 065	B	* ROTOR ASSEMBLY - (3656632)	1	
	762 628	C	* ROTOR ASSEMBLY - (4111817)	1	
-7	757 746	B	* SHIELD ASSEMBLY - Rectifier end (3438712)	1	
	762 491	C	* SHIELD ASSEMBLY - Rectifier end (4091535)	1	
-8	753 376	B	* BEARING - Rectifier end shield (2098512)	1	
	758 576	C	* BEARING - Rectifier end shield (3755184)	1	
-9	758 369		* BRUSH HOLDER - Axial (3438159)	1	
-9a	758 580	C	* BRUSH HOLDER - Radial (4091667)	1	
-10	757 311		* PULLEY ASSEMBLY - (2642706)	1	
-11	756 757	B	* KIT - 3 Frame screws (3656470)	1	
	762 492	C	* SCREW - Frame (4111814)	3	
	763 781	C	* WASHER - (4111887)	3	
-12	761 913		* TERMINAL BLOCK - (3438729)	1	
-13	758 250	B	* BRUSH ASSEMBLY - Vertical (2095039)	1	
-14	757 981	B	* CAPACITOR - (3438725)	1	
	763 395	C	* CAPACITOR, STUD, AND INSULATOR PACKAGE - (3620793)	1	
-15	758 249	B	* BUSHING - Alternator end shield (2098052)	1	
	753 380	C	* BUSHING - Alternator end shield (2095052)	1	
-16	756 067	B	* RECTIFIER ASSEMBLY - Negative (3438721)	1	
	755 340	C	* HEAT SINK - Negative (3755114)	1	
-17	758 251	B	* BRUSH ASSEMBLY - Horizontal (3420893)	1	
-18	756 066	B	* RECTIFIER ASSEMBLY - Positive (3438727)	1	
-19	758 366	B	* BATTERY TERMINAL PACKAGE - (3620794)	1	
-20	758 573	C	* BATTERY TERMINAL AND POSITIVE HEAT SINK PACKAGE - (4240488)	1	
-21	762 629		* RETAINER AND SLIP RING PACKAGE - (3744889)	1	
-22	762 049		* TERMINAL - (3438709)	3	
-23	758 574	C	* BRUSH AND WASHER PACKAGE - (4176097)	1	
-24	762 493	C	* SCREW - (6031272)	2	
-25	762 050	C	* TERMINAL FIELD - (4111809)	1	
-26	452 541		BELT - V (8114-1814)	1	
-27	401 971		BOLT - (MS20074-05-06)	1	
	407 566	W	WASHER - (AN960-516)	2	
	407 137	W	WASHER - (AN936-A516)	1	
-28	401 970	D	BOLT - (MS20074-05-05)	1	28R-7918001 to 28R-8218017 incl.
	401 975		BOLT - (MS20074-05-12)	1	28R-8218018 and up
	407 144	D,W	WASHER - (AN936B516)	1	28R-7918001 to 28R-8218017 incl.
	407 106	W	WASHER - (AN935-516)	1	28R-8218018 and up
-29	401 970		BOLT - (MS20074-05-05)	2	28R-7918001 to 28R-8018099 incl.
	401 971		BOLT - (MS20074-05-06)	2	28R-8018100 and up
	407 137	W	WASHER - (AN936-A516)	AR	28R-7918001 to 28R-8218018 incl.
	407 586	W	WASHER - (AN960-516L)	AR	28R-8018100 to 28R-8218018 incl.

When ordering, always specify Part Number, Description, and Serial Number of Aircraft

PIPER PARTS CATALOG

Figure and Index Number	Part Number	Code	NOMENCLATURE	No. Req.	SERIAL NUMBERS AFFECTED
80-30	401 970		BOLT - (MS20074-05-05)	1	
	407 137	W	WASHER - (AN936-A516)	1	
-31	764 092		ALTERNATOR HARDWARE MOUNTING KIT	1	28R-7918001 to 28R-8018099 incl.
-32	401 424		* BOLT - (AN6-44A)	1	28R-8018100 and up
	407 107	W	* WASHER - Lock (AN935-616)	2	28R-8018100 and up
	407 567	W	* WASHER - (AN960-616)	3	28R-8018100 and up
	407 587	W	* WASHER - (AN960-616L)	4	28R-8018100 and up
	404 838	W	* NUT - (MS20364-624C)	1	28R-8018100 and up
-33	86700-36		* BUSHING	1	28R-8018100 and up
-34	63897-06		CAPACITOR ASSEMBLY - Alternator	1	
-35	78483-00		STRUT - Alternator	1	
-36	582 172		PLATE - Lock (73383)	1	
-37	401 971		BOLT - (MS20074-05-06)	1	
	62833-74		WASHER	1	
-38	63531-00		CHANNEL - Alternator support	1	
-39	65199-00	D	BRACKET - Alternator support	1	28R-7918001 to 28R-8218017 incl.
	65199-05		BRACKET - Alternator support	1	28R-8218018 and up
-40	65199-04	E	BRACKET - Alternator support	1	28R-8218018 and up
-41	65199-06	E	SHIM - Alternator support	1	28R-8218018 and up
-42	401 974	E	BOLT - (MS20074-05-07)	1	28R-8218018 and up
	407 106	E,W	WASHER - (AN935-516)	1	28R-8218018 and up

When ordering, always specify Part Number, Description, and Serial Number of Aircraft

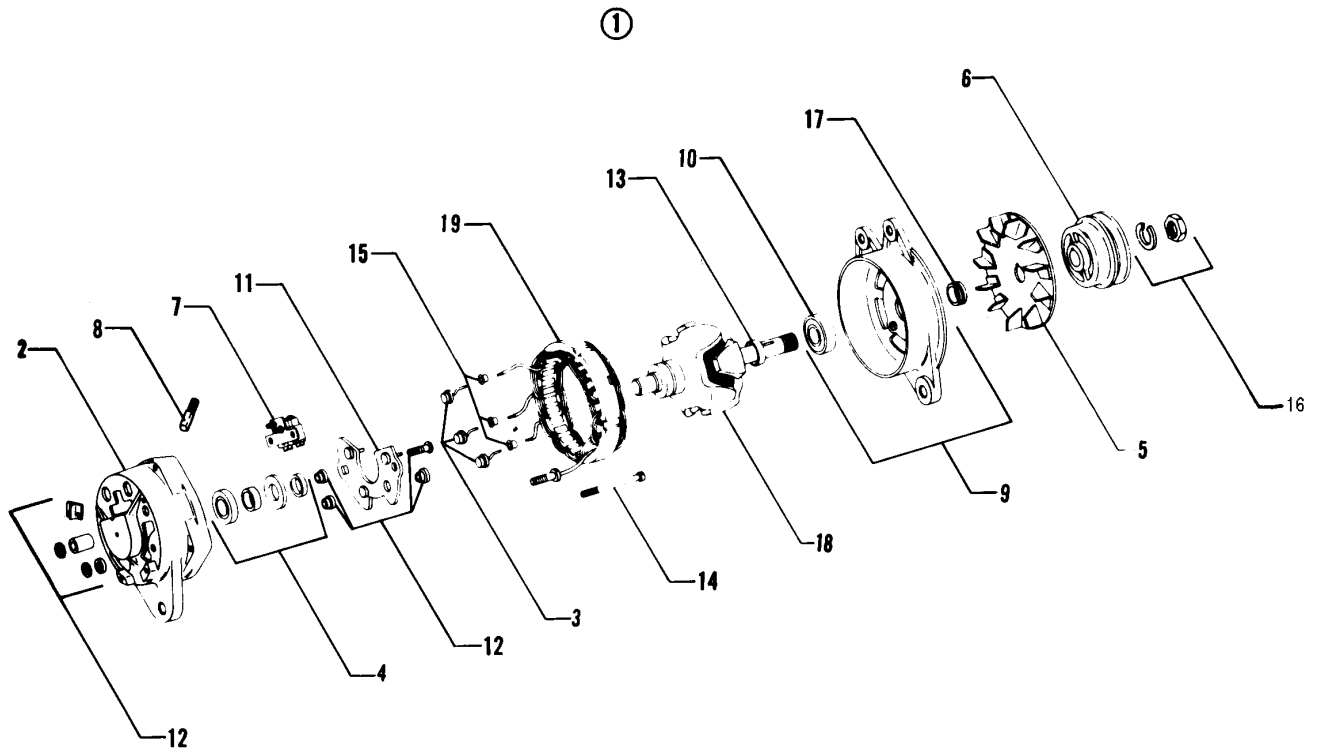


Figure 81. Alternator Assembly (Prestolite)

PIPER PARTS CATALOG

CODE EXPLANATIONS FOR FIGURE 81

PIPER PARTS CATALOG

Figure and Index Number	Part Number	Code	NOMENCLATURE	No. Req.	SERIAL NUMBERS AFFECTED
81-1	551 983		ALTERNATOR ASSEMBLY - (ALY-6422)	1	
-2	755 271		* HEAD ASSEMBLY - Slip ring end (ALK-1132BS-1)	1	
-3	757 387		** PACKAGE - Rectifier, negative (XA-944JS)	1	
-4	757 386		* PACKAGE - Bearing and seal S.R.E. (90-2014)	1	
-5	754 827		* FAN ASSEMBLY - Ventilating (90-2241)	1	
-6	757 392		* PULLEY - Drive (PU-692A)	1	
-7	758 224		* BRUSH, HOLDER AND SPRING ASSEMBLY - (ALE-1045BS)	1	
-8	758 471		** BRUSH SET - Alternator (ALE-1013AS)	1	
-9	755 232		* HEAD ASSEMBLY - Drive end (ALE-1003K)	1	
-10	758 225		** BEARING - Ball, seal (X-3416)	1	
-11	756 060		* RECTIFIER AND PLATE ASSEMBLY - Positive (ALE-1054A)	1	
-12	761 903		* TERMINAL STUD AND PARTS PACKAGE - (90-2043)	1	
-13	756 061		* RETAINER - Drive end (GR-32)	1	
-14	757 388		* PACKAGE - Thru bolt (ALA-20JS)	1	
-15	757 389		* PACKAGE - Eyelet (90-818)	1	
-16	757 390		* PACKAGE - Nut and washer (90-33)	1	
-17	757 721		* SPACER - Rotor shaft (ALD-21A)	1	
-18	762 508		* ROTOR - (ALE-2177S-1)	1	
-19	757 719		* STATOR ASSEMBLY - (ALE-2008AES)	1	

When ordering, always specify Part Number, Description, and Serial Number of Aircraft

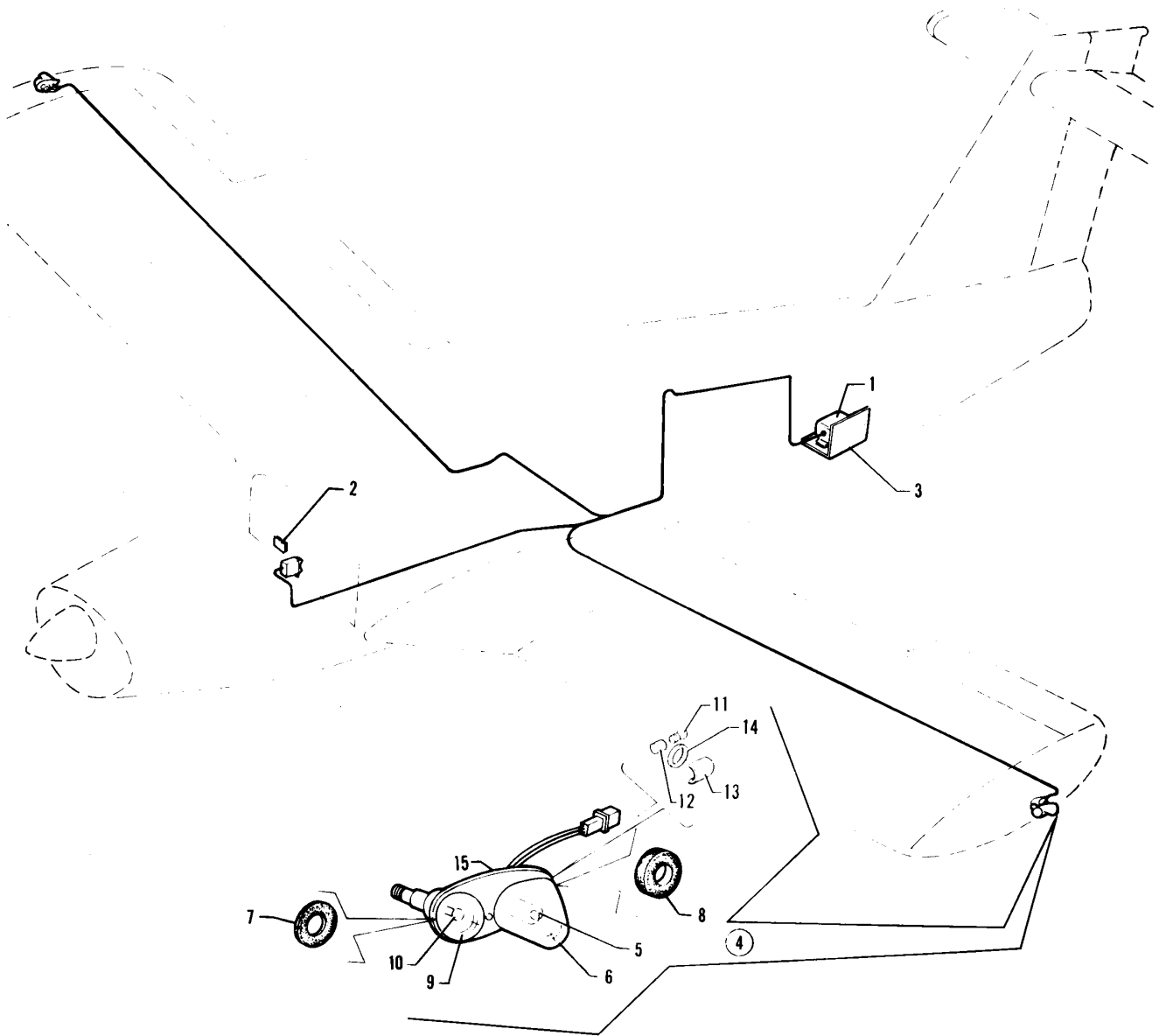


Figure 82. Strobe Lights Installation

PIPER PARTS CATALOG

CODE EXPLANATIONS FOR FIGURE 82

- A - Used with white wing tip strobe only.
- B - Used with red wing tip strobe only.
- C - Used on PA-28RT-201 with serial numbers 28R-7918003 to 28R-8118073 inclusive, and PA-28RT-201T with serial numbers 28R-7931014 to 28R-8131162 inclusive.
- D - Used on PA-28RT-201 with serial nos. 28R-7918001 to 28R-7918306 inclusive, and PA-28RT-201T with serial nos. 28R-7931001 to 28R-7931353 inclusive.
- E - Used on PA-28RT-201 with serial numbers 28R-7918001 to 28R-8118073 inclusive, and PA-28RT-201T with serial numbers 28R-7931001 to 28R-8131162 inclusive.
- F - Used on PA-28RT-201 with serial numbers 28R-8118074 and up, and PA-28RT-201T with serial numbers 28R-8131163 and up.
- G - Used on PA-28RT-201 with serial numbers 28R-7918001 to 28R-8118073 inclusive and PA-28RT-201T with serial numbers 28R-7931001 to 28R-8131162 inclusive if red wing tip strobe is installed. Also used on all PA-28RT-201 aircraft with serial numbers 28R-8118074 and up, and all PA28RT-201T aircraft with serial numbers 28R-8131163 and up.
- H - Used on PA-28RT-201 with serial numbers 28R-7918001 to 28R-8118092 inclusive, and PA-28RT-201T with serial numbers 28R-7931001 to 28R-8131229 inclusive.
- J - Used on PA-28RT-201 with serial numbers 28R-8218001 and up, and PA-28RT-201T with serial numbers 28R-8231001 and up.
- W - These parts must be ordered from Service Spares Department, Piper Aircraft, Lock Haven, Penna.

PIPER PARTS CATALOG

Figure and Index Number	Part Number	Code	NOMENCLATURE	No. Req.	SERIAL NUMBERS AFFECTED
82-	79850	E	DRAWING - Wing Tip Strobe Lights Installation		
	36789	F	DRAWING - Wing Tip Strobe Lights Installation		
	79850	H	DRAWING - Fin Tip Strobe Light Installation		
	36789	J	DRAWING - Fin Tip Strobe Light Installation		
-1	763 469	W	POWER SUPPLY - Strobe lights	1	
-2	69669-175	D	PLACARD - Warning	1	
-3	99031-03		BRACKET ASSEMBLY - Power supply mounting	1	
-4	472 896	E	LIGHT ASSEMBLY - Red navigation and white strobe, wing tip (shielded)	1	
	572 557	F	LIGHT ASSEMBLY - Red navigation and white strobe, wing tip (shielded)	1	
	472 988	C	LIGHT ASSEMBLY - Red navigation and red strobe, wing tip (shielded)	1	
	572 558	F	LIGHT ASSEMBLY - Red navigation and red strobe, wing tip (shielded)	1	
	472 895	E	LIGHT ASSEMBLY - Green navigation and white strobe, wing tip (shielded)	1	
	572 561	F	LIGHT ASSEMBLY - Green navigation and white strobe, wing tip (shielded)	1	
	472 987	C	LIGHT ASSEMBLY - Green navigation and red strobe, wing tip (shielded)	1	
	572 560	F	LIGHT ASSEMBLY - Green navigation and red strobe, wing tip (shielded)	1	
-5	761 156	A,E,W	* TUBE ASSEMBLY - Flash tip	1	
	762 003	G,W	* TUBE ASSEMBLY - Flash tip	1	
-6	761 162	A,E,W	* LENS AND RETAINER ASSEMBLY - Wing tip strobe (shielded)	1	
	761 253	A,F	* LENS AND RETAINER ASSEMBLY - Wing tip strobe (shielded)	1	
	761 222	B,E	* LENS AND RETAINER ASSEMBLY - Wing tip strobe (shielded)	1	
	761 254	B,F	* LENS AND RETAINER ASSEMBLY - Wing tip strobe (shielded)	1	
-7	755 075	W	* GASKET - Navigation light (W1283)	1	
-8	755 076	W	* GASKET - Wing strobe (A427-4)	1	
-9	751 202	W	* LENS - Navigation, red	1	
	751 201	W	* LENS - Navigation, green	1	
-10	751 381	W	*BULB - (1512) 14 volt	1	
-11	761 256	F	* LAMP - Navigation light assembly, 14 volt (A508)	1	
-12	762 426	F	* SOCKET ASSEMBLY - Navigation light (A507)	1	
-13	761 255	F	* LENS - Navigation light (A615)	1	
-14	755 096	F	* GASKET - Navigation light (A616)	1	
-15	756 037	A,E,W	* RETAINER - Light lens	1	
	762 581	B,C,W	* RETAINER - Light lens	1	
	762 616	F	* RETAINER - Light lens	1	

When ordering, always specify Part Number, Description, and Serial Number of Aircraft

**2C23 THRU 2C24
INTENTIONALLY LEFT BLANK**

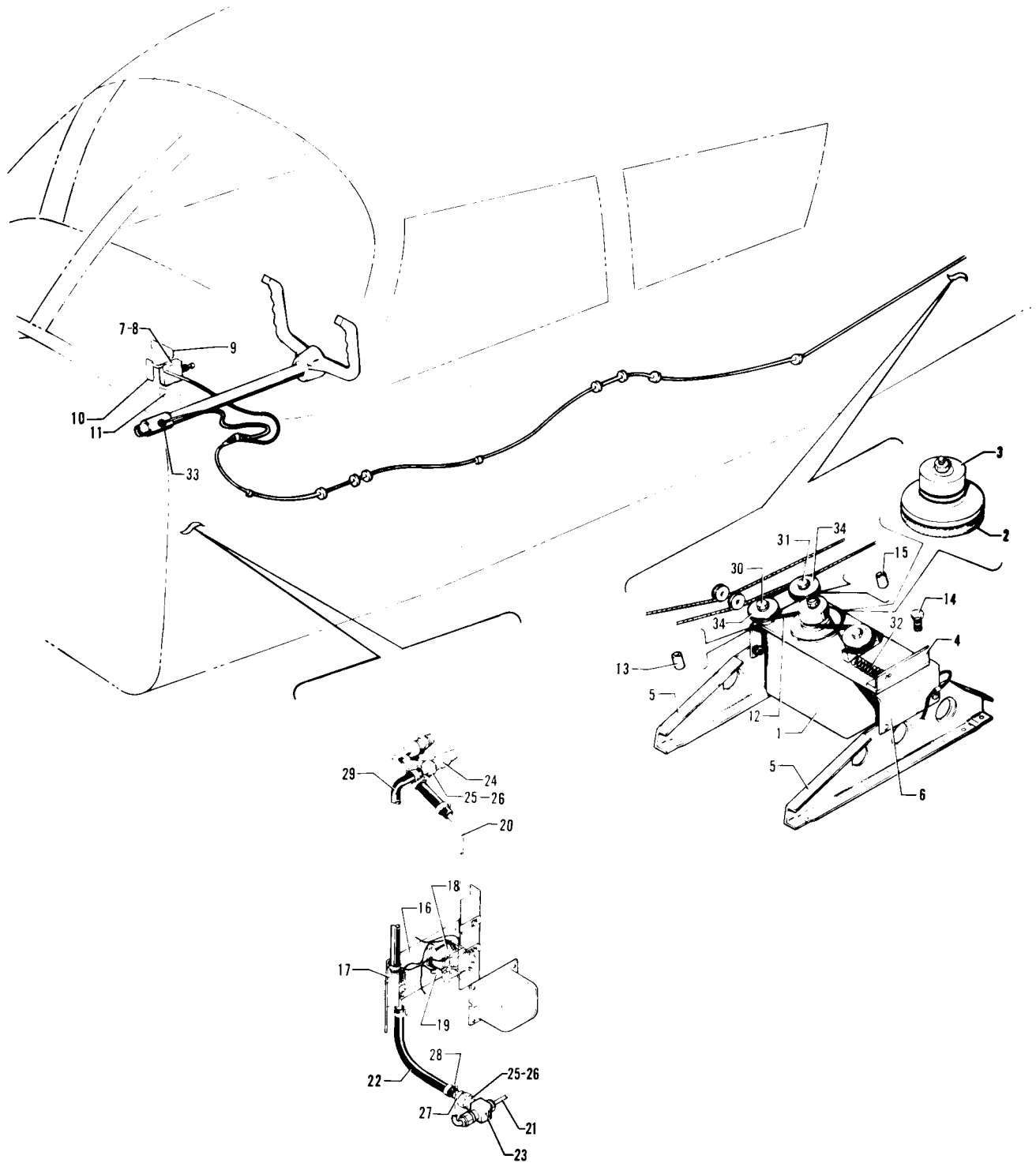


Figure 83. Electric Trim Installation

PIPER PARTS CATALOG

CODE EXPLANATIONS FOR FIGURE 83

- A - Used on PA-28RT-201 with serial numbers 28R-7918001 to 28R-8218011 inclusive, and PA-28RT-201T with serial numbers 28R-7931001 to 28R-8231030 inclusive.
- B - Used on PA-28RT-201 with serial numbers 28R-8218012 and up, and PA-28RT-201T with serial numbers 28R-8231031 and up. Also used on PA-28RT-201 with serial numbers 28R-7918001 to 28R-8218011 inclusive and PA-28RT-201T with serial numbers 28R-7931001 to 28R-8231030 inclusive if Pitch Trim Switch Replacement Kit 764 401 has been installed.
- C - Used if a push on-off switch is installed.
- W - These parts must be ordered from Service Spares Department Piper Aircraft, Lock Haven, Penna.

PIPER PARTS CATALOG

Figure and Index Number	Part Number	Code	NOMENCLATURE	No. Req.	SERIAL NUMBERS AFFECTED
83-	67496 79636		DRAWING - Electric Trim Installation DRAWING - Electric Trim Stop Sensor Installation		
-1	65821-05		SERVO ASSEMBLY - Trim	1	
-2	494 159		* WASHER - Servo friction (24696-00)	1	
-3	581 126		* PLATE - Servo clutch, outer (24695-00)	1	
-4	86682-04		BRACKET - Electric trim, upper	1	
-5	96978-00		BRACKET - Electric trim	2	
-6	86682-02		BRACKET - Electric trim, lower	2	
-7	764 401	A	PITCH TRIM SWITCH REPLACEMENT KIT	1	
-8	587 923	B	* SWITCH - Electric trim (PS10095-1)	1	
-9	87369-38	B	* PLACARD - Pitch trim	1	
-10	87369-39	B	* PLACARD - On-off	1	
-11	67490-02	C	PLACARD - Pitch trim	1	
-12	62701-191		CABLE ASSEMBLY - Front stabilator trim	1	
-13	63900-67		BUSHING Electric trim	1	
-14	400 440	W	BOLT - (AN3-6A)	2	
	407 564	W	WASHER - (AN960-10)	2	
	404 887	W	NUT - (MS20365-1032C)	2	
-15	63900-66		BUSHING - Electric trim	1	
-16	79657-03		SENSOR ASSEMBLY - Electric trim stop	1	
-17	486 416		* SENSOR - (MPL-501G-10 to 30)	1	
-18	484 229		* RELAY - (RS5D12)	1	
-19	484 524		* RESISTOR - (180 ohm, 1 watt, Type GB)	1	
-20	67700-378		TUBE ASSEMBLY	1	
-21	67700-377		TUBE ASSEMBLY	1	
-22	63913-143		HOSE	1	
-23	79636-10		TEE	1	
-24	488 310	W	TEE - (AN826-3D)	1	
-25	477 611		NUT - (AN818 - 3D)	2	
-26	486 896		SLEEVE - (MS20819-3D)	2	
-27	79636-04		TUBE	2	
-28	554 861	W	CLAMP - (SAE TY F-4)	2	
-29	63913-151		HOSE	1	
-30	400 443	W	BOLT - (AN3-12A)	1	
	407 564	W	WASHER - (AN960-10)	1	
	404 887	W	NUT - (MS20365-1032C)	1	
-31	400 444	W	BOLT - (AN3-13A)	1	
	407 564	W	WASHER - (AN960-10)	1	
	404 887	W	NUT - (MS20365-1032C)	1	
-32	65784-00		SPRING - Electric trim	1	
-33	434 126	W	GROMMET - (AN931-3-5)	1	
-34	481 640		PULLEY - (MS24533-1B)	2	

When ordering, always specify Part Number, Description, and Serial Number of Aircraft

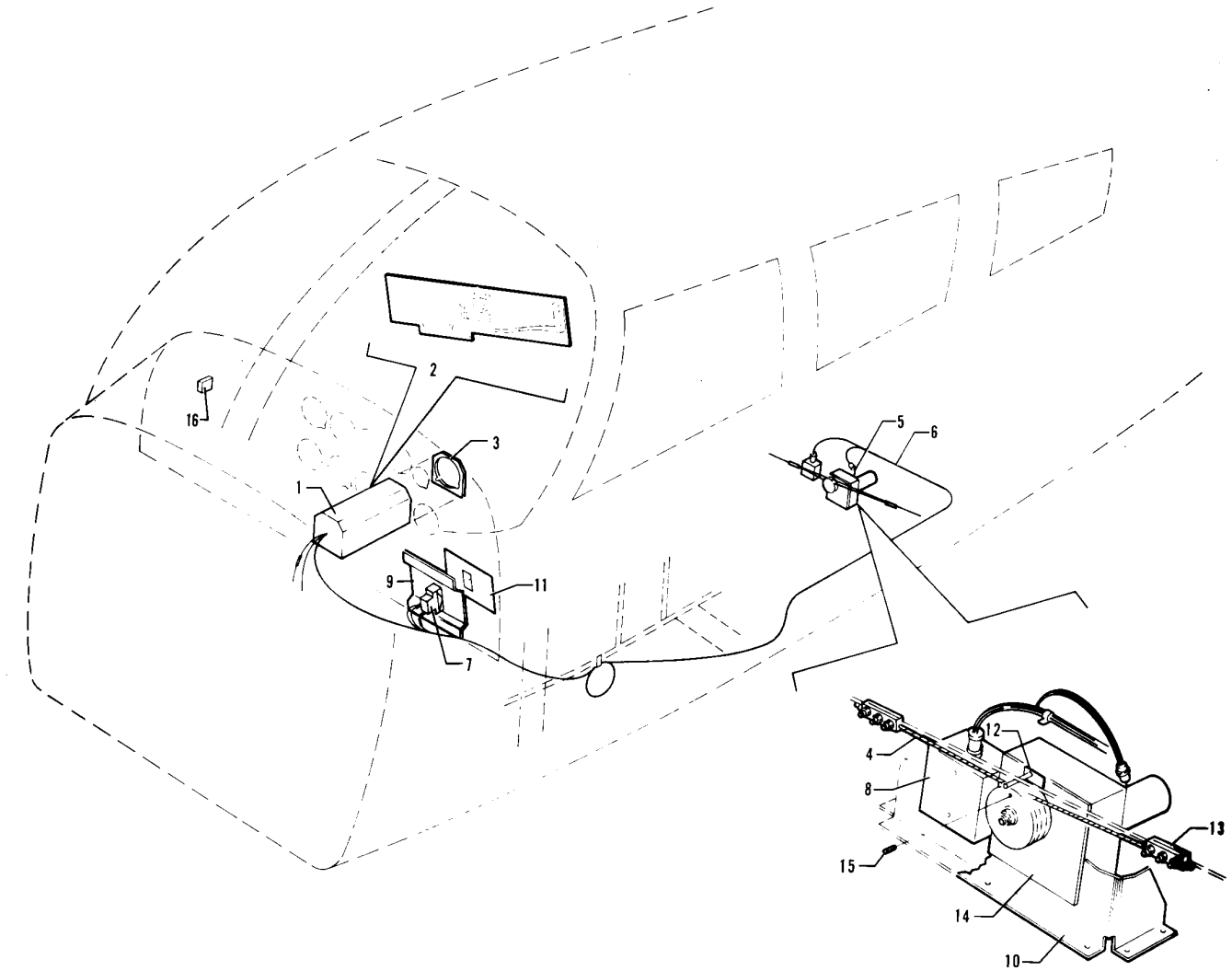


Figure 84. AutoFlite II Installation

PIPER PARTS CATALOG

CODE EXPLANATIONS FOR FIGURE 84

- A - Used if AutoFlite II without tracker is installed.
- B - Used if AutoFlite II with tracker is installed.
- W - These parts must be ordered from Service Spares Department, Piper Aircraft, Lock Haven, Penna.

PIPER PARTS CATALOG

Figure and Index Number	Part Number	Code	NOMENCLATURE	No. Req.	SERIAL NUMBERS AFFECTED
84-	99447		DRAWING - AutoFlite II Installation		
-1	52586-02	A,W	INSTRUMENT - Turn and bank (52D75-3)	1	
	755 432	B	INSTRUMENT - Turn and bank (52D75-4)	1	
-2	758 188	B	* TRACKER BOARD - Printed circuit (1D628)	1	
-3	99209-00		PLATE - Turn and bank mounting	1	
-4	753 980		CABLE - Bridle (30B200)	1	
-5	758 001		CABLE ASSEMBLY - Roll servo (30C211-8R)	1	
-6	757 913		CABLE ASSEMBLY - (30C379-1)	1	
-7	487 901		SWITCH - (8134-K21A1V-50)	1	
-8	758 181		BOX - Relay (1A526)	1	
-9	66798-00		BRACKET - AutoFlite II	1	
-10	453 426		BRACKET - Servo mounting (7C511-2)	1	
-11	99448-00		PLACARD - AutoFlite II	1	
-12	751 897		GUARD - Cable (7A508-1)	1	
-13	757 863	W	CLAMP ASSEMBLY - Bridle cable (42A173-1)	2	
-14	757 768		SERVO - Roll (1C363-1-430R)	1	
-15	757 579	W	* SET SCREW - Capstan (3S326)	1	
-16	454 656	W	CIRCUIT PROTECTOR - (PS50120-3-7) 5 amp	1	

When ordering, always specify Part Number, Description, and Serial Number of Aircraft

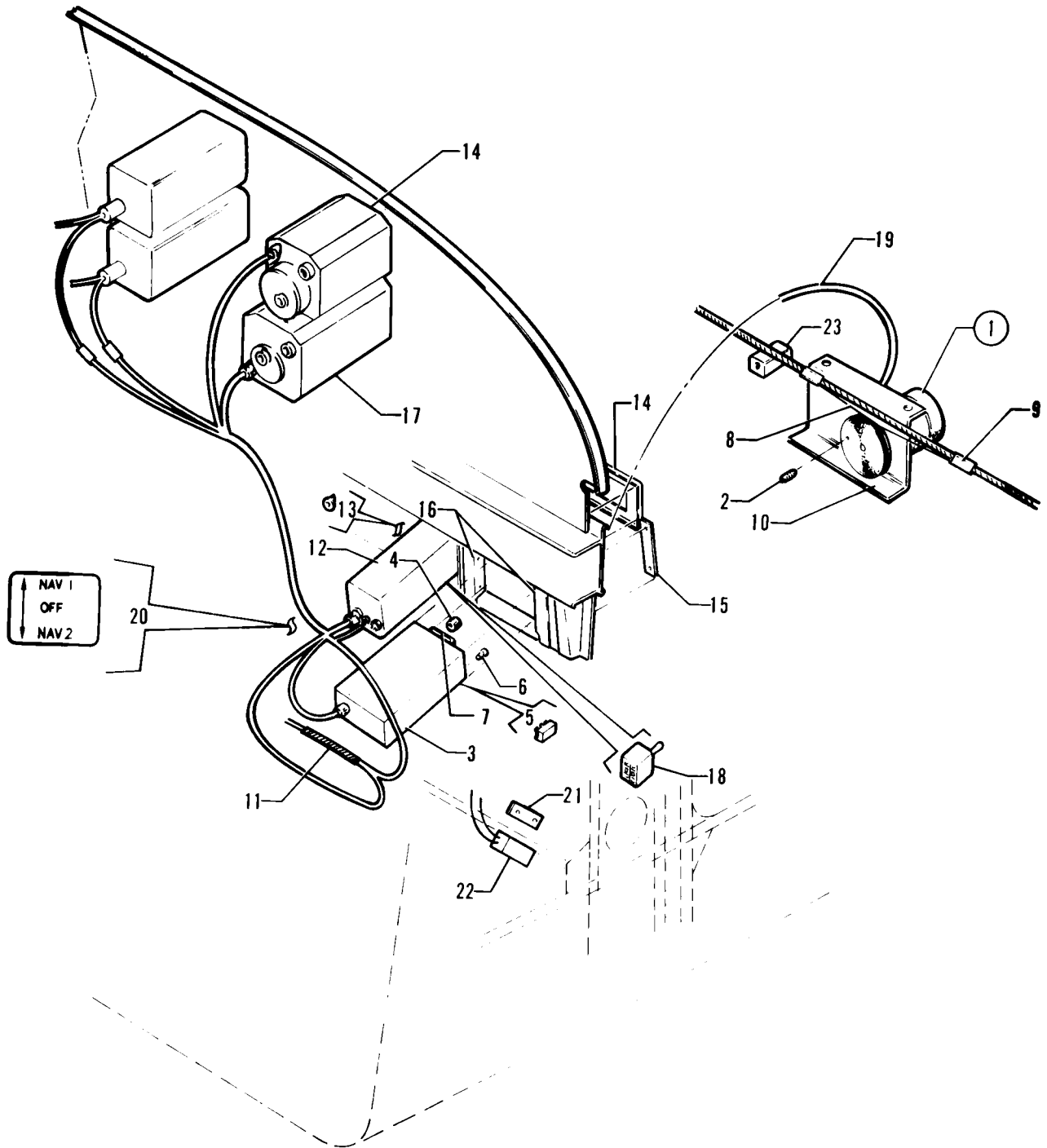


Figure 85. AutoControl III B Installation
 (PA-28RT-201- Serial Nos. 28R-7918001 and up)
 (PA-28RT-201T - Serial Nos. 28R-7931001 to 28R-8231092 incl.)

PIPER PARTS CATALOG

CODE EXPLANATIONS FOR FIGURE 85

- A - Used on PA-28RT-201 with serial numbers 28R-7918001 and up, and PA-28RT-201T with serial numbers 28R-7931001 to 28R-8231092 inclusive.
- B - Used on PA-28RT-201 with serial numbers 28R-7918001 to 28R-7918041 inclusive, and PA-28RT-201T with serial numbers 28R-7931001 to 28R-7931053 inclusive.
- C - Used on PA-28RT-201 with serial numbers 28R-7918042 and up, and PA-28RT-201T with serial numbers 28R-7931054 and up.
- D - When ordering, specify color "bark 11" or black.
- E - Used on PA-28RT-201 with serial numbers 28R-7918265 and up, and PA-28RT-201T with serial numbers 28R-7931306 and up.
- W - These parts must be ordered from Service Spares Department, Piper Aircraft, Lock Haven, Penna.

PIPER PARTS CATALOG

Figure and Index Number	Part Number	Code	NOMENCLATURE	No. Req.	SERIAL NUMBERS AFFECTED
85-	79221		DRAWING - AutoControl III B Installation		
-1	757 768		SERVO ASSEMBLY - Roll (1C363-1-430R)	1	
-2	757 579	W	* SET SCREW - Capstan (3S326)	1	
-3	758 023		CONSOLE AMPLIFIER ASSEMBLY - AutoControl III B (1C338 S/N 1001 and up)	1	
-4	757 052	W	* KNOB - (36A98)	1	
-5	758 024	W	* CIRCUIT BOARD - Face plate light (includes 4 bulbs) 1B686	1	
-6	454 706		CIRCUIT BREAKER - (PS50120-1-2) 5 amp. Mech. Products Inc.	1	
	454 668	E	CIRCUIT BREAKER - (PS50120-3-8) 5 amp, Wood Electric Corp.	1	
-7	79560-00	D	COVER - Console amplifier	1	
-8	753 980		CABLE ASSEMBLY - Bridle (30B200)	1	
-9	757 863	W	CLAMP ASSEMBLY - Bridle cable (42A173-1)	2	
-10	453 426		BRACKET - Servo mounting (7C511-2)	1	
-11	751 987	W	HARNESS ASSEMBLY - Amplifier (30C198)	1	
-12	551 114	W	COUPLER ASSEMBLY - Omni (25690-00)	1	
-13	757 052	W	* KNOB - (36A98)	1	
-14	550 780	W	INSTRUMENT - Gyro horizon (32172-00) (3 inch)	1	
-15	67493-00		SPACER - AutoControl console	2	
-16	67494-00		ANGLE - AutoControl console support, left	1	
	67494-01		ANGLE - AutoControl console support, right	1	
-17	550 778	W	INSTRUMENT - Directional gyro (32168-00) (3 inch)	1	
-18	688 164		SWITCH - Omni coupler (MTG-206P)	1	
-19	758 002	W	CABLE ASSEMBLY - Roll servo extension (30C211-156R)	1	
-20	69509-00	B	PLACARD - Omni coupler switch	1	
	35669-126	C	PLACARD - Omni coupler switch	1	
-21	35553-00		BRACKET - A/P filter mounting	1	
-22	754 836		FILTER - Roll signal (1B440-2)	1	

When ordering, always specify Part Number, Description, and Serial Number of Aircraft

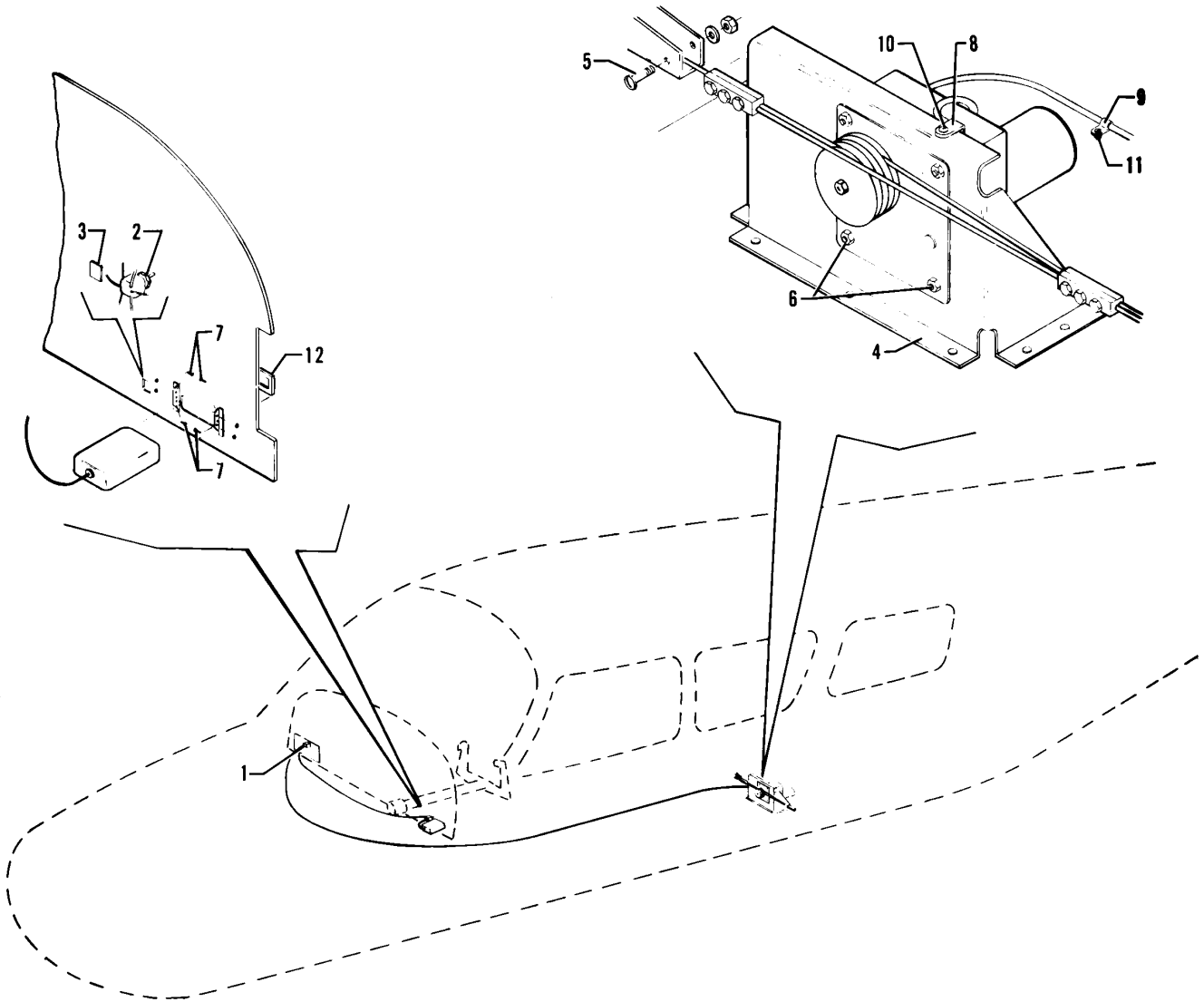


Figure 85A. Century 21 AutoPilot Installation
(PA-28RT-201- Serial Nos. 28R-8118001 and up)
(PA-28RT-201T - Serial Nos. 28R-8131001 and up)

PIPER PARTS CATALOG

CODE EXPLANATIONS FOR FIGURE 85A

- A - Used on PA-28RT-201 with serial numbers 28R-8118001 and up, and PA-28RT-201T with serial numbers 28R-81310001 and up.
- B - This installation is relative only to associated Piper Aircraft Corporation parts that are used when installing Mitchell Century 21 AutoPilot. All Mitchell equipment and components must be procured from an authorized Mitchell Service Center or from Edo-Aire Mitchell, Post Office Box 610, Municipal Airport, Mineral Wells, Texas 76067.
- C - Used if NSD-360A is not installed.
- W - These parts must be ordered from Service Spares Department, Piper Aircraft, Lock Haven, Penna.

PIPER PARTS CATALOG

Figure and Index Number	Part Number	Code	NOMENCLATURE	No. Req.	SERIAL NUMBERS AFFECTED
85A-	39726		DRAWING - Century 21 AutoPilot Installation		
-1	454 706		CIRCUIT BREAKER - (PS50120-1-2) Mechanical Products Inc. 5 amp	1	
	454 668		CIRCUIT BREAKER - (PS50120-3-8) Wood Electric Co., 5 amp	1	
-2	688 153	C	SWITCH - (SF3GBX191)	1	
-3	87369-05		PLACARD - Nav 1 off Nav 2	1	
-4	453 426		BRACKET - Mounting (7C511-2)	1	
-5	415 540	W	SCREW - (MS35206-250)	1	
	407 563	W	WASHER - (AN960-8)	1	
	404 910	W	NUT - (MS20365-832C)	1	
-6	400 438	W	BOLT - (AN3-4A)	4	
	407 674	W	WASHER - (AN960-C10)	4	
	404 887	W	NUT - (MS20365-1032C)	4	
-7	414 695	W	SCREW - (MS24693-S4)	6	
-8	554 954	W	CLAMP - (PS10017-8-4)	1	
-9	487 722	W	CLAMP - (PS10017-3-3-6F)	1	
-10	415 533	W	SCREW- (MS35206-243)	1	
	404 910	W	NUT - (MS20365-832C)	1	
-11	415 544	W	SCREW - (MS35206-244)	1	
	407 120	W	NUT - (AN 936 - B8)	1	
-12	39800-02		INSERT - AutoPilot	1	

When ordering, always specify Part Number, Description, and Serial Number of Aircraft

PIPER PARTS CATALOG

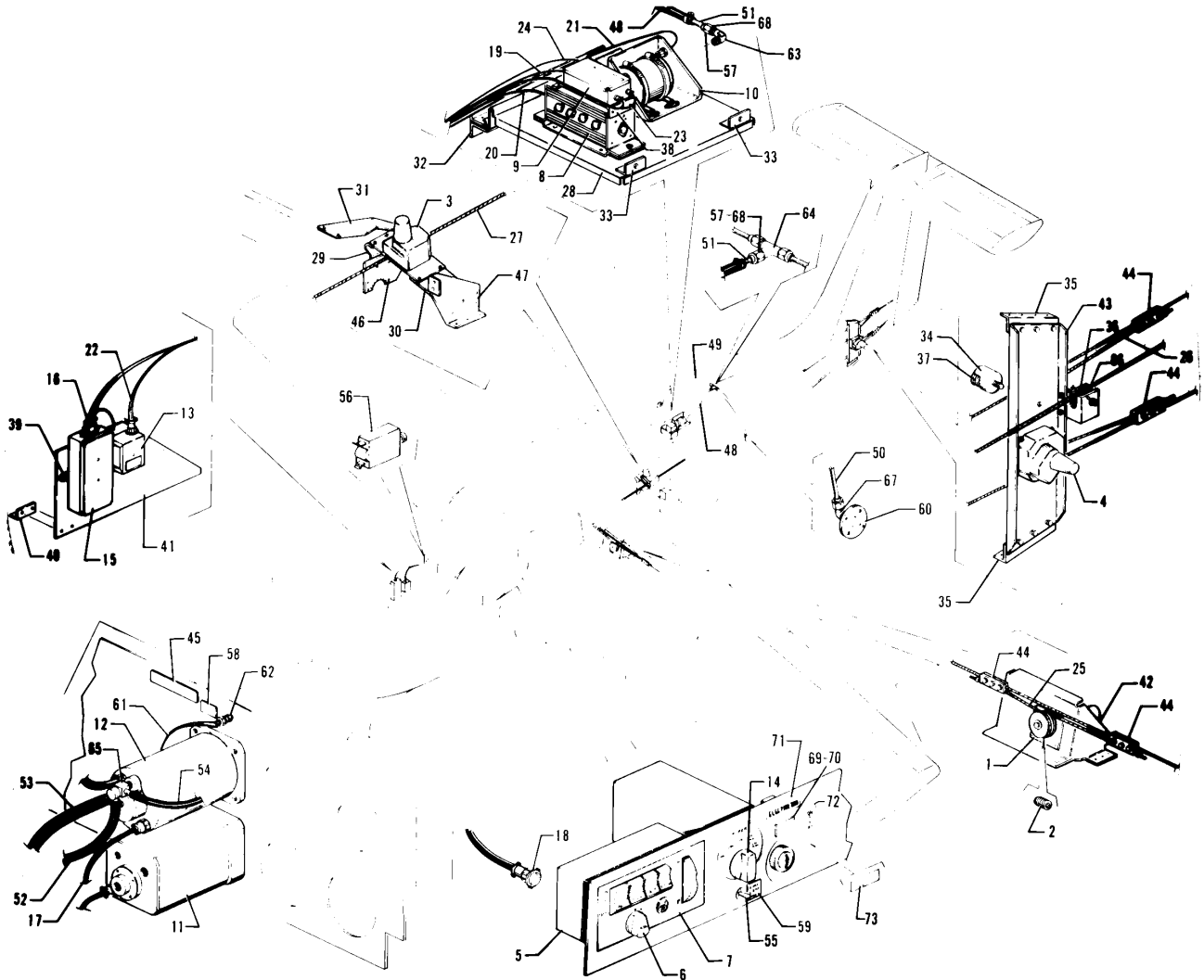


Figure 86 AltiMatic III C Installation
(PA-28RT-201- Serial Nos. 28R-7918001 to 28R-8018116 incl.)
(PA 28RT-201T - Serial Nos. 28R-7931001 to 28R-8031188 incl.)

PIPER PARTS CATALOG

CODE EXPLANATIONS FOR FIGURE 86

- A - Used on PA-28RT-201 with serial numbers 28R-7918001 to 28R-8018116 inclusive, and PA-28RT-201T with serial numbers 28R-7931001 to 28R-8031188 inclusive.
- B - Used when Glide Slope Coupler is installed.
- C - Used when Dual Omni Coupler is installed.
- D - Used on PA-28RT-201 with serial numbers 28R-7918001 to 28R-7918041 inclusive, and PA-28RT-201T with serial numbers 28R-7931001 to 28R-7931053 inclusive.
- E - Used on PA-28RT-201 with serial numbers 28R-7918042 to 28R-8018116 inclusive, and PA-28RT-201T with serial numbers 28R-7931054 to 28R-8031188 inclusive.
- F - Used if NSD-360A Navigation Situation Indicator is installed.
- G - Used if Pitch Trim Switch Replacement Kit 764 401 has been installed.
- H - Used if a push on-off switch is installed.
- W - These parts must be ordered from Service Spares Department, Piper Aircraft, Lock Haven, Penna.

PIPER PARTS CATALOG

Figure and Index Number	Part Number	Code	NOMENCLATURE	No. Req.	SERIAL NUMBERS AFFECTED
86-	35892		DRAWING - AltiMatic IIIC Installation		
-1	757 768		SERVO ASSEMBLY - Roll (1C363-1-430R)	1	
-2	757 579	W	* SET SCREW- Capstan (3S326)	1	
-3	762 391		SERVO ASSEMBLY - Trim (1C373-6-755)	1	
-4	762 252		SERVO ASSEMBLY - Pitch (1C508-1-529P)	1	
-5	758 026	W	CONSOLE - AltiMatic III C (1D720)	1	
-6	760 899	W	* KNOB - Roll (36B141)	1	
-7	757 456	W	* PLATE - Face (13C767) (with 6 bulbs)	1	
-8	751 314		AMPLIFIER - (1C515-1)	1	
-9	751 342		AMPLIFIER - Trim (1C709-5)	1	
-10	751 347		ALTITUDE HOLD - (1C725) (includes 1C535-1 controller, mounting brackets and shock mounts)	1	
-11	550 778	W	INSTRUMENT - Directional gyro (32168-00)	1	
	596 755	W	INSTRUMENT - Horizontal situation indicator (NSD-360-A/52D136-1333)	1	
-12	550 559	W	INSTRUMENT - Attitude gyro (32173-02)	1	
-13	758 181		BOX - Relay (1A526)	1	
-14	551 114	W	COUPLER ASSEMBLY - Omni (25690-00)	1	
	25690-02	F,W	COUPLER ASSEMBLY - Omni	1	
-15	751 300	W	COUPLER ASSEMBLY - Glide slope (1C493)	1	
-16	763 271	B	CABLE ASSEMBLY - (30C291-1)	1	
-17	596 236	B	CABLE ASSEMBLY - (30B295-1)	1	
-18	763 303		CABLE ASSEMBLY - (30C156-5)	1	
-19	757 819		CABLE ASSEMBLY - (30B174-1)	1	
-20	763 304		CABLE ASSEMBLY - (30D207-11)	1	
-21	763 305		CABLE ASSEMBLY - (30A246-204)	1	
-22	758 052		CABLE ASSEMBLY - (30B340-3)	1	
-23	758 075		CABLE ASSEMBLY - (30C481-11)	1	
-24	763 223		CABLE ASSEMBLY - (30C481-27)	1	
-25	753 980		CABLE ASSEMBLY - Bridle (30B200)	1	
-26	763 282		CABLE ASSEMBLY - Bridle (30B302)	1	
-27	62701-193		CABLE ASSEMBLY - Pitch trim	1	
-28	758 476		BRACKET - Amplifier mounting (7D1825)	1	
-29	758 477		BRACKET - Pitch trim servo (7A2012)	1	
-30	758 478		BRACKET - Pitch trim servo (7A2011)	1	
-31	758 479		BRACKET - Pitch trim servo (7C2018)	1	
-32	758 480		BRACKET - Shelf mounting (7B 1826)	1	
-33	758 481		BRACKET - Shelf mounting (7A2015)	2	
-34	758 355		BRACKET - (7A972-2)	1	
-35	758 441		BRACKET - Pitch servo mounting (7B1831)	2	
-36	758 465		BRACKET - Pitch servo pulley (7B 1966)	1	
-37	758 466		BRACKET - Pitch servo pulley (7B1968)	1	
-38	758 482		BRACKET - Pitch trim amplifier (7B1449)	1	
-39	758 486		BRACKET - Glide slope coupler (7B1380)	1	
-40	758 483		BRACKET - Mounting (7B1824-1)	1	
-41	758 484		BRACKET - Glide slope and relay box mounting (7C2017-1)	1	
-42	758 485		BRACKET - Roll servo mounting (7C511-2)	1	
-43	758 446		BRACKET - Pitch servo mounting (7D1944)	1	
-44	757 863	W	CLAMP ASSEMBLY - Bridle cable (42A173-1)	4	
-45	763 418		PLACARD - Conduct trim check (13A660-1)	1	
-46	35888-02		PLATE - Pitch trim servo	1	
-47	35889-02		BRACKET - Pitch trim servo	1	

When ordering, always specify Part Number, Description, and Serial Number of Aircraft

PIPER PARTS CATALOG

Figure and Index Number	Part Number	Code	NOMENCLATURE	No. Req.	SERIAL NUMBERS AFFECTED
86-48	63913-36		HOSE	1	
-49	67700-146		TUBE - Alternate static, right	1	
-50	67700-147		TUBE - Alternate static, left	1	
-51	79636-04		TUBE - Altitude hold	2	
-52	63913-06		HOSE - Attitude gyro to filter	1	
-53	63913-58		HOSE - Attitude gyro to vacuum regulator	1	
-54	63913-132		HOSE - Attitude gyro to suction gauge vent	1	
-55	688 164	C,D	SWITCH - Omni coupler (MTG-206P)	1	
-56	454 656	W	CIRCUIT PROTECTOR - (PS50120-3-7) 5 amp	1	
-57	477 611		NUT - (AN818-3D)	2	
-58	69669-40	B	PLACARD - Glide slope coupler	1	
-59	69509-00	C,D	PLACARD - Omni coupler switch	1	
	35669-126	C,E	PLACARD - Omni coupler switch	1	
-60	78039-00		FITTING ASSEMBLY - Vent	2	
-61	755 310	B	HARNESS ASSEMBLY - Glide slope coupler, with light (30A296-1)	1	
-62	761 173	B	* LAMP - (65S16)	1	
-63	458 893	W	ELBOW - (AN822-3D)	1	
-64	488 315	W	TEE - (AN824-3D)	1	
-65	460 856		TEE - (1K40-4-4-6)	1	
-66	481 640		PULLEY - (MS24566-1B)	2	
-67	458 888	W	ELBOW - (MS20823-3D)	2	
-68	486 896		SLEEVE - (MS20819-3D)	2	
-69	764 401		PITCH TRIM SWITCH REPLACEMENT KIT	1	
-70	587 923	G	* SWITCH - Electric trim (PS10095-1)	1	
-71	87369-38	G	* PLACARD - Pitch trim	1	
-72	87369-39	G	* PLACARD - On-off	1	
-73	67490-02	H	PLACARD - Pitch trim	1	

When ordering, always specify Part Number, Description, and Serial Number of Aircraft

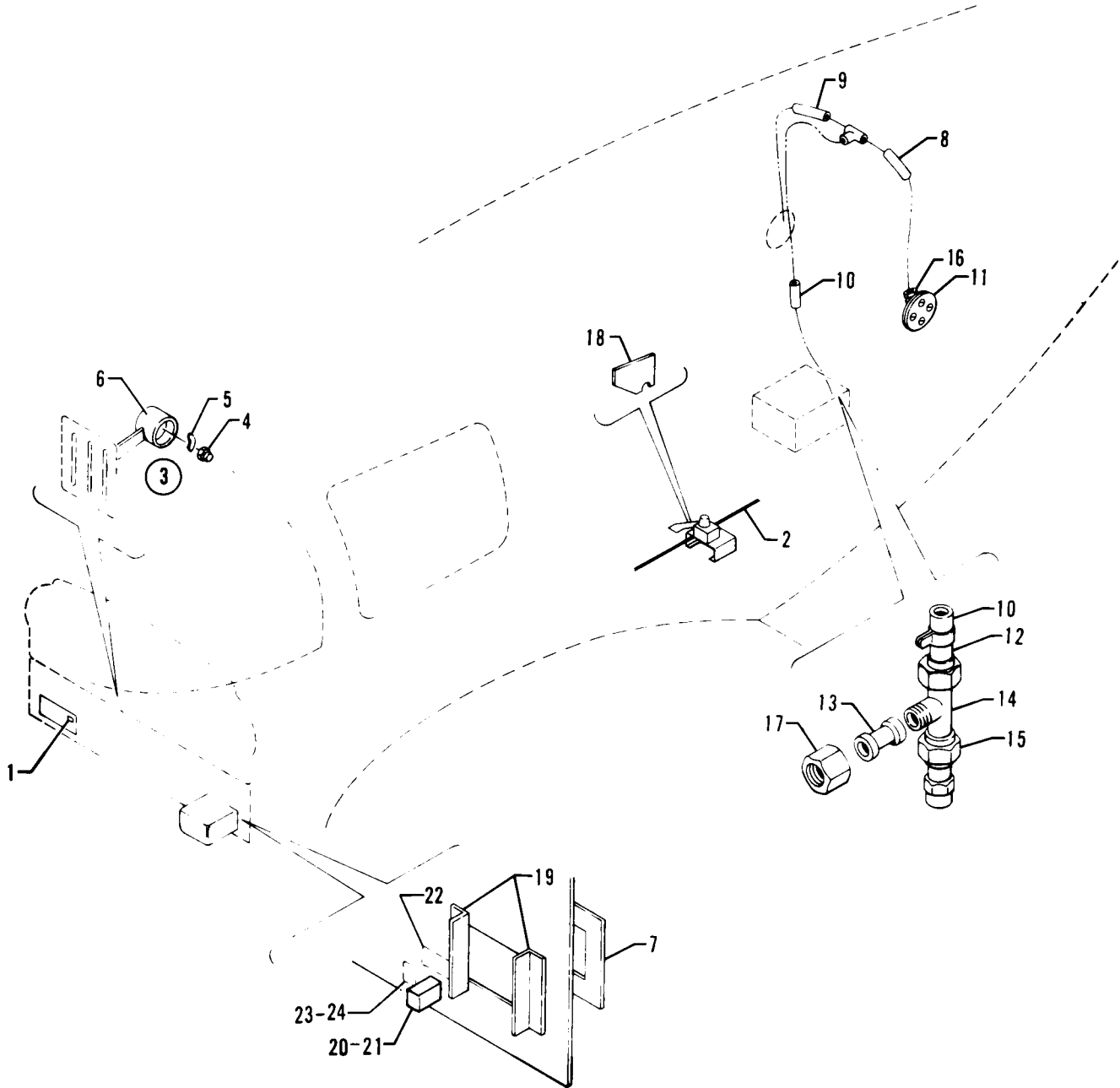


Figure 86A. Century 41 AutoPilot Installation
(PA-28RT-201- Serial Nos. 28R-8118001 and up)
(PA-28RT-201T - Serial Nos. 28R-8131001 and up)

PIPER PARTS CATALOG

CODE EXPLANATIONS FOR FIGURE 86A

- A - Used on PA-28RT-201 with serial numbers 28R-8118001 and up. and PA-28RT-201T with serial numbers 28R-8131001 and up.
- B - This installation is relative only to associated Piper Aircraft Corporation parts that are used when installing Mitchell Century 41 AutoPilot. All Mitchell equipment and components must be procured from an authorized Mitchell Service Center or from EdoAire Mitchell, Post Office Box 610, Municipal Airport, Mineral Wells, Texas 76067.
- C - Used if single cue or double cue artificial horizon and directional gyro are installed.
- D - Used on PA-28RT-201 with serial numbers 28R-8118001 to 28R-8218011 inclusive, and PA-28RT-201T with serial numbers 28R-8131001 to 28R-8231030 inclusive.
- E - Used on PA-28RT-201 with serial numbers 28R-8218012 and up, and PA-28RT-201T with serial numbers 28R-8231031 and up. Also used on PA-28RT-201 with serial numbers 28R-8118001 to 28R-8218011 inclusive and PA-28RT-201T with serial numbers 28R-8131001 to 28R-8231030 inclusive if Pitch Trim Switch Replacement Kit 764 401 has been installed.
- F - Used if a push on-off switch is installed.
- W - These parts must be ordered from Service Spares Department, Piper Aircraft, Lock Haven, Penna.

PIPER PARTS CATALOG

Figure and Index Number	Part Number	Code	NOMENCLATURE	No. Req.	SERIAL NUMBERS AFFECTED
86A-	39773		DRAWING - Century 41 AutoPilot Installation		
-1	454 668		CIRCUIT BREAKER - (PS50120-3-8) 5 amp, Wood Electric Corp.	1	
	454 706		CIRCUIT BREAKER - (PS50120-1-2) 5 amp, Mechanical Products Inc.	1	
-2	62701-193		CABLE ASSEMBLY - Pitch trim	1	
-3	36844-05	C	SWITCH ASSEMBLY - Go-around	1	
-4	588 085	C	* SWITCH - (39-3)	1	
-5	78237-00	C	* PLACARD - Goaround	1	
-6	36530-02	C	* KNOB - Throttle	1	
-7	39800-03		INSERT - AutoPilot	1	
-8	67700-147		TUBE ASSEMBLY - Alternate static, left	1	
-9	67700-146		TUBE ASSEMBLY - Alternate static, right	1	
-10	63913-36		HOSE - Static	1	
-11	78039-00		FITTING ASSEMBLY - Static line vent	2	
-12	67700-160		TUBE ASSEMBLY - Static air	1	
-13	95153-31		TUBE ASSEMBLY Flight computer	1	
-14	488 310	W	TEE - (MS20826-3D)	1	
-15	455 173	W	COUPLING - (AN910-1D)	1	
-16	458 888	W	ELBOW - (MS20823-3D)	2	
-17	477 646		NUT - (9021)	1	
-18	35888-02		PLATE - Electric trim	1	
-19	39785-02		ANGLE Programmer support	2	
-20	764 401	D	PITCH TRIM SWITCH REPLACEMENT KIT	1	
-21	587 923	E	* SWITCH - Electric trim (PS10095-1)	1	
-22	87369-38	E	* PLACARD - Pitch trim	1	
-23	87369-39	E	* PLACARD - On-off	1	
-24	67490-02	F	PLACARD - Pitch trim	1	

When ordering, always specify Part Number, Description, and Serial Number of Aircraft

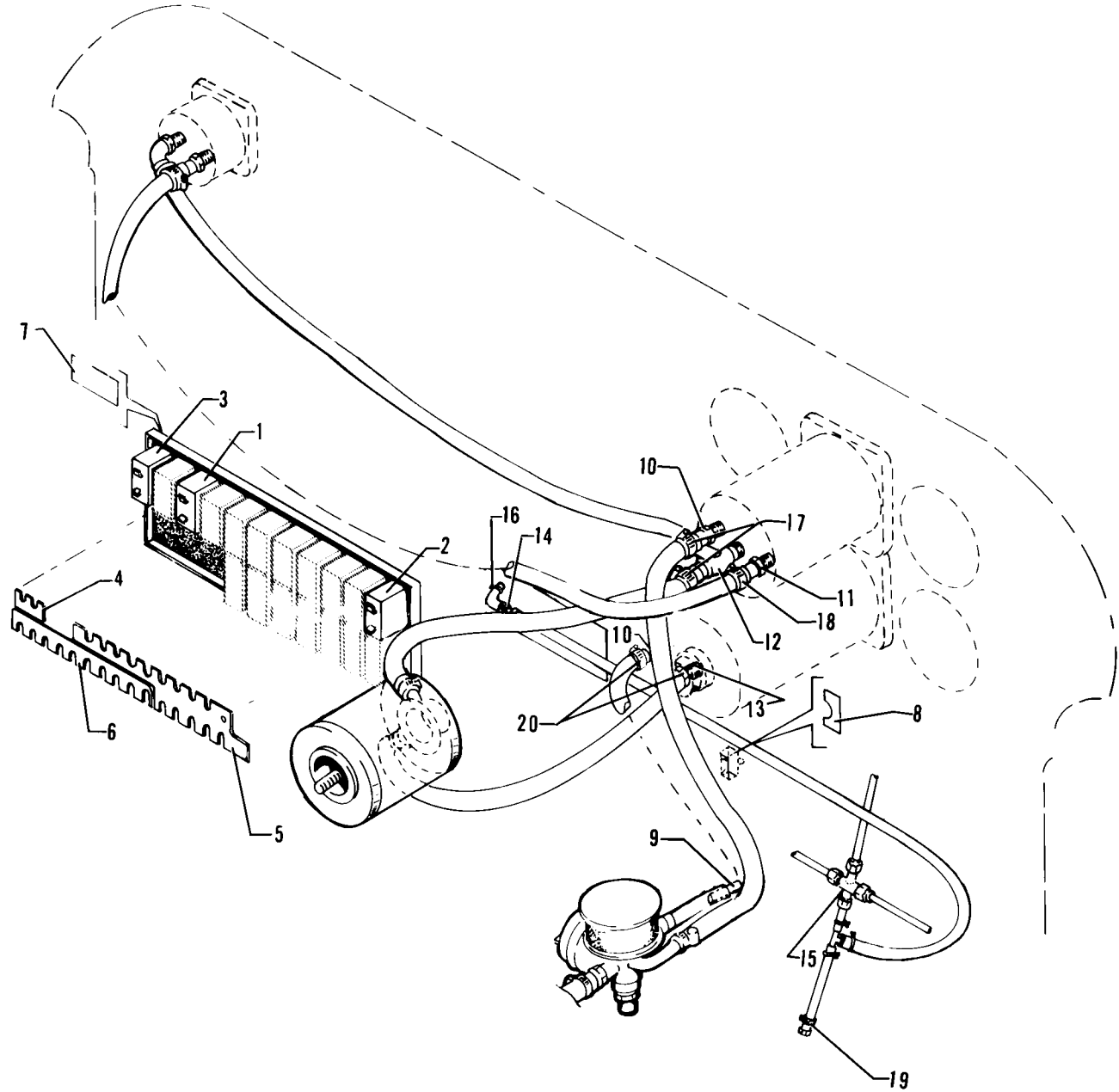


Figure 86B. King KAP 100/150/KFC 150 AutoPilot Installation
(Serial Nos. 28R-8331001 and up)

PIPER PARTS CATALOG

CODE EXPLANATIONS FOR FIGURE 86B

- A - This installation is relative only to associated Piper Aircraft Corporation parts that are used when installing King KAP 100/150 or KFC 150 AutoPilot. All King equipment and components must be procured from King Radio Corporation, 400 N. Rogers Road, Olathe, Kansas 66061.
- W - These parts must be ordered from Service Spares Department, Piper Aircraft, Lock Haven, Penna.

PIPER PARTS CATALOG

Figure and Index Number	Part Number	Code	NOMENCLATURE	No. Req.	SERIAL NUMBERS AFFECTED
86B-	39873		DRAWING - King KAP 100/150 KFC 150 AutoPilot Installation		
-1	454 657		CIRCUIT BREAKER - AutoPilot, 10 amp (PS50120-3-12)	1	
-2	454 656		CIRCUIT BREAKER - Pitch trim, 5 amp (PS50120-3-7)	1	
-3	454 706		CIRCUIT BREAKER - Compass system, 5 amp (PS50120-1-2)	1	
-4	35208-04		STRIP - Circuit breaker	1	
-5	35208-09		STRIP - Circuit breaker	1	
-6	35208-10		STRIP - Circuit breaker	1	
-7	35669-110		PLACARD - Compass system	1	
-8	87369-40		PLACARD - Nav 1 /Nav 2	1	
-9	96268-00		PLUG ASSEMBLY	1	
-10	451 939	W	ADAPTER - (1K10-4-6)	2	
-11	451 881	W	ADAPTER-(1K10-2-4)	1	
-12	560 835	W	ELBOW - (1K31-4-6-4)	1	
-13	558 913	W	ELBOW - (1K9-4-6)	1	
-14	491 049	W	UNION - (AN815-3D)	1	
-15	455 417		CROSS - (AN827-3D)	1	
-16	454 806	W	CLAMP - (SAE TY E-7)	4	
-17	554 888		CLAMP - (SAE TY F-6)	4	
-18	554 861	W	CLAMP - (SAE TY F-4)	4	
-19	554 575		CLAMP - (PS10017-23-4)	1	
-20	554 598		CLAMP - (NAS397-12)	2	

When ordering, always specify Part Number, Description, and Serial Number of Aircraft

**2D23 THRU 2D24
INTENTIONALLY LEFT BLANK**

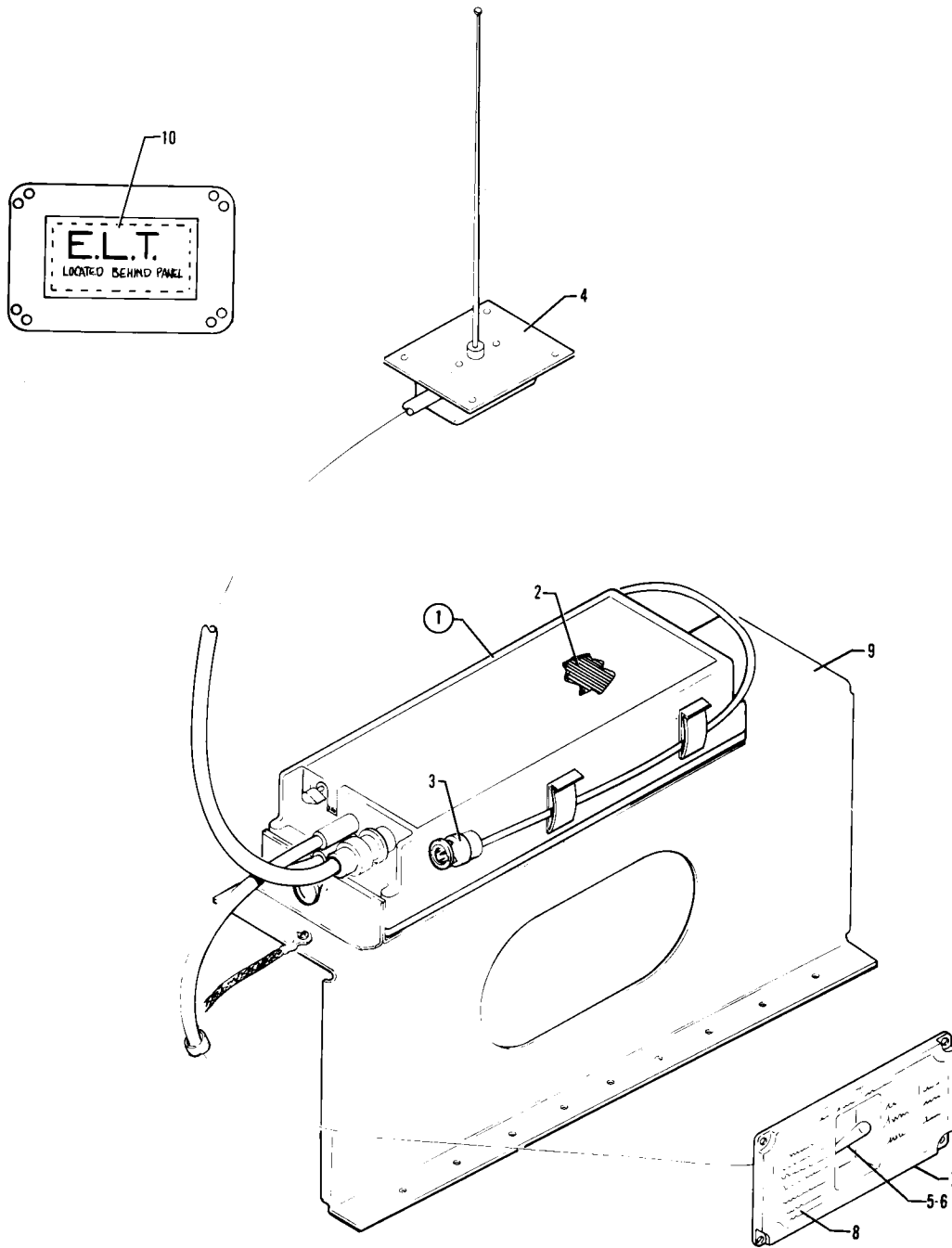


Figure 87. Piper Automatic Locator (ELT) Installation
(Communications Components Corp.)

PIPER PARTS CATALOG

CODE EXPLANATIONS FOR FIGURE 87

A - When ordering specify color "bark II" or black.

PIPER PARTS CATALOG

Figure and Index Number	Part Number	Code	NOMENCLATURE	No. Req.	SERIAL NUMBERS AFFECTED
87-	79761		DRAWING - Emergency Locator Transmitter Installation		
-1	762 030		TRANSMITTER ASSEMBLY - Automatic locator (CIR-11-2) (includes alkaline battery pack)	1	
-2	758 370		* BATTERY PACK - Transmitter assembly (alkaline)	1	
-3	758 092		* ANTENNA ASSEMBLY - Portable (10-249)	1	
-4	763 004		ANTENNA ASSEMBLY - Whip (10-234)	1	
-5	79762-02		SWITCH AND HARNESS ASSEMBLY - ELT	1	
-6	588 030		* SWITCH - (8A2051)	1	
-7	79463-02	A	COVER - ELT switch	1	
-8	69669-66		PLACARD - Warning	1	
-9	86563-02		BRACKET ASSEMBLY - Emergency locator transmitter	1	
-10	35669-105		PLACARD - ELT location	1	

When ordering, always specify Part Number, Description, and Serial Number of Aircraft

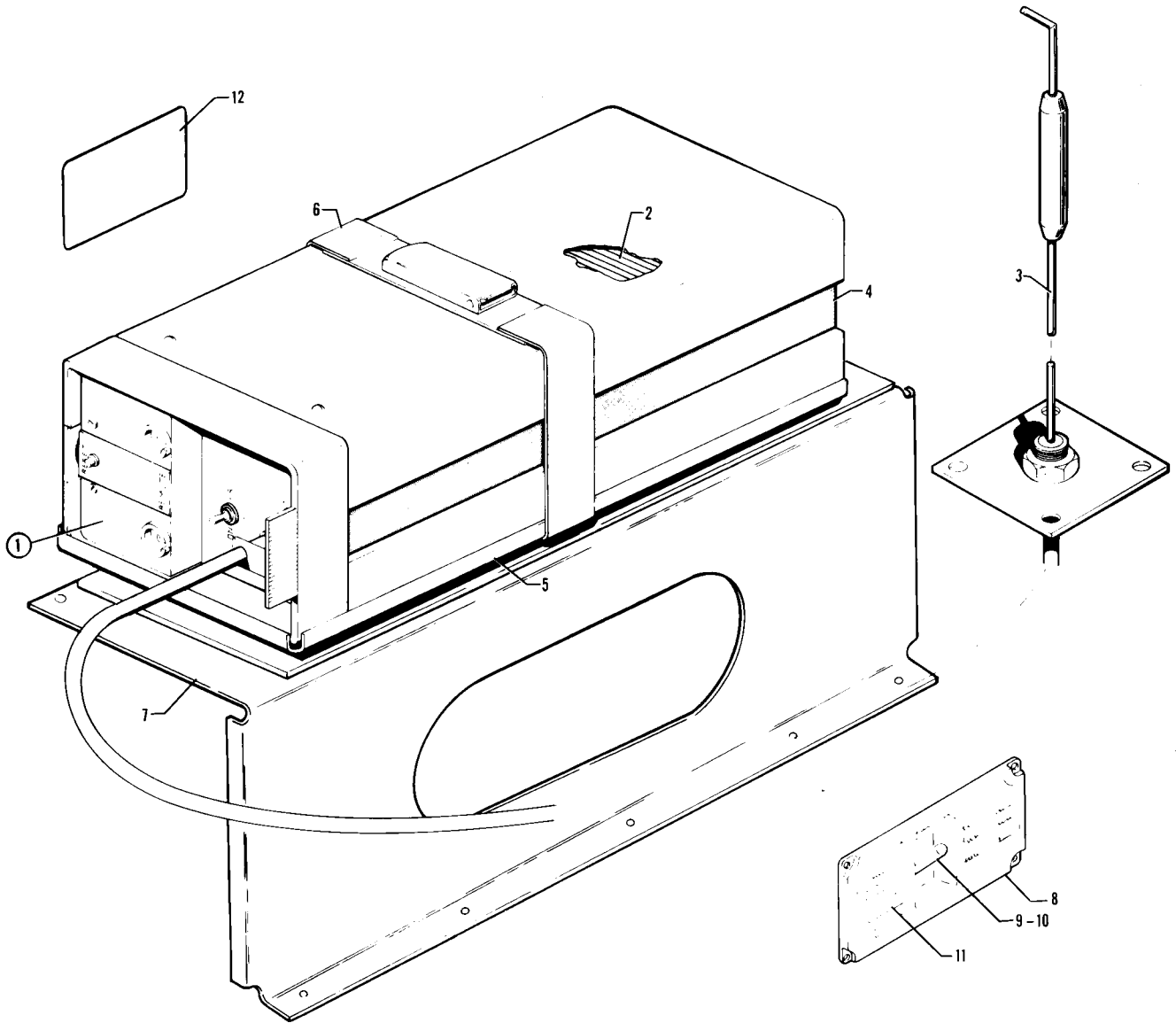


Figure 87A. Piper Automatic Locator (ELT) Installation
(Narco Avionics)

PIPER PARTS CATALOG

CODE EXPLANATIONS FOR FIGURE 87A

A - When ordering specify color "bark II" or black.

W - These parts must be ordered from Service Spares Department, Piper Aircraft, Lock Haven, Penna.

PIPER PARTS CATALOG

Figure and Index Number	Part Number	Code	NOMENCLATURE	No. Req.	SERIAL NUMBERS AFFECTED
87A-	36632		DRAWING - Piper Automatic Locator (ELT) Installation		
-1	597 461		TRANSMITTER ASSEMBLY - Automatic Locator (ELT 10) (includes alkaline battery pack)	1	
-2	758 452	W	* BATTERY PACK - Transmitter assembly (57674-0001)	1	
-3	597 257	W	* ANTENNA ASSEMBLY - E.L.T (01652-0101)	1	
-4	763 019	W	* ANTENNA - Blade, portable (57667-0001)	1	
-5	758 453	W	* BASE - Transmitter assembly (57666-0001)	1	
-6	762 357	W	* STRAP - Transmitter assembly (57682-0101)	1	
-7	86563-04		BRACKET ASSEMBLY - Emergency locator transmitter	1	
-8	79463-00	A	COVER - ELT switch	1	
-9	79599-00		SWITCH AND HARNESS ASSEMBLY - ELT	1	
-10	588 011		* SWITCH - (8E1011)	1	
-11	35669-132		PLACARD - Warning	1	
-12	35669-105		PLACARD - ELT location	1	

When ordering, always specify Part Number, Description, and Serial Number of Aircraft

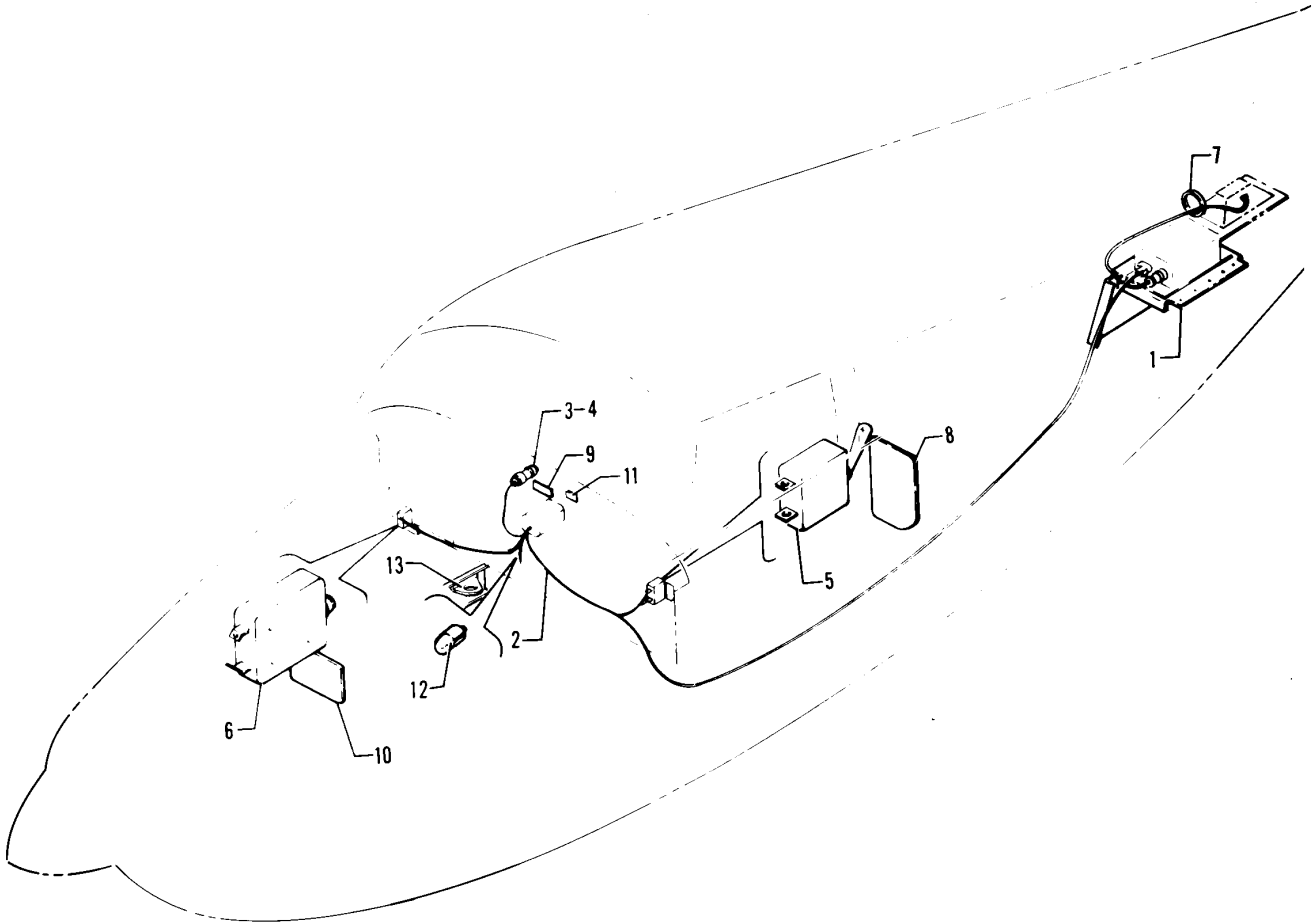


Figure 87B. Radar Altimeter Installation (Bonzer)

PIPER PARTS CATALOG

CODE EXPLANATIONS FOR FIGURE 87B

A - Used if air conditioning is installed.

B - Used on PA-28RT-201 with serial nos. 28R-7918265 and up, and PA-28RT-201T with serial nos. 28R-7931306 and up.

W - These parts must be ordered from Service Spares Department, Piper Aircraft, Lock Haven, Penna.

PIPER PARTS CATALOG

Figure and Index Number	Part Number	Code	NOMENCLATURE	No. Req.	SERIAL NUMBERS AFFECTED
87B-	37693		DRAWING - Radar Altimeter Installation (Bonzer)		
-1	37693-04		SUPPORT - Radar altimeter transmitter	1	
-2	37694-02		HARNES ASSEMBLY - Radar altimeter	1	
-3	761 198		* LAMP ASSEMBLY - (136-0020-00)	1	
-4	472 054	W	* LAMP - (PS10008-330)	1	
-5	587 923		* SWITCH - (PS10095-1)	1	
-6	454 706		CIRCUIT BREAKER - (PS50120-1-2) 5 amp, Mech. Products Inc.	1	
	454 668	B	CIRCUIT BREAKER - (PS50120-3-8) 5 amp, Mech. Products Inc.	1	
-7	63186-12		MOULDING	1	
-8	69669-97		PLACARD - Radar altimeter on-off	1	
-9	69669-95		PLACARD - Radar altimeter off for take-off	1	
-10	69669-96		PLACARD - Radar altimeter	1	
-11	69669-114	A	PLACARD - Warning	1	
-12	472 054	W	LAMP - (PS10008-330)	1	
-13	35672-02		BRACKET - Horn	1	

When ordering, always specify Part Number, Description, and Serial Number of Aircraft

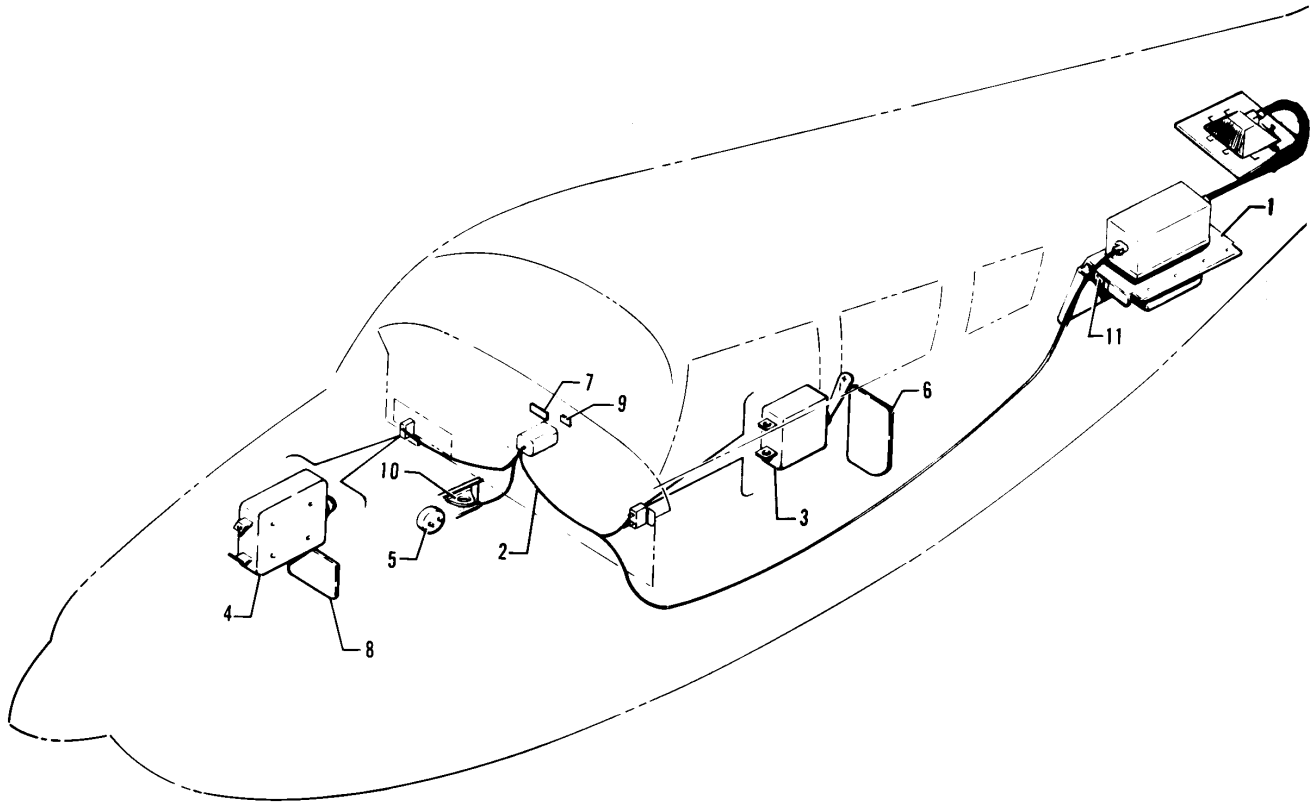


Figure 87C. Radar Altimeter Installation (King)
(PA-28RT-201-Serial Nos. 28R-8018001 and up)
(PA-28RT-201T-Serial Nos. 28R-8031001 and up)

PIPER PARTS CATALOG

CODE EXPLANATIONS FOR FIGURE 87C

- A - Used on PA-28RT-201 with serial numbers 28R-8018001 and up, and PA-28RT-201T with serial numbers 28R-8031001 and up.
- B - Used if air conditioning is installed.
- W - These parts must be ordered from Service Spares Department, Piper Aircraft, Lock Haven, Penna.

PIPER PARTS CATALOG

Figure and Index Number	Part Number	Code	NOMENCLATURE	No. Req.	SERIAL NUMBERS AFFECTED
87C-	36973		DRAWING - Radar Altimeter Installation (King)		
-1	36973-06		SUPPORT - Radar altimeter transmitter	1	
-2	36970-02		HARNESS ASSEMBLY - Radar altimeter	1	
-3	587 923		* SWITCH - (PS10095-1)	1	
-4	454 706		CIRCUIT BREAKER - (PS50120-1-2) 5 amp, Mech. Products Inc.	1	
	454 668		CIRCUIT BREAKER - (PS50120-3-8) 5 amp, Wood Electric Corp.	1	
-5	565 367	W	HORN - Warning (SC-628)	1	
-6	69669-97		PLACARD - Radar altimeter on-off	1	
-7	69669-95		PLACARD - Radar altimeter off for take-off	1	
-8	69669-96		PLACARD - Radar altimeter	1	
-9	69669-114	B	PLACARD - Warning	1	
-10	35672-02		BRACKET- Horn	1	
-11	63186-23		MOULDING	1	

When ordering, always specify Part Number, Description, and Serial Number of Aircraft

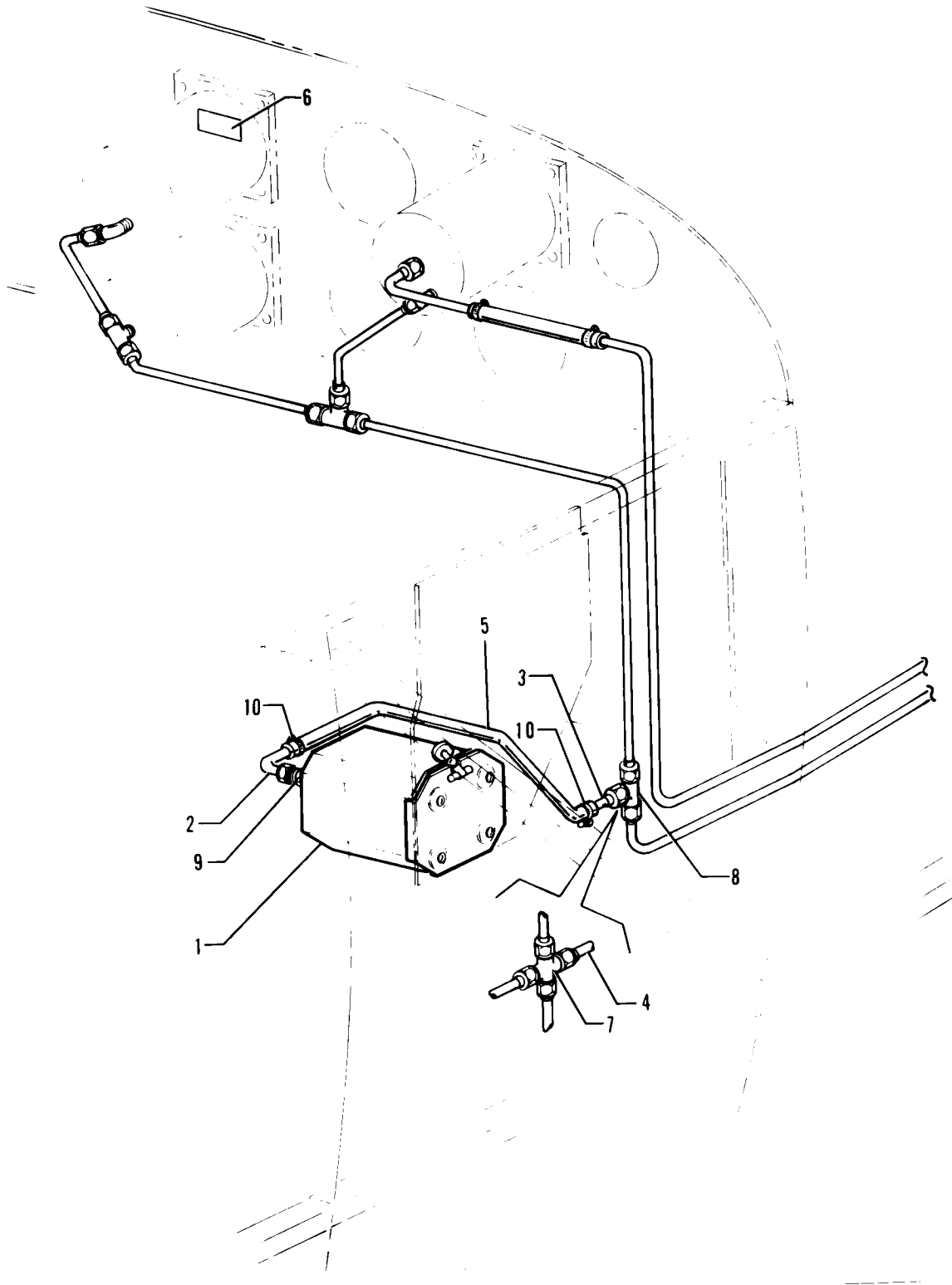


Figure 88. Encoder Installation
(Narco - AR 500 and United - 5125-P3)

PIPER PARTS CATALOG

CODE EXPLANATIONS FOR FIGURE 88

A - Used if alternate static system is installed.

B - Used if alternate static system is not installed.

C - Used on PA-28RT-201 with serial numbers 28R-7918117 and up, and PA-28RT-201T with serial numbers 28R-7931178 and up.

W - These parts must be ordered from Service Spares Department, Piper Aircraft, Lock Haven, Penna.

PIPER PARTS CATALOG

Figure and Index Number	Part Number	Code	NOMENCLATURE	No. Req.	SERIAL NUMBERS AFFECTED
88-	79658		DRAWING - Encoder Installation (Narco-AR 500 and United 5125-P3)		
-1	596 605		ALTITUDE REPORTER - Narco (PS50040-30-2)	1	
	597 426	C	ALTITUDE REPORTER - United (PS50040-30-4)	1	
-2	63211-00		TUBE ASSEMBLY - Encoder	1	
-3	79636-04		TUBE ASSEMBLY - Encoder	1	
-4	67700-148	B	TUBE ASSEMBLY - Alternate static	1	
-5	63913-37		HOSE - Alternate static	1	
-6	35669-154		PLACARD - Altitude reporter installed	1	
-7	455 417	A	CROSS - (AN827-3D)	1	
-8	488 315	B,W	TEE - (AN824-3D)	1	
-9	476 647	W	UNION - (AN816-3D)	1	
-10	554 861	W	CLAMP - (SAE TY F-4)	2	

When ordering, always specify Part Number, Description, and Serial Number of Aircraft

PIPER PARTS CATALOG

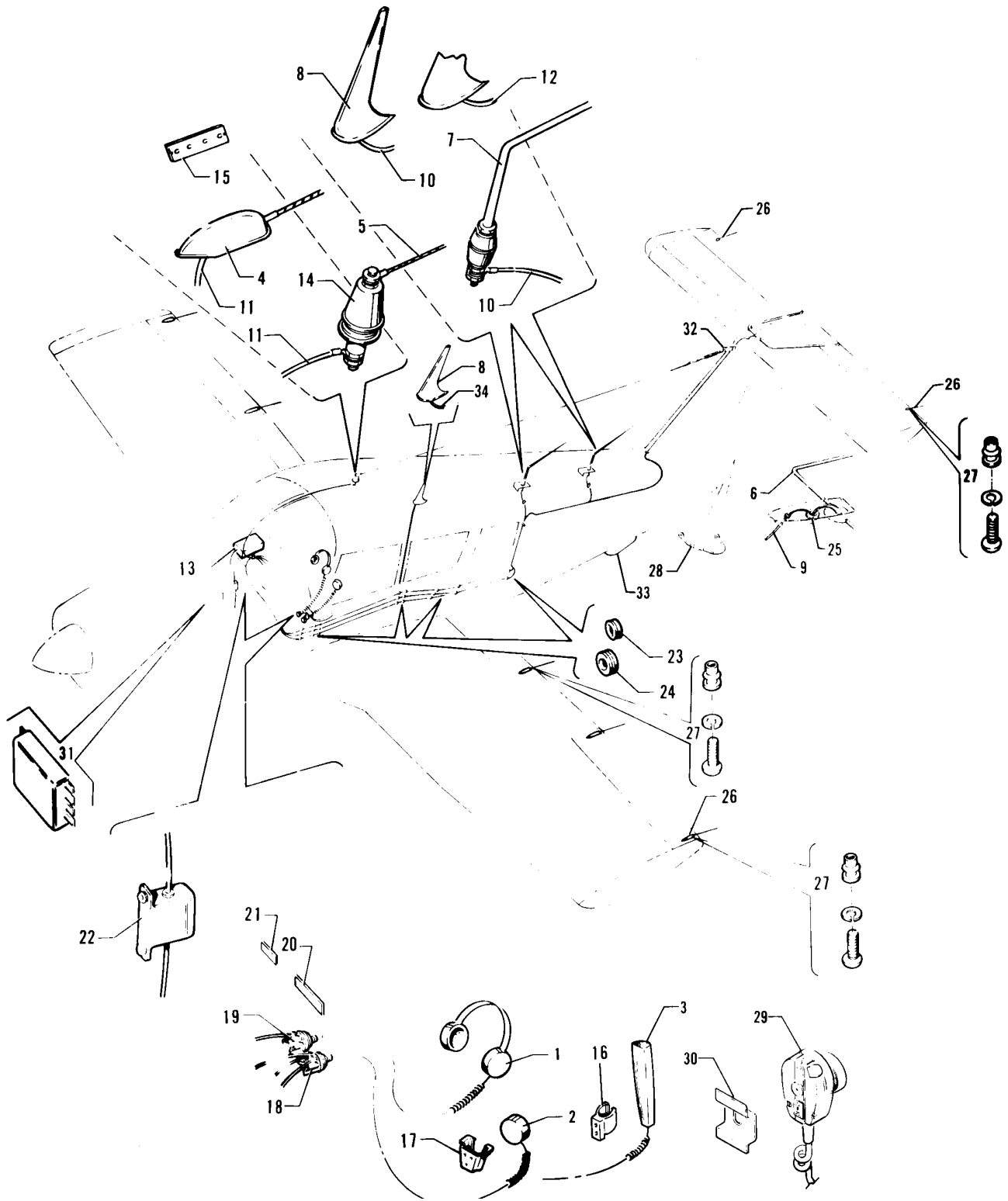


Figure 89. Radio, Antenna System and Static Wicks Installation

PIPER PARTS CATALOG

CODE EXPLANATIONS FOR FIGURE 89

- A - See Figure 90 for component parts.
- B - With single VHF switch, ADF switch and marker beacon switches.
- C - With microphone switch, dual VHF switches and ADF switch.
- D - With microphone switch, dual VHF switches, ADF switch and marker beacon switches.
- E - Used with King Avionics package only.
- F - Used on PA-28RT-201T only.
- G - When ordering, specify color "bark II" or black.
- H - Used on PA-28RT-201 with serial numbers 28R-8118001 and up, and PA-28RT-201T with serial numbers 28R-8131001 and up.
- W - These parts must be ordered from Service Spares Department, Piper Aircraft, Lock Haven, Penna.

PIPER PARTS CATALOG

Figure and Index Number	Part Number	Code	NOMENCLATURE	No. Req.	SERIAL NUMBERS AFFECTED
89-	67440 79153 99461 78947 39737	H	DRAWING - Radio Systems Installation DRAWING - All Weather Antenna Installation DRAWING - Radio Antenna Systems Installation DRAWING - Static Wick Installation DRAWING - Marker Beacon Antenna Installation		
-1	464 362 464 407	W	HEADPHONE HEADPHONE - (With boom mike)	1 1	
-2	474 652		MICROPHONE - (Telex 60837-17)	1	
-3	474 642		MICROPHONE - (Telex 62800-001)	1	
-4	79160-00		ANTENNA ASSEMBLY - Receiving	1	
-5	99841-07		ANTENNA ASSEMBLY - Receiving	1	
-6	451 273	W	ANTENNA ASSEMBLY - Omni-receiver (VRP-37)	1	
-7	451 272	W	ANTENNA ASSEMBLY - Transmitting (VTP-17)	1	
-8	596 332 596 664		ANTENNA - Broadband, VHF COMM (PS50040-18-1) (Communication Components) ANTENNA - Broadband, VHF COMM (PS50040-18-2) (Dorne and Margolin)	2 2	
-9	65192-09 68390-04 65192-13	F F F	CABLE ASSEMBLY - Receiving (342" long) CABLE ASSEMBLY - Receiving, forward (254" long) CABLE ASSEMBLY - Receiving, aft (75" long)	1 1 1	
-10	99610-00		CABLE ASSEMBLY - Transmitting	1	
-11	596 118		CABLE ASSEMBLY - Receiving (90677-67)	1	
-12	99610-02		CABLE ASSEMBLY - Transmitting	1	
-13	99395-00 99395-02 99395-03	A,B,E A,C,E A,D,E	AUDIO SELECTOR ASSEMBLY AUDIO SELECTOR ASSEMBLY AUDIO SELECTOR ASSEMBLY	1 1 1	
-14	467 064	W	INSULATOR - Antenna (135-40)	1	
-15	79152-00 79152-02		STRIP ASSEMBLY - Terminal STRIP ASSEMBLY - Terminal	1 1	
-16	565 523		HOLDER - Microphone (64022-000)	1	
-17	99680-08	G	SUPPORT - Microphone	1	
-18	468 002	W	JACK - Mike (S12B)	2	
-19	468 006	W	JACK - Phone (11)	1	
-20	67471-00		PLACARD - Mike and phone	1	
-21	66837-00		PLACARD - Mike jack (with console mike jack)	1	
-22	555 501 555 422 556 753 555 421	H	COUPLER - Dual NAV-COM (AVB-10) COUPLER - Dual NAV-COM with glide slope (AV-571) COUPLER - Dual NAV-COM with glide slope (CI1125) COUPLER - Single NAV-COM with glide slope (AV-570)	1 1 1 1	
-23	453 838		BUSHING - Snap (PS10064-500-6)	8	
-24	453 836	W	BUSHING - Snap (PS10064-437-5)	8	
-25	434 189		GROMMET - (MS35489-134)	1	
-26	494 678	W	WICK - Static (SW 10-96)	9	
-27	415 520 407 122 506 902	W W	SCREW - (MS35206-230) WASHER - (AN935-6L) RIVNUT - (S6K75)	18 18 18	
-28	469 600		JUMPER ASSEMBLY - Lightning protection (MS25083-3AA6)	6	
-29	474 659	W	MICROPHONE - (M700B)	1	
-30	554 686		CLIP - Microphone holder (90Z1136)	1	
-31	584 137		RELAY - Boom mike (HE822C1210)	1	
-32	486 562		SHACKLE - (MS20115-2)	1	
-33	597 893	H	ANTENNA - Marker beacon (PS50040-15-10)	1	
-34	99610-10	F	CABLE ASSEMBLY - Transmitting	1	28R-8231044 and up

When ordering, always specify Part Number, Description, and Serial Number of Aircraft

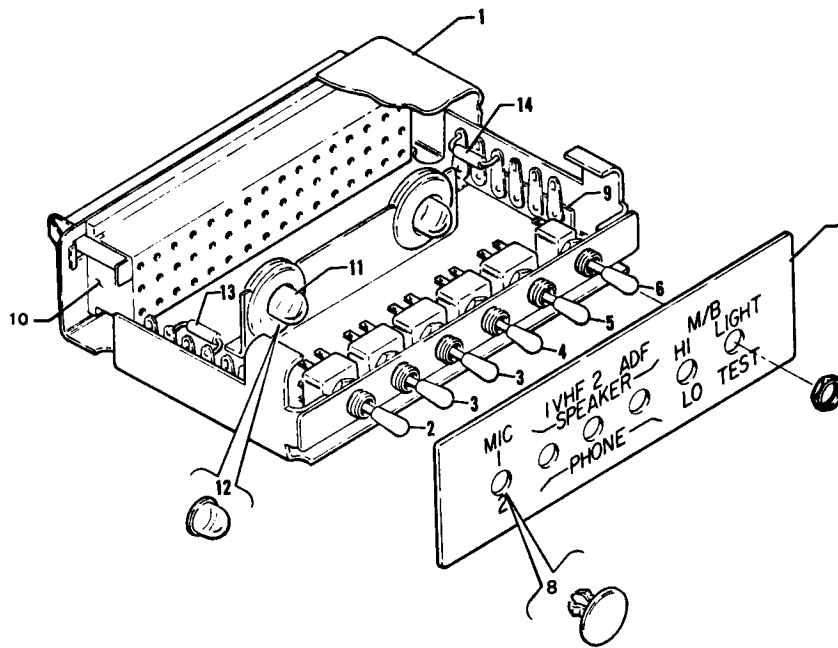


Figure 90. Audio Selector Assembly
(See Code "A" On Next Page)

PIPER PARTS CATALOG

CODE EXPLANATIONS FOR FIGURE 90

- A - Used with King Avionics package only.
- B - With single VHF switch, ADF switch and marker beacon switches.
- C - With microphone switch, dual VHF switches, and ADF switch.
- D - With microphone switch, dual VHF switches, ADF switch and marker beacon switch.
- W - These parts must be ordered from Service Spares Department, Piper Aircraft, Lock Haven, Penna.

PIPER PARTS CATALOG

Figure and Index Number	Part Number	Code	NOMENCLATURE	No. Req.	SERIAL NUMBERS AFFECTED
90-1	99395-00	B	AUDIO SELECTOR ASSEMBLY	1	
	99395-02	C	AUDIO SELECTOR ASSEMBLY	1	
	99395-03	D	AUDIO SELECTOR ASSEMBLY	1	
-2	587 807		* SWITCH - Microphone (JMT-223)	1	
-3	587 808		* SWITCH - VHF (JMT-221)	2	
-4	587 808		* SWITCH - ADF (JMT-221)	1	
-5	587 808		* SWITCH - Marker beacon, Hi/Lo (JMT-221)	1	
-6	587 809		* SWITCH - Marker beacon, light test (JMT-126)	1	
-7	99344-00		* PLATE - Selector face	1	
-8	453 855	W	* BUTTON - Plug (207-17021-00)	2	
-9	588 356		* STRIP - Terminal (1076)	2	
-10	484 234		* RECEPTACLE - (1055R48)	1	
-11	472 056		* BULB - (PS10008-53)	2	
-12	460 602		* FILTER - Lunar white (1813-26)	2	
-13	456 703		* DIODE - (IN2071)	3	
-14	484 461		* RESISTOR - (242E3R05)	1	

When ordering, always specify Part Number, Description, and Serial Number of Aircraft

**2E22 THRU 2E24
INTENTIONALLY LEFT BLANK**

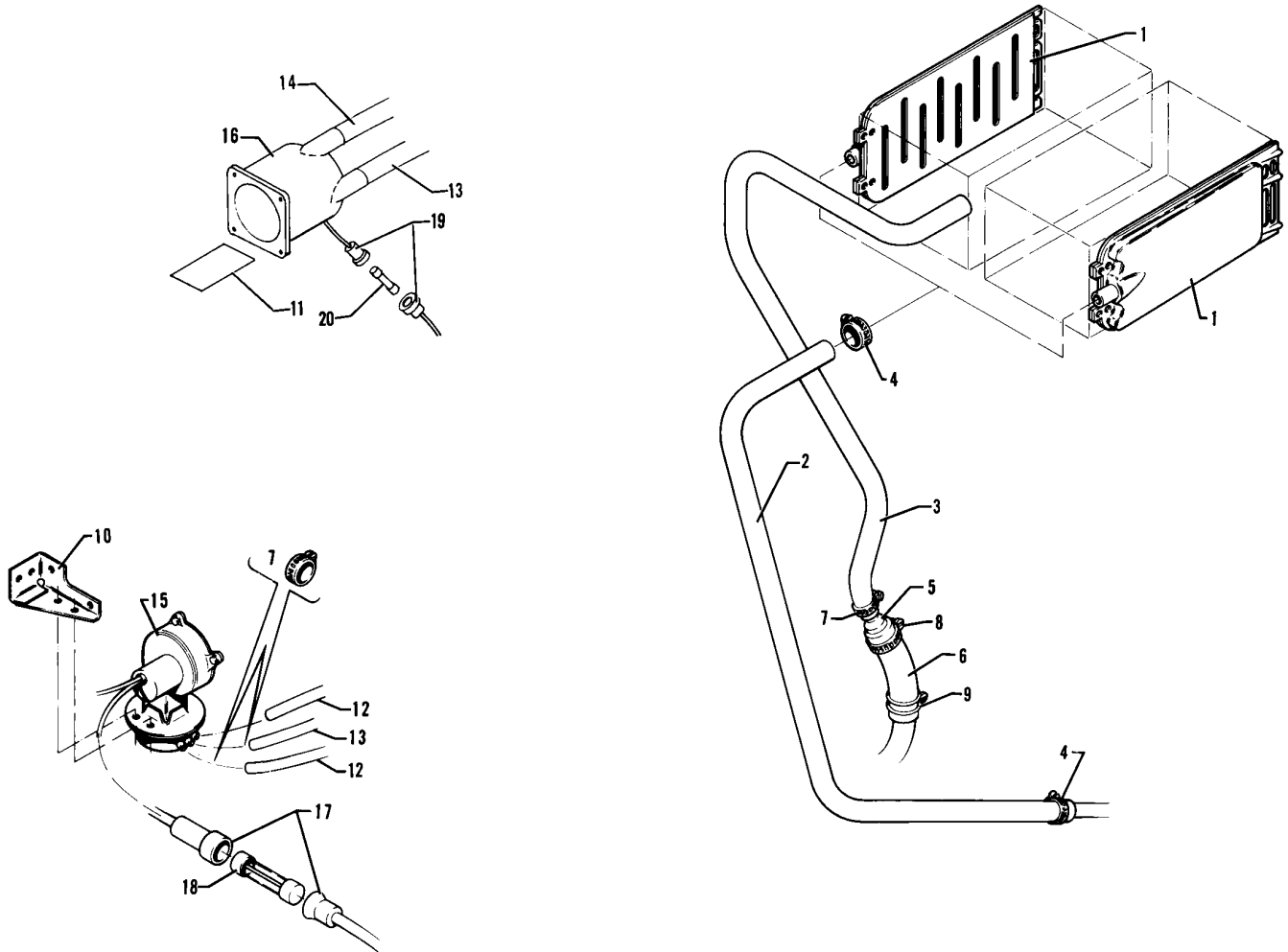


Figure 91. Avionics Cooling Installation

PIPER PARTS CATALOG

CODE EXPLANATIONS FOR FIGURE 91

- A - Used on PA-28RT-201 with serial numbers 28R-8118001 and up, and PA-28RT-201T with serial numbers 28R-8131001 and up.
- B - Used on PA-28RT201T only.
- C - Used with Avionics Cooling Blower P/N 452 997 (Bendix No. 3604529-0504) only.
- D - Used with Avionics Cooling Blower P/N 598 422 (King No. 071-4031-00) only.
- E - Used on PA-28RT-201 with serial numbers 28R-8118001 and up, and PA-28RT-201T with serial numbers 28R-8131001 to 28R-8231092 inclusive.
- W - These parts must be ordered from Service Spares Department, Piper Aircraft, Lock Haven, Penna.

PIPER PARTS CATALOG

Figure and Index Number	Part Number	Code	NOMENCLATURE	No. Req.	SERIAL NUMBERS AFFECTED
91-	79406 39745 39857	E B	DRAWING - Radio Cooling Installation DRAWING - Bendix Radio Cooling Blower Installation DRAWING - King Avionics Cooling Blower Installation		28R-8331001 and up
-1	79405-00		BOX ASSEMBLY - Avionics cooling	1	
-2	63633-136		HOSE - Avionics cooling (60" long)	1	
-3	63633-186		HOSE - Avionics cooling (73" long)	1	
-4	554 888	W	LAMP - (SAE TY F-6)	2	
-5	79487-00	E	REDUCER - Avionics cooling hose	1	
-6	63633-169	E	HOSE - Avionics cooling (4" long)	1	
-7	554 888	A,W	CLAMP - (SAE TY F-6)	6	
-8	454 921	E	CLAMP - (SAE TY F-10)	1	
-9	554 892	E	CLAMP - (SE TY A-15/16)	1	
-10	39745-10	C,E	BRACKET - Blower mount	1	
-11	36979-28	B,D	PLATE - Blower mount	1	28R-8331001 and up
-12	63633-135	C,E	HOSE - Blower	2	
-13	63633-170	A	HOSE - Blower	1	
-14	598 323	B,D	HOSE - Blower (150-0038-00)	AR	28R-8331001 and up
-15	452 997	E	BLOWER - Avionics cooling, Bendix (3604529-0504)	1	
-16	598 422	B	BLOWER - Avionics cooling, King (071-4031-00)	1	28R-8331001 and up
-17	86652-05	C,E	FUSE ASSEMBLY - Blower	1	
-18	461 629	C,E	** FUSE - (311005) 5 amp	1	
-19	86652-08	B,D	FUSE ASSEMBLY Blower	1	28R-8331001 and up
-20	461 629	B,D	** FUSE - (311005) 5 amp	1	

When ordering, always specify Part Number, Description, and Serial Number of Aircraft

PIPER PARTS CATALOG

CODE EXPLANATIONS FOR RADIO INSTALLATION DRAWINGS

- A - Used on PA-28RT-201 only.
- B - Used on PA-28RT-201 with serial numbers 28R-7918001 to 28R-7918306 inclusive, and PA-28RT-201T with serial numbers 28R-7931001 to 28R-7931353 inclusive.
- C - Used on PA-28RT-201 with serial numbers 28R-8018001 and up, and PA-28RT-201T with serial numbers 28R-8031001 and up.
- D - Used on PA-28RT-201 with serial numbers 28R-7918001 to 28R-8018116 inclusive, and PA-28RT-201T with serial numbers 28R-7931001 to 28R-8031188 inclusive.
- E - Used on PA-28RT-201 with serial numbers 28R-8118001 and up, and PA-28RT-201T with serial numbers 28R-8131001 and up.
- F - Used on PA-28RT-201 with serial numbers 28R-7918001 to 28R-8118092 inclusive, and PA-28RT-201T with serial numbers 28R-7931001 to 28R-8131229 inclusive.
- G - Used on PA-28RT-201 with serial numbers 28R-8218001 and up, and PA-28RT-201T with serial numbers 28R-8231001 and up.
- H - Used on PA-28RT-201 with serial numbers 28R-7918001 and up, and PA-28RT-201T with serial numbers 28R-7931001 to 28R-8231092 inclusive.
- J - Used on PA-28RT-201T only.
- K - Used on PA-28RT-201 with serial numbers 28R-8118001 and up, and PA-28RT-201T with serial numbers 28R-8131001 to 28R-8231092 inclusive.
- L - Used on PA-28RT-201 with serial numbers 28R-7918001 and up, and PA-28RT-201T with serial numbers 28R-7931001 to 28R-8331051 inclusive.

PIPER PARTS CATALOG

Figure and Index Number	Part Number	Code	NOMENCLATURE	No. Req.	SERIAL NUMBERS AFFECTED
	99844		DRAWING - King KR-85 Radio Installation		
	39767	E	DRAWING - King KR-87 Radio Installation		
	79051		DRAWING - King KR-86 Radio Installation		
	79053	B	DRAWING - King KN-65 DME Radio Installation		
	36968	C	DRAWING - DME Installation, King KN62A		
	79814		DRAWING - King KT-76A/78A Transponder Installation		
	79001	D	DRAWING - King KMA-20 Audio and Marker Beacon System Installation		
	39770	E	DRAWING - King KMA-24 Audio and Marker Beacon System Installation		
	67976	H	DRAWING - Com 120/111, Nav 122/122A, 124A, Glide Slope UGR-2A and Marker Beacon Radio Installation		
	79490	L	DRAWING - Narco ADF 140/141 Radio Installation		
	87479	J	DRAWING - Narco ADF 841 Radio Installation		28R-8431001 and up
	79491	D	DRAWING - Narco DME 190/190 TSO Radio Installation		
	99989		DRAWING - Narco AT50A/AT150 Transponder Installation (with encoding altimeter provisions)		
	37963	H	DRAWING - Narco CP-135/135M Radio Installation		
	79663		DRAWING - Collins Com/Nav/GS Radio Installation		
	79662		DRAWING - Collins RCR-650 ADF Radio Installation		
	79669	B	DRAWING - Narco DME-195 Radio Installation		
	36988	C	DRAWING - Collins DME-451 Radio Installation		
	79660		DRAWING - Collins TDR-950 Transponder Installation		
	79659	A	DRAWING - Collins AMR-350 Audio and Marker Beacon System Installation		
	79791	D	DRAWING - Narco CLC-60A/NSD-360A/DME-195 Radio Installation		
	79084	H	DRAWING - Narco DME-195 Radio Installation		
	39867	J	DRAWING - Narco DME-890 Radio Installation		28R-8331001 and up
	37990	D	DRAWING - Narco CLC-60A/ID124/DME-195 Radio Installation		
	69982		DRAWING - Single ADF/HF Compatibility Installation		
	36906	F	DRAWING - King KX-170B, KN-75, KI-209 Radio Installation		
	36920	F	DRAWING - Collins DCE-400 Distance Computing Equipment		
	37965	H	DRAWING - NSD-360A, Nav 124A Radio Installation		
	36907	F	DRAWING - King Dual 170/175B, NSD-360A, KI-203/208, KN72, KN75 Radio Installation		
	36908	B	DRAWING - King Dual KX-170B/175B, KN74, KN-65A, KN-75, KI-203/206/208 and NSD-360A Radio Installation		
	36979	C	DRAWING - King KNS-80 Area Nav System Installation		
	39783	E	DRAWING - King KY197/KY196E and KN53 Radio Installation		
	39748	K	DRAWING - Bendix CN2013, IND2014, AS2015, Single Com-Nav		
	39750	K	DRAWING - Bendix CN2011A, NSD360A, IN2014, AD2019A, IU2016 Dual Com-Nav		
	39752	K	DRAWING - Bendix NP2041, CN2011A, NSD360A, IN2014, 1U2016, AD2019A Nav Prog w/ Dual Com-Nav		
	39739	K	DRAWING - Bendix TPR2060 Transponder Installation		
	39749	K	DRAWING - Bendix DME2030		
	39746	K	DRAWING - Bendix ADF2070		

When ordering, always specify Part Number, Description, and Serial Number of Aircraft

PIPER PARTS CATALOG

Figure and Index Number	Part Number	Code	NOMENCLATURE	No. Req.	SERIAL NUMBERS AFFECTED
	79493		DRAWING - Dual ADF Installation, Narco ADF-140		
	36995	F	DRAWING - Collins ANS351 R-Nav Installation		
	79074		DRAWING - Dual ADF Installation, King KR-85, KR-86		
	39833	G	DRAWING - King KX155, KI203/204/208/209 Single/Dual Nav-Com Installation		
	39834	G	DRAWING - King KX155/165, KN72, KI202/203/208 Dual Nav-Com Installation		
	39868	J	DRAWING - Narco 810/824/825 Single/Dual Com/Nav/Ind. Installation		28R-8331001 and up
	39866	J	DRAWING - Audio System Installation		28R-8331001 and up

When ordering, always specify Part Number, Description, and Serial Number of Aircraft

PIPER PARTS CATALOG

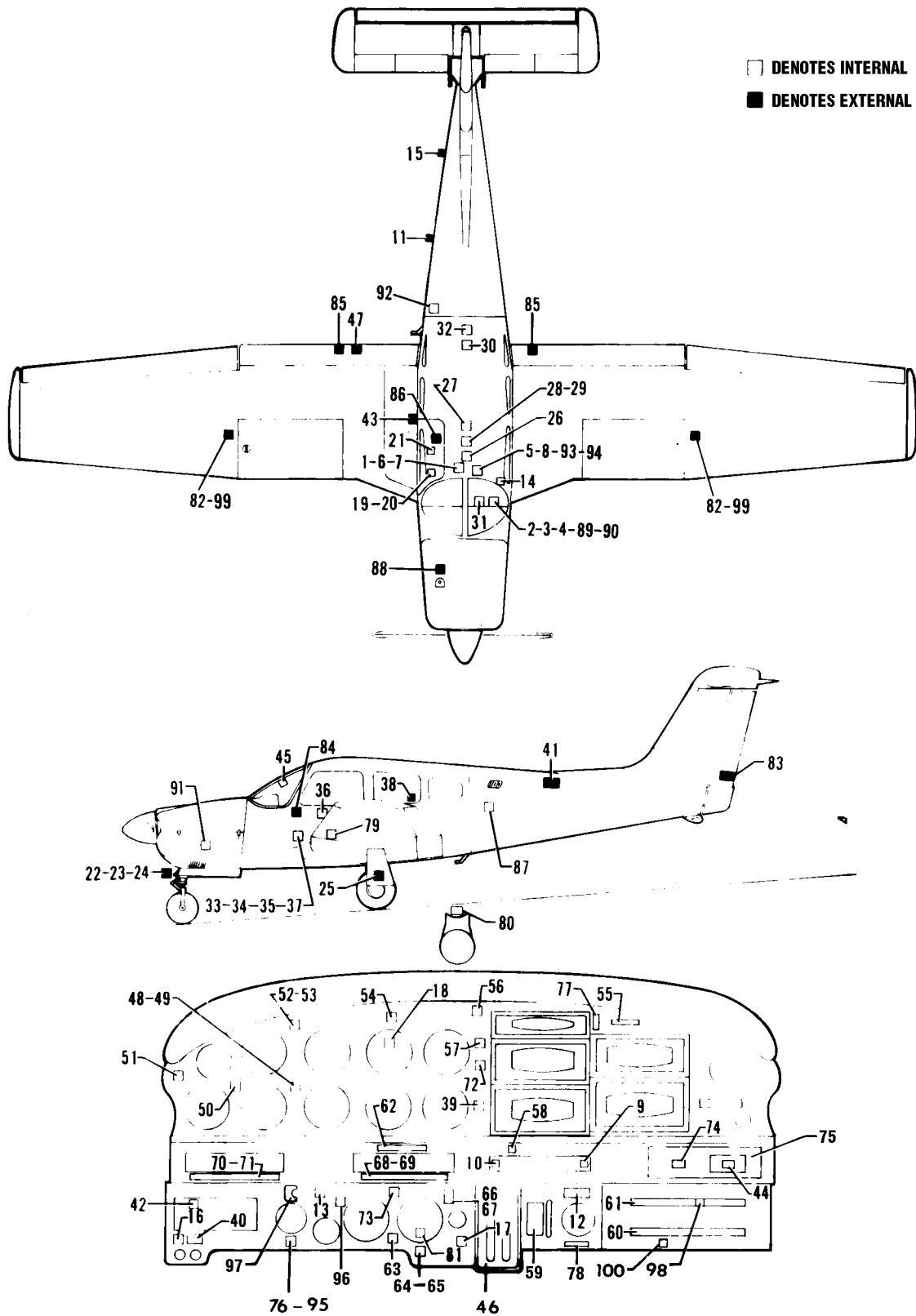


Figure 92. Placards and Exterior Stencils Installation

PIPER PARTS CATALOG

CODE EXPLANATIONS FOR FIGURE 92

- A - Used on PA-28RT-201 only.
- B - Used on PA-28RT-201T only.
- C - Used only if Hartzell two-bladed propeller is installed.
- D - Used if air conditioning is installed.
- E - Used on PA-28RT-201 with serial numbers 28R-7918001 to 28R-7918041 inclusive, and PA-28RT-201T with serial numbers 28R-7931001 to 28R-7931053 inclusive.
- F - Used on PA-28RT-201 with serial numbers 28R-7918042 and up, and PA-28RT-201T with serial numbers 28R-7931054 and up.
- G - Used on PA-28RT-201 with serial numbers 28R-8018001 and up, and PA-28RT-201T with serial numbers 28R-8031001 and up.
- H - Used on PA-28RT-201 with serial numbers 28R-7918001 to 28R-7918306 inclusive, and PA-28RT-201T with serial numbers 28R-7931001 to 28R-7931353 inclusive.
- J - Used on PA-28RT-201 with serial numbers 28R-8018021 and up, and PA-28RT-201T with serial numbers 28R-8031031 to 28R-8431010 inclusive.
- K - Used on PA-28RT-201 with serial numbers 28R-8018001 to 28R-8018116 inclusive, and PA-28RT-201T with serial numbers 28R-8031001 to 28R-8031188 inclusive.
- L - Used on PA-28RT-201 with serial numbers 28R-8118001 and up, and PA-28RT-201T with serial numbers 28R-8131001 and up.
- M - Used on PA-28RT-201 with serial numbers 28R-7918001 to 28R-8018020 inclusive, and PA-28RT-201T with serial numbers 28R-7931001 to 28R-8031030 inclusive.
- N - Used on PA-28RT-201 with serial numbers 28R-7918264 and up, and PA-28RT-201T with serial numbers 28R-7931305 and up.
- O - Used if Century 41 AutoPilot is installed.
- P - Used on PA-28RT-201 with serial numbers 28R-8118001 to 28R-8118092 inclusive, and PA-28RT-201T with serial numbers 28R-8131001 to 28R-8131229 inclusive.
- Q - Used on PA-28RT-201 with serial numbers 28R-8218001 and up, and PA-28RT-201T with serial numbers 28R-8231001 to 28R-8231092 inclusive.
- R - Used on PA-28RT-201 with serial numbers 28R-7918001 to 28R-8118092 inclusive, and PA-28RT-201T with serial numbers 28R-7931001 to 28R-8131229 inclusive.
- S - Used if a push-pull switch is installed.
- T - Used if a toggle switch is installed.
- U - Used if King KAP 100/150/KFC 150 AutoPilot is installed.
- V - Used if recognition lights are installed.
- W - These parts must be ordered from Service Spares Department, Piper Aircraft, Lock Haven, Penna.

PIPER PARTS CATALOG

Figure and Index Number	Part Number	Code	NOMENCLATURE	No. Req.	SERIAL NUMBERS AFFECTED
92-	35654		DRAWING - Placard Details Installation		
	36991	G	DRAWING - Placard Details Installation		
	35875	H	DRAWING - Exterior Finish		
	36596	K	DRAWING - Exterior Finish		
	87307	P	DRAWING - Exterior Finish		
	39846	Q	DRAWING - Exterior Finish		
	39893	B	DRAWING - Exterior Finish		28R-8331001 and up
-1	35669-27		PLACARD - Flap lever	1	
-2	79275-00		MEDALLION - Control wheel	1	
-3	35669-16		PLACARD - A/P Intr.	1	
-4	35669-17		PLACARD - Mike	1	
-5	69669-77		PLACARD - Cabin aft	1	
-6	69669-177		PLACARD - Oxygen support	1	
-7	35669-32		PLACARD - Warning	1	
-8	69669-20		PLACARD - Dome light maximum	1	
-9	66970-03		PLACARD - Instrument lights, panel	1	
-10	69669-17		PLACARD - Instrument lights	1	
-11	69669-173		PLACARD - External power	1	
-12	69669-175	H	PLACARD - Warning	1	
-13	67490-02	S	PLACARD - Pitch trim	1	
	87369-38	T	PLACARD - Pitch trim	1	
-14	69669-66		PLACARD - Warning	1	
-15	35669-105		PLACARD - E.L.T. Location	1	
-16	67471-00		PLACARD - Mike and phone	1	
-17	66837-00		PLACARD - Mike jack (with console mike jack)	1	
-18	35669-15	4	PLACARD - Altitude reporter installed	1	
-19	69669-117		PLACARD - Open	1	
-20	69669-118		PLACARD - Latch	1	
-21	68555-05		PLACARD - Door lock	1	
-22	35669-05		PLACARD - Turn limit center mark	1	
-23	35669-08		PLACARD - Turn limit	1	
-24	20781-02	W	PLACARD - Oleo service instructions (nose gear)	1	
-25	67242-00		PLACARD - Oleo service instructions (main gear)	2	
-26	67786-00		PLACARD - Stabilator trim	1	
-27	67592-02		PLACARD - "Emergency Down"	1	
-28	67921-00		PLACARD - "Override Engage"	1	
-29	67702-00		PLACARD - "Emergency Gear Lever"	1	
-30	68399-02		PLACARD - Baggage limitations	1	
-31	65219-00		PLACARD - Rudder trim	1	
-32	66787-00		PLACARD - "Soft Wear Only"	1	
-33	69669-169		PLACARD - "R" tank, 36 gallons	1	
-34	69669-170		PLACARD - "L" tank, 36 gallons	1	
-35	99184-02		PLACARD - Fuel off	1	
-36	66987-00	H	PLACARD - Aircraft limitations	1	
	35669-140	G	PLACARD - Aircraft limitations	1	
-37	99184-05		PLACARD - Fuel	1	
-38	79315-00		PLACARD - Piper-Aire	1	
-39	99921-00		PLACARD - Air conditioning door open	1	
-40	67768-00		PLACARD - Alternate static source	1	
-41	35884-02	A	NAMEPLATE - Piper Arrow IV	2	28R-7918001 to 28R-7918306 incl.
	35884-03	B	NAMEPLATE - Piper Turbo Arrow IV	2	28R-7931001 to 28R-7931353 incl.
	35884-02	G	NAMEPLATE - Piper Arrow IV	2	
-42	99448-00		PLACARD - AutoFlite II	1	
-43	48629-00	R,W	MEDALLION - Piper	1	
-44	35669-28		PLACARD - Heater and defroster	1	
-45	66752-00		PLACARD - Compass deviation	1	
-46	69669-45		PLACARD - Engine controls	1	

When ordering, always specify Part Number, Description, and Serial Number of Aircraft

PIPER PARTS CATALOG

Figure and Index Number	Part Number	Code	NOMENCLATURE	No. Req.	SERIAL NUMBERS AFFECTED
92-47	35664-02		PLACARD - Flap step	1	
-48	69669-121	A	PLACARD - Maneuvering speed	1	28R-7918001 to 28R-7918306 incl.
	35669-146	A	PLACARD - Maneuvering speed	1	28R-8018001 and up
-49	69669-117	B	PLACARD - Maneuvering speed	1	28R-7931001 to 28R-7931353 incl.
	35669-147	B	PLACARD - Maneuvering speed	1	28R 8031001 and up
-50	76222-00	H	PLACARD - Crosswind component	1	
-51	67428-00		PLACARD - Maneuvers limitations	1	
-52	35669-120	A	PLACARD - Gear actuation speeds	1	28R-7918001 to 28R-7918306 incl.
-53	35669-114	B	PLACARD - Gear actuation speeds	1	28R-7931001 to 28R-7931353 incl.
-54	69669-39		PLACARD - Annunciator, press to test	1	
-55	63408-00	H	PLACARD - Oil cooler winterization	1	
-56	69669-101	B	PLACARD - Emergency fuel on	1	
-57	69669-158	B	PLACARD - Primer	1	
-58	69669-159	B	PLACARD - Auxiliary fuel pump	1	
-59	69545-00		PLACARD - Alternate air	1	
-60	69669-16		PLACARD - Circuit protector, lower	1	
-61	35669-103	A	PLACARD - Circuit protector, upper	1	
	35669-103	B	PLACARD - Circuit protector, upper	1	28R-7931001 to 28R-7931296 incl.
	35669-156	B	PLACARD - Circuit protector, upper	1	28R-7931297 and up
-62	69669-176	H	PLACARD - Fuel	1	
-63	69669-68	B,C	PLACARD - Ground operation	1	28R-7931001 to 28R-7931353 incl.
-64	69669-185	A	PLACARD - In-Flight rpm restrictions	1	28R-7918001 to 28R-7918306 incl.
	35669-155	A	PLACARD - In-Flight rpm restrictions	1	28R-8018001 and up
-65	69669-70	B,C	PLACARD - In-Flight rpm restrictions	1	28R-7931001 to 28R-7931353 incl.
	35669-152	B,D	PLACARD - In-Flight rpm restrictions	1	28R-8031001 and up
-66	35669-118	A	PLACARD - Gear switch	1	
-67	35669-116	B	PLACARD - Gear switch	1	
-68	35669-119	A	PLACARD - Landing checklist	1	28R-7918001 to 28R-7918306 incl.
-69	35669-115	B	PLACARD - Landing checklist	1	28R-7931001 to 28R-7931353 incl.
-70	67879-00	A	PLACARD - Take-off checklist	1	28R-7918001 to 28R-7918306 incl.
-71	69669-163	B	PLACARD - Take-off checklist	1	28R-7931001 to 28R-7931353 incl.
-72	69669-182	B	PLACARD - Optional engine primer	1	
-73	69669-186	B	PLACARD - Fuel flow	1	
-74	35669-38	D	PLACARD - Vent fan	1	
-75	79112-02	D	PLACARD - Climate control center	1	
-76	69509-00	E	PLACARD - Omni coupler switch	1	
	35669-126	F	PLACARD - Omni coupler switch	1	
-77	35669-125	G	PLACARD - Radio power on-off	1	
-78	36937-02	G	PLACARD - Emergency bus switch	1	
-79	69669-115		PLACARD - Pitot drain	1	
-80	87369-27	N	PLACARD - Caution	1	
-81	35669-179	A	PLACARD - R.P.M. instructions	1	
-82	35807-02	M	PLACARD - Fuel	2	
	35669-163	J	PLACARD - Fuel	2	
-83	87341-02		PLACARD - Do Not Push	2	
-84	87341-03		PLACARD - Level point	2	
-85	87341-04		PLACARD - No Step	2	
-86	87334-02		PLACARD - Door release	1	
-87	87337-02		PLACARD - Maximum baggage	1	
-88	87340-02	A	PLACARD - Oil spec.	1	
	87339-02	B	PLACARD - Oil spec.	1	
-89	87369-16	L,O	PLACARD - Pitch sync.	1	
-90	35669-188	L	PLACARD - Transponder identifier	1	
-91	87369-26		PLACARD - Unproved oil drain valve caution	2	
-92	35669-22		PLACARD - Hydraulic fluid spec.	1	
-93	35669-137		PLACARD - Oxygen gauge light	1	
-94	35669-157		PLACARD - Oxygen	1	

When ordering, always specify Part Number, Description, and Serial Number of Aircraft

PIPER PARTS CATALOG

Figure and Index Number	Part Number	Code	NOMENCLATURE	No. Req.	SERIAL NUMBERS AFFECTED
92-95	87369-05	T	PLACARD - Nav 1 off Nav 2	1	
-96	87369-39		PLACARD - On-off	1	
-97	87369-40	B,U	PLACARD - Nav 1/Nav 2	1	28R-8331001 and up
-98	35669-110	B,U	PLACARD - Compass system	1	28R-8331001 and up
-99	456 682		DECAL - Avgas (000002)	2	
-100	87369-53	B,V	PLACARD - Landing and recognition lights	1	28R-8531001 and up

When ordering, always specify Part Number, Description, and Serial Number of Aircraft

PIPER PARTS CATALOG

CODE EXPLANATIONS FOR OPTIONAL EQUIPMENT KITS AND REPAIR KITS

- A - Used on PA-28RT-201T only.
- B - Used with Hartzell Propeller BHC-C2YF-1BF/F8459A-8R.
- C - Used with Hartzell Propeller PHC-C3YF-1()F/ F7663-2R.
- D - Used on PA-28RT-201 only.
- E - Used on PA-28RT-201 with serial numbers 28R-7918001 to 28R-8018017 inclusive, and PA28RT-201T with serial numbers 28R-7931001 to 28R-8031009 inclusive.
- F - If aircraft is not equipped with a pilot operated boom mike switch (located on control wheel), order Boom Mike Installation Kit 764 045.
- G - This kit is less headphone assembly P/N 464 407 which must be ordered separately.
- W - These parts must be ordered from Service Spares Department, Piper Aircraft, Lock Haven, Penna.

PIPER PARTS CATALOG

Figure and Index Number	Part Number	Code	NOMENCLATURE	No. Req.	SERIAL NUMBERS AFFECTED
			OPTIONAL EQUIPMENT KITS		
	36733-02		CARD - Passenger briefing		
	761 106	A	OPTIONAL COLD WEATHER PRIMING INSTALLATION		
	763 966		SHOULDER HARNESS INSTALLATION - Passenger seats		
	760 296		PITOT COVER		
	39714-02	D	PLOTTER ASSEMBLY - Weight and balance		
	39715-02	A	PLOTTER ASSEMBLY - Weight and balance		
	763 920	E	IMPROVED CABIN HEAT CENTER DUCT		
	763 962		DOOR JAMB SNUBBER INSTALLATION		
	764 042	F	FIXED OXYGEN SYSTEM INSTALLATION		
	764 045	G	BOOM MIKE INSTALLATION		
			REPAIR KITS		
	756 892	A,B,W	PROPELLER REPAIR KIT		
	763 858	A,C,	PROPELLER REPAIR KIT		

When ordering, always specify Part Number, Description, and Serial Number of Aircraft

NUMERICAL INDEX

Part Number	Figure and Index No.	Part Number	Figure and Index No.	Part Number	Figure and Index No.	Part Number	Figure and Index No.
11601-03	19-20	23809-04v	41-11	35174-04v	4-7	35620-01v	4-30
12761-02	13-6	23809-05	40-23	35174-05v	4-7	35621-00v	4-31
12761-02	74-2	23809-07v	41-10	35201-00v	77-3	35621-01v	4-31
14843-16	23-17	23969-02	54-52	35202-00v	77-2	35630-926v	2-2
14976-11	20-19	23969-02	74-9	35208-00v	75-50	35630-926v	3-1
14976-15v	19-79	23969-02	75-60	35208-02v	75-51	35630-927v	2-2
14976-16v	19-80	23969-02	77-11	35208-03v	75-52	35630-927v	3-1
15086-00	32-52	23969-02	78-11	35208-04v	75-53	35630-928v	2-3
15660-02	63-4c	23969-02	79-7	35208-04v	86B-4	35630-928v	3-19
15661-02	63-4d	23969-03	74-10	35208-06v	75-50	35630-929v	2-3
17555-00	77-24	23969-03	75-61	35208-07v	75-51	35630-929v	3-19
18132-00	52-33	23969-05	77-13	35208-09v	86B-5	35630-933v	2-4
18132-00	53-33	23969-05	77-26	35208-10v	86B-6	35630-933v	4-1
18219-00	52-34	23969-05	78-12	35212-00v	75-4	35630-984v	2-4
18219-00	53-34	23969-05	79-9	35214-00v	74-11	35630-984v	4-1
18219-02	52-38	24047-00	52-6	35261-02v	75-17	35630-987v	2-1
18321-00	54-36	24047-00	53-6	35261-03v	75-17	35630-989v	2-1
18321-00	55-60	24048-00	52-7	35270-00v	19-47	35630-992v	2-1
18321-00	74-5	24048-00	53-7	35281-00v	19-37	35630-993v	2-1
19063-02	13-2	24582-00	40-22	35282-00v	19-31	35632-02v	4-9
19336-00	35-17	24582-00	41-12	35283-00v	19-58	35632-03v	4-9
19336-00	35-34	24995-00	40-10	35284-02v	19-67	35632-04v	4-56
19336-00	36-9	25690-02	86-14	35402-00v	58-28	35632-05v	4-56
19336-01	35-17	26749-07	38-2	35402-04v	58-61	35634-05v	4-20
19336-01	35-34	31747-00	52-30	35454-00v	54-72	35634-08v	4-20
19336-01	36-9	31747-00	66-12	35454-00v	55-61	35634-11v	4-54
19365-02	35-19	35118-22v	3-24	35476-01v	57-6	35634-15v	4-55
19365-02	35-36	35118-23v	3-24	35507-02v	39-36	35634-16v	4-54
19365-02	36-11	35118-24v	3-29	35553-00v	85-21	35634-18v	4-55
19392-15	35-35	35118-25v	3-29	35592-00v	3-22	35636-00v	4-48
20735-05v	20-11	35118-28v	3-20	35592-01v	3-22	35637-00v	4-32
20754-02	24-2	35118-29v	3-20	35603-20v	4-15	35637-01v	4-32
20781-02	20-55	35118-30v	3-23	35603-21v	4-15	35638-00v	56-5
20781-02	92-24	35118-31v	3-23	35603-26v	4-52	35638-01v	56-5
20784-00	20-14	35118-47v	3-27	35603-27v	4-52	35640-02v	5-2
20784-00	24-19	35118-49v	3-27	35615-02v	3-26	35640-03v	5-2
21176-00v	13-4	35118-803v	3-30	35615-03v	3-26	35640-04v	5-3
21586-00v	31-11	35118-804v	3-30	35615-04v	3-28	35640-05v	5-3
21710-00	20-29	35142-00v	11-11	35615-05v	3-28	35640-06v	5-4
21712-02	20-17	35142-01v	11-11	35616-00v	4-26	35640-07v	5-4
21822-00	23-66	35166-00v	3-25	35616-01v	4-26	35640-08v	5-5
21831-04	20-31	35166-01v	3-25	35617-00v	4-27	35640-09v	5-5
22105-03	66-14	35168-12v	4-4	35617-01v	4-27	35640-10v	5-6
22105-03	67-28	35168-13v	4-4	35618-00v	4-28	35640-11v	5-6
22105-05v	42-20	35168-14v	4-2	35618-01v	4-28	35640-12v	5-7
22105-10	54-41	35168-15v	4-2	35619-02v	4-29	35640-13v	5-7
22482-00	12-35	35168-20v	4-2	35619-03v	4-29	35640-14v	5-8
23319-00v	54-59	35168-21v	4-2	35620-00v	4-30	35640-15v	5-8

PIPER PARTS CATALOG

Part Number	Figure and Index No.	Part Number	Figure and Index No.	Part Number	Figure and Index No.	Part Number	Figure and Index No.
35640-16v	5-9	35669-125v	37-83	35707-910v	7-23	35749-07v	74-67
35640-17v	5-9	35669-125v	92-77	35707-910v	9-1	35749-08v	74-68
35640-18v	5-10	35669-126v	85-20	35708-03v	53-54	35750-04v	74-66
35640-19v	5-10	35669-126v	86-59	35711-02v	37-10	35750-05v	74-66
35640-20v	5-11	35669-126v	92-76	35715-03v	55-10	35753-02v	8-2
35640-21v	5-12	35669-132v	87A-11	35716-08v	2-5	35754-00v	8-5
35640-22v	5-13	35669-137v	73A-28	35716-08v	56-1	35756-00v	9-36
35640-24v	2-6	35669-137v	92-93	35716-09v	2-5	35756-01v	9-36
35640-24v	5-1	35669-140v	32-75	35716-09v	56-1	35759-02v	8-13
35640-25v	2-6	35669-140v	92-36	35719-00v	56-13	35760-01v	10-44
35640-25v	5-1	35669-146v	37-45	35721-02v	41-25	35761-00v	10-41
35641-06v	2-8a	35669-146v	92-48	35721-03v	41-25	35761-01v	10-41
35641-07v	2-8a	35669-147v	37-45	35722-02v	41-29	35762-00v	10-42
35641-08v	2-8b	35669-147v	92-49	35724-04v	3-3	35762-01v	10-42
35641-09v	2-8b	35669-152v	37-60	35724-05v	3-3	35763-00v	10-43
35641-12v	2-8	35669-152v	92-65	35725-02v	2-11	35763-01v	10-43
35641-13v	2-8	35669-154v	88-6	35727-00v	8-20	35766-02v	75-42
35641-14v	2-8	35669-154v	92-18	35730-02v	57-5	35767-802v	9-33
35641-15v	2-8	35669-155v	37-60	35730-03v	57-5	35767-803v	9-33
35642-00v	3-5	35669-155v	92-64	35731-00v	4-53	35770-02v	5-14
35642-01v	3-5	35669-156v	37-57	35731-01v	4-53	35770-03	5-14
35664-02v	2-45	35669-156v	92-61	35733-02v	3-21	35773-02v	32-64
35664-02v	92-47	35669-157v	73A-29	35733-03v	3-21	35776-04v	55-62
35669-05v	20-53	35669-157v	92-94	35734-02v	4-16	35777-03v	67-13
35669-05v	92-22	35669-163v	56-24	35734-03v	4-16	35777-07v	74-62
35669-08v	20-54	35669-163v	92-82	35735-02v	19-6	35777-09v	67-14
35669-08v	92-23	35669-179v	37-86	35737-04v	28-16	35777-09v	74-63
35669-16v	63-40	35669-179v	92-81	35737-05v	28-16	35789-02v	54-11
35669-16v	92-3	35669-188v	63-43	35737-06v	28-17	35789-02v	55-16
35669-17v	63-41	35669-188v	92-90	35737-07v	28-19	35791-05v	41-23
35669-17v	92-4	35672-02v	87B-13	35737-08v	28-20	35793-02v	47-4
35669-27v	58-59	35672-02v	87C-10	35737-09v	28-18	35794-02v	47-6
35669-27v	92-1	35680-11v	37-76	35737-10v	28-23	35797-02v	19-2
35669-28v	37-51	35680-12v	37-77	35739-02v	28-3	35797-03v	19-2
35669-28v	92-44	35680-22v	37-78	35739-03v	28-3	35798-02v	37-22
35669-32v	73-6	35680-26v	37-75	35739-08v	28-5	35801-02v	55-53
35669-32v	92-7	35692-02v	2-10	35739-09v	28-4	35801-03v	55-54
35669-38v	37-35	35696-02v	39-35	35740-14v	45-5	35801-04v	55-55
35669-38v	92-74	35697-02v	17-17	35740-15v	45-7	35801-08v	54-66
35669-103v	37-57	35703-08v	41-4	35740-16v	45-3	35801-11v	54-70
35669-103v	92-61	35703-09v	41-5	35740-17v	45-4	35802-02v	2-9
35669-105v	87-10	35703-12v	41-4	35740-18v	45-16	35802-03v	2-48
35669-105v	92-15	35703-13v	41-5	35742-03v	47-12	35807-02v	56-24
35669-105v	87A-12	35704-02v	41-17	35742-04v	47-13	35807-02v	92-82
35669-110v	86B-7	35704-84v	41-17	35742-05v	47-13	35811-02v	41-30
35669-110v	92-98	35706-05v	41-8	35742-30v	47-16	35812-02v	45-2
35669-114v	37-48	35706-08v	41-9	35742-31v	47-1	35812-04v	45-2
35669-114v	92-53	35706-09v	41-24	35742-32v	47-2	35814-02v	41-20
35669-115v	37-62	35707-04v	7-1	35742-33v	47-2	35819-02v	32-35
35669-115v	92-69	35707-801v	7-16	35742-41v	47-3	35820-02v	18-17
35669-116v	37-61	35707-802v	7-17	35742-43v	47-7	35822-13v	73-2
35669-116v	92-67	35707-803v	7-18	35742-46v	28-7	35822-21v	73-1
35669-118v	37-61	35707-903v	7-5	35742-56v	47-12	35827-02v	40-6
35669-118v	92-66	35707-905v	7-27	35744-02v	10-24	35829-02v	19-15
35669-119v	37-62	35707-905v	10-1	35744-03v	10-27	35830-02v	19-16
35669-119v	92-68	35707-908v	7-9	35745-02v	10-25	35840-02v	78-4
35669-120v	37-48	35707-909v	7-14	35747-02v	10-28	35843-02v	78-3
35669-120v	92-52	35707-909v	8-1	35749-02v	74-69	35845-02v	77-18

PIPER PARTS CATALOG

Part Number	Figure and Index No.	Part Number	Figure and Index No.	Part Number	Figure and Index No.	Part Number	Figure and Index No.
35846-02v	8-40	36612-03v	68-46	37119-00v	45-1	38206-04v	4-21
35846-03v	8-41	36615-05v	68-44	37123-00v	55-65	38206-05v	4-21
35847-02v	8-45	36616-03v	68-45	37126-00v	45-12	38224-03v	37-25
35872-04v	12-2	36625-02v	56-7	37126-08v	45-12	38226-00v	37-15
35872-05v	12-2	36625-03v	56-7	37142-00v	45-10	38255-02v	74-50
35872-06v	12-8	36660-02v	37-13	37177-00v	45-8	38298-03	16-27
35873-03v	15-1	36692-02v	40-27	37179-00v	45-11	38321-02v	17-7
35873-03v	17-1	36707-03v	15-28	37189-00v	45-9	38346-04v	17-23
35873-04v	17-4	36714-03v	15-8	37337-00v	37-17	38346-05v	17-23
35873-05v	17-4	36714-04v	15-9	37338-00v	37-16	38347-02v	17-8
35873-06v	15-10	36718-02v	4-19	37340-00v	37-15	38378-02v	60-29
35873-09v	15-1	36718-03v	4-19	37343-32v	42-2	38379-02v	17-28
35873-09v	17-1	36722-04v	13-66	37343-33v	42-3	38381-02v	17-25
35873-10v	15-1	36733-02v	Misc.	37343-34v	42-4	38382-02v	17-26
35873-10v	17-1	36739-06v	2-8	37343-39v	42-3	38399-04v	16-32
35879-03v	15-3	36739-07v	2-8	37390-00v	42-36	38399-06v	16-31
35879-03v	18-1	36739-08v	2-8	37390-02v	42-24	38399-07v	16-31
35883-02v	59-9	36739-09v	2-8	37463-00v	45-13	38400-04v	16-16
35884-02v	92-41	36739-21v	2-8	37463-00v	45-21	38400-07v	16-15
35884-03v	92-41	36739-22v	2-8	37464-03v	45-14	38402-05v	15-9
35885-03v	15-28	36739-28v	2-8c	37476-03v	41-7	38402-12	15-8
35885-07v	15-21	36739-29v	2-8c	37499-03v	55-63	38458-02v	60-9
35885-10v	15-28	36742-13v	74-23	37512-00v	45-15	38606-03v	16-29
35888-02v	86-46	36742-13v	74-58	37578-03v	37-29	38622-02v	17-12
35888-02v	86A-18	36742-14v	74-56	37598-00v	45-6	39714-02v	Misc.
35889-02v	86-47	36742-15v	74-60	37629-02v	37-11	39715-02v	Misc.
35890-02v	12-29	36844-05v	86A-3	37660-00v	55-64	39745-10v	91-10
35894-03v	15-2	36856-02v	36-20	37688-00v	45-20	39769-02v	8-8
35894-03v	16-1	36857-02v	36-21	37693-04v	87B-1	39785-02v	86A-19
35894-07v	16-5	36858-02v	36-14	37694-02v	87B-2	39789-02v	73A-55
35894-08v	16-4	36934-02v	75-59	37722-02v	27-8	39800-02v	85A-12
35894-09v	16-6	36935-02v	75-55	37722-02v	28-8	39800-03v	86A-7
35894-10v	16-2	36937-02v	37-84	37729-00v	63-39	39829-02v	56-9
35894-11v	16-2	36937-02v	92-78	37729-02v	63-39	39830-800v	56-8
35894-12v	16-3	36938-04v	35-42	37732-00v	24-13	39856-02v	56-10a
35894-13v	16-3	36956-03v	73A-40	37756-02v	75-1	39875-02v	8-32
35897-03v	15-4	36957-04v	73A-45	37756-03v	75-1	39876-02v	8-46
35956-02v	32-35	36957-05v	73A-47	37793-02v	41-42	39877-02v	37-31
35957-02v	40-30	36957-06v	73A-48	37845-02v	41-7	39877-03v	37-31
35960-02v	40-83	36959-02v	73A-39	37848-02v	36-26	41001-10v	57-10
35979-05v	18-18	36960-06v	73A-37	37872-03v	37-71	41001-10v	61-3
36511-02v	66-2	36960-10v	73A-32	37872-04v	37-72	41001-11v	59-4
36511-02v	67-2	36960-13v	73A-33	37872-05v	37-73	44386-03v	20-18
36511-03v	66-2	36960-14v	73A-38	37872-07v	37-74	48629-00	92-43
36511-03v	67-2	36960-15v	73A-36	37902-05v	36-48	50111-00	85-15
36530-02v	86A-6	36960-16v	73A-35	37902-06v	36-45	52586-02	84-1
36535-02v	38-2	36960-20v	73A-34	37902-08v	36-46	61402-93v	19-12
36565-02v	10-59	36962-06v	73A-50	37970-02v	19-41	62002-02v	16-24
36565-03v	10-58	36962-07v	73A-50	37994-02v	39-31	62002-03v	16-25
36567-02v	37-31	36965-03v	73A-27	37997-02v	68-9	62002-04v	16-26
36567-03v	37-31	36970-02v	87C-2	37997-02v	71-5	62021-00v	3-4
36567-05v	37-31	36973-06v	87C-1	38118-00v	3-6	62021-01v	3-4
36567-06v	37-31	36976-02v	32-35	38118-03v	3-7	62033-00v	56-19
36572-03v	13-56	36979-28v	91-11	38118-05v	2-12	62044-00v	56-12
36588-04v	32-79	37032-25v	41-26	38149-03v	74-8	62059-00v	56-11
36589-03v	32-18	37032-26v	41-27	38149-04v	74-8	62060-06v	56-18
36590-02v	13-48	37032-27v	41-28	38149-05v	75-49	62060-07v	56-18
36598-02v	13-44	37107-00v	41-21	38149-07v	75-49	62061-05v	3-15

PIPER PARTS CATALOG

Part Number	Figure and Index No.	Part Number	Figure and Index No.	Part Number	Figure and Index No.	Part Number	Figure and Index No.
62071-00v	4-5	62429-00v	9-8	62583-01v	10-35	62714-06v	59-8
62071-01v	4-5	62430-00v	9-29	62618-00v	11-14	62714-06v	60-21
62072-00v	4-6	62441-00v	10-12	62618-01v	11-14	62714-06v	61-16
62072-01v	4-6	62441-01v	10-12	62619-00v	11-15	62715-02v	59-19
62087-05v	3-10	62448-02v	11-9	62630-00v	12-13	62715-02v	60-22
62091-02v	3-18	62448-03v	11-9	62632-00v	9-57	62715-05v	59-7
62105-00v	4-10	62463-00v	12-57	62633-00v	9-58	62715-05v	60-20
62105-02v	4-11	62464-00v	12-58	62634-00v	9-54	62716-07v	63-17
62109-00v	2-13	62465-00v	12-56	62635-00v	9-53	62725-00v	58-2
62109-00v	2-46	62473-02v	8-18	62636-00v	9-55	62727-00v	58-39
62121-00v	2-54	62477-00v	9-31	62637-00v	9-52	62727-01v	58-39
62129-03v	4-51	62477-01v	9-31	62639-00v	9-40	62733-00v	58-12
62129-04v	4-51	62483-02v	9-59	62639-01v	9-40	62734-02v	58-13
62129-07v	4-39	62485-00v	8-19	62644-00v	9-51	62736-00v	58-14
62129-08v	4-39	62485-01v	8-19	62653-06v	8-22	62740-00v	58-7
62177-03v	37-11	62499-02v	8-20	62654-00v	35-58	62743-04v	61-5
62177-14v	37-11	62505-00v	9-34	62655-00v	9-48	62743-05v	61-6
62226-00	78-1	62506-00v	8-9	62664-00v	10-60	62743-06v	57-16
62226-00	79-1	62507-00v	7-19	62674-01v	8-21	62743-12v	57-18
62227-00	78-2	62507-02v	7-19	62674-03v	8-21	62743-13v	61-15
62227-00	79-2	62509-03v	9-33	62677-00v	9-43	62746-00v	57-20
62279-00v	77-4	62509-04v	9-33	62695-04v	11-7	62762-00v	57-26
62305-00v	54-16	62525-00v	10-14	62701-99v	57-1	62763-00v	10-36
62320-03v	6-13	62525-01v	10-14	62701-100v	61-1	62764-00v	58-24
62324-00v	6-5	62528-00v	10-7	62701-101v	58-34	62764-02v	58-27
62324-01v	6-5	62528-01v	10-7	62701-102v	59-1	62778-00v	63-14
62327-00v	6-7	62529-00v	11-13	62701-103v	59-1	62782-00v	63-23
62328-00v	6-8	62531-00v	11-5	62701-123v	57-3	62784-00v	63-24
62328-00v	6-9	62534-00v	11-4	62701-124v	57-4	62789-02v	58-3
62328-01v	6-8	62536-04v	10-33	62701-143v	57-2	62820-00v	58-30
62328-01v	6-9	62536-05v	10-33	62701-155v	60-17	62821-00v	58-31
62330-00v	6-11	62537-00v	11-3	62701-168v	61-2	62831-02v	62-4
62330-01v	6-11	62540-00v	10-26	62701-169v	59-2	62832-00v	62-5
62331-00v	6-12	62541-00v	7-36	62701-170v	59-2	62832-02v	19-24
62331-01v	6-12	62541-01v	7-36	62701-189v	60-1	62833-06v	13-46
62332-00v	6-10	62542-00v	10-16	62701-191v	83-12	62833-10v	19-75
62332-02v	6-10	62542-01v	10-16	62701-193v	86-27	62833-17v	64-12
62336-00v	6-17	62543-00v	10-4	62701-193v	86A-2	62833-21v	13-41
62336-01v	6-17	62543-02v	10-4	62705-00v	58-1	62833-35v	66-6
62355-02	78-6	62544-00v	10-11	62709-00v	59-23	62833-35v	67-10
62355-02	79-13	62544-01v	10-10	62710-02v	57-19	62833-37v	60-40
62355-03	78-7	62546-00v	10-31	62710-02v	60-30	62833-39v	13-69
62355-03	79-14	62549-00v	7-33	62711-02v	57-11	62833-43v	19-64
62371-08v	4-47	62550-00v	10-34	62711-02v	58-35	62833-44v	23-6
62400-02v	13-65	62550-01v	10-34	62711-03v	59-3	62833-44v	23-11
62410-00v	9-28	62551-00v	10-18	62711-03v	60-16	62833-45v	20-27
62410-01v	9-28	62551-01v	10-18	62711-05v	57-12	62833-46v	52-18
62411-02	11-8	62554-00v	10-5	62711-05v	59-25	62833-46v	53-18
62412-02v	9-27	62554-00v	10-10	62712-02v	58-37	62833-50v	52-12
62419-11v	9-63	62557-04v	35-57	62712-03v	57-13	62833-50v	53-12
62421-00v	10-37	62558-00v	10-9	62712-04v	63-11	62833-74v	80-37
62421-01v	10-37	62558-01v	10-9	62713-02v	57-40	62833-78v	35-23
62423-00v	9-35	62563-01v	11-10	62713-02v	58-36	62833-78v	36-15
62426-06v	9-6	62563-02v	11-10	62713-03v	57-14	62833-82v	69-10
62427-00v	9-7	62571-00v	9-64	62713-04v	57-15	62833-83v	69-25
62427-02v	9-7	62581-01v	10-19	62713-04v	59-26	62833-85v	63-36
62428-00v	10-32	62581-02v	10-19	62714-02v	60-23	62833-86v	63-36
62428-01v	10-32	62583-00v	10-35	62714-03v	59-20	62833-87v	19-65

PIPER PARTS CATALOG

Part Number	Figure and Index No.	Part Number	Figure and Index No.	Part Number	Figure and Index No.	Part Number	Figure and Index No.
62833-99v	41-31	63149-20v	14-38	63569-00v	16-11	63900-31v	28-31
62833-101v	52-43	63149-21v	14-38	63570-00v	16-12	63900-31v	57-39
62833-101v	53-53	63185-06v	34-10	63571-00v	16-13	63900-38v	58-45
62833-101v	72-28	63186-09v	74-64	63572-00v	16-10	63900-39v	58-29
62833-101v	72-29	63186-12v	87B-7	63586-02v	16-33	63900-39v	60-25
62833-103v	27-37	63186-23v	87C-11	63586-03v	16-33	63900-41v	19-29
62833-103v	28-12	63207-00v	39-12	63587-00v	16-34	63900-46v	9-26
62833-104v	67-41	63211-00v	88-2	63587-01v	16-34	63900-47v	9-25
62833-105v	13-35	63243-02v	43-11	63588-03v	16-35	63900-50v	13-51
62833-107v	13-43	63287-00v	10-62	63594-00v	30-5	63900-61v	60-36
62833-107v	13-55	63288-00v	10-64	63594-01v	30-5	63900-64v	8-44
62833-108v	60-13	63293-00v	34-11	63605-00v	44-12	63900-66v	83-15
62833-109v	23-47	63327-22v	19-56	63633-15v	67-15	63900-67v	83-13
62833-112v	23-47	63327-23v	19-54	63633-19v	67-16	63900-78v	52-49
62833-117v	70-15	63354-00v	8-34	63633-30v	67-17	63900-85v	23-37
62833-122v	20-46	63355-09v	29-8	63633-40v	67-18	63900-85v	39-26
62833-124v	23-62	63356-00v	29-9	63633-45v	66-18	63900-88v	23-13
62833-127v	62-6	63357-00v	29-10	63633-51v	66-26	63900-89v	23-16
62833-131v	73A-58	63391-02v	58-11	63633-60v	67-19	63900-96v	40-24
62834-02v	63-18	63391-03v	58-10	63633-63v	40-38	63900-99v	58-22
62838-00v	62-11	63392-00v	16-7	63633-100v	71-29	63900-109v	20-20
62839-00v	63-13	63392-01v	16-7	63633-111v	67-20	63900-120v	19-11
62840-02v	63-29	63393-00v	16-8	63633-127v	68-43	63900-122	20-21
62840-03v	63-29	63393-01v	16-8	63633-131v	68-12	63900-124v	59-30
62845-02v	63-12	63404-00v	63-15	63633-135v	91-12	63900-130v	23-14
62856-00v	58-38	63408-00v	37-50	63633-136v	91-2	63900-131v	29-28
62856-01v	58-38	63408-00v	92-55	63633-137v	41-34	63900-145v	35-49
62858-02v	63-30	63419-00v	64-3	63633-148v	68-14	63900-145v	38-30
62858-03v	58-32	63423-04v	8-6	63633-169v	91-6	63900-147v	28-32
62858-04v	58-33	63436-00v	8-4	63633-170v	91-13	63900-147v	29-11
62859-00v	11-19	63436-01v	8-4	63633-177v	68-13	63900-149v	35-50
62867-02v	30-14	63455-00v	64-10	63633-186v	91-3	63900-159v	24-52
63020-02v	13-61	63456-00v	64-8	63656-00v	19-50	63901-09v	29-6
63036-03v	13-50	63464-00v	30-6	63656-02v	19-48	63901-09v	30-2
63036-04v	13-50	63466-00v	29-4	63684-04v	40-37	63901-14v	54-28
63037-00v	9-37	63468-00v	30-7	63684-04v	40-84	63901-17v	24-42
63038-02	9-13	63469-00v	30-8	63744-09v	14-14	63901-21v	30-3
63039-00v	13-42	63469-01v	30-9	63744-11v	27-6	63901-21v	65-13
63039-04v	52-16	63470-00v	30-10	63744-11v	28-6	63901-21v	65A-13
63039-04v	53-16	63478-00v	30-12	63744-12v	27-7	63901-22v	30-4
63042-03v	13-49	63479-00v	54-7	63779-00v	58-18	63901-30v	55-50
63045-00v	13-47	63479-00v	55-12	63781-00v	58-9	63901-30v	65-14
63070-05v	14-4	63484-00v	24-38	63782-04v	58-8	63901-30v	65A-14
63070-11v	14-4	63485-00v	30-13	63862-136v	77-17	63901-36v	40-16
63070-41v	14-2	63485-01v	30-13	63882-28v	27-23a	63901-39v	54-25
63070-42v	14-1	63485-02v	30-13	63882-29v	27-24	63901-41v	42-12
63070-43v	14-3	63485-03v	30-13	63882-30v	27-25a	63901-41v	54-27
63070-44v	14-3	63531-00v	80-38	63882-31v	66-17	63901-41v	65-15
63070-45v	14-2	63561-06v	16-9	63882-31v	67-37	63901-41v	65A-15
63070-46v	14-1	63562-00v	16-22	63882-68v	57-22	63901-43v	40-25
63071-12v	14-22	63563-03v	16-36	63897-06v	68-51	63901-45v	54-26
63071-18v	14-23	63564-00v	16-23	63897-06v	69-26	63901-81v	42-13
63078-17v	4-61	63565-02v	16-17	63897-06v	80-34	63901-133v	55-51
63130-02v	34-13	63566-02v	16-19	63900-11v	24-45	63904-06v	77-6
63142-51v	32-31	63566-02v	16-20	63900-19v	2-15	63904-24v	2-51
63142-55v	32-30	63566-03v	16-19	63900-20v	2-16	63904-29v	38-16
63142-56v	32-29	63566-03v	16-20	63900-25v	39-6	63904-72v	69-15
63144-00v	32-11	63567-00v	16-21	63900-31v	27-36	63904-72v	70-4

PIPER PARTS CATALOG

Part Number	Figure and Index No.	Part Number	Figure and Index No.	Part Number	Figure and Index No.	Part Number	Figure and Index No.
63904-89v	12-51	65003-30v	65A-51	65591-00v	2-7	66632-00v	74-31
63904-89v	68-32	65003-37v	19-43	65591-00v	6-1	66633-00v	56-2
63904-105v	77-20	65003-41v	23-50	65592-00v	6-2	66634-04v	40-15
63904-106v	77-21	65003-43v	67-38	65592-01v	6-2	66658-00v	62-3
63904-107v	77-22	65003-44v	23-20	65593-01v	6-16	66659-00v	62-2
63904-113v	68-52	65003-45v	19-32	65594-01v	6-15	66710-16v	32-48
63910-02v	19-51	65003-47v	57-17	65595-01v	6-18	66710-17v	13-9
63911-00v	19-52	65003-48v	65-9	65632-03v	60-34	66713-00v	75-5
63912-00v	19-53	65003-48v	65A-9	65633-00v	60-3	66752-00v	90-45
63913-03v	54-30	65003-56v	72-6	65635-00v	60-15	66752-00v	92-45
63913-06v	86-52	65003-57v	57-21	65636-00v	10-17	66761-02v	3-13
63913-07v	38-11	65050-00v	64-9	65639-00v	59-29	66761-03v	3-13
63913-10v	29-7	65114-00v	12-31	65639-02v	60-19	66762-00v	4-8
63913-26v	40-11	65116-00v	9-42	65640-06v	12-12	66769-04v	12-25
63913-34v	39-3	65117-00v	9-42	65649-00v	79-3	66773-00v	52-16
63913-36v	86-48	65126-00v	10-47	65654-05v	58-6	66773-00v	53-16
63913-36v	86A-10	65126-01v	10-48	65672-05vs	32-51	66774-00v	52-17
63913-37v	88-5	65128-00v	11-18	65674-15v	32-12	66774-00v	53-17
63913-44v	38-13	65128-01v	11-18	65727-00v	13-63	66787-00v	32-71
63913-47v	38-14	65148-00v	46-8	65735-18v	32-54	66787-00v	92-32
63913-49v	38-15	65148-01v	46-8	65735-19v	32-53	66789-00v	40-86
63913-58v	86-53	65151-00v	46-23	65742-00	14-11	66789-00v	42-21
63913-64v	38-16	65165-87v	72-26	65782-00v	14-13	66789-00v	52-35
63913-64v	40-52	65192-09v	89-9	65784-00v	83-9	66789-00v	53-35
63913-66v	65-41	65192-13v	89-9	65784-00v	83-32	66789-00v	54-39
63913-81v	38-12	65199-00v	80-39	65798-03v	14-8	66789-00v	66-13
63913-81v	70-3	65199-04v	80-40	65798-04v	14-8	66789-00v	67-29
63913-84v	38-12	65199-05v	80-39	65821-05v	83-1	66789-00v	74-6
63913-106v	39-11	65199-06v	80-41	65826-05v	14-7	66789-00v	78-13
63913-132v	86-54	65202-05v	46-15	65826-06v	14-7	66793-18v	13-1
63913-143v	83-22	65219-00v	32-70	65865-00v	32-36	66795-00v	11-6
63913-147v	41-33	65219-00v	92-31	65866-00v	32-35	66796-00v	11-2
63913-151v	83-29	65240-00v	46-6	65867-00v	32-39	66798-00v	84-9
63913-182v	41-32	65240-01v	46-6	65869-00v	32-40	66804-00v	32-61
63913-193v	56-3	65241-00v	46-7	65870-00v	32-37	66805-00v	32-62
63913-194v	56-4	65269-02v	32-50	65871-00v	32-38	66815-00v	56-9
63913-199v	71-30	65291-03v	46-4	65889-00v	46-12	66817-00v	56-8
63914-07v	29-12	65300-00v	16-14	65895-00v	14-10	66820-00v	24-17
63915-05v	74-15	65318-00v	66-35	65896-00v	14-9	66835-00v	52-26
63915-06v	29-13	65318-00v	67-11	65896-02v	14-9	66835-00v	53-27
63915-14v	54-37	65372-00v	74-17	65898-00v	4-33	66837-00v	89-21
63915-14v	55-59	65383-00v	11-16	65898-01v	4-33	66837-00v	92-17
63915-19v	74-16	65384-00v	7-43	65898-04v	4-35	66853-00v	52-42
63925-00v	19-49	65431-00v	7-44	65898-07v	4-37	66853-00v	53-44
63927-00v	8-43	65440-07v	13-3	65899-00v	6-6	66856-08v	67-6
63942-00v	2-53	65556-00v	7-34	66529-00v	2-17	66965-00v	7-35
63942-01v	2-53	65556-02v	7-34	66546-00v	63-28	66969-02v	9-15
63947-00v	12-38	65570-00v	9-39	66580-02v	74-18	66969-03v	9-15
63977-00v	77-19	65570-01v	9-39	66580-02v	77-14	66970-03v	75-6
63978-00v	77-7	65572-00v	9-30	66598-00v	4-25	66970-03v	92-9
65003-03v	64-11	65572-01v	9-30	66598-01v	4-25	66979-00v	52-3
65003-15v	19-81	65586-04v	6-14	66609-00v	7-35	66979-00v	53-3
65003-21v	65-50	65586-05v	6-14	66614-00v	57-23	66980-00v	52-51
65003-21v	65A-50	65587-00v	6-15	66616-00v	77-23	66980-00v	53-45
65003-27v	27-26	65588-00v	6-3	66620-00v	3-17	66980-00v	66-3
65003-29v	57-41	65589-00v	6-4	66621-00v	3-16	66980-00v	66-34
65003-30v	19-45	65590-01v	2-7	66623-00v	3-12	66980-00v	67-3
65003-30v	65-51	65590-01v	6-1	66623-01v	3-12	66980-02v	58-40

PIPER PARTS CATALOG

Part Number	Figure and Index No.	Part Number	Figure and Index No.	Part Number	Figure and Index No.	Part Number	Figure and Index No.
66987-00v	32-75	67096-00v	4-19	67216-00v	52-9	67356-200v	27-23
66987-00v	91-36	67096-01v	4-19	67216-00v	53-9	67356-201v	27-25
66987-00v	92-36	67097-00v	4-12	67218-00v	52-10	67357-00v	27-13
67012-00v	24-7	67097-01v	4-12	67218-00v	53-10	67358-00v	27-14
67023-00v	24-9	67100-04v	19-1	67218-02v	52-11	67359-00v	27-15
67024-00v	23-23	67100-04v	20-1	67218-02v	53-11	67360-00v	27-16
67024-01v	23-23	67100-10v	19-1	67219-00v	63-6	67361-00v	27-17
67025-02v	23-15	67100-10v	20-1	67219-02v	63-7	67362-00v	27-18
67025-05v	23-12	67101-00v	2-14	67221-00v	52-13	67362-02v	27-21
67025-06v	23-12	67106-00v	20-52	67221-00v	53-13	67363-00v	27-22
67025-07v	23-12	67107-00v	20-28	67223-03v	52-2	67364-00v	27-4
67025-08v	23-12	67108-00v	59-28	67223-04v	53-2	67365-00v	8-39
67025-09v	23-12	67109-00v	19-6	67224-03v	52-29	67367-00v	12-54
67025-10v	23-12	67114-00v	19-34	67224-03v	53-30	67384-03v	62-1
67025-11v	23-15	67119-57v	40-31	67225-00v	52-41	67386-00v	66-5
67026-05v	24-12	67119-61v	40-31	67225-00v	53-42	67386-00v	67-9
67026-07v	20-3	67125-00v	8-30	67228-09v	37-33	67387-00v	66-7
67026-07v	20-26	67135-03	29-11	67229-07v	37-33	67387-00v	67-32
67026-07v	20-32	67137-00v	8-33	67232-41v	32-13	67389-00v	66-10
67026-07v	24-11	67138-00v	8-35	67242-00v	24-37	67389-00v	67-22
67026-07v	24-20	67139-00v	8-36	67242-00v	92-25	67391-00v	66-11
67026-11v	20-23	67140-02v	8-37	67244-00v	19-22	67391-00v	67-24
67026-12v	23-49	67148-00v	20-30	67245-00v	20-33	67391-03v	67-25
67028-00v	23-24	67150-04v	19-42	67248-00v	92-51	67401-00v	66-23
67031-02v	23-22	67150-06v	19-42	67257-00v	8-3	67401-00v	67-23
67031-03v	23-22	67158-00v	57-24	67257-01v	8-3	67401-03v	66-23
67036-00v	24-18	67159-00v	57-25	67258-00v	8-11	67401-03v	67-23
67037-06v	24-16	67164-00v	2-18	67259-02v	8-12	67404-02v	74-3
67040-12v	23-2	67164-01v	2-18	67262-02v	9-32	67404-03v	74-4
67040-13v	23-2	67168-00v	19-17	67262-03v	9-32	67409-03v	75-19
67040-14v	23-2	67169-00v	19-18	67266-02v	8-5	67411-02v	74-56
67040-15v	23-2	67171-00v	64-6	67267-00v	9-60	67411-03v	74-21
67042-12v	23-7	67173-03v	64-5	67267-01v	9-60	67411-04v	74-56
67042-13v	23-7	67174-02v	64-4	67271-00v	10-4	67411-05v	74-60
67050-02v	20-2	67176-00v	64-2	67275-00v	10-40	67411-06v	74-23
67054-03v	20-22	67180-04v	64-1	67276-03v	10-46	67411-07v	74-60
67065-00v	4-57	67189-00v	19-78	67276-04v	10-46	67411-08v	74-58
67066-00v	59-27	67192-00v	19-35	67277-00	24-44	67422-05v	75-23
67069-02v	4-3	67193-05v	63-27	67286-00v	10-30	67422-06v	75-24
67069-03v	4-3	67196-00v	74-19	67291-00v	9-41	67422-07v	75-25
67071-00v	4-50	67196-00v	76-3	67291-01v	9-41	67422-10v	75-26
67071-00v	23-63	67198-00v	23-54	67294-00v	8-7a	67422-11v	75-27
67071-01v	4-50	67202-00v	23-65	67294-01v	8-7a	67422-12v	75-30
67071-01v	23-63	67203-00v	23-38	67325-00v	32-16	67422-13v	75-31
67079-00v	4-14	67205-02v	66-1	67330-10v	32-15	67422-14v	75-32
67079-01v	4-14	67205-02v	67-1	67336-00v	32-60	67422-21v	75-33
67090-10v	27-1	67205-03v	66-1	67338-00v	29-1	67428-00v	37-47
67090-10v	28-1	67205-03v	67-1	67344-00v	66-8	67431-00v	37-82
67090-11v	27-1	67206-02v	52-28	67344-00v	67-30	67431-04v	37-81
67090-11v	28-1	67206-02v	53-27	67347-00v	66-9	67436-04v	75-7
67091-00v	27-27	67210-03v	52-1	67347-00v	67-31	67436-05v	75-8
67091-00v	28-14	67210-05v	53-1	67350-00v	46-1	67437-00v	75-9
67093-04v	27-2	67213-00v	52-4	67352-00v	27-3	67439-00v	75-22
67093-04v	28-2	67213-00v	53-4	67352-01v	27-3	67462-06v	37-8
67093-05v	27-2	67214-00v	52-5	67355-00v	27-5	67463-00v	63-5
67093-05v	28-2	67214-02v	53-5	67355-00v	46-11	67463-02v	63-48
67095-00v	4-18	67215-03v	52-9	67355-01v	27-5	67471-00v	89-20
67095-01v	4-18	67215-03v	53-9	67355-01v	46-11	67471-00v	92-16

PIPER PARTS CATALOG

Part Number	Figure and Index No.	Part Number	Figure and Index No.	Part Number	Figure and Index No.	Part Number	Figure and Index No.
67487-02v	74-51	67691-00v	4-49	67700-304v	65A-25	67786-00v	92-26
67487-03v	74-73	67691-01	4-49	67700-305v	65A-30	67790-00v	40-4
67490-02v	83-11	67694-00v	4-42	67700-306v	65A-22	67791-00v	40-5
67490-02v	86-73	67700-06v	65-16	67700-307v	65A-23	67793-00v	40-6
67490-02v	86A-24	67700-06v	65A-16	67700-309v	41-22	67794-00v	40-7
67490-02v	92-13	67700-07v	65-17	67700-333v	39-30	67797-04v	23-19
67491-00v	63-3	67700-07v	65A-17	67700-334v	39-19	67797-05v	23-19
67491-03v	63-47	67700-14v	65-21	67700-338v	54-18	67797-06v	23-19
67491-04v	63-3a	67700-15v	65-20	67700-342v	65A-21	67797-07v	23-19
67493-00v	85-15	67700-16	65-22	67700-343v	65A-20	67804-00v	52-46
67494-00v	85-16	67700-17v	65-23	67700-345v	54-75	67808-00v	43-7
67494-01v	85-16	67700-19v	65-25	67700-349v	54-71	67809-00v	43-3
67502-00v	23-56	67700-23v	65-29	67700-377v	83-21	67810-00v	43-1
67510-00v	19-36	67700-23v	65A-29	67700-378v	83-20	67811-00v	43-2
67517-00v	43-6	67700-24v	65-28	67700-383v	54-79	67812-00v	43-4
67520-00v	65-5	67700-24v	65A-28	67700-394v	39-29	67822-00v	44-4
67521-00v	65-6	67700-25v	54-17	67700-395v	39-19	67823-00v	44-6
67524-00v	65-34	67700-28v	54-19	67702-00v	32-10	67824-00v	44-8
67524-00v	65A-34	67700-29v	40-29	67702-00v	92-29	67825-00v	44-7
67534-00v	65-46	67700-31v	65-24	67705-00v	66-32	67825-06v	44-7
67534-00v	65A-8	67700-34v	65-30	67705-00v	67-51	67829-00v	40-74
67549-00	29-2	67700-35v	65-31	67713-00v	58-23	67830-00v	44-3
67556-04v	14-15	67700-56v	54-20	67723-00	2-35	67831-00v	44-5
67562-00v	10-20	67700-57v	54-21	67723-01	2-35	67844-00v	40-13
67564-00v	58-20	67700-58v	29-5	67724-00v	40-62	67845-00v	40-17
67566-00v	58-21	67700-61v	65-26	67725-02v	40-76	67846-10v	46-9
67572-00v	10-52	67700-61v	65A-26	67725-02v	41-48	67846-11v	46-9
67574-00v	10-53	67700-62v	65-27	67728-00v	56-20	67847-00v	40-3
67582-03v	58-5	67700-62v	65A-27	67729-00v	52-15	67848-00v	40-32
67592-02v	32-8	67700-65v	39-15	67729-00v	53-15	67849-00v	40-14
67592-02v	92-27	67700-66v	39-16	67731-00v	65-42	67876-00v	40-26
67598-00v	19-13	67700-67v	39-17	67731-00v	65A-42	67879-00v	37-63
67600-00v	65-11	67700-87v	40-28	67732-00v	65-44	67879-00v	92-70
67600-00v	65A-12	67700-87v	42-5	67732-00v	65A-44	67881-06v	54-34
67601-00v	54-73	67700-89v	40-28	67738-00v	65-42	67882-02v	54-74
67603-00v	54-35	67700-132v	42-7	67738-00v	65A-42	67897-03v	80-20
67604-02v	54-5	67700-133v	42-8	67738-03v	65A-42	67909-00v	20-15
67616-00v	40-63	67700-136v	42-11	67743-02v	65A-43	67910-00v	32-5
67616-04v	40-63	67700-137v	42-10	67745-00v	40-65	67911-00v	32-2
67652-00v	43-9	67700-140v	55-48	67747-05v	65-8	67917-06v	32-1
67656-02v	54-38	67700-141v	55-49	67747-05v	65A-7	67920-14v	37-36
67661-00v	54-31	67700-146v	86-49	67748-03v	65-2	67920-18v	37-36
67661-00v	55-58	67700-146v	86A-9	67748-03v	65A-2	67920-20v	37-36
67670-00v	4-40	67700-147v	86-50	67748-04v	65-2	67921-00v	32-9
67670-01v	4-40	67700-147v	86A-8	67748-04v	65A-2	67921-00v	92-28
67673-00v	4-41	67700-148v	88-4	67749-00v	65-10	67926-12v	24-10
67677-00v	4-44	67700-157v	42-6	67749-00v	65A-10	67926-13v	24-10
67677-01v	4-44	67700-159v	42-9	67752-02v	19-46	67927-08v	23-1
67678-00v	4-45	67700-160v	86A-12	67752-03v	19-46	67927-08v	24-1
67678-01v	4-45	67700-172v	39-18	67753-00v	24-14	67927-09v	23-1
67687-00v	4-43	67700-181v	65-19	67755-00v	20-16	67927-09v	24-1
67687-01v	4-43	67700-181v	65A-19	67755-00v	24-4	67930-03v	7-1
67689-00v	4-13	67700-182v	65-18	67768-00v	37-64	67930-920v	7-23
67689-01v	4-13	67700-182v	65A-18	67768-00v	92-40	67930-920v	9-1
67690-00v	4-17	67700-300v	39-14	67776-00v	40-21	67930-923v	7-5
67690-01v	4-17	67700-301v	39-13	67777-00v	40-20	67930-925v	7-27
67690-16v	4-17	67700-302v	65A-24	67779-00v	40-19	67930-925v	10-1
67690-17v	4-17	67700-303v	65A-31	67786-00v	32-7	67930-928v	7-9

PIPER PARTS CATALOG

Part Number	Figure and Index No.	Part Number	Figure and Index No.	Part Number	Figure and Index No.	Part Number	Figure and Index No.
67930-929v	7-14	68556-01v	32-66	69669-16v	92-60	69669-182v	37-68
67930-929v	8-1	68557-00v	63-26	69669-17v	75-10	69669-182v	92-72
67950-02v	41-19	68584-00v	32-58	69669-17v	92-10	69669-185v	37-60
67958-03v	35-26a	68669-10v	53-14	69669-20v	74-38	69669-185v	92-64
67958-03v	35-40	68671-00v	32-56	69669-20v	92-8	69669-186v	37-69
67958-03v	36-50	68699-10v	52-14	69669-39v	37-49	69669-186v	92-73
67958-05v	35-26a	68770-03v	74-25	69669-39v	92-54	69670-04v	80-1
67958-05v	35-40	68770-04v	78-14	69669-40v	86-58	69736-02v	2-32
67958-05v	36-50	68770-07v	52-36	69669-45v	32-13a	69738-00v	9-21
67968-12v	33-1	68770-07v	53-36	69669-45v	92-46	69739-00v	9-23
67968-13v	33-1	68770-08v	52-37	69669-45v	32-78	69740-02v	9-22
67968-14v	33-2	68770-11v	40-86	69669-66v	87-8	69785-03v	56-14
67968-15v	33-2	68770-14v	66-15	69669-66v	92-14	69791-00v	46-10
67968-16v	33-3	68770-14v	67-33	69669-68v	37-59	69885-00v	68-29
67968-17v	33-3	68770-15v	53-37	69669-68v	92-63	69885-02v	68-30
67968-18v	33-4	68770-18v	42-22	69669-70v	37-60	69885-02v	68-49
67968-19v	33-4	68770-18v	54-40	69669-70v	92-65	69885-03v	68-31
67969-02v	33-6	68771-03v	74-26	69669-77v	68-39	69885-03v	68-50
67969-03v	33-8	68771-04v	78-15	69669-77v	92-5	69885-12v	68-48
67969-04v	33-7	68771-06v	53-38	69669-95v	87B-9	69891-02v	9-24
67969-15v	33-5	68771-09v	40-86	69669-95v	87C-7	69891-03v	9-24
67982-02v	69-23	68771-12v	52-39	69669-96v	87B-10	69891-04v	9-24
67982-02v	70-10	68771-13v	52-40	69669-96v	87C-8	69891-05v	9-24
67984-02v	63-37	68771-13v	53-39	69669-97v	87B-8	69891-10v	9-24
68022-14v	35-44	68778-00v	40-44	69669-97v	87C-6	69891-11v	9-24
68026-00v	40-33	68804-03v	74-27	69669-101v	37-52	69891-12v	9-24
68094-03v	73-12	68804-04v	74-27	69669-101v	92-56	69891-13v	9-24
68111-00v	3-9	68817-35v	4-60	69669-114v	87B-11	70371-02	52-44
68113-200v	3-8	68817-50v	7-20	69669-114v	87C-9	70371-02	53-40
68113-201v	3-8	68991-00v	12-33	69669-115v	39-37	70371-02	68-37
68119-00v	3-14	69015-05v	54-29	69669-115v	92-79	70371-03	52-45
68179-00v	13-52	69015-06v	40-40	69669-117v	13-71	70371-03	53-41
68179-02v	13-53	69033-00v	54-46	69669-117v	37-45	70371-03	66-20
68179-07v	13-52	69042-00v	39-10	69669-117v	92-19	70371-03	67-34
68179-08v	13-53	69042-02v	39-10	69669-117v	92-49	70371-03	68-37
68198-00v	78-9	69074-00v	41-13	69669-118v	13-72	72091-00	56-6
68198-00v	79-4	69077-00v	63-16	69669-118v	92-20	76114-00v	10-3
68272-02v	8-25	69095-00v	10-64	69669-121v	37-45	76115-00v	10-8
68272-03v	8-26	69219-00v	14-51	69669-121v	92-48	76115-01v	10-8
68272-04v	8-27	69229-00v	67-12	69669-158v	37-53	76116-00v	10-2
68273-02v	8-28	69273-00v	66-24	69669-158v	92-57	76118-00v	10-38
68364-00v	73A-51	69273-00v	67-26	69669-159v	37-54	76118-01v	10-38
68390-04v	89-9	69274-00v	66-33	69669-159v	92-58	76119-00v	10-39
68399-02v	32-19	69274-00v	67-27	69669-163v	37-63	76119-01v	10-39
68399-02v	92-30	69275-00v	53-43	69669-163v	92-71	76120-00v	10-55
68414-03v	60-2	69275-00v	66-16	69669-169v	32-72	76120-01v	10-55
68416-02v	32-55	69275-00v	67-47	69669-169v	92-33	76121-00v	10-61
68416-03v	32-55	69279-00v	66-31	69669-170v	32-73	76123-04v	10-57
68467-00v	29-3	69279-00v	67-21	69669-170v	92-34	76123-05v	10-57
68488-02v	60-4	69318-00v	62-7	69669-173v	78-8	76126-00v	10-13
68499-04v	32-57	69325-122v	74-76	69669-173v	79-5	76129-06v	66-4
68499-05v	32-57	69403-03v	32-32	69669-173v	92-11	76129-06v	67-4
68539-00v	7-31	69509-00v	85-20	69669-175v	82-2	76129-07v	66-4
68540-00v	7-32	69509-00v	86-59	69669-175v	92-12	76129-07v	67-4
68540-01v	7-32	69509-00v	92-76	69669-176v	37-58	76132-03v	9-5
68555-05v	13-62	69545-00v	37-55	69669-176v	92-62	76136-00v	8-20
68555-05v	92-21	69545-00v	92-59	69669-177v	73-5	76137-02v	8-10
68556-00v	32-66	69669-16v	37-56	69669-177v	92-6	76140-03v	9-14

PIPER PARTS CATALOG

Part Number	Figure and Index No.	Part Number	Figure and Index No.	Part Number	Figure and Index No.	Part Number	Figure and Index No.
76140-04v	9-14	76307-07v	68-2	78039-00v	86A-11	78970-02v	60-7
76143-00v	14-20	76309-00v	68-18	78041-00v	35-26	78980-04v	54-5
76160-00v	86-4	76309-00v	71-25	78041-00v	36-42	78981-05v	18-5
76172-00v	35-25	76309-02v	68-18	78041-02v	35-38	78981-06v	18-6
76172-03v	36-19	76309-02v	71-25	78041-09v	35-26	78981-07v	18-7
76175-00v	36-18	76311-03v	37-33	78041-09v	36-42	78981-08v	18-13
76175-03v	35-7	76342-00v	36-22	78041-10v	35-38	78981-10v	18-2
76176-00v	36-30	76343-00v	36-23	78051-19v	14-52	78981-11v	18-3
76178-00v	35-24	76351-02v	36-24	78051-25v	14-39	78981-15v	18-8
76187-00v	36-13	76351-03v	36-25	78051-26v	14-53	78981-16v	18-9
76191-02v	32-33	76365-00v	9-20	78054-02v	32-14	78981-17v	18-12
76197-00v	14-19	76407-03v	19-27	78086-00v	14-16	78981-18v	18-14
76205-00v	37-37	76409-00v	19-15	78112-05v	7-22	78982-02v	18-11
76205-05v	37-37	76425-00v	19-23	78113-00v	39-21	79035-00v	68-20
76221-00v	32-67	76425-02v	19-23	78140-33v	77-16	79038-00v	40-79
76222-00v	37-46	76425-03v	19-23	78140-39v	77-15	79038-00v	42-16
76222-00v	92-50	76425-04v	19-23	78140-175v	74-75	79044-06v	37-31
76239-00v	9-19	76426-03v	19-8	78158-02v	4-58	79044-07v	37-31
76255-00v	7-11	76434-00v	40-30	78159-00v	4-59	79044-08v	37-31
76256-00v	7-26	76436-00v	8-7	78237-00v	86A-5	79044-09v	37-31
76257-00v	7-26	76437-04v	8-2	78475-04v	4-23	79112-02v	37-34
76261-00v	9-61	76437-06v	8-2	78475-05v	4-23	79112-02v	92-75
76261-01v	9-61	76462-00v	32-34	78483-00v	80-35	79125-00v	32-17
76262-00v	9-62	76467-00v	9-45	78500-08v	4-24	79125-01v	32-17
76264-00v	14-23	76467-02v	7-13	78500-09v	4-24	79152-00v	89-15
76265-00v	14-26	76467-02v	9-47	78717-02v	23-46	79152-02v	89-15
76266-00v	14-26	76467-03v	9-46	78735-02v	32-6	79154-00v	14-6
76267-00v	14-24	76467-04v	9-49	78768-02v	16-38	79155-00v	14-6
76267-01v	14-24	76468-00v	9-17	78908-04v	17-2	79160-00v	89-4
76268-00v	14-25	76468-02v	9-18	78908-11	17-3	79161-00v	9-16
76269-00v	14-25	76468-03v	9-18	78908-26v	17-2	79171-08v	14-35
76270-00v	14-27	76469-946v	10-2	78908-28v	17-2	79171-09v	14-36
76270-01v	14-27	76469-947	10-6	78913-04v	15-7	79171-10v	14-34
76271-00v	14-30	76469-948v	10-6	78913-07v	15-6	79171-11v	14-33
76272-00v	14-28	76470-907v	7-37	78915-03v	18-10	79171-13v	14-37
76272-01v	14-28	76470-907v	10-54	78918-04v	59-13	79171-14v	14-32
76273-00v	14-29	76470-907v	11-1	78919-02v	59-11	79174-00v	2-30
76274-00v	14-29	76470-963v	7-39	78921-10v	60-8	79174-04v	2-31
76275-00v	14-17	76474-800v	7-7	78925-03v	60-14	79192-00v	68-19
76275-02v	14-17	76474-900v	7-7	78926-02v	60-5	79205-00v	75-18
76275-03v	14-17	76475-900v	7-40	78927-02v	17-19	79207-00v	35-13
76275-04v	14-17	76476-900v	7-6	78928-02v	18-4	79207-00v	36-12
76276-00v	14-17	76476-901v	7-8	78935-08v	17-24	79229-00v	36-27
76276-02v	14-17	76477-03v	37-31	78935-17v	17-11	79230-00v	35-18
76276-03v	14-17	76477-04v	37-31	78935-19v	17-9	79230-02v	36-28
76276-04v	14-17	76477-05v	37-31	78935-21v	17-15	79234-00v	9-38
76277-00v	14-18	76489-02v	8-17	78935-27v	17-6	79235-00v	36-29
76277-02v	14-18	76490-02v	10-15	78935-28v	17-5	79236-05v	34-4
76277-03v	14-18	76490-03v	10-15	78935-31v	17-13	79236-10v	34-1
76277-04v	14-18	76494-02v	68-2	78935-32v	17-14	79236-11v	34-2
76278-00v	14-18	76494-02v	71-20	78935-35v	17-10	79236-16v	34-3
76278-02v	14-18	76494-04v	73A-42	78935-42v	17-16	79258-02v	10-63
76278-03v	14-18	76495-02v	68-47	78935-46v	17-30	79258-03v	10-58
76278-04v	14-18	76496-02v	68-1	78935-47v	17-31	79264-00v	68-38
76279-00v	9-56	76496-02v	71-17	78937-02v	16-18	79275-00v	63-2
76297-00v	7-12	76496-03v	68-1	78937-03v	16-18	79275-00v	92-2
76297-01v	7-12	76496-03v	71-17	78967-03v	16-30	79276-12v	63-1
76305-00v	68-5	78039-00v	86-60	78969-02v	60-6	79280-00v	68-21

PIPER PARTS CATALOG

Part Number	Figure and Index No.	Part Number	Figure and Index No.	Part Number	Figure and Index No.	Part Number	Figure and Index No.
79281-00v	68-23	79337-72v	35-5	79553-00v	8-23	79636-04v	88-3
79282-00v	68-24	79337-73v	35-1	79553-01v	8-23	79636-10v	83-23
79284-00v	68-25	79337-74v	35-2	79554-02v	35-4	79639-02v	9-50
79285-00v	68-26	79337-74v	36-2	79554-02v	36-5	79647-02v	13-24
79286-00v	68-27	79337-75v	35-5	79555-00v	35-3	79650-02	37-9
79287-00v	68-22	79362-00v	37-17	79555-00v	35-29	79652-03v	63-4
79290-00v	12-52	79367-00v	37-16	79555-00v	36-3	79652-05v	63-4
79290-00v	68-33	79371-00v	37-22	79555-01v	35-3	79653-96v	77-25
79290-00v	68-53	79373-00v	37-15	79557-00v	14-5	79653-97v	77-9
79292-00v	68-36	79376-00v	37-18	79558-02v	69-10	79653-104v	78-19
79293-04v	68-56	79376-00v	37-23	79560-00v	85-7	79653-121v	77-5
79296-16v	14-1	79381-00v	37-19	79561-03v	7-25	79655-02v	8-8
79296-17v	14-2	79381-00v	37-24	79561-04v	9-12	79657-03v	83-16
79296-18v	14-1	79404-00v	37-44	79561-07v	9-11	79739-02v	8-16
79296-19v	14-2	79405-00v	91-1	79561-08v	9-10	79739-03v	8-16
79303-00v	68-28	79412-02v	74-41	79561-09v	9-3	79762-02v	87-5
79314-00v	37-67	79412-06v	74-41	79561-10v	9-4	79764-02v	35-42
79314-02v	37-67	79412-09v	74-41	79561-900v	9-2	79764-04v	35-42
79315-00v	92-38	79414-00v	74-42	79561-903v	9-9	79781-02v	73-13
79319-00v	10-23	79427-02v	7-42	79562-00v	14-21	79787-02v	32-35
79322-06v	35-14	79430-00v	30-11	79563-901v	7-21	79795-02v	8-15
79329-03v	8-24	79442-00v	35-20	79563-905v	7-21	79795-03v	8-14
79329-08v	8-24	79442-00v	35-37	79566-00v	8-46	79795-04v	8-14
79333-00v	75-29	79442-02v	36-31	79566-02v	8-46	79800-02v	24-3
79333-02v	75-29	79445-00v	32-20	79567-00v	8-32	79819-02v	35-6
79337-16v	35-2	79452-00v	13-6	79567-03v	8-32	79819-03v	35-6
79337-16v	35-28	79453-00v	12-55	79567-04v	8-32	79828-03v	32-41
79337-16v	36-2	79455-00v	32-49	79569-901v	7-15	79838-02v	32-18
79337-17v	35-2	79456-00v	32-68	79572-00v	14-12	79839-02v	71-23
79337-17v	36-2	79463-00v	87A-8	79573-901v	7-10	79840-04v	71-24
79337-18v	35-42	79463-02v	87-7	79576-901v	7-24	79863-02v	8-31
79337-21v	35-1	79473-00v	52-24	79577-900v	7-3	79884-02v	32-22
79337-23v	35-5	79473-00v	53-24	79578-903v	7-30	79886-03v	69-37
79337-24v	35-5	79475-07v	13-18	79580-900v	7-38	79886-04v	69-13
79337-27v	35-1	79475-08v	13-19	79580-901v	7-38	79886-07v	69-38
79337-27v	35-2	79475-16v	13-17	79581-900v	7-39a	80122-20	19-69
79337-27v	35-28	79475-20v	13-16	79582-901v	7-28	80122-88	20-39
79337-27v	36-2	79475-22v	13-20	79584-08v	69-8	80122-88	24-28
79337-28v	35-2	79475-34v	13-45	79585-902v	7-29	80122-89	24-26
79337-28v	36-2	79475-58v	13-16	79585-903v	7-29	81342-56v	77-12
79337-32v	35-5	79475-59v	13-16	79591-02v	36-1	82732-76v	58-41
79337-33v	35-5	79475-60v	13-16	79591-03v	36-1	82732-76v	63-33
79337-41v	35-42	79487-00v	91-5	79591-04v	36-1	82732-99	19-7
79337-43v	35-1	79515-04v	13-25	79591-05v	36-1	85012-101v	40-57
79337-44v	35-1	79515-06v	13-26	79591-08v	36-1	86460-06v	12-14
79337-58v	35-1	79515-07v	13-30	79591-09v	36-1	86461-02v	12-15
79337-59v	35-2	79515-08v	13-31	79591-10v	36-1	86462-02v	12-16
79337-59v	35-28	79515-13v	13-23	79591-11v	36-1	86462-04v	12-17
79337-59v	36-2	79515-15v	13-32	79595-19v	77-29	486463-04v	7-2
79337-60v	35-5	79515-35v	13-22	79595-20v	77-31	86463-04v	12-1
79337-61v	35-1	79527-02v	37-36	79599-00v	87A-9	86463-05v	7-2
79337-62v	35-2	79530-02v	13-33	79600-00v	37-43	86476-02v	12-19
79337-62v	36-2	79532-02v	13-36	79615-02v	66-27	86476-03v	12-19
79337-63v	35-5	79539-02v	36-6	79615-02v	67-5	86477-02v	12-18
79337-70v	35-1	79539-03v	36-6	79615-03v	66-27	86477-03v	12-18
79337-71v	35-2	79542-04v	13-12	79615-03v	67-5	86480-02v	12-2
79337-71v	35-28	79542-06v	13-59	79636-04v	83-27	86480-03v	12-2
79337-71v	36-2	79545-03v	13-8	79636-04v	86-51	86480-06v	12-5

PIPER PARTS CATALOG

Part Number	Figure and Index No.	Part Number	Figure and Index No.	Part Number	Figure and Index No.	Part Number	Figure and Index No.
86480-10v	12-4	87341-03v	92-84	95061-91v	35-55	95643-06v	23-44
86480-11v	12-6	87341-04v	2-57	95061-106v	35-8	95643-07v	2-19
86480-12v	12-6	87341-04v	92-85	95061-106v	3641	95643-07v	23-44
86480-13v	12-7	87357-03v	19-19	95061-118v	53-57	95648-00v	4-62
86480-14v	12-7	87369-05v	85A-3	95061-144	20-24	95648-01v	4-62
86480-15v	12-7a	87369-05v	92-95	95061-148v	59-12	95668-00v	4-19
86480-800v	12-2	87369-16v	63-3a	95061-150v	59-17	95668-01v	4-19
86482-02v	12-21	87369-16v	92-89	95061-151v	69-11	96143-00v	39-7
86485-02v	12-8	87369-22v	65-1a	95061-161v	35-10	96178-00v	28-24
86486-04v	12-9	87369-22v	65A-1a	95061-161v	36-33	96268-00v	86B-9
86486-05v	12-9	87369-22v	92-92	95061-162v	67-36	96319-00v	15-11
86486-06v	12-9	87369-26v	40-85	95061-173v	19-81	96352-03v	2-37
186486-07v	12-9	87369-26v	92-91	95061-174v	19-73	96352-03v	2-38
86488-02v	12-10	87369-27v	37-85	95061-177v	20-44	96352-03v	2-40
86489-02v	12-11	87369-27v	92-80	95061-178v	20-20	96352-03v	2-41
86490-03v	12-20	87369-38v	83-9	95061-179v	20-21	96392-04v	39-1
86491-02v	12-22	87369-38v	86-71	95061-180v	35-62	96392-07v	39-1
86491-03v	12-34	87369-38v	86A-22	95061-186v	35-62	96393-03v	39-1
86492-03v	12-23	87369-38v	92-13	95094-00v	3-31	96564-00v	16-37
86493-02v	12-24	87369-39v	83-10	95153-31v	86A-13	96671-02v	65-1
86493-03v	12-24	87369-39v	86-72	95153-101v	39-20	96671-02v	65A-1
86494-02v	12-32	87369-39v	86A-23	95153-148v	55-21	96684-00v	10-56
86496-06v	15-12	87369-39v	92-96	95153-149v	55-22	96827-22v	35-27
86548-02v	17-18	87369-40v	86B-8	95153-154v	55-23	96827-23v	35-27
86563-02v	87-9	87369-40v	92-97	95153-158v	39-20	96827-26v	35-30
86563-04v	87A-7	87369-53v	75-67	95153-177v	55-24	96827-27v	35-30
86633-02v	4-46	87369-53v	92-100	95153-178v	55-25	96827-29v	35-27
86652-05v	91-17	87379-02v	37-11	95153-179v	55-26	96827-30v	35-27
86652-08v	91-19	87392-02v	44-14	95153-179v	55-26	96827-30v	35-27
86682-02v	83-6	87401-02v	45-15	95153-180v	55-27	96827-31v	35-30
86682-04v	83-4	87402-02v	45-21	95153-182v	55-28	96827-32v	35-30
86700-30v	23-29	87403-02v	45-11	95153-183v	55-29	96827-35v	35-27
86700-36v	80-33	87404-02v	45-5	95153-184v	55-30	96827-36v	35-30
86711-02v	68-35	87404-02v	45-7	95153-185v	55-31	96827-37v	35-27
86711-06v	12-50	87404-03v	45-7	95153-186v	55-32	96827-38v	35-30
86721-05v	12-37	87404-04v	45-3	95153-187v	55-33	96827-41v	35-27
86887-02v	73A-26	87404-10v	45-16	95153-188v	55-34	96827-42v	35-30
86887-03v	73A-26	87404-16v	45-22	95153-189v	55-35	96827-43v	35-27
86887-04v	73A-26	87404-17v	45-23	95153-190v	55-36	96827-44v	35-30
86887-04v	73A-26	87404-22v	45-24	95153-191v	55-37	96860-02v	23-39
86887-05v	73A-26	87404-24v	45-5	95153-192v	55-38	96887-00v	10-22
86888-02v	73A-52	87405-02v	47-15	95153-193v	55-39	96887-02v	10-22
86888-03v	73A-53	87405-03v	47-15	95153-194v	55-40	96890-00v	10-21
87319-02v	19-10	87405-05v	45-4	95153-195v	55-41	96890-01v	10-21
87319-03v	19-9	87430-02v	45-25	95153-196v	55-42	96902-00v	65-7
87329-07v	13-60	87444-02v	12-53	95153-197v	55-43	96902-00v	65A-6
87329-08v	13-7	87451-03v	37-87	95153-198v	55-44	96908-00v	35-47
87332-02v	35-9	87477-02v	54-6	95153-199v	55-45	96908-00v	35-48
87332-02v	36-10	87477-02v	55-11	95228-00v	74-40	96926-00v	2-21
87334-02v	13-67	87501-02v	9-70	95241-11v	37-14	96926-00v	2-24
87334-02v	92-86	87502-03v	77-33	95241-21v	37-14	96927-00v	2-22
87337-02v	13-68	87742-02v	74-77	95241-22v	37-21	96978-00v	83-5
87337-02v	92-87	91193-00	66-21	95241-23v	37-21	96994-03v	63-4
87339-02v	47-21	91193-00	67-35	95264-02v	17-27	97499-04v	42-14
87339-02v	92-88	93913-66v	65A-41	95636-00v	4-22	97499-21v	55-52
87340-02v	46-24	95061-20v	28-22	95636-01v	4-22	98044-70v	54-22
87340-02v	92-88	95061-25v	28-21	95639-02v	3-2	98044-71v	54-23
87341-02v	15-30	95061-31v	60-26	95639-03v	3-2	98044-71v	55-46
87341-02v	92-83	95061-64v	23-55	95643-06v	2-19	98044-72Y	54-24

PIPER PARTS CATALOG

Part Number	Figure and Index No.	Part Number	Figure and Index No.	Part Number	Figure and Index No.	Part Number	Figure and Index No.
98044-72v	55-47	99395-00v	89-13	99633-00v	68-6	99967-00v	32-69
98489-02v	55-2	99395-00v	90-1	99633-00v	71-8	99968-00v	32-69
98490-02v	55-3	99395-02v	89-13	99634-00v	71-24	99997-00v	13-40
98700-02	2-49	99395-02v	90-1	99635-09v	32-64	99997-00v	14-40
99002-03v	37-3	99395-03v	89-13	99640-02v	71-1	99999-00v	76-10
99002-08v	37-3	99395-03v	90-1	99640-04v	71-2		
99003-03v	37-6	99417-00v	10-45	99641-00v	68-10		
99003-07v	37-6	99421-00v	9-44	99641-00v	71-6		
99010-05v	37-7	99433-00v	34-12	99642-02v	68-7		
99031-03v	82-3	99433-01v	34-12	99642-03v	71-3		
99045-00v	10-29	99448-00v	84-11	99644-00v	71-28	179 872v	2-33
99047-00v	40-18	99448-00v	92-42	99646-02v	71-9	187 356v	8-42
99059-06v	37-39	99479-02v	37-80	99648-00v	71-12	187 627v	20-10
99060-06v	37-40	99480-00v	37-26	99650-00v	71-13	187 627v	24-6
99061-06v	37-41	99487-01v	12-26	99661-00v	71-15	189 139v	13-2
99062-06v	37-42	99487-02v	12-26	99680-08v	89-17	189 139v	13-15
99072-00v	69-9	99488-00v	12-27	99690-00v	9-65	400 002	35-16
99077-16v	35-31	99495-00v	72-5	99690-01v	9-65	400 002	36-37
99077-17v	35-31	99496-02v	12-41	99691-00v	9-68	400 002	44-11
99080-00v	69-28	99499-00v	40-8	99691-01v	9-68	400 002	53-48
99094-02v	46-5	99500-06v	68-1	99692-00v	9-66	400 003	15-14
99096-00v	46-2	99500-06v	71-17	99692-01v	9-66	400 003	16-44
99130-02v	74-43	99500-08v	68-1	99693-00v	9-69	400 004	2-47
99140-03v	73-11	99506-00v	71-23	99699-00v	11-17	400 004	15-24
99141-03v	73-10	99513-05v	37-33	99701-00v	11-12	400 004	16-45
99181-03v	32-65	99539-00v	71-26	99717-00v	76-2	400 004	35-53
99184-02v	32-74	99541-02v	71-20	99718-05v	36-4	400 004	58-52
99184-02v	92-35	99545-00v	12-39	99719-28v	36-47	400 008	57-35
99184-05v	32-76	99550-02v	71-27	99741-00v	9-67	400 009	69-39
99184-05v	92-37	99552-00v	12-46	99741-01v	9-67	400 011v	58-4
99198-00v	74-35	99552-02v	12-46	99744-00v	74-35	400 012	23-62
99209-00v	84-3	99555-00v	12-40	99745-00v	74-37	400 014	41-43
99214-00v	37-26	99557-00v	72-19	99754-02v	54-33	400 015	21-13
99222-02v	74-28	99558-00v	12-47	99756-00v	55-56	400 054	53-46
99222-09v	74-28	99559-00v	12-3	99774-00v	55-57	400 054	53-55
99222-10v	74-28	99559-01v	12-3	99792-00v	44-1	400 055	19-73
99240-00v	32-42	99561-00v	12-42	99801-02v	32-14	400 055	59-22
99242-13v	35-41	99561-00v	72-22	99805-03v	12-36	400 055	63-35
99252-10v	32-47	99569-00v	72-24	99813-02v	12-36	400 056	52-53
99263-00v	72-3	99572-04v	72-23	99819-00v	32-63	400 058	53-56
99271-00v	72-8	99580-00v	69-27	99841-07v	89-5	400 071v	28-26
99272-00v	12-43	99589-00v	44-9	99849-06v	40-69	400 103	43-10
99273-00v	12-44	99592-06v	69-17	99849-07v	40-70	400 107	59-15
99275-02v	72-4	99592-07v	69-14	99849-21v	40-70	400 108	19-60
99275-02v	72-9	99592-10v	70-5	99853-00v	72-14	400 112	19-61
99275-04v	72-25	99592-11v	70-6	99854-00v	72-10	400 113	13-28
99278-03v	12-45	99594-00v	44-10	99862-00v	76-1	400 113	29-26
99280-00v	12-28	99595-00v	44-2	99867-00v	72-16	400 121v	59-18
99280-02v	12-28	99600-00v	43-8	99920-02v	35-61	400 171	52-19
99344-00v	90-7	99601-00v	43-5	99920-03v	35-61	400 171	53-19
99377-02v	75-11	99609-00v	12-30	99921-00v	37-65	400 191v	19-62
99377-03v	75-12	99610-00v	89-10	99921-00v	92-39	400 218	19-63
99377-04v	75-45	99610-02v	89-12	99943-00v	13-14	400 224	72-21
99377-05v	75-13	99610-10v	89-34	99943-00v	14-31	400 272v	19-66
99377-06v	75-14	99615-00v	12-48	99943-00v	14-49	400 279v	19-66
99377-29v	75-41	99615-01v	12-48	99950-00v	37-37	400 437	15-29
99377-66v	75-67	99624-00v	69-7	99952-00v	37-38	400 437	65-54
99387-00v	72-1	99631-00v	12-49	99959-05v	37-32	400 437	65A-53

PIPER PARTS CATALOG

Part Number	Figure and Index No.	Part Number	Figure and Index No.	Part Number	Figure and Index No.	Part Number	Figure and Index No.
400 438	16-40	400 756v	19-75	401 280v	28-28	402 057v	9-26
400 438	18-15	400 761	23-59	401 286v	27-32	402 213	20-41
400 438	46-18	400 762v	19-75	401 289v	57-38	402 291v	15-25
400 438	58-51	400 774v	19-71	401 301v	40-82	402 312v	19-72
400 438	64-15	400 856v	86-65	401 307	54-76	402 312v	24-35
400 438	65-52	400 861v	28-30	401 307	78-17	402 314v	64-7
400 438	65A-55	400 861v	72-28	401 307	79-11	402 316v	15-23
400 438	85A-6	400 861v	72-29	401 310	23-51	402 344	20-40
400 440	19-76	400 861v	72-30	401 310	40-53	402 344	24-34
400 440	41-47	400 861v	72-33	401 310	57-42	402 344	24-36
400 440	56-23	400 862v	13-64	401 310	63-36	402 345	24-34
400 440	58-49	400 863	35-43	401 311	23-52	402 349v	2-42
400 440	72-35	400 867	27-38	401 313v	65-55	402 351	2-37
400 440	83-14	400 867	28-13	401 313v	65A-54	402 352	2-38
400 441	58-49	400 871v	19-44	401 315	57-37	402 352	2-39
400 441	72-31	400 873v	19-45	401 318	36-32	502 352	2-40
400 443	15-22	400 876v	29-27	401 318	36-38	402 352	2-41
400 443	19-57	400 880v	23-31	401 318	58-56	402 678v	19-73
400 443	58-60	400 880v	23-35	401 320v	24-41	402 680v	2-52
400 443	65-53	400 885v	19-68	401 325v	16-39	402 680v	15-17
400 443	65A-46	400 889v	19-68	401 329	24-40	402 915v	2-36
400 443	83-30	400 916	35-39	401 333v	63-21	402 927v	23-30
400 444	2-44	401 186	2-36	401 334	72-32	402 940v	19-14
400 444	8-38	401 186	15-15	401 335	23-61	402 960v	23-53
400 444	83-31	401 186	15-16	401 355	35-54	403 054	27-29
400 449	28-27	401 186	15-30	401 385v	57-36	403 055	27-30
400 450	16-42	401 187	35-52	401 385v	61-11	404 004v	38-31
400 450	60-36	401 188	23-51	401 389	41-44	404 100	19-73
400 451	23-57	401 188	57-34	401 393	41-45	404 100	23-31
400 452	57-33	401 189	23-52	401 394	69-12	404 100	23-35
400 453	28-29	401 189	59-14	401 394	70-15	404 100	28-26
400 456	64-13	401 189	61-12	401 405	40-55	404 100	52-53
400 462v	58-19	401 257v	27-28	401 411v	40-56	404 100	52-55
400 616v	69-30	401 257v	28-33	401 417v	40-54	404 100	53-46
400 652v	58-46	401 258v	18-16	401 424v	80-32	404 100	53-49
400 653v	58-47	401 258v	18-19	401 438	64-16	404 100	53-55
400 653v	58-48	401 264	60-35	401 461v	69-33	404 100	53-56
400 653v	63-34	401 265	19-38	401 543v	40-59	404 100	58-55
400 665v	13-37	401 266	10-49	401 544v	40-58	404 100	59-22
400 672	58-54	401 266	24-15	401 546v	41-52	404 100	63-35
400 672	61-13	401 266	56-23	401 893v	60-44	404 101	13-28
400 672	62-8	401 266	57-32	401 919	40-60	404 101	19-60
400 672	64-14	401 266	58-57	401 919	40-61	404 101	19-61
400 673	59-16	401 269	10-49	401 919	40-75	404 101	19-69
400 674	52-55	401 269	16-41	401 966v	69-34	404 101	19-72
400 674	53-49	401 269	19-77	401 970v	69-31	404 101	20-41
400 674	57-39	401 269	35-43	401 970v	69-35	404 101	24-35
400 678	57-9	401 269	35-51	401 970v	80-28	404 101	29-26
400 680v	58-55	401 269	60-37	401 970v	80-29	404 101	43-10
400 711	23-34	401 269	60-41	401 970v	80-30	404 101	59-15
400 717v	19-69	401 269	63-22	401 971v	80-27	404 101	59-18
400 723v	19-69	401 269	72-34	401 971v	80-29	404 102	19-62
400 728v	78-16	401 270	2-43	401 971v	80-37	404 102	20-40
400 728v	79-12	401 270	60-37	401 974v	80-42	404 102	24-34
400 744	20-45	401 273	72-7	401 975v	80-28	404 102	24-36
400 747v	20-45	401 274	19-30	401 987v	69-32	404 104	63-20
400 749v	52-19	401 274	19-59	401 988v	69-29	404 123v	19-63
400 749v	53-19	401 275v	27-31	402 057v	9-25	404 124v	19-66

PIPER PARTS CATALOG

Part Number	Figure and Index No.	Part Number	Figure and Index No.	Part Number	Figure and Index No.	Part Number	Figure and Index No.
404 224	15-26	404 835	46-18	404 887	60-36	404 890	40-54
404 224	52-56	404 835	60-37	404 887	60-41	404 890	40-55
404 224	57-31	404 835	63-19	404 887	63-22	404 890	40-56
404 224	58-50	404 835	63-28	404 887	64-13	404 890	41-44
404 224	60-42	404 835	72-35	404 887	64-16	404 890	41-45
404 225	23-58	404 835	78-18	404 887	65-52	404 890	69-12
404 320v	58-26	404 835	79-10	404 887	65-54	404 890	70-15
404 321	27-10	404 836	24-40	404 887	65A-53	404 891	40-58
404 321	27-20	404 836	35-16	404 887	65A-55	404 891	40-59
404 321	27-35	404 836	36-37	404 887	72-7	404 891	41-52
404 321	28-10	404 836	44-11	404 887	72-28	404 909	32-77
404 322	19-21	404 836	58-4	404 887	72-29	404 910	52-52
404 322	57-8	404 836	64-7	404 887	72-30	404 910	52-57
404 322	58-26	404 837	9-25	404 887	72-31	404 910	52-58
404 323v	60-43	404 837	9-26	404 887	72-33	404 910	52-59
404 323v	78-16	404 837	20-44	404 887	72-34	404 910	85-10
404 323v	79-12	404 837	35-52	404 887	83-14	404 910	85A-5
404 326v	23-32	404 838	19-75	404 887	83-30	405 450v	19-70
404 391v	13-37	404 838	80-32	404 887	83-31	406 345	52-21
404 391v	58-46	404 840	20-42	404 887	85A-6	406 345	53-21
404 391v	58-47	404 843	24-29	404 888	2-34	406 369v	35-15
404 391v	58-48	404 887	2-43	404 888	2-47	406 424v	68-4a
404 391v	63-34	404 887	2-44	404 888	10-51	406 424v	68-55
404 392	52-54	404 887	5-15	404 888	15-23	406 424v	71-22a
404 392	57-9	404 887	8-38	404 888	15-24	406 424v	71-31
404 392	57-39	404 887	10-49	404 888	15-25	406 424v	73A-44a
404 392	58-54	404 887	10-50	404 888	16-39	406 646v	46-14
404 392	59-16	404 887	15-25	404 888	16-44	406 660	23-61
404 392	61-13	404 887	16-41	404 888	16-45	406 669v	40-78
404 392	62-8	404 887	16-42	404 888	21-12	406 669v	41-49
404 392	64-14	404 887	19-30	404 888	23-51	406 809	14-50
404 392	66-22	404 887	19-45	404 888	24-41	406 823	14-44
404 392	68-37	404 887	19-57	404 888	26-6	406 834	46-20
404 393	19-14	404 887	19-59	404 888	35-53	406 848	89-27
404 393	19-73	404 887	19-68	404 888	36-38	406 932v	2-25
404 393	23-34	404 887	19-76	404 888	40-53	406 933	2-26
404 394	52-19	404 887	19-77	404 888	41-43	406 934v	2-27
404 394	53-19	404 887	23-57	404 888	53-48	406 935v	2-28
404 395	19-71	404 887	24-15	404 888	54-76	406 942v	2-23
404 395	23-30	404 887	27-29	404 888	57-35	407 041v	14-12
404 395	23-59	404 887	27-30	404 888	57-42	407 043	52-50
404 399v	23-47	404 887	27-31	404 888	58-52	407 043	52-56
404 530	2-52	404 887	27-32	404 888	58-56	407 043	53-46
404 531v	41-41	404 887	27-33	404 888	63-21	407 043	53-55
404 531v	41-53	404 887	27-38	404 888	63-36	407 043	53-56
404 532v	2-36	404 887	28-13	404 888	69-39	407 043	56-23
404 532v	2-37	404 887	28-15	404 888	72-32	407 044	19-70
404 532v	2-38	404 887	28-27	404 888	79-11	407 046v	69-33
404 532v	2-39	404 887	28-28	404 889	2-36	407 106v	19-70
404 532v	2-40	404 887	28-29	404 889	15-16	407 106	78-16
404 532v	2-41	404 887	29-27	404 889	23-51	407 106	79-12
404 532v	2-42	404 887	41-47	404 889	25-15	407 106	80-28
404 561v	2-52	404 887	57-32	404 889	35-54	407 106	80-42
404 561v	15-17	404 887	57-33	404 889	57-34	407 107	80-32
404 599	19-70	404 887	57-38	404 889	57-36	407 120	85A-11
404 832	23-53	404 887	58-19	404 889	59-14	407 122v	89-27
404 835	19-44	404 887	58-49	404 889	61-11	407 124v	29-25
404 835	28-30	404 887	58-57	404 889	61-12	407 124v	54-67

PIPER PARTS CATALOG

Part Number	Figure and Index No.	Part Number	Figure and Index No.	Part Number	Figure and Index No.	Part Number	Figure and Index No.
407 136	40-61	407 564	57-39	407 565	40-60	407 567	42-39
407 136	44-13	407 564	58-19	407 565	40-61	407 567	49-5
407 136	44-15	407 564	58-49	407 565	40-75	407 567	50-5
407 136	45-17	407 564	58-54	407 565	40-82	407 567	51-4
407 137	80-27	407 564	58-55	407 565	41-43	407 567	59-24
407 137	80-29	407 564	58-57	407 565	41-44	407 567	60-38
407 137	80-32	407 564	58-60	407 565	43-10	407 567	69-12
407 143	19-75	407 564	59-22	407 565	44-13	407 567	69-33
407 144	80-28	407 564	60-35	407 565	44-15	407 567	70-15
407 559v	41-41	407 564	60-36	407 565	53-48	407 567	80-32
407 559v	41-53	407 564	60-37	407 565	57-35	407 568	19-66
407 561	20-51	407 564	60-41	407 565	57-37	407 568	29-21
407 561	35-15	407 564	60-44	407 565	57-42	407 568	40-58
407 562	13-37	407 564	61-13	407 565	58-56	407 568	40-59
407 562	32-77	407 564	63-22	407 565	59-15	407 568	41-52
407 562	58-46	407 564	63-35	407 565	59-18	407 568	42-40
407 562	58-47	407 564	64-14	407 565	63-21	407 568	55-88
407 563	52-52	407 564	64-15	407 565	66-22	407 568	63-20
407 563	52-58	407 564	64-16	407 565	72-32	407 568	65-49
407 563	52-59	407 564	68-37	407 565	78-17	407 568	65A-49
407 563	85A-5	407 564	72-28	407 565	79-11	407 569	23-53
407 564	2-43	407 564	72-29	407 566	2-36	407 569	50-10
407 564	2-44	407 564	72-30	407 566	15-15	407 569	51-9
407 564	5-15	407 564	72-31	407 566	15-16	407 569	69-30
407 564	8-38	407 564	72-33	407 566	15-30	407 570	55-89
407 564	15-22	407 564	72-34	407 566	19-62	407 572v	60-24
407 564	16-41	407 564	72-35	407 566	20-40	407 574v	15-25
407 564	16-42	407 564	78-18	407 566	23-51	407 582v	13-29
407 564	19-45	407 564	79-10	407 566	23-52	407 583	15-5
407 564	19-57	407 564	83-14	407 566	24-34	407 583	15-20
407 564	19-68	407 564	83-30	407 566	25-4	407 583	62-10
407 564	19-76	407 564	83-31	407 566	35-52	407 584	15-22
407 564	20-38	407 565	2-52	407 566	35-54	407 584	16-40
407 564	23-35	407 565	13-28	407 566	42-38	407 584	18-15
407 564	23-57	407 565	15-14	407 566	57-34	407 584	18-16
407 564	23-60	407 565	15-17	407 566	57-35	407 584	18-19
407 564	27-33	407 565	15-23	407 566	57-36	407 584	19-30
407 564	28-15	407 565	15-24	407 566	59-14	407 584	19-59
407 564	28-26	407 565	16-39	407 566	59-21	407 584	19-77
407 564	28-27	407 565	16-44	407 566	61-11	407 584	23-31
407 564	28-28	407 565	16-45	407 566	61-12	407 584	23-33
407 564	29-29	407 565	19-14	407 566	69-31	407 584	23-35
407 564	36-40	407 565	19-60	407 566	78-16	407 584	24-15
407 564	40-51	407 565	19-72	407 566	79-12	407 584	28-29
407 564	41-47	407 565	19-73	407 566	80-27	407 584	28-30
407 564	41-50	407 565	20-41	407 567	2-36	407 584	29-24
407 564	41-51	407 565	21-11	407 567	2-37	407 584	46-22
407 564	46-18	407 565	23-34	407 567	2-38	407 584	52-48
407 564	52-53	407 565	23-36	407 567	2-39	407 584	52-54
407 564	52-54	407 565	23-51	407 567	2-40	407 584	53-51
407 564	52-55	407 565	23-52	407 567	2-42	407 584	57-33
407 564	53-47	407 565	24-35	407 567	2-47	407 584	58-19
407 564	53-49	407 565	29-26	407 567	23-59	407 584	59-16
407 564	56-23	407 565	35-39	407 567	29-44	407 584	60-36
407 564	57-9	407 565	35-53	407 567	40-54	407 584	60-37
407 564	57-32	407 565	36-39	407 567	40-55	407 584	62-8
407 564	57-33	407 565	38-31	407 567	40-56	407 584	63-22
407 564	57-38	407 565	40-53	407 567	41-45	407 584	63-28

PIPER PARTS CATALOG

Part Number	Figure and Index No.	Part Number	Figure and Index No.	Part Number	Figure and Index No.	Part Number	Figure and Index No.
407 584	65-52	407 674	27-30	415 540	85A-5	424 051	58-55
407 584	65-54	407 674	27-38	415 544	14-46	424 051	59-15
407 584	65A-53	407 674	28-13	415 544	52-52	424 051	59-16
407 584	72-7	407 674	28-33	415 544	62-10	424 051	59-18
407 585	2-34	407 674	85A-6	415 544	85A-11	424 051	59-22
407 585	2-52	407 675	24-41	415 631v	52-59	424 051	61-13
407 585	13-70	407 675	27-34	416 210v	54-67	424 051	62-8
407 585	15-17	407 675	45-17	416 794	78-18	424 051	62-9
407 585	19-60	407 680	13-43	416 794	79-10	424 051	63-35
407 585	19-61	407 680	13-54	416 994	29-25	424 051	64-14
407 585	19-69	407 682	27-28	418 351v	44-13	424 051	66-22
407 585	19-73	407 682	27-31	418 420v	44-15	424 051	68-37
407 585	20-41	407 682	27-32	418 420v	45-17	424 052	19-14
407 585	23-36	407 682	27-38	418 650	54-67	424 052	19-62
407 585	24-40	407 682	28-13	419 591v	13-58	424 052	19-69
407 585	26-7	407 694v	10-49	419 594v	13-58	424 052	19-72
407 585	26-21	407 694v	10-50	419 594v	32-80	424 052	20-40
407 585	36-39	407 694v	10-51	419 596	4-48	424 052	20-41
407 585	44-11	408 815	52-22	419 683	66-37	424 052	20-51
407 585	54-76	408 815	53-22	419 683	67-50	424 052	23-60
407 585	58-4	408 826	14-12	419 967v	62-12	424 052	58-53
407 585	58-52	410 035v	5-15	424 041v	13-37	424 059	23-30
407 585	59-18	410 039v	67-49	424 041v	13-38	424 059	23-59
407 585	64-7	410 039v	74-65	424 041v	58-46	424 059	61-10
407 585	65A-54	410 040	47-20	424 041v	58-47	424 060	19-71
407 585	69-39	410 043	2-50	424 041v	58-48	424 060	63-20
407 586	9-25	411 349v	19-74	424 041v	63-34	424 061	19-63
407 586	9-26	411 514	15-5	424 050	24-35	424 061	19-66
407 586	13-55	411 533	46-22	424 050	52-48	424 061	49-27
407 586	15-16	411 536v	27-33	424 051	13-28	424 061	50-27
407 586	15-30	411 536v	28-15	424 051	13-70	424 061	51-26
407 586	19-62	411 538v	58-50	424 051	19-60	424 095	28-26
407 586	20-45	414 695	85A-7	424 051	19-61	424 146v	20-51
407 586	24-36	414 763	46-19	424 051	19-73	424 172v	36-40
407 586	52-20	414 779v	15-19	424 051	23-31	424 174	53-51
407 586	53-20	415 309v	2-56	424 051	23-33	424 175	30-16
407 586	57-34	415 312v	2-55	424 051	23-34	424 178	13-38
407 586	61-14	415 321v	41-51	424 051	23-35	424 181	23-33
407 586	69-35	415 322v	10-50	424 051	24-34	424 181	30-17
407 586	80-29	415 323v	10-51	424 051	24-36	424 184v	30-18
407 587	2-36	415 379v	40-9	424 051	29-24	424 186	62-9
407 587	19-71	415 379v	41-6	424 051	29-26	424 187	23-60
407 587	19-75	415 448	52-23	424 051	36-39	424 204v	13-70
407 587	23-30	415 448	53-23	424 051	36-40	424 204v	36-39
407 587	51-5	415 520	89-27	424 051	43-10	424 205v	36-39
407 587	60-36	415 533	15-20	424 051	52-19	424 357v	30-19
407 587	60-39	415 533	17-29	424 051	52-53	424 502v	57-43
407 587	61-17	415 533	17-32	424 051	52-54	424 506	60-33
407 587	69-29	415 533	85A-10	424 051	52-55	424 506	61-9
407 587	69-32	415 535v	14-46	424 051	53-19	424 513	57-30
407 587	69-33	415 535v	52-57	424 051	53-46	434 120v	65-12
407 587	69-34	415 536	14-45	424 051	53-49	434 120v	65A-52
407 587	80-32	415 536	53-52	424 051	53-51	434 126	83-10
407 588	15-25	415 537	14-45	424 051	53-55	434 126	83-33
407 591	40-36	415 537	52-58	424 051	53-56	434 132	54-68
407 613	15-25	415 538	73-14	424 051	57-9	434 151v	29-23
407 674	27-28	415 539	33-9	424 051	57-39	434 189	89-25
407 674	27-29	415 539	67-48	424 051	58 54	450 030v	77-1

PIPER PARTS CATALOG

Part Number	Figure and Index No.	Part Number	Figure and Index No.	Part Number	Figure and Index No.	Part Number	Figure and Index No.
450 035v	77-1	452 477v	20-44	454 668v	86A-1	456 703v	90-13
450 380	38-1	452 538v	17-21	454 668v	87B-6	456 714v	75-48
450 397v	74-54	452 541v	80-26	454 668v	87C-4	456 728	78-10
450 741v	74-52	452 551v	27-11	454 669v	75-20	456 728	79-6
450 742v	74-53	452 551v	28-12	454 670v	75-20	458 847	42-27
450 745v	74-7	452 558v	72-20	454 678v	75-20	458 855v	40-43
451 161	77-10	452 561v	72-27	454 706v	75-2	458 855v	40-73
451 272	89-7	452 570v	72-17	454 706v	85-6	458 864v	54-77
451 273	89-6	452 571v	72-18	454 706v	85A-1	458 864v	55-71
451 728v	20-47	452 575v	23-5	454 706v	86A-1	458 865v	65-37
451 735	24-48	452 575v	23-10	454 706v	86B-3	458 865v	65A-37
451 739v	20-48	452 590v	19-26	454 706v	87B-6	458 868	54-12a
451 783v	25-17	452 606	52-31	454 706v	87C-4	458 870v	40-45
451 823v	74-22	452 606	53-31	454 707v	75-20	458 875v	55-66
451 823v	74-24	452 625v	60-27	454 708v	75-20	458 876	54-49
451 823v	74-57	452 626v	60-11	454 709v	68-42	458 881	29-16
451 823v	74-59	452 627v	17-22	454 709v	75-20	458 887	42-25
451 823v	74-61	452 628v	60-10	454 709v	76-8	458 888	86-67
451 824v	32-4	452 651v	70-2	454 710v	75-20	458 888	86A-16
451 857	54-45	452 679v	35-60	454 719v	75-20	458 891	30-21
451 881	38-20	452 680v	35-59	454 743v	68-42	458 891	55-67
451 881	38-32	452 719v	15-13	454 743v	76-8	458 891	65-36
451 881	86B-11	452 719v	16-28	454 806	86B-16	458 891	65A-36
451 906v	69-20	452 719v	59-10	454 813v	39-39	458 892	54-48
451 906v	70-11	452 729v	19-38	454 837v	40-50	458 893	39-9
451 907v	69-21	452 813v	73A-49	454 873	45-19	458 893	39-22
451 907v	70-13	452 823v	69-5	454 905	52-32	458 893	86-63
451 908v	69-22	452 824v	69-6	454 921v	91-8	458 894	26-11
451 908v	70-12	452 935v	68-11	454 928	39-38	458 894	29-17
451 939	38-21	452 935v	71-7	454 983	40-48	458 894	30-20
451 939	86B-10	452 997v	91-15	454 983	77-28	458 894	65-35
452 009	23-27	453 124	20-35	454 985	66-36	458 894	65A-35
452 334v	19-25	453 124	24-32	454 985	67-42	458 895	54-47
452 334v	19-26	453 158	19-33	454 985	67-46	458 900	29-18
452 334v	19-55	453 199v	19-41	454 994v	66-19	458 900	55-68
452 334v	23-64	453 426v	84-10	454 997	41-40	458 900	65-38
452 335	27-9	453 426v	85-10	455 124	20-34	458 900	65A-38
452 335	27-19	453 426v	85A-4	455 124	24-31	458 904	30-24
452 335	28-9	453 602	75-46	455 151	77-8	458 910	29-19
452 335	28-25	453 680	55-90	455 173	39-34	458 910	55-70
452 335	57-7	453 687v	37-79	455 173	42-29	458 910	65-40
452 335	58-25	453 695	75-37	455 173	65A-45	458 910	65A-40
452 336v	58-25	453 714v	30-15	455 173	86A-15	458 913	55-72
452 366	20-12	453 732	35-3a	455 322v	52-25	458 933	42-26
452 368v	23-18	453 732	36-4a	455 322v	53-25	458 934	42-28
452 372v	63-8	453 836	89-24	455 417v	86B-15	458 934	65-39
452 386v	19-40	453 838v	89-23	455 417v	88-7	458 934	65A-39
452 386v	35-11	453 855	90-8	455 938v	29-29	458 936	54-50
452 386v	36-17	453 966v	2-4a	455 944v	30-1	458 938	55-69
452 387v	4-34	454 053	20-36	455 944v	31-1	458 940	54-51
452 387v	4-36	454 053	24-33	455 968v	30-1	458 946v	54-8
452 387v	4-38	454 656	84-16	455 968v	31-13	458 946v	55-13
452 387v	17-20	454 656	86-56	455 968v	31-15	458 948v	38-32
452 388v	63-10	454 656v	86B-2	456 615v	71-14	458 958	38-17
452 389v	63-9	454 657v	86B-1	456 682v	56-26	458 958	38-18
452 439	60-28	454 668v	75-20	456 682v	92-99	459 849v	37-70
452 445v	19-16	454 668v	85-6	456 703v	74-74	459 957v	23-28
452 445v	19-28	454 668v	85A-1	456 703v	75-65	460 464v	54-65

PIPER PARTS CATALOG

Part Number	Figure and Index No.	Part Number	Figure and Index No.	Part Number	Figure and Index No.	Part Number	Figure and Index No.
460 464v	55-87	464 412v	13-57	476 678	54-61	480 812	58-17
460 594v	54-42	465 258v	63-45	476 678	55-17	481 359v	45-18
460 602v	75-40	465 258v	76-12	476 686v	42-30	481 640v	60-18
460 602v	90-12	467 064	89-14	476 688v	40-42	481 640v	83-11
460 630	40-87	467 067v	74-41a	477 611v	83-25	481 640v	83-34
460 632	41-16	468 002	89-18	477 611v	86-57	481 640v	86-66
460 685	40-46	468 006	89-19	477 618	29-20	481 651	63-25
460 690v	23-21	469 600v	89-28	477 618	55-75	481 652	61-4
460 691	20-25	470 639v	73-7	477 618	65-48	481 772	7-41
460 691	23-3	470 908v	41-18	477 618	65A-48	481 776v	55-1
460 691	23-8	470 993v	73-7	477 620	55-77	481 780v	54-1
460 691	23-45	471 084v	36-49	477 627	42-38	484 083v	71-14
460 801	2-20	472 010v	13-5	477 627	54-54	484 162v	42-33
460 801	23-45	472 017	46-3	477 627	42-39	484 209v	74-70
460 860	23-21	472 017	47-5	477 628	54-55	484 209v	75-56
460 888	38-6	472 036v	74-33	477 629	40-36	484 209v	76-4
461 131v	23-25	472 038v	74-34	477 629	42-40	484 229v	83-18
461 136	58-42	472 054	75-28	477 629	54-56	484 234v	90-10
461 386v	68-4	472 054	75-36	477 629	55-74	484 293	47-8
461 386v	68-16	472 054	76-14	477 629	65-57	484 342	40-64
461 386v	71-19	472 054	87B-4	477 629	65A-47	484 349v	55-78
461 386v	71-22	472 054	87B-12	477 631	54-57	484 373	74-72
461 391v	73A-30	472 056v	75-39	477 631	55-76	484 373	78-5
461 391v	73A-44	472 151v	75-63	477 646v	86A-19	484 373	79-8
461 629v	37-37a	472 056v	90-11	477 670v	54-63	484 375v	74-55
461 629v	63-46	472 330v	74-30	477 670v	55-87	484 428v	46-17
461 629v	75-44	472 661v	74-49	477 671	15-29	484 438v	75-66
461 629v	76-11	472 736v	74-12	477 672v	16-43	484 461v	90-4
461 629v	76-13	472 844v	76-15	477 673v	15-20	484 467v	75-47
461 629v	77-32	472 895v	82-4	477 677	54-10	484 467v	76-16
461 629v	77-35	472 896v	82-4	477 677	55-15	484 483v	46-13
461 629v	91-18	472 916v	75-35	477 683v	73-14	484 524v	83-19
461 629v	91-20	472 969	37-27	477 691	69-36	484 525v	74-71
461 648v	77-34	472 987v	82-4	477 691	70-16	484 684v	20-7
461 657v	77-30	472 988v	82-4	477 696v	14-12	484 684v	24-24
462 003v	41-35	473 187v	68-3	477 708v	36-32	484 685v	20-8
462 012v	74-47	473 187v	68-15	477 709	35-39	484 685v	24-25
462 023	38-5	473 187v	71-18	477 778v	33-9	484 691v	32-78
462 024	20-37	473 187v	71-21	477 877	40-54	484 698	26-4
462 024	24-27	473 195v	73A-31	477 887	40-55	484 701	29-34
462 034	20-6	473 195v	73A-43	477 887	40-56	484 706	23-40
462 034	24-22	474 124v	73A-18	477 887	41-44	484 706	29-39
462 049	54-15	474 178	29-24	477 887	41-45	484 714	24-23
462 049	55-20	474 642v	89-3	480 592v	36-7	484 719v	23-4
462 058	42-19	474 652v	89-2	480 691	23-48	484 719v	23-9
462 058	42-23	474 659	89-29	480 696	58-16	484 723	20-9
462 058	54-43	475 124v	40-34	480 700	20-13	484 727v	29-35
462 058	55-7	475 210v	68-8	480 701	35-21	484 755	47-10
462 060	54-69	475 210v	71-4	480 701	35-32	484 755	47-18
462 060	55-8	476 643	42-31	480 701	36-35	484 788v	31-8
462 061v	55-9	476 647	88-9	480 730v	63-19	484 788v	65-4
462 112v	69-4	476 648	24-46	480 732	35-22	484 788v	65A-4
462 226v	63-4b	476 648	42-32	480 732	35-33	484 790v	20-4
463 416	47-9	476 648	42-42	480 732	36-36	484 790v	24-5
463 416	47-22	476 648	65-33	480 777v	36-7	484 792v	8-29
463 615v	75-58	476 662	54-53	480 789v	36-8	484 799v	20-5
464 362	89-1	476 662	55-73	480 800v	13-39	484 799v	24-21
464 407v	89-1	476 678	54-12	480 801v	36-34	484 1328t	20-43

PIPER PARTS CATALOG

Part Number	Figure and Index No.	Part Number	Figure and Index No.	Part Number	Figure and Index No.	Part Number	Figure and Index No.
484 828v	24-39	488 499v	65A-33	494 103v	57-27	551 114	86-14
484 841	67-40	488 545v	74-45	494 114v	24-30	551 374v	35-46
484 855v	60-12	489 388v	32-28	494 123v	66-25	551 390v	35-45
484 868v	73-4	489 400v	75-15	494 123v	67-39	551 424v	35-60
486 145v	13-21	489 873	60-31	494 133v	65-52	551 425v	35-59
486 286v	14-44	489 910v	57-28	494 133v	65A-55	551 705v	24-49
486 286v	14-47	489 910v	58-43	494 159v	83-2	551 705v	26-1
486 291v	2-34	489 910v	59-5	494 191v	56-25	551 764v	24-50
486 335v	40-51	489 910v	61-7	494 192v	65A-46	551 764v	25-1
486 335v	41-50	489 910v	63-31	494 192v	65-53	551 772v	20-49
486 416v	83-17	491 046v	55-86	494 227v	40-9	551 772v	22-1
486 560v	35-56	491 049	86B-14	494 644	54-14	551 792v	20-49
486 562v	89-32	491 050	29-15	494 644	55-19	551 792v	21-1
486 563	58-58	491 050	30-23	494 678	89-26	551 983v	69-2
486 575	37-28	491 050	55-79	510 058v	15-18	551 983v	81-1
486 594v	37-28	491 050	65A-11	510 058v	15-27	553 230v	69-10
486 896v	83-26	491 050	65-32	510 058v	16-43	553 260v	15-26
486 896v	86-68	491 052	55-80	515 710	32-77	553 267v	60-42
487 111v	75-16	491 055	40-41	519 853v	13-43	553 600v	75-21
487 584	73A-46	491 055	54-6	519 853v	13-55	553 610v	55-84
487 629v	32-59	491 059	39-24	524 145v	52-48	554 005v	19-39
487 674v	7-4	491 059	39-25	548 190v	37-5	554 130v	52-27
487 685	47-19	491 060	29-14	548 307v	37-2	554 143v	66-30
487 686	47-19	491 060	55-81	548 308v	37-2	554 143v	67-7
487 687	47-19	491 064	54-62	548 309v	37-2	554 144v	66-28
487 710	47-11	491 082v	54-64	548 310v	37-2	554 144v	67-8
487 719v	46-16	491 082v	55-85	548 330v	37-4	554 150v	66-29
487 722	85A-9	491 112v	39-5	548 331v	37-4	554 365v	68-17
487 723	40-67	491 806v	56-16	548 407v	37-4	554 365v	73A-54
487 724	40-66	491 947v	54-32	548 517v	37-5	554 387v	53-28
487 724	41-14	492 022	54-9	548 561v	63-44	554 422v	36-47
487 777v	74-32	492 022	55-14	548 679v	37-1	554 575v	86B-19
487 901v	84-7	492 100	39-8	550 464v	37-10	554 598v	38-28
487 904	63-38	492 153v	56-10	550 483v	37-5	554 598v	38-29
487 904	63-42	492 172v	40-77	550 487v	74-46	554 598v	86B-20
487 904	75-34	492 233	55-5	550 488	37-4	554 640v	68-41
487 922v	32-3	492 240v	38-8	550 489v	37-4	554 641v	41-36
487 925v	52-8	492 241v	39-32	550 491	37-4	554 659	38-23
487 925v	53-8	492 241v	42-1	550 493	37-4	554 678v	69-24
487 925v	74-20	492 253v	55-6	550 503v	56-21	554 678v	70-14
487 925v	76-6	492 283v	41-3	550 504v	56-21	554 686v	89-30
487 936v	75-38	492 289v	55-4	550 543v	37-20	554 714v	72-15
487 937v	65A-5	494 001	14-48	550 549v	74-48	554 734v	24-43
488 310	39-33	494 001	66-37	550 559	86-12	554 735v	24-51
488 310	83-24	494 001	67-50	550 778	85-17	554 752v	67-45
488 310	86A-14	494 037	47-20	550 778	86-11	554 757	53-32
488 315	39-23	494 037	67-49	550 780	85-14	554 761v	69-3
488 315	39-24	494 040v	35-16	550 964v	41-2	554 762	41-37
488 315	86-64	494 040v	36-37	550 964v	50-1	554 803v	40-71
488 315	88-8	494 060	40-68	550 974v	40-2	554 803v	40-72
488 320	55-83	494 060	73A-46	550 974v	48-1	554 804	40-72
488 320	65-32	494 087	78-18	550 976v	40-2	554 808v	38-24
488 327	52-47	494 087	79-10	550 976v	49-1	554 837	67-44
488 327	53-50	494 093v	63-19	550 986v	41-2	554 861	29-22
488 380	39-25	494 101	15-18	550 986v	51-1	554 861	38-25
488 474	42-29	494 101	15-19	550 992v	40-2	554 861	39-4
488 474	42-34	494 101	15-27	550 992v	48-1	554 861	39-28
488 499v	30-22	494 101	16-43	551 114	85-12	554 861	56-15

PIPER PARTS CATALOG

Part Number	Figure and Index No.	Part Number	Figure and Index No.	Part Number	Figure and Index No.	Part Number	Figure and Index No.
554 861	68-40	556 472v	36-43	559 829v	36-43	579 227v	32-26
554 861	68-54	556 473v	36-43	560 835v	38-22	579 228v	13-11
554 861	71-16	556 474v	36-43	560 835	86B-12	579 228v	32-26
554 861	77-27	556 677v	36-43	560 951v	56-17	579 261v	13-13
554 861	83-28	556 678v	36-43	561 012v	69-20	579 262v	13-13
554 861	86B-18	556 693v	14-42	561 012v	69-22	579 263v	13-13
554 861	88-10	556 694v	14-42	561 012v	70-11	579 266v	32-24
554 866v	40-47	556 705v	36-43	561 012v	70-12	579 267v	32-24
554 866v	41-38	556 713v	14-42	561 013v	69-21	579 268v	32-24
554 888	8-41	556 753v	89-22	561 013v	70-13	579 269v	32-23
554 888	38-26	556 921v	36-43	565 288	74-44	579 270v	32-23
554 888	38-29	556 932v	36-43	565 367v	87C-5	579 271v	32-23
554 888	86B-17	556 933v	36-43	565 516v	75-2	579 282v	32-25
554 888	91-4	556 939v	14-42	565 523v	89-16	579 283v	32-25
554 888	91-7	556 940v	14-42	565 564v	69-18	579 284v	32-25
554 892v	91-9	556 941v	14-42	565 564v	70-7	579 285v	32-25
554 896v	67-43	557 033v	36-43	565 576v	69-19	579 286v	32-25
554 897	40-49	557 034v	36-43	565 576v	70-8	579 289v	32-21
554 918v	40-12	557 035v	36-43	565 578v	69-16	579 290v	32-21
554 918v	41-46	557 057v	14-42	565 578v	70-9	579 291v	32-21
554 925v	41-39	557 058v	14-42	571 136v	74-39	579 292v	32-21
554 926	71-11	557 059v	14-42	571 162v	76-9	579 293v	32-21
554 953v	39-27	557 198v	14-42	572 514v	73A-41	579 294v	32-21
554 954	85A-8	557 199v	14-42	572 557v	82-4	579 316v	13-13
554 958v	38-27	557 200v	14-42	572 558v	82-4	579 317v	32-24
554 979	23-26	557 201v	14-42	572 560v	82-4	579 338v	13-13
554 979	57-29	558 830v	54-44	572 561v	82-4	579 339v	13-13
554 979	58-44	558 900	38-18	572 582v	74-29	579 340v	32-24
554 979	59-6	558 912	38-19	579 080v	13-13	579 341v	32-24
554 979	60-32	558 913	86B-13	579 081v	13-13	579 342v	32-23
554 979	61-8	559 700v	36-43	579 082v	13-13	579 343v	32-23
554 979	63-32	559 707v	36-43	579 083v	32-24	579 346v	32-25
554 984v	54-78	559 714v	36-43	579 084v	32-24	579 347v	32-25
554 985v	38-24	559 721v	36-43	579 085v	32-24	579 348v	32-21
555 412v	69-1	559 728v	36-43	579 086v	32-23	579 349v	32-21
555 421v	89-22	559 735v	36-43	579 087v	32-23	579 350v	32-21
555 422v	89-22	559 748v	36-43	579 088v	32-23	579 351v	32-21
555 457v	72-2	559 758v	13-11	579 095v	32-21	579 354v	32-23
555 501v	89-22	559 758v	32-26	579 096v	32-21	579 356v	32-25
555 884v	36-43	559 759v	14-42	579 097v	32-21	579 357v	32-21
555 885v	36-43	559 760v	36-43	579 098v	32-21	579 358v	32-21
555 888v	36-43	559 770v	13-11	579 099v	32-21	579 370v	32-23
555 889v	36-43	559 770v	32-26	579 100v	32-21	579 371v	32-23
555 919v	70-1	559 771v	14-42	579 113v	13-11	579 374v	32-21
556 105v	39-2	559 772v	36-43	579 113v	32-26	579 375v	32-21
556 119v	14-42	559 782v	13-11	579 114v	13-11	579 376v	32-21
556 236v	36-43	559 782v	32-26	579 114v	32-26	579 377v	32-21
556 237v	36-43	559 783v	14-42	579 115v	13-11	579 410v	13-13
556 238v	36-43	559 784v	36-43	579 115v	32-26	579 411v	32-24
556 239v	36-43	559 793v	13-11	579 119v	32-25	579 412v	32-23
556 266v	14-42	559 793v	32-26	579 120v	32-25	579 413v	32-25
556 267v	14-42	559 794v	14-42	579 121v	32-25	579 418v	32-21
556 268v	14-42	559 795v	36-43	579 201v	32-23	579 419v	32-21
556 269v	14-42	559 805v	13-11	579 202v	32-21	579 472v	13-11
556 315v	14-42	559 805v	32-26	579 203v	32-21	579 472v	32-26
556 469v	36-43	559 806v	14-42	579 226v	13-11	579 473v	13-11
556 470v	36-43	559 827v	36-43	579 226v	32-26	579 473v	32-26
556 471v	36-43	559 828v	36-43	579 227v	13-11	579 474v	13-11

PIPER PARTS CATALOG

Part Number	Figure and Index No.	Part Number	Figure and Index No.	Part Number	Figure and Index No.	Part Number	Figure and Index No.
579 474v	32-26	587 398v	13-27	591 589v	34-7	591 855v	34-8
579 507v	13-11	587 403v	73-3	591 590v	34-7	591 856v	34-8
579 507v	32-26	587 404v	36-44	591 591v	34-7	591 857v	34-8
579 508v	13-11	587 807v	90-2	591 608v	34-9	591 858v	34-8
579 508v	32-26	587 808v	90-3	591 609v	34-9	591 859v	34-3
579 509v	13-11	587 808v	90-4	591 610v	34-9	591 860v	34-3
579 509v	32-26	587 808v	90-5	591 611v	34-9	591 861v	34-4
579 510v	13-11	587 809v	90-6	591 612v	34-8	591 862v	34-4
579 510v	32-26	587 847v	65-45	591 613v	34-8	591 899v	34-6
579 559v	13-13	587 847v	65A-5	591 614v	34-8	591 900v	34-6
579 560v	13-13	587 862v	63-4a	591 615v	34-8	591 903v	34-1
579 561v	13-13	587 903v	76-5	591 616v	34-8	591 904v	34-1
579 562v	13-13	587 923v	75-54	591 617v	34-8	591 905v	34-2
579 563v	32-24	587 923v	83-8	591 618v	34-8	591 906v	34-2
579 564v	32-24	587 923v	86-70	591 619v	34-8	591 907v	34-5
579 565v	32-24	587 923v	86A-21	591 620v	34-3	591 908v	34-5
579 566v	32-24	587 923v	87B-5	591 621v	34-3	591 909v	34-5
579 567v	32-23	587 923v	87C-3	591 622v	34-3	591 910v	34-5
579 568v	32-23	587 956v	42-17	591 623v	34-3	591 935v	34-7
579 569v	32-23	587 961v	40-80	591 624v	34-4	591 940v	34-9
579 570v	32-23	587 990v	40-81	591 625v	34-4	591 941v	34-8
579 571v	32-25	587 990v	42-35	591 626v	34-4	591 942v	34-8
579 572v	32-25	588 011v	87A-10	591 627v	34-4	591 943v	34-3
579 573v	32-25	588 027v	42-18	591 627v	34-4	591 944v	34-4
579 574v	32-25	588 028v	42-41	591 696v	34-6	591 962v	34-6
579 575v	32-21	588 030v	87-6	591 697v	34-6	591 964v	34-1
579 576v	32-21	588 085v	86A-4	591 698v	34-6	591 965v	34-2
579 577v	32-21	588 109v	68-34	591 699v	34-6	591 966v	34-5
579 578v	32-21	588 356v	90-9	591 700v	34-1	591 967v	34-5
579 579v	32-21	588 464v	75-3	591 701v	34-1	591 967v	34-5
579 580v	32-21	588 469v	40-39	591 702v	34-1	591 980v	34-7
579 581v	32-21	588 469v	42-37	591 703v	34-1	591 981v	34-7
579 582v	32-21	588 497v	55-82	591 704v	34-2	591 990v	34-9
580 731v	13-11	588 497v	42-15	591 705v	34-2	591 991v	34-9
580 731v	32-26	588 513v	71-10	591 706v	34-2	591 992v	34-8
580 887	54-13	589 688v	34-8	591 707v	34-2	591 993v	34-8
580 887	55-18	591 017v	34-8	591 708v	34-5	591 994v	34-8
581 025v	46-21	591 022v	34-8	591 709v	34-5	591 995v	34-8
581 126v	83-3	591 027v	34-3	591 710v	34-5	591 996v	34-3
581 928v	14-41	591 032v	34-4	591 711v	34-5	591 997v	34-3
582 172v	80-36	591 143v	34-6	591 712v	34-5	591 998v	34-4
582 632v	54-58	591 148v	34-1	591 713v	34-5	591 999v	34-4
584 006v	89-31	591 153v	34-2	591 714v	34-5	592 034v	34-6
584 019v	47-14	591 158v	34-5	591 715v	34-5	592 035v	34-6
584 019v	47-17	591 163v	34-5	591 798v	34-7	592 038v	34-1
584 019v	47-23	591 472v	34-9	591 803v	34-9	592 039v	34-1
584 256v	69-21	591 491v	34-9	591 804v	34-8	592 040v	34-2
584 256v	70-13	591 497v	34-8	591 805v	34-8	592 041v	34-2
584 257v	69-22	591 499v	34-8	591 806v	34-3	592 042v	34-5
584 257v	70-12	591 501v	34-3	591 807v	34-4	592 043v	34-5
584 258v	69-20	591 503v	34-4	591 825v	34-6	592 044v	34-5
584 258v	70-11	591 543v	34-6	591 827v	34-1	592 045v	34-5
584 279v	75-57	591 545v	34-1	591 828v	34-2	592 070v	34-7
584 291v	75-64	591 547v	34-2	591 829v	34-5	592 075v	34-9
585 015v	74-36	591 549v	34-5	591 830v	34-5	592 076v	34-8
587 299v	35-12	591 551v	34-5	591 843v	34-7	592 077v	34-8
587 299v	36-16	591 585v	34-7	591 844v	34-7	592 078v	34-3
587 381v	13-34	591 587v	34-7	591 853v	34-9	592 079v	34-4
		591 588v	34-7	591 854v	34-9	592 096v	34-6

PIPER PARTS CATALOG

Part Number	Figure and Index No.	Part Number	Figure and Index No.	Part Number	Figure and Index No.	Part Number	Figure and Index No.
592 098v	34-1	688 164v	86-55	752 826	26-19	755 271v	81-2
592 099v	34-2	688 178	75-43	752 830	25-11	755 274v	50-2
592 100v	34-5	688 235v	76-7	752 855	29-42	755 278v	48-2
592 101v	34-5	750 063	21-10	752 965	26-8	755 299v	51-2
594 089v	41-15	751 201	82-9	752 966	26-9	755 310v	86-61
596 118v	39-11	751 202	82-9	753 074v	73A-21	755 314v	48-2
596 236v	86-17	751 203v	74-14	753 085v	72-12	755 340v	80-16
596 332v	89-8	751 300	86-15	753 172	29-36	755 432v	84-1
596 605v	88-1	751 314v	86-8	753 375v	80-3	755 800	49-9
596 644v	87-1	751 342v	86-9	753 376v	80-8	755 800	50-9
596 664v	89-8	751 345v	32-27	753 380v	80-15	755 800	51-8
596 755	86-11	751 347v	86-10	753 381	29-40	755 818	26-22
597 257	87A-3	751 369	24-8	753 407	26-5	755 846v	80-4
597 426v	88-1	751 381	82-10	753 408v	26-20	755 882	29-45
597 461v	87A-1	751 405	25-16	753 431v	74-13	755 883v	26-12
597 893v	89-33	751 489	25-7	753 433	73A-8	755 884v	26-13
598 323v	91-14	751 494	25-3	753 437	73A-10	755 885v	26-16
598 422v	91-16	751 494	25-6	753 461	49-3	755 886v	26-17
654 116v	73A-57	751 772	25-10	753 461	50-3	755 887v	26-3
654 118v	73A-56	751 772	25-13	753 461	51-3	755 932	49-8
680 000v	13-11	751 815	38-10	753 462	51-4	755 932	50-8
680 000v	32-26	751 859	38-4	753 463	49-15	755 932	51-7
680 001v	13-11	751 889v	29-33	753 463	50-15	755 934	49-16
680 001v	32-26	751 896	73A-6	753 463	51-41	755 934	50-16
680 002v	13-11	751 897v	84-12	753 850	26-10	755 934	51-15
680 002v	32-26	751 912v	37-12	753 910	38-3	755 935	49-30
680003v	13-11	751 987	85-11	753 920v	26-2	755 935	50-30
680 003v	32-26	752 342v	26-14	753 938	73A-24	755 937	51-29
680 047v	13-13	752 342v	26-18	753 939	73A-20	755 948v	29-31
680 048v	13-13	752 355	73A-7	753 944	73A-14	755 949v	29-32
680 049v	13-13	752 511	49-6	753 947	73A-5	755 950v	29-46
680 050v	13-13	752 511	50-6	753 956v	29-30	755 968	49-14
680 054v	32-24	752 511	51-6	753 980v	84-4	755 968	50-14
680 055v	32-24	752 513	49-26	753 980v	85-8	755 968	51-13
680 056v	32-24	752 513	50-26	753 980v	86-25	755 972	49-21
680 057v	32-24	752 513	51-25	754 535v	25-8	755 972	50-21
680 058v	32-23	752 533	49-12	754 761	73A-16	755 972	51-20
680 059v	32-23	752 534	49-34	754 762	73A-17	755 993	49-18
680 060v	32-23	752 534	50-34	754 798v	73A-13	755 993	50-18
680 061v	32-23	752 534	51-33	754 804v	21-8	755 993	51-17
680 076v	32-25	752 544	50-12	754 808	51-18	755 994	49-28
680 077v	32-25	752 544	51-11	754 826	49-19	755 994	50-28
680 078v	32-25	752 565	51-4	754 826	50-19	755 995	49-24
680 079v	32-25	752 571v	22-10	754 827v	81-5	755 995	50-24
680 086v	32-21	752 572v	48-5	754 836v	85-22	755 995	51-23
680 087v	32-21	752 584v	31-7	754 848v	31-10	755 997v	23-42
680 088v	32-21	752 585v	19-4	754 856v	22-6	755 999	25-9
680 089v	32-21	752 585v	31-9	755 048v	21-4	755 999	25-12
680 117v	13-13	752 591v	48-18	755 049v	56-22	755 999	25-14
680 118v	32-24	752 592v	48-19	755 053v	37-12	756 007v	21-7
680 119v	32-23	752 593v	48-20	755 075	82-7	756 008v	21-9
680 122v	32-25	752 594v	48-21	755 076	82-8	756 016v	31-22
680 123v	32-21	752 595v	19-3	755 082v	31-20	756 018v	31-21
680 131v	13-11	752 596v	19-5	755 092v	87-3	756 037	82-15
680 131v	32-26	752 609v	73A-12	755 096v	82-14	756 038	73A-2
688 139v	75-62	752 610v	73A-11	755 122v	73A-19	756 053v	23-43
688 153v	85A-2	752 746	23-41	755 222	49-2	756 060v	81-11
688 164v	85-18	752 826	26-15	755 232v	81-9	756 061v	81-13

PIPER PARTS CATALOG

Part Number	Figure and Index No.	Part Number	Figure and Index No.	Part Number	Figure and Index No.	Part Number	Figure and Index No.
756 065v	80-6	757 557	50-29	758 280v	49-35	761 426v	82-12
756 066	80-18	757 558	49-32	758 280v	50-35	761 519v	72-11
756 067v	80-16	757 558	50-32	758 282v	49-36	761 599v	54-2
756 117	29-41	757 558	51-31	758 282v	50-36	761 654v	73-8
756 118	29-43	757 559	49-33	758 355v	86-34	761 706v	73-8
756 118	31-19	757 559	50-33	758 366v	80-19	761 707v	73-8
756 155	54-3	757 559	51-32	758 369v	80-9	761 741v	73-9
756 159v	80-2	757 561	54-4	758 370v	87-2	761 742v	73-8
756 241	49-7	757 579	84-15	758 372v	50-13	761 744v	73A-18
756 241	50-7	757 579	85-2	758 391v	22-4	761 903v	81-12
756 301	73A-15	757 579	86-2	758 393v	22-8	761 913v	80-12
756 505	73A-4	757 580v	31-24	758 395v	48-16	761 972	24-47
756 507	73A-3	757 583	49-11	758 396v	48-7	761 974	20-47
756 524	73A-9	757 593	51-4	758 397v	20-50	761 984v	48-10
756 607	49-22	757 718v	72-13	758 400v	49-13	761 995	24-47
756 607	50-22	757 719v	81-19	758 441v	86-35	762 003	82-5
756 607	51-21	757 721v	81-17	758 446v	86-43	762 023v	73A-23
756 616v	37-30	757 742	50-11	758 452	87A-2	762 024v	73A-25
756 621v	31-23	757 742	51-10	758 453	87A-5	762 030v	87-1
756 622v	31-18	757 745v	80-5	758 457v	31-26	762 049v	80-22
756 626	49-10	757 746v	80-7	758 458v	51-12	762 050v	80-25
756 665v	25-5	757 768v	84-14	758 465v	86-36	762 084v	23-41
756 666v	25-2	757 768v	85-1	758 466v	86-37	762 211	51-28
756 667v	21-2	757 768v	86-1	758 471v	81-8	762 252v	86-4
756 668v	21-5	757 790v	38-9	758 476v	86-28	762 275v	31-6
756 669	41-6	757 819v	86-19	758 477v	86-29	762 276v	31-3
756 683v	37-30	757 828	49-31	758 478v	86-30	762 277v	31-4
756 685v	22-9	757 828	50-31	758 479v	86-31	762 318v	48-15
756 686v	22-2	757 831v	21-3	758 480v	86-32	762 319v	48-3
756 689v	48-4	757 831v	21-6	758 481v	86-33	762 357	87A-6
756 757v	80-11	757 863	84-13	758 482v	86-38	762 391v	86-3
756 892v	Misc.	757 863	85-9	758 483v	86-40	762 395v	48-3
757 052	85-4	757 863	86-44	758 484v	86-41	762 438v	75-43
757 052	85-13	757 890	73A-1	758 485v	86-42	762 489v	80-5
757 216v	29-37	757 899	38-7	758 486v	86-39	762 490v	80-2
757 217v	29-38	757 913v	84-6	758 497v	48-7	762 491v	80-7
757 249	49-17	757 981v	80-14	758 551v	15-25	762 492v	80-11
757 249	50-17	758 001	84-5	758 573v	80-20	762 493v	80-24
757 249	51-16	758 002	85-19	758 574v	80-23	762 504	51-27
757 302	49-25	758 023v	85-3	758 575v	80-3	762 508v	81-18
757 302	50-25	758 024	85-5	758 576v	80-8	762 531v	31-12
757 310v	37-29	758 026	86-5	758 580v	80-9a	762 560v	22-5
757 311v	80-10	758 033	51-30	760 296v	Misc.	762 561v	22-7
757 318v	31-17	758 052v	86-22	760 899	86-6	762 563v	48-17
757 386v	81-4	758 075v	86-23	761 106v	Misc.	762 564v	48-6
757 387v	81-3	758 111	49-4	761 138v	65-3	762 581	82-15
757 388v	81-14	758 111	50-4	761 138v	65A-3	762 585v	31-15
757 389v	81-15	758 181v	84-8	761 156	82-5	762 586v	31-27
757 390v	81-16	758 181v	86-13	761 162	82-6	762 587v	31-14
757 392v	81-6	758 188v	84-2	761 173v	86-62	762 616v	82-15
757 456	86-7	758 204	49-20	761 198v	87B-3	762 628v	80-6
757 458	51-24	758 204	50-20	761 206v	48-13	762 629v	80-21
757 479v	31-5	758 205	51-19	761 222v	82-6	763 003v	13-10
757 480v	31-2	758 225v	81-10	761 253v	82-6	763 004v	87-4
757 556	5-23	758 228v	81-7	761 254v	82-6	763 005v	48-11
757 556	49-23	758 249v	80-15	761 255v	82-13	763 019	87A-4
757 556	51-22	758 250v	80-13	761 256v	82-11	763 215v	22-3
757 557	49-29	758 251v	80-17	761 279v	74-78	763 217v	48-8

PIPER PARTS CATALOG

Part Number	Figure and Index No.	Part Number	Figure and Index No.	Part Number	Figure and Index No.	Part Number	Figure and Index No.
763 223v	86-24						
763 271v	86-16						
763 282v	86-26						
763 303v	86-18						
763 304v	86-20						
763 305v	86-21						
763 310v	73A-22						
763 395v	80-14						
763 412v	48-14						
763 413v	48-9						
763 414v	48-12						
763 418v	86-45						
763 450v	31-25						
763 451v	31-16						
763 469	82-1						
763 781v	80-11						
763 848v	2-1						
763 888	Misc.						
763 920v	Misc.						
763 962v	Misc.						
763 966v	Misc.						
764 042v	Misc.						
764 045v	Misc.						
764 092v	80-31						
764 401v	83-7						
764 401v	86-69						
764 401v	86A-20						

**2G15 THRU 2L24
INTENTIONALLY LEFT BLANK**