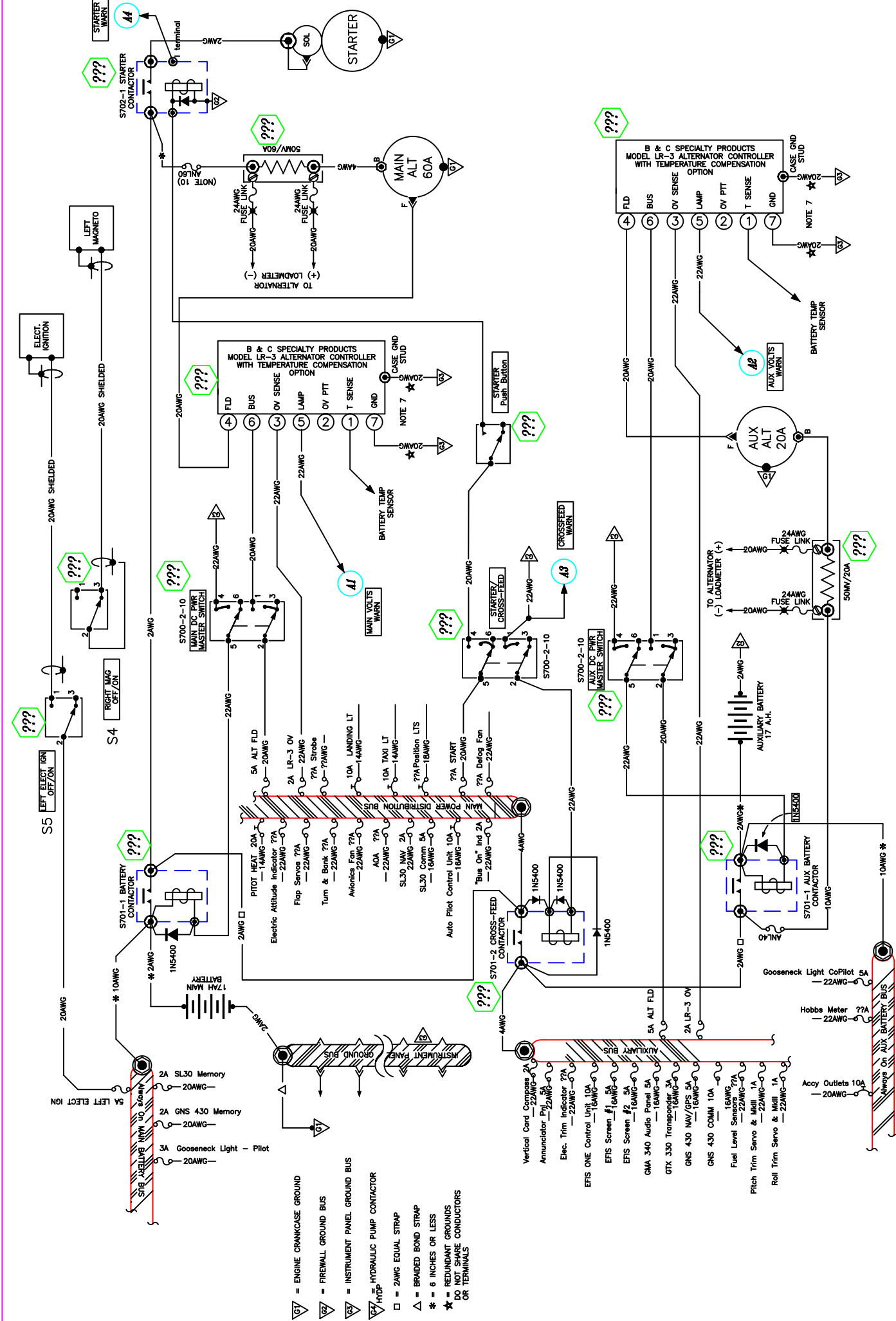


WIRE BOOK

for RV-9A

N820JP

TITLE	PAGE
COVER	0.0



- ⏏ = ENGINE CRANKCASE GROUND
- ⏏ = FIREWALL GROUND BUS
- ⏏ = INSTRUMENT PANEL GROUND BUS
- ⏏ = HYDRAULIC PUMP CONTACTOR
- = 2AWG EQUAL STRAP
- △ = BRAIDED BOND STRAP
- * = 6 INCHES OR LESS
- ☆ = REDUNDANT GROUNDS DO NOT SHARE CONDUCTORS OR TERMINALS

Modified Figure Z-14 Dual Battery, Dual Alternator, Split Bus

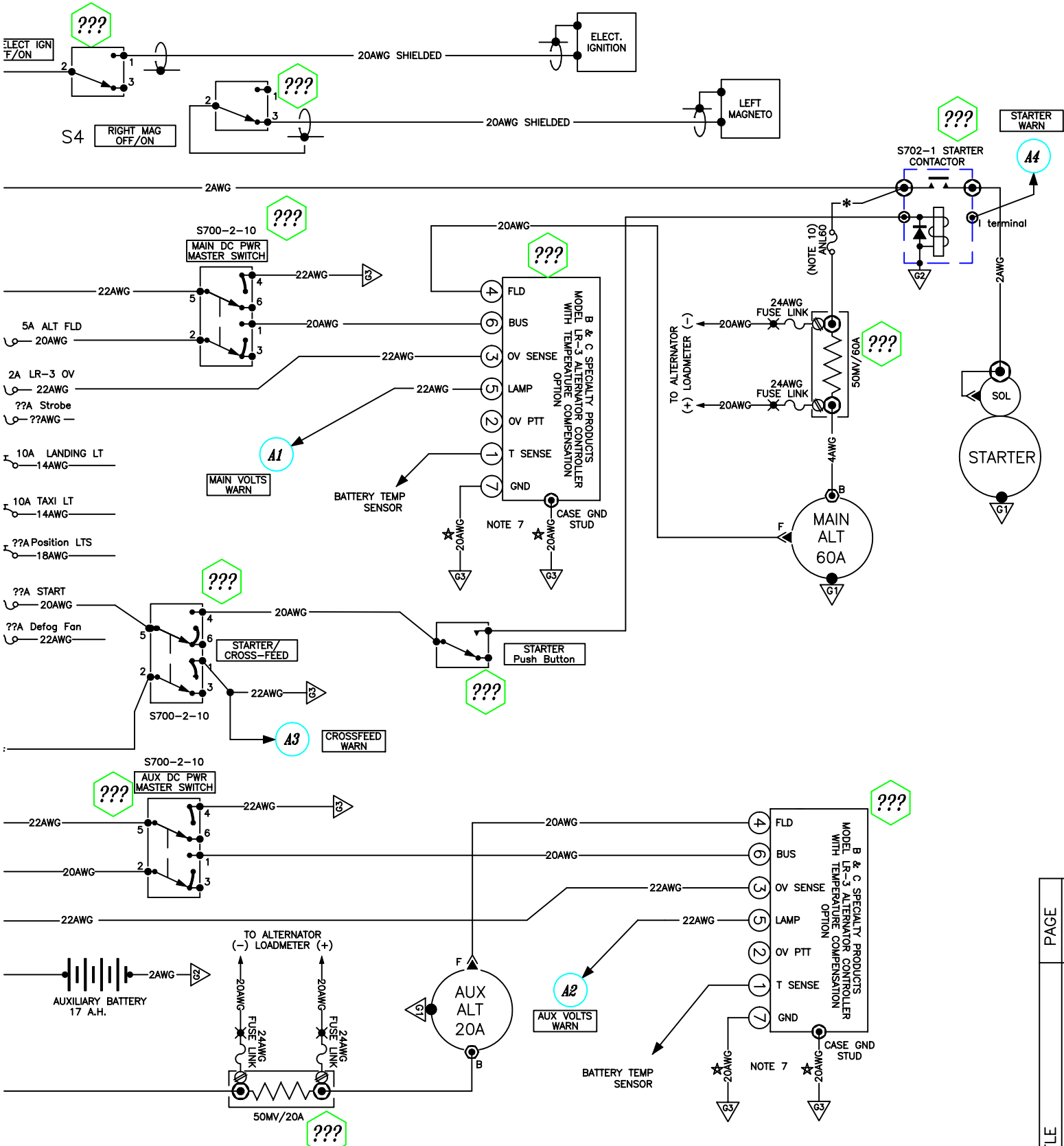
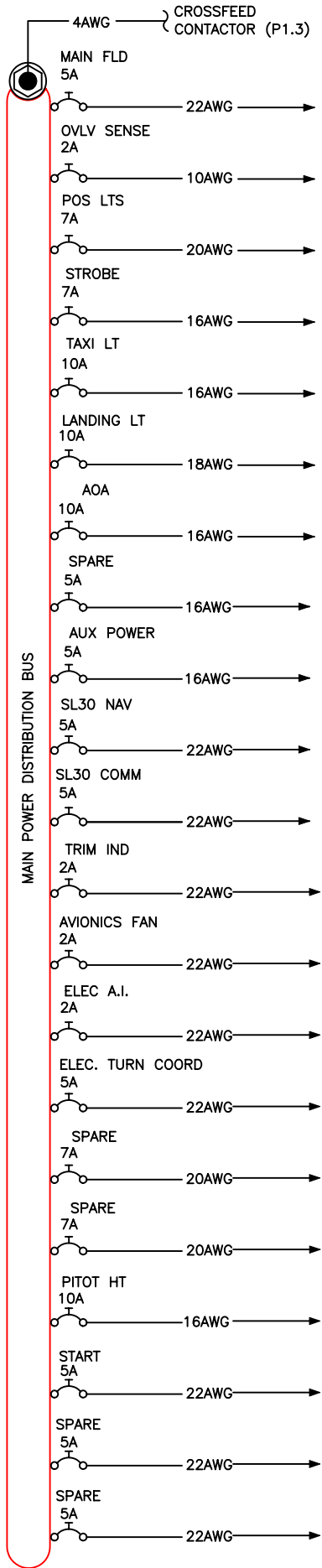


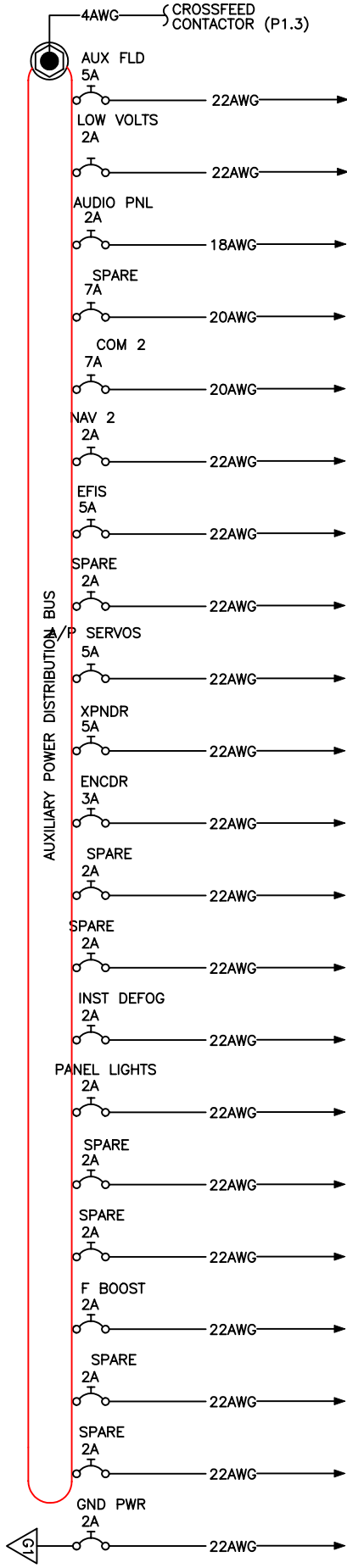
Figure Z-14 Dual Battery, Alternator, Split Bus

MAIN BUS LOAD ANALYSIS



ACCESSORY	PRE-FLIGHT	TAXI	TAKEOFF CLIMB	VFR CRUISE	IFR CRUISE	APPRCH TO LDG	EMERG
MAIN ALTERNATOR SYS (P1.6)							
MAIN ALTERNATOR SYS (P1.6)							
POSITION LIGHTS (P3.2)							
STROBE LIGHTS (P3.1)							
LEFT TAXI LT (P3.3)							
RIGHT LANDING LT (P3.3)							
ANGLE OF ATTACK INDICATOR							
SPARE							
AUXILIARY POWER OUTLETS							
UPSAT SL 30 NAV							
UPSAT SL30 COMM							
TRIM INDICATORS (ELEV & AILR)							
AVIONICS COOLING FAN							
ELECTRIC ATTITUDE IND.							
ELECTRIC TURN COORDINATOR							
SPARE							
SPARE							
PITOT HEATER (P8.1)							
STARTER (P2.1)							
SPARE							
SPARE							
TOTALS							

AUXILIARY BUS LOAD ANALYSIS

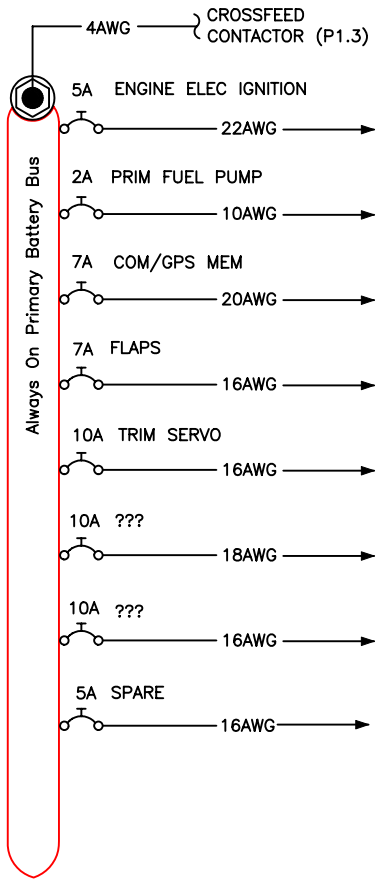


ACCESSORY	PRE-FLIGHT	PRE-TAXI	TAKEOFF CLIMB	VFR CRUISE	IFR CRUISE	APPRCH TO LDG	EMERG
AUX ALT SYSTEM (P1.7)							
AUX ALT SYSTEM (P1.7)							
GARMIN 340 AUDIO PNL (P10.1)							
SPARE							
GARMIN 430 COM							
GARMIN 430 NAV/GPS (P10.4)							
EFIS (P10.5)							
SPARE							
AUTOPILOT SERVOS							
GARMIN 330 XPNDR/ENCODER							
SPARE							
SPARE							
INSTRUMENT DEFOG FAN							
PANEL LIGHTS							
SPARE							
SPARE							
SPARE							
SPARE							
GROUND POWER							

TITLE	PAGE
AUX POWER DIST BUS	1.3

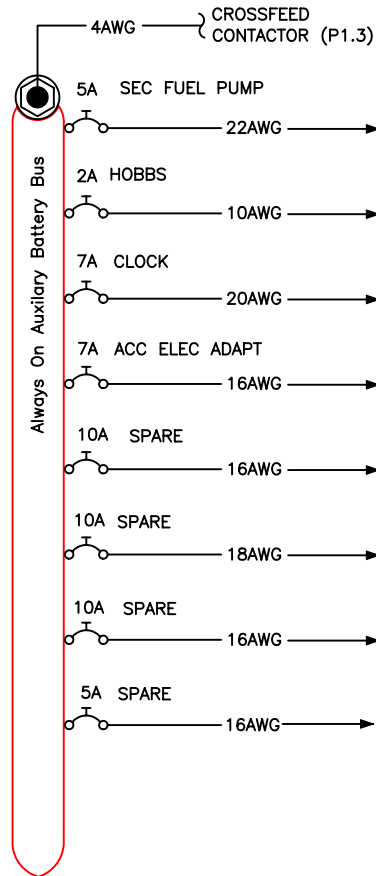
PAGE

Always On Primary Battery Bus Load Analysis

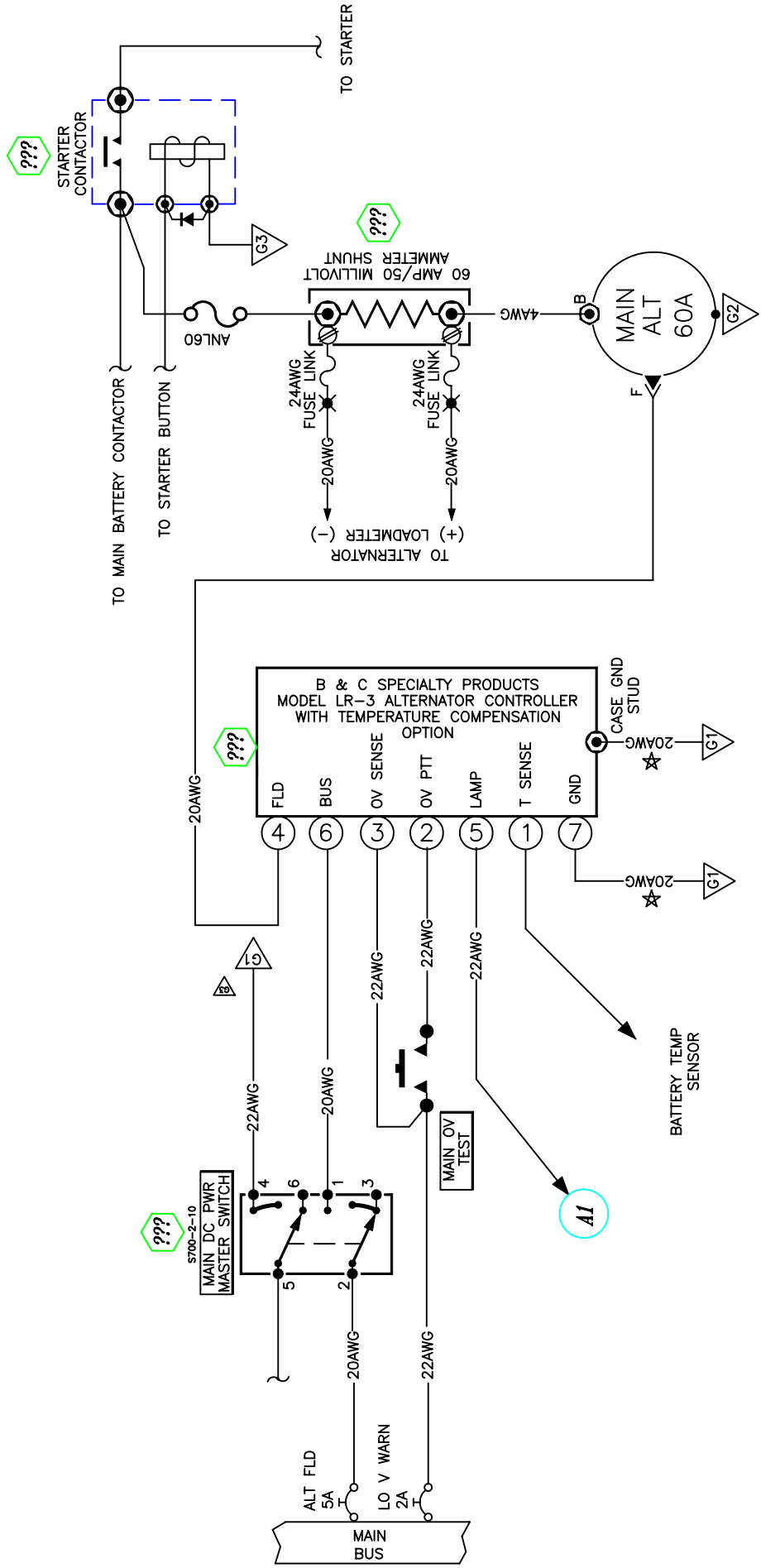


ACCESSORY	PRE-FLIGHT	TAXI	TAKEOFF CLIMB	VFR CRUISE	IFR CRUISE	APPRCH TO LDG	EMERG
Engine Electronic Ignition							
PRIMARY FUEL PUMP							
COM/GPS MEMORY POWER							
FLAPS							
ELECTRIC TRIM SERVO							
SPARE							
SPARE							
SPARE							
TOTAL							

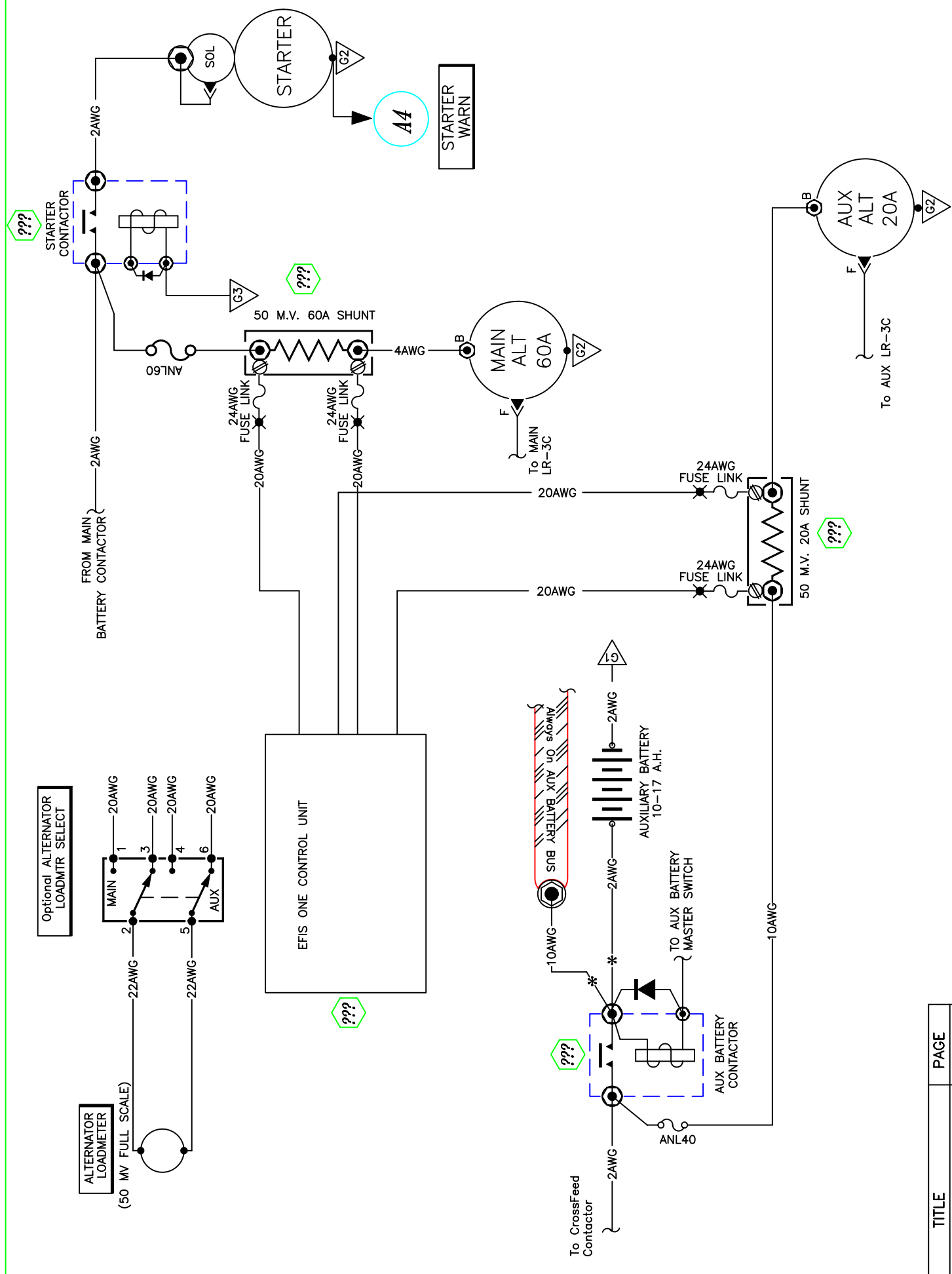
Always On Auxilary Battery Bus Load Analysis



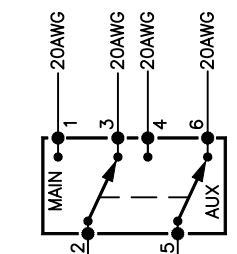
ACCESSORY	PRE-FLIGHT	TAXI	TAKEOFF CLIMB	VFR CRUISE	IFR CRUISE	APPRCH TO LDG	EMERG
SECONDARY FUEL PUMP							
HOBBS METER							
CLOCK / TIMER							
ACCESORY 12 V. ADDAPTERS							
SPARE							
SPARE							
SPARE							
SPARE							
TOTAL							



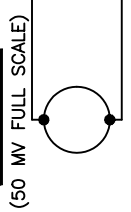
TITLE	PAGE
MAIN ALTERNATOR (60A)	1.6



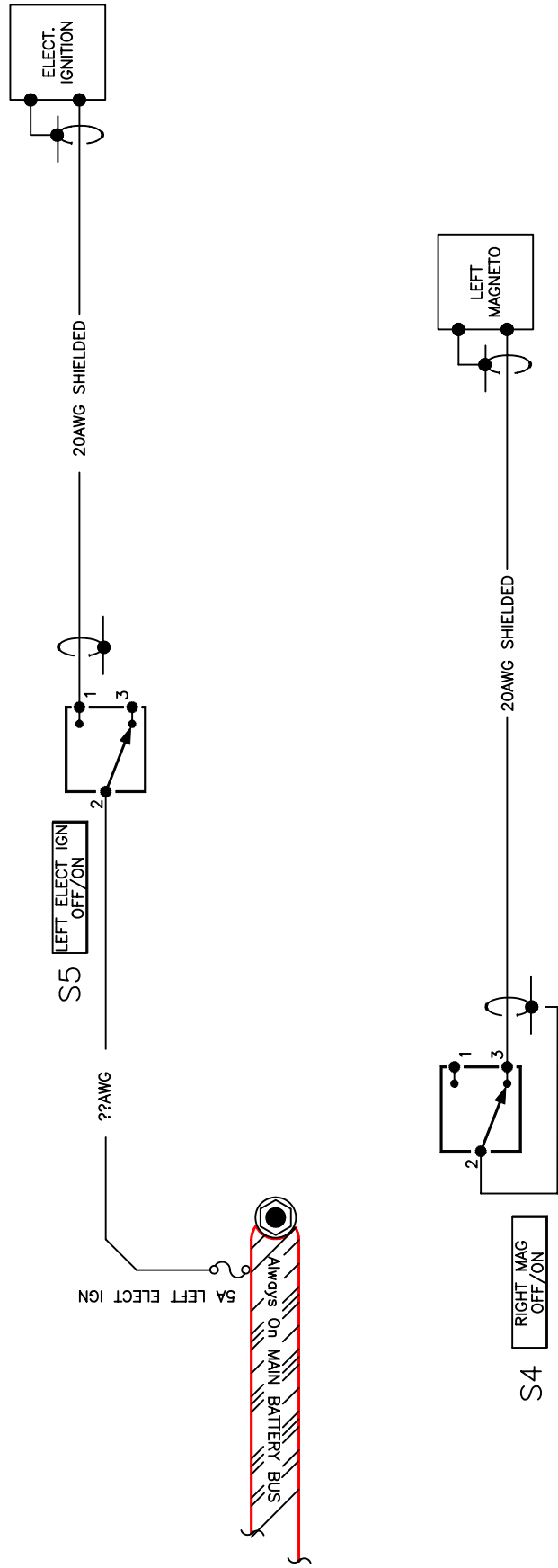
Optional ALTERNATOR LOADMTR SELECT



ALTERNATOR LOADMETER (50 MV FULL SCALE)

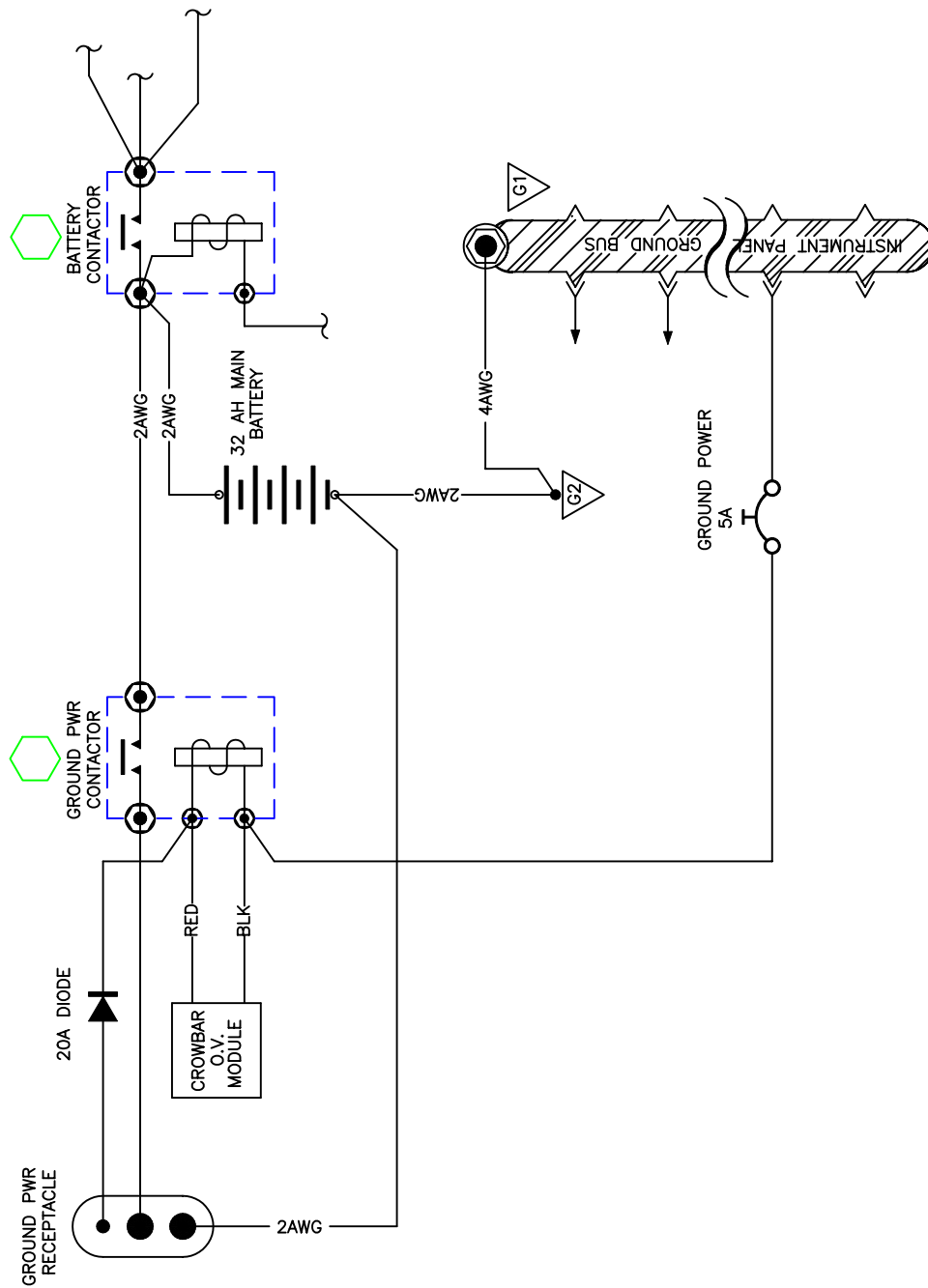


TITLE	PAGE
ALTERNATOR LOADMETER	0.0



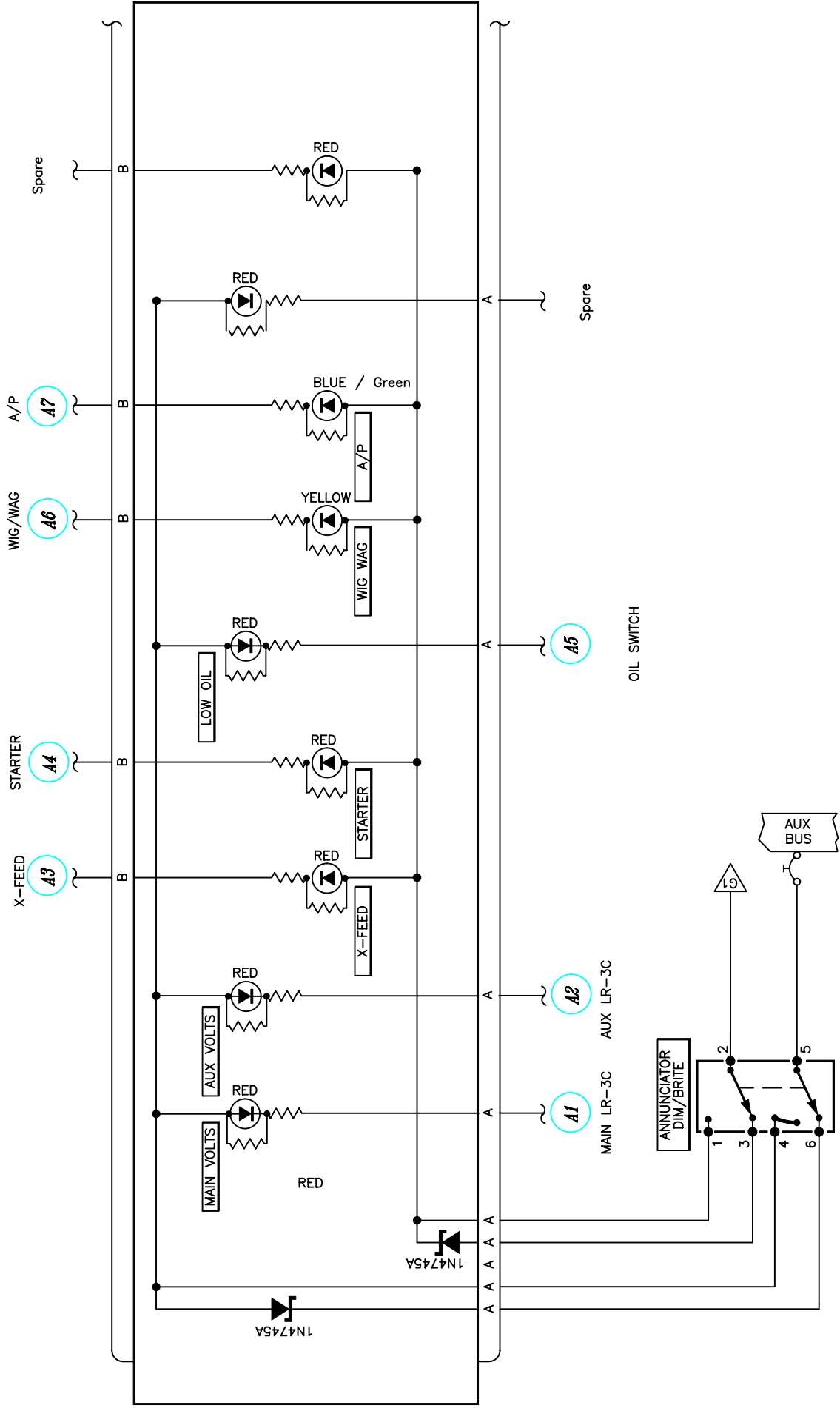
TITLE	PAGE
IGNITION	2.2

I don't think I need one of these.



TITLE	PAGE
GROUND POWER RECEPTACLE	0.0

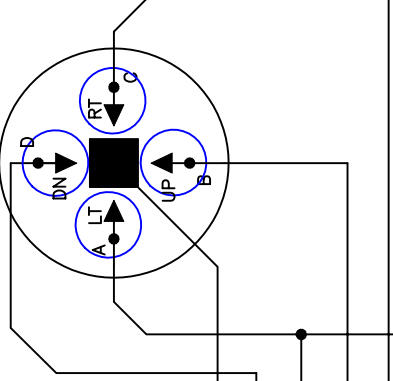
NOTE:
ALL WIRES 22AWG UNLESS
OTHERWISE NOTED.



TITLE	PAGE
WARNING/ANNUNCIATOR	9.1

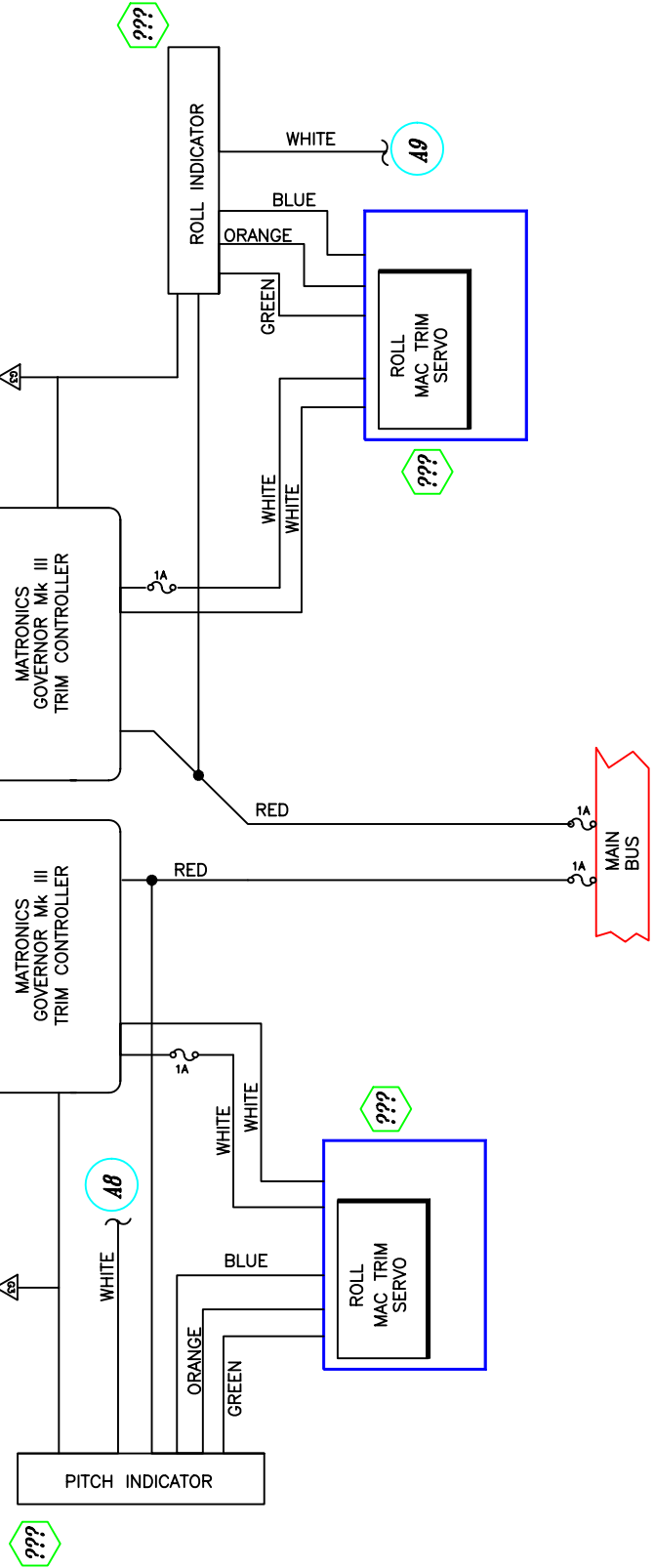
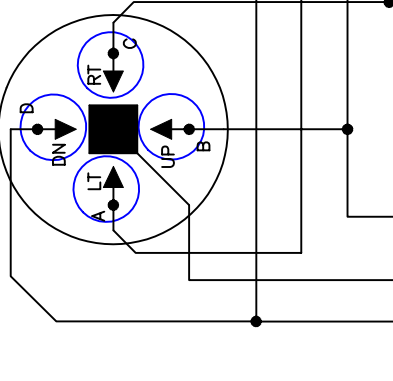
COPILLOT TRIM SWITCH
G207

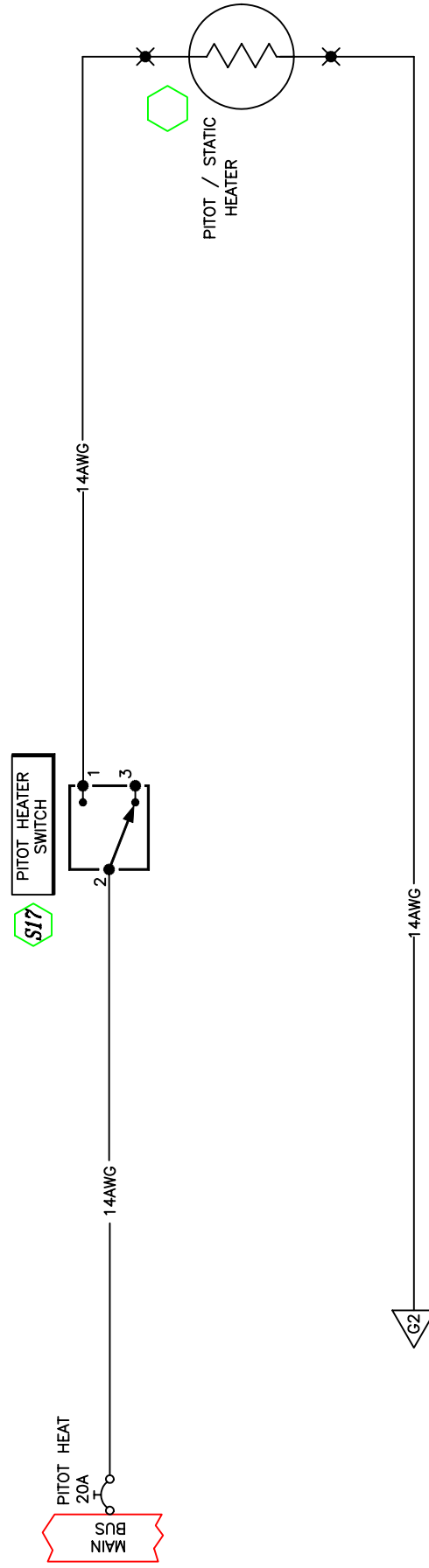
???



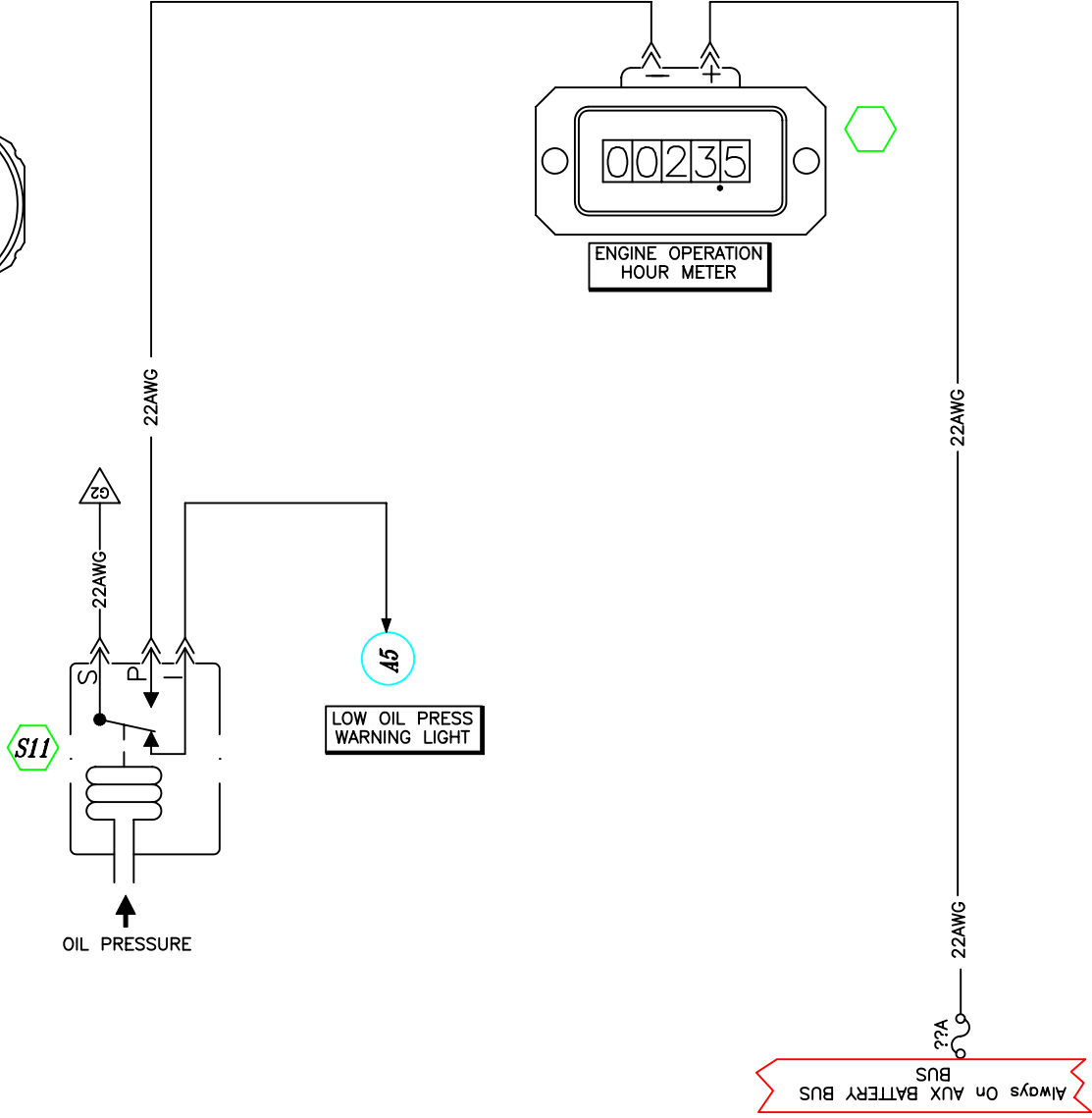
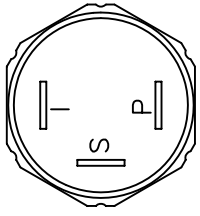
PILOT TRIM SWITCH
G207

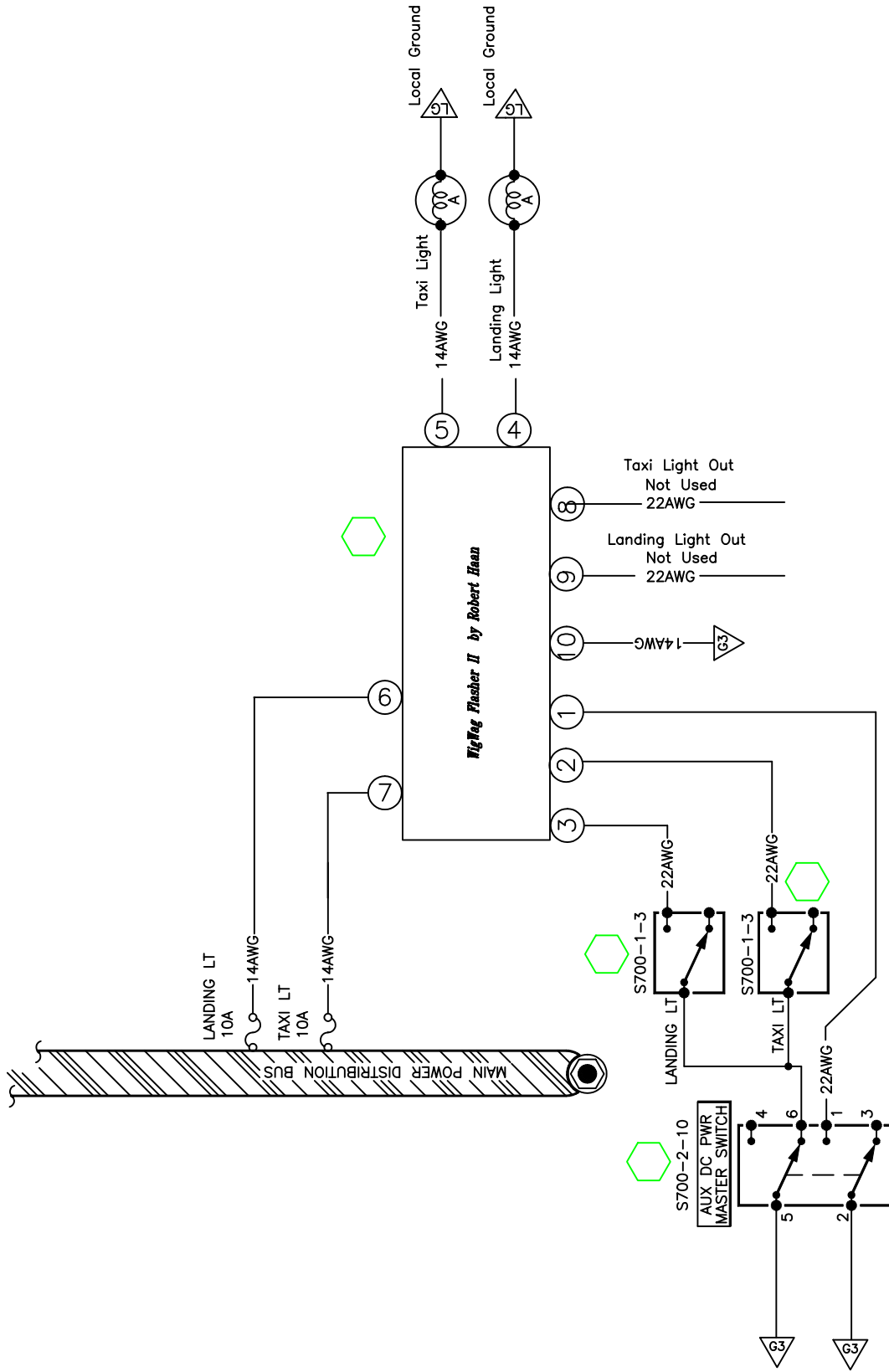
???



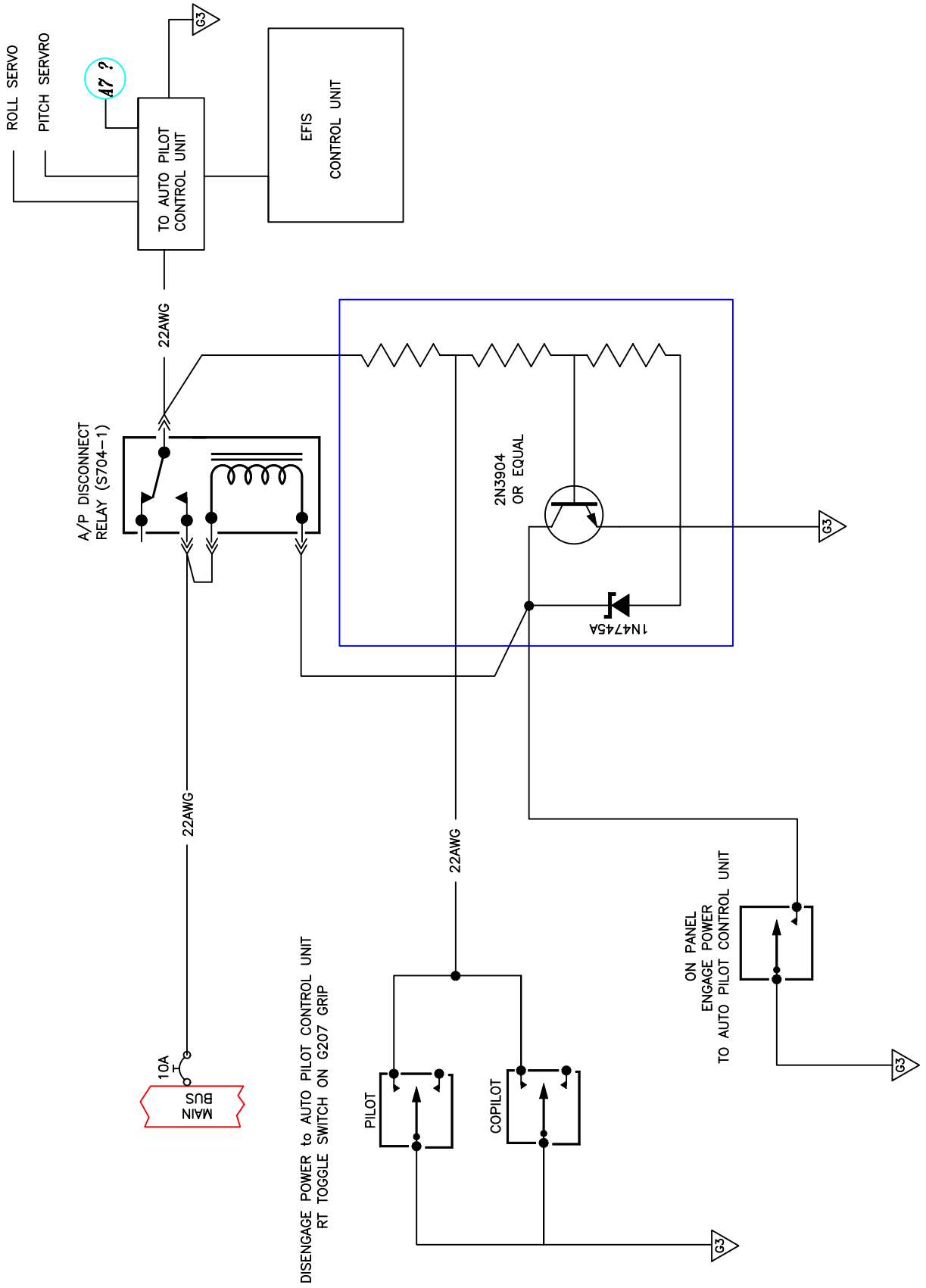


TITLE	PAGE
PITOT HEATER	7.1

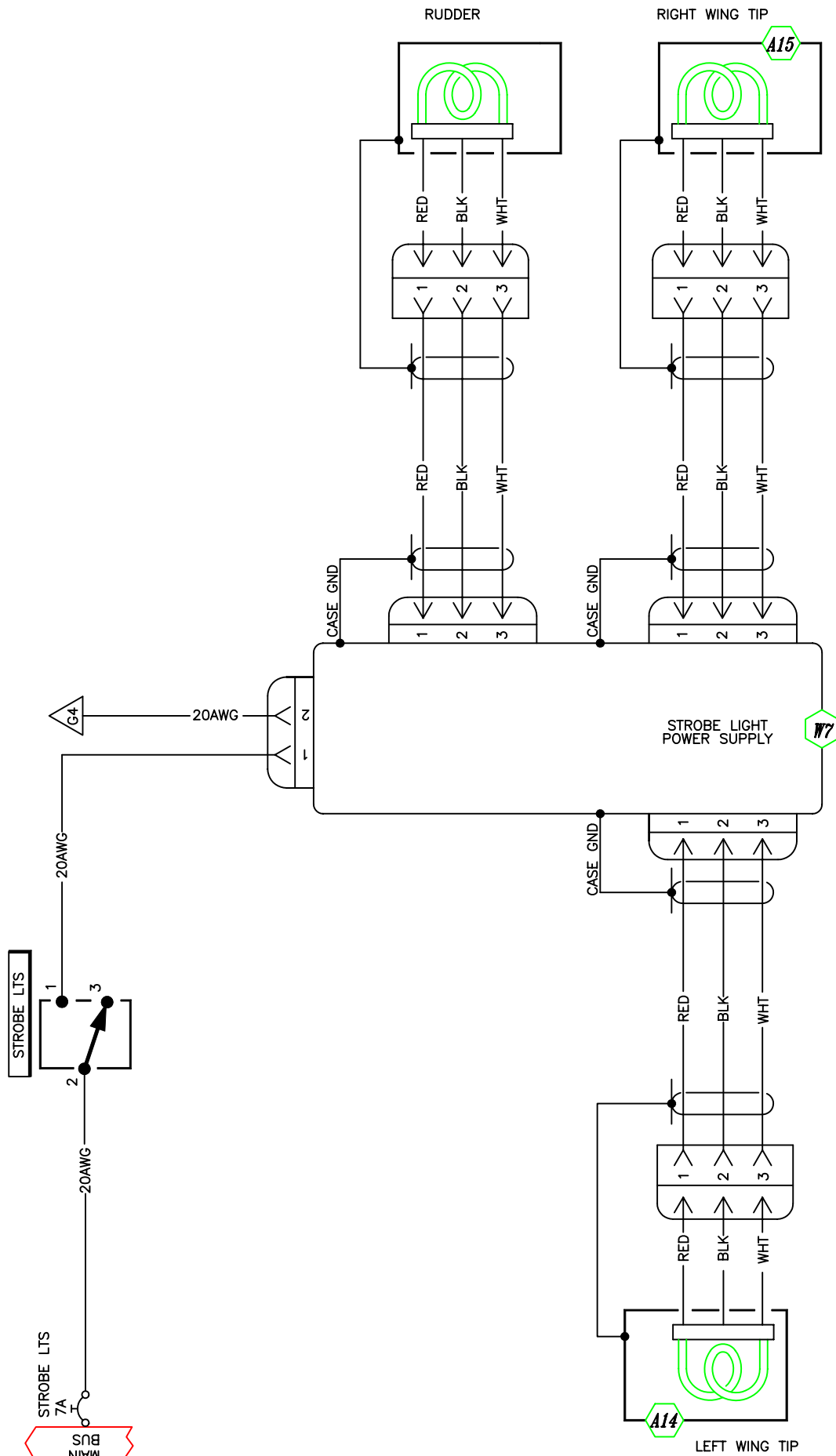




TITLE	PAGE
TAXI, LANDING & WIGWAG	4.4

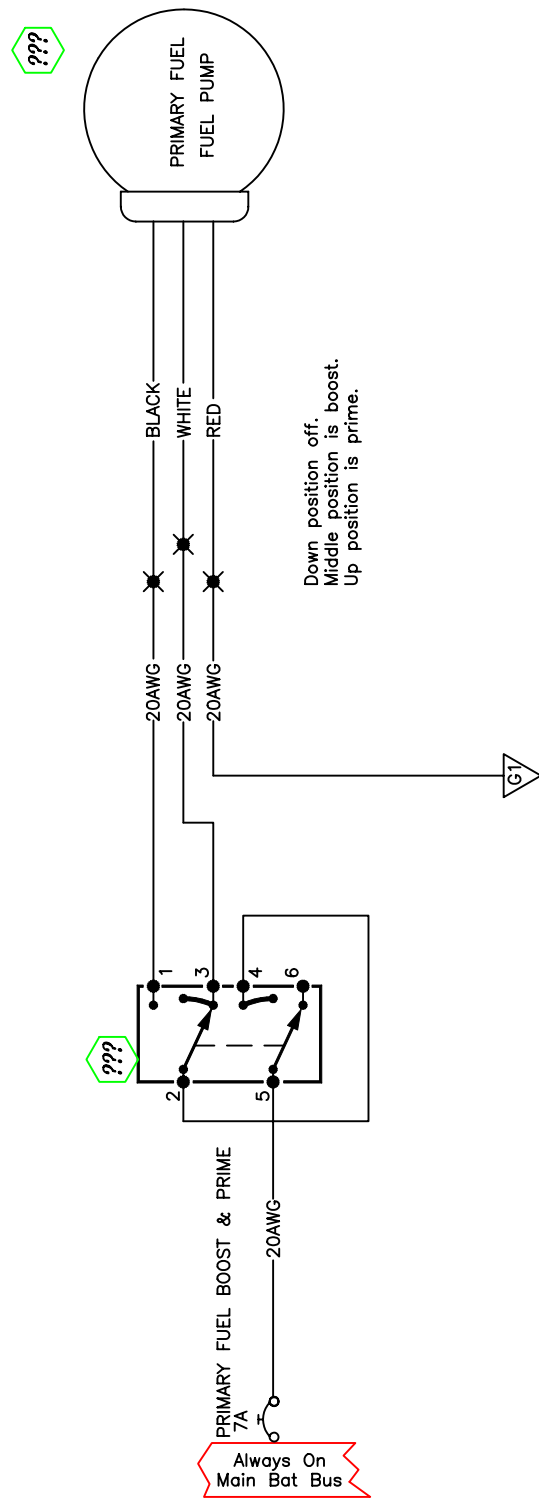
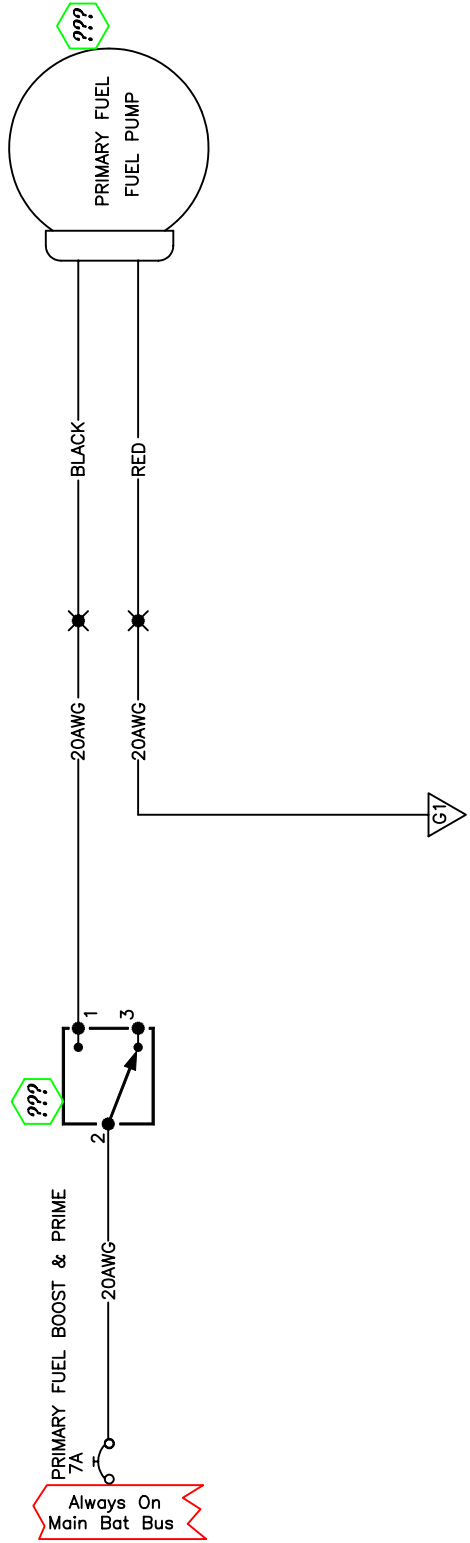


TITLE	PAGE
AUTO PILOT DISCONNECT	4.3

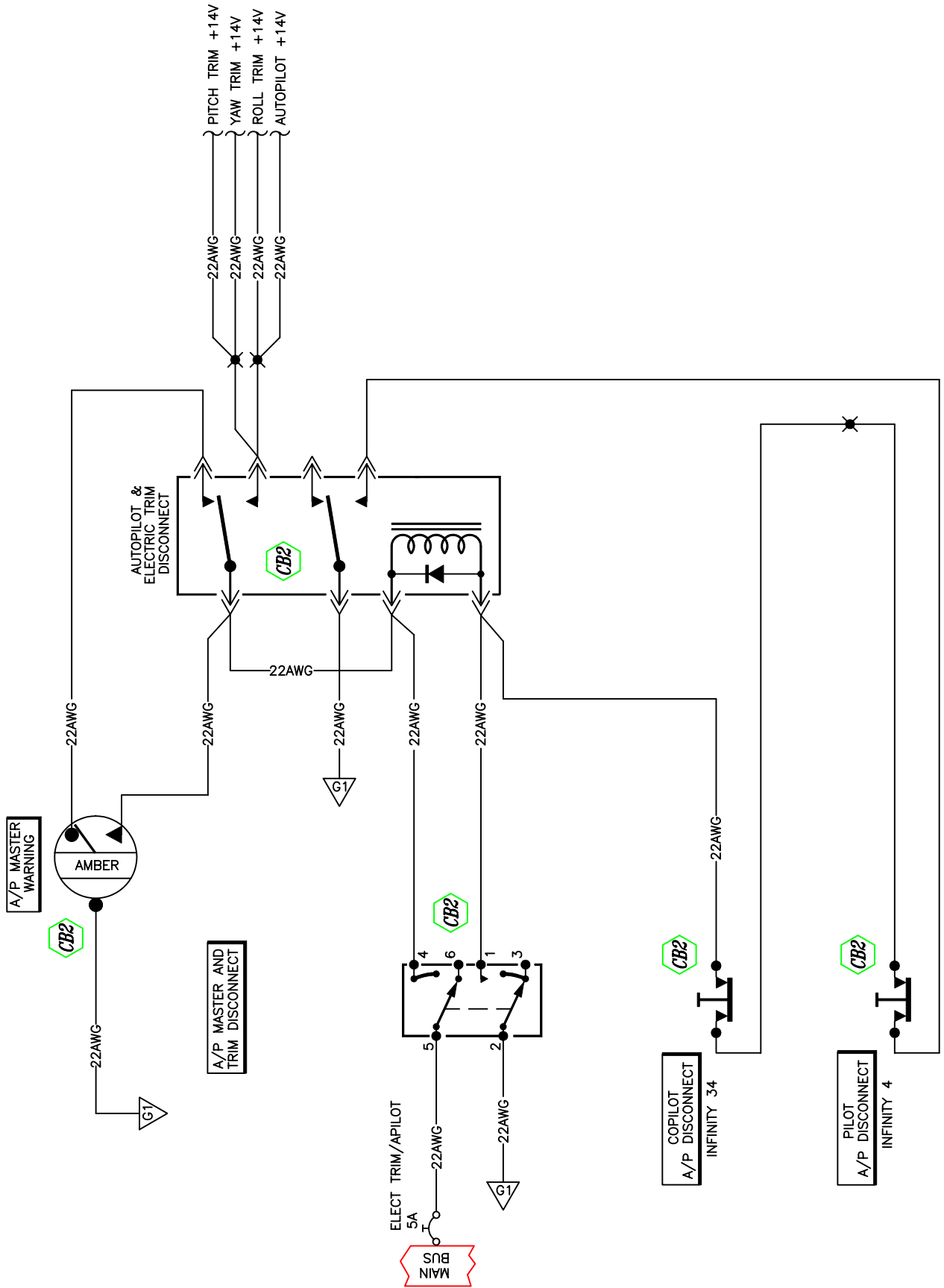


TITLE	PAGE
STROBE LIGHTS	3.4

REVIEW THIS WITH WADE. One or the other is correct. I'm not sure which.

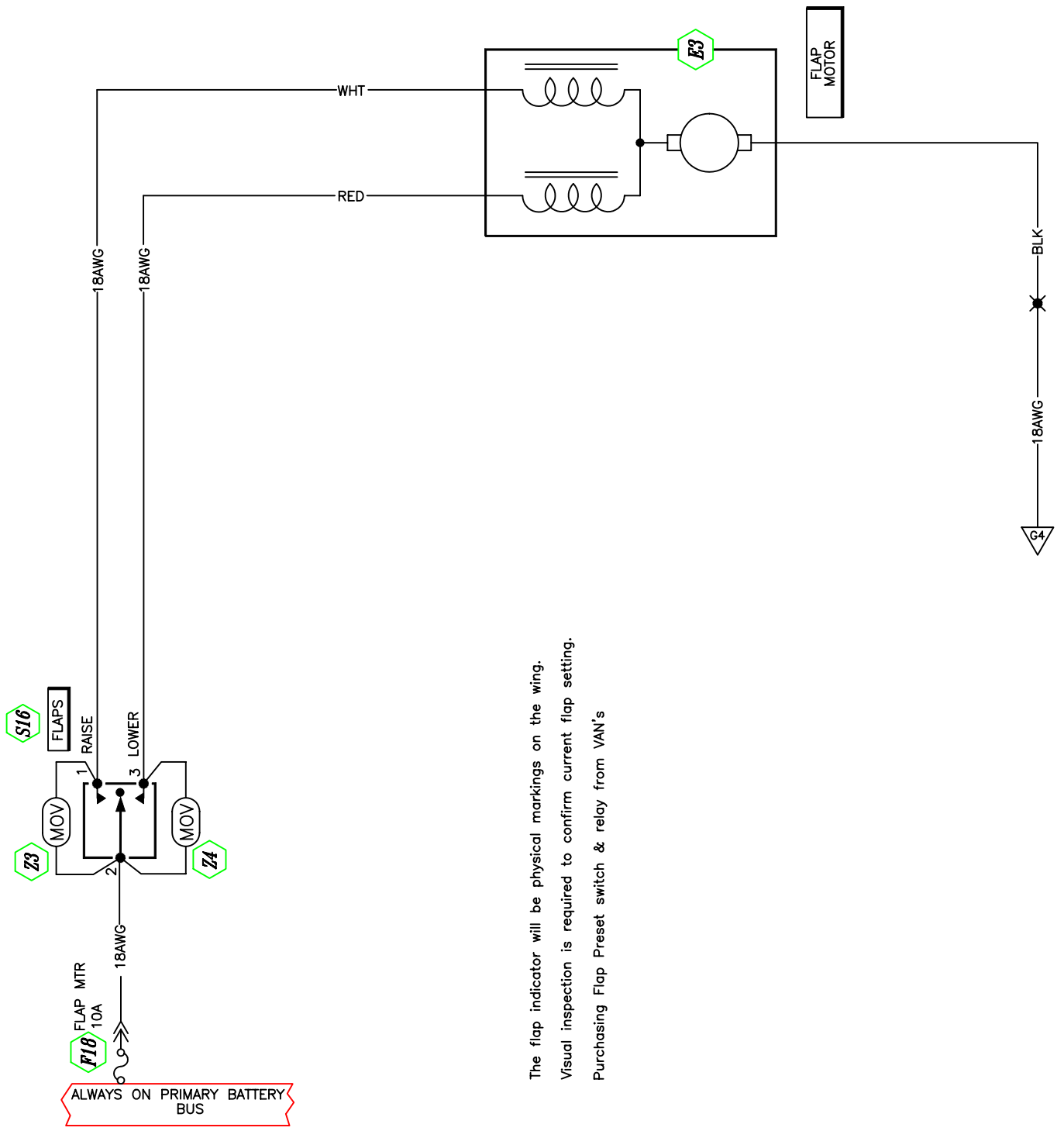


TITLE	PAGE
FUEL PUMP & PRIME	2.5



REV A 2/28/96

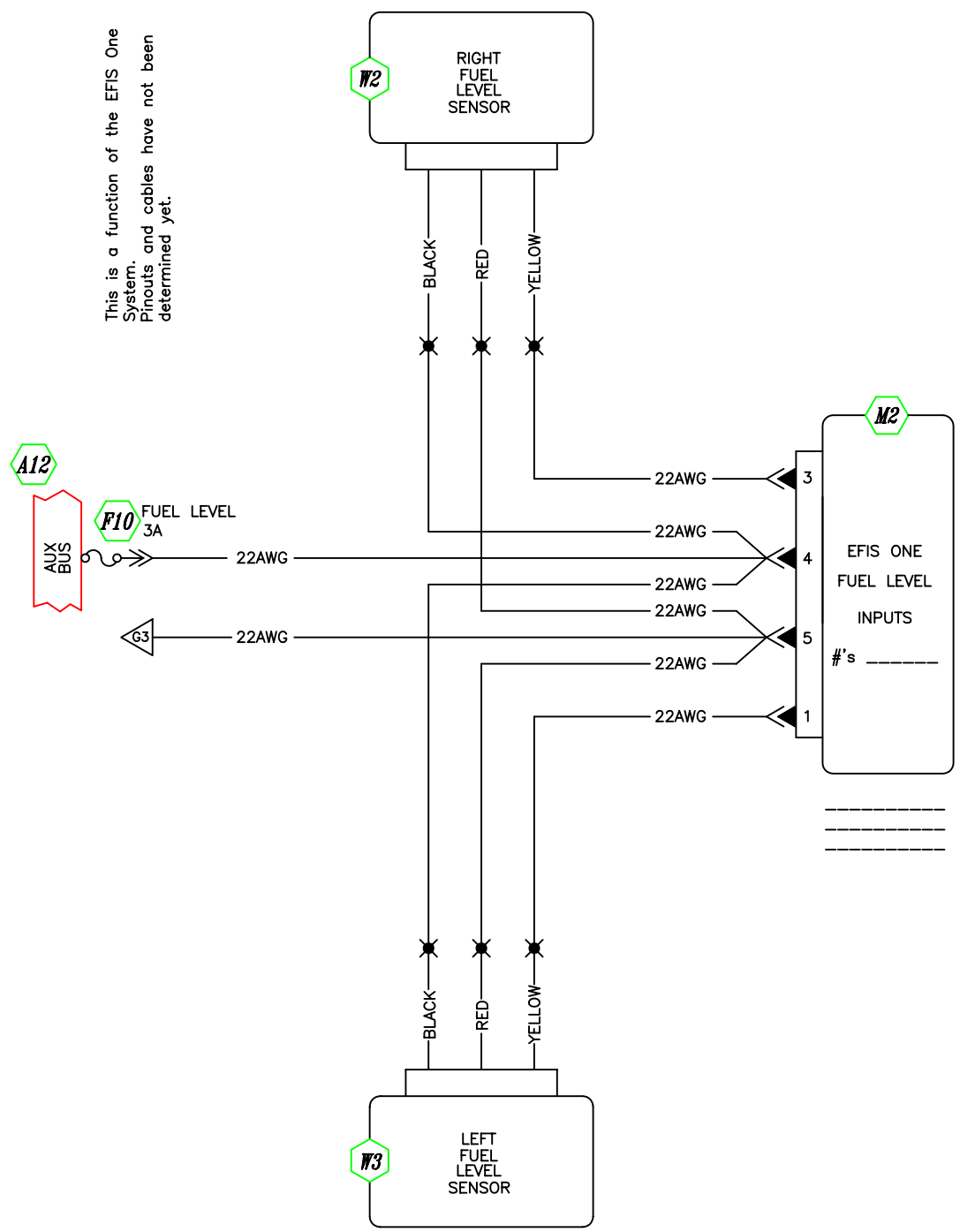
TITLE	PAGE
AUTOPILOT/TRIM DISCONNECT	4.2



The flap indicator will be physical markings on the wing.
 Visual inspection is required to confirm current flap setting.
 Purchasing Flap Preset switch & relay from VAN's

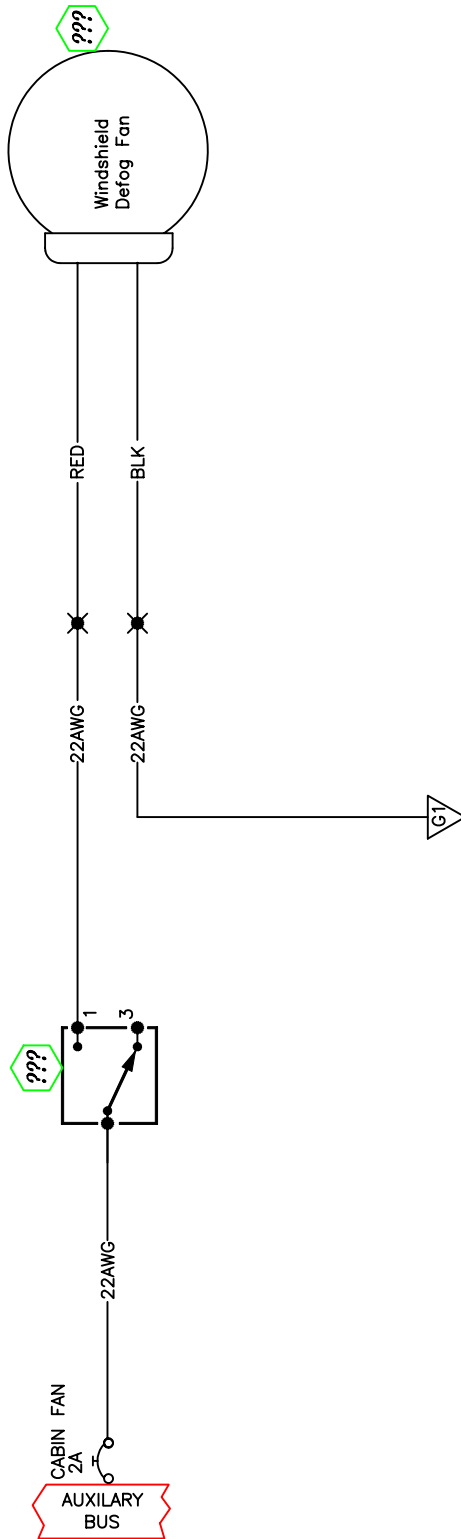
TITLE	PAGE
FLAPS	4.4

This is a function of the EFIS One System. Pinouts and cables have not been determined yet.

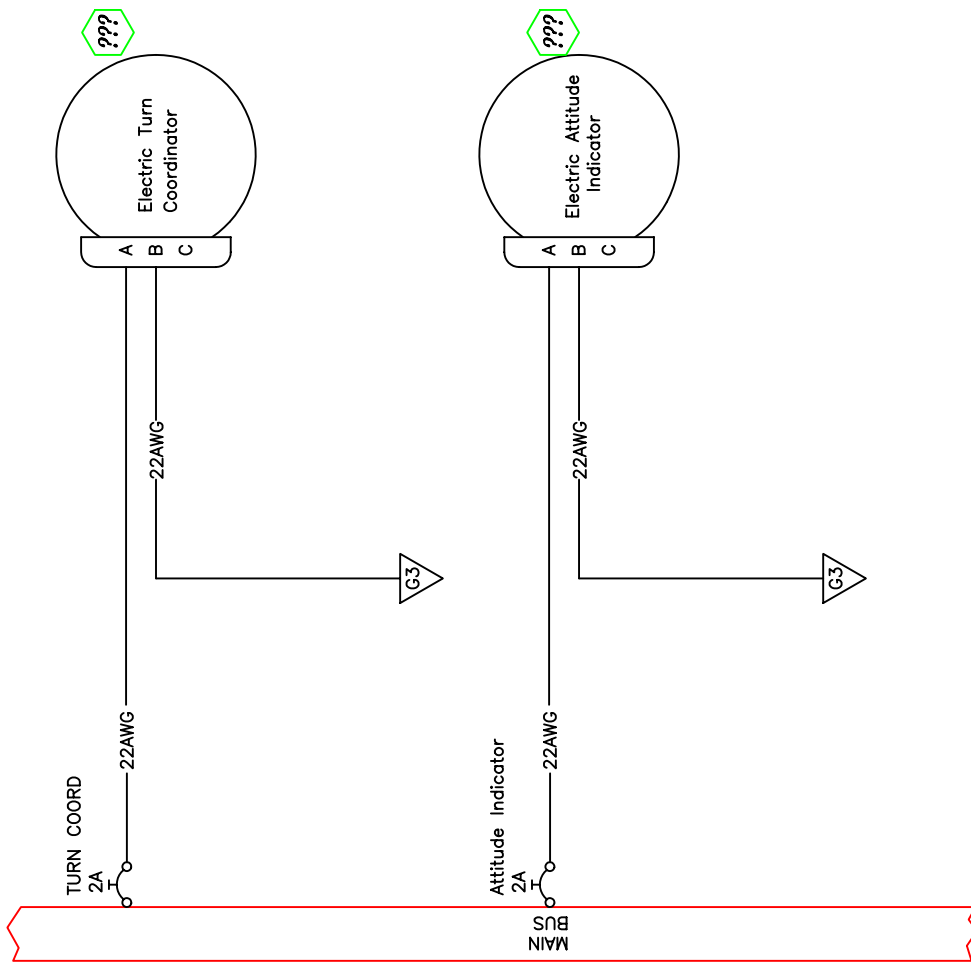


TITLE	PAGE
FUEL LEVEL	2.4

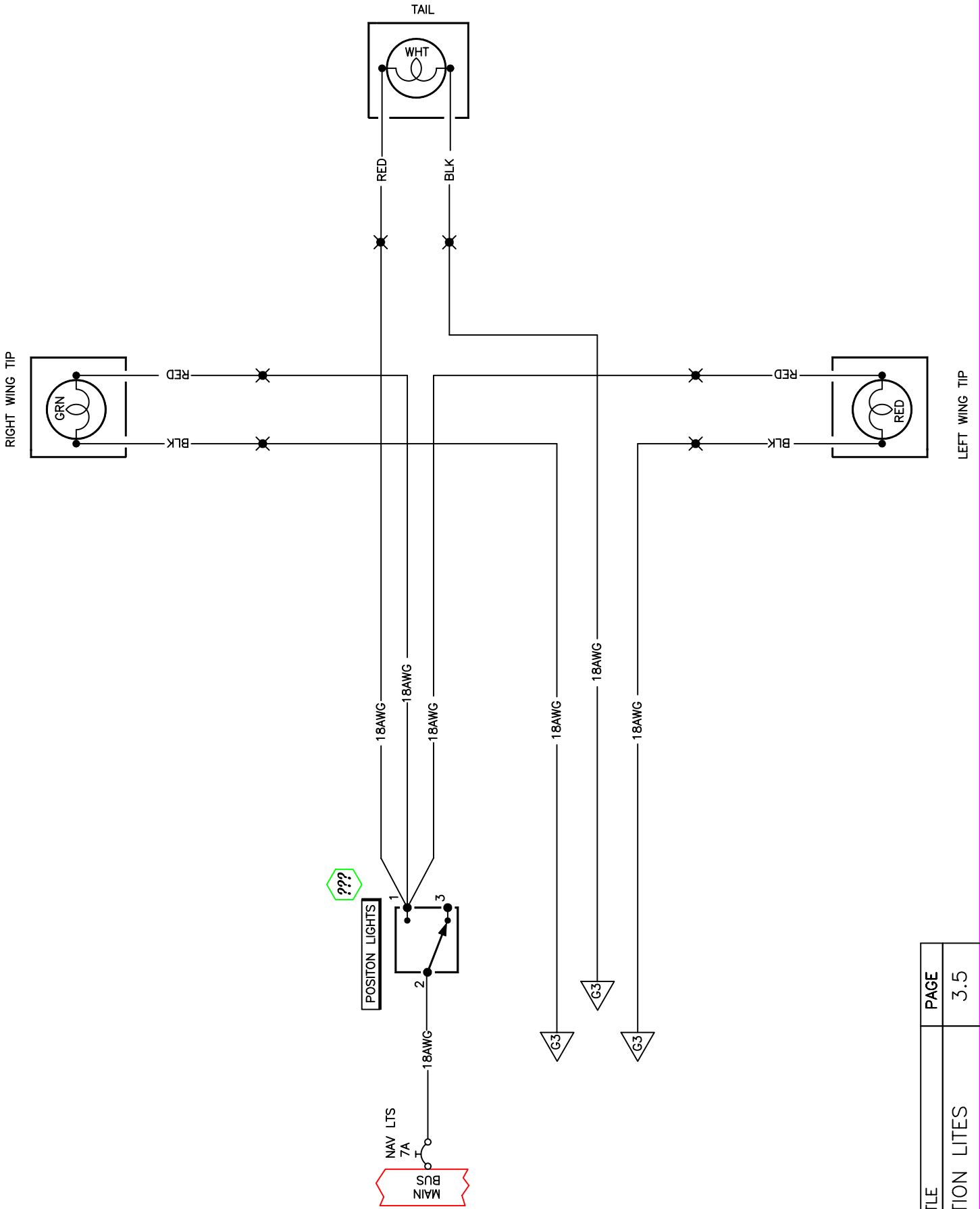
TITLE	PAGE
????	3.1



TITLE	PAGE
WINDSHIELD DEFOG FAN	7.3



TITLE	PAGE
ELECT GYROS	5.1



TITLE	PAGE
POSITION LITES	3.5