



Illustrated Parts Catalog

**1978
thru
1986**

MODEL P210 SERIES



THIS CATALOG SUPERSEDES AND REPLACES ALL P210 SERIES
PARTS CATALOGS, P683-12, DATED: 15 MAY 1986.

COPYRIGHT © 1986
CESSNA AIRCRAFT COMPANY
WICHITA, KANSAS, USA

1 AUGUST 1996

P697-12
(RGI-50-4/01)

MODEL P210 Parts Catalog

INSERT LATEST REVISED PAGES. DESTROY SUPERSEDED PAGES

LIST OF EFFECTIVE PAGES

Dates of Issue for original and revised pages are:

Original 0 1 August 1996

TOTAL NUMBER OF PAGES IN THIS PUBLICATION IS 802 CONSISTING OF THE FOLLOWING:

Page No.	Revision No.	Page No.	Revision No.	Page No.	Revision No.	Page No.	Revision No.
Title	0	98 thru 108	0	236 thru 254	0	512 thru 520	0
A	0	109 blank	0	255 blank	0	521 blank	0
i thru iii	0	110 thru 111	0	256 thru 328	0	522 thru 534	0
iv blank	0	112 blank	0	329 blank	0	535 blank	0
v thru vii	0	113 thru 144	0	330 thru 341	0	536 thru 540	0
viia	0	145 blank	0	342 blank	0	541 blank	0
viib	0	146 thru 150	0	343 thru 352	0	542 thru 546	0
viii thru xii	0	151 blank	0	353 blank	0	547 blank	0
xiia thru xiic	0	152 thru 167	0	354 thru 355	0	548 thru 596	0
xiid blank	0	168 blank	0	356 blank	0	597 blank	0
xiii thru xxxiii . . .	0	169 thru 176	0	357 thru 384	0	598 thru 612	0
xxxiv blank	0	177 blank	0	385 blank	0	613 blank	0
1-12	0	178 thru 184	0	386 thru 409	0	614 thru 660	0
13 blank	0	185 blank	0	410 blank	0	661 blank	0
14 thru 34	0	186 thru 188	0	411 thru 413	0	662 thru 665	0
35 blank	0	189 blank	0	414 blank	0	666 blank	0
36 thru 44	0	190 thru 222	0	415 thru 490	0	667 thru 672	0
45 blank	0	223 blank	0	491 blank	0	673 blank	0
46 thru 96	0	224 thru 234	0	492 thru 510	0	674 thru 686	0
97 blank	0	235 blank	0	511 blank	0	687 thru 759	0
						760 blank	0

P210 Parts Catalog

INTRODUCTION.

The information in this publication is based on data available at the time of publication and is updated, supplemented, and automatically amended by all information issued in Service Newsletters, Service Bulletins, Supplier Service Notices, Publication Changes, Revisions, Reissues and Temporary Revisions. All such amendments become part of and are specifically incorporated within this publication. Users are urged to keep abreast of the latest amendments to this publication through information available at authorized Cessna Service Stations or through the Cessna Product Support subscription services. Cessna Service Stations have also been supplied with a group of supplier publications which provide disassembly, overhaul, and parts breakdowns for some of the various supplier issued revisions and service information which may be reissued by Cessna thereby automatically amending this publication and are communicated to the field through authorized Cessna's Service Stations and/or through Cessna's subscription services.

WARNING:

ALL INSPECTION INTERVALS, REPLACEMENT TIME LIMITS, OVERHAUL TIME LIMITS, THE METHOD OF INSPECTION, LIFE LIMITS, CYCLE LIMITS, ETC., RECOMMENDED BY CESSNA ARE SOLELY BASED ON THE USE OF NEW, REMANUFACTURED, OR OVERHAULED CESSNA APPROVED PARTS. IF PARTS ARE DESIGNED, MANUFACTURED, REMANUFACTURED, OVERHAULED, PURCHASED, AND/OR APPROVED BY ENTITIES OTHER THAN CESSNA, THEN THE DATA IN CESSNA'S MAINTENANCE/SERVICE MANUAL AND PARTS CATALOGS ARE NO LONGER APPLICABLE AND THE PURCHASER IS WARNED NOT TO RELY ON SUCH DATA FOR NON-CESSNA PARTS. ALL INSPECTION INTERVALS, REPLACEMENT TIME LIMITS, OVERHAUL TIME LIMITS, THE METHOD OF INSPECTION, LIFE LIMITS, CYCLE LIMITS, ETC., FOR SUCH NON-CESSNA PARTS MUST BE OBTAINED FROM THE MANUFACTURER AND/OR SELLER OF SUCH NON-CESSNA PARTS.

Inspection, maintenance and parts requirements for STC installations are not included in this manual. When an STC installation is incorporated on the airplane, those portions of the airplane affected by the installation must be inspected in accordance

with the inspection program published by the owner of the STC. Since STC installations may change systems interface, operating characteristics and component loads or stresses on adjacent structures, Cessna provided inspection criteria may not be valid for airplanes with STC installations.

This illustrated parts catalog has been prepared to aid you in easily and quickly identifying parts of the models covered herein. The information in this catalog is based on data available at the time of publication.

This catalog features an index system consisting of:

1. An alphabetical index located in the front of the catalog.
2. A numerical index located in the back of the catalog, which lists all parts and figures in which they appear.

AEROFICHE. . . . This catalog has been designed for Aerofiche presentation. To facilitate the use of the catalog for Aerofiche, fiche and frame numbers have been added to the alphabetical and numerical indexes. Frame numbers appear at the bottom center of each page. Refer to the header of the applicable fiche for location of various indexing information.

STANDARD PARTS.

Many parts having standard usage have been incorporated into the Cessna Standard System. Parts in this group are designated with the part number prefix "S".

For standard hardware items such as Tinnerman nuts, clamps, etc. "AN" and "NAS" numbers have been used.

USABLE ON CODES. . . . Serial listings in this catalog are noted by a letter code located in the usable on code column which is the extreme right hand column of the parts list page. Usable on codes are applicable only to the figure on which they appear. The code letters and the serials to which they apply are listed at the end of the figure.

If no usable on code appears opposite a first column listing of the figure, the usage is applicable to all models and serials covered by this catalog. If no usable on code appears opposite any indented listing, the usage is applicable to all models and serials covered by the figure on which it appears.

Bold face type serials appearing on certain figures are for quick reference to large blocks of airplanes.

P210 Parts Catalog

Reims Aviation serial usage is listed together with the Cessna Aircraft Company serial usage immediately following the parts listing on each individual figure where applicable.

NON-INTERCHANGEABLE PARTS. . . . When parts are not interchangeable with earlier models, all parts applicable to the particular usage are listed. The letter code for the individual part usage is listed in the usable on column opposite each part. Care should be exercised in determining proper serial when ordering to insure receipt of correct part.

INTERCHANGEABLE PARTS. . . . When a later design part is completely interchangeable with the part it replaces, both parts will be serialized and the notation "when exhausted use __", or the abbreviation, "WEU __" will be entered following the listing of the earlier design part. This means that the earlier design part should be used on airplanes to which they apply until the supply of these parts is exhausted-- after which time the later design part must be used. This is done to simplify stocking of parts by our distributors and authorized Cessna Service Stations. The earlier part is as good physically and functionally, as the later design part-- the difference being the later design part can be used on more than one block of airplane serials.

SYMBOLS & PART NUMBER TERMS.

NP - The symbol "NP" appearing in the units per assembly column denotes that the item it appears opposite is not procurable.

AR - The symbol "AR" appearing in the units per assembly column denotes "As Required" and is used to indicate bulk quantity where an indefinite amount is used.

The following is a list of abbreviations that may appear in the description nomenclature:

ALT	Alternate Part	LH	Left Hand
ASSY	Assembly	M/G	Main Gear
BHD	Bulkhead	N/G	Nose Gear
BKI	Bulk item	PNL	Panel
COMP	Components	PRESS	Pressure
FSO	For spares order	RH	Right Hand
FWD	Forward	SECT	Section
IND	Indicator	UPR	Upper
INSTL	Installation	WEU	When Exhausted Use

Other key letter symbols spaced apart from and following the part nomenclature are for cataloging and manufacturing purposes only and are not to be considered by the customer.

A blank entry in the part number column appears before an unprocurable part or installation which is also denoted in the "Units Per Assembly" column by the use of the symbol "NP".

GROUP ASSEMBLY PARTS LIST ARRANGEMENT.

This section lists all replaceable items in the airplane and these items are detailed on illustrations throughout the section. The index numbers on the illustration are keyed to each accompanying parts list. The purpose of the index numbers is to provide complete and positive identification of the article, but should not be used for procurement purposes.

- a. The figure and index number column of the parts list shows the figure number once at the beginning of the list. The figure number is followed by a dash and the indexed number. The remaining index numbers are preceded by dash only.
- b. The part number column identifies the item by part number.
- c. In the description column, relationship of items covered is shown by the degree of indentation of each item, for example: The wing assembly (Figure 3) is listed in column (1) of the description column. The wing structure, is the next lower assembly and is therefore listed in column (2).
- d. If two or more assemblies contain a majority of identical parts or the assemblies are left or right hand, the assemblies are listed together and the next lower assemblies or detail parts are listed as common for both assemblies, with the differing parts coded for usage on the correct major assembly.
- e. Attaching parts are listed immediately beneath the item to be attached and preceding any detail parts of the item. They are listed in the same column as the item they attach and are preceded by the caption "Attaching Parts". The end of the attaching parts listing is followed by a separating symbol ---*---
- f. The quantity listed in the "Units Per Assembly" column for attaching parts denotes the quantity necessary to attach only one part. Total quantity necessary to attach more than one part is obtained by multiplying the attaching parts quantity by the number of parts attached.

P210 Parts Catalog

- g. Component parts of the complete airplane which are not included in any assembly, but which are used in conjunction with, or attach to certain assemblies, are listed either preceding the first detail or following the last detail of the assembly or installation, and in the same column as the major assembly or installation.
- h. The quantities listed in the "Units Per Assembly" column are the quantity used per figure.

ACCESSORY KITS.

For accessory kit listings, refer to separate Accessory Kit and Service Kit Index.

BULK ITEMS.

Certain items such as flexible air hose, rubber moldings and channels, windshield sealing strips, etc., are noted in the catalog listings as bulk items. These listings also note the cut length of these materials for one installation. When an item is listed as a bulk item, it will be supplied to the service stations in the most convenient bulk length or quantity. Reference to the cut length or quantity per installation provides for the most satisfactory disbursement to the customer.

HOW TO ORDER.

USE YOUR CATALOG TO ORDER PARTS. Use the Parts and Accessories Order Form, which will be supplied by Cessna on request. Give complete information on addresses and make sure the part number and part name are as shown in the catalog. Be sure to specify quantities. Specify how the order is to be shipped, otherwise it will be sent out in the manner that seems best to the shipper.

SERIAL, COLOR, & CORROSION PROOFING.

Be sure to indicate model and serial number of the airplane. Serial number is very important to properly identify parts used on each airplane. When color is involved, refer to "Upholstery & Interior Trim" section for example. If corrosion proofing is desired, add the letters "CO" following the part number.

DISTRIBUTOR ORDERS.

Distributors will send all orders to the factory with instructions as to the shipping destination. The factory prefers not to make C.O.D. shipments for the distributor, and all billing will be made to the distributor in the case of direct shipments.

RETAIL ORDERS.

Retail orders will not be honored by the factory. They are to be placed with the service station or distributor in the owner's territory and when received directly by the factory will be forwarded to the distributor from whose territory it was received. Considerable saving in time will result to the owner if his orders are placed with his service station or distributor.

ADDITIONAL PUBLICATIONS.

In addition to the information in this Parts Catalog, a group of vendor publications is available from the Cessna Parts Distribution, which describe complete disassembly, overhaul and parts breakdown of some of the various vendor equipment items. A listing of these publications is issued periodically in the "Customer Care Supplies Catalog" which includes listings of Autopilots, Avionics Communications, and Navigation Equipment which are not covered in this manual. These publications are available from the Cessna Parts Distribution, Cessna Aircraft Company, 5800 East Pawnee, Box 1521, Wichita, Kansas 67218 USA.

Cessna Aircraft Company reserves the right to cancel, add or change the parts and assemblies described in the catalog without notice.

P210 Parts Catalog

IMPORTANT INFORMATION CONCERNING KEEPING CESSNA PUBLICATIONS CURRENT

This Publication is kept current in two ways:

1. REVISIONS/CHANGES.

Revisions/changes are issued for this publication as required and include only pages that require updating.

2. REISSUE.

A reissue is issued as required, and is a complete manual incorporating all the latest information and outstanding revisions/changes. It supersedes and replaces previous issue(s).

REVISIONS/CHANGES and REISSUES can be purchased from your authorized Cessna Service Station or directly from the Cessna Parts Distribution, Cessna Aircraft Company, 5800 East Pawnee, Box 1521, Wichita, Kansas 67201 USA. This catalog lists all publications and Customer Care Supplies available from Cessna for prior year models as well as new products.

CUSTOMER COMMENTS ON MANUAL

Cessna Aircraft Company has endeavored to furnish you with an accurate, useful, up-to-date manual. This manual can be improved with your help. Please use the return cards, provided with your manual, to report any errors, discrepancies, and omissions in this manual as well as any general comments you wish to make.

P210 Parts Catalog

"All aircraft, regardless of manufacturer, are certificated under model number designations. However, popular names are often used for marketing purposes. To provide a consistent method of referring to the various aircraft, model numbers will be used in this publication unless names are required to differentiate between versions of the same basic model. The following table provides a cross reference listing of popular name vs. model numbers."

NAME	MODEL YEAR	MODEL	SERIALS	
			BEGINNING	ENDING
PRESSURIZED CENTURION & PRESSURIZED CENTURION II	1978	P210N	P2100001	P21000150
	1979	P210N	P2100151	P21000385
	1980	P210N	P21000386	P21000590
	1981	P210N	P21000591	P21000760
	1982	P210N	P21000761	P21000811
	1983	P210N	P21000812	P21000834
	1984	P210N	NONE	
PRESSURIZED CENTURION	1985	P210R	P21000834	P21000866
	1986	P210R	P21000867	

P210 Parts Catalog

FINISH & TRIM PLATE

1978 MODEL YEAR THRU 1980 MODEL YEAR

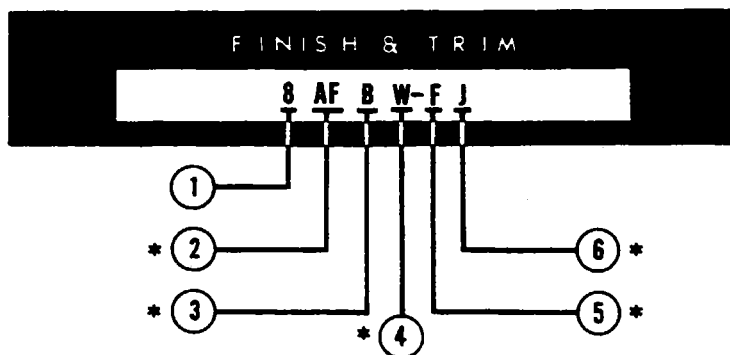
The "FINISH AND TRIM" plate is located on the left side of the airplane on the floorboard directly aft of the Aircraft Identification Nameplate.

This plate indicates model year, interior color scheme and the exterior color combination.

Interpretation of information stamped on the Finish and Trim Plate is obtained by use of the Color Code Chart for the respective year.

Color Code Charts for yearly models appear on pages immediately following this page.

The Finish and Trim Plate is explained below. Explanatory remarks are keyed to the illustrated example.



- ① First column number indicates year.
 - ② Second column letter or letters indicate interior color code of aircraft.
 - ③ The letter B following the interior code indicates optional black carpet.
 - ④ Fourth column letter indicates overall exterior color.
The letter "A" indicates bare aluminum for overall color.
 - ⑤ First letter following hyphen indicates major stripe color.
 - ⑥ Second letter following hyphen indicates accent color.
- * Special exterior and/or interior is denoted by the letters "SP" in lieu of the standard codes.

Interpretation of the example Finish & Trim code 8 AF B W-FJ that is obtained from the 1978 Color Code Chart is:

8 = 1978 model year
AF = Chestnut Brown interior scheme
B = Optional Black Carpet
W = Vestal White overall exterior paint
F = Pecan Brown major stripe paint
J = Jaguar Yellow accent area paint

P210 Parts Catalog

FINISH & TRIM PLATE

1981 MODEL YEAR THRU 1983 MODEL YEAR

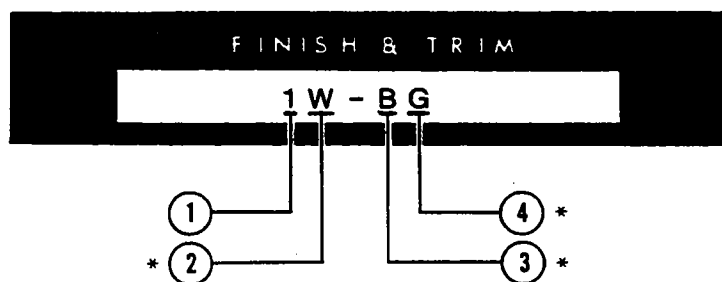
The "FINISH AND TRIM" plate is located on the left side of the airplane on the floorboard directly aft of the Aircraft Identification Nameplate.

This plate indicates model year and the exterior color combination.

Interpretation of information stamped on the Finish and Trim Plate is obtained by use of the Color Code Chart for the respective year.

Color Code Charts for yearly models appear on pages immediately following this page.

The Finish and Trim Plate is explained below. Explanatory remarks are keyed to the illustrated example.



- ① Number indicates year.
- ② Letter or letters indicate overall exterior color.
- ③ First letter following hyphen indicates major stripe color.
- ④ Second letter following hyphen indicates accent color.

* Special exteriors are denoted by the letters "SP" in lieu of the standard codes.

Interpretation of the example Finish & Trim code 1 W - B G that is obtained from 1981 Color Code Chart is:

1 = 1981 model year
W = Vestal White overall exterior paint
B = Flag Red major stripe
G = Night Blue accent stripe

P210 Parts Catalog

FINISH & TRIM PLATE

1985 MODEL YEAR

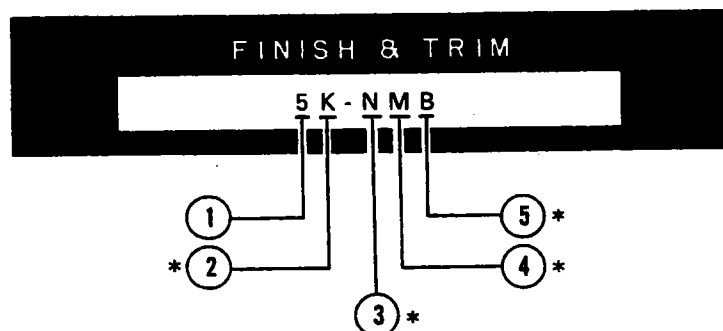
The "FINISH AND TRIM" plate is located on the left side of the airplane on the floor-board directly aft of the Aircraft Identification Nameplate.

This plate indicates model year and the exterior color combination.

Interpretation of information stamped on the Finish and Trim Plate is obtained by use of the Color Code Chart for the respective year.

Color Code Charts for yearly models appear on pages immediately following this page.

The Finish and Trim Plate is explained below. Explanatory remarks are keyed to the illustrated example.



- ① Number indicates year.
- ② Letter or letters indicate overall exterior color.
- ③ First letter following hyphen indicates major color.
- ④ Second letter following hyphen indicates accent color.
- ⑤ Third letter following hyphen indicates third color.

* Special exteriors are denoted by the letters "SP" in lieu of the standard codes.

Interpretation of the example Finish & Trim Code 5K - N M B that is obtained from 1985 Color Code Chart is:

5 = 1985 model year
K = Snow White overall exterior paint
N = Bright Blue major stripe
M = Olympic Blue accent stripe
B = Flag Red third color

P210 Parts Catalog

FINISH & TRIM PLATE

1986 MODEL YEAR & ON

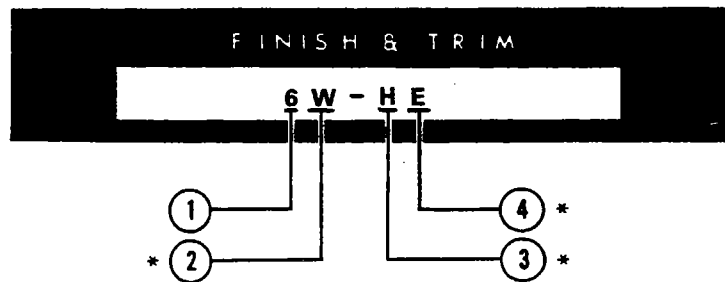
The "FINISH AND TRIM" plate is located on the left side of the airplane on the floor-board directly aft of the Aircraft Identification Nameplate.

This plate indicates model year and the exterior color combination.

Interpretation of information stamped on the Finish and Trim Plate is obtained by use of the Color Code Chart for the respective year.

Color Code Charts for yearly models appear on pages immediately following this page.

The Finish and Trim Plate is explained below. Explanatory remarks are keyed to the illustrated example.



- ① Number indicates year.
- ② Letter or letters indicate upper base color.
- ③ First letter following hyphen indicates major color.
- ④ Second letter following hyphen indicates accent color.

* Special exteriors are denoted by the letters "SP" in lieu of the standard codes.

Interpretation of the example Finish & Trim Code 6 W - H E that is obtained from 1986 Color Code Chart is:

6 = 1986 model year
W = Snow White overall exterior paint
H = Teal Blue major color
E = Strato Blue Accent Stripe

P210 Parts Catalog

1978 PAINT CODE CHART

P21000001 THRU P21000150

P21000001 THRU P21000150

INTERIOR COLOR & PAINT				EXTERIOR PAINT		
CODE	COLOR	LACQUER	VINYL	CODE	MODIFIED URETHANE	
AF	CHESTNUT VINYL & FABRIC	CHESTNUT BROWN CES1054-B41	CHESTNUT BROWN CES1054-B42	W	VESTAL WHITE CES1054-C53	
BF	DUTCH BLUE VINYL & FABRIC	DUTCH BLUE CES1054-C22	DUTCH BLUE CES1054-C23	B	FLAG RED CES1054-C43	
CF	COLONIAL GREY VINYL & FABRIC	COLONIAL GREY CES1054-C26	COLONIAL GREY CES1054-C27	C	SATIN BLUE CES1054-C44	
GF	MAIZE VINYL & FABRIC	MAIZE CES1054-C34	MAIZE CES1054-C35	D	FLEET BLUE CES1054-C45	
HF	HUNTER RED VINYL & FABRIC	HUNTER RED CES1054-A85	HUNTER RED CES1054-A86	E	VILLA GREEN CES1054-C46	
AL	CHESTNUT LEATHER	CHESTNUT BROWN CES1054-B41	CHESTNUT BROWN CES1054-B42	F	PECAN BROWN CES1054-C47	
EL	CLOUD GREY LEATHER	CLOUD GREY CES1054-531	CLOUD GREY CES1054-533	G	AVANT ORANGE CES1054-C48	
FL	EBONY BLACK LEATHER	BLACK SEMI-GLOSS CES1054-156	BLACK CES1054-752	H	SPRINGBOCK CES1054-C49	
HL	HUNTER RED LEATHER	HUNTER RED CES1054-A85	HUNTER RED CES1054-A86	J	JAGUAR YELLOW CES1054-C50	
AFY	CHESTNUT VINYL & FABRIC	CHESTNUT BROWN CES1054-B41	CHESTNUT BROWN CES1054-B42	K	CARNIVAL YELLOW CES1054-C54	
BFY	DUTCH BLUE VINYL & FABRIC	DUTCH BLUE CES1054-C22	DUTCH BLUE CES1054-C23	M	ANCIANO BLUE CES1054-C51	
CFY	COLONIAL GREY VINYL & FABRIC	COLONIAL GREY CES1054-C26	COLONIAL GREY CES1054-C27	N	VELVET BLACK CES1054-C52	
GFY	MAIZE VINYL & FABRIC	MAIZE CES1054-C34	MAIZE CES1054-C35			
HFY	HUNTER RED VINYL & FABRIC	HUNTER RED CES1054-A85	HUNTER RED CES1054-A86			
JFL	RED FABRIC & LEATHER	HUNTER RED CES1054-A85	HUNTER RED CES1054-A86			
KFL	BEIGE FABRIC & LEATHER	COLONIAL GREY CES1054-C26	COLONIAL GREY CES1054-C27			
LFL	GOLD FABRIC & LEATHER	CHESTNUT BROWN CES1054-B41	CHESTNUT BROWN CES1054-B42			
MFL	GREEN FABRIC & LEATHER	ORO GREEN CES1054-B77	ORO GREEN CES1054-B78			
INTERIOR PAINT COMMON TO ALL INTERIORS				NOTE: WHEN ORDERING PAINT SPECIFY CES1054 PART NUMBER. EXAMPLE: CES1054-531		
BLACK SEMI-GLOSS (LACQUER) CES1054-156		DULL BLACK (LACQUER) CES1054-193				
CLOUD GREY (LACQUER) CES1054-531		CLOUD GREY (VINYL) CES1054-533				

P210 Parts Catalog

1979 PAINT CODE CHART

P21000151 THRU P21000385

P21000151 THRU P21000385

INTERIOR COLOR & PAINT				EXTERIOR PAINT		
CODE	COLOR	VINYL		CODE	MODIFIED URETHANE	
AF AFC AFCC AFS	TAN	TAN CES1054-D20		W	VESTAL WHITE CES1054-C53	
BF BFC BFCC BFS BL BFL BFCL	BLUE	BLUE CES1054-C23		B	FLAG RED CES1054-C43	
CF CDFC CFC CAFC CHFC CFA CBFC CFB CGFC CFD CFH CFG CFL CBFL CHFL CL CAFL CDFL CGFL	BEIGE	BEIGE CES1054-D32		C	CARDINAL RED CES1054-C89	
DF DFC DFCC DFS DL DFL DFLC	RUST	TERRA COTTA RED CES1054-C83		D	BURNT ORANGE CES1054-C90	
GF GFC GFCC GFS GL GFL GFLC	GREEN	GREEN CES1054-D24		E	BUTTERSCOTCH CES1054-C91	
HF HFC HFCC HFS HL HFL HFLC	RED	POPPY RED CES1054-A86		F	DARK YELLOW CES1054-C92	
AL	CHESTNUT	TAN CES1054-D20		G	DARK BLUE CES1054-C93	
EL	GREY	CLOUD GREY CES1054-533		H	MEDIUM BLUE CES1054-C94	
FL	BLACK	VELVET BLACK CES1054-480		J	TAN CES1054-C95	
JL	PALOMINO	TAN CES1054-D20		K	BROWN CES1054-C96	
KL	ANTELOPE	TAN CES1054-D20		M	PARROT GREEN CES1054-C97	
ML	DARK BROWN	TAN CES1054-D20		N	DARK GREEN CES1054-C98	
AFL AFLC	GOLD	TAN CES1054-D20		Q	BLUE GREEN CES1054-C99	
INTERIOR PAINT COMMON TO ALL INTERIORS				NOTE: WHEN ORDERING PAINT SPECIFY CES1054 PART NUMBER. EXAMPLE: CES1054-531		
BLACK SEMI-GLOSS (LACQUER) CES1054-156		DULL BLACK (LACQUER) CES1054-193				
CLOUD GREY (LACQUER) CES1054-531		CLOUD GREY (VINYL) CES1054-533				

P210 Parts Catalog

1980 PAINT CODE CHART

P21000386 THRU P21000590

P21000386 THRU P21000590

INTERIOR COLOR & PAINT				EXTERIOR PAINT		
CODE	COLOR	VINYL		CODE	MODIFIED URETHANE	
AF AL AFC AFL	TAN	CHESTNUT BROWN CES1054-B42		W	VESTAL WHITE CES1054-C53	
AFCC AFLC	GOLD	CHESTNUT BROWN CES1054-B42		B	FLAG RED CES1054-C43	
BF BL BFC BFL BFCC BFLC	BLUE	DUTCH BLUE CES1054-C23		C	MAROON CES1054-D47	
CF CL CFC CFL CAFCC CBFC CHFC CGFC CDFC CAFL CBFL CHFL CGFL CDFL	BEIGE	BEIGE CES1054-D32		D	CENTURY ORANGE CES1054-D48	
DF DL DFC DFL DFCC DFLC	RUST	TERRA COTTA RED CES1054-C83		E	BUTTERSCOTCH CES1054-C91	
EL	GREY	CLOUD GREY CES1054-533		F	BENGAL YELLOW CES1054-D49	
FL	BLACK	VELVET BLACK CES1054-480		G	NIGHT BLUE CES1054-C93	
HF HL HFC HFL HFCC HFCL	RED	POPPY RED CES1054-A86		H	LIGHT BLUE CES1054-D50	
GF GL GFC GFL GFCC GFCL	GREEN	GREEN CES1054-D24		J	HUNTER TAN CES1054-C95	
JL	PALAMINO	CHESTNUT BROWN CES1054-B42		K	TOFFEE BROWN CES1054-C96	
KL	ANTELOPE	CHESTNUT BROWN CES1054-B42		M	LOMBARDY GREEN CES1054-D51	
ML	BROWN	CHESTNUT BROWN CES1054-B42		N	SHADE GREEN CES1054-C98	
INTERIOR PAINT COMMON TO ALL INTERIORS				Q	BLUE GREEN CES1054-C99	
BLACK SEMI-GLOSS (LACQUER) CES1054-156		DULL BLACK (LACQUER) CES1054-193		R	VELVET BLACK CES1054-C52	
CLOUD GREY (LACQUER) CES1054-531		CLOUD GREY (VINYL) CES1054-533		T	ULTRA PURPLE CES1054-D52	
				U	ADOBE BEIGE CES1054-D53	

**NOTE: WHEN ORDERING PAINT SPECIFY
CES1054 PART NUMBER.
EXAMPLE: CES1054-531**

P210 Parts Catalog

1981 PAINT CODE CHART

P21000591 THRU P21000760

P21000591 THRU P21000760

INTERIOR COLOR & PAINT			EXTERIOR PAINT	
COLOR	LACQUER	VINYL	CODE	MODIFIED URETHANE
GOLD	CHESTNUT BROWN CES1054-B41	CHESTNUT BROWN CES1054-B42	W	VESTAL WHITE CES1054-C53
BEIGE	BEIGE CES1054-D31	BEIGE CES1054-D32	B	FLAG RED CES1054-C43
BROWN	DARK BROWN CES1054-D85	DARK BROWN CES1054-D86	C	MAROON CES1054-D47
RED	HUNTER RED CES1054-A85	HUNTER RED CES1054-A86	D	MIDNIGHT RED CES1054-D71
BLUE	DUTCH BLUE CES1054-C22	DUTCH BLUE CES1054-C23	E	SIGNAL ORANGE CES1054-D72
CLOUD GREY	CLOUD GREY CES1054-531	CLOUD GREY CES1054-533	F	DARK YELLOW CES1054-C92
BLACK	BLACK SEMI-GLOSS CES1054-156	BLACK SEMI-GLOSS CES1054-752	G	NIGHT BLUE CES1054-C93
			H	MEDIUM BLUE CES1054-C94
			J	BERBER TAN CES1054-D73
			K	COPPER BROWN CES1054-D74
			M	AVENUE BROWN CES1054-D75
			N	SHADE GREEN CES1054-C98
			Q	FIELD GREEN CES1054-D76
			R	VELVET BLACK CES1054-C52
			T	JAY GREY CES1054-D77
			U	ADOBE BEIGE CES1054-D53
INTERIOR PAINT COMMON TO ALL INTERIORS			NOTE: WHEN ORDERING PAINT SPECIFY CES1054 PART NUMBER. EXAMPLE: CES1054-531	
BLACK SEMI-GLOSS (LACQUER) CES1054-156		DULL BLACK (LACQUER) CES1054-193		
CLOUD GREY (LACQUER) CES1054-531		CLOUD GREY (VINYL) CES1054-533		

P210 Parts Catalog

1982 PAINT CODE CHART

P21000761 THRU P21000811

P21000761 THRU P21000811

INTERIOR COLOR & PAINT			EXTERIOR PAINT		
COLOR	LACQUER		CODE	MODIFIED URETHANE	
GOLD	CLOUD GREY CES1054-E77		A	CHOCOLATE BROWN CES1054-D90	
BEIGE	CLOUD GREY CES1054-E77		B	FLAG RED CES1054-C43	
BROWN	CLOUD GREY CES1054-E77		C	MAROON CES1054-D47	
RED	CLOUD GREY CES1054-E77		D	MIDNIGHT RED CES1054-D71	
BLUE	CLOUD GREY CES1054-E77		E	SIGNAL ORANGE II CES1054-E16	
CLOUD GREY	CLOUD GREY CES1054-E77		F	SUNBURST YELLOW CES1054-D89	
BLACK	CLOUD GREY CES1054-E77		G	MOCA BROWN CES1054-D91	
PALAMINO	CLOUD GREY CES1054-E77		H	DESERT GOLD CES1054-D92	
ANTELOPE	CLOUD GREY CES1054-E77		J	ARTIC BLUE CES1054-D93	
WALNUT	CLOUD GREY CES1054-E77		K	COPPER BROWN II CES1054-E15	
PECAN	CLOUD GREY CES1054-E77		M	OLYMPIC BLUE CES1054-D94	
			N	BRIGHT BLUE CES1054-D95	
			Q	GLADE GREEN CES1054-D96	
			R	VELVET BLACK CES1054-C52	
			T	SEAL GRAY CES1054-D98	
			U	ADOBE BEIGE CES1054-D53	
			V	MOSS GREEN CES1054-D97	
			W	VESTAL WHITE CES1054-C53	

INTERIOR PAINT COMMON TO ALL INTERIORS

BLACK SEMI-GLOSS (LACQUER) CES1054-156	DULL BLACK (LACQUER) CES1054-193
CLOUD GREY (LACQUER) CES1054-E77	

NOTE: WHEN ORDERING PAINT SPECIFY
CES1054 PART NUMBER
EXAMPLE: CES1054-156

P210 Parts Catalog

1983 PAINT CODE CHART

P21000812 THRU P21000834

P21000812 THRU P21000834

INTERIOR COLOR & PAINT			EXTERIOR PAINT		
COLOR	LACQUER		CODE	MODIFIED URETHANE	
GOLD	CLOUD GREY CES1054-E77		W	VESTAL WHITE CES1054-C53	
BEIGE	CLOUD GREY CES1054-E77		A	CAMEL TAN CES1054-E26	
BROWN	CLOUD GREY CES1054-E77		B	FLAG RED CES1054-C43	
RED	CLOUD GREY CES1054-E77		C	MAROON CES1054-D47	
BLUE	CLOUD GREY CES1054-E77		D	NAVY BLUE (Alt #2) CES1054-E34	
CLOUD GREY	CLOUD GREY CES1054-E77		E	SIGNAL ORANGE II CES1054-E16	
BLACK	CLOUD GREY CES1054-E77		F	SUNBURST YELLOW CES1054-D89	
PALAMINO	CLOUD GREY CES1054-E77		G	MOCA BROWN CES1054-D91	
ANTELOPE	CLOUD GREY CES1054-E77		H	HONEY GOLD CES1054-E24	
WALNUT	CLOUD GREY CES1054-E77		J	DEEP BROWN CES1054-E28	
PECAN	CLOUD GREY CES1054-E77		M	OLYMPIC BLUE CES1054-D94	
			N	BRIGHT BLUE CES1054-D95	
			Q	AUGUSTA GREEN CES1054-E30	
			R	VELVET BLACK CES1054-C52	
			T	SEAL GRAY CES1054-D98	
			U	WIMBLEDON WHITE CES1054-E49	
			V	DARK GREEN CES1054-E32	
INTERIOR PAINT COMMON TO ALL INTERIORS			NOTE: WHEN ORDERING PAINT SPECIFY CES1054 PART NUMBER EXAMPLE: CES1054-156		
BLACK SEMI-GLOSS (LACQUER) CES1054-156	DULL BLACK (LACQUER) CES1054-193				
CLOUD GREY (LACQUER) CES1054-E77					

P210 Parts Catalog

1985 PAINT CODE CHART

P210 SERIAL P21000835 THRU P21000866

EXTERIOR PAINT

CODE	COLOR	TYPE	CESSNA NO.	DUPONT NO.
A	CAMEL TAN	MODIFIED URETHANE	CES1054-E26	IMRON 96939U
B	FLAG RED	MODIFIED URETHANE	CES1054-C43	IMRON 43805
C	MAROON	MODIFIED URETHANE	CES1054-D47	IMRON 143UH
D	NAVY BLUE (ALT. NO. 2)	MODIFIED URETHANE	CES1054-E34	IMRON 63203U
E	SIGNAL ORANGE II	MODIFIED URETHANE	CES1054-E16	IMRON 60659UH
F	SUNBURST YELLOW	MODIFIED URETHANE	CES1054-D89	IMRON 7275U
G	MOCHA BROWN	MODIFIED URETHANE	CES1054-D81	IMRON 24546U
H	HONEY GOLD	MODIFIED URETHANE	CES1054-E24	IMRON 27271U
J	DEEP BROWN	MODIFIED URETHANE	CES1054-E28	IMRON 74121U
K	PEWTER GRAY	MODIFIED URETHANE	CES1054-E54	IMRON N8230U
M	OLYMPIC BLUE	MODIFIED URETHANE	CES1054-D94	IMRON 7576U
N	BRIGHT BLUE	MODIFIED URETHANE	CES1054-D95	IMRON 78387U
Q	AUGUSTA GREEN	MODIFIED URETHANE	CES1054-E30	IMRON 1650U
R	VELVET BLACK	MODIFIED URETHANE	CES1054-C52	IMRON 99U
T	SEAL GRAY	MODIFIED URETHANE	CES1054-D98	IMRON 23947U
V	DARK GREEN	MODIFIED URETHANE	CES1054-E32	IMRON 85541UH
				PRATT & LAMBERT NO.
U	WIMBLEDON WHITE	FULL URETHANE	CES1054-E50	JET-GLO 570-519
W	VESTAL WHITE	FULL URETHANE	CES1054-A64	JET-GLO 570-545
K	SNOW WHITE	FULL URETHANE	CES1054-E52	JET-GLO 570-545

INTERIOR PAINT

COLOR	TYPE	CESSNA NO.	DUPONT NO.
BLACK SEMI-GLOSS	LACQUER	CES1054-156	
BLACK	URETHANE	CES1054-D88	
CLOUD GRAY	MODIFIED URETHANE	CES1054-E77	IMRON W8270U
CADET GRAY (WRINKLE FINISH)	POWDER EPOXY	CES1054-F07	
BLACK (WRINKLE FINISH)	POWDER EPOXY	CES1054-F10	

NOTE: WHEN ORDERING PAINT SPECIFY CES1054 PART NUMBER EXAMPLE: CES1054-156

P210 Parts Catalog

1986 PAINT CODE CHART

SERIAL P21000867 & ON

EXTERIOR PAINT

CODE	COLOR	TYPE	CESSNA NO.	PRATT & LAMBERT
A	FEWTER GRAY	MODIFIED URETHANE	CSFS052-2819	570-616
B	CAMEL TAN	MODIFIED URETHANE	CSFS052-2815	577-546
C	CHARCOAL	MODIFIED URETHANE	CSFS052-2814	571-514
D	SLATE GRAY	MODIFIED URETHANE	CSFS052-2813	577-586
E	STRATO BLUE	MODIFIED URETHANE	CSFS052-2797	572-524
F	NEWPORT BLUE	MODIFIED URETHANE	CSFS052-2798	572-616
G	HORIZON BLUE	MODIFIED URETHANE	CSFS052-2800	572-617
H	TEAL BLUE	MODIFIED URETHANE	CSFS052-2799	572-597
J	RASPBERRY RED	MODIFIED URETHANE	CSFS052-2807	576-613
K	INFRA RED	MODIFIED URETHANE	CSFS052-2808	576-500
L	PERSIMMON	MODIFIED URETHANE	CSFS052-2809	575-508
M	CORDOVAN BROWN	MODIFIED URETHANE	CSFS052-2806	577-570
N	CHOCOLATE BROWN	MODIFIED URETHANE	CSFS052-2801	577-544
P	BARK BROWN	MODIFIED URETHANE	CSFS052-2802	577-537
Q	LEATHER BROWN	MODIFIED URETHANE	CSFS052-2803	577-581
R	SAND TAN	MODIFIED URETHANE	CSFS052-2805	577-589
S	PAPRIKA	MODIFIED URETHANE	CSFS052-2804	577-579
T	KELLY GREEN	MODIFIED URETHANE	CSFS052-2811	573-582
V	TROPIC GREEN	MODIFIED URETHANE	CSFS052-2812	573-584
X	CHROME YELLOW	MODIFIED URETHANE	CSFS052-2822	574-554
Y	OCHRE YELLOW	MODIFIED URETHANE	CSFS052-2810	574-553
U	ADOBE BEIGE	FULL URETHANE	CSFS052-2820	577-508
W	SNOW WHITE	FULL URETHANE	CSFS052-2818	570-566
Z	CREAMY WHITE	FULL URETHANE	CSFS052-2821	570-585

INTERIOR PAINT

COLOR	TYPE	CESSNA NO.	DUPONT NO.
BLACK SEMI-GLOSS	LACQUER	CES1054-156	
BLACK	URETHANE	CES1054-D88	
CLOUD GRAY	MODIFIED URETHANE	CES1054-E77	IMRON W8270U
CADET GRAY (WRINKLE FINISH)	POWDER EPOXY	CES1054-F07	
BLACK (WRINKLE FINISH)	POWDER EPOXY	CES1054-F10	

NOTE: WHEN ORDERING PAINT SPECIFY CES1054 PART NUMBER EXAMPLE: CES1054-156

**Upholstery
&
Interior Trim**

P210 Parts Catalog

UPHOLSTERED PARTS - HOW TO ORDER

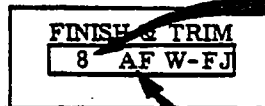
1978 MODEL YEAR THRU 1980 MODEL YEAR

PARTS MARKED WITH A # FOLLOWING PART NUMBER REQUIRE A SECOND DASH NUMBER FOR COLOR & MATERIAL

(SPECIFY SERIAL NUMBER OF AIRCRAFT WHEN ORDERING)

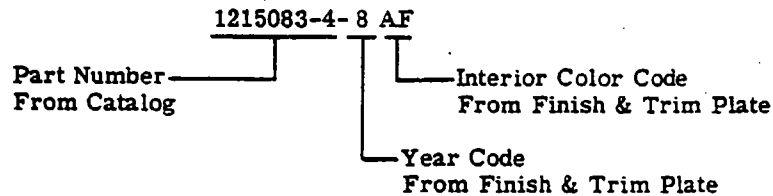
HOW TO DETERMINE 2nd DASH NUMBER

1. Find part number of desired part in catalog.
2. Refer to "FINISH & TRIM" plate, in the airplane, for your "Year Code" and "Interior Color Code."



3. Add the "Year Code" and "Interior Color Code," to the part number from catalog.

EXAMPLE OF COMPLETE NUMBER



1981 MODEL YEAR & ON

PARTS MARKED WITH A # FOLLOWING THE PART NUMBER NEED ONLY BE ACCOMPANIED BY THE AIRCRAFT SERIAL NUMBER.

Alphabetical Index

P210 Parts Catalog

ALPHABETICAL INDEX

NOMENCLATURE	FIGURE	NOMENCLATURE	FIGURE
A		A (Cont)	
ABRASION BOOT	14	ALTERNATOR DRIVE BELT	141
ABRASION BOOT	14A	ALTERNATOR DRIVE BELT	141B
ACCESSORY KITS-SEE ACCY KIT CATALOG		ALTERNATOR DUAL	141B
ACCUMULATOR DOOR CLOSE	131	ALTERNATOR LIGHT BULB	69
ACTUATOR & MOTOR FLAP	100	ALTERNATOR LIGHT BULB	69A
ACTUATOR DOWNLOCK	128	ALTERNATOR LIGHT BULB	59B
ACTUATOR FLAP	100	ALTERNATOR SHOCK MOUNT ED.	140
ACTUATOR MAIN GEAR	125	ALTERNATOR SYSTEM DUAL	141A
ACTUATOR MAIN GEAR	125A	ALTERNATOR 60 AMP	140A
ACTUATOR MAIN GEAR	126	ALTIMETER	69
ACTUATOR MAIN GEAR	127	ALTIMETER	69A
ACTUATOR MAIN GEAR	129	ALTIMETER	69B
ACTUATOR MAIN GEAR DOOR	126	ALTIMETER	106
ACTUATOR MAIN GEAR ROTARY	125	ALTIMETER	106A
ACTUATOR MAIN GEAR ROTARY	125A	ALTIMETER ENCODING	69
ACTUATOR MAIN GEAR SPRING DOOR	127	ALTIMETER ENCODING	69A
ACTUATOR MAIN GEAR UNLOCK & SEQUENCE	129	ALTIMETER ENCODING	69B
ACTUATOR NOSE GEAR	124	ALTIMETER ENCODING	106
ACTUATOR NOSE GEAR	126	AMMETER GAGE	69
ACTUATOR NOSE GEAR DOOR	126	AMMETER GAGE	69A
ACTUATOR NOSE GEAR RETRACTION	124	AMMETER GAGE	69B
ADAPTOR OIL FILTER	111	ANGLE COWL ATTACH	17
ADHESIVE GASKET	1	ANTENNA VHF	12
ADJUSTABLE SEAT	66	ANTI ICE WINDSHIELD	134
AFT CARPET	63	ANTI ICE WINDSHIELD	134A
AFT ENGINE	18A	APPROACH PLATE HOLDER	94
AFT FIREWALL COVER	18	APPROACH PLATE HOLDER	94A
AFT FIREWALL COVER	18A	ARMREST	51
AFT FIREWALL UPPER	18A	ARMREST	66
AFT FIREWALL UPPER	18A	ARMREST BRACKET	27
AFT FLOORBOARD	32	ARMREST REAR CABIN	62
AFT TAILCONE	38	ARMREST SEAT	65
AILERON	4	ARMREST SEAT	67
AILERON	9	ARTICULATING RECLINE CO PILOT SEAT	65
AILERON BELLCRANK	95	ARTICULATING RECLINE MIDDLE SEAT	67
AILERON CABLE	95	ASH RECEIVER	66
AILERON CONTROL GLIDE	93	ASH RECEIVER	67
AILERON CONTROL QUADRANT	93	ASH RECEIVER SEAT BACK	66
AILERON CONTROL SYSTEM	95	ASH RECEIVER SEAT BACK	67
AILERON CONTROL TUBE	93	ASH TRAY PEDESTAL	63
AILERON PULLEY	95	ASSIST HANDLE	61
AILERON PULLEY BRACKET	17	AUTO PILOT-SEE ELECTRONICS MANUAL	
AILERON RIB	9	AUXILIARY FUEL PUMP	107
AILERON RUDDER INTERCONNECT	103	AUXILIARY SPAR	15
AILERON RUDDER INTERCONNECT SYSTEM	103	AVIONICS POWER SWITCH	71A
AILERON TRIM TAB	9	AVIONICS POWER SWITCH	71B
AIR SCOOP	5	AXLE	45
AIR SCOOP	84B	AXLE SPACER	40
AIR THROTTLE	80		
AIR VENT	138A	B	
AIRBOX INDOUCTION	19	BAFFLE SEAL	77
AIRBOX INDOUCTION	19A	BAFFLE SEAL	77A
AIRSPD INDICATOR	69	BAFFLE SEAL	84B
AIRSPD INDICATOR	69A	BAFFLES ENGINE	84
AIRSPD INDICATOR	69B	BAFFLES ENGINE	84A
AIRSPD INDICATOR	71B	BAFFLES ENGINE	84B
ALT RESTART SWITCH	71C	BAGGAGE COMPARTMENT LIGHT BULB	136A
ALTERNATOR	140	BAGGAGE COMPARTMENT PANEL	63
ALTERNATOR	140A	BAGGAGE COMPARTMENT UPHOLSTERY	53
ALTERNATOR	141	BAGGAGE DOOR	59
ALTERNATOR	141B	BAGGAGE DOOR LATCH	59
ALTERNATOR ADJUSTING ARM	140A	BAGGAGE DOOR MOULDING	63
ALTERNATOR ADJUSTING ARM	141	BAGGAGE FLOORBOARD	32A
ALTERNATOR CONTROL UNIT	136	BAGGAGE FLOORBOARD	63
ALTERNATOR CONTROL UNIT	136A	BAGGAGE PLACARD	2
ALTERNATOR CONTROL UNIT	141A		
ALTERNATOR DRIVE BELT	140		
ALTERNATOR DRIVE BELT	140A		

P210 Parts Catalog

ALPHABETICAL INDEX

NOMENCLATURE	FIGURE	NOMENCLATURE	FIGURE
B (Cont)		B (Cont)	
BAGGAGE PLACARD	2A	BRAKE SYSTEM	90
BALANCE WEIGHT AILERON	9	BREAKER CIGAR LIGHTER CIRCUIT	69
BARREL SHIMMY DAMPENER	44	BREAKER 95 AMP ALTERNATOR CIRCUIT	136
BARREL TURNBUCKLE	100	BREAKER 95 AMP ALTERNATOR CIRCUIT	136A
BATTERY	136	BREATHER LINE	78A
BATTERY	136A	BREATHER LINE	79
BATTERY	141A	BROW LIGHT BULB	139
BATTERY BOX TRAY	24A	BROW LIGHT BULB	139A
BATTERY CONTACTOR	136	BULB ALSO SEE LIGHTS	
BATTERY CONTACTOR	136A	BULB ALTERNATOR LIGHT	59
BATTERY CONTACTOR DIODE	136	BULB ALTERNATOR LIGHT	69A
BATTERY DRAIN LINE	78A	BULB ALTERNATOR LIGHT	69B
BATTERY GROUND CABLE	136A	BULB ALTERNATOR LIGHT	136A
BATTERY PACK ALTERNATOR RESTART	141A	BULB BAGGAGE COMPARTMENT LIGHT	139
BEACON FLASHING	143	BULB BROW LIGHT	139A
BEACON FLASHING	143A	BULB BROW LIGHT	69
BEACON LIGHT FLASHER	143	BULB CABIN ALTITUDE	69A
BEACON LIGHT FLASHER	143A	BULB CABIN ALTITUDE	69B
BELLCRANK AILERON	95	BULB CABIN ALTITUDE	142
BELLCRANK AND HOOK NOSE GEAR UPLOCK	49	BULB COURTESY LIGHT	69
BELLCRANK RUDDER	13	BULB CYL HEAD & OIL TEMP CLUSTER	69A
BELLCRANK SPRING DOOR ACTUATOR	48	BULB CYL HEAD & OIL TEMP CLUSTER	136
BELLY SECTION FUSELAGE	28	BULB DOME LIGHT	136A
BELT ALTERNATOR DRIVE	140	BULB DOME LIGHT	143
BELT ALTERNATOR DRIVE	140A	BULB FLASHING BEACON	143A
BELT ALTERNATOR DRIVE	141	BULB FLASHING BEACON	69
BELT ALTERNATOR DRIVE	141B	BULB FUEL CLUSTER	69A
BELT FRONT SEAT	74	BULB FUEL CLUSTER	71
BELT MIDDLE SEAT	74	BULB GEAR INDICATOR	71A
BELT SEAT	74	BULB GEAR INDICATOR	139A
BENCH SEAT 5TH & 6TH PLACE	68	BULB GLARESHIELD LIGHT	69B
BENCH SEAT 5TH & 6TH PLACE	68A	BULB INSTRUMENT CLUSTER	69A
BLIND ENCODER	106A	BULB LOW VACUUM	69A
BOARD DIODE	145	BULB LOW VACUUM	69B
BOARD GROUND SERVICE DIODE	145	BULB LOW VOLTAGE	69
BONDING STRAP	9	BULB LOW VOLTAGE	69A
BOOT ABRASION	14	BULB LOW VOLTAGE	69B
BOOT ABRASION	14A	BULB MAP LIGHT	94
BOOT STEERING LINK	41	BULB MAP LIGHT	3
BOOT STEERING LINK ROD	41	BULB NAVIGATION LIGHT	3A
BOTTOM SEAT	66	BULB NAVIGATION LIGHT	138
BOWL FUEL STRAINER	108A	BULB OVERHEAD PANEL LIGHT	72
BOWL FUEL STRAINER	108B	BULB PEDESTAL LIGHT	72A
BOX CONTROL	134A	BULB PEDESTAL LIGHT	72B
BOX GLOVE	69	BULB PEDESTAL LIGHT	69
BOX GLOVE	69A	BULB POST LIGHT	69A
BOX GLOVE	69B	BULB POST LIGHT	72
BOX GLOVE	45A	BULB POST LIGHT	72A
BRAKE	45B	BULB POST LIGHT	72B
BRAKE	46	BULB POST LIGHT	138A
BRAKE	46A	BULB WING DE ICE	132
BRAKE	92	BULB WING DE ICE	132A
BRAKE & RUDDER PEDALS	92	BULB WING DE ICE	132B
BRAKE CYLINDER	46A	BULB WING DE ICE	132C
BRAKE CYLINDER	91A	BULK ITEMS-LIST OF	1
BRAKE CYLINDER BRACKET	18A	BULKHEAD HORIZONTAL TAIL	38
BRAKE CYLINDER BRACKET	92	BULKHEAD KEEL	18
BRAKE CYLINDER SUPPORT	18	BULKHEAD KEEL	18A
BRAKE CYLINDER SUPPORT	18A	BULKHEAD KEEL	19
BRAKE DISC	46	BULKHEAD MAIN GEAR	30
BRAKE DISC	46A	BULKHEAD MAIN GEAR ACTUATOR	30
BRAKE LINE	45	BULKHEAD MAIN LANDING GEAR	75
BRAKE LINE	90	BULKHEAD PROPELLER SPINNER	76A
BRAKE LINING	46A	BULKHEAD SPINNER	38
BRAKE MASTER CYLINDER	91	BULKHEAD TAILCONE	26
BRAKE MASTER CYLINDER	91A	BUMPER M/G	18
BRAKE PARKING	70B	BUMPER NOSE GEAR	41
BRAKE PARKING	90	BUNGEE NOSE GEAR STEERING	104
		BUNGEE RUDDER TRIM	

P210 Parts Catalog

ALPHABETICAL INDEX

NOMENCLATURE	FIGURE	NOMENCLATURE	FIGURE
B (Cont)		C (Cont)	
BUS BAR	71	CAP HUB	40
BUS BAR	71A	CAP HUB	45
BUS BAR	71B	CAP MAIN WHEEL HUB	45
BUS BAR	71C	CAP NOSE	18
BUS BAR	141A	CAP NOSE	19
BUS BAR	141C	CAP NOSE	77
BUS BAR	145	CAP NOSE	77A
BUS BAR	71	CAP NOSE WHEEL HUB	40
BUS BAR CIRCUIT BREAKER	71C	CAPACITOR DUAL ALTERNATOR	141B
BUS BAR CIRCUIT BREAKER	71B	CAPACITOR OVERVOLTAGE UNIT	59
BUS BAR DUAL ALTERNATORS	141A	CARPET	53
BUS BAR DUAL ALTERNATORS	145	CARPET AFT	63
BUS BAR GROUND SERVICE RECEPTACLE	71A	CARPET PAD	63
BUS BAR PRIMARY	71B	CARPET RUDDER BAR	63
BUS BAR PRIMARY	71A	CARPET TUNNEL	63
BUS BAR STANDBY GENERATOR	105	CATALOG—HOW TO USE—SEE INTRODUCTION	6
BUTTON STATIC SOURCE	82	CELL COMPONENTS FUEL	6A
BY PASS VALVE EXHAUST	82A	CELL COMPONENTS FUEL	32
BY PASS VALVE EXHAUST	82A	CENTER FLOORBOARD	32
		CENTER SECTION FLOORBOARDS	97
C		CHAIN ELEVATOR TAB	97
CABIN ALTITUDE BULB	69	CHAIN ELEVATOR TRIM	104
CABIN ALTITUDE BULB	69A	CHAIN RUDDER TRIM	81
CABIN ALTITUDE BULB	69B	CHECK VALVE	81A
CABIN DOOR	52	CHECK VALVE	115
CABIN DOOR HANDLE	54	CHECK VALVE	115A
CABIN DOOR HINGE	52	CHECK VALVE	116
CABIN DOOR JAMB	28	CHECK VALVE FUEL	107A
CABIN DOOR LOCK	54	CHECK VALVE FUEL	107B
CABIN DOOR SEAL	52	CHECK VALVE HEATER	99
CABIN DOOR STRUCTURE	52	CHECK VALVE MANIFOLD	113D
CABIN DOOR UPHOLSTERY	61	CHECK VALVE POWER PACK	115
CABIN DOOR WINDOW	53	CHECK VALVE POWER PACK	115A
CABIN HEAT CONTROL	69	CHECK VALVE POWER PACK MANIFOLD	116
CABIN HEAT CONTROL	69A	CHECK VALVE TURBOCHARGER	81
CABIN HEAT CONTROL	69B	CIGAR LIGHTER	69
CABIN HEATER	88	CIGAR LIGHTER RESISTOR	69
CABIN HEATER	89	CIRCUIT BREAKER	69
CABIN PRESSURIZATION	86	CIRCUIT BREAKER	71
CABIN PRESSURIZATION CONTROLLER	86	CIRCUIT BREAKER	71A
CABIN PRESSURIZATION CONTROLLER	86A	CIRCUIT BREAKER	71B
CABIN SECTION COMPONENTS LOWER	26	CIRCUIT BREAKER	71C
CABIN SECTION COMPONENTS UPPER	33	CIRCUIT BREAKER	136
CABIN SECTION LOWER	26	CIRCUIT BREAKER	135A
CABIN SIDE PANELS UPHOLSTERY	62	CIRCUIT BREAKER CIGAR LIGHTER	69
CABIN STEP	45	CIRCUIT BREAKER PANEL	71A
CABIN STRUCTURE LOWER	31	CIRCUIT BREAKER PANEL	71B
CABIN STRUCTURE LOWER AFT	31	CIRCUIT BREAKER PANEL	71C
CABIN STRUCTURE UPPER AFT	35	CIRCUIT BREAKER 95 AMP ALTERNATOR	136
CABIN TOP	33	CIRCUIT BREAKER 95 AMP ALTERNATOR	136A
CABIN TOP	34	CLOCK ELECTRIC	69
CABIN TOP & FIREWALL UPHOLSTERY	60	CLOCK ELECTRIC	69A
CABIN TOP COMPONENTS FORWARD	34	CLOCK ELECTRIC	69B
CABIN TOP FORWARD	34	CLOCK FUSE	136
CABIN TOP UPHOLSTERY	60	CLOCK FUSE	136A
CABIN UPHOLSTERY	62	CLUSTER INSTRUMENT	69
CABIN VENTILATION SYSTEM	87	CLUSTER INSTRUMENT	69A
CABIN VENTILATION SYSTEM	87A	CLUSTER INSTRUMENT	69B
CABLES—CONTROL—SEE APPLICABLE SYSTEM	66A	CLUTCH ROTARY	58
CAM STOP PILOT SEAT	11	COAT HANGER	73B
CAP FIN TIP	12	COLLAR CONTROL LOCK	93
CAP FIN TIP	5	COLLECTOR	83
CAP FUEL	5A	COLLECTOR	83A
CAP FUEL	5B	COMPASS	73B
CAP FUEL	5B	COMPASS BRACKET	17
CAP FUEL FILLER	5B	COMPASS CORRECTION PLACARD	2A
		COMPONENTS ENGINE	80

P210 Parts Catalog

ALPHABETICAL INDEX

NOMENCLATURE	FIGURE	NOMENCLATURE	FIGURE
C (Cont)		C (Cont)	
COMPRESSOR DUCT COUPLER	78	COWL UPPER.	77A
COMPRESSOR TO THROTTLE BODY DUCT.	81	CUP FUEL SAMPLER.	8
CONNECTOR PITOT TUBE.	105	CUP HOLDER.	73B
CONSOLE	138	CYL HEAD & OIL TEMP CLUSTER BULB.	69
CONTACTOR	136	CYL HEAD & OIL TEMP CLUSTER BULB.	69A
CONTACTOR BATTERY	136	CYLINDER & REGULATOR OXYGEN	135A
CONTACTOR BATTERY	136A	CYLINDER BRAKE.	45A
CONTACTOR DUAL ALTERNATORS.	141A	CYLINDER BRAKE.	71A
CONTACTOR GROUND SERVICE.	145	CYLINDER HEAD TEMP GAGE	69
CONTACTOR POWER PACK.	136A	CYLINDER HEAD TEMP GAGE	69A
CONTACTOR STARTER	136	CYLINDER HEAD TEMP GAGE	69B
CONTACTOR STARTER	136A		
CONTINENTAL ENGINE.	79	D	
CONTINENTAL ENGINE.	79A	DAMPENER SHIMMY	44
CONTROL CABLES-SEE INDIVIDUAL SYSTEM.		DE ICE BOOT	132A
CONTROL SYSTEMS-SEE INDIVID SYSTEMS		DE ICE BOOT	132B
CONTROL WHEEL SEE WHEEL-CONTROL		DE ICE BOOT	132C
CONTROL-PUSH/PULL-SEE ENGINE INSTL.		DE ICE CONTROL VALVE.	132A
CONTROL-PUSH/PULL-SEE INSTRUMENT PANEL		DE ICE CONTROL VALVE.	132B
CONTROLLER.	86A	DE ICE LIGHT.	132A
CONTROLLER CABIN PRESSURIZATION	86	DE ICE LIGHT.	132B
CONTROLLER CABIN PRESSURIZATION	86A	DE ICE LIGHT.	132C
CONTROLLER EXHAUST VALVE.	82	DE ICE PRESSURE LIGHT	132
CONTROLLER EXHAUST VALVE.	82A	DE ICE PRESSURE LIGHT	132A
CONTROLLER EXHAUST VALVE.	82B	DE ICE PRESSURE LIGHT	132B
COOLER NON CONGEALING OIL	79	DE ICE PRESSURE LIGHT	132C
COOLER NON CONGEALING OIL	80	DE ICE PRESSURE SWITCH.	71
COOLER OIL.	79	DE ICE PRESSURE SWITCH.	71A
COOLER OIL.	79A	DE ICE PRESSURE SWITCH.	71B
COOLER OIL.	80	DE ICE PRESSURE SWITCH.	71C
COUPLER COMPRESSOR DUCT	78	DE ICE SWITCH	71
COURTESY LIGHT.	5B	DE ICE SWITCH	71A
COURTESY LIGHT.	142	DE ICE SWITCH	71B
COURTESY LIGHT BULB	142	DE ICE SWITCH	71C
COURTESY LIGHT SHIELD	142	DE ICE SYSTEM	132
COURTESY LIGHT SOCKET	142	DE ICE SYSTEM	132A
COURTESY LIGHT SWITCH	142	DE ICE SYSTEM	132B
COWL & NOSE CAP UPPER	77	DE ICE SYSTEM	132C
COWL ATTACH STRIP	17	DE ICE SYSTEM	133
COWL DECK SKIN.	17	DE ICE SYSTEM PROPELLER	133
COWL DOOR LATCH	77	DE ICE SYSTEM WING & STABILIZER	132
COWL DOOR LATCH	77A	DE ICE TIMER.	132
COWL FLAP	18	DE ICE TIMER.	132B
COWL FLAP	18A	DE ICE TIMER.	132C
COWL FLAP	19	DE ICE TIMER.	133
COWL FLAP	19A	DEADENER SOUND.	1
COWL FLAP	24	DECALS-SEE PLACARDS	
COWL FLAP	24A	DECK SKIN	17
COWL FLAP CONTROL	85	DEFLECTOR	78
COWL FLAP CONTROL BRACKET	22	DEFLECTOR	78A
COWL FLAP CONTROL BRACKET	85	DEFLECTOR	79A
COWL FLAP CONTRL BRACKET	85A	DEFLECTOR ENGINE HEAT	79
COWL FLAP DOOR.	85	DEFLECTOR ENGINE SHOCK MOUNT	78
COWL FLAP DOOR.	85A	DEFLECTOR ENGINE SHOCK MOUNT	78A
COWL FLAP HINGE	18	DEFROST CONTROL	69
COWL FLAP HINGE	19	DEFROST CONTROL	69A
COWL FLAP HINGE	85	DEFROST CONTROL	69B
COWL FLAP HINGE MOUNT	18	DEFROST CONTROL	89
COWL FLAP HINGE SUPPORT	18	DEFROSTER VALVE	24A
COWL FLAP LEVER	85	DETECTOR LIGHT ICE.	132
COWL FLAP LEVER KNOB.	85	DETECTOR LIGHT ICE.	132A
COWL FLAP LEVER KNOB.	85A	DETECTOR LIGHT ICE.	132B
COWL FLAPS SYSTEM	85	DETECTOR LIGHT ICE.	132C
COWL FLAPS SYSTEM	85A	DIFFERENTIAL PRESSURE GAGE.	106
COWL HALF LH.	77	DIMMING TRANSISTORIZED LIGHT	135
COWL HALF RH.	77		
COWL LOUVER	17		
COWL LOWER REMOVABLE.	19		

P210 Parts Catalog

ALPHABETICAL INDEX

NOMENCLATURE	FIGURE	NOMENCLATURE	FIGURE
D (Cont)		D (Cont)	
DIMMING TRANSISTORIZED LIGHT	136A	DOOR OIL FILLER ACCESS	77A
DIODE	71	DOOR OPEN HYDRAULIC LINE	114
DIODE	71A	DOOR OPEN HYDRAULIC LINE	120
DIODE	71B	DOOR OPEN HYDRAULIC LINE	121
DIODE	71C	DOOR OPEN HYDRAULIC LINE	122
DIODE	98A	DOOR OPEN LINE	114
DIODE	134A	DOOR OPEN LINE	120
DIODE	145	DOOR OPEN LINE	121
DIODE BATTERY CONTACTOR	136	DOOR OPEN LINE	122
DIODE BOARD	145	DOOR OPEN LINE	123
DIODE BOARD GROUND SERVICE	145	DOOR TRIM PANEL	61
DIODE DUAL ALTERNATORS	141A	DOOR WINDLACE	61
DIODE GROUND SERVICE	145	DOORPOST	17
DIODE POWER PACK	114	DOORPOST	29
DIODE POWER PACK	114A	DOORPOST	34
DIODE POWER PACK	136	DOORPOST & BULKHEAD FRONT	21
DIODE POWER PACK	136A	DOORPOST FRONT	21
DIODE POWER PACK CONTACTOR	136	DOORPOST MouldING	62
DIODE POWER PACK CONTACTOR	136A	DOORPOST REAR	26
DIPSTICK	115	DOORPOST REAR	29
DIPSTICK	115A	DOORS & TORQUE TUBE NOSE GEAR	47
DIPSTICK HYDRAULIC POWER PACK	115	DORSAL FAIRING	11
DIPSTICK HYDRAULIC POWER PACK	115A	DORSAL FAIRING	12
DIRECTIONAL GYRO	112	DORSAL FIN FAIRING	11
DIRECTIONAL GYRO	112A	DORSAL FIN FAIRING	12
DIRECTIONAL GYRO	112B	DOWNLOCK ACTUATOR	128
DIRECTIONAL GYRO	112C	DOWNLOCK SWITCH	51
DIRECTIONAL GYRO INDICATOR	69	DOWNLOCK SWITCH	120
DIRECTIONAL GYRO INDICATOR	69A	DOWNLOCK SWITCH	120A
DIRECTIONAL GYRO INDICATOR	69B	DRAIN VALVE	8
DISC BRAKE	46	DRAIN VALVE	107B
DISC BRAKE	46A	DRAIN VALVE FUEL	8
DISCHARGER ELEVATOR STATIC	15	DRIVE ELECTRIC TRIM	98
DISCHARGER ELEVATOR STATIC	15A	DRIVE GEAR MAGNETO	85
DISCHARGER RUDDER STATIC	13	DUAL ALT LINE CONTACTOR MODULE	141A
DISCHARGER STATIC	3	DUAL ALTERNATOR	141B
DISCHARGER WING STATIC	3A	DUAL ALTERNATOR CAPACITOR	141B
DISCHARGER WING STATIC	3A	DUAL ALTERNATOR RESISTOR	141B
DOME LIGHT BULB	136	DUAL ALTERNATOR SYSTEM	141A
DOME LIGHT BULB	136A	DUAL ALTERNATORS CONTACTOR	141A
DOME LIGHT SWITCH	136	DUAL ALTERNATORS DIODE	141A
DOME LIGHT SWITCH	136A	DUAL ALTERNATORS SHUNT	141A
DOME SPINNER	76	DUAL WARNING UNIT	136A
DOME SPINNER	76A	DUCT COMPRESSOR TO THROTTLE BODY	81
DOOR BAGGAGE	59	DUCT FRESH AIR	17
DOOR CABIN	52	DUCT FRESH AIR	34
DOOR CLOSE ACCUMULATOR	131	DUCT FRESH AIR	89
DOOR CLOSE HYDRAULIC LINE	114		
DOOR CLOSE HYDRAULIC LINE	120	E	
DOOR CLOSE HYDRAULIC LINE	121	ELECTRIC CLOCK	69
DOOR CLOSE HYDRAULIC LINE	122	ELECTRIC CLOCK	69A
DOOR COWL FLAP	85	ELECTRIC CLOCK	69B
DOOR COWL FLAP	85A	ELECTRIC FLAP SYSTEM	100
DOOR EMERGENCY EXIT	57	ELECTRIC TRIM COMPONENTS ELEVATOR	98
DOOR FUEL FILLER	5	ELECTRIC TRIM COMPONENTS ELEVATOR	98A
DOOR GLOVE BOX	69	ELECTRIC TRIM DRIVE	98
DOOR GLOVE BOX	69A	ELECTRIC TRIM ELEVATOR	98
DOOR GLOVE BOX	69B	ELECTRIC TRIM ELEVATOR	98A
DOOR HANDLE CABIN	54	ELECTRIC TRIM HOUSING	98
DOOR JAMB	23	ELECTRIC TRIM MOTOR	98
DOOR JAMB	31	ELECTRIC TRIM SWITCH	94
DOOR JAMB CABIN	28	ELECTRIC TRIM SWITCH	94A
DOOR MAIN GEAR	48	ELECTRICAL EQUIPMENT	136
DOOR MouldING	61	ELECTRICAL EQUIPMENT	136A
DOOR NOSE GEAR	47	ELECTROLUMINESCENT PANEL	72
DOOR OIL	77		
DOOR OIL	77A		
DOOR OIL FILLER ACCESS	77		

P210 Parts Catalog

ALPHABETICAL INDEX

NOMENCLATURE	FIGURE	NOMENCLATURE	FIGURE
E (Cont)		E (Cont)	
ELECTROLUMINESCENT PANEL	72A	EXHAUST BY PASS VALVE	829
ELECTRONIC EQUIP-SEE ELECT MANUAL		EXHAUST GAS TEMP PROBE	69
ELEMENT KIT FILTER	111	EXHAUST GAS TEMPERATURE GAGE	69
ELEVATOR	15	EXHAUST GAS TEMPERATURE GAGE	73
ELEVATOR	15A	EXHAUST GAS TEMPERATURE PROBE	73
ELEVATOR BALANCE WEIGHT	15	EXHAUST GAS TEMPERATURE PROBE	73A
ELEVATOR BELLCRANK BRACKET	38	EXHAUST SHROUD	79
ELEVATOR CABLE	96	EXHAUST SHROUD	79A
ELEVATOR CONTROL SYSTEM	96	EXHAUST STACK	83
ELEVATOR ELECTRIC TRIM	99	EXHAUST SYSTEM	83
ELEVATOR ELECTRIC TRIM	98A	EXHAUST SYSTEM	93A
ELEVATOR ELECTRIC TRIM COMPONENTS	98	EXHAUST VALVE CONTROLLER	82
ELEVATOR ELECTRIC TRIM COMPONENTS	98A	EXHAUST VALVE CONTROLLER	82A
ELEVATOR HINGE	14A	EXHAUST VALVE CONTROLLER	82B
ELEVATOR STOP	38	EXTENDED BAGGAGE SHELF	32A
ELEVATOR TAB CHAIN	97	EXTENSION RUDDER PEDAL	92
ELEVATOR TAB STOP BLOCK	97	EXTENSION VALVE	40
ELEVATOR TIP	15	EXTINGUISHER FIRE	73B
ELEVATOR TRIM CABLE	97	EYEBOLT	47
ELEVATOR TRIM CHAIN	97	EYEBOLT	51
ELEVATOR TRIM CONTROL	97	EYEBOLT MAIN GEAR DOWNLOCK	51
ELEVATOR TRIM CONTROL SYSTEM	97	EYEBOLT NOSE GEAR DOOR	47
ELEVATOR TRIM INDICATOR	97		
ELEVATOR TRIM SUPPORT	22	F	
ELEVATOR TRIM SUPPORT	22A	FAIRING DORSAL	11
ELEVATOR TRIM TAB	99	FAIRING DORSAL	12
ELEVATOR TRIM TAB ACTUATOR	99	FAIRING DORSAL FIN	11
ELT PLACARD	2A	FAIRING DORSAL FIN	12
EMBLEM CONTROL WHEEL	2	FAIRING DORSAL FIN	14
EMBLEM CONTROL WHEEL	2A	FAIRING STABILIZER	3
EMERGENCY EXIT DOOR	57	FAIRING WING	46
EMERGENCY OXYGEN SYSTEM	135	FELT GREASE SEAL	46A
ENCODER BLIND	106A	FELT GREASE SEAL	64
ENCODING ALTIMETER	69	FIBERGLASS SOUNDPROOFING	135A
ENCODING ALTIMETER	69A	FILLER VALVE OXYGEN	16
ENCODING ALTIMETER	69B	FILLET WING	59B
ENCODING ALTIMETER	106	FILTER	113A
ENGINE	78	FILTER	113B
ENGINE	78A	FILTER	115
ENGINE	79	FILTER	115A
ENGINE	79A	FILTER	132
ENGINE AFT	18A	FILTER FUEL STRAINER	108
ENGINE BAFFLES	84	FILTER FUEL STRAINER	108A
ENGINE BAFFLES	84A	FILTER FUEL STRAINER	108B
ENGINE BAFFLES	84B	FILTER FULL FLOW OIL	111
ENGINE COMPONENTS	80	FILTER MAGNETO	80
ENGINE CONTINENTAL	79	FILTER OIL	111
ENGINE CONTINENTAL	79A	FILTER PRESSURIZATION CONTROLLER	86
ENGINE DRIVEN GYROS	112	FILTER TURBOCHARGER	78
ENGINE DRIVEN GYROS	112A	FILTER TURBOCHARGER	79A
ENGINE FWD	18	FILTER VACUUM AIR	112
ENGINE HEAT DEFLECTOR	79	FILTER VACUUM AIR	112A
ENGINE MOUNT	18	FILTER VACUUM AIR	112B
ENGINE MOUNT	18A	FILTER VACUUM AIR	112C
ENGINE MOUNT BRACKET	18	FILTER VACUUM RELIEF	113
ENGINE MOUNT BRACKET	18A	FILTER VACUUM RELIEF	113C
ENGINE MOUNT COVER	18	FILTER VACUUM RELIEF VALVE	113
ENGINE MOUNT COVER	18A	FILTER VACUUM RELIEF VALVE	113C
ENGINE OIL PLACARD	2	FIN & DORSAL	11
ENGINE OIL PLACARD	2A	FIN & DORSAL	12
ENGINE PRIMER	110	FIN ATTACH FITTING	11
ENGINE SHOCK MOUNT DEFLECTOR	78	FIN ATTACH FITTING	12
ENGINE SHOCK MOUNT DEFLECTOR	78A	FIN TIP	143A
EQUIPMENT ELECTRICAL	136	FIN TIP CAP	11
EQUIPMENT ELECTRICAL	136A	FIN TIP CAP	12
EQUIPMENT FUSELAGE	73B		
EXHAUST BY PASS VALVE	82		
EXHAUST BY PASS VALVE	82A		

P210 Parts Catalog

ALPHABETICAL INDEX

NOMENCLATURE	FIGURE	NOMENCLATURE	FIGURE
F (Cont)		F (Cont)	
FIN TIP FLASHING BEACON	143A	FLOORMAT.	63
FINISH & TRIM PLATE	2	FORK HAND PUMP.	119
FINISH & TRIM PLATE	2A	FORWARD CABIN TOP	34
FINISH & TRIM-HOW TO READ-PAGE VI		FORWARD CABIN TOP COMPONENTS.	34
FIRE EXTINGUISHER	73B	FORWARD FUSELAGE STRUCTURE.	17
FIRE EXTINGUISHER BRACKET	73B	FORWARD SECTION FLOORBOARDS	31A
FIREWALL.	17	FRAME WINDOW.	53
FIREWALL.	24	FRESH AIR DUCT.	17
FIREWALL.	24A	FRESH AIR DUCT.	34
FIREWALL COVER.	60	FRESH AIR DUCT.	89
FIREWALL GROMMETS	25	FRONT DOORPOST.	21
FIREWALL SHEET.	24	FRONT DOORPOST & BULKHEAD	21
FIREWALL SHEET.	24A	FRONT SEAT BELT	74
FIREWALL UPPER AFT.	18	FUEL CAP.	5
FIREWALL UPPER AFT.	18A	FUEL CAP.	5A
FLAP	10	FUEL CAP.	5B
FLAP ACTUATOR	100	FUEL CELL COMPONENTS.	6
FLAP CABLE.	100	FUEL CELL COMPONENTS.	6A
FLAP CONTROL BRACKET	10	FUEL CELL STRAINER.	6
FLAP CONTROL BRACKET	34	FUEL CELL STRAINER.	6A
FLAP CONTROL BRACKET.	100	FUEL CHECK VALVE.	107
FLAP CONTROL DETAILS.	101	FUEL CLUSTER BULB	59
FLAP COWL	18	FUEL CLUSTER BULB	59A
FLAP COWL	18A	FUEL DRAIN VALVE.	8
FLAP COWL	19	FUEL FILLER CAP	5B
FLAP COWL	19A	FUEL FILLER DOOR.	5
FLAP COWL	24	FUEL FLOW INDICATOR	69B
FLAP COWL	24A	FUEL FLOW LINE.	78
FLAP LEVER.	101	FUEL FLOW LINE.	78A
FLAP LEVER KNOB	101	FUEL GAGE	69
FLAP MOTOR.	4	FUEL GAGE	69A
FLAP SYSTEM ELECTRIC.	100	FUEL GAGE	69B
FLAP TRACK.	4	FUEL HOSE	1
FLAP WING	10	FUEL HOSE	78A
FLAPS SYSTEM COWL	85	FUEL HOSE	80
FLAPS SYSTEM COWL	85A	FUEL HOSE	107
FLASHER BEACON LIGHT	143	FUEL HOSE	109
FLASHER BEACON LIGHT	143A	FUEL INDICATOR.	5B
FLASHING BEACON	143	FUEL INDICATOR.	69
FLASHING BEACON	143A	FUEL INDICATOR.	69A
FLASHING BEACON BULB.	143	FUEL INDICATOR.	69B
FLASHING BEACON BULB.	143A	FUEL INDICATOR.	109C
FLASHING BEACON FIN TIP	143	FUEL INJECTION NOZZLE	80
FLASHING BEACON LIGHT	143	FUEL LEVEL TRANSMITTER.	5A
FLASHING BEACON LIGHT	143A	FUEL LEVEL TRANSMITTER.	5B
FLASHING BEACON RESISTOR.	143	FUEL LINE	78A
FLASHING BEACON RESISTOR.	143A	FUEL LINE	107
FLASHING BEACON SWITCH.	71	FUEL LINE	107A
FLASHING BEACON SWITCH.	71A	FUEL LINE	107B
FLASHING BEACON SWITCH.	71B	FUEL LINE	109
FLASHING BEACON SWITCH.	71C	FUEL LINE	109C
FLASHING BEACON SWITCH.	143	FUEL PRESSURE HOSE.	78
FLASHING BEACON TIP	143	FUEL PRESSURE HOSE.	78A
FLOOD LIGHTS POTENTIOMETER.	71	FUEL PRESSURE LINE.	79
FLOOD LIGHTS POTENTIOMETER.	71A	FUEL PRESSURE LINE.	78A
FLOOD LIGHTS POTENTIOMETER.	71B	FUEL PUMP	80
FLOOD LIGHTS POTENTIOMETER.	71C	FUEL PUMP AUXILIARY	107A
FLOODLIGHT GLARESHIELD.	139A	FUEL PUMP AUXILIARY	107B
FLOODLIGHT VERTICAL TAIL.	144	FUEL PUMP RESISTOR.	136
FLOORBOARD.	31A	FUEL PUMP RESISTOR.	136A
FLOORBOARD.	32	FUEL PUMP SWITCH.	71
FLOORBOARD AFT.	32	FUEL PUMP SWITCH.	71A
FLOORBOARD BAGGAGE.	32A	FUEL PUMP SWITCH.	71B
FLOORBOARD BAGGAGE.	63	FUEL PUMP SWITCH.	71C
FLOORBOARD CENTER	32	FUEL PUMP WARNING RESISTOR.	136
FLOORBOARDS	32A	FUEL PUMP WARNING RESISTOR.	136A
FLOORBOARDS CENTER SECTION.	32	FUEL RESERVOIR.	107A
FLOORBOARDS FORWARD SECTION	31A	FUEL RESERVOIR.	107B

P210 Parts Catalog

ALPHABETICAL INDEX

NOMENCLATURE	FIGURE	NOMENCLATURE	FIGURE
F (Cont)		G (Cont)	
FUEL SAMPLER CUP	8	GASKET OIL COOLER	80
FUEL SELECTOR HANDLE	109	GASKET TAIL LIGHT	39
FUEL SELECTOR HANDLE	109A	GEAR DOOR NOSE	18A
FUEL SELECTOR PLACARD	2	GEAR DOWN LIGHT	71
FUEL SELECTOR PLACARD	2A	GEAR DOWN LIGHT	71B
FUEL SELECTOR SHAFT	109	GEAR GOVERNOR BEVEL DRIVE	90
FUEL SELECTOR SHAFT	109A	GEAR INDICATOR BULB	71
FUEL SELECTOR VALVE	109	GEAR INDICATOR BULB	71A
FUEL SELECTOR VALVE	109A	GEAR LOCKED LIGHT	71C
FUEL SELECTOR VALVE BRACKET	18A	GEAR MAGNETO DRIVE	80
FUEL SELECTOR VALVE COVER	31A	GEAR SELECTOR VALVE	117
FUEL SELECTOR VALVE PLACARD	2	GEAR SELECTOR VALVE	113
FUEL SELECTOR VALVE PLACARD	2A	GEAR UNSAFE LIGHT	71C
FUEL SELECTOR VALVE ROTOR	109A	GEAR UP LIGHT	71
FUEL SHUTOFF VALVE	109B	GEAR UP LIGHT	71A
FUEL STRAINER	108	GEAR UP LIGHT	71B
FUEL STRAINER	108A	GEAR UP LINE	117
FUEL STRAINER	108B	GEAR UP LINE	120
FUEL STRAINER & DRAIN	108	GEAR UP LINE	120A
FUEL STRAINER BOWL	108A	GEAR UP LINE	121
FUEL STRAINER BOWL	108B	GEAR UP LINE	121A
FUEL STRAINER BRACKET	24	GEAR UP LINE	121B
FUEL STRAINER BRACKET	24A	GEAR UP LINE	122
FUEL STRAINER BRACKET	108	GEAR UP LINE	122A
FUEL STRAINER FILTER	108	GEAR UP LINE	122R
FUEL STRAINER FILTER	108A	GEAR UP SWITCH	136A
FUEL STRAINER FILTER	108B	GEAR UPLOCK MECHANISM MAIN	59
FUEL STRAINER PLUNGER	108	GEAR UPLOCK NOSE	49
FUEL STRAINER TOP	108	GEAR WARNING & FUEL PUMP SWITCH	137
FUEL STRAINER TOP	108A	GEAR WARNING SWITCH	137
FUEL STRAINER TOP	108B	GENERATOR	135
FUEL SYSTEM	107	GENERATOR STANDBY	141C
FUEL SYSTEM	107A	GLARE SHIELD	59
FUEL SYSTEM	107B	GLARE SHIELD	69A
FUEL TOTALIZER	109C	GLARE SHIELD	69R
FUEL TOTALIZER TRANSDUCER	109C	GLARE SHIELD FLOODLIGHT	139A
FUEL VENT	5	GLARE SHIELD LIGHT BULB	139A
FUEL VENT LINE	3	GLARE SHIELD LIGHTS	139
FUEL VENT LINE	3A	GLARE SHIELD LIGHTS	139A
FUEL VENT LINE	107	GLIDE AILERON CONTROL	93
FUEL VENT LINE	109	GLOVE BOX	69
FUEL VENT VALVE	3	GLOVE BOX	69A
FUEL VENT VALVE	5A	GLOVE BOX	69R
FUEL VENT VALVE	5B	GLOVE BOX DOOR	69
FUSE	145	GLOVE BOX DOOR	69A
FUSE CLOCK	136	GLOVE BOX DOOR	69B
FUSE CLOCK	136A	GLOVE BOX LATCH	69
FUSELAGE	16	GLOVE BOX LATCH	69A
FUSELAGE	18	GLOVE BOX LATCH	69B
FUSELAGE	18A	GOVERNOR BEVEL DRIVE GEAR	80
FUSELAGE BELLY SECTION	28	GOVERNOR CONTROL	78
FUSELAGE EQUIPMENT	73B	GOVERNOR PROPELLER	79
FUSELAGE STRUCTURE FORWARD	17	GOVERNOR PROPELLER	79A
FUSELAGE STRUCTURE LOWER FORWARD	18	GREASE SEAL FELT	43
FUSELAGE STRUCTURE LOWER FORWARD	18A	GREASE SEAL FELT	45A
FWD AIR CONTROL	69	GREASE SEAL FELT	45B
FWD AIR CONTROL	69A	GREASE SEAL FELT	46
FWD ENGINE	18	GREASE SEAL FELT	46A
		GROMMETS FIREWALL	25
		GROUND SERVICE CONTACT OR	145
		GROUND SERVICE DIODE	145
		GROUND SERVICE PLUG	145
		GROUND SERVICE PLUG BRACKET	145
		GROUND SERVICE PLUG RECEPTACLE	145
		GROUND SERVICE RECEPTACLE	145
		GROUND STRAP	14A
		GROUND STRAP	145
		GROUND STRAP ENGINE	78
G			
GAGE-SEE INDIVIDUAL LISTING			
GAS CAP-SEE FUEL CAP			
GAS GAGE-SEE INSTRUMENT PANEL			
GASKET ADHESIVE	1		
GASKET OIL COOLER	79		

P210 Parts Catalog

ALPHABETICAL INDEX

NOMENCLATURE	FIGURE	NOMENCLATURE	FIGURE
I (Cont)		L (Cont)	
INSTRUMENT LIGHTS RESISTOR	71B	LANDING LIGHT SWITCH.	71R
INSTRUMENT PANEL	70B	LANDING LIGHT SWITCH.	71C
INSTRUMENT PANEL	72B	LATCH BAGGAGE DOOR.	59
INSTRUMENT PANEL COVER.	69	LATCH COWL DOOR	77
INSTRUMENT PANEL COVER.	69A	LATCH COWL DOOR	77A
INSTRUMENT PANEL COVER.	69B	LATCH GLOVE BOX	69
INSTRUMENT PANEL EQUIPMENT.	69	LATCH GLOVE BOX	69A
INSTRUMENT PANEL EQUIPMENT.	69A	LATCH GLOVE BOX	69B
INSTRUMENT PANEL EQUIPMENT.	69B	LATCH MECHANISM CABIN DOOR.	54
INSTRUMENT PANEL LIGHTS	138	LEADING EDGE SKIN	5
INSTRUMENT PANEL STATIONARY	70	LEADING EDGE SKIN	11
INSTRUMENT PANEL STATIONARY	70A	LEADING EDGE SKIN	14A
INSTRUMENT PANEL STATIONARY	70B	LEADING EDGE WING	5
INSTRUMENT-SEE INDIVIDUAL LISTINGS.		LEADING EDGE WING	5A
INSULATION PAD.	77	LEADING EDGE WING	5R
INTAKE MANIFOLD	110	LENS NAVIGATION LIGHT	3
J		LENS NAVIGATION LIGHT	3A
JACK MICROPHONE-SEE ELECT MANUAL.		LENS PEDESTAL LIGHT	63
JACK POINT.	3	LENS PEDESTAL LIGHT	72
JACK POINT.	3A	LENS STROBE LIGHT	3
JACK-HEADSET-SEE ELECT MANUAL		LENS STROBE LIGHT	3A
JAMB DOOR	23	LEVER COWL FLAP	95
JAMB DOOR	31	LEVER FLAP.	101
K		LIGHT COURTESY.	59
KEEL ATTACH TEE	18	LIGHT COURTESY.	142
KEEL ATTACH TEE	18A	LIGHT DE ICE.	132A
KEEL BULKHEAD	18	LIGHT DE ICE.	132B
KEEL BULKHEAD	18A	LIGHT DE ICE.	132C
KEEL BULKHEAD	19	LIGHT DE ICE PRESSURE	132A
KEEL BULKHEAD	19	LIGHT DE ICE PRESSURE	132B
KIT FILTER ELEMENT.	111	LIGHT DE ICE PRESSURE	132C
KIT SEAT ROLLER	65	LIGHT FLASHING BEACON	143
KIT SEAT ROLLER	67	LIGHT FLASHING BEACON	143A
KITS-SEE ACCESSORY KIT CATALOG.		LIGHT GEAR DOWN	71
KNOB COWL FLAP LEVER.	85	LIGHT GEAR DOWN	71R
KNOB COWL FLAP LEVER.	85A	LIGHT GEAR LOCKED	71C
KNOB FLAP LEVER	101	LIGHT GEAR LOCKED	71C
KNOB LIGHTER.	69	LIGHT GEAR UNSAFE	71
KNOB OXYGEN CONTROL	135A	LIGHT GEAR UP	71A
KNOB PRIMER	110	LIGHT GEAR UP	71B
KNOB SEAT ADJUST.	67	LIGHT INSTRUMENT CLUSTER.	69
KNOB SELECTOR VALVE	118	LIGHT LANDING	20
KNOB S-SEE INDIVIDUAL APPLICATIONS		LIGHT LANDING	20A
L		LIGHT POST.	72R
LAMP LANDING.	20A	LIGHT POST.	135A
LAMP TAIL LIGHT	39	LIGHT POST.	138A
LAMPS-SEE BULBS		LIGHT STROBE.	3
LAMPS-SEE LIGHTS.		LIGHT STROBE.	3A
LANDING GEAR MAIN	45	LIGHT TAIL.	39
LANDING LAMP.	20A	LIGHTER CIGAR	69
LANDING LIGHT	20	LIGHTER CIGAR	69
LANDING LIGHT	20A	LIGHTER KNOB.	139
LANDING LIGHT BRACKET	20A	LIGHTS GLARESHIELD.	139A
LANDING LIGHT COVER	20	LIGHTS GLARESHIELD.	136
LANDING LIGHT COVER	20A	LIGHTS POST	136A
LANDING LIGHT SWITCH.	71	LIMIT SWITCHES-SEE SWITCHES	
LANDING LIGHT SWITCH.	71A	LINES-SEE INDIVIDUAL SYSTEM	
		LINING BRAKE.	46A
		LINK STEERING	42
		LINK TORQUE LOWER	42
		LINK TORQUE UPPER	42
		LOCK CABIN DOOR	54
		LOCK CONTROL.	73R
		LJUVER COWL	17
		LJW VACUUM BULB	69A
		LOW VACUUM BULB	69R
		LOW VOLTAGE BULB.	69
		LOW VOLTAGE BULB.	69A

P210 Parts Catalog

ALPHABETICAL INDEX

NOMENCLATURE	FIGURE	NOMENCLATURE	FIGURE
L (Cont)		M (Cont)	
LOW VOLTAGE BULB.	698	METERING NOSE GEAR PIN.	42
LOWER CABIN SECTION	26	METERING PIN.	42
LOWER CABIN SECTION COMPONENTS.	26	MIC SWITCH.	96 A
LOWER REMOVABLE COWL	19	MIDDLE SEAT	67
LUBRICATION FITTING	30	MIDDLE SEAT BELT.	74
LUBRICATION FITTING MAIN GEAR	30	MIKE SWITCH	94
M		MIXTURE CONTROL	69
MAGAZINE POCKET	65	MIXTURE CONTROL	69B
MAGAZINE POCKET	66	MIXTURE CONTROL	78
MAGAZINE POCKET	67	MIXTURE CONTROL	78 A
MAGNETO	80	MLG BUMPER.	26
MAGNETO FILTER.	80	MODULE DUAL ALT LINE CONTACTOR.	141A
MAIN GEAR ACTUATOR.	125	MOORING RING.	3
MAIN GEAR ACTUATOR.	125A	MOORING RING.	3A
MAIN GEAR ACTUATOR.	126	MOTOR ELECTRIC TRIM.	98
MAIN GEAR ACTUATOR.	127	MOTOR FLAP.	4
MAIN GEAR ACTUATOR.	129	MOULDING BAGGAGE DOOR	63
MAIN GEAR ACTUATOR BULKHEAD	30	MOULDING DOOR	61
MAIN GEAR BULKHEAD.	30	MOULDING DOORPOST	62
MAIN GEAR DOOR.	48	MOULDING WINDOW	61
MAIN GEAR DOOR ACTUATOR	126	MOULDING WINDOW	62
MAIN GEAR DOWNLOCK.	51	MOUNT COWL FLAP HINGE	18
MAIN GEAR DOWNLOCK EYEBOLT.	51	MOUNT ENGINE.	19
MAIN GEAR FITTING	45	MOUNT ENGINE.	18A
MAIN GEAR ROTARY ACTUATOR	125	MOUNT KIT SHOCK	78
MAIN GEAR ROTARY ACTUATOR	125A	MOUNT KIT SHOCK	78A
MAIN GEAR SPRING DOOR ACTUATOR.	127	MOUNT SHOCK	84B
MAIN GEAR TIRE.	45A	MOUNT SHOCK	85A
MAIN GEAR TIRE.	45B	N	
MAIN GEAR TIRE.	46	NAV/COM SWITCH.	71A
MAIN GEAR TIRE.	46A	NAVIGATION LIGHT BULB	3
MAIN GEAR UNLOCK & SEQUENCE ACTUATOR.	129	NAVIGATION LIGHT BULB	3A
MAIN GEAR UPLOCK.	50	NAVIGATION LIGHT LENS	3
MAIN GEAR UPLOCK MECHANISM.	50	NAVIGATION LIGHT LENS	3A
MAIN GEAR WHEEL	45A	NAVIGATION LIGHT SWITCH	71
MAIN GEAR WHEEL	45B	NAVIGATION LIGHT SWITCH	71A
MAIN GEAR WHEEL	46A	NAVIGATION LIGHT SWITCH	71B
MAIN LANDING GEAR	45	NAVIGATION LIGHT SWITCH	71C
MAIN LANDING GEAR BULKHEAD.	30	NAVOMATIC-SEE ELECTRONICS MANUAL.	
MANIFOLD CHECK VALVE.	112B	NOSE CAP.	18
MANIFOLD CHECK VALVE.	112C	NOSE CAP.	19
MANIFOLD CHECK VALVE.	113D	NOSE CAP.	77
MANIFOLD DRAIN LINE	78	NOSE CAP.	77A
MANIFOLD DRAIN LINE	78A	NOSE GEAR	40
MANIFOLD GEAR	116	NOSE GEAR	42
MANIFOLD INTAKE	110	NOSE GEAR ACTUATOR.	124
MANIFOLD POWER PACK	116	NOSE GEAR ACTUATOR.	126
MANIFOLD PRESSURE HOSE.	78	NOSE GEAR BUMPER.	18
MANIFOLD PRESSURE HOSE.	78A	NOSE GEAR DOOR.	18A
MAP LIGHT BULB.	94	NOSE GEAR DOOR.	47
MAP LIGHT RHEO STAT.	94	NOSE GEAR DOOR ACTUATOR	126
MAP LIGHT SOCKET.	94	NOSE GEAR DOOR EYEBOLT	47
MAP LIGHT RHEO STAT	94A	NOSE GEAR DRAG FITTING.	18
MAP LIGHT SWITCH	69	NOSE GEAR DRAG FITTING.	18A
MAP LIGHT SWITCH	69A	NOSE GEAR FITTING	18
MAP LIGHT SWITCH	69B	NOSE GEAR FITTING	18A
MASK & LINE OXYGEN.	135A	NOSE GEAR RETRACTION ACTUATOR	124
MASTER SWITCH	71	NOSE GEAR SHOCK STRUT	42
MASTER SWITCH	71A	NOSE GEAR STEERING BUNGEE	41
MASTER SWITCH	71B	NOSE GEAR STEERING SHAFT.	42
MASTER SWITCH	71C	NOSE GEAR SUPPORT	18
MCCAULEY PROPELLER.	76	NOSE GEAR SUPPORT	18A
MCCAULEY PROPELLER.	76A	NOSE GEAR TIRE.	43
MECHANISM CABIN DOOR LATCH.	54	NOSE GEAR UPLOCK.	49

P210 Parts Catalog

ALPHABETICAL INDEX

NOMENCLATURE	FIGURE	NOMENCLATURE	FIGURE
N (Cont)		P (Cont)	
NOSECAP	77A	PANEL CIRCUIT BREAKER	71B
NOZZLE FUEL INJECTION	80	PANEL CIRCUIT BREAKER	71C
O		PANEL DOOR TRIM	61
OIL COOLER	79	PANEL ELECTROLUMINESCENT	72
OIL COOLER	79A	PANEL ELECTROLUMINESCENT	72A
OIL COOLER	80	PANEL EQUIPMENT INSTRUMENT	69
OIL COOLER GASKET	79	PANEL EQUIPMENT INSTRUMENT	69A
OIL COOLER GASKET	80	PANEL EQUIPMENT INSTRUMENT	69B
OIL COOLER NON CONGEALING	79	PANEL INSTRUMENT	70B
OIL COOLER NON CONGEALING	80	PANEL INSTRUMENT	72B
OIL COOLER PLATE	79	PANEL LIGHTS INSTRUMENT	13A
OIL DOOR	77	PANEL LIGHTS RESISTOR	71A
OIL DOOR	77A	PANEL LIGHTS RESISTOR	71C
OIL FILLER ACCESS DOOR	77	PANEL PEDESTAL	22
OIL FILLER ACCESS DOOR	77A	PANEL PEDESTAL	22A
OIL FILTER	111	PANEL REAR WALL	63
OIL FILTER ADAPTER WRENCH	111	PANEL STATIONARY INSTRUMENT	70A
OIL FILTER ADAPTOR	111	PANEL STATIONARY INSTRUMENT	70B
OIL FILTER FULL FLOW	111	PANEL UPPER PEDESTAL	22
OIL FILTER PLACARD	2	PARKING BRAKE	70B
OIL FILTER PLACARD	2A	PARKING BRAKE	90
OIL GAGE	69	PARKING BRAKE BRACKET	70B
OIL GAGE	69A	PARKING BRAKE HANDLE	90
OIL GAGE	69B	PARKING BRAKE SPRING	90
OIL LINE	79	PEDAL RUDDER	92
OIL LINE	79A	PEDESTAL	22
OIL PRESSURE GAGE	111	PEDESTAL	22A
OIL PRESSURE HOSE	111	PEDESTAL	66
OIL PRESSURE LINE	111	PEDESTAL COVER	63
OIL SEPARATOR	78A	PEDESTAL LIGHT BULB	72
OIL SYSTEM	111	PEDESTAL LIGHT BULB	72A
OIL TEMP GAGE	69	PEDESTAL LIGHT BULB	72B
OIL TEMP GAGE	69A	PEDESTAL LIGHT LENS	63
OIL TEMP GAGE	69B	PEDESTAL LIGHT LENS	72
OIL TEMPERATURE GAGE	111	PEDESTAL PANEL	22
OPERATIONAL LIMITATIONS PLACARD	2	PEDESTAL PANEL	22A
OPERATIONAL LIMITATIONS PLACARD	2A	PEDESTAL SEAT	65
OUTSIDE AIR TEMPERATURE GAGE	73B	PEDESTAL SEAT	66
OVERHEAD PANEL LIGHT BULB	138	PIN BASE PLUG	42
OVERHEAD VENT FAN SWITCH	69	PIN METERING	42
OVERHEAD VENT FAN SWITCH	69A	PIN METERING NOSE GEAR	42
OVERHEAD VENT FAN SWITCH	69B	PIN SEAT ADJUSTMENT	67
OVERVOLTAGE UNIT CAPACITOR	69	PISTON & FORK NOSE GEAR	42
OXYGEN CONTROL KNOB	135A	PISTON MASTER CYLINDER	91
OXYGEN CYLINDER SUPPORT	135A	PITOT HEAT SWITCH	71
OXYGEN GAGE	135A	PITOT HEAT SWITCH	71A
OXYGEN LINE	135A	PITOT HEAT SWITCH	71B
OXYGEN REGULATOR	135A	PITOT HEAT SWITCH	135
OXYGEN SYSTEM	135A	PITOT HEATER	105
OXYGEN SYSTEM EMERGENCY	135	PITOT SYSTEM	105
OXYGEN VALVE	135A	PITOT TUBE	135
P		PITOT TUBE CONNECTOR	135
PAD CARPET	63	PITOT/TALL HEAT SWITCH	71C
PAD CONTROL WHEEL	94	PLACARDS SEE FIG 2	
PAD CONTROL WHEEL	94A	PLATE FINISH & TRIM	2
PAD INSULATION	77	PLATE FINISH & TRIM	2A
PAINT-SEE FINISH & TRIM PLATE-PAGE VI		PLATE OIL COOLER	79
PAINTED PARTS-HOW TO ORDER-PAGE		PLATE PRESSURE	45A
PANEL BAGGAGE COMPARTMENT	63	PLATE PRESSURE	45B
PANEL CIRCUIT BREAKER	71A	PLATE PRESSURE	46
		PLATE PRESSURE	46A
		PLATE SCUFF	53
		PLUG CIGAR LIGHTER HEATING	69
		PLUG HEATING	69
		PLUG PIN BASE	42
		PLUG SPARK	80
		PLUNGER FUEL STRAINER	108
		POCKET MAGAZINE	55

ALPHABETICAL INDEX

NOMENCLATURE	FIGURE	NOMENCLATURE	FIGURE
P (Cont)		P (Cont)	
POCKET MAGAZINE	66	PRIMER	110
POCKET MAGAZINE	67	PRIMER ENGINE	110
POINT JACK	3	PRIMER KNOB	110
POINT JACK	3A	PRIMER ZINC CHROMATE	1
POST LIGHT	72B	PROBE EXHAUST GAS TEMP.	69
POST LIGHT	135A	PROBE EXHAUST GAS TEMPERATURE	73
POST LIGHT	138A	PROBE EXHAUST GAS TEMPERATURE	73A
POST LIGHT BULB	69	PROP DE ICE GAGE	69
POST LIGHT BULB	69A	PROP DE ICE GAGE	69A
POST LIGHT BULB	72	PROP DE ICE GAGE	69B
POST LIGHT BULB	72A	PROP DE ICE GAGE SHUNT	69
POST LIGHT BULB	72B	PROP DE ICE GAGE SHUNT	69A
POST LIGHT BULB	138A	PROP DE ICE GAGE SHUNT	69B
POST LIGHTS	136	PROPELLER & SPINNER	76
POST LIGHTS	136A	PROPELLER & SPINNER	76A
POST LIGHTS POTENTIOMETER	71	PROPELLER CONTROL	69
POST LIGHTS POTENTIOMETER	71A	PROPELLER CONTROL	69A
POST LIGHTS POTENTIOMETER	71B	PROPELLER CONTROL	69B
POST LIGHTS POTENTIOMETER	71C	PROPELLER GOVERNOR	79
POST LIGHTS RESISTOR	71	PROPELLER GOVERNOR	79A
POST LIGHTS RESISTOR	71A	PROPELLER MCCAULEY	76
POST LIGHTS RESISTOR	71B	PROPELLER MCCAULEY	76A
POST LIGHTS RESISTOR	71C	PROPELLER SPINNER BULKHEAD	75
POST WINDSHIELD CENTER	17	PULLEY AILERON	95
POTENTIOMETER FLOOD LIGHTS	71	PULLEYS-SEE APPLICABLE SYSTEM	
POTENTIOMETER FLOOD LIGHTS	71A	PUMP AUXILIARY FUEL	107
POTENTIOMETER FLOOD LIGHTS	71B	PUMP AUXILIARY FUEL	107A
POTENTIOMETER FLOOD LIGHTS	71C	PUMP AUXILIARY FUEL	107B
POTENTIOMETER INSTRUMENT LIGHTS	71	PUMP EMERGENCY HAND	119
POTENTIOMETER INSTRUMENT LIGHTS	71A	PUMP FUEL	90
POTENTIOMETER INSTRUMENT LIGHTS	71B	PUMP HYDRAULIC	115A
POTENTIOMETER POST LIGHTS	71	PUMP VACUUM	113
POTENTIOMETER POST LIGHTS	71A	PUMP VACUUM	113A
POTENTIOMETER POST LIGHTS	71B	PUMP VACUUM	113B
POTENTIOMETER POST LIGHTS	71C	PUMP VACUUM	113C
POWER PACK	114	PUMP VACUUM	113D
POWER PACK	114A	PUSH ROD ELEVATOR CONTROL	93
POWER PACK BODY	115	PUSH ROD FLAP	100
POWER PACK BODY	115A		
POWER PACK BODY & RESERVOIR HYDRAULIC	115	Q	
POWER PACK BODY & RESERVOIR HYDRAULIC	115A	QUADRANT AILERON CONTROL	93
POWER PACK CONTACTOR	136A		
POWER PACK CONTACTOR DIODE	136	R	
POWER PACK CONTACTOR DIODE	136A	RADIO COVER	69B
POWER PACK DIODE	114	RADIO CUTOFF COVER	59
POWER PACK DIODE	114A	RADIO CUTOFF COVER	69A
POWER PACK DIODE	136	RADIO SPEAKER	138
POWER PACK DIODE	136A	RADIO SPEAKER	138A
POWER PACK HYDRAULIC	114	RADIOS-SEE CESSNA ELECTRONICS MANUAL	
POWER PACK HYDRAULIC	114A	RAIL SEAT	32
POWER PACK MANIFOLD	116	REAR CABIN ARMREST	62
POWER PACK RESERVOIR	115	REAR DOORPOST	25
POWER SUPPLY ELECTROLUMINESCENT	136	REAR DOORPOST	29
POWER SUPPLY ELECTROLUMINESCENT	136A	REAR DOORPOST CHANNEL	29
POWER SUPPLY ELECTROLUMINESCENT PANEL	136	REAR SEAT	26
POWER SUPPLY ELECTROLUMINESCENT PANEL	136A	REAR SPAR	10
POWER SUPPLY STROBE LIGHT	136	REAR WALL PANEL	63
POWER SUPPLY STROBE LIGHT	136A	RECEIVER ASH	66
PRESSURE PLATE	45A	RECEIVER ASH	67
PRESSURE PLATE	45B	RECEIVER SEAT BACK ASH	66
PRESSURE PLATE	46	RECEIVER SEAT BACK ASH	67
PRESSURE PLATE	46A	RECEPTACLE GROUND SERVICE	145
PRESSURE RELIEF VALVE	79A		
PRESSURIZATION CABIN	86		
PRESSURIZATION CONTROLLER FILTER	86		
PRIMARY AVIONICS POWER SWITCH	71B		
PRIMARY AVIONICS POWER SWITCH	71C		
PRIMER	1		

P210 Parts Catalog

ALPHABETICAL INDEX

NOMENCLATURE	FIGURE	NOMENCLATURE	FIGURE
R (Cont)		R (Cont)	
RECEPTACLE GROUND SERVICE PLUG.	145	RUDDER INTERCONNECT SYSTEM AILERON.	103
REEL INERTIA.	75	RUDDER PEDAL.	92
REGULATOR OXYGEN.	135A	RUDDER PEDAL EXTENSION.	92
REGULATOR VOLTAGE.	98	RUDDER RIB.	13
REGULATOR VOLTAGE.	136	RUDDER TRIM.	104
REGULATOR VOLTAGE.	141C	RUDDER TRIM BUNGEE.	104
RELIEF VALVE.	113	RUDDER TRIM CHAIN.	104
RELIEF VALVE.	115	RUDDER TRIM INDICATOR.	104
RELIEF VALVE.	115A	RUDDER TRIM WHEEL.	104
RELIEF VALVE PRESSURE.	79A		
RESERVOIR FUEL.	107A	S	
RESERVOIR FUEL.	107B	SAFETY BELT-ALSO SEE SEAT BELTS.	5
RESERVOIR POWER PACK.	115	SCOOP AIR.	348
RESISTOR.	71C	SCOOP AIR.	63
RESISTOR.	136	SCUFF PLATE.	77
RESISTOR.	136A	SEAL BAFFLE.	77A
RESISTOR.	141B	SEAL BAFFLE.	84B
RESISTOR.	145	SEAL CABIN DOOR.	52
RESISTOR CIGAR LIGHTER.	69	SEAL FELT GREASE.	43
RESISTOR DUAL ALTERNATOR.	141B	SEAL FELT GREASE.	45A
RESISTOR FLASHING BEACON.	143	SEAL FELT GREASE.	45B
RESISTOR FLASHING BEACON.	143A	SEAL WINDOW.	52
RESISTOR FUEL PUMP.	136	SEALANT.	1
RESISTOR FUEL PUMP.	136A	SEAT ADJUSTABLE.	55
RESISTOR FUEL PUMP WARNING.	136	SEAT ARMREST.	65
RESISTOR FUEL PUMP WARNING.	136A	SEAT ARMREST.	67
RESISTOR INSTRUMENT LIGHTS.	71	SEAT ARTICULATING RECLINE CO PILOT.	65
RESISTOR INSTRUMENT LIGHTS.	71A	SEAT ARTICULATING RECLINE MIDDLE.	67
RESISTOR INSTRUMENT LIGHTS.	71B	SEAT BACK TABLE.	75A
RESISTOR PANEL LIGHTS.	71C	SEAT BELT.	74
RESISTOR PANEL LIGHTS.	71	SEAT BELT FITTING.	32
RESISTOR POST LIGHTS.	71A	SEAT BELT FITTING.	74
RESISTOR POST LIGHTS.	71B	SEAT BELT FITTING.	75
RESISTOR POST LIGHTS.	71C	SEAT MIDDLE.	67
RESISTOR STALL WARNING UNIT.	136	SEAT PEDESTAL.	65
RESISTOR STALL WARNING UNIT.	136A	SEAT PEDESTAL.	66
RETAINER HEADLINER.	23	SEAT RAIL.	32
RETAINER STEERING BOOT.	41	SEAT REAR.	26
RETAINER TRUE AIRSPEED.	69	SEAT ROLLER KIT.	67
RETAINER TRUE AIRSPEED.	69A	SEAT STOP.	65
RETAINER TRUE AIRSPEED.	69B	SEAT STOP.	66
RETAINER WINDOW.	52	SEAT STOP.	67
RETAINER WINDSHIELD.	21	SEAT 5TH & 6TH PLACE BENCH.	68
RETAINER WINDSHIELD.	36	SEAT 5TH & 6TH PLACE BENCH.	68A
RHESTAT.	138	SELECTOR VALVE FUEL.	109
RHESTAT MAP LIGHT.	94	SELECTOR VALVE FUEL.	109A
RHESTAT MAPLIGHT.	94A	SELECTOR VALVE GEAR.	117
RIBS-SEE APPLICABLE STRUCTURE.		SELECTOR VALVE KNOB.	118
RING MOORING.	3	SENDING UNIT CYLINDER HEAD TEMP.	79
RING MOORING.	3A	SENDING UNIT CYLINDER HEAD TEMP.	79A
RING TRUE AIRSPEED.	69	SENDING UNIT OIL TEMP.	79
RING TRUE AIRSPEED.	69A	SENDING UNIT OIL TEMP.	79A
RING TRUE AIRSPEED.	69B	SEPARATOR OIL.	78A
ROD ELEVATOR CONTROL PUSH.	93	SERVICE PLUG GROUND.	145
ROD FLAP PUSH.	100	SHAFT FUEL SELECTOR.	109
ROD SHIMMY DAMPENER.	44	SHAFT FUEL SELECTOR.	109A
ROLLER KIT SEAT.	65	SHAFT NOSE GEAR STEERING.	42
ROTARY CLUTCH.	58	SHAFT TACHOMETER.	69
ROTOR FUEL SELECTOR VALVE.	109A	SHAFT TACHOMETER.	69A
RUDDER.	13	SHAFT TACHOMETER.	69B
RUDDER BALANCE WEIGHT.	13	SHEET FIREWALL.	74
RUDDER BAR.	92	SHEET FIREWALL.	24A
RUDDER BAR CARPET.	63	SHELF EXTENDED BAGGAGE.	32A
RUDDER BELLCRANK.	13	SHIELD COURTESY LIGHT.	142
RUDDER CONTROL SYSTEM.	102		
RUDDER FORWARD SPAR.	13		
RUDDER INTERCONNECT AILERON.	103		

P210 Parts Catalog

ALPHABETICAL INDEX

NOMENCLATURE	FIGURE	NOMENCLATURE	FIGURE
S (Cont)		S (Cont)	
SHIELD ENGINE MOUNT HEAT.	78	STALL WARNING UNIT.	3A
SHIELD HEAT	72	STALL WARNING UNIT RESISTOR	136
SHIELD HEAT	72A	STALL WARNING UNIT RESISTOR	136A
SHIELD HEAT	72B	STANDBY GENERATOR	141C
SHIELD HEAT	77	STANDBY GENERATOR SWITCH.	71A
SHIELD HEAT	78	STARTER	80
SHIELD PEDESTAL LIGHT HEAT.	72	STARTER CONTACTOR	136
SHIELD PEDESTAL LIGHT HEAT.	72A	STARTER CONTACTOR	136A
SHIELD PEDESTAL LIGHT HEAT.	72B	STATIC DISCHARGER	13
SHIMMY DAMPENER	44	STATIC DISCHARGER ELEVATOR.	15
SHOCK MOUNT	84B	STATIC DISCHARGER ELEVATOR.	15A
SHOCK MOUNT	85A	STATIC DISCHARGER RUDDER.	13
SHOCK MOUNT KIT	78	STATIC DISCHARGER WING.	3
SHOCK MOUNT KIT	78A	STATIC DISCHARGER WING.	3A
SHOCK MOUNTED ALTERNATOR.	140	STATIC SOURCE BUTTON.	105
SHOULDER HARNESS.	27	STATIONARY INSTRUMENT PANEL	70
SHOULDER HARNESS.	74	STEERING ARM.	42
SHROUD	18A	STEERING BOOT RETAINER.	41
SHROUD	83A	STEERING LINK	42
SHROUD	107	STEERING LINK BOOT.	41
SHROUD	113C	STEERING LINK ROD BOOT.	41
SHROUD EXHAUST.	79	STEERING SYSTEM NOSE GEAR	41
SHROUD EXHAUST.	79A	STEP.	45
SHUNT	69	STEP CABIN.	45
SHUNT	69A	STINGER	39
SHUNT	69B	STOP ELEVATOR	38
SHUNT	141A	STOP PILOT SEAT CAM	66A
SHUNT DUAL ALTERNATORS.	141A	STOP SEAT	65
SHUNT PROP DE ICE GAGE.	69	STOP SEAT	66
SHUNT PROP DE ICE GAGE.	69A	STOP SEAT	67
SHUNT PROP DE ICE GAGE.	69B	STRAINER & DRAIN FUEL	108
SHUTTLE VALVE	132	STRAINER DRAIN CONTROL.	108
SIDE BAFFLE	84	STRAINER DRAIN LINE	108
SIDE BAFFLE	84A	STRAINER FUEL	108
SKINS-SEE APPLICABLE STRUCTURE.		STRAINER FUEL	108A
SOCKET COURTESY LIGHT	142	STRAINER FUEL	108B
SOCKET MAP LIGHT.	94	STRAINER FUEL	1083
SOLENOID VALVE.	86A	STRAINER FUEL CELL.	6
SOUND DEADENER.	1	STRAINER FUEL CELL.	6A
SOUNDPROOFING	64	STRAP BONDING	9
SOUNDPROOFING FIBERGLASS.	64	STRAP ENGINE GROUND	78
SPACER AXLE	40	STRAP ENGINE GROUND	78A
SPAR MAIN WING.	7	STRAP GROUND.	14A
SPAR REAR	10	STRAP GROUND.	145
SPAR WING	7	STRAP GROUND SERVICE GROUND	145
SPAR WING	34	STRIP COWL ATTACH	17
SPAR WING CARRY THRU.	34	STROBE LIGHT.	3
SPARK PLUG.	80	STROBE LIGHT.	3A
SPEAKER RADIO	138	STROBE LIGHT SWITCH	71
SPEAKER RADIO	138A	STROBE LIGHT SWITCH	71A
SPEAKER-RADIO-SEE ELECTRONICS MANUAL.		STROBE LIGHT SWITCH	71B
SPINNER BULKHEAD.	76A	STROBE LIGHT SWITCH	71C
SPINNER DOME.	76	SUCTION GAGE.	69
SPINNER DOME.	76A	SUCTION GAGE.	69A
SPINNER SUPPORT	76	SUCTION GAGE.	69B
SPROCKET IDLER.	97	SUCTION GAGE.	112A
SPROCKET IDLER.	104	SWITCH & CIRCUIT BREAKER PANEL	71
SQUAT SWITCH BRACKET.	40	SWITCH & CIRCUIT BREAKER PANEL	71A
STABILIZER.	14	SWITCH & CIRCUIT BREAKER PANEL	71B
STABILIZER.	14A	SWITCH & CIRCUIT BREAKER PANEL	71C
STABILIZER.	76A	SWITCH & LOCK KIT IGNITION.	71
STABILIZER FAIRING.	14	SWITCH & LOCK KIT IGNITION.	71A
STABILIZER FITTING.	14	SWITCH & LOCK KIT IGNITION.	71B
STABILIZER HINGE.	14	SWITCH & LOCK KIT IGNITION.	71C
STABILIZER TIP.	14	SWITCH ALT RESTART.	71B
STACK EXHAUST	83	SWITCH ALT RESTART.	71C
STAINLESS CABLES-SEE SPECIFIC SYSTEM.		SWITCH AVIONICS POWER	71A
STALL WARNING UNIT.	3	SWITCH AVIONICS POWER	71B
		SWITCH COURTESY LIGHT	142

P210 Parts Catalog

ALPHABETICAL INDEX

NOMENCLATURE	FIGURE	NOMENCLATURE	FIGURE
S (Cont)		S (Cont)	
SWITCH COVER.	71	SWITCH TAXI LIGHT	71
SWITCH COVER.	71A	SWITCH TAXI LIGHT	71A
SWITCH COVER.	71B	SWITCH TAXI LIGHT	71B
SWITCH COVER.	71C	SWITCH TAXI LIGHT	71C
SWITCH COVER.	94	SWITCH UPLOCK	49
SWITCH COVER.	94A	SWITCH UPLOCK	50
SWITCH COVER.	137	SWITCH VERTICAL TAIL FLOODLIGHT	71A
SWITCH DE ICE	71	SWITCH VERTICAL TAIL FLOODLIGHT	71B
SWITCH DE ICE	71A	SWITCHES-SEE INSTRUMENT PANEL	71C
SWITCH DE ICE	71B	SYSTEMS-SEE INDIVIDUAL LISTINGS	
SWITCH DE ICE	71C		
SWITCH DE ICE PRESSURE	71		
SWITCH DE ICE PRESSURE	71A		
SWITCH DE ICE PRESSURE	71B		
SWITCH DE ICE PRESSURE	71C		
SWITCH DOME LIGHT	136		
SWITCH DOME LIGHT	136A		
SWITCH DOWNLOCK	51		
SWITCH DOWNLOCK	120		
SWITCH DOWNLOCK	120A		
SWITCH ELECTRIC TRIM	94		
SWITCH ELECTRIC TRIM	94A		
SWITCH FLASHING BEACON	71		
SWITCH FLASHING BEACON	71A		
SWITCH FLASHING BEACON	71B		
SWITCH FLASHING BEACON	71C		
SWITCH FLASHING BEACON	143		
SWITCH FUEL PUMP	71		
SWITCH FUEL PUMP	71A		
SWITCH FUEL PUMP	71B		
SWITCH FUEL PUMP	71C		
SWITCH GEAR UP	136A		
SWITCH GEAR WARNING	137		
SWITCH GEAR WARNING & FUEL PUMP	137		
SWITCH HOURMETER	111		
SWITCH LANDING LIGHT	71		
SWITCH LANDING LIGHT	71A		
SWITCH LANDING LIGHT	71B		
SWITCH LANDING LIGHT	71C		
SWITCH MAPLIGHT	69		
SWITCH MAPLIGHT	69A		
SWITCH MAPLIGHT	69B		
SWITCH MASTER	71		
SWITCH MASTER	71A		
SWITCH MASTER	71B		
SWITCH MASTER	71C		
SWITCH MIC	94A		
SWITCH MIKE	94		
SWITCH NAV/COM	71A		
SWITCH NAVIGATION LIGHT	71		
SWITCH NAVIGATION LIGHT	71A		
SWITCH NAVIGATION LIGHT	71B		
SWITCH NAVIGATION LIGHT	71C		
SWITCH OVERHEAD VENT FAN	69		
SWITCH OVERHEAD VENT FAN	69A		
SWITCH OVERHEAD VENT FAN	69B		
SWITCH PITOT HEAT	71		
SWITCH PITOT HEAT	71A		
SWITCH PITOT HEAT	71B		
SWITCH PITOT HEAT	105		
SWITCH PITOT/STALL HEAT	71C		
SWITCH PRIMARY AVIONICS POWER	71B		
SWITCH PRIMARY AVIONICS POWER	71C		
SWITCH STANDBY GENERATOR	71A		
SWITCH STROBE LIGHT	71		
SWITCH STROBE LIGHT	71A		
SWITCH STROBE LIGHT	71B		
SWITCH STROBE LIGHT	71C		
		T	
		TAB AILERON TRIM	9
		TAB ELEVATOR TRIM	15
		TABLE	75A
		TABLE SEAT BACK	75A
		TACHMETER	69
		TACHMETER	69A
		TACHMETER	69B
		TACHMETER	69C
		TACHMETER SHAFT	69
		TACHMETER SHAFT	69A
		TACHMETER SHAFT	69B
		TACHMETER SHAFT	69C
		TAIL LIGHT	33
		TAIL LIGHT LAMP	33
		TAILCONE	37
		TAILCONE AFT	38
		TAILCONE BULKHEAD	38
		TAILPIPE	81A
		TAILPIPE	82
		TAILPIPE	82A
		TAILPIPE	71
		TAXI LIGHT SWITCH	71A
		TAXI LIGHT SWITCH	71B
		TAXI LIGHT SWITCH	71C
		TAXI LIGHT SWITCH	71C
		TEE KEEL ATTACH	18
		TEE KEEL ATTACH	18A
		THRATTLE AIR	70
		THRATTLE CONTROL	69
		THRATTLE CONTROL	69A
		THRATTLE CONTROL	69B
		THRATTLE CONTROL	78
		THRATTLE CONTROL	78A
		TIMER DE ICE	132
		TIMER DE ICE	132B
		TIMER DE ICE	132C
		TIMER DE ICE	133
		TIP ELEVATOR	15
		TIP FIN	143A
		TIP FLASHING BEACON	143
		TIP FLASHING BEACON FIN	143
		TIP FLASHING BEACON FIN	143A
		TIP STABILIZER	14
		TIP WING	3
		TIRE MAIN GEAR	45A
		TIRE MAIN GEAR	45B
		TIRE MAIN GEAR	45
		TIRE MAIN GEAR	46A
		TIRE NOSE GEAR	43
		TIRE PRESSURE PLACARD	2
		TIRE PRESSURE PLACARD	2A
		TOP CABIN	33
		TOP CABIN	34
		TOP FUEL STRAINER	108
		TOP FUEL STRAINER	108A

P210 Parts Catalog

ALPHABETICAL INDEX

NOMENCLATURE	FIGURE	NOMENCLATURE	FIGURE
T (Cont)		V (Cont)	
TOP FUEL STRAINER	108B	VACUUM AIR FILTER	112A
TORQUE LOWER LINK	42	VACUUM AIR FILTER	112B
TORQUE TUBE BELLCRANK	66	VACUUM AIR FILTER	112C
TORQUE UPPER LINK	42	VACUUM PUMP	113
TOTALIZER FUEL	109C	VACUUM PUMP	113A
TOW BAR	73B	VACUUM PUMP	113B
TRACK FLAP	4	VACUUM PUMP	113C
TRANSDUCER FUEL TOTALIZER	109C	VACUUM PUMP	1130
TRANSISTORIZED LIGHT DIMMING	136	VACUUM RELIEF FILTER	113
TRANSISTORIZED LIGHT DIMMING	136A	VACUUM RELIEF FILTER	113C
TRANSMITTER	6	VACUUM RELIEF VALVE	113A
TRANSMITTER	6A	VACUUM RELIEF VALVE	113B
TRANSMITTER FUEL LEVEL	5A	VACUUM RELIEF VALVE	113C
TRANSMITTER FUEL LEVEL	5B	VACUUM RELIEF VALVE FILTER	113
TRAY BATTERY BOX	24A	VACUUM RELIEF VALVE FILTER	113C
TRAY PEDESTAL ASH	63	VACUUM SYSTEM	113
TRIM CONTROL ELEVATOR	97	VACUUM SYSTEM	113A
TRIM CONTRL SYSTEM ELEVATOR	97	VACUUM SYSTEM	113B
TRIM RUDDER	104	VACUUM SYSTEM	113C
TRIM TAB ACTUATOR ELEVATOR	99	VACUUM SYSTEM	1130
TRIM TAB ELEVATOR	15	VACUUM SYSTEM	132A
TRIM TAB ELEVATOR	99	VACUUM SYSTEM DUAL PUMP	113A
TRUE AIRSPEED RETAINER	69	VACUUM SYSTEM DUAL PUMP	113B
TRUE AIRSPEED RETAINER	69A	VACUUM SYSTEM DUAL PUMP	113C
TRUE AIRSPEED RETAINER	69B	VALVE CHECK	81
TRUE AIRSPEED RING	69	VALVE CHECK	81A
TRUE AIRSPEED RING	69A	VALVE CHECK	115
TRUE AIRSPEED RING	69B	VALVE CHECK	115A
TRUNNION & BARREL NOSE GEAR	42	VALVE CHECK	116
TUBE AILERON CONTROL	93	VALVE DE ICE CONTROL	132B
TUBE PITOT	105	VALVE DE ICE CONTROL	132C
TUBE POLYETHYLENE	106	VALVE DEFROSTER	24A
TUNNEL CARPET	63	VALVE DRAIN	8
TUNNEL COVER	18	VALVE DRAIN	107B
TUNNEL WALL	26	VALVE EXHAUST BY PASS	82B
TURBOCHARGER	81	VALVE EXTENSION	40
TURBOCHARGER	81A	VALVE FUEL CHECK	107
TURBOCHARGER FILTER	78	VALVE FUEL CHECK	107A
TURBOCHARGER FILTER	78A	VALVE FUEL CHECK	107B
TURN & BANK INDICATOR	69	VALVE FUEL SELECTOR	109
TURN & BANK INDICATOR	69A	VALVE FUEL SELECTOR	109A
TURN & BANK INDICATOR	69B	VALVE FUEL SHUTOFF	109B
TURN COORDINATOR INDICATOR	69	VALVE FUEL VENT	3
TURN COORDINATOR INDICATOR	69A	VALVE FUEL VENT	5A
TURN COORDINATOR INDICATOR	69B	VALVE FUEL VENT	5B
		VALVE GEAR SELECTOR	118
		VALVE HEATER CHECK	88
		VALVE MANIFOLD CHECK	112B
		VALVE MANIFOLD CHECK	112C
		VALVE OXYGEN	135A
		VALVE OXYGEN FILLER	135A
		VALVE POWER PACK CHECK	115
		VALVE POWER PACK CHECK	115A
		VALVE POWER PACK MANIFOLD CHECK	116
		VALVE RELIEF	113
		VALVE RELIEF	115
		VALVE RELIEF	115A
		VALVE SHUTTLE	132
		VALVE SOLENOID	86A
		VALVE TURBOCHARGER CHECK	81
		VALVE VACUUM RELIEF	113A
		VALVE VACUUM RELIEF	113B
		VALVE VACUUM RELIEF	113C
		VARIABLE LUMBAR SUPPORT	65
		VARIABLE LUMBAR SUPPORT	66
		VENT AIR	138A
		VENT FUEL	5
		VENT LINE	107A
U			
UPHOLSTERY BAGGAGE COMPARTMENT	63		
UPHOLSTERY CABIN	62		
UPHOLSTERY CABIN DOOR	61		
UPHOLSTERY CABIN SIDE PANELS	62		
UPHOLSTERY CABIN TOP	60		
UPHOLSTERY CABIN TOP & FIREWALL	60		
UPLCK ARM	50		
UPLOCK SWITCH	49		
UPLOCK SWITCH	50		
UPPER CABIN SECTION COMPONENTS	33		
UPPER COWL	77A		
UPPER PEDESTAL PANEL	22		
V			
VACUUM AIR FILTER	112		

P210 Parts Catalog

ALPHABETICAL INDEX

NOMENCLATURE	FIGURE	NOMENCLATURE	FIGURE
V (Cont)		W (Cont)	
VENT LINE	107B	WING CARRY THRU SPAR.	34
VENT LINE	114	WING COMPLETE	3
VENTILATION SYSTEM CABIN.	87	WING COMPLETE	3A
VENTILATION SYSTEM CABIN.	87A	WING DE ICE BULB.	132
VERTICAL SPEED INDICATOR.	69	WING DE ICE BULB.	132A
VERTICAL SPEED INDICATOR.	69A	WING DE ICE BULB.	132B
VERTICAL SPEED INDICATOR.	69B	WING DE ICE BULB.	132C
VERTICAL TAIL FLOODLIGHT.	144	WING FAIRING.	3
VERTICAL TAIL FLOODLIGHT SWITCH	71A	WING FILLET	16
VERTICAL TAIL FLOODLIGHT SWITCH	71B	WING FLAP	10
VERTICAL TAIL FLOODLIGHT SWITCH	71C	WING LEADING EDGE	5
VHF ANTENNA	12	WING LEADING EDGE	5A
VOLTAGE REGULATOR	98	WING LEADING EDGE	5B
VOLTAGE REGULATOR	136	WING ROOT RIB	4
VOLTAGE REGULATOR	141C	WING ROOT RIB	5
		WING SPAR	7
		WING SPAR	34
		WING SPAR MAIN.	7
		WING STRUCTURE.	4
		WING TIP.	3
		WIRE HEADLINER.	60
		WRENCH OIL FILTER ADAPTER	111
W			
WALL TUNNEL	26		
WARNING UNIT DUAL	136A		
WARNING UNIT STALL.	3		
WARNING UNIT STALL.	3A		
WARNING UNIT STALL.	136		
WARNING UNIT STALL & GEAR	136		
WASTEGATE	82		
WASTEGATE	82A		
WEIGHT AILERON BALANCE.	9		
WEIGHT ELEVATOR BALANCE	15		
WEIGHT RUDDER BALANCE	13		
WELL WHEEL.	26		
WHEEL & BRAKE	45A		
WHEEL & BRAKE	45B		
WHEEL & BRAKE	46		
WHEEL & BRAKE	46A		
WHEEL & BRAKE MAIN LANDING GEAR	45A		
WHEEL & BRAKE MAIN LANDING GEAR	45B		
WHEEL & BRAKE MAIN LANDING GEAR	46		
WHEEL & BRAKE MAIN LANDING GEAR	46A		
WHEEL & SWITCHES CONTROL.	94		
WHEEL & SWITCHES CONTROL.	94A		
WHEEL & TIRE NOSE GEAR.	43		
WHEEL CONTROL	94		
WHEEL CONTROL	94A		
WHEEL MAIN GEAR	45A		
WHEEL MAIN GEAR	45B		
WHEEL MAIN GEAR	46A		
WHEEL RUDDER TRIM	104		
WHEEL WELL.	26		
WINDLACE DOOR	61		
WINDOW	33		
WINDOW.	52		
WINDOW.	53		
WINDOW.	57		
WINDOW CABIN DOOR	53		
WINDOW FRAME.	53		
WINDOW HANDLE	53		
WINDOW MOULDING	61		
WINDOW MOULDING	62		
WINDOW SEAL	52		
WINDSHIELD.	36		
WINDSHIELD ANTI ICE	134		
WINDSHIELD ANTI ICE	134A		
WINDSHIELD CENTER POST.	17		
WINDSHIELD CHANNEL.	17		
WINDSHIELD RETAINER	21		
WINDSHIELD RETAINER	36		

P210 Parts Catalog

Parts Listing

P210 Parts Catalog

FIGURE AND INDEX NO.	PART NUMBER	DESCRIPTION							UNITS PER ASSY	USABLE ON CODE
		1	2	3	4	5	6	7		
1 - 1	C1C2	CONLEY-WELD EPOXY BASE ADHESIVE		CEMENTING ----- PLASTIC TO PLASTIC PLASTIC TO METAL FIBERGLASS TO FIBERGLASS FIBERGLASS TO METAL METAL TO METAL						
- 2	CCM14-CLASS II	SEALANT-AEROSPACE CATALYTIC CURING		FIREWALL SEALANT ----- WITHSTANDS INTERMITTANT TEMPERATURES UP TO 500 DEGREES F.						
- 3	CS3204	SEALANT-COMPOUND PARTS A & B		FOR INTREGAL SEALING ----- OF FUEL TANKS						
- 4	DAPCOCAST#18-4	SEALANT-PRESSURIZED FIREWALL		FOR SEALING PRESSURIZED ----- FIREWALLS						
- 5	D218	ADHESIVE CHLOROPHENE BASE		FOR BONDING RUBBER ----- FABRIC, VINYL, GLASS, BATTING, CARPET, LEATHER TO THEMSELVES OR TO ABS OR METALS						
- 6	EC776	ADHESIVE-GASKET FUEL RESISTANT SYNTHETIC RUBBER BASE		CEMENTING GASKETS -----						
- 7	EC1239AB	SEALANT-CATALYTIC		GENERAL PURPOSE ----- FOR FAYING SURFACES FILLET & RIVET SEALS FUEL SEALING AND AREAS WHERE SKYDROL IS PRESENT						
- 8	EC1300L	ADHESIVE CHLOROPHENE BASE		FOR BONDING RUBBER ----- FABRIC, VINYL, GLASS BATTING, CARPET, LEATHER TO THEMSELVES OR TO ABS OR METALS						
- 9	EC1608B/A	SEALANT ACCESS DOOR		USE WHERE LOW ADHESION ----- WILL ALLOW REMOVAL OF ACCESS DOOR OR PANELS						
-10	EC1675A-B	SEALANT-CATALYTIC		HOPPER ADAPTOR TO ----- HOPPER-CANTILEVER WING FUEL BAY						
-11	EC2216B/A	ADHESIVE PARTS A & B		METAL TO METAL -----						
-12	EP711	SEALANT TWO PART		FOR SEALING WINDOWS, ----- JOINTS OR POTTING & WHERE FUEL RESISTANCE IS NEEDED						
-13	GC200	SEALANT ACCESS DOOR		USE WHERE LOW ADHESION ----- WILL ALLOW REMOVAL OF ACCESS DOORS OR PANELS						
-14	GC408	SEALANT-COMPOUND PARTS A & B		FOR INTREGAL SEALING ----- OF FUEL TANKS						

CONTINUED ON NEXT PAGE

P210 Parts Catalog

FIGURE AND INDEX NO.	PART NUMBER	DESCRIPTION							UNITS PER ASSY	USABLE ON CODE	
		1	2	3	4	5	6	7			
1 -15	HEXELITE 6109A/B 212 402-1	ADHESIVE URETHANE BASE							FOR BONDING URETHANE TO ITSELF OR METAL & POLY CARBONATE & ABS TO METAL		
-16	LOCTITE5381	EPOXY MIXER CUP							URETHANE TO URETHANE		
-17	LOCTITE8721	LOCKING & RETAINING COMPOUND							URETHANE TO METAL METAL TO METAL		
-18		DELETED-NOT USED									
-19	MS122	SPRAY-SEAL							FOR SEALING CABIN DOOR, EMERGENCY DOOR & WINDOW SEAL		
-20	PR0706	ACCESS DOOR SEALANT							USE WHERE LOW ADHESION WILL ALLOW REMOVAL OF ACCESS DOORS OR PANELS		
-21	PR0890	SEALANT-CATALYTIC							HOPPER ADAPTOR TO HOPPER-CANTILEVER WING FUEL BAY		
-22	PERMACEL P-69	TAPE-SEALANT CLOTH BACKED							FOR MAKING WATER RESISTANT SEALS & COVERING RIVET HEADS IN FUEL CELL AREA		
-23	POLYKEN230	TAPE-SEALANT CLOTH BACKED							FOR MAKING WATER RESISTANT SEALS & COVERING RIVET HEADS IN FUEL CELL AREA		
-24	RTV102	SEALANT-SILICONE WHITE							FOR HIGH TEMPERATURE AND GENERAL PURPOSE FILLET SEALING		
-25	RTV103	SEALANT-SILICONE							FOR HIGH TEMPERATURE AND GENERAL PURPOSE FILLET SEALING		
-26	RTV732	SEALANT-SILICONE							FOR HIGH TEMPERATURE AND GENERAL PURPOSE FILLET SEALING		
-27	R5504	SEALANT ACRYLIC BASE SELF LEVELING							FOR FAYING SURFACE & FILLET SEALING OF METAL JOINTS		
-28	R5505	SEALANT ACRYLIC BASE NON-FLOW							FOR FAYING SURFACE & FILLET SEALING OF METAL JOINTS		
-29	SILITE100	SEALANT-SILICONE WHITE							FOR HIGH TEMPERATURE & GENERAL PURPOSE FILLET SEALING		
-30	S1078-1	SEALANT-SYNTHETIC RUBBER-FABRIC REINFORCED .06 THICK .050 WIDE							WINDSHIELD SEALING		
-31	S1078-2	SEALANT-SYNTHETIC RUBBER-FABRIC REINFORCED .12 THICK .50 WIDE							WINDSHIELD SEALING		
-32	S1078-7	SEALANT-SYNTHETIC RUBBER-FABRIC REINFORCED .06 THICK 1.50 WIDE							WINDSHIELD SEALING		

CONTINUED ON NEXT PAGE

P210 Parts Catalog

Bulk Items

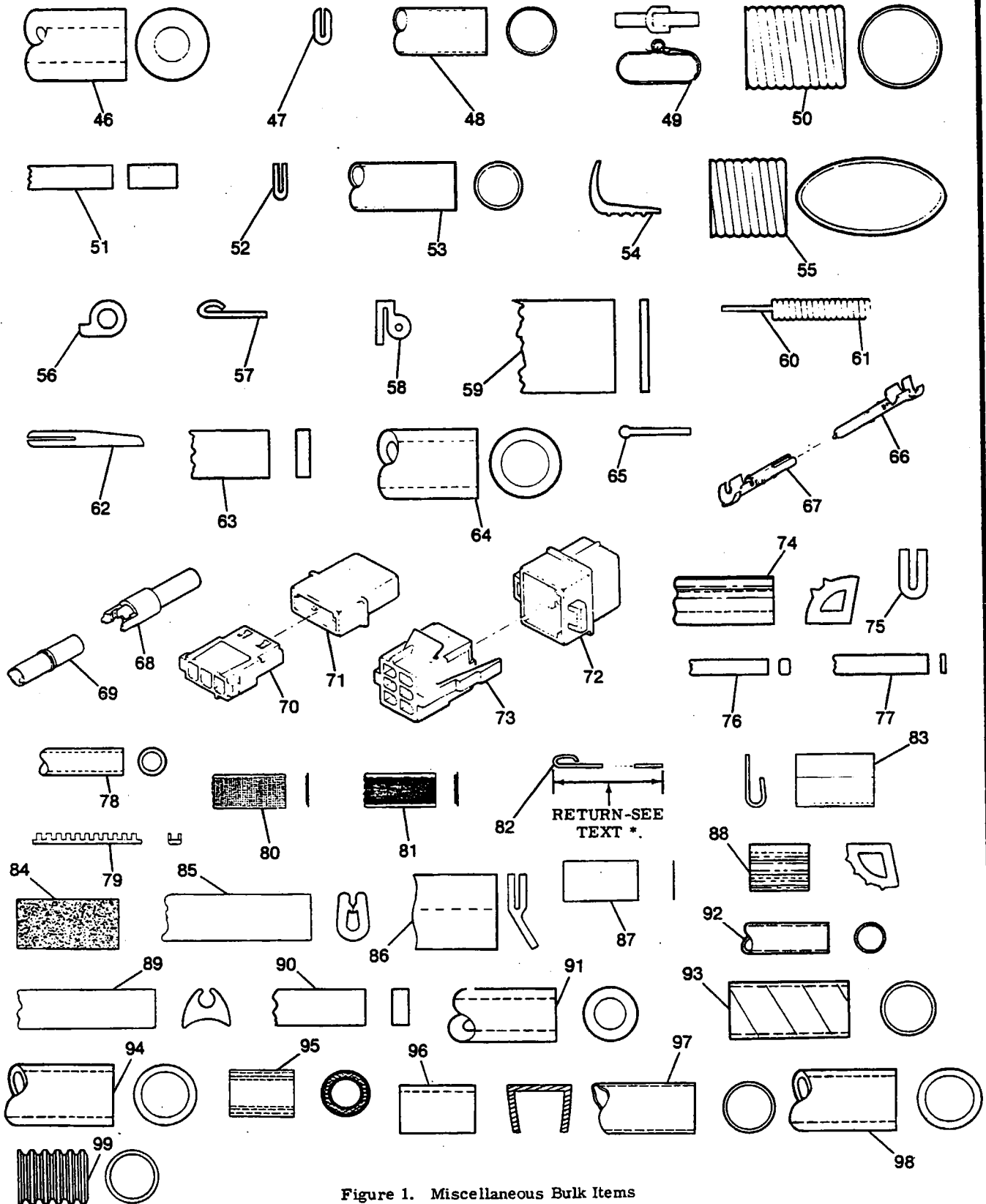


Figure 1. Miscellaneous Bulk Items

P210 Parts Catalog

FIGURE AND INDEX NO.	PART NUMBER	1	2	3	4	5	6	7	DESCRIPTION	UNITS PER ASSY	USABLE ON CODE
1 -33	TUCK92T								TAPE-SEALANT CLOTH BACKED		
									FOR MAKING WATER RESISTANT SEALS & COVERING RIVET HEADS IN FUEL CELL AREA		
-33A	TBS-758								SEALANT-PRESSURIZED FIREWALL		
									FOR SEALING PRESSURIZED FIREWALLS		
-34	TT-P-1757								PRIMER-ZINC CHROMATE CORROSION PROOFING GREEN		
-35	PR1440								SEALANT-COMPOUND PARTS A & B		
									FOR INTREGAL SEALING OF FUEL TANKS		
-36	5452								ADHESIVE CHLOROPHENE BASE		
									FOR BONDING RUBBER, FABRIC, VINYL, GLASS BATTING, CARPET, LEATHER TO THEMSELVES OR TO ABS OR METALS		
-37	550								SOUND DEADENER LIQUID VIBRATION DAMPENER		
									VIBRATION DAMPENING CAN BE BRUSHED OR SPRAYED		
-38	576-1								SEALANT-EXTRUDED PERMAGUM		
									WEATHER SEALING OF WINDSHIELD OR CABIN		
-39	579.6								SEALANT-EXTRUDED ZINC CHROMATE		
									WEATHER SEALING OF WINDSHIELD OR CABIN		
-40	700								SEALANT-FIREWALL		
									SEALING FIREWALL JOINTS & OPENINGS WITHSTANDS 2000 DEGREE TEMP FOR 5 MINUTES		
-41	1007								PRIMER		
									USED ONLY FOR PRIMING AREAS WHERE DE-ICER & ABRASION BOOTS ARE TO BE INSTALLED WITH 1024A-B		
-42	1024A-B								CEMENT PARTS A & B		
									CEMENTING DE-ICER & ABRASION BOOTS TO WING & STABILIZER LEADING EDGES		
-43	5202								SEALANT		
									FOR MAKING WEATHER TIGHT WINDOW SEALS		
-44	93-072								SEALANT-SILICONE TWO PART		
									FOR HIGH TEMPERATURE & GENERAL PURPOSE SEALING		
-45	3C1900								SEALANT-CATALYTIC		
									FOR SEALING WINDOWS JOINTS OR POTTING & WHERE FUEL RESISTANCE IS NEEDED		
-45A	URALITE 3121								COMPOUND URETHANE CASTING		
									FOR BONDING OF MAIN GEAR STEP		
-45B	51543								REPAIR KIT-ABS/FIBERGLASS	1 OZ KIT	AR
	51544								REPAIR KIT-ABS/FIBERGLASS	1 OZ KIT	AR
	51545								REPAIR KIT-ABS/FIBERGLASS	1 OZ KIT	AR
	51546								REPAIR KIT-ABS/FIBERGLASS	1 OZ KIT	AR
	51547								REPAIR KIT-ABS/FIBERGLASS	1 OZ KIT	AR
	51548								REPAIR KIT-ABS/FIBERGLASS	1 OZ KIT	AR
CONTINUED ON NEXT PAGE											

P210 Parts Catalog

FIGURE AND INDEX NO.	PART NUMBER	DESCRIPTION							UNITS PER ASSY	USABLE ON CODE	
		1	2	3	4	5	6	7			
1 -46	S51-4	HOSE-FUEL & OIL-1/4 ID	-----	-----	-----	-----	-----	-----	AR		
	S51-6	HOSE-FUEL & OIL-3/8 ID	-----	-----	-----	-----	-----	-----	AR		
	S51-8	HOSE-FUEL & OIL-1/2 ID	-----	-----	-----	-----	-----	-----	AR		
	S51-10	HOSE-FUEL & OIL-5/8 ID	-----	-----	-----	-----	-----	-----	AR		
	S51-12	HOSE-FUEL & OIL-3/4 ID	-----	-----	-----	-----	-----	-----	AR		
	S51-16	HOSE-FUEL & OIL-1.00 ID	-----	-----	-----	-----	-----	-----	AR		
	S51-32	HOSE-FUEL & OIL-2.00 ID	-----	-----	-----	-----	-----	-----	AR		
	-47	S202RB	CHANNEL-EXTRUDED	-----	-----	-----	-----	-----	BLACK	AR	
		S202VM	CHANNEL-EXTRUDED	-----	-----	-----	-----	-----	WHITE	AR	
	-48	S292-1	INSULATION SLEEVING-ELEC-.118 ID	-----	-----	-----	-----	-----	-----	AR	
S292-2		INSULATION SLEEVING-ELEC-.133 ID	-----	-----	-----	-----	-----	-----	AR		
S292-3		INSULATION SLEEVING-ELEC-.148 ID	-----	-----	-----	-----	-----	-----	AR		
S292-4		INSULATION SLEEVING-ELEC-.166 ID	-----	-----	-----	-----	-----	-----	AR		
S292-5		INSULATION SLEEVING-ELEC-.186 ID	-----	-----	-----	-----	-----	-----	AR		
S292-6		INSULATION SLEEVING-ELEC-.208 ID	-----	-----	-----	-----	-----	-----	AR		
S292-8		INSULATION SLEEVING-ELEC-.263 ID	-----	-----	-----	-----	-----	-----	AR		
S292-11		INSULATION SLEEVING-ELEC-5/16 ID	-----	-----	-----	-----	-----	-----	AR		
S292-12		INSULATION SLEEVING-ELEC-3/8 ID	-----	-----	-----	-----	-----	-----	AR		
S292-14		INSULATION SLEEVING-ELEC-1/2 ID	-----	-----	-----	-----	-----	-----	AR		
-49	S292-16	INSULATION SLEEVING-ELEC-3/4 ID	-----	-----	-----	-----	-----	-----	AR		
	S292-28	INSULATION SLEEVING-ELEC-2-1/2 ID	-----	-----	-----	-----	-----	-----	AR		
	S1127-2	INSULATION SLEEVING-.375 ID	-----	-----	-----	-----	-----	-----	AR		
	S1127-3	INSULATION SLEEVING-.500 ID	-----	-----	-----	-----	-----	-----	AR		
	S1127-4	INSULATION SLEEVING-.600 ID	-----	-----	-----	-----	-----	-----	AR		
	S1127-6	INSULATION SLEEVING-.750 ID	-----	-----	-----	-----	-----	-----	AR		
	S1127-8	INSULATION SLEEVING-.875 ID	-----	-----	-----	-----	-----	-----	AR		
	S10268G	CLAMP-WRAP TYPE	-----	-----	-----	-----	-----	-----	AR		
	-50	S1053E7T	DUCT-FLEXIBLE-NEOPRENE IMPREGNATED	-----	-----	-----	-----	-----	7/8 DIA	AR	
		S1053E8T	DUCT-FLEXIBLE-NEOPRENE IMPREGNATED	-----	-----	-----	-----	-----	1.00 DIA	AR	
S1053E10T		DUCT-FLEXIBLE-NEOPRENE IMPREGNATED	-----	-----	-----	-----	-----	1-1/4 DIA	AR		
S1053K10T		DUCT-FLEXIBLE-SILICONE IMPREGNATED	-----	-----	-----	-----	-----	1-1/4 DIA	AR		
S1053E12T		DUCT-FLEXIBLE-NEOPRENE IMPREGNATED	-----	-----	-----	-----	-----	1-1/2 DIA	AR		
S1053K12T		DUCT-FLEXIBLE-SILICONE IMPREGNATED	-----	-----	-----	-----	-----	1-1/2 DIA	AR		
S1053E20T		DUCT-FLEXIBLE-NEOPRENE IMPREGNATED	-----	-----	-----	-----	-----	2-1/2 DIA	AR		
S1053K20T		DUCT-FLEXIBLE-SILICONE IMPREGNATED	-----	-----	-----	-----	-----	2-1/2 DIA	AR		
S1053E24T		DUCT-FLEXIBLE-NEOPRENE IMPREGNATED	-----	-----	-----	-----	-----	3.00 DIA	AR		
S1053K24T		DUCT-FLEXIBLE-SILICONE IMPREGNATED	-----	-----	-----	-----	-----	3.00 DIA	AR		
S1053K24W		DUCT-FLEXIBLE-SILICONE IMPREGNATED	-----	-----	-----	-----	-----	2 PLY 3.00 DIA	AR		
S1053E28T		DUCT-FLEXIBLE-NEOPRENE IMPREGNATED	-----	-----	-----	-----	-----	3-1/2 DIA	AR		
S1053K28W		DUCT-FLEXIBLE-SILICONE IMPREGNATED	-----	-----	-----	-----	-----	2 PLY 3-1/2 DIA	AR		
S1053E32T		DUCT-FLEXIBLE-NEOPRENE IMPREGNATED	-----	-----	-----	-----	-----	4.00 DIA	AR		
S1053K32T		DUCT-FLEXIBLE-SILICONE IMPREGNATED	-----	-----	-----	-----	-----	4.00 DIA	AR		
-51	S1047-1	SEAL-SPONGE RUBBER-5/16 THICK	-----	-----	-----	-----	-----	-----	AR		
	S1047-2	SEAL-SPONGE RUBBER-1/4 THICK	-----	-----	-----	-----	-----	-----	AR		
-52	S1055-1	CHANNEL-EXTRUDED RUBBER	-----	-----	-----	-----	-----	-----	AR		
-53	S1071-1	LINE-POLYETHYLENE-.25 O.D.	-----	-----	-----	-----	-----	-----	AR		
	S1071-2	LINE-POLYETHYLENE-.312 O.D.	-----	-----	-----	-----	-----	-----	AR		
	S1071-3	LINE-POLYETHYLENE-.375 O.D.	-----	-----	-----	-----	-----	-----	AR		
	S1071B3	LINE-POLYETHYLENE-.375 O.D.	-----	-----	-----	-----	-----	BLACK	AR		
	S1071G3	LINE-POLYETHYLENE-.375 O.D.	-----	-----	-----	-----	-----	GREEN	AR		
	S1071R3	LINE-POLYETHYLENE-.375 O.D.	-----	-----	-----	-----	-----	RED	AR		
	S1071-4	LINE-POLYETHYLENE-.50 O.D.	-----	-----	-----	-----	-----	-----	AR		
	S1071B4	LINE-POLYETHYLENE-.50 O.D.	-----	-----	-----	-----	-----	BLACK	AR		
	S1071-5	LINE-POLYETHYLENE-.625 O.D.	-----	-----	-----	-----	-----	-----	AR		
	S1071B5	LINE-POLYETHYLENE-.625 O.D.	-----	-----	-----	-----	-----	BLACK	AR		
-54	S1071-6	LINE-POLYETHYLENE-.75 O.D.	-----	-----	-----	-----	-----	-----	AR		
	S1071B6	LINE-POLYETHYLENE-.75 O.D.	-----	-----	-----	-----	-----	BLACK	AR		
	S1084-1	SEAL-EXTRUDED RUBBER	-----	-----	-----	-----	-----	-----	AR		
	S1110ET	DUCT-OVAL-FLEXIBLE-NEOPRENE IMPREGNATED	-----	-----	-----	-----	-----	-----	AR		
	S1346-1	SEAL-SPONGE RUBBER	-----	-----	-----	-----	-----	-----	AR		
	-55	S1366-1	MOULDING-EXTRUDED PLASTIC-SAND	-----	-----	-----	-----	-----	-----	AR	
		S1366-2	MOULDING-EXTRUDED PLASTIC-FAWN	-----	-----	-----	-----	-----	-----	AR	
		S1366-3	MOULDING-EXTRUDED PLASTIC-BLACK	-----	-----	-----	-----	-----	-----	AR	

CONTINUED ON NEXT PAGE

P210 Parts Catalog

FIGURE AND INDEX NO.	PART NUMBER	DESCRIPTION							UNITS PER ASSY	USABLE ON CODE	
		1	2	3	4	5	6	7			
1	-58	S1378-1	SEAL-SPONGE RUBBER-BEIGE -----							AR	
		S1378-2	SEAL-SPONGE RUBBER-CLOUD GRAY -----							AR	
	-59	S1389-1	SEALER STRIP-FELT-1.00 WIDE -----							AR	
		S1389-2	SEALER STRIP-FELT-1-1/2 WIDE -----							AR	
		S1389-3	SEALER STRIP-FELT-2.00 WIDE -----							AR	
		S1389-4	SEALER STRIP-FELT-1-3/4 WIDE -----							AR	
		S1389-5	SEALER STRIP-FELT-1-1/4 WIDE -----							AR	
		S1389-6	SEALER STRIP-FELT-2-1/4 WIDE -----							AR	
		S1389-7	SEALER STRIP-FELT-1-3/8 WIDE -----							AR	
-60	S1398-1	CONTROL-PUSH PULL WIRE -----							AR		
-61	S1398-2	CONTROL-PUSH PULL CASING -----							AR		
-62	S1415-1	MOULDING-EXTRUDED VINYL -----							AR		
-63	S1441-1	SEAL-SPONGE RUBBER-3/8 WIDE -----							AR		
	S1441-2	SEAL-SPONGE RUBBER-1/4 WIDE -----							AR		
	S1441-3	SEAL-SPONGE RUBBER-1/2 WIDE -----							AR		
-64	S1495-3	HOSE-RUBBER-3/16 ID -----							AR		
	S1495-4	HOSE-RUBBER-1/4 ID -----							AR		
	S1495-6	HOSE-RUBBER-3/8 ID -----							AR		
	S1495-8	HOSE-RUBBER-1/2 ID -----							AR		
	S1495-10	HOSE-RUBBER-5/8 ID -----							AR		
	S1611-1	SEAL-EXTRUDED VINYL -----							AR		
-66	S1635-1	ELECTRICAL PIN WIRE SIZE 22-18 -----							AR		
	S1635-2	ELECTRICAL PIN WIRE SIZE 18-14 -----							AR		
	S1635-3	ELECTRICAL PIN WIRE SIZE 18 GA-2 WIRE -----							AR		
-67	S1636-1	ELECTRICAL SOCKET WIRE SIZE 22-18 -----							AR		
	S1636-2	ELECTRICAL SOCKET WIRE SIZE 18-14 -----							AR		
	S1636-3	ELECTRICAL SOCKET WIRE SIZE 18 GA-2 WIRE -----							AR		
-68	S1637-1	HOUSING-ELECTRICAL PIN -----							AR		
-69	S1637-2	HOUSING-ELECTRICAL SOCKET -----							AR		
-70	S1638-1	HOUSING-ELECTRICAL SOCKET-3 CIRCUIT -----							AR		
-71	S1638-2	HOUSING-ELECTRICAL PIN-3 CIRCUIT -----							AR		
-72	S1640-6	HOUSING-ELECTRICAL PIN-6 CAVITY -----							AR		
	S1640-9	HOUSING-ELECTRICAL PIN-9 CAVITY -----							AR		
	S1640-12	HOUSING-ELECTRICAL PIN-12 CAVITY -----							AR		
	S1640-15	HOUSING-ELECTRICAL PIN-15 CAVITY -----							AR		
	S1641-6	HOUSING-ELECTRICAL SOCKET-6 CAVITY -----							AR		
-73	S1641-9	HOUSING-ELECTRICAL SOCKET-9 CAVITY -----							AR		
	S1641-12	HOUSING-ELECTRICAL SOCKET-12 CAVITY -----							AR		
	S1641-15	HOUSING-ELECTRICAL SOCKET-15 CAVITY -----							AR		
-74	S2287-1	SEAL-NEOPRENE -----							AR		
-75	S1356	SEAL-EXTRUDED RUBBER -----							AR		
-76	S1614	LACING-KOROSEAL -----							AR		
-77	3690-1/8	FILM-BLACK VINYL-1/8 IN WIDE -----							AR		
	3690-1/4	FILM-BLACK VINYL-1/4 IN WIDE -----							AR		
	3690-1/2	FILM-BLACK VINYL-1/2 IN WIDE -----							AR		
-78	110691	WIRE-TEFLON -----							AR		
-79	S1050-1	GROMMET-CATERPILLAR .056 WIDE -----							AR		
	S1050-2	GROMMET-CATERPILLAR .090 WIDE -----							AR		
	S1050-3	GROMMET-CATERPILLAR .131 WIDE -----							AR		
-80	S2092-1	FABRIC FASTENER-HOOK -----							AR		
	S2092-3	FABRIC FASTENER-HOOK -----							AR		
	S2092-5	FABRIC FASTENER-HOOK -----							AR		
	S2092-7	FABRIC FASTENER-HOOK -----							AR		
	S2092-9	FABRIC FASTENER-HOOK -----							AR		
	S2092-11	FABRIC FASTENER-HOOK -----							AR		
	S2092-13	FABRIC FASTENER-HOOK -----							AR		
	S2092-31	FABRIC FASTENER-HOOK -----							AR		
	-81	S2092-2	FABRIC FASTENER-PILE -----							AR	
		S2092-4	FABRIC FASTENER-PILE -----							AR	
		S2092-6	FABRIC FASTENER-PILE -----							AR	
S2092-8		FABRIC FASTENER-PILE -----							AR		
S2092-10		FABRIC FASTENER-PILE -----							AR		
S2092-12		FABRIC FASTENER-PILE -----							AR		
S2092-30		FABRIC FASTENER-PILE -----							AR		

CONTINUED ON NEXT PAGE

P210 Parts Catalog

FIGURE AND INDEX NO.	PART NUMBER		DESCRIPTION							UNITS PER ASSY	USABLE ON CODE
			1	2	3	4	5	6	7		
1 -82	S1948-2-1	*	TRIM-EXTRUDED	CLOUD GRAY	-----					AR	
	S1948-2-2	*	TRIM-EXTRUDED	EBONY	-----					AR	
	S1948-2-3	*	TRIM-EXTRUDED	SILVER TEAL BLUE	-----					AR	
	S1948-2-4	*	TRIM-EXTRUDED	MARIGOLD	-----					AR	
	S1948-2-5	*	TRIM-EXTRUDED	SUNGOLD	-----					AR	
	S1948-2-6	*	TRIM-EXTRUDED	LIGHT OLIVE	-----					AR	
	S1948-2-7	*	TRIM-EXTRUDED	CLOVE BROWN	-----					AR	
	S1948-2-8	*	TRIM-EXTRUDED	HOLIDAY BLUE	-----					AR	
	S1948-2-9	*	TRIM-EXTRUDED	FIESTA RED	-----					AR	
	S1948-2-10	*	TRIM-EXTRUDED	PICNIC GREEN	-----					AR	
	S1948-2-11	*	TRIM-EXTRUDED	BOGOTA BLUE	-----					AR	
	S1948-2-12	*	TRIM-EXTRUDED	TAHITIAN RED	-----					AR	
	S1948-2-13	*	TRIM-EXTRUDED	CYPRUS GREEN	-----					AR	
	S1948-2-14	*	TRIM-EXTRUDED	PEACOCK BLUE	-----					AR	
	S1948-2-15	*	TRIM-EXTRUDED	POPPY RED	-----					AR	
	S1948-2-16	*	TRIM-EXTRUDED	GOLDEN OLIVE & OLIVE GREEN	-----					AR	
	S1948-2-17	*	TRIM-EXTRUDED	SUNSET RED	-----					AR	
	S1948-2-18	*	TRIM-EXTRUDED	COPEN BLUE	-----					AR	
	S1948-2-19	*	TRIM-EXTRUDED	CHESTNUT BROWN	-----					AR	
	S1948-2-20	*	TRIM-EXTRUDED	OLD GOLD	-----					AR	
-83	S1029-1		J-SECTION							AR	
-84	S2108-1		SEAL-VINYL FOAM	.50X.25	-----					AR	
	S2108-2		SEAL-VINYL FOAM	.25X.062	-----					AR	
	S2108-3		SEAL-VINYL FOAM	.38X.25	-----					AR	
	S2108-4		SEAL-VINYL FOAM	.50X.18	-----					AR	
	S2272-1		SEAL-NEOPRENE SPONGE	.31 WIDE	-----					AR	
	S2272-2		SEAL-NEOPRENE SPONGE	.25 WIDE	-----					AR	
-85	S2195-1		TRIM-MOULDING		-----					AR	
	S2195-2		TRIM-MOULDING		-----					AR	
-86	S2145-1		SEAL-EXTRUDED RUBBER		-----					AR	
-87	Y8562		TAPE-POLYURETHANE		-----					AR	
-88	S2249-2		SEAL-NEOPRENE		-----					AR	
-89	S1511-1		FAIRING-EXTRUDED VINYL		-----					AR	
-90	CM2919-2		SEAL-NEOPRENE	.125 THICK	-----					AR	
	CM2919-3		SEAL-NEOPRENE	.187 THICK	-----					AR	
	CM2919-4		SEAL-NEOPRENE	.250 THICK	-----					AR	
-91	S1453-1		SEAL-SPONGE RUBBER		-----					AR	
-92	S1046-1		SLEEVING	.106 OD	-----					AR	
	S1046-3		SLEEVING	.133 OD	-----					AR	
	S1046-5		SLEEVING	.166 OD	-----					AR	
	S1046-7		SLEEVING	.208 OD	-----					AR	
	S1046-9		SLEEVING	.263 OD	-----					AR	
	S1046-11		SLEEVING	.330 OD	-----					AR	
	S1046-12		SLEEVING	.390 OD	-----					AR	
	S1046-13		SLEEVING	.450 OD	-----					AR	
	S1046-15		SLEEVING	.640 OD	-----					AR	
-93	S1399-1		SLEEVING	.25 OD	-----					AR	
	S1399-2		SLEEVING	.12 OD	-----					AR	
-94	S1775-1		HOSE-POLYVINYLCHLORIDE	3/4 ID	-----					AR	
	S1775-2		HOSE-POLYVINYLCHLORIDE	1/4 ID	-----					AR	
	S1775-3		HOSE-POLYVINYLCHLORIDE	5/8 ID	-----					AR	
	S1775-4		HOSE-POLYVINYLCHLORIDE	3/8 ID	-----					AR	
-95	S2501-4		HOSE-URETHANE RUBBER	1/4 ID	-----					AR	
	S2501-6		HOSE-URETHANE RUBBER	3/8 ID	-----					AR	
-96	CM3505-1W		GROMMET	WHITE	.12 X .10	-----				AR	
	CM3505-1B		GROMMET	BLACK	.12 X .10	-----				AR	
	CM3505-2W		GROMMET	WHITE	.15 X .165	-----				AR	
	CM3505-2B		GROMMET	BLACK	.15 X .165	-----				AR	
	CM3505-3W		GROMMET	WHITE	.15 X .185	-----				AR	
	CM3505-3B		GROMMET	BLACK	.15 X .185	-----				AR	
	CM3505-4W		GROMMET	WHITE	.15 X .26	-----				AR	
	CM3505-4B		GROMMET	BLACK	.15 X .26	-----				AR	

CONTINUED ON NEXT PAGE

P210 Parts Catalog

FIGURE AND INDEX NO.	PART NUMBER	DESCRIPTION							UNITS PER ASSY	USABLE ON CODE	
		1	2	3	4	5	6	7			
1 -97	S1694-2	HOSE-HEAT SHRINKABLE						.063 EXPANDED I.D.	AR		
	S1694-3	HOSE-HEAT SHRINKABLE						.093 EXPANDED I.D.	AR		
	S1694-4	HOSE-HEAT SHRINKABLE						.125 EXPANDED I.D.	AR		
	S1694-5	HOSE-HEAT SHRINKABLE						.187 EXPANDED I.D.	AR		
	S1694-6	HOSE-HEAT SHRINKABLE						.250 EXPANDED I.D.	AR		
	S1694-7	HOSE-HEAT SHRINKABLE						.375 EXPANDED I.D.	AR		
	S1694-8	HOSE-HEAT SHRINKABLE						.50 EXPANDED I.D.	AR		
	S1694-9	HOSE-HEAT SHRINKABLE						.750 EXPANDED I.D.	AR		
	-98	S307-2	HOSE-RUBBER						1/8 I.D.	AR	
		S307-3	HOSE-RUBBER						3/16 I.D.	AR	
		S307-5	HOSE-RUBBER						1/4 I.D. X 1/16 IN WALL	AR	
		S307-7	HOSE-RUBBER						1/4 I.D. X 1/8 IN WALL	AR	
	-99	S307-8	HOSE-RUBBER						5/16 I.D.	AR	
		S2562-1	TUBING-CONVOLUTE						SLIT .38 O.D.	AR	
		S2562N1	TUBING-CONVOLUTE						NON SLIT .38 O.D.	AR	
		S2562-2	TUBING-CONVOLUTE						SLIT .53 O.D.	AR	
		S2562-3	TUBING-CONVOLUTE						SLIT .67 O.D.	AR	
		S2562-4	TUBING-CONVOLUTE						SLIT .81 O.D.	AR	
S2562-5		TUBING-CONVOLUTE						SLIT .92 O.D.	AR		
S2562-6		TUBING-CONVOLUTE						SLIT 1.08 O.D.	AR		
<p>NOTE. *PART NUMBER LISTED IN TEXT IS .04 THICK WITH A 1/2 INCH RETURN. FOR .04 THICK & 7/8 INCH RETURN CHANGE FIRST DASH NUMBER TO -1. EXAMPLE S1948-1-4. FOR .13 THICK & 1/2 INCH RETURN CHANGE FIRST DASH NUMBER TO -3. EXAMPLE S1948-3-4.</p> <p>NOTE. CHECK CESSNA SUPPLY DIVISION FOR AVAILABILITY AND UNIT OF MEASURE BEFORE ORDERING.</p>											

P210 Parts Catalog

Registration Markings

***ABCDEFGHIJKLMN
OPQRSTUVWXYZ
-1234567890***

LEFT HAND SLANT
(LEFT SIDE OF AIRPLANE)

**ABCDEFGHIJKLMN
OPQRSTUVWXYZ
-1234567890**

RIGHT HAND SLANT
(RIGHT SIDE OF AIRPLANE)

**ABCDEFGHIJKLMN
OPQRSTUVWXYZ
-1234567890**

Figure 1A. (Sheet 1 of 3) Registration Markings

P210 Parts Catalog

Registration Markings (Cont)

S1500 TYPE STENCILS * FOR SLANT GOTHIC LETTERS & NUMERALS

LETTERS AND NUMERALS ARE AVAILABLE IN 10 INCH AND 12 INCH HEIGHTS IN EITHER LEFT HAND OR RIGHT HAND SLANT.

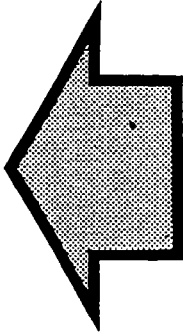
LETTERS AVAILABLE ARE A THRU Z.
NUMERALS AVAILABLE ARE 0 THRU 9.

TO ORDER:

EACH LETTER OR NUMERAL WANTED MUST BE ORDERED BY GIVING BASIC PART NUMBER, FOLLOWED BY HEIGHT DESIRED, FOLLOWED BY SPECIFIC LETTER OR NUMERAL AND THE DESIGNATOR L OR R TO INDICATE LEFT OR RIGHT HAND SLANT.

EXAMPLE:

51500 - 10 - M L
BASIC PART NO. | | |
 | | |
 HEIGHT WANTED | | |
 | | |
 DIRECTION OF SLANT
 LETTER WANTED



S1600 TYPE STENCILS * FOR VERTICAL GOTHIC LETTERS & NUMERALS

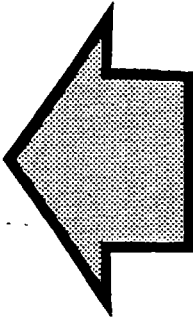
LETTERS AND NUMERALS ARE AVAILABLE IN 6 INCH, 12 INCH AND 20 INCH HEIGHTS. LETTERS AVAILABLE ARE A THRU Z. NUMERALS AVAILABLE ARE 0 THRU 9.

TO ORDER:

EACH LETTER OR NUMERAL WANTED MUST BE ORDERED BY GIVING BASIC PART NUMBER, FOLLOWED BY HEIGHT DESIRED, FOLLOWED BY SPECIFIC LETTER OR NUMERAL WANTED.

EXAMPLE:

51600 - 20 - N
BASIC PART NO. | | |
 | | |
 HEIGHT WANTED | | |
 | | |
 LETTER WANTED



* EACH STENCIL PROVIDES FOR EITHER
BACKGROUND OR CENTER MASK.

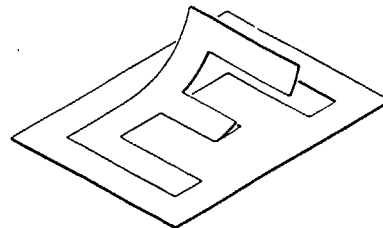


Figure 1A. (Sheet 2 of 3) Registration Markings

P210 Parts Catalog

Registration Markings (Cont)

**ABCDEFGHIJKLMN
OPQRSTUVWXYZ
1234567890**

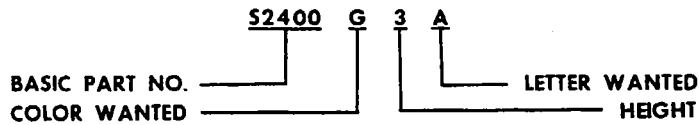
S2400 TYPE DECALS* 3 INCH VERTICAL GOTHIC LETTERS & NUMERALS

LETTERS & NUMERALS ARE 3 INCHES IN HEIGHT AND AVAILABLE IN WHITE (W), GOLD (G) OR BRONZE (B). LETTERS AVAILABLE ARE A THRU Z. NUMERALS AVAILABLE ARE 0 THRU 9.

TO ORDER:

EACH LETTER OR NUMERAL WANTED MUST BE ORDERED GIVING THE BASIC PART NUMBER, FOLLOWED BY THE COLOR, FOLLOWED BY THE HEIGHT(3), FOLLOWED BY THE SPECIFIC LETTER OR NUMERAL WANTED.

EXAMPLE:



* PRESSURE SENSITIVE ADHESIVE BACKED VINYL FILM

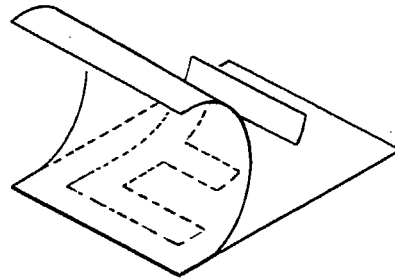
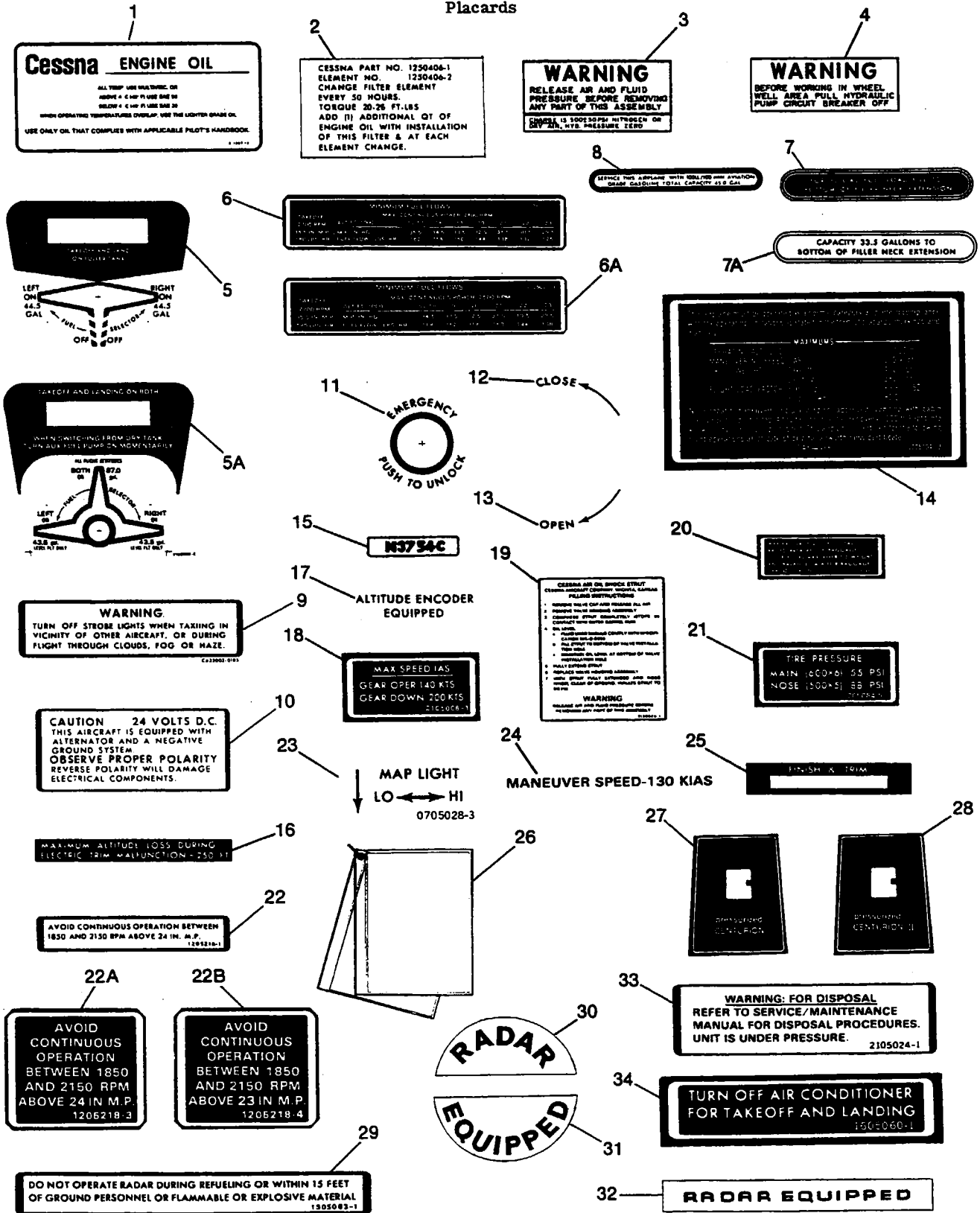


Figure 1A. (Sheet 3 of 3) Registration Markings

P210 Parts Catalog

Placards



P210 SERIAL P2100001 THRU P2100811
 Figure 2. (Sheet 1 of 2) Nameplates, Placards & Exterior Markings Installation

P210 Parts Catalog

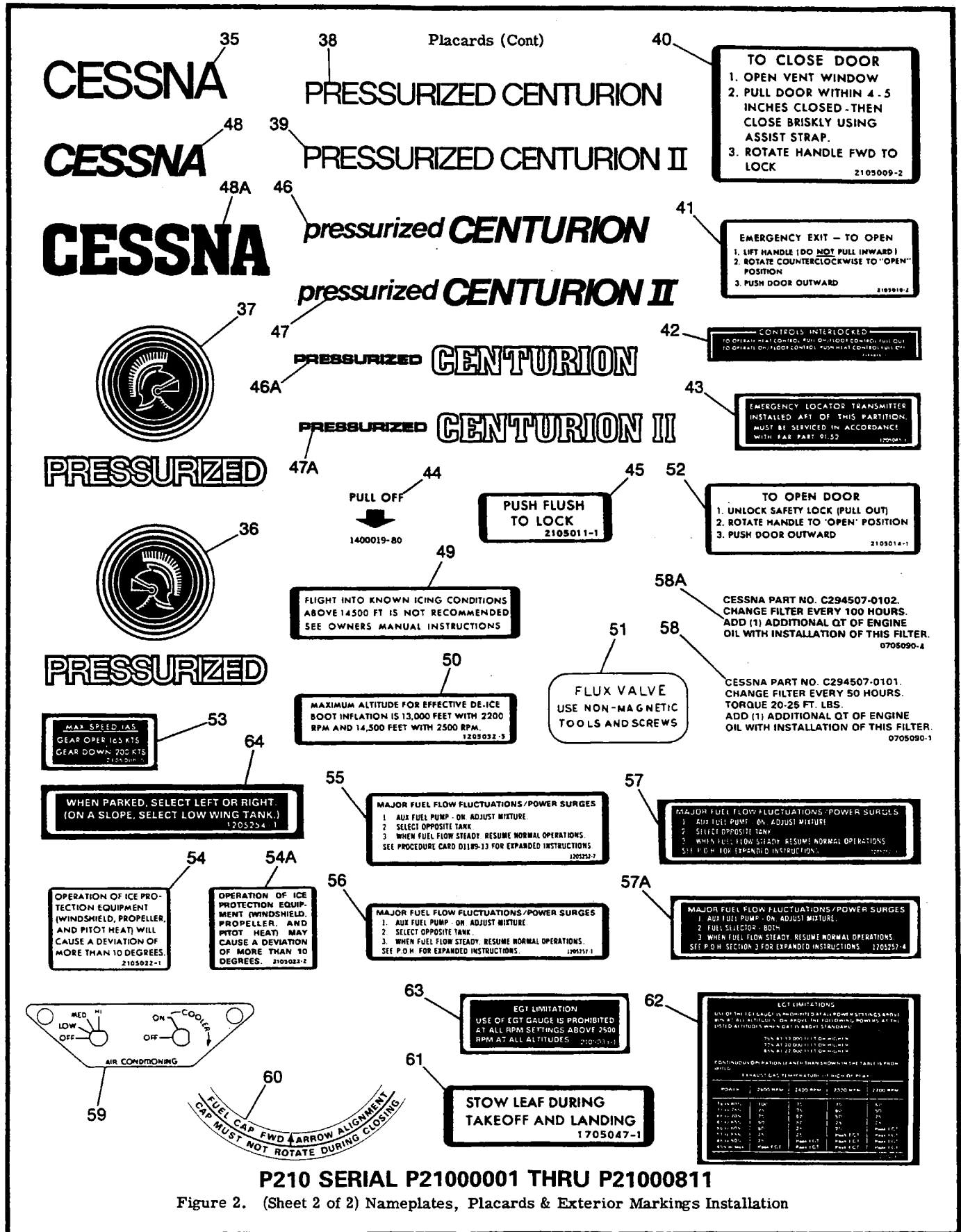


Figure 2. (Sheet 2 of 2) Nameplates, Placards & Exterior Markings Installation

P210 Parts Catalog

FIGURE AND INDEX NO.	PART NUMBER	DESCRIPTION	UNITS PER ASSY							USABLE ON CODE
			1	2	3	4	5	6	7	
2 -		NAMEPLATES, PLACARDS & EXTERIOR MARKINGS INSTALLATION -----	NP							Z
- 1	S1397-12	PLACARD-ENGINE OIL -----	1							
- 2	1250410-5	PLACARD-OIL FILTER -----	1							
- 3	1205082-2	PLACARD-LANDING GEAR WARNING -----	1							
- 4	1205082-1	PLACARD-WHEEL WELL DOORS -----	6							B
	1205082-1	PLACARD-WHEEL WELL DOORS -----	2							C
- 5	2113067-1	PLACARD-FUEL SELECTOR -----	1							W
- 5A	2105028-2	PLACARD-FUEL SELECTOR -----	1							T
	S102174-8	ATTACHING PARTS								
		SCREW -----	4							
		*-----								
- 6	2105027-2	PLACARD-FUEL FLOW -----	1							W
- 6A	2105027-3-E85	PLACARD-FUEL FLOW WHITE ON BLACK BACKGROUND -----	1							T
- 7	1205036-1	PLACARD-32 GAL FUEL CELL -----	2							L
- 7A	1205036-3	PLACARD-33.5 GAL FUEL CELL -----	2							K
- 8	1200745-2	PLACARD-FUEL CELL -----	2							B
- 9	C622003-0105	PLACARD-STROBE LIGHT WARNING -----	1							
- 10	1205024-2	PLACARD-BATTERY BOX -----	2							
- 11	2105004-1	PLACARD-CABIN DOOR PIN LOCK -----	1							
- 12	2105005-2	PLACARD-CABIN DOOR HANDLE -----	1							
- 13	2105005-1	PLACARD-CABIN DOOR HANDLE CLOSE -----	1							
- 14	1205104-13	PLACARD-CABIN DOOR HANDLE OPEN -----	1							
	1205104-14	PLACARD-OPERATIONAL LIMITATIONS DAY-VFR -----	1							B
	1205104-15	PLACARD-OPERATIONAL LIMITATIONS DAY-NIGHT-VFR -----	1							B
	2105015-1	PLACARD-OPERATIONAL LIMITATIONS DAY-NIGHT-VFR-IFR -----	1							B
	2105015-2	PLACARD-OPERATIONAL LIMITATIONS DAY-VFR -----	1							C
	2105015-3	PLACARD-OPERATIONAL LIMITATIONS DAY-NIGHT-VFR -----	1							C
	2105015-5	PLACARD-OPERATIONAL LIMITATIONS DAY-NIGHT-VFR-IFR -----	1							C
		PLACARD-OPERATIONAL LIMITATIONS DAY-NIGHT-VFR-IFR -----	1							A
		ICING CONDITIONS								
	1205104-21 *	PLACARD-OPERATIONAL LIMITATIONS DAY-VFR -----	1							H
	1205104-22 *	PLACARD-OPERATIONAL LIMITATIONS DAY-NIGHT-VFR -----	1							H
	1205104-23 *	PLACARD-OPERATIONAL LIMITATIONS DAY-NIGHT-VFR-IFR -----	1							H
	1205104-24 *	PLACARD-OPERATIONAL LIMITATIONS DAY-NIGHT-VFR-IFR -----	1							H
		ICING CONDITIONS								
- 15	1213004-1	PLACARD-AIRCRAFT IDENTIFICATION NUMBER -----	NP							
	S102274-8	RETAINER -----	1							T
	NAS446-1	SCREW -----	2							T
		NUT -----	2							T
- 16	1205046-3	PLACARD-ELECTRIC TRIM -----	1							B
- 17	0405044-1	PLACARD-ALTITUDE ENCODER -----	1							L
	0405044-3-E85	PLACARD-BLIND ENCODER WHITE ON BLACK BACKGROUND -----	1							S
- 18	2105008-3	PLACARD-GEAR OPERATION -----	1							Q
- 19	2105025-1	PLACARD-NOSE GEAR SHOCKSTRUT -----	1							T
- 20	1205045-2	PLACARD-BAGGAGE LOAD LIMITS -----	1							
- 21	1205084-5	PLACARD-TIRE PRESSURE -----	1							
- 22	1205218-1	PLACARD-RPM AVOIDANCE BLACK LETTERING -----	1							L
	1205218-2-E85	PLACARD-RPM AVOIDANCE WHITE ON BLACK BACKGROUND -----	1							S
- 22A	1205218-3-E85	PLACARD-RPM AVOIDANCE WHITE ON BLACK BACKGROUND -----	1							Q
- 22B	1205218-4-E85	PLACARD-RPM AVOIDANCE WHITE ON BLACK BACKGROUND -----	1							T
- 23	0705028-3	PLACARD-MAPLIGHT -----	1							
- 24	2105018-1	PLACARD-MANEUVER SPEED BLACK LETTERING -----	1							J
	2105018-5-E85	PLACARD-MANEUVER SPEED WHITE ON BLACK BACKGROUND -----	1							K
- 25	0713047	PLATE-FINISH & TRIM -----	1							
- 26	D6025	CHECKLIST ASSY-PILOT -----	1							B
	D6041	CHECKLIST ASSY-PILOT -----	1							X
	D6097	CHECKLIST ASSY-PILOT -----	1							T
- 27	0505054-17	EMBLEM-CONTROL WHEEL PRESSURIZED CENTURION -----	1							
- 28	0505054-18	EMBLEM-CONTROL WHEEL PRESSURIZED CENTURION II -----	1							
- 29	1505083-1	PLACARD-RADAR OPERATIONS -----	1							B
- 30	1505086-1	PLACARD-RADAR POD -----	1							
- 31	1505086-2	PLACARD-RADAR POD -----	1							
- 32	5100313-15	PLACARD-EXTERIOR -----	1							
- 33	2105024-1	PLACARD-EMERGENCY DOOR AIR CYLINDER -----	1							K
- 34	1605060-1	PLACARD-AIR CONDITIONING -----	1							R
- 35	1205237-1	PLACARD-EXTERIOR CESSNA BLACK -----	2							B
	1205237-2	PLACARD-EXTERIOR CESSNA WHITE -----	2							B
- 36	2105003-1	PLACARD-EXTERIOR LH -----	1							B
	2105013-1	PLACARD-EXTERIOR LH -----	1							C
- 37	2105003-2	PLACARD-EXTERIOR RH -----	1							B
	2105013-2	PLACARD-EXTERIOR RH -----	1							C
- 38	2105003-4	PLACARD-EXTERIOR BLACK -----	2							B
	2105003-3	PLACARD-EXTERIOR WHITE -----	2							B

CONTINUED ON NEXT PAGE

P210 Parts Catalog

FIGURE AND INDEX NO.	PART NUMBER	DESCRIPTION							UNITS PER ASSY	USABLE ON CODE	
		1	2	3	4	5	6	7			
2 -39	2105003-6	PLACARD-EXTERIOR	BLACK	-----							
	2105003-5	PLACARD-EXTERIOR	WHITE	-----							
-40	2105009-2	PLACARD-CABIN DOOR CLOSE		-----							B
-41	2105010-2	PLACARD-EMERGENCY EXIT OPEN		-----							B
-42	2105016-1	PLACARD-AIR CONTROL INTERLOCK		-----							
-43	1205085-1	PLACARD-EMERGENCY LOCATOR TRANSMITTER		-----							
-44	1400019-80	PLACARD-CONTROL WHEEL		-----							A
-45	2105011-1	PLACARD-EMERGENCY EXIT DOOR		-----							
-46	2105012-1	PLACARD-EXTERIOR		-----							
-46A	1205122-5	PLACARD-EXTERIOR		-----							J
-47	2105012-2	PLACARD-EXTERIOR		-----							K
-47A	1205122-6	PLACARD-EXTERIOR		-----							K
-48	0405064-1	PLACARD-EXTERIOR		-----							K
	0405064-3	PLACARD-EXTERIOR	CESSNA	BLACK	-----						K
-48A	0405072-1	PLACARD-EXTERIOR	CESSNA	WHITE	-----						J
	0405072-2	PLACARD-EXTERIOR	CESSNA	WHITE	-----						J
-49	1205032-4	PLACARD-EXTERIOR	CESSNA	WHITE	-----						K
-50	1205032-5	PLACARD-EXTERIOR	CESSNA	BRONZE	-----						K
-51	9754008-24	PLACARD-ICING CONDITIONS		-----							D
-52	2105014-1	PLACARD-ICING CONDITIONS		-----							E
-53	2105008-5	PLACARD-FLUX VALVE		-----							F
-54	2105022-1	PLACARD-CABIN DOOR OPEN		-----							
-54A	2105022-2	PLACARD-GEAR OPERATION		-----							C
-55	1205252-2	PLACARD-COMPASS DEVIATION		-----							M
-56	1205252-1	PLACARD-COMPASS DEVIATION		-----							U
-57	1205252-3	PLACARD-FUEL FLOW		-----							P
-57A	1205252-4	PLACARD-FUEL FLOW	WHITE ON BLACK BACKGROUND	-----							Y
-58	0705090-1	PLACARD-FUEL FLOW	WHITE ON BLACK BACKGROUND	-----							T
-58A	0705090-4	PLACARD-OIL FILTER		-----							G
-59	1205251-1	PLACARD-FUEL FLOW		-----							V
-60	1205253-1	PLACARD-AIR CONDITIONING		-----							R
-61	1705047-1	PLACARD-FUEL CAP ALIGNMENT		-----							
-62	2105030-1	PLACARD-SEAT BACK TABLE		-----							K
-63	2105033-1	PLACARD-EGT LIMITATIONS		-----							B
-64	1205254-1	PLACARD-EGT LIMITATIONS		-----							B
-65	0890018-3	PLACARD-FUEL SELECTOR VALVE		-----							A
		PLACARD-PITOT HEAT WARNING		-----							A

NOTE. *EXPORT-FOR UNITED KINGDOM ONLY

A---P210 SERIAL P21000001 THRU P21000016
 B---P210 SERIAL P21000001 THRU P21000150
 C---P210 SERIAL P21000151 THRU P21000811
 D---P210 SERIAL P21000001 THRU P21000106
 E---P210 SERIAL P21000107 THRU P21000119
 F---P210 SERIAL P21000052 THRU P21000811
 G---P210 SERIAL P21000278 THRU P21000616
 H---P210 SERIAL P21000152 THRU P21000811
 J---P210 SERIAL P21000151 THRU P21000385
 K---P210 SERIAL P21000386 THRU P21000811
 L---P210 SERIAL P21000001 THRU P21000385
 M---P210 SERIAL P21000225 THRU P21000627
 N---P210 SERIAL P21000001 THRU P21000307
 P---P210 SERIAL P21000308 THRU P21000385
 Q---P210 SERIAL P21000591 THRU P21000760
 R---P210 SERIAL P21000405 & P21000490 THRU P21000811
 S---P210 SERIAL P21000386 THRU P21000590
 T---P210 SERIAL P21000761 THRU P21000811
 U---P210 SERIAL P21000628 THRU P21000811
 V---P210 SERIAL P21000617 THRU P21000811
 W---P210 SERIAL P21000001 THRU P21000760
 X---P210 SERIAL P21000151 THRU P21000760
 Y---P210 SERIAL P21000386 THRU P21000760
 Z---P210 SERIAL P21000001 THRU P21000811
 AA---P210 SERIAL P21000811
 AB---P210 SERIAL P21000225 THRU P21000811

P210 Parts Catalog

Placards (Cont)

1
Cessna ENGINE OIL
ALL TEMP. USE MULTIGRAPHIC OIL
AIRCRAFT C-400 IN USE SAE 30
BELLOW C-400 IN USE SAE 30
WHEN OPERATING TEMPERATURES OVERLAP, USE THE LIGHTER GRADE OIL.
USE ONLY OIL THAT COMPLIES WITH APPLICABLE PILOT'S HANDBOOK.

2
CESSNA PART NO. 1250406-1
ELEMENT NO. 1250406-2
CHANGE FILTER ELEMENT
EVERY 50 HOURS.
TORQUE 20.25 FT.-LBS.
ADD (1) ADDITIONAL QT OF
ENGINE OIL WITH INSTALLATION
OF THIS FILTER & AT EACH
ELEMENT CHANGE.

3
WARNING
RELEASE AIR AND FLUID
PRESSURE BEFORE REMOVING
ANY PART OF THIS ASSEMBLY
DANGER: IS FORD SCREW HYDROGEN OR
FLAMMABLE. PRESSURE ZERO

4
WARNING
BEFORE WORKING IN WHEEL
WELL AREA PULL HYDRAULIC
PUMP CIRCUIT BREAKER OFF

5
TAKE OFF AND LANDING ON BOTH
WHEN SWITCHING FROM ONE TAKE
TURN AIR FUEL FLOW ON MOMENTARILY
ALL FUEL SYSTEMS
BOTH 100/100
LEFT 100
RIGHT 100
43.5 GALS
43.5 GALS

6
MINIMUM FUEL FLOWS
FUEL FLOW MAX. CONTINUOUS POWER 2600 RPM
100/100 100/100 100/100 100/100
100/100 100/100 100/100 100/100
100/100 100/100 100/100 100/100

7
CAPACITY 33.5 GALLONS TO
BOTTOM OF FILLER NECK EXTENSION

8
SERVICE THIS AIRPLANE WITH 100LL/100 AVG AVIATION
GRADE GASOLINE TOTAL CAPACITY 43.0 GAL.

8A
SERVICE THIS AIRPLANE WITH 100LL/100 AVG AVIATION
GRADE GASOLINE TOTAL CAPACITY 43.0 GAL.

9
CAUTION 24 VOLTS D.C.
THIS AIRCRAFT IS EQUIPPED WITH
ALTERNATOR AND A NEGATIVE
GROUND SYSTEM.
OBSERVE PROPER POLARITY
REVERSE POLARITY WILL DAMAGE
ELECTRICAL COMPONENTS.

10
EMERGENCY
PUSH TO UNLOCK

11
CLOSE

12
OPEN

13
The markings and placards installed in this airplane contain operation
instructions which must be complied with when operating this airplane in the
Normal Category. Other operating limitations, which must be complied with
when operating this airplane in this category are contained in the Pilot's
Operating Handbook and FAA Approved Regional Flight Manual.
No aerobically maneuvers, including stalls, approach,
landings, with cabin pressurized is prohibited.
Flight into terrain using conditions prohibited.
This airplane is certified for the following flight operations as of date of
original airworthiness certificate.
DAY - VFR 2105175-1

14
N3734C

15
ALTITUDE ENCODER
EQUIPPED

16
CESSNA AIR OIL SERVICE AT/UT
OILS: 100/100 AVG AVIATION GRADE GASOLINE
PLACING INSTRUCTIONS:
1. REMOVE COVER CAP AND RELEASE OIL CAP
2. REMOVE OIL FROM RESERVOIR
3. REMOVE OIL FROM RESERVOIR
4. REMOVE OIL FROM RESERVOIR
5. REMOVE OIL FROM RESERVOIR
6. REMOVE OIL FROM RESERVOIR
7. REMOVE OIL FROM RESERVOIR
8. REMOVE OIL FROM RESERVOIR
9. REMOVE OIL FROM RESERVOIR
10. REMOVE OIL FROM RESERVOIR
11. REMOVE OIL FROM RESERVOIR
12. REMOVE OIL FROM RESERVOIR
13. REMOVE OIL FROM RESERVOIR
14. REMOVE OIL FROM RESERVOIR
15. REMOVE OIL FROM RESERVOIR
16. REMOVE OIL FROM RESERVOIR
17. REMOVE OIL FROM RESERVOIR
18. REMOVE OIL FROM RESERVOIR
19. REMOVE OIL FROM RESERVOIR
20. REMOVE OIL FROM RESERVOIR
21. REMOVE OIL FROM RESERVOIR
22. REMOVE OIL FROM RESERVOIR
23. REMOVE OIL FROM RESERVOIR
24. REMOVE OIL FROM RESERVOIR
25. REMOVE OIL FROM RESERVOIR
26. REMOVE OIL FROM RESERVOIR
27. REMOVE OIL FROM RESERVOIR
WARNING
REPLACE OIL FROM RESERVOIR BEFORE
REMOVING ANY PART OF THIS ASSEMBLY.

17
CESSNA AIR OIL SERVICE AT/UT
OILS: 100/100 AVG AVIATION GRADE GASOLINE
PLACING INSTRUCTIONS:
1. REMOVE COVER CAP AND RELEASE OIL CAP
2. REMOVE OIL FROM RESERVOIR
3. REMOVE OIL FROM RESERVOIR
4. REMOVE OIL FROM RESERVOIR
5. REMOVE OIL FROM RESERVOIR
6. REMOVE OIL FROM RESERVOIR
7. REMOVE OIL FROM RESERVOIR
8. REMOVE OIL FROM RESERVOIR
9. REMOVE OIL FROM RESERVOIR
10. REMOVE OIL FROM RESERVOIR
11. REMOVE OIL FROM RESERVOIR
12. REMOVE OIL FROM RESERVOIR
13. REMOVE OIL FROM RESERVOIR
14. REMOVE OIL FROM RESERVOIR
15. REMOVE OIL FROM RESERVOIR
16. REMOVE OIL FROM RESERVOIR
17. REMOVE OIL FROM RESERVOIR
18. REMOVE OIL FROM RESERVOIR
19. REMOVE OIL FROM RESERVOIR
20. REMOVE OIL FROM RESERVOIR
21. REMOVE OIL FROM RESERVOIR
22. REMOVE OIL FROM RESERVOIR
23. REMOVE OIL FROM RESERVOIR
24. REMOVE OIL FROM RESERVOIR
25. REMOVE OIL FROM RESERVOIR
26. REMOVE OIL FROM RESERVOIR
27. REMOVE OIL FROM RESERVOIR

18
TIRE PRESSURE
MAIN (600+4) 55 PSI
NOSE (500+5) 88 PSI
1200-042-2

19
AVOID
CONTINUOUS
OPERATION
BETWEEN 1850
AND 2150 RPM
ABOVE 23 IN M.P.
1205218-4

19A
MAX SPEED IAS
GEAR OPER 165 KTS
GEAR DOWN 200 KTS
2105008-3

20
MAP LIGHT
LO ← HI
0705028-3

21
MANEUVER SPEED-130 KIAS

22
FINISH & TRIM

23
Placard with illegible text

24
Cessna
Performance
Comparison II

25
Cessna
Performance
Comparison II

26
WARNING: FOR DISPOSAL
REFER TO SERVICE/MAINTENANCE
MANUAL FOR DISPOSAL PROCEDURES.
UNIT IS UNDER PRESSURE.
2105024-1

27
TURN OFF AIR CONDITIONER
FOR TAKEOFF AND LANDING
1605060-1

P210 SERIAL P21000812 & ON

Figure 2A. (Sheet 1 of 2) Nameplates, Placards & Exterior Markings Installation

P210 Parts Catalog

Placards (Cont)

28

TO CLOSE DOOR

1. OPEN VENT WINDOW
2. PULL DOOR WITHIN 4 - 5 INCHES CLOSED - THEN CLOSE BRISKLY USING ASSIST STRAP.
3. ROTATE HANDLE FWD TO LOCK

2105009-2

29

EMERGENCY EXIT - TO OPEN

1. LIFT HANDLE (DO NOT PULL INWARD)
2. ROTATE COUNTERCLOCKWISE TO "OPEN" POSITION
3. PUSH DOOR OUTWARD

2105010-2

30

EMERGENCY LOCATOR TRANSMITTER
 INSTALLED AFT OF THIS PARTITION
 MUST BE SERVICED IN ACCORDANCE
 WITH IAB PART 91.32

31

PUSH FLUSH TO LOCK

2105011-1

32

FLUX VALVE
 USE NON-MAGNETIC
 TOOLS AND SCREWS

33

TO OPEN DOOR

1. UNLOCK SAFETY LOCK (PULL OUT)
2. ROTATE HANDLE TO "OPEN" POSITION
3. PUSH DOOR OUTWARD

2105014-1

34

OPERATION OF ICE PROTECTION EQUIPMENT (WINDSHIELD, PROPELLER, AND PYLOT HEAT) MAY CAUSE A DEVIATION OF MORE THAN 10 DEGREES

2105022-2

35

MAJOR FUEL FLOW FLUCTUATIONS / POWER SURGES

1. AID FUEL PUMP - ON, ADJUST MIXTURE
2. FUEL SELECTION - BOTH
3. WHEN FUEL FLOW STEADY, RESUME NORMAL OPERATIONS

SEE P.O.H. SECTION 3 FOR EXPANDED INSTRUCTIONS. 1705252-4

36

CESSNA PART NO. C294607-0102.
 CHANGE FILTER EVERY 100 HOURS.
 ADD (1) ADDITIONAL QT OF ENGINE OIL WITH INSTALLATION OF THIS FILTER.

0706090-4

37

AIR CONDITIONING

38

FUEL CAP FWD ARROW ALIGNMENT
 CAP MUST NOT ROTATE DURING CLOSING

39

STOW LEAF DURING TAKEOFF AND LANDING

1705047-1

40

ELT IS LOCATED BEHIND THIS SURFACE.

41

WHEN PARKED, SELECT LEFT OR RIGHT.
 (ON A SLOPE, SELECT LOW WING TANK.)

1705254-1

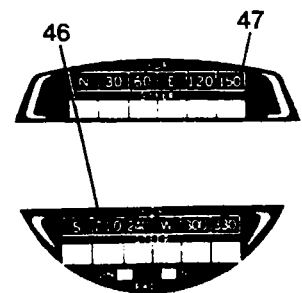


43

PRESSURIZED CENTURION

44

PRESSURIZED CENTURION II



45

AVGAS ONLY

GRADE 100LL GRADE 100



P210 SERIAL P21000812 & ON

Figure 2A. (Sheet 2 of 2) Nameplates, Placards & Exterior Markings Installation

P210 Parts Catalog

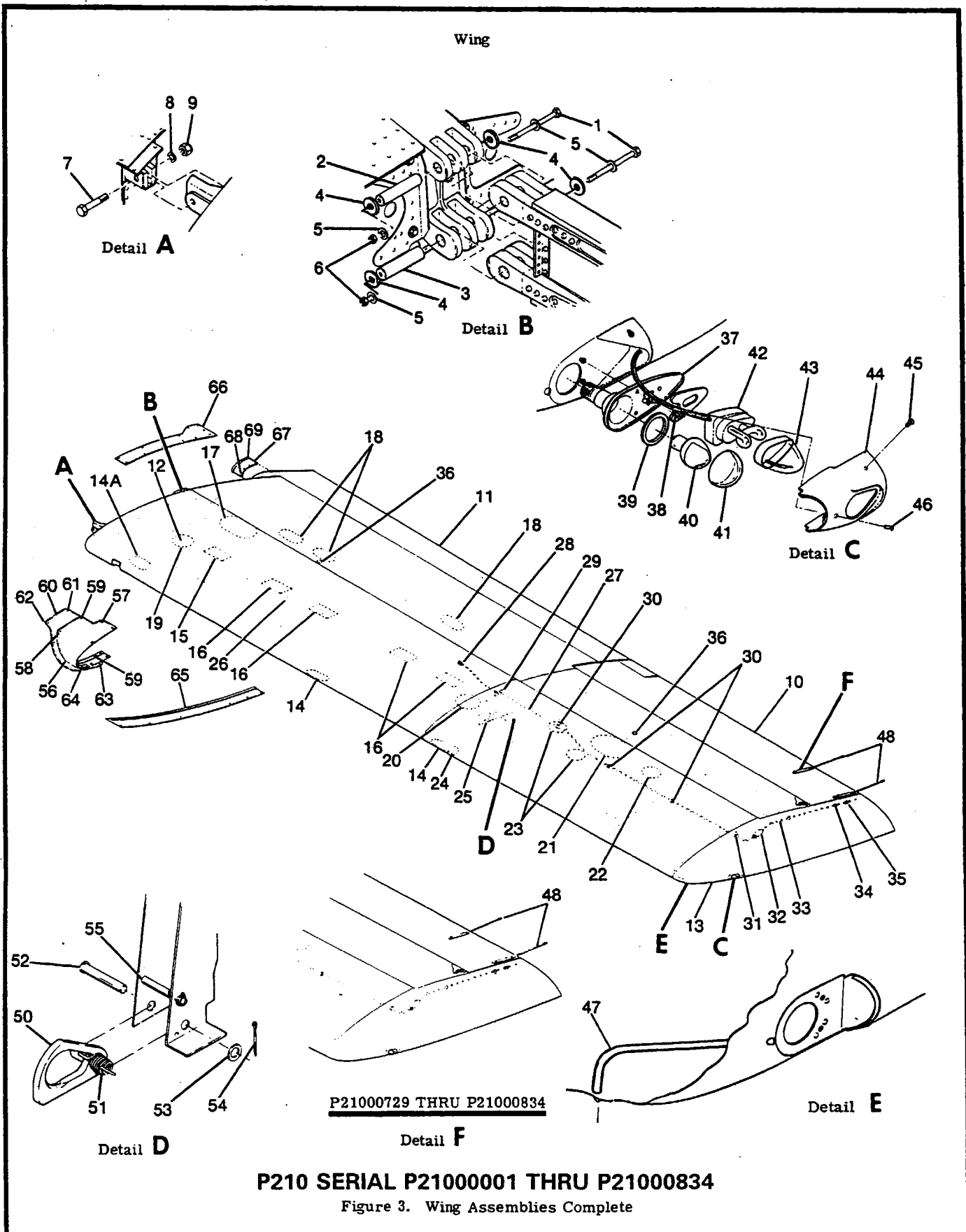
FIGURE AND INDEX NO.	PART NUMBER	DESCRIPTION	UNITS PER ASSY	USABLE ON CODE
		1 2 3 4 5 6 7		
2A-		NAMEPLATES, PLACARDS & EXTERIOR MARKINGS INSTALLATION	NP	A
- 1	S1397-12	PLACARD-ENGINE OIL	1	
- 2	1250410-5	PLACARD-OIL FILTER	1	
- 3	1205082-2	PLACARD-LANDING GEAR WARNING	1	
- 4	1205082-1	PLACARD-WHEEL WELL DOORS	2	
- 5	2105028-2	PLACARD-FUEL SELECTOR	1	
	2105028-3	PLACARD-FUEL SELECTOR EXTENDED FUEL CAPACITY	1	C
	S102174-8	ATTACHING PARTS		
		SCREW	4	
- 6	2105027-3-E85	PLACARD-FUEL FLOW WHITE ON BLACK BACKGROUND	1	B
- 7	1205036-3	PLACARD-33.5 GAL FUEL CELL	2	
- 8	1200745-2	PLACARD-FUEL CELL 45.0 GAL CAPACITY	2	
- 8A	1200745-3	PLACARD-FUEL CELL 60.0 GAL CAPACITY	2	C
- 9	1205024-2	PLACARD-BATTERY BOX	2	
-10	2105004-1	PLACARD-CABIN DOOR PIN LOCK	1	
-11	2105005-2	PLACARD-CABIN DOOR HANDLE CLOSE	1	
-12	2105005-1	PLACARD-CABIN DOOR HANDLE OPEN	1	
-13	2105015-1	PLACARD-OPERATIONAL LIMITATIONS DAY-VFR	1	
	2105015-2	PLACARD-OPERATIONAL LIMITATIONS DAY-NIGHT-VFR	1	
	2105015-3	PLACARD-OPERATIONAL LIMITATIONS DAY-NIGHT-VFR-IFR	1	
	2105015-5	PLACARD-OPERATIONAL LIMITATIONS DAY-NIGHT-VFR-IFR	1	
-14		ICING CONDITIONS		
	1213004-1	PLACARD-AIRCRAFT IDENTIFICATION NUMBER	NP	
	S102274-8	RETAINER	1	B
	NAS446-1	SCREW	2	B
		NUT	2	B
-15	0405044-3-E85	PLACARD-BLIND ENCODER WHITE ON BLACK BACKGROUND	1	B
-16	2105025-1	PLACARD-NOSE GEAR SHOCKSTRUT	1	
-17	1205045-2	PLACARD-BAGGAGE LOAD LIMITS	1	
-18	1205084-5	PLACARD-TIRE PRESSURE	1	
-19	1205218-4-E85	PLACARD-RPM AVOIDANCE WHITE ON BLACK BACKGROUND	1	B
-19A	2105008-5	PLACARD-GEAR OPERATION	1	B
-20	0705028-3	PLACARD-MAPLIGHT	1	
-21	2105018-5-E85	PLACARD-MANEUVER SPEED WHITE ON BLACK BACKGROUND	1	
-22	0713047	PLATE-FINISH & TRIM	1	
-23	D6120	CHECKLIST ASSY-PILOT	1	B
	D6159	CHECKLIST ASSY-PILOT	1	D
-23A	D6170-13	CHECKLIST ASSY-PILOT	1	F
-24	0505100-19	EMBLEM-CONTROL WHEEL PRESSURIZED CENTURION	1	
-25	0505100-20	EMBLEM-CONTROL WHEEL PRESSURIZED CENTURION II	1	B
-26	2105024-1	PLACARD-EMERGENCY DOOR AIR CYLINDER	1	
-27	1605060-1-E85	PLACARD-AIR CONDITIONING WHITE ON BLACK BACKGROUND	1	B
-28	2105009-2	PLACARD-CABIN DOOR CLOSED	1	
-29	2105010-2	PLACARD-EMERGENCY EXIT OPEN	1	
-30	1205085-1	PLACARD-EMERGENCY LOCATOR TRANSMITTER	1	
-31	2105011-1	PLACARD-EMERGENCY EXIT DOOR	1	
-32	9754008-24	PLACARD-FLUX VALVE	1	
-33	2105014-1	PLACARD-CABIN DOOR OPEN	1	
-34	2105022-2	PLACARD-COMPASS DEVIATION	1	
-35	1205252-4-E85	PLACARD-FUEL FLOW WHITE ON BLACK BACKGROUND	1	
	1205252-4-E84	PLACARD-FUEL FLOW WHITE ON CLEAR BACKGROUND	1	C
-36	0705090-4	PLACARD-OIL FILTER	1	
-37	1205251-1	PLACARD-AIR CONDITIONING	1	
-38	1205253-1	PLACARD-FUEL CAP ALIGNMENT	1	B
-39	1705047-1	PLACARD-SEAT BACK TABLE	1	
-40	0405101-1	PLACARD-ELT LOCATOR WHITE CANADIAN AIRCRAFT ONLY	1	
	0405101-2	PLACARD-ELT LOCATOR BLACK CANADIAN AIRCRAFT ONLY	1	
-41	1205254-1	PLACARD-FUEL SELECTOR VALVE	1	
-42	0505097-1	EMBLEM ASSY-CESSNA	2	B
	S1278-2	ATTACHING PARTS		
		CLIP	2	B
-42A	0505103-1	EMBLEM ASSY-CESSNA EXTERIOR	1	C
-43	1205128-1	PLACARD-EXTERIOR BLACK	2	
	1205128-2	PLACARD-EXTERIOR WHITE	AR	

CONTINUED ON NEXT PAGE

P210 Parts Catalog

FIGURE AND INDEX NO.	PART NUMBER	DESCRIPTION	UNITS PER ASSY	USABLE ON CODE
		1 2 3 4 5 6 7		
2A-44	1205128-3	PLACARD-EXTERIOR BLACK -----	2	
	1205128-4	PLACARD-EXTERIOR WHITE -----	AR	
-45	S2608-1	PLACARD-AVGAS -----	1	E
-46	0400213-4	PLACARD-COMPASS CORRECTION -----	1	
-47	0400213-5	PLACARD-COMPASS CORRECTION -----	1	
-48	0505104-1	MASK-EXTERIOR LOGO -----	2	F
-49	0890018-3	PLACARD-PITOT HEAT WARNING -----	1	G
		A---P210 SERIAL P21000812 & ON		
		B---P210 SERIAL P21000812 THRU P21000834		
		C---P210 SERIAL P21000835 & ON		
		D---P210 SERIAL P21000813		
		E---P210 SERIAL P21000812 & P21000814 & ON		
		F---P210 SERIAL P21000867 & ON		
		G---P210 SERIAL P21000812 THRU P21000874		

P210 Parts Catalog



P210 Parts Catalog

FIGURE AND INDEX NO.	PART NUMBER	DESCRIPTION	UNITS PER ASSY	USABLE ON CODE
		1 2 3 4 5 6 7		
3 -		WING ASSEMBLIES COMPLETE LH -----	NP	H
		WING ASSEMBLIES COMPLETE RH -----	NP	H
		ATTACHING PARTS -----		
- 1	AN4-47A	BOLT -----	2	
- 2	1210704-1	DOWEL PIN-WING ATTACH UPR -----	1	
- 3	1210704-2	DOWEL PIN-WING ATTACH LWR -----	1	
- 4	S1450-4H24-125	RETAINER-DOWEL PIN -----	4	
- 5	NAS1149F0463P	WASHER -----	4	
- 6	MS21042L4	NUT -----	2	
- 7	AN8-23A	BOLT -----	1	
- 8	NAS1149F0863P	WASHER -----	1	
- 9	MS20365-820C	NUT -----	1	
		*-----		
	SEE FIG 4	WING STRUCTURE ASSEMBLY -----	1	
-10	SEE FIG 9	AILERON INSTALLATION -----	1	
-11	SEE FIG 10	FLAP INSTALLATION -----	1	
-12	SEE FIG 142	COURTESY LIGHT INSTALLATION -----	1	
-13	1221111-203	TIP ASSY-WING LH -----	1	
	1221111-202	TIP ASSY-WING RH -----	1	
		ATTACHING PARTS -----		
	AN525-832R8	SCREW -----	14	
		*-----		
	S1863-3	NUT-ATTACH WING LIGHT -----	3	
	1221111-7	RIB ASSY-LH -----	1	
	1221111-8	RIB ASSY-RH -----	1	
	NAS697A08	NUTPLATE -----	1	
-14	1221096-3	DOOR-ACCESS -----	2	
		ATTACHING PARTS -----		
	AN507-632R8	SCREW -----	6	
		*-----		
-14A	1221096-3	DOOR-ACCESS -----	1	B
		ATTACHING PARTS -----		
	AN507-632R8	SCREW -----	6	
		*-----		
	1222140-5	DOOR-ACCESS -----	1	C
		ATTACHING PARTS -----		
	AN507-1032R7	SCREW -----	12	
		*-----		
-15	1221050-3	PLATE-COVER -----	1	
		ATTACHING PARTS -----		
	AN507-1032R8	SCREW -----	4	
		*-----		
-16	1221050-3	PLATE-COVER -----	4	
		ATTACHING PARTS -----		
	AN507-1032R7	SCREW -----	4	
		*-----		
-17	1221116-3	DOOR-ACCESS -----	1	
		ATTACHING PARTS -----		
	AN507-1032R7	SCREW -----	8	
		*-----		
-18	1221093-3	DOOR-ACCESS -----	3	
		ATTACHING PARTS -----		
	AN507-1032R7	SCREW -----	AR	
		*-----		
-19	1222125-1	PLATE-INSPECTION -----	1	
		ATTACHING PARTS -----		
	AN507-832R8	SCREW -----	6	
		*-----		
-20	S225-4	PLATE-INSPECTION -----	1	
		ATTACHING PARTS -----		
	S102278-6	SCREW -----	6	
		*-----		
-21	1221091-3	DOOR-ACCESS -----	1	
		ATTACHING PARTS -----		
	AN507-1032R7	SCREW -----	8	
		*-----		
-22	1222012-1	PLATE-COVER -----	1	
		ATTACHING PARTS -----		
	S102278-6	SCREW -----	6	
		*-----		
-23	S225-4F	PLATE-INSPECTION -----	2	
		ATTACHING PARTS -----		
	S102278-6	SCREW -----	6	
		*-----		
		CONTINUED ON NEXT PAGE		

P210 Parts Catalog

FIGURE AND INDEX NO.	PART NUMBER	DESCRIPTION	1 2 3 4 5 6 7							UNITS PER ASSY	USABLE ON CODE
			1	2	3	4	5	6	7		
3 -24	S1672-1 S1672-3 186-9	STALL WARNING UNIT-LH WING STALL WARNING UNIT-LH WING HEATED STALL WARNING UNIT-LH WING SFIC HEATED								1 1 1	A
	S102178-6 AN525-832R7 NAS395-17-3 MS21044N08	KNOWN ICING ATTACHING PARTS SCREW WITHOUT KNOWN ICING SCREW WITH KNOWN ICING NUT WITHOUT KNOWN ICING NUT WITH KNOWN ICING								4 4 4 4	A D E
	1221261-1 NAS696A08	PLATE ASSY-DOUBLER NUTPLATE								1 4	E
-25	SEE FIG 105	PITOT TUBE								1	
-26	1200028-1	JACK POINT ASSY-REMOVABLE ATTACHING PARTS								1 3	
	AN520-10R12	SCREW								3	
-27	1200406-83 2100003-61 1200406-84 2100003-62	LINE ASSY-FUEL VENT LH LINE ASSY-FUEL VENT LH LINE ASSY-FUEL VENT RH LINE ASSY-FUEL VENT RH								1 1 1 1	F G F G
	AN815-6D	ATTACHING PARTS								1	
-28	1722087-1	UNION								1	
-29	S102178-8	RETAINER STA 138.00								1	
-30	MS35489-12	SCREW								2	
-31	S1592-2A S102176-8	GROMMET BAND SCREW								3 1 1	
-32	S2358-1	VALVE-FUEL VENT								1	
-33	1200406-85	TUBE ASSY ATTACHING PARTS								1 1	
-34	AN742D6	CLAMP								1	
	AN515-8R6	SCREW								1	
-35	1221256-1 1221256-2	GUARD-LH GUARD-RH								1 1	
-36	CM2692-24-1S	PLUG BUTTON								2	
-37	C622001-0201	LIGHT BASE ASSY-WING NAVIGATION ATTACHING PARTS								2 2	
-38	S102178-6	SCREW								AR	
-39	A1257A	GASKET GMC								2	
-40	MS25309-7512	BULB-NAVIGATION LIGHT								2	
-41	A1280-2	LENS-NAVIGATION LIGHT LH								1	
	A1280-3	LENS-NAVIGATION LIGHT RH								1	
-42	C622006-0102	LIGHT ASSY-STROBE								2	
-43	C622006-0103	LENS-STROBE LIGHT								2	
	C622006-0105	GASKET-STROBE LIGHT								2	
-44	1221147-3	SHIELD-LH NOT USED WITH STROBE LIGHT								1	
	1221147-1	SHIELD-LH USED WITH STROBE LIGHT								1	
	1221147-4	SHIELD-RH NOT USED WITH STROBE LIGHT								1	
	1221147-2	SHIELD-RH USED WITH STROBE LIGHT								1	
		ATTACHING PARTS									
-45	S102276-8	SCREW								2	
-46	AN507-632R12	SCREW								1	
-46A	S1862-1	NUTPLATE								4	
-47	1221201-3	DETECTOR-LIGHT LH								1	
	1221201-4	DETECTOR-LIGHT RH								1	
-48	C592001-0203	STATIC DISCHARGER-WING FSO C592001-0203								NP	
	S2230-1	STATIC DISCHARGER-WING ATTACHING PARTS								2 2	
	C592001-0204	RIVET-BLIND								2	
-49		WICK-STATIC DISCHARGE USED WITH C592001-0203 DELETED-NOT USED								1	

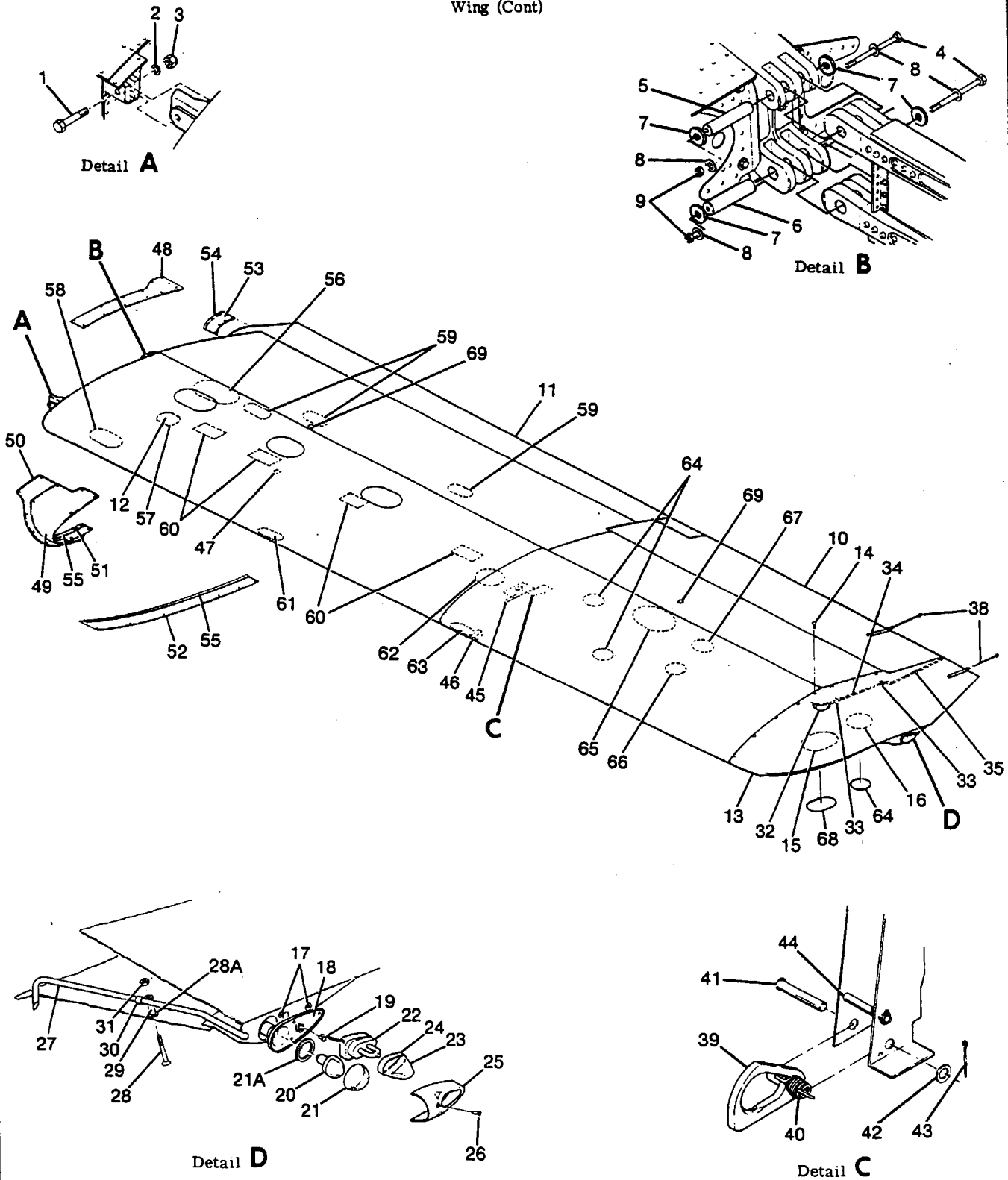
CONTINUED ON NEXT PAGE

P210 Parts Catalog

FIGURE AND INDEX NO.	PART NUMBER	DESCRIPTION							UNITS PER ASSY	USABLE ON CODE
		1	2	3	4	5	6	7		
3 -50	0523615-1	RING ASSEMBLY-MOORING -----							1	
		ATTACHING PARTS -----								
-51	0523616-1	SPRING-RING -----							1	
-52	MS20392-2C39	PIN -----							1	
-53	NAS1149F0332P	WASHER -----							1	
-54	MS24665-132	COTTER PIN -----							1	
		*-----								
-55	MS20392-1C39	PIN-STOP -----							1	
	NAS1149FN432P	WASHER -----							1	
	MS24665-132	COTTER PIN -----							1	
-56	2113093-5	FAIRING-WING TO WINDSHIELD LH -----							1	
	2113093-6	FAIRING-WING TO WINDSHIELD RH -----							1	
		ATTACHING PARTS -----								
-57	AN509-10R8	SCREW -----							7	
	S290-1032	WASHER -----							7	
-58	AN509-10R8	SCREW -----							1	
-59	AN509-10R6	SCREW -----							3	
	S1022Z8-8	SCREW -----							1	
	S290-832	WASHER -----							1	
		*-----								
-60	2113093-1	RETAINER ASSY-LH -----							1	
	2113093-2	RETAINER ASSY-RH -----							1	
		ATTACHING PARTS -----								
-61	AN509-10R6	SCREW -----							1	
-62	AN509-10R8	SCREW -----							2	
	5311268-1	HOSE -----							2	
-63	AN509-8R10	SCREW -----							2	
		*-----								
	NAS681A3	NUTPLATE -----							3	
-64	S1078-1	SEALER * IN LG BKI -----							AR	
-65	1221105-15	FILLET ASSY-CTR LWR LH -----							1	
	1221105-16	FILLET ASSY-CTR LWR RH -----							1	
		ATTACHING PARTS -----								
	AN507-832R8	SCREW -----							6	
	AN507-832R6	SCREW -----							1	
	S290-832	WASHER -----							7	
		*-----								
-66	1221105-17	FILLET-CTR UPR LH -----							1	
	1221105-18	FILLET-CTR UPR RH -----							1	
		ATTACHING PARTS -----								
	AN509-10R8	SCREW -----							11	
	S290-1032	WASHER -----							11	
		*-----								
-67	1221119-1	FILLET ASSY-LH -----							1	
	1221119-4	FILLET ASSY-RH -----							1	
		ATTACHING PARTS -----								
-68	AN509-8R7	SCREW -----							1	
	S1022Z8-8	SCREW -----							3	
		*-----								
-69	S202R735B	CHANNEL -----							1	
<p>NOTE. *WHEN ORDERING THIS PART SPECIFY 1/4 INCH OR 5/16 INCH DIAMETER.</p> <p>NOTE. *LENGTH TO BE DETERMINED LATER.</p> <p>A---P210 SERIAL P21000225 THRU P21000834 B---P210 SERIAL P21000001 THRU P21000590 C---P210 SERIAL P21000591 THRU P21000834 D---P210 SERIAL P21000225 THRU P21000675 E---P210 SERIAL P21000676 THRU P21000834 F---P210 SERIAL P21000001 THRU P21000760 G---P210 SERIAL P21000761 THRU P21000834 H---P210 SERIAL P21000001 THRU P21000834</p>										

P210 Parts Catalog

Wing (Cont)



P210 SERIAL P21000835 & ON

Figure 3A. Wing Assemblies Complete

P210 Parts Catalog

FIGURE AND INDEX NO.	PART NUMBER	DESCRIPTION	UNITS PER ASSY	USABLE ON CODE
		1 2 3 4 5 6 7		
3A-		WING ASSEMBLY COMPLETE-LH STANDARD RANGE -----	NP	A
		WING ASSEMBLY COMPLETE-LH EXTENDED RANGE -----	NP	A
		WING ASSEMBLY COMPLETE-RH STANDARD RANGE -----	NP	A
		WING ASSEMBLY COMPLETE-RH EXTENDED RANGE -----	NP	A
		ATTACHING PARTS		
- 1	AN8-23A	BOLT -----	1	
- 2	NAS1149F0863P	WASHER -----	1	
- 3	MS20365-820C	NUT -----	1	
- 4	AN4-47A	BOLT -----	2	
- 5	1210704-1	DOWEL PIN UPR -----	1	
- 6	1210704-2	DOWEL PIN LWR -----	1	
- 7	S1450-4H24-125	WASHER -----	4	
- 8	NAS1149F0463P	WASHER -----	4	
- 9	MS21042L4	NUT -----	2	
		*-----		
-10	SEE FIG 4	WING STRUCTURE ASSY -----	1	
	SEE FIG 9	AILERON INSTALLATION -----	1	
-11	SEE FIG 10	FLAP INSTALLATION -----	1	
-12	SEE FIG 142	COURTESY LIGHT INSTALLATION -----	1	
-13	2120010-21	TIP ASSY-LH -----	1	
	2120010-22	TIP ASSY-RH -----	1	
		ATTACHING PARTS		
-14	AN525-10R6	SCREW -----	17	
		*-----		
-15	21200021-1	DOUBLER ASSY-FWD -----	1	
	S1860-2A	NUTPLATE -----	8	
-16	S226-5F	DOUBLER ASSY-AFT -----	1	
	S1860-2A	NUTPLATE -----	6	
-17	NAS1329A06K-75	RIVNUT-LIGHT ATTACH -----	3	
-18	C622001-0201	BASE-NAVIGATION LIGHT -----	1	
		ATTACHING PARTS		
-19	AN507-632R5	SCREW -----	3	
		*-----		
-20	MS25309-7512	BULB-NAVIGATION LIGHT -----	1	
-21	A1280-2	LENS-NAVIGATION LIGHT LH RED GMC -----	1	
	A1280-3	LENS-NAVIGATION LIGHT RH GREEN GMC -----	1	
-21A	A1257A	GASKET GMC -----	1	
-22	C622006-0108	LIGHT ASSY-STROBE -----	1	
-23	C622006-0103	LENS-STROBE LIGHT -----	1	
-24	C622006-0105	GASKET -----	1	
-25	C622006-0104	RETAINER USED WITH STROBE LIGHT -----	1	
	A1104	SHIELD USED WITHOUT STROBE LIGHT GMC -----	1	
		ATTACHING PARTS		
-26	AN507-632R12	SCREW -----	1	
		*-----		
-27	2120018-5	ROD-LIGHT DETECTOR LH -----	1	
	2120018-4	ROD-LIGHT DETECTOR RH -----	1	
		ATTACHING PARTS		
-28	AN507-832R18	SCREW -----	1	
-28A	S2393-4	WASHER -----	1	
-29	NAS42006-43	SPACER -----	1	
-30	S1155-5	CLAMP -----	1	
-31	MS21044N08	NUT -----	1	
		*-----		
-32	AN821-6D	ELBOW FUEL VENT USED WITH STANDARD RANGE -----	1	
-33	NAS1564D8-6	REDUCER FUEL VENT USED WITH EXTENDED RANGE -----	1	
-34	MS35489-14	GROMMET -----	2	
	1200406-239	LINE ASSY-FUEL VENT -----	1	
	1200406-238	LINE ASSY-FUEL VENT -----	1	
		ATTACHING PARTS		
-35	AN742D6	CLAMP -----	1	
	AN515-8R6	SCREW -----	1	
		*-----		
-36		DELETED-NOT USED -----		
-37		DELETED-NOT USED -----		
-38	C592001-0203	STATIC DISCHARGER ASSY-WING -----	2	
		ATTACHING PARTS		
	S2230-1	RIVET-BLIND -----	2	
		*-----		
	C592001-0204	WICK-STATIC DISCHARGE -----	1	

CONTINUED ON NEXT PAGE

P210 Parts Catalog

FIGURE AND INDEX NO.	PART NUMBER	DESCRIPTION							UNITS PER ASSY	USABLE ON CODE
		1	2	3	4	5	6	7		
3A-39	0523615-1	RING ASSY-MOORING -----							1	
		ATTACHING PARTS -----								
-40	0523616-1	SPRING -----							1	
-41	MS20392-2C39	PIN -----							1	
-42	NAS1149F0332P	WASHER -----							1	
-43	MS24665-132	PIN-COTTER -----							1	
		-----*								
-44	MS20392-1C39	PIN-STOP -----							1	
	NAS1149FN432P	WASHER -----							1	
	MS24665-132	PIN-COTTER -----							1	
-45	SEE FIG 105	PITOT TUBE -----							1	
-46	S1672-1	STALL WARNING UNIT-LH WING -----							1	
	S1672-3	STALL WARNING UNIT-LH WING HEATED -----							1	
	186-9	STALL WARNING UNIT-LH WING SFIC HEATED KNOWN KIN -----							1	
		ATTACHING PARTS -----								
	S1021Z8-6	SCREW WITHOUT KNOWN ICING -----							4	
	AN525-832R7	SCREW WITH KNOWN ICING -----							4	
	NAS395-17-3	NUT -----							4	
		-----*								
	1221261-1	PLATE ASSY-DOUBLER USED WITH HEATED STALL WARNING -----							1	
	NAS696A08	NUTPLATE -----							4	
-47	1200028-1	JACK POINT ASSY-REMOVABLE -----							1	
		ATTACHING PARTS -----								
	AN520-10R12	SCREW -----							3	
		-----*								
-48	1221105-17	FILLET-UPR CTR LH -----							1	
	1221105-18	FILLET-UPR CTR RH -----							1	
		ATTACHING PARTS -----								
	AN509-10R8	SCREW -----							11	
	S290D1032	WASHER -----							11	
		-----*								
-49	2113093-5	FAIRING-FWD LH -----							1	
	2113093-6	FAIRING-FWD RH -----							1	
		ATTACHING PARTS -----								
	AN509-10R8	SCREW -----							8	
	S290D1032	WASHER -----							7	
	AN509-10R6	SCREW -----							3	
	S1021Z8-8	SCREW -----							1	
	S290D832	WASHER -----							1	
		-----*								
-50	2113093-1	RETAINER ASSY-LH -----							1	
	2113093-2	RETAINER ASSY-RH -----							1	
		ATTACHING PARTS -----								
	AN509-10R6	SCREW -----							1	
	AN509-10R8	SCREW -----							2	
	5311268-1	HOSE -----							2	
	AN509-8R10	SCREW -----							2	
		-----*								
-51	NAS681A3	NUTPLATE -----							3	
-52	1221105-15	FILLET-LWR CTR LH -----							1	
	1221105-16	FILLET-LWR CTR RH -----							1	
		ATTACHING PARTS -----								
	AN507-832R8	SCREW -----							6	
	AN507-832R6	SCREW -----							1	
	S290D832	WASHER -----							7	
		-----*								
-53	1221119-1	FILLET ASSY-T.E. LH -----							1	
	1221119-4	FILLET ASSY-T.E. RH -----							1	
		ATTACHING PARTS -----								
	AN509-8R7	SCREW -----							1	
	S1021Z8-8	SCREW -----							3	
		-----*								
-54	S202R735B	CHANNEL -----							1	
-55	S1078-1	SEALER TAPE BKI -----							AR	
-56	1221116-3	DOOR-ACCESS -----							1	
		ATTACHING PARTS -----								
	AN507-1032R7	SCREW -----							8	
		-----*								

CONTINUED ON NEXT PAGE

P210 Parts Catalog

FIGURE AND INDEX NO.	PART NUMBER	DESCRIPTION							UNITS PER ASSY	USABLE ON CODE
		1	2	3	4	5	6	7		
3A-57	1222125-1	COVER							1	
	AN507-832R8	ATTACHING PARTS							6	
		SCREW								
-58	SEE FIG 87A	AIR INLET INSTALLATION							1	
-59	1221093-3	DOOR-ACCESS							3	
	AN507-1032R7	ATTACHING PARTS							6	
		SCREW								
-60	1221050-3	COVER PLATE							4	
	AN507-1032R7	ATTACHING PARTS							4	
		SCREW								
-61	1221096-3	DOOR-ACCESS							1	
	AN507-632R8	ATTACHING PARTS							6	
		SCREW								
-62	S225-4F	PLATE-ACCESS USED WITH STANDARD RANGE							1	
	S1022Z8-6	ATTACHING PARTS							6	
		SCREW								
	2121031-3	COVER-ACCESS USED WITH EXTEND RANGE							1	
	AN507-832R8	ATTACHING PARTS							8	
		SCREW								
-63	2121003-3	COVER-ACCESS							1	
	AN507-632R8	ATTACHING PARTS							7	
		SCREW								
-64	S225-4F	PLATE-ACCESS							3	
	S1022Z8-6	ATTACHING PARTS							6	
		SCREW								
-65	1221091-3	DOOR-ACCESS							1	
	AN507-1032R7	ATTACHING PARTS							8	
		SCREW								
-66	S225-4F	PLATE-ACCESS USED WITH STANDARD RANGE							1	
	S1022Z8-6	ATTACHING PARTS							6	
		SCREW								
-67	1222012-1	PLATE-COVER							1	
	S1022Z8-6	ATTACHING PARTS							6	
		SCREW								
-68	2120021-1	PLATE-ACCESS							1	
	S1022Z8-6	ATTACHING PARTS							8	
		SCREW								
-69	CM2692-24-1S	PLUG BUTTON							3	

A---P210 SERIAL P21000835 & ON

P210 Parts Catalog

Wing (Cont)

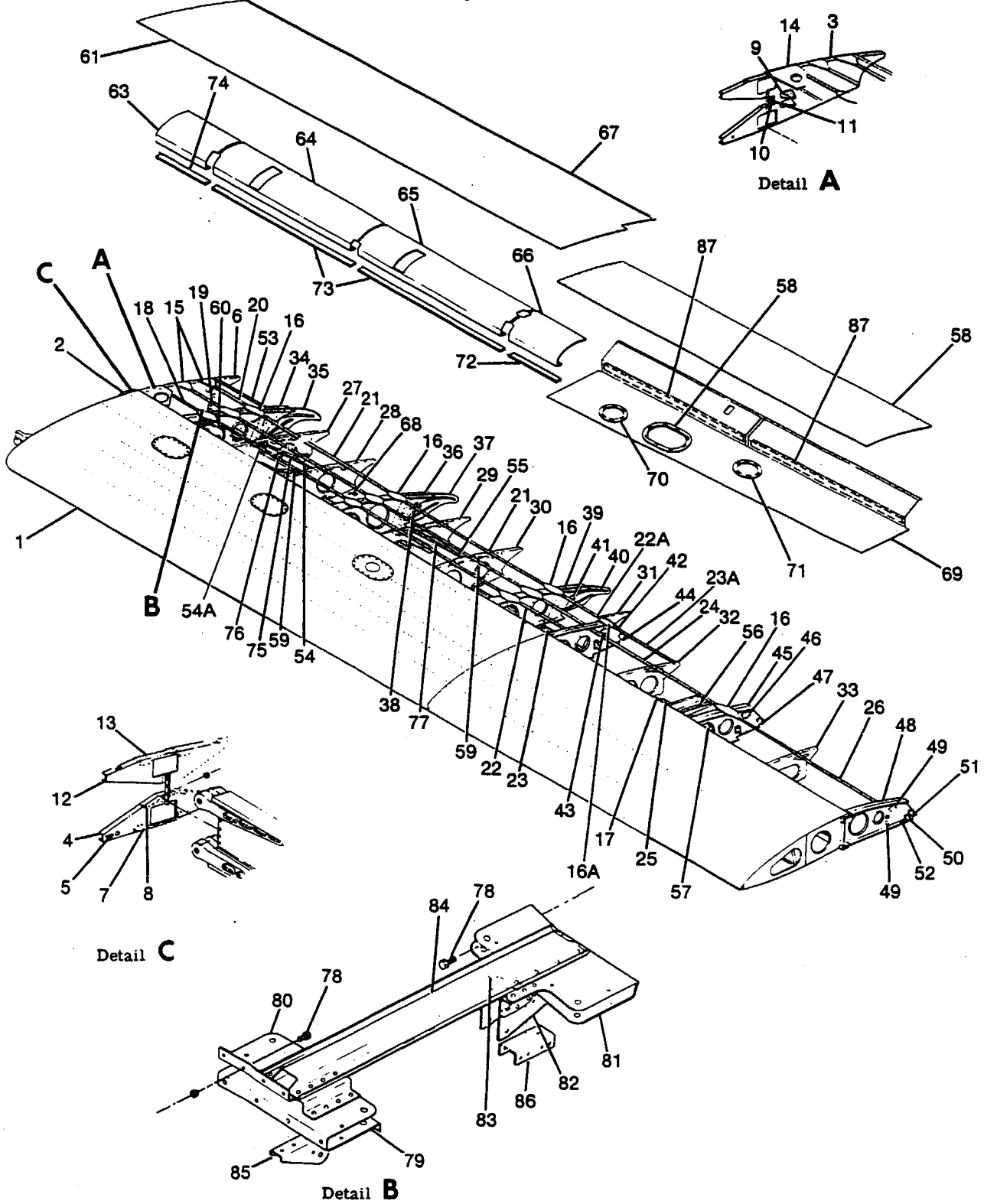


Figure 4. Wing Structure Assembly

P210 Parts Catalog

FIGURE AND INDEX NO.	PART NUMBER	DESCRIPTION							UNITS PER ASSY	USABLE ON CODE	
		1	2	3	4	5	6	7			
4 -	1221221-17	WING	STRUCTURE	ASSY-LH					1	A C D G H H A C D G H H J H	
	1221221-18	WING	STRUCTURE	ASSY-LH					1		
	1221221-19	WING	STRUCTURE	ASSY-LH					1		
	1221221-20	WING	STRUCTURE	ASSY-LH					1		
	2122000-1	WING	STRUCTURE	ASSY-LH		STANDARD RANGE			1		
	2122000-3	WING	STRUCTURE	ASSY-LH		EXTENDED RANGE			1		
	1221222-18	WING	STRUCTURE	ASSY-RH					1		
	1221222-19	WING	STRUCTURE	ASSY-RH					1		
	1221222-20	WING	STRUCTURE	ASSY-RH					1		
	1221222-21	WING	STRUCTURE	ASSY-RH					1		
	2122000-2	WING	STRUCTURE	ASSY-RH		STANDARD RANGE			1		
	2122000-4	WING	STRUCTURE	ASSY-RH		EXTENDED RANGE			1		
- 1	SEE FIG 5	LEADING EDGE ASSEMBLIES & COMPONENTS							1		H
	SEE FIG 5A	LEADING EDGE ASSEMBLIES & COMPONENTS							1		
	SEE FIG 5B	LEADING EDGE ASSEMBLIES & COMPONENTS							1		
- 2	SEE FIG 7	SPAR ASSY-WING							1		J
- 3	1221040-135	RIB	ASSY-WING	ROOT	LH				1		
	1221040-86	RIB	ASSY-WING	ROOT	RH				1		
	1221040-124	RIB	ASSY-WING	ROOT	RH				1		
- 4	1222129-5	STIFFENER	ASSY-LWR	LH					1		
	1222129-2	STIFFENER	ASSY-LWR	RH					1		
- 5	NAS686A08	NUTPLATE							2	3	
- 6	NAS697A3	NUTPLATE							3		
- 7	1222131-3	REINFORCEMENT-SPAR	CUTOUT	LWR	LH				1		
	1222131-4	REINFORCEMENT-SPAR	CUTOUT	LWR	RH				1		
	NAS686A08	NUTPLATE							1	H	
- 8	1221202-1	REINFORCEMENT	LH						1		
	1221202-2	REINFORCEMENT	RH						1		
- 9	1262052-1	BRACKET-FLAP	SUPPORT	UPR					1		
	1262052-2	BRACKET-FLAP	SUPPORT						1		
-10	1262034-7	BRACKET HALF-FLAP	PULLEY	LH	FWD				1		
	1262034-8	BRACKET HALF-FLAP	PULLEY	RH	FWD				1		
-11	1262034-5	BRACKET HALF-FLAP	PULLEY	LH	AFT				1		
	1262034-6	BRACKET HALF-FLAP	PULLEY	RH	AFT				1		
-12	1222130-9	STIFFENER	ASSY-UPR	LH					1		
	1222130-10	STIFFENER	ASSY-UPR	RH					1		
	NAS697A3	NUTPLATE							2	H	
-13	1222131-1	REINFORCEMENT-SPAR	CUTOUT	UPR	LH				1		
	1222131-2	REINFORCEMENT-SPAR	CUTOUT	UPR	RH				1		
	NAS696A3	NUTPLATE							1	H	
-14	1221231-1	GUSSET-LH							1		
	1221231-2	GUSSET-RH							1		
-15	1221047-1	GUSSET							2		
-16	1221047-3	GUSSET							1		
-16A	2121005-5	GUSSET-UPPER							14		
	2121005-6	GUSSET-LOWER							1		
-17	1221047-5	GUSSET							1		
-18	1221055-63	STRINGER							1		
	1221055-64	STRINGER							1		
-19	1221055-65	STRINGER-UPR	LH						1		
	1221055-66	STRINGER-UPR	RH						1		
-20	1221055-67	STRINGER-UPR	LH						1		
	1221055-68	STRINGER-UPR	RH						1		
-21	1221055-69	STRINGER-LH							1		
	1221055-70	STRINGER-RH							10		
-22	1221055-81	STRINGER-UPR	LH						10		
	1221055-81	STRINGER-UPR	LH						3		
	1221055-82	STRINGER-UPR	RH						2		
	1221055-82	STRINGER-UPR	RH						3		
-22A	2121030-13	STRINGER	UPR	LH					2		
	2121030-16	STRINGER	UPR	RH					1		
-23	1221055-101	STRINGER-LWR	LH						1		
	1221055-101	STRINGER-LWR	LH		FWD				2		
	1221030-13	STRINGER-LWR	LH		AFT				1		
	1221055-102	STRINGER-LWR	RH		FWD				1		
	1221055-308	STRINGER-LWR	RH		AFT				1		
	1221030-12	STRINGER-LWR	RH		AFT				1		
	2170304-1	ANGLE-WEATHER	RADAR	SUPPORT		RH ONLY			1		
-23A	2121030-9	STRINGER-UPR	LH						1		
	2121030-8	STRINGER-UPR	RH						1		
	2121030-11	STRINGER-LWR	LH						1		
	2121030-10	STRINGER-LWR	RH						1		
-24	1221055-87	STRINGER-UPR	LH						1		
	1221055-88	STRINGER-UPR	RH						1		
-25	1221055-103	STRINGER-LWR	LH						1		
	1221055-104	STRINGER-LWR	RH						1		

CONTINUED ON NEXT PAGE

P210 Parts Catalog

FIGURE AND INDEX NO.	PART NUMBER	DESCRIPTION							UNITS PER ASSY	USABLE ON CODE
		1	2	3	4	5	6	7		
4 -26	1221055-89	STRINGER-UPR LH -----							1	
	1221055-90	STRINGER-UPR RH -----							1	
-27	1221138-11	RIB-LH -----							1	
	1221138-12	RIB-RH -----							1	
-28	1221061-25	RIB-LH -----							1	
	1221061-26	RIB-RH -----							1	
	1222124-1	PLATE ASSY-JACK POINT -----							1	
	MS21073L3	NUTPLATE -----							3	
-29	1221138-7	RIB ASSY-LH -----							1	
	1221138-8	RIB ASSY-RH -----							1	
	AN3-5A	ATTACHING PARTS								
	NAS1149F0332P	BOLT -----							2	
	MS21044N3	WASHER -----							2	
		NUT -----							2	
		---*---								
-30	1221061-7	RIB-LH -----							1	
	1221061-8	RIB-RH -----							1	
	AN3-5A	ATTACHING PARTS								
	NAS1149F0332P	BOLT -----							2	
	MS21044N3	WASHER -----							2	
		NUT -----							2	
		---*---								
-31	1221092-5	RIB ASSY-LH -----							1	J
	1221092-11	RIB ASSY-LH -----							1	H
	1221092-3	DOUBLER -----							1	
	1221092-6	RIB ASSY-RH -----							1	J
	1221092-12	RIB ASSY-RH -----							1	H
	1221092-4	DOUBLER -----							1	
-32	1221061-9	RIB-LH -----							1	
	1221144-2	RIB-RH -----							1	
-33	1221061-11	RIB-LH -----							1	
	1221061-12	RIB-RH -----							1	
-34	1221064-43	RIB ASSY-FLAP TRACK LH STA 40.00 -----							1	
	1221064-32	RIB ASSY-FLAP TRACK RH STA 40.00 -----							1	
	AN3-11A	ATTACHING PARTS								
	NAS1149F0332P	BOLT -----							2	
	MS21044N3	WASHER -----							2	
		NUT -----							2	
		---*---								
-35	NAS680A3	NUTPLATE LH ONLY -----							3	
-36	1221064-21	RIDER TRACK-FLAP -----							1	
	1221064-37	RIB ASSY-FLAP TRACK LH STA 82.00 -----							1	
	1221064-38	RIB ASSY-FLAP TRACK RH STA 82.00 -----							1	
	AN3-7A	ATTACHING PARTS								
	NAS1149F0332P	BOLT -----							2	
	MS21044N3	WASHER -----							2	
		NUT -----							2	
		---*---								
-37	1221064-19	RIDER TRACK-FLAP -----							1	
-38	1221064-23	CLIP -----							2	
-39	1221064-7	RIB ASSY-FLAP TRACK LH STA 124.00 -----							1	
	1221064-8	RIB ASSY-FLAP TRACK RH STA 124.00 -----							1	
-40	1221064-20	RIDER TRACK-FLAP -----							1	
-41	1221064-23	CLIP -----							2	
-42	1221089-1	RIB ASSY AILERON HINGE LH STA 138.00 -----							1	J
	2121032-1	RIB ASSY AILERON HINGE LH STA 138.00 -----							1	H
	1221089-2	RIB ASSY AILERON HINGE RH STA 138.00 -----							1	J
	2121032-2	RIB ASSY AILERON HINGE RH STA 138.00 -----							1	H
-43	1221089-19	BRACKET -----							1	
-44	1422654-1	SPACER -----							2	
	MS24462-4	BEARING -----							2	
-45	1221089-7	RIB ASSY AILERON HINGE LH STA 172.00 -----							1	
	1221089-8	RIB ASSY AILERON HINGE RH STA 172.00 -----							1	
-46	1221089-19	BRACKET -----							1	
-47	1422654-1	SPACER -----							2	
	MS24462-4	BEARING -----							1	

CONTINUED ON NEXT PAGE

P210 Parts Catalog

FIGURE AND INDEX NO.	PART NUMBER	DESCRIPTION							UNITS PER ASSY	USABLE ON CODE	
		1	2	3	4	5	6	7			
4 -48	1221089-41	RIB ASSY	AILERON	HINGE	LH	STA	206.00	---	1	J H H H	
	1221089-45	RIB ASSY	AILERON	HINGE	LH	STA	206.00	---	1		
	1221089-40	RIB ASSY	AILERON	HINGE	RH	STA	206.00	---	1		
	1221089-44	RIB ASSY	AILERON	HINGE	RH	STA	206.00	---	1		
-49	1221089-19	BRACKET	-----							1	J H
-50	1221089-39	CLIP	-----							1	
-51	1422654-1	SPACER	-----							1	J H
	MS24462-4	BEARING	-----							2	
-52	NAS686A08	NUTPLATE	-----							6	J H
	NAS686A3	NUTPLATE	-----							1	
-53	1221062-11	BULKHEAD ASSY-INTERCOSTAL LH	-----							1	J H
	1262036-1	SUPPORT LH	-----							1	
	1262036-2	SUPPORT RH	-----							1	J H
	1221062-6	BULKHEAD-INTERCOSTAL RH	-----							1	
-54	1221062-1	BULKHEAD-INTERCOSTAL LH	-----							1	J H
	1221062-2	BULKHEAD-INTERCOSTAL RH	-----							1	
-54A	1221159-2	STIFFENER ANGLE-INTERCOSTAL BHD	UPR LH & LWR RH	-----						1	B B B
	1221159-1	STIFFENER ANGLE-INTERCOSTAL BHD	LWR LH & UPR RH	-----						1	
	1221159-3	STIFFENER ANGLE-INTERCOSTAL BHD	RH	-----						1	
-55	1221062-3	BULKHEAD-INTERCOSTAL LH	-----							2	B B
	1221062-4	BULKHEAD-INTERCOSTAL RH	-----							1	
-56	1221090-1	SUPPORT AILERON BELLCRANK UPR LH	-----							1	J H H H
	1221090-2	SUPPORT AILERON BELLCRANK UPR RH	-----							1	
-57	1221090-3	SUPPORT ASSY AILERON BELLCRANK LWR LH	-----							1	J H H H
	1221090-4	SUPPORT ASSY AILERON BELLCRANK LWR RH	-----							1	
	NAS680A4	NUTPLATE	-----							1	J H H H
-58	1221091-1	DOUBLER ASSY-AILERON ACCESS DOOR	-----							1	
	NAS681A3K	NUTPLATE	-----							1	J H H H
-59	1221093-1	DOUBLER ASSY-ACCESS DOOR	-----							3	
	NAS681A3K	NUTPLATE	-----							6	J H H H
-60	1221116-1	DOUBLER ASSY-FLAP MOTOR ACCESS DOOR LH	-----							1	
	1221116-8	DOUBLER ASSY-FLAP MOTOR ACCESS DOOR RH	-----							1	J H H H
	NAS681A3	NUTPLATE	-----							1	
-61	1221221-2	SKIN-UPR INBD LH	-----							1	J H H H
	2122000-5	SKIN-UPR INBD LH	-----							1	
	1221222-2	SKIN-UPR INBD RH	-----							1	J H H H
-62	2122000-6	SKIN-UPR INBD RH	-----							1	
	1221221-4	SKIN-UPR OUTBD LH	-----							1	J H H H
	2122000-7	SKIN-UPR OUTBD LH	-----							1	
	1221222-4	SKIN-UPR OUTBD RH	-----							1	J H H H
	2122000-8	SKIN-UPR OUTBD RH	-----							1	
-63	1221221-5	SKIN-TRAILING EDGE LH	-----							1	J H H H
	1221222-5	SKIN-TRAILING EDGE RH	-----							1	
-64	1221221-6	SKIN-TRAILING EDGE LH	-----							1	J H H H
	1221222-6	SKIN-TRAILING EDGE RH	-----							1	
-65	1221221-7	SKIN-TRAILING EDGE LH	-----							1	J H H H
	1221222-7	SKIN-TRAILING EDGE RH	-----							1	
-66	1221221-8	SKIN-TRAILING EDGE LH	-----							1	J H H H
	1221222-8	SKIN-TRAILING EDGE RH	-----							1	
-67	1221221-10	TRAILING EDGE	-----							1	J H H H
-68	1221221-3	SKIN-LWR INBD LH	-----							1	
	2122000-11	SKIN-LWR INBD LH	-----							1	J H H H
	1221222-12	SKIN-LWR INBD RH	-----							1	
	2122000-12	SKIN-LWR INBD RH	-----							1	J H H H
	1221096-10	DOUBLER ASSY USED WITH RADAR ONLY	-----							1	
	NAS682A06	NUTPLATE	-----							6	J H H H
	1221096-11	DOOR-ACCESS USED WITH RADAR ONLY	-----							1	
	AN507-632R8	ATTACHING PARTS	-----							6	J H H H
		SCREW	-----							1	
-69	1221221-9	SKIN-LWR OUTBD LH	-----							1	J H H H
	2122000-9	SKIN-LWR OUTBD LH	-----							1	
	1221222-10	SKIN-LWR OUTBD RH	-----							1	J H H H
	2122000-10	SKIN-LWR OUTBD RH	-----							1	
-70	S226-5F	DOUBLER ASSY	-----							1	J H H H
	A6163-8Z3	NUTPLATE	-----							6	
-71	1222013-11	DOUBLER ASSY	-----							1	J H H H
	S1860-2A	NUTPLATE	-----							8	
-72	1221134-1	STIFFENER	-----							1	J H H H
-73	1221134-2	STIFFENER	-----							2	
-74	1221134-3	STIFFENER	-----							1	

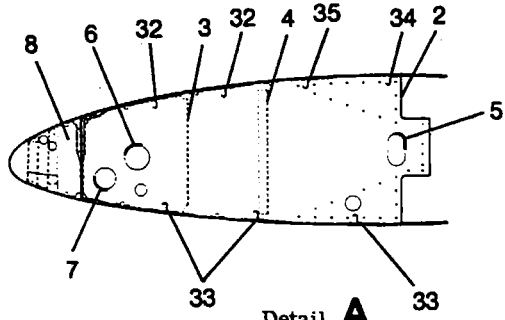
CONTINUED ON NEXT PAGE

P210 Parts Catalog

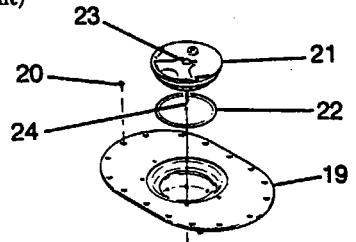
FIGURE AND INDEX NO.	PART NUMBER	DESCRIPTION							UNITS PER ASSY	USABLE ON CODE	
		1	2	3	4	5	6	7			
4 -75	1260124-7	BRACKET ASSY-BELLCRANK	UPR	LH	-----	-----	-----	-----	1	F F F F F F F F F F F F F F F F F F F F	
	1260124-8	BRACKET ASSY-BELLCRANK	LWR	LH	-----	-----	-----	-----	1		
	1260124-13	BRACKET ASSY-BELLCRANK	UPR	LH	-----	-----	-----	-----	1		
	1260124-14	BRACKET ASSY-BELLCRANK	LWR	LH	-----	-----	-----	-----	1		
	1221120-9	BRACKET-SUPPORT	UPR ONLY	-----	-----	-----	-----	-----	1		
	1221120-8	BRACKET-SUPPORT	LWR ONLY	-----	-----	-----	-----	-----	1		
	1221120-10	BRACKET-SUPPORT	-----	-----	-----	-----	-----	-----	1		
	1260124-13	BRACKET ASSY-BELLCRANK	UPR	RH	-----	-----	-----	-----	1		
	1260124-14	BRACKET ASSY-BELLCRANK	LWR	RH	-----	-----	-----	-----	1		
	1221120-10	BRACKET-SUPPORT	-----	-----	-----	-----	-----	-----	1		
	-76	1222028-1	BRACKET-SUPPORT	UPR	LH & LWR	RH	-----	-----	-----		1
		1222028-2	BRACKET-SUPPORT	LWR	LH & UPR	RH	-----	-----	-----		1
	-77	1260126-1	BRACKET-BELLCRANK	OUTBD	FLAP	UPR	LH	-----	-----		1
		1260126-2	BRACKET-BELLCRANK	OUTBD	FLAP	UPR	RH	-----	-----		1
		1260126-3	BRACKET-BELLCRANK	OUTBD	FLAP	LWR	LH	-----	-----		1
		1260126-4	BRACKET-BELLCRANK	OUTBD	FLAP	LWR	RH	-----	-----		1
		1260202-1	SUPPORT ASSY-FLAP	ACTUATOR	LH ONLY	-----	-----	-----	-----		1
	-78	AN3-3A	ATTACHING PARTS	BOLT	-----	-----	-----	-----	-----		8
		MS21044N3	NUT	-----	-----	-----	-----	-----	-----		8
			*-----	-----	-----	-----	-----	-----	-----		8
-79	1260202-2	BRACKET-PULLEY	WEU	1260202-17	-----	-----	-----	-----	1	A B	
	1260202-17	BRACKET-PULLEY	-----	-----	-----	-----	-----	-----	1		
-80	1260202-3	BRACKET-PULLEY	-----	-----	-----	-----	-----	-----	1		
-81	1260202-13	BRACKET-PULLEY	-----	-----	-----	-----	-----	-----	1		
-82	1260202-7	BRACKET ASSY-LH	-----	-----	-----	-----	-----	-----	1		
	1260202-8	BRACKET ASSY-RH	-----	-----	-----	-----	-----	-----	1		
-83	1260202-10	SUPPORT	-----	-----	-----	-----	-----	-----	1		
-84	1260202-11	SUPPORT	-----	-----	-----	-----	-----	-----	1		
-85	1260202-12	CHANNEL	-----	-----	-----	-----	-----	-----	1		
-86	1224010-1	RETAINER-SEAL	-----	-----	-----	-----	-----	-----	2		
-87	S2152-2	SEAL	33.50	IN	LG	BKI	-----	-----	2		
		<p>A---P210 SERIAL P21000001 THRU P21000385 B---P210 SERIAL P21000386 & ON C---P210 SERIAL P21000386 THRU P21000590 D---P210 SERIAL P21000591 THRU P21000760 E---P210 SERIAL P21000761 & ON F---P210 SERIAL P21000001 THRU P21000760 G---P210 SERIAL P21000761 THRU P21000834 H---P210 SERIAL P21000835 & ON J---P210 SERIAL P21000001 THRU P21000834</p>									

P210 Parts Catalog

Wing (Cont)

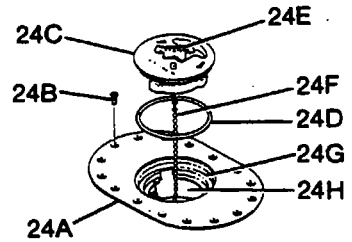


Detail A



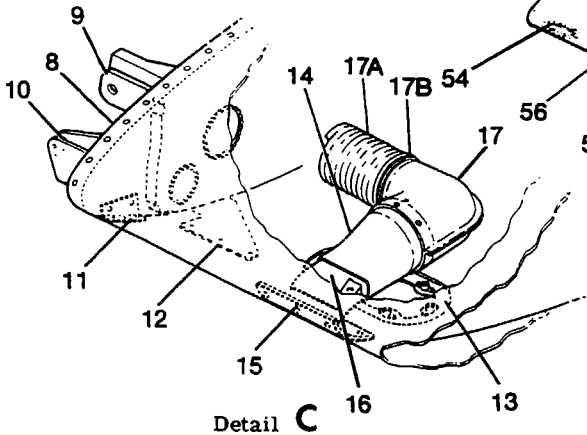
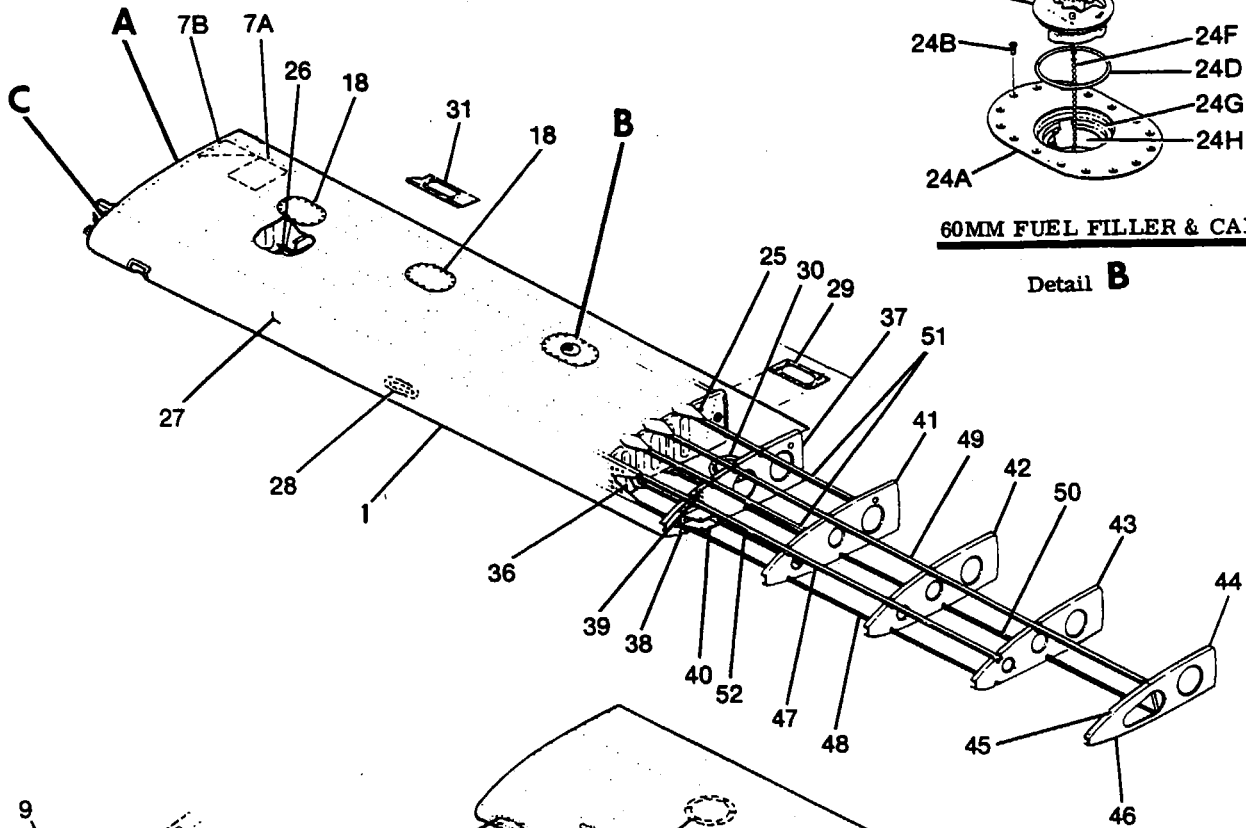
3 INCH FUEL FILLER & CAP

Detail B



60MM FUEL FILLER & CAP

Detail B



Detail C

P210 SERIAL P2100001 THRU P21000834

Figure 5. Wing Leading Edge Assemblies & Components

P210 Parts Catalog

FIGURE AND INDEX NO.	PART NUMBER	DESCRIPTION							UNITS PER ASSY	USABLE ON CODE
		1	2	3	4	5	6	7		
5 -		WING LEADING EDGE ASSEMBLIES & COMPONENTS								
- 1	1221233-31	LEADING EDGE ASSY-LH	INBD						NP	R
	1221233-33	LEADING EDGE ASSY-LH	INBD						1	C
	1221234-200	LEADING EDGE ASSY-LH	INBD						1	F
	1221234-3	LEADING EDGE ASSY-LH	INBD						1	H
	1221234-13	LEADING EDGE ASSY-LH	INBD						1	J
	1221233-32	LEADING EDGE ASSY-RH	INBD						1	N
	1221233-34	LEADING EDGE ASSY-RH	INBD						1	C
	1221234-201	LEADING EDGE ASSY-RH	INBD						1	F
	1221234-4	LEADING EDGE ASSY-RH	INBD						1	H
	1221234-14	LEADING EDGE ASSY-RH	INBD						1	J
- 2	1222136-15	RIB ASSY-WING ROOT	LH	WEU	1222136-21				1	A
	1222136-21	RIB ASSY-WING ROOT	LH						1	B
	1222136-27	RIB ASSY-WING ROOT	LH						1	M
	1222136-33	RIB ASSY-WING ROOT	LH						1	N
	1222136-16	RIB ASSY-WING ROOT	RH	WEU	1222136-22				1	A
	1222136-22	RIB ASSY-WING ROOT	RH						1	B
	1222136-28	RIB ASSY-WING ROOT	RH						1	M
	1222136-34	RIB ASSY-WING ROOT	RH						1	N
- 3	1222136-19	DOUBLER-LH		WEU	1222136-25				1	A
	1222136-25	DOUBLER-LH							1	B
	1222136-31	DOUBLER-LH							1	M
	1222136-37	DOUBLER-LH							1	N
	1222136-20	DOUBLER-RH		WEU	1222136-26				1	A
	1222136-26	DOUBLER-RH							1	B
	1222136-32	DOUBLER-RH							1	M
	1222136-38	DOUBLER-RH							1	N
- 4	1222136-7	STIFFENER							1	
- 5	S1050-1	GROMMET	6.02 IN LG	BKI					1	
- 6	S1050-2	GROMMET	7.20 IN LG	BKI					1	
- 7	S1050-2	GROMMET	5.11 IN LG	BKI					1	
	NAS686A08	NUTPLATE							2	
	NAS697A3	NUTPLATE							3	
- 7A	1222138-7	DOUBLER ASSY-ANTENNA	LH						1	
	1222138-8	DOUBLER ASSY-ANTENNA	RH						1	
	NAS680A08	NUTPLATE							2	
	NAS680A3	NUTPLATE							2	
- 7B	1222132-2	GUSSET							1	
- 8	1221063-7	RIB ASSY-LH LEADING EDGE		STA	26.00				1	G
	1221063-6	RIB ASSY-RH LEADING EDGE		STA	26.00				1	
	NAS686A3	NUTPLATE							2	
- 9	1221030-2	STRAP-SPAR ATTACH							1	
-10	1221097-1	BRACKET ASSY-AILERON CONTROL	LH						1	
	1221097-2	BRACKET ASSY-AILERON CONTROL	RH						1	
-11	1221145-1	STIFFENER-LH RIB							1	
	1221145-2	STIFFENER-RH RIB							1	
-12	1222126-1	SHIM-FWD FUEL SPAR	LH						1	
	1222126-2	SHIM-FWD FUEL SPAR	RH						1	
-13	1221096-8	DOUBLER ASSY							1	E
	NAS680A06	NUTPLATE							6	
	1222140-1	DOUBLER ASSY-LH							1	G
	1222140-2	DOUBLER ASSY-RH							1	G
	NAS681A3	NUTPLATE							12	
-14	1221025-2	SCOOP-FRESH AIR							1	
-15	1221029-1	FLANGE-AIR SCOOP							1	
	1221149-1	DOUBLER-AIR SCOOP							1	
	AN9602L	WASHER							1	
-16	1720107-1	ADAPTER							8	
-17	2100011-1	CONNECTOR ASSY							1	
-17A	S1053E17T	DUCT 13.00 IN LG	BKI						1	E
		ATTACHING PARTS								
-17B	S2209-3	STA STRAP							1	
		ATTACHING PARTS								
-18	1221048-2	DOOR-ACCESS							2	
		ATTACHING PARTS								
	AN507-1032R7	SCREW							16	
		ATTACHING PARTS								
-19	1726041-7	DOOR ASSY-FUEL FILLER & CAP							1	C
	1726041-14	DOOR ASSY-FUEL FILLER & CAP							1	D
		ATTACHING PARTS								
-20	AN507-1032R7	SCREW							16	
		ATTACHING PARTS								

CONTINUED ON NEXT PAGE

P210 Parts Catalog

FIGURE AND INDEX NO.	PART NUMBER	DESCRIPTION							UNITS PER ASSY	USABLE ON CODE
		1	2	3	4	5	6	7		
5 -21	C156001-0106	FUEL CAP ASSY-VENTED WEU C156001-0110 -----							1	P Q
	C156001-0110	FUEL CAP ASSY-VENTED -----							1	
	SK182-65	SEAL KIT-FUEL CAP FOR METAL & PLASTIC CAPS -----							1	
	4197	STEM-O RING WISO METAL & PLASTIC CAPS -----							1	
-22	4708	OUTER SEAL-FUEL CAP FSO SK182-65 -----							NP	
	4189	VENT CHECK VALVE WISO METAL CAPS -----							1	
-23	5144	HANDLE WISO METAL CAPS -----							1	
	4199	HANDLE WISO PLASTIC CAPS -----							1	
	5147	PIN-HANDLE WISO METAL CAPS -----							1	
	5147	PIN-HANDLE WISO PLASTIC CAPS -----							1	
-24	C156001-0104	CHAIN ASSY -----							1	
-24A	2121039-1	COVER ASSY-FUEL FILLER & CAP 60MM DIA -----							1	
		ATTACHING PARTS -----								
-24B	AN507-1032R7	SCREW -----							16	
		*-----								
-24C	C156005-0402	FUEL CAP ASSY-VENTED -----							1	
-24D	457-98-1	O RING-OUTER 99321 -----							1	
	463-29-1	O RING-INNER 99321 -----							1	
-24E	457-10	HANDLE 99321 -----							1	
		ATTACHING PARTS -----								
	AN507-1032R7	PIN 99321 -----							1	
		*-----								
-24F	C156005-0404	CHAIN ASSY -----							1	
-24G	C156005-0403	ADAPTOR -----							1	
-24H	1222033-2	INDICATOR -----							1	
-25	1221053-7	VENT ASSY-FUEL -----							1	
-26	1726048-2	BOSS-FUEL -----							1	
	1726049-1	CLIP-FUEL DRAIN BOSS -----							1	
	SEE FIG 8	FUEL DRAIN VALVE -----							1	
-27	SEE FIG 6	FUEL CELL COMPONENTS INSTALLATION -----							1	
-28	1221096-1	DOUBLER ASSY -----							1	
	NAS682A06	NUTPLATE -----							6	
-29	1221050-8	DOUBLER ASSY -----							4	
	NAS680A03	NUTPLATE -----							4	
-30	S226-5F	DOUBLER ASSY -----							1	
	S1860-2A	NUTPLATE -----							6	
-31	1222133-1	REINFORCEMENT ASSY-LH -----							1	
	1222133-2	REINFORCEMENT ASSY-RH -----							1	
	NAS681A3	NUTPLATE -----							4	
-32	1221055-1	STRINGER UPR LH -----							2	
	1221055-2	STRINGER UPR RH -----							2	
-33	1221055-3	STRINGER LWR LH -----							3	
	1221055-4	STRINGER LWR RH -----							3	
-34	1221055-311	STRINGER UPR LH -----							1	
	1221055-312	STRINGER-UPR RH -----							1	
	NAS680A3	NUTPLATE -----							2	
-35	1221055-305	STRINGER UPR LH -----							1	
	1221055-304	STRINGER UPR RH -----							1	
-36	2170301-1	SUPPORT ASSY-WEATHER RADAR RH ONLY -----							1	
	2170301-3	SPACER -----							1	
-37	1221042-101	RIB ASSY-LH STA 138.00 -----							1	
	1221042-100	RIB ASSY-RH STA 138.00 -----							1	
-38	1221051-1	STIFFENER -----							1	
-39	1221051-3	STIFFENER LH -----							1	
	1221051-4	STIFFENER RH -----							1	
	NAS682A3	NUTPLATE -----							2	
-40	1221086-1	BRACKET-PULLEY -----							1	
		ATTACHING PARTS -----								
	AN3-3A	BOLT -----							4	
		*-----								
	1221233-5	LEADING EDGE ASSY-LH OUTBD -----							1	
	1221234-5	LEADING EDGE ASSY-LH OUTBD -----							1	
	1221233-6	LEADING EDGE ASSY-RH OUTBD -----							1	
	1221234-6	LEADING EDGE ASSY-RH OUTBD -----							1	
-41	1221042-99	RIB-LEADING EDGE LH STA 155.00 -----							1	
	1221042-98	RIB-LEADING EDGE RH STA 155.00 -----							1	
-42	1221042-97	RIB-LEADING EDGE LH STA 172.00 -----							1	
	1221042-96	RIB-LEADING EDGE RH STA 172.00 -----							1	
-43	1221042-95	RIB-LEADING EDGE LH STA 189.00 -----							1	
	1221042-94	RIB-LEADING EDGE RH STA 189.00 -----							1	

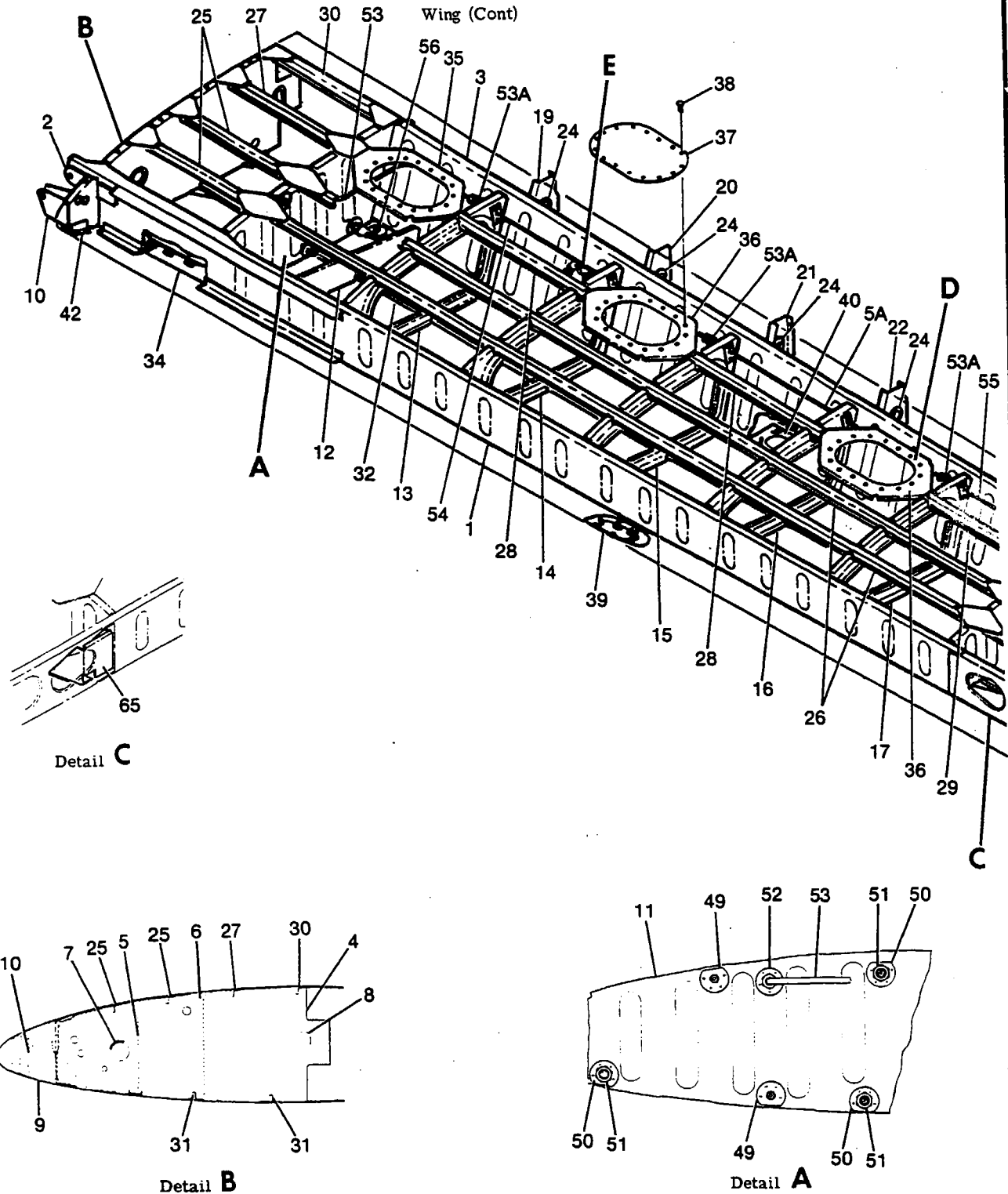
CONTINUED ON NEXT PAGE

F 6 6 6

P210 Parts Catalog

FIGURE AND INDEX NO.	PART NUMBER	DESCRIPTION	UNITS PER ASSY	USABLE ON CODE
		1 2 3 4 5 6 7		
5 -44	1221042-111	RIB ASSY-LH STA 206.00 -----	1	
	1221042-59	RIB ASSY-RH STA 206.00 -----	1	
-45	NAS686A08	NUTPLATE -----	7	
-46	NAS687A08	NUTPLATE -----	1	
	S1860-2A	NUTPLATE RH ONLY -----	14	
-47	1221055-162	STRINGER UPR LH -----	1	
	1221055-192	STRINGER UPR RH -----	1	
-48	1221055-164	STRINGER LWR LH -----	1	
	1221055-194	STRINGER LWR RH -----	1	
-49	1221055-160	STRINGER UPR LH -----	1	
	1221055-58	STRINGER UPR RH -----	1	
-50	1221055-59	STRINGER LWR LH -----	1	
	1221055-60	STRINGER LWR RH -----	1	
-51	1221055-197	STRINGER UPR LH -----	1	
	1221055-196	STRINGER UPR RH -----	2	
-52	1221055-55	STRINGER LWR LH -----	1	
	1221055-56	STRINGER LWR RH -----	1	
-53	1221233-9	SKIN-LEADING EDGE LH OUTBD -----	1	E F G G
	1221234-9	SKIN-LEADING EDGE LH OUTBD -----	1	
	1221233-10	SKIN-LEADING EDGE RH OUTBD -----	1	
	1221234-10	SKIN-LEADING EDGE RH OUTBD -----	1	
-54	1221096-8	DOUBLER ASSY -----	1	
	NAS680A06	NUTPLATE -----	6	
-55	S226-5F	DOUBLER ASSY -----	1	
	S1860-2A	NUTPLATE -----	6	
-56	S1486DG5U	CLAMP-LH -----	1	K L
	MS21919D65	CLAMP-LH -----	1	
	S1022A6-8	ATTACHING PARTS		
	AN507-832R8	SCREW -----	1	K L L
	MS21044N08	SCREW -----	1	
		NUT -----	1	
		-----*		
<p>NOTE. *P21000591 & ON, THESE PARTS ARE FOUND ON CABIN VENTILATION SYSTEM.</p> <p>A---P210 SERIAL P21000001 THRU P21000225 B---P210 SERIAL P21000226 THRU P21000590 C---P210 SERIAL P21000001 THRU P21000385 D---P210 SERIAL P21000386 THRU P21000834 E---P210 SERIAL P21000001 THRU P21000590 F---P210 SERIAL P21000386 THRU P21000590 G---P210 SERIAL P21000591 THRU P21000834 H---P210 SERIAL P21000591 THRU P21000691 J---P210 SERIAL P21000692 THRU P21000760 K---P210 SERIAL P21000001 THRU P21000675 L---P210 SERIAL P21000676 THRU P21000834 M---P210 SERIAL P21000591 THRU P21000760 N---P210 SERIAL P21000761 THRU P21000834 P---P210 SERIAL P21000001 THRU P21000813, P21000815, P21000817, P21000818, & P21000822 Q---P210 SERIAL P21000814, P21000816, P21000819 THRU P21000821 & P21000823 THRU P21000834 R---P210 SERIAL P21000001 THRU P21000834</p>				

P210 Parts Catalog

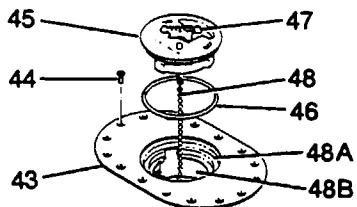


P210 SERIAL P21000835 & ON

Figure 5A. (Sheet 1 of 2) Wing Leading Edge Assemblies & Components - Standard Range

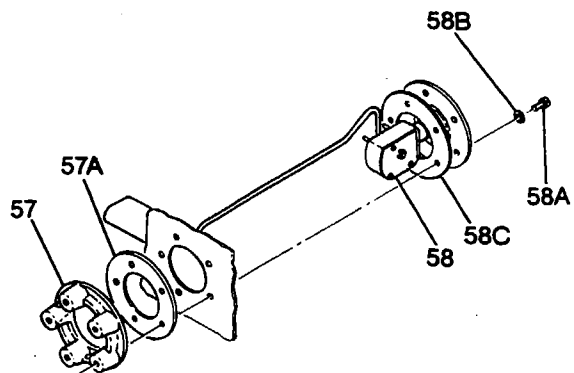
P210 Parts Catalog

Wing (Cont)

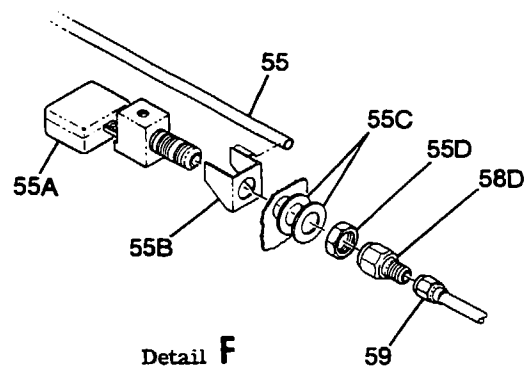
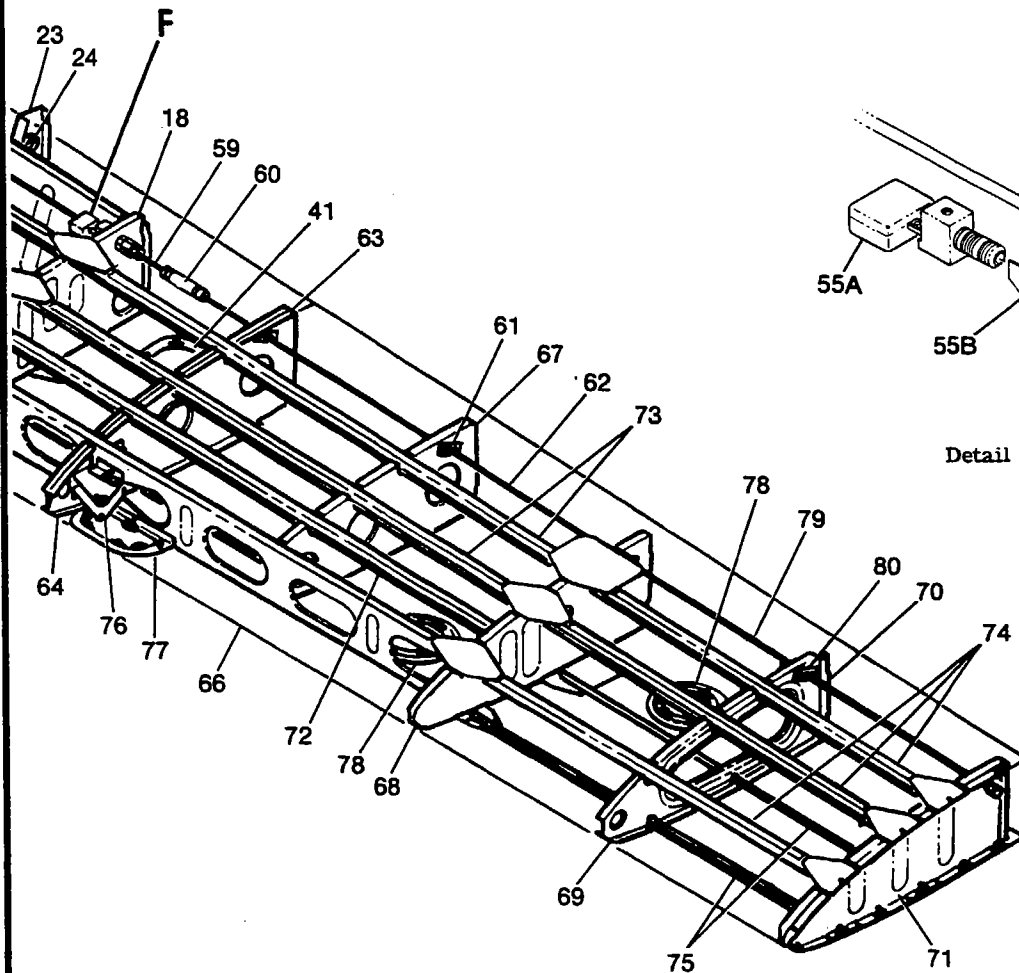


60MM FUEL FILLER & CAP

Detail **D**



Detail **E**



Detail **F**

P210 SERIAL P21000835 & ON

Figure 5A. (Sheet 2 of 2) Wing Leading Edge Assemblies & Components - Standard Range

P210 Parts Catalog

FIGURE AND INDEX NO.	PART NUMBER	DESCRIPTION							UNITS PER ASSY	USABLE ON CODE
		1	2	3	4	5	6	7		
5A-		WING LEADING EDGE ASSEMBLIES & COMPONENTS-STANDARD RANGE							NP	A
	2122004-1								1	
	2122004-2								1	
- 1		e							1	
		e							1	
- 2	1221030-2								1	
- 3		e							1	
		e							1	
- 4	1222136-39								1	
	1222136-40								1	
- 5	1222136-43								1	
	1222136-44								1	
- 6	1222136-7								1	
- 7	S1050-2								1	
- 8	S1050-1								1	
	NAS686A08								1	
	NAS697A3								2	
- 9	1221063-7								3	
	1221063-6								1	
	NAS686A3								2	
-10	1221097-1								1	
	1221097-2								1	
-11	1222137-11	*							1	
	1222137-12	*							1	
	S1050-1								1	
-12	1221043-1	*							1	
	1221043-2	*							1	
-13	1221042-125	*							1	
	1221042-126	*							1	
-14	1221042-123	*							1	
	1221042-124	*							1	
-15	1221042-121	*							1	
	1221042-122	*							1	
-16	1221042-119	*							1	
	1221042-120	*							1	
-17	1221042-117	*							1	
	1221042-118	*							1	
-18	1221041-69	*							1	
	1221041-70	*							1	
	S1291-16								1	
-19	1221226-1								1	
	1221226-2								1	
-20	1221227-1								1	
	1221227-2								1	
-21	1221228-2								1	
	1221228-1								1	
-22	1221229-2								1	
	1221229-1								1	
-23	1221230-2								1	
	1221230-1								1	
-24	S1291-16								1	
									1	
-25	1221055-1	*							2	
	1221055-2	*							2	
-26	1221055-41	*							2	
	1221055-43	*							2	
-27	1221055-307	*							1	
	1221055-306	*							1	
-28	1222019-1	*							2	
	1222019-2	*							2	
-29	1221055-51	*							1	
	1221055-52	*							1	
-30	1221055-303	*							1	
	1221055-302	*							1	
-31	1221055-3	*							2	
	1221055-4	*							2	
-32	1221055-42	*							2	
	1221055-44	*							2	

CONTINUED ON NEXT PAGE

P210 Parts Catalog

FIGURE AND INDEX NO.	PART NUMBER	DESCRIPTION							UNITS PER ASSY	USABLE ON CODE
		1	2	3	4	5	6	7		
5A-										
-34	1222140-1 1222140-2 NAS681A3 1222127-1 NAS681A08									
-35	1222009-2 *									
-36	1221049-1 * 1221049-9 * NAS681A3									
-37	1221048-2									
-38	AN507-1032R7									
-39	1221096-1 *									
-40	NAS682A06 1221050-8 NAS681A3 1222133-1 1222133-2 NAS681A3									
-41	S226-5F * S1860-2A									
-42	1221145-1 1221145-2									
-43	2121039-1									
-44	AN507-1032R7									
-45	C156005-0402									
-46	457-98-1 463-29-1									
-47	457-10 416-9-1									
-48	C156005-0404 C156005-0403 1222033-2									
-49	1216112-1									
-50	1726045-2									
-51	1726045-6									
-52	2116012-1									
-53	2100003-54									
-53A	AN815-6D									
-54	2100003-53									
-55	2100003-109									
-55A	C100014-1									
-55B	2121041-1 2121041-2									
-55C	NAS1149D1290H									
-55D	AN924-8D									
-56	1726048-2 1726049-1 SEE FIG 8									
-57	1716008-1									
-57A	S1588-2									
-58	C668050-0601 C668050-0602									
-58A	NAS1352-3-10									
-58B	AN936A10									
-58C	15-423									
-58D	NAS1564D8-6									
-59	2100003-142									
-60	S1495-6 S2357-3									
-61	2121001-1									
	S1021Z8-8									
-62	2100003-113									

CONTINUED ON NEXT PAGE

P210 Parts Catalog

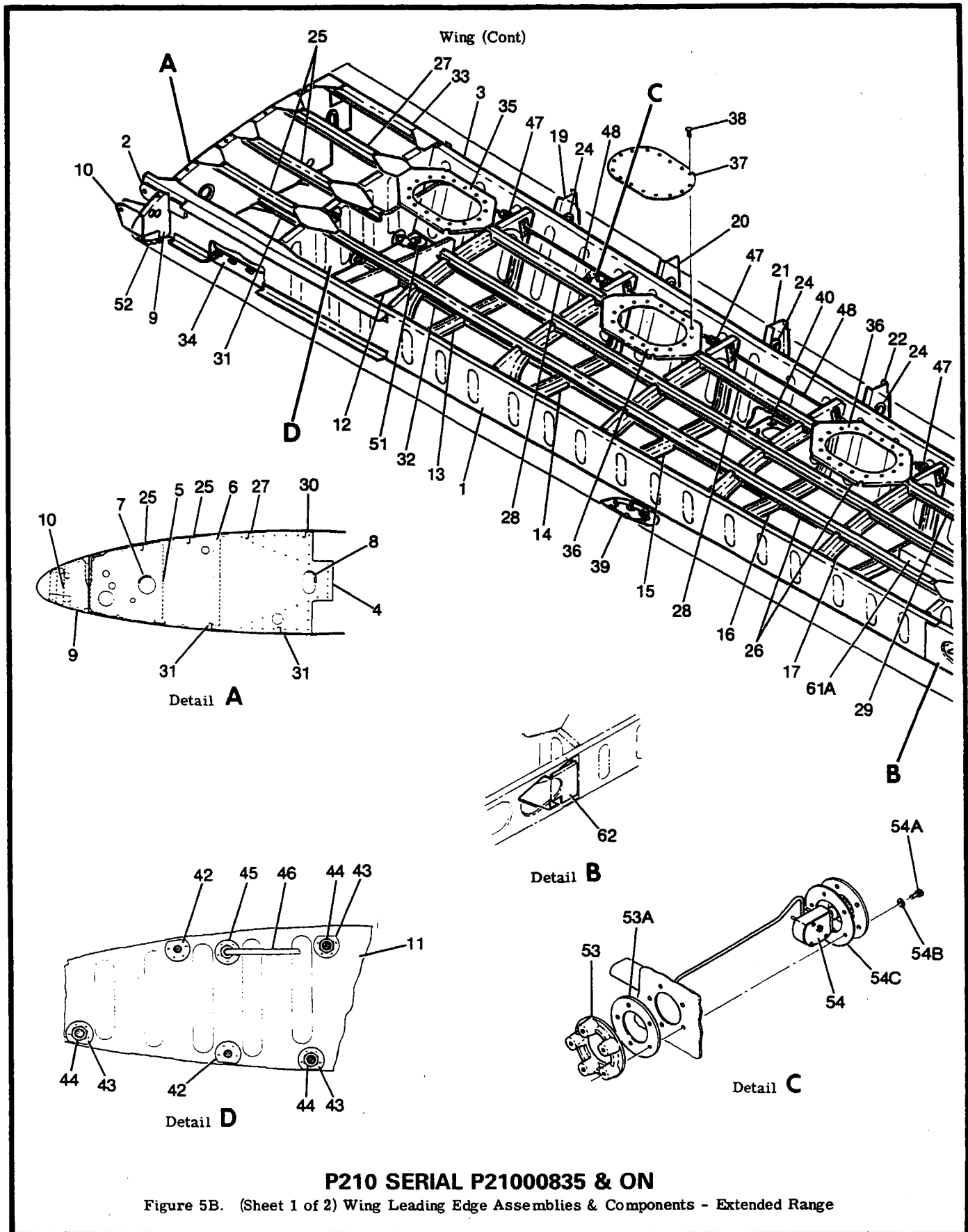
FIGURE AND INDEX NO.	PART NUMBER	DESCRIPTION							UNITS PER ASSY	USABLE ON CODE
		1	2	3	4	5	6	7		
5A-63	2121021-13	RIB ASSY-LH	WS	138.00					1	
	2121021-14	RIB ASSY-RH	WS	138.00					1	
-64	2121021-3	RIB ASSY-LH NOSE	WS	138.00					1	
	2121021-4	RIB ASSY-RH NOSE	WS	138.00					1	
-65	2170301-1	SUPPORT ASSY-RADAR POD					RH ONLY		1	
	2122002-1	LEADING EDGE ASSY-LH OUTBD							1	
	2122002-2	LEADING EDGE ASSY-RH OUTBD							1	
-66		SPAR EXTENSION							NP	
-67	2121017-3	RIB-LH	WS	155.00		WEU 2121017-7			1	B C C C
	2121017-7	RIB-LH	WS	155.00					1	
	2121017-4	RIB-RH	WS	155.00		WEU 2121017-8			1	
	2121017-8	RIB-RH	WS	155.00					1	
-68	2121018-7	RIB-LH	WS	172.00					1	
	2121018-8	RIB-RH	WS	172.00					1	
	2116012-1	FITTING							1	
-69	2121019-1	RIB-LH	WS	189.00					1	
	2121019-2	RIB-RH	WS	189.00					1	
-70	2121019-3	STIFFENER							1	
	2121019-4	SPACER							1	
-71	2121020-7	RIB ASSY-LH	WS	206.00					1	
	2121020-8	RIB ASSY-RH	WS	206.00					1	
	NAS680A3	NUTPLATE							1	
-72	1221055-197	STRINGER-LH UPR							1	
	1221055-196	STRINGER-RH UPR							1	
	1221055-55	STRINGER-LH LWR							1	
	1221055-56	STRINGER-RH LWR							1	
-73	2121030-7	STRINGER-LH UPR							2	
	2121030-6	STRINGER-RH UPR							2	
	2121030-5	STRINGER-LH LWR							1	
	2121030-4	STRINGER-RH LWR							1	
-74	2121030-3	STRINGER-UPR							3	
-75	2121030-2	STRINGER-LWR							2	
-76	2121002-1	BRACKET ASSY-AILERON CONTROL				LWR LH			1	
	2121002-4	BRACKET ASSY-AILERON CONTROL				LWR RH			1	
	2121002-3	BRACKET ASSY-AILERON CONTROL				UPR LH			1	
	2121002-2	BRACKET ASSY-AILERON CONTROL				UPR RH			1	
	NAS684A3	NUTPLATE							1	
	NAS680A5	NUTPLATE							1	
-77	2121003-1	DOUBLER ASSY							1	
	NAS680A06	NUTPLATE							5	
	NAS682A06	NUTPLATE							2	
-78	S226-5F	DOUBLER ASSY							2	
-79	2100003-112	LINE ASSY							2	
-80	2121001-1	RETAINER							2	
	S102178-8	SCREW							2	
	MS35489-12	GROMMET	WS	206.00					1	

NOTE. @SPARS ARE NOT AVAILABLE AS REPLACEMENT PARTS.

NOTE. *THESE ITEMS ARE LISTED ONLY FOR MAKING SPLICE REPAIRS TO EXISTING PARTS WHICH ARE IMPRACTICAL TO REPLACE. SEE SERVICE MANUAL FOR REPAIR & SEALING PROCEDURES

A---P210 SERIAL P21000835 & ON
 B---P210 SERIAL P21000835 THRU P21000856
 C---P210 SERIAL P21000857 & ON

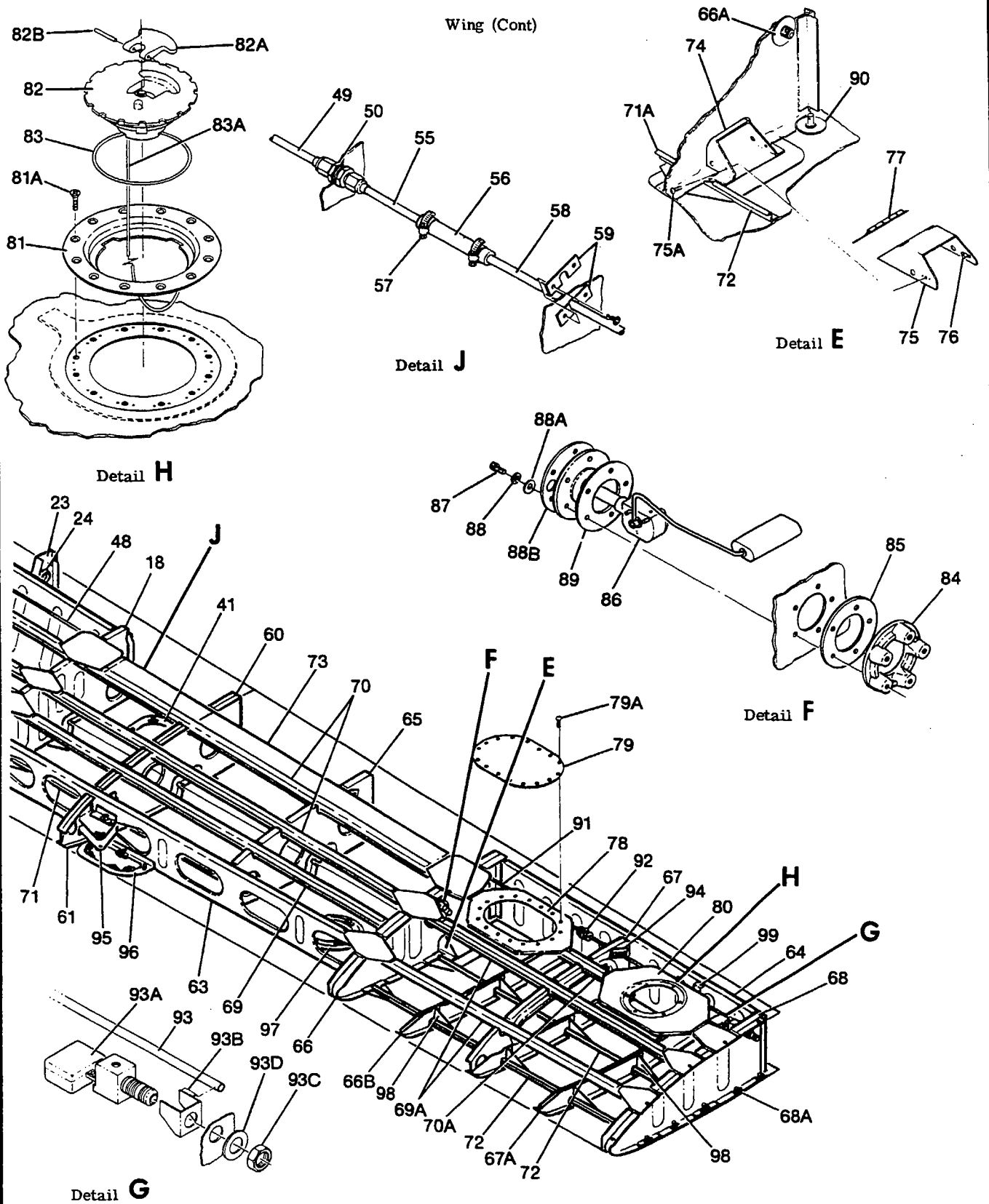
P210 Parts Catalog



P210 SERIAL P21000835 & ON

Figure 5B. (Sheet 1 of 2) Wing Leading Edge Assemblies & Components - Extended Range

P210 Parts Catalog



P210 SERIAL P21000835 & ON

Figure 5B. (Sheet 2 of 2) Wing Leading Edge Assemblies & Components - Extended Range

P210 Parts Catalog

FIGURE AND INDEX NO.	PART NUMBER	DESCRIPTION	UNITS PER ASSY	USABLE ON CODE
		1 2 3 4 5 6 7		
5B-		WING LEADING EDGE ASSEMBLIES & COMPONENTS-EXTENDED RANGE -----	NP	A
	2122004-3	LEADING EDGE ASSY-LH INBD -----	1	
	2122004-4	LEADING EDGE ASSY-RH INBD -----	1	
- 1		FUEL SPAR ASSY-FWD LH -----	NP	
		FUEL SPAR ASSY-FWD RH -----	NP	
- 2	1221030-2	STRAP-SPAR ATTACH -----	1	
- 3		FUEL SPAR-AFT LH -----	NP	
		FUEL SPAR-AFT RH -----	NP	
- 4	1222136-39	RIB ASSY-LH WS 26.00 -----	1	
	1222136-40	RIB ASSY-RH WS 26.00 -----	1	
- 5	1222136-43	DOUBLER-LH -----	1	
	1222136-44	DOUBLER-RH -----	1	
- 6	1222136-7	STIFFENER -----	1	
- 7	S1050-2	GROMMET 7.20 IN LG BKT -----	1	
- 8	S1050-1	GROMMET 6.02 IN LG BKT -----	1	
	NAS686A08	NUTPLATE-LWR -----	2	
	NAS697A3	NUTPLATE-UPR -----	3	
- 9	1221063-7	RIB ASSY-LH WS 26.00 -----	1	
	1221063-6	RIB ASSY-RH WS 26.00 -----	1	
	NAS686A3	NUTPLATE -----	1	
-10	1221097-1	BRACKET ASSY-AILERON CONTROL LH -----	1	
	1221097-2	BRACKET ASSY-AILERON CONTROL RH -----	1	
-11	1222137-11	RIB ASSY-LH WS 40.00 -----	1	
	1222137-12	RIB ASSY-RH WS 40.00 -----	1	
	S1050-1	GROMMET 7.49 IN LG BKT -----	1	
-12	1221043-1	RIB-LH WS 45.50 -----	1	
	1221043-2	RIB-RH WS 45.50 -----	1	
-13	1221042-125	RIB-LH WS 54.00 -----	1	
	1221042-126	RIB-RH WS 54.00 -----	1	
-14	1221042-123	RIB-LH WS 68.00 -----	1	
	1221042-124	RIB-RH WS 68.00 -----	1	
-15	1221042-121	RIB-LH WS 82.00 -----	1	
	1221042-122	RIB-RH WS 82.00 -----	1	
-16	1221042-119	RIB-LH WS 96.00 -----	1	
	1221042-120	RIB-RH WS 96.00 -----	1	
-17	1221042-117	RIB-LH WS 110.00 -----	1	
	1221042-118	RIB-RH WS 110.00 -----	1	
-18	2121026-1	RIB ASSY-LH WS 124.00 -----	1	
	2121026-2	RIB ASSY-RH WS 124.00 -----	1	
	S1291-16	GROMMET -----	1	
-19	1221226-1	RIB ASSY-LH WS 54.00 -----	1	
	1221226-2	RIB ASSY-RH WS 54.00 -----	1	
-20	1221227-1	RIB ASSY-LH WS 68.00 -----	1	
	1221227-2	RIB ASSY-RH WS 68.00 -----	1	
-21	1221228-2	RIB ASSY-LH WS 82.00 -----	1	
	1221228-1	RIB ASSY-RH WS 82.00 -----	1	
-22	1221229-2	RIB ASSY-LH WS 96.00 -----	1	
	1221229-1	RIB ASSY-RH WS 96.00 -----	1	
-23	1221230-2	RIB ASSY-LH WS 110.00 -----	1	
	1221230-1	RIB ASSY-RH WS 110.00 -----	1	
-24	S1291-16	GROMMET -----	1	
-25	1221055-1	STRINGER-LH -----	2	
	1221055-2	STRINGER-RH -----	2	
-26	1221055-41	STRINGER-LH -----	2	
	1221055-43	STRINGER-RH -----	2	
-27	1221055-307	STRINGER-LH -----	2	
	1221055-306	STRINGER-RH -----	2	
-28	1222019-1	STRINGER-LH -----	1	
	1222019-2	STRINGER-RH -----	2	
-29	1221055-51	STRINGER-LH -----	2	
	1221055-52	STRINGER-RH -----	1	
-30	1221055-303	STRINGER-LH -----	1	
	1221055-302	STRINGER-RH -----	1	
-31	1221055-3	STRINGER-LH -----	2	
	1221055-4	STRINGER-RH -----	2	
-32	1221055-42	STRINGER-LH -----	2	
	1221055-44	STRINGER-RH -----	2	

CONTINUED ON NEXT PAGE

P210 Parts Catalog

FIGURE AND INDEX NO.	PART NUMBER		DESCRIPTION							UNITS PER ASSY	USABLE ON CODE
			1	2	3	4	5	6	7		
5B-			DELETED NOT USED								
-34	1222140-1		DOUBLER ASSY -----							1	
	1222140-2		DOUBLER ASSY -----							1	
	NAS681A3		NUTPLATE -----							1	
	1222127-1		DOUBLER ASSY-COURTESY LIGHT -----							12	
	NAS681A08		NUTPLATE -----							1	
-35	1222009-2	*	DOUBLER -----							6	
-36	1221049-1	*	DOUBLER -----							1	
	1221049-9	*	SPACER ASSY -----							2	
	NAS681A3		NUTPLATE -----							3	
-37	1221048-2		DOOR ASSY -----							16	
			ATTACHING PARTS							3	
-38	AN507-1032R7		SCREW -----							16	
-39	1221096-1	*	DOUBLER ASSY-STALL WARNING -----							1	
	NAS682A06		NUTPLATE -----							6	
-40	1221050-8		DOUBLER ASSY -----							3	
	NAS681A3		NUTPLATE -----							4	
	1222133-1		REINFORCEMENT ASSY -----							1	
	1222133-2		REINFORCEMENT ASSY -----							1	
	NAS681A3		NUTPLATE -----							4	
-41	2121031-1		DOUBLER ASSY -----							1	
	NAS681A08		NUTPLATE -----							8	
	2121027-1	*	DOUBLER ASSY-PITOT ATTACH -----							1	
-42	1216112-1		FITTING -----							2	
-43	1726045-2		FITTING -----							3	
-44	1726045-6		STRAINER ASSY -----							3	
-45	2116012-1		FITTING -----							1	
-46	2100003-54		LINE ASSY -----							1	
-47	AN815-6D		UNION -----							3	
-48	2100003-53		LINE ASSY -----							2	
-49	2100003-110		LINE ASSY -----							1	
-50	AN832-6D		UNION -----							1	
	NAS1149D0963H		WASHER -----							2	
	AN924-6D		NUT -----							1	
-51	1726048-2		BOSS -----							1	
	1726049-1		CLIP -----							1	
	SEE FIG 8		FUEL DRAIN VALVE -----							1	
-52	1221145-1		STIFFENER-LH -----							1	
	1221145-2		STIFFENER-RH -----							1	
-53	1716008-1		NUTRING -----							1	
-53A	S1588-2		GASKET -----							1	
-54	C668050-0701		TRANSMITTER-FUEL LEVEL INBD LH -----							1	
	C668050-0702		TRANSMITTER-FUEL LEVEL INBD RH -----							1	
			ATTACHING PARTS								
-54A	NAS1352-3-10		BOLT -----							5	
-54B	AN936A10		WASHER -----							5	
-54C	S2670-1		GASKET -----							1	
-55	2100003-114		LINE ASSY -----							1	
-56	S1495-6		HOSE 4.00 IN LG BKI -----							1	
-57	S2357-3		CLAMP -----							2	
-58	2100003-113		LINE ASSY -----							1	
-59	2121001-1		RETAINER -----							4	
			ATTACHING PARTS								
	S1021Z8-8		SCREW -----							2	
-60	2121021-1		RIB ASSY-LH WS 138.00 -----							1	
	2121021-2		RIB ASSY-RH WS 138.00 -----							1	
-61	2121021-3		RIB ASSY-LH NOSE WS 138.00 -----							1	
	2121021-4		RIB ASSY-RH NOSE WS 138.00 -----							1	
-61A	2121042-1		EXTENSION-FUEL BAY INTERCONNECT -----							1	
-62	2170301-1		SUPPORT ASSY-RADAR POD RH ONLY -----							1	
	2122003-1		LEADING EDGE ASSY-LH OUTBD -----							1	
	2122003-2		LEADING EDGE ASSY-RH OUTBD -----							1	

CONTINUED ON NEXT PAGE

P210 Parts Catalog

FIGURE AND INDEX NO.	PART NUMBER		DESCRIPTION							UNITS PER ASSY	USABLE ON CODE		
			1	2	3	4	5	6	7				
5B-63		@											
-64		@											
-65	2121017-1	*											
	2121017-5	*											
	2121017-2	*											
	2121017-6	*											
-66	2121018-1	*											
	2121018-2	*											
-66A	2116012-1	*											
-66B	2121036-1	*											
	2121036-10	*											
-67	2121019-5	*											
	2121019-6	*											
	2121036-9	*											
-67A	2121036-2	*											
	2121036-11	*											
-68	2121020-1	*											
	2121020-2	*											
-68A	NAS680A3	*											
-69	1221055-197	*											
	1221055-196	*											
-69A	2121030-3	*											
-70	2121030-7	*											
	2121030-6	*											
-70A	2121030-1	*											
-71	1221055-55	*											
	1221055-56	*											
-71A	2121030-5	*											
	2121030-4	*											
-72	2121030-15	*											
	2121030-14	*											
-73	2121024-7	*											
	2121024-8	*											
-74	2121024-1	*											
	2121024-2	*											
-75	2121037-1	*											
-75A	AN515-8R4												
-76	NAS680A08												
-77	2121040-1												
-78	1222009-2	*											
	1221049-9	*											
	NAS681A3												
-79	1221048-2												
-79A	AN507-1032R7												
-80	2121029-3	*											
	2121029-1												
	NAS1473A08												
-81	C156005-0201												
-81A	AN507-832R10												
-82	C156005-0102												
-82A	457-10												
-82B	416-9-1												
-83	457-98-1												
	463-29-1												
-83A	MS27380-3												

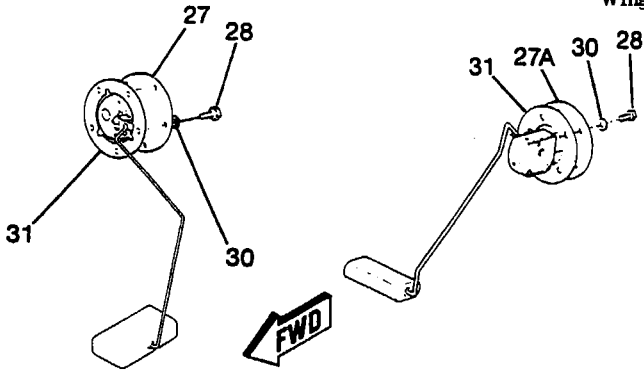
CONTINUED ON NEXT PAGE

P210 Parts Catalog

FIGURE AND INDEX NO.	PART NUMBER	DESCRIPTION							UNITS PER ASSY	USABLE ON CODE
		1	2	3	4	5	6	7		
5B-84	1716008-1	NUTRING -----							1	
-85	S1588-2	GASKET -----							1	
-86	C668050-0703	TRANSMITTER-FUEL LEVEL			OUTBD	LH			1	
	C668050-0704	TRANSMITTER-FUEL LEVEL			OUTBD	RH			1	
		ATTACHING PARTS								
-87	NAS1352-3-10	BOLT -----							5	
-88	AN936A10	WASHER -----							5	
		*-----								
-89	S2670-1	GASKET -----							1	
-90	1726048-2	BOSS -----							1	
	1726049-1	CLIP -----							1	
	SEE FIG 8	FUEL DRAIN VALVE							1	
-91	2100003-119	LINE ASSY -----							1	
-92	AN815-6D	UNION -----							1	
-93	2100003-111	LINE ASSY -----							1	
-93A	2126001-1	VALVE ASSY-FUEL VENT							1	
-93B	2121041-5	BRACKET ASSY-VENT LINE LH							1	
	2121041-6	BRACKET ASSY-VENT LINE RH							1	
-93C	AN924-8D	NUT -----							1	
-93D	NAS1149D1290H	WASHER -----							1	
-94	2121001-1	RETAINER -----							2	
		ATTACHING PARTS								
	S1021Z8-8	SCREW -----							2	
		*-----								
-95	2121002-1	BRACKET ASSY-AILERON CONTROL			LWR	LH			1	
	2121002-4	BRACKET ASSY-AILERON CONTROL			LWR	RH			1	
	2121002-3	BRACKET ASSY-AILERON CONTROL			UPR	LH			1	
	2121002-2	BRACKET ASSY-AILERON CONTROL			UPR	RH			1	
	NAS684A3	NUTPLATE -----							1	
	NAS680A5	NUTPLATE -----							1	
-96	2121003-1	DOUBLER ASSY -----							1	
	NAS680A06	NUTPLATE -----							5	
	NAS682A06	NUTPLATE -----							2	
-97	S226-5F	DOUBLER ASSY -----							1	
	S1860-2A	NUTPLATE -----							6	
-98	1722040-1	SUPPORT-LH -----							6	
	1722040-2	SUPPORT-RH -----							6	
-99	2121038-1	INDICATOR-FUEL QUANTITY VISUAL							1	
<p>NOTE. @FUEL SPARS ARE NOT AVAILABLE AS REPLACEMENT PARTS.</p> <p>NOTE. *THESE ITEMS ARE LISTED ONLY FOR MAKING SPLICE REPAIRS TO EXISTING PARTS WHICH ARE IMPRACTICAL TO REPLACE. SEE SERVICE MANUAL FOR REPAIR & SEALING PROCEDURES.</p> <p>A---P210 SERIAL P21000835 & ON B---P210 SERIAL P21000835 THRU P21000856 C---P210 SERIAL P21000857 & ON</p>										

P210 Parts Catalog

Wing (Cont)

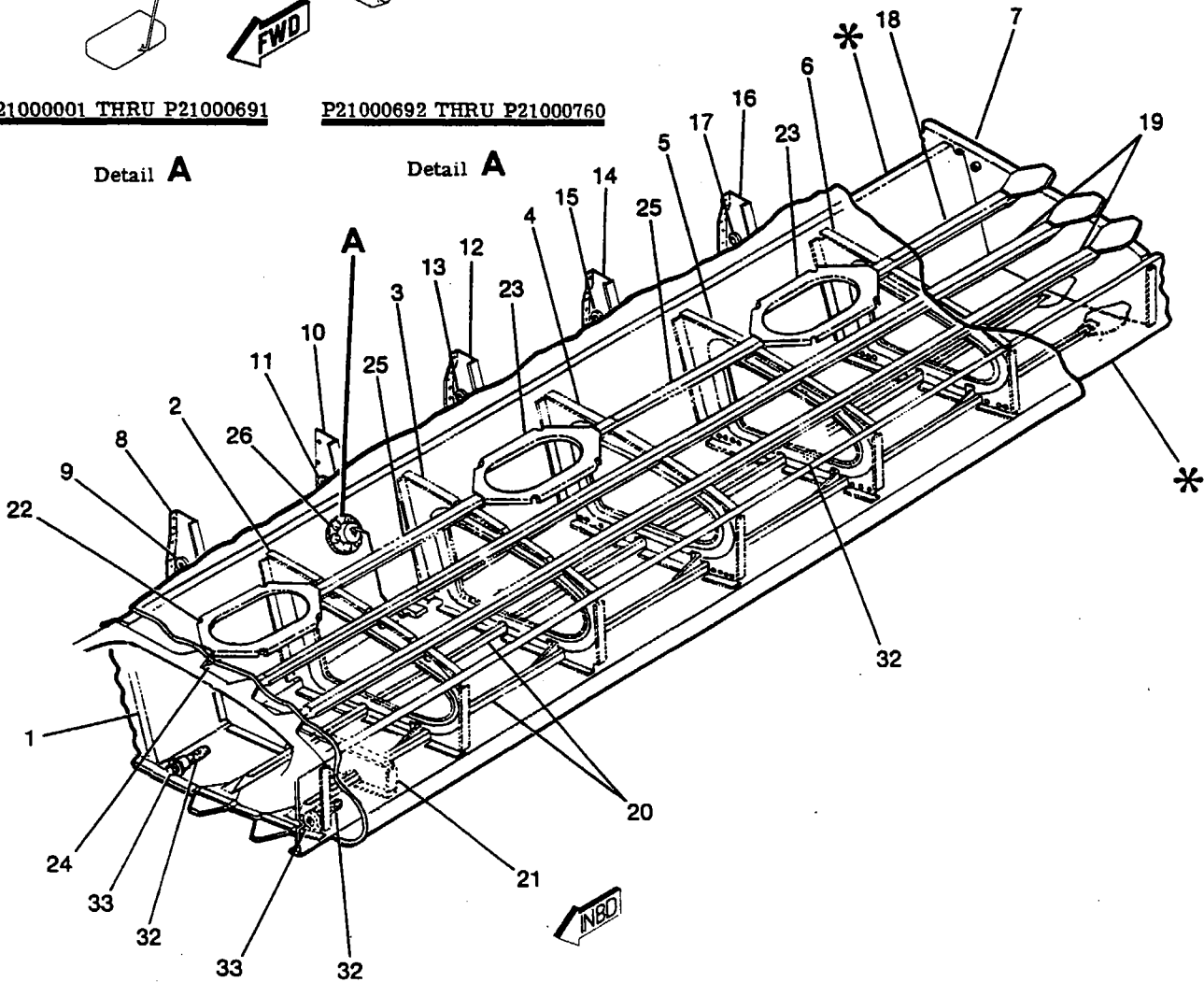


P21000001 THRU P21000691

P21000692 THRU P21000760

Detail A

Detail A



NOTE. * FUEL SPARS ARE NOT AVAILABLE AS REPLACEMENT PARTS.

P210 SERIAL P21000001 THRU P21000760

Figure 6. Fuel Cell Components

P210 Parts Catalog

FIGURE AND INDEX NO.	PART NUMBER	DESCRIPTION							UNITS PER ASSY	USABLE ON CODE	
		1	2	3	4	5	6	7			
6 -		FUEL CELL COMPONENTS									
	S2034-1									NP 4	
	S2209-2									4	
- 1	1222137-200 *									1	A B A B
	1222137-1 *									1	
	1222137-201 *									1	
	1222137-2 *									1	
- 2	1221042-1 *									1	
	1221042-125 *									1	
	1221042-2 *									1	
	1221042-126 *									1	
- 3	1221042-3 *									1	
	1221042-123 *									1	
	1221042-4 *									1	
	1221042-124 *									1	
- 4	1221042-5 *									1	
	1221042-121 *									1	
	1221042-6 *									1	
	1221042-122 *									1	
- 5	1221042-7 *									1	
	1221042-119 *									1	
	1221042-8 *									1	
	1221042-120 *									1	
- 6	1221042-9 *									1	
	1221042-117 *									1	
	1221042-10 *									1	
	1221042-118 *									1	
- 7	1221041-15 *									1	
	1221041-16 *									1	
- 8	1221226-1									1	
	1221226-2									1	
- 9	S1291-16									1	
-10	1221227-1									1	
	1221227-2									1	
-11	S1291-16									1	
-12	1221228-1									1	
	1221228-2									1	
-13	S1291-16									1	
-14	1221229-1									1	
	1221229-2									1	
-15	S1291-16									1	
-16	1221230-1									1	
	1221230-2									1	
-17	S1291-16									1	
-18	1221055-51 *									1	
	1221055-52 *									1	
-19	1221055-41 *									2	
	1221055-43 *									2	
-20	1221055-42 *									2	
	1221055-44 *									2	
-21	1221043-1 *									1	
	1221043-2 *									1	
-22	1222009-2 *									1	
-23	1221049-1 *									2	
	1221049-6 *									3	
	1221049-9 *									3	
	4600-02									16	
	NAS681A3									16	
-24	1222018-1 *									1	
-25	1222019-1 *									2	
	1222019-2 *									2	
-26	1716008-1									1	
	S1588-2									1	
-27	C668002-0101 %									NP 1	
	C668050-0701 %									NP 1	
	C668002-0102 %									NP 1	
	C668050-0702 %									NP 1	
-27A	C668050-0601									NP 1	
	C668050-0701									NP 1	
	C668050-0602									NP 1	
	C668050-0702									NP 1	
-28	MS20074-03-05									5	
-29											
-30	S350									5	

CONTINUED ON NEXT PAGE

P210 Parts Catalog

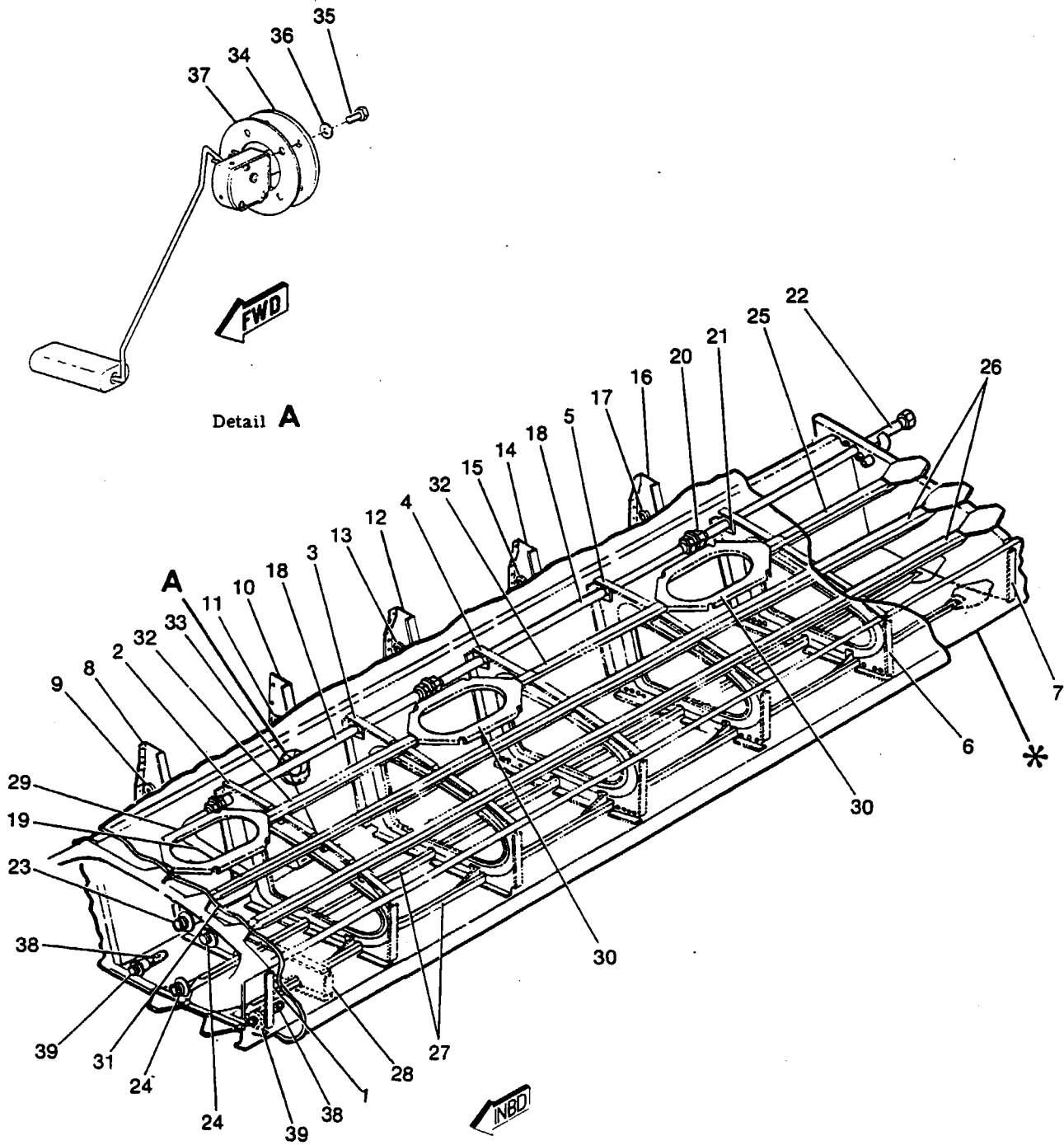
FIGURE AND INDEX NO.	PART NUMBER	DESCRIPTION							UNITS PER ASSY	USABLE ON CODE
		1	2	3	4	5	6	7		
6 -31 -32 -33	S1588-1	GASKET -----							1	E
	S1588-2	GASKET -----							1	
	15-423	* GASKET ROCH -----							1	F A B B
	1726045-6	STRAINER ASSY-FUEL CELL LESS FITTING -----							2	
1726045-8	FITTING FWD & AFT -----							2		
1726045-8	FITTING FWD -----							1		
	1726045-2	FITTING AFT -----							1	
<p>NOTE. *THESE ITEMS ARE LISTED ONLY FOR MAKING SPLICE REPAIRS TO EXISTING PARTS WHICH ARE IMPRACTICAL TO REPLACE. SEE SERVICE MANUAL FOR REPAIR & SEALING PROCEDURES.</p> <p>NOTE. %AIRPLANES P21000001 THRU P21000691 NOT INCORPORATING SK210-145.</p> <p>NOTE. %WHEN INITIALLY ORDERING THIS PART, ORDER SK210-145.</p> <p>NOTE. @AIRPLANES P21000001 THRU P21000691 INCORPORATING SK210-145, AND AIRPLANES P21000692 & ON.</p> <p>A---P210 SERIAL P21000001 THRU P21000385 B---P210 SERIAL P21000386 THRU P21000760 C---P210 SERIAL P21000001 THRU P21000590 D---P210 SERIAL P21000591 THRU P21000760 E---P210 SERIAL P21000001 THRU P21000691 F---P210 SERIAL P21000692 THRU P21000760 G---P210 SERIAL P21000001 THRU P21000760</p>										

P210 Parts Catalog

FIGURE AND INDEX NO.	PART NUMBER	DESCRIPTION	UNITS PER ASSY	USABLE ON CODE
		1 2 3 4 5 6 7		
6A-		FUEL CELL COMPONENTS -----		
	S2034-1	MOUNT -----	NP	A
	S2209-2	STA-STRAP -----	4	
- 1	1222137-7 *	RIB ASSY-LH -----	4	
	1222137-8 *	RIB ASSY-RH -----	1	
- 2	1221042-125 *	RIB-LH STA 54.00 -----	1	
	1221042-126 *	RIB-RH STA 54.00 -----	1	
		CONTINUED ON NEXT PAGE		

P210 Parts Catalog

Wing (Cont)



NOTE. * FUEL SPARS ARE NOT AVAILABLE AS REPLACEMENT PARTS.

P210 SERIAL P21000761 THRU P21000834

Figure 6A. Fuel Cell Components

P210 Parts Catalog

FIGURE AND INDEX NO.	PART NUMBER		DESCRIPTION							UNITS PER ASSY	USABLE ON CODE
			1	2	3	4	5	6	7		
6A- 3	1221042-123	*	RIB-LH	STA	68.00					1	
	1221042-124	*	RIB-RH	STA	68.00					1	
- 4	1221042-121	*	RIB-LH	STA	82.00					1	
	1221042-122	*	RIB-RH	STA	82.00					1	
- 5	1221042-119	*	RIB-LH	STA	96.00					1	
	1221042-120	*	RIB-RH	STA	96.00					1	
- 6	1221042-117	*	RIB-LH	STA	110.00					1	
	1221042-118	*	RIB-RH	STA	110.00					1	
- 7	1221041-65	*	RIB-LH	STA	124.00					1	
	1221041-66	*	RIB-RH	STA	124.00					1	
- 8	1221226-1		RIB ASSY-LH	STA	54.00					1	
	1221226-2		RIB ASSY-RH	STA	54.00					1	
- 9	S1291-16		GROMMET							1	
-10	1221227-1		RIB ASSY-LH	STA	68.00					1	
	1221227-2		RIB ASSY-RH	STA	68.00					1	
-11	S1291-16		GROMMET							1	
-12	1221228-1		RIB ASSY-LH	STA	82.00					1	
	1221228-2		RIB ASSY-RH	STA	82.00					1	
-13	S1291-16		GROMMET							1	
-14	1221229-1		RIB ASSY-RH	STA	96.00					1	
	1221229-2		RIB ASSY-LH	STA	96.00					1	
-15	S1291-16		GROMMET							1	
-16	1221230-1		RIB ASSY-LH	STA	110.00					1	
	1221230-2		RIB ASSY-RH	STA	110.00					1	
-17	S1291-16		GROMMET							1	
-18	2100003-53		LINE ASSY	CROSSOVER VENT						2	
-19	2100003-54		LINE ASSY	CROSSOVER VENT						1	
-20	AN815-6D		UNION							3	
-21	2121001-1		RETAINER							8	
	S102178-8		SCREW							8	
-22	2116011-1		FITTING ASSY-LH	CROSSOVER VENT						1	
	2116011-2		FITTING ASSY-RH	CROSSOVER VENT						1	
-23	2116012-1		FITTING							1	
-24	1216112-1		FITTING							2	
-25	1221055-51	*	STRINGER-UPR LH							1	
	1221055-52	*	STRINGER-UPR RH							1	
-26	1221055-41	*	STRINGER-UPR LH							2	
	1221055-43	*	STRINGER-UPR RH							2	
	1221055-42	*	STRINGER-LWR LH							2	
	1221055-44	*	STRINGER-LWR RH							2	
-28	1221043-1	*	RIB-BAFFLE LH							1	
	1221043-2	*	RIB-BAFFLE RH							1	
-29	1222009-2	*	DOUBLER							1	
-30	1221049-1	*	DOUBLER							2	
	1221049-9	*	SPACER ASSY							3	
-31	NAS681A3		NUTPLATE							3	
-32	1222018-1	*	CHANNEL-STIFFENER							16	
	1222019-1	*	STRINGER-UPR LH							1	
	1222019-2	*	STRINGER-UPR RH							2	
-33	1716008-1		NUTRING ASSY							1	
	S1588-2		GASKET							1	
-34	C668002-0101		TRANSMITTER-LH FUEL	FSO C668050-0701	SEE NOTE %					NP	
	C668050-0601		TRANSMITTER-LH FUEL	FSO C668050-0701						NP	
	C668050-0701		TRANSMITTER-LH FUEL							1	
	C668002-0102		TRANSMITTER-RH FUEL	FSO C668050-0702	SEE NOTE %					NP	
	C668050-0602		TRANSMITTER-RH FUEL	FSO C668050-0702						NP	
	C668050-0702		TRANSMITTER-RH FUEL							1	
-35	MS20074-03-05		BOLT-TRANSMITTER ATTACH							5	
-36	S350		WASHER-SEALING-TRANSMITTER ATTACH							5	
-37	15-423		GASKET ROCH							1	
-38	1726045-6		STRAINER ASSY-FUEL CELL	LESS FITTING						2	
-39	1726045-2		FITTING							2	

NOTE. *THIS ITEM IS LISTED ONLY FOR MAKING SPLICE REPAIRS TO EXISTING PARTS WHICH ARE IMPRACTICAL TO REPLACE. SEE SERVICE MANUAL FOR REPAIR & SEALING PROCEDURES.

NOTE. %WHEN INITIALLY ORDERING THIS PART, ORDER SK210-145.

A---P210 SERIAL P21000761 THRU P21000834
 B---P210 SERIAL P21000812 THRU P21000833
 C---P210 SERIAL P21000761 THRU P21000811 & P21000834

B C A B C A

P210 Parts Catalog

Wing (Cont)

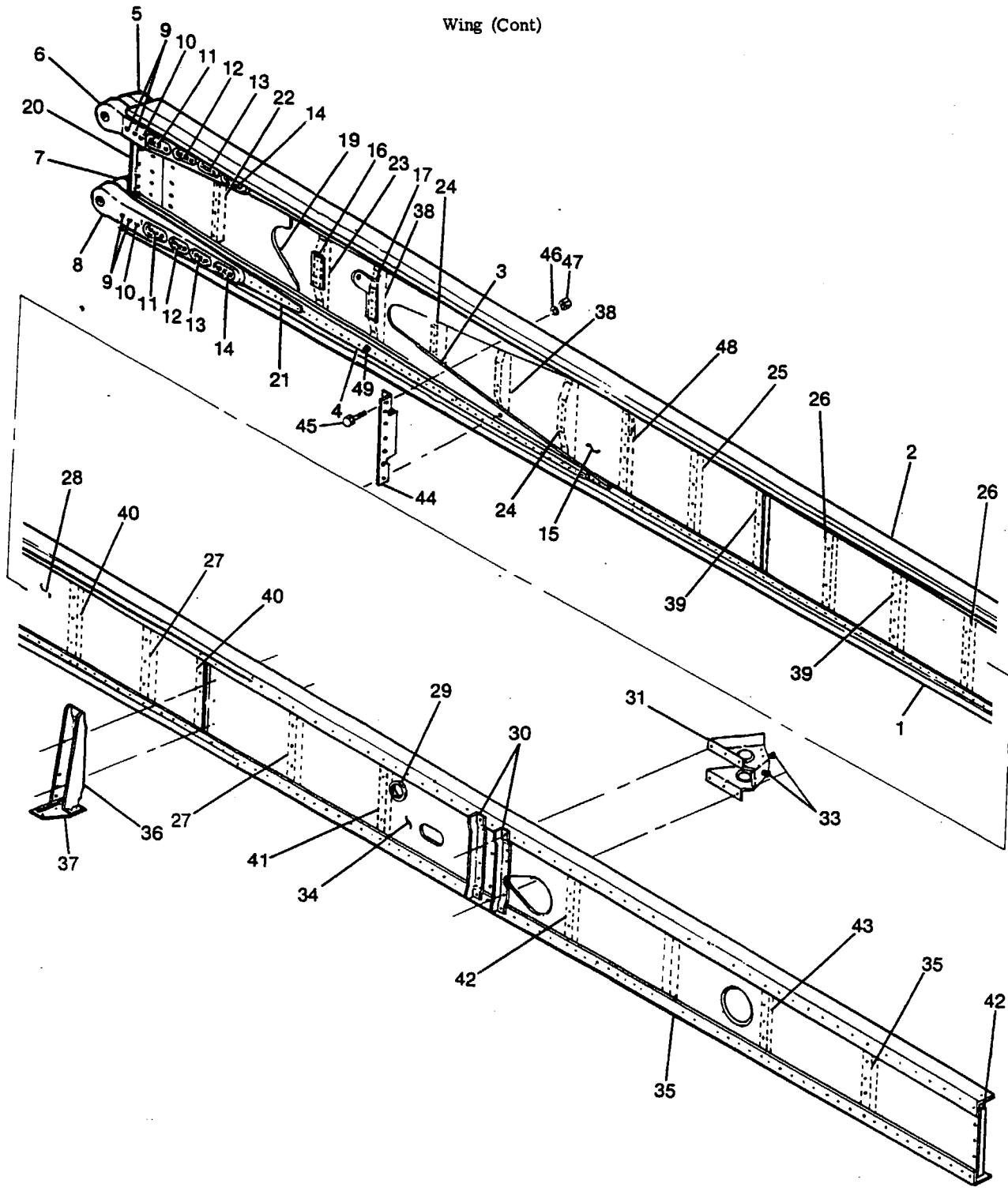


Figure 7. Wing Spar Assemblies & Components

P210 Parts Catalog

FIGURE AND INDEX NO.	PART NUMBER	DESCRIPTION							UNITS PER ASSY	USABLE ON CODE
		1	2	3	4	5	6	7		
7 -		WING SPAR ASSEMBLIES & COMPONENTS								
	1221235-1	WING SPAR ASSY-MAIN	LH						NP	
	1221235-21	WING SPAR ASSY-MAIN	LH						1	
	1221235-2	WING SPAR ASSY-MAIN	RH						1	
	1221235-20	WING SPAR ASSY-MAIN	RH						1	
- 1	1221235-3	WING SPAR ASSY-MAIN	RH						1	
	1221235-17	CAP-SPAR	LWR	LH					1	
	1221235-4	CAP-SPAR	LWR	LH					1	
	1221235-16	CAP-SPAR	LWR	RH					1	
- 2	1221235-5	CAP-SPAR	LWR	RH					1	
	1221235-19	CAP-SPAR	UPR	LH					1	
	1221235-6	CAP-SPAR	UPR	LH					1	
	1221235-18	CAP-SPAR	UPR	RH					1	
- 3	1222031-3	CAP-SPAR	UPR	RH					1	
	1222031-4	DOUBLER-LH							1	
- 4	1221235-13	DOUBLER-RH							1	
	1221235-15	PLATE-FWD							2	
- 5	1210102-10	PLATE-AFT							2	
- 6	1210102-12	FITTING ASSY-SPAR							1	
- 7	1210102-9	FITTING ASSY-SPAR							1	
- 8	1210102-11	FITTING ASSY-SPAR							1	
		FITTING ASSY-SPAR							1	
		ATTACHING PARTS								
- 9	NAS1054-10-51	RIVET-HI-SHEAR							4	
-10	NAS1054-10-50	RIVET-HI-SHEAR							2	
-11	NAS1054-10-44	RIVET-HI-SHEAR							6	
-12	NAS1054-10-39	RIVET-HI-SHEAR							6	
-13	NAS1054-10-33	RIVET-HI-SHEAR							6	
-14	NAS1054-10-28	RIVET-HI-SHEAR							6	
	NAS179-10	COLLAR							30	

-15	1221235-11	WEB ASSY-SPAR	LH						1	
	1221235-12	WEB ASSY-SPAR	RH						1	
-16	1221035-1	SPACER							1	
-17	1221034-1	SPACER-LH							1	
	1221034-2	SPACER-RH							1	
-18		DELETED-NOT USED								
-19	1221031-1	SPACER-LH							1	
	1221031-2	SPACER-RH							1	
-20	1222035-1	STIFFENER-LH	AFT						1	
	1222035-2	STIFFENER-RH	AFT						1	
	1222035-3	STIFFENER-LH	FWD						1	
	1222035-4	STIFFENER-RH	FWD						1	
-21	1922005-11	REINFORCEMENT							1	
-22	1221057-9	STIFFENER-SPAR							1	
-23	1221057-1	STIFFENER-SPAR							1	
-24	1221057-3	STIFFENER-SPAR							1	
-25	1221057-11	STIFFENER-SPAR							2	
-26	1221085-16	STIFFENER							1	
-27	1221085-5	STIFFENER							2	
-28	1221235-9	STIFFENER							2	
	1221235-10	WEB-LH							1	
-29	NAS557-16A	WEB-RH							1	
	NAS557-22A	GROMMET							1	
-30	1221085-11	GROMMET							1	
	1221085-12	STIFFENER-LH							2	
-31	1221088-7	STIFFENER-RH							2	
	1221088-8	BRACKET ASSY-LH							1	
	NAS680A3	BRACKET ASSY-RH							1	
-32		NUTPLATE							2	
-33	NAS428-3-10	DELETED-NOT USED								
	AN345-10	BOLT							2	
-34	1221005-11	NUT							2	
	1221005-38	WEB	WEU	1221005-38					1	
-35	1220119-1	WEB							1	
	1221085-6	WEB							1	
-36	1221104-1	STIFFENER							2	
	1221104-2	CHANNEL-MOORING RING SUPPORT	LH						1	
		CHANNEL-MOORING RING SUPPORT	RH						1	

CONTINUED ON NEXT PAGE

P210 Parts Catalog

FIGURE AND INDEX NO.	PART NUMBER	DESCRIPTION 1 2 3 4 5 6 7	UNITS PER ASSY	USABLE ON CODE	
7 -37	1221104-3	DOUBLER -----	2	C D C D C D C D C D C D C D C D C D C D C D C D C D	
-38	1221057-12	STIFFENER -----	2		
-39	1221085-1	STIFFENER -----	2		
-40	1221085-14	STIFFENER WEU 1221085-5 -----	2		
	1221085-5	STIFFENER -----	2		
-41	1221085-2	STIFFENER WEU 1221085-5 -----	1		
	1221085-5	STIFFENER -----	1		
-42	1221085-15	STIFFENER WEU 1221085-6 -----	2		
	1221085-6	STIFFENER -----	2		
-43	1221085-3	STIFFENER WEU 1221085-6 -----	1		
	1221085-6	STIFFENER -----	1		
-44	1221232-1	STIFFENER-SPAR LH -----	1		
	1221232-2	STIFFENER-SPAR RH -----	1		
		ATTACHING PARTS			
-45	AN3-11A	BOLT -----	2		
-46	NAS1149F0332P	WASHER -----	2		
-47	MS21044N3	NUT -----	2		
		-----*			
-48	1221057-13	STIFFENER -----	2		
-49	AN3-11A	BOLT -----	2		
	NAS1149F0332P	WASHER -----	2		
	MS21044N3	NUT -----	2		
<p>NOTE. *WHEN INITIALLY ORDERING THIS PART FOR FOR AIRCRAFT PRIOR TO P21000730 ALSO ORDER NAS557-22A GROMMET.</p> <p>A---P210 SERIAL P21000001 THRU P21000729 B---P210 SERIAL P21000730 & ON C---P210 SERIAL P21000001 THRU P21000775 D---P210 SERIAL P21000776 & ON E---P210 SERIAL P21000001 THRU P21000834 F---P210 SERIAL P21000835 & ON G---P210 SERIAL P21000730 THRU P21000834</p>					

P210 Parts Catalog

Wing (Cont)

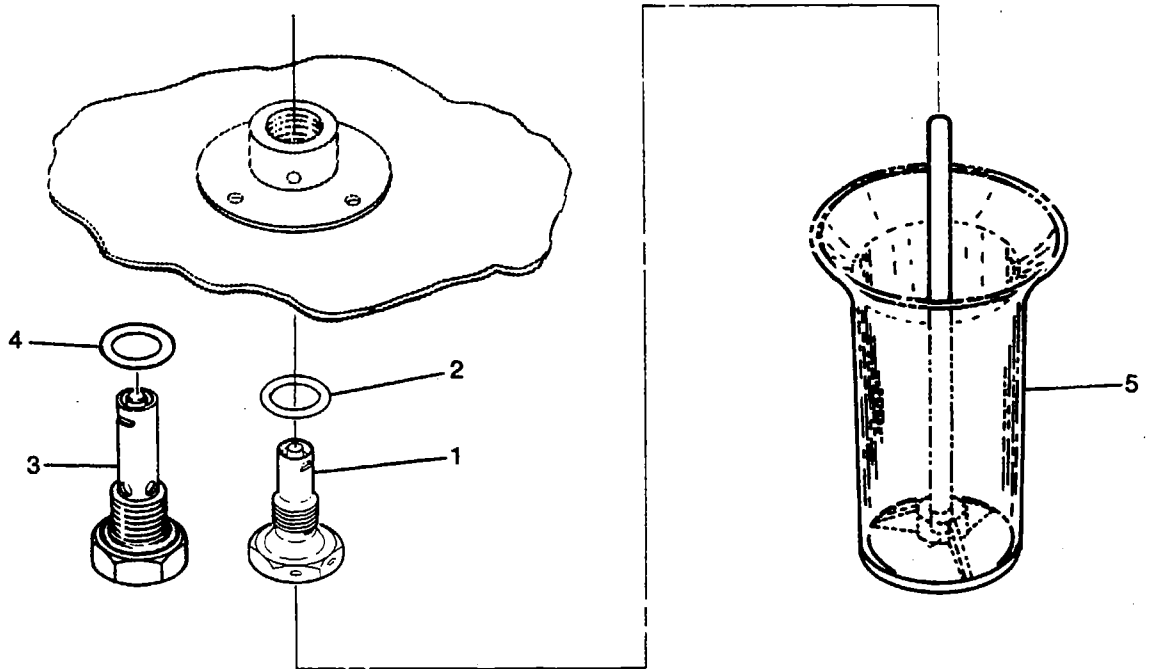


Figure 8. Fuel Drain Valve & Sampler Cup

FIGURE AND INDEX NO.	PART NUMBER	DESCRIPTION							UNITS PER ASSY	USABLE ON CODE
		1	2	3	4	5	6	7		
8 -		FUEL DRAIN VALVE & SAMPLER CUP -----							NP	
- 1	S2020-2	DRAIN VALVE ASSY WING TANK -----							2	D
- 2	S2020-2	DRAIN VALVE ASSY RESERVOIR -----							1	
- 3	NAS1593-015	O-RING -----							2	
- 4	S2106-2	DRAIN VALVE ASSY RESERVOIR -----							1	
- 5	NAS1593-012	O-RING -----							1	
	S2107-1	CUP-FUEL SAMPLER WEU 0756035-1 -----							1	A B E
	0756035-1	CUP-FUEL SAMPLER WEU 0776035-5 -----							1	
	0756035-5	CUP-FUEL SAMPLER -----							1	
		A---P210 SERIAL P21000001 THRU P21000834								
		B---P210 SERIAL P21000835 & ON								
		C---P210 SERIAL P21000001 THRU P21000760								
		D---P210 SERIAL P21000761 & ON								
		E---P210 SERIAL P21000837 & ON								

P210 Parts Catalog

Wing (Cont)

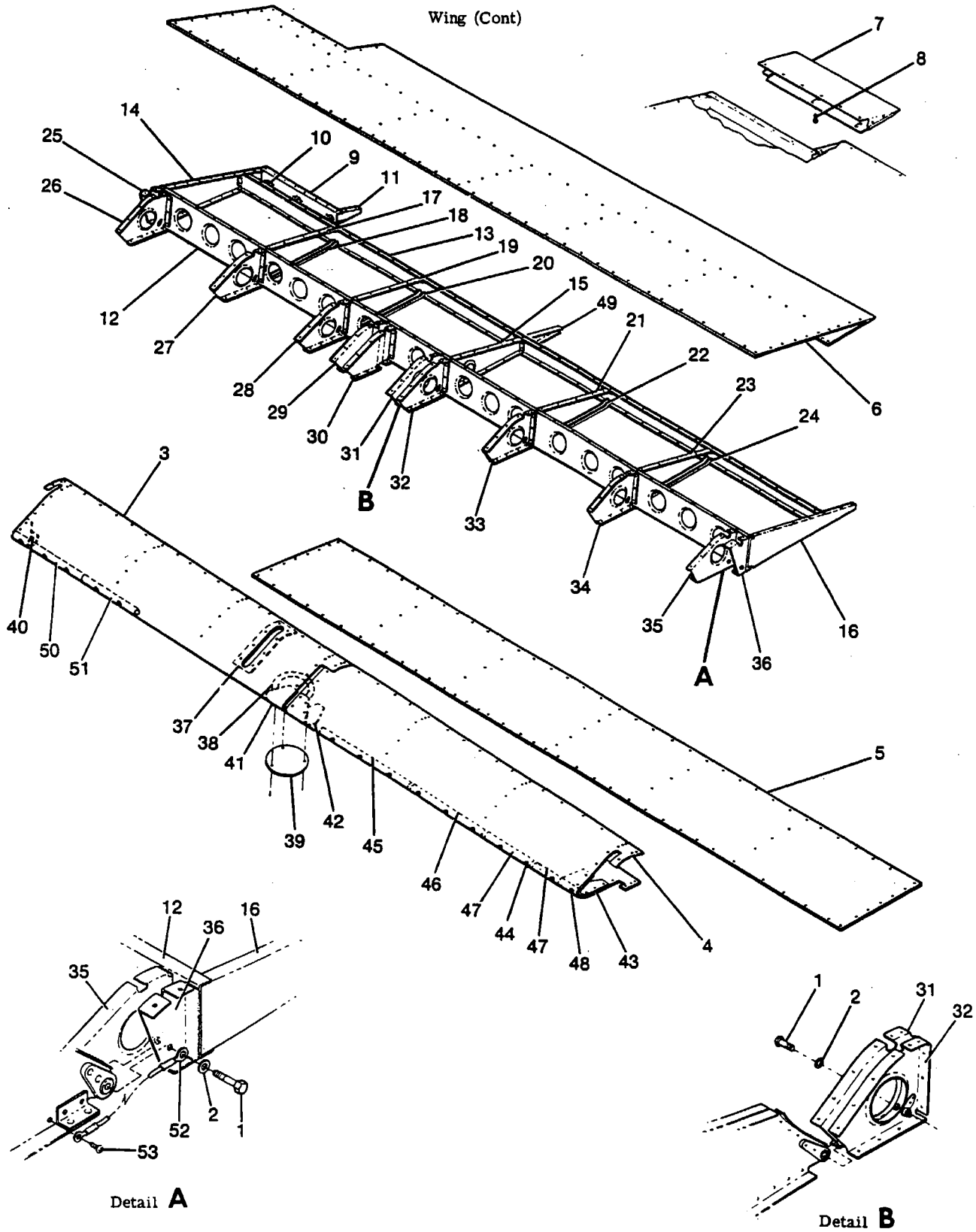


Figure 9. Aileron Installation

P210 Parts Catalog

FIGURE AND INDEX NO.	PART NUMBER	DESCRIPTION	1 2 3 4 5 6 7						UNITS PER ASSY	USABLE ON CODE
9 -		AILERON INSTALLATION								
	1221006-35	AILERON ASSY-CANTILEVER WING LH							NP	
	1221006-37	AILERON ASSY-CANTILEVER WING LH							1	A
	1221006-36	AILERON ASSY-CANTILEVER WING RH							1	B
	1221006-38	AILERON ASSY-CANTILEVER WING RH							1	B
		ATTACHING PARTS								
- 1	AN4-11A	BOLT							3	
- 2	NAS1149F0463P	WASHER							3	
		SKIN-AILERON LEADING EDGE								
- 3	1221006-19	SKIN-AILERON LEADING EDGE INBD LH							1	A
	1221006-39	SKIN-AILERON LEADING EDGE INBD LH							1	B
	1221006-18	SKIN-AILERON LEADING EDGE INBD RH							1	B
	1221006-40	SKIN-AILERON LEADING EDGE INBD RH							1	B
- 4	1221006-21	SKIN-AILERON LEADING EDGE INBD RH							1	
	1221006-20	SKIN-AILERON LEADING EDGE OUTBD LH							1	
	1221006-7	SKIN-AILERON LEADING EDGE OUTBD RH							1	
- 5	1221006-27	SKIN-AILERON LWR							1	
- 6	1221006-26	SKIN-AILERON TRAILING EDGE LH							1	
	1221006-8	SKIN-AILERON TRAILING EDGE RH							1	
- 7	1221006-11	TAB-AILERON TRIM LH							1	
		TAB-AILERON TRIM RH							1	
		ATTACHING PARTS								
- 8	AN515-8R8	SCREW							3	
		SPAR ASSY-AILERON TAB								
- 9	1221075-7	SPAR ASSY-AILERON TAB LH							1	
	1221075-8	SPAR ASSY-AILERON TAB RH							1	
-10	NAS686A08K	NUTPLATE							3	
-11	1221074-3	RIB-AILERON TAB LH							1	
	1221074-4	RIB-AILERON TAB RH							1	
-12	1221065-5	SPAR-AILERON FWD LH							1	
	1221065-6	SPAR-AILERON FWD RH							1	
-13	1221065-1	SPAR-AILERON AFT LH							1	
	1221065-2	SPAR-AILERON AFT RH							1	
-14	1221069-1	RIB-AILERON INBD LH							1	
	1221069-2	RIB-AILERON INBD RH							1	
-15	1221070-1	RIB-AILERON CTR LH							1	
	1221070-2	RIB-AILERON CTR RH							1	
-16	1221071-1	RIB-AILERON OUTBD LH							1	
	1221071-2	RIB-AILERON OUTBD RH							1	
-17	1221068-1	STIFFENER-AILERON SKIN UPR							1	
	1221068-2	STIFFENER-AILERON SKIN LWR							1	
-19	1221068-9	STIFFENER-AILERON SKIN UPR							1	
-20	1221068-4	STIFFENER-AILERON SKIN LWR							1	
-21	1221068-5	STIFFENER-AILERON SKIN UPR							1	
-22	1221068-6	STIFFENER-AILERON SKIN LWR							1	
-23	1221068-7	STIFFENER-AILERON SKIN UPR							1	
-24	1221068-8	STIFFENER-AILERON SKIN LWR							1	
-25	1221072-1	BRACKET-AILERON HINGE INBD LH							1	
	1221072-2	BRACKET-AILERON HINGE INBD RH							1	
-26	1221066-1	RIB ASSY-AILERON LEADING EDGE LH							1	
	1221066-2	RIB ASSY-AILERON LEADING EDGE RH							1	
	NAS682A4	NUTPLATE							1	
-27	1221066-5	RIB-AILERON LEADING EDGE							1	
-28	1221066-6	RIB-AILERON LEADING EDGE							1	
-29	1221067-1	RIB ASSY-AILERON LEADING EDGE LH							1	
	1221067-2	RIB ASSY-AILERON LEADING EDGE RH							1	
	NAS682A4	NUTPLATE							1	
-30	1221067-4	RIB-AILERON LEADING EDGE LH							1	
	1221067-3	RIB-AILERON LEADING EDGE RH							1	
-31	1221066-15	RIB-AILERON LEADING EDGE LH							1	
	1221066-16	RIB-AILERON LEADING EDGE RH							1	
-32	1221066-14	RIB ASSY-LEADING EDGE LH							1	
	1221066-13	RIB ASSY-LEADING EDGE RH							1	
	NAS682A4	NUTPLATE							1	
-33	1221066-7	RIB-AILERON LEADING EDGE							1	
-34	1221066-8	RIB-AILERON LEADING EDGE							1	
-35	1221066-11	RIB ASSY-LEADING EDGE LH							1	
	1221066-12	RIB ASSY-LEADING EDGE RH							1	
	NAS682A4	NUTPLATE							1	
-36	1221072-3	BRACKET-AILERON LEADING EDGE OUTBD LH							1	
	1221072-4	BRACKET-AILERON LEADING EDGE OUTBD RH							1	
-37	1221067-6	DOUBLER-AILERON LEADING EDGE							1	
-38	S237-6	DOUBLER ASSY							1	
	NAS395-14-3	NUT							3	

CONTINUED ON NEXT PAGE

P210 Parts Catalog

FIGURE AND INDEX NO.	PART NUMBER	DESCRIPTION							UNITS PER ASSY	USABLE ON CODE
		1	2	3	4	5	6	7		
9 -39	S225-8	PLATE-INSPECTION -----							1	
	S102178-6	ATTACHING PARTS -----								
		SCREW -----							3	
		*-----								
-40	1221117-1	GUSSET-AILERON LH -----							1	
	1221117-2	GUSSET-AILERON RH -----							1	
-41	1221117-3	GUSSET-AILERON LH -----							1	
	1221117-4	GUSSET-AILERON RH -----							1	
-42	1221117-5	GUSSET-AILERON LH -----							1	
	1221117-6	GUSSET-AILERON RH -----							1	
-43	1221117-7	GUSSET-AILERON LH -----							1	
	1221117-8	GUSSET-AILERON RH -----							1	
	1221121-13	BALANCE WEIGHT ASSY-AILERON -----							1	
		ATTACHING PARTS -----								
-44	NAS220-11	SCREW -----							10	
		*-----								
-45	1221121-2	WEIGHT-BALANCE -----							1	
-46	1221121-3	WEIGHT-BALANCE -----							1	
-47	1221121-11	WEIGHT-BALANCE -----							2	
	1221121-14	CHANNEL-GANG -----							1	
		ATTACHING PARTS -----								
	AN535-2-4	SCREW -----							9	
		*-----								
-48	S1093-1	PLUG BUTTON -----							2	
-49	1221148-1	RIB-AILERON CTR LH -----							1	
	1221148-2	RIB-AILERON CTR RH -----							1	
		ATTACHING PARTS -----								
	CR163-4-2	RIVET CY -----							2	
		*-----								
	1221121-5	BALANCE WEIGHT ASSY -----							1	B
		ATTACHING PARTS -----								
	NAS220-11	SCREW -----							5	B
		*-----								
-50	1221121-2	WEIGHT-BALANCE -----							1	B
-51	1221121-3	WEIGHT-BALANCE -----							1	B
	1221121-6	CHANNEL-GANG -----							1	B
		ATTACHING PARTS -----								
	AN535-2-4	SCREW -----							4	B
		*-----								
-52	1570102-1	STRAP ASSY-BONDING -----							2	
		ATTACHING PARTS -----								
-53	AN515-8R6	SCREW -----							1	
	MS21044N08	NUT -----							1	
		*-----								
		A---P210 SERIAL P21000001 THRU P21000835								
		B---P210 SERIAL P21000836 & ON								

P210 Parts Catalog

FIGURE AND INDEX NO.	PART NUMBER	DESCRIPTION	UNITS PER ASSY	USABLE ON CODE	
		1 2 3 4 5 6 7			
10 - - 1 - 2 - 3 - 4 - 5 - 6 - 7	1221007-11 1221007-23 1221007-12 1221007-24	FLAP INSTALLATION ----- FLAP ASSY-WING LH WEU 1221007-23 ----- FLAP ASSY-WING LH ----- FLAP ASSY-WING RH WEU 1221007-24 ----- FLAP ASSY-WING RH ----- ATTACHING PARTS ----- BUSHING ----- BUSHING ALT FOR 0523919 ----- ROLLER ASSY ----- SPACER ----- NUT ----- BOLT ----- ROLLER ----- BEARING ASSY ALT FOR 0523921 ----- BOLT ----- ----*-----	NP 1 1 1 1 6 6 3 6 3 3 3 3	A B A B	
			CONTINUED ON NEXT PAGE		

P210 Parts Catalog

Wing (Cont)

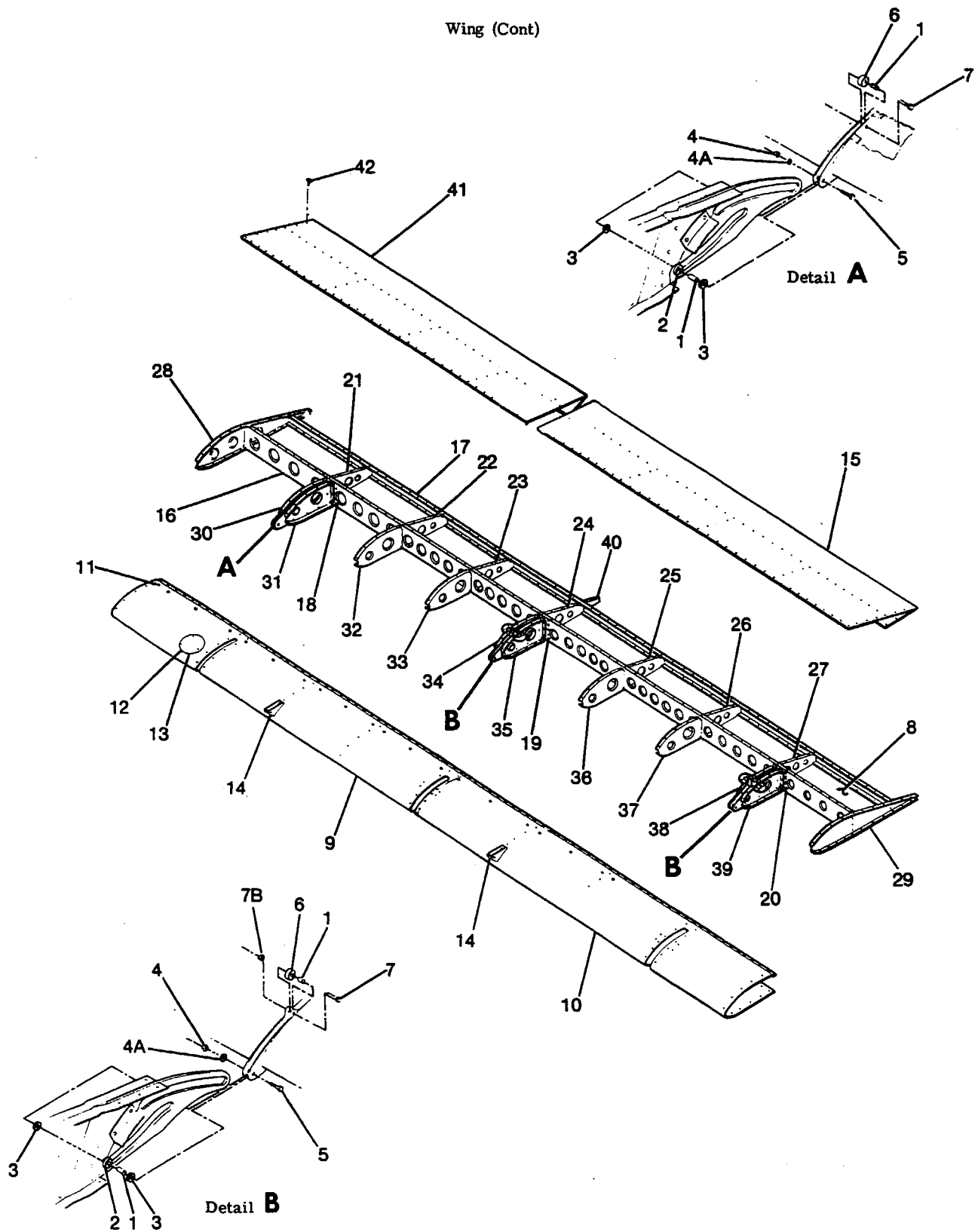


Figure 10. Flap Installation

P210 Parts Catalog

FIGURE AND INDEX NO.	PART NUMBER	DESCRIPTION							UNITS PER ASSY	USABLE ON CODE
		1	2	3	4	5	6	7		
10 - 8	1221007-10	SKIN-FLAP LOWER -----							1	
- 9	1221007-13	SKIN-FLAP LEADING EDGE INBD LH -----							1	
	1221007-14	SKIN-FLAP LEADING EDGE INBD RH -----							1	
-10	1221007-17	SKIN-FLAP LEADING EDGE OUTBD LH -----							1	
	1221007-18	SKIN-FLAP LEADING EDGE OUTBD RH -----							1	
-11	S1093-1	PLUG BUTTON -----							25	
-12	S237-4	DOUBLER ASSY -----							1	
	NAS395-14-3	NUT -----							3	
-13	S225-3	COVER-INSPECTION ATTACHING PARTS -----							1	
	S102128-8	SCREW -----							3	
-14	0523918	BRACKET-FLAP CONTROL ATTACHING PARTS -----							2	
	AN3-3A	BOLT -----							2	
-15	1221007-21	SKIN-TRAILING EDGE OUTBD LH -----							1	
	1221007-22	SKIN-TRAILING EDGE OUTBD RH -----							1	
-16	1221076-5	SPAR-FORWARD FLAP LH -----							1	
	1221076-6	SPAR-FORWARD FLAP RH -----							1	
-17	1221076-7	SPAR-REAR FLAP LH -----							1	
	1221076-8	SPAR-REAR FLAP RH -----							1	
-18	1221084-7	DOUBLER-LH -----							1	
	1221084-8	DOUBLER-RH -----							1	
-19	1221084-9	DOUBLER-LH -----							1	
	1221084-10	DOUBLER-RH -----							1	
-20	1221084-11	DOUBLER-LH -----							1	
	1221084-12	DOUBLER-RH -----							1	
-21	1221077-7	RIB-FLAP TRAILING EDGE STA 40.00 -----							1	
-22	1221080-5	RIB-FLAP TRAILING EDGE STA 57.40 -----							1	
-23	1221080-6	RIB-FLAP TRAILING EDGE STA 68.35 -----							1	
-24	1221078-8	RIB-FLAP TRAILING EDGE STA 82.00 -----							1	
-25	1221080-7	RIB-FLAP TRAILING EDGE STA 96.80 -----							1	
-26	1221080-8	RIB-FLAP TRAILING EDGE STA 110.40 -----							1	
-27	1221079-8	RIB-FLAP TRAILING EDGE STA 124.00 -----							1	
-28	1221083-3	RIB-FLAP CLOSING INBD LH -----							1	
	1221083-4	RIB-FLAP CLOSING INBD RH -----							1	
-29	1221082-3	RIB-FLAP CLOSING OUTBD LH -----							1	
	1221082-4	RIB-FLAP CLOSING OUTBD RH -----							1	
-30	1221077-9	RIB ASSY-LH INBOARD RH OUTBD STA 40.00 -----							1	
-31	1221077-10	RIB ASSY-LH OUTBOARD RH INBD STA 40.00 -----							1	
	1221077-8	EXTENSION-RIB -----							1	
	NAS680A3	NUTPLATE -----							1	
-32	1221081-9	RIB ASSY-FLAP NOSE STA 54.70 WEU 1221081-2 -----							1	A
	1221081-2	RIB ASSY-FLAP NOSE STA 54.70 -----							1	B
	NAS680A3	NUTPLATE -----							2	
-33	1221081-6	RIB-FLAP NOSE STA 68.35 -----							1	
-34	1221078-11	RIB ASSY-LH INBD RH OUTBD STA 82.00 -----							1	
-35	1221078-12	RIB ASSY-LH OUTBD RH INBD STA 82.00 -----							1	
	1221078-9	EXTENSION-RIB -----							1	
	1221078-10	GUSSET -----							1	
-36	1221081-10	RIB ASSY-FLAP NOSE STA 96.80 WEU 1221081-4 -----							1	A
	1221081-4	RIB ASSY-FLAP NOSE STA 96.80 -----							1	B
	NAS680A3	NUTPLATE -----							2	
-37	1221081-5	RIB-FLAP NOSE STA 110.40 -----							1	
-38	1221079-9	RIB ASSY-LH INBD RH OUTBD STA 124.00 -----							1	
-39	1221079-10	RIB ASSY-RH OUTBD LH INBD STA 124.00 -----							1	
	1221079-7	EXTENSION-RIB -----							1	
	1221078-10	GUSSET -----							1	
-40	1221123-1	RIB-FLAP TRAILING EDGE -----							1	
	1601-0410	ATTACHING PARTS -----							6	
		RIVET AVEX -----							1	
-41	1221007-19	SKIN-TRAILING EDGE INBD LH -----							1	
	1221007-20	SKIN-TRAILING EDGE INBD RH -----							1	
		ATTACHING PARTS -----							1	
-42	CR763-4-2	RIVET CY -----							4	

A---P210 SERIAL P21000001 THRU P21000385
 B---P210 SERIAL P21000386 & ON

P210 Parts Catalog

Empennage

FLASHING BEACON FIN CAP

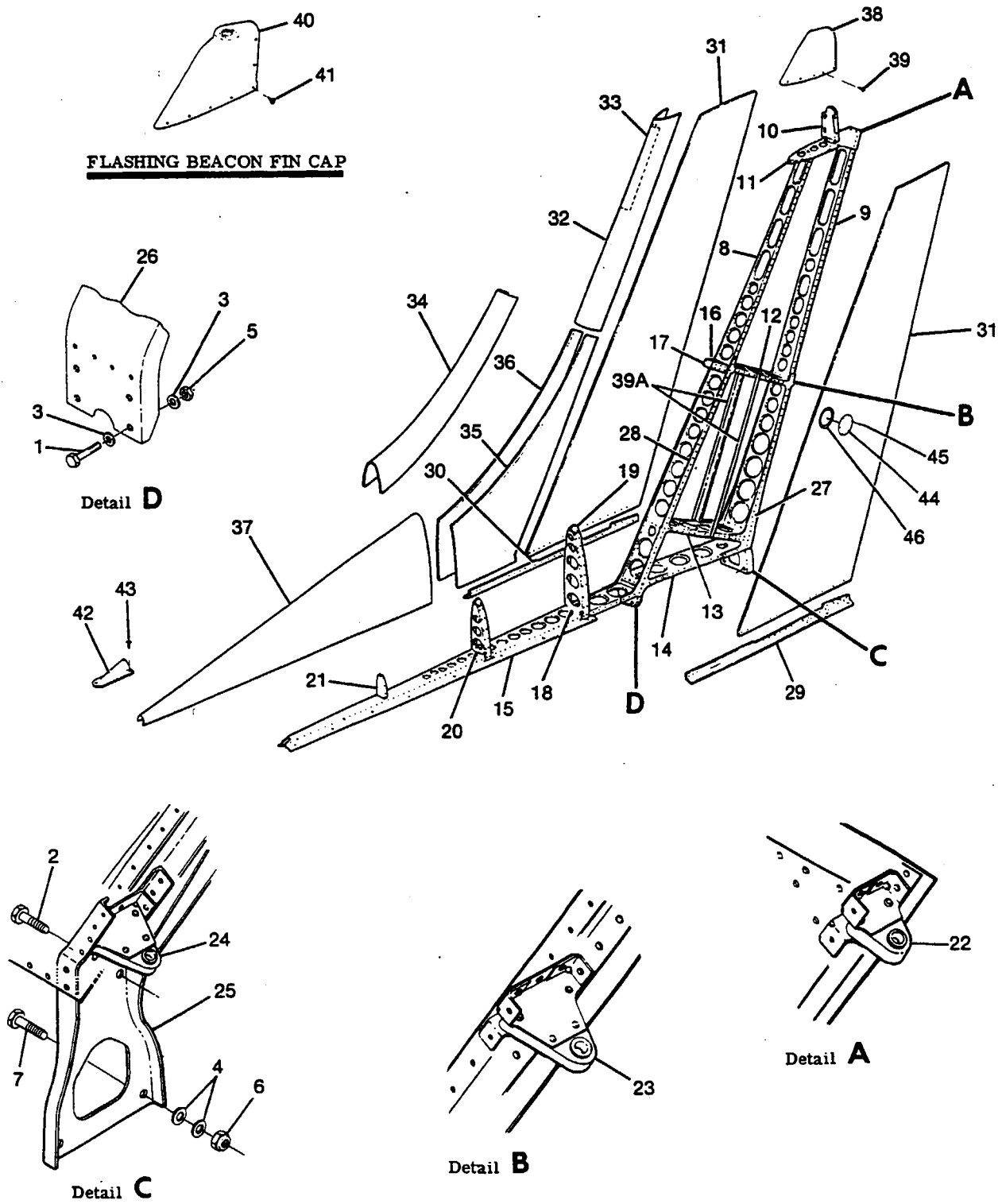


Figure 11. Fin & Dorsal Installation

P210 Parts Catalog

FIGURE AND INDEX NO.	PART NUMBER	*	DESCRIPTION							UNITS PER ASSY	USABLE ON CODE
			1	2	3	4	5	6	7		
11 -	1231057-16	*	FIN & DORSAL INSTALLATION -----							NP	
	1231057-18		FIN ASSY WEU 1231057-18 -----							1	F
			FIN ASSY -----							1	G
			ATTACHING PARTS								
- 1	AN4-6A		BOLT -----							4	
- 2	AN4-7A		BOLT UPPER -----							2	
- 3	NAS1149F0463P		WASHER -----							8	
- 4	NAS1149F0563P		WASHER -----							8	
- 5	MS21042L4		NUT -----							4	
- 6	MS21042L5		NUT -----							4	
- 7	AN5-6A		BOLT LOWER -----							2	
			*-----								
- 8	1231002-3		SPAR-FIN FORWARD WEU 1231002-5 -----							1	C
	1231002-5		SPAR-FIN FORWARD -----							1	D
- 9	1231002-2		SPAR-FIN AFT WEU 1231002-4 -----							1	C
	1231002-4		SPAR-FIN AFT WEU 1231002-7 -----							1	H
	1231002-7		SPAR-FIN AFT -----							1	G
-10	1231010-5		RIB ASSY-FIN TIP CAP -----							1	
	NAS696A08K		NUTPLATE -----							1	
	NAS697A08K		NUTPLATE -----							2	
-11	1231008-1		RIB ASSY-FIN UPPER WEU 1231008-5 -----							1	F
	1231008-5		RIB ASSY-FIN UPPER -----							1	G
	MS21073L08K		NUTPLATE -----							10	
	NAS680A06		NUTPLATE -----							1	
	NAS680A3		NUTPLATE -----							2	G
-12	1231007-1		RIB-FIN CENTER -----							1	
-13	1231006-1		RIB-FIN LOWER -----							1	
-14	1231005-3		RIB-FIN BASE AFT -----							1	
-15	1231049-1		RIB-FIN BASE FORWARD -----							1	
-16	1231009-1		RIB ASSY-LEADING EDGE CENTER -----							1	
-17	1231009-3		STRIP-LEADING EDGE -----							1	
-18	0731602-1		RIB-DORSAL STA. 200.45 -----							1	
-19	0731062-2		STRIP-LEADING EDGE -----							1	
-20	1231049-2		RIB-DORSAL STA. 180.00 -----							1	
-21	1231049-3		RIB-DORSAL STA. 160.00 -----							1	
-22	1231023-3		BRACKET ASSY HINGE UPPER -----							1	
-23	1231023-2		BRACKET ASSY HINGE UPPER -----							1	
-24	1231023-1		BRACKET ASSY HINGE UPPER -----							1	
-25	1231058-1		FITTING-FIN ATTACH AFT -----							1	
-26	1231056-1		FITTING-FIN ATTACH FORWARD -----							1	
-27	1231014-2		PLATE-SPAR DOUBLER AFT WEU 1231014-6 -----							2	C
	1231014-6		PLATE-SPAR DOUBLER AFT -----							2	D
-28	1231014-5		PLATE-SPAR DOUBLER FORWARD -----							2	
-29	0731604-7		FAIRING ASSY-DORSAL TO FUSELAGE AFT LH -----							1	
-30	0731604-8		FAIRING ASSY-DORSAL TO FUSELAGE AFT RH -----							1	
	S1862-2A		NUTPLATE -----							1	
	S1863-3A		NUTPLATE -----							4	
-31	1231000-18		SKIN-FIN -----							2	
-32	1231000-4		SKIN-FIN LEADING EDGE UPPER -----							1	
-33	1231000-7		DOUBLER-LEADING EDGE SKIN -----							1	
-34	1231000-17		SKIN-FIN LEADING EDGE LOWER -----							1	
-35	1231057-3		SKIN-FIN LH -----							1	
-36	1231057-4		SKIN-FIN RH -----							1	
-37	1231057-10		SKIN-DORSAL -----							1	
-38	0731606-10		CAP-FIN TIP -----							1	
			ATTACHING PARTS								
-39	AN525-832R7		SCREW -----							14	
			*-----								
-39A	1231070-1		STIFFENER-VERTICAL TAIL -----							2	E
-40	1231064-1		CAP-FIN TIP USED WITH FLASHING BEACON -----							1	A
	1231064-3		CAP-FIN TIP USED WITH FLASHING BEACON -----							1	B
			ATTACHING PARTS								
-41	AN525-832R7		SCREW -----							14	
			*-----								

CONTINUED ON NEXT PAGE

P210 Parts Catalog

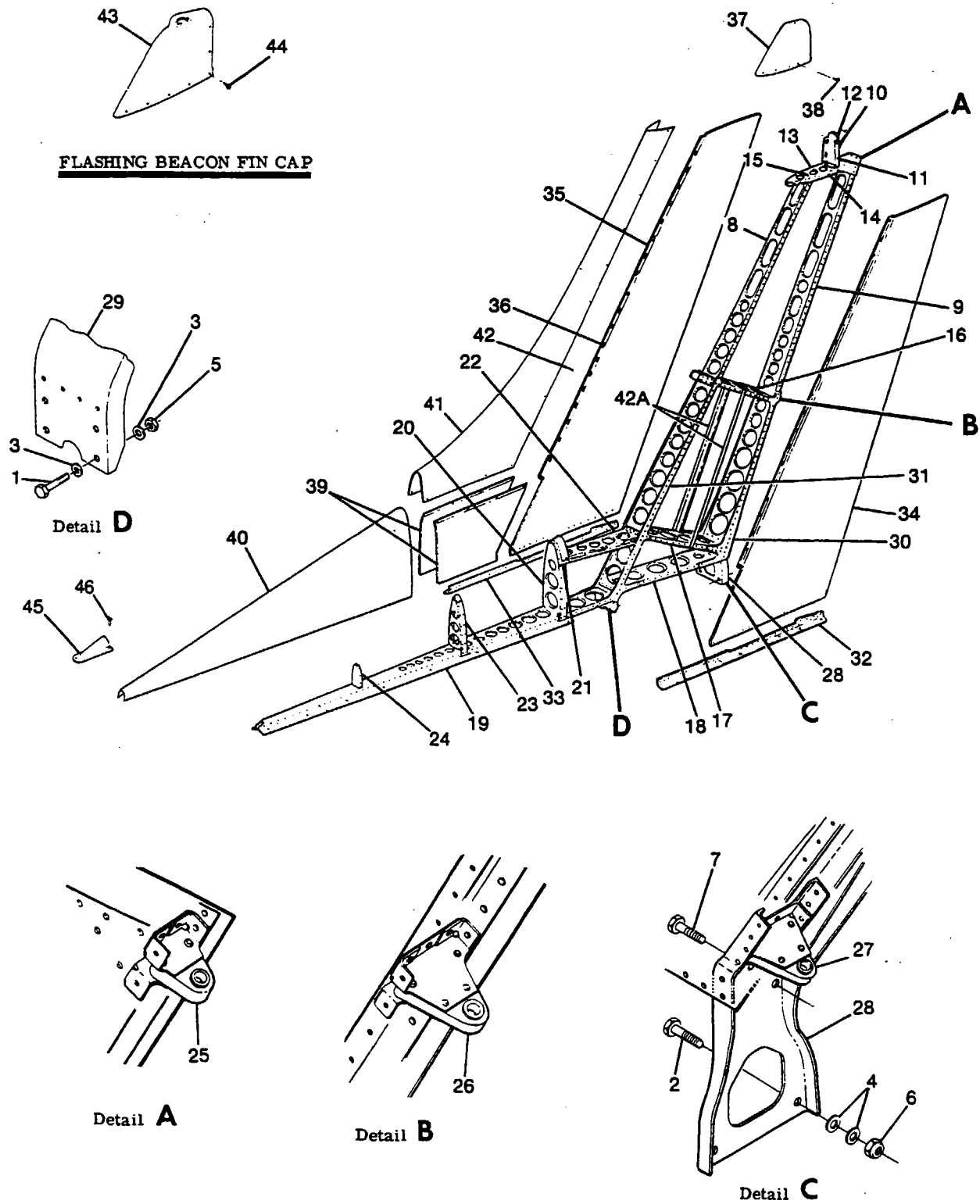
FIGURE AND INDEX NO.	PART NUMBER	DESCRIPTION	UNITS PER ASSY	USABLE ON CODE
		1 2 3 4 5 6 7		
11 -42	1231050-1	FAIRING-DORSAL FIN ----- ATTACHING PARTS	1	
-43	AN525-10R7	SCREW ----- *	3	
-44	S225-20	DOOR WITH VERTICAL FIN DE-ICE ----- ATTACHING PARTS	1	J
-45	S1022Z8-8	SCREW ----- *	6	J
-46	S226-5F S1860-2A	DOUBLER ASSY WITH VERTICAL FIN DE-ICE ----- NUTPLATE -----	1 6	J J
<p>NOTE. *FOR FIN ASSY WITH COM ANTENNA SEE FIG 12.</p> <p>A---P210 SERIAL P21000001 THRU P21000082 B---P210 SERIAL P21000083 & ON C---P210 SERIAL P21000001 THRU P21000306 D---P210 SERIAL P21000307 & ON E---P210 SERIAL P21000001 THRU P21000424 F---P210 SERIAL P21000001 THRU P21000590 G---P210 SERIAL P21000591 & ON H---P210 SERIAL P21000307 THRU P21000590 J---P210 SERIAL P21000835 & ON</p>				

P210 Parts Catalog

FIGURE AND INDEX NO.	PART NUMBER	DESCRIPTION	UNITS PER ASSY	USABLE ON CODE
		1 2 3 4 5 6 7		
12 -	1231057-17 *	FIN & DORSAL INSTALLATION-VHF COM ANTENNA ----- FIN ASSY-VHF COM ANTENNA ----- ATTACHING PARTS	NP 1	F
- 1	AN4-6A	BOLT -----	4	
- 2	AN5-6A	BOLT LOWER AFT ATTACH -----	2	
- 3	NAS1149F0463P	WASHER FWD -----	8	
- 4	NAS1149F0563P	WASHER AFT -----	8	
- 5	MS21042L4	NUT FWD -----	4	
- 6	MS21042L5	NUT AFT -----	4	
- 7	AN5-7A	BOLT -----	2	
		-----*		
		CONTINUED ON NEXT PAGE		

P210 Parts Catalog

Empennage (Cont)



P210 SERIAL P2100001 THRU P21000590

Figure 12. Fin & Dorsal Installation - VHF Com Antenna

P210 Parts Catalog

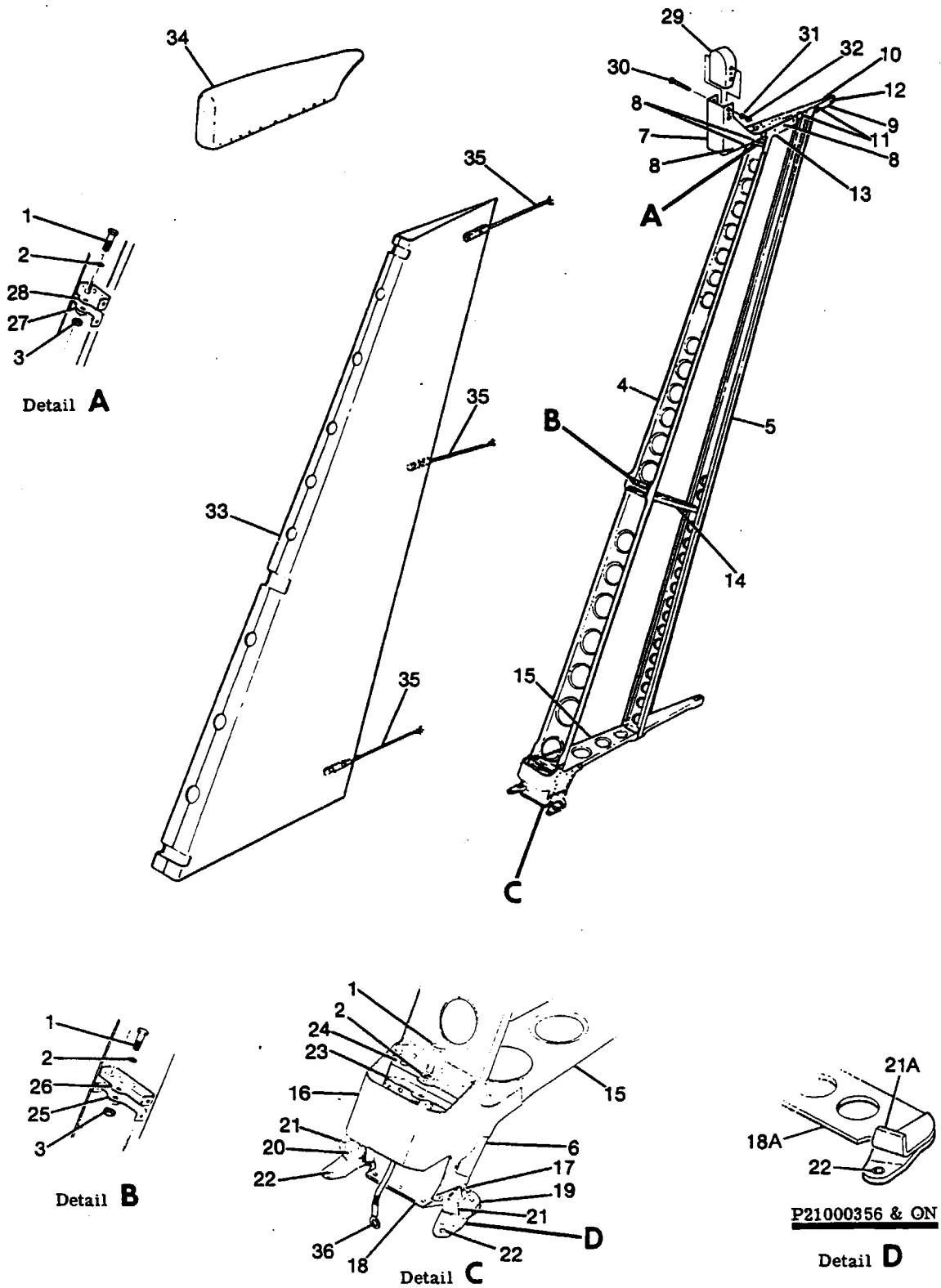
FIGURE AND INDEX NO.	PART NUMBER	DESCRIPTION							UNITS PER ASSY	USABLE ON CODE
		1	2	3	4	5	6	7		
12 - 8	1231002-3	SPAR-FIN FWD	WEU	1231002-5	-----				1	C
	1231002-5	SPAR-FIN FWD	-----						1	
- 9	1231002-2	SPAR-FIN AFT	WEU	1231002-4	-----				1	D
	1231002-4	SPAR-FIN AFT	WEU	1231002-7	-----				1	
	1231002-7	SPAR-FIN AFT	-----						1	
-10	1231010-5	RIB ASSY-FIN TIP CAP	-----						1	D
-11	NAS697A0K	NUTPLATE	-----						2	
-12	NAS696A08K	NUTPLATE	-----						2	
-13	1231062-5	RIB ASSY-FIN UPPER	-----						1	
-14	MS21073L08K	NUTPLATE	-----						10	
-15	NAS680A06	NUTPLATE	-----						1	
-16	1231007-1	RIB-FIN CENTER	-----						1	
-17	1231006-1	RIB-FIN LOWER	-----						1	
-18	1231005-3	RIB-FIN BASE AFT	-----						1	
-19	1231049-1	RIB-FIN BASE FWD	-----						1	
-20	1231060-1	RIB-DORSAL	STA 200.45	-----					1	
-21	1231060-3	STRIP-ADAPTER	STA 200.45	-----					1	
-22	1231063-1	RIB ASSY-FIN	-----						1	
	NAS686A08	NUTPLATE	-----						8	
	NAS698A08K	NUTPLATE	-----						4	
-23	1231049-2	RIB-DORSAL	STA 180.00	-----					1	
-24	1231049-3	RIB-DORSAL	STA 160.00	-----					1	
-25	1231023-3	BRACKET ASSY	HINGE UPPER	-----					1	
-26	1231023-2	BRACKET ASSY	HINGE UPPER	-----					1	
-27	1231023-1	BRACKET ASSY	HINGE UPPER	-----					1	
-28	1231058-1	FITTING-FIN ATTACH AFT	-----						1	
-29	1231056-1	FITTING-FIN ATTACH FWD	-----						1	
-30	1231014-2	PLATE-SPAR DOUBLER AFT	WEU	1231014-6	-----				2	D
	1231014-6	PLATE-SPAR DOUBLER AFT	-----						2	
-31	1231014-5	PLATE-SPAR DOUBLER FWD	-----						2	
-32	0731604-7	FAIRING ASSY-DORSAL TO FUSELAGE AFT LH	-----						1	
-33	0731604-8	FAIRING ASSY-DORSAL TO FUSELAGE AFT RH	-----						1	
	S1862-2A	NUTPLATE	-----						1	
	S1863-3A	NUTPLATE	-----						4	
-34	1231057-11	SKIN ASSY-FIN LH	-----						1	
-35	1231057-12	SKIN ASSY-FIN RH	-----						1	
-36	NAS686A08K	NUTPLATE	-----						19	
-37	0731606-10	CAP-FIN TIP	-----						1	
		ATTACHING PARTS	-----							
-38	AN525-832R7	SCREW	-----						14	
		*-----	-----							
-39	1231057-9	SKIN-FIN	-----						2	
-40	1231057-10	SKIN-DORSAL	-----						1	
-41	1270718-201	ANTENNA ASSY-VHF COM	-----						1	
		ATTACHING PARTS	-----							
-42	AN507-832R7	SCREW	-----						50	
		*-----	-----							
-42A	1231070-1	STIFFENER-VERTICAL TAIL	-----						2	
-43	1231064-1	CAP-FIN TIP	USED WITH FLASHING BEACON	-----					1	
	1231064-3	CAP-FIN TIP	USED WITH FLASHING BEACON	-----					1	
		ATTACHING PARTS	-----							
-44	AN525-832R6	SCREW	-----						14	
		*-----	-----							
-45	1231050-1	FAIRING-DORSAL FIN	-----						1	
		ATTACHING PARTS	-----							
-46	AN525-832R7	SCREW	-----						3	
		*-----	-----							

NOTE. *FOR STANDARD FIN ASSY-SEE FIG 11.

- A---P210 SERIAL P21000001 THRU P21000082
- B---P210 SERIAL P21000083 THRU P21000590
- C---P210 SERIAL P21000001 THRU P21000306
- D---P210 SERIAL P21000307 THRU P21000590
- E---P210 SERIAL P21000001 THRU P21000424
- F---P210 SERIAL P21000001 THRU P21000590

P210 Parts Catalog

Empennage (Cont)



P21000356 & ON

Figure 13. Rudder Installation

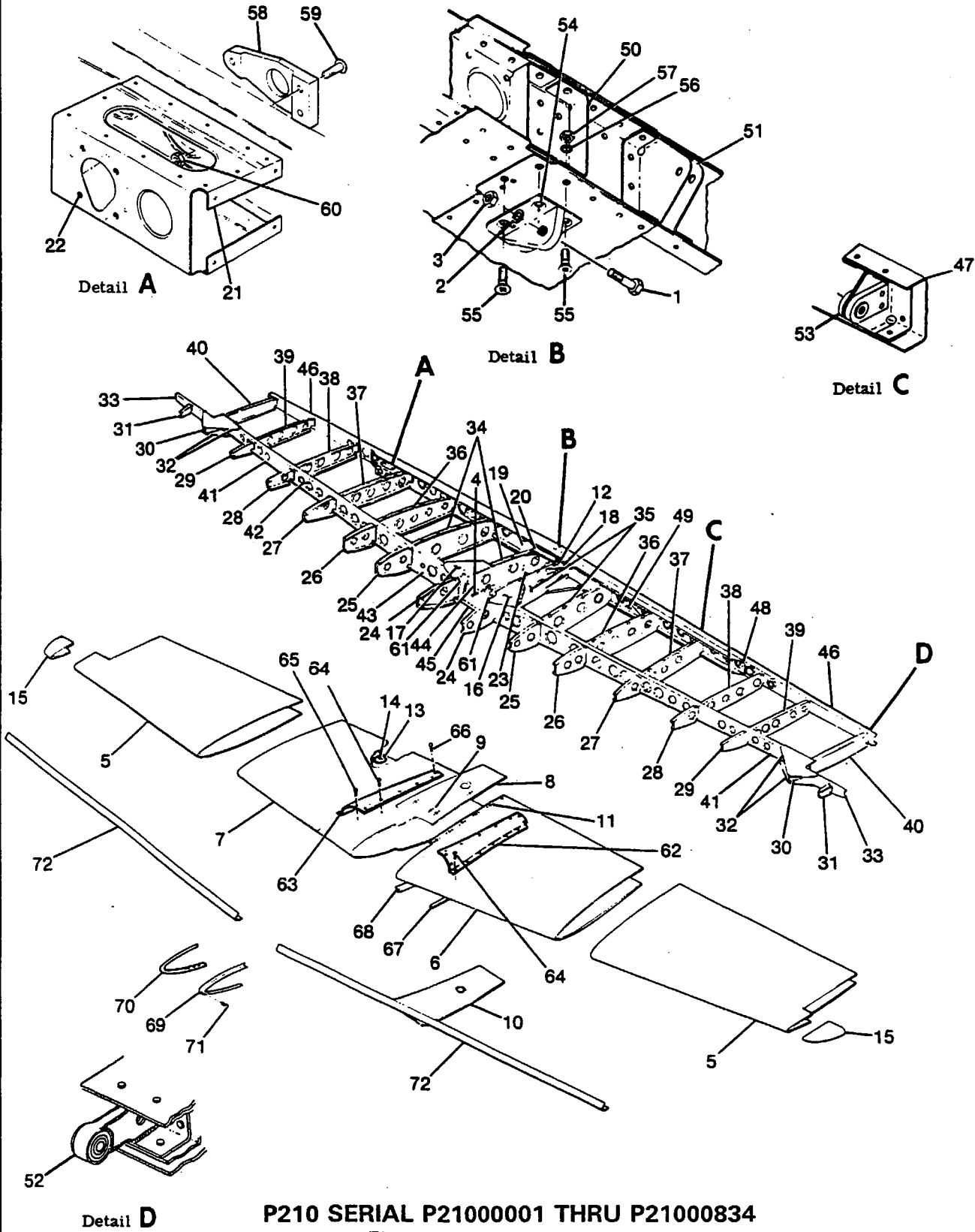
P210 Parts Catalog

FIGURE AND INDEX NO.	PART NUMBER	DESCRIPTION	UNITS PER ASSY	USABLE ON CODE
		1 2 3 4 5 6 7		
13 -		RUDDER INSTALLATION -----	NP	C D
	1231001-12	RUDDER ASSY -----	1	
	1231001-14	RUDDER ASSY -----	1	
		ATTACHING PARTS -----		
- 1	AN4-11A	BOLT -----	3	
- 2	NAS1149F0463P	WASHER -----	3	
- 3	MS21042L4	NUT -----	3	
		-----*		
- 4	1231015-7	SPAR-RUDDER FORWARD -----	1	
- 5	1231015-2	SPAR-RUDDER AFT -----	1	
- 6	1231015-9	SPAR-BELLCRANK -----	1	
	1231033-1	RIB ASSY-RUDDER TIP FORWARD -----	1	
- 7	1231030-1	BRACKET-FORWARD -----	1	
	1231031-1	RIB ASSY-FORWARD TIP -----	1	
- 8	NAS697A08K	NUTPLATE -----	20	
- 9	1231032-2	RIB ASSY-RUDDER TIP AFT -----	1	
-10	NAS696A08K	NUTPLATE -----	1	
-11	NAS697A08K	NUTPLATE -----	4	
-12	NAS698A08K	NUTPLATE -----	1	
-13	1231029-1	BRACKET-AFT LH -----	1	
	1231029-2	BRACKET-AFT RH -----	1	
		ATTACHING PARTS -----		
	AN507-832R8	SCREW -----	3	
		-----*		
-14	1231017-1	RIB-RUDDER CENTER -----	1	
-15	1231016-1	RIB-RUDDER LOWER -----	1	
-16	1231022-3	GUSSET-RUDDER BELLCRANK -----	1	
-17	1231026-1	BRACKET-RUDDER BELLCRANK LH -----	1	
	1231026-2	BRACKET-RUDDER BELLCRANK RH -----	1	
-18	1231021-9	BELLCRANK ASSY-RUDDER WEU 1231021-12 -----	1	
-18A	1231021-12	BELLCRANK ASSY-RUDDER -----	1	
	1231021-14	BELLCRANK ASSY-RUDDER -----	1	
-19	1231021-7	SUPPORT-LH TEE WEU 1231021-12 -----	1	
-20	1231021-8	SUPPORT-RH TEE WEU 1231021-12 -----	1	
-21	0733113-1	CLIP-TEE -----	2	
-21A	0733118-1	CLIP-RUDDER STOP LH -----	1	
	0733118-2	CLIP-RUDDER STOP RH -----	1	
-22	0733103-1	BUSHING -----	2	
-23	1231023-16	BRACKET LOWER HINGE -----	1	
-24	1231023-19	BRACKET LOWER HINGE -----	1	
-25	1231023-17	BRACKET CENTER HINGE -----	1	
-26	1231023-20	BRACKET CENTER HINGE -----	1	
-27	1231023-18	BRACKET UPPER HINGE -----	1	
-28	1231023-21	BRACKET UPPER HINGE -----	1	
-29	1231045-2	WEIGHT-RUDDER BALANCE -----	1	
		ATTACHING PARTS -----		
-30	AN509-10R31	SCREW -----	3	
-31	NAS1149F0363P	WASHER -----	3	
-32	MS21044N3	NUT -----	3	
		-----*		
-33	1231001-3	SKIN-RUDDER -----	1	
-34	0731606-9	CAP-RUDDER -----	1	
		ATTACHING PARTS -----		
	AN507-832R7	SCREW -----	12	
	NAS220-8	SCREW -----	8	
		-----*		
-35	C592001-0203	STATIC DISCHARGER-RUDDER FSO C592001-0203 -----	NP	C D
	S2230-1	STATIC DISCHARGER-RUDDER -----	3	
		ATTACHING PARTS -----		
		RIVET-BLIND -----	2	
		-----*		
-36	C592001-0204	WICK-STATIC DISCHARGER -----	1	D
	1570102-12	STRAP ASSY -----	1	

A---P210 SERIAL P21000001 THRU P21000355
 B---P210 SERIAL P21000356 & ON
 C---P210 SERIAL P21000001 THRU P21000834
 D---P210 SERIAL P21000835 & ON
 E---P210 SERIAL P21000356 THRU P21000834

P210 Parts Catalog

Empennage (Cont)



P210 SERIAL P2100001 THRU P21000834

Figure 14. Stabilizer Installation

P210 Parts Catalog

FIGURE AND INDEX NO.	PART NUMBER	DESCRIPTION							UNITS PER ASSY	USABLE ON CODE
		1	2	3	4	5	6	7		
14 -	1232600-29	STABILIZER INSTALLATION -----							NP	A
	1232600-201 *	STABILIZER ASSY -----							1	
		STABILIZER ASSY ELECTRIC TRIM PROVISIONS -----							1	
		ATTACHING PARTS -----								
- 1	AN4-11A	BOLT -----							4	
- 2	NAS1149F0463P	WASHER -----							4	
- 3	MS21042L4	NUT -----							4	
- 4	AN4-12A	BOLT -----							4	
	NAS1149F0463P	WASHER -----							2	
		-----*								
- 5	1232600-16	SKIN-STABILIZER OUTBD -----							2	
- 6	1232600-11	SKIN-STABILIZER INBD LH -----							1	
- 7	1232600-28	SKIN-STABILIZER INBD RH -----							1	
	1232600-200	SKIN-STABILIZER INBD RH ELECTRIC TRIM PROVISIONS -----							1	
- 8	1232600-19	SKIN ASSY-STABILIZER CTR UPR -----							1	
- 9	NAS697A08	NUTPLATE -----							1	
-10	0732600-3	SKIN-STABILIZER CTR LWR -----							4	
-11	S1863-3A	NUT -----							1	
-12	S1862-2A	NUT -----							10	
-13	1232142-2	DOUBLER-STABILIZER SKIN -----							2	
-14	1232141-1	PLATE-TAB ACTUATOR COVER -----							1	
		ATTACHING PARTS -----								
	S102178-8	SCREW -----							4	
	NAS395-14-3	NUT -----							4	
		-----*								
-15	1232012-1	TIP-STABILIZER -----							2	
		ATTACHING PARTS -----								
	CR763C4-4	RIVET-CHERRY CY -----							10	
		-----*								
-16	1232613-2	DOUBLER-STABILIZER UPR LH & LWR RH FWD -----							2	
-17	1232613-1	DOUBLER-STABILIZER LWR LH & UPR RH FWD -----							2	
-18	1232606-4	DOUBLER-STABILIZER UPR LH & LWR RH AFT -----							2	
-19	1232606-3	DOUBLER-STABILIZER LWR LH & UPR RH AFT -----							2	
-20	1232014-2	DOUBLER-STABILIZER -----							1	
-21	1232147-1	BRACKET ASSY-TRIM TAB ACTUATOR MOUNTING -----							1	
-22	NAS680A3	NUTPLATE -----							1	
	CM2692-28-1S	PLUG BUTTON -----							4	
-23	1232140-1	BRACKET-TRIM TAB PULLEY -----							1	
-24	1232619-1	RIB-STABILIZER NOSE CANTED STA 8.075 -----							2	
-25	1232619-2	RIB-STABILIZER NOSE CANTED STA 14.740 -----							2	
-26	0732611-4	RIB-STABILIZER NOSE STA 24.54 -----							2	
-27	0732611-3	RIB-STABILIZER NOSE STA 35.915 -----							2	
-28	0732611-2	RIB-STABILIZER NOSE STA 45.415 -----							2	
-29	0732611-1	RIB-STABILIZER NOSE STA 58.915 -----							2	
-30	1232603-3	RIB-STABILIZER NOSE STA 69.603 -----							2	
-31	1232007-2	RIB-STABILIZER TIP STA 74.733 -----							2	
-32	1232011-1	DOUBLER-STABILIZER -----							4	
-33	1232008-2	RIB-STABILIZER OUTBD -----							2	
-34	1232107-2	RIB-STABILIZER INBD CANTED RH -----							2	
-35	1232106-3	RIB-STABILIZER INBD CANTED LH -----							2	
-36	1232105-1	RIB-STABILIZER CTR STA 24.54 -----							2	
-37	1232108-1	RIB-STABILIZER CTR CANTED -----							2	
-38	0732610-6	RIB-STABILIZER CTR STA 45.415 -----							2	
-39	0732610-5	RIB-STABILIZER CTR STA 58.915 -----							2	
-40	1232603-1	RIB-STABILIZER CTR STA 69.603 -----							2	
	1232622-23	SPAR ASSY-STABILIZER FWD -----							1	
-41	1232622-24	SPAR-FWD -----							2	
-42	1232622-27	SPLICE -----							1	
-43	1232622-26	CHANNEL -----							1	
-44	1232622-18	SUPPORT-ANGLE -----							1	
-45	1232622-6	SUPPORT-ANGLE -----							1	
	1232621-6	SPAR ASSY-STABILIZER AFT -----							1	
-46	1232621-2	SPAR-AFT -----							1	
-47	1232621-3	CHANNEL -----							2	
-48	1232621-4	CHANNEL -----							1	
-49	1232621-5	CHANNEL -----							1	
-50	1232623-2	REINFORCEMENT -----							1	
-51	1232612-1	BRACKET HINGE -----							2	
-52	1234626-1	HINGE ASSY-STABILIZER OUTBD -----							2	
-53	0732100-7	HINGE ASSY-STABILIZER INBD -----							2	

CONTINUED ON NEXT PAGE

P210 Parts Catalog

FIGURE AND INDEX NO.	PART NUMBER	DESCRIPTION							UNITS PER ASSY	USABLE ON CODE
		1	2	3	4	5	6	7		
14 -54	1232400-1 1232400-2	BRACKET ASSY-LH -----							1	
		BRACKET ASSY-RH -----							1	
		ATTACHING PARTS -----							1	
-55	AN509-416R13	SCREW -----							3	
-56	NAS1149F0463P	WASHER -----							3	
-57	MS21042L4	NUT -----							3	
		*-----								
-58	1232145-1	PLATE-MOUNTING -----							1	
		ATTACHING PARTS -----							1	
-59	NAS221-13	SCREW -----							3	
-60	MS21044N3	NUT -----							3	
		*-----								
-61	0732601-5	FITTING-STABILIZER FWD -----							2	
-62	1212426-7	FAIRING-STABILIZER UPR LH -----							1	
-63	1212426-8	FAIRING-STABILIZER UPR RH -----							1	
		ATTACHING PARTS -----								
-64	S1021Z8-8	SCREW -----							11	
-65	AN525-832R7	SCREW -----							2	
-66	AN525-832R10	SCREW -----							2	
		*-----								
-67	1212426-3	FAIRING-STABILIZER LWR LH -----							1	
-68	1212426-4	FAIRING-STABILIZER LWR RH -----							1	
		ATTACHING PARTS -----								
	S1021Z8-8	SCREW -----							4	
	NAS395-12-3	NUT -----							4	
		*-----								
-69	1212013-1	FAIRING-STABILIZER FWD LH -----							1	
-70	1212013-2	FAIRING-STABILIZER FWD RH -----							1	
		ATTACHING PARTS -----								
-71	S1021Z8-8	SCREW -----							5	
		*-----								
-72	1232040-3	BOOT-ABRASION -----							2	
<p>NOTE. @WHEN INITIALLY ORDERING THIS PART FOR SPARES PRIOR TO P21000456, BOTH ABRASION BOOTS MUST BE REPLACED WITH 1232040-1.</p> <p>NOTE. *THIS STABILIZER ASSY IS EQUIPPED WITH ELECTRIC TRIM PROVISIONS & INCLUDES FOLLOWING PARTS WHICH ARE FOUND ON FIG 98. 1232016-1 DOUBLER ASSY, 1232016-4 DOUBLER ASSY, 1232016-3 COVER, 1232016-6 COVER & 14 AN515-10R6 SCREWS.</p> <p>A---P210 SERIAL P21000001 THRU P21000834</p>										

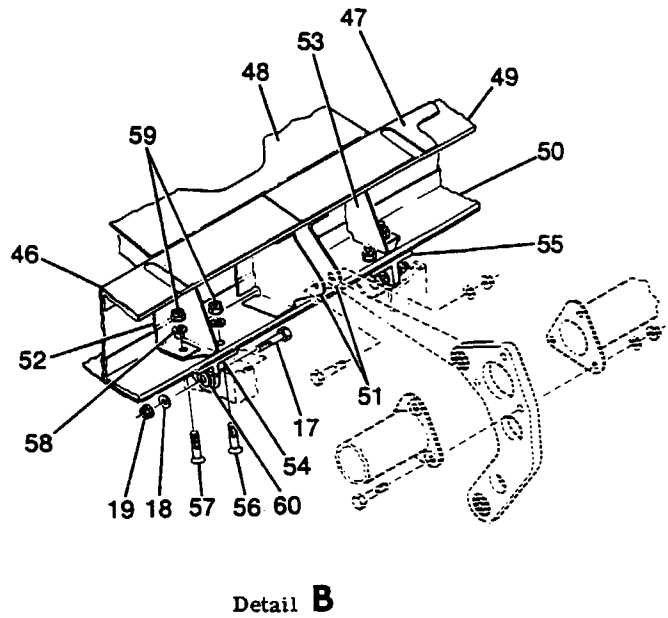
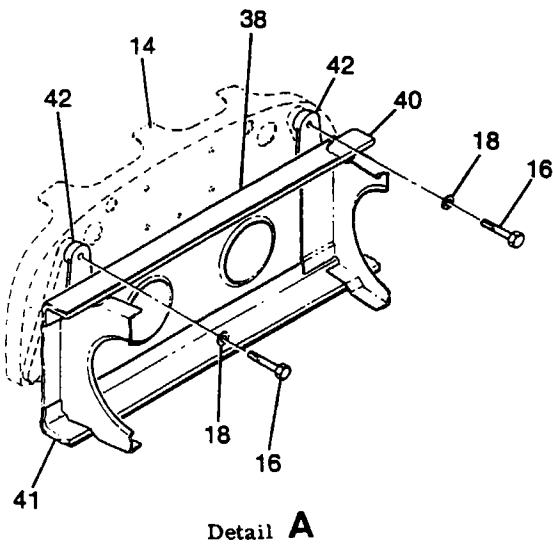
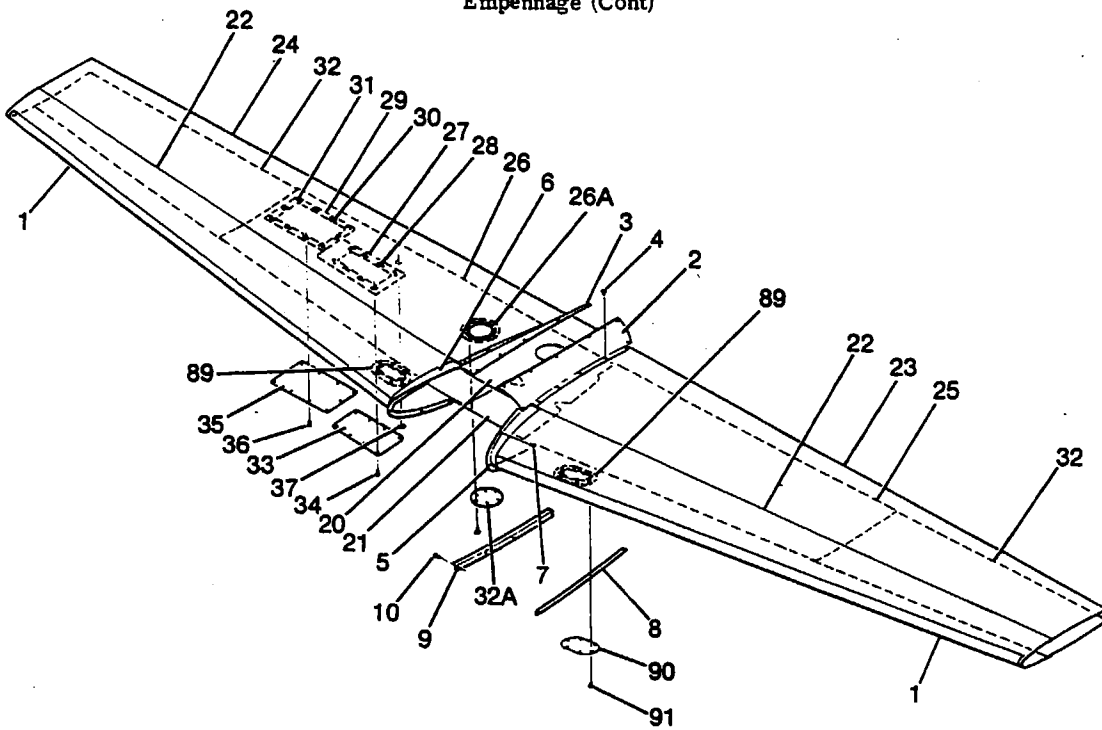
P210 Parts Catalog

FIGURE AND INDEX NO.	PART NUMBER	DESCRIPTION							UNITS PER ASSY	USABLE ON CODE
		1	2	3	4	5	6	7		
14A-		STABILIZER INSTALLATION -----							NP	A
- 1	1232040-5	BOOT-ABRASION -----							2	
- 2	2112137-5	FAIRING-UPR LH -----							1	
- 3	2112137-6	FAIRING-UPR RH -----							1	
		ATTACHING PARTS -----								
- 4	S102178-8	SCREW -----							10	
	AN525-832R7	SCREW FWD -----							2	
	AN525-832R10	SCREW AFT -----							2	
		*-----								
- 5	2112137-1	FAIRING-FWD LH -----							1	
- 6	2112137-2	FAIRING-FWD RH -----							1	
		ATTACHING PARTS -----								
- 7	S102178-8	SCREW -----							4	
	NAS395-12-3	NUT -----							1	
		*-----								
- 8	2112137-3	FAIRING-LWR LH -----							1	
- 9	2112137-4	FAIRING-LWR RH -----							1	
		ATTACHING PARTS -----								
-10	S102178-8	SCREW -----							4	
	NAS395-12-3	NUT -----							4	
		*-----								
-11	1570102-1	GROUND STRAP -----							2	
		ATTACHING PARTS -----								
-12	AN515-8R6	SCREW -----							1	
-13	MS21044N08	NUT -----							1	
		*-----								
-14	SEE FIG 38	AFT TAILCONE ASSY -----							1	
-15	SEE FIG 15A	ELEVATOR INSTALLATION -----							1	
	2132000-1	STABILIZER ASSY -----							1	
		ATTACHING PARTS -----								
-16	AN4-12A	BOLT FWD -----							2	
-17	AN4-11A	BOLT AFT -----							2	
-18	NAS1149F0463P	WASHER -----							6	
-19	MS21042L4	NUT -----							2	
		*-----								
-20	2132000-3	SKIN-UPR CTR -----							1	
-21	2132000-4	SKIN-LWR CTR -----							1	
-22	2132000-2	SKIN-LEADING EDGE -----							2	
-23	2132000-5	SKIN-UPR LH -----							1	
-24	2132000-8	SKIN-UPR RH -----							1	
	S1863-3A	NUTPLATE-FAIRING ATTACH -----							8	
-25	2132000-6	SKIN-LWR LH INBD -----							1	
-26	2132000-7	SKIN-LWR RH INBD -----							1	
-26A	S226-5F	DOUBLER ASSY -----							1	
	S1860-2A	NUTPLATE -----							6	
-27	2132005-2	DOUBLER ASSY -----							1	
-28	NAS680A08K	NUTPLATE -----							8	
-29	2132016-1	DOUBLER ASSY -----							1	
-30	NAS680A08K	NUTPLATE -----							6	
-31	NAS682A08K	NUTPLATE -----							4	
-32	2132000-13	SKIN-LWR OUTBD -----							2	
-32A	S225-4	COVER PLATE -----							1	
		ATTACHING PARTS -----								
	S102178-8	SCREW -----							6	
		*-----								
-33	2132005-1	COVER PLATE -----							1	
		ATTACHING PARTS -----								
-34	AN525-832R6	SCREW -----							8	
		*-----								
-35	2132016-3	COVER PLATE -----							1	
		ATTACHING PARTS -----								
-36	AN525-832R6	SCREW -----							10	
		*-----								
-37	CM2692-24-1S	PLUG BUTTON -----							1	

CONTINUED ON NEXT PAGE

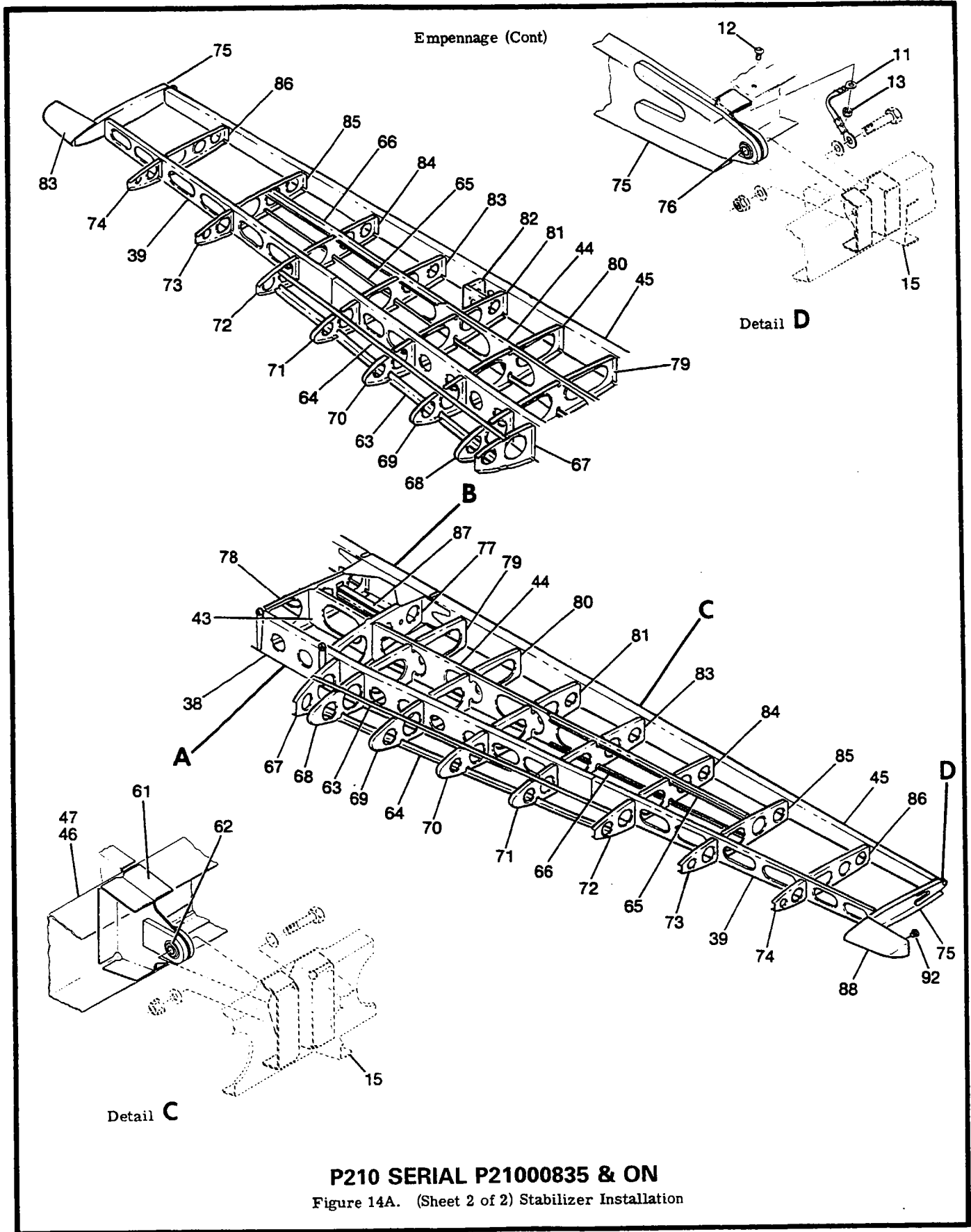
P210 Parts Catalog

Empennage (Cont)



P210 SERIAL P21000835 & ON
Figure 14A. (Sheet 1 of 2) Stabilizer Installation

P210 Parts Catalog



P210 SERIAL P21000835 & ON
Figure 14A. (Sheet 2 of 2) Stabilizer Installation

P210 Parts Catalog

FIGURE AND INDEX NO.	PART NUMBER	DESCRIPTION							UNITS PER ASSY	USABLE ON CODE
		1	2	3	4	5	6	7		
14A-38	2132007-1	STABILIZER SPAR ASSY-FWD -----							1	
	2132007-3	SPAR-CTR -----							1	
-39	2132007-2	SPAR-OUTBD -----							1	
	2132014-1	SPLICE -----							2	
	2132014-4	SHIM -----							2	
-40	2132007-15	SPAR CAP-UPR -----							2	
-41	2132007-16	SPAR CAP-LWR -----							1	
-42	2132011-1	SUPPORT-STABILIZER ATTACH -----							1	
-43	2132004-2	AUXILIARY SPAR-CTR -----							1	
-44	2132004-1	AUXILIARY SPAR -----							2	
-45	2132007-5	STABILIZER SPAR ASSY-AFT -----							1	
-46	2132007-7	SPAR-LH -----							1	
-47	2132007-6	SPAR-RH -----							1	
-48	2132007-11	CHANNEL -----							1	
-49	2132007-13	SPAR CAP-UPR -----							1	
-50	2132007-14	SPAR CAP-LWR -----							1	
-51	2132009-1	HINGE-ELEVATOR CTR -----							1	
-52	2132008-1	WEB-LH -----							2	
-53	2132008-2	WEB-RH -----							1	
-54	2132013-1	FITTING ASSY-LH -----							1	
-55	2132013-2	FITTING ASSY-RH -----							1	
		ATTACHING PARTS								
-56	AN509-416R13	SCREW FWD -----							1	
-57	AN509-416R15	SCREW AFT INBD -----							1	
-58	AN509-416R17	SCREW AFT OUTBD -----							1	
-58	NAS1149F0463P	WASHER -----							3	
-59	MS21042L4	NUT -----							3	
		*-----								
-60	1232143-1	BUSHING -----							1	
-61	2132009-2	HINGE ASSY-ELEVATOR -----							2	
-62	MS24462-4	BEARING -----							1	
-63	2132000-11	STRINGER UPR LH & LWR RH -----							2	
-64	2132000-12	STRINGER LWR LH & UPR RH -----							2	
-65	2132000-9	STRINGER UPR LH & LWR RH -----							2	
-66	2132000-10	STRINGER LWR LH & UPR RH -----							2	
-67	2132001-8	RIB-LEADING EDGE CANTED SS 7.40 -----							2	
-68	2132001-1	RIB-LEADING EDGE SS 12.00 -----							2	
-69	2132001-2	RIB-LEADING EDGE SS 21.00 -----							2	
-70	2132001-3	RIB-LEADING EDGE SS 30.75 -----							2	
-71	2132001-4	RIB-LEADING EDGE SS 41.25 -----							2	
-72	2132001-5	RIB-LEADING EDGE SS 52.75 -----							2	
-73	2132001-6	RIB-LEADING EDGE SS 65.25 -----							2	
-74	2132001-7	RIB-LEADING EDGE SS 78.75 -----							2	
-75	2132002-1	RIB ASSY SS 89.00 -----							2	
-76	MS24462-4	BEARING -----							2	
-77	2132003-8	RIB-LH CANTED SS 6.20 -----							1	
-78	2132003-9	RIB-RH CANTED SS 6.20 -----							1	
-79	2132003-1	RIB SS 12.00 -----							2	
-80	2132003-2	RIB SS 21.00 -----							2	
-81	2132003-3	RIB SS 30.75 -----							2	
-82	2132006-1	BRACKET ASSY RH ONLY -----							1	
	NAS682A3	NUTPLATE -----							4	
-83	2132003-4	RIB SS 41.25 -----							2	
-84	2132003-5	RIB SS 52.75 -----							2	
-85	2132003-6	RIB SS 65.25 -----							2	
-86	2132003-7	RIB SS 78.75 -----							2	
-87	2132010-1	BRACKET-PULLEY -----							1	
-88	2132012-1-791	TIP ASSY -----							2	
-89	1221096-1	DOUBLER ASSY USED WITH DE-ICE -----							2	
	NAS682A06	NUTPLATE -----							6	
-90	1221096-3	DOOR-ACCESS USED WITH DE-ICE -----							2	
		ATTACHING PARTS								
-91	AN507-632R4	SCREW -----							6	
		*-----								
-92	S1093-1	PLUG -----							2	
		A---P210 SERIAL P21000835 & ON								

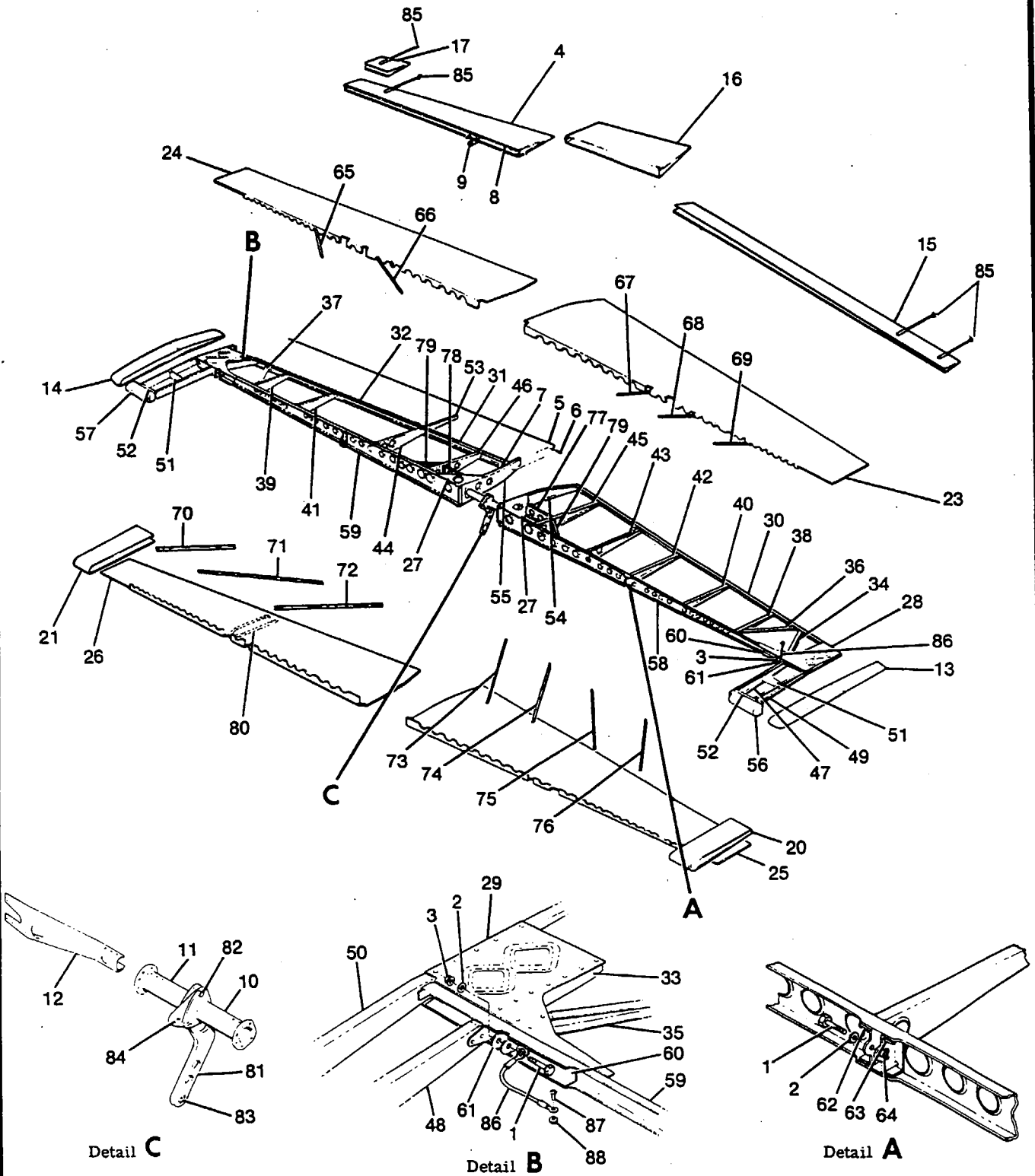
P210 Parts Catalog

FIGURE AND INDEX NO.	PART NUMBER	DESCRIPTION	UNITS PER ASSY	USABLE ON CODE
15 -		ELEVATOR INSTALLATION -----	NP	C
	1234633-21	ELEVATOR ASSY-LH -----	1	
	1234633-24	ELEVATOR ASSY-RH -----	1	
		ATTACHING PARTS -----		
- 1	AN4-11A	BOLT -----	2	
- 2	NAS1149F0463P	WASHER -----	2	
- 3	MS21042L4	NUT -----	2	
		*-----		
- 4	1234628-1	TRIM TAB ASSY-ELEVATOR RH -----	1	
		ATTACHING PARTS -----		
- 5	1234024-5	PIN-HINGE -----	1	
- 6	AN515-8R7	SCREW -----	1	
- 7	NAS697A08	NUTPLATE -----	1	
		*-----		
- 8	1234628-5	HINGE HALF-TRIM TAB -----	1	
- 9	1234009-6	BRACKET ASSY -----	1	
	1234031-2	BUSHING -----	1	
-10	1234650-1	TUBE-TORQUE LH -----	1	
-11	1234650-6	TUBE-TORQUE RH -----	1	
-12	1234019-2	BRACKET-SPAR TO TORQUE TUBE -----	1	
-13	1234640-1	TIP-ELEVATOR LH -----	1	
-14	1234640-2	TIP-ELEVATOR RH -----	1	
-15	1234633-15	TRAILING EDGE ASSY LH -----	1	
-16	1234633-4	TRAILING EDGE ASSY-INBOARD RH -----	1	
-17	1234620-16	SKIN ASSY-TRAILING EDGE OUTBOARD RH -----	1	
-18		DELETED-NOT USED -----		
-19		DELETED-NOT USED -----		
-20	1234633-17	SKIN-ELEVATOR BALANCE LH -----	1	
-21	1234633-16	SKIN-ELEVATOR BALANCE RH -----	1	
-23	1234633-7	SKIN-UPPER LH -----	1	
-24	1234633-8	SKIN-UPPER RH -----	1	
-25	1234633-9	SKIN-LOWER LH -----	1	
-26	1234633-10	SKIN-LOWER RH -----	1	
-27	1234649-1	GUSSET-UPPER -----	1	
	1234649-2	GUSSET-LOWER -----	1	
-28	1234634-1	DOUBLER-ELEVATOR LH -----	1	
-29	1234634-2	DOUBLER-ELEVATOR RH -----	1	
-30	1234638-3	SPAR-AFT LH -----	1	
-31	1234638-4	SPAR-AFT RH -----	1	
-32	1234627-1	HINGE HALF-ELEVATOR RH -----	1	
	1234635-1	RIB-ELEVATOR LH STA. 70.523 -----	1	
-33	1234635-2	RIB-ELEVATOR RH STA 70.523 -----	1	
-34	1234641-1	RIB-ELEVATOR CANTED LH -----	1	
-35	1234641-2	RIB-ELEVATOR CANTED RH -----	1	

CONTINUED ON NEXT PAGE

P210 Parts Catalog

Empennage (Cont)



P210 SERIAL P21000001 THRU P21000834

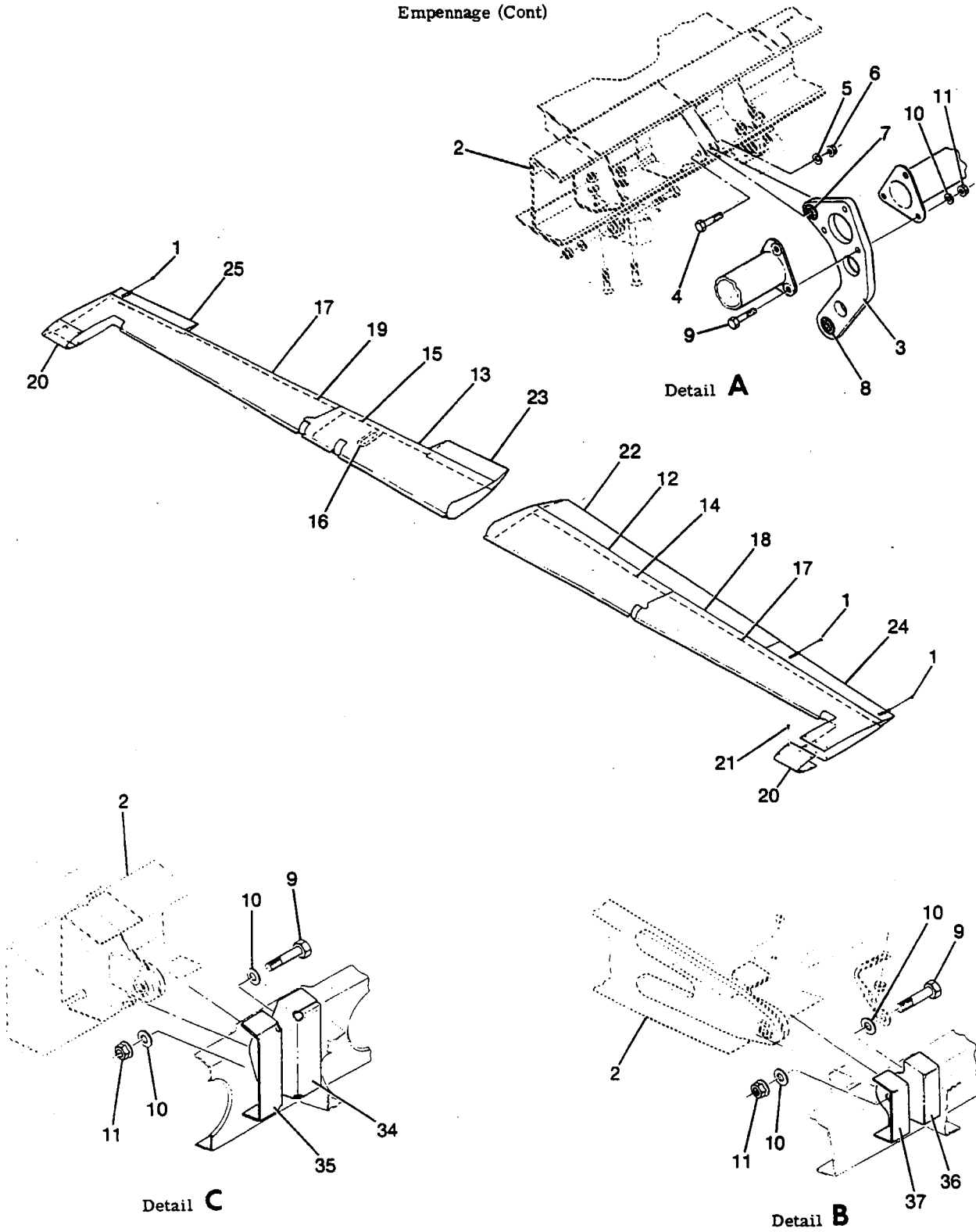
Figure 15. Elevator Installation

P210 Parts Catalog

FIGURE AND INDEX NO.	PART NUMBER	DESCRIPTION							UNITS PER ASSY	USABLE ON CODE
		1	2	3	4	5	6	7		
15 -36	1234642-1	RIB-ELEVATOR	CANTED	LH					1	
-37	1234642-2	RIB-ELEVATOR	CANTED	RH					1	
-38	1234623-1	RIB-ELEVATOR		LH	STA. 58.725				1	
-39	1234623-2	RIB-ELEVATOR		RH	STA. 58.725				1	
-40	1234022-1	RIB-ELEVATOR		LH	STA. 47.440				1	
-41	1234022-2	RIB-ELEVATOR		RH	STA. 47.440				1	
-42	1234071-1	RIB-ELEVATOR		LH	STA. 34.865				1	
-43	1234035-1	RIB-ELEVATOR		LH	STA. 24.540				1	
-44	1234014-1	RIB-ELEVATOR		RH	STA. 26.865				1	
-45	1234036-1	RIB-ELEVATOR		LH	STA. 13.290				1	
-46	1234036-2	RIB-ELEVATOR		RH	STA. 13.290				1	
-47	1234636-1	RIB-ELEVATOR		LH	STA. 70.523	FWD			1	
-48	1234636-2	RIB-ELEVATOR		RH	STA. 70.523	FWD			1	
-49	1234637-1	RIB ASSY-ELEVATOR		LH	STA. 74.733				1	
	1234637-4	SPACER							1	
-50	1234637-2	RIB-RH			STA. 74.733				1	
-51	1234639-3	RIB-ELEVATOR							1	
-52	1234639-1	RIB ASSY-ELEVATOR							1	
	NAS680A3	NUTPLATE							2	
-53	1234014-2	RIB-ELEVATOR		RH AFT	STA. 26.865				1	
-54	1234037-1	RIB-ELEVATOR		LH	STA. 4.750				1	
-55	1234037-2	RIB-ELEVATOR		RH	STA. 4.750				1	
-56	1234605-9	WEIGHT-ELEVATOR		BALANCE LH					1	
-57	1234605-10	WEIGHT-ELEVATOR		BALANCE RH					1	
	AN509-10R34	SCREW							1	
	AN3-15A	BOLT							1	
	NAS1149F0332P	WASHER							1	
		*---								
-58	1234638-1	SPAR-FORWARD		LH					1	
-59	1234638-2	SPAR-FORWARD		RH					1	
-60	1234638-5	CHANNEL-SPAR		REINFORCEMENT					1	
-61	1234625-1	HINGE ASSY							1	
-62	1234008-1	BRACKET-ELEVATOR		HINGE INBOARD	STA. 35.165				1	
-63	1234008-2	BRACKET ASSY-ELEVATOR		HINGE OUTBOARD	STA. 35.165				1	
-64	MS21073L4	NUT-ANCHOR							1	
-65	1234648-10	STIFFENER-UPPER		RH					1	
-66	1234648-6	STIFFENER-UPPER		RH					1	
-67	1234648-7	STIFFENER-UPPER		LH					1	
-68	1234648-11	STIFFENER-UPPER		LH					1	
-69	1234648-15	STIFFENER-UPPER		LH					1	
-70	1234684-12	STIFFENER-LOWER		RH					1	
-71	1234684-8	STIFFENER-LOWER		RH					1	
-72	1234648-2	STIFFENER-LOWER		RH					1	
-73	1234648-1	STIFFENER-LOWER		LH					1	
-74	1234648-5	STIFFENER-LOWER		LH					1	
-75	1234648-9	STIFFENER-LOWER		LH					1	
-76	1234648-13	STIFFENER-LOWER		LH					1	
-77	1234646-1	SPAR-AUXILIARY		LH					1	
-78	1234646-2	SPAR-AUXILIARY		RH					1	
-79	1234647-1	SPAR-AUXILIARY							1	
-80	1260485-1	FAIRING-TRIM TAB		ACTUATOR					1	
-81	1260133-1	ARM ASSY-ELEVATOR							1	
		ATTACHING PARTS								
-82	AN4-10A	BOLT							3	A
	AN4-11A	BOLT							3	B
	MS21042L4	NUT							3	A
	NAS1149F0463P	WASHER							3	B
	NAS1149F0463P	WASHER							6	
		*---								
-83	MS20200KP4	BEARING-LOWER							1	
-84	MS24462-4	BEARING-UPPER							1	
-85	C592001-0203	STATIC DISCHARGER-ELEVATOR			FS0 C592001-0203				NP	
		STATIC DISCHARGER ASSY-ELEVATOR							4	
		ATTACHING PARTS								
	S2230-1	RIVET-BLIND							2	
		*---								
	C592001-0204	WICK-STATIC DISCHARGE							1	
-86	1570102-1	STRAP ASSY							2	
		ATTACHING PARTS								
-87	AN515-8R6	SCREW							1	
-88	MS21044N08	NUT							1	
		*---								
A---P210 SERIAL P21000001 THRU P21000388 B---P210 SERIAL P21000389 THRU P21000834 C---P210 SERIAL P21000001 THRU P21000834										

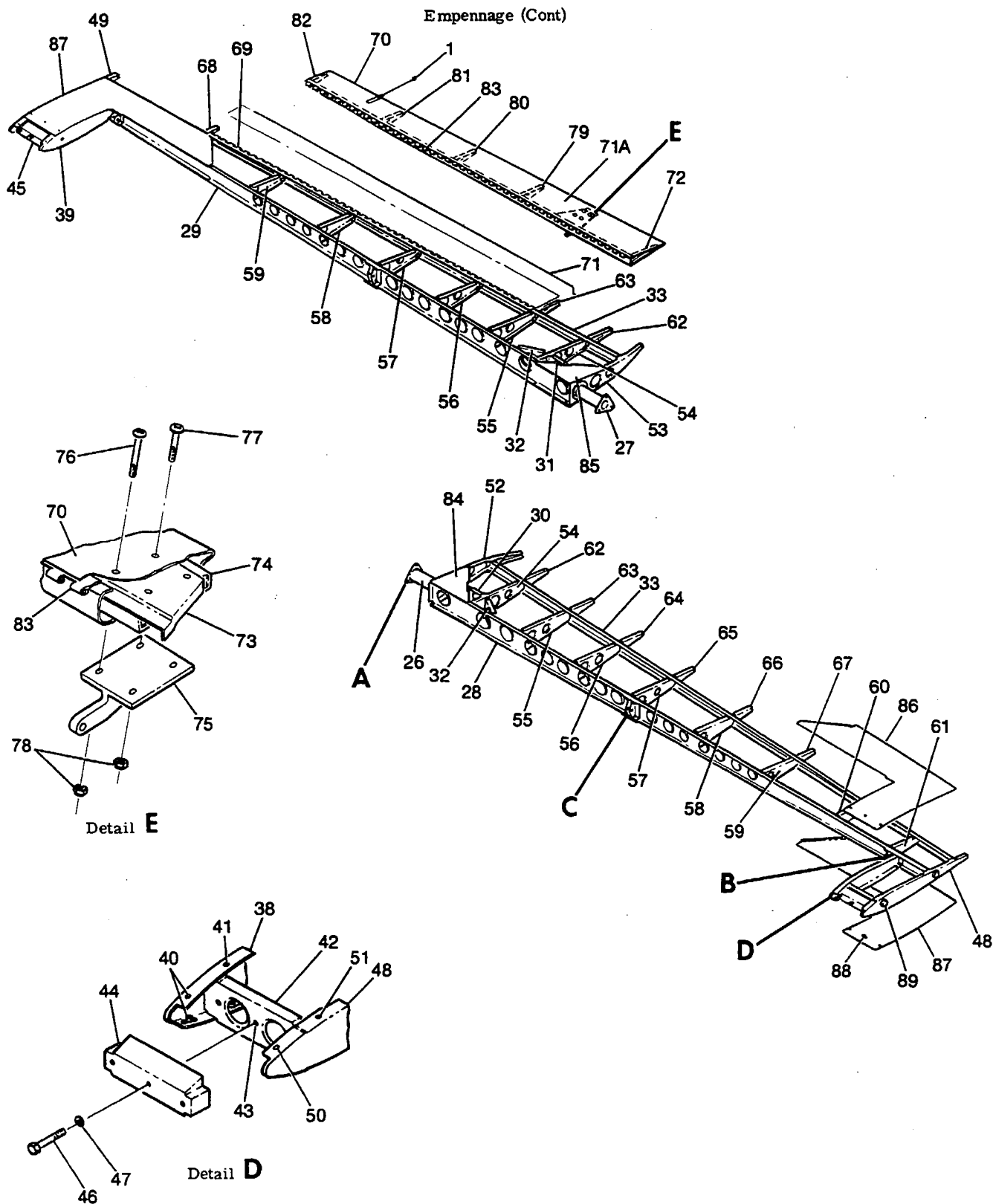
P210 Parts Catalog

Empennage (Cont)



P210 SERIAL P21000835 & ON
Figure 15A. (Sheet 1 of 2) Elevator Installation

P210 Parts Catalog



P210 SERIAL P21000835 & ON
Figure 15A. (Sheet 2 of 2) Elevator Installation

P210 Parts Catalog

FIGURE AND INDEX NO.	PART NUMBER	DESCRIPTION							UNITS PER ASSY	USABLE ON CODE
		1	2	3	4	5	6	7		
15A-		ELEVATOR INSTALLATION							NP	A
- 1	C592001-0203	STATIC DISCHARGER ASSY-ELEVATOR							4	
	S2230-1	ATTACHING PARTS								
		RIVET-BLIND							2	
		*-----								
- 2	C592001-0204	WICK-STATIC DISCHARGE							1	
	SEE FIG 14A	STABILIZER INSTALLATION							1	
- 3	2160015-1	ARM ASSY-ELEVATOR							1	
		ATTACHING PARTS							1	
- 4	AN4-11A	BOLT							1	
- 5	NAS1149F0463P	WASHER							1	
- 6	MS21042L4	NUT							1	
		*-----								
- 7	MS24462-4	BEARING-UPR							1	
- 8	MS20200KP4	BEARING-LWR							1	
	2134000-1	ELEVATOR ASSY-LH							1	
	2134000-2	ELEVATOR ASSY-RH							1	
		ATTACHING PARTS							1	
- 9	AN4-11A	BOLT							5	
-10	NAS1149F0463P	WASHER							10	
-11	MS21042L4	NUT							5	
		*-----								
-12	2134000-8	SKIN-UPR INBD	LH						1	
-13	2134000-10	SKIN-UPR INBD	RH						1	
-14	2134000-9	SKIN-LWR INBD	LH						1	
-15	2134000-27	SKIN-LWR INBD	RH						1	
-16	2534092-1	FAIRING-TRIM TAB ACTUATOR							1	
-17	2134000-6	SKIN-OUTBD	LWR LH & UPR RH						1	
-18	2134000-7	SKIN-UPR OUTBD	LH						2	
-19	2134000-27	SKIN-LWR OUTBD	RH						1	
-20	2134000-12	COVER-BALANCE WEIGHT							1	
		ATTACHING PARTS							2	
-21	AN525-832R8	SCREW							10	
		*-----								
-22	2134000-4	SKIN-INBD T.E.	LH						1	
-23	2134000-28	SKIN-INBD T.E.	RH						1	
-24	2134000-5	SKIN-OUTBD T.E.	LH						1	
-25	2134000-25	SKIN-OUTBD T.E.	RH						1	
-26	1234650-1	TORQUE TUBE							1	
	1234650-4	TORQUE TUBE							1	
	1234019-2	BRACKET							1	
-28	2134001-1	SPAR-FWD	LH						1	
-29	2134001-2	SPAR-FWD	RH						1	
-30	2134006-1	SPAR-AUXILARY	LH						1	
-31	2134006-2	SPAR-AUXILARY	RH						1	
-32	2134006-3	SPAR-AUXILARY							1	
-33	2134001-3	SPAR-AFT							1	
-34	2134003-1	HINGE BKT-SS 41.25	INBD						1	
-35	2134003-2	HINGE BKT-SS 41.25	OUTBD						1	
-36	2134002-2	HINGE BKT-SS 89.00	INBD						1	
-37	2134002-1	HINGE BKT-SS 89.00	OUTBD						1	
-38	2134009-9	RIB ASSY-SS 90.00	LH						1	
-39	2134009-10	RIB ASSY-SS 90.00	RH						1	
-40	NAS680A08	NUTPLATE							1	
-41	NAS682A08	NUTPLATE							2	
-42	2134010-1	SPAR ASSY-BALANCE WEIGHT							2	
-43	NAS680A3	NUTPLATE							1	
-44	2134018-1	BALANCE WEIGHT	LH						3	
-45	2134018-2	BALANCE WEIGHT	RH						1	
		ATTACHING PARTS								
-46	AN3-15A	BOLT LH							3	
	AN3-17A	BOLT RH							3	
-47	NAS1149F0332P	WASHER							3	
		*-----								
-48	2134009-5	RIB ASSY-SS 96.00	LH						1	
-49	2134009-6	RIB ASSY-SS 96.00	RH						1	
-50	NAS680A08	NUTPLATE							1	
-51	NAS682A08	NUTPLATE							2	

CONTINUED ON NEXT PAGE

P210 Parts Catalog

FIGURE AND INDEX NO.	PART NUMBER	DESCRIPTION							UNITS PER ASSY	USABLE ON CODE
		1	2	3	4	5	6	7		
15A-52	2134004-1	RIB	SS	4.75	LH				1	
-53	2134004-2	RIB	SS	4.75	RH				1	
-54	2134005-1	RIB	SS	12.00					1	
-55	2134008-1	RIB	SS	21.00					1	
-56	2134008-2	RIB	SS	30.75					1	
-57	2134008-5	RIB	SS	41.25					1	
-58	2134008-3	RIB	SS	52.75					1	
-59	2134008-4	RIB	SS	65.25					1	
-60	2134008-6	RIB	SS	78.75					1	
-61	2134008-7	RIB	SS	88.72					1	
-62	2134005-2	RIB-T.E.	SS	12.00					1	
-63	2134016-11	RIB-T.E.	SS	21.00					1	
-64	2134016-12	RIB-T.E.	SS	30.75	LH ONLY				1	
-65	2134008-8	RIB-T.E.	SS	41.25	LH ONLY				1	
-66	2134016-13	RIB-T.E.	SS	52.75	LH ONLY				1	
-67	2134008-9	RIB-T.E.	SS	65.25	LH ONLY				1	
-68	2134008-10	RIB-T.E.	SS	78.75					1	
-69	2134000-13	HINGE HALF			RH ONLY				1	
-70	2134000-24	TRIM TAB ASSY			RH ONLY				1	
-71	2134014-1	ATTACHING PARTS HINGE PIN							1	
-71A	2134000-23	SKIN							1	
-72	2134016-6	RIB	SS	21.95					1	
-73	2134019-1	DOUBLER							1	
-74	2134013-1	BLOCK							1	
-75	2134012-1	ARM							1	
-76	AN525-832R22	ATTACHING PARTS BOLT	FWD						2	
-77	AN525-832R16	BOLT	AFT						2	
-78	MS21044N08	NUT							4	
-79	2134016-7	RIB	SS	41.25					1	
-80	2134016-8	RIB	SS	52.75					1	
-81	2134016-9	RIB	SS	65.25					1	
-82	2134016-10	RIB	SS	78.03					1	
-83	2134000-14	HINGE HALF							1	
-84	2134007-2	DOUBLER	UPR		LH & LWR	RH			1	
-85	2134007-1	DOUBLER	LWR		LH & UPR	RH			1	
-86	2134011-1	DOUBLER ASSY	UPR		LH & LWR	RH			1	
-87	2134011-2	DOUBLER ASSY	LWR		LH & UPR	RH			1	
-88	NAS680A08K	NUTPLATE							1	
-89	S2093-1	PLUG-NYLON							4	

A---P210 SERIAL P21000835 & ON

P210 Parts Catalog

Fuselage

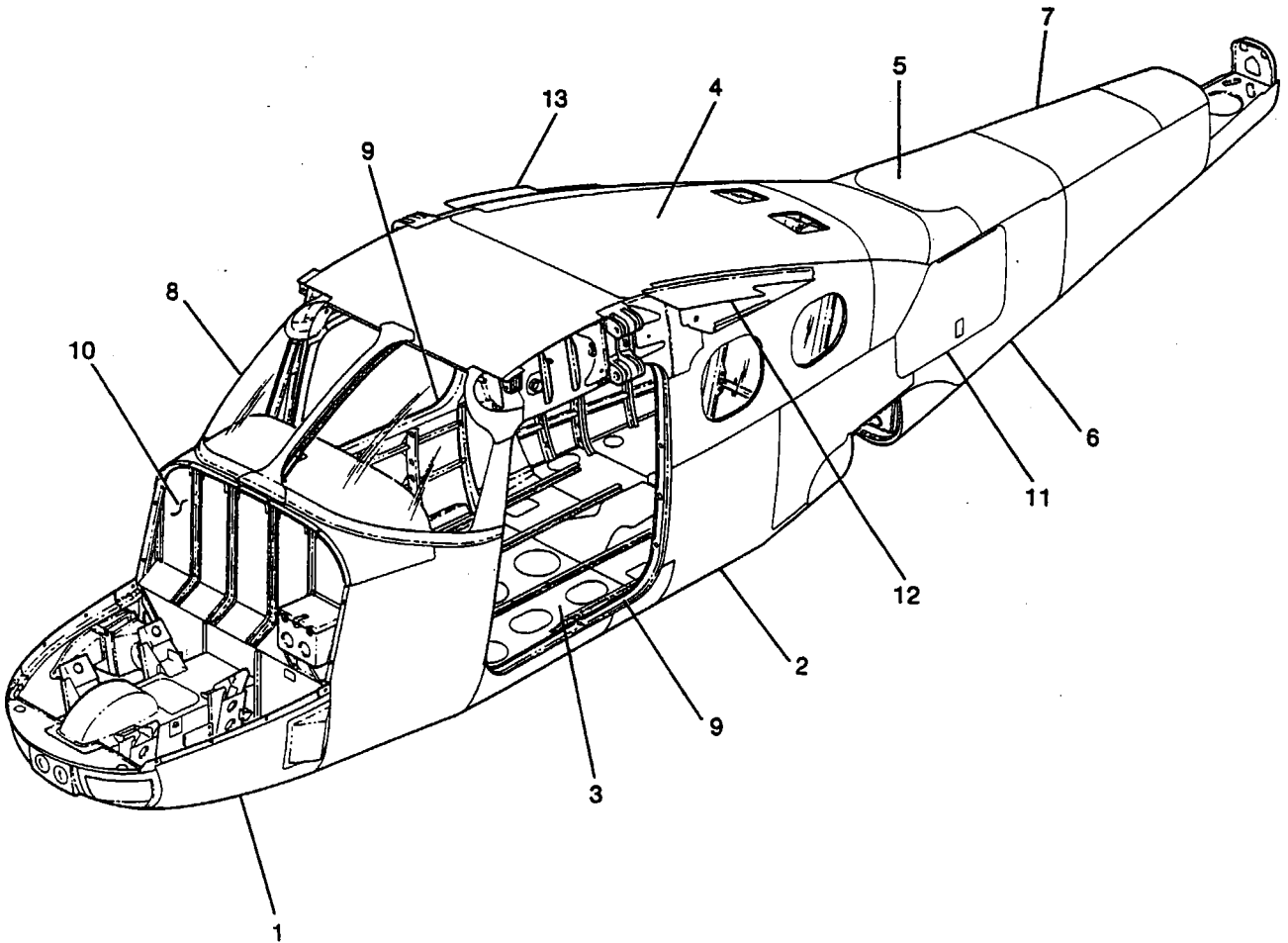


Figure 16. Fuselage Assembly

P210 Parts Catalog

FIGURE AND INDEX NO.	PART NUMBER	DESCRIPTION							UNITS PER ASSY	USABLE ON CODE
		1	2	3	4	5	6	7		
16 -		FUSELAGE ASSY -----							NP	
- 1	SEE FIG 17	FORWARD FUSELAGE STRUCTURE ASSY -----							1	
- 2	SEE FIG 26	LOWER CABIN SECTION COMPONENTS -----							1	
- 3	SEE FIG 32	FLOORBOARDS & RADIO SHELVES INSTALLATION -----							1	
- 4	SEE FIG 33	UPPER CABIN SECTION COMPONENTS -----							1	
- 5	SEE FIG 35	UPPER AFT CABIN STRUCTURE ASSY -----							1	
- 6	SEE FIG 31	LOWER AFT CABIN STRUCTURE ASSY -----							1	
- 7	SEE FIG 37	TAILCONE INSTALLATION -----							1	
	SEE FIG 39	STINGER INSTALLATION -----							1	
- 8	SEE FIG 36	WINDSHIELD INSTALLATION -----							1	
- 9	SEE FIG 23	DOOR JAMBS & RH FRAMING STRUCTURE INSTALLATION -----							1	
-10	SEE FIG 25	FIREWALL GROMMETS INSTALLATION -----							1	
-11	SEE FIG 59	BAGGAGE DOOR INSTALLATION -----							1	
-12	1220120-11	FILLET ASSY-WING LH -----							1	
	1220120-15	FILLET ASSY-WING LH -----							1	
-13	1220120-12	FILLET ASSY-WING RH -----							1	
	1220120-16	FILLET ASSY-WING RH -----							1	
	S1050-1	GROMMET 3.93 IN LG BKI LH ONLY -----							1	
	NAS697A3	NUTPLATE -----							1	A
	2120022-1	DOUBLER ASSY-COM ANTENNA LH -----							1	B
	2120022-2	DOUBLER ASSY-COM ANTENNA RH -----							1	B
	NAS680A3	NUTPLATE -----							4	B
	NAS680A08	NUTPLATE -----							4	B
		A---P210 SERIAL P21000001 THRU P21000834 B---P210 SERIAL P21000835 & ON								

P210 Parts Catalog

Fuselage (Cont)

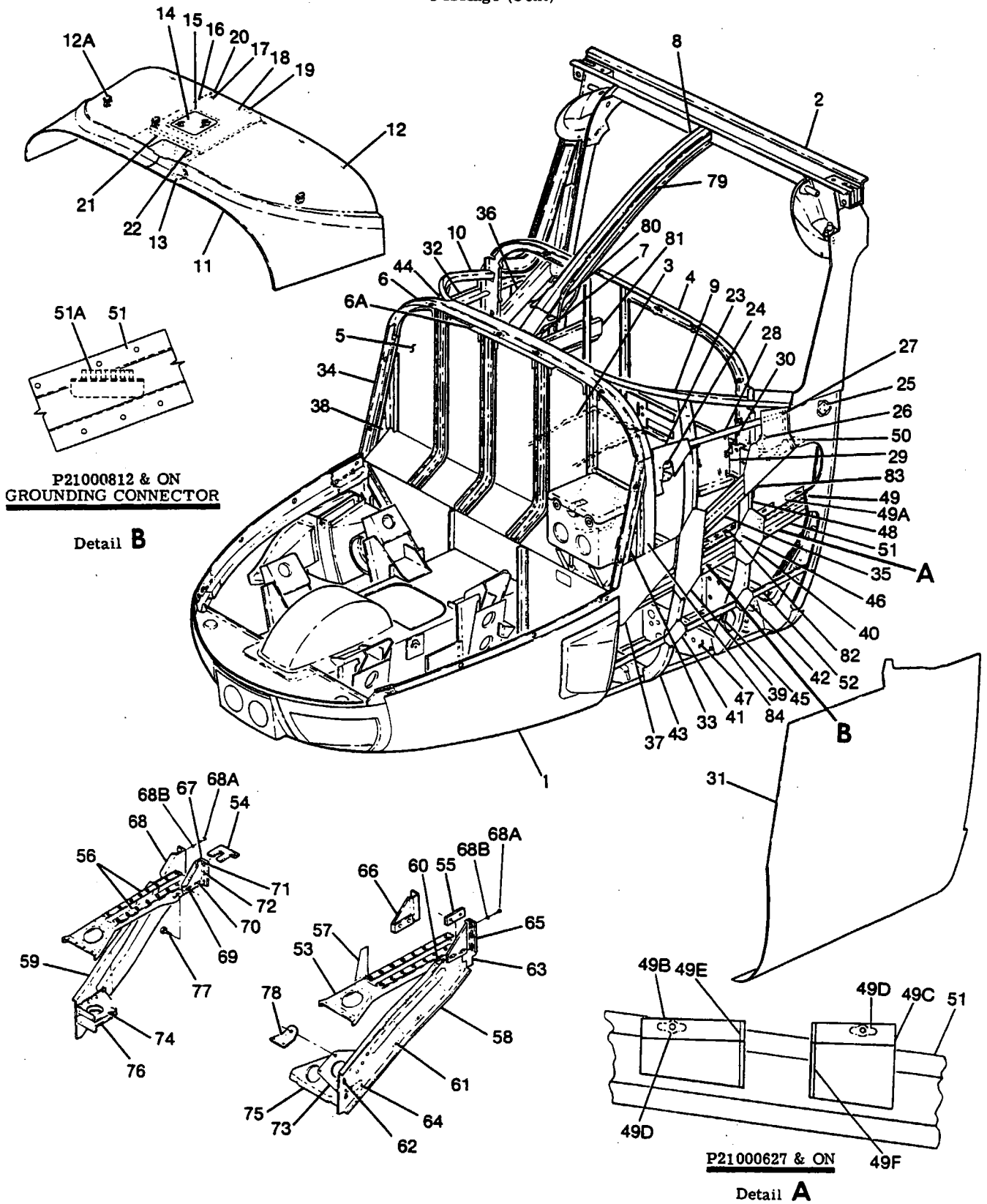


Figure 17. Forward Fuselage Structure Assembly

P210 Parts Catalog

FIGURE AND INDEX NO.	PART NUMBER	DESCRIPTION	1 2 3 4 5 6 7							UNITS PER ASSY	USABLE ON CODE
17 -		FORWARD FUSELAGE STRUCTURE ASSY -----							NP		
- 1	SEE FIG 18	LOWER FORWARD FUSELAGE STRUCTURE ASSY -----							1		
- 2	SEE FIG 21	FRONT DOORPOST & BULKHEAD ASSY -----							1		
- 3	SEE FIG 22	PEDESTAL INSTALLATION -----							1		
- 4	SEE FIG 70	STATIONARY INSTRUMENT PANEL ASSY -----							1		
- 5	SEE FIG 24	FIREWALL INSTALLATION -----							1		
- 6	2113143-1	STRIP ASSY-COWL ATTACH -----							1		
	2113008-1	STRIP-COWL ATTACH -----							1	W	
	S2319-50	RECEPTACLE -----							4	X	
	S2319-50	RECEPTACLE -----							6	X	
- 6A	2113009-1	SCUPPER-FIREWALL -----							1	X	
- 7	2113013-1	TEE FITTING-WINDSHIELD -----							1	X	
- 8	2113123-1	POST ASSY-WINDSHIELD CENTER -----							1	G	
	2113123-6	POST ASSY-WINDSHIELD CENTER -----							1	H	
	S1291-10	GROMMET -----							1		
	1513830-1	BRACKET-COMPASS -----							1		
- 9	2113011-1	CHANNEL ASSY-WINDSHIELD SUPPORT LH -----							1		
-10	2113011-2	CHANNEL ASSY-WINDSHIELD SUPPORT RH -----							1		
	2113042-1	ANGLE-LH SUPPORT -----							1		
	2113042-2	ANGLE-RH SUPPORT -----							1		
	NAS697A08	NUTPLATE -----							3		
	S1741-1	ANCHOR-WIRE HARNESS -----							3		
	NAS42005-4	SPACER -----							3		
-11	2113034-1	SKIN ASSY-COWL DECK -----							1	W	
	2113005-1	SKIN ASSY-COWL DECK -----							1	X	
-12	NAS680A08	NUTPLATE -----							5	X	
-12A	S1741-1	ANCHOR -----							3	X	
	NAS42005-4	SPACER -----							3	X	
	S2209-2	STA STRAP -----							3	X	
-13	2113161-1	DUCT ASSY-FRESH AIR -----							1	F	
	NAS1149FN232P	ATTACHING PARTS -----									
		WASHER -----							4		
		*-----									
-14	0713847-11	GRILL-RADIO VENT -----							1		
-15	1213929-1	LOUVER-COWL DECK RADIO VENT -----							1	K	
-16	2113035-1	DOUBLER ASSY-DECK SKIN -----							1	W	
	2113035-3	DOUBLER ASSY-DECK SKIN -----							1	X	
-17	NAS684A08	NUTPLATE -----							1		
-18	S1741-1	ANCHOR -----							1		
-19	2113077-1	SUPPORT-COWL DECK DOUBLER -----							1	W	
-20	2113078-1	SUPPORT-COWL DECK DOUBLER -----							1		
-21	2113075-2	ANGLE-COWL DECK SUPPORT -----							1		
-22	2113076-1	SUPPORT-COWL DECK DOUBLER -----							1		
-23	2113052-1	DOUBLER-PULLEY BRACKET LH -----							1		
	2113052-2	DOUBLER-PULLEY BRACKET RH -----							1		
-24	2160001-1	BRACKET ASSY-AILERON PULLEY LH -----							1		
	2160001-2	BRACKET ASSY-AILERON PULLEY RH -----							1		
		ATTACHING PARTS -----									
	AN507-832R6	SCREW OUTBD -----							4		
	AN515-8R8	SCREW INBD -----							2		
	MS21044N08	NUT -----							4		
	MS21045L08	NUT -----							2		
		*-----									
-25	1213459-3	SPACER-UPPER DOOR HINGE LH -----							1	C	
	1213459-5	SPACER-UPPER DOOR HINGE LH -----							1	D	
	2113194-1	STIFFENER-DOORPOST STRINGER -----							1	P	
-26	1261456-2	GUARD-AILERON CABLE -----							2		
-27	2113068-1	SPACER-FWD FUSELAGE -----							2		
-28	2113044-1	STRINGER-SKIN SPLICE LH -----							1		
	2113044-2	STRINGER-SKIN SPLICE RH -----							1		
-29	2113069-1	SUPPORT ASSY-HEAT SINK LH -----							1		
	2113069-2	SUPPORT ASSY-HEAT SINK RH -----							1		
-30	NAS682A3	NUTPLATE LH -----							6		
	NAS682A3	NUTPLATE RH -----							2		
	NAS62A08	NUTPLATE RH -----							2		
-31	2113000-3	SKIN-FWD FUSELAGE LH -----							1	W	
	2113002-3	SKIN-FWD FUSELAGE LH -----							1	X	
-32	2113000-4	SKIN-FWD FUSELAGE RH -----							1	W	
	2113002-4	SKIN-FWD FUSELAGE RH -----							1	X	
-33	2113115-1	ANGLE ASSY-COWL ATTACH AFT LH -----							1	W	
	2113007-3	ANGLE-COWL ATTACH AFT LH -----							1	X	

CONTINUED ON NEXT PAGE

P210 Parts Catalog

FIGURE AND INDEX NO.	PART NUMBER	DESCRIPTION	1 2 3 4 5 6 7							UNITS PER ASSY	USABLE ON CODE
17 -34	2113115-2	ANGLE ASSY-COWL ATTACH AFT RH -----								1	W
	2113007-2	ANGLE-COWL ATTACH AFT RH -----								1	
	S2319-50	RECEPTACLE -----								2	X
	S2319-50	RECEPTACLE -----								4	
-35	2113113-1	STRINGER-DOORPOST TO FIREWALL LH AUXILLIARY -----								1	N
	2113113-3	STRINGER-DOORPOST TO FIREWALL LH AUXILLIARY -----								1	
	2113113-5	WEU 2113113-5									U
	S2527-2	STRINGER ASSY-DOORPOST TO FIREWALL LH AUXILLIARY -----								1	
-36	2113113-2	GROUNDING CONNECTOR -----								1	U
	2113113-6	STRINGER-DOORPOST TO FIREWALL RH AUXILLIARY -----								1	
-37	2113070-1	STRINGER-DOORPOST TO FIREWALL RH AUXILLIARY -----								1	U
	2113091-2	DOUBLER-FWD FUSELAGE LH -----								1	
-38	2113091-1	DOUBLER-FWD FUSELAGE LH -----								1	W
	2113126-1	DOUBLER-FWD FUSELAGE RH -----								1	
-39	2113126-2	GUSSET-LH -----								1	X
	2113124-1	GUSSET-RH -----								1	
-40	2113124-2	GUSSET-LH -----								1	U
	2113127-1	GUSSET-RH -----								1	
-41	2113127-2	GUSSET-FWD FUSELAGE LH -----								1	W
	2113142-1	GUSSET-FWD FUSELAGE RH -----								1	
-42	2113118-5	GUSSET-LH -----								1	X
	2113118-6	BULKHEAD ASSY-LH CANTED STA 8.125 -----								1	
-44	2113118-6	BULKHEAD ASSY-RH CANTED STA 8.125 -----								1	U
	2113196-1	STIFFENER-LH -----								1	
	2113196-2	STIFFENER-RH -----								1	O
	2113041-9	BULKHEAD ASSY-LH STA 18.00 -----								1	
	2113041-15	BULKHEAD ASSY-LH STA 18.00 -----								1	R
	2113041-10	BULKHEAD ASSY-RH STA 18.00 -----								1	
	2113041-16	BULKHEAD ASSY-RH STA 18.00 -----								1	R
	1213412-11	SUPPORT-LWR -----								1	
-46	1213412-8	SUPPORT-UPR -----								1	O
	2113041-7	BULKHEAD-LWR LH -----								1	
-47	2113041-17	BULKHEAD-LWR LH -----								1	R
	2113041-8	BULKHEAD-LWR RH -----								1	
	2113041-18	BULKHEAD-LWR RH -----								1	R
	NAS686A3	NUTPLATE LH ONLY -----								1	
-48	2113041-13	BULKHEAD-UPR LH -----								1	R
	2113041-14	BULKHEAD-UPR RH -----								1	
-49	1270497-7	BRACKET-WIRE HARNESS SUPPORT -----								1	S
	2113130-1	BRACKET ASSY-CIRCUIT BREAKER PANEL LWR -----								1	
	NAS697A3	NUTPLATE -----								2	M
	CM3505-1B	GROMMET 2.90 IN LG BKT -----								1	
-49B	2113198-1	BRACKET ASSY-CIRCUIT BREAKER PANEL LWR AFT -----								1	R
	2113242-5	BRACKET ASSY-CIRCUIT BREAKER PANEL LWR AFT -----								1	
-49C	2113198-3	BRACKET ASSY-CIRCUIT BREAKER PANEL LWR FWD -----								1	R
	2113242-3	BRACKET ASSY-CIRCUIT BREAKER PANEL LWR FWD -----								1	
-49D	NAS680A3	NUTPLATE -----								1	M
	CM3505-1B0027	GROMMET AFT BRACKET -----								1	
-49F	CM3505-1B0028	GROMMET FWD BRACKET -----								1	M
	2113130-3	BRACKET ASSY-CIRCUIT BREAKER PANEL UPR -----								1	
-50	2113188-3	BRACKET ASSY-CIRCUIT BREAKER PANEL UPR -----								1	K
	2113242-1	BRACKET ASSY-CIRCUIT BREAKER PANEL UPR -----								1	
	NAS697A3	NUTPLATE -----								2	L
	NAS680A3	NUTPLATE -----								2	
-51	2113128-1	STRINGER ASSY-FWD DOORPOST TO FIREWALL LH -----								1	T
	2113128-2	STRINGER ASSY-FWD DOORPOST TO FIREWALL RH -----								1	
	2113128-6	STRINGER ASSY-FWD DOORPOST TO FIREWALL RH -----								1	U
	NAS680A3	NUTPLATE RH -----								1	
	NAS680A3	NUTPLATE LH -----								2	T
	2153011-1	ANGLE-ATTACH -----								1	
-51A	1213460-1	CHANNEL -----								1	U
	S2527-2	GROUNDING CONNECTOR RH -----								1	
-52	2113125-1	STIFFENER-FIREWALL TO DOORPOST LH -----								1	A
	2113125-2	STIFFENER-FIREWALL TO DOORPOST RH -----								1	
-53	1213936-5	GUIDE ASSY-CONTROL COLUMN LH -----								1	A
	1213936-7	GUIDE ASSY-CONTROL COLUMN LH -----								1	
	1213936-2	GUIDE ASSY-CONTROL COLUMN RH -----								1	A
	1213936-6	GUIDE ASSY-CONTROL COLUMN RH -----								1	
-54	1213935-1	SUPPORT-CONTROL COLUMN GUIDE -----								1	A
	1213938-6	SPACER-LH -----								1	
-55	1213938-7	SPACER-RH -----								1	A
										1	

CONTINUED ON NEXT PAGE

P210 Parts Catalog

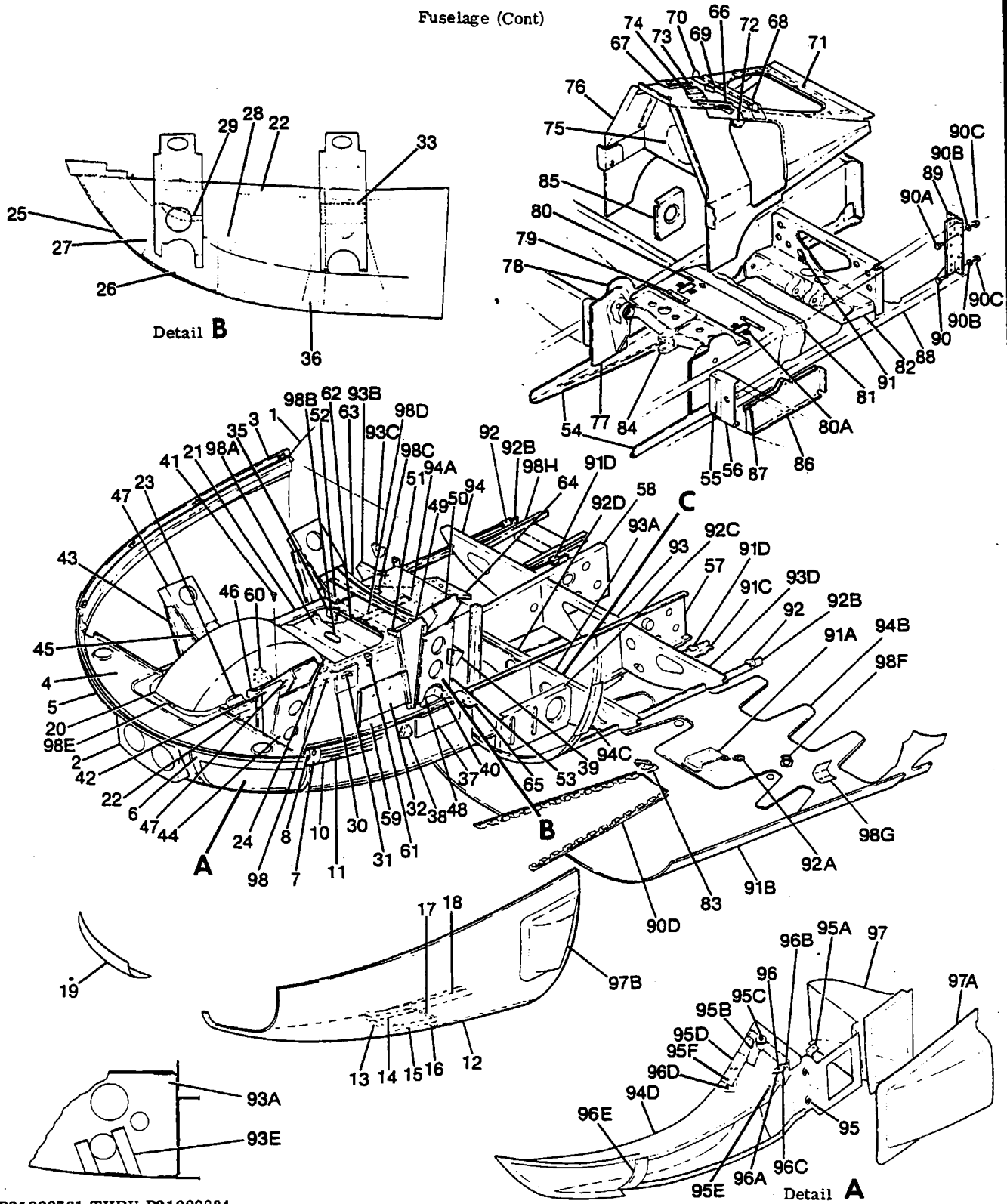
FIGURE AND INDEX NO.	PART NUMBER	DESCRIPTION							UNITS PER ASSY	USABLE ON CODE
		1	2	3	4	5	6	7		
17 -56	1261420-5	STRIP-RUB -----							2	
	NAS1149DN232K	WASHER -----							10	
	NAS1149DN232K	WASHER -----							12	A
-57	1270811-2	SUPPORT-CABLE ASSY LH ONLY -----							1	B
-58	2113066-1	SUPPORT ASSY-TORQUE TUBE LH WEU 2113066-2 -----							1	W
	2113066-2	SUPPORT ASSY-TORQUE TUBE LH -----							1	X
-59	2113063-3	SUPPORT ASSY-TORQUE TUBE RH -----							1	
	AN515-6R4	ATTACHING PARTS								
		SCREW -----							2	
		*-----								
-60	NAS697A3	NUTPLATE -----							1	
-61	NAS680A3	NUTPLATE LH ONLY -----							4	
-62	NAS697A08	NUTPLATE LH ONLY -----							2	
-63	2113062-1	BRACKET ASSY-TORQUE TUBE SUPPORT LH -----							1	A
	2113062-2	BRACKET ASSY-TORQUE TUBE SUPPORT RH -----							1	B
-64	2113065-1	ANGLE-ATTACH LH ONLY -----							1	A
-65	2113055-1	BRACKET ASSY-CONTROL COLUMN LH OUTBD -----							1	B
	2113055-5	BRACKET ASSY-CONTROL COLUMN LH OUTBD -----							1	A
-66	2113055-2	BRACKET ASSY-CONTROL COLUMN LH INBD -----							1	B
	2113055-6	BRACKET ASSY-CONTROL COLUMN LH INBD -----							1	A
-67	2113056-1	BRACKET ASSY-CONTROL COLUMN RH INBD -----							1	B
	2113056-5	BRACKET ASSY-CONTROL COLUMN RH INBD -----							1	A
-68	2113056-2	BRACKET ASSY-CONTROL COLUMN RH OUTBD -----							1	B
	2113056-6	BRACKET ASSY-CONTROL COLUMN RH OUTBD -----							1	A
		ATTACHING PARTS								
-68A	AN515-8R8	SCREW -----							3	
-68B	NAS1149FN832P	WASHER -----							3	W
		*-----								
-69	NAS696A3	NUTPLATE -----							1	
-70	NAS697A3	NUTPLATE -----							1	
-71	NAS696A08	NUTPLATE -----							2	
-72	NAS697A08	NUTPLATE -----							1	
-73	1260498-1	BRACKET HALF-UPR LH -----							1	
-74	1260497-1	BRACKET HALF-UPR RH -----							1	
-75	1260498-2	BRACKET HALF-LWR LH -----							1	
-76	1260497-2	BRACKET HALF ASSY-LWR RH -----							1	
		ATTACHING PARTS								
	NAS220-9	SCREW LH ONLY -----							1	
		*-----								
-77	AN3-3A	BOLT -----							10	
-78	1260499-1	TAB -----							1	
-79	2113152-1	SUPPORT ASSY-WINDSHIELD DUCT LH -----							1	
	2113152-2	SUPPORT ASSY-WINDSHIELD DUCT RH -----							1	
-80	2113153-1	SUPPORT-WINDSHIELD DUCT -----							1	
	2113153-2	SUPPORT-WINDSHIELD DUCT -----							1	
-81	2115009-3	SUPPORT-ARMREST -----							1	
		ATTACHING PARTS								
	AN525-832RB	SCREW -----							2	
	NAS1149FN816P	WASHER -----							2	
		*-----								
-82	2113160-1	BRACKET ASSY-CABIN PRESSURE SWITCH -----							1	
	NAS680A04	NUTPLATE AFT -----							2	
	NAS682A3	NUTPLATE FWD -----							2	
-83	2113168-1	BRACKET-LH -----							1	E
	2113168-2	BRACKET-RH -----							1	
-84	2113193-1	SHIM-FWD FUSELAGE -----							1	AR
		<p>A---P210 SERIAL P21000001 THRU P21000169</p> <p>B---P210 SERIAL P21000170 & ON</p> <p>C---P210 SERIAL P21000001 THRU P21000106</p> <p>D---P210 SERIAL P21000107 THRU P21000625</p> <p>E---P210 SERIAL P21000151 & ON</p> <p>F---P210 SERIAL P21000001 THRU P21000150</p> <p>G---P210 SERIAL P21000001 THRU P21000224</p> <p>H---P210 SERIAL P21000225 & ON</p> <p>K---P210 SERIAL P21000001 THRU P21000385</p>								
		CONTINUED ON NEXT PAGE								

P210 Parts Catalog

FIGURE AND INDEX NO.	PART NUMBER	1	2	3	4	5	6	7	DESCRIPTION	UNITS PER ASSY	USABLE ON CODE
17 -									L---P210 SERIAL P21000386 & ON M---P210 SERIAL P21000627 THRU P21000760 N---P210 SERIAL P21000001 THRU P21000625 P---P210 SERIAL P21000626 & ON Q---P210 SERIAL P21000001 THRU P21000760 R---P210 SERIAL P21000761 & ON S---P210 SERIAL P21000001 THRU P21000626 T---P210 SERIAL P21000001 THRU P21000811 U---P210 SERIAL P21000812 & ON V---P210 SERIAL P21000626 THRU P21000811 W---P210 SERIAL P21000001 THRU P21000834 X---P210 SERIAL P21000835 & ON		

P210 Parts Catalog

Fuselage (Cont)



P21000761 THRU P21000834

Detail C

P210 SERIAL P21000001 THRU P21000834

Figure 18. Lower Forward Fuselage Structure Assembly

P210 Parts Catalog

FIGURE AND INDEX NO.	PART NUMBER	DESCRIPTION	1 2 3 4 5 6 7							UNITS PER ASSY	USABLE ON CODE
			1	2	3	4	5	6	7		
18 -		FUSELAGE STRUCTURE ASSEMBLY-LOWER FORWARD								NP	AD
- 1	SEE FIG 24	FIREWALL ASSY-LOWER								1	
- 2	SEE FIG 20	LANDING LIGHT INSTALLATION								1	H
	SEE FIG 20A	LANDING LIGHT INSTALLATION								1	J
- 3	SEE FIG 19	LOWER REMOVABLE COWL INSTALLATION								1	
- 4	2113139-1	BULKHEAD ASSY-NOSE CAP								1	H
	2113139-5	BULKHEAD ASSY-NOSE CAP								1	J
	NAS697A08	NUTPLATE								3	H
	NAS697A3	NUTPLATE								7	H
	NAS697A3	NUTPLATE								7	H
- 5	2113138-1	DOUBLER ASSY-LWR NOSE COWL								10	H
	2113138-3	DOUBLER ASSY-LWR NOSE COWL								1	J
	NAS680A08	NUTPLATE								1	H
	NAS697A3	NUTPLATE								3	H
- 6	2113000-7	SKIN-LWR FWD								1	J
	2113000-11	SKIN-LWR FWD								1	H
- 7	2113163-3	DOUBLER-NOSE CAP LH								1	J
	2113163-4	SPACER-NOSE CAP LH								1	
- 8	2113163-1	DOUBLER ASSY-NOSE CAP LH								1	
	NAS697A3	NUTPLATE								2	
- 9		DELETED-NOT USED									
-10	2113039-1	STRINGER ASSY-FIREWALL TO NOSE CAP								1	
	S2319-50	RECEPTACLE CLC								4	
	NAS697A3	NUTPLATE								1	
	1213460-1	CHANNEL								1	
-11	1213657-3	STIFFENER-BULKHEAD TO STRINGER								1	
	1213657-5	STIFFENER-BULKHEAD TO STRINGER								1	H
-12	2113000-5	SKIN-LWR COWL LH								1	J
	2113000-17	SKIN-LWR COWL LH								1	U
-13	1213450-3	SUPPORT-COWL FLAP HINGE								1	V
-14	1213496-6	BRACE-COWL FLAP HINGE INBD								1	
-15	1213496-5	BRACE-COWL FLAP HINGE OUTBD								1	
-16	1213263-1	MOUNT-COWL FLAP HINGE								1	
-17	1213261-200	HINGE ASSY-COWL FLAP								1	
-18	1213446-3	DOUBLER-COWL FLAP								1	
	1213446-9	DOUBLER-COWL FLAP								1	U
-19	2113000-8	SKIN-LWR FWD RH								1	V
-20	1213181-2	COVER-TUNNEL TOP NOSE GEAR								1	
-21	1213181-5	TUNNEL TOP ASSY-NOSE GEAR								1	H
	1213181-7	TUNNEL TOP ASSY-NOSE GEAR								1	S
	1213181-9	TUNNEL TOP ASSY-NOSE GEAR								1	T
	NAS697A04L	NUTPLATE								2	
-22	1213183-3	ANGLE-ATTACH LH								1	A
	1213183-5	ANGLE-ATTACH LH								1	B
	1213183-4	ANGLE-ATTACH RH								1	
	2113162-1	BRACKET ASSY-TURBO OIL SUPPORT								1	
-23	1213185-5	STIFFENER-LH								1	H
	1213185-7	STIFFENER-LH								1	J
	1213185-4	STIFFENER-RH								1	H
	1213185-6	STIFFENER-RH								1	J
-24	1213185-3	STIFFENER								1	
-25	1213862-1	BUMPER-NOSE GEAR DOOR								1	
-26	1213195-1	STIFFENER-KEEL BULKHEAD LH								1	
-27	1213187-1	DOUBLER-FWD ENGINE MOUNT LH								1	
-28	1213187-2	DOUBLER-FWD ENGINE MOUNT RH								1	
	NAS682A3	NUTPLATE RH ONLY								1	R
-29	1250861-1	SHIM-FWD ENGINE MOUNT LH								1	
	1250861-2	SHIM-FWD ENGINE MOUNT RH								1	
-30	1213801-1	STIFFENER-TORQUE TUBE GEAR DOOR LH								1	
	1213801-2	STIFFENER-TORQUE TUBE GEAR DOOR RH								1	
-31	1726049-1	CLIP-FUEL DRAIN SAFETY PLUG								2	
-32	1216615-1	SUPPORT-FUEL STRAINER								1	
-33	1213176-1	DOUBLER-RH								1	A
-34		DELETED-NOT USED									
-35	1213962-1	BRACKET-HYDRAULIC FITTING MOUNTING								1	A
-36	1213529-1	STIFFENER-INTERNAL ENGINE MOUNT LH								1	G
	1213529-3	STIFFENER-INTERNAL ENGINE MOUNT LH WEU 1213529-3								1	F
	1213529-2	STIFFENER-INTERNAL ENGINE MOUNT RH								1	
-37	1213530-1	STIFFENER-EXTERNAL KEEL BULKHEAD LH								1	
	1213530-2	STIFFENER-EXTERNAL KEEL BULKHEAD RH								1	
-38	1213429-1	BRACKET-NOSE GEAR DOOR HINGE								8	

CONTINUED ON NEXT PAGE

P210 Parts Catalog

FIGURE AND INDEX NO.	PART NUMBER	DESCRIPTION	UNITS PER ASSY							USABLE ON CODE		
			1	2	3	4	5	6	7			
18 -39	1213960-3	BRACKET ASSY-COWL FLAP CONTROL CLAMP LH	1							U V V U		
	1213960-4	BRACKET ASSY-COWL FLAP CONTROL CLAMP RH	1									
	1213960-7	BRACKET-COWL FLAP CONTROL CLAMP LH	1									
	1213960-8	BRACKET-COWL FLAP CONTROL CLAMP RH	1									
-40	NAS680A3	NUTPLATE	1							A B A C A B A C D E J		
	1213754-1	BRACKET-REAR ENGINE MOUNT LH	1									
	1213754-3	BRACKET-REAR ENGINE MOUNT LH	1									
	1213754-2	BRACKET-REAR ENGINE MOUNT RH	1									
	1213754-4	BRACKET-REAR ENGINE MOUNT RH	1									
	1213433-37	MOUNT ASSY-ENGINE FWD LH	1									
	1213433-39	MOUNT ASSY-ENGINE FWD LH	1									
	1213433-42	MOUNT ASSY-ENGINE FWD LH	1									
	1213433-36	MOUNT ASSY-ENGINE FWD RH	1									
	-41	AN3-3A	ATTACHING PARTS									D E J J D E J J H J J J
		NAS1149F0332P	BOLT	3								
MS21044N3		WASHER	3									
		NUT	3									
-42	1213433-9	BRACKET-RH AFT	1							D E J J		
	1213433-9	BRACKET-LH FWD	1									
	1213433-38	BRACKET-LH FWD	1									
	1213433-45	BRACKET ASSY-LH FWD	1									
-43	NAS680A3	NUTPLATE	1							D E J J D E J J H J J J		
	1213433-10	BRACKET-RH FWD	1									
	1213433-10	BRACKET-LH AFT	1									
	1213433-40	BRACKET-LH AFT	1									
	1213433-41	BRACKET ASSY-LH AFT	1									
-44	NAS680A3	NUTPLATE	2							D E J J H J J J		
	1213433-8	COVER LH & RH	1									
	1213433-8	COVER RH	1									
	1213433-57	COVER LH	1									
-45	1213433-32	CHANNEL-RH	1							D E		
	1213433-31	CHANNEL-LH	1									
-46	1213433-17	SUPPORT	1							U V U V		
	S1863P2	NUTPLATE	2									
-47	1213433-34	MOUNT ASSY-ENGINE AFT RH	1							H W V H W H V H J A B		
	1213433-35	MOUNT ASSY-ENGINE AFT LH	1									
-48	1213433-2	COVER-ENGINE MOUNT LH	1							A J U Q T O T		
	1213433-33	COVER-ENGINE MOUNT RH	1									
-49	1213433-3	BRACKET-ENGINE MOUNT LH FWD & RH AFT	1							A J U Q T O T		
	1213433-4	BRACKET-ENGINE MOUNT RH FWD & LH AFT	1									
-50	1213433-16	SUPPORT-ENGINE MOUNT	1							A J U Q T O T		
	1213186-1	SUPPORT-ENGINE MOUNT LWR LH	1									
-51	1213186-2	SUPPORT-ENGINE MOUNT LWR RH	1							A J U Q T O T		
	S1863-1	NUTPLATE	2									
-52	NAS697A08	NUTPLATE	4							A J U Q T O T		
	NAS697A08	NUTPLATE	3									
-53	2113072-1	DOUBLER-AFT NOSE GEAR CUTOUT	1							U V U V		
	1213457-3	ANGLE-FIREWALL TO TUNNEL LH	1									
-54	1213457-5	ANGLE-FIREWALL TO TUNNEL LH	1							H W V H W H V H J A B		
	1213457-2	ANGLE-FIREWALL TO TUNNEL RH	1									
-55	1213456-3	CHANNEL-FIREWALL LH	1							A J U Q T O T		
	1213456-5	CHANNEL-FIREWALL LH	1									
-56	1213456-4	CHANNEL-FIREWALL RH	1							A J U Q T O T		
	1213194-15	BULKHEAD ASSY-KEEL LH	1									
-57	1213194-19	BULKHEAD ASSY-KEEL LH	1							A J U Q T O T		
	1213994-5	BULKHEAD ASSY-KEEL LH	1									
-58	1213194-16	BULKHEAD ASSY-KEEL RH	1							A J U Q T O T		
	1213194-20	BULKHEAD ASSY-KEEL RH	1									
-59	1213994-6	BULKHEAD ASSY-KEEL RH	1							A J U Q T O T		
	NAS696A08	NUTPLATE LH	2									
-60	NAS697A08	NUTPLATE RH	2							A J U Q T O T		
	NAS697A3	NUTPLATE	2									
-61	1213184-7	WALL-NOSE GEAR TUNNEL LH	1							A J U Q T O T		
	1213184-6	WALL-NOSE GEAR TUNNEL LH	1									
-62	1213184-2	WALL-NOSE GEAR TUNNEL RH	1							A J U Q T O T		
	1217019-1	BRACKET ASSY-ACTUATOR ATTACH	1									
-63	NAS682A3	NUTPLATE RH	1							A J U Q T O T		
	1216616-1	SUPPORT-FUEL STRAINER CONTROL	1									
-64	1243027-2	SUPPORT-NOSE GEAR UPLOCK	1							A J U Q T O T		
	1243027-5	SUPPORT-NOSE GEAR UPLOCK	1									
-65	1213343-1	CHANNEL-AFT ENGINE MOUNT	1							A J U Q T O T		
	1213343-2	CHANNEL-AFT ENGINE MOUNT	1									

CONTINUED ON NEXT PAGE

P210 Parts Catalog

FIGURE AND INDEX NO.	PART NUMBER	DESCRIPTION	UNITS PER ASSY							USABLE ON CODE
			1	2	3	4	5	6	7	
18 -64	2113120-1	DOUBLER ASSY-TUNNEL TOP -----	1							Q
	2113120-3	DOUBLER ASSY-TUNNEL TOP -----	1							
	S1863-3	NUTPLATE -----	2							U
-65	2113166-1	BRACKET-DRAIN LINE LH -----	1							
	2113166-2	BRACKET-DRAIN LINE RH -----	1							C
	2113116-1	COVER ASSY-AFT FIREWALL & CONTROLS -----	1							
	2113116-6	COVER ASSY-AFT FIREWALL & CONTROLS -----	1							U
-66	2113134-1	DOUBLER-AFT FIREWALL LH -----	1							
-67	2113134-2	DOUBLER-AFT FIREWALL RH -----	1							V
-68	1213965-1	STIFFENER-AFT FIREWALL UPPER -----	1							
-69	1213966-1	STIFFENER-AFT FIREWALL LOWER -----	1							U
-70	2113157-2	TAB-PEDESTAL COVER ATTACH RH -----	1							
	2113157-1	TAB-PEDESTAL COVER ATTACH LH -----	1							V
-71	2113116-3	DOUBLER ASSY -----	1							
	2113116-9	DOUBLER ASSY -----	1							U
	NAS697A08	NUTPLATE -----	1							
	NAS697A08	NUTPLATE -----	8							V
-72	1260214-1	BRACKET-LH PULLEY -----	10							
	1260214-2	BRACKET-RH PULLEY -----	1							U
-73	1260540-2	BRACKET-RH PULLEY -----	1							
	1260540-1	BRACKET-LH PULLEY -----	1							V
-74	1260540-3	BRACKET-CENTER PULLEY -----	1							
-75	2113087-5	PANEL ASSY-LWR NOSE GEAR CENTER -----	1							U
	S2031-2	NUTPLATE -----	1							
-76	2113087-2	PANEL-NOSE GEAR TUNNEL SIDE RH -----	2							V
	2113087-1	PANEL-NOSE GEAR TUNNEL SIDE LH -----	1							
-77	1213426-2	FITTING ASSY-NOSE GEAR RH -----	1							U
	1213426-1	FITTING ASSY-NOSE GEAR LH -----	1							
-78	2113087-6	TUNNEL ASSY-NOSE GEAR -----	1							V
-79	1253062-1	STUD ASSY -----	1							
-80	S2031-2	NUTPLATE -----	2							U
-80A	1253062-4	STUD ASSY -----	2							
-81	2113117-1	DOUBLER-AFT LWR FIREWALL -----	4							A
-82	1213425-2	FITTING-NOSE GEAR DRAG -----	1							
	1213796-1	FITTING-NOSE GEAR DRAG -----	1							B
-83	1211502-5	BRACKET HALF-PULLEY LH -----	1							
	1211502-6	BRACKET HALF-PULLEY RH -----	1							U
-84	1213432-1	SUPPORT-NOSE GEAR -----	1							
-85	1213296-1	BULKHEAD -----	1							U
-86	1261416-1	SUPPORT ASSY-BRAKE CYLINDER -----	1							
-87	1261416-3	BRACKET -----	1							U
-88	2113122-1	ANGLE-KEEL REINFORCEMENT LH -----	1							
	2113122-2	ANGLE-KEEL REINFORCEMENT RH -----	1							U
-89	1213421-1	TEE-KEEL ATTACH -----	2							
		ATTACHING PARTS -----	2							U
-90	AN3-5A	BOLT -----	4							
-90A	AN3-4A	BOLT -----	4							A
-90B	NAS1149F0332P	WASHER -----	4							
-90C	MS21044N3	NUT -----	8							
		-----*	8							U
-90D	1213431-3	HINGE HALF-NOSE GEAR DOOR -----	2							
-91	1211522-1	FITTING ASSY -----	1							U
-91A	1213405-1	BRACKET ASSY-FUEL -----	1							
	NAS1068A4	NUT -----	1							V
	2116013-1	BRACKET-FUEL -----	2							
-91B	2113000-2	SKIN-LWR FWD FUSELAGE -----	1							A
	2113000-9	SKIN-LWR FWD FUSELAGE -----	1							
	2113000-15	SKIN-LWR FWD FUSELAGE -----	1							L
-91C	1213621-1	STIFFENER-LH -----	1							
	1213621-2	STIFFENER-LH -----	1							V
	1213462-1	STIFFENER-RH -----	1							
-91D	1213514-3	BRACKET ASSY-FUEL RESERVOIR -----	1							A
	NAS686A08K	NUTPLATE -----	6							
-92	1213514-1	BRACKET ASSY-FUEL RESERVOIR LH -----	1							U
	1213514-2	BRACKET ASSY-FUEL RESERVOIR RH -----	1							
	NAS696A08	NUTPLATE -----	1							U
-92A	5111339-3	RETAINER -----	1							
	CM3575-2	SEAL -----	1							U
-92B	1213403-3	STRINGER-LH -----	1							
	1213403-4	STRINGER-RH -----	1							U
-92C	1213769-3	BULKHEAD ASSY-LH -----	1							
	1261437-1	TAB-PARKING BRAKE -----	1							U
	1213769-2	BULKHEAD-RH -----	1							

CONTINUED ON NEXT PAGE

P210 Parts Catalog

FIGURE AND INDEX NO.	PART NUMBER	DESCRIPTION							UNITS PER ASSY	USABLE ON CODE
		1	2	3	4	5	6	7		
18 -92D	1213422-1	BULKHEAD-CENTER	WEU	1213422-13					1	X
	1213422-13	BULKHEAD-CENTER							1	Y
-93	2113121-1	BULKHEAD ASSY-CENTER							1	U
	2113224-1	BULKHEAD ASSY-CENTER							1	V
	NAS697A08	NUTPLATE							2	
-93A	1213422-11	BULKHEAD ASSY-LH							1	
	0713272-1	BRACKET							2	
-93B	1213539-3	BULKHEAD ASSY-RH							1	U
	1213539-4	BULKHEAD ASSY-RH							1	V
	S1050-2	GROMMET	4.66 IN LG	BKI					1	
-93C	1213517-1	DOUBLER-RH BULKHEAD							1	
-93D	2113041-7	BULKHEAD-LH							1	U
	2113041-17	BULKHEAD-LH							1	V
-93E	2113218-1	BRACKET-FUEL VALVE							1	V
-94	2113041-8	BULKHEAD-RH							1	U
	2113041-18	BULKHEAD-RH							1	V
-94A	1243027-3	STIFFENER							1	V
	1243027-6	STIFFENER							1	O
-94B	2113114-1	DOUBLER-FWD DOORPOST BELLY							1	T
	2113114-2	DOUBLER-FWD DOORPOST BELLY							1	M
	2113114-3	DOUBLER-FWD DOORPOST BELLY							1	N
-94C	2113090-1	STRIP-LH COWL ATTACH							1	V
	2113073-1	STRIP-RH COWL ATTACH							1	
-94D	2150099-1	DUCT ASSY-HEAT EXCHANGER							1	A
	2150099-5	DUCT ASSY-HEAT EXCHANGER							1	K
	2150124-1	DUCT ASSY-HEAT EXCHANGER							1	J
-95	S1956-3	NUTPLATE							4	
-95A	2150088-1	BRACKET							1	
-95B	2150096-1	BEARING ASSY-HEAT EXCHANGER							1	H
	2150096-7	BEARING ASSY-HEAT EXCHANGER							1	J
-95C	2150095-1	SHAFT							1	
-95D	2150112-1	BEARING ASSY-HEAT EXCHANGER	UPR						1	A
	2150065-1	BEARING ASSY-HEAT EXCHANGER	UPR						1	B
	2150066-1	BEARING ASSY-HEAT EXCHANGER	LWR						1	A
-95E	NAS697A3	NUTPLATE							1	A
-95F	MS21073L4	NUTPLATE							1	A
-96	2150098-1	SEAL-UPPER							1	
	2150098-2	SEAL-LOWER							1	
-96A	2150097-1	RETAINER-SEAL UPPER							1	
	2150097-2	RETAINER-SEAL LOWER							1	
-96B	2150086-1	SEAL							1	
-96C	2150087-1	RETAINER-SEAL							1	
-96D	S1441-1	SEAL	6.80 IN LG	BKI					1	
-96E	2150099-4	EDGE-FWD							1	
-97	2150100-3	DUCT-HEAT EXCHANGER EXIT							1	
-97A	2152017-1	SCOOP-HEAT EXCHANGER EXIT							1	
-98	NAS680A3	NUTPLATE							2	P
-98A	2113176-2	COVER ASSY							1	L
	2113176-4	COVER ASSY							1	V
	S1115-19	RECEPTACLE							2	B
-98B	0752611-1	DOOR ASSY							2	
	S1115-30	STUD							2	B
	S1115-9	RING							2	
-98C	2113177-1	PLATE-COVER							2	B
-98D	1243027-4	SUPPORT							1	Q
		ATTACHING PARTS							1	
	AN3-4A	BOLT							3	
	NAS1149F0332P	WASHER							5	
	MS21044N3	NUT							5	
	AN3-5A	BOLT							2	
		-----*							2	
-98E	NAS680A08	NUTPLATE							1	J
-98F	2116008-1	DRAIN SHROUD							1	V
	1726049-2	CLIP-DRAIN SHROUD							1	V

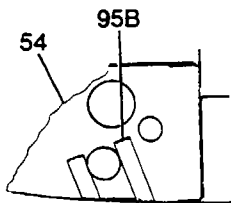
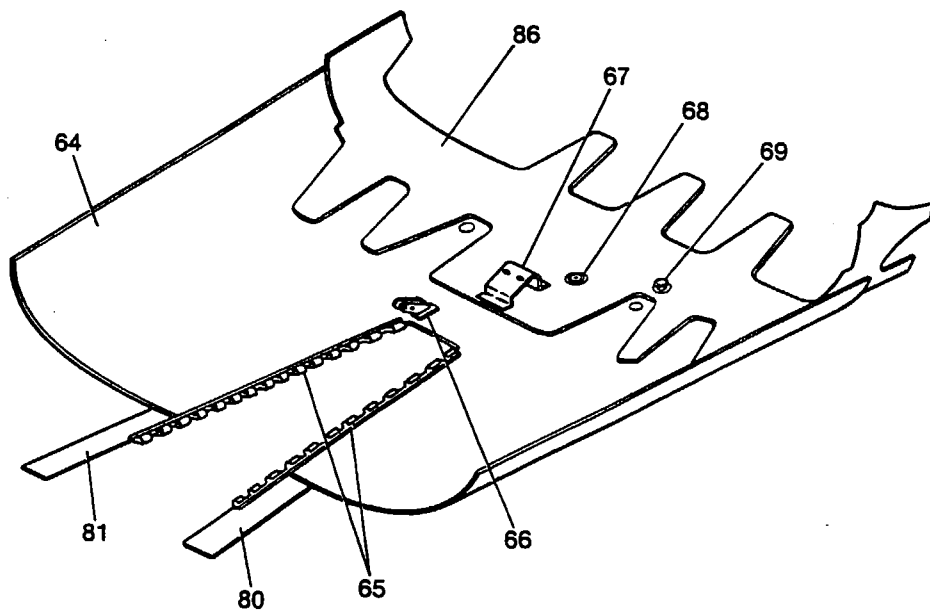
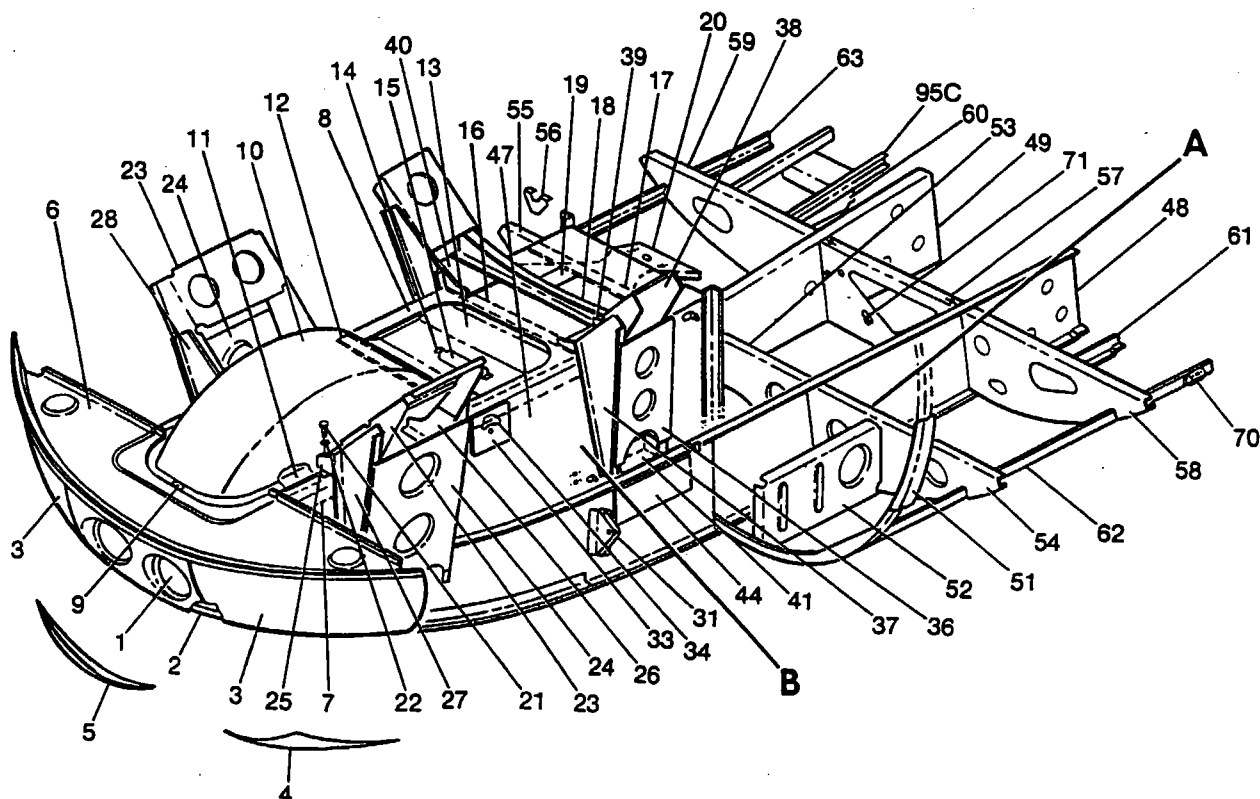
CONTINUED ON NEXT PAGE

P210 Parts Catalog

FIGURE AND INDEX NO.	PART NUMBER	DESCRIPTION							UNITS PER ASSY	USABLE ON CODE
		1	2	3	4	5	6	7		
18 -98G -98H	2116006-3 NAS686A3	SUPPORT ASSY -----							1 1 1	V V
	2113226-1	NUTPLATE ----- SHIELD ASSY-FUEL LINE/WIRE -----								
		A---P210 SERIAL P21000001 THRU P21000150 B---P210 SERIAL P21000151 THRU P21000834 C---P210 SERIAL P21000001 THRU P21000071 D---P210 SERIAL P21000001 THRU P21000048 E---P210 SERIAL P21000049 THRU P21000385 F---P210 SERIAL P21000392 THRU P21000834 G---P210 SERIAL P21000001 THRU P21000391 H---P210 SERIAL P21000001 THRU P21000385 J---P210 SERIAL P21000386 THRU P21000834 K---P210 SERIAL P21000151 THRU P21000385 L---P210 SERIAL P21000151 THRU P21000760 M---P210 SERIAL P21000001 THRU P21000470 N---P210 SERIAL P21000471 THRU P21000760 P---P210 SERIAL P21000151 THRU P21000590 Q---P210 SERIAL P21000001 THRU P21000638 R---P210 SERIAL P21000497 THRU P21000834 S---P210 SERIAL P21000386 THRU P21000638 T---P210 SERIAL P21000639 THRU P21000834 U---P210 SERIAL P21000001 THRU P21000760 V---P210 SERIAL P21000761 THRU P21000834 W---P210 SERIAL P21000386 THRU P21000760 X---P210 SERIAL P21000001 THRU P21000754 Y---P210 SERIAL P21000755 THRU P21000834 Z---P210 SERIAL P21000001 THRU P21000802 AA---P210 SERIAL P21000803 THRU P21000834 AB---P210 SERIAL P21000001 THRU P21000817 AC---P210 SERIAL P21000818 THRU P21000834 AD---P210 SERIAL P21000001 THRU P21000834								

P210 Parts Catalog

Fuselage (Cont)

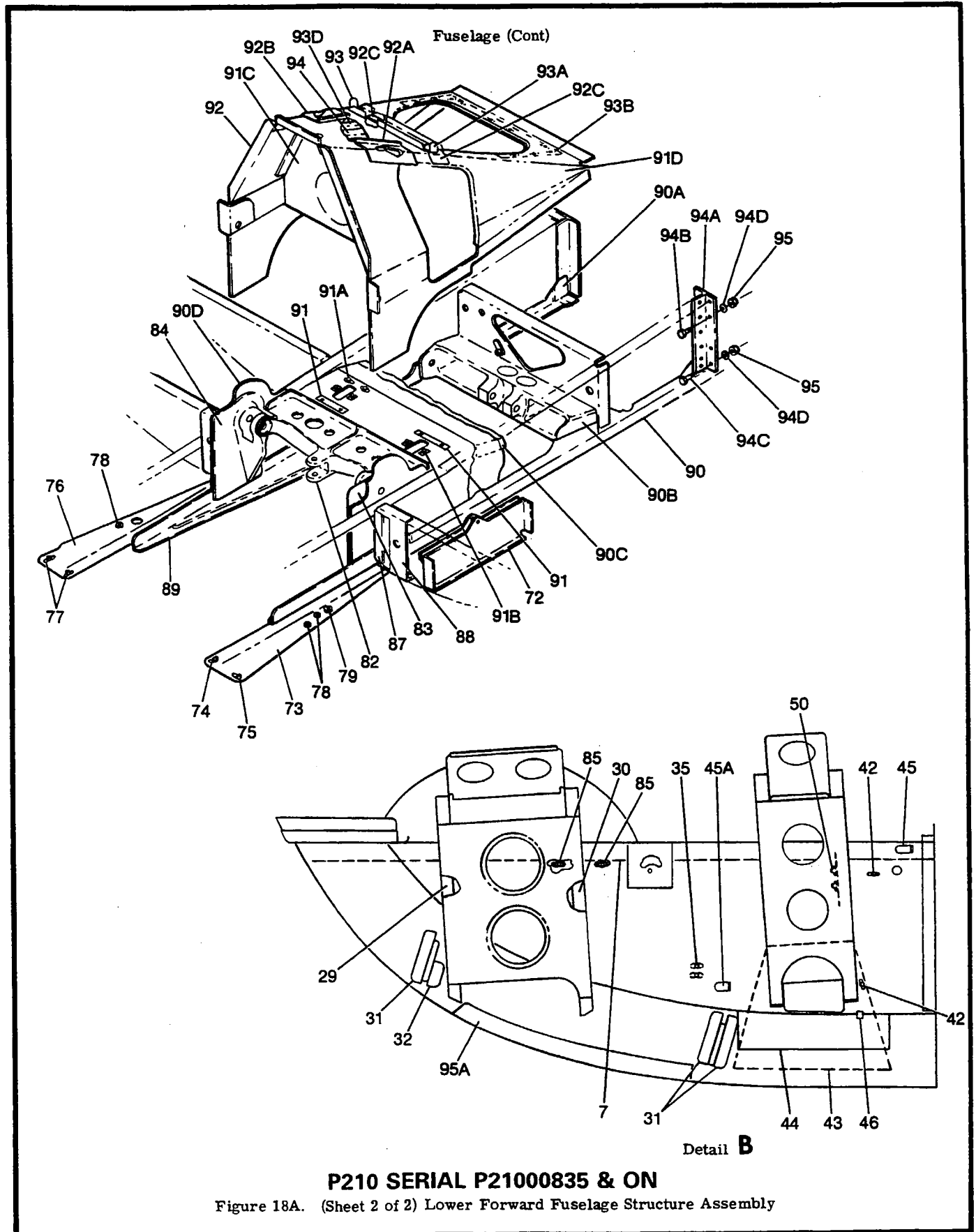


Detail A

P210 SERIAL P21000835 & ON

Figure 18A. (Sheet 1 of 2) Lower Forward Fuselage Structure Assembly

P210 Parts Catalog



P210 Parts Catalog

FIGURE AND INDEX NO.	PART NUMBER	DESCRIPTION							UNITS PER ASSY	USABLE ON CODE
		1	2	3	4	5	6	7		
18A-		FUSELAGE STRUCTURE ASSEMBLY--LOWER FORWARD -----							NP	A
- 1	SEE FIG 20A	LANDING LIGHT INSTALLATION -----							1	
- 2	2113295-1	DOUBLER ASSY--LWR NOSE COWL -----							1	
	NAS697A3	NUTPLATE -----							3	
- 3	2113002-7	SKIN-FWD -----							1	
	NAS686A3	NUTPLATE TAILPIPE FAIRING ATTACH -----							6	
- 4	2113002-5	SKIN-FWD LH -----							1	
- 5	2113002-8	SKIN-FWD RH -----							1	
	NAS686A3	NUTPLATE TAILPIPE FAIRING ATTACH -----							2	
- 6	2113139-10	BULKHEAD ASSY--NOSE CAP -----							1	
	NAS697A3	NUTPLATE -----							10	
- 7	1213183-9	ANGLE-LH ATTACH -----							1	
	1213183-8	ANGLE-RH ATTACH -----							1	
- 8	1213181-14	TUNNEL TOP ASSY--NOSE GEAR -----							1	
	NAS697A04L	NUTPLATE -----							2	
- 9	NAS680A08	NUTPLATE -----							1	
-10	1213181-12	COVER--NOSE GEAR TUNNEL TOP -----							1	
-11	1213185-9	STIFFENER--TUNNEL TOP LH -----							1	
	1213185-8	STIFFENER--TUNNEL TOP RH -----							1	
-12	1213185-3	STIFFENER--TUNNEL TOP -----							1	
-13	1213176-4	COVER ASSY--NOSE GEAR TUNNEL TOP -----							1	
-14	S1115-19	RECEPTACLE -----							2	
-15	0752611-1	DOOR ASSY -----							1	
	S1115-30	STUD -----							2	
	S1115-9	RING -----							2	
-16	1243027-5	STIFFENER--TUNNEL TOP -----							1	
-17	1243027-6	STIFFENER--TUNNEL TOP -----							1	
-18	1213343-2	CHANNEL--AFT ENGINE MOUNT -----							1	
-19	2113177-1	COVERPLATE -----							1	
-20	2113120-5	DOUBLER ASSY--TUNNEL TOP -----							1	
	S2031-2	NUTPLATE -----							2	
	2113271-1	ENGINE MOUNT ASSY--FWD LH -----							1	
	2113271-2	ENGINE MOUNT ASSY--FWD RH -----							1	
		ATTACHING PARTS								
-21	AN3-3A	BOLT -----							4	
-22	NAS1149F0332P	WASHER -----							4	
	MS21044N3	NUT -----							4	
		*-----								
-23	2113281-1	SUPPORT--ENGINE MOUNT -----							1	
-24	2113282-1	COVER--ENGINE MOUNT -----							1	
-25	2113278-1	BRACE--FWD LH -----							1	
	2113278-2	BRACE--FWD RH -----							1	
-26	2113279-1	BRACE--AFT LH -----							1	
	2113279-2	BRACE--AFT RH -----							1	
-27	1213433-59	BRACKET--LH FWD ENGINE MOUNT -----							1	
	1213433-61	BRACKET--LH AFT ENGINE MOUNT -----							1	
-28	1213433-60	BRACKET--RH FWD ENGINE MOUNT -----							1	
	1213433-62	BRACKET--RH AFT ENGINE MOUNT -----							1	
-29	2113277-2	SHIM--FWD ENGINE MOUNT -----							2	
-30	2113277-1	SHIM--FWD ENGINE MOUNT -----							2	
-31	1213429-1	SUPPORT--NOSE GEAR DOOR HINGE -----							6	
-32	2113283-1	BRACKET--NOSE GEAR DOOR HINGE LH -----							1	
	2113283-2	BRACKET--NOSE GEAR DOOR HINGE RH -----							1	
-33	1213801-1	STIFFENER--NOSE GEAR DOOR TORQUE TUBE LH -----							1	
	1213801-2	STIFFENER--NOSE GEAR DOOR TORQUE TUBE RH -----							1	
-34	1726049-1	CLIP--FUEL DRAIN SAFETY PLUG -----							1	
-35	NAS1068A3	NUTPLATE -----							2	
	1213433-35	ENGINE MOUNT ASSY--AFT LH -----							1	
	1213433-34	ENGINE MOUNT ASSY--AFT RH -----							1	
-36	1213433-2	COVER--ENGINE MOUNT LH -----							1	
	1213433-33	COVER--ENGINE MOUNT RH -----							1	
-37	1213433-3	BRACKET--ENGINE MOUNT LH FWD & RH AFT -----							1	
	1213433-4	BRACKET--ENGINE MOUNT RH FWD & LH AFT -----							1	
-38	1213433-16	SUPPORT--ENGINE MOUNT -----							1	
-39	1213186-1	SUPPORT--ENGINE MOUNT LWR LH -----							1	
-40	1213186-2	SUPPORT--ENGINE MOUNT LWR RH -----							1	
	NAS697A08	NUTPLATE -----							4	

CONTINUED ON NEXT PAGE

P210 Parts Catalog

FIGURE AND INDEX NO.	PART NUMBER	DESCRIPTION							UNITS PER ASSY	USABLE ON CODE
		1	2	3	4	5	6	7		
18A-41	1213754-3	BRACKET-AFT ENGINE MOUNT LH -----							1	
	1213754-4	BRACKET-AFT ENGINE MOUNT RH -----							1	
-42	NAS697A08	NUTPLATE -----							2	
-43	1213529-3	STIFFENER-AFT ENGINE MOUNT LH -----							1	
	1213529-2	STIFFENER-AFT ENGINE MOUNT RH -----							1	
-44	1213530-1	STIFFENER-KEEL BULKHEAD LH -----							1	
	1213530-2	STIFFENER-KEEL BULKHEAD RH -----							1	
-45	AN743-13	BRACKET LH & RH -----							2	
-45A	AN743-13	BRACKET-LH -----							1	
-46	S2034-1	MOUNT -----							1	
-47	1213184-13	WALL-NOSE GEAR TUNNEL LH -----							1	
	1213184-12	WALL-NOSE GEAR TUNNEL RH -----							1	
-48	1213994-11	BULKHEAD ASSY-LH KEEL -----							1	
-49	1213994-12	BULKHEAD ASSY-RH KEEL -----							1	
	NAS697A3	NUTPLATE -----							2	
-50	NAS686A3	NUTPLATE 2 LH & 2 RH -----							4	
-51	2113073-2	STRIP-LH COWL ATTACH -----							1	
	2113073-1	STRIP-RH COWL ATTACH -----							1	
-52	1213769-3	BULKHEAD ASSY-LH -----							1	
	1261437-1	TAB-PARKING BRAKE -----							1	
	1213769-2	BULKHEAD-RH -----							1	
-53	1213422-13	BULKHEAD-CENTER STA 8.125 -----							1	
-54	1213422-11	BULKHEAD ASSY-LH STA 8.125 -----							1	
	0713272-1	BRACKET -----							2	
-55	1213539-4	BULKHEAD ASSY-RH STA 8.125 -----							1	
	S1050-2	GROMMET 4.66 IN LG BKI -----							1	
-56	1213517-1	DOUBLER-BULKHEAD -----							1	
-57	2113224-1	BULKHEAD ASSY-CENTER STA 18.00 -----							1	
	NAS697A08	NUTPLATE -----							2	
-58	2113041-17	BULKHEAD-LH STA 18.00 -----							1	
-59	2113041-18	BULKHEAD-RH STA 18.00 -----							1	
-60	1213462-1	STIFFENER-RH -----							1	
-61	1213621-2	STIFFENER-LH -----							1	
-62	1213403-3	STRINGER-LH -----							1	
-63	1213403-4	STRINGER-RH -----							1	
-64	2113002-2	SKIN-LWR FWD FUSELAGE -----							1	
-65	1213431-3	HINGE HALF-NOSE GEAR DOOR -----							2	
-66	1211502-5	BRACKET HALF-LH CABIN STEP CABLE -----							1	
	1211502-6	BRACKET HALF-RH CABIN STEP CABLE -----							1	
-67	2116013-1	BRACKET-FUEL SELECTOR VALVE -----							1	
-68	5111339-3	RETAINER -----							1	
	CM3575-2	SEAL -----							1	
-69	2116008-1	SHROUD-FUEL RESERVOIR DRAIN -----							1	
	1726049-2	CLIP-FUEL DRAIN SAFETY PLUG -----							1	
-70	2116006-3	SUPPORT ASSY-FUEL RESERVOIR -----							1	
	NAS686A3	NUTPLATE -----							1	
-71	1211522-1	FITTING ASSY-CABIN STEP CABLE -----							1	
-72	1261416-1	SUPPORT ASSY-BRAKE CYLINDER -----							1	
	1261416-3	BRACKET-BRAKE CYLINDER -----							1	
-73	2113293-1	DOUBLER ASSY-COWL FLAP LH -----							1	
-74	MS21073L3	NUTPLATE -----							1	
-75	NAS682A3	NUTPLATE -----							1	
-76	2113288-1	DOUBLER ASSY-COWL FLAP RH -----							1	
-77	NAS697A3	NUTPLATE -----							2	
-78	S1291-4	GROMMET -----							3	
-79	S1291-6	GROMMET -----							1	
-80	2113002-9	SKIN-LWR FWD LH -----							1	
-81	2113002-6	SKIN-LWR FWD RH -----							1	
-82	1213432-1	SUPPORT-NOSE GEAR -----							1	
-83	1213426-1	FITTING ASSY-NOSE GEAR LH -----							1	
-84	1213426-2	FITTING ASSY-NOSE GEAR RH -----							1	
-85		DELETED-NOT USED -----								
-86	2113114-3	DOUBLER-FWD DOORPOST BELLY -----							1	
-87	1213457-5	ANGLE-FIREWALL TO TUNNEL LH -----							1	
	1213457-2	ANGLE-FIREWALL TO TUNNEL RH -----							1	
-88	1213456-7	CHANNEL-FIREWALL LH -----							1	
	1213456-4	CHANNEL-FIREWALL RH -----							1	
-89	2113072-1	DOUBLER-AFT NOSE GEAR CUTOUT -----							1	
-90	2113122-1	ANGLE-KEEL REINFORCEMENT LH -----							1	
-90A	2113122-2	ANGLE-KEEL REINFORCEMENT RH -----							1	
-90B	1213796-1	FITTING-NOSE GEAR DRAG -----							1	

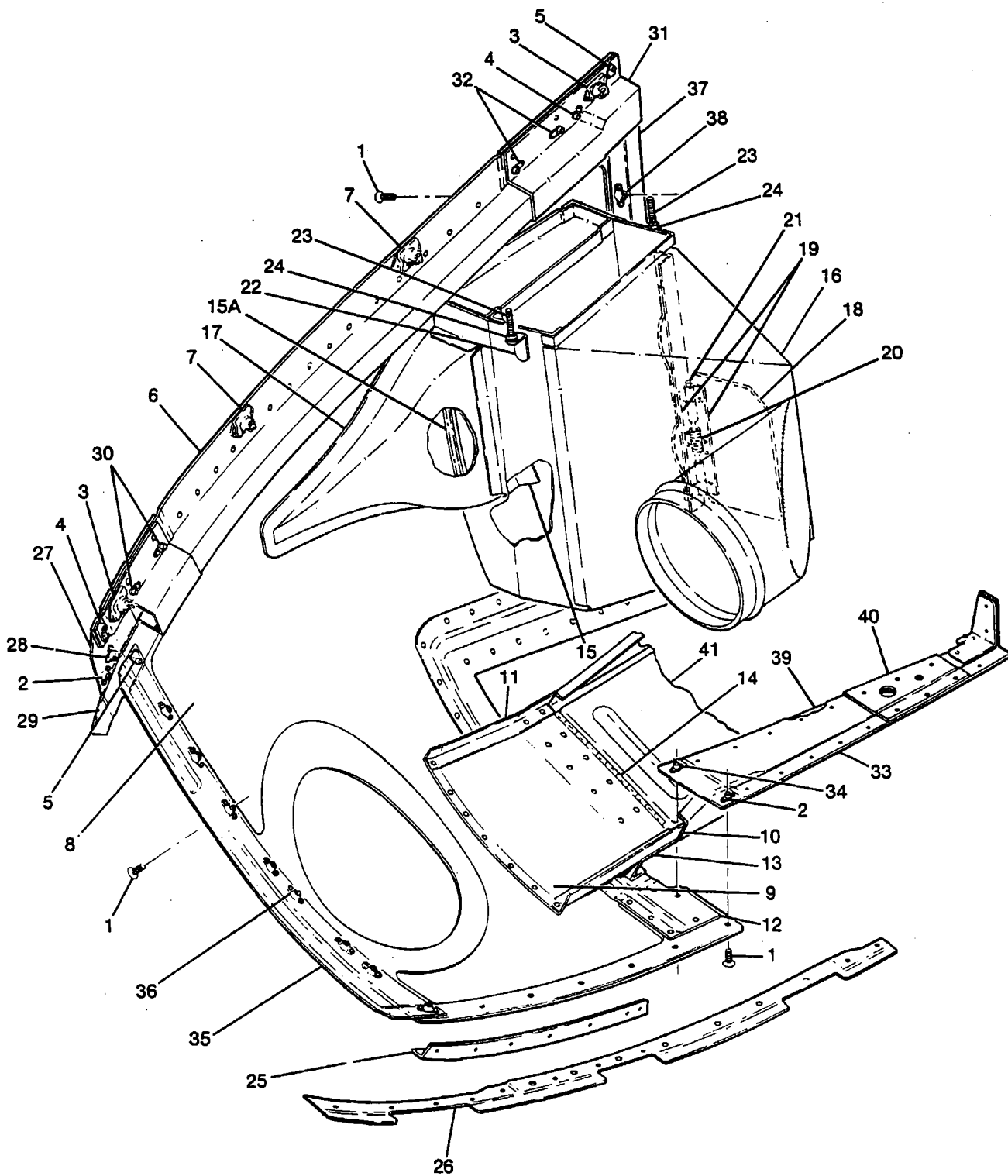
CONTINUED ON NEXT PAGE

P210 Parts Catalog

FIGURE AND INDEX NO.	PART NUMBER	DESCRIPTION							UNITS PER ASSY	USABLE ON CODE
		1	2	3	4	5	6	7		
18A-90C	2113117-1	DOUBLER-AFT LOWER FIREWALL -----							1	
-90D	2113087-6	TUNNEL ASSY-NOSE GEAR -----							1	
-91	1253062-1	STUD ASSY -----							2	
-91A	S2031-2	NUTPLATE -----							2	
-91B	1253062-4	STUD ASSY -----							4	
-91C	2113087-5	PANEL ASSY-LWR NOSE GEAR CENTER -----							1	
	S2031-2	NUTPLATE -----							2	
-91D	2113087-1	PANEL-NOSE GEAR TUNNEL LH SIDE -----							1	
-92	2113087-2	PANEL-NOSE GEAR TUNNEL RH SIDE -----							1	
	2113116-11	COVER ASSY-AFT FIREWALL & CONTROLS -----							1	
-92A	2113134-1	DOUBLER-AFT FIREWALL LH -----							1	
-92B	2113134-2	DOUBLER-AFT FIREWALL RH -----							1	
-92C	1213965-1	STIFFENER-AFT FIREWALL UPPER -----							1	
-92D	1213966-1	STIFFENER-AFT FIREWALL LOWER -----							1	
-93	2113157-2	TAB-PEDESTAL COVER ATTACH RH -----							1	
-93A	2113157-1	TAB-PEDESTAL COVER ATTACH LH -----							1	
-93B	2113116-9	DOUBLER ASSY -----							1	
	NAS697A08	NUTPLATE -----							10	
-93C	1260214-1	BRACKET-LH PULLEY -----							1	
	1260214-2	BRACKET-RH PULLEY -----							1	
-93D	1260540-2	BRACKET-RH PULLEY -----							1	
	1260540-1	BRACKET-LH PULLEY -----							1	
-94	1260540-3	BRACKET-CENTER PULLEY -----							1	
-94A	1213421-1	TEE-KEEL ATTACH -----							2	
		ATTACHING PARTS -----								
-94B	AN3-4A	BOLT -----							4	
-94C	AN3-5A	BOLT -----							4	
-94D	NAS1149F0332P	WASHER -----							8	
-95	MS21044N3	NUT -----							8	
		*-----								
-95A	2113294-1	DOUBLER ASSY-KEEL BULKHEAD -----							1	
	NAS680A3	NUTPLATE -----							4	
	1213737-2	STIFFENER-RH -----							1	
-95B	2113218-1	BRACKET-FUEL VALVE -----							1	
-95C	2113226-1	SHIELD ASSY-FUEL LINE/WIRE -----							1	
A---P210 SERIAL P21000835 & ON										

P210 Parts Catalog

Fuselage (Cont)



P210 SERIAL P21000001 THRU P21000834

Figure 19. Lower Removable Cowl Installation

P210 Parts Catalog

FIGURE AND INDEX NO.	PART NUMBER	DESCRIPTION	1 2 3 4 5 6 7							UNITS PER ASSY	USABLE ON CODE	
			1	2	3	4	5	6	7			
19 -	2152002-200 2152002-201	COWL INSTALLATION-LOWER REMOVABLE ----- COWL ASSY-LWR REMOVABLE ----- COWL ASSY-LWR REMOVABLE -----									NP 1 1	J C D
- 1	AN509-10R8	ATTACHING PARTS										
- 2	NAS697A3	SCREW -----									36	
- 3	S2319-50	NUTPLATE -----									8	
- 4	NAS696A3	RECEPTACLE CLC -----									2	
- 5	NAS1067A3	NUTPLATE -----									4	
		NUTPLATE -----									3	
		*-----										
- 6	1213721-3	STRINGER ASSY -----									1	
- 7	S2319-50	RECEPTACLE CLC -----									2	
- 8	2152002-2 2152002-12	SKIN ASSY-SPOTWELD ----- SKIN ASSY-SPOTWELD -----									1	C
- 9	1213450-4	SUPPORT-COWL FLAP -----									1	D
-10	1213496-5	BRACE-INBD -----									1	
-11	1213496-6	BRACE-OUTBD -----									1	
-12	1213734-1	DOUBLER -----									1	
-13	1213263-2	MOUNT-HINGE -----									1	
-14	1213261-200 1213472-1	HINGE ASSY-COWL FLAP ----- PIN-HINGE -----									1	
-15	2152002-7 2152002-6 2152002-8 2152002-9	FAIRING-AIR INTAKE LWR FWD ----- FAIRING-AIR INTAKE LWR AFT ----- FAIRING-AIR INTAKE UPR FWD ----- FAIRING-AIR INTAKE UPR AFT -----									1	
-15A	2152002-5 2152002-14	FAIRING ----- LIP -----									1	
-16	2150049-1 2150049-2 2150133-1	AIRBOX ASSY-INDUCTION WEU 2150049-2 ----- AIRBOX ASSY-INDUCTION ----- AIRBOX ASSY-INDUCTION -----									1	C
-17	2152006-1 2150130-1	SCOOP-INDUCTION AIR ----- SCOOP-INDUCTION AIR -----									1	D
-18	2150036-1	DOOR ASSY-INDUCTION SYSTEM -----									1	
-19	2150035-1	HINGE HALF -----									2	
-20	2150101-1	SPRING -----									1	
-21	MS20253P2-3.50	PIN-HINGE -----									1	
-22	AN743-13	BRACKET -----									2	
-23	AN520-10R18	SCREW -----									2	
-24	MS21043-3	NUT -----									2	
-25	1213737-2	STIFFENER-KEEL BULKHEAD -----									1	
-26	1213738-1	STRIP-BUMPER -----									1	
-27	1213720-1	DOUBLER ASSY-NOSE CAP RH -----									1	
-28	MS21073L3	NUTPLATE -----									1	
-29	1213721-1	STRINGER ASSY-RH FWD -----									1	
-30	NAS696A3	NUTPLATE -----									4	
-31	1213721-8	STRINGER ASSY-RH AFT -----									1	
-32	NAS696A3	NUTPLATE -----									4	
-33	1213734-2 1213734-4 1213734-2	DOUBLER ASSY-COWL FLAP ----- DOUBLER ASSY-COWL FLAP ----- DOUBLER ASSY-COWL FLAP -----									1	A
-34	NAS697A3	NUTPLATE -----									1	G
-35	1213719-1	BULKHEAD ASSY-CANTED -----									1	
-36	NAS697A3	NUTPLATE -----									6	
-37	1213735-1	STRIP ASSY-LWR COWL ATTACH RH -----									1	
-38	NAS697A3 NAS696A3	NUTPLATE ----- NUTPLATE -----									7	
-39	1213401-24 1213401-31	SKIN-COWL FLAP ----- SKIN-COWL FLAP -----									1	A
-40	2113170-1	DOUBLER-COWL FLAP -----									1	B
-41	SEE FIG 85	FLAP ASSY-COWL -----									1	B
<p>A---P210 SERIAL P21000001 THRU P21000071 B---P210 SERIAL P21000072 THRU P21000834 C---P210 SERIAL P21000001 THRU P21000760 THAT HAVE NOT INSTALLED SK210-102 D---P210 SERIAL P21000761 THRU P21000834 & ALL THAT HAVE INSTALLED SK210-102 E---P210 SERIAL P21000001 THRU P21000475 THAT HAVE NOT INSTALLED SK210-102 F---P210 SERIAL P21000476 THRU P21000760 THAT HAVE NOT INSTALLED SK210-102 G---P210 SERIAL P21000072 THRU P21000760 H---P210 SERIAL P21000761 THRU P21000834 J---P210 SERIAL P21000001 THRU P21000834</p>												

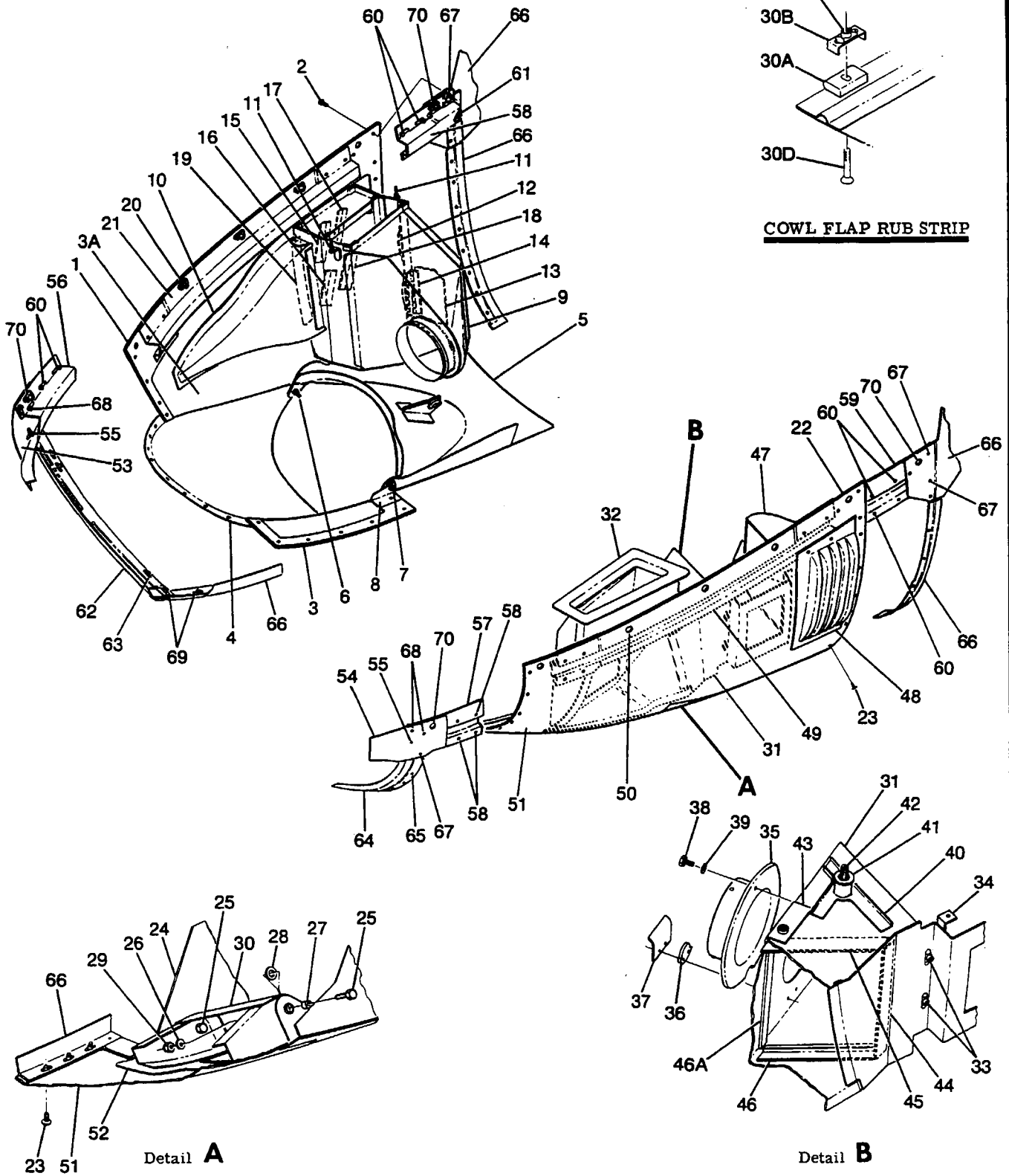
P210 Parts Catalog

FIGURE AND INDEX NO.	PART NUMBER	DESCRIPTION							UNITS PER ASSY	USABLE ON CODE
		1	2	3	4	5	6	7		
19A-		LOWER REMOVABLE COWLS INSTALLATION -----							NP	A
- 1	2113275-1	COWL ASSY-RH REMOVABLE -----							1	
- 2	AN509-10R8	ATTACHING PARTS -----							41	
- 3	2113275-8	SCREW -----							1	
- 3A	2113275-2	*-----							1	
	2113288-1	SKIN ASSY -----							1	
- 4	2113286-1	DOUBLER -----							1	
	2113276-10	FAIRING ASSY-TAILPIPE -----							1	
- 5	SEE FIG 85A	REINFORCEMENT -----							1	
		COWL FLAP ASSY-RH -----							1	
- 6	AN525-10R11	ATTACHING PARTS -----							1	
- 7	AN3-5A	SCREW-OUTBD -----							1	
	NAS1149F0332P	BOLT-INBD -----							1	
	NAS75-3-008	WASHER -----							2	
	MS20365-1032C	BUSHING -----							2	
		NUT -----							2	
- 8	2113287-1	*-----							1	
- 9	2150133-1	HINGE BRACKET -----							1	
- 10	2150130-1	AIRBOX ASSY-INDUCTION -----							1	
- 11	AN743-13	SCOOP-INDUCTION AIR -----							1	
	AN520-10R18	BRACKET -----							2	
	MS21043-3	SCREW -----							2	
- 12	2150121-2	NUT -----							2	
- 13	2150036-1	SPRING-FILTER -----							4	
- 14	2150035-1	DOOR ASSY-INDUCTION SYSTEM -----							1	
	2150101-1	HINGE HALF -----							2	
	MS20253-2-3.50	SPRING -----							1	
- 15	2152002-8	PIN -----							1	
- 16	2152002-7	FAIRING-AIR INTAKE UPR FWD -----							1	
- 17	2152002-9	FAIRING-AIR INTAKE LWR FWD -----							1	
- 18	2152002-6	FAIRING-AIR INTAKE UPR AFT -----							1	
- 19	2152002-14	FAIRING-AIR INTAKE LWR AFT -----							1	
- 20	S2319-50	LIP -----							1	
- 21	1213721-14	RECEPTACLE -----							3	
		STRINGER -----							1	

CONTINUED ON NEXT PAGE

P210 Parts Catalog

Fuselage (Cont)



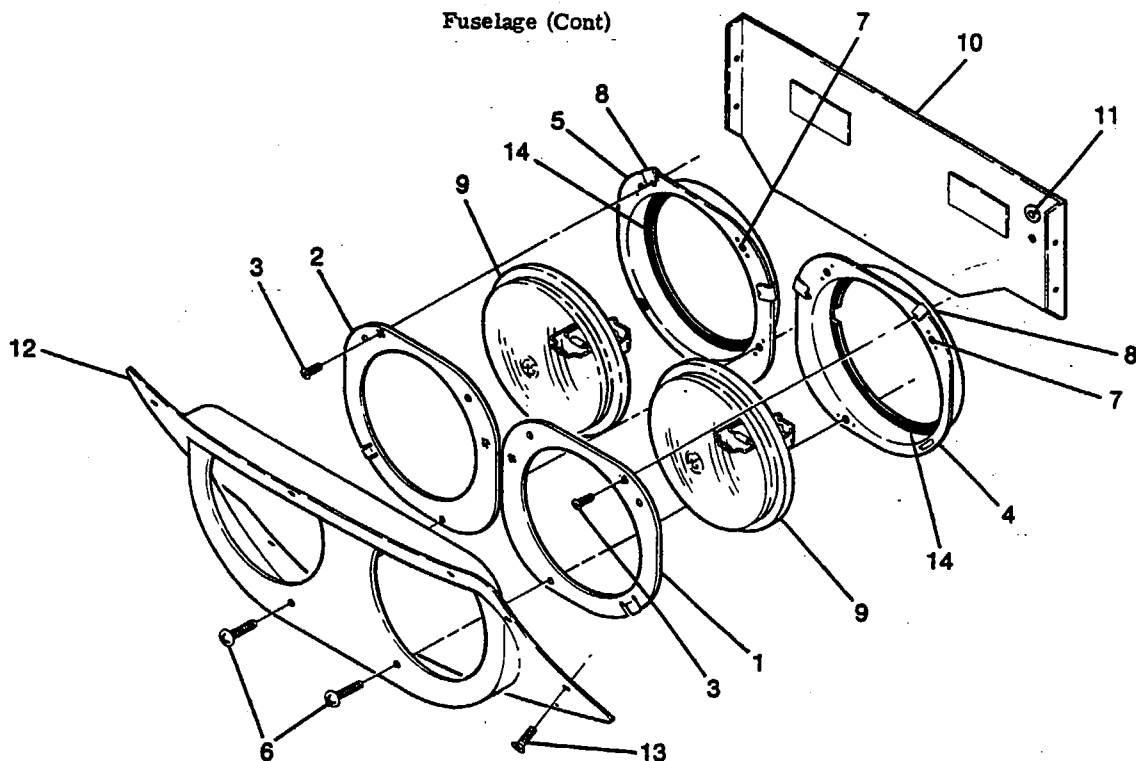
P210 SERIAL P21000835 & ON
 Figure 19A. Lower Removable Cowls Installation

P210 Parts Catalog

FIGURE AND INDEX NO.	PART NUMBER	DESCRIPTION							UNITS PER ASSY	USABLE ON CODE
		1	2	3	4	5	6	7		
19A-22	2113270-1	COWL ASSY-LH REMOVABLE							1	
-23	AN509-10R8	ATTACHING PARTS								
		SCREW							33	
-24	SEE FIG 85A	COWL FLAP ASSY-LH							1	
		ATTACHING PARTS								
-25	AN3-5A	BOLT							2	
-26	NAS1149F0332P	WASHER							2	
-27	NAS75-3-008	BUSHING							2	
-28	NAS1149F0332P	WASHER							2	
-29	MS20365-1032C	NUT							2	
-30	2113289-1	HINGE ASSY							1	
-30A	2113303-1	BLOCK-COWL FLAP RUB STRIP							1	
-30B	2113302-1	BRACKET ASSY-COWL FLAP RUB STRIP							1	
-30C	NAS1068RA3	NUTPLATE							1	
-30D	AN509-10R13	SCREW							1	
-31	2150124-6	DUCT ASSY-HEAT EXCHANGER							1	
-32	2150158-1	FLANGE							1	
	2150124-17	SEAL-OIL COOLER							2	
-33	S1956-3	NUTPLATE							4	
-34	2150088-1	BRACKET							1	
-35	2150124-9	FLANGE							1	
		ATTACHING PARTS								
-36	2150124-15	SPACER							1	
-37	2150124-7	RETAINER							1	
-38	AN3-3A	BOLT							1	
-39	NAS1149F0332P	WASHER							1	
	NAS686A3	NUTPLATE							1	
-40	2150096-7	BEARING ASSY							1	
-41	S1004-28A	BUSHING							1	
-42	2150095-1	SHAFT							1	
-43	2150065-1	BEARING ASSY-UPR							1	
	2150066-3	BEARING ASSY-LWR							1	
-44	2150086-1	SEAL							1	
	2150087-1	RETAINER							1	
-45	2150098-1	SEAL-UPR							1	
	2150097-1	RETAINER-UPR							1	
-46	2150098-2	SEAL-LWR							1	
	2150097-2	RETAINER-LWR							1	
-46A	1441-1-2	SEAL 6.80 IN LG BKI							1	
-47	2150100-4	EXIT DUCT							1	
-48	2113285-4	PANEL-LOUVER							1	
-49	1213721-15	STRINGER							1	
-50	S2319-50	RECEPTACLE							3	
-51	2113270-2	SKIN ASSY							1	
-52	2113270-5	DOUBLER-COWL FLAP							1	
-53	1213720-1	DOUBLER ASSY-RH							1	
-54	1213720-5	DOUBLER ASSY-LH							1	
-55	MS21073L3	NUTPLATE							1	
-56	1213721-1	STRINGER ASSY-RH FWD							1	
-57	1213721-16	STRINGER ASSY-LH FWD							1	
-58	1213721-8	STRINGER ASSY-RH AFT							1	
-59	1213721-11	STRINGER ASSY-LH AFT							1	
-60	NAS696A3	NUTPLATE							4	
-61	1213739-1	FITTING AFT ONLY							1	
-62	1213719-10	BULKHEAD ASSY-RH							1	
-63	NAS697A3	NUTPLATE							3	
-64	1213719-5	BULKHEAD ASSY-LH							1	
-65	NAS697A3	NUTPLATE							6	
-66	SEE FIG 18A	LOWER FWD FUSELAGE STRUCTURE							1	
-67	NAS1067A3	NUTPLATE							6	
-68	NAS696A3	NUTPLATE							6	
-69	NAS697A3	NUTPLATE							6	
-70	S2319-50	RECEPTACLE							4	

A---P210 SERIAL P2100835 & ON

P210 Parts Catalog

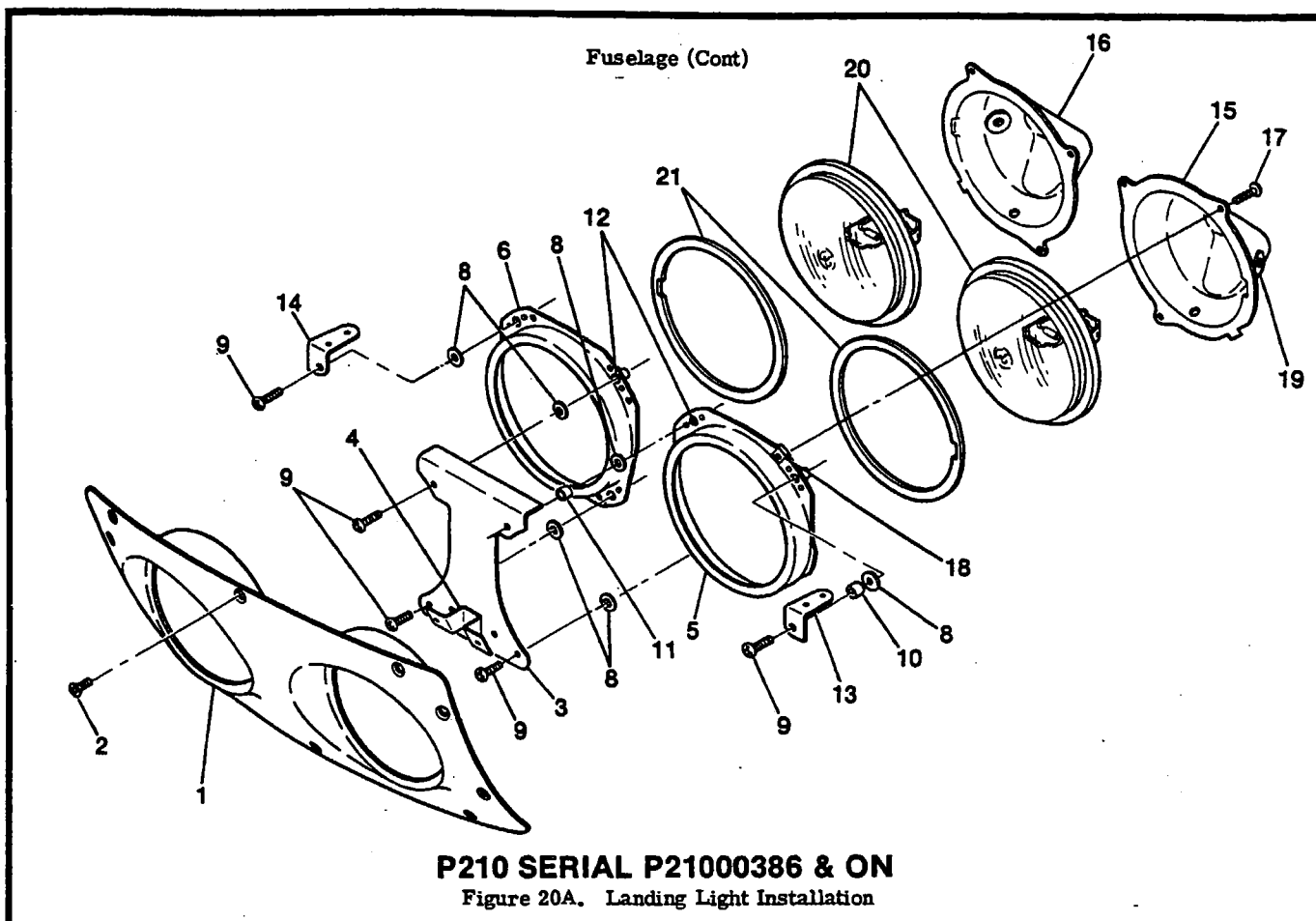


P210 SERIAL P2100001 THRU P21000385

Figure 20. Landing Light Installation

FIGURE AND INDEX NO.	PART NUMBER	DESCRIPTION	UNITS PER ASSY							USABLE ON CODE	
			1	2	3	4	5	6	7		
20 -		LANDING LIGHT INSTALLATION -----								NP	A
- 1	2152014-1	MOUNT-LANDING LIGHT LH -----								1	
- 2	2152014-2	MOUNT-LANDING LIGHT RH -----								1	
- 3	S102276-8	ATTACHING PARTS SCREW -----								2	
- 4	2152016-1	RETAINER ASSY-LANDING LIGHT LH -----								1	
- 5	2152016-2	RETAINER ASSY-LANDING LIGHT RH -----								1	
- 6	AN520-10R8	ATTACHING PARTS SCREW -----								3	
- 7	NAS697A3	NUTPLATE -----								3	
- 8	NAS488-1-3	NUT -----								2	
- 9	4591	LAMP GE -----								2	
-10	2152015-1	SHIELD ASSY-LANDING LIGHT -----								1	
-11	MS35489-4	GROMMET -----								1	
-12	2152013-1	COVER-LANDING LIGHT -----								1	
-13	AN509-10R6	ATTACHING PARTS SCREW -----								10	
-14	0752646-1	GASKET-LANDING LIGHT -----								2	
A---P210 SERIAL P2100001 THRU P21000385											

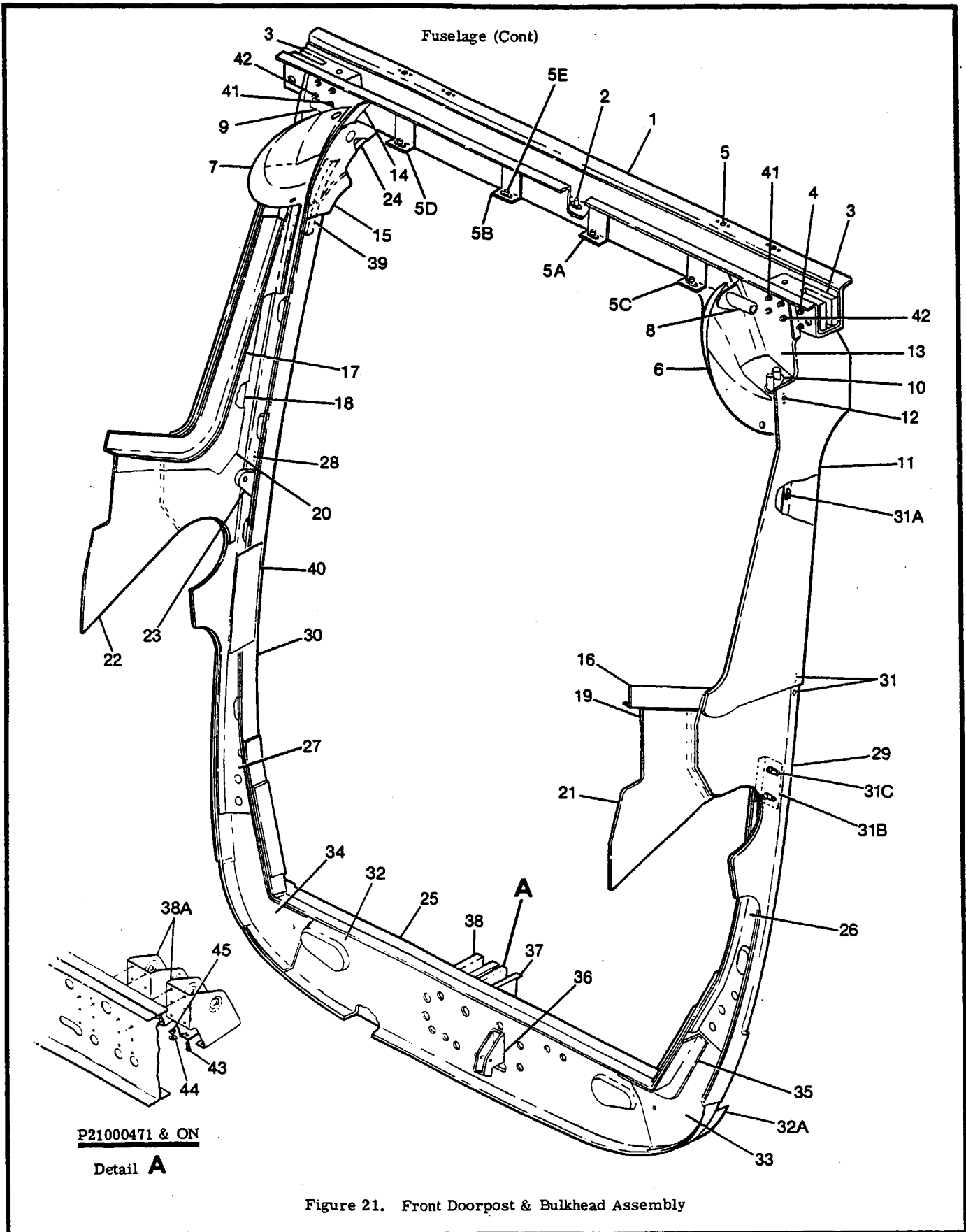
P210 Parts Catalog



P210 SERIAL P21000386 & ON
Figure 20A. Landing Light Installation

FIGURE AND INDEX NO.	PART NUMBER	DESCRIPTION	UNITS PER ASSY							USABLE ON CODE	
			1	2	3	4	5	6	7		
20A-		LANDING LIGHT INSTALLATION -----								NP	A
- 1	1252007-2	COVER-LANDING LIGHT -----								1	
- 2	AN507-1032R10	ATTACHING PARTS -----								10	
		SCREW -----*									
- 3	2113192-1	BRACKET ASSY-LANDING LIGHT -----								1	
- 4	2113183-1	BRACKET -----								1	
- 5	2113191-1	RETAINER ASSY-LANDING LIGHT LH -----								1	
- 6	2113191-2	RETAINER ASSY-LANDING LIGHT RH -----								1	
		ATTACHING PARTS -----									
- 7		DELETED-NOT USED -----									
- 8	NAS1149F0332P	WASHER -----								AR	
- 9	AN520-10R12	SCREW -----								3	
- 10	NAS43DD3-13	SPACER ----- LH ONLY -----								1	
- 11	NAS43DD3-15	SPACER ----- LH ONLY -----								1	
		-----*									
- 12	NAS1068A3	NUTPLATE -----								3	
- 13	2113190-1	BRACKET-LANDING LIGHT LH -----								1	
- 14	2113190-2	BRACKET-LANDING LIGHT RH -----								1	
- 15	2113186-1	COVER ASSY-LANDING LIGHT LH -----								1	
- 16	2113186-2	COVER ASSY-LANDING LIGHT RH -----								1	
		ATTACHING PARTS -----									
- 17	S1022Z6-8	SCREW -----								3	
- 18	NAS488-1-3	NUT -----								3	
		-----*									
- 19	MS35489-6	GROMMET -----								1	
- 20	4591	LAMP-LANDING LIGHT GE -----								2	
- 21	0752646-1	GASKET-LANDING LIGHT -----								2	
A---P210 SERIAL P21000386 & ON											

P210 Parts Catalog



P21000471 & ON

Detail A

Figure 21. Front Doorpost & Bulkhead Assembly

P210 Parts Catalog

FIGURE AND INDEX NO.	PART NUMBER	DESCRIPTION							UNITS PER ASSY	USABLE ON CODE
		1	2	3	4	5	6	7		
21 -	2113100-1	FRONT DOORPOST & BULKHEAD ASSY							1	A D G H
	2113100-2	FRONT DOORPOST & BULKHEAD ASSY							1	
	2113100-3	FRONT DOORPOST & BULKHEAD ASSY							1	
	2113100-4	FRONT DOORPOST & BULKHEAD ASSY							1	
- 1	2113084-1	SPAR ASSY-FWD							1	
- 2	NAS1473A3	NUTPLATE							1	
- 3	2113096-1	BLOCK-SPAR							2	
		ATTACHING PARTS							2	
- 4	AN3-20A	BOLT							2	
	NAS1149F0363P	WASHER							2	
	MS21044N3	NUT							2	
		-----*								
- 5	S2031-3	NUTPLATE							4	
- 5A	2115027-35	BRACKET ASSY-SUNVISOR ATTACH LH							1	
- 5B	2115027-36	BRACKET ASSY-SUNVISOR ATTACH RH							1	
- 5C	2115027-37	BRACKET ASSY-SUNVISOR ATTACH LH							1	
- 5D	2115027-38	BRACKET ASSY-SUNVISOR ATTACH RH							1	
- 5E	NAS680A08	NUTPLATE							1	
- 6	2113110-1	CUP-WINDSHIELD PRESSURE SEAL LH							1	
	2113110-5	CUP-WINDSHIELD PRESSURE SEAL LH							1	
- 7	2113110-2	CUP-WINDSHIELD PRESSURE SEAL RH							1	
	2113110-6	CUP-WINDSHIELD PRESSURE SEAL RH							1	
- 8	2113109-1	RETAINER ASSY-PRESSURE CUP SEAL LH							1	
- 9	2113109-2	RETAINER ASSY-PRESSURE CUP SEAL RH							1	
-10	2113108-1	RETAINER ASSY-PRESSURE CUP SEAL LH							1	
	2113108-2	RETAINER ASSY-PRESSURE CUP SEAL RH							1	
-11	2113082-1	RETAINER ASSY-WINDSHIELD OUTER LH							1	
	2113082-5	RETAINER ASSY-WINDSHIELD OUTER LH							1	
	2113082-2	RETAINER ASSY-WINDSHIELD OUTER LH							1	
	2113082-6	RETAINER ASSY-WINDSHIELD OUTER RH							1	
-12	NAS680A08	RETAINER ASSY-WINDSHIELD OUTER RH							1	
-13	2113104-1	NUTPLATE							1	
	2113104-3	PLATE-LH FLANGE							1	
-14	2113104-2	PLATE-LH FLANGE							1	
	2113104-4	PLATE-RH FLANGE							1	
-15	2113106-2	PLATE-RH FLANGE							1	
	2113106-1	PLATE-UPPER RH							1	
-16	2113105-1	PLATE-UPPER LH							1	
-17	2113105-2	RETAINER-WINDSHIELD INNER LH							1	
-18	2113107-2	RETAINER-WINDSHIELD INNER RH							1	
	2113107-1	RETAINER-WINDSHIELD INNER RH							1	
-19	2113111-1	RETAINER-WINDSHIELD INNER LH							1	
-20	2113111-2	STIFFENER-FRONT DOORPOST INNER LH							1	
-21	2113103-1	STIFFENER-FRONT DOORPOST INNER RH							1	
-22	2113103-2	REINFORCEMENT-FWD DOORPOST LH							1	
-23	0760602-2	REINFORCEMENT-FWD DOORPOST RH							1	
	0760602-1	BRACKET-RH PULLEY							1	
		BRACKET-LH PULLEY							1	
		ATTACHING PARTS							1	
	AN525-10R8	SCREW							2	
		-----*								
-24	2113081-2	PLATE-RH FLANGE							1	
	2113081-1	PLATE-LH FLANGE							1	
-25	2111626-1	ANGLE-FWD DOORPOST BULKHEAD							1	
-26	2113098-1	CHANNEL ASSY-FWD DOORPOST LH							1	
	2113098-5	CHANNEL ASSY-FWD DOORPOST LH							1	
-27	2113098-2	CHANNEL ASSY-FWD DOORPOST RH							1	
	2113098-6	CHANNEL ASSY-FWD DOORPOST RH							1	
-28	NAS680A3	NUTPLATE RH							2	
	NAS680A3	NUTPLATE LH							3	
-29	2113099-1	CHANNEL ASSY-FWD DOORPOST LH WEU 2113099-5							1	
	2113099-5	CHANNEL ASSY-FWD DOORPOST LH							1	
-30	2113099-2	CHANNEL ASSY-FWD DOORPOST RH							1	
-31	S2031-2	NUTPLATE							2	
-31A	NAS680A3	NUTPLATE							2	
	NAS680A3	NUTPLATE LH							2	
	NAS680A3	NUTPLATE RH							1	
-31B	2113247-1	STIFFENER ASSY-FWD DOORPOST LH							1	
-31C	NAS682A3	NUTPLATE							2	

CONTINUED ON NEXT PAGE

P210 Parts Catalog

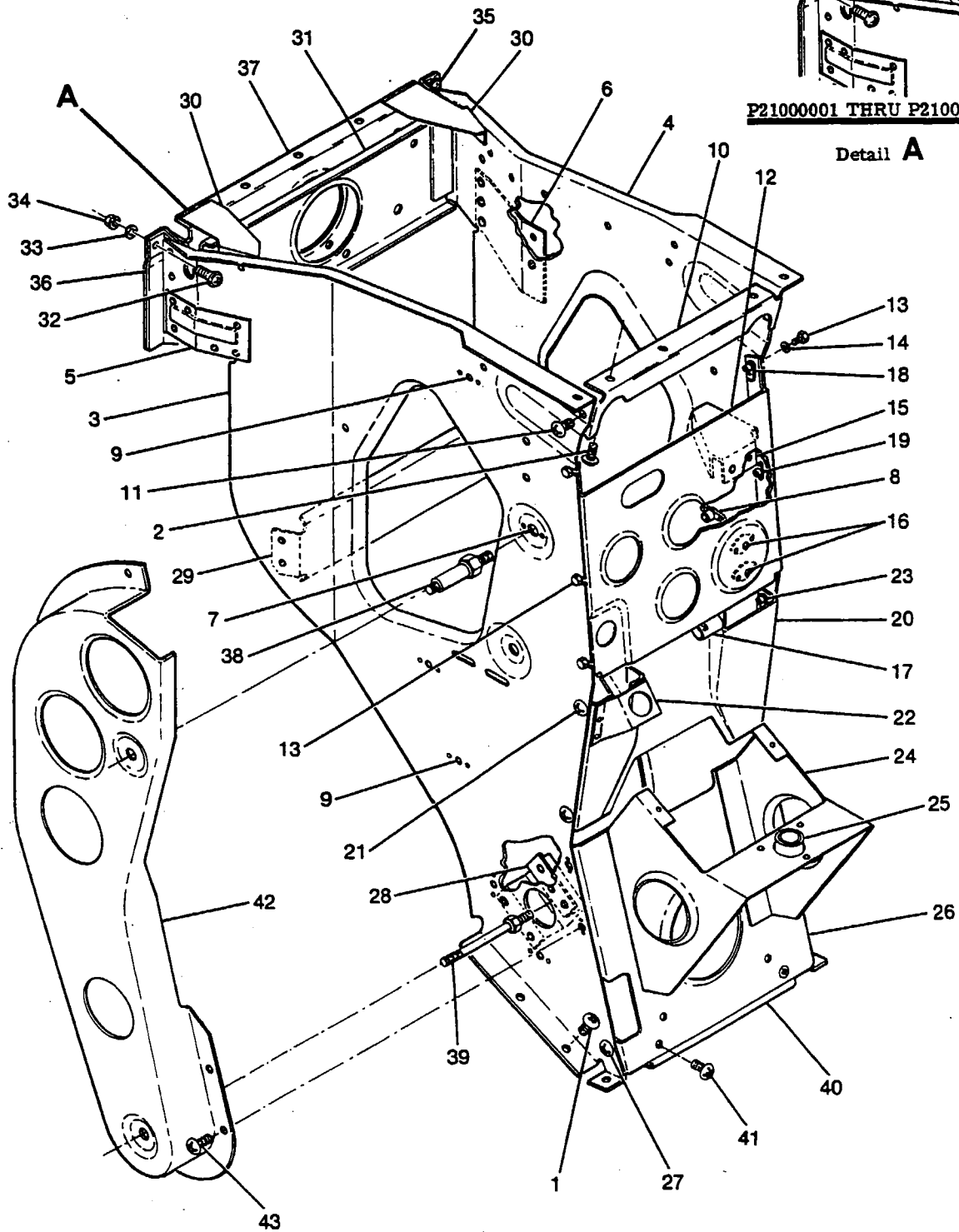
FIGURE AND INDEX NO.	PART NUMBER	DESCRIPTION							UNITS PER ASSY	USABLE ON CODE
		1	2	3	4	5	6	7		
21 -32	2113094-1	BULKHEAD-FWD DOORPOST LOWER -----							1	C
	2113094-2	BULKHEAD-FWD DOORPOST LOWER -----							1	
-32A	2113095-1	REINFORCEMENT-BULKHEAD LH -----							1	C
	2113095-3	REINFORCEMENT-BULKHEAD LH -----							1	
	2113095-2	REINFORCEMENT-BULKHEAD RH -----							1	C
-33	2113101-1	GUSSET-LH -----							1	
	2113101-3	GUSSET-LH -----							1	C
-34	2113101-2	GUSSET-RH -----							1	
-35	2113097-1	SUPPORT-FWD DOORPOST LH -----							1	A
	2113097-2	SUPPORT-FWD DOORPOST RH -----							1	
-36	1213455-1	BRACKET-PULLEY -----							1	A
-37	1260493-1	BRACKET-ELEVATOR & RUDDER PULLEY LH -----							1	
-38	1260493-2	BRACKET-ELEVATOR & RUDDER PULLEY RH -----							1	B
-38A	2160008-1	BRACKET-ELEVATOR & RUDDER PULLEY -----							2	
-39	2113040-1	STIFFENER-LH -----							1	B
	2113040-4	STIFFENER-RH -----							1	
-40	1270497-7	BRACKET-WIRE HARNESS SUPPORT -----							1	B
-41	AN3-21A	BOLT -----							4	
	NAS1149D0363H	WASHER -----							4	B
	MS21044N3	NUT -----							4	
-42	AN3-22A	BOLT -----							4	B
	NAS1149D0363H	WASHER -----							4	
	MS21044N3	NUT -----							4	
-43	AN515-8R8	SCREW -----							4	B
-44	NAS1149FN832P	WASHER -----							4	
-45	MS21044N08	NUT -----							4	
		<p>NOTE. WHEN INITIALLY ORDERING THIS PART FOR AIRCRAFT PRIOR TO P21000834, ALSO ORDER 2111611-5 & 2111611-10 FOUND ON FIG 23 & 2117235-1 FOUND ON FIG 52.</p> <p>A---P210 SERIAL P21000001 THRU P21000470 B---P210 SERIAL P21000471 & ON C---P210 SERIAL P21000001 THRU P21000760 D---P210 SERIAL P21000471 THRU P21000760 E---P210 SERIAL P21000761 & ON F---P210 SERIAL P21000001 THRU P21000833 G---P210 SERIAL P21000761 THRU P21000833 H---P210 SERIAL P21000834 & ON</p>								

P210 Parts Catalog

FIGURE AND INDEX NO.	PART NUMBER	DESCRIPTION	UNITS PER ASSY	USABLE ON CODE
		1 2 3 4 5 6 7		
22 -		PEDESTAL INSTALLATION -----	NP	B
- 1	NAS220-8	SCREW -----	11	
- 2	AN515-6R8	SCREW -----	2	
- 3	2113045-1	PANEL ASSY-PEDESTAL LH SIDE -----	1	
- 4	2113045-2	PANEL ASSY-PEDESTAL RH SIDE -----	1	
- 5	1213297-1	DOUBLER-LH PANEL -----	1	
	1213297-2	DOUBLER-RH PANEL -----	1	
- 6	1260212-2	BRACKET-RH -----	1	
- 7	NAS697A4	NUTPLATE LH PANEL -----	1	
- 8	NAS680A3	NUTPLATE RH PANEL -----	1	
- 9	NAS680A08	NUTPLATE LH PANEL -----	5	
CONTINUED ON NEXT PAGE				

P210 Parts Catalog

Fuselage (Cont)



P210 SERIAL P21000001 THRU P21000760

Figure 22. Pedestal Installation

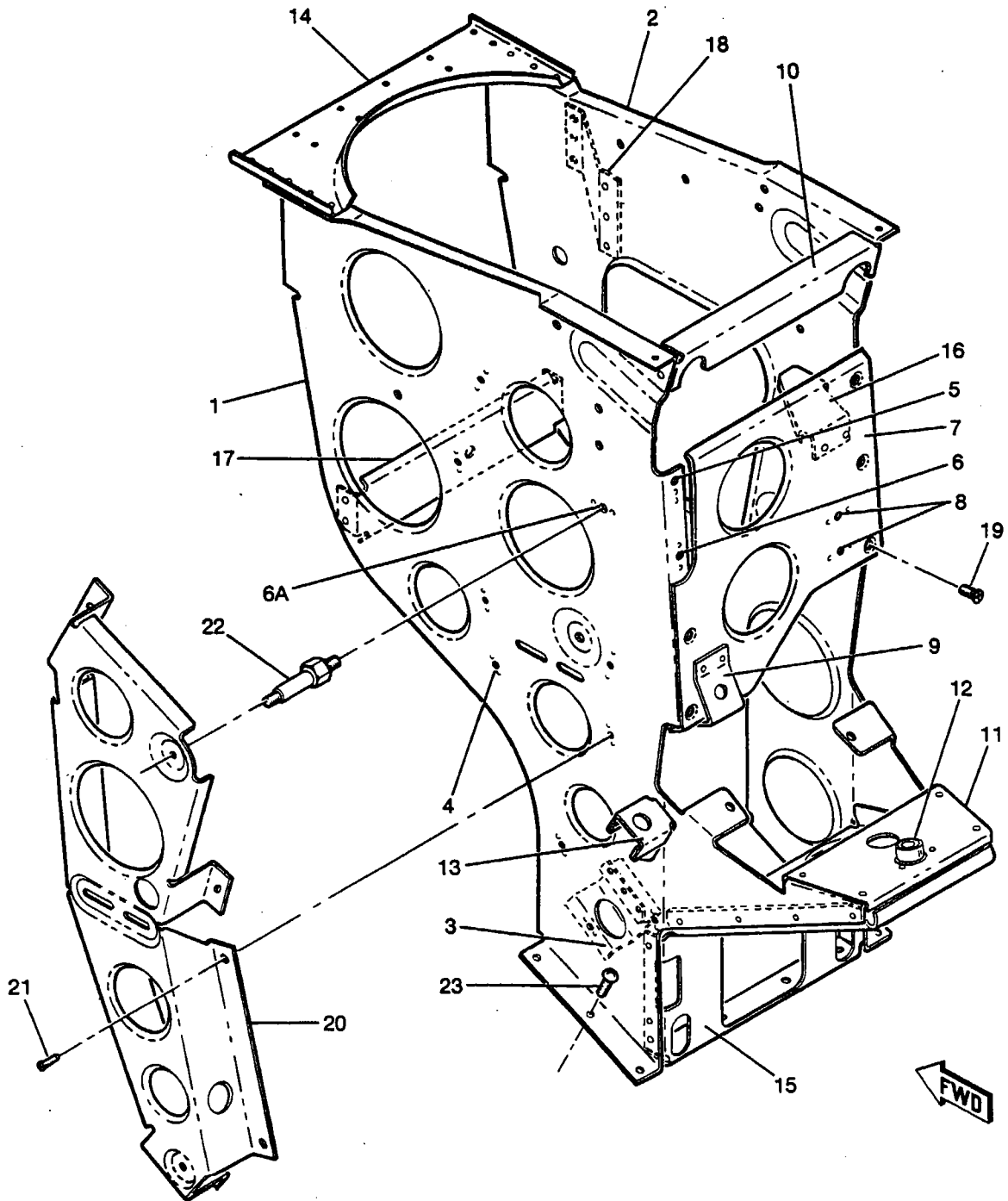
P210 Parts Catalog

FIGURE AND INDEX NO.	PART NUMBER	DESCRIPTION	1 2 3 4 5 6 7							UNITS PER ASSY	USABLE ON CODE	
			1	2	3	4	5	6	7			
22 -10	1261479-1	PANEL ASSY-UPPER PEDESTAL ----- ATTACHING PARTS -----									1	
-11	NAS220-8	SCREW ----- *-----									2	
-12	MS21073L08 1261480-1	NUTPLATE ----- PANEL ASSY-PEDESTAL ----- ATTACHING PARTS -----									2	
-13	AN3-3A	BOLT -----									6	
-14	NAS1149F0332P	WASHER ----- *-----									6	
-15	1261648-1 NAS696A4	BRACKET ASSY-COWL FLAP CONTROL ----- NUTPLATE -----									1	
-16	S1863-2	NUTPLATE -----									1	
-17	4155-308 1570394-1	LAMPHOLDER DMC ----- LAMPHOLDER ALT FOR 4155-308 ----- ATTACHING PARTS -----									1	
	S102126-6 NAS446-2-1	SCREW USE WITH 1570394-1 ----- NUT USE WITH 1570394-1 ----- *-----									1	
-18	NAS696A3	NUTPLATE -----									4	
-19	NAS697A3	NUTPLATE -----									2	
-20	2113136-1	PANEL ASSY-PEDESTAL ----- ATTACHING PARTS -----									1	
-21	NAS220-8	SCREW ----- *-----									4	
-22	2113135-1	BRACKET-MANUAL PRIMER ----- NUTPLATE -----									1	
-23	NAS696A08	NUTPLATE -----									4	
-24	2113048-1	BRACKET ASSY-FUEL CONTROL -----									1	
-25	2113049-1	BEARING ASSY -----									1	
-26	1261464-1	PANEL ASSY-PEDESTAL LOWER ----- ATTACHING PARTS -----									1	
-27	NAS220-8	SCREW ----- *-----									4	
-28	NAS697A08 1261482-1 NAS697A4	NUTPLATE ----- SUPPORT ASSY-ELEVATOR TRIM SPROCKET ----- NUTPLATE -----									6	
-29	1261478-1	SUPPORT-POWER PACK -----									1	
-30	2113159-1	BRACKET-PEDESTAL TO FIREWALL LH -----									1	
	2113159-2	BRACKET-PEDESTAL TO FIREWALL RH -----									1	
-31	1260495-2	BRACKET ASSY-CENTER PULLEY ----- ATTACHING PARTS -----									1	
-32	AN525-832RB	SCREW -----									2	
-33	NAS1149DN816H	WASHER -----									2	
-34	MS21042L08	NUT ----- *-----									2	
-35	2160004-1	STIFFENER-LH -----									1	
-36	2160004-2	STIFFENER-RH -----									1	
-37	2113137-1 NAS697A4	BRACKET ASSY-CENTER PULLEY ----- NUTPLATE -----									1	
-38	1261441-2	STUD-LH -----									2	
	1261441-3	STUD-RH -----									1	
-39	1261483-1	STUD -----									1	
-40	1261448-1	ANGLE ASSY-PEDESTAL ----- ATTACHING PARTS -----									1	
-41	NAS220-8	SCREW ----- *-----									2	
-42	1261633-4	GUARD-ELEVATOR TRIM CHAIN ----- ATTACHING PARTS -----									1	
-43	NAS220-8	SCREW ----- *-----									7	
-44	NAS42DD6-92A	SPACER -----									1	
-45	MS9025-05 AN525-832-28 MS21042-08	CLAMP ----- SCREW ----- NUT -----									1	
		A---P210 SERIAL P21000001 THRU P21000189 B---P210 SERIAL P21000001 THRU P21000760										

A
A
A
A

P210 Parts Catalog

Fuselage (Cont)



P210 SERIAL P21000761 & ON

Figure 22A. Pedestal Installation

P210 Parts Catalog

FIGURE AND INDEX NO.	PART NUMBER	DESCRIPTION							UNITS PER ASSY	USABLE ON CODE
		1	2	3	4	5	6	7		
22A--		PEDESTAL INSTALLATION -----							NP	A
- 1	2113201-1	PANEL ASSY-PEDESTAL LH SIDE -----							1	
- 2	2113201-2	PANEL ASSY-PEDESTAL RH SIDE -----							1	
- 3	1261482-3	SUPPORT-ELEVATOR TRIM SPROCKET LH -----							1	
- 4	NAS680A08	NUTPLATE-LH PANEL -----							1	
- 5	NAS683A08	NUTPLATE -----							9	
- 6	NAS681A08	NUTPLATE-LH PANEL -----							2	
	NAS681A08	NUTPLATE-RH PANEL -----							2	
- 6A	NAS680A4	NUTPLATE-LH PANEL -----							1	
- 7	2113202-1	PANEL ASSY-PEDESTAL FRONT -----							1	
- 8	S1863-2	NUTPLATE -----							1	
- 9	2113205-1	BRACKET-MANUAL PRIMER -----							2	
-10	1261479-3	PANEL ASSY-UPR PEDESTAL -----							1	
	MS21073L08	NUTPLATE -----							2	
-11	2113204-3	SUPPORT ASSY-FUEL SELECTOR -----							1	
-12	2113049-1	BEARING ASSY -----							1	
-13	2113222-1	BRACKET ASSY-FUEL ON/OFF CONTROL -----							1	
-14	2113209-1	BRACKET -----							1	
-15	2113212-1	BRACKET-GIMBAL SUPPORT -----							1	
-16	2113207-1	SUPPORT-COWL FLAP CONTROL -----							1	
-17	2113206-1	SUPPORT-POWER PACK -----							1	
-18	1260212-2	BRACKET-COWL FLAP SUPPORT -----							1	
	1260212-4	BRACKET-COWL FLAP SUPPORT -----							1	
-19	AN507-832R6	SCREW -----							1	B
-20	2113203-1	GUARD-ELEVATOR TRIM CHAIN -----							7	
		ATTACHING PARTS -----							1	C
-21	AN515-8R6	SCREW -----							9	
		-----*								
-22	1261441-2	STUD -----							1	
-23	AN515-8R6	SCREW -----							10	
		A---P210 SERIAL P21000761 & ON B---P210 SERIAL P21000761 THRU P21000834 C---P210 SERIAL P21000835 & ON								

P210 Parts Catalog

Fuselage (Cont)

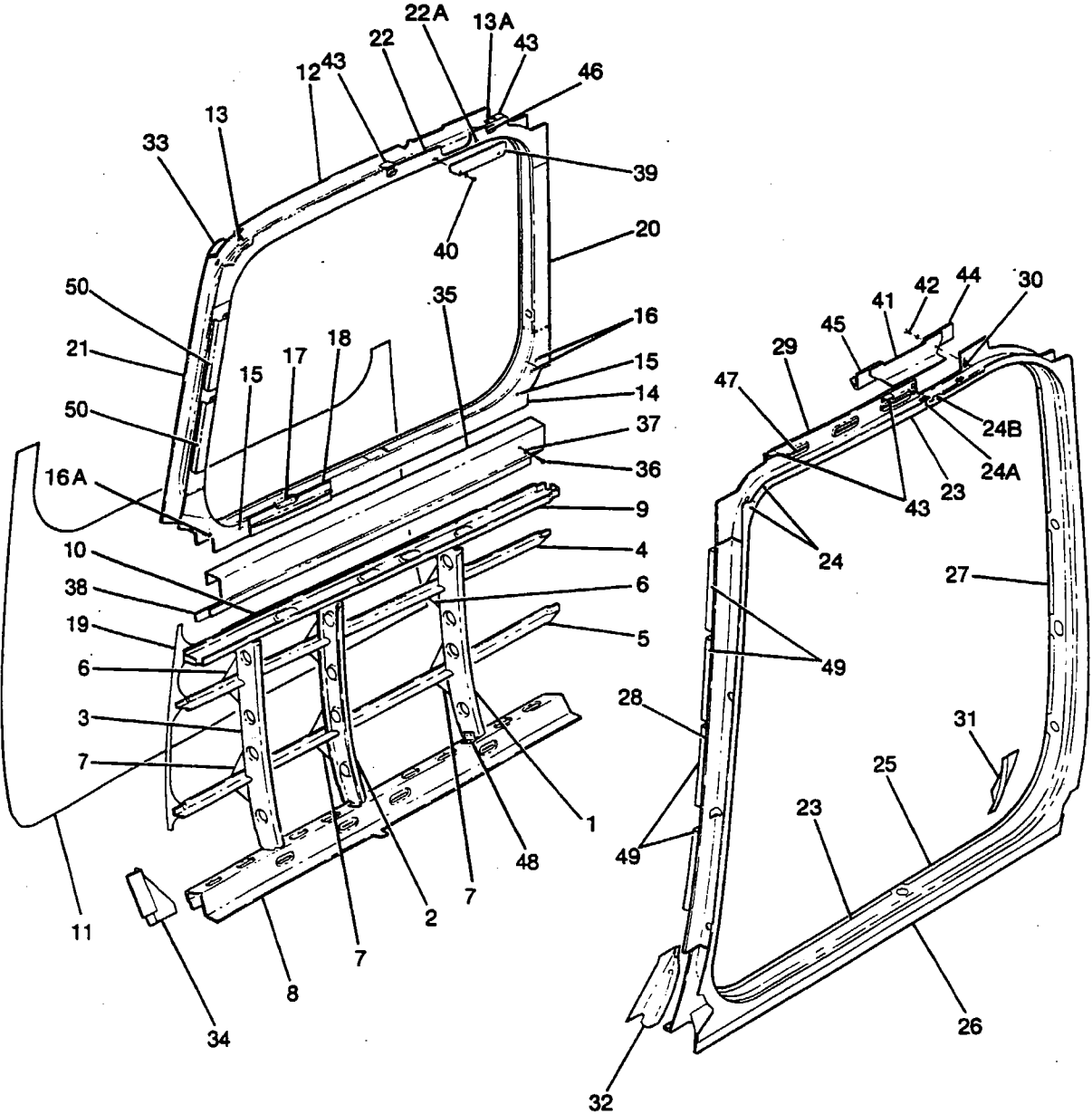


Figure 23. Door Jambs & RH Framing Structure Installation

P210 Parts Catalog

FIGURE AND INDEX NO.	PART NUMBER	DESCRIPTION	1 2 3 4 5 6 7							UNITS PER ASSY	USABLE ON CODE		
			1	2	3	4	5	6	7				
23 -		DOOR JAMBS & RH FRAMING STRUCTURE INSTALLATION											
- 1	2110015-2	FRAME ASSY STA 55.625											
	NAS696A08	NUTPLATE											
- 2	2110013-2	FRAME ASSY STA 44.00											
	NAS696A08	NUTPLATE											
- 3	2110014-2	FRAME ASSY STA 35.20											
	NAS696A08	NUTPLATE											
- 4	2110018-1	STRINGER-UPPER											
- 5	2110018-2	STRINGER-LOWER											
- 6	2110017-1	GUSSET-UPPER											
- 7	2110017-2	GUSSET-LOWER											
- 8	2110022-2	CHANNEL-LWR											
- 9	2111655-1	CHANNEL-LWR EMERGENCY EXIT											
-10	2110019-1	STRIP-GUSSET											
-11	2111600-3	SKIN-RH FRAMING STRUCTURE											
-12	2111601-1	JAMB HALF ASSY-EMERGENCY EXIT OUTER											
-13	S2018-1	NUTPLATE											
	S2018N1	NUTPLATE ALT FOR S2018-1											
-13A	NAS696A04	NUTPLATE											
-14	2111602-2	JAMB HALF ASSY-LOWER INNER											A
-15	NAS697A08	NUTPLATE											
-16	NAS681A3	NUTPLATE											
-16A	NAS696A08	NUTPLATE											
-17	2111661-2	STIFFENER-DOOR JAMB											
-18	2111665-1	STIFFENER-DOOR JAMB											
-19	2111627-1	STRIP-GUSSET RH											
-20	2111602-4	JAMB HALF-AFT INNER											
-21	2111602-5	JAMB HALF-FWD INNER											
-22	2111602-6	JAMB HALF ASSY-UPPER INNER											
-22A	NAS697A08	NUTPLATE											
-23	2111611-3	JAMB HALF ASSY-CABIN DOOR OUTER											
	2111611-5	JAMB HALF ASSY-CABIN DOOR OUTER											
-24	S2018-1	NUTPLATE											
	S2018N1	NUTPLATE ALT FOR S2018-1											
-24A	NAS697A08	NUTPLATE											
-24B	NAS1329A06-75	NUT											
-25	2111666-4	JAMB HALF-CABIN DOOR LWR INNER WEU 2111666-9											
	2111666-9	JAMB HALF-CABIN DOOR LWR INNER											
-26	2111669-1	CHANNEL-LWR INTERCONNECT											
-27	2111666-1	JAMB HALF-CABIN DOOR AFT											
-28	2111666-2	JAMB HALF-CABIN DOOR FWD											
	2111666-10	JAMB HALF-CABIN DOOR FWD											
-29	2111666-8	JAMB HALF ASSY-CABIN DOOR UPPER											
-30	NAS697A08	NUTPLATE											
-31	2111668-2	FILLET-AFT DOORPOST LH											
-32	2113102-1	FILLET-FWD DOORPOST LH											
-33	2117118-1	SPACER-JAMB											
-34	2111623-1	FILLET-FWD FRAMING STRUCTURE RH											
-35	2115009-1	SUPPORT-ARMREST WEU 2115009-6											
	2115009-6	SUPPORT-ARMREST											
		ATTACHING PARTS											
-36	AN525-832R8	SCREW											
-37	NAS1149FN816P	WASHER											
		*---											
-38	2115009-5	CLIP											
		ATTACHING PARTS											
	S1021A4-6	SCREW											
		*---											
-39	2111690-1	DOUBLER-RH INNER JAMB											
		ATTACHING PARTS											
-40	NAS220-6	SCREW											
	NAS1149FN816P	WASHER											
	AN625-832R7	SCREW											
		*---											
-41	2111689-1	DOUBLER-LH INNER JAMB											
		ATTACHING PARTS											
-42	NAS220-6	SCREW UPPER											
	AN525-832R7	SCREW LOWER											
	NAS1149FN816P	WASHER											
	MS21044N08	NUT UPPER											
		*---											

CONTINUED ON NEXT PAGE

P210 Parts Catalog

FIGURE AND INDEX NO.	PART NUMBER	DESCRIPTION	UNITS PER ASSY	USABLE ON CODE
		1 2 3 4 5 6 7		
23 -43	2115019-15	HANGER-HEADLINER -----	4	
-44	2115046-7	BRACKET-AFT -----	1	
-45	2115046-8	BRACKET-FWD -----	1	
-46		DELETED-NOT USED -----		
-47	1215047-1	RETAINER-HEADLINER -----	4	
	S1021A4-6	ATTACHING PARTS		
		SCREW -----	6	
		*-----		
-48	2110048-1	CLIP -----	1	
-49	1211900-5	BRACKET-UPHOLSTERY & FUEL LINE LH -----	4	F F
-50	1211900-4	BRACKET-UPHOLSTERY & FUEL LINE RH -----	2	
		A---P210 SERIAL P21000086 & ON		
		B---P210 SERIAL P21000001 THRU P21000150		
		C---P210 SERIAL P21000151 & ON		
		D---P210 SERIAL P21000001 THRU P21000385		
		E---P210 SERIAL P21000386 & ON		
		F---P210 SERIAL P21000761 & ON		
		G---P210 SERIAL P21000001 THRU P21000833		
		H---P210 SERIAL P21000834 & ON		

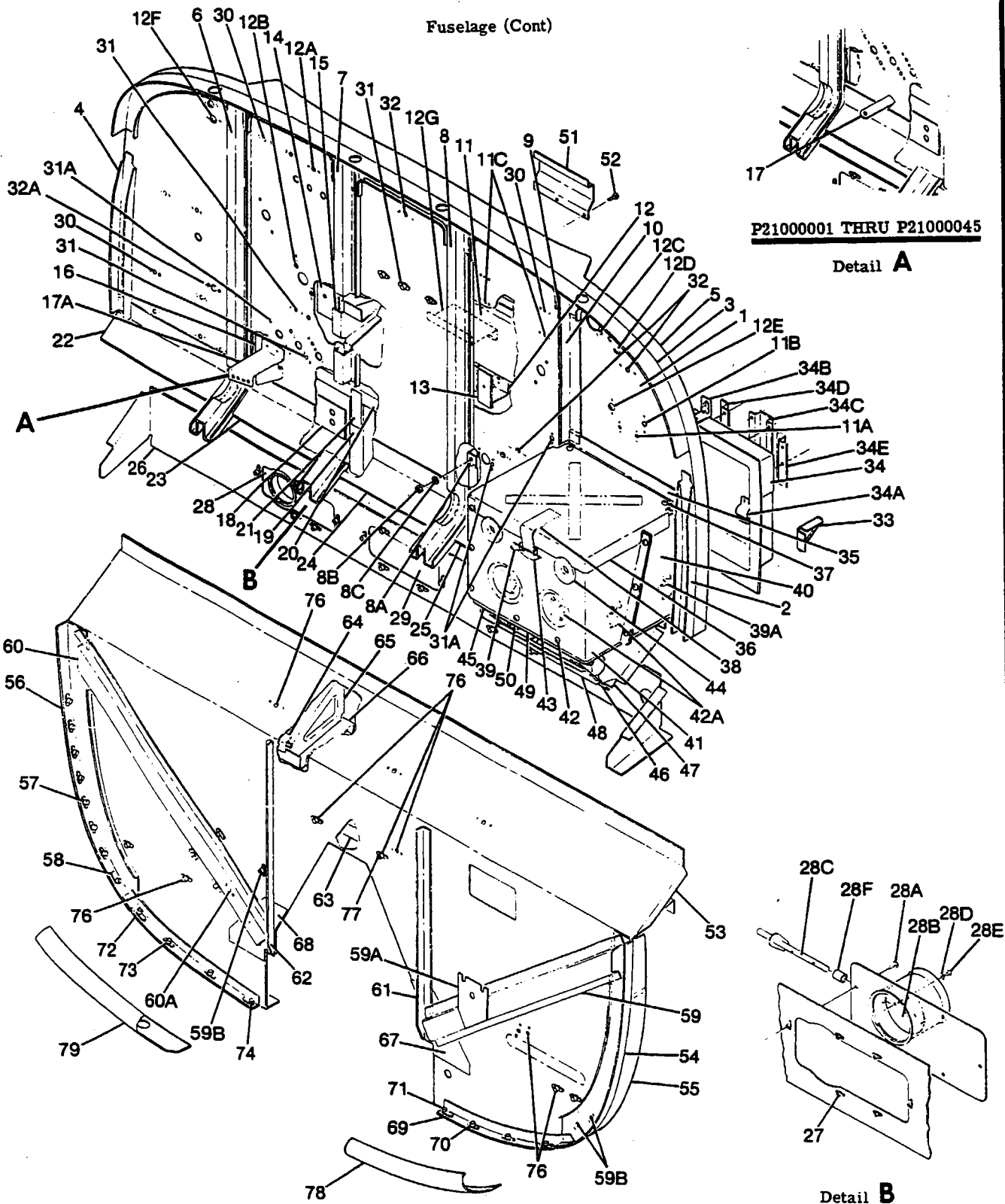
P210 Parts Catalog

FIGURE AND INDEX NO.	PART NUMBER	DESCRIPTION	1 2 3 4 5 6 7							UNITS PER ASSY	USABLE ON CODE
			1	2	3	4	5	6	7		
24 -		FIREWALL INSTALLATION									
	2153001-1	FIREWALL ASSY WEU 2153001-4								NP	V
	2153001-4	FIREWALL ASSY								1	J
	2153001-5	FIREWALL ASSY								1	N
- 1	2153001-3	FIREWALL ASSY								1	P
- 2	2153017-1	SHEET-FIREWALL								1	
- 3	2153017-2	BULKHEAD-LH								1	
- 4	2153017-3	BULKHEAD-CTR								1	
- 5	2153017-4	BULKHEAD-RH								1	
- 6	2153016-5	BULKHEAD-AFT								1	
- 7	2153016-6	STIFFENER-OUTBD RH								1	
- 8	2153016-7	STIFFENER-INBD RH								1	
- 8A	2113208-1	STIFFENER-INBD LH								1	
		BRACKET ASSY-ELEVATOR PULLEY								1	P
		ATTACHING PARTS									
- 8B	MS21042L08	NUT								2	
- 8C	NAS1149DN816H	WASHER								2	
	AN525-832R8	SCREW								2	
		*-----									
	NAS697A4	NUTPLATE								2	
- 9	2153016-4	STIFFENER								1	J
	2153016-10	STIFFENER								1	K
-10	2153016-3	STIFFENER								1	J
	2153016-9	STIFFENER								1	K
-11	2153016-1	STIFFENER ASSY								1	
	NAS680A3	NUTPLATE								5	
-11A	S2031-2	NUTPLATE								2	
-11B	S2031-4	NUTPLATE								1	J
-11C	S2031-3	NUTPLATE								1	
	1250876-51	BRACE								2	
-12	2153018-1	BRACKET-LH PULLEY								1	
	1260210-1	BRACKET-RH PULLEY								1	
-12A	NAS680A3	NUTPLATE								1	K
-12B	S2018-1	NUTPLATE								1	
-12C	NAS680A3K	NUTPLATE								4	K
-12D	AN520-10R4	SCREW								2	K
-12E	AN520-416R6	SCREW								1	K
	NAS680A4K	NUTPLATE								1	K
-12F	AN515-8R6	SCREW								2	K
	NAS680A08K	NUTPLATE								2	K
-12G	2113246-1	BRACKET-HOSE SUPPORT								1	K
-13	1260209-3	DOUBLER-LH								1	P
-14	1260209-2	DOUBLER-RH								1	
-15	2153019-1	BRACKET WEU 2153019-2								1	E
	2153019-2	BRACKET								1	F
-16	1253418-6	ANGLE-RH								1	
	1253418-5	ANGLE-LH								1	
-17	1253425-1	SUPPORT								1	
-17A	2153036-1	BRACKET ASSY								1	A
-18	2153026-1	DOUBLER								1	B
-19	2153021-3	REINFORCEMENT-INBD RH								1	
	2153021-1	REINFORCEMENT-OUTBD RH								1	
	2153021-2	REINFORCEMENT-INBD LH								1	
	2153021-4	REINFORCEMENT-OUTBD LH								1	
-20	2153022-1	STIFFENER								1	
	2153022-2	STIFFENER								1	O
-21	2153023-1	SHIM-INBD RH								1	P
	2153023-3	SHIM-OUTBD RH								1	
	2153023-2	SHIM-INBD LH								1	
-22	2153029-4	DOUBLER-OUTBD RH								1	
-23	2153029-2	DOUBLER-RH								1	
-24	2153029-3	DOUBLER-CTR								1	
-25	2153029-1	DOUBLER-LH								1	
	1250947-1	SUPPORT-OUTBD LH								1	

CONTINUED ON NEXT PAGE

P210 Parts Catalog

Fuselage (Cont)



P21000001 THRU P21000045

Detail A

P210 SERIAL P21000001 THRU P21000834

Figure 24. Firewall Installation

P210 Parts Catalog

FIGURE AND INDEX NO.	PART NUMBER	DESCRIPTION							UNITS PER ASSY	USABLE ON CODE
		1	2	3	4	5	6	7		
24 -26	2153013-1	PLENUM WALL ASSY -----							1	
-27	NAS697A06L	NUTPLATE -----							18	
	NAS680A08	NUTPLATE -----							1	D
-28	2153025-1	OUTLET ASSY -----							1	
		ATTACHING PARTS -----							1	C
-28A	AN515-6R6	SCREW -----							6	
	AN515-6R6	SCREW -----							4	D
		*-----								
-28B	1713030-5	VALVE -----							1	
-28C	2113151-1	DAMPER ARM ASSY -----							1	
		ATTACHING PARTS -----							1	
-28D	AN935-3L	WASHER -----							2	
-28E	AN515-3R3	SCREW -----							2	
-28F	NAS430D3-24	SPACER -----							1	
		*-----								
-29	2153024-1	DOOR -----							2	
		ATTACHING PARTS -----							2	
	AN515-6R6	SCREW -----							6	
		*-----								
-30	S2031-3	NUTPLATE -----							11	
-31	S2031-2	NUTPLATE -----							15	
-31A	S2031-2	NUTPLATE -----							2	C
-32	NAS680A4K	NUTPLATE -----							1	
	NAS680A4K	NUTPLATE -----							4	J
-32A	NAS697A3	NUTPLATE -----							1	K
-33	2153028-1	SUPPORT -----							1	K
-34	2153027-1	COVER ASSY-BAT BOX -----							2	
	2153027-3	COVER ASSY-BAT BOX -----							1	J
-34A	1250976-1	CLIP -----							2	C
-34B	2153033-1	BRACKET ASSY -----							2	
-34C	2153032-1	STIFFENER -----							1	J
	2153032-2	STIFFENER ASSY -----							1	K
	NAS696A3K	NUTPLATE -----							1	K
-34D	2113195-2	SUPPORT ASSY -----							1	
	NAS696A3K	NUTPLATE -----							2	
	NAS697A3K	NUTPLATE -----							1	
-34E	2113195-1	SUPPORT ASSY -----							1	K
	NAS696A3K	NUTPLATE -----							2	
-35	2153020-3	SUPPORT ASSY FSO 2153020-3 -----							NP 1	S
	S1115-19	SUPPORT ASSY -----							3	
	S1115-19	RECEPTACLE -----							3	T
-36	1250952-7	COVER ASSY-BATTERY BOX FSO 1250952-7 -----							NP 1	S
-37	S1115-32	COVER ASSY-BATTERY BOX -----							3	
	S1115-32	STUD -----							6	T
	S1115-9	STUD -----							4	S
	S1115-9	RING -----							1	
	1250952-3	RING -----							1	T
-38	0413307-17	INSULATION STRIP -----							1	
-39	AN415-1-2	FASTENER -----							1	T
-39A	1250976-1	PIN -----							1	
-40	1250942-1	CLIP -----							2	S
	S1115-19	SIDE ASSY-OUTBD -----							1	
	1250953-1	RECEPTACLE -----							3	T
	S1115-19	SIDE ASSY-INBD -----							3	
		RECEPTACLE -----							3	S
-41	1250951-9	COVER ASSY FSO 1250951-9 -----							NP 1	
	1250951-4	COVER ASSY -----							1	J
		COVER ASSY USED WITH GROUND SERVICE RECEPTACLE -----							1	U
		COVER ASSY USED WITH GROUND SERVICE RECEPTACLE -----							NP	
		FSO 1250951-11 -----								T
-42	1250951-11	COVER ASSY USED WITH GROUND SERVICE RECEPTACLE -----							1	
	S1115-30	STUD -----							9	S
	S1115-30	STUD -----							8	
	S1115-9	RING -----							8	T
	S1115-9	RING -----							3	
	1250951-3	SPACER -----							1	S
-42A	1250976-1	CLIP -----							2	
-43	0413307-13	CATCH -----							1	

CONTINUED ON NEXT PAGE

P210 Parts Catalog

FIGURE AND INDEX NO.	PART NUMBER	DESCRIPTION							UNITS PER ASSY	USABLE ON CODE	
		1	2	3	4	5	6	7			
24 -44	MS35489-15										
-45	1250954-13	%									
	1250950-1										
	0412167-1										
-46	1250949-1										
	1250949-3										
	NAS680A3K										
-47	1250944-1										
	1250944-3										
	NAS680A3K										
	NAS697A04L										
-48	1253074-1										
	NAS680A3K										
	CH3505-1										
-49	1250949-2										
	1250949-4										
-50	S1050-1										
-51	1250422-1										
-52	NAS220-6										
	2153000-1										
	2153000-5										
-53	2153000-2										
	2153000-6										
-54	2153008-3										
-55	2153008-1										
	2153008-7										
	2153008-2										
-56	2153008-6										
-57	NAS696A3										
-58	NAS697A3										
-59	2153006-1										
	2153006-7										
-59A	2116018-1										
-59B	NAS680A3										
-60	2153006-4										
-60A	S2031-3										
-61	1253431-1										
-62	1253431-2										
-63	2153000-4										
	1253026-1										
-64	2153000-3										
-65	2153012-1										
	2153012-2										
-66	2153014-1										
	2153015-3										
-67	2153009-1										
-68	2153009-2										
-69	2153007-5										
	2153007-9										
-70	NAS681A08										
	NAS686A08										
-71	NAS683A08										
	NAS687A08										
-72	2153007-6										
	2153007-10										
-73	NAS681A08										
	NAS686A08										
-74	NAS683A08										
	NAS687A08										
-75											
-76	S2031-3										

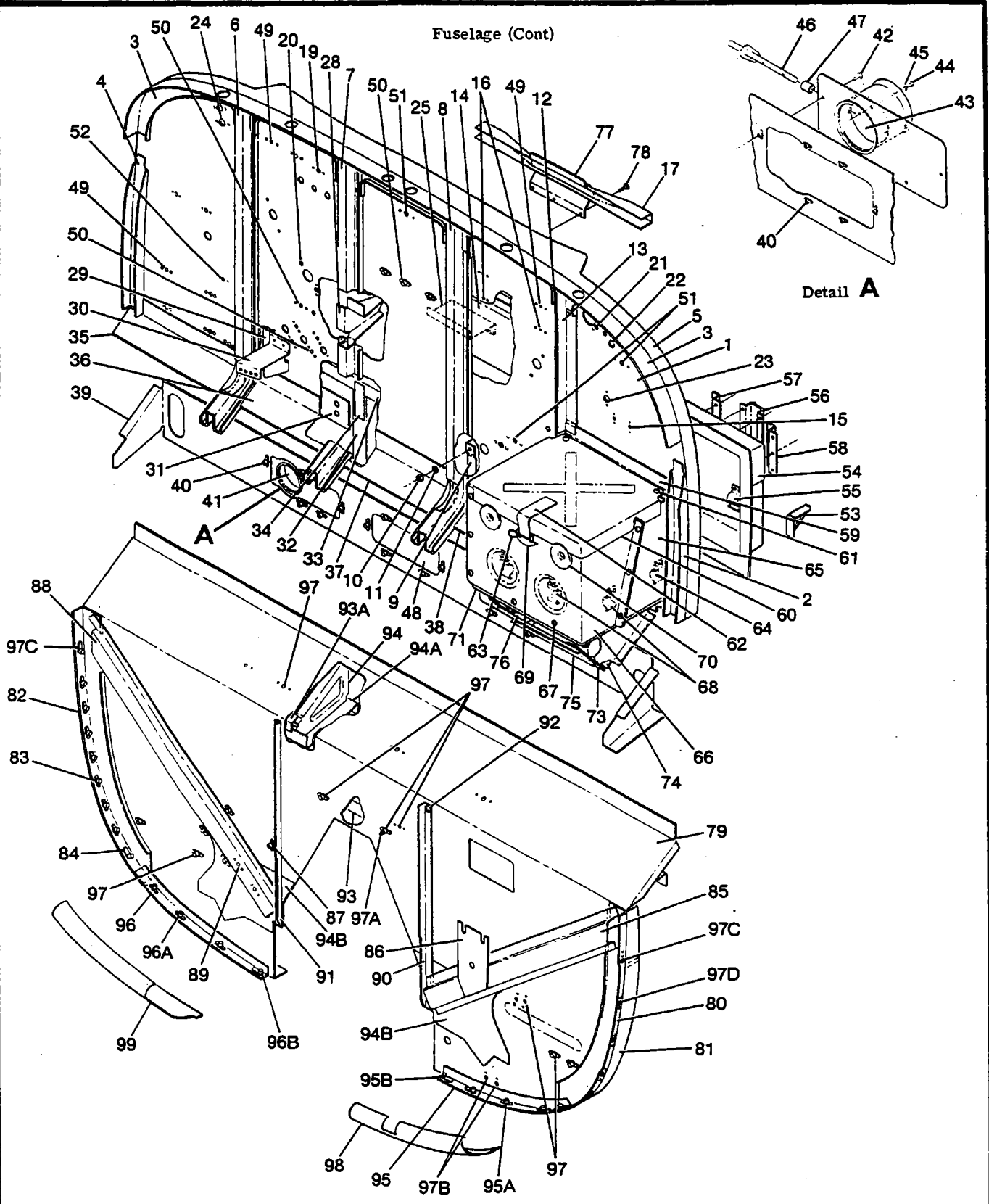
CONTINUED ON NEXT PAGE

P210 Parts Catalog

FIGURE AND INDEX NO.	PART NUMBER	DESCRIPTION	UNITS PER ASSY	USABLE CN CCIDE
		1 2 3 4 5 6 7		
24 -77 -78 -79	NAS221-6 SEE FIG 25 2152005-1 2152005-2	<p style="text-align: center;">SCREW ----- FIREWALL GROMMETS INSTALLATION ----- RAMP-COWL FLAP EXIT LH ----- RAMP-COWL FLAP EXIT RH -----</p> <p>NOTE. *WHEN INITIALLY ORDERING THIS PART FOR AIRCRAFT PRIOR TO P21000811, YOU MUST ALSO ORDER OTHER PART MARKED *.</p> <p>NOTE. %WHEN INITIALLY ORDERING THIS PART FOR AIRCRAFT PRIOR TO P21000811, YOU MUST ALSO ORDER OTHER PARTS MARKED %.</p> <p>A---P210 SERIAL P2100001 THRU P21000045 B---P210 SERIAL P21000046 THRU P21000834 C---P210 SERIAL P21000001 THRU P21000150 D---P210 SERIAL P21000151 THRU P21000834 E---P210 SERIAL P21000001 THRU P21000196 P21000198 THRU P21000212 F---P210 SERIAL P21000197 & P21000213 THRU P21000834 G---P210 SERIAL P21000001 THRU P21000385 H---P210 SERIAL P21000386 THRU P21000834 J---P210 SERIAL P21000001 THRU P21000590 K---P210 SERIAL P21000591 THRU P21000834 L---P210 SERIAL P21000001 THRU P21000721 P21000812 THRU P21000833 M---P210 SERIAL P21000722 THRU P21000811 P21000834 N---P210 SERIAL P21000591 THRU P21000760 P---P210 SERIAL P21000761 THRU P21000834 Q---P210 SERIAL P21000001 THRU P21000760 R---P210 SERIAL P21000812 THRU P21000834 S---P210 SERIAL P21000001 THRU P21000810 T---P210 SERIAL P21000811 THRU P21000834 U---P210 SERIAL P21000591 THRU P21000810 V---P210 SERIAL P21000001 THRU P21000834</p>	2 1 1 1	

P210 Parts Catalog

Fuselage (Cont)



P210 SERIAL P21000835 & ON

Figure 24A. Firewall Installation

P210 Parts Catalog

FIGURE AND INDEX NO.	PART NUMBER	DESCRIPTION							UNITS PER ASSY	USABLE ON CODE
		1	2	3	4	5	6	7		
24A-		FIREWALL INSTALLATION -----								
		FIREWALL ASSY -----							NP	A
- 1	2153001-6	SHEET-FIREWALL -----							1	
- 2	2153017-1	BULKHEAD-LH -----							1	
- 3	2153017-5	BULKHEAD-CTR -----							1	
- 4	2153017-3	BULKHEAD-RH -----							1	
- 5	2153017-4	BULKHEAD-AFT -----							1	
- 6	2153016-5	STIFFENER-OUTBD RH -----							1	
- 7	2153016-6	STIFFENER-INBD RH -----							1	
- 8	2153016-7	STIFFENER-INBD LH -----							1	
- 9	2113208-1	BRACKET ASSY-ELEVATOR PULLEY -----							1	
		ATTACHING PARTS -----								
-10	MS21042L08	NUT -----							2	
-11	NAS1149DN816H	WASHER -----							2	
	AN525-832R8	SCREW -----							2	
		-----*								
	NAS697A4	NUTPLATE -----							2	
-12	2153016-10	STIFFENER -----							1	
-13	2153016-9	STIFFENER -----							1	
-14	2153016-1	STIFFENER ASSY -----							1	
	NAS680A3	NUTPLATE -----							5	
-15	S2031-2	NUTPLATE -----							2	
-16	S2031-3	NUTPLATE -----							2	
-17	1250876-51	NUTPLATE -----							2	
-18		BRACE -----							1	
-19	NAS680A3K	DELETED-NOT USED -----								
-20	S2018-1	NUTPLATE -----							1	
-21	NAS680A3K	NUTPLATE -----							4	
-22	AN520-10R4	NUTPLATE -----							2	
-23	AN520-416R6	SCREW -----							1	
	NAS680A4K	SCREW -----							1	
-24	AN515-8R6	NUTPLATE -----							2	
	NAS680A08K	SCREW -----							2	
-25	2113246-1	NUTPLATE -----							1	
-26		BRACKET-HOSE SUPPORT -----								
-27		DELETED-NOT USED -----								
-28		DELETED-NOT USED -----								
-29	2153019-2	BRACKET -----							1	
	1253418-6	ANGLE-RH -----							1	
	1253418-5	ANGLE-LH -----							1	
-30	2153036-1	BRACKET ASSY -----							1	
-31	2153026-1	DOUBLER -----							1	
	1260212-3	BRACKET-COWL FLAP SUPPORT -----							1	
-32	2153021-3	REINFORCEMENT-INBD RH -----							1	
	2153021-1	REINFORCEMENT-OUTBD RH -----							1	
	2153021-2	REINFORCEMENT-INBD LH -----							1	
	2153021-4	REINFORCEMENT-OUTBD LH -----							1	
-33	2153022-2	STIFFENER -----							1	
-34	2153023-1	SHIM-INBD RH -----							1	
	2153023-3	SHIM-OUTBD RH -----							1	
	2153023-2	SHIM-INBD LH -----							1	
-35	2153029-4	DOUBLER-OUTBD RH -----							1	
-36	2153029-2	DOUBLER-RH -----							1	
-37	2153029-3	DOUBLER-CTR -----							1	
-38	2153029-1	DOUBLER-LH -----							1	
	1250947-1	SUPPORT-OUTBD LH -----							1	
-39	2153013-1	PLENUM WALL ASSY -----							1	
-40	NAS697A06L	NUTPLATE -----							18	
	NAS680A08	NUTPLATE -----							1	
-41	2153025-1	OUTLET ASSY-DEFROSTER -----							1	
		ATTACHING PARTS -----								
-42	AN515-6R6	SCREW -----							4	
		-----*								
-43	1713030-5	VALVE-DEFROSTER OUTLET -----							1	
		ATTACHING PARTS -----								
-44	AN515-3R3	SCREW -----							2	
-45	AN935-3L	WASHER -----							2	
		-----*								
-46	2113151-1	ARM ASSY-DAMPER -----							1	
-47	NAS430D3-24	SPACER -----							1	

CONTINUED ON NEXT PAGE

P210 Parts Catalog

FIGURE AND INDEX NO.	PART NUMBER	DESCRIPTION						UNITS PER ASSY	USABLE ON CODE
		1	2	3	4	5	6		
24A-48	2153024-1	DOOR						2	
	AN515-6R6	ATTACHING PARTS							
		SCREW						6	

-49	S2031-3	NUTPLATE						11	
-50	S2031-2	NUTPLATE						15	
-51	NAS680A4K	NUTPLATE						4	
-52	NAS697A3	NUTPLATE						1	
-53	2153028-1	SUPPORT						2	
-54	2153027-3	COVER ASSY-BATTERY BOX						2	
-55	1250976-1	CLIP						1	
-56	2153032-2	STIFFENER ASSY						2	
	NAS696A3K	NUTPLATE						1	
-57	2113195-2	SUPPORT ASSY						1	
	NAS696A3K	NUTPLATE						2	
	NAS697A3K	NUTPLATE						1	
-58	2113195-1	SUPPORT ASSY						1	
	NAS696A3K	NUTPLATE						2	
-59	2153020-3	SUPPORT ASSY						1	
	S1115-19	RECEPTACLE						2	
-60	1250952-7	COVER ASSY-BATTERY BOX						2	
-61	S1115-32	STUD						2	
	S1115-9	RING						4	
	1250952-3	INSULATION STRIP						1	
-62	0413307-17	FASTENER						1	
-63	AN415-1-2	PIN						1	
-64	1250976-1	CLIP						2	
-65	1250942-1	SIDE ASSY-BATTERY BOX OUTBD						1	
	S1115-19	RECEPTACLE						3	
	1250953-1	SIDE ASSY-BATTERY BOX INBD						1	
	S1115-19	RECEPTACLE						3	
-66	1250951-9	COVER ASSY-BATTERY BOX						1	
	1250951-11	COVER ASSY-BATTERY BOX USED WITH GROUND						1	
		SERVICE RECEPTACLE							
-67	S1115-30	STUD						8	
	S1115-9	RING						8	
	1250951-3	SPACER						2	
-68	1250976-1	CLIP						3	
-69	0413307-13	CATCH						1	
-70	MS35489-15	GROMMET						2	
-71	1250954-13	PAN ASSY-BATTERY BOX						1	
	1250950-1	TRAY-BATTERY BOX						1	
-72		DELETED-NOT USED							
-73	1250949-3	BRACKET ASSY-SUPPORT						1	
	NAS680A3K	NUTPLATE						1	
-74	1250944-3	BRACKET ASSY						1	
	NAS697A04L	NUTPLATE						3	
-75	1253074-1	BRACKET ASSY						1	
	NAS680A3K	NUTPLATE						2	
	CM3505-1	GROMMET 1.96 IN LG BKI						1	
-76	1250949-4	BRACKET ASSY						1	
-77	1250422-1	GUARD-CABLE						1	
		ATTACHING PARTS							
-78	NAS220-6	SCREW						3	

-79	2153000-7	FIREWALL ASSY-LWR						1	
	2153000-8	SHEET-FIREWALL						1	
-80	2153008-12	BULKHEAD-LH						1	
-81	2153008-9	BULKHEAD-LH AFT						1	
	2153008-2	BULKHEAD-RH AFT						1	
-82	2153008-6	BULKHEAD ASSY-RH						1	
-83	NAS696A3	NUTPLATE						7	
-84	NAS697A3	NUTPLATE						1	
-85	2153006-9	STIFFENER ASSY-LH						1	
-86	2153040-1	BRACKET-FUEL STRAINER						1	
-87	NAS680A3	NUTPLATE						1	
-88	2153006-4	STIFFENER ASSY-RH						1	
-89	S2031-3	NUTPLATE						2	

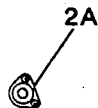
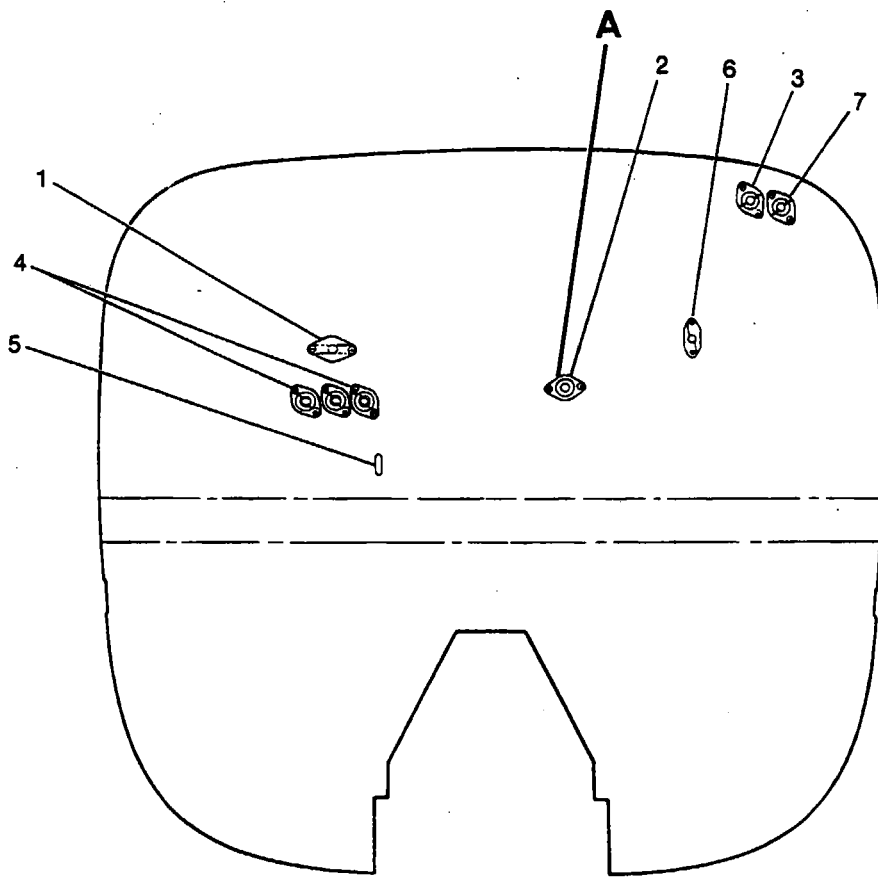
CONTINUED ON NEXT PAGE

P210 Parts Catalog

FIGURE AND INDEX NO.	PART NUMBER	DESCRIPTION							UNITS PER ASSY	USABLE ON CODE
		1	2	3	4	5	6	7		
24A-90	2153041-1	ATTACH ANGLE-LH -----							1	
-91	2153041-2	ATTACH ANGLE-RH -----							1	
		ATTACHING PARTS								
-92	NAS220-7	SCREW -----							1	
	NAS1149FN816P	WASHER -----							1	
	MS21044N08	NUT -----							1	
		-----*								
-93	2153000-4	SUPPORT -----							1	
	1253026-1	CLIP -----							5	
-93A	2153000-3	ANGLE-SUPPORT -----							1	
-94	2153012-1	SUPPORT -----							6	
	2153012-2	SUPPORT-OUTBD LH -----							1	
-94A	2153014-1	STIFFENER ASSY -----							1	
	2153015-3	SEAT-VALVE -----							1	
-94B	2153042-1	GUSSET -----							1	
-95	2153007-17	BRACKET ASSY-COWL FLAP RAMP LH -----							2	
-95A	NAS686A08	NUTPLATE -----							2	
-95B	NAS687A08	NUTPLATE -----							2	
-96	2153007-10	BRACKET ASSY-COWL FLAP RAMP RH -----							2	
-96A	NAS686A08	NUTPLATE -----							3	
-96B	NAS687A08	NUTPLATE -----							1	
-97	S2031-3	NUTPLATE -----							1	
-97A	NAS221-6	SCREW -----							2	
-97B	NAS686A3	NUTPLATE -----							2	
	SEE FIG 25	FIREWALL GROMMETS INSTALLATION -----							2	
-97C	NAS696A3	NUTPLATE -----							1	
-97D	NAS697A3	NUTPLATE -----							2	
-98	2152005-9	RAMP-COWL FLAP EXIT LH -----							6	
-99	2152005-10	RAMP-COWL FLAP EXIT RH -----							1	
A---P210 SERIAL P21000835 & ON										

P210 Parts Catalog

Fuselage (Cont)



P21000190 & ON

Detail **A**

Figure 25. Firewall Grommets Installation

P210 Parts Catalog

FIGURE AND INDEX NO.	PART NUMBER	DESCRIPTION							UNITS PER ASSY	USABLE ON CODE		
		1	2	3	4	5	6	7				
25	- 1	S1095-3	FIREWALL GROMMETS INSTALLATION -----							NP	A A B D C D	
		AN515-8R8	SHIELD HALF -----							2		
			ATTACHING PARTS -----									
			SCREW -----							2		
			-----*									
		- 2	NAS557-6A	GROMMET -----								1
			S352	SHIELD -----								1
				ATTACHING PARTS -----								
			AN515-8R8	SCREW -----								2
				-----*								
			MS35489-9	GROMMET -----								1
			S354-1	GROMMET -----								1
		- 2A	I553105-1	SHIELD -----								1
				ATTACHING PARTS -----								
			AN515-8R8	SCREW -----								2
				-----*								
			MS35489-9	GROMMET -----								1
			S354-1	GROMMET -----								1
		- 3	S45A13	SEAL HALF NYCM -----								2
				ATTACHING PARTS -----								
			AN520-10R10	SCREW -----								1
				-----*								
		- 4	S353-6	SHIELD HALF -----								6
				ATTACHING PARTS -----								
			AN515-8R8	SCREW -----								2
			-----*									
		S354-1	GROMMET -----							3		
	- 5	NAS557-6A	GROMMET -----							2		
	- 6	S1095-12	SHIELD HALF -----							2		
			ATTACHING PARTS -----									
		AN515-8R8	SCREW -----							2		
			-----*									
		NAS557-6A	GROMMET -----							1		
	- 7	S45A12	SEAL HALF NYCM USED WITH DUAL ALTERNATORS -----							2		
		2150903-1	SEAL HALF USED WITH DUAL ALTERNATORS -----							2		
			ATTACHING PARTS -----									
		AN520-10R8	SCREW -----							1		
			-----*									

A---P210 SERIAL P21000001 THRU P21000189
 B---P210 SERIAL P21000190 & ON
 C---P210 SERIAL P21000761 THRU P21000834
 D---P210 SERIAL P21000835 & ON

P210 Parts Catalog

Fuselage (Cont)

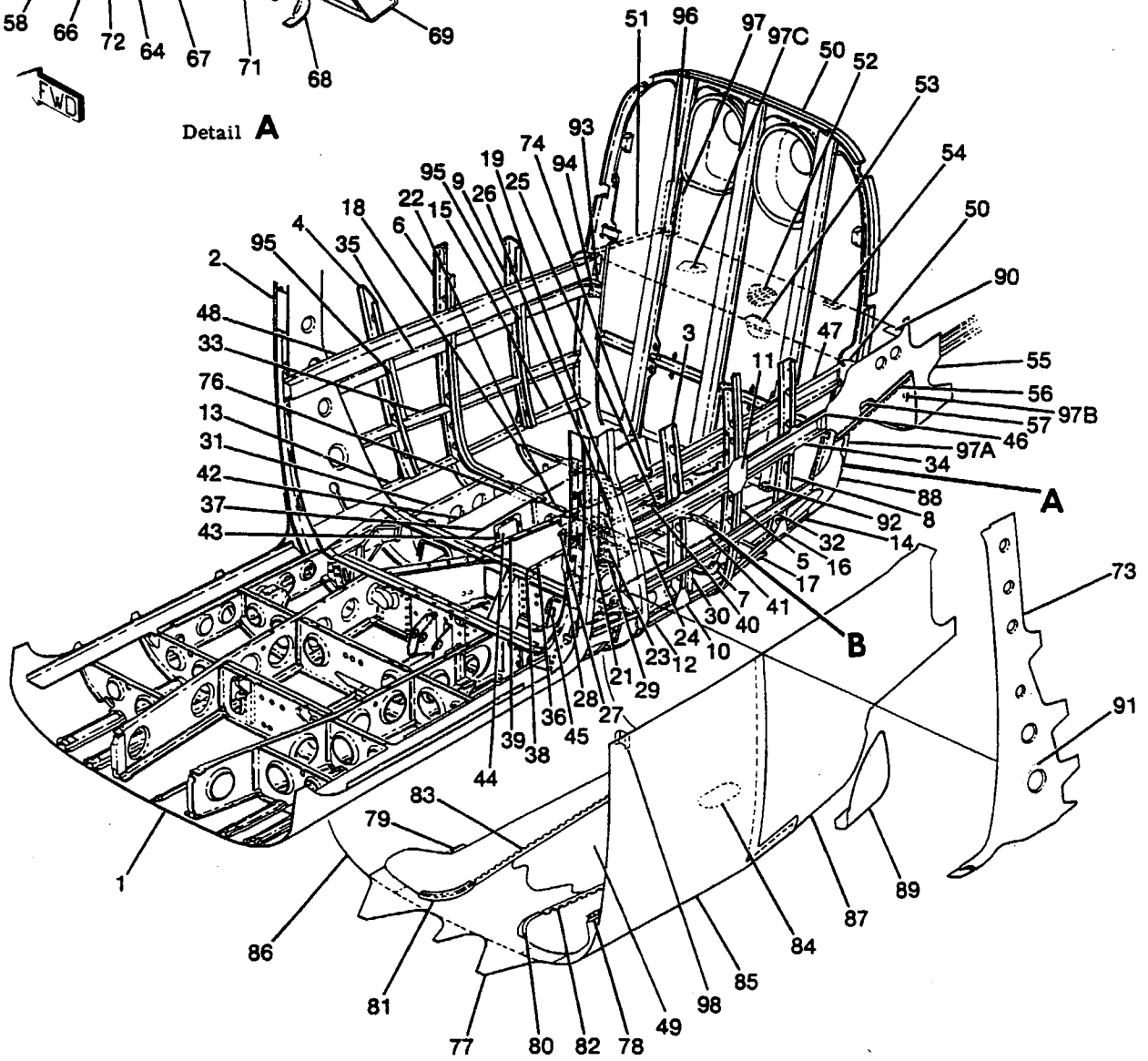
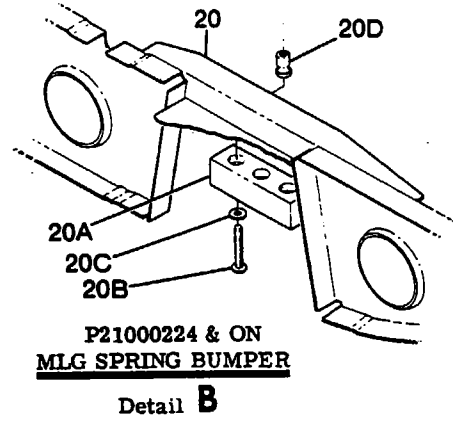
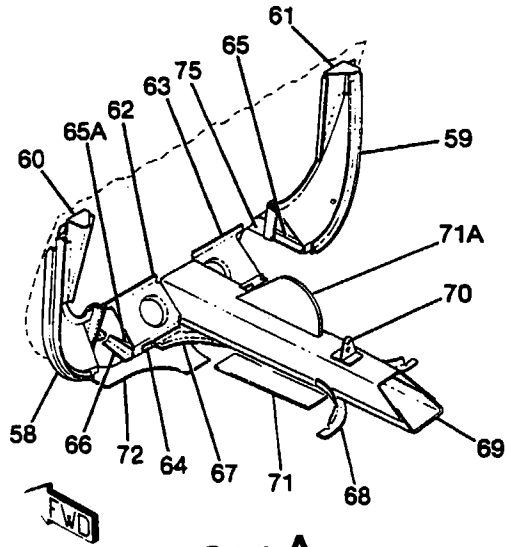


Figure 26. Lower Cabin Section Components

P210 Parts Catalog

FIGURE AND INDEX NO.	PART NUMBER	DESCRIPTION							UNITS PER ASSY	USABLE ON CODE
		1	2	3	4	5	6	7		
26 -		LOWER CABIN SECTION COMPONENTS -----								
- 1	SEE FIG 28	FUSELAGE BELLY SECTION COMPONENTS -----							NP	
- 2	SEE FIG 29	REAR DOORPOST & MAIN LANDING GEAR BULKHEAD ASSY -----							1	
- 3	2111505-1	BULKHEAD-LH CANTED STA 83.50 -----							1	
- 4	2111505-2	BULKHEAD-RH CANTED STA 83.50 -----							1	
- 5	2111633-1	BULKHEAD ASSY-LH STA 90.00 -----							1	
	2111633-31	BULKHEAD ASSY-LH STA 90.00 -----							1	
- 6	2111633-2	BULKHEAD ASSY-RH STA 90.00 -----							1	
	2111633-32	BULKHEAD ASSY-RH STA 90.00 -----							1	
- 7	2111633-7	REINFORCEMENT-LH FWD CORNER -----							1	
	2111633-8	REINFORCEMENT-RH FWD CORNER -----							1	
	2111633-9	REINFORCEMENT-LH AFT CORNER -----							1	
	2111633-10	REINFORCEMENT-RH AFT CORNER -----							1	
	NAS697A08	NUTPLATE -----							2	
- 8	2111654-1	BULKHEAD-LH SIDE STA 100.00 -----							1	
- 9	2111654-2	BULKHEAD-RH SIDE STA 100.00 -----							1	
-10	2111502-1	GUSSET-CANTED STA 83.50 LH -----							1	
	2111502-2	GUSSET-CANTED STA 83.50 RH -----							1	
-11	2111509-1	GUSSET-STA 90.00 -----							1	
-12	2111522-1	SUPPORT-FLOORBOARD LH FWD -----							1	
-13	2111522-2	SUPPORT-FLOORBOARD RH FWD -----							1	
-14	2111518-1	SUPPORT-FLOORBOARD LH AFT -----							1	
-15	2111518-2	SUPPORT-FLOORBOARD RH AFT -----							1	
-16	2111519-1	GUSSET-STA 100.00 LH -----							1	
	2111519-2	GUSSET-STA 100.00 RH -----							1	
-17	1211273-1	BULKHEAD-LOWER LH STA 98.00 -----							1	
	1211273-3	BULKHEAD-LOWER LH STA 98.00 -----							1	
-18	1211273-2	BULKHEAD-LOWER RH STA 98.00 -----							1	
	1211273-4	BULKHEAD-LOWER RH STA 98.00 -----							1	
-19	1211274-6	BULKHEAD ASSY-LWR CENTER RH STA 98.00 -----							1	
	1211274-12	BULKHEAD ASSY-LWR CENTER RH STA 98.00 -----							1	
	1211274-5	BULKHEAD ASSY-LWR CENTER LH STA 98.00 -----							1	
	1211274-11	BULKHEAD ASSY-LWR CENTER LH STA 98.00 -----							1	
	S2031-3	NUTPLATE -----							1	
-20	1211279-1	SPLICE-BULKHEAD LH -----							1	
	1211279-2	SPLICE-BULKHEAD RH -----							1	
	1211279-7	SPLICE-BULKHEAD LH -----							1	
	1211279-8	SPLICE-BULKHEAD RH -----							1	
-20A	2111553-1	BUMPER-MLG SPRING -----							1	
	2111553-2	BUMPER-MLG SPRING -----							2	
		ATTACHING PARTS -----								
-20B	AN515-6R16	SCREW -----							2	
-20C	NAS1149FN616P	WASHER -----							2	
-20D	NAS1329S06K120	RIVNUT -----							2	
		* -----								
-21	1211269-3	BULKHEAD ASSY-LWR CENTER STA 89.96 -----							1	
	S2031-3	NUTPLATE CTR -----							1	
	NAS696A3	NUTPLATE OUTBD -----							2	
	S1050-1	GROMMET 4.12 IN LG BKI -----							2	
-22	1211272-8	BULKHEAD ASSY-LWR CENTER RH STA 90.00 -----							1	
	1211272-12	BULKHEAD ASSY-LWR CENTER RH STA 90.00 -----							1	
	1211272-5	BULKHEAD ASSY-LWR CENTER LH STA 90.00 -----							1	
	1211272-11	BULKHEAD ASSY-LWR CENTER LH STA 90.00 -----							1	
	AN743-13	BRACKET LH -----							1	
	S2031-3	NUTPLATE RH -----							1	
-23	1211278-1	CLIP-BULKHEAD ATTACH -----							1	
-24	2111520-3	SPLICE ASSY-BULKHEAD LH -----							1	
	2111520-4	SPLICE ASSY-BULKHEAD RH -----							1	
	NAS680A04	NUTPLATE -----							1	
-25	1211278-2	CLIP-BULKHEAD ATTACH -----							1	
-26	1260484-2	BRACKET-RH PULLEY STA 94.45 -----							1	
	1260484-1	BRACKET-LH PULLEY STA 94.45 -----							1	
-27	1241071-3	BRACKET ASSY-STRUT DOOR ACTUATOR -----							1	
-28	1211200-1	BRACKET-BULKHEAD FITTING STA 82.06 -----							1	
-29	1211200-2	BRACKET-BULKHEAD FITTING STA 87.84 -----							1	
-30	1211275-1	SUPPORT ASSY-OUTBD SEAT RAIL LH -----							1	
-31	1211275-2	SUPPORT ASSY-OUTBD SEAT RAIL RH -----							1	
	1211275-5	CLIP-LH ATTACH -----							1	
	1211275-6	CLIP-RH ATTACH -----							1	
-32	2111515-1	STIFFENER-AFT CABIN LH -----							1	
-33	2111515-2	STIFFENER-AFT CABIN RH -----							1	
-34	2111516-1	STIFFENER-AFT CABIN LH -----							1	
-35	2111516-2	STIFFENER-AFT CABIN RH -----							1	
	2111315-1	STIFFENER-LH -----							1	
	2111315-2	STIFFENER-RH -----							1	

CONTINUED ON NEXT PAGE

P210 Parts Catalog

FIGURE AND INDEX NO.	PART NUMBER	DESCRIPTION							UNITS PER ASSY	USABLE ON CODE
		1	2	3	4	5	6	7		
26 -36	1211276-13	TUNNEL WALL ASSY-AFT LH							1	
-37	1211276-14	TUNNEL WALL ASSY-AFT RH							1	
	1211277-1	CLIP ASSY-TUNNEL WALL LH							1	
	1211277-2	CLIP ASSY-TUNNEL WALL RH							1	
-38	MS21073L3	NUTPLATE							1	
-39	S2031-3	NUTPLATE							1	
-40	NAS680A3	NUTPLATE							7	
-41	1211254-15	TUNNEL ASSY MAIN LANDING GEAR LH							2	
	1211254-37	TUNNEL ASSY MAIN LANDING GEAR LH					WEU 1211254-41		1	A
	1211254-41	TUNNEL ASSY MAIN LANDING GEAR LH							1	L
-42	1211254-16	TUNNEL ASSY MAIN LANDING GEAR RH							1	M
	1211254-38	TUNNEL ASSY MAIN LANDING GEAR RH					WEU 1211254-42		1	A
	1211254-42	TUNNEL ASSY MAIN LANDING GEAR RH							1	L
-43	1200564-1	DOUBLER ASSY-ACCESS HOLE							1	M
	NAS697A3	NUTPLATE							2	L
-44	1200563-1	COVER ASSY-ACCESS HOLE ATTACHING PARTS							6	L
	AN3-4A	BOLT							6	L
	1200563-3	GASKET-COVER							1	L
	2111311-1	SUPPORT-AFT FLOORBOARD							1	L
	NAS697A08	NUTPLATE							4	L
-45	1211327-5	STIFFENER-BULKHEAD LH INBD							1	L
	1211327-6	STIFFENER-BULKHEAD RH INBD							1	
	1211327-8	STIFFENER-BULKHEAD LH OUTBD							1	
	1211327-9	STIFFENER-BULKHEAD RH OUTBD							1	
-46	2111535-7	PLUG-PRESSURE BULKHEAD SEAL							2	
-47	2115006-1	SUPPORT-REAR ARMREST LH					WEU 2115006-5		1	F
	2115006-5	SUPPORT-REAR ARMREST LH							1	G
-48	2115006-2	SUPPORT-REAR ARMREST RH					WEU 2115006-6		1	F
	2115006-6	SUPPORT-REAR ARMREST RH							1	G
	AN525-832R8	ATTACHING PARTS							6	
	NAS1149FN816P	SCREW							6	
		WASHER							6	
-49	2111500-13	SKIN-BELLY							1	A
	2111550-13	SKIN-BELLY							1	B
	NAS221-11	ATTACHING PARTS							16	
	NAS1149F0363P	SCREW							16	
	MS21044N3	WASHER							16	
		NUT							16	
-50	SEE FIG 27	AFT PRESSURE BULKHEAD ASSY							1	
-51	2111637-1	COVER ASSY-WHEEL WELL							1	
-52	2111636-1	STIFFENER-WHEEL WELL COVER							5	
-53	2111634-1	ANGLE-WHEEL WELL COVER FWD							1	
-54	2111634-2	ANGLE-WHEEL WELL COVER AFT							1	
-55	2111526-1	DOUBLER-UPPER WHEEL WELL LH							1	A
	2111696-1	DOUBLER-UPPER WHEEL WELL LH							1	B
	2111526-2	DOUBLER-UPPER WHEEL WELL RH							1	B
	2111696-2	DOUBLER-UPPER WHEEL WELL RH							1	B
-56	2111524-1	HINGE HALF MAIN LANDING GEAR LH							1	A
	2111524-2	HINGE HALF MAIN LANDING GEAR RH							1	A
-57	1212037-7	SUPPORT-WHEEL WELL HINGE LH							1	A
	1212037-8	SUPPORT-WHEEL WELL HINGE RH							1	A
-58	2111525-1	BULKHEAD ASSY-LH CANTED					STA 109.65		1	A
-59	2111525-2	BULKHEAD ASSY-RH CANTED					STA 109.65		1	A
-60	2111523-1	REINFORCEMENT-REAR SEAT ATTACH LH							1	A
-61	2111523-2	REINFORCEMENT-REAR SEAT ATTACH RH							1	A
-62	2111534-1	BULKHEAD ASSY-INBD CANTED LH					STA 109.65		1	A
-63	2111534-2	BULKHEAD ASSY-INBD CANTED RH					STA 109.65		1	A
-64	1212223-5	STRIKER							1	A
-65	1212225-2	RETAINER-AFT OUTBD RH SEAL							1	A
	1212225-1	RETAINER-AFT OUTBD LH SEAL							1	A
-65A	1212228-1	FAIRING-LH							1	A
	1212228-2	FAIRING-RH							1	A
-66	1212224-1	RETAINER ASSY-AFT INBD LH SEAL							1	A
	1212224-2	RETAINER ASSY-AFT INBD RH SEAL							1	A
-67	1212226-1	JAMB MAIN LANDING GEAR DOOR FWD LH							1	A
	1212226-2	JAMB MAIN LANDING GEAR DOOR FWD RH							1	A
-68	1211791-1	JAMB AFT WHEEL WELL DOOR LH							1	A
	1211791-2	JAMB AFT WHEEL WELL DOOR RH							1	A

CONTINUED ON NEXT PAGE

P210 Parts Catalog

FIGURE AND INDEX NO.	PART NUMBER	DESCRIPTION	UNITS PER ASSY							USABLE ON CODE
			1	2	3	4	5	6	7	
26 -69	2111660-1	TUNNEL ASSY-CONTROL CABLES -----	1							A
	2111551-1	TUNNEL ASSY-CONTROL CABLES -----	1							B
-70	1211098-1	BRACKET-MOUNTING -----	1							A
-71	1211790-5	SKIN -----	1							A
	2111659-1	DOUBLER ASSY-REAR SEAT TIE DOWN -----	1							A
	S2018-3	NUTPLATE -----	4							
	S2018-2	NUTPLATE FWD TUNNEL -----	2							
-71A	2111698-1	BAFFLE -----	1							B
-72	1211324-1	REINFORCEMENT CANTED STATION 106.00 -----	1							
-73	2111632-1	WEB-REAR DOORPOST OUTBD LH -----	1							A
	2111632-3	WEB-REAR DOORPOST OUTBD LH -----	1							B
	2111632-2	WEB-REAR DOORPOST OUTBD RH -----	1							A
	2111632-4	WEB-REAR DOORPOST OUTBD RH -----	1							B
-74	1211831-7	RETAINER-TUNNEL DOOR SEAL -----	2							A
-75	1211831-2	RETAINER-TUNNEL DOOR SEAL LH -----	1							A
	1211831-1	RETAINER-TUNNEL DOOR SEAL RH -----	1							A
-76	1211097-1	GUARD MAIN LANDING GEAR SPRING GUIDE -----	2							A
-77	1211329-2	GUSSET MAIN LANDING GEAR BULKHEAD -----	1							A
	1211329-4	GUSSET MAIN LANDING GEAR BULKHEAD -----	1							B
-78	1211831-5	RETAINER-TUNNEL DOOR SEAL LH -----	1							A
-79	1211831-6	RETAINER-TUNNEL DOOR SEAL RH -----	1							A
-80	1211831-3	RETAINER-TUNNEL DOOR SEAL LH -----	1							A
-81	1211831-4	RETAINER-TUNNEL DOOR SEAL RH -----	1							A
-82	1211832-1	HINGE HALF MAIN LANDING GEAR DOOR ATTACH LH -----	1							A
-83	1211832-2	HINGE HALF MAIN LANDING GEAR DOOR ATTACH RH -----	1							A
	1211832-3	SHIM-HINGE -----	2							A
-84	1212031-2	COVER ASSY-FLOORBOARD ACCESS -----	2							
	AN515-8R8	ATTACHING PARTS								
	NAS680A08	SCREW -----	6							
		NUTPLATE -----	6							
		-----*								
	1212032-2	GASKET-COVER -----	1							
-85	2111500-9	SKIN-LWR LH FWD -----	1							A
	2111550-9	SKIN-LWR LH FWD -----	1							B
-86	2111500-10	SKIN-LWR RH FWD -----	1							A
	2111550-10	SKIN-LWR RH FWD -----	1							B
-87	2111500-11	SKIN-LWR LH AFT -----	1							A
	2111550-11	SKIN-LWR LH AFT -----	1							B
	2111500-12	SKIN-LWR RH AFT -----	1							A
	2111550-12	SKIN-LWR RH AFT -----	1							B
	2111549-1	STIFFENER-AFT FUSELAGE RH -----	1							
-88	2111517-1	GUSSET-LH CANTED STA 106.00 -----	1							A
	2111517-3	GUSSET-LH CANTED STA 106.00 -----	1							B
	2111517-2	GUSSET-RH CANTED STA 106.00 -----	1							A
	2111517-4	GUSSET-RH CANTED STA 106.00 -----	1							B
-89	1212019-5	FAIRING WHEEL WELL LH -----	1							A
	1212019-6	FAIRING WHEEL WELL RH -----	1							A
-90	1211335-1	CLOSURE-AFT WHEEL WELL BULKHEAD -----	1							A
	1211335-2	CLOSURE-AFT WHEEL WELL BULKHEAD -----	1							B
-91	1216413-1	BRACKET-FUEL LINE LH -----	1							F
	1216413-2	BRACKET-FUEL LINE RH -----	1							F
-92	2111540-1	PLUG-HAT SECTION LH -----	1							
	2111540-2	PLUG-HAT SECTION RH -----	1							
-93	2111546-2	BRACE-UPR RH -----	1							
	2111546-1	BRACE-UPR LH -----	1							
-94	2111546-6	BRACE-LWR RH -----	1							
	2111546-5	BRACE-LWR LH -----	1							
-95	1270497-6	BRACKET-WIRE HARNESS SUPPORT -----	2							
-96	1211340-1	STIFFENER-WHEELWELL -----	1							
-97	1270497-2	BRACKET-WIRE HARNESS SUPPORT -----	1							

CONTINUED ON NEXT PAGE

P210 Parts Catalog

FIGURE AND INDEX NO.	PART NUMBER	DESCRIPTION							UNITS PER ASSY	USABLE ON CODE		
		1	2	3	4	5	6	7				
26 -97A -97B -97C -98	2111314-17	LINER ASSY-FWD								1	H J J	
	2111314-22	LINER ASSY-FWD								1		
	2111314-18	LINER ASSY-FWD								1		
	2111314-23	LINER ASSY-AFT								1	H J J	
		LINER ASSY-AFT								1		
		LINER ASSY-AFT								1		
		S1021A8-8	ATTACHING PARTS								7	
		S1023Z6-6	SCREW								19	
		S1023Z6-6	SCREW								13	
		NAS395-2-3	NUT								19	
		NAS395-2-3	NUT								13	
		2111314-2	LINER-TOP								1	H J K
		2111314-21	LINER ASSY-TOP								1	
	2111705-1	BRACKET ASSY-REAR DOORPOST FUEL LINE								2		
	NAS680A3	NUTPLATE								1		
		<p>A---P210 SERIAL P2100001 THRU P21000150 B---P210 SERIAL P21000151 & ON C---P210 SERIAL P21000151 THRU P21000223 D---P210 SERIAL P21000224 & ON E---P210 SERIAL P21000001 THRU P21000223 F---P210 SERIAL P21000001 THRU P21000385 G---P210 SERIAL P21000386 & ON H---P210 SERIAL P21000151 THRU P21000503 J---P210 SERIAL P21000504 & ON K---P210 SERIAL P21000761 & ON L---P210 SERIAL P21000151 THRU P21000873 M---P210 SERIAL P21000874 & ON</p>										

P210 Parts Catalog

Fuselage (Cont)

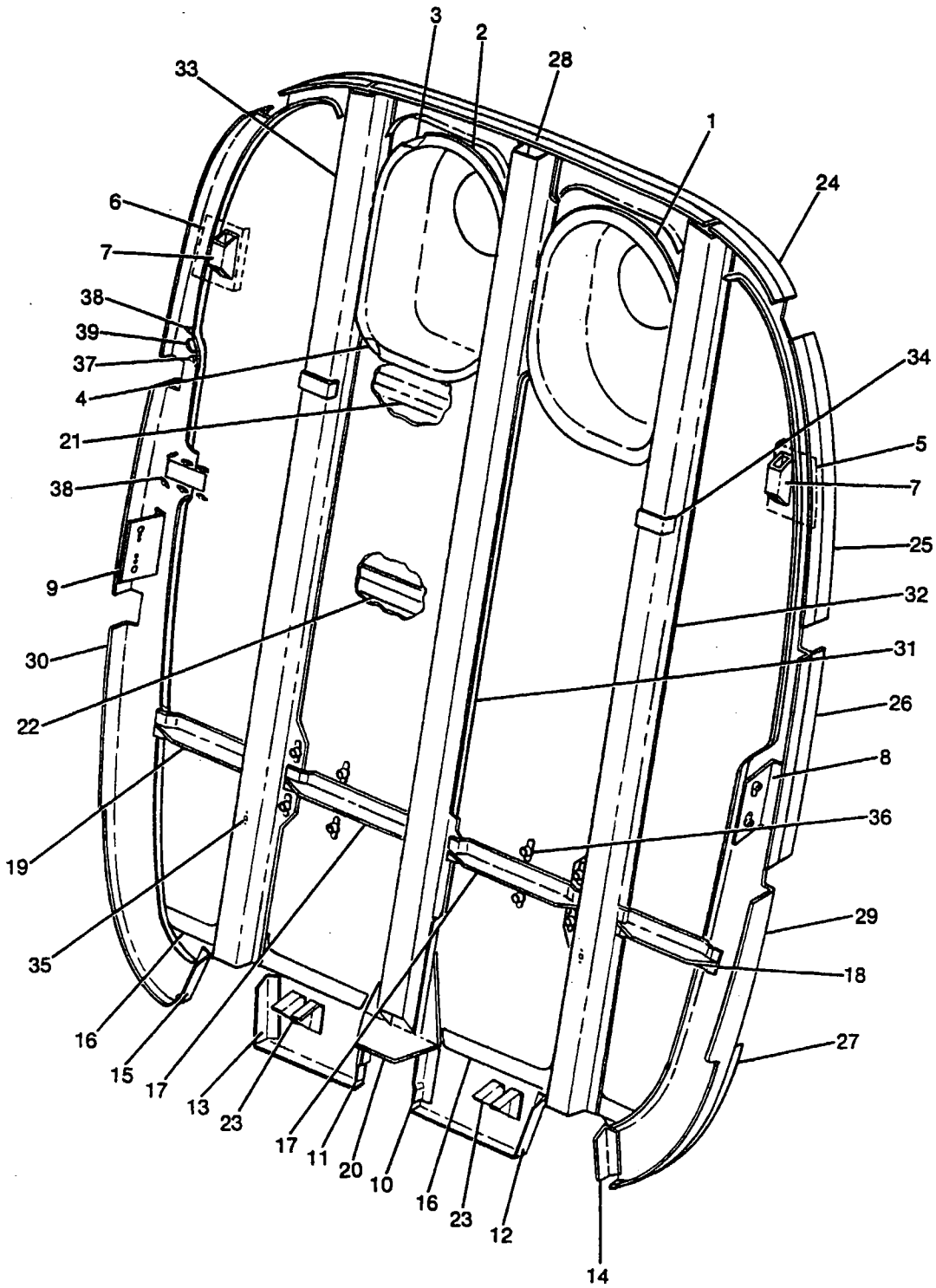


Figure 27. Aft Pressure Bulkhead Assembly

P210 Parts Catalog

FIGURE AND INDEX NO.	PART NUMBER	DESCRIPTION	UNITS PER ASSY							USABLE ON CODE
			1	2	3	4	5	6	7	
27 -	2111650-1	PRESSURE BULKHEAD ASSEMBLY-AFT -----	1							A B C D C D D
- 1	2111650-2	PRESSURE BULKHEAD ASSEMBLY-AFT -----	1							
	2111647-1	PAN-PRESSURE BULKHEAD LH WEU 2111647-5 -----	1							
- 2	2111647-5	PAN-PRESSURE BULKHEAD LH -----	1							
	2111647-2	PAN-PRESSURE BULKHEAD RH WEU 2111647-6 -----	1							
- 3	2111647-6	PAN-PRESSURE BULKHEAD RH -----	1							
- 4	2111647-3	SPACER-PRESSURE BULKHEAD PAN UPPER -----	2							
- 5	2111647-4	SPACER-PRESSURE BULKHEAD PAN LOWER -----	2							
- 6	2111664-1	DOUBLER ASSY-SHOULDER HARNESS LH -----	1							
	2111664-2	DOUBLER ASSY-SHOULDER HARNESS RH -----	1							
	S2031-4	NUTPLATE -----	1							
	S2031-3	NUTPLATE -----	1							
- 7	2111663-1	SPACER-SHOULDER HARNESS ATTACH -----	2							
	AN520-10R7	ATTACHING PARTS -----								
		SCREW -----	2							
		-----*								
- 8	2115014-1	BRACKET ASSY-ARMREST LH -----	1							
- 9	2115014-2	BRACKET ASSY-ARMREST RH -----	1							
	NAS696A08	NUTPLATE -----	2							
-10	1211302-1	CLIP-TUNNEL ATTACH LH -----	1							
-11	1211302-2	CLIP-TUNNEL ATTACH RH -----	1							
-12	1211302-5	CLIP-TUNNEL ATTACH LH -----	1							
-13	1211302-4	CLIP-TUNNEL ATTACH RH -----	1							
-14	1211302-7	CLIP-TUNNEL ATTACH LH -----	1							
-15	1211302-8	CLIP-TUNNEL ATTACH RH -----	1							
-16	2111652-1	GUSSET-PRESSURE BULKHEAD -----	2							
-17	2111651-3	STIFFENER-PRESSURE BULKHEAD CTR -----	2							
-18	2111651-1	STIFFENER-PRESSURE BULKHEAD LH -----	1							
-19	2111651-2	STIFFENER-PRESSURE BULKHEAD RH -----	1							
-20	2111644-1	GUSSET-PRESSURE BULKHEAD CTR -----	1							
-21	2111635-7	REINFORCEMENT-PRESSURE BULKHEAD UPPER -----	1							
-22	2111635-6	REINFORCEMENT-PRESSURE BULKHEAD CTR -----	1							
-23	1212029-1	BRACKET-AFT FLOORBOARD SUPPORT -----	4							
-24	2111642-4	ANGLE-PRESSURE BULKHEAD UPPER AFT -----	1							
-25	2111642-5	ANGLE-PRESSURE BULKHEAD UPPER LH -----	1							
	2111642-6	ANGLE-PRESSURE BULKHEAD UPPER RH -----	1							
-26	2111642-7	ANGLE-PRESSURE BULKHEAD CTR LH -----	1							
	2111642-8	ANGLE-PRESSURE BULKHEAD CTR RH -----	1							
-27	2111642-9	ANGLE-PRESSURE BULKHEAD LWR LH -----	1							
	2111642-10	ANGLE-PRESSURE BULKHEAD LWR RH -----	1							
-28	2111642-3	FRAME-PRESSURE BULKHEAD UPR -----	1							
-29	2111642-1	FRAME-PRESSURE BULKHEAD LH -----	1							
	2111642-11	FRAME-PRESSURE BULKHEAD RH -----	1							
-30	2111642-2	FRAME-PRESSURE BULKHEAD LH -----	1							
	2111642-12	FRAME-PRESSURE BULKHEAD RH -----	1							
-31	2111635-5	REINFORCEMENT-PRESSURE BULKHEAD CTR -----	1							
-32	2111635-1	REINFORCEMENT ASSY-PRESSURE BULKHEAD LH -----	1							
-33	2111635-2	REINFORCEMENT ASSY-PRESSURE BULKHEAD RH -----	1							
-34	2114014-1	BRACKET-SEAT ATTACH -----	1							
-35	NAS680A3	NUTPLATE -----	1							
-36	NAS1473A4	NUTPLATE -----	1							
-37	S2018-2	NUTPLATE -----	8							
-38	S2031-3	NUTPLATE -----	1							
-39	2111648-4	PLATE-COVER -----	7							
	AN520-10R6	ATTACHING PARTS -----	1							
		SCREW -----	2							
		-----*								

A---P210 SERIAL P21000001 THRU P21000150
 B---P210 SERIAL P21000151 & ON
 C---P210 SERIAL P21000001 THRU P21000834
 D---P210 SERIAL P21000835 & ON

P210 Parts Catalog

Fuselage (Cont)

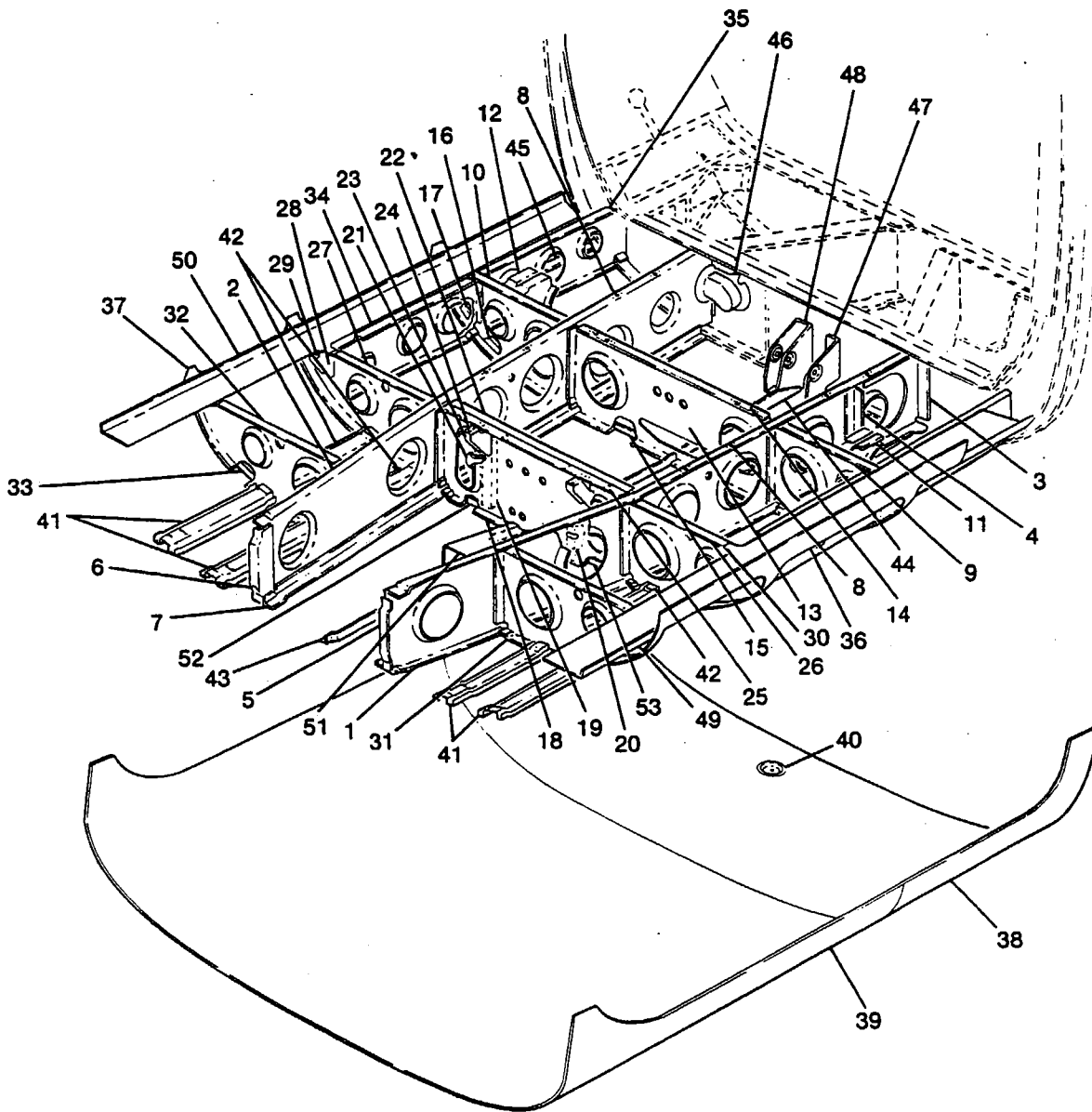


Figure 28. Fuselage Belly Section Components

P210 Parts Catalog

FIGURE AND INDEX NO.	PART NUMBER	DESCRIPTION	1 2 3 4 5 6 7							UNITS PER ASSY	USABLE ON CODE
			1	2	3	4	5	6	7		
28 -		FUSELAGE BELLY SECTION COMPONENTS								NP	
- 1	2111532-5	BULKHEAD ASSY-LONGITUDINAL INBOARD LH								1	
- 2	2111532-6	BULKHEAD ASSY-LONGITUDINAL INBOARD RH								1	
- 3	2111307-1	DOUBLER-LH								1	
	2111307-2	DOUBLER-RH								1	
- 4	1211872-1	STIFFENER-BULKHEAD								1	
- 5	1210410-1	ANGLE-LH								2	
- 6	1210410-2	ANGLE-RH								1	
- 7	2111687-4	STIFFENER-RH								1	
	2111687-3	STIFFENER-LH								1	
- 8	NAS680A4	NUTPLATE								1	
- 9	2111531-1	BULKHEAD ASSY-OUTBD LH								4	
	2111531-5	BULKHEAD ASSY-OUTBD LH				STA 55.625			WEU 2111531-5	1	
-10	2111531-2	BULKHEAD ASSY-OUTBD RH				STA 55.625			WEU 2111531-6	1	
	2111531-6	BULKHEAD ASSY-OUTBD RH				STA 55.625				1	
-11	2110009-1	BRACKET-DOWNLOCK ACTUATOR LH								1	
-12	2110009-2	BRACKET-DOWNLOCK ACTUATOR RH								1	
-13	2110010-1	BULKHEAD ASSY-CENTER				STA 55.625				1	
	2110010-3	BULKHEAD-CENTER				STA 55.625				1	
-14	NAS682A08	NUTPLATE								1	
-15	2110008-1	STIFFENER-CENTER								4	
-16	2110008-4	STIFFENER-RH INBD								1	
	2110008-3	STIFFENER-LH INBD								1	
-17	2110008-6	STIFFENER-RH OUTBD								1	
	2110008-5	STIFFENER-LH OUTBD								1	
-18	2111683-1	BULKHEAD ASSY-CENTER				STA 44.00				1	
-19	1211628-16	SUPPORT-RH								1	
	1211628-15	SUPPORT-LH								1	
-20	1260483-1	BRACKET-ELEVATOR TRIM PULLEY								1	
-21	S2034-1	MOUNT								1	
-22	1210412-42	ANGLE-REINFORCEMENT								1	
-23	1210426-1	SUPPORT								2	
-24	NAS696A4	NUTPLATE								2	
-25	1210427-5	STIFFENER ASSY								1	
	1210427-6	STIFFENER ASSY								1	
	NAS680A4	NUTPLATE								1	
-26	2111683-3	BULKHEAD ASSY-LH				STA 44.00				1	
-27	2111683-4	BULKHEAD ASSY-RH				STA 44.00				1	
-28	1210426-1	SUPPORT								1	
-29	NAS696A4	NUTPLATE								1	
-30	2111683-8	STIFFENER ASSY								1	
	2111683-7	STIFFENER ASSY								1	
	NAS696A4	NUTPLATE								1	
-31	2111684-1	BULKHEAD-LH				STA 35.20				1	
-32	2111684-2	BULKHEAD-RH				STA 35.20				1	
-33	2111685-2	BRACKET-RH								1	
	2111685-1	BRACKET-LH								1	
-34	1211307-4	SUPPORT-OUTBD SEAT RAIL RH								1	
	1211307-3	SUPPORT-OUTBD SEAT RAIL LH								1	
-35	2110006-2	SUPPORT-OUTBD SEAT RAIL RH								1	
	2110006-1	SUPPORT-OUTBD SEAT RAIL LH								1	
-36	2111530-1	WEB-CABIN DOOR JAMB LH								1	
-37	2110021-1	GUSSET-LOWER RH CENTER SECTION								1	
-38	2111600-2	SKIN-BELLY SECTION AFT								1	
		ATTACHING PARTS									
	NAS222-14	SCREW								2	
	ANS25-10R12	SCREW								76	
	NAS1149F0332P	WASHER								76	
	MS21044N3	NUT								76	

-39	2111600-4	SKIN-BELLY SECTION FWD								1	
-40	5111339-3	SEAL-DRAIN								1	
	CM3575-2	SEAL								1	
-41	2111686-1	STRINGER-LWR FUSELAGE								4	
-42	2111686-2	STRINGER-LWR FUSELAGE								4	
-43	1211312-11	STIFFENER-LWR CTR FUSELAGE FWD								1	
-44	2110007-3	STIFFENER-LWR CTR FUSELAGE AFT								1	
-45	2110007-2	STIFFENER-LWR CTR FUSELAGE RH								1	
	2110007-1	STIFFENER-LWR CTR FUSELAGE LH								1	

CONTINUED ON NEXT PAGE

P210 Parts Catalog

FIGURE AND INDEX NO.	PART NUMBER	DESCRIPTION	UNITS PER ASSY	USABLE ON CODE
		1 2 3 4 5 6 7		
28 -46	2111309-1	COVER-MAIN LANDING GEAR ACTUATOR RH -----	1	C D C D B B
	2111309-2	COVER-MAIN LANDING GEAR ACTUATOR LH -----	1	
	AN515-8R8	ATTACHING PARTS -----	7	
	NAS1149DN816K	SCREW -----	14	
	MS21044N08	WASHER -----	7	
		NUT -----	7	
		*-----		
-47	1260492-3	BRACKET-PULLEY -----	1	
-48	1260492-2	BRACKET-PULLEY -----	1	
-49	2111670-1	SUPPORT ANGLE-LOWER INTERCONNECT LH FSO 2111670-3 -----	1	
	2111670-3	SUPPORT ANGLE-LOWER INTERCONNECT LH -----	1	
-50	2111670-2	SUPPORT ANGLE-LOWER INTERCONNECT RH FSO 2111670-4 -----	1	
	2111670-4	SUPPORT ANGLE-LOWER INTERCONNECT RH -----	1	
-51	1211406-1	GUIDE-HAND PUMP HANDLE -----	1	
-52	2111692-1	STIFFENER -----	1	
-53	2111691-1	STIFFENER -----	1	
		A---P210 SERIAL P21000001 THRU P21000150		
		B---P210 SERIAL P21000151 & ON		
		C---P210 SERIAL P21000001 THRU P21000079		
		D---P210 SERIAL P21000080 & ON		
		E---P210 SERIAL P21000001 THRU P21000760		
		F---P210 SERIAL P21000761 & ON		

P210 Parts Catalog

Fuselage (Cont)

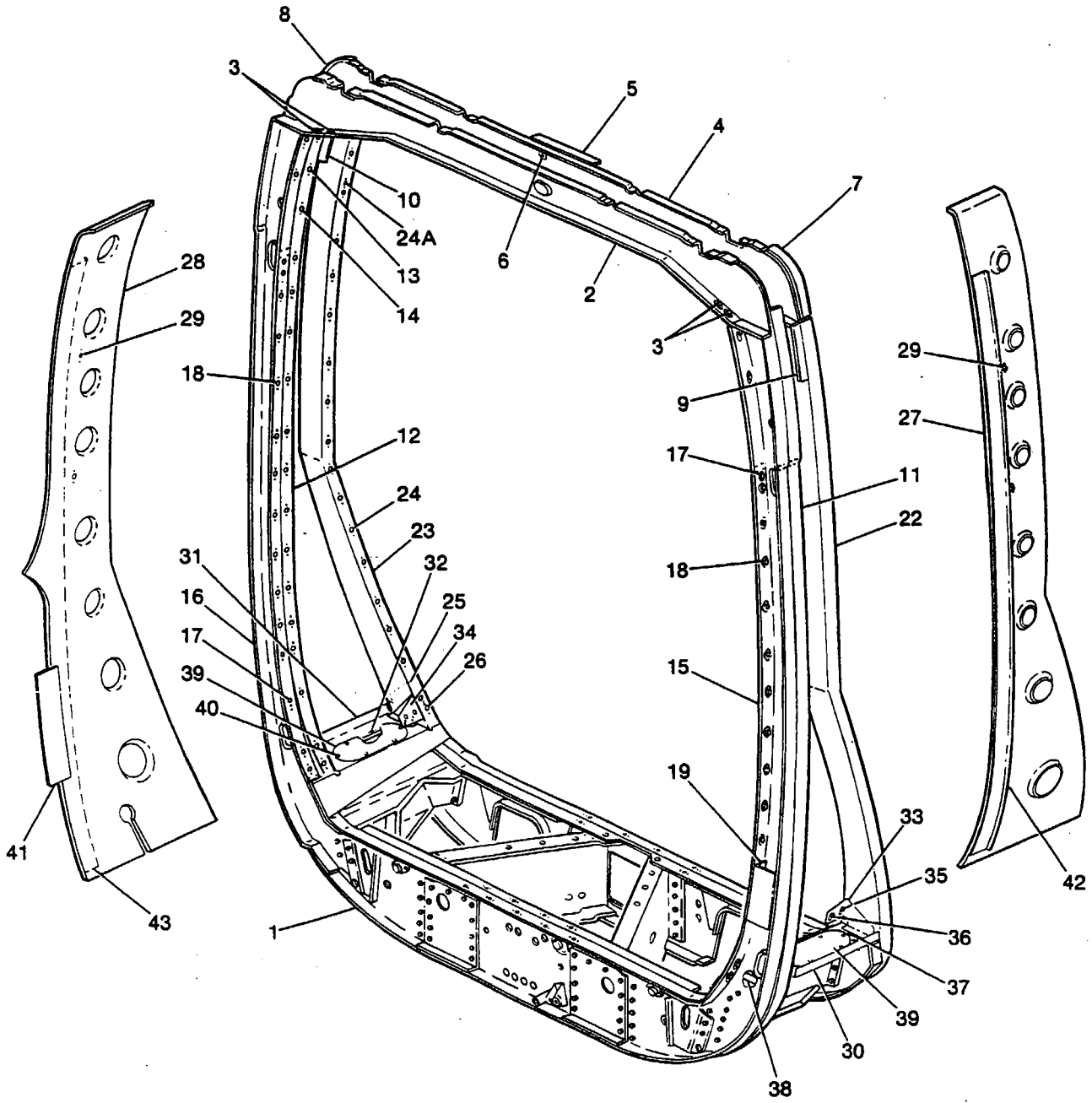


Figure 29. Rear Doorpost & Main Landing Gear Bulkhead Assembly

P210 Parts Catalog

FIGURE AND INDEX NO.	PART NUMBER	DESCRIPTION	UNITS PER ASSY							USABLE ON CODE	
			1	2	3	4	5	6	7		
29 -		DOORPOST & MAIN LANDING GEAR BULKHEAD ASSEMBLY-REAR								NP	
- 1	SEE FIG 30	BULKHEAD ASSY-MAIN GEAR ACTUATOR								1	
- 2	2111503-1	BULKHEAD ASSY-UPPER STA 67.125 WEU 2111503-3								1	C
	2111503-3	BULKHEAD ASSY-UPPER STA 67.125								1	D
- 3	NAS697A3	NUTPLATE								4	
- 4	2111504-1	BULKHEAD ASSY-UPPER STA 70.85 WEU 2111504-5								1	C
	2111504-5	BULKHEAD ASSY-UPPER STA 70.85								1	D
- 5	2111504-3	BRACKET-STRINGER								1	
	NAS697A3	NUTPLATE								4	
	NAS680A06	NUTPLATE								4	
- 6	MS35489-6	GROMMET								1	
- 7	1211819-1	REINFORCEMENT-LH STA 70.938								1	
- 8	1211819-2	REINFORCEMENT-RH STA 70.938								1	
- 9	1211792-1	BRACKET-ROOT RIB STIFFENER ATTACH LH								1	
-10	1211792-2	BRACKET-ROOT RIB STIFFENER ATTACH RH								1	
-11	2111628-1	CHANNEL ASSY-REAR DOORPOST INNER LH								1	
-12	2111628-2	CHANNEL ASSY-REAR DOORPOST INNER RH								1	
-13	NAS680A4	NUTPLATE								1	
-14	NAS680A3	NUTPLATE RH								16	
	NAS680A3	NUTPLATE LH								17	
-15	2111629-1	CHANNEL ASSY-REAR DOORPOST LH FORWARD								1	
-16	2111629-2	CHANNEL ASSY-REAR DOORPOST RH FORWARD								1	
-17	NAS682A3	NUTPLATE LH								3	
	NAS682A3	NUTPLATE RH								4	
-18	NAS680A3	NUTPLATE LH								14	
	NAS680A3	NUTPLATE RH								12	
-19	2111629-5	STIFFENER-LWR LH								1	
-20		DELETED-NOT USED									
-21		DELETED-NOT USED									
-22	1212201-5	CHANNEL ASSY-REAR DOORPOST AFT LH								1	A
	1212201-15	CHANNEL ASSY-REAR DOORPOST AFT LH								1	B
-23	1212201-6	CHANNEL ASSY-REAR DOORPOST AFT RH								1	A
	1212201-16	CHANNEL ASSY-REAR DOORPOST AFT RH								1	B
-24	NAS680A3	NUTPLATE								16	A
	NAS680A3	NUTPLATE								15	B
-24A	NAS680A06	NUTPLATE								1	A
-25	1211201-2	STIFFENER-OUTBD SEAT BELT RH FWD								1	A
	1211201-9	STIFFENER ASSY-OUTBD SEAT BELT RH FWD								1	B
	1211201-1	STIFFENER-OUTBD SEAT BELT LH FWD								1	A
	1211201-10	STIFFENER ASSY-OUTBD SEAT BELT LH FWD								1	B
	1211201-4	STIFFENER ASSY-OUTBD SEAT BELT RH AFT								1	
	1211201-3	STIFFENER ASSY-OUTBD SEAT BELT LH AFT								1	
	NAS680A3	NUTPLATE								1	
-26	NAS680A4	NUTPLATE								2	B
-27	2111671-1	WEB ASSY-DOORPOST INBD LH								1	
-28	2111671-2	WEB ASSY-DOORPOST INBD RH								1	
	NAS221-7	ATTACHING PARTS								19	
	NAS221-7	SCREW RH								56	
	NAS221-9	SCREW								37	
-29	NAS680A3	NUTPLATE								2	
-30	2111672-1	PLATE ASSY PRESSURE SEAL LH								1	
-31	2111672-2	PLATE ASSY PRESSURE SEAL RH								1	
-32	S2031-2	NUTPLATE								6	
-33	2111675-1	SUPPORT ASSY-SEAT BELT ATTACH LH								1	
-34	2111675-2	SUPPORT ASSY-SEAT BELT ATTACH RH								1	
-35	NAS696A4	NUTPLATE								1	
-36	NAS696A3	NUTPLATE								1	
-37	2111673-1	BRACKET-AFT CHANNEL LH								1	
	2111673-2	BRACKET-AFT CHANNEL RH								1	
-38	2111674-1	BRACKET-MID CHANNEL LH								1	
	2111674-2	BRACKET-MID CHANNEL RH								1	
-39	2111677-2	COVER ASSY								2	
	NAS220-7	ATTACHING PARTS								6	
-40	NAS220-7	SCREW								6	
-41	1270497-8	BRACKET-WIRE HARNESS SUPPORT								1	
-42	2111693-1	DOUBLER-REAR DOORPOST LH								1	
-43	2111693-2	DOUBLER-REAR DOORPOST RH								1	

A---P210 SERIAL P21000001 THRU P21000150
 B---P210 SERIAL P21000151 & ON
 C---P210 SERIAL P21000001 THRU P21000385
 D---P210 SERIAL P21000386 & ON

P210 Parts Catalog

Fuselage (Cont)

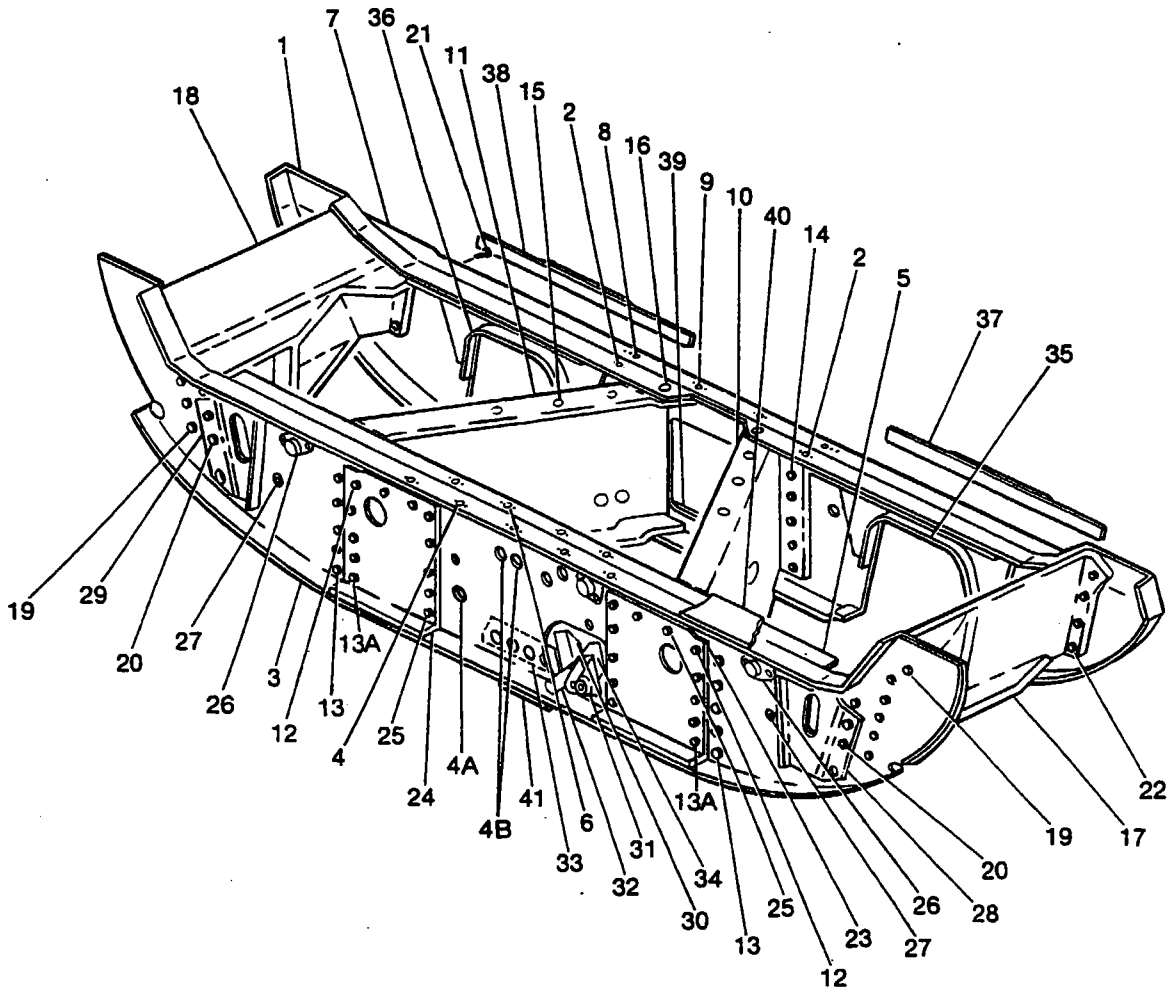


Figure 30. Main Gear Actuator Bulkhead Assembly

P210 Parts Catalog

FIGURE AND INDEX NO.	PART NUMBER	DESCRIPTION							UNITS PER ASSY	USABLE ON CODE
		1	2	3	4	5	6	7		
30 -		BULKHEAD ASSEMBLY-MAIN GEAR ACTUATOR -----							NP	
- 1	1211325-8	BULKHEAD ASSY-MAIN LANDING GEAR STA 77.00 -----							1	A
	1211325-12	BULKHEAD ASSY-MAIN LANDING GEAR STA 77.00 -----							1	B
- 2	S2031-4	NUTPLATE -----							1	
- 3	2111302-1	BULKHEAD ASSY-FWD STA 67.25 -----							2	
- 4	NAS680A3	NUTPLATE -----							1	
- 4A	CM2692-24-1S	PLUG BUTTON -----							5	
- 4B	CM2692-15F1S	PLUG BUTTON -----							1	
- 5	2111301-1	BULKHEAD ASSY-AFT STA 67.25 -----							2	
- 6	S2031-3	NUTPLATE -----							1	
- 7	1211328-10	STIFFENER ASSY-BULKHEAD -----							8	
- 8	NAS1474A4	NUTPLATE -----							1	
- 9	S2031-3	NUTPLATE -----							2	
-10	1241607-11	SUPPORT ASSY-LH INBD -----							2	
	1241607-23	SUPPORT ASSY-LH INBD -----							1	A
-11	1241607-12	SUPPORT ASSY-RH INBD -----							1	B
	1241607-24	SUPPORT ASSY-RH INBD -----							1	B
-12	AN4-5A	ATTACHING PARTS -----								
	NAS1149F0463P	BOLT -----							1	
-13	AN4-10A	WASHER -----							1	
	NAS1149F0463P	BOLT -----							1	
	MS21042L4	WASHER -----							6	
-13A	AN4-6A	NUT -----							12	
	NAS1149F0463P	BOLT -----							6	
-14	AN3-7A	WASHER -----							5	
	NAS1149F0363P	BOLT -----							5	
	MS21044N3	WASHER -----							6	
		NUT -----							12	
-15	NAS1473A3	*-----							6	
-16	NAS1474A3	NUT -----							3	
	MS15001-1	NUT -----							1	
	NAS1395C4L	LUBRICATION FITTING-MAIN GEAR -----							1	
	MS21209F4-15	INSERT -----							8	
	MS21209F5-15	INSERT -----							3	
	NAS75-4-006	INSERT -----							3	
	NAS75-5-006	BUSHING -----							3	A
-17	1241615-1	BUSHING -----							3	B
-18	1241615-2	SUPPORT ASSY-LH OUTBD -----							3	
		SUPPORT ASSY-RH OUTBD -----							1	
-19	AN4-11A	ATTACHING PARTS -----								
	NAS1149F0463P	BOLT -----							6	
	MS21042L4	WASHER -----							8	
-20	AN5-12A	NUT -----							6	
	NAS1149F0563P	BOLT -----							3	
	MS21042L5	WASHER -----							6	
-21	AN4-5A	NUT -----							3	
	NAS1149F0463P	BOLT -----							1	
-22	AN4-6A	WASHER -----							1	
	NAS1149F0463P	BOLT -----							5	
	MS21042L4	WASHER -----							10	
		NUT -----							5	
	MS15001-1	*-----								
	NAS1395C4L	FITTING-LUBRICATION -----							1	
-23	2111303-1	INSERT -----							2	
-24	2111303-2	DOUBLER-LH ACCESS HOLE -----							1	
		DOUBLER-RH ACCESS HOLE -----							1	
-25	AN3-6A	ATTACHING PARTS -----								
	NAS1149F0363P	BOLT -----							7	
	MS21044N3	WASHER -----							7	
		NUT -----							7	
-26	S45A12	*-----								
	AN515-10R10	FITTING HALF-SEAL NYMC -----							4	
	NAS1149D0316K	ATTACHING PARTS -----								
		SCREW -----							1	
		WASHER -----							1	
-27	AN515-8R8	*-----								
	S1450-2-12-032	SCREW -----							2	
	MS21044N08	WASHER -----							4	
		NUT -----							2	

CONTINUED ON NEXT PAGE

P210 Parts Catalog

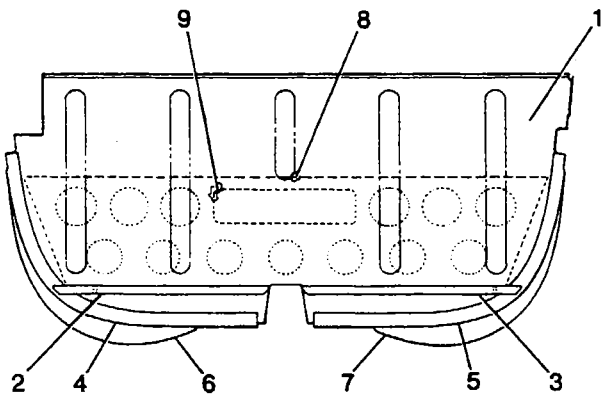
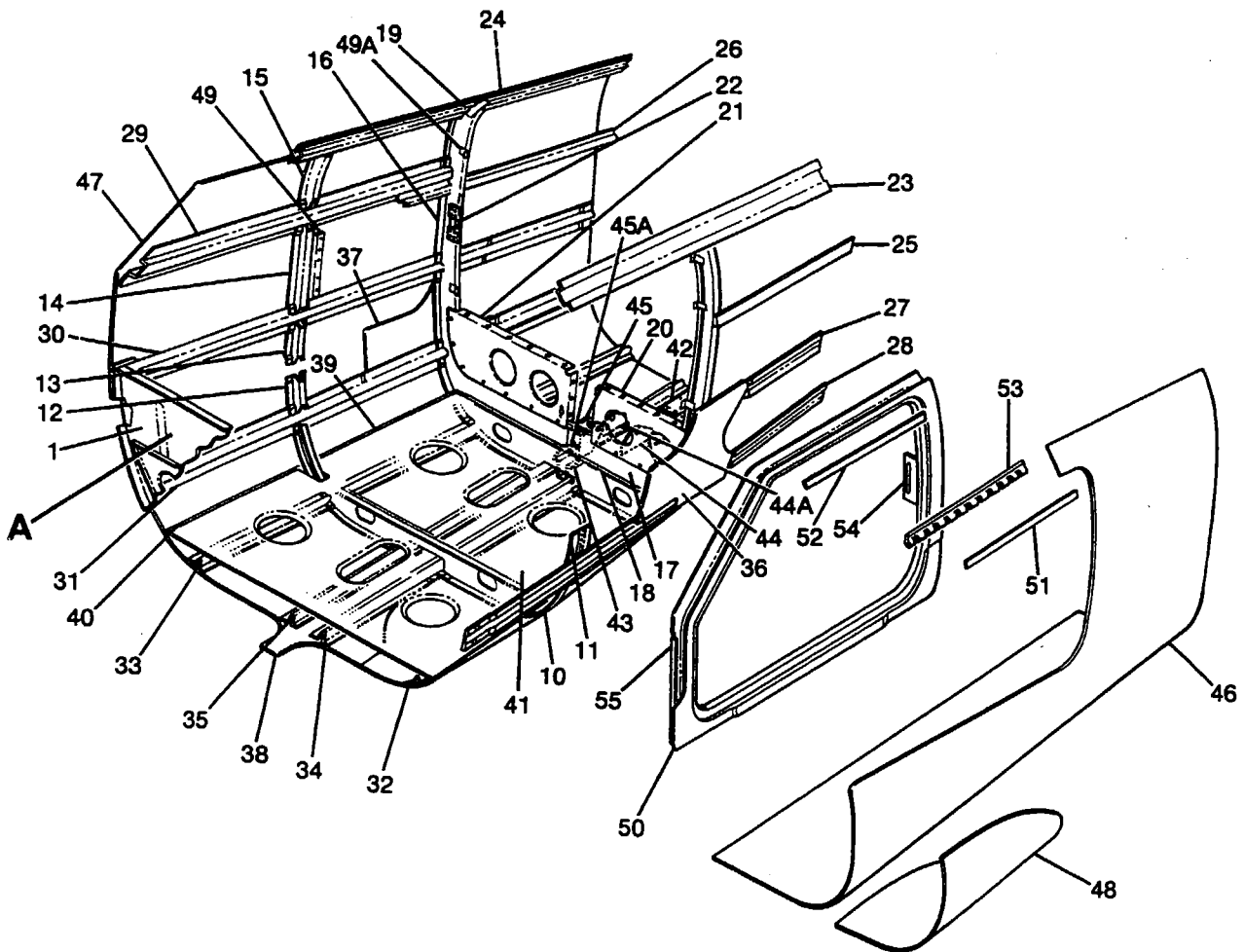
FIGURE AND INDEX NO.	PART NUMBER	DESCRIPTION							UNITS PER ASSY	USABLE ON CODE
		1	2	3	4	5	6	7		
30	-28	1211342-1							1	A B
	-29	1211342-2							1	
	-30	1260489-1							1	
	-31	1260490-1							1	
	-32	2111308-3							1	
	-33	2111308-1							1	
	-34	2111308-2							1	
	-35	1211347-3							1	
	-36	1211347-4							1	
	-37	1211327-1							1	
	-38	1211327-2							1	
	-39	1211327-7							1	
		1211327-10							1	
	-40	1211330-1							1	
	-41	1211331-1							1	
		A---P210 SERIAL P21000001 THRU P21000150 B---P210 SERIAL P21000151 & ON								

P210 Parts Catalog

FIGURE AND INDEX NO.	PART NUMBER	DESCRIPTION							UNITS PER ASSY	USABLE ON CODE
		1	2	3	4	5	6	7		
31 -		CABIN STRUCTURE ASSEMBLY-LOWER AFT -----							NP	
- 1	2111527-1	BULKHEAD ASSY STA 124.60 -----							1	A
- 2	1211290-1	SUPPORT-LH -----							1	
- 3	1211290-2	SUPPORT-RH -----							1	
- 4	1211299-1	STIFFENER-LH -----							1	
- 5	1211299-2	STIFFENER-RH -----							1	
- 6	1211300-5	CLIP-LH ATTACH -----							1	
- 7	1211300-6	CLIP-RH ATTACH -----							1	
- 8	1211341-2	REINFORCEMENT -----							1	
- 9	1512360-2	SUPPORT-ACTUATOR -----							1	
- 9A	2111552-5	BULKHEAD ASSY STA 124.60 -----							1	
- 9B	1211290-2	SUPPORT-RH -----							1	
- 9C	1211290-1	SUPPORT-LH -----							1	
- 9D	1211299-1	STIFFENER-LH -----							1	
- 9E	1211299-2	STIFFENER-RH -----							1	
- 9F	2111319-1	SUPPORT -----							1	
-10	1211296-1	BULKHEAD-LWR -----							2	B
-11	1211293-4	STRINGER-LH -----							1	
-12	1211293-5	STRINGER-RH -----							1	
CONTINUED ON NEXT PAGE										

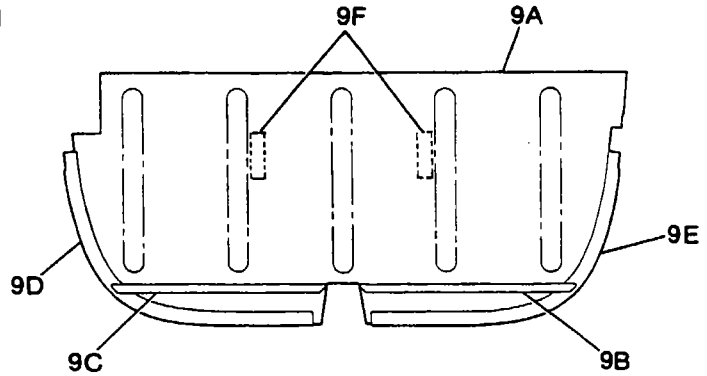
P210 Parts Catalog

Fuselage (Cont)



AFT VIEW LOOKING FWD
P21000001 THRU P21000150

Detail **A**



AFT VIEW LOOKING FWD
P21000151 & ON

Detail **A**

Figure 31. Lower Aft Cabin Structure Assembly

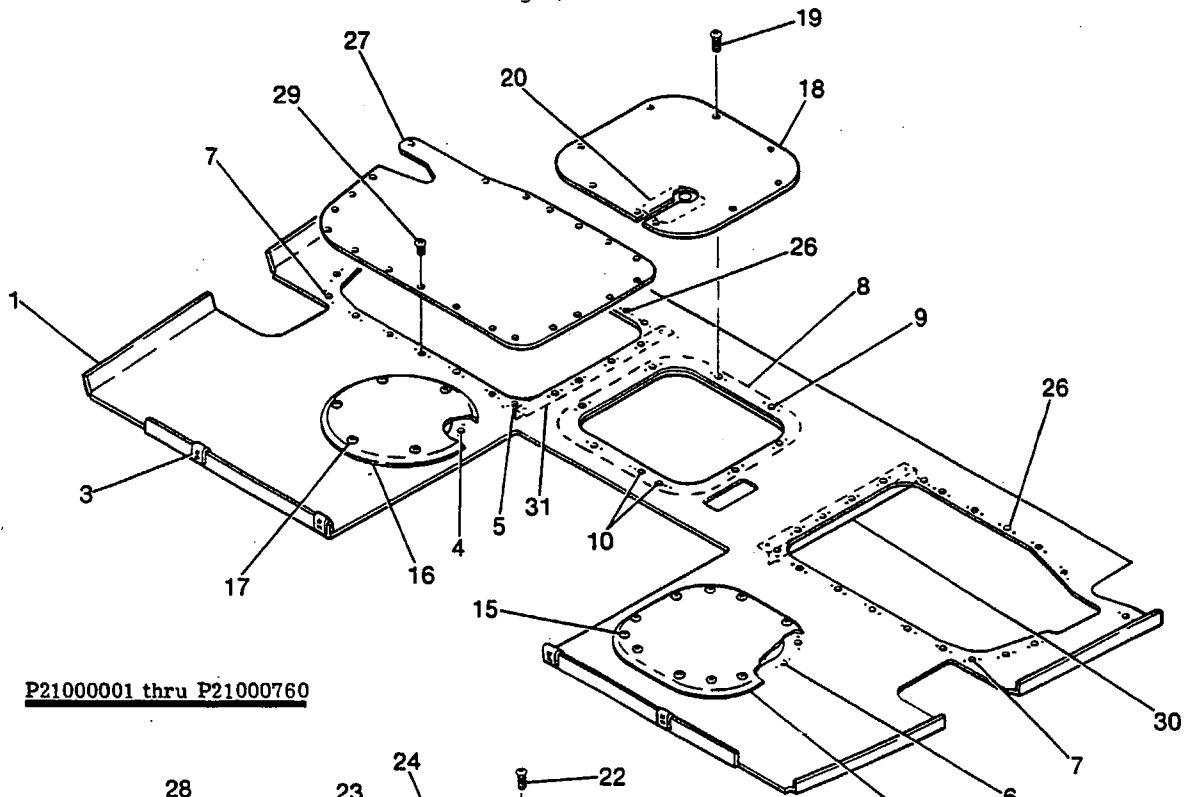
P210 Parts Catalog

FIGURE AND INDEX NO.	PART NUMBER	DESCRIPTION							UNITS PER ASSY	USABLE ON CODE	
		1	2	3	4	5	6	7			
31 -13	1211293-3								STRINGER-RH -----	1	
-14	1211293-2								STRINGER-RH -----	1	
-15	1211293-1								STRINGER-RH -----	1	
-16	1211286-10								BULKHEAD-RH -----	1	
-17	1211286-7								BULKHEAD-LH -----	1	
-18	1211290-7								SUPPORT -----	1	
-19	1211313-2								SPLICE-RH -----	1	
	1211313-1								SPLICE-LH -----	1	
-20	2112102-1								SUPPORT ASSY-BAGGAGE SHELF LH -----	1	
-21	2112102-2								SUPPORT ASSY-BAGGAGE SHELF RH -----	1	
	S1860-2A								NUTPLATE -----	1	
-22	1211865-1								DOUBLER-BULKHEAD RH -----	1	
	AN3-3A								ATTACHING PARTS		
	MS21044N3								BOLT -----	8	
									NUT -----	8	
									-----*		
-23	1212431-1								STRINGER-LH -----	1	
-24	1212431-2								STRINGER-RH -----	1	
-25	1212709-3								STRINGER-LH -----	1	
-26	1212709-20								STRINGER-RH -----	1	
-27	1212710-3								STRINGER-LH -----	1	
-28	1212710-9								STRINGER-LH -----	1	
-29	1212710-8								STRINGER-RH -----	1	
-30	1212710-4								STRINGER-RH -----	1	
-31	1212710-10								STRINGER-RH -----	1	
-32	1212710-11								STRINGER-LH -----	1	
-33	1212710-12								STRINGER-RH -----	1	
-34	1212710-5								STRINGER-LH -----	1	
-35	1212710-6								STRINGER-RH -----	1	
-36	1211285-1								DOUBLER-LH -----	1	
-37	1211285-2								DOUBLER-RH -----	1	
-38	1212434-1								REINFORCEMENT -----	1	
-39	1211290-4								SUPPORT-RH -----	1	
	1211290-3								SUPPORT-LH -----	1	
-40	1211290-6								SUPPORT-RH -----	1	
	1211290-5								SUPPORT-LH -----	1	
-41	SEE FIG 32								FLOORBOARD ASSY -----	1	
-42	1212435-1								STIFFENER -----	1	
-43	1260486-1								SUPPORT BRACKET-PULLEY LH -----	1	
	1260486-2								SUPPORT BRACKET-PULLEY RH -----	1	
-44	1260482-1								BRACKET-PULLEY LH -----	1	
	1260482-2								BRACKET-PULLEY RH -----	1	
									ATTACHING PARTS		
-44A	AN515-8R6								SCREW -----	1	
	MS21044N08								NUT -----	1	
									-----*		
-45	1260487-1								BRACKET ASSY-PULLEY STA 152.20 -----	1	
-44									ATTACHING PARTS		
-44A	AN515-8R6								SCREW -----	2	
									-----*		
-45	NAS697A08K								NUTPLATE -----	2	
	MS24665-144								PIN -----	4	
-46	1210504-3								SKIN-LH -----	1	
-47	1210504-24								SKIN-RH -----	1	
-48	1212019-1								FAIRING-LH -----	1	
	1212019-2								FAIRING-RH -----	1	
-49	1270497-1								BRACKET-WIRE HARNESS SUPPORT -----	1	
-49A	2115025-8								BRACKET-BAGGAGE COMPARTMENT -----	6	
-50	1211288-1								DOOR JAMB -----	1	
-51	1211292-2								SHIM -----	1	
-52	1211292-1								SHIM -----	1	
-53	1211283-1								HINGE -----	1	
-54	1212111-2								BRACKET ASSY -----	1	
	1212121-1								GUIDE -----	1	
-55	1211289-1								DOUBLER-DOOR JAMB -----	1	
									ATTACHING PARTS		
	CR163-4								RIVET CY -----	AR	
	CR162-4								RIVET CY -----	AR	
									-----*		
		A---P210 SERIAL P21000001 THRU P21000150									
		B---P210 SERIAL P21000151 & ON									

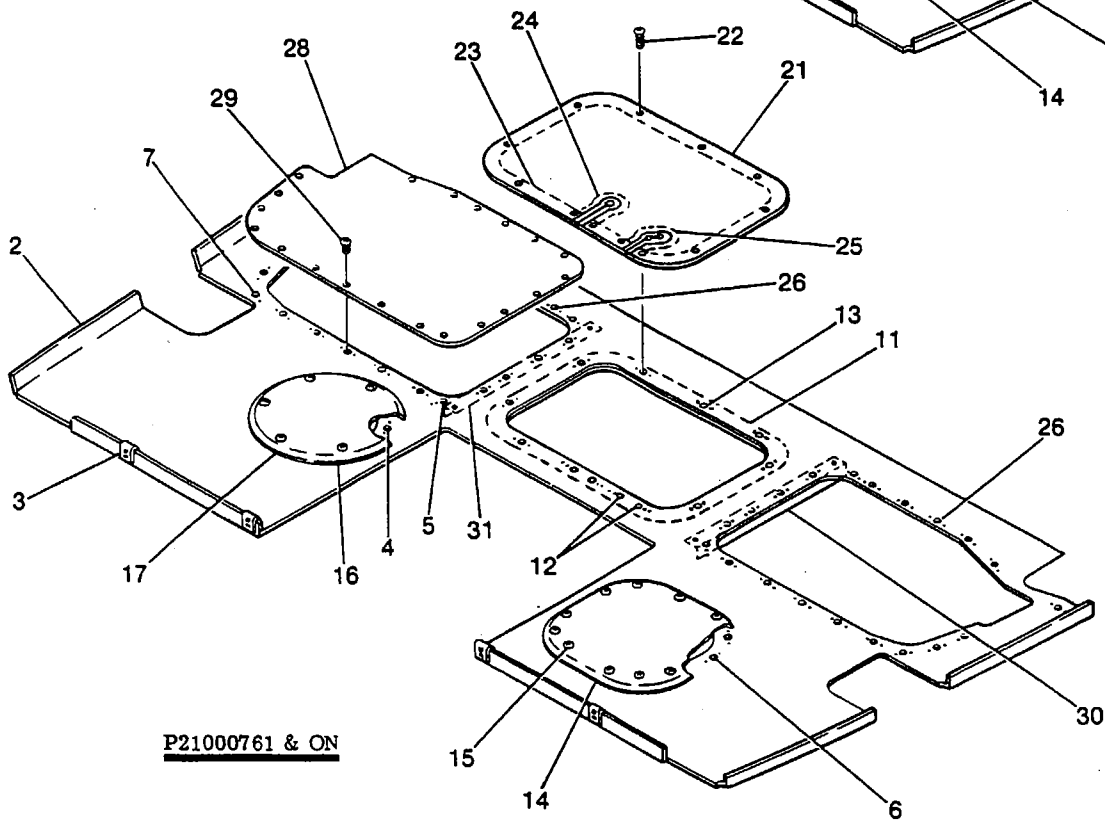
A
A

P210 Parts Catalog

Fuselage (Cont)



P21000001 thru P21000760



P21000761 & ON

Figure 31A. Forward Section Floorboards

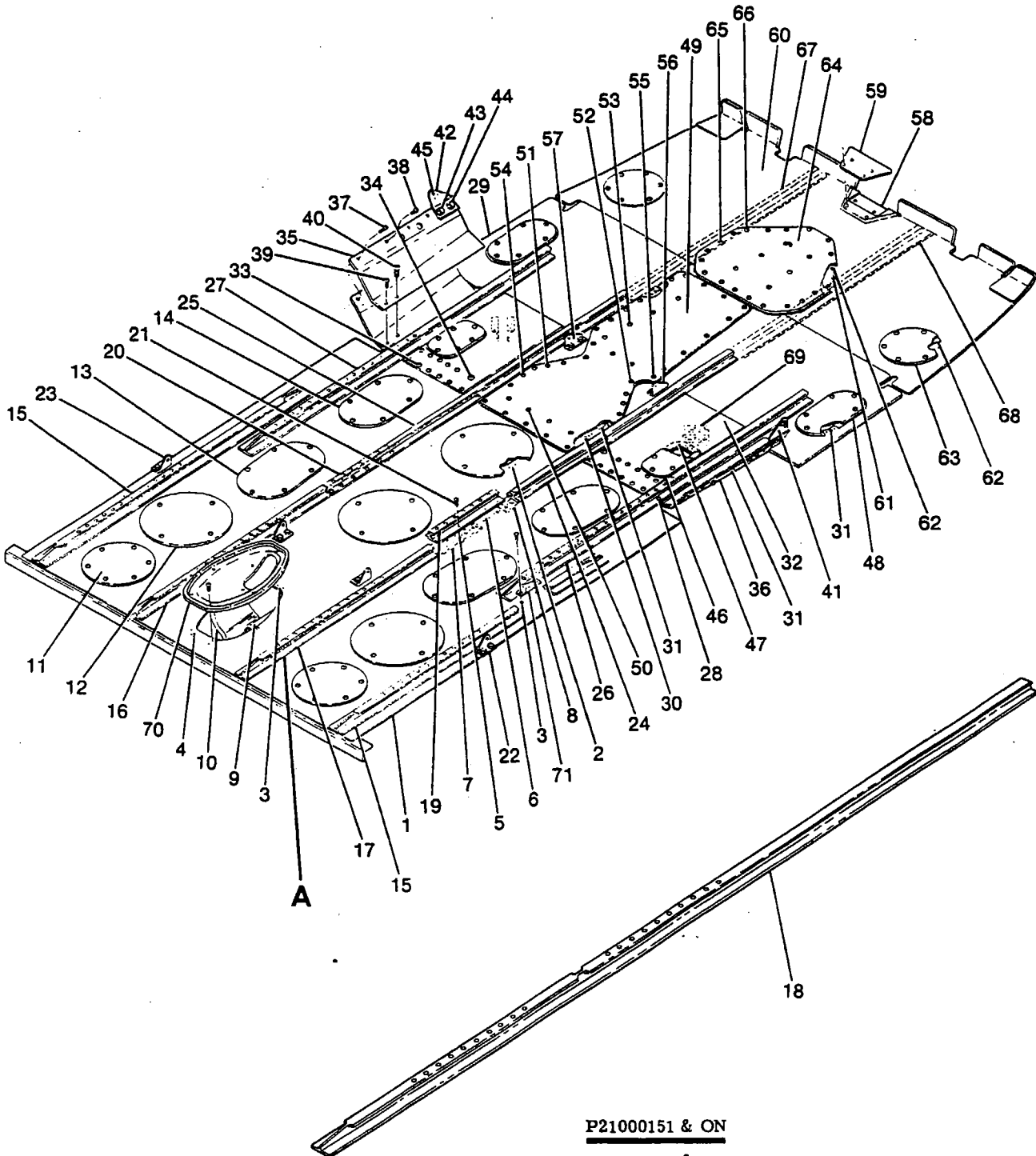
P210 Parts Catalog

FIGURE AND INDEX NO.	PART NUMBER	DESCRIPTION	UNITS PER ASSY	USABLE ON CODE		
					1	2
31A-		FLOORBOARDS-FORWARD SECTION -----	NP			
- 1	2113071-1	FLOORBOARD ASSY-FORWARD -----	1	A		
- 2	2113071-3	FLOORBOARD ASSY-FORWARD -----	1	B		
- 3	NAS395-14-3	NUT -----	4			
- 4	S1863-3A	NUTPLATE -----	6			
- 5	NAS696A08	NUTPLATE -----	2			
- 6	S1860P2A	NUTPLATE -----	12			
- 7	NAS697A08	NUTPLATE -----	20			
- 8	1213494-1	DOUBLER ASSY-FWD FLOORBOARD -----	1	A		
- 9	S1863-4A	NUTPLATE -----	7			
-10	S1862-3A	NUTPLATE -----	2			
-11	2113232-1	DOUBLER ASSY-FWD FLOORBOARD -----	1	B		
-12	S1862-3A	NUTPLATE -----	4			
-13	S1863-4A	NUTPLATE -----	8			
-14	1213302-1	PLATE-FUEL PUMP ACCESS COVER -----	1	A		
	1213302-2	PLATE-FUEL PUMP ACCESS COVER -----	1	B		
-15	S1022Z8-8	ATTACHING PARTS SCREW -----	12			
-16	S225-6	PLATE-INSPECTION ----- ATTACHING PARTS	1			
-17	S1022Z8-8	SCREW -----	6			
-18	2113133-1	COVER ASSY-FUEL SELECTOR VALVE ----- ATTACHING PARTS	1	A		
-19	S1021Z10-8	SCREW -----	9			
-20	2113133-3	SEAL -----	1			
	2113133-4	RETAINER-SEAL -----	2			
-21	2113231-1	COVER ASSY-FUEL SELECTOR VALVE -----	1	C		
	2113231-2	COVER-FUEL SELECTOR VALVE -----	1	D		
-22	S1021Z10-8	ATTACHING PARTS SCREW -----	12			
-23	2113235-1	GASKET -----	1	C		
-24	2113234-1	SEAL -----	1	C		
-25	2113234-2	SEAL -----	1	C		
	NAS1149FN232P	WASHER -----	13	C		
-26	NAS697A08	NUTPLATE -----	18			
-27	1213512-1	PLATE-COVER -----	2	A		
-28	1213512-5	PLATE-COVER ----- ATTACHING PARTS	2	B		
-29	AN515-8R8	SCREW -----	20			
-30	1213513-1	ANGLE-LH -----	1			
-31	1213513-2	ANGLE-RH -----	1			

A---P210 SERIAL P21000001 THRU P21000760
 B---P210 SERIAL P21000761 & ON
 C---P210 SERIAL P21000001 THRU P21000834
 D---P210 SERIAL P21000835 & ON

P210 Parts Catalog

Fuselage (Cont)



P21000151 & ON

Detail **A**

Figure 32. Center Section Floorboards

P210 Parts Catalog

FIGURE AND INDEX NO.	PART NUMBER	DESCRIPTION	UNITS PER ASSY							USABLE ON CODE	
			1	2	3	4	5	6	7		
32 -		FLOORBOARDS-CENTER SECTION -----									
- 1	2110012-1	FLOORBOARD ASSY-CENTER -----								NP	
	2110012-3	FLOORBOARD ASSY-CENTER -----								1	
	2110012-5	FLOORBOARD ASSY-CENTER WEU 2110012-5 -----								1	A
	2110012-7	FLOORBOARD ASSY-CENTER -----								1	G
- 2	NAS680A08	FLOORBOARD ASSY-CENTER -----								1	H
- 3	NAS680A3	NUTPLATE -----								44	J
- 4	MS21073L3	NUTPLATE -----								3	
- 5	NAS696A08	NUTPLATE -----								2	
- 6	NAS697A08	NUTPLATE -----								8	
- 7	1211311-1	NUTPLATE -----								12	
- 8	1211311-2	STIFFENER -----								2	A
- 9	1211359-1	STIFFENER -----								2	
	NAS680A3	SUPPORT ASSY-HAND PUMP LH -----								1	
-10	1211359-2	NUTPLATE -----								1	
	NAS680A3	SUPPORT ASSY-HAND PUMP RH -----								1	
-11	S225-7	NUTPLATE -----								1	
	AN515-8R8	COVER -----								2	
		ATTACHING PARTS -----									
		SCREW -----								6	
-12	S329	COVER -----								4	
	AN515-8R8	ATTACHING PARTS -----								4	
		SCREW -----								4	
-13	1212031-11	COVER-FWD -----								2	
-14	1212031-7	COVER-AFT -----								2	
	AN515-8R8	ATTACHING PARTS -----								6	
		SCREW -----								6	
-15	1211514-1	SEAT RAIL-FWD OUTBD -----								2	
	1211514-2	SEAT RAIL-FWD OUTBD -----								2	A
-16	1210520-2	SEAT RAIL-RH -----								1	B
-17	1210520-11	SEAT RAIL-LH -----								1	A
-18	1210520-15	SEAT RAIL-LH -----								1	A
	1210520-16	SEAT RAIL-RH -----								1	B
-19	1210520-3	SEAT RAIL-LH -----								1	B
-20	1210520-4	SEAT RAIL-LH -----								1	B
		SEAT RAIL-RH -----								1	A
		ATTACHING PARTS -----									
-21	AN507-832R8	SCREW -----								12	
-22	0510205-8	FITTING-SEATBELT ATTACHMENT -----								2	
-23	0510205-7	FITTING-SEAT BELT ATTACHMENT -----								2	
	AN4-5A	ATTACHING PARTS -----									
		BOLT -----								2	
-24	1210520-5	SEAT RAIL-LH -----								1	A
-25	1210520-6	SEAT RAIL-RH -----								1	A
-26	1210520-7	SEAT RAIL-LH -----								1	A
	1210520-17	SEAT RAIL-LH -----								1	A
-27	1210520-8	SEAT RAIL-RH -----								1	B
	1210520-18	SEAT RAIL-RH -----								1	B
		ATTACHING PARTS -----									
-28	MS21044N08	NUT -----								2	
	NAS220-10	SCREW -----								2	
-29	2110003-1	FLOORBOARD ASSY-AFT CENTER -----								1	A
	2110003-3	FLOORBOARD ASSY-AFT CENTER -----								1	B
-30	S2018-2	NUTPLATE -----								2	
-31	S2031-3	NUTPLATE -----								24	
-32	2111541-1	REINFORCEMENT-FLOORBOARD AFT CENTER -----								2	
		ATTACHING PARTS -----									
-33	NAS221-13	SCREW -----								22	
	MS21044N3	NUT -----								22	
	NAS1149F0363P	WASHER -----								22	
-34	NAS222-12	SCREW -----								1	
		-----*									

CONTINUED ON NEXT PAGE

P210 Parts Catalog

FIGURE AND INDEX NO.	PART NUMBER	DESCRIPTION							UNITS PER ASSY	USABLE ON CODE
		1	2	3	4	5	6	7		
32	2110004-1	STIFFENER-RH -----							1	F E E T
-35	2110004-2	STIFFENER-LH -----							1	
-36		ATTACHING PARTS -----							1	
-37	NAS221-11	SCREW -----							2	
-38	AN525-10R6	SCREW -----							3	
-39	NAS221-13	SCREW -----							1	
	MS21044N3	NUT -----							1	
	NAS1149F0363P	WASHER -----							1	
-40	NAS222-12	SCREW -----							1	
		*-----								
-41	2011028-7	FITTING ASSY-SEAT BELT ATTACH LH -----							1	
-42	2011028-8	FITTING ASSY-SEAT BELT ATTACH RH -----							1	
		ATTACHING PARTS -----								
-43	AN4-5A	BOLT -----							1	
-44	AN4-6A	BOLT -----							1	
		*-----								
-45	MS21073L4	NUTPLATE -----							1	
-46	2110024-5	COVER ASSY -----							2	
		ATTACHING PARTS -----								
	NAS221-5	SCREW -----							6	
		*-----								
	2110024-6	GASKET -----							1	
-47	1200564-3	DOUBLER ASSY -----							2	
	S2031-3	NUTPLATE -----							6	
-48	2110024-1	COVER ASSY -----							2	
		ATTACHING PARTS -----								
	NAS221-5	SCREW -----							6	
		*-----								
	2110024-2	GASKET -----							1	
-49	2110005-1	COVER ASSY-ACCESS -----							1	
		ATTACHING PARTS -----								
-50	NAS221-13	SCREW -----							11	
-51	NAS221-9	SCREW -----							8	
-52	NAS221-10	SCREW -----							2	
	NAS1149D0363H	WASHER -----							2	
-53	NAS221-7	SCREW -----							10	
-54	NAS221-6	SCREW -----							10	
-55	NAS221-10	SCREW -----							2	
		*-----								
	2110005-4	GASKET -----							1	
	2110005-5	GASKET -----							1	
-56	0510205-7	FITTING-SEAT BELT ATTACHMENT LH -----							1	
-57	0510205-8	FITTING-SEAT BELT ATTACHMENT RH -----							1	
		ATTACHING PARTS -----								
	AN4-5A	BOLT AFT -----							1	
	AN4-4A	BOLT FWD -----							1	
	NAS1149F0432P	WASHER -----							2	
		*-----								
-58	2110047-1	GUSSET -----							1	
-59	2111644-2	GUSSET -----							1	
-60	2110002-1	FLOORBOARD ASSY -----							1	
	2110002-3	FLOORBOARD ASSY -----							1	
-61	S2018-2	NUTPLATE -----							8	
-62	S2031-3	NUTPLATE -----							15	
-63	2110024-3	COVER ASSY -----							2	
		ATTACHING PARTS -----								
	NAS221-5	SCREW -----							6	
		*-----								
	2110024-4	GASKET -----							1	
-64	2110005-3	COVER ASSY -----							1	
		ATTACHING PARTS -----								
-65	NAS221-7	SCREW -----							16	
-66	NAS221-6	SCREW -----							11	
		*-----								
	2110005-7	GASKET -----							1	
	2110005-6	GASKET -----							2	
-67	1212022-10	STIFFENER-RH -----							1	
	S2018-2	NUTPLATE -----							1	
	S2031-3	NUTPLATE -----							2	

CONTINUED ON NEXT PAGE

P210 Parts Catalog

FIGURE AND INDEX NO.	PART NUMBER	DESCRIPTION							UNITS PER ASSY	USABLE ON CODE
		1	2	3	4	5	6	7		
32 -68 -69 -70 -71	1212022-9 S2018-2 S2031-3 1210807-1 SEE FIG 119 2111316-1 2111318-1 2111316-2C AN509-10R11	STIFFENER-LH ----- NUTPLATE ----- NUTPLATE ----- BRACKET ----- PAN-HAND PUMP ----- CAM STOP WEU 2111316-2C ----- SPACER WEU 2111316-2C ----- CAM STOP ----- ATTACHING PARTS ----- SCREW ----- *----- A---P210 SERIAL P21000001 THRU P21000150 B---P210 SERIAL P21000151 & ON C---P210 SERIAL P21000124 THRU P21000360 D---P210 SERIAL P21000001 THRU P21000192 E---P210 SERIAL P21000193 & ON F---P210 SERIAL P21000361 & ON G---P210 SERIAL P21000151 THRU P21000385 H---P210 SERIAL P21000386 THRU P21000470 J---P210 SERIAL P21000471 & ON							1 1 2 4 1 1 1 1 1 2	C C C F

P210 Parts Catalog

Fuselage (Cont)

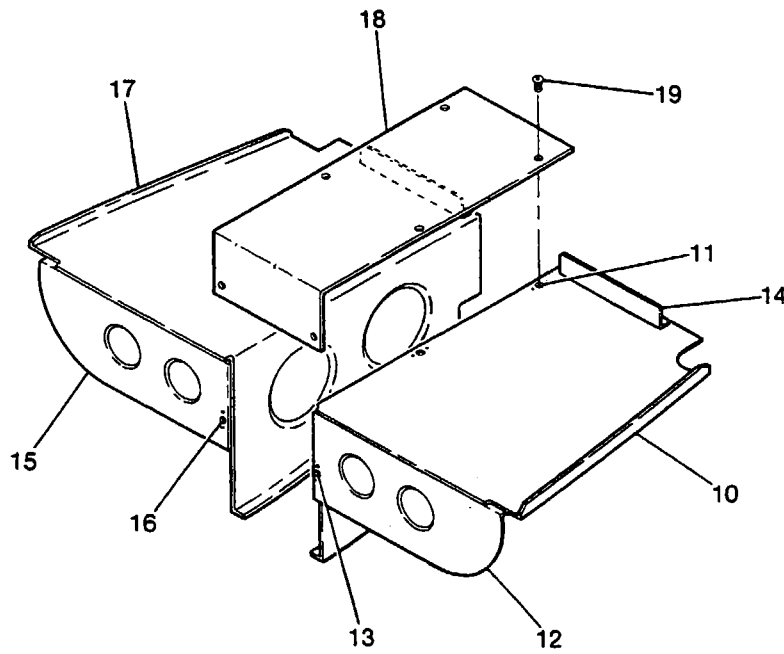
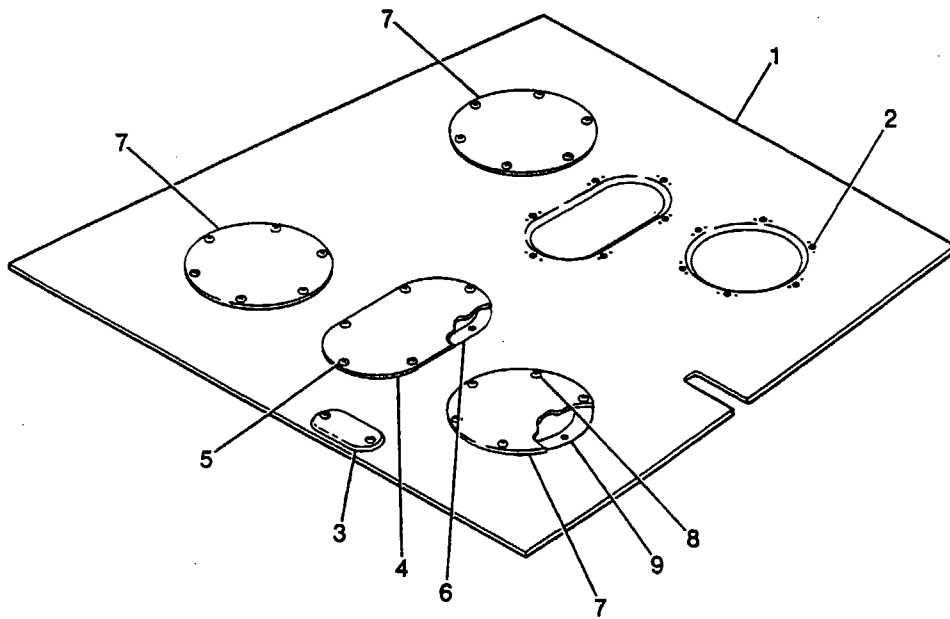


Figure 32A. Baggage Compartment Floorboards & Radio Shelves

P210 Parts Catalog

FIGURE AND INDEX NO.	PART NUMBER	DESCRIPTION	UNITS PER ASSY	USABLE ON CODE		
					1	2
32A-		FLOORBOARDS-BAGGAGE COMP & RADIO SHELVES -----	NP			
- 1	1211297-2	FLOORBOARD ASSY-BAGGAGE COMPARTMENT WEU 1211297-5 -----	1	A		
- 2	1211297-5	FLOORBOARD ASSY-BAGGAGE COMPARTMENT -----	1	B		
	NAS680A08	NUTPLATE -----	36			
- 3	1212031-17	COVER-ACCESS -----	1	B		
	S1021A6-4	ATTACHING PARTS -----				
		SCREW -----	2			
		*-----				
- 4	1212031-1	COVER ASSY -----	2			
		ATTACHING PARTS -----				
- 5	AN515-8R8	SCREW -----	6			
		*-----				
- 6	1212032-1	GASKET -----	1			
- 7	S225-7	PLATE-INSPECTION -----	4			
		ATTACHING PARTS -----				
- 8	AN515-8R8	SCREW -----	6			
- 9	1212032-7	GASKET -----	1			
		*-----				
-10	2112101-1	SHELF ASSY-EXTENDED BAGGAGE AREA LH WEU 2112101-5 -----	1	A		
	2112101-5	SHELF ASSY-EXTENDED BAGGAGE AREA LH -----	1	B		
-11	S1860-2A	NUTPLATE -----	2			
-12	2112102-1	SUPPORT ASSY-BAGGAGE SHELF FWD LH -----	1			
-13	S1860-2A	NUTPLATE -----	1			
-14	2112106-4	ANGLE-SUPPORT -----	2			
-15	2112102-2	SUPPORT ASSY-BAGGAGE SHELF FWD RH -----	1			
-16	S1860-2A	NUTPLATE -----	1			
-17	2112101-2	SHELF ASSY-EXTENDED BAGGAGE AREA RH -----	1			
	S1860-2A	NUTPLATE -----	2			
-18	2112104-1	COVER-BAGGAGE SHELF -----	1			
		ATTACHING PARTS -----				
-19	S1022Z8-8	SCREW -----	6			
		*-----				
		A---P210 SERIAL P21000001 THRU P21000404 P21000406 THRU P21000489				
		B---P210 SERIAL P21000405 & P21000490 & ON				

P210 Parts Catalog

FIGURE AND INDEX NO.	PART NUMBER	DESCRIPTION							UNITS PER ASSY	USABLE ON CODE
		1	2	3	4	5	6	7		
33 -		UPPER CABIN SECTION COMPONENTS -----							NP	
- 1	SEE FIG 34	FORWARD CABIN TOP COMPONENTS -----							1	
		ATTACHING PARTS -----								
- 2	AN3-5A	BOLT -----							8	
- 3	NAS1149F0363P	WASHER -----							16	
- 4	MS21044N3	NUT -----							8	
		-----*								
- 5	SEE FIG 29	REAR DOORPOST & MAIN LANDING GEAR BULKHEAD ASSY -----							1	
- 6	2111514-1	BRACKET ASSY-INERTIA REEL LH -----							1	
- 7	2111514-2	BRACKET ASSY-INERTIA REEL RH -----							1	
	2111556-1	BRACKET ASSY-INERTIA REEL RH -----							1	
- 8	NAS682A08	NUTPLATE LH & RH -----							2	
	NAS682A08	NUTPLATE LH ONLY -----							2	
	NAS682A08	NUTPLATE RH ONLY -----							3	
- 9	NAS680A08	NUTPLATE LH & RH -----							3	
	NAS680A08	NUTPLATE LH ONLY -----							3	
	NAS680A08	NUTPLATE RH ONLY -----							2	
-10	1211852-1	SUPPORT-INERTIA REEL BRACKET LH -----							1	
-11	1211852-2	SUPPORT-INERTIA REEL BRACKET RH -----							1	
-12	1211854-1	STIFFENER-CHANNEL SUPPORT -----							1	
		ATTACHING PARTS -----								
-13	NAS220-7	SCREW -----							4	
		-----*								
-14	1211853-2	PLATE ASSY-INERTIA REEL -----							1	
-15	NAS682A08	NUTPLATE -----							2	
-16	NAS680A08	NUTPLATE -----							2	
-17	1211853-1	PLATE-INERTIA REEL -----							1	
-18	1211850-1	PLATE ASSY-INERTIA REEL BASE -----							1	
	2111557-1	PLATE ASSY-INERTIA REEL BASE -----							1	
		ATTACHING PARTS -----								
-19	NAS220-5	SCREW -----							10	
		-----*								
-20	1211850-3	BRACKET-LH -----							1	
-21	1211850-4	BRACKET-RH -----							1	
-22	NAS697A08	NUTPLATE -----							2	
-23	NAS682A08	NUTPLATE -----							4	
-24	2111537-1	GUSSET-CABIN TOP LH -----							1	
-25	2111537-2	GUSSET-CABIN TOP RH -----							1	
-26	2110011-1	REINFORCEMENT ASSY-RH -----							1	
	NAS682A3	NUTPLATE -----							3	
	1211798-1	REINFORCEMENT-LH -----							1	
-27	2111511-3	GUSSET-AFT CABIN TOP -----							1	
-28	2111643-1	BULKHEAD ASSY-UPPER STA 80.50 -----							1	
	2115019-27	BRACKET-HEADLINER SUPPORT LH -----							1	
	2115019-28	BRACKET-HEADLINER SUPPORT RH -----							1	
	NAS680A06	NUTPLATE -----							2	
-29	2111633-23	BULKHEAD ASSY-UPPER STA 90.00 -----							1	
	NAS680A06	NUTPLATE -----							2	
-29A	2111697-3	DOUBLER-LH FWD -----							1	
	2111697-4	DOUBLER-RH FWD -----							1	
	2111697-1	DOUBLER-LH AFT -----							1	
	2111697-2	DOUBLER-RH AFT -----							1	
-30	2111633-17	BULKHEAD ASSY-LH STA 90.00 -----							1	
-31	2111633-18	BULKHEAD ASSY-RH STA 90.00 -----							1	
-32	2111633-11	BULKHEAD ASSY-LH STA 90.00 -----							1	
	2111633-12	BULKHEAD ASSY-RH STA 90.00 -----							1	
-33	2111521-3	CAP-BULKHEAD UPPER -----							1	
-34	2111521-1	CAP-BULKHEAD LH SIDE -----							1	
	2111521-4	CAP-BULKHEAD RH SIDE -----							1	

CONTINUED ON NEXT PAGE

P210 Parts Catalog

Fuselage (Cont)

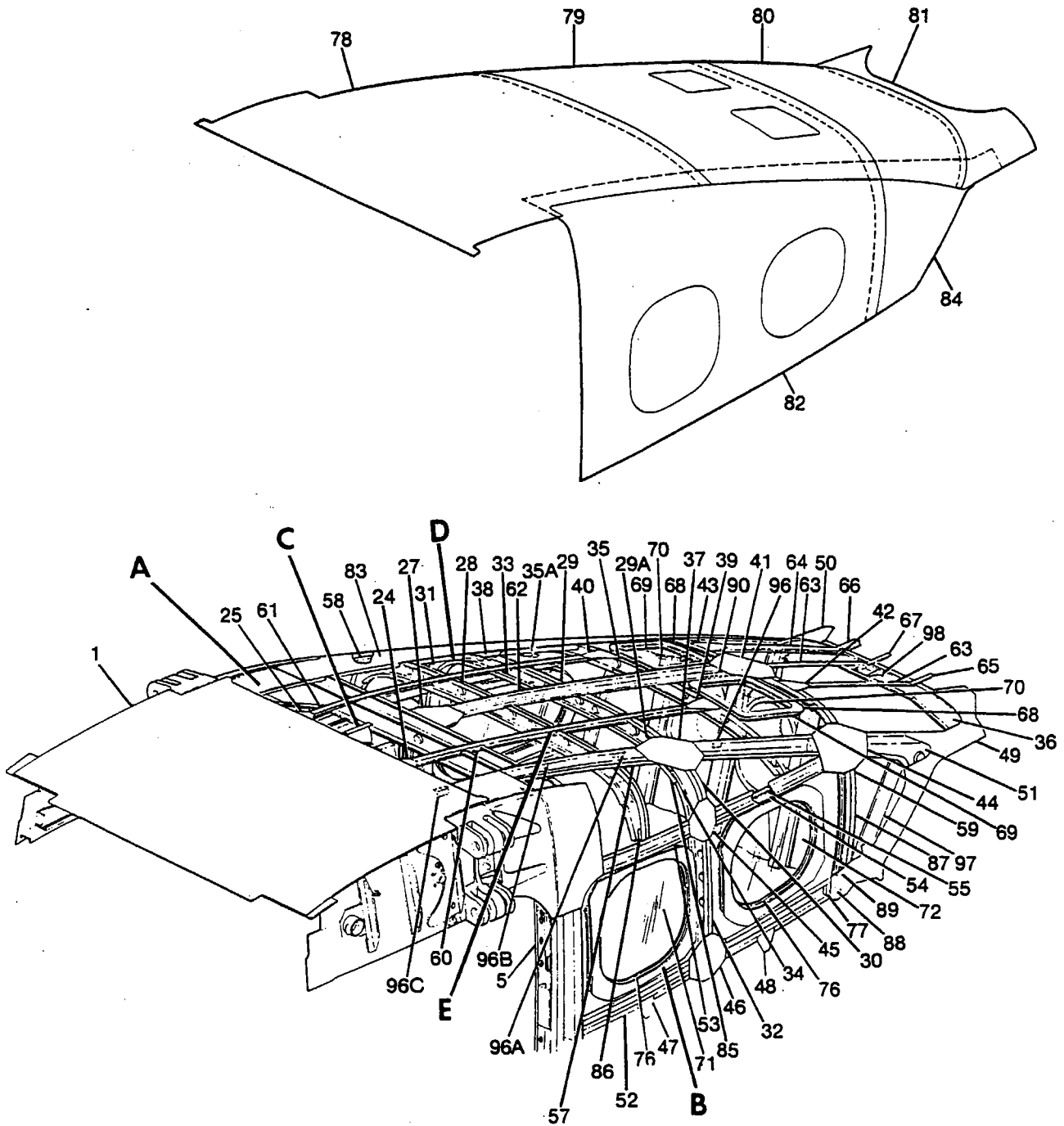


Figure 33. (Sheet 1 of 2) Upper Cabin Section Components

P210 Parts Catalog

Fuselage (Cont)

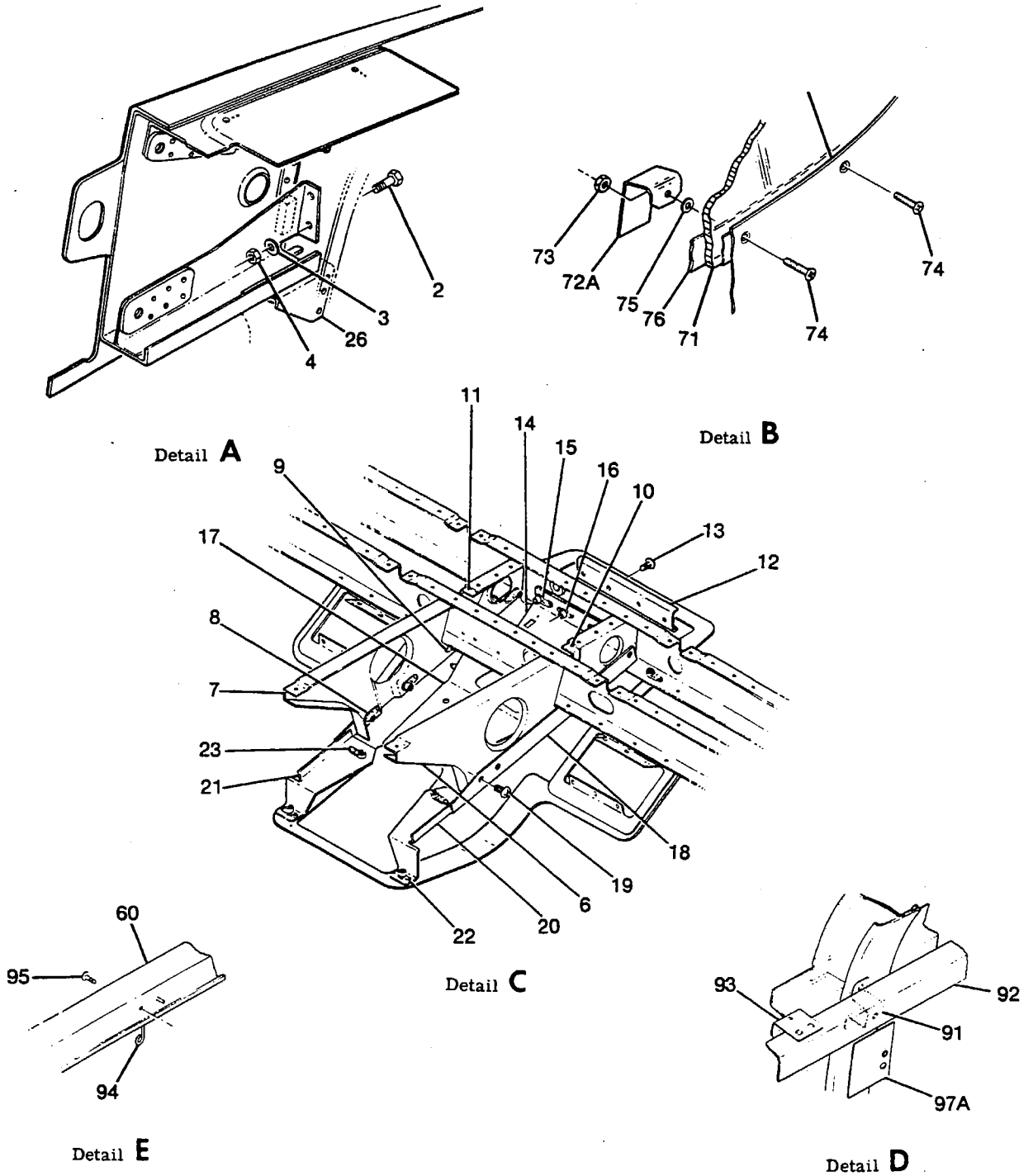


Figure 33. (Sheet 2 of 2) Upper Cabin Section Components

P210 Parts Catalog

FIGURE AND INDEX NO.	PART NUMBER	DESCRIPTION							UNITS PER ASSY	USABLE ON CODE
		1	2	3	4	5	6	7		
33 -35	2111542-5	BULKHEAD ASSY-UPPER	STA 103.00						1	
	2111548-1	BRACKET-LH							1	
	2111548-2	BRACKET-RH							1	
-35A	2115019-26	BRACKET-HEADLINER-RH							1	
	2115019-25	BRACKET-HEADLINER-LH							1	
-36	2111639-1	BULKHEAD-UPPER	STA 138.00						1	
-37	2111509-5	GUSSET-LH							1	
-38	2111509-6	GUSSET-RH							1	
-39	2111511-1	GUSSET-AFT CABIN TOP LH							1	
-40	2111511-2	GUSSET-AFT CABIN TOP RH							1	
-41	2111501-1	GUSSET-CABIN TOP AFT							1	
-42	2111501-2	GUSSET-CABIN TOP AFT LH							1	
-43	2111501-3	GUSSET-CABIN TOP AFT RH							1	
-44	2111512-1	GUSSET-UPPER SIDE LH							1	
	2111512-2	GUSSET-UPPER SIDE RH							1	
-45	2111509-3	GUSSET-UPPER LH							1	
	2111509-4	GUSSET-UPPER RH							1	
-46	2111509-2	GUSSET-CENTER							2	
-47	2111502-3	GUSSET-LWR LH							1	
	2111502-4	GUSSET-LWR RH							1	
-48	2111519-3	GUSSET-LWR							2	
-49	2111510-1	REINFORCEMENT-AFT FUSELAGE FORK LH							1	
-50	2111510-2	REINFORCEMENT-AFT FUSELAGE FORK RH							1	
-51	2111640-1	FORK-AFT CABIN STRUCTURE LH							1	
	2111640-2	FORK-AFT CABIN STRUCTURE RH							1	
-52	2111506-1	STIFFENER-LWR AFT CABIN LH							1	
	2111506-2	STIFFENER-LWR AFT CABIN RH							1	
-53	2111630-1	STIFFENER ASSY-UPPER AFT SIDE WINDOW LH							1	
	2111630-2	STIFFENER ASSY-UPPER AFT SIDE WINDOW RH							1	
-54	2111630-11	REINFORCEMENT-LH LWR							1	
	2111630-12	REINFORCEMENT-RH LWR							1	
-55	2111630-9	REINFORCEMENT-LH UPR							1	
	2111630-10	REINFORCEMENT-RH UPR							1	
-56	NAS680A4	NUTPLATE							1	
	2111630-15	PLATE-COAT HANGER							1	
	NAS697A3	NUTPLATE							1	
-57	2111658-1	STIFFENER-CABIN TOP OUTBD LH							1	
-58	2111658-2	STIFFENER-CABIN TOP OUTBD RH							1	
-59	2111535-9	PLUG-FORK							2	
-60	2111641-3	STRINGER-OUTBD LH							1	
-61	2111641-4	STRINGER-OUTBD RH							1	
-62	2111641-1	STIFFENER-CABIN TOP CTR							1	
-63	2111641-5	STRINGER-LH & CTR							2	
-64	2111641-6	STRINGER-RH							1	
-65	2111638-1	SPLICE-STRINGER LH							1	
-66	2111638-2	SPLICE-STRINGER RH							1	
-67	2111678-1	SPLICE ASSY-STRINGER CTR							1	
	2111678-2	SPLICE-STRINGER CTR							1	
	MS21073L3	NUTPLATE							1	
-68	2111513-1	DOUBLER-SKYLIGHT SKIN							2	
-69	AN970-3	DOUBLER-SKYLIGHT	FSO 10 EACH AN970-3						2	
		WASHER							20	
-70	2111508-1	WINDOW-LH SKYLIGHT							1	
	2111508-2	WINDOW-RH SKYLIGHT							1	
		ATTACHING PARTS								
	AN509-8R11	SCREW							10	
	MS21044N08	NUT							10	
		-----*								
-71	2111507-9	WINDOW-OUTBD LH FWD							1	
	2111507-10	WINDOW-OUTBD RH FWD							1	
-72	2111507-11	WINDOW-OUTBD LH AFT							1	
	2111507-12	WINDOW-OUTBD RH AFT							1	
		ATTACHING PARTS								
-72A	2115036-2	BRACKET-WINDOW TRIM							4	
-73	MS21044N08	NUT							16	
-74	AN509-8R11	SCREW							16	
-75	AN970-3	WASHER							64	
-76		DOUBLER-FWD INBD	FSO 16 EACH AN970-3						2	
		DOUBLER-AFT INBD	FSO 16 EACH AN970-3						2	
		-----*								

H
J
H
B
A

A
B
B

CONTINUED ON NEXT PAGE

P210 Parts Catalog

FIGURE AND INDEX NO.	PART NUMBER	DESCRIPTION	1 2 3 4 5 6 7							UNITS PER ASSY	USABLE ON CODE
33 -77	2111535-8	PLUG-STIFFENER -----								2	
-78	2111500-2	SKIN-UPPER FWD -----								1	
-79	2111500-3	SKIN-UPPER CTR -----								1	
-80	2111500-4	SKIN-UPPER AFT -----								1	
-81	2111500-14	SKIN-AFT -----								1	
-82	2111500-17	SKIN ASSY-LH FWD -----								1	
-83	2111500-18	SKIN ASSY-RH FWD -----								1	
-84	2111500-7	SKIN-LH AFT -----								1	
	2111500-8	SKIN-RH AFT -----								1	
-85	2111688-1	DOUBLER-CAP -----								2	
-86	2111313-3	SUPPORT FWD LH -----								1	
	2111313-4	SUPPORT FWD RH -----								1	
	2111313-1	SUPPORT AFT LH -----								1	
	2111313-2	SUPPORT AFT RH -----								1	
-87	SEE FIG 27	AFT PRESSURE BULKHEAD ASSY -----								1	
-88	2111306-1	BRACE-LH FWD LWR -----								1	
	2111546-9	BRACE-LH AFT LWR -----								1	
	2111546-4	BRACE-RH FWD LWR -----								1	
	2111546-8	BRACE-RH AFT LWR -----								1	
-89	2111305-1	BRACE-LH FWD UPR WEU 2111300-1 -----								1	
	2111300-1	BRACE-LH FWD UPR -----								1	
	2111305-2	BRACE-RH FWD UPR WEU 2111300-2 -----								1	
	2111300-2	BRACE-RH FWD UPR -----								1	
-90	2111695-1	REINFORCEMENT-LH -----								1	
	2111695-2	REINFORCEMENT-RH -----								1	
-91	2115019-12	BRACKET -----								2	
-92	2115019-8	SUPPORT ASSY-HEADLINER LH -----								1	
	2115019-7	SUPPORT ASSY-HEADLINER RH -----								1	
-93	2115019-11	HANGER -----								3	
-94	1200542-14	HANGER-HEADLINER -----								2	
		ATTACHING PARTS -----									
-95	S1021A4-6	SCREW -----								1	
		*-----									
-96	2115048-1	BRACKET-LH -----								1	
	2115048-2	BRACKET-RH -----								1	
	1200542-14	HANGER -----								2	
	S102174-6	SCREW -----								2	
-96A	2115048-3	BRACKET-LH -----								1	
	2115048-4	BRACKET-RH -----								1	
	1200542-14	HANGER -----								2	
	S102174-6	SCREW -----								2	
-96B	2115048-5	BRACKET-LH -----								1	
	2115048-6	BRACKET-RH -----								1	
	1200542-14	HANGER -----								2	
	S102174-6	SCREW -----								2	
-96C	2115048-7	BRACKET-LH -----								1	
	2115048-8	BRACKET-RH -----								1	
	1200542-14	HANGER -----								2	
	S102174-6	SCREW -----								2	
-97	2115025-9	BRACKET-LH -----								1	
	2115025-7	BRACKET-RH -----								1	
-97A	2115026-1	PLATE ASSY-COAT HANGER -----								1	
	NAS697A3	NUTPLATE -----								1	
-98	1211345-1	BRACKET ASSY-BAGGAGE COMPARTMENT LIGHT -----								1	
	NAS696A04LK	NUTPLATE -----								2	

A---P210 SERIAL P21000151 & ON
 B---P210 SERIAL P21000001 THRU P21000150
 C---P210 SERIAL P21000001 THRU P21000203
 D---P210 SERIAL P21000204 & ON
 E---P210 SERIAL P21000694 & ON
 F---P210 SERIAL P21000001 THRU P21000811
 G---P210 SERIAL P21000812 & ON
 H---P210 SERIAL P21000001 THRU P21000834
 J---P210 SERIAL P21000835 & ON

C D C D

A A E

P210 Parts Catalog

Fuselage (Cont)

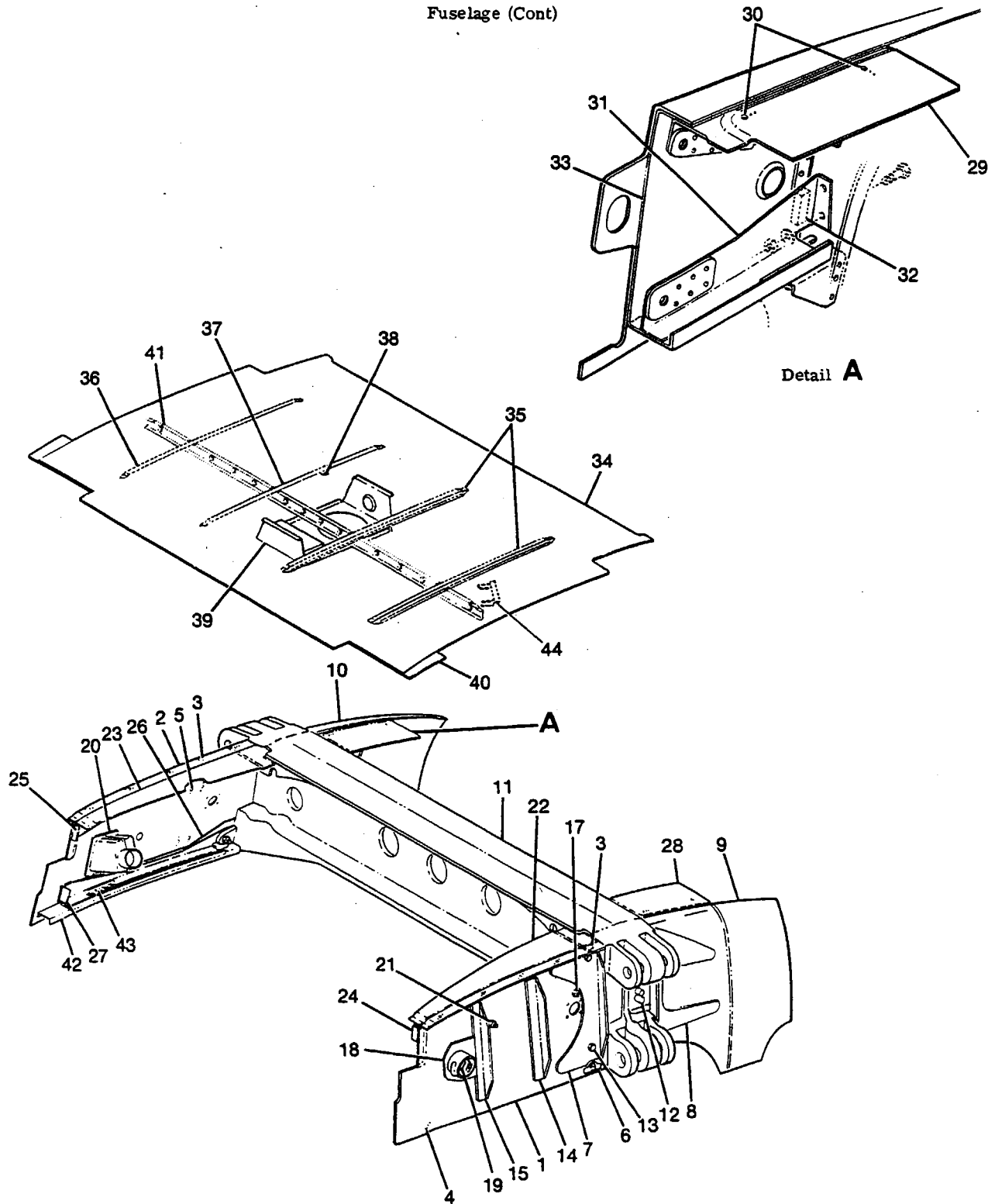


Figure 34. Forward Cabin Top Components

P210 Parts Catalog

FIGURE AND INDEX NO.	PART NUMBER	DESCRIPTION	UNITS PER ASSY							USABLE ON CODE	
			1	2	3	4	5	6	7		
34 -		FORWARD CABIN TOP COMPONENTS									
- 1	2111603-3	RIB ASSY-FWD ROOT LH									
	2111603-11	RIB ASSY-FWD ROOT LH									
	2111603-15	RIB ASSY-FWD ROOT LH									
	2111603-19	RIB ASSY-FWD ROOT LH									
- 2	2111603-4	RIB ASSY-FWD ROOT RH									
	2111603-10	RIB ASSY-FWD ROOT RH									
	2111603-14	RIB ASSY-FWD ROOT RH									
	2111603-20	RIB ASSY-FWD ROOT RH									
	2111603-26	RIB ASSY-FWD ROOT RH									
- 3	NAS697A3	NUTPLATE									
- 4	S2018-1	NUTPLATE LH									
	S2018N1	NUTPLATE LH									
- 5	S2031-1	NUTPLATE RH									
- 6	2111694-3	SEAL ASSY-FUEL LINE LH									
	2111703-5	SEAL ASSY-FUEL LINE LH									
	2111694-4	SEAL ASSY-FUEL LINE RH									
	2111703-6	SEAL ASSY-FUEL LINE RH									
		ATTACHING PARTS									
	AN525-832R8	SCREW FWD									
	NAS697A08	NUTPLATE FWD RH									
	AN515-6R6	SCREW AFT									
	MS35333-37	WASHER AFT									
	NAS1329A06-75	NUT AFT RH									
- 7	1210708-3	DOUBLER-ROOT RIB LH									
	1210708-4	DOUBLER-ROOT RIB RH									
- 8	1211747-7	DOUBLER-AFT ROOT RIB LH									
	1211747-8	DOUBLER-AFT ROOT RIB RH									
- 9	2111604-3	RIB-AFT ROOT LH									
	2111604-5	RIB-AFT ROOT LH									
-10	2111604-4	RIB-AFT ROOT RH									
-11	2110001-1	SPAR ASSY-WING CARRY THRU									
-12	2111612-1	RETAINER ASSY-FLAP CABLE LH SEAL									
	2111612-2	RETAINER ASSY-FLAP CABLE RH SEAL									
-13	AN6-13A	BOLT									
	NAS1149C0632R	WASHER									
	NAS1149C0663R	WASHER									
	MS21042L6	NUT									
-14	1210708-5	STIFFENER-LH ROOT RIB									
-15	1210708-6	STIFFENER-RH ROOT RIB									
-16		DELETED-NOT USED									
-17	S1134-1	UNION LH									
-18	2110030-1	DUCT-LH FRESH AIR									
	2110030-2	DUCT-RH FRESH AIR									
-19	2110026-1	VALVE ASSY-PRESSURE CHECK LH									
	2110026-2	VALVE ASSY-PRESSURE CHECK RH									
	2110026-7	DOOR ASSY-PRESSURE CHECK VALVE									
		ATTACHING PARTS									
	MS20392-1C47	PIN									
	MS24665-132	COTTER PIN									
-20	2110025-2	DUCT ASSY-FRESH AIR VALVE RH									
	2101059-1	DUCT ASSY-FRESH AIR VALVE RH									
	2110025-1	DUCT ASSY-FRESH AIR VALVE LH									
-21	S1134-4	UNION									
-22	2111605-1	SUPPORT-CANTILEVER WING SPAR LH OUTBD									
	2111605-19	SUPPORT-CANTILEVER WING SPAR LH OUTBD									
-23	2111605-2	SUPPORT-CANTILEVER WING SPAR RH OUTBD									
	2111605-20	SUPPORT-CANTILEVER WING SPAR RH OUTBD									
-24	2111605-5	SUPPORT ASSY-CANTILEVER WING SPAR LH INBD									
-25	2111605-6	SUPPORT ASSY-CANTILEVER WING SPAR RH INBD									
-26	2111605-12	SUPPORT-CANTILEVER WING SPAR RH									
	2111605-14	SUPPORT-CANTILEVER WING SPAR RH									
	2111605-11	SUPPORT-CANTILEVER WING SPAR LH									
	2111605-13	SUPPORT-CANTILEVER WING SPAR LH									
-27	2111605-10	SUPPORT ASSY-CANTILEVER WING SPAR RH									
	2111605-16	SUPPORT ASSY-CANTILEVER WING SPAR RH									
	2111605-9	SUPPORT ASSY-CANTILEVER WING SPAR LH									
	2111605-15	SUPPORT ASSY-CANTILEVER WING SPAR LH									
-28	2111610-1	BRACKET ASSY-UPR DOORPOST LH									
-29	2111610-2	BRACKET ASSY-UPR DOORPOST RH									
-30	S2018-1	NUTPLATE									
	S2018N1	NUTPLATE									
		NUTPLATE ALT FOR S2018-1									

CONTINUED ON NEXT PAGE

P210 Parts Catalog

FIGURE AND INDEX NO.	PART NUMBER	DESCRIPTION							UNITS PER ASSY	USABLE ON CODE
		1	2	3	4	5	6	7		
34 -31	2111609-2	BRACKET ASSY-LWR DOORPOST RH -----							1	
	2111609-1	BRACKET ASSY-LWR DOORPOST LH -----							1	
-32	1211837-1	SPACER -----							1	
-33	2111631-2	STIFFENER-DOORPOST OUTBD RH -----							1	
	2111631-1	STIFFENER-DOORPOST OUTBD LH -----							1	
	2111606-1	TOP ASSY-CABIN -----							1	
-34	2111606-2	SKIN-CABIN TOP -----							1	
-35	2111607-1	STIFFENER-CABIN TOP LH -----							2	
-36	2111607-2	STIFFENER-CABIN TOP RH -----							1	
	1200542-13	HANGER -----							2	
	S1021A4-6	ATTACHING PARTS								
		SCREW -----							1	
		*-----								
-37	2111607-4	STIFFENER-CABIN TOP RH -----							1	
-38	1210037-1	BRACKET-FLAP CONTROL -----							1	
-39	2111681-1	BRACKET ASSY-RADIO SPEAKER & LIGHT HOUSING				SEE FIG 138		1	J	
		FOR BREAKDOWN								
	2111681-7	BRACKET ASSY-RADIO SPEAKER & LIGHT HOUSING				SEE FIG 138		1	K	
		FOR BREAKDOWN								
-40	2111613-1	CAP-SPAR -----							1	
-41	2111608-1	BULKHEAD-CABIN TOP FWD -----							1	
-42	2111653-1	CHANNEL ASSY-EMERGENCY EXIT UPPER				FWD		1		
	2111653-4	CHANNEL ASSY-EMERGENCY EXIT UPPER				AFT		1		
	S2018-1	NUTPLATE				FWD		1		
	S2018N1	NUTPLATE				FWD ALT FOR S2018-1		1		
	NAS696A08	NUTPLATE -----							2	
-43	2117104-4	HINGE HALF-EMERGENCY EXIT DOOR -----							1	
-44	2110053-1	BRACKET-BLOWER & MOTOR ATTACH -----							1	A
<p>A---P210 SERIAL P21000151 & ON</p> <p>B---P210 SERIAL P21000001 THRU P21000385</p> <p>C---P210 SERIAL P21000386 & ON</p> <p>D---P210 SERIAL P21000001 THRU P21000404</p> <p style="padding-left: 20px;">P21000406 THRU P21000489</p> <p>E---P210 SERIAL P21000405 & P21000490</p> <p style="padding-left: 20px;">THRU P21000550</p> <p>F---P210 SERIAL P21000551 & ON</p> <p>G---P210 SERIAL P21000001 THRU P21000760</p> <p>H---P210 SERIAL P21000761 & ON</p> <p>J---P210 SERIAL P21000001 THRU P21000771</p> <p style="padding-left: 20px;">P21000812 THRU P21000833</p> <p>K---P210 SERIAL P21000772 THRU P21000811</p> <p style="padding-left: 20px;">P21000834 & ON</p> <p>L---P210 SERIAL P21000551 THRU P21000760</p> <p>M---P210 SERIAL P21000649 & ON</p> <p>N---P210 SERIAL P21000782 & ON</p> <p>P---P210 SERIAL P21000001 THRU P21000861</p> <p>R---P210 SERIAL P21000862 & ON</p> <p>S---P210 SERIAL P21000761 THRU P21000863</p> <p>T---P210 SERIAL P21000864 & ON</p>										

P210 Parts Catalog

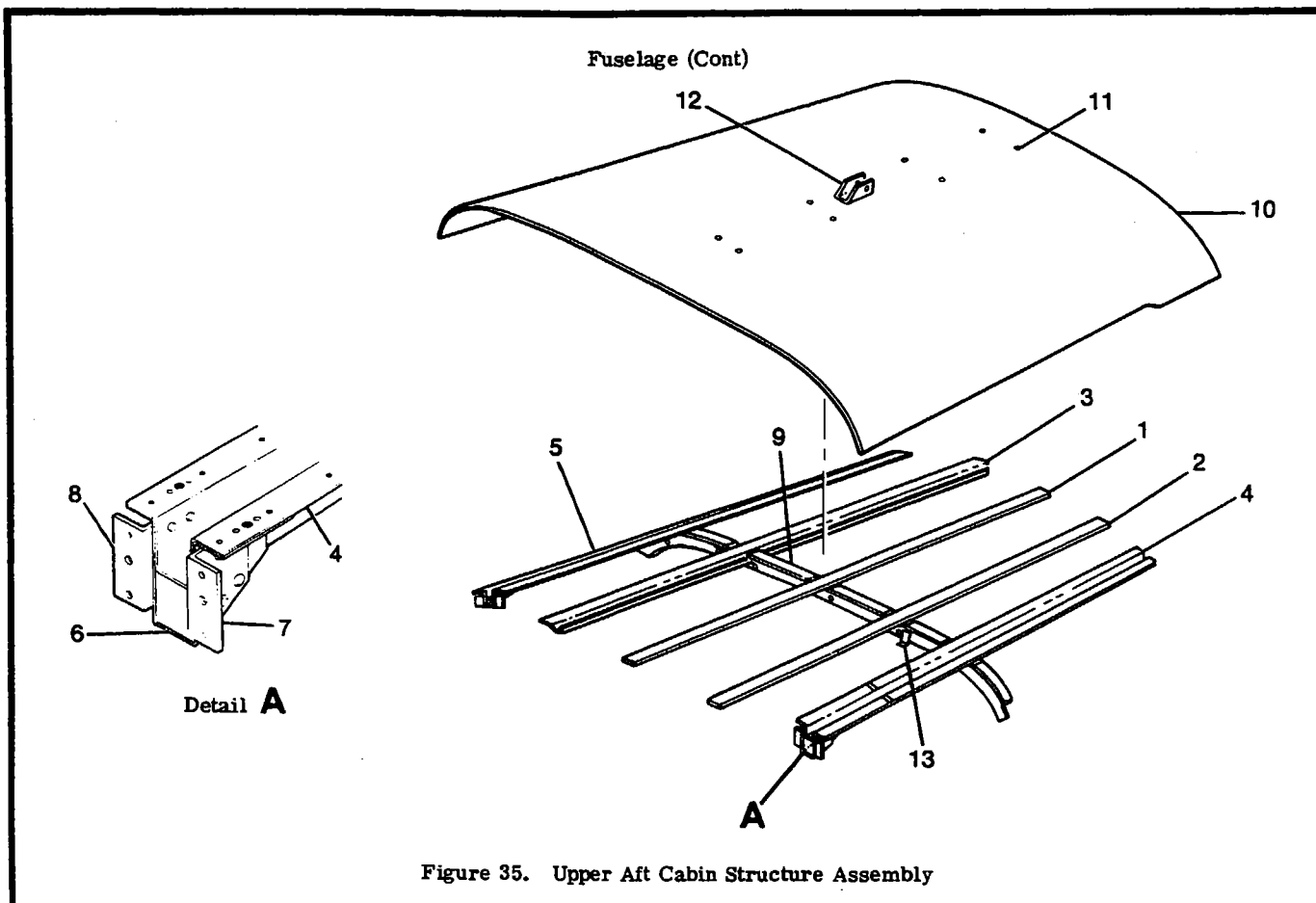


Figure 35. Upper Aft Cabin Structure Assembly

FIGURE AND INDEX NO.	PART NUMBER	DESCRIPTION							UNITS PER ASSY	USABLE ON CODE
		1	2	3	4	5	6	7		
35 -		CABIN STRUCTURE ASSEMBLY-UPPER AFT -----							1	
- 1	1212709-13	STRINGER-CTR -----							1	A B
	1212709-29	STRINGER-CTR -----							1	
- 2	1212709-9	STRINGER-LH -----							1	
- 3	1212709-10	STRINGER-RH -----							1	
- 4	1211431-27	STRINGER ASSY-LH -----							1	
- 5	1211431-28	STRINGER ASSY-RH -----							1	
- 6	1211431-31	BRACKET-LH -----							1	
	1211431-32	BRACKET-RH -----							1	
- 7	1211431-33	ANGLE-OUTBD LH -----							1	
	1211431-34	ANGLE-OUTBD RH -----							1	
- 8	1211431-35	ANGLE-INBD LH -----							1	
	1211431-36	ANGLE-INBD RH -----							1	
- 9	1211286-8	BULKHEAD-UPR -----							1	
- 10	1210504-6	SKIN -----							1	A B
	1210504-34	SKIN -----							1	
- 11	NAS697A08K	NUTPLATE -----							8	
- 12	1231052-1	BRACKET ASSY -----							1	
	NAS686A08	NUTPLATE -----							2	
- 13	2115025-8	BRACKET-BAGGAGE COMPARTMENT -----							2	
		A---P210 SERIAL P21000001 THRU P21000834 B---P210 SERIAL P21000835 & ON								

P210 Parts Catalog

FIGURE AND INDEX NO.	PART NUMBER	DESCRIPTION							UNITS PER ASSY	USABLE ON CODE
		1	2	3	4	5	6	7		
36 -		WINDSHIELD INSTALLATION -----							NP	
- 1	2113010-1	WINDSHIELD -----							1	
- 2	2113112-1	RETAINER-PRESSURE CUP SEAL LH -----							1	
- 3	2113112-2	RETAINER-PRESSURE CUP SEAL RH -----							1	
		ATTACHING PARTS								
- 4	AN509-8R14	SCREW -----							2	
	5311268-1	HOSE -----							2	
	NAS1149FN832P	WASHER -----							2	
	MS21044N08	NUT -----							2	
- 5	AN509-8R12	SCREW -----							6	
- 5A	5311268-1	HOSE -----							6	
- 5B	NAS1149FN832P	WASHER -----							6	
- 5C	MS21044N08	NUT -----							6	
- 6	AN509-8R13	SCREW -----							2	
	5311268-1	HOSE -----							2	
	NAS1149FN832P	WASHER -----							2	
	MS21044N08	NUT -----							2	
- 6A	AN509-8R9	SCREW -----							2	
		-----*								
CONTINUED ON NEXT PAGE										

P210 Parts Catalog

Fuselage (Cont)

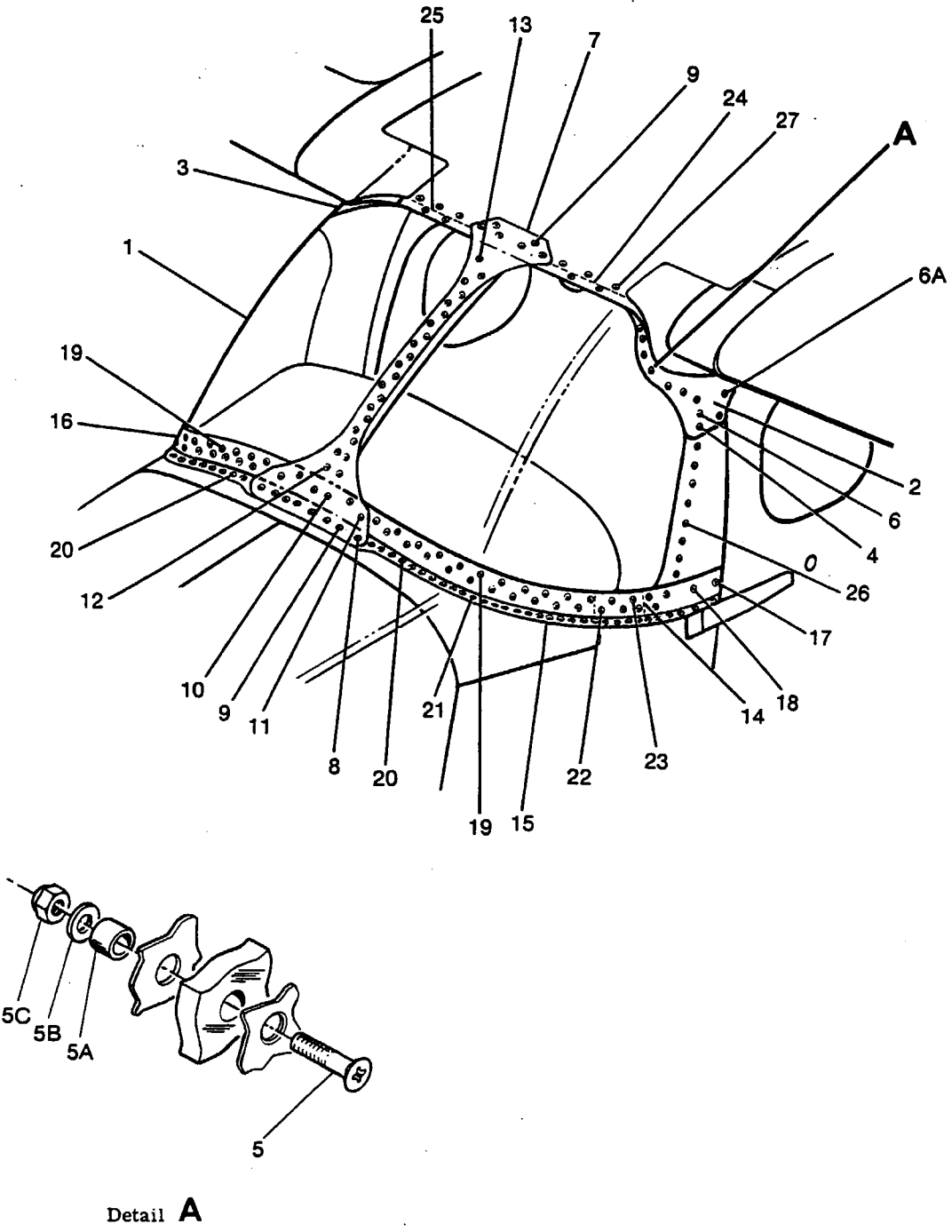


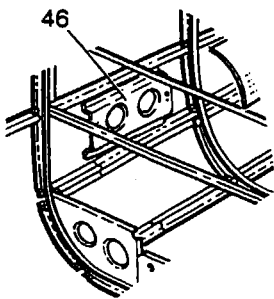
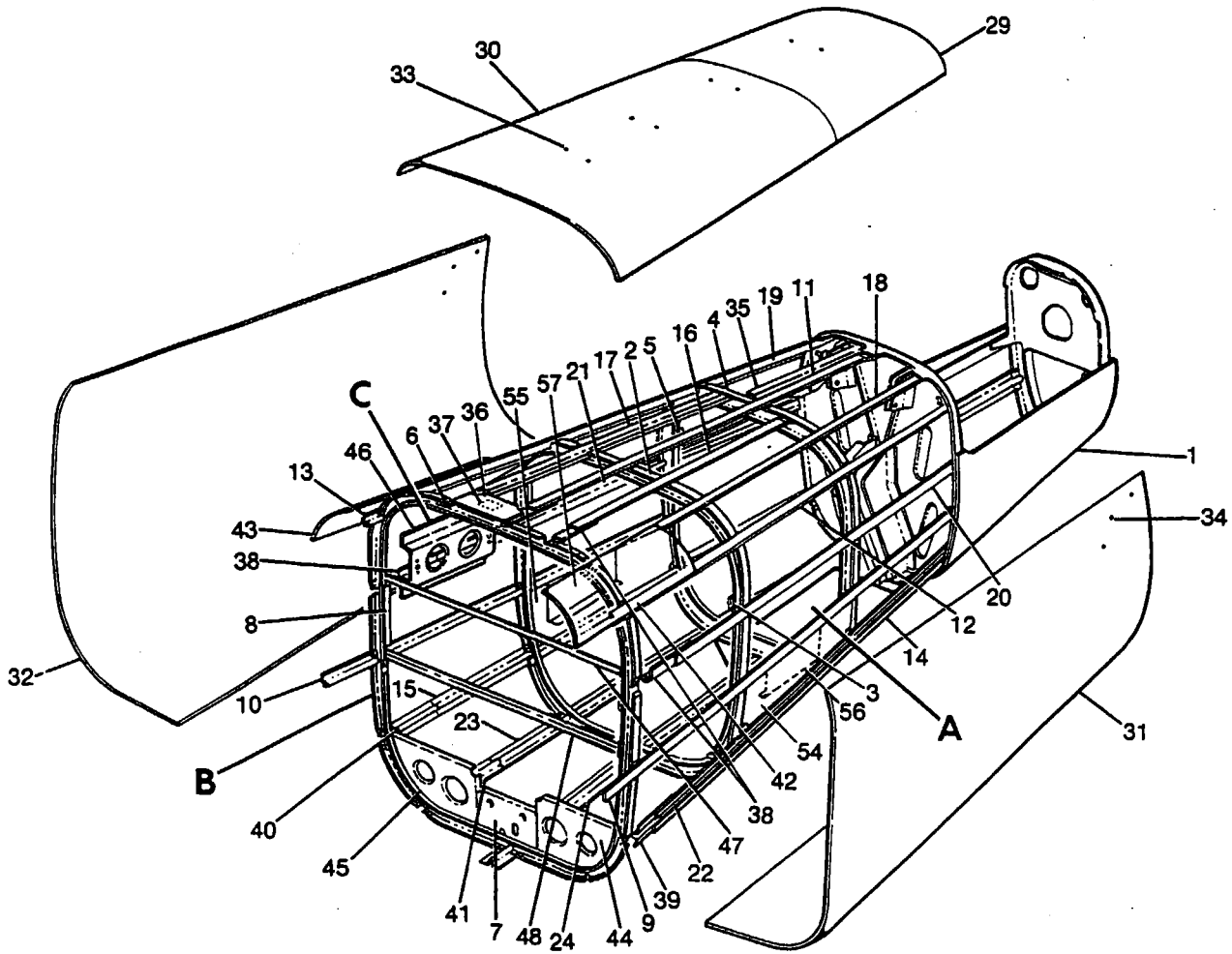
Figure 36. Windshield Installation

P210 Parts Catalog

FIGURE AND INDEX NO.	PART NUMBER	DESCRIPTION	1 2 3 4 5 6 7							UNITS PER ASSY	USABLE ON CODE
			1	2	3	4	5	6	7		
36 - 7	2113037-1	RETAINER-WINDSHIELD CENTERLINE ----- ATTACHING PARTS								1	
- 8	AN509-8R11 NAS1149FN832P MS21044N08	SCREW ----- WASHER ----- NUT -----								2 2 2	
- 9	AN509-8R13 NAS1149FN832P MS21044N08	SCREW ----- WASHER ----- NUT -----								12 12 12	
-10	AN509-8R22 5311268-1 MS21044N08	SCREW ----- HOSE ----- NUT -----								12 2 2	
-11	AN509-8R13 5311268-1 NAS1149FN832P MS21044N08	SCREW ----- HOSE ----- WASHER ----- NUT -----								2 4 4 4	
-12	AN509-8R14 5311268-1 NAS1149FN832P MS21044N08	SCREW ----- HOSE ----- WASHER ----- NUT -----								4 4 4 4	
-13	AN509-8R12 5311268-1 NAS1149FN832P MS21044N08	SCREW ----- HOSE ----- WASHER ----- NUT -----								4 20 20 20	
-14	2113054-1	RETAINER-INNER SIDE WINDSHIELD LH -----								1	
-15	2113054-2	RETAINER-INNER SIDE WINDSHIELD RH -----								1	
-16	2113012-1 2113012-2	RETAINER-WINDSHIELD LH ----- RETAINER-WINDSHIELD RH -----								1 1 1	
-17	AN509-8R10	ATTACHING PARTS									
-18	AN509-8R13 NAS1149FN832P MS21044N08	SCREW ----- SCREW ----- WASHER ----- NUT -----								2 4 4 4	
-19	AN509-8R12 5311268-1 NAS1149FN832P MS21044N08	SCREW ----- HOSE ----- WASHER ----- NUT -----								4 24 24 24	
-20	AN509-8R10 NAS1149FN832P MS21044N08	SCREW ----- WASHER ----- NUT -----								24 8 8	
-21	AN509-8R9 NAS1149FN832P MS21044N08	SCREW ----- WASHER ----- NUT -----								8 19 19	
-22	AN509-8R14 5311268-1 NAS1149FN832P MS21044N08	SCREW ----- HOSE ----- WASHER ----- NUT -----								19 1 1 1	
-23	AN509-8R13 5311268-1 NAS1149FN832P MS21044N08	SCREW ----- HOSE ----- WASHER ----- NUT -----								1 1 5 5	
-24	2113057-1	RETAINER-WINDSHIELD UPPER LH -----								1	
-25	2113057-2	RETAINER-WINDSHIELD UPPER RH -----								1	
-26	AN509-8R13 5311268-1 NAS1149FN832P MS21044N08	SCREW ----- HOSE ----- WASHER ----- NUT -----								16 16 16 16	
-27	AN509-8R12 NAS1149FN832P MS21044N08	SCREW ----- WASHER ----- NUT -----								10 10 10	

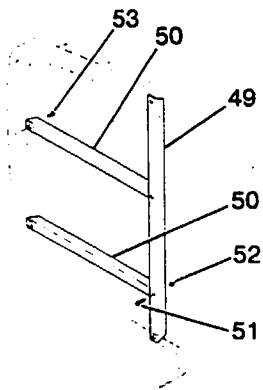
P210 Parts Catalog

Fuselage (Cont)



P21000405 & P21000490 & ON

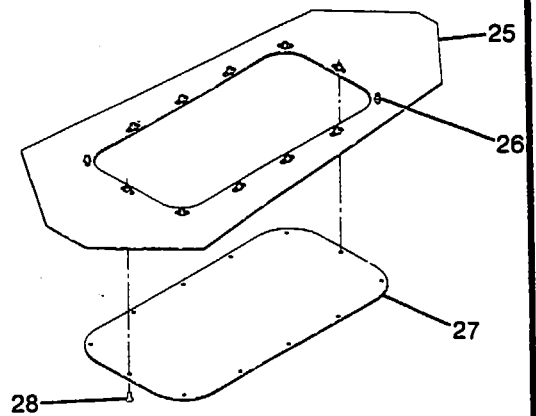
Detail **C**



P21000405 & P21000490 & ON

USED WITH
AIR CONDITIONING

Detail **B**



Detail **A**

Figure 37. Tailcone Installation

P210 Parts Catalog

FIGURE AND INDEX NO.	PART NUMBER	DESCRIPTION							UNITS PER ASSY	USABLE ON CODE
		1	2	3	4	5	6	7		
37 -		TAILCONE ASSEMBLY -----							NP	
- 1	SEE FIG 38	AFT TAILCONE ASSY -----							1	
- 2	1212414-9	BULKHEAD ASSY STA 180.60 -----							1	D
	1212414-23	BULKHEAD ASSY STA 180.60 -----							1	
	1212414-10	FRAME-TOP -----							1	E
	1212414-11	FRAME-LH -----							1	
	1212414-12	FRAME-RH -----							1	
- 3	S1154-1	BRACKET -----							1	3
	1212414-5	DOUBLER -----							1	
- 4	1212415-8	BULKHEAD ASSY STA 194.80 -----							1	1
	1212415-9	FRAME-LH -----							1	
	1212415-10	FRAME-RH -----							1	
	1212415-11	FRAME-TOP -----							1	1
- 5	S1154-1	BRACKET -----							1	
- 6	1212413-17	BULKHEAD ASSY STA 166.40 -----							1	3
	1212413-9	FRAME-TOP -----							1	
	1212413-11	FRAME-LH -----							1	
	1212413-10	FRAME-RH -----							1	1
- 7	1212034-1	REINFORCEMENT WEU 1212154-1 -----							1	
	1212154-1	REINFORCEMENT -----							1	D
- 8	1270497-4	BRACKET-WIRE HARNESS SUPPORT -----							1	
	NAS696A3K	NUTPLATE -----							1	4
- 9	1212709-1	STRINGER-LH -----							1	
-10	1212709-2	STRINGER-RH -----							1	1
-11	1212709-14	STRINGER -----							1	
-12	1212709-5	STRINGER-LH -----							1	D
	1212709-27	STRINGER ASSY-LH -----							1	
-13	1212709-6	STRINGER-RH -----							1	E
	1212709-28	STRINGER ASSY-RH -----							1	
	S1863-3A	NUTPLATE -----							1	E
-14	1212710-13	STRINGER-LH -----							1	
-15	1212710-14	STRINGER-RH -----							1	1
-16	1212709-11	STRINGER-LH -----							1	
-17	1212709-12	STRINGER-RH -----							1	1
-18	1212709-15	STRINGER-LH -----							1	
-19	1212709-16	STRINGER-RH -----							1	D
-20	1212709-17	STRINGER ASSY-LH -----							1	
	1212709-23	STRINGER ASSY-LH -----							1	E
-21	1212709-18	STRINGER ASSY-RH -----							1	
	1212709-24	STRINGER ASSY-RH -----							1	E
	S1863-3A	NUTPLATE STA 203.60 -----							1	
-22	1212809-9	STRINGER LH -----							1	1
-23	1212809-10	STRINGER-RH -----							1	
-24	1212710-7	STRINGER -----							1	1
-25	1212438-1	DOUBLER ASSY -----							1	
-26	NAS697A08	NUTPLATE -----							12	1
-27	1212439-1	DOOR -----							1	
-28	AN515-8R6	ATTACHING PARTS							12	1
		SCREW -----								
-29	1210504-5	SKIN-UPR AFT -----							1	D
	1210504-33	SKIN-UPR AFT -----							1	
-30	1210504-4	SKIN-UPR -----							1	E
	1210504-32	SKIN-UPR -----							1	
-31	1210504-11	SKIN-LH -----							1	1
-32	1210504-26	SKIN-RH -----							1	
-33	NAS697A08K	NUTPLATE -----							1	8
-34	S1863-3A	NUTPLATE -----							6	
	S1863-3A	NUTPLATE -----							2	D
-35	1212427-2	BRACKET-PULLEY -----							1	
-36	1212422-1	DOUBLER -----							1	D
-37	1212025-5	BRACKET ASSY -----							1	
-38	1212430-1	SPLICE -----							1	5
-39	1212433-1	SPLICE -----							1	
-40	1212433-2	SPLICE -----							1	1
-41	1212432-1	SPLICE -----							1	
	1212432-2	SPLICE -----							1	1
-42	1212436-1	GUSSET-LH -----							1	
-43	1212436-2	GUSSET-RH -----							1	

CONTINUED ON NEXT PAGE

P210 Parts Catalog

FIGURE AND INDEX NO.	PART NUMBER	DESCRIPTION							UNITS PER ASSY	USABLE ON CODE
		1	2	3	4	5	6	7		
37 -44	2112103-1	SUPPORT-BAGGAGE SHELF LH AFT -----							1	
-45	2112103-2	SUPPORT-BAGGAGE SHELF RH AFT -----							1	
-46	1270623-1	BRACKET ASSY-EMERGENCY LOCATOR TRANSMITTER -----							1	A
		WEU 1270623-5								
	1270623-5	BRACKET ASSY-EMERGENCY LOCATOR TRANSMITTER -----							1	B
	NAS680A3	NUTPLATE -----							2	
-47	2112105-2	KEEPER-BAGGAGE -----							1	
-48	2112105-1	KEEPER-BAGGAGE -----							1	
		ATTACHING PARTS								
	AN525-10R6	SCREW -----							2	
		*-----								
-49	2112128-2	KEEPER INSTALLATION USED WITH AIR CONDITIONING -----							NP	C
-50	2112128-3	KEEPER -----							1	
-51	AN525-10R8	KEEPER -----							2	
-52	MS21044N3	SCREW -----							4	
-53	AN525-10R6	NUT -----							4	
-54	2112140-7	SCREW -----							2	
-55	2112140-8	DOUBLER-AVIONICS LH -----							1	F
-56	2112140-9	DOUBLER-AVIONICS RH -----							1	F
-57	2112140-10	SUPPORT-AVIONICS LH -----							1	F
		SUPPORT-AVIONICS RH -----							1	F
		<p>A---P210 SERIAL P21000001 THRU P21000253 B---P210 SERIAL P21000254 & ON C---P210 SERIAL P21000405 & P21000490 & ON D---P210 SERIAL P21000001 THRU P21000834 E---P210 SERIAL P21000835 & ON</p>								

P210 Parts Catalog

Fuselage (Cont)

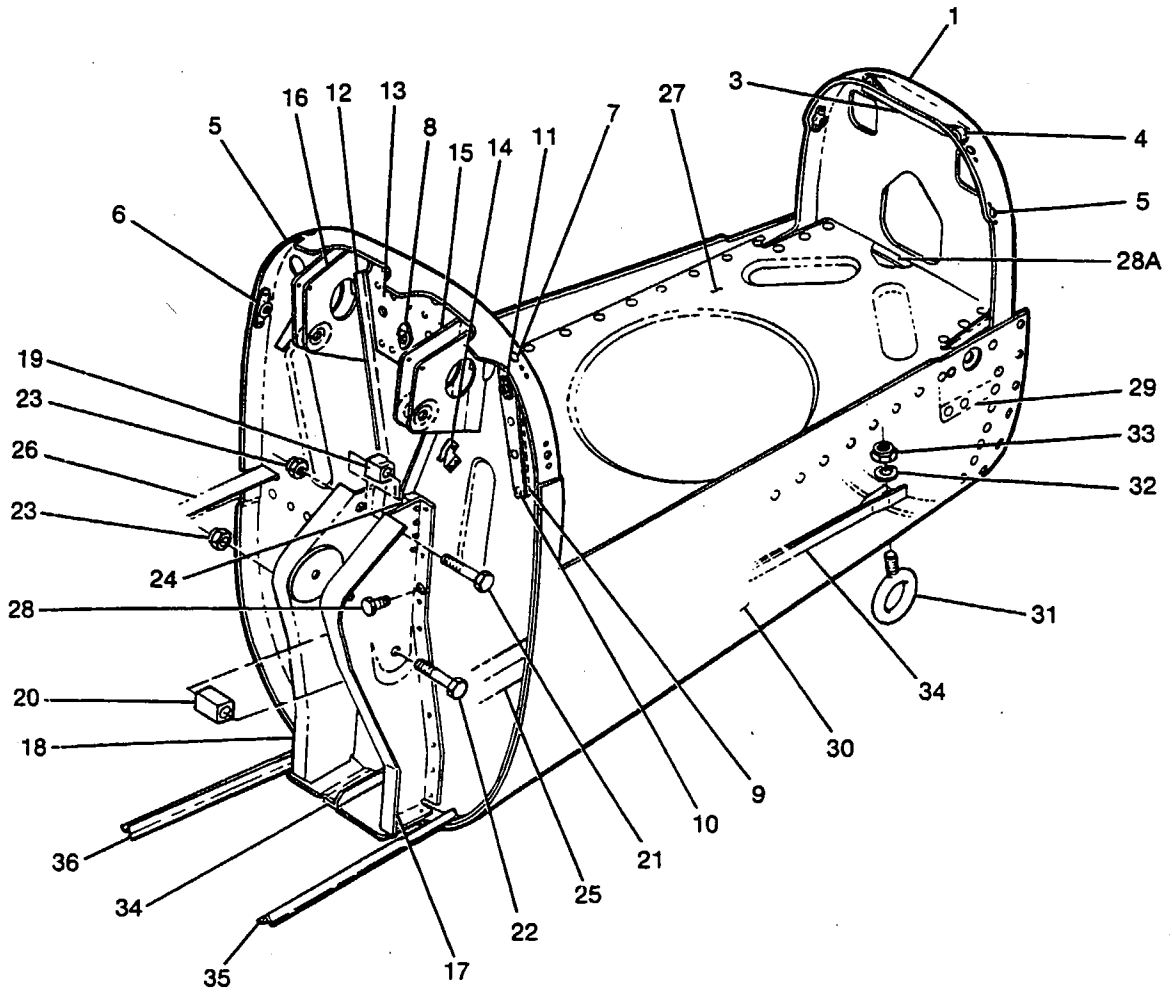


Figure 38. Aft Tailcone Assembly

P210 Parts Catalog

FIGURE AND INDEX NO.	PART NUMBER	DESCRIPTION							UNITS PER ASSY	USABLE ON CODE
		1	2	3	4	5	6	7		
38 -	1212134-1	AFT TAILCONE ASSEMBLY -----							1	C
	1212138-1	AFT TAILCONE ASSEMBLY -----							1	
	1212130-1	BULKHEAD ASSY-TAILCONE STA 230.187 -----							1	C
	1212130-3	BULKHEAD ASSY-TAILCONE STA 230.187 -----							1	
- 1	1212130-2	BULKHEAD-TAILCONE STA 230.187 -----							1	C
	1212130-4	BULKHEAD-TAILCONE STA 230.187 -----							1	
- 2	NAS697A08	NUTPLATE -----							1	C
- 3	0712528-1	DOUBLER ASSY -----							1	
- 4	NAS696A3	NUTPLATE -----							1	C
	1212131-1	BULKHEAD ASSY-TAILCONE STA 209.00 -----							1	
	2112136-1	BULKHEAD ASSY-TAILCONE STA 209.00 -----							1	C
- 5	1212131-5	BULKHEAD-TAILCONE STA 209.00 -----							1	
	2112136-2	BULKHEAD-TAILCONE STA 209.00 -----							1	C
- 6	NAS697A08	NUTPLATE -----							1	
- 7	NAS696A08	NUTPLATE -----							1	C
- 8	S1863-2	NUTPLATE -----							1	
- 9	1212127-3	DOUBLER AFT SIDE -----							1	C
	2112133-2	DOUBLER AFT SIDE -----							1	
-10	1212127-1	DOUBLER ASSY FWD SIDE -----							1	C
	2112133-1	DOUBLER FWD SIDE -----							1	
-11	NAS697A4	NUTPLATE -----							1	C
	NAS682A4	NUTPLATE -----							1	
-12	1212132-1	DOUBLER -----							1	C
	1212132-2	DOUBLER -----							1	
-13	1212126-1	DOUBLER -----							1	C
	1212126-2	DOUBLER -----							1	
-14	1260494-1	BRACKET-TRIM TAB PULLEY -----							1	C
-15	1260491-1	BRACKET-RUDDER PULLEY LH -----							1	
	2112129-1	BRACKET-RUDDER PULLEY LH -----							1	C
-16	1260491-2	BRACKET-RUDDER PULLEY RH -----							1	
	2112129-2	BRACKET-RUDDER PULLEY RH -----							1	C
	AN3-4A	ATTACHING PARTS -----							1	
	MS21044N3	BOLT -----							1	C
		NUT -----							1	
		*-----								
-17	1212424-9	BRACKET ASSY-ELEVATOR BELLCRANK REAR LH -----							1	C
-18	1212424-8	BRACKET ASSY-ELEVATOR BELLCRANK REAR RH -----							1	
-19	1260089-1	STOP-ELEVATOR UPR -----							1	C
	1260089-5	STOP-ELEVATOR UPR -----							1	
-20	1260089-2	STOP-ELEVATOR LWR -----							1	C
		ATTACHING PARTS -----							1	
-21	AN4-16A	BOLT UPR -----							1	C
-22	AN4-17A	BOLT LWR -----							1	
-23	MS21042L4	NUT -----							1	C
		*-----								
-24	1260085-1	SPACER -----							1	C
-25	1212407-3	ANGLE-REINFORCEMENT LH -----							1	
-26	1212407-4	ANGLE-REINFORCEMENT RH -----							1	A
-27	1212133-1	BULKHEAD ASSY-HORIZONTAL TAIL WEU 1212133-5 -----							1	
	1212133-5	BULKHEAD ASSY-HORIZONTAL TAIL -----							1	B
-28	AN3-4A	ATTACHING PARTS -----							1	
		BOLT -----							2	
		*-----								
	1212408-8	STIFFENER ASSY -----							1	B
-28A	NAS680A3K	NUTPLATE -----							1	
-29	1212152-1	ATTACH ANGLE -----							1	C
	1212128-1	BRACKET-LH -----							1	
	1212128-2	BRACKET-RH -----							1	C
-30	1212134-2	SKIN -----							1	
	2112138-2	SKIN -----							1	C
-31	0422344	EYE BOLT -----							1	
		ATTACHING PARTS -----							1	
-32	NAS1149F0332P	WASHER -----							1	C
-33	MS21042L5	NUT -----							1	
		*-----								
-34	1212406-2	STRINGER -----							1	C
-35	1212818-3	STRINGER-LH -----							1	
-36	1212818-4	STRINGER-RH -----							1	

A---P210 SERIAL P21000001 THRU P21000762
 B---P210 SERIAL P21000763 & ON
 C---P210 SERIAL P21000001 THRU P21000834
 D---P210 SERIAL P21000835 & ON

P210 Parts Catalog

Fuselage (Cont)

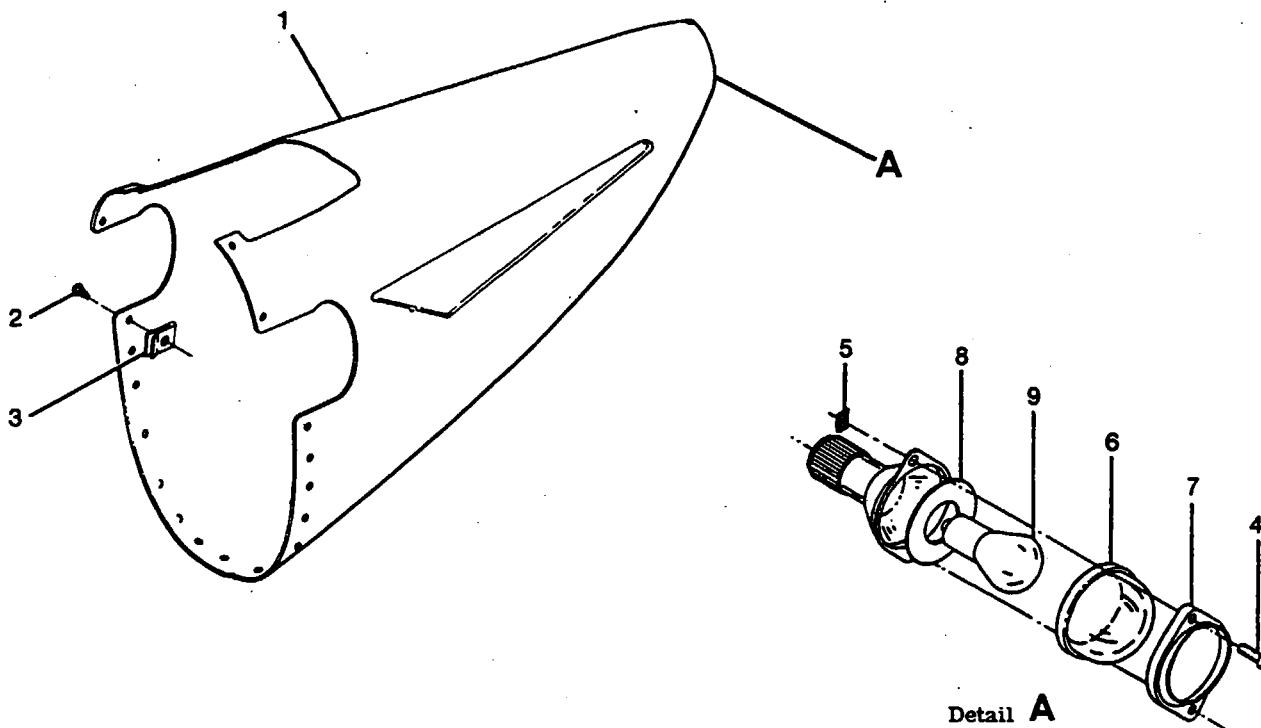


Figure 39. Stinger Installation

FIGURE AND INDEX NO.	PART NUMBER	DESCRIPTION	UNITS PER ASSY							USABLE ON CODE	
			1	2	3	4	5	6	7		
3 39 -		STINGER INSTALLATION -----								NP	
- 1	1212010-14 1212010-17	STINGER ASSY -----								1	A
		STINGER ASSY -----								1	B
		ATTACHING PARTS -----									
- 2	S1021Z8-8	SCREW -----								15	
- 3	NAS395-14-3	NUT -----								15	
	C622001-0102	*-----									
		LIGHT ASSY-TAIL -----								1	
		ATTACHING PARTS -----									
- 4	S1021Z6-10	SCREW -----								2	
- 5	NAS488-5-3	NUTPLATE -----								2	
		*-----									
- 6	A4513-1	LENS-TAIL GMC -----								1	
- 7	C622001-0104	RETAINER-TAIL LENS -----								1	
- 8	A2109-3	GASKET-TAIL LIGHT GMC -----								1	
- 9	MS35478-1683	LAMP-TAIL LIGHT -----								1	
		A---P210 SERIAL P21000001 THRU P21000834									
		B---P210 SERIAL P21000835 & ON									

P210 Parts Catalog

Nose Gear

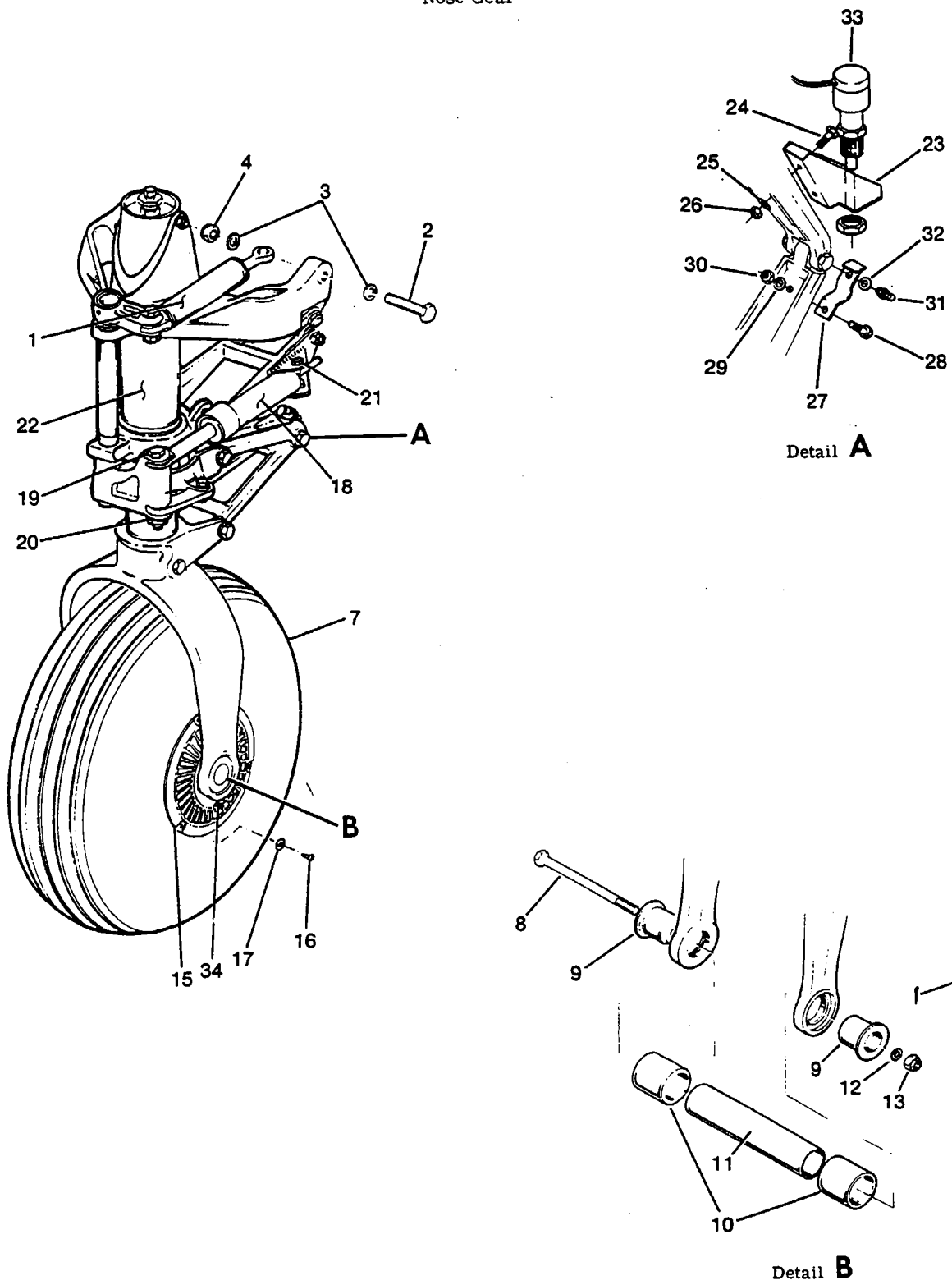


Figure 40. Nose Gear Installation

P210 Parts Catalog

FIGURE AND INDEX NO.	PART NUMBER	DESCRIPTION							UNITS PER ASSY	USABLE ON CODE
		1	2	3	4	5	6	7		
40 -		NOSE GEAR INSTALLATION -----							NP	
- 1	SEE FIG 41	NOSE GEAR STEERING SYSTEM -----							1	
		NOSE GEAR ASSY -----							NP	
		ATTACHING PARTS -----								
- 2	AN176-21A	BOLT -----							2	
- 3	NAS1149F0632P	WASHER -----							2	
- 4	MS21042L6	NUT -----							2	
		*-----								
- 5		DELETED-NOT USED -----								
- 6		DELETED-NOT USED -----								
- 7	SEE FIG 43	WHEEL & TIRE ASSY-NOSE GEAR -----							1	
		ATTACHING PARTS -----								
- 8	AN5-47	BOLT -----							1	
- 9	0543001	FERRULE-AXLE -----							2	
-10	0543037-1	SPACER-AXLE -----							2	
-11	0543003	TUBE-AXLE -----							1	
-12	NAS1149F0332P	WASHER -----							1	
-13	AN310-5	NUT -----							1	
-14	MS24665-136	PIN-COTTER -----							1	
		*-----								
-15	0743627-6	HUB CAP-NOSE WHEEL -----							1	
	0743627-5	HUB CAP-NOSE WHEEL ON VALVE SIDE ONLY -----							1	
		ATTACHING PARTS -----								
-16	S2191-8-4	SCREW -----							3	
-17	AN93688	WASHER -----							3	
		*-----								
-18	SEE FIG 44	SHIMMY DAMPENER ASSY -----							1	
		ATTACHING PARTS -----								
-19	NAS464P3A32	BOLT -----							1	
	NAS1103-10 *	BOLT ALT FOR NAS464P3A32 -----							1	
	NAS1149F0363P	WASHER -----							1	
-20	MS21044N3	NUT -----							2	
	MS20364-1032C *	NUT ALT FOR MS21044N3 -----							1	
-21	AN4H5A	BOLT -----							2	
	NAS76A4-006	BUSHING -----							2	
	NAS1149F0632P	WASHER -----							2	
		*-----								
-22	SEE FIG 42	SHOCK STRUT ASSY -----							1	
-23	1243019-2	BRACKET-SQUAT SWITCH -----							1	
		ATTACHING PARTS -----								
-24	AN3-4A	BOLT -----							2	
-25	NAS1149F0332P	WASHER -----							2	
	NAS1149F0332P	WASHER -----							3	
-26	MS21044N3	NUT -----							2	
		*-----								
-27	1243039-3	STRIKER ARM ASSY-GEAR LIMIT SWITCH -----							1	
		ATTACHING PARTS -----								
-28	AN3-4A	BOLT -----							1	
-29	NAS1149F0332P	WASHER -----							1	
-30	MS21044N3	NUT -----							1	
		*-----								
-31	S1867-1	FITTING-LUBE -----							1	
-32	AN936A416	WASHER-LOCK -----							1	
-33	1270034-1	SWITCH -----							1	
	1270034-4	SWITCH ALT -----							1	
	1CH1-6	SWITCH MCS -----							1	
-34	6241B	VALVE-EXTENSION KNOWN ICING DL -----							1	A

NOTE. *THIS PART MUST BE USED WITH OTHER PART MARKED *.

A---P210 SERIAL P21000225 & ON

P210 Parts Catalog

Nose Gear (Cont)

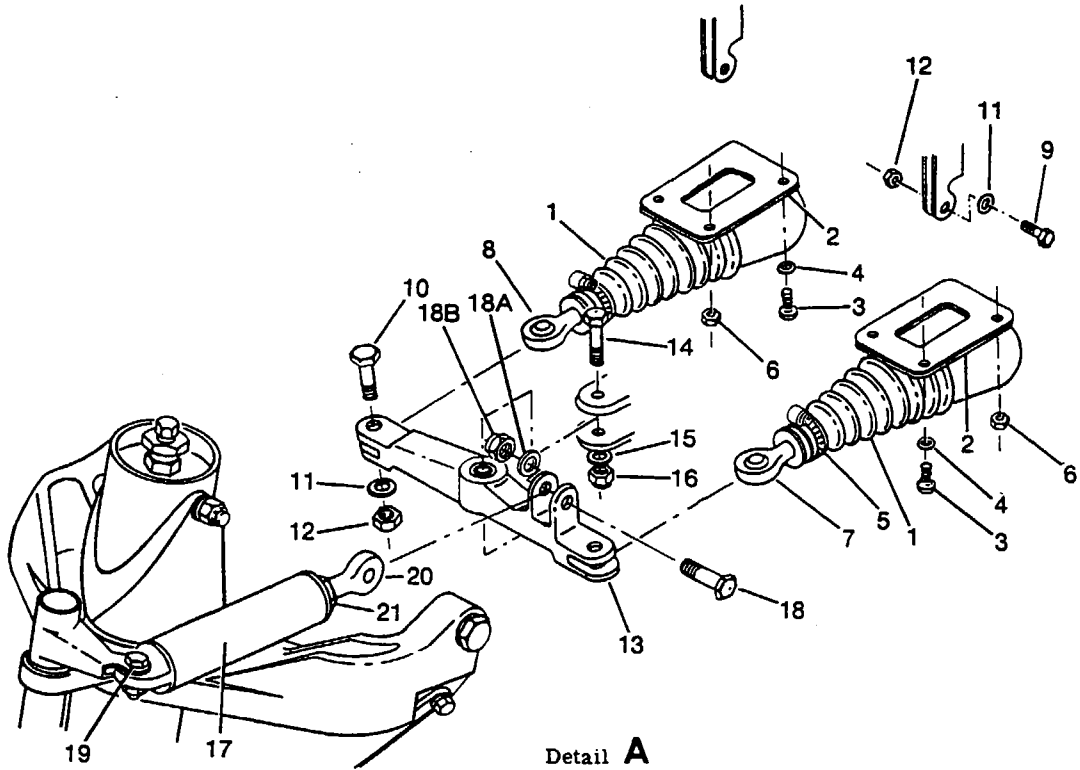
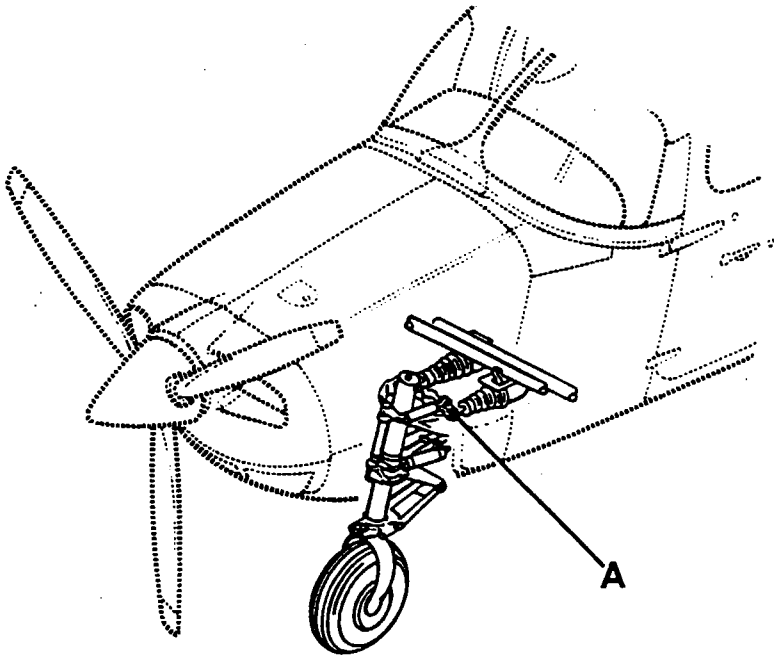


Figure 41. Nose Gear Steering System

P210 Parts Catalog

FIGURE AND INDEX NO.	PART NUMBER	DESCRIPTION							UNITS PER ASSY	USABLE ON CODE
		1	2	3	4	5	6	7		
41 -		STEERING SYSTEM-NOSE GEAR -----							NP	
- 1	1243420-1	BOOT-STEERING LINK ROD -----							2	
		ATTACHING PARTS -----								
- 2	1243419-1	RETAINER-STEERING BOOT -----							1	
- 3	AN515-8R6	SCREW -----							2	
- 4	NAS1149FN816P	WASHER -----							2	
- 5	S1891-12	CLAMP -----							1	
- 6	NAS1022N08	NUT -----							4	
		*-----								
- 7	1243412-1	LINK ROD ASSY-LH -----							1	
- 8	1243412-2	LINK ROD ASSY-RH -----							1	
		ATTACHING PARTS -----								
- 9	NAS464P3A7	BOLT -----							1	
-10	NAS464P3A9	BOLT -----							1	
-11	NAS1149F0332P	WASHER -----							2	
-12	MS21044N3	NUT -----							2	
		*-----								
-13	1243411-1	WHIFFLETREE ASSY -----							1	
		ATTACHING PARTS -----								
-14	NAS464P4A20	BOLT -----							1	
-15	NAS1149F0432P	WASHER -----							1	
-16	MS21042L4	NUT -----							1	
		*-----								
-17	1243406-1	BUNGEE ASSY-NOSE GEAR STEERING -----							1	
		ATTACHING PARTS -----								
-18	NAS464P4A16	BOLT -----							1	
-18A	AN916-416L	WASHER -----							1	
-18B	MS21042L4	NUT -----							1	
-19	NAS464P3A10	BOLT -----							1	
	NAS1149F0332P	WASHER -----							1	
	MS21044N3	NUT -----							1	
		*-----								
-20	REF4TH8	ROD END HLFB -----							1	
-21	AN316-4R	NUT-CHECK -----							1	

P210 Parts Catalog

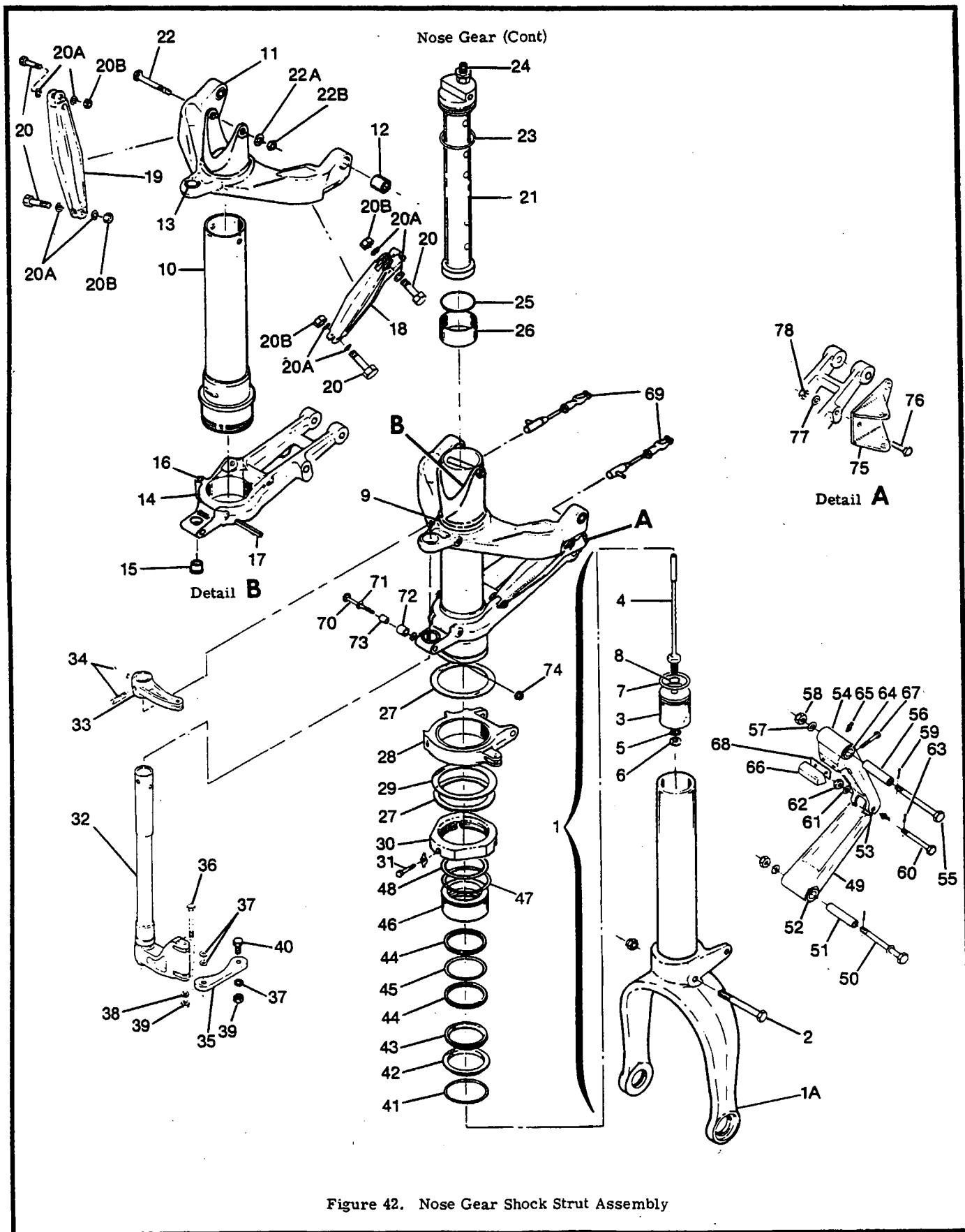


Figure 42. Nose Gear Shock Strut Assembly

P210 Parts Catalog

FIGURE AND INDEX NO.	PART NUMBER	DESCRIPTION							UNITS PER ASSY	USABLE ON CODE
		1	2	3	4	5	6	7		
42 -	1243009-203	NOSE GEAR SHOCK STRUT ASSEMBLY -----							1	B C B C
- 1	1243009-205	NOSE GEAR SHOCK STRUT ASSEMBLY -----							1	
- 1A	1243009-201	PISTON & FORK ASSY-NOSE GEAR -----							1	B C
- 2	1243009-204	PISTON & FORK ASSY-NOSE GEAR -----							1	
- 2	SK210-40	FORK-NOSE GEAR REPLACEMENT KIT -----							1	B C
- 3	NAS464-5A48	BOLT -----							1	
- 4	NAS1149F0332P	WASHER -----							1	B C
- 4	MS21042L5	NUT -----							1	
- 5	0841200-54	PLUG-PIN BASE NOSE GEAR -----							1	B C
- 6	1243034-1	PIN-METERING NOSE GEAR -----							1	
- 6	1243034-3	PIN-METERING NOSE GEAR -----							1	B C
- 7	NAS1149F0432P	ATTACHING PARTS -----							1	
- 8	MS21042L4	WASHER -----							1	B C
- 9	MS28775-221	NUT -----							1	
- 10	MS28775-010	O RING -----							1	B C
- 11	1243009-7	O RING -----							1	
- 12	1243009-12	TRUNNION & BARREL ASSY-NOSE GEAR -----							1	B C
- 13	BRA 6	TRUNNION & BARREL ASSY-NOSE GEAR -----							1	
- 14	S1004-46A	BARREL ASSY ORDER COMPLETE TRUNNION & BARREL ASSY -----							NP	B C
- 15	S1004-45A	TRUNNION ASSY-UPPER ORDER COMPLETE TRUNNION -----							NP	
- 16	MS16555-56	& BARREL ASSY -----							2	B C B C
- 17	NAS561P8-32	BEARING TOR -----							1	
- 18	1243008-3	BEARING -----							1	B C B C
- 19	1243001-1	TRUNNION ASSY-LOWER ORDER COMPLETE TRUNNION & BARREL A -----							NP	
- 19	1243008-4	& BARREL ASSY -----							1	B C B C
- 20	1243001-2	BEARING -----							1	
- 20A	NAS464P4A10	PIN-DOWEL -----							1	B C B C
- 20B	NAS1149F0432P	PIN-SPRING -----							1	
- 21	1243814-1	BRACE-LH -----							1	B C B C
- 22	AN5-32A	BRACE-LH -----							1	
- 22A	NAS1149F0332P	BRACE-RH -----							1	B C B C
- 22B	MS21042L5	BRACE-RH -----							1	
- 23	MS28775-225	ATTACHING PARTS -----							1	B C B C
- 24	S1827-1	BOLT -----							2	
- 25	0841200-19	WASHER -----							4	B C B C
- 26	1243021-1	NUT -----							2	
- 27	0543029	SUPPORT ASSY-PISTON ORFICE -----							1	B C B C
- 28	1243811-6	ATTACHING PARTS -----							1	
- 29	1243030-5	BOLT -----							1	B C B C
- 30	1243030-6	WASHER -----							1	
- 31	1243030-7	NUT -----							1	B C B C
- 32	1243617-1	SUPPORT ASSY-PISTON ORFICE -----							1	
- 33	AN3H3A	ATTACHING PARTS -----							1	B C B C
- 34	1243619-1	BOLT -----							1	
- 35	1243625-5	WASHER -----							1	B C B C
- 36	NAS561PF7-16	SUPPORT ASSY-PISTON ORFICE -----							1	
- 37	1243018-1	ATTACHING PARTS -----							1	B C B C
- 38	NAS464P3A32	BOLT -----							1	
- 39	NAS1149F0332P	WASHER -----							2	B C B C
- 40	NAS1149F0363P	NUT -----							1	
- 40	MS21044N3	SUPPORT ASSY-PISTON ORFICE -----							1	B C B C
- 40	NAS464P3A9	ATTACHING PARTS -----							1	
- 40		BOLT -----							1	B C B C
- 40		WASHER 2 FWD-1 AFT -----							2	
- 40		NUT -----							1	B C B C
- 40		BOLT -----							1	

CONTINUED ON NEXT PAGE

P210 Parts Catalog

FIGURE AND INDEX NO.	PART NUMBER	DESCRIPTION							UNITS PER ASSY	USABLE ON CODE	
		1	2	3	4	5	6	7			
42 -41	0841200-25	RING-LOCK -----							1	A A A A A	
-42	0841200-15	RING-PACK RETAINER -----							1		
-43	S2418-1	RING-SCRAPER -----							1		
-44	S1628-329	RING-BACK UP -----							2		
-45	MS28775-329	O RING -----							1		
-46	1243626-1	RING-PACK SUPPORT -----							1		
-47	0841200-31	SHIM -----							AR		
-48	MS28775-228	O RING -----							1		
-49	0543035-7	LINK ASSY-TORQUE LOWER ----- ATTACHING PARTS							1		
-50	AN4-31	BOLT -----							1		
-51	0543047-1	SPACER -----							1		
	NAS1149F0432P	WASHER -----							AR		
	AN310-4	NUT -----							1		
	MS24665-134	PIN-COTTER -----							1		
		*-----									
-52	NAS77-6-88	BUSHING -----							1		
-53	NAS77-3-23	BUSHING -----							1		
	AN944-101A	FITTING-LUBE -----							1		
-54	1243426-2	LINK ASSY-TORQUE UPPER ----- ATTACHING PARTS							1		
-55	AN4-31	BOLT -----							1		
-56	0543047-2	SPACER -----							2		
	S1450-6B14-010	SHIM -----							AR		
-57	NAS1149F0432P	WASHER -----							1		
-58	AN310-4	NUT -----							1		
-59	MS24665-134	PIN-COTTER -----							1		
-60	NAS464P3-22	BOLT -----							1		
-61	NAS1149F0332P	WASHER -----							1		
-62	AN320-3	NUT -----							1		
-63	MS24665-134	PIN-COTTER -----							1		
		*-----									
-64	NAS77-6-88	BUSHING -----							2		
-65	AN944-101A	FITTING-LUBE -----							1		
-66	1243038-1	LUG -----							1		
-67	1243422-1	BOLT -----							1		
-68	1243618-3	SHIM .010 THICK -----							AR		
	1243618-2	SHIM .020 THICK -----							AR		
-69	1243031-1	ROD ASSY-LH -----							1		
	1243031-6	ROD ASSY-RH -----							1		
-70	AN4-23A	BOLT -----							1		
-71	NAS1149F0432P	WASHER -----							1		
-72	1243421-1	ROLLER -----							2		
-73	1243421-2	BUSHING -----							1		
-74	MS21042L4	NUT -----							1		
-75	1243425-1	BRACKET ASSY ----- ATTACHING PARTS							1		
-76	AN4-7A	BOLT -----							1		
-77	NAS1149F0432P	WASHER -----							1		
-78	NAS697A4	NUT -----							1		
		*-----									
		A---P210 SERIAL P21000001 THRU P21000150									
		B---P210 SERIAL P21000001 THRU P21000834									
		C---P210 SERIAL P21000835 & ON									

P210 Parts Catalog

Nose Gear (Cont)

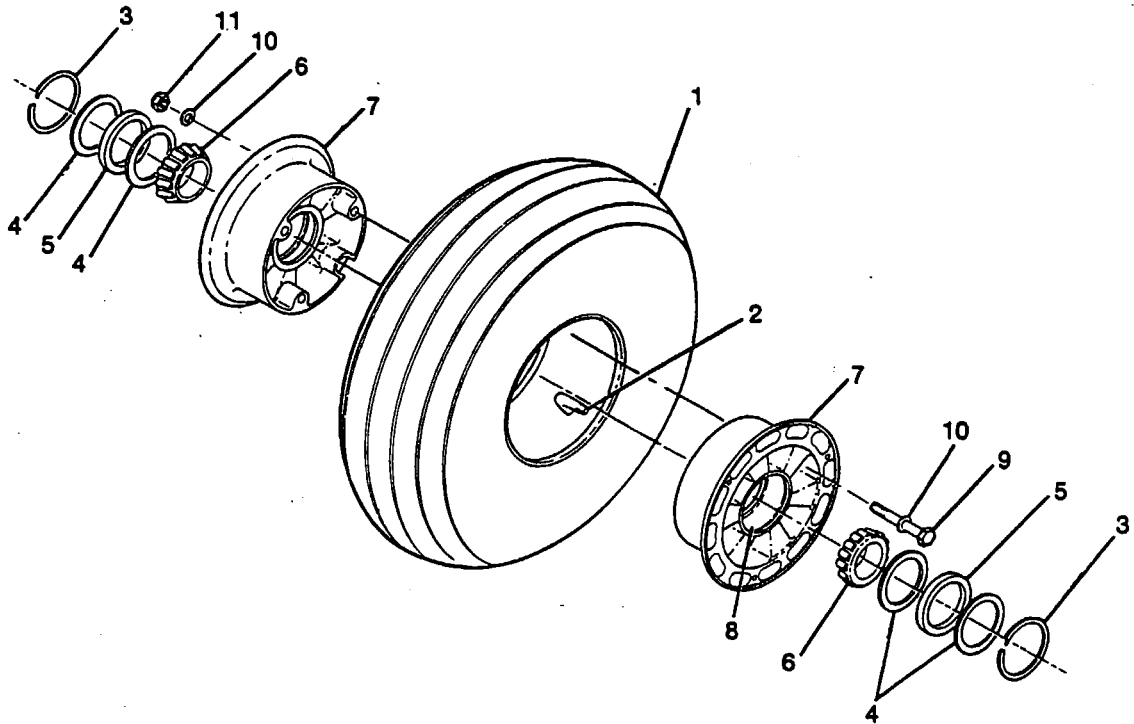


Figure 43. Nose Gear Wheel & Tire Assembly

FIGURE AND INDEX NO.	PART NUMBER	DESCRIPTION							UNITS PER ASSY	USABLE ON CODE
		1	2	3	4	5	6	7		
43 -		WHEEL & TIRE ASSEMBLY-NOSE GEAR MCCAULEY							NP	
- 1	C262003-0211	TIRE-NOSE GEAR 5.00X5 10 PLY RATED							1	
- 2	C262023-0101	TUBE 5.00X5							1	
	C163005-0201	WHEEL ASSY							1	
- 3	A1636-23	RING-RETAINING MCL							2	
- 4	A30048	RETAINER-SEAL MCL							4	
- 5	A30047	GREASE SEAL-FELT MCL							2	
- 6	A30078-2	CONE-BEARING MCL							2	
- 7	C30598	WHEEL HALF ASSY MCL							2	
- 8	A30078-1	CUP-BEARING							1	
- 9	AN5-22A	BOLT							3	
-10	AN960-516	WASHER							6	
-11	MS20365-524A	NUT							3	

P210 Parts Catalog

Nose Gear (Cont)

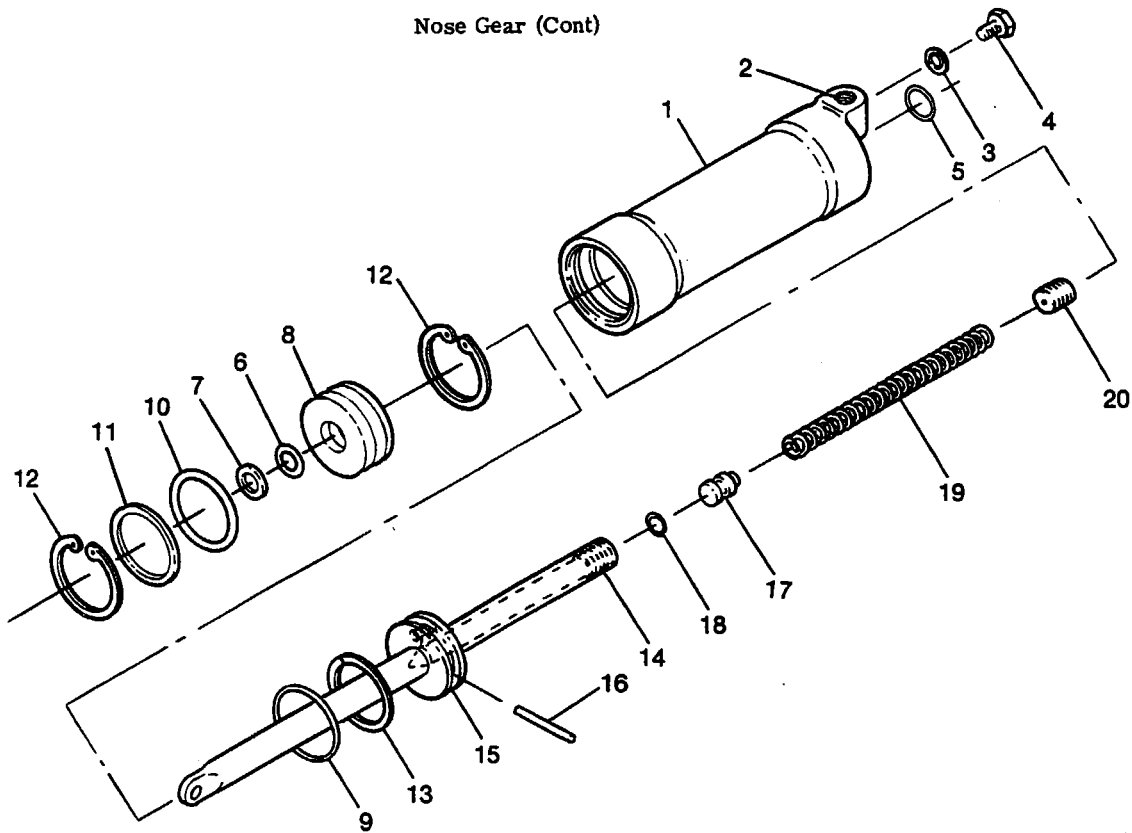


Figure 44. Shimmy Dampener Assembly

FIGURE AND INDEX NO.	PART NUMBER	DESCRIPTION							UNITS PER ASSY	USABLE ON CODE
		1	2	3	4	5	6	7		
44 -	0743624-2	SHIMMY DAMPENER ASSY -----							1	
- 1	0743622-1	BARREL ASSY-SHIMMY DAMPENER -----							1	
- 2	MS21209F4-20	INSERT -----							2	
- 3	600-015-100S	STAT-O-SEAL PKSC -----							1	
- 4	NAS563-11	BOLT -----							1	
- 5	233-11251-964-0190	PACKING 5F573 REF S2800-221 -----							1	
- 6	233-11251-964-0190	PACKING 5F573 REF S2800-221 -----							1	
- 7	S1628-112	RING-BACKUP -----							1	
- 8	1442113-9	HEAD BEARING -----							1	
- 9	MS28775-217	PACKING -----							1	
- 10	MS28775-027	PACKING -----							1	
- 11	S1628-027	RING-BACK UP -----							1	
- 12	MS16625-143	RING-RETAINING -----							2	
- 13	MS28782-22	RETAINER -----							1	
- 14	0743623-8	ROD ASSY-SHIMMY DAMPENER -----							1	
- 15	1442113-8	PISTON -----							1	
- 16	NAS561P4-18	ATTACHING PARTS PIN-ROLL -----							1	
- 17	0743623-4	PISTON-FLOATING -----							1	
- 18	MS28775-008	PACKING -----							1	
- 19	0743623-3	SPRING -----							1	
- 20	0743623-6	SET SCREW -----							1	

P210 Parts Catalog

FIGURE AND INDEX NO.	PART NUMBER	DESCRIPTION							UNITS PER ASSY	USABLE ON CODE	
		1	2	3	4	5	6	7			
45 -		MAIN LANDING GEAR INSTALLATION -----							NP		
- 1	0741048-8	HUB CAP-MAIN WHEEL -----							2		
		ATTACHING PARTS -----									
- 2	AN515-8R4	SCREW -----							3		
- 3	AN93688	WASHER -----							3		
		*-----									
- 4	SEE FIG 46	WHEEL ASSY -----							2		
		ATTACHING PARTS -----									
- 5	S1117-24	NUT -----							2		
- 6	MS24665-351	PIN-COTTER -----							2		
		*-----									
- 7		DELETED-NOT USED -----									
- 8	SEE FIG 46	BRAKE ASSY -----							1		
- 9	1441003-1	AXLE -----							2		
		ATTACHING PARTS -----									
-10	NAS464P5LA34	BOLT -----							1	B A B A B B A A A B A A	
	NAS1305-18	BOLT -----							1		
-11	NAS1149F0563P	WASHER -----							AR		
	NAS1149F0563P	WASHER -----							2		
	NAS1149F0332P	WASHER -----							AR		
-12	MS21042L5	NUT -----							2		
-13	NAS464P5LA27	BOLT -----							1		
	NAS1305-18	BOLT -----							1		
-14	NAS1306-24H	BOLT -----							1		
	NAS1306-28	BOLT -----							2		
-15	NAS1149F0663P	WASHER -----							2		
	NAS1149F0663P	WASHER -----							2		
	NAS1149F0632P	WASHER -----							3		
-16	MS21042L6	NUT -----							AR		
		*-----							1		
-17		SHIM REFER TO SERVICE MANUAL FOR USAGE -----							AR		
-18	1241073-4	STUD-UPLOCK -----							2		B B B A A
-19	1241102-3	SPRING ASSY-MAIN GEAR LH -----							1		
	1241102-4	SPRING ASSY-MAIN GEAR RH -----							1		
-19A	1241102-5	SPRING-MAIN GEAR LH -----							1		
	1241102-6	SPRING-MAIN GEAR RH -----							1		
		ATTACHING PARTS -----									
-20	1241611-1	BOLT -----							1		
-21	NAS1149F0863P	WASHER -----							1		
-22	MS20364-820C	NUT -----							1		
		*-----									
-23	1241108-1	STEP ASSY-CABIN ENTRY -----							1	B A B B A A	
-23A	2215018-1	STEP LH ONLY -----							1		
-24	1280509-43	BRAKE LINE ASSY-LH -----							1		
	1280509-42	BRAKE LINE ASSY-RH -----							1		
	1280509-101	BRAKE LINE ASSY-MAIN GEAR LH -----							1		
	1280509-102	BRAKE LINE ASSY-MAIN GEAR RH -----							1		
		ATTACHING PARTS -----									
-25	AN815-3D	UNION -----							1	B A	
-26	MS28778-3	GASKET -----							1		
-27	S2300-4	BRACKET -----							1		
	S2300-10	BRACKET -----							1		
-28	MS21919D63	CLAMP -----							1		
-29	AN520-10R8	SCREW -----							1		
	MS21044N3	NUT -----							1		
		*-----									

CONTINUED ON NEXT PAGE

P210 Parts Catalog

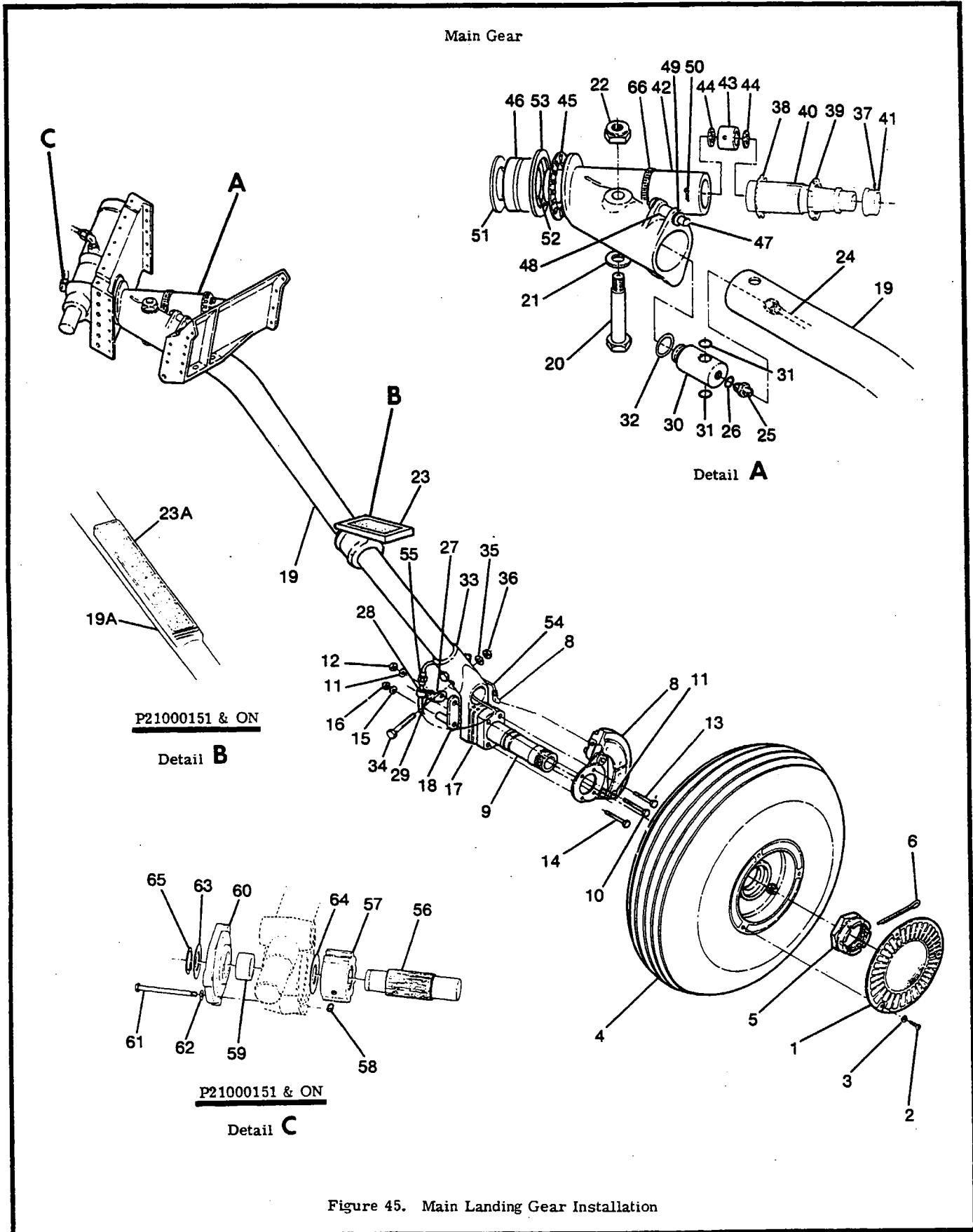


Figure 45. Main Landing Gear Installation

P210 Parts Catalog

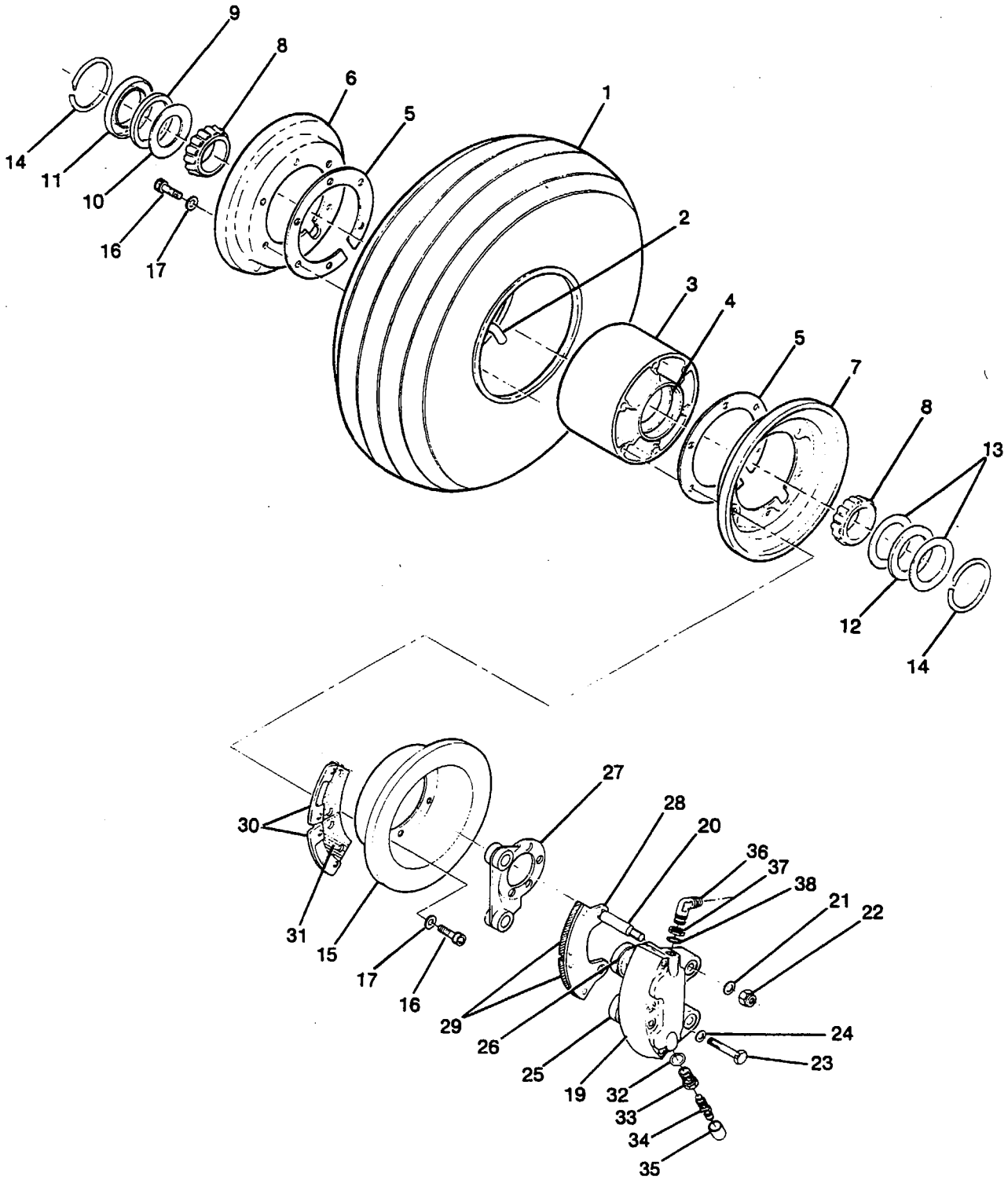
FIGURE AND INDEX NO.	PART NUMBER	DESCRIPTION							UNITS PER ASSY	USABLE ON CODE
		1	2	3	4	5	6	7		
45 -30	1241613-1								2	B B A A B A B A B B D C C E C A A A A A A A
-31	MS28775-017								4	
-32	MS28775-019								2	
-33	1241606-7								2	
	1241606-8								1	
	1241669-1								1	
	1241669-2								1	
-34	NAS464P6LA32								2	
	NAS464P6LA38								2	
	NAS464P6LA39								2	
-35	NAS1149F0663P								2	
	NAS1149F0663P								2	
-36	MS21042L6								2	
-37	AN565D1032H5								2	
-38	MS172208								2	
	MS19069A07								2	
	MS19070-072 *								2	
-39	MS172243								2	
	MS19067A07								2	
	MS19068-072 *								2	
-40	1241662-2								2	
-41	1241663-1								2	
-42	1241610-4								2	
-43	1241608-1								2	
-44	MS28775-019								1	
-45	S2013-1								4	
-46	S2012-1								2	
-47	MS20392-4C39								2	
-48	1241103-1								2	
-49	NAS1149F0563P								2	
-50	MS24665-283								2	
-51	1241107-1								2	
-52	S2012-2								2	
-53	S2014-1								2	
-54	1280509-45								1	
	1280509-44								1	
	1280509-103								1	
	1280509-104								1	
	121494-1								1	
	121494-2								1	
-55	AN815-3D								2	
	AN919-2D								2	
-56	1281013-1								2	
-57	9882002-3								2	
-58	MS18065-18								1	
-59	S1997-12-8								2	
-60	1281018-4								2	
-61	AN175-22A								3	
-62	NAS1149F0332P								3	
-63	NAS1149F1232P								2	
-64	S1450-12-24-017								2	
-65	MS16624-3075								2	
-66	S1891-32								2	
	1210810-3								2	

NOTE. *WHEN ORDERING THIS PART ALSO ORDER OTHER PART MARKED *.

- A---P210 SERIAL P21000151 & ON
- B---P210 SERIAL P21000001 THRU P21000150
- C---P210 SERIAL P21000151 THRU P21000191
- D---P210 SERIAL P21000192 & ON
- E---P210 SERIAL P21000001 THRU P21000150
- P210 SERIAL P21000192 & ON

P210 Parts Catalog

Main Gear (Cont)



P210 SERIAL P21000001 THRU P21000007

Figure 45A. Main Landing Gear Wheel & Brake Installation - McCauley

P210 Parts Catalog

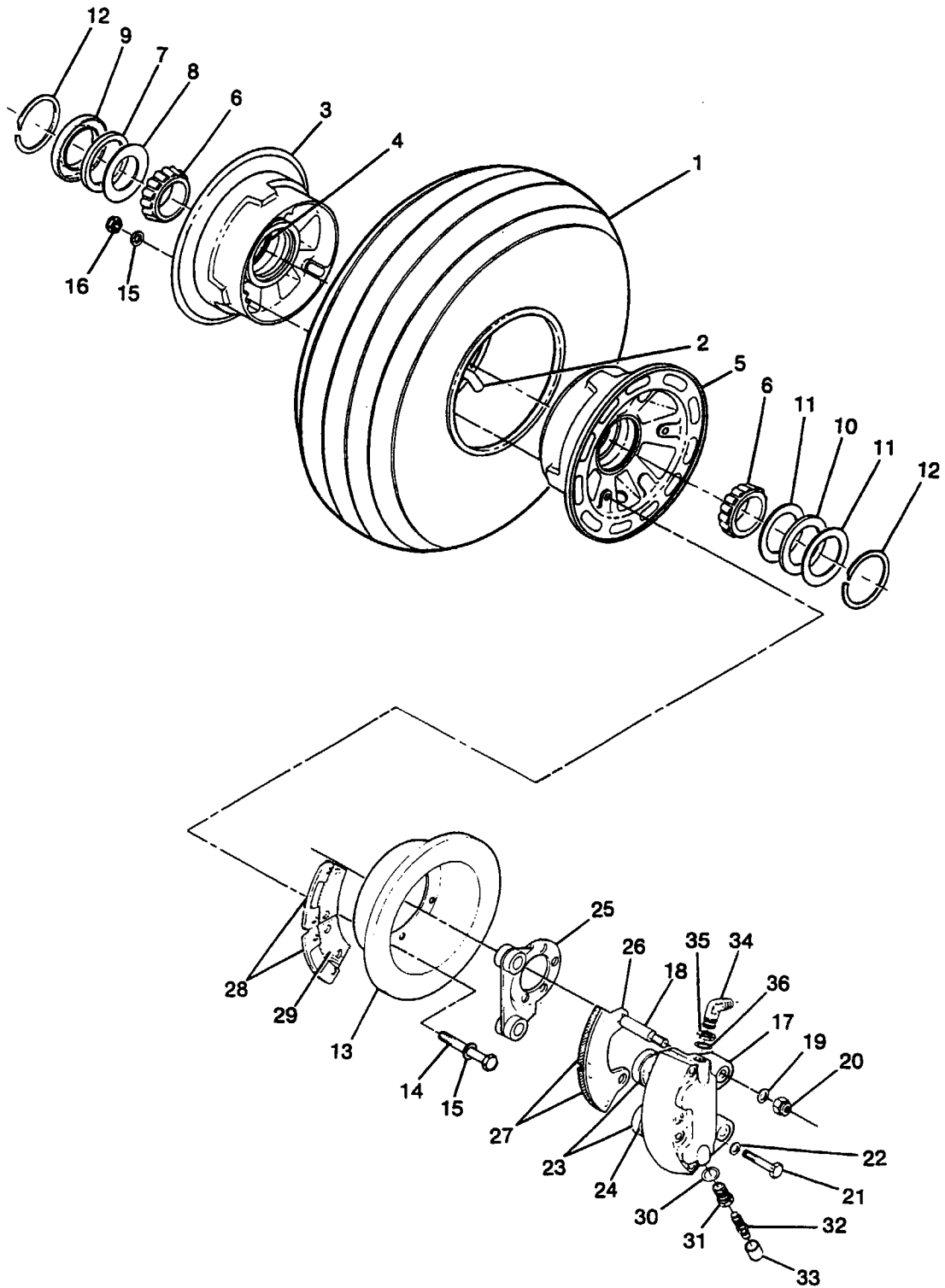
FIGURE AND INDEX NO.	PART NUMBER	DESCRIPTION							UNITS PER ASSY	USABLE ON CODE
		1	2	3	4	5	6	7		
45A-		WHEEL & BRAKE INSTALLATION-MAIN LANDING GEAR MCCAULEY							NP	A
- 1	C262003-0208	TIRE-MAIN GEAR 6.00 X 6 8 PLY RATED							1	
- 2	C262023-0102	TUBE 6.00 X 6							1	
		WHEEL ASSY-MAIN GEAR FSO C163006-0103 SEE FIG 45B							1	
- 3	D30259	HUB ASSY MCL							1	
- 4	A30079-1	CUP-BEARING MCL							1	
- 5	B30076	SPACER MCL							2	
- 6	D30222-1	FLANGE-WHEEL MCL OUTBD							2	
- 7	D30210	FLANGE-WHEEL MCL INBD							1	
- 8	A30079-2	CONE-BEARING MCL							1	
- 9	A30010	GREASE SEAL-FELT MCL							2	
-10	A30015	RETAINER-GREASE SEAL MCL							1	
-11	A30014	RETAINER-GREASE SEAL MCL							1	
-12	A30011	GREASE SEAL-FELT MCL							1	
-13	A30013	RETAINER-GREASE SEAL MCL							1	
-14	A1636-24	RING-RETAINER MCL							2	
-15	C30398	DISC ASSY MCL							2	
-16	A1635-79	SOCKET HEAD CAP SCREW MCL							1	
-17	A1638-1	WASHER MCL							12	
-18		DELETED							12	
	C163032-0205	BRAKE ASSY-LH							1	
	C163032-0206	BRAKE ASSY-RH							1	
-19	D30119	CYLINDER ASSY MCL							1	
-20	A30023	PIN GUIDE MCL							1	
-21	A1638-15	WASHER MCL							2	
-22	A1639-26	NUT MCL							2	
-23	A2513-49	BOLT MCL							2	
-24	A1638-15	WASHER MCL							4	
-25	B30161	PISTON MCL							4	
-26	A1633-48	O RING MCL							2	
-27	B30107-1	TORQUE PLATE ASSY-LH MCL							2	
	B30107-2	TORQUE PLATE ASSY-RH MCL							1	
-28	B30113	PLATE ASSY-PRESSURE MCL							1	
-29	B30026	LINING MCL							1	
	A30087	RIVET MCL							2	
-30	B30027	PLATE ASSY-BACK MCL							4	
-31	B30026	LINING MCL							2	
	A30087	RIVET MCL							1	
-32	A1633-47	GASKET MCL							2	
-33	A30169	FITTING-BLEEDER MCL							1	
-34	A30085	SCREW-BLEEDER MCL							1	
-35	A30040	CAP-DUST MCL							1	
-36	AN921-3D	ELBOW							1	
-37	AN924-3D	NUT							1	
-38	MS28778-3	O RING							1	

NOTE *DO NOT INTERMIX MCCAULEY & CLEVELAND ASSY'S.

A---P210 SERIAL P21000001 THRU P21000007

P210 Parts Catalog

Main Gear (Cont)



P210 SERIAL P2100008 THRU P21000150

Figure 45B. Main Landing Gear Wheel & Brake Installation - McCauley

P210 Parts Catalog

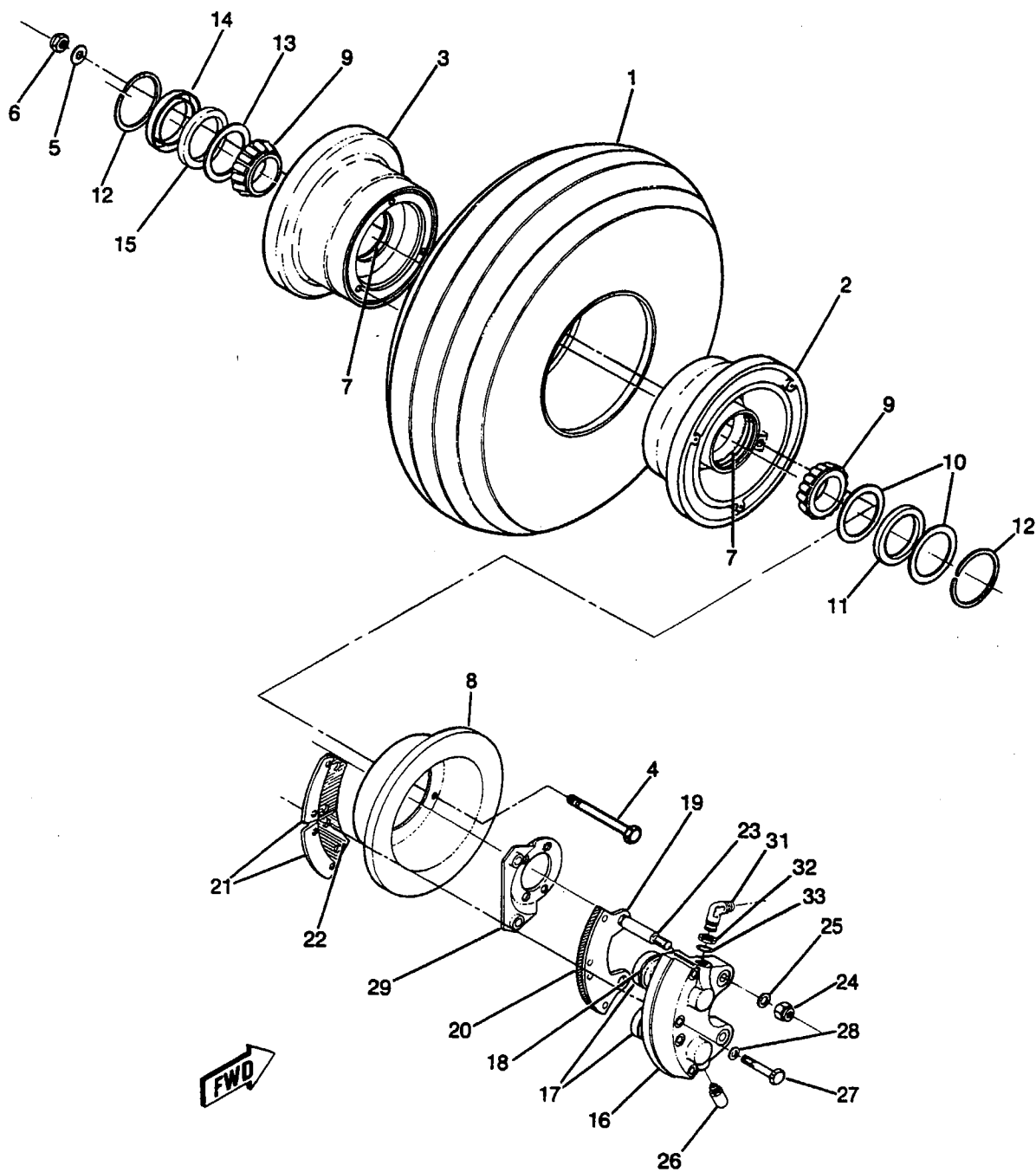
FIGURE AND INDEX NO.	PART NUMBER	DESCRIPTION	UNITS PER ASSY							USABLE ON CODE	
			1	2	3	4	5	6	7		
45B--		WHEEL & BRAKE INSTALLATION-MAIN LANDING GEAR MCCAULEY								NP	A
- 1	C262003-0208	TIRE-MAIN GEAR 6.00 X 6 8 PLY RATED								1	
- 2	C262023-0102	TUBE 6.00 X 6								1	
	C163006-0103 *	WHEEL ASSY-MAIN GEAR								1	
- 3	D30656	WHEEL HALF ASSY-OUTBD MCL								1	
- 4	A30079-1	CUP-BEARING MCL								1	
- 5	D30661	WHEEL HALF ASSY-INBD MCL								1	
	A30079-1	CUP-BEARING MCL								1	
- 6	A30079-2	CONE-BEARING MCL								2	
- 7	A30010	GREASE SEAL-FELT MCL								1	
- 8	A30015	RETAINER-GREASE SEAL MCL								1	
- 9	A30014	RETAINER-GREASE SEAL MCL								1	
- 10	A30011	GREASE SEAL-FELT MCL								1	
- 11	A30013	RETAINER-GREASE SEAL MCL								2	
- 12	A1636-24	RING-RETAINER MCL								2	
- 13	C30615-3	DISC ASSY MCL								3	
- 14	A2513-76	BOLT MCL								6	
- 15	A1638-22	WASHER MCL								3	
- 16	A1639-1	NUT MCL								3	
	C163032-0205 *	BRAKE ASSY-LH								1	
	C163032-0206 *	BRAKE ASSY-RH								1	
- 17	D30119	CYLINDER ASSY MCL								1	
- 18	A30023	PIN GUIDE MCL								2	
- 19	A1638-15	WASHER MCL								2	
- 20	A1639-26	NUT MCL								2	
- 21	A2513-49	BOLT MCL								4	
- 22	A1638-15	WASHER MCL								4	
- 23	B30161	PISTON MCL								4	
- 24	A1633-48	O RING MCL								2	
- 25	B30107-1	TORQUE PLATE ASSY-LH MCL								1	
	B30107-2	TORQUE PLATE ASSY-RH MCL								1	
- 26	B30113	PLATE ASSY-PRESSURE MCL								1	
- 27	B30026	LINING MCL								2	
	A30087	RIVET MCL								4	
- 28	B30027	PLATE ASSY-BACK MCL								2	
- 29	B30026	LINING MCL								1	
	A30087	RIVET MCL								2	
- 30	A1633-47	GASKET MCL								1	
- 31	A30169	FITTING-BLEEDER MCL								1	
- 32	A30085	SCREW-BLEEDER MCL								1	
- 33	A30040	CAP-DUST MCL								1	
- 34	AN921-3D	ELBOW								1	
- 35	AN924-3D	NUT								1	
- 36	MS28778-3	O RING								1	

NOTE *DO NOT INTERMIX MCCAULEY & CLEVELAND ASSY'S.

A---P210 SERIAL P21000008 THRU P21000150

P210 Parts Catalog

Main Gear (Cont)



P210 SERIAL P21000001 THRU P21000834

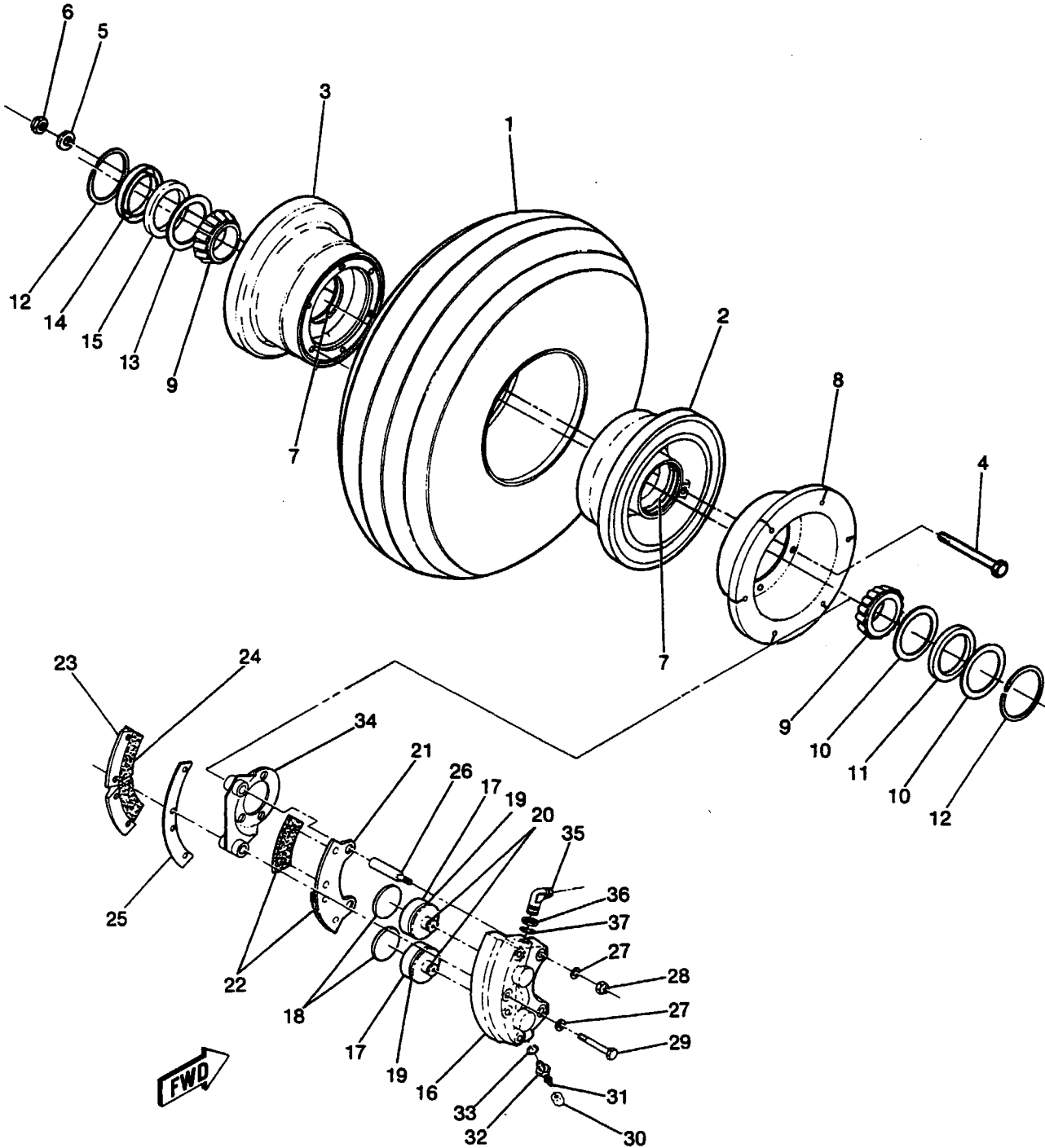
Figure 46. Main Landing Gear Wheel & Brake Installation - Cleveland

P210 Parts Catalog

FIGURE AND INDEX NO.	PART NUMBER	DESCRIPTION							UNITS PER ASSY	USABLE ON CODE
		1	2	3	4	5	6	7		
46 -		WHEEL & BRAKE INSTALLATION-MAIN LANDING GEAR CLEVELAND							NP	C
- 1	C262003-0208	TIRE-MAIN GEAR 6.00X6 8 PLY RATED							1	
	C262023-0102	TUBE 6.00X6							1	
	C163001-0301	WHEEL ASSY CFP 040-07502							1	
- 2	161-03000	WHEEL HALF ASSY-INBOARD CFP							1	
- 3	162-02700	WHEEL HALF ASSY-OUTBOARD CFP							1	
		ATTACHING PARTS								
- 4	AN5-35A	BOLT							3	
- 5	NAS1149F0563P	WASHER							3	
- 6	MS21042L5	NUT							3	
		*-----								
- 7	214-00100	CUP-BEARING CFP							1	
- 8	164-01501	BRAKE DISC ASSEMBLY CFP							1	
- 9	214-00200	CONE-BEARING CFP							2	
- 10	153-00400	RING-GREASE SEAL CFP							2	
- 11	154-00300	FELT-GREASE SEAL CFP							1	
- 12	155-00100	RING-SNAP CFP							2	
- 13	153-00300	RING-GREASE SEAL CFP							1	
- 14	153-01500	RING-GREASE SEAL CFP							1	
- 15	154-01300	FELT-GREASE SEAL CFP							1	
	C163030-0315	BRAKE ASSY-LH CFP 030-05220 3/8-24 THD PORTS							1	A
	C163030-0316	BRAKE ASSY-RH CFP 030-05270 3/8-24 THD PORTS							1	A
	121494-3	BRAKE ASSY-LH CFP 7/16-20 THD PORTS							1	B
	121494-4	WEU C163030-0315 BRAKE ASSY-RH CFP 7/16-20 THD PORTS							1	B
- 16	061-08500	CYLINDER CFP							1	
- 17	062-01500	PISTON CFP							2	
- 18	MS28775-222	O-RING							2	
- 19	073-04200	PLATE ASSY-PRESSURE CFP							1	
- 20	066-05500	LINING CFP							2	
	105-00200	RIVET CFP							4	
- 21	074-2900	PLATE ASSY-BACK CFP							2	
- 22	066-05500	LINING CFP							2	
	105-00200	RIVET CFP							4	
- 23	069-00400	BOLT-ANCHOR CFP							2	
- 24	MS21042L4	NUT							2	
- 25	NAS1149F0432P	WASHER							2	
- 26	183-00100	CAP-BLEEDER CFP							1	
	079-00300	SCREW-BLEEDER CFP							1	
	081-00200	SEAT-BLEEDER CFP							1	
	MS28775-012	O-RING							1	
- 27	103-11800	BOLT CFP							4	
- 28	NAS1149F0463P	WASHER							4	
- 29	075-13800	TORQUE PLATE ASSY-LH CFP							1	
	075-13850	TORQUE PLATE ASSY-RH CFP							1	
- 30	AN921-3D	ELBOW							1	
	AN921-4D	ELBOW							1	
- 31	AN924-3D	NUT							1	A
	AN924-4D	NUT							1	B
- 32	MS28778-3	PACKING							1	A
	MS28778-4	PACKING							1	B
		USED ON 121494-3 & 121494-4 BRAKES ONLY							1	A
		USED ON 121494-3 & 121494-4 BRAKES ONLY							1	B
		USED ON 121494-3 & 121494-4 BRAKES ONLY							1	A
		USED ON 121494-3 & 121494-4 BRAKES ONLY							1	B
<p>NOTE. *WHEN INITIALLY ORDERING THIS PART FOR AIRCRAFT P21000151 THRU P21000191 ORDER ALL PARTS MARKED @. ALSO ORDER 1280509-103 LINE OR 1280509-104 LINE & AN815-3D UNION AS APPLICABLE- FOUND ON FIG 45.</p> <p>A---P210 SERIAL P21000001 THRU P21000150 P21000192 THRU P21000834 B---P210 SERIAL P21000151 THRU P21000191 C---P210 SERIAL P21000001 THRU P21000834</p>										

P210 Parts Catalog

Main Gear (Cont)



P210 SERIAL P21000835 & ON

Figure 46A. Main Landing Gear Wheel & Brake Installation - Cleveland

P210 Parts Catalog

FIGURE AND INDEX NO.	PART NUMBER	DESCRIPTION							UNITS PER ASSY	USABLE ON CODE
		1	2	3	4	5	6	7		
46A-		WHEEL & BRAKE INSTALLATION-MAIN LANDING GEAR CLEVELAND							NP	A
- 1	C262003-0208	TIRE-MAIN GEAR 6.00 X 6 8 PLY RATED							1	
	C262023-0102	TUBE 6.00 X 6							1	
	C163001-0701	WHEEL ASSY-MAIN GEAR							1	
- 2	161-06102	WHEEL HALF ASSY-INNER CFP							1	
- 3	162-05702	WHEEL HALF ASSY-OUTER CFP							1	
		ATTACHING PARTS								
- 4	103-20400	BOLT CFP							6	
- 5	095-10500	WASHER CFP							6	
- 6	094-10400	NUT CFP							6	

- 7	214-00100	CUP-BEARING CFP							1	
- 8	164-07800	BRAKE DISC ASSY CFP							1	
- 9	214-00200	CONE-BEARING CFP							2	
-10	153-00400	RING-GREASE SEAL CFP							2	
-11	154-00300	FELT-GREASE SEAL CFP							1	
-12	155-00100	RING-SNAP CFP							2	
-13	153-00300	RING-GREASE SEAL CFP							1	
-14	153-01500	RING-GREASE SEAL CFP							1	
-15	154-01300	FELT-GREASE SEAL CFP							1	
	C163030-0901	BRAKE ASSY-LH							1	
	C163030-0902	BRAKE ASSY-RH							1	
-16	061-08500	CYLINDER-BRAKE CFP							1	
-17	092-02000	PISTON ASSY-BRAKE CFP							2	
-18	088-00100	INSULATOR CFP							1	
-19	101-02700	O-RING CFP							1	
-20	082-02000	SPRING-FRICTION CFP							1	
-21	073-05800	PLATE ASSY-PRESSURE CFP							1	
-22	066-06200	LINING-BRAKE CFP							2	
-23	074-03000	PLATE ASSY-BACK CFP							1	
-24	066-06200	LINING-BRAKE CFP							1	
-25	068-01100	SHIM CFP							1	
-26	069-00400	BOLT-ANCHOR CFP							2	
-27	095-10400	WASHER							6	
-28	094-10300	NUT CFP							2	
-29	103-11800	BOLT CFP							4	
-30	183-0100	CAP-BLEEDER CFP							1	
-31	079-0300	SCREW-BLEEDER CFP							1	
-32	081-0500	SEAT-BLEEDER CFP							1	
-33	101-0600	O-RING CFP							1	
-34	075-13800	TORQUE PLATE ASSY-LH CFP							1	
	075-13850	TORQUE PLATE ASSY-RH CFP							1	
-35	AN921-3D	ELBOW							1	
-36	AN924-3D	NUT							1	
-37	MS28778-3	PACKING							1	

A---P210 SERIAL P21000835 & ON

P210 Parts Catalog

Landing Gear Doors

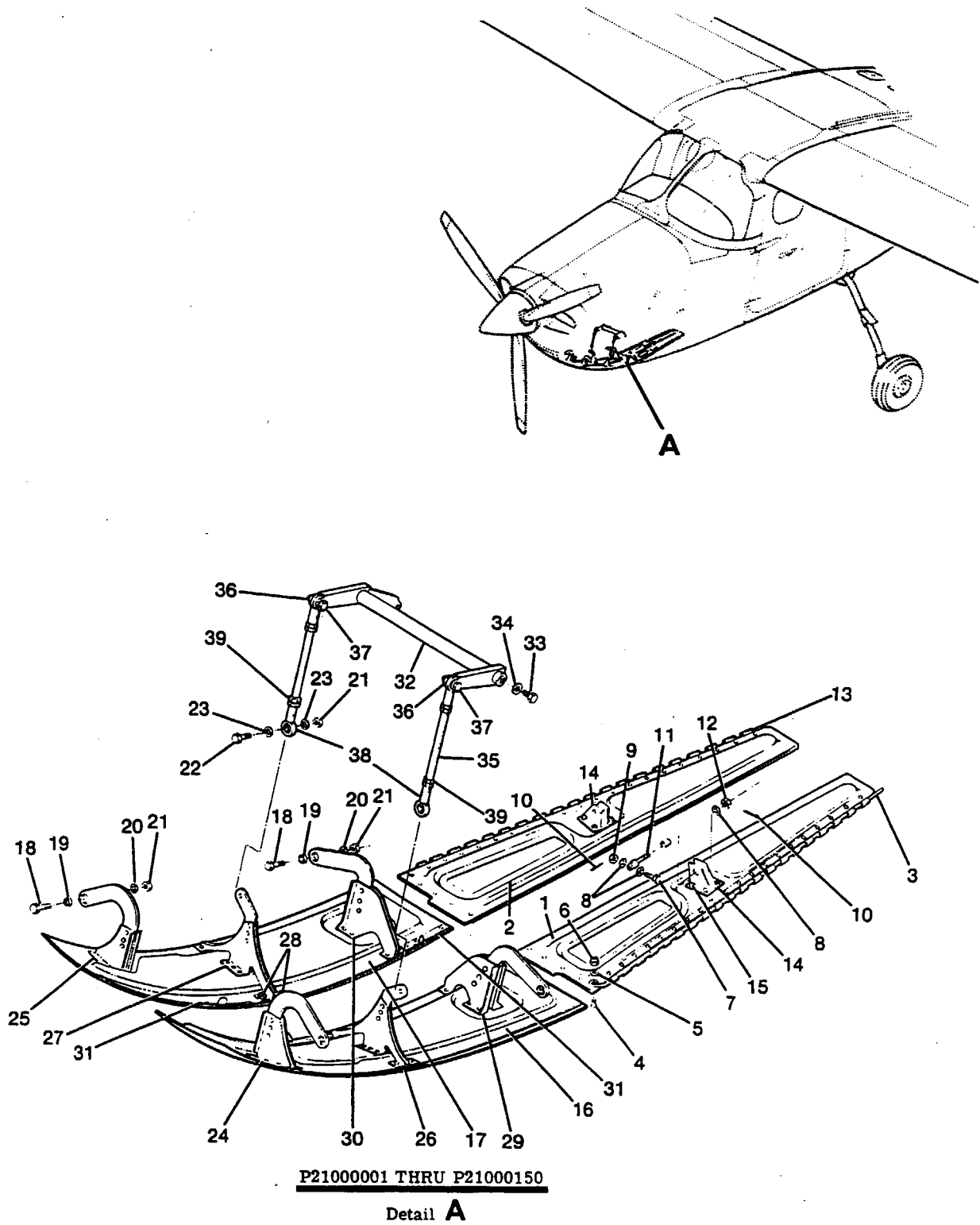
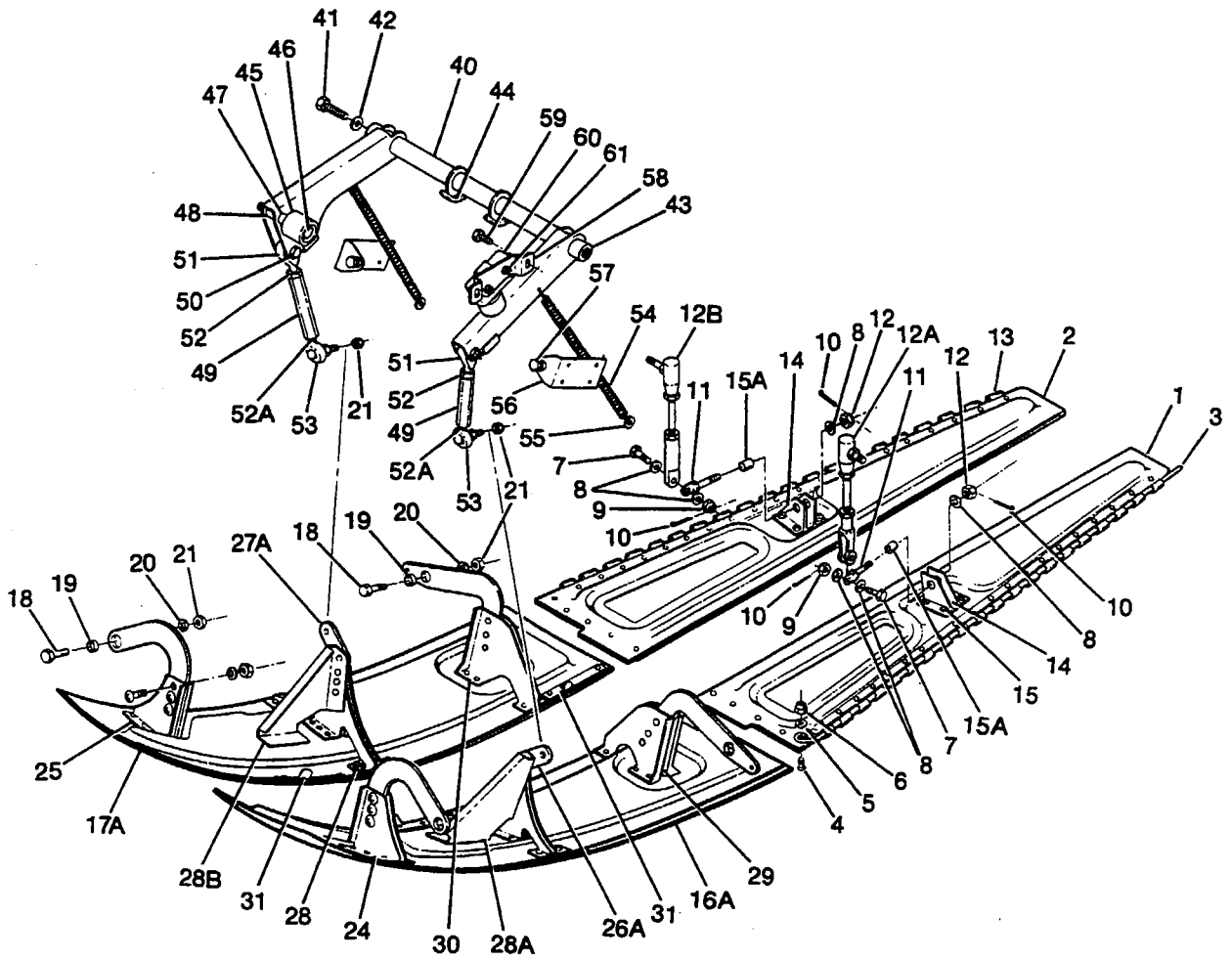


Figure 47. (Sheet 1 of 2) Nose Gear Doors & Torque Tube Installation

P210 Parts Catalog

Landing Gear Doors (Cont)



P21000151 & ON

Detail **A**

Figure 47. (Sheet 2 of 2) Nose Gear Doors & Torque Tube Installation

P210 Parts Catalog

FIGURE AND INDEX NO.	PART NUMBER	DESCRIPTION							UNITS PER ASSY	USABLE ON CODE
		1	2	3	4	5	6	7		
47 -		DOORS & TORQUE TUBE INSTALLATION-NOSE GEAR -----							NP	
- 1	1213467-7	DOOR ASSY-NOSE GEAR AFT LH WEU 1213467-15 -----							1	A B A B
	1213467-15	DOOR ASSY-NOSE GEAR AFT LH -----							1	
- 2	1213467-8	DOOR ASSY-NOSE GEAR AFT RH WEU 1213467-16 -----							1	
	1213467-16	DOOR ASSY-NOSE GEAR AFT RH -----							1	
		ATTACHING PARTS								
- 3	1213431-1	HINGE PIN-LH -----							1	
	1213431-2	HINGE PIN-RH -----							1	
- 4	AN507-832R7	SCREW -----							1	
- 5	NAS1149FN832P	WASHER -----							1	
- 6	MS21042L08	NUT -----							1	
- 7	AN3-5	BOLT -----							1	
- 8	NAS1149F0363P	WASHER -----							3	
- 9	AN320-3	NUT -----							1	
-10	MS24665-132	PIN-COTTER -----							2	
-11	AN42B-10	EYEBOLT-NOSE GEAR DOOR -----							1	
-12	AN310-3	NUT -----							1	
-12A	1243031-1	TIE ROD ASSY-NOSE GEAR DOOR LH -----							1	
-12B	1243031-6	TIE ROD ASSY-NOSE GEAR DOOR RH -----							1	
		-----*								
-13	1213431-4	HINGE HALF -----							1	
-14	1217014-1	BRACKET -----							1	
		ATTACHING PARTS								
-15	AN507-632R6	SCREW -----							4	
	NAS1149FN616P	WASHER -----							4	
	MS21044N06	NUT -----							4	
		-----*								
-15A	NAS75-3-019	BUSHING -----							1	
-16	1217009-7	DOOR ASSY-NOSE GEAR FWD LH WEU 1217009-13 -----							1	
-16A	1217009-13	DOOR ASSY-NOSE GEAR FWD LH -----							1	
	1217090-1	DOOR ASSY-NOSE GEAR FWD LH -----							1	
-17	1217009-8	DOOR ASSY-NOSE GEAR FWD RH WEU 1217009-14 -----							1	
-17A	1217009-14	DOOR ASSY-NOSE GEAR FWD RH -----							1	
	1217090-2	DOOR ASSY-NOSE GEAR FWD RH -----							1	
		ATTACHING PARTS								
-18	AN3-6A	BOLT -----							2	
-19	NAS74A-3E004P	BUSHING -----							2	
-20	NAS1149F0363P	WASHER -----							2	
-21	MS21042L3	NUT -----							3	
-22	AN3-10A	BOLT -----							1	
-23	NAS1149F0332P	WASHER -----							2	
		-----*								
-24	1217011-1	BRACKET ASSY-LH WEU 1217011-9 -----							1	
	1217011-9	BRACKET ASSY-LH -----							1	
	1217011-17	BRACKET ASSY-LH -----							1	
-25	1217011-2	BRACKET ASSY-RH WEU 1217011-10 -----							1	
	1217011-10	BRACKET ASSY-RH -----							1	
	1217011-18	BRACKET ASSY-RH -----							1	
-26	1217012-1	BRACKET ASSY-LH -----							1	
-26A	1217012-7	BRACKET ASSY-LH -----							1	
-27	1217012-2	BRACKET ASSY-RH -----							1	
-27A	1217012-8	BRACKET ASSY-RH -----							1	
		ATTACHING PARTS								
-28	NAS514P1032-10	SCREW -----							2	
	1217016-1	WASHER -----							2	
	MS20365-1032C	NUT -----							2	
		-----*								
-28A	1217084-1	STIFFENER-LH -----							1	
-28B	1217084-2	STIFFENER-RH -----							1	
-29	1217013-1	BRACKET ASSY-LH -----							1	
	1217013-9	BRACKET ASSY-LH -----							1	
-30	1217013-2	BRACKET ASSY-RH -----							1	
	1217013-10	BRACKET ASSY-RH -----							1	
-31	1213292-2	GUIDE-CLIP -----							2	
-32	1217025-1	TORQUE TUBE ASSY-NOSE GEAR DOOR -----							1	
		ATTACHING PARTS								
-33	NAS564-29	BOLT -----							2	
-34	AN935-416	WASHER -----							2	
		-----*								

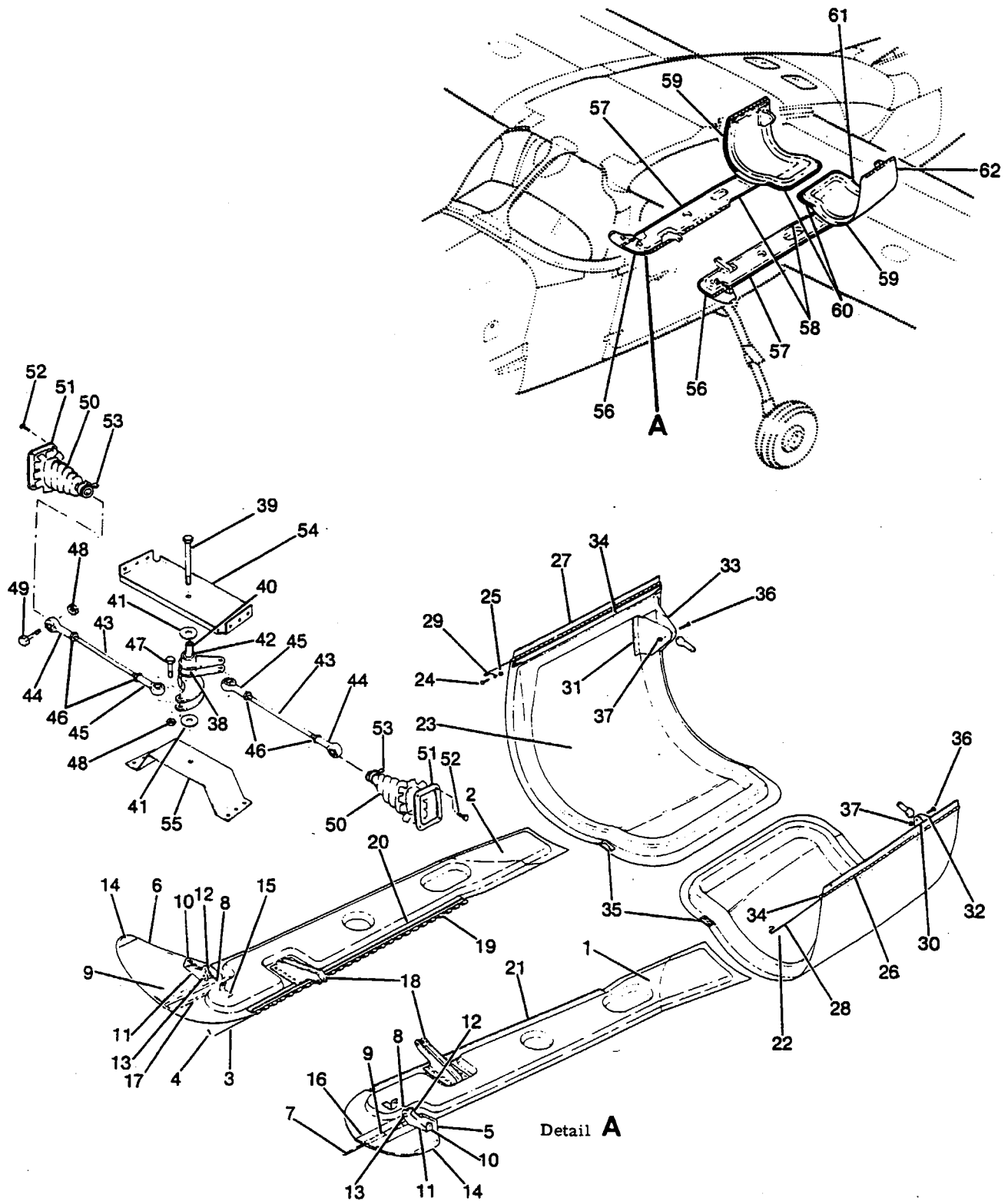
CONTINUED ON NEXT PAGE

P210 Parts Catalog

FIGURE AND INDEX NO.	PART NUMBER	DESCRIPTION							UNITS PER ASSY	USABLE ON CODE
		1	2	3	4	5	6	7		
47 -35	1217017-1	ROD ASSY -----							2	A
		ATTACHING PARTS -----								
-36	NAS1149F0363P	WASHER -----							AR	
-37	AN3-7A	BOLT -----							2	
	MS21044N3	NUT -----							2	
		*-----								
-38	S1106-3	ROD END -----							2	
-39	AN316-4R	NUT -----							2	
-40	1217077-1	TORQUE TUBE ASSY -----							1	B
		ATTACHING PARTS -----								
-41	NAS564-29	BOLT -----							2	
-42	NAS1149F0463P	WASHER -----							2	
		*-----								
-43	S1997-6H6	BEARING -----							2	
-44	1217076-1	PAD UP-STOP -----							2	
-45	1217087-1	BEARING ASSY WEU 1217087-5 -----							1	D
	1217087-5	BEARING ASSY -----							1	E
		ATTACHING PARTS -----								
-46	AN4-20A	BOLT -----							1	
	MS21044N4	NUT -----							1	
-47	NAS43HT4-28	SPACER -----							1	
	S1450-4-10-063	WASHER -----							1	
-48	NAS43HT4-36	SPACER -----							1	
		*-----								
-49	1217073-1	BARREL ASSY -----							2	B
		ATTACHING PARTS -----								
-50	AN3-10A	BOLT -----							1	
	MS21044N3	NUT -----							1	
	NAS620-10L	WASHER -----							2	
		*-----								
-51	S1107-3	BEARING-ROD END -----							1	
-52	AN315-6R	NUT -----							1	
-52A	AN315-3L	NUT -----							1	
-53	S2321L3	STUD-RODEND -----							1	
-54	1511229-1	SPRING -----							2	B
-55	NAS1149D0363H	WASHER -----							2	B
-56	1217078-3	STOP ASSY -----							2	B
	NAS684A3	NUTPLATE -----							1	
-57	NAS428-3-6	BOLT -----							1	
	AN315-3R	NUT -----							1	
-58	1270859-2	MOUNT-SWITCH -----							1	
		ATTACHING PARTS -----								
-59	AN3-3A	BOLT -----							2	
		*-----								
-60	YZ2RN7T	SWITCH MCS -----							1	H
	S2586-1	SWITCH -----							1	J
		ATTACHING PARTS -----								
-61	MS21044N06	NUT -----							2	
	AN515-6R18	SCREW -----							2	
		*-----								
		A---P210 SERIAL P21000001 THRU P21000150 B---P210 SERIAL P21000151 & ON C---P210 SERIAL P21000151 THRU P21000590 D---P210 SERIAL P21000151 THRU P21000521 E---P210 SERIAL P21000522 & ON F---P210 SERIAL P21000001 THRU P21000648 G---P210 SERIAL P21000649 THRU P21000834 H---P210 SERIAL P21000001 THRU P21000811 J---P210 SERIAL P21000812 & ON K---P210 SERIAL P21000151 THRU P21000834 L---P210 SERIAL P21000835 & ON M---P210 SERIAL P21000001 THRU P21000834								

P210 Parts Catalog

Landing Gear Doors (Cont)



P210 SERIAL P21000001 THRU P21000150

Figure 48. Main Landing Gear Doors Installation

P210 Parts Catalog

FIGURE AND INDEX NO.	PART NUMBER	DESCRIPTION							UNITS PER ASSY	USABLE ON CODE
		1	2	3	4	5	6	7		
48 -		DOORS INSTALLATION-MAIN LANDING GEAR -----							NP	A
- 1	1241158-1	DOOR ASSY-MAIN GEAR SPRING WELL LH -----							1	
- 2	1241158-2	DOOR ASSY-MAIN GEAR SPRING WELL RH -----							1	
		ATTACHING PARTS -----								
- 3	1211832-4	PIN-HINGE -----							1	
- 4	MS24665-22	PIN-COTTER -----							2	
		-----*								
- 5	1241145-7	DOOR-STUB LH -----							1	
- 6	1241145-8	DOOR-STUB RH -----							1	
		ATTACHING PARTS -----								
- 7	MS20253P2-502	PIN-HINGE -----							1	
- 8	LE05508	SPRING LSC1 -----							1	
		-----*								
- 9	1241159-1	HINGE HALF -----							1	
-10	1241106-1	SUPPORT-SPRING -----							1	
-11	1241658-1	BRACKET -----							1	
-12	S1551-1	ROLLER -----							1	
-13	AN3-7A	BOLT -----							1	
	NAS43HT3-35	SPACER -----							1	
	MS21044N3	NUT -----							1	
-14	1241657-1	BUMPER -----							1	
-15	1241104-1	BRACKET-SPRING -----							1	
-16	1241159-1	HINGE HALF-LH -----							1	
-17	1241159-2	HINGE HALF-RH -----							1	
-18	1211446-1	ARM-ACTUATOR -----							1	
-19	1241142-2	HINGE HALF-RH -----							1	
	1241142-1	HINGE HALF-LH -----							1	
-20	1241144-3	STIFFENER-LH -----							1	
-21	1241144-4	STIFFENER-RH -----							1	
-22	1241150-211	DOOR ASSY-MAIN GEAR WHEEL WELL LH -----							1	
-23	1241150-212	DOOR ASSY-MAIN GEAR WHEEL WELL RH -----							1	
		ATTACHING PARTS -----								
-24	AN515-8R7	SCREW -----							1	
-25	MS21044N08	NUT -----							1	
		-----*								
-26	1241150-209	HINGE ASSY-LH -----							1	
-27	1241150-210	HINGE ASSY-RH -----							1	
-28	2141001-1	PIN-HINGE LH -----							1	
-29	2141001-2	PIN-HINGE RH -----							1	
-30	1241148-17	BRACKET ASSY-FORWARD LH -----							1	
-31	1241148-18	BRACKET ASSY-FORWARD RH -----							1	
-32	1241148-15	BRACKET ASSY-AFT LH -----							1	
-33	1241148-16	BRACKET ASSY-AFT RH -----							1	
-34	1241153-1	STIFFENER -----							1	
-35	1241155-1	BUMPER-MAIN LANDING GEAR DOOR -----							1	
-36	AN3-11A	BOLT -----							2	
-37	MS21044N3	NUT -----							2	
-38	1241070-6	BELLCRANK ASSY-SPRING DOOR ACTUATOR -----							1	
		ATTACHING PARTS -----								
-39	AN4-27A	BOLT -----							1	
-40	1211457-2	SPACER -----							1	
-41	NAS1149D0663K	WASHER -----							2	
		-----*								
-42	S1997-6-10	BEARING -----							2	
-43	NAS354-4-520	ROD -----							2	
-44	S1106-4	ROD END -----							2	
-45	S1106-3	ROD END -----							2	
-46	AN316-4R	NUT -----							4	
-47	AN4-7A	BOLT -----							2	
-48	MS21042L4	NUT -----							4	
-49	AN3-11A	BOLT -----							2	
-50	1211358-1	BOOT ASSY-SPRING ACTUATOR ROD -----							2	
		ATTACHING PARTS -----								
-51	1211353-1	RETAINER-BOOT -----							1	
-52	AN507-832R8	SCREW -----							4	
		-----*								
-53	S2209-2	CLAMP -----							1	
-54	1241068-1	BRACKET-UPPER SUPPORT -----								
-55	1241069-1	BRACKET ASSY-LOWER SUPPORT -----							1	

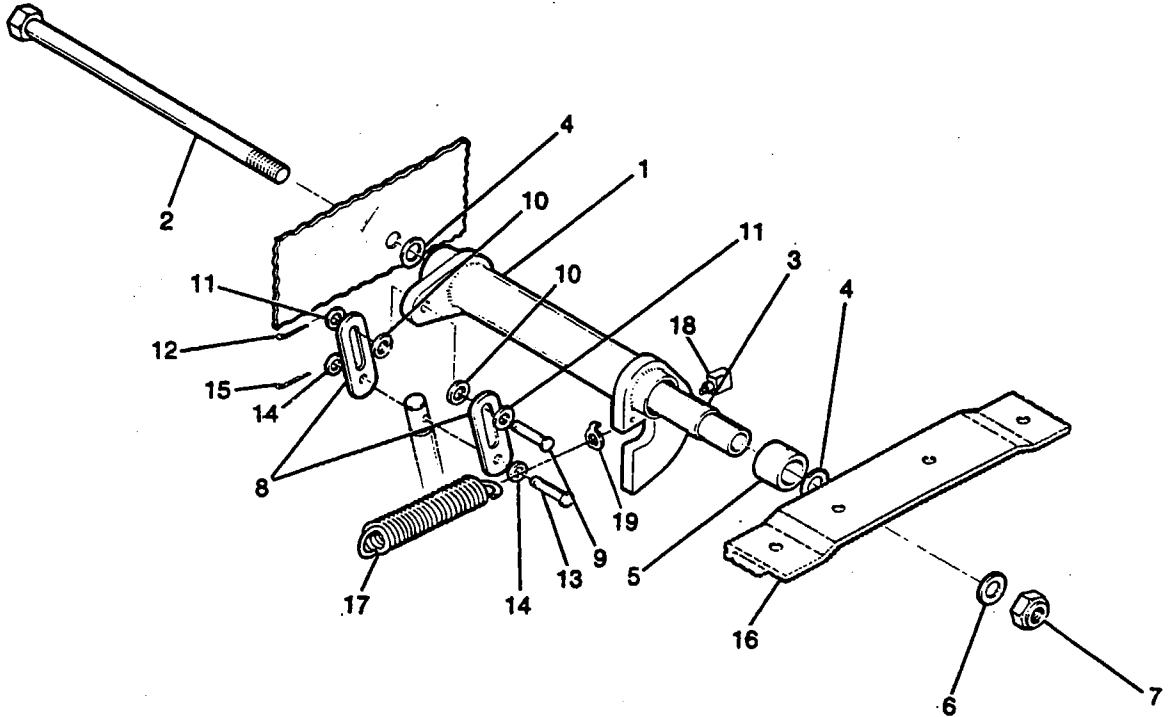
CONTINUED ON NEXT PAGE

P210 Parts Catalog

FIGURE AND INDEX NO.	PART NUMBER	DESCRIPTION							UNITS PER ASSY	USABLE ON CODE	
		1	2	3	4	5	6	7			
48 -56 -57 -58 -59 -60 -61 -62	S1047-1	SEAL	5.62	IN	LG	BKI	-----	-----	2		
	S1047-1	SEAL	35.00	IN	LG	BKI	-----	-----	2		
	S1047-1	SEAL	11.62	IN	LG	BKI	-----	-----	2		
	S1047-1	SEAL	14.38	IN	LG	BKI	-----	-----	2		
	S1047-2	SEAL	22.00	IN	LG	BKI	-----	-----	2		
	S1047-1	SEAL	13.00	IN	LG	BKI	-----	-----	2		
	S1047-1	SEAL	3.25	IN	LG	BKI	-----	-----	2		
	NAS1149FN616P		ATTACHING PARTS								
	S1021Z4-6		WASHER -----							2	
			SCREW -----							2	
		-----*									
A---P210 SERIAL P21000001 THRU P21000150											

P210 Parts Catalog

Gear Locking Mechanism



P210 SERIAL P21000001 THRU P21000150

Figure 49. Nose Gear Uplock Installation

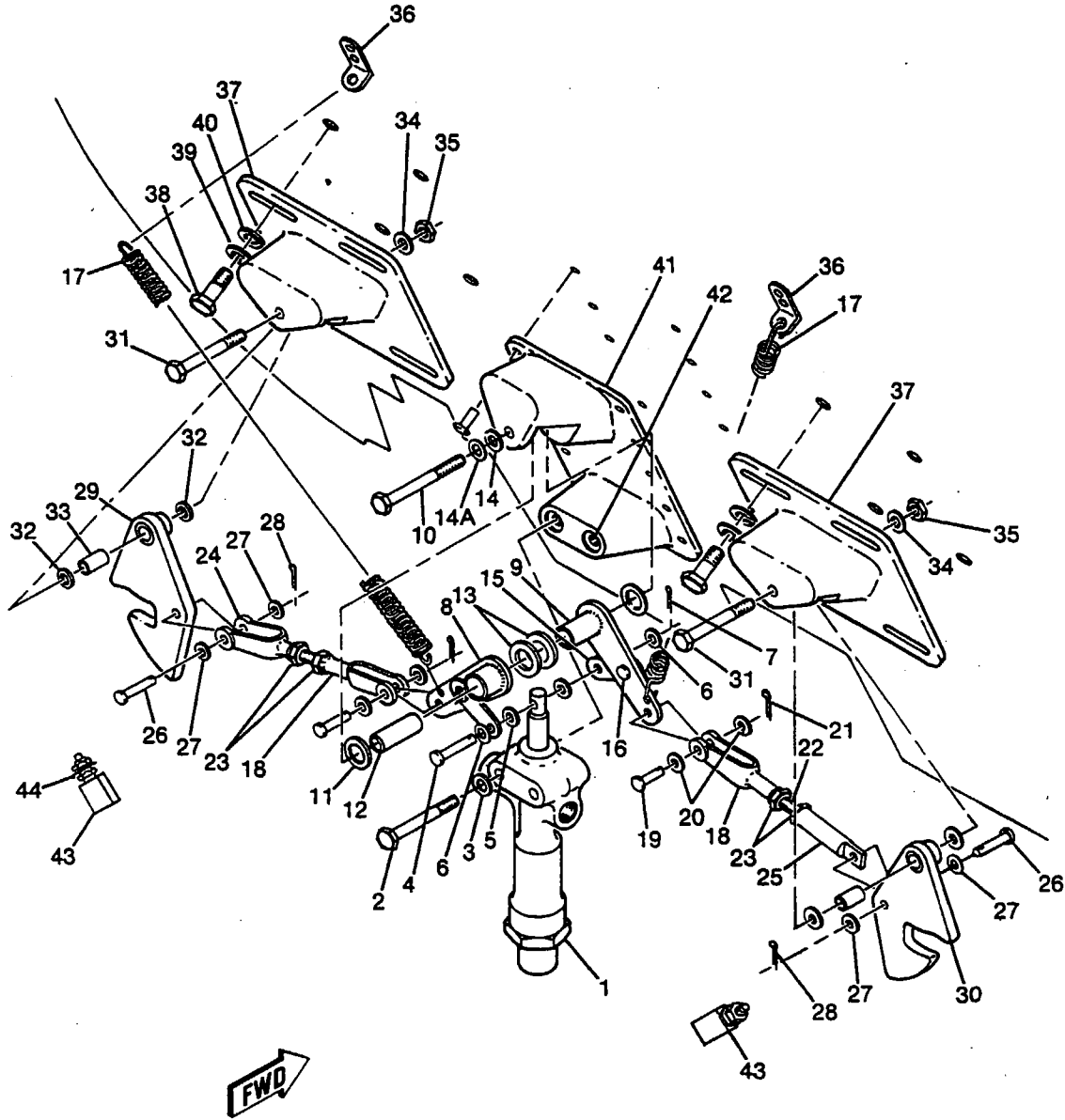
FIGURE AND INDEX NO.	PART NUMBER	DESCRIPTION							UNITS PER ASSY	USABLE ON CODE
		1	2	3	4	5	6	7		
49 -		NOSE GEAR UPLOCK INSTALLATION							NP	A
- 1	1243025-3	BELLCRANK AND HOOK ASSY-NOSE GEAR UPLOCK							1	
		ATTACHING PARTS								
- 2	AN5-55A	BOLT							1	
- 3	1243025-6	RACE BEARING-INNER							1	
- 4	AN960-716	WASHER							2	
- 5	S1997-7H8	BEARING							2	
- 6	AN960-516L	WASHER							1	
- 7	MS21042L5	NUT							1	

- 8	1241424-1	LINK							2	
		ATTACHING PARTS								
- 9	MS20392-2C17	PIN-FLATHEAD							1	
- 10	AN960-10	WASHER							2	
- 11	AN960-10L	WASHER							2	
- 12	MS24665-132	PIN-COTTER							1	

- 13	MS20392-1C17	PIN-FLATHEAD							1	
- 14	AN960-4	WASHER							2	
- 15	MS24665-132	PIN-COTTER							1	
- 16	SEE FIG 18	SUPPORT							1	
- 17	1241029-3	SPRING							1	
- 18	S1377-1	SWITCH-UPLOCK							1	
- 19	1243040-1	WASHER-KEYING							1	
		A---P210 SERIAL P21000001 THRU P21000150								

P210 Parts Catalog

Gear Locking Mechanism (Cont)



P210 SERIAL P21000001 THRU P21000150
Figure 50. Main Gear Uplock Mechanism Installation

P210 Parts Catalog

FIGURE AND INDEX NO.	PART NUMBER	DESCRIPTION							UNITS PER ASSY	USABLE ON CODE
		1	2	3	4	5	6	7		
50 -		MAIN GEAR UPLOCK MECHANISM INSTALLATION -----							NP	A
- 1	SEE FIG 129	ACTUATOR ASSY-UNLOCK -----							1	
		ATTACHING PARTS -----								
- 2	AN4-15A	BOLT -----							2	
- 3	NAS1149F0432P	WASHER -----							2	
- 4	MS20392-1C32	PIN -----							1	
- 5	NAS1149FN432P	WASHER -----							2	
- 6	NAS1149FN416P	WASHER -----							2	
- 7	MS24665-132	PIN-COTTER -----							1	
		-----*								
- 8	1241077-1	ARM ASSY-UPLOCK ACTUATOR LH -----							1	
- 9	1241077-2	ARM ASSY-UPLOCK ACTUATOR RH -----							1	
		ATTACHING PARTS -----								
-10	AN4-17A	BOLT -----							1	
-11	NAS1149F0663P	WASHER -----							2	
-12	NAS76A4-105	BUSHING -----							1	
-13	NAS1149F0863P	WASHER -----							2	
-14	NAS1149F0463P	WASHER -----							1	
-14A	NAS1149F0432P	WASHER -----							1	
		-----*								
-15	1241074-1	LINK -----							2	
		ATTACHING PARTS -----								
-16	MS20392-1C11	PIN -----							1	
	NAS1149FN416P	WASHER -----							3	
	MS24665-132	PIN-COTTER -----							1	
		-----*								
-17	LE-049D14MM	SPRING LSCI -----							2	
-18	MS27975-3	CLEVIS -----							2	
		ATTACHING PARTS -----								
-19	MS20392-2C13	PIN -----							1	
-20	NAS1149F0332P	WASHER -----							2	
-21	MS24665-132	PIN-COTTER -----							1	
		-----*								
-22	NAS354-4-200	ROD -----							2	
-23	AN316-4R	NUT -----							4	
-24	MS27975-4	CLEVIS LH SIDE -----							1	
-25	1241097-1	ROD END RH SIDE -----							1	
		ATTACHING PARTS -----								
-26	MS20392-2C19	PIN -----							1	
-27	NAS1149F0332P	WASHER -----							2	
-28	MS24665-132	PIN-COTTER -----							2	
		-----*								
-29	1241078-5	LOCK ASSY-LH -----							1	
-30	1241078-6	LOCK ASSY-RH -----							1	
		ATTACHING PARTS -----								
-31	AN4-14A	BOLT -----							1	
-32	NAS1149F0663P	WASHER -----							2	
-33	NAS76A4-021	BUSHING -----							1	
-34	NAS1149F0432P	WASHER -----							1	
-35	MS21042L4	NUT -----							1	
		-----*								
-36	AN743-13	BRACKET -----							2	
-37	1241075-1	SUPPORT-UPLOCK -----							2	
		ATTACHING PARTS -----								
-38	AN4-5A	BOLT -----							4	
-39	NAS1149F0463P	WASHER -----							4	
-40	AN936B416	WASHER-LOCK -----							4	
		-----*								
-41	1241076-5	SUPPORT ASSY-UPLOCK ACTUATOR -----							1	
-42	NAS1395C4L	INSERT -----							2	
-43	S1377-1	SWITCH-UPLOCK -----							2	
-44	1243040-1	WASHER-KEYING LH SWITCH ONLY -----							1	

A---P210 SERIAL P21000001 THRU P21000150

P210 Parts Catalog

Gear Locking Mechanism (Cont)

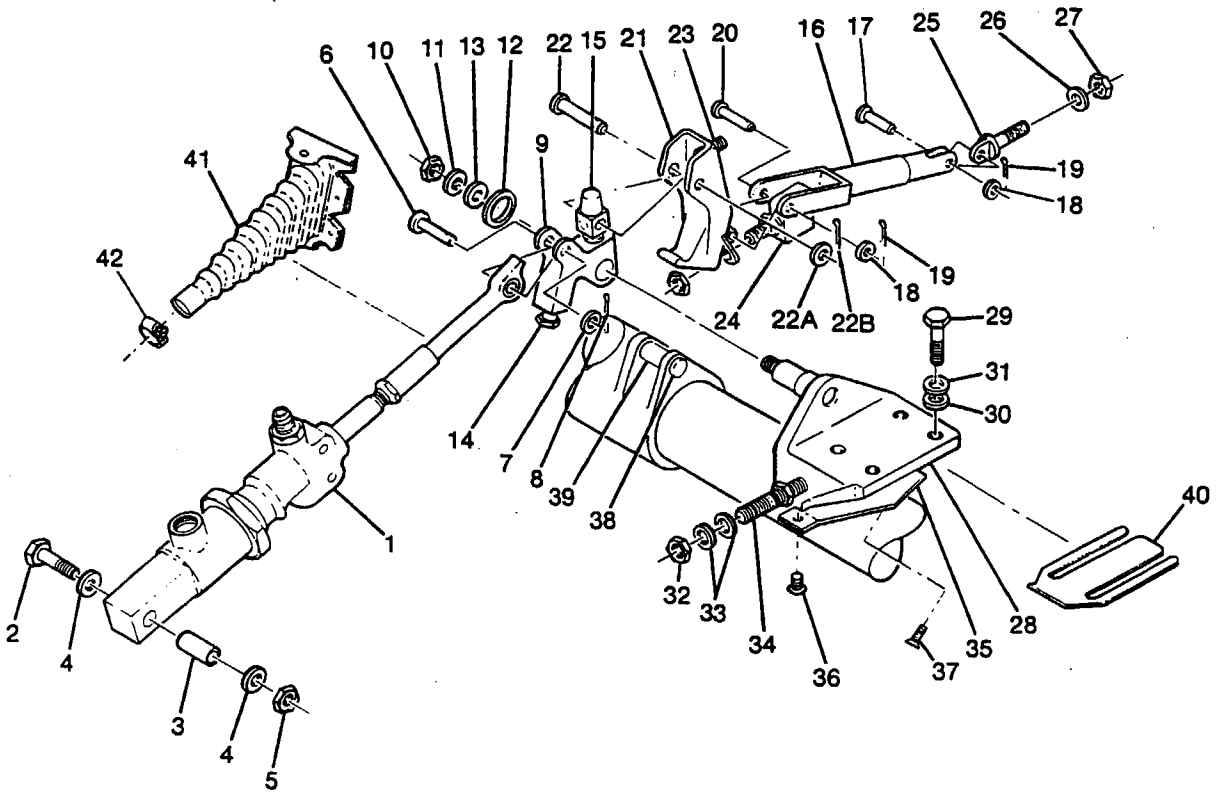


Figure 51. Main Gear Downlock Installation

P210 Parts Catalog

FIGURE AND INDEX NO.	PART NUMBER	DESCRIPTION							UNITS PER ASSY	USABLE ON CODE
		1	2	3	4	5	6	7		
51 -		MAIN GEAR DOWNLOCK INSTALLATION -----							NP	
- 1	SEE FIG 128	ACTUATOR ASSY-DOWNLOCK -----							2	
		ATTACHING PARTS -----								
- 2	AN4-15A	BOLT -----							1	
- 3	1541028-1	BUSHING -----							1	
- 4	NAS1149F0632P	WASHER -----							2	
- 5	MS21042L4	NUT -----							1	
- 6	MS20392-2C23	PIN -----							1	
- 7	NAS1149F0363P	WASHER -----							1	
- 8	MS24665-132	PIN-COTTER -----							1	
		*-----								
- 9	1241635-1	ARM ASSY-DOWNLOCK -----							2	
		ATTACHING PARTS -----								
-10	MS21042L5	NUT -----							1	
-11	NAS1149F0563P	WASHER -----							1	
-12	NAS43HT8-3	SPACER -----							2	
-13	1241614-4	SPACER -----							2	
		*-----								
	MS21209F1-20	INSERT -----							1	
-14	NAS428H3-6	BOLT -----							2	
	NAS43HT3-20	SPACER -----							2	
-15	1241636-2	SCREW-DOWNLOCK ADJUSTMENT -----							2	
-16	1241643-2	SPRING-DOWNLOCK -----							2	
		ATTACHING PARTS -----								
-17	MS20392-2C31	PIN -----							1	
-18	NAS1149F0363P	WASHER -----							2	
-19	MS24665-132	PIN-COTTER -----							2	
-20	MS20392-2C23	PIN -----							1	
		*-----								
-21	1241634-5	HOOK ASSY-DOWNLOCK -----							2	
		ATTACHING PARTS -----								
-22	MS20392-4C33	PIN -----							1	
-22A	NAS1149F0563P	WASHER -----							1	
-22B	MS24665-283	PIN-COTTER -----							2	
		*-----								
-23	AN565E428H10	SCREW-SET -----							2	
	AN316-4R	NUT -----							2	
-24	S1377-1	SWITCH-DOWNLOCK -----							2	
	S1377-2	SWITCH-DOWNLOCK -----							2	
-25	AN4384A	EYEBOLT-MAIN GEAR DOWNLOCK -----							2	
		ATTACHING PARTS -----								
-26	NAS1149F0432P	WASHER -----							1	
-27	MS21042L4	NUT -----							1	
		*-----								
-28	1241618-5	SUPPORT ASSY-MAIN GEAR DOWNLOCK LH -----							1	
	1241618-6	SUPPORT ASSY-MAIN GEAR DOWNLOCK RH -----							1	
		ATTACHING PARTS -----								
-29	NAS565-33	BOLT -----							4	
-30	NAS1149F0563P	WASHER -----							4	
-31	AN936A516	WASHER -----							4	
-32	MS21042L6	NUT -----							4	
-33	NAS1149F0663P	WASHER -----							2	
		*-----								
-34	1241614-2	STUD -----							1	
-35	1241630-7	SHELL ASSY-LH -----							1	
	1241630-8	SHELL ASSY-RH -----							1	
		ATTACHING PARTS -----								
-36	NAS220-5	SCREW -----							1	
-37	AN507-832R8	SCREW -----							1	
		*-----								
-38	MS20392-4C39	PIN -----							2	
-39	1241103-1	SPACER -----							2	
	NAS1149F0563P	WASHER -----							2	
	MS24665-283	PIN-COTTER -----							2	
-40	1241629-1	SHIM .016 THICKNESS -----							1	
	1241629-2	SHIM .025 THICKNESS -----							1	
	1241629-3	SHIM .050 THICKNESS -----							1	
	1241629-4	SHIM .071 THICKNESS -----							1	
		*-----								

CONTINUED ON NEXT PAGE

A B

P210 Parts Catalog

FIGURE AND INDEX NO.	PART NUMBER	DESCRIPTION	UNITS PER ASSY	USABLE ON CODE
		1 2 3 4 5 6 7		
51 -41 -42	1211360-5	BOOT ASSY-LH -----	1	
	1211360-6	BOOT ASSY-RH -----	1	
	S2357-1	ATTACHING PARTS CLAMP ----- -----*	1	
		<p>NOTE. *SEE SERVICE MANUAL FOR INSTALLATION OF THESE PARTS</p> <p>A---P210 SERIAL P21000001 THRU P21000811 B---P210 SERIAL P21000812 & ON</p>		

P210 Parts Catalog

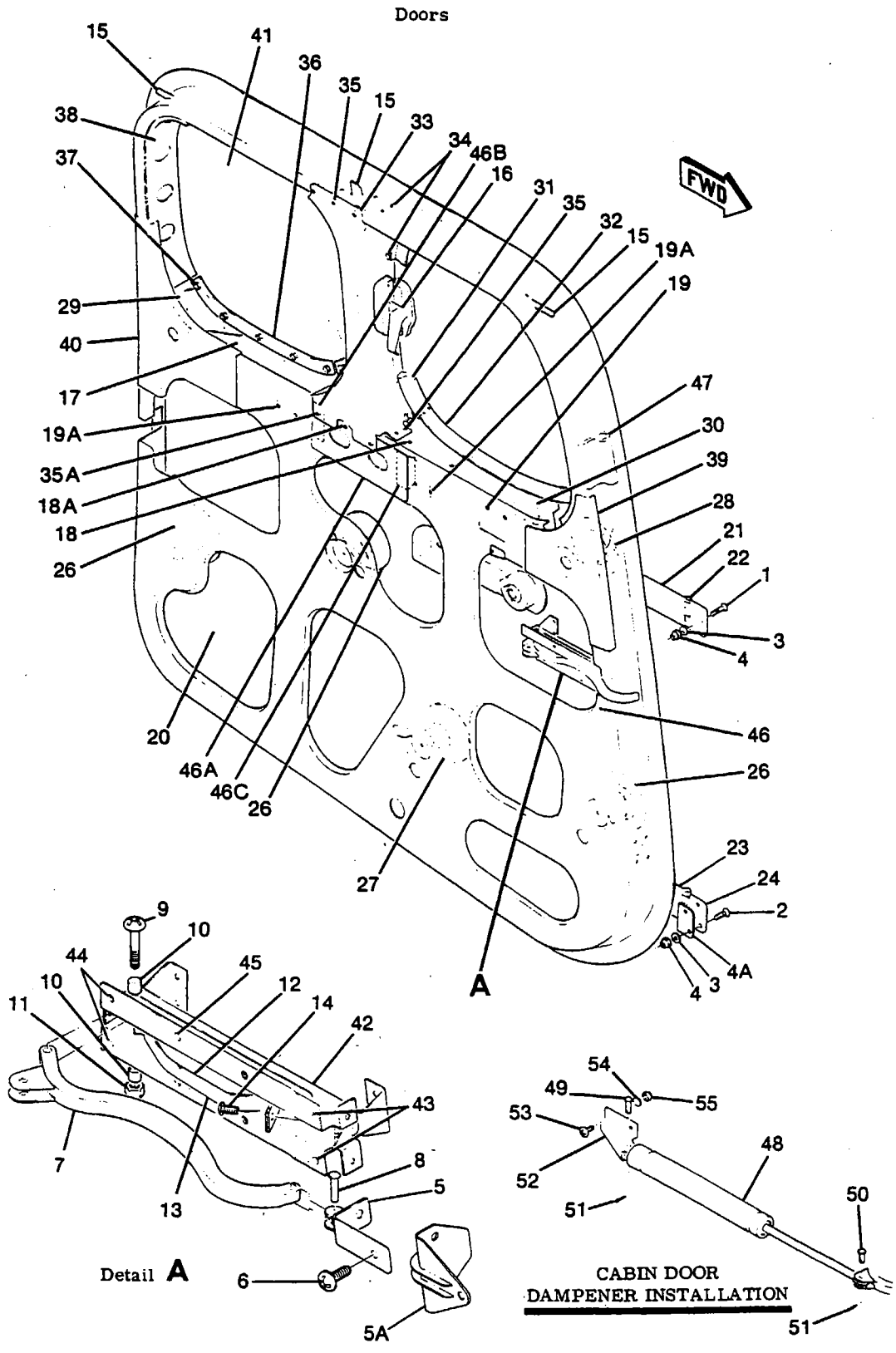


Figure 52. Cabin Door Installation

P210 Parts Catalog

FIGURE AND INDEX NO.	PART NUMBER	DESCRIPTION	1 2 3 4 5 6 7							UNITS PER ASSY	USABLE ON CODE
			1	2	3	4	5	6	7		
52 -		CABIN DOOR INSTALLATION -----								NP	
- 1	AN509-10R14	ATTACHING PARTS								3	
- 2	AN509-10R12	SCREW UPPER HINGE -----								2	
- 3	NAS1149F0332P	SCREW BOTTOM HINGE -----								5	
- 4	MS21044N3	WASHER -----								5	
- 4A	2117232-1	NUT -----								AR	A
	2117232-2	SHIM .032 THICK -----								AR	A
	2117232-3	SHIM .063 THICK -----								AR	A
		SHIM .125 THICK -----								AR	A
		*-----									
- 5	2117145-1	HINGE ASSY-CABIN DOOR -----								1	D
- 5A	2117235-1	HINGE ASSY-CABIN DOOR -----								1	E
		ATTACHING PARTS									
- 6	AN525-10R9	SCREW -----								2	
	AN525-10R9	SCREW -----								3	
		*-----									
- 7	2117147-1	ARM-CABIN DOOR STOP -----								1	
		ATTACHING PARTS									
- 8	MS20615-4M10	RIVET -----								1	
- 9	NAS220-16	SCREW -----								1	
- 10	1411206-1	SPACER -----								2	
- 11	MS21044N08	NUT -----								1	
		*-----									
- 12	1411207-1	SPRING OUTBD -----								1	
- 13	1411207-2	SPRING INBD -----								1	
		ATTACHING PARTS									
- 14	AN525-832R7	SCREW -----								1	
		*-----									
- 15	SEE FIG 54	LATCH MECHANISM INSTALLATION-CABIN DOOR -----								1	
- 16	SEE FIG 53	SLIDING WINDOW INSTALLATION-CABIN DOOR -----								1	
	2117101-201	STRUCTURE ASSY-CABIN DOOR -----								1	
- 17	2117101-4	STIFFENER-CABIN DOOR -----								1	
- 18	NAS680A08	NUTPLATE -----								4	
- 18A	NAS680A3	NUTPLATE -----								3	
- 19	NAS686A06	NUTPLATE -----								2	
- 19A	NAS680A3	NUTPLATE -----								4	
- 20	2117101-5	SKIN-CABIN DOOR -----								1	
- 21	2117101-202	HINGE ASSY-CABIN DOOR UPPER -----								1	
- 22	0711038-1	PIN-HINGE -----								1	
- 23	2117101-203	HINGE ASSY-CABIN DOOR LOWER -----								1	
- 24	0711038-1	PIN-HINGE -----								1	
- 25		DELETED-NOT USED									
- 26	2117146-1	BRACKET ASSY-CABIN DOOR BELLCRANK -----								3	
- 27	2117146-3	BRACKET ASSY-CABIN DOOR BELLCRANK -----								1	
- 28	2117146-5	BRACKET ASSY-CABIN DOOR BELLCRANK -----								1	
- 29	2117146-7	BRACKET ASSY-CABIN DOOR BELLCRANK -----								1	
	NAS680A3	NUTPLATE -----								1	
- 30	2117162-2	HOUSING ASSY-PIN LOCK SEE FIG 55 FOR PARTS BREAKDOWN -----								1	
- 31	2117102-1	SEAL-SLIDING WINDOW -----								1	
- 32	2117143-1	RETAINER-SEAL -----								1	
- 33	2117142-1	STIFFENER -----								1	
		ATTACHING PARTS									
- 34	AN509-8R7	SCREW FWD SIDE & UPPER -----								8	
	AN509-8R10	SCREW AFT SIDE -----								6	
	NAS1149FN832P	WASHER -----								14	
	MS21042L08	NUT -----								14	
- 35	AN525-832R7	SCREW -----								5	
- 35A	AN525-10R8	SCREW -----								3	
		*-----									
- 36	2117139-2	DOUBLER-LOWER -----								1	
	2117139-3	DOUBLER-UPPER -----								1	
		ATTACHING PARTS									
- 37	AN509-8R10	SCREW LOWER -----								5	
	AN509-8R10	SCREW UPPER -----								4	
	NAS1149FN832P	WASHER LOWER -----								5	
	NAS1149FN832P	WASHER UPPER -----								4	
	MS21042L08	NUT LOWER -----								4	
	MS21042L08	NUT UPPER -----								4	
		*-----									

CONTINUED ON NEXT PAGE

P210 Parts Catalog

FIGURE AND INDEX NO.	PART NUMBER	DESCRIPTION							UNITS PER ASSY	USABLE ON CODE
		1	2	3	4	5	6	7		
52 -38	2117141-1	RETAINER ASSY-WINDOW -----							1	B C
		ATTACHING PARTS -----								
	AN509-8R10	SCREW -----							6	
	NAS1149FN832P	WASHER -----							6	
	MS21042L08	NUT -----							6	
		*-----								
-39	2117137-1	DOUBLER-FWD INBD -----							1	
-40	2117138-1	DOUBLER-AFT INBD -----							1	
-41	2117139-1	WINDOW-AFT -----							1	
-42	2117144-1	BRACKET ASSY-CABIN DOOR STOP WEU 2117144-8 -----							1	
	2117144-8	BRACKET ASSY-CABIN DOOR STOP -----							1	
-43	NAS1067A3	NUTPLATE -----							2	
-44	NAS682A3	NUTPLATE -----							2	
-45	NAS680A3	NUTPLATE -----							4	
-46	NAS697A08	NUTPLATE -----							1	
-46A	2117201-7	DOUBLER -----							1	
-46B	2117211-1	STIFFENER ASSY -----							1	
	NAS1067A3	NUTPLATE -----							1	
-46C	2117211-2	STIFFENER -----							1	
-47	2117101-6	SEAL ASSY-CABIN DOOR -----							1	
		DAMPENER INSTALLATION-CABIN DOOR -----							NP	
-48	2117202-1	DAMPENER ASSY-CABIN DOOR -----							1	
		ATTACHING PARTS -----								
-49	MS20392-2C17	PIN -----							1	
-50	MS20392-2C11	PIN -----							1	
-51	MS24665-132	PIN-COTTER -----							2	
		*-----								
-52	2117203-1	BRACKET-MOUNTING -----							1	
		ATTACHING PARTS -----								
-53	AN525-832R7	SCREW -----							4	
-54	NAS1149DN832K	WASHER -----							4	
-55	MS21044N08	NUT -----							4	
		*-----								
<p>NOTE. *WHEN INITIALLY ORDERING FOR SPARES PRIOR TO P21000058 ALSO ORDER 0811895-4 & 5111555-4.</p> <p>A---P210 SERIAL P21000318 & ON B---P210 SERIAL P21000001 THRU P21000722 C---P210 SERIAL P21000723 & ON D---P210 SERIAL P21000001 THRU P21000833 E---P210 SERIAL P21000834 & ON</p>										

P210 Parts Catalog

FIGURE AND INDEX NO.	PART NUMBER	DESCRIPTION							UNITS PER ASSY	USABLE ON CODE
		1	2	3	4	5	6	7		
53 -		SLIDING WINDOW INSTALLATION-CABIN DOOR -----							NP	
- 1	2117148-2	WINDOW ASSY -----							1	
- 2	2117222-2	MOUNT-SLIDING WINDOW WEU 2117230-2 -----							2	A
- 2	2117230-2	MOUNT ASSY-SLIDING WINDOW -----							2	B
- 3	2117222-3	MOUNT-SLIDING WINDOW WEU 2117230-3 -----							1	B
- 3	2117230-3	MOUNT ASSY-SLIDING WINDOW -----							1	B
- 3	2117222-1	MOUNT-SLIDING WINDOW WEU 2117230-1 -----							1	B
- 3	2117230-1	MOUNT ASSY-SLIDING WINDOW -----							1	B
- 4	AN507-632R7	ATTACHING PARTS								
		SCREW -----							2	B
		*-----								
CONTINUED ON NEXT PAGE										

P210 Parts Catalog

Doors (Cont)

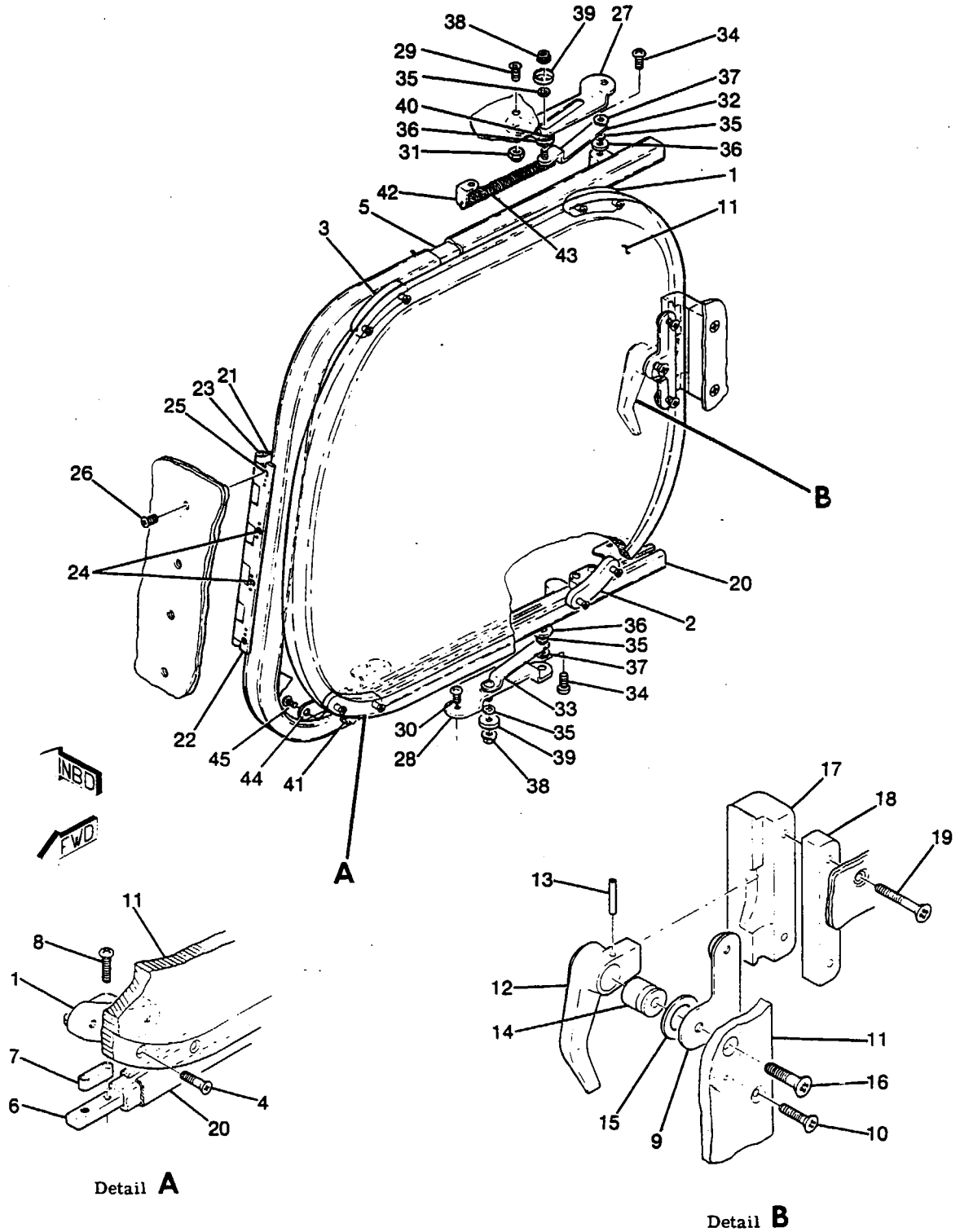


Figure 53. Sliding Window Installation - Cabin Door

P210 Parts Catalog

FIGURE AND INDEX NO.	PART NUMBER	DESCRIPTION							UNITS PER ASSY	USABLE ON CODE
		1	2	3	4	5	6	7		
53 - 5	2117221-1	BAR-UPR SLIDE -----							1	
- 6	2117221-2	BAR-LWR SLIDE -----							1	
- 7		ATTACHING PARTS -----								
- 8	AN515-6R8	SPACER-LINK FSO 2117230-3 -----							2	A
	AN515-6R9	SCREW -----							4	A
		SCREW -----							8	B
- 9	2117223-1	DOUBLER ASSY-WINDOW -----							1	
-10	AN507-632R7	ATTACHING PARTS -----								
		SCREW -----							2	
-11		WINDOW ORDER NEXT HIGHER ASSY -----							NP	
-12	1513702-1	HANDLE-SLIDING WINDOW -----							1	
		ATTACHING PARTS -----								
-13	NAS56P3-10	PIN -----							1	
-14	1513704-1	INSERT -----							1	
-15	S2393-1	WASHER-SPRING -----							1	
-16	AN509-10R11	SCREW -----							1	
-17	1513703-4	STRIKER -----							1	
-18	2117153-1	ATTACHING PARTS -----								
-19	AN509-8R14	SPACER -----							1	
		SCREW -----							2	
-20	2117148-21	FRAME ASSY-SLIDING WINDOW WEU 2117148-22 -----							1	A
	2117148-22	FRAME ASSY-SLIDING WINDOW -----							1	B
	2117148-6	HINGE HALF -----							1	
-22	2117148-7	HINGE HALF ASSY -----							1	
		ATTACHING PARTS -----								
-23	MS20253P2-589	PIN-HINGE -----							1	
-24	NAS686A06	NUTPLATE -----							2	
-25	NAS687A06	NUTPLATE -----							2	
-26	NAS514P632-6	SCREW -----							4	
-27	2117218-1	BRACKET-UPR -----							1	
-28	2117218-2	BRACKET-LWR -----							1	
		ATTACHING PARTS -----								
-29	AN509-8R6	SCREW UPR -----							2	
-30	AN525-832R7	SCREW LWR -----							2	
-31	MS21042L08	NUT UPR -----							2	
-32	2117216-1	LINK ASSY-UPR -----							1	
-33	2117216-2	LINK ASSY-LWR -----							1	
		ATTACHING PARTS -----								
-34	AN515-6R5	SCREW -----							1	
-35	NAS43HT1-6	SPACER -----							2	
-36	S1357-3	WASHER -----							2	
-37	NAS1149FN616P	WASHER -----							1	
-38	MS21042L06	NUT -----							1	
-39	S1450-1-8-032	WASHER -----							1	
-40	NAS1149F0432P	WASHER -----							1	
-41	MS21042L06	NUT WINDOW STOP -----							1	D
	AN93686	WASHER WINDOW STOP -----							2	C
	AN93686	WASHER WINDOW STOP -----							1	
	AN515-6R12	SCREW WINDOW STOP -----							1	
-42	2117220-1	ANCHOR-SPRING ATTACH -----							1	
-43	2117217-1	SPRING-SLIDING DOOR -----							1	
-44	2117234-1	STOP-LINK -----							1	C
		ATTACHING PARTS -----								
-45	S102176-4	SCREW -----							1	
		-----*								
A---P210 SERIAL P21000001 THRU P21000317 B---P210 SERIAL P21000318 & ON C---P210 SERIAL P21000677 & ON D---P210 SERIAL P21000001 THRU P21000676										

P210 Parts Catalog

Doors (Cont)

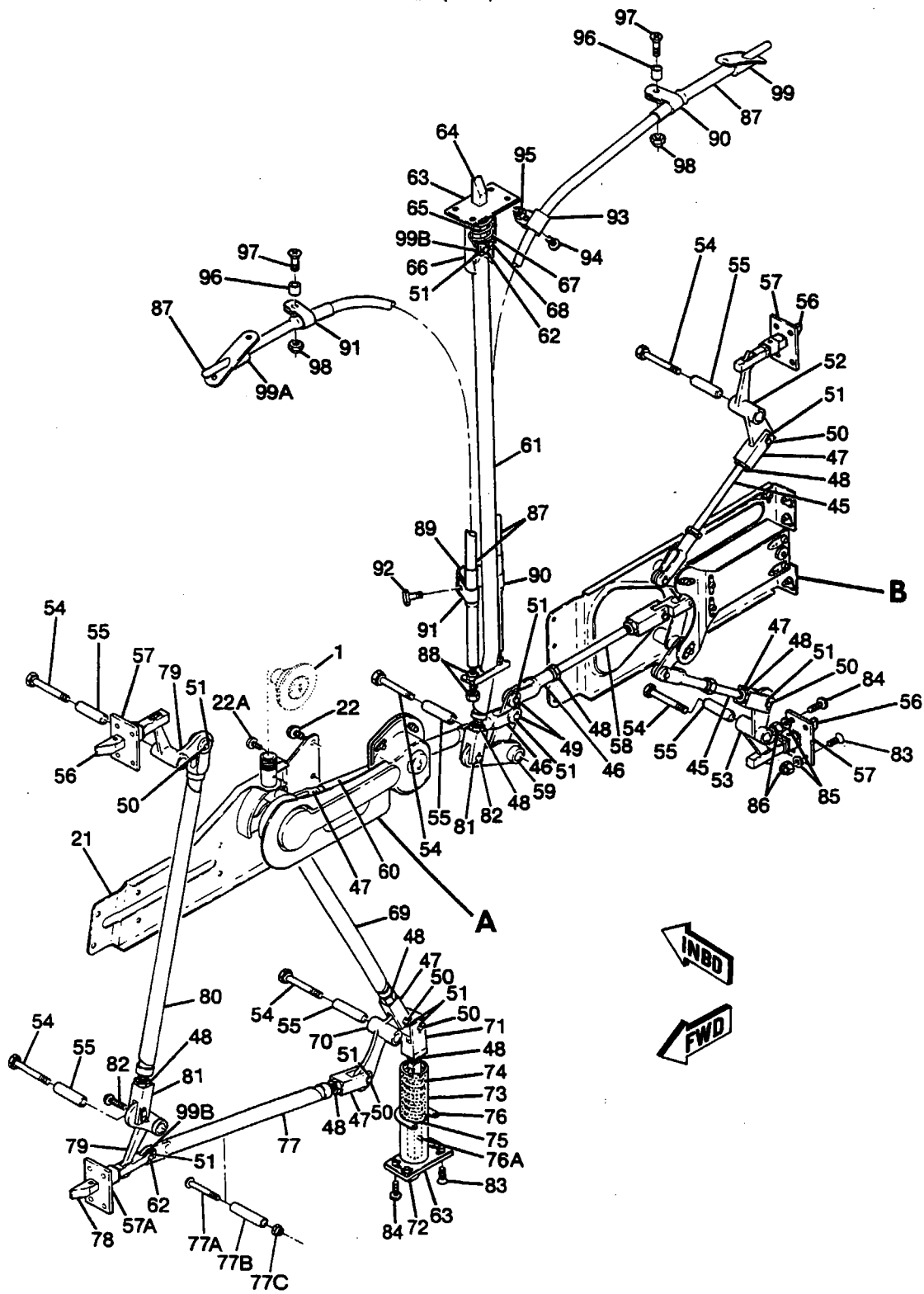


Figure 54. (Sheet 1 of 2) Latch Mechanism Installation - Cabin Door

P210 Parts Catalog

Doors (Cont)

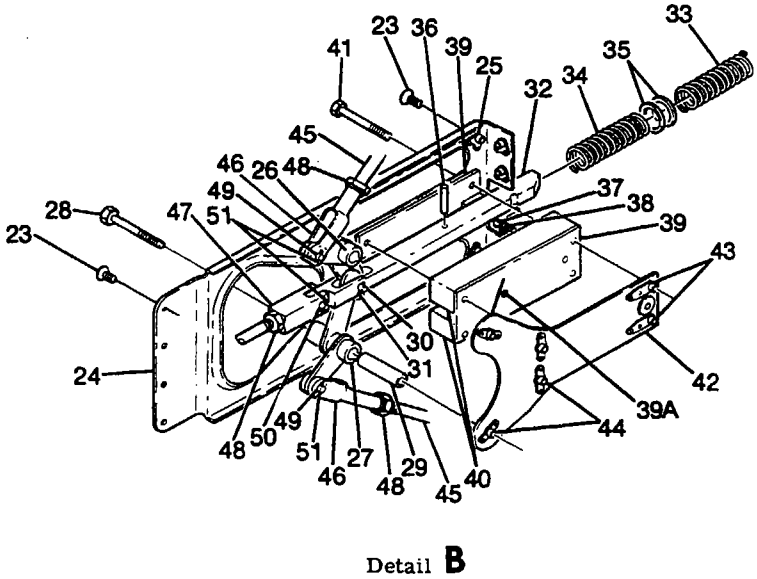
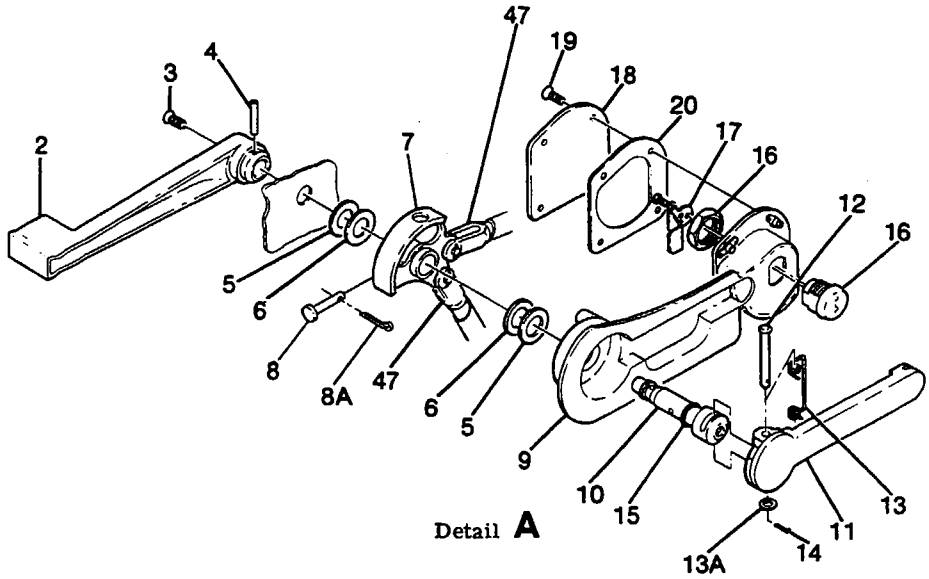


Figure 54. (Sheet 2 of 2) Latch Mechanism Installation - Cabin Door

P210 Parts Catalog

FIGURE AND INDEX NO.	PART NUMBER	DESCRIPTION							UNITS PER ASSY	USABLE ON CODE
		1	2	3	4	5	6	7		
54 -		LATCH MECHANISM INSTALLATION-CABIN DOOR -----							NP	
- 1	SEE FIG 55	CABIN DOOR PIN LOCK INSTALLATION -----							1	
- 2	1217053-5	HANDLE-CABIN DOOR INSIDE -----							1	
		ATTACHING PARTS -----								
- 3	NAS388-10-7P	SCREW -----							1	
- 4	NAS561P4-14	PIN -----							1	
		*-----								
- 5	NAS1149C0832R	WASHER -----							AR	
- 6	S1450-8-14-016	WASHER -----							AR	
- 7	2117116-1	BELLCRANK -----							1	E F J
	2117116-1	BELLCRANK FSO 2117116-1 -----							1	
		ATTACHING PARTS -----							1	
- 8	2117229-1	PIN -----							1	
- 8A	MS24665-170	PIN-COTTER -----							1	
		*-----								
- 9	SEE FIG 52	STRUCTURE ASSY-CABIN DOOR -----							1	
-10	2117128-1	SPINDLE-CABIN DOOR HANDLE -----							1	
-11	0811893-7	HANDLE -----							1	
		ATTACHING PARTS -----								
-12	MS20392-2C49	PIN -----							1	
-13	5111520-4	SPRING -----							1	
	NAS620-10L	WASHER -----							1	
-14	MS24665-132	PIN-COTTER -----							1	
		*-----								
-15	233-11251-964-0190	PACKING 5F573 REF S2800-221 -----							1	
-16	C253001-0102	LOCK ASSY-CABIN DOOR -----							1	
-17	2117107-2	CAM-CABIN DOOR LOCK -----							1	
-18	0811895-1	COVER -----							1	A B
	0811895-4	COVER -----							1	
		ATTACHING PARTS -----								
-19	AN507-832R7	SCREW -----							4	
		*-----								
-20	5111555-2	GASKET -----							1	A B
	2111555-4	GASKET -----							1	
-21	2117117-1	PLATE ASSY-MOUNTING -----							1	
		ATTACHING PARTS -----								
-22	AN525-10R7	SCREW -----							10	
-22A	AN525-10R6	SCREW -----							1	
		*-----								
	NAS697A08	NUTPLATE -----							1	
	2117121-1	GUIDE ASSY-BOLT -----							1	
		ATTACHING PARTS -----								
-23	AN525-10R7	SCREW -----							9	
		*-----								
-24	2117121-2	BASE PLATE ASSY-ROTARY LATCH -----							1	
-25	MS21073L3	NUTPLATE -----							5	
-26	2117115-2	BELLCRANK ASSY-UPPER -----							1	
-27	2117115-1	BELLCRANK ASSY-LOWER -----							1	
		ATTACHING PARTS -----								
-28	AN3-15A	BOLT -----							1	
-29	NAS76A3-110	BUSHING -----							1	
-30	MS20392-2C17	PIN -----							1	
-31	MS24665-132	PIN-COTTER -----							1	
		*-----								
-32	2117121-8	BOLT-ROTARY LATCH -----							1	
-33	2117129-5	SPRING-AFT -----							1	
-34	2117129-6	SPRING-FWD -----							1	
-35	S1450-9-12-063	WASHER -----							2	
-36	NAS561CF4-12	PIN -----							1	
-37	S272-205	BALL -----							1	
-38	1216110-5	SPRING -----							1	
-39	2117121-11	GUIDE ASSY-BOLT -----							2	
-39A	AN565E8H4	SCREW-SET -----							1	
	MS21209C0810	INSERT -----							1	
-40	2117121-6	GUIDE-BOLT -----							2	
		ATTACHING PARTS -----								
-41	AN3-14A	BOLT -----							4	
		*-----								
-42	2117121-4	PLATE ASSY-OUTER -----							1	
-43	NAS682A3	NUTPLATE -----							2	
-44	NAS680A3	NUTPLATE -----							4	

CONTINUED ON NEXT PAGE

P210 Parts Catalog

FIGURE AND INDEX NO.	PART NUMBER	DESCRIPTION							UNITS PER ASSY	USABLE ON CODE	
		1	2	3	4	5	6	7			
54 -45	NAS354-4-412									2	
-46	MS27975-4									4	
-47	2117123-1									6	
-48	AN316-4R									12	
-49	MS20392-2C11									6	
-50	MS20392-2C17									8	
-51	MS24665-132									16	
-52	2117112-2									1	
-53	2117112-1									1	
-54	AN3-15A									6	
-55	NAS76A3-110									6	
-56	2117127-2									3	
	2117231-2									3	
-57	2117124-1									3	
	2117124-5									3	
	2117124-7									3	
-57A	2117124-1									1	
	2117124-5									1	
	2117124-7									1	
-58	NAS354-4-531									1	
-59	2117114-1									1	
-60	NAS359-84-9.86									1	
-61	2117110-1									1	
-62	MS20392-2C13									2	
-63	2117125-1									2	
	2117125-4									2	
-64	2117127-3									1	
	2117231-3									1	
-65	2117129-3									1	
-66	2117122-4									1	
	NAS698A08									4	
-67	NAS1149C0863R									1	
-68	NAS561C4-11									1	
-69	NAS359-84-11.66									1	
-70	2117113-1									1	
-71	2117197-1									1	
-72	2117127-4									1	
	2117231-4									1	
-73	2117122-1									1	
-74	2117129-3									1	
-75	NAS1149F0863P									1	
-76	2117226-1									1	
	NAS698A08									4	
-76A	NAS561CF4-14									1	
-77	2117109-1									1	
-77A	AN525-10R22									1	
-77B	NAS43DD3-64									1	
-77C	MS21044N3									1	
-78	2117127-1									1	
	2117231-1									1	
-79	2117111-1									1	
-80	2117108-1									2	
-81	2117123-2									1	
-82	AN525-10R12									1	
-83	AN509-8R9									1	
-84	AN525-832R9									12	
-85	NAS1149FN832P									12	
-86	MS21044N08									16	
-87	9862065-1									16	
	9862068-1									2	
-88	NAS509-3									2	

CONTINUED ON NEXT PAGE

P210 Parts Catalog

FIGURE AND INDEX NO.	PART NUMBER	DESCRIPTION	UNITS PER ASSY	USABLE ON CODE
		1 2 3 4 5 6 7		
54 -89	2117184-1	BRACKET ASSY-CONTROL CLAMP -----	1 2 2 2 2 1 1 1 2 2 2 1 1 4	
	MS21073L3	NUTPLATE -----		
-90	2117201-2	CLAMP-AFT -----		
-91	2117201-1	CLAMP-FWD -----		
-92	AN3-3A	BOLT -----		
-93	MS21919D65	CLAMP AFT CONTROL ONLY -----		
-94	AN520-10R7	SCREW AFT CONTROL ONLY -----		
-95	MS21044N3	NUT AFT CONTROL ONLY -----		
-96	NAS430D3-22	SPACER -----		
-97	AN509-10R12	SCREW -----		
-98	MS21044N3	NUT -----		
-99	2117183-4C	GUIDE-CABIN DOOR AFT PIN -----		
-99A	2117183-3C	GUIDE-CABIN DOOR FWD PIN -----		
-99B	NAS1149F0332P	WASHER -----		
		<p>NOTE. @WHEN INITIALLY ORDERING THIS PART FOR AIRCRAFT P21000257 THRU P21000314, P21000316, P21000318 & P21000319, ALSO ORDER 2117162-19 PIN FOUND ON FIG 55.</p> <p>NOTE. @WHEN INITIALLY ORDERING THIS PART FOR AIRCRAFT PRIOR TO P21000428, ALSO ORDER AN525-10R22 SCREW, NAS430D3-64 SPACER & MS21044N3 NUT.</p> <p>NOTE. *WHEN INITIALLY ORDERING THESE PARTS PRIOR TO P21000428, MATCHING PARTS MUST BE ORDERED AS FOLLOWS (2117231-1 & 2117124-5 OR 2117124-7) (2117231-2 & 2117124-5 OR 2117124-7) (2117231-3 & 2117125-4) (2117231-4 & 2117125-4)</p> <p>A---P210 SERIAL P21000001 THRU P21000057 B---P210 SERIAL P21000058 & ON C---P210 SERIAL P21000001 THRU P21000230 D---P210 SERIAL P21000231 & ON E---P210 SERIAL P21000001 THRU P21000256 F---P210 SERIAL P21000257 THRU P21000314 P21000316, P21000318 & P21000319 G---P210 SERIAL P21000001 THRU P21000427 H---P210 SERIAL P21000428 & ON J---P210 SERIAL P21000315, P21000317 & P21000320 & ON K---P210 SERIAL P21000428 THRU P21000492 L---P210 SERIAL P21000493 & ON</p>		

P210 Parts Catalog

Doors (Cont)

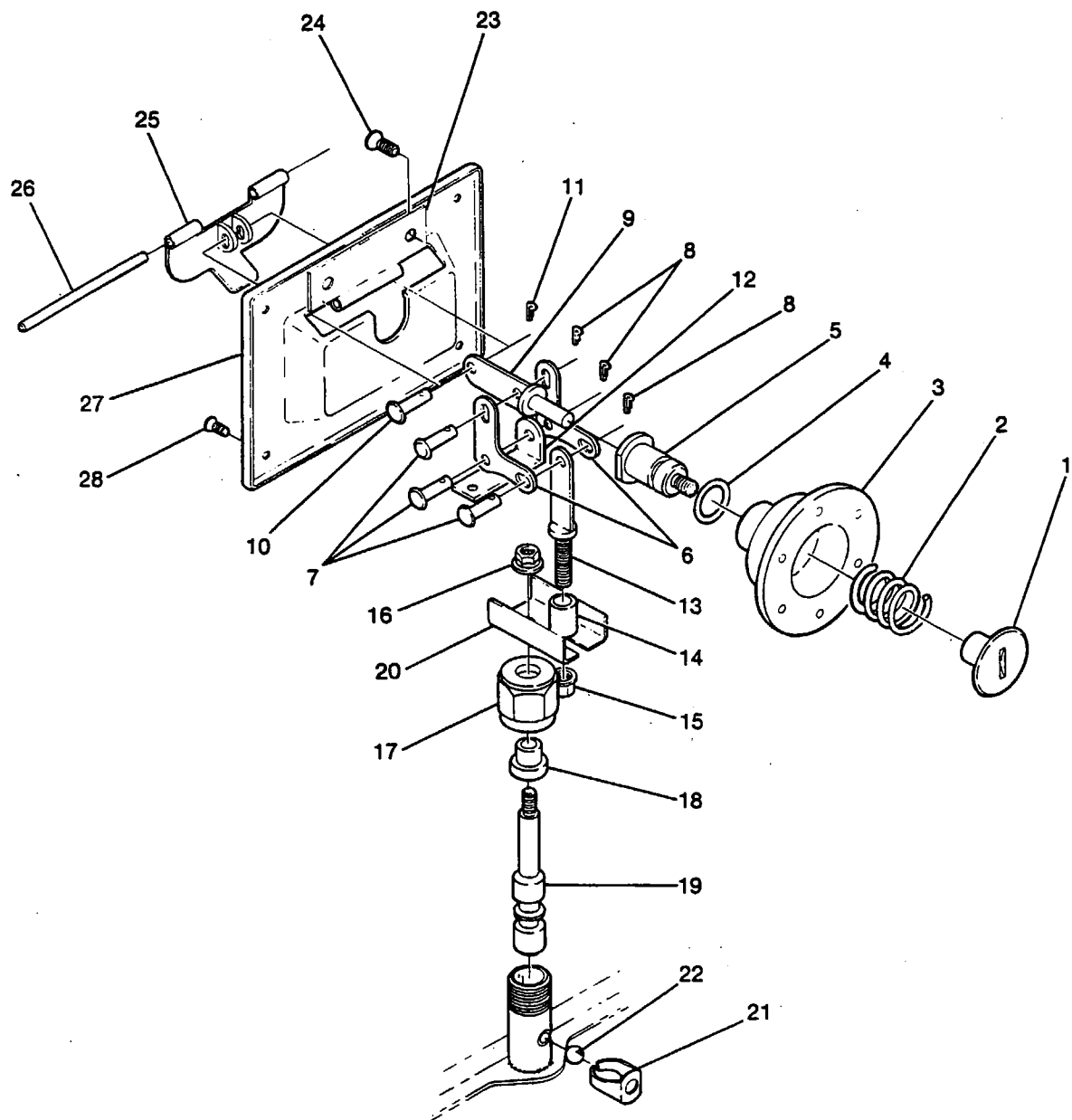


Figure 55. Pin Lock Installation - Cabin Door

P210 Parts Catalog

FIGURE AND INDEX NO.	PART NUMBER	DESCRIPTION							UNITS PER ASSY	USABLE ON CODE
		1	2	3	4	5	6	7		
55 -		PIN LOCK INSTALLATION-CABIN DOOR -----							NP	
	2117162-2	HOUSING ASSY -----							1	
- 1	2117162-6	BUTTON -----							1	
- 2	2117129-4	SPRING -----							1	
- 3	2117162-3	HOUSING -----							1	
- 4	MS9068-010	O-RING -----							1	
- 5	2117162-4	PISTON -----							1	
- 6	2117162-11	LINK -----							2	
		ATTACHING PARTS								
- 7	MS20392-1C9	PIN -----							3	
- 8	MS24665-65	PIN-COTTER -----							3	
		*-----								
- 9	2117162-5	ROD -----							1	
		ATTACHING PARTS								
-10	MS20392-1C9	PIN -----							1	
-11	MS24665-132	PIN-COTTER -----							1	
		*-----								
-12	2117162-14	BRACKET -----							1	
-13	2117162-16	ROD -----							1	
		ATTACHING PARTS								
-14	NAS43HT3-26	SPACER -----							1	
-15	MS21042L08	NUT -----							1	
		*-----								
-16	MS21042L08	NUT -----							1	
-17	AN818-4	NUT -----							1	
-18	1260458-4	SLEEVE -----							1	
-19		PIN FSO 2117162-19 -----							NP	
		PIN FSO 2117162-19 -----							NP	
	2117162-19	PIN -----							1	
-20	2117162-12	CONNECTOR -----							1	
-21	2117163-1	CLIP -----							1	
-22	S272-7	BALL -----							1	
-23	2117198-3	HINGE HALF -----							1	
		ATTACHING PARTS								
-24	NAS514P632-7	SCREW -----							2	
		*-----								
-25	2117198-1	HANDLE-PIN LOCK -----							1	
		ATTACHING PARTS								
-26	MS20253P2-188	PIN -----							1	
		*-----								
-27	2117162-17-532	COVER-PIN LOCK -----							1	
		ATTACHING PARTS								
-28	S1021Z4-4	SCREW -----							4	
		*-----								
<p>NOTE. @WHEN INITIALLY ORDERING THIS PART FOR AIRCRAFT P21000257 THRU P21000314, P21000316, P21000318 & P21000319, ALSO ORDER 2117116-1 BELLCRANK FOUND ON FIG 54.</p> <p>A---P210 SERIAL P21000001 THRU P21000256 B---P210 SERIAL P21000257 THRU P21000314, P21000316, P21000318 & P21000319 C---P210 SERIAL P21000315, P21000317 & P21000320 & ON</p>										

A B C

P210 Parts Catalog

Doors (Cont)

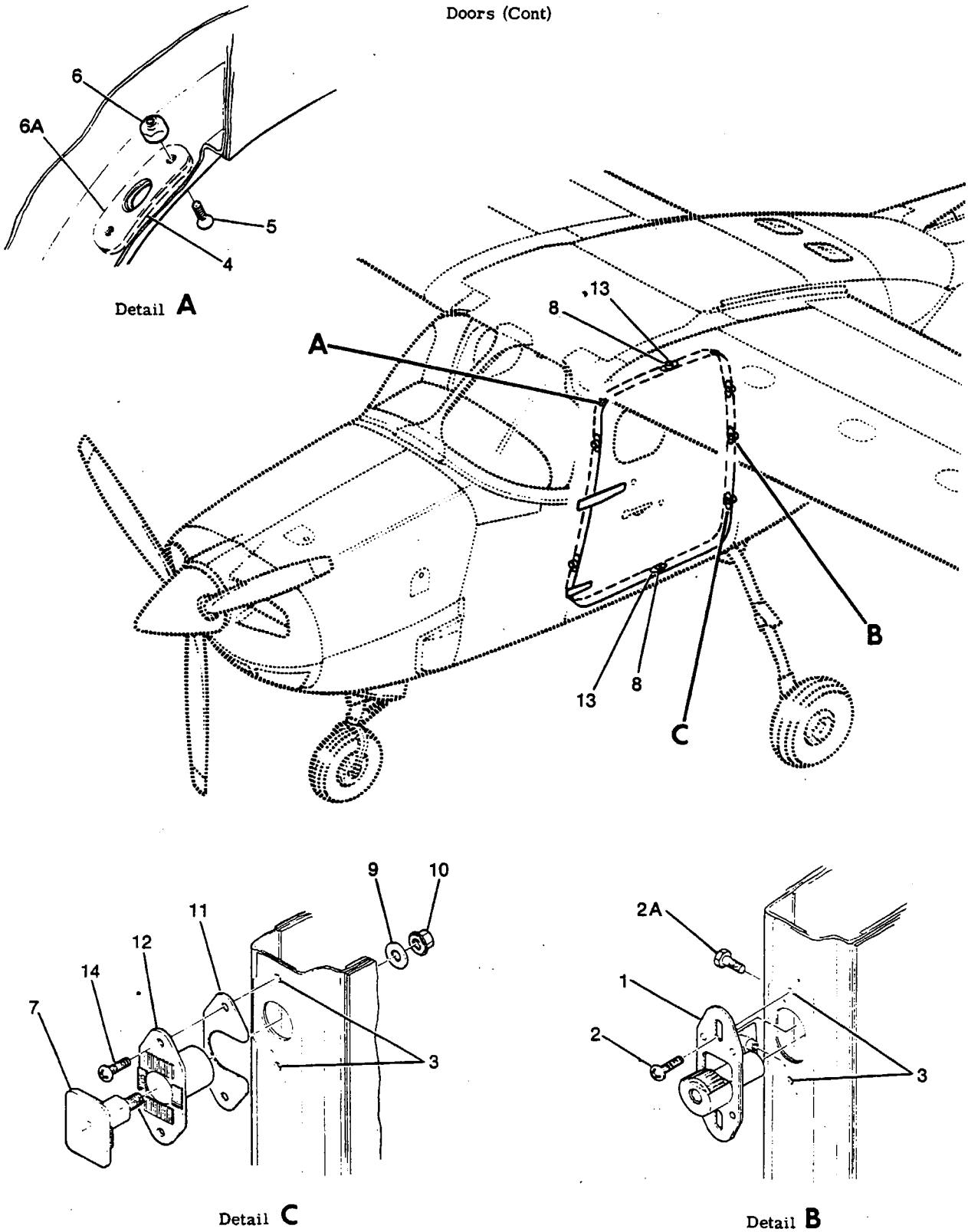


Figure 56. Cabin Door Receptacle Installation

P210 Parts Catalog

FIGURE AND INDEX NO.	PART NUMBER	DESCRIPTION	UNITS PER ASSY	USABLE ON CODE
		1 2 3 4 5 6 7		
56 -		RECEPTACLE INSTALLATION-CABIN DOOR -----	NP	
- 1	2117130-1	COVER & CLUTCH ASSY -----	1	
- 2	AN525-10R9	ATTACHING PARTS -----		
- 2A	AN3-5A	SCREW -----	2	
		BOLT -----	1	
		-----*		
- 3	NAS680A3	NUTPLATE -----	14	
- 4	2117182-5	PLATE-FWD DOOR JAMB -----	1	
	2117182-5	PLATE-AFT DOOR JAMB -----	1	
		ATTACHING PARTS -----		
- 5	AN509-10R8	SCREW -----	2	
- 6	MS21044N3	NUT -----	2	
- 6A	2117182-6	SHIM-DOOR JAMB 1 FWD & 1 AFT -----	2	
		-----*		
- 7	2117158-1	RECEPTACLE ASSY FWD & AFT -----	4	
- 8	2117158-2	RECEPTACLE ASSY UPPER & LOWER -----	2	
		ATTACHING PARTS -----		
- 9	S1450-4H12-063	WASHER -----	1	
- 10	MS21042L4	NUT -----	1	
		-----*		
- 11	2117126-1	SHIM .040 THICK -----	AR	
	2117126-2	SHIM .080 THICK -----	AR	
- 12	2117157-1	PLATE ASSY-LOCK FWD & AFT -----	4	
- 13	2117157-2	PLATE ASSY-LOCK UPPER & LOWER -----	2	
		ATTACHING PARTS -----		
- 14	AN525-10R9	SCREW -----	2	
		-----*		

P210 Parts Catalog

Doors (Cont)

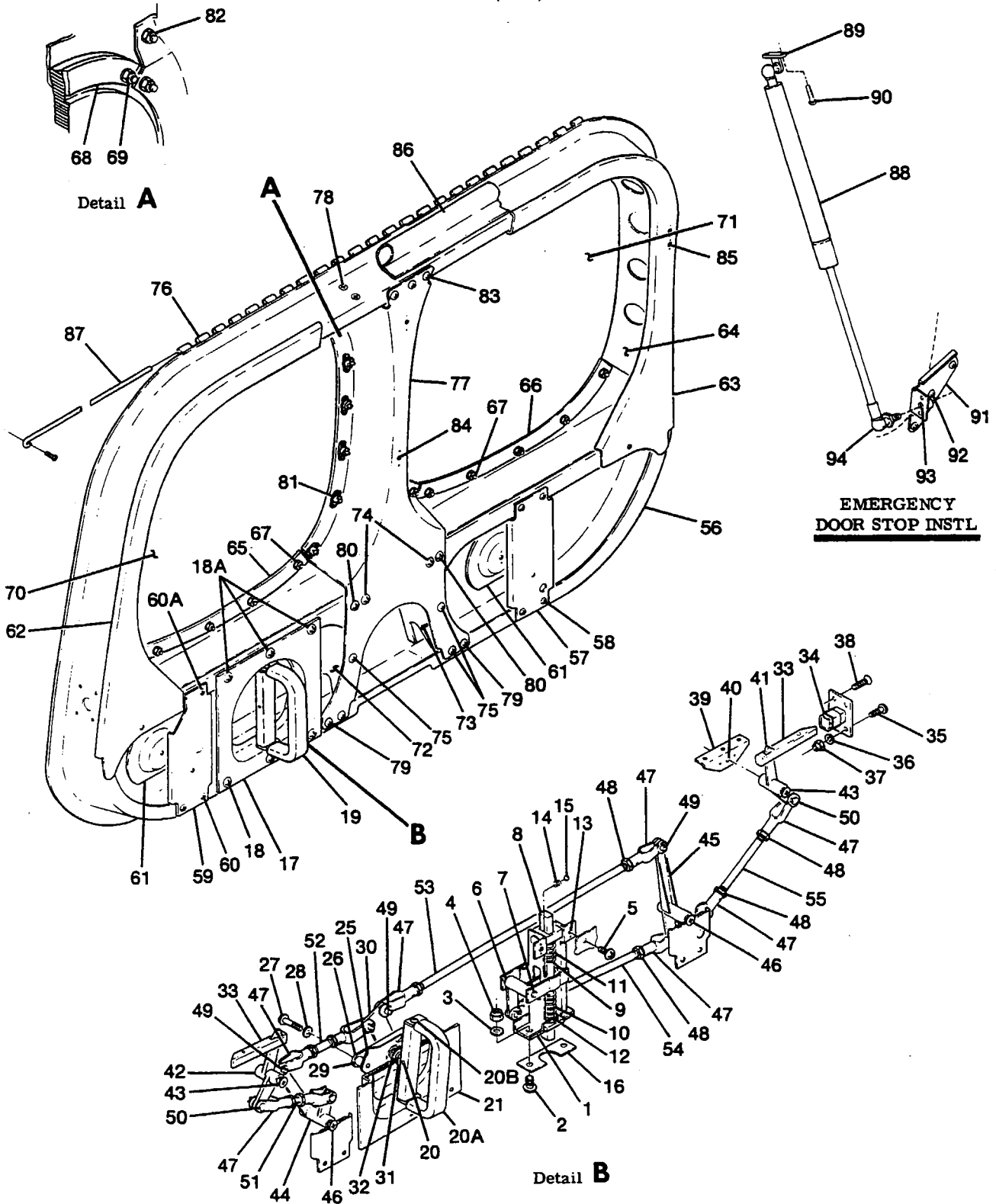


Figure 57. Emergency Exit Door Installation

P210 Parts Catalog

FIGURE AND INDEX NO.	PART NUMBER	DESCRIPTION	UNITS PER ASSY	USABLE ON CODE		
					1	2
57 -		DOOR INSTALLATION-EMERGENCY EXIT -----	NP			
- 1	2117177-1	BOLT GUIDE ASSY-ROTARY LATCH -----	1			
		ATTACHING PARTS -----				
- 2	AN525-416R8	SCREW -----	2			
- 3	NAS1149F0463P	WASHER -----	2			
- 4	MS21045L4	NUT -----	2			
- 5	AN525-10R7	SCREW -----	2			
		*-----				
- 6	2117209-1	BELLCRANK ASSY-BOLT GUIDE -----	1			
		ATTACHING PARTS -----				
- 7	MS20392-2C45	PIN -----	1			
	NAS1149F0332P	WASHER -----	1			
	MS24665-132	PIN-COTTER -----	1			
		*-----				
- 8	2117179-1	BOLT-LATCH -----	1			
		ATTACHING PARTS -----				
- 9	2117129-6	SPRING-UPPER -----	1			
-10	2117129-5	SPRING-LOWER -----	1			
-11	NAS561P4-14	PIN -----	2			
-12	S1450-9-11-018	WASHER -----	AR			
	S1450-9-11-032	WASHER -----	AR			
	S1450-9-11-063	WASHER -----	AR			
		*-----				
-13	NAS697A3	NUTPLATE -----	2			
-14	1216110-5	SPRING -----	1			
-15	S-272-205	BALL -----	1			
-16	2117200-1	SHIM-FRICTION -----	1			
-17	2117168-1	HANDLE ASSY-EMERGENCY EXIT DOOR -----	1			
		ATTACHING PARTS -----				
-18	AN525-10R6	SCREW -----	3			
-18A	AN525-10R6	SCREW -----	3			
	NAS680A3	NUTPLATE -----	3			
		*-----				
-19	2117173-1	HANDLE ASSY -----	1			
		ATTACHING PARTS -----				
-20	NAS561PF4-10	PIN -----	1			
		*-----				
-20A	2117173-2	HANDLE ASSY -----	1			
		ATTACHING PARTS -----				
-20B	S1931-8	SCREW -----	2			
	NAS1149FN816P	WASHER -----	2			
	NAS42HT5-10	SPACER -----	2			
		*-----				
-21	2117169-1	PAN ASSY-DOOR HANDLE -----	1			
-22		DELETED-NOT USED -----				
-23		DELETED-NOT USED -----				
-24		DELETED-NOT USED -----				
-25	2117227-1	BACKPLATE -----	1			
		ATTACHING PARTS -----				
	AN515-10R5	SCREW -----	1			
	AN936-A10	WASHER -----	1			
		*-----				
-26	2117175-2	PLATE-BEARING -----	1			
		ATTACHING PARTS -----				
-27	AN525-10R14	SCREW -----	2			
-28	AN936A10	WASHER -----	2			
-29	2117175-3	SPACER -----	2			
		*-----				
-30	2117170-1	SHAFT ASSY WEU 2117170-6 -----	1			
	2117170-6	SHAFT ASSY -----	1	A		
		ATTACHING PARTS -----		B		
-31	NAS1149F0632P	WASHER -----	2			
-32	MS24585-2454	SPRING -----	1			
		*-----				
-33	2117127-2	PIN-LATCH WEU 2117231-2 -----	2			
	2117231-2	PIN-LATCH -----	2	E		
-34	2117124-1	GUIDE ASSY WEU 2117124-5 -----	2	F		
	2117124-5	GUIDE ASSY -----	2	F		
		ATTACHING PARTS -----		F		
-35	AN525-832R9	SCREW INBD -----	2			
-36	NAS1149FN832P	WASHER -----	4			
-37	MS21044N08	NUT -----	4			
-38	AN509-8R9	SCREW OUTBD -----	2			
		*-----				

CONTINUED ON NEXT PAGE

P210 Parts Catalog

FIGURE AND INDEX NO.	PART NUMBER	DESCRIPTION							UNITS PER ASSY	USABLE ON CODE
		1	2	3	4	5	6	7		
57 -39	2117189-1	BRACKET ASSY							2	
-40	NAS680A3	NUTPLATE							1	
-41	2117190-1	BELLCRANK ASSY							1	
-42	2117190-5	BELLCRANK ASSY							1	
		ATTACHING PARTS								
-43	AN509-10R26	SCREW							1	
	NAS76A3-105	BUSHING							1	
		-----*								
-44	2117191-5	BELLCRANK ASSY							1	
-45	2117191-10	BELLCRANK ASSY							1	
		ATTACHING PARTS								
-46	AN509-10R31	SCREW							1	
	NAS76A3-119	BUSHING							1	
		-----*								
-47	MS27975-4	CLEVIS							10	
-48	AN316-4R	NUT-CHECK							10	
-49	MS20392-2C11	PIN							6	
	NAS708209-438	WASHER							12	
	MS24665-132	PIN-COTTER							6	
-50	MS20392-2C11	PIN							4	
	MS24665-132	PIN-COTTER							4	
-51	NAS354-4-200	ROD							1	
-52	NAS354-4-290	ROD							1	
-53	2117171-1	TUBE							1	
-54	NAS-354-680	ROD							1	
-55	NAS354-4-431	ROD							1	
-56	2117100-200	STRUCTURE ASSY-EMERGENCY EXIT DOOR							1	
-57	2117192-1	BRACKET ASSY							1	
		ATTACHING PARTS								
-58	AN525-832R7	SCREW							4	
	MS21042L08	NUT							4	
		-----*								
-59	2117192-4	BRACKET ASSY							1	
		ATTACHING PARTS								
-60	AN525-832R7	SCREW							2	
		-----*								
-61	2117146-9	BRACKET ASSY-CABIN DOOR BELLCRANK							2	
	NAS680A3	NUTPLATE							1	
-62	2117188-7	STIFFNER-FWD							1	
-63	2117188-4	STIFFNER-AFT							1	
-64	2117188-5	RETAINER-AFT							1	
	2117188-8	RETAINER-FWD							1	
		ATTACHING PARTS								
	MS21045L08	NUT							6	
	NAS1149FN832P	WASHER							6	
	AN509-8R10	SCREW							6	
		-----*								
-65	2117100-16	RETAINER-FWD WINDOW LWR							1	
-66	2117100-17	RETAINER-AFT WINDOW LWR							1	
		ATTACHING PARTS								
-67	MS21045L08	NUT							5	
	NAS1149FN832P	WASHER							5	
	AN509-8R10	SCREW							5	
		-----*								
-68	2117100-15	RETAINER-FWD WINDOW UPR							1	
	2117100-14	RETAINER-AFT WINDOW UPR							1	
		ATTACHING PARTS								
-69	MS21045L08	NUT							4	
	NAS1149FN832P	WASHER							4	
	AN509-8R10	SCREW							4	
		-----*								
-70	2117103-1	WINDOW-FWD							1	
-71	2117103-2	WINDOW-AFT							1	
-72	2117185-1	CHANNEL-FWD							1	
-73	2117185-2	CHANNEL-AFT							1	
		ATTACHING PARTS								
-74	AN525-10R8	SCREW							1	
	MS21045L3	NUT							1	
-75	AN525-10R7	SCREW							2	
	MS21045L3	NUT							2	
		-----*								

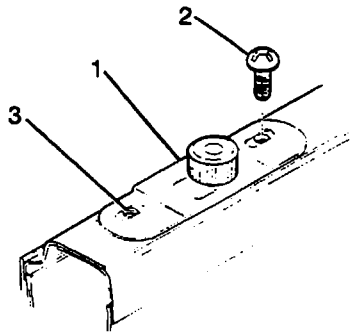
CONTINUED ON NEXT PAGE

P210 Parts Catalog

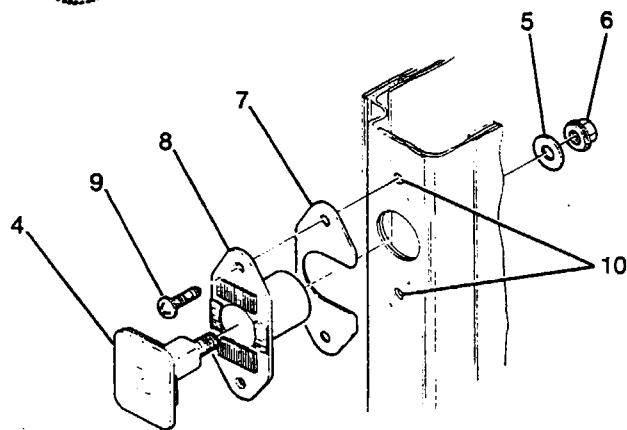
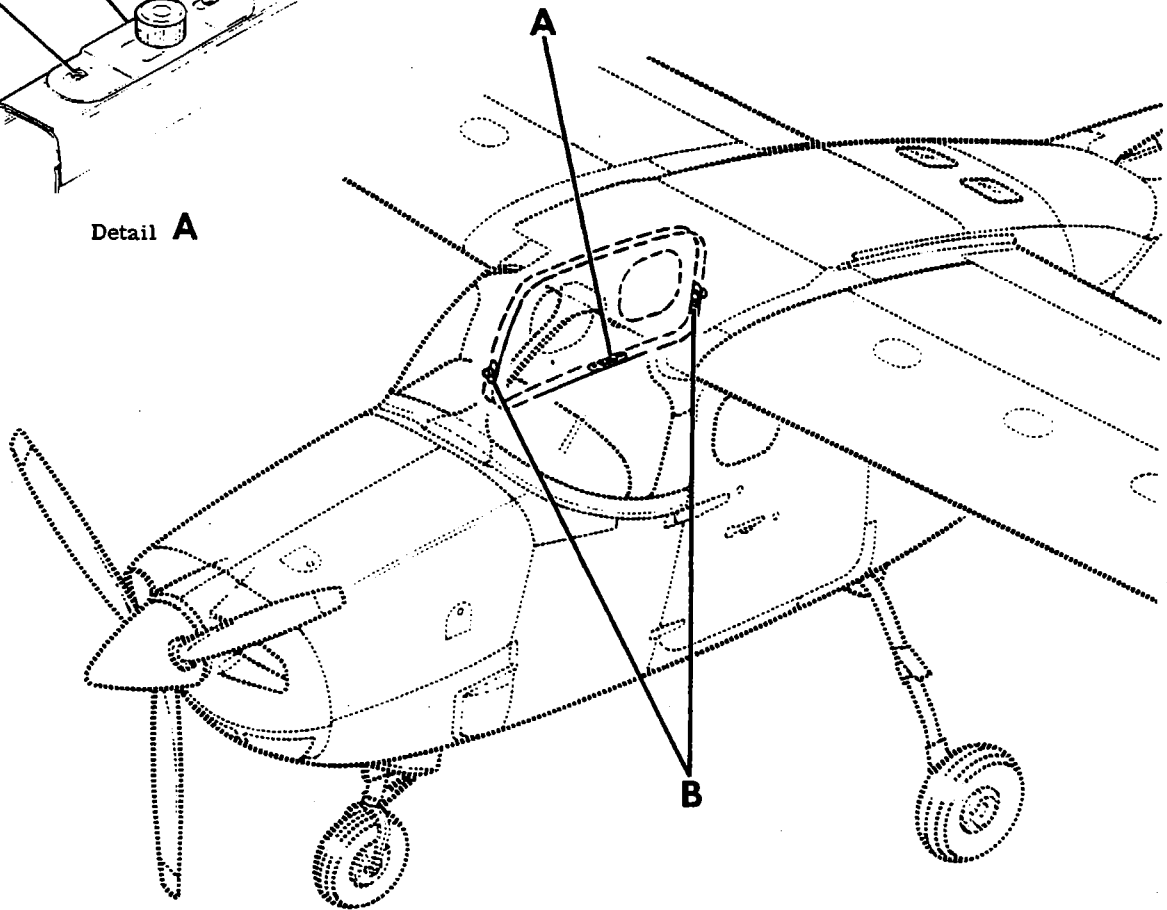
FIGURE AND INDEX NO.	PART NUMBER	DESCRIPTION							UNITS PER ASSY	USABLE ON CODE
		1	2	3	4	5	6	7		
57 -76	2117104-5	HINGE HALF -----							1	C D D
-77	2117100-30	CHANNEL ASSY -----							1	
-78	AN509-8R7	ATTACHING PARTS							1	
	MS21045L08	SCREW -----							4	
-79	AN525-10R7	NUT -----							4	
	MS21045L3	SCREW -----							2	
	MS21045L3	NUT -----							2	
-80	AN525-10R8	SCREW -----							2	
	MS21045L3	NUT -----							2	
-81	NAS697A088	NUTPLATE -----							12	
	NAS1149FN832P	WASHER -----							12	
	AN509-8R10	SCREW -----							12	
-82	AN509-8R7	SCREW -----							12	
	NAS1149FN832P	WASHER -----							2	
	MS21045L08	NUT -----							2	
-83	AN525-10R6	SCREW -----							2	
	NAS697A3	NUTPLATE -----							3	
		*-----							3	
-84	NAS680A3	NUTPLATE -----							2	
-85	NAS680A08	NUTPLATE -----							2	
-86	2117100-26	SEAL ASSY-EMERGENCY EXIT DOOR -----							1	
-87	MS20253P2-24.74	PIN-HINGE -----							1	
	2117228-1	PIN-HINGE -----							1	
-87A	AN507-440R8	ATTACHING PARTS							1	
		SCREW -----							1	
		*-----							1	
-88	2115040-1	SPRING-EMERGENCY EXIT DOOR GAS -----							1	
-89	2117224-1	BRACKET ASSY-GAS SPRING ATTACH UPR -----							1	
-90	NAS388-8-12P	ATTACHING PARTS							1	
		SCREW -----							2	
		*-----							2	
-91	2111312-1	BRACKET ASSY-GAS SPRING ATTACH LWR -----							1	
-92	NAS221-9	ATTACHING PARTS							1	
		SCREW -----							3	
		*-----							3	
-93	S2002-6	NUTPLATE -----							1	
-94	9505-2	BALL STUD GSPG -----							1	
	9501-2	CLIP-BALL STUD GSPG -----							1	
		CLIP-BALL STUD GSPG -----							1	
<p>NOTE. *WHEN INITIALLY ORDERING THIS PART FOR AIRCRAFT PRIOR TO P21000428, ALSO ORDER OTHER PART MARKED *.</p> <p>A---P210 SERIAL P21000001 THRU P21000101 B---P210 SERIAL P21000102 & ON C---P210 SERIAL P21000001 THRU P21000097 D---P210 SERIAL P21000098 & ON E---P210 SERIAL P21000001 THRU P21000427 F---P210 SERIAL P21000428 & ON</p>										

P210 Parts Catalog

Doors (Cont)



Detail A



Detail B

Figure 58. Emergency Door Receptacle Installation

P210 Parts Catalog

FIGURE AND INDEX NO.	PART NUMBER	DESCRIPTION							UNITS PER ASSY	USABLE ON CODE
		1	2	3	4	5	6	7		
58 -		RECEPTACLE INSTALLATION-EMERGENCY DOOR -----							NP	
- 1	2117159-1	CLUTCH ASSY-ROTARY -----							1	
- 2	AN525-416R8	ATTACHING PARTS -----							2	
- 3	NAS682A4	SCREW -----							2	
- 4	2117158-1	-----*							2	
- 5	S1450-4H12-063	NUTPLATE -----							2	
- 6	MS21042L4	RECEPTACLE ASSY -----							1	
- 7	2117126-1	ATTACHING PARTS -----							1	
- 8	2117126-2	WASHER -----							1	
- 9	AN525-10R9	NUT -----							2	
- 10	NAS680A3	-----*							2	
		SHIM .040 THICK -----							AR	
		SHIM .080 THICK -----							AR	
		PLATE ASSY-LOCK -----							2	
		ATTACHING PARTS -----							2	
		SCREW -----							2	
		-----*							4	
		NUTPLATE -----								

P210 Parts Catalog

Doors (Cont)

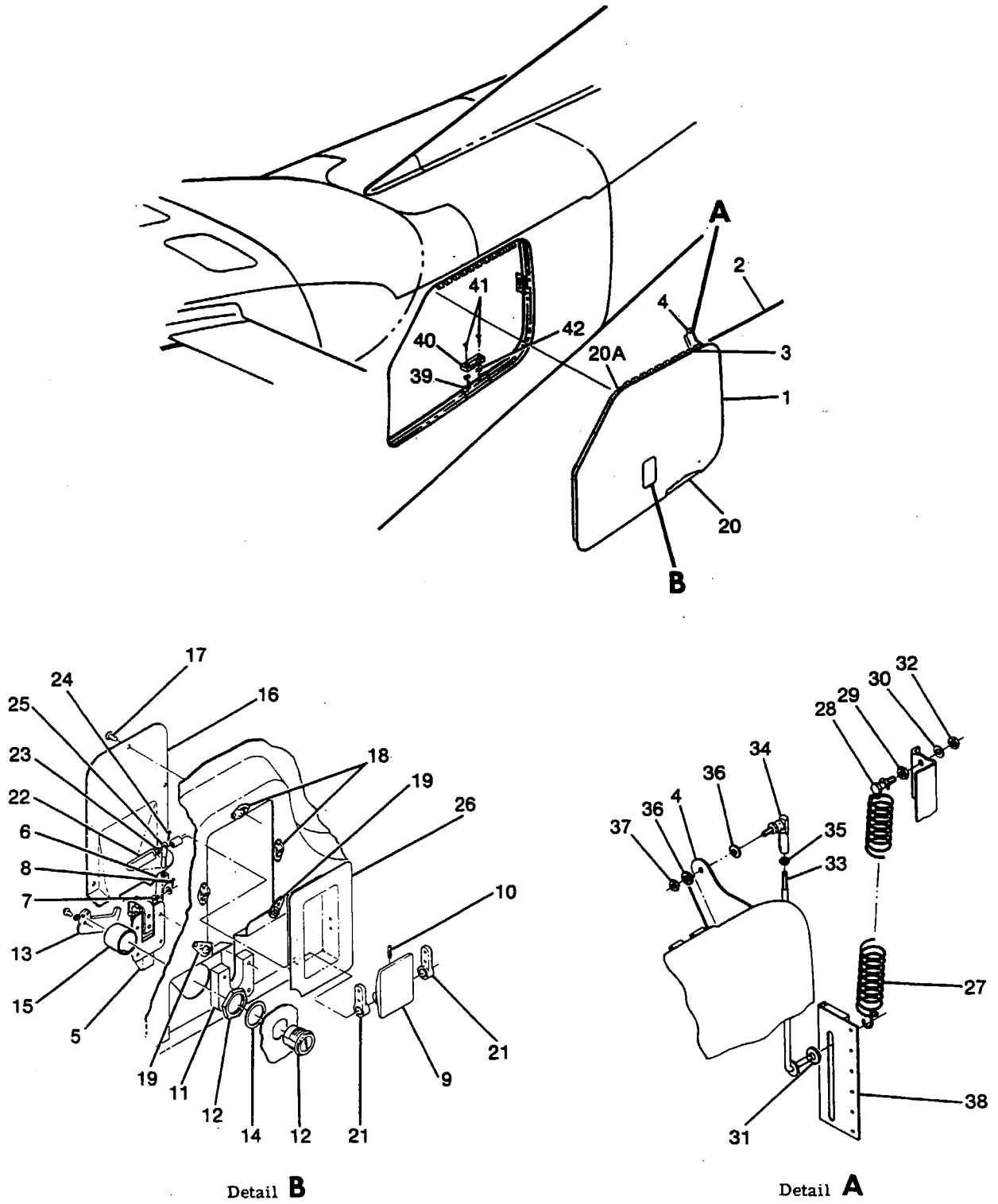


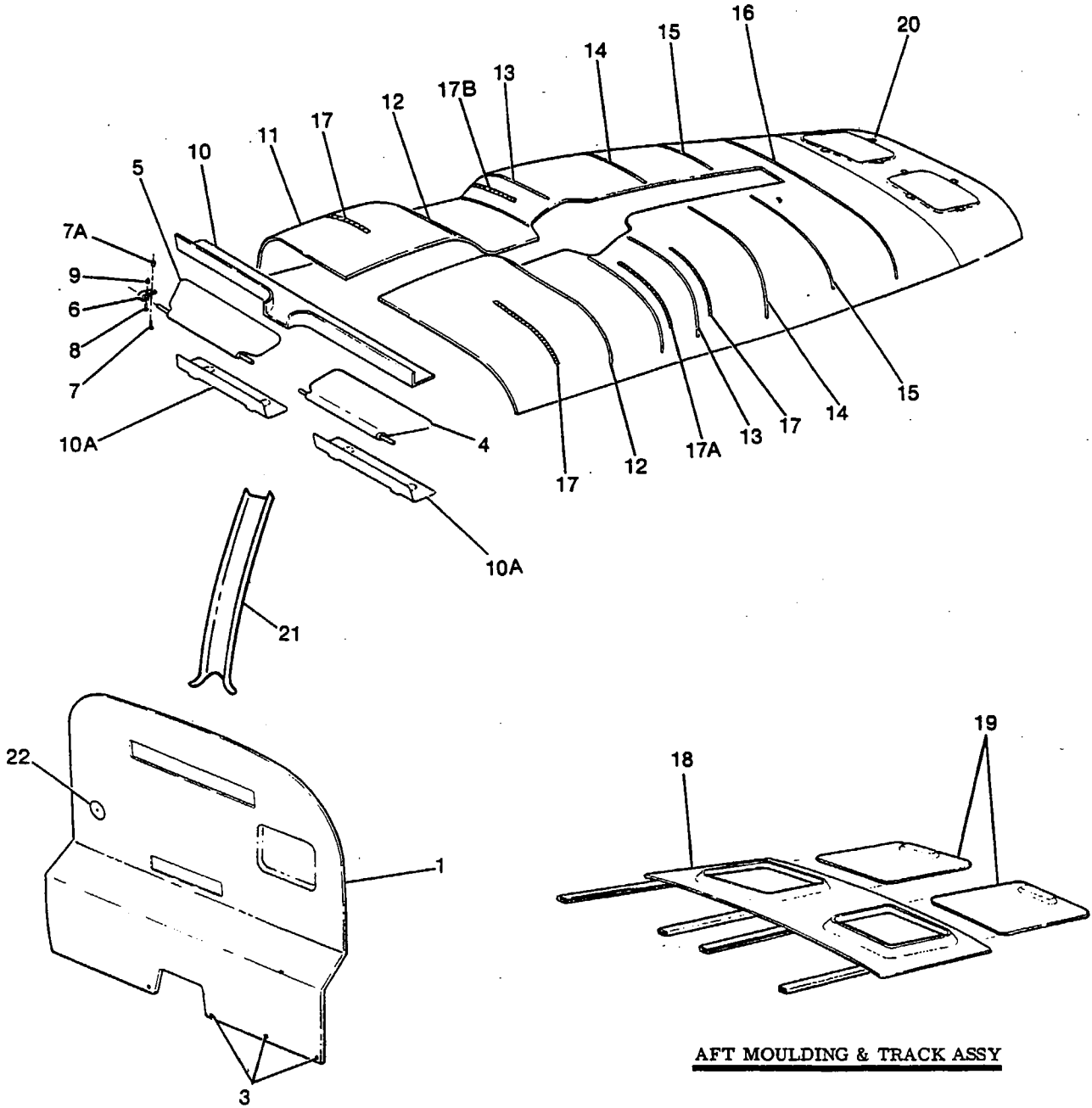
Figure 59. Baggage Door Installation

P210 Parts Catalog

FIGURE AND INDEX NO.	PART NUMBER	DESCRIPTION							UNITS PER ASSY	USABLE ON CODE
		1	2	3	4	5	6	7		
59 -		BAGGAGE DOOR INSTALLATION -----							NP	
- 1	1217001-3	DOOR ASSY-BAGGAGE -----							1	
		ATTACHING PARTS -----								
- 2	MS20253P2-1546	PIN-HINGE -----							1	
		-----*								
- 3	1212115-1	HINGE HALF -----							1	
- 4	1212123-4	BRACKET ASSY -----							1	
- 5	S1359-9	LATCH ASSY-BAGGAGE DOOR -----							1	
- 6	1217055-1	NUT-LINK -----							1	
		ATTACHING PARTS -----								
- 7	NAS620-5	WASHER -----							AR	
- 8	MS24665-22	COTTER PIN -----							1	
		-----*								
- 9	1217043-1	HANDLE -----							1	
		ATTACHING PARTS -----								
-10	NAS561C3-8	PIN -----							1	
		-----*								
-11	1211448-8	SPACER -----							1	
-12	C253001-0101	LOCK ASSY -----							1	
-13	0711111-1	CAM -----							1	
-14	NAS1149D1290H	WASHER -----							1	
-15	1217057-1	CAP-BAGGAGE DOOR LOCK -----							1	
-16	1212108-1	COVER-BAGGAGE DOOR LATCH -----							1	
		ATTACHING PARTS -----								
-17	S1021Z6R6	SCREW -----							5	
-18	S1863-2	NUTPLATE -----							3	
-19	S1862-1	NUTPLATE -----							2	
		-----*								
-20	S2287-1	SEAL	81.50	IN	LG	BKI	-----	1		
-20A	S1453-1	SEAL	26.00	IN	LG	BKI	-----	1		
-21	1217092-1	BEARING ASSY -----							2	
-22	1217040-1	SHAFT-HANDLE -----							1	
		ATTACHING PARTS -----								
-23	NAS620-5	WASHER -----							AR	
-24	MS24665-22	PIN-COTTER -----							1	
		-----*								
-25	1217054-1	BOLT-LINK -----							1	
-26	1217039-2	PAN-BAGGAGE DOOR HANDLE -----							1	
-27	1211148-1	SPRING-BAGGAGE DOOR BALANCE -----							1	
-28	AN3-5A	BOLT -----							1	
-29	AN315-3R	NUT -----							1	
-30	NAS1149F0332P	WASHER -----							1	
-31	S1438-13	WASHER -----							1	
-32	MS21044N3	NUT -----							1	
-33	1211142-1	ROD ASSY -----							1	
		ATTACHING PARTS -----								
-34	S2104-1	BALL JOINT -----							1	
-35	AN315-3R	NUT -----							1	
-36	NAS1149F0332P	WASHER -----							2	
-37	MS21044N3	NUT -----							1	
		-----*								
-38	SEE FIG 31	BRACKET ASSY-ROD SUPPORT -----							1	
-39	1212114-1	REINFORCEMENT ASSY-STRIKER PLATE -----							1	
	NAS682A08K	NUTPLATE -----							2	
-40	1212113-1	STRIKER -----							1	
		ATTACHING PARTS -----								
-41	AN515-8R10	SCREW -----							2	
-42	NAS1149FN832P	WASHER -----							AR	
	NAS1149FN816P	WASHER -----							AR	
		-----*								

P210 Parts Catalog

Upholstery



AFT MOULDING & TRACK ASSY

Figure 60. Cabin Top & Firewall Upholstery Installation

P210 Parts Catalog

FIGURE AND INDEX NO.	PART NUMBER		DESCRIPTION							UNITS PER ASSY	USABLE ON CODE
			1	2	3	4	5	6	7		
60 -			UPHOLSTERY INSTALLATION-CABIN TOP & FIREWALL -----							NP	
- 1	2115020-10	#	COVER ASSY-FIREWALL -----							1	
- 2			ATTACHING PARTS -----								
- 3	AN227-138		DELETED-NOT USED -----								
			STUD -----							4	
			-----*								
- 4	2115027-27		VISOR-LH SUN -----							1	
- 5	2115027-28		VISOR-RH SUN -----							1	
			ATTACHING PARTS -----								
- 6	2115027-32		HANGER -----							2	
- 7	AN525-832R14		SCREW -----							2	
- 7A	NAS43DD3-20		SPACER -----							2	
- 8	MS35206-227		SCREW -----							2	
- 9	S1914-5		NUT -----							2	
			-----*								
-10	2115029-1		SHIELD-TRIM -----							1	
-10A	2115051-3		SHIELD-TRIM USED WITH AIR CONDITIONING -----							2	
-11	2115004-200	#	HEADLINER ASSY -----							1	
	2115055-200	#	HEADLINER ASSY -----							1	
-12	2115004-3		WIRE-HEADLINER -----							2	
	2115055-3		WIRE-HEADLINER -----							2	
-13	2115004-4		WIRE-HEADLINER -----							2	
	2115055-4		WIRE-HEADLINER -----							2	
-14	2115004-5		WIRE-HEADLINER -----							2	
	2115055-5		WIRE-HEADLINER -----							2	
-15	2115004-6		WIRE-HEADLINER -----							2	
	2115055-6		WIRE-HEADLINER -----							2	
-16	2115004-7		WIRE-HEADLINER -----							1	
	2115055-7		WIRE-HEADLINER -----							1	
-17	1215078-10		ZIPPER-HEADLINER -----							3	
-17A	1215078-10		ZIPPER-HEADLINER -----							1	
-17B	1215078-10		ZIPPER-HEADLINER -----							1	
-18	2115007-200		MOULDING & TRACK ASSY-AFT WINDOW -----							1	
-19	2115007-7		SHADE -----							2	
-20	2115036-1		BRACKET-WINDOW TRIM -----							8	
-21	2110032-1		DUCT-WINDSHIELD CENTER POST -----							1	
	2110032-2		DUCT-WINDSHIELD CENTER POST -----							1	
-22	0400123-1		DISC-UPHOLSTERY -----							1	
			ATTACHING PARTS -----								
	AN515-10R8		SCREW -----							1	
			-----*								
<p>NOTE. #THIS PART NUMBER MUST HAVE A SECOND DASH NUMBER ADD TO DENOTE COLOR. REFER TO HOW TO ORDER UPHOLSTERED PARTS-PAGE XIV.</p> <p>A---P210 SERIAL P21000001 THRU P21000224 B---P210 SERIAL P21000225 & ON C---P210 SERIAL P21000405 & P21000490 & ON D---P210 SERIAL P21000001 THRU P21000515 E---P210 SERIAL P21000516 & ON F---P210 SERIAL P21000812 THRU P21000826</p>											

C D E F E D E F E D E F

A B F

P210 Parts Catalog

Upholstery (Cont)

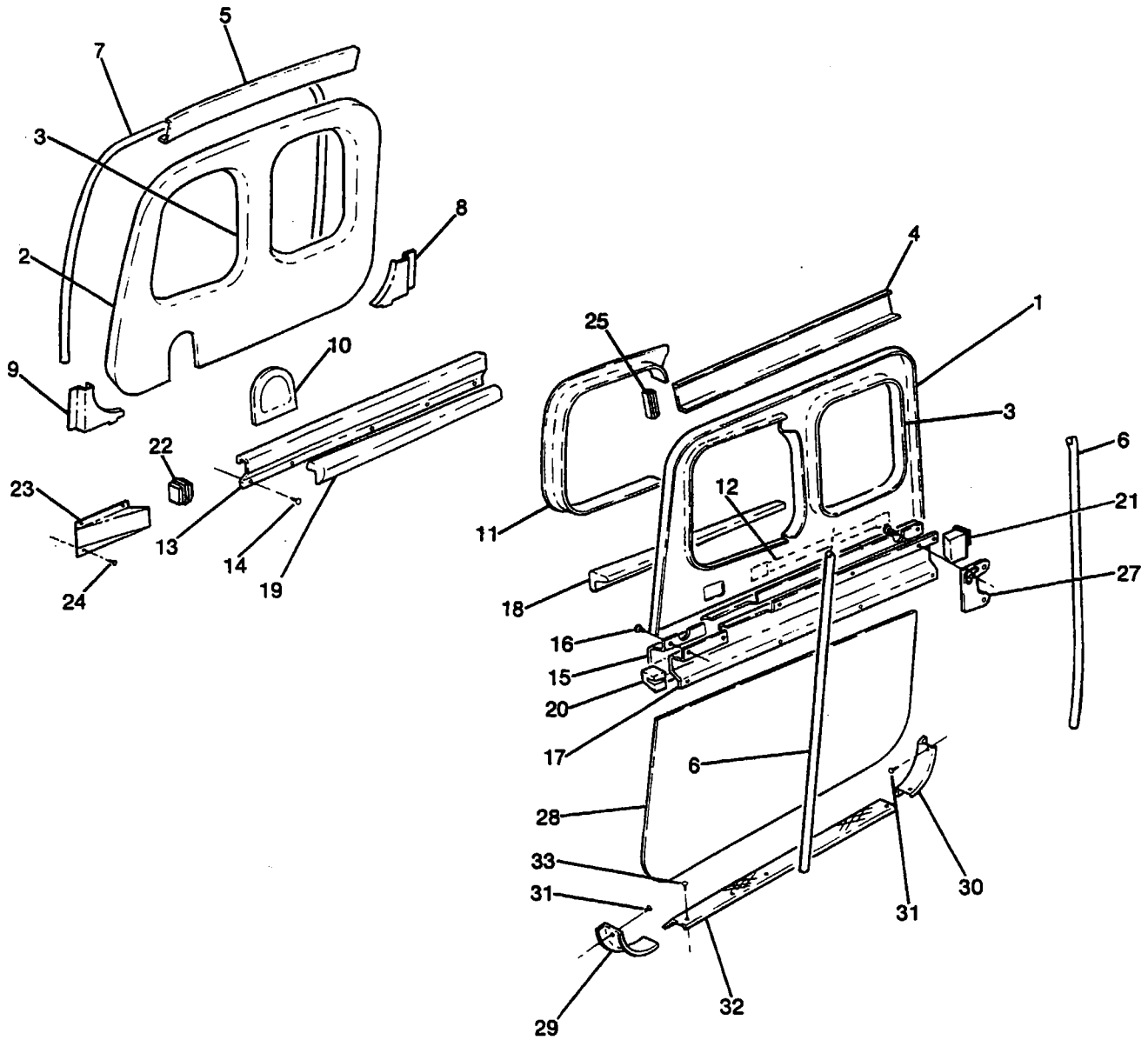


Figure 61. Cabin Door & Emergency Exit Upholstery Installation

P210 Parts Catalog

FIGURE AND INDEX NO.	PART NUMBER		DESCRIPTION							UNITS PER ASSY	USABLE ON CODE
			1	2	3	4	5	6	7		
61 -			UPHOLSTERY INSTALLATION-CABIN DOOR & EMERGENCY EXIT -----							MP	
- 1	2115005-3		MOULDING-DOOR TRIM -----							1	
- 2	2115005-4		MOULDING-WINDOW TRIM -----							1	
- 3	S1948-3		TRIM-EXTRUDED BKI SEE FIG 1 -----							1	
- 4	2115005-53		TRIM-LH DOOR -----							4	
- 5	2115005-54		TRIM-RH DOOR -----							1	
- 6	0700668-17	#	WINDLACE-DOOR -----							1	
- 7	0700668-16	#	WINDLACE-EMERGENCY EXIT -----							1	
- 8	2115038-2		RETAINER ASSY-WINDLACE AFT -----							1	
- 9	2115038-1		RETAINER ASSY-WINDLACE FWD -----							1	
-10	2115010-1		COVER-TRIM -----							1	
-11	2115005-27		MOULDING-WINDOW TRIM ASSY -----							1	
-12	S2301-2-1		HANDLE-ASSIST -----							1	
	AN525-10R8		ATTACHING PARTS -----							1	
			SCREW -----							2	
-13	2115009-2		TRIM-DOOR ARMREST -----							1	A
	2115009-7		TRIM-DOOR ARMREST -----							1	B
			ATTACHING PARTS -----								
-14	S102174-6		SCREW -----							5	
-15	2115011-2		TRIM-DOOR ARMREST -----							1	A
	2115011-4		TRIM-DOOR ARMREST -----							1	B
			ATTACHING PARTS -----								
-16	S102174-6		SCREW -----							9	
-17	2115011-1		SUPPORT-ARMREST TRIM WEU 2115011-3 -----							1	A
	2115011-3		SUPPORT-ARMREST TRIM -----							1	B
			ATTACHING PARTS -----								
	AN525-832R8		SCREW -----							6	
	NAS1149FN816P		WASHER -----							6	
-18	2115032-1	#	ARMREST ASSY-LH DOOR -----							1	A
	2115032-23	#	ARMREST ASSY-LH DOOR -----							1	B
-19	2115032-2	#	ARMREST ASSY-RH DOOR -----							1	A
	2115032-24	#	ARMREST ASSY-RH DOOR -----							1	B
			ATTACHING PARTS -----								
	NAS43DD1-16		SPACER LH -----							1	
	NAS43DD1-16		SPACER RH -----							2	
	S102176-20		SCREW LH -----							1	
	S102176-20		SCREW RH -----							2	
-20	2115030-3		PLUG-LH FWD -----							1	
-21	2115030-7		PLUG-LH AFT -----							1	
-22	2115030-4		PLUG-RH FWD -----							1	
-23	2115009-4		TRIM-RH -----							1	A
	2115009-8		TRIM-RH -----							1	B
			ATTACHING PARTS -----								
-24	S102174-6		SCREW -----							4	
-25	2115030-4		PLUG-FWD -----							1	
-26	2115041-1		BRACKET-DOOR MOULDING -----							1	
			ATTACHING PARTS -----								
	S102174-6		SCREW -----							2	
-27	2115016-1		SUPPORT ASSY-ARMREST -----							1	
	NAS684A08		NUTPLATE -----							2	
-28	2115031-3	#	PANEL ASSY-DOOR TRIM LH -----							1	
-29	2111679-3		PLATE-FWD SCUFF -----							1	
-30	2111679-1		PLATE-AFT SCUFF -----							1	
			ATTACHING PARTS -----								
-31	S102274-8		SCREW -----							1	
-32	2111667-1		PLATE-CENTER SCUFF -----							1	
			ATTACHING PARTS -----								
-33	S102274-8		SCREW -----							6	
			-----*								
<p>NOTE. #THIS PART MUST HAVE A SECOND DASH NUMBER ADDED TO DENOTE COLOR. REFER TO HOW TO ORDER UPHOLSTERED PARTS-PAGE XIV.</p> <p>A---P210 SERIAL P21000001 THRU P21000385 B---P210 SERIAL P21000386 & ON</p>											

P210 Parts Catalog

Upholstery (Cont)

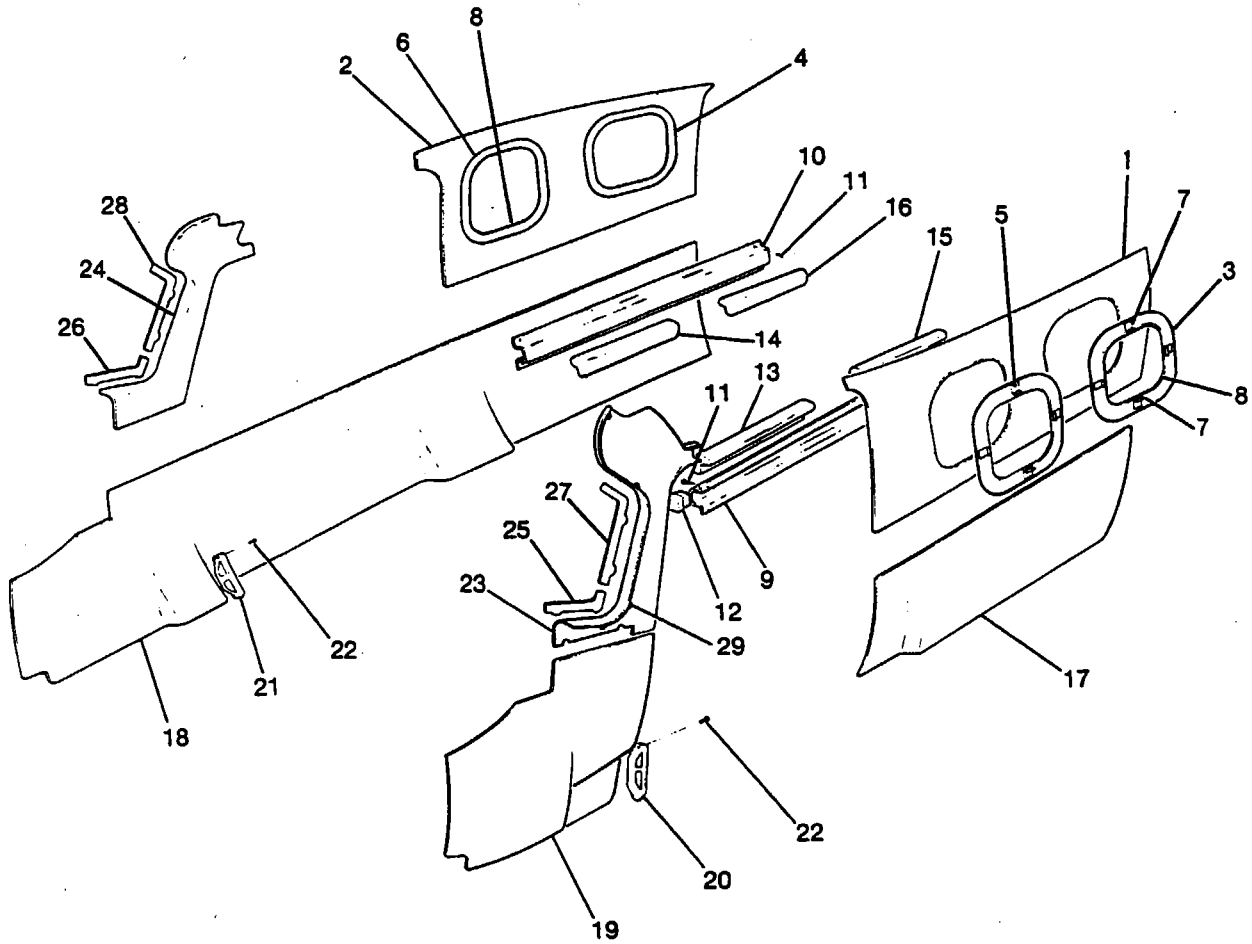


Figure 62. Cabin Side Panels Upholstery Installation

P210 Parts Catalog

FIGURE AND INDEX NO.	PART NUMBER	DESCRIPTION							UNITS PER ASSY	USABLE ON CODE
		1	2	3	4	5	6	7		
62 -		UPHOLSTERY INSTALLATION-CABIN SIDE PANELS							NP	
- 1	2115005-1	PANEL ASSY-LH TRIM							1	
- 2	2115005-2	PANEL ASSY-RH TRIM							1	
- 3	2115005-7	MOULDING-WINDOW TRIM LH AFT							1	
- 4	2115005-8	MOULDING-WINDOW TRIM RH AFT							1	
- 5	2115005-9	MOULDING-WINDOW TRIM LH FWD							1	
- 6	2115005-10	MOULDING-WINDOW TRIM RH AFT							1	
	2115005-64	MOULDING-WINDOW TRIM RH AFT WITH AIR CONDITIONING							1	
- 7	2115036-2	BRACKET-WINDOW TRIM							16	
	2115036-3	BRACKET-WINDOW TRIM							16	
- 8	S1948-3-1	TRIM-EXTRUDED BKI SEE FIG 1							4	
- 9	2115006-3	TRIM-ARMREST SUPPORT LH							1	
	2115006-7	TRIM-ARMREST SUPPORT LH							1	
-10	2115006-4	TRIM-ARMREST SUPPORT RH							1	
	2115006-8	TRIM-ARMREST SUPPORT RH							1	
-11	S102174-6	ATTACHING PARTS								
		SCREW							10	
-12	2115030-1	PLUG							1	
-13	2115032-3	#	ARMREST ASSY-REAR CABIN LH FWD					1		
	2115032-25	#	ARMREST ASSY-REAR CABIN LH FWD					1		
-14	2115032-4	#	ARMREST ASSY-REAR CABIN RH FWD					1		
	2115032-26	#	ARMREST ASSY-REAR CABIN RH FWD					1		
-15	2115032-5	#	ARMREST ASSY-REAR CABIN LH AFT					1		
	2115032-27	#	ARMREST ASSY-REAR CABIN LH AFT					1		
-16	2115032-6	#	ARMREST ASSY-REAR CABIN RH AFT					1		
	2115032-28	#	ARMREST ASSY-REAR CABIN RH AFT					1		
	NAS43DD1-16	ATTACHING PARTS								
	NAS43DD1-16	SPACER FWD							2	
	S102176-14	SPACER AFT							2	
	S102176-14	SCREW FWD							2	
	S102176-14	SCREW AFT							1	
-17	2115031-1	#	PANEL ASSY-LH TRIM					1		
-18	2115031-2	#	PANEL ASSY-RH TRIM					1		
	2115031-29	#	PANEL ASSY-RH TRIM					1		
-19	2115031-9	#	PANEL ASSY-LH TRIM					1		
	2115031-27	#	PANEL ASSY-LH TRIM					1		
	2115031-28	#	PANEL ASSY-LH TRIM					1		
	2115031-30	#	PANEL ASSY-LH TRIM					1		
-20	1200231-1	RETAINER-CABIN AIR VENT LH USED WITH 95 AMP ALTERNATOR							1	
	1200231-3	RETAINER-CABIN AIR VENT LH							1	
-21	1200231-2	RETAINER-CABIN AIR VENT RH							1	
	1200231-4	RETAINER-CABIN AIR VENT RH							1	
-22	S102174-4	ATTACHING PARTS								
		SCREW							2	
-23	2115005-29	MOULDING-DOORPOST LH							1	
	2115005-55	MOULDING-DOORPOST LH							1	
	2115005-59	MOULDING-DOORPOST LH							1	
	2115005-65	MOULDING-DOORPOST LH							1	
-24	2115005-30	MOULDING-DOORPOST RH							1	
	2115005-60	MOULDING-DOORPOST RH							1	
	2115005-66	MOULDING-DOORPOST RH							1	
	S2092-9	FABRIC FASTENER-HOOK BKI SEE FIG 1							1	
	S2092-4	FABRIC FASTENER-PILE BKI SEE FIG 1							1	
-25	2115035-3	RETAINER-DOORPOST LH							1	
-26	2115035-4	RETAINER-DOORPOST RH							1	
-27	2115035-1	RETAINER-DOORPOST LH							1	

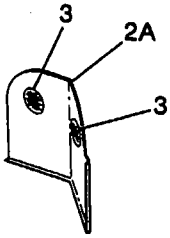
CONTINUED ON NEXT PAGE

P210 Parts Catalog

FIGURE AND INDEX NO.	PART NUMBER	DESCRIPTION	UNITS PER ASSY	USABLE ON CODE
		1 2 3 4 5 6 7		
62 -28 -29	2115035-2 2115036-2	RETAINER-DOORPOST RH ----- BRACKET ----- NOTE. #THIS PART NUMBER MUST HAVE A SECOND DASH NUMBER ADDED TO DENOTE COLOR. REFER HOW TO ORDER UPHOLSTERED PARTS-PAGE XIV. NOTE. @THESE PARTS MUST BE ORDERED IN PAIRS & STATE COLOR. A---P210 SERIAL P21000001 THRU P21000009 B---P210 SERIAL P21000010 & ON C---P210 SERIAL P21000001 THRU P21000385 D---P210 SERIAL P21000386 & ON E---P210 SERIAL P21000001 THRU P21000760 F---P210 SERIAL P21000386 THRU P21000760 G---P210 SERIAL P21000761 THRU P21000834 H---P210 SERIAL P21000761 THRU P21000811 J---P210 SERIAL P21000812 & ON K---P210 SERIAL P21000001 THRU P21000811 L---P210 SERIAL P21000405 & P21000490 & ON M---P210 SERIAL P21000835 & ON	1 8	

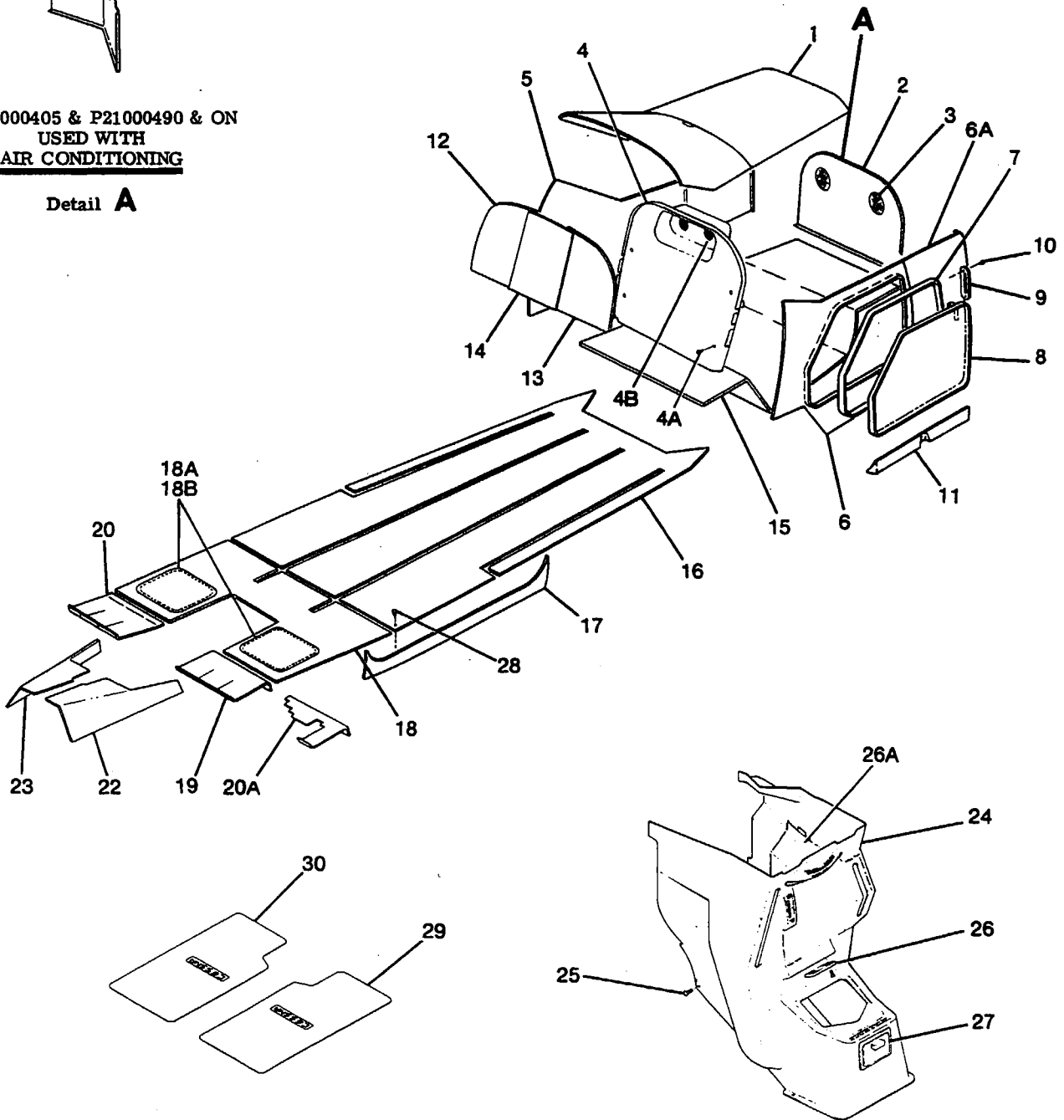
P210 Parts Catalog

Upholstery (Cont)



P21000405 & P21000490 & ON
USED WITH
AIR CONDITIONING

Detail **A**



FLOORMATS

Figure 63. Floorboard & Baggage Compartment Upholstery Installation

P210 Parts Catalog

FIGURE AND INDEX NO.	PART NUMBER	DESCRIPTION							UNITS PER ASSY	USABLE ON CODE
		1	2	3	4	5	6	7		
63 -		UPHOLSTERY INSTALLATION-BAGGAGE COMPARTMENT & FLOORBOARD -----							NP	
- 1	2115028-11	PANEL ASSY-BAGGAGE COMPARTMENT UPPER -----							1	
	S2092-10	FABRIC FASTENER-PILE BKI SEE FIG 1 -----							1	
	S2092-12	FABRIC FASTENER-PILE ALT BKI SEE FIG 1 -----							1	
- 2	2115028-6	COVER ASSY-AFT -----							1	
- 2A	2115028-19	COVER ASSY-AFT USED WITH AIR CONDITIONING -----							1	
	S2092-9	FABRIC FASTENER-HOOK BKI SEE FIG 1 -----							1	D
	S2092-13	FABRIC FASTENER-HOOK ALT BKI SEE FIG 1 -----							AR	
- 3	2115028-7	SCREEN -----							2	
- 4	2115045-5	COVER ASSY-BAGGAGE COMPARTMENT -----							1	
- 4A	S1021Z6-8	ATTACHING PARTS -----							1	
		SCREW -----							4	
- 4B	2115028-7	SCREEN -----							2	
- 5	2115028-8	PANEL ASSY-BAGGAGE COMPARTMENT RH -----							1	
	S2092-10	FABRIC FASTENER-PILE BKI SEE FIG 1 -----							1	
	S2092-12	FABRIC FASTENER-PILE ALT BKI SEE FIG 1 -----							1	
- 6	2115028-12	MOULDING ASSY-BAGGAGE COMPARTMENT LH -----							1	
- 6A	2115028-13	PANEL ASSY-LH AFT -----							1	
	S2092-10	FABRIC FASTENER-PILE BKI SEE FIG 1 -----							1	
	S2092-12	FABRIC FASTENER-PILE ALT BKI SEE FIG 1 -----							1	
- 7	1215049-1	TRIM-BAGGAGE DOOR -----							1	
	1215193-1	TRIM-BAGGAGE DOOR -----							1	LH
- 8	1215045-17-532	MOULDING-BAGGAGE DOOR COVER -----							1	
- 9	1215079-1	ESCUTCHEON -----							1	
		ATTACHING PARTS -----							1	
-10	S1021A4-6	SCREW -----							2	
-11	1200256-2	SCUPPER-BAGGAGE FLOORBOARD -----							1	
	S1021Z8-6	ATTACHING PARTS -----							4	
		SCREW -----							3	
-12	2115033-2	#	PANEL-REAR WALL RH -----						1	
-13	2115033-1	#	PANEL-REAR WALL LH -----						1	
	S1021Z4-6		ATTACHING PARTS -----						3	
			SCREW -----						1	
-14	2115033-3	#	PANEL-REAR WALL CENTER -----						1	
-15	2115020-4	#	CARPET ASSY-BAGGAGE COMPARTMENT -----						1	
-16	2115020-2	#	CARPET ASSY-AFT CABIN -----						1	
	2115020-12	#	PAD-CARPET -----						1	
-17	2115020-3	#	CARPET ASSY -----						1	
-18	2115020-1	#	CARPET ASSY-FWD CABIN -----						1	
	2115020-13	#	CARPET ASSY-FWD CABIN -----						1	
	2115020-14	#	CARPET ASSY-FWD CABIN -----						1	
-18A	0415026-3		SCUFF PLATE -----						2	
	S1450-24A10-025		ATTACHING PARTS -----						6	
	S2016-3		WASHER -----						6	
			RIVET -----						6	
-18B	0415026-2		SCUFF PLATE -----						1	
	S1021A4-8		ATTACHING PARTS -----						4	
			SCREW -----						1	
-19	2115020-11	#	PAD-CARPET -----						1	
-20	2115020-5	#	CARPET ASSY-RUDDER BAR LH -----						1	
-20A	1213473-3	#	CARPET ASSY-RUDDER BAR RH -----						1	
	1213473-4		COVER-RUDDER PEDAL LH -----						1	
-21			COVER-RUDDER PEDAL RH -----						1	
-22	2115020-7	#	DELETED-NOT USED -----						1	
-23	2115020-8	#	CARPET ASSY-TUNNEL FWD LH -----						1	
-24	2113053-1		CARPET ASSY-TUNNEL FWD RH -----						1	
	2113053-3		COVER ASSY-PEDESTAL WEU 2113053-3 -----						1	
	2113053-5		COVER ASSY-PEDESTAL -----						1	
	2113053-5		COVER ASSY-PEDESTAL -----						1	
	2113053-9		COVER ASSY-PEDESTAL -----						1	
-25	S1021A8-8		ATTACHING PARTS -----						8	
			SCREW -----						1	
-26			LENS ASSY-PEDESTAL LIGHT SEE POST LIGHTED INSTRUMENT -----						1	
-26A	1213746-3		PANEL & PEDESTAL LIGHTS INSTALLATION -----						1	
			DOOR-HYDRAULIC POWER PACK DIPSTICK -----						1	

CONTINUED ON NEXT PAGE

P210 Parts Catalog

FIGURE AND INDEX NO.	PART NUMBER	DESCRIPTION							UNITS PER ASSY	USABLE ON CODE
		1	2	3	4	5	6	7		
63 -27 -28 -29 -30	S1762-2	ASH TRAY-PEDESTAL -----							1	C M M
	S102174-8	ATTACHING PARTS -----							2	
	NAS395-1-3	SCREW -----							2	
		NUT -----							2	
		---*---								
	S1762-3	RETAINER-ASH RECEIVER -----							1	
	S102226-7	SCREW -----							1	
	0501120-7	@	FLOORMAT ASSY-LH -----							1
	0501120-8	@	FLOORMAT ASSY-RH -----							1
<p>NOTE. #THIS PART NUMBER MUST HAVE A SECOND DASH NUMBER ADDED TO DENOTE COLOR. REFER TO HOW TO ORDER UPHOLSTERED PARTS-PAGE XIV.</p> <p>NOTE. @THESE PARTS MUST BE ORDERED IN PAIRS & STATE COLOR.</p> <p>A---P210 SERIAL P21000001 THRU P21000004 B---P210 SERIAL P21000005 THRU P21000760 C---P210 SERIAL P21000124 & ON D---P210 SERIAL P21000405 & P21000490 & ON E---P210 SERIAL P21000001 THRU P21000590 F---P210 SERIAL P21000591 THRU P21000780 G---P210 SERIAL P21000781 & ON H---P210 SERIAL P21000800 & ON J---P210 SERIAL P21000761 THRU P21000834 K---P210 SERIAL P21000001 THRU P21000760 L---P210 SERIAL P21000001 THRU P21000799 M---P210 SERIAL P21000812 & ON N---P210 SERIAL P21000835 & ON</p>										

P210 Parts Catalog

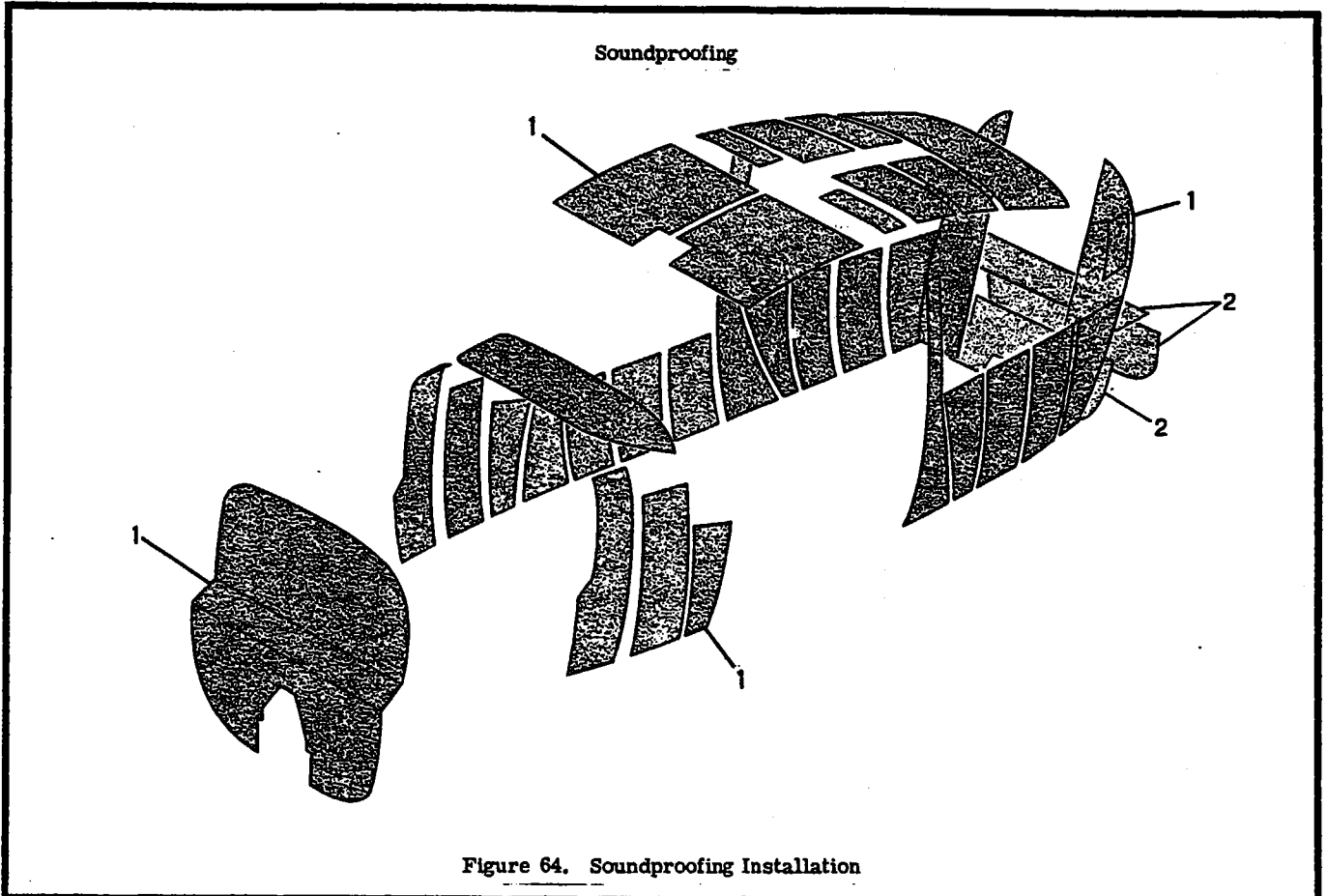


Figure 64. Soundproofing Installation

FIGURE AND INDEX NO.	PART NUMBER	DESCRIPTION							UNITS PER ASSY	USABLE ON CODE
		1	2	3	4	5	6	7		
64 -										
- 1	CES1109CLASS1A *	SOUNDPROOFING INSTALLATION							NP	
- 2	CES1109CLASS1A *	SOUNDPROOFING-FIBERGLASS MAT 1 IN. THICK BULK ITEM							AR	
		SOUNDPROOFING-FIBERGLASS MAT 1 IN. THICK BULK ITEM							AR	A
		NOTE. *GIVE DIMENSIONS WHEN ORDERING.								
		A---P210 SERIAL P21000151 & ON								

P210 Parts Catalog

Seats

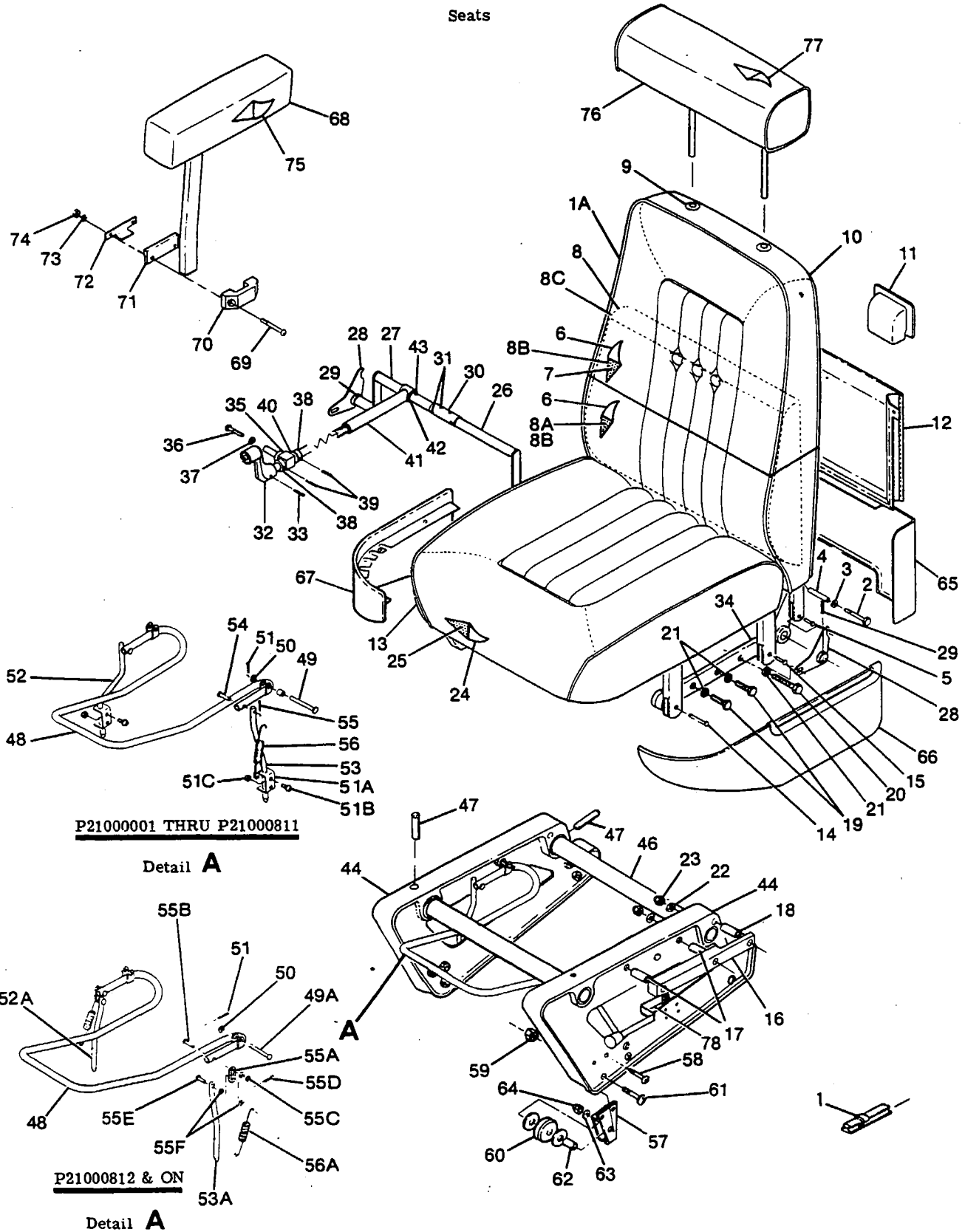


Figure 65. Articulating Recline Co-Pilot Seat Installation

P210 Parts Catalog

FIGURE AND INDEX NO.	PART NUMBER	DESCRIPTION							UNITS PER ASSY	USABLE ON CODE	
		1	2	3	4	5	6	7			
65 -	1214128-41	#	SEAT INSTALLATION-ARTICULATING RECLINE CO-PILOT -----							NP	
	1214128-44	##	SEAT ASSY -----							1	F
	1214164-6	##	SEAT ASSY VARIABLE LUMBAR SUPPORT -----							1	F
	1214164-26	##	SEAT ASSY -----							1	H
	1214175-6	##	SEAT ASSY VARIABLE LUMBAR SUPPORT -----							1	H
	1214175-12	##	SEAT ASSY -----							1	J
	1214180-6	##	SEAT ASSY VARIABLE LUMBAR SUPPORT -----							1	J
	1214180-12	##	SEAT ASSY -----							1	N
	1214182-6	##	SEAT ASSY VARIABLE LUMBAR SUPPORT -----							1	N
	1214182-16	#	SEAT ASSY VARIABLE LUMBAR SUPPORT -----							1	P
			ATTACHING PARTS								
- 1	0713074-1		STOP-SEAT -----							2	A
	0713074-1		STOP-SEAT -----							1	B
	MS20392-1C21		PIN -----							2	A
	MS20392-1C21		PIN -----							1	B
	MS24665-151		PIN-COTTER -----							2	A
	MS24665-151		PIN-COTTER -----							1	B
			*-----								
- 1A	1214128-18	#	BACK ASSY-UPHOLSTERED -----							1	F
	1214128-22	##	BACK ASSY-UPHOLSTERED VARIABLE LUMBAR SUPPORT -----							1	F
	1214164-10	##	BACK ASSY-UPHOLSTERED -----							1	H
	1214164-34	##	BACK ASSY-UPHOLSTERED VARIABLE LUMBAR SUPPORT -----							1	H
	1214175-16	##	BACK ASSY-UPHOLSTERED -----							1	J
	1214175-18	##	BACK ASSY-UPHOLSTERED VARIABLE LUMBAR SUPPORT -----							1	J
	1214180-16	##	BACK ASSY-UPHOLSTERED -----							1	N
	1214180-18	##	BACK ASSY-UPHOLSTERED VARIABLE LUMBAR SUPPORT -----							1	N
	1214182-18	##	BACK ASSY-UPHOLSTERED -----							1	P
	1214182-20	#	BACK ASSY-UPHOLSTERED VARIABLE LUMBAR SUPPORT -----							1	P
			ATTACHING PARTS								
- 2	AN3-17A		BOLT -----							2	
- 3	NAS1149F0332P		WASHER -----							4	
- 4	S2559-4-1-1530		SPACER -----							2	
	MS21044N3		NUT -----							2	
- 5	MS20392-2C11		PIN -----							2	
	NAS1149F0332P		WASHER -----							2	
	MS24665-132		PIN-COTTER -----							2	
			*-----								
- 6	1214128-36	#	COVER ASSY -----							1	F
	1214128-37	##	COVER ASSY VARIABLE LUMBAR SUPPORT -----							1	F
	1214164-11	##	COVER ASSY -----							1	H
	1214164-32	##	COVER ASSY VARIABLE LUMBAR SUPPORT -----							1	H
	1214175-19	##	COVER ASSY -----							1	J
	1214175-20	##	COVER ASSY VARIABLE LUMBAR SUPPORT -----							1	J
	1214180-19	##	COVER ASSY -----							1	N
	1214180-20	##	COVER ASSY VARIABLE LUMBAR SUPPORT -----							1	N
	1214182-23	##	COVER ASSY -----							1	P
	1214182-24	##	COVER ASSY VARIABLE LUMBAR SUPPORT -----							1	P
- 7	1214128-30		CUSHION ASSY -----							1	F
	1214128-32		CUSHION ASSY VARIABLE LUMBAR SUPPORT -----							1	F
	1214164-13		CUSHION ASSY-SEAT BACK UPPER -----							1	H
	1214164-31		CUSHION ASSY-SEAT BACK UPPER VARIABLE LUMBAR SUPPORT -----							1	H
	1214175-21		CUSHION ASSY-SEAT BACK UPPER -----							1	J
	1214175-22		CUSHION ASSY-SEAT BACK UPPER VARIABLE LUMBAR SUPPORT -----							1	J
- 8	C4031		SUPPORT-VARIABLE LUMBAR JSCO -----							1	F
	C4031		SUPPORT-VARIABLE LUMBAR JSCO -----							1	G
- 8A	1214164-14		CUSHION ASSY-SEAT BACK LOWER -----							1	H
	1214175-23		CUSHION ASSY-SEAT BACK LOWER -----							1	J
- 8B	1214180-29		CUSHION ASSY-SEAT BACK UPPER & LOWER -----							1	N
	1214180-31		CUSHION ASSY-SEAT BACK UPPER & LOWER -----							1	N
			VARIABLE LUMBAR SUPPORT								
	1214182-29		CUSHION ASSY-SEAT BACK UPPER & LOWER -----							1	P
	1214182-31		CUSHION ASSY-SEAT BACK UPPER & LOWER -----							1	P
			VARIABLE LUMBAR SUPPORT								
- 8C	C4112R		SUPPORT-VARIABLE LUMBAR JSCO -----							1	L
- 9	0514110-1		GROMMET -----							2	O
	9910182-3		GROMMET -----							2	P
- 10	1214128-34	#	COVER ASSY-BACK -----							1	P
	S1898-2		FASTENER -----							3	L
	S1021A4-6		SCREW -----							4	O
- 11	S1762-1		ASH RECIEVER ASSY-SEAT BACK -----							1	P

CONTINUED ON NEXT PAGE

P210 Parts Catalog

FIGURE AND INDEX NO.	PART NUMBER	DESCRIPTION							UNITS PER ASSY	USABLE ON CODE	
		1	2	3	4	5	6	7			
65 -12	1514031-9	#								1	F H J N P
	1214164-15	#								1	
	1214175-25	#								1	
	1214180-25	#								1	
	1214182-25	#								1	
	S1021A4-6									2	
-13	1214128-14	#								1	F H J N P
	1214164-8	#								1	
	1214175-14	#								1	
	1214180-14	#								1	
	1214182-22	#								1	
-14	MS20392-3C49									2	
	NAS1149F0432P									2	
-15	MS24665-134									2	
	MS20392-3C17									2	
-16	NAS1149F0432P									2	
	MS24665-134									2	
-17	1514086-10									1	
	1514086-11									1	
-18	1514102-7									2	
	1514102-8									2	
-19	1514102-9									1	
	1514102-5									1	
-20	AN4-23A									2	
	AN421A									2	
-21	AN4-32A									1	
	AN4-30A									1	
-22	S1450-4-12-028									6	
	NAS1149F0432P									6	
-23	MS21042L4									6	
										6	
-24	1214128-23	#								1	F H J N P F G N P
	1214164-12	#								1	
	1214175-24	#								1	
	1214180-24	#								1	
	1214182-26	#								1	
-25	1214128-26									1	
	1214085-5									1	
	1214180-28									1	
	1214182-28									1	
										1	
-26	1714074-13									1	
	1714074-14									1	
-27	0514030-4									2	
										2	
-28	NAS561P4-12									2	
	1714074-6									1	
-29	NAS561P6-12									4	
	0514121-2									1	
-30	NAS561P4-10									1	
										1	
-31	0514060-3									1	
	0514060-4									1	
-32	0514033-1									1	
										1	
-33	AN520-10R8									1	
	NAS1149F0332P									1	
-34	1200138-2									2	
										2	
-35	NAS561P4-12									2	
										2	
-36	S2013-2									1	
	S2014-2									2	
-37	0514089-11									1	
	10N12D									1	
-38	NAS561P4-10									2	
										2	

CONTINUED ON NEXT PAGE

P210 Parts Catalog

FIGURE AND INDEX NO.	PART NUMBER	DESCRIPTION							UNITS PER ASSY	USABLE ON CODE
		1	2	3	4	5	6	7		
65 -	1214080-4	PEDESTAL ASSY-SEAT							1	D K L D E
	1214080-8	PEDESTAL ASSY-SEAT				FSO 1214080-8			1	
-44	0514035-21	PEDESTAL ASSY-SEAT							1	
	0514035-27	PEDESTAL-SEAT				WEU 0514035-27			2	
-45		PEDESTAL-SEAT							2	
-46	1514085-3	DELETED-NOT USED								
		CROSS TUBE							2	
		ATTACHING PARTS								
-47	NAS561P8-26	PIN							2	

-48	0514090-4	HANDLE ASSY							1	
		ATTACHING PARTS								
-49	MS20392-2C59	PIN							2	
-49A	MS20392-2C45	PIN							2	
-50	NAS1149F0363P	WASHER							2	
	NAS43003-18	SPACER							2	
-51	MS24665-132	PIN-COTTER							2	

-51A	1714061-1	GUIDE							2	
		ATTACHING PARTS								
-51B	AN515-8R6	SCREW							4	
-51C	MS21044N08	NUT							4	

-52	1714067-9	PIN-SEAT ADJUST RH				USED WITH 1214080-4 & -6			1	
-52A	0714062-4	PIN-SEAT ADJUST RH				USED WITH 1214080-8			1	
-53	1714067-5	PIN-SEAT ADJUST LH				USED WITH 1214080-4 & -6			1	
-53A	0714062-1	PIN-SEAT ADJUST LH				USED WITH 1214080-8			1	
		ATTACHING PARTS								
-54	MS20392-1C21	PIN							2	
-55	MS24665-132	PIN-COTTER							2	
-55A	0714061-1	LINK							1	
-55B	MS20392-1C17	PIN							1	
-55C	NAS1149FN432P	WASHER							2	
-55D	MS24665-132	PIN-COTTER							1	
-55E	MS20392-1C13	PIN							1	
-55F	NAS1149FN432P	WASHER							2	

-56	1414116-1	SPRING							1	
	1414116-4	SPRING							1	
-56A	1414116-1	SPRING							2	
-57	1714000-33	HOUSING ASSY-ROLLER							4	
		ATTACHING PARTS								
-58	NAS220-11	SCREW							2	
	NAS1149FN832P	WASHER							2	
-59	MS21044N08	NUT							2	

-60	1714000K200	ROLLER KIT-SEAT							4	
		ATTACHING PARTS								
-61	AN23-20A	BOLT							1	
-62	1414104-54	BUSHING							1	
-63	NAS1149F0332P	WASHER							1	
-64	S1914-8	NUT							1	

-65	1714100-1	TRIM ASSY-SEAT							1	
		ATTACHING PARTS								
	S1021A4-6	SCREW							3	

	0514208-2	CLIP							2	
-66	1714101-13	TRIM ASSY-LH							1	
		ATTACHING PARTS								
	S1021A4-6	SCREW							5	

-67	1214117-2	TRIM ASSY-RH							1	
		ATTACHING PARTS								
	S1021A4-6	SCREW							5	

CONTINUED ON NEXT PAGE

P210 Parts Catalog

FIGURE AND INDEX NO.	PART NUMBER	#	DESCRIPTION							UNITS PER ASSY	USABLE ON CODE
			1	2	3	4	5	6	7		
65 -68	1214120-3	#	ARMREST ASSY-SEAT -----							1	
-69	NAS221-28		ATTACHING PARTS -----								
-70	1214118-1		SCREW -----							2	
-71	1214118-2		SOCKET -----							1	
-72	1214118-3		SPACER -----							1	
-73	NAS1149F0332P		STOP -----							1	
-74	MS21044N3		WASHER -----							2	
			NUT -----							2	
			*-----								
-75	1214120-6	#	COVER-ARMREST -----							1	
	1514315-3		ESCUTCHEON -----							1	
	S1021A4-8		ATTACHING PARTS -----								
			SCREW -----							2	
			*-----								
-76	1215073-1	#	HEADREST ASSY -----							AR	
-77	1215073-10	#	COVER-HEADREST -----							1	
-78	SEE FIG 66A		CAM STOP INSTALLATION -----							1	
	SEE FIG 74		SEAT BELT & SHOULDER HARNESS INSTALLATION -----							1	C
<p>NOTE. #THIS PART NUMBER MUST HAVE SECOND DASH NUMBER ADDED TO DENOTE COLOR REFER TO HOW TO ORDER UPHOLSTERED PARTS-PAGE XIV.</p> <p>A---P210 SERIAL P21000001 THRU P21000013 B---P210 SERIAL P21000014 & ON C---P210 SERIAL P21000151 & ON D---P210 SERIAL P21000001 THRU P21000102 E---P210 SERIAL P21000103 & ON F---P210 SERIAL P21000001 THRU P21000385 G---P210 SERIAL P21000386 THRU P21000811 H---P210 SERIAL P21000386 THRU P21000760 J---P210 SERIAL P21000761 THRU P21000811 K---P210 SERIAL P21000103 THRU P21000811 L---P210 SERIAL P21000812 & ON M---P210 SERIAL P21000001 THRU P21000811 N---P210 SERIAL P21000812 THRU P21000834 P---P210 SERIAL P21000835 & ON Q---P210 SERIAL P21000001 THRU P21000834</p>											

P210 Parts Catalog

FIGURE AND INDEX NO.	PART NUMBER	DESCRIPTION	UNITS PER ASSY							USABLE ON CODE		
			1	2	3	4	5	6	7			
66 -		SEAT INSTALLATION-INFINITELY ADJUSTABLE PILOT & CO-PILOT								NP		
		1214128-39 SEAT ASSY PILOT								1	H	
		1214128-42 SEAT ASSY PILOT VARIABLE LUMBAR SUPPORT								1	H	
		1214128-40 SEAT ASSY CO-PILOT								1	H	
		1214128-43 SEAT ASSY CO-PILOT VARIABLE LUMBAR SUPPORT								1	H	
		1214164-4 SEAT ASSY PILOT								1	H	
		1214164-5 SEAT ASSY CO-PILOT								1	H	
		1214164-24 SEAT ASSY PILOT VARIABLE LUMBAR SUPPORT								1	K	
		1214164-25 SEAT ASSY CO-PILOT VARIABLE LUMBAR SUPPORT								1	K	
		1214175-4 SEAT ASSY PILOT								1	K	
		1214175-10 SEAT ASSY PILOT VARIABLE LUMBAR SUPPORT								1	L	
		1214175-5 SEAT ASSY CO-PILOT								1	L	
		1214175-11 SEAT ASSY CO-PILOT VARIABLE LUMBAR SUPPORT								1	L	
		1214180-4 SEAT ASSY PILOT								1	L	
		1214180-10 SEAT ASSY PILOT VARIABLE LUMBAR SUPPORT								1	R	
		1214180-5 SEAT ASSY CO-PILOT								1	R	
		1214180-11 SEAT ASSY CO-PILOT VARIABLE LUMBAR SUPPORT								1	R	
		1214182-4 SEAT ASSY PILOT								1	R	
		1214182-10 SEAT ASSY PILOT VARIABLE LUMBAR SUPPORT								1	S	
		1214182-5 SEAT ASSY CO-PILOT								1	S	
		1214182-15 SEAT ASSY CO-PILOT VARIABLE LUMBAR SUPPORT								1	S	
			ATTACHING PARTS									
	- 1	0713074-1	STOP-SEAT								2	A
		MS20392-1C21	PIN								2	A
		MS24665-151	PIN-COTTER								2	A
		0713074-1	STOP-SEAT								1	B
		MS20392-1C21	PIN								1	B
		MS24665-151	PIN-COTTER								1	B
			*---									
	- 1A	1214128-18	BACK ASSY-SEAT PILOT & CO-PILOT								1	H
		1214128-20	BACK ASSY-SEAT PILOT VARIABLE LUMBAR SUPPORT								1	H
		1214128-22	BACK ASSY-SEAT CO-PILOT VARIABLE LUMBAR SUPPORT								1	H
1214164-10		BACK ASSY-SEAT PILOT & CO-PILOT								1	H	
1214164-33		BACK ASSY-SEAT PILOT VARIABLE LUMBAR SUPPORT								1	K	
1214164-34		BACK ASSY-SEAT CO-PILOT VARIABLE LUMBAR SUPPORT								1	K	
1214175-16		BACK ASSY-SEAT PILOT & CO-PILOT								1	K	
1214175-17		BACK ASSY-SEAT PILOT VARIABLE LUMBAR SUPPORT								1	L	
1214175-18		BACK ASSY-SEAT CO-PILOT VARIABLE LUMBAR SUPPORT								1	L	
1214180-16		BACK ASSY-SEAT PILOT & CO-PILOT								1	L	
1214180-17		BACK ASSY-SEAT PILOT VARIABLE LUMBAR SUPPORT								1	R	
1214180-18		BACK ASSY-SEAT CO-PILOT VARIABLE LUMBAR SUPPORT								1	R	
1214182-18		BACK ASSY-SEAT PILOT & CO-PILOT								1	R	
1214182-32		BACK ASSY-SEAT PILOT VARIABLE LUMBAR SUPPORT								1	S	
1214182-20		BACK ASSY-SEAT CO-PILOT VARIABLE LUMBAR SUPPORT								1	S	
			ATTACHING PARTS									
- 2	AN3-17A	BOLT								2		
- 3	NAS1149F0332P	WASHER								4		
- 4	0514029-2	SPACER								2		
	MS21044N3	NUT								2		
- 5	MS20392-2C11	PIN								2		
	NAS1149F0332P	WASHER								2		
	MS24665-132	COTTER PIN								2		
		*---										
- 6	1214128-36	COVER ASSY-SEAT BACK								1	H	
	1214128-37	COVER ASSY-SEAT BACK VARIABLE LUMBAR								1	H	
	1214164-11	COVER ASSY-SEAT BACK								1	K	
	1214164-32	COVER ASSY-SEAT BACK VARIABLE LUMBAR								1	K	
	1214175-19	COVER ASSY-SEAT BACK								1	L	
	1214175-20	COVER ASSY-SEAT BACK VARIABLE LUMBAR SUPPORT								1	L	
	1214180-19	COVER ASSY-SEAT BACK								1	R	
	1214180-20	COVER ASSY-SEAT BACK VARIABLE LUMBAR SUPPORT								1	R	
	1214182-23	COVER ASSY-SEAT BACK								1	S	
	1214182-24	COVER ASSY-SEAT BACK VARIABLE LUMBAR SUPPORT								1	S	
- 7	1214128-30	CUSHION ASSY								1	S	
	1214128-31	CUSHION ASSY-VARIABLE LUMBAR PILOT								1	S	
	1214128-32	CUSHION ASSY-VARIABLE LUMBAR CO-PILOT								1	H	
	1214164-14	CUSTOM ASSY-SEAT BACK LOWER								1	H	
- 8	1214175-23	CUSHION ASSY-SEAT BACK LOWER								1	K	
	C4032	SUPPORT-VARIABLE LUMBAR PILOT JSCO								1	L	
	C4031	SUPPORT-VARIABLE LUMBAR CO-PILOT JSCO								1	H	
	C4032	SUPPORT-VARIABLE LUMBAR PILOT JSCO								1	H	
	C4031	SUPPORT-VARIABLE LUMBAR CO-PILOT JSCO								1	N	

CONTINUED ON NEXT PAGE

P210 Parts Catalog

Seats (Cont)

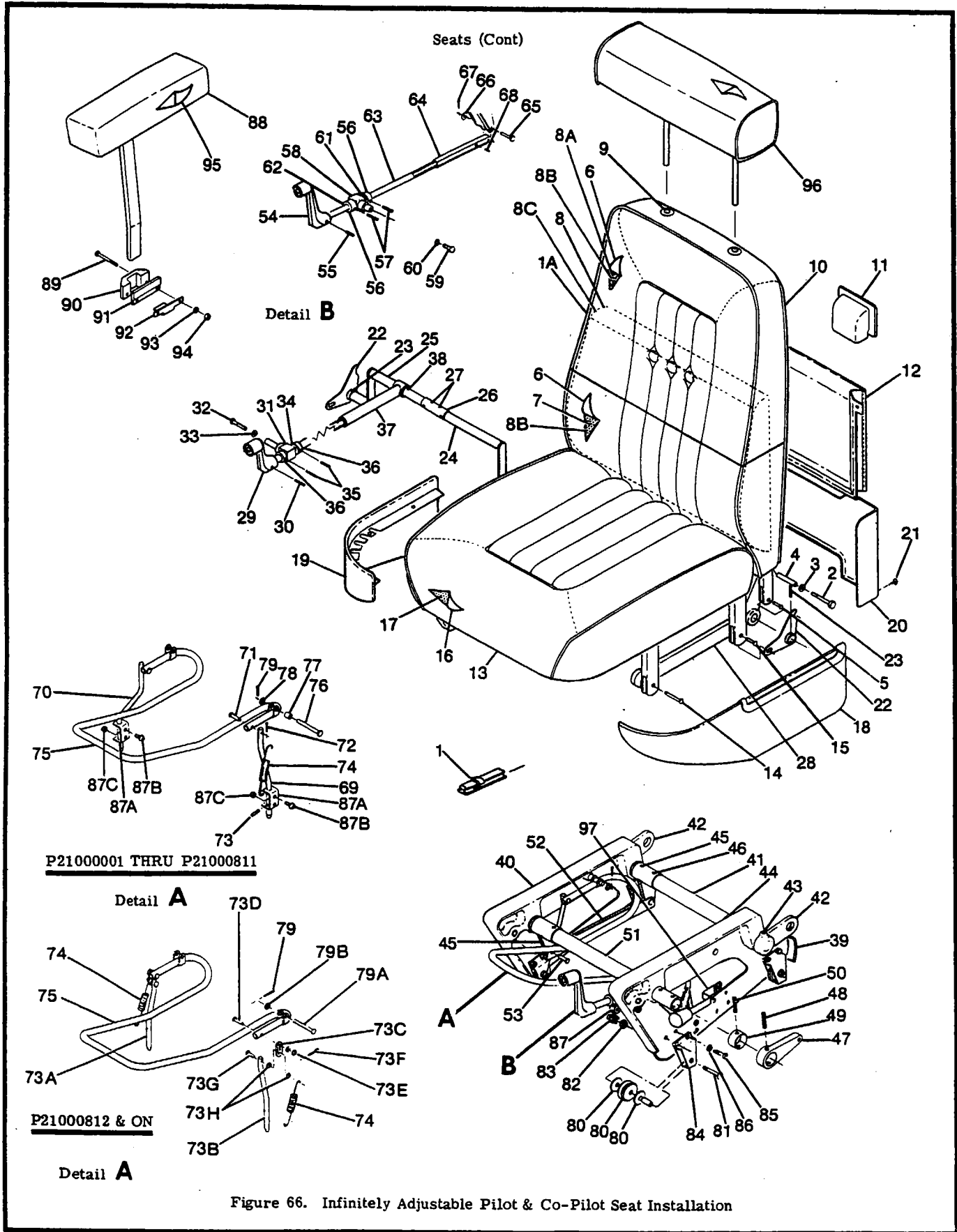


Figure 66. Infinitely Adjustable Pilot & Co-Pilot Seat Installation

P210 Parts Catalog

FIGURE AND INDEX NO.	PART NUMBER	DESCRIPTION							UNITS PER ASSY	USABLE ON CODE
		1	2	3	4	5	6	7		
66 - 8A	1214164-13	CUSHION ASSY-SEAT	BACK	UPPER					1	K
	1214164-31	CUSHION ASSY-SEAT	BACK	UPPER		VARIABLE LUMBAR			1	
	1214175-21	CUSHION ASSY-SEAT	BACK	UPPER					1	L
	1214175-22	CUSHION ASSY-SEAT	BACK	UPPER		VARIABLE LUMBAR			1	
- 8B	1214180-29	CUSHION ASSY-SEAT	BACK	UPR & LWR			PILOT & CO-PILOT		1	R
	1214180-30	CUSHION ASSY-SEAT	BACK	UPR & LWR			VARIABLE LUMBAR		1	
	1214180-31	CUSHION ASSY-SEAT	BACK	UPR & LWR			VARIABLE LUMBAR		1	R
	1214182-29	CUSHION ASSY-SEAT	BACK	UPR & LWR			PILOT & CO-PILOT		1	S
	1214182-30	CUSHION ASSY-SEAT	BACK	UPR & LWR			VARIABLE LUMBAR		1	
	1214182-31	CUSHION ASSY-SEAT	BACK	UPR & LWR			VARIABLE LUMBAR		1	S
- 8C	C4112R	SUPPORT-VARIABLE LUMBAR			PILOT	JSCO			1	M
	C4112L	SUPPORT-VARIABLE LUMBAR			CO-PILOT	JSCO			1	
- 9	0514110-1	GROMMET							2	T
	9910182-3	GROMMET							2	
-10	1214128-34	COVER ASSY-BACK			WITH ASH RECEIVER				1	J
	1214128-33	COVER ASSY-BACK			WITHOUT ASH RECEIVER				1	
	S1898-2	FASTENER							3	S
	S1021A4-6	SCREW							4	
-11	S1762-1	ASH RECEIVER-SEAT BACK							1	H
-12	1514301-9	POCKET ASSY-MAGAZINE							1	
	1214164-15	POCKET ASSY-MAGAZINE							1	K
	1214175-25	POCKET ASSY-MAGAZINE							1	
	1214180-25	POCKET ASSY-MAGAZINE							1	L
	1214182-25	POCKET ASSY-MAGAZINE							1	
	S1021A4-6	ATTACHING PARTS							2	R
		SCREW							2	
-13	1214128-13	BOTTOM ASSY-SEAT			PILOT				1	H
	1214128-14	BOTTOM ASSY-SEAT			CO-PILOT				1	
	1214164-7	BOTTOM ASSY-SEAT			PILOT				1	K
	1214164-8	BOTTOM ASSY-SEAT			CO-PILOT				1	
	1214175-13	BOTTOM ASSY-SEAT			PILOT				1	L
	1214175-14	BOTTOM ASSY-SEAT			CO-PILOT				1	
	1214180-13	BOTTOM ASSY-SEAT			PILOT				1	L
	1214180-14	BOTTOM ASSY-SEAT			CO-PILOT				1	
	1214182-21	BOTTOM ASSY-SEAT			PILOT				1	R
	1214182-22	BOTTOM ASSY-SEAT			CO-PILOT				1	
		ATTACHING PARTS							1	S
		PIN							2	
-14	MS20392-3C49	WASHER							2	H
	NAS1149F0432P	PIN-COTTER							2	
	MS24665-134	PIN							2	K
-15	MS20392-3C17	PIN							2	
	MS24665-134	PIN-COTTER							2	L
	NAS1149F0432P	WASHER							3	
-16	1214128-23	COVER ASSY							1	H
	1214164-12	COVER ASSY							1	
	1214175-24	COVER ASSY							1	K
	1214180-24	COVER ASSY							1	
	1214182-26	COVER ASSY							1	L
-17	1214128-26	CUSHION ASSY							1	
	1214085-5	CUSHION ASSY							1	S
	1214180-28	CUSHION ASSY							1	
	1214182-28	CUSHION ASSY							1	H
-18	1714101-13	TRIM ASSY-LH			PILOT & CO-PILOT SEAT				1	
	1714101-14	TRIM ASSY-RH			PILOT SEAT ONLY				1	
	S1021A4-6	ATTACHING PARTS							5	R
		SCREW							5	
-19	1214117-2	TRIM ASSY-RH			CO-PILOT SEAT ONLY				1	S
	S1021A4-6	ATTACHING PARTS							5	
		SCREW							5	H
-20	1714100-1	TRIM-AFT							1	
-21	S1021A4-6	ATTACHING PARTS							1	K
		SCREW							3	
	0514208-2	CLIP							2	

CONTINUED ON NEXT PAGE

P210 Parts Catalog

FIGURE AND INDEX NO.	PART NUMBER	DESCRIPTION							UNITS PER ASSY	USABLE ON CODE
		1	2	3	4	5	6	7		
66 -22	0514030-4	BELLCRANK ASSY-SEAT BACK ADJUST -----							1	
-23	NAS561P4-12	ATTACHING PARTS								
		PIN -----							2	
		*-----								
-24	1714074-13	CRANK ASSY-LH WELD -----							1	
-25	1714074-14	CRANK ASSY-RH WELD -----							1	
-26	1714074-6	SPLICE -----							1	
		ATTACHING PARTS								
-27	NAS561P6-12	PIN -----							4	
		*-----								
-28	0514060-5	BRACKET-SEAT PIVOT -----							2	
-29	0514121-2	HANDLE ASSY-SEAT BACK ADJUST -----							1	
		ATTACHING PARTS								
-30	NAS561P4-10	PIN -----							1	
		*-----								
-31	0514033-1	BEARING BLOCK -----							1	
		ATTACHING PARTS								
-32	AN520-10R8	SCREW -----							1	
-33	NAS1149F0332P	WASHER -----							1	
		*-----								
-34	1200138-2	COLLAR -----							2	
		ATTACHING PARTS								
-35	NAS561P4-12	PIN -----							1	
		*-----								
-36	S2013-2	BEARING -----							1	
	S2014-2	RACE-BEARING -----							2	
-37	0514089-11	JACK SCREW ASSY -----							1	
		ATTACHING PARTS								
-38	NAS561P4-15	PIN -----							2	
		*-----								
	0514051-6	PEDESTAL ASSY-CO-PILOT SEAT WEU 0514051-20 -----							1	D P M D P M D E D E
	0514051-20	PEDESTAL ASSY-CO-PILOT SEAT FSO 0514051-20 -----							1	
	0514051-7	PEDESTAL ASSY-CO-PILOT SEAT -----							1	
		PEDESTAL ASSY-PILOT SEAT WEU 0514051-21 -----							1	
		PEDESTAL ASSY-PILOT SEAT FSO 0514051-21 -----							1	
		PEDESTAL ASSY-PILOT SEAT -----							1	
-39	0514051-21	PEDESTAL SEAT CO-PILOT SEAT WEU 0514035-37 -----							2	
	0514035-17	PEDESTAL SEAT CO-PILOT SEAT -----							2	
	0514035-37	PEDESTAL SEAT CO-PILOT SEAT -----							2	
-40	0514035-18	PEDESTAL SEAT PILOT SEAT WEU 0514035-38 -----							2	
	0514035-38	PEDESTAL SEAT PILOT SEAT -----							2	
-41	0514026-16	TORQUE TUBE-REAR -----							1	
-42	0514034-1	BELLCRANK-REAR TORQUE TUBE -----							2	
		ATTACHING PARTS								
-43	NAS561P6-28	PIN -----							1	
		*-----								
-44	0514028-6	BELLCRANK ASSY-REAR TORQUE TUBE INBD -----							1	
		ATTACHING PARTS								
	AN4-15A	BOLT -----							2	
	NAS1149F0463P	WASHER -----							2	
	NAS1149F0482P	WASHER -----							2	
	MS21044N4	NUT -----							2	
		*-----								
-45	0514028-5	BELLCRANK ASSY TORQUE TUBE OUTBD -----							2	
		ATTACHING PARTS								
-46	NAS561P8-18	PIN -----							1	
		*-----								
-47	0700633-5	BELLCRANK-FWD TORQUE TUBE -----							2	F G
	0700633-6	BELLCRANK-FWD TORQUE TUBE -----							2	
		ATTACHING PARTS								
-48	NAS561P6-22	PIN -----							1	F G
	NAS561P6-22	PIN -----							2	
		*-----								
-49	1200136-1	COLLAR -----							4	F G
	1200136-1	COLLAR -----							2	
		ATTACHING PARTS								
-50	NAS561P6-18	PIN -----							1	
		*-----								
-51	0514026-17	TORQUE TUBE-FWD -----							1	

CONTINUED ON NEXT PAGE

P210 Parts Catalog

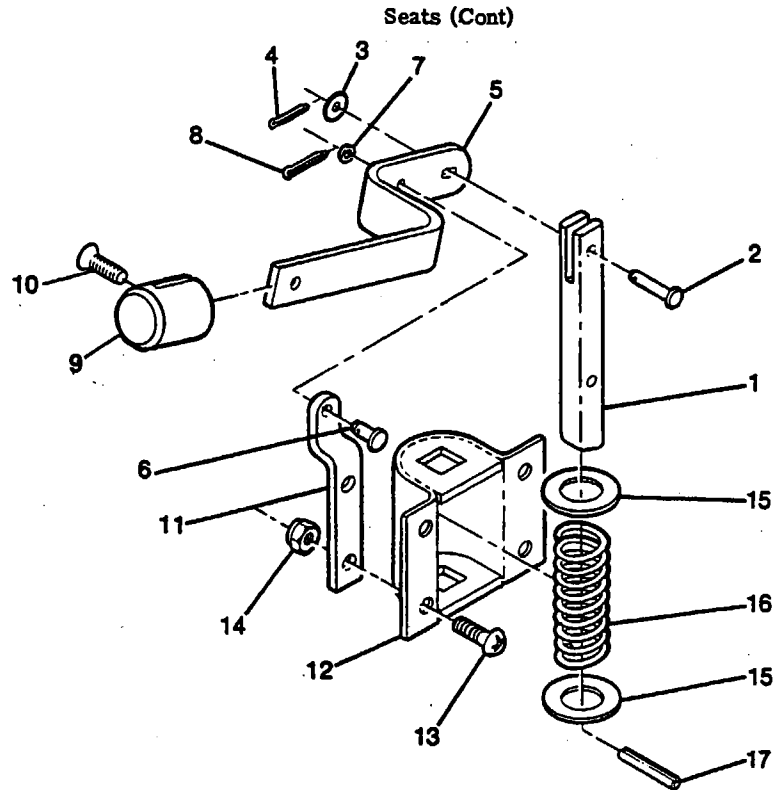
FIGURE AND INDEX NO.	PART NUMBER	DESCRIPTION							UNITS PER ASSY	USABLE ON CODE
		1	2	3	4	5	6	7		
66 -52	0514032-1	CHANNEL-TORQUE TUBE INTERCONNECT -----							1	
		ATTACHING PARTS -----								
-53	MS20392-2C17	PIN -----							2	
	NAS1149F0332P	WASHER -----							2	
	MS24665-132	PIN-COTTER -----							2	
		-----*								
-54	0514121-1	HANDLE ASSY-VERTICAL ADJUST -----							1	
		ATTACHING PARTS -----								
-55	NAS561P4-10	PIN -----							2	
		-----*								
-56	1200138-2	COLLAR -----							2	
		ATTACHING PARTS -----								
-57	NAS561P4-12	PIN -----							2	
		-----*								
-58	0514033-2	BEARING BLOCK -----							1	
		ATTACHING PARTS -----								
-59	AN520-10R8	SCREW -----							1	
-60	NAS1149F0332P	WASHER -----							1	
		-----*								
-61	S2013-2	BEARING -----							1	
-62	S2014-2	BEARING -----							1	
-63	0514027-21	SCREW ASSY-VERTICAL ADJUST -----							1	
-64	1514119-3	NUT-VERTICAL ADJUST -----							1	
		ATTACHING PARTS -----								
-65	MS20392-2C37	PIN -----							1	
-66	NAS1149F0363P	WASHER -----							1	
-67	MS24665-132	PIN-COTTER -----							1	
-68	NAS561P4-8	PIN -----							1	
		-----*								
-69	1714067-5	PIN-SEAT ADJUST OUTBD -----							1	
-70	1714067-9	PIN-SEAT ADJUST IN BD -----							1	
		ATTACHING PARTS -----								
-71	MS20392-1C21	PIN -----							1	
-72	MS24665-132	PIN-COTTER -----							1	
-73	NAS561-3-16	PIN -----							1	
		-----*								
-73A	0714062-4	PIN-SEAT ADJUST OUTBD CO-PILOT -----							1	
	0714062-2	PIN-SEAT ADJUST INBD PILOT -----							1	
-73B	0714062-1	PIN-SEAT ADJUST INBD CO-PILOT -----							1	
	0714062-3	PIN-SEAT ADJUST OUTBD PILOT -----							1	
		ATTACHING PARTS -----								
-73C	0714061-1	LINK -----							1	
-73D	MS20392-1C17	PIN -----							1	
-73E	NAS1149FN432P	WASHER -----							2	
-73F	MS24665-132	PIN-COTTER -----							1	
-73G	MS20392-1C13	PIN -----							1	
-73H	NAS1149FN432P	WASHER -----							2	
		-----*								
-74	1414116-1	SPRING -----							2	
	1414116-4	SPRING -----							2	
-75	0514090-4	HANDLE-SEAT ADJUST -----							1	
		ATTACHING PARTS -----								
-76	MS20392-2C59	PIN CO-PILOT SEAT -----							2	
	MS20392-2C65	PIN PILOT SEAT -----							2	
-77	NAS43003-18	SPACER -----							2	
-78	NAS1149F0332P	WASHER -----							2	
-79	MS24665-132	PIN-COTTER -----							2	
-79A	MS20392-2C51	PIN -----							2	
-79B	NAS1149F0363P	WASHER -----							2	
		-----*								
-80	1714000-K200	ROLLER-SEAT -----							4	
		ATTACHING PARTS -----								
-81	AN23-20A	BOLT -----							1	
-82	NAS1149F0332P	WASHER -----							1	
-83	S1914-8	NUT -----							1	
		-----*								
-84	1714000-33	HOUSING-SEAT ROLLER -----							4	
		ATTACHING PARTS -----								
-85	NAS220-11	SCREW -----							2	
-86	NAS1149FN832P	WASHER -----							2	
-87	NAS979A08	NUT -----							2	
		-----*								

CONTINUED ON NEXT PAGE

P210 Parts Catalog

FIGURE AND INDEX NO.	PART NUMBER	DESCRIPTION							UNITS PER ASSY	USABLE ON CODE
		1	2	3	4	5	6	7		
66 -87A	0714061-1								2	D
-87B	AN516-8R6								2	
-87C	MS21044N08								2	
-88	1214120-4 1214120-3	#							AR	AR
-89	NAS221-28	#							2	
-90	1214118-1								1	
-91	1214118-2								1	
-92	1214118-3								1	
-93	NAS1149F0332P								2	
-94	MS21044N3								2	
-95	1214120-6 1514315-3	#							1	1
	S1021A4-8								2	
-96	1215073-1 1215073-10 SEE FIG 74	#							AR	1
-97	SEE FIG 66A	#							1	
<p style="text-align: center;">NOTE. #THIS PART NUMBER MUST HAVE SECOND DASH NUMBER ADDED TO DENOTE COLOR. REFER TO HOW TO ORDER UPHOLSTERED PARTS-PAGE XIV.</p> <p>A---P210 SERIAL P2100001 THRU P2100013 B---P210 SERIAL P2100014 & ON C---P210 SERIAL P21000151 & ON D---P210 SERIAL P2100001 THRU P21000102 E---P210 SERIAL P21000103 & ON F---P210 SERIAL P21000001 THRU P21000208 G---P210 SERIAL P21000209 & ON H---P210 SERIAL P21000001 THRU P21000385 J---P210 SERIAL P21000386 & ON K---P210 SERIAL P21000386 THRU P21000760 L---P210 SERIAL P21000761 THRU P21000811 M---P210 SERIAL P21000812 & ON N---P210 SERIAL P21000386 THRU P21000811 P---P210 SERIAL P21000103 THRU P21000811 Q---P210 SERIAL P21000001 THRU P21000811 R---P210 SERIAL P21000812 THRU P21000834 S---P210 SERIAL P21000835 & ON T---P210 SERIAL P21000001 THRU P21000834</p>										
C										

P210 Parts Catalog



P210 SERIAL P21000151 & ON

Figure 66A. Cam Stop Installation - Pilot Seat

FIGURE AND INDEX NO.	PART NUMBER	DESCRIPTION	UNITS PER ASSY	USABLE ON CODE
66A-		CAM STOP INSTALLATION-PILOT SEAT -----	NP	A
- 1	2114023-1	PIN-PILOT SEAT STOP -----	1	
		ATTACHING PARTS -----		
- 2	MS20392-1C13	PIN -----	1	
- 3	NAS1149FN432P	WASHER -----	AR	
- 4	MS24665-132	COTTER PIN -----	1	
		-----*		
- 5	2114022-1	ARM-PILOT SEAT STOP -----	1	
		ATTACHING PARTS -----		
- 6	MS20392-1C7	PIN -----	1	
- 7	NAS1149FN416P	WASHER -----	AR	
- 8	MS24665-132	COTTER PIN -----	1	
		-----*		
- 9	2114021-1	KNOB-PILOT SEAT STOP -----	1	
		ATTACHING PARTS -----		
-10	S1022Z8-10	SCREW -----	1	
		-----*		
-11	2114020-1	BRACKET-PILOT SEAT STOP -----	1	
-12	2114019-1	GUIDE ASSY-PIN -----	1	
		ATTACHING PARTS -----		
-13	NAS220-9	SCREW -----	4	
-14	MS21044N08	NUT -----	4	
		-----*		
-15	NAS1149F0863P	WASHER -----	2	
-16	2117129-5	SPRING -----	1	
-17	NAS561P4-14	PIN -----	1	
A---P210 SERIAL P21000151 & ON				

P210 Parts Catalog

Seats (Cont)

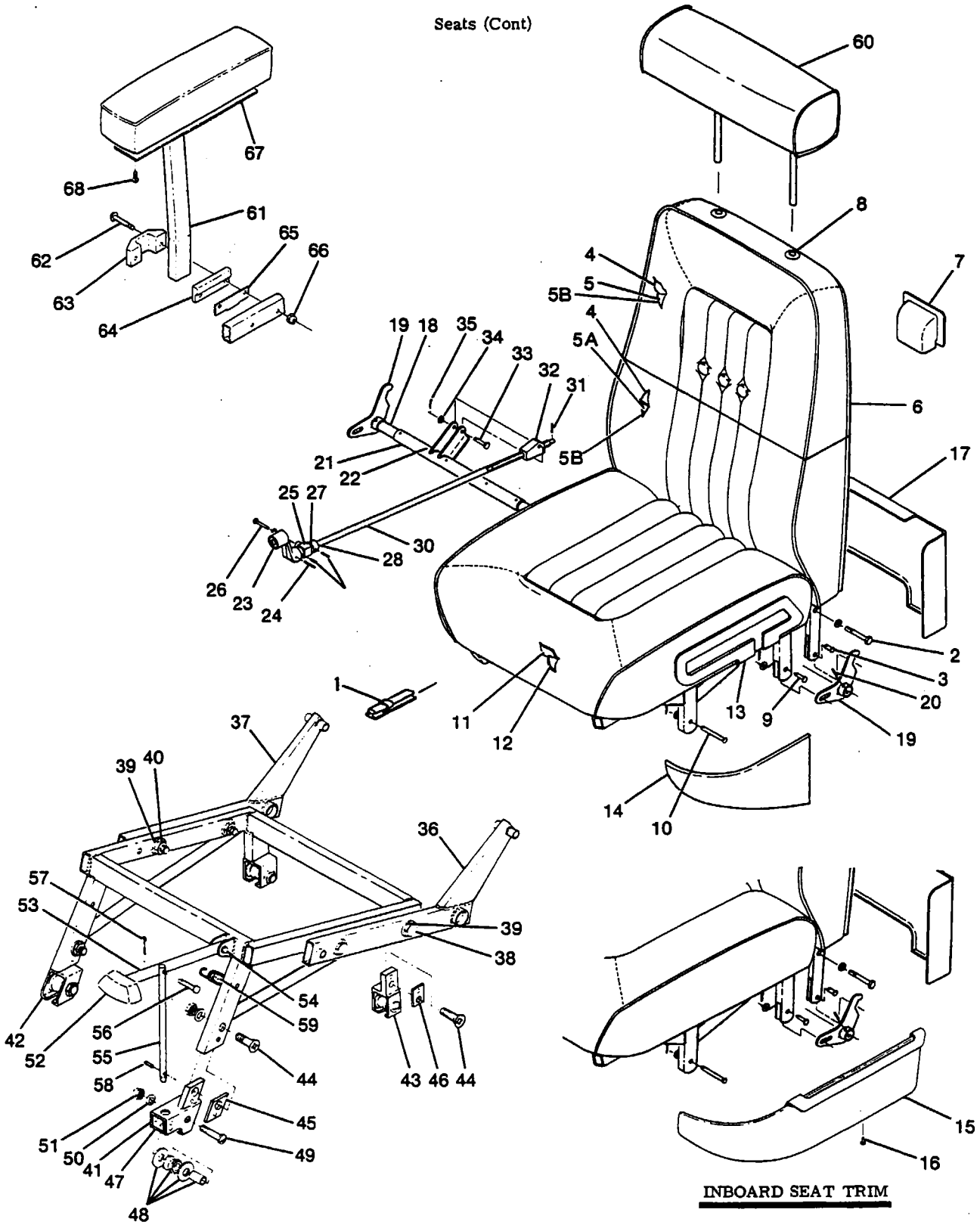


Figure 67. Articulating Recline Middle Seats Installation

P210 Parts Catalog

FIGURE AND INDEX NO.	PART NUMBER	DESCRIPTION	UNITS PER ASSY							USABLE ON CODE		
			1	2	3	4	5	6	7			
67 -	1214129-1	# SEAT INSTALLATION-ARTICULATING RECLINE MIDDLE								NP	A A C C D D E E G G	
	1214129-2	# SEAT ASSY-MIDDLE ARTICULATING RECLINE LH								1		
	1214165-11	# SEAT ASSY-MIDDLE ARTICULATING RECLINE RH								1		
	1214165-12	# SEAT ASSY-MIDDLE ARTICULATING RECLINE LH								1		
	1214174-11	# SEAT ASSY-MIDDLE ARTICULATING RECLINE RH								1		
	1214174-12	# SEAT ASSY-MIDDLE ARTICULATING RECLINE LH								1		
	1214179-11	# SEAT ASSY-MIDDLE ARTICULATING RECLINE RH								1		
	1214179-12	# SEAT ASSY-MIDDLE ARTICULATING RECLINE LH								1		
	1214183-11	# SEAT ASSY-MIDDLE ARTICULATING RECLINE RH								1		
	1214183-12	# SEAT ASSY-MIDDLE ARTICULATING RECLINE LH								1		
			ATTACHING PARTS									
	- 1	0713074-1	STOP-SEAT									2
MS20392-1C21		PIN								2		
MS24665-151		COTTER PIN								2		
			BACK ASSY-UPHOLSTERED SEAT LH								1	
1214129-9		# BACK ASSY-UPHOLSTERED SEAT RH								1		
1214129-10		# BACK ASSY-UPHOLSTERED SEAT LH								1		
1214165-13		# BACK ASSY-UPHOLSTERED SEAT RH								1		
1214165-14		# BACK ASSY-UPHOLSTERED SEAT LH								1		
1214174-13		# BACK ASSY-UPHOLSTERED SEAT RH								1		
1214174-14		# BACK ASSY-UPHOLSTERED SEAT LH								1		
1214179-13		# BACK ASSY-UPHOLSTERED SEAT RH								1		
1214179-14		# BACK ASSY-UPHOLSTERED SEAT LH								1		
1214183-13	# BACK ASSY-UPHOLSTERED SEAT RH								1			
1214183-14	# BACK ASSY-UPHOLSTERED SEAT LH								1			
		ATTACHING PARTS										
- 2	AN3-17A	BOLT								2	A A C C D D E E G G	
	NAS1149F0332P	WASHER								4		
	S2559-4-1-1530	SPACER								2		
	MS21044N3	NUT								2		
- 3	MS20392-2C11	PIN								2	A C D E G A C D C D E G A B B	
	NAS1149F0332P	WASHER								2		
	MS24665-132	COTTER PIN								2		
		COVER ASSY-SEAT BACK								1		
- 4	1214129-24	# COVER ASSY-SEAT BACK								1		
	1214165-9	# COVER ASSY-SEAT BACK								1		
	1214174-9	# COVER ASSY-SEAT BACK								1		
	1214179-9	# COVER ASSY-SEAT BACK								1		
	1214183-16	# COVER ASSY-SEAT BACK								1		
- 5	1214129-18	CUSHION ASSY-SEAT BACK UPPER								1	A C D E G A C D C D E G A B B	
	1214165-7	CUSHION ASSY-SEAT BACK LOWER								1		
	1214174-7	CUSHION ASSY-SEAT BACK UPPER & LOWER								1		
- 5A	1214165-8	CUSHION ASSY-SEAT BACK UPPER & LOWER								1		
	1214174-8	CUSHION ASSY-SEAT BACK UPPER & LOWER								1		
- 5B	1214179-7	CUSHION ASSY-SEAT BACK UPPER & LOWER								1		
	1214183-7	CUSHION ASSY-SEAT BACK UPPER & LOWER								1		
- 6	1214129-13	# COVER ASSY-BACK LH								1	B A C D E G	
	1214129-14	# COVER ASSY-BACK RH								1		
	1214129-15	# COVER ASSY-BACK LH								1		
	1214129-16	# COVER ASSY-BACK RH								1		
			ATTACHING PARTS									
	S1021A4-6	SCREW								4		
	S1898-2	FASTENER								3		
- 7	S1762-1	ASH RECEIVER-SEAT BACK								1	B A C D E G	
	1214129-19	# POCKET ASSY-MAGAZINE								1		
	1214165-15	# POCKET ASSY-MAGAZINE								1		
	1214174-15	# POCKET ASSY-MAGAZINE								1		
	1214179-15	# POCKET ASSY-MAGAZINE								1		
	1214183-15	# POCKET ASSY-MAGAZINE								1		
		ATTACHING PARTS										
	S1021A4-6	SCREW								2		

CONTINUED ON NEXT PAGE

P210 Parts Catalog

FIGURE AND INDEX NO.	PART NUMBER	DESCRIPTION							UNITS PER ASSY	USABLE ON CODE	
		1	2	3	4	5	6	7			
67 - 8	0514110-1	GROMMET-HEADREST -----							2	H G A A C C D D E E E E G	
	9910182-3	GROMMET-HEADREST -----							2		
	1214129-5	#	BOTTOM ASSY-UPHOLSTERED SEAT					LH	1		
	1214129-6	#	BOTTOM ASSY-UPHOLSTERED SEAT					RH	1		
	1214165-3	#	BOTTOM ASSY-UPHOLSTERED SEAT					LH	1		
	1214165-4	#	BOTTOM ASSY-UPHOLSTERED SEAT					RH	1		
	1214174-3	#	BOTTOM ASSY-UPHOLSTERED SEAT					LH	1		
	1214174-4	#	BOTTOM ASSY-UPHOLSTERED SEAT					RH	1		
	1214179-3	#	BOTTOM ASSY-UPHOLSTERED SEAT					LH	1		
	1214179-4	#	BOTTOM ASSY-UPHOLSTERED SEAT					RH	1		
	1214183-3	#	BOTTOM ASSY-UPHOLSTERED SEAT					LH	1		
	1214183-4	#	BOTTOM ASSY-UPHOLSTERED SEAT					RH	1		
			ATTACHING PARTS								
			PIN -----								
- 9	MS20392-3C17	WASHER -----							2		
	NAS1149F0432P	COTTER PIN -----							2		
-10	MS24665-134	PIN-OUTBD -----							1		
	MS20392-3C55	PIN-INBD -----							1		
	MS20392-3C39	WASHER -----							2		
	NAS1149F0432P	SPACER -----							2		
	1514230-2	COTTER PIN -----							2		
		*-----									
-11	1214129-27	#	COVER ASSY-SEAT BOTTOM					1			
	1214165-10	#	COVER ASSY-SEAT BOTTOM					1			
	1214174-10	#	COVER ASSY-SEAT BOTTOM					1			
	1214179-10	#	COVER ASSY-SEAT BOTTOM					1			
	1214183-10	#	COVER ASSY-SEAT BOTTOM					1			
-12	1214129-17	CUSHION ASSY-SEAT BOTTOM						1			
	1214087-7	CUSHION ASSY-SEAT BOTTOM						1			
	1214179-8	CUSHION ASSY-SEAT BOTTOM						1			
	1214183-8	CUSHION ASSY-SEAT BOTTOM						1			
-13	1714099-31	RETAINER-LH OUTBD -----							1		
			ATTACHING PARTS								
		SCREW -----							2		
		*-----									
-14	1214117-1	#	TRIM ASSY-SIDE		LH	OUTBD		1			
	1214117-2	#	TRIM ASSY-SIDE		RH	OUTBD		1			
-15	1714101-14	#	TRIM ASSY-SIDE		RH	INBD		1			
	1714101-13	#	TRIM ASSY-SIDE		LH	INBD		1			
		ATTACHING PARTS									
-16	S1021A4-6	SCREW INBD						5			
	S1021A4-6	SCREW OUTBD						3			
		*-----									
-17	1214116-11	TRIM-REAR LH						1			
	1214116-12	TRIM-REAR RH						1			
-18	0514026-13	TUBE-TORQUE -----							1		
-19	0514030-4	BELLCRANK ASSY-SEAT BACK ADJUST -----							2		
-20	NAS561P4-12	PIN -----							4		
-21	0514028-14	BELLCRANK ASSY-SEAT ADJUST						1			
		ATTACHING PARTS									
-22	NAS561P6-12	PIN -----							5		
		*-----									
-23	0514121-2	HANDLE ASSY-SEAT BACK ADJUST						1			
		ATTACHING PARTS									
-24	NAS561P4-10	PIN -----							1		
		*-----									
-25	0514033-1	BEARING BLOCK						1			
		ATTACHING PARTS									
-26	AN520-10R8	SCREW -----							1		
	NAS1149F0332P	WASHER -----							1		
		*-----									
-27	S2013-2	BEARING -----							1		
-28	S2014-2	RACE -----							2		
	1200138-2	COLLAR -----							2		
		ATTACHING PARTS									
-29	NAS561P4-12	PIN -----							1		
		*-----									
-30	0514027-30	SCREW ASSY						1			
-31	NAS561P4-10	PIN -----							1		
-32	1200139-1	NUT-SEAT ADJUST						1			
		ATTACHING PARTS									
-33	MS20392-2C37	PIN -----							1		
-34	NAS1149F0332P	WASHER -----							1		
-35	MS24665-132	COTTER PIN -----							1		
		*-----									

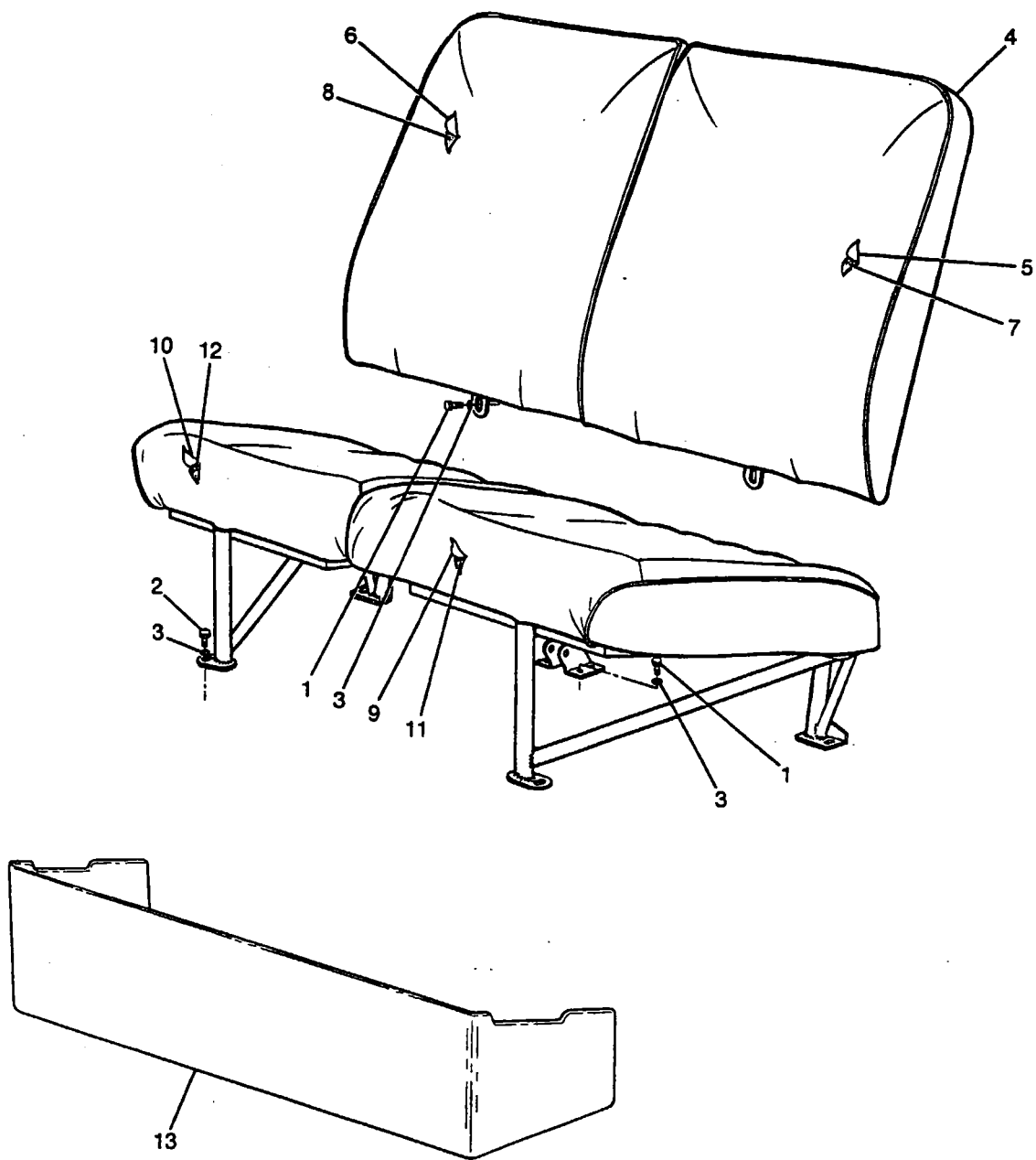
CONTINUED ON NEXT PAGE

P210 Parts Catalog

FIGURE AND INDEX NO.	PART NUMBER	DESCRIPTION							UNITS PER ASSY	USABLE ON CODE
		1	2	3	4	5	6	7		
67 -36	0514060-1	BRACKET-SEAT PIVOT LH -----							1	
-37	0514060-2	BRACKET-SEAT PIVOT RH -----							1	
		ATTACHING PARTS -----								
-38	AN4-21A	BOLT OUTBD -----							2	
	1514089-2	SPACER OUTBD -----							2	
	AN4-12A	BOLT INBD -----							2	
	1214031-2	BUSHING -----							2	
-39	S1074-1	WASHER -----							2	
-40	MS21042L4	NUT -----							2	
		*-----								
	1214036-13	BASE ASSY-SEAT BOTTOM LH -----							1	
	1214036-14	BASE ASSY-SEAT BOTTOM RH -----							1	
-41	1414104-25	HOUSING-ROLLER LH FWD -----							1	
-42	1414104-26	HOUSING-ROLLER RH FWD -----							1	
-43	1414104-22	HOUSING-ROLLER AFT -----							2	
		ATTACHING PARTS -----								
-44	AN509-416R13	SCREW -----							1	
	NAS1149F0463P	WASHER -----							1	
	MS21042L4	NUT -----							1	
-45	1414104-36	SHIM-FWD -----							1	
-46	1414104-44	SHIM-AFT -----							1	
		*-----								
-47	1414104-8	GUIDE-SEAT ADJUSTMENT PIN -----							1	
-48	1414100-212	KIT-SEAT ROLLER -----							4	
		ATTACHING PARTS -----								
-49	AN23-19A	BOLT -----							1	
-50	NAS1149F0332P	WASHER -----							1	
-51	S1914-8	NUT -----							1	
		*-----								
-52	1514277-1	KNOB-SEAT ADJUST HANDLE -----							1	
		ATTACHING PARTS -----								
	S1023A6-6	SCREW -----							1	
		*-----								
-53	1214032-1	HANDLE-SEAT ADJUST -----							1	
		ATTACHING PARTS -----								
-54	MS20392-1C17	PIN -----							1	
	NAS1149FN432P	WASHER -----							1	
	MS24665-132	COTTER PIN -----							1	
		*-----								
-55	1214033-1	PIN-SEAT ADJUSTMENT -----							1	
		ATTACHING PARTS -----								
-56	MS20392-1C21	PIN -----							1	
-57	MS24665-132	COTTER PIN -----							1	
-58	NAS561P3-8	PIN -----							1	
		*-----								
-59	1414116-1	SPRING -----							1	
-60	1215073-1	HEADREST ASSY -----							1	
	1215073-10	COVER ASSY-HEADREST -----							1	
-61	1214120-4	ARMREST ASSY-SEAT LH SEAT -----							1	
	1214120-3	ARMREST ASSY-SEAT RH SEAT -----							1	
		ATTACHING PARTS -----								
-62	NAS221-28	BOLT -----							2	
	NAS1149F0363P	WASHER -----							2	
-63	1214118-1	SOCKET-ARMREST -----							1	
-64	1214118-2	SPACER-ARMREST -----							1	
-65	1214118-3	STOP-ARMREST -----							1	
-66	MS21044N3	NUT -----							2	
		*-----								
-67	1514315-3	ESCUTCHEON-ARMREST -----							1	
-68	S1021A4-8	SCREW -----							2	
	1214120-6	COVER ASSY-ARMREST -----							1	
	SEE FIG 74	SEAT BELT & SHOULDER HARNESS INSTALLATION -----							1	
<p>NOTE. #THIS PART NUMBER MUST HAVE A SECOND DASH NUMBER ADDED TO DENOTE COLOR. REFER TO HOW TO ORDER UPHOLSTERED PARTS-PAGE XIV.</p> <p>A---P210 SERIAL P21000001 THRU P21000385 B---P210 SERIAL P21000386 & ON C---P210 SERIAL P21000386 THRU P21000760 D---P210 SERIAL P21000761 THRU P21000811 E---P210 SERIAL P21000812 THRU P21000834 F---P210 SERIAL P21000386 THRU P21000811 G---P210 SERIAL P21000835 & ON H---P210 SERIAL P21000001 THRU P21000834</p>										

P210 Parts Catalog

Seats (Cont)



P210 SERIAL P21000001 THRU P21000385

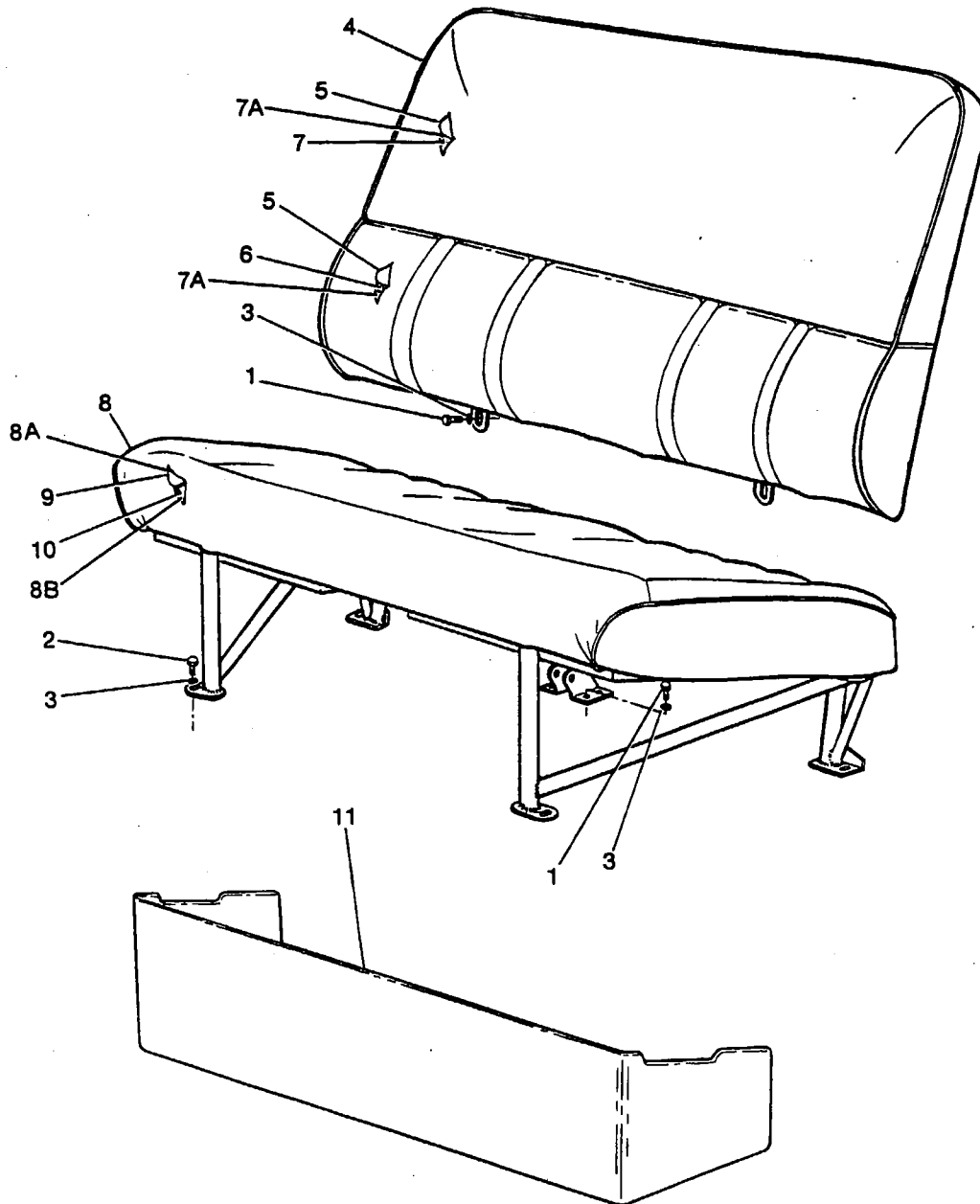
Figure 68. Bench Seat Installation - 5TH & 6TH Place

P210 Parts Catalog

FIGURE AND INDEX NO.	PART NUMBER		DESCRIPTION							UNITS PER ASSY	USABLE ON CODE
			1	2	3	4	5	6	7		
68 -	1214130-2	#	BENCH SEAT INSTALLATION-5TH & 6TH PLACE -----							NP	A
- 1	AN4-3A		SEAT ASSY-BENCH -----							1	
- 2	AN4-5A		ATTACHING PARTS -----							6	
- 3	NAS1149F0463P		BOLT -----							4	
			BOLT -----							10	
			WASHER -----								
			-----*								
- 4	1214130-4	#	BACK ASSY-UPHOLSTERED SEAT -----							1	
- 5	1214130-30	#	COVER ASSY-SEAT BACK LH -----							1	
- 6	1214130-29	#	COVER ASSY-SEAT BACK RH -----							1	
- 7	1214130-25		CUSHION ASSY-SEAT BACK LH -----							1	
- 8	1214130-24		CUSHION ASSY-SEAT BACK RH -----							1	
	1214130-28	#	BOTTOM ASSY-UPHOLSTERED SEAT -----							1	
- 9	1214130-31	#	COVER ASSY-SEAT BOTTOM LH -----							1	
-10	1214130-32	#	COVER ASSY-SEAT BOTTOM RH -----							1	
-11	1214130-21		CUSHION ASSY-SEAT BOTTOM LH -----							1	
-12	1214130-20		CUSHION ASSY-SEAT BOTTOM RH -----							1	
-13	2115026-1	#	SKIRT ASSY-AFT SEAT -----							1	
	S2354-14		CLIP-ATTACH -----							4	
	SEE FIG 74		SEAT BELT & SHOULDER HARNESS INSTALLATION -----							1	
<p>NOTE. #THIS PART NUMBER MUST HAVE A SECOND DASH NUMBER ADDED TO DENOTE COLOR. REFER TO HOW TO ORDER UPHOLSTERED PARTS-PAGE XIV.</p> <p>A---P210 SERIAL P21000001 THRU P21000385</p>											

P210 Parts Catalog

Seats (Cont)



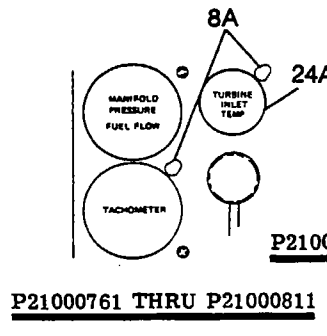
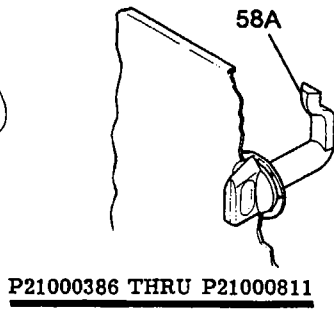
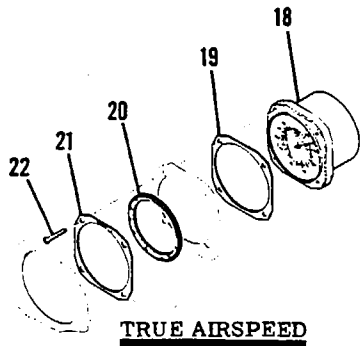
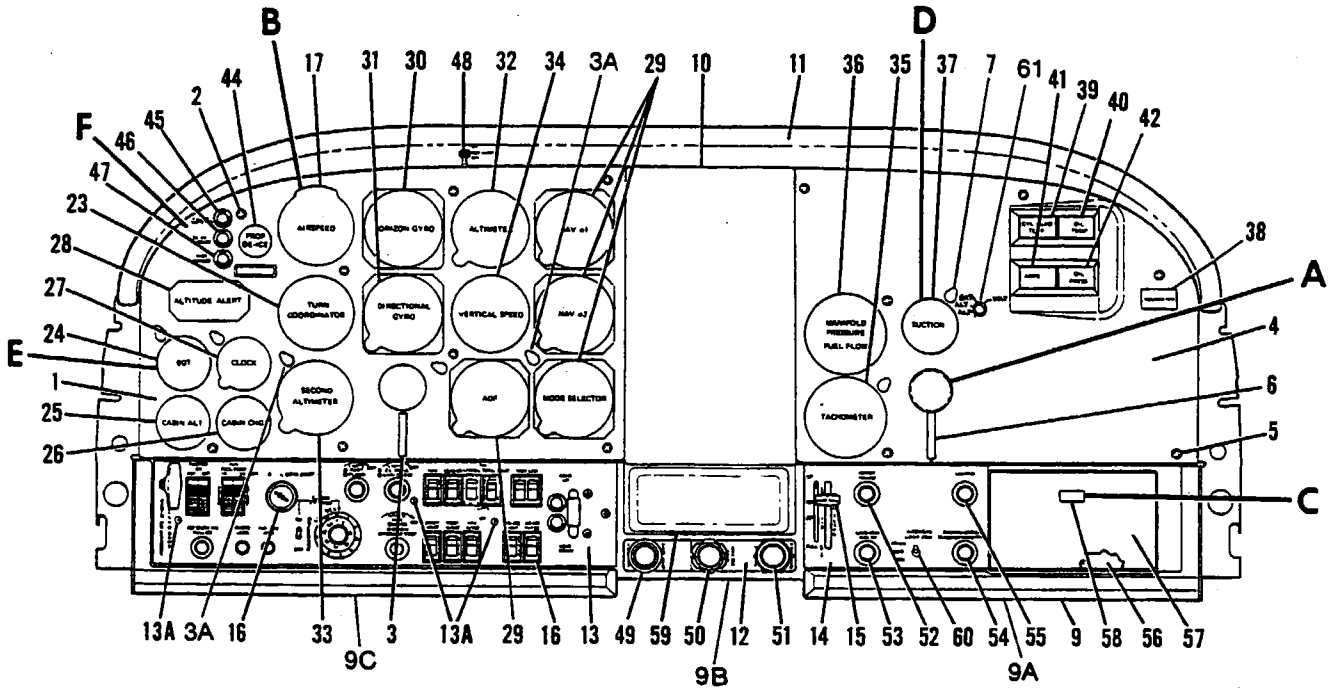
P210 SERIAL P21000386 & ON
Figure 68A. Bench Seat Installation-5TH & 6TH Place

P210 Parts Catalog

FIGURE AND INDEX NO.	PART NUMBER		DESCRIPTION							UNITS PER ASSY	USABLE ON CODE
			1	2	3	4	5	6	7		
68A-	1214166-2	#	BENCH SEAT INSTALLATION-5TH & 6TH PLACE -----							NP	A B D F G
	1214176-2	#	SEAT ASSY-BENCH -----							1	
	1214181-2	#	SEAT ASSY-BENCH -----							1	
	1214184-2	#	SEAT ASSY-BENCH -----							1	
				SEAT ASSY-BENCH -----							
			ATTACHING PARTS								
- 1	AN4-3A		BOLT -----							6	
- 2	AN4-5A		BOLT -----							4	
- 3	NAS1149F0463P		WASHER -----							10	
			-----*								
- 4	1214166-6	#	BACK ASSY-UPHOLSTERED SEAT -----							1	B D F G B D F G B D B D F G B D F G B D F G B D F G
	1214176-6	#	BACK ASSY-UPHOLSTERED SEAT -----							1	
	1214181-6	#	BACK ASSY-UPHOLSTERED SEAT -----							1	
	1214184-6	#	BACK ASSY-UPHOLSTERED SEAT -----							1	
- 5	1214166-8	#	COVER ASSY-SEAT BACK -----							1	
	1214176-8	#	COVER ASSY-SEAT BACK -----							1	
	1214181-8	#	COVER ASSY-SEAT BACK -----							1	
	1214184-8	#	COVER ASSY-SEAT BACK -----							1	
- 6	1214166-16		CUSHION ASSY-SEAT BACK LOWER -----							1	
	1214176-16		CUSHION ASSY-SEAT BACK LOWER -----							1	
- 7	1214166-14		CUSHION ASSY-SEAT BACK UPPER -----							1	
	1214176-14		CUSHION ASSY-SEAT BACK UPPER -----							1	
- 7A	1214181-12		CUSHION ASSY-SEAT BACK UPPER & LOWER -----							1	
	1214184-11		CUSHION ASSY-SEAT BACK UPPER & LOWER -----							1	
	1214166-4	#	BOTTOM ASSY-UPHOLSTERED SEAT -----							1	
	1214176-4	#	BOTTOM ASSY-UPHOLSTERED SEAT -----							1	
	1214181-3	#	BOTTOM ASSY-UPHOLSTERED SEAT -----							1	
	1214184-3	#	BOTTOM ASSY-UPHOLSTERED SEAT -----							1	
- 8	1214181-4	#	BOTTOM ASSY REMOVABLE -----							1	
	1214184-4	#	BOTTOM ASSY REMOVABLE -----							1	
			ATTACHING PARTS								
	AN4-15A		BOLT -----							2	E E
	S1450-4H12-063		WASHER -----							2	
			-----*								
- 8A	1214181-9	#	COVER ASSY-SEAT BOTTOM -----							1	F G F G B D B D C E
	1214184-9	#	COVER ASSY-SEAT BOTTOM -----							1	
- 8B	1214181-13		CUSHION ASSY-SEAT BOTTOM -----							1	
	1214184-13		CUSHION ASSY-SEAT BOTTOM -----							1	
- 9	1214166-10	#	COVER ASSY-SEAT BOTTOM -----							1	
	1214176-10	#	COVER ASSY-SEAT BOTTOM -----							1	
- 10	1214166-12		CUSHION ASSY-SEAT BOTTOM -----							1	
	1214176-12		CUSHION ASSY-SEAT BOTTOM -----							1	
- 11	2115026-1	#	SKIRT ASSY-AFT SEAT -----							1	
	1215197-1	#	SKIRT ASSY-AFT SEAT -----							1	
	S2354-14		CLIP-ATTACH -----							1	
	SEE FIG 74		SEAT BELT & SHOULDER HARNESS INSTALLATION -----							4	
<p>NOTE. #THIS PART NUMBER MUST HAVE A SECOND DASH NUMBER ADDED TO DENOTE COLOR. REFER TO HOW TO ORDER UPHOLSTERED PARTS-PAGE XIV.</p> <p>A---P210 SERIAL P21000386 & ON B---P210 SERIAL P21000386 THRU P21000760 C---P210 SERIAL P21000386 THRU P21000811 D---P210 SERIAL P21000761 THRU P21000811 E---P210 SERIAL P21000812 & ON F---P210 SERIAL P21000812 THRU P21000834 G---P210 SERIAL P21000835 & ON</p>											

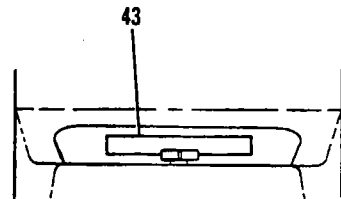
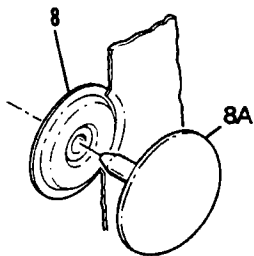
P210 Parts Catalog

Instruments

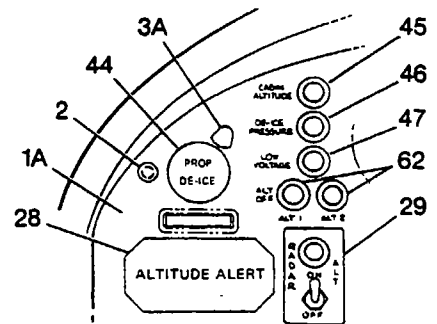


P21000591 THRU P21000811

Detail E



FUEL GAGE INSTRUMENT CLUSTER



P21000761 THRU P21000811

Detail F

P210 SERIAL P21000001 THRU P21000811

Figure 69. Instrument Panel Equipment Installation

P210 Parts Catalog

FIGURE AND INDEX NO.	PART NUMBER	DESCRIPTION						UNITS PER ASSY	USABLE ON CODE	
		1	2	3	4	5	6			7
69 -	- 1	2113025-1 *	INSTRUMENT PANEL EQUIPMENT INSTALLATION						NP	AU
		2113025-29 *	COVER ASSY-LH INSTRUMENT PANEL						1	C
		2113025-35-A59 *	COVER ASSY-LH INSTRUMENT PANEL						1	Q
		2113025-35-C12 *	COVER ASSY-LH INSTRUMENT PANEL GREY						1	AN
		2113025-35-279 *	COVER ASSY-LH INSTRUMENT PANEL BROWN						1	AN
		2113025-39-A59 @	COVER ASSY-LH INSTRUMENT PANEL BLACK						1	AN
		2113025-39-C12 @	COVER ASSY-LH INSTRUMENT PANEL GREY						1	AM
		2113025-39-279 @	COVER ASSY-LH INSTRUMENT PANEL BROWN						1	AM
			COVER ASSY-LH INSTRUMENT PANEL BLACK						1	AM
			ATTACHING PARTS							
	- 2	1513174-3	NUT-INSTRUMENT PANEL COVER	GREY				8	AL	
		1513174-4	NUT-INSTRUMENT PANEL COVER	BROWN				8	AN	
		1513174-5	NUT-INSTRUMENT PANEL COVER	BLACK				8	AN	
		1513174-3	NUT-INSTRUMENT PANEL COVER	GREY				10	AN	
		1513174-4	NUT-INSTRUMENT PANEL COVER	BROWN				10	AM	
		1513174-5	NUT-INSTRUMENT PANEL COVER	BLACK				10	AM	

	- 3	S2611-1-1.70-A58	CHANNEL	GREY				1		
		S2611-1-1.70-156	CHANNEL	BLACK				1		
		S2611-1-1.70-D65	CHANNEL	BROWN				1	S	
		S2092-12	FABRIC FASTENER-PILE							S
	- 3A	2106002-6-A58	LIGHT ASSY-TAB MOUNT	BKI	SEE FIG 1			AR		
		2106002-6-D65	LIGHT ASSY-TAB MOUNT	GREY	RED LENS			6	AM	
		2106002-6-156	LIGHT ASSY-TAB MOUNT	BROWN	RED LENS			6	AM	
		MS25237-327	LIGHT ASSY-TAB MOUNT	BLACK	RED LENS			6	AM	
			BULB-POST LIGHT							
	- 4	2113026-1 %*	COVER ASSY-RH INSTRUMENT PANEL				1			
		2113026-19-A59%*	COVER ASSY-RH INSTRUMENT PANEL	GREY				1	T	
			WEU 2113026-25-A59							Z
		2113026-19-C12%*	COVER ASSY-RH INSTRUMENT PANEL	BROWN				1	Z	
			WEU 2113026-25-C12							
		2113026-19-279%*	COVER ASSY-RH INSTRUMENT PANEL	BLACK				1	Z	
			WEU 2113026-25-279							
		2113026-25-A59%*	COVER ASSY-RH INSTRUMENT PANEL	GREY				1	AA	
		2113026-25-C12%*	COVER ASSY-RH INSTRUMENT PANEL	BROWN				1	AA	
		2113026-25-279%*	COVER ASSY-RH INSTRUMENT PANEL	BLACK				1	AA	
		2113026-52-A59%@	COVER ASSY-RH INSTRUMENT PANEL	GREY				1	AM	
		2113026-52-C12%@	COVER ASSY-RH INSTRUMENT PANEL	BROWN				1	AM	
		2113026-52-279%@	COVER ASSY-RH INSTRUMENT PANEL	BLACK				1	AM	
		2113026-55-A59%@	COVER ASSY-RH INSTRUMENT PANEL	GREY				1	AM	
			USED WITH DUAL ALTERNATORS							
		2113026-55-C12%@	COVER ASSY-RH INSTRUMENT PANEL	BROWN				1	AM	
			USED WITH DUAL ALTERNATORS							
		2113026-55-279%@	COVER ASSY-RH INSTRUMENT PANEL	BLACK				1	AM	
			USED WITH DUAL ALTERNATORS							
			ATTACHING PARTS							
	- 5	1513174-3	NUT-INSTRUMENT PANEL COVER	GREY				6		
		1513174-4	NUT-INSTRUMENT PANEL COVER	BROWN				6		
		1513174-5	NUT-INSTRUMENT PANEL COVER	BLACK				6	S	

	- 6	S2611-1-1.95-A58	CHANNEL	GREY				1		
		S2611-1-1.95-156	CHANNEL	BLACK				1		
		S2611-1-1.95-D65	CHANNEL	BROWN				1	S	
		S2092-12	FABRIC FASTENER-PILE							S
	- 7	2106002-6-A58	LIGHT ASSY-TAB MOUNT	BKI	SEE FIG 1			AR		
		2106002-6-156	LIGHT ASSY-TAB MOUNT	GREY	RED LENS			2	AM	
		2106002-6-D65	LIGHT ASSY-TAB MOUNT	BLACK	RED LENS			2	AM	
		MS25237-327	LIGHT ASSY-TAB MOUNT	BROWN	RED LENS			2	AM	
			BULB-POST LIGHT							
	- 8	0713346-1	BACKING ASSY						1	
	- 8A	0713346-2	CAP ASSY						1	
		0713346-6-A59	CAP ASSY	GREY				1	T	
		0713346-6-C12	CAP ASSY	BROWN				1	S	
		0713346-6-279	CAP ASSY	BLACK				1	S	
	- 9	2113038-1	COVER ASSY-INSTRUMENT PANEL	LWR	WEU 1213038-4			1	S	
		2113038-4	COVER ASSY-INSTRUMENT PANEL	LWR				1	C	
		2113038-6-C12	COVER ASSY-INSTRUMENT PANEL	LWR				1	Q	
		2113038-8-C12 %	COVER ASSY-INSTRUMENT PANEL	LWR	WEU 2113038-11,			1	AN	
			2113038-12 & 2113038-13							AQ
	- 9A	2113038-12-C12%	COVER ASSY-INSTRUMENT PANEL	LWR				1	AC	
	- 9B	2113038-11-C12%	COVER ASSY-INSTRUMENT PANEL	LWR				1	AC	
	- 9C	2113038-13-C12%	COVER ASSY-INSTRUMENT PANEL	LWR				1	AC	
	- 10	1213756-1	COVER ASSY-RADIO CUTOFF					1	T	
		1213756-4	COVER ASSY-RADIO CUTOFF					1	S	
		S2092-5	FABRIC FASTENER-HOOK	BKI	SEE FIG 1			AR		

CONTINUED ON NEXT PAGE

P210 Parts Catalog

FIGURE AND INDEX NO.	PART NUMBER	DESCRIPTION							UNITS PER ASSY	USABLE ON CODE
		1	2	3	4	5	6	7		
69 -11	2113036-7	GLARESHIELD ASSY-INSTRUMENT PANEL	WEU	2113260-3	-----				1	K L U
	2113036-18	GLARESHIELD ASSY-INSTRUMENT PANEL	WEU	2113260-3	-----				1	
	2113036-26	GLARESHIELD ASSY-INSTRUMENT PANEL	WEU	2113260-3	-----				1	
	AN515B8R8 S1450-3A8-032 AN525-832R8	ATTACHING PARTS SCREW UPR ----- WASHER UPR ----- SCREW LWR -----							6 6 4	
-12	2113029-1	COVER-ENGINE CONTROLS	-----						1	C O O R D I N A T O R S
	2113029-2	COVER-ENGINE CONTROLS	-----						1	
-13	2113029-3-C12	COVER-ENGINE CONTROLS	-----						1	
	2113027-3	PANEL ASSY WEU 2113027-7	-----						1	
-13A	2113027-7	PANEL	-----						1	
	2113027-11	PANEL WEU 2113027-19	-----						1	
	2113027-19	PANEL	-----						1	
	2113027-15	PANEL USED WITH DUAL ALTERNATORS	-----						1	
-14	S102274-10B	ATTACHING PARTS	-----							
	S102174-10B	SCREW	-----						3	
	NAS446-1	SCREW	-----						6	
	NAS446-1	NUT	-----						3	
-15	2113028-2	PANEL RH	-----						1	
	2113028-4	PANEL RH	-----						1	
	2113028-8	PANEL RH	-----						1	
	2113028-10	PANEL RH	-----						1	
-16	SEE FIG 101	FLAP CONTROL DETAILS	-----						1	
-17	SEE FIG 71	SWITCH PANEL INSTALLATION	-----						1	
-17	SEE FIG 71A	SWITCH PANEL INSTALLATION	-----						1	
	C661064-0221	INDICATOR-AIR SPEED	-----						1	
	AN515B6R16	ATTACHING PARTS	-----							
		SCREW	-----						4	
-18	C661065-0221	TRUE AIRSPEED INSTALLATION	-----						NP	
-19	0700162-6	INDICATOR-AIR SPEED	-----						1	
	0700162-4	SPACER .071 THICKNESS	-----						AR	
	0700162-3	SPACER .063 THICKNESS	-----						AR	
	0700162-7	SPACER .051 THICKNESS	-----						AR	
-20	S2234-2	SPACER .040 THICKNESS	-----						AR	
-21	0700162-1	RING-TRUE AIRSPEED	-----						1	
-22		RETAINER ASSY-TRUE AIRSPEED	-----						1	
	AN515-6R16	ATTACHING PARTS	-----							
		SCREW	-----						4	
-23	C661003-0506	INDICATOR-TURN COORDINATOR	-----						1	
	C661003-0507	INDICATOR-TURN COORDINATOR ALT FOR C661003-0506	-----						1	
	S1303-2	INDICATOR-TURN & BANK	-----						1	
	C661033-0101	INDICATOR-TURN & BANK	-----						1	
-24	AN515B6R12	ATTACHING PARTS	-----							
		SCREW	-----						4	
	C668501-0211	GAGE-EXHAUST GAS TEMPERATURE	-----						1	
	AN515B6R12	ATTACHING PARTS	-----							
-24	AN515B6R12	SCREW	-----						4	
	AN507B632R12	SCREW	-----						2	
	MS20365B632C	SCREW UPPER RH	-----						1	
		NUT	-----						4	
	C668501-0206	LEAD-EXHAUST GAS TEMP	-----						1	
	AN742D48	ATTACHING PARTS	-----							
	MS21919D68	CLAMP ATTACHES TO TURBOCHARGER DUCT	-----						1	
	AN3-5A	CLAMP ATTACHES TO LEAD	-----						1	
	MS21045L3	BOLT	-----						1	
	NAS1149F0332P	NUT	-----						1	
	S1046-11	WASHER	-----						1	
	S2209-2	SLEEVING-INSULATING 14.00 IN LG BKI	-----						1	
	TIE ATTACHES SLEEVING	-----						1		
-24	C668501-0204	PROBE-EXHAUST GAS TEMP	-----						1	
	SEE FIG 73	GAGE INSTALLATION-EXHAUST GAS TEMPERATURE SEVEN POINT	-----						1	
	1513190-27	COVER USED WHEN EGT GAGE IS NOT INSTALLED	-----						1	
	1513190-51-A59	COVER GREY USED WHEN EGT GAGE IS NOT INSTALLED	-----						1	
	1513190-51-C12	COVER BROWN USED WHEN EGT GAGE IS NOT INSTALLED	-----						1	
	1513190-51-279	COVER BLACK USED WHEN EGT GAGE IS NOT INSTALLED	-----						1	

CONTINUED ON NEXT PAGE

P210 Parts Catalog

FIGURE AND INDEX NO.	PART NUMBER	DESCRIPTION							UNITS PER ASSY	USABLE ON CODE	
		1	2	3	4	5	6	7			
69 -24A	C668501-0301	INDICATOR-TURBINE INLET TEMP -----							1	AM	
	AN507B632R12 AN515B6R12	ATTACHING PARTS SCREW UPPER RH -----							1 2		
	C668501-0303	LEAD-TURBINE INLET TEMP -----							1	AM	
	NAS557-4A	ATTACHING PARTS							1		
	AN742D48	GROMMET AT FIREWALL -----							1		
	MS21919DG66	CLAMP ATTACHES TO TURBOCHARGER DUCT -----							1		
	AN3-5A	CLAMP ATTACHES TO LEAD -----							1		
	NAS1149F0332P	BOLT -----							1		
	MS21045L3	WASHER -----							1		
	S1046-11	NUT -----							1		
		SLEEVING-INSULATING	14.00 IN LG	BKI	-----				1		
		-----*									
-25	C668501-0204	INDICATOR-TURBINE INLET TEMP -----							1	AM	
	C668516-0103	INDICATOR-DIFFERENTIAL PRESSURE -----							1		
	AN515B6R12	ATTACHING PARTS							4		
	1513190-27	COVER USED WHEN CABIN ALT IS NOT INSTALLED -----							1	T	
	1513190-51-A59	COVER GREY USED WHEN CABIN ALT IS NOT INSTALLED -----							1	S	
	1513190-51-C12	COVER BROWN USED WHEN CABIN ALT IS NOT INSTALLED -----							1	S	
	1513190-51-279	COVER BLACK USED WHEN CABIN ALT IS NOT INSTALLED -----							1	S	
	-26	C668517-0101 @	INDICATOR-CABIN RATE OF CHANGE -----							1	
		AN515B6R12	SCREW-ATTACH -----							2	
		AN507B632R12	SCREW-ATTACH -----							1	
		1513190-27	COVER USED WHEN CABIN CHG IS NOT INSTALLED -----							1	T
		1513190-51-A59	COVER GREY USED WHEN CABIN CHG IS NOT INSTALLED -----							1	S
	1513190-51-C12	COVER BROWN USED WHEN CABIN CHG IS NOT INSTALLED -----							1	S	
	1513190-51-279	COVER BLACK USED WHEN CABIN CHG IS NOT INSTALLED -----							1	S	
-27	C664508-0101	CLOCK-ELECTRIC WEU C664508-0102 -----							1	E	
	C664508-0102	CLOCK-ELECTRIC -----							1	F	
	C664511-0101	CLOCK-ELECTRIC DIGITAL -----							1	AS	
	C664511-0102	CLOCK-ELECTRIC DIGITAL -----							1	AT	
	C662060-0101	INDICATOR-FUEL FLOW/CLOCK USED WITH FUEL -----							1	AM	
		TOTALIZER INSTALLATION									
		ATTACHING PARTS									
		AN515B6R12	SCREW USED WITH ELECTRIC & DIGITAL CLOCK ONLY -----							2	
		AN507B632R12	SCREW USED WITH ELECTRIC CLOCK ONLY -----							1	
		AN507B632R8	SCREW USED WITH FUEL FLOW/CLOCK ONLY -----							2	AM
		AN515B6R8	SCREW USED WITH FUEL FLOW/CLOCK ONLY -----							1	AM
		S2413-1	SOCKET USED WITH DIGITAL CLOCK -----							1	D
	-28	MS25231-1819	BULB USED WITH DIGITAL CLOCK -----							1	D
		1513190-24	COVER USED WHEN ALTITUDE ALERT IS NOT INSTALLED -----							1	T
		1513190-49-A59	COVER GREY USED WHEN ALT ALERT IS NOT INSTALLED -----							1	S
	1513190-49-C12	COVER BROWN USED WHEN ALT ALERT IS NOT INSTALLED -----							1	S	
	1513190-49-279	COVER BLACK USED WHEN ALT ALERT IS NOT INSTALLED -----							1	S	
-29		RADIO INSTL SEE AVIONICS SERVICE/PARTS MANUAL -----							NP		
	1513190-33	COVER USED WHEN NAV #1, NAV #2 & MODE SELECTOR -----							3	T	
	1513190-56-A59	COVER GREY USED WHEN NAV #1, NAV #2 & MODE SELECTOR ARE NOT INSTALLED -----							3	S	
	1513190-56-C12	COVER BROWN USED WHEN NAV #1, NAV #2 & MODE SELECTOR ARE NOT INSTALLED -----							3	S	
	1513190-56-279	COVER BLACK USED WHEN NAV #1, NAV #2 & MODE SELECTOR ARE NOT INSTALLED -----							3	S	
	1513190-25	COVER USED WHEN ADF IS NOT INSTALLED -----							1	T	
	1513190-50-A59	COVER GREY USED WHEN ADF IS NOT INSTALLED -----							1	S	
	1513190-50-C12	COVER BROWN USED WHEN ADF IS NOT INSTALLED -----							1	S	
	1513190-50-279	COVER BLACK USED WHEN ADF IS NOT INSTALLED -----							1	S	
	1513190-59-A59	COVER GREY USED WHEN BONZER SWITCH IS NOT INSTALLED -----							1	AM	
	1513190-59-C12	COVER BROWN USED WHEN BONZER SWITCH IS NOT INSTALLED -----							1	AM	
	1513190-59-279	COVER BLACK USED WHEN BONZER SWITCH IS NOT INSTALLED -----							1	AM	

CONTINUED ON NEXT PAGE

P210 Parts Catalog

FIGURE AND INDEX NO.	PART NUMBER	DESCRIPTION	UNITS PER ASSY							USABLE ON CODE		
			1	2	3	4	5	6	7			
69 -30	C661076-0103 **	INDICATOR-HORIZONTAL GYRO								1		
	C661076-0101 **	INDICATOR-HORIZONTAL GYRO								1		
	C661076-0102@**	INDICATOR-HORIZONTAL GYRO								1		
	C661076-0105 **	INDICATOR-HORIZONTAL GYRO								1		
	C661076-0108 **	INDICATOR-HORIZONTAL GYRO								1		
	37570-0105	INDICATOR-HORIZONTAL GYRO USED WITH NAV 400 & 400B UNSLAVED, 400B SLAVED DG, 400B WITH HSI & 400B WITH UNSLAVED HSI ARC								1		
	37570-1011	INDICATOR-HORIZONTAL GYRO ALT FOR 37570-0105 ARC								1		
	44670-0000	INDICATOR-HORIZONTAL GYRO USED WITH 400B IFCS ARC								1		
	AN515-6R6	SCREW-INDICATOR ATTACH								4		
	AN515-6R12	SCREW USED TO ATTACH 44670-0000 ONLY								4		
	1513190-31	COVER USED WHEN HORIZONTAL GYRO IS NOT INSTALLED								1	T	
	1513190-54-A59	COVER GREY USED WHEN HORZ GYRO IS NOT INSTALLED								1	S	
	1513190-54-C12	COVER BROWN USED WHEN HORZ GYRO IS NOT INSTALLED								1	S	
	1513190-54-279	COVER BLACK USED WHEN HORZ GYRO IS NOT INSTALLED								1	S	
	-31	C661075-0101 ***	INDICATOR-DIRECTIONAL GYRO								1	
C661075-0103 ***		INDICATOR-DIRECTIONAL GYRO								1		
C661075-0104 @		INDICATOR-DIRECTIONAL GYRO								1		
C661075-0106 ***		INDICATOR-DIRECTIONAL GYRO								1		
40760-0104		INDICATOR-DIRECTIONAL GYRO USED WITH NAV 300A, 400 & 400B WITH UNSLAVED DG ARC								1		
40760-0114		INDICATOR-DIRECTIONAL GYRO ALT FOR 40760-0104 ARC								1		
44690-0000		INDICATOR-DIRECTIONAL GYRO USED WITH 400B IFCS & 400B WITH HSI ARC								1		
44760-0000		INDICATOR-DIRECTIONAL GYRO USED WITH 400B SLAVED DG ARC								1		
AN515-6R10		SCREW ATTACHES THREE HOLE INDICATOR								3		
AN515-6R12		SCREW ATTACHES FOUR HOLE INDICATOR								4		
1513190-32		COVER USED WHEN DIRECTIONAL GYRO IS NOT INSTALLED								1	T	
1513190-55-A59		COVER GREY USED WHEN DIR GYRO IS NOT INSTALLED								1	S	
1513190-55-C12		COVER BROWN USED WHEN DIR GYRO IS NOT INSTALLED								1	S	
1513190-55-279		COVER BLACK USED WHEN DIR GYRO IS NOT INSTALLED								1	S	
-32		C661071-0201	ALTIMETER 35000 FT FT & IN								1	
	C661071-0202	ALTIMETER 35000 FT FT & MILL								1		
	C661025-0102	ALTIMETER 35000 FT MILL 20 FT INCREMENTS								1		
	AN515B6R16	SCREW-ALTIMETER ATTACH								3		
	42540-3128	ALTIMETER-ENCODING FT & IN ARC								1		
	42540-3228	ALTIMETER-ENCODING FT & MILL ARC								1		
	AN515B6R7	SCREW-ALTIMETER ATTACH								3		
	AN936A416B	WASHER-ALTIMETER ATTACH								3		
	-33	C661071-0201	ALTIMETER 35000 FT FT & IN								1	
			USED WITH ENCODING ALTIMETER									
		C661071-0202	ALTIMETER 35000 FT FT & MILL								1	
			USED WITH ENCODING & DUAL ALTIMETER									
		C661071-0203	ALTIMETER 35000 FT FT & IN USED WITH BLIND ENCODER								1	R
		C661071-0204	ALTIMETER 35000 FT FT & MILL USED WITH BLIND ENCODER								1	R
		AN515B6R7	SCREW-ALTIMETER ATTACH								3	
1513190-25		COVER USED WHEN ENCODING OR DUAL ALTIMETER IS NOT INSTALLED								1	T	
1513190-50-A59		COVER GREY USED WHEN ENCODING OR DUAL ALTIMETER IS NOT INSTALLED								1	S	
1513190-50-C12		COVER BROWN USED WHEN ENCODING OR DUAL ALTIMETER IS NOT INSTALLED								1	S	
1513190-50-279		COVER BLACK USED WHEN ENCODING OR DUAL ALTIMETER IS NOT INSTALLED								1	S	
-34		C661080-0102	INDICATOR-VERTICAL SPEED								1	
		AN515B6R12	SCREW-ALTIMETER ATTACH								3	
-35		C668020-0108	TACHOMETER								1	
		C668020-0208	TACHOMETER ALT FOR C668020-0108								1	AR
	AN515B6R12	SCREW-TACHOMETER ATTACH							4			
	S1605-8	SHAFT-TACHOMETER USED WITH C668020-0108							1			
	S2550-8	SHAFT-TACHOMETER USED WITH C668020-0208							1	AR		
-36	C662037-0207	INDICATOR-DUAL FUEL FLOW & MANIFOLD PRESSURE								1	AL	
	C662037-0209	INDICATOR-DUAL FUEL FLOW & MANIFOLD PRESSURE								1	AM	
	AN515B6R12	SCREW-INDICATOR ATTACH							4			
-37	C668540-0101	GAGE-SUCTION								1		
	C668519-0105	GAGE-SUCTION USED WITH DUAL VACUUM PUMPS								1		
	AN515-6R12	SCREW-SUCTION GAGE ATTACH								4		
	1513190-27	COVER USED WHEN SUCTION GAGE IS NOT INSTALLED								1	T	
	1513190-51-A59	COVER GREY USED WHEN SUCTION GAGE IS NOT INSTALLED								1	S	
	1513190-51-C12	COVER BROWN USED WHEN SUCTION GAGE IS NOT INSTALLED								1	S	
	1513190-51-279	COVER BLACK USED WHEN SUCTION GAGE IS NOT INSTALLED								1	S	

CONTINUED ON NEXT PAGE

P210 Parts Catalog

FIGURE AND INDEX NO.	PART NUMBER	DESCRIPTION							UNITS PER ASSY	USABLE ON CODE
		1	2	3	4	5	6	7		
69 -38	C664502-0101	GAGE-HOURMETER	WEU	C664503-0101	----	----	----	----	1	A
	C664503-0101	GAGE-HOURMETER							1	B
	AN515-6R6	SCREW-HOURMETER GAGE ATTACH							2	
	MS21044N06	NUT-HOURMETER GAGE ATTACH							2	
	S2023-1	ADAPTOR-TERMINAL							1	
	1513190-28	COVER	USED WHEN HOURMETER IS NOT INSTALLED						1	T
	1513190-52-A59	COVER	GREY	USED WHEN HOURMETER IS NOT INSTALLED					1	S
	1513190-52-C12	COVER	BROWN	USED WHEN HOURMETER IS NOT INSTALLED					1	S
	1513190-52-279	COVER	BLACK	USED WHEN HOURMETER IS NOT INSTALLED					1	S
	C669526-0101 ###	INSTRUMENT CLUSTER ASSY			CYL HEAD & OIL TEMP				NP	X
	C669561-0107 &&	FSO C669561-0105	INSTRUMENT CLUSTER ASSY		CYL HEAD & OIL TEMP				NP	AD
	C669561-0105 &&&	FSO C669561-0105	INSTRUMENT CLUSTER ASSY		CYL HEAD & OIL TEMP				1	AE
	C669527-0101	SEE NOTE +	INSTRUMENT CLUSTER ASSY		AMPS & OIL PRESSURE				NP	X
	C669560-0102	FSO C669560-0105	INSTRUMENT CLUSTER ASSY		AMPS & OIL PRESSURE				NP	AG
	C669560-0105	FSO C669560-0105	INSTRUMENT CLUSTER ASSY		AMPS & OIL PRESSURE				1	AH
	C669563-0101	INSTRUMENT CLUSTER ASSY	AMPS & OIL PRESSURE						1	AM
	C669525-0101 #	USED WITH DUAL ALTERNATORS	INSTRUMENT CLUSTER ASSY-FUEL	FSO	C669562-0107	----	----	----	NP	AF
	C669562-0107 &	SEE NOTE ##	INSTRUMENT CLUSTER ASSY-FUEL						1	AJ
	AN515B6R24	SCREW-ATTACH							2	X
	AN515B6R24	SCREW-ATTACH	FUEL CLUSTER ONLY						2	AK
	AN515B6R21	SCREW-ATTACH	FUEL CLUSTER ONLY						2	AJ
	AN515B6R21	SCREW-ATTACH							2	Y
	NAS43DD1-74	SPACER-ATTACH							2	X
	NAS43DD1-74	SPACER-ATTACH	FUEL CLUSTER ONLY						2	AK
	NAS43DD1-62	SPACER-ATTACH	FUEL CLUSTER ONLY						2	AJ
	NAS43DD1-62	SPACER-ATTACH							2	Y
	AN936A6B	WASHER-ATTACH							2	
	AN34086	NUT-ATTACH							2	
	-39	880017 ###	GAGE-CYLINDER HEAD TEMP	SW	FSO 6246-00275	----	----	----	NP	X
		6246-00275 ++	SEE NOTE +							
	-40	880035 ###	GAGE-CYLINDER HEAD TEMP	ROCH					1	Y
		6246-00265 ++	GAGE-OIL TEMP	SW	FSO 6246-00265	----	SEE NOTE +	----	NP	X
	-41	440480	GAGE-OIL TEMP	ROCH					1	Y
		6246-00272	GAGE-AMMETER	SW	FSO 6246-00272	----			NP	X
		6246-00349	GAGE-AMMETER	ROCH					1	Y
	-42	883014	GAGE-AMMETER	ROCH	USED WITH DUAL ALTERNATORS				1	AM
		2646-00061	GAGE-OIL PRESS	SW	FSO 2646-00052	----			NP	X
		2646-00052	GAGE-OIL PRESS	ROCH	FSO 2646-00052	----			NP	AG
	-43	878014 #	GAGE-OIL PRESS	ROCH					1	AH
		6246-00355 &	GAGE-FUEL	SW	FSO 6246-00355	----	SEE NOTE ##	----	NP	AF
		MS25237-327	GAGE-FUEL	ROCH					2	AJ
		MS25237-327	BULB-CYL HEAD & OIL TEMP CLUSTER						1	Y
		MS25237-327	BULB-AMPS & OIL PRESSURE CLUSTER						1	AJ
		1270479-13	BULB-FUEL CLUSTER						1	AF
		1270479-13	LIGHT ASSY-INSTRUMENT CLUSTER		FUEL CLUSTER				1	X
		LIGHT ASSY-INSTRUMENT CLUSTER		CYLINDER HEAD & OIL TEMP				2		
		AMP & OIL PRESSURE								
		BULB						3		
-44	S1894-4	GAGE-PROP DE-ICE						1	T	
	C662503-0107	COVER	USED WHEN PROP DE-ICE IS NOT INSTALLED					1	S	
	1513190-34	COVER	GREY	USED WHEN PROP DE-ICE IS NOT INSTALLED				1	S	
	1513190-57-A59	COVER	BROWN	USED WHEN PROP DE-ICE IS NOT INSTALLED				1	S	
	1513190-57-C12	COVER	BLACK	USED WHEN PROP DE-ICE IS NOT INSTALLED				1	S	
	22-370-20	SHUNT-PROP DE-ICE GAGE	MOUNTED ON LH					1		
	AN515-8R10	STATIONARY PANEL BULKHEAD								
	NAS1149FN832P	SCREW-ATTACH						2		
	NAS1149DN832K	WASHER-ATTACH						2		
	MS21044N08	WASHER-ATTACH	BETWEEN SHUNT & BULKHEAD					2		
-45	MS25041-6	NUT-ATTACH						2		
	MS25237-327	INDICATOR LIGHT-PRESS TO TEST		CABIN ALTITUDE				1		
-46	MS25041-3	BULB-CABIN ALTITUDE						1		
	MS25237-327	INDICATOR LIGHT-PRESS TO TEST		DE-ICE PRESSURE				1		
		BULB-DE-ICE PRESSURE						1		

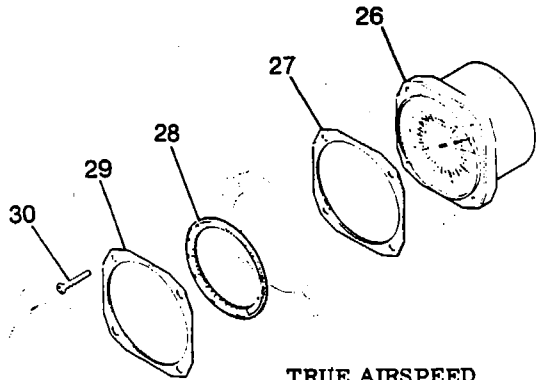
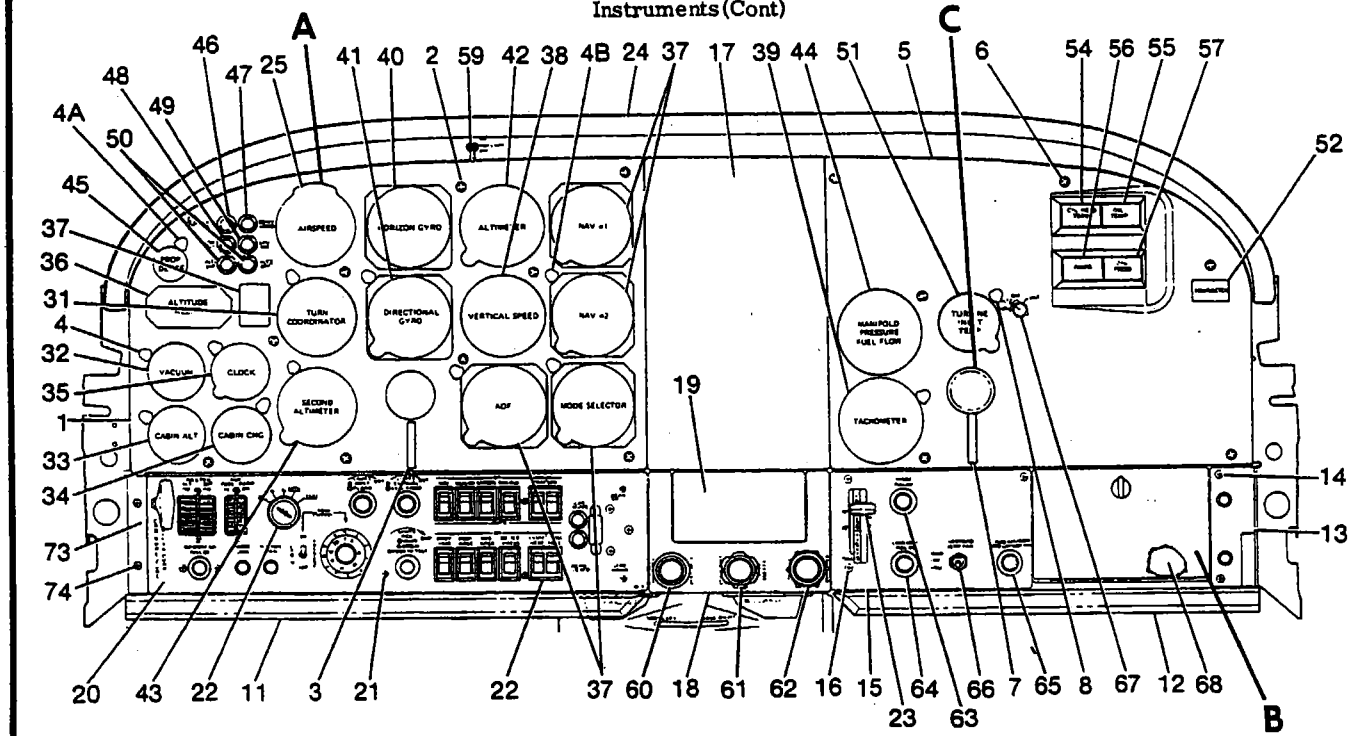
CONTINUED ON NEXT PAGE

P210 Parts Catalog

FIGURE AND INDEX NO.	PART NUMBER	DESCRIPTION	UNITS PER ASSY	USABLE ON CODE
		1 2 3 4 5 6 7		
69 -		<p>NOTE. @AN EXCHANGE PART IS ALSO AVAILABLE. REFER TO THE MASTER PRICE LIST.</p> <p>NOTE. #AIRPLANES P21000001 THRU P21000691 NOT INCORPORATING SK210-145.</p> <p>NOTE. ##WHEN INITIALLY ORDERING THIS PART, ORDER SK210-145.</p> <p>NOTE. &AIRPLANES P21000692 THRU P21000811, AND AIRPLANES P21000001 THRU P21000691 INCORPORATING SK210-145.</p> <p>NOTE. ### AIRPLANES P21000001 THRU P21000534 NOT INCORPORATING SK210-148.</p> <p>NOTE. &&AIRPLANES P21000535 THRU P21000618 NOT INCORPORATING SK210-148.</p> <p>NOTE. &&&AIRPLANES P21000619 THRU P21000811 AND AIRPLANES P21000001 THRU P21000618 INCORPORATING SK210-148.</p> <p>NOTE. +WHEN INITIALLY ORDERING THIS PART, ORDER SK210-148.</p> <p>NOTE. ++AIRPLANES P21000535 THRU P2100811, AND AIRPLANES P21000001 THRU P21000534 INCORPORATING SK210-148.</p> <p>A---P210 SERIAL P21000001 THRU P21000030</p> <p>B---P210 SERIAL P21000031 THRU P21000081</p> <p>C---P210 SERIAL P21000001 THRU P21000150</p> <p>D---P210 SERIAL P21000151 THRU P21000081</p> <p>E---P210 SERIAL P21000001 THRU P21000121</p> <p>F---P210 SERIAL P21000122 THRU P21000081</p> <p>G---P210 SERIAL P21000001 THRU P21000133</p> <p>H---P210 SERIAL P21000134 THRU P21000081</p> <p>J---P210 SERIAL P21000085 THRU P21000150</p> <p>K---P210 SERIAL P21000001 THRU P21000219</p> <p>L---P210 SERIAL P21000220 THRU P21000544</p> <p>M---P210 SERIAL P21000001 THRU P21000230</p> <p>N---P210 SERIAL P21000231 THRU P21000081</p> <p>P---P210 SERIAL P21000151 THRU P21000230</p> <p>Q---P210 SERIAL P21000151 THRU P21000385</p> <p>R---P210 SERIAL P21000234 THRU P21000081</p> <p>S---P210 SERIAL P21000386 THRU P21000081</p> <p>T---P210 SERIAL P21000001 THRU P21000385</p> <p>U---P210 SERIAL P21000545 THRU P21000081</p> <p>V---P210 SERIAL P21000386 THRU P21000481</p> <p>W---P210 SERIAL P21000482 THRU P21000081</p> <p>X---P210 SERIAL P21000001 THRU P21000534</p> <p>Y---P210 SERIAL P21000535 THRU P21000081</p> <p>Z---P210 SERIAL P21000386 THRU P21000590</p> <p>AA---P210 SERIAL P21000591 THRU P21000760</p> <p>AB---P210 SERIAL P21000001 THRU P21000590</p> <p>AC---P210 SERIAL P21000779 THRU P21000081</p> <p>AD---P210 SERIAL P21000535 THRU P21000618</p> <p>AE---P210 SERIAL P21000619 THRU P21000081</p> <p>AF---P210 SERIAL P21000001 THRU P21000691</p> <p>AG---P210 SERIAL P21000535 THRU P21000713</p> <p>AH---P210 SERIAL P21000714 THRU P21000081</p> <p>AJ---P210 SERIAL P21000692 THRU P21000081</p> <p>AK---P210 SERIAL P21000535 THRU P21000691</p> <p>AL---P210 SERIAL P21000001 THRU P21000760</p> <p>AM---P210 SERIAL P21000761 THRU P21000081</p> <p>AN---P210 SERIAL P21000386 THRU P21000760</p> <p>AP---P210 SERIAL P21000001 THRU P21000760</p> <p>AQ---P210 SERIAL P21000761 THRU P21000778</p> <p>AR---P210 SERIAL P21000680 THRU P21000081</p> <p>AS---P210 SERIAL P21000151 THRU P21000343</p> <p>AT---P210 SERIAL P21000344 THRU P21000081</p> <p>AU---P210 SERIAL P21000001 THRU P21000081</p>		

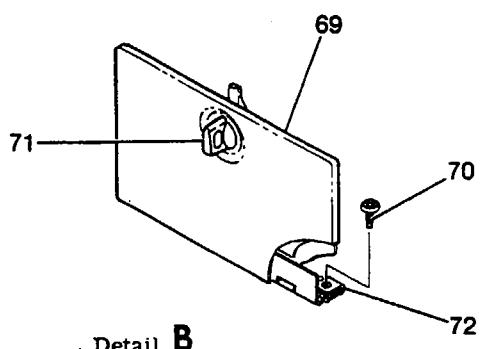
P210 Parts Catalog

Instruments (Cont)

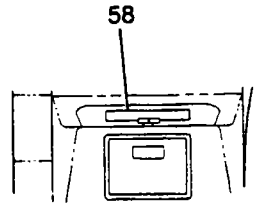


TRUE AIRSPEED

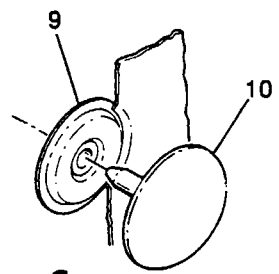
Detail A



Detail B



FUEL GAGE INSTRUMENT CLUSTER



Detail C

P210 SERIAL P21000812 THRU P21000834
Figure 69A. Instrument Panel Equipment Installation

P210 Parts Catalog

FIGURE AND INDEX NO.	PART NUMBER	DESCRIPTION	UNITS PER ASSY	USABLE ON CODE
		1 2 3 4 5 6 7		
69A-		INSTRUMENT PANEL EQUIPMENT INSTALLATION		
- 1	2113025-55-A59%	COVER ASSY-LH INSTRUMENT PANEL GREY	NP	A
	2113025-55-C12%	COVER ASSY-LH INSTRUMENT PANEL BROWN	1	
	2113025-55-279%	COVER ASSY-LH INSTRUMENT PANEL BLACK	1	
		ATTACHING PARTS		
- 2	0413613-1-A59	NUT-INSTRUMENT PANEL COVER GREY	10	
	0413613-1-D66	NUT-INSTRUMENT PANEL COVER BROWN	10	
	0413613-1-279	NUT-INSTRUMENT PANEL COVER BLACK	10	
		-----*		
- 3	S2611-1-1.70-A58	CHANNEL GREY	1	
	S2611-1-1.70-156	CHANNEL BLACK	1	
	S2611-1-1.70-D65	CHANNEL BROWN	1	
	S2092-12	FABRIC FASTNER-PILE BKI	AR	
- 4	2106002-6-A58	LIGHT ASSY-TAB MOUNT GREY RED LENS	6	
	2106002-6-D65	LIGHT ASSY-TAB MOUNT BROWN RED LENS	6	
	2106002-6-156	LIGHT ASSY-TAB MOUNT BLACK RED LENS	6	
- 4A	2106002-8-A58	LIGHT ASSY-TAB MOUNT GREY RED LENS	1	
	2106002-8-D65	LIGHT ASSY-TAB MOUNT BROWN RED LENS	1	
	2106002-8-156	LIGHT ASSY-TAB MOUNT BLACK RED LENS	1	
- 4B	2106002-14-A58	LIGHT ASSY-TAB MOUNT GREY RED LENS	1	
	2106002-14-D65	LIGHT ASSY-TAB MOUNT BROWN RED LENS	1	
	2106002-14-156	LIGHT ASSY-TAB MOUNT BLACK RED LENS	1	
	MS25237-327	BULB-POST LIGHT	1	
- 5	2113026-52-A59%	COVER ASSY-RH INSTRUMENT PANEL GREY	1	
	2113026-52-C12%	COVER ASSY-RH INSTRUMENT PANEL BROWN	1	
	2113026-52-279%	COVER ASSY-RH INSTRUMENT PANEL BLACK	1	
	2113026-55-A59%	COVER ASSY-RH INSTRUMENT PANEL GREY	1	
		USED WITH DUAL ALTERNATORS		
	2113026-55-C12%	COVER ASSY-RH INSTRUMENT PANEL BROWN	1	
		USED WITH DUAL ALTERNATORS		
	2113026-55-279%	COVER ASSY-RH INSTRUMENT PANEL BLACK	1	
		USED WITH DUAL ALTERNATORS		
		ATTACHING PARTS		
- 6	0413613-1-A59	NUT-INSTRUMENT PANEL COVER GREY	6	
	0413613-1-D66	NUT-INSTRUMENT PANEL COVER BROWN	6	
	0413613-1-279	NUT-INSTRUMENT PANEL COVER BLACK	6	
		-----*		
- 7	S2611-1-1.95-A58	CHANNEL GREY	1	
	S2611-1-1.95-156	CHANNEL BLACK	1	
	S2611-1-1.95-D65	CHANNEL BROWN	1	
	S2092-12	FABRIC FASTNER-PILE BKI	AR	
- 8	2106002-6-A58	LIGHT ASSY-TAB MOUNT GREY RED LENS	2	
	2106002-6-D65	LIGHT ASSY-TAB MOUNT BROWN RED LENS	2	
	2106002-6-156	LIGHT ASSY-TAB MOUNT BLACK RED LENS	2	
	MS25237-327	BULB-POST LIGHT	1	
- 9	0713346-1	BACKING ASSY	1	
- 10	0713346-6-A59	CAP ASSY GREY	1	
	0713346-6-C12	CAP ASSY BROWN	1	
	0713346-6-279	CAP ASSY BLACK	1	
- 11	2113235-1	COVER-PROTECTOR LWR LH	1	
- 12	2113235-2	COVER-PROTECTOR LWR RH	1	
- 13	2113236-2	COVER-INSTRUMENT PANEL LWR RH	1	
		ATTACHING PARTS		
- 14	S102274-10B	SCREW	2	
	NAS446-1	NUT	2	
		-----*		
- 15	2113228-4 *	PANEL-LWR RH	1	
		ATTACHING PARTS		
- 16	S102274-10B	SCREW	3	
	NAS446-1	NUT	3	
		-----*		
- 17	1213756-4	COVER ASSY-RADIO CUTOUT	1	
	S2092-5	FABRIC FASTNER-HOOK BKI SEE FIG 1	AR	
- 18	2113237-1	COVER-ENGINE CONTROL PANEL	1	
	2113237-2	SPACER	1	
	2113237-3	COVER	1	
- 19	2113227-4 *	PANEL-LWR LH WEU 2113227-10	1	
- 20	2113227-10 *	PANEL-LWR LH	1	
		ATTACHING PARTS		
- 21	S102274-10B	SCREW	5	
		-----*		
- 22	SEE FIG 71C	SWITCH PANEL INSTALLATION	1	
- 23	SEE FIG 101	FLAP CONTROL DETAILS	1	

CONTINUED ON NEXT PAGE

P210 Parts Catalog

FIGURE AND INDEX NO.	PART NUMBER	DESCRIPTION	1 2 3 4 5 6 7							UNITS PER ASSY	USABLE ON CODE
			1	2	3	4	5	6	7		
69A-24	2113036-26	GLARESHIELD ASSY-INSTRUMENT PANEL								1	
	2113260-3	GLARESHIELD ASSY-INSTRUMENT PANEL WEU 2113260-3								1	
		ATTACHING PARTS									
	AN515B8R8	SCREW UPR								6	
	S1450-3AB-032	WASHER UPR								6	
	AN525-832R8	SCREW LMR USED WITH 2113036-26								4	
	AN525-832R8	SCREW LMR USED WITH 2113260-3								6	

-25	C661064-0221	INDICATOR-AIRSPEED								1	
		ATTACHING PARTS									
	AN515B6R16	SCREW								4	

		TRUE AIRSPEED INSTALLATION									
-26	C661065-0221	INDICATOR-AIRSPEED								NP	
-27	0700162-6	SPACER .071 THICKNESS								1	
	0700162-4	SPACER .063 THICKNESS								AR	
	0700162-3	SPACER .051 THICKNESS								AR	
	0700162-7	SPACER .040 THICKNESS								AR	
-28	S2234-2	RING-TRUE AIRSPEED								1	
-29	0700162-1	RETAINER ASSY-TRUE AIRSPEED								1	
		ATTACHING PARTS									
-30	AN515-6R16	SCREW								4	

-31	C661003-0506 @	INDICATOR-TURN COORDINATOR								1	
	C661003-0507	INDICATOR-TURN COORDINATOR ALT FOR C661003-0506								1	
	C6661033-0101	INDICATOR-TURN & BANK								1	
		ATTACHING PARTS									
	AN515B6R12	SCREW								4	

-32	C668540-0101	GAGE-SUCTION								1	
	C668519-0105	GAGE-SUCTION USED WITH DUAL VACUUM PUMPS								1	
		ATTACHING PARTS									
	AN515-6R12	SCREW								4	

	1513190-51-A59	COVER GREY USED WHEN SUCTION GAGE IS NOT INSTALLED								1	
	1513190-51-C12	COVER BROWN USED WHEN SUCTION GAGE IS NOT INSTALLED								1	
	1513190-51-279	COVER BLACK USED WHEN SUCTION GAGE IS NOT INSTALLED								1	
-33	C668516-0103	INDICATOR-DIFFERENTIAL PRESSURE								1	
		ATTACHING PARTS									
	AN515B6R12	SCREW								4	

-34	C668517-0101 @	INDICATOR-CABIN RATE OF CHANGE								1	
		ATTACHING PARTS									
	AN515B6R12	SCREW								2	
	AN507B62R12	SCREW								1	

-35	C664508-0102	CLOCK-ELECTRIC								1	
	C664511-0102	CLOCK-ELECTRIC DIGITAL								1	
	C662060-0101	INDICATOR-FUEL FLOW/CLOCK USED WITH FUEL								1	
		TOTALIZER INSTALLATION									
		ATTACHING PARTS									
	AN515B6R12	SCREW USED WITH ELECTRIC & DIGITAL CLOCK ONLY								2	
	AN507B632R12	SCREW USED WITH ELECTRIC CLOCK ONLY								1	
	AN507B632R8	SCREW USED WITH FUEL FLOW/CLOCK ONLY								2	
	AN515B6R8	SCREW USED WITH FUEL FLOW/CLOCK ONLY								1	

	S2413-1	SOCKET USED WITH DIGITAL CLOCK								1	
	MS25231-1819	BULB USED WITH DIGITAL CLOCK								1	
-36	1513190-67-A59	COVER GREY USED WHEN ALT ALERT IS NOT INSTALLED								1	
	1513190-67-C12	COVER BROWN USED WHEN ALT ALERT IS NOT INSTALLED								1	
	1513190-67-279	COVER BLACK USED WHEN ALT ALERT IS NOT INSTALLED								1	
-37	1513190-56-A59	RADIO INSTL SEE AVIONICS SERVICE/PARTS MANUAL								NP	
		COVER GREY USED WHEN NAV #1, NAV #2, MODE SELECTOR & ADF ARE NOT INSTALLED								4	
	1513190-56-C12	COVER BROWN USED WHEN NAV#1,NAV#2,MODE SELECTOR & ADF ARE NOT INSTALLED								4	
	1513190-56-279	COVER BLACK USED WHEN NAV#1,NAV#2,MODE SELECTOR & ADF ARE NOT INSTALLED								4	
	1513190-59-A59	COVER GREY USED WHEN BONZER SWITCH IS NOT INSTALLED								1	
	1513190-59-C12	COVER BROWN USED WHEN BONZER SWITCH IS NOT INSTALLED								1	
	1513190-59-279	COVER BLACK USED WHEN BONZER SWITCH IS NOT INSTALLED								1	
-38	C661080-0102	INDICATOR-VERTICAL SPEED								1	
		ATTACHING PARTS									
	AN515B6R12	SCREW								3	

CONTINUED ON NEXT PAGE

P210 Parts Catalog

FIGURE AND INDEX NO.	PART NUMBER	DESCRIPTION							UNITS PER ASSY	USABLE ON CODE	
		1	2	3	4	5	6	7			
69A-39	C668020-0108	TACHOMETER -----							1		
	C668020-0208	TACHOMETER ALT FOR C668020-0108 -----							1		
	AN515B6R12	ATTACHING PARTS							1		
		SCREW -----							4		
		*-----									
		S1605-8	SHAFT-TACHOMETER -----							1	
		S2550-8	SHAFT-TACHOMETER USED WITH C668020-0208 -----							1	
	-40	C661076-0103 **	INDICATOR-HORIZONTAL GYRO -----							1	
		C661076-0101 **	INDICATOR-HORIZONTAL GYRO -----							1	
		C661076-0102@ **	INDICATOR-HORIZONTAL GYRO -----							1	
C661076-0105 **		INDICATOR-HORIZONTAL GYRO -----							1		
C661076-0107 **		INDICATOR-HORIZONTAL GYRO -----							1		
C661076-0108 **		INDICATOR-HORIZONTAL GYRO -----							1		
37570-0105		INDICATOR-HORIZONTAL GYRO USED WITH NAV 400 & 400B UNSLAVED, 400B SLAVED DG, 400B WITH HSI & 400B WITH UNSLAVED HSI ARC -----							1		
37570-1011		INDICATOR-HORIZONTAL GYRO ALT FOR 37570-0105 ARC -----							1		
44670-0000		INDICATOR-HORIZONTAL GYRO USED WITH 400B IFCS ARC -----							1		
		ATTACHING PARTS									
	AN515-6R6	SCREW -----							4		
	AN515-6R12	SCREW USED TO ATTACH 44670-0000 ONLY -----							4		
	1513190-54-A59	COVER GREY USED WHEN HORZ GYRO IS NOT INSTALLED -----							1		
	1513190-54-C12	COVER BROWN USED WHEN HORZ GYRO IS NOT INSTALLED -----							1		
	1513190-54-279	COVER BLACK USED WHEN HORZ GYRO IS NOT INSTALLED -----							1		
-41	C661075-0101 ***	INDICATOR-DIRECTIONAL GYRO -----							1		
	C661075-0103 ***	INDICATOR-DIRECTIONAL GYRO -----							1		
	C661075-0104 ***	INDICATOR-DIRECTIONAL GYRO -----							1		
	C661075-0106 ***	INDICATOR-DIRECTIONAL GYRO -----							1		
	C661075-0108 ***	INDICATOR-DIRECTIONAL GYRO -----							1		
	40760-0104	INDICATOR-DIRECTIONAL GYRO USED WITH NAV 300A, 400 & 400B WITH UNSLAVED DG ARC -----							1		
	40760-0114	INDICATOR-DIRECTIONAL GYRO ALT FOR 40760-0104 ARC -----							1		
	44690-0000	INDICATOR-DIRECTIONAL GYRO USED WITH 400B IFCS & 400B WITH HSI ARC -----							1		
	44760-0000	INDICATOR-DIRECTIONAL GYRO USED WITH 400B SLAVED DG ARC -----							1		
		ATTACHING PARTS									
	AN515B6R10	SCREW ATTACHES THREE HOLE INDICATOR -----							3		
	AN515B6R12	SCREW ATTACHES FOUR HOLE INDICATOR -----							4		
	*-----										
	1513190-55-A59	COVER GREY USED WHEN DIRECTIONAL GYRO IS NOT INSTALLED -----							1		
	1513190-55-C12	COVER BROWN USED WHEN DIRECTIONAL GYRO IS NOT INSTALLED -----							1		
	1513190-55-279	COVER BLACK USED WHEN DIRECTIONAL GYRO IS NOT INSTALLED -----							1		
-42	C661071-0201	ALTIMETER 35000 FT FT & IN -----							1		
	C661071-0202	ALTIMETER 35000 FT FT & MILL -----							1		
	C661025-0102	ALTIMETER 35000 FT MILL 20 FT INCREMENTS -----							1		
		ATTACHING PARTS									
		AN515B6R16	SCREW -----							3	
	*-----										
	42540-3128	ALTIMETER-ENCODING FT & IN ARC -----							1		
	42540-3228	ALTIMETER-ENCODING FT & MILL ARC -----							1		
	ATTACHING PARTS										
	AN515B6R7	SCREW -----							3		
	AN936A416B	WASHER -----							3		
	*-----										
-43	C661071-0201	ALTIMETER 35000 FT FT & IN -----							1		
		USED WITH ENCODING ALTIMETER -----									
	C661071-0202	ALTIMETER 35000 FT FT & MILL -----							1		
		USED WITH ENCODING & DUAL ALTIMETER -----									
	C661071-0203	ALTIMETER 35000 FT FT & IN USED WITH BLIND ENCODER -----							1		
C661071-0204	ALTIMETER 35000 FT FT & MILL USED WITH BLIND ENCODER -----							1			
	ATTACHING PARTS										
	AN515B6R7	SCREW -----							3		
	*-----										
	1513190-50-A59	COVER GREY USED W/O ENCODING OR DUAL ALTIMETER -----							1		
	1513190-50-C12	COVER BROWN USED W/O ENCODING OR DUAL ALTIMETER -----							1		
	1513190-50-279	COVER BLACK USED W/O ENCODING OR DUAL ALTIMETER -----							1		
-44	C662037-0209	INDICATOR-DUAL FUEL FLOW & MANIFOLD PRESSURE -----							1		
		ATTACHING PARTS									
	AN515B6R12	SCREW -----							4		
	*-----										

CONTINUED ON NEXT PAGE

P210 Parts Catalog

FIGURE AND INDEX NO.	PART NUMBER	DESCRIPTION	1 2 3 4 5 6 7						UNITS PER ASSY	USABLE ON CODE
			1	2	3	4	5	6		
69A-45	C662503-0107	GAGE-PROP DE-ICE							1	
	1513190-57-A59	COVER GREY USED WHEN PROP DE-ICE IS NOT INSTALLED							1	
	1513190-57-C12	COVER BROWN USED WHEN PROP DE-ICE IS NOT INSTALLED							1	
	1513190-57-279	COVER BLACK USED WHEN PROP DE-ICE IS NOT INSTALLED							1	
	22-370-20	SHUNT-PROP DE-ICE GAGE MOUNTED ON LH							1	
		STATIONARY PANEL BULKHEAD								
		ATTACHING PARTS								
		AN515-8R10	SCREW							2
		NAS1149FN832P	WASHER							2
		NAS1149DN832K	WASHER BETWEEN SHUNT & BULKHEAD							2
	MS21044N08	NUT							2	
		*-----								
-46	MS25041-6	INDICATOR LIGHT-PRESS TO TEST CABIN ALTITUDE							1	
	MS25237-327	BULB-CABIN ALTITUDE							1	
-47	MS25041-3	INDICATOR LIGHT-PRESS TO TEST DE-ICE PRESSURE							1	
	MS25237-327	BULB-DE-ICE PRESSURE							1	
-48	MS25041-2	INDICATOR LIGHT-PRESS TO TEST LOW VOLTAGE							1	
	MS25237-327	BULB-LOW VOLTAGE							1	
-49	MS25041-2	INDICATOR LIGHT-PRESS TO TEST LOW VACUUM							1	
	MS25237-327	BULB-LOW VACUUM							1	
-50	MS25041-4	INDICATOR LIGHT-PRESS TO TEST DUAL ALTERNATORS							2	
	MS25237-327	BULB-ALTERNATOR LIGHT							2	
-51	C668501-0301	INDICATOR-TURBINE INLET TEMP							1	
		ATTACHING PARTS								
	AN507B632R12	SCREW UPPER RH							1	
	AN515B6R12	SCREW							2	
		*-----								
	C668501-0303	LEAD-TURBINE INLET TEMP							1	
		ATTACHING PARTS								
	NAS557-4A	GROMMET AT FIREWALL							1	
	AN742D48	CLAMP ATTACHES TO TURBOCHARGER DUCT							1	
	MS21919D66	CLAMP ATTACHES TO LEAD							1	
	AN3-5A	BOLT							1	
	NAS1149F0332P	WASHER							1	
	MS21045L3	NUT							1	
	S1046-11	SLEEVE-INSULATING 14.00 IN LG BKI							1	
		*-----								
	C668501-0204	PROBE-TURBINE INLET TEMP							1	
-52	C664503-0101	GAGE-HOURMETER							1	
		ATTACHING PARTS								
	AN515-6R6	SCREW							2	
	MS21044N06	NUT							2	
		*-----								
	S2023-1	ADAPTOR-TERMINAL							1	
	1513190-52-A59	COVER GREY USED WHEN HOURMETER IS NOT INSTALLED							1	
	1513190-52-C12	COVER BROWN USED WHEN HOURMETER IS NOT INSTALLED							1	
	1513190-52-279	COVER BLACK USED WHEN HOURMETER IS NOT INSTALLED							1	
	C669561-0105	INSTRUMENT CLUSTER ASSY CYL HEAD & OIL TEMP							1	
	C669560-0105	INSTRUMENT CLUSTER ASSY AMPS & OIL PRESSURE							1	
	C669563-0101	INSTRUMENT CLUSTER ASSY AMPS & OIL PRESSURE							1	
		USED WITH DUAL ALTERNATORS WEU C669563-0102								
	C669563-0102	INSTRUMENT CLUSTER ASSY AMPS & OIL PRESSURE							1	
		USED WITH DUAL ALTERNATORS								
	C669562-0107	INSTRUMENT CLUSTER ASSY FUEL							1	
		ATTACHING PARTS								
	AN515B6R21	SCREW							2	
	NAS43001-62	SPACER							2	
	AN936A68	WASHER							2	
	AN340B6	NUT							2	
		*-----								
-53		DELETED-NOT USED								
-54	6246-00275	GAGE-CYLINDER HEAD TEMP ROCH							1	
-55	6246-00265	GAGE-OIL TEMP ROCH							1	
-56	6246-00272	GAGE-AMMETER ROCH							1	
	2646-00349	GAGE-AMMETER ROCH							1	
-57	2646-00052	GAGE-OIL PRESS ROCH USED WITH DUAL ALTERNATORS							1	
	MS25237-327	BULB-CYL HEAD & OIL TEMP CLUSTER							1	
	MS25237-327	BULB-AMPS & OIL PRESSURE CLUSTER							1	
-58	6246-00355	GAGE-FUEL ROCH							2	
	MS25237-327	BULB-FUEL CLUSTER							1	
-59	S1695-2	SWITCH-MAPLIGHT							1	

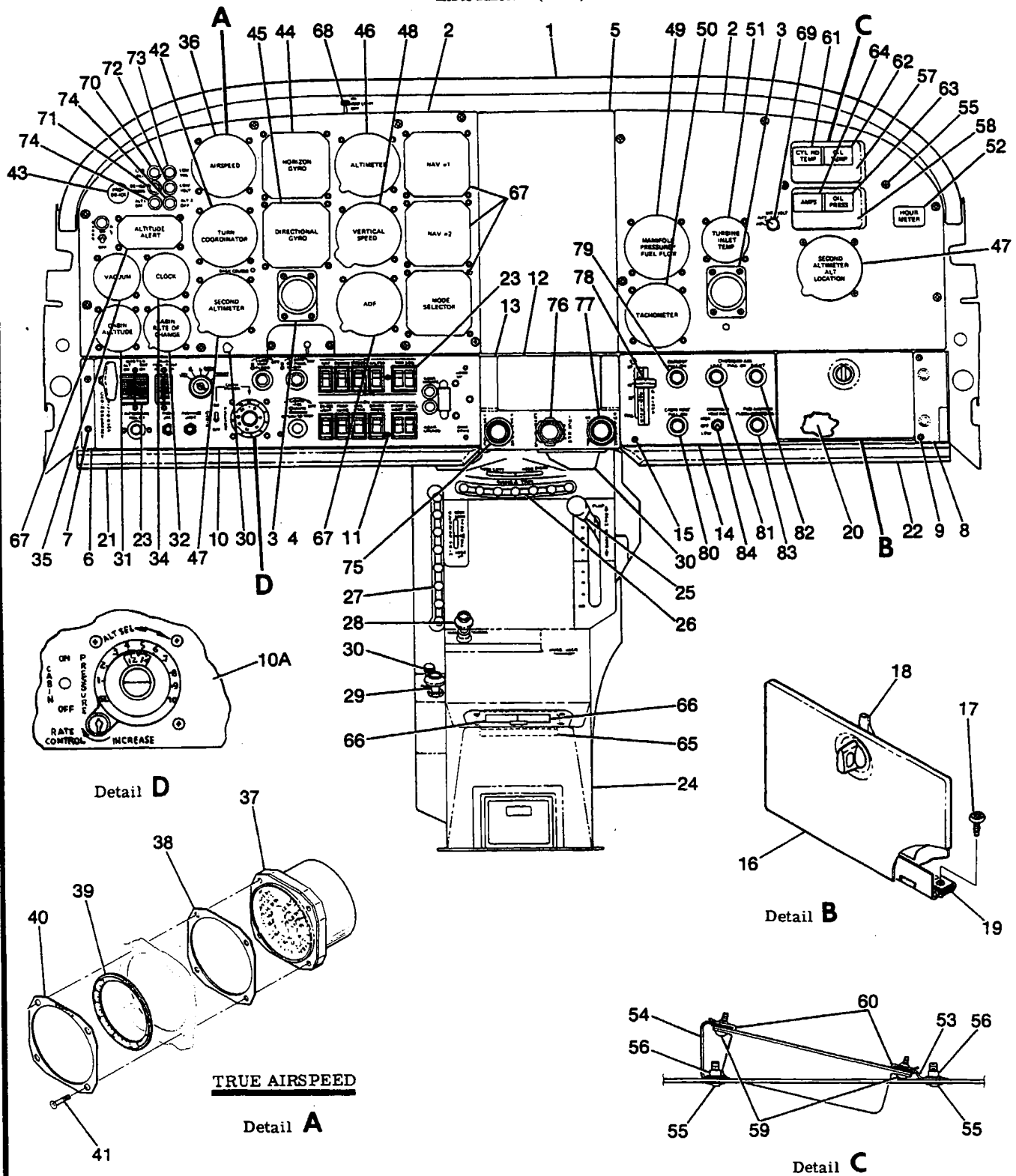
CONTINUED ON NEXT PAGE

P210 Parts Catalog

FIGURE AND INDEX NO.	PART NUMBER	DESCRIPTION							UNITS PER ASSY	USABLE ON CODE
		1	2	3	4	5	6	7		
69A-60	9863056-2	CONTROL ASSY-THROTTLE -----							1	
	S1450-19A16-050	WASHER -----							1	
-61	9862067-1	CONTROL ASSY-PROPELLER -----							1	
	S1450-19A16-050	WASHER -----							1	
-62	9862066-1	CONTROL ASSY -----							1	
	S1450-19A16-050	WASHER -----							1	
-63	S1241-50	CONTROL ASSY-DEFROST -----							1	
-64	565-740-073	CONTROL ASSY-CABIN HEAT -----							1	
-65	S1241-51	CONTROL ASSY-FWD AIR -----							1	
-66	S382-1	SWITCH-OVERHEAD VENT FAN -----							1	
-67	2570044-2	SWITCH ASSY-VOLT AMMETER -----							1	
	AS4-322W2-302	KNOB-VOLT AMMETER SWITCH -----							1	
-68	2113030-8	GLOVE BOX ASSY-REMOVABLE -----							1	
	AN515-6R4	ATTACHING PARTS -----							6	
		SCREW -----								
		*-----								
-69	2113229-1	DOOR ASSY-GLOVE BOX -----							1	
		ATTACHING PARTS -----							3	
-70	S1021Z6-4	SCREW -----								
		*-----								
-71	S2477-4	LATCH ASSY-GLOVE BOX DOOR -----							1	
-72	NAS395-3-3	NUT -----							3	
-73	2113256-1	COVER-INSTRUMENT PANEL LWR LH -----							1	
		ATTACHING PARTS -----							2	
-74	S1022Z4-10B	SCREW -----								
		*-----								
<p>NOTE. %FOR PANELS OR COVERS USED ON RADIO INSTALLATIONS-SEE AVIONICS SERVICE/PARTS MANUAL.</p> <p>NOTE. *THESE PARTS ARE NOT APPLICABLE TO AIRCRAFT EQUIPPED WITH POST LIGHTING. FOR REQUIRED PARTS SEE FIG 72A.</p> <p>NOTE. **THESE GYROS ARE PHYSICALLY & FUNCTIONALLY INTERCHANGABLE.</p> <p>NOTE. ***THESE GYROS ARE PHYSICALLY & FUNCTIONALLY INTERCHANGABLE.</p> <p>NOTE. @THESE COVERS ARE EQUIPPED WITH STANDARD POST LIGHTS. FOR OPTIONAL POST LIGHTS-SEE FIG 72A.</p> <p>NOTE. @@AN EXCHANGE PART IS ALSO AVAILABLE, REFER TO THE MASTER PRICE LIST.</p> <p>A---P210 SERIAL P21000812 THRU P21000834</p>										

P210 Parts Catalog

Instruments (Cont)



P210 SERIAL P21000835 & ON
 Figure 69B. Instrument Panel Equipment Installation

P210 Parts Catalog

FIGURE AND INDEX NO.	PART NUMBER	DESCRIPTION	1 2 3 4 5 6 7							UNITS PER ASSY	USABLE ON CODE
			1	2	3	4	5	6	7		
698-		INSTRUMENT PANEL EQUIPMENT INSTALLATION -----								NP	A
- 1	2113036-26	GLARESHIELD ASSY-INSTRUMENT PANEL WEU 2113260-3 -----								1	B
	2113260-3	GLARESHIELD ASSY-INSTRUMENT PANEL -----								1	C
		ATTACHING PARTS -----									
	AN515-8R8	SCREW UPPER -----								6	
	S1450-3A8-032	WASHER UPPER -----								6	
	AN525-832R8	SCREW LOWER -----								4	B
	AN525-832R8	SCREW LOWER -----								6	C
		-----*									
	SEE FIG 139A	GLARESHIELD LIGHTS INSTALLATION -----								1	
- 2	SEE FIG 70B	STATIONARY INSTRUMENT PANEL ASSY -----								1	
- 3	SEE FIG 93	CONTROL COLUMN INSTALLATION -----								1	
- 4		DELETED -----									
- 5	2113284-1	COVER ASSY-RADIO STACK -----								1	
- 6	2113256-1	COVER-INSTRUMENT PANEL LWR LH -----								1	
		ATTACHING PARTS -----									
- 7	S102274-10B	SCREW -----								2	
		-----*									
- 8	2113236-2	COVER-INSTRUMENT PANEL LWR RH -----								1	
		ATTACHING PARTS -----									
- 9	S102274-10B	SCREW -----								2	
	NAS446-1	NUT -----								2	
		-----*									
-10	2113227-10	PANEL-LOWER LH INSTRUMENT -----	@							1	
	2113227-12	PANEL-LOWER LH INSTRUMENT USED WITH VARIABLE PRESSURE -----	@							1	
		ATTACHING PARTS -----									
-11	S102274-10B	SCREW -----								5	
		-----*									
-12	2113237-3	COVER-INSTRUMENT PANEL LWR CENTER -----								1	
-13	2113237-1	COVER-ENGINE CONTROL PANEL -----								1	
	2113237-2	SPACER-ENGINE CONTROL PANEL COVER -----								1	
-14	2113263-2	PANEL-LOWER RH INSTRUMENT -----	@							1	
		ATTACHING PARTS -----									
-15	S102274-10B	SCREW -----								2	
	NAS446-1	NUT -----								2	
		-----*									
-16	2113229-1	DOOR ASSY-GLOVE BOX -----								1	
		ATTACHING PARTS -----									
-17	S102176-4	SCREW -----								3	
		-----*									
-18	S2477-4	LATCH ASSY-GLOVE BOX DOOR -----								1	
-19	NAS395-3-3	NUT -----								3	
-20	2113030-8	GLOVE BOX ASSY-REMOVABLE -----								1	
		ATTACHING PARTS -----									
	AN515-6R4	SCREW -----								6	
		-----*									
-21	2113235-1	COVER ASSY-LWR LH PROTECTOR -----								1	
-22	2113235-2	COVER ASSY-LWR RH PROTECTOR -----								1	
-23	SEE FIG 71C	SWITCH & CIRCUIT BREAKER PANEL INSTALLATION -----								1	
-24	SEE FIG 63	PEDESTAL COVER ASSY -----								1	
-25	SEE FIG 85	COWL FLAPS SYSTEM -----								1	
-26	SEE FIG 104	RUDDER TRIM INSTALLATION -----								1	
-27	SEE FIG 97	ELEVATOR TRIM CONTROL SYSTEM -----								1	
-28	SEE FIG 110	ENGINE PRIMER SYSTEM -----								1	
-29	SEE FIG 107A	FUEL SYSTEM -----								1	
-30	SEE FIG 72B	INSTRUMENT PANEL & PEDESTAL LIGHTING -----								1	
-31	C668516L0103	INDICATOR-DIFFERENTIAL PRESSURE -----								1	
		ATTACHING PARTS -----									
	AN515B6R16	SCREW -----								4	
		-----*									
	BA28-12BW-G	MODULE-LIGHTING BIAV -----								1	
-32	C668517L0101	INDICATOR-CABIN RATE OF CHANGE -----								1	
	BA28-12BW-G	MODULE-LIGHTING BIAV -----								1	
-33	C	DELETED -----									

CONTINUED ON NEXT PAGE

P210 Parts Catalog

FIGURE AND INDEX NO.	PART NUMBER	DESCRIPTION							UNITS PER ASSY	USABLE ON CODE
		1	2	3	4	5	6	7		
69B-34	C664511-0102	CLOCK-ELECTRIC DIGITAL -----							1	
	C662060-0101	INDICATOR-FUEL FLOW/CLOCK USED WITH FUEL TOTALIZER -----							1	
	C662060-0105	INDICATOR-FUEL FLOW/CLOCK USED WITH FUEL TOTALIZER ----- USED WITH STANDARD RANGE FUEL SYSTEM							1	
	AN515B6R8	ATTACHING PARTS								
	S2413-1	SCREW -----							2	
	MS25231-1819	SOCKET-BULB -----							1	
	D165-100-2	BULB-CLOCK -----							1	
-35	C668540L0101	FILTER-DIGITAL CLOCK LIGHTING MDSC -----							1	
	C668519L0105	GAGE-SUCTION -----							1	
	AN515B6R12	GAGE-SUCTION USED WITH DUAL VACUUM PUMPS -----							1	
	BA28-12BW-G	ATTACHING PARTS								
-36	C661064L0238	SCREW -----							2	
	AN515B6R16	MODULE-LIGHTING BIAV -----							1	
	1V192-983	INDICATOR-AIRSPEED -----							1	
	C661065L0221	ATTACHING PARTS								
-37	1V192-983	SCREW -----							4	
	0700162-6	MODULE-LIGHTING 86877 -----							1	
-38	0700162-4	TRUE AIRSPEED INSTALLATION -----							NP	
	0700162-3	INDICATOR-AIRSPEED -----							1	
	0700162-7	MODULE-LIGHTING 86877 -----							1	
	0700162-15	SPACER .071 THICKNESS -----							1	
-39	S2234-4	SPACER .063 THICKNESS -----							1	
-40	0700162-10	SPACER .051 THICKNESS -----							1	
	AN515-6R16	SPACER .040 THICKNESS -----							1	
	C661003L0506	RING-TRUE AIRSPEED -----							1	
	C661003L0507	RETAINER ASSY-TRUE AIRSPEED -----							1	
	C661030L0301	ATTACHING PARTS								
	AN515B6R16	SCREW -----							4	
	BA28-12BW-G	MODULE-LIGHTING BIAV -----							1	
-43	C662503L0107	GAGE-PROP DE-ICE -----							1	
	BA28-12BW-G	MODULE-LIGHTING BIAV -----							1	
	22-370-20	SHUNT-PROP DE-ICE GAGE MOUNTED ON LH STATIONARY -----							1	
	AN515-8R10	PANEL BULKHEAD								
	NAS1149FN832P	ATTACHING PARTS								
	NAS1149DN832K	SCREW -----							2	
	MS21044N08	WASHER -----							2	
	C661078-0101	NUT -----							2	
	51640-0000	INDICATOR-HORIZONTAL GYRO -----							1	
	AN515B6R6	INDICATOR-HORIZONTAL GYRO USED WITH 400B WITH SLAVED DG, -----							1	
	44760-0000	400B WITH SLAVED HSI & 400B WITH UNSLAVED DG ARC -----							1	
	53080-0000	ATTACHING PARTS								
	AN515B6R12	SCREW -----							4	
	44690-0000	INDICATOR-DIRECTIONAL GYRO -----							1	
	AN515B6R12	INDICATOR-DIRECTIONAL GYRO 400B NAV SLAVED DG ARC -----							1	
	AN515B6R12	INDICATOR-DIRECTIONAL GYRO 400B NAV UNSLAVED DG ARC -----							1	
	AN515B6R12	ATTACHING PARTS								
	AN515B6R12	SCREW -----							4	

CONTINUED ON NEXT PAGE

P210 Parts Catalog

FIGURE AND INDEX NO.	PART NUMBER	DESCRIPTION							UNITS PER ASSY	USABLE ON CODE	
		1	2	3	4	5	6	7			
69B-46	C661071L0201	ALTIMETER	35000 FT	FT & IN	-----				1		
	C661071L0202	ALTIMETER	35000 FT	FT & MILL	-----				1		
	C661025L0102	ALTIMETER	35000 FT	MILL	20 FT INCREMENTS	-----				1	
	AN515B6R16	ATTACHING PARTS									
		SCREW -----							3		
		-----*									
	BA28-12BW-G	MODULE-LIGHTING	BIAV	-----					1		
	42540-6128	ALTIMETER-ENCODING	FT & IN	ARC	-----				1		
	42540-6228	ALTIMETER-ENCODING	FT & MILL	ARC	-----				1		
		ATTACHING PARTS									
	SCREW -----							3			
	WASHER -----							3			
	-----*										
-47	C661071L0201	ALTIMETER	35000 FT	FT & IN	-----				1		
		USED WITH ENCODING ALTIMETER									
	C661071L0202	ALTIMETER	35000 FT	FT & MILL	-----				1		
		USED WITH ENCODING & DUAL ALTIMETER									
	C661071L0204	ALTIMETER	35000 FT	FT & MILL	USED WITH BLIND ENC	-----				1	
	AN515B6R7	ATTACHING PARTS									
	SCREW -----							3			
	-----*										
-48	BA28-12BW-G	MODULE-LIGHTING	BIAV	-----					1		
	C661080L0102	INDICATOR-VERTICAL	SPEED	-----				1			
		ATTACHING PARTS									
	AN515B6R16	SCREW -----							3		
	-----*										
-49	BA28-12BW-G	MODULE-LIGHTING	BIAV	-----					1		
	C662037L0210	INDICATOR-FUEL FLOW & MANIFOLD	PRESSURE	-----				1			
		ATTACHING PARTS									
	AN515B6R12	SCREW -----							4		
	-----*										
-50	BA28-12BW-G	MODULE-LIGHTING	BIAV	-----					1		
	C668020L0226	TACHOMETER	-----				1				
		ATTACHING PARTS									
	AN515B6R16	SCREW -----							4		
	-----*										
-51	BA28-12BW-G	MODULE-LIGHTING	BIAV	-----					1		
	S2550-8	SHAFT-TACHOMETER	-----				1				
	C668501L0304	INDICATOR-TURBINE INLET	TEMP	-----				1			
		ATTACHING PARTS									
		AN507B632R12	SCREW	UPPER RH	-----				1		
		AN515B6R12	SCREW -----							2	
		-----*									
		C668501-0214	LEAD-TURBINE INLET	TEMP	-----				1		
		ATTACHING PARTS									
		NAS557-4A	GROMMET	AT FIREWALL	-----				1		
	A520-10R14	SCREW	ATTACH TO BAFFLE AT CYL NO.3	AFT	-----				1		
	A520-10R18	SCREW	ATTACH TO BAFFLE AT CYL NO.3	FWD	-----				1		
	A520-10R7	SCREW	ATTACH TO BAFFLE AT CYL NO.1	& 5	-----				3		
	NAS1149F0332P	WASHER	ATTACH TO BAFFLE AT CYL NO. 1, 3, & 5	-----				5			
	MS20365-1032C	NUT	ATTACH TO BAFFLE AT CYL NO. 1, 3 & 5	-----				5			
	MS21919D62	CLAMP	ATTACH TO BAFFLE AT CYL NO. 1, 3 & 5	-----				5			
	NAS43DD3-28	SPACER	ATTACH TO BAFFLE AT CYL NO. 3	AFT	-----				1		
	NAS43DD3-42	SPACER	ATTACH TO BAFFLE AT CYL NO. 3	FWD	-----				1		
	S2209-11	STA-STRAP	-----				1				
	-----*										
-52	C668501-0204	PROBE-TURBINE INLET	TEMP	-----				1			
	SEE FIG 73A	SEVEN POINT EXHAUST GAS	TEMPERATURE GAGE INSTALLATION	-----				1			
	C664503-0101	GAGE-HOURMETER	-----				1				
		ATTACHING PARTS									
	AN515-6R6	SCREW	-----				2				
	MS21044N06	NUT	-----				2				
	-----*										
-53	S2023-1	ADAPTOR-TERMINAL	-----				1				
-54	2113269-3	BRACKET ASSY-INSTRUMENT	CLUSTER ATTACH OUTBD	-----				1			
-54	2113269-1	BRACKET ASSY-INSTRUMENT	CLUSTER ATTACH INBD	-----				1			
	ATTACHING PARTS										
-55	AN525-832R8	SCREW	-----				2				
	-----*										
-56	NAS680A08	NUTPLATE	-----				1				

CONTINUED ON NEXT PAGE

P210 Parts Catalog

FIGURE AND INDEX NO.	PART NUMBER	DESCRIPTION							UNITS PER ASSY	USABLE ON CODE
		1	2	3	4	5	6	7		
69B-57	C669561-0103	INSTRUMENT CLUSTER ASSY CYL HEAD & OIL TEMP -----							1	
-58	C669560-0105	INSTRUMENT CLUSTER ASSY AMPS & OIL PRESS -----							1	
	C669563-0102	INSTRUMENT CLUSTER ASSY AMPS & OIL PRESS -----							1	
		USED WITH DUAL ALTERNATORS								
		ATTACHING PARTS								
-59	S102176-8	SCREW -----							2	
-60	NAS395-6-3	NUT -----							2	
		*-----								
-61	6246-00275	GAGE-CYLINDER HEAD TEMP ROCH -----							1	
-62	6246-00265	GAGE-OIL TEMP ROCH -----							1	
-63	2646-00052	GAGE-OIL PRESS ROCH -----							1	
-64	2646-00272	GAGE-AMMETER ROCH -----							1	
	2646-00349	GAGE-AMMETER ROCH USED WITH -----							1	
		DUAL ALTERNATORS								
	MS25237-327	BULB-INSTRUMENT CLUSTER -----							1	
-65	C669562-0107	INSTRUMENT CLUSTER ASSY FUEL -----							1	
	C669562-0111	INSTRUMENT CLUSTER ASSY FUEL EXTENDED FUEL CAPACITY -----							1	
		ATTACHING PARTS								
	AN51586R21	SCREW -----							2	
	NAS43001-62	SPACER -----							2	
	AN936A6B	WASHER -----							2	
	AN340B6	NUT -----							2	
		*-----								
-66	6246-00355	GAGE-FUEL ROCH -----							2	
	6246-00426	GAGE-FUEL ROCH EXTENDED FUEL CAPACITY -----							2	
	MS25237-327	BULB-INSTRUMENT CLUSTER -----							1	
-67		RADIO INSTL SEE AVIONICS SERVICE/PARTS MANUAL -----							NP	
-68	S1695-2	SWITCH-MAPLIGHT -----							1	
-69	2570100-2	SWITCH ASSY-VOLT AMMETER USED WITH DUAL ALTERNATORS -----							1	
	PFK508.250	KNOB USED WITH DUAL ALTERNATOR -----							1	
	80-707227	WASHER-KEY WAY ITW USED WITH DUAL ALTERNATORS -----							1	
	S2239-6	NUT USED WITH DUAL ALTERNATORS -----							1	
-70	MS25041-6	INDICATOR LIGHT-PRESS TO TEST CABIN ALTITUDE -----							1	
	MS25237-327	BULB-CABIN ALTITUDE -----							1	
-71	MS25041-3	INDICATOR LIGHT-PRESS TO TEST DE-ICE PRESSURE -----							1	
	MS25237-327	BULB-DE-ICE PRESSURE -----							1	
-72	MS25041-2	INDICATOR LIGHT-PRESS TO TEST LOW VOLTAGE -----							1	
	MS25237-327	BULB-LOW VOLTAGE -----							1	
-73	MS25041-2	INDICATOR LIGHT-PRESS TO TEST LOW VACUUM -----							1	
	MS25237-327	BULB-LOW VACUUM -----							1	
-74	MS25041-4	INDICATOR LIGHT-PRESS TO TEST DUAL ALTERNATORS -----							2	
	MS25237-327	BULB-ALTERNATOR LIGHT -----							2	
-75	C299513-0101	CONTROL ASSY-THROTTLE -----							1	
	S1450-19A16-050	WASHER -----							1	
-76	C299512-0101	CONTROL ASSY-PROPELLER -----							1	
	S1450-19A16-050	WASHER -----							1	
-77	C299508-0403	CONTROL ASSY-MIXTURE -----							1	
	S1450-19A16-050	WASHER -----							1	
-78	SEE FIG 101	FLAP CONTROL DETAILS -----							1	
-79	S1241-50	CONTROL ASSY-DEFROST -----							1	
-80	565-740-073	CONTROL ASSY-CABIN HEAT -----							1	
-81	S1241-53	CONTROL ASSY-LEFT OVERHEAD AIR -----							1	
-82	S1241-42	CONTROL ASSY-RIGHT OVERHEAD AIR -----							1	
-83	S1241-51	CONTROL ASSY-FORWARD AIR -----							1	
-84	S382-1	SWITCH-OVERHEAD VENT FAN -----							1	

NOTE. @FOR ELECTROLUMINESCENT PANELS
SEE FIG 72B.

A---P210 SERIAL P21000835 & ON
B---P210 SERIAL P21000835 THRU P21000848
C---P210 SERIAL P21000849 & ON

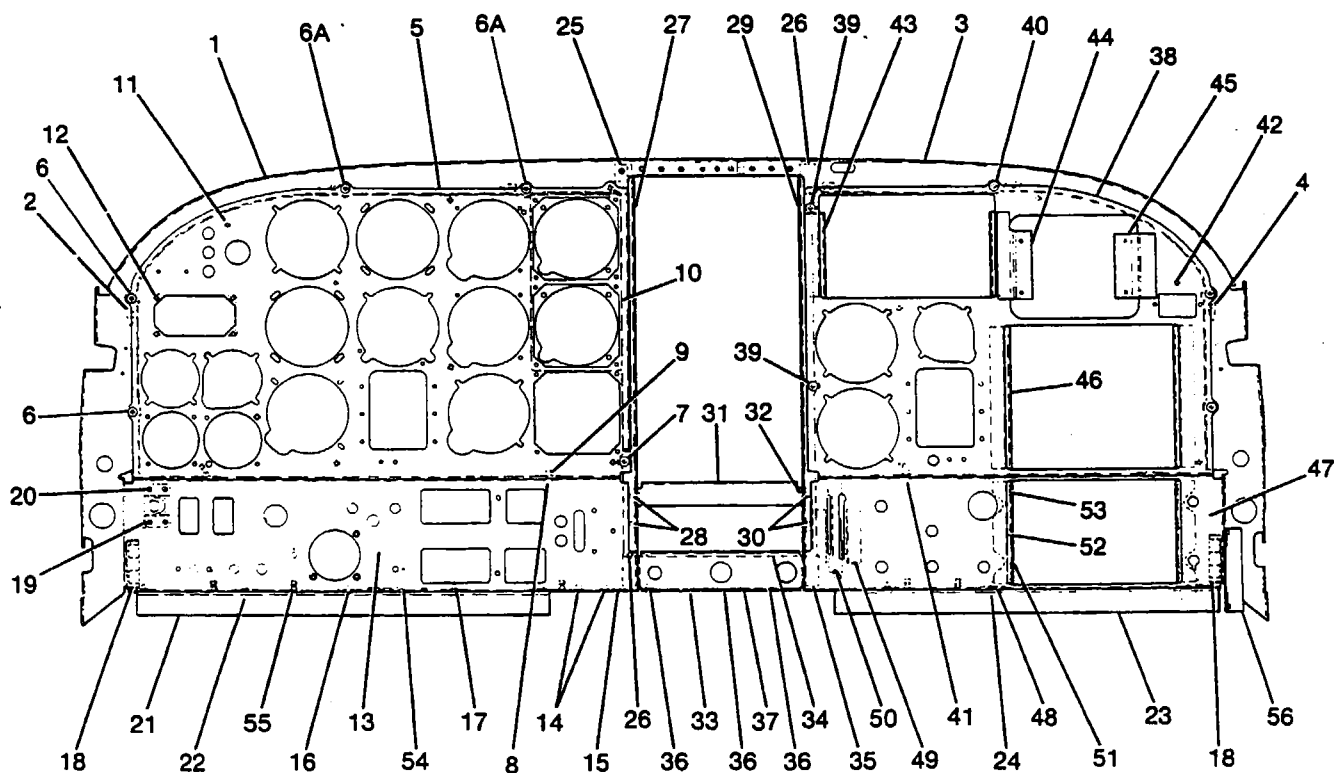
P210 Parts Catalog

FIGURE AND INDEX NO.	PART NUMBER	DESCRIPTION							UNITS PER ASSY	USABLE ON CODE
		1	2	3	4	5	6	7		
70 -		STATIONARY INSTRUMENT PANEL ASSEMBLY -----							NP	Q
- 1	2113019-3	BULKHEAD ASSY-LH -----							1	
- 2	NAS696A08	NUTPLATE -----							3	
	NAS684A3	NUTPLATE -----							4	
- 3	2113020-3	BULKHEAD ASSY-RH -----							1	
- 4	NAS696A08	NUTPLATE -----							3	
	NAS684A3	NUTPLATE -----							3	
- 5	2113015-9	%	PANEL ASSY-LH REMOVABLE -----					1		
			ATTACHING PARTS -----							
- 6	NAS221-8		SCREW -----					2		
	NAS42HT6-8		SPACER -----					2		
- 6A	NAS221-8		SCREW -----					2	J	
	NAS42HT6-8		SPACER -----					2	J	
	NAS221	*	SCREW -----					2	K	
	NAS42HT6	*	SPACER -----					2	K	
- 7	NAS221-11		SCREW -----					2		
	NAS42HT6-23		SPACER -----					1		
- 8	AN520-10R6		SCREW -----					2		
- 9	NAS680A3		NUTPLATE -----					2		
-10	2113086-1		ADAPTER-PANEL -----					1		
-11	S2352-08-7		STUD-THREAD -----					8		
-12	NAS680A04		NUTPLATE -----					4		
-13	2113017-1		PANEL ASSY-LH CONTROL WEU 2113017-3 -----					1	A	
	2113017-3		PANEL ASSY-LH CONTROL -----					1	F	
	2113017-7		PANEL ASSY-LH CONTROL -----					1	F	
-14	NAS682A08		NUTPLATE -----					2		
-15	NAS698A04L		NUTPLATE -----					1		
-16	NAS680A3		NUTPLATE -----					1		
-17	S1863-1A		NUTPLATE -----					4		
-18	1270098-1		SUPPORT-CABLE WEU 1270098-2 -----					2		
	1270098-2		SUPPORT-CABLE -----					2	G	
-19	2113080-1		BRACKET-PRESSURE DUMP -----					1	H	
			ATTACHING PARTS -----							
-20	AN507-440R5		SCREW -----					4		
	MS21044N04		NUT -----					4		
-21	0513292-85		PROTECTOR ASSY-LH -----					1		
			ATTACHING PARTS -----							
-22	S1021Z6-7		SCREW -----					4		
-23	0513292-84		PROTECTOR ASSY-RH -----					1		
			ATTACHING PARTS -----							
-24	S1021Z6-7		SCREW -----					3		
-25	2113032-2		SPACER -----					1		
-26	2113032-1		SPACER -----					5		
-27	2113021-1		SUPPORT ASSY-LH WEU 2113021-5 -----					1	C	
	2113021-5		SUPPORT ASSY-LH WEU 2113021-9 -----					1	D	
	2113021-9		SUPPORT ASSY-LH WEU 2113021-13 -----					1	P	
	2113021-13		SUPPORT ASSY-LH WEU 2113257-1 -----					1	M	
	2113257-1		SUPPORT ASSY-LH -----					1	N	
	MS21073L3		NUTPLATE -----					1		
-28	NAS1068A06L		NUTPLATE -----					2	C	

CONTINUED ON NEXT PAGE

P210 Parts Catalog

Instruments (Cont)



P210 SERIAL P2100001 THRU P21000760

Figure 70. Stationary Instrument Panel Assembly

P210 Parts Catalog

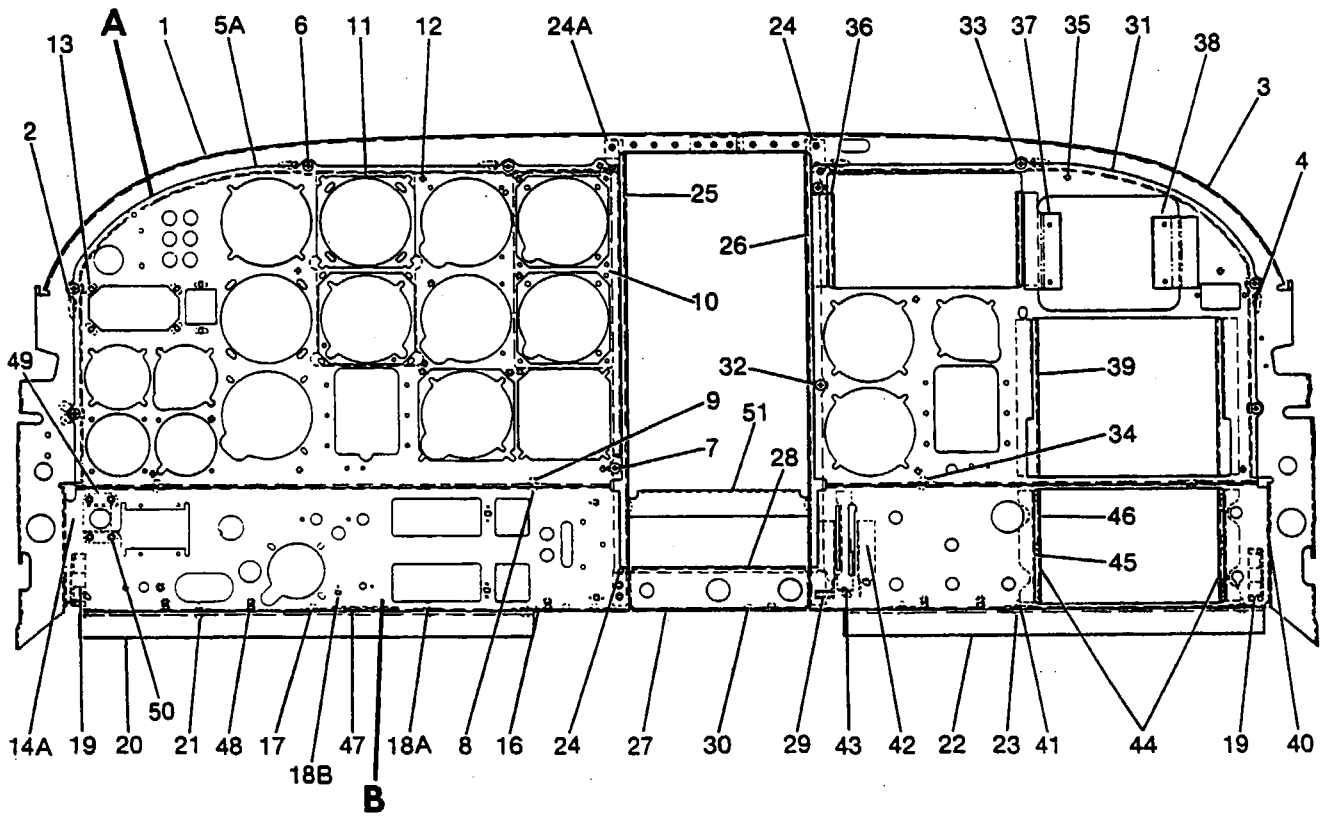
FIGURE AND INDEX NO.	PART NUMBER	DESCRIPTION							UNITS PER ASSY	USABLE ON CODE	
		1	2	3	4	5	6	7			
70 -29	2113021-2	SUPPORT ASSY-RH	WEU	2113021-6						1	C D P M M
	2113021-6	SUPPORT ASSY-RH	WEU	2113026-10						1	
	2113021-10	SUPPORT ASSY-RH	WEU	2113021-14						1	C C
	2113021-14	SUPPORT ASSY-RH	WEU	2113257-2						1	
	2113257-2	SUPPORT ASSY-RH								1	C C
	MS21073L3	NUTPLATE								2	
-30	NAS1068A06L	NUTPLATE								2	C C
-31	1213650-1	SUPPORT								1	
		ATTACHING PARTS									
-32	AN515-6R8	SCREW								2	
		*									
-33	2113022-1	PANEL ASSY								1	A B A B
	2113022-3	PANEL ASSY								1	
-34	2113023-1	RETAINER								1	A B A B
	2113023-2	RETAINER								1	
-35	2113047-2	SUPPORT-RH								1	L M
	2113047-3	SUPPORT-LH								1	
-36	NAS696A08	NUTPLATE								3	L M
-37	NAS698A04L	NUTPLATE								1	
-38	2113016-1	PANEL ASSY-RH	WEU	2113016-5						1	L M
	2113016-5	PANEL ASSY-RH								1	
		ATTACHING PARTS									
-39	NAS221-11	SCREW								2	L M
	NAS42HT6-23	SPACER								2	
-40	NAS221-8	SCREW								3	L M
	NAS42HT6-8	SPACER								3	
-41	AN520-10R6	SCREW								2	
		*									
-42	S2352-08-7	STUD-THRED								6	A N M
	NAS680A3	NUTPLATE								2	
-43	2113079-1	SUPPORT								2	L M
-44	2113024-1	BRACKET-LH								1	
-45	2113024-2	BRACKET-RH								1	L M
-46	2113079-3	SUPPORT								2	
-47	2113018-1	PANEL ASSY-RH CONTROL	WEU	2113018-3						1	A N M
	2113018-3	PANEL ASSY-RH CONTROL	WEU	2113018-5						1	
	2113018-5	PANEL ASSY-RH CONTROL								1	L M
-48	S1863-1A	NUTPLATE								3	
-49	1262001-4	BRACKET-MOUNTING								1	L M
-50	1213376-1	STOP								1	
-51	2113079-2	SUPPORT ASSY	WEU	2113079-5						2	L M
	2113079-5	SUPPORT ASSY								2	
-52	NAS697A06L	NUTPLATE								2	L M
-53	NAS696A06L	NUTPLATE								1	
-54	2113064-3	BRACKET								2	L M
	2113064-2	STIFFENER								1	
-55	AN340-6	NUT								10	L M
	AN507-632R8	SCREW								5	
	AN935-6	WASHER								5	L M
	AN936A6	WASHER								5	
-56	2115015-3	ANGLE ASSY-ARMREST SUPPORT								1	L M
	NAS696A08	NUTPLATE								2	

NOTE. %FOR PANELS OR COVERS USED ON
RADIO INSTALLATIONS-SEE AVIONICS
SERVICE/PARTS MANUAL.

- A---P210 SERIAL P21000001 THRU P21000150
- B---P210 SERIAL P21000151 THRU P21000760
- C---P210 SERIAL P21000001 THRU P21000191
- D---P210 SERIAL P21000192 THRU P21000760
- E---P210 SERIAL P21000386 THRU P21000760
- F---P210 SERIAL P21000151 THRU P21000385
- G---P210 SERIAL P21000001 THRU P21000498
- H---P210 SERIAL P21000499 THRU P21000760
- J---P210 SERIAL P21000001 THRU P21000394
- K---P210 SERIAL P21000395 THRU P21000760
- L---P210 SERIAL P21000001 THRU P21000590
- M---P210 SERIAL P21000591 THRU P21000760
- N---P210 SERIAL P21000151 THRU P21000590
- P---P210 SERIAL P21000386 THRU P21000590
- Q---P210 SERIAL P21000001 THRU P21000760

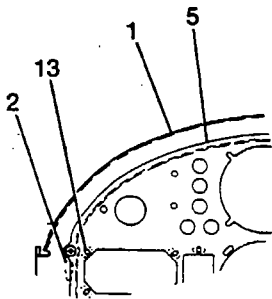
P210 Parts Catalog

Instruments (Cont)



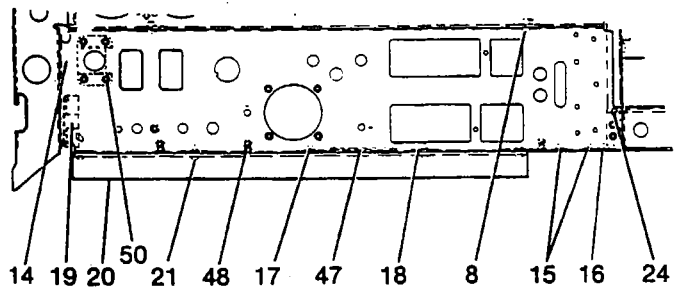
P21000761 THRU P21000811

Detail **A**



P21000761 THRU P21000811

Detail **B**



P210 SERIAL P21000761 THRU P21000834

Figure 70A. Stationary Instrument Panel Assembly

P210 Parts Catalog

FIGURE AND INDEX NO.	PART NUMBER	DESCRIPTION	UNITS PER ASSY							USABLE ON CODE	
			1	2	3	4	5	6	7		
70A-		INSTRUMENT PANEL ASSEMBLY-STATIONARY -----								NP	A
- 1	2113019-3	BULKHEAD ASSY-LH -----								1	
- 2	NAS696A08	NUTPLATE -----								3	
	NAS684A3	NUTPLATE -----								4	
- 3	2113020-3	BULKHEAD ASSY-RH -----								1	
- 4	NAS696A08	NUTPLATE -----								3	
	NAS684A3	NUTPLATE -----								3	
- 5	2113220-1	PANEL ASSY-LH REMOVEABLE -----								1	
- 5A	2113220-3	PANEL ASSY-LH REMOVEABLE -----								1	B C
		ATTACHING PARTS									
- 6	NAS221-8	SCREW -----								4	
	NAS42HT6-8	SPACER -----								4	
- 7	NAS221-11	SCREW -----								1	
	NAS42HT6-23	SPACER -----								1	
- 8	AN520-10R6	SCREW -----								2	
		*-----									
- 9	NAS680A3	NUTPLATE -----								2	
-10	2113086-1	PANEL-ADAPTER USED WITH 300 NAV -----								1	
	2113086-2	PANEL-ADAPTER USED WITH COLLINS NAV -----								1	
-11	2113219-1	PANEL-ADAPTER USED WITH HORIZON & DIRECTION GYRO -----								1	
	2113219-2	PANEL-ADAPTER USED WITH HORIZON GYRO -----								1	
		ATTACHING PARTS									
	AN9604L	WASHER -----								6	
	AN9608L	WASHER -----								5	
		*-----									
-12	S2352-08-7	STUD-THREAD -----								10	
-13	NAS697A04L	NUTPLATE -----								6	
-14	2113017-7	PANEL ASSY-LH CONTROL -----								1	B C
-14A	2113244-1	PANEL ASSY-LH CONTROL -----								1	B C
-15	NAS682A08	NUTPLATE -----								2	B C
-16	NAS698A04L	NUTPLATE -----								1	B C
-17	NAS680A3	NUTPLATE -----								1	B C
-18	S1863-1A	NUTPLATE -----								4	B C
-18A	S1863-2	NUTPLATE -----								4	B C
-18B	S1863-1	NUTPLATE -----								4	B C
-19	1270098-2	NUTPLATE -----								5	B C
-20	0513292-85	SUPPORT-CABLE -----								2	
		PROTECTOR ASSY-LH -----								1	
		ATTACHING PARTS									
-21	S1021Z6-7	SCREW -----								4	
		*-----									
-22	0513292-84	PROTECTOR ASSY-RH -----								1	
		ATTACHING PARTS									
-23	S1021Z6-7	SCREW -----								3	
		*-----									
-24	2113032-1	SPACER -----								5	
-24A	2113032-2	SPACER -----								1	
-25	2113021-13	SUPPORT ASSY-LH WEU 2113257-1 -----								1	
	2113257-1	SUPPORT ASSY-LH -----								1	
	MS21073L3	NUTPLATE -----								1	
-26	2113021-14	SUPPORT ASSY-RH WEU 2113257-2 -----								1	
	2113257-2	SUPPORT ASSY-RH -----								1	
	MS21073L3	NUTPLATE -----								1	
-27	2113022-5	PANEL ASSY-ENGINE CONTROL -----								2	
-28	2113023-2	RETAINER -----								1	
-29	2113047-2	SUPPORT-RH -----								1	
	2113047-3	SUPPORT-LH -----								1	
-30	NAS698A04L	NUTPLATE -----								1	
-31	2113016-5	PANEL ASSY-RH -----								1	
		ATTACHING PARTS									
-32	NAS221-11	SCREW -----								2	
	NAS42HT6-23	SPACER -----								2	
-33	NAS221-8	SCREW -----								3	
	NAS42HT6-8	SPACER -----								3	
-34	AN520-10R6	SCREW -----								2	
		*-----									
-35	S2352-08-7	STUD-THRED -----								6	
	NAS680A3	NUTPLATE -----								2	
-36	2113079-1	SUPPORT -----								2	

CONTINUED ON NEXT PAGE

P210 Parts Catalog

FIGURE AND INDEX NO.	PART NUMBER	DESCRIPTION	UNITS PER ASSY	USABLE ON CODE
		1 2 3 4 5 6 7		
70A-37	2113024-1	BRACKET-INBD -----	1	
-38	2113024-2	BRACKET-OUTBD -----	1	
-39	2113079-3	SUPPORT -----	2	
-40	2113018-5	PANEL ASSY-RH CONTROL -----	1	
-41	S1863-1A	NUTPLATE -----	3	
-42	1262001-4	BRACKET-MOUNTING -----	1	
-43	1213376-1	STOP -----	1	
-44	2113079-5	SUPPORT ASSY -----	1	
-45	NAS697A06	NUTPLATE -----	2	
-46	NAS696A06	NUTPLATE -----	1	
-47	2113064-3	BRACKET -----	2	
	2113064-2	STIFFENER -----	1	
-48	AN507-632R8	SCREW -----	1	
	AN936A6	WASHER -----	5	
	AN935-6	WASHER -----	5	
	AN340-6	NUT -----	5	
-49	2113080-1	BRACKET -----	10	
		ATTACHING PARTS -----	1	
-50	AN507-440R5	SCREW -----	4	
	MS21044N04	NUT -----	4	
		-----*	4	
-51	1213650-1	SUPPORT -----	1	
		ATTACHING PARTS -----	1	
	AN515-6R8	SCREW -----	2	
		-----*	2	
<p>NOTE. *FOR PANELS USED ON RADIO INSTALLATIONS- SEE AVIONICS SERVICE/PARTS MANUAL</p> <p>A---P210 SERIAL P21000761 THRU P21000834 B---P210 SERIAL P21000761 THRU P21000811 C---P210 SERIAL P21000812 THRU P21000834</p>				

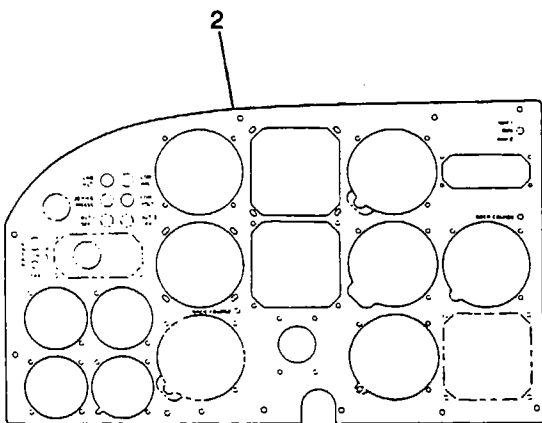
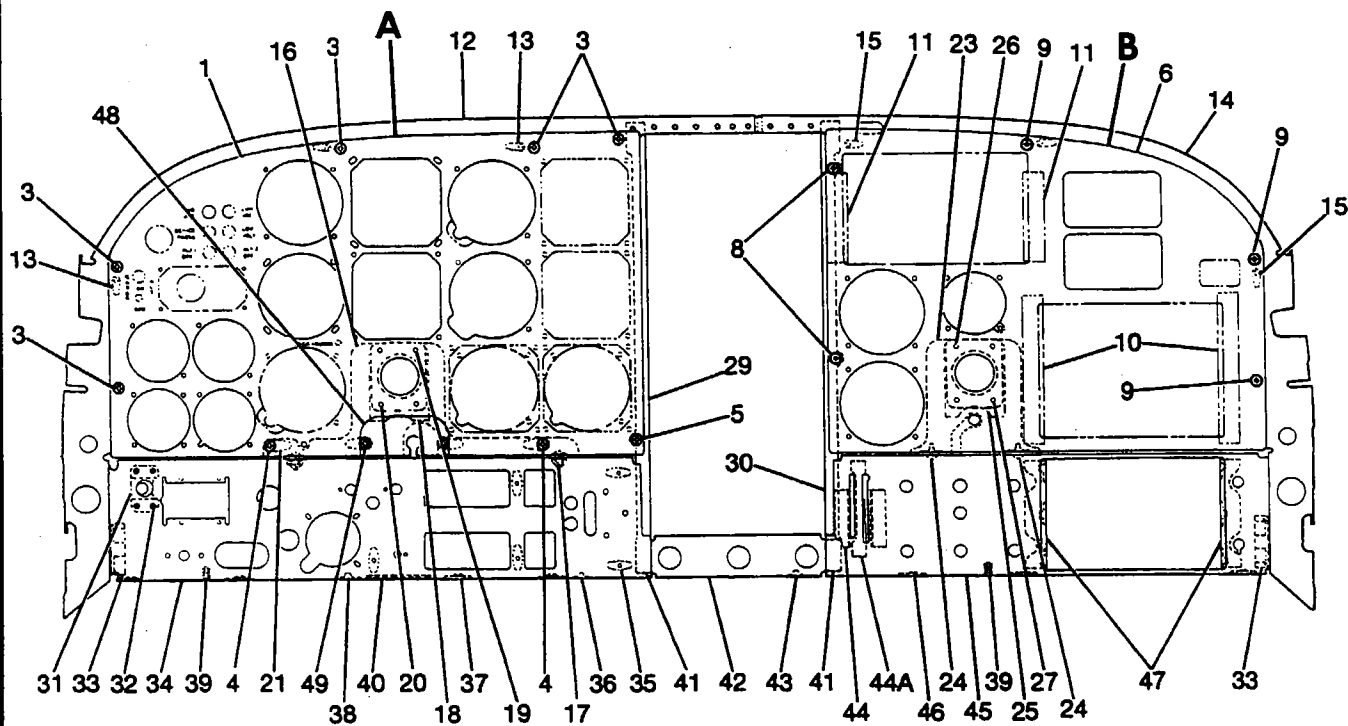
P210 Parts Catalog

FIGURE AND INDEX NO.	PART NUMBER		DESCRIPTION							UNITS PER ASSY	USABLE ON CODE
			1	2	3	4	5	6	7		
70B-			INSTRUMENT PANEL ASSEMBLY-STATIONARY -----							NP	A
- 1	2113266-1	@	INSTRUMENT PANEL ASSY-LH REMOVABLE USED WITH ARC -----							1	
- 2	2113266-2	@	INSTRUMENT PANEL ASSY-LH REMOVABLE USED WITH KING -----							1	
			ATTACHING PARTS -----								
- 3	AN525-10R12		SCREW -----							5	
	NAS42HT6-21		SPACER -----							5	
- 4	AN525-10R10		SCREW -----							2	
- 5	AN525-10R14		SCREW -----							1	
	NAS42HT6-24		SPACER -----							1	
			* -----								
- 6	2113267-1	@	INSTRUMENT PANEL ASSY-RH REMOVABLE USED WITH ARC -----							1	
- 7	2113267-2	@	INSTRUMENT PANEL ASSY-RH REMOVABLE USED WITH KING -----							1	
			ATTACHING PARTS -----								
- 8	AN525-10R14		SCREW -----							2	
	NAS42HT6-24		SPACER -----							2	
- 9	AN525-10R12		SCREW -----							3	
	NAS42HT6-21		SPACER -----							3	
			* -----								
-10	2113079-3		SUPPORT-INSTRUMENT PANEL -----							2	
-11	2113079-1		SUPPORT-INSTRUMENT PANEL -----							2	
-11A	2113079-1		SUPPORT-INSTRUMENT PANEL -----							1	
	2113006-1		SUPPORT-INSTRUMENT PANEL USED WITH RADAR -----							1	
-11B	2113079-1		SUPPORT-INSTRUMENT PANEL USED WITH XCVR & RNAV -----							1	
	2113006-2		SUPPORT-INSTRUMENT PANEL USED WITH RADAR -----							1	
			SUPPORT-INSTRUMENT PANEL USED WITH XCVR & RNAV -----							1	

CONTINUED ON NEXT PAGE

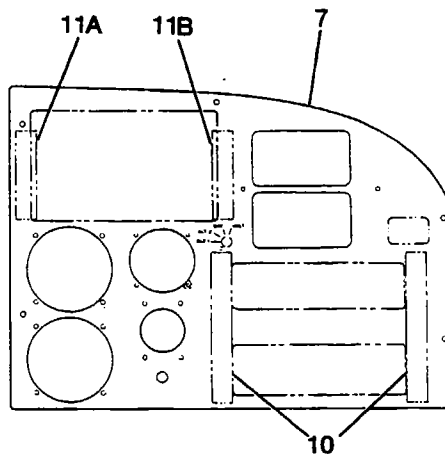
P210 Parts Catalog

Instruments (Cont)



USED WITH KING AVIONICS

Detail A



USED WITH KING AVIONICS

Detail B

P210 SERIAL P21000835 & ON

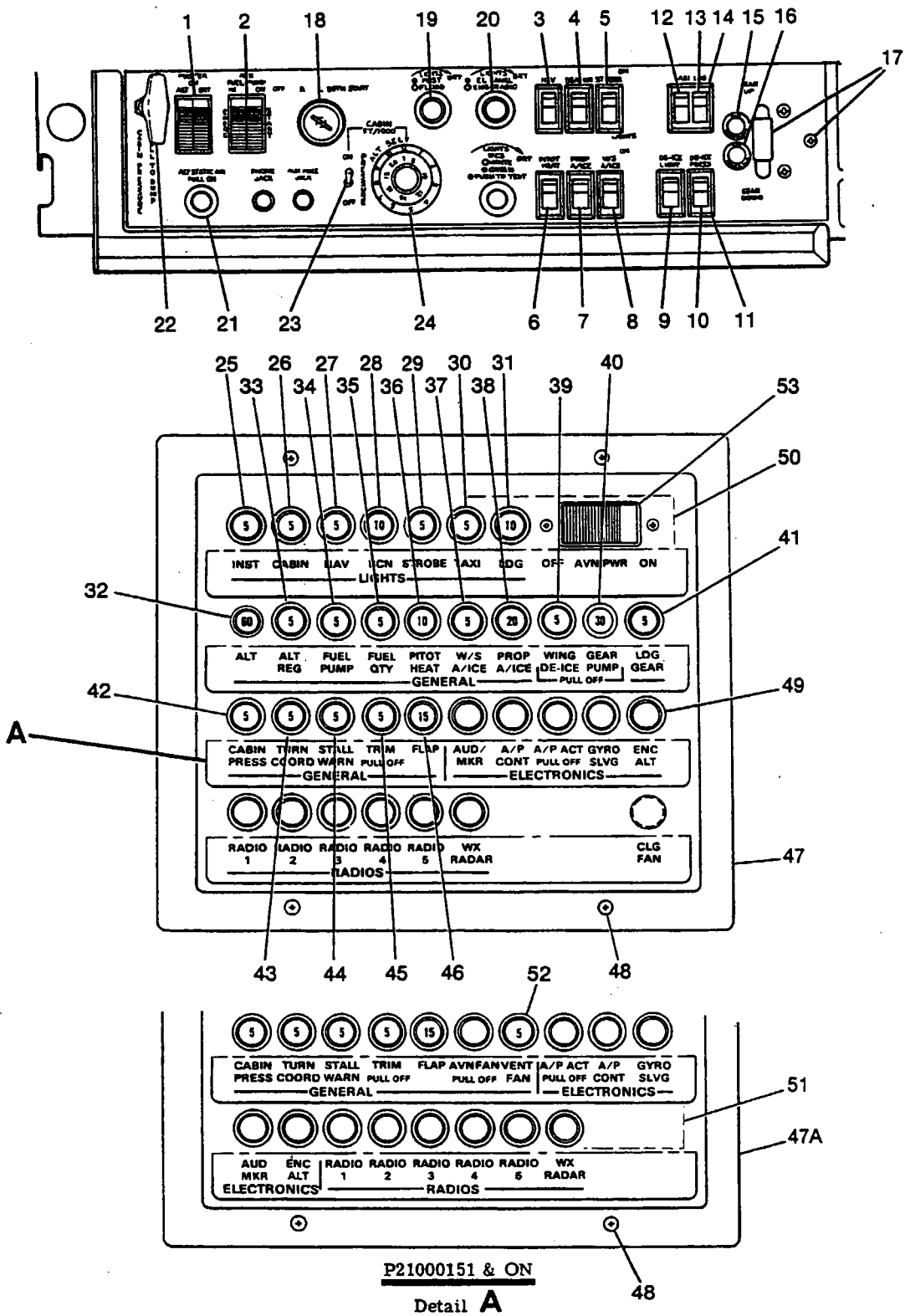
Figure 70B. Stationary Instrument Panel Assembly

P210 Parts Catalog

FIGURE AND INDEX NO.	PART NUMBER	DESCRIPTION							UNITS PER ASSY	USABLE ON CODE
		1	2	3	4	5	6	7		
70B-12	2113019-5	BULKHEAD ASSY-INSTRUMENT PANEL LH -----							1	
-13	NAS696A08	NUTPLATE -----							3	
	NAS684A3	NUTPLATE PANEL ATTACH -----							4	
	NAS682A3	NUTPLATE PANEL ATTACH -----							1	
-14	2113020-3	BULKHEAD ASSY-INSTRUMENT PANEL RH -----							1	
-15	NAS696A08	NUTPLATE -----							1	
	NAS684A3	NUTPLATE PANEL ATTACH -----							3	
-16	2113264-1	SUPPORT ASSY-INSTRUMENT PANEL LH -----							3	
		ATTACHING PARTS -----							1	
-17	AN520-10R8	SCREW -----							2	
	NAS1149F0332P	WASHER -----							2	
	MS21044N3	NUT -----							2	
		*-----								
-18	1213944-3	SUPPORT ASSY-LH CONTROL COLUMN -----							1	
-19	MS21073L06	NUTPLATE UPPER -----							2	
-20	NAS697A06L	NUTPLATE LOWER -----							2	
-21	NAS682A3	NUTPLATE -----							4	
	NAS463TKD10	SHIM -----							8	
	SEE FIG 93	BEARING-CONTROL COLUMN -----							3	
-22		DELETED-NOT USED -----								
-23	2113265-1	SUPPORT ASSY-INSTRUMENT PANEL RH -----							1	
		ATTACHING PARTS -----								
-24	AN520-10R8	SCREW -----							2	
	NAS1149F0332P	WASHER -----							2	
	MS21044N3	NUT -----							2	
		*-----								
-25	1213944-3	SUPPORT ASSY-RH CONTROL COLUMN -----							1	
-26	MS21073L06	NUTPLATE UPPER -----							2	
-27	NAS697A06L	NUTPLATE LOWER -----							2	
	SEE FIG 93	BEARING-CONTROL COLUMN -----							3	
-28		DELETED -----								
-29	2113257-1	SUPPORT ASSY-RADIO STACK LH -----							1	
	MS21073L3	NUTPLATE -----							1	
-30	2113257-2	SUPPORT ASSY-RADIO STACK RH -----							1	
	MS21073L3	NUTPLATE -----							2	
-31	2113080-1	BRACKET-PRESSURE DUMP -----							1	
		ATTACHING PARTS -----								
-32	AN507-440R5	SCREW -----							4	
	MS21044N04	NUT -----							4	
		*-----								
-33	1270098-2	CABLE SUPPORT-INSTRUMENT PANEL -----							2	
-34	2113244-1	PANEL ASSY-LH CONTROL -----							1	
-35	S1863-1	NUTPLATE -----							5	
-36	NAS698A04L	NUTPLATE -----							1	
-37	S1863-2	NUTPLATE -----							4	
-38	NAS680A3	NUTPLATE -----							1	
-39	AN507-632R8	SCREW -----							2	
	AN935-6	WASHER GROUND CONNECTION -----							2	
	AN936A6	WASHER GROUND CONNECTION -----							2	
	AN340-6	NUT GROUND CONNECTION -----							2	
-40	2113064-3	BRACKET-PARKING BRAKE ATTACH -----							1	
	2113064-2	STIFFENER-PARKING BRAKE ATTACH -----							1	
-41	2113032-1	SPACER-RADIO STACK SUPPORT -----							2	
-42	2113022-7	PANEL ASSY-ENGINE CONTROL -----							1	
-43	NAS698A04L	NUTPLATE -----							1	
-44	1262001-4	MOUNTING BRACKET-FLAP CONTROL -----							1	
-44A	1213376-1	STOP-FLAP CONTROL -----							1	
-45	2113018-7	PANEL ASSY-RH CONTROL -----							1	
-46	S1863-1A	NUTPLATE -----							3	
-47	2113079-5	SUPPORT ASSY-GLOVE BOX -----							2	
	NAS696A06L	NUTPLATE -----							2	
	NAS697A06L	NUTPLATE -----							1	
-48	2113299-1	PLATE-COVER -----							1	
		ATTACHING PARTS -----								
-49	AN520-10R8	SCREW -----							2	
		*-----								
<p>NOTE. @IF YOUR PANEL HAS BEEN ALTERED FROM ORIGINAL AIRPLANE ORDER CONFIGURATION, CONTACT PRODUCT SUPPORT DEPARTMENT.</p> <p>A---P210 SERIAL P21000835 & ON</p>										

P210 Parts Catalog

Instruments (Cont)



P21000151 & ON

Detail A

P210 SERIAL P21000001 THRU P21000385

Figure 71. Switch & Circuit Breaker Panel Installation

P210 Parts Catalog

FIGURE AND INDEX NO.	PART NUMBER	DESCRIPTION							UNITS PER ASSY	USABLE ON CODE
		1	2	3	4	5	6	7		
71 -		SWITCH & CIRCUIT BREAKER PANEL INSTALLATION								
- 1	S1994-1-1	SWITCH-MASTER							NP	E
	S1843-2	BEZEL-SWITCH MOUNTING							1	
- 2	S1846-3-2	SWITCH-FUEL PUMP							1	
	S1843-2	BEZEL-SWITCH MOUNTING							1	
- 3	S2160-1	SWITCH-NAVIGATION LIGHT							1	
- 4	S2160-1	SWITCH-FLASHING BEACON							1	
- 5	S2160-1	SWITCH-STROBE LIGHT							1	
- 6	S2160-1	SWITCH-PITOT HEAT							1	
- 7	S2160-1	SWITCH-PROP A/ICE							1	
- 8	S2160-1	SWITCH-WINDSHIELD A/ICE							1	
- 9	S2160-3	SWITCH-DE-ICE LIGHT							1	
-10	S2160-1	SWITCH-DE-ICE PRESSURE							1	
-11	S2161-1	COVER-SWITCH CUTOUT							AR	
-12	S2160-1	SWITCH-TAXI LIGHT							1	
-13	S2160-1	SWITCH-LANDING LIGHT							1	
	1270082-1	DIODE ASSY-TAXI & LANDING LIGHT SWITCH							1	
-14	S2161-2	COVER-TWIN SWITCH CUTOUT							1	
-15	VM911M-4A	LIGHT ASSY-GEAR UP							1	
	10850M4	LENS-AMBER MDAQ							1	
	MS25237-327	BULB-GEAR INDICATOR GE							1	
-16	VM920M-3	LIGHT ASSY-GEAR DOWN MDAQ							1	
	10850M3	LENS-AMBER MDAQ							1	
	MS25237-327	BULB-GEAR INDICATOR GE							1	
	7341	BULB-GEAR INDICATOR GE							1	
-17	SEE FIG 117	HYDRAULIC SELECTOR VALVE & LINES INSTALLATION							1	A
-18	C292501-0104	SWITCH & LOCK KIT-IGNITION							1	B
-19	S1980-1	KNOB ASSY-POTENTIOMETER							1	
	S1995-4	KNOB ASSY-POTENTIOMETER USED WITH POST LIGHTS							1	
	AN565D8H2	ATTACHING PARTS								
	AN565B2H3	SET SCREW							1	
		SET SCREW USED WITH POST LIGHTS KNOB							1	
		*---								
	S1904-2	POTENTIOMETER-FLOOD LIGHTS							1	
	S2091-7	POTENTIOMETER-POST LIGHTS							1	
	S2000C201J	RESISTOR-POST LIGHTS							2	
-20	S1980-1	KNOB ASSY							1	
	S1995-4	KNOB ASSY USED WITH POST LIGHTS							1	
	AN565D8H2	ATTACHING PARTS								
	AN565B2H3	SET SCREW							1	
		SET SCREW USED WITH POST LIGHTS KNOB							1	
		*---								
	S1904-2	POTENTIOMETER-INSTRUMENT LIGHTS							1	
	S2000C201J	RESISTOR-INSTRUMENT LIGHTS							1	
	S2091-3	POTENTIOMETER-POST LIGHTS							1	
	VAL5-6000	RESISTOR-POST LIGHTS LTVE							1	
-21	SEE FIG 126	KNOB ASSY							1	
-22	9860070-1	CONTROL ASSY-PRESSURE DUMP							1	
	NAS43DD7-46	SPACER							1	
-23	MTL106D	SWITCH-PRESSURIZATION							1	
-24	SEE FIG 86	CABIN PRESSURIZATION HEAT & VENT SYSTEM							1	
-25	S1360-5L	CIRCUIT BREAKER 5 AMP INSTRUMENT LIGHTS							1	
-26	S1360-5L	CIRCUIT BREAKER 5 AMP CABIN LIGHTS							1	
-27	S1360-5L	CIRCUIT BREAKER 5 AMP NAVIGATION LIGHTS							1	
-28	S1360-10L	CIRCUIT BREAKER 10 AMP BEACON LIGHTS							1	
-29	S1360-5L	CIRCUIT BREAKER 5 AMP STROBE LIGHTS							1	
-30	S1360-5L	CIRCUIT BREAKER 5 AMP TAXI LIGHTS							1	
-31	S1360-10L	CIRCUIT BREAKER 10 AMP LANDING LIGHTS							1	
-32	S1707-60	CIRCUIT BREAKER 60 AMP ALTERNATOR							1	
	CM2692-12F3S	PLUG BUTTON USED WHEN 95 AMP ALTERNATOR IS INSTALLED							1	
-33	S1360-5L	CIRCUIT BREAKER 5 AMP ALT REG							1	
-34	S1360-5L	CIRCUIT BREAKER 5 AMP FUEL PUMP							1	
-35	S1360-5L	CIRCUIT BREAKER 5 AMP FUEL QTY							1	
-36	S1360-10L	CIRCUIT BREAKER 10 AMP PITOT HEAT							1	
	S1360-5L	CIRCUIT BREAKER 5 AMP DIGITAL CLOCK							1	
		USED ONLY WHEN PITOT HEAT IS NOT INSTALLED								
	S1360-15L	CIRCUIT BREAKER 15 AMP PITOT HEAT							1	D
		USED WITH KNOWN ICING								F
-37	S1360-5L	CIRCUIT BREAKER 5 AMP WINDSHIELD A/ICE							1	
-38	S1360-20L	CIRCUIT BREAKER 20 AMP PROP A/ICE							1	
-39	S1360-5L	CIRCUIT BREAKER 5 AMP WING DE-ICE							1	
-40	S1232-30	CIRCUIT BREAKER 30 AMP GEAR PUMP							1	
-41	S1360-5L	CIRCUIT BREAKER 5 AMP LANDING GEAR							1	

CONTINUED ON NEXT PAGE

P210 Parts Catalog

FIGURE AND INDEX NO.	PART NUMBER	DESCRIPTION							UNITS PER ASSY	USABLE ON CODE
		1	2	3	4	5	6	7		
71 -42	S1360-5L	CIRCUIT BREAKER	5 AMP	CABIN PRESSURIZATION	-----				1	
-43	S1360-5L	CIRCUIT BREAKER	5 AMP	TURN COORDINATOR	-----				1	
-44	S1360-5L	CIRCUIT BREAKER	5 AMP	STALL WARNING	-----				1	
-45	S1232-5	CIRCUIT BREAKER	5 AMP	ELECTRIC TRIM	-----				1	
	55-0088	NUT	WDF	-----					1	
-46	S1360-15L	CIRCUIT BREAKER	15 AMP	FLAP	-----				1	
	S2122-1	NUT-CIRCUIT BREAKER ATTACH	BLACK	-----					AR	
	2113158-2	BUS BAR-CIRCUIT BREAKER	-----						1	C
	2113158-3	BUS BAR-CIRCUIT BREAKER	-----						1	D
	S244667	PLUG BUTTON	USED IN .469 DIA HOLE	-----					AR	
	S244666	PLUG BUTTON	USED IN .377 DIA HOLE	-----					AR	
-47	2113132-3	PANEL ASSY	CIRCUIT BREAKER	-----					1	C
-47A	2113132-5	PANEL ASSY	CIRCUIT BREAKER	-----					1	D
		ATTACHING PARTS								
-48	AN515-8R8	SCREW	-----						4	
		*-----								
-49		RADIO INSTALLATION	SEE AVIONICS SERVICE/PARTS MANUAL	-----					NP	
-50	2113129-1	SUPPORT-CIRCUIT BREAKER	-----						1	C
-51	2113129-2	SUPPORT-CIRCUIT BREAKER	-----						1	D
-52	S1232-5	CIRCUIT BREAKER	5 AMP	VENTILATION FAN	-----				1	D
-53	S2281-1	SWITCH-AVIONICS POWER	-----						1	
		ATTACHING PARTS								
	AN515-6R8	SCREW	-----						2	
		*-----								
<p>NOTE. @THIS KIT ALSO INCLUDES TWO DOOR LOCKS & TWO KEYS.</p> <p>A---P210 SERIAL P21000001 THRU P21000035 B---P210 SERIAL P21000036 THRU P21000385 C---P210 SERIAL P21000001 THRU P21000150 D---P210 SERIAL P21000151 THRU P21000385 E---P210 SERIAL P21000001 THRU P21000385 F---P210 SERIAL P21000225 THRU P21000385</p>										

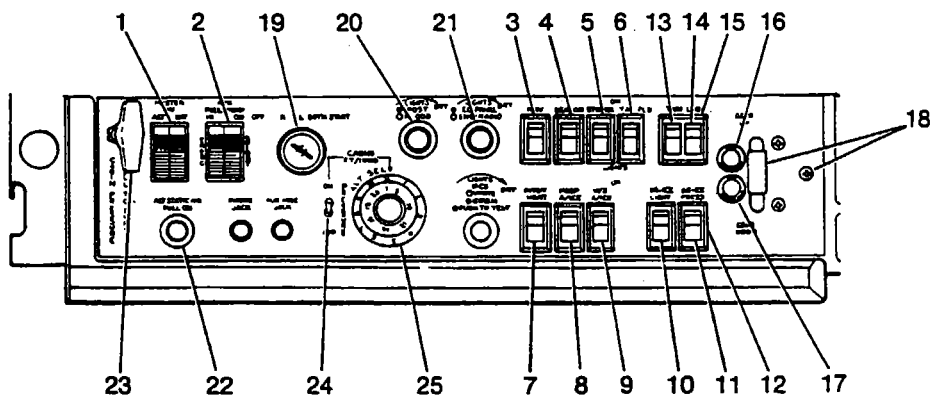
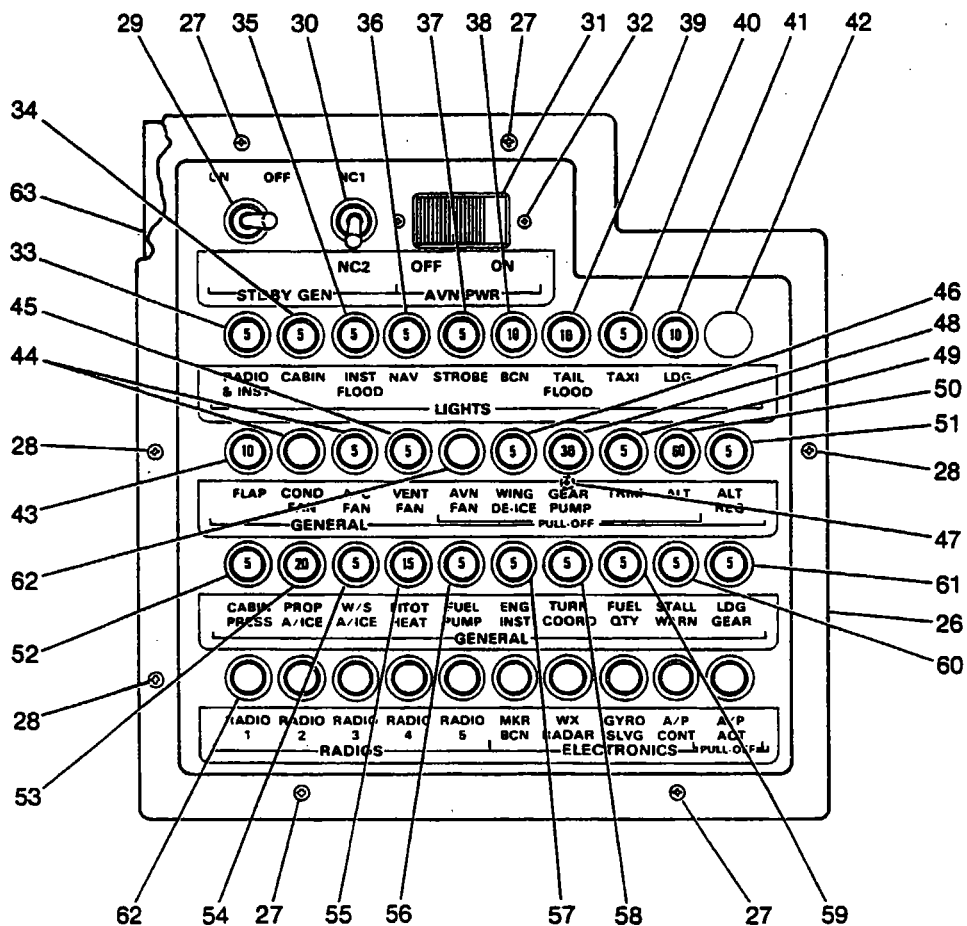
P210 Parts Catalog

FIGURE AND INDEX NO.	PART NUMBER	DESCRIPTION	UNITS PER ASSY	USABLE ON CODE				
			1 2 3 4 5 6 7					
71A-		SWITCH & CIRCUIT BREAKER PANEL INSTALLATION -----	NP	A				
- 1	S1994-1-1	SWITCH-MASTER -----	1					
	S1843-2	BEZEL-SWITCH MOUNTING -----	1					
- 2	S1846-3-2	SWITCH-FUEL PUMP -----	1					
	S1843-2	BEZEL-SWITCH MOUNTING -----	1					
- 3	S2160-1	SWITCH-NAVIGATION LIGHT -----	1					
- 4	S2160-1	SWITCH-FLASHING BEACON -----	1					
- 5	S2160-1	SWITCH-STROBE LIGHT -----	1					
- 6	S2160-1	SWITCH-VERTICAL TAIL FLOODLIGHT -----	1					
- 7	S2160-1	SWITCH-PITOT HEAT -----	1					
- 8	S2160-1	SWITCH-PROP ANTI-ICE -----	1					
- 9	S2160-1	SWITCH-WINDSHIELD ANTI-ICE -----	1					
-10	S2160-3	SWITCH-DE-ICE LIGHT -----	1					
-11	S2160-1	SWITCH-DE-ICE PRESSURE -----	1					
-12	S2161-1	COVER-SWITCH CUTOUT -----	1					
-13	S2160-1	SWITCH-TAXI LIGHT -----	AR					
-14	S2160-1	SWITCH-LANDING LIGHT -----	1					
	1270082-1	DIODE ASSY-TAXI & LANDING LIGHT SWITCH -----	1					
-15	S2161-2	COVER-TWIN SWITCH CUTOUT -----	1					
-16	VM911M-4A	LIGHT ASSY-GEAR UP MDAQ -----	1					
	10850M4	LENS-AMBER MDAQ -----	1					
	MS25237-327	BULB-GEAR INDICATOR -----	1					
-17	VM920M-3	LIGHT ASSY-GEARDOWN MDAQ -----	1					
	10850M3	LENS-AMBER MDAQ -----	1					
	7341	BULB-GEAR INDICATOR GE -----	1					
-18	SEE FIG 117	HYDRAULIC SELECTOR VALVE & LINES INSTALLATION -----	1					
-19	C292501-0104	SWITCH & LOCK KIT-IGNITION -----	1					
-20	S1980-1	KNOB ASSY-POTENTIOMETER -----	1					
	S1995-4	KNOB ASSY-POTENTIOMETER USED WITH POST LIGHTS -----	1					
	AN565D8H2	ATTACHING PARTS -----						
	AN565B2H3	SET SCREW -----	1					
		SET SCREW USED WITH POST LIGHTS KNOB -----	1					
	S1904-2	POTENTIOMETER-FLOOD LIGHTS -----	1					
	S2091-7	POTENTIOMETER-POST LIGHTS -----	1					
-21	S2000C201J	RESISTOR-POST LIGHTS -----	2					
	S1980-1	KNOB ASSY -----	1					
	S1995-4	KNOB ASSY USED WITH POST LIGHTS -----	1					
	AN565D8H2	ATTACHING PARTS -----						
	AN565B2H3	SET SCREW -----	1					
		SET SCREW USED WITH POST LIGHTS KNOB -----	1					
	S1904-2	POTENTIOMETER-INSTRUMENT LIGHTS -----	1					
	S2000C201J	RESISTOR-INSTRUMENT LIGHTS -----	1					
	S2091-3	POTENTIOMETER-POST LIGHTS -----	1					
	VAL5-6000	RESISTOR-POST LIGHTS LTVE -----	1					
-22	SEE FIG 105	KNOB ASSY -----	1					
-23	9860070-1	CONTROL ASSY-PRESSURE DUMP -----	1					
	NAS43DD7-46	SPACER -----	1					
-24	MTL106D	SWITCH-PRESSURIZATION -----	1					
-25	SEE FIG 86	CABIN PRESSURIZATION HEAT & VENT SYSTEM -----	1					

CONTINUED ON NEXT PAGE

P210 Parts Catalog

Instruments (Cont)

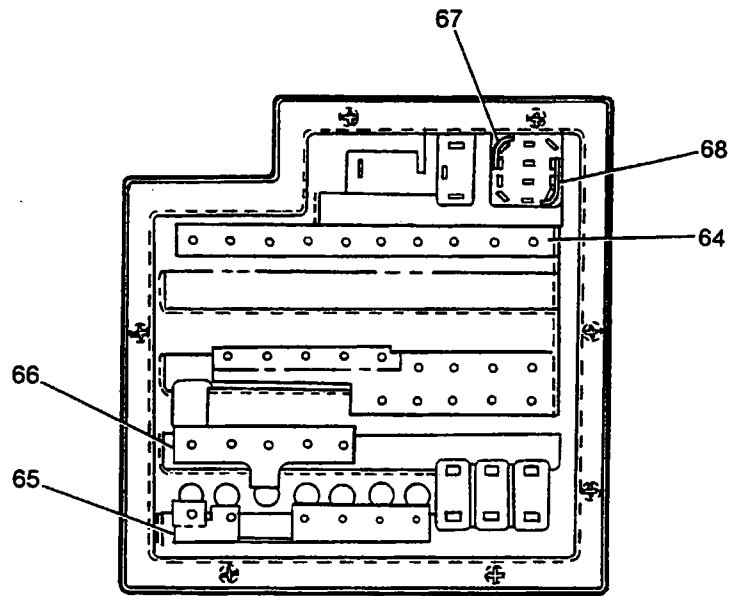


P210 SERIAL P21000386 THRU P21000760

Figure 71A. (Sheet 1 of 2) Switch & Circuit Breaker Panel Installation

P210 Parts Catalog

Instruments (Cont)



P210 SERIAL P21000386 THRU P21000760

Figure 71A. (Sheet 2 of 2) Switch & Circuit Breaker Panel Installation

P210 Parts Catalog

FIGURE AND INDEX NO.	PART NUMBER	DESCRIPTION							UNITS PER ASSY	USABLE ON CODE
		1	2	3	4	5	6	7		
71A-26	2113181-3	PANEL ASSY-CIRCUIT BREAKER -----							1	
-27	AN515-8R8	ATTACHING PARTS								
-28	S102176-6	SCREW -----							4	
		SCREW -----							3	
-29	7664K5	SWITCH-STANDBY GENERATOR CSPD -----							1	
	MS25224-1	GUARD-SWITCH -----							1	
-30	S382-3	SWITCH-NAV/COM NC1 & NC2 -----							1	
-31	S2281-1	SWITCH-AVIONICS POWER -----							1	
		ATTACHING PARTS								
-32	AN515B6R8	SCREW -----							2	
		*-----								
-33	S1360-5L	CIRCUIT BREAKER 5 AMP RADIO & INST -----							1	
-34	S1360-5L	CIRCUIT BREAKER 5 AMP CABIN LIGHT -----							1	
-35	S1360-5L	CIRCUIT BREAKER 5 AMP INSTRUMENT FLOODLIGHT -----							1	
-36	S1360-5L	CIRCUIT BREAKER 5 AMP NAVIGATION LIGHT -----							1	
-37	S1360-5L	CIRCUIT BREAKER 5 AMP STROBE LIGHT -----							1	
-38	S1360-10L	CIRCUIT BREAKER 10 AMP BEACON LIGHT -----							1	
-39	S1360-10L	CIRCUIT BREAKER 10 AMP VERTICAL TAIL FLOODLIGHT -----							1	
-40	S1360-5L	CIRCUIT BREAKER 5 AMP TAXI LIGHTS -----							1	
-41	S1360-10L	CIRCUIT BREAKER 10 AMP LANDING LIGHT -----							1	
-42	S2446-7	PLUG BUTTON -----							1	
-43	S1360-10L	CIRCUIT BREAKER 10 AMP FLAP -----							1	
-44	S2446-7	PLUG BUTTON -----							2	
-45	S1360-5L	CIRCUIT BREAKER 5 AMP VENT FAN -----							1	
-46	S1232-5	CIRCUIT BREAKER 5 AMP WING DE-ICE -----							1	
	55-0088	NUT WDF -----							1	
-47	AN515-8R4	SCREW ATTACH WIRE TO GEAR PUMP CIRCUIT BREAKER -----							1	
-48	S1232-30	CIRCUIT BREAKER 30 AMP GEAR PUMP -----							1	
	55-0088	NUT WDF -----							1	
-49	S1232-5	CIRCUIT BREAKER 5 AMP ELECTRIC TRIM -----							1	
	55-0088	NUT WDF -----							1	
-50	S1232-60	CIRCUIT BREAKER 60 AMP ALTERNATOR -----							1	
-51	S1360-5L	CIRCUIT BREAKER 5 AMP ALTERNATOR REGULATOR -----							1	
-52	S1360-5L	CIRCUIT BREAKER 5 AMP CABIN PRESSURE -----							1	
-53	S1360-20L	CIRCUIT BREAKER 20 AMP PROP ANTI-ICE -----							1	
-54	S1360-5L	CIRCUIT BREAKER 5 AMP WINDSHIELD ANTI-ICE -----							1	
-55	S1360-15L	CIRCUIT BREAKER 15 AMP HEATED PITOT -----							1	
	S1360-5L	CIRCUIT BREAKER 5 AMP DIGITAL CLOCK USED ONLY -----							1	
		WHEN PITOT HEAT IS NOT INSTALLED								
-56	S1360-5L	CIRCUIT BREAKER 5 AMP FUEL PUMP -----							1	
-57	S1360-5L	CIRCUIT BREAKER 5 AMP ENGINE INSTRUMENTS -----							1	
-58	S1360-5L	CIRCUIT BREAKER 5 AMP TURN COORDINATOR -----							1	
-59	S1360-5L	CIRCUIT BREAKER 5 AMP FUEL QUANTITY -----							1	
-60	S1360-5L	CIRCUIT BREAKER 5 AMP STALL WARNING -----							1	
-61	S1360-5L	CIRCUIT BREAKER 5 AMP LANDING GEAR -----							1	
	S2122-1	NUT-CIRCUIT BREAKER ATTACH BLACK -----							AR	
	S2446-6	PLUG USED IN .377 DIA HOLE -----							AR	
	S2446-7	PLUG USED IN .469 DIA HOLE -----							AR	
	S2446-8	PLUG USED IN .500 DIA HOLE -----							AR	
-62		RADIO INSTALLATION SEE AVIONICS SERVICE/PARTS MANUAL -----							1	
-63	2113180-1	BOX ASSY-CIRCUIT BREAKER PANEL -----							1	
	S1860-1A	NUTPLATE -----							1	
-64	1270741-1	BUS BAR-PRIMARY WEU 1270741-3 -----							1	
	1270741-3	BUS BAR-PRIMARY -----							1	
	1270741-2	BUS BAR-STANDBY GENERATOR WEU 1270741-4 -----							1	
	1270741-4	BUS BAR-STANDBY GENERATOR -----							1	
-65	1270745-1	BUS BAR-STANDBY GENERATOR WEU 1270745-3 -----							1	
	1270745-3	BUS BAR-STANDBY GENERATOR -----							1	
-66	1270745-2	BUS BAR-STANDBY GENERATOR -----							1	
-67	1270864-2	BUS BAR-STANDBY GENERATOR -----							1	
-68	1270864-1	BUS BAR-STANDBY GENERATOR -----							1	B B B

NOTE. @THIS KIT ALSO CONTAINS TWO DOOR LOCKS & TWO KEYS.

A---P210 SERIAL P21000386 THRU P21000760

B---P210 SERIAL P21000609 THRU P21000760

P210 Parts Catalog

FIGURE AND INDEX NO.	PART NUMBER	DESCRIPTION							UNITS PER ASSY	USABLE ON CODE
		1	2	3	4	5	6	7		
71B-		SWITCH & CIRCUIT BREAKER PANEL INSTALLATION							MP	A
- 1	S1994-1-1	SWITCH-MASTER							1	
	S1843-2	BEZEL-SWITCH MOUNTING							1	
- 2	S1790-2-1	SWITCH MASTER USED WITH DUAL ALTERNATORS							1	
		ATTACHING PARTS								
- 3	AN507B632R8	SCREW							2	

- 4	S1846-3-2	SWITCH-FUEL PUMP							1	
	S1843-2	BEZEL-SWITCH MOUNTING							1	
- 5	S2160-1	SWITCH-NAVIGATION LIGHT							1	
- 6	S2160-1	SWITCH-FLASHING BEACON							1	
- 7	S2160-1	SWITCH-STROBE LIGHT							1	
- 8	S2160-1	SWITCH-VERTICAL TAIL FLOODLIGHT							1	
- 9	S2160-1	SWITCH-PITOT HEAT							1	
-10	S2160-1	SWITCH-PROP ANTI-ICE							1	
-11	S2160-1	SWITCH-WINDSHIELD ANTI-ICE							1	
-12	S2160-3	SWITCH-DE-ICE LIGHT							1	
-13	S2160-3	SWITCH-DE-ICE PRESSURE							1	
-14	S2160-1	SWITCH-TAXI LIGHT							1	
-15	S2160-1	SWITCH-LANDING LIGHT							1	
	1270082-1	DIODE ASSY-TAXI & LANDING LIGHT SWITCH							1	
-16	S2161-1	COVER-SWITCH CUTOUT							1	
	S2162-2	COVER-TWIN SWITCH CUTOUT							1	
-17	VM911M4A	LIGHT ASSY-GEAR UP MDAQ							1	
	10850M4	LENS-AMBER MDAQ							1	
	MS25237-327	BULB-GEAR UP INDICATOR							1	
-18	VM920M3	LIGHT ASSY-GEAR DOWN MDAQ							1	
	10850M3	LENS-AMBER MDAQ							1	
	7341	BULB-GEAR DOWN INDICATOR GE							1	
-19	SEE FIG 117	HYDRAULIC SELECTOR VALVE & LINES INSTALLATION							1	
-20	C292501-0104	SWITCH & LOCK KIT-IGNITION							1	
-21	S1980-1	KNOB ASSY-POTENTIOMETER							1	
	S1995-4	KNOB ASSY-POTENTIOMETER USED WITH POST LIGHTS							1	
		ATTACHING PARTS								
	AN565D8H2	SET SCREW							1	
	AN565B2H3	SET SCREW USED WITH POST LIGHTS KNOB							1	

	S1904-2	POTENTIOMETER-FLOOD LIGHTS							1	
	S2091-7	POTENTIOMETER-POST LIGHTS							1	
	S2000C201J	RESISTOR-POST LIGHTS							1	
-22	S1980-1	KNOB ASSY							1	
	S1995-4	KNOB ASSY USED WITH POST LIGHTS							1	
		ATTACHING PARTS								
	AN565D8H2	SET SCREW							1	
	AN565B2H3	SET SCREW USED WITH POST LIGHTS KNOB							1	

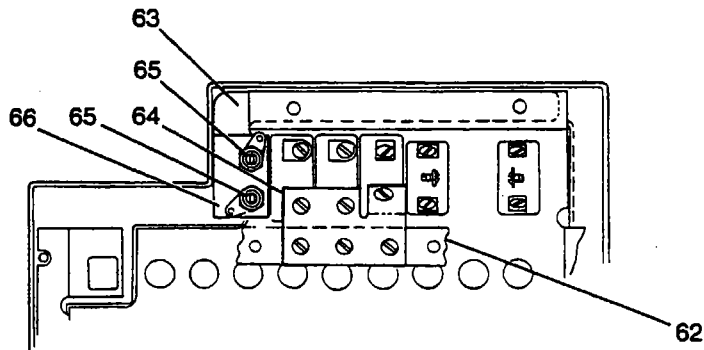
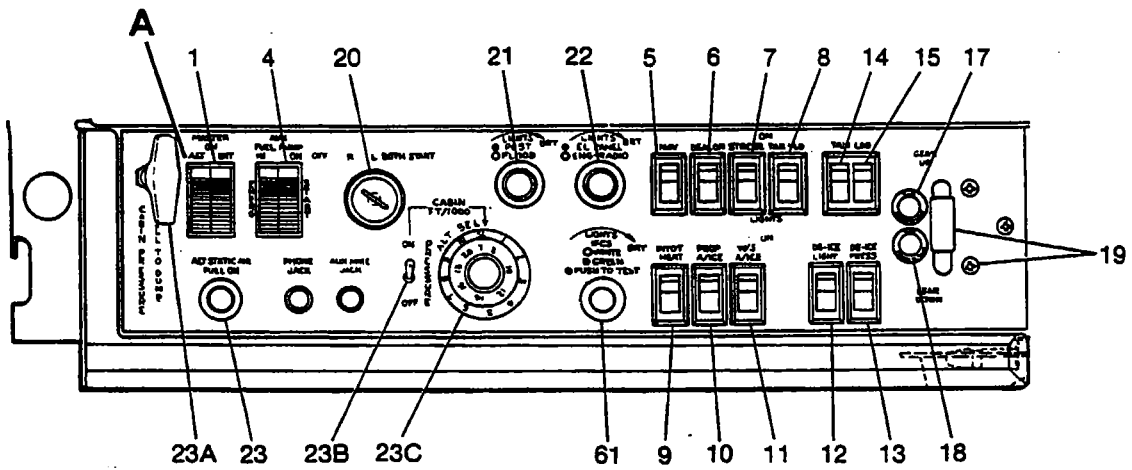
	S1904-2	POTENTIOMETER-INSTRUMENT LIGHTS							1	
	S2000C201J	RESISTOR-INSTRUMENT LIGHTS							1	
	S2091-3	POTENTIOMETER-PANEL LIGHTS							1	
	VAL5-6000	RESISTOR-PANEL LIGHTS LTVE							1	
-23	SEE FIG 105	KNOB ASSY-ALT STATIC AIR							1	
-23A	9860070-1	CONTROL ASSY-PRESSURE DUMP							1	
	NAS43DD7-46	SPACER							1	
-23B	MTL106D	SWITCH-PRESSURIZATION							1	
-23C	SEE FIG 86	CABIN PRESSURIZATION SYSTEM							1	
-24	2113216-3	PANEL ASSY-CIRCUIT BREAKER							1	
-25	2113216-8	PANEL ASSY-CIRCUIT BREAKER USED WITH DUAL ALTERNATORS							1	
		ATTACHING PARTS								
-26	AN515-8R8	SCREW							4	
-27	S1021Z6-6	SCREW							2	

-28	S2446G7	PLUG USED IN .469 DIA HOLE							AR	
	S2446G6	PLUG USED IN .377 DIA HOLE							AR	
-29	2113217-1	BOX ASSY-CIRCUIT BREAKER							1	
	S1860-1	NUTPLATE							1	
	S1862-1	NUTPLATE							1	
-30	S2281-1	SWITCH-AVIONICS POWER							1	
		ATTACHING PARTS								
-31	AN515B6R8	SCREW							2	
	NAS43DD1-9	SPACER							2	

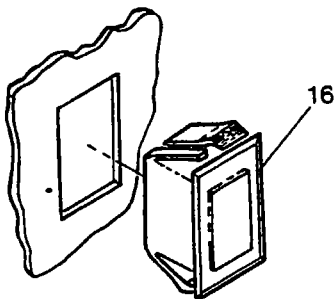
CONTINUED ON NEXT PAGE

P210 Parts Catalog

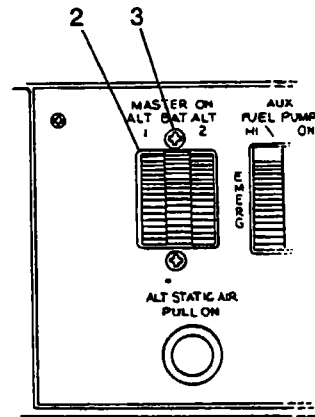
Instruments (Cont)



BACK VIEW OF C/B PANEL



SWITCH COVER



USED WITH DUAL ALTERNATORS

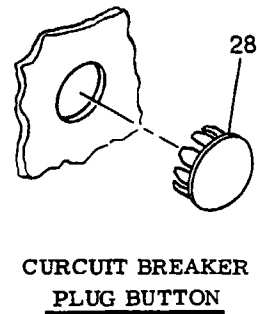
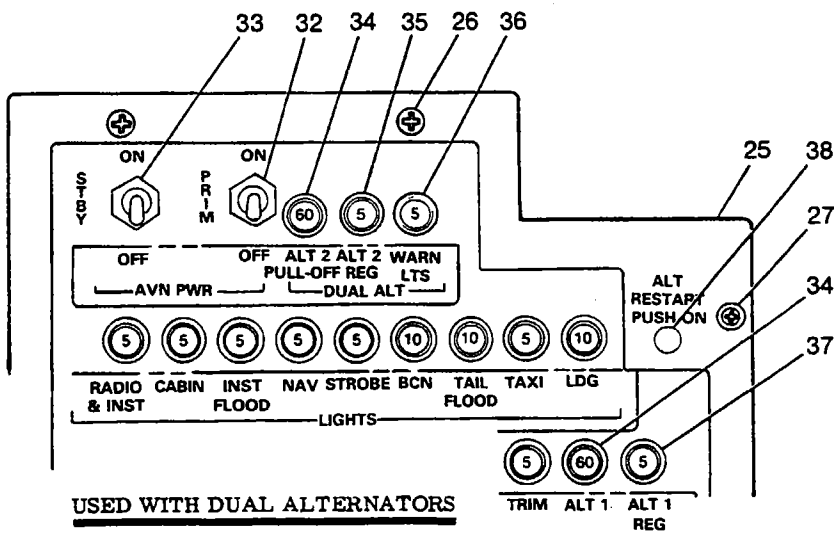
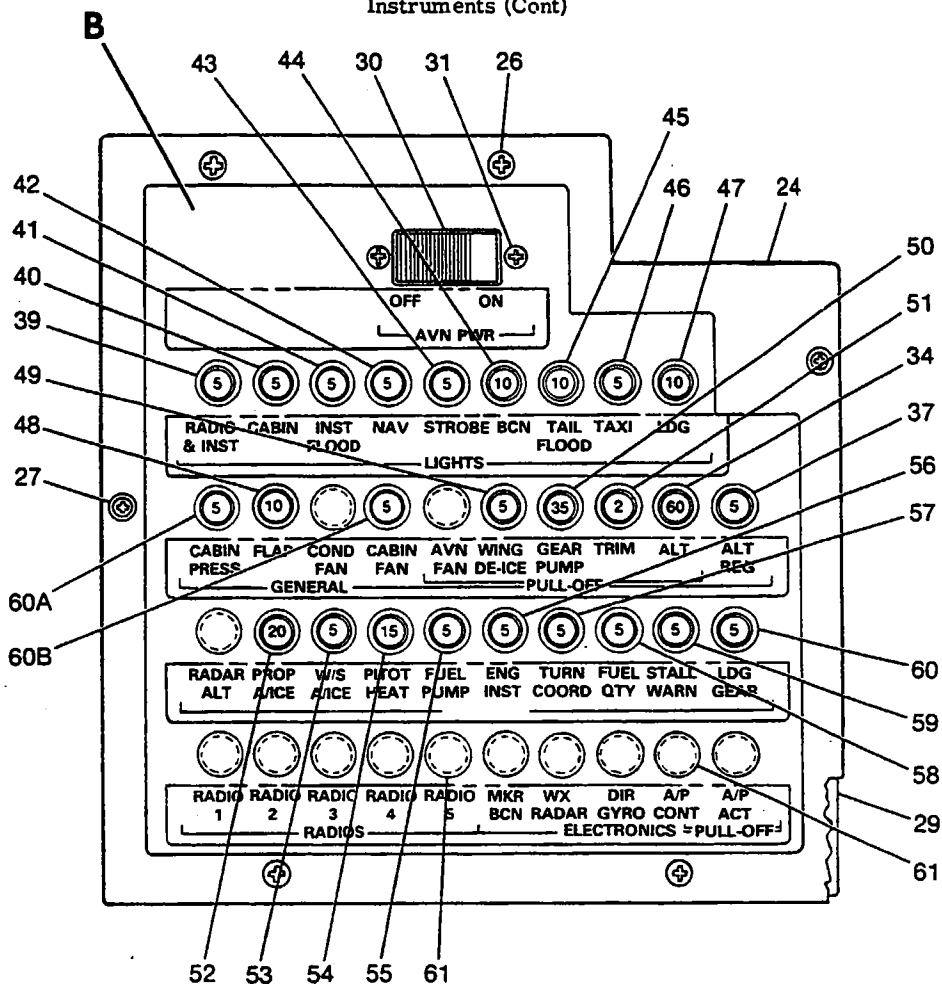
Detail **A**

P210 SERIAL P21000761 THRU P21000811

Figure 71B. (Sheet 1 of 2) Switch & Circuit Breaker Panel Installation

P210 Parts Catalog

Instruments (Cont)



Detail B

P210 SERIAL P21000761 THRU P21000811

Figure 71B. (Sheet 2 of 2) Switch & Circuit Breaker Panel Installation

P210 Parts Catalog

FIGURE AND INDEX NO.	PART NUMBER	DESCRIPTION							UNITS PER ASSY	USABLE ON CODE
		1	2	3	4	5	6	7		
71B-32	MS25306-222	SWITCH-PRIMARY AVIONICS POWER							1	
-33	MS25306-222	SWITCH-STANDBY AVIONICS POWER							1	
-34	S1232-60	CIRCUIT BREAKER 60 AMP							2	
-35	S1360-5L	CIRCUIT BREAKER 5 AMP							1	
-36	S1360-5L	CIRCUIT BREAKER 5 AMP							1	
-37	S1360-5L	CIRCUIT BREAKER 5 AMP							1	
-38	S1890-1	SWITCH-ALT RESTART							1	
-39	S1360-5L	CIRCUIT BREAKER 5 AMP							1	
-40	S1360-5L	CIRCUIT BREAKER 5 AMP							1	
-41	S1360-5L	CIRCUIT BREAKER 5 AMP							1	
-42	S1360-5L	CIRCUIT BREAKER 5 AMP							1	
-43	S1360-5L	CIRCUIT BREAKER 5 AMP							1	
-44	S1360-10L	CIRCUIT BREAKER 10 AMP							1	
-45	S1360-10L	CIRCUIT BREAKER 10 AMP							1	
-46	S1360-5L	CIRCUIT BREAKER 5 AMP							1	
-47	S1360-10L	CIRCUIT BREAKER 10 AMP							1	
-48	S1360-10L	CIRCUIT BREAKER 10 AMP							1	
-49	S1232-5	CIRCUIT BREAKER 5 AMP							1	
	55-0088	NUT MDF							1	
-50	S1232-35	CIRCUIT BREAKER 35 AMP							1	
	55-0088	NUT MDF							1	
	AN515-8R4	SCREW ATTACH WIRE TO GEAR							1	
-51	S1232-2	CIRCUIT BREAKER 2 AMP							1	
	55-0088	NUT MDF							1	
-52	S1360-20L	CIRCUIT BREAKER 20 AMP							1	
-53	S1360-5L	CIRCUIT BREAKER 5 AMP							1	
-54	S1360-15L	CIRCUIT BREAKER 15 AMP							1	
	S1360-5L	CIRCUIT BREAKER 5 AMP							1	
-55	S1360-5L	CIRCUIT BREAKER 5 AMP							1	
-56	S1360-5L	CIRCUIT BREAKER 5 AMP							1	
-57	S1360-5L	CIRCUIT BREAKER 5 AMP							1	
-58	S1360-5L	CIRCUIT BREAKER 5 AMP							1	
-59	S1360-5L	CIRCUIT BREAKER 5 AMP							1	
-60	S1360-5L	CIRCUIT BREAKER 5 AMP							1	
-60A	S1360-5L	CIRCUIT BREAKER 5 AMP							1	
-60B	S1360-5L	CIRCUIT BREAKER 5 AMP							1	
	S2122-1	NUT-CIRCUIT BREAKER ATTACH							1	
-61		RADIO INSTALLATION							1	
-62	1270741-3	BUS BAR-PRIMARY							1	
-63	2113225-1	STRAP-DIODE MOUNT							1	
-64	2170029-1	BUS BAR-DUAL ALTERNATORS							1	
-65	20H3P	DIODE SATA							2	
	S1358-6	WASHER USED WITH DUAL ALTERNATORS							2	
	4702	WASHER KSEC							2	
-66	2113255-1	INSULATOR-DIODE							1	

NOTE. @THIS KIT ALSO CONTAINS TWO DOOR LOCKS & TWO KEYS

A---P210 SERIAL P21000761 THRU P21000811
 B---P210 SERIAL P21000807 THRU P21000811

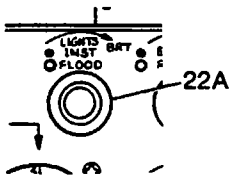
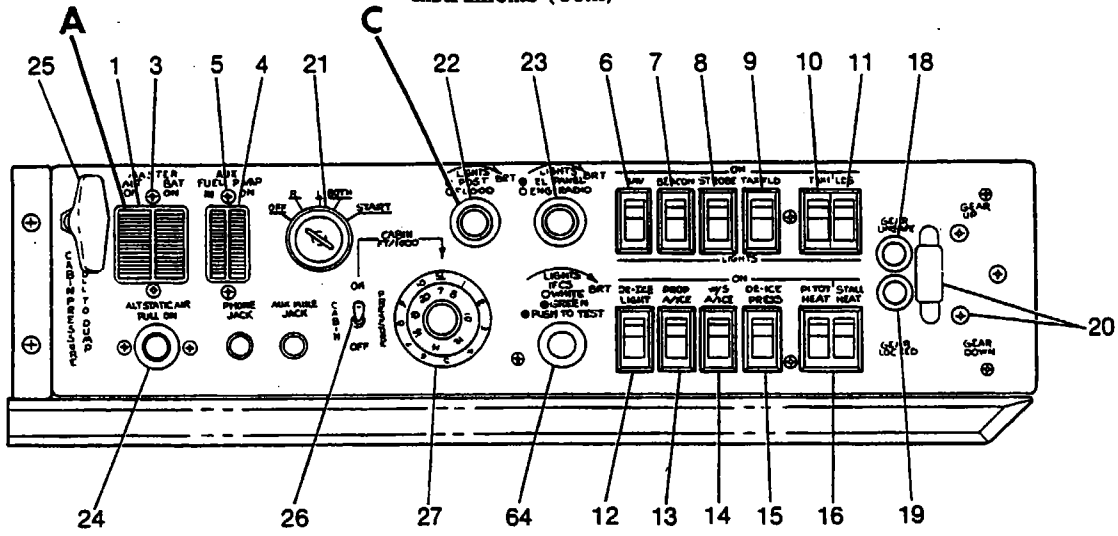
P210 Parts Catalog

FIGURE AND INDEX NO.	PART NUMBER	DESCRIPTION							UNITS PER ASSY	USABLE ON CODE
		1	2	3	4	5	6	7		
71C-		SWITCH & CIRCUIT BREAKER PANEL INSTALLATION -----							NP	A
- 1	S2593-1	SWITCH-MASTER -----							1	
- 2	S2593-2	SWITCH-MASTER USED WITH DUAL ALTERNATORS -----							1	
		ATTACHING PARTS -----								
- 3	AN507B632R12	SCREW -----							2	
		*-----								
- 4	S1846-3-2	SWITCH-FUEL PUMP -----							1	
		ATTACHING PARTS -----								
- 5	AN507B632R12	SCREW -----							2	
		*-----								
	2113252-1	ADAPTER PLATE ASSY-FUEL PUMP SWITCH -----							1	
	NAS680A06	NUTPLATE -----							2	
- 6	S2160-1	SWITCH-NAVIGATION LIGHT -----							1	
- 7	S2160-1	SWITCH-FLASHING BEACON -----							1	
- 8	S2160-1	SWITCH-STROBE LIGHT -----							1	
- 9	S2160-1	SWITCH-VERTICAL TAIL FLOODLIGHT -----							1	
-10	S2160-1	SWITCH-TAXI LIGHT -----							1	
-11	S2160-1	SWITCH-LANDING LIGHT -----							1	
	1270082-1	DIODE ASSY-TAXI & LANDING LIGHT SWITCH -----							1	
-12	S2160-3	SWITCH-DE-ICE LIGHT -----							1	
-13	S2160-1	SWITCH-PROP ANTI-ICE -----							1	
-14	S2160-1	SWITCH-WINDSHIELD ANTI-ICE -----							1	
-15	S2160-3	SWITCH-DE-ICE PRESSURE -----							1	
-16	S2160-4	SWITCH-PITOT/STALL HEAT -----							1	
-17	S2161-1	COVER-SWITCH CUTOUT -----							AR	
	S2161-2	COVER-TWIN SWITCH CUTOUT -----							AR	
-18	MS25041-2-327	LIGHT ASSY-GEAR UNSAFE -----							1	
	MS25237-327	BULB-GEAR UNSAFE INDICATOR -----							1	
-19	VMS20M3	LIGHT ASSY-GEAR LOCKED MDAQ -----							1	
	10850M3	LENS-AMBER MDAQ -----							1	
	7341	BULB-GEAR LOCK INDICATOR GE -----							1	
-20	SEE FIG 117	HYDRAULIC SELECTOR VALVE & LINES INSTALLATION -----							1	
-21	C292501-0104	SWITCH & LOCK KIT-IGNITION -----							1	
-22	S1980-1	KNOB ASSY-POTENTIOMETER -----							1	C
	S1995-4	KNOB ASSY-POTENTIOMETER USED WITH POST LIGHTS -----							1	C
		ATTACHING PARTS -----								
	AN565D8H2	SET SCREW -----							1	C
	AN565B2H3	SET SCREW USED WITH POST LIGHTS KNOB -----							1	C
		*-----								
	S1904-2	POTENTIOMETER-FLOOD LIGHTS -----							1	C
	S2091-7	POTENTIOMETER-POST LIGHTS -----							1	C
	S2000C201J	RESISTOR-POST LIGHTS -----							1	C
-22A	S1995-4	KNOB ASSY-INST/FLOOD LIGHTS -----							1	B
		ATTACHING PARTS -----								
	AN565B2H3	SET SCREW -----							1	B
		*-----								
	S2091-7	POTENTIOMETER-INST/FLOOD LIGHTS -----							1	B
	S200C201J	RESISTOR -----							2	B
-23	S1980-1	KNOB ASSY -----							1	
	S1995-4	KNOB ASSY USED WITH PANEL LIGHTS -----							1	
		ATTACHING PARTS -----								
	AN565D8H2	SET SCREW -----							1	
	AN565B2H3	SET SCREW USED WITH PANEL LIGHTS KNOB -----							1	
		*-----								
	S1904-2	POTENTIOMETER-RADIO LIGHTS -----							1	
	S2000C201J	RESISTOR-RADIO LIGHTS -----							1	
	S2091-3	POTENTIOMETER-PANEL LIGHTS -----							1	
	VAL5-6000	RESISTOR-PANEL LIGHTS LIVE -----							1	
-24	SEE FIG 105	KNOB ASSY-ALT STATIC AIR -----							1	
-25	98600070-1	CONTROL ASSY-PRESSURE DUMP -----							1	
	NAS43DD7-46	SPACER -----							1	
-26	MTL106D	SWITCH-PRESSURIZATION -----							1	
-27	SEE FIG 86	CABIN PRESSURIZATION SYSTEM -----							1	
	SEE FIG 86A	CABIN PRESSURIZATION SYSTEM-VARIABLE RATE -----							1	
-28	2113243-3	PANEL ASSY-CIRCUIT BREAKER -----							1	B
		ATTACHING PARTS -----								
-29	AN515-8R8	SCREW -----							4	
-30	S1021Z6-6	SCREW -----							3	
		*-----								
-31	S2446611	PLUG USED IN .687 DIA HOLE -----							AR	
	S244667	PLUG USED IN .469 DIA HOLE -----							AR	
	S244666	PLUG USED IN .377 DIA HOLE -----							AR	
	S244664	PLUG USED IN .257 DIA HOLE -----							AR	

CONTINUED ON NEXT PAGE

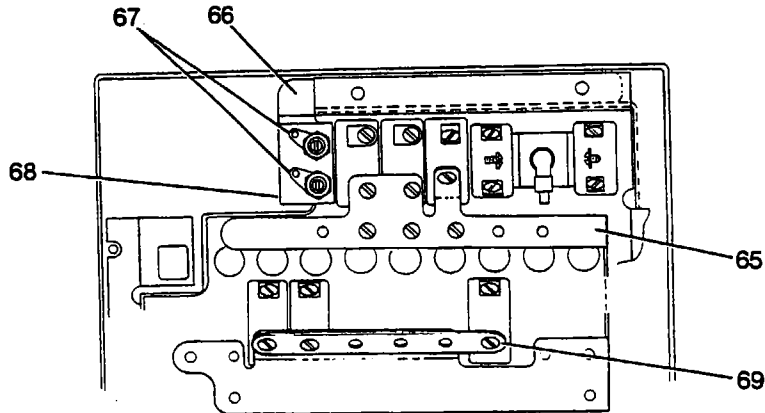
P210 Parts Catalog

Instruments (Cont)

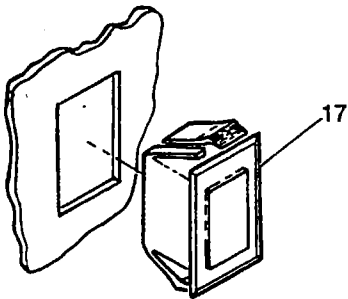


P21000835 & ON

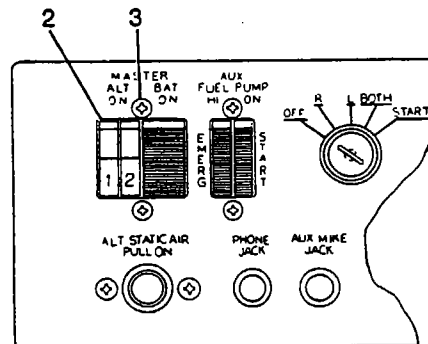
Detail C



BACK VIEW OF C/B PANEL



SWITCH COVER



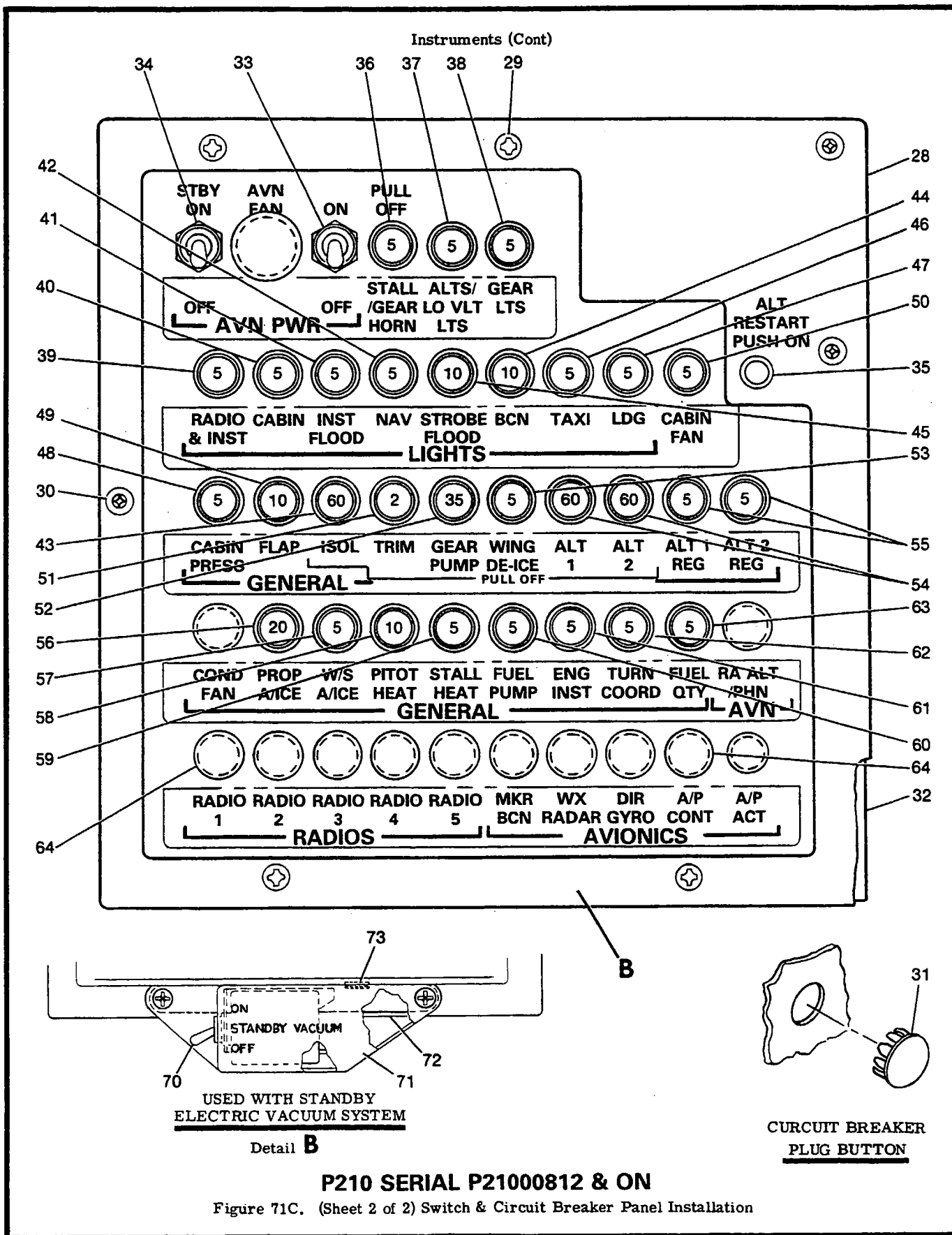
USED WITH DUAL ALTERNATORS

Detail A

P210 SERIAL P21000812 & ON

Figure 71C. (Sheet 1 of 2) Switch & Circuit Breaker Panel Installation

P210 Parts Catalog



P210 SERIAL P21000812 & ON

Figure 71C. (Sheet 2 of 2) Switch & Circuit Breaker Panel Installation

P210 Parts Catalog

FIGURE AND INDEX NO.	PART NUMBER	DESCRIPTION							UNITS PER ASSY	USABLE ON CODE
		1	2	3	4	5	6	7		
71C-32	2113217-1	BOX ASSY-CIRCUIT BREAKER -----							1	
	S1860-1	NUTPLATE -----							1	
	S1862-1	NUTPLATE -----							1	
-33	MS25306-222	SWITCH-PRIMARY AVIONICS POWER -----							1	
-34	MS25306-222	SWITCH-STANDBY AVIONICS POWER -----							1	
-35	S1890-1	SWITCH-ALT RESTART -----							1	
-36	S1232-5	CIRCUIT BREAKER 5 AMP STALL/GEAR HORN -----							1	
-37	S1360-5L	CIRCUIT BREAKER 5 AMP ALTS/LO VOLT LIGHT -----							1	
-38	S1360-5L	CIRCUIT BREAKER 5 AMP GEAR LIGHT -----							1	
-39	S1360-5L	CIRCUIT BREAKER 5 AMP RADIO & INST -----							1	
-40	S1360-5L	CIRCUIT BREAKER 5 AMP CABIN LIGHT -----							1	
-41	S1360-5L	CIRCUIT BREAKER 5 AMP INSTRUMENT FLOODLIGHT -----							1	
-42	S1360-5L	CIRCUIT BREAKER 5 AMP NAVIGATION LIGHT -----							1	
-43	S1232-60	CIRCUIT BREAKER 60 AMP ISOLATION -----							1	
-44	S1360-10L	CIRCUIT BREAKER 10 AMP BEACON LIGHT -----							1	
-45	S1360-10L	CIRCUIT BREAKER 10 AMP TAIL FLOODLIGHT & STROBE LIGHT -----							1	
	S1360-5L	CIRCUIT BREAKER 5 AMP STROBE LIGHT ONLY -----							1	
-46	S1360-5L	CIRCUIT BREAKER 5 AMP TAXI LIGHT -----							1	
-47	S1360-10L	CIRCUIT BREAKER 10 AMP LANDING LIGHT -----							1	
-48	S1360-5L	CIRCUIT BREAKER 5 AMP CABIN PRESSURE -----							1	
-49	S1360-10L	CIRCUIT BREAKER 10 AMP FLAP -----							1	
-50	S1360-5L	CIRCUIT BREAKER 5 AMP CABIN FAN -----							1	
-51	S1232-2	CIRCUIT BREAKER 2 AMP ELECTRIC TRIM -----							1	
	55-0088	NUT WDF -----							1	
-52	S1232-35	CIRCUIT BREAKER 35 AMP GEAR PUMP -----							1	
	55-0088	NUT WDF -----							1	
	AN515-8R4	SCREW ATTACH WIRE TO GEAR PUMP CIRCUIT BREAKER -----							1	
-53	S1232-5	CIRCUIT BREAKER 5 AMP WING DE-ICE -----							1	
	55-0088	NUT WDF -----							1	
-54	S1232-60	CIRCUIT BREAKER 60 AMP ALT 1 & ALT 2 -----							2	
-55	S1360-5L	CIRCUIT BREAKER 5 AMP ALT REG 1 & ALT REG 2 -----							2	
-56	S1360-20L	CIRCUIT BREAKER 20 AMP PROP ANTI-ICE -----							1	
-57	S1360-5L	CIRCUIT BREAKER 5 AMP WINDSHIELD ANTI-ICE -----							1	
-58	S1360-5L	CIRCUIT BREAKER 5 AMP HEATED PITOT -----							1	
	S1360-10L	CIRCUIT BREAKER 10 AMP HEATED PITOT KNOWN ICING -----							1	
	S1360-5L	CIRCUIT BREAKER 5 AMP DIGITAL CLOCK USED ONLY -----							1	
		WHEN PITOT HEAT IS NOT INSTALLED								
-59	S1360-5L	CIRCUIT BREAKER 5 AMP HEATED STALL WARNING -----							1	
	S1360-10L	CIRCUIT BREAKER 10 AMP HEATED STALL WARNING -----							1	
		KNOWN ICING								
-60	S1360-5L	CIRCUIT BREAKER 5 AMP FUEL PUMP -----							1	
-61	S1360-5L	CIRCUIT BREAKER 5 AMP ENGINE INSTRUMENTS -----							1	
-62	S1360-5L	CIRCUIT BREAKER 5 AMP TURN COORDINATOR -----							1	
-63	S1360-5L	CIRCUIT BREAKER 5 AMP FUEL QUANTITY -----							1	
	S2122-1	NUT-CIRCUIT BREAKER ATTACH BLACK -----							AR	
-64		RADIO INSTALLATION SEE AVIONICS SERVICE/PARTS MANUAL -----							1	
-65	2170035-1	BUS BAR-CIRCUIT BREAKER -----							1	
-66	2113225-1	STRAP-DIODE MOUNT USED WITH DUAL ALTERNATORS -----							1	
-67	20H3P	DIODE USED WITH DUAL ALTERNATORS SATA -----							2	
	S1358-6	WASHER USED WITH DUAL ALTERNATORS -----							2	
-68	2113255-1	INSULATOR-DIODE USED WITH DUAL ALTERNATORS -----							1	
-69	2170035-4	BUS BAR-ISOLATION CIRCUIT BREAKER USED -----							1	
		WITH DUAL ALTERNATORS								
-70	CM3589-15	SWITCH/CIRCUIT BREAKER-STANDBY VACUUM PUMP -----							1	
-71	2113301-1	COVER-STANDBY VACUUM SWITCH -----							1	B
-72	2113300-1	BRACKET ASSY-STANDBY VACUUM SWITCH -----							1	B
-73	S1291-4	GROMMET STANDBY VACUUM SWITCH WIRING -----							1	B

NOTE. @THIS KIT ALSO CONTAINS TWO DOOR LOCKS & TWO KEYS

A---P210 SERIAL P21000812 & ON
 B---P210 SERIAL P21000835 & ON
 C---P210 SERIAL P21000812 THRU P21000834

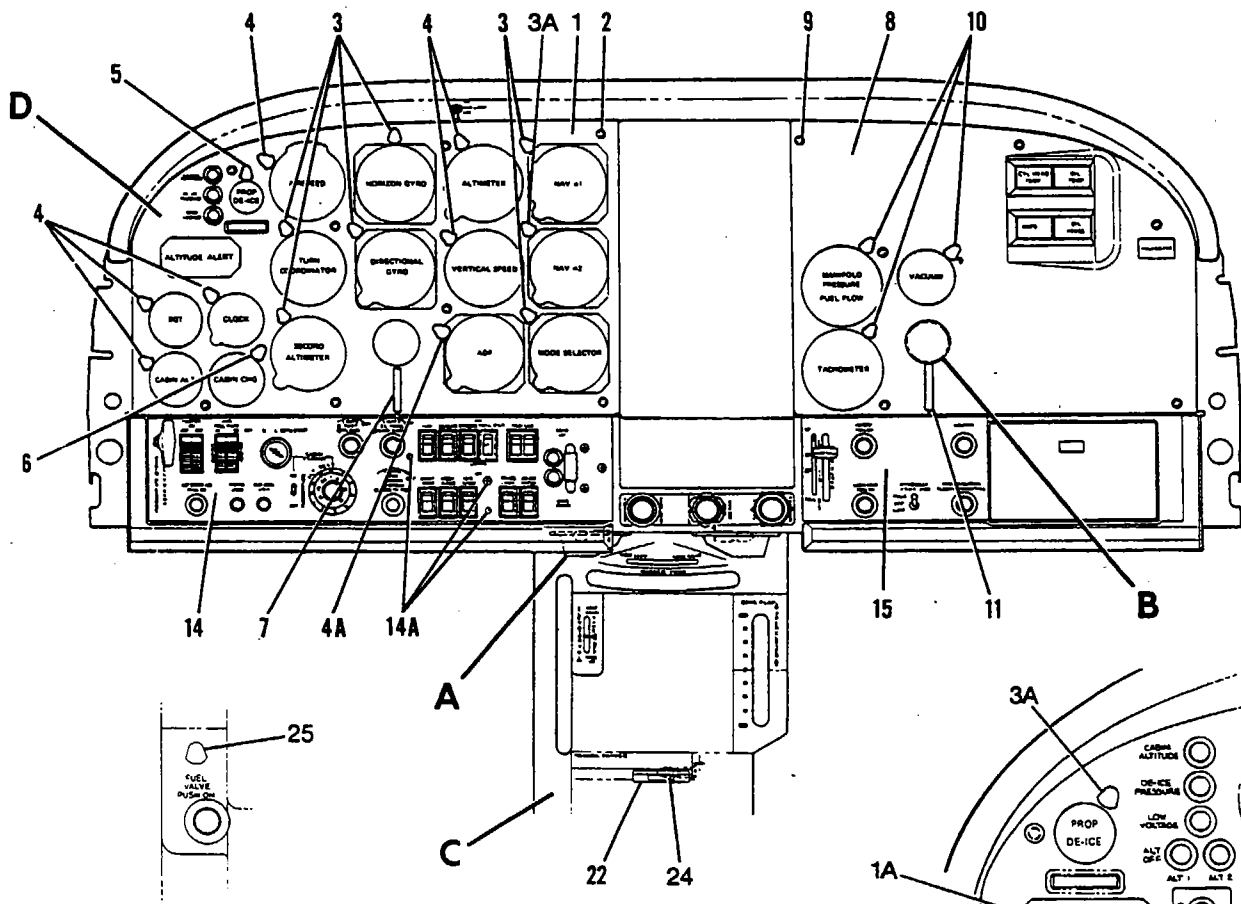
P210 Parts Catalog

FIGURE AND INDEX NO.	PART NUMBER	DESCRIPTION							UNITS PER ASSY	USABLE ON CODE
		1	2	3	4	5	6	7		
72 -		POST LIGHTED INSTRUMENT PANEL & PEDESTAL LIGHTS INSTALLATION							NP	
- 1	2113025-3	COVER ASSY-POST LIGHTED INSTRUMENT PANEL LH							1	L
	2113025-30	COVER ASSY-POST LIGHTED INSTRUMENT PANEL LH							1	A
	2113025-36-A59	COVER ASSY-POST LIGHTED INSTRUMENT PANEL LH							1	C
	2113025-36-C12	COVER ASSY-POST LIGHTED INSTRUMENT PANEL LH GREY							1	K
	2113025-36-279	COVER ASSY-POST LIGHTED INSTRUMENT PANEL LH BROWN							1	K
- 1A	2113025-40-A59	COVER ASSY-POST LIGHTED INSTRUMENT PANEL LH BLACK							1	K
	2113025-40-C12	COVER ASSY-POST LIGHTED INSTRUMENT PANEL LH GREY							1	J
	2113025-40-279	COVER ASSY-POST LIGHTED INSTRUMENT PANEL LH BROWN							1	J
		COVER ASSY-POST LIGHTED INSTRUMENT PANEL LH BLACK							1	J
		ATTACHING PARTS								
- 2	1513174-3	NUT-INSTRUMENT PANEL COVER					GREY	8	H	
	1513174-4	NUT-INSTRUMENT PANEL COVER					BROWN	8	K	
	1513174-5	NUT-INSTRUMENT PANEL COVER					BLACK	8	K	
	1513174-3	NUT-INSTRUMENT PANEL COVER					GREY	10	J	
	1513174-4	NUT-INSTRUMENT PANEL COVER					BROWN	10	J	
	1513174-5	NUT-INSTRUMENT PANEL COVER					BLACK	10	J	
		---*---								
- 3	2106002-1-A58	LIGHT ASSY-TAB MOUNT					GREY	6		
	2106002-1-D65	LIGHT ASSY-TAB MOUNT					BROWN	6	D	
	2106002-1-156	LIGHT ASSY-TAB MOUNT					BLACK	6	D	
- 3A	2106002-1-A58	LIGHT ASSY-TAB MOUNT					GREY	1	H	
	2106002-1-D65	LIGHT ASSY-TAB MOUNT					BROWN	1	K	
	2106002-1-156	LIGHT ASSY-TAB MOUNT					BLACK	1	K	
	2106002-9-A58	LIGHT ASSY-TAB MOUNT					GREY	1	J	
	2106002-9-D65	LIGHT ASSY-TAB MOUNT					BROWN	1	J	
	2106002-9-156	LIGHT ASSY-TAB MOUNT					BLACK	1	J	
- 4	2106002-9-A58	LIGHT ASSY-TAB MOUNT					GREY	1		
	2106002-9-D65	LIGHT ASSY-TAB MOUNT					BROWN	6	D	
	2106002-9-156	LIGHT ASSY-TAB MOUNT					BLACK	6	D	
- 4A	2106002-9-A58	LIGHT ASSY-TAB MOUNT					GREY	1	A	
	2106002-1-A58	LIGHT ASSY-TAB MOUNT					GREY	1	B	
	2106002-1-D65	LIGHT ASSY-TAB MOUNT					BROWN	1	B	
	2106002-1-156	LIGHT ASSY-TAB MOUNT					BLACK	1	D	
- 5	2106002-5-A58	LIGHT ASSY-TAB MOUNT					GREY	1	D	
	2106002-5-D65	LIGHT ASSY-TAB MOUNT					BROWN	1	D	
	2106002-5-156	LIGHT ASSY-TAB MOUNT					BLACK	1	D	
- 6	2106002-5-A58	LIGHT ASSY-TAB MOUNT					GREY	1	D	
	2106002-5-D65	LIGHT ASSY-TAB MOUNT					BROWN	1	D	
	2106002-5-156	LIGHT ASSY-TAB MOUNT					BLACK	1	D	
	MS25237-327	BULB-POST LIGHT							1	D
- 7	S2611-1-1.70-A58	CHANNEL					GREY	1		
	S2611-1-1.70-D65	CHANNEL					BROWN	1	D	
	S2611-1-1.70-156	CHANNEL					BLACK	1	D	
	S2092-12	FASTENER-PILE BKI SEE FIG 1							AR	
- 8	2113026-7	COVER ASSY-POST LIGHTED INSTRUMENT PANEL RH							1	E
	2113026-22-A59	COVER ASSY-POST LIGHTED INSTRUMENT PANEL RH GREY							1	F
		WEU 2113026-28-A59								
	2113026-22-C12	COVER ASSY-POST LIGHTED INSTRUMENT PANEL RH BROWN							1	F
		WEU 2113026-28-C12								
	2113026-22-279	COVER ASSY-POST LIGHTED INSTRUMENT PANEL RH BLACK							1	F
		WEU 2113026-28-279								
	2113026-28-A59	COVER ASSY-POST LIGHTED INSTRUMENT PANEL RH					GREY	1	G	
	2113026-28-C12	COVER ASSY-POST LIGHTED INSTRUMENT PANEL RH					BROWN	1	G	
	2113026-28-279	COVER ASSY-POST LIGHTED INSTRUMENT PANEL RH					BLACK	1	G	
	2113026-40-A59	COVER ASSY-POST LIGHTED INSTRUMENT PANEL RH					GREY	1	J	
		USED WITH DUAL ALTERNATORS								
	2113026-40-C12	COVER ASSY-POST LIGHTED INSTRUMENT PANEL RH					BROWN	1	J	
		USED WITH DUAL ALTERNATORS								
	2113026-40-279	COVER ASSY-POST LIGHTED INSTRUMENT PANEL RH					BLACK	1	J	
		USED WITH DUAL ALTERNATORS								
		ATTACHING PARTS								
- 9	1513174-3	NUT-INSTRUMENT PANEL COVER					GREY	6		
	1513174-4	NUT-INSTRUMENT PANEL COVER					BROWN	6	D	
	1513174-5	NUT-INSTRUMENT PANEL COVER					BLACK	6	D	
		---*---								

CONTINUED ON NEXT PAGE

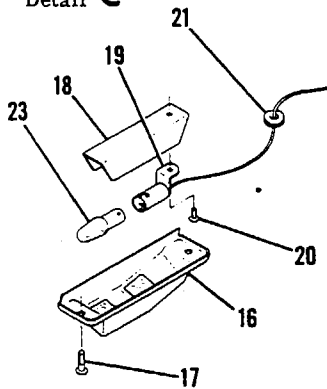
P210 Parts Catalog

Instruments (Cont)



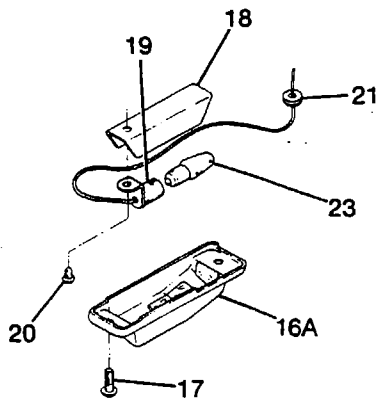
P21000761 thru P21000811

Detail C



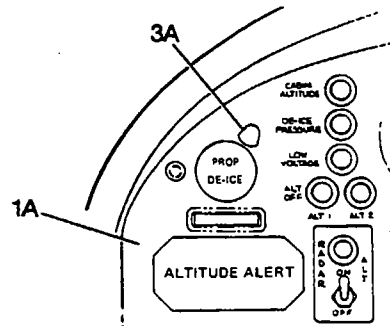
P21000001 THRU P21000760

Detail A



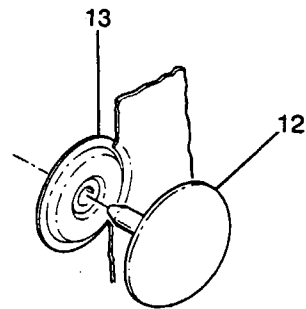
P21000761 thru P21000811

Detail A



P21000761 thru P21000811

Detail D



Detail B

P210 SERIAL P21000001 THRU P21000811

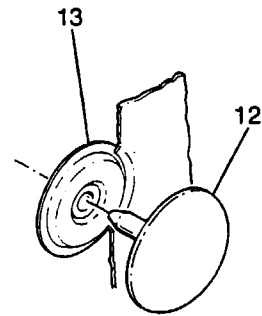
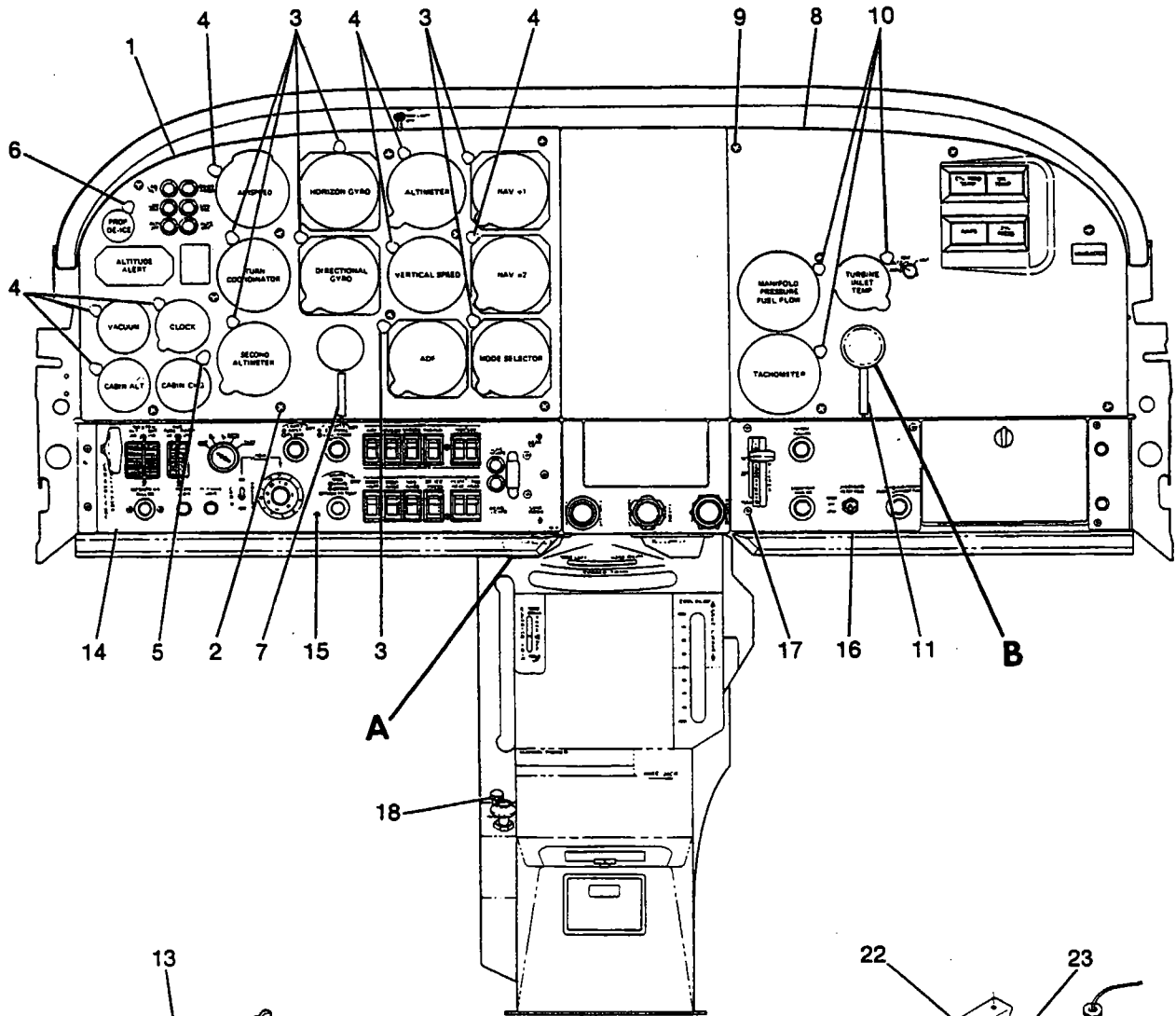
Figure 72. Post Lighted Instrument Panel & Pedestal Lights Installation

P210 Parts Catalog

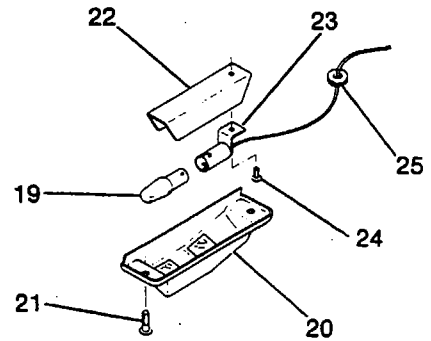
FIGURE AND INDEX NO.	PART NUMBER	DESCRIPTION							UNITS PER ASSY	USABLE ON CODE
		1	2	3	4	5	6	7		
72 -10	2106002-9-A58	LIGHT ASSY-TAB MOUNT GREY -----							3	D
	2106002-9-D65	LIGHT ASSY-TAB MOUNT BROWN -----								
	2106002-9-156	LIGHT ASSY-TAB MOUNT BLACK -----								
-11	MS25237-327	BULB-POST LIGHT -----							1	D
	S2611-1-1.95-A58	CHANNEL GREY -----								
	S2611-1-1.95-156	CHANNEL BLACK -----								
	S2611-1-1.95-D65	CHANNEL BROWN -----								
	S2092-12	FASTENER-PILE BKI SEE FIG 1 -----								
-12	0713346-2	CAP ASSY -----							1	E
	0713346-6-A59	CAP ASSY GREY -----								
	0713346-6-C12	CAP ASSY BROWN -----								
	0713346-6-279	CAP ASSY BLACK -----								
-13	0713346-1	BACKING ASSY -----							1	D
	2113027-1	PANEL ASSY-ELECTROLUMINESCENT LH WEU 2113027-5 -----								
	2113027-5	PANEL ASSY-ELECTROLUMINESCENT LH -----								
	2113027-9	PANEL ASSY-ELECTROLUMINESCENT LH -----								
	2113027-17	PANEL ASSY-ELECTROLUMINESCENT LH -----								
	2113027-13	PANEL ASSY-ELECTROLUMINESCENT LH -----								
-14A	S102274-8B	USED WITH DUAL ALTERNATORS							3	B
	NAS446-1	ATTACHING PARTS								
-15	2113028-1	SCREW -----							1	A
	2113028-3	NUT -----								
	2113028-7	PANEL ASSY-ELECTROLUMINESCENT RH -----								
	2113028-9	PANEL ASSY-ELECTROLUMINESCENT RH -----								
-16	1213748-7-279	PANEL ASSY-ELECTROLUMINESCENT RH -----							1	K
	1213748-2-279	LENS ASSY-PEDESTAL COVER LH -----								
-16A	1213748-13-279	LENS ASSY-PEDESTAL COVER RH -----							1	J
	1213748-14-279	LENS ASSY-PEDESTAL COVER LH -----								
		LENS ASSY-PEDESTAL COVER RH -----								
-17	S1021A6-3	ATTACHING PARTS							2	H
		SCREW -----								
-18	1213748-6	HEAT SHIELD-PEDESTAL LIGHT -----							2	
-19	S2522-1	HOLDER-LAMP -----							2	
		ATTACHING PARTS								
-20	AN515-4R6	SCREW -----							1	
-21	MS35489-33	GROMMET -----							1	H
	1213746-4	LENS ASSY-PEDESTAL LIGHT -----								
-22	AN507-632R8	ATTACHING PARTS							2	
	NAS1329A06K	SCREW -----								
-23	MS25231-1829	NUT -----							2	
	MS25231-1829	BULB-PEDESTAL LIGHT -----								
-24	2106002-9-156	BULB-PEDESTAL LIGHT -----							1	H
	MS25237-327	LIGHT ASSY-TAB MOUNT -----								
-25		BULB-POST LIGHT -----							1	J
<p>NOTE. %FOR COVERS USED ON RADIO INSTALLATIONS- SEE AVOINICS SERVICE/PARTS MANUAL</p>										
<p>A---P210 SERIAL P21000001 THRU P21000150 B---P210 SERIAL P21000151 THRU P21000811 C---P210 SERIAL P21000151 THRU P21000385 D---P210 SERIAL P21000386 THRU P21000811 E---P210 SERIAL P21000001 THRU P21000385 F---P210 SERIAL P21000386 THRU P21000590 G---P210 SERIAL P21000591 THRU P21000811 H---P210 SERIAL P21000001 THRU P21000760 J---P210 SERIAL P21000761 THRU P21000811 K---P210 SERIAL P21000386 THRU P21000760 L---P210 SERIAL P21000001 THRU P21000811</p>										

P210 Parts Catalog

Instruments (Cont)



Detail B



Detail A

P210 SERIAL P21000812 THRU P21000834

Figure 72A. Post Lighted Instrument Panel & Pedestal Lights Installation

P210 Parts Catalog

FIGURE AND INDEX NO.	PART NUMBER	DESCRIPTION							UNITS PER ASSY	USABLE ON CODE
		1	2	3	4	5	6	7		
72A-		POST LIGHTED INSTRUMENT PANEL & PEDESTAL LIGHTS INSTALLATION								
- 1	2113025-56-A59 %	COVER ASSY-POST LIGHTED INSTRUMENT PANEL LH GREY -----							NP	A
	2113025-56-C12 %	COVER ASSY-POST LIGHTED INSTRUMENT PANEL LH BROWN -----							1	
	2113025-56-279 %	COVER ASSY-POST LIGHTED INSTRUMENT PANEL LH BLACK -----							1	
		ATTACHING PARTS								
- 2	0413613-1-A59	NUT-INSTRUMENT PANEL COVER					GREY	-----	10	
	0413613-1-D66	NUT-INSTRUMENT PANEL COVER					BROWN	-----	10	
	0413613-1-279	NUT-INSTRUMENT PANEL COVER					BLACK	-----	10	
		*-----								
- 3	2106002-1-A58	LIGHT ASSY-TAB MOUNT					GREY	-----	7	
	2106002-1-D65	LIGHT ASSY-TAB MOUNT					BROWN	-----	7	
	2106002-1-156	LIGHT ASSY-TAB MOUNT					BLACK	-----	7	
- 4	2106002-9-A58	LIGHT ASSY-TAB MOUNT					GREY	-----	7	
	2106002-9-D65	LIGHT ASSY-TAB MOUNT					BROWN	-----	7	
	2106002-9-156	LIGHT ASSY-TAB MOUNT					BLACK	-----	7	
- 5	2106002-5-A58	LIGHT ASSY-TAB MOUNT					GREY	-----	1	
	2106002-5-D65	LIGHT ASSY-TAB MOUNT					BROWN	-----	1	
	2106002-5-156	LIGHT ASSY-TAB MOUNT					BLACK	-----	1	
- 6	2106002-7-A58	LIGHT ASSY-TAB MOUNT					GREY	-----	1	
	2106002-7-D65	LIGHT ASSY-TAB MOUNT					BROWN	-----	1	
	2106002-7-156	LIGHT ASSY-TAB MOUNT					BLACK	-----	1	
	MS25237-327	BULB-POST LIGHT						-----	1	
- 7	S2611-1-1.70-A58	CHANNEL					GREY	-----	1	
	S2611-1-1.70-156	CHANNEL					BLACK	-----	1	
	S2611-1-1.70-D65	CHANNEL					BROWN	-----	1	
	S2092-12	FASTNER-PILE					11.80 IN LG	BKI SEE FIG 1	AR	
- 8	2113026-28-A59 %	COVER ASSY-POST LIGHTED INSTRUMENT PANEL RH GREY -----							1	
	2113026-28-C12 %	COVER ASSY-POST LIGHTED INSTRUMENT PANEL RH BROWN -----							1	
	2113026-28-279 %	COVER ASSY-POST LIGHTED INSTRUMENT PANEL RH BLACK -----							1	
	2113026-40-A59 %	COVER ASSY-POST LIGHTED INSTRUMENT PANEL RH GREY -----							1	
		USED WITH DUAL ALTERNATORS								
	2113026-40-C12 %	COVER ASSY-POST LIGHTED INSTRUMENT PANEL RH BROWN -----							1	
		USED WITH DUAL ALTERNATORS								
	2113026-40-279 %	COVER ASSY-POST LIGHTED INSTRUMENT PANEL RH BLACK -----							1	
		USED WITH DUAL ALTERNATORS								
		ATTACHING PARTS								
- 9	0413613-1-A59	NUT-INSTRUMENT PANEL COVER					GREY	-----	6	
	0413613-1-D66	NUT-INSTRUMENT PANEL COVER					BROWN	-----	6	
	0413613-1-279	NUT-INSTRUMENT PANEL COVER					BLACK	-----	6	
		*-----								
-10	2106002-9-A58	LIGHT ASSY-TAB MOUNT					GREY	-----	3	
	2106002-9-D65	LIGHT ASSY-TAB MOUNT					BROWN	-----	3	
	2106002-9-156	LIGHT ASSY-TAB MOUNT					BLACK	-----	3	
	MS25237-327	BULB-POST LIGHT						-----	1	
-11	S2611-1-1.95-A58	CHANNEL					GREY	-----	1	
	S2611-1-1.95-156	CHANNEL					BLACK	-----	1	
	S2611-1-1.95-D65	CHANNEL					BROWN	-----	1	
	S2092-12	FASTNER-PILE					11.80 IN LG	BKI SEE FIG 1	AR	
-12	0713346-6-A59	CAP ASSY					GREY	-----	1	
	0713346-6-D66	CAP ASSY					BROWN	-----	1	
	0713346-6-279	CAP ASSY					BLACK	-----	1	
-13	0713346-1	BACKING ASSY								
-14	2113227-3	PANEL ASSY-ELECTROLUMINESCENT LH					WEU 2113227-9	-----	1	
	2113227-9	PANEL ASSY-ELECTROLUMINESCENT LH						-----	1	
		ATTACHING PARTS								
-15	S102274-10B	SCREW								
		*-----								
-16	2113228-3	PANEL ASSY-ELECTROLUMINESCENT RH								
		ATTACHING PARTS								
-17	S102274-10B	SCREW								
	NAS446-1	NUT								
		*-----								

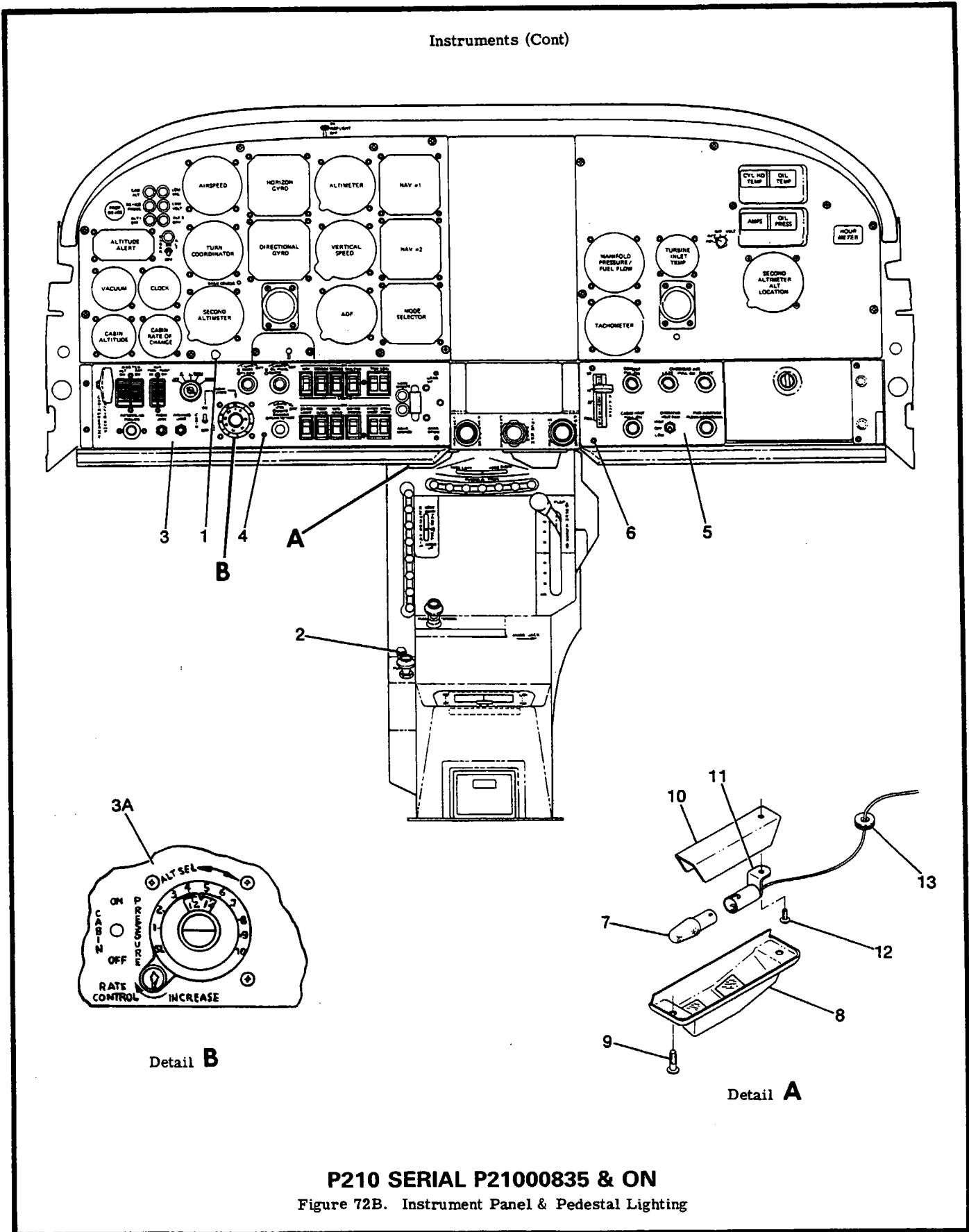
CONTINUED ON NEXT PAGE

P210 Parts Catalog

FIGURE AND INDEX NO.	PART NUMBER	DESCRIPTION	UNITS PER ASSY	USABLE ON CODE
		1 2 3 4 5 6 7		
72A-18	2106002-9-156	LIGHT ASSY-TAB MOUNT -----	1	
	MS25237-327	BULB-POST LIGHT -----	1	
-19	MS25231-1829	BULB-PEDESTAL LIGHT -----	2	
-20	1213748-13-279	LENS ASSY-PEDESTAL COVER LH -----	1	
	1213748-14-279	LENS ASSY-PEDESTAL COVER RH -----	1	
		ATTACHING PARTS		
-21	S1021A6-8	SCREW -----	2	
		-----*		
-22	1213748-6	HEAT SHIELD-PEDESTAL LIGHT -----	2	
-23	S2522-1	HOLDER-LAMP -----	2	
		ATTACHING PARTS		
-24	AN515-4R6	SCREW -----	1	
		-----*		
-25	MS35489-33	GROMMET -----	1	
		NOTE. *FOR COVERS USED ON RADIO INSTALLATIONS- SEE AVIONICS SERVICE/PARTS MANUAL.		
		A---P210 SERIAL P21000812 THRU P21000834		

P210 Parts Catalog

Instruments (Cont)



P210 SERIAL P2100835 & ON

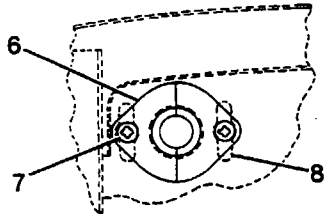
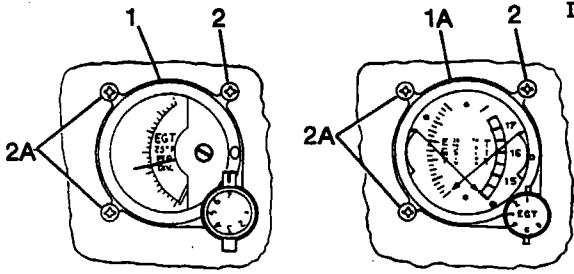
Figure 72B. Instrument Panel & Pedestal Lighting

P210 Parts Catalog

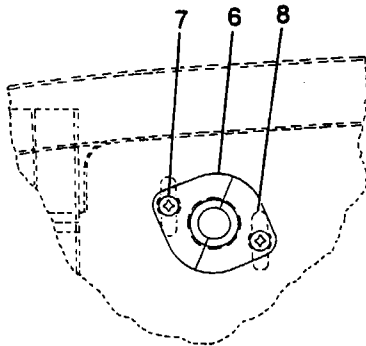
FIGURE AND INDEX NO.	PART NUMBER	DESCRIPTION							UNITS PER ASSY	USABLE ON CODE
		1	2	3	4	5	6	7		
72B-		INSTRUMENT PANEL & PEDESTAL LIGHTING -----							NP	A
- 1	CM2990G1	POST LIGHT ASSY -----							1	
	MS25237-327	BULB-POST LIGHT -----							1	
- 2	2106002-9-156	POST LIGHT ASSY -----							1	
	MS25237-327	BULB-POST LIGHT -----							1	
- 3	2113227-9	PANEL ASSY-LOWER LH INSTRUMENT				ELECTROLUMINESCENT -----			1	
- 3A	2113227-11	PANEL ASSY-LOWER LH INSTRUMENT				ELECTROLUMINESCENT -----			1	
		USED WITH VARIABLE CABIN PRESS SYSTEM								
- 4	S102274-10B	ATTACHING PARTS								
		SCREW -----							5	
		*-----								
- 5	2113263-1	PANEL ASSY-LOWER RH INSTRUMENT				ELECTROLUMINESCENT -----			1	
		ATTACHING PARTS								
- 6	S102274-10B	SCREW -----							2	
	NAS446-1	NUT -----							2	
		*-----								
- 7	MS25231-1829	BULB-PEDESTAL LIGHT -----							1	
- 8	1213748-13-279	LENS ASSY-PEDESTAL COVER LH -----							1	
	1213748-14-279	LENS ASSY-PEDESTAL COVER RH -----							1	
		ATTACHING PARTS								
- 9	S1021A6-8	SCREW -----							2	
		*-----								
-10	1213748-6	HEAT SHIELD-PEDESTAL LIGHT -----							2	
-11	S2522-1	HOLDER-LAMP -----							2	
		ATTACHING PARTS								
-12	AN515-4R6	SCREW -----							1	
		*-----								
-13	MS35489-33	GROMMET -----							1	
		A---P210 SERIAL P21000835 & ON								

P210 Parts Catalog

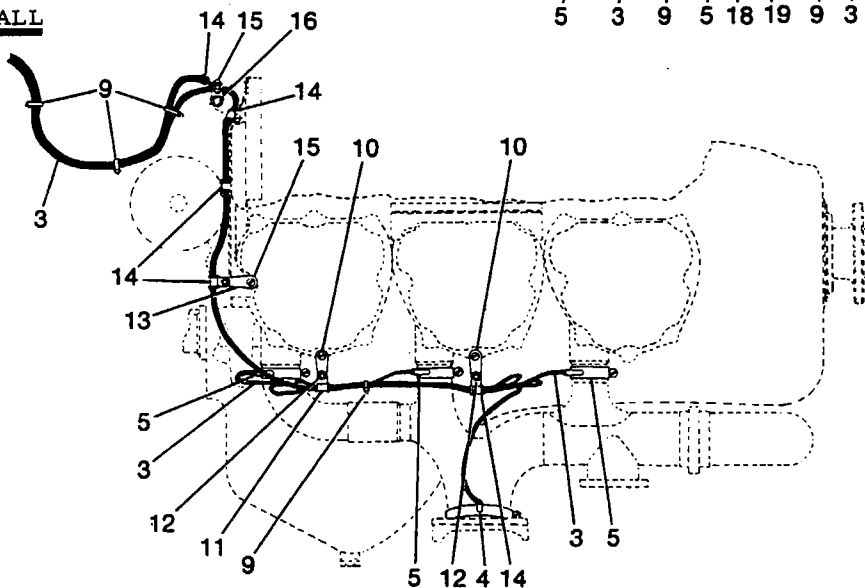
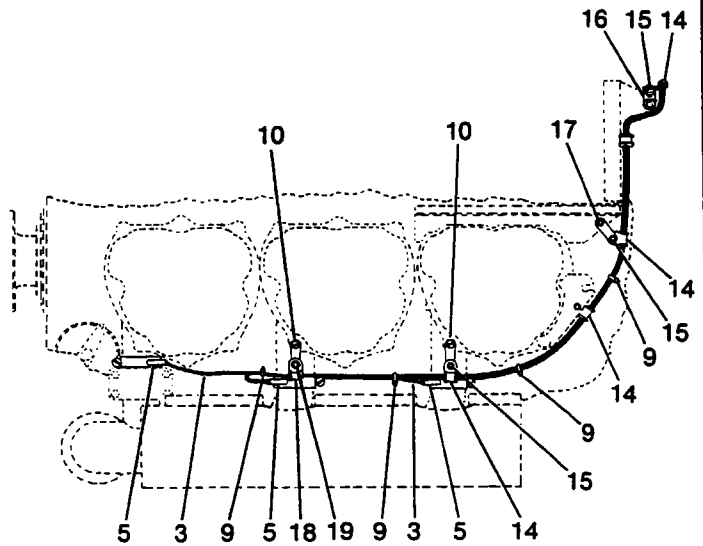
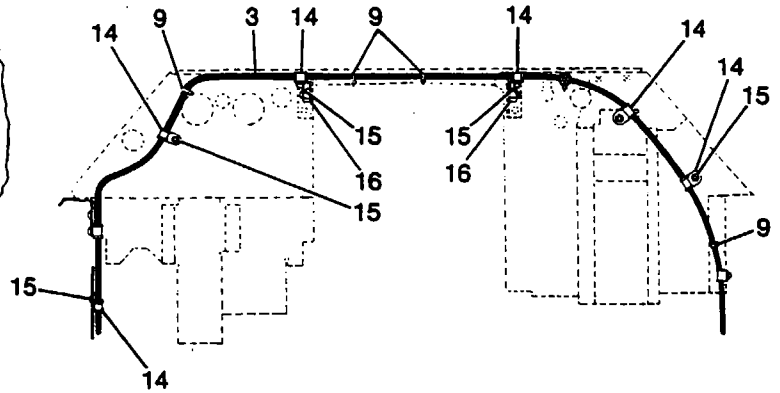
Instruments (Cont)



**P21000812 THRU P21000834
AT FIREWALL**



**P21000591 THRU P21000760
AT FIREWALL**



**P210 SERIAL P21000591 THRU P21000760
P210 SERIAL P21000812 THRU P21000834**

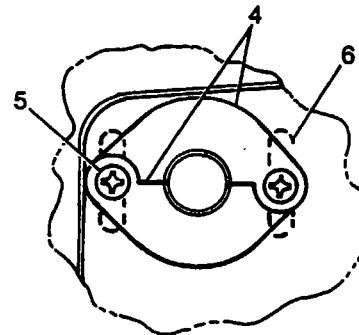
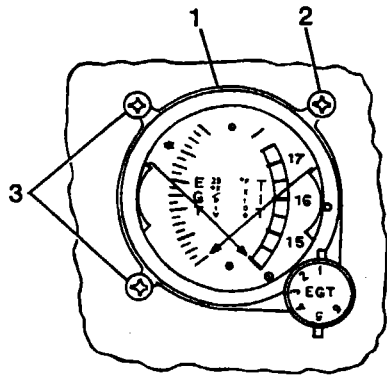
Figure 73. Seven Point Exhaust Gas Temperature Gage Installation

P210 Parts Catalog

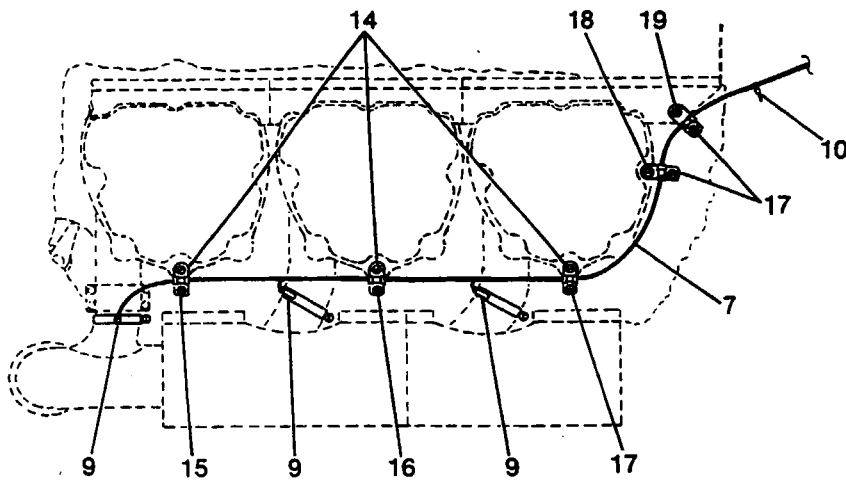
FIGURE AND INDEX NO.	PART NUMBER	DESCRIPTION							UNITS PER ASSY	USABLE ON CODE
		1	2	3	4	5	6	7		
73 -		GAGE INSTALLATION-EXHAUST GAS TEMPERATURE SEVEN POINT -----							NP	A B C
- 1	C668504-0102	GAGE-EXHAUST GAS TEMPERATURE SEVEN POINT -----							1	
	C668501-0501	GAGE-EXHAUST GAS TEMPERATURE SEVEN POINT -----							1	
		ATTACHING PARTS								
- 2	AN507B632R12	SCREW -----							1	
- 2A	AN515B6R12	SCREW -----							2	
		*-----								
- 3	C668504-0103	LEAD ASSY-EXHAUST GAS TEMPERATURE -----							1	
- 4	C668501-0204	PROBE-EXHAUST GAS TEMPERATURE -----							1	
- 5	C668501-0210	PROBE-EXHAUST GAS TEMPERATURE -----							6	
- 6	S45A12	SEAL HALF-FIREWALL -----							2	
		ATTACHING PARTS								
- 7	AN525-10R7	SCREW -----							2	
- 8	S2031-3	NUTPLATE -----							2	
		*-----								
- 9	S2209-1	STA STRAP -----							AR	
-10	S2300-12	BRACKET -----							4	
-11	MS21919DG12	CLAMP -----							2	
		ATTACHING PARTS								
-12	AN520-10R8	SCREW -----							1	
	NAS1149F0332P	WASHER -----							1	
	MS21042-3	NUT -----							1	
		*-----								
-13	S2300-10	BRACKET -----							1	
-14	MS21919DG5	CLAMP -----							9	
		ATTACHING PARTS								
-15	AN520-10R8	SCREW -----							1	
	NAS1149F0332P	WASHER -----							1	
	MS21042-3	NUT -----							1	
		*-----								
-16	1200567-4	BRACKET -----							2	
-17	S2300-11	BRACKET -----							1	
-18	MS21919DG6	CLAMP -----							1	
		ATTACHING PARTS								
-19	AN520-10R8	SCREW -----							1	
	NAS1149F0332P	WASHER -----							1	
	MS21042-3	NUT -----							1	
		*-----								
		A---P210 SERIAL P21000591 THRU P21000760 P210 SERIAL P21000812 THRU P21000834 B---P210 SERIAL P21000591 THRU P21000760 C---P210 SERIAL P21000812 THRU P21000834								

P210 Parts Catalog

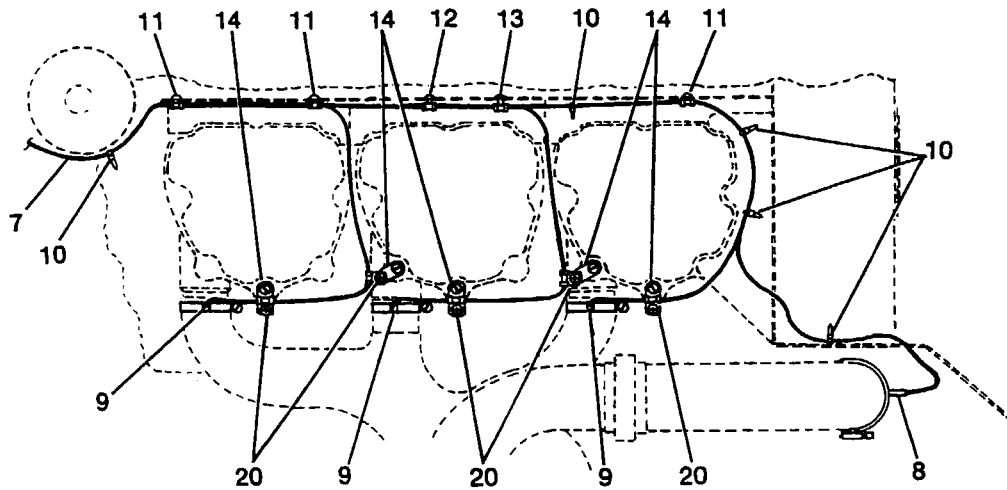
Instruments (Cont)



AT FIREWALL



LH SIDE



RH SIDE

P210 SERIAL P21000835 & ON

Figure 73A. Seven Point Exhaust Gas Temperature Installation

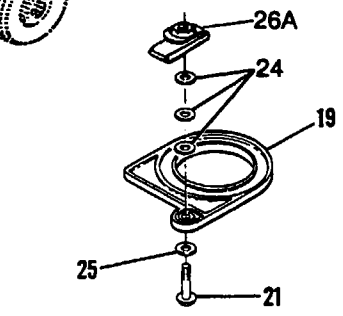
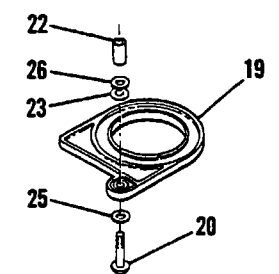
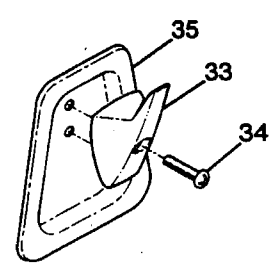
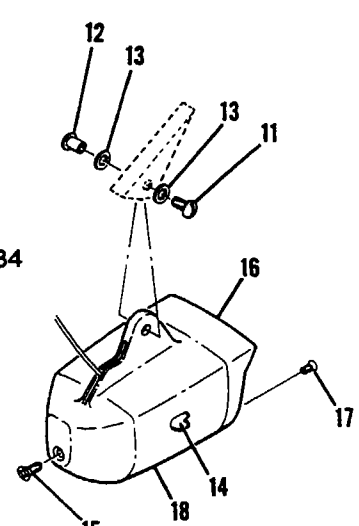
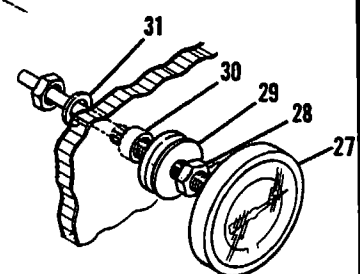
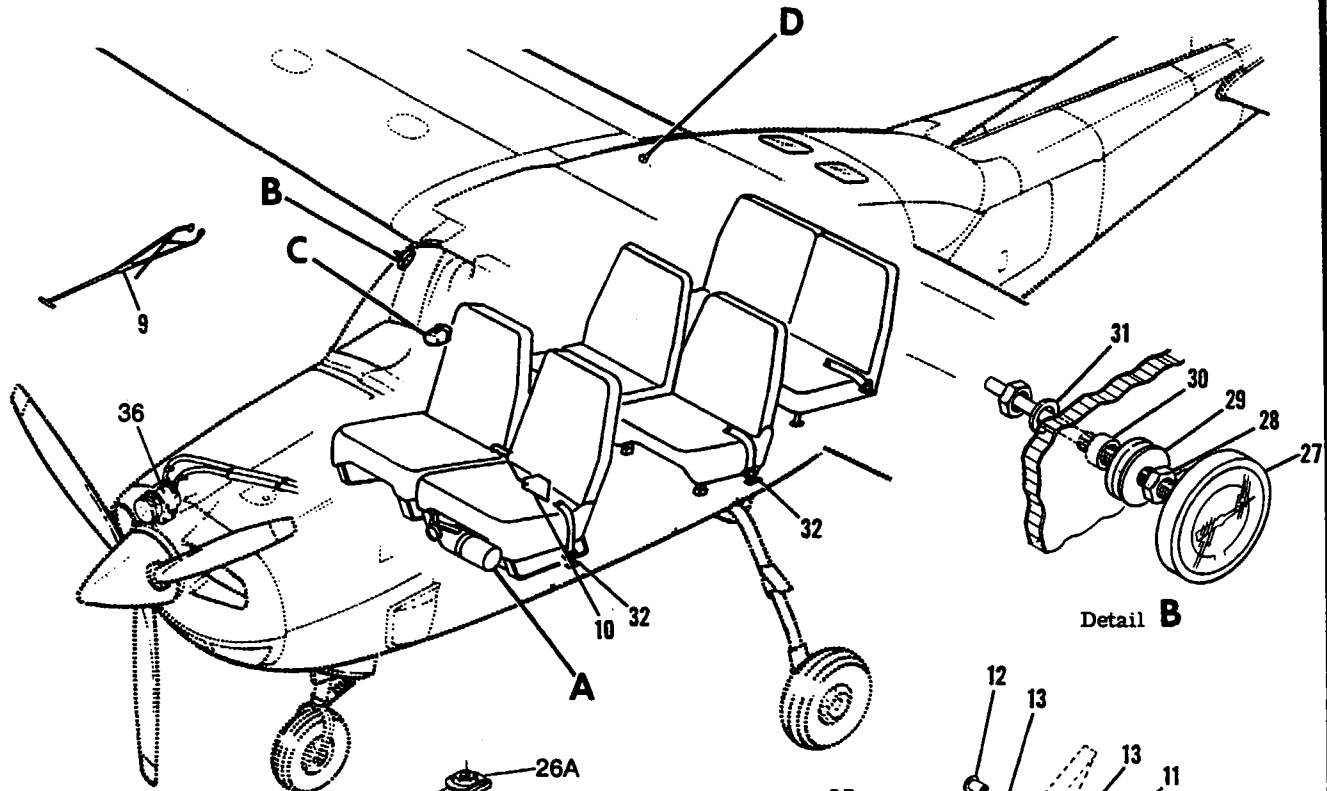
P210 Parts Catalog

FIGURE AND INDEX NO.	PART NUMBER	DESCRIPTION							UNITS PER ASSY	USABLE ON CODE
		1	2	3	4	5	6	7		
73A-		GAGE INSTALLATION-EXHAUST GAS TEMPERATURE SEVEN POINT -----							NP	A
- 1	C668501-0501	GAGE-EXHAUST GAS TEMPERATURE & TURBINE INLET TEMP -----							1	
		ATTACHING PARTS -----								
- 2	AN507B632R12	SCREW -----							1	
- 3	AN515B6R12	SCREW -----							2	
		-----*								
- 4	Z150903-5	SEAL ASSY -----							2	
		ATTACHING PARTS -----								
- 5	AN525-10R7	SCREW -----							2	
- 6	S2031-3	NUTPLATE -----							2	
		-----*								
- 7	C668504-0103	LEAD ASSY-EXHAUST GAS TEMPERATURE -----							1	
- 8	C668501-0204	PROBE-EXHAUST GAS TEMPERATURE -----							1	
- 9	C668501-0210	PROBE-EXHAUST GAS TEMPERATURE -----							6	
-10	S2209-1	STA STRAP -----							AR	
-11	MS21919DG5	CLAMP -----							3	
		ATTACHING PARTS -----								
	AN520-10R7	SCREW -----							1	
	NAS1149F0332P	WASHER -----							1	
	MS20365-1032C	NUT -----							1	
		-----*								
-12	MS21919DG5	CLAMP -----							9	
		ATTACHING PARTS -----								
	AN520-10R14	SCREW -----							1	
	NAS430D3-28	SPACER -----							1	
	NAS1149F0332P	WASHER -----							1	
	MS20365-1032C	NUT -----							1	
		-----*								
-13	MS21919DG5	CLAMP -----							9	
		ATTACHING PARTS -----								
	AN520-10R18	SCREW -----							1	
	NAS430D3-42	SPACER -----							1	
	NAS1149F0332P	WASHER -----							1	
	MS20365-1032C	NUT -----							1	
		-----*								
-14	S2300-12	BRACKET -----							8	
-15	MS21919DG6	CLAMP -----							1	
		ATTACHING PARTS -----								
	AN520-10R6	SCREW -----							1	
	NAS1149F0332P	WASHER -----							1	
	MS21042-3	NUT -----							1	
		-----*								
-16	MS21919DG8	CLAMP -----							9	
		ATTACHING PARTS -----								
	AN520-10R8	SCREW -----							1	
	NAS1149F0332P	WASHER -----							1	
	MS21042-3	NUT -----							1	
		-----*								
-17	MS21919DG4	CLAMP -----							9	
		ATTACHING PARTS -----								
	AN520-10R8	SCREW -----							1	
	NAS1149F0332P	WASHER -----							1	
	MS21042-3	NUT -----							1	
		-----*								
-18	S2300-4	BRACKET -----							1	
-19	S2300-6	BRACKET -----							1	
		ATTACHING PARTS -----								
	AN520-10R8	SCREW -----							1	
	NAS1149F0332P	WASHER -----							1	
	MS21042-3	NUT -----							1	
		-----*								
-20	MS21919DG2	CLAMP -----							1	
		ATTACHING PARTS -----								
	AN520-10R8	SCREW -----							1	
	NAS1149F0332P	WASHER -----							1	
	MS21042-3	NUT -----							1	
		-----*								

A---P210 SERIAL P21000835 & ON

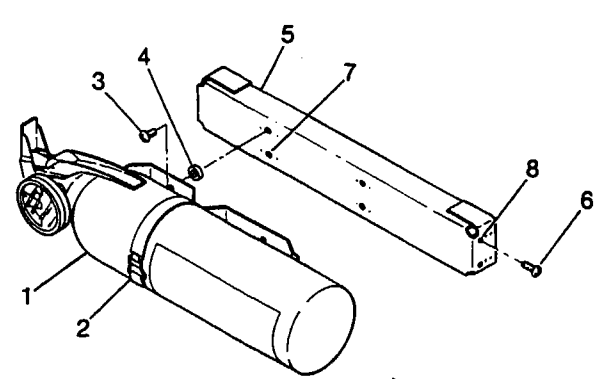
P210 Parts Catalog

Fuselage Equipment



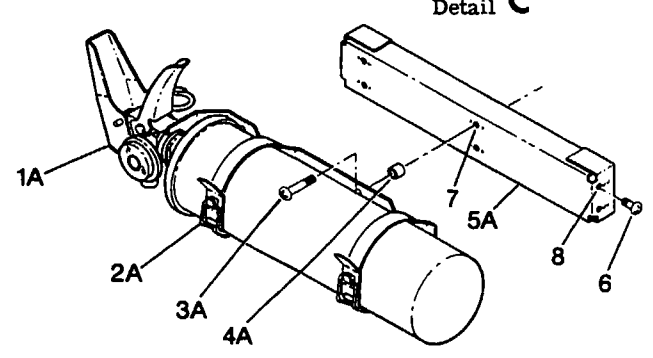
PILOTS CUP HOLDER

CO-PILOTS CUP HOLDER



P21000001 THRU P21000590

Detail A



P21000591 & ON

Detail A

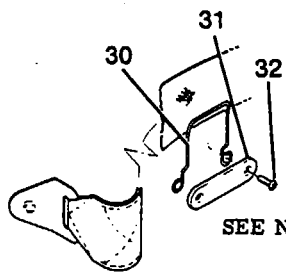
Figure 73B. Fuselage Equipment Installation

P210 Parts Catalog

FIGURE AND INDEX NO.	PART NUMBER	DESCRIPTION							UNITS PER ASSY	USABLE ON CODE
		1	2	3	4	5	6	7		
73B-		FUSELAGE EQUIPMENT INSTALLATION -----							NP	
- 1	C421001-0101	FIRE EXTINGUISHER ASSY -----							1	A
- 1A	C421001-0201	FIRE EXTINGUISHER ASSY -----							1	B
- 2	C421001-0102	BRACKET ASSY-FIRE EXTINGUISHER -----							1	B
- 2A	C421001-0202	BRACKET ASSY-FIRE EXTINGUISHER -----							1	B
		ATTACHING PARTS -----								
- 3	AN520-10R10	SCREW -----							4	A
- 3A	AN520-10R12	SCREW -----							4	B
- 4	NAS43003-8	SPACER -----							4	A
- 4A	NAS43003-20	SPACER -----							4	B
		*-----								
- 5	0713999-5	BRACKET ASSY-FIRE EXTINGUISHER -----							1	A
- 5A	0713999-8	BRACKET ASSY-FIRE EXTINGUISHER -----							1	B
		ATTACHING PARTS -----								
- 6	AN520-10R8	SCREW -----							4	
		*-----								
- 7	NAS680A3	NUTPLATE -----							4	
- 8	NAS696A3	NUTPLATE -----							4	
- 9	1200008-8	TOW BAR ASSY-TELESCOPING -----							1	C
	0501019-1	TOW BAR ASSY -----							1	D
-10	2160003-1	CONTROL LOCK ASSY-CONTROL COLUMN -----							1	
	2160003-3	CONTROL LOCK ASSY-CONTROL COLUMN -----							1	
	0413517-20	COMPASS ASSY -----							1	
		ATTACHING PARTS -----								
-11	D366	SCREW STM -----							1	
-12	D4023X.375	POST STM -----							1	
-13	NAS1149D0363H	WASHER -----							2	
	NAS1149D0316H	WASHER -----							AR	
		*-----								
-14	C660501-0102	COMPASS ASSY -----							1	
		ATTACHING PARTS -----								
-15	AN507B832R14	SCREW -----							1	
		*-----								
-16	MS25237-327	BULB-COMPASS -----							1	
	0413517-15	BEZEL-COMPASS -----							1	
		ATTACHING PARTS -----								
-17	AN510B4R8	SCREW -----							2	
		*-----								
-18	0413517-5	CUP-COMPASS -----							1	
-19	0501022-1	HOLDER-CUP PILOT & CO-PILOT -----							2	
		ATTACHING PARTS -----								
-20	AN525-10R24	SCREW PILOT -----							1	
-21	AN525-10R12	SCREW CO-PILOT -----							1	
-22	NAS43003-53	SPACER PILOT -----							1	
-23	NAS1149F0363P	WASHER PILOT -----							1	
-24	NAS1149F0363P	WASHER CO-PILOT -----							3	
-25	S1357-3	WASHER -----							1	
-26	NAS1149F0332P	WASHER PILOT -----							1	
-26A	S1477-3	NUT CO-PILOT -----							1	F
		*-----								
-27	C668507-0104	GAGE-OUTSIDE AIR TEMPERATURE -----							1	
		ATTACHING PARTS -----								
-28	AN316-5	NUT -----							1	
-29	S1450-5-16-063	WASHER -----							1	
-30	S1495-6	SLEEVE-RUBBER TUBING * IN LG BKI -----							1	
-31	NAS1149D0516K	WASHER -----							1	
		*-----								
-32	SEE FIG 74	SEAT BELT & SHOULDER HARNESS INSTALLATION -----							1	
	SEE FIG 75	INERTIA REEL SEAT BELT & SHOULDER HARNESS INSTALLATION -----							1	
-33	0715038-1	COAT HANGER -----							2	
		ATTACHING PARTS -----								
-34	AN520-10R12	SCREW -----							1	
		*-----								
-35	2115057-1	ESCUTCHEON -----							2	E
-36		AIR CONDITIONING INSTALLATION SEE AIR CONDITIONING -----							1	
		SERVICE/PARTS MANUAL -----								
NOTE. *LENGTH TO BE DETERMINED LATER										
A---P210 SERIAL P21000001 THRU P21000590										
B---P210 SERIAL P21000591 & ON										
C---P210 SERIAL P21000001 THRU P21000760										
D---P210 SERIAL P21000761 & ON										
E---P210 SERIAL P21000694 & ON										
F---P210 SERIAL P21000835 & ON										

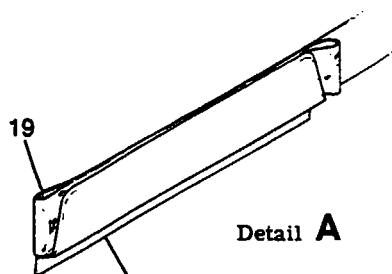
P210 Parts Catalog

Fuselage Equipment (Cont)

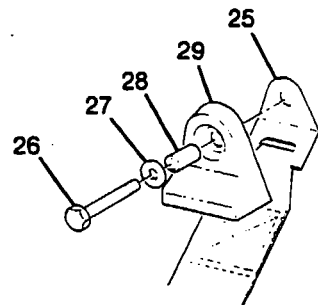


SEE NOTE *

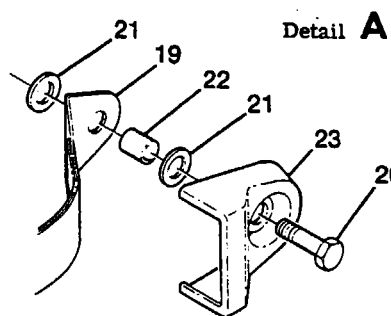
P21000001 THRU P21000060



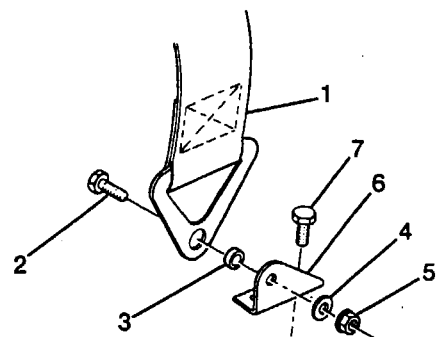
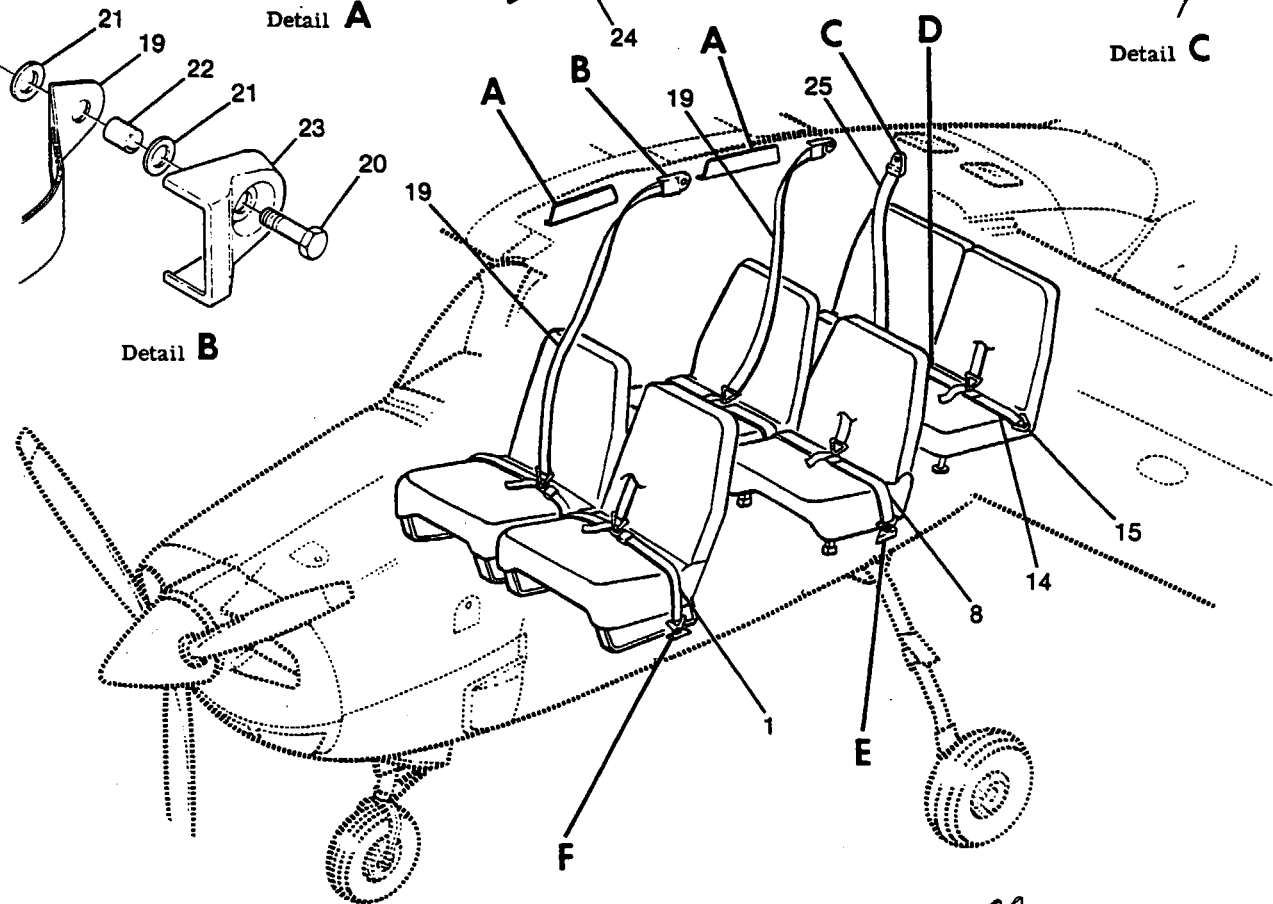
Detail A



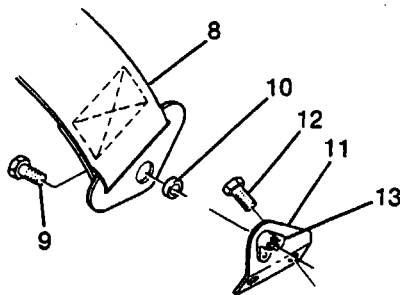
Detail C



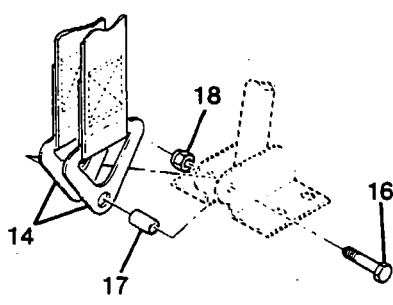
Detail B



Detail F



Detail E



Detail D

Figure 74. Seat Belt & Shoulder Harness Installation

P210 Parts Catalog

FIGURE AND INDEX NO.	PART NUMBER	DESCRIPTION	UNITS PER ASSY	USABLE ON CODE
		1 2 3 4 5 6 7		
74 -		SEAT BELT & SHOULDER HARNESS INSTALLATION -----	NP	
- 1	S2275CC111	BELT ASSY-FRONT SEAT BROWN -----	2	C
	S2275JJ111	BELT ASSY-FRONT SEAT BLUE -----	2	C
	S2275Z111	BELT ASSY-FRONT SEAT RED -----	2	C
	S2275KK111	BELT ASSY-FRONT SEAT MAIZE -----	2	C
	S2275B111	BELT ASSY-FRONT SEAT BLACK -----	2	C
	S2275CC111	BELT ASSY-FRONT SEAT BROWN -----	2	D
	S2275JJ111	BELT ASSY-FRONT SEAT BLUE -----	2	D
	S2275Z111	BELT ASSY-FRONT SEAT RED -----	2	D
	S2275LL111	BELT ASSY-FRONT SEAT RUST -----	2	D
	S2275NN111	BELT ASSY-FRONT SEAT GREEN -----	2	D
	S2275MM111	BELT ASSY-FRONT SEAT BEIGE -----	2	D
	S2275B111	BELT ASSY-FRONT SEAT BLACK -----	2	D
	S2275CC111	BELT ASSY-FRONT SEAT GOLD -----	2	D
	S2275JJ111	BELT ASSY-FRONT SEAT BLUE -----	2	D
	S2275MM111	BELT ASSY-FRONT SEAT BEIGE -----	2	D
	S2275PP111	BELT ASSY-FRONT SEAT BROWN -----	2	D
	S2275Z111	BELT ASSY-FRONT SEAT RED -----	2	D
	S2275B111	BELT ASSY-FRONT SEAT BLACK -----	2	D
	S2275WD111	BELT ASSY-FRONT SEAT RUST -----	2	D
	S2275WJ111	BELT ASSY-FRONT SEAT BURGUNDY -----	2	D
	S2275WG111	BELT ASSY-FRONT SEAT GRAY -----	2	D
		ATTACHING PARTS -----		
- 2	AN4-4A	BOLT -----	2	
- 3	NAS43HT4-10	SPACER -----	2	
- 4	NAS1149F0432P	WASHER -----	2	
- 5	MS21042L4	NUT -----	2	
		-----*		
- 6	0510205-8	FITTING-SEAT BELT OUTBD LH & INBD RH -----	2	
	0510205-7	FITTING-SEAT BELT INBD LH & OUTBD RH -----	2	
		ATTACHING PARTS -----		
- 7	AN4-5A	BOLT -----	2	
		-----*		
- 8	S1746CC25	BELT ASSY-MIDDLE SEAT BROWN WITHOUT SHOULDER HARNESS -----	2	C
	S1746JJ25	BELT ASSY-MIDDLE SEAT BLUE WITHOUT SHOULDER HARNESS -----	2	C
	S1746Z25	BELT ASSY-MIDDLE SEAT RED WITHOUT SHOULDER HARNESS -----	2	C
	S1746KK25	BELT ASSY-MIDDLE SEAT MAIZE WITHOUT SHOULDER HARNESS -----	2	C
	S1746B25	BELT ASSY-MIDDLE SEAT BLACK WITHOUT SHOULDER HARNESS -----	2	C
	S1746CC25	BELT ASSY-MIDDLE SEAT BROWN WITHOUT SHOULDER HARNESS -----	2	D
	S1746JJ25	BELT ASSY-MIDDLE SEAT BLUE WITHOUT SHOULDER HARNESS -----	2	D
	S1746Z25	BELT ASSY-MIDDLE SEAT RED WITHOUT SHOULDER HARNESS -----	2	D
	S1746LL25	BELT ASSY-MIDDLE SEAT RUST WITHOUT SHOULDER HARNESS -----	2	D
	S1746NN25	BELT ASSY-MIDDLE SEAT GREEN WITHOUT SHOULDER HARNESS -----	2	D
	S1746MM25	BELT ASSY-MIDDLE SEAT BEIGE WITHOUT SHOULDER HARNESS -----	2	D
	S1746B25	BELT ASSY-MIDDLE SEAT BLACK WITHOUT SHOULDER HARNESS -----	2	D
	S1746CC25	BELT ASSY-MIDDLE SEAT GOLD WITHOUT SHOULDER HARNESS -----	2	D
	S1746JJ25	BELT ASSY-MIDDLE SEAT BLUE WITHOUT SHOULDER HARNESS -----	2	D
	S1746MM25	BELT ASSY-MIDDLE SEAT BEIGE WITHOUT SHOULDER HARNESS -----	2	D
	S1746PP25	BELT ASSY-MIDDLE SEAT BROWN WITHOUT SHOULDER HARNESS -----	2	D
	S1746Z25	BELT ASSY-MIDDLE SEAT RED WITHOUT SHOULDER HARNESS -----	2	D
	S1746B103	BELT ASSY-MIDDLE SEAT BLACK WITHOUT SHOULDER HARNESS -----	2	D
	S2275CC105	BELT ASSY-MIDDLE SEAT BROWN WITH SHOULDER HARNESS -----	2	D
	S2275JJ105	BELT ASSY-MIDDLE SEAT BLUE WITH SHOULDER HARNESS -----	2	D
	S2275Z105	BELT ASSY-MIDDLE SEAT RED WITH SHOULDER HARNESS -----	2	D
	S2275KK105	BELT ASSY-MIDDLE SEAT MAIZE WITH SHOULDER HARNESS -----	2	D
	S2275B105	BELT ASSY-MIDDLE SEAT BLACK WITH SHOULDER HARNESS -----	2	D
	S2275CC105	BELT ASSY-MIDDLE SEAT BROWN WITH SHOULDER HARNESS -----	2	D
	S2275JJ105	BELT ASSY-MIDDLE SEAT BLUE WITH SHOULDER HARNESS -----	2	D
	S2275Z105	BELT ASSY-MIDDLE SEAT RED WITH SHOULDER HARNESS -----	2	D
	S2275LL105	BELT ASSY-MIDDLE SEAT RUST WITH SHOULDER HARNESS -----	2	D
	S2275NN105	BELT ASSY-MIDDLE SEAT GREEN WITH SHOULDER HARNESS -----	2	D
	S2275MM105	BELT ASSY-MIDDLE SEAT BEIGE WITH SHOULDER HARNESS -----	2	D
	S2275B105	BELT ASSY-MIDDLE SEAT BLACK WITH SHOULDER HARNESS -----	2	D
	S2275CC105	BELT ASSY-MIDDLE SEAT GOLD WITH SHOULDER HARNESS -----	2	D
	S2275JJ105	BELT ASSY-MIDDLE SEAT BLUE WITH SHOULDER HARNESS -----	2	D
	S2275MM105	BELT ASSY-MIDDLE SEAT BEIGE WITH SHOULDER HARNESS -----	2	D
	S2275PP105	BELT ASSY-MIDDLE SEAT BROWN WITH SHOULDER HARNESS -----	2	D
	S2275Z105	BELT ASSY-MIDDLE SEAT RED WITH SHOULDER HARNESS -----	2	D
	S2275B105	BELT ASSY-MIDDLE SEAT BLACK WITH SHOULDER HARNESS -----	2	D
	S2275WD105	BELT ASSY-MIDDLE SEAT RUST -----	2	D
	S2275WJ105	BELT ASSY-MIDDLE SEAT BURGUNDY -----	2	D
	S2275WG105	BELT ASSY-MIDDLE SEAT GRAY -----	2	D
		ATTACHING PARTS -----		
- 9	AN4-4A	BOLT -----	2	
- 10	NAS43HT4-10	SPACER -----	2	
		-----*		

CONTINUED ON NEXT PAGE

P210 Parts Catalog

FIGURE AND INDEX NO.	PART NUMBER	DESCRIPTION							UNITS PER ASSY	USABLE ON CODE
		1	2	3	4	5	6	7		
74 -11	2011028-7	FITTING ASSY-SEAT BELT						OUTBD LH	1	
	2011028-8	FITTING ASSY-SEAT BELT						OUTBD RH	1	
	0510205-7	FITTING ASSY-SEAT BELT						INBD LH	1	
	0510205-8	FITTING ASSY-SEAT BELT						INBD RH	1	
-12		ATTACHING PARTS								
	AN4-5A	BOLT						OUTBD FWD	1	
	AN4-6A	BOLT						OUTBD AFT	1	
	AN4-4A	BOLT						INBD FWD	1	
	NAS1149F0432P	WASHER						INBD FWD	1	
	AN4-5A	BOLT						INBD AFT	1	
	NAS1149F0432P	WASHER						INBD AFT	1	
-13	MS21073L4	NUTPLATE							1	
	-14	S1746CC17	BELT ASSY-AFT SEAT	BROWN	WITHOUT SHOULDER HARNESS				2	C
	S1746JJ17	BELT ASSY-AFT SEAT	BLUE	WITHOUT SHOULDER HARNESS				2	C	
	S1746Z17	BELT ASSY-AFT SEAT	RED	WITHOUT SHOULDER HARNESS				2	C	
	S1746KK17	BELT ASSY-AFT SEAT	MAIZE	WITHOUT SHOULDER HARNESS				2	C	
	S1746B17	BELT ASSY-AFT SEAT	BLACK	WITHOUT SHOULDER HARNESS				2	C	
	S1746CC17	BELT ASSY-AFT SEAT	BROWN	WITHOUT SHOULDER HARNESS				2	D	
	S1746JJ17	BELT ASSY-AFT SEAT	BLUE	WITHOUT SHOULDER HARNESS				2	D	
	S1746Z17	BELT ASSY-AFT SEAT	RED	WITHOUT SHOULDER HARNESS				2	D	
	S1746LL17	BELT ASSY-AFT SEAT	RUST	WITHOUT SHOULDER HARNESS				2	D	
	S1746NN17	BELT ASSY-AFT SEAT	GREEN	WITHOUT SHOULDER HARNESS				2	D	
	S1746MM17	BELT ASSY-AFT SEAT	BEIGE	WITHOUT SHOULDER HARNESS				2	D	
	S1746B17	BELT ASSY-AFT SEAT	BLACK	WITHOUT SHOULDER HARNESS				2	D	
	S1746CC17	BELT ASSY-AFT SEAT	GOLD	WITHOUT SHOULDER HARNESS				2	D	
	S1746JJ17	BELT ASSY-AFT SEAT	BLUE	WITHOUT SHOULDER HARNESS				2	F	
	S1746MM17	BELT ASSY-AFT SEAT	BEIGE	WITHOUT SHOULDER HARNESS				2	F	
	S1746PP17	BELT ASSY-AFT SEAT	BROWN	WITHOUT SHOULDER HARNESS				2	F	
	S1746Z17	BELT ASSY-AFT SEAT	RED	WITHOUT SHOULDER HARNESS				2	F	
	S1746B17	BELT ASSY-AFT SEAT	BLACK	WITHOUT SHOULDER HARNESS				2	F	
	S2275CC106	BELT ASSY-AFT SEAT	BROWN	WITH SHOULDER HARNESS				2	F	
	S2275JJ106	BELT ASSY-AFT SEAT	BLUE	WITH SHOULDER HARNESS				2	F	
	S2275Z106	BELT ASSY-AFT SEAT	RED	WITH SHOULDER HARNESS				2	F	
	S2275KK106	BELT ASSY-AFT SEAT	MAIZE	WITH SHOULDER HARNESS				2	F	
	S2275B106	BELT ASSY-AFT SEAT	BLACK	WITH SHOULDER HARNESS				2	F	
	S2275CC106	BELT ASSY-AFT SEAT	BROWN	WITH SHOULDER HARNESS				2	F	
	S2275JJ106	BELT ASSY-AFT SEAT	BLUE	WITH SHOULDER HARNESS				2	F	
	S2275Z106	BELT ASSY-AFT SEAT	RED	WITH SHOULDER HARNESS				2	F	
	S2275LL106	BELT ASSY-AFT SEAT	RUST	WITH SHOULDER HARNESS				2	F	
	S2275NN106	BELT ASSY-AFT SEAT	GREEN	WITH SHOULDER HARNESS				2	F	
	S2275MM106	BELT ASSY-AFT SEAT	BEIGE	WITH SHOULDER HARNESS				2	F	
	S2275B106	BELT ASSY-AFT SEAT	BLACK	WITH SHOULDER HARNESS				2	F	
	S2275CC106	BELT ASSY-AFT SEAT	GOLD	WITH SHOULDER HARNESS				2	F	
	S2275JJ106	BELT ASSY-AFT SEAT	BLUE	WITH SHOULDER HARNESS				2	F	
	S2275MM106	BELT ASSY-AFT SEAT	BEIGE	WITH SHOULDER HARNESS				2	F	
	S2275PP106	BELT ASSY-AFT SEAT	BROWN	WITH SHOULDER HARNESS				2	F	
	S2275Z106	BELT ASSY-AFT SEAT	RED	WITH SHOULDER HARNESS				2	F	
	S2275B106	BELT ASSY-AFT SEAT	BLACK	WITH SHOULDER HARNESS				2	F	
	S2275MD106	BELT ASSY-AFT SEAT	RUST	WITH SHOULDER HARNESS				2	F	
	S2275MJ106	BELT ASSY-AFT SEAT	BURGUNDY	WITH SHOULDER HARNESS				2	F	
	S2275WG106	BELT ASSY-AFT SEAT	GRAY	WITH SHOULDER HARNESS				2	F	
-15		ATTACHING PARTS								
	AN4-15A	BOLT							1	
	MS21044N4	NUT							1	
-16	NAS1149F0463P	WASHER							1	
	AN4-12A	BOLT							1	
-17	NAS43HT4-45	SPACER							1	
-18	MS21044N4	NUT							1	
-19	S2275CC201	HARNESS ASSY-SHOULDER	BROWN	WITHOUT SHOULDER HARNESS				4	C	
	S2275JJ201	HARNESS ASSY-SHOULDER	BLUE	WITHOUT SHOULDER HARNESS				4	C	
	S2275Z201	HARNESS ASSY-SHOULDER	RED	WITHOUT SHOULDER HARNESS				4	C	
	S2275KK201	HARNESS ASSY-SHOULDER	MAIZE	WITHOUT SHOULDER HARNESS				4	C	
	S2275B201	HARNESS ASSY-SHOULDER	BLACK	WITHOUT SHOULDER HARNESS				4	C	
	S2275CC201	HARNESS ASSY-SHOULDER	BROWN	WITHOUT SHOULDER HARNESS				4	D	
	S2275JJ201	HARNESS ASSY-SHOULDER	BLUE	WITHOUT SHOULDER HARNESS				4	D	
	S2275Z201	HARNESS ASSY-SHOULDER	RED	WITHOUT SHOULDER HARNESS				4	D	
	S2275LL201	HARNESS ASSY-SHOULDER	RUST	WITHOUT SHOULDER HARNESS				4	D	
	S2275NN201	HARNESS ASSY-SHOULDER	GREEN	WITHOUT SHOULDER HARNESS				4	D	
	S2275MM201	HARNESS ASSY-SHOULDER	BEIGE	WITHOUT SHOULDER HARNESS				4	D	
	S2275B201	HARNESS ASSY-SHOULDER	BLACK	WITHOUT SHOULDER HARNESS				4	D	

CONTINUED ON NEXT PAGE

P210 Parts Catalog

FIGURE AND INDEX NO.	PART NUMBER	DESCRIPTION							UNITS PER ASSY	USABLE ON CODE
		1	2	3	4	5	6	7		
74 -	S2275CC201	HARNESS	ASSY-SHOULDER				GOLD	----	4	E F F F F F F F F G
	S2275JJ201	HARNESS	ASSY-SHOULDER				BLUE	----	4	
	S2275MM201	HARNESS	ASSY-SHOULDER				BEIGE	----	4	
	S2275PP201	HARNESS	ASSY-SHOULDER				BROWN	----	4	
	S2275Z201	HARNESS	ASSY-SHOULDER				RED	----	4	
	S2275B201	HARNESS	ASSY-SHOULDER				BLACK	----	4	
	S2275MD201	HARNESS	ASSY-SHOULDER				RUST	----	4	
	S2275WJ201	HARNESS	ASSY-SHOULDER				BURGUNDY	----	4	
	S2275WG201	HARNESS	ASSY-SHOULDER				GRAY	----	4	
			ATTACHING PARTS							
-20	NAS464P4A10	BOLT							1	
-21	NAS1149F0663P	WASHER							2	
	NAS1149F0663P	WASHER							1	
	NAS43HT4-30	SPACER							1	
-23	0415010-1	COVER							1	
		--								
-24	2115047-1	TRAY ASSY-FWD SHOULDER HARNESS							2	B B
	2115047-3	TRAY ASSY-MIDDLE SHOULDER HARNESS							2	
		ATTACHING PARTS								
	S1021A4-6	SCREW							2	
		--								
-25	S2275CC206	HARNESS	ASSY-AFT SHOULDER				BROWN	----	2	C C C C C C C C C C C D D D D D D D D D E E E E E E E E E G
	S2275JJ206	HARNESS	ASSY-AFT SHOULDER				BLUE	----	2	
	S2275Z206	HARNESS	ASSY-AFT SHOULDER				RED	----	2	
	S2275KK206	HARNESS	ASSY-AFT SHOULDER				MAIZE	----	2	
	S2275B206	HARNESS	ASSY-AFT SHOULDER				BLACK	----	2	
	S2275CC206	HARNESS	ASSY-AFT SHOULDER				BROWN	----	2	
	S2275JJ206	HARNESS	ASSY-AFT SHOULDER				BLUE	----	2	
	S2275Z206	HARNESS	ASSY-AFT SHOULDER				RED	----	2	
	S2275LL206	HARNESS	ASSY-AFT SHOULDER				RUST	----	2	
	S2275NN206	HARNESS	ASSY-AFT SHOULDER				GREEN	----	2	
	S2275MM206	HARNESS	ASSY-AFT SHOULDER				BEIGE	----	2	
	S2275B206	HARNESS	ASSY-AFT SHOULDER				BLACK	----	2	
	S2275CC206	HARNESS	ASSY-AFT SHOULDER				GOLD	----	2	
	S2275JJ206	HARNESS	ASSY-AFT SHOULDER				BLUE	----	2	
	S2275MM206	HARNESS	ASSY-AFT SHOULDER				BEIGE	----	2	
	S2275PP206	HARNESS	ASSY-AFT SHOULDER				BROWN	----	2	
	S2275Z206	HARNESS	ASSY-AFT SHOULDER				RED	----	2	
	S2275B206	HARNESS	ASSY-AFT SHOULDER				BLACK	----	2	
	S2275WD206	HARNESS	ASSY-AFT SHOULDER				RUST	----	2	
	S2275WJ206	HARNESS	ASSY-AFT SHOULDER				BURGUNDY	----	2	
S2275WG206	HARNESS	ASSY-AFT SHOULDER				GRAY	----	2		
		ATTACHING PARTS								
-26	NAS464P4A29	BOLT							1	
-27	NAS1149F0663P	WASHER							1	
-28	NAS43HT4-38	SPACER							1	
-29	0415010-1	COVER							1	
		--								
-30		CLIP-STORAGE							8	A A
-31		COVER							8	
		ATTACHING PARTS								
-32		SCREW							2	A
		--								

NOTE. *FOR FWD CLIPS & COVERS ORDER 2115047-1 & ATTACHING PARTS. FOR CENTER CLIPS & COVERS ORDER 2115047-3 & ATTACHING PARTS

- A---P210 SERIAL P21000001 THRU P21000060
- B---P210 SERIAL P21000061 & ON
- C---P210 SERIAL P21000001 THRU P21000150
- D---P210 SERIAL P21000151 THRU P21000590
- E---P210 SERIAL P21000591 & ON
- F---P210 SERIAL P21000591 THRU P21000834
- G---P210 SERIAL P21000835 & ON

P210 Parts Catalog

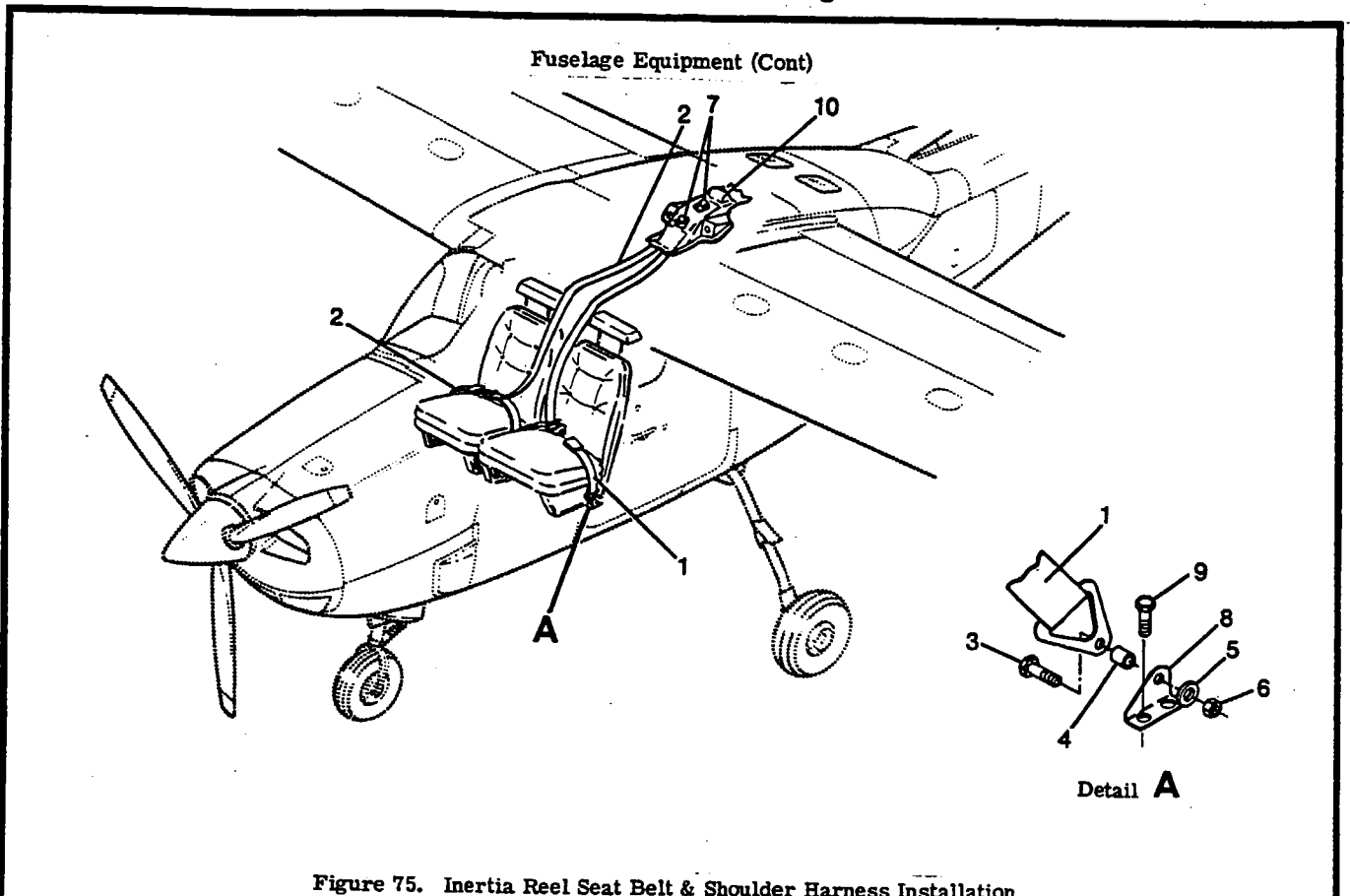
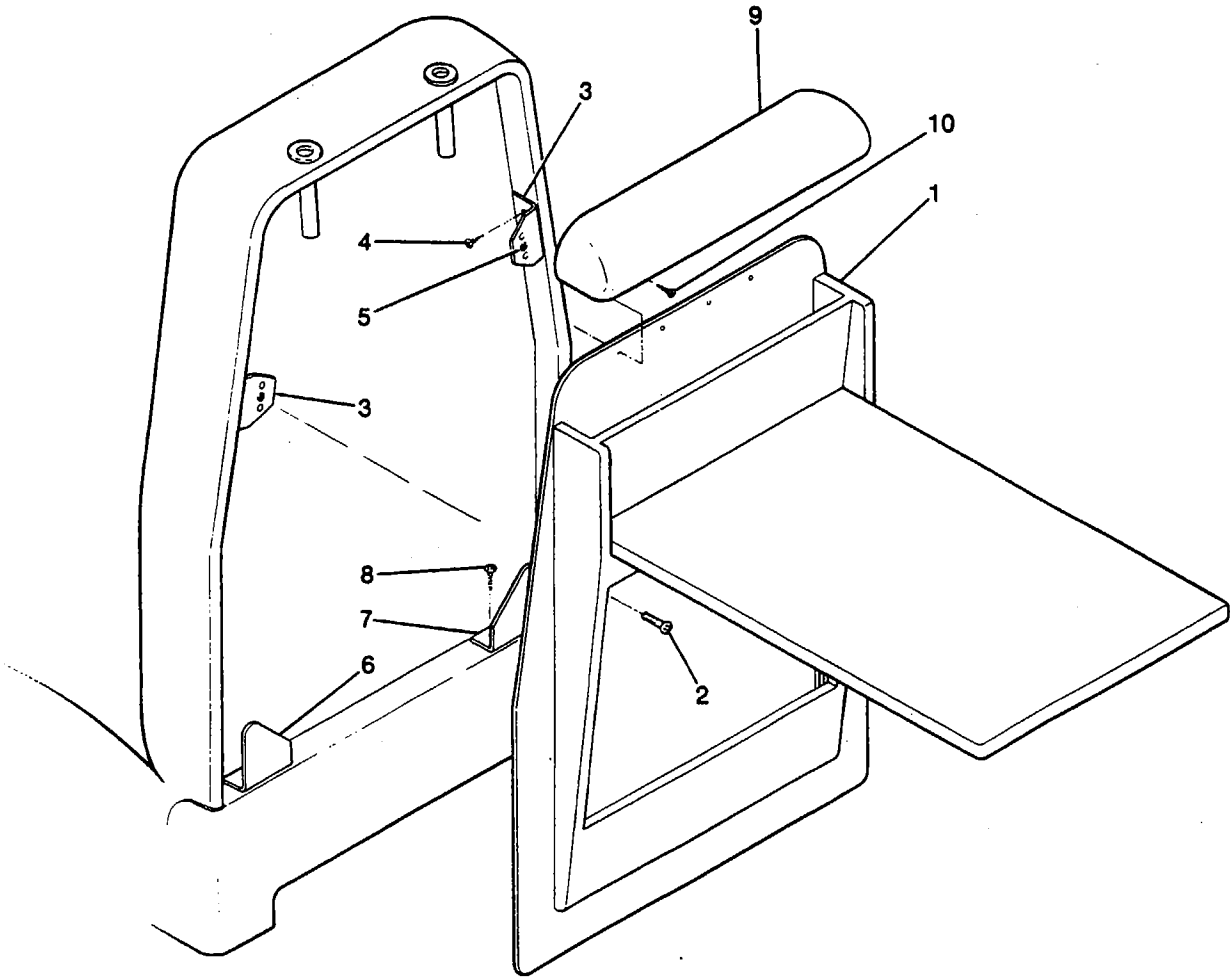


Figure 75. Inertia Reel Seat Belt & Shoulder Harness Installation

FIGURE AND INDEX NO.	PART NUMBER	DESCRIPTION							UNITS PER ASSY	USABLE ON CODE
		1	2	3	4	5	6	7		
75 -		INERTIA REEL SEAT BELT & SHOULDER HARNESS INSTALLATION -----							NP	
- 1	S2199-3	BELT ASSY-INERTIA REEL LH BLACK ONLY -----							1	
- 2	S2199-4	BELT ASSY-INERTIA REEL RH BLACK ONLY -----							1	
	NAS222-9	ATTACHING PARTS -----								
- 3	AN4-5A	SCREW -----							2	
- 4	NAS43HT4-12	BOLT -----							2	
- 5	NAS1149F0463P	SPACER -----							2	
- 6	MS21042L4	WASHER -----							2	
		NUT -----							2	
		*-----								
- 7	0107366-03	REEL-INERTIA PFEC -----							1	
- 8	0510205-7	FITTING-SEAT BELT INBD LH & OUTBD RH -----							2	
	0510205-8	FITTING-SEAT BELT OUTBD LH & INBD RH -----							2	
		ATTACHING PARTS -----								
- 9	AN4-5A	BOLT -----							2	
		*-----								
-10	SEE FIG 138	INSTRUMENT PANEL LIGHTS & OVERHEAD CONSOLE INSTALLATION -----							1	

P210 Parts Catalog

Fuselage Equipment (Cont)



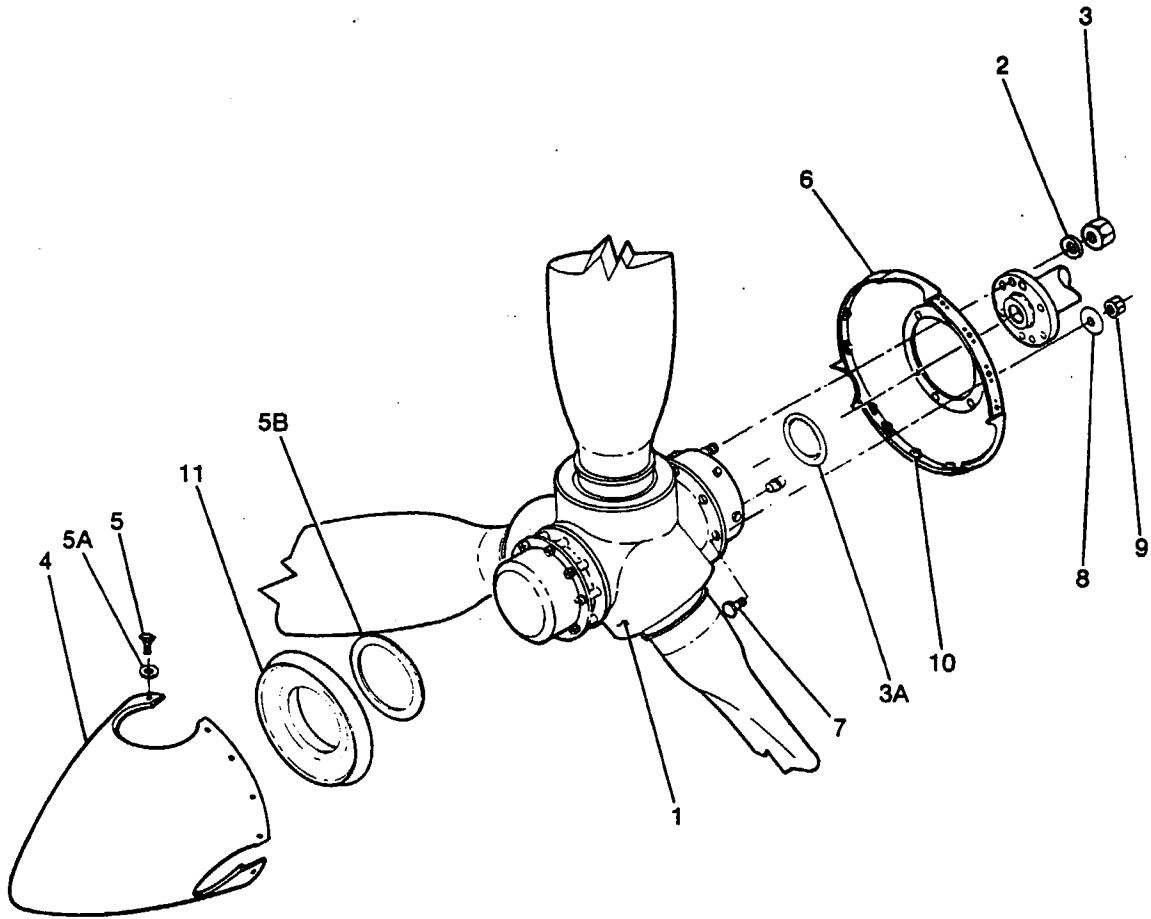
P210 SERIAL P21000386 & ON
Figure 75A. Table Installation-Front Seat Back

P210 Parts Catalog

FIGURE AND INDEX NO.	PART NUMBER	DESCRIPTION							UNITS PER ASSY	USABLE ON CODE
		1	2	3	4	5	6	7		
75A-		TABLE INSTALLATION-FRONT SEAT BACK -----							NP	A
- 1	8601-1	TABLE-SEAT BACK PRPA -----							1	
		ATTACHING PARTS -----								
- 2	AN525-10-10	SCREW -----							2	
		-----*								
- 3	1715071-4	BRACKET ASSY-SEAT BACK TABLE -----							2	
		ATTACHING PARTS -----								
- 4	S1021A6-10	SCREW -----							2	
		-----*								
- 5	NAS1068A3	NUTPLATE -----							1	
- 6	1715071-1	BRACKET-SEAT BACK TABLE LH -----							1	
- 7	1715071-2	BRACKET-SEAT BACK TABLE RH -----							1	
		ATTACHING PARTS -----								
- 8	S1021A6-10	SCREW -----							2	
		-----*								
- 9	1715074-1	BUMPER ASSY-TABLE -----							1	
		ATTACHING PARTS -----								
-10	S1022A4-8	SCREW -----							4	
		-----*								
		<p>NOTE. #THIS PART NUMBER MUST HAVE A SECOND DASH NUMBER ADDED TO DENOTE COLOR. REFER TO HOW TO ORDER UPHOLSTERED PARTS-PAGE XIV.</p> <p>A---P210 SERIAL P21000386 & ON</p>								

P210 Parts Catalog

Propeller



P210 SERIAL P21000001 THRU P21000834

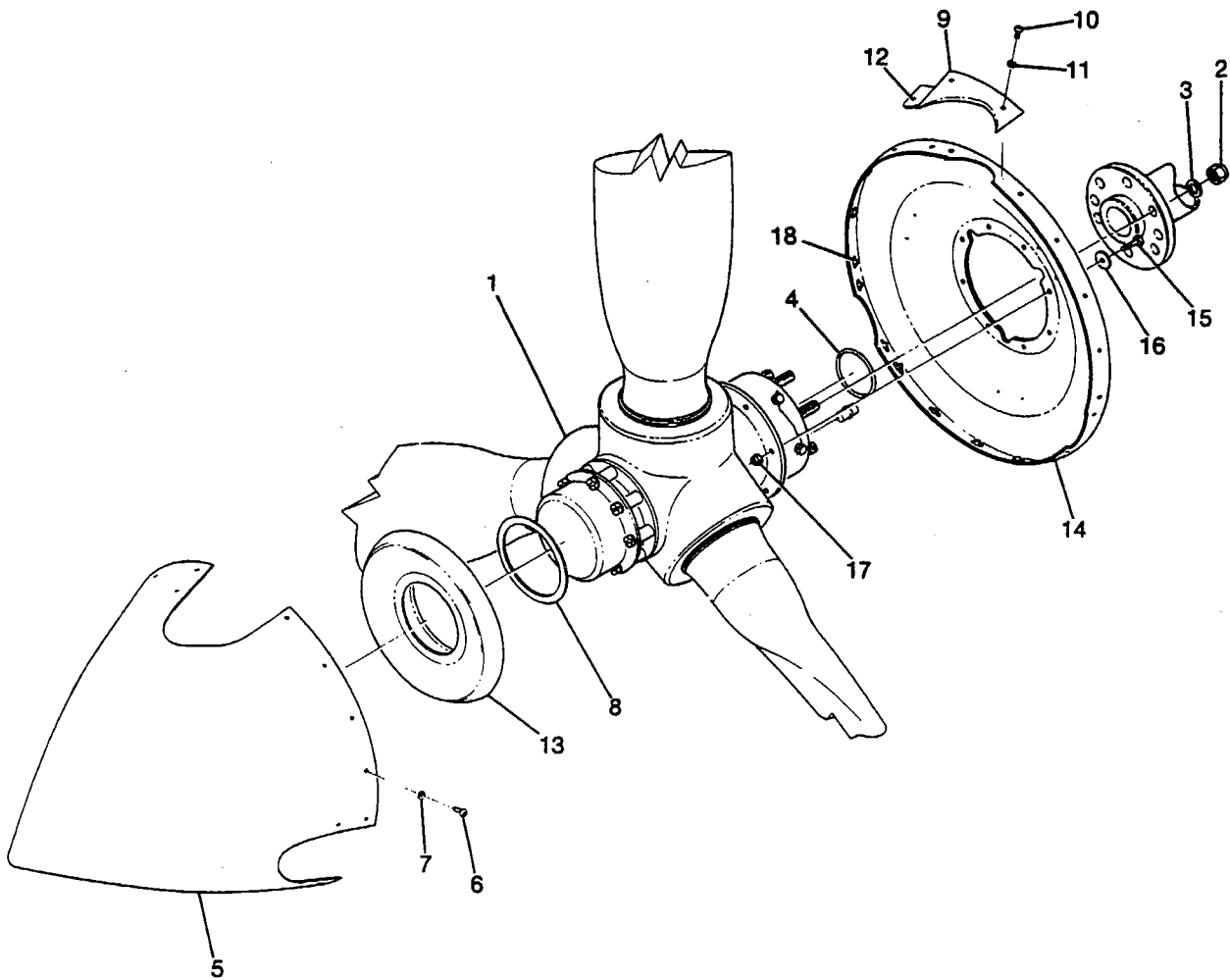
Figure 76. Propeller & Spinner Installation

P210 Parts Catalog

FIGURE AND INDEX NO.	PART NUMBER	@	DESCRIPTION							UNITS PER ASSY	USABLE ON CODE
			1	2	3	4	5	6	7		
76 -			PROPELLER & SPINNER INSTALLATION -----							NP	C
- 1	P4024809-01	@	PROPELLER ASSY-MCCAULEY MODEL D3A34C402/90DFA-10 -----							1	
			80 IN DIA REF C161007-0101 -----								
- 2	AN365-820A		NUT -----							6	
- 3	NAS1149F0863P		WASHER -----							6	
- 3A	A1633-3		O-RING 76275 -----							1	
- 4	1250419K200		DOME ASSY-SPINNER -----							1	
	1250419K201		DOME ASSY-SPINNER POLISHED -----							1	A
			ATTACHING PARTS -----								
- 5	NAS221-6		SCREW -----							12	
- 5A	S1164-1		WASHER USED WITH 1250419K200 -----							12	B
	S1164-1		WASHER USED WITH 1250419K201 -----							12	A
			*-----								
- 5B	0752620-3		SPACER -----							AR	
- 6	1250414-6		BULKHEAD ASSY-PROPELLER SPINNER -----							1	
	1250414-8		BULKHEAD ASSY-PROPELLER SPINNER USED WITH POLISHED SPINNER -----							1	A
			ATTACHING PARTS -----								
- 7	AN3-6A		BOLT -----							8	
- 8	AN970-3		WASHER -----							8	
- 9	NS21045L3		NUT -----							8	
			*-----								
-10	NAS680A3		NUTPLATE -----							12	
-11	1250412-3		SUPPORT-SPINNER -----							1	
<p>NOTE. @FOR BREAKDOWN OF PROPELLER ASSY, SEE APPLICABLE MCCAULEY MANUAL.</p> <p>A---P210 SERIAL P21000591 THRU P21000834 B---P210 SERIAL P21000708 THRU P21000834 C---P210 SERIAL P21000001 THRU P21000834</p>											

P210 Parts Catalog

Propeller (Cont)



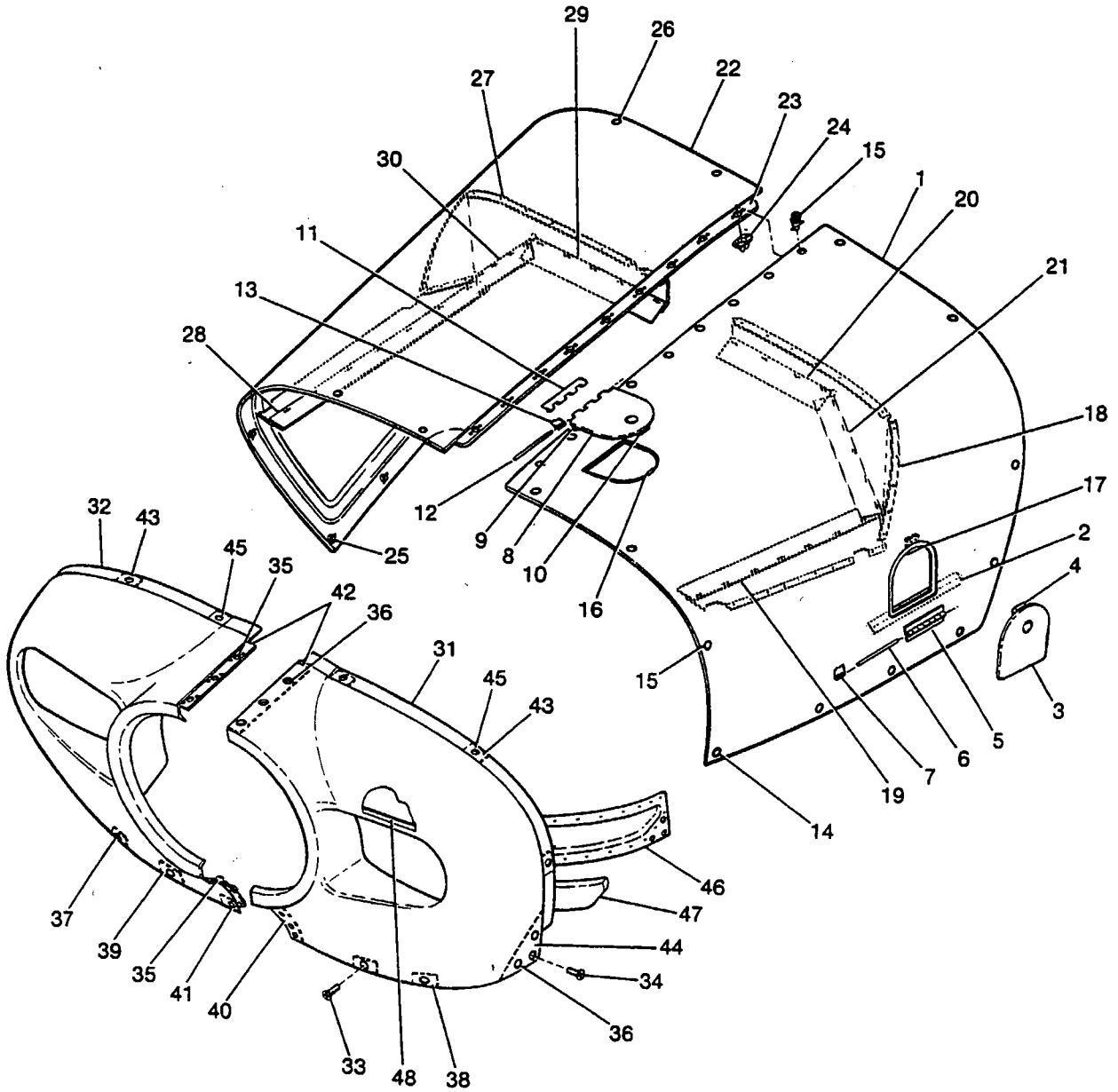
P210 SERIAL P21000835 & ON
Figure 76A. Propeller & Spinner Installation

P210 Parts Catalog

FIGURE AND INDEX NO.	PART NUMBER		DESCRIPTION							UNITS PER ASSY	USABLE ON CODE
			1	2	3	4	5	6	7		
76A--			PROPELLER & SPINNER INSTALLATION -----							NP	A
- 1	P4105572-01	@	PROPELLER ASSY-MCCAULEY MODEL D3A36C410/80VMB-0 -----							1	
			80 IN DIA REF C161007-0104 -----								
- 2	AN365-820A		NUT -----							6	
- 3	NAS1149F0863P		WASHER -----							6	
- 4	A1633-3		O-RING 76275 -----							1	
- 5	2150150K200		DOME ASSY-SPINNER -----							1	
			ATTACHING PARTS -----								
- 6	NAS221-9		SCREW -----							15	
- 7	S1164-1		WASHER -----							15	
			*-----								
- 8	0752620-3		SPACER -----							AR	
- 9	2150152-1		FILLET ASSY -----							3	
			ATTACHING PARTS -----								
-10	S221-9		SCREW -----							3	
-11	S1164-1		WASHER -----							3	
			*-----								
-12	MS21069L3		NUTPLATE -----							1	
-13	2450016-1		STABILIZER-SPINNER -----							1	
-14	2150149-1		BULKHEAD ASSY-SPINNER -----							1	
			ATTACHING PARTS -----								
-15	AN3-6A		BOLT -----							6	
-16	AN970-3		WASHER -----							6	
-17	MS21045L3		NUT -----							6	
			*-----								
-18	MS21047L3		NUTPLATE -----							21	
			NOTE. @FOR BREAKDOWN OF PROPELLER ASSY, SEE APPLICABLE MANUAL.								
			A---P210 SERIAL P21000835 & ON								

P210 Parts Catalog

Cowl



P210 SERIAL P21000001 THRU P21000834

Figure 77. Upper Cowl & Nose Cap Installation

P210 Parts Catalog

FIGURE AND INDEX NO.	PART NUMBER	DESCRIPTION							UNITS PER ASSY	USABLE ON CODE
		1	2	3	4	5	6	7		
77 -		COWL & NOSE CAP INSTALLATION-UPPER								
- 1	2152012-1	COWL HALF ASSY-LH	WEU	2152012-25				NP	G	
	2152012-25	COWL HALF ASSY-LH							1	C
- 2	1252400-16	ANGLE-LH COWL							1	D
	1252400-80	ANGLE-LH COWL							1	C
- 3	0552173-9	DOOR ASSY-ACCESS							1	C
	1252019-1	DOOR ASSY-ACCESS							1	C
- 4	KM610-064	LATCH-COWL DOOR	CLC					1	D	
- 5	1452225-44	HINGE ASSY							1	
- 6	MS20253P2-4.04	PIN-HINGE							1	
- 7	1552010-1	SPRING-HINGE							1	
- 8	0552173-5	DOOR ASSY-OIL FILLER ACCESS							1	
- 9	1552004-24	RETAINER ASSY							1	
-10	KM610-064	LATCH-COWL DOOR	CLC					1		
-11	1552004-22	HINGE HALF							1	
-12	1552004-17	PIN-HINGE							1	
-13	1552010-1	SPRING-HINGE							1	
-14	S2319-5	STUD							1	
-15	S2319-4	STUD							1	
	CM2791-1	SNAP RING							19	
	S2319-20	GROMMET							20	
-16	1552004-25	STRIKER							20	
-17	0752635-1	STRIKER							1	
	0752635-2	SPACER							1	
	AN507-632R6	ATTACHING PARTS								
	MS21045L06	SCREW							2	
		NUT							2	

-18	2152012-9	BAFFLE ASSY-LH COWL							1	
-19	2152012-15	SEAL-BAFFLE							1	
-20	2152012-23	SEAL-BAFFLE							1	
-21	2152012-22	SEAL-BAFFLE							1	
-22	2152012-2	SEAL-BAFFLE							1	
-23	1252001-1	COWL HALF ASSY-RH							1	
-24	S2319-50	STRIP ASSY-REMOVABLE							1	
-25	S2319-5	RECEPTACLE	CLC					9		
-26	S2319-4	STUD							1	
	CM2791-1	STUD							10	
	S2319-20	SNAP RING							11	
-27	2152012-10	GROMMET							11	
-28	2152012-16	BAFFLE ASSY-RH COWL							1	
-29	2152012-24	SEAL-BAFFLE							1	
-30	2152012-9	SEAL-BAFFLE							1	
-31	2152004-1	SEAL-BAFFLE							1	
	2152004-13	NOSE CAP ASSY-LH							1	
	2152004-31	NOSE CAP ASSY-LH	USED W/O DUAL ALTERNATORS						1	
-32	2152004-2	NOSE CAP ASSY-LH	USED WITH DUAL ALTERNATORS						1	
	2152004-14	NOSE CAP ASSY-RH							1	
	2152004-30	NOSE CAP ASSY-RH	USED WITH AIR CONDITIONING						1	
		ATTACHING PARTS								
-33	AN509-10R7	SCREW LH							10	
	AN509-10R7	SCREW RH							4	
-34	AN507-1032R10	SCREW							2	

-35	NAS680A3	NUTPLATE	RH ONLY						6	
-36	S1589-3	EYELET	LH						12	
-37	S1589-3	EYELET	RH						6	
-38	1252413-18	STRIP-LH							2	
-39	1252413-18	STRIP-RH							3	
-40	1252413-22	STRIP-LH							1	
-41	1252413-20	STRIP-RH							1	
-42	1252413-21	STRIP							1	
-43	1252413-19	STRIP							1	
-44	1252413-9	REINFORCEMENT							3	
-45	S2319-50	RECEPTACLE							1	
-46	1250956-9	HEAT SHIELD-LH NOSE CAP							3	
	1250956-10	HEAT SHIELD-RH NOSE CAP							1	
		ATTACHING PARTS								
	NAS1149DN316K	WASHER LH							10	
	AN960PD3L	WASHER RH							14	

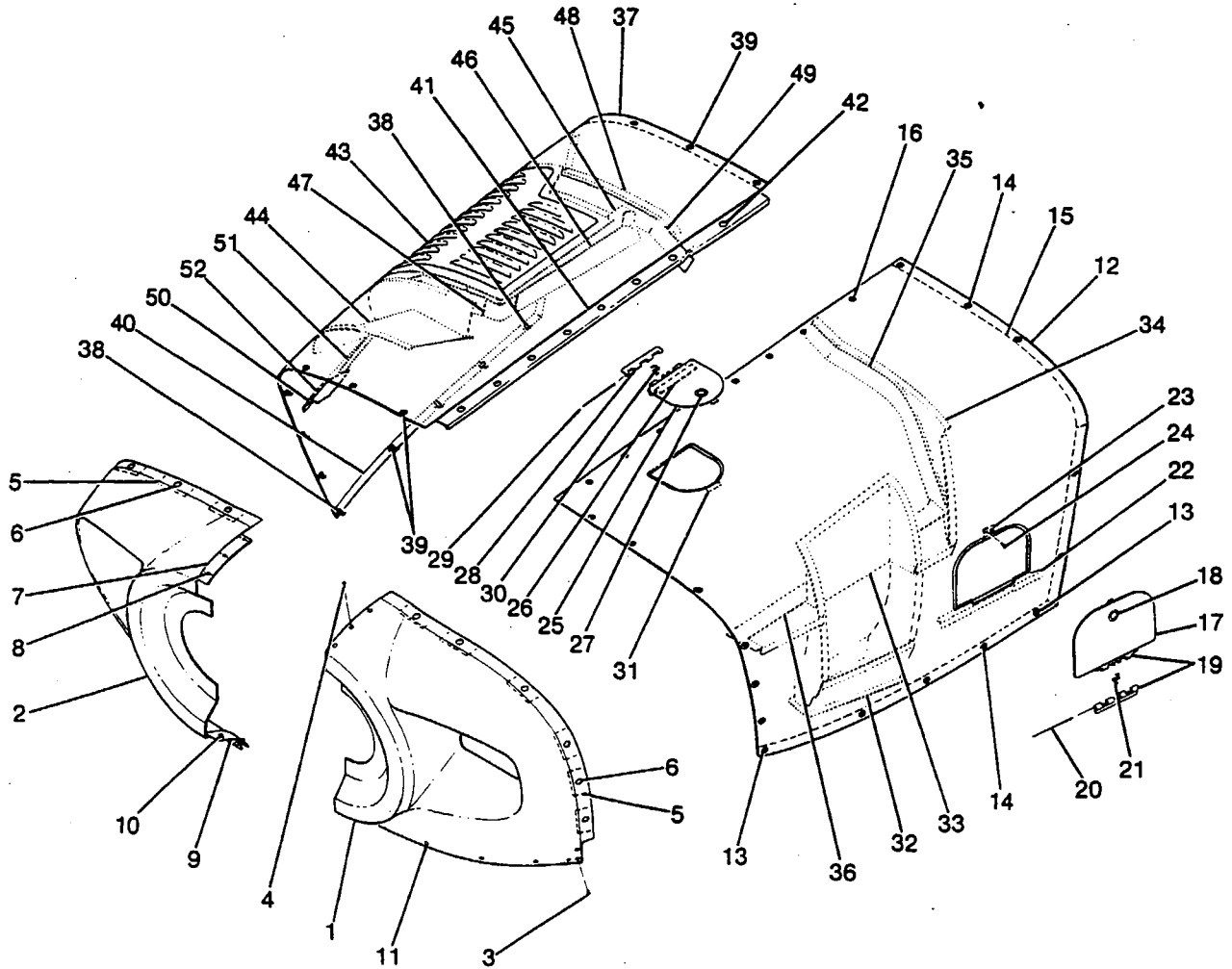
CONTINUED ON NEXT PAGE

P210 Parts Catalog

FIGURE AND INDEX NO.	PART NUMBER	1	2	3	4	5	6	7	DESCRIPTION	UNITS PER ASSY	USABLE ON CODE
77 -47 -48	1250956-11								PAD-INSULATION LH -----	1	B F
	1250956-12								PAD-INSULATION RH -----	1	
	2152018-1								FAIRING-NOSECAP LH USED W/O DUAL ALTERNATORS -----	1	
	2152018-3								FAIRING-NOSECAP LH USED WITH DUAL ALTERNATORS -----	1	
									A---P210 SERIAL P21000001 THRU P21000385		
									B---P210 SERIAL P21000386 THRU P21000834		
									C---P210 SERIAL P21000001 THRU P21000590		
									D---P210 SERIAL P21000591 THRU P21000834		
									E---P210 SERIAL P21000405 & P21000490 THRU P21000834		
									F---P210 SERIAL P21000761 THRU P21000834		
									G---P210 SERIAL P21000001 THRU P21000834		

P210 Parts Catalog

Cowl (Cont)



P210 SERIAL P21000835 & ON

Figure 77A. Upper Cowl & Nose Cap Installation

P210 Parts Catalog

FIGURE AND INDEX NO.	PART NUMBER	DESCRIPTION							UNITS PER ASSY	USABLE ON CODE
		1	2	3	4	5	6	7		
77A-		UPPER COWL & NOSECAP INSTALLATION -----							NP	A
- 1	2152022-1	NOSE CAP ASSY-LH -----							1	
	2152022-3	NOSECAP ASSY-LH USED WITH DUAL ALTERNATOR -----							1	
- 2	2152022-2	NOSECAP ASSY-RH -----							1	
	2152022-4	NOSECAP ASSY-RH USED WITH AIR CONDITIONING -----							1	
- 3	MS24693S273	ATTACHING PARTS								
- 4	MS24694S50	SCREW -----							2	
	MS24694S50	SCREW LH -----							9	
	MS24694S50	SCREW RH -----							4	
- 5	2152022-11	*-----								
- 6	S2319-50	STRIP ASSY -----							6	
- 7	2152022-7	RECEPTACLE -----							1	
- 8	NAS680A3	FLANGE ASSY-UPPER RH -----							1	
- 9	2152022-9	NUTPLATE -----							3	
-10	NAS680A3	FLANGE ASSY-LOWER RH -----							1	
-11	S1589-3	NUTPLATE -----							2	
	S1589-3	EYELET LH -----							11	
-12	2152021-1	EYELET RH -----							6	
-13	S2319-7	COWL ASSY-LH -----							1	
	S2319-23	STUD -----							2	
	CM2791-1	GROMMET -----							2	
-14	S2319-5	SNAP RING -----							2	
	S2319-23	STUD -----							14	
	CM2791-1	GROMMET -----							14	
-15	Y8560	SNAP RING -----							14	
-16	S2319-3	TAPE-POLYURETHANE BKI MIM -----							AR	
	S2319-23	STUD -----							8	
	CM2791-1	GROMMET -----							8	
-17	1252019-1	SNAP RING -----							8	
-18	KM610-064	DOOR ASSY-ACCESS -----							1	
-19	1452225-44	LATCH-COWL DOOR CLC -----							1	
-20	MS20253P2-4.04	HINGE ASSY -----							1	
-21	1552010-1	PIN-HINGE -----							1	
-22	1252405-1	SPRING -----							1	
-23	0752635-1	STIFFENER -----							1	
	0752635-2	STRIKER -----							1	
		SPACER -----							1	
-24	AN507-632R6	ATTACHING PARTS								
	MS21045L06	SCREW -----							2	
		NUT -----							2	
-25	0552173-5	*-----								
-26	1552004-24	DOOR ASSY-OIL FILLER ACCESS -----							1	
-27	KM610-064	RETAINER ASSY -----							1	
-28	1552004-22	LATCH-COWL DOOR CLC -----							1	
-29	1552004-17	HINGE HALF -----							1	
-30	1552010-1	PIN-HINGE -----							1	
-31	1552004-25	SPRING-HINGE -----							1	
-32	2152025-1	STRIKER -----							1	
-33	2152026-1	DUCT ASSY-OIL COOLER -----							1	
-34	2152021-1	COVER-OIL COOLER DUCT -----							1	
-35	2152021-5	BAFFLE ASSY -----							1	
-36	2152021-8	SEAL-BAFFLE AFT -----							1	
-37	2152021-2	SEAL-BAFFLE OUTBD -----							1	
-38	S2319-7	COWL ASSY-RH -----							1	
	S2319-23	STUD -----							2	
	CM2791-1	GROMMET -----							2	
-39	S2319-5	SNAPRING -----							2	
	S2319-23	STUD -----							14	
	CM2791-1	GROMMET -----							14	
-40	Y8560	SNAPRING -----							14	
-41	2152024-1	TAPE-POLYURETHANE BKI MIM -----							AR	
-42	S2319-50	RETAINER ASSY -----							1	
-43	2152023-1	RECEPTACLE -----							8	
-44	2152027-28	LOUVER ASSY -----							1	
-45	2152027-12	FAIRING ASSY-COWL -----							1	
-46	2152027-14	BAFFLE ASSY-INBD -----							1	
	2152027-13	SEAL-BAFFLE INBD -----							1	
	2152027-29	SEAL-BAFFLE FWD OUTBD -----							1	
-47	2152027-2	SEAL-BAFFLE FWD CORNER -----							1	
-48	2152027-6	BAFFLE ASSY-AFT -----							1	
-49	2152027-9	SEAL-BAFFLE -----							1	
-50	2152027-11	BAFFLE ASSY-OUTBD -----							1	
-51	2152027-30	SEAL-BAFFLE -----							1	
-52		SEAL-BAFFLE -----							1	

A---P210 SERIAL P21000835 & ON

P210 Parts Catalog

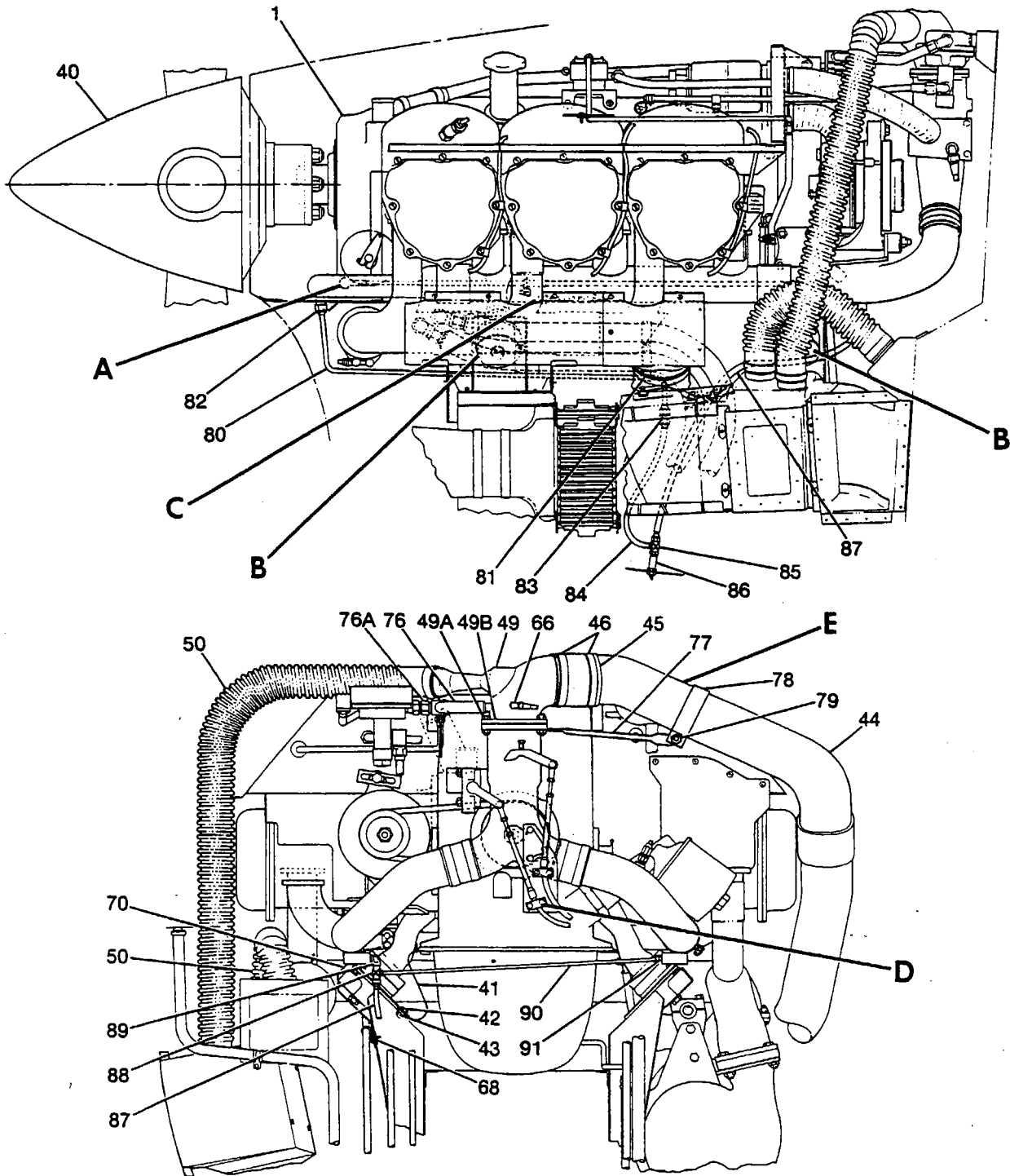
FIGURE AND INDEX NO.	PART NUMBER	DESCRIPTION	1 2 3 4 5 6 7							UNITS PER ASSY	USABLE ON CODE		
			1	2	3	4	5	6	7				
78 -		ENGINE INSTALLATION -----											
- 1	SEE FIG 79	ENGINE ASSEMBLY-TURBOCHARGED -----										NP	N
		ATTACHING PARTS -----										1	
- 2	AN7-40A	BOLT LH FWD & LH REAR MOUNT -----										2	
	AN7-42A	BOLT RH FWD & RH REAR MOUNT -----										2	
- 3	0851559-1	WASHER-LOCK -----										4	
- 4	1250878-1	DEFLECTOR-ENGINE SHOCK MOUNT RH FWD & RH REAR MOUNT -----										2	
- 5	AN4-7A	BOLT -----										8	
- 6	NAS1149F0463P	WASHER -----										8	
- 7	MS21042L4	NUT -----										8	
- 8	J12453-1	SHOCK MOUNT KIT-REAR LO -----										2	
	J12453-6	SHOCK MOUNT KIT-FRONT RH LO -----										2	
	2150000-200	SHOCK MOUNT KIT-FRONT LH -----										1	
- 9	539911	NUT-BARREL CM -----										1	
		-----*										4	
-10		CONTROL-MIXTURE SEE INSTRUMENT PANEL -----										1	
-11		CONTROL-THROTTLE SEE INSTRUMENT PANEL -----										1	
		ATTACHING PARTS -----											
-12	1250318-1	CLAMP ASSEMBLY -----										1	
-13	1250401-3	CLAMP HALF -----										4	
-14	AN3-7A	BOLT -----										2	
-15	AN3-10A	BOLT -----										2	
-16	NAS1149F0363P	WASHER -----										2	
	NAS1149F0332P	WASHER -----										2	
	NAS698A3	NUTPLATE -----										2	
-17												4	
-18	MS20074-03-02	BOLT -----										3	
-19	NAS1149F0332P	WASHER -----										3	
-20	S1104-3	ROD END -----										2	
-21	AN315-3R	NUT-CHECK -----										2	
-22	AN356-1032	NUT -----										2	
-23	AN3-7	BOLT -----										2	
-23A	NAS1149F0363P	WASHER -----										2	
-23B	MS20364-1032C	NUT -----										4	
-23C	AN310-3	NUT -----										2	
-24	S1450-3-14-032	WASHER -----										2	
-24A	MS24665-132	PIN-COTTER -----										2	
-24B	MS21919D65	CLAMP -----										2	
-24C	AN3-4A	BOLT -----										1	
-25	NAS1149F0332P	WASHER -----										1	
-25A	MS20365-1032C	NUT -----										1	
-25B	AN3-6A	BOLT -----										1	
-25C	AN742D5	CLAMP -----										1	
-26	NAS43DD3-16	SPACER -----										2	
-26A	MS20365-1032C	NUT -----										2	
		-----*											
-27		CONTROL-GOVERNOR SEE INSTRUMENT PANEL -----										1	
		ATTACHING PARTS -----											
-28	AN3-7	BOLT -----										1	
-29	S1450-3-14-032	WASHER -----										1	
-30	NAS1149F0363P	WASHER -----										2	
-31	AN310-3	NUT -----										1	
-31A	MS24665-132	PIN-COTTER -----										1	
-32	S1104-3	ROD END -----										1	
	AN315-3R	NUT -----										1	
	AN356-1032	NUT -----										1	
		-----*											
	1250027-1	BRACKET ASSY-PROPELLOR CONTROL -----										1	

CONTINUED ON NEXT PAGE

A
A
B
B
B
B

P210 Parts Catalog

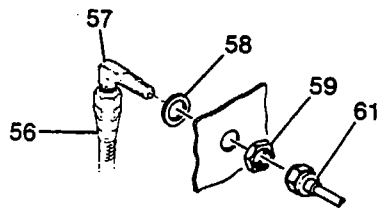
Engine



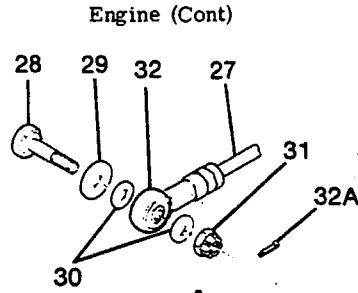
P210 SERIAL P2100001 THRU P21000834

Figure 78. (Sheet 1 of 2) Engine Installation

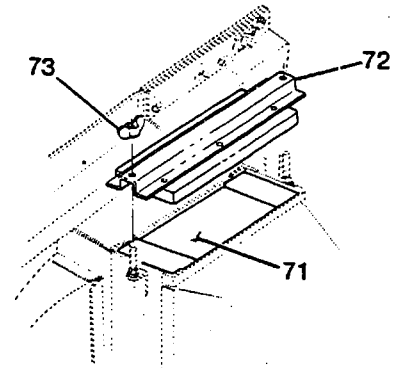
P210 Parts Catalog



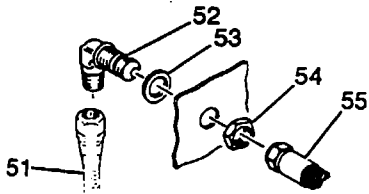
FUEL PRESSURE



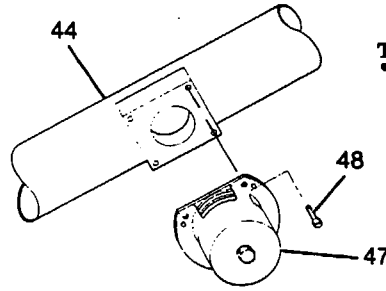
Engine (Cont)
Detail A



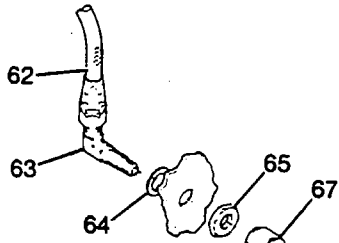
TURBOCHARGER AIR INLET FILTER



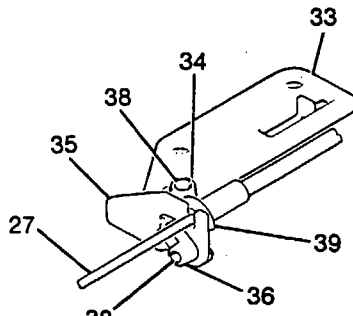
MANIFOLD PRESSURE



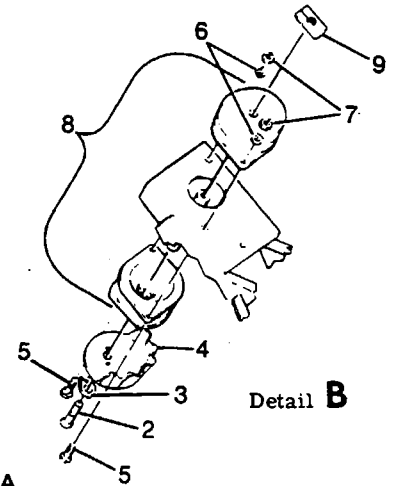
Detail E



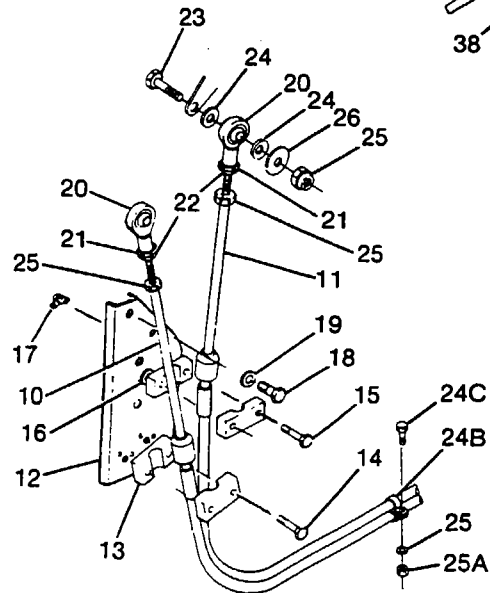
FUEL FLOW VENT



Detail C

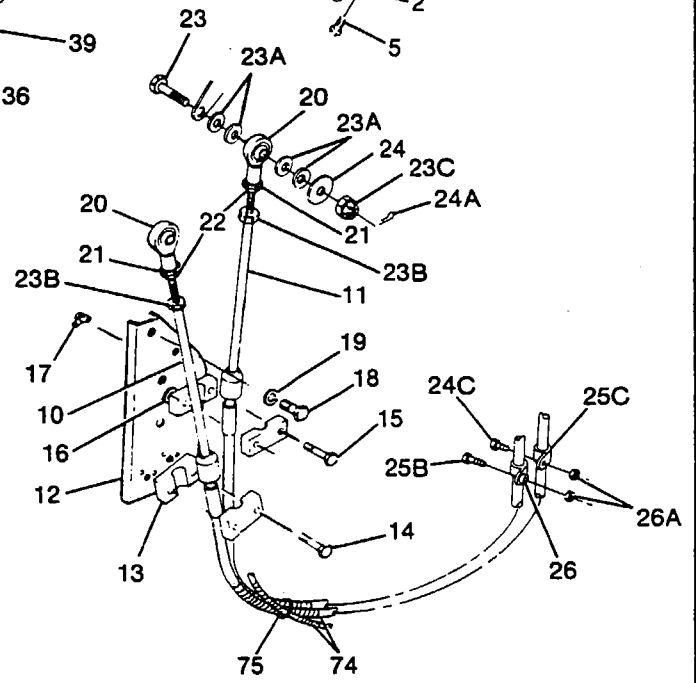


Detail B



P21000001 THRU P21000045

Detail D



P21000046 THRU P21000834

Detail D

P210 SERIAL P21000001 THRU P21000834

Figure 78. (Sheet 2 of 2) Engine Installation

P210 Parts Catalog

FIGURE AND INDEX NO.	PART NUMBER	DESCRIPTION							UNITS PER ASSY	USABLE ON CODE
		1	2	3	4	5	6	7		
78 -33	1250024-1	MOUNT ASSY -----							1	
-34	NAS697A4	NUTPLATE -----							1	
-35	1250026-1	BRACKET ASSY-ADJUST -----							1	
-36	NAS696A3	NUTPLATE -----							1	
-37	AN3-4A	BOLT -----							1	
	NAS1149F0363P	WASHER -----							1	
-38	AN4-5A	BOLT -----							1	
	NAS1149F0463P	WASHER -----							1	
-39	1250025-1	RETAINER -----							1	
-40	SEE FIG 76	PROPELLER & SPINNER INSTALLATION -----							1	
-41	0412007-8	GROUND STRAP-ENGINE -----							1	
		ATTACHING PARTS -----							1	
-42	AN4-4A	BOLT -----							1	
-43	MS21042L4	NUT -----							1	
		*-----							1	
-44	SEE FIG 81	DUCT ASSY-COMPRESSOR TO THROTTLE BODY -----							1	
-45	CW3000-3	COUPLER-COMPRESSOR DUCT -----							1	
		ATTACHING PARTS -----							1	
-46	S1891H48	CLAMP -----							2	
		*-----								
-47	C482002-0107	VALVE ASSY-ABSOLUTE PRESSURE RELIEF -----							1	D E
	C482002-0108	VALVE ASSY-ABSOLUTE PRESSURE RELIEF -----							1	
		ATTACHING PARTS -----								
-48	AN500A10-10	SCREW -----							4	
		*-----								
-49	2150001-11	ADAPTER & VENTURI ASSY-THROTTLE BODY -----							1	L M
	2150001-12	ADAPTER & VENTURI ASSY-THROTTLE BODY -----							1	
		ATTACHING PARTS -----								
-49A	AN4-11A	BOLT -----							3	
	AN4-12A	BOLT RH FWD -----							1	
	NAS1149F0463P	WASHER -----							6	
	MS20365-428C	NUT -----							4	
		*-----								
-49B	630350	GASKET-VENTURI CM -----							1	
-50	SEE FIG 88	DUCT-PRESSURIZATION -----							1	
-51	S1236C3-0090	HOSE ASSY-MANIFOLD PRESSURE -----							1	
		ATTACHING PARTS -----							1	
-52	AN833-3	ELBOW -----							1	
-53	NAS1149F0663P	WASHER -----							1	
-54	AN924-3	NUT -----							1	
		*-----								
-55	S1168-3-13	HOSE ASSY MANIFOLD PRESSURE FIREWALL TO GAUGE -----							1	
	AN816-3D	NIPPLE ATTACH HOSE TO GAUGE -----							1	
-56	S1236C3-0350	HOSE ASSY-FUEL PRESSURE DISTRIBUTOR VALVE TO FIREWALL -----							1	L M
	S2495-3-0350	HOSE ASSY-FUEL PRESSURE DISTRIBUTOR VALVE TO FIREWALL -----							1	
		ATTACHING PARTS -----								
-57	AN833-3	ELBOW ATTACH AT FIREWALL -----							1	
-58	NAS1149F0663P	WASHER -----							1	
-59	AN924-3	NUT -----							1	
-60		DELETED-NOT USED -----							1	
		*-----								
-61	1200106-263	LINE ASSY-FUEL PRESSURE FIREWALL TO FUEL PORT ON GAGE -----							1	
	AN816-3D	NIPPLE ATTACH LINE ASSY AT GAGE -----							1	
-62	S1236C3-0080	HOSE ASSY FUEL FLOW VENT -----							1	L M
	S1236C3-0170	HOSE ASSY FUEL FLOW VENT -----							1	
		ATTACHING PARTS -----								
-63	AN833-3	ELBOW ATTACH AT FIREWALL -----							1	L M
	AN837-3	ELBOW ATTACH AT FIREWALL -----							1	
-64	NAS1149F0663P	WASHER -----							1	
-65	AN924-3	NUT -----							1	
-66	0756003-3	ELBOW ATTACH AT MANIFOLD -----							1	L
		*-----								
-67	1200106-263	LINE ASSY-FUEL FLOW VENT FIREWALL TO VENT PORT ON GAGE -----							1	
	AN816-3D	NIPPLE ATTACH LINE ASSY AT GAGE -----							1	
-68	MS21919D68	CLAMP -----							1	
		ATTACHING PARTS -----								
	S1021Z8-8	SCREW -----							1	
	NAS446-4-1	NUT -----							1	
		*-----								

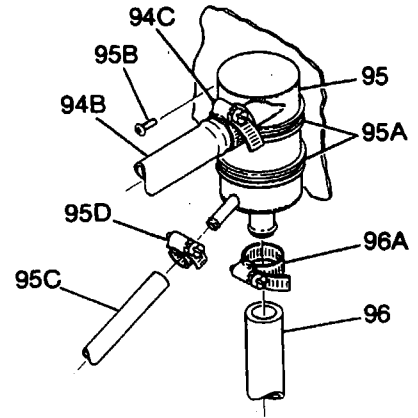
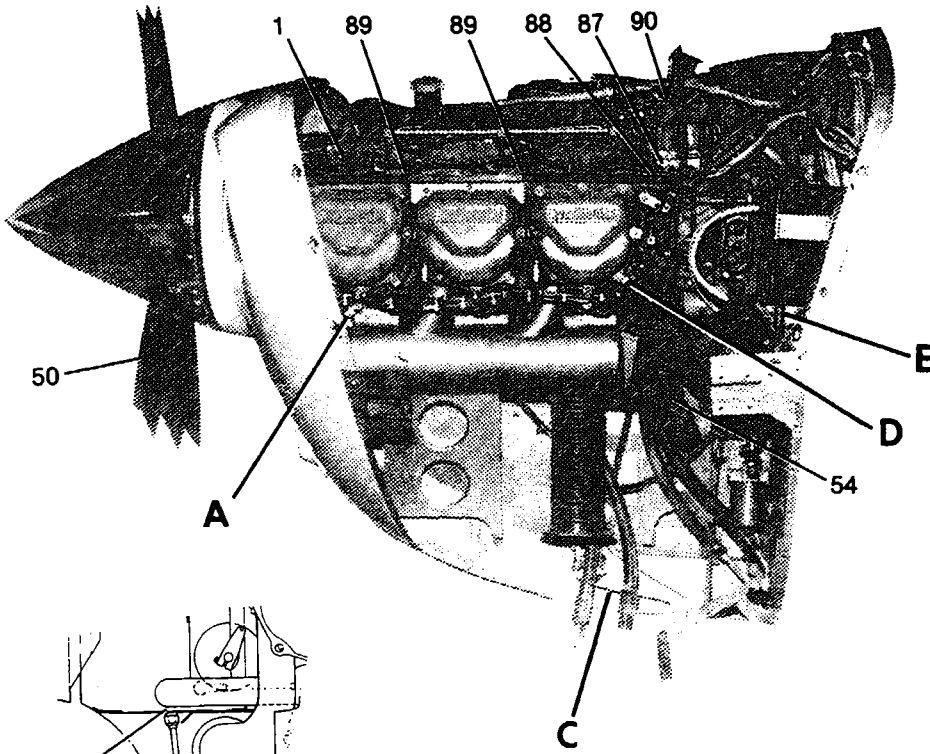
CONTINUED ON NEXT PAGE

P210 Parts Catalog

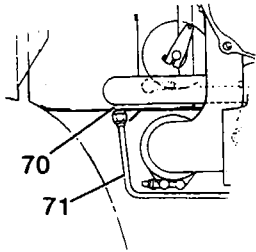
FIGURE AND INDEX NO.	PART NUMBER	DESCRIPTION							UNITS PER ASSY	USABLE ON CODE
		1	2	3	4	5	6	7		
78 -69		DELETED-NOT USED -----								
-70	1250918-2	HEAT SHIELD-ENGINE MOUNT FWD LH ENGINE MOUNT -----							1	C
-71	C294510-0801	FILTER-TURBOCHARGER AIR INLET -----							1	
-72	2150033-1	COVER ASSY-TURBOCHARGER FILTER -----							1	
		ATTACHING PARTS -----								
-73	AN350-1032	NUT-WING -----							2	
		-----*								
	S1441-1	SEAL 2.70 IN LG BKI -----							2	
	S1441-1	SEAL 6.15 IN LG BKI -----							2	
-74	S1399-1-9.00	SLEEVE-NYLON -----							2	
-75	S2209-2	TIE -----							3	B
-76	S1495-8	HOSE 7.50 IN LG BKI -----							1	B
		ATTACHING PARTS -----								
	S1891-10	CLAMP -----							2	
		-----*								
-76A	AN816-6-2D	NIPPLE -----							1	
-77	2150116-1	SUPPORT -----							1	D
		ATTACHING PARTS -----								
-78	2150117-1	CLAMP -----							1	
-79	AN3-4A	BOLT -----							1	
	NAS1149F0332P	WASHER -----							1	
	MS20365-1032C	NUT -----							1	
		-----*								
-80	2100003-1	LINE ASSY-MANIFOLD DRAIN -----							1	F
	2100003-29	LINE ASSY-MANIFOLD DRAIN -----							1	G
	2100003-105	LINE ASSY-MANIFOLD DRAIN -----							1	H
		ATTACHING PARTS -----								
	MS21919DG4	CLAMP -----							2	J
	NAS43DD3-23	SPACER -----							1	K
	NAS43DD3-28	SPACER -----							1	L
	AN525-10R12	SCREW -----							1	M
	AN525-10R16	SCREW -----							1	N
	MS20364-1032C	NUT -----							1	
	AN3-15A	BOLT -----							1	
-81	S2300-25	BRACKET -----							1	
	MS21919DG5	CLAMP -----							1	
	S102178-10	SCREW -----							1	
	NAS396-5-1	NUT -----							1	
		-----*								
-82	AN816-4-4D	NIPPLE -----							1	
-83	AN815-4D	UNION -----							1	
-84	S1495-4	HOSE-11.75 IN LG BKI -----							1	H
	S1497-4	FITTING -----							1	H
-85	MS20826-4D	TEE -----							2	H
	AN912-1D	BUSHING -----							1	H
-86	1H19-5	VALVE ABNE -----							1	H
		ATTACHING PARTS -----								
	NAS1149F0963P	WASHER -----							1	
	AN924-6D	NUT -----							1	
		-----*								
-87	S1495-4	HOSE-20.50 IN LG BKI -----							1	H
	S1497-4	FITTING -----							2	H
	MS21919DG8	CLAMP -----							1	H
	S102178-10	SCREW -----							1	H
	NAS446-4-1	NUT -----							1	H
-88	MS20826-4D	TEE -----							1	H
-89	AN914-1D	ELBOW -----							1	H
-90	2100003-104	LINE ASSY -----							1	H
-91	MS20823-4D	ELBOW -----							1	H
<p>A---P210 SERIAL P21000001 THRU P21000045</p> <p>B---P210 SERIAL P21000046 THRU P21000834</p> <p>C---P210 SERIAL P21000001 THRU P21000154</p> <p>D---P210 SERIAL P21000001 THRU P21000760</p> <p>E---P210 SERIAL P21000761 THRU P21000834</p> <p>F---P210 SERIAL P21000001 THRU P21000071</p> <p>G---P210 SERIAL P21000072 THRU P21000760</p> <p>H---P210 SERIAL P21000671 THRU P21000834</p> <p>J---P210 SERIAL P21000001 THRU P21000496</p> <p>K---P210 SERIAL P21000497 THRU P21000760</p> <p>L---P210 SERIAL P21000001 THRU P21000811</p> <p>M---P210 SERIAL P21000812 THRU P21000834</p> <p>N---P210 SERIAL P21000001 THRU P21000834</p>										

P210 Parts Catalog

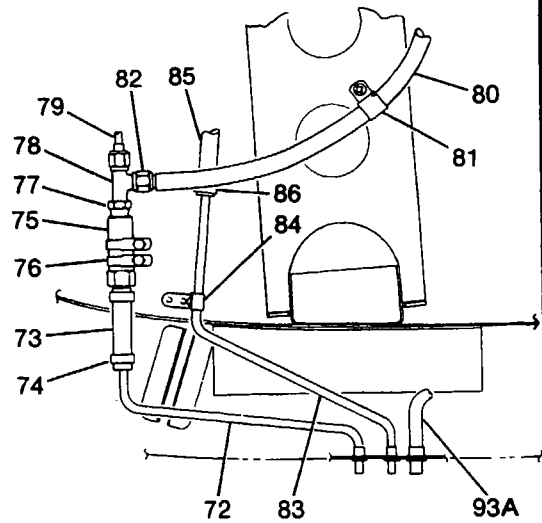
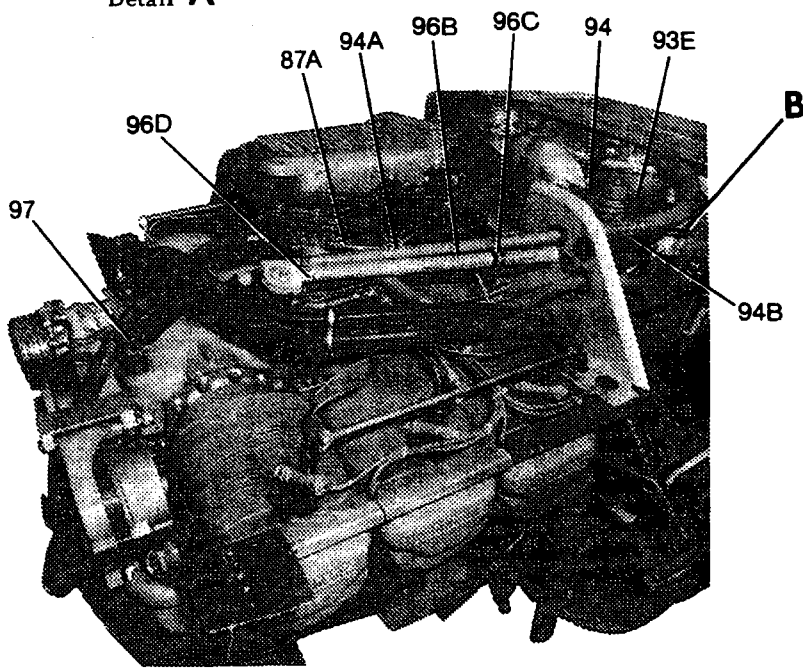
Engine (Cont)



Detail B



Detail A



DRAIN LINES

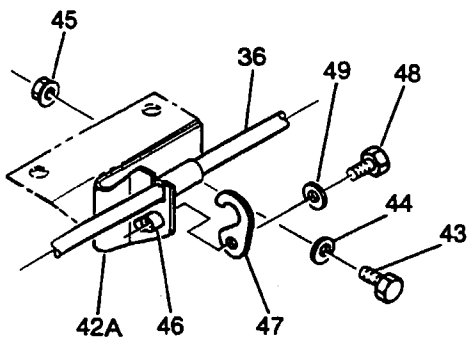
Detail C

P210 SERIAL P21000835 & ON

Figure 78A. (Sheet 1 of 2) Engine Installation

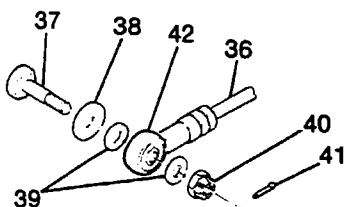
P210 Parts Catalog

Engine (Cont)

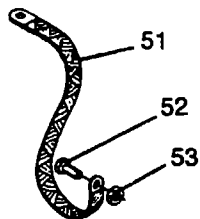


PROP GOVERNOR CONTROL

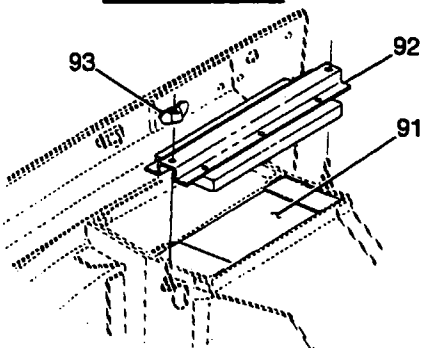
Detail D



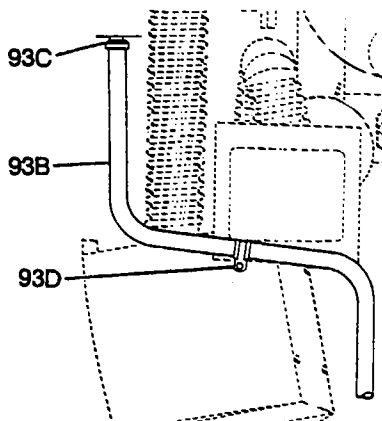
PROP GOVERNOR CONTROL



GROUND STRAP

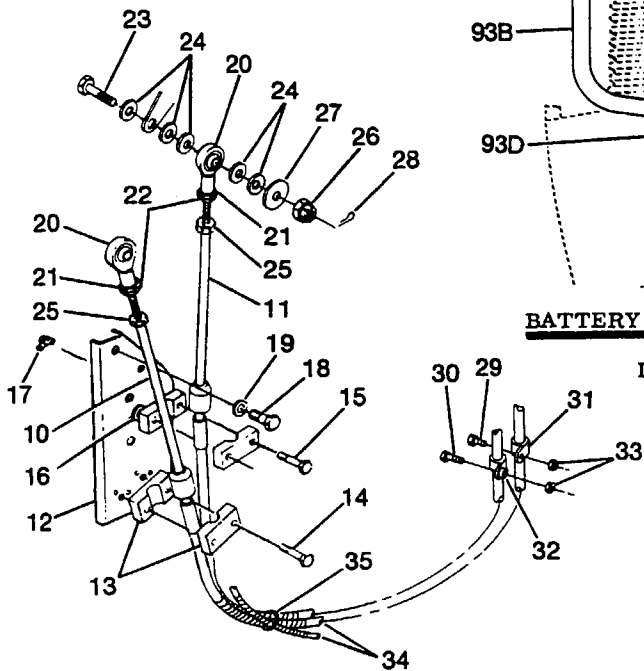


TURBOCHARGER AIR INLET FILTER

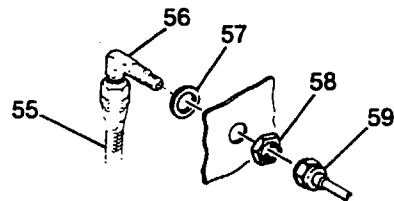


BATTERY BOX DRAIN LINE

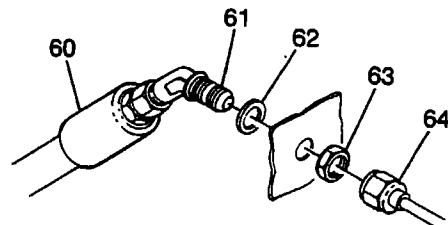
Detail E



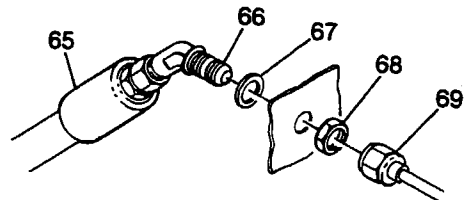
MIXTURE & THROTTLE CONTROL



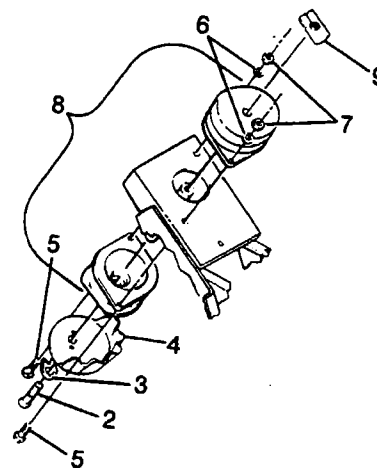
MANIFOLD PRESSURE AT FIREWALL



FUEL PRESSURE AT FIREWALL



FUEL FLOW VENT AT FIREWALL



ENGINE SHOCK MOUNT

P210 SERIAL P21000835 & ON

Figure 78A. (Sheet 2 of 2) Engine Installation

P210 Parts Catalog

FIGURE AND INDEX NO.	PART NUMBER	DESCRIPTION							UNITS PER ASSY	USABLE ON CODE
		1	2	3	4	5	6	7		
78A-		ENGINE INSTALLATION -----								
- 1	SEE FIG 79A	ENGINE ASSY-TURBOCHARGED -----							NP	A
		ATTACHING PARTS -----							1	
- 2	AN7-40A	BOLT -----							5	
	AN7-42A	BOLT RH REAR MOUNT -----							1	
- 3	0851559-1	WASHER-LOCK -----							6	
- 4	1250878-1	DEFLECTOR-ENGINE SHOCK MOUNT RH FWD & RH REAR MOUNT -----							3	
- 5	AN4-7A	BOLT -----							12	
- 6	NAS1149F0463P	WASHER -----							12	
- 7	MS2104214	NUT -----							12	
- 8	J12453-1	SHOCK MOUNT KIT-REAR LO -----							12	
	J12453-6	SHOCK MOUNT KIT-FRONT RH LO -----							2	
	2150000-200	SHOCK MOUNT KIT-FRONT LH -----							2	
- 9	539911	NUT-BARREL CM -----							6	
		*-----								
-10		CONTROL-MIXTURE SEE INSTRUMENT PANEL -----							1	
-11		CONTROL-THROTTLE SEE INSTRUMENT PANEL -----							1	
		ATTACHING PARTS -----								
-12	1250318-1	CLAMP ASSY -----							1	
-13	1250401-3	CLAMP HALF -----							4	
-14	AN3-7	BOLT -----							2	
-15	AN3-10A	BOLT -----							2	
-16	NAS1149F0363P	WASHER -----							2	
	NAS1149F0332P	WASHER -----							2	
-17	NAS698A3	NUTPLATE -----							4	
-18	MS20074-03-02	BOLT -----							3	
-19	NAS1149F0332P	WASHER -----							3	
-20	S1104-3	ROD END -----							2	
-21	AN315-3R	NUT-CHECK -----							2	
-22	AN356-1032	NUT -----							2	
-23	AN3-7	BOLT -----							1	
-24	NAS1149F0363P	WASHER -----							5	
-25	MS20364-1032C	NUT -----							1	
-26	AN310-3	NUT -----							1	
-27	S1450-3-14-032	WASHER -----							1	
-28	MS24665-132	COTTER PIN -----							1	
-29	AN3-4A	BOLT -----							1	
-30	AN3-6A	BOLT -----							1	
-31	AN742D5	CLAMP -----							1	
-32	NAS430D3-16	SPACER -----							2	
-33	MS20365-1032C	NUT -----							2	
		*-----								
-34	S1399-1	SLEEVE-NYLON 9.00 IN LG BKI -----							3	
-35	S2209-2	STA STRAP -----							1	
-36		CONTROL-PROP GOVERNOR SEE INSTRUMENT PANEL -----							1	
		ATTACHING PARTS -----								
-37	AN3-7	BOLT -----							1	
-38	S1450-3-14-032	WASHER -----							1	
-39	NAS1149F0363P	WASHER -----							2	
-40	AN310-3	NUT -----							1	
-41	MS24665-132	COTTER PIN -----							1	
-42	S1104-3	ROD END -----							1	
	AN315-3R	NUT -----							1	
	AN356-1032	NUT -----							1	
		*-----								
-42A	2150168-1	BRACKET ASSY-PROP GOVERNOR CONTROL WEU 2150168-3 -----							1	B
	2150168-3	BRACKET ASSY-PROP GOVERNOR CONTROL -----							1	C
		ATTACHING PARTS -----								
-43	AN3-4A	BOLT -----							2	
-44	NAS1149F0363P	WASHER -----							2	
-45	MS2104L3	NUT -----							2	
		*-----								
-46	NAS696A3	NUTPLATE -----							1	
-47	1250025-1	RETAINER -----							1	
		ATTACHING PARTS -----								
-48	AN3-4A	BOLT -----							1	
-49	NAS1149F0363P	WASHER -----							1	
		*-----								
-50	SEE FIG 76A	PROPELLER & SPINNER INSTALLATION -----							1	

CONTINUED ON NEXT PAGE

P210 Parts Catalog

FIGURE AND INDEX NO.	PART NUMBER	DESCRIPTION							UNITS PER ASSY	USABLE ON CODE
		1	2	3	4	5	6	7		
78A-51	0412007-8	GROUND STRAP-ENGINE ----- ATTACHING PARTS -----							1	
-52	AN4-4A	BOLT -----							1	
-53	MS21042L4	NUT -----							1	
-54	SEE FIG 88	*-----								
-55	S1236C3-0080	DUCT-PRESSURIZATION ----- HOSE ASSY-MANIFOLD PRESSURE ----- ATTACHING PARTS -----							1 1 1	
-56	AN833-3	ELBOW -----							1	
-57	NAS1149F0663P	WASHER -----							1	
-58	AN924-3	NUT -----							1	
-59	MS20823-3 S1168-3-13 AN816-3D	*----- ELBOW ATTACH HOSE ASSY TO MANIFOLD ----- HOSE ASSY-MANIFOLD PRESSURE FIREWALL TO GAGE -----							1 1 1	
-60	S2495-3-0350	NIPPLE ATTACH HOSE TO GAGE ----- HOSE ASSY-FUEL PRESSURE DISTRIBUTOR VALVE TO FIREWALL ----- ATTACHING PARTS -----							1 1 1	
-61	AN837-3	ELBOW -----							1	
-62	NAS1149F0663P	WASHER -----							1	
-63	AN924-3	NUT -----							1	
-64	1200106-263 AN816-3D	*----- LINE ASSY-FUEL PRESSURE FIREWALL TO FUEL PORT ON GAGE ----- NIPPLE ATTACH LINE ASSY AT GAGE -----							1 1	
-65	S1236C3-0170	HOSE ASSY-FUEL FLOW VENT FIREWALL TO FUEL MANIFOLD ----- ATTACHING PARTS -----							1 1	
-66	AN837-3	ELBOW -----							1	
-67	NAS1149F0663P	WASHER -----							1	
-68	AN924-3	NUT -----							1	
-69	1256017-1 1200106-263 AN816-3D	*----- NIPPLE ATTACH HOSE TO FUEL MANIFOLD ----- LINE ASSY-FUEL FLOW VENT FIREWALL TO VENT PORT ON GAGE ----- NIPPLE ATTACH LINE ASSY AT GAGE -----							1 1 1 1	
-70	AN816-4-4D	NIPPLE -----							1	
-71	2100003-123	LINE ASSY-MANIFOLD DRAIN ----- ATTACHING PARTS -----							1	
	S1495-4	HOSE 2.50 IN LG BKI -----							1	
	S2357-1	CLAMP -----							2	
-72	2100003-122	*----- LINE ASSY-MANIFOLD DRAIN -----							1	
-73	S1495-4	HOSE 2.50 IN LG BKI -----							1	
-74	S2357-1	ATTACHING PARTS ----- CLAMP -----							2	
-75	1H19-8	*----- VALVE-MANIFOLD DRAIN ABNE -----							1	
-76	684-3-11-120 AN3-17A NAS1149F0332P NAS430D3-45	ATTACHING PARTS ----- CLAMP 00502 ----- BOLT ----- WASHER ----- SPACER -----							2 2 2 2	
-77	AN912-1D	*----- REDUCER -----							1	
-78	MS20826-4D	TEE -----							1	
-79	2100003-128	LINE ASSY-MANIFOLD DRAIN -----							1	
-80	S1495-4	HOSE-BALANCE TUBE DRAIN 14.50 IN LG BKI ----- ATTACHING PARTS -----							1 1	
-81	MS21919D68 AN520-10R8 NAS1149F0363P	CLAMP ----- SCREW ----- WASHER -----							1 1 1	
-82	2100003-104 S1497-4	*----- LINE ASSY-MANIFOLD DRAIN MANIFOLD TO TEE ----- FITTING-SOCKETLESS -----							1 2	
-83	2100003-127	LINE ASSY-FUEL PUMP DRAIN ----- ATTACHING PARTS -----							1 1	
-84	AN742D4 AN520-10R8 MS20364-1032C NAS1149F0363P	CLAMP ----- SCREW ----- NUT ----- WASHER ----- *-----							1 1 1 1	

CONTINUED ON NEXT PAGE

P210 Parts Catalog

FIGURE AND INDEX NO.	PART NUMBER	DESCRIPTION							UNITS PER ASSY	USABLE ON CODE
		1	2	3	4	5	6	7		
78A-85	S1495-4	HOSE 11.00 IN LG BKI -----							1	
-86	S2357-1	ATTACHING PARTS CLAMP -----							2	
-87	AN833-4D NAS1149F0732P AN924-4D S1495-4	ELBOW FUEL PUMP DRAIN AT BAFFLE ----- WASHER FUEL PUMP DRAIN AT BAFFLE ----- NUT FUEL PUMP DRAIN AT BAFFLE ----- HOSE-FUEL PUMP DRAIN 11.00 IN LG BKI BAFFLE TO TEE							1 2 1 1	
	MS21919DG8 AN3-4A MS20365-1032C	ATTACHING PARTS CLAMP ----- BOLT ----- NUT -----							2 1 1	
	S1497-4 1K14-4-4-4 S1495-4	FITTING-SOCKETLESS ----- TEE ABNE FUEL PUMP & ENGINE MANIFOLD DRAIN ----- HOSE-MANIFOLD VALVE DRAIN 7.50 IN LG BKI ----- ENGINE MANIFOLD TO TEE							1 1 1	
	S1497-4 S2357-1	FITTING-SOCKETLESS ----- CLAMP ATTACH ENGINE MANIFOLD & FUEL PUMP DRAIN LINE -----							1 2	
-87A	2100003-150	LINE ASSY-ENGINE FUEL PUMP DRAIN FUEL PUMP TO BAFFLE -----							1	
-88	MS35489-8	GROMMET -----							1	
-89	MS35489-6	GROMMET -----							2	
-90	MS35489-10	GROMMET WIRE BUNDLE AT BAFFLE -----							1	
-91	C294510-0801	FILTER-TURBOCHARGER AIR INLET -----							1	
-92	2150033-1	COVER ASSY-TURBOCHARGER FILTER ----- ATTACHING PARTS							1	
-93	AN350-1032	NUT-WING -----							2	
	S1441-1 S1441-1	SEAL 2.70 IN LG BKI ----- SEAL 6.15 IN LG BKI -----							2 2	
-93A	2100003-129	LINE-BATTERY DRAIN -----							1	
-93B	S1495-6	HOSE-BATTERY DRAIN * IN LG BKI ----- ATTACHING PARTS							1	
-93C	S2357-3	CLAMP -----							2	
-93D	MS21919DG11 AN520-10R8	CLAMP ----- SCREW -----							1 1	
-93E	S1495-4 S1497-4	HOSE 11.00 IN LG BKI MANIFOLD TO FUEL FLOW LIMITER ----- FITTING-SOCKETLESS -----							1 2	
-94	S2554-8	HOSE 5.75 IN LG BKI MANIFOLD TO THROTTLE BODY ADAPTOR ----- ATTACHING PARTS							1	
	S2357-3	CLAMP -----							2	
-94A	2100003-121	LINE-BREATHER ----- ATTACHING PARTS							1	
	S51-12 NAS397-18	HOSE 3.00 IN LG BKI ----- CLAMP -----							1 2	
-94B	S2554-12	HOSE-BREATHER 13.25 IN LG BKI ----- ATTACHING PARTS							1	
-94C	S1891-12	CLAMP -----							2	
-95	1550167-28	SEPARATOR ASSY-OIL BREATHER ----- ATTACHING PARTS							1	
-95A	MS21919DG40	CLAMP -----							2	
-95B	AN520-10R8	SCREW -----							2	
-95C	S1495-6	HOSE-BREATHER 20.00 IN LG BKI OIL BREATHER ----- SEPARATOR TO ENGINE CRANKCASE							1	
-95D	S1891-6	ATTACHING PARTS CLAMP -----							1	

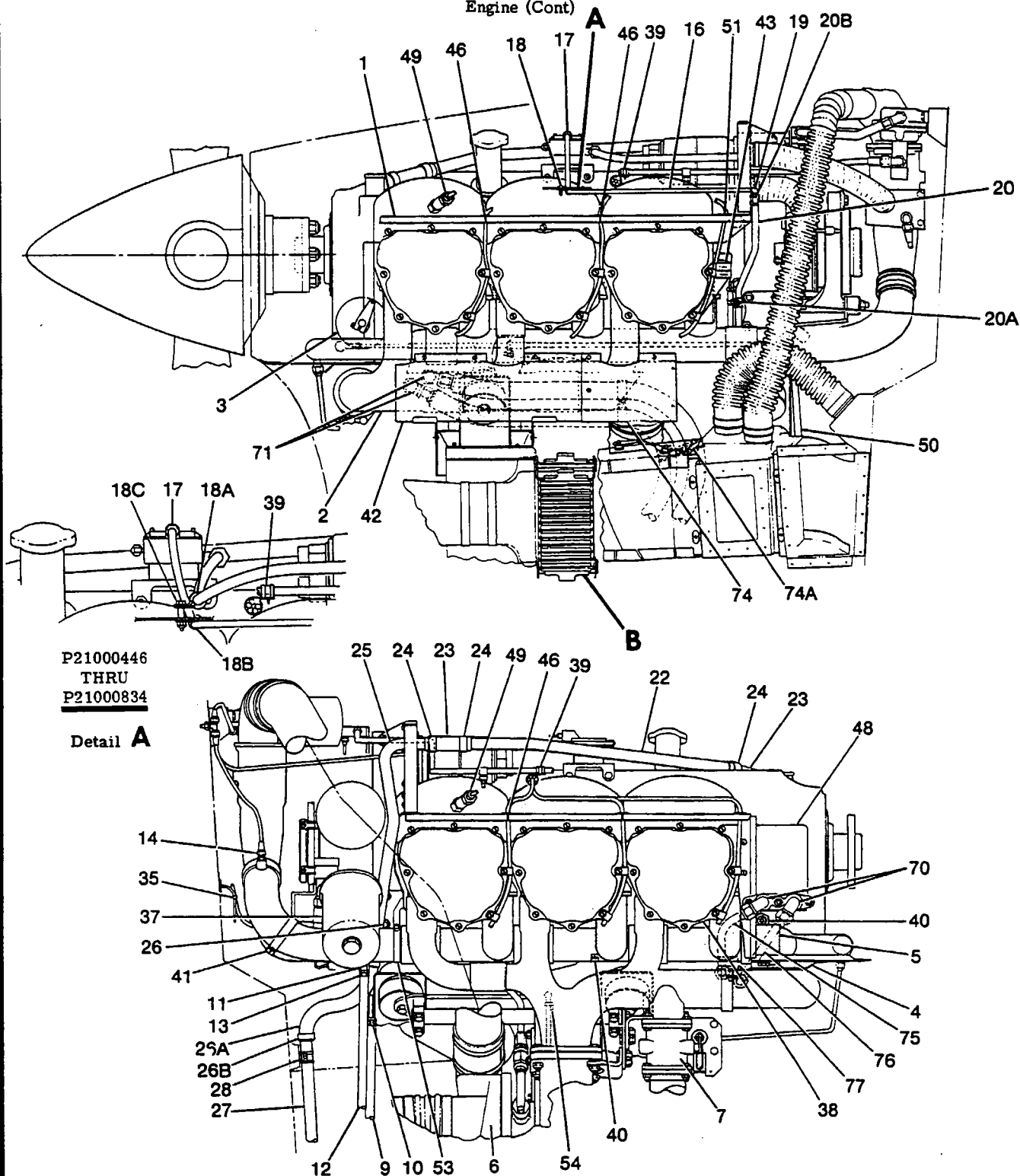
CONTINUED ON NEXT PAGE

P210 Parts Catalog

FIGURE AND INDEX NO.	PART NUMBER	DESCRIPTION	UNITS PER ASSY	USABLE ON CODE
		1 2 3 4 5 6 7		
78A-96	S2554-12	HOSE-BREATHER 15.50 IN LG BKI OIL BREATHER -----	1	
		TO BREATHER LINE		
		ATTACHING PARTS		
-96A	S1891-12	CLAMP -----	2	
	2150902-2	LINE ASSY-BREATHER -----	1	
		ATTACHING PARTS		
	MS21919DG12	CLAMP -----	1	
	AN520-10R8	SCREW -----	1	
		*-----		
-96B	2101071-1	SUPPORT-WIRING -----	1	
		ATTACHING PARTS		
-96C	MS1919DG14	CLAMP AFT -----	1	
-96D	AN742D14	CLAMP FWD -----	1	
	S1601-12	CLAMP FWD & AFT -----	2	
	AN520-10R20	SCREW -----	2	
	MS20364-1032C	NUT -----	2	
		*-----		
-97	S2209-3	STA-STRAP -----	1	
		A---P210 SERIAL P21000835 & ON		
		B---P210 SERIAL P21000835 THRU P21000862		
		C---P210 SERIAL P21000863 & ON		

P210 Parts Catalog

Engine (Cont)



P21000446
THRU
P21000834

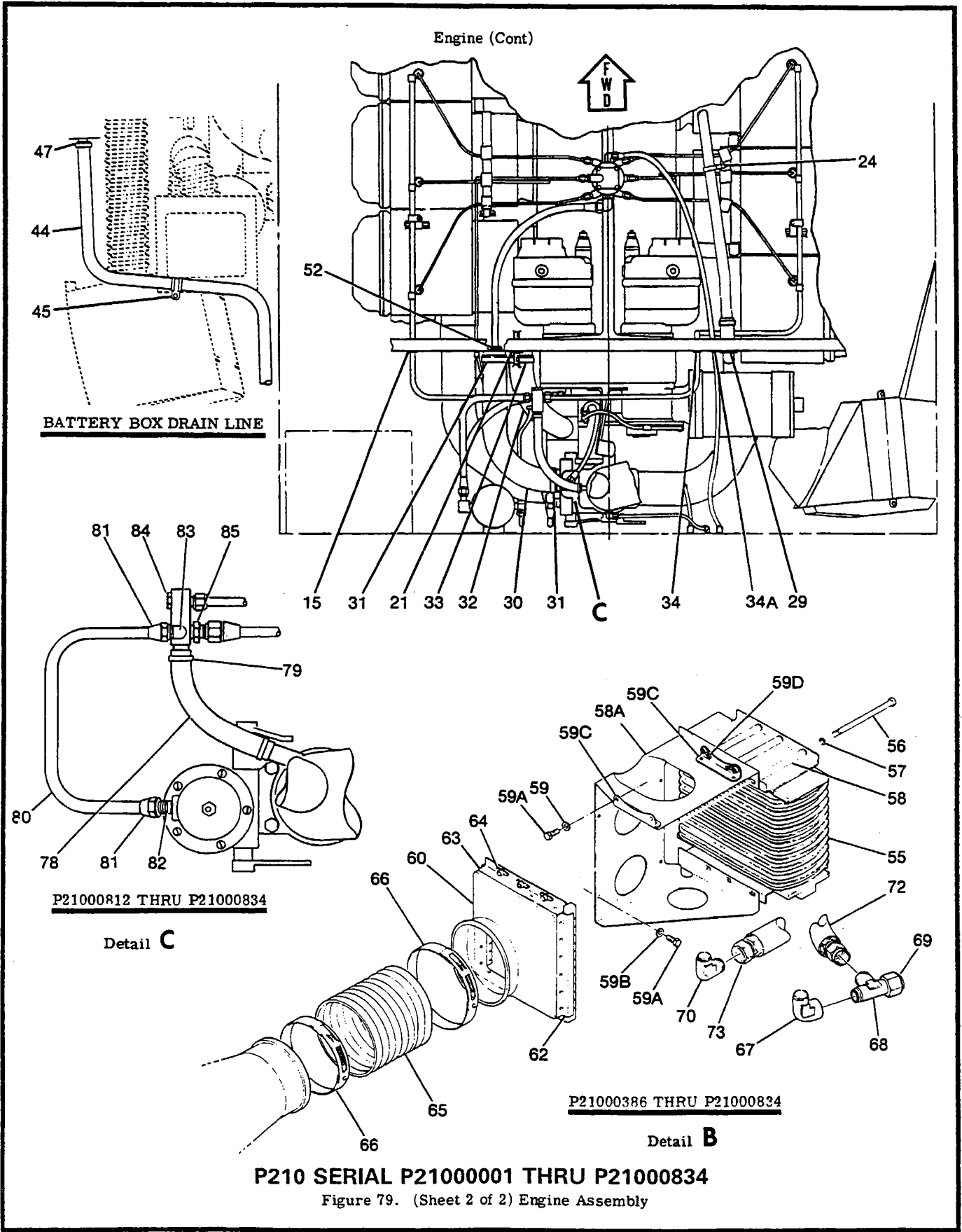
Detail A

P210 SERIAL P2100001 THRU P21000834

Figure 79. (Sheet 1 of 2) Engine Assembly

P210 Parts Catalog

Engine (Cont)



P210 SERIAL P2100001 THRU P21000834

Figure 79. (Sheet 2 of 2) Engine Assembly

P210 Parts Catalog

FIGURE AND INDEX NO.	PART NUMBER	DESCRIPTION							UNITS PER ASSY	USABLE ON CODE
		1	2	3	4	5	6	7		
79 -	SEE FIG 80	ENGINE ASSEMBLY -----							NP	U
	TS10520P	ENGINE COMPONENTS & ASSOCIATED ACCESSORIES -----							1	
		ENGINE ASSY-CONTINENTAL SPEC 1 -----							1	
		ENGINE ASSY-CONTINENTAL FSO TS10520P SPEC 3 -----							1	
	TS10520P	ENGINE ASSY-CONTINENTAL SPEC 3 -----							1	
	TS10520AF	ENGINE ASSY-CONTINENTAL SPEC 1 -----							1	
	TS10520AF	ENGINE ASSY-CONTINENTAL SPEC 2 -----							1	
- 1	SEE FIG 84	BAFFLES INSTALLATION -----							1	
- 2	SEE FIG 83	EXHAUST SYSTEM COMPONENTS -----							1	
- 3	C161032-0101	GOVERNOR ASSY-PROPELLER -----							1	
	MS9144-01	GASKET-PROP GOVERNOR -----							1	
- 4	2154009-1	SHROUD ASSY-EXHAUST CROSSOVER -----							1	
	2154009-3	SHROUD ASSY-EXHAUST CROSSOVER -----							1	
	NAS1149D0516H	WASHER-ATTACH SHROUD USE EXISTING BOLTS -----							4	
- 5	0750143-1	DEFLECTOR ASSY-ENGINE HEAT -----							7	
- 6	SEE FIG 81	TURBOCHARGER INSTALLATION -----							1	
- 7	SEE FIG 82	EXHAUST VALVE & CONTROLLER INSTALLATION -----							1	
- 8		DELETED-NOT USED -----								
- 9	S1495-4	HOSE 16.50 IN LG BKI -----							1	A
		ATTACHING PARTS -----								
-10	NAS397-8	CLAMP -----							1	A
		*-----								
-11	AN842-4D	ELBOW -----							1	P
-12	S1495-4	HOSE 21.50 IN LG BKI -----							1	P
		ATTACHING PARTS -----								
-13	NAS397-8	CLAMP -----							1	
		*-----								
-14	AN816-3	NIPPLE -----							1	
-15	MS35489-12	GROMMET -----							1	
-16	2100003-24	LINE ASSY-MANIFOLD VALVE DRAIN -----							1	
-17	AN816-4D	NIPPLE -----							1	
-18	S1485D4U	CLAMP -----							1	
	S102178-8	SCREW -----							1	
-18A	MS21919DG12	CLAMP -----							1	
-18B	S1485D4U	CLAMP -----							1	
-18C	AN3-7A	BOLT -----							1	
	NAS430D3-28	SPACER -----							1	
	MS20364-1032C	NUT -----							1	
-19	AN833-4D	ELBOW -----							1	
	AN924-4D	NUT -----							1	
	NAS1149D0763H	WASHER -----							1	
-20	S1495-4	HOSE 36.50 IN LG BKI MANIFOLD VALVE DRAIN -----							1	
		ATTACHING PARTS -----								
-20A	MS21919DG8	CLAMP ATTACH HOSE -----							2	
	AN3-4A	BOLT -----							1	
	MS20365-1032C	NUT -----							1	
		*-----								
-20B	S1497-4	FITTING -----							1	
-21	MS35489-10	GROMMET -----							1	
-22	2150103-1	TUBE-BREATH FWD -----							1	
		ATTACHING PARTS -----								
-23	S51-12	HOSE 3.00 IN LG BKI -----							2	
-24	NAS397-18	CLAMP -----							4	
		*-----								
-24A	AN742D12	CLAMP -----							1	
	NAS430D3-32	SPACER -----							1	
	AN520-10R8	SCREW -----							1	
	MS20365-1032C	NUT -----							1	
		*-----								
-25	2150102-1	TUBE-BREATH -----							1	
		ATTACHING PARTS -----								
-26	2150063-1	BRACKET ASSY -----							1	
	NAS697A3	NUTPLATE -----							1	
	AN520-10R8	SCREW -----							1	
	MS21919DG8	CLAMP -----							1	
		*-----								
-26A	S1495-12	HOSE 14.00 IN LG BKI -----							1	
		ATTACHING PARTS -----								
-26B	NAS397-18	CLAMP -----							2	
		*-----								

CONTINUED ON NEXT PAGE

P210 Parts Catalog

FIGURE AND INDEX NO.	PART NUMBER	DESCRIPTION	UNITS PER ASSY							USABLE ON CODE
			1	2	3	4	5	6	7	
79 -27	2150102-2	LINE ASSY-BREATHER ----- ATTACHING PARTS -----	1							
-28	MS21919DG12 AN3-4A NAS1149F0363P	CLAMP ----- BOLT ----- WASHER ----- -----*	1	1	1					
-29	MS35489-19	GROMMET -----	1							
-30	S1053E12T	DUCT 16.00 IN LG BKI -----	1							
-31	NAS397-28	CLAMP -----	1							
-32	S1053E12T	DUCT 16.50 IN LG BKI ----- FUEL PUMP COOLING -----	1							
-33	NAS397-28	CLAMP -----	2							
-34	MS35489-5	GROMMET -----	1							
-34A	MS35489-5 MS35489-135	GROMMET ----- GROMMET -----	1							H R
-35	S2209-2	STA-STRAP -----	AR							
-36		DELETED-NOT USED -----								
-37	SEE FIG 111	OIL FILTER -----	1							
-38	S1372-4 S2334-4	SENDING UNIT-CYLINDER HEAD TEMP SEE S/M FOR LOCATION ----- SENDING UNIT-CYLINDER HEAD TEMP SEE S/M FOR LOCATION -----	1	1						J F
-38A	AN900-6	GASKET-CYLINDER HEAD TEMPERATURE -----	1							
-39	MS21919DG6 S1486DG12U S1021210-8	CLAMP ATTACH MAG LEADS ----- CLAMP ATTACH MAG LEADS ----- SCREW ATTACH MAG LEADS -----	1	2	2					
-40	AN900-10 S1630-5 S2335-1	GASKET-OIL TEMP SENDING UNIT ----- SENDING UNIT-OIL TEMP ----- SENDING UNIT-OIL TEMP ----- ATTACHING PARTS -----	1	1	1					E F
	S2300-2 S102128-8 S1486DG4U	BRACKET ----- SCREW ----- CLAMP -----	1	1	1					
-41	AN742D36 MS21919DG14 S1021210-12 NAS446-5-3	CLAMP ----- CLAMP ----- CLAMP ----- SCREW ----- NUT ----- -----*	1	1	1					
-42	SEE FIG 83	EXHAUST STACK ASSY -----	1							
-43	SEE FIG 108	FUEL STRAINER & DRAIN INSTALLATION -----	1							
-44	S1495-6	HOSE 29.00 IN LG BKI ----- BATTERY DRAIN -----	1							
-45	MS21919DG10 AN520-10R8	CLAMP ----- SCREW -----	1	1						
-46	MS35489-6	GROMMET -----	1							
-47	S2209-2	STA-STRAP -----	2							
-48	639171 626332 626432 626431	OIL COOLER INSTALLATION-NON CONGEALING ----- OIL COOLER CM ----- PLATE-OIL COOLER CM ----- GASKET-OIL COOLER TO PLATE CM ----- GASKET-PLATE TO CRANKCASE CM -----	NP	1	1	1	1			
-49	SEE FIG 80	SPARK PLUGS -----	12							
-50	S1495-4 S1495-4	HOSE 24.25 IN LG BKI ----- HOSE 25.75 IN LG BKI ----- FUEL PUMP VENT -----	1	1						P L
-51	S1497-4 MS35489-8	FITTING ----- GROMMET -----	1	1						
-52	MS21919DG12 AN515-8R8 NAS1149FN816P MS21045L08	CLAMP ----- SCREW ----- WASHER ----- NUT -----	1	1	1	1				
-53	AN742D36 AN3-5A MS21045L3 NAS1149F0332P	CLAMP ----- BOLT ----- NUT ----- WASHER -----	1	1	1	1				
-54	MS21919DG4 MS21919DG7 AN3-7A MS20364-1032C	CLAMP ----- CLAMP ----- BOLT ----- NUT -----	1	1	1	1				A A A S T
-55	10634D 10634R 8547335	OIL COOLER-REMOTE SW WEU 10634R ----- OIL COOLER-REMOTE SW ----- OIL COOLER-REMOTE HR ALT FOR 10634R -----	1	1	1					
-56	AN3-40A	ATTACHING PARTS -----	6							
-57	NAS1149F0363P	BOLT -----	18							
-58	S133-3P53	WASHER ----- SPACER ----- -----*	6							

CONTINUED ON NEXT PAGE

P210 Parts Catalog

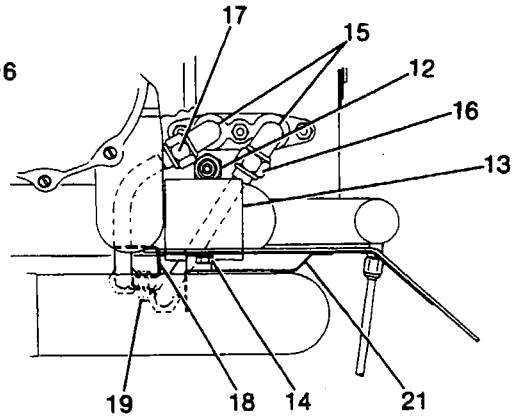
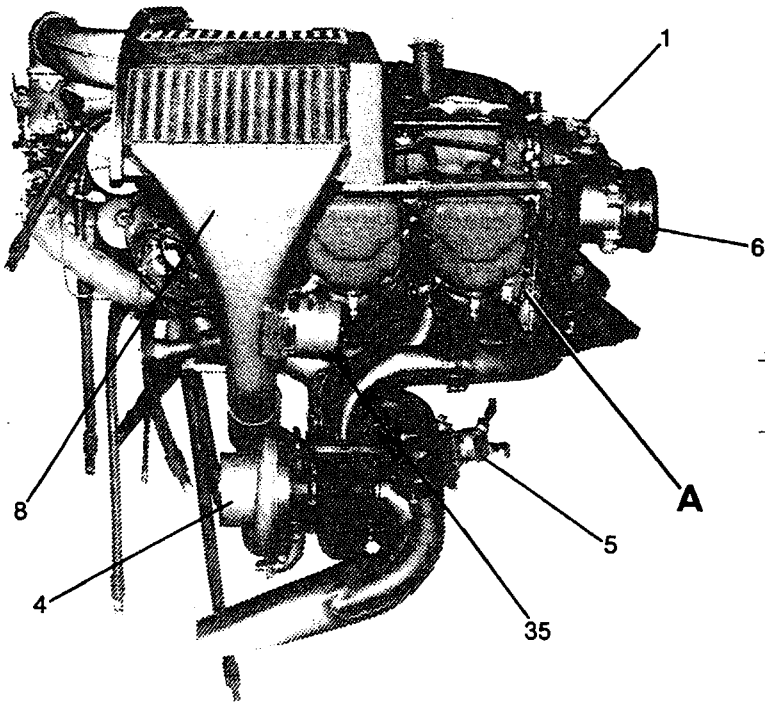
FIGURE AND INDEX NO.	PART NUMBER	DESCRIPTION	UNITS PER ASSY							USABLE ON CODE
			1	2	3	4	5	6	7	
79 -58A	2150128-1	SUPPORT ASSY-REMOTE OIL COOLER ----- ATTACHING PARTS							1	D
-59	NAS1149F0332P	WASHER -----							4	
-59A	AN3-4A	BOLT -----							8	
-59B	NAS1149F0363P	WASHER -----							4	
		-----*								
-59C	2150127-2	SUPPORT ASSY-OIL COOLER -----							2	
-59D	NAS687A3	NUTPLATE -----							2	
-60	1250504-1	DIFFUSER ASSY-REMOTE OIL COOLER -----							1	D
-61	1250508-1	SEAL -----							2	
-62	1250507-1	SUPPORT-DIFFUSER ASSY -----							2	
-63	1250506-1	SUPPORT ASSY-DIFFUSER ASSY -----							2	
-64	NAS680A3	NUTPLATE -----							3	
-65	S1053K32T	DUCT 2.50 IN LG BKI -----							1	D
		ATTACHING PARTS								
-66	NAS398-66	CLAMP -----							2	
		-----*								
-67	AN914-3	ELBOW -----							1	D
-68	MS20826-8	TEE -----							1	D
-69	0556018-2	CAP ASSY -----							1	D
-70	MS20822-8	ELBOW -----							3	D
-71	AN821-8	ELBOW -----							2	D
-72	S2495-8-0304	HOSE ASSY ELBOW TO OUTBD OIL COOLER FITTING -----							1	D
-73	S2495-8-0290	HOSE ASSY ELBOW TO INBD OIL COOLER FITTING -----							1	D
		ATTACHING PARTS								
-74	2154017-6	SUPPORT-REMOTE OIL COOLER -----							1	
	MS21919D616	CLAMP -----							2	
	NAS1149F0332P	WASHER -----							1	
	MS21045L3	NUT -----							1	
-74A	MS21919D616	CLAMP -----							2	
	AN3-4A	BOLT -----							1	
	NAS1149F0332P	WASHER -----							2	
	MS20364-1032C	NUT -----							1	
		-----*								
-75	2154019-1	LINE ASSY-REMOTE OIL COOLER AFT ELBOW ON ENGINE PLATE --- TO ELBOW							1	D
-76	2154018-1	LINE ASSY-REMOTE OIL COOLER FWD ELBOW ON ENGINE PLATE --- TO ELBOW							1	D
		ATTACHING PARTS								
-77	2154016-1	BRACKET-REMOTE OIL COOLER HOSE -----							1	
	AN3-6A	BOLT -----							1	
	NAS43003-18	SPACER -----							1	
	AN742-8	CLAMP -----							2	
	MS21045L3	NUT -----							1	
	NAS1149F0332P	WASHER -----							1	
		-----*								
-78	S2554-8	HOSE 5.75 IN LG BKI -----							1	R
		ATTACHING PARTS								
-79	S2357-3	CLAMP -----							2	
		-----*								
-80	S1495-4	HOSE 11.00 IN LG BKI -----							1	
-81	S1497-4	FITTING-SOCKETLESS -----							2	R
-82	MS20823-4B	ELBOW -----							1	R
-83	MS20822-4D	ELBOW -----							1	R
-84	MS20913-1D	PLUG -----							1	R
-85	1256017-1	NIPPLE ASSY -----							1	R
<p>NOTE. %FOR DETAIL PARTS OF THIS GOVERNOR ASSY-SEE APPLICABLE MCCAULEY MANUAL</p> <p>NOTE. *LENGTH TO BE ADDED LATER</p> <p>NOTE. @WHEN ORDERING THIS ENGINE FOR AIRCRAFT SERIALS P21000812, P21000814 THRU P21000817 OR P21000819 THRU P21000823, ENGINE MUST BE MODIFIED PER TCM ENGINEERING VARIATION ORDER NO. 3836.</p> <p>CONTINUED ON NEXT PAGE</p>										

P210 Parts Catalog

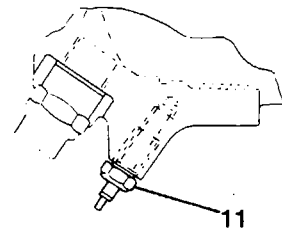
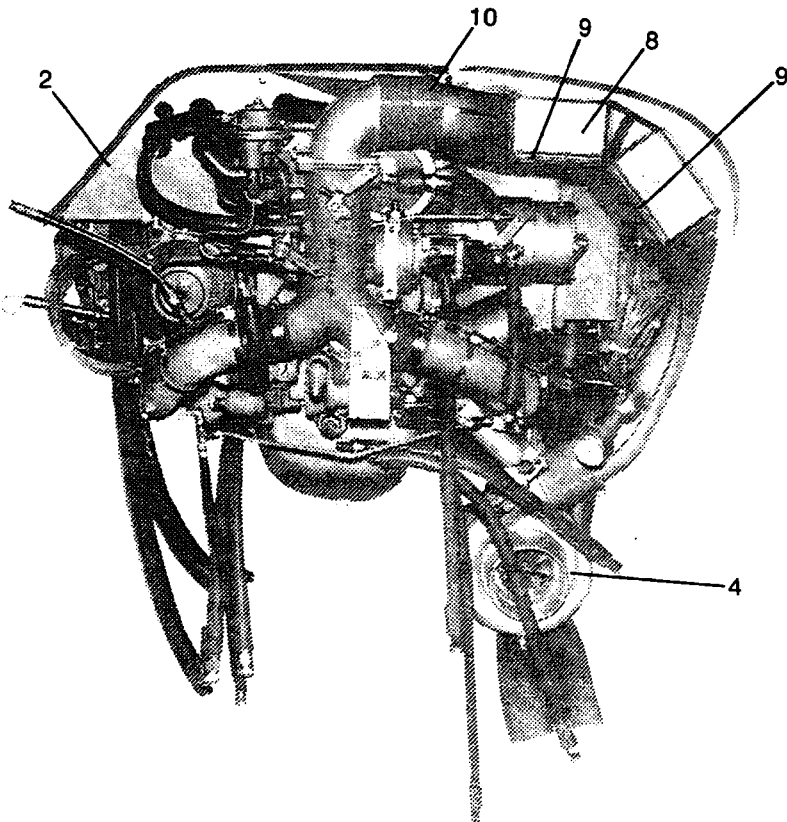
FIGURE AND INDEX NO.	PART NUMBER	DESCRIPTION							UNITS PER ASSY	USABLE ON CODE
		1	2	3	4	5	6	7		
79 -		A---	P210	SERIAL	P21000001	THRU	P21000071			
	B---	P210	SERIAL	P21000072	THRU	P21000834				
	C---	P210	SERIAL	P21000001	THRU	P21000385				
	D---	P210	SERIAL	P21000386	THRU	P21000834				
	E---	P210	SERIAL	P21000001	THRU	P21000534				
	F---	P210	SERIAL	P21000535	THRU	P21000834				
	G---	P210	SERIAL	P21000386	THRU	P21000683				
	H---	P210	SERIAL	P21000001	THRU	P21000811				
	J---	P210	SERIAL	P21000001	THRU	P21000534				
	K---	P210	SERIAL	P21000684	THRU	P21000760				
	L---	P210	SERIAL	P21000761	THRU	P21000834				
	M---	P210	SERIAL	P21000001	THRU	P21000445				
	N---	P210	SERIAL	P21000446	THRU	P21000834				
	P---	P210	SERIAL	P21000001	THRU	P21000760				
	Q---	P210	SERIAL	P21000761	THRU	P21000811				
	R---	P210	SERIAL	P21000812	THRU	P21000834				
	S---	P210	SERIAL	P21000386	THRU	P21000808				
	T---	P210	SERIAL	P21000809	THRU	P21000834				
	U---	P210	SERIAL	P21000001	THRU	P21000834				

P210 Parts Catalog

Engine (Cont)



Detail **A**



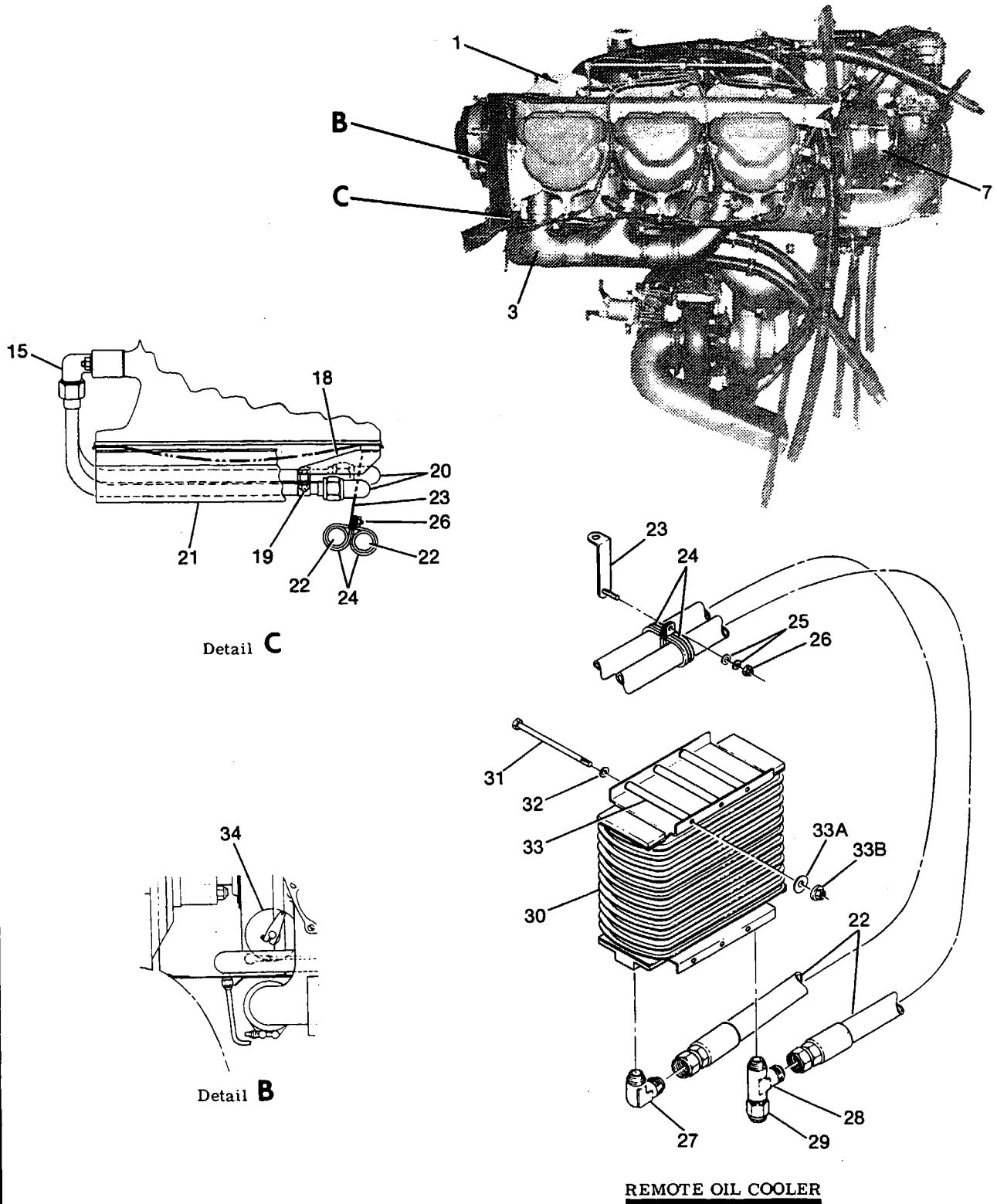
CYLINDER HEAD TEMP SENSOR

P210 SERIAL P21000835 & ON

Figure 79A. (Sheet 1 of 2) Engine Assembly

P210 Parts Catalog

Engine (Cont)



REMOTE OIL COOLER

P210 SERIAL P21000835 & ON

Figure 79A. (Sheet 2 of 2) Engine Assembly

P210 Parts Catalog

FIGURE AND INDEX NO.	PART NUMBER	DESCRIPTION	1 2 3 4 5 6 7							UNITS PER ASSY	USABLE ON CODE
			1	2	3	4	5	6	7		
79A-		ENGINE ASSEMBLY -----								NP	A
- 1	TS10520CE	ENGINE ASSY-CONTINENTAL SPEC 1 -----								1	
- 2	SEE FIG 84B	ENGINE Baffles INSTALLATION -----								1	
- 3	SEE FIG 83A	EXHAUST SYSTEM & COMPONENTS -----								1	
- 4	SEE FIG 81A	TURBOCHARGER INSTALLATION -----								1	
- 5	SEE FIG 82B	EXHAUST VALVE & CONTROLLER INSTALLATION -----								1	
- 6		COMPRESSOR-AIR CONDITIONER AIR CONDITIONING MANUAL -----								1	
- 7	SEE FIG 140A	ALTERNATOR INSTALLATION-60 AMP -----								1	
	SEE FIG 141	ALTERNATOR INSTALLATION-95 AMP -----								1	
	SEE FIG 141A	DUAL ALTERNATOR SYSTEM -----								1	
- 8	2150144-1	DUCT ASSY-INTERCOOLER -----								1	
		ATTACHING PARTS -----								1	
- 9	AN3-3A	BOLT -----								2	
	NAS1149F0363P	WASHER -----								2	
	AN3-10A	BOLT -----								1	
	NAS43003-10	SPACER -----								1	
	S1450-3-16-032	WASHER -----								1	
	MS20364-1032C	NUT -----								1	
		*-----									
-10	S2482-300	HOSE 3.00 IN LG BKI -----								1	
	S1891H48	ATTACHING PARTS -----								1	
		CLAMP -----								2	
		*-----									
-11	S2334-4	SENDING UNIT-CYLINDER HEAD TEMP -----								1	
	AN900-6	GASKET-CYLINDER HEAD TEMP SENDING UNIT -----								1	
-12	S2335-1	SENDING UNIT-OIL TEMP -----								1	
	AN900-10	GASKET-OIL TEMP SENDING UNIT -----								1	
	S2300-2	BRACKET ATTACHES OIL TEMP LEAD -----								1	
	S1486064U	CLAMP ATTACHES OIL TEMP LEAD -----								1	
	S1021Z8-8	SCREW ATTACHES OIL TEMP LEAD -----								1	
-13	0750143-1	DEFLECTOR ASSY -----								3	
-14	NAS1149D0516H	WASHER -----								4	
-15	MS20822-8	ELBOW -----								2	
-16	2154018-1	LINE ASSY-REMOTE OIL COOLER FWD ELBOW ON ENGINE PLATE -----								1	
		TO ELBOW -----									
-17	2154019-1	LINE ASSY-REMOTE OIL COOLER AFT ELBOW ON ENGINE PLATE -----								1	
		TO ELBOW -----									
		ATTACHING PARTS -----									
-18	2154016-1	BRACKET-REMOTE OIL COOLER HOSE -----								1	
-19	AN3-6A	BOLT -----								1	
	NAS43003-18	SPACER -----								1	
	AN742-8	CLAMP -----								2	
	MS21045L3	NUT -----								1	
	NAS1149F0332P	WASHER -----								1	
		*-----									
-20	AN821-8	ELBOW -----								2	
-21	2154009-3	SHROUD ASSY-EXHAUST CROSSOVER -----								1	
-22	S2495-8-0304	HOSE ASSY-REMOTE OIL COOLER OIL COOLER TO ELBOW -----								2	
		ATTACHING PARTS -----									
-23	2154017-6	SUPPORT ASSY-REMOTE OIL COOLER HOSE -----								1	
-24	MS21919D616	CLAMP -----								2	
-25	NAS1149F0332P	WASHER -----								2	
-26	MS21045L3	NUT -----								1	
		*-----									
-27	MS20822-8	ELBOW -----								1	
-28	MS20826-8	TEE -----								1	
-29	0556018-2	CAP ASSY -----								1	
-30	10634R	OIL COOLER ASSY SW -----								1	
		ATTACHING PARTS -----								1	
-31	AN3-40A	BOLT -----								6	
-32	NAS1149F0363P	WASHER -----								18	
-33	S133-3P53	SPACER -----								6	
	S1450-3-14-032	WASHER -----								6	
	MS21042L3	NUT -----								6	
		*-----									

CONTINUED ON NEXT PAGE

P210 Parts Catalog

FIGURE AND INDEX NO.	PART NUMBER							DESCRIPTION	UNITS PER ASSY	USABLE ON CODE
			1	2	3	4	5	6	7	
79A-34 -35 -36	C161032-0101	@						GOVERNOR ASSY-PROPELLER -----	1	
	C482002-0110							VALVE ASSY-ABSOLUTE PRESSURE RELIEF -----	1	
	AN500A10-10							ATTACHING PARTS -----	4	
	NAS1593-138							SCREW -----	1	
	2154032-1							PACKING-PRESSURE RELIEF VALVE -----	1	
								ADAPTOR ASSY -----	1	
								NOTE: @FOR DETAIL PARTS OF THIS GOVERNOR ASSY-SEE APPLICABLE MCCAULEY MANUAL.		
								A---P210 SERIAL P21000835 & ON		

P210 Parts Catalog

FIGURE AND INDEX NO.	PART NUMBER	*	DESCRIPTION							UNITS PER ASSY	USABLE ON CODE
			1	2	3	4	5	6	7		
80 -		*	ENGINE COMPONENTS & ASSOCIATED ACCESSORIES TSI0520 ENGINE -----							NP	F
- 1	625765									2	D
	646188									2	E
	643955									1	E
- 2	534750									2	E
- 3	629076									2	E
- 4	531178									2	E
- 5	633311									1	D
	646257									1	E
- 6	639171									1	A
- 7	626342									1	A
- 8	626341									1	A
- 9	538076									1	A
-10	646275-1									1	A
-11	MS9021-038									1	A
-12	273									1	A
	RHB32E									12	A
-13	632062-16									12	A
-14	632480A1									1	A
-15	629703-11A1									1	A
-16	632818-7A2									1	B
	642650-1A2									1	C
-17	634326-4A4									1	C
-18	632748-14B									1	C
-19	635158-10.00									AR	C
-20	532432									1	C
-21	AN900-10									1	C
-22	635158-32.00									2	C
-23	642100-8A1									1	E
										1	E

NOTE. *THIS FIGURE IS NOT ILLUSTRATED.

THIS LISTING IS COMPILED TO PROVIDE PART NUMBERS OF COMMONLY USED ENGINE COMPONENTS AND ASSOCIATED ACCESSORIES. RELATIONSHIP OF THESE PARTS TO ENGINE OR AIRCRAFT ASSEMBLIES IS NOT INDICATED BY INDENTATION.

INDEX NUMBERS ARE PROVIDED FOR LOCATION OF LINE ON WHICH PART NUMBER APPEARS.

FOR ENGINE COMPONENTS NOT LISTED ON THIS FIGURE REFER TO CONTINENTAL PARTS CATALOG.

- A---P210 SERIAL P21000001 THRU P21000385
- B---P210 SERIAL P21000001 THRU P21000683
- C---P210 SERIAL P21000684 THRU P21000834
- D---P210 SERIAL P21000001 THRU P21000811
- E---P210 SERIAL P21000812 THRU P21000834
- F---P210 SERIAL P21000001 THRU P21000834

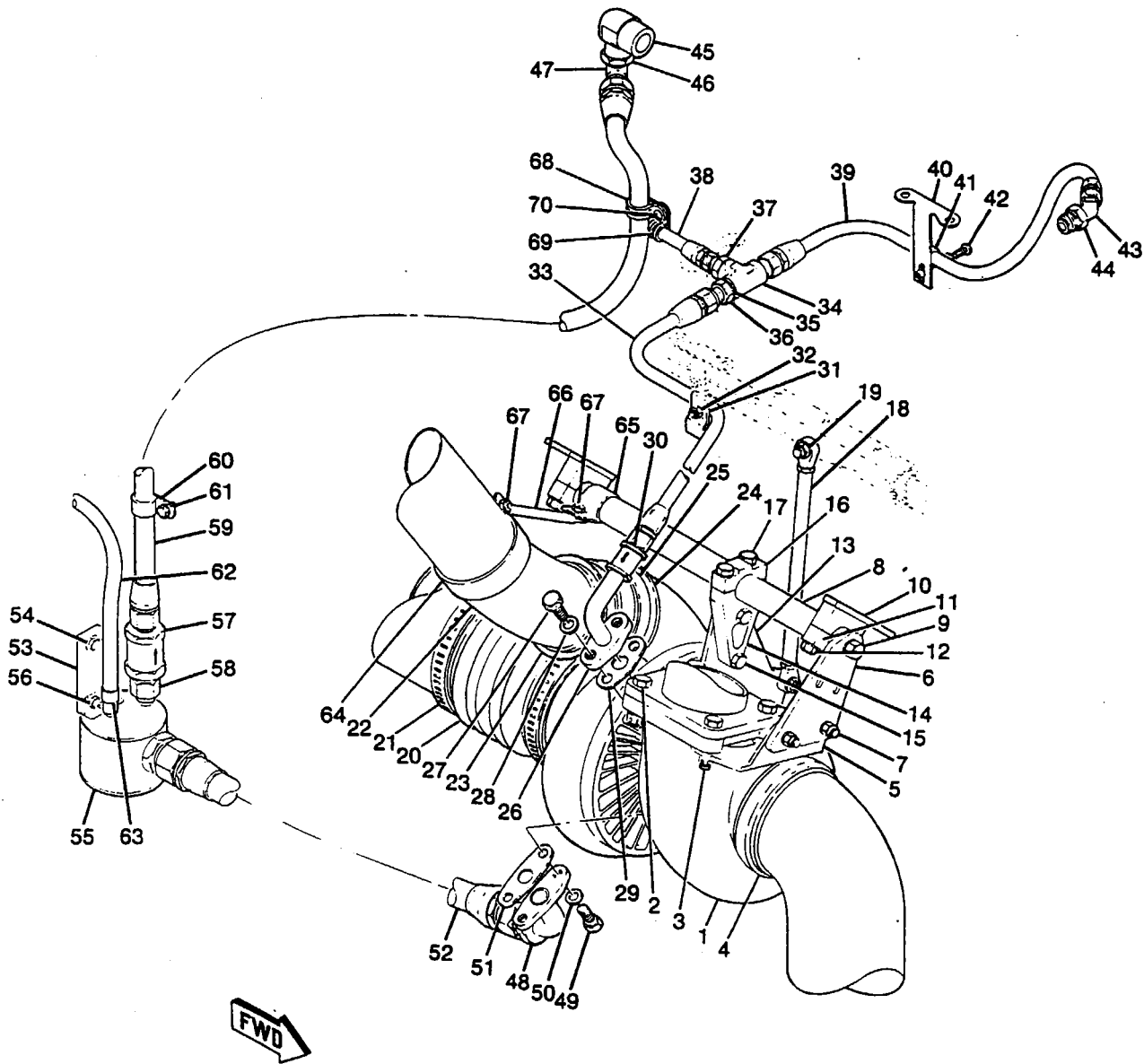
P210 Parts Catalog

FIGURE AND INDEX NO.	PART NUMBER	DESCRIPTION	UNITS PER ASSY	USABLE ON CODE
		1 2 3 4 5 6 7		
81 -		TURBOCHARGER INSTALLATION -----	NP	C
- 1	C295001-0202	TURBOCHARGER ASSY -----	1	
		ATTACHING PARTS -----		
- 2	9910306-1	GASKET -----	1	
	MS20036-6	BOLT -----	2	
	S1604-6	NUT -----	2	
	NAS1149C0663R	WASHER -----	2	
- 3	MS20036-11	BOLT -----	2	
	S1604-6	NUT -----	2	
	NAS1149C0663R	WASHER -----	2	
	S1450-6-12-125	WASHER -----	2	
- 4	NH1000897-50	CLAMP ARQP -----	1	
		*-----		
- 5	2150018-1	BRACKET -----	1	
- 6	2150016-1	SUPPORT -----	1	
		ATTACHING PARTS -----		
- 7	AN5-6A	BOLT -----	2	
	MS21042L5	NUT -----	2	
	NAS1149C0563R	WASHER -----	4	
		*-----		
- 8	2150021-1	ROD ASSY -----	1	
		ATTACHING PARTS -----		
- 9	AN6-5A	BOLT -----	1	
	MS35335-35	WASHER -----	1	
		*-----		
-10	2150129-1	BLOCK ASSY -----	2	
-11	2150013-1	CAP -----	2	
		ATTACHING PARTS -----		
-12	AN5H10A	BOLT -----	2	
	NAS1149C0532R	WASHER -----	2	
		*-----		
-13	2150017-1	SUPPORT -----	1	
-14	2150019-1	BRACKET -----	1	
		ATTACHING PARTS -----		
-15	AN5-11A	BOLT -----	2	
	MS21042L5	NUT -----	2	
	NAS1149C0563R	WASHER -----	2	
		*-----		
-16	2150013-1	CAP -----	1	
		ATTACHING PARTS -----		
-17	AN5-10A	BOLT -----	2	
	NAS1149C0563R	WASHER -----	2	
		*-----		
-18	2150012-3	ROD ASSY -----	1	
		ATTACHING PARTS -----		
-19	AN4-10A	BOLT -----	2	
	MS21042L4	NUT -----	2	
	NAS1149F0463P	WASHER -----	2	
		*-----		
-20	S2049P4FG	BEARING -----	2	
	2150068-1	DUCT ASSY-AIR -----	1	
		ATTACHING PARTS -----		
-21	S1891-80S	CLAMP -----	2	
		*-----		
-22	2150114-1	DUCT ASSY-COMPRESSOR TO THROTTLE BODY -----	1	
	2150114-5	DUCT ASSY-COMPRESSOR TO THROTTLE BODY -----	1	
		ATTACHING PARTS -----		
-23	CW3000-3	COUPLER -----	1	
-24	2150115-1	HOUSING-COUPLER -----	1	
-25	S1891H48	CLAMP -----	2	
		*-----		
-26	2150104-1	ADAPTOR ASSY-OIL INLET -----	1	
		ATTACHING PARTS -----		
-27	MS20074-06-05	BOLT -----	2	
-28	NAS1149C0632R	WASHER -----	2	
		*-----		

CONTINUED ON NEXT PAGE

P210 Parts Catalog

Engine (Cont)



P210 SERIAL P21000001 THRU P21000834

Figure 81. Turbocharger Installation

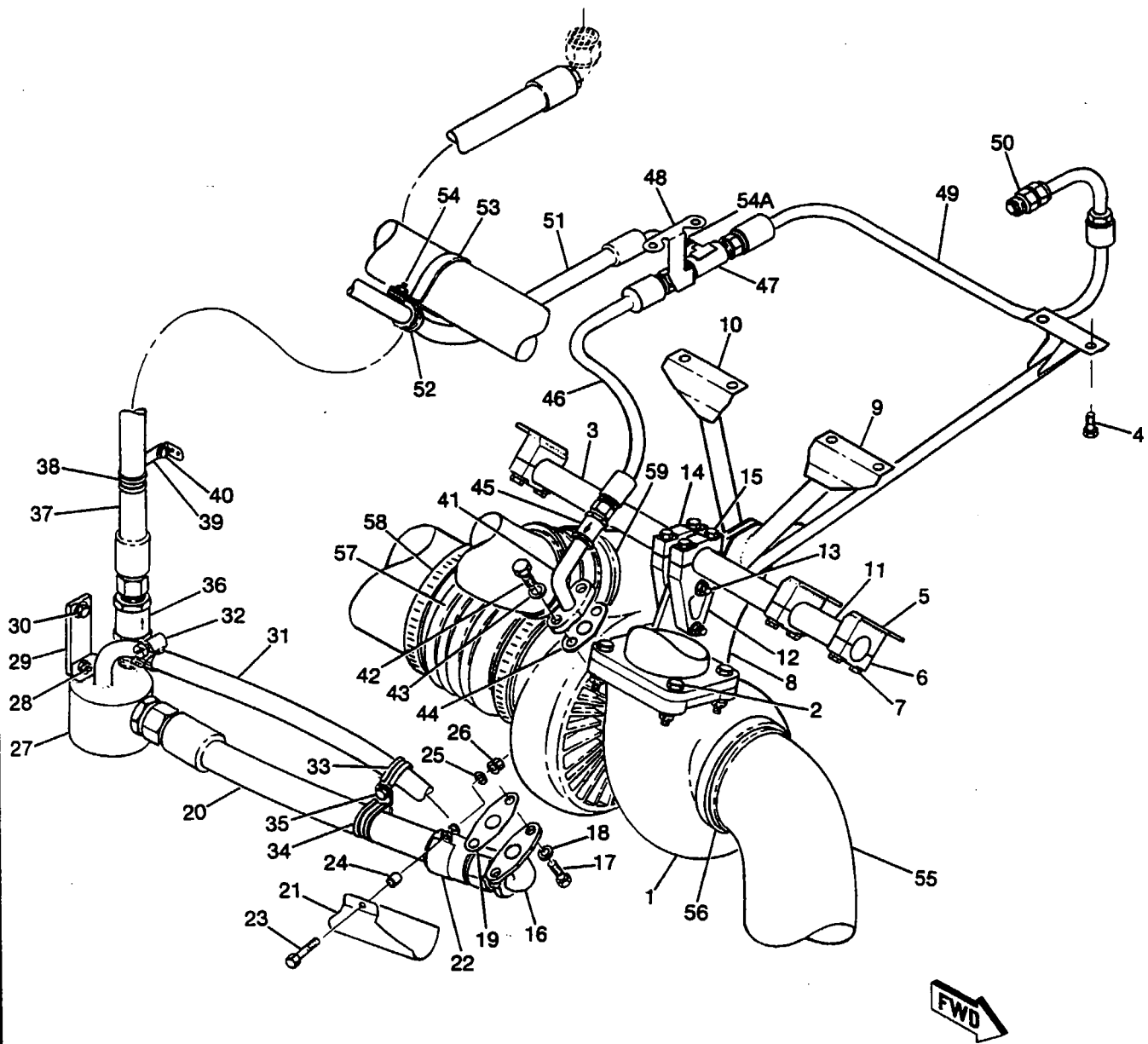
P210 Parts Catalog

FIGURE AND INDEX NO.	PART NUMBER	DESCRIPTION	1 2 3 4 5 6 7							UNITS PER ASSY	USABLE ON CODE
			1	2	3	4	5	6	7		
81 -29	628572	GASKET CM								1	
-30	AN6207-6	VALVE ASSY-CHECK								1	
-31	2156004-1	CLAMP								1	
		ATTACHING PARTS									
-32	MS20365-1032C	NUT								1	
		HOSE ASSY									
-33	S1236-6-0150	TEE								1	
-34	AN783D6	WASHER								1	
-35	NAS1149D0963K	NUT								1	
-36	AN924-6D	FITTING-ASSY								1	
-37	2150120-1	PACKING								1	
	MS28778-6	HOSE ASSY								1	
-38	S1236-4-0230	HOSE ASSY								1	
-39	S1236-6-0180	HOSE ASSY								1	
-40	2156005-1	SUPPORT ASSY								1	
	NAS680A3	NUTPLATE								1	
-41	MS21919DG9	CLAMP								1	
		ATTACHING PARTS									
-42	AN3-4A	BOLT								1	
	NAS1149F0363P	WASHER								1	
		ELBOW									
-43	MS20823-6D	BUSHING								1	
-44	AN912-3	ELBOW								1	
-45	S2304-4	ELBOW ALT FOR S2304-4								1	
-46	AN914-4D	BUSHING								1	
-47	AN912-4D	ELBOW								1	
-48	MS20822-8D	FITTING ASSY								1	
	2150108-1	ATTACHING PARTS									
-49	MS20074-06-05	BOLT								2	
-50	NAS1149C0632R	WASHER								2	
		GASKET									
-51	632710	HOSE ASSY								1	
-52	S1236-12-0062	HANGER								1	
-53	2150118-1	ATTACHING PARTS									
-54	AN3-4A	BOLT								1	
	S1450-3-10-032	WASHER								1	
		RESERVOIR ASSY-OIL									
-55	2150106-20	ATTACHING PARTS								1	
-56	AN3-5A	BOLT								1	
	S1450-3-10-032	WASHER								1	
	MS20365-1032C	NUT								1	
		CHECK VALVE-TURBOCHARGER									
-57	S2361-1	NUT								1	
-58	AN924-8D	PACKING								1	
	MS28778-8	HOSE ASSY								1	
-59	S1167-8-0224	CLAMP								1	
-60	MS21919DG12	ATTACHING PARTS									
-61	AN3-4A	BOLT								1	
	NAS1149F0363P	WASHER								1	
		HOSE 12.50 IN LG BKI									
-62	S1495-6	ATTACHING PARTS								1	
-63	NAS397-10	CLAMP								2	
		CLAMP									
-64	2150117-1	CLAMP								1	
-65	2150117-2	CLAMP								1	
-66	2150116-2	SUPPORT								1	
		ATTACHING PARTS									
-67	AN3-4A	BOLT								2	
	NAS1149F0332P	WASHER								2	
	MS20365-1032C	NUT								2	
		CLAMP									
-68	MS21919DG14	CLAMP								1	
-69	MS21919DG8	ATTACHING PARTS									
-70	S1021Z10-12	SCREW								1	
	NAS446-5-3	NUT								1	

A---P210 SERIAL P21000001 THRU P21000760
 B---P210 SERIAL P21000761 THRU P21000834
 C---P210 SERIAL P21000835 & ON

P210 Parts Catalog

Engine (Cont)



P210 SERIAL P21000835 & ON
Figure 81A. Turbocharger Installation

P210 Parts Catalog

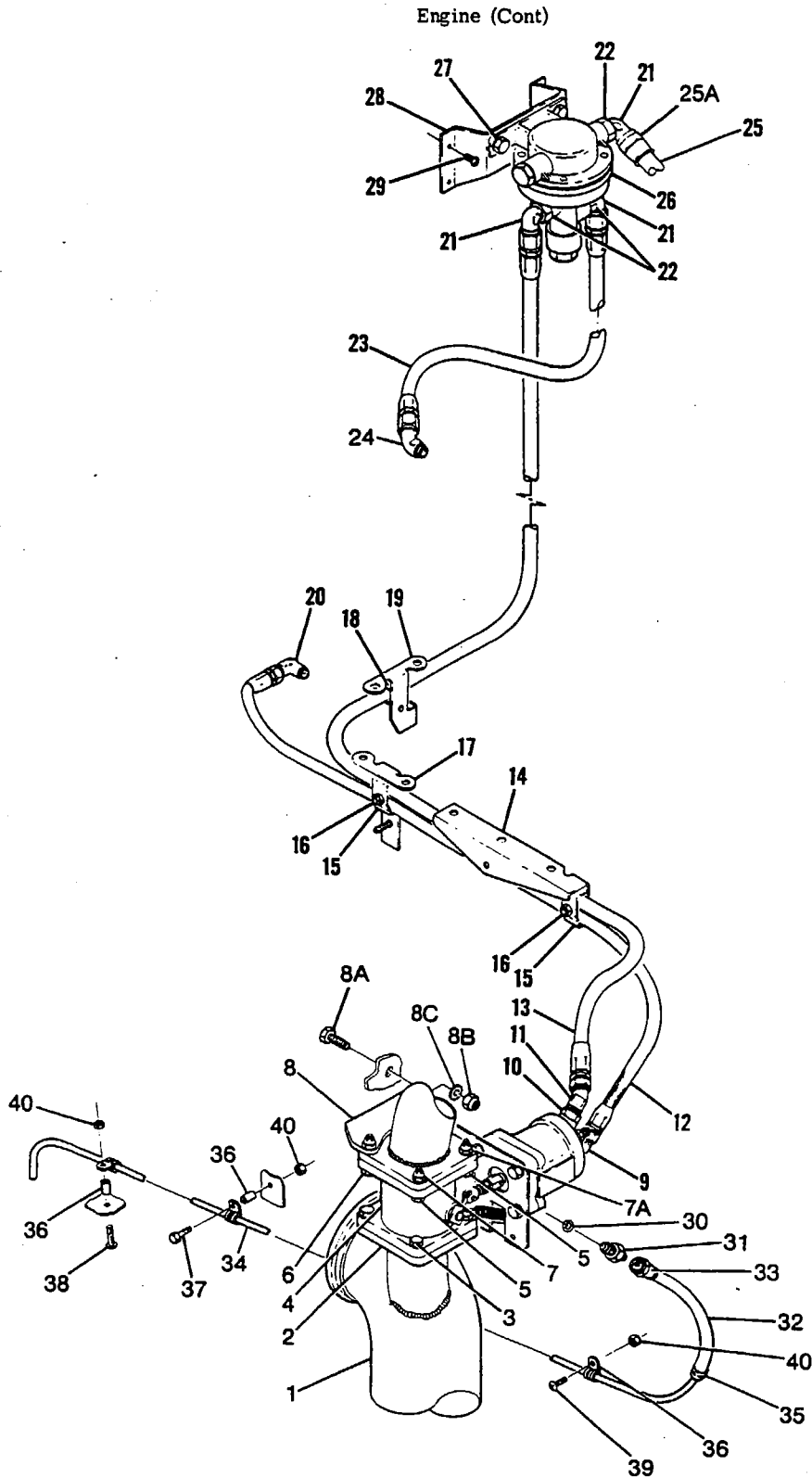
FIGURE AND INDEX NO.	PART NUMBER	DESCRIPTION							UNITS PER ASSY	USABLE ON CODE
		1	2	3	4	5	6	7		
81A-		TURBOCHARGER INSTALLATION -----							NP	A
- 1	C295001-0203	TURBOCHARGER ASSY -----							1	
		ATTACHING PARTS -----								
- 2	MS20036-6	BOLT -----							4	
	NAS1149C0663R	WASHER -----							4	
	S1604-6	NUT -----							4	
	9910306-1	GASKET -----							1	
		*-----								
- 3	2150167-1	BRACKET ASSY-TURBO SUPPORT -----							1	
		ATTACHING PARTS -----								
- 4	MS20074-05-07	BOLT -----							6	
- 5	2150129-1	BLOCK ASSY -----							3	
- 6	2150013-1	CAP -----							3	
- 7	AN5H10A	BOLT -----							6	
	NAS1149C0532R	WASHER -----							6	
		*-----								
- 8	2150167-22	SUPPORT -----							1	
- 9	2150167-16	SUPPORT ASSY-FWD -----							1	
-10	2150167-19	SUPPORT ASSY-AFT -----							1	
		ATTACHING PARTS -----								
	AN5-7A	BOLT -----							2	
	NAS1149C0563R	WASHER -----							2	
	MS21042L5	NUT -----							2	
		*-----								
-11	2150167-13	TUBE -----							1	
-12	2150019-1	BRACKET -----							2	
		ATTACHING PARTS -----								
-13	AN5-21A	BOLT -----							2	
	S1450-5-18-063	WASHER BETWEEN WASHER & SUPPORT -----							4	
	NAS1149C0563R	WASHER UNDER NUT -----							2	
	MS21042L5	NUT -----							2	
		*-----								
-14	2150013-1	CAP -----							2	
		ATTACHING PARTS -----								
-15	AN5-11A	BOLT -----							2	
	NAS1149C0563R	WASHER -----							2	
		*-----								
-16	2150108-1	FITTING ASSY -----							1	
		ATTACHING PARTS -----								
-17	MS20074-06-05	BOLT -----							2	
-18	NAS1149C0632R	WASHER -----							2	
-19	632710	GASKET 28839 -----							1	
		*-----								
-20	S2623-12-000-064	HOSE ASSY -----							1	
	AE7013148K0064	HOSE ASSY 00624 ALT FOR S2623-12-000-064 -----							1	
-21	2150170-1	SHIELD -----							1	
		ATTACHING PARTS -----								
-22	AN741-12	CLAMP -----							1	
-23	AN4-12A	BOLT -----							1	
-24	NAS43DD4-29	SPACER -----							1	
-25	NAS1149F0432P	WASHER -----							1	
-26	MS21042L4	NUT -----							1	
		*-----								
-27	2150106-23	RESERVOIR ASSY-OIL WEU 2150106-33 -----							1	
	2150106-33	RESERVOIR ASSY-OIL -----							1	
		ATTACHING PARTS -----								
-28	AN3-5A	BOLT -----							1	
	S1450-3-10-032	WASHER -----							1	
	MS20365-1032C	NUT -----							1	
-29	2150118-1	HANGER -----							1	
-30	AN3-4A	BOLT -----							1	
	S1450-3-10-032	WASHER -----							1	
		*-----								
-31	S2554-10	HOSE-RESERVOIR VENT 14.00 IN LG BKI -----							1	
		ATTACHING PARTS -----								
-32	S1891-12	CLAMP -----							2	
-33	MS21919DG16	CLAMP -----							1	
-34	MS21919DG20	CLAMP -----							1	
-35	AN3-4A	BOLT -----							1	
	NAS1149F0332P	WASHER -----							1	
	MS21042L3032C	NUT -----							1	
		*-----								

CONTINUED ON NEXT PAGE

P210 Parts Catalog

FIGURE AND INDEX NO.	PART NUMBER	DESCRIPTION							UNITS PER ASSY	USABLE ON CODE
		1	2	3	4	5	6	7		
81A-36	S2361-1S	VALVE ASSY-CHECK -----							1	
	AN924-8	NUT -----							1	
	MS28778-8	PACKING -----							1	
-37	S26238A000-0190	HOSE ASSY -----							1	
	AE7013191H0190	HOSE ASSY 00624 ALT FOR S2623-8A000-0190 -----							1	
		ATTACHING PARTS								
-38	MS21919DG15	CLAMP -----							1	
-39	S2300-11	CLIP -----							1	
-40	AN520-10R6	SCREW -----							2	
	NAS1149F0363P	WASHER -----							2	
	MS21042L3	NUT -----							2	
		*-----								
-41	A2150144-3	ADAPTOR ASSY-OIL INLET -----							1	
		ATTACHING PARTS								
-42	MS20074-06-05	BOLT -----							2	
-43	NAS1149F0632P	WASHER -----							2	
-44	G28572	GASKET 28839 -----							1	
		*-----								
-45	458-6SS27-6	VALVE ASSY-CHECK -----							1	
-46	S2495-6-000-0154	HOSE ASSY -----							1	
-47	AN783-6	TEE -----							1	
	AN96660-9166	WASHER -----							1	
	AN924-6	NUT -----							1	
-48	Z156001-1	SUPPORT ASSY -----							1	
-49	S2495-68000-0164	HOSE ASSY -----							1	
-50	AN816-6	UNION -----							1	
-51	S2495-4B000-0224	HOSE ASSY -----							1	
		ATTACHING PARTS								
-52	MS21919DG12	CLAMP -----							1	
-53	AN742D36	CLAMP -----							1	
-54	S1021Z10-12	SCREW -----							1	
	NAS446-5-3	NUT -----							1	
		*-----								
-54A	Z150120-4	FITTING ASSY -----							1	
	MS28778-6	PACKING -----							1	
-55	Z154029-10	TAILPIPE ASSY -----							1	
		ATTACHING PARTS								
-56	NH1000897-50	CLAMP 00624 -----							1	
		*-----								
-57	Z150068-1	DUCT ASSY-INDUCTION AIR -----							1	
		ATTACHING PARTS								
-58	S21891-80S	CLAMP -----							2	
		*-----								
-59	S2482-300	HOSE 3.00 IN LG BKI -----							1	
	Z150115-3	HOUSING-COUPLER -----							2	
		A---P210 SERIAL P21000835 & ON								
		B---P210 SERIAL P21000835 THRU P21000855								
		C---P210 SERIAL P21000856 & ON								

P210 Parts Catalog



P210 SERIAL P2100001 THRU P21000760

Figure 82. Exhaust Valve & Controller Installation

P210 Parts Catalog

FIGURE AND INDEX NO.	PART NUMBER	DESCRIPTION	1 2 3 4 5 6 7							UNITS PER ASSY	USABLE ON CODE	
			1	2	3	4	5	6	7			
82 -		EXHAUST VALVE & CONTROLLER INSTALLATION -----								NP	D	
- 1	2154015-1	TAILPIPE ASSY -----								1		
- 2	2154001-1	WASTEGATE OUTLET ASSY -----								1		
		ATTACHING PARTS -----										
- 3	AN4-11A	BOLT -----								4		
	S1604-4	NUT -----								4		
	NAS1149C0432R	WASHER -----								4		
		-----*										
- 4	C165006-0114	EXHAUST BY-PASS VALVE ASSY -----								1		
		ATTACHING PARTS -----										
- 5	AN4-11A	BOLT -----								2		
- 6	AN4-12A	BOLT -----								2		
- 7	S1604-4	NUT -----								3		
	NAS1149C0432R	WASHER -----								3		
- 7A	MS21043-4	NUT -----								1		
	NAS1149C0432R	WASHER -----								1		
		-----*										
	1550148-1	GASKET -----								2		
- 8	2150015-1	SUPPORT -----								1		
		ATTACHING PARTS -----										
- 8A	AN5-6A	BOLT -----								2		
- 8B	MS21042L5	NUT -----								2		
- 8C	NAS1149C0563R	WASHER -----								2		
		-----*										
- 9		ELBOW FSO S2401-2 -----								NP		A A A B
		NUT FSO S2401-2 -----								NP		
		PACKING FSO S2401-2 -----								NP		
	S2401-2	ELBOW -----								1		
-10	AN924-6D	NUT -----								1		
	MS28778-6	PACKING -----								1		
-11	AN837-6D	ELBOW -----								1		
-12	S1236-4-0290	HOSE ASSY -----								1		
-13	S1236-6-0490	HOSE ASSY -----								1		
-14	2150014-3	BRACKET ASSY -----								1		
-15	2156004-1	CLAMP -----								2		
		ATTACHING PARTS -----										
-16	MS20365-1032C	NUT -----								1		
		-----*										
-17	2156000-3	SUPPORT ASSY -----								1		
-18	MS21919D69	CLAMP -----								1		
		ATTACHING PARTS -----										
	MS20365-1032C	NUT -----								1		
	NAS1149F0363P	WASHER -----								1		
		-----*										
-19	2156001-1	SUPPORT ASSY -----								1		
-20	MS20822-4	ELBOW -----								1		
-21	AN921-6D	ELBOW -----								3		
-22	AN924-6D	NUT -----								3		
	MS28778-6	PACKING -----								3		
-23	S1236C6-0120	HOSE ASSY -----								1		
-24	MS20822-6-6	ELBOW -----								1		
-25	S1495-6	HOSE 10.00 IN LG BKI -----								1		
-25A	S1497-6	FITTING -----								2		
-26	C165004-0503	CONTROLLER ASSY-EXHAUST VALVE -----								1		
		ATTACHING PARTS -----										
-27	AN5-6A	BOLT -----								2		
	MS21042L5	NUT -----								2		
	NAS1149F0563P	WASHER -----								2		
		-----*										
-28	1250865-1	BRACKET -----								1		
		ATTACHING PARTS -----										
-29	AN515-10R6	SCREW UPPER -----								2		
	AN520-10R8	SCREW LWR INBD -----								1		
	AN520-10R24	SCREW LWR OUTBD -----								1		
		-----*										

CONTINUED ON NEXT PAGE

P210 Parts Catalog

FIGURE AND INDEX NO.	PART NUMBER	DESCRIPTION	UNITS PER ASSY	USABLE ON CODE
		1 2 3 4 5 6 7		
82 -30	MS28778-4	PACKING -----	1	C C C C C
-31	AN815-4D	UNION -----	1	
-32	S1495-4	HOSE 10.00 IN LG BKI -----	1	
-33	S1497-4	FITTING -----	1	
-34	1200106-278	LINE-DRAIN -----	1	
		ATTACHING PARTS		
-35	NAS397-8	CLAMP -----	1	
-36	MS21919DG4	CLAMP -----	3	
	NAS43DD3-28	SPACER -----	2	
-37	AN3-7A	BOLT -----	1	
-38	AN525-10R16	SCREW -----	1	
-39	AN525-10R18	SCREW -----	1	
-40	MS20364-1032C	NUT -----	3	
		*-----		
		A---P210 SERIAL P21000001 THRU P21000211		
		B---P210 SERIAL P21000212 THRU P21000760		
		C---P210 SERIAL P21000497 THRU P21000760		
		D---P210 SERIAL P21000001 THRU P21000760		

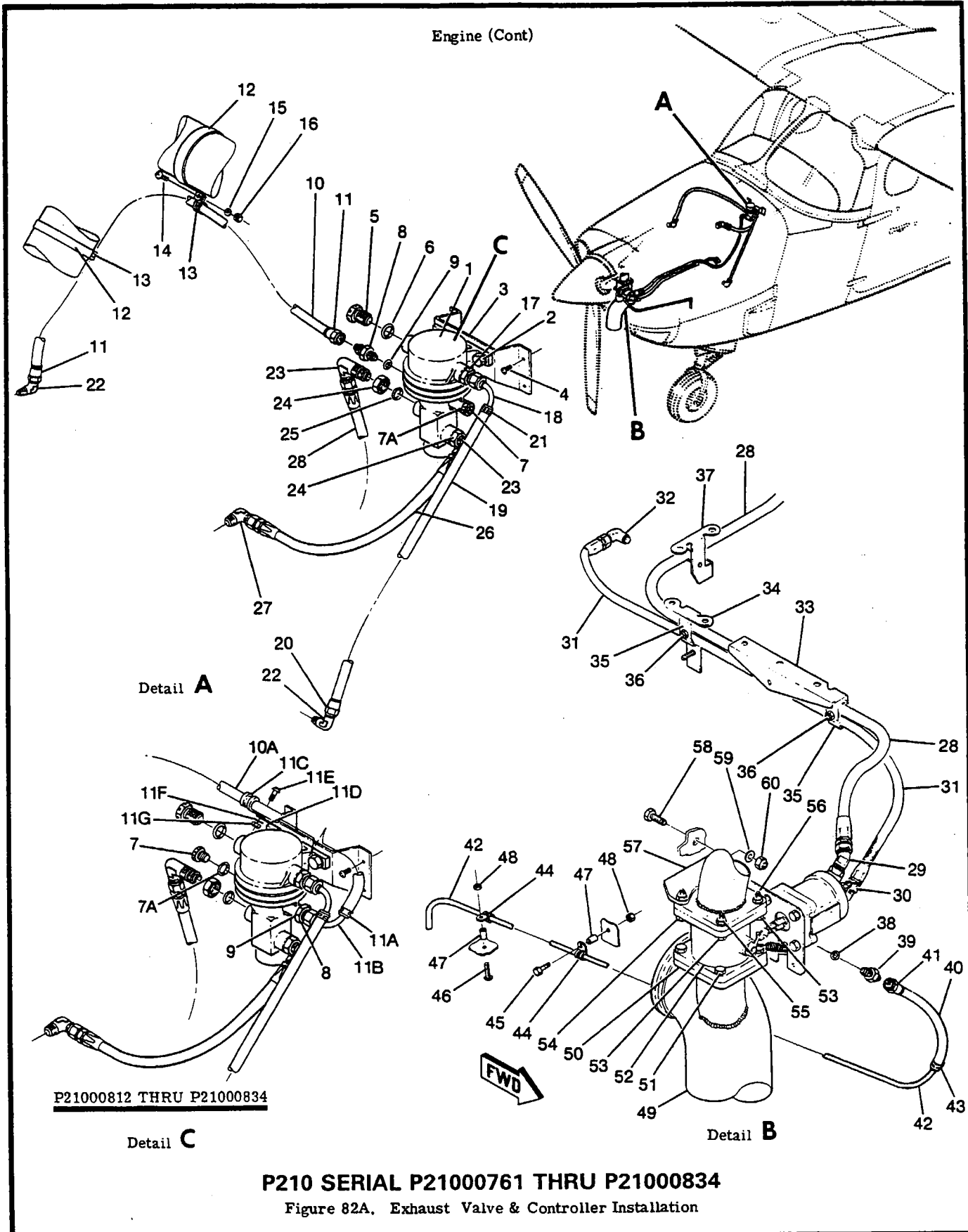
P210 Parts Catalog

FIGURE AND INDEX NO.	PART NUMBER	DESCRIPTION							UNITS PER ASSY	USABLE ON CODE
		1	2	3	4	5	6	7		
82A-		EXHAUST VALVE & CONTROLLER INSTALLATION -----							NP	A
- 1	C165004-0702	CONTROLLER ASSY-EXHAUST VALVE -----							1	
		ATTACHING PARTS -----								
- 2	AN5-6A	BOLT -----							2	
	NAS1149F0563P	WASHER -----							2	
	MS20365-524C	NUT -----							2	
		*-----								
- 3	1250865-1	BRACKET -----							1	
		ATTACHING PARTS -----								
- 4	AN515-8R6	SCREW -----							4	
		*-----								
- 5	AN814-6DL	PLUG -----							1	
- 6	MS28778-6	PACKING -----							1	
- 7	AN814-2DL	PLUG -----							1	
- 7A	MS28778-2	PACKING -----							1	
- 8	AN919-1D	REDUCER -----							1	
- 9	MS28778-2	PACKING -----							1	
-10	S1495-4	HOSE 38.00 IN LG BKI -----							1	
-10A	S1495-4	HOSE 49.00 IN LG BKI -----							1	
-11	S1497-4	FITTING -----							2	
	S1497-4	FITTING -----							1	
-11A	NAS397-8	CLAMP -----							1	
-11B	2150138-1	ELBOW ASSY -----							1	
-11C	MS21919D69	CLAMP -----							1	
-11D	S2300-27	BRACKET -----							1	
-11E	AN520-10R8	SCREW -----							1	
-11F	NAS1149F0332P	WASHER -----							1	
-11G	MS20364-1032C	NUT -----							1	
-12	AN742D48	CLAMP -----							2	
CONTINUED ON NEXT PAGE										

B C C C C C C C C C C C C C C C C

P210 Parts Catalog

Engine (Cont)



P21000812 THRU P21000834

P210 SERIAL P21000761 THRU P21000834

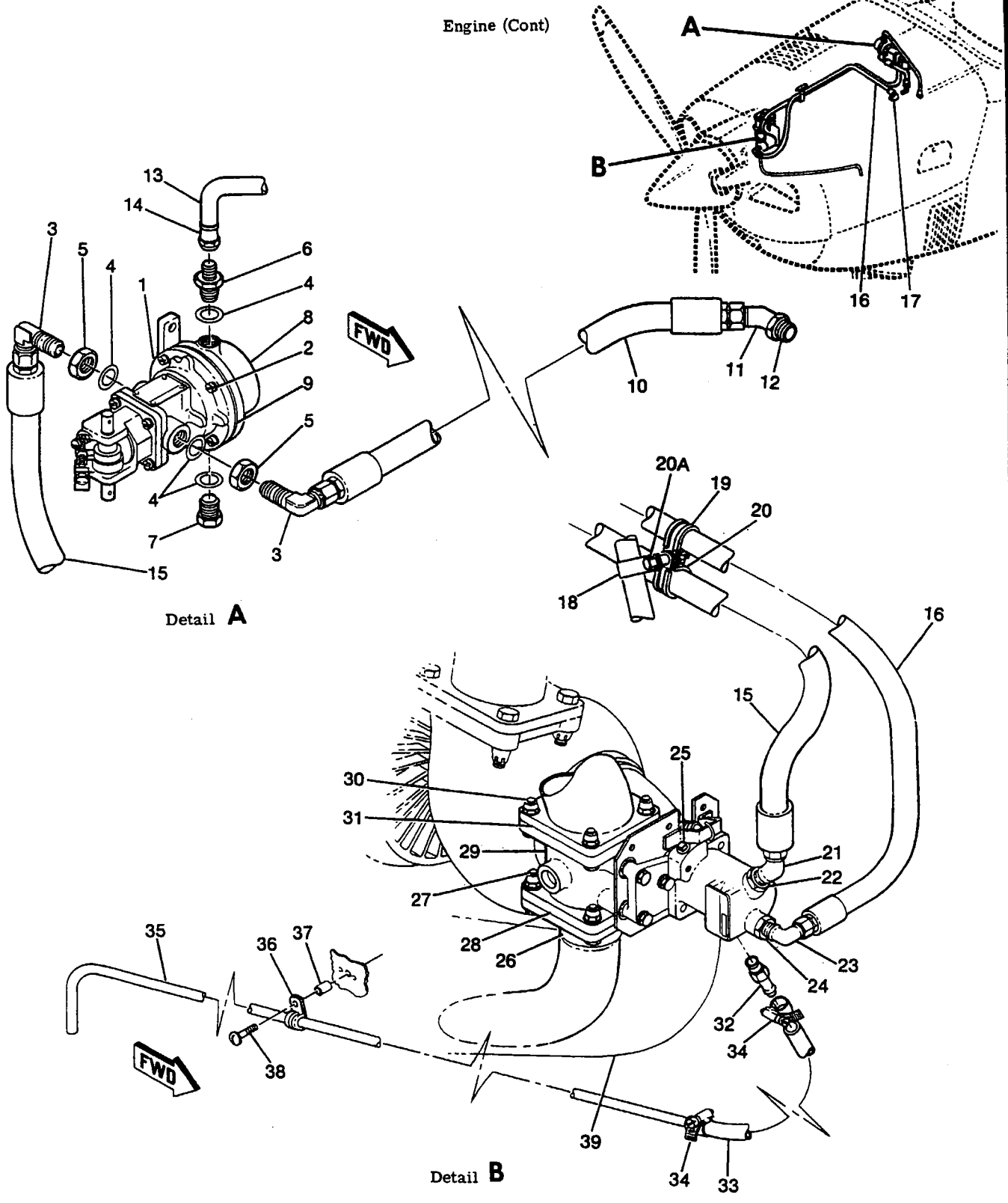
Figure 82A. Exhaust Valve & Controller Installation

P210 Parts Catalog

FIGURE AND INDEX NO.	PART NUMBER	DESCRIPTION							UNITS PER ASSY	USABLE ON CODE
		1	2	3	4	5	6	7		
82A-13	MS21919D69	CLAMP							2	B C C C
-14	AN520-10R8	SCREW							2	
-15	NAS1149F0332P	WASHER							2	
-16	MS20364-1032C	NUT							2	
-17	2150136-1	REDUCER ASSY							1	
	MS28778-6	PACKING							1	
-18	2150138-1	ELBOW ASSY							1	
-19	S1495-4	HOSE 17.10 IN LG BKI							1	
-20	S1497-4	FITTING							1	
-21	NAS397-8	CLAMP							1	
-22	MS20822-4D	ELBOW							1	
-23	AN833-6D	ELBOW							2	
-24	AN924-6D	NUT							2	
-25	MS28778-6	PACKING							2	
-26	S1236-C6-0120	HOSE ASSY CONTROLLER DRAIN TO ENGINE							2	
-27	MS20822-6-6	ELBOW							1	
-28	S1236-6-0490	HOSE ASSY CONTROLLER TO WASTEGATE							1	
-29	AN837-6D	ELBOW							1	
	AN924-6D	NUT							1	
	MS28778-6	PACKING							1	
-30	S2401-2	ELBOW							1	
-31	S1236-4-0290	HOSE ASSY							1	
	S1236-4-0266	HOSE ASSY							1	
-32	MS20822-4	ELBOW							1	
	AN816-4	NIPPLE							1	
-33	2150014-3	BRACKET ASSY							1	
-34	2156000-3	BRACKET ASSY							1	
-35	2156004-1	CLAMP							2	
		ATTACHING PARTS								
-36	MS20365-1032C	NUT							1	
		*---								
-37	2156001-1	SUPPORT ASSY							1	
	MS21919D69	CLAMP							1	
		ATTACHING PARTS								
	NAS1149F0363P	WASHER							1	
	MS20365-1032C	NUT							1	
		*---								
-38	MS28778-4	PACKING							1	
-39	AN815-4D	UNION							1	
-40	S1495-4	HOSE 10.00 IN LG BKI							1	
-41	S1497-4	FITTING							1	
-42	1200106-278	LINE-DRAIN							1	
		ATTACHING PARTS								
-43	NAS397-8	CLAMP							1	
-44	MS21919D64	CLAMP							2	
-45	AN3-7A	BOLT							1	
-46	AN525-10R16	SCREW							1	
-47	NAS430D3-28	SPACER							2	
-48	MS20364-1032C	NUT							2	
		*---								
-49	2154015-1	TAILPIPE ASSY							1	
-50	2154001-1	WASTEGATE OUTLET ASSY							1	
		ATTACHING PARTS								
-51	AN4-11A	BOLT							4	
	NAS1149C0432R	WASHER							4	
	S1604-4	NUT							4	
		*---								
-52	C165006-0114	EXHAUST BY-PASS VALVE ASSY							1	
		ATTACHING PARTS								
-53	AN4-11A	BOLT							2	
-54	AN4-12A	BOLT							2	
	NAS1149F0432P	WASHER							4	
-55	S1604-4	NUT							3	
-56	MS21043-4	NUT							1	
		*---								
	1550148-1	GASKET							1	
-57	2150015-1	SUPPORT							1	
		ATTACHING PARTS								
-58	AN5-6A	BOLT							2	
-59	NAS1149C0563R	WASHER							2	
-60	MS21042L5	NUT							2	
		*---								
A---P210 SERIAL P21000761 THRU P21000834 B---P210 SERIAL P21000761 THRU P21000811 C---P210 SERIAL P21000812 THRU P21000834										

P210 Parts Catalog

Engine (Cont)



P210 SERIAL P21000835 & ON

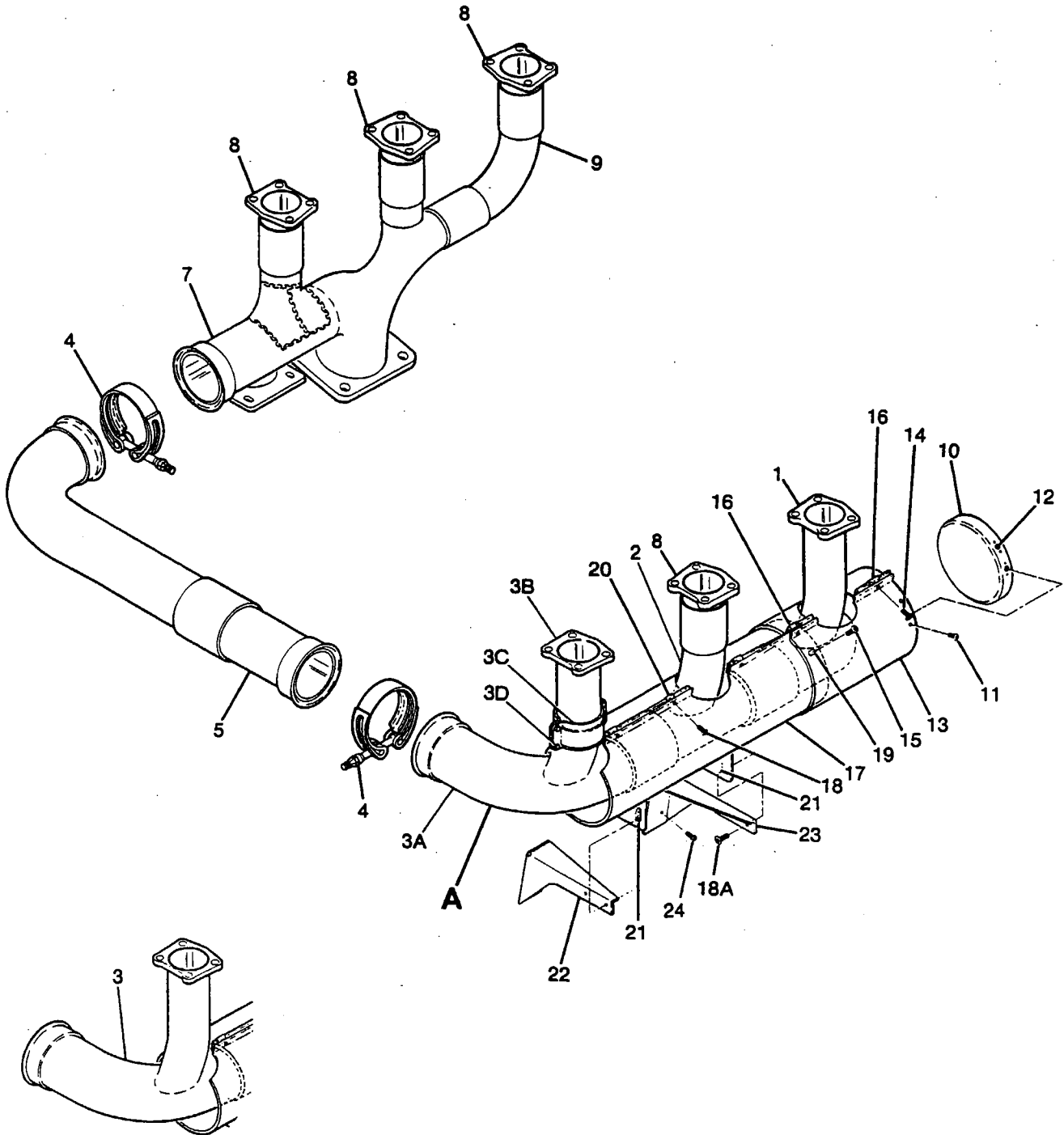
Figure 82B. Exhaust Valve & Controller Installation

P210 Parts Catalog

FIGURE AND INDEX NO.	PART NUMBER	DESCRIPTION	1 2 3 4 5 6 7							UNITS PER ASSY	USABLE ON CODE
			1	2	3	4	5	6	7		
82B-		EXHAUST VALVE & CONTROLLER INSTALLATION -----								NP	A
- 1	C165004-0605	CONTROLLER ASSY-EXHAUST VALVE -----								1	
		ATTACHING PARTS									
- 2	400559-0117	SCREW ARSH -----								4	
	400557-0103	WASHER ARSH -----								4	
		-----*									
- 3	AN921-6	ELBOW -----								2	
- 4	MS28778-6	PACKING -----								4	
- 5	AN924-6	NUT -----								2	
- 6	AN919-6D	REDUCER -----								1	
- 7	AN814-6DL	PLUG -----								1	
- 8	2150159-1	COVER-CONTROLLER -----								1	
- 9	477092	GASKET-CONTROLLER COVER ARSH -----								1	
-10	S2495-6-000-0076	HOSE ASSY CONTROLLER TO ENGINE -----								1	
-11	MS20823-6	ELBOW -----								1	
-12	AN912-2	BUSHING -----								1	
-13	S1495-4	HOSE * IN LG BKI CONTROLLER TO AIR MANIFOLD -----								1	
-14	S1497-4	FITTING-SOCKETLESS -----								2	
-15	S2495-6B000-0040	HOSE ASSY CONTROLLER TO EXHAUST BY-PASS VALVE -----								1	
-16	S2495-4B000-0334	HOSE ASSY EXHAUST BY-PASS VALVE TO ENGINE -----								1	
-17	MS20822-4	ELBOW -----								1	
-18	AN742-121	CLAMP -----								1	
-19	MS21919DG10	CLAMP -----								1	
-20	MS21919DG12	CLAMP -----								1	
		ATTACHING PARTS									
-20A	AN3-6A	BOLT -----								1	
	NAS43DD3-15	SPACER -----								1	
	NAS1149F0332P	WASHER -----								1	
	MS21042L3	NUT -----								1	
		-----*									
-21	AN837-6	ELBOW -----								1	
-22	AN924-6	NUT -----								1	
	MS28778-6	PACKING -----								1	
-23	AN833-4	ELBOW -----								1	
-24	AN924-4	NUT -----								1	
	MS28778-4	PACKING -----								1	
-25	MS20913-10	PLUG -----								1	
-26	2154029-6	JOINT ASSY-SLIP WEU 2154029-13 -----								1	B
	2154029-13	JOINT ASSY-SLIP -----								1	C
		ATTACHING PARTS									
-27	MS20034-6	BOLT USED WITH 2154029-6 -----								4	B
	MS20034-5	BOLT USED WITH 2154029-13 -----								4	C
	NAS1149C0463R	WASHER -----								4	
	S1604-4	NUT -----								4	
		-----*									
-28	1550148-1	GASKET -----								1	
-29	C165006-0115	VALVE ASSY-EXHAUST BY-PASS -----								1	
		ATTACHING PARTS									
-30	MS20034-5	BOLT -----								3	
	MS20034-6	BOLT -----								1	
	NAS1149C0463R	WASHER -----								4	
	S1604-4	NUT -----								4	
		-----*									
-31	1550148-1	GASKET -----								1	
-32	AN840-4	ADAPTER -----								1	
-33	S2548-4	HOSE-RESERVOIR VENT 14.00 IN BKI -----								1	
		ATTACHING PARTS									
-34	S2357-1	CLAMP -----								2	
		-----*									
-35	2100003-124	LINE -----								1	
		ATTACHING PARTS									
-36	MS21919DG4	CLAMP -----								1	
-37	NAS43DD3-28	SPACER -----								1	
-38	AN525-10R14	SCREW -----								1	
		-----*									
-39	SEE FIG 81A	TURBOCHARGER INSTALLATION -----								1	
		A---P210 SERIAL P21000835 & ON									
		B---P210 SERIAL P21000835 THRU P21000872									
		C---P210 SERIAL P21000873 & ON									

P210 Parts Catalog

Engine (Cont)



P21000001 THRU P21000385

Detail **A**

P210 SERIAL P21000001 THRU P21000834

Figure 83. Exhaust System & Components

P210 Parts Catalog

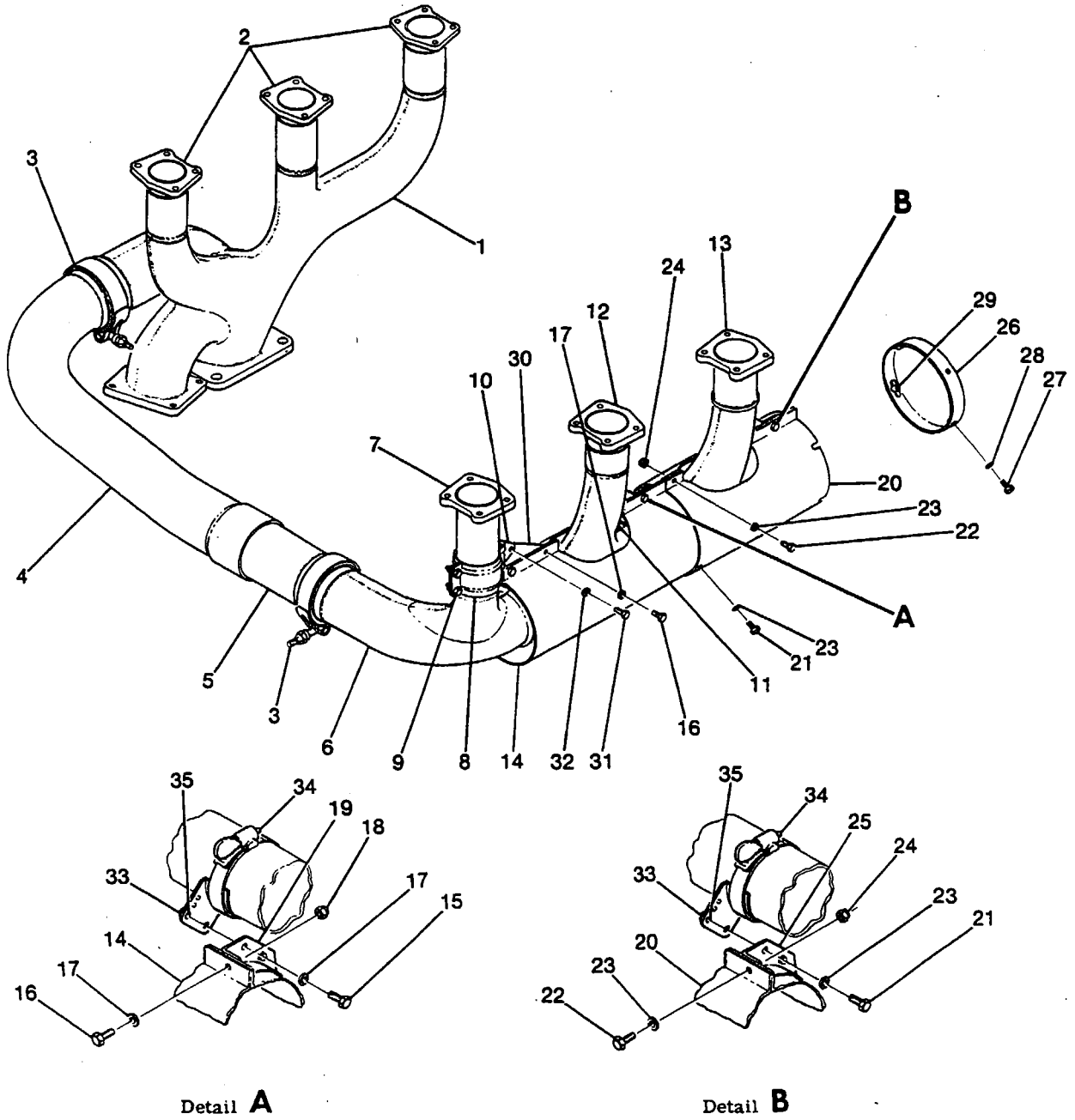
FIGURE AND INDEX NO.	PART NUMBER		DESCRIPTION							UNITS PER ASSY	USABLE ON CODE
			1	2	3	4	5	6	7		
83 -			EXHAUST SYSTEM & COMPONENTS -----								
- 1	2154000-50	@	EXHAUST STACK ASSY -----							NP	G
- 2	2154000-47	@	EXHAUST STACK ASSY -----							1	
- 3			EXHAUST STACK ASSY -----							1	
	2154000-46	@	EXHAUST STACK ASSY ----- FSO 2154000-46 -----							NP	B
- 3A	2154000-43	@	STACK ASSY -----							1	D
- 3B	1250860-117	@	RISER -----							1	
- 3C	1555014-1	@	CLAMP HALF ASSY -----							1	
- 3D	AN3-4A		BOLT -----							2	
	MS20364-1032C		NUT -----							4	
	1555045-1		SPACER-CLAMP HALF -----							4	
- 4	24540-250		CLAMP -----							2	
- 5	2154000-68	@	TUBE ASSY-CROSSOVER -----							2	
- 6			DELETED-NOT USED -----							1	
- 7	2154000-55	@	COLLECTOR ASSY -----							1	
- 8	2154002-3	@	RISER ASSY -----							4	
- 9	2154000-64	@	ELBOW -----							1	
-10	2154005-1	@	CAP ASSY-MUFF END -----							1	
-11	S1021Z6-8		ATTACHING PARTS -----							4	
-12	S1863-2		SCREW -----							4	
-13	2154014-1		NUTPLATE -----							1	
	2154014-4		MUFF ASSY-AFT WEU 2154014-4 -----							1	B
	2154014-6		MUFF ASSY-AFT WEU 2154014-6 -----							1	E
			MUFF ASSY-AFT -----							1	F
-14	S1021Z8-8		ATTACHING PARTS -----							2	
-15	S1021Z6-8		SCREW -----							1	
-16	NAS395-14		NUT -----							2	
-17	2154007-1		MUFF ASSY-FWD -----							1	A
	2154007-3		MUFF ASSY-FWD -----							1	C
	2154007-4		MUFF ASSY-FWD -----							1	D
-18	S1021Z8-8		ATTACHING PARTS -----							3	
-18A	S1021Z8-8		SCREW -----							4	A
	AN515-8R8		SCREW -----							4	C
	MS21042-08		NUT -----							4	C
-19	S1862-1A		NUTPLATE -----							1	
-20	NAS395-14		NUT -----							3	
-21	NAS682A06		NUTPLATE -----							4	A
-22	2154004-2		BRACKET ASSY-FORWARD -----							1	B
-23	2154004-1		BRACKET ASSY-AFT -----							1	B
-24	S1021Z6-8		ATTACHING PARTS -----							2	A
	AN515-8R8		SCREW -----							2	C
	S1863-2		NUTPLATE -----							2	A
			-----*								

NOTE. @THESE PARTS ARE MADE FROM INCONEL MATERIAL.

- A---P210 SERIAL P21000001 THRU P21000048
- B---P210 SERIAL P21000001 THRU P21000385
- C---P210 SERIAL P21000049 THRU P21000385
- D---P210 SERIAL P21000386 THRU P21000834
- E---P210 SERIAL P21000386 THRU P21000760
- F---P210 SERIAL P21000761 THRU P21000834
- G---P210 SERIAL P21000001 THRU P21000834

P210 Parts Catalog

Engine (Cont)



P210 SERIAL P21000835 & ON
Figure 83A. Exhaust System & Components

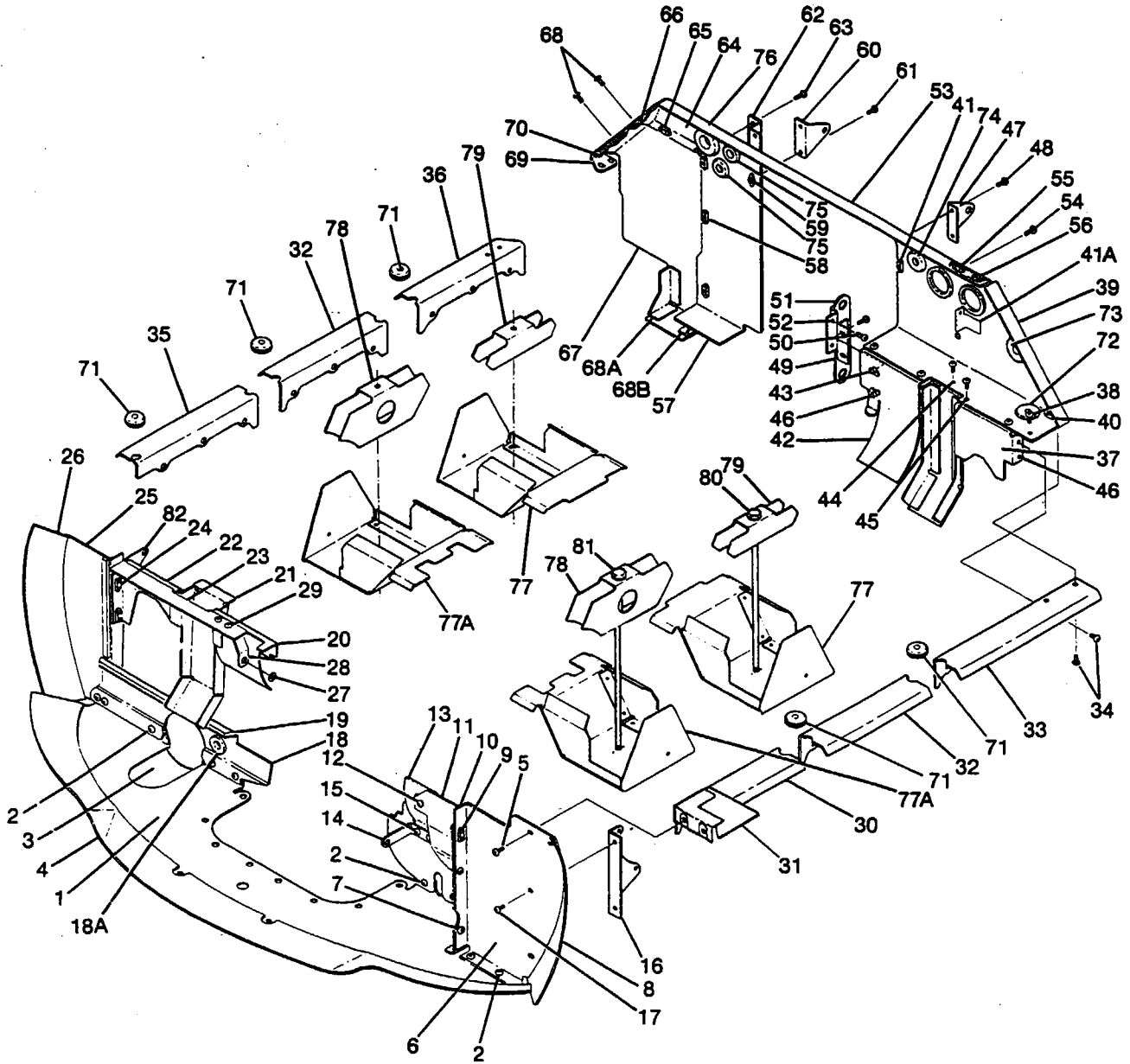
P210 Parts Catalog

FIGURE AND INDEX NO.	PART NUMBER	DESCRIPTION							UNITS PER ASSY	USABLE ON CODE
		1	2	3	4	5	6	7		
83A-		EXHAUST SYSTEM & COMPONENTS -----								
- 1	2154025-1	COLLECTOR ASSY-RH TURBO -----							NP 1	A
- 2	2154002-5	RISER ASSY -----							3	
- 3	24540-250	CLAMP -----							2	
- 4	2154025-10	TUBE ASSY-CROSSOVER -----							1	
- 5	2154000-66	TUBE ASSY -----							1	
	2154034-2	RISER ASSY-NO. 6 CYL -----							1	
- 6	2154023-1	ADAPTOR ASSY -----							1	
- 7	1250860-117	RISER ASSY -----							1	
		ATTACHING PARTS -----								
- 8	1555014-1	CLAMP HALF ASSY -----							2	
- 9	AN3-4A	BOLT -----							4	
	MS20365-1032C	NUT -----							4	
		*-----								
-10	2154033-1	BRACKET-SHROUD SUPPORT -----							1	
	2154027-1	RISER ASSY-NO. 4 CYL -----							1	
-11	2154027-7	TUBE ASSY-WELD -----							1	
-12	2154002-7	RISER ASSY -----							1	
-13	2154026-1	RISER ASSY-NO. 2 CYL -----							1	
-14	2154021-1	SHROUD ASSY-FWD -----							1	
		ATTACHING PARTS -----								
-15	AN3-3A	BOLT -----							1	
-16	AN3-4A	BOLT -----							3	
-17	NAS1149F0363P	WASHER -----							4	
-18	MS20365-1032C	NUT -----							1	
		*-----								
-19	2154022-1	SUPPORT ASSY -----							1	
	2154036-1	DOUBLER -----							1	
	NAS686A3K	NUTPLATE -----							2	
-20	2154021-2	SHROUD ASSY-AFT -----							1	
		ATTACHING PARTS -----								
-21	AN3-3A	BOLT -----							3	
-22	AN3-4A	BOLT -----							2	
-23	NAS1149F0363P	WASHER -----							5	
-24	MS20365-1032C	NUT -----							2	
		*-----								
-25	2154022-1	SUPPORT ASSY -----							1	
	2154036-1	DOUBLER -----							1	
-26	2154021-7	END CAP ASSY -----							1	
		ATTACHING PARTS -----								
-27	AN3-3A	BOLT -----							4	
-28	NAS1149F0332P	WASHER -----							4	
		*-----								
-29	NAS680A3	NUTPLATE -----							4	
-30	2154033-2	BRACKET ASSY -----							1	
		ATTACHING PARTS -----								
-31	AN3-3A	BOLT -----							1	
-32	NAS1149F0363P	WASHER -----							1	
		*-----								
-33	NAS687A3K	NUTPLATE -----							3	
	2154022-2	SUPPORT ASSY -----							2	
		ATTACHING PARTS -----								
-34	AN737TW82	CLAMP -----							1	
		*-----								
-35	NAS682A3	NUTPLATE -----							1	

A---P210 SERIAL P21000835 & ON

P210 Parts Catalog

Engine (Cont)



P210 SERIAL P2100001 THRU P21000385

Figure 84. Engine Baffles Installation

P210 Parts Catalog

FIGURE AND INDEX NO.	PART NUMBER	DESCRIPTION	1 2 3 4 5 6 7							UNITS PER ASSY	USABLE ON CODE
84 -		ENGINE BAFFLES INSTALLATION -----								NP	A
- 1	2155023-1	BAFFLE ASSY-FORWARD HORIZONTAL -----								1	
- 2	AN525-10R6	ATTACHING PARTS -----								10	
		SCREW -----									
- 3	1250958-5	CUP -----								1	
- 4	2155023-4	SEAL -----								1	
	NAS686A3	NUTPLATE -----								4	
	NAS687A3	NUTPLATE -----								3	
	2155024-1	BAFFLE ASSY-FWD VERTICAL LH -----								1	
- 5	AN525-10R6	ATTACHING PARTS -----								2	
		SCREW -----									
- 6	2155026-1	BAFFLE ASSY-LH OUTBD -----								1	
- 7	AN525-10R6	ATTACHING PARTS -----								2	
		SCREW -----									
- 8	2155026-5	SEAL -----								1	
- 9	NAS687A3	NUTPLATE -----								1	
-10	2155024-2	BAFFLE ASSY -----								1	
	AN525-10R6	ATTACHING PARTS -----								1	
		SCREW -----									
	NAS1068A3	NUTPLATE -----								1	
	NAS687A3	NUTPLATE -----								3	
-11	2155024-3	BAFFLE -----								1	
-12	AN525-10R6	ATTACHING PARTS -----								3	
		SCREW -----									
-13	2155024-8	BAFFLE ASSY -----								1	
	NAS1068A3	NUTPLATE -----								1	
	NAS687A3	NUTPLATE -----								3	
-14	2155025-3	SUPPORT-BAFFLE -----								1	
-15	AN525-10R6	ATTACHING PARTS -----								2	
		SCREW -----									
-16	2155025-1	SUPPORT ASSY-BAFFLE -----								1	
-17	AN525-10R6	ATTACHING PARTS -----								2	
		SCREW -----									
	NAS687A3	NUTPLATE -----								2	
-18	2155028-4	BAFFLE ASSY-LWR FWD RH -----								1	
-18A	MS35489-12	GROMMET -----								1	
-19	S2272-2	SEAL 9.14 IN LG BKI -----								1	
-20	2155032-1	BAFFLE ASSY-UPPER VERTICAL RH -----								1	
-21	2155032-4	BAFFLE -----								1	
-22	2155032-3	BAFFLE -----								1	
-23	2155032-2	BAFFLE -----								1	
-24	2155032-5	SEAL -----								1	
-25	NAS687A3	NUTPLATE -----								2	
	2155026-2	BAFFLE ASSY-OUTBD RH -----								1	
	AN525-10R6	ATTACHING PARTS -----								2	
		SCREW -----									
-26	2155026-6	SEAL -----								1	
	NAS687A3	NUTPLATE -----								3	
-27	NAS1149C0463R	WASHER -----								1	
-28	2155025-5	SUPPORT ASSY -----								1	
-29	AN525-10R6	ATTACHING PARTS -----								2	
		SCREW -----									
	NAS1068A3	NUTPLATE -----								1	
	NAS696A3	NUTPLATE -----								1	
-30	2155027-5	BAFFLE ASSY-FWD LH SIDE -----								2	
	NAS1068A3	NUTPLATE -----								1	
-31	2155049-1	BAFFLE ASSY-UPR FWD LH -----								1	
-32	2155027-10	BAFFLE-SIDE CENTER -----								2	
-33	2155027-1	BAFFLE ASSY-AFT LH SIDE -----								1	
-34	AN525-10R6	ATTACHING PARTS -----								3	
		SCREW -----									
-35	2155027-2	BAFFLE-FWD RH SIDE -----								1	
-36	2155027-11	BAFFLE-AFT RH SIDE -----								1	

CONTINUED ON NEXT PAGE

P210 Parts Catalog

FIGURE AND INDEX NO.	PART NUMBER	DESCRIPTION	1 2 3 4 5 6 7							UNITS PER ASSY	USABLE ON CODE
			1	2	3	4	5	6	7		
84 -37	2155021-1	BAFFLE ASSY-AFT LH VERTICAL -----								1	
-38	AN525-10R6	ATTACHING PARTS -----									
		SCREW -----								10	
-39	2155021-13	-----*									
-40	NAS687A3	BAFFLE ASSY-UPPER LH -----								1	
-41	NAS686A3	NUTPLATE -----								1	
-41A	1250106-1	NUTPLATE -----								2	
-42	2155021-6	CLTP -----								1	
-43	NAS684A3	BAFFLE ASSY-LOWER LH -----								1	
-44	NAS686A3	NUTPLATE -----								1	
-45	NAS687A3	NUTPLATE -----								1	
-46	MS21073L3	NUTPLATE -----								4	
-47	2155022-2	NUTPLATE -----								3	
		SUPPORT-BAFFLE -----								1	
-48	AN525-10B6	ATTACHING PARTS -----									
		SCREW -----								2	
-49	2155022-3	-----*									
		BRACKET -----								1	
		ATTACHING PARTS -----									
-50	AN525-10R6	SCREW -----								4	
-51	2155029-1	-----*									
-52	MS21073L3	SUPPORT ASSY -----								1	
-53	2155022-1	NUTPLATE -----								2	
		SUPPORT ASSY-AFT BAFFLE -----								1	
-54	AN525-10R6	ATTACHING PARTS -----									
		SCREW -----								6	
-55	NAS686A3	-----*									
-56	NAS687A3	NUTPLATE -----								3	
	2155031-1	NUTPLATE -----								5	
-57	2155031-5	BAFFLE ASSY-AFT RH -----								1	
-58	NAS686A3	BAFFLE ASSY -----									
-59	NAS637A3	NUTPLATE -----								3	
-60	2155022-2	NUTPLATE -----								1	
		SUPPORT-BAFFLE -----								1	
-61	AN525-10R6	ATTACHING PARTS -----									
		SCREW -----								2	
-62	2155031-7	-----*									
		SUPPORT-BAFFLE -----								1	
-63	AN525-10R8	ATTACHING PARTS -----									
		SCREW -----								6	
-64	2155031-9	-----*									
-65	NAS637A3	BAFFLE ASSY -----								1	
-66	NAS686A3	NUTPLATE -----								2	
-67	2155031-2	NUTPLATE -----								1	
		BAFFLE ASSY -----								1	
-68	AN525-10R6	ATTACHING PARTS -----									
		SCREW -----								3	
-68A	NAS637A3	-----*									
-68B	1250973-1	NUTPLATE -----								1	
	2155034-1	BRACKET -----								1	
	2150123-1	BRACKET -----								1	
-69	2155033-1	BRACKET -----								1	
-70	NAS1068A3	BRACKET ASSY -----								1	
-71	MS35489-6	NUTPLATE -----								2	
-72	MS35489-8	GROMMET -----								5	
-73	MS35489-12	GROMMET -----								1	
-74	MS35489-10	GROMMET -----								1	
-75	MS35489-5	GROMMET -----								1	
-76	MS35489-19	GROMMET -----								2	
-77	1250828-1	GROMMET -----								1	
-77A	1250828-2	BAFFLE ASSY -----								2	
	NAS697A3	BAFFLE ASSY -----								2	
-78	0851700-96	NUTPLATE -----								2	
-79	0750117-31	SUPPORT FWD -----								2	
-80	AN3-77A	SUPPORT AFT -----								2	
-81	1250825-1	BOLT AFT -----								2	
-82	2155025-4	BOLT ASSY FWD -----								2	
		SUPPORT ASSY-BAFFLE -----								1	

A---P210 SERIAL P21000001 THRU P21000385

P210 Parts Catalog

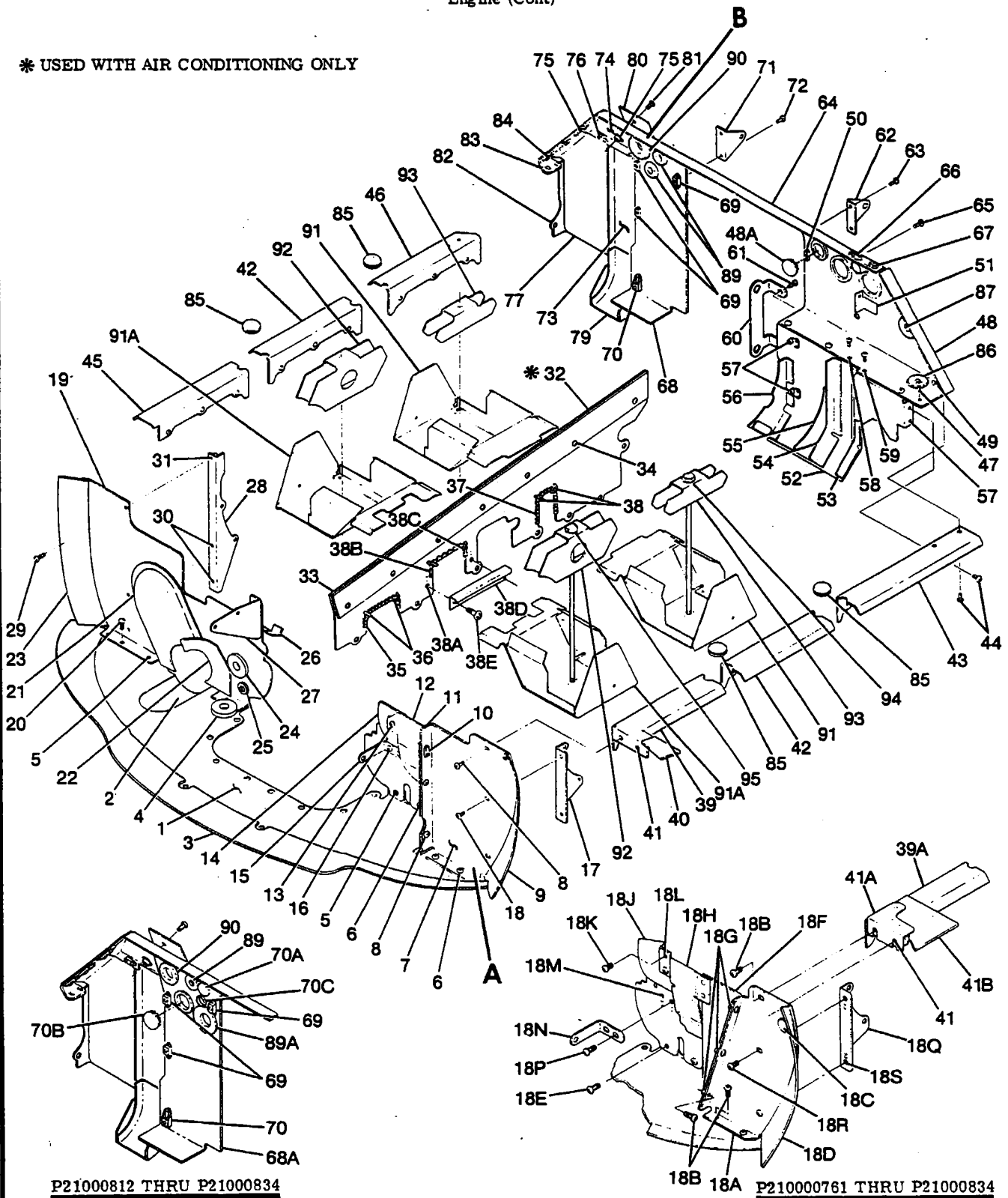
FIGURE AND INDEX NO.	PART NUMBER	DESCRIPTION	UNITS PER ASSY	USABLE ON CODE		
					1	2
84A-		ENGINE BAFFLES INSTALLATION -----	NP	A		
- 1	1255051-3	BAFFLE ASSY-FORWARD HORIZONTAL -----	1			
- 2	1255051-7	CUP-SHIELD -----	1			
- 3	1255051-8	SEAL -----	1			
- 4	MS35489-15	GROMMET -----	1			
- 5	NAS686A3	NUTPLATE -----	4			
	NAS687A3	NUTPLATE -----	4			
	2155024-1	BAFFLE ASSY-FWD VERTICAL LH -----	1	D		
- 6	AN525-10R6	ATTACHING PARTS -----				
		SCREW -----	5			
		*-----				
- 7	2155026-1	BAFFLE ASSY-LH OUTBD -----	1			
		ATTACHING PARTS -----				
- 8	AN525-10R6	SCREW -----	2			
		*-----				
- 9	2155026-5	SEAL -----	1			
-10	NAS687A3	NUTPLATE -----	1			
-11	2155024-2	BAFFLE ASSY -----	1			
		ATTACHING PARTS -----				
	AN525-10R6	SCREW -----	1			
		*-----				
	NAS1068A3	NUTPLATE -----	1			
	NAS687A3	NUTPLATE -----	3			
-12	2155024-3	BAFFLE -----	1			
		ATTACHING PARTS -----				
-13	AN525-10R6	SCREW -----	3			
		*-----				
-14	2155024-8	BAFFLE ASSY -----	1			
	NAS1068A3	NUTPLATE -----	1			
	NAS687A3	NUTPLATE -----	3			
-15	2155025-3	SUPPORT-BAFFLE -----	1			
		ATTACHING PARTS -----				
-16	AN525-10R6	SCREW -----	2			
		*-----				
-17	2155025-1	SUPPORT ASSY-BAFFLE -----	1			
		ATTACHING PARTS -----				
-18	AN525-10R6	SCREW -----	2			
		*-----				
-18A	2155047-1	BAFFLE-LH FWD OUTBD -----	1	E		
		ATTACHING PARTS -----				
-18B	AN525-10R6	SCREW -----	7			
		*-----				
-18C	CM2692-28-1	PLUG BUTTON -----	1			
-18D	2155026-5	SEAL -----	1			
	2155048-1	BAFFLE ASSY-LH FWD VERTICAL -----	1	E		
		ATTACHING PARTS -----				
-18E	AN525-10R6	SCREW -----	3			
		*-----				
-18F	2155048-4	BAFFLE ASSY -----	1			
-18G	NAS686A3	NUTPLATE -----	3			
	NAS1068A3	NUTPLATE -----	1			
-18H	2155048-3	BAFFLE -----	1			
-18J	2155048-2	BAFFLE ASSY -----	1			
		ATTACHING PARTS -----				
-18K	AN525-10R6	SCREW -----	3			
		*-----				
-18L	MS21073-3	NUTPLATE -----	2			
-18M	NAS687A3	NUTPLATE -----	3			
-18N	2155025-3	SUPPORT-BAFFLE -----	1			
		ATTACHING PARTS -----				
-18P	AN525-10R6	SCREW -----	2			
		*-----				
-18Q	2155025-1	SUPPORT ASSY-BAFFLE -----	1	E		
		ATTACHING PARTS -----				
-18R	AN525-10R6	SCREW -----	2			
		*-----				
-18S	NAS687A3	NUTPLATE -----	2			

CONTINUED ON NEXT PAGE

P210 Parts Catalog

Engine (Cont)

* USED WITH AIR CONDITIONING ONLY



P21000812 THRU P21000834

P210000761 THRU P21000834

Detail **B**

P210 SERIAL P21000386 THRU P21000834

Detail **A**

Figure 84A. Engine Baffles Installation

P210 Parts Catalog

FIGURE AND INDEX NO.	PART NUMBER	DESCRIPTION	1 2 3 4 5 6 7							UNITS PER ASSY	USABLE ON CODE
			1	2	3	4	5	6	7		
84A-19	1255052-3	BAFFLE ASSY-FWD VERTICAL RH -----								1	
-20	AN525-10R6	ATTACHING PARTS SCREW -----								4	
-21	1255050-1	COVER-BAFFLE -----								1	
-22	1255049-1	SEAL -----								1	
-23	1255052-8	SEAL -----								1	
-24	MS35489-15	GROMMET -----								1	
-25	MS35489-4	GROMMET -----								1	
-26	1255076-1	BAFFLE -----								1	
-27	1650069-3	SUPPORT -----								1	
-28	2155036-1	SUPPORT ASSY-BAFFLE -----								1	
-29	AN525-10R6	ATTACHING PARTS SCREW -----								3	
-30	NAS680A3	NUTPLATE -----								2	
-31	NAS682A3	NUTPLATE -----								1	
-32	2155037-4	BAFFLE ASSY-BACKBONE USED WITH AIR CONDITIONING -----								1	C
-33	2155037-2	SEAL -----								2	
-34	NAS1149DN416K	ATTACHING PARTS WASHER -----								14	
-35	S1050-1	GROMMET 3.50 IN LG BKI -----								1	
-36	S2209-1	ATTACHING PARTS STA-STRAP -----								2	
-37	S1050-1	GROMMET 5.00 IN LG BKI -----								1	
-38	S2209-1	ATTACHING PARTS STA-STRAP -----								2	
-38A	NAS680A08	NUTPLATE -----								2	
-38B	S1050-1	GROMMET 4.40 IN LG BKI -----								1	
-38C	S2209-1	ATTACHING PARTS STA STRAP -----								2	
-38D	2155046-1	SUPPORT-BAFFLE -----								1	C
	AN525-832R8	ATTACHING PARTS SCREW -----								2	
-39	2155027-5	BAFFLE ASSY-FWD LH SIDE -----								1	D
-39A	2155027-13	BAFFLE ASSY-FWD LH SIDE -----								1	D
-40	2155027-9	SEAL -----								1	D
-41	NAS1068A3	NUTPLATE -----								2	D
-41A	2155049-1	BAFFLE ASSY -----								1	E
-41B	2155049-2	SEAL -----								1	E
-42	2155027-10	BAFFLE-SIDE CENTER -----								1	
-43	2155027-1	BAFFLE ASSY-AFT LH SIDE -----								1	
-44	AN525-10R6	ATTACHING PARTS SCREW -----								3	
-45	2155027-12	BAFFLE-FWD RH SIDE -----								1	
-46	2155027-11	BAFFLE-AFT RH SIDE -----								1	
	2155021-22	BAFFLE ASSY-AFT LH VERTICAL -----								1	H
	2155021-24	BAFFLE ASSY-AFT LH VERTICAL STBY GENERATOR -----								1	D
	2155021-23	BAFFLE ASSY-AFT LH VERTICAL AIR CONDITIONING -----								1	F
	2155021-25	BAFFLE ASSY-AFT LH VERTICAL STBY GENERATOR & -----								1	C
	2155021-29	AIR CONDITIONING BAFFLE ASSY-AFT LH VERTICAL -----								1	G
	2155021-30	BAFFLE ASSY-AFT LH VERTICAL AIR CONDITIONING -----								1	G
-47	AN525-10R6	ATTACHING PARTS SCREW -----								10	
-48	2155021-15	BAFFLE ASSY-UPPER LH -----								1	H
	2155021-19	BAFFLE ASSY-UPPER LH -----								1	G
	2155021-19	BAFFLE ASSY-UPPER LH STBY GENERATOR -----								1	D
	2155021-17	BAFFLE ASSY-UPPER LH AIR CONDITIONING -----								1	F
	2155021-21	BAFFLE ASSY-UPPER LH STBY GENERATOR & -----								1	C
	2155021-21	AIR CONDITIONING BAFFLE ASSY-UPPER LH -----								1	G
-48A	CM2692-28-1S	PLUG USED IN 1.016 HOLE -----								1	G
-49	NAS687A3	NUTPLATE -----								1	
-50	NAS686A3	NUTPLATE -----								1	
-51	1250106-1	CLIP -----								2	
		CLIP -----								1	

CONTINUED ON NEXT PAGE

P210 Parts Catalog

FIGURE AND INDEX NO.	PART NUMBER	DESCRIPTION	UNITS PER ASSY							USABLE ON CODE
			1	2	3	4	5	6	7	
84A-52	2155021-27	BAFFLE ASSY-LOWER LH -----	1							
-53	2155021-8	BAFFLE-OUTBD SIDE -----	1							
-54	2155021-26	BAFFLE-INBD SIDE -----	1							
-55	2155044-1	BAFFLE -----	1							
-56	2155039-1	BAFFLE-RH SIDE -----	1							
-57	MS21073L3	NUTPLATE -----	5							
-58	NAS686A3	NUTPLATE -----	1							
-59	NAS687A3	NUTPLATE -----	4							
-60	2155038-1	SUPPORT-BAFFLE ----- ATTACHING PARTS	1							
-61	AN525-10R6	SCREW -----	2							
-62	2155022-2	SUPPORT-BAFFLE ----- ATTACHING PARTS	1							
-63	AN525-10R6	SCREW -----	2							
-64	2155022-1	SUPPORT ASSY-AFT BAFFLE ----- ATTACHING PARTS	1							
-65	AN525-10R6	SCREW -----	6							
-66	NAS686A3	NUTPLATE -----	3							
-67	NAS687A3	NUTPLATE -----	5							
	2155031-11	BAFFLE ASSY-AFT RH -----	1							
	2155031-16	BAFFLE ASSY-AFT RH -----	1							
-68	2155031-5	BAFFLE ASSY -----	1							
-68A	2155031-14	BAFFLE ASSY -----	1							
-69	NAS686A3	NUTPLATE -----	1							
-70	NAS687A3	NUTPLATE -----	3							
-70A	CM2692-18-1S	PLUG USE IN .562 HOLE -----	1							
-70B	CM2692-28-1S	PLUG USE IN 1.016 HOLE -----	1							
-70C	NAS557-8A	GROMMET -----	1							
-71	2155022-2	SUPPORT-BAFFLE ----- ATTACHING PARTS	1							
-72	AN525-10R6	SCREW -----	1							
-73	2155042-1	SUPPORT-BAFFLE ----- ATTACHING PARTS	1							
	AN525-10R8	SCREW -----	3							
-74	2155031-13	BAFFLE ASSY -----	1							
-75	NAS686A3	NUTPLATE -----	2							
-76	NAS687A3	NUTPLATE -----	1							
-77	2155031-10	BAFFLE ASSY ----- ATTACHING PARTS	1							
	AN525-10R8	SCREW -----	1							
-78		DELETED-NOT USED -----								
-79	2155041-1	BAFFLE ASSY -----	1							
-80	2155040-1	BAFFLE ----- ATTACHING PARTS	1							
-81	AN525-10R8	SCREW -----	1							
-82	2155043-1	SUPPORT-BAFFLE -----	1							
-83	2155033-1	BRACKET ASSY -----	1							
-84	NAS1068A3	NUTPLATE -----	2							
-85	MS35489-6	GROMMET -----	4							
-86	MS35489-8	GROMMET -----	1							
-87	MS35489-12	GROMMET -----	1							
-88		DELETED-NOT USED -----								
-89	MS35489-5	GROMMET -----	2							
	MS35489-5	GROMMET -----	1							
-89A	MS35489-135	GROMMET -----	1							
-90	MS35489-19	GROMMET -----	1							
-91	1250828-1	BAFFLE ASSY -----	2							
-91A	1250828-2	BAFFLE ASSY -----	2							
	NAS697A3	NUTPLATE -----	1							
-92	0851700-96	SUPPORT FWD -----	2							
-93	0750117-31	SUPPORT AFT -----	2							
-94	AN3-77A	BOLT AFT -----	2							
-95	1250825-1	BOLT ASSY FWD -----	2							

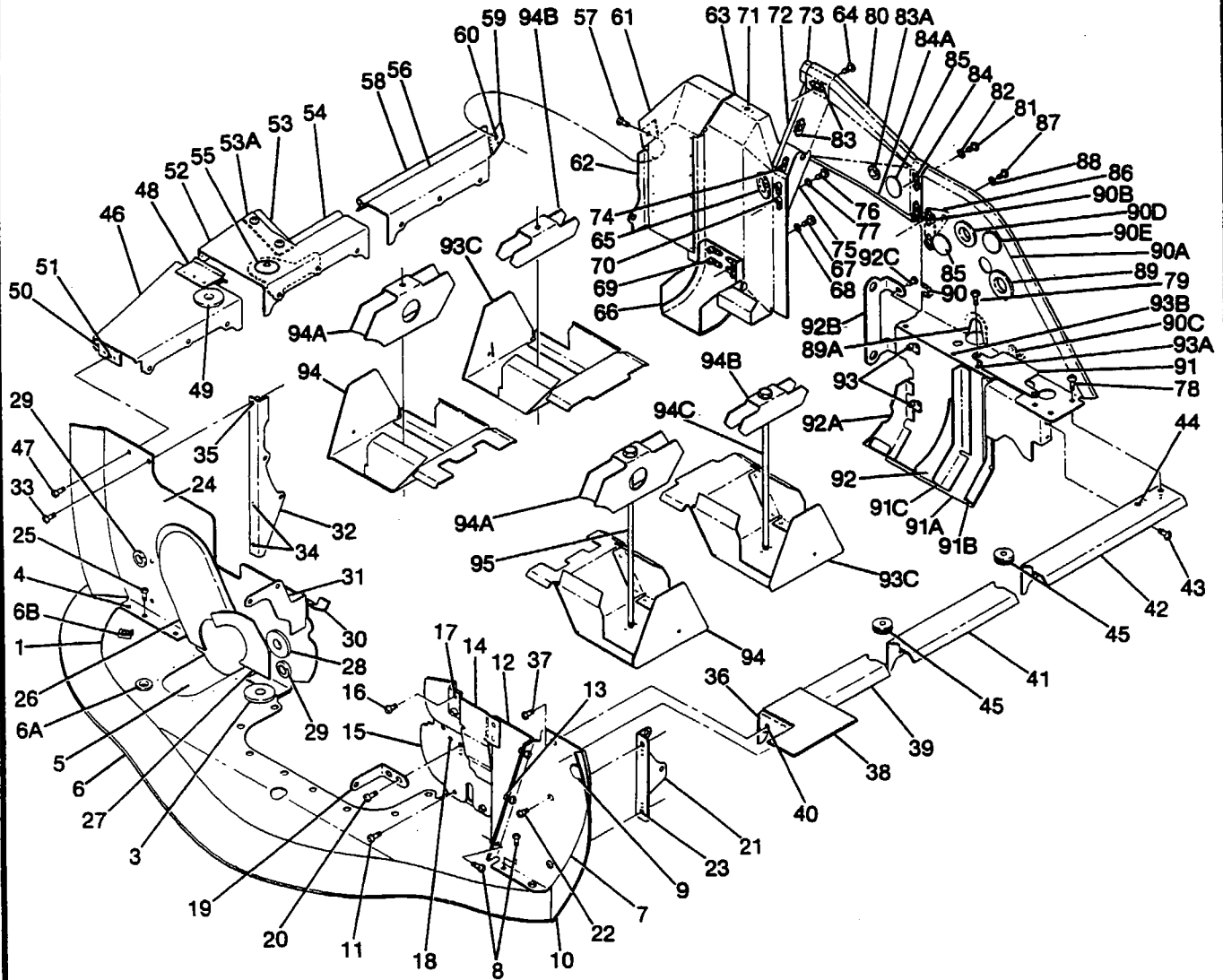
CONTINUED ON NEXT PAGE

P210 Parts Catalog

FIGURE AND INDEX NO.	PART NUMBER	DESCRIPTION	UNITS PER ASSY	USABLE ON CODE
		1 2 3 4 5 6 7		
84A-		<p> A---P210 SERIAL P21000386 THRU P21000834 B---P210 SERIAL P21000405 & P21000490 THRU P21000834 C---P210 SERIAL P21000405 & P21000490 THRU P21000760 D---P210 SERIAL P21000386 THRU P21000760 E---P210 SERIAL P21000761 THRU P21000834 F---P210 SERIAL P21000405 & P21000490 THRU P21000811 G---P210 SERIAL P21000812 THRU P21000834 H---P210 SERIAL P21000386 THRU P21000811 </p>		

P210 Parts Catalog

Engine (Cont)



P210 SERIAL P21000835 & ON

Figure 84B. Engine Baffles Installation

P210 Parts Catalog

FIGURE AND INDEX NO.	PART NUMBER	DESCRIPTION	1 2 3 4 5 6 7							UNITS PER ASSY	USABLE ON CODE
84B-		ENGINE BAFFLES INSTALLATION -----								NP	A
- 1	2155068-1	BAFFLE ASSY-FORWARD HORIZONTAL -----								1	
- 2	NAS686A3	NUTPLATE -----								4	
- 3	MS35489-15	GROMMET -----								1	
- 4	NAS687A3	NUTPLATE -----								4	
- 5	2155051-7	CUP-SHIELD -----								1	
- 6	2155068-2	SEAL-BAFFLE -----								1	
- 6A	MS35489-4	GROMMET -----								1	
- 6B	S1741-1	ANCHOR -----								1	
- 7	2155047-1	BAFFLE ASSY-FORWARD OUTBD LH -----								1	
- 8	AN525-10R6	ATTACHING PARTS -----								5	
- 9	CM2692-28-1	SCREW -----								1	
-10	2155026-5	PLUG BUTTON -----								1	
	2155048-1	SEAL-BAFFLE -----								1	
-11	AN525-10R6	BAFFLE ASSY-FORWARD INBD LH -----								1	
-12	2155048-4	ATTACHING PARTS -----								3	
-13	NAS686A3	SCREW -----								1	
-14	NAS1068A3	BAFFLE ASSY -----								3	
-15	2155048-3	NUTPLATE -----								1	
-16	2155048-2	NUTPLATE -----								1	
-17	AN525-10R6	BAFFLE -----								1	
-18	MS21073-3	BAFFLE ASSY -----								1	
-19	NAS687A3	ATTACHING PARTS -----								3	
-20	2155025-3	SCREW -----								2	
-21	AN525-10R6	NUTPLATE -----								3	
-22	2155025-1	NUTPLATE -----								1	
-23	NAS687A3	SUPPORT-BAFFLE -----								1	
-24	1255052-14	ATTACHING PARTS -----								2	
-25	AN525-10R6	SCREW -----								4	
-26	1255050-1	COVER-BAFFLE -----								1	
-27	1255049-1	SEAL -----								1	
-28	MS35489-15	GROMMET -----								1	
-29	MS35489-4	GROMMET -----								2	
-30	2155045-1	BAFFLE -----								1	
-31	2155067-1	SUPPORT -----								1	
-32	2155036-1	SUPPORT ASSY-BAFFLE -----								1	
-33	AN525-10R6	ATTACHING PARTS -----								3	
-34	NAS680A3	SCREW -----								2	
-35	NAS682A3	NUTPLATE -----								1	
-36	2155049-5	NUTPLATE -----								1	
-37	AN525-10R6	BAFFLE ASSY -----								2	
-38	2155049-4	ATTACHING PARTS -----								2	
-39	2155027-13	SCREW -----								1	
-40	NAS1068A3	SEAL-BAFFLE -----								1	
-41	2155027-10	BAFFLE ASSY-FWD LH SIDE -----								2	
-42	2155027-15	NUTPLATE -----								1	
-43	AN525-10R6	BAFFLE-CENTER LH SIDE -----								1	
-44	NAS687A3	BAFFLE ASSY-AFT LH SIDE -----								2	
		ATTACHING PARTS -----								2	
		SCREW -----								2	
		NUTPLATE -----								2	

CONTINUED ON NEXT PAGE

P210 Parts Catalog

FIGURE AND INDEX NO.	PART NUMBER	DESCRIPTION							UNITS PER ASSY	USABLE ON CODE
		1	2	3	4	5	6	7		
84B-45	MS35489-6	GROMMET -----							2	B C
-46	2155066-7	BAFFLE ASSY-FWD RH SIDE -----							1	
-47	AN525-10R6	SCREW -----							1	
-48	2155066-4	SUPPORT-BAFFLE -----							2	
-49	MS35489-15	GROMMET -----							1	
-50	2155066-13	BRACKET ASSY -----							1	
-51	NAS686A3	NUTPLATE -----							1	
-52	2155066-20	BAFFLE ASSY-CENTER RH SIDE -----							1	
-53	2155066-12	SEAL-BAFFLE -----							1	
-53A	2155066-19	BRACKET -----							1	
	AN520-10R6	ATTACHING PARTS								
	NAS1149F0332P	SCREW -----							2	
	S21042L3	WASHER -----							2	
		NUT -----							2	
-54	2155066-17	SEAL-BAFFLE -----							1	
-55	222155066-10	BRACKET ASSY -----							1	
	S2087-1	MOUNT-SHOCK -----							1	
-56	2155066-9	BAFFLE ASSY-AFT RH SIDE -----							1	
		ATTACHING PARTS								
-57	AN525-10R6	SCREW -----							1	
-58	2155066-6	SEAL-BAFFLE -----							1	
-59	2155066-15	BRACKET ASSY -----							1	
-60	NAS686A3	NUTPLATE -----							1	
-61	2155062-1	BAFFLE ASSY-AFT RH WEU 2155062-3 -----							1	
-62	2155062-3	BAFFLE ASSY-AFT RH -----							1	
	2155043-1	SUPPORT-BAFFLE WEU 2155043-2 -----							1	
	2155043-2	SUPPORT-BAFFLE WEU 2155043-3 -----							1	
	2155043-3	SUPPORT-BAFFLE -----							1	
	NAS686A3	NUTPLATE -----							1	
-63	2155063-1	BAFFLE ASSY-AFT RH WEU 2155063-8 -----							1	
	2155063-8	BAFFLE ASSY-AFT RH -----							1	
		ATTACHING PARTS								
-64	AN525-10R6	SCREW -----							2	
-65	MS35489-20	GROMMET -----							1	
-66	2155061-1	BAFFLE ASSY -----							1	
		ATTACHING PARTS								
-67	AN3-3A	BOLT -----							4	
-68	NAS1149F0363P	WASHER -----							4	
-69	NAS682A3	NUTPLATE -----							4	
-70	NAS696A3	NUTPLATE -----							2	
-71	NAS686A3	NUTPLATE -----							1	
-72	2155063-5	SEAL-BAFFLE -----							1	
-73	2155063-6	BAFFLE ASSY -----							1	
-74	NAS682A3	NUTPLATE -----							1	
-75	2155063-4	SUPPORT-BAFFLE -----							1	
		ATTACHING PARTS								
-76	AN520-10R8	SCREW -----							3	
-77	NAS1149F0363P	WASHER -----							3	
		-----*								

CONTINUED ON NEXT PAGE

P210 Parts Catalog

FIGURE AND INDEX NO.	PART NUMBER	DESCRIPTION							UNITS PER ASSY	USABLE ON CODE
		1	2	3	4	5	6	7		
84B-	2155021-33	BAFFLE ASSY-AFT LH -----							1	
-78	AN525-10R6	ATTACHING PARTS -----								
		SCREW -----							2	
	2155064-1	-----*								
		BAFFLE ASSY -----							1	
		ATTACHING PARTS -----								
-79	AN525-10R6	SCREW -----							4	
		-----*								
-80	2155064-4	BAFFLE ASSY -----							1	
		ATTACHING PARTS -----								
-81	AN520-10R8	SCREW -----							2	
-82	NAS1149F0363P	WASHER -----							2	
		-----*								
-83	NAS686A3	NUTPLATE -----							2	
-83A	MS35489-6	GROMMET -----							1	
-84	NAS687A3	NUTPLATE -----							2	
-84A	CM2610-1	SEAL 7.60 IN LG BKI -----							1	
-85	CM2692-28-1S	PLUG BUTTON -----							2	
-86	2155022-2	SUPPORT-BAFFLE -----							1	
		ATTACHING PARTS -----								
-87	AN520-10R8	SCREW -----							2	
-88	NAS1149F0363P	WASHER -----							2	
		-----*								
-89	MS35489-22	GROMMET -----							1	
-89A	1470219-12	AIR SCOOP -----							1	
-90	S1050-1	GROMMET 1.50 IN LG BKI -----							1	
-90A	2155064-2	BAFFLE ASSY -----							1	
-90B	NAS686A3	NUTPLATE -----							2	
-90C	AN743-13	BRACKET -----							1	
-90D	MS35489-20	GROMMET -----							1	
-90E	CM2692-32-1S	PLUG BUTTON -----							1	
	MS35489-12	GROMMET USED WITH DUAL ALTERNATORS -----							1	
-91	2155065-1	COVER -----							1	
-91A	2155021-31	BAFFLE ASSY -----							1	
-91B	2155021-8	BAFFLE-OUTBD SIDE -----							1	
-91C	2155021-26	BAFFLE-INBD SIDE -----							1	
-92	2155044-1	BAFFLE -----							1	
-92A	2155039-2	BAFFLE-RH SIDE -----							1	
-92B	2155038-1	SUPPORT-BAFFLE -----							1	
		ATTACHING PARTS -----								
-92C	AN525-10R6	SCREW -----							2	
		-----*								
-93	MS21073L3	NUTPLATE -----							3	
-93A	NAS686A3	NUTPLATE -----							1	
-93B	NAS687A4	NUTPLATE -----							4	
-93C	1250828-1	BAFFLE ASSY AFT -----							2	
-94	1250828-2	BAFFLE ASSY FWD -----							2	
	NAS697A3	NUTPLATE -----							1	
-94A	0851700-96	SUPPORT FWD -----							2	
-94B	0750117-31	SUPPORT AFT -----							2	
-94C	AN3-77A	BOLT AFT -----							2	
-95	1250825-1	BOLT ASSY FWD -----							2	

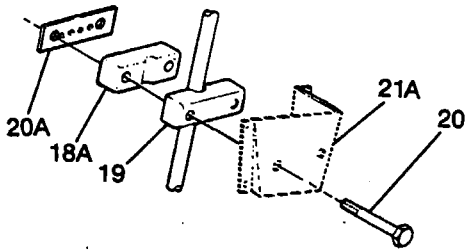
A---P210 SERIAL P21000835 & ON
 B---P210 SERIAL P21000835 THRU P21000864
 C---P210 SERIAL P21000865 & ON

P210 Parts Catalog

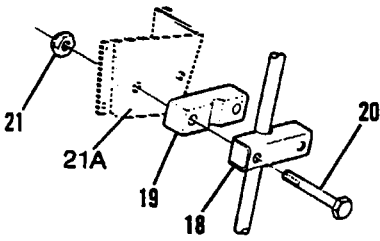
FIGURE AND INDEX NO.	PART NUMBER	DESCRIPTION							UNITS PER ASSY	USABLE ON CODE
		1	2	3	4	5	6	7		
85 -		COWL FLAPS SYSTEM -----								
- 1	1213261-211	DOOR ASSY-COWL FLAP LH							NP	L
	1213261-222	DOOR ASSY-COWL FLAP LH							1	D
	1213261-224	DOOR ASSY-COWL FLAP LH							1	J
- 2	1213261-217	DOOR ASSY-COWL FLAP RH							1	K
	1213261-223	DOOR ASSY-COWL FLAP RH							1	D
	1213261-225	DOOR ASSY-COWL FLAP RH							1	J
- 3	1250874-1	BRACKET ASSY-CONTROL LH							1	K
	2150134-1	BRACKET ASSY-CONTROL LH							1	K
- 4	1250874-2	BRACKET ASSY-CONTROL RH							1	K
	2150134-2	BRACKET ASSY-CONTROL RH							1	K
- 5	1213261-49	BAFFLE-OUTBD LH							1	D
	1213261-75	BAFFLE-OUTBD LH							1	E
- 6	1213261-67	BAFFLE-OUTBD RH							1	F
	1213261-85	BAFFLE-OUTBD RH							1	J
	1213261-87	BAFFLE-OUTBD RH							1	K
- 7	1213470-9	BAFFLE-INBD LH							1	K
	1213261-76	BAFFLE-INBD LH							1	D
- 8	1213470-10	BAFFLE-INBD RH							1	E
	1213261-78	BAFFLE-INBD RH							1	F
	1213261-88	BAFFLE-INBD RH							1	J
- 9	1213261-200	HINGE ASSY-COWL FLAP							1	K
	1213472-1	PIN-HINGE							1	
-10	S1244-28	CONTROL-COWL FLAP LH				WEU S1244-32			1	
	S1244-32	CONTROL-COWL FLAP LH							1	B
-11	S1244-27	CONTROL-COWL FLAP RH				WEU S1244-31			1	C
	S1244-31	CONTROL-COWL FLAP RH							1	C
		ATTACHING PARTS								
-12	1213079-1	CLEVIS							1	
-13	AN316-4R	NUT							1	
-13A	1213626-1	LINK							1	J
-13B	AN316-4R	NUT							1	
-14	AN3-10A	BOLT							1	
-15	NAS1149F0363P	WASHER							1	
-16	MS20364-1032C	NUT							2	
-17	AN316-4R	NUT							2	
	AN936A416	WASHER							2	
		-----*								
CONTINUED ON NEXT PAGE										

P210 Parts Catalog

Engine (Cont)

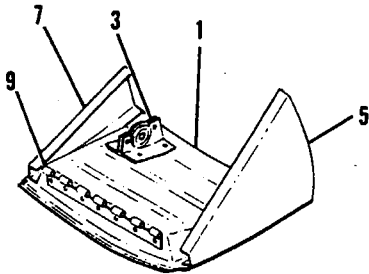


P21000761 & ON

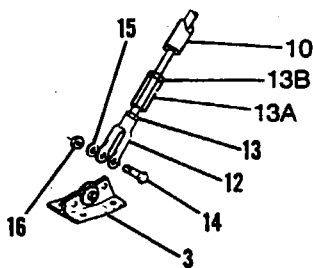


P21000001 THRU P21000760

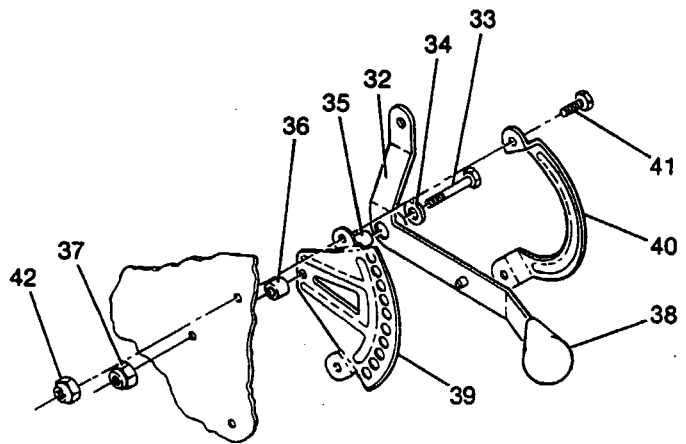
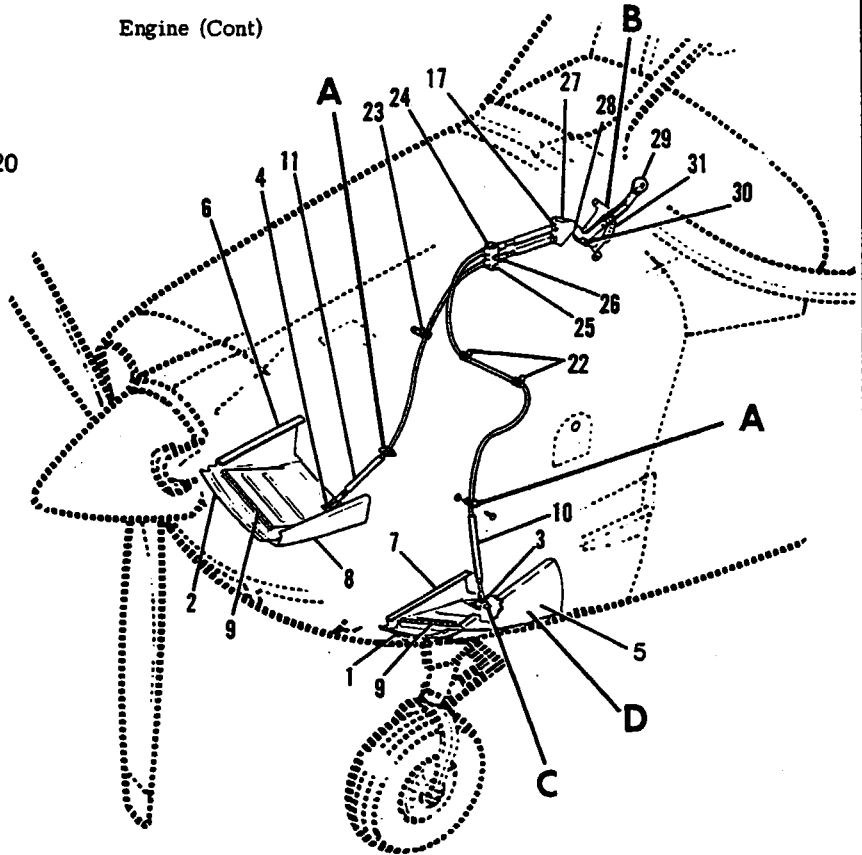
Detail A



Detail D



Detail C



P21000761 & ON

Detail B

P210 SERIAL P21000001 THRU P21000834

Figure 85. Cowl Flaps System

P210 Parts Catalog

FIGURE AND INDEX NO.	PART NUMBER	DESCRIPTION	1 2 3 4 5 6 7							UNITS PER ASSY	USABLE ON CODE
			1	2	3	4	5	6	7		
85 -18	1213527-5	CLAMP ASSY-BLOCK -----								2	H K
-18A	1213527-4	CLAMP BLOCK -----								2	
-19	0713307-7	CLAMP BLOCK -----								2	K
-20	AN3-13A	BOLT -----								4	
-20A	2150137-1	PLATE ASSY-COWL FLAP CONTROL -----								2	K
	NAS696A3	NUTPLATE -----								2	
-21	MS20364-1032C	NUT -----								4	A
-21A	SEE FIG 18	BRACKET-COWL FLAP CONTROL -----								4	
-22	MS21919DG5	CLAMP LH CONTROL ONLY -----								2	2
	NAS220-7	ATTACHING PARTS -----								1	
		SCREW -----								1	
-23	MS21919DG5	CLAMP RH CONTROL ONLY -----								1	1
	AN743-13	ATTACHING PARTS -----								1	
	NAS220-7	BRACKET-CLAMP -----								1	
	MS21044N08	SCREW -----								1	
		NUT -----								1	
-24	1213686-6	CLAMP ASSY WEU 1213686-8 -----								1	F G F G
	1213686-8	CLAMP ASSY -----								1	
-25	1213686-1	CLAMP ASSY WEU 1213686-7 -----								1	1
	1213686-7	CLAMP ASSY -----								1	
-26	AN3-13A	ATTACHING PARTS -----								3	3
	MS20364-1032C	BOLT -----								3	
		NUT -----								3	
-27	0713701-1	CLEVIS -----								1	
-28	MS20392-3C11	PIN -----								1	
	NAS1149F0332P	WASHER -----								2	
	MS24665-132	PIN-COTTER -----								1	
-29	1213315-5	LEVER ASSY-COWL FLAP -----								1	H
		ATTACHING PARTS -----								1	
-30	1261441-3	STUD -----								1	1
	NAS1149F0332P	WASHER -----								1	
	NAS76A3-017	SPACER -----								1	
	MS20364-1032C	NUT -----								1	
	1213531-3	KNOB-LEVER -----								1	1
	NAS514P1032-12	SCREW ATTACHES KNOB -----								1	
-31	1213316-1	DETENT & GUARD ASSY-COWL FLAP LEVER -----								1	H K
-32	2113253-1 *	LEVER ASSY-COWL FLAP -----								1	
		ATTACHING PARTS -----								1	
-33	AN3-11A	BOLT -----								1	
-34	AN970-3	WASHER -----								1	
-35	NAS74A3E008	BUSHING -----								1	
-36	NAS42DD6-16	SPACER -----								1	
-37	MS21044N3	NUT -----								1	
		KNOB-COWL FLAP LEVER -----								1	
-38	1213531-3 *	ATTACHING PARTS -----								1	
	NAS514P1032-12	SCREW -----								1	
-39	2113210-1	BRACKET-COWL FLAP CONTROL -----								1	K K
-40	2113210-3 *	BRACKET-COWL FLAP CONTROL -----								1	
		ATTACHING PARTS -----								2	
-41	AN3-3A	BOLT -----								2	
-42	MS21044N3	NUT -----								2	

NOTE. *WHEN INITIALLY ORDERING THIS PART YOU MUST ALSO ORDER OTHER PARTS MARKED *.

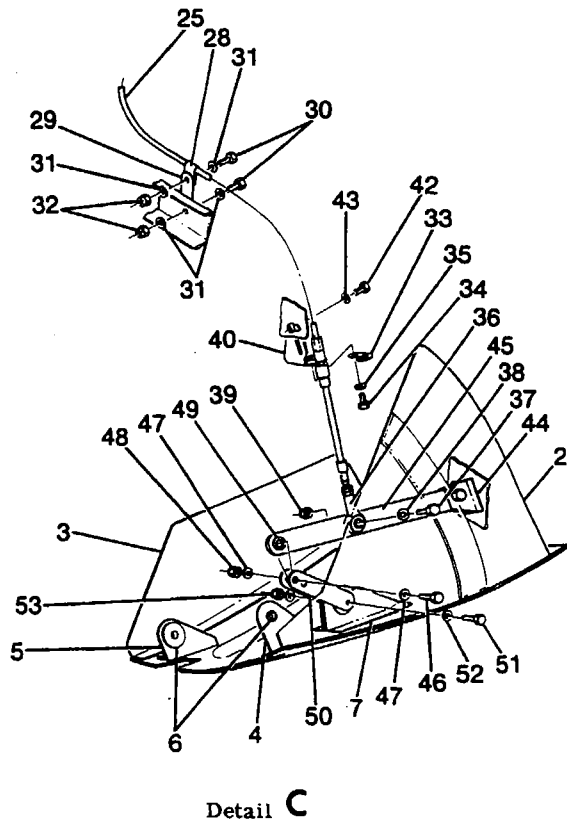
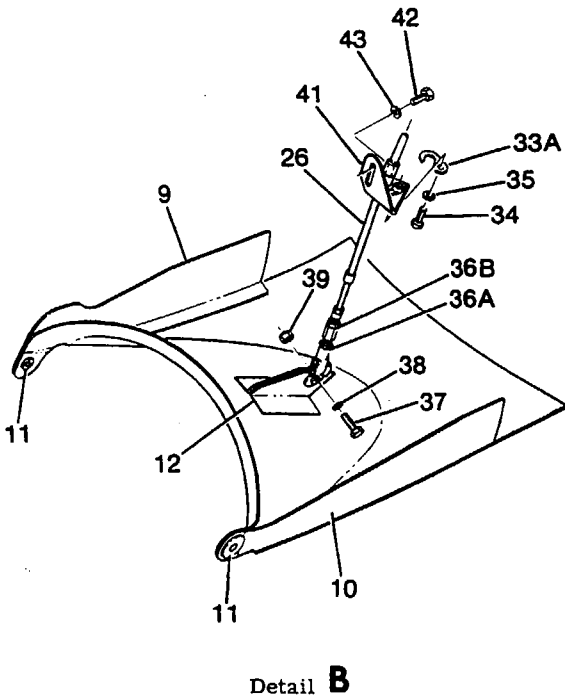
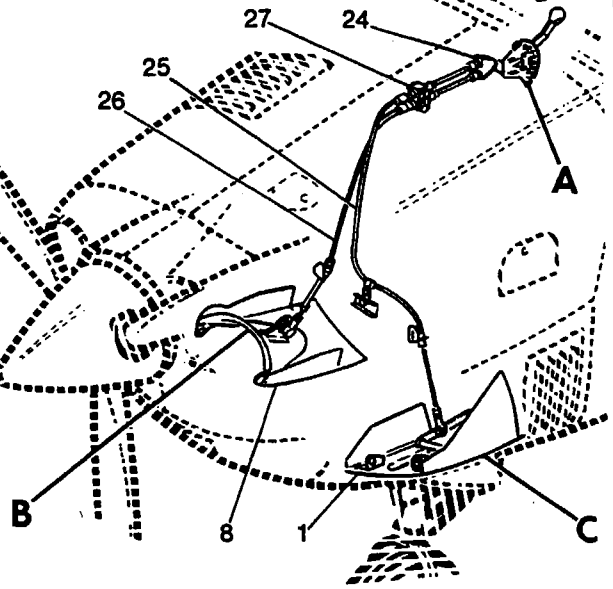
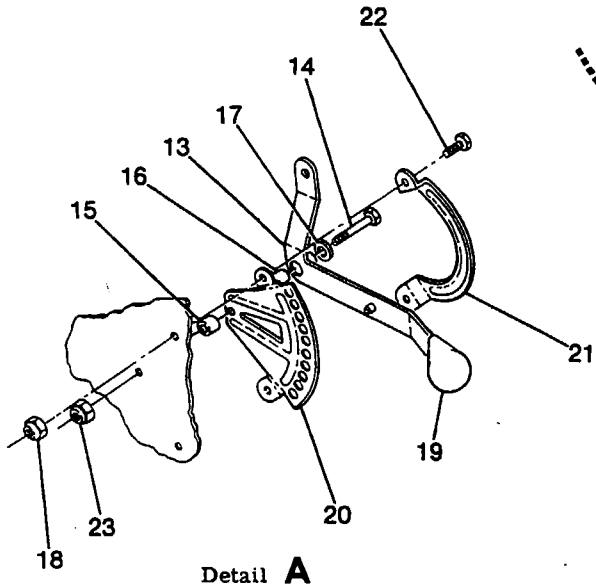
- A---P210 SERIAL P21000001 THRU P21000005
- B---P210 SERIAL P21000001 THRU P21000017
- C---P210 SERIAL P21000018 THRU P21000834
- D---P210 SERIAL P21000001 THRU P21000385
- E---P210 SERIAL P21000386 THRU P21000834
- F---P210 SERIAL P21000001 THRU P21000413
- G---P210 SERIAL P21000414 THRU P21000834
- H---P210 SERIAL P21000001 THRU P21000760
- J---P210 SERIAL P21000386 THRU P21000760
- K---P210 SERIAL P21000761 THRU P21000834
- L---P210 SERIAL P21000001 THRU P21000834

P210 Parts Catalog

FIGURE AND INDEX NO.	PART NUMBER	DESCRIPTION	UNITS PER ASSY	USABLE ON CODE
		1 2 3 4 5 6 7		
85A-		COWL FLAPS SYSTEM -----	NP	A
- 1	2113272-1	DOOR ASSY-COWL FLAP LH -----	1	
- 2	2113272-12	BAFFLE ASSY-OUTBD -----	1	
- 3	2113272-4	BAFFLE-INBD -----	1	
- 4	2113272-9	BRACKET ASSY-OUTBD -----	1	
- 5	2113272-8	BRACKET ASSY-INBD -----	1	
- 6	2113276-9	HOUSING-BEARING -----	1	
- 7	2150134-7	BRACKET ASSY-CONTROL -----	1	
	S2087-1	SHOCK MOUNT -----	1	
- 8	2113276-1	DOOR ASSY-COWL FLAP RH -----	1	
- 9	2113276-5	BAFFLE-OUTBD -----	1	
- 10	2113276-3	BAFFLE-INBD -----	1	
- 11	2113276-9	HOUSING-BEARING -----	2	
- 12	2150134-7	BRACKET ASSY-CONTROL -----	1	
	S2087-1	SHOCK MOUNT -----	1	
CONTINUED ON NEXT PAGE				

P210 Parts Catalog

Engine (Cont)



P210 SERIAL P2100835 & ON
Figure 85A. Cowl Flaps System

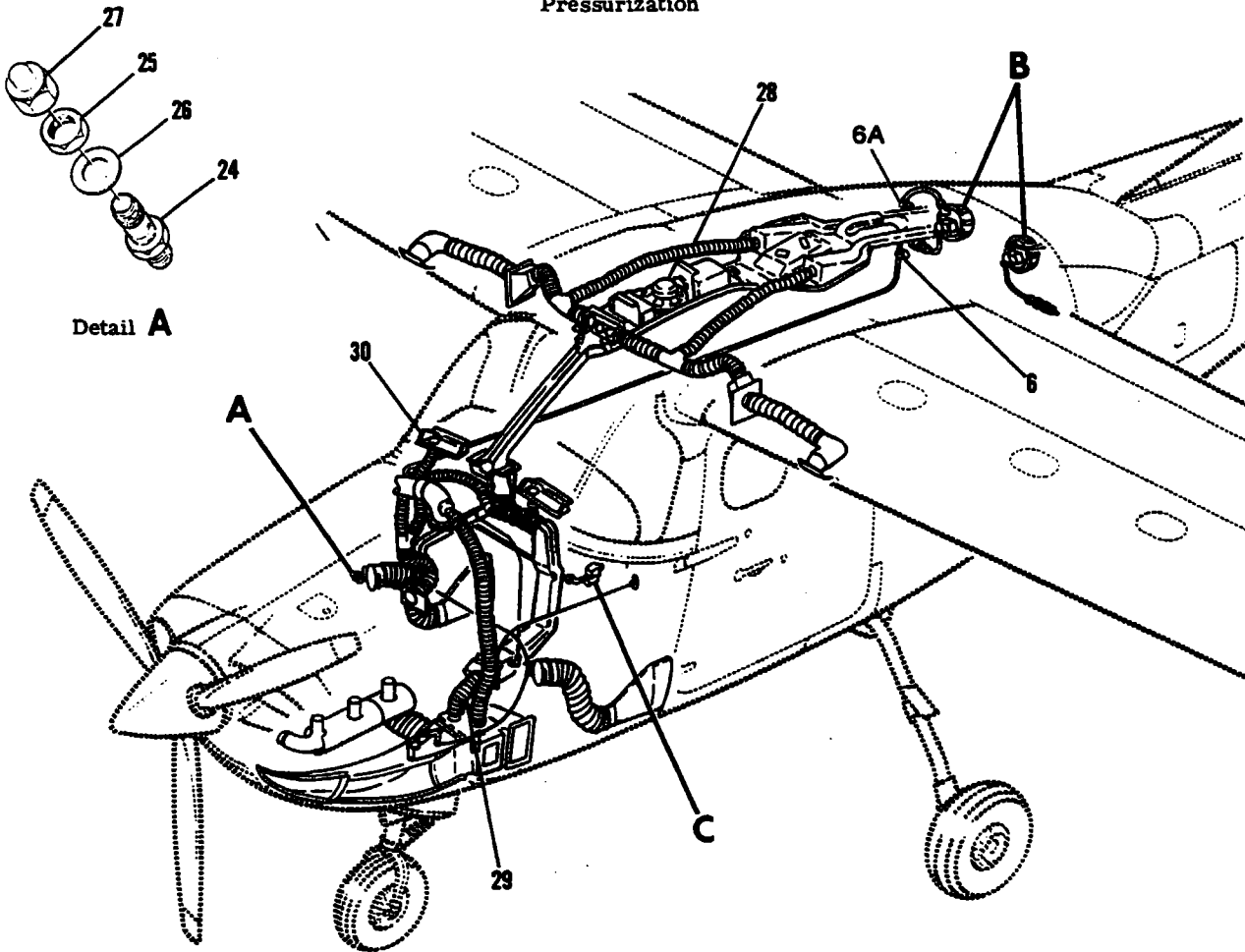
P210 Parts Catalog

FIGURE AND INDEX NO.	PART NUMBER	DESCRIPTION							UNITS PER ASSY	USABLE ON CODE
		1	2	3	4	5	6	7		
85A-13	2113253-1	LEVER ASSY -----							1	
		ATTACHING PARTS -----								
-14	AN3-11A	BOLT -----							1	
-15	NAS42DD6-16	SPACER -----							1	
-16	NAS74A3E008	BUSHING -----							1	
-17	AN970-3	WASHER -----							1	
-18	MS21044N3	NUT -----							1	
		*-----								
-19	1213531-3	KNOB-COWL FLAP LEVER -----							1	
		ATTACHING PARTS -----								
	NAS514P1032-12	SCREW -----							1	
		*-----								
-20	2113210-1	BRACKET-COWL FLAP CONTROL -----							1	
-21	2113210-3	BRACKET-COWL FLAP CONTROL -----							1	
		ATTACHING PARTS -----								
-22	AN3-3A	BOLT -----							2	
-23	MS21044N3	NUT -----							2	
		*-----								
-24	07137101-1	CLEVIS -----							1	
		ATTACHING PARTS -----								
	MS20392-3C11	PIN -----							1	
	NAS1149F0332P	WASHER -----							2	
	MS24665-132	PIN-COTTER -----							1	
		*-----								
-25	56-3425-1186	CONTROL ASSY-LH 80523 -----							1	
-26	55-4421-2616	CONTROL ASSY-RH 80523 -----							1	
		ATTACHING PARTS -----								
	AN316-4R	NUT CLEVIS -----							2	
	AN936A416	WASHER CLEVIS -----							2	
-27	1213305-1	CLAMP -----							1	
	AN3-13A	BOLT -----							3	
	MS20364-1032C	NUT -----							3	
-28	AN742D6	CLAMP LH ONLY -----							1	
-29	S2300-6	BRACKET LH ONLY -----							1	
-30	AN3-4A	BOLT LH ONLY -----							2	
-31	NAS1149F0332P	WASHER LH ONLY -----							4	
-32	MS21044N3	NUT LH ONLY -----							2	
-33	1250025-1	RETAINER LH -----							1	
-33A	1250025-2	RETAINER RH -----							1	
-34	AN3-5A	BOLT -----							1	
-35	NAS1149F0363P	WASHER -----							1	
-36	S1106-3	ROD END LH -----							1	
-36A	1213079-1	CLEVIS RH -----							1	
-36B	1213626-1	LINK-COWL FLAP -----							1	
	AN316-4R	NUT-JAMB -----							1	
-37	AN3-10A	BOLT -----							1	
-38	NAS1149F0363P	WASHER -----							1	
-39	MS20364-1032C	NUT -----							1	
		*-----								
-40	2113297-1	BRACKET-CONTROL LH -----							1	
-41	2113297-3	BRACKET-CONTROL RH -----							1	
		ATTACHING PARTS -----								
-42	AN3-5A	BOLT -----							2	
-43	NAS1149F0363P	WASHER -----							2	
		*-----								
	NAS686A3	NUTPLATE -----							1	
-44	2113292-1	BRACKET -----							1	
-45	2113292-3	LEVER ASSY-LH COWL FLAP -----							1	
		ATTACHING PARTS -----								
-46	AN3-10A	BOLT -----							2	
-47	NAS1149F0363P	WASHER -----							4	
-48	MS20364-1032C	NUT -----							2	
		*-----								
-49	S1003-158	BUSHING -----							2	
	0432003-1	BUSHING -----							2	
-50	2113292-2	LINK -----							2	
		ATTACHING PARTS -----								
-51	AN3-10A	BOLT -----							1	
-52	NAS1149F0363P	WASHER -----							2	
-53	MS20364-1032C	NUT -----							1	
		*-----								

A---P210 SERIAL P21000835 & ON

P210 Parts Catalog

Pressurization

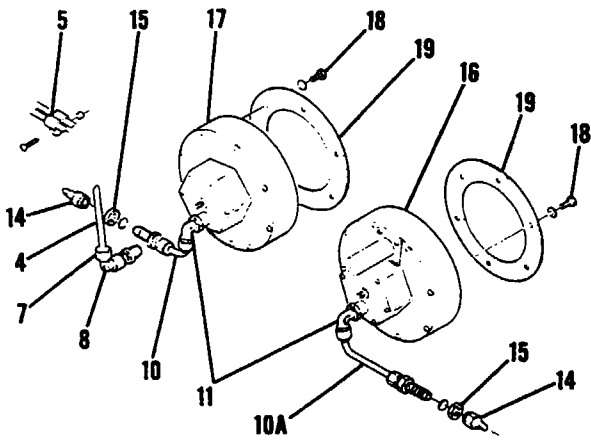


Detail A

A

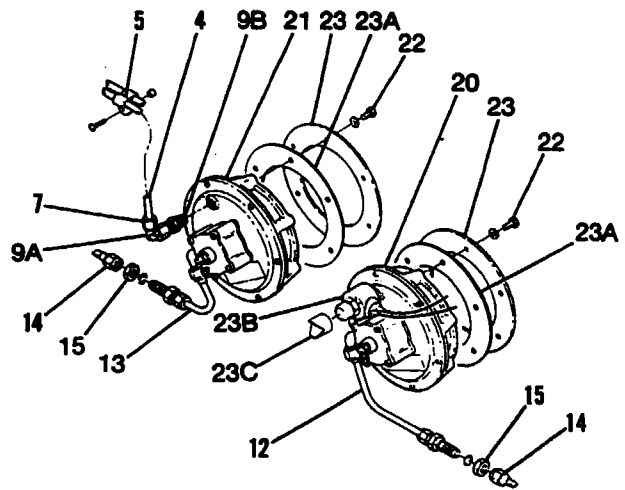
B

C



P21000001 THRU P21000004

Detail B



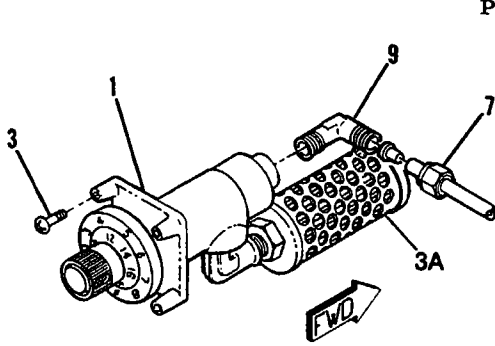
P21000005 & ON

Detail B

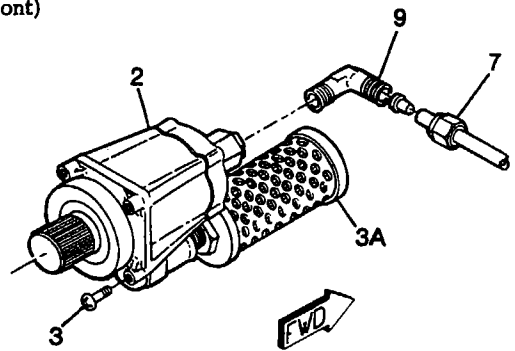
Figure 86. (Sheet 1 of 2) Cabin Pressurization System

P210 Parts Catalog

Pressurization (Cont)

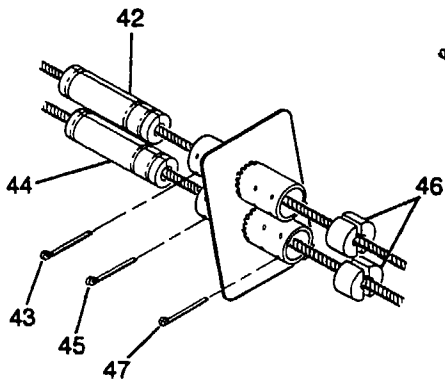


P21000001 THRU P21000004



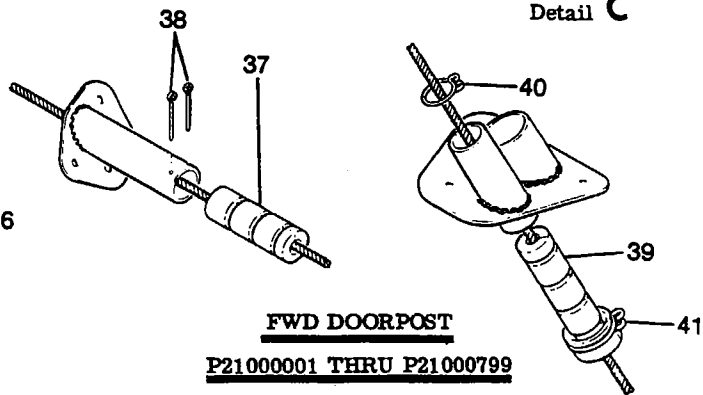
P21000005 & ON

Detail C

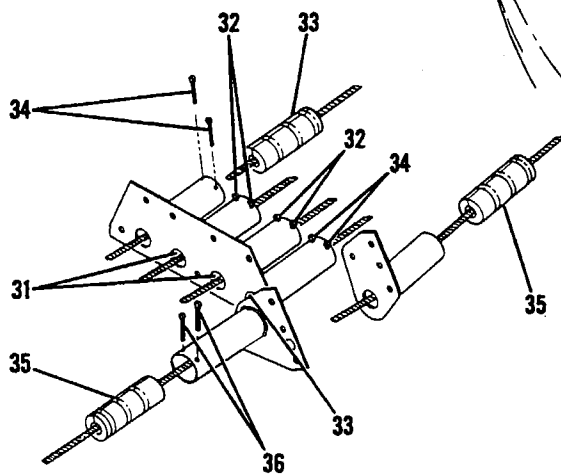


ROOT RIB

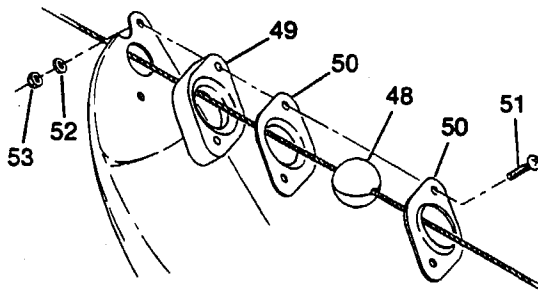
Detail C



**FWD DOORPOST
P21000001 THRU P21000799**



FWD LANDING GEAR BULKHEAD



**FWD DOORPOST
P21000800 & ON**

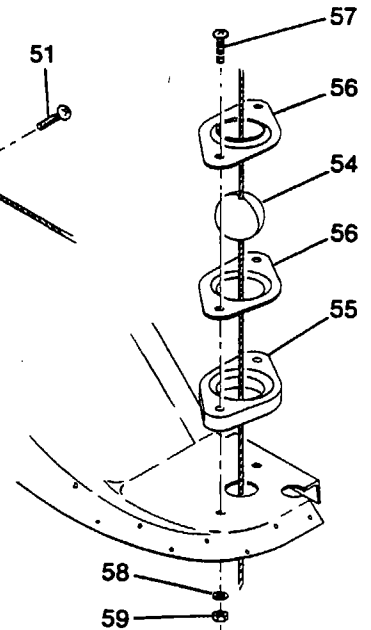


Figure 86. (Sheet 2 of 2) Cabin Pressurization System

P210 Parts Catalog

FIGURE AND INDEX NO.	PART NUMBER	DESCRIPTION	1 2 3 4 5 6 7							UNITS PER ASSY	USABLE ON CODE
			1	2	3	4	5	6	7		
86 -		CABIN PRESSURIZATION SYSTEM								NP	
- 1	88060-4A	CONTROLLER ASSY-CABIN PRESSURIZATION WEST								1	A
- 2	05E00-1	CONTROLLER ASSY-CABIN PRESSURIZATION JAA								1	B
- 3	AN507-632R5	ATTACHING PARTS								4	
		SCREW									
		*-----									
- 3A	85D87-1	FILTER-PRESSURIZATION CONTROLLER JAA								1	
- 4	S1071-1	LINE 168.00 IN LG BKI								1	
		ATTACHING PARTS									
- 5	S1155-4	CLAMP								1	
	NAS430D1-12	SPACER								1	
	S102176-12	SCREW								1	
	NAS395-7	NUT								2	J
- 6	S1155-4	CLAMP								1	H
	S102176-8	SCREW								1	J
	AN515-8R10	SCREW								1	J
- 6A	S1155-4	CLAMP								1	
	S102176-8	SCREW								1	
	NAS395-7	NUT								1	J
		*-----									
- 7	S1130-1	NUT								2	
	S1131-1	INSERT								2	
- 8	S2071-1	ELBOW								1	A
	AN911-1D	NIPPLE								1	A
	AN912-1D	BUSHING								1	A
- 9	S1135-2	ELBOW								1	A
- 9A	S2071-1	ELBOW								1	
- 9B	AN911-1D	NIPPLE								1	
- 10	2100003-21	TUBE ASSY-LH								1	A
- 10A	2100003-28	TUBE ASSY-RH								1	A
- 11	AN921-4D	ELBOW								2	A
	AN924-4D	NUT								2	A
	MS28778-4	PACKING								2	A
- 12	2100003-23	TUBE ASSY								2	A
- 13	2100003-22	TUBE ASSY								1	B
- 14	1511501-1	TUBE ASSY-PICOLLO								2	B
		ATTACHING PARTS									
- 15	AN832-4D	UNION								1	
	AN924-4D	NUT								1	
	250-215-4	LOCK-O-SEAL								1	
		*-----									
- 16	88000-4	VALVE ASSY-SAFETY WEST								1	A
- 17	88030-4	VALVE ASSY-OUTFLOW WEST								1	A
		ATTACHING PARTS									
- 18	AN3H3A	BOLT								6	A
	NAS1149C0363R	WASHER								6	A
- 19	5316518-2	GASKET								1	A
		*-----									
- 20	05E10-1	VALVE ASSY-SAFETY JAA								1	B
- 21	05E05-2	VALVE ASSY-OUTFLOW JAA								1	B
		ATTACHING PARTS									
- 22	AN3H3A	BOLT								6	
	NAS1149C0363R	WASHER								6	
- 23	5316518-2	GASKET								1	
- 23A	2100014-1	RING-SAFETY VALVE								1	
		*-----									
- 23B	07E90-1	SOLENOID-SAFETY VALVE JAA								1	
	15E36-1	NUT-JAMB JAA								1	
	07E91-2	PLUG-ORIFICE JAA								1	
- 23C	2110060-1	SHIELD-SAFETY VALVE								1	C
- 24	AN832-6	UNION								1	
- 25	AN924-6	NUT								1	
- 26	NAS1149F0932P	WASHER								1	
- 27	AN929-6J	CAP ASSY								1	
	AN929-6K	CAP ASSY ALT FOR AN929-6J								1	
	AN929-6S	CAP ASSY ALT FOR AN929-6J								1	
- 28	SEE FIG 87	CABIN VENTILATION SYSTEM								1	
- 29	SEE FIG 88	CABIN HEATER & DEFROSTER-FWD OF FIREWALL								1	
- 30	SEE FIG 89	CABIN HEATER & DEFROSTER-AFT OF FIREWALL								1	
- 31	2111308-10	SEAL-ELEVATOR CONTROL CABLE								2	
		ATTACHING PARTS									
- 32	MS24665-134	PIN-COTTER								2	
		*-----									

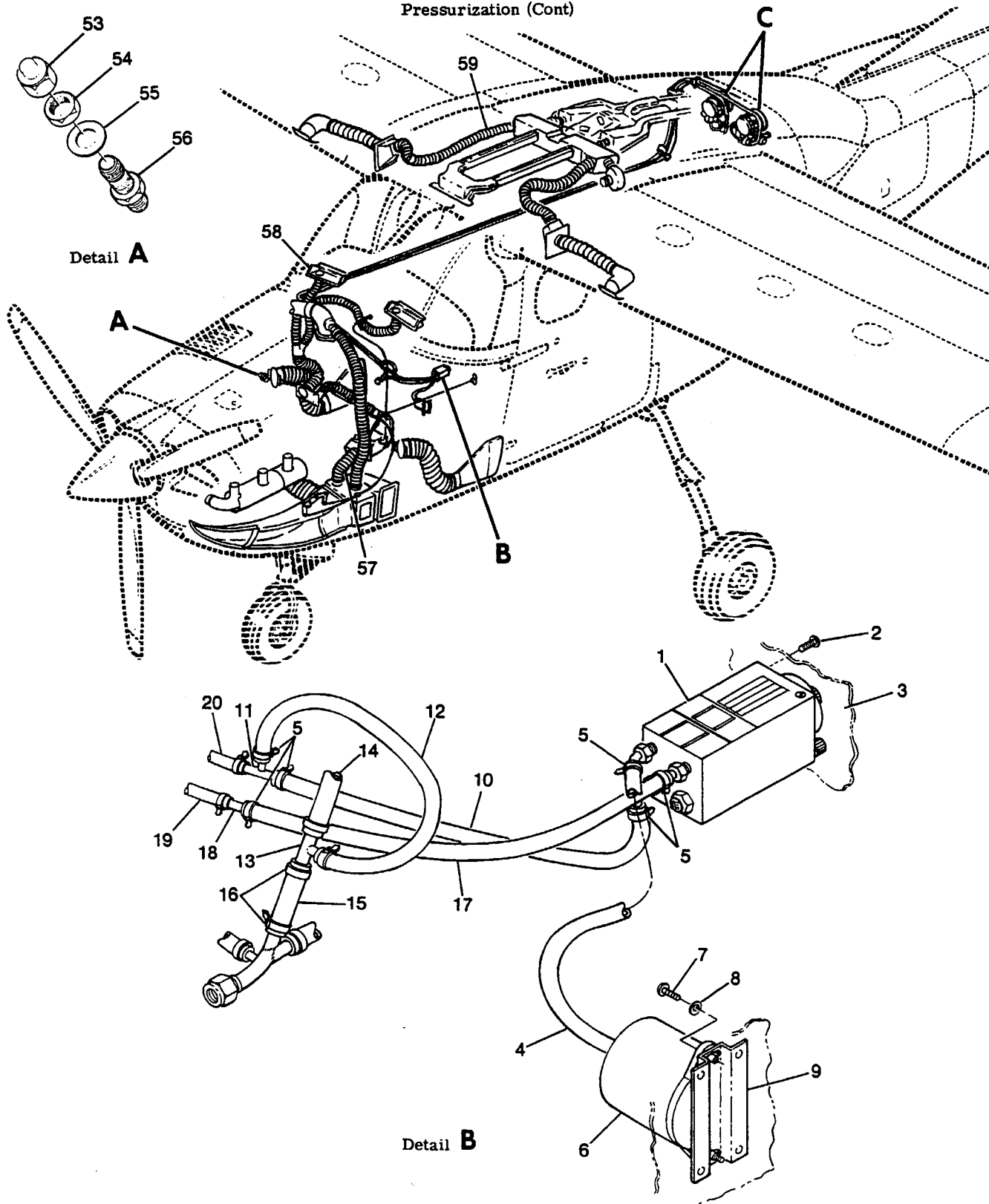
CONTINUED ON NEXT PAGE

P210 Parts Catalog

FIGURE AND INDEX NO.	PART NUMBER	DESCRIPTION							UNITS PER ASSY	USABLE ON CODE
		1	2	3	4	5	6	7		
86 -33	2111308-10	SEAL-RUDDER CONTROL CABLE -----							2	
-34	MS24665-134	ATTACHING PARTS PIN-COTTER -----							2	
-35	2111308-11	SEAL-EVELATOR TRIM CONTROL CABLE -----							2	
-36	MS24665-134	ATTACHING PARTS PIN-COTTER -----							2	
-37	2111308-10	SEAL-AILERON CONTROL CABLE -----							2	D
-38	MS24665-134	ATTACHING PARTS PIN-COTTER -----							2	D
-39	S11K214-4C	SEAL-AILERON CONTROL CABLE HRML -----							2	D
-40	S11L-131C	ATTACHING PARTS RESTRAINING RING HRML -----							2	D
-41	S11L-174C	RESTRAINING RING HRML -----							2	D
-42	S11K-214-3C	SEAL-FLAP CONTROL CABLE HRML WEU 2111308-13 -----							2	F
	2111308-13	SEAL-FLAP CONTROL CABLE -----							2	G
-43	MS24665-155	ATTACHING PARTS PIN-COTTER -----							4	
-44	S11K-214-4C	SEAL-FLAP CONTROL CABLE HRML WEU 2111308-12 -----							2	F
	2111308-12	SEAL-FLAP CONTROL CABLE -----							2	G
-45	MS24665-155	ATTACHING PARTS PIN-COTTER -----							4	
-46	1512079-6	BLOCK-RUB -----							8	
-47	MS24665-155	ATTACHING PARTS PIN-COTTER -----							2	
-48	2160009-1	SEAL SET-PRESSURE -----							2	F
-49	798705	SPACER ROBA -----							2	F
-50	798701	HOUSING-SEAL ROBA -----							4	F
-51	AN515-8R6	ATTACHING PARTS SCREW -----							2	
-52	NAS1149FN816P	WASHER -----							2	
-53	MS21044N08	NUT -----							2	
-54	2160009-1	SEAL SET-PRESSURE -----							2	F
-55	798705-1	SPACER ROBA -----							2	F
-56	798701-1	HOUSING-SEAL -----							4	F
-57	AN515-8R14	ATTACHING PARTS SCREW -----							2	
-58	NAS1149FN816P	WASHER -----							2	
-59	MS21044N08	NUT -----							2	
<p>NOTE. *WHEN INITIALLY ORDERING THIS PART PRIOR TO P21000074 ALSO ORDER OTHER PART MARKED *.</p> <p>A---P210 SERIAL P21000001 THRU P21000004 B---P210 SERIAL P21000005 & ON C---P210 SERIAL P21000718 & ON D---P210 SERIAL P21000001 THRU P21000760 E---P210 SERIAL P21000761 & ON F---P210 SERIAL P21000001 THRU P21000799 G---P210 SERIAL P21000800 & ON H---P210 SERIAL P21000001 THRU P21000834 J---P210 SERIAL P21000835 & ON</p>										

P210 Parts Catalog

Pressurization (Cont)

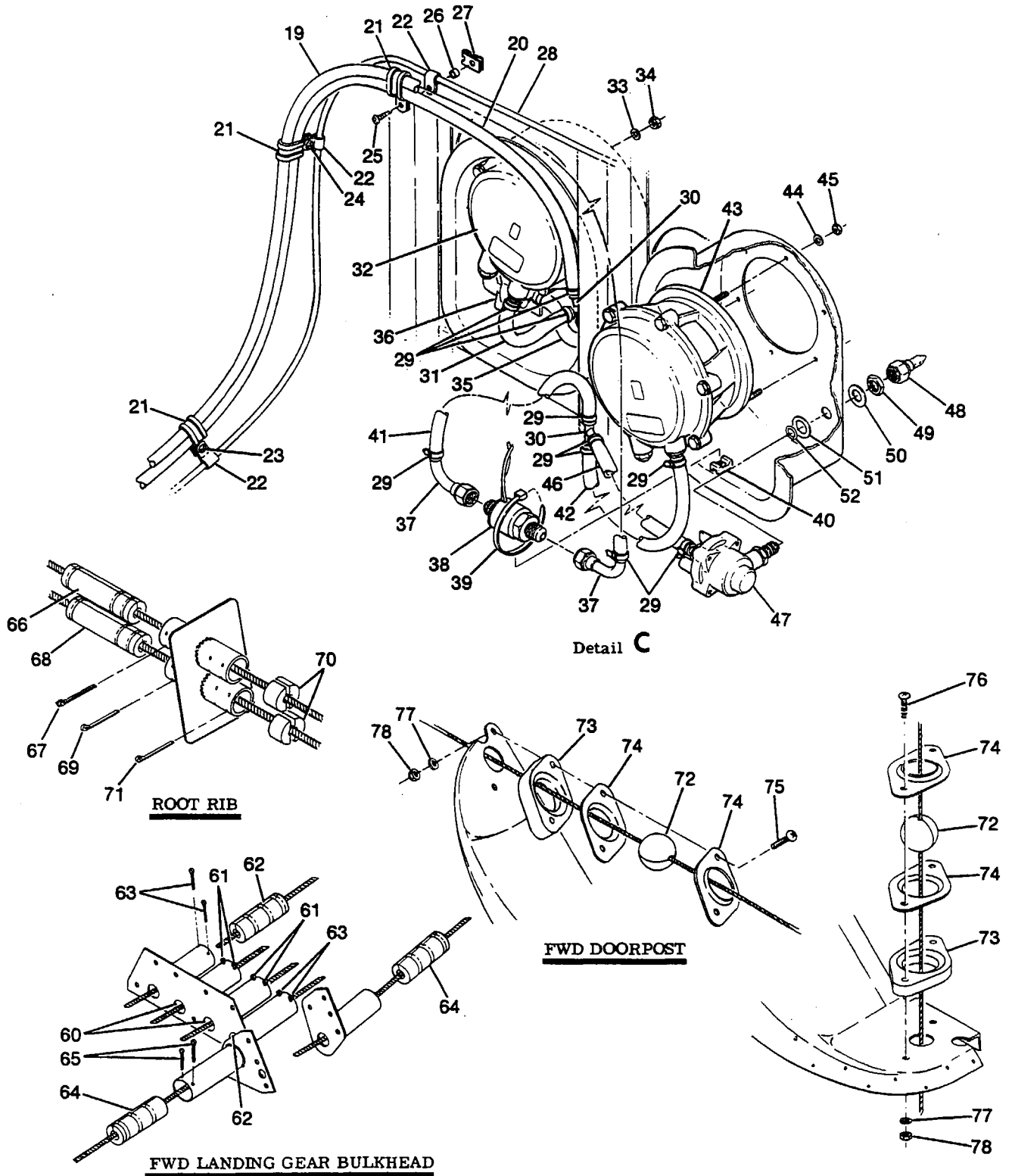


P210 SERIAL P21000835 & ON

Figure 86A. (Sheet 1 of 2) Cabin Pressurization System - Variable Rate

P210 Parts Catalog

Pressurization (Cont)



P210 SERIAL P2100835 & ON

Figure 86A. (Sheet 2 of 2) Cabin Pressurization System - Variable Rate

P210 Parts Catalog

FIGURE AND INDEX NO.	PART NUMBER	DESCRIPTION	1 2 3 4 5 6 7							UNITS PER ASSY	USABLE ON CODE
			1	2	3	4	5	6	7		
86A-		CABIN PRESSURIZATION SYSTEM-VARIABLE RATE								NP	A
- 1	130530-3	CONTROLLER ASSY-CABIN PRESSURIZATION 70210								1	
		ATTACHING PARTS									
- 2	AN507B632R8	SCREW								3	
		-----*									
- 3	SEE FIG 69B	PANEL ASSY-LOWER LH INSTRUMENT UNLIGHTED								1	
	SEE FIG 72B	PANEL ASSY-LOWER LH INSTRUMENT LIGHTED								1	
- 4	S1495-4	HOSE 10.00 IN LG BKI								1	
- 5	S2209-1	TIE								10	
- 6	131358-2	TANK-AUX VOLUME 70210								1	
		ATTACHING PARTS									
- 7	AN520-10R8	SCREW								2	
- 8	NAS1149D0363K	WASHER								2	
		-----*									
- 9	2113250-1	BRACKET ASSY-AUX VOLUME TANK								1	
	NSD697A3	NUTPLATE								2	
-10	S1495-4	HOSE 7.00 IN LG BKI								1	
-11	2110039-7	TUBE ASSY								1	
-12	S1495-4	HOSE 9.00 IN LG BKI								1	
-13	S2504-1-22	TEE								1	
-14	SEE FIG 112A	HOSE TO HORIZON GYRO SINGLE VACUUM PUMP								1	
	SEE FIG 112C	HOSE TO HORIZON GYRO DUAL VACUUM PUMP								1	
-15	S1495-6	HOSE 2.50 IN LG BKI								1	
-16	S2209-2	TIE								2	
-17	S1495-4	HOSE 8.00 IN LG BKI								1	
-18	2110043-18	TUBE								1	
-19	S1071B3	LINE 168.0 IN LG BKI TO OUTFLOW VALVE								1	
-20	S1071B3	LINE 187.0 IN LG BKI TO SAFETY VALVE								1	
-21	S2269-4	CLAMP								3	
-22	S1155-4	CLAMP CLAMP STATIC SOURCE LINE								3	
		ATTACHING PARTS									
-23	AN515-8R10	SCREW								1	
-24	S1021Z6-3	SCREW								1	
	NAS393-7	NUT								1	
-25	S1021Z6-12	SCREW								1	
-26	NAS430D1-12	SPACER								1	
-27	NAS395-7	NUT								1	
		-----*									
-28	SEE FIG 105	LINE-STATIC SOURCE								1	
-29	S2209-1	TIE								12	
-30	2110067-1	TEE								2	
-31	S1495-4	HOSE 7.50 IN LG BKI								1	
-32	103726-1	OUTFLOW VALVE 70210								1	
		ATTACHING PARTS									
-33	NAS1149D0363K	WASHER								3	
-34	MS21044N3	NUT								3	
		-----*									
-35	S1495-4	HOSE 3.50 IN LG BKI								1	
-36	130368-8	CONTROLLER-OUTFLOW VALVE 70210								1	
-37	2150138-3	ELBOW ASSY								1	
-38	162200-1	SOLENOID VALVE 09445								1	
		ATTACHING PARTS									
-39	S2209-2	TIE								1	
		-----*									
-40	S1741-1	ANCHOR								1	
		ATTACHING PARTS									
	AN515-8R8	SCREW								1	
	NAS1149DN832K	WASHER								1	
	MS21044N08	NUT								1	
		-----*									
-41	S1495-4	HOSE 8.75 IN LG BKI								1	
-42	S1495-4	HOSE 8.00 IN LG BKI								1	
-43	103726-2	SAFETY VALVE 70210								1	
		ATTACHING PARTS									
-44	NAS1149D0363K	WASHER								3	
-45	NAS1149DN832K	NUT								3	
		-----*									
-46	S1495-4	HOSE 3.75 IN LG BKI								1	
-47	130368-9	CONTROLLER-SAFETY VALVE								1	

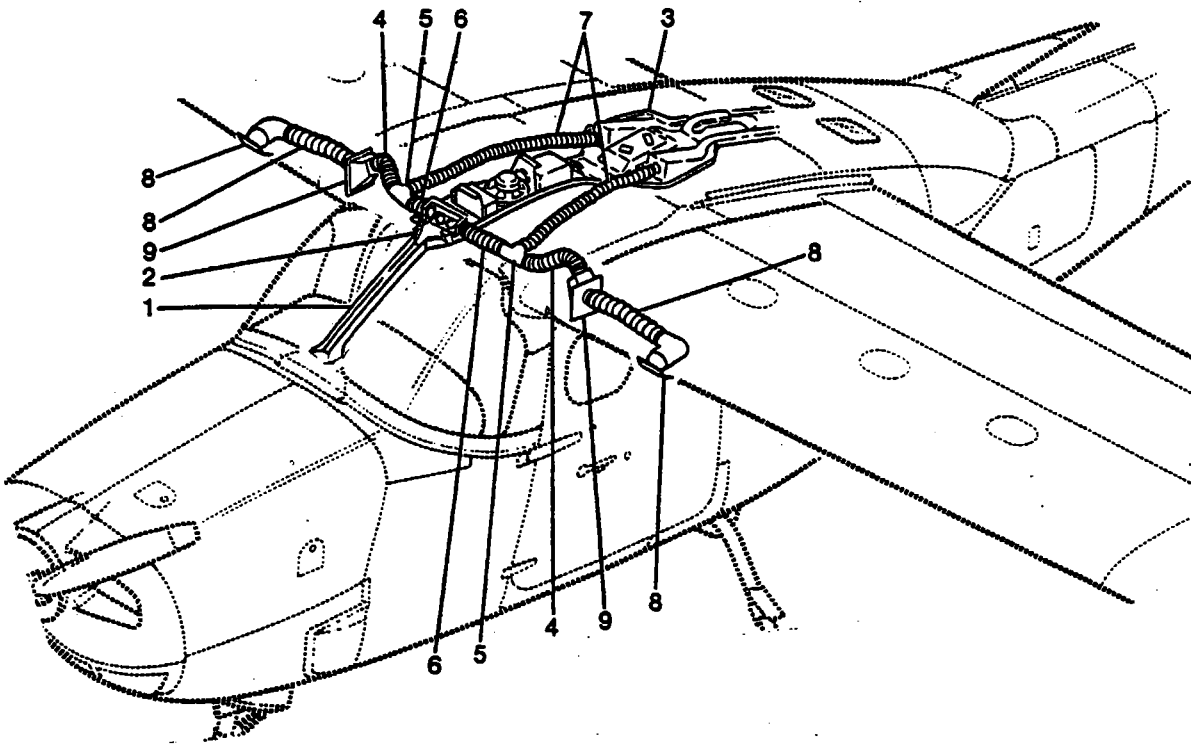
CONTINUED ON NEXT PAGE

P210 Parts Catalog

FIGURE AND INDEX NO.	PART NUMBER	DESCRIPTION							UNITS PER ASSY	USABLE ON CODE
		1	2	3	4	5	6	7		
86A-48	1511501-3	PICOLLO TUBE ASSY -----							2	
-49	AN924-5D	NUT -----							2	
-50	NAS1149D0563K	WASHER -----							2	
-51	S1450-10-15-063	WASHER -----							2	
-52	MS28775-111	O RING -----							2	
-53	AN929-6	CAP ASSY -----							1	
-54	AN924-6	NUT -----							1	
-55	NAS1149F0932P	WASHER -----							1	
-56	ANB32-6	UNION -----							1	
-57	SEE FIG 88	CABIN HEATER & DEFROSTER-FWD OF FIREWALL -----							1	
-58	SEE FIG 89	CABIN HEATER & DEFROSTER-AFT OF FIREWALL -----							1	
-59	SEE FIG 87A	CABIN VENTILLATION SYSTEM -----							1	
-60	2111308-10	SEAL-ELEVATOR CONTROL CABLE -----							2	
		ATTACHING PARTS -----								
-61	MS24665-134	PIN-COTTER -----							2	
		*-----								
-62	2111308-10	SEAL-RUDDER CONTROL CABLE -----							2	
		ATTACHING PARTS -----								
-63	MS24665-134	PIN-COTTER -----							2	
		*-----								
-64	2111308-11	SEAL-ELEVATOR TRIM CONTROL CABLE -----							2	
		ATTACHING PARTS -----								
-65	MS24665-134	PIN-COTTER -----							2	
		*-----								
-66	2111308-13	SEAL-FLAP CONTROL CABLE -----							2	
		ATTACHING PARTS -----								
-67	MS24665-155	PIN-COTTER -----							4	
		*-----								
-68	2111308-12	SEAL-FLAP CONTROL CABLE -----							2	
		ATTACHING PARTS -----								
-69	MS24665-155	PIN-COTTER -----							4	
		*-----								
-70	1512079-6	BLOCK-RUB -----							8	
		ATTACHING PARTS -----								
-71	MS24665-155	PIN-COTTER -----							2	
		*-----								
-72	2160009-1	SEAL SET-PRESSURE -----							4	
-73	79B705-1	SPACER ROBA -----							4	
-74	79B701-1	HOUSING-SEAL ROBA -----							8	
		ATTACHING PARTS -----								
-75	AN515-8R6	SCREW -----							2	
-76	AN515-8R14	SCREW -----							2	
-77	NAS1149FN816P	WASHER -----							2	
-78	MS21044N08	NUT -----							2	
		*-----								
A---P210 SERIAL P21000835 & ON										

P210 Parts Catalog

Pressurization (Cont)



P210 SERIAL P2100001 THRU P21000150

Figure 87. Cabin Ventilation System

FIGURE AND INDEX NO.	PART NUMBER	DESCRIPTION							UNITS PER ASSY	USABLE ON CODE
		1	2	3	4	5	6	7		
87 -		CABIN VENTILATION SYSTEM -----							NP	A
- 1	2110032-1	DUCT-WINDSHIELD CENTER POST -----							1	
- 2	2110033-1	DUCT ASSY-OVERHEAD FRESH AIR -----							1	
	2113165-1	ATTACHING PARTS -----								
	NAS221-9	TAB-OVERHEAD DUCT -----							2	
		SCREW -----							2	
	2394	*-----								
		VALVE ASSY WMAC -----							2	
- 3	SEE FIG 138	OVERHEAD CONSOLE ASSY -----							1	
- 4	S1053E16T	DUCT ASSY 12.00 IN LG BKI -----							2	
		ATTACHING PARTS -----								
	S2209-3	STA-STRAP -----							2	
		*-----								
- 5	2110035-1	DUCT ASSY -----							2	
- 6	S1053E16T	DUCT 8.00 IN LG BKI -----							2	
		ATTACHING PARTS -----								
	S2209-3	STA-STRAP -----							2	
		*-----								
- 7	S1053E12T	DUCT 30.00 IN LG BKI -----							2	
		ATTACHING PARTS -----								
	S2209-3	STA-STRAP -----							2	
		*-----								
- 8	SEE FIG 5	VENTILATION AIR INLET COMPONENTS -----							2	
- 9	SEE FIG 34	VALVE ASSY-PRESSURE CHECK -----							2	
		A---P210 SERIAL P2100001 THRU P21000150								

P210 Parts Catalog

FIGURE AND INDEX NO.	PART NUMBER	1	2	3	4	5	6	7	DESCRIPTION	UNITS PER ASSY	USABLE ON CODE
87A-									CABIN VENTILATION SYSTEM -----	NP	A H G
- 1	2110050-1								PLENUM ASSY WEU 2110050-15 -----	1	
	2110050-15								PLENUM ASSY -----	1	
- 2	S1053E16T								DUCT 6.00 IN LG BKI -----	2	
	S2209-3								ATTACHING PARTS STA-STRAP -----	2	
									-----*		
- 3	S1053E16T								DUCT 24.00 IN LG BKI -----	2	
	S2209-3								ATTACHING PARTS STA-STRAP -----	2	
									-----*		
- 4	S1053E24T								DUCT 5.00 IN LG BKI -----	1	
	S2209-3								ATTACHING PARTS STA-STRAP -----	2	
									-----*		
- 5	C414005-0101 @								BLOWER & MOTOR ASSY -----	1	
									ATTACHING PARTS		
- 6	S1891-48								CLAMP -----	2	
									-----*		
	HE81293-3								MOTOR ASSY JAA -----	1	
	HE81087-1								FAN WHEEL JAA -----	1	
	2117102-1								INSULATOR-BLOWER MOTOR -----	1	
- 7	2110049-1								DUCT ASSY -----	2	
- 8	2110052-1								DUCT ASSY -----	1	
	2394								VALVE ASSY WMAC -----	2	
	NAS1149DN316K								ATTACHING PARTS WASHER -----	4	
									-----*		

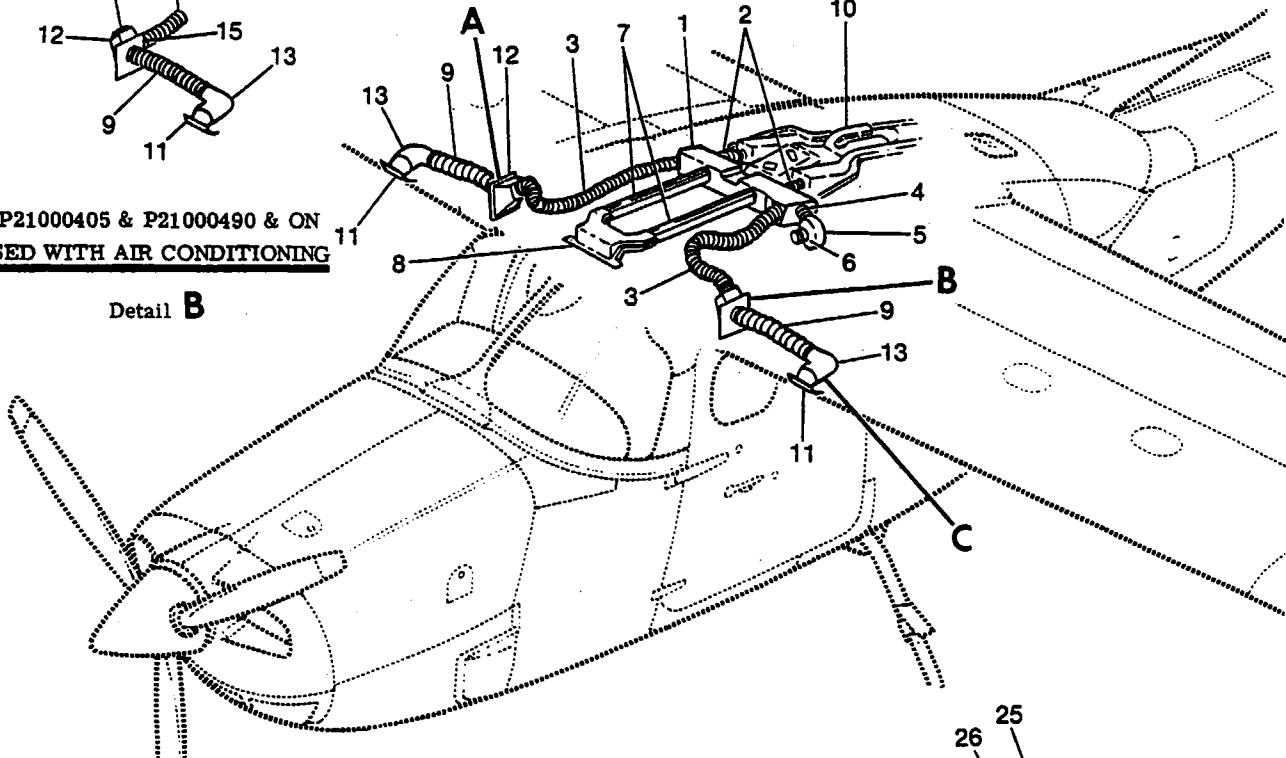
CONTINUED ON NEXT PAGE

P210 Parts Catalog

Pressurization (Cont)

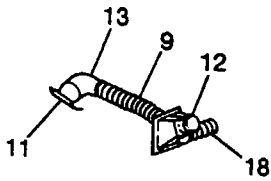
**P21000405 & P21000490 & ON
USED WITH AIR CONDITIONING**

Detail B



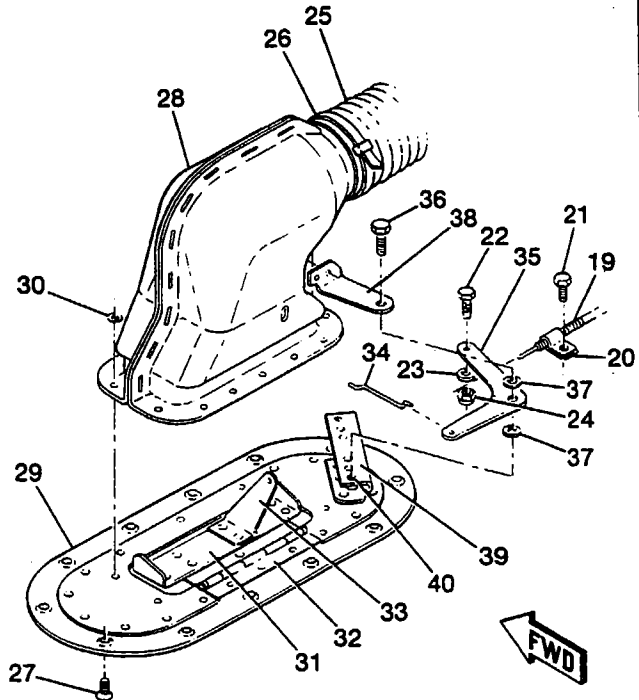
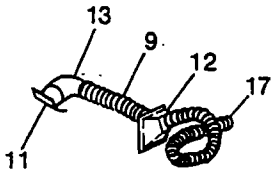
**P21000761 & ON
USED WITH AIR CONDITIONING**

Detail A



**P21000405 & P21000490
THRU P21000760
USED WITH AIR CONDITIONING**

Detail A



**P21000835 & ON
USED WITHOUT AIR CONDITIONING**

Detail C

P210 SERIAL P21000151 & ON

Figure 87A. Cabin Ventilation System

P210 Parts Catalog

FIGURE AND INDEX NO.	PART NUMBER	DESCRIPTION	1 2 3 4 5 6 7							UNITS PER ASSY	USABLE ON CODE
			1	2	3	4	5	6	7		
87A- 9	S1053E17T *	DUCT 13.00 IN LG BKI -----								2	C G
	S1053E17T	DUCT 13.00 IN LG BKI USED WITH AIR CONDITIONING -----								2	
	S2209-3 *	ATTACHING PARTS ----- STA STRAP -----								2	
-10	SEE FIG 138	OVERHEAD CONSOLE ASSY -----								1	
-11	SEE FIG 5	VENTILATION AIR INLET COMPONENTS -----								2	H
-12	SEE FIG 34	VALVE ASSY-PRESSURE CHECK -----								2	
-13	2100011-4 *	CONNECTOR ASSY -----								2	C
	S1021A4-8	ATTACHING PARTS ----- SCREW -----								1	
-14	2101036-13	CAP-LH USED WITH AIR CONDITIONING -----								1	D D E F
-15	2101036-10	ADAPTOR ASSY-LH USED WITH AIR CONDITIONING -----								1	
-16	S1053E16T	DUCT 13.00 IN LG BKI USED WITH AIR CONDITIONING -----								1	
-17	S1053E16T	DUCT 20.00 IN LG BKI USED WITH AIR CONDITIONING -----								1	
-18	S1053E16T	DUCT 3.00 IN LG BKI USED WITH AIR CONDITIONING -----								1	
	S2209-3	ATTACHING PARTS ----- STA STRAP -----								2	
-19		CONTROL ASSY-OVERHEAD AIR -----								2	G
	S2226-2	ATTACHING PARTS -----								1	
-20	AN3-3A	CLAMP -----								1	
-21	S2323-5	BOLT -----								1	
-22	NAS1149F0363P	CLAMP -----								1	
-23	MS21044N3	WASHER -----								1	
-24		NUT -----								1	
-25	S1053E17T	DUCT 10.00 IN LG BKI -----								2	G
-26	S2209-3	ATTACHING PARTS ----- STA STRAP -----								2	
	1220133-1	INLET ASSY-LH AIR -----								1	G G
	1220133-2	INLET ASSY-RH AIR -----								1	
-27	AN507-1032R7	ATTACHING PARTS ----- SCREW -----								12	
-28	1220135-1	DUCT ASSY-AIR INLET -----								1	
-29	1220134-9	COVER ASSY-AIR INLET -----								1	
-30	NAS1149FN216P	ATTACHING PARTS ----- WASHER -----								12	
-31	1220134-14	DOOR ASSY-AIR INLET -----								1	
-32	1220134-10	HINGE ASSY -----								1	
-33	1220137-1	CONTROL ARM-FRESH AIR VENT -----								1	
-34	1220139-1	PUSHROD-FRESH AIR VENT -----								1	
-35	1220138-1	BELLCRANK-FRESH AIR VENT -----								1	
-36	AN3-5A	ATTACHING PARTS -----								1	
-37	NAS1149F0363P	BOLT -----								2	
		WASHER -----								2	
-38	1220141-1	STRAP-BELLCRANK SUPPORT LH -----								1	
	1220141-2	STRAP-BELLCRANK SUPPORT RH -----								1	
	NAS1149FN216P	ATTACHING PARTS ----- WASHER -----								2	
-39	1220140-1	SUPPORT ASSY-BELLCRANK LH -----								1	
-40	1220140-2	SUPPORT ASSY-BELLCRANK RH -----								1	
	NAS682A3	NUTPLATE -----								2	

NOTE. *PRIOR TO P21000591 THESE PARTS ARE FOUND ON WING LEADING EDGE ASSEMBLIES & COMPONENTS.

NOTE. @AN EXCHANGE PART IS ALSO AVAILABLE. REFER TO THE MASTER PRICE LIST.

A---P210 SERIAL P21000151 & ON
 B---P210 SERIAL P21000386 & ON
 C---P210 SERIAL P21000591 THRU P21000834
 D---P210 SERIAL P21000405 & P21000490 & ON
 E---P210 SERIAL P21000405 & P21000490 THRU P21000760
 F---P210 SERIAL P21000761 & ON
 G---P210 SERIAL P21000835 & ON
 H---P210 SERIAL P21000151 THRU P21000834

P210 Parts Catalog

Pressurization (Cont)

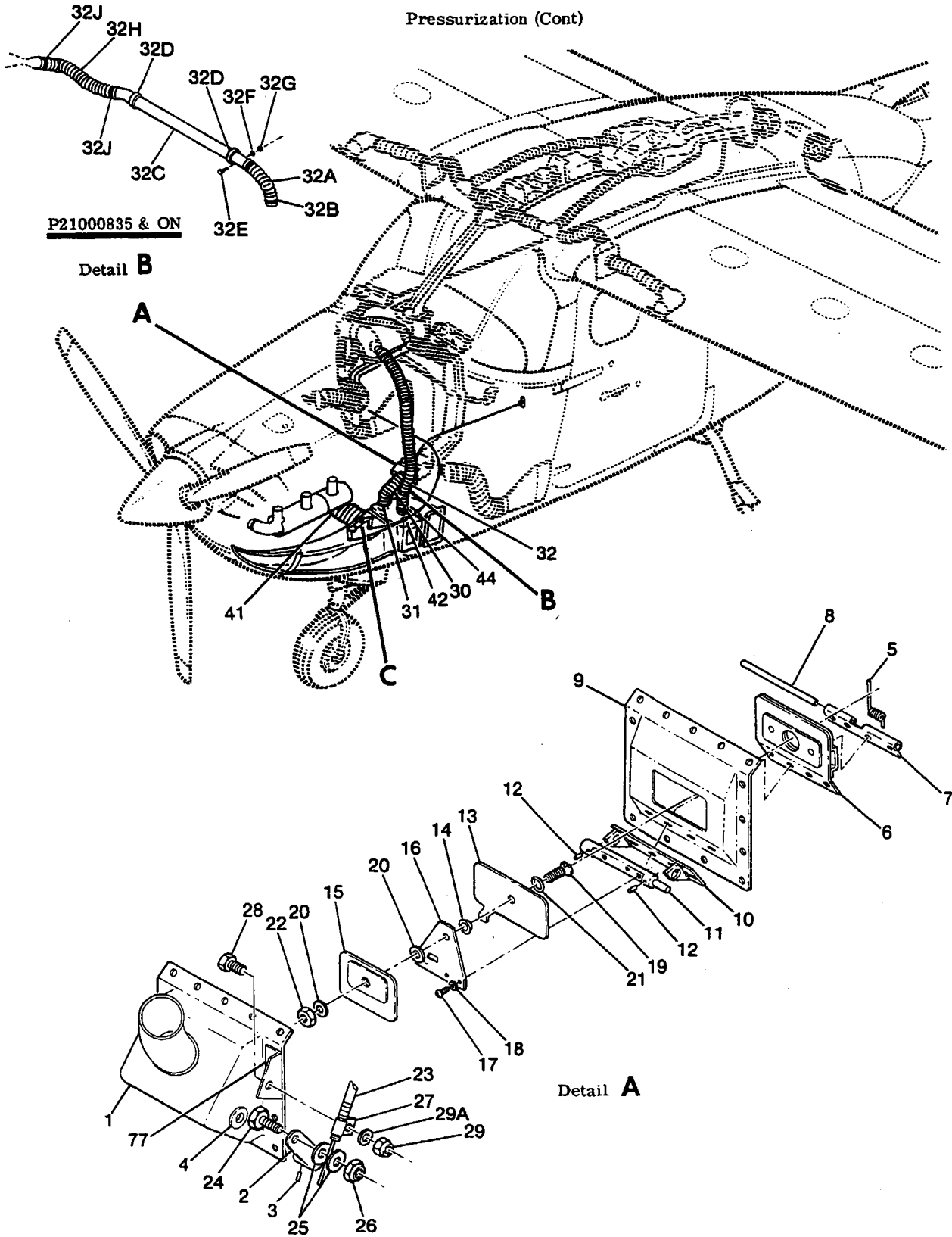
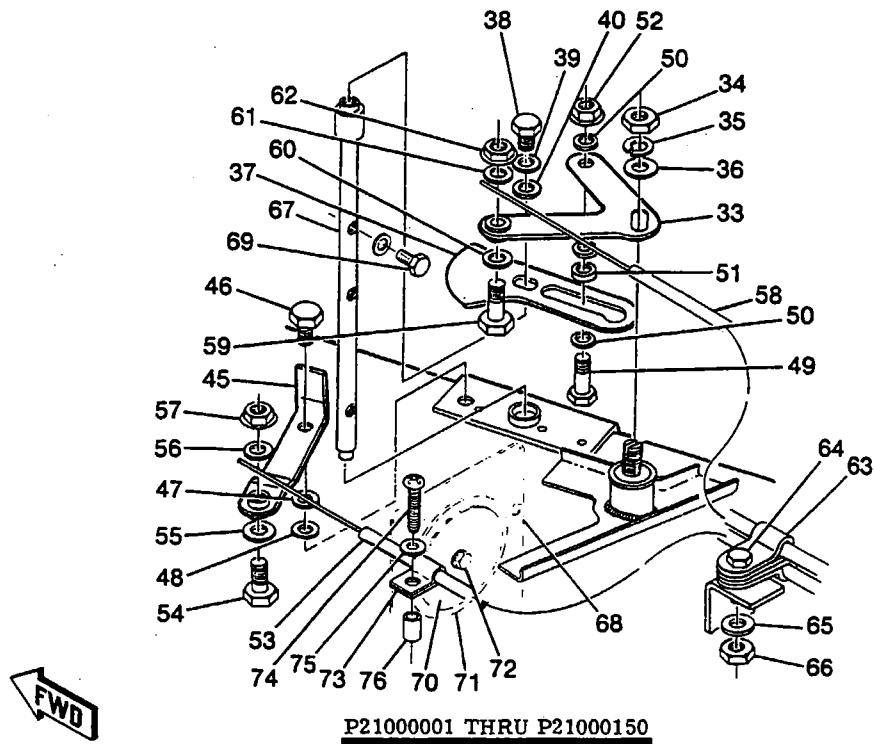


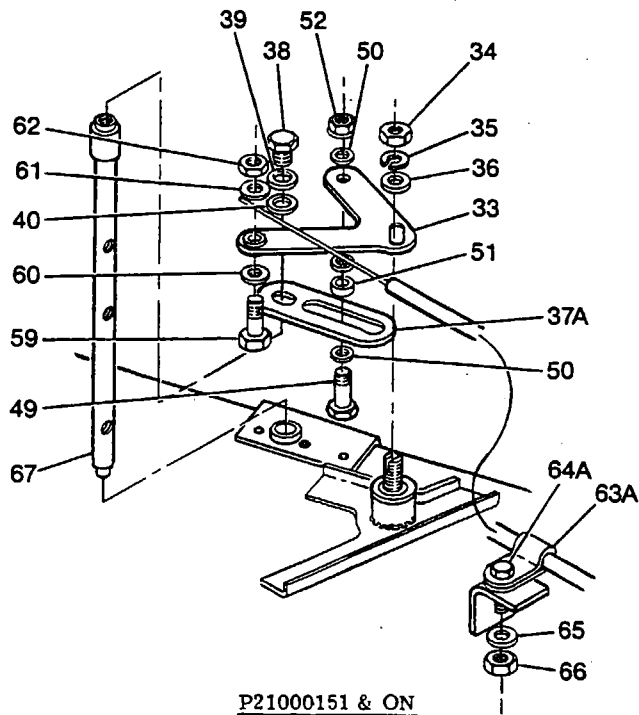
Figure 88. (Sheet 1 of 2) Cabin Heater & Defroster System - Fwd of Firewall

P210 Parts Catalog

Pressurization (Cont)



Detail C



Detail C

Figure 88. (Sheet 2 of 2) Cabin Heater & Defroster System - Fwd of Firewall

P210 Parts Catalog

FIGURE AND INDEX NO.	PART NUMBER	DESCRIPTION	1 2 3 4 5 6 7							UNITS PER ASSY	USABLE ON CODE
			1	2	3	4	5	6	7		
88 -		CABIN HEATER & DEFROSTER SYSTEM-FWD OF FIREWALL								NP	
- 1	2150083-2	VALVE ASSY-FIREWALL								1	
- 2	1253069-3	ARM ASSY								1	
		ATTACHING PARTS									
- 3	MS16562-25	PIN-ROLL								1	
		-----*									
- 4	MS35489-6	GROMMET								1	
	2150073-2	SEAT ASSY-VALVE								1	
- 5	1552171-2	SPRING								1	
- 6	2150075-1	CHECK VALVE ASSY-HEATER								1	
- 7	2150077-1	RETAINER								1	
- 8	MS20253P1-330	PIN								1	
- 9	2150085-1	VALVE SEAT								1	
-10	2150076-4	BEARING ASSY								1	
-11	2150079-3	SHAFT								1	
-12	MS16562-5	PIN-ROLL								2	
-13	2150078-1	DOOR								1	
-14	2150084-1	BEARING-DOOR								1	
-15	2150109-1	SEAL ASSY								1	
-16	2150080-1	DOOR								1	
		ATTACHING PARTS									
-17	AN515-8R6	SCREW								3	
-18	AN936A8	WASHER								3	
		-----*									
-19	NAS588-10-16	SCREW								1	
-20	S1450-3-10-082	WASHER								2	
-21	MS28778-3	PACKING								1	
-22	MS21042L3	NUT								1	
-23		CONTROL SEE SWITCH PANEL								1	
		ATTACHING PARTS									
-24	S2323-5	CLAMP								1	
-25	NAS1149F0363P	WASHER								2	
-26	MS21044N3	NUT								1	
-27	S2226-2	CLAMP								1	
-28	AN4-4A	BOLT								1	
-29	MS21042L4	NUT								1	
-29A	NAS1149F0463P	WASHER								1	
		-----*									
-30	S2380-1	DUCT								1	
		ATTACHING PARTS									
-31	S1891-32	CLAMP								2	
		-----*									
-32	S2380-2	DUCT								1	C
		ATTACHING PARTS									
	S1891-32	CLAMP								2	C
		-----*									
-32A	S2380-1	DUCT								1	D
		ATTACHING PARTS									
-32B	S1891-32	CLAMP								2	D
		-----*									
-32C	2100003-126	TUBE-VENTURI CROSSOVER								1	D
-32D	MS219190G28	CLAMP								2	D
		ATTACHING PARTS									
-32E	AN3-4A	BOLT								1	D
-32F	NAS1149F0332P	WASHER LH								1	D
	NAS1149F0332P	WASHER RH								2	D
-32G	MS20365-1032C	NUT								1	D
		-----*									
-32H	S2380-1	DUCT								1	D
		ATTACHING PARTS									
-32J	S1891-32	CLAMP								2	D
		-----*									
-33	2150092-1	ARM ASSY								1	
		ATTACHING PARTS									
-34	AN345-516	NUT								1	
-35	AN935-516L	WASHER								1	
-36	NAS1149F0563P	WASHER								1	
		-----*									
-37	2150111-1	ARM								1	A
-37A	2150094-1	ARM								1	B
		ATTACHING PARTS									
-38	AN3-3A	BOLT								1	
-39	AN935-10	WASHER								1	
-40	S1450-3-10-032	WASHER								1	
		-----*									

CONTINUED ON NEXT PAGE

P210 Parts Catalog

FIGURE AND INDEX NO.	PART NUMBER	DESCRIPTION							UNITS PER ASSY	USABLE ON CODE
		1	2	3	4	5	6	7		
88 -41	S1053K28T	DUCT	12.00	IN	LG	BKI	-----	-----	1	
	NAS398-58	ATTACHING PARTS							2	
-42	C166051-0101	HEAT EXCHANGER							1	
	AN3-61A	ATTACHING PARTS							4	
	NAS43DD3-358	BOLT							4	
	NAS1149F0332P	SPACER							4	D
		WASHER							4	
-43		DELETED-NOT USED								
-44	S2145-1	CHANNEL	17.85	IN	LG	BKI	-----	-----	2	
	S202RB	CHANNEL	17.85	IN	LG	BKI	-----	-----	2	
-45	2150110-1	ARM ASSY							1	A
-46	AN4-6A	ATTACHING PARTS							1	
-47	NAS1149C0632R	BOLT							1	
-48	NAS1149C0663R	WASHER							1	
	2150113-1	WASHER							1	
		BUSHING							1	
-49	AN4-6A	ATTACHING PARTS							1	
-50	NAS1149F0432P	BOLT							3	
-51	S1003-9A	WASHER							1	
-52	MS21042L4	BEARING							1	
-53		NUT							1	
		CONTROL SEE INSTRUMENT PANEL							1	A
-54	S2323-12	ATTACHING PARTS							1	
-55	NAS1149F0432P	CLAMP							1	
-56	NAS1149F0463P	WASHER							1	
-57	MS21042L4	WASHER							1	
		NUT							1	
-58		CONTROL SEE INSTRUMENT PANEL							1	
-59	S2323-12	ATTACHING PARTS							1	
-60	NAS1149F0432P	CLAMP							1	
-61	NAS1149F0463P	WASHER							1	
-62	MS21042L4	WASHER							1	
		NUT							1	
-63	S2226-2	ATTACHING PARTS							2	
-63A	S2226-2	CLAMP							1	A
-64	AN4-5A	CLAMP							1	B
-64A	AN4-3A	BOLT							1	B
-65	NAS1149F0463P	BOLT							1	B
-66	MS21042L4	WASHER							1	
-67	2150090-2	NUT							1	
-68	2150089-1	SHAFT-VALVE DOOR							1	
		DOOR ASSY-HEAT EXCHANGER							1	
-69	AN3-3A	ATTACHING PARTS							3	
	NAS1149F0363P	BOLT							3	
		WASHER							3	
-70	2150002-4	ATTACHING PARTS							2	
-71	2150002-3	RETAINER							1	
		SEAL							1	
-72	AN3-5A	ATTACHING PARTS							1	
	NAS1149F0363P	BOLT							2	
	MS20364-1032C	WASHER							1	
		NUT							1	
-73	S2226-2	ATTACHING PARTS							1	A
-74	AN520-10R16	CLAMP							1	A
-75	NAS1149F0332P	SCREW							1	A
-76	NAS43DD3-28	WASHER							1	A
		SPACER							1	A
-77	2150119-1	ATTACHING PARTS							1	
		BRACKET							1	

A---P210 SERIAL P21000001 THRU P21000150
 B---P210 SERIAL P21000151 & ON
 C---P210 SERIAL P21000001 THRU P21000834
 D---P210 SERIAL P21000835 & ON

P210 Parts Catalog

Pressurization (Cont)

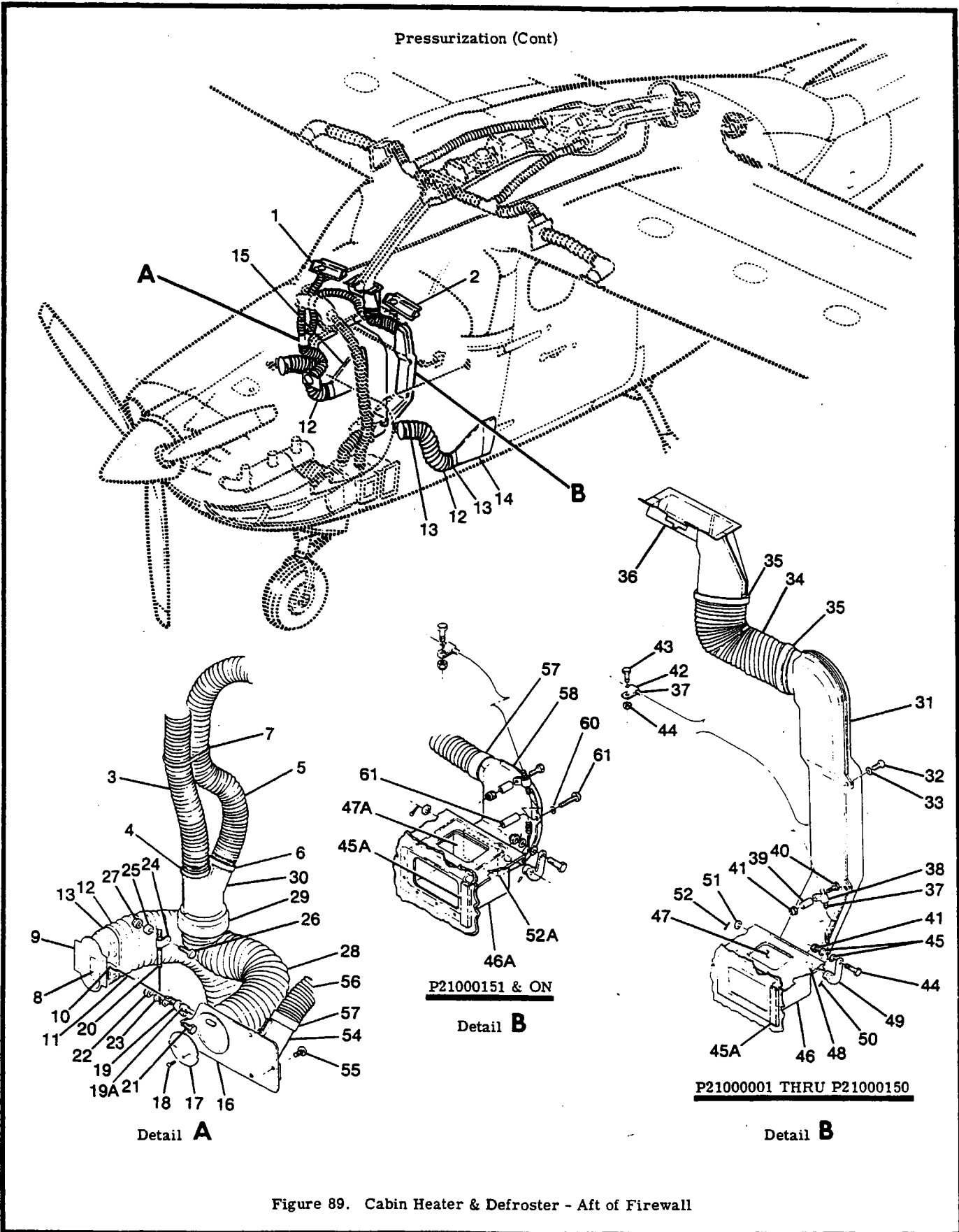


Figure 89. Cabin Heater & Defroster - Aft of Firewall

P210 Parts Catalog

FIGURE AND INDEX NO.	PART NUMBER	DESCRIPTION	1 2 3 4 5 6 7							UNITS PER ASSY	USABLE ON CODE
			1	2	3	4	5	6	7		
89 -		CABIN HEATER & DEFROSTER SYSTEM-AFT OF FIREWALL -----								NP	
- 1	2113006-2	DUCT ASSY-DEFROST RH -----								1	
- 2	2113006-1	DUCT ASSY-DEFROST LH -----								1	
	AN515-8R8	ATTACHING PARTS -----									
		SCREW -----								3	
- 3	S1053E10T	DUCT 14.00 IN LG BKI -----								1	
- 4	S2209-3	ATTACHING PARTS -----									
- 5	S1053E10T	DUCT 30.00 IN LG BKI -----								1	
- 6	S2209-3	ATTACHING PARTS -----									
- 7	S2209-3	CLAMP -----								2	
		STRAP -----								2	
- 8	2113148-1	VALVE-PLENUM -----								1	
- 9	2113147-1	ADAPTER-HOSE -----								1	
-10	2113149-1	ARM-DAMPER -----								1	
-11	2113150-1	ACTUATOR-DAMPER ARM -----								1	
-12	S1110ET	DUCT 19.50 IN LG BKI -----								2	
-13	S1891-48	ATTACHING PARTS -----									
		CLAMP -----								2	
-14	1250503-1	DUCT-LH -----								1	
-15	1250503-2	DUCT-RH -----								1	
-16	2153025-1	OUTLET ASSY-DEFROSTER -----								1	
-17	1713030-5	VALVE-OUTLET -----								1	
-18	AN515-3R3	ATTACHING PARTS -----									
	AN935-3L	SCREW -----								2	
		WASHER -----								2	
-19	2113151-1	ARM ASSY-DAMPER -----								1	
-19A	NAS43DD3-24	SPACER -----								1	
-20		CONTROL ASSY-DEFROST SEE INSTRUMENT PANEL -----								1	
-21	S2323-5	ATTACHING PARTS -----									
-22	MS21044N3	CLAMP -----								1	
-23	NAS1149F0363P	NUT -----								1	
-24	AN742D3	WASHER -----								2	
-25	NAS43DD3-15	CLAMP -----								1	
-26	AN3-6A	SPACER -----								1	
-27	MS21044N3	BOLT -----								1	
		NUT -----								1	
-28	S1053E16T	DUCT 12.00 IN LG BKI -----								1	
-29	S2209-3	ATTACHING PARTS -----									
		CLAMP -----								1	
-30	2110031-1	ADAPTER ASSY-DEFROST -----								1	
-31	2113083-1	DUCT ASSY-FRESH AIR -----								1	A
-32	AN515-8R8	ATTACHING PARTS -----									
-33	NAS1149FN816P	SCREW -----								2	
		WASHER -----								2	
-34	S1053E20T	DUCT 12.00 IN LG BKI -----								1	A
-35	S2209-3	ATTACHING PARTS -----									
		CLAMP -----								2	
-36	SEE FIG 17	DUCT ASSY-FRESH AIR -----								1	
-37		CONTROL-FRESH AIR & DEFROST SEE INSTRUMENT PANEL -----								1	
-38	S2226-3	ATTACHING PARTS -----									
-39	NAS43DD3-48	CLAMP -----								1	
-40	AN3-14A	SPACER -----								1	
-41	MS21044N3	BOLT -----								3	
-42	S2226-3	NUT -----								1	
-43	AN3-4A	CLAMP -----								1	
-44	S2323-5	BOLT -----								1	
-45	NAS1149F0363P	CLAMP -----								1	
		WASHER -----								2	
-45A	2153015-10	SPACER -----								2	

CONTINUED ON NEXT PAGE

P210 Parts Catalog

FIGURE AND INDEX NO.	PART NUMBER	DESCRIPTION	UNITS PER ASSY	USABLE ON CODE
89 -46	2153015-1	VALVE ASSY-AIR DISTRIBUTION -----	1	A B A B
-46A	2153015-21	VALVE ASSY-AIR DISTRIBUTION -----	1	
-47	2153015-19	DOOR ASSY-VALVE -----	1	
-47A	2153015-22	DOOR ASSY-VALVE -----	1	
-48	2153015-6	SHAFT-VALVE ASSY -----	1	
-49	2153015-13	ARM ASSY -----	1	
-50	MS16562-16	ATTACHING PARTS PIN-ROLL -----	1	
-51	NAS1149D0463K	WASHER -----	1	
-52	MS24665-134	PIN-COTTER -----	1	
-52A	2113171-1	ADAPTOR -----	1	
-53	2153031-3	ADAPTOR-HOSE -----	1	
-54	2113178-1	DUCT ASSY-FIREWALL RH ----- ATTACHING PARTS	1	B
-55	AN515-6R8	SCREW -----	2	
-56	S1053E12T	DUCT 26.00 IN LG BKI ----- ATTACHING PARTS	1	B
-57	S2209-3	TIE -----	3	
	S1741-1	ANCHOR ATTACH TO PEDESTAL COVER -----	1	
	AN515-8R8	SCREW ATTACH TO PEDESTAL COVER -----	1	
	NAS1149F0432P	WASHER ATTACH TO PEDESTAL COVER -----	1	
	NAS1329A08K120	NUTPLATE ATTACH TO PEDESTAL COVER -----	1	
-58	2113179-1	DUCT ASSY-FIREWALL ----- ATTACHING PARTS	1	B
-59	AN515-8R32	SCREW -----	1	
-60	NAS1149FN816P	WASHER -----	1	
-61	NAS42DD6-104	SPACER -----	1	

		A---P210 SERIAL P21000001 THRU P21000150 B---P210 SERIAL P21000151 & ON		

P210 Parts Catalog

FIGURE AND INDEX NO.	PART NUMBER	DESCRIPTION	UNITS PER ASSY							USABLE ON CODE
			1	2	3	4	5	6	7	
90 -		BRAKE SYSTEM -----								
- 1	SEE FIG 91	CYLINDER ASSY-MASTER BRAKE -----								NP
- 2	MS28778-3	O RING -----								2
	MS28778-4 @	O RING -----								2
- 3	AN921-3D	ELBOW -----								AR
	022-30001D0403 @	FITTING 7/16 TO 3/8 THD -----								2
- 4	AN924-3D	NUT -----								AR
	AN924-4D @	NUT -----								2
- 5	S2178-3-0170	HOSE ASSY -----								1
- 6	S2178-3-0174	HOSE ASSY -----								1
- 6A	S2178-3-0224	HOSE ASSY -----								1
- 7	S292-15	SLEEVING 6.00 IN LG BKT -----								2
- 8	MS21919D65	CLAMP -----								2
	MS21919D65	CLAMP -----								1
		ATTACHING PARTS -----								
- 8A	S1021Z8-6	SCREW LH & RH -----								1
	NAS446-4-3	NUT LH & RH -----								1
	S1021Z8-6	SCREW LH ONLY -----								1
	NAS446-4-3	NUT LH ONLY -----								1
		-----*								
- 8B	MS35489-10	GROMMET -----								1
- 9	S1050-1	GROMMET 4.30 IN LG BKT -----								1
- 10	S1050-1	GROMMET 5.80 IN LG BKT -----								1
- 11	0713272-1	BRACKET -----								2
- 12	AN837-3D	ELBOW -----								1
- 13	AN832-3D	UNION -----								1
	AN832-3D	UNION -----								2
- 14	AN924-3D	NUT -----								2
	NAS1149D0663K	WASHER -----								2
- 15	1280506-105	LINE ASSY-BRAKE LH -----								1
- 16	1280506-171	LINE ASSY-BRAKE RH -----								1
- 16A	1280506-172	LINE ASSY-BRAKE LH & RH -----								2
- 17	MS35489-5	GROMMET -----								2
- 18	AN832-3D	UNION -----								4
	AN924-3D	NUT -----								4
	NAS1149D0663K	WASHER -----								4
- 19	1280509-97	LINE ASSY-BRAKE LH -----								1
- 20	1280509-98	LINE ASSY-BRAKE RH -----								1
- 21	MS21919D63	CLAMP -----								2
	MS21919D64	CLAMP -----								2
		ATTACHING PARTS -----								
	AN520-10R6	SCREW -----								1
	MS21044N3	NUT -----								1
		-----*								
- 22	1280509-99	LINE ASSY-BRAKE LH -----								1
- 23	1280509-100	LINE ASSY-BRAKE RH -----								1
- 24	1280111-1	SWIVEL ASSY -----								2
	MS28778-3	O RING -----								2

CONTINUED ON NEXT PAGE

P210 Parts Catalog

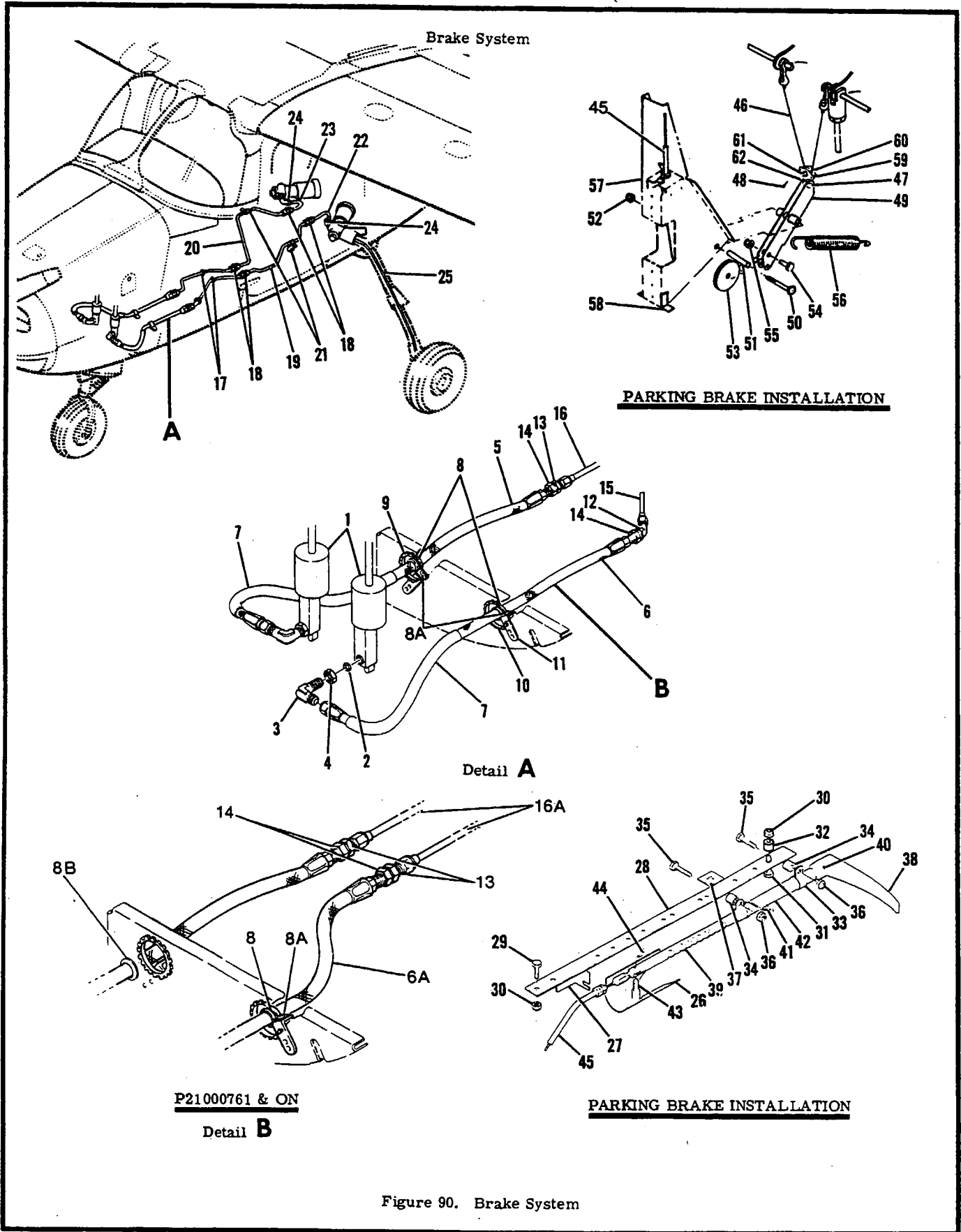


Figure 90. Brake System

P210 Parts Catalog

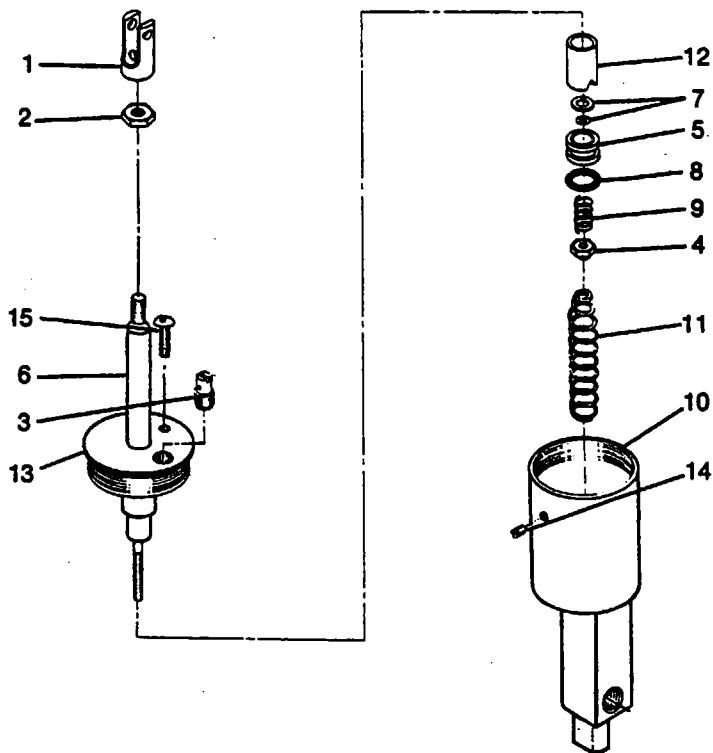
FIGURE AND INDEX NO.	PART NUMBER	DESCRIPTION							UNITS PER ASSY	USABLE ON CODE
		1	2	3	4	5	6	7		
90 -25	SEE FIG 45	LINE ASSY-FUSELAGE TO BRAKE -----							2	E F F E A B A B
-26	0713070-4	PARKING BRAKE INSTALLATION -----							NP	
-27	0713070-5	RACK -----							1	
-28	1260436-1	ANGLE -----							1	
-29	AN3-3A	ATTACHING PARTS -----							1	
-30	MS21044N3	BOLT -----							2	
-31	AN3-13A	NUT -----							3	
-32	NAS43DD3-56 NAS1149D0363K	BOLT -----							1	
	0813150-75	SPACER -----							1	
		WASHER -----							AR	
		*-----								
		HANDLE ASSY-PARKING BRAKE -----							1	
		ATTACHING PARTS -----								
-33	AN735-8	CLAMP-PARKING BRAKE -----							1	
-34	0713070-32	SPACER-PARKING BRAKE -----							1	
-35	AN3-6A	BOLT -----							2	
-36	MS21044N3	NUT -----							2	
-37	S1154-1	BRACKET -----							1	
		*-----								
-38	0811490-75	HANDLE-PARKING BRAKE -----							1	
-39	0813150-73	TUBE-PARKING BRAKE -----							1	
-40	NAS561-5-12	PIN-ROLL -----							1	
-41	0513154-1	SPRING-PARKING BRAKE -----							1	
-42	0813156-4	HOUSING ASSY -----							1	
-43	0713070-6	PIN-POSITIONING -----							1	
		ATTACHING PARTS -----								
-44	MS24665-132	PIN-COTTER -----							1	
		*-----								
-45	1260417-11	CABLE & TUBE ASSY-PARKING BRAKE -----							1	
	1260417-15	CABLE & TUBE ASSY-PARKING BRAKE -----							1	
	1260417-10	CABLE & TUBE ASSY-PARKING BRAKE STAINLESS STEEL -----							1	
	1260417-16	CABLE & TUBE ASSY-PARKING BRAKE STAINLESS STEEL -----							1	
-46	1260505-97	CABLE ASSY -----							1	
	1260505-317	CABLE ASSY -----							1	
	1260505-197	CABLE ASSY STAINLESS STEEL -----							1	
	1260505-417	CABLE ASSY STAINLESS STEEL -----							1	
-47	MS20392-4C13	PIN -----							1	
-48	MS24665-281	PIN-COTTER -----							1	
-49	0713070-35	BELLCRANK ASSY -----							1	
		ATTACHING PARTS -----								
-50	AN3-13A	BOLT -----							1	
-51	0713070-19	SPACER -----							1	
-52	MS21044N3	NUT -----							1	
		*-----								
-53	S378-1	PULLEY -----							1	
		ATTACHING PARTS -----								
-54	AN23-9A	BOLT -----							1	
-55	MS21044N3	NUT -----							1	
		*-----								
-56	0713625-1	SPRING -----							1	
-57	1242003-1	BRACKET ASSY -----							1	
-58	1261422-1	ANGLE-LH -----							1	
	1261422-2	ANGLE-RH -----							1	
-59	0713959-1	BRACKET ASSY-PULLEY -----							1	
-60	S1710-1	PULLEY-PARKING BRAKE -----							1	
		ATTACHING PARTS -----								
-61	AN3-6A	BOLT -----							1	
	NAS1149F0332P	WASHER -----							1	
	0411783	BUSHING -----							1	
	MS21044N3	NUT -----							1	
		*-----								
-62	MS24665-281	PIN-COTTER -----							3	

NOTE. @SOME MASTER CYLINDERS MAY HAVE OVERSIZED THREADS.

A---P210 SERIAL P21000001 THRU P21000553
 B---P210 SERIAL P21000554 & ON
 C---P210 SERIAL P21000001 THRU P21000760
 D---P210 SERIAL P21000761 & ON
 E---P210 SERIAL P21000001 THRU P21000865
 F---P210 SERIAL P21000866 & ON

P210 Parts Catalog

Brake System (Cont)



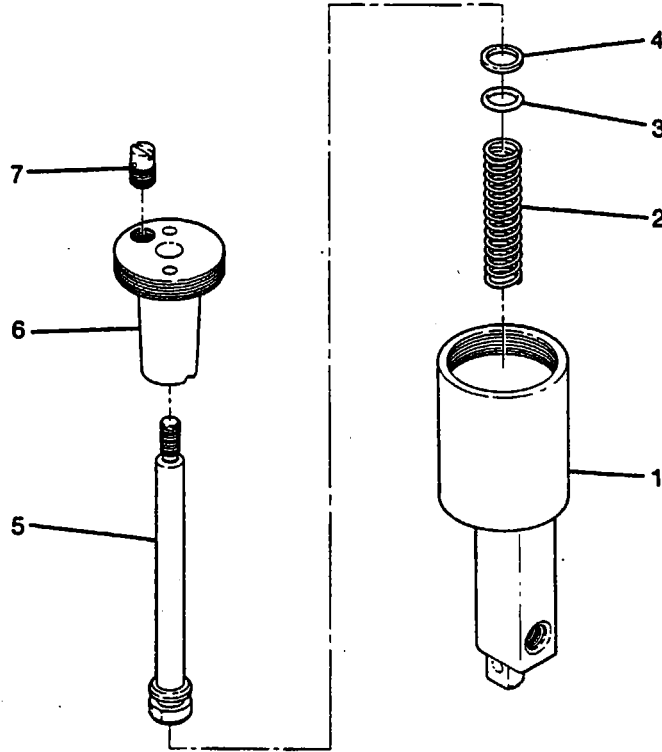
P210 SERIAL P2100001 THRU P21000150

Figure 91. Brake Master Cylinder Assembly

FIGURE AND INDEX NO.	PART NUMBER	DESCRIPTION	UNITS PER ASSY							USABLE ON CODE	
			1	2	3	4	5	6	7		
91 -		BRAKE MASTER CYLINDER ASSY FSO 9882010-1 SEE FIG 91A								NP	A
- 1	0541140	CLEVIS								1	
- 2	AN316-4R	NUT-CHECK								1	
- 3	0541139	PLUG								1	
- 4	0541138-5	PISTON ASSY-MASTER CYLINDER								1	
- 5	22FH632	NUT SPS								1	
- 6	0541143	PISTON								1	
- 7	0541144	RBD-PISTON								1	
- 8	800-001-6	LOCK-O-SEAL PKSC								1	
- 9	MS28775-110	O RING								1	
- 10	0541148-1	SPRING-PISTON								1	
- 11	0541148	BODY-MASTER CYLINDER FSO 9882010-1 SEE FIG 91A								NP	
- 12	0541149	SPRING								1	
- 13	0541151	SLEEVE								1	
- 14	AN565DGH3	COVER								1	
- 15	AN515-10R8	SET SCREW								1	
		SCREW								1	
		A---P210 SERIAL P21000001 THRU P21000150									

P210 Parts Catalog

Brake System (Cont)



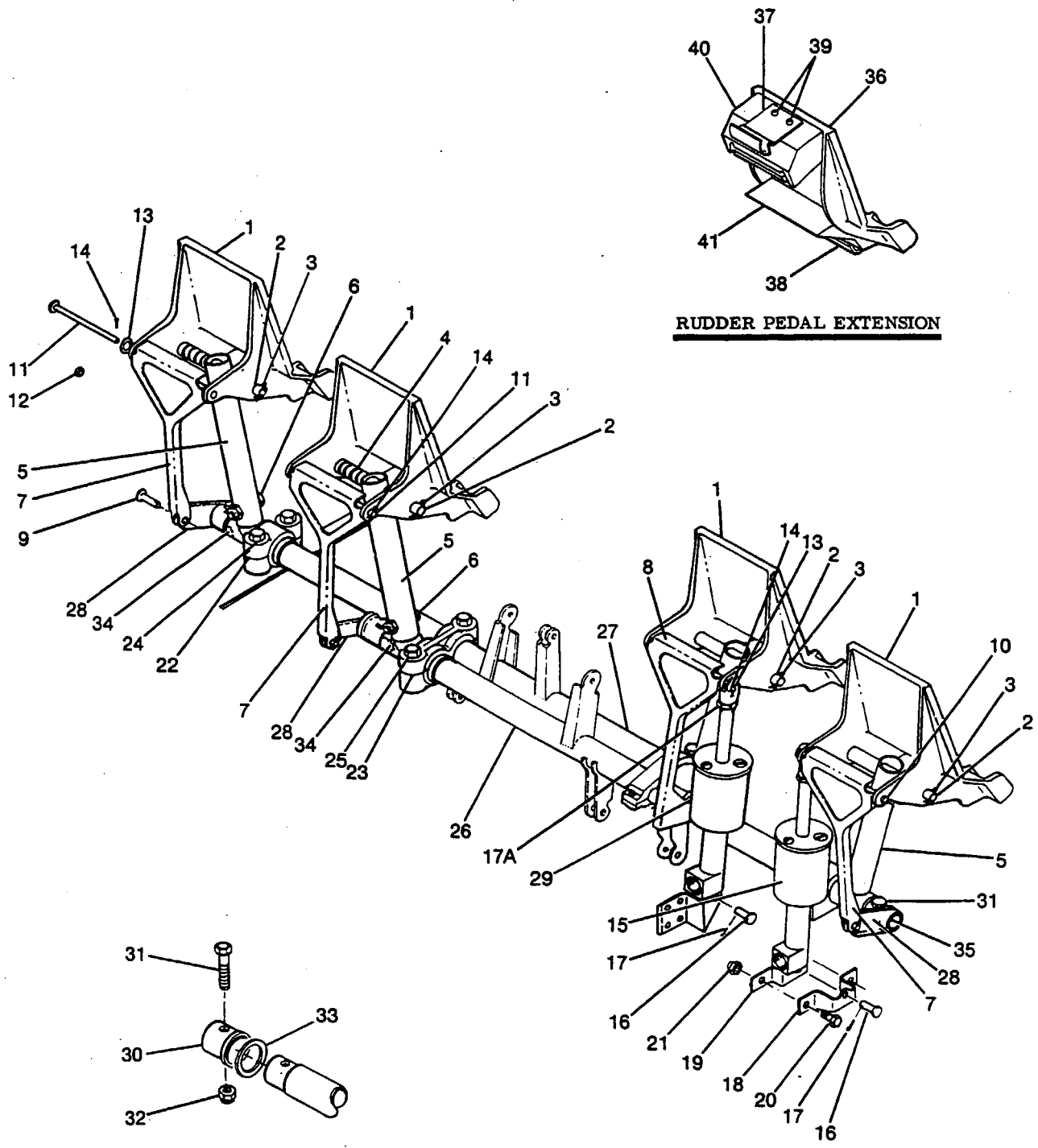
P210 SERIAL P21000151 & ON

Figure 91A. Brake Master Cylinder Assembly

FIGURE AND INDEX NO.	PART NUMBER	*	1	2	3	4	5	6	7	DESCRIPTION	UNITS PER ASSY	USABLE ON CODE
91A-	9882010-1	*								BRAKE MASTER CYLINDER ASSEMBLY -----	2	A
	9882010-4									BRAKE MASTER CYLINDER ASSEMBLY -----	2	B
- 1	9882011-1									CYLINDER-BRAKE -----	1	A
- 2	9881600-3									SPRING -----	1	B
	LC0055612									SPRING LEE -----	1	B
- 3	MS28775-110									O-RING -----	1	
- 4	S1628-110									RING-BACKUP -----	1	
- 5	9882012-1									PISTON -----	1	A
	9882012-5									PISTON -----	1	B
- 6	9882013-1									CAP -----	1	
- 7	0541139									PLUG -----	1	
<p>NOTE. * WHEN INITIALLY ORDERING THIS ASSY PRIOR TO P21000151 ALSO ORDER 0541140 CLEVIS & AN316-4R NUT.</p> <p>A---P210 SERIAL P21000151 THRU P21000553 B---P210 SERIAL P21000554 & ON</p>												

P210 Parts Catalog

Brake System (Cont)



RUDDER PEDAL EXTENSION

P21000001 THRU P21000834
SINGLE CONTROLS

Figure 92. Brake & Rudder Pedals Installation

P210 Parts Catalog

FIGURE AND INDEX NO.	PART NUMBER	DESCRIPTION	UNITS PER ASSY							USABLE ON CODE		
			1	2	3	4	5	6	7			
92 -		BRAKE & RUDDER PEDALS INSTALLATION -----										
- 1	1460320-1 0413578-1	PEDAL-RUDDER ----- PEDAL-RUDDER ----- ATTACHING PARTS										D E
- 2	1460501-21 0567001-1	SHAFT ----- SHAFT -----										G H
- 3	MS24665-285 MS24665-285	PIN-COTTER ----- PIN-COTTER ----- *-----										H H
- 4	0760682-1	SPRING-ANTI RATTLE -----										
- 5	0411307	ARM ASSY-RUDDER PEDAL ----- ATTACHING PARTS										
- 6	AN3-11A MS21044N3	BOLT ----- NUT ----- *-----										
- 7	0411564 0511336-1	LINK-DUAL BRAKES ----- LINK-DUAL BRAKES -----										D E
- 8	0411564-3 0511336-2	LINK-DUAL BRAKES ----- LINK-DUAL BRAKES ----- ATTACHING PARTS										E E
- 9	MS20392-2C15 NAS43HT3-12 MS24665-132	PIN ----- SPACER ----- PIN-COTTER -----										
-10	0411778-3 0411778-6	SHAFT LH PEDALS ONLY ----- SHAFT LH PEDALS ONLY -----										D E
-11	0411778-4 0411778-7	SHAFT RH PEDALS ONLY ----- SHAFT RH PEDALS ONLY -----										D E
-12	NAS42HT6-8 NAS42HT8-8	SPACER RH PEDALS ONLY ----- SPACER RH PEDALS ONLY -----										D E
-13	S1438-2 S1438-20	WASHER ----- WASHER -----										D E
-14	MS24665-132	PIN-COTTER ----- *-----										D E
-15	SEE FIG 91	CYLINDER ASSY-MASTER BRAKE ----- ATTACHING PARTS										
-16	MS20392-2C15	PIN -----										
-17	MS24665-132	PIN-COTTER -----										
-17A	AN316-4R 0541140 0582001-1	NUT ----- CLEVIS ----- CLEVIS ----- *-----										A F
-18	0411549	BRACKET-BRAKE CYLINDER OUTSIDE -----										
-19	0411550	BRACKET-BRAKE CYLINDER INSIDE ----- ATTACHING PARTS										
-20	AN3-3A	BOLT -----										
-21	MS21044N3	NUT ----- *-----										
-22	S1674-1	BEARING HALF-OUTBOARD -----										
-23	S1675-1	BEARING HALF-INBOARD ----- ATTACHING PARTS										
-24	AN3-13A MS21044N3	BOLT OUTBOARD BEARING ----- NUT OUTBOARD BEARING -----										
-25	AN3-15A	BOLT INBOARD BEARING ----- *-----										
-26	1260558-1	RUDDER BAR ASSY-LH -----										
-27	1260558-4	RUDDER BAR ASSY-RH -----										
-28	1260021-1	BELLCRANK ASSY DUAL CONTROLS -----										
-29	0411573-1 2260122-1	BELLCRANK ASSY DUAL CONTROLS WEU 2260122-1 ----- BELLCRANK ASSY DUAL CONTROLS -----										
-30	0411562	HUB SINGLE CONTROLS ----- ATTACHING PARTS										
-31	AN3-10A	BOLT -----										
-32	MS21044N3	NUT -----										
-33	S1450-29N16-063 S1450-29N16-032	WASHER 1/16 THICK SINGLE CONTROLS ONLY ----- WASHER 1/32 THICK SINGLE CONTROLS ONLY ----- *-----										
-34	S1003-43A	BEARING -----										
-35	1260419-1	TUBE-DUAL BRAKES -----										

CONTINUED ON NEXT PAGE

P210 Parts Catalog

FIGURE AND INDEX NO.	PART NUMBER	DESCRIPTION	UNITS PER ASSY	USABLE ON CODE
		1 2 3 4 5 6 7		
92 -36	0501020-1	EXTENSION ASSY-RUDDER PEDAL -----	AR	D E D E D E E
	0501081-1	EXTENSION ASSY-RUDDER PEDAL -----	AR	
-37	0501020-4	CLIP-UPPER -----	1	
	0501081-4	CLIP-UPPER -----	1	
-38	0501020-3	CLIP-LOWER -----	1	
	0501081-3	CLIP-LOWER -----	1	
-39	AN520-10R6	ATTACHING PARTS		
		SCREW -----	2	
		*-----		
-40	0501020-5	SPACER-UPPER -----	1	
	0501081-5	SPACER-UPPER -----	1	
-41	0501020-2	SPACER-LOWER -----	1	
	0501081-2	SPACER-LOWER -----	1	
	NAS514P1032-7	ATTACHING PARTS		
		SCREW -----	2	
		*-----		
		A---P210 SERIAL P21000151 & ON		
		B---P210 SERIAL P21000001 THRU P21000062		
		C---P210 SERIAL P21000063 & ON		
		D---P210 SERIAL P21000001 THRU P21000553		
		E---P210 SERIAL P21000554 & ON		
		F---P210 SERIAL P21000151 THRU P21000553		
		G---P210 SERIAL P21000001 THRU P21000834		
		H---P210 SERIAL P21000835 & ON		
		J---P210 SERIAL P21000001 THRU P21000834		

P210 Parts Catalog

FIGURE AND INDEX NO.	PART NUMBER	DESCRIPTION	UNITS PER ASSY	USABLE ON CODE
		1 2 3 4 5 6 7		
93 -		CONTROL COLUMN INSTALLATION -----	NP	
- 1	SEE FIG 94	CONTROL WHEEL & SWITCHES INSTALLATION -----	1	
- 2	1260668-2	COLLAR-CONTROL LOCK LH ONLY -----	1	N
- 3	NAS514-632R10	ATTACHING PARTS -----	4	N
- 4	MS21044N06	SCREW -----	4	N
		NUT -----	4	N
- 5	1260668-4	COLLAR-CONTROL LOCK LH & RH -----	1	Q
- 5A	NAS514P632-12	ATTACHING PARTS -----	1	Q
		SCREW -----	4	Q
- 6	S2010-3	BEARING -----	3	Q
	AN936A10	ATTACHING PARTS -----	3	Q
	AN315-3R	WASHER -----	1	Q
		NUT -----	1	Q
- 7	SEE FIG 70B	STATIONARY INSTRUMENT PANEL ASSY -----	1	
- 8	1213932-3	COVER ASSY WEU 1213932-5 -----	2	J
	1213932-5	COVER ASSY -----	2	M
CONTINUED ON NEXT PAGE				

P210 Parts Catalog

Flight Controls

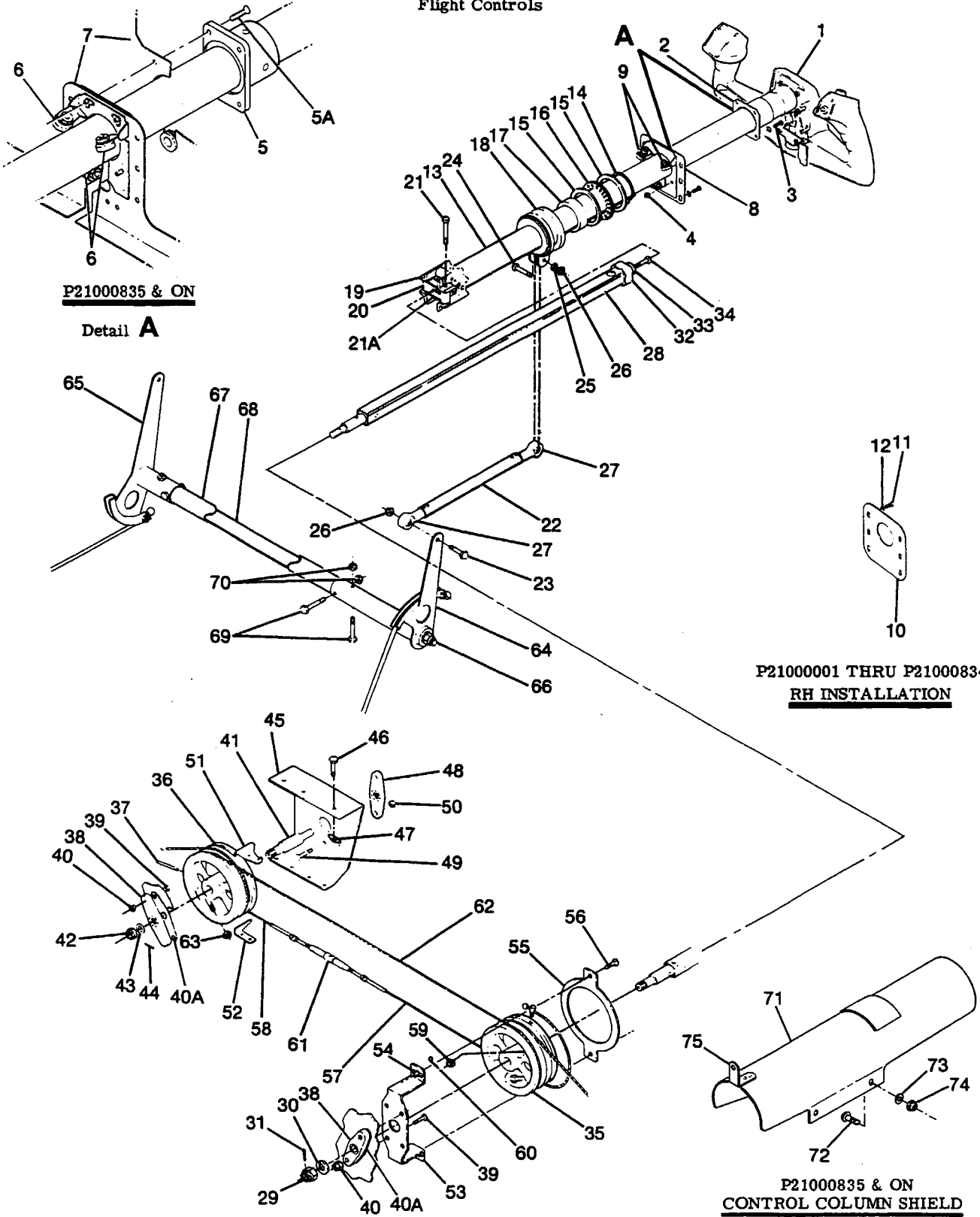


Figure 93. Control Column Installation

P210 Parts Catalog

FIGURE AND INDEX NO.	PART NUMBER	DESCRIPTION	1 2 3 4 5 6 7							UNITS PER ASSY	USABLE ON CODE
			1	2	3	4	5	6	7		
93 - 9	S2010-3	BEARING								3	N
	AN315-3R	ATTACHING PARTS								1	N
	AN936A10	NUT								1	N
		WASHER								1	N
-10	1213943-1	PLATE-COVER RH								1	J
	1213984-1	PLATE-COVER RH								1	M
		ATTACHING PARTS								6	N
-11	AN515-8R8	SCREW								6	N
-12	NAS1149FM832P	WASHER								6	N
-13	1260140-11	TUBE & BEARING ASSY-AILERON & ELEVATOR CONTROL LH								1	F
	1260140-13	WEU 1260140-13								1	L
	1260140-26	TUBE & BEARING ASSY-AILERON & ELEVATOR CONTROL LH								1	K
	1260143-11	TUBE & BEARING ASSY-AILERON & ELEVATOR CONTROL LH								1	F
-14	MS16624-1137	TUBE & BEARING ASSY-AILERON & ELEVATOR CONTROL RH								1	H
	MS16624-1137	RING-RETAINER								1	F
	S2014-7	RING-RETAINER								2	H
-15	S2013-7	RACE-BEARING								4	H
-16	S1997-2268	BEARING								2	
-17	0760643-5	BEARING								1	
-18	1560150-2	SLEEVE WELD ASSY								1	C
	1560150-2	SLEEVE WELD ASSY								1	D
	S1358-1	WASHER								1	
-19	0760646-2	RETAINER ASSY								AR	
-20	1260664-1	ROLLER KIT								1	
		ATTACHING PARTS								4	
-21	0760644-1	SCREW-MACHINE								1	
-21A	1260248-1	GUARD-CONTROL COLUMN WIRE BUNDLE								2	H
-22	0760634-3	PUSH ROD ASSY-ELEVATOR CONTROL								2	E
	0760103-7	PUSH ROD ASSY-ELEVATOR CONTROL								2	G
		ATTACHING PARTS								2	
-23	NAS222-16	SCREW								1	
-24	0760674-1	SCREW								1	
-25	NAS1149F0463P	WASHER								1	
-26	MS21042L4	NUT								2	
-27	F44-14S	ROD END								2	E
	S1581-4	ROD END								2	G
-28	1260141-11	TUBE ASSY-AILERON CONTROL LH								1	J
	1260141-9	TUBE ASSY-AILERON CONTROL RH								1	K
	1260141-13	TUBE ASSY-AILERON CONTROL LH & RH								2	K
		ATTACHING PARTS								1	
-29	AN310-5	NUT								1	J
-30	NAS1149F0563P	WASHER								1	K
-31	MS24665-136	PIN-COTTER								1	J
		ATTACHING PARTS								1	K
-32	0760121-1	GLIDE-AILERON CONTROL								1	J
	0760651-2	GLIDE-AILERON CONTROL								1	K
	0760651-2	GLIDE-AILERON CONTROL								1	K
		ATTACHING PARTS								1	
-33	0760104-2	PLUG-ADJUSTABLE GLIDE								1	J
	0760681-1	PLUG-ADJUSTABLE GLIDE								1	J
	0760681-1	PLUG-ADJUSTABLE GLIDE								1	K
-34	NAS220-14	SCREW								1	
		ATTACHING PARTS								1	
-35	1260112-1	QUADRANT-AILERON CONTROL LH								1	
-36	1260112-2	QUADRANT-AILERON CONTROL RH								1	
		ATTACHING PARTS								1	
-37	NAS561P-6-18	PIN-ROLL								1	
		ATTACHING PARTS								2	
-38	0760633-1	BLOCK ASSY-BEARING								2	
		ATTACHING PARTS								2	A
-39	AN515-8R11	SCREW								2	B
	AN515-8R12	SCREW								2	
-40	MS21045L08	NUT								2	
		ATTACHING PARTS								2	
-40A	2160006-1	SPACER								2	
-41	0760649-3	SHAFT								1	N
-42	AN310-5	NUT								1	N
-43	NAS1149F0563P	WASHER								1	N
-44	MS24665-136	PIN-COTTER								1	N

CONTINUED ON NEXT PAGE

P210 Parts Catalog

FIGURE AND INDEX NO.	PART NUMBER	DESCRIPTION							UNITS PER ASSY	USABLE ON CODE
		1	2	3	4	5	6	7		
93 -45	1260137-2	BRACKET-SUPPORT SINGLE CONTROLS -----							1	N
-46	AN3-6A	ATTACHING PARTS -----								
-47	NAS680A3	BOLT -----							3	N
		NUTPLATE -----							3	N
		-----*								
-48	0760633-1	BLOCK ASSY-BEARING SINGLE CONTROL -----							1	N
		ATTACHING PARTS -----								
-49	AN515-8R10	SCREW -----							2	A
	AN515-8R12	SCREW -----							2	P
-50	MS21044N08	NUT -----							2	N
		-----*								
-51	1260136-1	GUARD-CABLE UPPER RH SINGLE CONTROLS -----							1	N
		ATTACHING PARTS -----								
	AN3-6A	BOLT -----							1	N
		-----*								
-52	1260135-1	GUARD-CABLE LOWER RH SINGLE CONTROLS -----							1	N
-53	1260111-1	GUARD ASSY-CABLE LH & RH -----							2	
-54	NAS697A08	NUTPLATE -----							2	
-55	1260111-3	STRAP-COVER LH & RH -----							2	
		ATTACHING PARTS -----								
-56	AN515-8R6	SCREW -----							2	
		-----*								
-57	1260078-11	CABLE ASSY-CONTROL WHEEL INTERCONNECT -----							1	
	1260078-111	CABLE ASSY-CONTROL WHEEL INTERCONNECT -----							1	
		STAINLESS STEEL -----								
-58	1260078-12	CABLE ASSY-CONTROL WHEEL INTERCONNECT -----							1	
	1260078-112	CABLE ASSY-CONTROL WHEEL INTERCONNECT -----							1	
		STAINLESS STEEL -----								
		ATTACHING PARTS -----								
-59	AN310-3	NUT -----							1	
-60	MS24665-71	PIN-COTTER -----							1	
		-----*								
-61	AN155-32S	BARREL -----							1	
-62	1260078-10	CABLE ASSY -----							1	
	1260078-110	CABLE ASSY STAINLESS STEEL -----							1	
		ATTACHING PARTS -----								
-63	MS21042-3	NUT -----							2	
		-----*								
-64	1260430-1	ARM ASSY-LH -----							1	
-65	1260425-1	ARM ASSY-RH -----							1	
		ATTACHING PARTS -----								
-66	NAS222-14	SCREW -----							1	
	MS21042L4	NUT -----							1	
		-----*								
-67	1260438-3	TUBE-RUB PROTECTION -----							1	
-68	1260429-2	TUBE-TORQUE -----							1	
		ATTACHING PARTS -----								
-69	NAS220-22	SCREW -----							4	
-70	MS21044N08	NUT -----							4	
		-----*								
-71	1218011-1	SHIELD ASSY-CONTROL COLUMN -----							2	Q
		ATTACHING PARTS -----								
-72	AN525-10R6	SCREW -----							2	Q
-73	NAS1149F0363P	SCREW -----							2	Q
-74	MS21045L3	NUT -----							2	Q
		-----*								
-75	S2300-36	BRACKET -----							1	Q
		A---P210 SERIAL P21000001 THRU P21000124 B---P210 SERIAL P21000125 & ON C---P210 SERIAL P21000001 THRU P21000088 D---P210 SERIAL P21000088 & ON E---P210 SERIAL P21000001 THRU P21000385 F---P210 SERIAL P21000001 THRU P21000226 G---P210 SERIAL P21000386 & ON H---P210 SERIAL P21000227 & ON J---P210 SERIAL P21000001 THRU P21000760 K---P210 SERIAL P21000761 & ON L---P210 SERIAL P21000227 THRU P21000760 M---P210 SERIAL P21000761 THRU P21000834 N---P210 SERIAL P21000001 THRU P21000834 P---P210 SERIAL P21000125 THRU P21000834 Q---P210 SERIAL P21000835 & ON								

P210 Parts Catalog

FIGURE AND INDEX NO.	PART NUMBER		DESCRIPTION							UNITS PER ASSY	USABLE ON CODE
			1	2	3	4	5	6	7		
94 -			CONTROL WHEEL & SWITCHES INSTALLATION							NP	D
- 1	1260243-2	*	CONTROL WHEEL ASSY							1	
			ATTACHING PARTS								
- 2	AN3-3A		BOLT							3	
- 3	NAS1149F0332P		WASHER							3	

- 4	1560024-1	@	ESCUTCHEON-LH							1	
- 5	1560024-2	@	ESCUTCHEON-RH							1	
			ATTACHING PARTS								
- 6	NAS1352-02-8		SCREW							1	

- 7	1560025-1		PAD-CONTROL WHEEL							1	
- 8	S2092-9		FASTENER-FABRIC HOOK							AR	
- 9	0760017-4		ADAPTOR-CONTROL WHEEL							1	
			ATTACHING PARTS								
-10	AN3-11A		BOLT							2	
-11	AN3-13A		BOLT							2	
-12	NAS1149C0332B		WASHER							4	
-13	MS21042L3		NUT							4	

-14	3859A161-152A		RHEOSTAT-MAP LIGHT							1	
	S2619-1		POTENTIOMETER-MAP LIGHT							1	
	AN936A616		WASHER							1	
	MS25082-20		NUT							1	
-15	1270483-2	***	KNOB-MAP LIGHT							1	
			ATTACHING PARTS								
-16	AN565B2H3		SCREW							1	

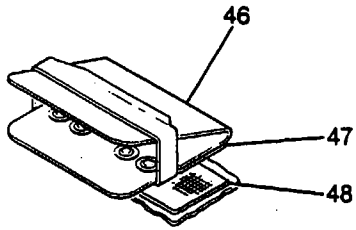
-17	S2521-1		SOCKET-MAP LIGHT							1	
	24RB		BULB-MAP LIGHT							1	
-18	S1985-1		SWITCH-MIKE							1	
-19	1270858-1		BRACKET-SWITCH							1	
			ATTACHING PARTS								
-19A	AN3-15A		BOLT							1	
-19B	NAS43003-16		SPACER							1	
-19C	NAS1149C0332B		WASHER							1	
-19D	MS21042L3		NUT							1	

-20	1270840-1		SWITCH ASSY-TRIM DISENGAGE							1	
-21	S2030-1		SWITCH ASSY-ELECTRIC TRIM							1	
-22	1270840-2		SWITCH ASSY-AUTO PILOT DISENGAGE							1	
-22A	1215169-1		COVER-DISENGAGE SWITCH							1	
	1215169-2		COVER-DISENGAGE SWITCH							1	
	1215169-3		COVER-DISENGAGE SWITCH							1	

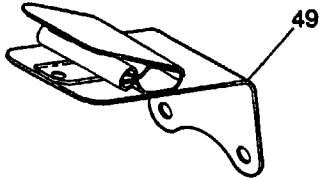
CONTINUED ON NEXT PAGE

P210 Parts Catalog

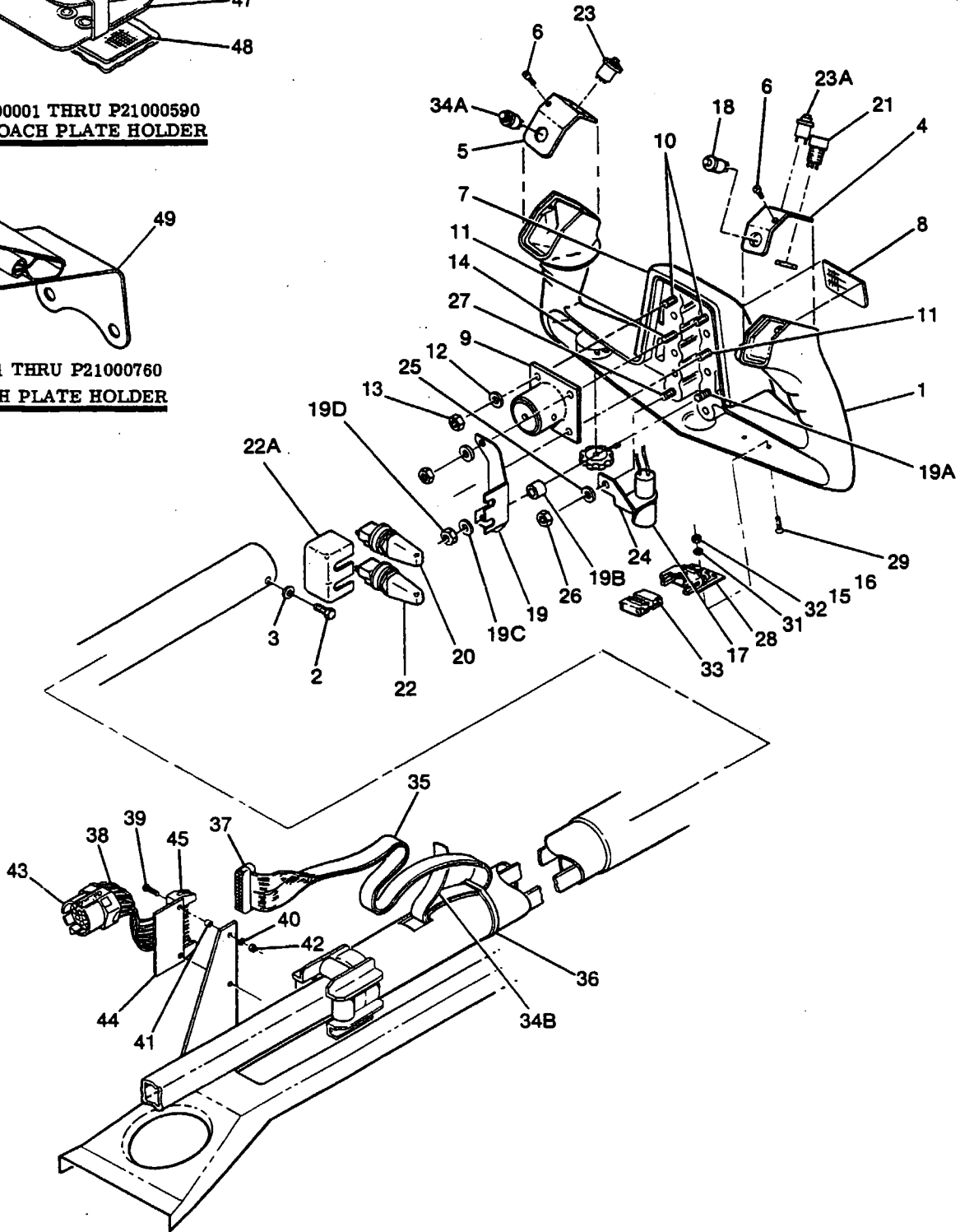
Flight Controls (Cont)



**P21000001 THRU P21000590
APPROACH PLATE HOLDER**



**P21000591 THRU P21000760
APPROACH PLATE HOLDER**

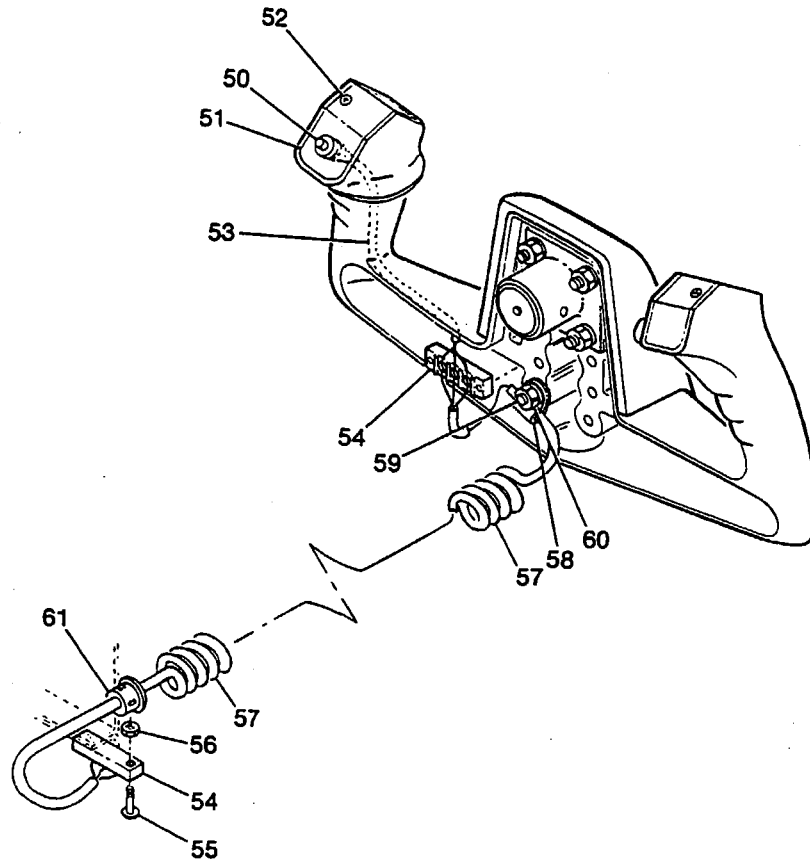


P210 SERIAL P21000001 THRU P21000760

Figure 94. (Sheet 1 of 2) Control Wheel & Switches Installation

P210 Parts Catalog

Flight Controls (Cont)



P21000591 THRU P21000760
CO-PILOT INTERPHONE INSTALLATION

P210 SERIAL P21000001 THRU P21000760
Figure 94. (Sheet 2 of 2) Control Wheel & Switches Installation

P210 Parts Catalog

FIGURE AND INDEX NO.	PART NUMBER	DESCRIPTION							UNITS PER ASSY	USABLE ON CODE
		1	2	3	4	5	6	7		
94 -23	S1985-1	SWITCH ASSY-PITCH SYNC -----							1	
-23A	S1985-2	SWITCH ASSY-GO ROUND -----							1	
-24	1270843-2	BRACKET -----							1	
		ATTACHING PARTS								
-25	NAS1149C0332B	WASHER -----							2	
-26	MS21042L3	NUT -----							2	
-27	AN3-14A	BOLT -----							2	
		*-----								
-28	1270845-1	CONNECTOR ASSY -----							1	
		ATTACHING PARTS								
-29	AN515-2R12	SCREW -----							2	
-30		DELETED - NOT USED -----								
-31	AN936A2	WASHER -----							2	
-32	AN340-2	NUT -----							2	
		*-----								
-33	3473-3000	SOCKET -----							1	
-34		DELETED-NOT USED -----								
-34A	S1985-1	SWITCH-TRANSPONDER IDENTIFICATION -----							1	A
-34B	3980143-14	CABLE ASSY - TRANSPONDER IDENTIFICATION SWITCH -----							1	A
-35	1270844-1	CABLE ASSY -----							1	
		ATTACHING PARTS								
-36	S2209-2	STA-STRAP -----							1	
		*-----								
-37	3421-0000	CONNECTOR-SOCKET MMEP -----							1	
-38	1570307-3	CABLE ASSY -----							1	
		ATTACHING PARTS								
-39	AN520-3R10	SCREW -----							2	
-40	AN936A3	WASHER -----							2	
-41	NAS43000-8A	SPACER -----							2	
-42	AN340-3	NUT -----							2	
		*-----								
-43	S1961-1-0	HOUSING -----							1	
-44	1570306-1	BOARD-CIRCUIT -----							1	
-45	3428-1002	HEADER MMEP -----							1	
-46	1515152-1	HOLDER ASSY-APPROACH PLATE -----							1	B
-47	S2092-3	FABRIC FASTENER-HOOK BKI SEE FIG 1 -----							AR	
-48	S2092-10	FABRIC FASTENER-PILE BKI SEE FIG 1 -----							AR	
-49	0715083-2	HOLDER ASSY-APPROACH PLATE -----							1	B
		COPILOT INTERPHONE INSTALLATION -----							NP	C
-50	S1985-1	SWITCH-CO-PILOT INTERPHONE -----							1	
-51	1560024-9	ESCUTCHEON-RH -----							1	
		ATTACHING PARTS								
-52	NAS1352-02-08	SCREW -----							1	
		*-----								
-53	SF1030BX	CABLE ASSY-CO-PILOT INTERPHONE SWC -----							1	
-54	351-11-03-001	TERMINAL BLOCK CIN -----							2	
		ATTACHING PARTS								
-55	AN515-4R10	SCREW -----							2	
-56	AN340-4	NUT -----							2	
		*-----								
-57	8409	CABLE ASSY-CO-PILOT INTERPHONE BDN -----							1	
		ATTACHING PARTS								
-58	S1155-3	CLAMP -----							1	
-59	AN3-15A	BOLT -----							1	
-60	MS21044N3	NUT -----							1	
	NAS1149F0332P	WASHER -----							1	
		*-----								
-61	K375-125	SNUB BUSHING HEMA -----							1	

NOTE. *FOR INTEGRATED FLIGHT CONTROL SYSTEM CONTROL WHEEL & COMPONENTS- SEE AVIONICS SERVICE/PARTS MANUAL.

NOTE. @FOR LH ESCUTCHEON WITH HOT EMBOSSED LETTERING ORDER 1560024-3. FOR RH ESCUTCHEON WITH HOT EMBOSSED LETTERING ORDER 1560024-4 P21000001 THRU P21000150 OR 1560024-6 P21000151 & ON

NOTE. %WHEN INITIALLY ORDERING THIS PART, ALSO ORDER ALL PARTS MARKED %.

A---P210 SERIAL P21000151 THRU P21000760
 B---P210 SERIAL P21000001 THRU P21000590
 C---P210 SERIAL P21000591 THRU P21000760
 D---P210 SERIAL P21000001 THRU P21000760

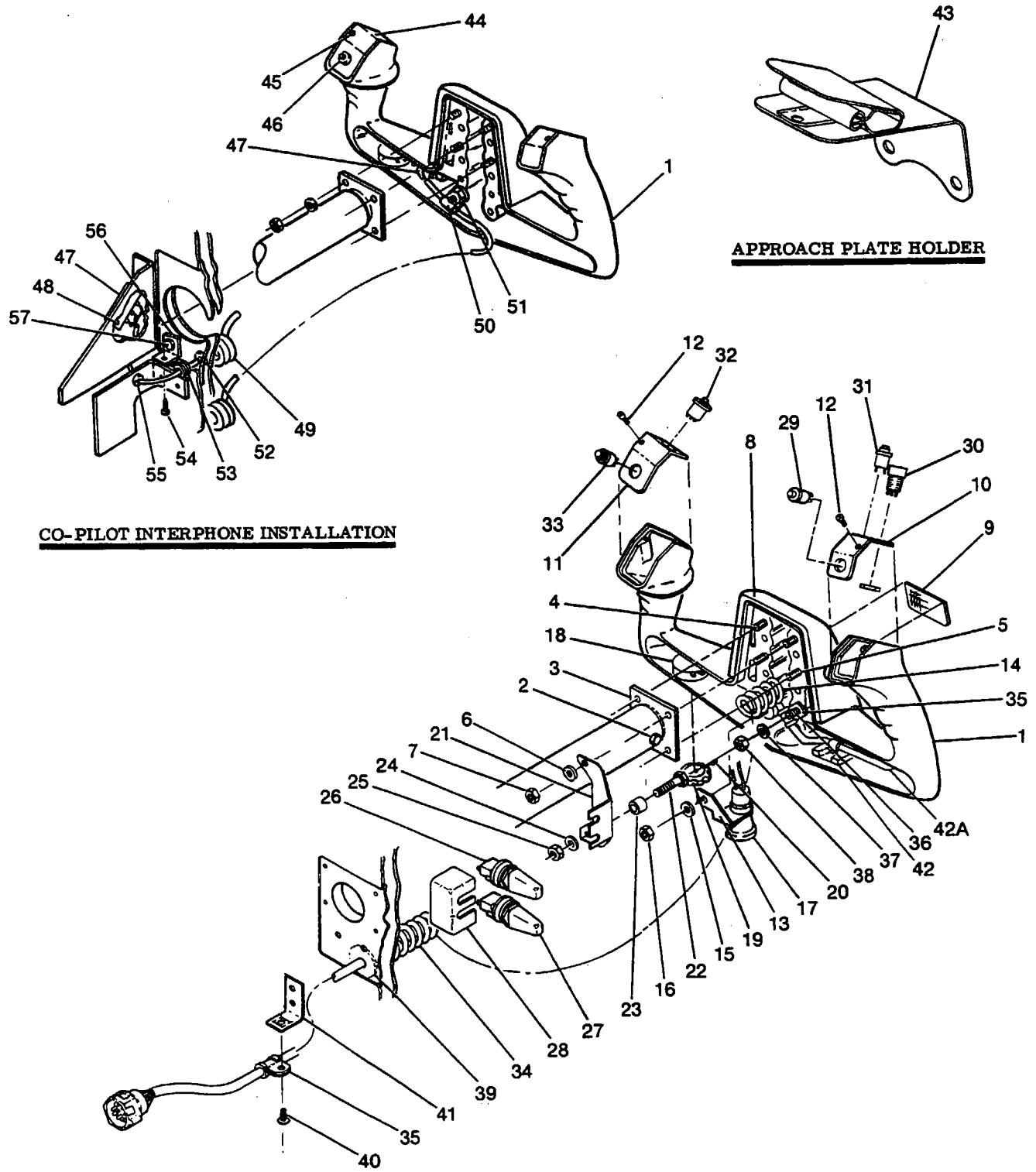
P210 Parts Catalog

FIGURE AND INDEX NO.	PART NUMBER	DESCRIPTION							UNITS PER ASSY	USABLE ON CODE
		1	2	3	4	5	6	7		
94A-		CONTROL WHEEL & SWITCHES INSTALLATION -----								
- 1	1560027-2 *	CONTROL WHEEL ASSY -----							NP	A
		ATTACHING PARTS -----							1	
- 2	AN3-3A	BOLT -----							3	
	NAS1149F0332P	WASHER -----							3	
		-----*								
- 3	0760017-4	ADAPTOR ASSY-CONTROL WHEEL -----							1	
		ATTACHING PARTS -----								
- 4	AN3-12A	BOLT UPPER -----							2	
- 5	AN3-14A	BOLT LOWER -----							2	
- 6	NAS1149D0316H	WASHER -----							4	
- 7	MS21044N3	NUT -----							4	
		-----*								
- 8	1560025-1	PAD-CONTROL WHEEL -----							1	
- 9	S2092-9	FASTENER-FABRIC HOOK BKI -----							1	
-10	1560024-1	ESCUTCHEON-LH -----							1	
-11	1560024-2	ESCUTCHEON-RH -----							1	
		ATTACHING PARTS -----							1	
-12	NAS1352-02-8	SCREW -----							1	
		-----*								
-13	1270843-2	BRACKET-MAPLIGHT -----							1	
		ATTACHING PARTS -----								
-14	AN3-14A	BOLT -----							1	
-15	NAS1149C0332B	WASHER -----							1	
-16	MS21044N3	NUT -----							1	
		-----*								
-17	S2521-1	SOCKET-MAPLIGHT -----							1	
	24RB	BULB-MAPLIGHT -----							1	
-18	3859A161-152A	RHEOSTAT-MAPLIGHT SEPI -----							1	
	S2619-1	BITD WEU S2619-1 -----							1	
	AN936A616	POTENTIOMETER -----							1	
	MS25082-20	WASHER-POTENTIOMETER -----							1	
-19	1270483-2	NUT-POTENTIOMETER -----							1	
		KNOB-MAPLIGHT -----							1	
		ATTACHING PARTS -----							1	
-20	AN565B2H3	SCREW -----							1	
		-----*								
-21	1270858-1	BRACKET-TRIM & AUTOPILOT SWITCH -----							1	
		ATTACHING PARTS -----								
-22	AN3-15A	BOLT -----							1	
-23	NAS43DD3-16	SPACER -----							1	
-24	NAS1149C0332B	WASHER -----							1	
-25	MS21042L3	NUT -----							1	
		-----*								
-26	1270840-1	SWITCH ASSY-TRIM DISENGAGE -----							1	
-27	1270840-2	SWITCH ASSY-AUTO PILOT DISENGAGE -----							1	
CONTINUED ON NEXT PAGE										

D
E
F

P210 Parts Catalog

Flight Controls (Cont)



P210 SERIAL P21000761 & ON

Figure 94A. Control Wheel & Switches Installation

P210 Parts Catalog

FIGURE AND INDEX NO.	PART NUMBER	DESCRIPTION							UNITS PER ASSY	USABLE ON CODE	
		1	2	3	4	5	6	7			
94A-28	1215169-1	COVER-DISENGAGE SWITCH							1	B C	
	1215169-2	COVER-DISENGAGE SWITCH							1		
	1215169-3	COVER-DISENGAGE SWITCH							1		
-29	S1985-1	SWITCH ASSY-MIC							1		
-30	7205P4YZQE	SWITCH ASSY-ELECTRIC TRIM							1		
-31	S1985-2	SWITCH ASSY-GO AROUND							1		
-32	S1985-1	SWITCH ASSY-PITCH SYNC							1		
-33	S1985-1	SWITCH ASSY-TRANSPONDER IDENTIFICATION							1		
-34	2270030-3	COIL CORD ASSY							1		
	2270030-8	COIL CORD ASSY							1		
		ATTACHING PARTS							1		
-35	MS21919D64	CLAMP							2		
-36	AN3-13A	BOLT							1		
-37	NAS1149C0332B	WASHER							1		
-38	MS21044N3	NUT							1		
-39	MS35489-35	GROMMET							1		
-40	S102178-4	SCREW							1		

-41	S2432-1	BRACKET							1		
-42	S2606-2	MOUNT-WIRING							1		
	S2209-1	STA STRAP							1		
-42A	S1694-7	TUBING-HEAT SHRINKABLE 3.50 IN LG BKI							1		
-43	0715083-2	HOLDER ASSY-APPROACH PLATE							1		
		INTERPHONE INSTALLATION-CO-PILOT							NP		
-44	1560024-9	ESCUTCHEON-RH							1		
		ATTACHING PARTS									
-45	NAS1352-02-08	SCREW							1		

-46	S1985-1	SWITCH ASSY-MIC							1		
-47	351-11-03-001	TERMINAL BLOCK CIN							2		
		ATTACHING PARTS									
-48	AN515-4R10	SCREW FWD TERMINAL BLOCK							2		
	AN340-4	NUT FWD TERMINAL BLOCK							2		

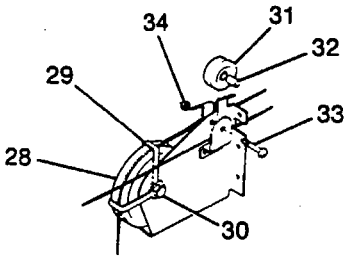
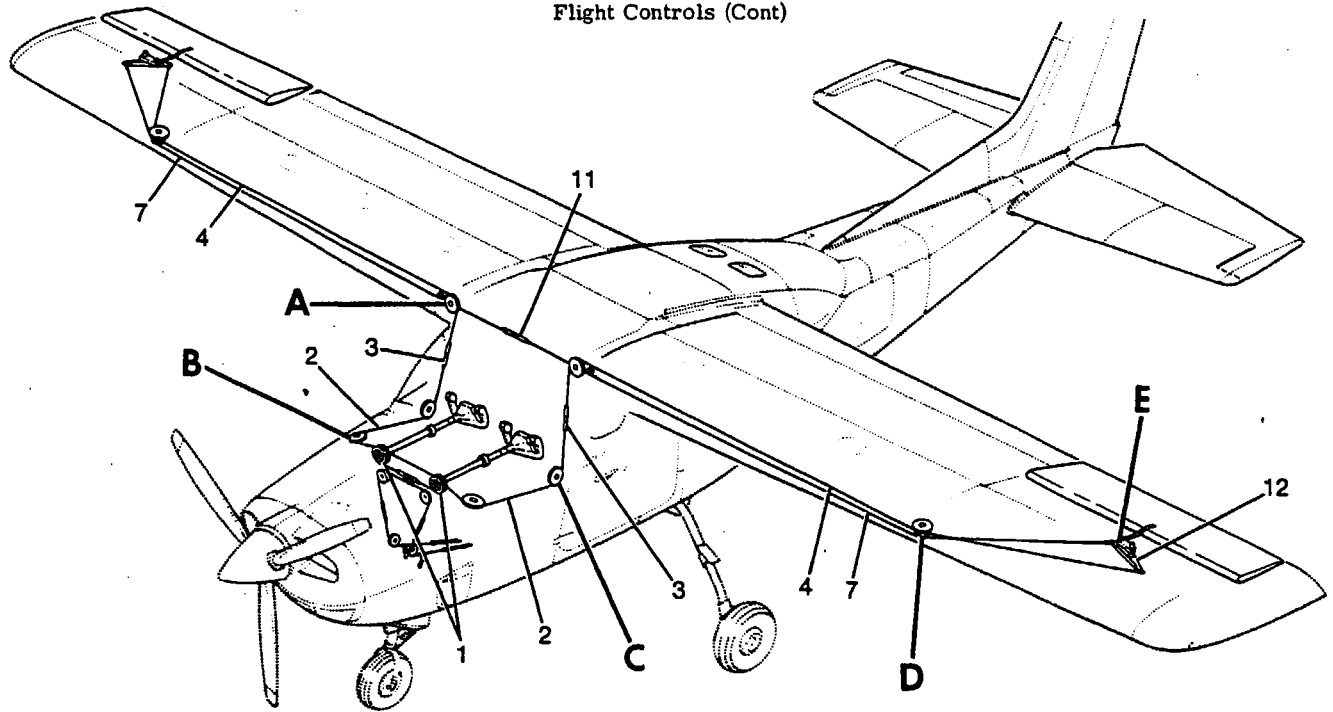
-49	8409	CABLE BDN							1		
		ATTACHING PARTS									
-50	S1155-3	CLAMP							1		
-51	AN3-15A	BOLT							1		
	NAS1149F0332P	WASHER							1		
	MS21044N3	NUT							1		
-52	MS35489-35	GROMMET							1		
-53	MS21919D63	CLAMP							1		
-54	S102178-4	SCREW							1		
-55	MS35489-4	GROMMET							1		

-56	S2432-1	BRACKET							1		
		ATTACHING PARTS									
-57	AN515-6R6	SCREW							1		
	MS21042L06	NUT							1		

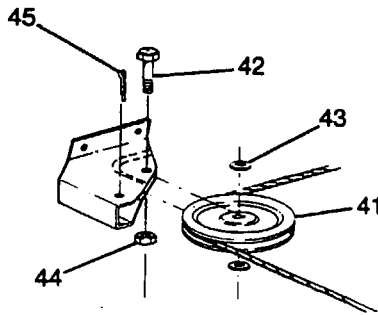
<p>NOTE. *FOR INTEGRATED FLIGHT CONTROL SYSTEM CONTROL WHEEL & COMPONENTS-SEE AVIONICS SERVICE/PARTS MANUAL.</p> <p>NOTE. @FOR LH ESCUTCHEON WITH HOT EMBOSSED LETTERING ORDER 1560024-3. FOR RH ESCUTCHEON WITH HOT EMBOSSED LETTERING ORDER 1560024-6.</p> <p>NOTE. %WHEN INITIALLY ORDERING THIS PART FOR AIRCRAFT PRIOR TO P21000836, ALSO ORDER ALL PARTS MARKED %.</p> <p>A---P210 SERIAL P21000761 & ON B---P210 SERIAL P21000761 THRU P21000834 C---P210 SERIAL P21000835 & ON D---P210 SERIAL P21000761 THRU P21000835 E---P210 SERIAL P21000836 & ON</p>											

P210 Parts Catalog

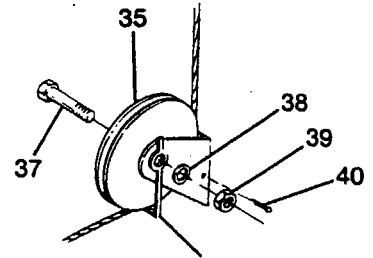
Flight Controls (Cont)



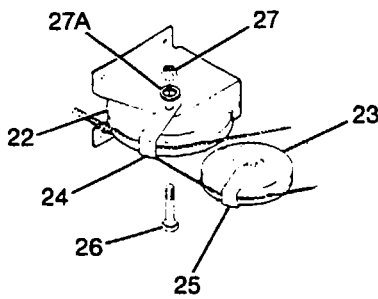
Detail **A**



Detail **B**

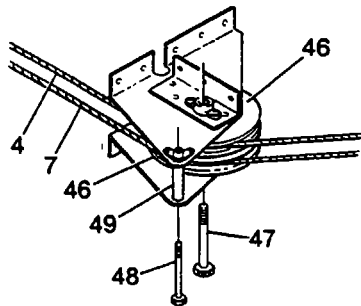


Detail **C**



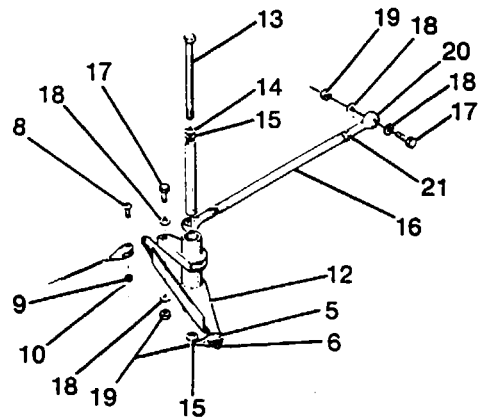
P21000001 THRU P21000834

Detail **D**



P21000835 & ON

Detail **D**



Detail **E**

Figure 95. Aileron Control System

P210 Parts Catalog

FIGURE AND INDEX NO.	PART NUMBER	DESCRIPTION							UNITS PER ASSY	USABLE ON CODE
		1	2	3	4	5	6	7		
95 -		AILERON CONTROL SYSTEM -----							NP	
- 1	SEE FIG 93	CONTROL COLUMN INSTALLATION -----							1	
- 2	1260078-13	CABLE ASSY-AILERON DIRECT -----							2	A A B B
	1260078-113	CABLE ASSY-AILERON DIRECT STAINLESS STEEL -----							2	
	1260078-14	CABLE ASSY-AILERON DIRECT -----							2	
	1260078-114	CABLE ASSY-AILERON DIRECT STAINLESS STEEL -----							2	
	AN310-3	ATTACHING PARTS -----								
	MS24665-71	NUT -----							1	
		PIN-COTTER -----							1	
		-----*								
- 3	AN155-32S	BARREL -----							2	A A B B
- 4	1260505-40	CABLE ASSY-AILERON DIRECT -----							2	
	1260505-140	CABLE ASSY-AILERON DIRECT STAINLESS STEEL -----							2	
	1260505-321	CABLE ASSY-AILERON DIRECT -----							2	
	1260505-421	CABLE ASSY-AILERON DIRECT STAINLESS STEEL -----							2	
		ATTACHING PARTS -----								
- 5	AN23-11	BOLT -----							1	
- 6	AN310-3	NUT -----							1	
	MS24665-134	PIN-COTTER -----							1	
		-----*								
- 7	1260505-314	CABLE-AILERON RETURN LH -----							1	C C D D C C D D
	1260505-414	CABLE-AILERON RETURN LH STAINLESS STEEL -----							1	
	1260505-323	CABLE-AILERON RETURN LH -----							1	
	1260505-423	CABLE-AILERON RETURN LH STAINLESS STEEL -----							1	
	1260505-315	CABLE-AILERON RETURN RH -----							1	
	1260505-415	CABLE-AILERON RETURN RH STAINLESS STEEL -----							1	
	1260505-322	CABLE-AILERON RETURN RH -----							1	
	1260505-422	CABLE-AILERON RETURN RH STAINLESS STEEL -----							1	
		ATTACHING PARTS -----								
- 8	AN23-11	BOLT -----							1	
- 9	AN310-3	NUT -----							1	
-10	MS24665-134	PIN-COTTER -----							1	
		-----*								
-11	AN155-32S	BARREL -----							1	
-12	1221087-1	BELLCRANK ASSY-AILERON LH -----							1	
	1221087-2	BELLCRANK ASSY-AILERON RH -----							1	
		ATTACHING PARTS -----								
-13	AN4-40A	BOLT -----							1	
-14	NAS1149F0463P	WASHER -----							1	
-15	S1450-7812-032	WASHER -----							2	
		-----*								
-16	1221113-4	ROD ASSY -----							2	
		ATTACHING PARTS -----								
-17	AN4-7A	BOLT -----							2	
-18	NAS1149F0463P	WASHER -----							4	
-19	MS21042L4	NUT -----							2	
		-----*								
-20	S1819-4	ROD END -----							2	
-21	AN316-4R	NUT -----							2	
-22	MS20220-3	PULLEY-AILERON DIRECT -----							2	C C C C
-23	MS20220-2	PULLEY-AILERON RETURN -----							2	
-24	1221086-3	GUARD-CABLE AILERON DIRECT -----							2	
-25	1221086-2	GUARD-CABLE AILERON RETURN -----							2	
		ATTACHING PARTS -----								
-26	AN5-17A	BOLT -----							1	C C C
-27	MS21042L5	NUT -----							1	
-27A	NAS1149F0563P	WASHER -----							1	
		-----*								
-28	MS20220-2	PULLEY-AILERON DIRECT -----							2	
-29	0760610-1	GUARD-CABLE -----							4	
		ATTACHING PARTS -----								
-30	AN5-13A	BOLT -----							1	
	NAS1149F0563P	WASHER -----							1	
	MS21042L5	NUT -----							1	
		-----*								
-31	S394	PULLEY -----							2	
		ATTACHING PARTS -----								
-32	0411783	BUSHING -----							1	
-33	AN23-14	BOLT -----							1	
-34	AN310-3	NUT -----							1	
	MS24665-132	PIN-COTTER -----							1	
		-----*								

CONTINUED ON NEXT PAGE

P210 Parts Catalog

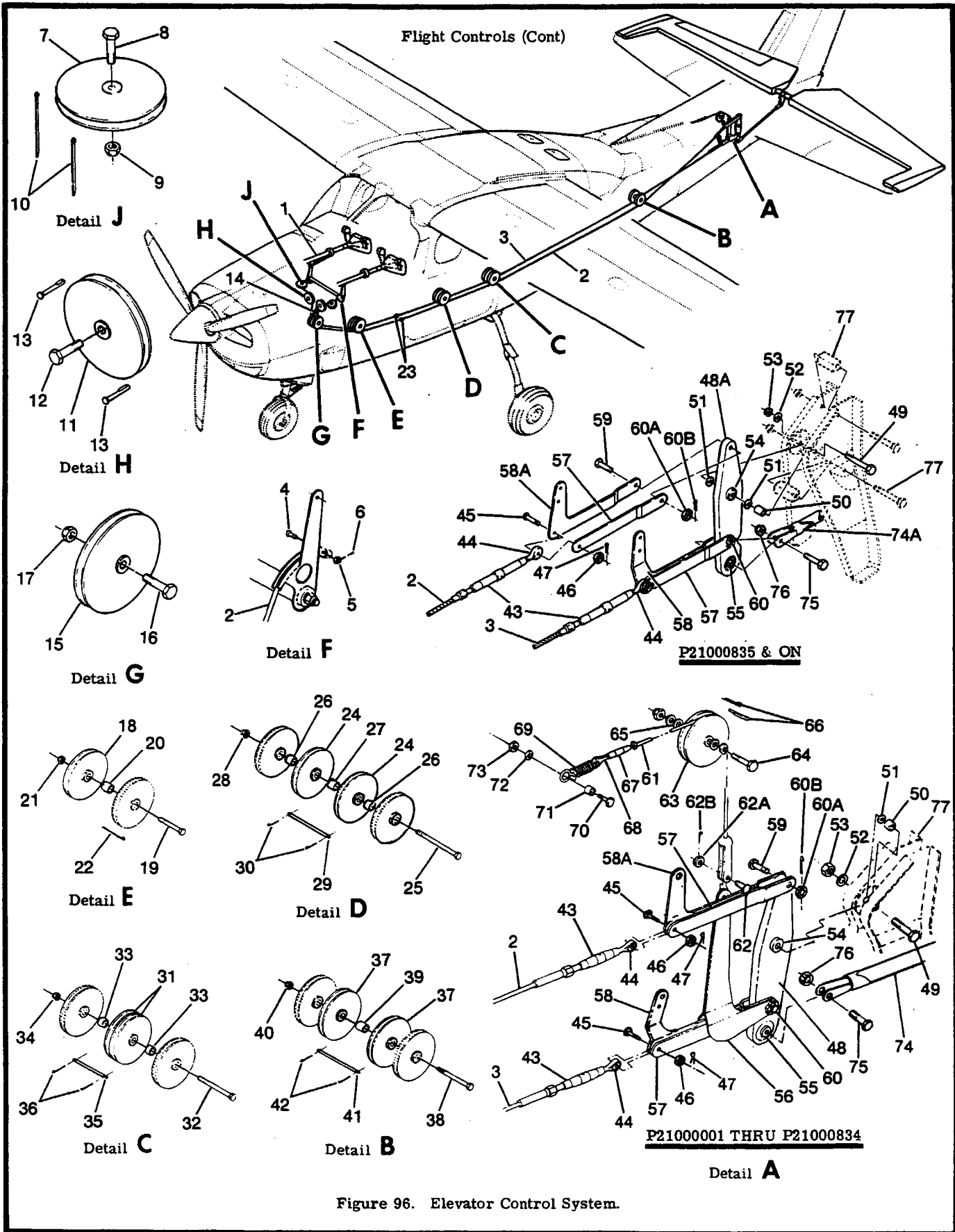
FIGURE AND INDEX NO.	PART NUMBER	DESCRIPTION							UNITS PER ASSY	USABLE ON CODE
		1	2	3	4	5	6	7		
95 -35	MS20220-2	PULLEY -----							2	
		ATTACHING PARTS -----								
-36	0760610-3	GUARD-CABLE -----							1	
-37	AN5-12A	BOLT -----							1	
-38	NAS1149F0332P	WASHER -----							1	
-39	MS21042L5	NUT -----							1	
		*-----								
-40	MS24665-285	PIN-COTTER -----							2	
-41	S378-4	PULLEY -----							2	
		ATTACHING PARTS -----								
-42	AN4-10A	BOLT -----							1	
-43	NAS1149F0463P	WASHER -----							2	
-44	MS21042L4	NUT -----							1	
		*-----								
-45	MS24665-285	PIN-COTTER -----							2	
-46	MS20220-3	PULLEY -----							4	D
		ATTACHING PARTS -----								
-47	AN5H16A	BOLT -----							1	D
		*-----								
-48	AN3H15A	BOLT -----							2	D
-49	NAS43DD3-80	SPACER -----							2	D
		A---P210 SERIAL P21000001 THRU P21000797 B---P210 SERIAL P21000798 & ON C---P210 SERIAL P21000001 THRU P21000834 D---P210 SERIAL P21000835 & ON								

P210 Parts Catalog

FIGURE AND INDEX NO.	PART NUMBER	DESCRIPTION							UNITS PER ASSY	USABLE ON CODE
		1	2	3	4	5	6	7		
96 -		ELEVATOR CONTROL SYSTEM -----							NP	
- 1	SEE FIG 93	CONTROL COLUMN INSTALLATION -----							1	
- 2	1260475-12	CABLE ASSY-ELEVATOR UP -----							1	
	1260475-112	CABLE ASSY-ELEVATOR UP STAINLESS STEEL -----							1	
- 3	1260475-13	CABLE ASSY-ELEVATOR DOWN -----							1	
	1260475-113	CABLE ASSY-ELEVATOR DOWN STAINLESS STEEL -----							1	
		ATTACHING PARTS -----								
- 4	AN21-10	BOLT -----							1	
- 5	AN320-1	NUT -----							1	
- 6	MS24665-24	PIN-COTTER -----							1	
		-----*								
- 7	S378-4	PULLEY -----							2	
		ATTACHING PARTS -----								
- 8	AN4-10A	BOLT -----							1	
- 9	MS21042L4	NUT -----							1	
		-----*								
-10	MS24665-285	PIN-COTTER -----							4	
-11	S378-4	PULLEY -----							2	
		ATTACHING PARTS -----								
-12	AN4-10A	BOLT -----							1	
		-----*								
-13	NAS427K11	PIN-PULLEY GUARD -----							4	
-14	1260473-1	WEIGHT HALF-ELEVATOR CONTROL BALANCE -----							2	A
		ATTACHING PARTS -----								
	AN3-10A	BOLT -----							2	A
	AN3-24A	BOLT -----							2	A
	NAS1149F0332P	WASHER -----							8	A
	MS21044N3	NUT -----							4	A
		-----*								
-15	S378-4	PULLEY -----							2	
		ATTACHING PARTS -----								
-16	AN4-10A	BOLT -----							1	
-17	MS21042L4	NUT -----							1	
		-----*								
	MS24665-285	COTTER PIN -----							4	
-18	S378-4	PULLEY -----							2	
		ATTACHING PARTS -----								
-19	AN4-20A	BOLT -----							1	
-20	NAS43HT4-41	SPACER -----							1	
-21	MS21042L4	NUT -----							1	
		-----*								
-22	MS24665-143	PIN-COTTER -----							2	
-23	S338-9	FAIRLEAD HALF -----							4	
	S339-3	CLIP ATTACH FAIRLEAD HALVES -----							2	
-24	S378-4	PULLEY -----							2	
		ATTACHING PARTS -----								
-25	AN4-37A	BOLT -----							1	
-26	NAS43HT4-31	SPACER -----							2	
-27	NAS43HT4-39	SPACER -----							1	
-28	MS21042L4	NUT -----							1	
		-----*								
-29	1200017-6	PIN-CABLE GUARD -----							1	
-30	MS24665-132	PIN-COTTER -----							2	
-31	S378-4	PULLEY -----							2	
		ATTACHING PARTS -----								
-32	AN4-27A	BOLT -----							1	
-33	NAS43HT4-18	SPACER -----							2	
-34	MS21042L4	NUT -----							1	
		-----*								

CONTINUED ON NEXT PAGE

P210 Parts Catalog

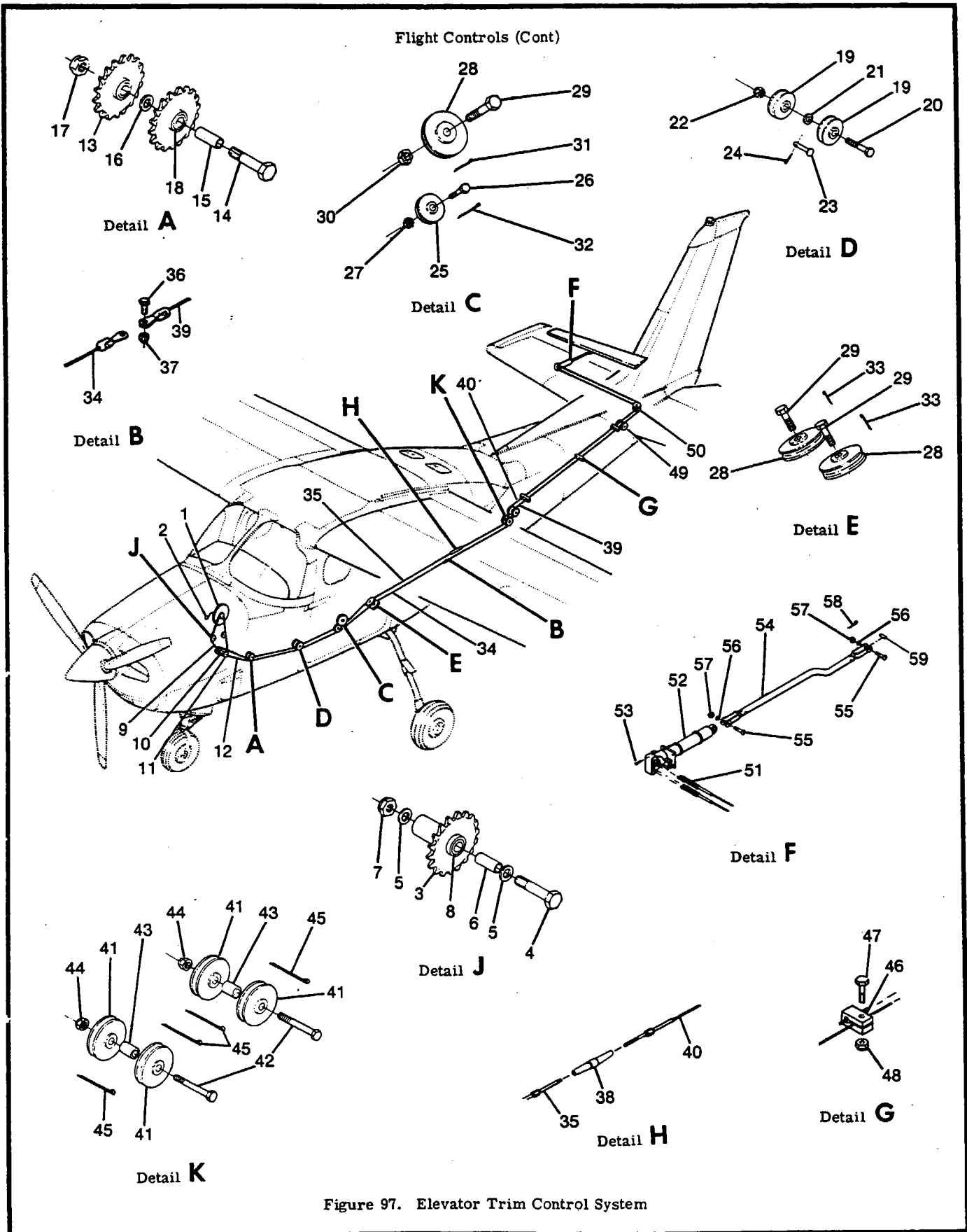


P210 Parts Catalog

FIGURE AND INDEX NO.	PART NUMBER	DESCRIPTION							UNITS PER ASSY	USABLE ON CODE
		1	2	3	4	5	6	7		
96 -35	1200017-5	PIN-CABLE GUARD -----							1	
-36	MS24665-132	PIN-COTTER -----							2	
-37	S378-4	PULLEY -----							2	
		ATTACHING PARTS								
-38	AN4-27A	BOLT -----							1	
-39	NAS43HT4-34	SPACER -----							1	
-40	MS21042L4	NUT -----							1	
		*-----								
-41	1200017-2	PIN-CABLE GUARD -----							1	
-42	MS24665-132	PIN-COTTER -----							2	
-43	AN155-32S	BARREL -----							2	
-44	AN165-22RS	EYE -----							2	
-45	AN23-10	BOLT -----							2	
-46	AN310-3	NUT -----							2	
-47	MS24665-134	PIN-COTTER -----							2	
-48	1260440-3	BELLCRANK ASSY -----							2	
	1260440-6	BELLCRANK ASSY -----							1	A
		ATTACHING PARTS								B
-49	AN4-16A	BOLT -----							1	
-50	NAS43DD4-30	SPACER -----							1	
-51	NAS1149F0432P	WASHER -----							2	
-52	NAS1149F0463P	WASHER -----							1	
-53	MS21042L4	NUT -----							1	
		*-----								
-54	MS24462-4	BEARING -----							1	
-55	MS20200KP4	BEARING -----							1	
-56	1260741-1	LINK ASSY -----							1	A
-57	1260442-3	LINK -----							2	
-58	1260649-1	LINK -----							1	
-58A	1261122-1	LINK -----							1	
		ATTACHING PARTS								
-59	AN24-14	BOLT -----							1	
-60	AN24-15	BOLT -----							1	
	AN24-14	BOLT -----							1	A
	NAS1149D0416H	WASHER -----							2	B
	AN320-4	NUT -----							1	
	MS24665-134	PIN-COTTER -----							1	
		*-----								
-61	1260505-96	CABLE ASSY -----							1	A
	1260505-196	CABLE ASSY STAINLESS STEEL -----							1	A
		ATTACHING PARTS								
-62	AN23-10	BOLT -----							1	A
	AN310-3	NUT -----							1	A
	MS24665-134	PIN -----							1	A
		*-----								
-63	S378-2	PULLEY -----							1	A
		ATTACHING PARTS								
-64	AN3-12A	BOLT -----							1	A
	NAS1149D0363H	WASHER -----							3	A
-65	NAS42DD6-24A	SPACER -----							1	A
	MS21044N3	NUT -----							1	A
		*-----								
-66	MS24665-134	PIN-COTTER -----							2	A
-67	AN155-16S	BARREL -----							1	A
-68	AN165-16RS	EYE -----							1	A
-69	1260449-1	SPRING -----							1	A
		ATTACHING PARTS								
-70	AN23-10	BOLT -----							1	A
-71	NAS43HT3-12	SPACER -----							1	A
-72	NAS1149F0332P	WASHER -----							1	A
-73	AN310-3	NUT -----							1	A
	MS24665-134	PIN-COTTER -----							1	A
		*-----								
-74	0510111-13	TUBE ASSY-PUSH PULL -----							1	A
	0510111-19	TUBE ASSY-PUSH PULL -----							1	B
		ATTACHING PARTS								
-75	AN4-10A	BOLT -----							1	
-76	MS21042L4	NUT -----							1	
		*-----								
-77	SEE FIG 38	AFT TAILCONE ASSY -----							1	

A---P210 SERIAL P21000001 THRU P21000834
 B---P210 SERIAL P21000835 & ON

P210 Parts Catalog



P210 Parts Catalog

FIGURE AND INDEX NO.	PART NUMBER	DESCRIPTION	UNITS PER ASSY							USABLE ON CODE	
			1	2	3	4	5	6	7		
97 -		ELEVATOR TRIM CONTROL SYSTEM								NP	
- 1	1260422-1 *	WHEEL ASSY-TRIM								1	
	MS21044N3	ATTACHING PARTS								1	
	AN3-23A	NUT								1	A
		BOLT								1	
		-----*									
	S1003-69A	BUSHING								2	
- 2	1260610-1	INDICATOR-ELEVATOR TRIM								1	
		ATTACHING PARTS								2	
	NAS1149F0563P	WASHER								1	
	NAS1149F0332P	WASHER								1	
	MS21044N3	NUT								1	
	AN3-11A	BOLT								1	
	NAS43HT3-50	SPACER								1	
		-----*									
- 3	1260420-1	SPROCKET ASSY-IDLER								2	
		ATTACHING PARTS								1	
- 4	AN3-16A	BOLT								1	
- 5	NAS1149F0332P	WASHER								2	
- 6	NAS75-3-107	BUSHING								1	
- 7	MS21044N3	NUT								1	
		-----*									
- 8	S1003-69A	BUSHING								2	
- 9	0432138-14	CHAIN-ELEVATOR TAB								1	
-10	1260421-1	SPROCKET ASSY-DRIVE								1	
		ATTACHING PARTS								1	
	MS21044N3	NUT								1	
		-----*									
-11	S1003-69A	BUSHING								2	
-12	S2295P25-159	CHAIN-ELEVATOR TAB								1	
-13	0761210-4	SPROCKET ASSY								2	
		ATTACHING PARTS								1	
-14	AN3-11A	BOLT								1	
-15	0411491-1	BUSHING								1	
-16	NAS1149F0463P	WASHER								1	
-17	MS21044N3	NUT								1	
		-----*									
-18	S1003-10B	BEARING								1	
-19	S378-1L	PULLEY								2	
		ATTACHING PARTS								1	
-20	AN3-11A	BOLT								1	
-21	NAS43HT3-6	SPACER								1	
-22	MS21044N3	NUT								1	
		-----*									
-23	MS20392-1C29	PIN CABLE GUARD								1	
-24	MS24665-132	PIN-COTTER								1	
-25	S378-1	PULLEY								1	
		ATTACHING PARTS								1	
-26	AN3-5A	BOLT								1	
-27	MS21044N3	NUT								1	
		-----*									
-28	S378-3	PULLEY								3	
		ATTACHING PARTS								1	
-29	AN4-7A	BOLT								1	
-30	MS21042L4	NUT								1	
		-----*									
-31	MS24665-136	PIN-COTTER								1	
-32	MS24665-134	PIN-COTTER								1	
-33	MS24665-136	PIN-COTTER								1	
-34	1260475-1	CABLE ASSY-ELEVATOR TRIM FWD LH								1	
	1260475-101	CABLE ASSY-ELEVATOR TRIM FWD LH								1	
-35	1260475-2	CABLE ASSY-ELEVATOR TRIM FWD RH								1	
	1260475-102	CABLE ASSY-ELEVATOR TRIM FWD RH								1	
		ATTACHING PARTS								1	
-36	AN3-3A	BOLT LH ONLY								1	
-37	MS21044N3	NUT LH ONLY								1	
-38	AN155-8S	BARREL RH ONLY								1	
		-----*									

CONTINUED ON NEXT PAGE

P210 Parts Catalog

FIGURE AND INDEX NO.	PART NUMBER	DESCRIPTION							UNITS PER ASSY	USABLE ON CODE
		1	2	3	4	5	6	7		
97 -39	1260475-9	CABLE ASSY-ELEVATOR TRIM AFT LH							1	B B C C B B C C
	1260475-109	CABLE ASSY-ELEVATOR TRIM AFT LH							1	
	1260505-326	CABLE ASSY-ELEVATOR TRIM AFT LH							1	
-40	1260505-426	CABLE ASSY-ELEVATOR TRIM AFT LH							1	
	1260475-10	CABLE ASSY-ELEVATOR TRIM AFT RH							1	
	1260475-110	CABLE ASSY-ELEVATOR TRIM AFT RH							1	
-41	1260505-325	CABLE ASSY-ELEVATOR TRIM AFT RH							1	
	1260505-425	CABLE ASSY-ELEVATOR TRIM AFT RH							1	
	S378-3	PULLEY							4	
-42	AN4-21A	ATTACHING PARTS							1	
-43	NAS43HT4-48	BOLT							1	
-44	MS21042L4	SPACER							1	
-45	MS24665-144	NUT							1	
-46	1260466-3	*-----								
-47	AN3-6A	PIN-COTTER							4	
-48	MS21044N3	BLOCK-ELEVATOR TAB STOP							3	
-49	S378-1L	ATTACHING PARTS								
-50	AN3-10A	BOLT							1	
	MS21044N3	NUT							1	
	S378-1	*-----								
-51	MS24665-136	PULLEY							2	
	S2295P25-55	ATTACHING PARTS								
	S2295P25-59	BOLT							1	
-52	SEE FIG 99	NUT							1	
-53	SEE FIG 98A	*-----								
-54	AN3-3A	PIN-COTTER							2	
-55	1260065-8	CHAIN-ELEVATOR TRIM							1	
-56	2134015-1	CHAIN-ELEVATOR TRIM							1	
-57	NAS464P3-9	ACTUATOR ASSY							1	
-58	NAS1149F0363P	ELEVATOR ELECTRIC TRIM COMPONENTS							1	
-59	AN320-3	ATTACHING PARTS								
-60	MS24665-134	BOLT							4	
-61	1234031-2	*-----								
-62		TUBE ASSY							1	
-63		TUBE ASSY							1	
-64		ATTACHING PARTS								
-65		BOLT							2	
-66		WASHER							2	
-67		NUT							2	
-68		PIN-COTTER							2	
-69		BUSHING							1	
-70		*-----								

NOTE. *FOR ELEVATOR ELECTRIC TRIM COMPONENTS SEE FIG 98.

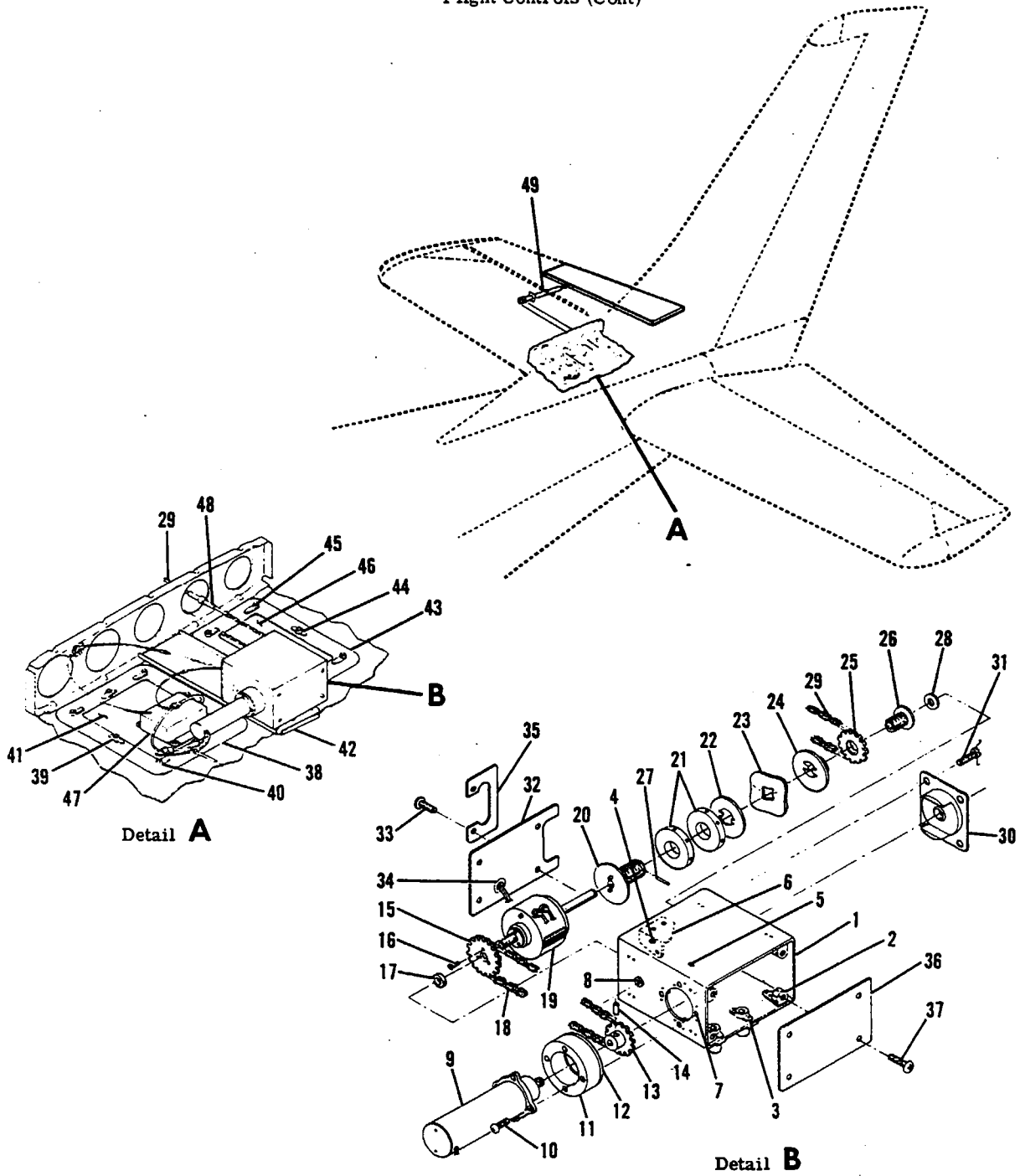
A---P210 SERIAL P21000761 & ON
 B---P210 SERIAL P21000001 THRU P21000834
 C---P210 SERIAL P21000835 & ON

P210 Parts Catalog

FIGURE AND INDEX NO.	PART NUMBER	DESCRIPTION	UNITS PER ASSY	USABLE ON CODE
		1 2 3 4 5 6 7		
98 -	1260153-1	ELEVATOR ELECTRIC TRIM COMPONENTS -----	NP	A
		DRIVE ASSY-ELECTRIC TRIM -----	1	
		ATTACHING PARTS -----		
	AN3-7A	BOLT -----	4	
		-----*		
- 1	1260158-1	HOUSING ASSY-ELECTRIC TRIM -----	1	
- 2	AN256F8	NUTPLATE -----	8	
- 3	NAS680A3	NUTPLATE -----	4	
	1260158-3	PLATE-MOUNTING -----	4	
- 4	NAS42DD4-17	SPACER -----	2	
- 5	NAS42DD4-28	SPACER -----	2	
- 6	1260158-5	STOP ASSY -----	1	
		ATTACHING PARTS -----		
	AN507-632R6	SCREW -----	2	
		-----*		
	NAS698A06L	NUTPLATE -----	2	
- 7	NAS1068A08	NUTPLATE -----	4	
- 8	S1004-44A	BEARING -----	1	
- 8A	1260158-3	PLATE-MOUNTING -----	4	
CONTINUED ON NEXT PAGE				

P210 Parts Catalog

Flight Controls (Cont)



P210 SERIAL P21000001 THRU P21000834

Figure 98. Elevator Electric Trim Components

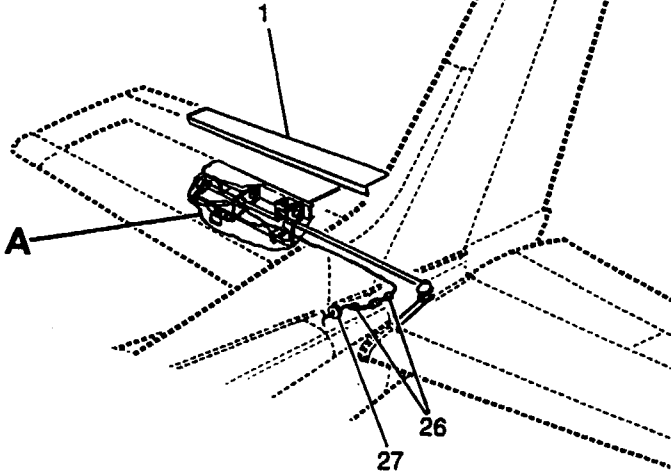
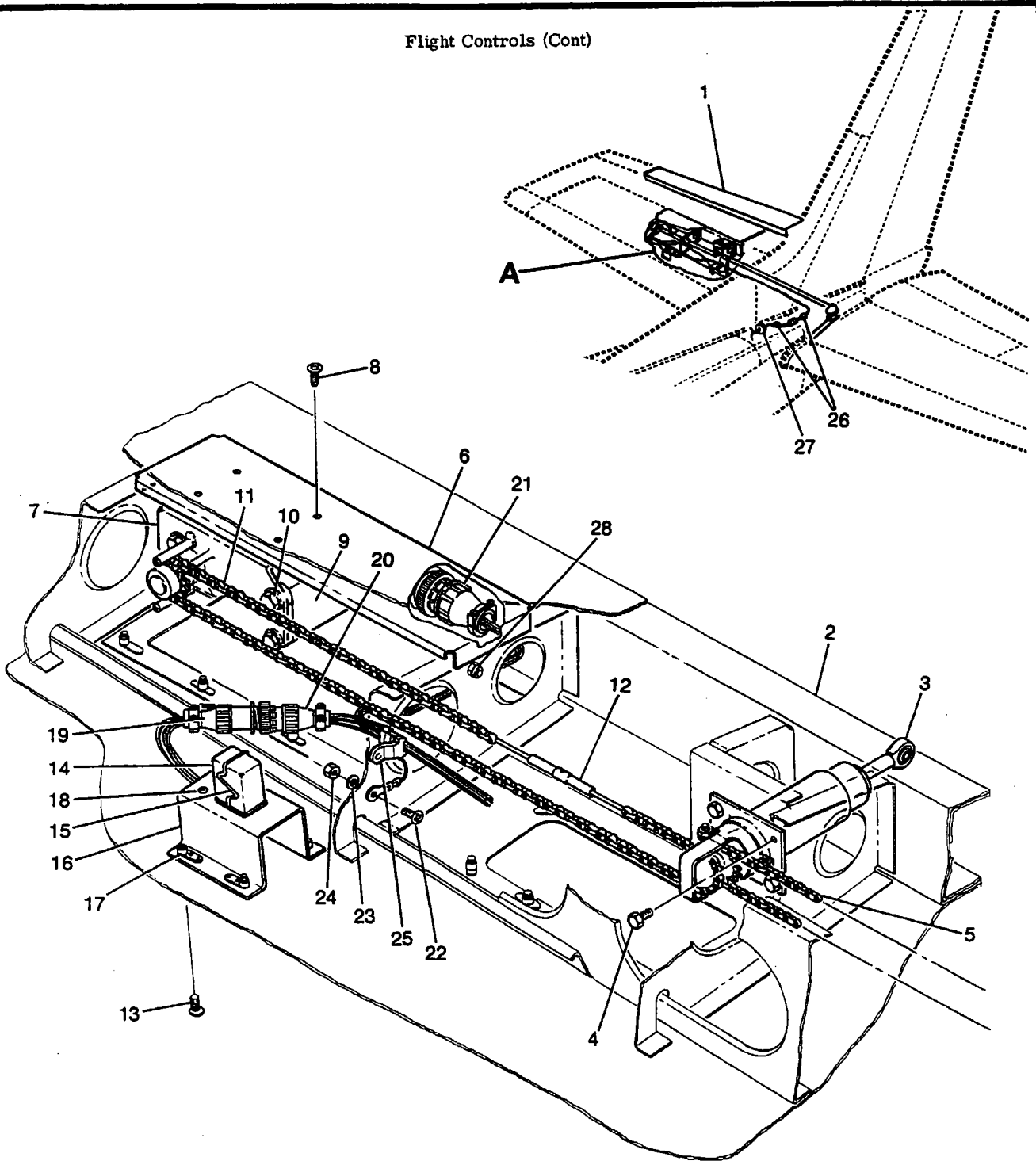
P210 Parts Catalog

FIGURE AND INDEX NO.	PART NUMBER	DESCRIPTION							UNITS PER ASSY	USABLE ON CODE
		1	2	3	4	5	6	7		
98 - 9	C610502-0101	MOTOR-ELECTRIC TRIM GEAR							1	
-10	AN515-8R20	ATTACHING PARTS							4	
-11	AN935-81	SCREW							4	
-12	1260155-4	WASHER							1	
-12	1260155-5	PLATE-MOUNTING							1	
-13	1260154-1	SHIM							1	
-14	NAS561P4-8	*-----								
-15	1560321-14	SPROCKET							1	
-16	AN507-440R6	ATTACHING PARTS							3	
-17	NAS76A4-006	SCREW							1	
-18	1260153-2	BUSHING							1	
-19	TCS20B	CHAIN							1	
-19	S2209-3	CLUTCH ANPI							1	
-20	1260156-1	STA-STRAP							1	
-20	1260156-4	SPROCKET CLUTCH ASSY-ELECTRIC TRIM							1	
-21	1560321-10	SHAFT ASSY-CLUTCH SPROCKET							1	
-22	S2393-2	NUT							2	
-23	1560321-9	WASHER							1	
-24	1260156-6	WASHER-SPRING							1	
-25	1260156-2	WASHER ASSY							1	
-26	1260156-3	SPROCKET							1	
-27	1/16X.375TYPE3	SHAFT							1	
-28	NAS1149F0432P	PIN-GROOV GVP							2	
-29	1260159-1	WASHER							AR	
-30	1260155-1	CHAIN ASSY							1	
-31	AN500A8-5	PLATE ASSY-MOUNTING							1	
-32	1260157-1	ATTACHING PARTS							4	
-33	AN515-8R7	SCREW							4	
-34	MS35489-4	*-----								
-35	1260157-3	GROMMET							1	
-36	1260157-4	RUB STRIP							1	
-37	AN515-8R7	COVER							1	
-38	1232016-1	ATTACHING PARTS							4	
-39	NAS680A3K	SCREW							4	
-40	NAS682A3K	*-----							4	
-41	1232016-3	DOUBLER ASSY							1	
	AN515-10R6	NUTPLATE							4	
-42	1232015-1	NUTPLATE							4	
-43	1232016-4	COVER							1	
-44	NAS680A3K	ATTACHING PARTS							1	
-45	NAS682A3K	SCREW							8	
-46	1232016-6	*-----								
	AN515-10R6	SUPPORT							1	
-47	C611003-0101	DOUBLER ASSY							1	
	AN515-6R6	NUTPLATE							1	
	NAS1149FN616P	NUTPLATE							2	
	MS21044N06	NUTPLATE							4	
-48	AN155-16S	NUT							4	
-49	SEE FIG 99	*-----								
	AN3-3A	BARREL							1	
		ELECTRIC TRIM TAB ACTUATOR ASSY							1	
		ATTACHING PARTS							4	
		BOLT								
		*-----								

A---P210 SERIAL P21000001 THRU P21000834

P210 Parts Catalog

Flight Controls (Cont)



Detail A

P210 SERIAL P2100835 & ON
Figure 98A. Elevator Electric Trim Components

P210 Parts Catalog

FIGURE AND INDEX NO.	PART NUMBER	DESCRIPTION							UNITS PER ASSY	USABLE ON CODE
		1	2	3	4	5	6	7		
98A-		ELEVATOR ELECTRIC TRIM COMPONENTS -----							NP	A
- 1	SEE FIG 15A	TRIM TAB ASSY -----							1	
- 2	SEE FIG 14A	STABILIZER ASSY -----							1	
- 3	SEE FIG 99	ACTUATOR ASSY -----							1	
- 4	AN3-3A	ATTACHING PARTS -----							1	
		BOLT -----							4	
		-----*								
- 5	SEE FIG 97	ELEVATOR TRIM CABLE -----							1	
- 6	2132015-1	SUPPORT ASSY-ACTUATOR MOTOR -----							1	
- 7	44575-2201	MOUNT-ACTUATOR MOTOR ARC -----							1	
- 8	AN507-1032R18	ATTACHING PARTS -----							1	
		SCREW -----							4	
		-----*								
- 9	44430-3235	MOTOR ASSY-ACTUATOR ARC -----							1	
-10	AN3-7A	ATTACHING PARTS -----							1	
	NAS1149F0332P	BOLT -----							4	
		WASHER -----							4	
		-----*								
-11	1260159-5	CHAIN ASSY -----							1	
-12	AN155-16S	BARREL -----							1	
	2270035-1	RELAY ASSY -----							1	
		ATTACHING PARTS -----							1	
-13	AN515-6R6	SCREW -----							4	
		-----*								
-14	CM3525-2	RELAY -----							1	
-15	S2032-3	SPRING -----							1	
	IN4004	DIODE MSPD -----							1	
-16	2270034-1	BRACKET ASSY -----							1	
-17	NAS682A06	NUTPLATE -----							4	
-18	AN520-10R7	SCREW -----							1	
	NAS1149F0332P	WASHER -----							1	
	S1155-4	CLAMP -----							1	
	AN935-10	WASHER -----							1	
	AN315-3R	NUT -----							1	
-19	S2350-5	RECEPTACLE -----							1	
	S2351-2	CLAMP -----							1	
-20	S2349-2	CONNECTOR -----							1	
	S2351-2	CLAMP -----							1	
-21	S2349-1	CONNECTOR -----							1	
	S2351-1	CLAMP -----							1	
-22	AN515-6R6	SCREW -----							1	
-23	NAS1149FN616P	WASHER -----							1	
-24	MS21044N06	NUT -----							1	
-25	S2034-1	MOUNT -----							5	
	S2209-1	STA STRAP -----							5	
-26	S1741-1	ANCHOR -----							2	
		ATTACHING PARTS -----							1	
	S102176-8	SCREW -----							1	
	NAS446-4	NUT -----							1	
		-----*								
-27	S2209-1	STA STRAP -----							2	
	MS35489-16	GROMMET -----							1	
-28	MS21044N3	NUT -----							1	
	AN520-10R6	SCREW -----							1	
	MS21919DG6	CLAMP -----							1	

A---P210 SERIAL P21000835 & ON

P210 Parts Catalog

FIGURE AND INDEX NO.	PART NUMBER	DESCRIPTION	UNITS PER ASSY	USABLE ON CODE
99 -	1260238-1	ELEVATOR TRIM TAB ACTUATOR ASSY -----	1	
	1260238-2	ELEVATOR TRIM TAB ACTUATOR ASSY USED WITH ELECTRIC TRIM ---	1	
- 1	1260232-1	SCREW ASSY -----	1	
- 2	PN3A	BEARING TOR -----	1	
- 3	1260231-1	GUARD-CHAIN -----	1	
- 4	1260231-2	GUARD-CHAIN USED WITH ELECTRIC TRIM -----	1	
		ATTACHING PARTS		
- 5	AN515-8R8	SCREW -----	2	
- 6	MS21044N08	NUT -----	2	
		*-----		
- 7	1260235-2	SPROCKET -----	1	
- 8	1260235-1	SPROCKET USED WITH ELECTRIC TRIM -----	1	
		ATTACHING PARTS		
- 9	3/32X.625TYPE3	PIN-GROOV GVP -----	2	
		*-----		
- 10	MS15002-1	FITTING-GREASE -----	1	

P210 Parts Catalog

FIGURE AND INDEX NO.	PART NUMBER	DESCRIPTION							UNITS PER ASSY	USABLE ON CODE
		1	2	3	4	5	6	7		
100 -		ELECTRIC FLAP SYSTEM -----								
- 1	1260505-47	CABLE ASSY-FLAP DOWN BELLCRANK TO TURNBUCKLE -----							MP	
	1260505-147	CABLE ASSY-FLAP DOWN BELLCRANK TO TURNBUCKLE -----							2	
		STAINLESS STEEL -----							2	
		ATTACHING PARTS -----								
- 2	MS20392-1C11	PIN -----							1	
	MS24665-134	PIN-COTTER -----							1	
- 3	AN155-32S	BARREL-TURNBUCKLE -----							1	
		-----*								
- 4	1260505-48	CABLE ASSY-FLAP UP BELLCRANK TO TURNBUCKLE -----							2	
	1260505-148	CABLE ASSY-FLAP UP BELLCRANK TO TURNBUCKLE -----							2	
		STAINLESS STEEL -----							2	
		ATTACHING PARTS -----								
- 5	MS20392-1C11	PIN -----							1	
	MS24665-134	PIN-COTTER -----							1	
- 6	AN155-16S	BARREL-TURNBUCKLE -----							1	
		-----*								
- 7	1260505-73	CABLE ASSY-FLAP DOWN LH TURNBUCKLE TO ACTUATOR -----							1	
	1260505-173	CABLE ASSY-FLAP DOWN LH TURNBUCKLE TO ACTUATOR -----							1	
		STAINLESS STEEL -----							1	
- 8	1260505-71	CABLE ASSY-FLAP DOWN RH TURNBUCKLE TO ACTUATOR -----							1	
	1260505-171	CABLE ASSY-FLAP DOWN RH TURNBUCKLE TO ACTUATOR -----							1	
		STAINLESS STEEL -----							1	
- 9	1260505-70	CABLE ASSY-FLAP UP LH TURNBUCKLE TO ACTUATOR -----							1	
	1260505-170	CABLE ASSY-FLAP UP LH TURNBUCKLE TO ACTUATOR -----							1	
		STAINLESS STEEL -----							1	
-10	1260505-72	CABLE ASSY-FLAP UP RH TURNBUCKLE TO ACTUATOR -----							1	
	1260505-172	CABLE ASSY-FLAP UP RH TURNBUCKLE TO ACTUATOR -----							1	
		STAINLESS STEEL -----							1	
-11	AN23-11	BOLT -----							2	
-12	AN310-3	NUT -----							2	
-13	MS24665-132	PIN-COTTER -----							2	
-14	MS20220-2	PULLEY -----							3	
		ATTACHING PARTS -----								
-15	AN5-12A	BOLT -----							1	
-16	NAS1149F0563P	WASHER -----							1	
-17	MS21042L5	NUT -----							1	
		-----*								
-18	MS24665-355	PIN-COTTER -----							5	
-19	1462027-1	GUARD-CABLE -----							1	
-20	1262024-1	SUPPORT ASSY-LWR -----							1	
		ATTACHING PARTS -----								
-21	AN3-14A	BOLT -----							1	
	NAS1149F0563P	WASHER -----							4	
	MS21044N3	NUT -----							1	
-22	1412280-23	BUSHING -----							1	
-23	AN3-11A	BOLT -----							1	
	NAS1149F0363P	WASHER -----							1	
	MS21044N3	NUT -----							1	
	NAS43HT3-40	SPACER -----							1	
		-----*								
-24	1262028-5	DRIVE ASSY-CABLE -----							1	
	AN565B428H4	ATTACHING PARTS -----								
		SCREW-SET -----							1	
		-----*								
-25	1262027-1	BELLCRANK ASSY -----							1	
		ATTACHING PARTS -----								
-26	AN4-27A	BOLT -----							1	
	S1450-6N16-063	WASHER -----							2	
	NAS75-4-216	BUSHING -----							1	
	NAS1149F0463P	WASHER -----							1	
	MS21042L4	NUT -----							1	
-27	AN3-4A	BOLT -----							1	
	NAS43HT3-10	SPACER -----							1	
	S1450-3-10-032	WASHER -----							1	
	MS21044N3	NUT -----							1	
		-----*								

CONTINUED ON NEXT PAGE

P210 Parts Catalog

Flight Controls (Cont)

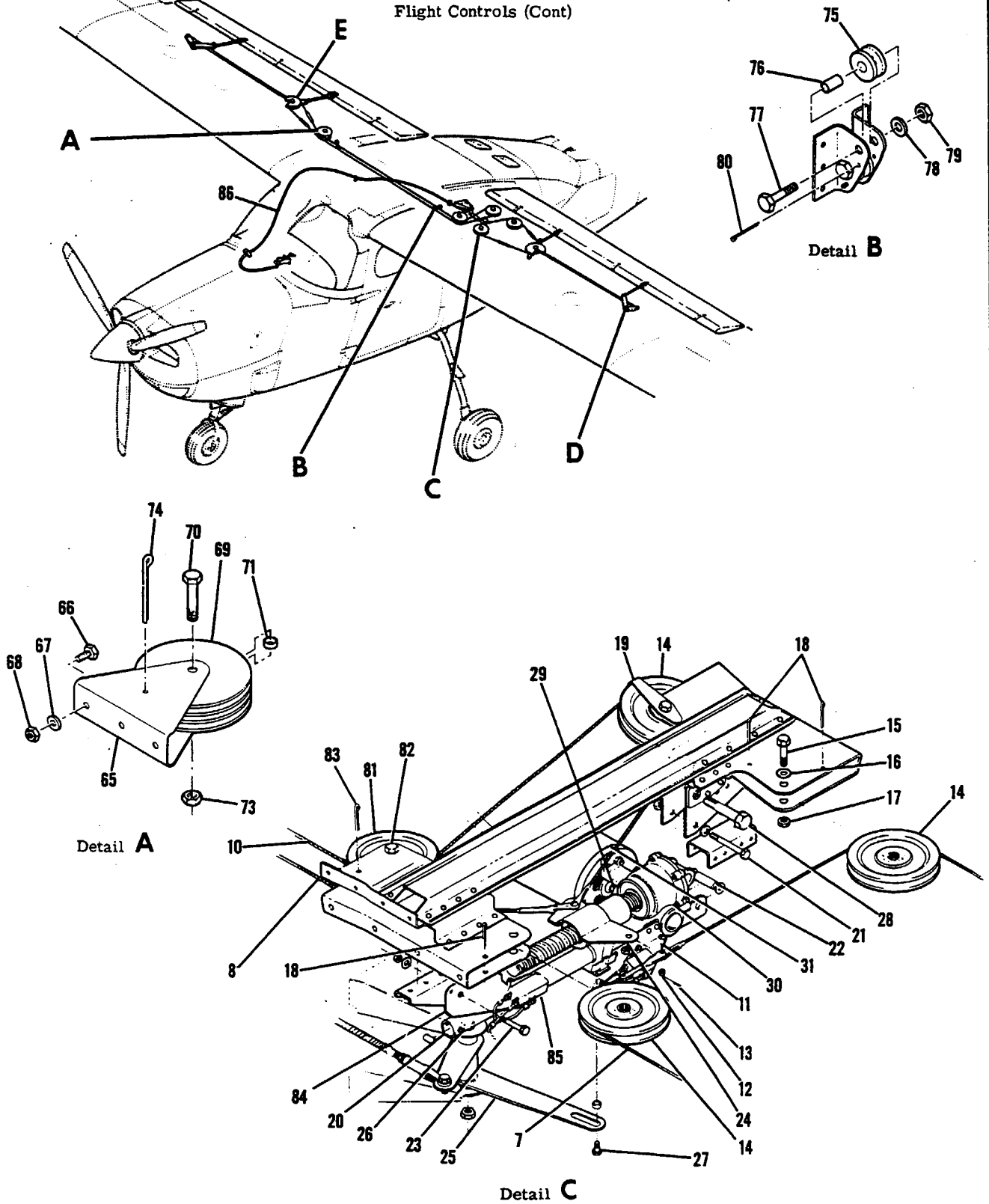
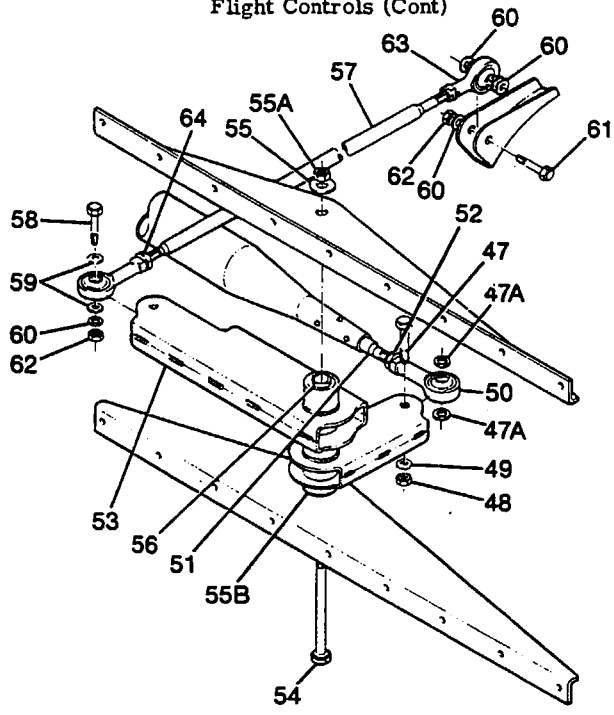


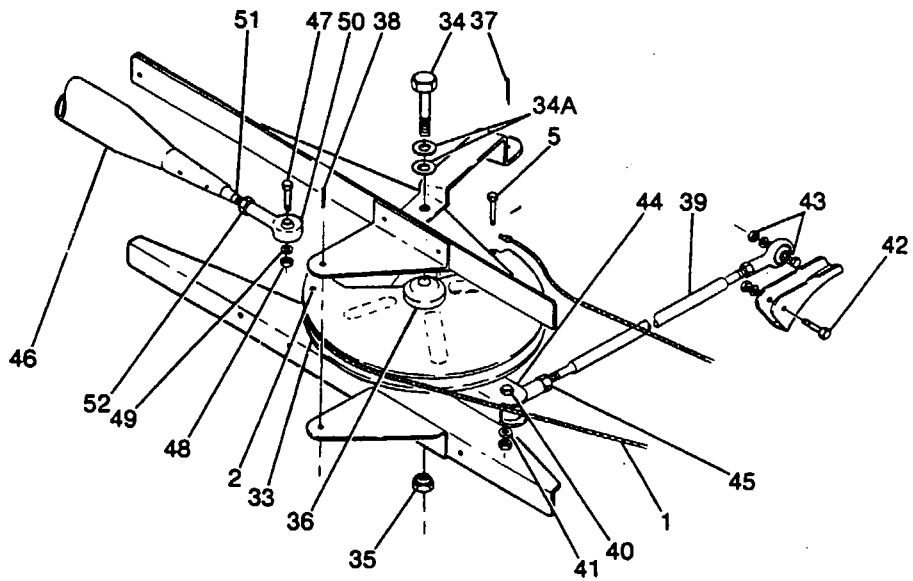
Figure 100. (Sheet 1 of 2) Electric Flap System

P210 Parts Catalog

Flight Controls (Cont)



Detail D



Detail E

Figure 100. (Sheet 2 of 2) Electric Flap System

P210 Parts Catalog

FIGURE AND INDEX NO.	PART NUMBER	DESCRIPTION							UNITS PER ASSY	USABLE ON CODE
		1	2	3	4	5	6	7		
100 -	C301002-0202 C301002-0208	ACTUATOR & MOTOR ASSY-FLAP -----							1	A B
		ACTUATOR & MOTOR ASSY-FLAP -----							1	
-28	AN6-16A NAS1149F0663P AN310-6 MS24665-283	ATTACHING PARTS -----								
		BOLT -----							1	
		WASHER -----							1	
		NUT -----							1	
		PIN-COTTER -----							1	
		-----*								
-29	C301001-0211	COUPLING -----							1	
-30	C301002-0203	ACTUATOR ASSY-FLAP -----							1	A B
	C301002-0209	ACTUATOR ASSY-FLAP -----							1	
-31	C301002-0104	MOTOR FILTERED -----							1	
	S1638-2	HOUSING-CAP -----							1	
	S1635-2	PIN -----							1	
-32	1262029-1	BELLCRANK ASSY-LH -----							2	
-33	1262029-2	BELLCRANK ASSY-RH -----							1	
		ATTACHING PARTS -----								
-34	AN4-30A	BOLT -----							1	
-34A	NAS1149F0463P	WASHER -----							1	
-35	MS21042L4 S1450-7B12-032	NUT -----							1	
		WASHER -----							1	
		INSTALL BETWEEN BELLCRANK & BRACKET LWR SIDE -----							1	
		-----*								
-36	S1997-6-10	BEARING -----							2	
	1462012-2	BUSHING -----							2	
-37	MS20392-2C93	PIN -----							1	
	MS24665-132	PIN-COTTER -----							1	
-38	MS24665-292	PIN-COTTER -----							1	
-39	1260128-4	PUSH ROD ASSY-FLAP INBD -----							2	
		ATTACHING PARTS -----								
-40	AN3-7A	BOLT -----							1	
	NAS1149F0363P	WASHER -----							1	
-41	NAS1149F0332P	WASHER -----							1	
	MS21044N3	NUT -----							1	
-42	AN3-11A	BOLT -----							1	
-43	NAS1149F0363P	WASHER -----							5	
	MS21044N3	NUT -----							1	
		-----*								
-44	S1819-3	BEARING-ROD END -----							2	
-45	AN316-4R	NUT -----							2	
-46	1260653-5	ROD ASSY-ACTUATOR CONNECT OUTBOARD FLAP -----							2	
		ATTACHING PARTS -----								
-47	AN3-6A	BOLT -----							2	
-47A	NAS1149F0332P	WASHER -----							3	
-48	MS21044N3	NUT -----							2	
-49	NAS1149F0363P	WASHER -----							2	
		-----*								
-50	S1106-3	BEARING-ROD END -----							2	
-51	1260650-1	ROD END ADAPTOR -----							2	
-52	AN316-4R	CHECKNUT -----							2	
-53	1262038-1	BELLCRANK ASSY-LH -----							1	
	1262038-2	BELLCRANK ASSY-RH -----							1	
		ATTACHING PARTS -----								
-54	AN4-30A	BOLT -----							1	
-55	NAS1149F0463P	WASHER -----							1	
-55A	MS21042L4	NUT -----							1	
-55B	S1450-7B12-032	WASHER -----							1	
		-----*								
-56	S1997-6-10	BEARING -----							2	
-57	1260128-5	PUSH ROD ASSY-FLAP OUTBOARD -----							2	
		ATTACHING PARTS -----								
-58	AN3-7A	BOLT -----							1	
-59	NAS1149F0332P	WASHER -----							2	
-60	NAS1149F0363P	WASHER -----							6	
-61	AN3-11A	BOLT -----							1	
-62	MS21044N3	NUT -----							2	
		-----*								
-63	S1819-3	BEARING-ROD END -----							2	
-64	AN316-4R	NUT -----							2	

CONTINUED ON NEXT PAGE

P210 Parts Catalog

FIGURE AND INDEX NO.	PART NUMBER	DESCRIPTION							UNITS PER ASSY	USABLE ON CODE
		1	2	3	4	5	6	7		
100 -65	1222027-1	BRACKET-PULLEY -----							1	
		ATTACHING PARTS -----								
-66	AN3-3A	BOLT -----							3	
-67	NAS1149F0332P	WASHER -----							3	
-68	MS21044N3	NUT -----							3	
		*-----								
-69	S378-4	PULLEY -----							2	
		ATTACHING PARTS -----								
-70	AN4-14A	BOLT -----							1	
-71	NAS43HT4-10	SPACER -----							1	
-72		DELETED-NOT USED -----								
-73	MS21042L4	NUT -----							1	
		*-----								
-74	MS24665-360	PIN-COTTER -----							1	
-75	S1710-1	PULLEY -----							4	
		ATTACHING PARTS -----								
-76	0411783	BUSHING -----							1	
-77	AN3-7A	BOLT -----							1	
-78	NAS1149F0332P	WASHER -----							1	
-79	MS21044N3	NUT -----							1	
		*-----								
-80	MS24665-134	PIN-COTTER -----							4	
-81	MS20220-2	PULLEY -----							2	
		ATTACHING PARTS -----								
-82	AN5-14A	BOLT -----							1	
	NAS1149F0563P	WASHER -----							1	
	MS21042L5	NUT -----							1	
		*-----								
-83	MS24665-360	PIN-COTTER -----							2	
-84	1262016-2	BRACKET-FLAP CONTROL SWITCH WEU 1262016-3 -----							1	A B
	1262016-3	BRACKET-FLAP CONTROL SWITCH -----							1	
-85	S1906-2	SWITCH -----							2	
		ATTACHING PARTS -----								
	AN505-4-12	SCREW -----							2	
	NAS620-4	WASHER -----							2	
	AN340-4	NUT -----							2	
		*-----								
-86	1670019-1	INSULATOR-SWITCH -----							2	
	SEE FIG 101	FLAP CONTROL DETAILS -----							1	
		A---P210 SERIAL P21000001 THRU P21000385								
		B---P210 SERIAL P21000386 & ON								

P210 Parts Catalog

Flight Controls (Cont)

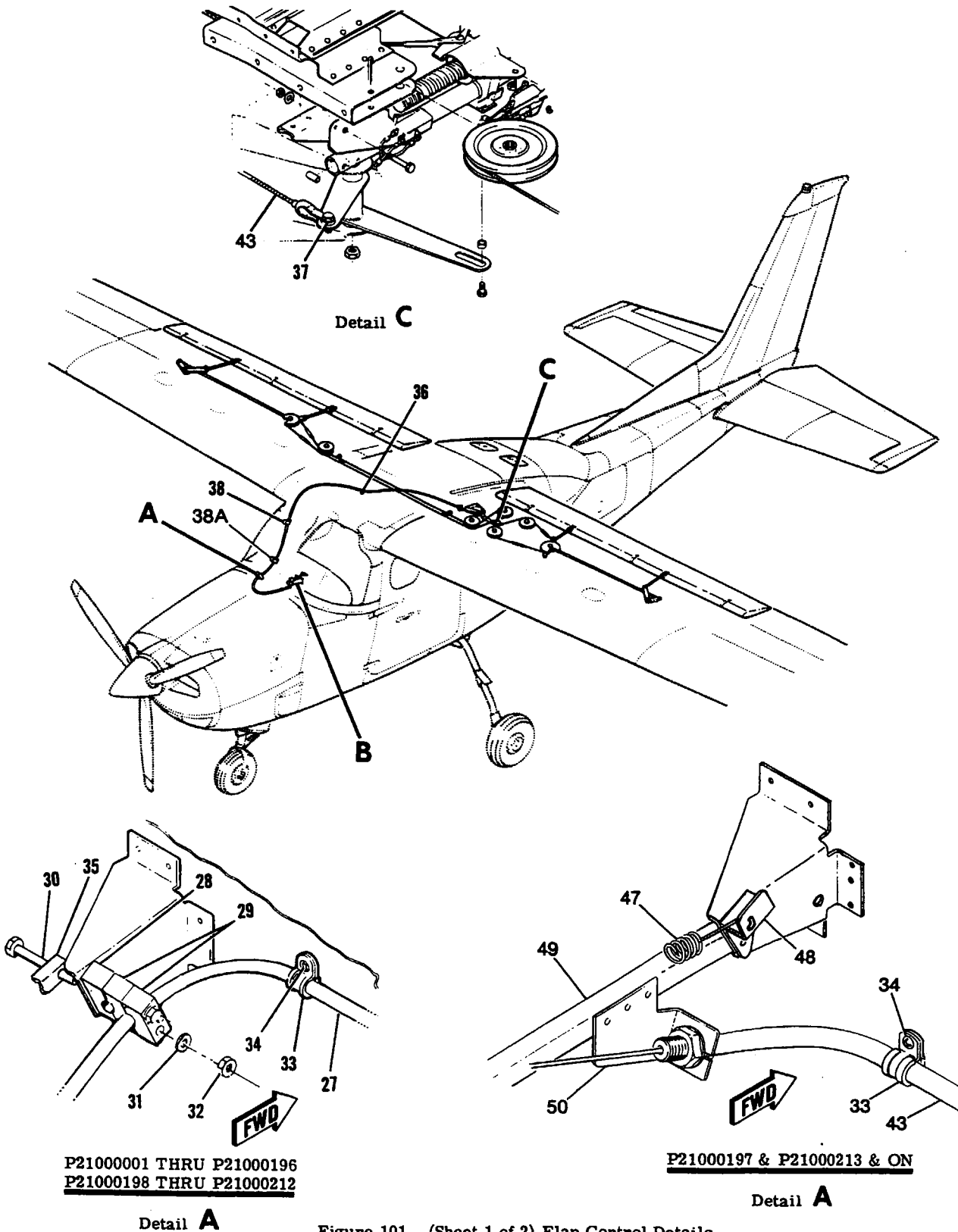
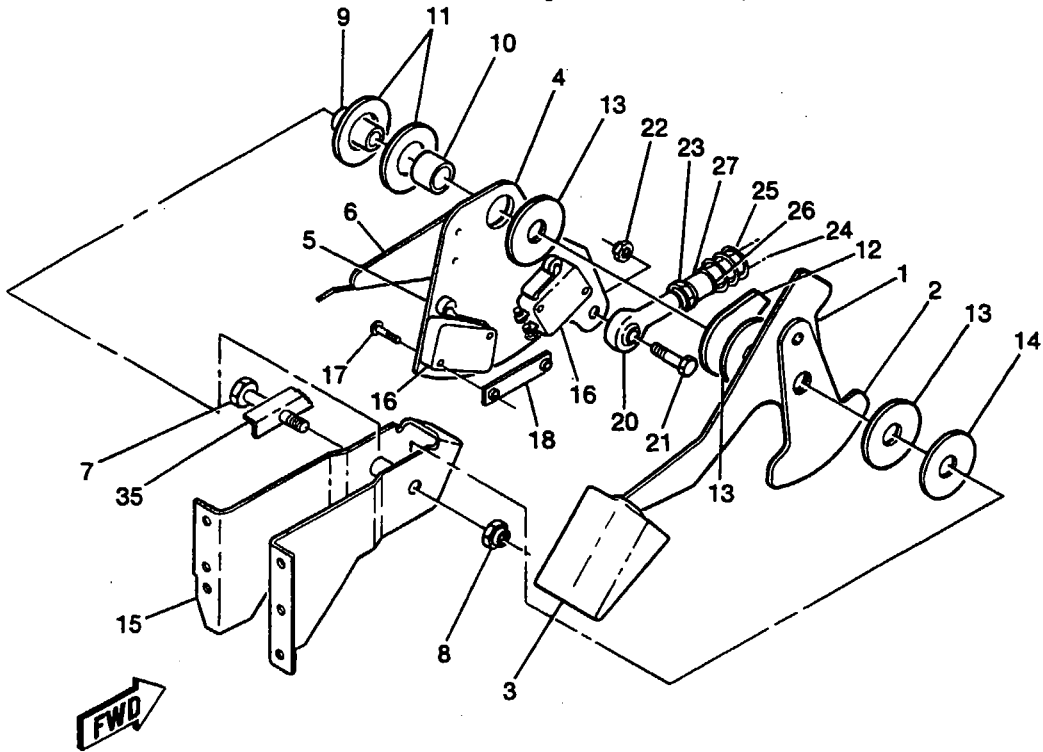


Figure 101. (Sheet 1 of 2) Flap Control Details

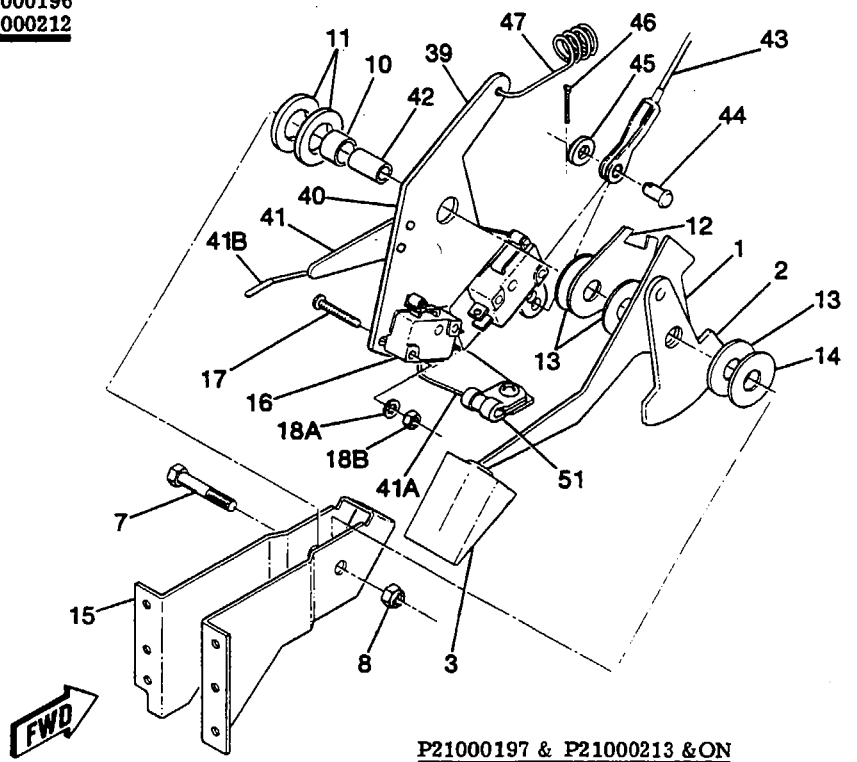
P210 Parts Catalog

Flight Controls (Cont)



P2100001 THRU P21000196
P21000198 THRU P21000212

Detail **B**



P21000197 & P21000213 & ON

Detail **B**

Figure 101. (Sheet 2 of 2) Flap Control Details

P210 Parts Catalog

FIGURE AND INDEX NO.	PART NUMBER	DESCRIPTION							UNITS PER ASSY	USABLE ON CODE
		1	2	3	4	5	6	7		
101 -		FLAP CONTROL DETAILS -----							NP	
- 1	1512280-41	LEVER ASSY-FLAP -----							1	
- 2	1452530-6	CAM -----							1	
- 3	S1771-3	KNOB-FLAP LEVER -----							1	
- 4	1562033-19	ARM ASSY-FLAP -----							1	A
- 5	1760025-2	ARM -----							1	
- 6	1562033-17	INDICATOR ASSY -----							1	
- 7	AN3-10A	BOLT -----							1	
- 8	MS21044N3	NUT -----							1	
- 9	NAS75-3-016	BUSHING -----							1	A
-10	1512280-24	BUSHING -----							1	
-11	S2389-7	WASHER -----							2	
-12	0762049-1	BRACKET -----							1	
-13	S2202-4	WASHER -----							3	
-14	S2389-2	WASHER -----							1	
-15		BRACKET SEE STATIONARY INSTRUMENT PANEL ASSY -----							1	
-16	S1906-1	SWITCH -----							2	
	1670019-1	INSULATOR -----							2	
		ATTACHING PARTS -----								
-17	AN515-4R12	SCREW -----							2	
-18	1512282-3	PLATE ASSY -----							1	A
-18A	AN936A4	WASHER -----							2	B
	NAS1149DN432H	WASHER BETWEEN INSULATOR & SWITCH -----							2	B
-19	AN340-4	NUT -----							2	B
		*-----								
-20	S1106-3	ROD END -----							1	A
		ATTACHING PARTS -----								
-21	AN3-6A	BOLT -----							1	
-22	MS21044N3	NUT -----							1	
-23	AN316-4R	NUT -----							1	
		*-----								
-24	NAS430D6-132	SPACER -----							1	A
-25	NAS1149C0663R	WASHER -----							1	A
-26	1452537-1	SPRING -----							1	A
-27	9864050-14	CONTROL-PUSH PULL WEU 9864050-20 -----							1	E
	9864050-20	CONTROL-PUSH PULL -----							1	F
-28	0713307-1	MOUNT -----							1	A
-29	0713307-4	CLAMP -----							2	A
		ATTACHING PARTS -----								
-30	AN3-21A	BOLT -----							2	
-31	NAS1149F0363P	WASHER -----							2	
-32	MS21044N3	NUT -----							2	
		*-----								
-33	MS21919D66	CLAMP -----							1	
		ATTACHING PARTS -----								
-34	AN515-8R7	SCREW -----							1	
		*-----								
-35	1262022-1	STIFFENER -----							1	A
-36	AN742D5	CLAMP -----							1	
		ATTACHING PARTS -----								
	S102178-8	SCREW -----							1	
	NAS395-11-3	NUT -----							1	
		*-----								
-37	MS20392-2C9	PIN -----							1	
	NAS1149F0332P	WASHER -----							2	
	MS24665-132	PIN-COTTER -----							1	
-38	MS21919D65	CLAMP -----							1	
	AN515-8R8	SCREW -----							1	
	MS21043-08	NUT -----							1	
-38A	MS21919D65	CLAMP -----							1	D
		ATTACHING PARTS -----								
	AN509-8R14	SCREW -----							1	
	NAS1149FN832P	WASHER -----							1	
	MS21044N08	NUT -----							1	
		*-----								

CONTINUED ON NEXT PAGE

P210 Parts Catalog

FIGURE AND INDEX NO.	PART NUMBER	DESCRIPTION	UNITS PER ASSY	USABLE ON CODE
		1 2 3 4 5 6 7		
101 -39	1562033-20	ARM ASSY -----	1	C
	1562033-25	ARM ASSY -----	1	
-40	2162003-1	ARM -----	1	D
-41	1562033-24	INDICATOR ASSY -----	1	
-41A	2162006-1	BRACKET-SUPPORT -----	1	D
-41B	S2445-1	TIP-INDICATOR -----	1	
-42	NAS75-3-018	BUSHING -----	1	D
-43	9864050-16	CABLE ASSY -----	1	
		ATTACHING PARTS		B
-44	MS20392-2C7	PIN -----	1	
-45	NAS1149D0316K	WASHER -----	1	B
-46	MS24665-134	PIN-COTTER -----	1	
		-----*		B
-47	2162005-1	SPRING -----	1	
-48	2162004-1	BRACKET -----	1	B
-49	1262022-3	STIFFENER WEU 1262022-4 -----	1	
		1262022-4		H
-50	2162002-1	STIFFENER -----	1	
-51	MS21919DG3	BRACKET -----	1	B
	AN936A6	CLAMP -----	1	
	NAS1149FN632P	WASHER BETWEEN CLAMP & BRACKET -----	1	D
	AN515-6R6	WASHER UNDER NUT -----	1	
	MS21044N06	SCREW -----	1	D
		NUT -----	1	
<p>A---P210 SERIAL P21000001 THRU P21000196 P21000198 THRU P21000212</p> <p>B---P210 SERIAL P21000197 & P21000213 & ON</p> <p>C---P210 SERIAL P21000197 & P21000213 THRU P21000385</p> <p>D---P210 SERIAL P21000386 & ON</p> <p>E---P210 SERIAL P21000001 THRU P21000230</p> <p>F---P210 SERIAL P21000231 THRU P21000385</p> <p>G---P210 SERIAL P21000197 & P21000213 THRU P21000498</p> <p>H---P210 SERIAL P21000499 & ON</p>				

P210 Parts Catalog

Flight Controls (Cont)

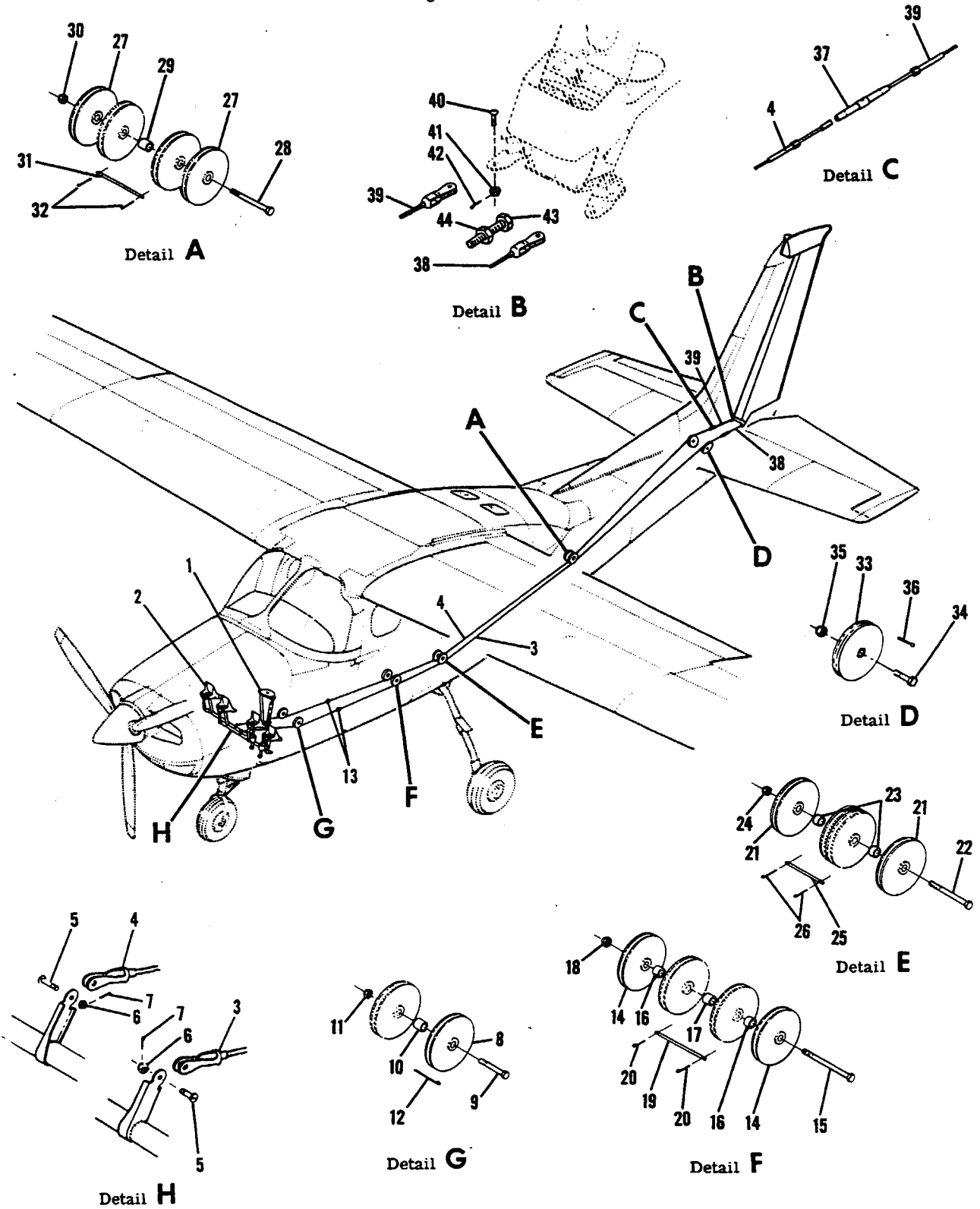


Figure 102. Rudder Control System

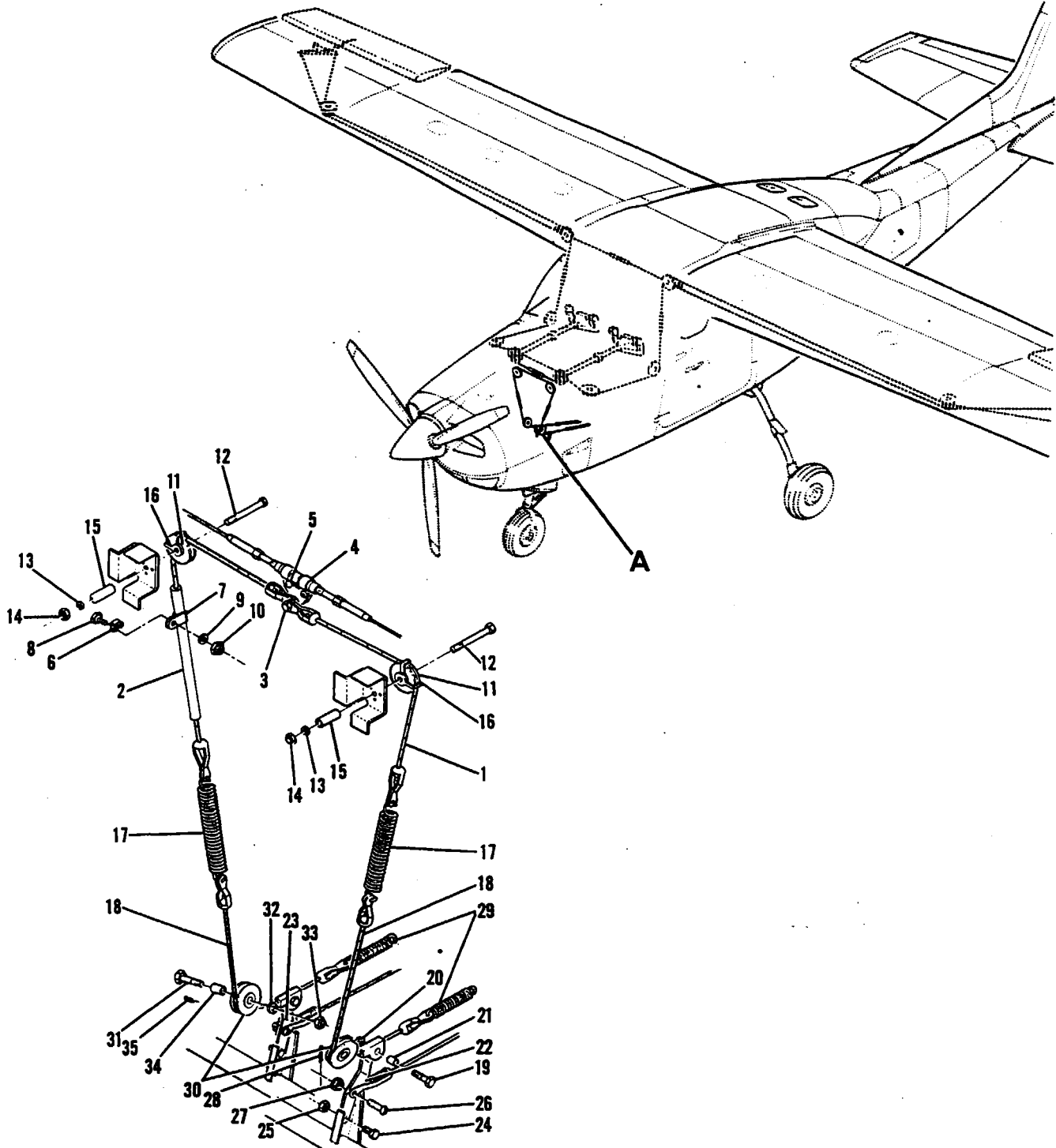
P210 Parts Catalog

FIGURE AND INDEX NO.	PART NUMBER	DESCRIPTION	1 2 3 4 5 6 7							UNITS PER ASSY	USABLE ON CODE
			1	2	3	4	5	6	7		
102 -		RUDDER CONTROL SYSTEM -----								NP	
- 1	SEE FIG 104	RUDDER TRIM INSTALLATION -----								1	
- 2	SEE FIG 92	RUDDER PEDALS INSTALLATION -----								1	
- 3	1260475-5	CABLE ASSY-RUDDER FWD LH -----								1	
	1260475-105	CABLE ASSY-RUDDER FWD LH STAINLESS STEEL -----								1	
- 4	1260475-6	CABLE ASSY-RUDDER FWD RH -----								1	
	1260475-106	CABLE ASSY-RUDDER FWD RH STAINLESS STEEL -----								1	
		ATTACHING PARTS -----								1	
- 5	AN23-12	BOLT -----								1	
- 6	AN310-3	NUT -----								1	
- 7	MS24665-134	PIN-COTTER -----								1	
		-----*								1	
- 8	S378-4	PULLEY-CABLE -----								2	
		ATTACHING PARTS -----								2	
- 9	AN4-20A	BOLT -----								1	
- 10	NAS43HT4-41	SPACER -----								1	
- 11	MS21042L4	NUT -----								1	
		-----*								1	
- 12	MS24665-143	PIN-COTTER -----								2	
- 13	S338-9	FAIRLEAD HALF-CABLE -----								4	
	S339-3	CLIP ATTACH FAIRLEAD HALVES -----								2	
- 14	S378-4	PULLEY-CABLE -----								2	
		ATTACHING PARTS -----								2	
- 15	AN4-37A	BOLT -----								1	
- 16	NAS43HT4-31	SPACER -----								2	
- 17	NAS43HT4-39	SPACER -----								1	
- 18	MS21042L4	NUT -----								1	
		-----*								1	
- 19	1200017-6	PIN-CABLE GUARD -----								1	
- 20	MS24665-132	PIN-COTTER -----								2	
- 21	S378-4	PULLEY-CABLE -----								2	
		ATTACHING PARTS -----								2	
- 22	AN4-27A	BOLT -----								1	
- 23	NAS43HT4-18	SPACER -----								2	
- 24	MS21042L4	NUT -----								1	
		-----*								1	
- 25	1200017-5	PIN-CABLE GUARD -----								1	
- 26	MS24665-132	PIN-COTTER -----								2	
- 27	S378-4	PULLEY-CABLE -----								2	
		ATTACHING PARTS -----								2	
- 28	AN4-27A	BOLT -----								1	
- 29	NAS43HT4-34	SPACER -----								1	
- 30	MS21042L4	NUT -----								1	
		-----*								1	
- 31	1200017-2	PIN-CABLE GUARD -----								1	
- 32	MS24665-132	PIN-COTTER -----								2	
- 33	S378-4	PULLEY-CABLE -----								2	
		ATTACHING PARTS -----								2	
- 34	AN4-10A	BOLT -----								1	
- 35	MS21042L4	NUT -----								1	
		-----*								1	
- 36	MS24665-136	PIN-COTTER -----								2	
- 37	AN155-32S	BARREL -----								2	
- 38	1260505-13	CABLE ASSY-RUDDER AFT LH -----								1	
	1260505-113	CABLE ASSY-RUDDER AFT LH STAINLESS STEEL -----								1	
	1260505-319	CABLE ASSY-RUDDER AFT LH -----								1	
	1260505-419	CABLE ASSY-RUDDER AFT LH STAINLESS STEEL -----								1	
	1260505-329	CABLE ASSY-RUDDER AFT LH -----								1	
	1260505-429	CABLE ASSY-RUDDER AFT LH STAINLESS STEEL -----								1	
- 39	1260505-12	CABLE ASSY-RUDDER AFT RH -----								1	
	1260505-112	CABLE ASSY-RUDDER AFT RH STAINLESS STEEL -----								1	
	1260505-330	CABLE ASSY-RUDDER AFT RH -----								1	
	1260505-430	CABLE ASSY-RUDDER AFT RH STAINLESS STEEL -----								1	
		ATTACHING PARTS -----								1	
- 40	AN23-10	BOLT -----								1	
- 41	AN310-3	NUT -----								1	
- 42	MS24665-134	PIN-COTTER -----								1	
		-----*								1	
- 43	NAS428-3-7	BOLT RUDDER STOP -----								2	
- 44	AN315-3R	NUT RUDDER STOP -----								2	
		-----*								2	
		A---P210 SERIAL P21000001 THRU P21000622									
		B---P210 SERIAL P21000623 THRU P21000834									
		C---P210 SERIAL P21000835 & ON									
		D---P210 SERIAL P21000001 THRU P21000834									

A B B C C D D C C

P210 Parts Catalog

Flight Controls (Cont)



Detail A

P210 SERIAL P2100001 THRU P21000834

Figure 103. Aileron, Rudder Interconnect System

P210 Parts Catalog

FIGURE AND INDEX NO.	PART NUMBER	DESCRIPTION							UNITS PER ASSY	USABLE ON CODE
		1	2	3	4	5	6	7		
103 -		AILERON RUDDER INTERCONNECT SYSTEM -----							NP	A
- 1	1260505-174	CABLE ASSY-LH -----							1	
- 2	1260505-187	CABLE ASSY-RH -----							1	
		ATTACHING PARTS -----								
- 3	AN3-3A MS21044N3	BOLT -----							1	
		NUT -----							1	
		*-----								
- 4	1260211-1	CLAMP -----							1	
		ATTACHING PARTS -----								
- 5	AN515-6R6 MS21044N06	SCREW -----							2	
		NUT -----							2	
		*-----								
- 6	1260217-1	BRACKET -----							1	
- 7	AN742D3	CLAMP -----							1	
		ATTACHING PARTS -----								
- 8	S1021Z8-8	SCREW -----							1	
- 9	NAS1149F0332P	WASHER -----							AR	
-10	NAS446-4	NUT -----							1	
		*-----								
-11	S378-1	PULLEY -----							2	
		ATTACHING PARTS -----								
-12	AN3-16A	BOLT -----							1	
-13	NAS1149F0332P	WASHER -----							1	
-14	MS21044N3	NUT -----							1	
-15	NAS430D3-60	SPACER -----							1	
		*-----								
-16	1260205-1	GUARD-CABLE -----							4	
-17	1260216-1	SPRING-INTERCONNECT -----							2	
-18	1260208-1	CABLE ASSEMBLY -----							2	
		ATTACHING PARTS -----								
-19	AN3-6A	BOLT -----							1	
-20	MS21044N3	NUT -----							1	
-21	1260207-1	BUSHING -----							1	
		*-----								
-22	1260412-1	STRAP-LH -----							1	
-23	1260412-2	STRAP-RH -----							1	
		ATTACHING PARTS -----								
-24	AN3-3A	BOLT -----							1	
-25	MS21044N3	NUT -----							1	
-26	AN23-12	BOLT -----							1	
-27	AN310-3	NUT -----							1	
-28	MS24665-134	PIN-COTTER -----							1	
		*-----								
-29	0413416-4	SPRING -----							2	
-30	S378-1	PULLEY -----							2	
		ATTACHING PARTS -----								
-31	AN3-6A	BOLT -----							1	
-32	NAS1149F0332P	WASHER -----							1	
-33	MS21044N3	NUT -----							1	
-34	NAS430D3-14	SPACER -----							1	
		*-----								
-35	MS24665-285	PIN-COTTER -----							2	
A---P210 SERIAL P21000001 THRU P21000834										

P210 Parts Catalog

Flight Controls (Cont)

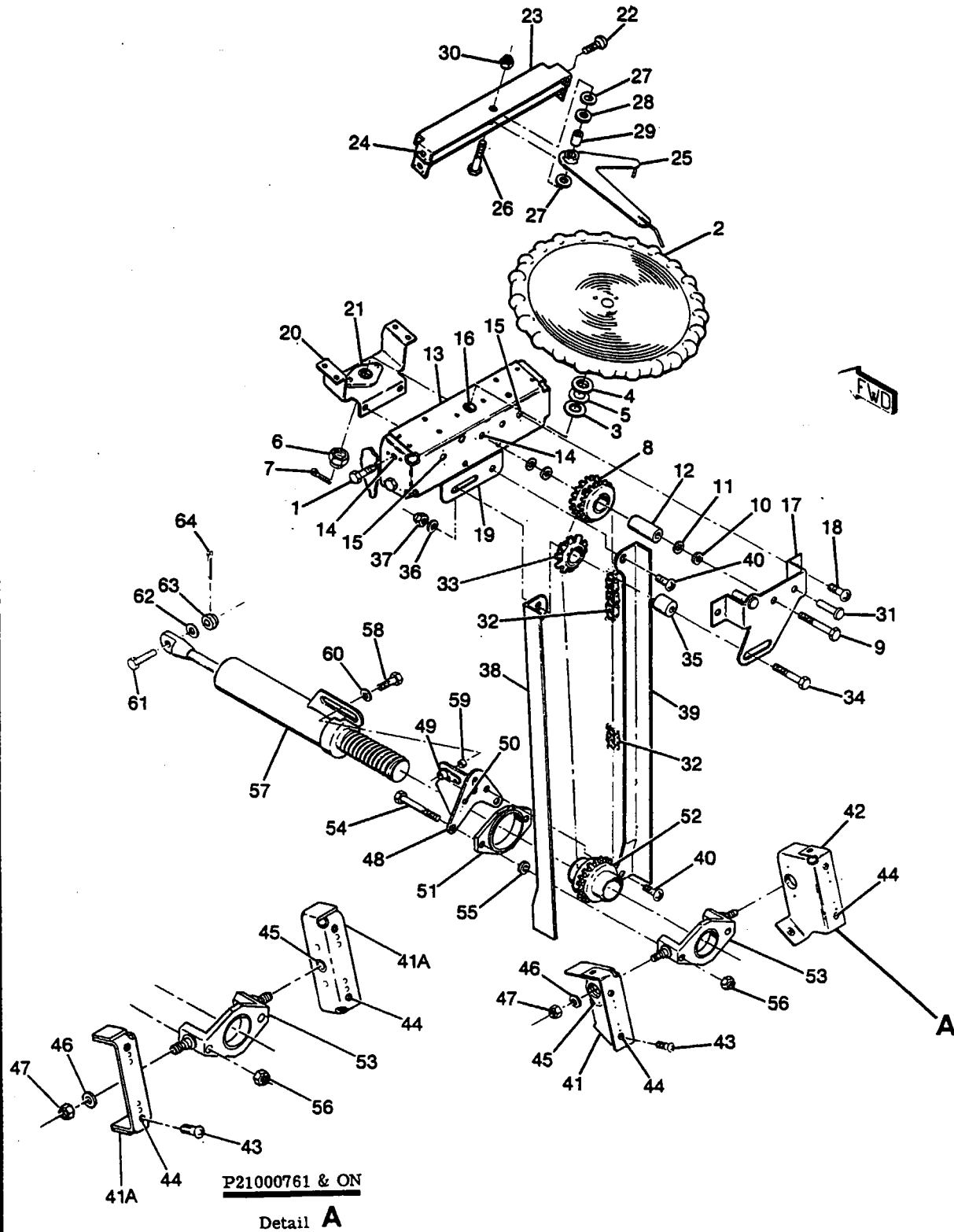


Figure 104. Rudder Trim Installation

P210 Parts Catalog

FIGURE AND INDEX NO.	PART NUMBER	DESCRIPTION	1 2 3 4 5 6 7							UNITS PER ASSY	USABLE ON CODE
			1	2	3	4	5	6	7		
104 -	1261466-1	RUDDER TRIM INSTALLATION ----- WHEEL & GEAR BOX ASSY-RUDDER TRIM -----								NP	
- 1	AN3-3A	ATTACHING PARTS ----- BOLT -----								1	
- 2	1261471-5	*----- WHEEL ASSY-RUDDER TRIM -----								4	
- 3	NAS1149F0463P	ATTACHING PARTS -----								1	
- 4	NAS1149F0432P	WASHER -----								AR	
- 5	NAS1149D0416K	WASHER -----								AR	
- 6	S1357-3	WASHER -----								AR	
- 7	AN320-4	WASHER-LOCK SPRING -----								1	
- 8	MS24665-132	NUT -----								1	
- 9	1261472-1	PIN-COTTER -----								1	
- 10	AN3-11A	*----- SPROCKET ASSY-DUAL -----								1	
- 11	NAS1149F0332P	ATTACHING PARTS -----								1	
- 12	NAS1149D0516K	BOLT -----								AR	
- 13	1261466-2	WASHER -----								AR	
- 14	1261467-1	WASHER -----								1	
- 15	NAS680A3	SPACER -----								1	
- 16	NAS680A08	*----- GEAR BOX ASSY-RUDDER TRIM WHEEL -----								5	
- 17	S1004-53A	NUTPLATE -----								2	
- 18	0713647-3	NUTPLATE -----								1	
- 19	1261470-1	BEARING -----								1	
- 20	1261470-1	MOUNT -----								1	
- 21	NAS220-8	SUPPORT-RUDDER TRIM IDLER SPROCKET -----								1	
- 22	1261469-1	ATTACHING PARTS -----								2	
- 23	NAS697A08	SCREW -----								1	
- 24	1261468-1	*----- SUPPORT ANGLE ASSY-RUDDER TRIM IDLER SPROCKET -----								1	
- 25	0713647-3	NUTPLATE -----								1	
- 26	S1004-53A	SUPPORT ASSY-RUDDER TRIM WHEEL -----								1	
- 27	2113046-1	MOUNT -----								1	
- 28	1261466-1	BEARING -----								1	
- 29	NAS220-7	INDICATOR ASSY-RUDDER TRIM -----								1	
- 30	2113046-2	ATTACHING PARTS -----								4	
- 31	NAS698A08	SCREW -----								1	
- 32	1261475-4	*----- BRACKET ASSY-MOUNTING -----								4	
- 33	NAS75-3-018	NUTPLATE -----								1	
- 34	MS21044N3	ARM ASSY-INDICATOR -----								1	
- 35	AN3-10A	ATTACHING PARTS -----								1	
- 36	NAS1149F0563P	BOLT -----								2	
- 37	NAS1149F0332P	WASHER -----								1	
- 38	NAS75-3-018	WASHER -----								1	
- 39	MS21044N3	BUSHING -----								1	
- 40	NAS427K14	NUT -----								1	
- 41	S2295A25-142	*----- PIN -----								2	
- 42	S2294-25	CHAIN ASSY-RUDDER TRIM -----								1	
- 43	1261473-1	CONNECTING LINK-CHAIN -----								1	
- 44	AN3-12A	SPROCKET ASSY-IDLER -----								1	
- 45	NAS75-3-023	ATTACHING PARTS -----								1	
- 46	NAS1149F0363P	BOLT -----								1	
- 47	MS21044N3	BUSHING -----								1	
- 48	1261474-1	WASHER -----								1	
- 49	1261474-2	NUT -----								1	
- 50	NAS220-7	*----- CHAIN GUARD-LH -----								1	
- 51	NAS220-7	CHAINGUARD-RH -----								1	
- 52		ATTACHING PARTS -----								1	
- 53		SCREW LH -----								1	
- 54		SCREW RH -----								2	

CONTINUED ON NEXT PAGE

P210 Parts Catalog

FIGURE AND INDEX NO.	PART NUMBER	DESCRIPTION							UNITS PER ASSY	USABLE ON CODE	
		1	2	3	4	5	6	7			
104 -41	1261463-1	BRACKET ASSY-LH -----							1	C	
-41A	2113213-1	BRACKET ASSY -----							2		
-42	1261463-2	BRACKET ASSY-RH -----							1	D	
-43	NAS220-7	ATTACHING PARTS -----							3	C	
	NAS220-7	SCREW -----							2		
-44	NAS682A08	*-----									
-45	0713647-3	NUTPLATE -----							2	D	
	S1004-53A	MOUNT -----							1		
	1261458-1	BEARING -----							1		
		GIMBAL ASSY-RUDDER TRIM BUNGEE -----							1		
		ATTACHING PARTS -----							1		
-46	NAS1149F0363P	WASHER -----							2		
-47	MS21044N3	NUT -----							2		
-48	1261461-1	*-----									
-49	NAS682A3	BRACKET ASSY-RUDDER TRIM STOP -----							1	A	
-50	NAS696A08	NUTPLATE -----							1		
-51	1261465-1	NUTPLATE -----							2		
-52	1261460-1	COVER PLATE ASSY-GIMBAL -----							1		
-53	1261459-1	SPROCKET DRIVE NUT-RUDDER TRIM BUNGEE -----							1		
		GIMBAL HALF ASSY-RUDDER TRIM BUNGEE -----							1		
		ATTACHING PARTS -----							1		
-54	AN3-15A	BOLT -----							2		
-55	1261458-2	SHIM -----							2		
-56	MS21044N3	NUT -----							2		
-57	1261462-1	*-----									B
	1261462-6	BUNGEE ASSY-RUDDER TRIM WEU 1261462-6 -----							1		
		BUNGEE ASSY-RUDDER TRIM -----							1		
		ATTACHING PARTS -----									
-58	AN3-4A	BOLT -----							1		
-59	NAS75-3-005	BUSHING -----							1		
-60	S1450-3-10-032	WASHER -----							1		
-61	AN23-12	BOLT -----							1		
-62	NAS1149F0332P	WASHER -----							1		
-63	AN320-3	NUT -----							1		
-64	MS24665-132	PIN-COTTER -----							1		
		*-----									
		A---P210 SERIAL P21000001 THRU P21000675									
		B---P210 SERIAL P21000676 & ON									
		C---P210 SERIAL P21000001 THRU P21000760									
		D---P210 SERIAL P21000761 & ON									

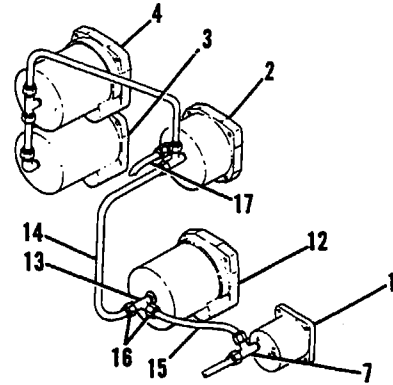
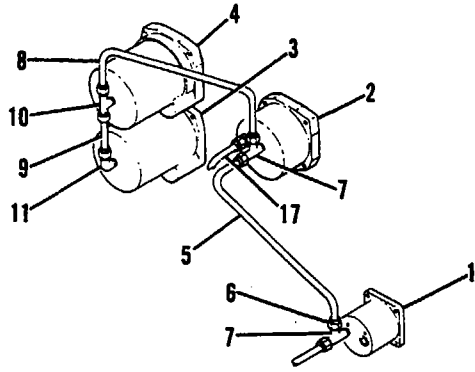
P210 Parts Catalog

FIGURE AND INDEX NO.	PART NUMBER	DESCRIPTION							UNITS PER ASSY	USABLE ON CODE
		1	2	3	4	5	6	7		
105 -		PITOT SYSTEM -----							NP	
- 1		INDICATOR DIFFERENTIAL PRESSURE SEE INSTRUMENT PANEL -----							1	
- 2		INDICATOR AIR SPEED SEE INSTRUMENT PANEL -----							1	
- 3		INDICATOR VERTICAL SPEED SEE INSTRUMENT PANEL -----							1	
- 4		INDICATOR ALTIMETER SEE INSTRUMENT PANEL -----							1	
- 5	S1071-1	LINE 13.50 IN LG BKI -----							1	
		DIFFERENTIAL PRESSURE TO AIRSPEED -----								
- 6	S1130-1	NUT-NYLON USED WITH S1071-1 LINES -----							18	
	S1131-1	INSERT-NYLON USED WITH S1071-1 LINES -----							18	
- 7	S1139-1	TEE-NYLON -----							2	
- 8	S1071-1	LINE 11.00 IN LG BKI -----							1	
		AIRSPEED TO ALTIMETER -----								
- 9	S1071-1	LINE 3.50 IN LG BKI -----							1	
		ALTIMETER TO VERTICAL SPEED -----								
-10	S1138-1	TEE-NYLON -----							1	
-11	S1135-1	ELBOW-NYLON -----							1	
		DUAL ATIMETER INSTALLATION -----							NP	
-12		INDICATOR-ALTIMETER SEE INSTRUMENT PANEL -----							1	
-13	S1139-1	TEE-NYLON -----							1	
-14	S1071-1	LINE 8.40 IN LG BKI -----							1	
		AIRSPEED TO SECOND ALTIMETER -----								
-15	S1071-1	LINE 8.00 IN LG BKI -----							1	
		SECOND ALTIMETER TO DIFFERENTIAL PRESSURE -----								
-16	S1130-1	NUT-NYLON -----							2	
	S1131-1	INSERT-NYLON -----							2	
-17	S1071-1	LINE 288.00 IN LG BKI -----							1	
-18	S1050-1	GROMMET 2.79 IN LG BKI -----							4	
-19	S1134-1	UNION-NYLON -----							1	
-20	S1071-1	LINE 53.50 IN LG BKI -----							1	
-20A	S1071-1	LINE 94.00 IN LG BKI -----							1	
		ATTACHING PARTS -----								
-21	S1592-1A	BAND-HARNESS -----							3	
	S1021Z6-6	SCREW -----							3	
		* -----								
-22	MS35489-7	GROMMET -----							1	
-23	1221098-2	CONNECTOR ASSEMBLY-PITOT TUBE -----							1	
-24	1221098-3	DOUBLER -----							1	

CONTINUED ON NEXT PAGE

P210 Parts Catalog

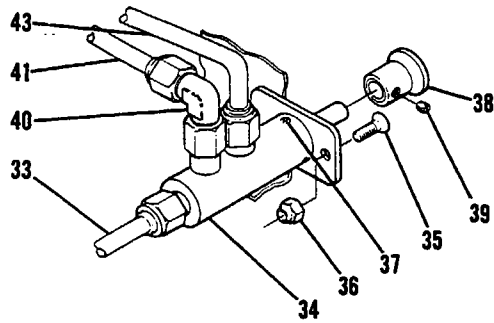
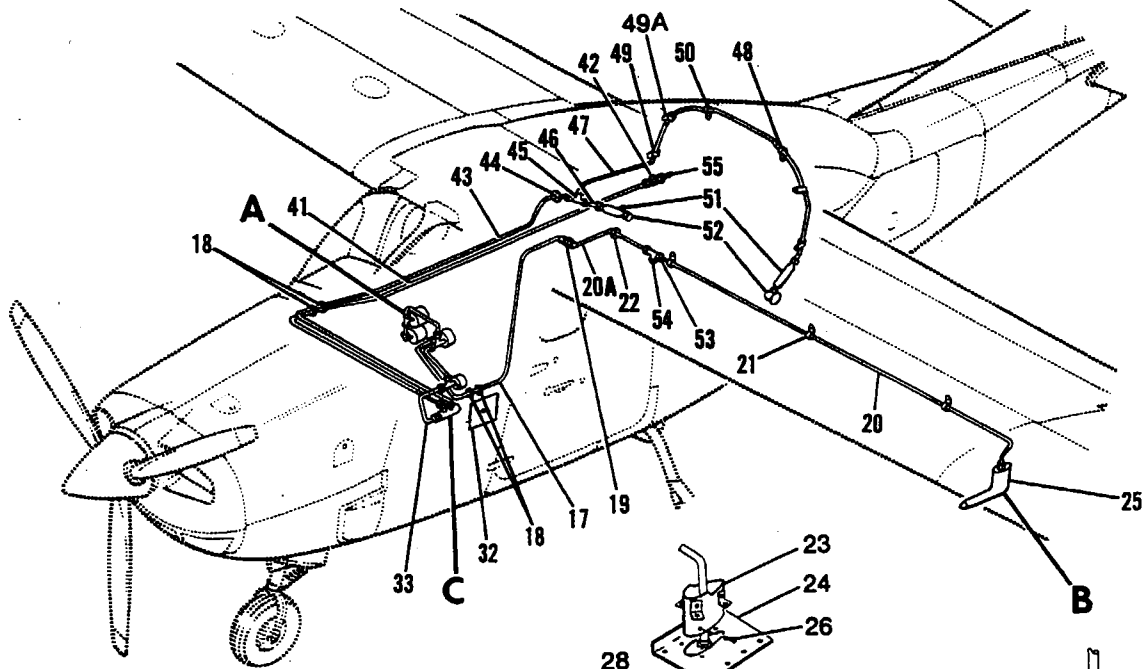
Pitot System



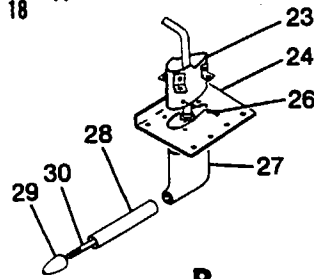
Detail A

DUAL ALTIMETER INSTALLATION

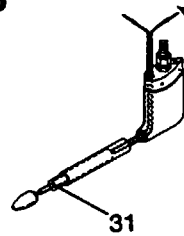
Detail A



Detail C

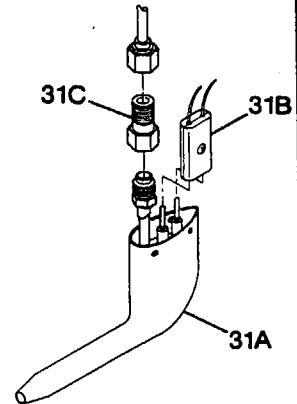


Detail B



HEATED PITOT

Detail B



P21000225 & ON HEATED PITOT KNOWN ICING

Detail B

Figure 105. Pitot System

P210 Parts Catalog

FIGURE AND INDEX NO.	PART NUMBER	DESCRIPTION							UNITS PER ASSY	USABLE ON CODE
		1	2	3	4	5	6	7		
105 -25	0721105-14 0721105-18	PITOT TUBE ASSY-L SHAPED -----							1	
		PITOT TUBE ASSY-L SHAPED HEATED -----							1	
-26	AN507-640R4	ATTACHING PARTS -----							1	
		SCREW -----							4	
-27	0721105-13 S1133-2	BODY-PITOT -----							1	
		CONNECTOR-NYLON -----							1	
-28	0721105-3	TUBE -----							1	
-29	0721105-4	FITTING-TUBE NOSE -----							1	
-30	0721105-8	STEM-PITOT TUBE -----							1	
-31	0721105-9	HEATER ASSY-PITOT -----							1	
-31A	AN5812-1	PITOT TUBE ASSY-L SHAPED HEATED KNOWN ICING -----							1	B
	AN507-640R4	ATTACHING PARTS -----							1	
		SCREW -----							4	
-31B	AN3115-1	RECEPTACLE-PITOT TUBE KNOWN ICING -----							1	B
-31C	CM3659-1	UNION KNOWN ICING -----							1	B
-32		SWITCH-PITOT HEAT SEE SWITCH PANEL -----							1	
		CIRCUIT BRKR SEE SWITCH PANEL -----							1	
-33	S1071-1	LINE 10.00 IN LG BKI -----							1	
		DIFFERENTIAL PRESSURE TO STATIC SOURCE VALVE -----							1	
-34	2013142-1 2013142-10	SELECTOR VALVE ASSY-ALT STATIC SOURCE WEU 2013142-10 -----							1	C
		SELECTOR VALVE ASSY-ALT STATIC SOURCE -----							1	D
-35	AN509-8R7	ATTACHING PARTS -----							2	
	AN507B832R10	SCREW -----							2	
-36	MS21044N08	SCREW USED WITH DUAL ALTERNATORS -----							2	E
		NUT -----							2	
-37	AN565D8H2	SET SCREW -----							3	C
	AN565D8H2	SET SCREW -----							1	D
-38	S1981-5	KNOB ASSY -----							1	
-39	AN565D8H2	SET SCREW -----							1	
-40	S2071-1	ELBOW -----							1	
-41	S1071-1	LINE 163.00 IN LG BKI -----							1	
-42	S1134-1	UNION-NYLON -----							1	
-43	S1071-1	LINE 143.00 IN LG BKI -----							1	
-44	NAS557-4A	GROMMET -----							1	
-45	S1137-1	TEE-NYLON -----							1	
-46	S1071-1	LINE 1.30 IN LG BKI -----							1	
-47	S1071-1	LINE 80.00 IN LG BKI -----							1	
		ATTACHING PARTS -----							6	
-48	S1055-4	CLAMP -----							3	
	S1021Z6-6	SCREW-LH -----							1	
-49	S1021Z6-8	SCREW-LWR RH -----							1	F
	AN515-8R10	SCREW-LWR RH -----							1	G
-49A	S1021Z6-8	SCREW-MIDDLE RH -----							1	
	NAS395-7	NUT-MIDDLE RH -----							1	G
-50	S1021Z6-12	SCREW-UPR RH -----							1	
	NAS43DD1-12	SPACER-UPR RH -----							1	
-51	S2043-1	SUMP ASSY -----							2	
-52	1200761-1	BUTTON-STATIC SOURCE -----							2	
	1200761-4	BUTTON-STATIC SOURCE KNOWN ICING -----							2	B
-53	S1130-1	NUT-NYLON -----							2	
	S1131-1	INSERT-NYLON -----							2	
-54	S1137-1	TEE-NYLON -----							1	
	AN929-4	CAP-NYLON -----							1	
-55	1511501-1	PICCOLO TUBE ASSY -----							1	A

*
*
*

NOTE. *WHEN INITIALLY ORDERING THIS PART FOR AIRCRAFT PRIOR TO P21000015 ALL PARTS MARKED * MUST BE ORDERED

- A---P210 SERIAL P21000079 & ON
- B---P210 SERIAL P21000225 & ON
- C---P210 SERIAL P21000001 THRU P21000694
P21000812 THRU P21000833
- D---P210 SERIAL P21000695 THRU P21000811
P21000834 & ON
- E---P210 SERIAL P21000761 & ON
- F---P210 SERIAL P21000001 THRU P21000834
- G---P210 SERIAL P21000835 & ON

P210 Parts Catalog

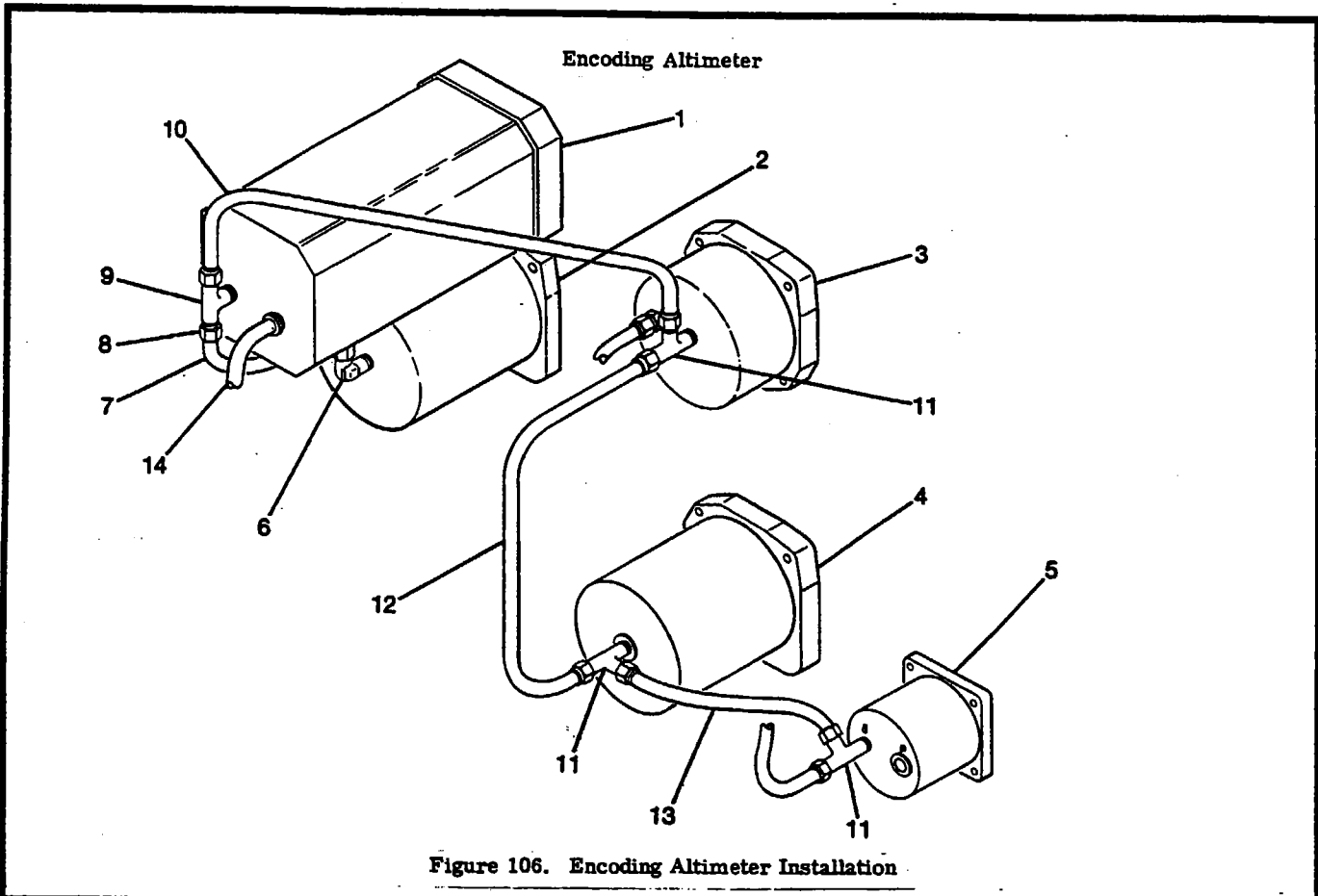
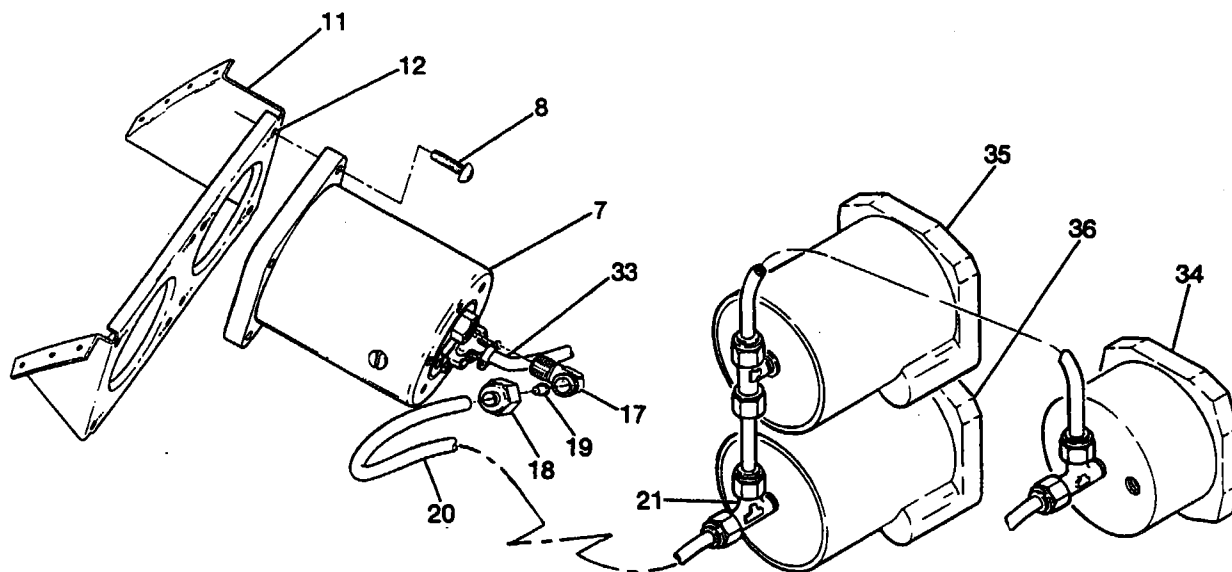


Figure 106. Encoding Altimeter Installation

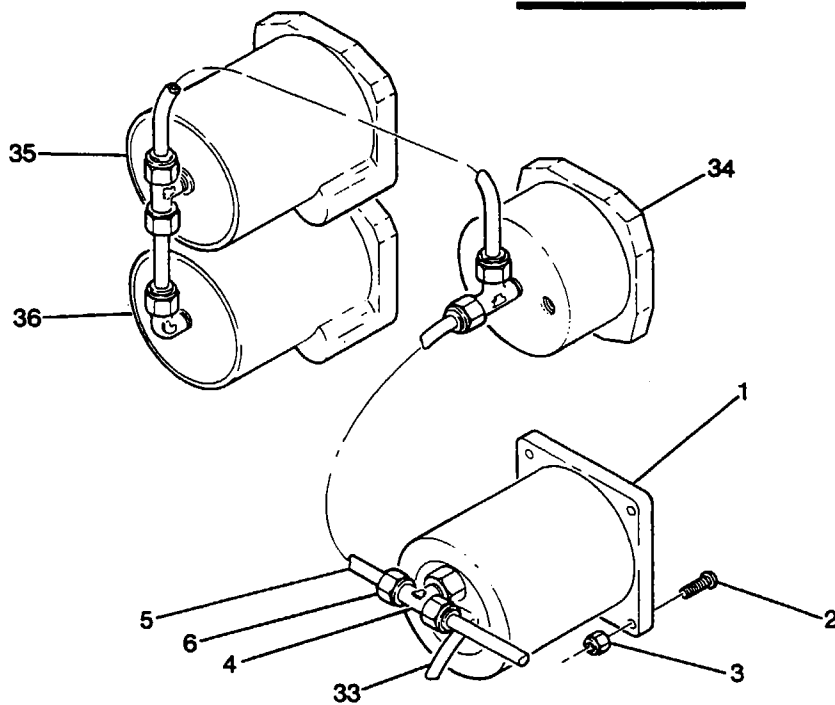
FIGURE AND INDEX NO.	PART NUMBER	DESCRIPTION	UNITS PER ASSY	USABLE ON CODE
		1 2 3 4 5 6 7		
106 -		ENCODING ALTIMETER INSTALLATION	NP	
- 1		ALTIMETER ENCODING SEE INSTRUMENT PANEL	1	
- 2		INDICATOR VERTICAL SPEED SEE INSTRUMENT PANEL	1	
- 3		INDICATOR AIRSPEED SEE INSTRUMENT PANEL	1	
- 4		ALTIMETER SEE INSTRUMENT PANEL	1	
- 5		GAGE-DIFFERENTIAL PRESSURE SEE INSTRUMENT PANEL	1	
- 6	S1135-1	ELBOW	1	
- 7	S1071-1	TUBE-POLYETHYLENE 3.50 IN LG BKI	1	
- 8	S1130-1	NUT	8	
	S1131-1	INSERT	8	
- 9	S1138-1	TEE	1	
-10	S1071-1	TUBE-POLYETHYLENE 11.00 IN LG BKI	1	
-11	S1139-1	TEE	3	
-12	S1071-1	TUBE-POLYETHYLENE 8.40 IN LG BKI	1	
-13	S1071-1	TUBE-POLYETHYLENE 8.00 IN LG BKI	1	
-14		CABLE ASSY SEE AVIONICS SERVICE/PARTS MANUAL	1	

P210 Parts Catalog

Blind Encoder



P21000812 THRU P21000856
DECK SKIN MOUNT



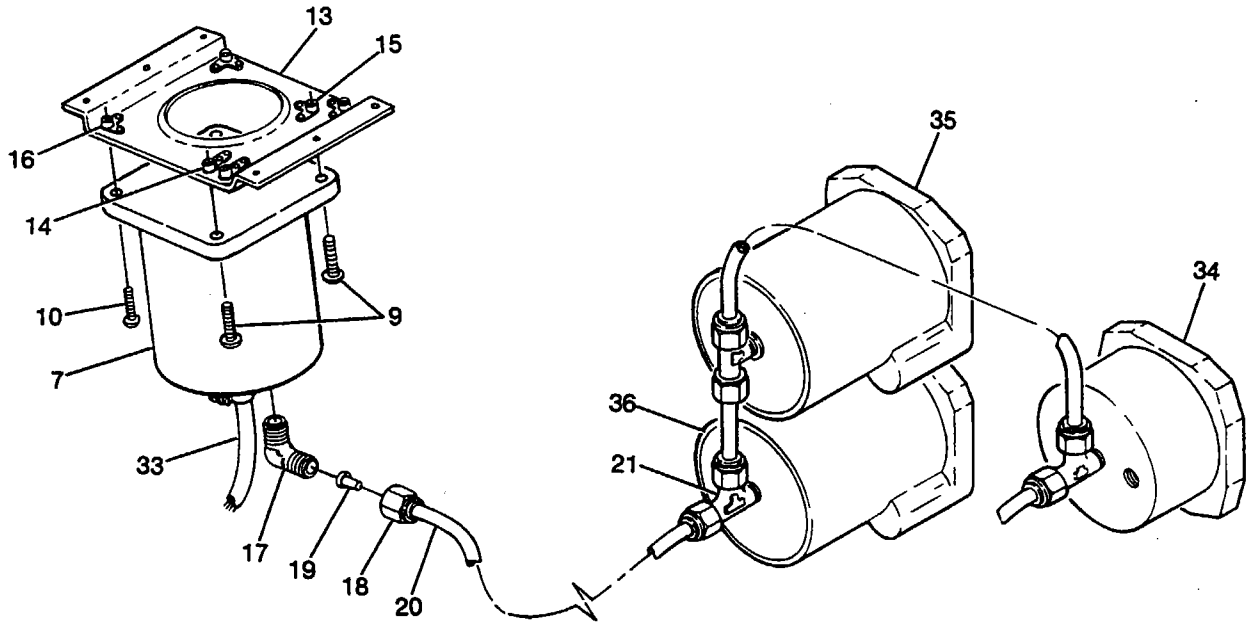
P21000234 THRU P21000834
INSTRUMENT PANEL MOUNT

P210 SERIAL P21000234 & ON

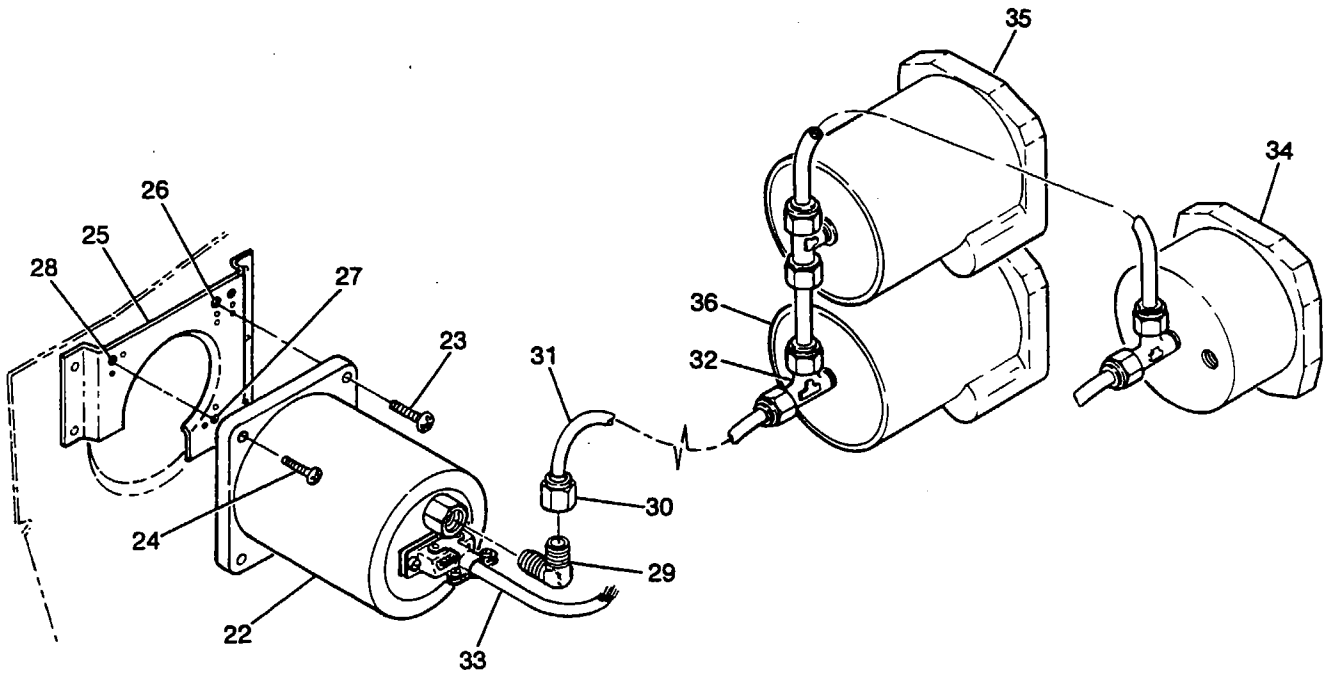
Figure 106A. (Sheet 1 of 2) Blind Encoder Installation

P210 Parts Catalog

Blind Encoder (Cont)



**P21000857 & ON
DECK SKIN MOUNT**



**P21000857 & ON
PEDESTAL MOUNT**

P210 SERIAL P21000234 & ON

Figure 106A. (Sheet 2 of 2) Blind Encoder Installation

P210 Parts Catalog

FIGURE AND INDEX NO.	PART NUMBER	DESCRIPTION							UNITS PER ASSY	USABLE ON CODE
		1	2	3	4	5	6	7		
106A-										
- 1	C744001-0102 *	BLIND ENCODER INSTALLATION	INST	PANEL	MOUNT	----			NP	A
		ENCODER-BLIND							1	
		ATTACHING PARTS								
- 2	AN515B8R10	SCREW							3	
- 3	MS21044N08	NUT							3	
		*----								
- 4	S1138-1	TEE							1	
- 5	S1071-1	LINE	7.00	IN	LG	BKI	----		1	
- 6	S1130-1	NUT							2	
	S1131-1	INSERT							2	
- 7	C744001-0102 *	BLIND ENCODER INSTALLATION	DECK	MOUNT	----				NP	B
		ENCODER-BLIND							1	
		ATTACHING PARTS								
- 8	AN515-8R12	SCREW							4	C
- 9	AN515-8R12	SCREW							2	D
-10	AN515-6R12	SCREW							1	D
		*----								
-11	1218008-1	BRACKET ASSY							1	C
-12	NAS696A08	NUTPLATE							4	C
	NAS696A06L	NUTPLATE							4	C
-13	2170015-3	BRACKET ASSY							1	C
-14	NAS682A08	NUTPLATE							1	D
	NAS682A06	NUTPLATE							1	D
-15	MS21073L08	NUTPLATE							1	D
-16	NAS698A06	NUTPLATE							3	D
-17	S1135-1	ELBOW							1	D
-18	S1130-1	NUT							2	
-19	S1131-1	INSERT							2	
-20	S1071-1	LINE	25.00	IN	LG	BKI	----		1	
-21	S1139-1	TEE							1	
-22	C744001-0102 *	BLIND ENCODER INSTALLATION	PEDESTAL	MOUNT	----				NP	D
		ENCODER-BLIND							1	
		ATTACHING PARTS								
-23	AN515-8R12	SCREW							2	
-24	AN515-6R12	SCREW							1	
		*----								
-25	2170015-5	BRACKET ASSY							1	
-26	NAS682A08	NUTPLATE							1	
	NAS682A06	NUTPLATE							1	
-27	MS21073L08	NUTPLATE							1	
-28	NAS698A06	NUTPLATE							2	
-29	S1135-1	ELBOW							1	
-30	S1130-1	NUT							2	
	S1131-1	INSERT							2	
-31	S1071-1	LINE	25.00	IN	LG	BKI	----		1	
-32	S1139-1	TEE							1	
-33		CABLE ASSY	SEE AVIONICS SERVICE/PARTS MANUAL						1	
-34		INDICATOR	AIR SPEED	SEE INSTRUMENT PANEL					1	
-35		ALTIMETER	SEE INSTRUMENT PANEL						1	
-36		INDICATOR	VERTICAL SPEED	SEE INSTRUMENT PANEL					1	

NOTE. *AN EXCHANGE PART IS ALSO AVAILABLE.
REFER TO THE MASTER PRICE LIST.

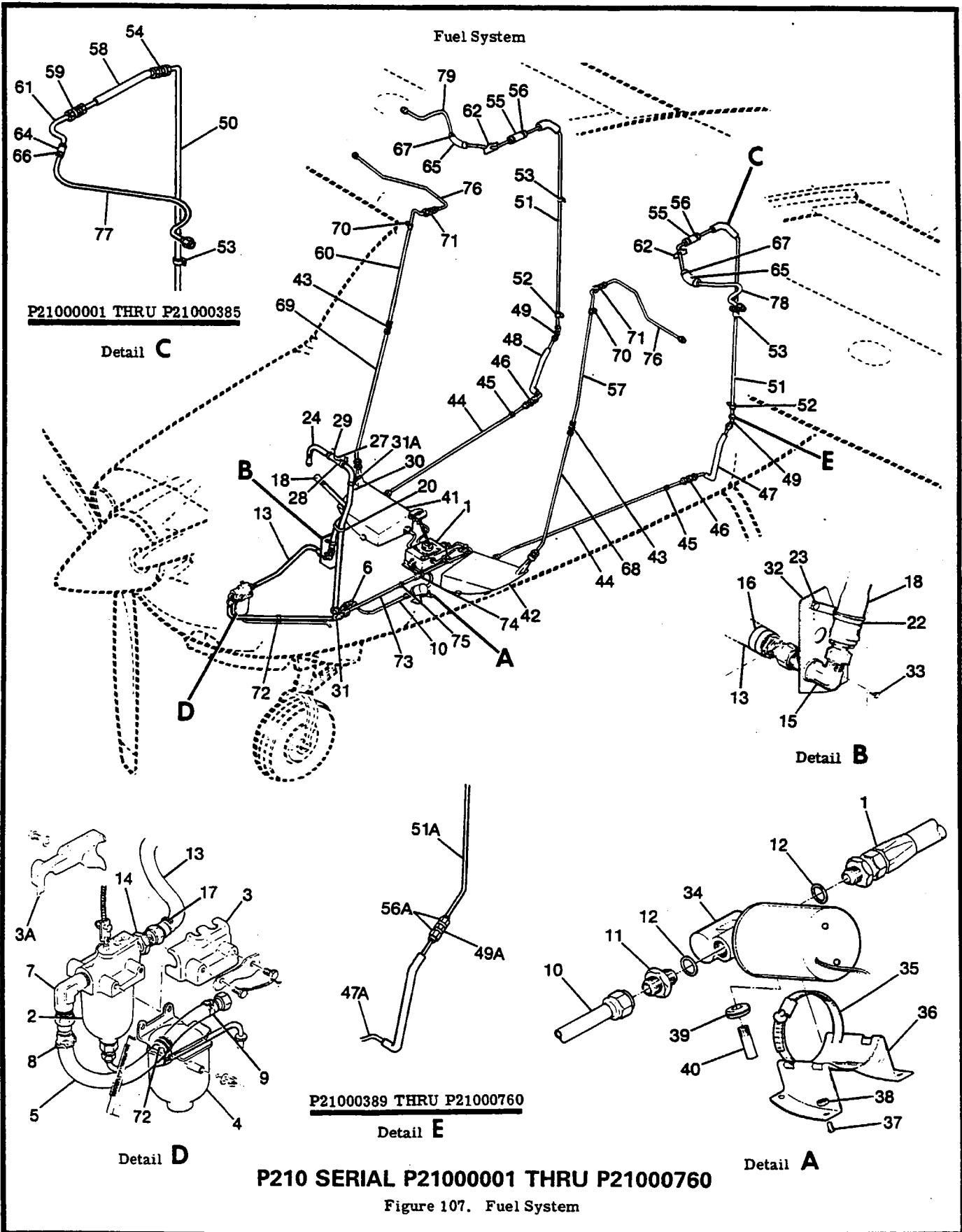
A---P210 SERIAL P21000234 THRU P21000834
 B---P210 SERIAL P21000812 & ON
 C---P210 SERIAL P21000812 THRU P21000856
 D---P210 SERIAL P21000857 & ON

P210 Parts Catalog

FIGURE AND INDEX NO.	PART NUMBER	DESCRIPTION	1 2 3 4 5 6 7							UNITS PER ASSY	USABLE ON CODE
			1	2	3	4	5	6	7		
107 -		FUEL SYSTEM -----								NP	D
- 1	SEE FIG 109	FUEL SELECTOR VALVE INSTALLATION -----								1	
- 2	SEE FIG 108	FUEL STRAINER & DRAIN INSTALLATION -----								1	
- 3	1256020-1	INSULATOR-FUEL STRAINER UPPER LH -----								1	
- 3A	1256020-2	INSULATOR-FUEL STRAINER UPPER RH -----								1	
- 4	1256019-1	INSULATOR-FUEL STRAINER BOWL -----								1	
	MS20074-03-03	ATTACHING PARTS -----								2	
	NAS1149F0332P	BOLT -----								2	
		WASHER -----								2	
- 5	1200406-206	LINE ASSY-FUEL -----								1	
		ATTACHING PARTS -----								1	
- 6	AN833-8	ELBOW -----								1	
	NAS1149F1232P	WASHER -----								2	
	AN924-8	NUT -----								1	
- 7	MS20822-8	ELBOW -----								1	
- 8	NAS397-22	CLAMP -----								1	
- 9	S2209-2	STA-STRAP -----								1	
-10	1200406-96	LINE ASSY-FUEL VENT -----								1	
-11	AN919-12D	REDUCER -----								1	
-12	NAS1596-8	GASKET -----								2	
-13	1200406-207	LINE ASSY-FUEL -----								2	
		ATTACHING PARTS -----								1	
-14	AN816-8D	NIPPLE -----								1	
-15	AN833-8D	ELBOW -----								1	
	NAS1149D1216H	WASHER -----								1	
	AN924-8D	NUT -----								1	
-16	AN737TW44	CLAMP -----								1	
	S2209-2	STA-STRAP -----								1	
-17	NAS397-22	CLAMP -----								1	
-18	S1129-8-0126	HOSE ASSY-FUEL -----								1	
	S1129-4-0290	HOSE ASSY-FUEL -----								1	
-19		DELETED-NOT USED -----								1	G
-20	S2209-2	STA-STRAP -----								1	
-21		DELETED-NOT USED -----								1	
-22	MS21919DG20	CLAMP -----								1	
		ATTACHING PARTS -----								1	
-23	AN3-4A	BOLT -----								1	
-24	S1129-4-0150	HOSE ASSY-FUEL -----								1	
	S1129-4-0290	HOSE ASSY-FUEL -----								1	
-25		DELETED-NOT USED -----								1	G
-26		DELETED-NOT USED -----								1	
-27	S2218-2	VALVE-FUEL CHECK -----								1	
	1111-517700	VALVE-FUEL CHECK -----								1	
	340000	VALVE-FUEL CHECK -----								1	
-28	S1127-12	VALVE-FUEL CHECK -----								1	
		SLEEVE 5.60 IN LG -----								1	
		ATTACHING PARTS -----								1	
-29	AN742D18	CLAMP -----								2	
	NAS430D3-64	SPACER -----								1	
	AN515-10R24	SCREW -----								1	
	AN515-10R8	SCREW -----								1	
-30	S1129-4-0360	HOSE-ASSY-FUEL -----								1	
		ATTACHING PARTS -----								1	
-31	AN833-4	ELBOW -----								1	
	AN924-4	NUT -----								1	
	NAS1149F0732P	WASHER -----								1	
-31A	S2300-6	BRACKET -----								1	
	MS21919DG14	CLAMP -----								1	
	AN520-10R8	SCREW -----								1	
	MS20365-1032C	NUT -----								1	
-32	1250053-2	BRACKET ASSY -----								1	
		ATTACHING PARTS -----								1	
-33	AN3-3A	BOLT -----								1	
	MS20364-1032C	NUT -----								1	
	NAS682A3	NUTPLATE -----								1	

CONTINUED ON NEXT PAGE

P210 Parts Catalog



P210 Parts Catalog

FIGURE AND INDEX NO.	PART NUMBER		DESCRIPTION	UNITS PER ASSY							USABLE ON CODE	
				1	2	3	4	5	6	7		
107 -34	C291504-0201	@	PUMP-AUXILIARY FUEL ATTACHING PARTS	1								
-35	AN737TW91		CLAMP	1								
-36	1256006-1		BRACKET-FUEL PUMP ATTACHING PARTS	1								
-37	AN525-10R8		SCREW	4								
-38	MS21044N3		NUT	4								
-39	MS35489-9		GROMMET	1								
-40	1216018-1		LINE ASSY-FUEL PUMP DRAIN	1								
-41	1216407-30		RESERVOIR ASSY-RH FUEL	1								
	1216407-34		RESERVOIR ASSY-RH FUEL	1								
	1216407-38		RESERVOIR ASSY-RH FUEL	1								
	1216407-44		RESERVOIR ASSY-RH FUEL	1								
	1216407-48		RESERVOIR ASSY-RH FUEL	1								
-42	1216407-31		RESERVOIR ASSY-LH FUEL	1								
	1216407-35		RESERVOIR ASSY-LH FUEL	1								
	1216407-39		RESERVOIR ASSY-LH FUEL	1								
	1216407-45		RESERVOIR ASSY-LH FUEL	1								
	1216407-49		RESERVOIR ASSY-LH FUEL	1								
	AN515-8R6		ATTACHING PARTS									
			SCREW	4								
	SEE FIG 8		DRAIN VALVE-FUEL RESERVOIR	1								
	2116002-1		SHROUD ASSY-DRAIN	2								
	1726049-2		CLIP-DRAIN SHROUD	2								
-43	AN815-6D		UNION	2								
-44	2100003-27		LINE ASSY-FUEL	2								
	1200406-183		LINE ASSY-FUEL	2								
			ATTACHING PARTS									
-45	S1153-1		BRACKET	1								
	S102178-8		SCREW	2								
	MS21919DG6		CLAMP	1								
	MS21919DG8		CLAMP	2								
-46	AN815-6D		UNION	1								
	AN815-8D		UNION	1								
-47	2100003-17		LINE ASSY-LH FUEL	1								
	2100003-35		LINE ASSY-LH FUEL	1								
-47A	2100003-43	**	LINE ASSY-LH FUEL	1								
-48	2100003-18		LINE ASSY-RH FUEL	1								
	2100003-38		LINE ASSY-RH FUEL	1								
	2100003-44	**	LINE ASSY-RH FUEL	1								
			ATTACHING PARTS									
-49	AN837-6D		ELBOW	1								
	AN837-8D		ELBOW	1								
-49A	MS21092D8	%	UNION	1								
-50	1200406-155		LINE ASSY-LH FUEL	1								
	1200406-156		LINE ASSY-RH FUEL	1								
-51	2100003-39		LINE ASSY-FUEL	2								
-51A	2100003-45	**	LINE ASSY-FUEL	2								
-52	MS21919DG6		CLAMP	1								
	MS21919DG8		CLAMP	1								
	AN520-10R8		SCREW	1								
	NAS1149D0363H		WASHER	1								
-53	MS21919DG6		CLAMP	1								
	MS21919DG8		CLAMP	1								
	AN3-4A		BOLT	1								
	NAS1149D0363H		WASHER	1								
	MS21044N3		NUT	1								
-54	AN815-6D		UNION	1								
-55	S1495-8		HOSE	1								
-56	S2357-3		CLAMP	2								
			* IN LG BKT									
-56A	MS21921-8D	%	NUT	4								
	MS21922-8C	%	SLEEVE	4								
-57	2100003-25		LINE ASSY-LH FUEL	1								
-58	2100003-15		LINE ASSY-FUEL	2								
			ATTACHING PARTS									
-59	AN815-6D		UNION	1								

CONTINUED ON NEXT PAGE

P210 Parts Catalog

FIGURE AND INDEX NO.	PART NUMBER	DESCRIPTION	UNITS PER ASSY	USABLE ON CODE
		1 2 3 4 5 6 7		
107 -60	2100003-26	LINE ASSY-RH FUEL -----	1	
-61	2100003-13	LINE ASSY-FUEL LH & RH -----	2	H
-62	SEE FIG 34	SEAL ASSY-FUEL LINE -----	2	
-63		DELETED-NOT USED -----		
-64	S51-6	HOSE 3.00 IN LG BKI -----	2	H
-65	S51-8	HOSE 3.00 IN LG BKI -----	2	G
		ATTACHING PARTS		
-66	S1891-6	CLAMP -----	2	H
-67	S2357-3	CLAMP -----	2	G

-68	2100003-19	LINE ASSY-LH FUEL -----	1	
-69	2100003-20	LINE ASSY-RH FUEL -----	1	
-70	MS21919DG6	CLAMP -----	2	
	AN520-10R8	SCREW -----	2	
	NAS1149D0363H	WASHER -----	2	
	MS21044N3	NUT -----	2	
-71	AN815-6D	UNION -----	2	
-72	MS21919DG16	CLAMP -----	1	
	MS21919DG3	CLAMP -----	1	
	MS20365-1032C	NUT -----	1	
	NAS1149F0332P	WASHER -----	1	F
	AN936A10	WASHER -----	1	F
	NAS221-16	SCREW -----	1	F
	NAS221-14	SCREW -----	1	F
	NAS43003-12	SPACER -----	1	F
	S1050-1	GROMMET 3.00 IN LG BKI -----	1	E
-73	1200406-169	LINE ASSY-FUEL VENT -----	1	
		ATTACHING PARTS		
-74	AN832-4D	UNION -----	1	
	AN924-4D	NUT -----	1	
	NAS1149D0716H	WASHER -----	1	

-75	MS35489-36	GROMMET -----	1	
-76	1200406-131	LINE ASSY-FUEL -----	2	
-77	2100003-11	LINE ASSY-LH FUEL -----	1	H
	2100003-12	LINE ASSY-RH FUEL -----	1	H
-78	2100003-33	LINE ASSY-LH FUEL -----	1	G
-79	2100003-34	LINE ASSY-RH FUEL -----	1	G

NOTE. *LENGTH TO BE DETERMINED LATER

NOTE. **WHEN INITIALLY ORDERING THIS PART FOR AIRCRAFT P21000389 THRU P21000565 ALSO ORDER MATING LINE & ALL PARTS MARKED %.

NOTE. @WHEN INITIALLY ORDERING THIS PART ALSO ORDER SK210-154.

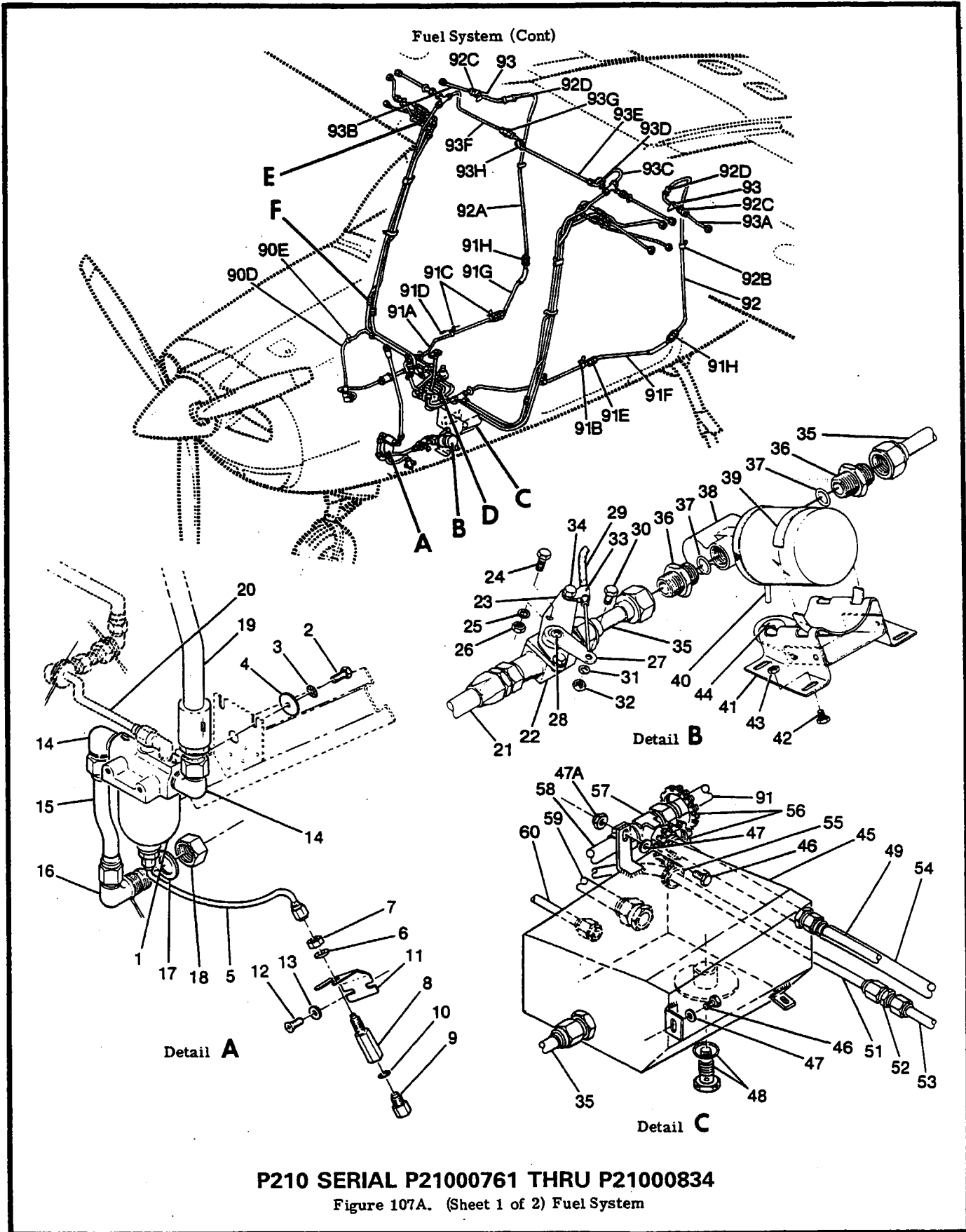
A---P210 SERIAL P21000001 THRU P21000158
 B---P210 SERIAL P21000159 THRU P21000283
 C---P210 SERIAL P21000284 THRU P21000332
 D---P210 SERIAL P21000001 THRU P21000760
 E---P210 SERIAL P21000390 THRU P21000760
 F---P210 SERIAL P21000001 THRU P21000389
 G---P210 SERIAL P21000386 THRU P21000760
 H---P210 SERIAL P21000001 THRU P21000385
 J---P210 SERIAL P21000386 THRU P21000388
 K---P210 SERIAL P21000389 THRU P21000760
 L---P210 SERIAL P21000333 THRU P21000385

P210 Parts Catalog

FIGURE AND INDEX NO.	PART NUMBER	DESCRIPTION	1 2 3 4 5 6 7							UNITS PER ASSY	USABLE ON CODE
			1	2	3	4	5	6	7		
107A-		FUEL SYSTEM -----									
- 1	SEE FIG 108A	FUEL STRAINER ASSY -----								NP	A
		ATTACHING PARTS -----								1	
- 2	MS20074-03-04	BOLT -----								2	
- 3	AN936A10	WASHER -----								2	
- 4	AN970-3	WASHER -----								2	
		*-----									
- 5	2100003-65	LINE ASSY STRAINER DRAIN -----								1	
- 6	NAS1149F0663P	WASHER -----								1	
- 7	AN924-3D	NUT -----								1	
- 8	2116019-1	FITTING-STRAINER DRAIN -----								1	
- 9	S2485-1	VALVE ASSY -----								1	
-10	NAS1593-011	O-RING -----								1	
-11	2116017-1	BRACKET-STRAINER DRAIN -----								1	
		ATTACHING PARTS -----								1	
-12	AN520-10R8	SCREW -----								2	
-13	NAS1149F0363P	WASHER -----								2	
		*-----									
-14	MS20822-8	ELBOW -----								2	
-15	2100003-68	LINE ASSY FUEL STRAINER -----								1	
-16	AN833-8	ELBOW -----								1	
-17	S1450-12H18-090C	WASHER -----								1	
-18	AN924-8	NUT -----								1	
-19	S2495-8-0170	HOSE ASSY -----								1	
-20	SEE FIG 110	FUEL PRIMER SYSTEM -----								1	
-21	S1236-8-0072	HOSE ASSY -----								1	
-22	SEE FIG 109B	FUEL SHUTOFF VALVE ASSY -----								1	
-23	2113223-1	BRACKET-FUEL ON/OFF CONTROL -----								1	
		ATTACHING PARTS -----								1	
-24	AN3-4A	BOLT -----								2	
-25	NAS1149F0332P	WASHER -----								2	
-26	MS21044N3	NUT -----								2	
		*-----									
-27	S2280-15-315	ARM ASSY-FUEL ON/OFF CONTROL -----								1	
		ATTACHING PARTS -----								1	
-28	AN503-8-6	SCREW -----								1	
	NAS1149DN832K	WASHER -----								1	
		*-----									
-29	9860060-4	CONTROL ASSY-FUEL ON/OFF -----								1	
		ATTACHING PARTS -----								1	
-30	S2323-10	CLAMP -----								1	
-31	NAS1149F0363P	WASHER -----								1	
-32	MS21044N3	NUT -----								1	
-33	S2226-1	CLAMP -----								1	
-34	AN3-3A	BOLT -----								1	
	MS21044N3	NUT -----								1	
		*-----									
-35	2100003-71	LINE ASSY BOOST PUMP -----								2	
-36	S2557-8D	FITTING -----								2	
	AN920-8D	FITTING ALT FOR S2557-8D -----								2	
-37	NAS1596-8	PACKING -----								2	
-38	C291504-0205 #	FUEL PUMP-AUXILIARY -----								1	
		ATTACHING PARTS -----								1	
-39	AN737TW91	CLAMP -----								2	
		*-----									
-40	1216018-1	LINE-FUEL PUMP VENT -----								1	
-41	2116015-1	BRACKET ASSY-FUEL PUMP MOUNTING -----								1	
		ATTACHING PARTS -----								1	
-42	AN525-10R8	SCREW -----								4	
-43	MS21044N3	NUT -----								4	
		*-----									
-44	MS35489-118	GROMMET -----								1	
-45	2116010-1	FUEL RESERVOIR ASSY -----								1	D
	2116010-6	FUEL RESERVOIR ASSY -----								1	E
		ATTACHING PARTS -----								1	
-46	AN3-10A	BOLT -----								3	
-47	NAS1149F0332P	WASHER -----								3	
-47A	MS20365-1032C	NUT -----								1	E
		*-----									
-48	SEE FIG 8	VALVE ASSY-FUEL DRAIN -----								1	
-49	2100003-93	LINE ASSY-LH CROSSVENT -----								1	
-50	2100003-100	LINE ASSY-RH CROSSVENT -----								1	

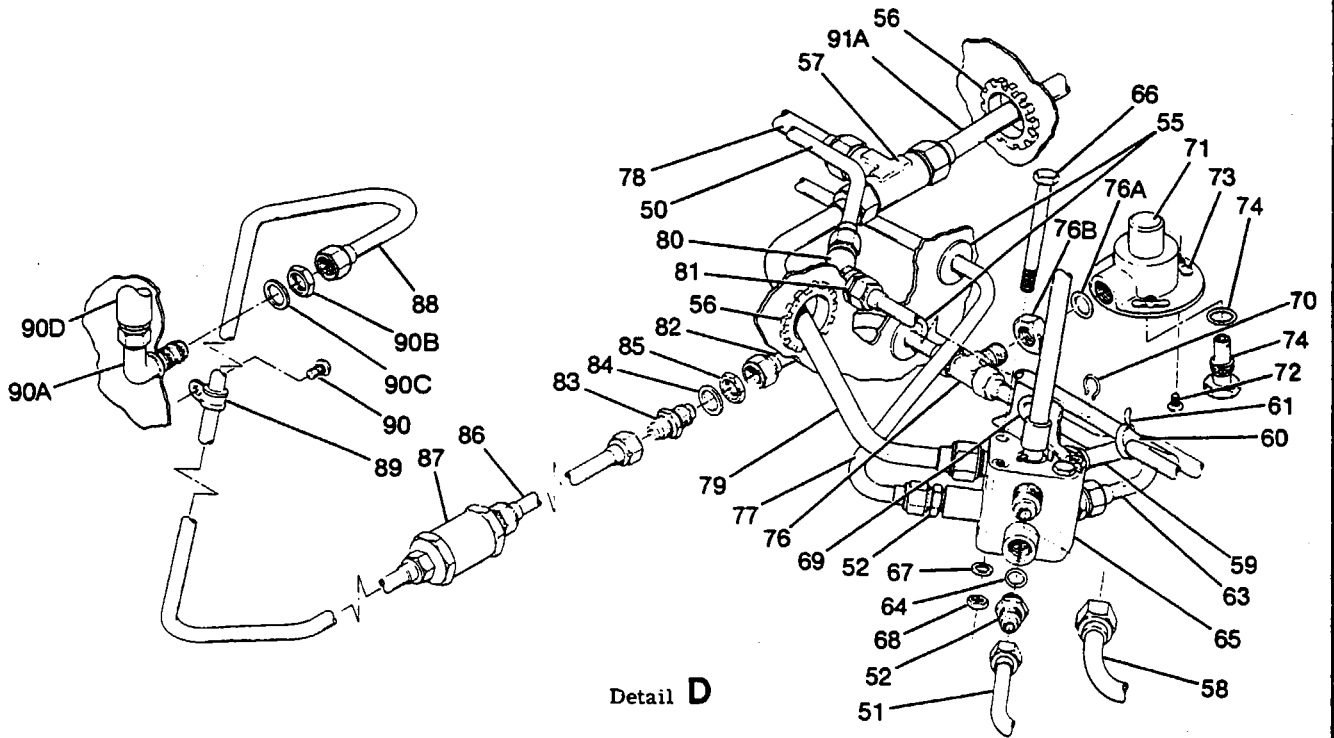
CONTINUED ON NEXT PAGE

P210 Parts Catalog

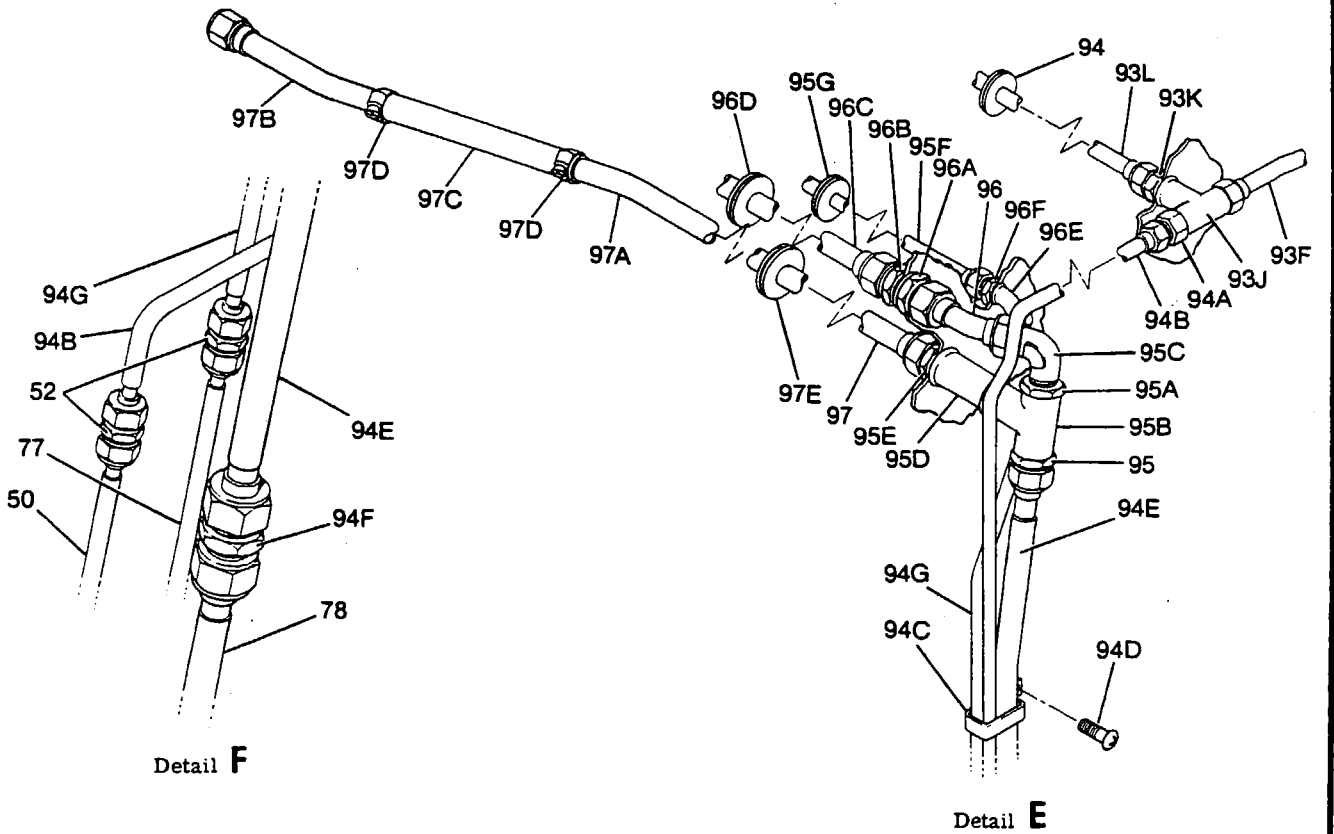


P210 Parts Catalog

Fuel System (Cont)



Detail D



Detail F

Detail E

P210 SERIAL P21000761 THRU P21000834

Figure 107A. (Sheet 2 of 2) Fuel System

P210 Parts Catalog

FIGURE AND INDEX NO.	PART NUMBER	DESCRIPTION							UNITS PER ASSY	USABLE ON CODE
		1	2	3	4	5	6	7		
107A-51	210003-89	LINE ASSY-LH VAPOR RETURN -----							1	
-52	AN815-4D	UNION -----							6	
-53	210003-91	LINE ASSY-LH VAPOR RETURN -----							1	
-54	210003-85	LINE ASSY-LH -----							1	
-55	MS35489-7	GROMMET -----							3	
-56	S1050-2	GROMMET 3.50 IN LG BKI -----							4	
-57	AN824-8D	TEE -----							2	
-58	210003-83	LINE ASSY-SELECTOR VALVE LH -----							1	
-59	210003-81	LINE ASSY-SUMP TANK -----							1	
-60	210003-97	LINE ASSY-CROSSVENT DRAIN -----							1	
-61	S2209-2	STA STRAP -----							1	
		DELETED-NOT USED								
-63	210003-90	LINE ASSY-VAPOR RETURN -----							1	
-64	NAS1596-4	PACKING -----							3	
-65	SEE FIG 109A	FUEL SELECTOR VALVE INSTALLATION -----							1	
		ATTACHING PARTS								
-66	AN3-23A	BOLT -----							2	
-67	NAS1149F0332P	WASHER -----							2	
-68	MS20365-1032C	NUT -----							2	
		-----*								
-69	S338-9	FAIRLEAD HALF -----							4	
-70	S339-3	CLIP-FAIRLEAD -----							2	
-71		FITTING ASSY-FUEL DRAIN FSO 2116016-4 -----							NP	B
	2116016-4	FITTING ASSY-FUEL DRAIN -----							1	C
		ATTACHING PARTS								
-72	AN525-832R8	SCREW -----							2	
	AN500A8-8	SCREW -----							1	
		-----*								
-73	NAS697A08	NUTPLATE -----							3	
-74	SEE FIG 8	VALVE ASSY-FUEL DRAIN -----							1	
-75		DELETED-NOT USED -----								
-76	MS20825-4D	TEE -----							1	B
	AN923-4D	TEE -----							1	C
-76A	NAS1596-4	PACKING -----							1	C
-76B	AN924-4D	NUT -----							1	C
-77	210003-86	LINE ASSY-RH VAPOR RETURN -----							1	C
-78	210003-80	LINE ASSY -----							1	C
-79	210003-84	LINE ASSY-SELECTOR VALVE RH -----							1	C
-80	AN837-4D	ELBOW -----							1	C
-81	AN924-4D	NUT -----							1	C
	NAS1149F0732P	WASHER -----							1	C
-82	210003-92	LINE ASSY-VAPOR RETURN -----							1	C
-83	AN832-4D	UNION -----							1	C
-84	NAS1149F0763P	WASHER -----							1	C
-85	AN924-4D	NUT -----							1	C
-86	210003-94	LINE ASSY-VAPOR RETURN -----							1	C
-87	S2218-4	CHECK VALVE ASSY-FUEL -----							1	C
-88	210003-95	LINE ASSY-VAPOR RETURN -----							1	C
		ATTACHING PARTS								
-89	MS21919D64	CLAMP -----							1	
-90	AN520-10R10	SCREW -----							1	
		-----*								
-90A	AN833-4	ELBOW -----							1	
-90B	AN924-4	NUT -----							1	
-90C	NAS1149F0763P	WASHER -----							1	
-90D	S2495-40-0160	HOSE ASSY -----							1	
		ATTACHING PARTS								
-90E	MS21919D612	CLAMP -----							1	
	S2300-29	BRACKET -----							1	
	S102178-10	SCREW -----							1	
	NAS395-13-3	NUT -----							1	
		-----*								

CONTINUED ON NEXT PAGE

P210 Parts Catalog

FIGURE AND INDEX NO.	PART NUMBER	DESCRIPTION							UNITS PER ASSY	USABLE ON CODE
		1	2	3	4	5	6	7		
107A-91	2100003-77	LINE ASSY-LH							1	
-91A	2100003-72	LINE ASSY-RH							1	
-91B	S2902-2	STA STRAP							4	
-91C	S2034-1	MOUNT							4	
-91D	S1021Z8-8	ATTACHING PARTS								
		SCREW							4	
-91E	AN815-8D	UNION							2	
-91F	2100003-73	LINE ASSY-LH							1	
-91G	2100003-74	LINE ASSY-RH							1	
-91H	MS21902D8	UNION							2	
	MS21902-8	UNION ALT							2	
	MS21921-8D	NUT							4	
	MS21922-8C	SLEEVE							4	
-92	2100003-57	LINE-LH							1	
-92A	2100003-58	LINE-RH							1	
-92B	MS21919D68	ATTACHING PARTS								
	AN520-10R10	CLAMP							1	
		SCREW							1	
-92C	S51-8-12	HOSE 3.00 IN LG BKI							2	
	S2357-3	ATTACHING PARTS								
		CLAMP							2	
-92D	S1495-8	HOSE 3.00 IN LG BKI							2	
	S2357-3	ATTACHING PARTS								
		CLAMP							2	
-93	SEE FIG 34	FUEL LINE SEAL ASSY							2	
-93A	2100003-33	LINE ASSY-LH							1	
-93B	2100003-34	LINE ASSY-RH							1	
-93C	1200406-235	LINE ASSY-VENT CROSSOVER LH							1	
-93D	AN821-6D	ELBOW							1	
-93E	2100003-102	LINE ASSY-VENT CROSSOVER CTR							1	
-93F	2100003-103	LINE ASSY-VENT CROSSOVER RH							1	
-93G	AN815-6D	UNION							1	
-93H	S1050-3	GROMMET 2.67 IN LG BKI							2	
-93J	AN834-6D	TEE							2	
-93K	AN924-6D	NUT							2	
	NAS1149F0932P	WASHER							2	
-93L	2100003-56	LINE ASSY-VENT CROSSOVER RH							1	
	2100003-55	LINE ASSY-VENT CROSSOVER LH							1	
-94	MS35489-12	GROMMET							1	
-94A	AN818-6D	NUT							2	
	NAS1564D6-4	REDUCER							2	
-94B	2100003-96	LINE ASSY-RH CROSSVENT							1	
	2100003-93	LINE ASSY-LH CROSSVENT							1	
-94C	2116022-1	CLAMP-RH							1	
	2116022-2	CLAMP-LH							1	
-94D	AN520-10R10	ATTACHING PARTS								
		SCREW							1	
-94E	2100003-82	LINE ASSY-RH							1	
	2100003-87	LINE ASSY-LH							1	
-94F	AN815-8D	UNION							2	
-94G	2100003-88	LINE ASSY-RH VAPOR RETURN							1	
-95	2116025-1	FITTING							2	
	NAS1596-8	PACKING							2	
-95A	2116025-2	FITTING							2	
	NAS1596-8	PACKING							2	
-95B	AN938D8	TEE							2	
-95C	MS20822-4D	ELBOW							2	
-95D	2116024-1	FITTING							2	
	NAS1596-8	PACKING							2	
-95E	AN924-8D	NUT							2	
	NAS1149F1232P	WASHER							2	
-95F	2100003-60	LINE ASSY-VAPOR RETURN RH							1	
	2100003-59	LINE ASSY-VAPOR RETURN LH							1	
-95G	MS35489-40	GROMMET							2	
-96	2100003-98	LINE ASSY							2	
-96A	AN924-4D	NUT							2	
	NAS1149F0732P	WASHER							2	
-96B	AN832-4D	UNION							2	

CONTINUED ON NEXT PAGE

P210 Parts Catalog

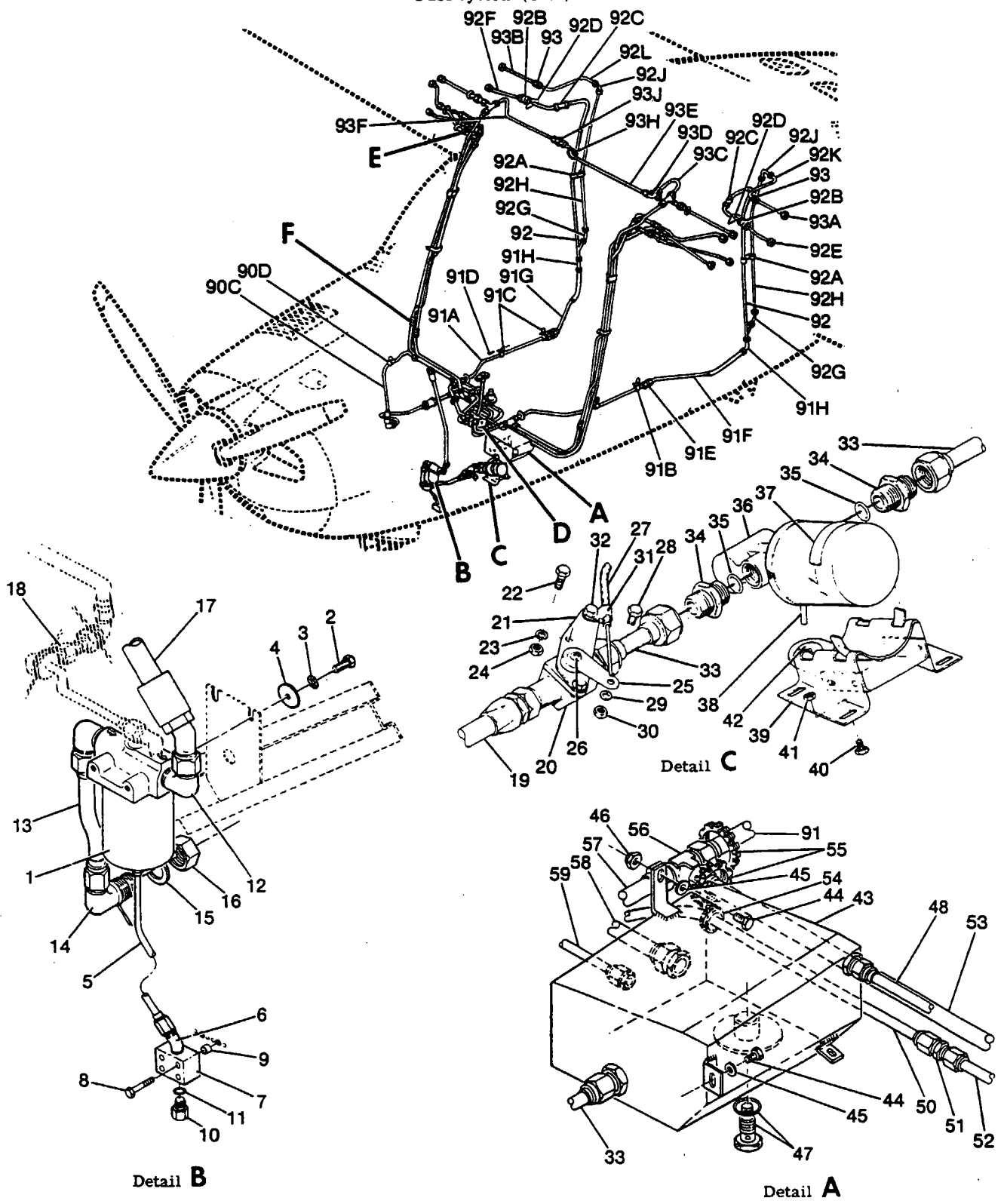
FIGURE AND INDEX NO.	PART NUMBER	DESCRIPTION							UNITS PER ASSY	USABLE ON CODE
		1	2	3	4	5	6	7		
107A-96C -96D -96E -96F -97 -97A -97B -97C -97D -97E	2100003-66 2100003-67 MS35489-36 AN837-4D AN924-4D NAS1149F0732P	LINE ASSY-FEED VENT RH ----- LINE ASSY-FEED VENT LH ----- GROMMET ----- ELBOW ----- NUT ----- WASHER ----- LINE ASSY-FEED VENT RH FSO 2100003-106 ----- LINE ASSY-FEED VENT LH FSO 2100003-106 ----- LINE ASSY ----- LINE ASSY ----- HOSE 4.00 IN LG BKI ----- CLAMP ----- GROMMET -----							1 1 1 1 1 1 1 1 1 1 1 1 1 1	F L G G G G
	<p>NOTE. *WHEN INITIALLY ORDERING THIS PART FOR AIRCRAFT PRIOR TO P21000807 YOU MUST ALSO ORDER PARTS MARKED %.</p> <p>NOTE. @WHEN INITIALLY ORDERING THIS PART FOR AIRCRAFT PRIOR TO P21000774 YOU MUST ALSO ORDER 2100003-107 LINE ASSY, S-51-8 HOSE & S2357-2 CLAMPS.</p> <p>NOTE. #WHEN INITIALLY ORDERING THIS PART ALSO ORDER SK210-154.</p> <p>A---P210 SERIAL P21000761 THRU P21000834 B---P210 SERIAL P21000761 THRU P21000806 C---P210 SERIAL P21000807 THRU P21000834 D---P210 SERIAL P21000761 THRU P21000802 E---P210 SERIAL P21000803 THRU P21000834 F---P210 SERIAL P21000761 THRU P21000773 G---P210 SERIAL P21000774 THRU P21000834</p>									

P210 Parts Catalog

FIGURE AND INDEX NO.	PART NUMBER	DESCRIPTION							UNITS PER ASSY	USABLE ON CODE
		1	2	3	4	5	6	7		
107B-		FUEL SYSTEM -----								
- 1	SEE FIG 108A	FUEL STRAINER ASSY -----							NP	A
		ATTACHING PARTS -----							1	
- 2	MS20074-03-04	SCREW -----							2	
- 3	AN936A10	WASHER -----							2	
- 4	AN970-3	WASHER -----							2	
		*-----								
- 5	2100003-117	LINE ASSY STRAINER DRAIN -----							1	
- 6	MS20823-3	ELBOW -----							1	
- 7	2116030-1	FITTING-FUEL DRAIN -----							1	
		ATTACHING PARTS -----							1	
- 8	AN3-12A	BOLT -----							2	
- 9	NAS43HT3-10	SPACER -----							2	
		*-----								
-10	S2485-1	VALVE ASSY-DRAIN -----							1	
-11	NAS1593-011	O-RING -----							1	
-12	MS20822-8	ELBOW -----							1	
-13	2100003-115	LINE ASSY-FUEL STRAINER -----							1	
-14	AN833-8	ELBOW -----							1	
-15	S1450-12H18-090C	WASHER -----							1	
-16	AN924-8	NUT -----							1	
-17	S2495-8C270-0160	HOSE ASSY -----							1	
-18	SEE FIG 110	FUEL PRIMER SYSTEM -----							1	
-19	S1236-8-0072	HOSE ASSY -----							1	
-20	SEE FIG 109B	FUEL SHUTOFF VALVE ASSY -----							1	
-21	2113223-1	BRACKET-FUEL ON/OFF CONTROL -----							1	
		ATTACHING PARTS -----							1	
-22	AN3-4A	BOLT -----							2	
-23	NAS1149F0332P	WASHER -----							2	
-24	MS21044N3	NUT -----							2	
		*-----								
-25	S2280-15-315	ARM ASSY-FUEL ON/OFF CONTROL -----							1	
		ATTACHING PARTS -----							1	
-26	AN503-8-6	SCREW -----							1	
	NAS1149DN832K	WASHER -----							1	
		*-----								
-27	9860060-4	CONTROL ASSY-FUEL ON/OFF -----							1	
		ATTACHING PARTS -----							1	
-28	S2323-10	CLAMP -----							1	
-29	NAS1149F0363P	WASHER -----							1	
-30	MS21044N3	NUT -----							1	
-31	S2226-1	CLAMP -----							1	
-32	AN3-3A	BOLT -----							1	
	MS21044N3	NUT -----							1	
		*-----								
-33	2100003-71	LINE ASSY BOOST PUMP -----							2	
-34	S2557-8D	FITTING -----							2	
	AN920-8D	FITTING ALT FOR S2557-8D -----							2	
-35	NAS1596-8	PACKING -----							2	
-36	C291504-0205	FUEL PUMP-AUXILIARY -----							1	
		ATTACHING PARTS -----							1	
-37	AN737TW91	CLAMP -----							2	
		*-----								
-38	1216018-1	LINE-FUEL PUMP VENT -----							1	
-39	2116015-1	BRACKET ASSY-FUEL PUMP MOUNTING -----							1	
		ATTACHING PARTS -----							1	
-40	AN525-10R8	SCREW -----							4	
-41	MS21044N3	NUT -----							4	
		*-----								
-42	MS35489-118	GROMMET -----							1	
-43	2116010-6	FUEL RESERVOIR ASSY -----							1	
		ATTACHING PARTS -----							1	
-44	AN3-10A	BOLT -----							3	
-45	NAS1149F0332P	WASHER -----							3	
-46	MS20365-1032C	NUT -----							1	
		*-----								
CONTINUED ON NEXT PAGE										

P210 Parts Catalog

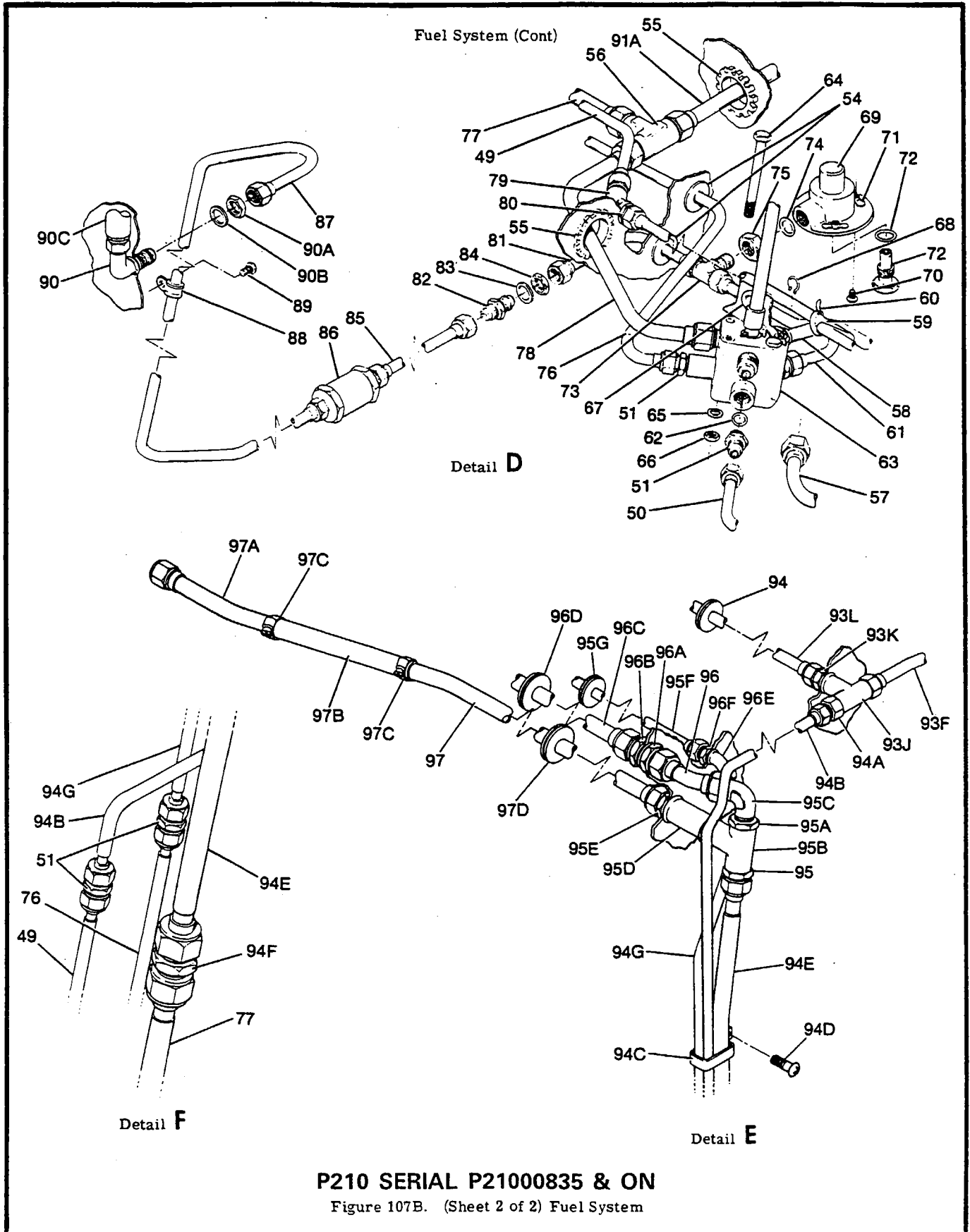
Fuel System (Cont)



P210 SERIAL P21000835 & ON

Figure 107B. (Sheet 1 of 2) Fuel System

P210 Parts Catalog



P210 SERIAL P21000835 & ON

Figure 107B. (Sheet 2 of 2) Fuel System

P210 Parts Catalog

FIGURE AND INDEX NO.	PART NUMBER	DESCRIPTION							UNITS PER ASSY	USABLE ON CODE
		1	2	3	4	5	6	7		
107B-47	SEE FIG 8	VALVE ASSY-FUEL DRAIN	----	----	----	----	----	----	1	
-48	2100003-93	LINE ASSY-LH CROSSVENT	----	----	----	----	----	----	1	
-49	2100003-100	LINE ASSY-RH CROSSVENT	----	----	----	----	----	----	1	
-50	2100003-89	LINE ASSY-LH VAPOR RETURN	----	----	----	----	----	----	1	
-51	AN815-4D	UNION	----	----	----	----	----	----	1	
-52	2100003-91	LINE ASSY-LH VAPOR RETURN	----	----	----	----	----	----	6	
-53	2100003-85	LINE ASSY-LH	----	----	----	----	----	----	1	
-54	MS35489-7	GROMMET	----	----	----	----	----	----	1	
-55	S1050-2	GROMMET	----	----	----	----	----	----	3	
-56	AN824-8D	TEE	----	----	----	----	----	----	4	
-57	2100003-83	LINE ASSY-SELECTOR VALVE LH	----	----	----	----	----	----	2	
-58	2100003-81	LINE ASSY-SUMP TANK	----	----	----	----	----	----	1	
-59	2100003-97	LINE ASSY-CROSSVENT DRAIN	----	----	----	----	----	----	1	
-60	S2209-2	STA STRAP	----	----	----	----	----	----	1	
-61	2100003-90	LINE ASSY-VAPOR RETURN	----	----	----	----	----	----	1	
-62	NAS1596-4	PACKING	----	----	----	----	----	----	1	
-63	SEE FIG 109A	FUEL SELECTOR VALVE INSTALLATION	----	----	----	----	----	----	3	
		ATTACHING PARTS	----	----	----	----	----	----	1	
-64	AN3-23A	BOLT	----	----	----	----	----	----	2	
-65	NAS1149F0332P	WASHER	----	----	----	----	----	----	2	
-66	MS20365-1032C	NUT	----	----	----	----	----	----	2	
		----	----	----	----	----	----	----	2	
-67	S338-9	FAIRLEAD HALF	----	----	----	----	----	----	4	
-68	S339-3	CLIP-FAIRLEAD	----	----	----	----	----	----	2	
-69	2116016-4	FITTING ASSY-FUEL DRAIN	----	----	----	----	----	----	1	
		ATTACHING PARTS	----	----	----	----	----	----	1	
-70	AN525-832R8	SCREW	----	----	----	----	----	----	2	
	AN500A8-8	SCREW	----	----	----	----	----	----	1	
		----	----	----	----	----	----	----	1	
-71	NAS697A08	NUTPLATE	----	----	----	----	----	----	3	
-72	SEE FIG 8	VALVE ASSY-FUEL DRAIN	----	----	----	----	----	----	1	
-73	AN923-4D	TEE	----	----	----	----	----	----	1	
-74	NAS1596-4	PACKING	----	----	----	----	----	----	1	
-75	AN924-4D	NUT	----	----	----	----	----	----	1	
-76	2100003-86	LINE ASSY-RH VAPOR RETURN	----	----	----	----	----	----	1	
-77	2100003-80	LINE ASSY	----	----	----	----	----	----	1	
-78	2100003-84	LINE ASSY-SELECTOR VALVE RH	----	----	----	----	----	----	1	
-79	AN837-4D	ELBOW	----	----	----	----	----	----	1	
-80	AN924-4D	NUT	----	----	----	----	----	----	1	
	NAS1149F0732P	WASHER	----	----	----	----	----	----	1	
-81	2100003-92	LINE ASSY-VAPOR RETURN	----	----	----	----	----	----	1	
-82	AN832-4D	UNION	----	----	----	----	----	----	1	
-83	NAS1149F0763P	WASHER	----	----	----	----	----	----	1	
-84	AN924-4D	NUT	----	----	----	----	----	----	1	
-85	2100003-94	LINE ASSY-VAPOR RETURN	----	----	----	----	----	----	1	
-86	S2218-4	CHECK VALVE ASSY-FUEL	----	----	----	----	----	----	1	
-87	2100003-95	LINE ASSY-VAPOR RETURN	----	----	----	----	----	----	1	
		ATTACHING PARTS	----	----	----	----	----	----	1	
-88	MS21919D64	CLAMP	----	----	----	----	----	----	1	
-89	AN520-10R10	SCREW	----	----	----	----	----	----	1	
		----	----	----	----	----	----	----	1	
-90	AN833-4	ELBOW	----	----	----	----	----	----	1	
-90A	AN924-4	NUT	----	----	----	----	----	----	1	
-90B	NAS1149F0763P	WASHER	----	----	----	----	----	----	1	
-90C	S2495-4-000-0260	HOSE ASSY	----	----	----	----	----	----	1	
		ATTACHING PARTS	----	----	----	----	----	----	1	
-90D	MS21919D612	CLAMP	----	----	----	----	----	----	1	
	S2300-29	BRACKET	----	----	----	----	----	----	1	
	S1021Z8-10	SCREW	----	----	----	----	----	----	1	
	NAS395-13-3	NUT	----	----	----	----	----	----	1	
		----	----	----	----	----	----	----	1	
-91	2100003-77	LINE ASSY-LH	----	----	----	----	----	----	1	
-91A	2100003-72	LINE ASSY-RH	----	----	----	----	----	----	1	
-91B	S2902-2	STA STRAP	----	----	----	----	----	----	4	
-91C	S2034-1	MOUNT	----	----	----	----	----	----	4	
		ATTACHING PARTS	----	----	----	----	----	----	4	
-91D	S1021Z8-8	SCREW	----	----	----	----	----	----	4	
		----	----	----	----	----	----	----	4	

CONTINUED ON NEXT PAGE

P210 Parts Catalog

FIGURE AND INDEX NO.	PART NUMBER	DESCRIPTION							UNITS PER ASSY	USABLE ON CODE
		1	2	3	4	5	6	7		
107B-91E	AN815-8D	UNION							2	
-91F	2100003-148	LINE ASSY-LH							1	
-91G	2100003-74	LINE ASSY-RH							1	
-91H	MS21907-8D	ELBOW							1	
	MS21921-8D	NUT							2	
	MS21922-8C	SLEEVE							4	
-92	2100016-3	LINE ASSY							4	
-92A	MS21919D68	CLAMP							4	
	AN520-10R10	SCREW							2	
-92B	S51-8-12	HOSE 3.00 IN LG BKI							2	
	S2357-3	ATTACHING PARTS							2	
		CLAMP							2	
-92C	S1495-8	HOSE 3.00 IN LG BKI							2	
	S2357-3	ATTACHING PARTS							2	
		CLAMP							2	
-92D	SEE FIG 34	FUEL LINE SEAL ASSY							2	
-92E	2100003-33	LINE ASSY-LH							1	
-92F	2100003-34	LINE ASSY-RH							1	
-92G	AN837-8D	ELBOW							2	
-92H	2100003-143	LINE ASSY							2	
-92J	AN833-8D	ELBOW							2	
	AN924-8D	NUT							2	
	NAS1149F1290P	WASHER							2	
-92K	2100003-133	LINE ASSY-LH							4	
-92L	2100003-134	LINE ASSY-RH							1	
-93	AN815-8D	UNION							1	
-93A	2100003-131	LINE ASSY-LH							2	
-93B	2100003-132	LINE ASSY-RH							1	
-93C	1200406-235	LINE ASSY-VENT CROSSOVER LH							1	
-93D	AN921-6D	ELBOW							1	
-93E	2100003-102	LINE ASSY-VENT CROSSOVER CTR							1	
-93F	2100003-103	LINE ASSY-VENT CROSSOVER RH							1	
-93G	AN815-6D	UNION							1	
-93H	S1050-3	GROMMET 2.67 IN LG BKI							1	
-93J	AN834-6D	TEE							2	
-93K	AN924-6D	NUT							2	
	NAS1149F0932P	WASHER							2	
-93L	2100003-56	LINE ASSY-VENT CROSSOVER RH							1	
	2100003-55	LINE ASSY-VENT CROSSOVER LH							1	
-94	MS35489-12	GROMMET							1	
-94A	AN818-6D	NUT							2	
	NAS156406-4	REDUCER							2	
-94B	2100003-96	LINE ASSY-RH CROSSVENT							2	
	2100003-93	LINE ASSY-LH CROSSVENT							1	
-94C	2116022-1	CLAMP							1	
		ATTACHING PARTS							2	
-94D	AN520-10R10	SCREW							1	
-94E	2100003-82	LINE ASSY-RH							1	
	2100003-87	LINE ASSY-LH							1	
-94F	AN815-8D	UNION							2	
-94G	2100003-88	LINE ASSY-RH VAPOR RETURN							1	
-95	2116025-1	FITTING							2	
	NAS1596-8	PACKING							2	
-95A	2116025-2	FITTING							2	
	NAS1596-8	PACKING							2	
-95B	AN93808	TEE							2	
-95C	MS20822-4D	ELBOW							2	
-95D	2116024-1	FITTING							2	
	NAS1596-8	PACKING							2	
-95E	AN924-8D	NUT							2	
	NAS1149F1232P	WASHER							2	

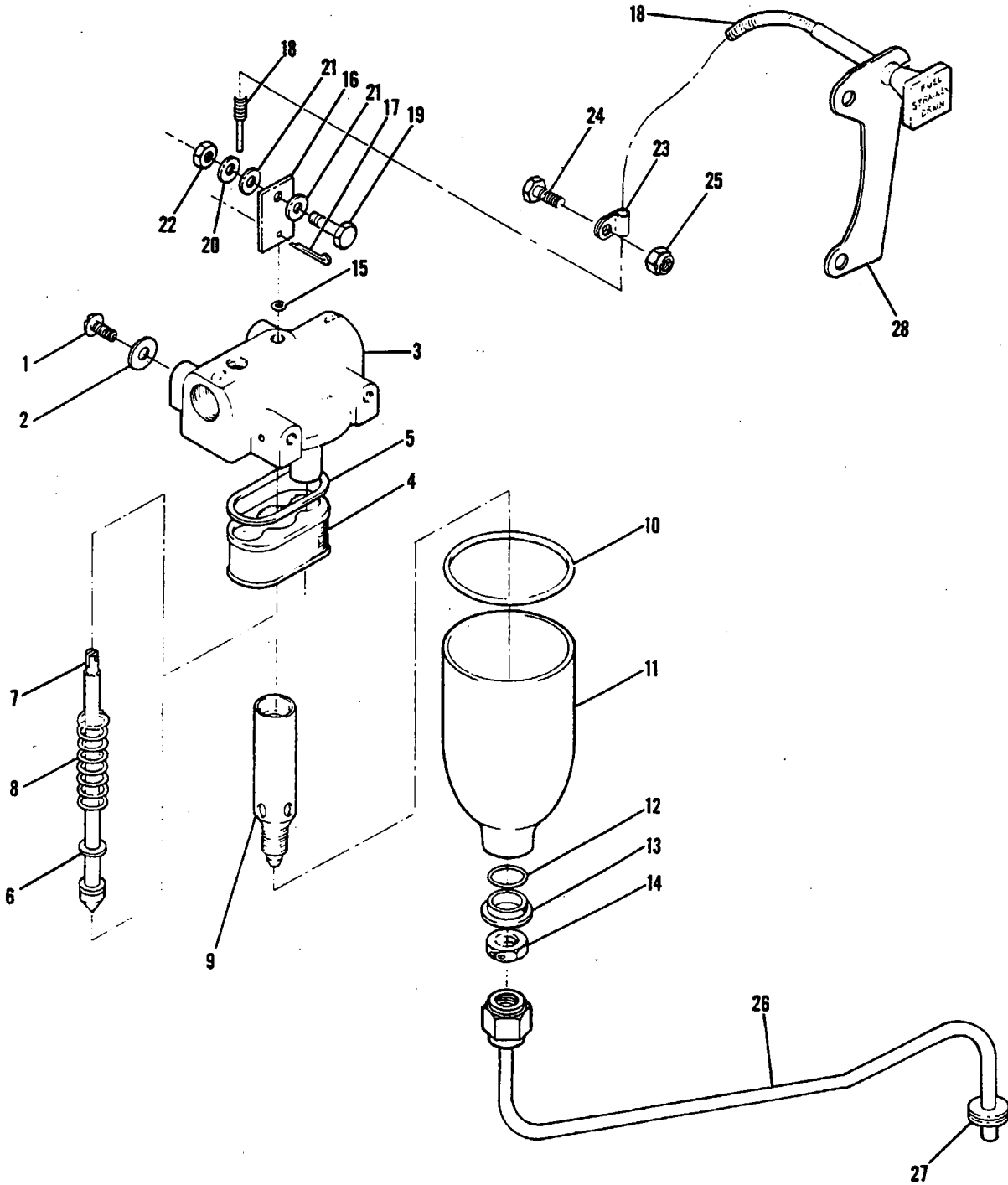
CONTINUED ON NEXT PAGE

P210 Parts Catalog

FIGURE AND INDEX NO.	PART NUMBER	DESCRIPTION	UNITS PER ASSY	USABLE ON CODE
		1 2 3 4 5 6 7		
107B-95F	2100003-60	LINE ASSY-VAPOR RETURN RH -----	1	
	2100003-59	LINE ASSY-VAPOR RETURN LH -----	1	
-95G	MS35489-20	GROMMET -----	2	
-96	2100003-98	LINE ASSY -----	2	
-96A	AN924-4D	NUT -----	2	
	NAS1149F0732P	WASHER -----	2	
-96B	AN832-4D	UNION -----	2	
-96C	2100003-66	LINE ASSY-FEED VENT RH -----	1	
	2100003-67	LINE ASSY-FEED VENT LH -----	1	
-96D	MS35489-36	GROMMET -----	2	
-96E	AN837-4D	ELBOW -----	2	
-96F	AN924-4D	NUT -----	2	
	NAS1149F0732P	WASHER -----	2	
-97	2100003-106	LINE ASSY -----	2	
-97A	2100003-107	LINE ASSY -----	2	
-97B	S51-8	HOSE 4.00 IN LG BKI -----	2	
-97C	S2357-2	CLAMP -----	4	
-97D	MS35489-49	GROMMET -----	2	
		A---P210 SERIAL P21000835 & ON		

P210 Parts Catalog

Fuel System (Cont)



P210 SERIAL P2100001 THRU P21000760

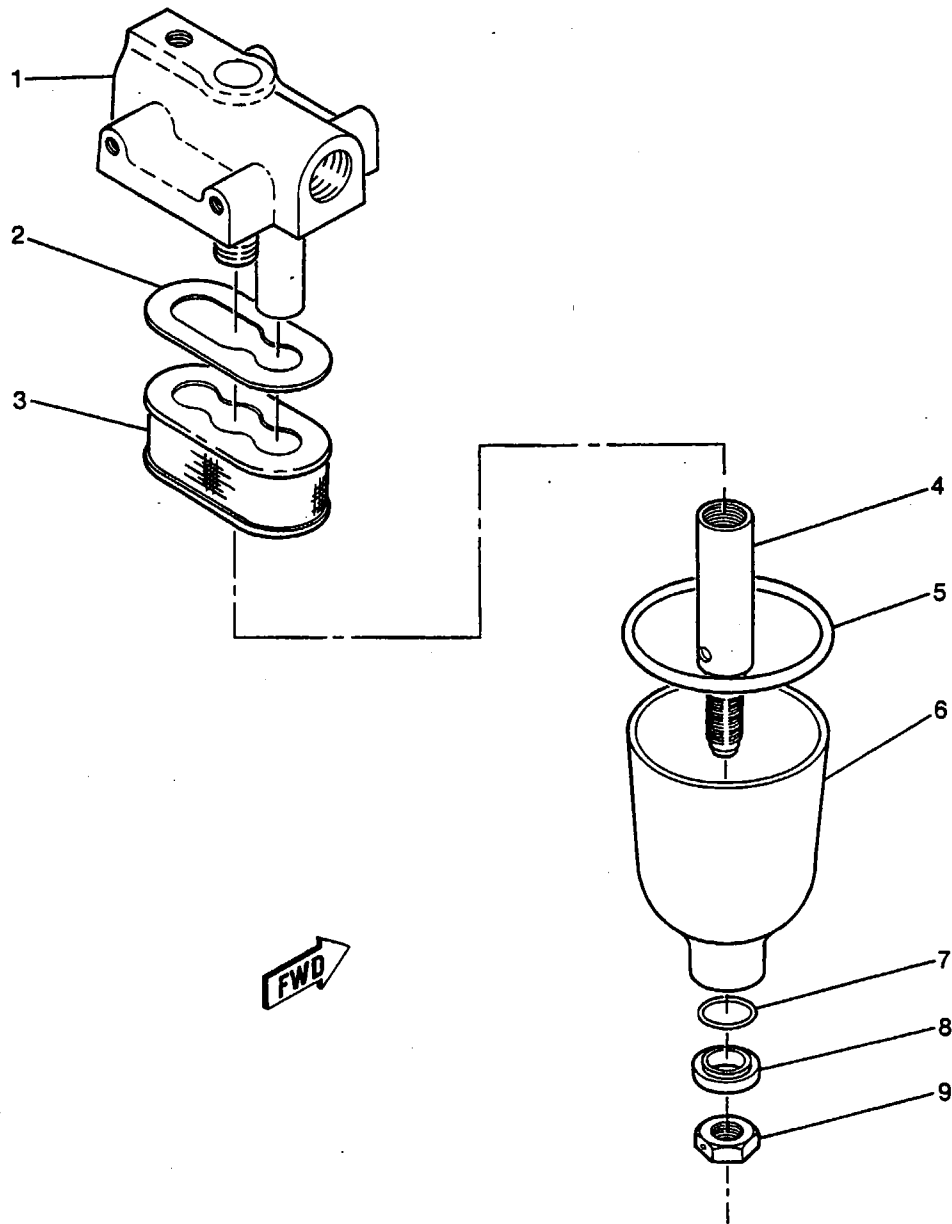
Figure 108. Fuel Strainer & Drain Installation

P210 Parts Catalog

FIGURE AND INDEX NO.	PART NUMBER	DESCRIPTION							UNITS PER ASSY	USABLE ON CODE
		1	2	3	4	5	6	7		
108 -	0756005-9	FUEL STRAINER & DRAIN INSTALLATION -----							NP	A
- 1	MS20074-03-3	STRAINER ASSY-FUEL -----							1	
- 2	AN936A10	ATTACHING PARTS -----							2	
		BOLT -----							2	
		WASHER -----							2	
		-----*								
- 3	0756005-2	TOP ASSY-FUEL STRAINER -----							1	
- 4	0756009-7	FILTER ASSY-FUEL STRAINER -----							1	
- 5	0756009-8	GASKET -----							1	
- 6	S1450-27A7-032	WASHER -----							1	
- 7	0756010-6	PLUNGER ASSY-FUEL STRAINER -----							1	
- 8	0756012-1	SPRING -----							1	
- 9	0756011-1	STANDPIPE -----							1	
-10	NAS1593-138	O-RING -----							1	
-11	0756008-1	BOWL -----							1	
-12	NAS1593-111	O-RING -----							1	
-13	0756015-1	WASHER -----							1	
-14	S1573-3	NUT -----							1	
-15	NAS1593-10	O-RING -----							1	
-16	0756014-1	PLATE -----							1	
		ATTACHING PARTS -----								
-17	MS24665-132	PIN-COTTER -----							1	
		-----*								
-18	S1517-10	CONTROL-STRAINER DRAIN -----							1	
		ATTACHING PARTS -----								
-19	S2323-3	CLAMP -----							1	
-20	NAS1149F0463P	WASHER -----							1	
-21	NAS1149F0432P	WASHER -----							2	
-22	MS21042L4	NUT -----							1	
-23	AN742D3	CLAMP -----							1	
-24	AN3-5A	BOLT -----							1	
-25	MS20364-1032C	NUT -----							1	
	S2209-2	STA-STRAP -----							1	
		-----*								
-26	1200406-208	LINE ASSY-STRAINER DRAIN -----							1	
-27	MS35489-135	GROMMET -----							1	
-28	2150024-1	BRACKET-FUEL STRAINER DRAIN -----							1	
A---P210 SERIAL P21000001 THRU P21000760										

P210 Parts Catalog

Fuel System (Cont)



P210 SERIAL P21000761 THRU P21000834

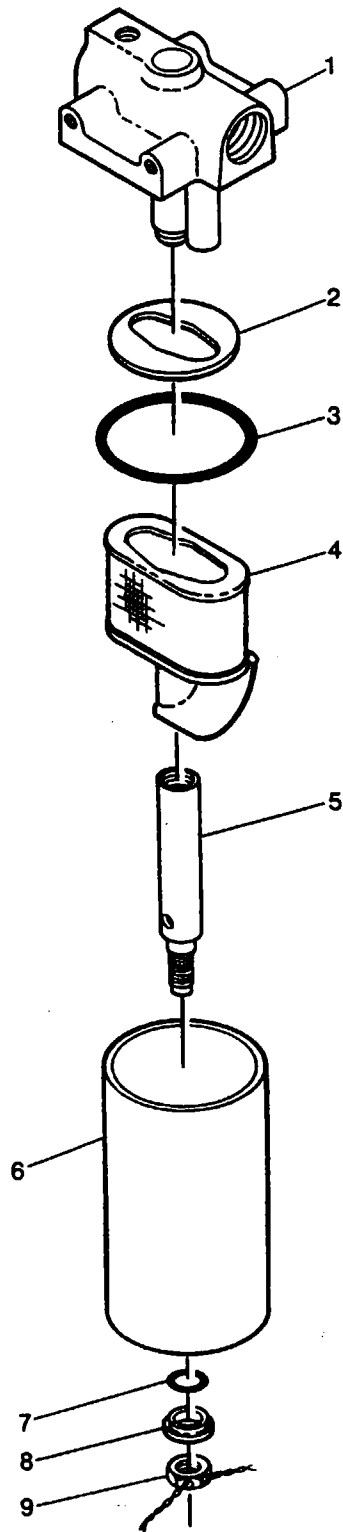
Figure 108A. Fuel Strainer Assembly

P210 Parts Catalog

FIGURE AND INDEX NO.	PART NUMBER	DESCRIPTION	UNITS PER ASSY	USABLE ON CODE
		1 2 3 4 5 6 7		
108A-	0756005-14	FUEL STRAINER ASSEMBLY -----	1	A
- 1	0756005-12	TOP ASSY-FUEL STRAINER -----	1	
- 2	0756009-8	GASKET-FUEL STRAINER FILTER -----	1	
- 3	0756009-7	FILTER ASSY-FUEL STRAINER -----	1	
- 4	0756011-1	STANDPIPE-FUEL STRAINER -----	1	
- 5	NAS1593-138	O-RING-STRAINER BOWL -----	1	
- 6	0756008-1	BOWL-FUEL STRAINER -----	1	
- 7	NAS1593-111	O-RING-STANDPIPE -----	1	
- 8	0756015-1	WASHER-STANDPIPE -----	1	
- 9	S1573-3	NUT-STANDPIPE -----	1	
		A---P210 SERIAL P21000761 THRU P21000834		

P210 Parts Catalog

Fuel System (Cont)



P210 SERIAL P21000835 & ON

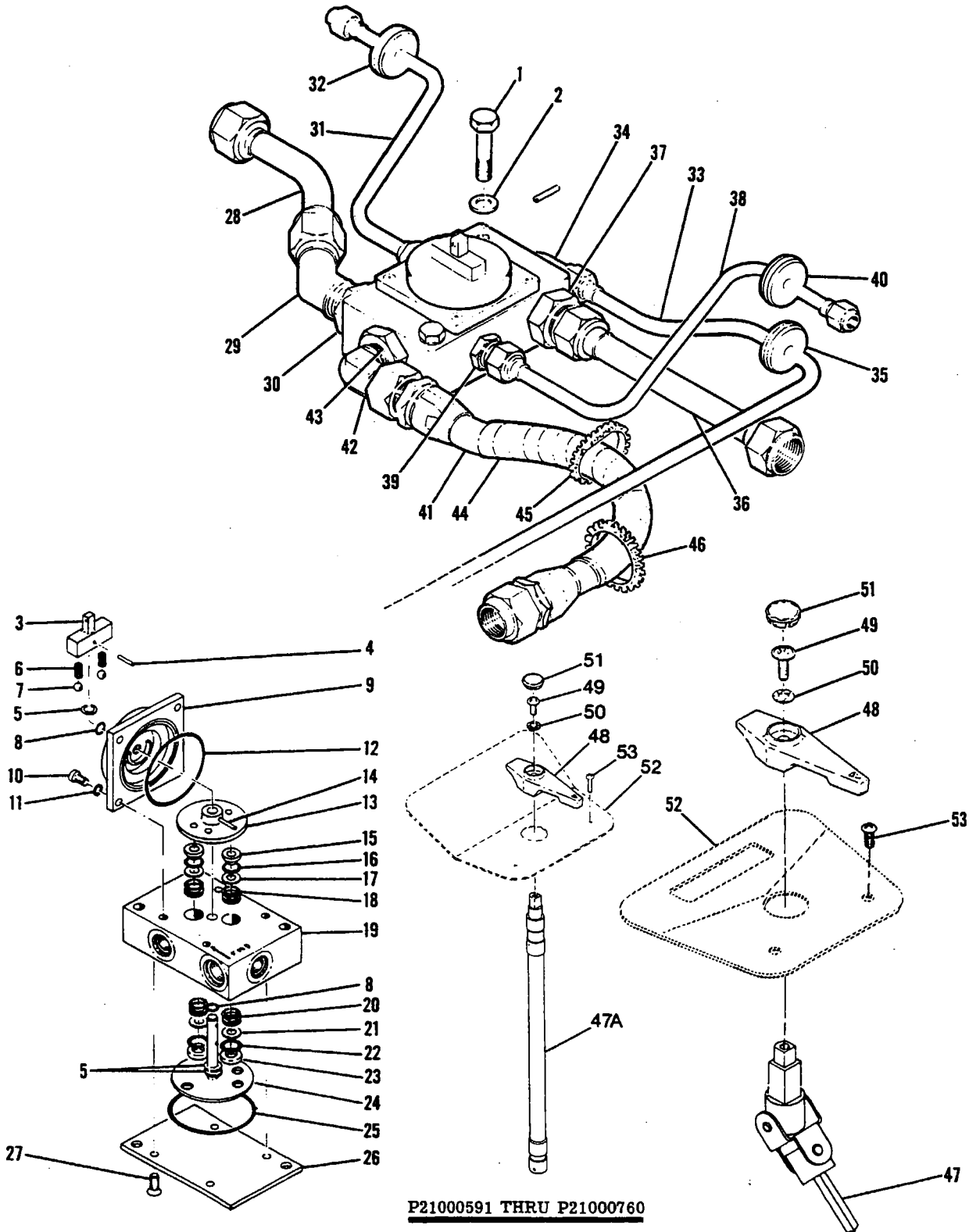
Figure 108E. Fuel Strainer Assembly

P210 Parts Catalog

FIGURE AND INDEX NO.	PART NUMBER	DESCRIPTION	UNITS PER ASSY	USABLE ON CODE
		1 2 3 4 5 6 7		
1088-	0756039-4	FUEL STRAINER ASSEMBLY -----	1	A
- 1	0756039-2	TOP ASSY-FUEL STRAINER -----	1	
- 2	0756041-1	GASKET -----	1	
- 3	NAS1593-138	O-RING -----	1	
- 4	0756038-1	FILTER ASSY-FUEL STRAINER -----	1	
- 5	0756036-3	STANDPIPE-FUEL STRAINER -----	1	
- 6	0756037-2	BOWL-FUEL STRAINER -----	1	
- 7	NAS1593-111	O-RING -----	1	
- 8	0756015-1	WASHER -----	1	
- 9	S1573-3	NUT -----	1	
		A---P210 SERIAL P21000835 & ON		

P210 Parts Catalog

Fuel System (Cont)



P21000591 THRU P21000760

P210 SERIAL P21000001 THRU P21000760

Figure 109. Fuel Selector Valve Installation

P21000001 THRU P21000590

P210 Parts Catalog

FIGURE AND INDEX NO.	PART NUMBER	DESCRIPTION							UNITS PER ASSY	USABLE ON CODE
		1	2	3	4	5	6	7		
109 -	C291503-0101	FUEL SELECTOR VALVE INSTALLATION -----							NP	C
- 1	AN4-16A	VALVE ASSY-FUEL SELECTOR -----							1	
- 2	NAS1149D0463H	ATTACHING PARTS -----							2	
- 3	1216106-1	BOLT -----							2	
- 4	NAS561P3-6	WASHER -----							1	
- 5	S2385-2	*-----							1	
- 6	1216110-2	YOKE -----							1	
- 7	S272-8	ATTACHING PARTS -----							1	
- 8	NAS1593-010	PIN -----							3	
- 9		WASHER -----							2	
-10	AN500-8-6	SPRING -----							2	
-11	AN935-8	BALL-STEEL -----							2	
-12	NAS1593-130	O-RING -----							2	
-13		COVER -----							NP	
-14	NAS561P3-11	ATTACHING PARTS -----							NP	
-15	1216107-1	SCREW -----							4	
-16	NAS1593-011	WASHER-LOCK -----							4	
-17	S2385-3	*-----							1	
-18	1216110-1	O-RING -----							1	
-19	1216110-4	ROTOR -----							NP	
-20	1216108-1	ATTACHING PARTS -----							1	
-21	NAS1593-014	PIN -----							1	
-22	1216107-2	*-----							2	
-23	NAS1593-137	SEAL -----							2	
-24		O-RING -----							2	
-25		ROTOR ASSY -----							NP	
-26		O-RING -----							1	
-27	AN507-832R6	PLATE-SUMP -----							NP	
-28	1200406-95	ATTACHING PARTS -----							4	
-29	AN837-8D	*-----							1	
-30	NAS1596-8	LINE ASSY-FUEL -----							1	
-31	AN924-8D	ATTACHING PARTS -----							1	
-32	1200406-94	ELBOW -----							1	
-33	AN815-4D	GASKET -----							1	
-34	NAS1596-4	NUT -----							1	
-35	MS35489-36	*-----							1	
-36	1200406-97	LINE ASSY-FUEL VENT -----							1	
-37	AN921-4D	ATTACHING PARTS -----							1	
-38	NAS1596-4	ELBOW -----							1	
-39	AN924-4D	GASKET -----							1	
-40	MS35489-36	NUT -----							1	
-41	1200406-98	*-----							1	
-42	AN815-8D	GROMMET -----							1	
-43	NAS1596-8	LINE ASSY-FUEL -----							1	
-44	1200406-93	ATTACHING PARTS -----							1	
-45	AN815-4D	ELBOW -----							1	
-46	NAS1596-4	GASKET -----							1	
-47	MS35489-36	NUT -----							1	
-48		*-----							1	
-49		GROMMET -----							1	

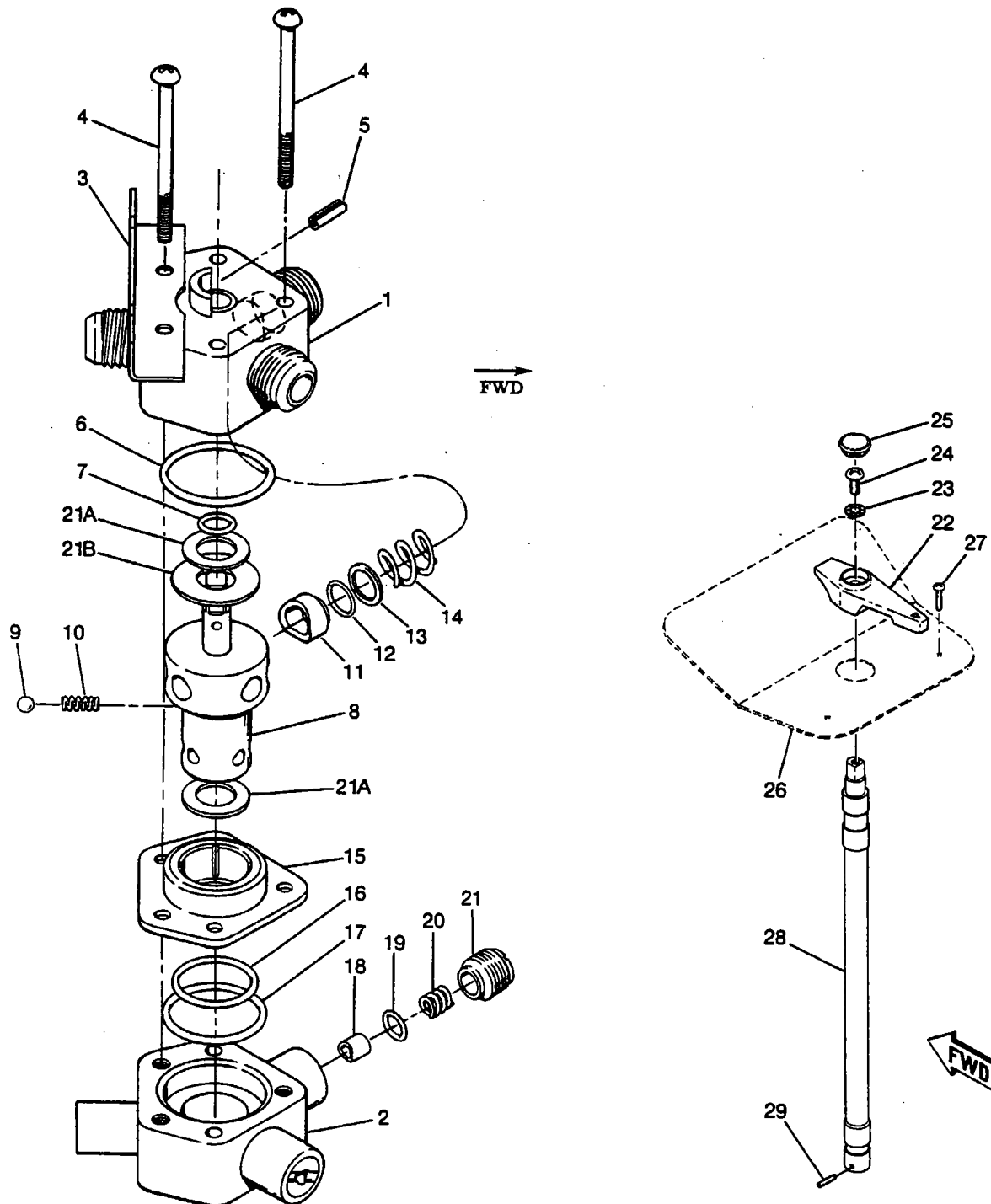
CONTINUED ON NEXT PAGE

P210 Parts Catalog

FIGURE AND INDEX NO.	PART NUMBER	DESCRIPTION							UNITS PER ASSY	USABLE ON CODE
		1	2	3	4	5	6	7		
109 -41	S1236C8-0110	HOSE ASSY-FUEL -----							1	A B
-42	AN921-80	ATTACHING PARTS -----							1	
	NAS1596-8	ELBOW -----							1	
-43	AN924-80	GASKET -----							1	
		NUT -----							1	
		*-----								
-44	S292-15	SLEEVE 7.0 IN LG BKI -----							1	
-45	S1050-2	GROMMET 3.96 IN LG BKI -----							1	
-46	S1050-1	GROMMET 3.50 IN LG BKI -----							1	
-47	2116003-2	SHAFT ASSY-FUEL SELECTOR WEU 2116005-1 -----							1	
-47A	2116005-1	SHAFT ASSY-FUEL SELECTOR -----							1	
		ATTACHING PARTS -----							1	
	NAS561-2-8	PIN -----							1	
		*-----								
-48	0716623-2	HANDLE-FUEL SELECTOR -----							1	
		ATTACHING PARTS -----							1	
-49	AN520-8R6	SCREW -----							1	
-50	AN936A8	WASHER -----							1	
		*-----								
-51	0716624-1	CAP -----							1	
-52	SEE FIG 2	PLACARD ASSY-FUEL SELECTOR VALVE -----							1	
		ATTACHING PARTS -----							1	
-53	S1021Z4-8	SCREW -----							4	
		*-----								
		A---P210 SERIAL P21000001 THRU P21000590 B---P210 SERIAL P21000591 THRU P21000760 C---P210 SERIAL P21000001 THRU P21000760								

P210 Parts Catalog

Fuel System (Cont)



P210 SERIAL P21000761 & ON
Figure 109A. Fuel Selector Valve Installation

P210 Parts Catalog

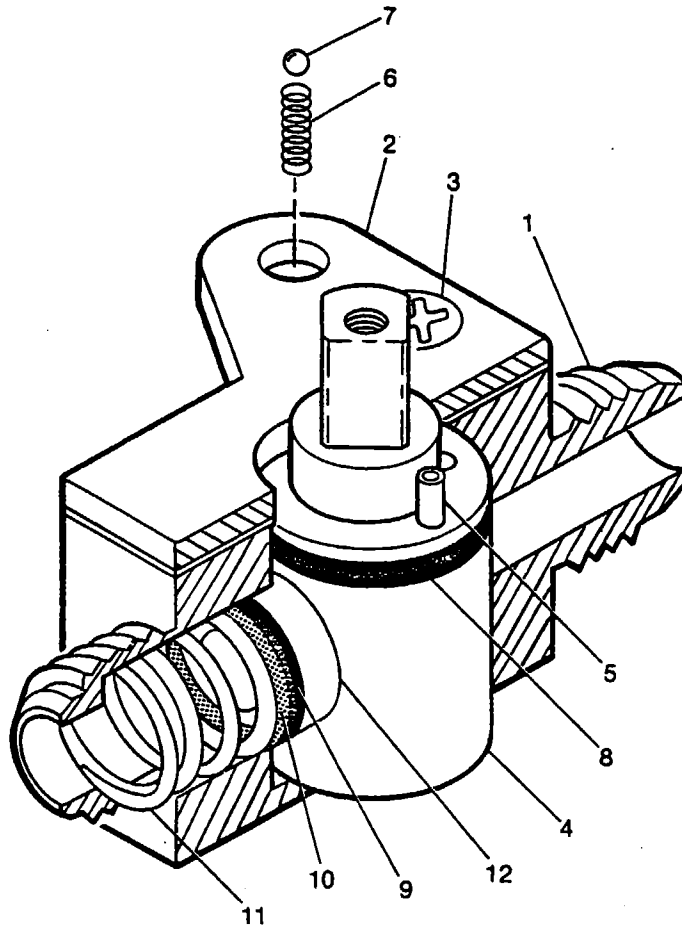
FIGURE AND INDEX NO.	PART NUMBER								DESCRIPTION	UNITS PER ASSY	USABLE ON CODE
			1	2	3	4	5	6	7		
109A-									FUEL SELECTOR VALVE INSTALLATION -----	NP	A
- 1	9851110-3	*							VALVE ASSY-FUEL SELECTOR -----	1	
- 2	9851111-4	@							BODY ASSY-FUEL SELECTOR VALVE UPR -----	1	
- 3	9851058-3	@							BODY ASSY-FUEL SELECTOR VALVE LWR -----	1	
- 4	2160011-1								BRACKET-ELEVATOR CONTROL CABLE -----	1	
- 5	AN520-10R26								SCREW -----	1	
- 6	MS16562-25								PIN -----	1	
- 7	NAS1593-024								PACKING -----	1	
- 8	NAS1593-011								PACKING -----	1	
- 9	9851112-3	@							ROTOR-FUEL SELECTOR VALVE -----	1	
- 10	S272-5								BALL -----	1	
- 11	1216110-5								SPRING -----	1	
- 12	9851097-1								SEAL-FUEL SELECTOR VALVE -----	1	
- 13	NAS1593-012								PACKING -----	1	
- 14	S2385-5								WASHER -----	1	
- 15	LC04561								SPRING LSCI -----	1	
- 16	9851055-2	@							DETENT INSERT-FUEL SELECTOR VALVE -----	1	
- 17	NAS1593-018								PACKING -----	1	
- 18	NAS1593-022								PACKING -----	1	
- 19	9851075-1								SEAL-FUEL SELECTOR VALVE -----	1	
- 20	NAS1593-010								PACKING -----	1	
- 21	LC035C1								SPRING LSCI -----	1	
- 21A	9851113-1								SPRING RETAINER-FUEL SELECTOR VALVE -----	1	
- 21B	S1358-11								WASHER -----	1	
- 22	S1358-12								WASHER -----	1	
- 23	0716623-2								HANDLE-FUEL SELECTOR -----	1	
- 24	AN936A8								ATTACHING PARTS -----	1	
- 25	AN520-8R6								WASHER -----	1	
- 26									SCREW -----	1	
- 27									*-----		
- 28	0716624-1								CAP-HANDLE -----	1	
- 29	SEE FIG 2								PLACARD ASSY-FUEL SELECTOR VALVE -----	1	
- 30	S1021Z4-6								ATTACHING PARTS -----	1	
- 31									SCREW -----	4	
- 32									*-----		
- 33	2116005-1								SHAFT ASSY-FUEL SELECTOR -----	1	
- 34	NAS561-2-8								ATTACHING PARTS -----	1	
- 35									PIN -----	1	
- 36									*-----		

NOTE. @WHEN INITIALLY ORDERING THIS PART FOR AIRCRAFT PRIOR TO P21000836, YOU MUST ORDER COMPLETE VALVE ASSY-PART NO. 9851110-3 *.

A---P210 SERIAL P21000761 & ON

P210 Parts Catalog

Fuel System (Cont)



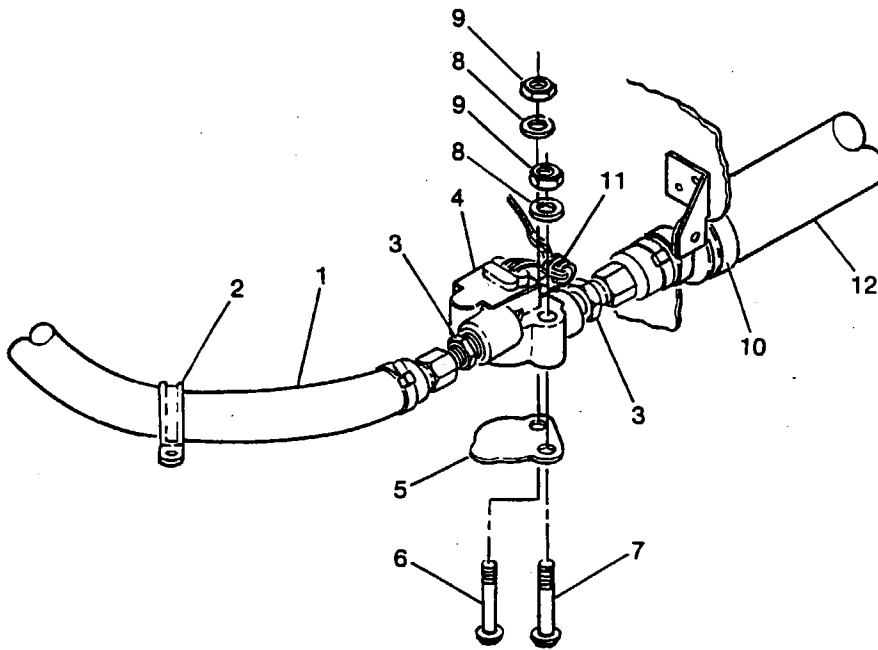
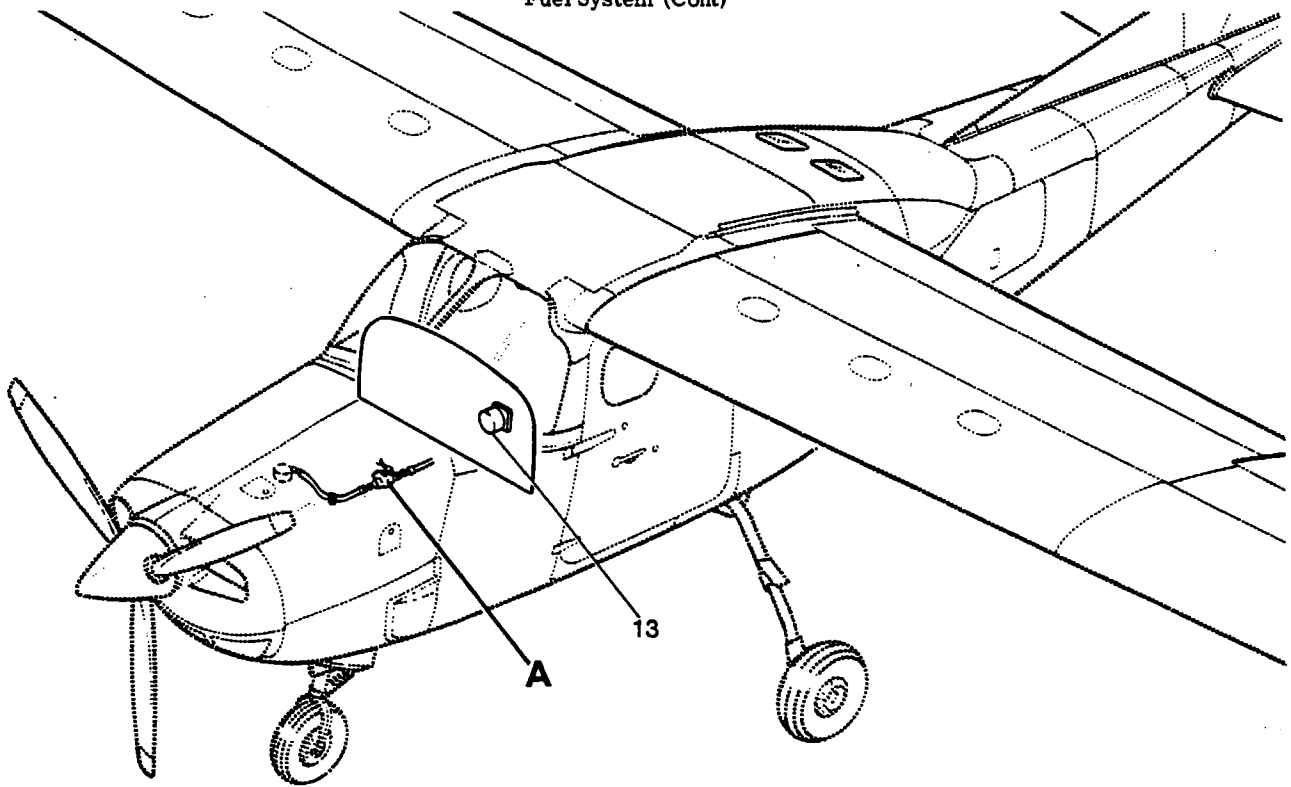
P210 SERIAL P21000761 & ON
Figure 109B. Fuel Shutoff Valve Assembly

P210 Parts Catalog

FIGURE AND INDEX NO.	PART NUMBER	DESCRIPTION	UNITS PER ASSY	USABLE ON CODE
		1 2 3 4 5 6 7		
109B-	0716111-4	VALVE ASSY-FUEL SHUTOFF -----	1	A
- 1	0716142-3	BODY-FUEL SHUTOFF VALVE -----	1	
- 2	0716141-1	COVER-FUEL SHUTOFF VALVE -----	1	
		ATTACHING PARTS -----		
- 3	AN507-1032R4	SCREW -----	2	
		-----*		
- 4	0716143-5	ROTOR-FUEL SHUTOFF VALVE -----	1	
- 5	NAS561P3-6	PIN -----	1	
- 6	MS24585-1021	SPRING -----	1	
- 7	S272-4	BALL -----	1	
- 8	NAS1593-018	PACKING -----	1	
- 9	NAS1593-013	PACKING -----	1	
-10	S2385-4	WASHER -----	1	
-11	1216110-4	SPRING -----	1	
-12	1216107-3	SEAL -----	1	
		A---P210 SERIAL P21000761 & ON		

P210 Parts Catalog

Fuel System (Cont)



Detail A

P210 SERIAL P21000761 & ON

Figure 109C. Fuel Totalizer Installation

P210 Parts Catalog

FIGURE AND INDEX NO.	PART NUMBER	DESCRIPTION	UNITS PER ASSY	USABLE ON CODE
		1 2 3 4 5 6 7		
109C-		FUEL TOTALIZER INSTALLATION -----	NP	A
- 1	635218S4S12.38	FUEL LINE ASSY CM -----	1	
- 2	MS21919D613	CLAMP -----	1	
- 3	AN816-4-4	ADAPTOR -----	2	
- 4	C913001-0101	TRANSUCER-FUEL TOTALIZER -----	1	
- 5	2101058-1	PLATE-TRANSUCER -----	1	
- 6	AN525-10R20	SCREW -----	1	
- 7	AN525-10R22	SCREW -----	1	
- 8	NAS1149F0363P	WASHER -----	1	
- 9	MS20364-1032C	NUT -----	2	
- 10	AN742D14	CLAMP -----	2	
- 11	MS21919D63	CLAMP -----	1	
- 12	635218S4S15.25	FUEL LINE ASSY CM -----	1	
- 13		INDICATOR-FUEL FLOW/CLOCK SEE INSTRUMENT PANEL -----	1	
A---P210 SERIAL P21000761 & ON				

P210 Parts Catalog

Fuel System (Cont)

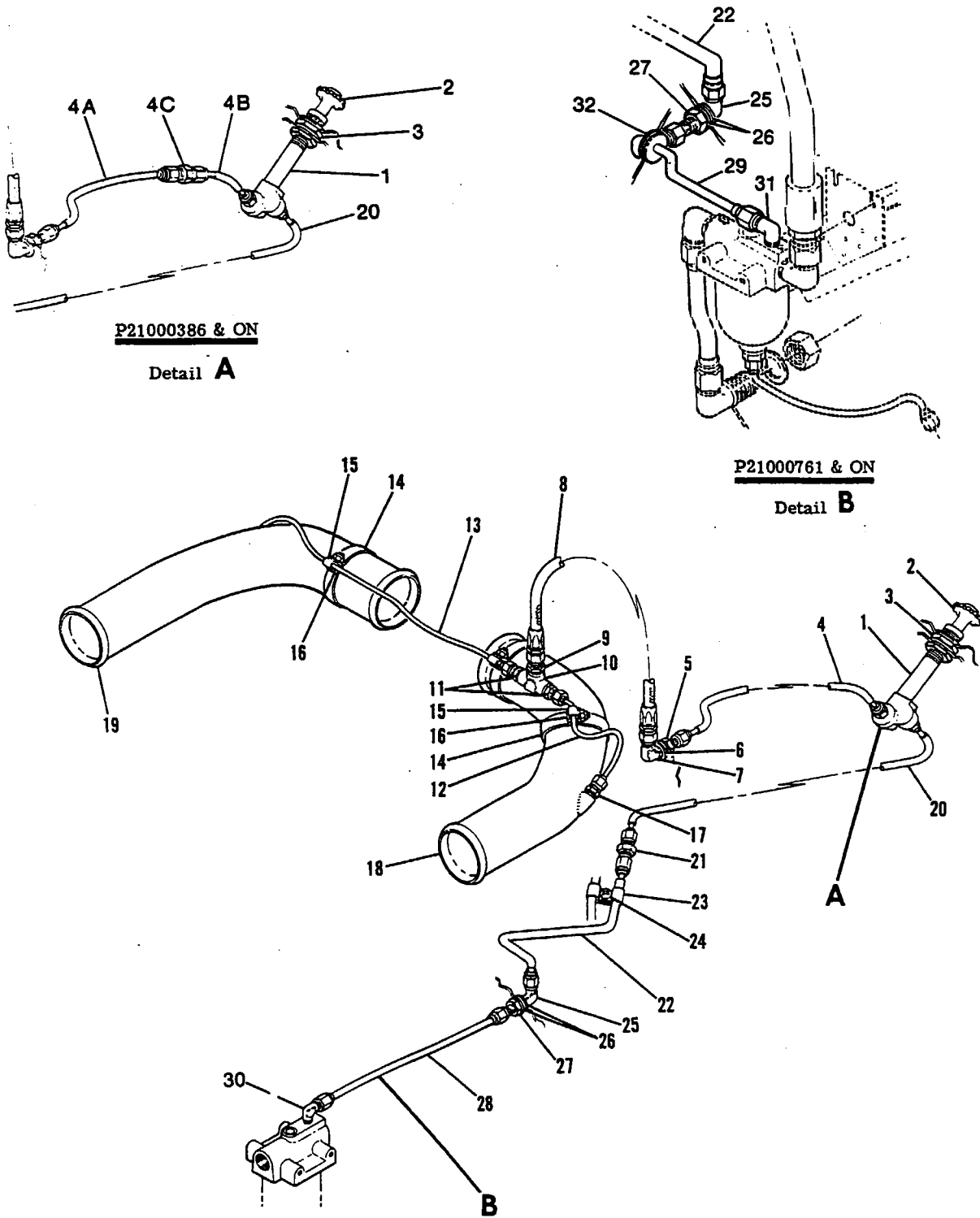


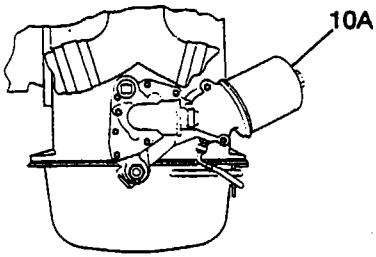
Figure 110. Engine Primer System

P210 Parts Catalog

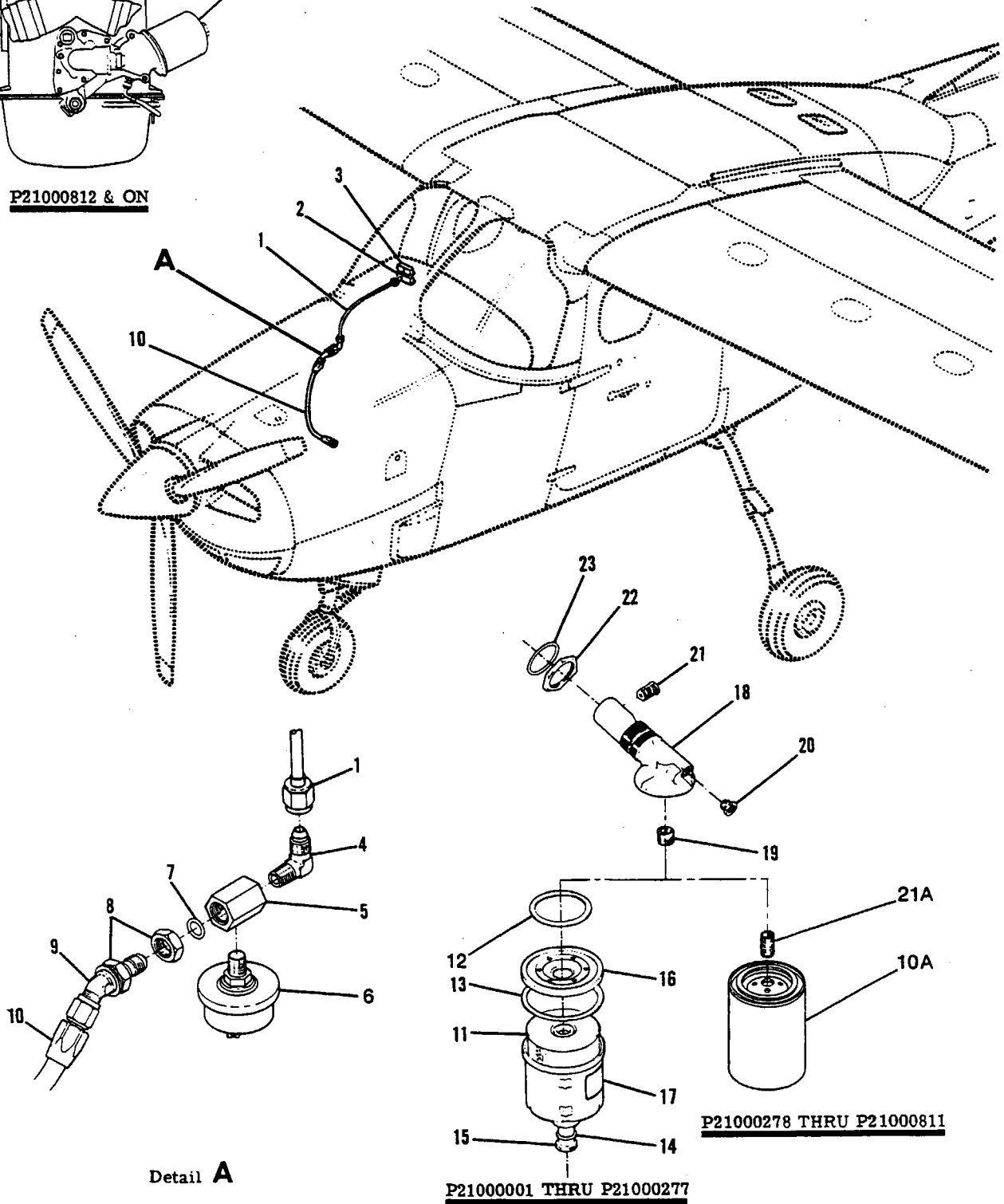
FIGURE AND INDEX NO.	PART NUMBER		DESCRIPTION							UNITS PER ASSY	USABLE ON CODE
			1	2	3	4	5	6	7		
110 -			ENGINE PRIMER INSTALLATION -----								
- 1	C291502-0106		PRIMER ASSY -----							NP	
	NAS1593-012		O-RING -----							1	
- 2	S1974-1		KNOB-PRIMER -----							2	
- 3	S2119-1		NUT -----							1	
- 4			LINE ASSY ELBOW TO PRIMER FSO 1200106-273, -----							NP	A
	1200106-273	@	1200106-272 & AN919-0D -----								
- 4A	1200106-272	@	LINE ASSY ELBOW TO REDUCER -----							1	B
- 4C	AN919-0D	@	LINE ASSY REDUCER TO PRIMER -----							1	B
- 5	AN924-3		REDUCER -----							1	B
- 6	NAS1149F0663P		NUT -----							1	
- 7	AN833-3		WASHER -----							2	
- 8	S1236C3-0060		ELBOW -----							1	
	S2495-3-0144		HOSE ASSY -----							1	
- 9	AN816-3D		HOSE ASSY -----							1	G
-10	AN917-1D		NIPPLE -----							1	
-11	AN816-2D		TEE -----							1	
-12	1200106-253		NIPPLE -----							2	
-13	1200106-252		LINE ASSY LH TEE TO MANIFOLD -----							1	
			LINE ASSY RH TEE TO MANIFOLD -----							1	
			ATTACHING PARTS -----								
-14	AN735D36		CLAMP LH -----							1	
	AN735D36		CLAMP RH -----							2	
-15	AN742D2		CLAMP LH -----							2	
	AN742D2		CLAMP RH -----							2	
-16	AN3-3A		BOLT LH -----							2	
	AN3-3A		BOLT RH -----							2	
	MS20365-1032C		NUT LH -----							2	
	MS20365-1032C		NUT RH -----							2	
			*-----								
-17	AN4022-1		NIPPLE -----							2	
-18	1250655-1		MANIFOLD INTAKE ASSY LH -----							1	
-19	1250655-2		MANIFOLD INTAKE ASSY RH -----							1	
-20	1200106-248		LINE ASSY TO PRIMER -----							1	
-21	AN919-1D		REDUCER -----							1	
-22	1200106-249		LINE ASSY -----							1	
			ATTACHING PARTS -----								
-23	MS21919D64		CLAMP -----							2	
-24	AN520-8R8		SCREW -----							1	
	MS21044N08		NUT -----							1	
			*-----								
-25	AN833-4		ELBOW -----							1	
-26	NAS1149F0763P		WASHER -----							2	
-27	AN924-4		NUT -----							1	
-28	1200106-250		LINE ASSY TO FUEL STRAINER -----							1	
-29	2100003-70		LINE ASSY TO FUEL STRAINER -----							1	
	2100003-118		LINE ASSY TO FUEL STRAINER -----							1	
-30	MS20822-4D		ELBOW -----							1	
-31	MS20822-4		ELBOW -----							1	
-32	MS35489-7		GROMMET -----							1	
<p>NOTE. @WHEN INITIALLY ORDERING THIS PART FOR AIRCRAFT PRIOR TO P21000386 ALL PARTS MARKED @MUST BE ORDERED</p> <p>A---P210 SERIAL P21000001 THRU P21000385 B---P210 SERIAL P21000386 & ON C---P210 SERIAL P21000001 THRU P21000760 D---P210 SERIAL P21000761 & ON E---P210 SERIAL P21000761 THRU P21000834 F---P210 SERIAL P21000835 & ON G---P210 SERIAL P21000001 THRU P21000834</p>											

P210 Parts Catalog

Oil System



P21000812 & ON



Detail **A**

P21000001 THRU P21000277

P21000278 THRU P21000811

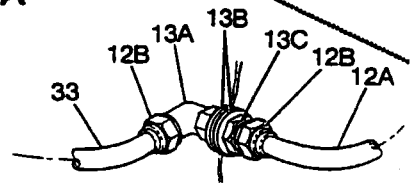
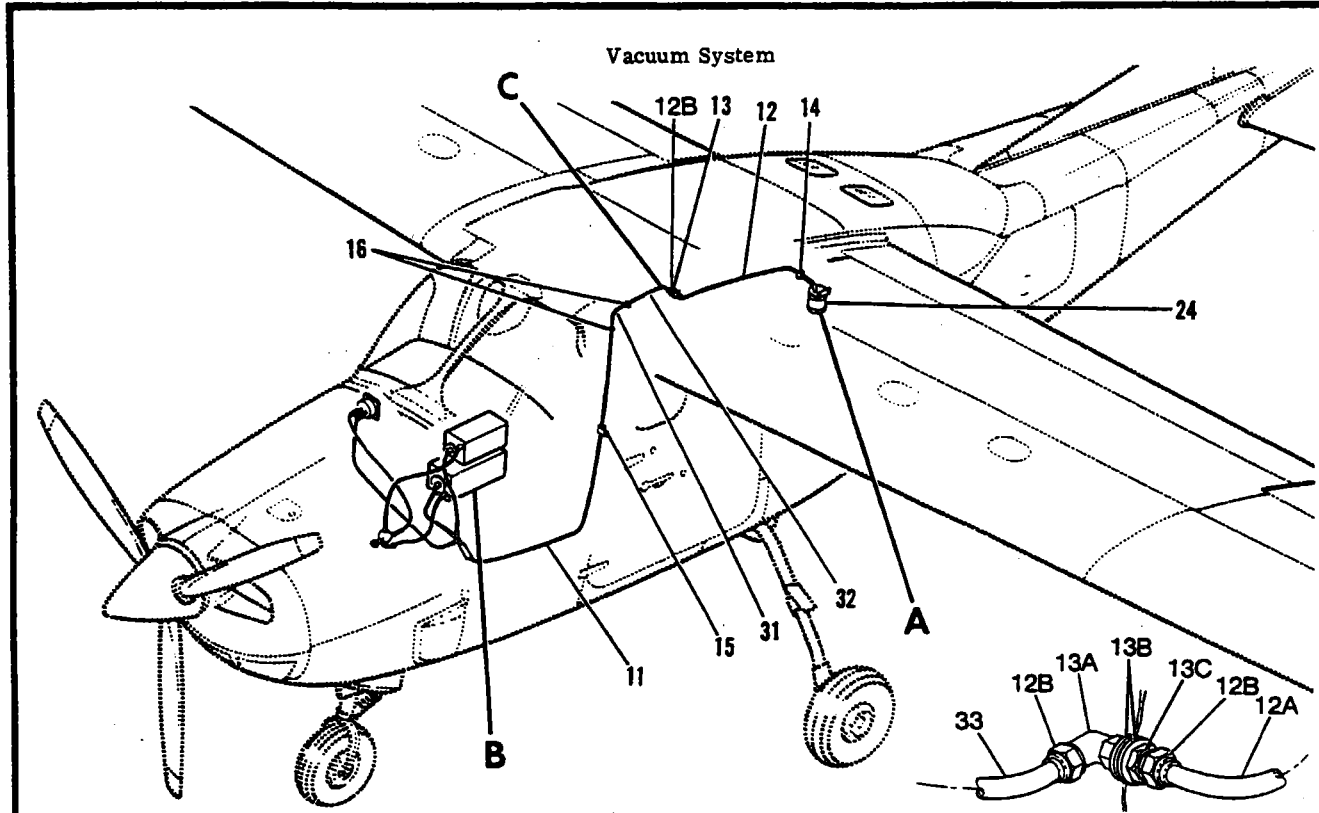
Figure 111. Oil System

P210 Parts Catalog

FIGURE AND INDEX NO.	PART NUMBER	DESCRIPTION							UNITS PER ASSY	USABLE ON CODE
		1	2	3	4	5	6	7		
111 -		OIL SYSTEM -----								
- 1	1200106-254	LINE ASSY-OIL PRESSURE -----							NP	E F
- 2	1200106-291	LINE ASSY-OIL PRESSURE -----							1	
- 3		GAGE-OIL PRESSURE SEE INSTRUMENT PANEL -----							1	
- 4	MS20822-2D	GAGE-OIL TEMPERATURE SEE INSTRUMENT PANEL -----							1	
- 5	1213158-4	ELBOW -----							1	
- 6	S1711-1	ADAPTOR -----							1	
	AN932C2	SWITCH-HOURMETER -----							1	
- 7	MS28778-4	PLUG USED WHEN HOURMETER IS NOT INSTALLED -----							1	
- 8	AN924-4	O-RING -----							1	
- 9	AN837-4	NUT -----							1	
	NAS1149F0732P	ELBOW -----							2	
-10	S1236-4-290	WASHER -----							2	
	C294505-0101	HOSE ASSY-OIL PRESSURE -----							1	
-10A	C294507-0102	OIL FILTER INSTALLATION-FULL FLOW -----							NP	
	C294507-0102	OIL FILTER ASSY -----							1	
	C294505-0102	OIL FILTER ASSY -----							1	
-11		OIL FILTER ASSY -----							1	
-12	6436635	ELEMENT KIT-FILTER REF AC6435683 -----							1	
-13	6436637	GASKET ACS -----							1	
-14	5579654	GASKET ACS -----							1	
-15	6436916	GASKET-METAL ACS -----							1	
-16	6436989	STUD-CENTER ACS -----							1	
-17	SEE FIG 2	LID-OIL FILTER ACS -----							1	
	1250922-1	PLACARD-OIL FILTER -----							1	
	1250922-4	ADAPTOR ASSY-OIL FILTER -----							1	
-18	1250921-1	ADAPTOR ASSY-OIL FILTER -----							1	
	1250921-5	ADAPTER -----							1	
-19	MS124663	ADAPTER -----							1	
-20	AN932C4	INSERT -----							1	
-21	0756022-1	PLUG-PIPE -----							1	
-21A	640703	VALVE-BY PASS -----							1	
-22	1250405-1	STUD CM -----							1	
-23	AN123883	NUT-ADAPTER -----							1	
	SE709	PACKING-ADAPTER NUT -----							1	
		WRENCH-OIL FILTER ADAPTER -----							1	
<p>NOTE. *LENGTH TO BE ADDED LATER.</p> <p>NOTE. *P21000812 & ON REFER TO APPLICABLE CONTINENTAL ENGINE PARTS CATALOG FOR OIL FILTER ADAPTOR</p> <p>NOTE. @C2954507-0102 OIL FILTER MAY BE USED AS AN ALTERNATE TO THE FILTER SUPPLIED WITH ENGINE P21000812 & ON.</p> <p>A---P210 SERIAL P21000001 THRU P21000277 B---P210 SERIAL P21000812 & ON C---P210 SERIAL P21000001 THRU P21000811 D---P210 SERIAL P21000278 THRU P21000811 E---P210 SERIAL P21000001 THRU P21000835 F---P210 SERIAL P21000836 & ON</p>										
									A D B A A A A D A D C C A D C C	

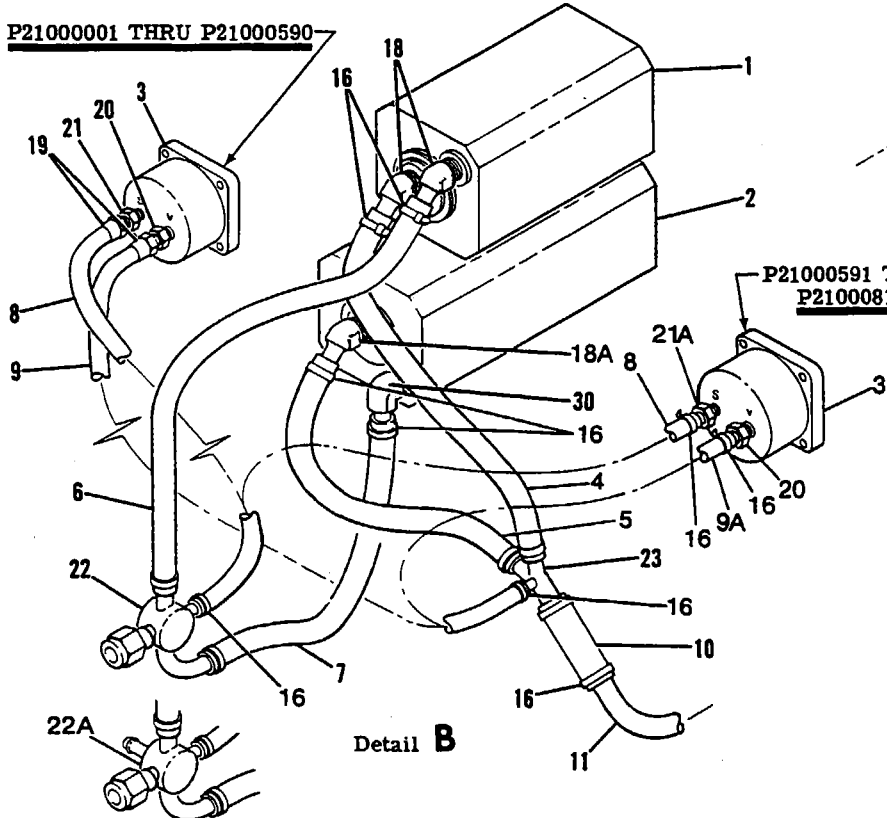
P210 Parts Catalog

Vacuum System

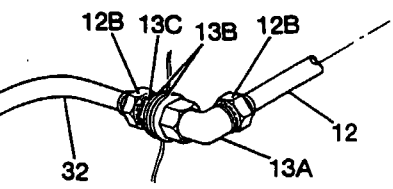


P21000761 THRU P21000811

P21000001 THRU P21000590

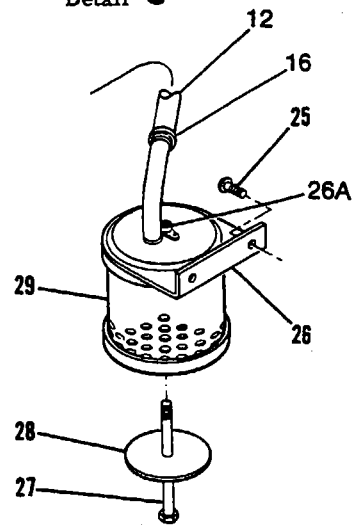


P21000591 THRU P21000811



P21000020 THRU P21000760

Detail C



Detail A

USED WITH DE-ICE
P21000120 THRU P21000811

P210 SERIAL P21000001 THRU P21000811

Figure 112. Gyro Installation - Engine Driven

P210 Parts Catalog

FIGURE AND INDEX NO.	PART NUMBER	DESCRIPTION							UNITS PER ASSY	USABLE ON CODE
		1	2	3	4	5	6	7		
112 -		GYROS INSTALLATION-ENGINE DRIVEN -----							NP	M
- 1		GYRO-HORIZON SEE INSTRUMENT PANEL -----							1	
- 2		GYRO-DIRECTIONAL SEE INSTRUMENT PANEL -----							1	
- 3		GAGE SUCTION SEE INSTRUMENT PANEL -----							1	
- 4	S1495-6	HOSE 12.00 IN LG BKI -----							1	
	S2501-6	HORIZON GYRO TO CONNECTOR ASSY -----							1	C
		HOSE 13.00 IN LG BKI -----							1	
- 5	S1495-6	HORIZON GYRO TO CONNECTOR ASSY -----							1	D
	S2501-6	HOSE 11.00 IN LG BKI -----							1	
		DIRECTIONAL GYRO TO CONNECTOR ASSY -----							1	C
		HOSE 11.00 IN LG BKI -----							1	
- 6	S1495-6	DIRECTIONAL GYRO TO CONNECTOR ASSY -----							1	D
		HOSE 20.00 IN LG BKI -----							1	
- 7	S1495-6	HORIZON GYRO TO CROSS ASSY -----							1	
		HOSE 14.00 IN LG BKI -----							1	
- 8	S1495-4	DIRECTIONAL GYRO TO CROSS ASSY -----							1	
		HOSE 44.00 IN LG BKI -----							1	
- 9	S1495-4	CROSS ASSY TO S SIDE OF SUCTION GAGE -----							1	
		HOSE 42.00 IN LG BKI -----							1	
- 9A	S1495-4	CONNECTOR ASSY TO V SIDE OF SUCTION GAGE -----							1	G
		HOSE 13.00 IN LG BKI -----							1	
-10	S1495-8	CONNECTOR ASSY TO V SIDE OF SUCTION GAGE -----							1	H
-11	S1071-4	HOSE 2.25 IN LG BKI -----							1	
		LINE-POLYETHYLENE 49.00 IN LG BKI -----							1	
-12	S1071-4	CONNECTOR HOSE TO TUBE -----							1	
		LINE-POLYETHYLENE 40.00 IN LG BKI -----							1	K
-12A	S1071-4	ROOT RIB TO AIR FILTER -----							1	
		LINE-POLYETHYLENE 35.00 IN LG BKI -----							1	L
-12B	S1130-4	NUT -----							2	
	S1131-4	INSERT -----							2	
-13		UNION -----							NP	J
-13A	S2071-2	ELBOW -----							1	A
-13B	NAS1149F1232P	WASHER -----							1	A
-13C	S1133-6	CONNECTOR -----							1	A
-14	MS35489-14	GROMMET -----							1	
-15	MS21919DG8	CLAMP -----							1	
	AN515-8R8	SCREW -----							1	
	MS21044N08	NUT -----							1	
-16	S2209-2	STA STRAP -----							1	
-17		DELETED-NOT USED -----							17	
-18	AN844-6D	ELBOW -----							2	C
	S2503-2	ELBOW -----							2	D
-18A	AN844-6D	ELBOW -----							1	C
	S2503-1	ELBOW -----							1	D
-19	S1497-4	FITTING-SOCKETLESS -----							1	C
-20	AN816-4D	NIPPLE -----							2	C
	S2502-1	CONNECTOR -----							1	C
-21	1201053-1	DAMPENER -----							1	D
-21A	1201175-1	DAMPENER -----							1	C
-22	1201051-4	CROSS ASSY USED WITHOUT DE-ICE SYSTEM -----							1	D
-22A	1201051-8	CROSS ASSY USED WITH DE-ICE SYSTEM -----							1	C
-23	1557411-5	CONNECTOR ASSY-GYRO -----							1	B
-24	2101002-5	FILTER ASSY-VACUUM AIR -----							1	
		ATTACHING PARTS -----							1	
-25	AN520-10R8	SCREW -----							2	
-26	2101002-6	BRACKET ASSY -----							1	
-26A	NAS680A3	NUTPLATE -----							1	
-27	AN3-34A	BOLT -----							1	
-28	S1450-3A32-050	WASHER -----							1	
-29	C294502-0201	FILTER-VACUUM AIR -----							1	
-30	AN842-6D	ELBOW -----							1	C
	S2503-1	ELBOW -----							1	D

*
@
@
@

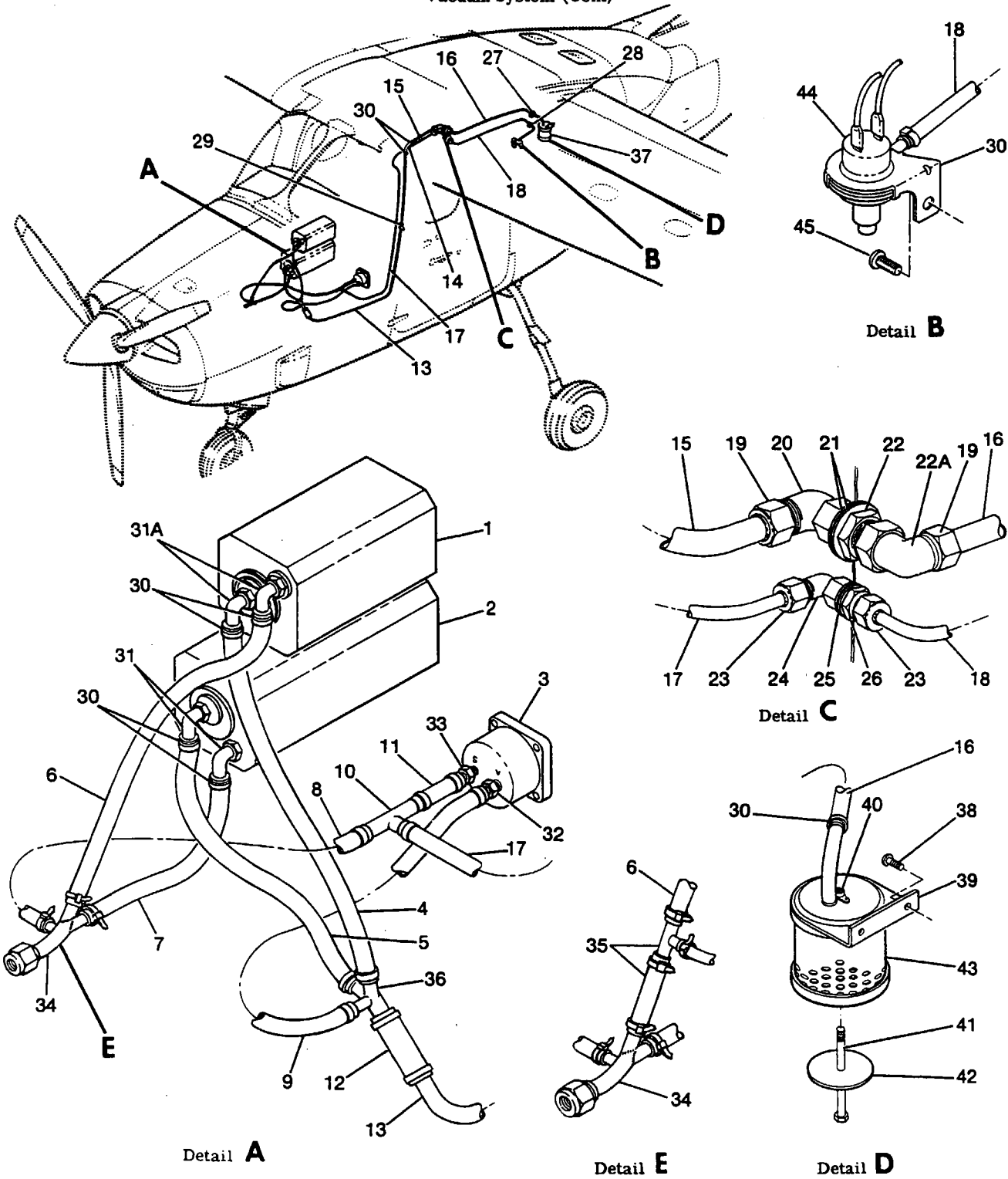
CONTINUED ON NEXT PAGE

P210 Parts Catalog

FIGURE AND INDEX NO.	PART NUMBER	DESCRIPTION	UNITS PER ASSY	USABLE ON CODE
		1 2 3 4 5 6 7		
112 -31	2100003-30	LINE WEU 2100003-42 -----	1	E F K L
	2100003-42	LINE -----	1	
-32	S1071-4	LINE-POLYETHYLENE 11.00 IN LG BKI -----	1	
		LINE TO ROOT RIB -----		
-33	S1071-4	LINE-POLYETHYLENE 16.00 IN LG -----	1	
		LINE TO ROOT RIB -----		
<p>NOTE. *WHEN ORDERING SPARES FOR AIRCRAFT PRIOR TO P21000020 ORDER THOSE PARTS MARKED @.</p> <p>A---P210 SERIAL P21000020 THRU P21000811 B---P210 SERIAL P21000120 THRU P21000811 C---P210 SERIAL P21000001 THRU P21000637 D---P210 SERIAL P21000638 THRU P21000811 E---P210 SERIAL P21000001 THRU P21000475 F---P210 SERIAL P21000476 THRU P21000811 G---P210 SERIAL P21000001 THRU P21000590 H---P210 SERIAL P21000591 THRU P21000811 J---P210 SERIAL P21000001 THRU P21000019 K---P210 SERIAL P21000001 THRU P21000760 L---P210 SERIAL P21000761 THRU P21000811 M---P210 SERIAL P21000001 THRU P21000811</p>				

P210 Parts Catalog

Vacuum System (Cont)



P210 SERIAL P21000812 & ON
 Figure 112A. Gyro Installation - Engine Driven

P210 Parts Catalog

FIGURE AND INDEX NO.	PART NUMBER	DESCRIPTION							UNITS PER ASSY	USABLE ON CODE
		1	2	3	4	5	6	7		
112A-		GYROS INSTALLATION-ENGINE DRIVEN -----							NP	A
- 1		GYRO-HORIZON SEE INSTRUMENT PANEL -----							1	
- 2		GYRO-DIRECTIONAL SEE INSTRUMENT PANEL -----							1	
- 3		GAGE SUCTION SEE INSTRUMENT PANEL -----							1	
- 4	S2501-6	HOSE 13.00 IN LG BKI -----							1	
		HORIZON GYRO TO CONNECTOR ASSY -----								
- 5	S2501-6	HOSE 11.00 IN LG BKI -----							1	
		DIRECTIONAL GYRO TO CONNECTOR ASSY -----								
- 6	S1495-6	HOSE 20.00 IN LG BKI -----							1	
		HORIZON GYRO TO CROSS ASSY -----								
- 7	S1495-6	HOSE 14.00 IN LG BKI -----							1	
		DIRECTIONAL GYRO TO CROSS ASSY -----								
- 8	S1495-4	HOSE 42.00 IN LG BKI -----							1	
		CROSS ASSY TO TEE ON S SIDE OF SUCTION GAGE -----								
- 9	S1495-4	HOSE 13.00 IN LG BKI -----							1	
		CONNECTOR ASSY TO V SIDE OF SUCTION GAGE -----								
-10	S2504-3	TEE -----							1	
-11	S1495-4	HOSE 2.00 IN LG BKI -----							1	
		TEE TO S SIDE OF SUCTION GAGE -----								
-12	S1495-8	HOSE 2.25 IN LG BKI -----							1	
-13	S1071-4	LINE-POLYETHYLENE 49.00 IN LG BKI -----							1	
		CONNECTOR HOSE TO LINE -----								
-14	Z100003-42	LINE -----							1	
-15	S1071-4	LINE-POLYETHYLENE 16.00 IN LG BKI -----							1	
		LINE TO ROOT RIB -----								
-16	S1071-4	LINE-POLYETHYLENE 35.00 IN LG BKI -----							1	
		ROOT RIB TO AIR FILTER -----								
-17	S1071-1	LINE-POLYETHYLENE 66.00 IN LG BKI -----							1	
		TEE TO ROOT RIB -----								
-18	S1071-1	LINE-POLYETHYLENE 38.00 IN LG BKI -----							1	
		ROOT RIB TO LOW VACUUM SWITCH -----								
-19	S1130-4	NUT -----							2	
	S1131-4	INSERT -----							2	
-20	S2071-2	ELBOW -----							1	
-21	S1450-11A16-032	WASHER -----							2	
-22	AN911-3D	NIPPLE -----							1	
-22A	S2071-2	ELBOW -----							1	
-23	S1130-1	NUT -----							2	
	S1131-1	INSERT -----							2	
-24	S2071-1	ELBOW -----							1	
-25	NAS1149D0716K	WASHER -----							2	
-26	S1133-1	CONNECTOR -----							1	
-27	MS35489-14	GROMMET -----							1	
-28	MS35489-6	GROMMET -----							1	
-29	MS21919DG8	CLAMP -----							1	
	AN515-8R8	SCREW -----							1	
	MS21044N08	NUT -----							1	
-30	S2092-2	STA STRAP -----							2	
-31	S2503-1	ELBOW -----							2	
-31A	S2503-2	ELBOW -----							2	
-32	S2502-1	CONNECTOR -----							1	
-33	1201175-1	DAMPNER ASSY-SUCTION GAGE -----							1	
-34	1201181-1	CONNECTOR ASSY-GYRO -----							1	
-35	SEE FIG 86A	HOSE & TEE USED WITH VARIABLE PRESSURIZATION -----							AR	B
-36	1557411-5	CONNECTOR ASSY-GYRO -----							1	
-37	Z101002-5	FILTER ASSY-VACUUM AIR -----							1	
		ATTACHING PARTS -----								
-38	AN520-10R8	SCREW -----							2	
		*-----								
-39	Z101002-6	BRACKET ASSY -----							1	
-40	NAS680A3	NUTPLATE -----							1	
-41	AN3-34A	BOLT -----							1	
-42	S1450-3A32-050	WASHER -----							1	
-43	C294502-0201	FILTER-VACUUM AIR -----							1	
-44	S2571-2	SWITCH -----							1	
		ATTACHING PARTS -----								
-45	AN520-10R8	SCREW -----							1	
		*-----								

A---P210 SERIAL P21000812 & ON
 B---P210 SERIAL P21000835 & ON

P210 Parts Catalog

Vacuum System (Cont)

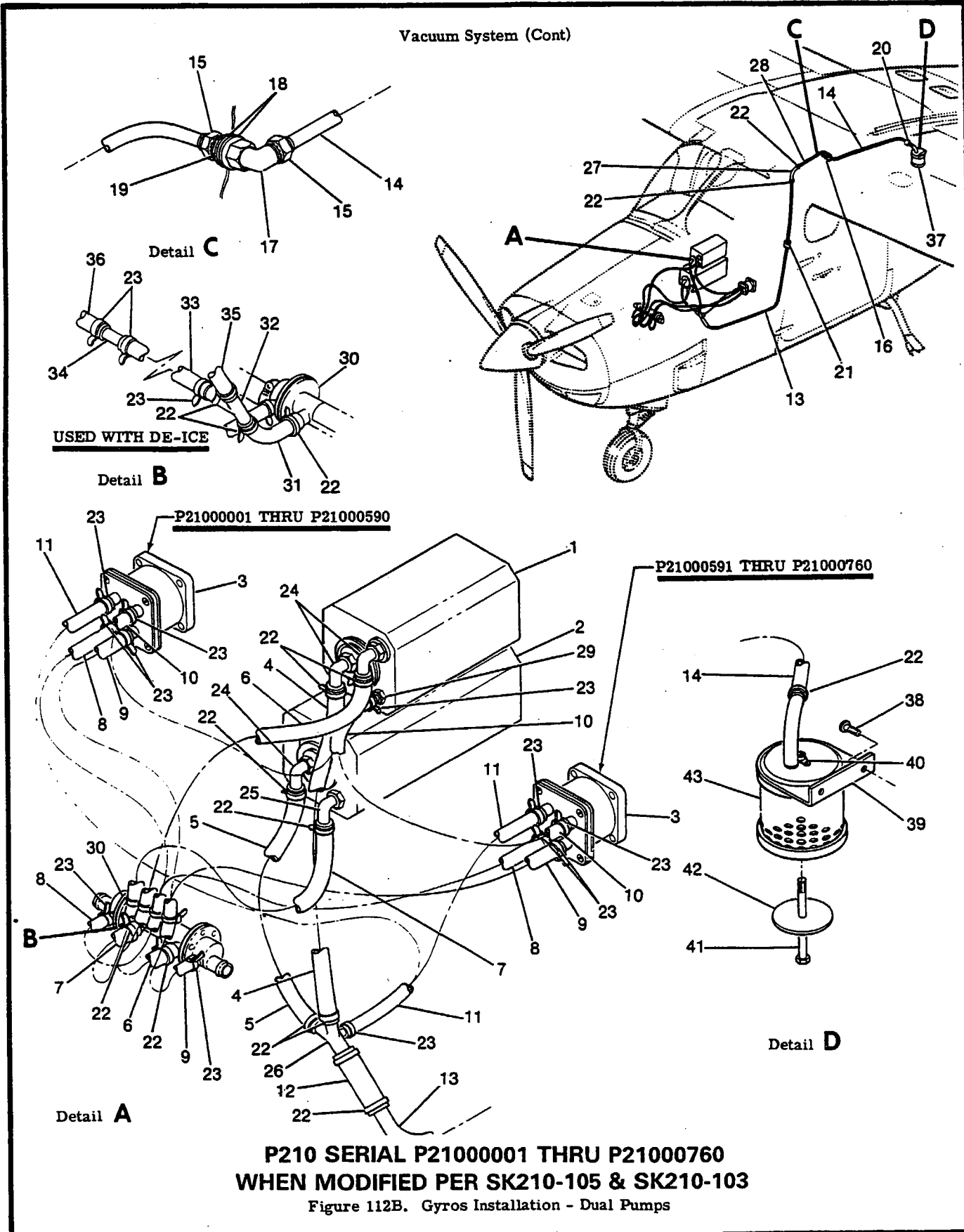


Figure 112B. Gyros Installation - Dual Pumps

P210 Parts Catalog

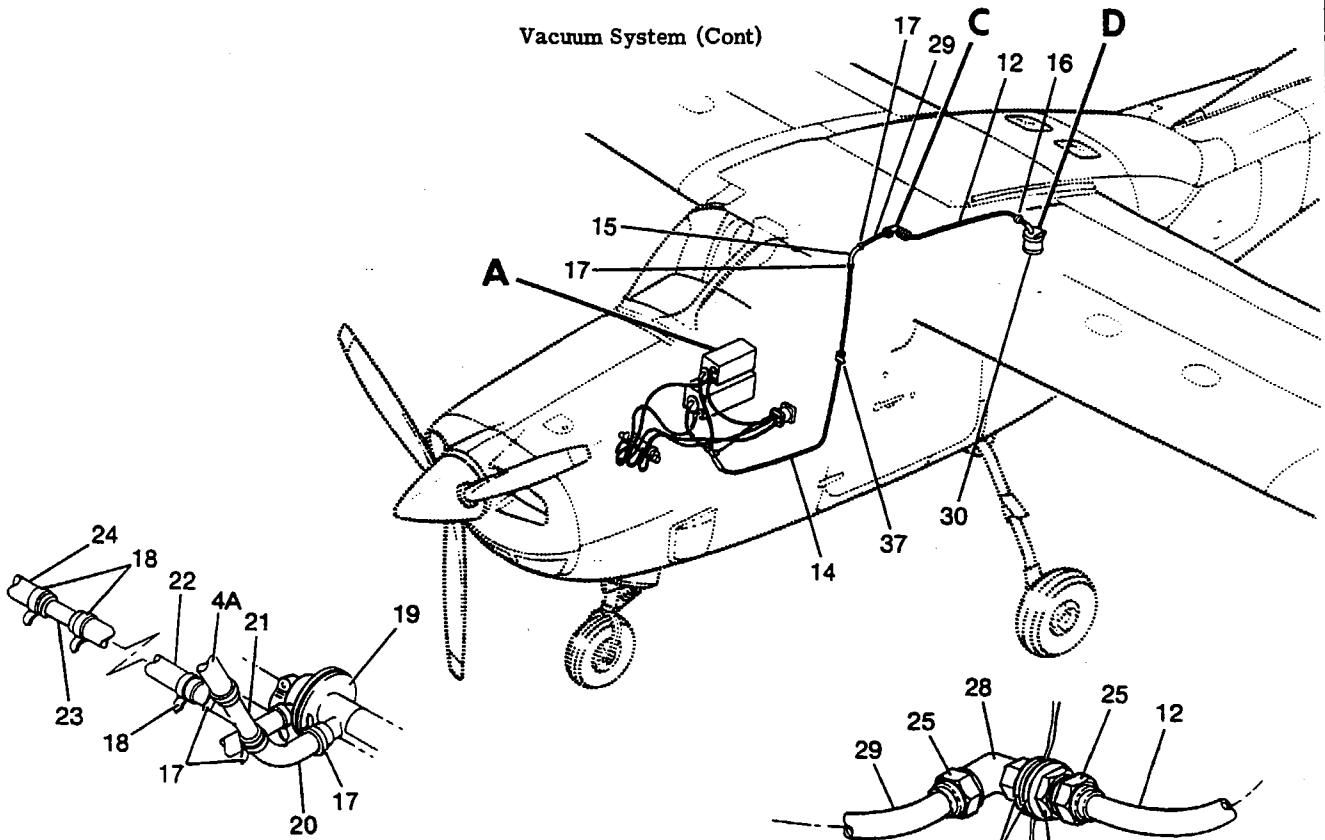
FIGURE AND INDEX NO.	PART NUMBER	DESCRIPTION							UNITS PER ASSY	USABLE ON CODE
		1	2	3	4	5	6	7		
112B-		GYROS INSTALLATION-DUAL PUMPS -----							NP	A
- 1		GYRO-HORIZON SEE INSTRUMENT PANEL -----							1	
- 2		GYRO-DIRECTIONAL SEE INSTRUMENT PANEL -----							1	
- 3		GAGE SUCTION SEE INSTRUMENT PANEL -----							1	
- 4	S1495-6	HOSE 12.00 IN LG BKI -----							1	B
	S2501-6	HOSE HORIZON GYRO TO CONNECTOR ASSY -----							1	C
	S1495-6	HOSE HORIZON GYRO TO CONNECTOR ASSY -----							1	B
- 5	S2501-6	HOSE DIRECTIONAL GYRO TO CONNECTOR ASSY -----							1	C
	S1495-6	HOSE DIRECTIONAL GYRO TO CONNECTOR ASSY -----							1	
- 6	S1495-6	HOSE 26.00 IN LG BKI -----							1	
- 7	S1495-6	HOSE HORIZON GYRO TO MANIFOLD VALVE -----							1	
- 8	S1495-4	HOSE 28.00 IN LG BKI -----							1	
- 9	S1495-4	HOSE DIRECTIONAL GYRO TO MANIFOLD VALVE -----							1	
- 10	S1495-4	HOSE 34.00 IN LG BKI -----							1	
- 11	S1495-4	HOSE MANIFOLD VALVE TO R ON SUCTION GAGE -----							1	D
	S1495-4	HOSE 30.00 IN LG BKI -----							1	E
- 12	S1495-4	HOSE MANIFOLD VALVE TO L ON SUCTION GAGE -----							1	
- 13	S1495-4	HOSE 44.00 IN LG BKI -----							1	
- 14	S1071-4	HOSE GYRO TO LO ON SUCTION GAGE -----							1	
- 15	S1130-4	HOSE 42.00 IN LG BKI -----							1	
- 16	S1131-4	HOSE CONNECTOR ASSY TO HI ON SUCTION GAGE -----							1	
- 17	S2071-2	HOSE 13.00 IN LG BKI -----							1	
- 18	NAS1149F1232P	HOSE CONNECTOR ASSY TO HI ON SUCTION GAGE -----							1	
- 19	S1133-6	HOSE 2.25 IN LG BKI -----							1	
- 20	MS35489-14	LINE 49.00 IN LG BKI -----							1	
- 21	MS21919D68	LINE 40.00 IN LG BKI -----							1	
- 22	AN515-8R8	NUT -----							1	
- 23	MS21044N08	INSERT -----							2	
- 24	S2209-2	UNION -----							NP	F
- 25	S2209-1	ELBOW -----							1	G
- 26	AN844-6D	WASHER -----							1	
- 27	S2503-1	CONNECTOR -----							1	
- 28	AN842-6D	GROMMET -----							1	
- 29	S2503-1	CLAMP -----							1	
- 30	1557411-5	SCREW -----							1	
- 31	2100003	NUT -----							1	
- 32	S1071-4	STA STRAP -----							18	
- 33	S2502-1	STA STRAP -----							9	
- 34	1H5-2	ELBOW -----							3	B
- 35	S1495-6	ELBOW -----							1	C
- 36	S1495-6	ELBOW -----							1	
- 37	2101002-5	CONNECTOR ASSY -----							1	
- 38	AN520-10R8	LINE ASSY -----							1	
- 39	S2504-1	LINE 11.00 IN LG BKI -----							1	
- 40	S1495-4	CONNECTOR -----							1	
- 41	2110043-18	VALVE-MANIFOLD CHECK ABNE -----							1	
	S1495-6	HOSE 6.00 IN LG BKI MANIFOLD CHECK VALVE TO TEE -----							1	
	S1495-4	TEE USED WITH DE-ICE -----							1	
	2110043-18	HOSE 44.00 IN LG BKI USED WITH DE-ICE -----							1	
	S1495-6	LINE USED WITH DE-ICE -----							1	
		HOSE 14.00 IN LG BKI DIRECTIONAL GYRO TO -----							1	
		MANIFOLD CHECK VALVE USED WITH DE-ICE -----							1	
		HOSE SEE DE-ICE SYSTEM -----							1	
		FILTER ASSY-VACUUM AIR -----							1	
		ATTACHING PARTS -----							1	
		SCREW -----							2	
		* -----								
		BRACKET ASSY -----							1	
		NUTPLATE -----							1	
		BOLT -----							1	
		CONTINUED ON NEXT PAGE								

P210 Parts Catalog

FIGURE AND INDEX NO.	PART NUMBER	DESCRIPTION	UNITS PER ASSY	USABLE ON CODE
		1 2 3 4 5 6 7		
112B-42 -43	S1450-3A32-050 C294502-0201	WASHER ----- FILTER-VACUUM AIR ----- NOTE. *WHEN INITIALLY ORDERING THIS PART FOR AIRCRAFT PRIOR TO P21000020 ALSO ORDER ALL PARTS MARKED @. A---P210 SERIAL P21000001 THRU P21000760 WHEN MODIFIED BY SK210-105 & SK210-103 B---P210 SERIAL P21000001 THRU P21000637 C---P210 SERIAL P21000638 THRU P21000760 D---P210 SERIAL P21000001 THRU P21000590 E---P210 SERIAL P21000591 THRU P21000760 F---P210 SERIAL P21000019 THRU P21000760 G---P210 SERIAL P21000020 THRU P21000760	1 1	

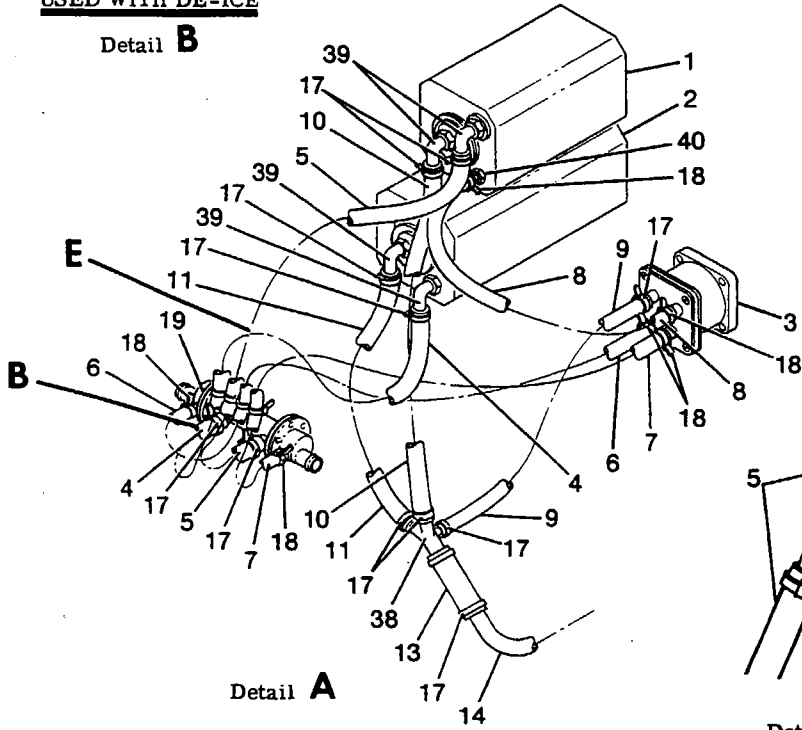
P210 Parts Catalog

Vacuum System (Cont)

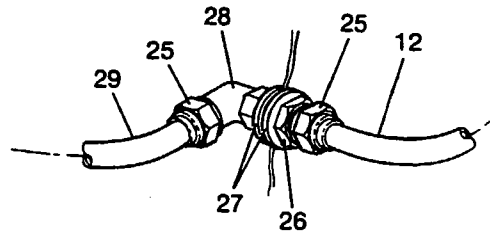


USED WITH DE-ICE

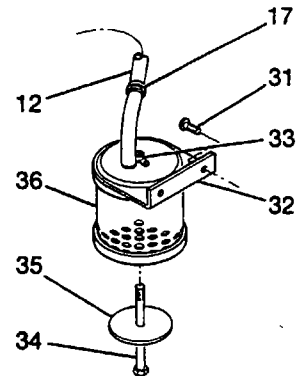
Detail B



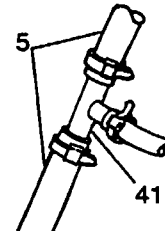
Detail C



Detail D



Detail E



P210 SERIAL P21000761 & ON

Figure 112C. Gyro Installation - Dual Vacuum Pump

P210 Parts Catalog

FIGURE AND INDEX NO.	PART NUMBER	DESCRIPTION							UNITS PER ASSY	USABLE ON CODE
		1	2	3	4	5	6	7		
112C-		GYRO INSTALLATION-DUAL VACUUM PUMP -----							NP	A
- 1		GYRO-HORIZON SEE INSTRUMENT PANEL -----							1	
- 2		GYRO-DIRECTIONAL SEE INSTRUMENT PANEL -----							1	
- 3		GAGE SUCTION SEE INSTRUMENT PANEL -----							1	
- 4	S1495-6	HOSE 20.00 IN LG BKI DIRECTIONAL GYRO TO -----							1	
		MANIFOLD CHECK VALVE -----								
- 4A	S1495-6	HOSE 14.00 IN LG BKI DIRECTIONAL GYRO TO -----							1	
		MANIFOLD CHECK VALVE USED WITH DE-ICE -----								
- 5	S1495-6	HOSE 20.00 IN LG BKI HORIZON GYRO TO -----							1	
		MANIFOLD CHECK VALVE -----								
- 6	S1495-4	HOSE 44.00 IN LG BKI MANIFOLD CHECK VALVE TO -----							1	
		R ON SUCTION GAGE -----								
- 7	S1495-4	HOSE 44.00 IN LG BKI MANIFOLD CHECK VALVE TO -----							1	
		L ON SUCTION GAGE -----								
- 8	S1495-4	HOSE 25.00 IN LG BKI HORIZON GYRO TO -----							1	
		P ON SUCTION GAGE -----								
- 9	S1495-4	HOSE 18.00 IN LG BKI SUCTION GAGE TO -----							1	
		CONNECTOR ASSY -----								
-10	S2501-6	HOSE 18.00 IN LG BKI CONNECTOR ASSY TO -----							1	
		HORIZON GYRO -----								
-11	S2501-6	HOSE 13.00 IN LG BKI CONNECTOR ASSY TO -----							1	
		DIRECTIONAL GYRO -----								
-12	S1071-4	LINE-POLYETHYLENE 35.00 IN LG BKI -----							1	
		ROOTRIB TO AIRFILTER -----								
-13	S1495-8	HOSE 2.25 IN LG BKI -----							1	
-14	S1071-4	LINE-POLYETHYLENE 49.00 IN LG BKI LINE TO -----							1	
		CONNECTOR ASSY -----								
-15	2100003-42	LINE -----							1	
-16	MS35489-14	GROMMET -----							1	
-17	S2209-2	STA STRAP -----							18	
-18	S2209-1	STA STRAP -----							9	
-19	IH5-2	VALVE-MANIFOLD CHECK ABNE -----							1	
-20	S1495-6	HOSE 6.00 IN LG BKI MANIFOLD CHECK VALVE TO TEE -----							1	
		USED WITH DE-ICE -----								
-21	S2504-1	TEE USED WITH DE-ICE -----							1	
-22	S1495-4	HOSE 44.00 IN LG BKI TEE TO TUBE USED -----							1	
		WITH DE-ICE -----								
-23	2110043-18	LINE USED WITH DE-ICE -----							1	
-24		HOSE SEE DE-ICE SYSTEM -----							1	
-25	S1130-4	NUT -----							2	
	S1131-4	INSERT -----							2	
-26	S1133-6	CONNECTOR -----							1	
-27	NAS1149F1232P	WASHER -----							2	
-28	S2071-2	ELBOW -----							1	
-29	P610051	HOSE 16.00 IN LG BKI ELBOW TO LINE -----							1	
-30	2101002-5	FILTER ASSY-VACUUM AIR -----							1	
		ATTACHING PARTS -----								
-31	AN520-10R8	SCREW -----							2	
		*-----								
-32	2101002-6	BRACKET ASSY -----							1	
-33	NAS680A3	NUTPLATE -----							1	
-34	AN3-34A	BOLT -----							1	
-35	S1450-3A32-050	WASHER -----							1	
-36	C294502-0201	FILTER-VACUUM AIR -----							1	
-37	MS21919D68	CLAMP -----							1	
	AN515-8R8	SCREW -----							1	
	MS21044N08	NUT -----							1	
-38	1557411-5	CONNECTOR ASSY-GYRO -----							1	
-39	S2503-1	ELBOW -----							4	
-40	S2502-1	CONNECTOR -----							1	
-41	SEE FIG 86A	TEE USED WITH VARIABLE PRESSURIZATION -----							AR	B

A---P210 SERIAL P21000761 & ON
 B---P210 SERIAL P21000835 & ON

P210 Parts Catalog

Vacuum System (Cont)

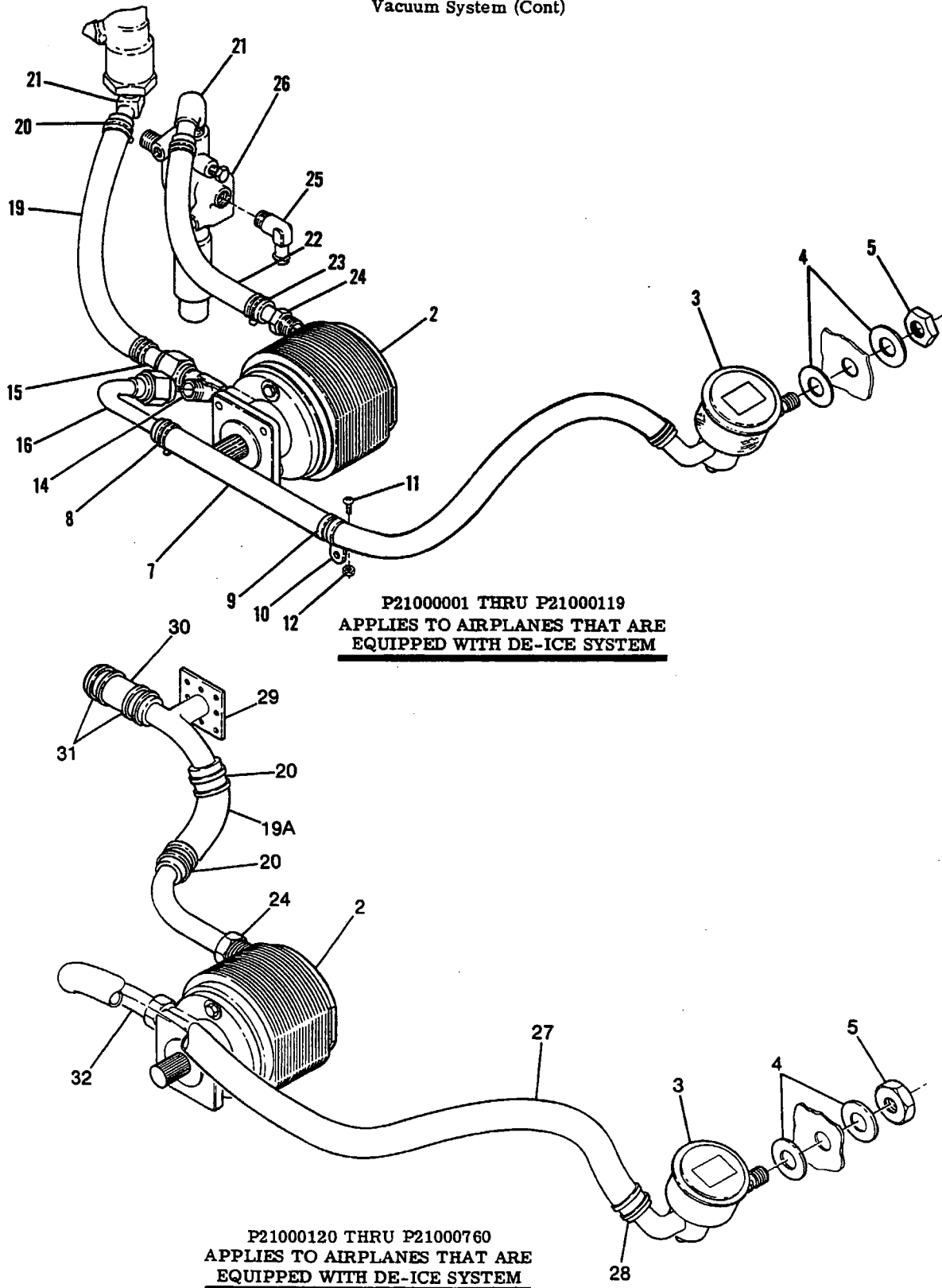
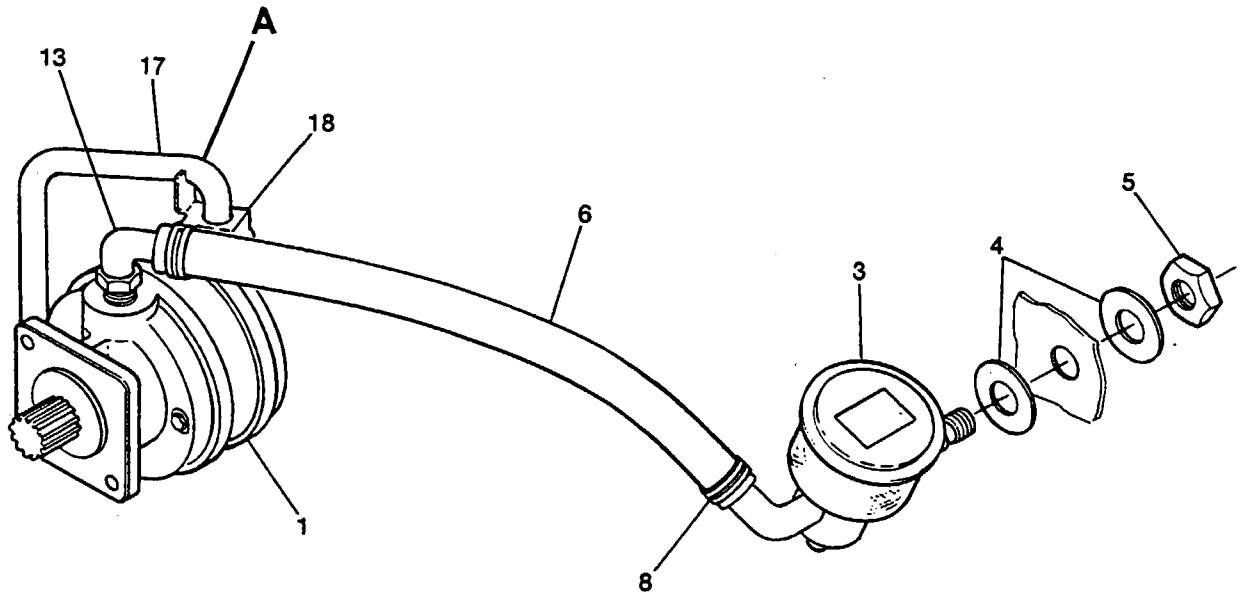


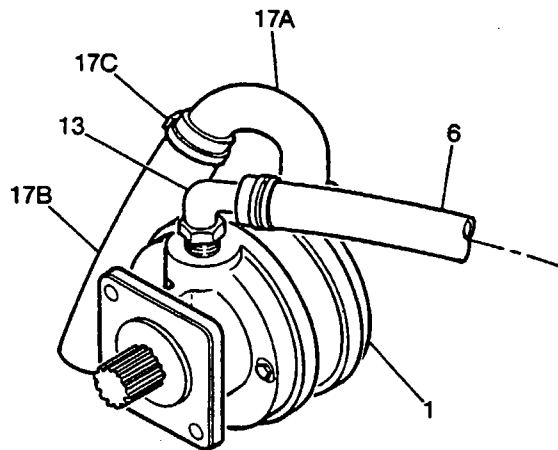
Figure 113. (Sheet 1 of 2) Vacuum System

P210 Parts Catalog

Vacuum System (Cont)



**APPLIES TO AIRPLANES THAT ARE
NOT EQUIPPED WITH DE-ICE SYSTEM**



Detail A

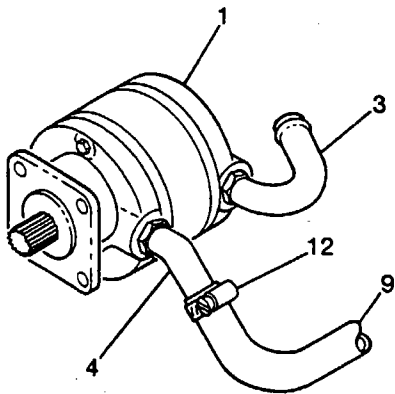
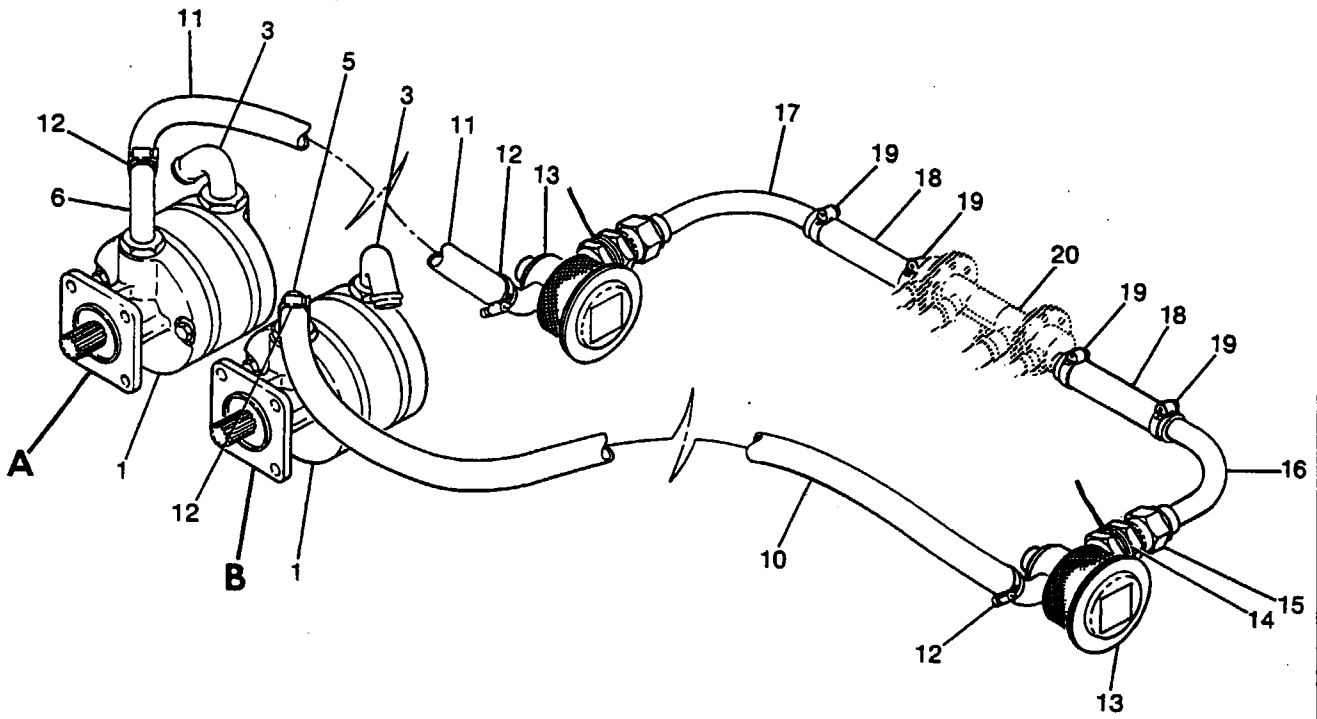
Figure 113. (Sheet 2 of 2) Vacuum System

P210 Parts Catalog

FIGURE AND INDEX NO.	PART NUMBER	DESCRIPTION							UNITS PER ASSY	USABLE ON CODE
		1	2	3	4	5	6	7		
113 -		VACUUM SYSTEM -----							NP	
- 1	C431003-0102	PUMP-VACUUM USED WITHOUT DE-ICE SYSTEM -----							1	
	C431003-0302	PUMP-VACUUM USED WITHOUT DE-ICE SYSTEM -----							1	
		ALT FOR C431003-0102 -----								
- 2	C431004-0102	PUMP-VACUUM USED WITH DE-ICE SYSTEM -----							1	
- 3	C482001-0601	VALVE-RELIEF -----							1	F
	C482001-0602	VALVE-RELIEF -----							1	G
		ATTACHING PARTS -----								
- 4	NAS1149F1232P	WASHER -----							2	
- 5	AN924-8	NUT -----							1	
		*-----								
- 6	C482001-0202	FILTER-VACUUM RELIEF VALVE -----							1	
	S1495-10	HOSE 19.00 IN LG BKI -----							1	
- 7	S1495-10	HOSE 24.50 IN LG BKI -----							1	A
		ATTACHING PARTS -----								
- 8	NAS397-16	CLAMP -----							2	
		*-----								
- 9	MS21919DG15	CLAMP -----							1	A
-10	S2300-5	BRACKET -----							1	A
-11	AN520-10R6	SCREW -----							1	A
-12	MS20364-1032C	NUT -----							1	A
-13	S2363-2	ELBOW -----							1	A
-14	MS20826-10	TEE -----							1	A
-15	S1497-10	FITTING -----							1	A
-16	0706004-3	TUBE ASSY -----							1	A
-17		TUBE ASSY FSO S2363-3 -----							NP	A
-17A	S2363-3	ELBOW -----							1	
-17B	S2548-10	HOSE 6.00 IN LG BKI -----							1	G
		ATTACHING PARTS -----								
-17C	S2209-1	STA STRAP -----							1	
		*-----								
-18		LOCATOR FSO S2363-3 -----							NP	
-19	S1495-10	HOSE 12.00 IN LG BKI -----							1	A
-19A	S1495-10	HOSE 16.00 IN LG BKI -----							1	E
	S1495-10	HOSE 11.00 IN LG BKI -----							1	D
		ATTACHING PARTS -----								
-20	NAS397-16	CLAMP -----							2	
		*-----								
-21	AN842-10D	ELBOW -----							1	A
-22	S1495-10	HOSE 8.00 IN LG BKI -----							1	A
		ATTACHING PARTS -----								
-23	NAS397-16	CLAMP -----							2	
		*-----								
-24	S2363-8	ELBOW -----							1	C
	S2363-12	ELBOW -----							1	D
-25	AN842-10D	ELBOW -----							1	A
-26	SEE FIG 132	VALVE-CONTROL -----							1	B
-27	S1495-10	HOSE 20.50 IN LG BKI -----							1	A
		ATTACHING PARTS -----								
-28	NAS397-16	CLAMP -----							2	
		*-----								
-29	2110054-9	TUBE ASSY -----							1	B
-30	S1495-10	HOSE 2.25 IN LG BKI -----							1	B
		ATTACHING PARTS -----								
-31	NAS397-16	CLAMP -----							2	
		*-----								
-32	S2363-8	FITTING -----							1	B
<p>A---P210 SERIAL P21000001 THRU P21000119 B---P210 SERIAL P21000120 & ON C---P210 SERIAL P21000001 THRU P21000669 D---P210 SERIAL P21000670 & ON E---P210 SERIAL P21000120 THRU P21000669 F---P210 SERIAL P21000001 THRU P21000811 G---P210 SERIAL P21000812 & ON</p>										

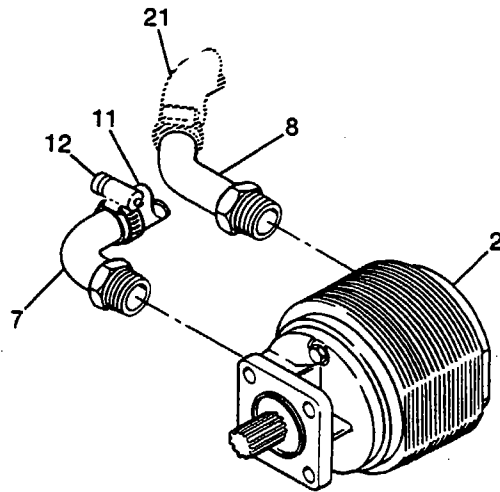
P210 Parts Catalog

Vacuum System (Cont)



P21000001 THRU P21000119
WHEN MODIFIED PER SK210-105

Detail **B**



USED WITH DE-ICE

Detail **A**

**P210 SERIAL P21000001 THRU P21000760
 WHEN MODIFIED PER SK210-105 & SK210-103**

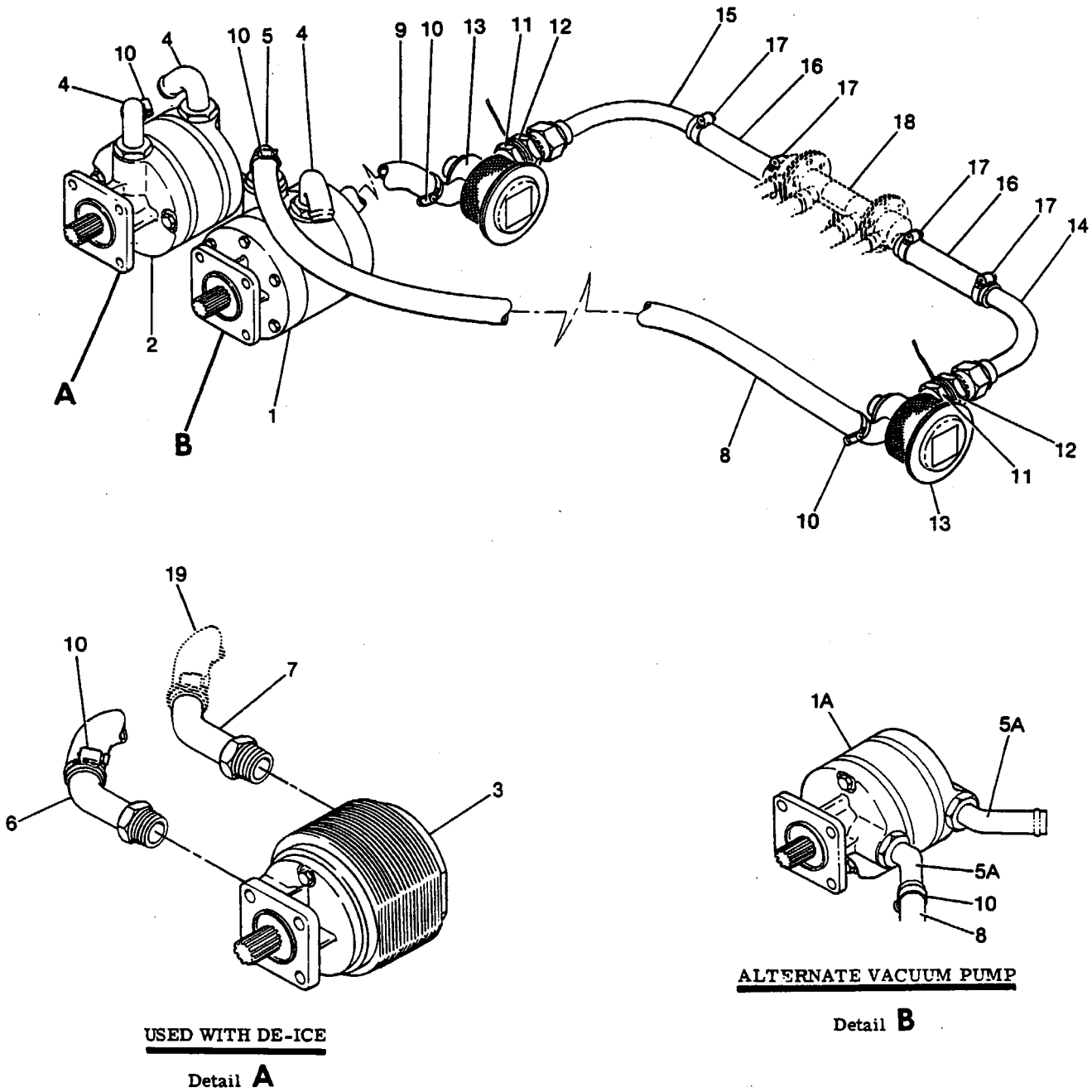
Figure 113A. Vacuum System - Dual Pump

P210 Parts Catalog

FIGURE AND INDEX NO.	PART NUMBER	DESCRIPTION							UNITS PER ASSY	USABLE ON CODE
		1	2	3	4	5	6	7		
113A-		VACUUM SYSTEM-DUAL PUMP -----							NP	
- 1	C431003-0102	PUMP-VACUUM -----							2	A
	C431003-0302	PUMP-VACUUM ALT FOR C431003-0102 -----							1	
- 2	C431004-0102	PUMP-VACUUM RH WITH DE-ICE -----							1	
- 3	S2363-3	ELBOW -----							1	
- 4	S2363-1	ELBOW -----							1	B
- 5	S2363-2	ELBOW -----							1	C
- 6	S2363-2	ELBOW -----							1	
- 7	S2363-8	ELBOW WITH DE-ICE -----							1	
- 8	S2363-12	ELBOW WITH DE-ICE -----							1	
- 9	S1495-10	HOSE 24.50 IN LG BKI -----							1	B
-10	S1495-10	HOSE 20.00 IN LG BKI -----							1	C
-11	S1495-10	HOSE 19.00 IN LG BKI -----							1	
		ATTACHING PARTS -----								
-12	S1891-10	CLAMP -----							2	
		*-----								
-13	C482001-0602	VALVE ASSY-VACUUM RELIEF -----							2	
		ATTACHING PARTS -----								
-14	NAS1149D1216K	WASHER -----							2	
-15	AN924-8	NUT -----							1	
		*-----								
	C482001-0202	FILTER-FOAM -----							1	
-16	1280509-107	LINE ASSY-LH -----							1	
-17	1280509-108	LINE ASSY-RH -----							1	
-18	S1495-8	HOSE 3.00 IN LG BKI -----							2	
		ATTACHING PARTS -----								
-19	S1891-10	CLAMP -----							2	
		*-----								
-20	SEE FIG 112B	CHECK VALVE-MANIFOLD -----							1	
-21		HOSE SEE DE-ICE SYSTEM -----							1	
		A---P210 SERIAL P21000001 THRU P21000760 WHEN MODIFIED PER SK210-105 OR SK210-103 B---P210 SERIAL P21000001 THRU P21000119 C---P210 SERIAL P21000120 THRU P21000760								

P210 Parts Catalog

Vacuum System (Cont)



P210 SERIAL P21000761 THRU P21000811

Figure 113B. Vacuum System - Dual Pump

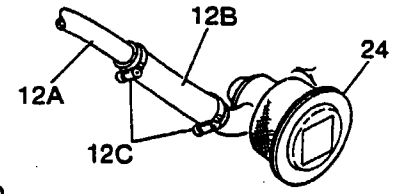
P210 Parts Catalog

FIGURE AND INDEX NO.	PART NUMBER	DESCRIPTION							UNITS PER ASSY	USABLE ON CODE
		1	2	3	4	5	6	7		
1138-		VACUUM SYSTEM-DUAL PUMP -----							NP	A
- 1	C431003-0302	PUMP-VACUUM	LH						1	
- 1A	C431003-0102	PUMP-VACUUM	LH				ALT FOR C431003-0302		1	
- 2	C431003-0102	PUMP-VACUUM	RH						1	
- 3	C431004-0102	PUMP-VACUUM	RH				WITH DE-ICE		1	
- 4	S2363-3	ELBOW							1	
- 5	S2363-2	ELBOW							3	
- 5A	S2363-1	ELBOW					USED WITH C431003-0102 ALT PUMP		1	
- 6	S2363-12	ELBOW					WITH DE-ICE		2	
- 7	1K9-8-12	ELBOW	ABNE				WITH DE-ICE		1	
- 8	S1495-10	HOSE	18.00 IN LG				BKI		1	
- 9	S1495-10	HOSE	19.00 IN LG				BKI		1	
-10	S1891-10	ATTACHING PARTS								
		CLAMP							2	
-11	AN924-8	NUT								
-12	NAS1149D1216K	WASHER								
-13	C482001-0602	VALVE ASSY-VACUUM RELIEF								
	C482001-0202	FILTER-FOAM								
-14	1280509-107	LINE ASSY-LH								
-15	1280509-108	LINE ASSY-RH								
-16	S1495-8	HOSE	3.00 IN LG				BKI		1	
		ATTACHING PARTS								
-17	S2357-3	CLAMP								
-18		VALVE-MANIFOLD								
-19	SEE FIG 132B	DE-ICE SYSTEM								
		SEE GYRO INSTALLATION								

		A---P210 SERIAL P21000761 THRU P21000811								

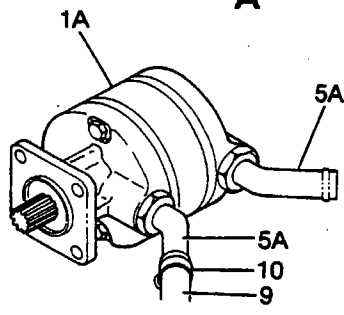
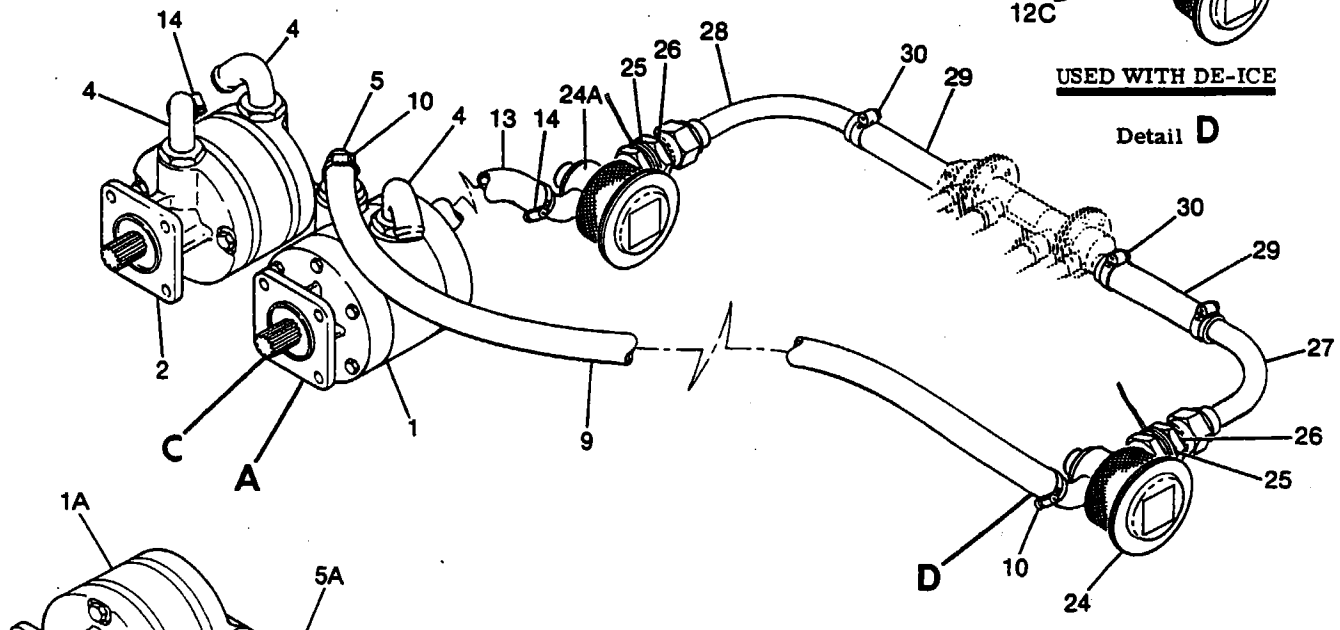
P210 Parts Catalog

Vacuum System (Cont)



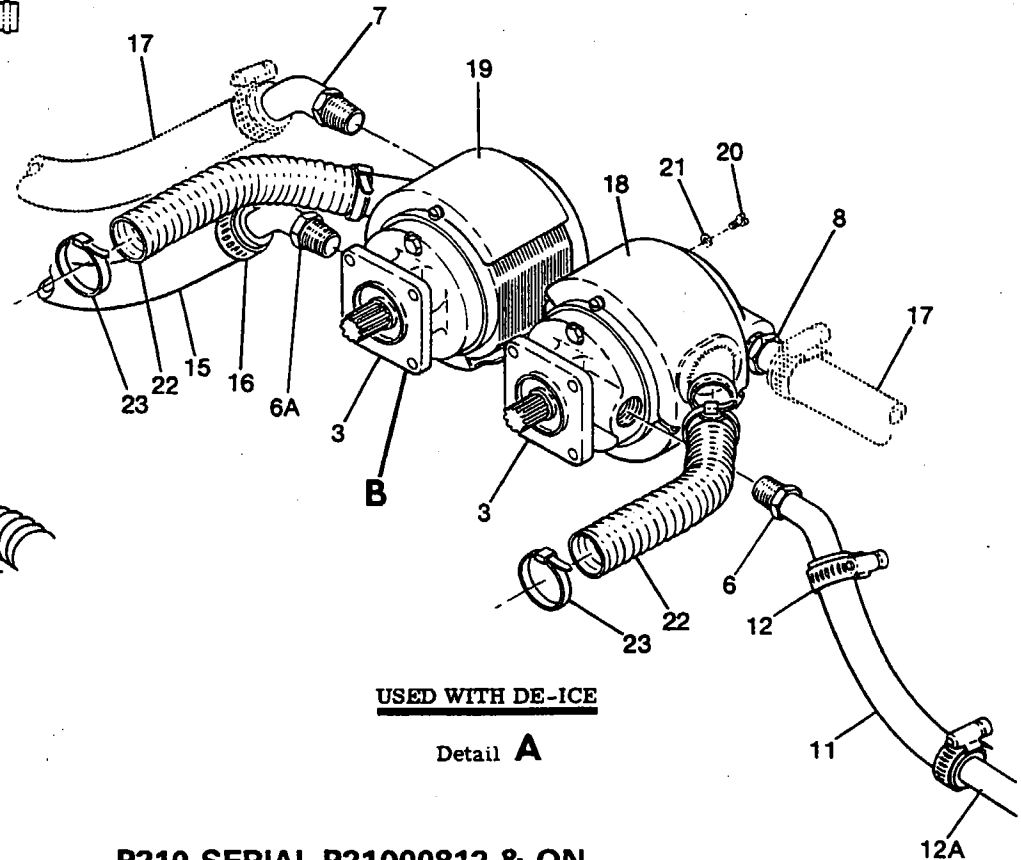
USED WITH DE-ICE

Detail D



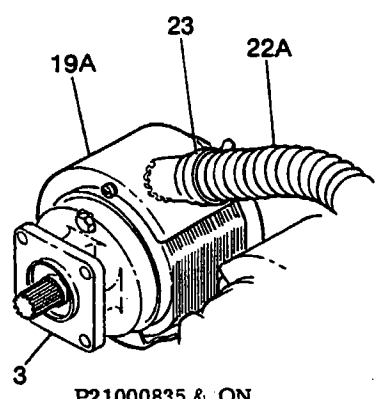
ALTERNATE VACUUM PUMP

Detail C



USED WITH DE-ICE

Detail A



P21000835 & ON

Detail B

P210 SERIAL P21000812 & ON
Figure 113C. Vacuum System - Dual Pump

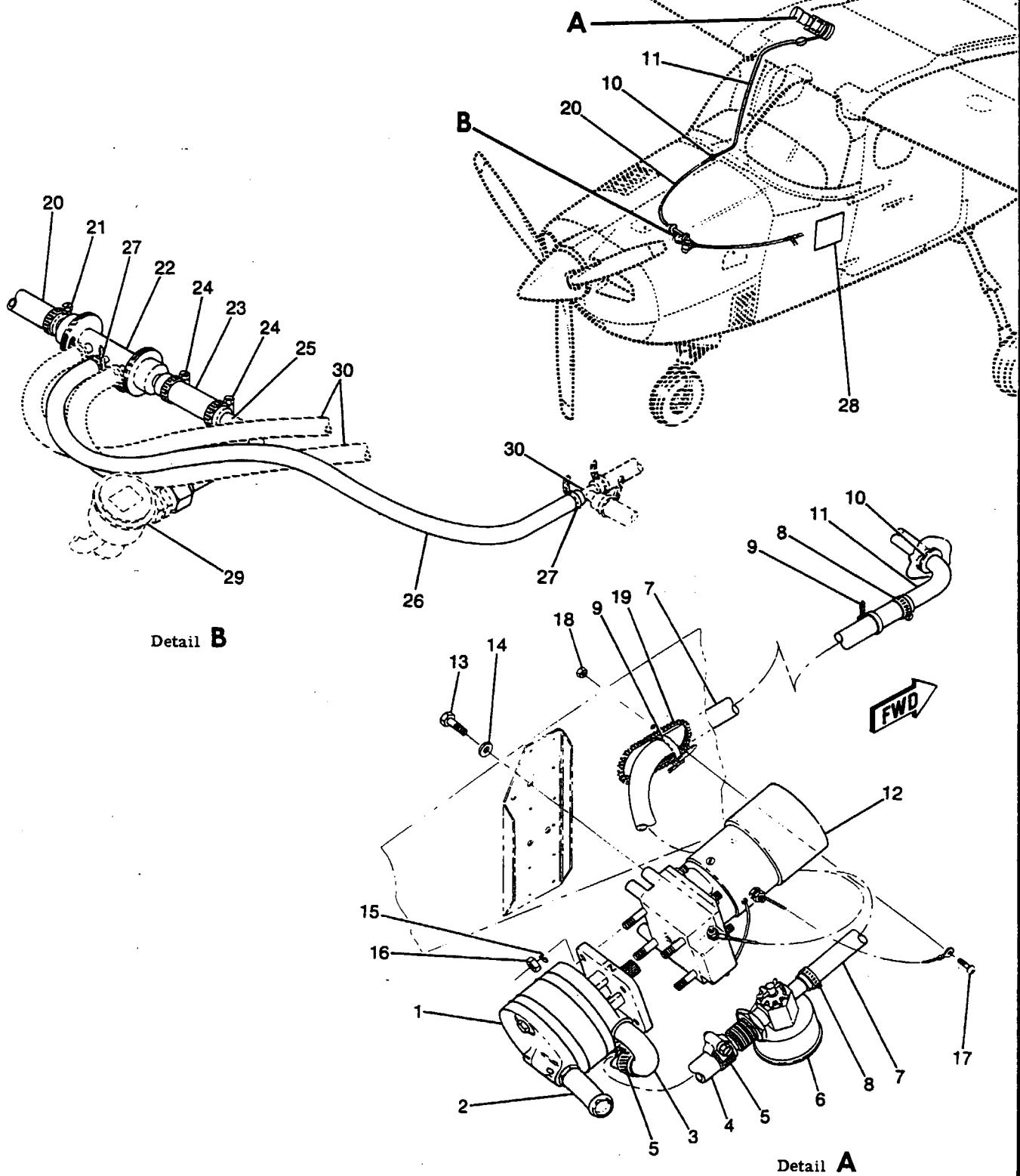
P210 Parts Catalog

FIGURE AND INDEX NO.	PART NUMBER	DESCRIPTION	1 2 3 4 5 6 7							UNITS PER ASSY	USABLE ON CODE	
			1	2	3	4	5	6	7			
113C-		VACUUM SYSTEM-DUAL PUMP -----										
- 1	C431003-0302	VACUUM PUMP LH -----									NP 1	A
- 1A	C431003-0102	VACUUM PUMP LH ALT FOR C431003-0302 -----									1	
- 2	C431003-0102	VACUUM PUMP RH -----									1	
- 3	C431004-0102	VACUUM PUMP LH & RH WITH DE-ICE -----									2	
- 4	S2363-3	ELBOW -----									1	
- 5	S2363-2	ELBOW -----									3	
- 5A	S2363-1	ELBOW -----									1	
- 6	S2363-12	ELBOW USED WITH C431003-0102 ALT PUMP -----									2	
- 6A	S2363-10	FITTING WITH DE-ICE -----									2	B
- 7	1K9-8-12	ELBOW WITH DE-ICE -----									1	C
- 8	1K10-8-12	ELBOW ABNE WITH DE-ICE -----									1	
- 9	S1495-10	FITTING ABNE WITH DE-ICE -----									1	B
-10	S1891-10	HOSE 18.00 IN LG BKI -----									1	
		ATTACHING PARTS -----									2	
		CLAMP -----									2	
-11	S2554-10	HOSE 4.00 IN LG BKI WITH DE-ICE -----									1	B
	S2554-10	HOSE 2.50 IN LG BKI WITH DE-ICE -----									1	C
		ATTACHING PARTS -----									2	
-12	S1891-12	CLAMP -----									2	
-12A	1200106-293	LINE -----									1	
-12B	S2554-10	HOSE 3.50 IN LG BKI WITH DE-ICE -----									1	B
	S2554-10	HOSE 3.00 IN LG BKI WITH DE-ICE -----									1	C
		ATTACHING PARTS -----									2	
-12C	S1891-12	CLAMP -----									2	
-13	S1495-10	HOSE 19.00 IN LG BKI -----									1	
		ATTACHING PARTS -----									2	
-14	S1891-10	CLAMP -----									2	
-15	S2554-10	HOSE 20.50 IN LG BKI WITH DE-ICE -----									1	B
	S2554-10	HOSE 22.37 IN LG BKI WITH DE-ICE -----									1	C
		ATTACHING PARTS -----									2	
-16	S1891-12	CLAMP -----									2	
-17		HOSE SEE DE-ICE SYSTEM -----									1	
-18	2155053-1	SHROUD ASSY-LH VACUUM PUMP WITH DE-ICE -----									1	
-19	2155053-2	SHROUD ASSY-RH VACUUM PUMP WITH DE-ICE -----									1	B
-19A	2155053-6	SHROUD ASSY-RH VACUUM PUMP WITH DE-ICE -----									1	C
		ATTACHING PARTS -----									4	
-20	AN503-8-4	SCREW -----									4	
-21	MS35333-38	WASHER -----									4	
-22	S1053E8T	DUCT 7.00 IN LG BKI WITH DE-ICE -----									1	
-22A	S1053E8T	DUCT 7.00 IN LG BKI WITH DE-ICE -----									1	B
	S1053E8T	DUCT 8.50 IN LG BKI WITH DE-ICE -----									1	C
		ATTACHING PARTS -----									2	
-23	S2209-2	STA STRAP -----									2	
-24	C482001-0602	VALVE ASSY-VACUUM RELIEF -----									1	
	C482001-0202	FILTER-VACUUM RELIEF VALVE -----									1	
-24A	C482001-0602	VALVE ASSY-VACUUM RELIEF -----									1	B
	C482001-0802	VALVE ASSY-VACUUM RELIEF -----									1	C
	C482001-0202	FILTER-VACUUM RELIEF VALVE -----									1	
-25	NAS1149D1216K	WASHER -----									4	
-26	AN924-8	NUT -----									2	
-27	1280509-107	LINE ASSY-LH -----									1	
-28	1280509-108	LINE ASSY-RH -----									1	
-29	S1495-8	HOSE 3.00 IN LG BKI -----									2	
		ATTACHING PARTS -----									2	
-30	S2557-3	CLAMP -----									2	
-31	SEE FIG 112C	MANIFOLD CHECK VALVE -----									1	

A---P210 SERIAL P21000812 & ON
 B---P210 SERIAL P21000812 THRU P21000834
 C---P210 SERIAL P21000835 & ON

P210 Parts Catalog

Vacuum System (Cont)



P210 SERIAL P21000835 & ON
Figure 113D. Vacuum System - Electric Driven

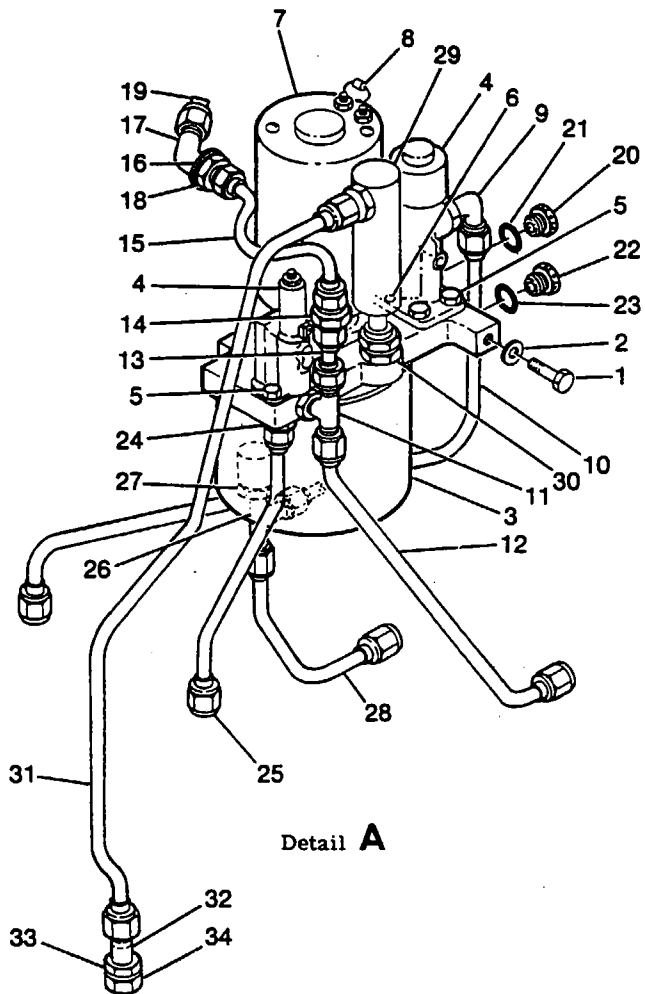
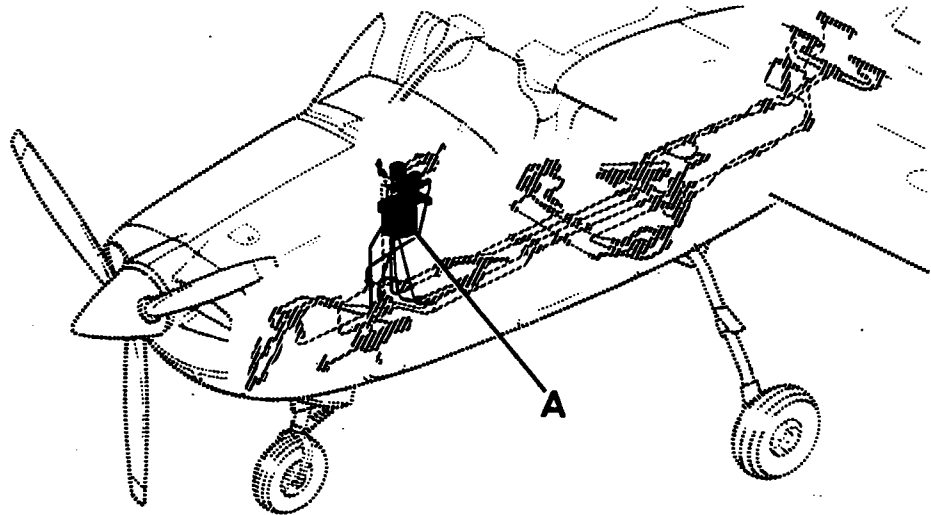
P210 Parts Catalog

FIGURE AND INDEX NO.	PART NUMBER	DESCRIPTION							UNITS PER ASSY	USABLE ON CODE
		1	2	3	4	5	6	7		
1130-		VACUUM SYSTEM-ELECTRIC STANDBY -----							NP	A
- 1	C431003-0102	PUMP-VACUUM -----							1	
	C431003-0302	PUMP-VACUUM ALT FOR C431003-0102 -----							1	
- 2	S2363-1	ELBOW -----							1	
- 3	S2363-3	ELBOW -----							1	
- 4	S1495-10	HOSE 4.00 IN LG BKI -----							1	
		ATTACHING PARTS -----								
- 5	S1891-10	CLAMP -----							2	
		-----*								
- 6	2H3-2	REGULATOR-VACUUM ABNE -----							1	
- 7	S1495-8	HOSE 20.50 IN LG BKI -----							1	
		ATTACHING PARTS -----								
- 8	S2357-3	CLAMP -----							2	
		-----*								
- 9	S2209-2	STA STRAP -----							AR	
-10	MS35489-14	GROMMET -----							2	
-11	2100003-125	LINE-VACUUM -----							1	
-12	C165008-0101	MOTOR & GEARBOX ASSY-VACUUM -----							1	
		ATTACHING PARTS -----								
-13	AN4H4A	BOLT -----							4	
-14	NAS1149F0463P	WASHER -----							4	
		-----*								
-15	MS35333-40	WASHER-LOCK -----							4	
-16	AN345-416	NUT -----							4	
-17	AN515-8R6	SCREW GROUND WIRE ATTACH -----							1	
-18	MS20364-832C	NUT GROUND WIRE ATTACH -----							1	
-19	S1050-1	GROMMET 5.25 IN LG BKI -----							1	
-20	S1495-8	HOSE 24.00 IN LG BKI -----							1	
		ATTACHING PARTS -----								
-21	S2357-3	CLAMP -----							2	
		-----*								
-22	IH5-22	MANIFOLD-CHECK VALVE ABNE -----							1	
-23	S1495-8	HOSE 3.00 IN LG BKI -----							1	
		ATTACHING PARTS -----								
-24	S2357-3	CLAMP -----							2	
		-----*								
-25	1280509-107	LINE ASSY-VACUUM -----							1	
-26	S1495-4	HOSE 48.00 IN LG BKI -----							1	
		ATTACHING PARTS -----								
-27	S2209-2	STA STRAP -----							2	
		-----*								
-28		SWITCH/CIRCUIT BREAKER SEE SWITCH & CIRCUIT BREAKER -----							1	
		PANEL INSTALLATION -----								
-29	SEE FIG 113	VACUUM SYSTEM -----							1	
-30	SEE FIG 112A	GYRO INSTALLATION -----							1	

A---P210 SERIAL P21000835 & ON

P210 Parts Catalog

Hydraulic System



Detail A

P210 SERIAL P21000001 THRU P21000150

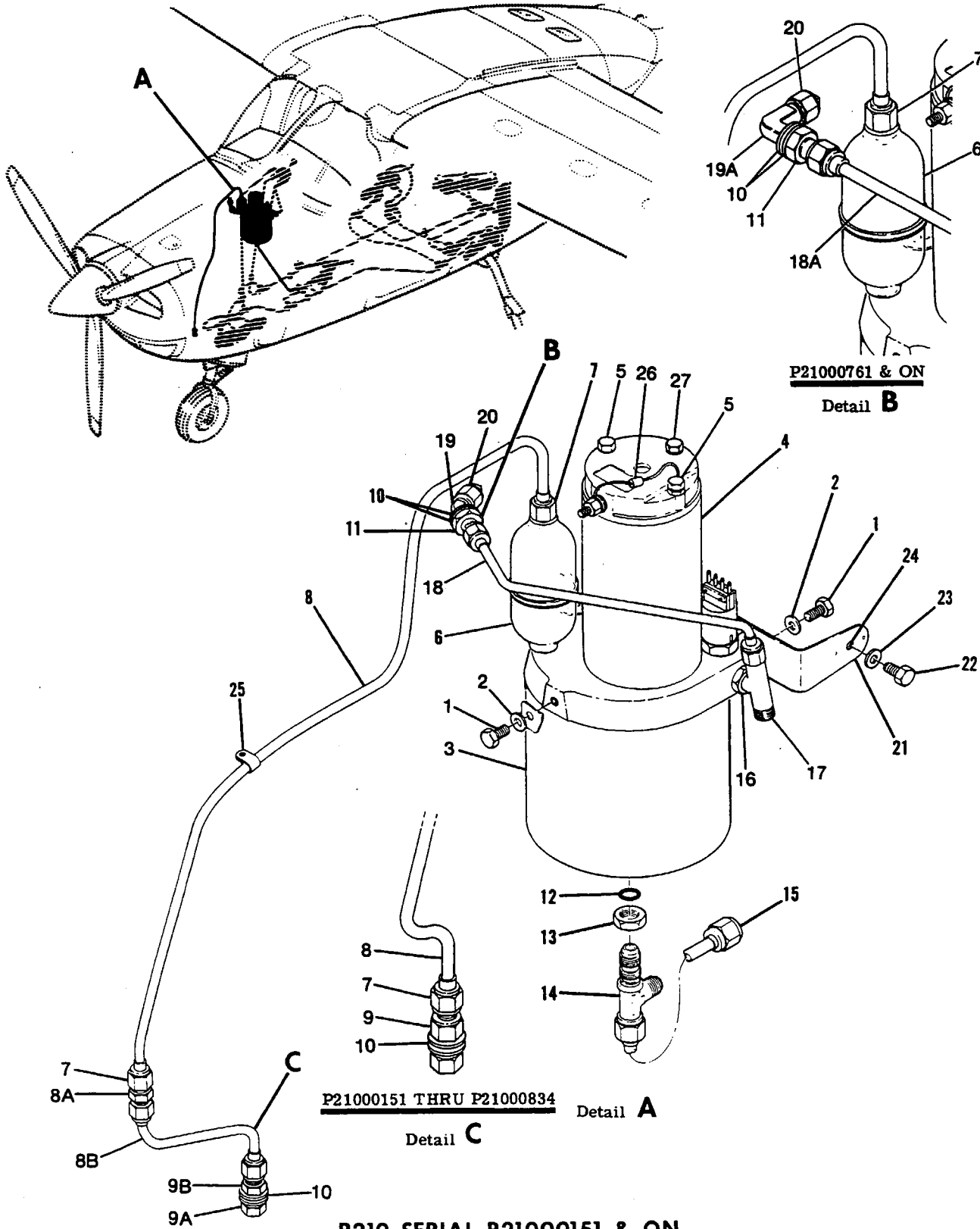
Figure 114. Hydraulic Power Pack Installation

P210 Parts Catalog

FIGURE AND INDEX NO.	PART NUMBER	DESCRIPTION	UNITS PER ASSY	USABLE ON CODE
			1 2 3 4 5 6 7	
114 -	9881205-1	POWER PACK INSTALLATION-HYDRAULIC -----	NP	A
		POWER PACK ASSY -----	1	
		ATTACHING PARTS -----		
- 1	AN4-3A	BOLT -----	3	
- 2	NAS1149F0463P	WASHER -----	3	
		*-----		
- 3	SEE FIG 115	POWER PACK BODY & RESERVOIR ASSY -----	1	
- 4	SEE FIG 116	POWER PACK MANIFOLD ASSEMBLIES -----	1	
		ATTACHING PARTS -----		
- 5	AN3-5A	BOLT -----	7	
	NAS1149F0363P	WASHER -----	7	
- 6	MS24678-11	SCREW -----	2	
	NAS620-10	WASHER -----	2	
		*-----		
- 7	1280811-1	MOTOR ASSY -----	1	
		ATTACHING PARTS -----		
	AN3-6A	BOLT -----	4	
	NAS1149F0363P	WASHER -----	4	
		*-----		
- 8	1270717-1	DIODE ASSY-POWER PACK -----	1	
- 9	AN921-4D	ELBOW -----	1	
	AN924-4D	NUT -----	1	
	MS28778-4	PACKING -----	1	
-10	1280509-82	LINE ASSY-DOOR OPEN HYDRAULIC -----	1	
-11	AN923-3D	TEE -----	1	
	AN924-3D	NUT -----	1	
	MS28778-3	PACKING -----	1	
-12	1280509-86	LINE ASSY-HAND PUMP PRESSURE -----	1	
-13	1280509-87	LINE ASSY-HAND PUMP PRESSURE -----	1	
-14	AN919-2D	REDUCER -----	1	
-15	1280509-88	LINE ASSY-HAND PUMP PRESSURE -----	1	
-16	NAS1149D0763K	WASHER -----	2	
-17	AN837-4D	ELBOW -----	1	
-18	AN924-4D	NUT -----	1	
-19	AN929-4	CAP ASSY -----	1	
-20	AN814-4D	PLUG -----	1	
-21	MS28778-4	PACKING -----	1	
-22	AN814-3D	PLUG -----	1	
-23	MS28778-3	PACKING -----	1	
-24	AN815-4D	UNION -----	1	
	MS28778-4	PACKING -----	1	
-25	1280509-96	LINE ASSY-DOOR CLOSE HYDRAULIC -----	1	
-26	AN804-5D	TEE -----	1	
-27	AN924-5D	NUT -----	1	
	MS28778-5	PACKING -----	1	
-28	1280509-95	LINE ASSY-HAND PUMP SUCTION -----	1	
-29	1280123-1	RESERVOIR ASSY -----	1	
-30	AN815-6D	UNION -----	1	
	MS28778-6	PACKING -----	1	
-31	1280509-94	LINE ASSY-VENT -----	1	
-32	9880503-1	UNION -----	1	
-33	NAS1149D1290K	WASHER -----	1	
-34	AN924-6D	NUT -----	1	
<p>NOTE. *AN EXCHANGE PART IS ALSO AVAILABLE. REFER TO THE MASTER PRICE LIST.</p> <p>A---P210 SERIAL P2100001 THRU P21000150</p>				

P210 Parts Catalog

Hydraulic System (Cont)



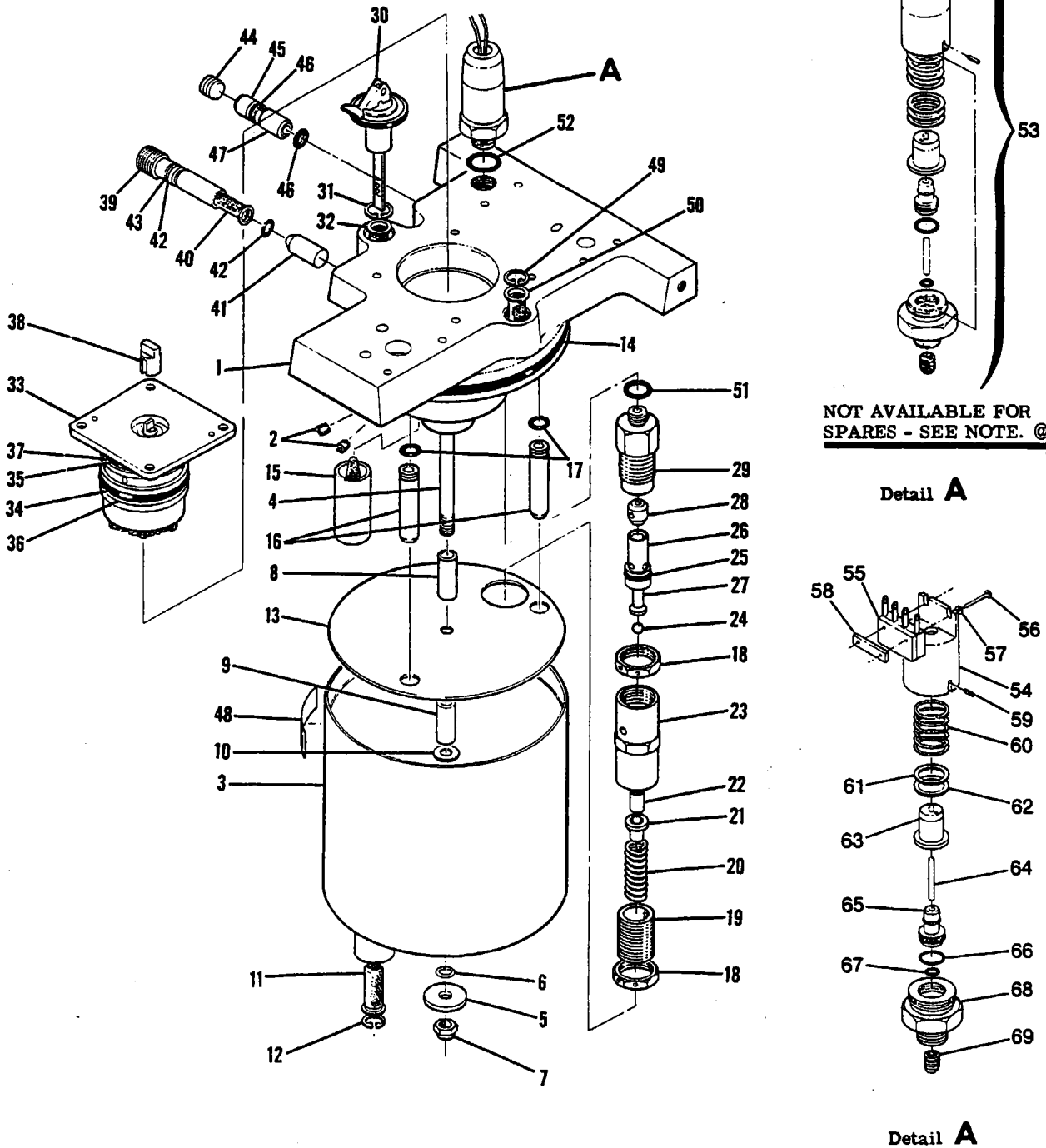
P210 SERIAL P21000151 & ON
 Figure 114A. Hydraulic Power Pack Installation

P210 Parts Catalog

FIGURE AND INDEX NO.	PART NUMBER	DESCRIPTION							UNITS PER ASSY	USABLE ON CODE
		1	2	3	4	5	6	7		
114A-		POWER PACK INSTALLATION-HYDRAULIC -----							NP	A
	9881124-1	POWER PACK ASSY -----							1	
	9881124-1R	@	POWER PACK ASSY REMANUFACTURED -----						1	
		ATTACHING PARTS -----								
- 1	AN4-3A		BOLT -----						3	
- 2	NAS1149F0463P		WASHER -----						3	
		-----*								
- 3	SEE FIG 115A		POWER PACK BODY & RESERVOIR ASSY -----						1	
- 4	9881128-1		MOTOR ASSY WEU 9881141-1 -----						1	
	9881141-1	*	MOTOR ASSY -----						1	B
- 5	AN4H63A		BOLT -----						2	C
	AN4H63		BOLT ALT -----						2	B
	AN4-56A		BOLT -----						2	C
- 6	S1258-2		SUMP -----						2	
- 7	S1130-1		NUT -----						2	
	S1131-1		INSERT -----						2	
- 8	S1071-1		LINE 36.00 IN LG BKI -----						2	
	S1071-1		LINE 30.00 IN LG BKI -----						1	G
- 8A	MS21900D4	%	ADAPTOR -----						1	J
- 8B	1280509-112	%	LINE ASSY -----						1	K
- 9	9880508-1		UNION -----						1	K
- 9A	9880508-3	%	UNION -----						1	H
- 9B	AN924-4D	%	NUT -----						1	K
-10	NAS1149D0763K		WASHER -----						4	
-11	AN924-4D		NUT -----						1	
-12	MS28778-5		O-RING -----						1	
-13	AN924-5D		NUT -----						1	
-14	AN804-5D		TEE -----						1	
-15	1280523-11		LINE ASSY-HAND PUMP SUCTION -----						1	D
	1280523-17		LINE ASSY-HAND PUMP SUCTION -----						1	E
-16	AN924-4D		NUT -----						1	
	MS28778-4		O-RING -----						1	
-17	AN923-4D		TEE -----						1	
-18	1280523-10		LINE ASSY -----						1	
-18A	1280523-15		LINE ASSY -----						1	D
-19	AN837-4D		ELBOW -----						1	E
-19A	AN833-4D		ELBOW -----						1	E
-20	AN929-4		CAP ASSY -----						1	
-21	2180002-1		SUPPORT ASSY -----						1	
		ATTACHING PARTS -----								
-22	AN4-4A		BOLT -----						2	
-23	NAS1149F0463P		WASHER -----						2	
		-----*								
-24	NAS680A4		NUTPLATE -----						2	
-25	MS21919D64		CLAMP -----						1	
-26	1270717-2		DIODE ASSY-POWER PACK -----						1	
-27	AN4-3A		BOLT GROUND WIRE -----						1	F
	AN935-416		WASHER GROUND WIRE -----						1	F
	NAS1149F0463P		WASHER GROUND WIRE -----						1	F
<p>NOTE. *WHEN INITIALLY ORDERING THIS PART FOR AIRCRAFT PRIOR TO P21000808 ALSO ORDER 9881142-1 COUPLING FOUND ON FIG 115A.</p> <p>NOTE. @UNLESS SPECIFICALLY REQUESTED, ALL POWER PACK SPARES WILL BE REMANUFACTURED UNITS.</p> <p>NOTE. %WHEN INITIALLY ORDERING THIS PART FOR AIRCRAFT PRIOR TO SERIAL P21000865, ALSO ORDER ALL OTHER PARTS MARKED %.</p>										
<p>A---P210 SERIAL P21000151 & ON B---P210 SERIAL P21000151 THRU P21000751 C---P210 SERIAL P21000752 & ON D---P210 SERIAL P21000151 THRU P21000760 E---P210 SERIAL P21000761 & ON F---P210 SERIAL P21000785 & ON G---P210 SERIAL P21000151 THRU P21000864 H---P210 SERIAL P21000151 THRU P21000834 J---P210 SERIAL P21000865 & ON K---P210 SERIAL P21000835 & ON</p>										

P210 Parts Catalog

Hydraulic System (Cont)



P210 SERIAL P21000001 THRU P21000150
 Figure 115. Hydraulic Power Pack Body & Reservoir Assembly

P210 Parts Catalog

FIGURE AND INDEX NO.	PART NUMBER	DESCRIPTION	1 2 3 4 5 6 7							UNITS PER ASSY	USABLE ON CODE
			1	2	3	4	5	6	7		
115 -		POWER PACK BODY & RESERVOIR ASSY-HYDRAULIC								NP	A
- 1	1280846-5	BODY ASSY-POWER PACK								1	
- 2	S2121-5	PLUG-PRESSURE SEAL								4	
- 3	1280806-1	RESERVOIR ASSY-POWER PACK								1	
		ATTACHING PARTS									
- 4	1280820-1	STUD-RESERVOIR								1	
- 5	1280818-1	WASHER-RESERVOIR								1	
- 6	MS28778-2	PACKING								1	
- 7	MS21042L4	NUT								1	
- 8	NAS43DD4-56	SPACER								1	
- 9	NAS43DD4-60	SPACER								1	
- 10	NAS1149F0463P	WASHER								1	
		-----*									
- 11	1280809-5	SCREEN ASSY								1	
- 12	MS16625-1043	RING-RETAINER								1	
- 13	1280815-2	BAFFLE								1	
- 14	MS28775-247	PACKING								1	
- 15	1280809-1	SCREEN ASSY								1	
- 16	1280819-2	TUBE-RETURN								2	
- 17	MS28775-010	PACKING								2	
		VALVE ASSY-RELIEF								1	
- 18	1280835-1	NUT								2	
- 19	1280836-1	SCREW-ADJUSTMENT								1	
- 20	1280808-2	SPRING								1	
- 21	1280834-4	GUIDE-SPRING								1	
- 22	1280834-3	PISTON								1	
- 23	1280833-1	HOUSING-RELIEF VALVE								1	
- 24	S272-5	BALL								2	
- 25	MS28775-012	PACKING								1	
- 26	1280837-1	POPPET ASSY								1	
- 27	1280837-3	POPPET								1	
- 28	1280831-1	ORIFICE								1	
- 29	1280832-1	ADAPTER								1	
- 30	1280813-1	DIPSTICK-HYDRAULIC POWER PACK								1	
- 31	MS16625-1050	RING-RETAINER								1	
- 32	1280809-4	SCREEN ASSY-FILTER								1	
- 33	1280823-2	PUMP ASSY								1	
- 34	MS28775-129	PACKING								1	
- 35	MS28775-130	PACKING								1	
- 36	S1628-129	RING-BACK UP								1	
- 37	S1628-130	RING-BACK UP								1	
- 38	1280824-1	COUPLING-PUMP								1	
- 39	1280817-1	RETAINER WEU 1280817-6								1	
		RETAINER								1	B
- 40	1280812-1	FILTER ASSY-HYDRAULIC SELF RELIEVING								1	C
- 41	S2059-3	CHECK VALVE-POWER PACK								1	
- 42	MS28775-012	PACKING								2	
- 43	S1628-012	BACK UP								1	
- 44	1280817-5	RETAINER								1	
- 45	S1628-012	BACK UP								1	
- 46	MS28775-012	PACKING								2	
- 47	1280826-1	VALVE ASSY-THERMAL RELIEF								1	
- 48	S2019-117	NAMEPLATE								1	
- 49	MS16625-1050	RING-RETAINER								1	
- 50	1280809-5	SCREEN ASSY								1	
- 51	MS28778-3	PACKING								1	
- 52	MS28778-4	PACKING								1	
- 53		SWITCH ASSY-PRESSURE FSO 9880710-1								NP	
- 54	9880710-1	SWITCH ASSY-PRESSURE								1	
- 55	16-530004	HOUSING-PRESSURE SWITCH								1	
		SWITCH LITW								1	
		ATTACHING PARTS									
- 56	AN515-2R8	SCREW								2	
- 57	AN936A2	WASHER								2	
- 58	9880704-2	PLATE								1	
		-----*									
- 59	MS16562-2	PIN								1	
- 60	LC051G3	SPRING LSCI								1	
- 61	S1358-7	WASHER								AR	
- 62	S1358-8	WASHER								AR	
- 63	9880708-1	STOP								1	
- 64	H2300	ROLLER-NEEDLE TOCO								1	
- 65	9880709-1	GUIDE								1	

CONTINUED ON NEXT PAGE

P210 Parts Catalog

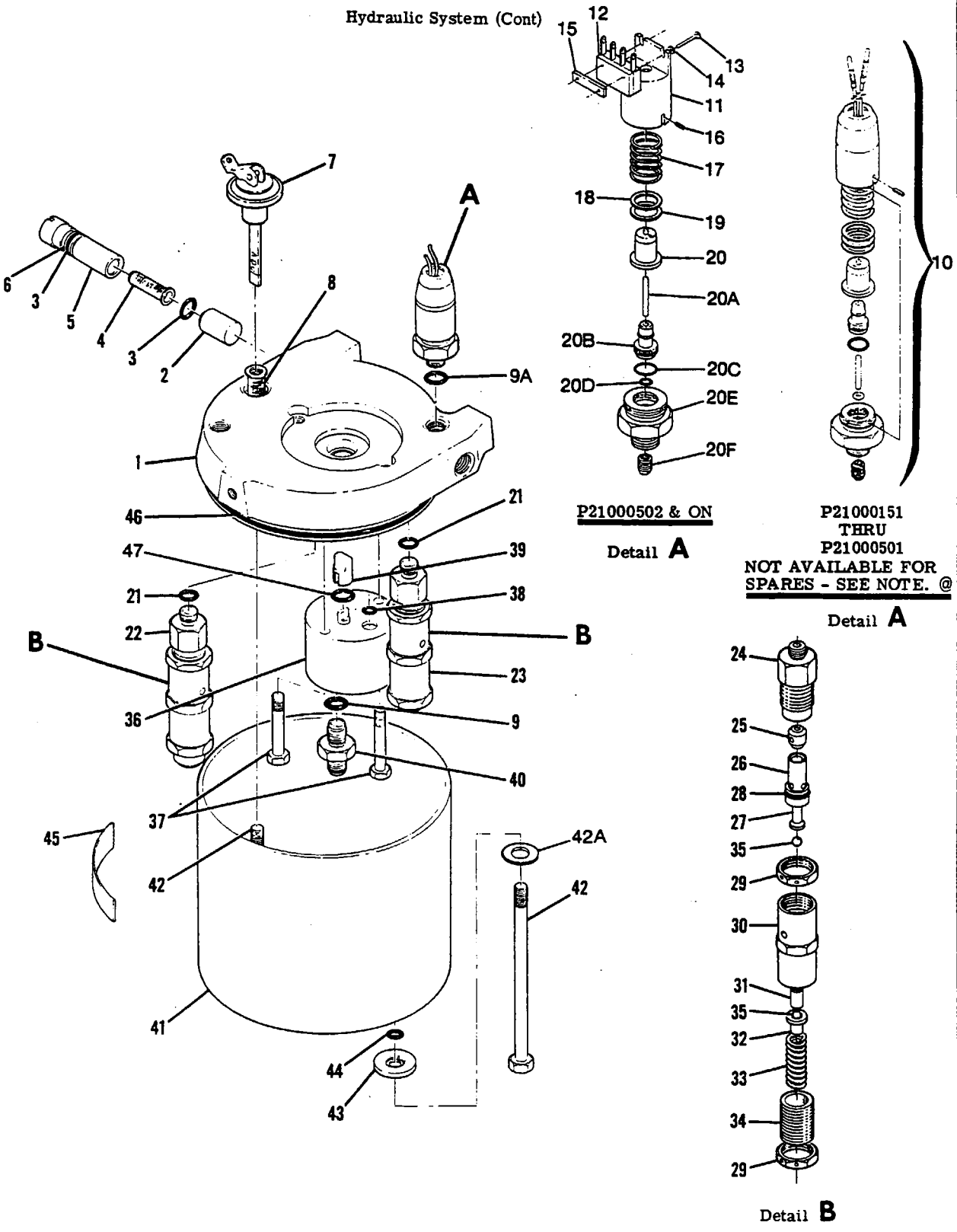
FIGURE AND INDEX NO.	PART NUMBER	DESCRIPTION	UNITS PER ASSY	USABLE ON CODE
		1 2 3 4 5 6 7		
115 -66 -67 -68 -69	MS28778-3 RL00218 9880502-1 S4	PACKING ----- SEAL FLOR ----- FITTING ----- SNUBBER ACA -----	1 1 1 1	
		NOTE. @THIS SWITCH ASSY IS NO LONGER AVAILABLE FOR SPARES, ORDER 9880710-1. A---P210 SERIAL P21000001 THRU P21000150 B---P210 SERIAL P21000001 THRU P21000086 C---P210 SERIAL P21000087 THRU P21000150		

P210 Parts Catalog

FIGURE AND INDEX NO.	PART NUMBER	1 2 3 4 5 6 7	DESCRIPTION	UNITS PER ASSY	USABLE ON CODE
115A-			POWER PACK BODY & RESERVOIR ASSEMBLY-HYDRAULIC -----	NP 1	A
- 1	9881123-3		BODY ASSY-POWER PACK -----	1	
- 2	S2059-3		CHECK VALVE-POWER PACK -----	1	
- 3	MS28775-012	%	O-RING -----	2	
- 4	1280812-1		FILTER ASSY-HYDRAULIC SELF RELIEVING -----	1	
- 5	1280817-6		RETAINER -----	1	
- 6	S1628-012	%	RING-BACK UP -----	1	
- 7	1280813-2		DIPSTICK-HYDRAULIC POWER PACK -----	1	
- 8	1280809-4		SCREEN ASSY-FILTER -----	1	
- 9	MS28778-4		O-RING -----	1	D
- 9A	MS28778-4	%	O-RING -----	1	
CONTINUED ON NEXT PAGE					

P210 Parts Catalog

Hydraulic System (Cont)



P210 SERIAL P21000151 & ON

Figure 115A. Hydraulic Power Pack Body & Reservoir Assembly

P210 Parts Catalog

FIGURE AND INDEX NO.	PART NUMBER		DESCRIPTION							UNITS PER ASSY	USABLE ON CODE
			1	2	3	4	5	6	7		
115A-10	9880710-1	@	SWITCH ASSY-PRESSURE FSO 9880710-1							NP	B C
-11	9880707-1		SWITCH ASSY-PRESSURE							1	
-12	16-530004		HOUSING-PRESSURE SWITCH							1	
			SWITCH LITW							1	
			ATTACHING PARTS								
-13	AN515-2R8		SCREW							2	
-14	AN936A2		WASHER							2	
-15	9880704-2		PLATE							1	
			*---								
-16	MS16562-2		PIN							1	
-17	LC05163		SPRING LSCI							1	
-18	S1358-7		WASHER							AR	
-19	S1358-8		WASHER							AR	
-20	9880708-1		STOP							1	
-20A	Q8036		ROLLER-NEEDLE TOCO							1	
	H2300		ROLLER-NEEDLE TOCO ALT FOR Q8036							1	
-20B	9880709-1		GUIDE							1	
-20C	MS28778-3	%	PACKING							1	
-20D	RLD0218		SEAL FLOR							1	
-20E	9880502-1		FITTING							1	
-20F	S4		SNUBBER ACA							1	
-21	MS28778-3	%	O-RING							1	
-22	1280835-1		VALVE ASSY-RELIEF 1800 PSI							2	
-23	1280835-2		VALVE ASSY-RELIEF 2200 PSI							1	
-24	1280832-1		ADAPTER							1	
-25	1280831-1		ORIFICE							1	
-26	1280837-1		POPPET ASSY							1	
-27	1280837-3		POPPET							1	
-28	MS28775-012	%	O-RING							1	
-29	1280825-2		NUT							2	
-30	1280833-1		HOUSING							1	
-31	1280834-3		PISTON							1	
-32	1280834-4		GUIDE-SPRING							1	
-33	9881600-2		SPRING							1	
-34	1280836-2		SCREW-ADJUSTMENT							1	
-35	S272-5		BALL							2	
-36	9881130-1	*	PUMP-HYDRAULIC WEU 9881130-2							1	
	9881130-2		PUMP-HYDRAULIC							1	
			ATTACHING PARTS								
-37	AN3H15A		BOLT							2	
	NAS6203-22H		BOLT							2	
			*---								
-38	MS28775-008	%	O-RING							1	
-39	9881129-1		COUPLING-PUMP WEU 9881142-1							1	
	9881142-1		COUPLING-PUMP							1	
-40	1280223-2		FITTING							1	
-41	9881122-1		RESERVOIR ASSY							1	
			ATTACHING PARTS								
-42	AN4-43A		BOLT							2	
-42A	NAS1149F0432P		WASHER							2	
-43	1280818-1		WASHER							2	
-44	MS28778-2	%	O-RING							2	
			*---								
-45	S2019-128		NAMEPLATE							1	
-46	MS28775-247	%	O-RING							1	
-47	MS28775-015	%	O-RING							1	

NOTE. @THIS SWITCH ASSY IS NO LONGER AVAILABLE FOR SPARES, ORDER 9880710-1.

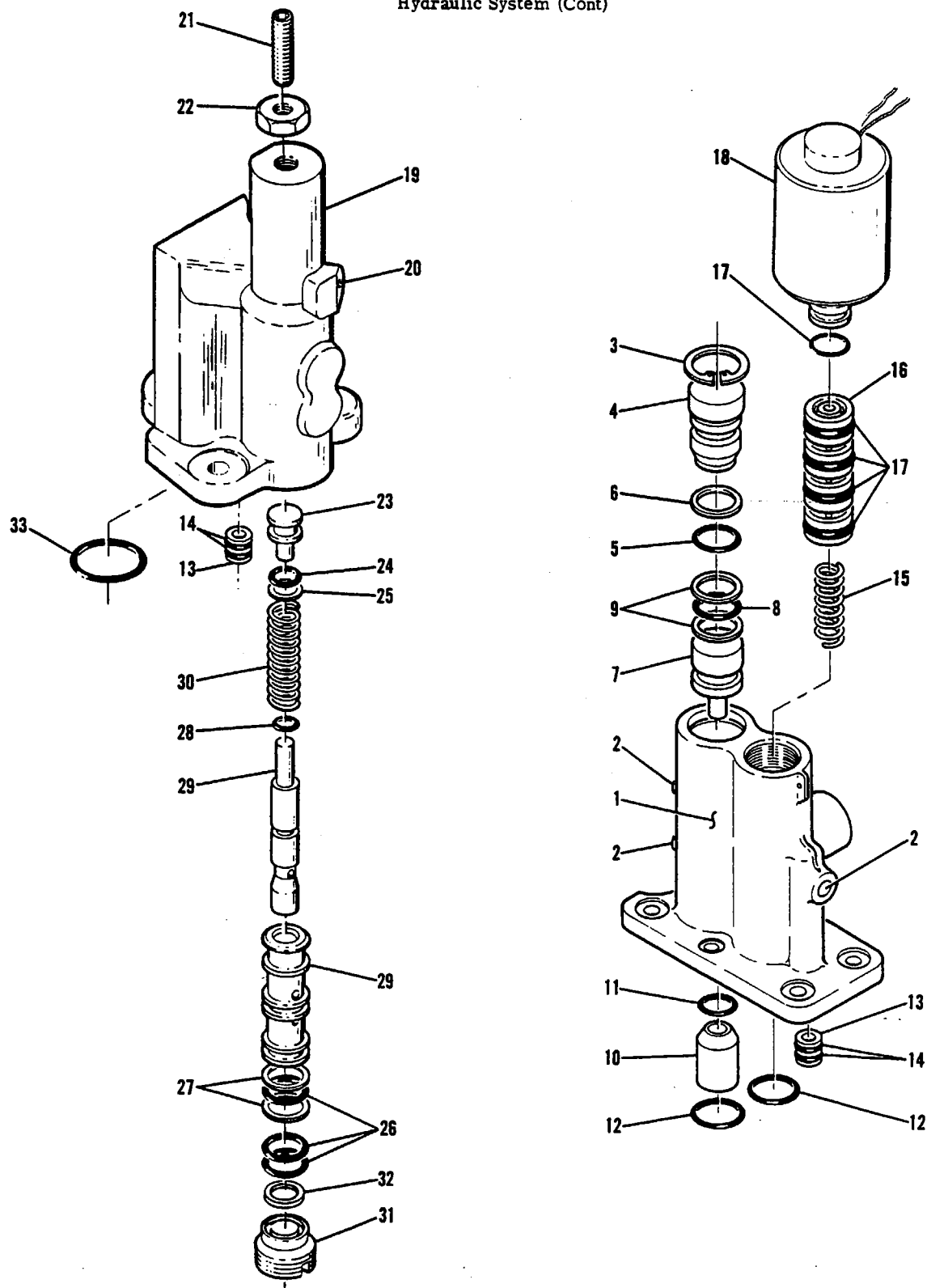
NOTE. *WHEN INITIALLY ORDERING THIS PART FOR AIRCRAFT PRIOR TO P21000808 ALSO ORDER 9881142-1 COUPLING.

NOTE. %THESE PARTS ARE AVAILABLE AS A PACKING KIT-PART NO. 9881124K200.

- A---P210 SERIAL P21000151 & ON
- B---P210 SERIAL P21000151 THRU P21000501
- C---P210 SERIAL P21000502 & ON
- D---P210 SERIAL P21000151 THRU P21000751
- P21000762 THRU P21000778
- E---P210 SERIAL P21000752 THRU P21000761
- P21000779 & ON
- F---P210 SERIAL P2000001 THRU P21000807
- G---P210 SERIAL P21000808 & ON

P210 Parts Catalog

Hydraulic System (Cont)



P210 SERIAL P21000001 THRU P21000150

Figure 116. Power Pack Manifold Assemblies

P210 Parts Catalog

FIGURE AND INDEX NO.	PART NUMBER	DESCRIPTION	UNITS PER ASSY	USABLE ON CODE
		1 2 3 4 5 6 7		
116 -		MANIFOLD ASSEMBLIES-POWER PACK -----	NP	A
- 1	1280803-1	MANIFOLD ASSY-GEAR DOORS -----	1	
- 2	S2121-5	PLUG -----	3	
- 3	MS16625-1068	RING-RETAINING -----	1	
- 4	1280816-2	GLAND-END -----	1	
- 5	MS28775-014	PACKING -----	1	
- 6	S1628-014	RING-BACK UP -----	1	
- 7	1280816-1	PISTON -----	1	
- 8	MS28775-111	PACKING -----	1	
- 9	S1628-111	RING-BACK UP -----	2	
-10	S2059-3	CHECK VALVE-POWER PACK MANIFOLD -----	1	
-11	MS28775-012	PACKING -----	1	
-12	MS28775-113	PACKING -----	2	
-13	1280821-1	TUBE-TRANSFER -----	2	
-14	MS28775-010	PACKING -----	4	
-15	LC040013MW	SPRING LSCI -----	1	
-16	1280804-1	VALVE ASSY-SELECTOR -----	1	
-17	MS28775-014	PACKING -----	5	
-18	9881202-1	SOLENOID -----	1	
-19	9881203-1	MANIFOLD ASSY-FLOW CONTROL -----	1	
-20	S2121-5	PLUG -----	2	
-21	AN565F428H12	SCREW -----	1	
-22	AN316-4R	NUT -----	1	
-23	1280849-2	GUIDE-SPRING -----	1	
-24	MS28775-008	PACKING -----	1	
-25	S1628-008	RING-BACK UP -----	1	
-26	MS28775-011	PACKING -----	3	
-27	S1628-011	RING-BACK UP -----	2	
-28	MS28775-006	PACKING -----	1	
-29	1280848-4	VALVE ASSY-FLOW -----	1	
-30	1280838-3	SPRING -----	1	
-31	9881204-1	RETAINER -----	1	
-32	S1628-010	RING-BACK UP -----	1	
-33	MS28775-012	PACKING -----	1	
A---P210 SERIAL P21000001 THRU P21000150				

P210 Parts Catalog

Hydraulic System (Cont)

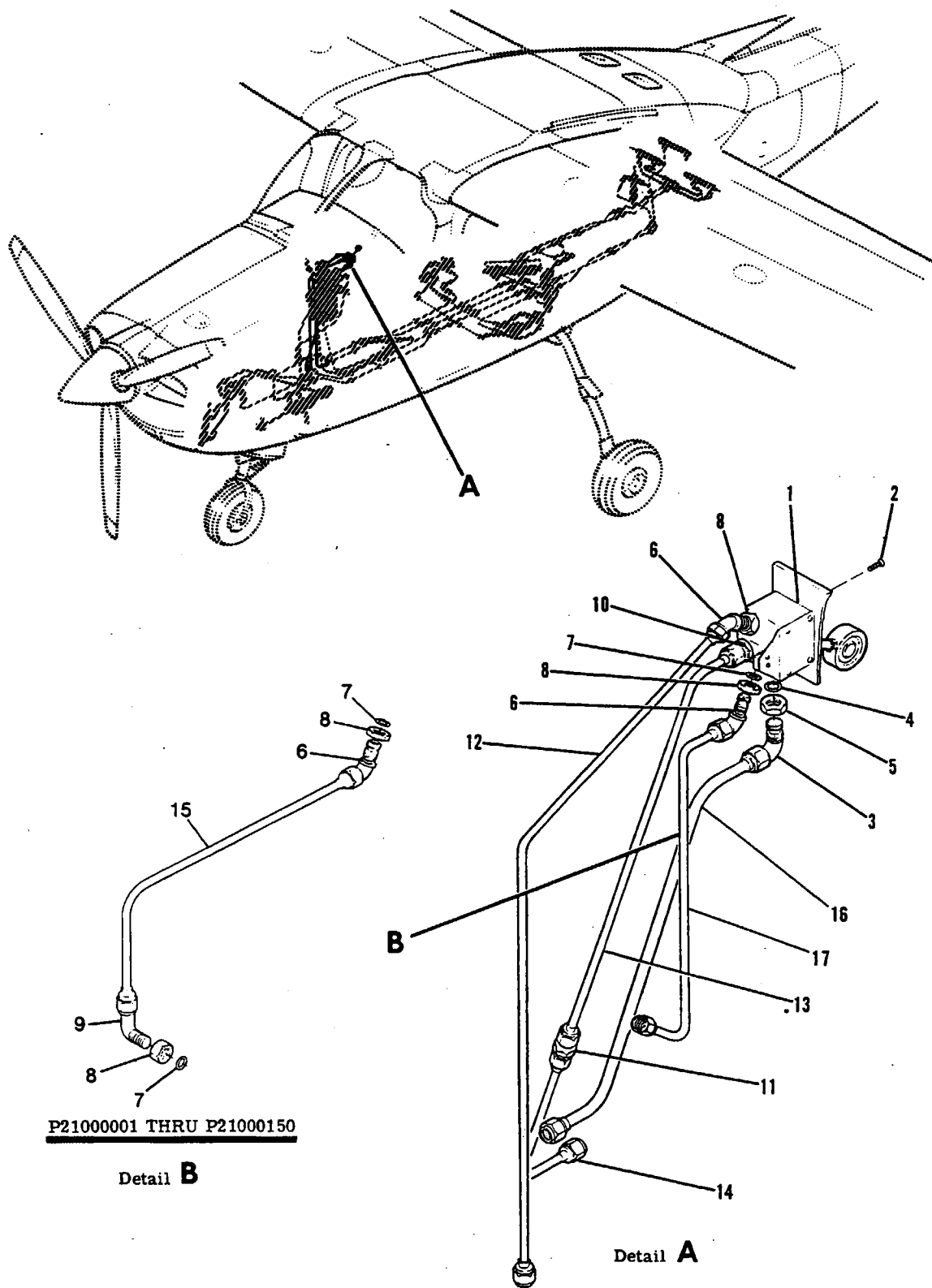


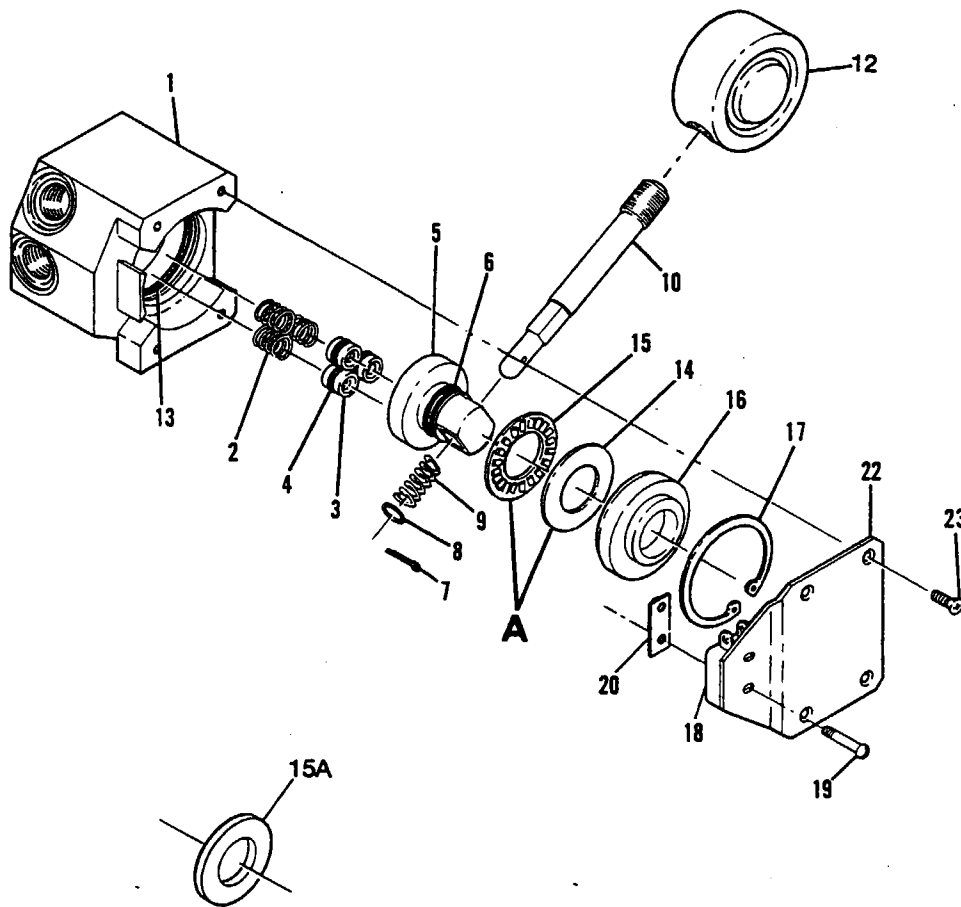
Figure 117. Hydraulic Gear Selector Valve & Lines Installation

P210 Parts Catalog

FIGURE AND INDEX NO.	PART NUMBER	DESCRIPTION							UNITS PER ASSY	USABLE ON CODE
		1	2	3	4	5	6	7		
117 -		GEAR SELECTOR VALVE & LINES INSTALLATION-HYDRAULIC -----							NP	
- 1	SEE FIG 118	VALVE ASSY-GEAR SELECTOR -----							1	
- 2	AN520B10R6 NAS1351-3-6	ATTACHING PARTS							3	E
		SCREW -----							3	F
		SCREW -----								
		*-----								
- 3	AN921-5D	ELBOW -----							1	
- 4	MS28778-5	PACKING -----							1	
- 5	AN924-5D	NUT -----							1	
- 6	AN837-4D	ELBOW -----							1	
- 7	MS28778-4 MS28778-4	PACKING -----							2	
- 8	AN924-4D AN924-4D	PACKING -----							3	A
- 9	AN921-4D	NUT -----							2	B
- 10	AN815-4D	NUT -----							3	A
- 11	MS28778-4	ELBOW -----							1	
- 12	AN815-4D	UNION -----							1	
- 13	1280509-89	PACKING -----							1	
- 14	1280509-91	UNION -----							1	
- 15	1280509-93	LINE ASSY-GEAR DOWN -----							1	
- 16	1280523-13	LINE ASSY-GEAR UP -----							1	
- 17	1280509-90	LINE ASSY-GEAR UP -----							1	C
	1280509-92	LINE ASSY-GEAR UP -----							1	D
	1280509-92	LINE ASSY -----							1	A
	1280523-9	LINE ASSY-RETURN -----							1	
		LINE ASSY -----							1	B
		<p>A---P210 SERIAL P21000001 THRU P21000150 B---P210 SERIAL P21000151 & ON C---P210 SERIAL P21000001 THRU P21000760 D---P210 SERIAL P21000761 & ON E---P210 SERIAL P21000001 THRU P21000811 F---P210 SERIAL P21000812 & ON</p>								

P210 Parts Catalog

Hydraulic System (Cont)



P21000457 & ON

Detail **A**

Figure 118. Hydraulic Gear Selector Valve Assembly

P210 Parts Catalog

FIGURE AND INDEX NO.	PART NUMBER	DESCRIPTION	UNITS PER ASSY	USABLE ON CODE
		1 2 3 4 5 6 7		
118 -	9881020-1	VALVE ASSEMBLY-GEAR SELECTOR HYDRAULIC -----	1	A
	9881020-2	VALVE ASSEMBLY-GEAR SELECTOR HYDRAULIC -----	1	B
- 1	9881021-1	BODY ASSY-SELECTOR VALVE -----	1	
- 2	LC03801	SPRING LSCI -----	3	
- 3	9881003-1	SEAL -----	3	
- 4	MS28775-008	PACKING -----	3	
- 5	9881002-5	DISC ASSY FSO 9881002-5 & 9881007-1 -----	NP	C
	9881002-5	DISC -----	1	D
- 6	MS28775-014	PACKING -----	1	
- 7	MS24665-132	PIN-COTTER -----	1	
- 8	S1450-4-5-032	WASHER -----	1	
- 9	LC-0220-5	SPRING -----	1	
-10	9881005-2	ROD -----	1	
-11		DELETED-NOT USED -----		
-12	0861233-2	KNOB-SELECTOR VALVE -----	1	
-13	MS28775-027	PACKING -----	1	
-14		RACE FSO 9881007-1 & 9881002-5 -----	NP	C
-15		BEARING FSO 9881007-1 & 9881002-5 -----	NP	C
-15A	9881007-1	WASHER-GEAR SELECTOR VALVE -----	1	D
-16	9881004-2	CAP -----	1	
-17	MS16625-1131	RING-RETAINING -----	1	
-18	S2313-1	SWITCH-SELECTOR VALVE -----	1	A
	S2313-2	ACTUATOR -----	1	A
		ATTACHING PARTS -----		
-19	AN515B2R8	SCREW -----	2	
-20	1560218-3	PLATE ASSY -----	1	
-21		DELETED-NOT USED -----		
		*-----		
-22	9881022-1	COVER-SELECTOR VALVE -----	1	A
	9881023-1	COVER-SELECTOR VALVE -----	1	B
		ATTACHING PARTS -----		
-23	AN507-440R4	SCREW -----	4	
		*-----		
<p>A---P210 SERIAL P21000001 THRU P21000150 B---P210 SERIAL P21000151 & ON C---P210 SERIAL P21000001 THRU P21000456 D---P210 SERIAL P21000457 & ON</p>				

P210 Parts Catalog

Hydraulic System (Cont)

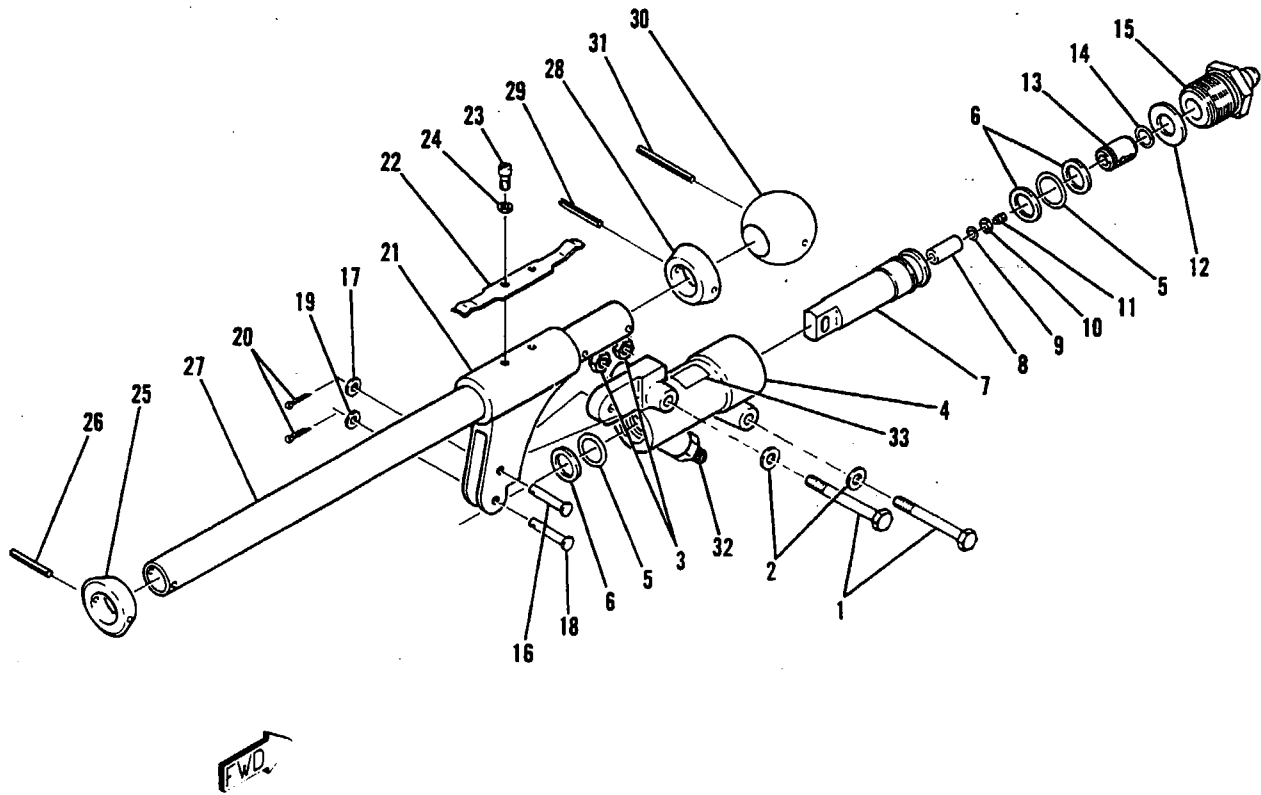


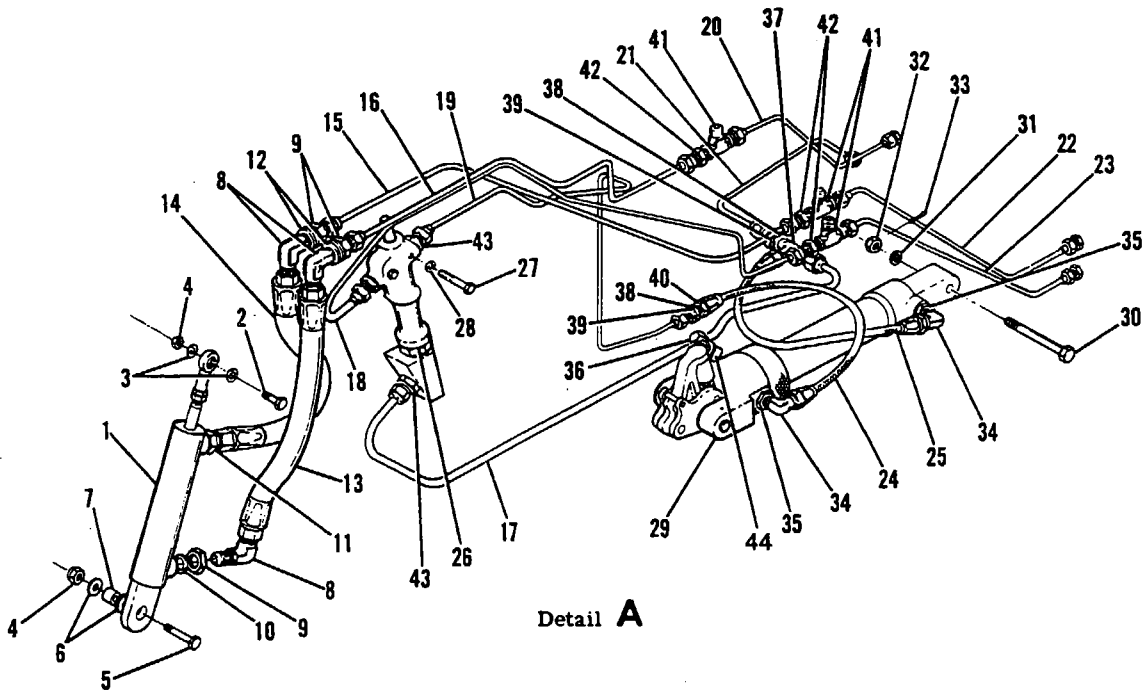
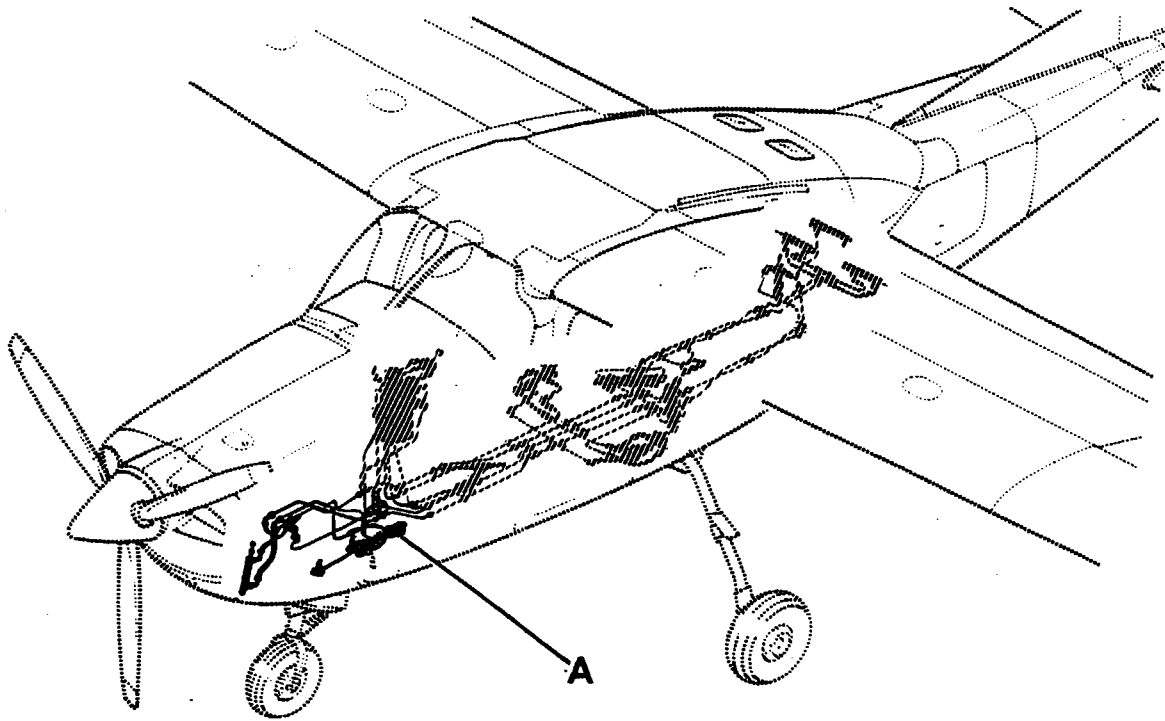
Figure 119. Emergency Hand Pump Assembly

P210 Parts Catalog

FIGURE AND INDEX NO.	PART NUMBER	DESCRIPTION							UNITS PER ASSY	USABLE ON CODE
		1	2	3	4	5	6	7		
119 -	1280114-1 1280114-2	HAND PUMP ASSY-EMERGENCY -----							1	A B
		HAND PUMP ASSY-EMERGENCY -----							1	
		ATTACHING PARTS -----								
- 1	AN4-16A	BOLT -----							2	
- 2	NAS1149F0432P	WASHER -----							2	
- 3	MS21042L4	NUT -----							2	
		*-----								
	2080006-1	BODY ASSY-HAND PUMP -----							1	C D
- 4	2080006-2	BODY-HAND PUMP -----							1	
- 5	MS28775-114	PACKING -----							2	
- 6	S1628-114	RING -----							3	
- 7	2080018-2	PISTON -----							1	
	2080018-3	PISTON -----							1	
- 8	1458	VALVE-KEP-O-SEAL KPC -----							1	
- 9	MS28775-008	PACKING -----							1	
-10	S2393-3	SPACER -----							1	
-11	2080019-1	SCREW-SET -----							1	
-12	S2394-1	WASHER -----							1	
-13	2080030-1	VALVE -----							1	
-14	MS28775-012	PACKING -----							1	
-15	2080009-1	END FITTING -----							1	
	2080007-1	FORK ASSY-HAND PUMP -----							1	
		ATTACHING PARTS -----								
-16	MS20392-2C27	PIN -----							1	
-17	NAS1149F0332P	WASHER -----							1	
-18	MS20392-3C27	PIN -----							1	
-19	NAS1149F0432P	WASHER -----							1	
-20	MS24665-132	COTTER PIN -----							2	
		*-----								
-21	2080007-2	FORK -----							1	
-22	2013069-1	SPRING -----							1	
		ATTACHING PARTS -----								
-23	AN515-6R3	SCREW -----							2	
-24	MS122028	WASHER -----							2	
		*-----								
-25	2080010-4	STOP -----							1	
		ATTACHING PARTS -----								
-26	NAS561P4-18	PIN -----							1	
		*-----								
	2080010-1	HANDLE ASSY-HAND PUMP -----							1	
-27	2080010-2	HANDLE -----							1	
-28	2080010-4	STOP -----							1	
		ATTACHING PARTS -----								
-29	NAS561P4-18	PIN -----							1	
		*-----								
-30	S2060-2	KNOB -----							1	
		ATTACHING PARTS -----								
-31	NAS561P4-22	PIN -----							1	
		*-----								
-32	AN815-3D	UNION -----							1	A A B
	MS28778-3	PACKING -----							1	
-33	S2019-25	NAMEPLATE -----							1	
	S2019-115	NAMEPLATE -----							1	
		A---P210 SERIAL P21000001 THRU P21000150 B---P210 SERIAL P21000151 & ON C---P210 SERIAL P21000001 THRU P21000860 D---P210 SERIAL P21000861 & ON								

P210 Parts Catalog

Hydraulic System (Cont)



P210 SERIAL P21000001 THRU P21000150

Figure 120. Nose Gear Hydraulic System

P210 Parts Catalog

FIGURE AND INDEX NO.	PART NUMBER	DESCRIPTION							UNITS PER ASSY	USABLE ON CODE
		1	2	3	4	5	6	7		
120 -		HYDRAULIC SYSTEM-NOSE GEAR							NP	A
- 1	SEE FIG 126	ACTUATOR ASSY-NOSE GEAR DOORS							1	
		ATTACHING PARTS								
- 2	AN3-7A	BOLT							1	
- 3	NAS1149F0363P	WASHER							AR	
- 4	MS21044N3	NUT							2	
- 5	AN3-13A	BOLT							1	
	AN3-15A	BOLT							1	
- 6	NAS1149F0332P	WASHER							1	B
- 7	NAS43HT3-19	SPACER							2	C
		-----							1	
- 8	AN833-4D	ELBOW							3	
- 9	AN924-4D	NUT							3	
-10	MS28778-4	PACKING							1	
-11	AN815-4D	UNION							1	
	MS28778-4	PACKING							1	
-12	NAS1149D0763K	WASHER							4	
-13	S2178-4-0095A	HOSE ASSY							1	
-14	S2178-4-0082A	HOSE ASSY							1	
-15	1280506-169	LINE ASSY-DOOR CLOSE HYDRAULIC							1	
-16	1280506-170	LINE ASSY-DOOR OPEN HYDRAULIC							1	
-17	1280509-75	LINE ASSY-GEAR UP HYDRAULIC							1	
-18	1280509-53	LINE ASSY-GEAR DOWN HYDRAULIC							1	
-19	1280506-128	LINE ASSY-GEAR DOWN HYDRAULIC							1	
-20	1280506-139	LINE ASSY-DOOR OPEN HYDRAULIC							1	
-21	1280506-54	LINE ASSY-GEAR UP HYDRAULIC							1	
-22	1280506-138	LINE ASSY-DOOR CLOSE HYDRAULIC							1	
-23	1280509-54	LINE ASSY-GEAR DOWN HYDRAULIC							1	
-24	S2178-3-0144	HOSE ASSY-GEAR DOWN HYDRAULIC							1	
-25	S2178-3-0122	HOSE ASSY-GEAR UP HYDRAULIC							1	
-26	SEE FIG 130	ACTUATOR ASSY-UNLOCK							1	
		ATTACHING PARTS								
-27	AN4-14A	BOLT							2	
-28	NAS1149F0463P	WASHER							2	
	MS21042L4	NUT							2	

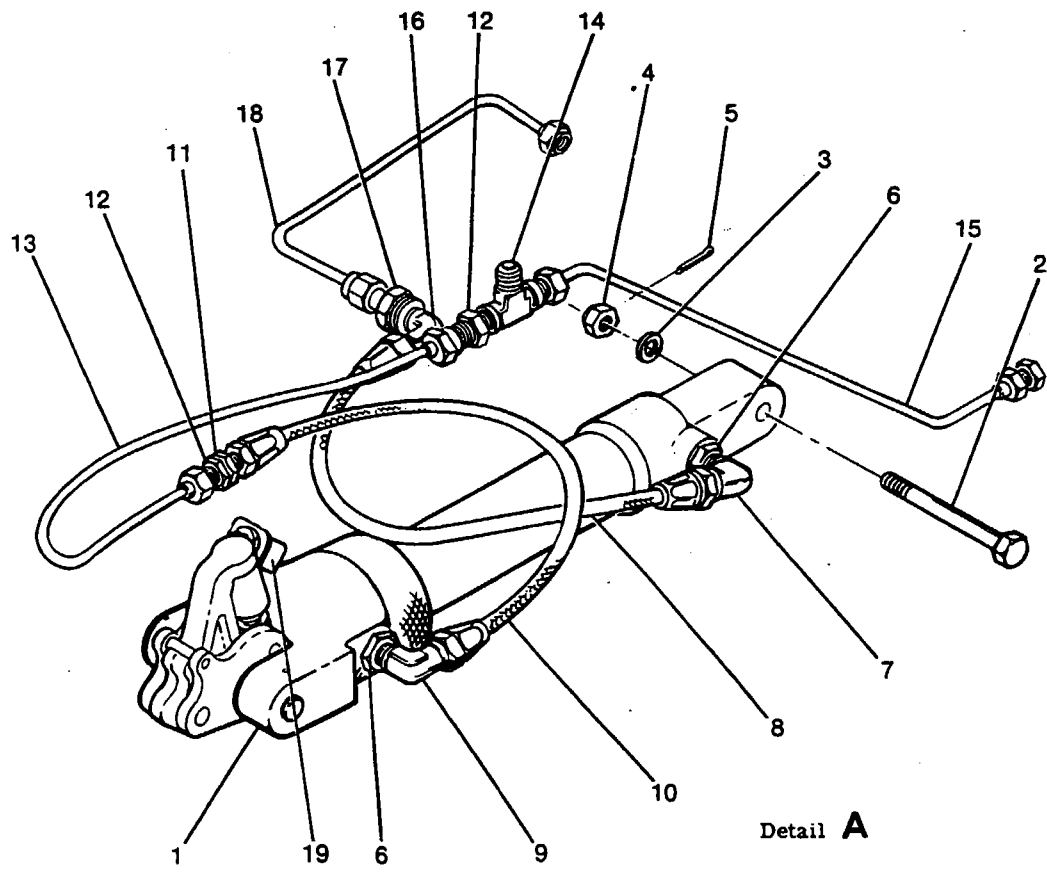
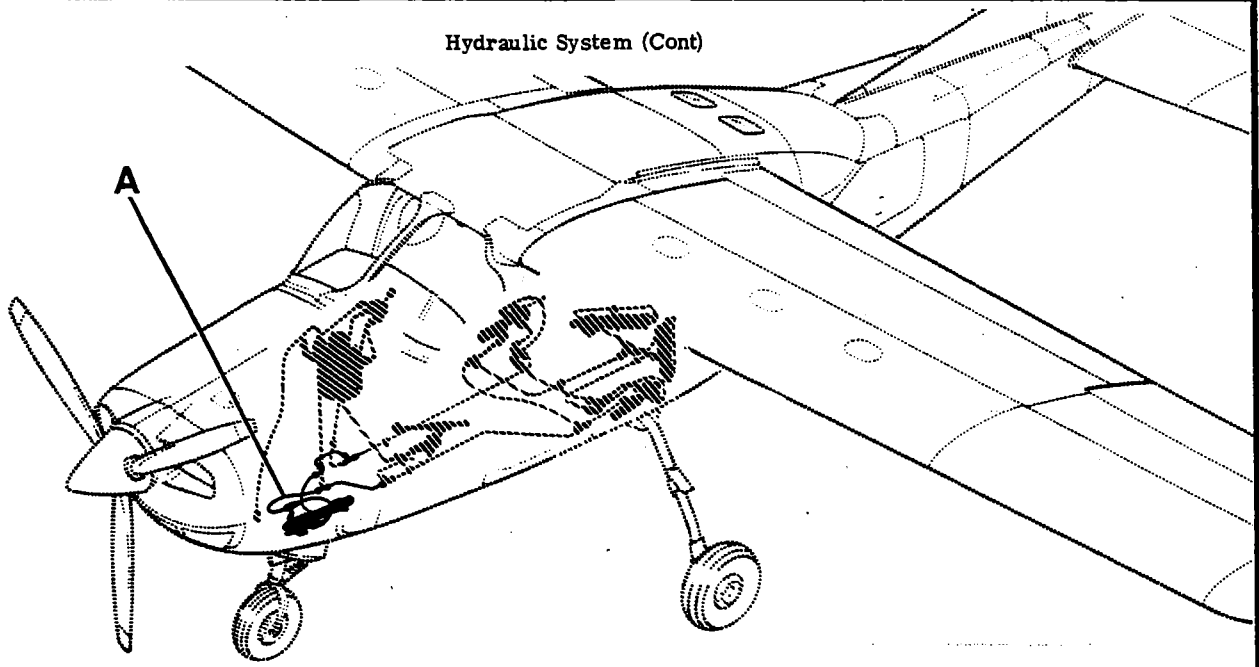
-29	SEE FIG 124	ACTUATOR ASSY-NOSE GEAR							1	
		ATTACHING PARTS								
-30	NAS464P7-42	BOLT							1	
-31	NAS1149F0732P	WASHER							1	
-32	AN320-7	NUT							1	
-33	MS24665-136	PIN-COTTER							1	

-34	AN833-3D	ELBOW							2	
-35	AN924-3D	NUT							2	
	MS28778-3	PACKING							2	
-36	MS35489-5	GROMMET							2	
-37	AN804D3	TEE							1	
-38	NAS1149D0663K	WASHER							4	
-39	AN924-3D	NUT							2	
-40	AN832-3D	UNION							1	
-41	AN804D4	TEE							3	
-42	AN924-4D	NUT							3	
	NAS1149D0763K	WASHER							6	
-43	AN919-2D	REDUCER							2	
	MS28778-4	PACKING							2	
-44	S1377-1	SWITCH-DOWNLOCK							1	

A---P210 SERIAL P21000001 THRU P21000150
 B---P210 SERIAL P21000001 THRU P21000071
 C---P210 SERIAL P21000072 & ON

P210 Parts Catalog

Hydraulic System (Cont)



Detail A

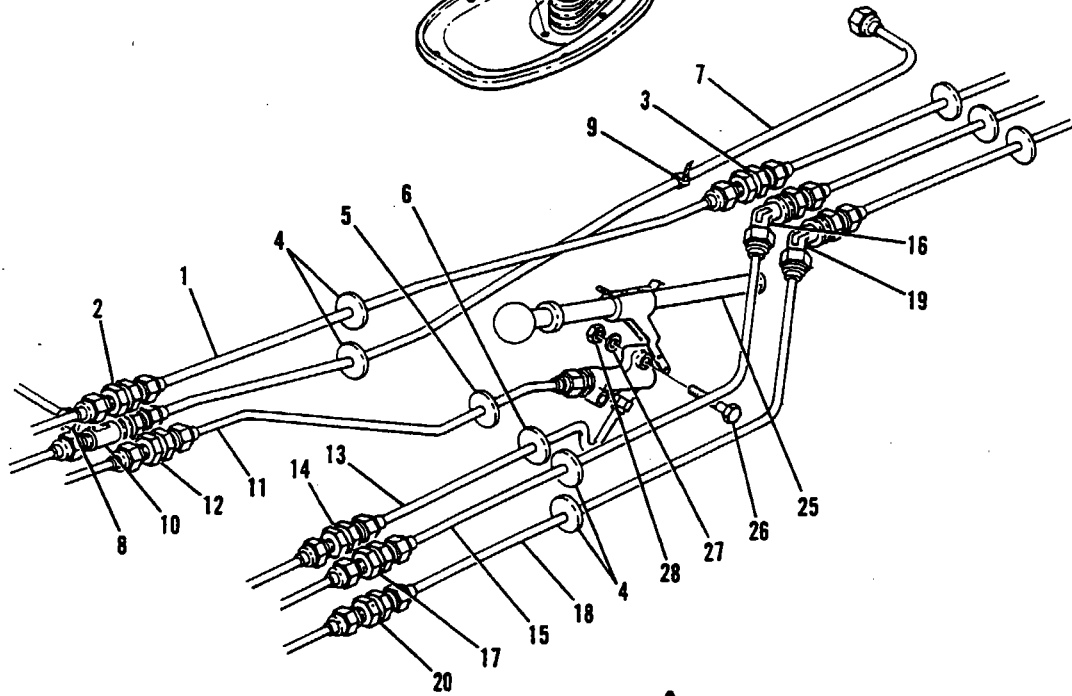
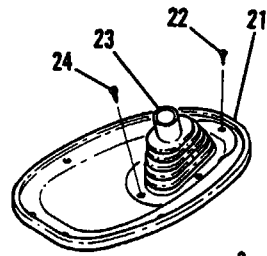
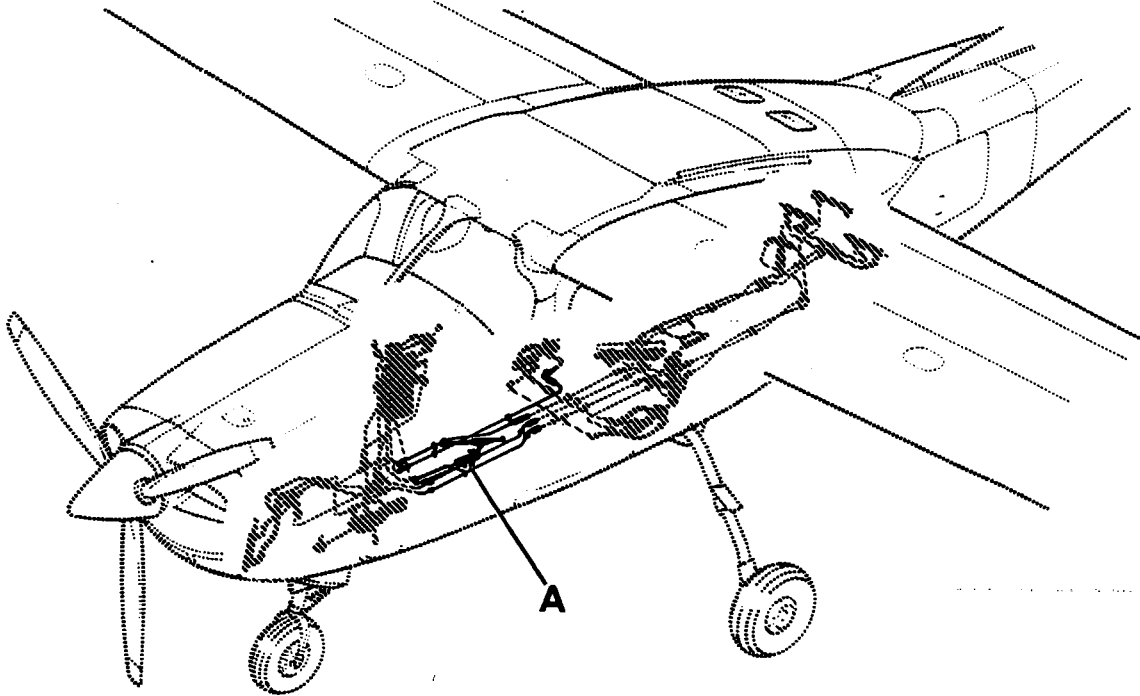
P210 SERIAL P21000151 & ON
Figure 120A. Nose Gear Hydraulic System

P210 Parts Catalog

FIGURE AND INDEX NO.	PART NUMBER	DESCRIPTION							UNITS PER ASSY	USABLE ON CODE
		1	2	3	4	5	6	7		
120A-		HYDRAULIC SYSTEM-NOSE GEAR -----							NP	A
- 1	SEE FIG 124	ACTUATOR ASSY -----							1	
		ATTACHING PARTS -----								
- 2	AN7-31	BOLT -----							1	
- 3	NAS1149F0732PM	WASHER -----							1	
	NAS1149F0763P	WASHER -----							1	
- 4	AN310-7	NUT -----							1	
- 5	MS24665-136	PIN-COTTER -----							1	
		-----*								
- 6	AN924-3D	NUT -----							2	
- 7	AN833-3D	ELBOW -----							1	
	MS28778-3	PACKING -----							1	
- 8	S2178-3-0122	HOSE ASSY-GEAR UP HYDRAULIC -----							1	
- 9	S1999-1	ELBOW -----							1	
	MS28778-3	PACKING -----							1	
-10	S2178-4-0144A	HOSE ASSY-GEAR DOWN HYDRAULIC -----							1	
-11	AN832-4D	UNION -----							1	
-12	AN924-4	NUT -----							2	
	NAS1149F0763P	WASHER -----							4	
-13	1280523-7	LINE ASSY-GEAR DOWN HYDRAULIC -----							1	
-14	AN804-4	TEE -----							1	
-15	1280509-54	LINE ASSY-GEAR DOWN HYDRAULIC -----							1	
-16	AN833-3	ELBOW -----							1	
-17	AN924-3	NUT -----							1	
	NAS1149F0663P	WASHER -----							2	
-18	1280506-54	LINE ASSY-GEAR UP -----							1	
	1280523-14	LINE ASSY-GEAR UP -----							1	
-19	S1377-1	SWITCH-DOWNLOCK -----							1	
	S1377-2	SWITCH-DOWNLOCK -----							1	
		<p>A---P210 SERIAL P21000151 & ON B---P210 SERIAL P21000151 THRU P21000760 C---P210 SERIAL P21000761 & ON D---P210 SERIAL P21000151 THRU P21000811 E---P210 SERIAL P21000812 & ON</p>								B C D E

P210 Parts Catalog

Hydraulic System (Cont)



Detail **A**

P210 SERIAL P21000001 THRU P21000150

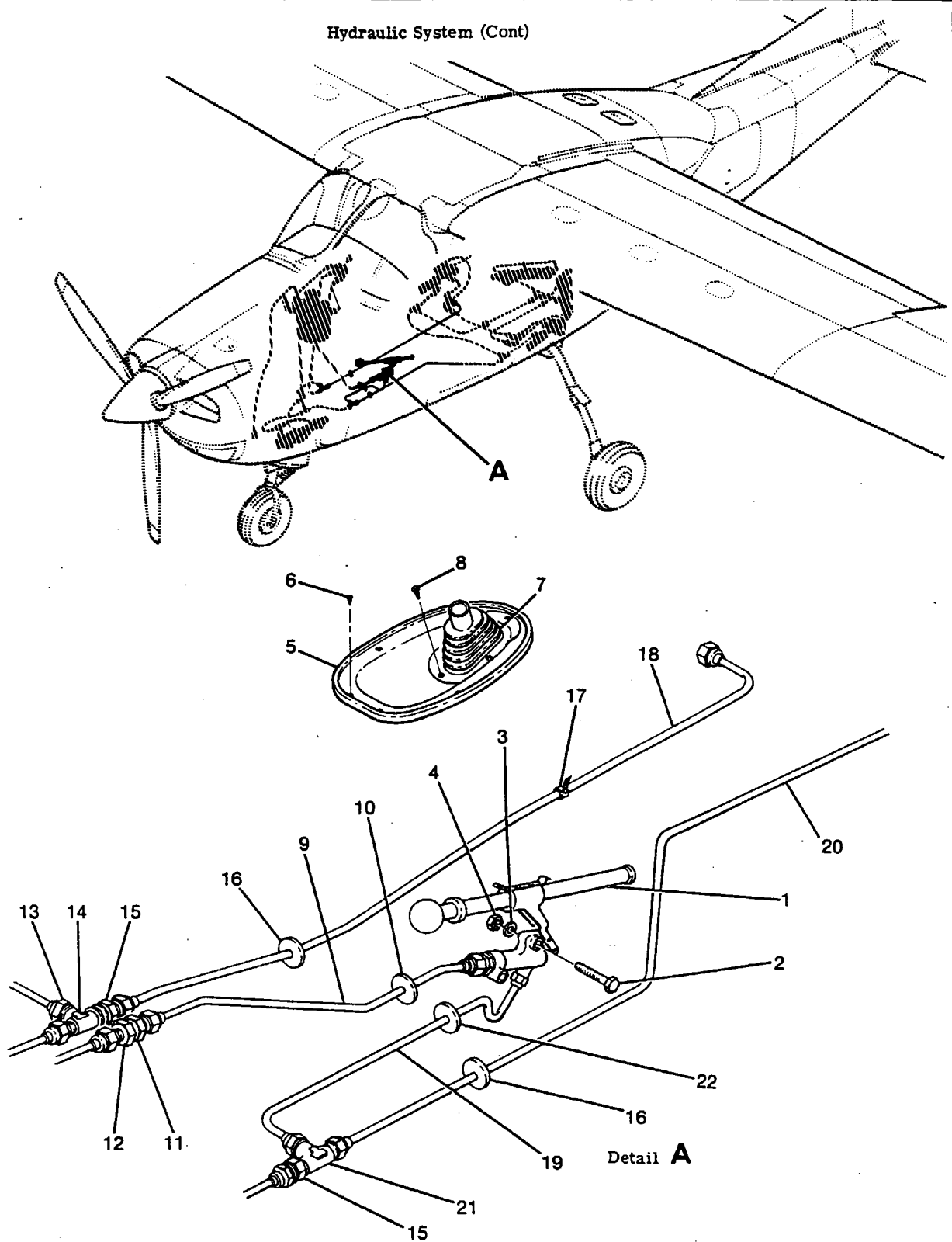
Figure 121. Hydraulic System - STA 18.00 to 44.00

P210 Parts Catalog

FIGURE AND INDEX NO.	PART NUMBER	DESCRIPTION	UNITS PER ASSY	USABLE ON CODE
			1 2 3 4 5 6 7	
121 -		HYDRAULIC SYSTEM-STA 18.0 TO STA 44.0 -----	NP	A
- 1	1280509-17	LINE ASSY-DOOR OPEN HYDRAULIC -----	1	
		ATTACHING PARTS -----		
- 2	AN832-4D	UNION -----	1	
	NAS1149D0763K	WASHER -----	2	
	AN924-4D	NUT -----	1	
- 3	AN832-4D	UNION -----	1	
	AN924-4D	NUT -----	1	
	NAS1149D0763K	WASHER -----	2	
		-----*		
- 4	MS35489-7	GROMMET -----	4	
- 5	MS35489-10	GROMMET -----	1	
- 6	MS35489-5	GROMMET -----	1	
- 7	1280509-29	LINE ASSY-GEAR UP HYDRAULIC -----	1	
		ATTACHING PARTS -----		
- 8	AN919-2D	REDUCER -----	1	
	MS28778-4	PACKING -----	1	
	NAS1149D0763K	WASHER -----	4	
- 9	S2209-1	STA-STRAP -----	1	
-10	AN783D4	TEE -----	1	
	NAS1149D0763K	WASHER -----	2	
	AN924-4D	NUT -----	1	
		-----*		
-11	1280509-64	LINE ASSY-SUCTION HYDRAULIC -----	1	
		ATTACHING PARTS -----		
-12	AN832-5D	UNION -----	1	
	NAS1149D0863K	WASHER -----	2	
	AN924-5D	NUT -----	1	
		-----*		
-13	1280509-61	LINE ASSY-PRESSURE HYDRAULIC -----	1	
		ATTACHING PARTS -----		
-14	AN832-3D	UNION -----	1	
	NAS1149D0663K	WASHER -----	2	
	AN924-3D	NUT -----	1	
		-----*		
-15	1280509-59	LINE ASSY-DOOR CLOSE HYDRAULIC -----	1	
		ATTACHING PARTS -----		
-16	AN837-4D	ELBOW -----	1	
	AN924-4D	NUT -----	1	
	NAS1149D0763K	WASHER -----	2	
-17	AN832-4D	UNION -----	1	
	NAS1149D0763K	WASHER -----	2	
	AN924-4D	NUT -----	1	
		-----*		
-18	1280509-55	LINE ASSY-GEAR DOWN HYDRAULIC -----	1	
		ATTACHING PARTS -----		
-19	AN837-4D	ELBOW -----	1	
	AN924-4D	NUT -----	1	
	NAS1149D0763K	WASHER -----	2	
-20	AN832-4D	UNION -----	1	
	NAS1149D0763K	WASHER -----	2	
	AN924-4D	NUT -----	1	
		-----*		
-21	1280121-1	PAN-HAND PUMP -----	1	
		ATTACHING PARTS -----		
-22	AN509-10R8	SCREW -----	5	
		-----*		
-23	1280119-1	BOOT ASSY -----	1	
		ATTACHING PARTS -----		
-24	AN509-10R6	SCREW -----	3	
		-----*		
-25	SEE FIG 119	HAND PUMP ASSY-EMERGENCY -----	1	
		ATTACHING PARTS -----		
-26	AN4-16A	BOLT -----	2	
-27	NAS1149F0432P	WASHER -----	2	
-28	MS21042L4	NUT -----	2	
		-----*		
A---P210 SERIAL P21000001 THRU P21000150				

P210 Parts Catalog

Hydraulic System (Cont)



P210 SERIAL P21000151 THRU P21000760

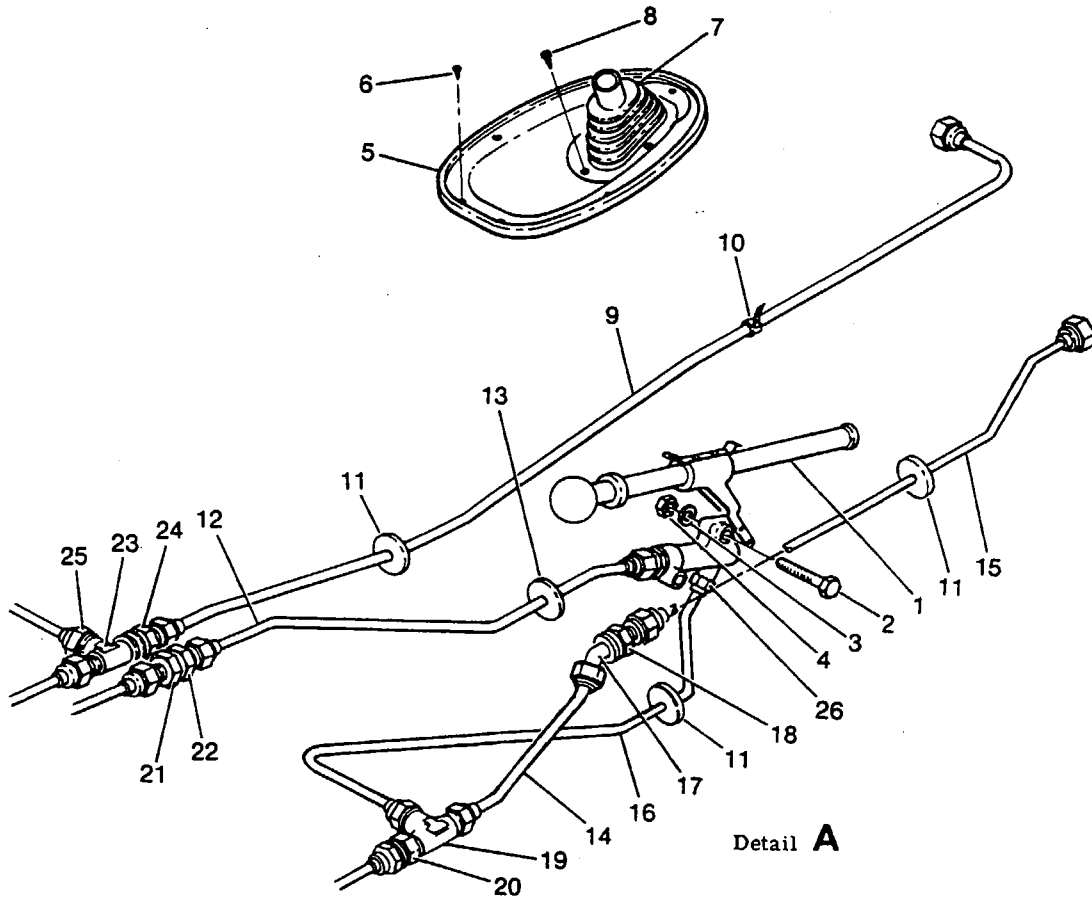
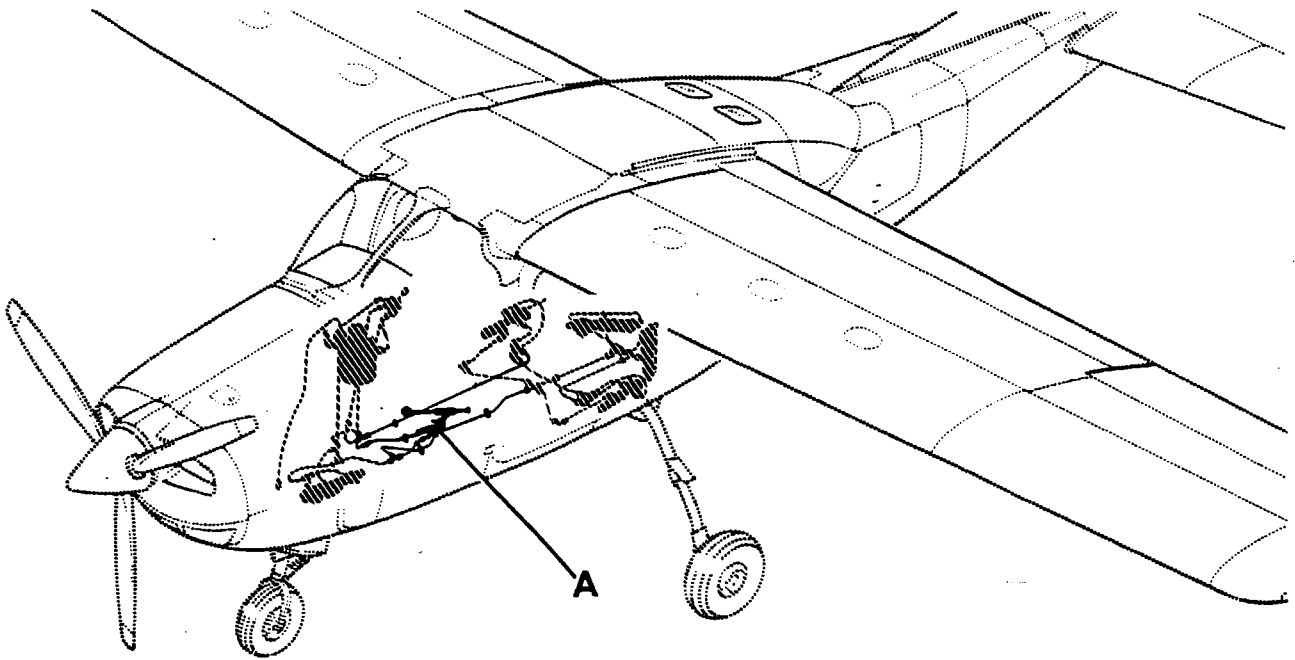
Figure 121A. Hydraulic System - STA 18.00 to 44.00

P210 Parts Catalog

FIGURE AND INDEX NO.	PART NUMBER	DESCRIPTION	UNITS PER ASSY	USABLE ON CODE
		1 2 3 4 5 6 7		
121A-		HYDRAULIC SYSTEM INSTALLATION-STA 18.00 TO STA 44.00 -----	NP	A
- 1	SEE FIG 119	HAND PUMP ASSY -----	1	
		ATTACHING PARTS -----		
- 2	AN4-16A	BOLT -----	2	
- 3	NAS1149F0432P	WASHER -----	2	
- 4	MS21042L4	NUT -----	2	
		*-----		
- 5	1280121-1	PAN-HAND PUMP -----	1	
		ATTACHING PARTS -----		
- 6	AN509-10R8	SCREW -----	5	
		*-----		
- 7	1280119-1	BOOT ASSY -----	1	
		ATTACHING PARTS -----		
- 8	AN509-10R6	SCREW -----	3	
		*-----		
- 9	1280509-64	LINE ASSY-HAND PUMP SUCTION -----	1	
-10	MS35489-10S	GROMMET -----	1	
-11	AN832-5D	UNION -----	1	
-12	AN924-5D	NUT -----	1	
	NAS1149D0863K	WASHER -----	2	
-13	AN919-2D	REDUCER -----	1	
	MS28778-4	PACKING -----	1	
-14	AN783D4	TEE -----	1	
-15	AN924-4D	NUT -----	2	
	NAS1149D0763K	WASHER -----	4	
-16	MS35489-7S	GROMMET -----	2	
-17	S2209-1	STA-STRAP -----	1	
-18	1280509-29	LINE ASSY-GEAR UP HYDRAULIC -----	1	
-19	1280523-6	LINE ASSY-HAND PUMP PRESSURE -----	1	
-20	1280523-5	LINE ASSY-GEAR DOWN HYDRAULIC -----	1	
-21	AN804D4	TEE -----	1	
-22	MS35489-5S	GROMMET -----	1	
A---P210 SERIAL P21000151 THRU P21000760				

P210 Parts Catalog

Hydraulic System (Cont)



P210 SERIAL P21000761 & ON

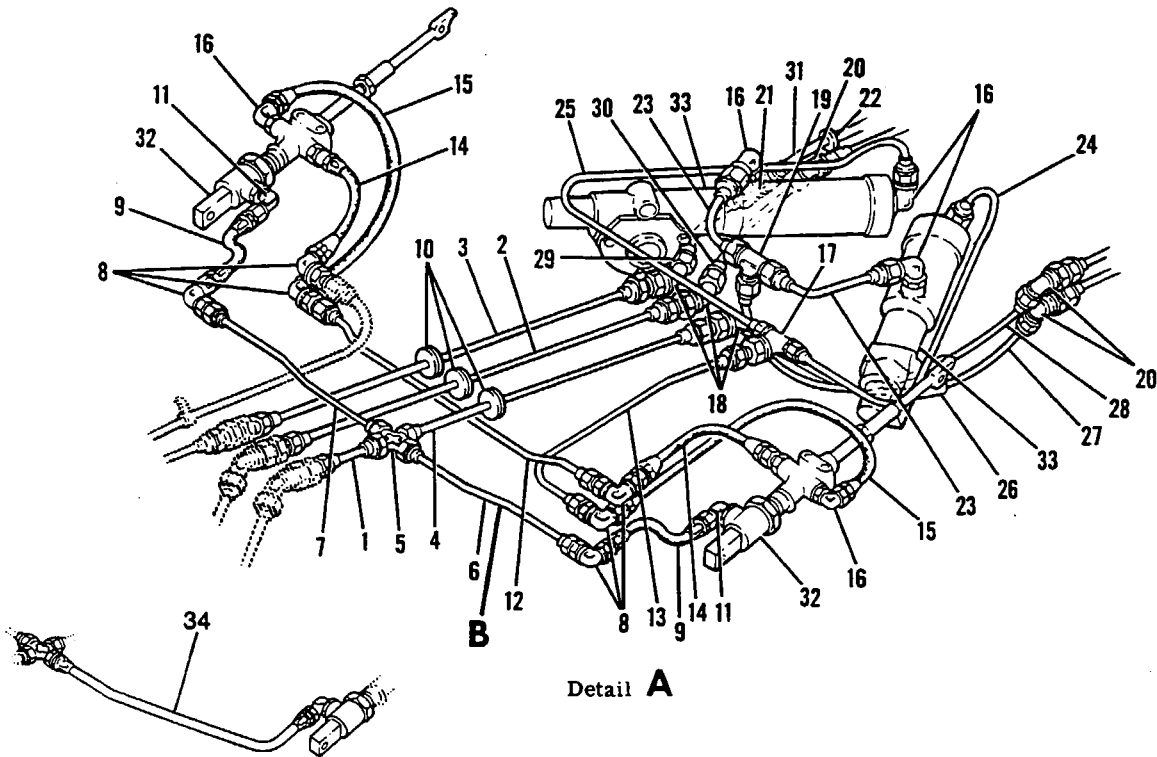
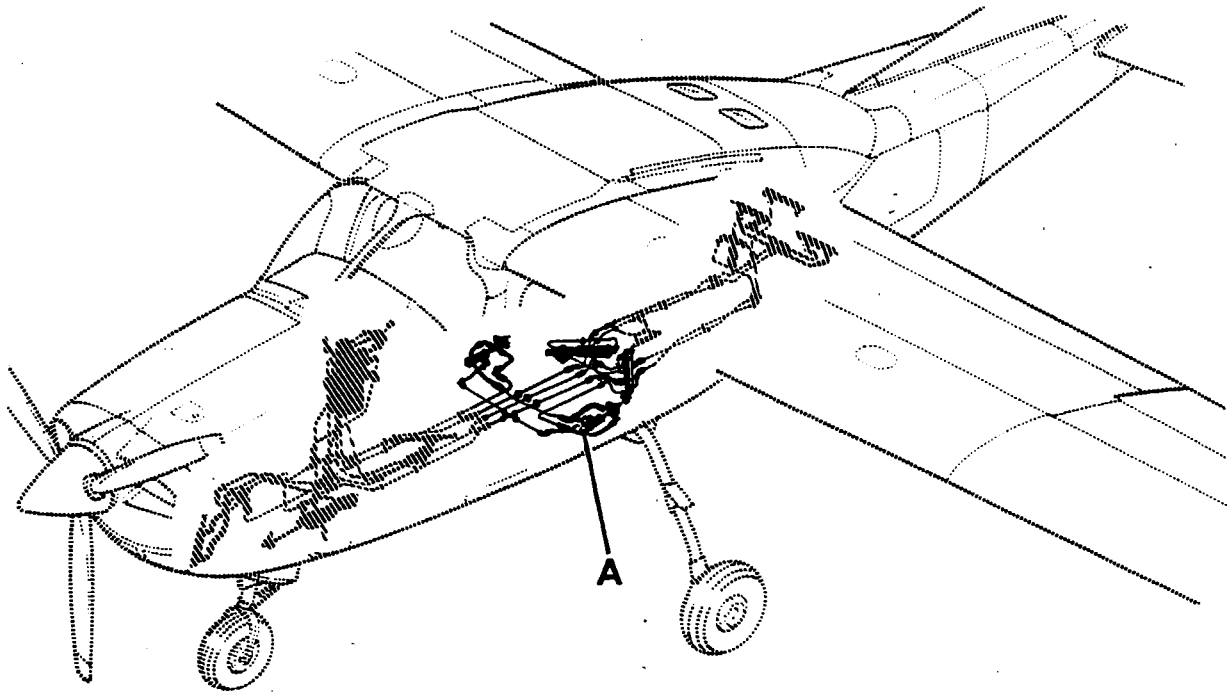
Figure 121B. Hydraulic System STA 18.00 to 44.00

P210 Parts Catalog

FIGURE AND INDEX NO.	PART NUMBER	DESCRIPTION							UNITS PER ASSY	USABLE ON CODE
		1	2	3	4	5	6	7		
121B-		HYDRAULIC SYSTEM-STA 18.00 TO STA 44.00 -----							NP	A
- 1	SEE FIG 119	HAND PUMP ASSY -----							1	
		ATTACHING PARTS -----								
- 2	AN4-16A	BOLT -----							2	
- 3	NAS1149F0463P	WASHER -----							2	
- 4	MS21042L4	NUT -----							2	
		*-----								
- 5	1280121-1	PAN-HAND PUMP -----							1	
		ATTACHING PARTS -----								
- 6	AN509-10R8	SCREW -----							5	
		*-----								
- 7	1280119-1	BOOT ASSY-HAND PUMP -----							1	
		ATTACHING PARTS -----								
- 8	AN509-10R6	SCREW -----							3	
		*-----								
- 9	1280523-12	LINE ASSY-GEAR UP HYDRAULIC -----							1	
-10	S2209-1	STA STRAP -----							1	
-11	MS35489-7	GROMMET -----							3	
-12	1280523-16	LINE ASSY-HAND PUMP SUCTION -----							1	
-13	MS35489-10	GROMMET -----							1	
-14	1280523-22	LINE ASSY-GEAR DOWN HYDRAULIC -----							1	
-15	1280523-18	LINE ASSY-GEAR DOWN HYDRAULIC -----							1	
-16	128523-28	LINE ASSY-HAND PUMP PRESSURE -----							1	
-17	AN837-4D	ELBOW -----							1	
-18	AN924-4D	NUT -----							1	
	NAS1149D0763K	WASHER -----							2	
-19	AN804D4	TEE -----							1	
-20	AN924-4D	NUT -----							1	
	NAS1149D0763K	WASHER -----							2	
-21	AN832-5D	UNION -----							1	
-22	AN924-5D	NUT -----							1	
	NAS1149D0863K	WASHER -----							2	
-23	AN783D4	TEE -----							1	
-24	AN924-4D	NUT -----							1	
	NAS1149D0763K	WASHER -----							2	
-25	AN919-2D	REDUCER -----							1	
	MS28778-4	PACKING -----							1	
-26	AN919-2D	UNION -----							1	
	MS28778-3	PACKING -----							1	
A---P210 SERIAL P21000761 & ON										

P210 Parts Catalog

Hydraulic System (Cont)



Detail B

P210 SERIAL P21000001 THRU P21000150

Figure 122. Hydraulic System - STA 44.00 to 77.00

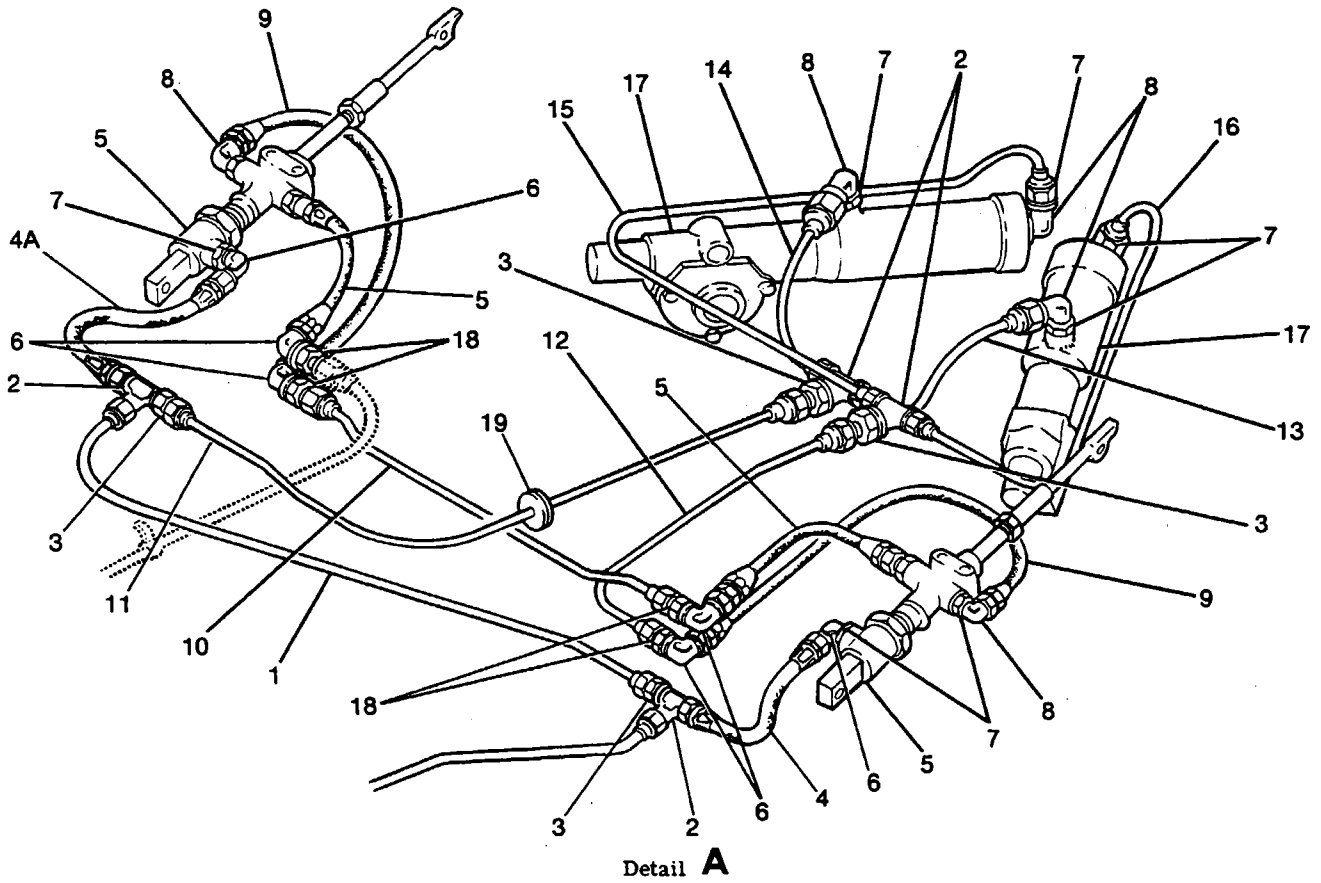
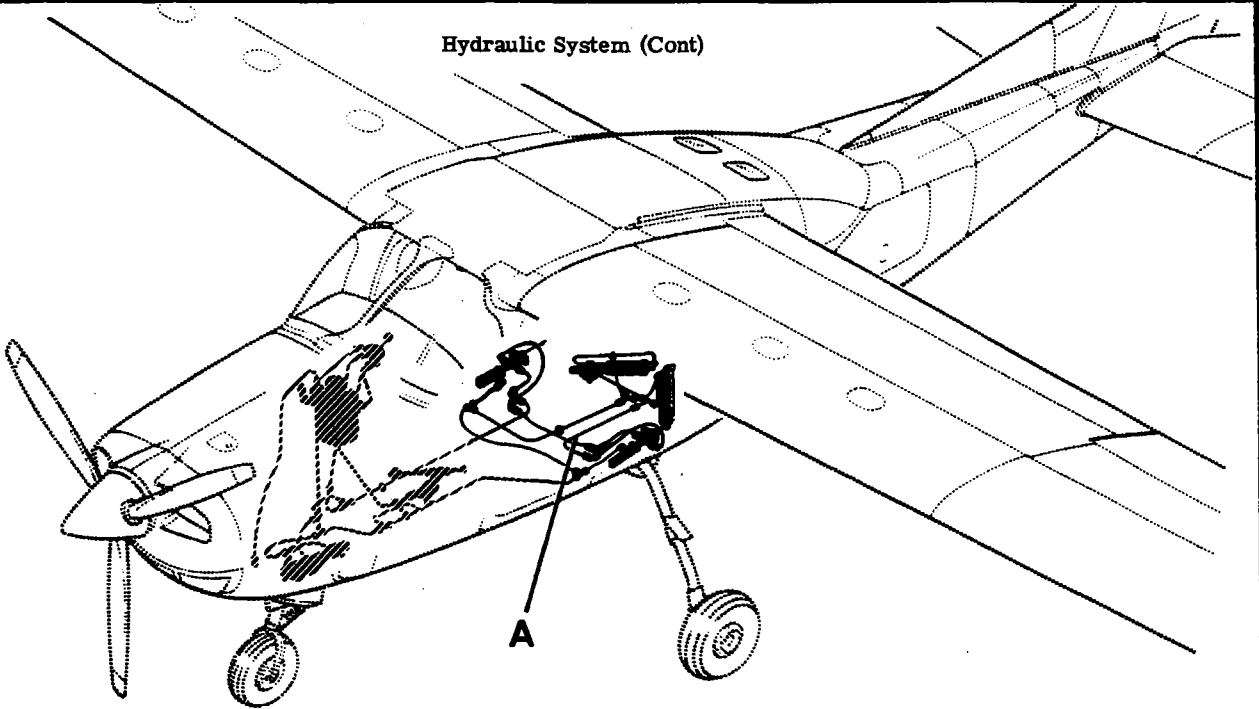
P210 Parts Catalog

FIGURE AND INDEX NO.	PART NUMBER	DESCRIPTION	1 2 3 4 5 6 7							UNITS PER ASSY	USABLE ON CODE
122 -		HYDRAULIC SYSTEM-STA 44.00 TO 77.00 -----								NP	B
- 1	1280509-33	LINE ASSY-GEAR DOWN HYDRAULIC -----								1	
- 2	1280509-60	LINE ASSY-DOOR CLOSE HYDRAULIC -----								1	
- 3	1280509-70	LINE ASSY-DOOR OPEN HYDRAULIC -----								1	
- 4	1280509-56	LINE ASSY-GEAR DOWN HYDRAULIC -----								1	
- 5	AN827-4D	CROSS -----								1	
- 6		LINE ASSY-GEAR DOWN HYDRAULIC FSO S2178-4-0144A -----								NP	
- 7		LINE ASSY-GEAR DOWN HYDRAULIC FSO S2178-4-0144A -----								NP	
- 8	AN833-4D	ELBOW -----								6	
	AN924-4D	NUT -----								6	
	NAS1149D0763K	WASHER -----								12	
- 9		HOSE ASSY FSO S2178-4-0144A -----								NP	
- 10	MS35489-7	GROMMET -----								3	
- 11	AN833-4D	ELBOW -----								2	
	AN924-4D	NUT -----								2	
	MS28778-4	PACKING -----								2	
- 12	1280509-30	LINE ASSY-GEAR UP HYDRAULIC -----								1	
- 13	1280509-3	LINE ASSY-GEAR UP HYDRAULIC -----								1	
- 14	S2178-4-0067A	HOSE ASSY -----								2	A
	SEE FIG 128A	ACTUATOR ASSY-DOWNLOCK -----								2	C
- 15	S2178C4-0150A	HOSE ASSY -----								2	
- 16	AN921-4D	ELBOW -----								6	
	AN924-4D	NUT -----								6	
	MS28778-4	PACKING -----								6	
- 17	AN834-4D	TEE -----								1	
	AN924-4D	NUT -----								1	
	NAS1149D0716K	WASHER -----								2	
- 18	AN837-4D	ELBOW -----								3	
	AN924-4D	NUT -----								3	
	NAS1149D0716K	WASHER -----								6	
- 19	AN924-4D	TEE -----								1	
- 20	AN837-4D	ELBOW -----								3	
	AN924-4D	NUT -----								3	
	NAS1149D0763K	WASHER -----								6	
- 21	AN815-4D	UNION -----								1	
- 22	MS35489-7	GROMMET -----								1	
- 23	1280509-14	LINE ASSY -----								2	
- 24	1280509-5	LINE ASSY-GEAR UP HYDRAULIC -----								1	
- 25	1280509-4	LINE ASSY-GEAR UP HYDRAULIC -----								1	
- 26	0441119	HOSE -----								4	
- 27	1280509-13	LINE ASSY-GEAR DOWN HYDRAULIC -----								1	
- 28	1280509-8	LINE ASSY-GEAR DOWN HYDRAULIC -----								1	
- 29	1280509-73	LINE ASSY-DOOR OPEN HYDRAULIC -----								1	
- 30	1280509-25	LINE ASSY-DOOR CLOSE HYDRAULIC -----								1	
- 31	1280509-68	LINE ASSY-DOOR OPEN HYDRAULIC -----								1	
- 32	SEE FIG 128	ACTUATOR ASSY-DOWNLOCK -----								2	
- 33	SEE FIG 125	ACTUATOR ASSY-MAIN GEAR ROTARY -----								2	
- 34	S2178-4-0144A	HOSE ASSY -----								2	

A---P210 SERIAL P21000001 THRU P21000004
 B---P210 SERIAL P21000001 THRU P21000150
 C---P210 SERIAL P21000005 THRU P21000150

P210 Parts Catalog

Hydraulic System (Cont)



P210 SERIAL P21000151 THRU P21000760

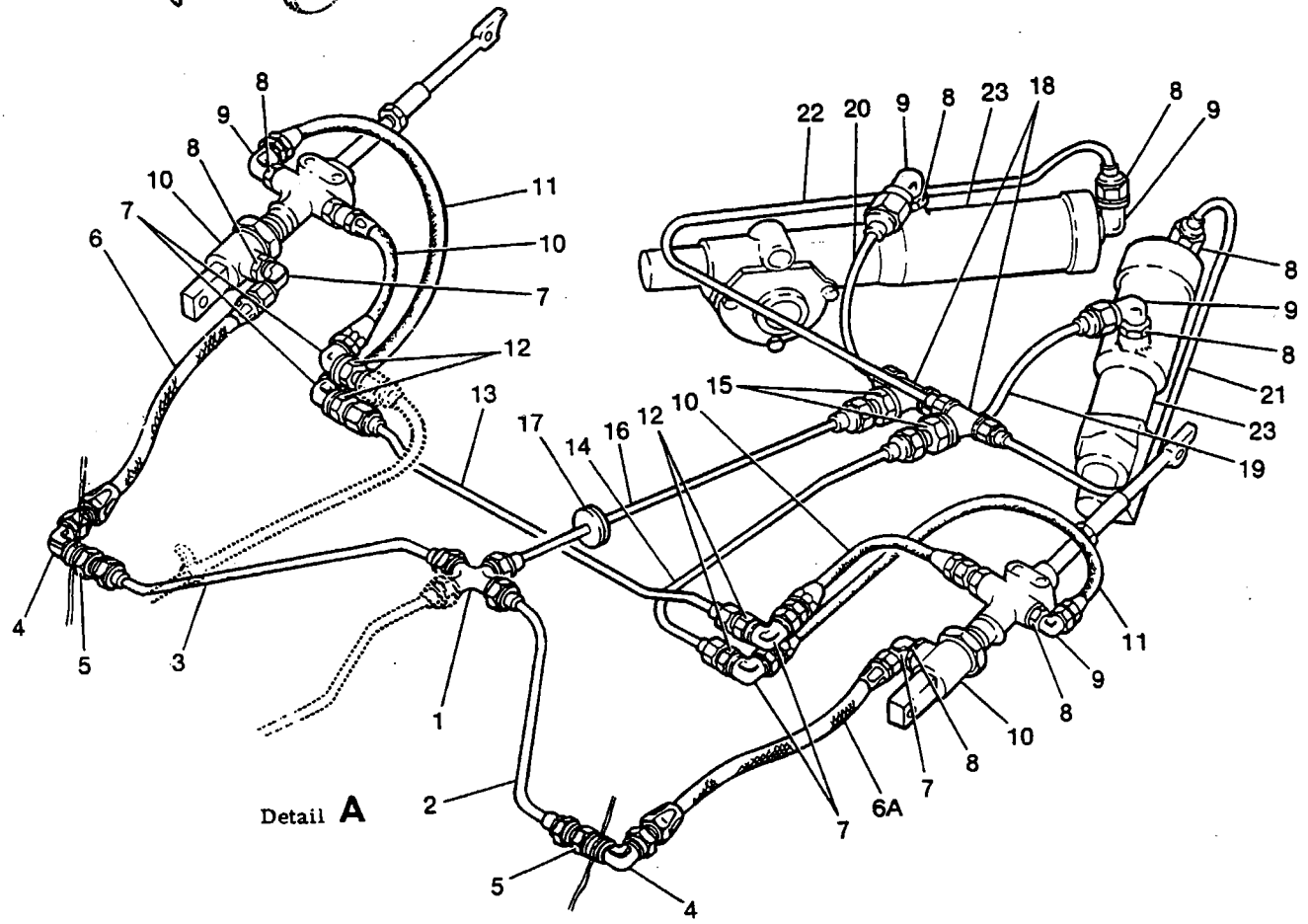
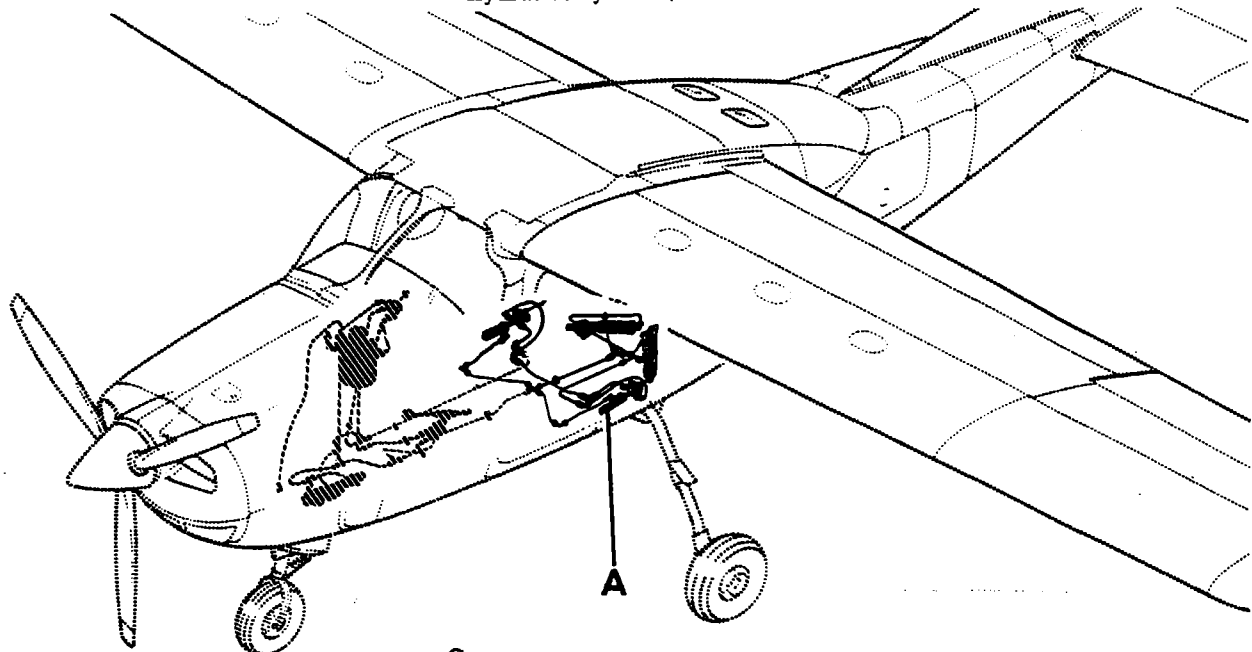
Figure 122A. Hydraulic System - STA 44.00 to 77.00

P210 Parts Catalog

FIGURE AND INDEX NO.	PART NUMBER	DESCRIPTION	UNITS PER ASSY	USABLE ON CODE
		1 2 3 4 5 6 7		
122A-		HYDRAULIC SYSTEM INSTALLATION-STA 44.00 TO STA 77.00 -----	NP	A
- 1	1280523-4	LINE ASSY-GEAR DOWN -----	1	
- 2	AN804D4	TEE -----	4	
- 3	AN924-4D	NUT -----	4	
	NAS1149D0716K	WASHER -----	8	
- 4	S2178-4-0120A	HOSE ASSY -----	1	
- 4A	S2178-4-0140A	HOSE ASSY -----	1	
- 5	SEE FIG 128	ACTUATOR ASSY-DOWNLOCK -----	1	
- 6	AN833-4D	ELBOW -----	2	
- 7	AN924-4D	NUT -----	6	
	MS28778-4	PACKING -----	8	
- 8	AN921-4D	ELBOW -----	8	
- 9	S2178C4-0150A	HOSE ASSY -----	6	
-10	1280509-30	LINE ASSY-GEAR UP -----	2	
-11	1280523-3	LINE ASSY-GEAR DOWN -----	1	
-12	1280509-3	LINE ASSY-GEAR UP -----	1	
-13	1280523-1	LINE ASSY-GEAR DOWN -----	1	
-14	1280523-2	LINE ASSY-GEAR DOWN -----	1	
-15	1280523-4	LINE ASSY-GEAR UP -----	1	
-16	1280523-5	LINE ASSY-GEAR UP -----	1	
-17	SEE FIG 125A	ACTUATOR ASSY-MAIN GEAR -----	1	
-18	AN924-4D	NUT -----	1	
	NAS1149D0763K	WASHER -----	4	
-19	MS35489-7	GROMMET -----	8	
			1	
		A---P210 SERIAL P21000151 THRU P21000760		

P210 Parts Catalog

Hydraulic System (Cont)



P210 SERIAL P2100761 & ON

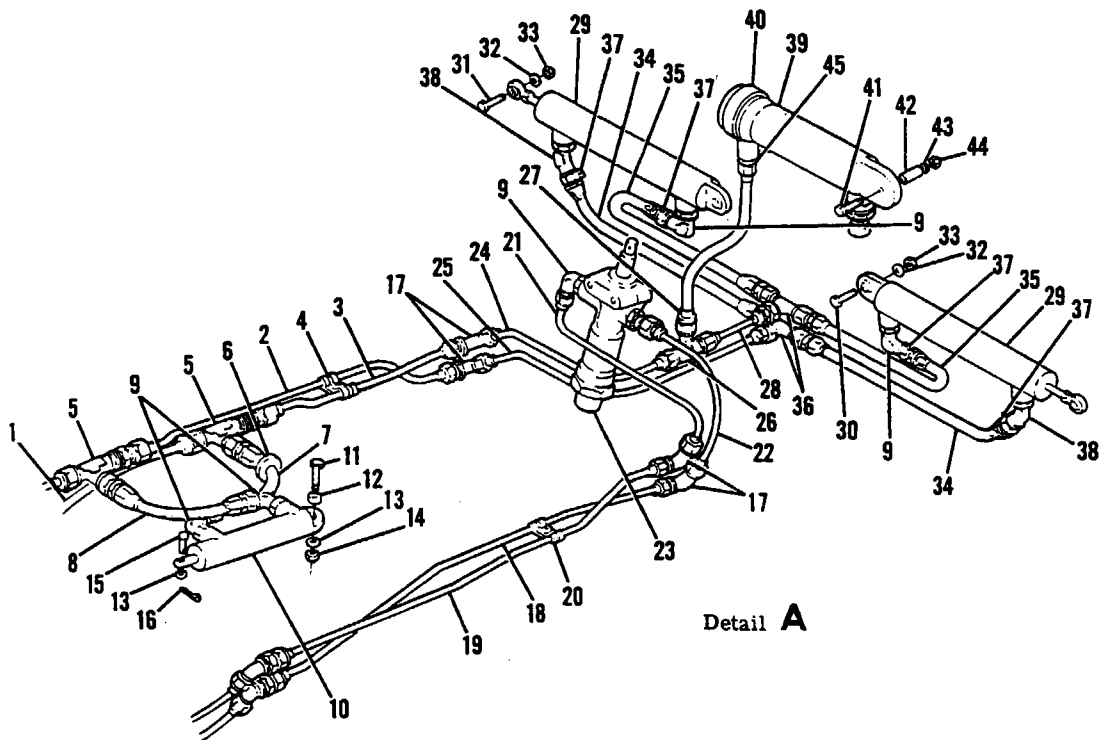
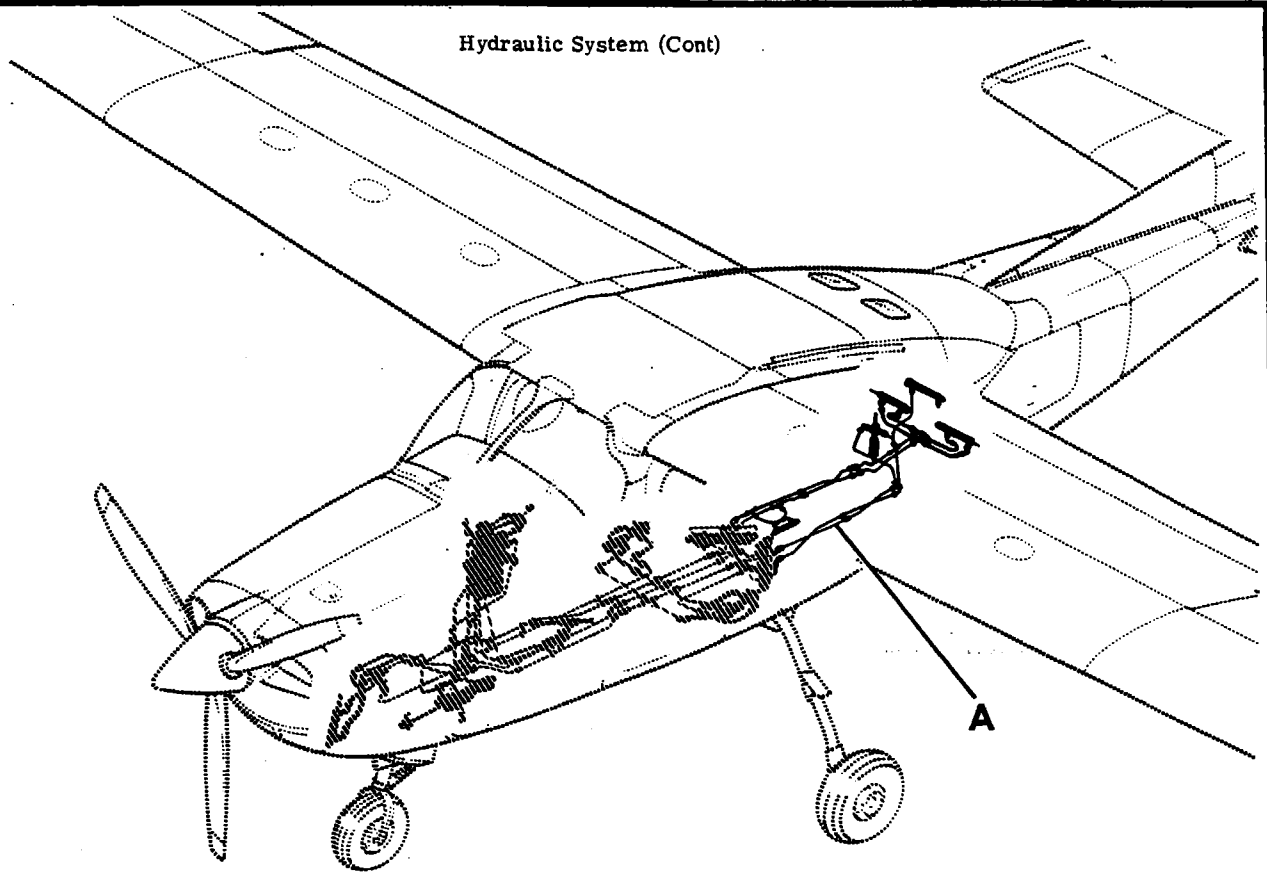
Figure 122B. Hydraulic System STA 44.00 to 77.00

P210 Parts Catalog

FIGURE AND INDEX NO.	PART NUMBER	DESCRIPTION	UNITS PER ASSY	USABLE ON CODE
		1 2 3 4 5 6 7		
122B-		HYDRAULIC SYSTEM-STA 44.00 TO 77.00 -----	NP	A
- 1	AN827-4D	CROSS -----	1	
- 2	1280523-21	LINE ASSY-GEAR DOWN -----	1	
- 3	1280523-20	LINE ASSY-GEAR DOWN -----	1	
- 4	AN833-4D	ELBOW -----	2	
- 5	AN924-4D	NUT -----	2	
	NAS1149D0763K	WASHER -----	4	
- 6	S2178-4-0120	HOSE ASSY-GEAR DOWN -----	1	
- 6A	S2178-4-0086	HOSE ASSY-GEAR DOWN -----	1	
- 7	AN833-4D	ELBOW -----	6	
- 8	AN924-4D	NUT -----	8	
	MS28778-4	PACKING -----	8	
- 9	AN921-4D	ELBOW -----	6	
-10	SEE FIG 128	ACTUATOR ASSY-DOWNLOCK -----	2	
-11	S2178C4-0150	HOSE ASSY-GEAR UP -----	2	
-12	AN924-4D	NUT -----	4	
	NAS1149D0763K	WASHER -----	8	
-13	1280509-30	LINE ASSY-GEAR UP -----	1	
-14	1280509-3	LINE ASSY-GEAR UP -----	1	
-15	AN924-4D	NUT -----	2	
	NAS1149D0716K	WASHER -----	4	
-16	1280523-19	LINE ASSY-GEAR DOWN -----	1	
-17	MS35489-7	GROMMET -----	1	
-18	AN834-4D	TEE -----	2	
-19	1280523-1	LINE ASSY-GEAR DOWN -----	1	
-20	1280523-2	LINE ASSY-GEAR DOWN -----	1	
-21	1280509-5	LINE ASSY-GEAR UP -----	1	
-22	1280509-4	LINE ASSY-GEAR UP -----	1	
-23	SEE FIG 125A	ACTUATOR ASSY-MAIN GEAR -----	2	
		A---P210 SERIAL P21000761 & ON		

P210 Parts Catalog

Hydraulic System (Cont)



P210 SERIAL P21000001 THRU P21000150

Figure 123. Hydraulic System - STA 77.00 to 124.60

P210 Parts Catalog

FIGURE AND INDEX NO.	PART NUMBER	DESCRIPTION							UNITS PER ASSY	USABLE ON CODE
		1	2	3	4	5	6	7		
123		HYDRAULIC SYSTEM-STA 77.00 TO 124.60								
- 1	1280509-7	LINE ASSY-DOOR CLOSE							NP	A
- 2	1280509-69	LINE ASSY-DOOR OPEN							1	
- 3	1280509-71	LINE ASSY-DOOR CLOSE							1	
- 4	MS21919D64	CLAMP							1	
	AN520-10R6	SCREW							1	
	MS21044N3	NUT							1	
- 5	AN804D4	TEE							1	
	AN924-4D	NUT							2	
	NAS1149D0763K	WASHER							2	
- 6	MS35489-45	GROMMET							4	
- 7	S2178-4-0067A	HOSE ASSY							1	
- 8	S2178-4-0074A	HOSE ASSY							1	
- 9	AN921-4D	ELBOW							5	
	AN924-4D	NUT							5	
	MS28778-4	PACKING							5	
-10	SEE FIG 127	ACTUATOR ASSY-MAIN GEAR SPRING DOOR							1	
		ATTACHING PARTS								
-11	AN3-12A	BOLT							1	
-12	NAS75-3-024	BUSHING							1	
-13	NAS1149F0332P	WASHER							2	
-14	MS21044N3	NUT							1	
-15	MS20392-2C27	PIN							1	
-16	MS24665-132	PIN-COTTER							1	
		*---								
-17	AN837-4D	ELBOW							4	
	AN924-4D	NUT							4	
	NAS1149D0763K	WASHER							8	
-18	1280509-9	LINE ASSY-GEAR DOWN							1	
-19	1280509-12	LINE ASSY-GEAR DOWN							1	
-20	MS21919D64	CLAMP							2	
	NAS43DD4-48	SPACER							1	
	AN520-10R14	SCREW							1	
	MS21044N3	NUT							1	
-21	1280509-11	LINE ASSY-GEAR DOWN							1	
-22	1280509-10	LINE ASSY-GEAR DOWN							1	
-23	SEE FIG 129	ACTUATOR ASSY-UNLOCK							1	
		ATTACHING PARTS								
	AN4-15A	BOLT							2	
	NAS1149F0432P	WASHER							2	
		*---								
-24	1280509-76	LINE ASSY-DOOR CLOSE							1	
-25	1280509-79	LINE ASSY-DOOR OPEN							1	
-26	AN824-4D	TEE							1	
-27	1280509-78	LINE ASSY-DOOR CLOSE							1	
-28	1280509-77	LINE ASSY-DOOR CLOSE							1	
-29	SEE FIG 126	ACTUATOR ASSY-MAIN GEAR DOOR							2	
		ATTACHING PARTS								
-30	AN3-13A	BOLT							1	
-31	AN3-11A	BOLT							1	
-32	NAS1149F0332P	WASHER							2	
-33	MS21044N3	NUT							2	
		*---								
-34	S2178-4-0120A	HOSE ASSY							2	
-35	S2178-4-0130A	HOSE ASSY							2	
-36	AN834-4D	TEE							2	
	NAS1149D0763K	WASHER							2	
	AN924-4D	NUT							4	
-37	1280239-1	CLAMP-SAFETY							2	
-38	AN837-4D	ELBOW							2	
	AN924-4D	NUT							2	
	MS28778-4	PACKING							2	
-39	SEE FIG 131	ACCUMULATOR ASSY-DOOR CLOSE							2	
		ATTACHING PARTS								
-40	MS21919D620	CLAMP							1	
	AN520-10R6	SCREW							1	
	MS21044N3	NUT							1	
-41	AN3-12A	BOLT							1	
-42	NAS43DD3-36	SPACER							1	
-43	NAS1149F0332P	WASHER							1	
-44	MS21044N3	NUT							1	
		*---								
-45	AN815-4D	UNION							1	
	MS28778-4	PACKING							1	

A---P210 SERIAL P21000001 THRU P21000150

P210 Parts Catalog

Hydraulic System (Cont)

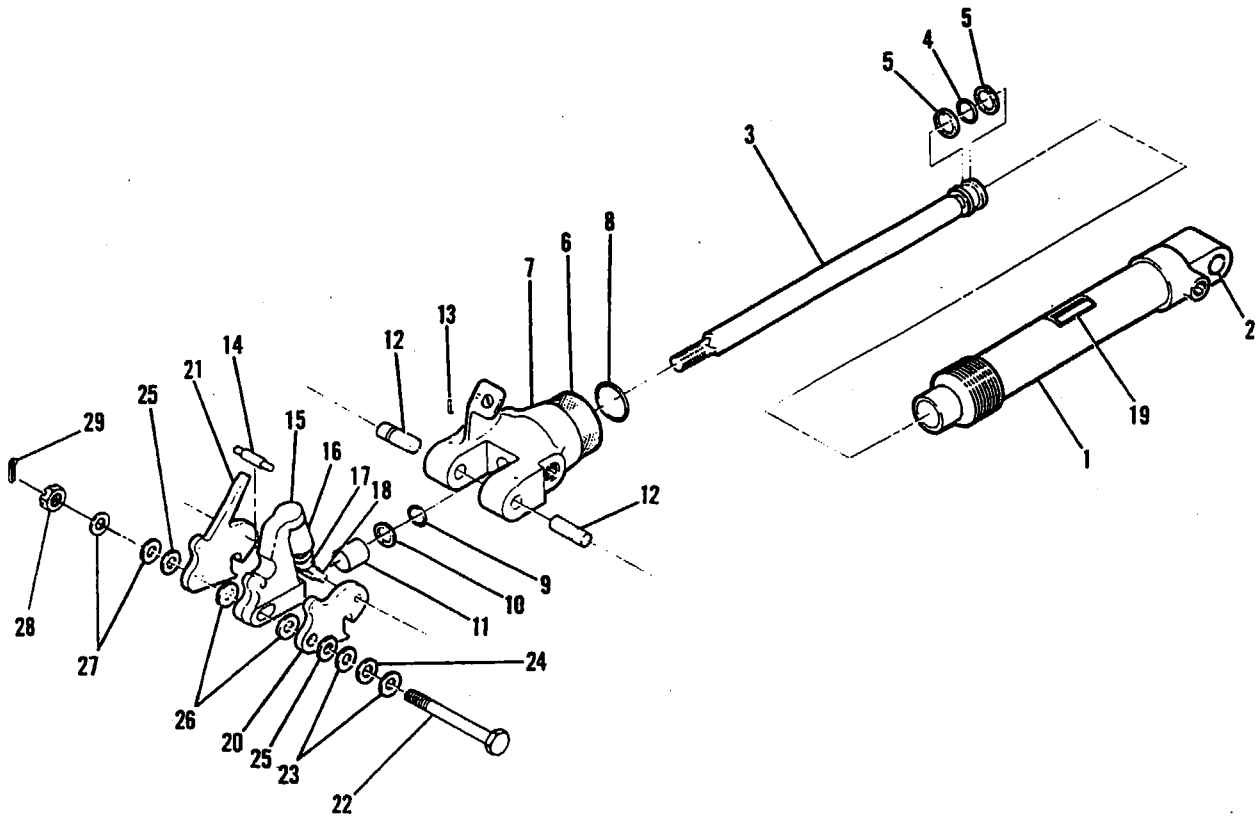


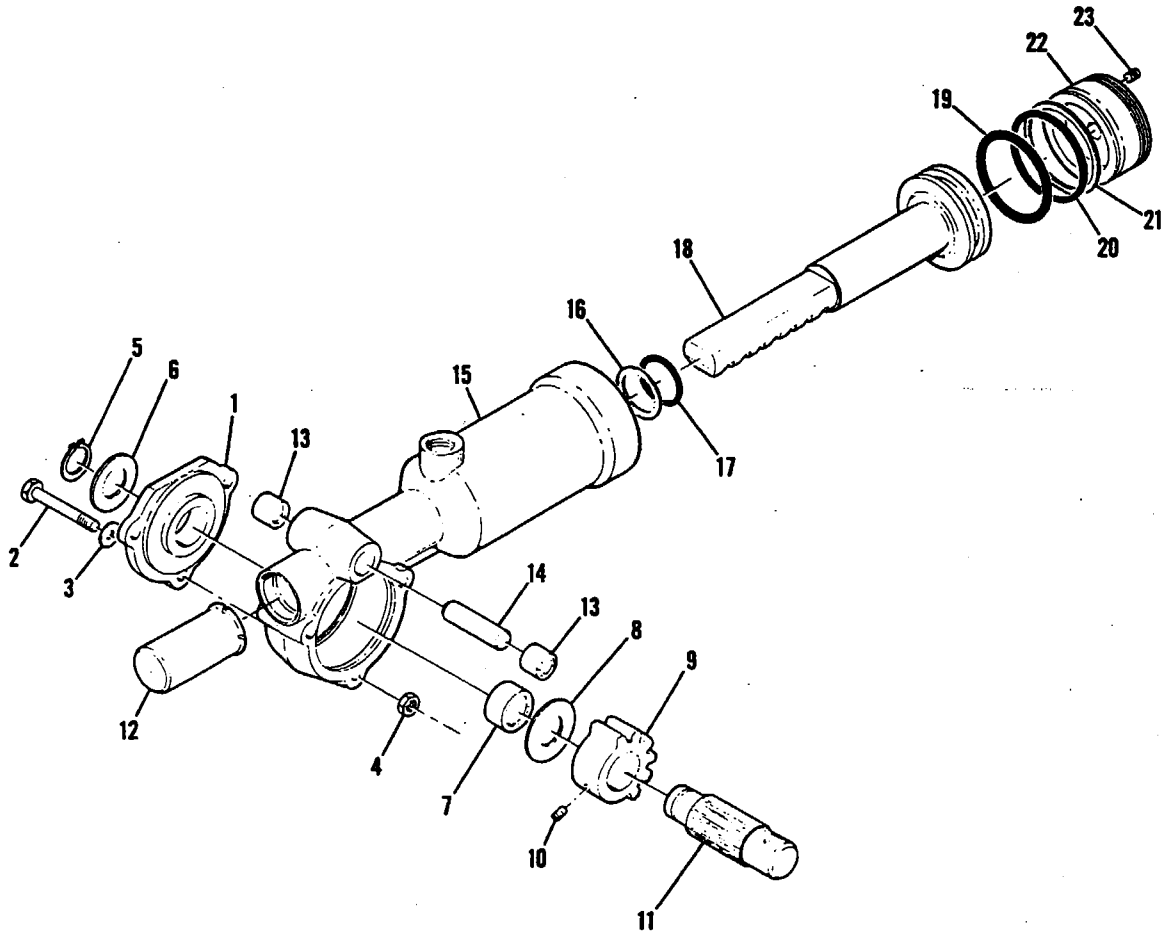
Figure 124. Nose Gear Retraction Actuator Assembly

P210 Parts Catalog

FIGURE AND INDEX NO.	PART NUMBER	DESCRIPTION	UNITS PER ASSY	USABLE ON CODE
			1 2 3 4 5 6 7	
124 -	1280514-1	ACTUATOR ASSY-NOSE GEAR RETRACTION -----	1	A
- 1	9882020-1	ACTUATOR ASSY-NOSE GEAR RETRACTION -----	1	B
	1280240-1	CYLINDER -----	1	B
	1280240-4	CYLINDER -----	1	B
- 2	1280241-4	BUSHING -----	1	B
- 3	1280241-1	PISTON -----	1	A
	1280241-6	PISTON -----	1	B
- 4	MS28775-114	PACKING -----	1	A
	MS28775-210	PACKING -----	1	B
- 5	S1628-114	RING-BACK UP -----	1	A
	S1628-210	RING-BACK UP -----	2	B
- 6	1280241-3	NUT -----	2	A
- 7	1280600-5	BEARING END -----	1	B
	9882021-1	BEARING END -----	1	A
- 8	MS28775-022	PACKING -----	1	B
	MS28775-025	PACKING -----	1	A
- 9	233-11251-964-0190	PACKING 5F573 REF S2800-221 -----	1	B
-10	S1628-112	RING-BACK UP -----	1	
-11	9880506-1	NUT -----	1	
-12	1280209-1	PIN -----	2	
-13	MS16562-18	PIN-ROLL -----	2	
-14	1280210-1	CROSS BAR -----	1	
-15	1280234-3	ROD END WEU 1280234-5 -----	1	C
	1280234-5	ROD END -----	1	D
-16	1280207-1	SHIELD -----	1	
-17	1280231-1	SPRING -----	1	
-18	1280206-1	GUIDE-SPRING WEU 9882024-1 -----	1	E
	9882024-1	GUIDE-SPRING -----	1	F
-19	S2019-7	NAMEPLATE -----	1	A
	S2019-132	NAMEPLATE -----	1	B
	1280514-200	KIT-MATCHED HOOK REPLACEMENT ACTUATOR -----	1	
-20		HOOK-LH -----	NP	
-21		HOOK-RH -----	NP	
-22	1280514-3	BOLT -----	1	
-23	NAS1149F0632P	WASHER -----	2	
-24	NAS1149F0663P	WASHER -----	1	
-25	S2423-1	WASHER -----	2	
-26	S2423-2	WASHER -----	2	
-27	NAS1149F0632P	WASHER -----	2	A
	NAS1149F0632P	WASHER -----	1	B
-28	AN320-6	NUT -----	2	
-29	MS24665-283	COTTER PIN -----	1	
		<p>A---P210 SERIAL P21000001 THRU P21000150</p> <p>B---P210 SERIAL P21000151 & ON</p> <p>C---P210 SERIAL P21000001 THRU P21000398</p> <p>D---P210 SERIAL P21000399 & ON</p> <p>E---P210 SERIAL P21000001 THRU P21000833</p> <p>F---P210 SERIAL P21000834 & ON</p>		

P210 Parts Catalog

Hydraulic System (Cont)



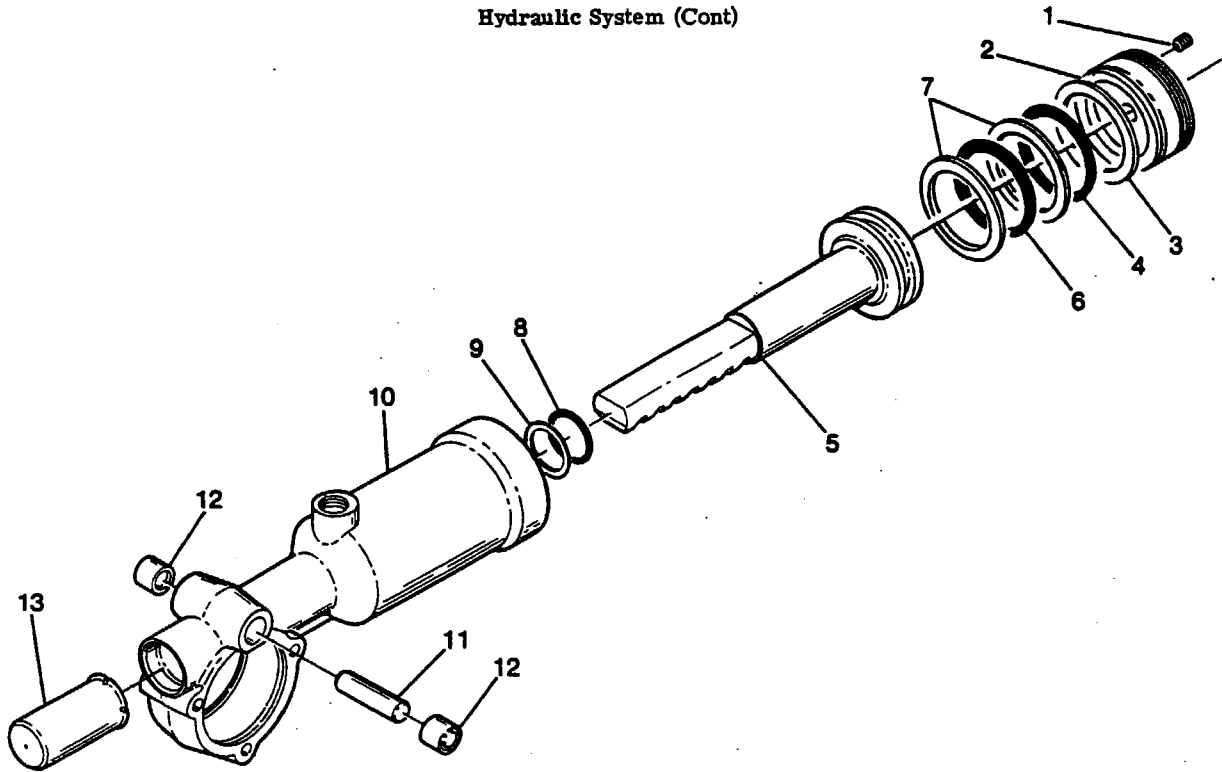
P210 SERIAL P21000001 THRU P21000150
Figure 125. Main Gear Rotary Actuator Assembly

P210 Parts Catalog

FIGURE AND INDEX NO.	PART NUMBER	DESCRIPTION							UNITS PER ASSY	USABLE ON CODE
		1	2	3	4	5	6	7		
125 -	9882000-1	ACTUATOR ASSY-MAIN GEAR ROTARY LH -----							1	A A
- 1	9882000-2	ACTUATOR ASSY-MAIN GEAR ROTARY RH -----							1	
- 1	1281018-1	CAP-ACTUATOR SHAFT -----							1	
		ATTACHING PARTS								
- 2	NAS464P4A29	BOLT -----							3	
- 3	NAS1149F0432P	WASHER -----							3	
- 4	AN316-4R	NUT -----							3	
		*-----								
- 5	MS16624-3075	RETAINER -----							1	
- 6	NAS1149F1232P	WASHER -----							1	
- 7	S1997-12-8	BEARING -----							1	
- 8	S1450-12-24-017	WASHER -----							1	
- 9	1281004-1	SECTOR MAIN GEAR ACTUATOR -----							1	
		ATTACHING PARTS								
-10	MS18065-30	SCREW-SET -----							1	
		*-----								
-11	1281013-1	SHAFT-ACTUATOR -----							1	
-12	1281021-3	CAP-END -----							1	
-13	S1997C7-8	BEARING -----							2	
-14	1281019-1	ROLLER-PISTON -----							1	
-15	1281001-1	BODY-ACTUATOR -----							1	
-16	S1628-214	RING -----							1	
-17	MS28775-214	PACKING -----							1	
-18	9882001-1	PISTON MAIN GEAR ACTUATOR -----							1	
-19	MS28775-328	PACKING -----							1	
-20	MS28775-137	PACKING -----							1	
-21	S1628-137	RING -----							1	
-22	1281037-1	GLAND-END -----							1	
-23	AN565D1032H5	SCREW-SET -----							1	
A---P210 SERIAL P2100001 THRU P21000150										

P210 Parts Catalog

Hydraulic System (Cont)



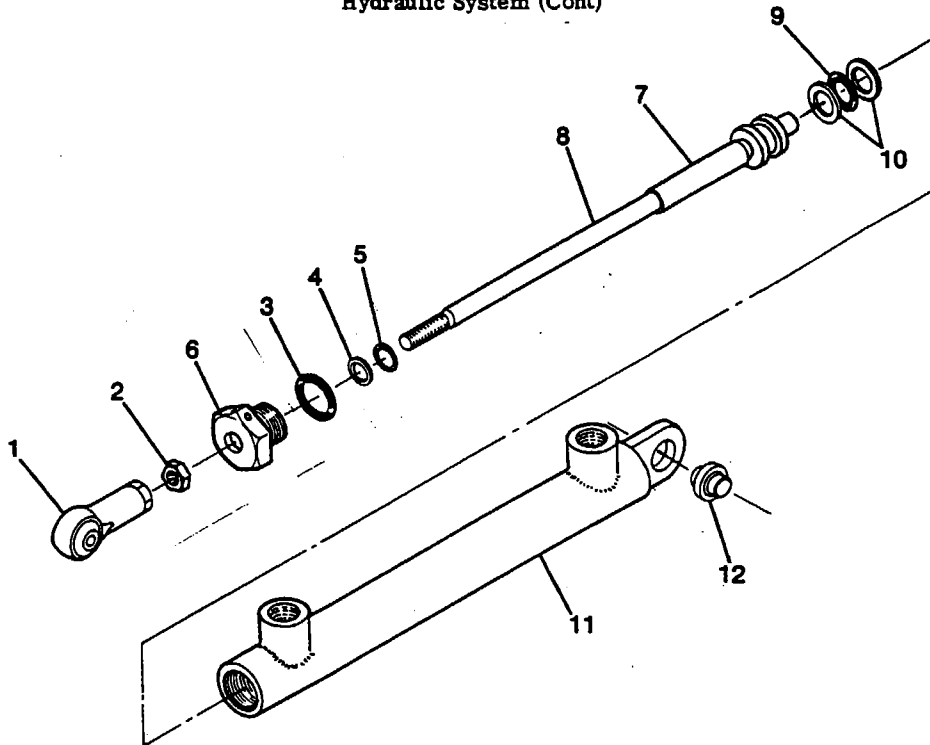
P210 SERIAL P21000151 & ON

Figure 125A. Main Gear Rotary Actuator Assembly

FIGURE AND INDEX NO.	PART NUMBER	DESCRIPTION	UNITS PER ASSY							USABLE ON CODE
			1	2	3	4	5	6	7	
125A-	9882015-2	ACTUATOR ASSY-MAIN GEAR ROTARY	2	1						A
- 1	AN565D1032H5	SCREW-SET	1							
- 2	9882016-1	GLAND-END	1							
- 3	S1628-135	RING-BACK UP	1							
- 4	MS28775-135	PACKING	1							
- 5	9882004-1	PISTON	1							
- 6	MS28775-225	PACKING	1							
- 7	S1628-225	RING-BACK UP	2							
- 8	MS28775-214	PACKING	1							
- 9	S1628-214	RING-BACK UP	1							
-10	1281001-2	BODY-ACTUATOR	1							
-11	1281019-1	ROLLER-PISTON	1							
-12	S1997C7-8	BEARING	2							
-13	1281021-3	CAP	1							
A---P210 SERIAL P21000151 & ON										

P210 Parts Catalog

Hydraulic System (Cont)



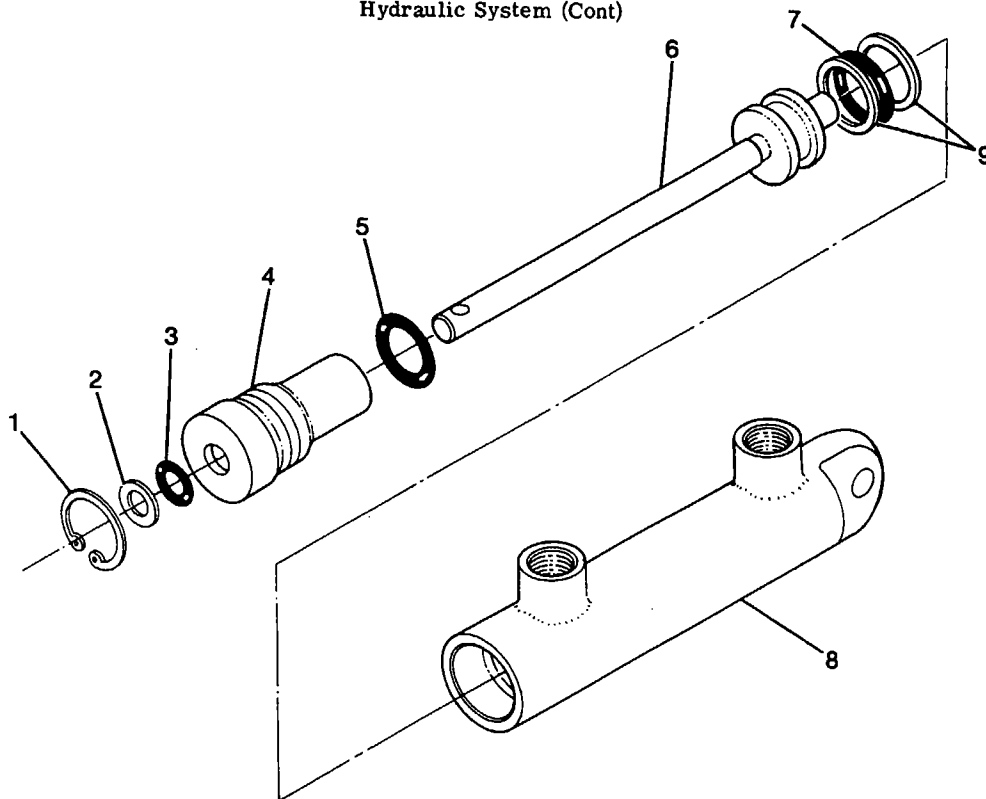
P210 SERIAL P2100001 THRU P21000150

Figure 126. Main Gear Doors & Nose Gear Doors Actuator Assembly

FIGURE AND INDEX NO.	PART NUMBER	DESCRIPTION	UNITS PER ASSY							USABLE ON CODE	
			1	2	3	4	5	6	7		
126 -	9882007-1	ACTUATOR ASSY-MAIN GEAR DOOR -----	1								A A
	9882007-2	ACTUATOR ASSY-NOSE GEAR DOOR -----	1								
- 1	S1819-3	ROD END -----	1								
- 2	AN316-4R	NUT -----	1								
- 3	MS28778-8	PACKING -----	1								
- 4	S1628-011	RING-BACK UP -----	1								
- 5	MS28775-011	O RING -----	1								
- 6	1288129-1	FITTING-END -----	1								
- 7	NAS43005-36	SPACER MAIN GEAR ACTUATOR -----	1								
	NAS43005-118	SPACER NOSE GEAR ACTUATOR -----	1								
- 8	1281031-1	PISTON & ROD MAIN GEAR ACTUATOR -----	1								
	1281031-2	PISTON & ROD NOSE GEAR ACTUATOR -----	1								
- 9	MS28775-111	O RING -----	1								
-10	S1628-111	RING-BACK UP -----	2								
-11	9882006-1	BARREL MAIN GEAR ACTUATOR -----	1								
	9882006-2	BARREL NOSE GEAR ACTUATOR -----	1								
-12	S2009-3	BEARING -----	1								
A---P210 SERIAL P21000001 THRU P21000150											

P210 Parts Catalog

Hydraulic System (Cont)



P210 SERIAL P21000001 THRU P21000150

Figure 127. Main Gear Spring Door Actuator Assembly

FIGURE AND INDEX NO.	PART NUMBER	DESCRIPTION							UNITS PER ASSY	USABLE ON CODE
		1	2	3	4	5	6	7		
127 -	1281029-1	ACTUATOR ASSEMBLY—MAIN GEAR SPRING DOOR -----							1	A
- 1	MS16625-1100								1	
- 2	S1628-110								1	
- 3	MS28775-110								1	
- 4	1281026-1								1	
- 5	MS28775-019								1	
- 6	1281032-1								1	
- 7	MS28775-116								1	
- 8	1281015-1								1	
- 9	S1628-116								2	
		A—P210 SERIAL P21000001 THRU P21000150								

P210 Parts Catalog

Hydraulic System (Cont)

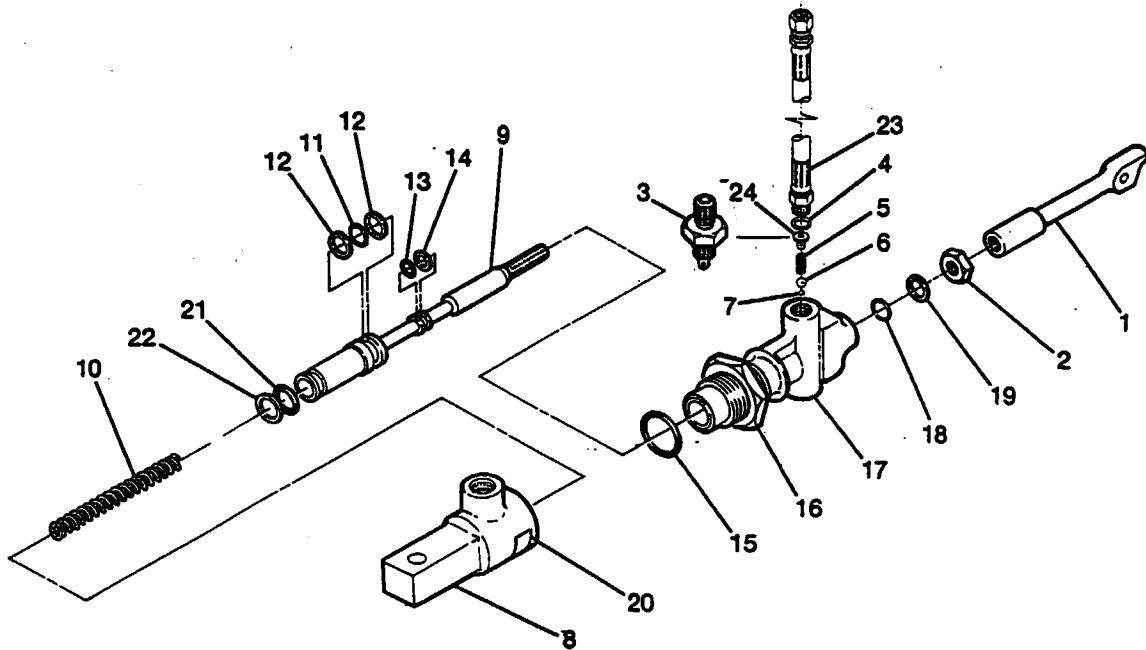


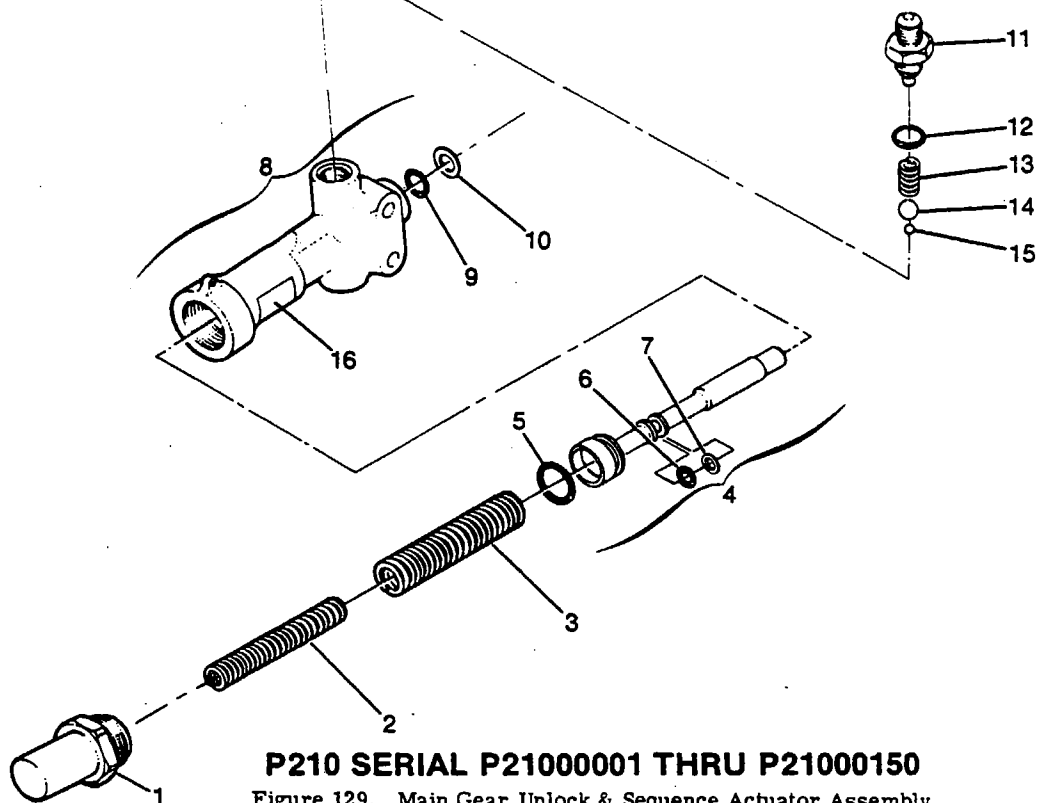
Figure 128. Downlock Actuator Assembly

FIGURE AND INDEX NO.	PART NUMBER	DESCRIPTION							UNITS PER ASSY	USABLE ON CODE
		1	2	3	4	5	6	7		
128 -		ACTUATOR ASSEMBLY-DOWNLOCK FSO 1280120-4							1	A
- 1	1280120-4	ACTUATOR ASSEMBLY-DOWNLOCK							1	B
- 2	AN316-6R	ROD END NUT							1	A
- 3	1280223-1	FITTING							1	
- 4	MS28778-4	PACKING							1	
- 5	1280222-2	SPRING							1	
- 6	S272-9	BALL							1	
- 7	S272-5	BALL							1	
- 8	1280120-2	FITTING-END							1	
- 9	1280120-3	PISTON							1	
- 10	1280122-1	SPRING							1	
- 11	MS28775-113	PACKING							1	
- 12	MS28774-113	RING-BACK UP							2	
- 13	MS28775-011	PACKING							1	
- 14	MS28774-011	RING-BACK UP							1	
- 15	MS28775-021	PACKING							1	
- 16	1280246-1	NUT							1	
- 17	1280243-2	VALVE BODY-DOWNLOCK ACTUATOR							1	
- 18	MS28775-111	PACKING							1	
- 19	S1628-111	RING-BACK UP							1	
- 20	S2019-26	NAMEPLATE							1	
- 21	233-11251-964-0190	PACKING 5F573 REF S2800-221							1	
- 22	MS28774-112	RING-BACK UP							1	
- 23	9880507-2	VALVE ASSY-HOSE							1	B
- 24	9851048-2	GUIDE-SPRING							1	B

A---P210 SERIAL P21000001 THRU P21000004
 B---P210 SERIAL P21000005 & ON

P210 Parts Catalog

Hydraulic System (Cont)

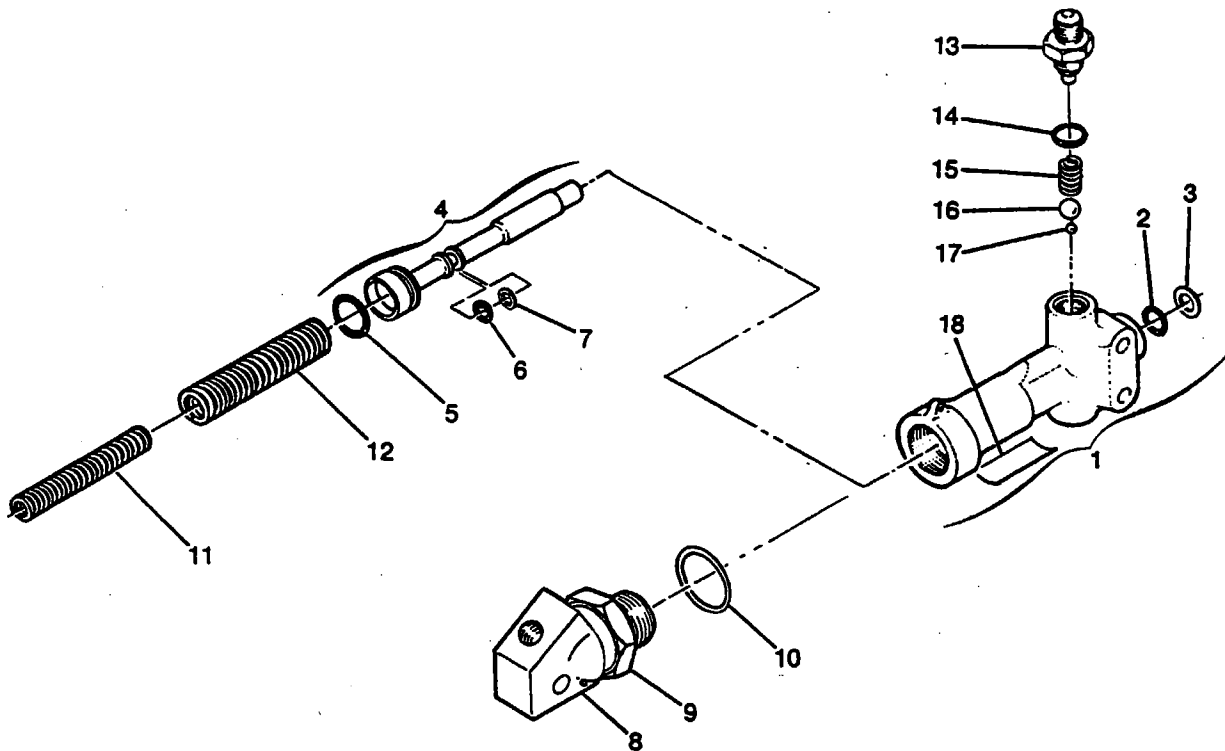


P210 SERIAL P2100001 THRU P21000150
Figure 129. Main Gear Unlock & Sequence Actuator Assembly

FIGURE AND INDEX NO.	PART NUMBER	DESCRIPTION	1 2 3 4 5 6 7							UNITS PER ASSY	USABLE ON CODE
129 -	1280504-2	ACTUATOR ASSY-MAIN GEAR UNLOCK & SEQUENCE								2	A
- 1	1280611-1	PLUG								1	
- 2	1280222-3	SPRING-INNER								1	
- 3	1280222-1	SPRING-OUTER								1	
- 4	1280504-201	PISTON & ROD ASSY								1	
- 5	MS28775-113	PACKING								1	
- 6	MS28775-010	PACKING								1	
- 7	S1628-010	RING-BACK UP								1	
- 8	1280504-200	BARREL & VALVE BODY ASSY								1	
- 9	MS28775-110	PACKING								1	
- 10	S1628-110	RING-BACK UP								1	
- 11	1280223-1	FITTING ASSY								1	
- 12	MS28778-4	PACKING								1	
- 13	1280222-2	SPRING								1	
- 14	S272-9	BALL								1	
- 15	S272-5	BALL								1	
- 16	S2019-9	NAMEPLATE								1	
A---P210 SERIAL P21000001 THRU P21000150											

P210 Parts Catalog

Hydraulic System (Cont)

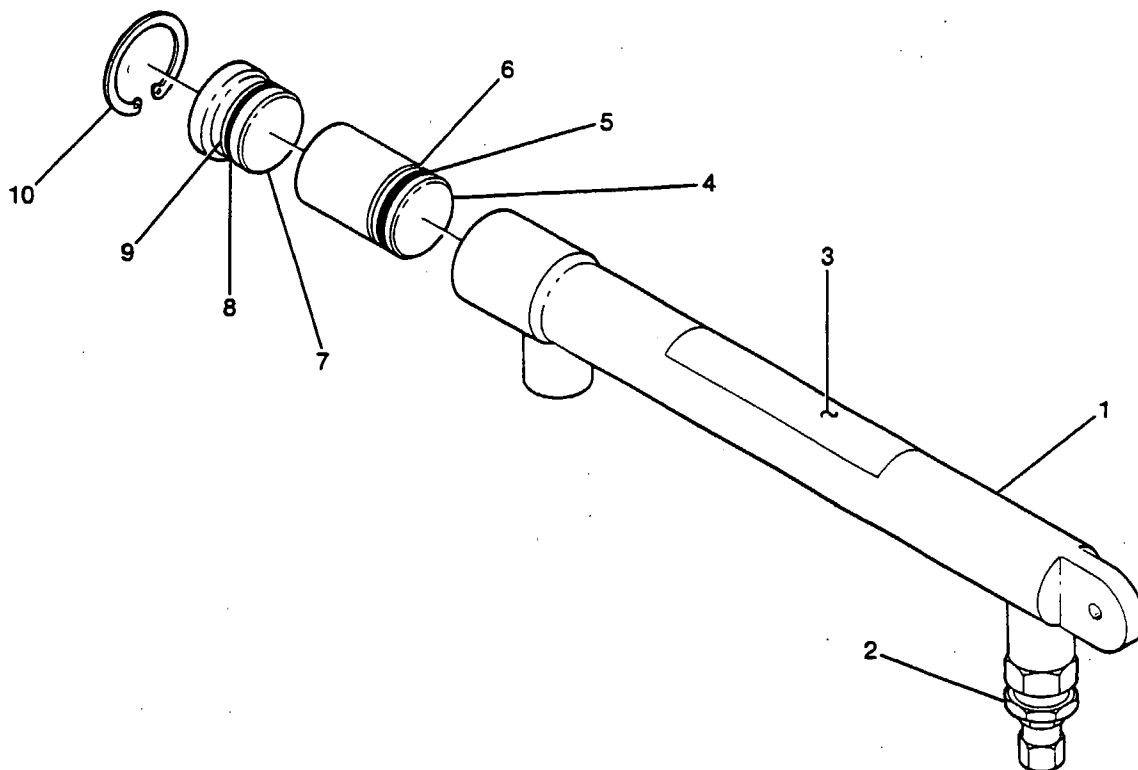


P210 SERIAL P2100001 THRU P21000150
 Figure 130. Nose Gear Unlock & Sequence Actuator Assembly

FIGURE AND INDEX NO.	PART NUMBER	DESCRIPTION	UNITS PER ASSY							USABLE ON CODE
			1	2	3	4	5	6	7	
130 -	1280504-3	ACTUATOR ASSY-UNLOCK & SEQUENCE NOSE GEAR	1							A
- 1	1280504-200	BARREL & VALVE BODY ASSY	1							
- 2	MS28775-110	PACKING	1							
- 3	S1628-118	RING-BACKUP	1							
- 4	1280504-201	PISTON & ROD ASSY	1							
- 5	MS28775-113	PACKING	1							
- 6	MS28775-010	PACKING	1							
- 7	S1628-010	RING-BACKUP	1							
- 8	1580011-1	FITTING-END	1							
- 9	AN924-100	NUT	1							
- 10	MS28778-10	PACKING	1							
- 11	1280222-3	SPRING-INNER	1							
- 12	1280222-1	SPRING-OUTER	1							
- 13	1280223-1	FITTING ASSY	1							
- 14	MS28778-4	PACKING	1							
- 15	1280222-2	SPRING	1							
- 16	S272-9	BALL	1							
- 17	S272-5	BALL	1							
- 18	S2019-10	NAMEPLATE	1							
A---P210 SERIAL P21000001 THRU P21000150										

P210 Parts Catalog

Hydraulic System (Cont)



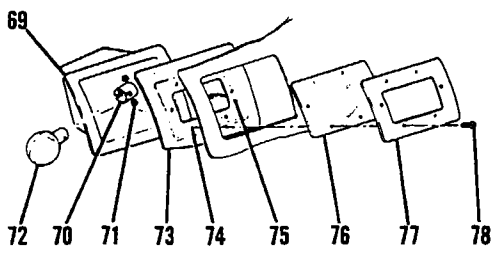
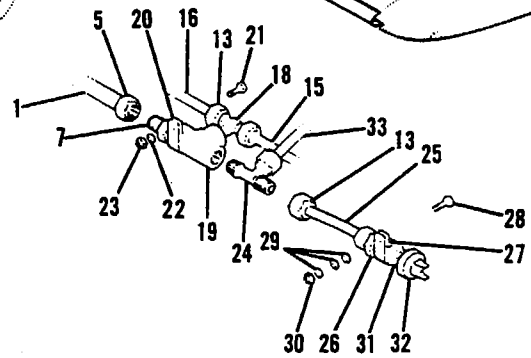
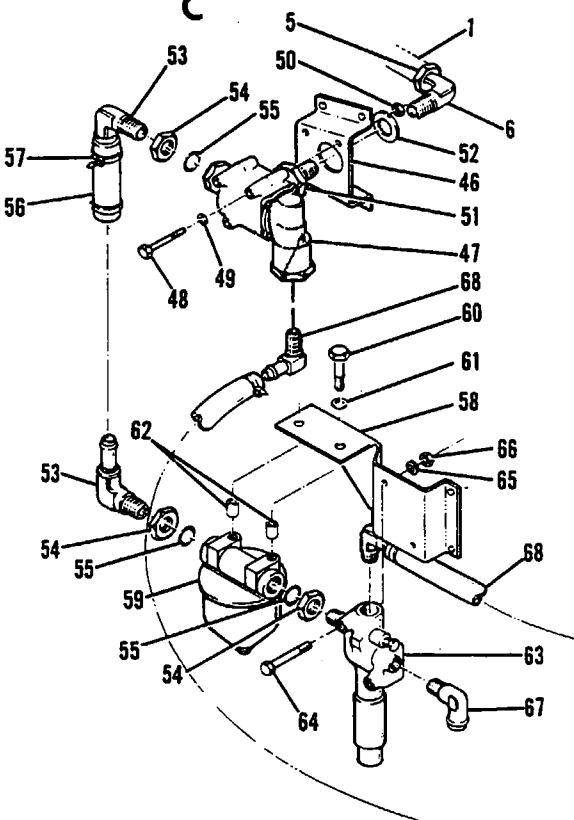
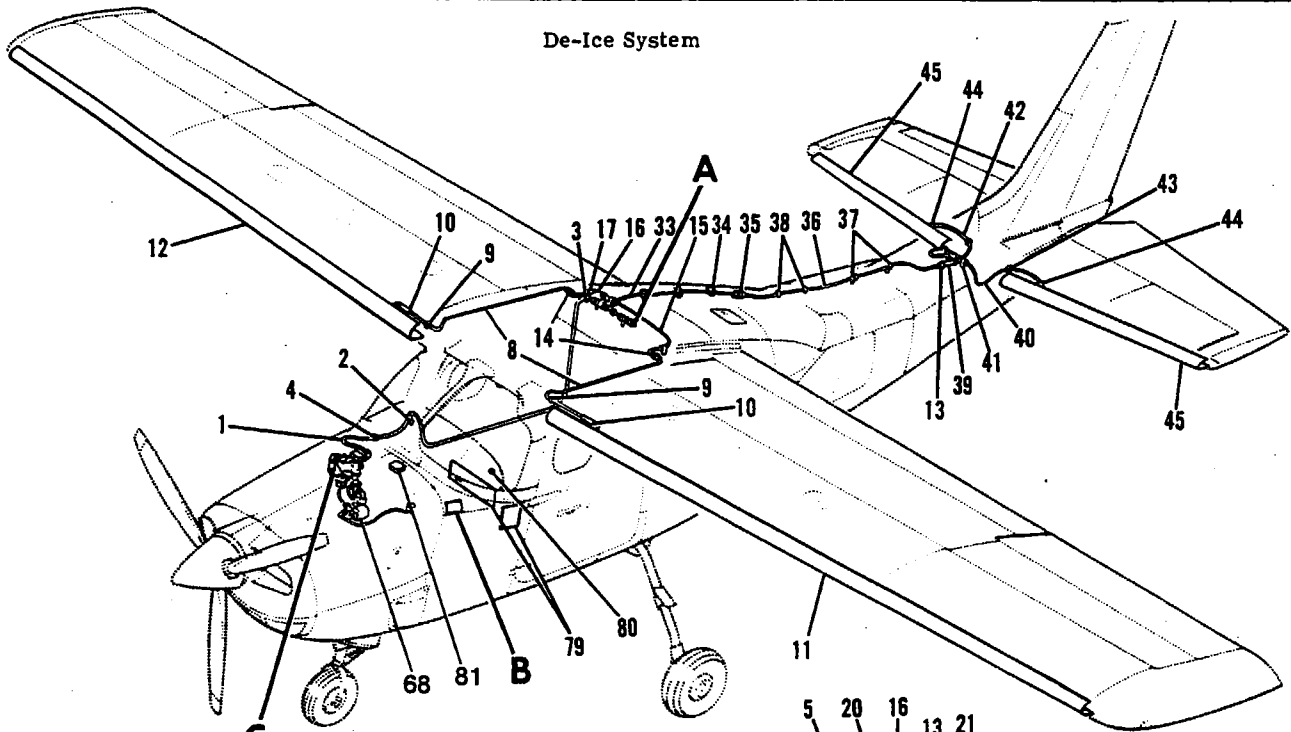
P210 SERIAL P2100001 THRU P21000150

Figure 131. Accumulator Assembly - Door Close

FIGURE AND INDEX NO.	PART NUMBER	DESCRIPTION							UNITS PER ASSY	USABLE ON CODE
		1	2	3	4	5	6	7		
131 -	1281033-1	ACCUMULATOR ASSY-DOOR CLOSE -----							1	A
- 1	1281034-1	CYLINDER-ACCUMULATOR -----							1	
- 2	MS28889-2	VALVE-AIR ACCUMULATOR -----							1	
- 3	SEE FIG 2	PLACARD-LANDING GEAR WARNING -----							1	
- 4	1281035-1	PISTON -----							1	
- 5	MS28775-210	PACKING -----							1	
- 6	S1628-210	BACK UP -----							2	
- 7	1281036-1	GLAND -----							1	
- 8	MS28775-020	PACKING -----							1	
- 9	S1628-020	BACK UP -----							1	
- 10	MS16625-1106	RING-RETAINER -----							1	
		A---P210 SERIAL P2100001 THRU P21000150								

P210 Parts Catalog

De-Ice System



Detail C

Detail A

Detail B

P210 SERIAL P2100001 THRU P21000119

Figure 132. De-Ice System - Wing & Stabilizer

P210 Parts Catalog

FIGURE AND INDEX NO.	PART NUMBER	DESCRIPTION							UNITS PER ASSY	USABLE ON CODE
		1	2	3	4	5	6	7		
132 -		DE-ICE SYSTEM-WING & STABILIZER -----								
- 1	S1071-4	LINE	*	IN	LG	BKI			NP	B
		ATTACHING PARTS -----							1	
- 2	AN742D8	CLAMP							1	
- 3	MS21919D68	CLAMP							1	
		-----*								
- 4	S1291-9	GROMMET							1	
- 5	S1130-4	NUT							2	
	S1131-4	INSERT							2	
- 6	S2071-2	ELBOW							1	
- 7	S1133-6	CONNECTOR							2	
- 8	S1071-3	LINE	61.00	IN	LG	BKI			1	
- 9	MS35489-11	GROMMET							2	
-10	332154	COUPLING				APC			2	
	332280	INSERT			PLASTIC TUBE		APC		2	
	332281	INSERT			ALUMINUM TUBE		APC		2	
-11	23S2038-6-1	BOOT-DE-ICER	LH			GD			2	
-12	23S2038-5-2	BOOT-DE-ICER	RH			GD			1	
-13	S1130-3	NUT							1	
	S1131-3	INSERT							14	
-14	S1134-3	UNION							14	
	S2071-3	ELBOW							2	
	NAS1149F0932P	WASHER							1	
	S1133-4	CONNECTOR							2	
-15	S1071-3	LINE-LH	30.00	IN	LG	BKI			1	
-16	S1071-3	LINE-RH	20.00	IN	LG	BKI			1	
		ATTACHING PARTS -----							1	
-17	S1486DG6U	CLAMP							1	
	S1021Z8-10	SCREW							1	
		-----*								
-18	S1138-5	TEE							1	
-19	AN917-3D	TEE							1	
		ATTACHING PARTS -----							1	
-20	AN742D14	CLAMP							1	
-21	AN3-4-A	BOLT							1	
-22	NAS1149F0363P	WASHER							1	
-23	MS21044N3	NUT							1	
		-----*								
-24	S1139-5	TEE							1	
-25	S1071-3	LINE	2.0	IN	LG	BKI			1	
-26	S1481-3	COUPLING							1	
		ATTACHING PARTS -----							1	
-27	AN742D**	CLAMP							1	
-28	AN3-5A	BOLT							1	
-29	NAS1149F0363P	WASHER							1	
-30	MS21044N3	NUT							1	
		-----*								
-31	AN912-1D	BUSHING							1	
-32	1D1194-1	SWITCH				GD			1	
-33	S1071-3	LINE	54.0	IN	LG	BKI			1	
-34	S1050-1	GROMMET	*	IN	LG	BKI			1	
-35	S1134-3	UNION							3	
-36	S1071-3	LINE	80.0	IN	LG	BKI			1	
		ATTACHING PARTS -----							1	
-37	S1155-6	CLAMP							2	
	S1153-1	BRACKET							2	
	S1021A8-6	SCREW							4	
		-----*								
-38	NAS557-8A	GROMMET							2	
-39	S1137-3	TEE							1	
-40	S1071-3	LINE-LH	36.0	IN	LG	BKI			1	
		ATTACHING PARTS -----							1	
-41	S1155-6	CLAMP							2	
	S1021Z8-8	SCREW							2	
	NAS446-4-3	NUT							2	
		-----*								
-42	S1071-3	LINE-RH	24.0	IN	LG	BKI			1	
-43	MS35489-11	GROMMET							2	
-44	332154	COUPLING				APC			2	
	332280	INSERT-PLASTIC TUBE					APC		2	
	332281	INSERT-ALUMINUM TUBE					APC		2	
-45	23S2038-3-1	BOOT-DE-ICER				GD			2	
-46	1253048-1	BRACKET-SUPPORT							1	

CONTINUED ON NEXT PAGE

P210 Parts Catalog

FIGURE AND INDEX NO.	PART NUMBER	DESCRIPTION	UNITS PER ASSY	USABLE ON CODE
		1 2 3 4 5 6 7		
132 -47	3D1549-02A-3	VALVE-SHUTTLE GD ----- ATTACHING PARTS -----	1	
-48	AN3-21A	BOLT -----	3	
-49	NAS1149F0332P	WASHER -----	3	
-50	MS21044N3	NUT -----	3	
		*-----		
-51	S1855-1	NIPPLE -----	1	
-52	S354-3	GROMMET -----	1	
-53	AN838-10D	ELBOW -----	2	
-54	AN924-10D	NUT -----	3	
-55	MS28778-10	O-RING -----	3	
-56	S1495-8	HOSE 3.00 IN LG BKI -----	1	
-57	S2209-2	STRAP-STAY -----	2	
-58	1253047-1	SUPPORT -----	1	
-59	3D1541	FILTER-DE-ICE GD ----- ATTACHING PARTS -----	1	
-60	AN4H10A	BOLT -----	2	
-61	NAS1149F0432P	WASHER -----	2	
-62	NAS43004-32	SPACER -----	2	
		*-----		
-63	3D1542-03	VALVE-CONTROL GD ----- ATTACHING PARTS -----	1	
-64	AN3-20A	BOLT -----	2	
-65	NAS1149F0332P	WASHER -----	2	
-66	MS21044N3	NUT -----	2	
		*-----		
-67	AN842-10D	ELBOW -----	1	
-68	SEE FIG 113	VACUUM SYSTEM INSTALLATION -----	1	
-69	1201114-6	ICE DETECTOR LIGHT INSTALLATION -----	NP	
-70	S1927-3	BRACKET ASSY -----	1	
		SOCKET-LAMP -----	1	
		ATTACHING PARTS -----		
-71	AN515-6R6	SCREW -----	2	
	NAS1149FN616P	WASHER -----	2	
	MS21044N06	NUT -----	2	
		*-----		
-72	MS25338-7079	BULB-WING DE-ICE -----	1	
-73	2101008-1	DOUBLER ASSY-LENS -----	1	
-74	S2031-1	NUTPLATE -----	6	
-75	NAS1149FN332P	WASHER -----	1	
-76	2101007-1	LENS -----	1	
-77	2101006-1	COVER-LENS -----	1	
		ATTACHING PARTS -----		
-78	AN507-632R7	SCREW -----	6	
		*-----		
-79		SWITCH & C/B SEE SWITCH & CIRCUIT BREAKER PANEL -----	1	
-80		DE-ICE PRESSURE LIGHT SEE INSTRUMENT PANEL -----	1	
-81	3D2495-02	TIMER-DE-ICE GDA -----	1	
		ATTACHING PARTS -----		
	AN520-8R8	SCREW -----	2	
	NAS1149F0363P	WASHER -----	2	
	MS21044N3	NUT -----	2	
		*-----		
NOTE. *LENGTH TO BE DETERMINED LATER				
NOTE. @WHEN ORDERING SPARES FOR AIRCRAFT PRIOR TO P21000099 ORDER PARTS MARKED % INSTEAD OF UNION				
A---P210 SERIAL P21000099 THRU P21000119				
B---P210 SERIAL P21000001 THRU P21000119				

P210 Parts Catalog

FIGURE AND INDEX NO.	PART NUMBER		DESCRIPTION							UNITS PER ASSY	USABLE ON CODE
			1	2	3	4	5	6	7		
132A-			DE-ICE SYSTEM-WING, STABILIZER & VERTICAL TAIL							NP	
- 1	5D5101-5	%	DE-ICER-VERTICAL FIN GDA							1	A
- 2	S1071-4		LINE 62.00 IN LG BKI							1	B
			ATTACHING PARTS								
- 3	NAS397-8		CLAMP							2	
- 4	MS21919DG8		CLAMP							1	

- 4A	S1495-6		HOSE 2.00 IN LG BKI							7	C
- 4B	2110043-17		TUBE							7	C
			ATTACHING PARTS								
- 4C	S1891-8		CLAMP							2	C

- 5	S1071-6		SLEEVE 28.00 IN LG BKI							1	B
- 6	S1050-1		GROMMET 3.92 IN LG BKI							10	B
- 7	S1050-1		GROMMET 2.20 IN LG BKI							1	B
- 8	MS35489-14		GROMMET							2	B
- 9	2110037-7		CROSS ASSY USED WITH VERTICAL FIN DE-ICE							1	B
	2110037-8		CROSS ASSY USED WITHOUT VERTICAL FIN DE-ICE							1	
-10	1D1194-1	%	PRESSURE SWITCH GDA							1	
-11	S1071-4		LINE 30.00 IN LG BKI							3	
			ATTACHING PARTS							1	
-12	NAS397-8		CLAMP							2	

-13	S1071-4		LINE 36.00 IN LG BKI							1	
			ATTACHING PARTS								
-14	NAS397-8		CLAMP							2	
-15	S1155-8		CLAMP							2	
-16	S1021Z8-8		SCREW							2	
-17	NAS446-4-3		NUT							2	

-18	25S5D5101-04	%	DE-ICE BOOT-RH GDA							1	
-19	25S5D5101-03	%	DE-ICE BOOT-LH GDA							1	
-20	S1071-6		LINE 25.00 IN LG BKI							1	
			ATTACHING PARTS								
-21	S1494-12		CLAMP							2	
-22	S1155-12		CLAMP							1	
	S1021A8-6		SCREW							2	
	S1153-1		BRACKET							1	

-23	3D2357-01	%	VALVE-FLOW GDA							1	
			ATTACHING PARTS								
-23A	AN3-7		BOLT							2	

-23B	2110045-1		BRACKET ASSY							1	E
	2110045-3		BRACKET ASSY							1	D
-23C	NAS680A3		NUTPLATE							2	
-23D	S1495-10		HOSE 3.00 IN LG BKI							2	C
-23E	2110058-3		TUBE							1	C
-23F	2110043-20		TUBE							1	C
			ATTACHING PARTS								
-23G	S1891-10		CLAMP							2	

-23H	S1495-4		HOSE 3.00 IN LG BKI							1	C
-23J	2110043-18		TUBE							1	C
			ATTACHING PARTS								
-23K	S1494-8		CLAMP							2	

-24	S1071-6		LINE 66.00 IN LG BKI							1	
			ATTACHING PARTS								
-25	S1494-12		CLAMP							2	
-26	S1155-12		CLAMP							1	
	S1021A8-6		SCREW							2	
	S1153-1		BRACKET							1	

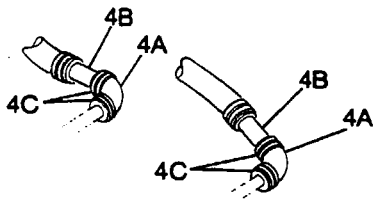
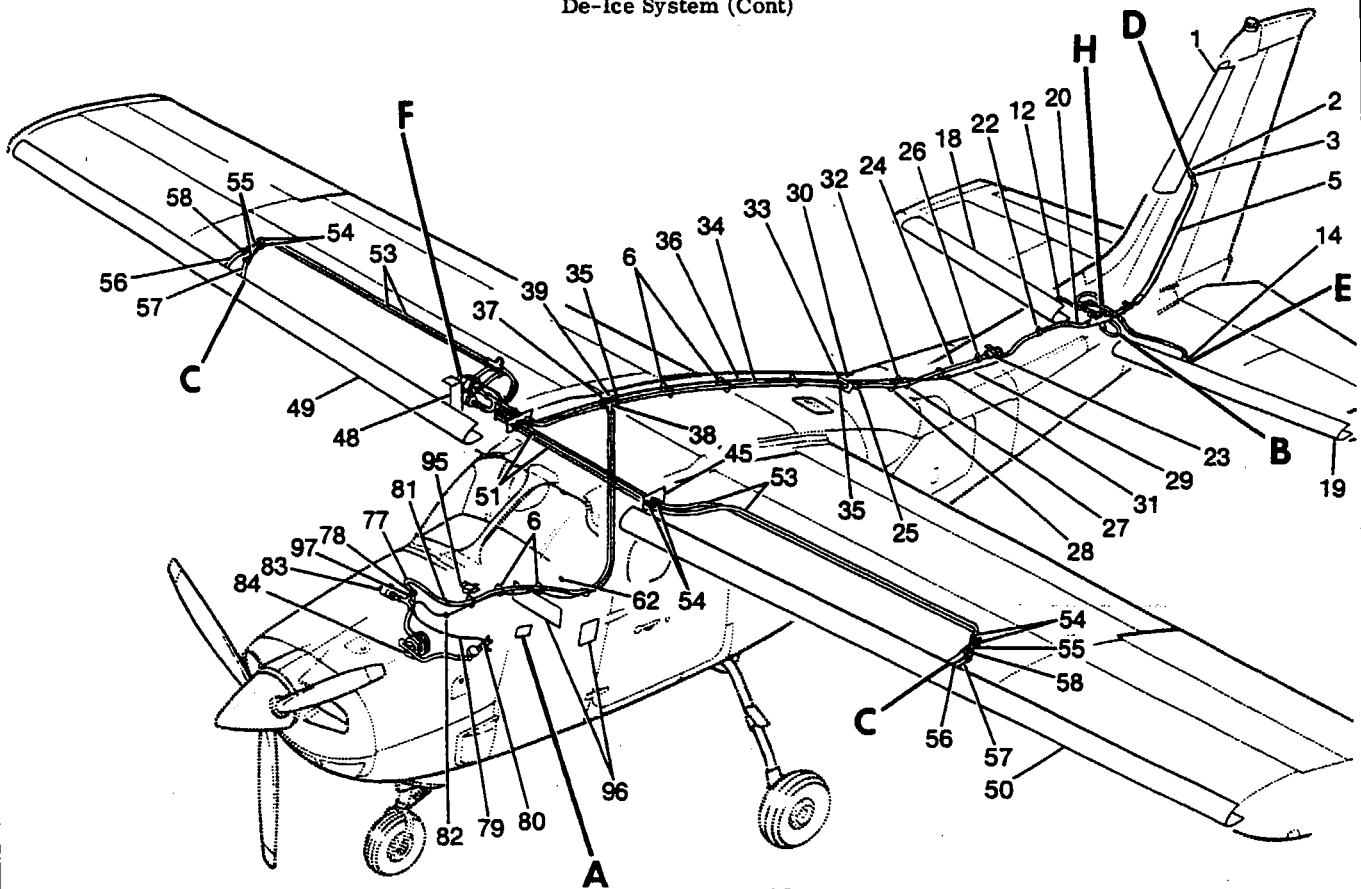
-27	NO. 6X		CAPLUG PROT USED WITH PARTIAL DE-ICE SYSTEM							1	
-28	S1050-1		GROMMET 2.67 IN LG BKI							2	
-29	NAS557-10A		GROMMET							1	
	S1071-3		LINE 66.00 IN LG BKI							1	
			ATTACHING PARTS								
-30	S1494-6		CLAMP							2	

	NO. 1		CAPLUG PROT USED WITH PARTIAL DE-ICE SYSTEM							1	

CONTINUED ON NEXT PAGE

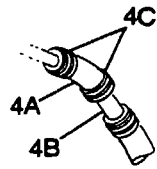
P210 Parts Catalog

De-Ice System (Cont)



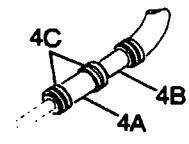
P21000476 THRU P21000760

Detail C



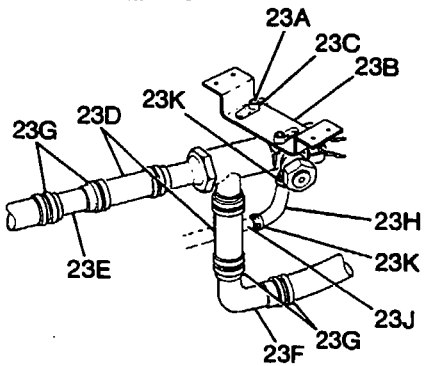
P21000476 THRU P21000760

Detail D

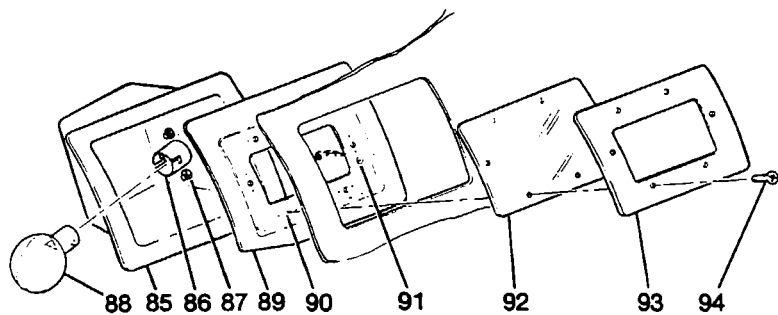


P21000476 THRU P21000760

Detail E



Detail B

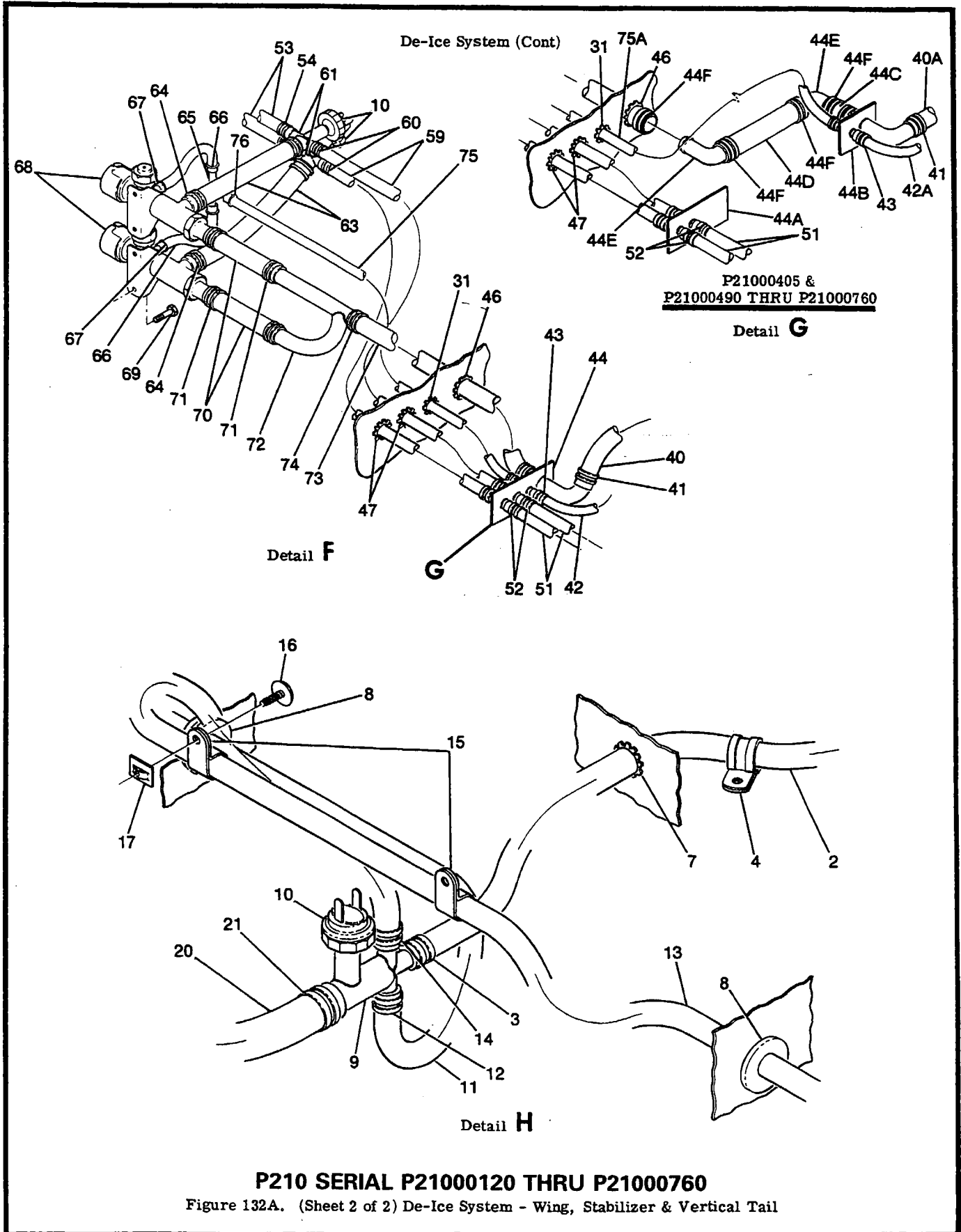


Detail A

P210 SERIAL P21000120 THRU P21000760

Figure 132A. (Sheet 1 of 2) De-Ice System - Wing, Stabilizer & Vertical Tail

P210 Parts Catalog



P210 Parts Catalog

FIGURE AND INDEX NO.	PART NUMBER	DESCRIPTION							UNITS PER ASSY	USABLE ON CODE
		1	2	3	4	5	6	7		
132A-31	S1050-1	GROMMET 1.60 IN LG BKI -----							2	
-32	NAS557-8A	GROMMET -----							1	
-33	2110038-5	LINE ASSY -----							1	
	NO. 6-X	CAPLUG PROT USED WITH PARTIAL DE-ICE SYSTEM -----							1	
	NO. 00-X	CAPLUG PROT USED WITH PARTIAL DE-ICE SYSTEM -----							1	
-34	S1071-6	LINE 65.00 IN LG BKI -----							1	
		ATTACHING PARTS -----								
-35	S1494-12	CLAMP -----							2	
		*-----								
-36	S1071-3	LINE 65.00 IN LG BKI -----							1	
		ATTACHING PARTS -----								
-37	S1494-6	CLAMP -----							2	
		*-----								
-38	2110039-8	LINE ASSY -----							1	
-39	2110039-7	LINE ASSY -----							1	
-40	S1071-6	LINE 40.00 IN LG BKI -----							1	
-40A	S1071-6	LINE 7.00 IN LG BKI -----							1	E
		ATTACHING PARTS -----								D
-41	S1494-12	CLAMP -----							2	
		*-----								
-42	S1071-3	LINE 40.00 IN LG BKI -----							1	E
-42A	S1071-3	LINE 9.00 IN LG BKI -----							1	D
		ATTACHING PARTS -----								
-43	S1494-6	CLAMP -----							2	
		*-----								
-44	2110043-19	LINE ASSY-RH -----							1	E
-44A	2110043-16	TUBE ASSY-RH FWD -----							1	D
-44B	2110043-24	TUBE ASSY-RH AFT -----							1	D
-44C	S1071-6	LINE 2.50 IN LG BKI -----							1	D
-44D	S1071-6	LINE 9.00 IN LG BKI -----							1	D
-44E	2110043-20	TUBE -----							2	D
		ATTACHING PARTS -----								
-44F	S1494-12	CLAMP -----							5	
		*-----								
-45	2110043-16	LINE ASSY-LH -----							1	
	NO. 1-X	CAPLUG PROT USED WITH PARTIAL DE-ICE SYSTEM -----							2	
-46	S1050-1	GROMMET 2.35 IN LG BKI -----							1	
-47	S1050-1	GROMMET 2.00 IN LG BKI -----							2	
-48	2110042-1	BRACKET -----							1	
-49	2555D5101-02	BOOT-DE-ICER RH GDA -----							1	
-50	2555D5101-01	BOOT-DE-ICER LH GDA -----							1	
-51	S1071-4	LINE 60.00 IN LG BKI -----							2	F
	S1495-6	HOSE 60.00 IN LG BKI -----							2	G
	S1495-6	HOSE 60.00 IN LG BKI USED WITH AIR CONDITIONING -----							2	D
		ATTACHING PARTS -----								
-52	NAS397-8	CLAMP -----							2	F
	S2357-2	CLAMP -----							2	G
	S2357-2	CLAMP USED WITH AIR CONDITIONING -----							2	D
		*-----								
-53	S1071-4	LINE 100.00 IN LG BKI -----							4	
		ATTACHING PARTS -----								
-54	NAS397-8	CLAMP -----							8	
		*-----								
-55	2110043-17	TUBE -----							4	
-56	S1071-4	LINE 40.00 IN LG BKI -----							2	
-57	S1071-4	LINE 46.00 IN LG BKI -----							2	
		ATTACHING PARTS -----								
-58	S1494-12	CLAMP -----							2	
	2110055-1	CLAMP ASSY -----							1	
	MS21073L08	NUTPLATE -----							1	
	AN525-832R6	SCREW -----							1	
		*-----								
-59	S1071-4	LINE 20.00 IN LG BKI -----							2	
		ATTACHING PARTS -----								
-60	NAS397-8	CLAMP -----							2	
		*-----								
-61	NO. 2-X	CAPLUG PROT USED WITH PARTIAL DE-ICE SYSTEM -----							2	
-62	2110040-8	TUBE ASSY -----							2	
-63	S1495-10	LIGHT-DE-ICE PRESSURE SEE INSTRUMENT PANEL -----							1	
		LINE 10.00 IN LG BKI -----							2	
		ATTACHING PARTS -----								
-64	NAS397-16	CLAMP -----							2	
		*-----								
-65	2110039-7	TUBE ASSY -----							1	

CONTINUED ON NEXT PAGE

P210 Parts Catalog

FIGURE AND INDEX NO.	PART NUMBER	DESCRIPTION							UNITS PER ASSY	USABLE ON CODE
		1	2	3	4	5	6	7		
132A-66	S1495-4	HOSE	*	IN	LG	BKI	-----	-----	2	
-67	S1494-8	ATTACHING PARTS					-----	-----	2	
-68	3D2357-01	CLAMP					-----	-----	2	
-69	AN3-7	VALVE-FLOW			GDA	-----	-----	-----	2	
	NAS221-8	ATTACHING PARTS					-----	-----	2	
-70	S1495-10	BOLT					-----	-----	2	
-71	S1891-10	SCREW			ALT FOR AN3-7	-----	-----	-----	2	
-72	S1495-10	HOSE		2.00	IN	LG	BKI	-----	2	
-73	2110044-4	ATTACHING PARTS					-----	-----	2	
	S1495-6	CLAMP					-----	-----	2	
	S1495-6	TUBE ASSY					-----	-----	1	
-74	S1494-12	HOSE		8.00	IN	LG	BKI	-----	1	E
		HOSE		6.50	IN	LG	BKI	-----	1	D
		ATTACHING PARTS					-----	-----	1	
-75	NO.6-X	CLAMP					-----	-----	2	
-75A	S1071-3	CAPLUG		PROT		USED WITH PARTIAL DE-ICE SYSTEM	-----	-----	1	
	S1071-3	LINE		18.00	IN	LG	BKI	-----	1	E
-76	S1494-6	LINE		25.00	IN	LG	BKI	-----	1	D
		ATTACHING PARTS					-----	-----	1	
-77	NO.1	CLAMP					-----	-----	2	
	S1071-6	CAPLUG		PROT		USED WITH PARTIAL DE-ICE SYSTEM	-----	-----	1	
-78	S1494-12	LINE		35.00	IN	LG	BKI	-----	1	
		ATTACHING PARTS					-----	-----	1	
	2110058-3	CLAMP					-----	-----	2	
	S1495-6	TUBE					-----	-----	1	
	NAS397-16	LINE		40.00	IN	LG	BKI	-----	1	
		ATTACHING PARTS					-----	-----	1	
-79	S1071-3	CLAMP					-----	-----	2	
-80	S1494-6	LINE		75.00	IN	LG	BKI	-----	1	
-81	S1291-12	ATTACHING PARTS					-----	-----	1	
-82	S1291-6	CLAMP					-----	-----	2	
-83	3D2366-01	GROMMET					-----	-----	1	
	AN3-4A	GROMMET					-----	-----	1	
	NAS1149F0332P	VALVE-PRESSURE			GDA	-----	-----	-----	1	
	S2031A3	ATTACHING PARTS					-----	-----	1	
		BOLT					-----	-----	2	
		WASHER					-----	-----	2	
		NUTPLATE					-----	-----	2	
-84		VACUUM SYSTEM INSTALLATION				SEE VACUUM SYSTEM	-----	-----	1	
-85	1201114-6	ICE DETECTOR LIGHT INSTALLATION					-----	-----	1	NP
-86	S1927-3	BRACKET ASSY					-----	-----	1	
		SOCKET-LAMP					-----	-----	1	
		ATTACHING PARTS					-----	-----	1	
-87	AN515-6R6	SCREW					-----	-----	2	
	NAS1149FN616P	WASHER					-----	-----	2	
	MS21044N06	NUT					-----	-----	2	
-88	MS25338-7079	BULB-WING DE-ICE					-----	-----	1	
-89	2101008-1	DOUBLER ASSY-LENS					-----	-----	1	
-90	S2031-1	NUTPLATE					-----	-----	1	
-91	NAS1149FN332P	WASHER					-----	-----	6	
-92	2101007-1	LENS					-----	-----	1	
-93	2101006-1	COVER-LENS					-----	-----	1	
		ATTACHING PARTS					-----	-----	1	
-94	AN507-632R7	SCREW					-----	-----	6	
-95	3D2600-03	TIMER			GDA	-----	-----	-----	1	
		ATTACHING PARTS					-----	-----	1	
	AN520-8R8	SCREW					-----	-----	4	
	NAS1149F0363P	WASHER					-----	-----	4	
	MS21044N3	NUT					-----	-----	4	
-96		SWITCH & C/B				SEE SWITCH & CIRCUIT BREAKER PANEL	-----	-----	1	

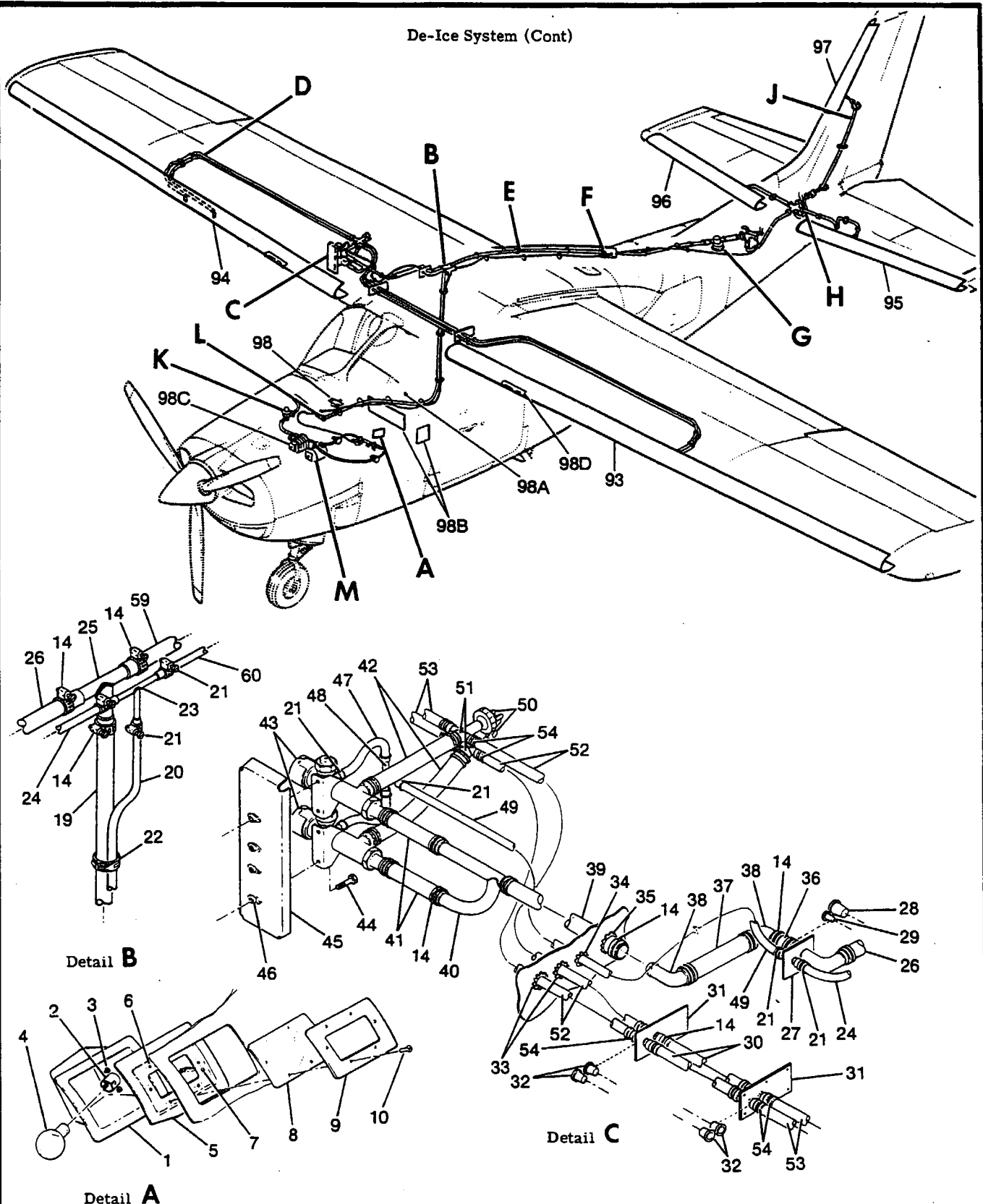
CONTINUED ON NEXT PAGE

P210 Parts Catalog

FIGURE AND INDEX NO.	PART NUMBER	DESCRIPTION	UNITS PER ASSY	USABLE ON CODE
		1 2 3 4 5 6 7		
132A-97	2110043-2	TUBE -----	1	
	S2209-2	ATTACHING PARTS STA STRAP ----- -----*	2	
		<p>NOTE. *LENGTH TO BE DETERMINED LATER</p> <p>NOTE. %THESE ITEMS ARE PART OF A KIT- PART NO.38-910</p> <p>NOTE. @A DE-ICE BOOT COLD PATCH REPAIR KIT IS AVAILABLE UNDER P/N 74-451-C.</p> <p>A---P210 SERIAL P21000120 THRU P21000760 B---P210 SERIAL P21000225 THRU P21000760 C---P210 SERIAL P21000476 THRU P21000760 D---P210 SERIAL P21000405 & P21000490 THRU P21000760 E---P210 SERIAL P21000120 THRU P21000404 P21000406 THRU P21000489 F---P210 SERIAL P21000120 THRU P21000658 G---P210 SERIAL P21000659 THRU P21000760</p>		

P210 Parts Catalog

De-Ice System (Cont)

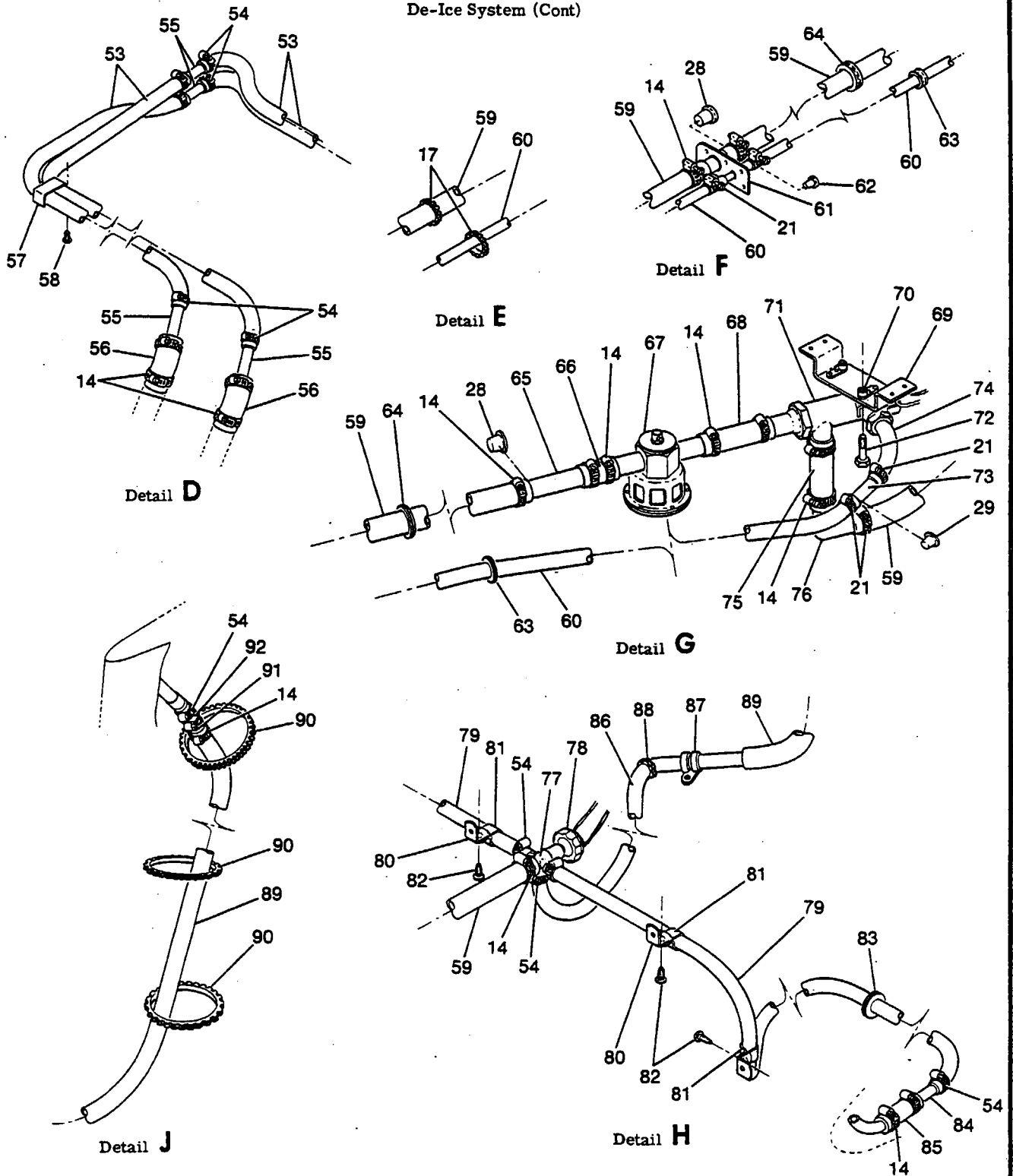


P210 SERIAL P21000761 THRU P21000834

Figure 132B. (Sheet 1 of 3) De-Ice System - Wing, Stabilizer & Vertical Tail

P210 Parts Catalog

De-Ice System (Cont)

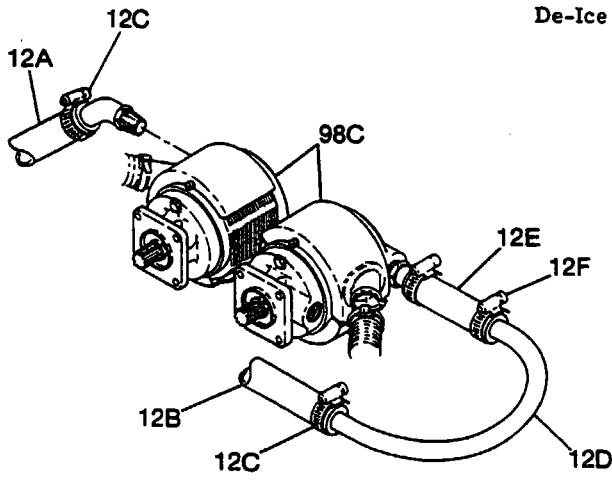


P210 SERIAL P21000761 THRU P21000834

Figure 132B. (Sheet 2 of 3) De-Ice System - Wing, Stabilizer & Vertical Tail

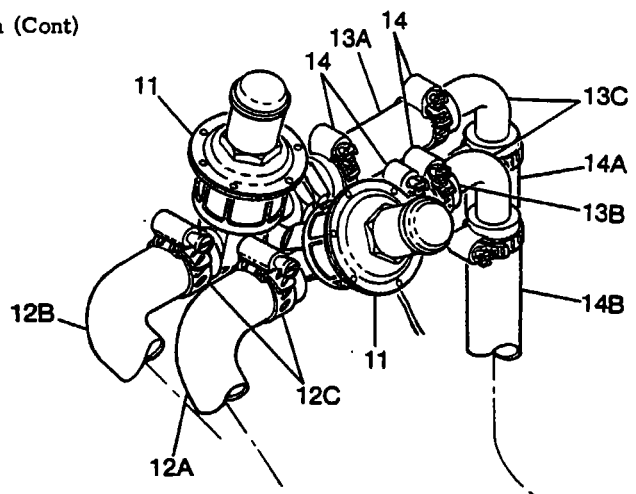
P210 Parts Catalog

De-Ice System (Cont)



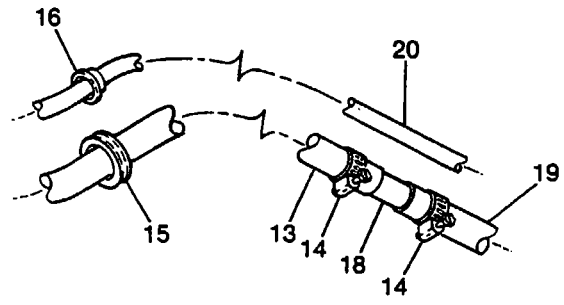
P21000812 THRU P21000834

Detail M



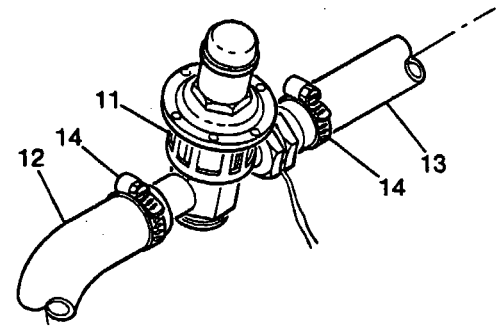
P21000812 THRU P21000834

Detail K



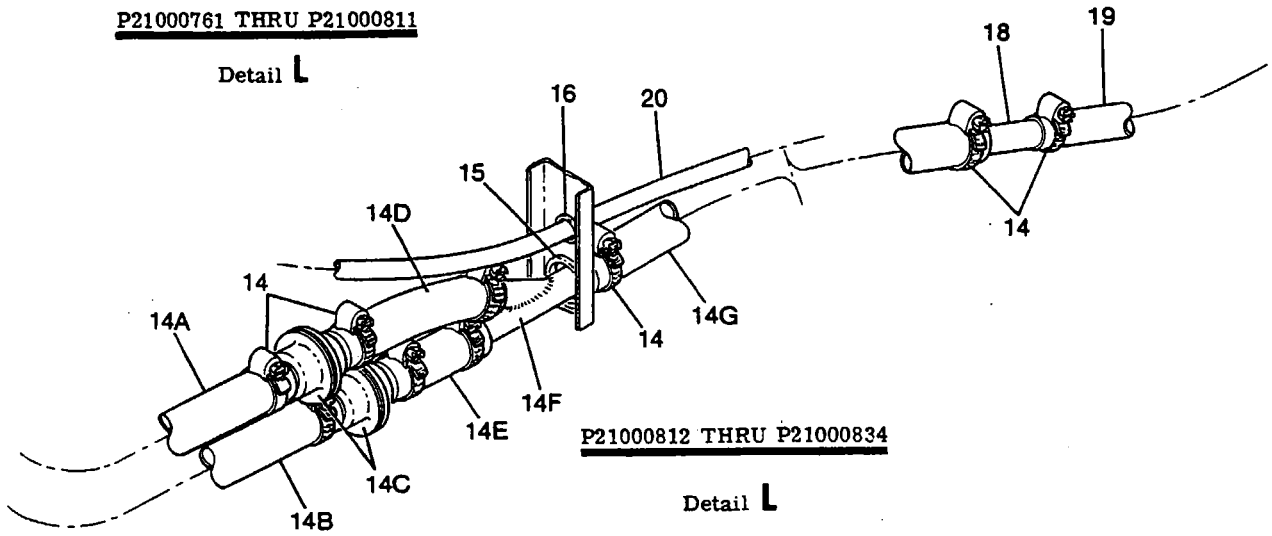
P21000761 THRU P21000811

Detail L



P21000761 THRU P21000811

Detail K



P21000812 THRU P21000834

Detail L

P210 SERIAL P21000761 THRU P21000834

Figure 132B. (Sheet 3 of 3) De-Ice System - Wing, Stabilizer & Vertical Tail

P210 Parts Catalog

FIGURE AND INDEX NO.	PART NUMBER	DESCRIPTION	UNITS PER ASSY	USABLE ON CODE
		1 2 3 4 5 6 7		
132B-		DE-ICE SYSTEM-WING, STABILIZER & VERTICAL TAIL		
- 1	1201114-6	ICE DETECTOR LIGHT INSTALLATION	NP	A
- 2	S1927-3	BRACKET ASSY	NP	
		SOCKET-LAMP	1	
		ATTACHING PARTS		
- 3	AN515-6R6	SCREW	2	
	NAS1149FN616P	WASHER	2	
	MS21044N06	NUT	2	
		*-----		
- 4	MS25338-7079	BULB-WING DE-ICE	1	
- 5	2101008-1	DOUBLER ASSY-LENS	1	B
	2101008-3	DOUBLER ASSY-LENS	1	C
- 6	S2031-1	NUTPLATE	1	
- 7	NAS1149FN332P	WASHER	6	
- 8	2101007-1	LENS	1	B
- 9	2101006-1	COVER-LENS	1	
		ATTACHING PARTS		
-10	AN507-632R7	SCREW	6	
		*-----		
-11	2H48-22	VALVE-DE-ICE CONTROL	1	B
	2H48-22	VALVE-DE-ICE CONTROL	2	C
-12	S1495-12	HOSE 21.75 IN LG	1	B
-12A	S2554-12	HOSE 19.00 IN LG	1	C
-12B	S2554-12	HOSE 32.00 IN LG	1	C
		ATTACHING PARTS		
-12C	S1891-12	CLAMP	4	C
		*-----		
-12D	1200106-292	LINE	1	C
-12E	S2554-12	HOSE 4.00 IN LG	1	C
		ATTACHING PARTS		
-12F	S1891-12	CLAMP	2	C
		*-----		
-13	S1495-10	HOSE 40.00 IN LG	1	B
-13A	S1495-10	HOSE 3.50 IN LG	1	C
-13B	S1495-10	HOSE 1.50 IN LG	1	C
-13C	2110064-1	ELBOW	1	C
-14	S2357-2	CLAMP	2	C
	S2357-2	CLAMP	42	C
-14A	S1495-10	HOSE 15.00 IN LG	56	C
-14B	S1495-10	HOSE 17.50 IN LG	1	C
-14C	1H37-1	VALVE-DE-ICE CHECK	1	C
-14D	S1495-10	HOSE 4.50 IN LG	2	C
-14E	S1495-10	HOSE 3.00 IN LG	1	C
-14F	2110063-1	TUBE ASSY	1	C
-14G	S1495-10	HOSE 8.00 IN LG	1	C
-15	NAS557-16A	GROMMET	1	C
-16	S1291-8	GROMMET	1	C
-17	S1050-1	GROMMET	1	C
-18	2110058-3	GROMMET 3.92 IN LG	8	C
-19	S1071B6	TUBE	1	C
-20	S1071B3	LINE BKI	1	C
-21	S2357-1	LINE BKI	1	C
-22	NAS397-12	CLAMP	16	C
-23	2110039-7	CLAMP	3	C
-24	S1071B3	TUBE ASSY-WING DE-ICE	1	C
-25	2110039-8	LINE BKI	1	C
-26	S1071B6	TUBE ASSY-WING DE-ICE	1	C
-27	2110043-24	LINE BKI	1	C
-28	NO. 6-X	TUBE ASSY RH WING ONLY	1	C
-29	NO. 1-X	CAPLUG PROT USED WITH PARTIAL DE-ICE	3	C
-30	S1495-6	CAPLUG PROT USED WITH PARTIAL DE-ICE	2	C
-31	2110043-16	HOSE 60.00 IN LG	2	C
-32	NO. 2-X	TUBE ASSY-WING DE-ICE LH & RH WING	2	C
-33	NAS557-10A	CAPLUG PROT USED WITH PARTIAL DE-ICE	4	C
-34	NAS557-8A	GROMMET LH & RH WING	4	C
-35	NAS557-14A	GROMMET	1	C
-36	S1071B6	GROMMET	1	C
-37	S1071B6	LINE BKI	1	C
-38	2110043-20	LINE BKI	1	C
-39	S1495-10	TUBE	1	C
-40	2110044-4	HOSE 8.00 IN LG	2	C
-41	S1495-10	TUBE	1	C
-42	S1495-10	HOSE * IN LG	1	C
		HOSE 4.25 IN LG	2	C

CONTINUED ON NEXT PAGE

P210 Parts Catalog

FIGURE AND INDEX NO.	PART NUMBER		DESCRIPTION							UNITS PER ASSY	USABLE ON CODE
			1	2	3	4	5	6	7		
132B-43	3D2357-01	%	VALVE-DE-ICE FLOW	GDA	-----	-----	-----	-----	-----	2	
			ATTACHING PARTS								
-44	AN3-7		BOLT							2	
	NAS221-8		SCREW	ALT FOR AN3-7	-----	-----	-----	-----	-----	2	
			-----*								
-45	2110042-1		BRACKET ASSY-DE-ICE FLOW VALVE							1	
-46	NAS680A3		NUTPLATE							4	
-47	S1495-4		HOSE	5.00 IN LG	BKI	-----	-----	-----	-----	2	
-48	2101063-1		TUBE ASSY							1	
-49	S1071B3		LINE	BKI	-----	-----	-----	-----	-----	1	
-50	1D1194-1	%	SWITCH-PRESSURE	GDA	-----	-----	-----	-----	-----	2	
-51	2110061-1		TUBE ASSY							2	
-52	S1071B4		LINE	BKI	-----	-----	-----	-----	-----	2	
-53	S1071B4		LINE	BKI	-----	-----	-----	-----	-----	2	
-54	S2357-3		CLAMP							8	
-55	2110043-17		TUBE							28	
-56	S1495-6		HOSE	2.00 IN LG	BKI	-----	-----	-----	-----	8	
-57	2110055-1		CLAMP ASSY							4	
			ATTACHING PARTS							2	
-58	AN525-832R6		SCREW							1	
			-----*								
	MS21073L08		NUTPLATE							1	
-59	S1071B6		LINE	BKI	-----	-----	-----	-----	-----	3	
-60	S1071B3		LINE	BKI	-----	-----	-----	-----	-----	2	
-61	2110038-5		TUBE ASSY							1	
-62	NO. 00-X		CAP/LIG	PROT	USED WITH PARTIAL DE-ICE	-----	-----	-----	-----	1	
-63	NAS557-8A		GROMMET							1	
-64	NAS557-14A		GROMMET							2	
-65	2110058-3		TUBE							2	
-66	S1495-10		HOSE	2.50 IN LG	BKI	-----	-----	-----	-----	1	
-67	ZH30-32		VALVE-PRESSURE REGULATING	ABNE	-----	-----	-----	-----	-----	1	
-68	S1495-10		HOSE	2.00 IN LG	BKI	-----	-----	-----	-----	1	
-69	2110045-3		BRACKET ASSY							1	
-70	NAS682A3		NUTPLATE							1	
-71	3D2357-01	%	VALVE-DE-ICE FLOW	GDA	-----	-----	-----	-----	-----	2	
			ATTACHING PARTS							1	
-72	AN3-7A		BOLT							2	
			-----*								
-73	2110043-18		TUBE							1	
-74	S1495-4		HOSE	3.00 IN LG	BKI	-----	-----	-----	-----	1	
-75	S1495-10		HOSE	3.00 IN LG	BKI	-----	-----	-----	-----	1	
-76	2110043-20		TUBE							1	
-77	2110061-4		TUBE ASSY	USED WITH VERTICAL FIN DE-ICE	-----	-----	-----	-----	-----	1	
	2110061-1		TUBE ASSY	USED W/O VERTICAL FIN DE-ICE	-----	-----	-----	-----	-----	1	
-78	1D1194-1	%	SWITCH-PRESSURE	GDA	-----	-----	-----	-----	-----	1	
-79	S1071B4		LINE	BKI	-----	-----	-----	-----	-----	1	
-80	S1154-1		BRACKET							2	
-81	S1155-8		CLAMP							4	
			ATTACHING PARTS							4	
-82	S1021Z8-8		SCREW							1	
			-----*								
-83	MS35489-14		GROMMET							2	
-84	2110043-17		TUBE							2	
-85	S1495-6		HOSE	2.00 IN LG	BKI	-----	-----	-----	-----	2	
-86	S1071B4		LINE	BKI	-----	-----	-----	-----	-----	1	
-87	MS21919DG-8		CLAMP							1	
-88	MS35489-14		GROMMET							1	
-89	S1071B6		LINE	BKI	-----	-----	-----	-----	-----	1	
-90	S1050-1		GROMMET	3.92 IN LG	BKI	-----	-----	-----	-----	3	
-91	2110043-17		TUBE							1	
-92	S1495-6		HOSE	2.00 IN LG	BKI	-----	-----	-----	-----	1	
-93	25S5D5101-01	@%	DE-ICE BOOT-LH WING	GDA	-----	-----	-----	-----	-----	1	
-94	25S5D5101-02	@%	DE-ICE BOOT-RH WING	GDA	-----	-----	-----	-----	-----	1	
-95	25S5D5101-03	@%	DE-ICE BOOT-LH STABILIZER	GDA	-----	-----	-----	-----	-----	1	
-96	25S5D5101-04	@%	DE-ICE BOOT-RH STABILIZER	GDA	-----	-----	-----	-----	-----	1	
-97	5D5101-5	@	DE-ICE BOOT-VERTICAL FIN	GDA	-----	-----	-----	-----	-----	1	

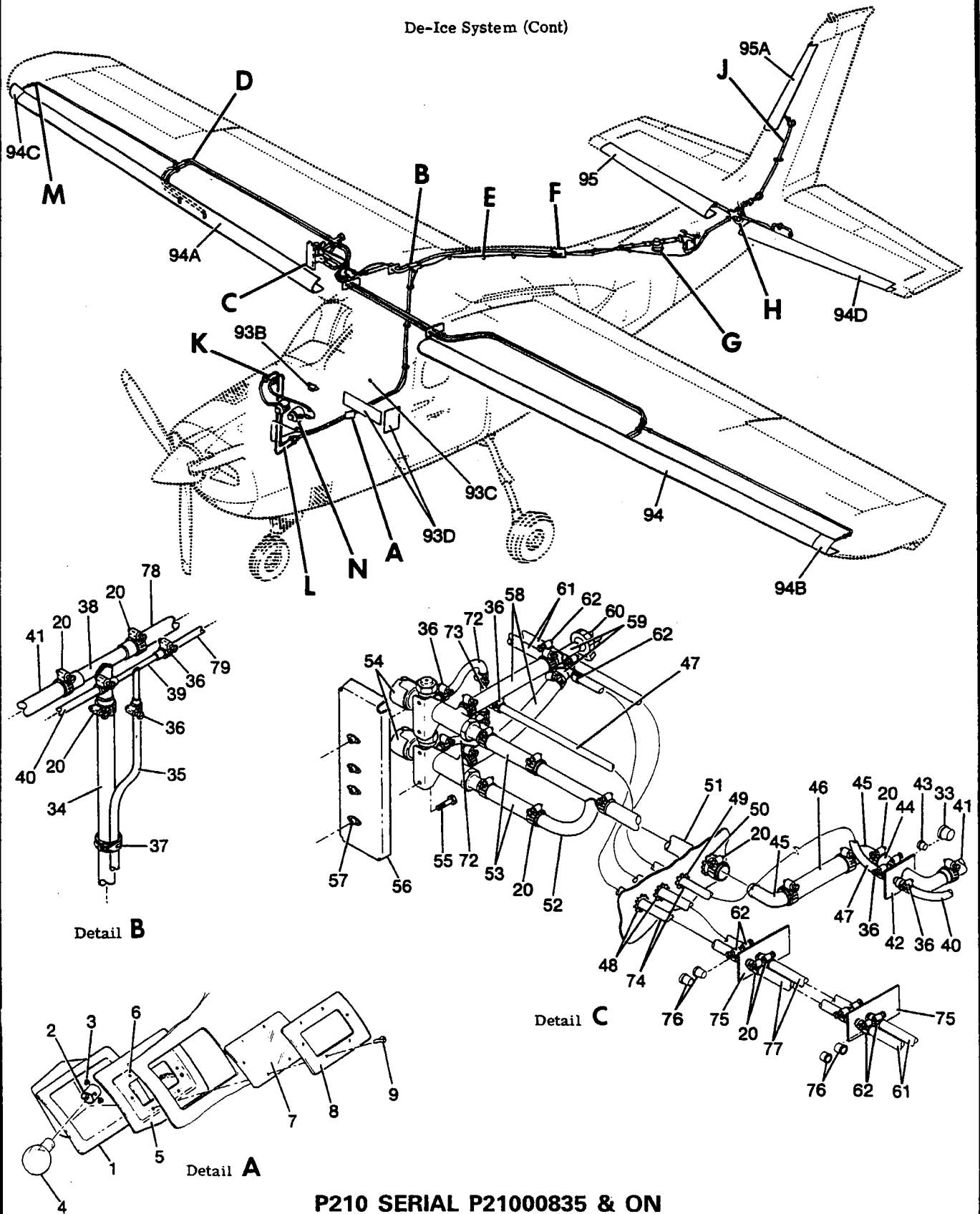
CONTINUED ON NEXT PAGE

P210 Parts Catalog

FIGURE AND INDEX NO.	PART NUMBER	DESCRIPTION							UNITS PER ASSY	USABLE ON CODE	
		1	2	3	4	5	6	7			
132B-98 -98A -98B -98C -98D	302600-03 % C165022-0101 %	TIMER-DE-ICE GDA ----- TIMER-DE-ICE ----- ATTACHING PARTS ----- SCREW ----- WASHER ----- NUT ----- *-----							1 1	B C	
	AN520-8R8 NAS1149F0363P MS21044N3								4 4 4		
	SEE FIG 113B	LIGHT-DE-ICE PRESSURE SEE INSTRUMENT PANEL ----- SWITCH & CB SEE SWITCH & CIRCUIT BREAKER PANEL ----- VACUUM SYSTEM-DUAL PUMP ----- COVER-TRIM -----							1 1 1 2		
	1221008-1										
	NOTE. *LENGTH TO BE DETERMINED LATER										
	NOTE. %THESE ITEMS ARE PART OF A VENDOR KIT- PART NO.38-910.										
	NOTE. @A DE-ICE BOOT COLD PATCH REPAIR KIT IS AVAILABLE UNDER P/N 74-451-C.										
	A---P210 SERIAL P21000761 THRU P21000834 B---P210 SERIAL P21000761 THRU P21000811 C---P210 SERIAL P21000812 THRU P21000834										

P210 Parts Catalog

De-Ice System (Cont)

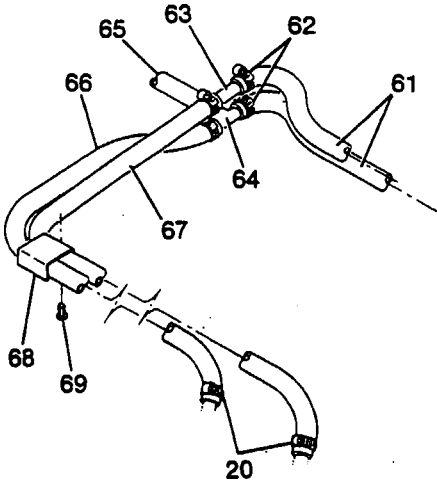


P210 SERIAL P21000835 & ON

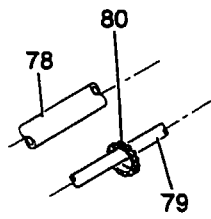
Figure 132C. (Sheet 1 of 3) De-Ice System - Wing, Stabilizer & Vertical Tail

P210 Parts Catalog

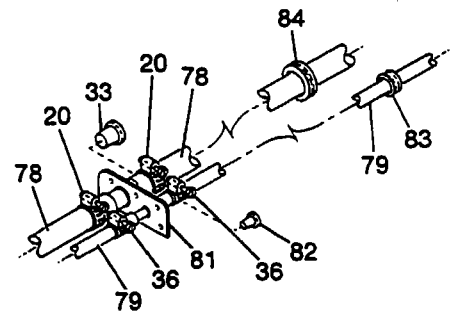
De-Ice System (Cont)



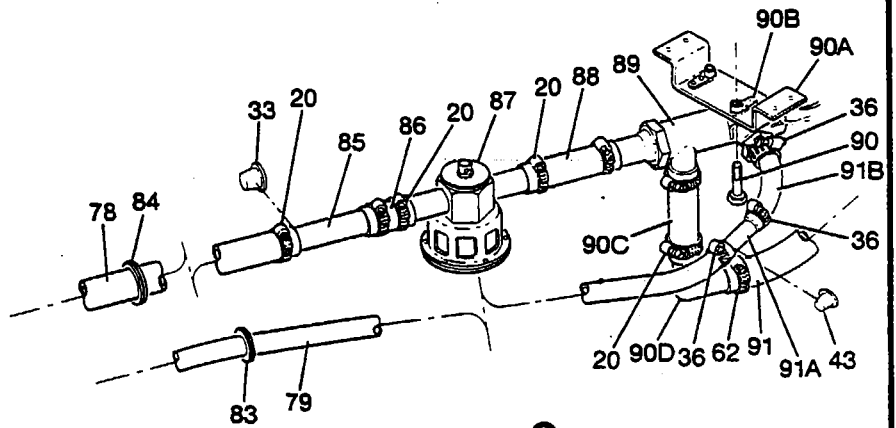
Detail D



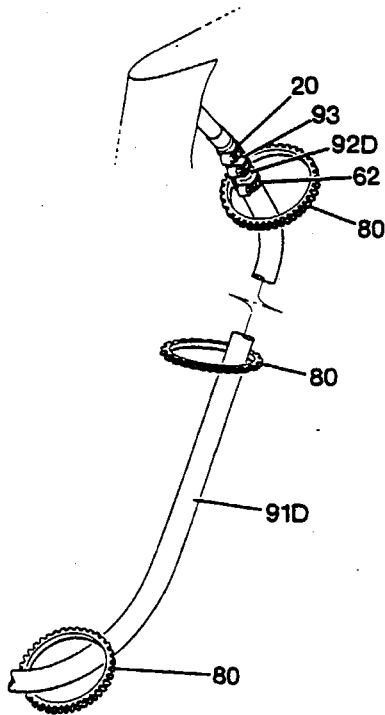
Detail E



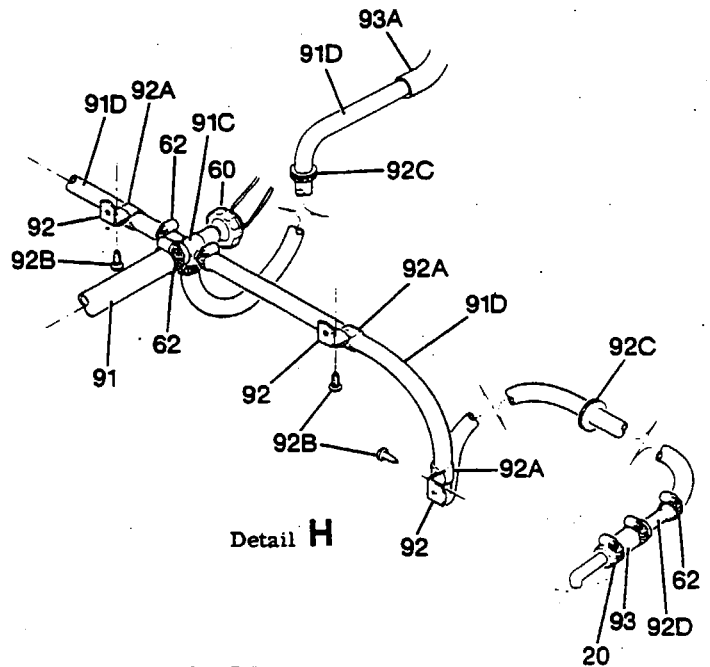
Detail F



Detail G



Detail J



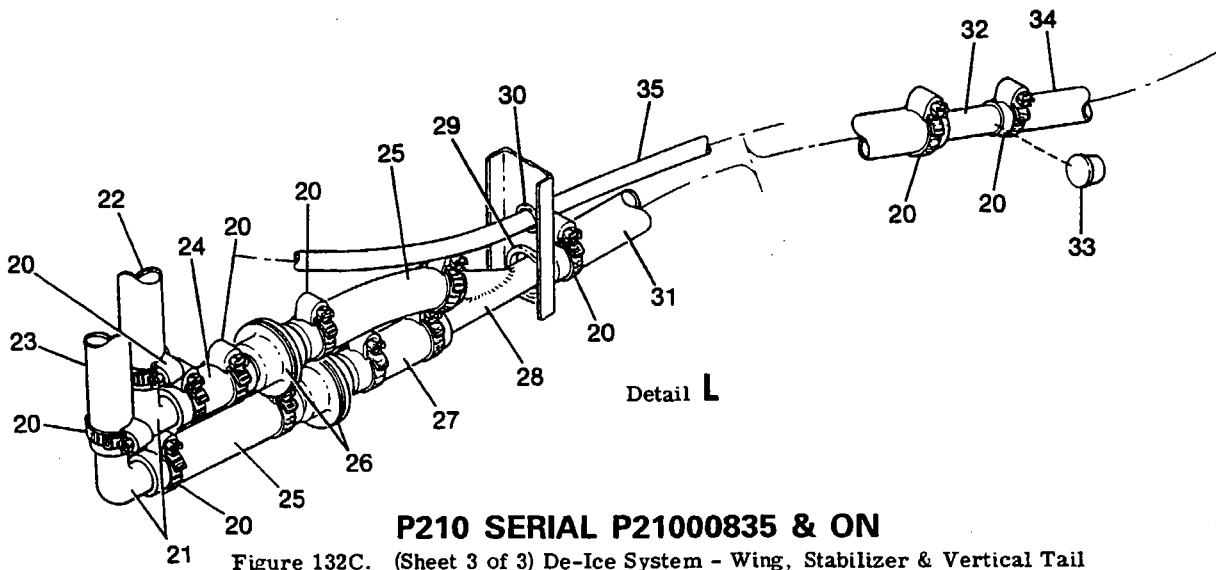
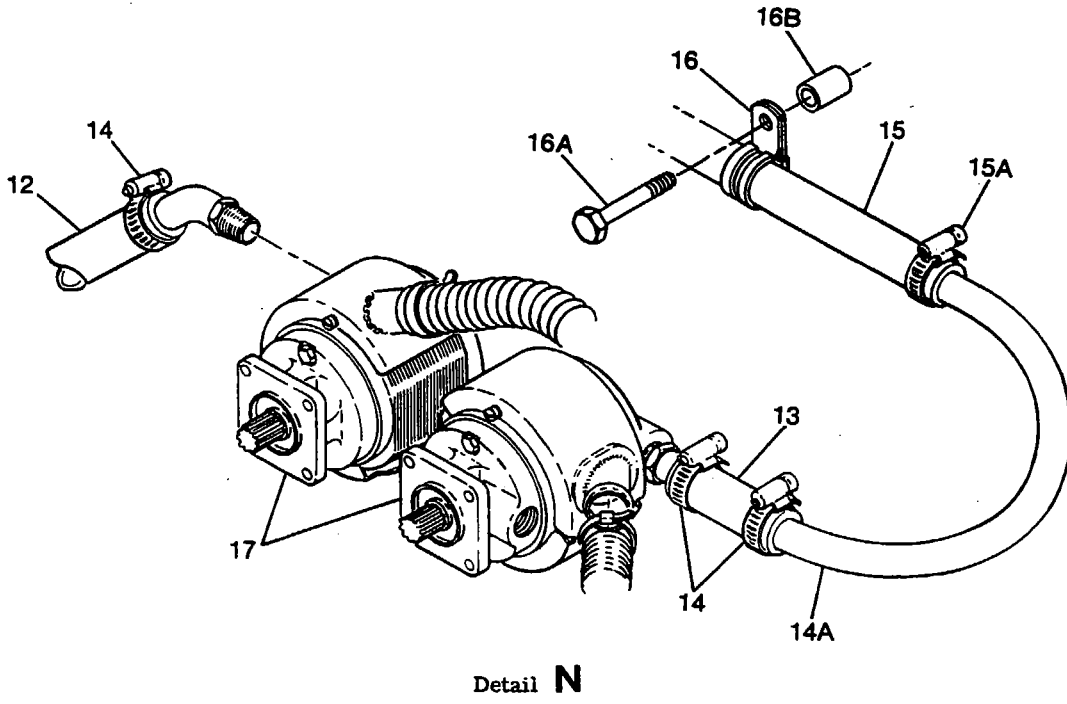
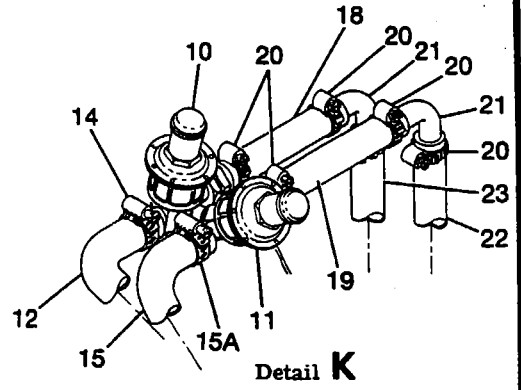
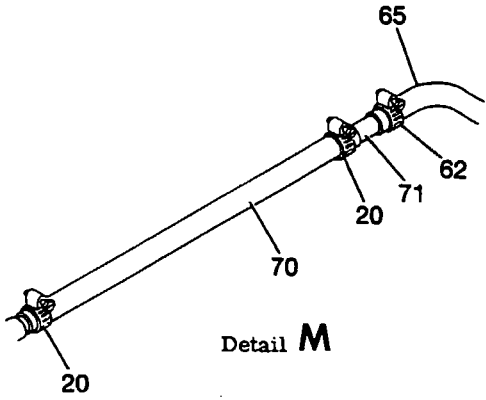
Detail H

P210 SERIAL P21000835 & ON

Figure 132C. (Sheet 2 of 3) De-Ice System - Wing, Stabilizer & Vertical Tail

P210 Parts Catalog

De-Ice System (Cont)



P210 SERIAL P21000835 & ON

Figure 132C. (Sheet 3 of 3) De-Ice System - Wing, Stabilizer & Vertical Tail

P210 Parts Catalog

FIGURE AND INDEX NO.	PART NUMBER	DESCRIPTION							UNITS PER ASSY	USABLE ON CODE
		1	2	3	4	5	6	7		
132C-		DE-ICE SYSTEM-WING, STABILIZER & VERTICAL TAIL							NP	A
- 1	1201114-6	ICE DETECTOR LIGHT INSTALLATION							NP	
- 2	S1927-3	BRACKET ASSY							1	
		SOCKET-LAMP							1	
		ATTACHING PARTS								
- 3	AN515-6R6	SCREW							2	
	NAS1149FN616P	WASHER							2	
	MS21044N06	NUT							2	

- 4	MS25338-7079	BULB-WING DE-ICE							1	
- 5	2101008-3	DOUBLER ASSY-LENS							1	
- 6	S2031-1	NUTPLATE							6	
- 7	2101007-1	LENS							1	
- 8	2101006-1	COVER-LENS							1	
		ATTACHING PARTS								
- 9	AN507-632R7	SCREW							6	

-10	2H48-22	VALVE-DE-ICE CONTROL							1	
-11	2H48-24	VALVE-DE-ICE CONTROL							1	
-12	S2554-12	HOSE 18.50 IN LG							1	
-13	S2554-12	HOSE 3.00 IN LG							1	
		ATTACHING PARTS								
-14	S1891-12	CLAMP							2	

-14A	1200106-292	LINE							1	
-15	S2554-12	HOSE 28.00 IN LG							1	
		ATTACHING PARTS								
-15A	S1891-12	CLAMP							2	

-16	MS21919D618	CLAMP							1	
		ATTACHING PARTS								
-16A	AN4-15A	BOLT							1	
-16B	NAS43HT4-4D	SPACER							1	

-17	SEE FIG 113B	VACUUM SYSTEM-DUAL PUMP							1	
-18	S1495-10	HOSE 4.00 IN LG							1	
-19	S1495-10	HOSE 5.50 IN LG							1	
-20	S2357-2	CLAMP							1	
-21	2110064-1	ELBOW							64	
-22	S1495-10	HOSE 20.50 IN LG							4	
-23	S1495-10	HOSE 19.50 IN LG							1	
-24	S1495-10	HOSE 2.25 IN LG							1	
-25	S1495-10	HOSE 4.50 IN LG							1	
-26	1H37-1	VALVE-DE-ICE CHECK							2	
-27	S1495-10	HOSE 3.00 IN LG							2	
-28	2110063-1	TUBE ASSY							1	
-29	NAS557-14A	GROMMET							1	
-30	S1291-8	GROMMET							1	
-31	S1495-10	HOSE 8.00 IN LG							1	
-32	2110058-3	TUBE							1	
-33	NO. 6-X	CAP PLUG							1	
-34	S1071B6	LINE							4	
-35	S1071B3	LINE							1	
-36	S2357-1	CLAMP							1	
-37	NAS397-12	CLAMP							16	
-38	2110039-8	TUBE ASSY							3	
-39	2110039-7	TUBE ASSY							1	
-40	S1071B3	LINE							1	
-41	S1071B6	LINE							1	
-42	2110065-3	TUBE ASSY							1	
-43	NO. 1-X	CAP PLUG							1	
-44	S1071B6	LINE							2	
-45	2110043-20	TUBE							1	
-46	S1071B6	LINE							2	
-47	S1071B3	LINE							1	
-48	NAS557-10A	GROMMET LH & RH WING							1	
-49	NAS557-8A	GROMMET RH WING							4	
-50	NAS557-14A	GROMMET RH WING							1	
-51	S1495-10	HOSE 8.00 IN LG							1	
-52	2110044-4	TUBE ASSY							1	
-53	S1495-10	HOSE							1	
		-----							2	

CONTINUED ON NEXT PAGE

P210 Parts Catalog

FIGURE AND INDEX NO.	PART NUMBER		DESCRIPTION							UNITS PER ASSY	USABLE ON CODE
			1	2	3	4	5	6	7		
132C-54	3D2357-01	%	VALVE-DE-ICE FLOW	GDA	-----	-----	-----	-----	-----	2	
			ATTACHING PARTS								
-55	AN3-7A		BOLT							2	
	NAS221-8		SCREW	ALT FOR AN3-7A	-----	-----	-----	-----	-----	2	
			-----*								
-56	2110042-1		BRACKET ASSY-DE-ICE FLOW VALVE							1	
-57	NAS680A3		NUTPLATE							4	
-58	S1495-10		HOSE	4.25 IN LG	BKI	-----	-----	-----	-----	2	
-59	2110061-1		TUBE ASSY							2	
-60	1D1194-1	%	SWITCH-PRESSURE	GDA	-----	-----	-----	-----	-----	3	
-61	S1071B4		LINE	BKI	-----	-----	-----	-----	-----	4	
-62	S2357-3		CLAMP							24	
-63	2110066-3		TUBE							2	
-64	2110066-1		TUBE ASSY							2	
-65	S1071B4		LINE	BKI	-----	-----	-----	-----	-----	2	
-66	S1495-6		HOSE	26.00 IN LG	BKI	-----	-----	-----	-----	2	
-67	S1495-6		HOSE	32.00 IN LG	BKI	-----	-----	-----	-----	2	
-68	2110055-3		CLAMP							2	
			ATTACHING PARTS								
-69	AN525-832R6		SCREW							2	
			-----*								
-70	S1495-6		HOSE	12.00 IN LG	BKI	-----	-----	-----	-----	2	
-71	2110043-17		TUBE							2	
-72	S1495-4		HOSE	5.00 IN LG	BKI	-----	-----	-----	-----	2	
-73	2101063-1		TUBE ASSY							1	
-74	S1071B4		LINE	BKI	-----	-----	-----	-----	-----	2	
-75	2110065-1		TUBE ASSY							2	
-76	NO.2-X		CAP PLUG							4	
-77	S1495-6		HOSE	60.00 IN LG	BKI	-----	-----	-----	-----	2	
-78	S1071B6		LINE							2	
-79	S1071B3		LINE							2	
-80	S1050-1		GROMMET	3.92 IN LG	BKI	-----	-----	-----	-----	6	
-81	2110038-5		TUBE ASSY							1	
-82	NO.00-X		CAP PLUG							1	
-83	NAS557-8A		GROMMET							2	
-84	NAS557-14A		GROMMET							2	
-85	2110058-3		TUBE							1	
-86	S1495-10		HOSE	2.50 IN LG	BKI	-----	-----	-----	-----	1	
-87	2H30-32		VALVE-PRESSURE REGULATING	ABNE	-----	-----	-----	-----	-----	1	
-88	S1495-10		HOSE	2.00 IN LG	BKI	-----	-----	-----	-----	1	
-89	3D2357-01	%	VALVE-DE-ICE FLOW	GDA	-----	-----	-----	-----	-----	1	
			ATTACHING PARTS								
-90	AN3-7A		BOLT							2	
			-----*								
-90A	2110045-3		BRACKET ASSY-FLOW VALVE							1	
-90B	NAS682A3		NUTPLATE							2	
-90C	S1495-10		HOSE	3.00 IN LG	BKI	-----	-----	-----	-----	1	
-90D	2110043-20		TUBE							1	
-91	S1071B6		LINE	BKI	-----	-----	-----	-----	-----	1	
-91A	2110043-18		TUBE							1	
-91B	S1495-4		HOSE	3.00 IN LG	BKI	-----	-----	-----	-----	1	
-91C	2110061-5		TUBE ASSY	USED WITH VERTICAL FIN DE-ICE						1	
	2110061-1		TUBE ASSY	USED WITHOUT VERTICAL FIN DE-ICE						1	
-91D	S1071B4		LINE	BKI	-----	-----	-----	-----	-----	3	
-92	S1154-1		BRACKET							2	
-92A	S1155-8		CLAMP							4	
-92B	S1021Z8-8		SCREW							4	
-92C	MS35489-14		GROMMET							4	
-92D	2110043-17		TUBE							2	
-93	S1495-6		HOSE	2.00 IN LG	BKI	-----	-----	-----	-----	3	
-93A	S1071B6		LINE	BKI	-----	-----	-----	-----	-----	2	
-93B	C165022-0101		TIMER-DE-ICE							1	
			ATTACHING PARTS								
	AN520-8R8		SCREW							4	
	NAS1149F0363P		WASHER							4	
	MS21044N3		NUT							4	
			-----*								

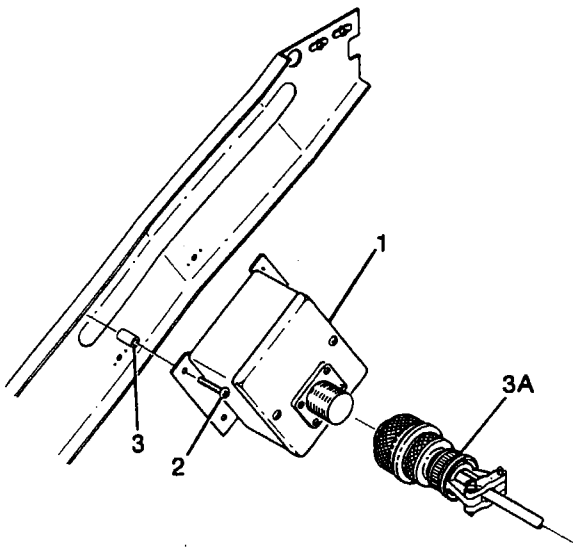
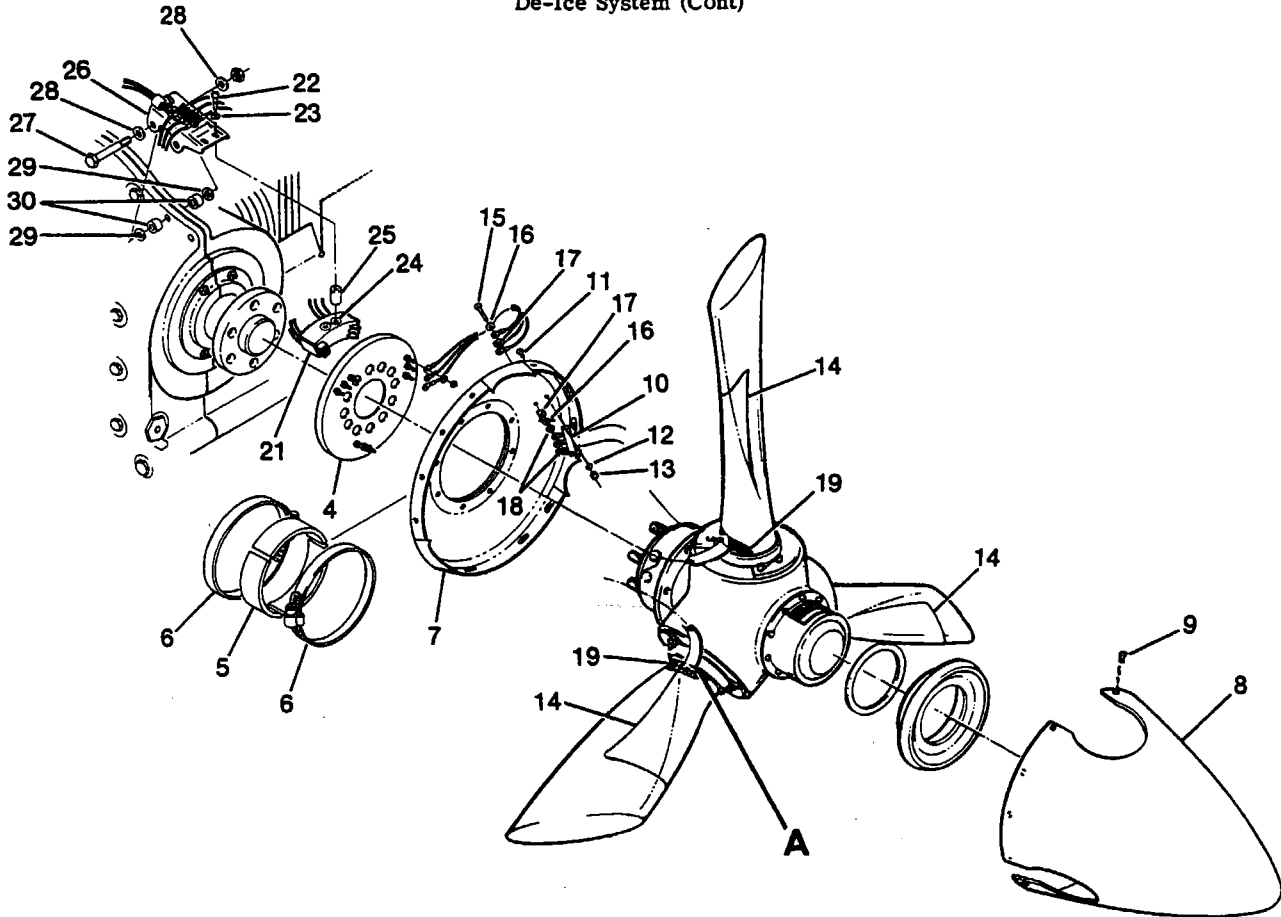
CONTINUED ON NEXT PAGE

P210 Parts Catalog

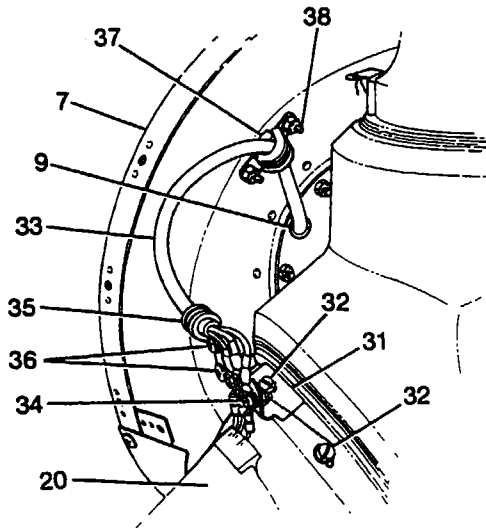
FIGURE AND INDEX NO.	PART NUMBER	DESCRIPTION							UNITS PER ASSY	USABLE ON CODE
		1	2	3	4	5	6	7		
132C-93C		LIGHT-DE-ICE PRESSURE SWITCH & CB SEE INSTRUMENT PANEL -----							1	
-93D		DE-ICE BOOT-LH WING GDA SEE SWITCH & CIRCUIT BREAKER PANEL -----							1	
-94	25S5D5170-01 @%	DE-ICE BOOT-RH WING GDA -----							1	
-94A	25S5D5170-02 @%	DE-ICE BOOT-LH WING TIP GDA -----							1	
-94B	25S5D5170-07 @%	DE-ICE BOOT-RH WING TIP GDA -----							1	
-94C	25S5D5170-08 @%	DE-ICE BOOT-LH STABILIZER GDA -----							1	
-94D	25S5D5170-03 @%	DE-ICE BOOT-RH STABILIZER GDA -----							1	
-95	25S5D5170-04 @%	DE-ICE BOOT-VERTICAL FIN GDA -----							1	
-95A	25S5D5101-05 @								1	
<p>NOTE. %THESE ITEMS ARE PART OF A VENDOR KIT- PART NO. 38-914</p> <p>NOTE. @A DE-ICE BOOT COLD PATCH REPAIR KIT IS AVAILABLE UNDER P/N 74-451C.</p> <p>A---P210 SERIAL P21000835 & ON</p>										

P210 Parts Catalog

De-Ice System (Cont)



PROPELLER DE-ICE TIMER



P21000835 & ON

Detail **A**

Figure 133. Propeller De-Ice System

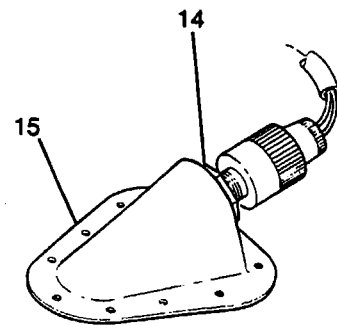
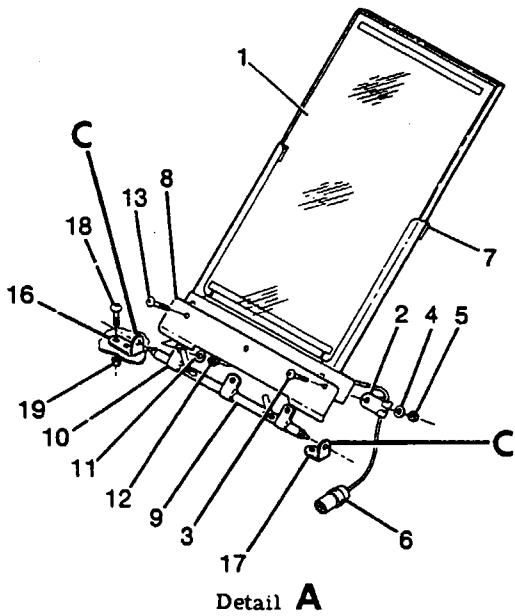
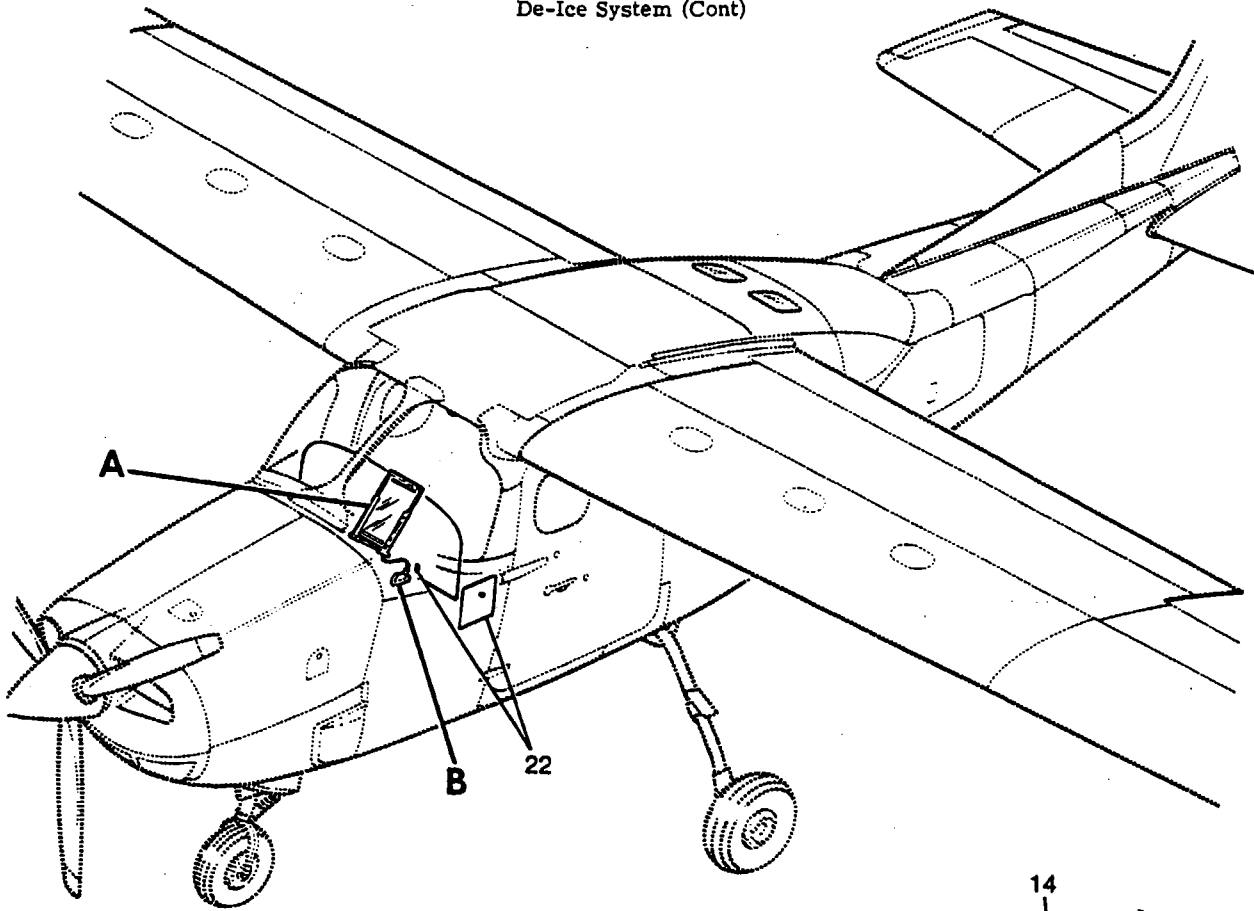
P210 Parts Catalog

FIGURE AND INDEX NO.	PART NUMBER	DESCRIPTION	1 2 3 4 5 6 7							UNITS PER ASSY	USABLE ON CODE
133 -		DE-ICE SYSTEM-PROPELLER									
- 1	C165020-0101	TIMER-DE-ICE MOUNTED ON TORQUE TUBE SUPPORT								NP	
		ATTACHING PARTS								1	
- 2	AN520-10R16	SCREW								4	
- 3	NAS43D03-48	SPACER								4	
		-----*									
- 3A	MS3106A20-15S	PLUG								1	D
	MS3057-12A	CLAMP								1	D
- 4	D40106	RING ASSY-SLIP MCL								1	A
	D40148	RING ASSY-SLIP MCL								1	A
	D40226	RING ASSY-SLIP MCL								1	A
	C165013-0704	SPACER								1	E
- 5	S1891H80S	CLAMP								3	E
- 6	SEE FIG 76	BULKHEAD ASSY-SPINNER DOME								2	E
- 7	SEE FIG 76	SPINNER ASSY-PROPELLER								1	
- 8	S1291-5	GROMMET								1	
- 9	1201074-1	CLIP-LEAD								3	F
- 10		ATTACHING PARTS								3	F
- 11	AN500D6-8	SCREW								2	E
- 12	NAS1149CN632R	WASHER								2	E
- 13	MS21045L06	NUT								2	E
		-----*									
- 14	C165013-0701	DE-ICER-PROP								3	E
		ATTACHING PARTS									
- 15	AN515UB6R12	SCREW								3	E
	AN515B6R12	SCREW ALT FOR AN515UB6R12								3	E
- 16	MS35333-37	WASHER								9	E
- 17	S1527-1	WASHER								6	E
- 18	MS35649-265	NUT								6	E
		-----*									
- 19	C165013-0703	STRAP-RESTRAINER								3	F
- 20	6838	DE-ICER BOOT-PROP								3	F
- 21	C40055	BLOCK ASSY-BRUSH MCL WEU C40187								1	F
	C40187	BLOCK ASSY-BRUSH MCL								1	F
		ATTACHING PARTS									
- 22	AN503-10-24	SCREW								2	
- 23	NAS1149F0363P	WASHER								2	
- 24	NAS1149D0316K	WASHER								2	
- 25	B40024-3	SPACER MCL								AR	
		-----*								2	
- 26	C40057	BRACKET ASSY-BRUSH BLOCK MCL								1	
		ATTACHING PARTS									
- 27	AN5-23A	BOLT								2	
- 28	NAS1149F0332P	WASHER								4	
- 29	NAS1149D0516K	WASHER								4	
- 30	B40030-4	SPACER MCL								4	
		-----*									
- 31	B48787	BRACKET-SUPPORT MCL								3	F
- 32	AN502-10-16	SCREW								6	F
- 33	2170206-1	CABLE ASSY-PROP DE-ICE								3	F
		ATTACHING PARTS									
- 34	AN515-6R8	SCREW								3	F
	NAS1149FN616P	WASHER								6	F
	B5024	INSULATOR MCL								6	F
	MS21045L06	NUT								3	F
- 35	MS21919DG5	CLAMP								1	F
	S2300-38	BRACKET								1	F
- 36	AN520-10R8	SCREW								1	F
	MS21045L3	NUT								2	F
- 37	A2873-10A	CLAMP MCL								2	F
	TA13C725506NB	CLAMP THAS								1	F
- 38	AN525-10R8	SCREW								1	F
	MS21045L3	NUT								2	F
	S2209-10A	STA STRAP ON CABLE								2	F
	MS3367-6-1	STA STRAP ON PROPELLER								1	F
		-----*									

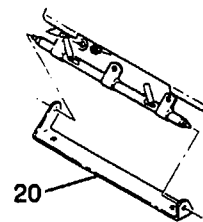
A---P210 SERIAL P21000405 & P21000490 & ON
 B---P210 SERIAL P21000001 THRU P21000646
 C---P210 SERIAL P21000647 & ON
 D---P210 SERIAL P21000761 & ON
 E---P210 SERIAL P21000001 THRU P21000834
 F---P210 SERIAL P21000835 & ON

P210 Parts Catalog

De-Ice System (Cont)



Detail B



P21000243 & ON

Detail C

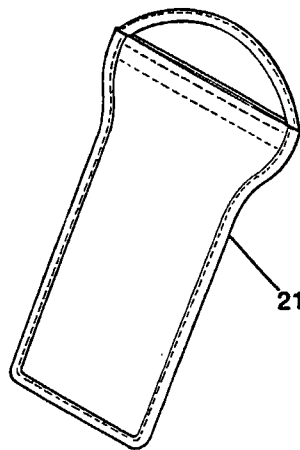


Figure 134. Windshield Anti-Ice Installation - Removable

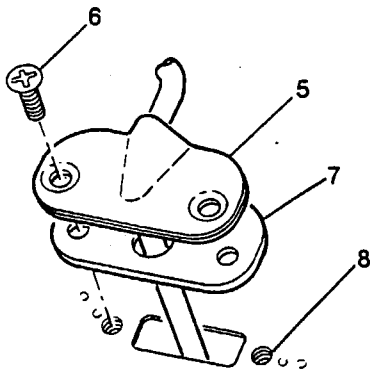
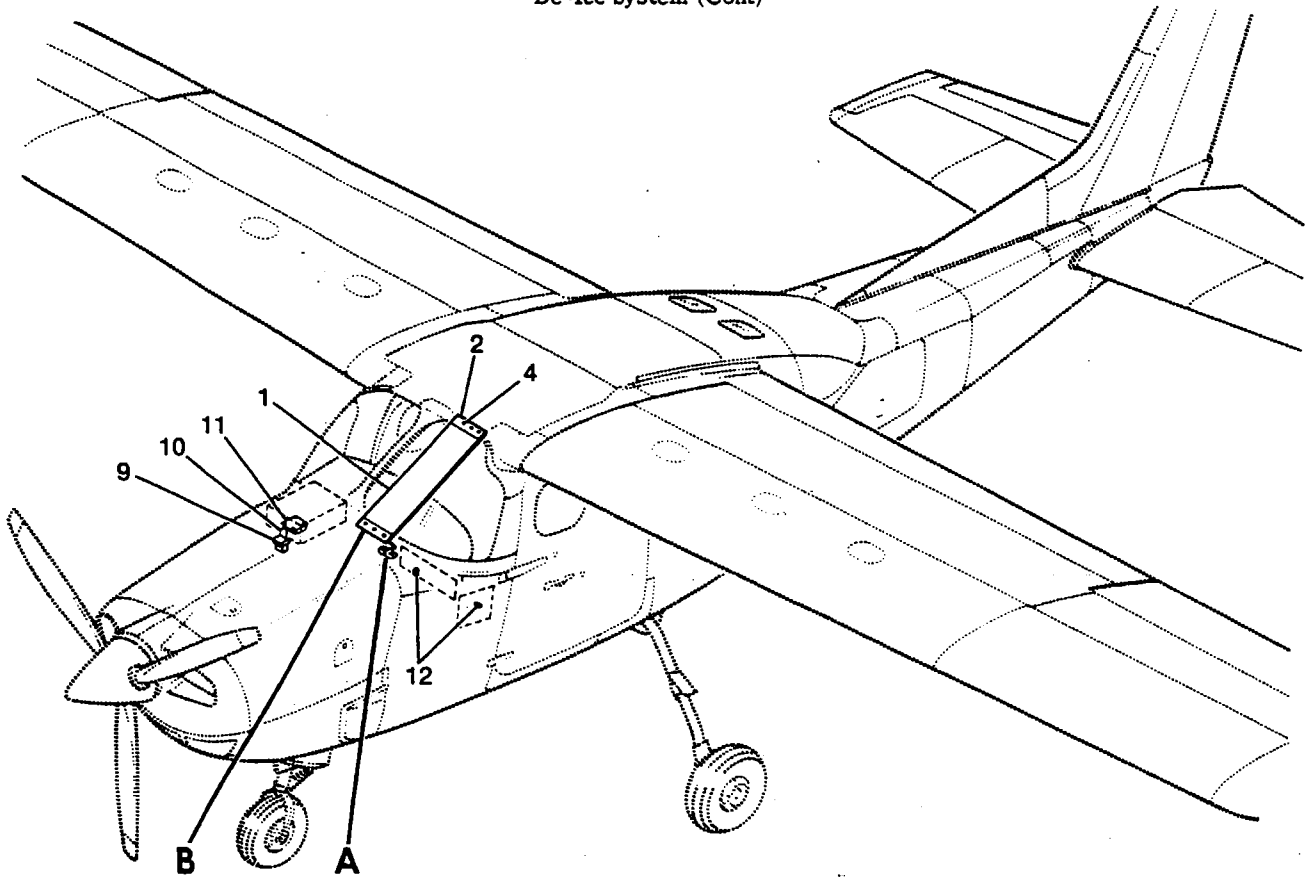
P210 Parts Catalog

FIGURE AND INDEX NO.	PART NUMBER	DESCRIPTION							UNITS PER ASSY	USABLE ON CODE
		1	2	3	4	5	6	7		
134 -		WINDSHIELD ANTI-ICE INSTALLATION-REMOVABLE -----							NP	
- 1	1513460-6	ANTI-ICE ASSY-WINDSHIELD -----							1	
- 2	1513470-5	FRAME ASSY-WINDSHIELD ANTI-ICE -----							1	
	MS21919DG2	CLAMP -----							1	
		ATTACHING PARTS -----							1	
- 3	AN515-6R6	SCREW -----							1	
- 4	NAS1149FN632P	WASHER -----							1	
- 5	MS21044N06	NUT -----							1	
		*-----								
- 6	KPT06E8-2P	PLUG CED -----							1	
- 7	1513478-1	BUMPER -----							2	
- 8	1513477-5	STOP ASSY-WINDSHIELD ANTI-ICE -----							1	
- 9	1513463-1	RELEASE ASSY-WINDSHIELD ANTI-ICE -----							1	
		ATTACHING PARTS -----							1	
-10	AN742D5	CLAMP -----							3	
-11	NAS1149FN632P	WASHER -----							3	
-12	MS21044N06	NUT -----							3	
-13	AN515-6R6	SCREW -----							3	
		*-----								
-14	MS3114E8-2S	RECEPTACLE -----							1	
-15	2101012-1	COVER-ANTI-ICE PLUG -----							1	
-16	1201062-1	BRACKET-INBD -----							1	
-17	1201062-2	BRACKET-OUTBD -----							1	
-18	AN507-632R7	SCREW -----							1	
-19	MS21044N06	NUT -----							3	
-20	1201060-6	BRACKET-ATTACH -----							3	
-21	1500135-1	CASE ASSY-STORAGE -----							1	
-22		SWITCH/CIRCUIT BREAKER SEE SWITCH & CIRCUIT BREAKER -----							1	
		PANEL INSTALLATION -----								
		A---P210 SERIAL P21000001 THRU P21000242								
		B---P210 SERIAL P21000243 & ON								

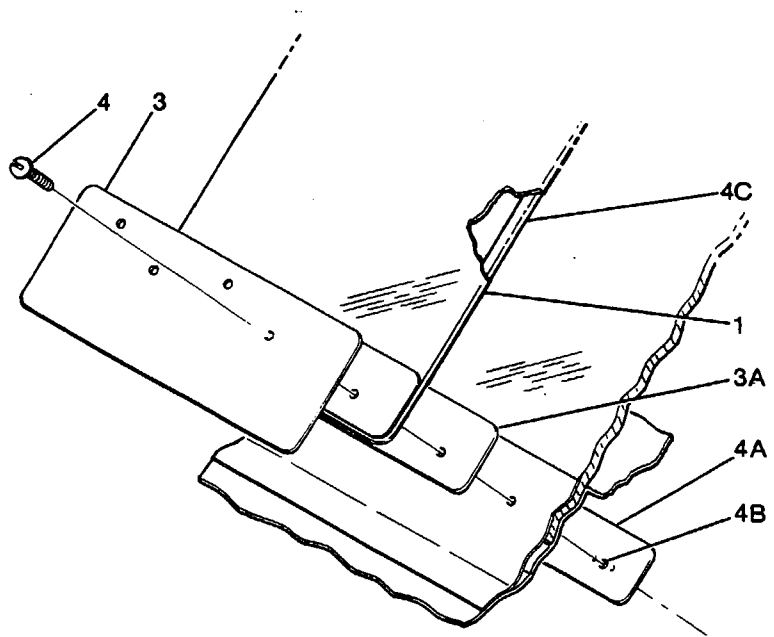
A
A
A
B

P210 Parts Catalog

De-Ice System (Cont)



Detail A



Detail B

P210 SERIAL P21000225 & ON

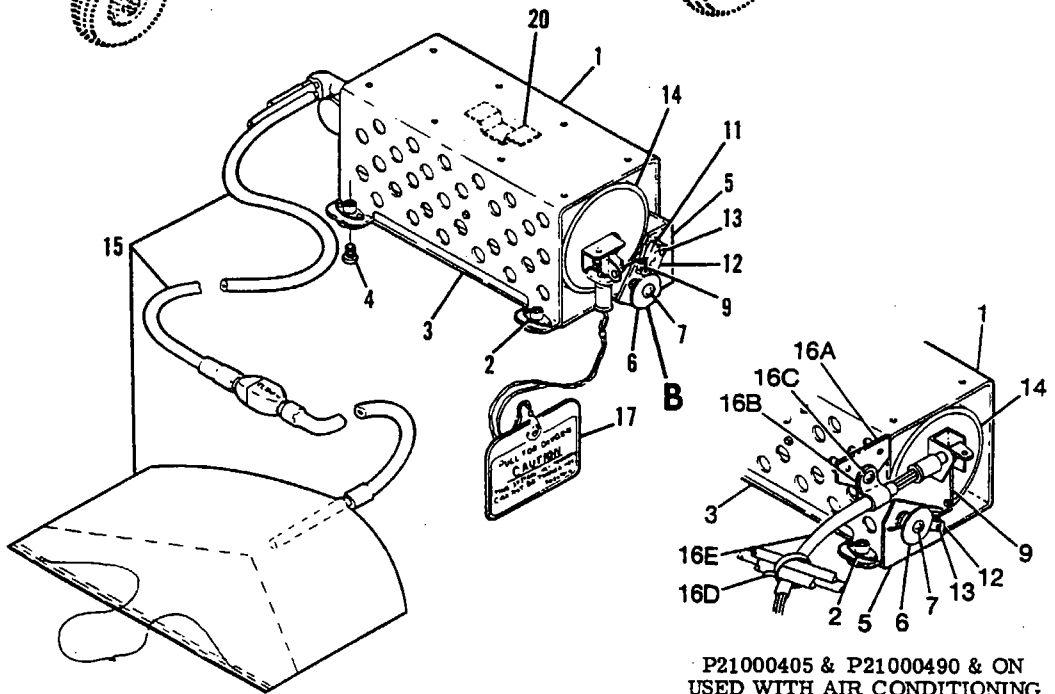
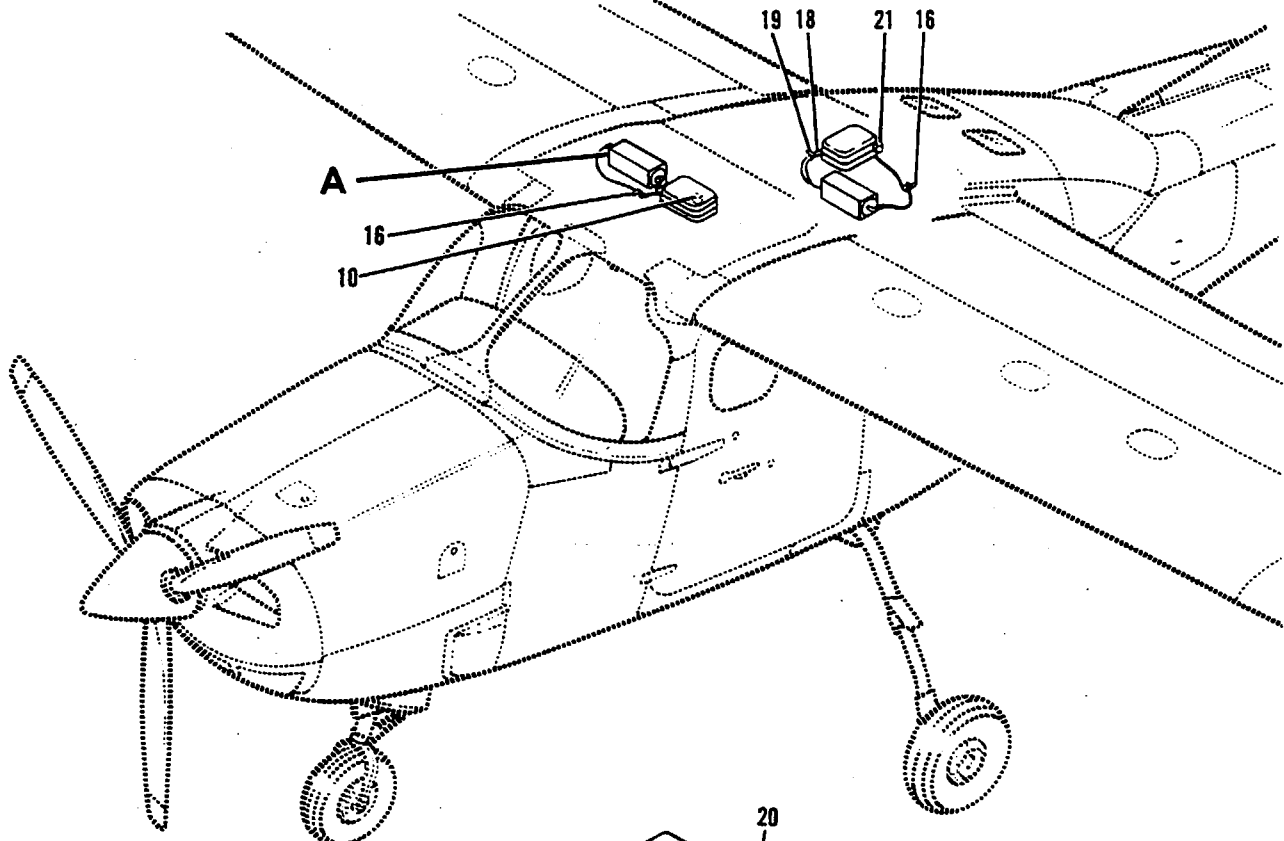
Figure 134A. Windshield Anti-Ice Installation - Fixed

P210 Parts Catalog

FIGURE AND INDEX NO.	PART NUMBER	DESCRIPTION	UNITS PER ASSY	USABLE ON CODE
		1 2 3 4 5 6 7		
134A-		WINDSHIELD ANTI-ICE INSTALLATION-FIXED -----		
- 1	NP143502	PANEL ASSY-ANTI-ICE PPG -----	NP 1	A
		ATTACHING PARTS -----		
- 2	2101019-6	SHIM-UPPER -----	AR 1	
- 3	2101019-8	RETAINER-LOWER -----	AR 1	
- 3A	2101019-7	SHIM-LOWER -----	AR 8	
- 4	AN525-832R16	SCREW -----	1	
- 4A	2101019-11	PLATE ASSY -----	4	
- 4B	S2031-2	NUTPLATE -----		
		-----*		
- 4C	22-8-1125-2	SEAL REPLACEMENT KIT PPG -----	1	
- 5	1201150-1	COVER ASSY-WINDSHIELD ANTI-ICE WIRING -----	1	
		ATTACHING PARTS -----		
- 6	AN507-832R8	SCREW -----	2	
		-----*		
- 7	1201150-4	GASKET-COVER -----	1	
- 8	S2018-1	NUTPLATE -----	2	
	S2018N1	NUTPLATE ALT FOR S2018-1 -----	2	
- 9	KRP3DH	RELAY-ANTI-ICE PBR -----	1	
		ATTACHING PARTS -----		
	27E122	BASE PBR -----	1	
	20C206	RETAINER-SPRING PBR -----	1	
	AN515-6R16	SCREW -----	2	
	NAS430D1-34	SPACER -----	2	
		-----*		
-10	IN2070	DIODE-WINDSHIELD ANTI-ICE JEDEC -----	1	
	1201092-1	MOUNT-RELAY -----	1	
-11	9910216-2	BOX ASSY-CONTROL PELD WEU C166065-0101 -----	1	B
	C166065-0101	BOX ASSY-CONTROL -----	1	C
		ATTACHING PARTS -----		
	AN515-8R8	SCREW -----	4	
	NAS1149FN832P	WASHER -----	4	
	MS21044N08	NUT -----	4	
		-----*		
-12		SWITCH/CIRCUIT BREAKER SEE SWITCH & CIRCUIT BREAKER -----	1	
		PANEL INSTALLATION -----		
		A---P210 SERIAL P21000225 & ON		
		B---P210 SERIAL P21000225 THRU P21000742		
		C---P210 SERIAL P21000743 & ON		

P210 Parts Catalog

Oxygen System



Detail A

Detail B

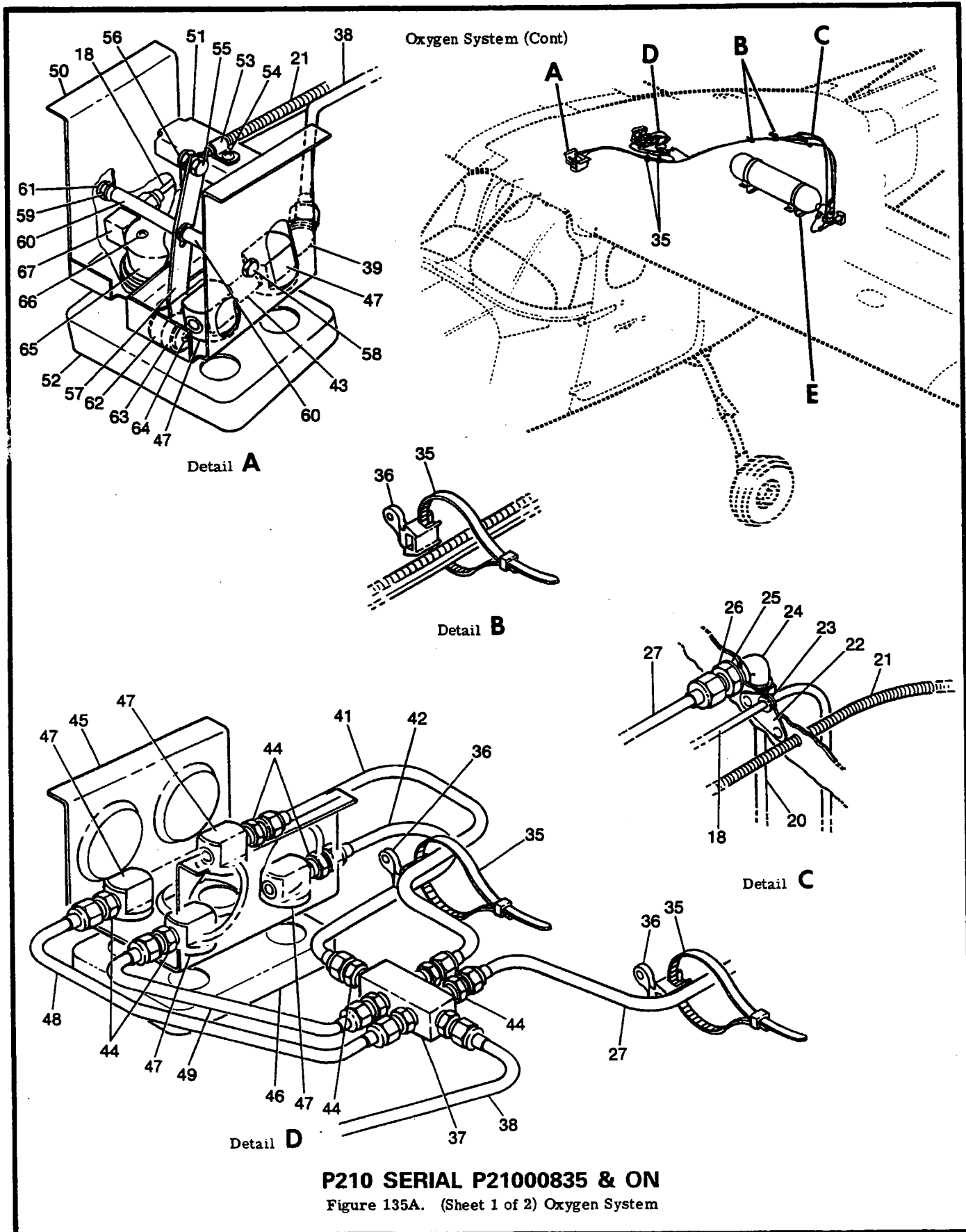
P21000405 & P21000490 & ON
USED WITH AIR CONDITIONING

Figure 135. Emergency Oxygen System

P210 Parts Catalog

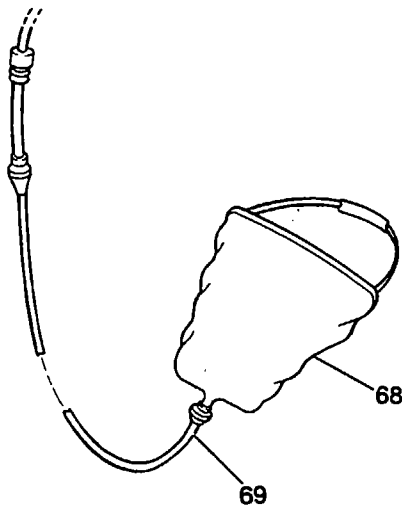
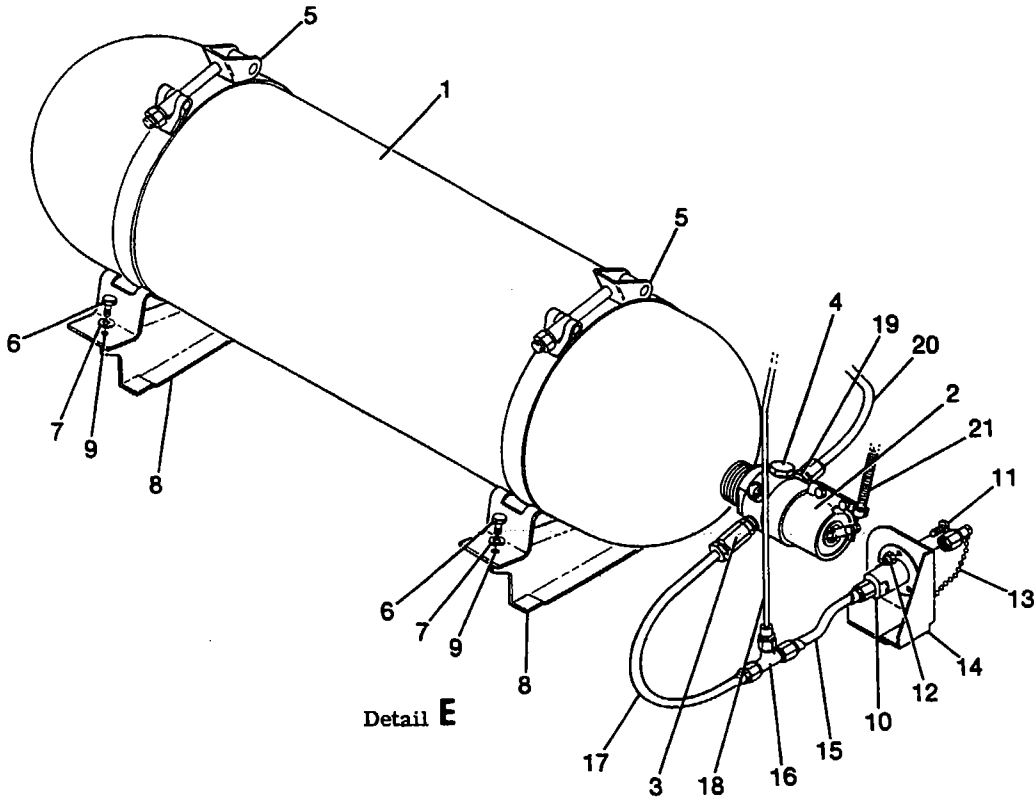
FIGURE AND INDEX NO.	PART NUMBER	DESCRIPTION							UNITS PER ASSY	USABLE ON CODE
		1	2	3	4	5	6	7		
135 -		EMERGENCY OXYGEN SYSTEM -----							NP	
- 1	2100002-1	SUPPORT ASSY -----							2	
- 2	NAS680A08K	NUTPLATE -----							4	
- 3	2100002-3	SHIELD FWD -----							1	
	2100002-4	SHIELD FWD USED WITH AIR CONDITIONING -----							1	A
	2100002-4	SHIELD AFT -----							1	
		ATTACHING PARTS -----								
- 4	AN515-8R8	SCREW -----							4	
		*-----								
- 5	2100009-1	BRACKET ASSY -----							2	
- 6	S1450-2-14-032	WASHER -----							1	
- 7	AN515-8R11	SCREW -----							1	
	NAS43HT3-20	SPACER -----							1	
	MS21044N08	NUT -----							1	
- 8		DELETED-NOT USED -----								
- 9	1500137-1	SPRING ASSY -----							1	
-10	S1884-2	LIGHT ASSY -----							2	
-11	1560218-1	PLATE ASSY-LIMIT SWITCH ATTACH -----							2	
-12	111SM42	SWITCH MH -----							2	
		ATTACHING PARTS -----								
-13	AN515-2R8	SCREW -----							2	
		*-----								
-14	C166025-0102	GENERATOR ASSY SCA -----							2	
-15	C166025-0104	MASK & LINE ASSY SCA -----							6	
		ATTACHING PARTS -----								
-16	AN743-13	BRACKET -----							1	
	AN742D6	CLAMP -----							1	
	AN515-8R7	SCREW -----							1	
	MS21044N08	NUT -----							1	
-16A	2100013-1	SUPPORT-CLAMP USED WITH AIR CONDITIONING -----							1	A
-16B	AN742D4	CLAMP USED WITH AIR CONDITIONING -----							1	A
-16C	AN515-8R7	SCREW USED WITH AIR CONDITIONING -----							1	A
	MS21044N08	NUT USED WITH AIR CONDITIONING -----							1	A
-16D	S2209-2	STA STRAP USED WITH AIR CONDITIONING -----							2	A
-16E	S1071-1	LINE 17.50 IN LG BKI USED WITH AIR CONDITIONING -----							1	A
		*-----								
-17	1505039-4	PLACARD -----							2	
	1505039-2	PLATE-PLACARD -----							2	
-18	S1071-1	LINE 10.50 IN LG BKI -----							1	
		ATTACHING PARTS -----								
-19	AN742D4	CLAMP -----							1	
	NAS1329-08-75	NUT -----							1	
	AN515-8R8	SCREW -----							1	
		*-----								
-20	2100012-1	BRACKET OXYGEN GENERATOR AFT GENERATOR ONLY -----							1	
	2100012-1	BRACKET OXYGEN GENERATOR FWD & AFT GENERATOR -----							1	A
		USED WITH AIR CONDITIONING -----								
A---P210 SERIAL P21000405 & P21000490 & ON										

P210 Parts Catalog

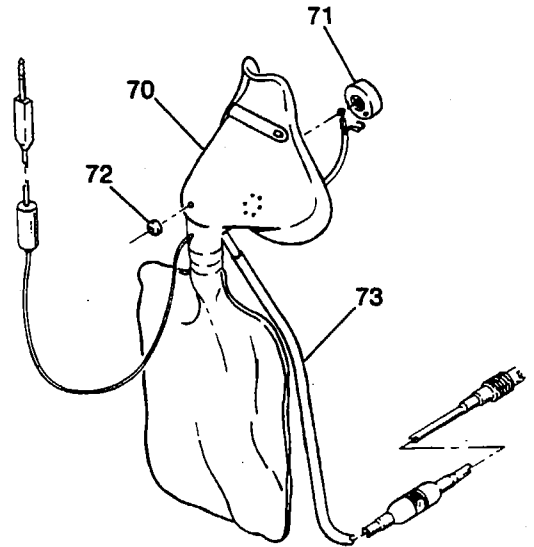


P210 Parts Catalog

Oxygen System (Cont)



PASSENGER MASK



PILOT MASK

P210 SERIAL P21000835 & ON

Figure 135A. (Sheet 2 of 2) Oxygen System

P210 Parts Catalog

FIGURE AND INDEX NO.	PART NUMBER	DESCRIPTION	UNITS PER ASSY	USABLE ON CODE
		1 2 3 4 5 6 7		
135A-		OXYGEN SYSTEM		
- 1	C166001-1001	CYLINDER & REGULATOR-OXYGEN	MP	A
- 2	172400	REGULATOR ASSY-OXYGEN	1	
- 3	170043	CONNECTOR-OXYGEN REGULATOR	1	
- 4	170901	FITTING-SAFETY	1	
	500910	PLUG	1	
- 5	C166007-0104	BRACKET-OXYGEN MOUNTING	1	
		ATTACHING PARTS	2	
- 6	AN3-5A	BOLT	2	
- 7	NAS1149F0363P	WASHER	2	
		-----*		
- 8	2111560-1	SUPPORT ASSY-OXYGEN CYLINDER	2	
- 9	NAS680A3	NUTPLATE	1	
-10	C166008-0101	FILLER VALVE ASSY-OXYGEN	1	
		ATTACHING PARTS		
-11	AN525-10R8	SCREW	3	
-12	MS21044N3	NUT	3	
		-----*		
-13	S1520-1	CAP & CHAIN ASSY	1	
	C166008-0103	O-RING REPAIR KIT	1	
-14	2111559-1	SUPPORT-OXYGEN FILLER VALVE	1	
-15	S1721-4	LINE ASSY-OXYGEN	1	
-16	S1724-1	TEE	1	
-17	S1723-6	LINE ASSY-OXYGEN	1	
-18	S1722-100	LINE ASSY-OXYGEN	1	
-19	AN816-4D	ADAPTOR	1	
-20	1200417-137	LINE ASSY-OXYGEN	1	
-21	S2290-2	CASING	1	
	S1398-1	WIRE	1	
-22	2111558-1	SEAL-OXYGEN LINE	1	
-23	MS35489-1	GROMMET	1	
-24	AN833-4D	ELBOW	1	
-25	NAS1149D0763K	WASHER	1	
-26	AN924-4D	NUT	1	
-27	1200417-136	LINE ASSY-OXYGEN	1	
-28		DELETED		
-29		DELETED		
-30		DELETED		
-31		DELETED		
-32		DELETED		
-33		DELETED		
-34		DELETED		
-35	S2209-2	STA STRAP	6	
-36	S2034-1	MOUNT	3	
-37	2111562-1	MANIFOLD	1	
-38	1200417-132	LINE ASSY-OXYGEN	1	
-39	MS20823-4D	ELBOW	1	
-40		DELETED-NOT USED		
-41	1200417-133	LINE ASSY-OXYGEN	1	
-42	1200417-134	LINE ASSY-OXYGEN	1	
-43	2111562-2	CONNECTOR	1	
-44	AN816-4D	NIPPLE	10	
-45	1211361-1	BRACKET-OXYGEN OUTLET	1	
-46	1215074-1	COVER-OXYGEN OUTLET	1	
-47	C166006-0201	VALVE ASSY-OXYGEN	1	
	AN932C2	PLUG-OXYGEN VALVE	6	
-48	1200417-135	LINE ASSY-OXYGEN	1	
-49	1200417-138	LINE ASSY-OXYGEN	1	
-50	2111561-1	BRACKET ASSY-OXYGEN OUTLET	1	
	2111561-2	BRACKET ASSY-OXYGEN OUTLET	1	
-51	2111561-7	SUPPORT-OXYGEN CONTROL	1	
-52	1215074-2	COVER ASSY-OXYGEN OUTLET	1	
-53	2106002-5-A58	POST LIGHT ASSY	1	
	S2226-2	CLAMP	2	
		ATTACHING PARTS	1	
-54	AN515-8R6	SCREW	1	
	MS21044N08	NUT	1	
		-----*		

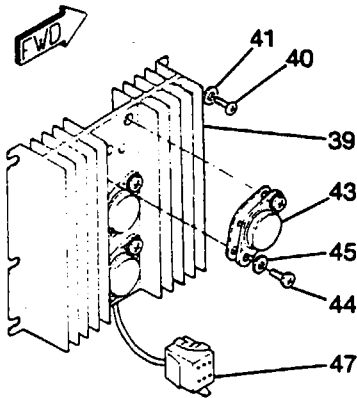
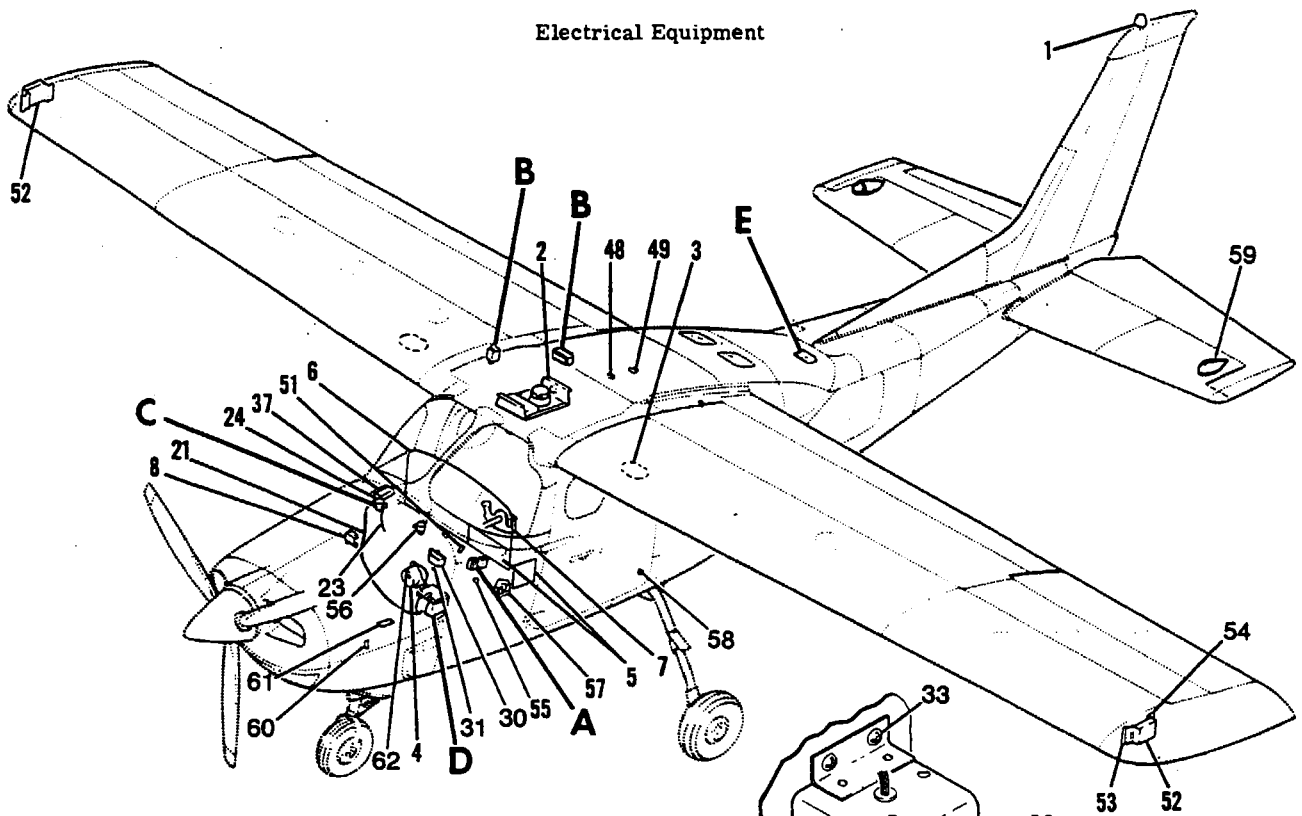
CONTINUED ON NEXT PAGE

P210 Parts Catalog

FIGURE AND INDEX NO.	PART NUMBER	DESCRIPTION							UNITS PER ASSY	USABLE ON CODE
		1	2	3	4	5	6	7		
135A-55	S2323-5	CLAMP-CONTROL -----							1	
-56	MS21044N3	NUT -----							1	
	NAS1149F0363P	WASHER -----							1	
-57	1201104-1	LEVER-OXYGEN CONTROL -----							1	
		ATTACHING PARTS -----							1	
-58	AN3-43A	BOLT -----							1	
-59	NAS1149F0332P	WASHER -----							3	
-60	NAS430D3-126	SPACER -----							2	
-61	MS21044N3	NUT -----							1	
		*-----								
-62	S1953-1	KNOB ASSY-OXYGEN CONTROL -----							1	
-63	S1953-3	KNOB-OXYGEN CONTROL -----							1	
		ATTACHING PARTS -----								
-64	AN507-440R8	SCREW -----							1	
		*-----								
-65	C166010-0101	GAGE ASSY-OXYGEN -----							1	
		ATTACHING PARTS -----								
-66	NAS1352-06-4	SCREW -----							1	
	NAS1352-06-4P	SCREW ALTERNATE -----							1	
		*-----								
-67	S1529-1	ELBOW-OXYGEN GAGE -----							1	
	C166005-0207	MASK & LINE ASSY-OXYGEN PASSENGER -----							5	
-68	C166005-0205	MASK ASSY-PASSENGER -----							1	
-69	C166005-0604	LINE & FITTING ASSY-PASSENGER -----							1	
	C166005-0609	MASK & LINE ASSY-OXYGEN PILOT WITH MIC -----							1	
-70	C166009-0703	MASK ASSY-PILOT -----							1	
-71	64881-00	MICROPHONE 02217 -----							1	
-72	Z736	NUT 02217 -----							1	
-73	C166005-0603	LINE & FITTING ASSY-PILOT -----							1	
		A---P210 SERIAL P21000835 & ON								

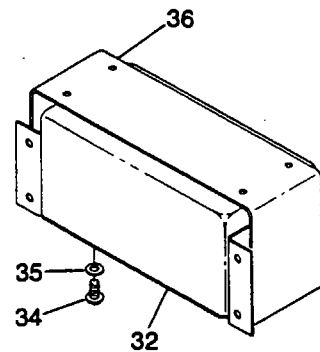
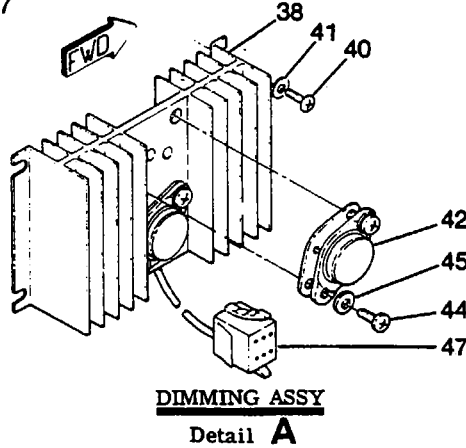
P210 Parts Catalog

Electrical Equipment



P21000001 THRU P21000404
 P21000406 THRU P21000489

Detail B



P21000405 & P21000490
 THRU P21000590

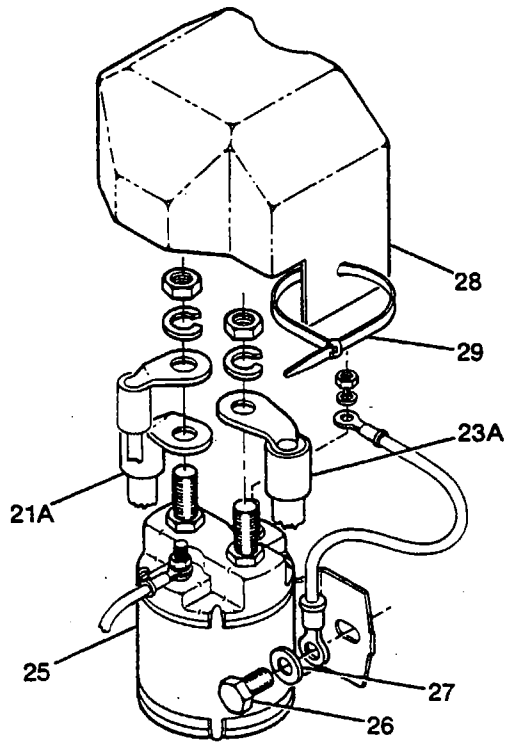
Detail B

P210 SERIAL P21000001 THRU P21000590

Figure 136. (Sheet 1 of 2) Electrical Equipment Installation

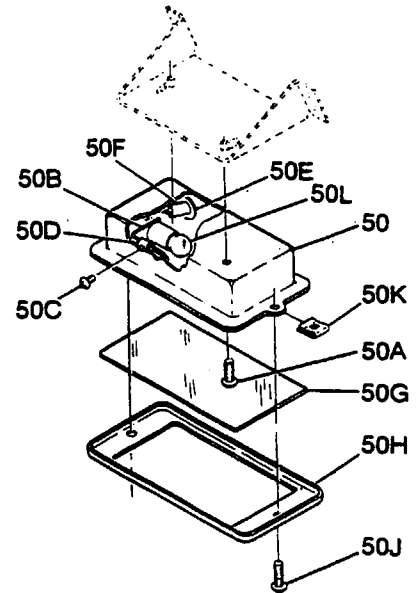
P210 Parts Catalog

Electrical Equipment (Cont)

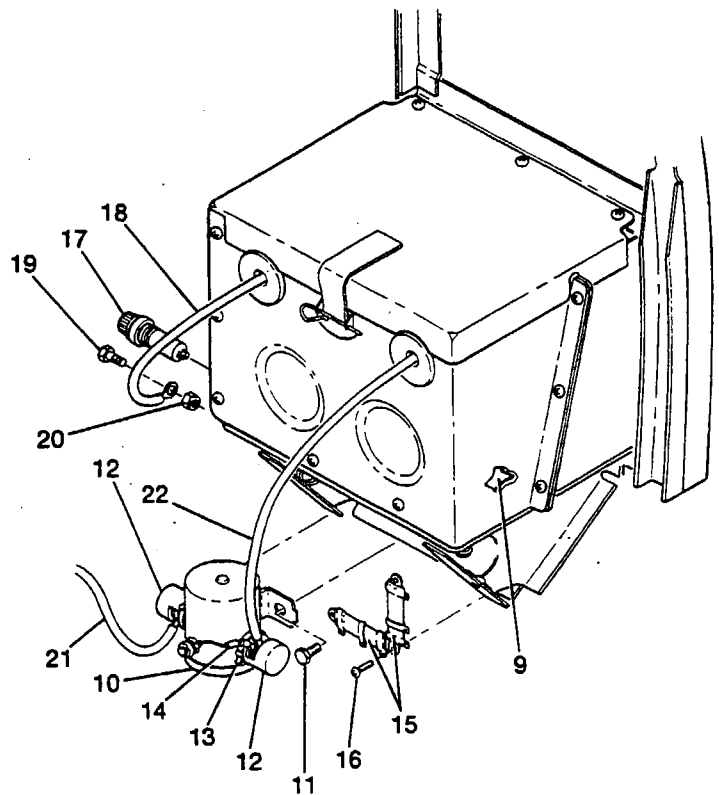


P21000345 THRU P21000590

Detail C



Detail E



Detail D

P210 SERIAL P21000001 THRU P21000590

Figure 136. (Sheet 2 of 2) Electrical Equipment Installation

P210 Parts Catalog

FIGURE AND INDEX NO.	PART NUMBER	DESCRIPTION							UNITS PER ASSY	USABLE ON CODE
		1	2	3	4	5	6	7		
136 -		ELECTRICAL EQUIPMENT INSTALLATION -----							NP	
- 1	SEE FIG 143	FLASHING BEACON INSTALLATION -----							1	
- 2	SEE FIG 138	INSTRUMENT PANEL LIGHTS & OVERHEAD CONSOLE INSTALLATION -----							1	
- 3	SEE FIG 142	COURTESY LIGHT INSTALLATION -----							1	
- 4	SEE FIG 140	ALTERNATOR INSTALLATION -----							1	
- 5	SEE FIG 141	ALTERNATOR INSTALLATION-95 AMP -----							1	
- 6		SWITCH & CIRCUIT BREAKERS SEE SWITCH & CIRCUIT BREAKER -----							1	
- 7	SEE FIG 94	PANEL INSTALLATION -----							1	
- 8	SEE FIG 137	POST LIGHTS SEE POST LIGHTED INSTRUMENT PANEL & PEDESTAL -----							1	
- 9	C614001-0101	LIGHTS INSTALLATION -----							1	
	C614001-0105	CONTROL WHEEL & SWITCHES INSTALLATION -----							1	
	C614001-0102	SWITCH INSTALLATION-GEAR WARNING & FUEL PUMP -----							1	
	C614001-0106	BATTERY ASSY 12.75 A.H. WEU C614001-0105 -----							1	
	SEE FIG 24	BATTERY ASSY 12.75 A.H. -----							1	
-10	S1580-1	BATTERY ASSY 15.5 A.H. WEU C614001-0106 -----							1	
-11	AN3-4A	BATTERY ASSY 15.5 A.H. -----							1	
-12	S1807-2	BATTERY BOX ASSY -----							1	
-13	S2209-2	CONTACTOR ASSY-BATTERY -----							1	
-14	0770728-1	BOLT-BATTERY CONTACTOR ASSY ATTACH -----							2	
-15	AMR20-10	COVER-TERMINAL -----							2	
-15A	AZR40-10	STA-STRAP-TERMINALCOVER ATTACH -----							1	
		DIODE ASSY-BATTERY CONTACTOR -----							1	
		RESISTOR-FUEL PUMP WARNING 24681 FSO AZR40-10 -----							NP	
		RESISTOR-FUEL PUMP WARNING -----							2	
		ATTACHING PARTS -----								
-16	AN515-6R12	SCREW USED WITH AMR20-10 -----							2	
-16A	MS21042-3	NUT -----							2	
-16B	MS27039-1-22	BOLT -----							2	
-16C	NAS43HT3-12	SPACER -----							2	
-17	S1090-22	FUSE HOLDER -----							1	
	S1091-1	FUSE-CLOCK -----							1	
-18	1270709PA1	CABLE BATTERY GROUND -----							1	
-19	AN3-3A	ATTACHING PARTS -----								
-20	MS21044N4	BOLT -----							1	
		NUT -----							1	
-21	1270709PA15	CABLE CONTACTOR TO CONTACTOR -----							1	J
-21A	1270709PA30	CABLE CONTACTOR TO CONTACTOR -----							1	K
	MS21919DG12	ATTACHING PARTS -----								
	AN3-21A	CLAMP ATTACHES AT GEAR WARNING & FUEL PUMP BRACKET -----							1	F
	NAS43HT8-96	BOLT ATTACHES AT GEAR WARNING & FUEL PUMP BRACKET -----							1	F
	1200127-1	SPACER ATTACHES AT GEAR WARNING & FUEL PUMP BRACKET -----							1	F
		WASHER ATTACHES AT GEAR WARNING & FUEL PUMP BRACKET -----							1	F
-22	1270709PA16	CABLE CONTACTOR TO BATTERY -----							1	
-23	1270709PA12	CABLE CONTACTOR TO STARTER -----							1	J
-23A	1270709PA29	CABLE CONTACTOR TO STARTER -----							1	K
-24	S1577-1	CONTACTOR-STARTER -----							1	J
		ATTACHING PARTS -----								
	AN3-4A	BOLT -----							2	
		COVER-TERMINAL -----							2	J
	S1807-2	STA-STRAP TERMINAL COVER ATTACH -----							1	
	S2209-2	NIPPLE -----							1	J
-25	MS25171-1S	CONTACTOR-STARTER -----							1	K
	S2443-2	ATTACHING PARTS -----								
-26	AN3-3A	BOLT -----							2	
-27	NAS1149F0363P	WASHER -----							2	
-28	0712765-3	COVER CONTACTOR -----							1	K
-29	S2209-2	STA-STRAP CONTACTOR COVER ATTACH -----							2	
-30	C611004-0102	REGULATOR-VOLTAGE -----							1	M
	C611005-0101	ALTERNATOR CONTROL UNIT WEU C611005-0103 -----							1	A
	C611005-0103	ALTERNATOR CONTROL UNIT -----							1	A
		ATTACHING PARTS -----								
	AN4-6A	BOLT USED WITH C611004-0102 & C611005-0101 -----							3	
	AN4-10A	BOLT USED WITH C611005-0103 -----							4	

CONTINUED ON NEXT PAGE

P210 Parts Catalog

FIGURE AND INDEX NO.	PART NUMBER	DESCRIPTION							UNITS PER ASSY	USABLE ON CODE
		1	2	3	4	5	6	7		
136 -31	0750315-1	TERMINAL BOARD ASSY -----							1	A
	AN515-8R10	ATTACHING PARTS -----								
		SCREW -----							2	
	0570316-1	COVER -----								
		ATTACHING PARTS -----							1	A
	S2303-4	SCREW -----							2	
	1270709PB54	CABLE ASSY-TERMINAL BOARD TO ALTERNATOR -----							1	A
	1270709PB63	CABLE ASSY-TERMINAL BOARD TO ALTERNATOR 95 AMP ALT -----							1	A
	1270709PB53	CABLE ASSY-TERMINAL BOARD TO CIRCUIT BREAKER -----							1	A
	1270709PB67	CABLE ASSY-TERMINAL BOARD TO CIRCUIT BREAKER -----							1	C
	1270709PB62	CABLE ASSY-TERMINAL BOARD TO CIRCUIT BREAKER 95 AMP ALT -----							1	F
-32	1270733-2	WARNING UNIT ASSY-STALL & GEAR -----							1	A
		ATTACHING PARTS -----								
-33	AN515-6R10	SCREW -----							4	B
		SCREW ATTACHES 1270733-2 -----								
-34	AN515-8R6	WASHER ATTACHES 1270733-2 -----							2	L
-35	AN936A8	BRACKET-DUAL WARNING BOX -----							2	L
-36	2101050-1	POWER SUPPLY-ELECTROLUMINESCENT PANEL -----							1	L
-37	C613001-0101	ATTACHING PARTS -----								
	AN507-832R8	SCREW -----							2	
	S1450-2-10-032	WASHER -----							2	
	MS21044N08	NUT -----							2	
		SCREW ATTACHES 1270733-2 -----								
-38	1570166-1	DIMMING ASSY-TRANSISTORIZED LIGHT -----							1	E
	1570166-2	DIMMING ASSY-TRANSISTORIZED LIGHT -----							1	F
-39	1570301-1	DIMMING ASSY-TRANSISTORIZED LIGHT WITH POST LIGHTING -----							1	
		ATTACHING PARTS -----								
-40	AN520-10R6	SCREW -----							4	
-41	NAS1149F0332P	WASHER -----							4	
		TRANSISTOR HMEC -----							2	
-42	2N6576	TRANSISTOR HMEC ALT FOR 2N6576 -----							2	
	2N6577	TRANSISTOR HMEC ALT FOR 2N6576 -----							3	
-43	2N6576	TRANSISTOR HMEC ALT FOR 2N6576 -----							3	
	2N6577	TRANSISTOR HMEC ALT FOR 2N6576 -----							3	
		ATTACHING PARTS -----								
-44	S102176-8	SCREW -----							2	
-45	NAS1149FN616P	WASHER -----							2	
	4004	SPACER SHHI -----							2	
	314-1431-006-500	SPACER ESIW ALT FOR 4004 -----							2	
		HOUSING-SOCKET -----							1	
-46	S1641-6	HOUSING-SOCKET -----							1	
-47	S1641-9	SWITCH-DOME LIGHT -----							1	
-48	S1831-1	ATTACHING PARTS -----								
	AN515-4R4	SCREW -----							2	
		BASE-DOME LIGHT BULB -----							1	
-49	S1893-1	BULB-DOME LIGHT -----							1	
	MS25231-313	REFLECTOR-BAGGAGE COMPARTMENT LIGHT -----							1	
-50	0413140-5	ATTACHING PARTS -----								
-50A	AN515-4R5	SCREW -----							2	
		SOCKET-BULB -----							1	
-50B	0413138	ATTACHING PARTS -----								
-50C	S102174-4	SCREW -----							2	
-50D	NAS395-1-3	NUT -----							2	
		GROMMET -----							1	
-50E	MS35489-4	SLEEVING 1.25 IN LG BKI -----							1	
-50F	S292-1	LENS-BAGGAGE COMPARTMENT LIGHT -----							1	
-50G	1211346-1	RETAINER-BAGGAGE COMPARTMENT LENS -----							1	
-50H	1215054-1	ATTACHING PARTS -----								
-50J	S102174-8	SCREW -----							2	
-50K	NAS395-1-3	NUT -----							2	
		BULB -----							1	
-50L	MS25231-313									

CONTINUED ON NEXT PAGE

P210 Parts Catalog

FIGURE AND INDEX NO.	PART NUMBER	DESCRIPTION							UNITS PER ASSY	USABLE ON CODE
		1	2	3	4	5	6	7		
136 -51	3403-817	TERMINAL BLOCK	MOUNTED ON LH ELEVATOR CONTROL TORQUE	----					1	
	3404-818	TUBE SUPPORT	INSTRUMENT LIGHTING	ETNC					1	
	AN507-632R8	TERMINAL BLOCK	MOUNTED ON PARKING BRAKE SUPPORT	-----						
	AN936A6	ANGLE	INSTRUMENT LIGHTING	ETNC						
	MS21044N06	ATTACHING PARTS								
		SCREW							2	
		WASHER							2	
		NUT							2	
-52	C622008-0102	POWER SUPPLY-STROBE LIGHT							2	
	AN520-10R7	ATTACHING PARTS								
		SCREW							4	
-53	1201127-1	BRACKET ASSY-POWER SUPPLY							2	
	AN520-10R7	ATTACHING PARTS								
	MS21044N3	SCREW							2	
		NUT							2	
		NUTPLATE							2	
-54	NAS686A3	BRACKET ASSY-POWER SUPPLY							2	
	1620075-3	ATTACHING PARTS								
	NAS686A3K	NUTPLATE							2	
-55	S2203-3	SWITCH-BAROMETRIC PRESSURE							1	
	S2203-4	SWITCH-BAROMETRIC PRESSURE				ALT			1	
	S2203-2	SWITCH-BAROMETRIC PRESSURE				FOR UNITED KINGDOM			1	D
		EXPORT ONLY								
	AN515-4R6	ATTACHING PARTS								
		SCREW							2	
-56	S1577-1	CONTACTOR-POWERPACK							1	
	AN515-8R10	ATTACHING PARTS								
	NAS1149FN832P	SCREW							2	
	MS21044N08	WASHER							2	
		NUT							2	
-57	1270717-1	DIODE ASSY-POWER PACK CONTACTOR							1	
	S2326-1	CIRCUIT BREAKER-95 AMP ALTERNATOR							1	
	Z170011-1	COVER-CIRCUIT BREAKER							1	
	Z170010-1	BRACKET-CIRCUIT BREAKER FWD							1	
	Z170012-1	BRACKET-CIRCUIT BREAKER AFT							1	
-58	YZ2RN7T	SWITCH							2	A
	AN515-6R16	ATTACHING PARTS								
	MS20365-632	BOLT							2	
		NUT							2	
-59	SEE FIG 144	FLOODLIGHT INSTALLATION-VERTICAL TAIL							1	
-60	S2041-50-15	RESISTOR-STALL WARNING UNIT	KNOWN ICING						1	H
	AN515-4R7	ATTACHING PARTS								
	MS21044N04	SCREW							2	
		NUT							2	
-61	MS27212-1-6	BLOCK-TERMINAL							1	G H
	MS27212-1-7	BLOCK-TERMINAL							1	G H
	AN515-4R6	ATTACHING PARTS								
	MS21045L06	SCREW							2	
		NUT							5	
	397-6	COVER-TERMINAL	HEGE						1	G H
	397-7	COVER-TERMINAL	HEGE						1	G H
-62	1270709PB82	CABLE ASSY-ALTERNATOR GROUND							1	
	1270709PB65	CABLE ASSY-ALTERNATOR GROUND	95 AMP ALTERNATOR						1	

NOTE. @THESE ITEMS ARE COMPONENTS OF SK210-154-1.

NOTE. *WHEN INITIALLY ORDERING THIS PART, ORDER SK210-154-1.

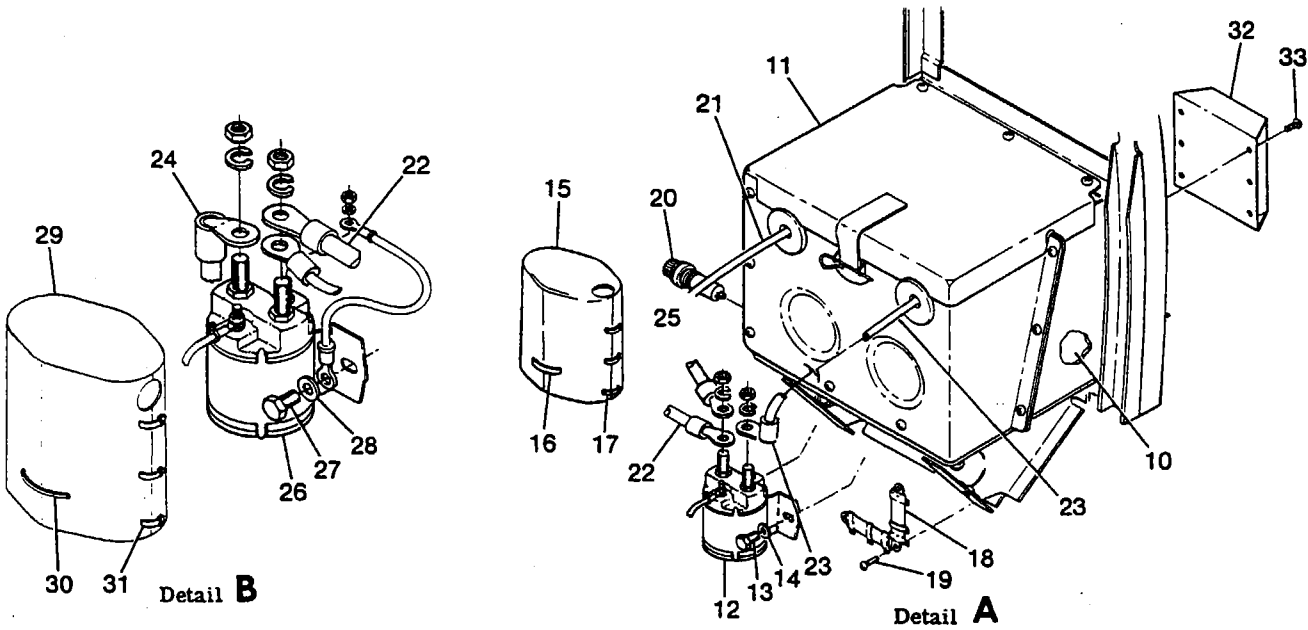
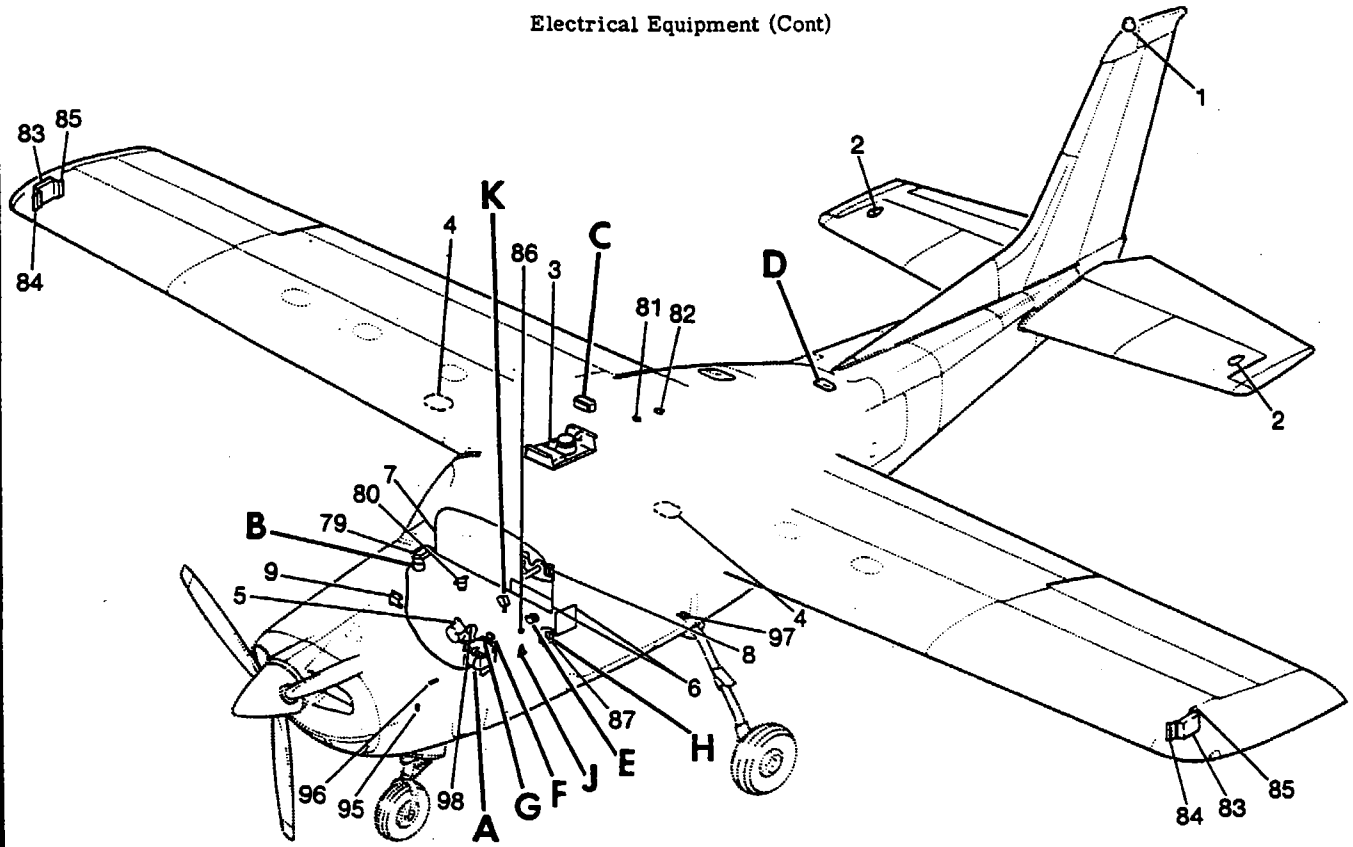
CONTINUED ON NEXT PAGE

P210 Parts Catalog

FIGURE AND INDEX NO.	PART NUMBER	1	2	3	4	5	6	7	DESCRIPTION	UNITS PER ASSY	USABLE ON CODE
136 -									A---P210 SERIAL P21000151 THRU P21000590 B---P210 SERIAL P21000001 THRU P21000404 P21000406 THRU P21000489 C---P210 SERIAL P21000151 THRU P21000385 D---P210 SERIAL P21000152 THRU P21000590 E---P210 SERIAL P21000001 THRU P21000385 F---P210 SERIAL P21000386 THRU P21000590 G---P210 SERIAL P21000001 THRU P21000224 H---P210 SERIAL P21000225 THRU P21000590 J---P210 SERIAL P21000001 THRU P21000344 K---P210 SERIAL P21000345 THRU P21000590 L---P210 SERIAL P21000405 & P21000490 THRU P21000590 M---P210 SERIAL P21000001 THRU P21000150		

P210 Parts Catalog

Electrical Equipment (Cont)

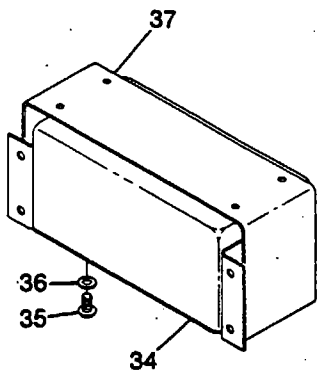


P210 SERIAL P21000591 & ON

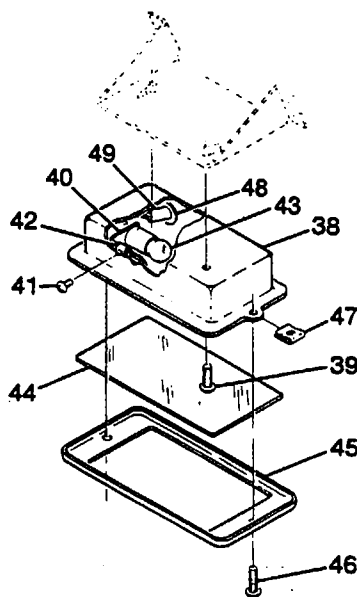
Figure 136A. (Sheet 1 of 2) Electrical Equipment Installation

P210 Parts Catalog

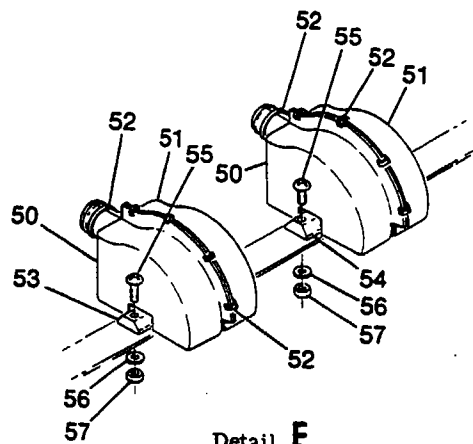
Electrical Equipment (Cont)



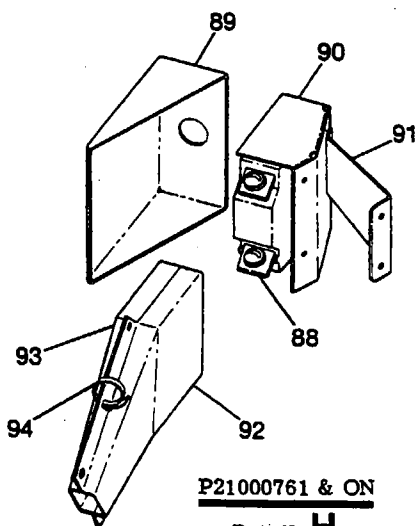
Detail C



Detail D

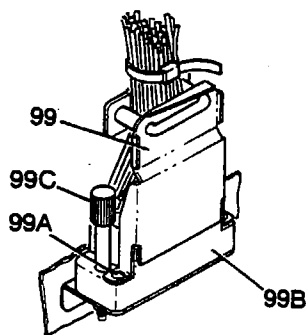


Detail E



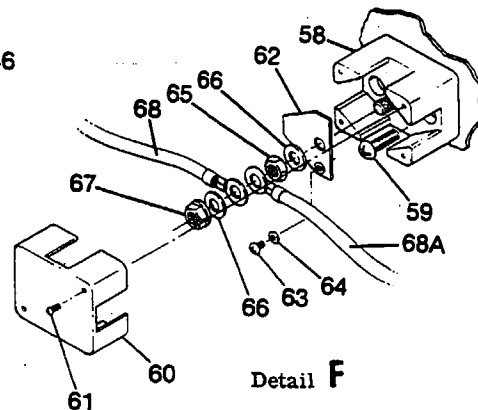
P21000761 & ON

Detail H

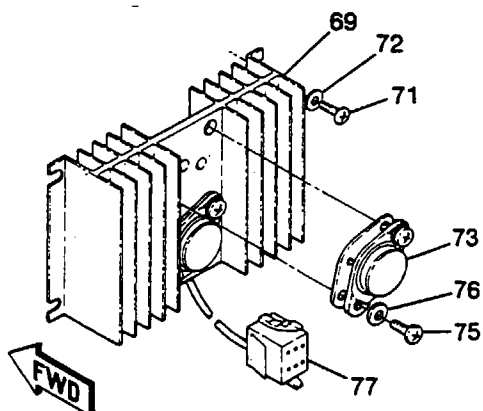


P21000812 & ON

Detail J

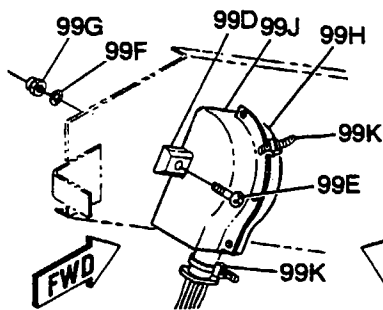


Detail F



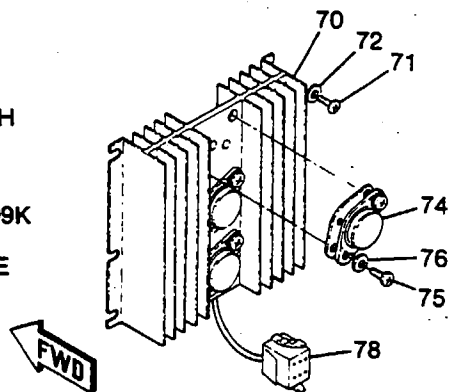
P21000591 THRU P21000834

Detail G



P21000835 & ON
INSTRUMENT LIGHTING
TERMINAL BLOCK

Detail K



POST LIGHTING (P21000591 THRU P21000834)
INSTRUMENT LIGHTING (P21000835 & ON)

Detail G

P210 SERIAL P21000591 & ON

Figure 136A. (Sheet 2 of 2) Electrical Equipment Installation

P210 Parts Catalog

FIGURE AND INDEX NO.	PART NUMBER	DESCRIPTION							UNITS PER ASSY	USABLE ON CODE
		1	2	3	4	5	6	7		
136A-		ELECTRICAL EQUIPMENT INSTALLATION -----							NP	A
- 1	SEE FIG 143	FLASHING BEACON INSTALLATION -----							1	
- 2	SEE FIG 144	FLOODLIGHT INSTALLATION-VERTICAL TAIL -----							1	
- 3	SEE FIG 138	INSTRUMENT PANEL LIGHTS & OVERHEAD CONSOLE INSTALLATION -----							1	
- 4	SEE FIG 142	COURTESY LIGHT INSTALLATION -----							1	
- 5	SEE FIG 140	ALTERNATOR INSTALLATION -----							1	
- 6	SEE FIG 141	ALTERNATOR INSTALLATION-95 AMP -----							1	
- 7		SWITCH & CIRCUIT BREAKERS SEE SWITCH & CIRCUIT BREAKER -----							1	
- 8	SEE FIG 94	PANEL INSTALLATION -----								
- 9	SEE FIG 137	POST LIGHTS SEE POST LIGHTED INSTRUMENT PANEL & PEDESTAL -----							1	
- 10	C614001-0105	LIGHTS INSTALLATION -----								
- 11	C614001-0106	CONTROL WHEEL & SWITCHES INSTALLATION -----							1	
- 12	SEE FIG 24	SWITCH INSTALLATION-GEAR WARNING & FUEL PUMP -----							1	
- 13	S2475-2	BATTERY ASSY 12.75 A.H. -----							1	B
- 14	AN3-3A	BATTERY ASSY 15.5 A.H. -----							1	
- 15	NAS1149F0363P	BATTERY BOX ASSY -----							1	
- 16	0712079-1	CONTACTOR-BATTERY -----							1	
- 17	S2209-3	BOLT-BATTERY CONTACTOR ATTACH -----							2	
- 18	S2209-1	WASHER-BATTERY CONTACTOR ATTACH -----							2	
- 19	AMDR20-10	COVER-CONTACTOR -----							1	
- 18A	AZR40-10	ATTACHING PARTS -----								
- 19	AN515-6R12	STA STRAP -----							1	
- 19A	MS21042-3	STA-STRAP -----							6	
- 19B	MS27039-1-22	RESISTOR-FUEL PUMP WARNING 24681 FSO AZR40-10 -----							NP	
- 19C	NAS43HT3-12	RESISTOR-FUEL PUMP WARNING -----							2	
- 20	S1090-22	ATTACHING PARTS -----								
- 21	S1091-1	SCREW USED WITH AMDR20-10 -----							2	
- 21	1270709PA32	NUT -----							2	
- 22	AN4C4	BOLT -----							2	
- 23	1270709PA35	SPACER -----							2	
- 24	1270709PA33	FUSE HOLDER -----							1	
- 25	SEE FIG 145	FUSE-CLOCK -----							1	
- 26	S2443-2	CABLE-BATTERY GROUND -----							1	
- 27	AN3-3A	ATTACHING PARTS -----								
- 28	NAS1149F0363P	BOLT -----							1	
- 29	0712079-3	CABLE BATTERY CONTACTOR TO STARTER CONTACTOR -----							1	
- 30	S2209-3	CABLE BATTERY TO BATTERY CONTACTOR -----							1	
- 31	S2209-1	CABLE STARTER CONTACTOR TO STARTER -----							1	
- 32	C611005-0101	CABLE GROUND SERVICE RECEPTACLE -----							1	
- 33	AN520-10R6	CONTACTOR-STARTER -----							1	
- 34	AN4-10A	ATTACHING PARTS -----								
- 35	1270733-2	BOLT -----							2	
- 36	AN515-8R6	WASHER -----							2	
- 37	AN936A8	COVER CONTACTOR -----							1	
- 38	2101050-1	STA STRAP-COVER ATTACH -----							1	
- 39	AN515-4R5	STA STRAP-COVER ATTACH -----							6	
- 40	0413138	ALTERNATOR CONTROL UNIT C611005-0103 -----							1	J
- 41	S1021Z4-4	ALTERNATOR CONTROL UNIT -----							1	K
- 42	NAS395-1-3	ATTACHING PARTS -----								
- 43	MS25231-313	SCREW -----							4	J
- 44	1211346-1	BOLT -----							4	K
		DUAL WARNING UNIT ASSY STALL & GEAR -----							1	
		SCREW -----							1	
		WASHER -----							2	
		BRACKET-DUAL WARNING BOX -----							2	
		REFLECTOR-BAGGAGE COMPARTMENT LIGHT -----							1	
		ATTACHING PARTS -----								
		SCREW -----							2	
		SOCKET-BULB -----							1	
		ATTACHING PARTS -----								
		SCREW -----							2	
		NUT -----							2	
		BULB-BAGGAGE COMPARTMENT LIGHT -----							1	
		LENS-BAGGAGE COMPARTMENT LIGHT -----							1	

CONTINUED ON NEXT PAGE

P210 Parts Catalog

FIGURE AND INDEX NO.	PART NUMBER	DESCRIPTION							UNITS PER ASSY	USABLE ON CODE
		1	2	3	4	5	6	7		
136A-45	1215054-1	RETAINER-BAGGAGE COMPARTMENT LENS -----							1	
		ATTACHING PARTS -----								
-46	S102124-8	SCREW -----							2	
-47	NAS395-1-3	NUT -----							2	
		*-----								
-48	MS35489-4	GROMMET -----							1	
-49	S292-1	SLEEVING 1.25 IN LG BKI -----							1	
-50	0570452-1	COVER-TERMINAL FWD -----							1	
-51	0570452-2	COVER-TERMINAL AFT -----							2	
		ATTACHING PARTS -----								
-52	S2209-1	STA STRAP -----							5	
		*-----								
-53	34003-817	TERMINAL BLOCK FWD -----							1	
-54	34003-818	TERMINAL BLOCK AFT -----							1	
		ATTACHING PARTS -----								
-55	AN507-6R8	SCREW -----							2	
-56	AN936A6	WASHER -----							2	
-57	MS21044N06	NUT -----							2	
		*-----								
-58	0570315-3	TERMINAL BOARD ASSY-ALTERNATOR CONTROL UNIT -----							1	
		ATTACHING PARTS -----								
-59	AN515-8R10	SCREW -----							2	
		*-----								
-60	0570316-1	COVER-TERMINAL BOARD -----							1	
		ATTACHING PARTS -----								
-61	S2303P2-4	SCREW -----							2	
		*-----								
-62	1270306-1	BOARD ASSY-PC -----							1	
		ATTACHING PARTS -----								
-63	AN515-4R4	SCREW -----							1	
-64	AN935-4	WASHER -----							1	
		*-----								
-65	AN316-4R	NUT-CHECK -----							1	
-66	NAS1149F0432P	WASHER -----							2	
-67	MS21042L4	NUT -----							1	
-68	1270709PB54	CABLE ASSY-TERMINAL BOARD TO ALTERNATOR -----							1	C D
	1270709PB81	CABLE ASSY-TERMINAL BOARD TO ALTERNATOR -----							1	
	1270709PB63	CABLE ASSY-TERMINAL BOARD TO ALTERNATOR -----							1	
-68A	1270709-67	CABLE ASSY-CIRCUIT BREAKER TO TERMINAL BOARD 95 AMP ALT -----							1	
	1270709-62	CABLE ASSY-CIRCUIT BREAKER TO TERMINAL BOARD 95 AMP ALTERNATOR -----							1	
-69	1570166-2	DIMMING ASSY-TRANSISTORIZED LIGHT -----							1	H
-70	1570301-1	DIMMING ASSY-TRANSISTORIZED LIGHT USED WITH POST LIGHTING -----							1	
		ATTACHING PARTS -----								
-71	AN520-10R6	SCREW -----							4	
-72	NAS1149F0332P	WASHER -----							4	
		*-----								
-73	2N6576	TRANSISTOR HMEC -----							2	H H
	2N6577	TRANSISTOR HMEC ALT FOR 2N6576 -----							2	
-74	2N6576	TRANSISTOR HMEC USED WITH POST LIGHTING -----							3	
	2N6577	TRANSISTOR HMEC USED WITH POST LIGHTING -----							3	
		ALT FOR 2N6576 -----								
		ATTACHING PARTS -----								
-75	S102126-8	SCREW -----							2	
-76	NAS1149FN616P	WASHER -----							2	
	4004	SPACER SHHI -----							2	
	314-1431-006-500	SPACER ESTW ALT FOR 4004 -----							2	
		*-----								
-77	S1641-6	HOUSING-SOCKET -----							1	H
-78	S1641-9	HOUSING-SOCKET USED WITH POST LIGHTING -----							1	
-79	C613001-0101	POWER SUPPLY-ELECTROLUMINESCENT PANEL -----							1	
		ATTACHING PARTS -----								
	AN507-832R8	SCREW -----							2	
	S1450-2-10-032	WASHER -----							2	
	MS21044N08	NUT -----							2	
		*-----								

CONTINUED ON NEXT PAGE

P210 Parts Catalog

FIGURE AND INDEX NO.	PART NUMBER	DESCRIPTION	UNITS PER ASSY	USABLE ON CODE
		1 2 3 4 5 6 7		
136A-80	S1577-1	CONTACTOR-POWER PACK ----- ATTACHING PARTS -----	1	
	AN515-8R10	SCREW -----	2	
	NAS1149FN832P	WASHER -----	2	
	MS21044N08	NUT -----	2	
	1270717-1	*-----		
	1570043-15	DIODE ASSY-POWER PACK CONTACTOR -----	1	
	AN936A10	DIODE ASSY-POWER PACK CONTACTOR -----	1	F
-81	S1831-1	WASHER -----	1	F
	AN515-4R4	SWITCH-DOME LIGHT ----- ATTACHING PARTS -----	1	
	S1893-1	SCREW -----	2	
-82	MS25231-313	*-----		
	C622008-0102	BASE-DOME LIGHT BULB -----	1	
-83	C622009-0101	BULB-DOME LIGHT -----	1	
	AN520-10R7	POWER SUPPLY-STROBE LIGHT -----	2	H
	AN3-4A	POWER SUPPLY-STROBE LIGHT -----	2	L
	NAS42D06-8	ATTACHING PARTS -----		
	S1477-3	SCREW -----	4	H
		BOLT -----	4	L
		SPACER -----	4	L
		NUT -----	4	L
-84	1201127-1	*-----		
	AN520-10R7	BRACKET ASSY-POWER SUPPLY ----- ATTACHING PARTS -----	2	H
	MS21044N3	SCREW -----	2	
		NUT -----	2	
	NAS686A3	*-----		
-85	1620075-3	NUTPLATE -----	2	
	NAS686A3K	BRACKET ASSY-POWER SUPPLY -----	2	
-86	S2202-3	NUTPLATE -----	2	
	S2202-4	SWITCH-BAROMETRIC PRESSURE -----	1	
	S2202-2	SWITCH-BAROMETRIC PRESSURE ALT FOR S2202-3 -----	1	
		SWITCH-BAROMETRIC PRESSURE FOR UNITED KINGDOM -----	1	
		EXPORT ONLY -----		
	AN515-4R6	ATTACHING PARTS -----		
		SCREW -----	2	
-87	S2326-1	*-----		
	2170011-1	CIRCUIT BREAKER-95 AMP ALTERNATOR -----	1	B
	2170010-1	COVER-CIRCUIT BREAKER -----	1	B
	2170012-1	BRACKET-CIRCUIT BREAKER FWD -----	1	B
-88	S2326-2	BRACKET-CIRCUIT BREAKER AFT -----	1	B
-89	1270863-2	CIRCUIT BREAKER-95AMP ALTERNATOR -----	1	B
-90	1270862-3	COVER-CIRCUIT BREAKER -----	1	B
-91	2170205-1	BRACKET ASSY-CIRCUIT BREAKER -----	1	B
-92	2270026-1	BRACKET-CIRCUIT BREAKER -----	1	B
-93	2270026-2	COVER-CIRCUIT BREAKER LH -----	1	B
		COVER-CIRCUIT BREAKER RH -----	1	B
-94	S2209-1	ATTACHING PARTS -----		
		STA STRAP -----	5	
-95	S2041-50-15	*-----		
	AN515-4R7	RESISTOR-STALL WARNING UNIT KNOWN ICING ----- ATTACHING PARTS -----	1	
	MS21044N04	SCREW -----	2	
		NUT -----	2	
-96	MS27212-1-7	*-----		
	AN515-4R6	BLOCK-TERMINAL ----- ATTACHING PARTS -----	1	G
	MS21045L06	SCREW -----	2	G
		NUT -----	5	G
	397-7	*-----		
	MS27212-1-8	COVER-TERMINAL HEGE -----	1	G
		BLOCK-TERMINAL -----	1	F
		ATTACHING PARTS -----		
	AN515-4R8	SCREW -----	2	F
	NAS42D05-4	SPACER -----	2	F
	MS21045L06	NUT -----	2	F
	397-8	*-----		
		COVER-TERMINAL HEGE -----	1	F

CONTINUED ON NEXT PAGE

P210 Parts Catalog

FIGURE AND INDEX NO.	PART NUMBER	DESCRIPTION							UNITS PER ASSY	USABLE ON CODE
		1	2	3	4	5	6	7		
136A-97	YZ2RN7T	SWITCH-GEAR UP LIGHT -----							2	G F
	S2586-1	SWITCH-GEAR UP LIGHT ----- ATTACHING PARTS -----							2	
	AN515-6R16	SCREW -----							2	
		*-----								
	1270867-1	PLATE ASSY -----							2	
	NAS696A06L	NUTPLATE -----							2	
	1270868-1	INSULATOR -----							2	
	-98 1270709PB82	CABLE ASSY-ALTERNATOR GROUND -----							1	
	1270709PB65	CABLE ASSY-ALTERNATOR GROUND 95 AMP ALTERNATOR -----							1	
	-99 S2527-3	CLAMP -----							1	F
		ATTACHING PARTS -----							1	
	-99A AN515-3R6	SCREW -----							2	
	AN340-3	NUT -----							2	
		*-----								
	-99B S2527-1	GROUNDING BLOCK-LH -----							1	F
		ATTACHING PARTS -----							1	
	-99C 203618-1	JACKSCREW ASSY ARP -----							2	
		*-----								
	-99D S2567-3	TERMINAL BLOCK-INSTRUMENT LIGHTING -----							1	L
		ATTACHING PARTS -----							1	
-99E AN515-6R8	SCREW -----							2		
-99F AN936A6	WASHER -----							2		
-99G MS21044N06	NUT -----							2		
	*-----									
-99H 0570452-1	COVER-TERMINAL FWD -----							1	L L	
-99J 0570452-2	COVER-TERMINAL AFT -----							1		
	ATTACHING PARTS -----							1		
-99K S2209-1	STA STRAP -----							5		
	*-----									
NOTE. @THESE ITEMS ARE COMPONENTS OF SK210-154-1.										
NOTE. *WHEN INITIALLY ORDERING THIS PART, ORDER SK210-154-1.										
A---P210 SERIAL P21000591 & ON										
B---P210 SERIAL P21000591 THRU P21000760										
C---P210 SERIAL P21000591 THRU P21000625										
D---P210 SERIAL P21000626 & ON										
E---P210 SERIAL P21000761 & ON										
F---P210 SERIAL P21000812 & ON										
G---P210 SERIAL P21000591 THRU P21000811										
H---P210 SERIAL P21000591 THRU P21000834										
J---P210 SERIAL P21000591 THRU P21000835										
K---P210 SERIAL P21000836 & ON										
L---P210 SERIAL P21000835 & ON										

P210 Parts Catalog

Electrical Equipment (Cont)

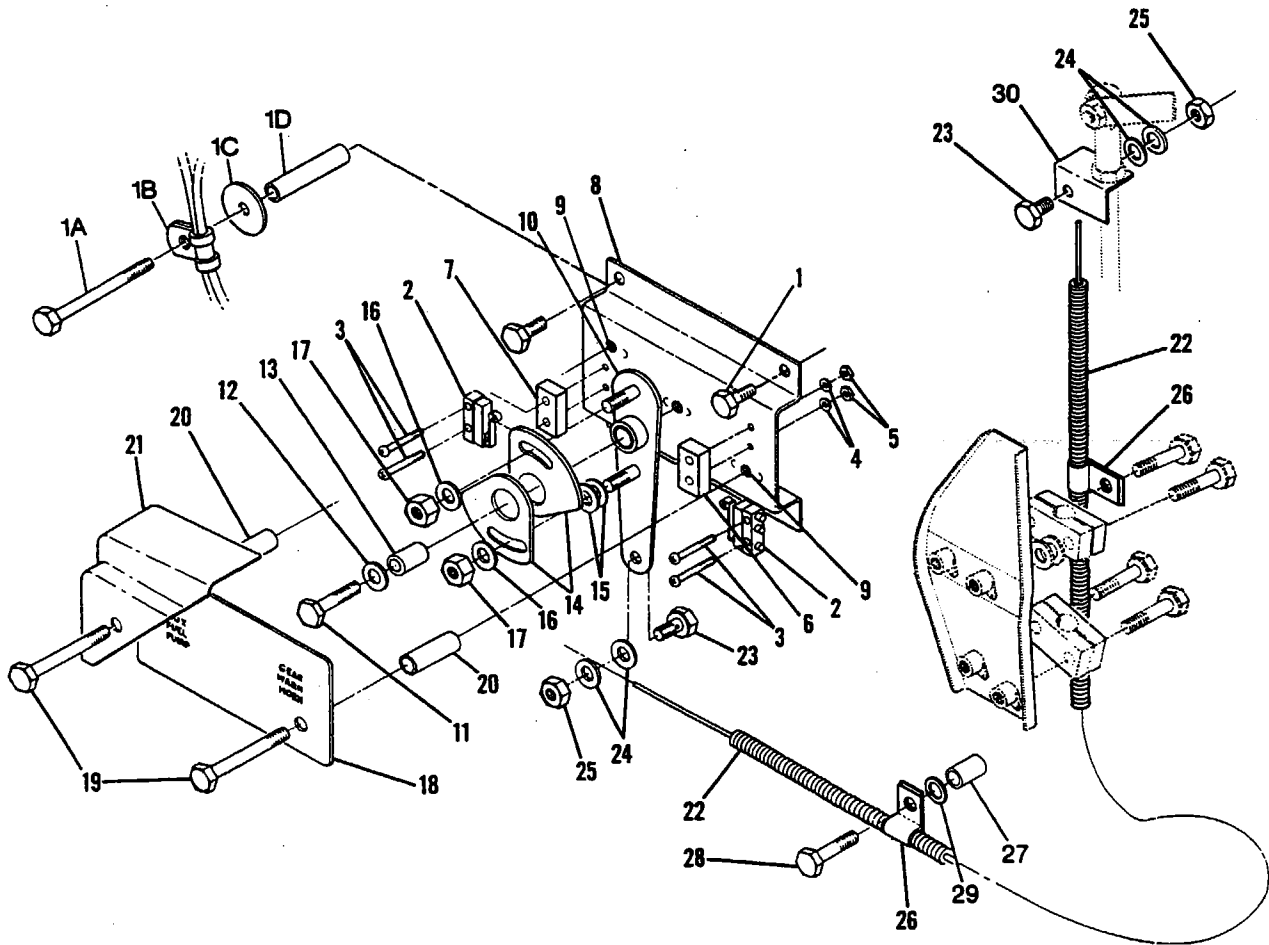


Figure 137. Switch Installation - Gear Warning & Fuel Pump

P210 Parts Catalog

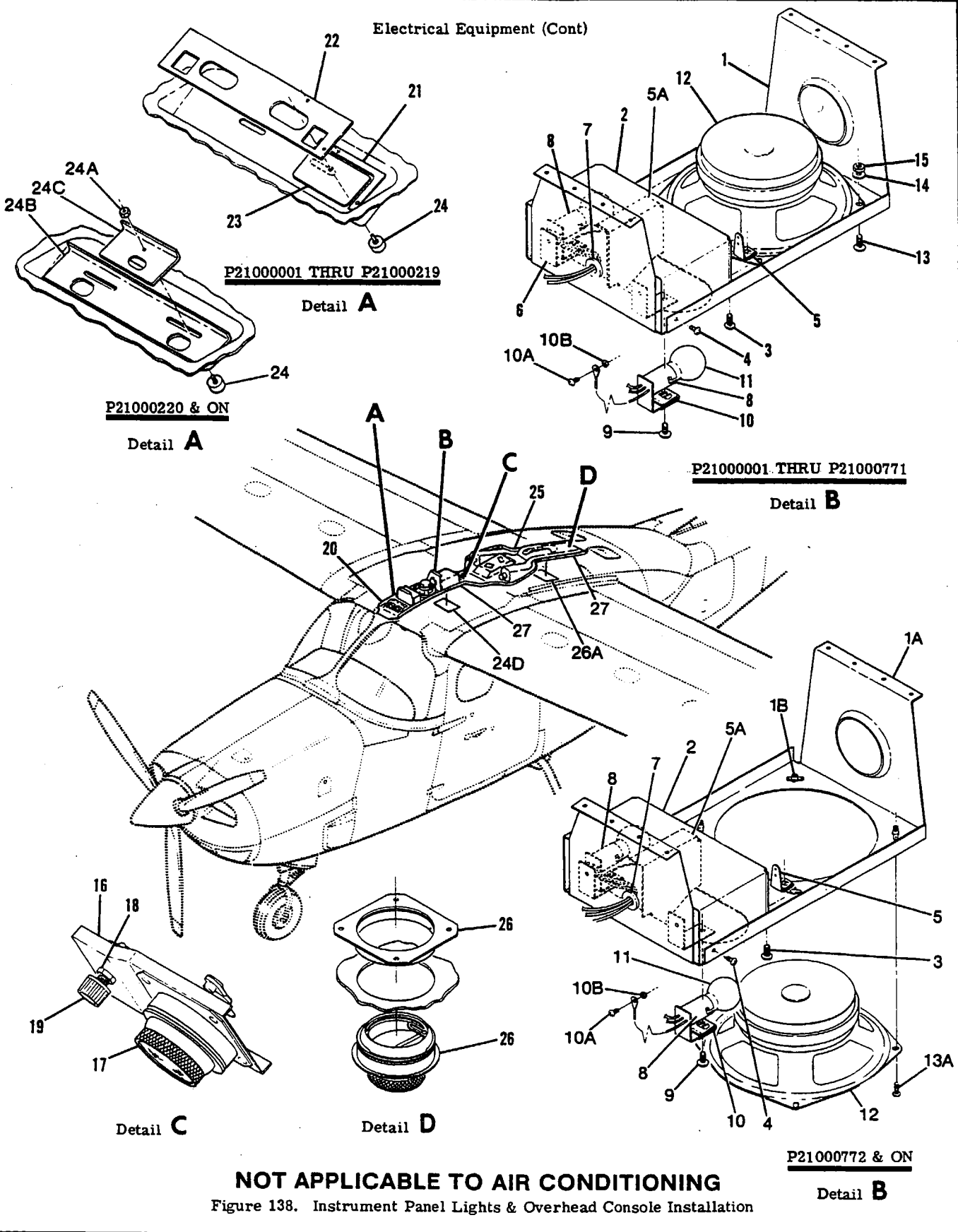
FIGURE AND INDEX NO.	PART NUMBER	DESCRIPTION							UNITS PER ASSY	USABLE ON CODE
		1	2	3	4	5	6	7		
137 -	1270727-1	SWITCH INSTALLATION-GEAR WARNING & FUEL PUMP -----							NP	
		SWITCH ASSY-GEAR WARNING & FUEL PUMP -----							1	
		ATTACHING PARTS								
- 1	AN3-3A	BOLT -----							4	C C C C C
- 1A	AN3-21A	BOLT -----							1	
- 1B	MS21919D612	CLAMP -----							1	
- 1C	1200127-1	WASHER -----							1	
- 1D	NAS43HT3	SPACER -----							1	
- 2	2LME	* SWITCH -----							2	
		ATTACHING PARTS								
- 3	AN515-2R12	SCREW -----							2	
- 4	AN936A2	WASHER -----							2	
- 5	AN340-2	NUT -----							2	
		* ACTUATOR -----							2	
- 6	S2225-1	SPACER-SWITCH -----							1	
- 7	1270727-3	SPACER-SWITCH -----							1	
- 8	1270727-4	BRACKET-SWITCH MOUNTING -----							1	
- 9	NAS697A3	NUTPLATE -----							3	
- 10	1270727-6	ARM ASSY -----							1	
		ATTACHING PARTS								
- 11	AN3-7A	BOLT -----							1	
- 12	NAS1149F0363P	WASHER -----							1	
- 13	NAS75-3-016	BUSHING -----							1	
		* CAM -----							2	
- 14	1270727-5	ATTACHING PARTS								
- 15	NAS1149D0316H	WASHER LOWER CAM -----							2	
- 16	NAS1149D0363H	WASHER -----							1	
- 17	MS21045L3	NUT -----							1	
		* COVER-SWITCH -----							1	
- 18	1270727-9	ATTACHING PARTS								
- 19	AN3-12A	BOLT -----							2	
- 20	NAS43DD3-53	SPACER -----							2	
		* COVER-SWITCH -----							1	
- 21	1201141-1	CONTROL ASSY -----							1	
- 22	S2544-2	CONTROL ASSY FSO S2544-2 -----							NP	A B
		ATTACHING PARTS								
- 23	S2323-5	CLAMP -----							2	
- 24	NAS1149D0363H	WASHER -----							2	
- 25	MS21045L3	NUT -----							2	
- 26	S2226-2	CLAMP -----							2	
- 27	NAS43DD3-63	SPACER -----							2	
- 28	AN3-13A	BOLT -----							1	
- 29	NAS1149F0363P	WASHER -----							1	
		* MOUNT-CABLE CLAMP -----							1	
- 30	2150122-1									

NOTE. @WHEN INITIALLY ORDERING THIS PART FOR AIRCRAFT PRIOR TO P21000828 ALSO ORDER ALL PARTS MARKED @.

A---P210 SERIAL P21000001 THRU P21000609
 B---P210 SERIAL P21000610 & ON
 C---P210 SERIAL P21000386 THRU P21000590

P210 Parts Catalog

Electrical Equipment (Cont)



P21000001 THRU P21000219

Detail A

P21000220 & ON

Detail A

P21000001 THRU P21000771

Detail B

P21000772 & ON

Detail B

NOT APPLICABLE TO AIR CONDITIONING

Figure 138. Instrument Panel Lights & Overhead Console Installation

P210 Parts Catalog

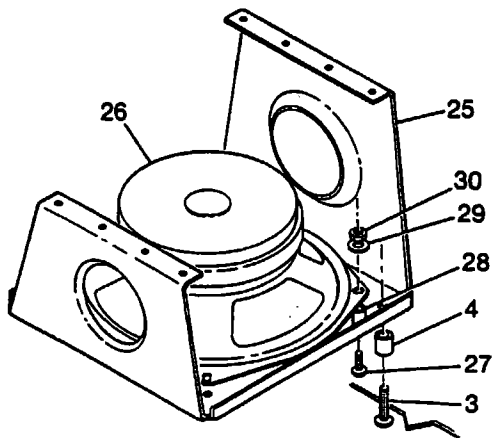
FIGURE AND INDEX NO.	PART NUMBER	DESCRIPTION	1 2 3 4 5 6 7						UNITS PER ASSY	USABLE ON CODE	
			1	2	3	4	5	6			7
138 -		INSTRUMENT PANEL LIGHTS & OVERHEAD CONSOLE INSTALLATION -----									
- 1	2111681-1	BRACKET ASSY-RADIO SPEAKER & LIGHT HOUSING -----									E F F E
- 1A	2111681-7	BRACKET ASSY-RADIO SPEAKER & LIGHT HOUSING -----									
- 1B	NAS680A08	NUTPLATE -----									
- 2	2111681-4	BOX ASSY-LIGHT -----									
- 3	S1021Z8-6	ATTACHING PARTS -----									
- 4	S1021A4-6	SCREW -----									
		SCREW -----									
		*-----									
- 5	S1916-1	NUTPLATE -----									
- 5A	2111681-6	BAFFLE-LIGHT -----									
- 6	2111681-5	BRACKET-LIGHT MOUNTING -----									
- 7	MS35489-6	GROMMET -----									
- 8	0513208-3	SOCKET-LIGHT -----									
- 9	S1021Z8-6	ATTACHING PARTS -----									
-10	NAS395-17-3	SCREW -----									
-10A	AN515-8R6	NUT -----									
-10B	MS21044N08	SCREW -----									
		NUT -----									
		*-----									
-11	MS15584-16	BULB-OVERHEAD PANEL LIGHT -----									
-12	C596510-0101	SPEAKER-RADIO -----									
		ATTACHING PARTS -----									
-13	AN525-832R10	SCREW -----									
-13A	AN515-8-4	SCREW -----									
-14	NAS1149FN816P	WASHER -----									
-15	MS21044N08	NUT -----									
		*-----									
-16	2101017-1	BRACKET ASSY-OVERHEAD CONSOLE FLOODLIGHT -----									
-17	2393	LIGHT & MOUNTING RING ASSY WMAC -----									
-18	XR6479	RHEOSTAT-FLOODLIGHT MEMR -----									
-19	S2181-2	KNOB FLOODLIGHT RHEOSTAT -----									
	S1780-9	INSERT-FLOODLIGHT KNOB -----									
-20	2115008-36	CONSOLE ASSY-FORWARD OVERHEAD W/O OXY FSO 2115008-36									
		CONSOLE ASSY-FORWARD OVERHEAD WITHOUT OXYGEN -----									
		CONSOLE ASSY-FORWARD OVERHEAD W/OXY FSO 2115008-37									
		CONSOLE ASSY-FORWARD OVERHEAD WITH OXYGEN -----									
-21	2115008-37	GUIDE-WINDOW COVER -----									
-22	2115018-2	SHIELD-WINDOW COVER -----									
-23	2115018-3	COVER-WINDOW -----									
-24	0700628-5	SLIDE-WINDOW COVER -----									
-24A	AN340-5	NUT -----									
-24B	2115043-1	PLATE-GUIDE -----									
-24C	2115043-3	PLATE-SLIDE LH -----									
		PLATE-SLIDE RH -----									
-24D	2115043-2	COVER W/O OXYGEN -----									
		COVER WITH OXYGEN -----									
-25	2115008-35	CONSOLE ASSY-AFT WITHOUT OXYGEN WEU 2115037-7									
		CONSOLE ASSY-AFT WITHOUT OXYGEN -----									
		CONSOLE ASSY-AFT WITH OXYGEN WEU 2115037-8									
		CONSOLE ASSY-AFT WITH OXYGEN -----									
		ATTACHING PARTS -----									
	AN525-832R6	SCREW -----									
		*-----									
-26	2394	VALVE ASSY WMAC -----									
-26A	2115008-34	COVER W/O OXYGEN -----									
		COVER WITH OXYGEN -----									
-27	2115019-1	SUPPORT ASSY-CONSOLE ASSY -----									
		ATTACHING PARTS -----									
	S1021Z8-8	SCREW FWD ATTACH -----									
	S1021Z8-20	SCREW -----									
	NAS43DD3-34	SPACER -----									
	S1021Z8-12	SCREW AFT ATTACH -----									
	NAS43DD3-16	SPACER AFT ATTACH -----									
		*-----									

NOTE. *FOR AIRCRAFT EQUIPPED WITH AIR CONDITIONING-SEE FIG 138A.

- A---P210 SERIAL P21000001 THRU P21000219
- B---P210 SERIAL P21000220 & ON
- C---P210 SERIAL P21000001 THRU P21000385
- D---P210 SERIAL P21000386 & ON
- E---P210 SERIAL P21000001 THRU P21000771
P21000812 THRU P21000833
- F---P210 SERIAL P21000772 THRU P21000811
P21000834 & ON

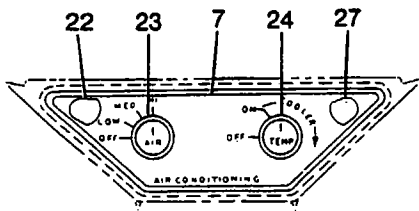
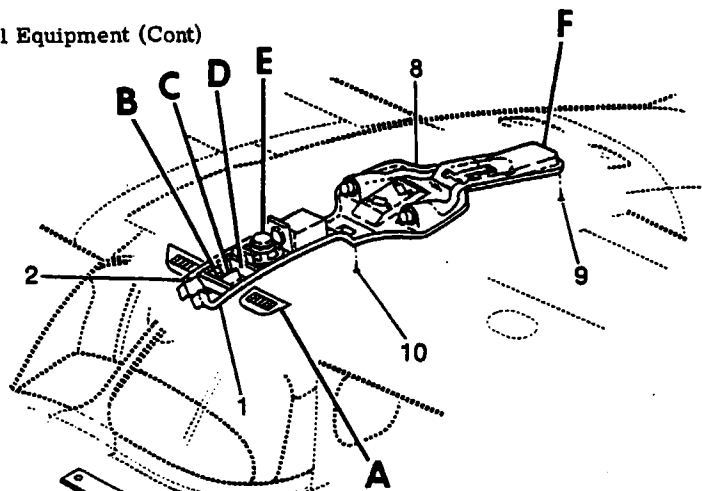
P210 Parts Catalog

Electrical Equipment (Cont)

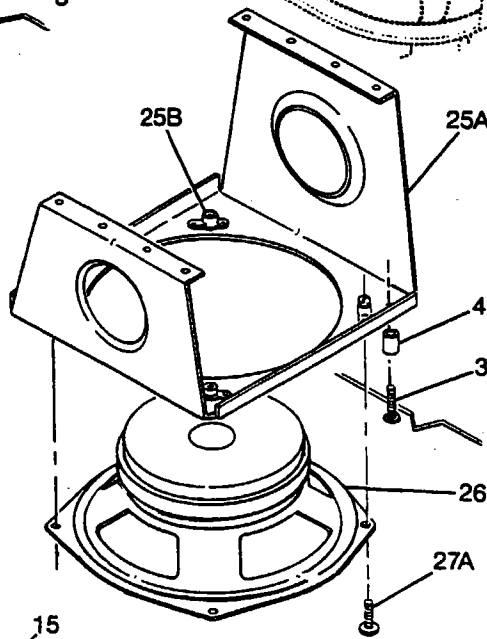


P21000001 THRU P21000771

Detail E

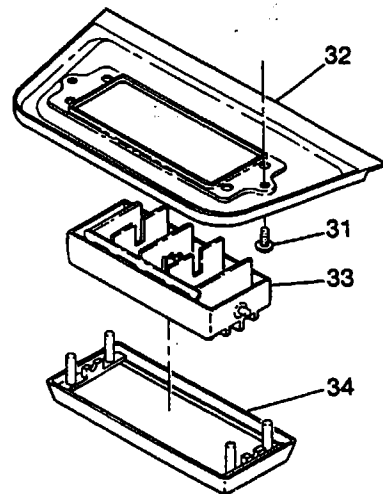


Detail D

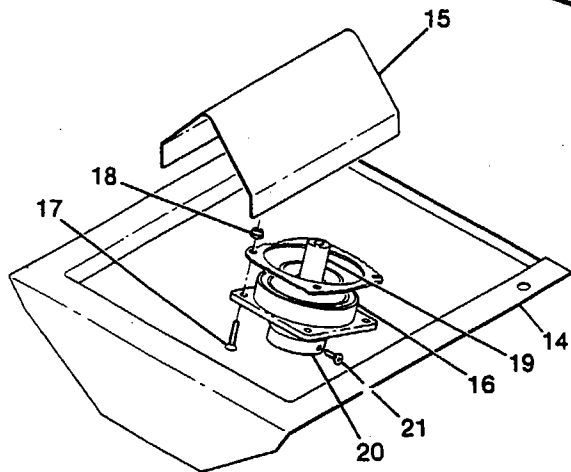


P21000772 & ON

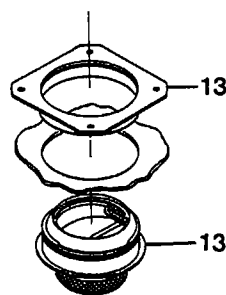
Detail E



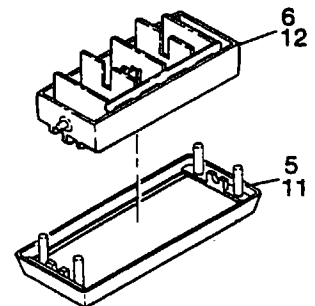
Detail A



Detail C



Detail F



Detail B

USED WITH AIR CONDITIONING

P210 SERIAL P21000405 & P21000490 & ON

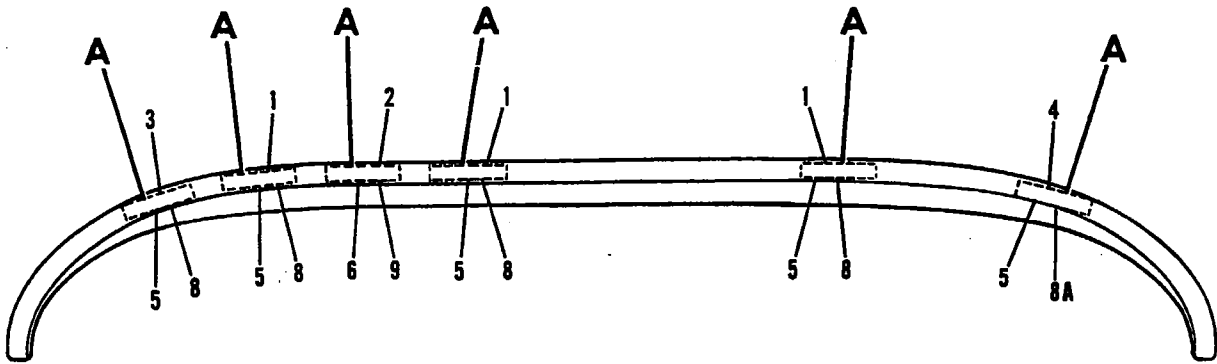
Figure 138A. Instrument Panel Lights & Overhead Console Installation

P210 Parts Catalog

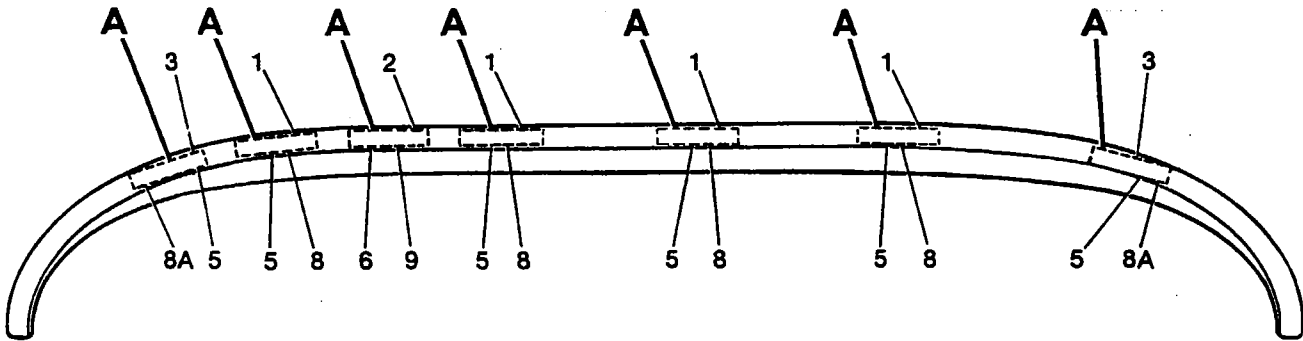
FIGURE AND INDEX NO.	PART NUMBER	DESCRIPTION	UNITS PER ASSY							USABLE ON CODE	
			1	2	3	4	5	6	7		
138A-		INSTRUMENT LIGHTS & OVERHEAD CONSOLE INSTALLATION									
- 1	1215174-5 1215174-7	COVER ASSY-OVERHEAD CONSOLE FWD WITHOUT OXYGEN COVER ASSY-OVERHEAD CONSOLE FWD WITH OXYGEN								NP	A
- 2	2115036-1 2113189-1 NAS680A3	ATTACHING PARTS BRACKET-WINDOW TRIM BRACKET ASSY-CONSOLE ATTACH								2	E
	AN520-10R8 S1021A8-12	NUTPLATE SCREW								1	
- 3	S1021A8-12	SCREW								1	
- 4	NAS430D3-24 NAS430D3-4	SCREW SPACER SPACER								2	D
		*								4	E
- 5	154G C2203-081-4 C2203-081-67	BEZEL-LOUVER MOUNTING CPRI CLIP ATTACH BEZEL								2	
- 6	100-2M S2092-1	CLIP ATTACH BEZEL ALTERNATE LOUVER ASSY CPRI								8	
- 7	SEE FIG 2	FABRIC FASTENER-HOOK BKI SEE FIG 1								2	
- 8	1215174-6 1215174-8	PLACARD-AIR CONDITIONING COVER ASSY-OVERHEAD CONSOLE AFT WITHOUT OXYGEN COVER ASSY-OVERHEAD CONSOLE AFT WITH OXYGEN								AR	
- 9	S1021Z8-8 NAS395-11-3	ATTACHING PARTS SCREW								1	
-10	AN515-8R6	NUT SCREW								2	
		*								2	
-11	154G C2203-081-4 C2203-081-67	BEZEL-LOUVER MOUNTING CPRI CLIP ATTACH BEZEL								2	
-12	100-2M	CLIP ATTACH BEZEL ALTERNATE								8	
-13	2394 S2092-1	LOUVER ASSY CPRI VALVE ASSY WMAC								2	
-14	1215180-1	FABRIC FASTENER-HOOK BKI SEE FIG 1								AR	
-15	2101038-1	BAFFLE-AIR DUCT								1	
-16	2315-1 2315-3	BAFFLE-OVERHEAD CONSOLE LIGHT ASSY WMAC UNPAINTED LIGHT ASSY WMAC PAINTED BLACK NOZZLE								1	
-17	AN507-832R8	ATTACHING PARTS								1	
-18	MS21044N08	SCREW NUT								4	
		*								4	
-19	1495 1495X	BULB WMAC BULB WMAC LONG LIFE								1	
-20	1215177-1	LENS ASSY								1	
-21	S2303P2-4	ATTACHING PARTS SCREW								1	
		*								2	
-22	2106002-5-A58 MS25237-327	LIGHT ASSY-POST BULB-POST LIGHT								2	
-23	0882590 0039501 0882744	SWITCH-AIRCONDITIONING ARAM AIR CONTROL NUT-AIRCONDITIONING SWITCH ARAM								1	
-24	1247232 0039501 0882743	KNOB-AIRCONDITIONING SWITCH ARAM SWITCH-AIRCONDITIONING ARAM TEMP CONTROL NUT-AIRCONDITIONING SWITCH ARAM								1	
-25	2111700-1	KNOB-AIRCONDITIONING SWITCH ARAM								1	
-25A	2111700-2	BRACKET-RADIO SPEAKER								1	
-25B	NAS680A08K	BRACKET-RADIO SPEAKER								1	B
-26	C596510-0101	NUTPLATE SPEAKER-RADIO								4	C
		ATTACHING PARTS								1	
-27	AN525-832R14	SCREW								4	B
-27A	AN515-8R6	SCREW								4	C
-28	NAS430D3-32A	SPACER								4	B
-29	NAS1149FN816P	WASHER								4	B
-30	MS21044N08	NUT								4	B
		*								4	B
	2101044-1	VENT ASSY-AIR CONDITIONING FWD								2	
-31	AN515-8R6	ATTACHING PARTS SCREW								2	
		*								2	
-32	2101044-2	COVER-AIRCONDITIONING VENT								1	
-33	100-2M	LOUVER ASSY CPRI								1	
-34	154G	BEZEL-LOUVER MOUNTING CPRI								1	
A---P210 SERIAL P21000405 & P21000490 & ON B---P210 SERIAL P21000001 THRU P21000771 C---P210 SERIAL P21000772 & ON D---P210 SERIAL P21000001 THRU P21000802 E---P210 SERIAL P21000803 & ON											

P210 Parts Catalog

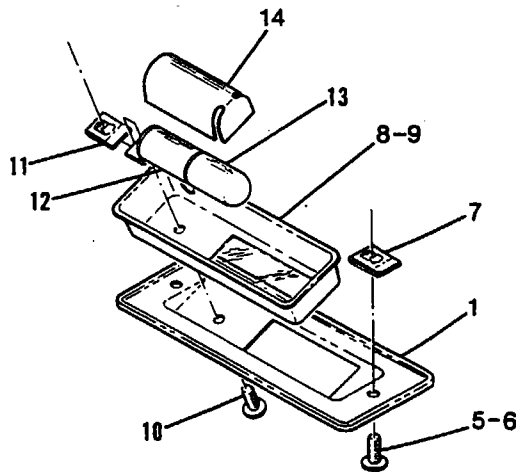
Electrical Equipment (Cont)



P21000001 THRU P21000219



P21000220 THRU P21000544



Detail **A**

P210 SERIAL P21000001 THRU P21000544

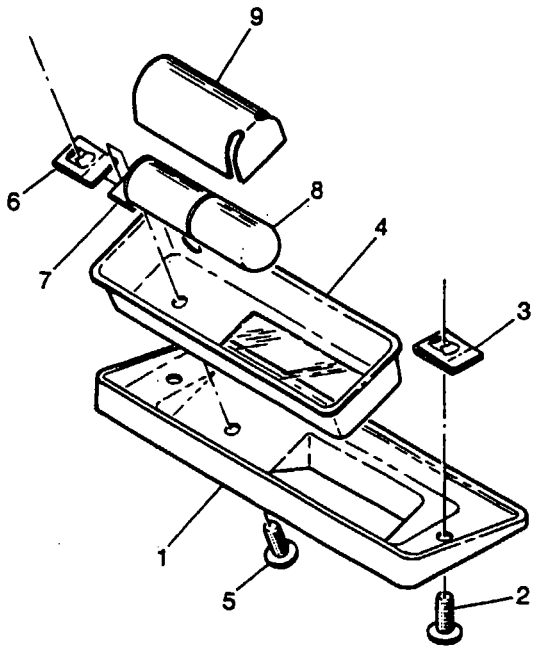
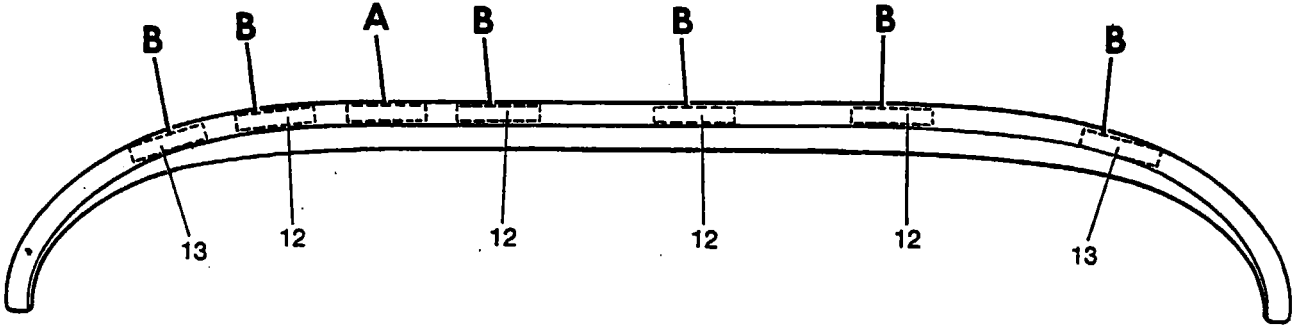
Figure 139. Glareshield Lights Installation

P210 Parts Catalog

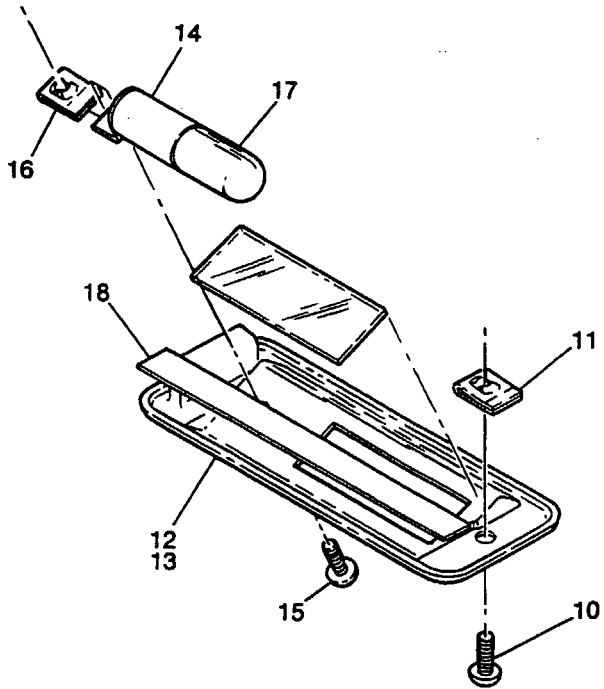
FIGURE AND INDEX NO.	PART NUMBER	DESCRIPTION							UNITS PER ASSY	USABLE ON CODE
		1	2	3	4	5	6	7		
139 -		GLARESHIELD LIGHTS INSTALLATION -----							NP	
- 1	0713487-9	HOUSING-LIGHT -----							3	C
	0713487-9	HOUSING-LIGHT -----							4	A
- 2	0713487-10	HOUSING-LIGHT -----							1	B
- 3	0713487-11	HOUSING-LIGHT -----							1	A
	0713487-11	HOUSING-LIGHT -----							2	B
- 4	0713487-12	HOUSING-LIGHT -----							1	A
		ATTACHING PARTS								
- 5	S102126-8	SCREW -----							2	
- 6	S102126-10	SCREW -----							2	
- 7	NAS488-5-3	NUT -----							2	
		*-----								
- 8	1213319-20	HOUSING ASSY-LIGHT		RED LENS		-----			4	
- 8A	1213319-21	HOUSING ASSY-LIGHT		RED LENS		LH OUTBD -----			1	A
	1213319-21	HOUSING ASSY-LIGHT		RED LENS		-----			2	B
- 9	1213319-12	HOUSING ASSY-LIGHT		BLUE LENS		-----			1	
		ATTACHING PARTS								
-10	S102124-6B	SCREW -----							1	
-11	NAS395-1-3	NUT -----							1	
		*-----								
-12	S2524-1	HOLDER-LAMP -----							6	
	1570394-1	HOLDER-LAMP ALT FOR S2524-1 -----							6	
-13	S2244-1	BULB-BROW LIGHT -----							6	
-14	1213321-2	REFLECTOR -----							6	
		A---P210 SERIAL P21000001 THRU P21000219 B---P210 SERIAL P21000220 THRU P21000544 C---P210 SERIAL P21000001 THRU P21000544								

P210 Parts Catalog

Electrical Equipment (Cont)



Detail A



Detail B

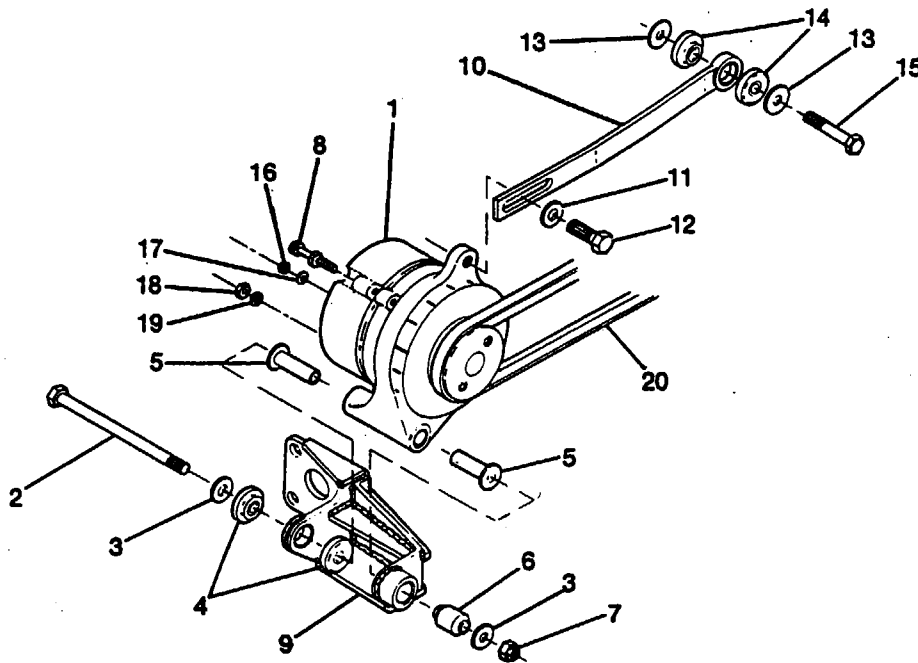
P210 SERIAL P21000545 & ON
Figure 139A. Glareshield Lights Installation

P210 Parts Catalog

FIGURE AND INDEX NO.	PART NUMBER	DESCRIPTION							UNITS PER ASSY	USABLE ON CODE
		1	2	3	4	5	6	7		
139A-		GLARESHIELD LIGHTS INSTALLATION -----							NP	A
- 1	0713487-10	HOUSING-LIGHT -----							1	
		ATTACHING PARTS -----								
- 2	S102176-10	SCREW -----							2	
- 3	NAS488-5-3	NUT -----							2	
		*-----								
- 4	1213319-12	HOUSING ASSY-LIGHT -----							1	
		ATTACHING PARTS -----								
- 5	S102174-6B	SCREW -----							1	
- 6	NAS395-1-3	NUT -----							1	
		*-----								
- 7	S2524-1	HOLDER-LAMP -----							1	
	1570394-1	HOLDER-LAMP ALT FOR S2524-1 -----							1	
- 8	S2244-1	BULB-BROW LIGHT -----							1	
- 9	1213321-2	REFLECTOR -----							1	
	1215179-1	FLOODLIGHT ASSY-GLARESHIELD -----							4	
	1215179-2	FLOODLIGHT ASSY-GLARESHIELD -----							2	
		ATTACHING PARTS -----								
-10	S102176-8	SCREW -----							1	
-11	NAS488-5-3	NUT -----							1	
		*-----								
-12	1215178-1	HOUSING-LIGHT USE WITH 1215179-1 -----							1	
-13	1215178-2	HOUSING-LIGHT USE WITH 1215179-2 -----							1	
-14	S2524-1	HOLDER-LAMP -----							1	
		ATTACHING PARTS -----								
-15	S102174-6B	SCREW -----							1	
-16	NAS395-1-3	NUT -----							1	
		*-----								
-17	S2244-1	BULB-GLARESHIELD LIGHT -----							1	
-18	S2108-6	SEAL 3.25 IN LG BKI -----							6	
A---P210 SERIAL P21000545 & ON										

P210 Parts Catalog

Electrical Equipment (Cont)



P210 SERIAL P21000001 THRU P21000026

Figure 140. Shock Mounted Alternator Installation - 60 AMP

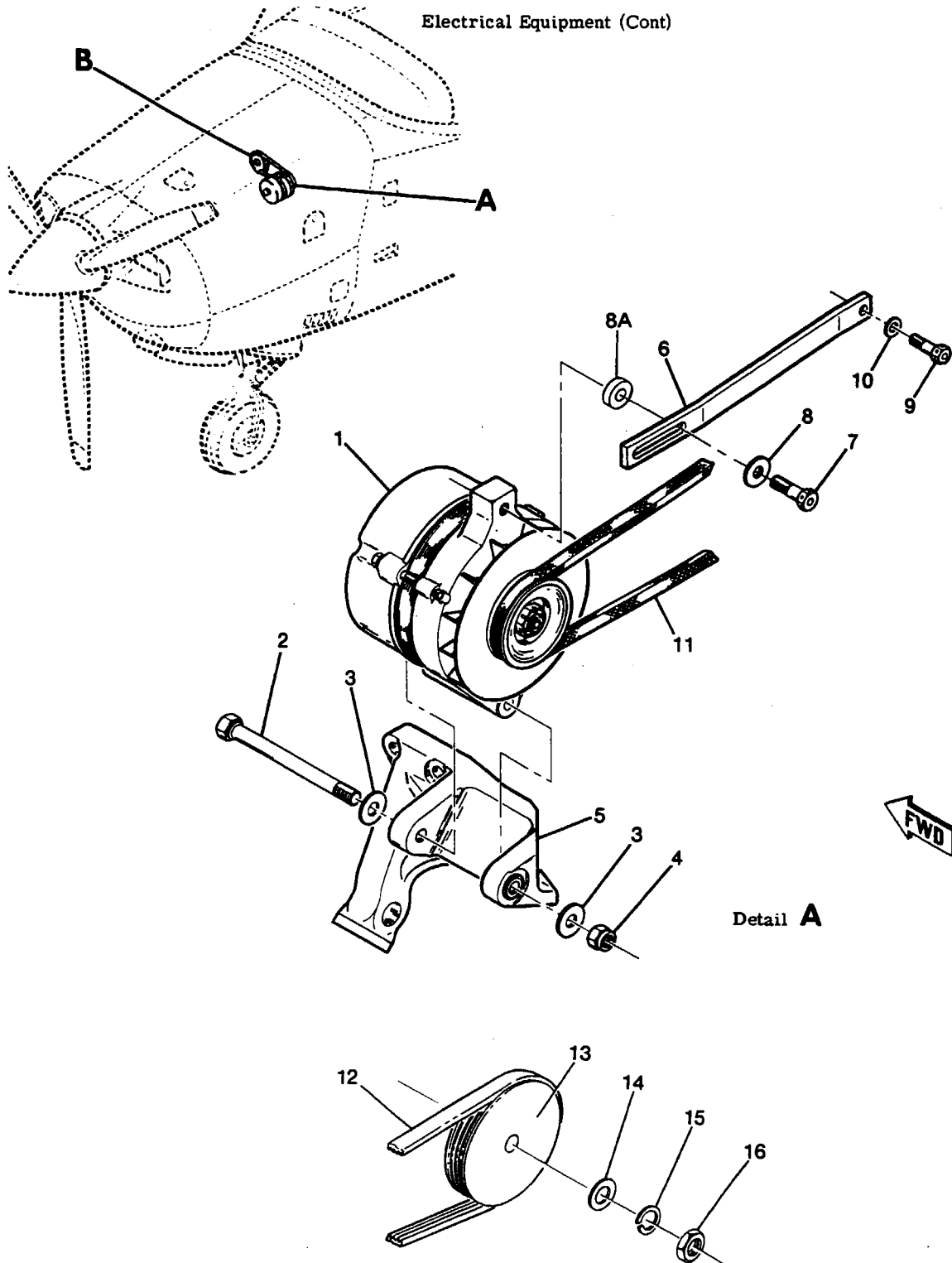
FIGURE AND INDEX NO.	PART NUMBER	DESCRIPTION	UNITS PER ASSY							USABLE ON CODE	
			1	2	3	4	5	6	7		
140 -		ALTERNATOR INSTALLATION-SHOCK MOUNTED 60 AMP								NP	A
- 1	C611503-0102	ALTERNATOR ASSY								1	
		ATTACHING PARTS									
- 2	AN5-52A	BOLT								1	
- 3	S1450-5H14-063	WASHER								2	
- 4	J9534-20	BUSHING-RUBBER LO								2	
- 5	1250214-1	BUSHING								2	
- 6	J2005-2	BUSHING-BONDED								1	
- 7	MS21042L5	NUT								1	

- 8	NAS1352-4-36	SCREW								3	
	AN936A416	WASHER								3	
- 9	1250213-15	SUPPORT ASSY WEU SK210-84								1	
-10	1250215-1	ARM ASSY-ADJUSTING								1	
		ATTACHING PARTS									
-11	S1450-6-14-080	WASHER								1	
-12	0750220-1	BOLT								1	
-13	S1450-5H14-040	WASHER								2	
-14	J9534-20	BUSHING-RUBBER LO								2	
-15	MS20074-05-14	BOLT								1	

-16	AN340-416	NUT-BATTERY CONNECT								1	
-17	AN936A416	WASHER-BATTERY CONNECT								1	
-18	AN340-10	NUT-FIELD CONNECT								1	
-19	AN935-10	WASHER-FIELD CONNECT								1	
-20	S2416-1-31.0	BELT-ALTERNATOR DRIVE								1	
		A---P210 SERIAL P21000001 THRU P21000026									

P210 Parts Catalog

Electrical Equipment (Cont)



P21000835 & ON

Detail **B**

P210 SERIAL P2100027 & ON

Figure 140A. Alternator Installation - 60 AMP

P210 Parts Catalog

FIGURE AND INDEX NO.	PART NUMBER	*	DESCRIPTION							UNITS PER ASSY	USABLE ON CODE
			1	2	3	4	5	6	7		
140A-			ALTERNATOR INSTALLATION-60 AMP -----								
- 1	C611503-0102	*	ALTERNATOR ASSY -----							NP	A
	C611503-0202	*	ALTERNATOR ASSY -----							1	B
			ATTACHING PARTS -----							1	C
- 2	AN7-46A		BOLT -----							1	B
	AN7-51A		BOLT -----							1	C
- 3	NAS1149F0763P		WASHER -----							AR	
- 4	MS20365-720C		NUT -----							1	
			-----*								
	AN340-416		NUT-BAT ATTACH -----							1	
	AN936A416		WASHER-BAT ATTACH -----							1	
	AN340-10		NUT-FLD ATTACH -----							1	
	AN935-10		WASHER-FLD ATTACH -----							1	
- 5	643935		MOUNT-ENGINE CM -----							1	
- 6	0750221-1		ARM-ALTERNATOR ADJUSTING -----							1	D
	1650049-1		ARM-ALTERNATOR ADJUSTING -----							1	E
			ATTACHING PARTS -----								
- 7	0750220-1		BOLT -----							1	B
- 7A	NAS1352-6H24		SCREW -----							1	C
- 7B	1250222-4		SPACER -----							1	C
- 8	S1450-6-14-080		WASHER -----							1	C
- 8A	1250222-4		SPACER -----							1	C
- 9	MS20074-05-10		BOLT -----							1	
-10	NAS1149F0563P		WASHER -----							1	
			-----*								
-11	S2416-1-31.0		BELT-ALTERNATOR DRIVE -----							1	B
-12	S2616-314K4		BELT-ALTERNATOR DRIVE -----							1	C
-13	2150147-4		PULLEY -----							1	C
			ATTACHING PARTS -----								
	MS35756-6		KEY -----							1	C
-14	NAS1149C0963R		WASHER -----							1	C
-15	A3XX299		LOCKWASHER CM -----							1	C
-16	AN316-96		NUT -----							1	C
			-----*								
<p>NOTE. *FOR DUAL ALTERNATORS SEE DUAL ALTERNATOR INSTALLATION.</p> <p>A---P210 SERIAL P21000027 & ON B---P210 SERIAL P21000027 THRU P21000834 C---P210 SERIAL P21000835 & ON D---P210 SERIAL P21000827 THRU P21000855 E---P210 SERIAL P21000856 & ON</p>											

P210 Parts Catalog

Electrical Equipment (Cont)

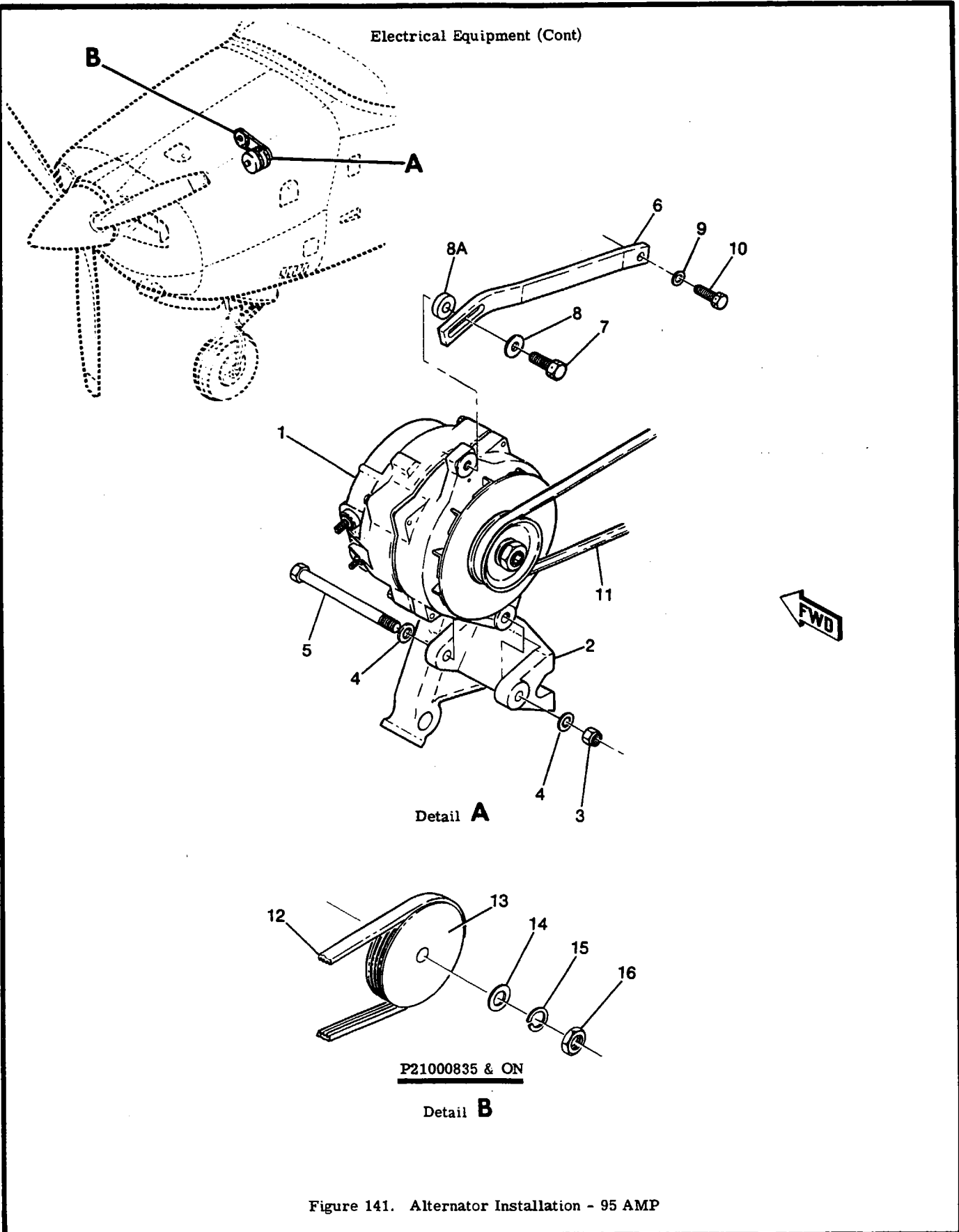


Figure 141. Alternator Installation - 95 AMP

P210 Parts Catalog

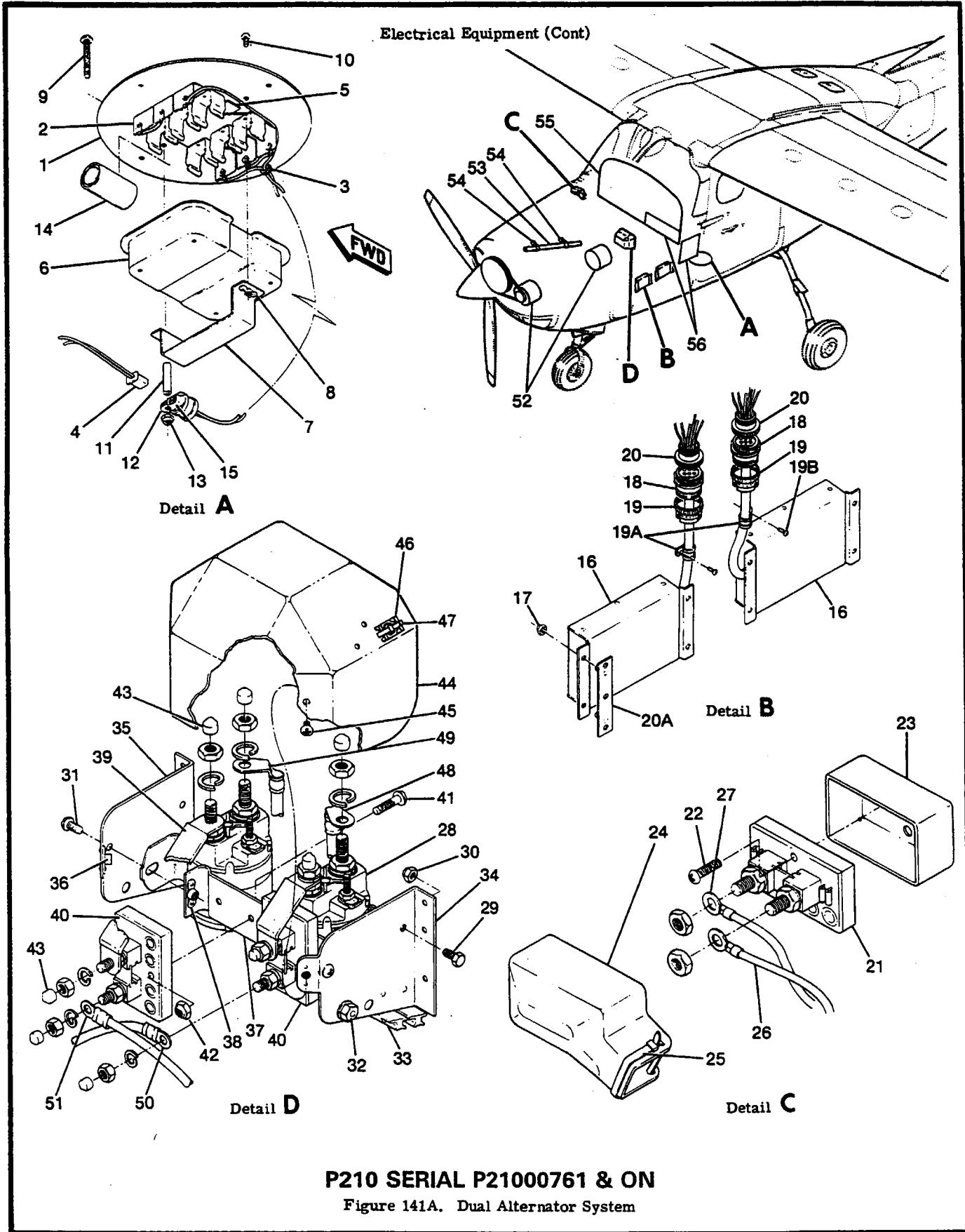
FIGURE AND INDEX NO.	PART NUMBER	DESCRIPTION							UNITS PER ASSY	USABLE ON CODE
		1	2	3	4	5	6	7		
141 -		ALTERNATOR INSTALLATION 95 AMP -----							NP	
- 1	C611505-0102	ALTERNATOR ASSY 95 AMP -----							1	A
	C611505-0202	ALTERNATOR ASSY 95 AMP -----							1	B
- 2	643935	MOUNT-ENGINE/ALTERNATOR SUPPORT CM -----							1	
		ATTACHING PARTS								
- 3	MS20365-720C	NUT -----							1	
- 4	NAS1149F0763P	WASHER -----							AR	
- 5	AN7-46A	BOLT -----							1	A
	AN7-51A	BOLT -----							1	B
- 6	1650049-1	ARM-ALTERNATOR ADJUSTING -----							1	
		ATTACHING PARTS								
- 7	0750220-1	BOLT -----							1	A
	NAS1352-6H24	SCREW -----							1	B
- 8	S1450-6-14-080	WASHER -----							1	
- 8A	1250222-4	SPACER -----							1	B
- 9	NAS1149F0563P	WASHER -----							1	
-10	MS20074-05-10	BOLT -----							1	
		ATTACHING PARTS								
-11	S2416-1-31.0	BELT-ALTERNATOR DRIVE -----							1	A
-12	S2616-314K4	BELT-ALTERNATOR DRIVE -----							1	B
-13	Z150147-2K4	PULLEY -----							1	B
		ATTACHING PARTS								
	MS35756-8	KEY -----							1	B
-14	NAS1149C0963R	WASHER -----							1	B
-15	13XX299	LOCKWASHER CM -----							1	B
-16	AN316-96	NUT -----							1	B
		ATTACHING PARTS								
		A---P210 SERIAL P21000001 THRU P21000834								
		B---P210 SERIAL P21000835 & ON								

P210 Parts Catalog

FIGURE AND INDEX NO.	PART NUMBER	DESCRIPTION	UNITS PER ASSY	USABLE ON CODE
		1 2 3 4 5 6 7		
141A-		DUAL ALTERNATOR SYSTEM -----	NP	A
- 1	2101055-1	BATTERY PACK ASSY-ALTERNATOR RESTART -----	1	
- 2	2101055-8	PLATE-BATTERY PACK -----	1	
- 3	2101055-2	HOLDER ASSY-BATTERY -----	1	
- 4	MS35489-1	GROMMET -----	1	
- 5	S2035-1	HOUSING-CAP -----	1	
- 6	2101055-4	SHIM-BATTERY PACK -----	2	
- 7	2101055-5	COVER-BATTERY PACK -----	1	
- 8	2101055-6	BRACKET ASSY-BATTERY PACK -----	1	
- 9	NAS680A08K	NUTPLATE -----	1	
- 10	AN525-832R24	SCREW -----	1	
- 11	AN525-832R6	SCREW -----	1	
- 12	NAS43003-72	SPACER -----	1	
- 13	MS21919D66	CLAMP -----	1	
- 14	MS21044N08	NUT -----	1	
	E93	BATTERY UCC -----	6	
	MN1400	BATTERY MAL ALT FOR E93 -----	6	
	814	BATTERY RYOV ALT FOR E93 -----	6	
CONTINUED ON NEXT PAGE				

P210 Parts Catalog

Electrical Equipment (Cont)



P210 SERIAL P21000761 & ON

Figure 141A. Dual Alternator System

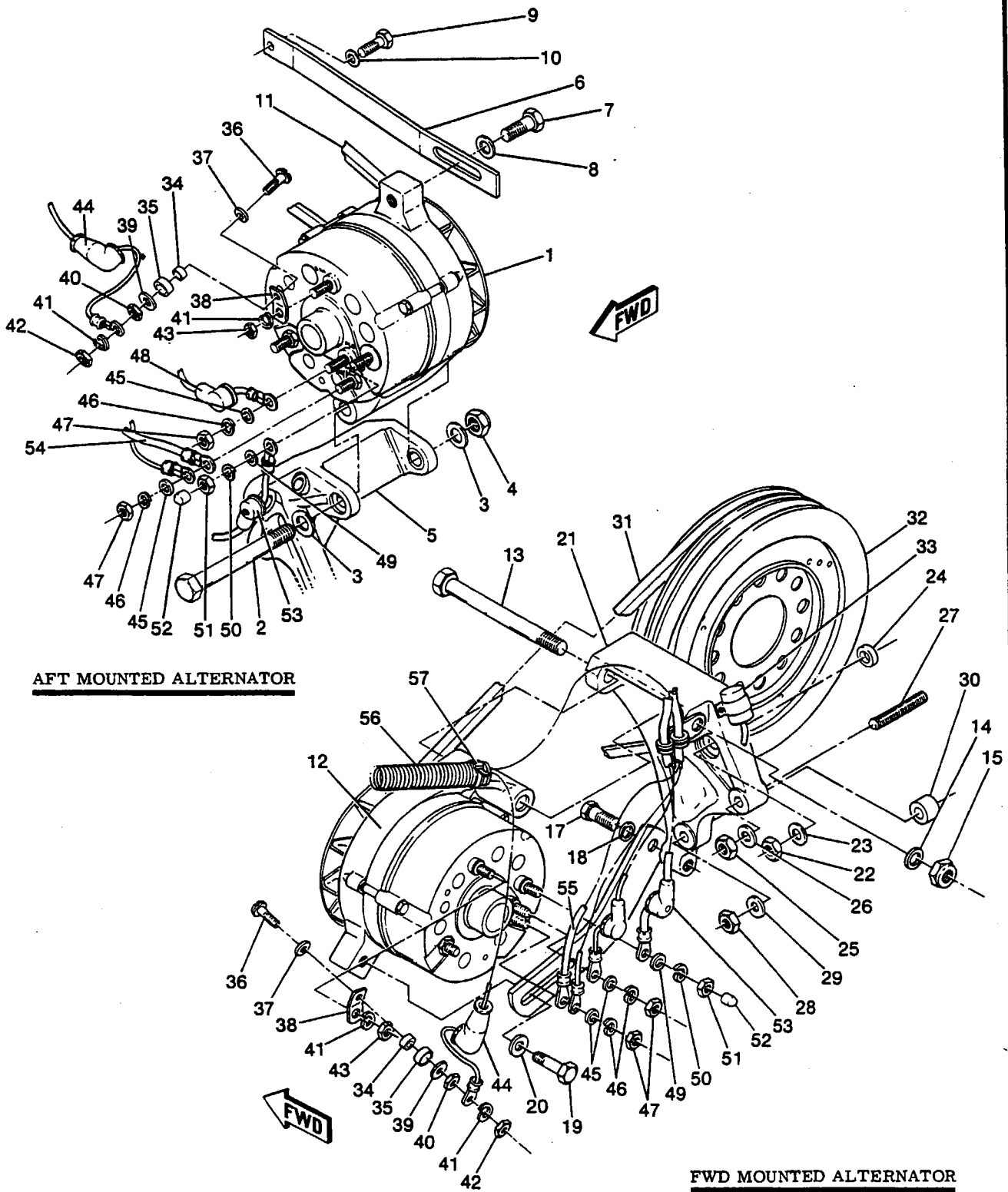
P210 Parts Catalog

FIGURE AND INDEX NO.	PART NUMBER	DESCRIPTION							UNITS PER ASSY	USABLE ON CODE
		1	2	3	4	5	6	7		
141A-15	S2035-2	HOUSING-PLUG -----							1	
-16	C611007-0101	ALTERNATOR CONTROL UNIT -----							2	
		ATTACHING PARTS -----								
-17	MS21044N08	NUT -----							4	
		*-----								
-18	S2350-3	RECEPTACLE -----							1	
-19	S2351-1	CLAMP -----							1	
-19A	MS21919DG8	CLAMP -----							2	
		ATTACHING PARTS -----								
-19B	AN520-10R6	SCREW -----							1	
		*-----								
-20	S2349-1	CONNECTOR -----							2	
-20A	Z101051-1	STUD PLATE ASSY-ALTERNATOR CONTROL UNIT -----							4	
-21	S2558-2	SHUNT ASSY-BATTERY -----							1	
		ATTACHING PARTS -----								
-22	AN515-8R12	SCREW -----							2	
		*-----								
-23	Z170026-2	SLEEVE-BATTERY SHUNT -----							1	
-24	Z170026-1	COVER-BATTERY SHUNT -----							1	
-25	S2209-1	STA STRAP -----							1	
-26	Z1270709PA36	CABLE ASSY CIRCUIT BREAKER TO BATTERY SHUNT -----							1	
-27	Z1270709PA37	CABLE ASSY BATTERY SHUNT TO STARTER CONTACTOR -----							1	
	Z170024-1	MODULE ASSY-DUAL ALT LINE CONTACTOR -----							1	
-28	S2475-2	CONTACTOR ASSY-DUAL ALTERNATORS -----							2	
		ATTACHING PARTS -----								
-29	AN3-3A	BOLT -----							1	
-30	MS21045-3	NUT -----							1	
-31	AN520-10R8	SCREW -----							1	
		*-----								
-32	Z0H3P	DIODE-DUAL ALTERNATORS SATA -----							3	
	4702	WASHER KSEC -----							3	
-33	S2034-1	MOUNT -----							4	
-34	Z170024-8	SUPPORT ASSY-OUTBOARD -----							1	
-35	Z170024-9	SUPPORT ASSY-INBD -----							1	
-36	NAS680A08	NUTPLATE -----							1	
-37	Z170024-5	BRACKET ASSY-MODULE -----							1	
-38	NAS680A3	NUTPLATE -----							1	
-39	Z170027-1	BUS BAR ASSY-DUAL ALTERNATORS -----							2	
-40	S2558-1	SHUNT ASSY-DUAL ALTERNATORS -----							2	
		ATTACHING PARTS -----								
-41	AN525-832R10	SCREW -----							2	
-42	MS21042-08	NUT -----							2	
		*-----								
-43	S2093-7	COVER -----							4	
-44	Z170025-2	COVER ASSY-LINE CONTACTOR MODULE -----							1	
		ATTACHING PARTS -----								
-45	AN525-832R6	SCREW -----							2	
		*-----								
-46	S1741-1	ANCHOR -----							3	
	NAS1149FN816P	WASHER -----							3	
-47	S2209-1	STA STRAP -----							3	
-48	Z1270709PB98	CABLE ASSY 60 AMP C/B TO OUTBD LINE CONTACTOR -----							1	
-49	Z1270709PB97	CABLE ASSY 60 AMP C/B TO INBD LINE CONTACTOR -----							1	
-50	Z1270709PB110	CABLE ASSY FWD ALTERNATOR TO OUTBD SHUNT -----							1	
-51	Z1270709PB109	CABLE ASSY AFT ALTERNATOR TO INBD SHUNT -----							1	
-52	SEE FIG 141B	DUAL ALTERNATOR INSTALLATION -----							1	
-53	Z101071-1	SUPPORT-ALTERNATOR WIRE -----							1	B
		ATTACHING PARTS -----								
-54	AN742D14	CLAMP FWD -----							1	B
	MS21919DG14	CLAMP AFT -----							1	B
	684-3-11-12D	CLAMP ATTACHES TO CRANCASE VENT LINE -----							1	B
	AN520-10R20	SCREW -----							1	B
	MS20364-1032C	NUT -----							1	B
		*-----								
-55		SWITCH, INSTR CLUSTER & VOLTAGE LIGHTS SEE INST PANEL -----							1	
-56		SWITCH/CIRCUIT BREAKER SEE SWITCH & C/B PANEL INSTL -----							1	

A---P210 SERIAL P21000761 & ON
 B---P210 SERIAL P21000835 & ON

P210 Parts Catalog

Electrical Equipment (Cont)



AFT MOUNTED ALTERNATOR

FWD MOUNTED ALTERNATOR

P210 SERIAL P21000761 & ON

Figure 141B. Dual Alternator Installation

P210 Parts Catalog

FIGURE AND INDEX NO.	PART NUMBER	DESCRIPTION	1 2 3 4 5 6 7							UNITS PER ASSY	USABLE ON CODE
141B-		DUAL ALTERNATOR INSTALLATION									
- 1	C611503-0104 C611503-0201	ALTERNATOR ASSY AFT MOUNTED ALTERNATOR ASSY AFT MOUNTED								NP 1 1	A B C
- 2	AN7-46A	ATTACHING PARTS									
- 3	NAS1149F0763P	BOLT								1	
- 4	MS20365-720C	WASHER								AR 1	
		NUT								1	
- 5	643935	MOUNT-ENGINE/ALTERNATOR SUPPORT CM								1	
- 6	0750221-1	ARM-ADJUSTING								1	
		ATTACHING PARTS									
- 7	0750220-1	BOLT								1	
- 8	S1450-6-14-080	WASHER								1	
- 9	MS20074-05-10	BOLT								1	
-10	NAS1149F0563P	WASHER								1	
		ATTACHING PARTS									
-11	S2416-1-31.0	BELT-ALTERNATOR DRIVE								1	
-11A	S2616-314K4	BELT-ALTERNATOR DRIVE								1	B C
-12	C611503-0103	ALTERNATOR ASSY FWD MOUNTED								1	
		ATTACHING PARTS									
-13	AN7-44A	BOLT								1	
-14	NAS1149F0763P	WASHER								1	
-15	MS20364-720C	NUT								1	
		ATTACHING PARTS									
-16	643894 @	ARM-ADJUSTING CM								1	
		ATTACHING PARTS									
-17	NAS566-27	BOLT								1	
-18	NAS1149F0632P	WASHER								1	
-19	0750220-1	BOLT								1	
-20	S1450-6-14-080	WASHER								1	
		ATTACHING PARTS									
-21	643893 @	BRACKET-ALTERNATOR SUPPORT CM								1	
		ATTACHING PARTS									
-22	531001 @	NUT CM								1	
-23	NAS1149F0763P	WASHER								1	
-24	25171 @	WASHER CM								1	
-25	2441 @	NUT CM								1	
-26	24239 @	WASHER CM								1	
-27	401871 @	STUD CM								1	
-28	AN315-5R @	NUT								1	
-29	2473 @	WASHER CM								1	
-30	643903 @	SPACER CM								1	
		ATTACHING PARTS									
-31	N7365	BELT-ALTERNATOR DRIVE GTS								1	
-32	D40205	PLATE-SHEAVE MCL								1	
-33	S1915-2	CAPACITOR-DUAL ALTERNATOR								1	
		ATTACHING PARTS									
	AN503-10-6	SCREW								1	
	2170036-1	RESISTOR ASSY-DUAL ALTERNATOR								2	
-34	SP044-5-PH	INSULATOR JANH								1	
-35	83-0057	RESISTOR STL								1	
		ATTACHING PARTS									
-36	AN525-10R12	SCREW								1	
-37	4702	WASHER KSEC								1	
-38	2170036-2	BRACKET								1	
-39	S1450-3-10-032	WASHER								1	
-40	AN315-3R	NUT								2	
		ATTACHING PARTS									
-41	AN935-10	WASHER								4	
-42	AN315-3R	NUT								2	
-43	MS35649-202	NUT								2	
-44	MS25171-25	NIPPLE								2	
-45	NAS1149F0332P	WASHER								4	
-46	AN935-10L	WASHER								4	
-47	AN340-10	NUT								4	
-48	S2114-2	NIPPLE								4	
-49	NAS1149F0432P	WASHER								2	
-50	AN935-416L	WASHER								2	
-51	AN340-416	NUT								2	
-52	S2093-4	COVER								2	
-53	S2114-1	NIPPLE								2	

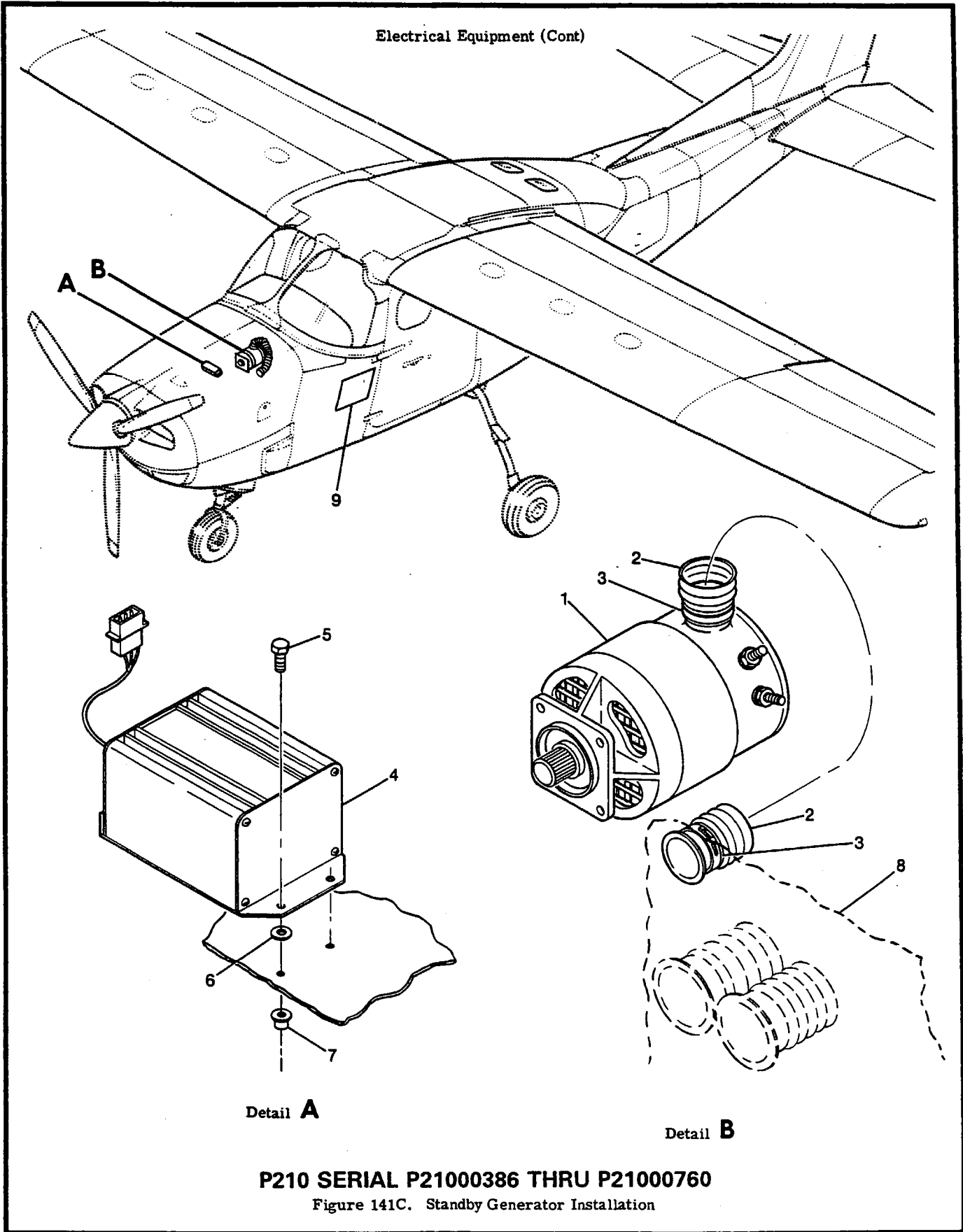
CONTINUED ON NEXT PAGE

P210 Parts Catalog

FIGURE AND INDEX NO.	PART NUMBER	DESCRIPTION	UNITS PER ASSY	USABLE ON CODE
		1 2 3 4 5 6 7		
141B-54 -55 -56 -57	1270709PB146	CABLE ASSY AFT ALTERNATOR TO GROUND -----	1	
	1270709PB123	CABLE ASSY FWD ALTERNATOR TO GROUND -----	1	
	S2562-4	TUBING 11.00 IN LG BKI -----	1	
	S2209-1	ATTACHING PARTS STA STRAP ----- -----*	4	
<p>NOTE. @THESE ITEMS ARE PART OF EQ6562 ALTERNATOR SUPPORT KIT.</p> <p>A---P210 SERIAL P21000761 & ON B---P210 SERIAL P21000761 THRU P21000834 C---P210 SERIAL P21000835 & ON</p>				

P210 Parts Catalog

Electrical Equipment (Cont)



Detail A

Detail B

P210 SERIAL P21000386 THRU P21000760

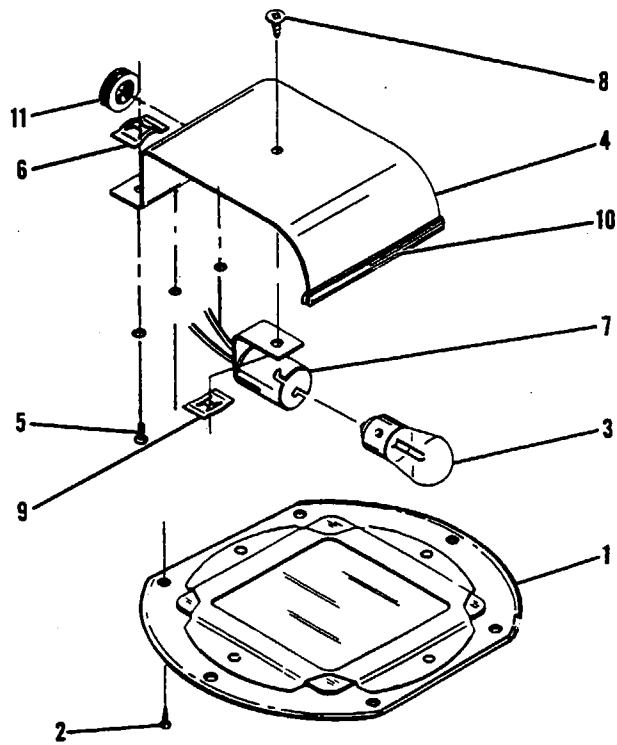
Figure 141C. Standby Generator Installation

P210 Parts Catalog

FIGURE AND INDEX NO.	PART NUMBER	DESCRIPTION	UNITS PER ASSY	USABLE ON CODE
		1 2 3 4 5 6 7		
141C-		STANDBY GENERATOR INSTALLATION -----	NP	A
- 1	C611507-0101	GENERATOR-STANDBY -----	1	
- 2	S1053E8T	DUCT 15.00 IN LG BKI -----	1	
		ATTACHING PARTS -----		
- 3	NAS397-18	CLAMP -----	2	
		*-----		
- 4	C611006-0101	VOLTAGE REGULATOR-STANDBY GENERATOR -----	1	
		ATTACHING PARTS -----		
- 5	AN3-3A	BOLT -----	3	
- 6	NAS1149F0363P	WASHER -----	3	
- 7	S1648-3KB80	NUTPLATE -----	3	
		*-----		
- 8		BAFFLE ASSY SEE BAFFLES INSTALLATION -----	1	
- 9		SWITCH SEE SWITCH & CIRCUIT BREAKER PANEL INSTALLATION --	1	
		BUS BAR SEE SWITCH & CIRCUIT BREAKER PANEL INSTALLATION -	1	
A---P210 SERIAL P21000386 THRU P21000760				

P210 Parts Catalog

Electrical Equipment (Cont)



Detail **A**

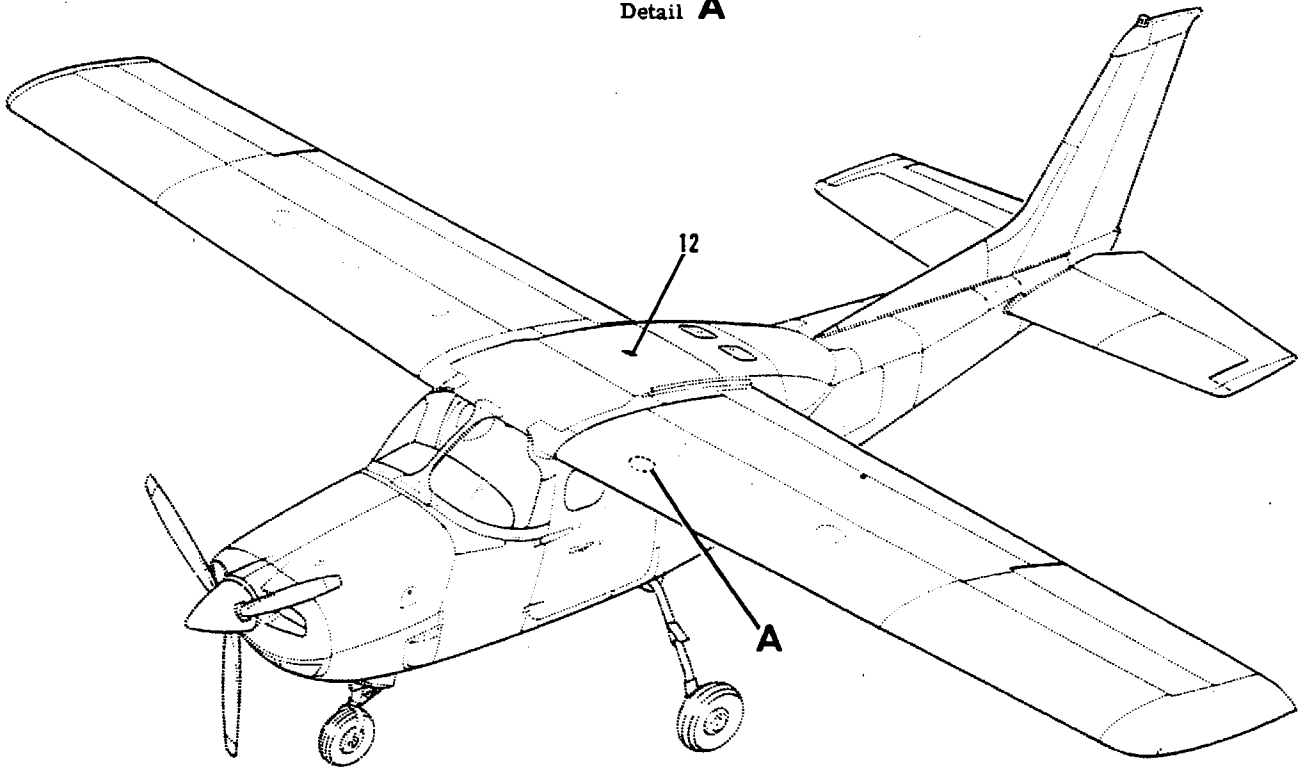


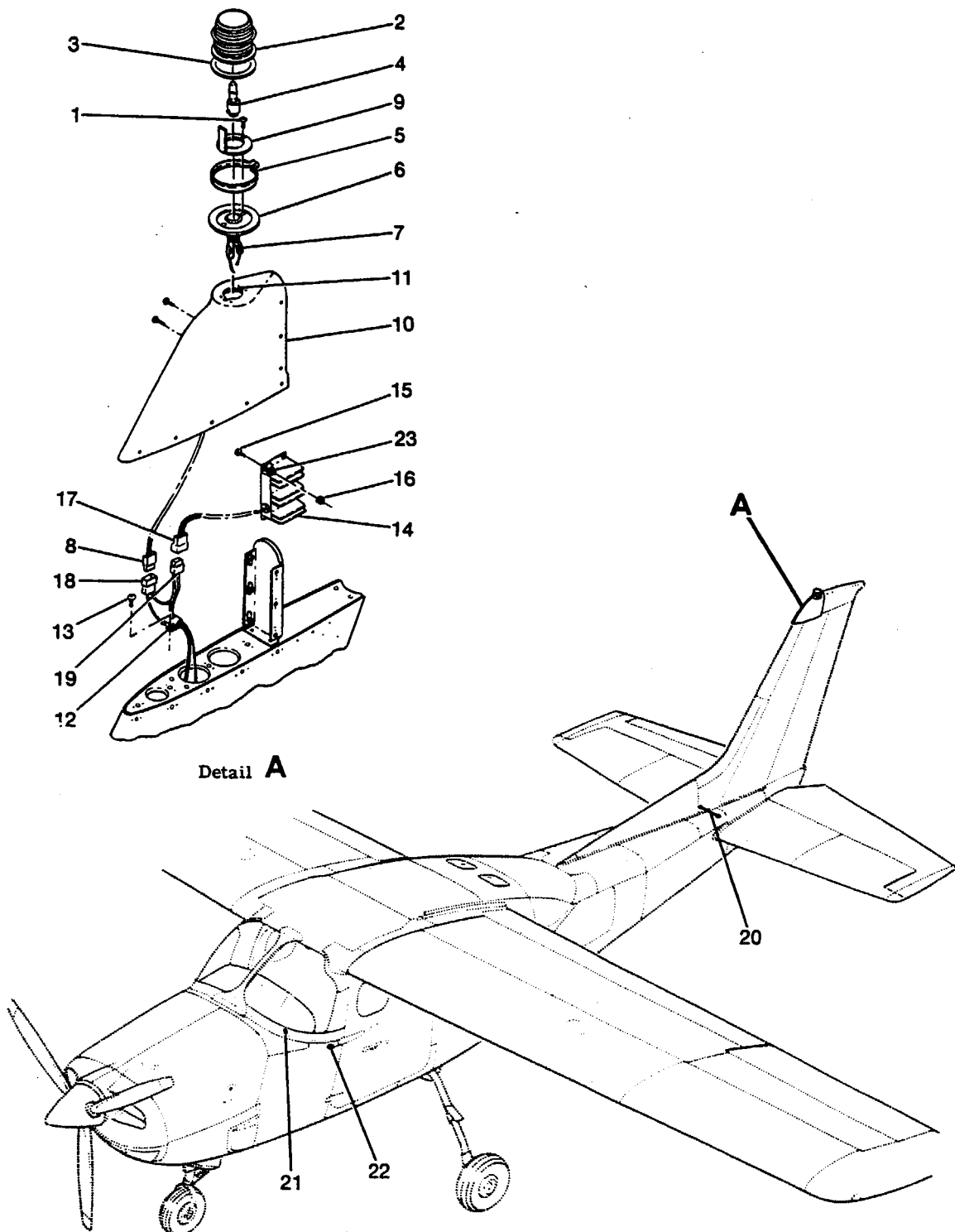
Figure 142. Courtesy Light Installation

P210 Parts Catalog

FIGURE AND INDEX NO.	PART NUMBER	DESCRIPTION							UNITS PER ASSY	USABLE ON CODE
		1	2	3	4	5	6	7		
142 -		COURTESY LIGHT INSTALLATION -----							NP	
- 1	1222128-1	COVER ASSY -----							1	
		ATTACHING PARTS -----								
- 2	AN507-832R8	SCREW -----							6	
		*-----								
- 3	MS15584-8	BULB-COURTESY LIGHT -----							1	
- 4	0700616-1	SHIELD ASSY-COURTESY LIGHT -----							1	
		ATTACHING PARTS -----								
- 5	S102176-8	SCREW -----							2	
- 6	NAS446-2-3	NUT -----							2	
		*-----								
- 7	0513208-1	SOCKET-COURTESY LIGHT -----							1	
		ATTACHING PARTS -----								
- 8	S102176-6	SCREW -----							1	
- 9	NAS446-2-3	NUT -----							1	
		*-----								
-10	S1055-1	CHANNEL	2.25 IN LG	BKI	-----			1		
-11	MS35489-134	GROMMET -----							1	
-12	S1831-1	SWITCH-COURTESY LIGHT -----							1	
		ATTACHING PARTS -----								
	AN515-4R6	SCREW -----							2	
		*-----								

P210 Parts Catalog

Electrical Equipment (Cont)



P210 SERIAL P21000001 THRU P21000834

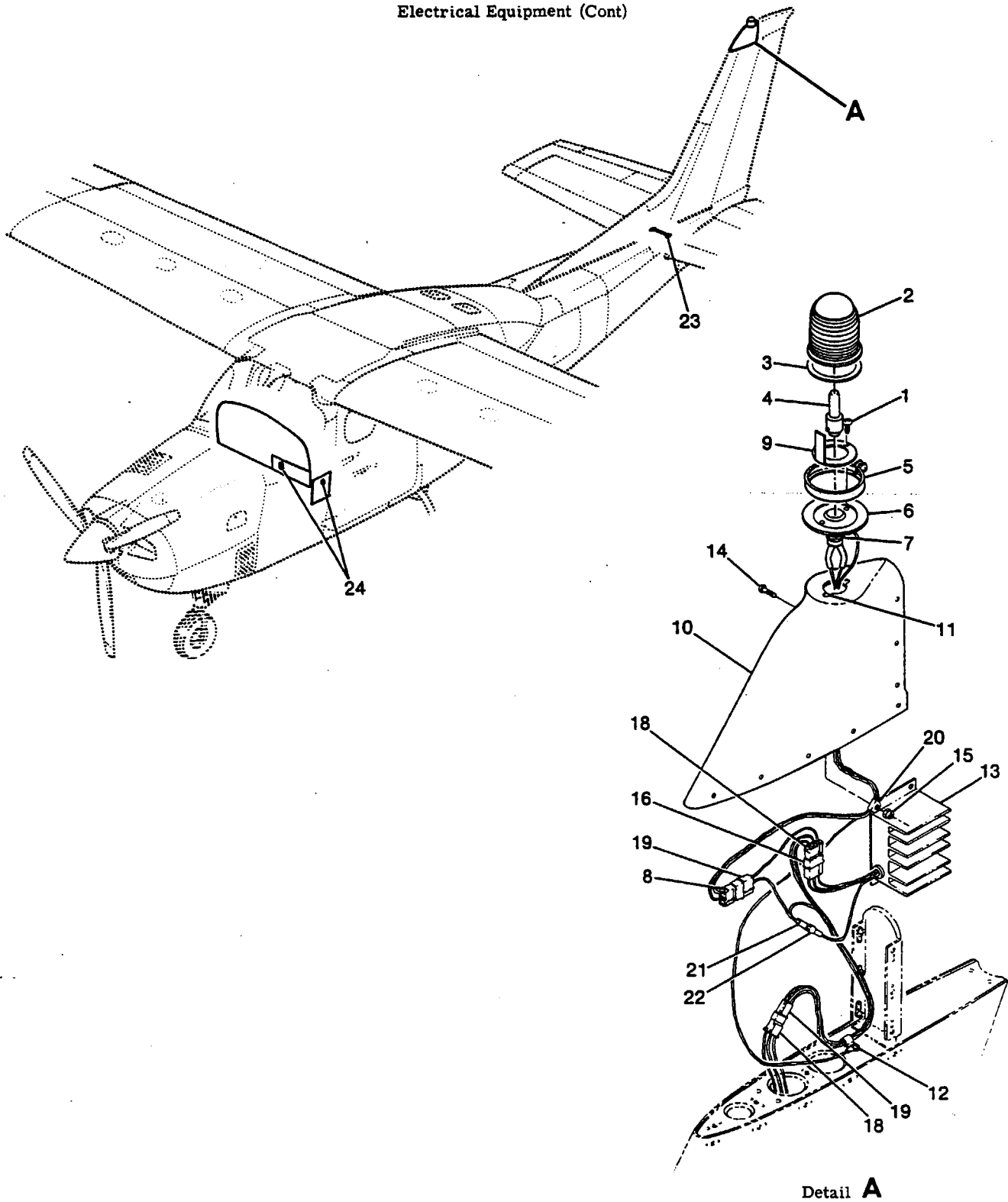
Figure 143. Flashing Beacon Installation

P210 Parts Catalog

FIGURE AND INDEX NO.	PART NUMBER	DESCRIPTION							UNITS PER ASSY	USABLE ON CODE
		1	2	3	4	5	6	7		
143 -	C621001-0102	FLASHING BEACON INSTALLATION -----							NP	C
		LIGHT ASSY-FLASHING BEACON -----							1	
		ATTACHING PARTS -----								
- 1	AN515-8R8	SCREW -----							2	
		*-----								
- 2	C17325	DOME AEFC -----							1	
- 3	C17330	GASKET AEFC -----							1	
- 4	C17312-1	BULB-FLASHING BEACON AEFC -----							1	
- 5	C17326	CLAMP ASSY AEFC -----							1	
- 6	C17331-1	PLATE-MOUNTING AEFC -----							1	
- 7	C17313	SOCKET ASSY AEFC -----							1	
- 8	S1638-1	HOUSING-PLUG -----							1	
- 9	0731607-1	BAFFLE -----							1	
- 10	1231064-1	TIP ASSY-FLASHING BEACON FIN -----							1	A
	1231064-3	TIP ASSY-FLASHING BEACON FIN -----							1	B
		ATTACHING PARTS -----								
	AN525-832R7	SCREW -----							14	
		*-----								
- 11	0431017-2	PLATE ASSY-FIN TIP -----							1	A
	1231067-1	PLATE ASSY-FIN TIP -----							1	B
	NAS680A08	NUTPLATE -----							2	A
	MS21047-08	NUTPLATE -----							2	B
- 12	AN742D4	CLAMP -----							1	B
		ATTACHING PARTS -----								
- 13	AN515-6R8	SCREW -----							1	
		*-----								
- 14	C594502-0102	FLASHER ASSY-BEACON LIGHT -----							1	
		ATTACHING PARTS -----								
- 15	AN525-832R7	SCREW -----							4	
- 16	MS21044N08	NUT -----							4	
		*-----								
- 17	S1638-2	HOUSING-CAP -----							1	
- 18	S1638-2	HOUSING-CAP -----							1	
- 19	S1638-1	HOUSING-PLUG -----							1	
- 20	OR95-6	RESISTOR-FLASHING BEACON MEMI -----							1	
		ATTACHING PARTS -----								
	AN515-8R11	SCREW -----							2	
		*-----								
- 21		SWITCH-FLASHING BEACON SEE SWITCH & CIRCUIT -----							1	
		BREAKER PANEL INSTALLATION -----								
- 22		CIRCUIT BRKR-FLASHING BEACON SEE SWITCH & CIRCUIT -----							1	
		BREAKER PANEL INSTALLATION -----								
- 23	S1155-2	CLAMP -----							1	
		A---P210 SERIAL P21000001 THRU P21000082								
		B---P210 SERIAL P21000083 THRU P21000834								
		C---P210 SERIAL P21000001 THRU P21000834								

P210 Parts Catalog

Electrical Equipment (Cont)



P210 SERIAL P21000835 & ON
Figure 143A. Flashing Beacon Installation

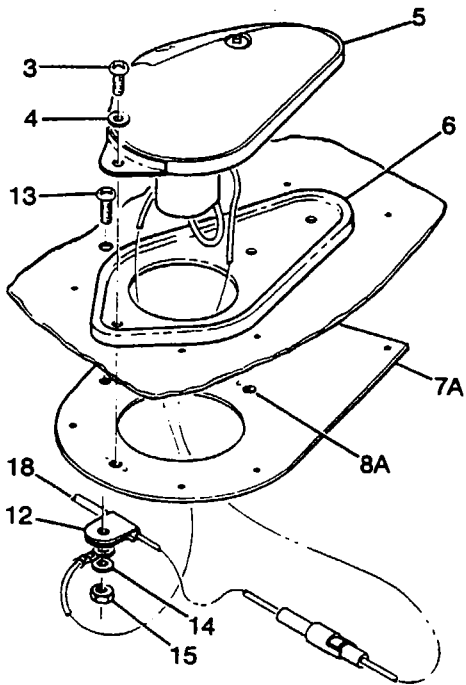
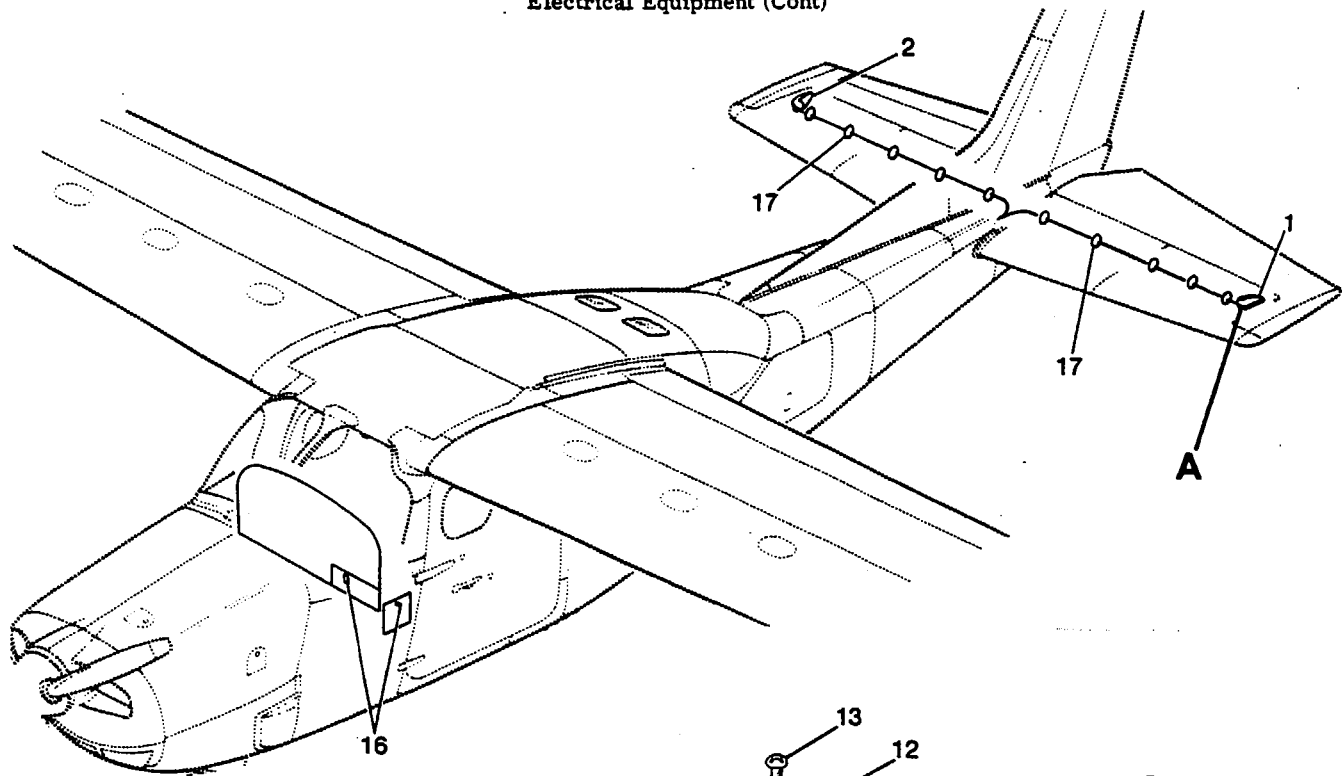
P210 Parts Catalog

FIGURE AND INDEX NO.	PART NUMBER	DESCRIPTION	UNITS PER ASSY	USABLE ON CODE		
			1	2	3	4
143A--	C621001-0102	FLASHING BEACON INSTALLATION -----	NP	A		
		LIGHT ASSY-FLASHING BEACON -----	1			
- 1	AN515-8R8	ATTACHING PARTS -----	2			
		SCREW -----				
		-----*				
- 2	C17325	DOME AEFC -----	1			
- 3	C17330	GASKET AEFC -----	1			
- 4	C17312-1	BULB-FLASHING BEACON AEFC -----	1			
- 5	C17326	CLAMP ASSY AEFC -----	1			
- 6	C17331-1	PLATE-MOUNTING AEFC -----	1			
- 7	C17313	SOCKET ASSY AEFC -----	1			
- 8	S1638-1	HOUSING-PLUG -----	1			
- 9	O731607-3	BAFFLE -----	1			
-10	1231064-3	FIN TIP ASSY-FLASHING BEACON -----	1			
	AN525-832R7	ATTACHING PARTS -----	14			
		SCREW -----				
		-----*				
-11	1231067-1	PLATE ASSY-FIN TIP -----	1			
	MS21047-08	NUTPLATE -----	1			
-12	AN742D4	CLAMP -----	1			
	AN515-6R8	ATTACHING PARTS -----	1			
		SCREW -----				
		-----*				
-13	C594502-0102	FLASHER ASSY-BEACON LIGHT -----	1			
		ATTACHING PARTS -----				
-14	AN525-832R7	SCREW -----	4			
-15	MS21044N08	NUT -----	4			
		-----*				
-16	S1638-2	HOUSING-CAP -----	1			
-18	S1638-1	HOUSING-PLUG -----	2			
-19	S1638-2	HOUSING-CAP -----	2			
-20	S1155-1	CLAMP -----	1			
-21	S1637-2	HOUSING-PLUG -----	1			
-22	S1637-1	HOUSING-CAP -----	1			
-23	OR95-6	RESISTOR-FLASHING BEACON MEMI -----	1			
	AN525-832R12	ATTACHING PARTS -----	2			
	NAS1149FN816P	SCREW -----	2			
	MS21044N08	WASHER -----	2			
		NUT -----	2			
		-----*				
-24		SWITCH/CIRCUIT BREAKER SEE SWITCH & CIRCUIT -----	1			
		BREAKER PANEL INSTALLATION -----				

A---P210 SERIAL P21000835 & ON

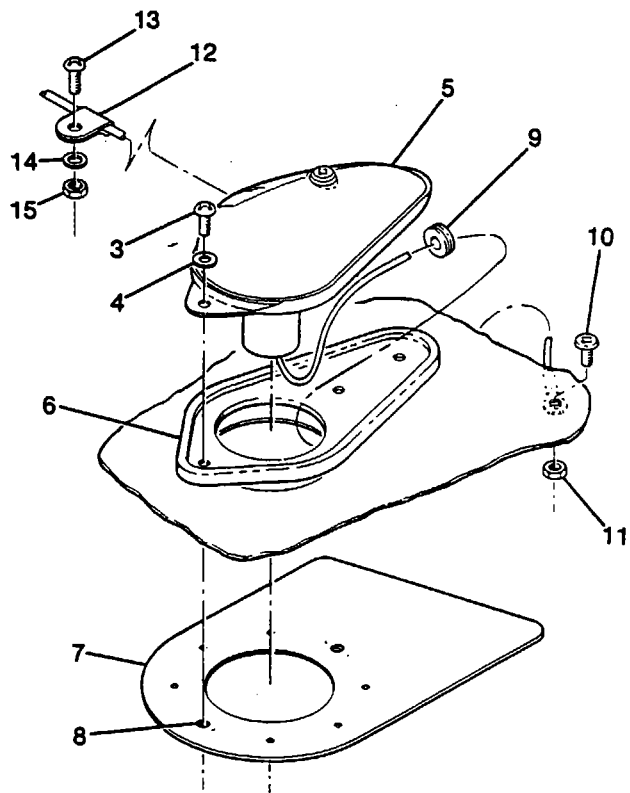
P210 Parts Catalog

Electrical Equipment (Cont)



P21000835 & ON

Detail **A**



P21000386 THRU P21000834

Detail **A**

P210 SERIAL P21000386 & ON

Figure 144. Floodlight Installation-Vertical Tail

P210 Parts Catalog

FIGURE AND INDEX NO.	PART NUMBER	DESCRIPTION							UNITS PER ASSY	USABLE ON CODE
		1	2	3	4	5	6	7		
144 -		FLOODLIGHT INSTALLATION-VERTICAL TAIL -----							NP	
- 1	00033051-1	LIGHT ASSY-LH	DVOR	WEU	00033092-1	-----	-----	1	A	
	00033092-1	LIGHT ASSY-LH	DVOR	-----	-----	-----	-----	1	B	
- 2	00033051-2	LIGHT ASSY-RH	DVOR	WEU	00033092-2	-----	-----	1	C	
	00033092-2	LIGHT ASSY-RH	DVOR	-----	-----	-----	-----	1	C	
		ATTACHING PARTS								
- 3	NAS220-8	SCREW	-----	-----	-----	-----	-----	2		
- 4	NAS1149DN832H	WASHER	-----	-----	-----	-----	-----	2		
		*-----								
- 5	S1632-3LA	LENS-LH FLOODLIGHT	DVOR	-----	-----	-----	-----	1		
	S1632-3RA	LENS-RH FLOODLIGHT	DVOR	-----	-----	-----	-----	1		
	DA27	BULB-FLOODLIGHT	DVOR	-----	-----	-----	-----	1		
- 6	00033045-7	GASKET-FLOODLIGHT	DVOR	-----	-----	-----	-----	2		
- 7	1231068-1	DOUBLER ASSY-FLOODLIGHT	LH	-----	-----	-----	-----	1	D	
	1231068-2	DOUBLER ASSY-FLOODLIGHT	RH	-----	-----	-----	-----	1	D	
- 7A	2132018-1	DOUBLER ASSY-FLOODLIGHT	LH	-----	-----	-----	-----	1	D	
	2132018-2	DOUBLER ASSY-FLOODLIGHT	RH	-----	-----	-----	-----	1	D	
- 8	NAS1068A08	NUTPLATE	-----	-----	-----	-----	-----	2	D	
- 8A	NAS680A08	NUTPLATE	-----	-----	-----	-----	-----	2	D	
- 9	MS35489-4	GROMMET	-----	-----	-----	-----	-----	2	D	
- 10	AN515-8R6	SCREW	-----	-----	-----	-----	-----	2	D	
- 11	MS21044N08	NUT	-----	-----	-----	-----	-----	2	D	
- 12	S1155-2	CLAMP	-----	-----	-----	-----	-----	2	D	
		ATTACHING PARTS								
- 13	NAS220-6	SCREW	-----	-----	-----	-----	-----	1		
- 14	NAS1149DN832H	WASHER	-----	-----	-----	-----	-----	1		
- 15	MS21044N08	NUT	-----	-----	-----	-----	-----	1		
- 16		SWITCH/CIRCUIT BREAKER	SEE SWITCH & CIRCUIT BREAKER	-----	-----	-----	-----	1		
- 17	S1050-1	PANEL INSTALLATION	-----	-----	-----	-----	-----	10	F	
- 18	S292-2	GROMMET * IN LG	BKI	-----	-----	-----	-----	2	E	
		SLEEVE 80.00 IN LG	BKI	-----	-----	-----	-----			
NOTE. *LENGTH TO BE ADDED LATER										
A---P210 SERIAL P21000386 & ON										
B---P210 SERIAL P21000386 THRU P21000605										
C---P210 SERIAL P21000606 & ON										
D---P210 SERIAL P21000386 THRU P21000834										
E---P210 SERIAL P21000835 & ON										
F---P210 SERIAL P21000606 THRU P21000834										

P210 Parts Catalog

Electrical Equipment (Cont)

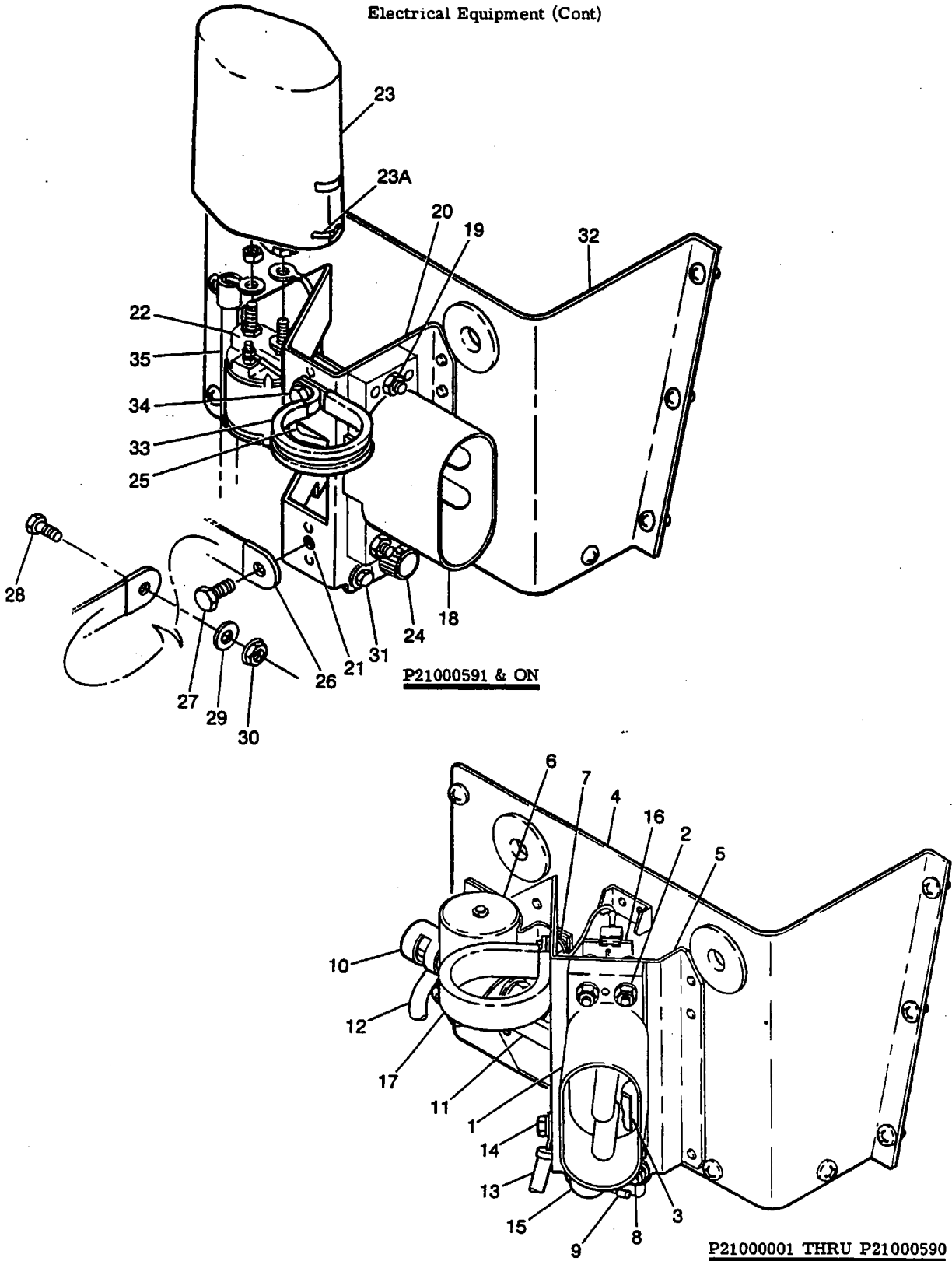


Figure 145. Ground Service Plug Receptacle Installation

P210 Parts Catalog

FIGURE AND INDEX NO.	PART NUMBER	DESCRIPTION							UNITS PER ASSY	USABLE ON CODE
		1	2	3	4	5	6	7		
145 -		RECEPTACLE INSTALLATION-GROUND SERVICE PLUG -----								
- 1	MS3506-1	RECEPTACLE-GROUND SERVICE PLUG -----							NP	A
		ATTACHING PARTS -----							1	
- 2	AN3-7A	BOLT -----							3	
	NAS1149F0332P	WASHER UNDER BOLT -----							3	
	NAS1149F0363P	WASHER UNDER NUT -----							3	
	MS20365-1032C	NUT -----							3	
		*-----								
- 3	0312155-10	GROUND STRAP-GROUND SERVICE -----							1	
- 4	SEE FIG 24	COVER ASSY-BATTERY BOX FRONT -----							1	
- 5	2170008-1	BRACKET ASSY-GROUND SERVICE PLUG -----							1	
	NAS680A4	NUTPLATE -----							1	
- 6	S1577-1	CONTACTOR-GROUND SERVICE -----							1	
		ATTACHING PARTS -----							1	
- 7	MS35691-1	NUT -----							2	
	AN935-416	WASHER -----							2	
	NAS1149F0463P	WASHER -----							2	
		*-----								
- 8	20H3P	DIODE-GROUND SERVICE SATA -----							1	
	S1438-2	WASHER -----							1	
	LN1032X	NUT SATA -----							1	
- 9	X26263	RESISTOR-GROUND SERVICE TRTA -----							1	
	VL7A	RESISTOR-GROUND SERVICE ESYS ALT FOR X26263 -----							1	
-10	S1807-1	COVER-TERMINAL -----							1	
-11	2170009-1	BUS BAR ASSY-GROUND SERVICE RECEPTACLE -----							1	
-12	1270709PC8	CABLE BATTERY CONTACTOR TO GROUND SERVICE CONTACTOR -----							1	
-13	1270709PC13	CABLE GROUND SERVICE RECEPTACLE TO GROUND -----							1	
		ATTACHING PARTS -----							1	
-14	AN3-3A	BOLT -----							1	
	NAS1149F0463P	WASHER -----							1	
		*-----								
-15	S1091-5	FUSE-GROUND SERVICE PLUG -----							1	
	S1090-2	FUSEHOLDER ASSY -----							1	
	MS122038	WASHER-LOCK -----							1	
-16	1570043-10	DIODE BOARD ASSY-GROUND SERVICE WEU 1570043-15 -----							1	B
	1570043-15	DIODE BOARD ASSY-GROUND SERVICE -----							1	C
	NAS430D3-8	SPACER -----							1	
-17	MS21919D628	CLAMP -----							1	
		ATTACHING PARTS -----							1	
	AN3-4A	BOLT -----							1	
	NAS1149F0363P	WASHER -----							1	
	MS20364-1032C	NUT -----							1	
		*-----								
-18	MS3506-1	GROUND SERVICE PLUG RECPTACLE INSTALLATION -----							NP	D
		RECEPTACLE-GROUND SERVICE PLUG -----							1	
		ATTACHING PARTS -----							1	
-19	AN3-7A	BOLT -----							3	
	NAS1149F0332P	WASHER -----							3	
	MS21044N3	NUT -----							3	
		*-----								
-20	1270620-1	BRACKET ASSY -----							1	
	NAS680A3	NUTPLATE -----							1	
-21	NAS680A5	NUTPLATE -----							1	
-22	S2475-2	CONTACTOR-GROUND SERVICE -----							1	
		ATTACHING PARTS -----							1	
	MS35691-1	NUT -----							4	
	AN935-416	WASHER -----							4	
	NAS1149F0463P	WASHER -----							4	
		*-----								
-23	0712079-2	COVER -----							1	
		ATTACHING PARTS -----							1	
-23A	S2209-1	STA STRAP -----							1	
		*-----								
-24	S1090-2	FUSEHOLDER ASSY -----							1	
	S1090-11	CAP-FUSEHOLDER -----							1	
	S1091-5	FUSE -----							1	
-25	1270744-1	BUS BAR ASSY-GROUND SERVICE PLUG -----							1	
-26	0412007-8	GROUND STRAP-GROUND SERVICE -----							1	
		ATTACHING PARTS -----							1	
-27	AN5-4A	BOLT -----							1	
	NAS1149F0332P	WASHER -----							1	
-28	AN4-3A	BOLT -----							1	
-29	NAS1149F0463P	WASHER -----							1	
-30	MS21042L4	NUT -----							1	
		*-----								

CONTINUED ON NEXT PAGE

P210 Parts Catalog

FIGURE AND INDEX NO.	PART NUMBER	DESCRIPTION							UNITS PER ASSY	USABLE ON CODE	
		1	2	3	4	5	6	7			
145	-31	20HP3	DIODE SATA INCLUDES ATTACHING HARDWARE -----							1	
	-32	SEE FIG 24	COVER ASSY -----							1	
	-33	MS21919DG28	CLAMP -----							1	
	-34	AN3-4A	ATTACHING PARTS								
	-34	NAS1149F0363P	BOLT -----							1	
			WASHER -----							1	
			*-----								
-35	1270709PC15	CABLE GROUND SERVICE CONTACTOR TO BATTERY CONTACTOR -----							1		
		A---P210 SERIAL P2100001 THRU P21000590									
		B---P210 SERIAL P2100001 THRU P21000224									
		C---P210 SERIAL P21000225 THRU P21000590									
		D---P210 SERIAL P21000591 & ON									

Numerical Index

P210 Parts Catalog

PART NUMBER	FICHE AND FRAME	FIGURE AND INDEX NO.	PART NUMBER	FICHE AND FRAME	FIGURE AND INDEX NO.	PART NUMBER	FICHE AND FRAME	FIGURE AND INDEX NO.
AE7013148K0064		81A-20	AN3-11A		100 -61	AN3-3A		84B-67
AE7013191H0190		81A-37	AN3-11A		104 - 9	AN3-3A		85 -41
AMOR20-10		136 -15	AN3-11A		123 -31	AN3-3A		85A-22
AMOR20-10		136A-18	AN3-12A		94A- 4	AN3-3A		87A-21
AN123883		111 -23	AN3-12A		96 -64	AN3-3A		88 -38
AN155-16S		96 -67	AN3-12A		104 -34	AN3-3A		88 -69
AN155-16S		98 -48	AN3-12A		107B- 8	AN3-3A		90 -29
AN155-16S		98A-12	AN3-12A		123 -11	AN3-3A		92 -20
AN155-16S		100 - 6	AN3-12A		123 -41	AN3-3A		94 - 2
AN155-32S		93 -61	AN3-12A		137 -19	AN3-3A		94A- 2
AN155-32S		95 - 3	AN3-13A		85 -20	AN3-3A		97 -36
AN155-32S		95 -11	AN3-13A		85 -26	AN3-3A		97 -53
AN155-32S		96 -43	AN3-13A		85A-27	AN3-3A		98 -49
AN155-32S		100 - 3	AN3-13A		90 -31	AN3-3A		98A- 4
AN155-32S		102 -37	AN3-13A		90 -50	AN3-3A		100 -66
AN155-8S		97 -38	AN3-13A		92 -24	AN3-3A		103 - 3
AN165-16RS		96 -68	AN3-13A		94 -11	AN3-3A		103 -24
AN165-22RS		96 -44	AN3-13A		94A-36	AN3-3A		104 - 1
AN175-22A		45 -61	AN3-13A		120 - 5	AN3-3A		107 -33
AN176-21A		40 - 2	AN3-13A		123 -30	AN3-3A		107A-34
AN21-10		96 - 4	AN3-13A		137 -28	AN3-3A		107B-32
AN227-13B		60 - 3	AN3-14A		54 -41	AN3-3A		110 -16
AN23-10		96 -45	AN3-14A		89 -40	AN3-3A		110 -16
AN23-10		96 -62	AN3-14A		94 -27	AN3-3A		136 -19
AN23-10		96 -70	AN3-14A		94A- 5	AN3-3A		136 -26
AN23-10		102 -40	AN3-14A		94A-14	AN3-3A		136A-13
AN23-11		95 - 5	AN3-14A		100 -21	AN3-3A		136A-27
AN23-11		95 - 8	AN3-15A		15 -57	AN3-3A		137 - 1
AN23-11		100 -11	AN3-15A		15A-46	AN3-3A		141A-29
AN23-12		102 - 5	AN3-15A		54 -28	AN3-3A		141C- 5
AN23-12		103 -26	AN3-15A		54 -54	AN3-3A		145 -14
AN23-12		104 -61	AN3-15A		78 -80	AN3-34A		112 -27
AN23-14		95 -33	AN3-15A		92 -25	AN3-34A		112A-41
AN23-19A		67 -49	AN3-15A		94 -19A	AN3-34A		112B-41
AN23-20A		65 -61	AN3-15A		94 -59	AN3-34A		112C-34
AN23-20A		66 -81	AN3-15A		94A-22	AN3-4-A		132 -21
AN23-9A		90 -54	AN3-15A		94A-51	AN3-4A		18 -90A
AN24-14		96 -59	AN3-15A		104 -54	AN3-4A		18 -98D
AN24-14		96 -60	AN3-15A		120 - 5	AN3-4A		18A-94B
AN24-15		96 -60	AN3-16A		97 - 4	AN3-4A		26 -44
AN256F8		98 - 2	AN3-16A		103 -12	AN3-4A		38 -16
AN3-10A		10 - 7	AN3-17A		15A-46	AN3-4A		38 -28
AN3-10A		47 -22	AN3-17A		65 - 2	AN3-4A		40 -24
AN3-10A		47 -50	AN3-17A		66 - 2	AN3-4A		40 -28
AN3-10A		78 -15	AN3-17A		67 - 2	AN3-4A		78 -24C
AN3-10A		78A-15	AN3-17A		78A-76	AN3-4A		78 -37
AN3-10A		79A- 9	AN3-20A		21 - 4	AN3-4A		78 -79
AN3-10A		85 -14	AN3-20A		132 -64	AN3-4A		78A-29
AN3-10A		85A-37	AN3-21A		21 -41	AN3-4A		78A-43
AN3-10A		85A-46	AN3-21A		101 -30	AN3-4A		78A-48
AN3-10A		85A-51	AN3-21A		132 -48	AN3-4A		78A-87
AN3-10A		92 -31	AN3-21A		136 -21A	AN3-4A		79 -20A
AN3-10A		96 -14	AN3-21A		137 - 1A	AN3-4A		79 -28
AN3-10A		97 -49	AN3-22A		21 -42	AN3-4A		79 -59A
AN3-10A		97 -50	AN3-23A		97 - 1	AN3-4A		79 -74A
AN3-10A		101 - 7	AN3-23A		107A-66	AN3-4A		81 -42
AN3-10A		104 -26	AN3-23A		107B-64	AN3-4A		81 -54
AN3-10A		107A-46	AN3-24A		96 -14	AN3-4A		81 -61
AN3-10A		107B-44	AN3-3A		4 -78	AN3-4A		81 -67
AN3-11A		4 -34	AN3-3A		5 -40	AN3-4A		81A-30
AN3-11A		7 -45	AN3-3A		10 -14	AN3-4A		81A-35
AN3-11A		7 -49	AN3-3A		17 -77	AN3-4A		83 - 3D
AN3-11A		10 - 5	AN3-3A		18 -41	AN3-4A		83A- 9
AN3-11A		48 -36	AN3-3A		18A-21	AN3-4A		83A-16
AN3-11A		48 -49	AN3-3A		19A-38	AN3-4A		83A-22
AN3-11A		85 -33	AN3-3A		22 -13	AN3-4A		85A-30
AN3-11A		85A-14	AN3-3A		31 -22	AN3-4A		88 -32E
AN3-11A		92 - 6	AN3-3A		47 -59	AN3-4A		89 -43
AN3-11A		94 -10	AN3-3A		54 -92	AN3-4A		100 -27
AN3-11A		97 - 2	AN3-3A		79A- 9	AN3-4A		104 -58
AN3-11A		97 -14	AN3-3A		83A-15	AN3-4A		107 -23
AN3-11A		97 -20	AN3-3A		83A-21	AN3-4A		107 -53
AN3-11A		100 -23	AN3-3A		83A-27	AN3-4A		107A-24
AN3-11A		100 -42	AN3-3A		83A-31	AN3-4A		107B-22

P210 Parts Catalog

PART NUMBER	FICHE AND FRAME	FIGURE AND INDEX NO.	PART NUMBER	FICHE AND FRAME	FIGURE AND INDEX NO.	PART NUMBER	FICHE AND FRAME	FIGURE AND INDEX NO.
AN3-4A		132A-83	AN3-7A		98A-10	AN316-4R		95 -21
AN3-4A		136 -11	AN3-7A		100 -40	AN316-4R		100 -45
AN3-4A		136 -24	AN3-7A		100 -58	AN316-4R		100 -52
AN3-4A		136A-83	AN3-7A		100 -77	AN316-4R		100 -64
AN3-4A		145 -17	AN3-7A		120 -2	AN316-4R		101 -23
AN3-4A		145 -34	AN3-7A		132B-72	AN316-4R		116 -22
AN3-40A		79 -56	AN3-7A		132C-55	AN316-4R		125 -4
AN3-40A		79A-31	AN3-7A		132C-90	AN316-4R		126 -2
AN3-43A		135A-58	AN3-7A		137 -11	AN316-4R		136A-65
AN3-5		47 -7	AN3-7A		145 -2	AN316-5		73B-28
AN3-5A		4 -29	AN3-7A		145 -19	AN316-6R		128 -2
AN3-5A		4 -30	AN3-77A		84 -80	AN316-96		140A-16
AN3-5A		18 -90	AN3-77A		84A-94	AN316-96		141 -16
AN3-5A		18 -98D	AN3-77A		84B-94C	AN320-1		96 -5
AN3-5A		18A-94C	AN3H15A		95 -48	AN320-3		42 -62
AN3-5A		19A-7	AN3H15A		115A-37	AN320-3		47 -9
AN3-5A		19A-25	AN3H3A		42 -31	AN320-3		97 -57
AN3-5A		33 -2	AN3H3A		86 -18	AN320-3		104 -63
AN3-5A		56 -2A	AN3H3A		86 -22	AN320-4		96 -60
AN3-5A		59 -28	AN310-3		47 -12	AN320-4		104 -6
AN3-5A		69 -24	AN310-3		78 -23C	AN320-6		124 -28
AN3-5A		69 -24A	AN310-3		78 -31	AN320-7		120 -32
AN3-5A		69A-51	AN310-3		78A-26	AN340-10		140 -18
AN3-5A		79 -53	AN310-3		78A-40	AN340-10		140A-4
AN3-5A		81 -56	AN310-3		93 -59	AN340-10		141B-47
AN3-5A		81A-28	AN310-3		95 -2	AN340-2		94 -32
AN3-5A		85A-34	AN310-3		95 -6	AN340-2		137 -5
AN3-5A		85A-42	AN310-3		95 -9	AN340-3		94 -42
AN3-5A		87A-36	AN310-3		95 -34	AN340-3		136A-99A
AN3-5A		88 -72	AN310-3		96 -46	AN340-4		94 -56
AN3-5A		97 -26	AN310-3		96 -62	AN340-4		94A-48
AN3-5A		108 -24	AN310-3		96 -73	AN340-4		100 -85
AN3-5A		114 -5	AN310-3		100 -12	AN340-4		101 -19
AN3-5A		132 -28	AN310-3		102 -6	AN340-416		140 -16
AN3-5A		135A-6	AN310-3		102 -41	AN340-416		140A-4
AN3-6A		30 -25	AN310-3		103 -27	AN340-416		141B-51
AN3-6A		47 -18	AN310-4		42 -51	AN340-5		138 -24A
AN3-6A		76 -7	AN310-4		42 -58	AN340-5		70 -55
AN3-6A		76A-15	AN310-5		40 -13	AN340-6		70A-48
AN3-6A		78 -25B	AN310-5		93 -29	AN340-6		70B-39
AN3-6A		78A-30	AN310-5		93 -42	AN340B6		69 -38
AN3-6A		79 -77	AN310-6		100 -28	AN340B6		69A-52
AN3-6A		79A-19	AN310-7		120A-4	AN340B6		69B-65
AN3-6A		82B-20A	AN3115-1		105 -31B	AN345-10		7 -33
AN3-6A		89 -26	AN315-3L		47 -52A	AN345-416		113D-16
AN3-6A		90 -35	AN315-3R		47 -57	AN345-516		88 -34
AN3-6A		90 -61	AN315-3R		59 -29	AN350-1032		78 -73
AN3-6A		93 -46	AN315-3R		59 -35	AN350-1032		78A-93
AN3-6A		93 -51	AN315-3R		78 -21	AN356-1032		78 -22
AN3-6A		97 -47	AN315-3R		78 -32	AN356-1032		78 -32
AN3-6A		100 -47	AN315-3R		78A-21	AN356-1032		78A-22
AN3-6A		101 -21	AN315-3R		78A-42	AN356-1032		78A-42
AN3-6A		103 -19	AN315-3R		93 -6	AN365-820A		76 -2
AN3-6A		103 -31	AN315-3R		93 -9	AN365-820A		76A-2
AN3-6A		114 -7	AN315-3R		98A-18	AN4-10A		15 -82
AN3-61A		88 -42	AN315-3R		102 -44	AN4-10A		30 -13
AN3-7		78 -23	AN315-3R		141B-40	AN4-10A		81 -19
AN3-7		78 -28	AN315-3R		141B-42	AN4-10A		95 -42
AN3-7		78A-14	AN315-5R		141B-28	AN4-10A		96 -8
AN3-7		78A-23	AN315-6R		47 -52	AN4-10A		96 -12
AN3-7		78A-37	AN316-4R		41 -21	AN4-10A		96 -16
AN3-7		132A-23A	AN316-4R		47 -39	AN4-10A		96 -75
AN3-7		132A-69	AN316-4R		48 -46	AN4-10A		102 -34
AN3-7		132B-44	AN316-4R		50 -23	AN4-10A		136 -30
AN3-7A		4 -36	AN316-4R		51 -23	AN4-10A		136A-33
AN3-7A		30 -14	AN316-4R		54 -48	AN4-11A		9 -1
AN3-7A		47 -37	AN316-4R		57 -48	AN4-11A		13 -1
AN3-7A		48 -13	AN316-4R		85 -13	AN4-11A		14 -1
AN3-7A		78 -14	AN316-4R		85 -13B	AN4-11A		14A-17
AN3-7A		79 -18C	AN316-4R		85 -17	AN4-11A		15 -1
AN3-7A		79 -54	AN316-4R		85A-26	AN4-11A		15 -82
AN3-7A		82 -37	AN316-4R		85A-36B	AN4-11A		15A-4
AN3-7A		82A-45	AN316-4R		91 -2	AN4-11A		15A-9
AN3-7A		98 -	AN316-4R		92 -17A	AN4-11A		30 -19

P210 Parts Catalog

PART NUMBER	FICHE AND FRAME	FIGURE AND INDEX NO.	PART NUMBER	FICHE AND FRAME	FIGURE AND INDEX NO.	PART NUMBER	FICHE AND FRAME	FIGURE AND INDEX NO.
AN4-11A		78 -49A	AN4-5A		32 -23	AN500A10-10		79A-35
AN4-11A		82 - 3	AN4-5A		32 -43	AN500A8-5		98 -31
AN4-11A		82 - 5	AN4-5A		32 -57	AN500A8-8		107A-72
AN4-11A		82A-51	AN4-5A		50 -38	AN500A8-8		107B-70
AN4-11A		82A-53	AN4-5A		68 - 2	AN500D6-8		133 -11
AN4-12A		14 - 4	AN4-5A		68A- 2	AN502-10-16		133 -32
AN4-12A		14A-16	AN4-5A		74 - 7	AN503-10-24		133 -22
AN4-12A		67 -38	AN4-5A		74 -12	AN503-10-6		141B-33
AN4-12A		74 -16	AN4-5A		74 -12	AN503-8-4		113C-20
AN4-12A		78 -49A	AN4-5A		75 - 3	AN503-8-6		107A-28
AN4-12A		81A-23	AN4-5A		75 - 9	AN503-8-6		107B-26
AN4-12A		82 - 6	AN4-5A		78 -38	AN505-4-12		100 -85
AN4-12A		82A-54	AN4-5A		88 -64	AN507-1032R10		20A- 2
AN4-14A		50 -31	AN4-56A		114A- 5	AN507-1032R10		77 -34
AN4-14A		100 -70	AN4-6A		11 - 1	AN507-1032R18		98A- 8
AN4-14A		120 -27	AN4-6A		12 - 1	AN507-1032R4		109B- 3
AN4-15A		50 - 2	AN4-6A		30 -13A	AN507-1032R7		3 -14A
AN4-15A		51 - 2	AN4-6A		30 -22	AN507-1032R7		3 -16
AN4-15A		66 -44	AN4-6A		32 -44	AN507-1032R7		3 -17
AN4-15A		68A- 8	AN4-6A		74 -12	AN507-1032R7		3 -18
AN4-15A		74 -15	AN4-6A		88 -46	AN507-1032R7		3 -21
AN4-15A		123 -23	AN4-6A		88 -49	AN507-1032R7		3A-56
AN4-15A		132C-16A	AN4-6A		136 -30	AN507-1032R7		3A-59
AN4-16A		38 -21	AN4-7A		11 - 2	AN507-1032R7		3A-60
AN4-16A		96 -49	AN4-7A		42 -76	AN507-1032R7		3A-65
AN4-16A		109 - 1	AN4-7A		48 -47	AN507-1032R7		5 -18
AN4-16A		119 - 1	AN4-7A		78 - 5	AN507-1032R7		5 -20
AN4-16A		121 -26	AN4-7A		78A- 5	AN507-1032R7		5 -24B
AN4-16A		121A- 2	AN4-7A		95 -17	AN507-1032R7		5 -24E
AN4-16A		121B- 2	AN4-7A		97 -29	AN507-1032R7		5A-38
AN4-17A		38 -22	AN4C4		136A-21	AN507-1032R7		5A-44
AN4-17A		50 -10	AN4H10A		132 -60	AN507-1032R7		5B-38
AN4-20A		47 -46	AN4H4A		113D-13	AN507-1032R7		5B-79A
AN4-20A		96 -19	AN4H5A		40 -21	AN507-1032R7		87A-27
AN4-20A		102 - 9	AN4H63		114A- 5	AN507-1032R8		3 -15
AN4-21A		67 -38	AN4H63A		114A- 5	AN507-440R4		118 -23
AN4-21A		97 -42	AN4O22-1		110 -17	AN507-440R5		70 -20
AN4-23A		42 -70	AN415-1-2		24 -39	AN507-440R5		70A-50
AN4-23A		65 -19	AN415-1-2		24A-63	AN507-440R5		70B-32
AN4-27A		48 -39	AN42B-10		47 -11	AN507-440R6		98 -16
AN4-27A		96 -32	AN421A		65 -19	AN507-440R8		57 -87A
AN4-27A		96 -38	AN43B4A		51 -25	AN507-440R8		135A-64
AN4-27A		100 -26	AN5-10A		81 -17	AN507-6R8		136A-55
AN4-27A		102 -22	AN5-11A		81 -15	AN507-632R12		3 -46
AN4-27A		102 -28	AN5-11A		81A-15	AN507-632R12		3A-26
AN4-3A		68 - 1	AN5-12A		30 -20	AN507-632R4		14A-91
AN4-3A		68A- 1	AN5-12A		95 -37	AN507-632R5		3A-19
AN4-3A		88 -64A	AN5-12A		100 -15	AN507-632R5		86 - 3
AN4-3A		114 - 1	AN5-13A		95 -30	AN507-632R6		47 -15
AN4-3A		114A- 1	AN5-14A		100 -82	AN507-632R6		77 -17
AN4-3A		114A-27	AN5-17A		95 -26	AN507-632R6		77A-24
AN4-3A		145 -28	AN5-21A		81A-13	AN507-632R6		98 - 6
AN4-30A		65 -20	AN5-22A		43 - 9	AN507-632R7		53 - 4
AN4-30A		100 -34	AN5-23A		133 -27	AN507-632R7		53 -10
AN4-30A		100 -54	AN5-32A		42 -22	AN507-632R7		132 -78
AN4-31		42 -50	AN5-35A		46 - 4	AN507-632R7		132A-94
AN4-31		42 -55	AN5-4A		145 -27	AN507-632R7		132B-10
AN4-32A		65 -20	AN5-47		40 - 8	AN507-632R7		132C- 9
AN4-37A		96 -25	AN5-52A		140 - 2	AN507-632R7		134 -18
AN4-37A		102 -15	AN5-55A		49 - 2	AN507-632R8		3 -14
AN4-4A		32 -57	AN5-6A		11 - 7	AN507-632R8		3 -14A
AN4-4A		74 - 2	AN5-6A		12 - 2	AN507-632R8		3A-61
AN4-4A		74 - 9	AN5-6A		81 - 7	AN507-632R8		3A-63
AN4-4A		74 -12	AN5-6A		82 - 8A	AN507-632R8		4 -68
AN4-4A		78 -42	AN5-6A		82 -27	AN507-632R8		70 -55
AN4-4A		78A-52	AN5-6A		82A- 2	AN507-632R8		70A-48
AN4-4A		88 -28	AN5-6A		82A-58	AN507-632R8		70B-39
AN4-4A		114A-22	AN5-7A		12 - 7	AN507-632R8		72 -22
AN4-40A		95 -13	AN5-7A		81A-10	AN507-632R8		136 -51
AN4-43A		115A-42	AN5H10A		81 -12	AN507-640R4		105 -26
AN4-47A		3 - 1	AN5H10A		81A- 7	AN507-640R4		105 -31A
AN4-47A		3A- 4	AN5H16A		95 -47	AN507-832R10		5B-81A
AN4-5A		30 -12	AN500-8-6		109 -10	AN507-832R18		3A-28
AN4-5A		30 -21	AN500A10-10		78 -48	AN507-832R6		3 -65

P210 Parts Catalog

PART NUMBER	FICHE AND FRAME	FIGURE AND INDEX NO.	PART NUMBER	FICHE AND FRAME	FIGURE AND INDEX NO.	PART NUMBER	FICHE AND FRAME	FIGURE AND INDEX NO.
AN507-832R6		3A-52	AN509-10R8		121B- 6	AN515-4R5		136A-39
AN507-832R6		17 -24	AN509-416R13		14 -55	AN515-4R6		69 -55
AN507-832R6		22A-19	AN509-416R13		14A-55	AN515-4R6		72 -20
AN507-832R6		109 -27	AN509-416R13		67 -44	AN515-4R6		72A-24
AN507-832R7		12 -42	AN509-416R15		14A-56	AN515-4R6		72B-12
AN507-832R7		13 -34	AN509-416R17		14A-57	AN515-4R6		136 -55
AN507-832R7		47 - 4	AN509-8R10		3 -63	AN515-4R6		136 -61
AN507-832R7		54 -19	AN509-8R10		3A-50	AN515-4R6		136A-86
AN507-832R8		3 -19	AN509-8R10		36 -17	AN515-4R6		136A-96
AN507-832R8		3 -65	AN509-8R10		36 -20	AN515-4R6		142 -12
AN507-832R8		3A-52	AN509-8R10		52 -34	AN515-4R7		136 -60
AN507-832R8		3A-57	AN509-8R10		52 -37	AN515-4R8		136A-95
AN507-832R8		3A-62	AN509-8R10		52 -37	AN515-4R8		136A-96
AN507-832R8		5 -56	AN509-8R10		52 -38	AN515-6R10		69 -31
AN507-832R8		13 -13	AN509-8R10		57 -64	AN515-6R10		136 -33
AN507-832R8		32 -21	AN509-8R10		57 -67	AN515-6R12		53 -41
AN507-832R8		48 -52	AN509-8R10		57 -69	AN515-6R12		69 -30
AN507-832R8		51 -37	AN509-8R10		57 -81	AN515-6R12		69 -31
AN507-832R8		134A- 6	AN509-8R11		33 -70	AN515-6R12		69 -37
AN507-832R8		136 -37	AN509-8R11		33 -74	AN515-6R12		69A-32
AN507-832R8		136A-79	AN509-8R11		36 - 8	AN515-6R12		69A-40
AN507-832R8		138A-17	AN509-8R12		36 - 5	AN515-6R12		106A-10
AN507-832R8		142 - 2	AN509-8R12		36 -13	AN515-6R12		106A-24
AN507B62R12		69A-34	AN509-8R12		36 -19	AN515-6R12		136 -16
AN507B632R12		69 -24	AN509-8R12		36 -27	AN515-6R12		136A-19
AN507B632R12		69 -24A	AN509-8R13		36 - 6	AN515-6R16		26 -20B
AN507B632R12		69 -26	AN509-8R13		36 - 9	AN515-6R16		69 -22
AN507B632R12		69 -27	AN509-8R13		36 -11	AN515-6R16		69A-30
AN507B632R12		69A-35	AN509-8R13		36 -18	AN515-6R16		69B-41
AN507B632R12		69A-51	AN509-8R13		36 -23	AN515-6R16		134A- 9
AN507B632R12		69B-51	AN509-8R13		36 -26	AN515-6R16		136 -58
AN507B632R12		71C- 3	AN509-8R14		36 - 4	AN515-6R16		136A-97
AN507B632R12		71C- 5	AN509-8R14		36 -12	AN515-6R18		47 -61
AN507B632R12		73 - 2	AN509-8R14		36 -22	AN515-6R3		119 -23
AN507B632R12		73A- 2	AN509-8R14		53 -19	AN515-6R4		17 -59
AN507B632R8		69 -27	AN509-8R14		101 -38A	AN515-6R4		69 -56
AN507B632R8		69A-35	AN509-8R22		36 -10	AN515-6R4		69A-68
AN507B632R8		71B- 3	AN509-8R6		53 -29	AN515-6R4		69B-20
AN507B632R8		86A- 2	AN509-8R7		3 -68	AN515-6R5		53 -34
AN507B832R10		105 -35	AN509-8R7		3A-53	AN515-6R5		69 -57
AN507B832R14		73B-15	AN509-8R7		52 -34	AN515-6R6		24 -28A
AN509-10R11		32 -71	AN509-8R7		57 -78	AN515-6R6		24 -28A
AN509-10R11		53 -16	AN509-8R7		57 -82	AN515-6R6		24 -29
AN509-10R12		52 - 2	AN509-8R7		105 -35	AN515-6R6		24A-42
AN509-10R12		54 -97	AN509-8R9		36 - 6A	AN515-6R6		24A-48
AN509-10R13		19A-30D	AN509-8R9		36 -21	AN515-6R6		34 - 6
AN509-10R14		52 - 1	AN509-8R9		54 -83	AN515-6R6		69 -30
AN509-10R26		57 -43	AN509-8R9		57 -38	AN515-6R6		69 -38
AN509-10R31		13 -30	AN510B4R8		73B-17	AN515-6R6		69A-40
AN509-10R31		57 -46	AN515-10R10		30 -26	AN515-6R6		69A-52
AN509-10R34		15 -57	AN515-10R24		107 -29	AN515-6R6		69B-52
AN509-10R6		3 -59	AN515-10R5		57 -25	AN515-6R6		94A-57
AN509-10R6		3 -61	AN515-10R6		82 -29	AN515-6R6		98 -47
AN509-10R6		3A-49	AN515-10R6		98 -41	AN515-6R6		98A-13
AN509-10R6		3A-50	AN515-10R6		98 -46	AN515-6R6		98A-22
AN509-10R6		20 -13	AN515-10R8		60 -22	AN515-6R6		101 -51
AN509-10R6		121 -24	AN515-10R8		91 -15	AN515-6R6		103 - 5
AN509-10R6		121A- 8	AN515-10R8		107 -29	AN515-6R6		132 -71
AN509-10R6		121B- 8	AN515-2R12		94 -29	AN515-6R6		132A-87
AN509-10R7		77 -33	AN515-2R12		137 - 3	AN515-6R6		132B- 3
AN509-10R7		77 -33	AN515-2R8		115 -56	AN515-6R6		132C- 3
AN509-10R8		3 -57	AN515-2R8		115A-13	AN515-6R6		134 - 3
AN509-10R8		3 -58	AN515-2R8		135 -13	AN515-6R6		134 -13
AN509-10R8		3 -62	AN515-3R3		24 -28E	AN515-6R8		22 - 2
AN509-10R8		3 -66	AN515-3R3		24A-44	AN515-6R8		53 - 8
AN509-10R8		3A-48	AN515-3R3		89 -18	AN515-6R8		69 -47
AN509-10R8		3A-49	AN515-3R6		136A-99A	AN515-6R8		70 -32
AN509-10R8		3A-50	AN515-4R10		94 -55	AN515-6R8		70A-51
AN509-10R8		19 - 1	AN515-4R10		94A-48	AN515-6R8		71 -53
AN509-10R8		19A- 2	AN515-4R12		101 -17	AN515-6R8		89 -55
AN509-10R8		19A-23	AN515-4R4		136 -48	AN515-6R8		133 -34
AN509-10R8		56 - 5	AN515-4R4		136A-63	AN515-6R8		136A-99E
AN509-10R8		121 -22	AN515-4R4		136A-81	AN515-6R8		143 -13
AN509-10R8		121A- 6	AN515-4R5		136 -50A	AN515-6R8		143A-12

P210 Parts Catalog

PART NUMBER	FICHE AND FRAME	FIGURE AND INDEX NO.	PART NUMBER	FICHE AND FRAME	FIGURE AND INDEX NO.	PART NUMBER	FICHE AND FRAME	FIGURE AND INDEX NO.
AN515-6R9		53 - 8	AN515-8R8		25 - 2A	AN515B6R16		69B-50
AN515-8-4		138 -13A	AN515-8R8		25 - 4	AN515B6R21		69 -38
AN515-8R10		59 -41	AN515-8R8		25 - 6	AN515B6R21		69 -38
AN515-8R10		69 -44	AN515-8R8		26 -84	AN515B6R21		69A-52
AN515-8R10		69A-45	AN515-8R8		28 -46	AN515B6R21		69B-65
AN515-8R10		69B-43	AN515-8R8		30 -27	AN515B6R24		69 -38
AN515-8R10		86 - 6	AN515-8R8		31A-29	AN515B6R24		69 -38
AN515-8R10		86A-23	AN515-8R8		32 -11	AN515B6R6		69B-44
AN515-8R10		93 -49	AN515-8R8		32 -12	AN515B6R7		69 -32
AN515-8R10		105 -49	AN515-8R8		32 -14	AN515B6R7		69 -33
AN515-8R10		136 -31	AN515-8R8		32A - 5	AN515B6R7		69A-42
AN515-8R10		136 -56	AN515-8R8		32A - 8	AN515B6R7		69A-43
AN515-8R10		136A-59	AN515-8R8		69B- 1	AN515B6R7		69B-46
AN515-8R10		136A-80	AN515-8R8		71 -48	AN515B6R7		69B-47
AN515-8R11		93 -39	AN515-8R8		71A-27	AN515B6R8		69 -27
AN515-8R11		135 - 7	AN515-8R8		71B-26	AN515B6R8		69A-35
AN515-8R11		143 -20	AN515-8R8		71C-29	AN515B6R8		69B-34
AN515-8R12		93 -39	AN515-8R8		79 -52	AN515B6R8		71A-32
AN515-8R12		93 -49	AN515-8R8		83 -18A	AN515B6R8		71B-31
AN515-8R12		106A - 8	AN515-8R8		83 -24	AN515B6R8		71B-31
AN515-8R12		106A - 9	AN515-8R8		86A-40	AN515B6R10		106A- 2
AN515-8R12		106A-23	AN515-8R8		89 - 2	AN515B6R8		69 -11
AN515-8R12		141A-22	AN515-8R8		89 - 2	AN515B6R8		69A-24
AN515-8R14		86 -57	AN515-8R8		89 -32	AN515UB6R12		133 -15
AN515-8R14		86A-76	AN515-8R8		89 -57	AN516-8R6		66 -87B
AN515-8R20		98 -10	AN515-8R8		93 -11	AN520-10R10		25 - 3
AN515-8R32		89 -59	AN515-8R8		99 - 5	AN520-10R10		73B - 3
AN515-8R4		5B-75A	AN515-8R8		101 -38	AN520-10R10		107A-90
AN515-8R4		45 - 2	AN515-8R8		112 -15	AN520-10R10		107A-92B
AN515-8R4		71A-47	AN515-8R8		112A-29	AN520-10R10		107A-94D
AN515-8R4		71B-50	AN515-8R8		112B-21	AN520-10R10		107B-89
AN515-8R4		71C-52	AN515-8R8		112C-37	AN520-10R10		107B-92A
AN515-8R6		3 -34	AN515-8R8		134A-11	AN520-10R10		107B-94D
AN515-8R6		3A-35	AN515-8R8		135 - 4	AN520-10R12		3 -26
AN515-8R6		9 -53	AN515-8R8		135 -19	AN520-10R12		3A-47
AN515-8R6		14A-12	AN515-8R8		143 - 1	AN520-10R12		20A - 9
AN515-8R6		15 -87	AN515-8R8		143A - 1	AN520-10R12		73B -3A
AN515-8R6		22A-21	AN515B2R8		118 -19	AN520-10R12		73B-34
AN515-8R6		22A-23	AN515B6R10		69A-41	AN520-10R14		73A-12
AN515-8R6		24 -12F	AN515B6R12		69 -23	AN520-10R14		123 -20
AN515-8R6		24A-24	AN515B6R12		69 -24	AN520-10R16		88 -74
AN515-8R6		31 -44A	AN515B6R12		69 -24	AN520-10R16		133 - 2
AN515-8R6		31 -44A	AN515B6R12		69 -24A	AN520-10R18		19 -23
AN515-8R6		37 -28	AN515B6R12		69 -25	AN520-10R18		19A-11
AN515-8R6		41 - 3	AN515B6R12		69 -26	AN520-10R18		73A-13
AN515-8R6		65 -51B	AN515B6R12		69 -27	AN520-10R20		78A-96D
AN515-8R6		82A - 4	AN515B6R12		69 -34	AN520-10R20		141A-54
AN515-8R6		86 -51	AN515B6R12		69 -35	AN520-10R24		82 -29
AN515-8R6		86A-75	AN515B6R12		69 -36	AN520-10R26		109A - 4
AN515-8R6		88 -17	AN515B6R12		69A-31	AN520-10R4		24 -12D
AN515-8R6		93 -56	AN515B6R12		69A-33	AN520-10R4		24A-22
AN515-8R6		107 -42	AN515B6R12		69A-34	AN520-10R6		27 -39
AN515-8R6		113D-17	AN515B6R12		69A-35	AN520-10R6		70 - 8
AN515-8R6		135A-54	AN515B6R12		69A-38	AN520-10R6		70 -41
AN515-8R6		136 -34	AN515B6R12		69A-39	AN520-10R6		70A- 8
AN515-8R6		136A-35	AN515B6R12		69A-41	AN520-10R6		70A-34
AN515-8R6		138 -10A	AN515B6R12		69A-44	AN520-10R6		73A-15
AN515-8R6		138A-10	AN515B6R12		69A-51	AN520-10R6		81A-40
AN515-8R6		138A-27A	AN515B6R12		69B-35	AN520-10R6		84B-53A
AN515-8R6		138A-31	AN515B6R12		69B-45	AN520-10R6		90 -21
AN515-8R6		144 -10	AN515B6R12		69B-45	AN520-10R6		92 -39
AN515-8R7		15 - 6	AN515B6R12		69B-49	AN520-10R6		98A-28
AN515-8R7		48 -24	AN515B6R12		69B-51	AN520-10R6		113 -11
AN515-8R7		98 -33	AN515B6R12		73 - 2A	AN520-10R6		123 - 4
AN515-8R7		98 -37	AN515B6R12		73A - 3	AN520-10R6		123 -40
AN515-8R7		101 -34	AN515B6R12		133 -15	AN520-10R6		136 -40
AN515-8R7		135 -16	AN515B6R16		69 -17	AN520-10R6		136A-33
AN515-8R7		135 -16C	AN515B6R16		69 -32	AN520-10R6		136A-71
AN515-8R8		9 - 8	AN515B6R16		69A-25	AN520-10R6		141A-19B
AN515-8R8		17 -24	AN515B6R16		69A-42	AN520-10R7		27 - 7
AN515-8R8		17 -68A	AN515B6R16		69B-31	AN520-10R7		54 -94
AN515-8R8		21 -43	AN515B6R16		69B-36	AN520-10R7		73A-11
AN515-8R8		25 - 1	AN515B6R16		69B-42	AN520-10R7		98A-18
AN515-8R8		25 - 2	AN515B6R16		69B-46	AN520-10R7		136 -52
			AN515B6R16		69B-48	AN520-10R7		136 -53

P210 Parts Catalog

PART NUMBER	FICHE AND FRAME	FIGURE AND INDEX NO.	PART NUMBER	FICHE AND FRAME	FIGURE AND INDEX NO.	PART NUMBER	FICHE AND FRAME	FIGURE AND INDEX NO.
AN520-10R7		136A-83	AN525-10R16		82 -38	AN525-10R8		37 -51
AN520-10R7		136A-84	AN525-10R16		82A-46	AN525-10R8		52 -35A
AN520-10R8		20 -6	AN525-10R18		82 -39	AN525-10R8		57 -74
AN520-10R8		25 -7	AN525-10R20		109C-6	AN525-10R8		57 -80
AN520-10R8		45 -29	AN525-10R22		54 -77A	AN525-10R8		61 -12
AN520-10R8		65 -36	AN525-10R22		109C-7	AN525-10R8		84 -63
AN520-10R8		66 -32	AN525-10R24		73B-20	AN525-10R8		84A-73
AN520-10R8		66 -59	AN525-10R6		3A-14	AN525-10R8		84A-77
AN520-10R8		67 -26	AN525-10R6		32 -38	AN525-10R8		84A-81
AN520-10R8		70B-17	AN525-10R6		37 -48	AN525-10R8		107 -37
AN520-10R8		70B-24	AN525-10R6		37 -53	AN525-10R8		107A-42
AN520-10R8		70B-49	AN525-10R6		54 -22A	AN525-10R8		107B-40
AN520-10R8		73 -12	AN525-10R6		57 -18	AN525-10R8		133 -38
AN520-10R8		73 -15	AN525-10R6		57 -18A	AN525-10R8		135A-11
AN520-10R8		73 -19	AN525-10R6		57 -83	AN525-10R9		52 -6
AN520-10R8		73A-16	AN525-10R6		84 -2	AN525-10R9		52 -6
AN520-10R8		73A-17	AN525-10R6		84 -5	AN525-10R9		56 -2
AN520-10R8		73A-19	AN525-10R6		84 -7	AN525-10R9		56 -14
AN520-10R8		73A-20	AN525-10R6		84 -10	AN525-10R9		58 -9
AN520-10R8		73B-6	AN525-10R6		84 -12	AN525-416R8		57 -2
AN520-10R8		78A-81	AN525-10R6		84 -15	AN525-416R8		58 -2
AN520-10R8		78A-84	AN525-10R6		84 -17	AN525-832-28		22 -45
AN520-10R8		78A-93D	AN525-10R6		84 -25	AN525-832R8		17 -81
AN520-10R8		78A-95B	AN525-10R6		84 -29	AN525-832R10		14 -66
AN520-10R8		78A-96A	AN525-10R6		84 -34	AN525-832R10		14A-4
AN520-10R8		79 -24A	AN525-10R6		84 -38	AN525-832R10		138 -13
AN520-10R8		79 -26	AN525-10R6		84 -50	AN525-832R10		141A-41
AN520-10R8		79 -45	AN525-10R6		84 -54	AN525-832R12		143A-23
AN520-10R8		82 -29	AN525-10R6		84 -61	AN525-832R14		60 -7
AN520-10R8		82A-11E	AN525-10R6		84 -68	AN525-832R14		138A-27
AN520-10R8		82A-14	AN525-10R6		84A-6	AN525-832R16		15A-77
AN520-10R8		84B-76	AN525-10R6		84A-8	AN525-832R16		134A-4
AN520-10R8		84B-81	AN525-10R6		84A-11	AN525-832R22		15A-76
AN520-10R8		84B-87	AN525-10R6		84A-13	AN525-832R24		141A-9
AN520-10R8		86A-7	AN525-10R6		84A-16	AN525-832R6		12 -44
AN520-10R8		107 -31A	AN525-10R6		84A-18	AN525-832R6		14A-34
AN520-10R8		107 -52	AN525-10R6		84A-18B	AN525-832R6		14A-36
AN520-10R8		107 -70	AN525-10R6		84A-18E	AN525-832R6		132A-58
AN520-10R8		107A-12	AN525-10R6		84A-18K	AN525-832R6		132B-58
AN520-10R8		112 -25	AN525-10R6		84A-18P	AN525-832R6		132C-69
AN520-10R8		112A-38	AN525-10R6		84A-18R	AN525-832R6		138 -25
AN520-10R8		112A-45	AN525-10R6		84A-20	AN525-832R6		141A-10
AN520-10R8		112B-38	AN525-10R6		84A-29	AN525-832R6		141A-45
AN520-10R8		112C-31	AN525-10R6		84A-44	AN525-832R7		3 -24
AN520-10R8		133 -36	AN525-10R6		84A-47	AN525-832R7		3A-46
AN520-10R8		138A-2	AN525-10R6		84A-61	AN525-832R7		11 -39
AN520-10R8		141A-31	AN525-10R6		84A-63	AN525-832R7		11 -41
AN520-3R10		94 -39	AN525-10R6		84A-65	AN525-832R7		12 -38
AN520-416R6		24 -12E	AN525-10R6		84A-72	AN525-832R7		12 -46
AN520-416R6		24A-23	AN525-10R6		84B-8	AN525-832R7		14 -65
AN520-8R6		109 -49	AN525-10R6		84B-11	AN525-832R7		14A-4
AN520-8R6		109A-24	AN525-10R6		84B-16	AN525-832R7		23 -42
AN520-8R8		110 -24	AN525-10R6		84B-20	AN525-832R7		52 -14
AN520-8R8		132 -81	AN525-10R6		84B-22	AN525-832R7		52 -35
AN520-8R8		132A-95	AN525-10R6		84B-25	AN525-832R7		52 -53
AN520-8R8		132B-98	AN525-10R6		84B-33	AN525-832R7		53 -30
AN520-8R8		132C-93B	AN525-10R6		84B-37	AN525-832R7		57 -58
AN520B10R6		117 -2	AN525-10R6		84B-43	AN525-832R7		57 -60
AN525-10-10		75A-2	AN525-10R6		84B-47	AN525-832R7		143 -10
AN525-10B6		84 -48	AN525-10R6		84B-57	AN525-832R7		143 -15
AN525-10R10		70B-4	AN525-10R6		84B-64	AN525-832R7		143A-10
AN525-10R11		19A-6	AN525-10R6		84B-78	AN525-832R7		143A-14
AN525-10R12		28 -38	AN525-10R6		84B-79	AN525-832R8		3 -13
AN525-10R12		54 -82	AN525-10R6		84B-92C	AN525-832R8		15A-21
AN525-10R12		70B-3	AN525-10R6		93 -72	AN525-832R8		22 -32
AN525-10R12		70B-9	AN525-10R7		11 -43	AN525-832R8		23 -36
AN525-10R12		73B-21	AN525-10R7		54 -22	AN525-832R8		24 -8C
AN525-10R12		78 -80	AN525-10R7		54 -23	AN525-832R8		24A-11
AN525-10R12		141B-36	AN525-10R7		57 -5	AN525-832R8		26 -48
AN525-10R14		57 -27	AN525-10R7		57 -75	AN525-832R8		34 -6
AN525-10R14		70B-5	AN525-10R7		57 -79	AN525-832R8		61 -17
AN525-10R14		70B-8	AN525-10R7		73 -7	AN525-832R8		69 -11
AN525-10R14		82B-38	AN525-10R7		73A-5	AN525-832R8		69A-24
AN525-10R16		78 -80	AN525-10R8		21 -23	AN525-832R8		69A-24

P210 Parts Catalog

PART NUMBER	FICHE AND FRAME	FIGURE AND INDEX NO.	PART NUMBER	FICHE AND FRAME	FIGURE AND INDEX NO.	PART NUMBER	FICHE AND FRAME	FIGURE AND INDEX NO.
AN525-832R8		69B- 1	AN742D14		141A-54	AN815-6D		3 -28
AN525-832R8		69B- 1	AN742D18		107 -29	AN815-6D		5A-53A
AN525-832R8		69B-55	AN742D2		110 -15	AN815-6D		5B-47
AN525-832R8		84A-38D	AN742D2		110 -15	AN815-6D		5B-92
AN525-832R8		107A-72	AN742D3		89 -24	AN815-6D		6A-20
AN525-832R8		107B-70	AN742D3		103 - 7	AN815-6D		107 -43
AN525-832R9		54 -84	AN742D3		108 -23	AN815-6D		107 -46
AN525-832R9		57 -35	AN742D36		79 -41	AN815-6D		107 -54
AN535-2-4		9 -47	AN742D36		79 -53	AN815-6D		107 -59
AN535-2-4		9 -51	AN742D36		81A-53	AN815-6D		107 -71
AN565B2H3		71 -19	AN742D4		78A-84	AN815-6D		107A-93G
AN565B2H3		71 -20	AN742D4		135 -16B	AN815-6D		107B-93G
AN565B2H3		71A-20	AN742D4		135 -19	AN815-6D		114 -30
AN565B2H3		71A-21	AN742D4		143 -12	AN815-8D		107 -46
AN565B2H3		71B-21	AN742D4		143A-12	AN815-8D		107A-91E
AN565B2H3		71B-22	AN742D48		69 -24	AN815-8D		107A-94F
AN565B2H3		71C-22	AN742D48		69 -24A	AN815-8D		107B-91E
AN565B2H3		71C-22A	AN742D48		69A-51	AN815-8D		107B-93
AN565B2H3		71C-23	AN742D48		82A-12	AN815-8D		107B-94F
AN565B2H3		94 -16	AN742D5		78 -25C	AN815-8D		109 -37
AN565B2H3		94A-20	AN742D5		78A-31	AN816-2D		110 -11
AN565B428H4		100 -24	AN742D5		101 -36	AN816-3		79 -14
AN565D1032H5		45 -37	AN742D5		134 -10	AN816-3D		78 -55
AN565D1032H5		125 -23	AN742D6		3 -34	AN816-3D		78 -61
AN565D1032H5		125A- 1	AN742D6		3A-35	AN816-3D		78 -67
AN565D6H3		91 -14	AN742D6		85A-28	AN816-3D		78A-59
AN565D8H2		71 -19	AN742D6		135 -16	AN816-3D		78A-64
AN565D8H2		71 -20	AN742D8		132 - 2	AN816-3D		78A-69
AN565D8H2		71A-20	AN743-13		18A-45	AN816-3D		110 - 9
AN565D8H2		71A-21	AN743-13		18A-45A	AN816-4		82A-32
AN565D8H2		71B-21	AN743-13		19 -22	AN816-4-4		109C- 3
AN565D8H2		71B-22	AN743-13		19A-11	AN816-4-4D		78 -82
AN565D8H2		71C-22	AN743-13		26 -22	AN816-4-4D		78A-70
AN565D8H2		71C-23	AN743-13		50 -36	AN816-4D		79 -17
AN565D8H2		105 -37	AN743-13		84B-90C	AN816-4D		112 -20
AN565D8H2		105 -37	AN743-13		85 -23	AN816-4D		135A-19
AN565D8H2		105 -39	AN743-13		135 -16	AN816-4D		135A-44
AN565E428H10		51 -23	AN783-6		81A-47	AN816-6		81A-50
AN565E8H4		54 -39A	AN783D4		121 -10	AN816-6-2D		78 -76A
AN565F428H12		116 -21	AN783D4		121A-14	AN816-8D		107 -14
AN5812-1		105 -31A	AN783D4		121B-23	AN818-4		55 -17
AN6-13A		34 -13	AN783D6		81 -34	AN818-6D		107A-94A
AN6-16A		100 -28	AN8-23A		3 - 7	AN818-6D		107B-94A
AN6-5A		81 - 9	AN8-23A		3A- 1	AN821-6D		3A-32
AN6207-6		81 -30	AN804-4		120A-14	AN821-6D		107A-93D
AN625-832R7		23 -40	AN804-5D		114 -26	AN821-8		79 -71
AN7-31		120A- 2	AN804-5D		114A-14	AN821-8		79A-20
AN7-40A		78 - 2	AN804D3		120 -37	AN824-4D		123 -26
AN7-40A		78A- 2	AN804D4		120 -41	AN824-8D		107A-57
AN7-42A		78 - 2	AN804D4		121A-21	AN824-8D		107B-56
AN7-42A		78A- 2	AN804D4		121B-19	AN827-4D		122 - 5
AN7-44A		141B-13	AN804D4		122A- 2	AN827-4D		122B- 1
AN7-46A		140A- 2	AN804D4		123 - 5	AN832-3D		90 -13
AN7-46A		141 - 5	AN814-2DL		82A- 7	AN832-3D		90 -13
AN7-46A		141B- 2	AN814-3D		114 -22	AN832-3D		90 -18
AN7-51A		140A- 2	AN814-4D		114 -20	AN832-3D		120 -40
AN7-51A		141 - 5	AN814-6DL		82A- 5	AN832-3D		121 -14
AN735-8		90 -33	AN814-6DL		82B- 7	AN832-4D		86 -15
AN735D36		110 -14	AN815-3D		45 -25	AN832-4D		107 -74
AN735D36		110 -14	AN815-3D		45 -55	AN832-4D		107A-83
AN737TW44		107 -16	AN815-3D		119 -32	AN832-4D		107A-96B
AN737TW82		83A-34	AN815-4D		78 -83	AN832-4D		107B-82
AN737TW91		107 -35	AN815-4D		82 -31	AN832-4D		107B-96B
AN737TW91		107A-39	AN815-4D		82A-39	AN832-4D		120A-11
AN737TW91		107B-37	AN815-4D		107A-52	AN832-4D		121 - 2
AN741-12		81A-22	AN815-4D		107B-51	AN832-4D		121 - 3
AN742-121		82B-18	AN815-4D		109 -31	AN832-4D		121 -17
AN742-8		79 -77	AN815-4D		109 -39	AN832-4D		121 -20
AN742-8		79A-19	AN815-4D		114 -24	AN832-5D		121 -12
AN742D**		132 -27	AN815-4D		117 -10	AN832-5D		121A-11
AN742D12		79 -24A	AN815-4D		117 -11	AN832-5D		121B-21
AN742D14		78A-96D	AN815-4D		120 -11	AN832-6		86 -24
AN742D14		109C-10	AN815-4D		122 -21	AN832-6		86A-56
AN742D14		132 -20	AN815-4D		123 -45	AN832-6D		5B-50

P210 Parts Catalog

PART NUMBER	FICHE AND FRAME	FIGURE AND INDEX NO.	PART NUMBER	FICHE AND FRAME	FIGURE AND INDEX NO.	PART NUMBER	FICHE AND FRAME	FIGURE AND INDEX NO.
AN833-3		78 -52	AN900-6		79 -38A	AN924-3D		120 -39
AN833-3		78 -57	AN900-6		79A-11	AN924-3D		120A- 6
AN833-3		78 -63	AN911-1D		86 - 8	AN924-3D		121 -14
AN833-3		78A-56	AN911-1D		86 - 9B	AN924-3D	e	46 -31
AN833-3		110 - 7	AN911-3D		112A-22	AN924-4		82B-24
AN833-3		120A-16	AN912-1D		78 -85	AN924-4		107 -31
AN833-3D		120 -34	AN912-1D		78A-77	AN924-4		107A-90B
AN833-3D		120A- 7	AN912-1D		86 - 8	AN924-4		107B-90A
AN833-4		82B-23	AN912-1D		132 -31	AN924-4		110 -27
AN833-4		107 -31	AN912-2		82B-12	AN924-4		111 - 8
AN833-4		107A-90A	AN912-3		81 -44	AN924-4		120A-12
AN833-4		107B-90	AN912-4D		81 -46	AN924-4D		46 -31
AN833-4		110 -25	AN914-1D		78 -89	AN924-4D		78A-87
AN833-4D		78A-87	AN914-3		79 -67	AN924-4D		79 -19
AN833-4D		79 -19	AN914-4D		81 -45	AN924-4D		86 -11
AN833-4D		114A-19A	AN916-416L		41 -18A	AN924-4D		86 -15
AN833-4D		120 - 8	AN917-1D		110 -10	AN924-4D		107 -74
AN833-4D		122 - 8	AN917-3D		132 -19	AN924-4D		107A-81
AN833-4D		122 -11	AN919-0D	e	110 - 4C	AN924-4D		107A-85
AN833-4D		122A- 6	AN919-1D		82A- 8	AN924-4D		107A-96A
AN833-4D		122B- 4	AN919-1D		110 -21	AN924-4D		107A-96F
AN833-4D		122B- 7	AN919-12D		107 -11	AN924-4D		107B-75
AN833-4D		135A-24	AN919-2D		45 -55	AN924-4D		107B-80
AN833-6D		82A-23	AN919-2D		114 -14	AN924-4D		107B-84
AN833-8		107 - 6	AN919-2D		120 -43	AN924-4D		107B-96A
AN833-8		107A-16	AN919-2D		121 - 8	AN924-4D		107B-96F
AN833-8		107B-14	AN919-2D		121A-13	AN924-4D		109 -34
AN833-8D		107 -15	AN919-2D		121B-25	AN924-4D		114 - 9
AN833-8D		107B-92J	AN919-2D		121B-26	AN924-4D		114 -18
AN834-4D		122 -17	AN919-6D		82B- 6	AN924-4D		114A-11
AN834-4D		122B-18	AN920-8D		107A-36	AN924-4D		114A-16
AN834-4D		123 -36	AN920-8D		107B-34	AN924-4D		117 - 8
AN834-6D		107A-93J	AN921-3D		45A-36	AN924-4D		117 - 8
AN834-6D		107B-93J	AN921-3D		45B-34	AN924-4D		120 - 9
AN837-3		78 -63	AN921-3D		46A-35	AN924-4D		120 -42
AN837-3		78A-61	AN921-3D		90 - 3	AN924-4D		121 - 2
AN837-3		78A-66	AN921-3D	e	46 -30	AN924-4D		121 - 3
AN837-3D		90 -12	AN921-4D		46 -30	AN924-4D		121 -10
AN837-4		111 - 9	AN921-4D		86 -11	AN924-4D		121 -16
AN837-4D		107A-80	AN921-4D		109 -34	AN924-4D		121 -17
AN837-4D		107A-96E	AN921-4D		114 - 9	AN924-4D		121 -19
AN837-4D		107B-79	AN921-4D		117 - 9	AN924-4D		121 -20
AN837-4D		107B-96E	AN921-4D		122 -16	AN924-4D		121A-15
AN837-4D		114 -17	AN921-4D		122A- 8	AN924-4D		121B-18
AN837-4D		114A-19	AN921-4D		122B- 9	AN924-4D		121B-20
AN837-4D		117 - 6	AN921-4D		123 - 9	AN924-4D		121B-24
AN837-4D		121 -16	AN921-5D		117 - 3	AN924-4D		122 - 8
AN837-4D		121 -19	AN921-6		82B- 3	AN924-4D		122 -11
AN837-4D		121B-17	AN921-6D		82 -21	AN924-4D		122 -16
AN837-4D		122 -18	AN921-6D		107B-93D	AN924-4D		122 -17
AN837-4D		122 -20	AN921-8D		109 -42	AN924-4D		122 -18
AN837-4D		123 -17	AN923-3D		114 -11	AN924-4D		122 -19
AN837-4D		123 -38	AN923-4D		107B-73	AN924-4D		122 -20
AN837-6		82B-21	AN923-4D		114A-17	AN924-4D		122A- 3
AN837-6D		82 -11	AN923-4D		107A-76	AN924-4D		122A- 7
AN837-6D		82A-29	AN924-10D		130 - 9	AN924-4D		122A-18
AN837-6D		107 -49	AN924-10D		132 -54	AN924-4D		122B- 5
AN837-8D		107 -49	AN924-3		78 -54	AN924-4D		122B- 8
AN837-8D		107B-92G	AN924-3		78 -59	AN924-4D		122B-12
AN837-8D		109 -29	AN924-3		78 -65	AN924-4D		122B-15
AN838-10D		132 -53	AN924-3		78A-58	AN924-4D		123 - 5
AN840-4		82B-32	AN924-3		78A-63	AN924-4D		123 - 9
AN842-10D		113 -21	AN924-3		78A-68	AN924-4D		123 -17
AN842-10D		113 -25	AN924-3		110 - 5	AN924-4D		123 -36
AN842-10D		132 -67	AN924-3		120A-17	AN924-4D		123 -38
AN842-4D		79 -11	AN924-3D		45A-37	AN924-4D		135A-26
AN842-6D		112 -30	AN924-3D		45B-35	AN924-4D		107A-76B
AN842-6D		112B-25	AN924-3D		46A-36	AN924-4D		114A-9B
AN844-6D		112 -18	AN924-3D		90 - 4	AN924-4D	e	90 - 4
AN844-6D		112 -18A	AN924-3D		90 -14	AN924-5D		86A-49
AN844-6D		112B-24	AN924-3D		90 -18	AN924-5D		114 -27
AN900-10		79 -40	AN924-3D		107A- 7	AN924-5D		114A-13
AN900-10		79A-12	AN924-3D		114 -11	AN924-5D		117 - 5
AN900-10		80 -21	AN924-3D		120 -35	AN924-5D		121 -12

P210 Parts Catalog

PART NUMBER	FICHE AND FRAME	FIGURE AND INDEX NO.	PART NUMBER	FICHE AND FRAME	FIGURE AND INDEX NO.	PART NUMBER	FICHE AND FRAME	FIGURE AND INDEX NO.
AN924-5D		121A-12	AN936A10		107B- 3	A1633-48		45B-24
AN924-5D		121B-22	AN936A10		108 - 2	A1635-79		45A-16
AN924-6		81A-47	AN936A10		136A-80	A1636-23		43 - 3
AN924-6		82B- 5	AN936A2		94 -31	A1636-24		45A-14
AN924-6		82B-22	AN936A2		115 -57	A1636-24		45B-12
AN924-6		86 -25	AN936A2		115A-14	A1638-1		45A-17
AN924-6		86A-54	AN936A2		137 - 4	A1638-15		45A-21
AN924-6D		5B-50	AN936A3		94 -40	A1638-15		45A-24
AN924-6D		78 -86	AN936A4		101 -18A	A1638-15		45B-19
AN924-6D		81 -36	AN936A416		40 -32	A1638-15		45B-22
AN924-6D		82 -10	AN936A416		85 -17	A1638-22		45B-15
AN924-6D		82 -22	AN936A416		85A-26	A1639-1		45B-16
AN924-6D		82A-24	AN936A416		140 - 8	A1639-26		45A-22
AN924-6D		82A-29	AN936A416		140 -17	A1639-26		45B-20
AN924-6D		107A-93K	AN936A416		140A- 4	A2109-3		39 - 8
AN924-6D		107B-93K	AN936A416B		69 -32	A2150144-3		81A-41
AN924-6D		114 -34	AN936A416B		69A-42	A2513-49		45A-23
AN924-8		81A-36	AN936A416B		69B-46	A2513-49		45B-21
AN924-8		107 - 6	AN936A516		51 -31	A2513-76		45B-14
AN924-8		107A-18	AN936A6		70 -55	A2873-10A		133 -37
AN924-8		107B-16	AN936A6		70A-48	A300299		140A-15
AN924-8		113 - 5	AN936A6		70B-39	A30010		45A- 9
AN924-8		113A-15	AN936A6		101 -51	A30010		45B- 7
AN924-8		113B-11	AN936A6		136 -51	A30011		45A-12
AN924-8		113C-26	AN936A6		136A-56	A30011		45B-10
AN924-8D		5A-55D	AN936A6		136A-99F	A30013		45A-13
AN924-8D		5B-93C	AN936A6B		69 -38	A30013		45B-11
AN924-8D		81 -58	AN936A6B		69A-52	A30014		45A-11
AN924-8D		107 -15	AN936A6B		69B-65	A30014		45B- 9
AN924-8D		107A-95E	AN936A616		94 -14	A30015		45A-10
AN924-8D		107B-92J	AN936A616		94A-18	A30015		45B- 8
AN924-8D		107B-95E	AN936A8		88 -18	A30023		45A-20
AN924-8D		109 -30	AN936A8		109 -50	A30023		45B-18
AN924-8D		109 -43	AN936A8		109A-23	A30040		45A-35
AN929-4		114 -19	AN936A8		136 -35	A30040		45B-33
AN929-4		114A-20	AN936A8		136A-36	A30047		43 - 5
AN929-4		105 -54	AN936B416		50 -40	A30048		43 - 4
AN929-6		86A-53	AN936B6		53 -41	A30078-1		43 - 8
AN929-6J		86 -27	AN936B6		53 -41	A30078-2		43 - 6
AN929-6K		86 -27	AN936B8		40 -17	A30079-1		45A- 4
AN929-6S		86 -27	AN936B8		45 - 3	A30079-1		45B- 4
AN932C2		111 - 6	AN938D8		107A-95B	A30079-1		45B- 5
AN932C2		135A-47	AN938D8		107B-95B	A30079-2		45A- 8
AN932C4		111 -20	AN944-101A		42 -53	A30079-2		45B- 6
AN935-10		88 -39	AN944-101A		42 -65	A30085		45A-34
AN935-10		98A-18	AN960PD3L		77 -46	A30085		45B-32
AN935-10		140 -19	AN9602L		5 -15	A30087		45A-29
AN935-10		140A- 4	AN9604L		70A-11	A30087		45A-31
AN935-10		141B-41	AN9608L		70A-11	A30087		45B-27
AN935-10L		141B-46	AN96660-9166		81A-47	A30087		45B-29
AN935-3L		24 -28D	AN970-3		33 -69	A30169		45A-33
AN935-3L		24A-45	AN970-3		33 -75	A30169		45B-31
AN935-3L		89 -18	AN970-3		76 - 8	A4513-1		39 - 6
AN935-4		136A-64	AN970-3		76A-16	A520-10R14		69B-51
AN935-416		47 -34	AN970-3		85 -34	A520-10R18		69B-51
AN935-416		114A-27	AN970-3		85A-17	A520-10R7		69B-51
AN935-416		145 - 7	AN970-3		107A- 4	A6163-8Z3		4 -70
AN935-416		145 -22	AN970-3		107B- 4	BA28-12BW-G		69B-31
AN935-416L		141B-50	AS4-322N2-302		69 -61	BA28-12BW-G		69B-32
AN935-516L		88 -35	AS4-322N2-302		69A-67	BA28-12BW-G		69B-35
AN935-6		70 -55	AZR40-10	e	136 -15A	BA28-12BW-G		69B-42
AN935-6		70A-48	AZR40-10	e	136A-18A	BA28-12BW-G		69B-43
AN935-6		70B-39	A1104		3A-25	BA28-12BW-G		69B-46
AN935-8		109 -11	A1257A		3 -39	BA28-12BW-G		69B-47
AN935-8L		98 -10	A1257A		3A-21A	BA28-12BW-G		69B-48
AN936-A10		57 -25	A1280-2		3 -41	BA28-12BW-G		69B-49
AN936A10		5A-58B	A1280-2		3A-21	BA28-12BW-G		69B-50
AN936A10		5B-54B	A1280-3		3 -41	BRA 6		42 -12
AN936A10		5B-88	A1280-3		3A-21	B30026		45A-29
AN936A10		57 -28	A1633-3		76 -3A	B30026		45A-31
AN936A10		93 - 6	A1633-3		76A- 4	B30026		45B-27
AN936A10		93 - 9	A1633-47		45A-32	B30026		45B-29
AN936A10		107 -72	A1633-47		45B-30	B30027		45A-30
AN936A10		107A- 3	A1633-48		45A-26	B30027		45B-28

P210 Parts Catalog

PART NUMBER	FICHE AND FRAME	FIGURE AND INDEX NO.	PART NUMBER	FICHE AND FRAME	FIGURE AND INDEX NO.	PART NUMBER	FICHE AND FRAME	FIGURE AND INDEX NO.
B30076		45A- 5	C156005-0102		5B-82	C262023-0101		43 - 2
B30107-1		45A-27	C156005-0201		5B-81	C262023-0102		45A- 2
B30107-1		45B-25	C156005-0402		5 -24C	C262023-0102		45B- 2
B30107-2		45A-27	C156005-0402		5A-45	C262023-0102		46 - 1
B30107-2		45B-25	C156005-0403		5 -246	C262023-0102		46A- 1
B30113		45A-28	C156005-0403		5A-48	C291502-0106		110 - 1
B30113		45B-26	C156005-0404		5 -24F	C291503-0101		109 -
B30161		45A-25	C156005-0404		5A-48	C291504-0201	e	107 -34
B30161		45B-23	C161032-0101		79 - 3	C291504-0205	#	107B-36
B40024-3		133 -25	C161032-0101	e	79A-34	C291504-0205	@	107A-38
B40030-4		133 -30	C163001-0301		46 - 1	C292501-0104	@	71 -18
B48787		133 -31	C163001-0701		46A- 1	C292501-0104	@	71A-19
B5024		133 -34	C163005-0201		43 - 2	C292501-0104	@	71B-20
C		69B-33	C163006-0103		45B- 2	C292501-0104	@	71C-21
CCM14-CLASS II		1 - 2	C163030-0315		46 -15	C294502-0201		112 -29
CES1109CLASS1A		64 - 1	C163030-0316		46 -15	C294502-0201		112A-43
CES1109CLASS1A		64 - 2	C163030-0901		46A-15	C294502-0201		112B-43
CM2610-1		84B-84A	C163030-0902		46A-15	C294502-0201		112C-36
CM2692-12F3S		71 -32	C163032-0205		45A-18	C294505-0101		111 -10
CM2692-15F1S		30 - 4B	C163032-0205		45B-16	C294505-0102		111 -11
CM2692-18-1S		84A-70A	C163032-0206		45A-18	C294507-0102		111 -10A
CM2692-24-1S		3 -36	C163032-0206		45B-16	C294507-0102	e	111 -10A
CM2692-24-1S		3A-69	C165004-0503		82 -26	C294510-0801		78 -71
CM2692-24-1S		14A-37	C165004-0605		82B- 1	C294510-0801		78A-91
CM2692-24-1S		30 - 4A	C165004-0702		82A- 1	C295001-0202		81 - 1
CM2692-28-1		84A-18C	C165006-0114		82 - 4	C295001-0203		81A- 1
CM2692-28-1		84B- 9	C165006-0114		82A-52	C299508-0403		69B-77
CM2692-28-1S		14 -22	C165006-0115		82B-29	C299512-0101		69B-76
CM2692-28-1S		84A-48A	C165008-0101		113D-12	C299513-0101		69B-75
CM2692-28-1S		84A-70B	C165013-0701		133 -14	C301001-0211		100 -29
CM2692-28-1S		84B-85	C165013-0703		133 -19	C301002-0104		100 -31
CM2692-32-1S		84B-90E	C165013-0704		133 - 5	C301002-0202		100 -27
CM2791-1		77 -15	C165020-0101		133 - 1	C301002-0203		100 -30
CM2791-1		77 -26	C165022-0101		132C-93B	C301002-0208		100 -27
CM2791-1		77A-13	C165022-0101		132B-98	C301002-0209		100 -30
CM2791-1		77A-14	C166001-1001		135A- 1	C30398		45A-15
CM2791-1		77A-16	C166005-0205		135A-68	C30598		43 - 7
CM2791-1		77A-38	C166005-0207		135A-67	C30615-3		45B-13
CM2791-1		77A-39	C166005-0603		135A-73	C40055		133 -21
CM2919-2		1 -90	C166005-0604		135A-69	C40057		133 -26
CM2919-3		1 -90	C166005-0609		135A-69	C40187		133 -21
CM2919-4		1 -90	C166006-0201		135A-47	C4031		65 - 8
CM2990G1		72B- 1	C166007-0104		135A- 5	C4031		65 - 8
CM3505-1		24 -48	C166008-0101		135A-10	C4031		66 - 8
CM3505-1		24A-75	C166008-0103		135A-13	C4031		66 - 8
CM3505-1B		1 -96	C166009-0703		135A-70	C4032		66 - 8
CM3505-1B		17 -49A	C166010-0101		135A-65	C4032		66 - 8
CM3505-1B0027		17 -49E	C166025-0102		135 -14	C4112L		66 - 8C
CM3505-1B0028		17 -49F	C166025-0104		135 -15	C4112R		65 - 8C
CM3505-1W		1 -96	C166051-0101		88 -42	C4112R		66 - 8C
CM3505-2B		1 -96	C166065-0101		134A-11	C414005-0101	e	87A- 5
CM3505-2W		1 -96	C17312-1		143 - 4	C421001-0101		73B- 1
CM3505-3B		1 -96	C17312-1		143A- 4	C421001-0102		73B- 2
CM3505-3W		1 -96	C17313		143 - 7	C421001-0201		73B- 1A
CM3505-4B		1 -96	C17313		143A- 7	C421001-0202		73B- 2A
CM3505-4W		1 -96	C17325		143 - 2	C431003-0102		113 - 1
CM3525-2		98A-14	C17325		143A- 2	C431003-0102		113A- 1
CM3575-2		18 -92A	C17326		143 - 5	C431003-0102		113B- 1A
CM3575-2		18A-68	C17326		143A- 5	C431003-0102		113B- 2
CM3575-2		28 -40	C17330		143 - 3	C431003-0102		113C- 1A
CM3589-15		71C-70	C17330		143A- 3	C431003-0102		113C- 2
CM3659-1		105 -31C	C17331-1		143 - 6	C431003-0102		113D- 1
CR162-4		31 -55	C17331-1		143A- 6	C431003-0302		113 - 1
CR163-4		31 -55	C2203-081-4		138A- 5	C431003-0302		113A- 1
CR163-4-2		9 -49	C2203-081-4		138A-11	C431003-0302		113B- 1
CR763-4-2		10 -42	C2203-081-67		138A- 5	C431003-0302		113C- 1
CR763C4-4		14 -15	C2203-081-67		138A-11	C431003-0302		113D- 1
CS3204		1 - 3	C253001-0101		59 -12	C431004-0102		113 - 2
CM3000-3		78 -45	C253001-0102		5A -16	C431004-0102		113A- 2
CM3000-3		81 -23	C262003-0208		45A- 1	C431004-0102		113B- 3
C100014-1		5A-55A	C262003-0208		45B- 1	C431004-0102		113C- 3
C156001-0104		5 -24	C262003-0208		46 - 1	C482001-0202		113 - 5
C156001-0106		5 -21	C262003-0208		46A- 1	C482001-0202		113A-15
C156001-0110		5 -21	C262003-0211		43 - 1	C482001-0202		113B-13

P210 Parts Catalog

PART NUMBER	FICHE AND FRAME	FIGURE AND INDEX NO.	PART NUMBER	FICHE AND FRAME	FIGURE AND INDEX NO.	PART NUMBER	FICHE AND FRAME	FIGURE AND INDEX NO.
C482001-0202		113C-24	C661003-0507		69 -23	C664508-0102		69A-35
C482001-0202		113C-24A	C661003-0507		69A-31	C664511-0101		69 -27
C482001-0601		113 - 3	C661003L0506		69B-42	C664511-0102		69 -27
C482001-0602		113 - 3	C661003L0507		69B-42	C664511-0102		69A-35
C482001-0602		113A-13	C661025-0102		69 -32	C664511-0102		69B-34
C482001-0602		113B-13	C661025-0102		69A-42	C6661033-0101		69A-31
C482001-0602		113C-24	C661025L0102		69B-46	C668002-0101		6A-34
C482001-0602		113C-24A	C661030L0301		69B-42	C668002-0101		6 -27
C482001-0802		113C-24A	C661033-0101		69 -23	C668002-0102		6A-34
C482002-0107		78 -47	C661064-0221	ee	69A-25	C668002-0102		6 -27
C482002-0108		78 -47	C661064-0221	ee	69 -17	C668020-0108		69 -35
C482002-0110		79A-35	C661064L0238		69B-36	C668020-0108		69A-39
C592001-0203		3 -48	C661065-0221		69 -18	C668020-0208		69 -35
C592001-0203		3A-38	C661065-0221		69A-26	C668020-0208		69A-39
C592001-0203		13 -35	C661065L0221		69B-37	C668020L0226		69B-50
C592001-0203		15 -85	C661071-0201		69 -32	C668050-0601		5A-58
C592001-0203		15A-1	C661071-0201		69 -33	C668050-0601		6 -27A
C592001-0204		3 -48	C661071-0201		69A-42	C668050-0601		6A-34
C592001-0204		3A-38	C661071-0201		69A-43	C668050-0602		5A-58
C592001-0204		13 -35	C661071-0202		69 -32	C668050-0602		6 -27A
C592001-0204		15 -85	C661071-0202		69 -33	C668050-0602		6A-34
C592001-0204		15A-1	C661071-0202		69A-42	C668050-0701		5B-54
C593003-0101		69 -47	C661071-0202		69A-43	C668050-0701		6 -27A
C593003-0103		69 -47	C661071-0203		69 -33	C668050-0701	e	6A-34
C594502-0102		143 -14	C661071-0203		69A-43	C668050-0701	e	6 -27
C594502-0102		143A-13	C661071-0204		69 -33	C668050-0702		5B-54
C596510-0101		138 -12	C661071-0204		69A-43	C668050-0702		6 -27A
C596510-0101		138A-26	C661071L0201		69B-46	C668050-0702		6A-34
C610502-0101		98 - 9	C661071L0201		69B-47	C668050-0702	e	6 -27
C611003-0101		98 -47	C661071L0202		69B-46	C668050-0703		5B-86
C611004-0102		136 -30	C661071L0202		69B-47	C668050-0704		5B-86
C611005-0101		136 -30	C661071L0204		69B-47	C668501-0204		69 -24
C611005-0101		136A-32	C661075-0101		69 -31	C668501-0204		69 -24A
C611005-0103		136 -30	C661075-0101		69A-41	C668501-0204		69A-51
C611005-0103		136A-32	C661075-0103		69 -31	C668501-0204		69B-51
C611006-0101		141C- 4	C661075-0103		69A-41	C668501-0204		73 - 4
C611007-0101		141A-16	C661075-0104	ee	69 -31	C668501-0204		73A- 8
C611503-0102		140 - 1	C661075-0104		69A-41	C668501-0206		69 -24
C611503-0102		140A- 1	C661075-0106		69 -31	C668501-0210		73 - 5
C611503-0103		141B-12	C661075-0106		69A-41	C668501-0210		73A- 9
C611503-0104		141B- 1	C661075-0108		69A-41	C668501-0211		69 -24
C611503-0201		141B- 1	C661076-0101		69 -30	C668501-0214		69B-51
C611503-0202		140A- 1	C661076-0101		69A-40	C668501-0301		69 -24A
C611505-0102		141 - 1	C661076-0102ee		69 -30	C668501-0301		69A-51
C611505-0202		141 - 1	C661076-0102ee		69A-40	C668501-0303		69 -24A
C611507-0101		141C- 1	C661076-0103		69 -30	C668501-0303		69A-51
C613001-0101		136 -37	C661076-0103		69A-40	C668501-0501		73 - 1
C613001-0101		136A-79	C661076-0103		69 -30	C668501-0501		73A- 1
C614001-0101		136 - 9	C661076-0105		69A-40	C668501L0304		69B-51
C614001-0102		136 - 9	C661076-0105		69A-40	C668504-0102		73 - 1
C614001-0105		136 - 9	C661076-0107		69 -30	C668504-0103		73 - 3
C614001-0105		136A-10	C661076-0108		69A-40	C668504-0103		73A- 7
C614001-0106		136 - 9	C661077-0101		69B-45	C668507-0104		73B-27
C614001-0106		136A-10	C661078-0101		69B-44	C668516-0103		69 -25
C621001-0102		143 -	C661080-0102		69 -34	C668516-0103		69A-33
C621001-0102		143A-	C661080-0102		69A-38	C668516L0103		69B-31
C622001-0102		39 - 3	C661080L0102		69B-48	C668517-0101	ee	69 -26
C622001-0104		39 - 7	C662037-0207		69 -36	C668517-0101	ee	69A-34
C622001-0201		3 -37	C662037-0209		69 -36	C668517L0101		69B-32
C622001-0201		3A-18	C662037-0209		69A-44	C668519-0105		69 -37
C622003-0105		2 - 9	C662037L0210		69B-49	C668519-0105		69A-32
C622006-0102		3 -42	C662060-0101		69 -27	C668519L0105		69B-35
C622006-0103		3 -43	C662060-0101		69A-35	C668540-0101		69 -37
C622006-0103		3A-23	C662060-0101		69B-34	C668540-0101		69A-32
C622006-0104		3A-25	C662060-0105		69B-34	C668540L0101		69B-35
C622006-0105		3 -43	C662503-0107		69 -44	C669525-0101	#	69 -38
C622006-0105		3A-24	C662503-0107		69A-45	C669526-0101	###	69 -38
C622006-0108		3A-22	C662503L0107		69B-43	C669527-0101		69 -38
C622008-0102		136 -52	C664502-0101		69 -38	C669560-0102		69 -38
C622008-0102		136A-83	C664503-0101		69 -38	C669560-0105		69 -38
C622009-0101		136A-83	C664503-0101		69A-52	C669560-0105		69A-52
C660501-0102		73B-14	C664503-0101		69B-52	C669560-0105		69B-58
C661003-0506	ee	69 -23	C664508-0101		69 -27	C669561-0103		69B-57
C661003-0506	ee	69A-31	C664508-0102		69 -27	C669561-0105		69A-52

P210 Parts Catalog

PART NUMBER	FICHE AND FRAME	FIGURE AND INDEX NO.	PART NUMBER	FICHE AND FRAME	FIGURE AND INDEX NO.	PART NUMBER	FICHE AND FRAME	FIGURE AND INDEX NO.
C669561-0105		69 -38	LC045G1		109A-14	MS20220-2		95 -23
C669561-0107		69 -38	LC051G3		115 -60	MS20220-2		95 -28
C669562-0107		69A-52	LC051G3		115A-17	MS20220-2		95 -35
C669562-0107		69B-65	LE-049D14MW		50 -17	MS20220-2		100 -14
C669562-0107		69 -38	LE055D8		48 - 8	MS20220-2		100 -81
C669562-0111		69B-65	LN1032X		145 - 8	MS20220-3		95 -22
C669563-0101		69 -38	LOCTITE5381		1 -16	MS20220-3		95 -46
C669563-0101		69A-52	LOCTITE8721		1 -17	MS20253-2-3.50		19A-14
C669563-0102		69A-52	MN1400		141A-14	MS20253P1-330		88 - 8
C669563-0102		69B-58	MS122		1 -19	MS20253P2-1546		59 - 2
C744001-0102		106A- 1	MS122028		119 -24	MS20253P2-188		55 -26
C744001-0102		106A- 7	MS122038		145 -15	MS20253P2-24.74		57 -87
C744001-0102		106A-22	MS124663		111 -19	MS20253P2-3.50		19 -21
C913001-0101		109C- 4	MS15001-1		30 -16	MS20253P2-4.04		77 - 6
DAPCCAST#18-4		1 - 4	MS15001-1		30 -22	MS20253P2-4.04		77A-20
DA27		144 - 5	MS15002-1		99 -10	MS20253P2-502		48 - 7
D165-100-2		69B-34	MS15584-16		138 -11	MS20253P2-589		53 -23
D218		1 - 5	MS15584-8		142 - 3	MS20364-1032C		78 -23B
D30119		45A-19	MS16555-56		42 -16	MS20364-1032C		78 -80
D30119		45B-17	MS16562-16		89 -50	MS20364-1032C		78A-25
D30210		45A- 7	MS16562-18		124 -13	MS20364-1032C		78A-84
D30222-1		45A- 6	MS16562-2		115 -59	MS20364-1032C		78A-96D
D30259		45A- 3	MS16562-2		115A-16	MS20364-1032C		79 -18C
D30656		45B- 3	MS16562-25		88 - 3	MS20364-1032C		79 -54
D30661		45B- 5	MS16562-25		109A- 5	MS20364-1032C		79 -74A
D366		73B-11	MS16562-5		88 -12	MS20364-1032C		79A- 9
D40106		133 - 4	MS16624-1137		93 -14	MS20364-1032C		82 -40
D40148		133 - 4	MS16624-1137		93 -14	MS20364-1032C		82A-11G
D40205		141B-32	MS16624-3075		45 -65	MS20364-1032C		82A-16
D40226		133 - 4	MS16624-3075		125 - 5	MS20364-1032C		82A-48
D4023X.375		73B-12	MS16625-1043		115 -12	MS20364-1032C		83 - 3D
D6025		2 -26	MS16625-1050		115 -31	MS20364-1032C		85 -16
D6041		2 -26	MS16625-1050		115 -49	MS20364-1032C		85 -21
D6097		2 -26	MS16625-1068		116 - 3	MS20364-1032C		85 -26
D6120		2A-23	MS16625-1100		127 - 1	MS20364-1032C		85 -30
D6159		2A-23	MS16625-1106		131 -10	MS20364-1032C		85A-27
D6170-13		2A-23A	MS16625-1131		118 -17	MS20364-1032C		85A-39
EC1239AB		1 - 7	MS16625-143		44 -12	MS20364-1032C		85A-48
EC1300L		1 - 8	MS172208		45 -38	MS20364-1032C		85A-53
EC1608B/A		1 - 9	MS172243		45 -39	MS20364-1032C		88 -72
EC1675A-B		1 -10	MS18065-18		45 -58	MS20364-1032C		107 -33
EC2216B/A		1 -11	MS18065-30		125 -10	MS20364-1032C		108 -25
EC776		1 - 6	MS19067A07		45 -39	MS20364-1032C		109C- 9
EP711		1 -12	MS19068-072		45 -39	MS20364-1032C		113 -12
E93		141A-14	MS19069A07		45 -38	MS20364-1032C		141A-54
F44-14S		93 -27	MS19070-072		45 -38	MS20364-1032C		145 -17
GC200		1 -13	MS1919D614		78A-96C	MS20364-1032C		40 -20
GC408		1 -14	MS20034-5		82B-27	MS20364-720C		141B-15
HEXELITE		1 -15	MS20034-5		82B-30	MS20364-820C		45 -22
HE81087-1		87A- 6	MS20034-6		82B-27	MS20364-832C		113D-18
HE81293-3		87A- 6	MS20034-6		82B-30	MS20365-1032C		19A- 7
H2300		115 -64	MS20036-11		81 - 3	MS20365-1032C		19A-29
H2300		115A-20A	MS20036-6		81 - 2	MS20365-1032C		47 -28
IH5-22		113D-22	MS20036-6		81A- 2	MS20365-1032C		69B-51
IN2070		134A- 9	MS20074-03-02		78 -18	MS20365-1032C		73A-11
J12453-1		78 - 8	MS20074-03-02		78A-18	MS20365-1032C		73A-12
J12453-1		78A- 8	MS20074-03-03		107 - 4	MS20365-1032C		73A-13
J12453-6		78 - 8	MS20074-03-04		107A- 2	MS20365-1032C		78 -25A
J12453-6		78A- 8	MS20074-03-04		107B- 2	MS20365-1032C		78 -26A
J2005-2		140 - 6	MS20074-03-05		6 -28	MS20365-1032C		78 -79
J9534-20		140 - 4	MS20074-03-05		6A-35	MS20365-1032C		78A-33
J9534-20		140 -14	MS20074-03-3		108 - 1	MS20365-1032C		78A-87
KM610-064		77 - 4	MS20074-05-07		81A- 4	MS20365-1032C		79 -20A
KM610-064		77 -10	MS20074-05-10		140A- 9	MS20365-1032C		79 -24A
KM610-064		77A-18	MS20074-05-10		141 -10	MS20365-1032C		81 -32
KM610-064		77A-27	MS20074-05-10		141B- 9	MS20365-1032C		81 -56
KPT06E8-2P		134 - 6	MS20074-05-14		140 -15	MS20365-1032C		81 -67
KRP3DH		134A- 9	MS20074-06-05		81 -27	MS20365-1032C		81A-28
K375-125		94 -61	MS20074-06-05		81 -49	MS20365-1032C		82 -16
LC-022D-5		118 - 9	MS20074-06-05		81A-17	MS20365-1032C		82 -18
LC0055G12		91A- 2	MS20074-06-05		81A-42	MS20365-1032C		82A-36
LC035C1		109A-20	MS20200KP4		15 -83	MS20365-1032C		82A-37
LC038D1		118 - 2	MS20200KP4		15A- 8	MS20365-1032C		83A- 9
LC040D13MW		116 -15	MS20200KP4		96 -55	MS20365-1032C		83A-18

P210 Parts Catalog

PART NUMBER	FICHE AND FRAME	FIGURE AND INDEX NO.	PART NUMBER	FICHE AND FRAME	FIGURE AND INDEX NO.	PART NUMBER	FICHE AND FRAME	FIGURE AND INDEX NO.
MS20365-1032C		83A-24	MS20392-2C45		65 -49A	MS21042L06		53 -38
MS20365-1032C		88 -32G	MS20392-2C49		54 -12	MS21042L06		53 -41
MS20365-1032C		107 -31A	MS20392-2C51		66 -79A	MS21042L06		94A-57
MS20365-1032C		107 -72	MS20392-2C59		65 -49	MS21042L08		22 -34
MS20365-1032C		107A-47A	MS20392-2C59		66 -76	MS21042L08		24 - 88
MS20365-1032C		107A-68	MS20392-2C65		66 -76	MS21042L08		24A-10
MS20365-1032C		107B-46	MS20392-2C7		101 -44	MS21042L08		47 - 6
MS20365-1032C		107B-66	MS20392-2C9		101 -37	MS21042L08		52 -34
MS20365-1032C		110 -16	MS20392-2C93		100 -37	MS21042L08		52 -37
MS20365-1032C		110 -16	MS20392-3C11		85 -28	MS21042L08		52 -37
MS20365-1032C		145 - 2	MS20392-3C11		85A-24	MS21042L08		52 -38
MS20365-428C		78 -49A	MS20392-3C17		65 -15	MS21042L08		53 -31
MS20365-524A		43 -11	MS20392-3C17		66 -15	MS21042L08		55 -15
MS20365-524C		82A- 2	MS20392-3C17		67 - 9	MS21042L08		55 -16
MS20365-632		136 -58	MS20392-3C27		119 -18	MS21042L08		57 -58
MS20365-720C		140A- 4	MS20392-3C39		67 -10	MS21042L3		47 -21
MS20365-720C		141 - 3	MS20392-3C49		65 -14	MS21042L3		79A-33
MS20365-720C		141B- 4	MS20392-3C49		66 -14	MS21042L3		81A-40
MS20365-820C		3 - 9	MS20392-3C55		67 -10	MS21042L3		82B-20A
MS20365-820C		3A- 3	MS20392-4C13		90 -47	MS21042L3		88 -22
MS20365B632C		69 -24	MS20392-4C33		51 -22	MS21042L3		94 -13
MS20392-1C11		50 -16	MS20392-4C39		45 -47	MS21042L3		94 -19D
MS20392-1C11		100 - 2	MS20392-4C39		51 -38	MS21042L3		94 -26
MS20392-1C11		100 - 5	MS20615-4M10		52 - 8	MS21042L3		94A-25
MS20392-1C13		65 -55E	MS20822-2D		111 - 4	MS21042L3032C		81A-35
MS20392-1C13		66 -73G	MS20822-4		82 -20	MS21042L4		3 - 6
MS20392-1C13		66A- 2	MS20822-4		82A-32	MS21042L4		3A- 9
MS20392-1C17		49 -13	MS20822-4		82B-17	MS21042L4		11 - 5
MS20392-1C17		65 -55B	MS20822-4		110 -31	MS21042L4		12 - 5
MS20392-1C17		66 -73D	MS20822-4D		79 -83	MS21042L4		13 - 3
MS20392-1C17		67 -54	MS20822-4D		82A-22	MS21042L4		14 - 3
MS20392-1C21		65 - 1	MS20822-4D		107A-95C	MS21042L4		14 -57
MS20392-1C21		65 - 1	MS20822-4D		107B-95C	MS21042L4		14A-19
MS20392-1C21		65 -54	MS20822-4D		110 -30	MS21042L4		14A-59
MS20392-1C21		66 - 1	MS20822-6-6		82 -24	MS21042L4		15 - 3
MS20392-1C21		66 - 1	MS20822-6-6		82A-27	MS21042L4		15 -82
MS20392-1C21		66 -71	MS20822-8		79 -70	MS21042L4		15A- 6
MS20392-1C21		67 - 1	MS20822-8		79A-15	MS21042L4		15A-11
MS20392-1C21		67 -56	MS20822-8		79A-27	MS21042L4		30 -13
MS20392-1C29		97 -23	MS20822-8		107 - 7	MS21042L4		30 -19
MS20392-1C32		50 - 4	MS20822-8		107A-14	MS21042L4		30 -22
MS20392-1C39		3 -55	MS20822-8		107B-12	MS21042L4		38 -23
MS20392-1C39		3A-44	MS20822-8D		81 -47	MS21042L4		41 -16
MS20392-1C47		34 -19	MS20823-3		78A-58	MS21042L4		41 -18B
MS20392-1C7		66A- 6	MS20823-3		107B- 6	MS21042L4		42 - 6
MS20392-1C9		55 - 7	MS20823-4B		79 -82	MS21042L4		42 -20B
MS20392-1C9		55 -10	MS20823-4D		78 -91	MS21042L4		42 -74
MS20392-2C11		52 -50	MS20823-4D		135A-39	MS21042L4		46 -24
MS20392-2C11		54 -49	MS20823-6		82B-11	MS21042L4		48 -48
MS20392-2C11		57 -49	MS20823-6D		81 -43	MS21042L4		50 -35
MS20392-2C11		57 -50	MS20825-4D		107A-76	MS21042L4		51 - 5
MS20392-2C11		65 - 5	MS20826-10		113 -14	MS21042L4		51 -27
MS20392-2C11		66 - 5	MS20826-4D		78 -85	MS21042L4		56 -10
MS20392-2C11		67 - 3	MS20826-4D		78 -88	MS21042L4		58 - 6
MS20392-2C13		50 -19	MS20826-4D		78A-78	MS21042L4		65 -23
MS20392-2C13		54 -62	MS20826-8		79 -68	MS21042L4		67 -40
MS20392-2C15		92 - 9	MS20826-8		79A-28	MS21042L4		67 -44
MS20392-2C15		92 -16	MS20913-1D		79 -84	MS21042L4		74 - 5
MS20392-2C17		49 - 9	MS20913-1D		82B-25	MS21042L4		75 - 6
MS20392-2C17		52 -49	MS2104L3		78A-45	MS21042L4		78 - 7
MS20392-2C17		54 -30	MS21042-08		22 -45	MS21042L4		78 -43
MS20392-2C17		54 -50	MS21042-08		83 -18A	MS21042L4		78A- 7
MS20392-2C17		66 -53	MS21042-08		141A-42	MS21042L4		78A-53
MS20392-2C19		50 -26	MS21042-3		73 -12	MS21042L4		81 -19
MS20392-2C23		51 - 6	MS21042-3		73 -15	MS21042L4		81A-26
MS20392-2C23		51 -20	MS21042-3		73 -19	MS21042L4		88 -29
MS20392-2C27		119 -16	MS21042-3		73A-15	MS21042L4		88 -52
MS20392-2C27		123 -15	MS21042-3		73A-16	MS21042L4		88 -57
MS20392-2C31		51 -17	MS21042-3		73A-17	MS21042L4		88 -62
MS20392-2C37		66 -65	MS21042-3		73A-19	MS21042L4		88 -66
MS20392-2C37		67 -33	MS21042-3		73A-20	MS21042L4		93 -26
MS20392-2C39		3 -52	MS21042-3		93 -63	MS21042L4		93 -66
MS20392-2C39		3A-41	MS21042-3		136 -16A	MS21042L4		95 -19
MS20392-2C45		57 - 7	MS21042-3	e e	136A-19A	MS21042L4		95 -44

P210 Parts Catalog

PART NUMBER	FICHE AND FRAME	FIGURE AND INDEX NO.	PART NUMBER	FICHE AND FRAME	FIGURE AND INDEX NO.	PART NUMBER	FICHE AND FRAME	FIGURE AND INDEX NO.
MS21042L4		96 - 9	MS21044N06		98 -47	MS21044N08		112C-37
MS21042L4		96 -17	MS21044N06		98A-24	MS21044N08		134A-11
MS21042L4		96 -21	MS21044N06		101 -51	MS21044N08		135 - 7
MS21042L4		96 -28	MS21044N06		103 - 5	MS21044N08		135 -16
MS21042L4		96 -34	MS21044N06		132 -71	MS21044N08		135 -16C
MS21042L4		96 -40	MS21044N06		132A-87	MS21044N08		135A-54
MS21042L4		96 -53	MS21044N06		132B- 3	MS21044N08		136 -37
MS21042L4		96 -76	MS21044N06		132C- 3	MS21044N08		136 -56
MS21042L4		97 -30	MS21044N06		134 - 5	MS21044N08		136A-79
MS21042L4		97 -44	MS21044N06		134 -12	MS21044N08		136A-80
MS21042L4		100 -26	MS21044N06		134 -19	MS21044N08		138 -10B
MS21042L4		100 -35	MS21044N06		136 -51	MS21044N08		138 -15
MS21042L4		100 -55A	MS21044N06		136A-57	MS21044N08		138A-18
MS21042L4		100 -73	MS21044N06		136A-99G	MS21044N08		138A-30
MS21042L4		102 -11	MS21044N08		3 -24	MS21044N08		141A-13
MS21042L4		102 -18	MS21044N08		3A-31	MS21044N08		141A-17
MS21042L4		102 -24	MS21044N08		5 -56	MS21044N08		143 -16
MS21042L4		102 -30	MS21044N08		9 -53	MS21044N08		143A-15
MS21042L4		102 -35	MS21044N08		14A-13	MS21044N08		143A-23
MS21042L4		108 -22	MS21044N08		15 -88	MS21044N08		144 -11
MS21042L4		115 - 7	MS21044N08		15A-78	MS21044N08		144 -15
MS21042L4		119 - 3	MS21044N08		17 -24	MS21044N3		4 -29
MS21042L4		120 -28	MS21044N08		21 -45	MS21044N3		4 -30
MS21042L4		121 -28	MS21044N08		23 -42	MS21044N3		4 -34
MS21042L4		121A- 4	MS21044N08		24A-92	MS21044N3		4 -36
MS21042L4		121B- 4	MS21044N08		28 -46	MS21044N3		4 -78
MS21042L4		136A-67	MS21044N08		30 -27	MS21044N3		7 -47
MS21042L4		145 -30	MS21044N08		31 -44A	MS21044N3		7 -49
MS21042L5		11 - 6	MS21044N08		32 -28	MS21044N3		10 - 4
MS21042L5		12 - 6	MS21044N08		33 -70	MS21044N3		13 -32
MS21042L5		30 -20	MS21044N08		33 -73	MS21044N3		14 -60
MS21042L5		38 -33	MS21044N08		36 - 4	MS21044N3		18 -41
MS21042L5		42 - 2	MS21044N08		36 - 5C	MS21044N3		18 -90C
MS21042L5		42 -22B	MS21044N08		36 - 6	MS21044N3		18 -98D
MS21042L5		45 -12	MS21044N08		36 - 8	MS21044N3		18A-22
MS21042L5		46 - 6	MS21044N08		36 - 9	MS21044N3		18A-95
MS21042L5		49 - 7	MS21044N08		36 -10	MS21044N3		21 - 4
MS21042L5		51 -10	MS21044N08		36 -11	MS21044N3		21 -41
MS21042L5		81 - 7	MS21044N08		36 -12	MS21044N3		21 -42
MS21042L5		81 -15	MS21044N08		36 -13	MS21044N3		26 -49
MS21042L5		81A-10	MS21044N08		36 -18	MS21044N3		28 -38
MS21042L5		81A-13	MS21044N08		36 -19	MS21044N3		30 -14
MS21042L5		82 - 8B	MS21044N08		36 -20	MS21044N3		30 -25
MS21042L5		82 -27	MS21044N08		36 -21	MS21044N3		31 -22
MS21042L5		82A-60	MS21044N08		36 -22	MS21044N3		32 -33
MS21042L5		95 -27	MS21044N08		36 -23	MS21044N3		32 -39
MS21042L5		95 -30	MS21044N08		36 -26	MS21044N3		33 - 4
MS21042L5		95 -39	MS21044N08		36 -27	MS21044N3		37 -52
MS21042L5		100 -17	MS21044N08		48 -25	MS21044N3		38 -16
MS21042L5		100 -82	MS21044N08		52 -11	MS21044N3		40 -20
MS21042L5		140 - 7	MS21044N08		52 -55	MS21044N3		40 -26
MS21042L6		34 -13	MS21044N08		54 -86	MS21044N3		40 -30
MS21042L6		40 - 4	MS21044N08		57 -37	MS21044N3		41 -12
MS21042L6		45 -16	MS21044N08		65 -51C	MS21044N3		41 -19
MS21042L6		45 -36	MS21044N08		65 -59	MS21044N3		42 -39
MS21042L6		51 -32	MS21044N08		66 -87C	MS21044N3		45 -29
MS21043-08		101 -38	MS21044N08		66A-14	MS21044N3		47 -37
MS21043-3		19 -24	MS21044N08		69 -44	MS21044N3		47 -50
MS21043-3		19A-11	MS21044N08		69A-45	MS21044N3		48 -13
MS21043-4		82 - 7A	MS21044N08		69B-43	MS21044N3		48 -37
MS21043-4		82A-56	MS21044N08		85 -23	MS21044N3		52 - 4
MS21044N08		86A-40	MS21044N08		86 -53	MS21044N3		54 -77C
MS21044N04		69 -55	MS21044N08		86 -59	MS21044N3		54 -95
MS21044N04		70 -20	MS21044N08		86A-78	MS21044N3		54 -98
MS21044N04		70A-50	MS21044N08		93 -50	MS21044N3		56 - 6
MS21044N04		70B-32	MS21044N08		93 -70	MS21044N3		59 -32
MS21044N04		136 -60	MS21044N08		99 - 6	MS21044N3		59 -37
MS21044N04		136A-95	MS21044N08		101 -38A	MS21044N3		65 - 4
MS21044N06		47 -15	MS21044N08		105 -36	MS21044N3		65 -74
MS21044N06		47 -61	MS21044N08		106A- 3	MS21044N3		66 - 4
MS21044N06		69 -38	MS21044N08		110 -24	MS21044N3		66 -94
MS21044N06		69A-52	MS21044N08		112 -15	MS21044N3		67 - 2
MS21044N06		69B-52	MS21044N08		112A-29	MS21044N3		67 -66
MS21044N06		93 - 4	MS21044N08		112B-21	MS21044N3		70B-17

P210 Parts Catalog

PART NUMBER	FICHE AND FRAME	FIGURE AND INDEX NO.	PART NUMBER	FICHE AND FRAME	FIGURE AND INDEX NO.	PART NUMBER	FICHE AND FRAME	FIGURE AND INDEX NO.
MS21044N3		70B-24	MS21044N3		123 - 4	MS21073L08		132B-58
MS21044N3		85 -37	MS21044N3		123 -14	MS21073L08K		11 -11
MS21044N3		85 -42	MS21044N3		123 -20	MS21073L08K		12 -14
MS21044N3		85A-18	MS21044N3		123 -33	MS21073L3		4 -28
MS21044N3		85A-23	MS21044N3		123 -40	MS21073L3		18A-74
MS21044N3		85A-32	MS21044N3		123 -44	MS21073L3		19 -28
MS21044N3		86A-34	MS21044N3		132 -23	MS21073L3		19A-55
MS21044N3		87A-24	MS21044N3		132 -30	MS21073L3		26 -38
MS21044N3		88 -26	MS21044N3		132 -50	MS21073L3		32 - 4
MS21044N3		89 -22	MS21044N3		132 -66	MS21073L3		33 -67
MS21044N3		89 -27	MS21044N3		132 -81	MS21073L3		54 -25
MS21044N3		89 -41	MS21044N3		132A-95	MS21073L3		54 -89
MS21044N3		90 -21	MS21044N3		132B-98	MS21073L3		70 -27
MS21044N3		90 -30	MS21044N3		132C-93B	MS21073L3		70 -29
MS21044N3		90 -36	MS21044N3		135A-12	MS21073L3		70A-25
MS21044N3		90 -52	MS21044N3		135A-56	MS21073L3		70A-26
MS21044N3		90 -55	MS21044N3		135A-61	MS21073L3		70B-29
MS21044N3		90 -61	MS21044N3		136 -53	MS21073L3		70B-30
MS21044N3		92 - 6	MS21044N3		136A-84	MS21073L3		84 -46
MS21044N3		92 -21	MS21044N3		145 -19	MS21073L3		84 -52
MS21044N3		92 -24	MS21044N4		47 -46	MS21073L3		84A-57
MS21044N3		92 -32	MS21044N4		66 -44	MS21073L3		84B-93
MS21044N3		94 -60	MS21044N4		74 -15	MS21073L4		15 -64
MS21044N3		94A- 7	MS21044N4		74 -18	MS21073L4		18 -95F
MS21044N3		94A-16	MS21044N4		136 -20	MS21073L4		32 -45
MS21044N3		94A-38	MS21045-3		141A-30	MS21073L4		74 -13
MS21044N3		94A-51	MS21045L06		77 -17	MS21092D8		107 -49A
MS21044N3		96 -14	MS21045L06		77A-24	MS21209C0810		54 -39A
MS21044N3		96 -65	MS21045L06		133 -13	MS21209F1-20		51 -13
MS21044N3		97 - 1	MS21045L06		133 -34	MS21209F4-15		30 -16
MS21044N3		97 - 2	MS21045L06		136 -61	MS21209F4-20		44 - 2
MS21044N3		97 - 7	MS21045L06		136A-96	MS21209F5-15		30 -16
MS21044N3		97 -10	MS21045L06		136A-96	MS21900D4		114A- 8A
MS21044N3		97 -17	MS21045L08		17 -24	MS21902-8		107A-91H
MS21044N3		97 -22	MS21045L08		57 -64	MS21902D8		107A-91H
MS21044N3		97 -27	MS21045L08		57 -67	MS21907-8D		107B-91H
MS21044N3		97 -37	MS21045L08		57 -69	MS21919D6-8		132B-87
MS21044N3		97 -48	MS21045L08		57 -78	MS21919D610		79 -45
MS21044N3		97 -49	MS21045L08		57 -82	MS21919D610		82B-19
MS21044N3		97 -50	MS21045L08		79 -52	MS21919D611		78A-93D
MS21044N3		98A-28	MS21045L08		93 -40	MS21919D612		73 -11
MS21044N3		100 -21	MS21045L3		57 -74	MS21919D612		78A-96A
MS21044N3		100 -23	MS21045L3		57 -75	MS21919D612		79 -18A
MS21044N3		100 -27	MS21045L3		57 -79	MS21919D612		79 -28
MS21044N3		100 -41	MS21045L3		57 -80	MS21919D612		79 -52
MS21044N3		100 -43	MS21045L3		69 -24	MS21919D612		81 -60
MS21044N3		100 -48	MS21045L3		69 -24A	MS21919D612		81A-52
MS21044N3		100 -62	MS21045L3		69A-51	MS21919D612		82B-20
MS21044N3		100 -68	MS21045L3		76 - 9	MS21919D612		107A-90E
MS21044N3		100 -79	MS21045L3		76A-17	MS21919D612		107B-90D
MS21044N3		101 - 8	MS21045L3		79 -53	MS21919D612		136 -21A
MS21044N3		101 -22	MS21045L3		79 -74	MS21919D612		137 - 1B
MS21044N3		101 -32	MS21045L3		79 -77	MS21919D613		109C- 2
MS21044N3		103 - 3	MS21045L3		79A-19	MS21919D614		79 -41
MS21044N3		103 -14	MS21045L3		79A-26	MS21919D614		81 -68
MS21044N3		103 -20	MS21045L3		93 -74	MS21919D614		107 -31A
MS21044N3		103 -25	MS21045L3		133 -36	MS21919D614		141A-54
MS21044N3		103 -33	MS21045L3		133 -38	MS21919D615		81A-38
MS21044N3		104 -30	MS21045L3		137 -17	MS21919D615		113 - 9
MS21044N3		104 -37	MS21045L3		137 -25	MS21919D616		79 -74
MS21044N3		104 -47	MS21045L4		57 - 4	MS21919D616		79 -74A
MS21044N3		104 -56	MS21047-08		143 -11	MS21919D616		79A-24
MS21044N3		107 -38	MS21047-08		143A-11	MS21919D616		81A-33
MS21044N3		107 -53	MS21047L3		76A-18	MS21919D616		107 -72
MS21044N3		107 -70	MS21069L3		76A-12	MS21919D618		132C-16
MS21044N3		107A-26	MS21073-3		84A-18L	MS21919D62		69B-51
MS21044N3		107A-32	MS21073-3		84B-17	MS21919D62		73A-20
MS21044N3		107A-34	MS21073L06		70B-19	MS21919D62		134 - 2
MS21044N3		107A-43	MS21073L06		70B-26	MS21919D620		81A-34
MS21044N3		107B-24	MS21073L08		22 -11	MS21919D620		107 -22
MS21044N3		107B-30	MS21073L08		22A-10	MS21919D620		123 -40
MS21044N3		107B-32	MS21073L08		106A-15	MS21919D628		88 -32D
MS21044N3		107B-41	MS21073L08		106A-27	MS21919D628		145 -17
MS21044N3		120 - 4	MS21073L08		132A-58	MS21919D628		145 -33

P210 Parts Catalog

PART NUMBER	FICHE AND FRAME	FIGURE AND INDEX NO.	PART NUMBER	FICHE AND FRAME	FIGURE AND INDEX NO.	PART NUMBER	FICHE AND FRAME	FIGURE AND INDEX NO.
MS21919D63		45 -28	MS21919D69		82A-37	MS24665-132		102 -20
MS21919D63		90 -21	MS21921-8D		107A-91H	MS24665-132		102 -26
MS21919D63		94A-53	MS21921-8D		107B-91H	MS24665-132		102 -32
MS21919D63		101 -51	MS21921-8D		107 -56A	MS24665-132		104 -7
MS21919D63		107 -72	MS21922-8C		107A-91H	MS24665-132		104 -64
MS21919D63		109C-11	MS21922-8C		107B-91H	MS24665-132		108 -17
MS21919D64		73A-17	MS21922-8C		107 -56A	MS24665-132		118 -7
MS21919D64		78 -80	MS24462-4		4 -44	MS24665-132		119 -20
MS21919D64		79 -54	MS24462-4		4 -47	MS24665-132		123 -16
MS21919D64		82 -36	MS24462-4		4 -51	MS24665-134		42 -51
MS21919D64		82A-44	MS24462-4		14A-62	MS24665-134		42 -59
MS21919D64		82B-36	MS24462-4		14A-76	MS24665-134		42 -63
MS21919D64		90 -21	MS24462-4		15 -84	MS24665-134		65 -14
MS21919D64		94A-35	MS24462-4		15A-7	MS24665-134		65 -15
MS21919D64		107A-89	MS24462-4		96 -54	MS24665-134		66 -14
MS21919D64		107B-88	MS24585-1021		109B-6	MS24665-134		66 -15
MS21919D64		110 -23	MS24585-2454		57 -32	MS24665-134		67 -9
MS21919D64		114A-25	MS24665-132		3 -54	MS24665-134		86 -32
MS21919D64		123 -4	MS24665-132		3 -55	MS24665-134		86 -34
MS21919D64		123 -20	MS24665-132		3A-43	MS24665-134		86 -36
MS21919D640		78A-95A	MS24665-132		3A-44	MS24665-134		86 -38
MS21919D65		5 -56	MS24665-132		34 -19	MS24665-134		86A-61
MS21919D65		54 -93	MS24665-132		47 -10	MS24665-134		86A-63
MS21919D65		73 -14	MS24665-132		49 -12	MS24665-134		86A-65
MS21919D65		73A-11	MS24665-132		49 -15	MS24665-134		89 -52
MS21919D65		73A-12	MS24665-132		50 -7	MS24665-134		95 -6
MS21919D65		73A-13	MS24665-132		50 -16	MS24665-134		95 -10
MS21919D65		78 -24B	MS24665-132		50 -21	MS24665-134		96 -47
MS21919D65		78 -81	MS24665-132		50 -28	MS24665-134		96 -60
MS21919D65		85 -22	MS24665-132		51 -8	MS24665-134		96 -62
MS21919D65		85 -23	MS24665-132		51 -19	MS24665-134		96 -66
MS21919D65		90 -8	MS24665-132		52 -51	MS24665-134		96 -73
MS21919D65		90 -8	MS24665-132		54 -14	MS24665-134		97 -32
MS21919D65		101 -38	MS24665-132		54 -31	MS24665-134		97 -58
MS21919D65		101 -38A	MS24665-132		54 -51	MS24665-134		100 -2
MS21919D65		133 -35	MS24665-132		55 -11	MS24665-134		100 -5
MS21919D66		69 -24A	MS24665-132		57 -7	MS24665-134		100 -80
MS21919D66		69A-51	MS24665-132		57 -49	MS24665-134		101 -46
MS21919D66		73 -18	MS24665-132		57 -50	MS24665-134		102 -7
MS21919D66		73A-15	MS24665-132		65 -5	MS24665-134		102 -42
MS21919D66		79 -39	MS24665-132		65 -51	MS24665-134		103 -28
MS21919D66		98A-28	MS24665-132		65 -55	MS24665-136		40 -14
MS21919D66		101 -33	MS24665-132		65 -55D	MS24665-136		93 -31
MS21919D66		107 -45	MS24665-132		66 -5	MS24665-136		93 -44
MS21919D66		107 -52	MS24665-132		66 -53	MS24665-136		97 -31
MS21919D66		107 -53	MS24665-132		66 -67	MS24665-136		97 -33
MS21919D66		107 -70	MS24665-132		66 -72	MS24665-136		97 -50
MS21919D66		141A-12	MS24665-132		66 -73F	MS24665-136		102 -36
MS21919D67		79 -54	MS24665-132		66 -79	MS24665-136		120 -33
MS21919D68		69 -24	MS24665-132		66A-4	MS24665-136		120A-5
MS21919D68		73A-16	MS24665-132		66A-8	MS24665-143		96 -22
MS21919D68		78 -68	MS24665-132		67 -3	MS24665-143		102 -12
MS21919D68		78 -87	MS24665-132		67 -10	MS24665-144		31 -45
MS21919D68		78A-81	MS24665-132		67 -35	MS24665-144		97 -45
MS21919D68		78A-87	MS24665-132		67 -54	MS24665-151		65 -1
MS21919D68		79 -20A	MS24665-132		67 -57	MS24665-151		65 -1
MS21919D68		79 -26	MS24665-132		78 -24A	MS24665-151		66 -1
MS21919D68		81 -69	MS24665-132		78 -31A	MS24665-151		66 -1
MS21919D68		107 -45	MS24665-132		78A-28	MS24665-151		67 -1
MS21919D68		107 -52	MS24665-132		78A-41	MS24665-155		86 -43
MS21919D68		107 -53	MS24665-132		85 -28	MS24665-155		86 -45
MS21919D68		107A-92B	MS24665-132		85A-24	MS24665-155		86 -47
MS21919D68		107B-92A	MS24665-132		90 -44	MS24665-155		86A-67
MS21919D68		112 -15	MS24665-132		92 -9	MS24665-155		86A-69
MS21919D68		112A-29	MS24665-132		92 -14	MS24665-155		86A-71
MS21919D68		112B-21	MS24665-132		92 -17	MS24665-170		54 -8A
MS21919D68		112C-37	MS24665-132		95 -34	MS24665-22		48 -4
MS21919D68		132 -3	MS24665-132		96 -30	MS24665-22		59 -8
MS21919D68		132A-4	MS24665-132		96 -36	MS24665-22		59 -24
MS21919D68		141A-19A	MS24665-132		96 -42	MS24665-24		96 -6
MS21919D69		81 -41	MS24665-132		97 -24	MS24665-281		90 -48
MS21919D69		82 -18	MS24665-132		100 -13	MS24665-281		90 -62
MS21919D69		82A-11C	MS24665-132		100 -37	MS24665-283		45 -50
MS21919D69		82A-13	MS24665-132		101 -37	MS24665-283		51 -22B

P210 Parts Catalog

PART NUMBER	FICHE AND FRAME	FIGURE AND INDEX NO.	PART NUMBER	FICHE AND FRAME	FIGURE AND INDEX NO.	PART NUMBER	FICHE AND FRAME	FIGURE AND INDEX NO.
MS24665-283		51 -39	MS25237-327		69B-70	MS28775-019		127 - 5
MS24665-283		100 -28	MS25237-327		69B-71	MS28775-020		131 - 8
MS24665-283		124 -29	MS25237-327		69B-72	MS28775-021		128 -15
MS24665-285		92 - 3	MS25237-327		69B-73	MS28775-022		124 - 8
MS24665-285		92 - 3	MS25237-327		69B-74	MS28775-025		124 - 8
MS24665-285		95 -40	MS25237-327		71 -15	MS28775-027		44 -10
MS24665-285		95 -45	MS25237-327		71 -16	MS28775-027		118 -13
MS24665-285		96 -10	MS25237-327		71A-16	MS28775-110		91 - 8
MS24665-285		96 -17	MS25237-327		71B-17	MS28775-110		91A- 3
MS24665-285		103 -35	MS25237-327		71C-18	MS28775-110		127 - 3
MS24665-292		100 -38	MS25237-327		72 - 6	MS28775-110		129 - 9
MS24665-351		45 - 6	MS25237-327		72 -10	MS28775-110		130 - 2
MS24665-355		100 -18	MS25237-327		72 -25	MS28775-111		86A-52
MS24665-360		100 -74	MS25237-327		72A- 6	MS28775-111		116 - 8
MS24665-360		100 -83	MS25237-327		72A-10	MS28775-111		126 - 9
MS24665-65		55 - 8	MS25237-327		72A-18	MS28775-111		128 -18
MS24665-71		93 -60	MS25237-327		72B- 1	MS28775-113		116 -12
MS24665-71		95 - 2	MS25237-327		72B- 2	MS28775-113		128 -11
MS24678-11		114 - 6	MS25237-327		73B-15	MS28775-113		129 - 5
MS24693S273		77A- 3	MS25237-327		138A-22	MS28775-113		130 - 5
MS24694S50		77A- 4	MS25306-222		71B-32	MS28775-114		119 - 5
MS24694S50		77A- 4	MS25306-222		71B-33	MS28775-114		124 - 4
MS25041-2		69 -47	MS25306-222		71C-33	MS28775-116		127 - 7
MS25041-2		69A-48	MS25306-222		71C-34	MS28775-129		115 -34
MS25041-2		69A-49	MS25309-7512		3 -40	MS28775-130		115 -35
MS25041-2		69B-72	MS25309-7512		3A-20	MS28775-135		125A- 4
MS25041-2		69B-73	MS25338-7079		132 -72	MS28775-137		125 -20
MS25041-2-327		71C-18	MS25338-7079		132A-88	MS28775-210		124 - 4
MS25041-3		69 -46	MS25338-7079		132B- 4	MS28775-210		131 - 5
MS25041-3		69A-47	MS25338-7079		132C- 4	MS28775-214		125 -17
MS25041-3		69B-71	MS27039-1-22	e	136 -168	MS28775-214		125A- 8
MS25041-4		69 -62	MS27039-1-22	e	136A-19B	MS28775-217		44 - 9
MS25041-4		69A-50	MS27212-1-6		136 -61	MS28775-221		42 - 7
MS25041-4		69B-74	MS27212-1-7		136 -61	MS28775-222		46 -18
MS25041-6		69 -45	MS27212-1-7		136A-96	MS28775-225		42 -23
MS25041-6		69A-46	MS27212-1-8		136A-96	MS28775-225		125A- 6
MS25041-6		69B-70	MS27380- 3		5B-83A	MS28775-228		42 -48
MS25082-20		94 -14	MS27975-3		50 -18	MS28775-247		115 -14
MS25082-20		94A-18	MS27975-4		50 -24	MS28775-247		115A-46
MS25171-15		136 -24	MS27975-4		54 -46	MS28775-328		125 -19
MS25171-25		141B-44	MS27975-4		57 -47	MS28775-329		42 -45
MS25224-1		71A-29	MS28774-011		128 -14	MS28778-10		130 -10
MS25231-1819		69 -27	MS28774-112		128 -22	MS28778-10		132 -55
MS25231-1819		69A-35	MS28774-113		128 -12	MS28778-2		82A- 7A
MS25231-1819		69B-34	MS28775-006		116 -28	MS28778-2		82A- 9
MS25231-1829		72 -23	MS28775-008		44 -18	MS28778-2		115 - 6
MS25231-1829		72 -24	MS28775-008		116 -24	MS28778-2		115A-44
MS25231-1829		72A-19	MS28775-008		118 - 4	MS28778-3		45 -26
MS25231-1829		72B- 7	MS28775-008		119 - 9	MS28778-3		45A-38
MS25231-313		136 -49	MS28775-008		115A-38	MS28778-3		45B-36
MS25231-313		136 -50L	MS28775-010		42 - 8	MS28778-3		46A-37
MS25231-313		136A-43	MS28775-010		115 -17	MS28778-3		88 -21
MS25231-313		136A-82	MS28775-010		116 -14	MS28778-3		90 - 2
MS25237-327		69 - 3A	MS28775-010		129 - 6	MS28778-3		90 -24
MS25237-327		69 - 7	MS28775-010		130 - 6	MS28778-3		114 -11
MS25237-327		69 -43	MS28775-011		116 -26	MS28778-3		114 -23
MS25237-327		69 -43	MS28775-011		126 - 5	MS28778-3		115 -51
MS25237-327		69 -43	MS28775-011		128 -13	MS28778-3		115 -66
MS25237-327		69 -45	MS28775-012		46 -26	MS28778-3		119 -32
MS25237-327		69 -46	MS28775-012		115 -25	MS28778-3		120 -35
MS25237-327		69 -47	MS28775-012		115 -42	MS28778-3		120A- 7
MS25237-327		69 -62	MS28775-012		115 -46	MS28778-3		120A- 9
MS25237-327		69A- 4B	MS28775-012		116 -11	MS28778-3		121B-26
MS25237-327		69A- 8	MS28775-012		116 -33	MS28778-3		115A-20C
MS25237-327		69A-46	MS28775-012		119 -14	MS28778-3		115A-21
MS25237-327		69A-47	MS28775-012		115A- 3	MS28778-3		46 -32
MS25237-327		69A-48	MS28775-012		115A-28	MS28778-4		46 -32
MS25237-327		69A-49	MS28775-014		116 - 5	MS28778-4		82 -30
MS25237-327		69A-50	MS28775-014		116 -17	MS28778-4		82A-38
MS25237-327		69A-57	MS28775-014		118 - 6	MS28778-4		82B-24
MS25237-327		69A-57	MS28775-015		115A-47	MS28778-4		86 -11
MS25237-327		69A-58	MS28775-017		45 -31	MS28778-4		111 - 7
MS25237-327		69B-64	MS28775-019		45 -32	MS28778-4		114 - 9
MS25237-327		69B-66	MS28775-019		45 -44	MS28778-4		114 -21

P210 Parts Catalog

PART NUMBER	FICHE AND FRAME	FIGURE AND INDEX NO.	PART NUMBER	FICHE AND FRAME	FIGURE AND INDEX NO.	PART NUMBER	FICHE AND FRAME	FIGURE AND INDEX NO.
MS28778-4		114 -24	MS35489-12		84 -73	MS35489-6		84B-83A
MS28778-4		114A-16	MS35489-12		84A-87	MS35489-6		88 - 4
MS28778-4		115 -52	MS35489-12		84B-90E	MS35489-6		112A-28
MS28778-4		115A- 9	MS35489-12		107A-94	MS35489-6		138 - 7
MS28778-4		117 - 7	MS35489-12		107B-94	MS35489-7		105 -22
MS28778-4		117 - 7	MS35489-134		142 -11	MS35489-7		107A-55
MS28778-4		117 -10	MS35489-135		79 -34A	MS35489-7		107B-54
MS28778-4		120 -10	MS35489-135		84A-89A	MS35489-7		110 -32
MS28778-4		120 -11	MS35489-135		108 -27	MS35489-7		121 - 4
MS28778-4		120 -43	MS35489-14		3A-33	MS35489-7		121B-11
MS28778-4		121 - 8	MS35489-14		112 -14	MS35489-7		122 -10
MS28778-4		121A-13	MS35489-14		112A-27	MS35489-7		122 -22
MS28778-4		121B-25	MS35489-14		112B-20	MS35489-7		122A-19
MS28778-4		122 -11	MS35489-14		112C-16	MS35489-7		122B-17
MS28778-4		122 -16	MS35489-14		113D-10	MS35489-7S		121A-16
MS28778-4		122A- 7	MS35489-14		132A- 8	MS35489-8		78A-88
MS28778-4		122B- 8	MS35489-14		132B-83	MS35489-8		79 -51
MS28778-4		123 - 9	MS35489-14		132B-88	MS35489-8		84 -72
MS28778-4		123 -38	MS35489-14		132C-92C	MS35489-8		84A-86
MS28778-4		123 -45	MS35489-15		24 -44	MS35489-9		25 - 2
MS28778-4		128 - 4	MS35489-15		24A-70	MS35489-9		25 -2A
MS28778-4		129 -12	MS35489-15		84A- 4	MS35489-9		107 -39
MS28778-4		130 -14	MS35489-15		84A-24	MS35649-202		141B-43
MS28778-4		115A- 9A	MS35489-15		84B- 3	MS35649-265		133 -18
MS28778-4		90 - 2	MS35489-15		84B-28	MS35691-1		145 - 7
MS28778-5		114 -27	MS35489-15		84B-49	MS35691-1		145 -22
MS28778-5		114A-12	MS35489-16		98A-27	MS35756-6		140A-13
MS28778-5		117 - 4	MS35489-19		79 -29	MS35756-8		141 -13
MS28778-6		81 -37	MS35489-19		84 -76	MS9021-038		80 -11
MS28778-6		81A-54A	MS35489-19		84A-90	MS9025-05		22 -45
MS28778-6		82 -10	MS35489-20		84B-65	MS9068-010		55 - 4
MS28778-6		82 -22	MS35489-20		84B-90D	MS9144-01		79 - 3
MS28778-6		82A- 6	MS35489-20		107B-95G	MTL106D		71 -23
MS28778-6		82A-17	MS35489-22		84B-89	MTL106D		71A-24
MS28778-6		82A-25	MS35489-33		72 -21	MTL106D		71B-23B
MS28778-6		82A-29	MS35489-33		72A-25	MTL106D		71C-26
MS28778-6		82B- 4	MS35489-33		72B-13	NAS-354-680		57 -54
MS28778-6		82B-22	MS35489-35		94A-39	NAS1022N08		41 - 6
MS28778-6		114 -30	MS35489-35		94A-52	NAS1054-10-28		7 -14
MS28778-8		81 -58	MS35489-36		107 -75	NAS1054-10-33		7 -13
MS28778-8		81A-36	MS35489-36		107A-96D	NAS1054-10-39		7 -12
MS28778-8		126 - 3	MS35489-36		107B-96D	NAS1054-10-44		7 -11
MS28782-22		44 -13	MS35489-36		109 -32	NAS1054-10-50		7 -10
MS28889-2		131 - 2	MS35489-36		109 -35	NAS1054-10-51		7 - 9
MS3057-12A		133 - 3A	MS35489-36		109 -40	NAS1067A3		19 - 5
MS3106A20-15S		133 - 3A	MS35489-4		20 -11	NAS1067A3		19A-67
MS3114E8-2S		134 -14	MS35489-4		84A-25	NAS1067A3		52 -43
MS3367-6-1		133 -38	MS35489-4		84B- 6A	NAS1067A3		52 -46B
MS3506-1		145 - 1	MS35489-4		84B-29	NAS1068A06L		70 -28
MS3506-1		145 -18	MS35489-4		94A-55	NAS1068A06L		70 -30
MS35206-227		60 - 8	MS35489-4		98 -34	NAS1068A08		98 - 7
MS35333-37		34 - 6	MS35489-4		136 -50E	NAS1068A08		144 - 8
MS35333-37		133 -16	MS35489-4		136A-48	NAS1068A3		18A-35
MS35333-38		113C-21	MS35489-4		144 - 9	NAS1068A3		20A-12
MS35333-40		113D-15	MS35489-40		107A-95G	NAS1068A3		75A- 5
MS35335-35		81 - 9	MS35489-45		123 - 6	NAS1068A3		84 -10
MS35478-1683		39 - 9	MS35489-49		107A-97E	NAS1068A3		84 -13
MS35489-1		135A-23	MS35489-49		107B-97D	NAS1068A3		84 -29
MS35489-1		141A- 3	MS35489-5		79 -34	NAS1068A3		84 -30
MS35489-10		78A-90	MS35489-5		79 -34A	NAS1068A3		84 -70
MS35489-10		79 -21	MS35489-5		84 -75	NAS1068A3		84A-11
MS35489-10		84 -74	MS35489-5		84A-89	NAS1068A3		84A-14
MS35489-10		90 - 8B	MS35489-5		84A-89	NAS1068A3		84A-18G
MS35489-10		121 - 5	MS35489-5		90 -17	NAS1068A3		84A-41
MS35489-10		121B-13	MS35489-5		120 -36	NAS1068A3		84A-84
MS35489-10S		121A-10	MS35489-5		121 - 6	NAS1068A3		84B-13
MS35489-11		132 - 9	MS35489-5S		121A-22	NAS1068A3		84B-40
MS35489-11		132 -43	MS35489-6		20A-19	NAS1068A4		18 -91A
MS35489-118		107A-44	MS35489-6		29 - 6	NAS1068RA3		19A-30C
MS35489-118		107B-42	MS35489-6		78A-89	NAS1103-10		40 -19
MS35489-12		3 -30	MS35489-6		79 -46	NAS1149CN632R		133 -12
MS35489-12		5A-80	MS35489-6		84 -71	NAS1149C0332B		94 -12
MS35489-12		79 -15	MS35489-6		84A-85	NAS1149C0332B		94 -19C
MS35489-12		84 -18A	MS35489-6		84B-45	NAS1149C0332B		94 -25

P210 Parts Catalog

PART NUMBER	FICHE AND FRAME	FIGURE AND INDEX NO.	PART NUMBER	FICHE AND FRAME	FIGURE AND INDEX NO.	PART NUMBER	FICHE AND FRAME	FIGURE AND INDEX NO.
NAS1149C0332B		94A-15	NAS1149D0363K		86A-8	NAS1149FN432P		3-55
NAS1149C0332B		94A-24	NAS1149D0363K		86A-33	NAS1149FN432P		3A-44
NAS1149C0332B		94A-37	NAS1149D0363K		86A-44	NAS1149FN432P		49-14
NAS1149C0363R		86-18	NAS1149D0363K		90-32	NAS1149FN432P		50-5
NAS1149C0363R		86-22	NAS1149D0416H		96-60	NAS1149FN432P		65-55C
NAS1149C0432R		82-3	NAS1149D0416K		104-4	NAS1149FN432P		65-55F
NAS1149C0432R		82-7	NAS1149D0463H		109-2	NAS1149FN432P		66-73E
NAS1149C0432R		82-7A	NAS1149D0463K		89-51	NAS1149FN432P		66-73H
NAS1149C0432R		82A-51	NAS1149D0516H		79-4	NAS1149FN432P		66A-3
NAS1149C0463R		82B-27	NAS1149D0516H		79A-14	NAS1149FN432P		67-54
NAS1149C0463R		82B-30	NAS1149D0516K		73B-31	NAS1149FN616P		26-20C
NAS1149C0463R		84-27	NAS1149D0516K		104-11	NAS1149FN616P		47-15
NAS1149C0532R		81-12	NAS1149D0516K		133-29	NAS1149FN616P		48-62
NAS1149C0532R		81A-7	NAS1149D0563K		86A-50	NAS1149FN616P		53-37
NAS1149C0563R		81-7	NAS1149D0663K		48-41	NAS1149FN616P		98-47
NAS1149C0563R		81-15	NAS1149D0663K		90-14	NAS1149FN616P		98A-23
NAS1149C0563R		81-17	NAS1149D0663K		90-18	NAS1149FN616P		132-71
NAS1149C0563R		81A-10	NAS1149D0663K		120-38	NAS1149FN616P		132A-87
NAS1149C0563R		81A-13	NAS1149D0663K		121-14	NAS1149FN616P		132B-3
NAS1149C0563R		81A-15	NAS1149D0716H		107-74	NAS1149FN616P		132C-3
NAS1149C0563R		82-8C	NAS1149D0716K		112A-25	NAS1149FN616P		133-34
NAS1149C0563R		82A-59	NAS1149D0716K		122-17	NAS1149FN616P		136-45
NAS1149C0632R		34-13	NAS1149D0716K		122-18	NAS1149FN616P		136A-76
NAS1149C0632R		81-28	NAS1149D0716K		122A-3	NAS1149FN632P		101-51
NAS1149C0632R		81-50	NAS1149D0716K		122B-15	NAS1149FN632P		134-4
NAS1149C0632R		81A-18	NAS1149D0763H		79-19	NAS1149FN632P		134-11
NAS1149C0632R		88-47	NAS1149D0763K		114-16	NAS1149FN816P		17-81
NAS1149C0663R		34-13	NAS1149D0763K		114A-10	NAS1149FN816P		23-37
NAS1149C0663R		81-2	NAS1149D0763K		120-12	NAS1149FN816P		23-40
NAS1149C0663R		81-3	NAS1149D0763K		120-42	NAS1149FN816P		23-42
NAS1149C0663R		81A-2	NAS1149D0763K		121-2	NAS1149FN816P		24A-92
NAS1149C0663R		88-48	NAS1149D0763K		121-3	NAS1149FN816P		26-48
NAS1149C0663R		101-25	NAS1149D0763K		121-8	NAS1149FN816P		41-4
NAS1149C0832R		54-5	NAS1149D0763K		121-10	NAS1149FN816P		57-20B
NAS1149C0863R		54-67	NAS1149D0763K		121-16	NAS1149FN816P		59-42
NAS1149C0963R		140A-14	NAS1149D0763K		121-17	NAS1149FN816P		61-17
NAS1149C0963R		141-14	NAS1149D0763K		121-19	NAS1149FN816P		79-52
NAS1149DN232K		17-56	NAS1149D0763K		121-20	NAS1149FN816P		86-52
NAS1149DN232K		17-56	NAS1149D0763K		121A-15	NAS1149FN816P		86-58
NAS1149DN316K		77-46	NAS1149D0763K		121B-18	NAS1149FN816P		86A-77
NAS1149DN316K		87A-8	NAS1149D0763K		121B-20	NAS1149FN816P		89-33
NAS1149DN416K		84A-34	NAS1149D0763K		121B-24	NAS1149FN816P		89-60
NAS1149DN432H		101-18A	NAS1149D0763K		122-8	NAS1149FN816P		138-14
NAS1149DN816H		22-33	NAS1149D0763K		122-20	NAS1149FN816P		138A-29
NAS1149DN816H		24-8C	NAS1149D0763K		122A-18	NAS1149FN816P		141A-46
NAS1149DN816H		24A-11	NAS1149D0763K		122B-5	NAS1149FN816P		143A-23
NAS1149DN816K		28-46	NAS1149D0763K		122B-12	NAS1149FN832P		17-68B
NAS1149DN832H		144-4	NAS1149D0763K		123-5	NAS1149FN832P		21-44
NAS1149DN832H		144-14	NAS1149D0763K		123-17	NAS1149FN832P		36-4
NAS1149DN832K		52-54	NAS1149D0763K		123-36	NAS1149FN832P		36-5B
NAS1149DN832K		69-44	NAS1149D0763K		135A-25	NAS1149FN832P		36-6
NAS1149DN832K		69A-45	NAS1149D0863K		121-12	NAS1149FN832P		36-8
NAS1149DN832K		69B-43	NAS1149D0863K		121A-12	NAS1149FN832P		36-9
NAS1149DN832K		86A-40	NAS1149D0863K		121B-22	NAS1149FN832P		36-11
NAS1149DN832K		86A-45	NAS1149D0963H		5B-50	NAS1149FN832P		36-12
NAS1149DN832K		107A-28	NAS1149D0963K		81-35	NAS1149FN832P		36-13
NAS1149DN832K		107B-26	NAS1149D1216H		107-15	NAS1149FN832P		36-18
NAS1149D0316H		73B-13	NAS1149D1216K		113A-14	NAS1149FN832P		36-19
NAS1149D0316H		94A-6	NAS1149D1216K		113B-12	NAS1149FN832P		36-20
NAS1149D0316H		137-15	NAS1149D1216K		113C-25	NAS1149FN832P		36-21
NAS1149D0316K		30-26	NAS1149D1290H		5A-55C	NAS1149FN832P		36-22
NAS1149D0316K		101-45	NAS1149D1290H		5B-93D	NAS1149FN832P		36-22
NAS1149D0316K		133-24	NAS1149D1290H		59-14	NAS1149FN832P		36-23
NAS1149D0363H		21-41	NAS1149D1290K		114-33	NAS1149FN832P		36-26
NAS1149D0363H		21-42	NAS1149FN216P		87A-30	NAS1149FN832P		36-27
NAS1149D0363H		32-52	NAS1149FN216P		87A-38	NAS1149FN832P		47-5
NAS1149D0363H		47-55	NAS1149FN232P		17-13	NAS1149FN832P		52-34
NAS1149D0363H		73B-13	NAS1149FN232P		31A-25	NAS1149FN832P		52-37
NAS1149D0363H		96-64	NAS1149FN332P		132-75	NAS1149FN832P		52-37
NAS1149D0363H		107-52	NAS1149FN332P		132A-91	NAS1149FN832P		52-38
NAS1149D0363H		107-53	NAS1149FN332P		132B-7	NAS1149FN832P		54-85
NAS1149D0363H		107-70	NAS1149FN416P		50-6	NAS1149FN832P		57-36
NAS1149D0363H		137-16	NAS1149FN416P		50-16	NAS1149FN832P		57-64
NAS1149D0363H		137-24	NAS1149FN416P		66A-7	NAS1149FN832P		57-67
NAS1149D0363H						NAS1149FN832P		57-69

P210 Parts Catalog

PART NUMBER	FICHE AND FRAME	FIGURE AND INDEX NO.	PART NUMBER	FICHE AND FRAME	FIGURE AND INDEX NO.	PART NUMBER	FICHE AND FRAME	FIGURE AND INDEX NO.
NAS1149FN832P		57 -81	NAS1149F0332P		67 -34	NAS1149F0332P		107 -72
NAS1149FN832P		57 -82	NAS1149F0332P		67 -50	NAS1149F0332P		107A-25
NAS1149FN832P		59 -42	NAS1149F0332P		69 -24	NAS1149F0332P		107A-47
NAS1149FN832P		65 -58	NAS1149F0332P		69 -24A	NAS1149F0332P		107A-67
NAS1149FN832P		66 -86	NAS1149F0332P		69A-51	NAS1149F0332P		107B-23
NAS1149FN832P		69 -44	NAS1149F0332P		69B-51	NAS1149F0332P		107B-45
NAS1149FN832P		69A-45	NAS1149F0332P		70B-17	NAS1149F0332P		107B-65
NAS1149FN832P		69B-43	NAS1149F0332P		70B-24	NAS1149F0332P		119 -17
NAS1149FN832P		93 -12	NAS1149F0332P		73 -12	NAS1149F0332P		120 - 6
NAS1149FN832P		101 -38A	NAS1149F0332P		73 -15	NAS1149F0332P		123 -13
NAS1149FN832P		134A-11	NAS1149F0332P		73 -19	NAS1149F0332P		123 -32
NAS1149FN832P		136 -56	NAS1149F0332P		73A-11	NAS1149F0332P		123 -43
NAS1149F0332P		136A-80	NAS1149F0332P		73A-12	NAS1149F0332P		132 -49
NAS1149F0332P		3 -53	NAS1149F0332P		73A-13	NAS1149F0332P		132 -65
NAS1149F0332P		3A-42	NAS1149F0332P		73A-15	NAS1149F0332P		132A-83
NAS1149F0332P		4 -29	NAS1149F0332P		73A-16	NAS1149F0332P		133 -28
NAS1149F0332P		4 -30	NAS1149F0332P		73A-17	NAS1149F0332P		135A-59
NAS1149F0332P		4 -34	NAS1149F0332P		73A-19	NAS1149F0332P		136 -41
NAS1149F0332P		4 -36	NAS1149F0332P		73A-20	NAS1149F0332P		136A-72
NAS1149F0332P		7 -46	NAS1149F0332P		73B-26	NAS1149F0332P		141B-45
NAS1149F0332P		7 -49	NAS1149F0332P		78 -16	NAS1149F0332P		145 - 2
NAS1149F0332P		15 -57	NAS1149F0332P		78 -19	NAS1149F0332P		145 -19
NAS1149F0332P		15A-47	NAS1149F0332P		78 -25	NAS1149F0332P		145 -27
NAS1149F0332P		18 -41	NAS1149F0332P		78 -79	NAS1149F0363P		13 -31
NAS1149F0332P		18 -90B	NAS1149F0332P		78A-16	NAS1149F0363P		21 - 4
NAS1149F0332P		18 -98D	NAS1149F0332P		78A-19	NAS1149F0363P		26 -49
NAS1149F0332P		18A-22	NAS1149F0332P		78A-76	NAS1149F0363P		30 -14
NAS1149F0332P		18A-94D	NAS1149F0332P		79 -53	NAS1149F0363P		30 -25
NAS1149F0332P		19A- 7	NAS1149F0332P		79 -59	NAS1149F0363P		32 -33
NAS1149F0332P		19A-26	NAS1149F0332P		79 -74	NAS1149F0363P		32 -39
NAS1149F0332P		19A-28	NAS1149F0332P		79 -74A	NAS1149F0363P		33 - 3
NAS1149F0332P		19A-39	NAS1149F0332P		79 -77	NAS1149F0363P		40 -19
NAS1149F0332P		20A- 8	NAS1149F0332P		79A-19	NAS1149F0363P		42 -38
NAS1149F0332P		22 -14	NAS1149F0332P		79A-25	NAS1149F0363P		47 - 8
NAS1149F0332P		28 -38	NAS1149F0332P		81 -67	NAS1149F0363P		47 -20
NAS1149F0332P		38 -32	NAS1149F0332P		81A-35	NAS1149F0363P		47 -36
NAS1149F0332P		40 -12	NAS1149F0332P		82A-11F	NAS1149F0363P		49 -10
NAS1149F0332P		40 -25	NAS1149F0332P		82A-15	NAS1149F0363P		51 - 7
NAS1149F0332P		40 -25	NAS1149F0332P		82B-20A	NAS1149F0363P		51 -18
NAS1149F0332P		40 -29	NAS1149F0332P		83A-28	NAS1149F0363P		65 -50
NAS1149F0332P		41 -11	NAS1149F0332P		84B-53A	NAS1149F0363P		66 -66
NAS1149F0332P		41 -19	NAS1149F0332P		85 -28	NAS1149F0363P		66 -79B
NAS1149F0332P		42 - 2	NAS1149F0332P		85 -30	NAS1149F0363P		67 -62
NAS1149F0332P		42 -22A	NAS1149F0332P		85A-24	NAS1149F0363P		73B-23
NAS1149F0332P		42 -37	NAS1149F0332P		85A-31	NAS1149F0363P		73B-24
NAS1149F0332P		42 -61	NAS1149F0332P		88 -32F	NAS1149F0363P		78 -16
NAS1149F0332P		45 -11	NAS1149F0332P		88 -32F	NAS1149F0363P		78 -23A
NAS1149F0332P		45 -62	NAS1149F0332P		88 -42	NAS1149F0363P		78 -30
NAS1149F0332P		47 -23	NAS1149F0332P		88 -75	NAS1149F0363P		78 -37
NAS1149F0332P		49 - 6	NAS1149F0332P		90 -61	NAS1149F0363P		78A-16
NAS1149F0332P		49 -11	NAS1149F0332P		94 - 3	NAS1149F0363P		78A-24
NAS1149F0332P		50 -20	NAS1149F0332P		94 -60	NAS1149F0363P		78A-39
NAS1149F0332P		50 -27	NAS1149F0332P		94A- 2	NAS1149F0363P		78A-44
NAS1149F0332P		52 - 3	NAS1149F0332P		94A-51	NAS1149F0363P		78A-49
NAS1149F0332P		54 -99B	NAS1149F0332P		95 -38	NAS1149F0363P		78A-81
NAS1149F0332P		57 - 7	NAS1149F0332P		96 -14	NAS1149F0363P		78A-84
NAS1149F0332P		59 -30	NAS1149F0332P		96 -72	NAS1149F0363P		79 -28
NAS1149F0332P		59 -36	NAS1149F0332P		97 - 2	NAS1149F0363P		79 -57
NAS1149F0332P		65 - 3	NAS1149F0332P		97 - 5	NAS1149F0363P		79 -59B
NAS1149F0332P		65 - 5	NAS1149F0332P		98A-10	NAS1149F0363P		79A- 9
NAS1149F0332P		65 -37	NAS1149F0332P		98A-18	NAS1149F0363P		79A-32
NAS1149F0332P		65 -63	NAS1149F0332P		100 -41	NAS1149F0363P		81 -42
NAS1149F0332P		65 -73	NAS1149F0332P		100 -47A	NAS1149F0363P		81 -61
NAS1149F0332P		66 - 3	NAS1149F0332P		100 -59	NAS1149F0363P		81A-40
NAS1149F0332P		66 - 5	NAS1149F0332P		100 -67	NAS1149F0363P		82 -18
NAS1149F0332P		66 -33	NAS1149F0332P		100 -78	NAS1149F0363P		82A-37
NAS1149F0332P		66 -53	NAS1149F0332P		101 -37	NAS1149F0363P		83A-17
NAS1149F0332P		66 -60	NAS1149F0332P		103 - 9	NAS1149F0363P		83A-23
NAS1149F0332P		66 -78	NAS1149F0332P		103 -13	NAS1149F0363P		83A-32
NAS1149F0332P		66 -82	NAS1149F0332P		103 -32	NAS1149F0363P		84B-68
NAS1149F0332P		66 -93	NAS1149F0332P		104 -10	NAS1149F0363P		84B-77
NAS1149F0332P		67 - 2	NAS1149F0332P		104 -28	NAS1149F0363P		84B-82
NAS1149F0332P		67 - 3	NAS1149F0332P		104 -62	NAS1149F0363P		84B-88
NAS1149F0332P		67 -26	NAS1149F0332P		107 - 4	NAS1149F0363P		85 -15

P210 Parts Catalog

PART NUMBER	FICHE AND FRAME	FIGURE AND INDEX NO.	PART NUMBER	FICHE AND FRAME	FIGURE AND INDEX NO.	PART NUMBER	FICHE AND FRAME	FIGURE AND INDEX NO.
NAS1149F0363P		85A-35	NAS1149F0432P		88 -50	NAS1149F0463P		114A-23
NAS1149F0363P		85A-38	NAS1149F0432P		88 -55	NAS1149F0463P		114A-27
NAS1149F0363P		85A-43	NAS1149F0432P		88 -60	NAS1149F0463P		115 -10
NAS1149F0363P		85A-47	NAS1149F0432P		89 -57	NAS1149F0463P		120 -28
NAS1149F0363P		85A-52	NAS1149F0432P		96 -51	NAS1149F0463P		121B- 3
NAS1149F0363P		87A-23	NAS1149F0432P		98 -28	NAS1149F0463P		145 - 7
NAS1149F0363P		87A-37	NAS1149F0432P		104 - 4	NAS1149F0463P		145 -14
NAS1149F0363P		88 -25	NAS1149F0432P		108 -21	NAS1149F0463P		145 -22
NAS1149F0363P		88 -69	NAS1149F0432P		115A-42A	NAS1149F0463P		145 -29
NAS1149F0363P		88 -72	NAS1149F0432P		119 - 2	NAS1149F0563P		11 - 4
NAS1149F0363P		89 -23	NAS1149F0432P		119 -19	NAS1149F0563P		12 - 4
NAS1149F0363P		89 -45	NAS1149F0432P		121 -27	NAS1149F0563P		30 -20
NAS1149F0363P		93 -73	NAS1149F0432P		121A- 3	NAS1149F0563P		43 -10
NAS1149F0363P		97 -56	NAS1149F0432P		123 -23	NAS1149F0563P		45 -11
NAS1149F0363P		100 -23	NAS1149F0432P		125 - 3	NAS1149F0563P		45 -11
NAS1149F0363P		100 -40	NAS1149F0432P		132 -61	NAS1149F0563P		45 -49
NAS1149F0363P		100 -43	NAS1149F0432P		136A-66	NAS1149F0563P		46 - 5
NAS1149F0363P		100 -49	NAS1149F0432P		141B-49	NAS1149F0563P		51 -11
NAS1149F0363P		100 -60	NAS1149F0463P		3 - 5	NAS1149F0563P		51 -22A
NAS1149F0363P		101 -31	NAS1149F0463P		3A- 8	NAS1149F0563P		51 -30
NAS1149F0363P		104 -36	NAS1149F0463P		9 - 2	NAS1149F0563P		51 -39
NAS1149F0363P		104 -46	NAS1149F0463P		11 - 3	NAS1149F0563P		82 -27
NAS1149F0363P		107A-13	NAS1149F0463P		12 - 3	NAS1149F0563P		82A- 2
NAS1149F0363P		107A-31	NAS1149F0463P		13 - 2	NAS1149F0563P		88 -36
NAS1149F0363P		107B-29	NAS1149F0463P		14 - 2	NAS1149F0563P		93 -30
NAS1149F0363P		109C- 8	NAS1149F0463P		14 - 4	NAS1149F0563P		93 -43
NAS1149F0363P		114 - 5	NAS1149F0463P		14 -56	NAS1149F0563P		95 -27A
NAS1149F0363P		114 - 7	NAS1149F0463P		14A-18	NAS1149F0563P		95 -30
NAS1149F0363P		120 - 3	NAS1149F0463P		14A-58	NAS1149F0563P		97 - 2
NAS1149F0363P		132 -22	NAS1149F0463P		15 - 2	NAS1149F0563P		100 -16
NAS1149F0363P		132 -29	NAS1149F0463P		15 -82	NAS1149F0563P		100 -21
NAS1149F0363P		132 -81	NAS1149F0463P		15 -82	NAS1149F0563P		100 -82
NAS1149F0363P		132A-95	NAS1149F0463P		15A- 5	NAS1149F0563P		104 -27
NAS1149F0363P		132B-98	NAS1149F0463P		15A-10	NAS1149F0563P		140A-10
NAS1149F0363P		132C-93B	NAS1149F0463P		30 -12	NAS1149F0563P		141 - 9
NAS1149F0363P		133 -23	NAS1149F0463P		30 -13	NAS1149F0563P		141B-10
NAS1149F0363P		135A- 7	NAS1149F0463P		30 -13A	NAS1149F0632P		40 - 3
NAS1149F0363P		135A-56	NAS1149F0463P		30 -19	NAS1149F0632P		40 -21
NAS1149F0363P		136 -27	NAS1149F0463P		30 -21	NAS1149F0632P		45 -15
NAS1149F0363P		136A-14	NAS1149F0463P		30 -22	NAS1149F0632P		51 - 4
NAS1149F0363P		136A-28	NAS1149F0463P		46 -28	NAS1149F0632P		57 -31
NAS1149F0363P		137 -12	NAS1149F0463P		47 -42	NAS1149F0632P		81A-43
NAS1149F0363P		141C- 6	NAS1149F0463P		50 -14	NAS1149F0632P		124 -23
NAS1149F0363P		145 - 2	NAS1149F0463P		50 -39	NAS1149F0632P		124 -27
NAS1149F0363P		145 -17	NAS1149F0463P		57 - 3	NAS1149F0632P		124 -27
NAS1149F0363P		145 -34	NAS1149F0463P		66 -44	NAS1149F0632P		141B-18
NAS1149F0363P		137 -29	NAS1149F0463P		67 -44	NAS1149F0663P		45 -15
NAS1149F0432P		32 -57	NAS1149F0463P		68 - 3	NAS1149F0663P		45 -15
NAS1149F0432P		41 -15	NAS1149F0463P		68A- 3	NAS1149F0663P		45 -35
NAS1149F0432P		42 - 5	NAS1149F0463P		74 -15	NAS1149F0663P		45 -35
NAS1149F0432P		42 -20A	NAS1149F0463P		75 - 5	NAS1149F0663P		50 -11
NAS1149F0432P		42 -51	NAS1149F0463P		78 - 6	NAS1149F0663P		50 -32
NAS1149F0432P		42 -57	NAS1149F0463P		78 -38	NAS1149F0663P		51 -33
NAS1149F0432P		42 -71	NAS1149F0463P		78 -49A	NAS1149F0663P		74 -21
NAS1149F0432P		42 -77	NAS1149F0463P		78A- 6	NAS1149F0663P		74 -21
NAS1149F0432P		46 -25	NAS1149F0463P		81 -19	NAS1149F0663P		74 -27
NAS1149F0432P		50 - 3	NAS1149F0463P		88 -29A	NAS1149F0663P		78 -53
NAS1149F0432P		50 -14A	NAS1149F0463P		88 -56	NAS1149F0663P		78 -58
NAS1149F0432P		50 -34	NAS1149F0463P		88 -61	NAS1149F0663P		78 -64
NAS1149F0432P		51 -26	NAS1149F0463P		88 -65	NAS1149F0663P		78A-57
NAS1149F0432P		53 -40	NAS1149F0463P		93 -25	NAS1149F0663P		78A-62
NAS1149F0432P		65 -14	NAS1149F0463P		95 -14	NAS1149F0663P		78A-67
NAS1149F0432P		65 -15	NAS1149F0463P		95 -18	NAS1149F0663P		100 -28
NAS1149F0432P		65 -22	NAS1149F0463P		95 -43	NAS1149F0663P		107A- 6
NAS1149F0432P		66 -14	NAS1149F0463P		96 -52	NAS1149F0663P		110 - 6
NAS1149F0432P		66 -15	NAS1149F0463P		97 -16	NAS1149F0663P		120A-17
NAS1149F0432P		66 -44	NAS1149F0463P		100 -26	NAS1149F0663P		124 -24
NAS1149F0432P		67 - 9	NAS1149F0463P		100 -34A	NAS1149F0732P		78A-87
NAS1149F0432P		67 -10	NAS1149F0463P		100 -55	NAS1149F0732P		107 -31
NAS1149F0432P		74 - 4	NAS1149F0463P		104 - 3	NAS1149F0732P		107A-81
NAS1149F0432P		74 -12	NAS1149F0463P		108 -20	NAS1149F0732P		107A-96A
NAS1149F0432P		74 -12	NAS1149F0463P		113D-14	NAS1149F0732P		107A-96F
NAS1149F0432P		81A-25	NAS1149F0463P		114 - 2	NAS1149F0732P		107B-80
NAS1149F0432P		82A-54	NAS1149F0463P		114A- 2	NAS1149F0732P		107B-96A

P210 Parts Catalog

PART NUMBER	FICHE AND FRAME	FIGURE AND INDEX NO.	PART NUMBER	FICHE AND FRAME	FIGURE AND INDEX NO.	PART NUMBER	FICHE AND FRAME	FIGURE AND INDEX NO.
NAS1149F0732P		107B-96F	NAS156406-4		107A-94A	NAS220-7		104-43
NAS1149F0732P		111-9	NAS156406-4		107B-94A	NAS220-8		13-34
NAS1149F0732P		120-31	NAS156408-6		3A-32	NAS220-8		22-1
NAS1149F0732PM		120A-3	NAS156408-6		5A-58D	NAS220-8		22-11
NAS1149F0763P		49-4	NAS1593-010		109-8	NAS220-8		22-21
NAS1149F0763P		107A-84	NAS1593-010		109A-19	NAS220-8		22-27
NAS1149F0763P		107A-90C	NAS1593-011		107A-10	NAS220-8		22-41
NAS1149F0763P		107B-83	NAS1593-011		107B-11	NAS220-8		22-43
NAS1149F0763P		107B-90B	NAS1593-011		109-16	NAS220-8		104-18
NAS1149F0763P		110-26	NAS1593-011		109A-7	NAS220-8		144-3
NAS1149F0763P		120A-3	NAS1593-012		8-4	NAS220-9		17-76
NAS1149F0763P		120A-12	NAS1593-012		109A-12	NAS220-9		66A-13
NAS1149F0763P		140A-3	NAS1593-012		110-1	NAS221		70-6A
NAS1149F0763P		141-4	NAS1593-013		109B-9	NAS221-10		32-52
NAS1149F0763P		141B-3	NAS1593-014		109-22	NAS221-10		32-55
NAS1149F0763P		141B-14	NAS1593-015		8-2	NAS221-11		26-49
NAS1149F0763P		141B-23	NAS1593-018		109A-16	NAS221-11		32-37
NAS1149F0863P		3-8	NAS1593-018		109B-8	NAS221-11		70-7
NAS1149F0863P		3A-2	NAS1593-022		109A-17	NAS221-11		70-39
NAS1149F0863P		45-21	NAS1593-024		109A-6	NAS221-11		70A-7
NAS1149F0863P		50-13	NAS1593-10		108-15	NAS221-11		70A-32
NAS1149F0863P		54-75	NAS1593-111		108-12	NAS221-13		14-59
NAS1149F0863P		66A-15	NAS1593-111		108A-7	NAS221-13		32-33
NAS1149F0863P		76-3	NAS1593-111		108B-7	NAS221-13		32-39
NAS1149F0863P		76A-3	NAS1593-130		109-12	NAS221-13		32-50
NAS1149F0932P		86-26	NAS1593-137		109-25	NAS221-14		107-72
NAS1149F0932P		86A-55	NAS1593-138		79A-35	NAS221-16		107-72
NAS1149F0932P		107A-93K	NAS1593-138		108-10	NAS221-28		65-69
NAS1149F0932P		107B-93K	NAS1593-138		108A-5	NAS221-28		66-89
NAS1149F0932P		132-14	NAS1593-138		108B-3	NAS221-28		67-62
NAS1149F0963P		78-86	NAS1596-4		107A-64	NAS221-5		32-46
NAS1149F1232P		45-63	NAS1596-4		107B-62	NAS221-5		32-48
NAS1149F1232P		107-6	NAS1596-4		107B-74	NAS221-5		32-63
NAS1149F1232P		107A-95E	NAS1596-4		109-31	NAS221-6		24-77
NAS1149F1232P		107B-95E	NAS1596-4		109-34	NAS221-6		24A-97A
NAS1149F1232P		112C-27	NAS1596-4		109-39	NAS221-6		32-54
NAS1149F1232P		113-4	NAS1596-4		107A-76A	NAS221-6		32-66
NAS1149F1232P		125-6	NAS1596-8		107-12	NAS221-6		76-5
NAS1149F1232P		112-138	NAS1596-8		107A-37	NAS221-7		29-28
NAS1149F1232P		112B-18	NAS1596-8		107A-95	NAS221-7		29-28
NAS1149F1290P		107B-92J	NAS1596-8		107A-95A	NAS221-7		32-53
NAS1305-18		45-10	NAS1596-8		107A-95D	NAS221-7		32-65
NAS1305-18		45-13	NAS1596-8		107B-35	NAS221-8		70-6
NAS1306-24H		45-14	NAS1596-8		107B-95	NAS221-8		70-6A
NAS1306-28		45-14	NAS1596-8		107B-95A	NAS221-8		70-40
NAS1329-08-75		135-19	NAS1596-8		107B-95D	NAS221-8		70A-6
NAS1329A06-75		23-248	NAS1596-8		109-29	NAS221-8		70A-33
NAS1329A06-75		34-6	NAS1596-8		109-37	NAS221-8		132A-69
NAS1329A06K		72-22	NAS1596-8		109-42	NAS221-8		132B-44
NAS1329A06K-75		3A-17	NAS179-10		7-14	NAS221-8		132C-55
NAS1329A08K120		89-57	NAS220-10		32-28	NAS221-9		29-28
NAS1329S06K120		26-20D	NAS220-11		9-44	NAS221-9		32-51
NAS1351-3-6		117-2	NAS220-11		9-49	NAS221-9		57-92
NAS1352-02-08		94-52	NAS220-11		65-58	NAS221-9		76A-6
NAS1352-02-08		94A-45	NAS220-11		66-85	NAS221-9		87-2
NAS1352-02-8		94-6	NAS220-14		93-34	NAS222-12		32-34
NAS1352-02-8		94A-12	NAS220-16		52-9	NAS222-12		32-40
NAS1352-06-4		135A-66	NAS220-22		93-69	NAS222-14		28-38
NAS1352-06-4P		135A-66	NAS220-5		33-19	NAS222-14		93-66
NAS1352-3-10		5A-58A	NAS220-5		51-36	NAS222-16		93-23
NAS1352-3-10		5B-54A	NAS220-6		23-40	NAS222-9		75-2
NAS1352-3-10		5B-87	NAS220-6		23-42	NAS354-4-200		50-22
NAS1352-4-36		140-8	NAS220-6		24-52	NAS354-4-200		57-51
NAS1352-6H24		140A-7A	NAS220-6		24A-78	NAS354-4-290		57-52
NAS1352-6H24		141-7	NAS220-6		144-13	NAS354-4-412		54-45
NAS1395C4L		30-16	NAS220-7		24A-92	NAS354-4-431		57-55
NAS1395C4L		30-22	NAS220-7		29-40	NAS354-4-520		48-43
NAS1395C4L		50-42	NAS220-7		33-13	NAS354-4-531		54-58
NAS1473A08		5B-80	NAS220-7		85-22	NAS359-84-11.66		54-69
NAS1473A3		21-2	NAS220-7		85-23	NAS359-84-9.86		54-60
NAS1473A3		30-15	NAS220-7		104-22	NAS388-10-7P		54-3
NAS1473A4		27-36	NAS220-7		104-40	NAS388-8-12P		57-90
NAS1474A3		30-16	NAS220-7		104-40	NAS393-7		86A-24
NAS1474A4		30-8	NAS220-7		104-43	NAS395-1-3		63-27

P210 Parts Catalog

PART NUMBER	FICHE AND FRAME	FIGURE AND INDEX NO.	PART NUMBER	FICHE AND FRAME	FIGURE AND INDEX NO.	PART NUMBER	FICHE AND FRAME	FIGURE AND INDEX NO.
NAS395-1-3		136 -50D	NAS42DD6-24A		96 -65	NAS43DD3-28		82B-37
NAS395-1-3		136 -50K	NAS42DD6-43		3A-29	NAS43DD3-28		88 -76
NAS395-1-3		136A-42	NAS42DD6-8		136A-83	NAS43DD3-32		79 -24A
NAS395-1-3		136A-47	NAS42DD6-92A		22 -44	NAS43DD3-32A		138A-28
NAS395-1-3		139 -11	NAS42HT5-10		57 -20B	NAS43DD3-34		138 -27
NAS395-1-3		139A-6	NAS42HT6		70 -6A	NAS43DD3-358		88 -42
NAS395-1-3		139A-16	NAS42HT6-21		70B-3	NAS43DD3-36		123 -42
NAS395-11-3		101 -36	NAS42HT6-21		70B-9	NAS43DD3-4		138A-4
NAS395-11-3		138A-9	NAS42HT6-23		70 -7	NAS43DD3-42		69B-51
NAS395-12-3		14 -68	NAS42HT6-23		70 -39	NAS43DD3-42		73A-13
NAS395-12-3		14A-7	NAS42HT6-23		70A-7	NAS43DD3-45		78A-76
NAS395-12-3		14A-10	NAS42HT6-23		70A-32	NAS43DD3-48		89 -39
NAS395-13-3		107A-90E	NAS42HT6-24		70B-5	NAS43DD3-48		133 -3
NAS395-13-3		107B-90D	NAS42HT6-24		70B-8	NAS43DD3-53		73B-22
NAS395-14		83 -16	NAS42HT6-8		70 -6	NAS43DD3-53		137 -20
NAS395-14		83 -20	NAS42HT6-8		70 -6A	NAS43DD3-56		90 -32
NAS395-14-3		9 -38	NAS42HT6-8		70 -40	NAS43DD3-60		103 -15
NAS395-14-3		10 -12	NAS42HT6-8		70A-6	NAS43DD3-63		137 -27
NAS395-14-3		14 -14	NAS42HT6-8		70A-33	NAS43DD3-64		54 -77B
NAS395-14-3		31A-3	NAS42HT6-8		92 -12	NAS43DD3-64		107 -29
NAS395-14-3		39 -3	NAS42HT8-8		92 -12	NAS43DD3-72		141A-11
NAS395-17-3		3 -24	NAS427K11		96 -13	NAS43DD3-8		73B-4
NAS395-17-3		3A-46	NAS427K14		104 -31	NAS43DD3-8		145 -16
NAS395-17-3		138 -10	NAS428-3-10		7 -33	NAS43DD3-80		95 -49
NAS395-2-3		26 -97B	NAS428-3-6		47 -57	NAS43DD4-29		81A-24
NAS395-2-3		26 -97B	NAS428-3-7		102 -43	NAS43DD4-30		96 -50
NAS395-3-3		69A-72	NAS428H3-6		51 -14	NAS43DD4-32		132 -62
NAS395-3-3		69B-19	NAS43DD0-8A		94 -41	NAS43DD4-48		123 -20
NAS395-6-3		69B-60	NAS43DD1-12		86 -5	NAS43DD4-56		115 -8
NAS395-7		86 -5	NAS43DD1-12		86A-26	NAS43DD4-60		115 -9
NAS395-7		86 -6A	NAS43DD1-12		105 -50	NAS43DD5-118		126 -7
NAS395-7		86A-27	NAS43DD1-16		61 -19	NAS43DD5-36		126 -7
NAS395-7		105 -49A	NAS43DD1-16		61 -19	NAS43DD6-132		101 -24
NAS396-5-1		78 -81	NAS43DD1-16		62 -16	NAS43DD7-46		71 -22
NAS397-10		81 -63	NAS43DD1-16		62 -16	NAS43DD7-46		71A-23
NAS397-12		132B-22	NAS43DD1-34		134A-9	NAS43DD7-46		71B-23A
NAS397-12		132C-37	NAS43DD1-62		69 -38	NAS43DD7-46		71C-25
NAS397-16		113 -8	NAS43DD1-62		69 -38	NAS43HT1-6		53 -35
NAS397-16		113 -20	NAS43DD1-62		69A-52	NAS43HT3		137 -10
NAS397-16		113 -23	NAS43DD1-62		69B-65	NAS43HT3-10		100 -27
NAS397-16		113 -28	NAS43DD1-74		69 -38	NAS43HT3-10		107B-9
NAS397-16		113 -31	NAS43DD1-74		69 -38	NAS43HT3-12		92 -9
NAS397-16		132A-64	NAS43DD1-9		71B-31	NAS43HT3-12		96 -71
NAS397-16		132A-78	NAS43DD3-10		79A-9	NAS43HT3-12		136 -16C
NAS397-18		78A-94A	NAS43DD3-12		107 -72	NAS43HT3-12		136A-19C
NAS397-18		79 -24	NAS43DD3-126		135A-60	NAS43HT3-19		120 -7
NAS397-18		79 -26B	NAS43DD3-13		20A-10	NAS43HT3-20		51 -14
NAS397-18		141C-3	NAS43DD3-14		103 -34	NAS43HT3-20		135 -7
NAS397-22		107 -8	NAS43DD3-15		20A-11	NAS43HT3-26		55 -14
NAS397-22		107 -17	NAS43DD3-15		82B-20A	NAS43HT3-35		48 -13
NAS397-28		79 -31	NAS43DD3-15		89 -25	NAS43HT3-40		100 -23
NAS397-28		79 -33	NAS43DD3-16		78 -26	NAS43HT3-50		97 -2
NAS397-8		79 -10	NAS43DD3-16		78A-32	NAS43HT3-6		97 -21
NAS397-8		79 -13	NAS43DD3-16		94 -19B	NAS43HT4-10		74 -3
NAS397-8		82 -35	NAS43DD3-16		94A-23	NAS43HT4-10		74 -10
NAS397-8		82A-11A	NAS43DD3-16		138 -27	NAS43HT4-10		100 -71
NAS397-8		82A-21	NAS43DD3-18		65 -50	NAS43HT4-12		75 -4
NAS397-8		82A-43	NAS43DD3-18		66 -77	NAS43HT4-18		96 -33
NAS397-8		132A-3	NAS43DD3-18		79 -77	NAS43HT4-18		102 -23
NAS397-8		132A-12	NAS43DD3-18		79A-19	NAS43HT4-28		47 -47
NAS397-8		132A-14	NAS43DD3-20		60 -7A	NAS43HT4-30		74 -22
NAS397-8		132A-52	NAS43DD3-20		73B-4A	NAS43HT4-31		96 -26
NAS397-8		132A-54	NAS43DD3-22		54 -96	NAS43HT4-31		102 -16
NAS397-8		132A-60	NAS43DD3-23		78 -80	NAS43HT4-34		96 -39
NAS398-58		88 -41	NAS43DD3-24		24 -28F	NAS43HT4-34		102 -29
NAS398-66		79 -66	NAS43DD3-24		24A-47	NAS43HT4-36		47 -48
NAS42DD4-17		98 -4	NAS43DD3-24		89 -19A	NAS43HT4-38		74 -28
NAS42DD4-28		98 -5	NAS43DD3-24		138A-4	NAS43HT4-39		96 -27
NAS42DD5-4		17 -10	NAS43DD3-28		69B-51	NAS43HT4-39		102 -17
NAS42DD5-4		17 -12A	NAS43DD3-28		73A-12	NAS43HT4-40		132C-16B
NAS42DD5-4		136A-96	NAS43DD3-28		78 -80	NAS43HT4-41		96 -20
NAS42DD6-104		89 -61	NAS43DD3-28		79 -18C	NAS43HT4-41		102 -10
NAS42DD6-16		85 -36	NAS43DD3-28		82 -36	NAS43HT4-45		74 -17
NAS42DD6-16		85A-15	NAS43DD3-28		82A-47	NAS43HT4-48		97 -43

P210 Parts Catalog

PART NUMBER	FICHE AND FRAME	FIGURE AND INDEX NO.	PART NUMBER	FICHE AND FRAME	FIGURE AND INDEX NO.	PART NUMBER	FICHE AND FRAME	FIGURE AND INDEX NO.
NAS43HT8-3		51 -12	NAS557-16A		7 -29	NAS620-10L		47 -50
NAS43HT8-96		136 -21A	NAS557-16A		132B-15	NAS620-10L		54 -13
NAS446-1		2 -15	NAS557-22A		7 -29	NAS620-4		100 -85
NAS446-1		2A-14	NAS557-4A		69 -24A	NAS620-5		59 -7
NAS446-1		69 -13A	NAS557-4A		69A-51	NAS620-5		59 -23
NAS446-1		69 -13A	NAS557-4A		69B-51	NAS6203-22H		115A-37
NAS446-1		69A-14	NAS557-4A		105 -44	NAS637A3		84 -59
NAS446-1		69A-16	NAS557-6A		25 -1	NAS637A3		84 -65
NAS446-1		69B-9	NAS557-6A		25 -5	NAS637A3		84 -68
NAS446-1		69B-15	NAS557-6A		25 -6	NAS680A03		5 -29
NAS446-1		72 -14A	NAS557-8A		84A-70C	NAS680A04		17 -82
NAS446-1		72A-17	NAS557-8A		132 -38	NAS680A04		26 -24
NAS446-1		72B-6	NAS557-8A		132A-32	NAS680A04		70 -12
NAS446-2-1		22 -17	NAS557-8A		132B-34	NAS680A06		5 -13
NAS446-2-3		142 -6	NAS557-8A		132B-63	NAS680A06		5 -54
NAS446-2-3		142 -9	NAS557-8A		132C-49	NAS680A06		5A-77
NAS446-4		98A-26	NAS557-8A		132C-83	NAS680A06		5B-96
NAS446-4		103 -10	NAS56P3-10		53 -13	NAS680A06		11 -11
NAS446-4-1		78 -68	NAS561-2-8		109 -47A	NAS680A06		12 -15
NAS446-4-1		78 -87	NAS561-2-8		109A-29	NAS680A06		29 -5
NAS446-4-3		90 -8A	NAS561-3-16		66 -73	NAS680A06		29 -24A
NAS446-4-3		90 -8A	NAS561-5-12		90 -40	NAS680A06		33 -28
NAS446-4-3		132 -41	NAS561CF4-12		54 -36	NAS680A06		33 -29
NAS446-4-3		132A-17	NAS561CF4-14		54 -76A	NAS680A06		71C-5
NAS446-5-3		79 -41	NAS561C3-8		59 -10	NAS680A08		5 -7A
NAS446-5-3		81 -70	NAS561C4-11		54 -68	NAS680A08		5B-76
NAS446-5-3		81A-54	NAS561P-6-18		93 -37	NAS680A08		15A-40
NAS463TKD10		70B-21	NAS561PF4-10		57 -20	NAS680A08		15A-50
NAS464-5A48		42 -2	NAS561PF7-16		42 -34	NAS680A08		16 -13
NAS464P3-22		42 -60	NAS561P3-11		109 -14	NAS680A08		17 -12
NAS464P3-9		97 -55	NAS561P3-6		109 -4	NAS680A08		18 -5
NAS464P3A10		41 -19	NAS561P3-6		109B-5	NAS680A08		18 -98E
NAS464P3A32		40 -19	NAS561P3-8		67 -58	NAS680A08		18A-9
NAS464P3A32		42 -36	NAS561P4-10		65 -33	NAS680A08		21 -5E
NAS464P3A7		41 -9	NAS561P4-10		65 -43	NAS680A08		21 -12
NAS464P3A9		41 -10	NAS561P4-10		66 -30	NAS680A08		22 -9
NAS464P3A9		42 -40	NAS561P4-10		66 -55	NAS680A08		22A-4
NAS464P4A10		42 -20	NAS561P4-10		67 -24	NAS680A08		24 -27
NAS464P4A10		74 -20	NAS561P4-10		67 -31	NAS680A08		24A-40
NAS464P4A16		41 -18	NAS561P4-12		65 -29	NAS680A08		26 -84
NAS464P4A20		41 -14	NAS561P4-12		65 -39	NAS680A08		32 -2
NAS464P4A29		74 -26	NAS561P4-12		66 -23	NAS680A08		32A-2
NAS464P4A29		125 -2	NAS561P4-12		66 -35	NAS680A08		33 -9
NAS464P5LA27		45 -13	NAS561P4-12		66 -57	NAS680A08		33 -9
NAS464P5LA34		45 -10	NAS561P4-12		67 -20	NAS680A08		33 -9
NAS464P6LA32		45 -34	NAS561P4-12		67 -29	NAS680A08		33 -9
NAS464P6LA38		45 -34	NAS561P4-14		54 -4	NAS680A08		33 -16
NAS464P6LA39		45 -34	NAS561P4-14		57 -11	NAS680A08		52 -18
NAS464P7-42		120 -30	NAS561P4-14		66A-17	NAS680A08		57 -85
NAS488-1-3		20 -8	NAS561P4-15		66 -38	NAS680A08		69B-56
NAS488-1-3		20A-18	NAS561P4-18		44 -16	NAS680A08		84A-38A
NAS488-5-3		39 -5	NAS561P4-18		119 -26	NAS680A08		104 -15
NAS488-5-3		139 -7	NAS561P4-18		119 -29	NAS680A08		138 -1B
NAS488-5-3		139A-3	NAS561P4-22		119 -31	NAS680A08		141A-36
NAS488-5-3		139A-11	NAS561P4-8		66 -68	NAS680A08		143 -11
NAS509-3		54 -88	NAS561P4-8		98 -14	NAS680A08K		144 -8A
NAS514-632R10		93 -3	NAS561P6-12		65 -31	NAS680A08K		14A-28
NAS514P1032-10		47 -28	NAS561P6-12		66 -27	NAS680A08K		14A-30
NAS514P1032-12		85 -30	NAS561P6-12		67 -22	NAS680A08K		15A-88
NAS514P1032-12		85 -38	NAS561P6-18		66 -50	NAS680A08K		24 -12F
NAS514P1032-12		85A-19	NAS561P6-22		66 -48	NAS680A08K		24A-24
NAS514P1032-7		92 -41	NAS561P6-22		66 -48	NAS680A08K		135 -2
NAS514P632-12		93 -5A	NAS561P6-28		66 -43	NAS680A08K		138A-25B
NAS514P632-6		53 -26	NAS561P8-18		66 -46	NAS680A08K		141A-8
NAS514P632-7		55 -24	NAS561P8-26		65 -47	NAS680A3		4 -34
NAS549-6L		69 -57	NAS561P8-32		42 -17	NAS680A3		5 -7A
NAS557-10A		132A-28	NAS563-11		44 -4	NAS680A3		5 -34
NAS557-10A		132B-33	NAS564-29		47 -33	NAS680A3		5A-71
NAS557-10A		132C-48	NAS564-29		47 -41	NAS680A3		5B-68A
NAS557-14A		132B-35	NAS565-33		51 -29	NAS680A3		7 -31
NAS557-14A		132B-64	NAS566-27		141B-17	NAS680A3		10 -31
NAS557-14A		132C-29	NAS588-10-16		88 -19	NAS680A3		10 -32
NAS557-14A		132C-50	NAS62A08		17 -30	NAS680A3		10 -36
NAS557-14A		132C-84	NAS620-10		114 -6	NAS680A3		11 -11
						NAS680A3		14 -22

P210 Parts Catalog

PART NUMBER	FICHE AND FRAME	FIGURE AND INDEX NO.	PART NUMBER	FICHE AND FRAME	FIGURE AND INDEX NO.	PART NUMBER	FICHE AND FRAME	FIGURE AND INDEX NO.
NAS680A3		15 -52	NAS680A3		112C-33	NAS682A08		15A-41
NAS680A3		15A-43	NAS680A3		132A-23C	NAS682A08		15A-51
NAS680A3		16 -13	NAS680A3		132B-46	NAS682A08		28 -14
NAS680A3		17 -49D	NAS680A3		132C-57	NAS682A08		33 - 8
NAS680A3		17 -50	NAS680A3		135A- 9	NAS682A08		33 - 8
NAS680A3		17 -51	NAS680A3		138A- 2	NAS682A08		33 - 8
NAS680A3		17 -51	NAS680A3		141A-38	NAS682A08		33 -15
NAS680A3		17 -61	NAS680A3		145 -20	NAS682A08		33 -23
NAS680A3		18 -39	NAS680A3K		24 -12C	NAS682A08		70 -14
NAS680A3		18 -42	NAS680A3K		24 -46	NAS682A08		70A-15
NAS680A3		18 -43	NAS680A3K		24 -47	NAS682A08		104 -44
NAS680A3		18 -98	NAS680A3K		24 -48	NAS682A08		106A-14
NAS680A3		18A-95A	NAS680A3K		24A-19	NAS682A08		106A-26
NAS680A3		21 -28	NAS680A3K		24A-21	NAS682A08K		14A-31
NAS680A3		21 -28	NAS680A3K		24A-73	NAS682A08K		59 -39
NAS680A3		21 -31A	NAS680A3K		24A-75	NAS682A3		5 -39
NAS680A3		21 -31A	NAS680A3K		38 -28	NAS682A3		14A-82
NAS680A3		21 -31A	NAS680A3K		98 -39	NAS682A3		17 -30
NAS680A3		22 - 8	NAS680A3K		98 -44	NAS682A3		17 -30
NAS680A3		24 -11	NAS680A4		4 -57	NAS682A3		17 -82
NAS680A3		24 -12A	NAS680A4		22A- 6A	NAS682A3		18 -28
NAS680A3		24 -59B	NAS680A4		28 - 8	NAS682A3		18 -60
NAS680A3		24A-14	NAS680A4		28 -25	NAS682A3		18A-75
NAS680A3		24A-87	NAS680A4		29 -13	NAS682A3		21 -31C
NAS680A3		26 -40	NAS680A4		29 -26	NAS682A3		29 -17
NAS680A3		26 -98	NAS680A4		33 -55	NAS682A3		29 -17
NAS680A3		27 -35	NAS680A4		114A-24	NAS682A3		33 -26
NAS680A3		29 -14	NAS680A4		145 - 5	NAS682A3		52 -44
NAS680A3		29 -14	NAS680A4K		24 -12E	NAS682A3		54 -43
NAS680A3		29 -18	NAS680A4K		24 -32	NAS682A3		70B-13
NAS680A3		29 -18	NAS680A4K		24 -32	NAS682A3		70B-21
NAS680A3		29 -24	NAS680A4K		24A-23	NAS682A3		83A-35
NAS680A3		29 -24	NAS680A4K		24A-51	NAS682A3		84A-31
NAS680A3		29 -25	NAS680A5		5A-76	NAS682A3		84B-35
NAS680A3		29 -29	NAS680A5		5B-95	NAS682A3		84B-69
NAS680A3		30 - 4	NAS680A5		145 -21	NAS682A3		84B-74
NAS680A3		32 - 3	NAS681A08		5A-34	NAS682A3		87A-40
NAS680A3		32 - 9	NAS681A08		5B-34	NAS682A3		104 -49
NAS680A3		32 -10	NAS681A08		5B-41	NAS682A3		107 -33
NAS680A3		37 -46	NAS681A08		22A- 6	NAS682A3		132B-70
NAS680A3		52 -18A	NAS681A08		22A- 6	NAS682A3		132C-90B
NAS680A3		52 -19A	NAS681A08		24 -70	NAS682A3K		98 -40
NAS680A3		52 -29	NAS681A08		24 -73	NAS682A3K		98 -45
NAS680A3		52 -45	NAS681A3		3 -63	NAS682A4		9 -26
NAS680A3		54 -44	NAS681A3		3A-51	NAS682A4		9 -29
NAS680A3		56 - 3	NAS681A3		4 -60	NAS682A4		9 -32
NAS680A3		57 -18A	NAS681A3		5 -13	NAS682A4		9 -35
NAS680A3		57 -40	NAS681A3		5 -31	NAS682A4		38 -11
NAS680A3		57 -61	NAS681A3		5A-34	NAS682A4		58 - 3
NAS680A3		57 -84	NAS681A3		5A-36	NAS683A08		22A- 5
NAS680A3		58 -10	NAS681A3		5A-40	NAS683A08		24 -71
NAS680A3		70 - 9	NAS681A3		5A-40	NAS683A08		24 -74
NAS680A3		70 -16	NAS681A3		5B-34	NAS684A08		17 -17
NAS680A3		70 -42	NAS681A3		5B-36	NAS684A08		61 -27
NAS680A3		70A- 9	NAS681A3		5B-40	NAS684A3		5A-76
NAS680A3		70A-17	NAS681A3		5B-40	NAS684A3		5B-95
NAS680A3		70A-35	NAS681A3		5B-78	NAS684A3		47 -56
NAS680A3		70B-38	NAS681A3		6 -23	NAS684A3		70 - 2
NAS680A3		73B- 7	NAS681A3		6A-30	NAS684A3		70 - 4
NAS680A3		76 -10	NAS681A3		23 -16	NAS684A3		70A- 2
NAS680A3		77 -35	NAS681A3K		4 -58	NAS684A3		70A- 4
NAS680A3		77A- 8	NAS681A3K		4 -59	NAS684A3		70B-13
NAS680A3		77A-10	NAS682A06		4 -68	NAS684A3		70B-15
NAS680A3		79 -64	NAS682A06		5 -28	NAS684A3		84 -43
NAS680A3		81 -40	NAS682A06		5A-39	NAS686A06		52 -19
NAS680A3		83A-29	NAS682A06		5A-77	NAS686A06		53 -24
NAS680A3		84A-30	NAS682A06		5B-39	NAS686A08		4 - 5
NAS680A3		84B-34	NAS682A06		5B-96	NAS686A08		4 - 7
NAS680A3		93 -47	NAS682A06		14A-89	NAS686A08		4 -52
NAS680A3		98 - 3	NAS682A06		83 -21	NAS686A08		5 - 7
NAS680A3		104 -14	NAS682A06		98A-17	NAS686A08		5 -45
NAS680A3		112 -26A	NAS682A06		106A-14	NAS686A08		5A- 8
NAS680A3		112A-40	NAS682A06		106A-26	NAS686A08		5B- 8
NAS680A3		112B-40	NAS682A06K		69 -56	NAS686A08		12 -22

P210 Parts Catalog

PART NUMBER	FICHE AND FRAME	FIGURE AND INDEX NO.	PART NUMBER	FICHE AND FRAME	FIGURE AND INDEX NO.	PART NUMBER	FICHE AND FRAME	FIGURE AND INDEX NO.
NAS686A08		24 -70	NAS687A3		84A-70	NAS696A4		28 -29
NAS686A08		24 -73	NAS687A3		84A-76	NAS696A4		28 -30
NAS686A08		24A-95A	NAS687A3		84B- 4	NAS696A4		29 -35
NAS686A08		24A-96A	NAS687A3		84B-18	NAS697A0K		12 -11
NAS686A08		35 -12	NAS687A3		84B-23	NAS697A04L		18 -21
NAS686A08K		9 -10	NAS687A3		84B-44	NAS697A04L		18 -21
NAS686A08K		12 -36	NAS687A3		84B-84	NAS697A04L		18A- 8
NAS686A08K		18 -91D	NAS687A3K		83A-32	NAS697A04L		24 -47
NAS686A3		4 -52	NAS687A4		84B-93B	NAS697A04L		24A-74
NAS686A3		5 - 8	NAS696A04		23 -13A	NAS697A06		70A-13
NAS686A3		5A- 9	NAS696A04LK		33 -98	NAS697A06L		70A-45
NAS686A3		5B- 9	NAS696A06		70A-46	NAS697A06L		24 -27
NAS686A3		17 -47	NAS696A06L		70 -53	NAS697A06L		24A-40
NAS686A3		18 -98G	NAS696A06L		70B-47	NAS697A06L		70 -52
NAS686A3		18A- 3	NAS696A06L		106A-12	NAS697A06L		70B-20
NAS686A3		18A- 5	NAS696A06L		136A-97	NAS697A06L		70B-27
NAS686A3		18A-50	NAS696A08		3 -24	NAS697A08		70B-47
NAS686A3		18A-70	NAS696A08		3A-46	NAS697A08		3 -13
NAS686A3		19A-39	NAS696A08		17 -71	NAS697A08		14 - 9
NAS686A3		24A-97B	NAS696A08		18 -58	NAS697A08		15 - 7
NAS686A3		84 - 4	NAS696A08		18 -92	NAS697A08		17 -10
NAS686A3		84 -41	NAS696A08		22 -23	NAS697A08		17 -62
NAS686A3		84 -44	NAS696A08		23 - 1	NAS697A08		17 -72
NAS686A3		84 -55	NAS696A08		23 - 2	NAS697A08		18 - 4
NAS686A3		84 -58	NAS696A08		23 - 3	NAS697A08		18 -52
NAS686A3		84 -66	NAS696A08		23 -16A	NAS697A08		18 -53
NAS686A3		84A- 5	NAS696A08		27 - 9	NAS697A08		18 -58
NAS686A3		84A-18G	NAS696A08		31A- 5	NAS697A08		18 -71
NAS686A3		84A-50	NAS696A08		32 - 5	NAS697A08		18 -71
NAS686A3		84A-58	NAS696A08		34 -42	NAS697A08		18 -93
NAS686A3		84A-66	NAS696A08		38 - 7	NAS697A08		18A-40
NAS686A3		84A-69	NAS696A08		70 - 2	NAS697A08		18A-42
NAS686A3		84A-75	NAS696A08		70 - 4	NAS697A08		18A-57
NAS686A3		84B- 2	NAS696A08		70 -36	NAS697A08		18A-93B
NAS686A3		84B-13	NAS696A08		70 -56	NAS697A08		22 -27
NAS686A3		84B-51	NAS696A08		70A- 2	NAS697A08		23 -15
NAS686A3		84B-60	NAS696A08		70A- 4	NAS697A08		23 -22A
NAS686A3		84B-62	NAS696A08		70B-13	NAS697A08		23 -24A
NAS686A3		84B-71	NAS696A08		70B-15	NAS697A08		23 -30
NAS686A3		84B-83	NAS696A08		104 -50	NAS697A08		26 - 7
NAS686A3		84B-90B	NAS696A08		106A-12	NAS697A08		26 -44
NAS686A3		84B-93A	NAS696A08K		11 -10	NAS697A08		31A- 7
NAS686A3		85A-43	NAS696A08K		12 -12	NAS697A08		31A-26
NAS686A3		136 -53	NAS696A08K		13 -10	NAS697A08		32 - 6
NAS686A3		136A-84	NAS696A3		4 -13	NAS697A08		33 -22
NAS686A3K		83A-19	NAS696A3		17 -69	NAS697A08		34 - 6
NAS686A3K		136 -54	NAS696A3		19 - 4	NAS697A08		37 -26
NAS686A3K		136A-85	NAS696A3		19 -30	NAS697A08		38 - 2
NAS687A06		53 -25	NAS696A3		19 -32	NAS697A08		38 - 6
NAS687A08		5 -46	NAS696A3		19 -38	NAS697A08		52 -46
NAS687A08		24 -71	NAS696A3		19A-60	NAS697A08		54 -22A
NAS687A08		24 -74	NAS696A3		19A-68	NAS697A08		93 -54
NAS687A08		24A-95B	NAS696A3		22 -18	NAS697A08		104 -19
NAS687A08		24A-96B	NAS696A3		24 -57	NAS697A08		107A-73
NAS687A3		79 -59D	NAS696A3		24A-83	NAS697A08		107B-71
NAS687A3		84 - 4	NAS696A3		24A-97C	NAS697A08K		11 -10
NAS687A3		84 - 9	NAS696A3		26 -21	NAS697A08K		13 - 8
NAS687A3		84 -10	NAS696A3		29 -36	NAS697A08K		13 -11
NAS687A3		84 -13	NAS696A3		38 - 4	NAS697A08K		31 -45
NAS687A3		84 -17	NAS696A3		73B- 8	NAS697A08K		35 -11
NAS687A3		84 -24	NAS696A3		78 -36	NAS697A08K		37 -33
NAS687A3		84 -26	NAS696A3		78A-46	NAS697A088		57 -81
NAS687A3		84 -40	NAS696A3		84 -29	NAS697A3		4 - 6
NAS687A3		84 -45	NAS696A3		84B-70	NAS697A3		4 -12
NAS687A3		84 -56	NAS696A3		85 -20A	NAS697A3		5 - 7
NAS687A3		84A- 5	NAS696A3K		24 -34C	NAS697A3		5A- 8
NAS687A3		84A-10	NAS696A3K		24 -34D	NAS697A3		5B- 8
NAS687A3		84A-11	NAS696A3K		24 -34E	NAS697A3		16 -13
NAS687A3		84A-14	NAS696A3K		24A-56	NAS697A3		17 -49
NAS687A3		84A-18M	NAS696A3K		24A-57	NAS697A3		17 -50
NAS687A3		84A-18S	NAS696A3K		24A-58	NAS697A3		17 -60
NAS687A3		84A-49	NAS696A4		37 - 8	NAS697A3		17 -70
NAS687A3		84A-59	NAS696A4		22 -15	NAS697A3		18 - 4
NAS687A3		84A-67	NAS696A4		28 -24	NAS697A3		18 - 4
						NAS697A3		18 - 5

P210 Parts Catalog

PART NUMBER	FICHE AND FRAME	FIGURE AND INDEX NO.	PART NUMBER	FICHE AND FRAME	FIGURE AND INDEX NO.	PART NUMBER	FICHE AND FRAME	FIGURE AND INDEX NO.
NAS697A3		18 - 8	NAS75-3-024		123 -12	S1003-69A		97 -11
NAS697A3		18 -10	NAS75-3-107		97 - 6	S1003-9A		88 -51
NAS697A3		18 -58	NAS75-4-006		30 -16	S1004-28A		19A-41
NAS697A3		18 -95E	NAS75-4-216		100 -26	S1004-44A		98 - 8
NAS697A3		18A- 2	NAS75-5-006		30 -16	S1004-45A		42 -15
NAS697A3		18A- 6	NAS76A3-017		85 -30	S1004-46A		42 -13
NAS697A3		18A-49	NAS76A3-105		57 -43	S1004-53A		104 -16
NAS697A3		18A-77	NAS76A3-110		54 -29	S1004-53A		104 -21
NAS697A3		19 - 2	NAS76A3-110		54 -55	S1004-53A		104 -45
NAS697A3		19 -34	NAS76A3-119		57 -46	S1021A4-6		23 -38
NAS697A3		19 -36	NAS76A4-006		40 -21	S1021A4-6		23 -47
NAS697A3		19 -38	NAS76A4-006		98 -17	S1021A4-6		33 -95
NAS697A3		19A-63	NAS76A4-021		50 -33	S1021A4-6		34 -36
NAS697A3		19A-65	NAS76A4-105		50 -12	S1021A4-6		63 -10
NAS697A3		19A-69	NAS77-3-23		42 -53	S1021A4-6		65 -10
NAS697A3		20 - 7	NAS77-6-88		42 -52	S1021A4-6		65 -12
NAS697A3		22 -19	NAS77-6-88		42 -64	S1021A4-6		65 -65
NAS697A3		24 -32A	NAS979A08		66 -87	S1021A4-6		65 -66
NAS697A3		24 -58	NH1000897-50		81 - 4	S1021A4-6		65 -67
NAS697A3		24A-52	NH1000897-50		81A-56	S1021A4-6		66 -10
NAS697A3		24A-84	NO. 00-X		132B-62	S1021A4-6		66 -12
NAS697A3		24A-97D	NO. 1-X		132B-29	S1021A4-6		66 -18
NAS697A3		26 -43	NO. 2-X		132B-32	S1021A4-6		66 -19
NAS697A3		29 - 3	NO. 6-X		132B-28	S1021A4-6		66 -21
NAS697A3		29 - 5	NO.00-X		132A-33	S1021A4-6		67 - 6
NAS697A3		33 -56	NO.00-X		132C-82	S1021A4-6		67 - 7
NAS697A3		33 -97A	NO.1		132A-30	S1021A4-6		67 -13
NAS697A3		34 - 3	NO.1		132A-76	S1021A4-6		67 -16
NAS697A3		57 -13	NO.1-X		132A-45	S1021A4-6		67 -16
NAS697A3		57 -83	NO.1-X		132C-43	S1021A4-6		74 -24
NAS697A3		79 -26	NO.2-X		132A-60	S1021A4-6		138 - 4
NAS697A3		84 -77A	NO.2-X		132C-76	S1021A4-8		63 -18B
NAS697A3		84A-91A	NO.6-X		132A-33	S1021A4-8		65 -75
NAS697A3		84B-94	NO.6-X		132A-74	S1021A4-8		66 -95
NAS697A3		137 - 9	NO.6-X		132C-33	S1021A4-8		67 -68
NAS697A3K		24 -34D	NO.6X		132A-26	S1021A4-8		87A-13
NAS697A3K		24A-57	NP143502		134A- 1	S1021A6-10		75A- 4
NAS697A4		22 - 7	NSD697A3		86A- 9	S1021A6-10		75A- 8
NAS697A4		22 -28	N7365		141B-31	S1021A6-3		72 -17
NAS697A4		22 -37	OR95-6		143 -20	S1021A6-4		32A- 3
NAS697A4		24 - 8C	OR95-6		143A-23	S1021A6-8		72A-21
NAS697A4		24A-11	PERMACEL P-69		1 -22	S1021A6-8		72B- 9
NAS697A4		38 -11	PFK50B.250		69B-69	S1021A8-12		138A- 3
NAS697A4		42 -78	PN3A		99 - 2	S1021A8-12		138A- 3
NAS697A4		78 -34	POLYKEN230		1 -23	S1021A8-6		132 -37
NAS698A04L		70 -15	PRO706		1 -20	S1021A8-6		132A-22
NAS698A04L		70 -37	PRO890		1 -21	S1021A8-6		132A-26
NAS698A04L		70A-16	PR1440		1 -35	S1021A8-8		26 -97B
NAS698A04L		70A-30	P4024809-01	e	76 - 1	S1021A8-8		63 -25
NAS698A04L		70B-36	P4105572-01	e	76A- 1	S1021Z10-12		81 -70
NAS698A04L		70B-43	P610051		112C-29	S1021Z10-12		81A-54
NAS698A06		106A-16	Q8036		115A-20A	S1021Z10-12		31A-19
NAS698A06		106A-28	REF4TH8		41 -20	S1021Z10-8		31A-22
NAS698A06L		98 - 6	RHB32E		80 -12	S1021Z10-8		79 -39
NAS698A08		54 -66	RL00218		115 -67	S1021Z10-8		69 -13A
NAS698A08		54 -76	RL00218		115A-20D	S1021Z4-10B		55 -28
NAS698A08		104 -24	RTV102		1 -24	S1021Z4-4		62 -22
NAS698A08K		12 -22	RTV103		1 -25	S1021Z4-4		136 -50C
NAS698A08K		13 -12	RTV732		1 -26	S1021Z4-4		136A-41
NAS698A3		78 -17	R5504		1 -27	S1021Z4-4		33 -96
NAS698A3		78A-17	R5505		1 -28	S1021Z4-6		33 -96A
NAS70B209-438		57 -49	S-272-205		57 -15	S1021Z4-6		33 -96B
NAS74A-3E004P		47 -19	SE709		111 -23	S1021Z4-6		33 -96C
NAS74A3E008		85 -35	SF1030BX		94 -53	S1021Z4-6		48 -62
NAS74A3E008		85A-16	SILITE100		1 -29	S1021Z4-6		61 -14
NAS75-3-005		104 -59	SK182-65		5 -21	S1021Z4-6		61 -16
NAS75-3-008		19A- 7	SK210-40		42 - 1A	S1021Z4-6		61 -24
NAS75-3-008		19A-27	SP044-5-PH		141B-34	S1021Z4-6		61 -26
NAS75-3-016		101 - 9	S1LL-131C		86 -40	S1021Z4-6		62 -11
NAS75-3-016		137 -13	S1003-10B		97 -18	S1021Z4-6		63 -13
NAS75-3-018		101 -42	S1003-158		85A-49	S1021Z4-6		109A-27
NAS75-3-018		104 -29	S1003-43A		92 -34	S1021Z4-6		139 -10
NAS75-3-019		47 -15A	S1003-69A		97 - 1	S1021Z4-6B		139A- 5
NAS75-3-023		104 -35	S1003-69A		97 - 8	S1021Z4-6B		

P210 Parts Catalog

PART NUMBER	FICHE AND FRAME	FIGURE AND INDEX NO.	PART NUMBER	FICHE AND FRAME	FIGURE AND INDEX NO.	PART NUMBER	FICHE AND FRAME	FIGURE AND INDEX NO.
S102174-6B		139A-15	S102178-8		5B-94	S1046-1		1 -92
S102174-8		2 - 5A	S102178-8		6A-21	S1046-11		1 -92
S102174-8		2A- 5	S102178-8		10 -13	S1046-11		69 -24
S102174-8		63 -27	S102178-8		14 -14	S1046-11		69 -24A
S102174-8		109 -53	S102178-8		14 -64	S1046-11		69A-51
S102174-8		136 -50J	S102178-8		14 -68	S1046-12		1 -92
S102174-8		136A-46	S102178-8		14 -71	S1046-13		1 -92
S102176-10		39 - 4	S102178-8		14A- 4	S1046-15		1 -92
S102176-10		139 - 6	S102178-8		14A- 7	S1046-3		1 -92
S102176-10		139A- 2	S102178-8		14A-10	S1046-5		1 -92
S102176-12		86 - 5	S102178-8		14A-32A	S1046-7		1 -92
S102176-12		86A-25	S102178-8		39 - 2	S1046-9		1 -92
S102176-12		105 -50	S102178-8		78 -68	S1047-1		1 -51
S102176-14		62 -16	S102178-8		79 -18	S1047-1		48 -56
S102176-14		62 -16	S102178-8		79 -40	S1047-1		48 -57
S102176-20		61 -19	S102178-8		79A-12	S1047-1		48 -58
S102176-20		61 -19	S102178-8		83 -14	S1047-1		48 -59
S102176-3		86A-24	S102178-8		83 -18	S1047-1		48 -61
S102176-4		53 -45	S102178-8		83 -18A	S1047-1		48 -62
S102176-4		69A-70	S102178-8		101 -36	S1047-2		1 -51
S102176-4		69B-17	S102178-8		103 - 8	S1047-2		48 -60
S102176-6		22 -17	S102178-8		107 -45	S1050-1		1 -79
S102176-6		71A-28	S102178-8		107A-91D	S1050-1		5 - 5
S102176-6		71B-27	S102178-8		107B-91D	S1050-1		5A- 8
S102176-6		71C-30	S102178-8		132 -41	S1050-1		5A-11
S102176-6		105 -21	S102178-8		132A-16	S1050-1		5B- 8
S102176-6		105 -48	S102178-8		132B-82	S1050-1		5B-11
S102176-6		142 - 8	S102178-8		132C-92B	S1050-1		16 -13
S102176-7		70 -22	S102178-8		138 -27	S1050-1		24 -50
S102176-7		70 -24	S102178-8		138A- 9	S1050-1		26 -21
S102176-7		70A-21	S1022A4-8		75A-10	S1050-1		84A-35
S102176-7		70A-23	S1022A6-8		5 -56	S1050-1		84A-37
S102176-8		3 -31	S102274-10B		69 -13A	S1050-1		84A-38B
S102176-8		63 - 4A	S102274-10B		69A-14	S1050-1		84B-90
S102176-8		69B-59	S102274-10B		69A-16	S1050-1		90 - 9
S102176-8		83 -11	S102274-10B		69A-21	S1050-1		90 -10
S102176-8		83 -15	S102274-10B		69A-74	S1050-1		105 -18
S102176-8		83 -24	S102274-10B		69B- 7	S1050-1		107 -72
S102176-8		86 - 6	S102274-10B		69B- 9	S1050-1		109 -46
S102176-8		86 - 6A	S102274-10B		69B-11	S1050-1		1130-19
S102176-8		98A-26	S102274-10B		69B-15	S1050-1		132 -34
S102176-8		105 -49	S102274-10B		72A-15	S1050-1		132A- 6
S102176-8		105 -49A	S102274-10B		72A-17	S1050-1		132A- 7
S102176-8		136 -44	S102274-10B		72B- 4	S1050-1		132A-27
S102176-8		136A-75	S102274-10B		72B- 6	S1050-1		132A-31
S102176-8		139 - 5	S102274-8		2 -15	S1050-1		132A-46
S102176-8		139A-10	S102274-8		2A-14	S1050-1		132A-47
S102176-8		142 - 5	S102274-8		61 -31	S1050-1		132B-17
S102176R6		59 -17	S102274-8		61 -33	S1050-1		132B-90
S102178-10		78 -81	S102274-8B		72 -14A	S1050-1		132C-80
S102178-10		78 -87	S102276-7		63 -28	S1050-1		144 -17
S102178-10		107A-90E	S102276-8		3 -45	S1050-2		1 -79
S102178-10		107B-90D	S102276-8		20 - 3	S1050-2		5 - 6
S102178-10		132 -17	S102276-8		20A-17	S1050-2		5 - 7
S102178-12		138 -27	S102278-10		66A-10	S1050-2		5A- 7
S102178-20		138 -27	S102278-6		3 -20	S1050-2		5B- 7
S102178-4		94A-40	S102278-6		3 -22	S1050-2		18 -93B
S102178-4		94A-54	S102278-6		3 -23	S1050-2		18A-55
S102178-5		69 -58	S102278-6		3A-62	S1050-2		107A-56
S102178-6		3 -24	S102278-6		3A-64	S1050-2		107B-55
S102178-6		3 -38	S102278-6		3A-66	S1050-2		109 -45
S102178-6		3A-46	S102278-6		3A-67	S1050-3		1 -79
S102178-6		9 -39	S102278-6		3A-68	S1050-3		107A-93H
S102178-6		63 -11	S102278-8		3 -59	S1050-3		107B-93H
S102178-6		90 - 8A	S102278-8		3 -68	S1053E10T		1 -50
S102178-6		90 - 8A	S102278-8		11 -45	S1053E10T		89 - 3
S102178-6		138 - 3	S102278-8		31A-15	S1053E10T		89 - 5
S102178-6		138 - 9	S102278-8		31A-17	S1053E12T		1 -50
S102178-8		3 -29	S102278-8		32A-19	S1053E12T		79 -30
S102178-8		3A-49	S1023A6-6		67 -52	S1053E12T		79 -32
S102178-8		3A-53	S1023Z6-6		26 -97B	S1053E12T		87 - 7
S102178-8		5A-61	S1023Z6-6		26 -97B	S1053E12T		89 -56
S102178-8		5A-80	S1026B6		1 -49	S1053E16T		87 - 4
S102178-8		5B-59	S1029-1		1 -83	S1053E16T		87 - 6

P210 Parts Catalog

PART NUMBER	FICHE AND FRAME	FIGURE AND INDEX NO.	PART NUMBER	FICHE AND FRAME	FIGURE AND INDEX NO.	PART NUMBER	FICHE AND FRAME	FIGURE AND INDEX NO.
S1053E16T		87A- 2	S1071-3		132A-42	S107163		1 -53
S1053E16T		87A- 3	S1071-3		132A-42A	S1071R3		1 -53
S1053E16T		87A-16	S1071-3		132A-75	S1074-1		67 -39
S1053E16T		87A-17	S1071-3		132A-75A	S1078-1		1 -30
S1053E16T		87A-18	S1071-3		132A-79	S1078-1		3 -64
S1053E16T		89 -28	S1071-4		1	S1078-1		3A-55
S1053E17T		87A- 9	S1071-4		112 -11	S1078-2		1 -31
S1053E17T		87A-25	S1071-4		112 -12	S1078-7		1 -32
S1053E17T		5 -17A	S1071-4		112 -12A	S1084-1		1 -54
S1053E17T		87A- 9	S1071-4		112 -32	S1090-11		145 -24
S1053E20T		1 -50	S1071-4		112 -33	S1090-2		145 -15
S1053E20T		89 -34	S1071-4		112A-13	S1090-2		145 -24
S1053E24T		1 -50	S1071-4		112A-15	S1090-22		136 -17
S1053E24T		87A- 4	S1071-4		112A-16	S1090-22		136A-20
S1053E28T		1 -50	S1071-4		112B-13	S1091-1		136 -17
S1053E32T		1 -50	S1071-4		112B-14	S1091-1		136A-20
S1053E7T		1 -50	S1071-4		112B-28	S1091-5		145 -15
S1053E8T		1 -50	S1071-4		112C-12	S1091-5		145 -24
S1053E8T		113C-22	S1071-4		112C-14	S1093-1		9 -48
S1053E8T		113C-22A	S1071-4		132 - 1	S1093-1		10 -11
S1053E8T		113C-22A	S1071-4		132A- 2	S1093-1		14A-92
S1053E8T		141C- 2	S1071-4		132A-11	S1095-12		25 - 6
S1053K10T		1 -50	S1071-4		132A-13	S1095- 3		25 - 1
S1053K12T		1 -50	S1071-4		132A-51	S11K-214-3C		86 -42
S1053K20T		1 -50	S1071-4		132A-53	S11K-214-4C		86 -44
S1053K24T		1 -50	S1071-4		132A-56	S11K214-4C		86 -39
S1053K24W		1 -50	S1071-4		132A-57	S11L-174C		86 -41
S1053K28T		88 -41	S1071-4		132A-59	S1104- 3		78 -20
S1053K28W		1 -50	S1071-5		1	S1104- 3		78 -32
S1053K32T		1 -50	S1071-6		1 -53	S1104- 3		78A-20
S1053K32T		79 -65	S1071-6		132A- 5	S1104- 3		78A-42
S1055-1		1 -52	S1071-6		132A-20	S1106- 3		47 -38
S1055-1		142 -10	S1071-6		132A-24	S1106- 3		48 -45
S1055-4		105 -48	S1071-6		132A-34	S1106- 3		85A-36
S1071-1		1 -53	S1071-6		132A-40	S1106- 3		100 -50
S1071-1		86 - 4	S1071-6		132A-40A	S1106- 3		101 -20
S1071-1		105 - 5	S1071-6		132A-44C	S1106- 4		48 -44
S1071-1		105 - 8	S1071-6		132A-44D	S1107- 3		47 -51
S1071-1		105 - 9	S1071-6		132A-77	S1110ET		1 -55
S1071-1		105 -14	S1071B3		1 -53	S1110ET		89 -12
S1071-1		105 -15	S1071B3		86A-19	S1115-19		18 -98A
S1071-1		105 -17	S1071B3		86A-20	S1115-19		18A-14
S1071-1		105 -33	S1071B3		132B-20	S1115-19		24 -35
S1071-1		105 -41	S1071B3		132B-24	S1115-19		24 -35
S1071-1		105 -43	S1071B3		132B-49	S1115-19		24 -40
S1071-1		105 -46	S1071B3		132B-60	S1115-19		24 -40
S1071-1		105 -47	S1071B3		132C-35	S1115-19		24A-59
S1071-1		106 - 7	S1071B3		132C-40	S1115-19		24A-65
S1071-1		106 -10	S1071B3		132C-47	S1115-19		24A-65
S1071-1		106 -12	S1071B3		132C-79	S1115-30		18 -98B
S1071-1		106 -13	S1071B4		1 -53	S1115-30		18A-15
S1071-1		106A- 5	S1071B4		132B-52	S1115-30		24 -42
S1071-1		106A-20	S1071B4		132B-53	S1115-30		24 -42
S1071-1		106A-31	S1071B4		132B-79	S1115-30		24A-67
S1071-1		112A-17	S1071B4		132B-86	S1115-32		24 -37
S1071-1		112A-18	S1071B4		132C-61	S1115-32		24 -37
S1071-1		114A- 8	S1071B4		132C-65	S1115-32		24A-61
S1071-1		114A- 8	S1071B4		132C-74	S1115- 9		18 -98B
S1071-1		135 -16E	S1071B4		132C-91D	S1115- 9		18A-15
S1071-1		135 -18	S1071B5		1 -53	S1115- 9		24 -37
S1071-1		105 -20	S1071B6		1 -53	S1115- 9		24 -37
S1071-1		105 -20A	S1071B6		132B-19	S1115- 9		24 -42
S1071-2		1 -53	S1071B6		132B-26	S1115- 9		24 -42
S1071-3		1 -53	S1071B6		132B-36	S1115- 9		24A-61
S1071-3		132 - 8	S1071B6		132B-37	S1115- 9		24A-67
S1071-3		132 -15	S1071B6		132B-59	S1117-24		45 - 5
S1071-3		132 -16	S1071B6		132B-89	S1127-12		107 -28
S1071-3		132 -25	S1071B6		132C-34	S1127- 2		1 -48
S1071-3		132 -33	S1071B6		132C-41	S1127- 3		1 -48
S1071-3		132 -36	S1071B6		132C-44	S1127- 4		1 -48
S1071-3		132 -40	S1071B6		132C-46	S1127- 6		1 -48
S1071-3		132 -42	S1071B6		132C-78	S1127- 8		1 -48
S1071-3		132A-29	S1071B6		132C-91	S1129-4-0150		107 -24
S1071-3		132A-36	S1071B6		132C-93A	S1129-4-0290		107 -18

P210 Parts Catalog

PART NUMBER	FICHE AND FRAME	FIGURE AND INDEX NO.	PART NUMBER	FICHE AND FRAME	FIGURE AND INDEX NO.	PART NUMBER	FICHE AND FRAME	FIGURE AND INDEX NO.
S1129-4-0290		107 -24	S1154-1		132C-92	S1244-28		85 -10
S1129-4-0360		107 -30	S1155-1		143A-20	S1244-31		85 -11
S1129-8-0126		107 -18	S1155-12		132A-22	S1244-32		85 -10
S1130-1		86 - 7	S1155-12		132A-26	S1258-2		114A- 6
S1130-1		105 - 6	S1155-2		143 -23	S1278-2		2A-42
S1130-1		105 -16	S1155-2		144 -12	S1291-10		17 - 8
S1130-1		106 - 8	S1155-3		94 - 58	S1291-12		132A-81
S1130-1		106A- 6	S1155-3		94A-50	S1291-16		5A-18
S1130-1		106A-18	S1155-4		86 - 5	S1291-16		5A-24
S1130-1		106A-30	S1155-4		86 - 6	S1291-16		5B-18
S1130-1		112A-23	S1155-4		86 - 6A	S1291-16		5B-24
S1130-1		114A- 7	S1155-4		86A-22	S1291-16		6 - 9
S1130-1		105 -53	S1155-4		98A-18	S1291-16		6 -11
S1130-3		132 -13	S1155-5		3A-30	S1291-16		6 -13
S1130-4		112 -12B	S1155-6		132 -37	S1291-16		6 -15
S1130-4		112A-19	S1155-6		132 -41	S1291-16		6 -17
S1130-4		112B-15	S1155-8		132A-15	S1291-16		6A- 9
S1130-4		112C-25	S1155-8		132B-81	S1291-16		6A-11
S1131-1		132 - 5	S1155-8		132C-92A	S1291-16		6A-13
S1131-1		86 - 7	S1164-1		76 - 5A	S1291-16		6A-15
S1131-1		105 - 6	S1164-1		76 - 5A	S1291-16		6A-17
S1131-1		105 -16	S1164-1		76A- 7	S1291-4		18A-78
S1131-1		106 - 8	S1164-1		76A-11	S1291-4		71C-73
S1131-1		106A- 6	S1167-8-0224		81 -59	S1291-5		133 - 9
S1131-1		106A-19	S1168-3-13		78 -55	S1291-6		18A-79
S1131-1		106A-30	S1168-3-13		78A-59	S1291-6		132A-82
S1131-1		112A-23	S1232-2		71B-51	S1291-8		132B-16
S1131-1		114A- 7	S1232-2		71C-51	S1291-8		132C-30
S1131-1		105 -53	S1232-30		71 -40	S1291-9		132 - 4
S1131-3		132 -13	S1232-30		71A-48	S1303-2		69 -23
S1131-4		112 -12B	S1232-35		71B-50	S133-3P53		79 -58
S1131-4		112A-19	S1232-35		71C-52	S133-3P53		79A-33
S1131-4		112B-15	S1232-5		71 -45	S1346-1		1 -56
S1131-4		112C-25	S1232-5		71 -52	S1356		1 -75
S1131-4		132 - 5	S1232-5		71A-46	S1357-3		53 -36
S1133-1		112A-26	S1232-5		71A-49	S1357-3		73B-25
S1133-2		105 -27	S1232-5		71B-49	S1357-3		104 - 5
S1133-4		132 -14	S1232-5		71C-36	S1358-1		93 -18
S1133-6		112C-26	S1232-5		71C-53	S1358-11		109A-21A
S1133-6		132 - 7	S1232-60		71A-50	S1358-12		109A-21B
S1133-6		112 -13C	S1232-60		71B-34	S1358-6		71B-65
S1134-1		112B-19	S1232-60		71C-43	S1358-6		71C-67
S1134-1		34 -17	S1232-60		71C-54	S1358-7		115 -61
S1134-1		105 -19	S1236-C6-0120		82A-26	S1358-7		115A-18
S1134-1		105 -42	S1236-12-0062		81 -52	S1358-8		115 -62
S1134-3		132 -35	S1236-4-0230		81 -38	S1358-8		115A-19
S1134-3		132 -14	S1236-4-0266		82A-31	S1359-9		59 - 5
S1134-4		34 -21	S1236-4-0290		82 -12	S1360-10L		71 -28
S1135-1		105 -11	S1236-4-0290		82A-31	S1360-10L		71 -31
S1135-1		106 - 6	S1236-4-290		111 -10	S1360-10L		71 -36
S1135-1		106A-17	S1236-6-0150		81 -33	S1360-10L		71A-38
S1135-1		106A-29	S1236-6-0180		81 -39	S1360-10L		71A-39
S1135-2		86 - 9	S1236-6-0490		82 -13	S1360-10L		71A-41
S1137-1		105 -45	S1236-6-0490		82A-28	S1360-10L		71A-43
S1137-1		105 -54	S1236-8-0072		107A-21	S1360-10L		71B-44
S1137-3		132 -39	S1236-8-0072		107B-19	S1360-10L		71B-45
S1138-1		105 -10	S1236C3-0060		110 - 8	S1360-10L		71B-47
S1138-1		106 - 9	S1236C3-0080		78 -62	S1360-10L		71B-48
S1138-1		106A- 4	S1236C3-0080		78A-55	S1360-10L		71C-44
S1138-5		132 -18	S1236C3-0090		78 -51	S1360-10L		71C-45
S1139-1		105 - 7	S1236C3-0170		78 -62	S1360-10L		71C-47
S1139-1		105 -13	S1236C3-0170		78A-65	S1360-10L		71C-49
S1139-1		106 -11	S1236C3-0350		78 -56	S1360-10L		71C-58
S1139-1		106A-21	S1236C6-0120		82 -23	S1360-10L		71C-59
S1139-5		106A-32	S1236C8-0110		109 -41	S1360-15L		71 -36
S1153-1		132 -24	S1241-42		69B-82	S1360-15L		71 -46
S1153-1		107 -45	S1241-50		69 -52	S1360-15L		71A-55
S1153-1		132 -37	S1241-50		69A-63	S1360-15L		71B-54
S1153-1		132A-22	S1241-50		69B-79	S1360-20L		71 -38
S1154-1		132A-26	S1241-51		69 -54	S1360-20L		71A-53
S1154-1		37 - 3	S1241-51		69A-65	S1360-20L		71B-52
S1154-1		37 - 5	S1241-51		69B-83	S1360-20L		71C-56
S1154-1		90 -37	S1241-53		69B-81	S1360-5L		71 -25
S1154-1		132B-80	S1244-27		85 -11	S1360-5L		71 -26

P210 Parts Catalog

PART NUMBER	FICHE AND FRAME	FIGURE AND INDEX NO.	PART NUMBER	FICHE AND FRAME	FIGURE AND INDEX NO.	PART NUMBER	FICHE AND FRAME	FIGURE AND INDEX NO.
S1360-5L		71 -27	S1377-1		51 -24	S1450-3-14-032		79A-33
S1360-5L		71 -29	S1377-1		120 -44	S1450-3-16-032		79A-9
S1360-5L		71 -30	S1377-1		120A-19	S1450-3A8-032		69A-24
S1360-5L		71 -33	S1377-2		51 -24	S1450-3A32-050		112 -28
S1360-5L		71 -34	S1377-2		120A-19	S1450-3A32-050		112A-42
S1360-5L		71 -35	S1378-1		1 -58	S1450-3A32-050		112B-42
S1360-5L		71 -36	S1378-2		1 -58	S1450-3A32-050		112C-35
S1360-5L		71 -37	S1389-1		1 -59	S1450-3A8-032		69 -11
S1360-5L		71 -39	S1389-2		1 -59	S1450-3A8-032		69B-1
S1360-5L		71 -41	S1389-3		1 -59	S1450-4-10-063		47 -47
S1360-5L		71 -42	S1389-4		1 -59	S1450-4-12-028		65 -21
S1360-5L		71 -43	S1389-5		1 -59	S1450-4-5-032		118 -8
S1360-5L		71 -44	S1389-6		1 -59	S1450-4H12-063		56 -9
S1360-5L		71A-33	S1389-7		1 -59	S1450-4H12-063		58 -5
S1360-5L		71A-34	S1397-12		2 -1	S1450-4H12-063		68A-8
S1360-5L		71A-35	S1397-12		2A-1	S1450-4H24-125		3 -4
S1360-5L		71A-36	S1398-1		1 -60	S1450-4H24-125		3A-7
S1360-5L		71A-37	S1398-1		135A-21	S1450-5-16-063		73B-29
S1360-5L		71A-40	S1398-2		1 -61	S1450-5-18-063		81A-13
S1360-5L		71A-45	S1399-1		1 -93	S1450-5H14-040		140 -13
S1360-5L		71A-51	S1399-1		78A-34	S1450-5H14-063		140 -3
S1360-5L		71A-52	S1399-1-9.00		78 -74	S1450-6-12-125		81 -3
S1360-5L		71A-54	S1399-2		1 -93	S1450-6-14-080		140 -11
S1360-5L		71A-55	S1415-1		1 -62	S1450-6-14-080		140A-8
S1360-5L		71A-56	S1438-13		59 -31	S1450-6-14-080		141 -8
S1360-5L		71A-57	S1438-2		92 -13	S1450-6-14-080		141B-8
S1360-5L		71A-58	S1438-2		145 -8	S1450-6-14-080		141B-20
S1360-5L		71A-59	S1438-20		92 -13	S1450-6B14-010		42 -56
S1360-5L		71A-60	S1441-1		1 -63	S1450-6N16-063		100 -26
S1360-5L		71A-61	S1441-1		18 -96D	S1450-7B12-032		95 -15
S1360-5L		71B-35	S1441-1		78 -73	S1450-7B12-032		100 -35
S1360-5L		71B-36	S1441-1		78 -73	S1450-7B12-032		100 -55B
S1360-5L		71B-37	S1441-1		78A-93	S1450-8-14-016		54 -6
S1360-5L		71B-39	S1441-1		78A-93	S1450-9-11-018		57 -12
S1360-5L		71B-40	S1441-2		1 -63	S1450-9-11-032		57 -12
S1360-5L		71B-41	S1441-3		1 -63	S1450-9-11-063		57 -12
S1360-5L		71B-42	S1450-1-8-032		53 -39	S1450-9-12-063		54 -35
S1360-5L		71B-43	S1450-10-15-063		86A-51	S1453-1		1 -91
S1360-5L		71B-46	S1450-11A16-032		112A-21	S1453-1		59 -20A
S1360-5L		71B-53	S1450-12-24-017		45 -64	S1477-3		73B-26A
S1360-5L		71B-54	S1450-12-24-017		125 -8	S1477-3		136A-83
S1360-5L		71B-55	S1450-12H18-090C		107A-17	S1481-3		132 -26
S1360-5L		71B-56	S1450-12H18-090C		107B-15	S1485D4U		79 -18
S1360-5L		71B-57	S1450-19A16-050		69 -49	S1485D4U		79 -18B
S1360-5L		71B-58	S1450-19A16-050		69 -50	S1486D612U		79 -39
S1360-5L		71B-59	S1450-19A16-050		69 -51	S1486D64U		79 -40
S1360-5L		71B-60	S1450-19A16-050		69A-60	S1486D64U		79A-12
S1360-5L		71B-60A	S1450-19A16-050		69A-61	S1486D65U		5 -56
S1360-5L		71B-60B	S1450-19A16-050		69A-62	S1486D66U		132 -17
S1360-5L		71C-37	S1450-19A16-050		69B-75	S1494-12		132A-21
S1360-5L		71C-38	S1450-19A16-050		69B-76	S1494-12		132A-25
S1360-5L		71C-39	S1450-19A16-050		69B-77	S1494-12		132A-35
S1360-5L		71C-40	S1450-2-10-032		136 -37	S1494-12		132A-41
S1360-5L		71C-41	S1450-2-10-032		136A-79	S1494-12		132A-44F
S1360-5L		71C-42	S1450-2-12-032		30 -27	S1494-12		132A-58
S1360-5L		71C-45	S1450-2-14-032		135 -6	S1494-12		132A-74
S1360-5L		71C-46	S1450-24A10-025		63 -18A	S1494-12		132A-78
S1360-5L		71C-48	S1450-27A7-032		108 -6	S1494-6		132A-30
S1360-5L		71C-50	S1450-28A14-050		69 -49	S1494-6		132A-37
S1360-5L		71C-55	S1450-29N16-032		92 -33	S1494-6		132A-43
S1360-5L		71C-57	S1450-29N16-063		92 -33	S1494-6		132A-76
S1360-5L		71C-58	S1450-3-10-032		81 -54	S1494-6		132A-80
S1360-5L		71C-58	S1450-3-10-032		81 -56	S1494-8		132A-23K
S1360-5L		71C-59	S1450-3-10-032		81A-28	S1494-8		132A-67
S1360-5L		71C-60	S1450-3-10-032		81A-30	S1495-10		1 -64
S1360-5L		71C-61	S1450-3-10-032		88 -40	S1495-10		113 -6
S1360-5L		71C-62	S1450-3-10-032		100 -27	S1495-10		113 -7
S1360-5L		71C-63	S1450-3-10-032		104 -60	S1495-10		113 -19
S1366-1		1 -57	S1450-3-10-032		141B-39	S1495-10		113 -19A
S1366-2		1 -57	S1450-3-10-082		88 -20	S1495-10		113 -19A
S1366-3		1 -57	S1450-3-14-032		78 -24	S1495-10		113 -22
S1372-4		79 -38	S1450-3-14-032		78 -29	S1495-10		113 -27
S1377-1		49 -18	S1450-3-14-032		78A-27	S1495-10		113 -30
S1377-1		50 -43	S1450-3-14-032		78A-38	S1495-10		113A-9

P210 Parts Catalog

PART NUMBER	FICHE AND FRAME	FIGURE AND INDEX NO.	PART NUMBER	FICHE AND FRAME	FIGURE AND INDEX NO.	PART NUMBER	FICHE AND FRAME	FIGURE AND INDEX NO.
S1495-10		113A-10	S1495-4		112 - 9A	S1495-8		113C-29
S1495-10		113A-11	S1495-4		112A-8	S1495-8		113D-7
S1495-10		113B-8	S1495-4		112A-9	S1495-8		113D-20
S1495-10		113B-9	S1495-4		112A-11	S1495-8		113D-23
S1495-10		113C-9	S1495-4		112B-8	S1495-8		132-56
S1495-10		113C-13	S1495-4		112B-9	S1497-10		113-15
S1495-10		113D-4	S1495-4		112B-10	S1497-4		78-84
S1495-10		132A-23D	S1495-4		112B-11	S1497-4		78-87
S1495-10		132A-63	S1495-4		112B-11	S1497-4		78A-82
S1495-10		132A-70	S1495-4		112B-33	S1497-4		78A-87
S1495-10		132B-13	S1495-4		112C-6	S1497-4		78A-87
S1495-10		132B-13A	S1495-4		112C-7	S1497-4		78A-87E
S1495-10		132B-13B	S1495-4		112C-8	S1497-4		79-20B
S1495-10		132B-14A	S1495-4		112C-9	S1497-4		79-50
S1495-10		132B-14B	S1495-4		112C-22	S1497-4		79-81
S1495-10		132B-14D	S1495-4		113D-26	S1497-4		82-33
S1495-10		132B-14E	S1495-4		132A-23H	S1497-4		82A-11
S1495-10		132B-14G	S1495-4		132A-66	S1497-4		82A-11
S1495-10		132B-39	S1495-4		132B-47	S1497-4		82A-20
S1495-10		132B-41	S1495-4		132B-74	S1497-4		82A-41
S1495-10		132B-42	S1495-4		132C-72	S1497-4		82B-14
S1495-10		132B-66	S1495-4		132C-91B	S1497-4		112-19
S1495-10		132B-68	S1495-6		1-64	S1497-6		82-25A
S1495-10		132B-75	S1495-6		5A-60	S1511-1		1-89
S1495-10		132C-18	S1495-6		5B-56	S1517-10		108-18
S1495-10		132C-19	S1495-6		73B-30	S1520-1		135A-13
S1495-10		132C-22	S1495-6		78A-93B	S1527-1		133-17
S1495-10		132C-23	S1495-6		78A-95C	S1529-1		135A-67
S1495-10		132C-24	S1495-6		79-44	S1551-1		48-12
S1495-10		132C-25	S1495-6		81-62	S1573-3		108-14
S1495-10		132C-27	S1495-6		82-25	S1573-3		108A-9
S1495-10		132C-31	S1495-6		86A-15	S1573-3		108B-9
S1495-10		132C-51	S1495-6		112-4	S1577-1		136-24
S1495-10		132C-53	S1495-6		112-5	S1577-1		136-56
S1495-10		132C-58	S1495-6		112-6	S1577-1		136A-80
S1495-10		132C-86	S1495-6		112-7	S1577-1		145-6
S1495-10		132C-88	S1495-6		112A-6	S1580-1		136-10
S1495-10		132C-90C	S1495-6		112A-7	S1581-4		93-27
S1495-12		79-26A	S1495-6		112B-4	S1588-1		6-31
S1495-12		132B-12	S1495-6		112B-5	S1588-2		5A-57A
S1495-3		1-64	S1495-6		112B-6	S1588-2		5B-53A
S1495-4		1-64	S1495-6		112B-7	S1588-2		5B-85
S1495-4		78-84	S1495-6		112B-31	S1588-2		6-26
S1495-4		78-87	S1495-6		112B-35	S1588-2		6-31
S1495-4		78A-71	S1495-6		112C-4	S1588-2		6A-33
S1495-4		78A-73	S1495-6		112C-4A	S1589-3		77-36
S1495-4		78A-80	S1495-6		112C-5	S1589-3		77-37
S1495-4		78A-85	S1495-6		112C-20	S1589-3		77A-11
S1495-4		78A-87	S1495-6		132A-4A	S1589-3		77A-11
S1495-4		78A-87	S1495-6		132A-51	S1592-1A		105-21
S1495-4		78A-93E	S1495-6		132A-51	S1592-2A		3-31
S1495-4		79-9	S1495-6		132A-73	S1601-12		78A-96D
S1495-4		79-12	S1495-6		132A-73	S1604-4		82-3
S1495-4		79-20	S1495-6		132A-78	S1604-4		82-7
S1495-4		79-50	S1495-6		132B-30	S1604-4		82A-51
S1495-4		79-50	S1495-6		132B-56	S1604-4		82A-55
S1495-4		79-80	S1495-6		132B-85	S1604-4		82B-27
S1495-4		82-32	S1495-6		132B-92	S1604-4		82B-30
S1495-4		82A-10	S1495-6		132C-66	S1604-6		81-2
S1495-4		82A-10A	S1495-6		132C-67	S1604-6		81-3
S1495-4		82A-19	S1495-6		132C-70	S1604-6		81A-2
S1495-4		82A-40	S1495-6		132C-77	S1605-8		69-35
S1495-4		82B-13	S1495-6		132C-93	S1605-8		69A-39
S1495-4		86A-4	S1495-8		1-64	S1611-1		1-65
S1495-4		86A-10	S1495-8		78-76	S1614		1-76
S1495-4		86A-12	S1495-8		107-55	S1628-008		116-25
S1495-4		86A-17	S1495-8		107A-92D	S1628-010		116-32
S1495-4		86A-31	S1495-8		107B-92C	S1628-010		129-7
S1495-4		86A-35	S1495-8		112-10	S1628-010		130-7
S1495-4		86A-41	S1495-8		112A-12	S1628-011		116-27
S1495-4		86A-42	S1495-8		112B-12	S1628-011		126-4
S1495-4		86A-46	S1495-8		112C-13	S1628-012		115-43
S1495-4		112-8	S1495-8		113A-18	S1628-012		115-45
S1495-4		112-9	S1495-8		113B-16	S1628-012		115A-6

P210 Parts Catalog

PART NUMBER	FICHE AND FRAME	FIGURE AND INDEX NO.	PART NUMBER	FICHE AND FRAME	FIGURE AND INDEX NO.	PART NUMBER	FICHE AND FRAME	FIGURE AND INDEX NO.
S1628-014		116 - 6	S1694-7		1 -97	S1807-2		136 -24
S1628-020		131 - 9	S1694-7		94A-42A	S1819-3		100 -44
S1628-027		44 -11	S1694-8		1 -97	S1819-3		100 -63
S1628-110		91A- 4	S1694-9		1 -97	S1819-3		126 - 1
S1628-110		127 - 2	S1695-2		69 -48	S1819-4		95 -20
S1628-110		129 -10	S1695-2		69A-59	S1827-1		42 -24
S1628-110		130 - 3	S1695-2		69B-68	S1831-1		136 -48
S1628-111		116 - 9	S1707-60		71 -32	S1831-1		136A-81
S1628-111		126 -10	S1710-1		90 -60	S1831-1		142 -12
S1628-111		128 -19	S1710-1		100 -75	S1843-2		71 - 1
S1628-112		44 - 7	S1711-1		111 - 6	S1843-2		71 - 2
S1628-112		124 -10	S1721-4		135A-15	S1843-2		71A- 1
S1628-114		119 - 6	S1722-100		135A-18	S1843-2		71A- 2
S1628-114		124 - 5	S1723-6		135A-17	S1843-2		71B- 1
S1628-116		127 - 9	S1724-1		135A-16	S1843-2		71B- 4
S1628-129		115 -36	S1741-1		17 -10	S1846-3-2		71 - 2
S1628-130		115 -37	S1741-1		17 -12A	S1846-3-2		71A- 2
S1628-135		125A- 3	S1741-1		17 -18	S1846-3-2		71B- 4
S1628-137		125 -21	S1741-1		84B- 6B	S1846-3-2		71C- 4
S1628-210		124 - 5	S1741-1		86A-40	S1855-1		132 -51
S1628-210		131 - 6	S1741-1		89 -57	S1860-1		71B-29
S1628-214		125 -16	S1741-1		98A-26	S1860-1		71C-32
S1628-214		125A- 9	S1741-1		141A-46	S1860-1A		71A-63
S1628-225		125A- 7	S1746B103		74 - 8	S1860-2A		3A-15
S1628-329		42 -44	S1746B17		74 -14	S1860-2A		3A-16
S1630-5		79 -40	S1746B17		74 -14	S1860-2A		4 -71
S1632-3LA		144 - 5	S1746B17		74 -14	S1860-2A		5 -30
S1632-3RA		144 - 5	S1746B25		74 - 8	S1860-2A		5 -46
S1635-1		1 -66	S1746B25		74 - 8	S1860-2A		5 -55
S1635-2		1 -66	S1746CC17		74 -14	S1860-2A		5A-41
S1635-2		100 -31	S1746CC17		74 -14	S1860-2A		5B-97
S1635-3		1 -66	S1746CC17		74 -14	S1860-2A		11 -46
S1636-1		1 -67	S1746CC25		74 - 8	S1860-2A		14A-26A
S1636-2		1 -67	S1746CC25		74 - 8	S1860-2A		31 -21
S1636-3		1 -67	S1746CC25		74 - 8	S1860-2A		32A-11
S1637-1		1 -68	S1746JJ17		74 -14	S1860-2A		32A-13
S1637-1		143A-22	S1746JJ17		74 -14	S1860-2A		32A-16
S1637-2		1 -69	S1746JJ17		74 -14	S1860-2A		32A-17
S1637-2		143A-21	S1746JJ25		74 - 8	S1860P2A		31A- 6
S1638-1		1 -70	S1746JJ25		74 - 8	S1862-1		3 -46A
S1638-1		143 - 8	S1746JJ25		74 - 8	S1862-1		59 -19
S1638-1		143 -19	S1746KK17		74 -14	S1862-1		71B-29
S1638-1		143A- 8	S1746KK25		74 - 8	S1862-1		71C-32
S1638-1		143A-18	S1746LL17		74 -14	S1862-1A		83 -19
S1638-2		1 -71	S1746LL25		74 - 8	S1862-2A		11 -30
S1638-2		100 -31	S1746MM17		74 -14	S1862-2A		12 -33
S1638-2		143 -17	S1746MM17		74 -14	S1862-2A		14 -12
S1638-2		143 -18	S1746NN25		74 - 8	S1862-3A		31A-10
S1638-2		143A-16	S1746NN25		74 - 8	S1862-3A		31A-12
S1638-2		143A-19	S1746NN17		74 -14	S1863-1		18 -52
S1640-12		1 -72	S1746NN25		74 - 8	S1863-1		70A-18B
S1640-15		1 -72	S1746PP17		74 -14	S1863-1		70B-35
S1640-6		1 -72	S1746PP25		74 - 8	S1863-1A		70 -17
S1640-9		1 -72	S1746Z17		74 -14	S1863-1A		70 -48
S1641-12		1 -73	S1746Z17		74 -14	S1863-1A		70A-18
S1641-15		1 -73	S1746Z17		74 -14	S1863-1A		70A-41
S1641-6		1 -73	S1746Z25		74 - 8	S1863-1A		70B-46
S1641-6		136 -46	S1746Z25		74 - 8	S1863-2		22 -16
S1641-6		136A-77	S1746Z25		74 - 8	S1863-2		22A- 8
S1641-9		1 -73	S1759-1		69 -58	S1863-2		38 - 8
S1641-9		136 -47	S1762-1		65 -11	S1863-2		59 -18
S1641-9		136A-78	S1762-1		66 -11	S1863-2		70A-18A
S1648-3KB80		141C- 7	S1762-1		67 - 7	S1863-2		70B-37
S1672-1		3 -24	S1762-2		63 -27	S1863-2		83 -12
S1672-1		3A-46	S1762-3		63 -27	S1863-2		83 -24
S1672-3		3 -24	S1771-3		101 - 3	S1863-3		3 -13
S1672-3		3A-46	S1775-1		1 -94	S1863-3		18 -64
S1674-1		92 -22	S1775-2		1 -94	S1863-3A		11 -30
S1675-1		92 -23	S1775-3		1 -94	S1863-3A		12 -33
S1694-2		1 -97	S1775-4		1 -94	S1863-3A		14 -11
S1694-3		1 -97	S1780-9		138 -19	S1863-3A		14A-24
S1694-4		1 -97	S1790-2-1		71B- 2	S1863-3A		31A- 4
S1694-5		1 -97	S1807-1		145 -10	S1863-3A		37 -13
S1694-6		1 -97	S1807-2		136 -12	S1863-3A		37 -21

P210 Parts Catalog

PART NUMBER	FICHE AND FRAME	FIGURE AND INDEX NO.	PART NUMBER	FICHE AND FRAME	FIGURE AND INDEX NO.	PART NUMBER	FICHE AND FRAME	FIGURE AND INDEX NO.
S1863-3A		37 -34	S1948-2-11		1 -82	S2000C201J		71B-21
S1863-3A		37 -34	S1948-2-12		1 -82	S2000C201J		71B-22
S1863-4A		31A-9	S1948-2-13		1 -82	S2000C201J		71C-22
S1863-4A		31A-13	S1948-2-14		1 -82	S2000C201J		71C-23
S1863P2		18 -47	S1948-2-15		1 -82	S2002-6		57 -93
S1867-1		40 -31	S1948-2-16		1 -82	S2009-3		126 -12
S1884-2		135 -10	S1948-2-17		1 -82	S2010-3		93 -6
S1890-1		71B-38	S1948-2-18		1 -82	S2010-3		93 -9
S1890-1		71C-35	S1948-2-19		1 -82	S2012-1		45 -46
S1891-10		78 -76	S1948-2-2		1 -82	S2012-2		45 -52
S1891-10		113A-12	S1948-2-20		1 -82	S2013-1		45 -45
S1891-10		113A-19	S1948-2-3		1 -82	S2013-2		65 -40
S1891-10		113B-10	S1948-2-4		1 -82	S2013-2		66 -36
S1891-10		113C-10	S1948-2-5		1 -82	S2013-2		66 -61
S1891-10		113C-14	S1948-2-6		1 -82	S2013-2		67 -27
S1891-10		113D-5	S1948-2-7		1 -82	S2013-7		93 -16
S1891-10		132A-23G	S1948-2-8		1 -82	S2014-1		45 -53
S1891-10		132A-71	S1948-2-9		1 -82	S2014-2		65 -40
S1891-12		41 -5	S1948-3		61 -3	S2014-2		66 -36
S1891-12		78A-94C	S1948-3-1		62 -8	S2014-2		66 -62
S1891-12		78A-96A	S1953-1		135A-62	S2014-7		67 -27
S1891-12		81A-32	S1953-3		135A-63	S2016-3		93 -15
S1891-12		113C-12	S1956-3		18 -95	S2018-1		63 -18A
S1891-12		113C-12C	S1956-3		19A-33	S2018-1		23 -13
S1891-12		113C-16	S1961-1-0		94 -43	S2018-1		23 -24
S1891-12		132B-12C	S1974-1		110 -2	S2018-1		24 -12B
S1891-12		132B-12F	S1980-1		71 -19	S2018-1		24A-20
S1891-12		132C-14	S1980-1		71 -20	S2018-1		34 -4
S1891-12		132C-15A	S1980-1		71A-20	S2018-1		34 -30
S1891-32		45 -66	S1980-1		71A-21	S2018-1		34 -42
S1891-32		88 -31	S1980-1		71B-21	S2018-1		134A-8
S1891-32		88 -32	S1980-1		71B-22	S2018-2		26 -71
S1891-32		88 -32B	S1980-1		71C-22	S2018-2		27 -37
S1891-32		88 -32J	S1980-1		71C-23	S2018-2		32 -30
S1891-48		87A-6	S1981-5		105 -38	S2018-2		32 -61
S1891-48		89 -13	S1982-1		69 -55	S2018-2		32 -67
S1891-6		78A-95D	S1985-1		94 -18	S2018-2		32 -68
S1891-6		107 -66	S1985-1		94 -23	S2018-3		26 -71
S1891-8		132A-4C	S1985-1		94 -34A	S2018N1		23 -13
S1891-80S		81 -21	S1985-1		94 -50	S2018N1		23 -24
S1891H48		78 -46	S1985-1		94A-29	S2018N1		34 -4
S1891H48		79A-10	S1985-1		94A-32	S2018N1		34 -30
S1891H48		81 -25	S1985-1		94A-33	S2018N1		34 -42
S1891H80S		133 -6	S1985-1		94A-46	S2018N1		134A-8
S1893-1		136 -49	S1985-2		94 -23A	S2019-10		130 -18
S1893-1		136A-82	S1985-2		94A-31	S2019-115		119 -33
S1894-4		69 -43	S1994-1-1		71 -1	S2019-117		115 -48
S1898-2		65 -10	S1994-1-1		71A-1	S2019-128		115A-45
S1898-2		66 -10	S1994-1-1		71B-1	S2019-132		124 -19
S1898-2		67 -6	S1995-4		71 -19	S2019-25		119 -33
S1904-2		71 -19	S1995-4		71 -20	S2019-26		128 -20
S1904-2		71 -20	S1995-4		71A-20	S2019-7		124 -19
S1904-2		71A-20	S1995-4		71A-21	S2019-9		129 -16
S1904-2		71A-21	S1995-4		71B-21	S202RB		1 -47
S1904-2		71B-21	S1995-4		71B-22	S202RB		88 -44
S1904-2		71B-22	S1995-4		71C-22	S202R735B		3 -69
S1904-2		71C-22	S1995-4		71C-22A	S202R735B		3A-54
S1904-2		71C-23	S1995-4		71C-23	S202VM		1 -47
S1906-1		101 -16	S1997-12-8		45 -59	S2020-2		8 -1
S1906-2		100 -85	S1997-12-8		125 -7	S2020-2		8 -1
S1908-6		69 -55	S1997-22G8		93 -17	S2023-1		69 -38
S1914-5		60 -9	S1997-6-10		48 -42	S2023-1		69A-52
S1914-8		65 -64	S1997-6-10		100 -36	S2023-1		69B-52
S1914-8		66 -83	S1997-6-10		100 -56	S2030-1		94 -21
S1914-8		67 -51	S1997-6H6		47 -43	S2031-1		34 -5
S1915-2		141B-33	S1997-7H8		49 -5	S2031-1		132 -74
S1916-1		138 -5	S1997C7-8		125 -13	S2031-1		132A-90
S1927-3		132 -70	S1997C7-8		125A-12	S2031-1		132B-6
S1927-3		132A-86	S1999-1		120A-9	S2031-1		132C-6
S1927-3		132B-2	S200C201J		71C-22A	S2031-2		18 -75
S1927-3		132C-2	S2000C201J		71 -19	S2031-2		18 -80
S1931-8		57 -20B	S2000C201J		71 -20	S2031-2		18A-20
S1948-2-1		1 -82	S2000C201J		71A-20	S2031-2		18A-91A
S1948-2-10		1 -82	S2000C201J		71A-21	S2031-2		18A-91C

P210 Parts Catalog

PART NUMBER	FICHE AND FRAME	FIGURE AND INDEX NO.	PART NUMBER	FICHE AND FRAME	FIGURE AND INDEX NO.	PART NUMBER	FICHE AND FRAME	FIGURE AND INDEX NO.
S2031-2		21 -31	S2091-3		71C-23	S2160-1		71 - 4
S2031-2		24 -11A	S2091-7		71 -19	S2160-1		71 - 5
S2031-2		24 -31	S2091-7		71A-20	S2160-1		71 - 6
S2031-2		24 -31A	S2091-7		71B-21	S2160-1		71 - 7
S2031-2		24A-15	S2091-7		71C-22	S2160-1		71 - 8
S2031-2		24A-50	S2091-7		71C-22A	S2160-1		71 -10
S2031-2		29 -32	S2092-1		1 -80	S2160-1		71 -12
S2031-2		134A-4B	S2092-1		138A-6	S2160-1		71 -13
S2031-3		21 - 5	S2092-1		138A-13	S2160-1		71A-3
S2031-3		24 -11C	S2092-10		1 -81	S2160-1		71A-4
S2031-3		24 -30	S2092-10		63 - 1	S2160-1		71A-5
S2031-3		24 -60A	S2092-10		63 - 5	S2160-1		71A-6
S2031-3		24 -76	S2092-10		63 - 6A	S2160-1		71A-7
S2031-3		24A-16	S2092-10		94 -48	S2160-1		71A-8
S2031-3		24A-49	S2092-11		1 -80	S2160-1		71A-9
S2031-3		24A-89	S2092-12		1 -81	S2160-1		71A-11
S2031-3		24A-97	S2092-12		63 - 1	S2160-1		71A-13
S2031-3		26 -19	S2092-12		63 - 5	S2160-1		71A-14
S2031-3		26 -21	S2092-12		63 - 6A	S2160-1		71B-5
S2031-3		26 -22	S2092-12		69 - 3	S2160-1		71B-6
S2031-3		26 -39	S2092-12		69 - 6	S2160-1		71B-7
S2031-3		27 - 6	S2092-12		69A-3	S2160-1		71B-8
S2031-3		27 -38	S2092-12		69A-7	S2160-1		71B-9
S2031-3		30 - 6	S2092-12		72 - 7	S2160-1		71B-10
S2031-3		30 - 9	S2092-12		72 -11	S2160-1		71B-11
S2031-3		32 -31	S2092-12		72A-7	S2160-1		71B-14
S2031-3		32 -47	S2092-12		72A-11	S2160-1		71B-15
S2031-3		32 -62	S2092-13		1 -80	S2160-1		71C-6
S2031-3		32 -67	S2092-13		63 - 2A	S2160-1		71C-7
S2031-3		32 -68	S2092-2		1 -81	S2160-1		71C-8
S2031-3		73 - 8	S2092-2		112A-30	S2160-1		71C-9
S2031-3		73A- 6	S2092-3		1 -80	S2160-1		71C-10
S2031-4		24 -11B	S2092-3		94 -47	S2160-1		71C-11
S2031-4		27 - 6	S2092-30		1 -81	S2160-1		71C-13
S2031-4		30 - 2	S2092-31		1 -80	S2160-1		71C-14
S2031A3		132A-83	S2092-4		1 -81	S2160-3		71 - 9
S2032-3		98A-15	S2092-4		62 -24	S2160-3		71A-10
S2034-1		6 -	S2092-5		1 -80	S2160-3		71B-12
S2034-1		6A-	S2092-5		69 -10	S2160-3		71B-13
S2034-1		18A-46	S2092-5		69A-17	S2160-3		71C-12
S2034-1		28 -21	S2092-6		1 -81	S2160-3		71C-15
S2034-1		98A-25	S2092-7		1 -80	S2160-4		71C-16
S2034-1		107A-91C	S2092-8		1 -81	S2161-1		71 -11
S2034-1		107B-91C	S2092-9		1 -80	S2161-1		71A-12
S2034-1		135A-36	S2092-9		62 -24	S2161-1		71B-16
S2034-1		141A-33	S2092-9		63 - 2A	S2161-1		71C-17
S2035-1		141A- 4	S2092-9		94 - 8	S2161-2		71 -14
S2035-2		141A-15	S2092-9		94A- 9	S2161-2		71A-15
S2041-50-1.6		69 -55	S2093-1		15A-89	S2161-2		71C-17
S2041-50-15		136 -60	S2093-4		141B-52	S2162-2		71B-16
S2041-50-15		136A-95	S2093-7		141A-43	S2178-3-0122		120 -25
S2043-1		105 -51	S2104-1		59 -34	S2178-3-0122		120A- 8
S2049P4FG		81 -19	S21042L3		84B-53A	S2178-3-0144		120 -24
S2059-3		115 -41	S2106-2		8 - 3	S2178-3-0170		90 - 5
S2059-3		115A- 2	S2107-1		8 - 5	S2178-3-0174		90 - 6
S2059-3		116 -10	S2108-1		1 -84	S2178-3-0224		90 - 6A
S2060-2		119 -30	S2108-2		1 -84	S2178-4-0067A		122 -14
S2071-1		86 - 8	S2108-3		1 -84	S2178-4-0067A		123 - 7
S2071-1		105 -40	S2108-4		1 -84	S2178-4-0074A		123 - 8
S2071-1		112A-24	S2108-6		139A-18	S2178-4-0082A		120 -14
S2071-1		86 - 9A	S2114-1		141B-53	S2178-4-0086		122B- 6A
S2071-2		112A-20	S2114-2		141B-48	S2178-4-0095A		120 -13
S2071-2		112A-22A	S2119-1		110 - 3	S2178-4-0120		122B- 6
S2071-2		112C-28	S2121-5		115 - 2	S2178-4-0120A		122A- 4
S2071-2		132 - 6	S2121-5		116 - 2	S2178-4-0120A		123 -34
S2071-2		112 -13A	S2121-5		116 -20	S2178-4-0130A		123 -35
S2071-2		112B-17	S2122-1		71 -46	S2178-4-0140A		122A- 4A
S2071-3		132 -14	S2122-1		71A-61	S2178-4-0144A		120A-10
S2087-1		84B-55	S2122-1		71B-60B	S2178-4-0144A		122 -34
S2087-1		85A- 7	S2122-1		71C-63	S2178C4-0150		122B-11
S2087-1		85A-12	S2145-1		1 -86	S2178C4-0150A		122 -15
S2091-3		71 -20	S2145-1		88 -44	S2178C4-0150A		122A- 9
S2091-3		71A-21	S2152-2		4 -87	S2181-2		138 -19
S2091-3		71B-22	S2160-1		71 - 3	S21891-80S		81A-58

P210 Parts Catalog

PART NUMBER	FICHE AND FRAME	FIGURE AND INDEX NO.	PART NUMBER	FICHE AND FRAME	FIGURE AND INDEX NO.	PART NUMBER	FICHE AND FRAME	FIGURE AND INDEX NO.
S2191-8-4		40 -16	S2209-3		87 - 7	S2275B106		74 -14
S2195-1		1 -85	S2209-3		87A- 2	S2275B106		74 -14
S2195-2		1 -85	S2209-3		87A- 3	S2275B111		74 - 1
S2199-3		75 - 1	S2209-3		87A- 4	S2275B111		74 - 1
S2199-4		75 - 2	S2209-3		87A-18	S2275B111		74 - 1
S2202-2		136A-86	S2209-3		87A-26	S2275B201		74 -19
S2202-3		136A-86	S2209-3		89 - 4	S2275B201		74 -19
S2202-4		101 -13	S2209-3		89 - 6	S2275B201		74 -19
S2202-4		136A-86	S2209-3		89 - 7	S2275B206		74 -25
S2203-2		136 -55	S2209-3		89 -29	S2275B206		74 -25
S2203-3		136 -55	S2209-3		89 -35	S2275B206		74 -25
S2203-4		136 -55	S2209-3		89 -57	S2275B206		74 -25
S2209-1		73 - 9	S2209-3		98 -19	S2275CC105		74 - 8
S2209-1		73A-10	S2209-3		136A-16	S2275CC105		74 - 8
S2209-1		84A-36	S2209-3		136A-30	S2275CC106		74 - 8
S2209-1		84A-38	S2209-3		87A- 9	S2275CC106		74 -14
S2209-1		84A-38C	S221-9		76A-10	S2275CC106		74 -14
S2209-1		86A- 5	S2218-2		107 -27	S2275CC111		74 - 1
S2209-1		86A-29	S2218-4		107A-87	S2275CC111		74 - 1
S2209-1		94A-42	S2218-4		107B-86	S2275CC111		74 - 1
S2209-1		98A-25	S2225-1		137 - 5	S2275CC201		74 - 1
S2209-1		98A-26	S2226-1		107A-33	S2275CC201		74 -19
S2209-1		112B-23	S2226-1		107B-31	S2275CC201		74 -19
S2209-1		112C-18	S2226-2		87A-20	S2275CC206		74 -25
S2209-1		113 -17C	S2226-2		88 -27	S2275CC206		74 -25
S2209-1		121 - 9	S2226-2		88 -63	S2275CC206		74 -25
S2209-1		121A-17	S2226-2		88 -63A	S2275JJ105		74 - 8
S2209-1		121B-10	S2226-2		88 -73	S2275JJ105		74 - 8
S2209-1		136A-17	S2226-2		135A-53	S2275JJ105		74 - 8
S2209-1		136A-31	S2226-2		137 -26	S2275JJ106		74 -14
S2209-1		136A-52	S2226-3		89 -38	S2275JJ106		74 -14
S2209-1		136A-94	S2226-3		89 -42	S2275JJ106		74 -14
S2209-1		136A-99K	S2230-1		3 -48	S2275JJ111		74 - 1
S2209-1		141A-25	S2230-1		3A-38	S2275JJ111		74 - 1
S2209-1		141A-47	S2230-1		13 -35	S2275JJ111		74 - 1
S2209-1		141B-57	S2230-1		15 -85	S2275JJ201		74 -19
S2209-1		145 -23A	S2230-1		15A- 1	S2275JJ201		74 -19
S2209-10A		133 -38	S2234-2		69 -20	S2275JJ201		74 -19
S2209-11		69B-51	S2234-2		69A-28	S2275JJ206		74 -25
S2209-2		6 -	S2234-4		69B-39	S2275JJ206		74 -25
S2209-2		6A-	S2239-6		69B-69	S2275JJ206		74 -25
S2209-2		17 -12A	S2244-1		139 -13	S2275KK105		74 - 8
S2209-2		48 -53	S2244-1		139A- 8	S2275KK106		74 -14
S2209-2		69 -24	S2244-1		139A-17	S2275KK111		74 - 1
S2209-2		78 -75	S2249-2		1 -88	S2275KK201		74 -19
S2209-2		78A-35	S225-20		11 -44	S2275KK206		74 -25
S2209-2		79 -35	S225-3		10 -13	S2275LL105		74 - 8
S2209-2		79 -47	S225-4		3 -20	S2275LL106		74 -14
S2209-2		86A-16	S225-4		14A-32A	S2275LL111		74 - 1
S2209-2		86A-39	S225-4F		3 -23	S2275LL201		74 -19
S2209-2		94 -36	S225-4F		3A-62	S2275LL206		74 -25
S2209-2		107 - 9	S225-4F		3A-64	S2275MM105		74 - 8
S2209-2		107 -16	S225-4F		3A-66	S2275MM105		74 - 8
S2209-2		107 -20	S225-6		31A-16	S2275MM106		74 -14
S2209-2		107A-61	S225-7		32 -11	S2275MM106		74 -14
S2209-2		107B-60	S225-7		32A- 7	S2275MM111		74 - 1
S2209-2		108 -25	S225-8		9 -39	S2275MM111		74 - 1
S2209-2		112 -16	S226-5F		3A-16	S2275MM201		74 -19
S2209-2		112B-22	S226-5F		4 -70	S2275MM201		74 -19
S2209-2		112C-17	S226-5F		5 -30	S2275MM206		74 -25
S2209-2		113C-23	S226-5F		5 -55	S2275MM206		74 -25
S2209-2		113D- 9	S226-5F		11 -46	S2275NN105		74 - 8
S2209-2		113D-27	S226-5F		14A-26A	S2275NN106		74 -14
S2209-2		132 -57	S226-5F		5A-41	S2275NN111		74 - 1
S2209-2		132A-97	S226-5F		5A-78	S2275NN201		74 -19
S2209-2		135 -16D	S226-5F		5B-97	S2275NN206		74 -25
S2209-2		135A-35	S2269-4		86A-21	S2275PP105		74 - 8
S2209-2		136 -13	S2272-1		1 -84	S2275PP106		74 -14
S2209-2		136 -24	S2272-2		1 -84	S2275PP111		74 - 1
S2209-2		136 -29	S2272-2		84 -19	S2275PP201		74 -19
S2209-3		5 -17B	S2275B105		74 - 8	S2275PP206		74 -25
S2209-3		78A-97	S2275B105		74 - 8	S2275WD105		74 - 8
S2209-3		87 - 4	S2275B105		74 - 8	S2275WD106		74 -14
S2209-3		87 - 6	S2275B106		74 -14	S2275WD111		74 - 1

P210 Parts Catalog

PART NUMBER	FICHE AND FRAME	FIGURE AND INDEX NO.	PART NUMBER	FICHE AND FRAME	FIGURE AND INDEX NO.	PART NUMBER	FICHE AND FRAME	FIGURE AND INDEX NO.
S2275WD201		74 -19	S2319-3		77A-16	S2357-3		78A-93C
S2275WD206		74 -25	S2319-4		77 -15	S2357-3		78A-94
S2275WG105		74 - 8	S2319-4		77 -26	S2357-3		79 -79
S2275WG106		74 -14	S2319-5		77 -14	S2357-3		107 -56
S2275WG111		74 - 1	S2319-5		77 -25	S2357-3		107 -67
S2275WG201		74 -19	S2319-5		77A-14	S2357-3		107A-92C
S2275WG206		74 -25	S2319-5		77A-39	S2357-3		107A-92D
S2275WJ105		74 - 8	S2319-50		17 - 6	S2357-3		107B-92B
S2275WJ106		74 -14	S2319-50		17 - 6	S2357-3		107B-92C
S2275WJ111		74 - 1	S2319-50		17 -34	S2357-3		113B-17
S2275WJ201		74 -19	S2319-50		17 -34	S2357-3		113D- 8
S2275WJ206		74 -25	S2319-50		18 -10	S2357-3		113D-21
S2275Z105		74 - 8	S2319-50		19 - 3	S2357-3		113D-24
S2275Z105		74 - 8	S2319-50		19 - 7	S2357-3		132B-54
S2275Z105		74 - 8	S2319-50		19A-20	S2357-3		132C-62
S2275Z106		74 -14	S2319-50		19A-50	S2358-1		3 -32
S2275Z106		74 -14	S2319-50		19A-70	S2361-1		81 -57
S2275Z106		74 -14	S2319-50		77 -24	S2361-1S		81A-36
S2275Z111		74 - 1	S2319-50		77 -45	S2362-2		69 -54
S2275Z111		74 - 1	S2319-50		77A- 6	S2363-1		113A- 4
S2275Z111		74 - 1	S2319-50		77A-42	S2363-1		113B- 5A
S2275Z201		74 -19	S2319-7		77A-13	S2363-1		113C- 5A
S2275Z201		74 -19	S2319-7		77A-38	S2363-1		113D- 2
S2275Z201		74 -19	S2321L3		47 -53	S2363-10		113C- 6
S2275Z206		74 -25	S2323-10		107A-30	S2363-12		113 -24
S2275Z206		74 -25	S2323-10		107B-28	S2363-12		113A- 8
S2275Z206		74 -25	S2323-12		88 -54	S2363-12		113B- 6
S2280-15-315		107A-27	S2323-12		88 -59	S2363-12		113C- 6
S2280-15-315		107B-25	S2323-3		108 -19	S2363-12		113C- 6A
S2281-1		71 -53	S2323-5		87A-22	S2363-2		113 -13
S2281-1		71A-31	S2323-5		88 -24	S2363-2		113A- 5
S2281-1		71B-30	S2323-5		89 -21	S2363-2		113A- 6
S2287-1		1 -74	S2323-5		89 -44	S2363-2		113B- 5
S2287-1		59 -20	S2323-5		135A-55	S2363-2		113C- 5
S2290-2		135A-21	S2323-5		137 -23	S2363-3		113 -17A
S2294-25		104 -32	S2326-1		136 -57	S2363-3		113A- 3
S2295A25-142		104 -32	S2326-1		136A-87	S2363-3		113B- 4
S2295P25-159		97 -12	S2326-2		136A-88	S2363-3		113C- 4
S2295P25-55		97 -51	S2334-4		79 -38	S2363-3		113D- 3
S2295P25-59		97 -51	S2334-4		79A-11	S2363-8		113 -24
S2300-10		45 -27	S2335-1		79 -40	S2363-8		113 -32
S2300-10		73 -13	S2349-1		79A-12	S2363-8		113A- 7
S2300-11		73 -17	S2349-1		98A-21	S237-4		10 -12
S2300-11		81A-39	S2349-2		141A-20	S237-6		9 -38
S2300-12		73 -10	S2350-3		98A-20	S2380-1		88 -30
S2300-12		73A-14	S2350-5		141A-18	S2380-1		88 -32A
S2300-2		79 -40	S2351-1		98A-19	S2380-1		88 -32H
S2300-2		79A-12	S2351-1		98A-21	S2380-2		88 -32
S2300-25		78 -81	S2351-2		141A-19	S2385-2		109 - 5
S2300-27		82A-11D	S2351-2		98A-19	S2385-3		109 -17
S2300-29		107A-90E	S2352-08-7		98A-20	S2385-4		109B-10
S2300-29		107B-90D	S2352-08-7		70 -11	S2385-5		109A-13
S2300-36		93 -75	S2352-08-7		70 -42	S2389-2		101 -14
S2300-38		133 -35	S2352-08-7		70A-12	S2389-7		101 -11
S2300-4		45 -27	S2352-08-7		70A-35	S2393-1		53 -15
S2300-4		73A-18	S2354-14		68 -13	S2393-2		98 -22
S2300-5		113 -10	S2354-14		68A-11	S2393-3		119 -10
S2300-6		73A-19	S2357-1		51 -42	S2393-4		3A-28A
S2300-6		85A-29	S2357-1		78A-71	S2394-1		119 -12
S2300-6		107 -31A	S2357-1		78A-74	S2397-1		10 - 1
S2301-2-1		61 -12	S2357-1		78A-86	S2398-1		10 - 6
S2303-4		136 -31	S2357-1		78A-87	S2401-2		82 - 9
S2303P2-4		136A-61	S2357-1		82B-34	S2401-2		82A-30
S2303P2-4		138A-21	S2357-1		132B-21	S2413-1		69 -27
S2304-4		81 -45	S2357-1		132C-36	S2413-1		69A-35
S2313-1		118 -18	S2357-2		107A-97D	S2413-1		69B-34
S2313-2		118 -18	S2357-2		107B-97C	S2416-1-31.0		140 -20
S2319-20		77 -15	S2357-2		132A-52	S2416-1-31.0		140A-11
S2319-20		77 -26	S2357-2		132A-52	S2416-1-31.0		141 -11
S2319-23		77A-13	S2357-2		132B-14	S2416-1-31.0		141B-11
S2319-23		77A-14	S2357-2		132B-14	S2418-1		42 -43
S2319-23		77A-16	S2357-2		132C-20	S2423-1		124 -25
S2319-23		77A-38	S2357-3		5A-60	S2423-2		124 -26
S2319-23		77A-39	S2357-3		5B-57	S2432-1		94A-41

P210 Parts Catalog

PART NUMBER	FICHE AND FRAME	FIGURE AND INDEX NO.	PART NUMBER	FICHE AND FRAME	FIGURE AND INDEX NO.	PART NUMBER	FICHE AND FRAME	FIGURE AND INDEX NO.
S2432-1		94A-56	S2524-1		139 -12	S2611-1-1.95-156		69A- 7
S2443-2		136 -25	S2524-1		139A- 7	S2611-1-1.95-156		72 -11
S2443-2		136A-26	S2524-1		139A-14	S2611-1-1.95-156		72A-11
S2445-1		101 -41B	S2527-1		136A-99B	S2616-314K4		140A-12
S2446-6		71A-61	S2527-2		17 -35	S2616-314K4		141 -12
S2446-7		71A-42	S2527-2		17 -51A	S2616-314K4		141B-11A
S2446-7		71A-44	S2527-3		136A-99	S2619-1		94 -14
S2446-7		71A-61	S2544-2		137 -22	S2619-1		94A-18
S2446-8		71A-61	S2548-10		113 -17B	S2623-12-000-064		81A-20
S2446G11		71C-31	S2548-4		82B-33	S26238A000-0190		81A-37
S2446G4		71C-31	S2550-8		69 -35	S2670-1		5B-54C
S2446G6		71 -46	S2550-8		69A-39	S2670-1		5B-89
S2446G6		71B-28	S2550-8		69B-50	S272-205		54 -37
S2446G6		71C-31	S2554-10		81A-31	S272-4		109B- 7
S2446G7		71 -46	S2554-10		113C-11	S272-5		109A- 9
S2446G7		71B-28	S2554-10		113C-11	S272-5		115 -24
S2446G7		71C-31	S2554-10		113C-12B	S272-5		115A-35
S2475-2		136A-12	S2554-10		113C-12B	S272-5		128 - 7
S2475-2		141A-28	S2554-10		113C-15	S272-5		129 -15
S2475-2		145 -22	S2554-10		113C-15	S272-5		130 -17
S2477-4		69 -58A	S2554-12		78A-94B	S272-7		55 -22
S2477-4		69A-71	S2554-12		78A-96	S272-8		109 - 7
S2477-4		69B-18	S2554-12		132B-12A	S272-9		128 - 6
S2482-300		79A-10	S2554-12		132B-12B	S272-9		129 -14
S2482-300		81A-59	S2554-12		132B-12E	S272-9		130 -16
S2485-1		107A- 9	S2554-12		132C-12	S290-1032		3 -57
S2485-1		107B-10	S2554-12		132C-13	S290-1032		3 -66
S2495-3-0144		110 - 8	S2554-12		132C-15	S290-832		3 -59
S2495-3-0350		78 -56	S2554-8		78A-94	S290-832		3 -65
S2495-3-0350		78A-60	S2554-8		79 -78	S290D1032		3A-48
S2495-4-000-0260		107B-90C	S2557-3		113C-30	S290D1032		3A-49
S2495-4B000-0224		81A-51	S2557-8D		107A-36	S290D832		3A-49
S2495-4B000-0334		82B-16	S2557-8D		107B-34	S290D832		3A-52
S2495-40-0160		107A-90D	S2558-1		141A-40	S2902-2		107A-91B
S2495-6-000-0076		82B-10	S2558-2		141A-21	S2902-2		107B-91B
S2495-6-000-0154		81A-46	S2559-4-1-1530		65 - 4	S292-1		1 -48
S2495-6B000-0040		82B-15	S2559-4-1-1530		67 - 2	S292-1		136 -50F
S2495-6B000-0164		81A-49	S2562-1		1 -99	S292-1		136A-49
S2495-8-0170		107A-19	S2562-2		1 -99	S292-11		1 -48
S2495-8-0290		79 -73	S2562-3		1 -99	S292-12		1 -48
S2495-8-0304		79 -72	S2562-4		1 -99	S292-14		1 -48
S2495-8-0304		79A-22	S2562-4		141B-56	S292-15		90 - 7
S2495-8C270-0160		107B-17	S2562-5		1 -99	S292-15		109 -44
S2501-4		1 -95	S2562-6		1 -99	S292-16		1 -48
S2501-6		1 -95	S2562N1		1 -99	S292-2		1 -48
S2501-6		112 - 4	S2567-3		136A-99D	S292-2		144 -18
S2501-6		112 - 5	S2571-2		112A-44	S292-28		1 -48
S2501-6		112A- 4	S2586-1		47 -60	S292-3		1 -48
S2501-6		112A- 5	S2586-1		136A-97	S292-4		1 -48
S2501-6		112B- 4	S2593-1		71C- 1	S292-5		1 -48
S2501-6		112B- 5	S2593-2		71C- 2	S292-6		1 -48
S2501-6		112C-10	S2606-2		94A-42	S292-8		1 -48
S2501-6		112C-11	S2608-1		2A-45	S307-2		1 -98
S2502-1		112 -20	S2611-1-1.70-A58		69 - 3	S307-3		1 -98
S2502-1		112A-32	S2611-1-1.70-A58		69A- 3	S307-5		1 -98
S2502-1		112B-29	S2611-1-1.70-A58		72 - 7	S307-7		1 -98
S2502-1		112C-40	S2611-1-1.70-A58		72A- 7	S307-8		1 -98
S2503-1		112 -18A	S2611-1-1.70-D65		69 - 3	S329		32 -12
S2503-1		112 -30	S2611-1-1.70-D65		69A- 3	S338-9		96 -23
S2503-1		112A-31	S2611-1-1.70-D65		72 - 7	S338-9		102 -13
S2503-1		112B-24	S2611-1-1.70-D65		72A- 7	S338-9		107A-69
S2503-1		112B-25	S2611-1-1.70-156		69 - 3	S338-9		107B-67
S2503-1		112C-39	S2611-1-1.70-156		69A- 3	S339-3		96 -23
S2503-2		112 -18	S2611-1-1.70-156		72 - 7	S339-3		102 -13
S2503-2		112A-31A	S2611-1-1.70-156		72A- 7	S339-3		107A-70
S2504-1		112B-32	S2611-1-1.95-A58		69 - 6	S339-3		107B-68
S2504-1		112C-21	S2611-1-1.95-A58		69A- 7	S350		6 -30
S2504-1-22		86A-13	S2611-1-1.95-A58		72 -11	S350		6A-36
S2504-3		112A-10	S2611-1-1.95-A58		72A-11	S352		25 - 2
S2521-1		94 -17	S2611-1-1.95-D65		69 - 6	S353-6		25 - 4
S2521-1		94A-17	S2611-1-1.95-D65		69A- 7	S354-1		25 - 2
S2522-1		72 -19	S2611-1-1.95-D65		72 -11	S354-1		25 - 2A
S2522-1		72A-23	S2611-1-1.95-D65		72A-11	S354-1		25 - 4
S2522-1		72B-11	S2611-1-1.95-156		69 - 6	S354-3		132 -52

P210 Parts Catalog

PART NUMBER	FICHE AND FRAME	FIGURE AND INDEX NO.	PART NUMBER	FICHE AND FRAME	FIGURE AND INDEX NO.	PART NUMBER	FICHE AND FRAME	FIGURE AND INDEX NO.
S378-1		90 -53	XR6479		138 -18	0413613-1-D66		72A- 2
S378-1		97 -25	X26263		145 - 9	0413613-1-D66		72A- 9
S378-1		97 -50	YZ2RN7T		47 -60	0413613-1-279		69A- 2
S378-1		103 -11	YZ2RN7T		136 -58	0413613-1-279		69A- 6
S378-1		103 -30	YZ2RN7T		136A-97	0413613-1-279		72A- 2
S378-1L		97 -19	Y8560		77A-15	0413613-1-279		72A- 9
S378-1L		97 -49	Y8560		77A-40	0415010-1		72A- 9
S378-2		96 -63	Y8562		1 -87	0415010-1		74 -23
S378-3		97 -28	Z736		135A-72	0415010-1		74 -29
S378-3		97 -41	00033045-7		144 - 6	0415026-2		63 -188
S378-4		95 -41	00033051-1		144 - 1	0415026-3		63 -18A
S378-4		96 - 7	00033051-2		144 - 1	0422344		38 -31
S378-4		96 -11	00033092-1		144 - 2	0431017-2		143 -11
S378-4		96 -15	00033092-2		144 - 1	0432003-1		85A-49
S378-4		96 -18	0039501		144 - 2	0432138-14		97 - 9
S378-4		96 -24	0039501		138A-23	0441119		122 -26
S378-4		96 -31	0107366-03		138A-24	05E00-1		86 - 2
S378-4		96 -37	0190		75 - 7	05E05-2		86 -21
S378-4		100 -69	0190		44 - 5	05E10-1		86 -20
S378-4		102 - 8	0190		44 - 6	0501019-1		738- 9
S378-4		102 -14	0190		54 -15	0501020-1		92 -36
S378-4		102 -21	0190		124 - 9	0501020-2		92 -41
S378-4		102 -27	022-30001D0403 e		128 -21	0501020-3		92 -38
S378-4		102 -33	0312155-10		90 - 3	0501020-4		92 -37
S382-1		69 -60	0400123-1		145 - 3	0501020-5		92 -40
S382-1		69A-66	0400213-4		60 -22	0501022-1		738-19
S382-1		69B-84	0400213-5		2A-46	0501081-1		92 -36
S382-3		71A-30	0405044-1		2A-47	0501081-2		92 -41
S394		95 -31	0405044-3-E85		2 -17	0501081-3		92 -38
S4		115 -69	0405044-3-E85		2 -17	0501081-4		92 -37
S4		115A-20F	0405064-1		2A-15	0501081-5		92 -40
S45A12		25 - 7	0405064-3		2 -48	0501120-7	e	63 -29
S45A12		30 -26	0405072-1		2 -48	0501120-8		63 -30
S45A12		73 - 6	0405072-2		2 -48A	0505054-17		2 -27
S45A13		25 - 3	0405101-1		2 -48A	0505054-18		2 -28
S51-10		1 -46	0405101-2		2A-40	0505097-1		2A-42
S51-12		1 -46	0411307		2A-40	0505100-19		2A-24
S51-12		78A-94A	0411491-1		92 - 5	0505100-20		2A-25
S51-12		79 -23	0411549		97 -15	0505103-1		2A-42A
S51-16		1 -46	0411550		92 -18	0505104-1		2A-48
S51-32		1 -46	0411562		92 -19	0510111-13		96 -74
S51-4		1 -46	0411564		92 -30	0510111-19		96 -74
S51-6		1 -46	0411564-3		92 - 7	0510205-7		32 -23
S51-6		107 -64	0411573-1		92 - 8	0510205-7		32 -56
S51-8		1 -46	0411778-3		92 -29	0510205-7		74 - 6
S51-8		107 -65	0411778-4		92 -10	0510205-7		74 -11
S51-8		107A-97C	0411778-6		92 -11	0510205-7		75 - 8
S51-8		107B-97B	0411778-7		92 -10	0510205-8		32 -22
S51-8		107A-92C	0411783		92 -11	0510205-8		32 -57
S51-8-12		107B-92B	0411783		90 -61	0510205-8		74 - 6
TA13C725506NB		133 -37	0411783		95 -32	0510205-8		74 -11
TBS-758		1 -33A	0412007-8		100 -76	0510205-8		75 - 8
TCS20B		98 -19	0412007-8		78 -41	0511336-1		92 - 7
TSI0520AF		79 -	0412007-8		78A-51	0511336-2		92 - 8
TSI0520AF	e	79 -	0412007-8		145 -26	0513039-1		69 -55
TSI0520CE		79A- 1	0412167-1		24 -45	0513039-16		69 -55
TSI0520P		79 -	0413138		136 -50B	0513154-1		90 -41
TSI0520P		79 -	0413138		136A-40	0513208-1		142 - 7
TT-P-1757		1 -34	0413140-5		136 -50	0513208-3		138 - 8
TUCK92T		1 -33	0413140-5		136A-38	0513292-84		70 -23
TVA1315		69 -47	0413307-13		24 -43	0513292-84		70A-22
URALITE 3121		1 -45A	0413307-13		24A-69	0513292-85		70 -21
VAL5-6000		71 -20	0413307-17		24 -38	0513292-85		70A-20
VAL5-6000		71A-21	0413416-4		24A-62	0514026-13		67 -18
VAL5-6000		71B-22	0413517-15		103 -29	0514026-16		66 -41
VAL5-6000		71C-23	0413517-20		738-16	0514026-17		66 -51
VL7A		145 - 9	0413517-5		738-10	0514027-21		66 -63
VM911M-4A		71 -15	0413578-1		738-18	0514027-30		67 -30
VM911M-4A		71A-16	0413613-1-A59		92 - 1	0514028-14		67 -21
VM911M4A		71B-17	0413613-1-A59		69A- 2	0514028-5		66 -45
VM920M-3		71 -16	0413613-1-A59		69A- 6	0514028-6		66 -44
VM920M-3		71A-17	0413613-1-A59		72A- 2	0514029-2		66 - 4
VM920M3		71B-18	0413613-1-D66		72A- 9	0514030-4		65 -28
VM920M3		71C-19	0413613-1-D66		69A- 2	0514030-4		66 -22
					69A- 6	0514030-4		67 -19

P210 Parts Catalog

PART NUMBER	FICHE AND FRAME	FIGURE AND INDEX NO.	PART NUMBER	FICHE AND FRAME	FIGURE AND INDEX NO.	PART NUMBER	FICHE AND FRAME	FIGURE AND INDEX NO.
0514032-1		66 -52	061-08500		46 -16	0713346-6-A59		69A-10
0514033-1		65 -35	061-08500		46A-16	0713346-6-A59		72 -12
0514033-1		66 -31	062-01500		46 -17	0713346-6-A59		72A-12
0514033-1		67 -25	066-05500		46 -20	0713346-6-C12		69 - 8A
0514033-2		66 -58	066-05500		46 -22	0713346-6-C12		69A-10
0514034-1		66 -42	066-06200		46A-22	0713346-6-C12		72 -12
0514035-17		66 -39	066-06200		46A-24	0713346-6-D66		72A-12
0514035-18		66 -40	068-01100		46A-25	0713346-6-279		69 - 8A
0514035-21		65 -44	069-00400		46 -23	0713346-6-279		69A-10
0514035-27		65 -44	069-00400		46A-26	0713346-6-279		72 -12
0514035-37		66 -39	07E90-1		86 -23B	0713346-6-279		72A-12
0514035-38		66 -40	07E91-2		86 -23B	0713487-10		139 - 2
0514051-20		66 -38	0700162-1		69 -21	0713487-10		139A- 1
0514051-21		66 -38	0700162-1		69A-29	0713487-11		139 - 3
0514051-6		66 -38	0700162-10		69B-40	0713487-11		139 - 3
0514051-7		66 -38	0700162-15		69B-38	0713487-12		139 - 4
0514060-1		67 -36	0700162-3		69 -19	0713487-9		139 - 1
0514060-2		67 -37	0700162-3		69A-27	0713487-9		139 - 1
0514060-3		65 -34	0700162-3		69B-38	0713625-1		90 -56
0514060-4		65 -34	0700162-4		69 -19	0713647-3		104 -16
0514060-5		66 -28	0700162-4		69A-27	0713647-3		104 -21
0514089-11		65 -41	0700162-4		69B-38	0713647-3		104 -45
0514089-11		66 -37	0700162-6		69 -19	0713701-1		85 -27
0514090-4		65 -48	0700162-6		69A-27	07137101-1		85A-24
0514090-4		66 -75	0700162-6		69B-38	0713847-11		17 -14
0514110-1		65 - 9	0700162-7		69 -19	0713959-1		90 -59
0514110-1		66 - 9	0700162-7		69A-27	0713999-5		73B- 5
0514110-1		67 - 8	0700162-7		69B-38	0713999-8		73B- 5A
0514121-1		66 -54	0700616-1		142 - 4	0714061-1		65 -55A
0514121-2		65 -32	0700628-5		138 -24	0714061-1		66 -73C
0514121-2		66 -29	0700633-5		66 -47	0714061-1		66 -87A
0514121-2		67 -23	0700633-6		66 -47	0714062-1		65 -53A
0514208-2		65 -65	0700668-16		61 - 7	0714062-1		66 -73B
0514208-2		66 -21	0700668-17		61 - 6	0714062-2		66 -73A
0523615-1		3 -50	0705028-3	#	2 -23	0714062-3		66 -73B
0523615-1		3A-39	0705028-3	#	2A-20	0714062-4		65 -52A
0523616-1		3 -51	0705090-1		2 -58	0714062-4		66 -73A
0523616-1		3A-40	0705090-4		2 -58A	0715038-1		73B-33
0523918		10 -14	0705090-4		2A-36	0715083-2		94 -49
0523919		10 - 1	0706004-3		113 -16	0715083-2		94A-43
0523920		10 - 2	0711038-1		52 -22	0716111-4		109B-
0523921		10 - 6	0711038-1		52 -24	0716141-1		109B- 2
0541138-5		91 - 3	0711111-1		59 -13	0716142-3		109B- 1
0541139		91 - 3	0712079-1		136A-15	0716143-5		109B- 4
0541139		91A- 7	0712079-2		145 -23	0716623-2		109 -48
0541140		91 - 1	0712079-3		136A-29	0716623-2		109A-22
0541140		92 -17A	0712528-1		38 - 3	0716624-1		109 -51
0541143		91 - 5	0712765-3		136 -28	0716624-1		109A-25
0541144		91 - 6	0713047		2 -25	0721105-13		105 -27
0541148		91 -11	0713047		2A-22	0721105-14		105 -25
0541148-1		91 - 9	0713070-19		90 -51	0721105-18		105 -25
0541149		91 -12	0713070-32		90 -34	0721105-3		105 -28
0541151		91 -13	0713070-35		90 -49	0721105-4		105 -29
0543001		40 - 9	0713070-4		90 -26	0721105-8		105 -30
0543003		40 -11	0713070-5		90 -27	0721105-9		105 -31
0543029		42 -27	0713070-6		90 -43	073-04200		46 -19
0543035-7		42 -49	0713074-1		65 - 1	073-05800		46A-21
0543037-1		40 -10	0713074-1		65 - 1	0731062-2		11 -19
0543047-1		42 -51	0713074-1		66 - 1	0731602-1		11 -18
0543047-2		42 -56	0713074-1		66 - 1	0731604-7		11 -29
0552173-5		77 - 8	0713074-1		67 - 1	0731604-7		12 -32
0552173-5		77A-25	0713272-1		18 -93A	0731604-8		11 -30
0552173-9		77 - 3	0713272-1		18A-54	0731604-8		12 -33
0556018-2		79 -69	0713272-1		90 -11	0731606-10		11 -38
0556018-2		79A-29	0713307-1		101 -28	0731606-10		12 -37
0567001-1		92 - 2	0713307-4		101 -29	0731606-9		13 -34
0570315-3		136A-58	0713307-7		85 -19	0731607-1		143 - 9
0570316-1		136 -31	0713346-1		69 - 8	0731607-3		143A- 9
0570316-1		136A-60	0713346-1		69A- 9	0732100-7		14 -53
0570452-1		136A-50	0713346-1		72 -13	0732600-3		14 -10
0570452-1		136A-99H	0713346-1		72A-13	0732601-5		14 -61
0570452-2		136A-51	0713346-2		69 - 8A	0732610-5		14 -39
0570452-2		136A-99J	0713346-2		72 -12	0732610-6		14 -38
0582001-1		92 -17A	0713346-6-A59		69 - 8A	0732611-1		14 -29

P210 Parts Catalog

PART NUMBER	FICHE AND FRAME	FIGURE AND INDEX NO.	PART NUMBER	FICHE AND FRAME	FIGURE AND INDEX NO.	PART NUMBER	FICHE AND FRAME	FIGURE AND INDEX NO.
0732611-2		14 -28	0760017-4		94A- 3	1K9-8-12		113C- 7
0732611-3		14 -27	0760103-7		93 -22	1N4004		98A-15
0732611-4		14 -26	0760104-2		93 -33	1V192-983		69B-36
0733103-1		13 -22	0760121-1		93 -32	1V192-983		69B-37
0733113-1		13 -21	0760602-1		21 -23	10N12D		65 -42
0733118-1		13 -21A	0760602-2		21 -23	100-2M		138A- 6
0733118-2		13 -21A	0760610-1		95 -29	100-2M		138A-12
074-03000		46A-23	0760610-3		95 -36	100-2M		138A-33
074-2900		46 -21	0760633-1		93 -38	1007		1 -41
0741048-8		45 - 1	0760633-1		93 -48	101-02700		46A-19
0743622-1		44 - 1	0760634-3		93 -22	101-0600		46A-33
0743623-3		44 -19	0760643-5		93 -18	1024A-B		1 -42
0743623-4		44 -17	0760644-1		93 -21	103-11800		46 -27
0743623-6		44 -20	0760646-2		93 -19	103-11800		46A-29
0743623-8		44 -14	0760649-3		93 -41	103-20400		46A- 4
0743624-2		44 -	0760651-2		93 -32	103726-1		86A-32
0743627-5		40 -15	0760651-2		93 -32	103726-2		86A-43
0743627-6		40 -15	0760674-1		93 -24	105-00200		46 -20
075-13800		46 -29	0760681-1		93 -33	105-00200		46 -22
075-13800		46A-34	0760681-1		93 -33	106340		79 -55
075-13850		46 -29	0760682-1		92 - 4	10634R		79 -55
075-13850		46A-34	0761210-4		97 -13	10634R		79A-30
0750117-31		84 -79	0762049-1		101 -12	10850M3		71 -16
0750117-31		84A-93	0770728-1		136 -14	10850M3		71A-17
0750117-31		84B-94B	079-00300		46 -26	10850M3		71B-18
0750143-1		79 - 5	079-0300		46A-31	10850M3		71C-19
0750143-1		79A-13	081-00200		46 -26	10850M4		71 -15
0750220-1		140 -12	081-0500		46A-32	10850M4		71A-16
0750220-1		140A- 7	0811490-75		90 -38	10850M4		71B-17
0750220-1		141 - 7	0811893-7		54 -11	110691		1 -78
0750220-1		141B- 7	0811895-1		54 -18	1115M42		135 -12
0750220-1		141B-19	0811895-4		54 -18	1111-517700		107 -27
0750221-1		140A- 6	0813150-73		90 -39	1200008-8		73B- 9
0750221-1		141B- 6	0813150-75		90 -32	1200017-2		96 -41
0750315-1		136 -31	0813156-4		90 -42	1200017-2		102 -31
0752611-1		18 -98B	082-02000		46A-20	1200017-5		96 -35
0752611-1		18A-15	0841200-15		42 -42	1200017-5		102 -25
0752620-3		76 - 5B	0841200-19		42 -25	1200017-6		96 -29
0752620-3		76A- 8	0841200-25		42 -41	1200017-6		102 -19
0752635-1		77 -17	0841200-31		42 -47	1200028-1		3 -26
0752635-1		77A-23	0841200-54		42 - 3	1200028-1		3A-47
0752635-2		77 -17	0851559-1		78 - 3	1200106-248		110 -20
0752635-2		77A-23	0851559-1		78A- 3	1200106-249		110 -22
0752646-1		20 -14	0851700-96		84 -78	1200106-250		110 -28
0752646-1		20A-21	0851700-96		84A-92	1200106-252		110 -13
0756003-3		78 -66	0851700-96		84B-94A	1200106-253		110 -12
0756005-12		108A- 1	0861233-2		118 -12	1200106-254		111 - 1
0756005-14		108A-	088-00100		46A-18	1200106-263		78 -61
0756005-2		108 - 3	0882590		138A-23	1200106-263		78 -67
0756005-9		108 -	0882743		138A-24	1200106-263		78A-64
0756008-1		108 -11	0882744		138A-23	1200106-263		78A-69
0756008-1		108A- 6	0890018-3		2 -65	1200106-272		110 - 4B
0756009-7		108 - 4	0890018-3		2A-49	1200106-273		110 - 4A
0756009-7		108A- 3	092-02000		46A-17	1200106-278		82 -34
0756009-8		108 - 5	094-10300		46A-28	1200106-278		82A-42
0756009-8		108A- 2	094-10400		46A- 6	1200106-291		111 - 1
0756010-6		108 - 7	095-10400		46A-27	1200106-292		132B-12D
0756011-1		108 - 9	095-10500		46A- 5	1200106-292		132C-14A
0756011-1		108A- 4	1/16X.375TYPE3		98 -27	1200106-293		113C-12A
0756012-1		108 - 8	1CH1-6		40 -33	1200127-1		136 -21A
0756014-1		108 -16	1D1194-1		132 -32	1200127-1		137 - 1C
0756015-1		108 -13	1D1194-1		132A-10	1200136-1		66 -49
0756015-1		108A- 8	1D1194-1		132B-50	1200136-1		66 -49
0756015-1		108B- 8	1D1194-1		132B-78	1200138-2		65 -38
0756022-1		111 -21	1D1194-1		132C-60	1200138-2		66 -34
0756035-1		8 - 5	1H19-5		78 -86	1200138-2		66 -56
0756035-5		8 - 5	1H19-8		78A-75	1200138-2		67 -28
0756036-3		108B- 5	1H37-1		132B-14C	1200139-1		67 -32
0756037-2		108B- 6	1H37-1		132C-26	1200231-1		62 -20
0756038-1		108B- 4	1H5-2		112B-30	1200231-2		62 -21
0756039-2		108B- 1	1H5-2		112C-19	1200231-3		62 -20
0756039-4		108B-	1K10-8-12		113C- 8	1200231-4		62 -21
0756041-1		108B- 2	1K14-4-4-4		78A-87	1200256-2		63 -11
0760017-4		94 - 9	1K9-8-12		113B- 7	1200406-131		107 -76

P210 Parts Catalog

PART NUMBER	FICHE AND FRAME	FIGURE AND INDEX NO.	PART NUMBER	FICHE AND FRAME	FIGURE AND INDEX NO.	PART NUMBER	FICHE AND FRAME	FIGURE AND INDEX NO.
1200406-155		107 -50	1205082-1		2 - 4	1210520-8		32 -27
1200406-156		107 -50	1205082-1		2 - 4	1210704-1		3 - 2
1200406-169		107 -73	1205082-1		2A - 4	1210704-1		3A - 5
1200406-183		107 -44	1205082-2		2 - 3	1210704-2		3 - 3
1200406-206		107 - 5	1205082-2		2A - 3	1210704-2		3A - 6
1200406-207		107 -13	1205084-5		2 -21	1210708-3		34 - 7
1200406-208		108 -26	1205084-5		2A-18	1210708-4		34 - 7
1200406-235		107A-93C	1205085-1		2 -43	1210708-5		34 -14
1200406-235		107B-93C	1205085-1		2A-30	1210708-6		34 -15
1200406-238		3A-34	1205104-13		2 -14	1210807-1		32 -69
1200406-239		3A-34	1205104-14		2 -14	1210810-3		45 -66
1200406-83		3 -27	1205104-15		2 -14	1211097-1		26 -76
1200406-84		3 -27	1205104-21		2 -14	1211098-1		26 -70
1200406-85		3 -33	1205104-22		2 -14	1211142-1		59 -33
1200406-93		109 -38	1205104-23		2 -14	1211148-1		59 -27
1200406-94		109 -31	1205104-24		2 -14	1211200-1		26 -28
1200406-95		109 -28	1205122-5		2 -46A	1211200-2		26 -29
1200406-96		107 -10	1205122-6		2 -47A	1211201-1		29 -25
1200406-97		109 -33	1205128-1		2A-43	1211201-10		29 -25
1200406-98		109 -36	1205128-2		2A-43	1211201-2		29 -25
1200417-132		135A-38	1205128-3		2A-44	1211201-3		29 -25
1200417-133		135A-41	1205128-4		2A-44	1211201-4		29 -25
1200417-134		135A-42	1205218-1		2 -22	1211201-9		29 -25
1200417-135		135A-48	1205218-2-E85		2 -22	1211254-15		26 -41
1200417-136		135A-27	1205218-3-E85		2 -22A	1211254-16		26 -42
1200417-137		135A-20	1205218-4-E85		2 -22B	1211254-37		26 -41
1200417-138		135A-49	1205218-4-E85		2A-19	1211254-38		26 -42
1200542-13		34 -36	1205237-1		2 -35	1211254-41		26 -41
1200542-14		33 -94	1205237-2		2 -35	1211254-42		26 -42
1200542-14		33 -96	1205251-1		2 -59	1211269-3		26 -21
1200542-14		33 -96A	1205251-1		2A-37	1211272-11		26 -22
1200542-14		33 -96B	1205252-1		2 -56	1211272-12		26 -22
1200542-14		33 -96C	1205252-2		2 -55	1211272-5		26 -22
1200563-1		26 -44	1205252-3		2 -57	1211272-8		26 -22
1200563-3		26 -44	1205252-4-E84		2 -57A	1211273-1		26 -17
1200564-1		26 -43	1205252-4-E85		2A-35	1211273-2		26 -18
1200564-3		32 -47	1205253-1		2A-35	1211273-3		26 -17
1200567-4		73 -16	1205253-1		2 -60	1211273-4		26 -18
1200745-2		2 - 8	1205254-1		2A-38	1211274-11		26 -19
1200745-2		2A - 8	1205254-1		2 -64	1211274-12		26 -19
1200745-3		2A - 8A	1210037-1		2A-41	1211274-5		26 -19
1200761-1		105 -52	1210102-10		34 -38	1211274-6		26 -19
1200761-4		105 -52	1210102-11		7 - 5	1211275-1		26 -30
1201051-4		112 -22	1210102-12		7 - 8	1211275-2		26 -31
1201051-8		112 -22A	1210102-9		7 - 6	1211275-5		26 -31
1201053-1		112 -21	1210410-1		7 - 7	1211275-6		26 -31
1201060-6		134 -20	1210410-2		28 - 5	1211276-13		26 -36
1201062-1		134 -16	1210412-42		28 - 6	1211276-14		26 -37
1201062-2		134 -17	1210426-1		28 -22	1211277-1		26 -37
1201074-1		133 -10	1210426-1		28 -23	1211277-2		26 -37
1201092-1		134A-10	1210427-5		28 -28	1211278-1		26 -23
1201104-1		135A-57	1210427-6		28 -25	1211278-2		26 -25
1201114-6		132 -69	1210504-11		28 -25	1211279-1		26 -20
1201114-6		132A-85	1210504-24		37 -31	1211279-2		26 -20
1201114-6		132B - 1	1210504-26		31 -47	1211279-7		26 -20
1201114-6		132C - 1	1210504-3		37 -32	1211279-8		26 -20
1201127-1		136 -53	1210504-32		31 -46	1211283-1		31 -53
1201127-1		136A-84	1210504-33		37 -30	1211285-1		31 -36
1201141-1		137 -21	1210504-34		37 -29	1211285-2		31 -37
1201150-1		134A - 5	1210504-4		35 -10	1211286-10		31 -16
1201150-4		134A - 7	1210504-5		37 -30	1211286-7		31 -17
1201175-1		112 -21A	1210504-6		37 -29	1211286-8		35 - 9
1201175-1		112A-33	1210520-11		35 -10	1211288-1		31 -50
1201181-1		112A-34	1210520-15		32 -17	1211289-1		31 -55
1205024-2		2 -10	1210520-16		32 -18	1211290-1		31 - 2
1205024-2		2A - 9	1210520-17		32 -18	1211290-1		31 - 9C
1205032-4		2 -49	1210520-18		32 -26	1211290-2		31 - 3
1205032-5		2 -50	1210520-2		32 -27	1211290-2		31 - 9B
1205036-1		2 - 7	1210520-3		32 -16	1211290-3		31 -39
1205036-3		2 - 7A	1210520-4		32 -19	1211290-4		31 -39
1205036-3		2A - 7	1210520-5		32 -20	1211290-5		31 -40
1205045-2		2 -20	1210520-6		32 -24	1211290-6		31 -40
1205045-2		2A -17	1210520-7		32 -25	1211290-7		31 -18
1205046-3		2 -16			32 -26	1211292-1		31 -52

P210 Parts Catalog

PART NUMBER	FICHE AND FRAME	FIGURE AND INDEX NO.	PART NUMBER	FICHE AND FRAME	FIGURE AND INDEX NO.	PART NUMBER	FICHE AND FRAME	FIGURE AND INDEX NO.
1211292-2		31 -51	1211502-5		18 -83	1212126-1		38 -13
1211293-1		31 -15	1211502-5		18A-66	1212126-2		38 -13
1211293-2		31 -14	1211502-6		18 -83	1212127-1		38 -10
1211293-3		31 -13	1211502-6		18A-66	1212127-3		38 -9
1211293-4		31 -11	1211514-1		32 -15	1212128-1		38 -29
1211293-5		31 -12	1211514-2		32 -15	1212128-2		38 -29
1211296-1		31 -10	1211522-1		18 -91	1212130-1		38 -
1211297-2		32A-1	1211522-1		18A-71	1212130-2		38 -1
1211297-5		32A-1	1211628-15		28 -19	1212130-3		38 -
1211299-1		31 -4	1211628-16		28 -19	1212130-4		38 -1
1211299-1		31 -9D	1211747-7		34 -8	1212131-1		38 -4
1211299-2		31 -5	1211747-8		34 -8	1212131-5		38 -5
1211299-2		31 -9E	1211790-5		26 -71	1212132-1		38 -12
1211300-5		31 -6	1211791-1		26 -68	1212132-2		38 -12
1211300-6		31 -7	1211791-2		26 -68	1212133-1		38 -27
1211302-1		27 -10	1211792-1		29 -9	1212133-5		38 -27
1211302-2		27 -11	1211792-2		29 -10	1212134-1		38 -
1211302-4		27 -13	1211798-1		33 -26	1212134-2		38 -30
1211302-5		27 -12	1211819-1		29 -7	1212138-1		38 -
1211302-7		27 -14	1211819-2		29 -8	1212152-1		38 -28A
1211302-8		27 -15	1211831-1		26 -75	1212154-1		37 -7
1211307-3		28 -34	1211831-2		26 -75	1212201-15		29 -22
1211307-4		28 -34	1211831-3		26 -80	1212201-16		29 -23
1211311-1		32 -7	1211831-4		26 -81	1212201-5		29 -22
1211311-2		32 -8	1211831-5		26 -78	1212201-6		29 -23
1211312-11		28 -43	1211831-6		26 -79	1212223-5		26 -64
1211313-1		31 -19	1211831-7		26 -74	1212224-1		26 -66
1211313-2		31 -19	1211832-1		26 -82	1212224-2		26 -66
1211324-1		26 -72	1211832-2		26 -83	1212225-1		26 -65
1211325-12		30 -1	1211832-3		26 -83	1212225-2		26 -65
1211325-8		30 -1	1211832-4		48 -3	1212226-1		26 -67
1211327-1		30 -37	1211837-1		34 -32	1212226-2		26 -67
1211327-10		30 -39	1211850-1		33 -18	1212228-1		26 -65A
1211327-2		30 -38	1211850-3		33 -20	1212228-2		26 -65A
1211327-5		26 -45	1211850-4		33 -21	1212406-2		38 -34
1211327-6		26 -45	1211852-1		33 -10	1212407-3		38 -25
1211327-7		30 -39	1211852-2		33 -11	1212407-4		38 -26
1211327-8		26 -45	1211853-1		33 -17	1212408-8		38 -28
1211327-9		26 -45	1211853-2		33 -14	1212413-10		37 -6
1211328-10		30 -7	1211854-1		33 -12	1212413-11		37 -6
1211329-2		26 -77	1211865-1		31 -22	1212413-17		37 -6
1211329-4		26 -77	1211872-1		28 -4	1212413-9		37 -6
1211330-1		30 -40	1211900-4		23 -50	1212414-10		37 -2
1211331-1		30 -41	1211900-5		23 -49	1212414-11		37 -2
1211335-1		26 -90	1212010-14		39 -1	1212414-12		37 -2
1211335-2		26 -90	1212010-17		39 -1	1212414-23		37 -2
1211340-1		26 -96	1212013-1		14 -69	1212414-5		37 -3
1211341-2		31 -8	1212013-2		14 -70	1212414-9		37 -2
1211342-1		30 -28	1212019-1		31 -48	1212415-10		37 -4
1211342-2		30 -29	1212019-2		31 -48	1212415-11		37 -4
1211345-1		33 -98	1212019-5		26 -89	1212415-8		37 -4
1211346-1		136 -50G	1212019-6		26 -89	1212415-9		37 -4
1211346-1		136A-44	1212022-10		32 -67	1212422-1		37 -36
1211347-3		30 -35	1212022-9		32 -68	1212424-8		38 -18
1211347-4		30 -36	1212025-5		37 -37	1212424-9		38 -17
1211353-1		48 -51	1212029-1		27 -23	1212426-3		14 -67
1211358-1		48 -50	1212031-1		32A-4	1212426-4		14 -68
1211359-1		32 -9	1212031-11		32 -13	1212426-7		14 -62
1211359-2		32 -10	1212031-17		32A-3	1212426-8		14 -63
1211360-5		51 -41	1212031-2		26 -84	1212427-2		37 -35
1211360-6		51 -41	1212031-7		32 -14	1212430-1		37 -38
1211361-1		135A-45	1212032-1		32A-6	1212431-1		31 -23
1211406-1		28 -51	1212032-2		26 -84	1212431-2		31 -24
1211431-27		35 -4	1212032-7		32A-9	1212432-1		37 -41
1211431-28		35 -5	1212034-1		37 -7	1212432-2		37 -41
1211431-31		35 -6	1212037-7		26 -57	1212433-1		37 -39
1211431-32		35 -6	1212037-8		26 -57	1212433-2		37 -40
1211431-33		35 -7	1212108-1		59 -16	1212434-1		31 -38
1211431-34		35 -7	1212111-2		31 -54	1212435-1		31 -42
1211431-35		35 -8	1212113-1		59 -40	1212436-1		37 -42
1211431-36		35 -8	1212114-1		59 -39	1212436-2		37 -43
1211446-1		48 -18	1212115-1		59 -3	1212438-1		37 -25
1211448-8		59 -11	1212121-1		31 -54	1212439-1		37 -27
1211457-2		48 -40	1212123-4		59 -4	1212709-1		37 -9

P210 Parts Catalog

PART NUMBER	FICHE AND FRAME	FIGURE AND INDEX NO.	PART NUMBER	FICHE AND FRAME	FIGURE AND INDEX NO.	PART NUMBER	FICHE AND FRAME	FIGURE AND INDEX NO.
1212709-10		35 - 3	1213194-16		18 -58	1213432-1		18A-82
1212709-11		37 -16	1213194-19		18 -57	1213433-10		18 -43
1212709-12		37 -17	1213194-20		18 -58	1213433-10		18 -43
1212709-13		35 - 1	1213195-1		18 -26	1213433-16		18 -50
1212709-14		37 -11	1213261-200		18 -17	1213433-16		18A-38
1212709-15		37 -18	1213261-200		19 -14	1213433-17		18 -47
1212709-16		37 -19	1213261-200		85 - 9	1213433-2		18 -48
1212709-17		37 -20	1213261-211		85 - 1	1213433-2		18A-36
1212709-18		37 -21	1213261-217		85 - 2	1213433-3		18 -49
1212709-2		37 -10	1213261-222		85 - 1	1213433-3		18A-37
1212709-20		31 -26	1213261-223		85 - 2	1213433-31		18 -46
1212709-23		37 -20	1213261-224		85 - 1	1213433-32		18 -45
1212709-24		37 -21	1213261-225		85 - 2	1213433-33		18 -48
1212709-27		37 -12	1213261-49		85 - 5	1213433-33		18A-36
1212709-28		37 -13	1213261-67		85 - 6	1213433-34		18 -47
1212709-29		35 - 1	1213261-75		85 - 5	1213433-34		18A-35
1212709-3		31 -25	1213261-76		85 - 7	1213433-35		18 -47
1212709-5		37 -12	1213261-78		85 - 8	1213433-35		18A-35
1212709-6		37 -13	1213261-85		85 - 6	1213433-36		18 -47
1212709-9		35 - 2	1213261-87		85 - 6	1213433-36		18A-35
1212710-10		31 -31	1213261-88		85 - 6	1213433-37		18 -40
1212710-11		31 -32	1213263-1		85 - 8	1213433-38		18 -40
1212710-12		31 -33	1213263-2		18 -16	1213433-39		18 -42
1212710-13		37 -14	1213292-2		19 -13	1213433-4		18 -40
1212710-14		37 -15	1213296-1		47 -31	1213433-4		18 -49
1212710-3		31 -27	1213297-1		18 -85	1213433-40		18A-37
1212710-4		31 -30	1213297-2		22 - 5	1213433-41		18 -43
1212710-5		31 -34	1213302-1		22 - 5	1213433-42		18 -43
1212710-6		31 -35	1213302-2		31A-14	1213433-45		18 -40
1212710-7		37 -24	1213305-1		31A-14	1213433-57		18 -42
1212710-8		31 -29	1213315-5		85A-27	1213433-59		18 -44
1212710-9		31 -28	1213316-1		85 -29	1213433-60		18A-27
1212809-10		37 -23	1213319-12		85 -31	1213433-61		18A-28
1212809-9		37 -22	1213319-12		139 - 9	1213433-62		18A-27
1212818-3		38 -35	1213319-20		139A- 4	1213433-8		18A-28
1212818-4		38 -36	1213319-21		139 - 8	1213433-8		18 -44
1213004-1		2 -15	1213319-21		139 - 8A	1213433-8		18 -44
1213004-1		2A-14	1213321-2		139 - 8A	1213433-9		18 -42
1213079-1		85 -12	1213321-2		139 -14	1213446-3		18 -42
1213079-1		85A-36A	1213343-1		139A- 9	1213446-9		18 -18
1213158-4		111 - 5	1213343-2		18 -63	1213450-3		18 -18
1213176-1		18 -33	1213343-2		18 -63	1213450-3		18 -13
1213176-4		18A-13	1213376-1		18A-18	1213450-4		18 -13
1213181-12		18A-10	1213376-1		70 -50	1213455-1		19 - 9
1213181-14		18A- 8	1213376-1		70A-43	1213456-3		21 -36
1213181-2		18 -20	1213401-24		70B-44A	1213456-4		18 -56
1213181-5		18 -21	1213401-31		19 -39	1213456-4		18 -56
1213181-7		18 -21	1213403-3		19 -39	1213456-5		18A-88
1213181-9		18 -21	1213403-3		18 -92B	1213456-7		18 -56
1213183-3		18 -22	1213403-4		18A-62	1213457-2		18A-88
1213183-4		18 -22	1213403-4		18 -92B	1213457-2		18 -55
1213183-5		18 -22	1213405-1		18A-63	1213457-3		18A-87
1213183-8		18A- 7	1213412-11		18 -91A	1213457-5		18 -55
1213183-9		18A- 7	1213412-8		17 -45	1213457-5		18A-87
1213184-12		18A-47	1213421-1		17 -46	1213459-3		17 -25
1213184-13		18A-47	1213421-1		18 -89	1213459-5		17 -25
1213184-2		18 -59	1213422-1		18A-94A	1213460-1		17 -51
1213184-6		18 -59	1213422-11		18 -92D	1213460-1		18 -10
1213184-7		18 -59	1213422-11		18 -93A	1213462-1		18 -10
1213185-3		18 -24	1213422-13		18A-54	1213462-1		18 -91C
1213185-3		18A-12	1213422-13		18 -92D	1213467-15		18A-60
1213185-4		18 -23	1213425-2		18A-53	1213467-16		47 - 1
1213185-5		18 -23	1213426-1		18 -82	1213467-7		47 - 2
1213185-6		18 -23	1213426-1		18 -77	1213467-8		47 - 1
1213185-7		18 -23	1213426-2		18A-83	1213470-10		47 - 2
1213185-8		18A-11	1213426-2		18 -77	1213470-9		85 - 8
1213185-9		18A-11	1213429-1		18 -83	1213472-1		85 - 7
1213186-1		18 -51	1213429-1		18A-84	1213472-1		19 -14
1213186-1		18A-39	1213431-1		18 -38	1213472-1		85 - 9
1213186-2		18 -52	1213431-2		18A-31	1213473-3		63 -20A
1213186-2		18A-40	1213431-2		47 - 3	1213473-4		63 -20A
1213187-1		18 -27	1213431-3		47 - 3	1213494-1		31A- 8
1213187-2		18 -28	1213431-4		47 - 3	1213496-5		18 -15
1213194-15		18 -57	1213432-1		18 -90D	1213496-5		19 -10
					18A-65	1213496-6		18 -14
					47 -13	1213496-6		19 -11
					18 -84	1213512-1		31A-27

P210 Parts Catalog

PART NUMBER	FICHE AND FRAME	FIGURE AND INDEX NO.	PART NUMBER	FICHE AND FRAME	FIGURE AND INDEX NO.	PART NUMBER	FICHE AND FRAME	FIGURE AND INDEX NO.
1213512-5		31A-28	1213748-7-279		72 -16	1214120-3	#	65 -68
1213513-1		31A-30	1213754-1		18 -40	1214120-3	#	66 -88
1213513-2		31A-31	1213754-2		18 -40	1214120-3	#	67 -61
1213514-1		18 -92	1213754-3		18 -40	1214120-4	#	66 -98
1213514-2		18 -92	1213754-3		18A-41	1214120-4	#	67 -61
1213514-3		18 -91D	1213754-4		18 -40	1214120-6	#	65 -75
1213517-1		18 -93C	1213754-4		18A-41	1214120-6	#	66 -95
1213517-1		18A-56	1213756-4		69 -10	1214120-6	#	67 -68
1213527-4		85 -18A	1213756-4		69 -10	1214128-13	#	66 -13
1213527-5		85 -18	1213756-4		69A-17	1214128-14	#	65 -13
1213529-1		18 -36	1213769-2		18 -92C	1214128-14	#	66 -13
1213529-2		18 -36	1213769-2		18A-52	1214128-18	#	66 -1A
1213529-2		18A-43	1213769-3		18 -92C	1214128-18	#	65 -1A
1213529-3		18 -36	1213769-3		18A-52	1214128-20	#	66 -1A
1213529-3		18A-43	1213783-1		69 -59	1214128-22	#	66 -1A
1213530-1		18 -37	1213796-1		18 -82	1214128-22	#	65 -1A
1213530-1		18A-44	1213796-1		18A-90B	1214128-23	#	65 -24
1213530-2		18 -37	1213801-1		18 -30	1214128-23	#	66 -16
1213530-2		18A-44	1213801-1		18A-33	1214128-26	#	65 -25
1213531-3		85 -30	1213801-2		18 -30	1214128-26	#	66 -17
1213531-3		85A-19	1213801-2		18A-33	1214128-30	#	65 -7
1213531-3		85 -38	1213862-1		18 -25	1214128-30	#	66 -7
1213539-3		18 -93B	1213929-1		17 -15	1214128-31	#	66 -7
1213539-4		18 -93B	1213932-3		93 -8	1214128-32	#	65 -7
1213539-4		18A-55	1213932-5		93 -8	1214128-32	#	66 -7
1213621-1		18 -91C	1213935-1		17 -54	1214128-33	#	66 -10
1213621-2		18 -91C	1213936-2		17 -53	1214128-34	#	65 -10
1213621-2		18A-61	1213936-5		17 -53	1214128-34	#	66 -10
1213626-1		85 -13A	1213936-6		17 -53	1214128-36	#	65 -6
1213626-1		85A-36B	1213936-7		17 -53	1214128-36	#	66 -6
1213650-1		70 -31	1213938-6		17 -55	1214128-37	#	65 -6
1213650-1		70A-51	1213938-7		17 -55	1214128-37	#	66 -6
1213657-3		18 -11	1213943-1		93 -10	1214128-39	#	66 -6
1213657-5		18 -11	1213944-3		70B-18	1214128-40	#	66 -
1213686-1		85 -25	1213944-3		70B-25	1214128-41	#	65 -
1213686-6		85 -24	1213960-3		18 -39	1214128-42	#	66 -
1213686-7		85 -25	1213960-4		18 -39	1214128-43	#	66 -
1213686-8		85 -24	1213960-7		18 -39	1214128-44	#	65 -
1213719-1		19 -35	1213960-8		18 -39	1214129-1	#	67 -
1213719-10		19A-62	1213962-1		18 -35	1214129-10	#	67 -1
1213719-5		19A-64	1213965-1		18 -68	1214129-13	#	67 -6
1213720-1		19 -27	1213965-1		18A-92C	1214129-14	#	67 -6
1213720-1		19A-53	1213966-1		18 -69	1214129-15	#	67 -6
1213720-5		19A-54	1213966-1		18A-92D	1214129-16	#	67 -6
1213721-1		19 -29	1213984-1		93 -10	1214129-17	#	67 -12
1213721-1		19A-56	1213994-11		18A-48	1214129-18	#	67 -5
1213721-11		19A-59	1213994-12		18A-49	1214129-19	#	67 -7
1213721-14		19A-21	1213994-5		18 -57	1214129-2	#	67 -
1213721-15		19A-49	1213994-6		18 -58	1214129-24	#	67 -4
1213721-16		19A-57	1214031-2		67 -38	1214129-27	#	67 -11
1213721-3		19 -6	1214032-1		67 -53	1214129-5	#	67 -8
1213721-8		19 -31	1214033-1		67 -55	1214129-6	#	67 -8
1213721-8		19A-58	1214036-13		67 -40	1214129-9	#	67 -1
1213734-1		19 -12	1214036-14		67 -40	1214130-2	#	68 -
1213734-2		19 -33	1214080-4		65 -43	1214130-20	#	68 -12
1213734-2		19 -33	1214080-8		65 -43	1214130-21	#	68 -11
1213734-4		19 -33	1214085-5		65 -25	1214130-24	#	68 -8
1213735-1		19 -37	1214085-5		66 -17	1214130-25	#	68 -7
1213737-2		18A-95A	1214087-7		67 -12	1214130-28	#	68 -8
1213737-2		19 -25	1214116-11		67 -17	1214130-29	#	68 -6
1213738-1		19 -26	1214116-12		67 -17	1214130-30	#	68 -5
1213739-1		19A-61	1214117-1		67 -14	1214130-31	#	68 -9
1213746-3		63 -26A	1214117-2	#	65 -67	1214130-32	#	68 -10
1213746-4		72 -22	1214117-2	#	66 -19	1214130-4	#	68 -4
1213748-13-279		72 -16A	1214117-2	#	67 -14	1214164-10	#	65 -1A
1213748-13-279		72A-20	1214118-1	#	65 -70	1214164-10	#	66 -1A
1213748-13-279		72B-8	1214118-1	#	66 -90	1214164-11	#	65 -6
1213748-14-279		72 -16A	1214118-1	#	67 -63	1214164-11	#	66 -6
1213748-14-279		72A-20	1214118-2	#	65 -71	1214164-12	#	65 -24
1213748-14-279		72B-8	1214118-2	#	66 -91	1214164-12	#	66 -16
1213748-2-279		72 -16	1214118-2	#	67 -64	1214164-13	#	65 -7
1213748-6		72 -18	1214118-3	#	65 -72	1214164-13	#	66 -8A
1213748-6		72A-22	1214118-3	#	66 -92	1214164-14	#	65 -8A
1213748-6		72B-10	1214118-3	#	67 -65	1214164-14	#	66 -7

P210 Parts Catalog

PART NUMBER	FICHE AND FRAME	FIGURE AND INDEX NO.	PART NUMBER	FICHE AND FRAME	FIGURE AND INDEX NO.	PART NUMBER	FICHE AND FRAME	FIGURE AND INDEX NO.
1214164-15	#	65 -12	1214175-5	#	66 -	1214182-26	#	65 -24
1214164-15	#	66 -12	1214175-6	#	65 -	1214182-26	#	66 -16
1214164-24	#	66 -	1214176-10	#	68A- 9	1214182-28	#	65 -25
1214164-25	#	66 -	1214176-12	#	68A-10	1214182-28	#	66 -17
1214164-26	#	65 -	1214176-14	#	68A- 7	1214182-29	#	65 - 88
1214164-31	#	65 - 7	1214176-16	#	68A- 6	1214182-29	#	66 - 88
1214164-31	#	66 - 8A	1214176-2	#	68A-	1214182-30	#	66 - 88
1214164-32	#	65 - 6	1214176-4	#	68A- 7A	1214182-31	#	65 - 88
1214164-32	#	66 - 6	1214176-6	#	68A- 4	1214182-31	#	66 - 88
1214164-33	#	66 - 1A	1214176-8	#	68A- 5	1214182-32	#	66 - 1A
1214164-34	#	65 - 1A	1214179-10	#	67 -11	1214182-4	#	66 -
1214164-34	#	66 - 1A	1214179-11	#	67 -	1214182-5	#	66 -
1214164-4	#	66 -	1214179-12	#	67 -	1214182-6	#	65 -
1214164-5	#	66 -	1214179-13	#	67 - 1	1214183-10	#	67 -11
1214164-6	#	65 -	1214179-14	#	67 - 1	1214183-11	#	67 -
1214164-7	#	66 -13	1214179-15	#	67 - 7	1214183-12	#	67 -
1214164-8	#	65 -13	1214179-3	#	67 - 8	1214183-13	#	67 - 1
1214164-8	#	66 -13	1214179-4	#	67 - 8	1214183-14	#	67 - 1
1214165-10	#	67 -11	1214179-7	#	67 - 5B	1214183-15	#	67 - 7
1214165-11	#	67 -	1214179-8	#	67 -12	1214183-16	#	67 - 4
1214165-12	#	67 -	1214179-9	#	67 - 4	1214183-3	#	67 - 8
1214165-13	#	67 - 1	1214180-10	#	66 -	1214183-4	#	67 - 8
1214165-14	#	67 - 1	1214180-11	#	66 -	1214183-7	#	67 - 5B
1214165-15	#	67 - 7	1214180-12	#	65 -	1214183-8	#	67 -12
1214165-3	#	67 - 8	1214180-13	#	66 -13	1214184-11	#	68A- 7A
1214165-4	#	67 - 8	1214180-14	#	65 -13	1214184-13	#	68A- 88
1214165-7	#	67 - 5	1214180-14	#	66 -13	1214184-2	#	68A-
1214165-8	#	67 - 5A	1214180-16	#	65 - 1A	1214184-3	#	68A- 7A
1214165-9	#	67 - 4	1214180-16	#	66 - 1A	1214184-4	#	68A- 8
1214166-10	#	68A- 9	1214180-17	#	66 - 1A	1214184-6	#	68A- 4
1214166-12	#	68A-10	1214180-18	#	65 - 1A	1214184-8	#	68A- 5
1214166-14	#	68A- 7	1214180-18	#	66 - 1A	1214184-9	#	68A- 8A
1214166-16	#	68A- 6	1214180-19	#	65 - 6	121494-1	#	45 -54
1214166-2	#	68A-	1214180-19	#	66 - 6	121494-2	#	45 -54
1214166-4	#	68A- 7A	1214180-20	#	65 - 6	121494-3	#	46 -15
1214166-6	#	68A- 4	1214180-20	#	66 - 6	121494-4	#	46 -15
1214166-8	#	68A- 5	1214180-24	#	65 -24	1215045-17-532	#	63 - 8
1214174-10	#	67 -11	1214180-24	#	66 -16	1215047-1	#	23 -47
1214174-11	#	67 -	1214180-25	#	65 -12	1215049-1	#	63 - 7
1214174-12	#	67 -	1214180-25	#	66 -12	1215054-1	#	136 -50H
1214174-13	#	67 - 1	1214180-28	#	65 -25	1215054-1	#	136A-45
1214174-14	#	67 - 1	1214180-28	#	66 -17	1215073-1	#	65 -76
1214174-15	#	67 - 7	1214180-29	#	65 - 8B	1215073-1	#	66 -96
1214174-3	#	67 - 8	1214180-29	#	66 - 8B	1215073-1	#	67 -60
1214174-4	#	67 - 8	1214180-30	#	66 - 8B	1215073-10	#	65 -77
1214174-7	#	67 - 5	1214180-31	#	65 - 8B	1215073-10	#	66 -96
1214174-8	#	67 - 5A	1214180-31	#	66 - 8B	1215073-10	#	67 -60
1214174-9	#	67 - 4	1214180-4	#	66 -	1215074-1	#	135A-46
1214175-10	#	66 -	1214180-5	#	66 -	1215074-2	#	135A-52
1214175-11	#	66 -	1214180-6	#	65 -	1215078-10	#	60 -17
1214175-12	#	65 -	1214181-12	#	68A- 7A	1215078-10	#	60 -17A
1214175-13	#	66 -13	1214181-13	#	68A- 8B	1215078-10	#	60 -17B
1214175-14	#	65 -13	1214181-2	#	68A-	1215079-1	#	63 - 9
1214175-14	#	66 -13	1214181-3	#	68A- 7A	1215169-1	#	94 -22A
1214175-16	#	65 - 1A	1214181-4	#	68A- 8	1215169-1	#	94A-28
1214175-16	#	66 - 1A	1214181-6	#	68A- 4	1215169-2	#	94 -22A
1214175-17	#	66 - 1A	1214181-8	#	68A- 5	1215169-2	#	94A-28
1214175-18	#	65 - 1A	1214181-9	#	68A- 8A	1215169-3	#	94 -22A
1214175-18	#	66 - 1A	1214182-10	#	66 -	1215169-3	#	94A-28
1214175-19	#	65 - 6	1214182-15	#	66 -	1215174-5	#	138A- 1
1214175-19	#	66 - 6	1214182-16	#	65 -	1215174-6	#	138A- 8
1214175-20	#	65 - 6	1214182-18	#	65 - 1A	1215174-7	#	138A- 1
1214175-20	#	66 - 6	1214182-18	#	66 - 1A	1215174-8	#	138A- 8
1214175-21	#	65 - 7	1214182-20	#	65 - 1A	1215177-1	#	138A-20
1214175-21	#	66 - 8A	1214182-20	#	66 - 1A	1215178-1	#	139A-12
1214175-22	#	65 - 7	1214182-21	#	66 -13	1215178-2	#	139A-13
1214175-22	#	66 - 8A	1214182-22	#	65 -13	1215179-1	#	139A- 9
1214175-23	#	65 - 8A	1214182-22	#	66 -13	1215179-2	#	139A- 9
1214175-23	#	66 - 7	1214182-23	#	65 - 6	1215180-1	#	138A-14
1214175-24	#	65 -24	1214182-23	#	66 - 6	1215193-1	#	63 - 7
1214175-24	#	66 -16	1214182-24	#	65 - 6	1215197-1	#	68A-11
1214175-25	#	65 -12	1214182-24	#	66 - 6	1216018-1	#	107 -40
1214175-25	#	66 -12	1214182-25	#	65 -12	1216018-1	#	107A-40
1214175-4	#	66 -	1214182-25	#	66 -12	1216018-1	#	107B-38

P210 Parts Catalog

PART NUMBER	FICHE AND FRAME	FIGURE AND INDEX NO.	PART NUMBER	FICHE AND FRAME	FIGURE AND INDEX NO.	PART NUMBER	FICHE AND FRAME	FIGURE AND INDEX NO.
1216106-1		109 - 3	1220119-1		7 -34	1221042-111		5 -44
1216107-1		109 -15	1220120-11		16 -12	1221042-117		5A-17
1216107-2		109 -23	1220120-12		16 -13	1221042-117		5B-17
1216107-3		109B-12	1220120-15		16 -12	1221042-117		6 - 6
1216108-1		109 -21	1220120-16		16 -13	1221042-117		6A- 6
1216110-1		109 -18	1220133-1		87A-26	1221042-118		5A-17
1216110-2		109 - 6	1220133-2		87A-26	1221042-118		5B-17
1216110-4		109 -20	1220134-10		87A-32	1221042-118		6 - 6
1216110-4		109B-11	1220134-14		87A-31	1221042-118		6A- 6
1216110-5		54 -38	1220134-9		87A-29	1221042-119		5A-16
1216110-5		57 -14	1220135-1		87A-28	1221042-119		5B-16
1216110-5		109A-10	1220137-1		87A-33	1221042-119		6 - 5
1216112-1		5A-49	1220138-1		87A-35	1221042-119		6A- 5
1216112-1		5B-42	1220139-1		87A-34	1221042-120		5A-16
1216112-1		6A-24	1220140-1		87A-39	1221042-120		5B-16
1216407-30		107 -41	1220140-2		87A-39	1221042-120		6 - 5
1216407-31		107 -42	1220141-1		87A-38	1221042-120		6A- 5
1216407-34		107 -41	1220141-2		87A-38	1221042-121		5A-15
1216407-35		107 -42	1221005-11		7 -34	1221042-121		5B-15
1216407-38		107 -41	1221005-38		7 -34	1221042-121		6 - 4
1216407-39		107 -42	1221006-11		9 - 7	1221042-121		6A- 4
1216407-44		107 -41	1221006-18		9 - 3	1221042-122		5A-15
1216407-45		107 -42	1221006-19		9 - 3	1221042-122		5B-15
1216407-48		107 -41	1221006-20		9 - 4	1221042-122		6 - 4
1216407-49		107 -42	1221006-21		9 - 4	1221042-122		6A- 4
1216413-1		26 -91	1221006-26		9 - 6	1221042-123		5A-14
1216413-2		26 -91	1221006-27		9 - 6	1221042-123		5B-14
1216615-1		18 -32	1221006-35		9 - 6	1221042-123		6 - 3
1216616-1		18 -61	1221006-36		9 -	1221042-123		6A- 3
1217001-3		59 - 1	1221006-37		9 -	1221042-124		5A-14
1217009-13		47 -16A	1221006-38		9 -	1221042-124		5B-14
1217009-14		47 -17A	1221006-39		9 -	1221042-124		6 - 3
1217009-7		47 -16	1221006-40		9 - 3	1221042-124		6A- 3
1217009-8		47 -17	1221006-7		9 - 5	1221042-124		5A-13
1217011-1		47 -24	1221006-8		9 - 7	1221042-125		5B-13
1217011-10		47 -25	1221007-10		10 - 8	1221042-125		6 - 2
1217011-17		47 -24	1221007-11		10 -	1221042-125		6A- 2
1217011-18		47 -25	1221007-12		10 -	1221042-126		5A-13
1217011-2		47 -25	1221007-13		10 - 9	1221042-126		5B-13
1217011-9		47 -24	1221007-14		10 - 9	1221042-126		6 - 2
1217012-1		47 -26	1221007-17		10 -10	1221042-126		6A- 2
1217012-2		47 -27	1221007-18		10 -10	1221042-2		6 - 2
1217012-7		47 -26A	1221007-19		10 -41	1221042-3		6 - 3
1217012-8		47 -27A	1221007-20		10 -41	1221042-4		6 - 3
1217013-1		47 -29	1221007-21		10 -15	1221042-5		6 - 4
1217013-10		47 -30	1221007-22		10 -15	1221042-59		5 -44
1217013-2		47 -30	1221007-23		10 -	1221042-6		6 - 4
1217013-9		47 -29	1221007-24		10 -	1221042-7		6 - 5
1217014-1		47 -14	1221008-1		132B-980	1221042-8		6 - 5
1217016-1		47 -28	1221025-2		5 -14	1221042-9		6 - 6
1217017-1		47 -35	1221029-1		5 -15	1221042-94		5 -43
1217019-1		18 -60	1221030-12		4 -23	1221042-95		5 -43
1217025-1		47 -32	1221030-13		4 -23	1221042-96		5 -42
1217039-2		59 -26	1221030-2		5 - 9	1221042-97		5 -42
1217040-1		59 -22	1221030-2		5A- 2	1221042-98		5 -41
1217043-1		59 - 9	1221030-2		5B- 2	1221042-99		5 -41
1217053-5		54 - 2	1221031-1		7 -19	1221043-1		5A-12
1217054-1		59 -25	1221031-2		7 -19	1221043-1		5B-12
1217055-1		59 - 6	1221034-1		7 -17	1221043-1		6 -21
1217057-1		59 -15	1221034-2		7 -17	1221043-1		6A-28
1217073-1		47 -49	1221035-1		7 -16	1221043-2		5A-12
1217076-1		47 -44	1221040-124		4 - 3	1221043-2		5B-12
1217077-1		47 -40	1221040-135		4 - 3	1221043-2		6 -21
1217078-3		47 -56	1221040-86		4 - 3	1221043-2		6A-28
1217084-1		47 -28A	1221041-15		6 - 7	1221047-1		4 -15
1217084-2		47 -28B	1221041-16		6 - 7	1221047-3		4 -16
1217087-1		47 -45	1221041-65		6A- 7	1221047-5		4 -17
1217087-5		47 -45	1221041-66		6A- 7	1221048-2		5 -18
1217090-1		47 -16A	1221041-69		5A-18	1221048-2		5A-37
1217090-2		47 -17A	1221041-70		5A-18	1221048-2		5B-37
1217092-1		59 -21	1221042-1		6 - 2	1221048-2		5B-79
1218008-1		106A-11	1221042-10		6 - 6	1221049-1		5A-36
1218011-1		93 -71	1221042-100		5 -37	1221049-1		5B-36
1220114-1		10 - 3	1221042-101		5 -37	1221049-1		6 -23

P210 Parts Catalog

PART NUMBER	FICHE AND FRAME	FIGURE AND INDEX NO.	PART NUMBER	FICHE AND FRAME	FIGURE AND INDEX NO.	PART NUMBER	FICHE AND FRAME	FIGURE AND INDEX NO.
1221049-1		6A-30	1221055-51		5A-29	1221066-11		9 -35
1221049-6		6 -23	1221055-51		5B-29	1221066-12		9 -35
1221049-9		5A-36	1221055-51		6 -18	1221066-13		9 -32
1221049-9		5B-36	1221055-51		6A-25	1221066-14		9 -32
1221049-9		5B-78	1221055-52		5A-29	1221066-15		9 -31
1221049-9		6 -23	1221055-52		5B-29	1221066-16		9 -31
1221049-9		6A-30	1221055-52		6 -18	1221066-2		9 -26
1221050-3		3 -15	1221055-52		6A-25	1221066-5		9 -27
1221050-3		3 -16	1221055-55		5 -52	1221066-6		9 -28
1221050-3		3A-60	1221055-55		5A-72	1221066-7		9 -33
1221050-8		5 -29	1221055-55		5B-71	1221066-8		9 -34
1221050-8		5A-40	1221055-56		5 -52	1221067-1		9 -29
1221050-8		5B-40	1221055-56		5A-72	1221067-2		9 -29
1221051-1		5 -38	1221055-56		5B-71	1221067-3		9 -30
1221051-3		5 -39	1221055-58		5 -49	1221067-4		9 -30
1221051-4		5 -39	1221055-59		5 -50	1221067-6		9 -37
1221053-7		5 -25	1221055-60		5 -50	1221068-1		9 -17
1221055-1		5 -32	1221055-63		4 -18	1221068-2		9 -18
1221055-1		5A-25	1221055-64		4 -18	1221068-4		9 -20
1221055-1		5B-25	1221055-65		4 -19	1221068-5		9 -21
1221055-101		4 -23	1221055-66		4 -19	1221068-6		9 -22
1221055-101		4 -23	1221055-67		4 -20	1221068-7		9 -23
1221055-102		4 -23	1221055-68		4 -20	1221068-8		9 -24
1221055-103		4 -25	1221055-69		4 -21	1221068-9		9 -19
1221055-104		4 -25	1221055-70		4 -21	1221069-1		9 -14
1221055-160		5 -49	1221055-81		4 -22	1221069-2		9 -14
1221055-162		5 -47	1221055-81		4 -22	1221070-1		9 -15
1221055-164		5 -48	1221055-82		4 -22	1221070-2		9 -15
1221055-192		5 -47	1221055-82		4 -22	1221071-1		9 -16
1221055-194		5 -48	1221055-87		4 -24	1221071-2		9 -16
1221055-196		5 -51	1221055-88		4 -24	1221072-1		9 -25
1221055-196		5A-72	1221055-89		4 -26	1221072-2		9 -25
1221055-196		5B-69	1221055-90		4 -26	1221072-3		9 -36
1221055-197		5 -51	1221057-1		7 -23	1221072-4		9 -36
1221055-197		5A-72	1221057-11		7 -25	1221074-3		9 -11
1221055-197		5B-69	1221057-12		7 -38	1221074-4		9 -11
1221055-2		5 -32	1221057-13		7 -48	1221075-7		9 -9
1221055-2		5A-25	1221057-3		7 -24	1221075-8		9 -9
1221055-2		5B-25	1221057-9		7 -22	1221076-5		10 -16
1221055-3		5 -33	1221061-11		4 -33	1221076-6		10 -17
1221055-3		5A-31	1221061-12		4 -33	1221076-7		10 -17
1221055-3		5B-31	1221061-25		4 -28	1221076-8		10 -17
1221055-302		5A-30	1221061-26		4 -28	1221077-10		10 -31
1221055-302		5B-30	1221061-7		4 -30	1221077-7		10 -21
1221055-303		5A-30	1221061-8		4 -30	1221077-8		10 -31
1221055-303		5B-30	1221061-9		4 -32	1221077-9		10 -30
1221055-304		5 -35	1221062-1		4 -54	1221078-10		10 -35
1221055-305		5 -35	1221062-11		4 -53	1221078-10		10 -39
1221055-306		5A-27	1221062-2		4 -54	1221078-11		10 -34
1221055-306		5B-27	1221062-3		4 -55	1221078-12		10 -35
1221055-307		5A-27	1221062-4		4 -55	1221078-8		10 -24
1221055-307		5B-27	1221062-6		4 -53	1221078-9		10 -35
1221055-308		4 -23	1221063-6		5 -8	1221079-10		10 -39
1221055-311		5 -34	1221063-6		5A-9	1221079-7		10 -39
1221055-312		5 -34	1221063-6		5B-9	1221079-8		10 -27
1221055-4		5 -33	1221063-7		5 -8	1221079-9		10 -38
1221055-4		5A-31	1221063-7		5A-9	1221080-5		10 -22
1221055-4		5B-31	1221063-7		5B-9	1221080-6		10 -23
1221055-41		5A-26	1221064-19		4 -37	1221080-7		10 -25
1221055-41		5B-26	1221064-20		4 -40	1221080-8		10 -26
1221055-41		6 -19	1221064-21		4 -35	1221081-10		10 -36
1221055-41		6A-26	1221064-23		4 -38	1221081-2		10 -32
1221055-42		5A-32	1221064-23		4 -41	1221081-4		10 -36
1221055-42		5B-32	1221064-32		4 -34	1221081-5		10 -37
1221055-42		6 -20	1221064-37		4 -36	1221081-6		10 -33
1221055-42		6A-27	1221064-38		4 -36	1221081-9		10 -32
1221055-43		5A-26	1221064-43		4 -34	1221082-3		10 -29
1221055-43		5B-26	1221064-7		4 -39	1221082-4		10 -29
1221055-43		6 -19	1221064-8		4 -39	1221083-3		10 -28
1221055-43		6A-26	1221065-1		9 -13	1221083-4		10 -28
1221055-44		5A-32	1221065-2		9 -13	1221084-10		10 -19
1221055-44		5B-32	1221065-5		9 -12	1221084-11		10 -20
1221055-44		6 -20	1221065-6		9 -12	1221084-12		10 -20
1221055-44		6A-27	1221066-1		9 -26	1221084-7		10 -18

P210 Parts Catalog

PART NUMBER	FICHE AND FRAME	FIGURE AND INDEX NO.	PART NUMBER	FICHE AND FRAME	FIGURE AND INDEX NO.	PART NUMBER	FICHE AND FRAME	FIGURE AND INDEX NO.
1221084-8		10 -18	1221105-15		3 -65	1221221-19		4 -
1221084-9		10 -19	1221105-15		3A-52	1221221-2		4 -61
1221085-1		7 -39	1221105-16		3 -65	1221221-20		4 -
1221085-11		7 -30	1221105-16		3A-52	1221221-3		4 -68
1221085-12		7 -30	1221105-17		3 -66	1221221-4		4 -62
1221085-14		7 -40	1221105-17		3A-48	1221221-5		4 -63
1221085-15		7 -42	1221105-18		3 -66	1221221-6		4 -64
1221085-16		7 -26	1221105-18		3A-48	1221221-7		4 -65
1221085-2		7 -41	1221111-202		3 -13	1221221-8		4 -66
1221085-3		7 -43	1221111-203		3 -13	1221221-9		4 -69
1221085-5		7 -27	1221111-7		3 -13	1221222-10		4 -69
1221085-5		7 -40	1221111-8		3 -13	1221222-12		4 -68
1221085-5		7 -41	1221113-4		95 -16	1221222-18		4 -
1221085-6		7 -35	1221116-1		4 -60	1221222-19		4 -
1221085-6		7 -42	1221116-3		3 -17	1221222-2		4 -61
1221085-6		7 -43	1221116-3		3A-56	1221222-20		4 -
1221086-1		5 -40	1221116-8		4 -60	1221222-21		4 -
1221086-2		95 -25	1221117-1		9 -40	1221222-4		4 -62
1221086-3		95 -24	1221117-2		9 -40	1221222-5		4 -63
1221087-1		95 -12	1221117-3		9 -41	1221222-6		4 -64
1221087-2		95 -12	1221117-4		9 -41	1221222-7		4 -65
1221088-7		7 -31	1221117-5		9 -42	1221222-8		4 -66
1221088-8		7 -31	1221117-6		9 -42	1221226-1		5A-19
1221089-1		4 -42	1221117-7		9 -43	1221226-1		5B-19
1221089-19		4 -43	1221117-8		9 -43	1221226-1		6 -8
1221089-19		4 -46	1221119-1		3 -67	1221226-1		6A-8
1221089-19		4 -49	1221119-1		3A-53	1221226-2		5A-19
1221089-2		4 -42	1221119-4		3 -67	1221226-2		5B-19
1221089-39		4 -50	1221119-4		3A-53	1221226-2		6 -8
1221089-40		4 -48	1221120-10		4 -75	1221226-2		6A-8
1221089-41		4 -48	1221120-10		4 -75	1221227-1		5A-20
1221089-44		4 -48	1221120-8		4 -75	1221227-1		5B-20
1221089-45		4 -48	1221120-9		4 -75	1221227-1		6 -10
1221089-7		4 -45	1221121-11		9 -47	1221227-1		6A-10
1221089-8		4 -45	1221121-13		9 -43	1221227-2		5A-20
1221090-1		4 -56	1221121-14		9 -47	1221227-2		5B-20
1221090-2		4 -56	1221121-2		9 -45	1221227-2		6 -10
1221090-3		4 -57	1221121-2		9 -50	1221227-2		6A-10
1221090-4		4 -57	1221121-3		9 -46	1221228-1		5A-21
1221091-1		4 -58	1221121-3		9 -51	1221228-1		5B-21
1221091-3		3 -21	1221121-5		9 -49	1221228-1		6 -12
1221091-3		3A-65	1221121-6		9 -51	1221228-1		6A-12
1221092-11		4 -31	1221123-1		10 -40	1221228-2		5A-21
1221092-12		4 -31	1221134-1		4 -72	1221228-2		5B-21
1221092-3		4 -31	1221134-2		4 -73	1221228-2		6 -12
1221092-4		4 -31	1221134-3		4 -74	1221228-2		6A-12
1221092-5		4 -31	1221138-11		4 -27	1221229-1		5A-22
1221092-6		4 -31	1221138-12		4 -27	1221229-1		5B-22
1221093-1		4 -59	1221138-7		4 -29	1221229-1		6 -14
1221093-3		3 -18	1221138-8		4 -29	1221229-1		6A-14
1221093-3		3A-59	1221144-2		4 -32	1221229-2		5A-22
1221096-1		5 -28	1221145-1		5 -11	1221229-2		5B-22
1221096-1		14A-89	1221145-1		5A-42	1221229-2		6 -14
1221096-1		5A-39	1221145-1		5B-52	1221229-2		6A-14
1221096-1		5B-39	1221145-2		5 -11	1221230-1		5A-23
1221096-10		4 -68	1221145-2		5A-42	1221230-1		5B-23
1221096-11		4 -68	1221145-2		5B-52	1221230-1		6 -16
1221096-3		3 -14	1221147-1		3 -44	1221230-1		6A-16
1221096-3		3 -14A	1221147-2		3 -44	1221230-2		5A-23
1221096-3		3A-61	1221147-3		3 -44	1221230-2		5B-23
1221096-3		14A-90	1221147-4		3 -44	1221230-2		6 -16
1221096-8		5 -13	1221148-1		9 -49	1221230-2		6A-16
1221096-8		5 -54	1221148-2		9 -49	1221231-1		4 -14
1221097-1		5 -10	1221149-1		5 -15	1221231-2		4 -14
1221097-1		5A-10	1221159-1		4 -54A	1221232-1		7 -44
1221097-1		5B-10	1221159-2		4 -54A	1221232-2		7 -44
1221097-2		5 -10	1221159-3		4 -54A	1221233-10		5 -53
1221097-2		5A-10	1221201-3	@	3 -47	1221233-31		5 -1
1221097-2		5B-10	1221201-4	@	3 -47	1221233-32		5 -1
1221098-2		105 -23	1221202-1		4 -8	1221233-33		5 -1
1221098-3		105 -24	1221202-2		4 -8	1221233-34		5 -1
1221104-1		7 -36	1221221-10		4 -67	1221233-5		5 -40
1221104-2		7 -36	1221221-17		4 -	1221233-6		5 -40
1221104-3		7 -37	1221221-18		4 -	1221233-9		5 -53

P210 Parts Catalog

PART NUMBER	FICHE AND FRAME	FIGURE AND INDEX NO.	PART NUMBER	FICHE AND FRAME	FIGURE AND INDEX NO.	PART NUMBER	FICHE AND FRAME	FIGURE AND INDEX NO.
1221234-10		5 -53	1222131-2		4 -13	1231005-3		11 -14
1221234-13		5 - 1	1222131-3		4 - 7	1231005-3		12 -18
1221234-14		5 - 1	1222131-4		4 - 7	1231006-1		11 -13
1221234-200		5 - 1	1222132-2		5 - 7B	1231006-1		12 -17
1221234-201		5 - 1	1222133-1		5 -31	1231007-1		11 -12
1221234-3		5 - 1	1222133-1		5A-40	1231007-1		12 -16
1221234-4		5 - 1	1222133-1		5B-40	1231008-1		11 -11
1221234-5		5 -40	1222133-2		5 -31	1231008-5		11 -11
1221234-6		5 -40	1222133-2		5A-40	1231009-1		11 -16
1221234-9		5 -53	1222133-2		5B-40	1231009-3		11 -17
1221235-1		7 -	1222136-15		5 - 2	1231010-5		11 -10
1221235-10		7 -28	1222136-16		5 - 2	1231010-5		12 -10
1221235-11		7 -15	1222136-19		5 - 3	1231014-2		11 -27
1221235-12		7 -15	1222136-20		5 - 3	1231014-2		12 -30
1221235-13		7 - 4	1222136-21		5 - 2	1231014-5		11 -28
1221235-15		7 - 4	1222136-22		5 - 2	1231014-5		12 -31
1221235-16		7 - 1	1222136-25		5 - 3	1231014-6		11 -27
1221235-17		7 - 1	1222136-26		5 - 3	1231014-6		12 -30
1221235-18		7 - 2	1222136-27		5 - 2	1231015-2		13 - 5
1221235-19		7 - 2	1222136-28		5 - 2	1231015-7		13 - 4
1221235-2		7 -	1222136-31		5 - 3	1231015-9		13 - 6
1221235-20		7 -	1222136-32		5 - 3	1231016-1		13 -15
1221235-21		7 -	1222136-33		5 - 2	1231017-1		13 -14
1221235-3		7 - 1	1222136-34		5 - 2	1231021-12		13 -18A
1221235-4		7 - 1	1222136-37		5 - 3	1231021-14		13 -18A
1221235-5		7 - 2	1222136-38		5 - 3	1231021-7		13 -19
1221235-6		7 - 2	1222136-39		5A- 4	1231021-8		13 -20
1221235-9		7 -28	1222136-39		5B- 4	1231021-9		13 -18
1221256-1		3 -35	1222136-40		5A- 4	1231022-3		13 -16
1221256-2		3 -35	1222136-40		5B- 4	1231023-1		11 -24
1221261-1		3 -24	1222136-43		5A- 5	1231023-1		12 -27
1221261-1		3A-46	1222136-43		5B- 5	1231023-16		13 -23
1222009-2		5A-35	1222136-44		5A- 5	1231023-17		13 -25
1222009-2		5B-35	1222136-44		5B- 5	1231023-18		13 -27
1222009-2		5B-78	1222136-7		5 - 4	1231023-19		13 -24
1222009-2		6 -22	1222136-7		5A- 6	1231023-2		11 -23
1222009-2		6A-29	1222136-7		5B- 6	1231023-2		12 -26
1222012-1		3 -22	1222137-1		6 - 1	1231023-20		13 -26
1222012-1		3A-67	1222137-11		5A-11	1231023-21		13 -28
1222013-11		4 -71	1222137-11		5B-11	1231023-3		11 -22
1222018-1		6 -24	1222137-12		5A-11	1231023-3		12 -25
1222018-1		6A-31	1222137-12		5B-11	1231026-1		13 -17
1222019-1		5A-28	1222137-2		6 - 1	1231026-2		13 -17
1222019-1		5B-28	1222137-200		6 - 1	1231029-1		13 -13
1222019-1		6 -25	1222137-201		6 - 1	1231029-2		13 -13
1222019-1		6A-32	1222137-7		6A- 1	1231030-1		13 - 7
1222019-2		5A-28	1222137-8		6A- 1	1231031-1		13 - 7
1222019-2		5B-28	1222138-7		5 - 7A	1231032-2		13 - 9
1222019-2		6 -25	1222138-8		5 - 7A	1231033-1		13 - 6
1222019-2		6A-32	1222140-1		5 -13	1231045-2		13 -29
1222027-1		100 -65	1222140-1		5A-34	1231049-1		11 -15
1222028-1		4 -76	1222140-1		5B-34	1231049-1		12 -19
1222028-2		4 -76	1222140-2		5 -13	1231049-2		11 -20
1222031-3		7 - 3	1222140-2		5A-34	1231049-2		12 -23
1222031-4		7 - 3	1222140-2		5B-34	1231049-3		11 -21
1222033-2		5 -24H	1222140-5		3 -14A	1231049-3		12 -24
1222033-2		5A-48	1224010-1		4 -86	1231050-1		11 -42
1222035-1		7 -20	1231000-17		11 -34	1231050-1		12 -45
1222035-2		7 -20	1231000-18		11 -31	1231052-1		35 -12
1222035-3		7 -20	1231000-4		11 -32	1231056-1		11 -26
1222035-4		7 -20	1231000-7		11 -33	1231056-1		12 -29
1222124-1		4 -28	1231001-12		13 -	1231057-10		11 -37
1222125-1		3 -19	1231001-14		13 -	1231057-10		12 -40
1222125-1		3A-57	1231001-3		13 -33	1231057-11		12 -34
1222126-1		5 -12	1231002-2		11 - 9	1231057-12		12 -35
1222126-2		5 -12	1231002-2		12 - 9	1231057-16		11 -
1222127-1		5A-34	1231002-3		11 - 8	1231057-17		12 -
1222127-1		5B-34	1231002-3		12 - 8	1231057-18		11 -
1222128-1		142 - 1	1231002-4		11 - 9	1231057-3		11 -35
1222129-2		4 - 4	1231002-4		12 - 9	1231057-4		11 -36
1222129-5		4 - 4	1231002-5		11 - 8	1231057-9		12 -39
1222130-10		4 -12	1231002-5		12 - 8	1231058-1		11 -25
1222130-9		4 -12	1231002-7		11 - 9	1231058-1		12 -28
1222131-1		4 -13	1231002-7		12 - 9	1231060-1		12 -20

P210 Parts Catalog

PART NUMBER	FICHE AND FRAME	FIGURE AND INDEX NO.	PART NUMBER	FICHE AND FRAME	FIGURE AND INDEX NO.	PART NUMBER	FICHE AND FRAME	FIGURE AND INDEX NO.
1231060-3		12 -21	1234019-2		15A-27	1234684-8		15 -71
1231062-5		12 -13	1234022-1		15 -40	1241029-3		49 -17
1231063-1		12 -22	1234022-2		15 -41	1241068-1		48 -54
1231064-1		11 -40	1234024-5		15 - 5	1241069-1		48 -55
1231064-1		12 -43	1234031-2		15 - 9	1241070-6		48 -38
1231064-1		143 -10	1234031-2		97 -59	1241071-3		26 -27
1231064-3		11 -40	1234035-1		15 -43	1241073-4		45 -18
1231064-3		12 -43	1234036-1		15 -45	1241074-1		50 -15
1231064-3		143 -10	1234036-2		15 -46	1241075-1		50 -37
1231064-3		143A-10	1234037-1		15 -54	1241076-5		50 -41
1231067-1		143 -11	1234037-2		15 -55	1241077-1		50 - 8
1231067-1		143A-11	1234071-1		15 -42	1241077-2		50 - 9
1231068-1		144 - 7	1234605-10		15 -57	1241078-5		50 -29
1231068-2		144 - 7	1234605-9		15 -56	1241078-6		50 -30
1231070-1		11 -39A	1234620-16		15 -17	1241097-1		50 -25
1231070-1		12 -42A	1234623-1		15 -38	1241102-3		45 -19
1232007-2		14 -31	1234623-2		15 -39	1241102-4		45 -19
1232008-2		14 -33	1234625-1		15 -61	1241102-5		45 -19A
1232011-1		14 -32	1234626-1		14 -52	1241102-6		45 -19A
1232012-1		14 -15	1234627-1		15 -32	1241103-1		45 -48
1232014-2		14 -20	1234628-1		15 - 4	1241103-1		51 -39
1232015-1		98 -42	1234628-5		15 - 8	1241104-1		48 -15
1232016-1		98 -38	1234633-10		15 -26	1241106-1		48 -10
1232016-3		98 -41	1234633-15		15 -15	1241107-1		45 -51
1232016-4		98 -43	1234633-16		15 -21	1241108-1		45 -23
1232016-6		98 -46	1234633-17		15 -20	1241142-1		48 -19
1232040-3		14 -72	1234633-21		15 -	1241142-2		48 -19
1232040-5		14A- 1	1234633-24		15 -	1241144-3		48 -20
1232105-1		14 -36	1234633-4		15 -16	1241144-4		48 -21
1232106-3		14 -35	1234633-7		15 -23	1241145-7		48 - 5
1232107-2		14 -34	1234633-8		15 -24	1241145-8		48 - 6
1232108-1		14 -37	1234633-9		15 -25	1241148-15		48 -32
1232140-1		14 -23	1234634-1		15 -28	1241148-16		48 -33
1232141-1		14 -14	1234634-2		15 -29	1241148-17		48 -30
1232142-2		14 -13	1234635-1		15 -32	1241148-18		48 -31
1232143-1		14A-60	1234635-2		15 -33	1241150-209		48 -26
1232145-1		14 -58	1234636-1		15 -47	1241150-210		48 -27
1232147-1		14 -21	1234636-2		15 -48	1241150-211		48 -22
1232400-1		14 -54	1234637-1		15 -49	1241150-212		48 -23
1232400-2		14 -54	1234637-2		15 -50	1241153-1		48 -34
1232600-11		14 - 6	1234637-4		15 -49	1241155-1		48 -35
1232600-16		14 - 5	1234638-1		15 -58	1241158-1		48 - 1
1232600-19		14 - 8	1234638-2		15 -59	1241158-2		48 - 2
1232600-200		14 - 7	1234638-3		15 -30	1241159-1		48 - 9
1232600-201		14 -	1234638-4		15 -31	1241159-1		48 -16
1232600-28		14 - 7	1234638-5		15 -60	1241159-2		48 -17
1232600-29		14 -	1234639-1		15 -52	1241424-1		49 - 8
1232603-1		14 -40	1234639-3		15 -51	1241606-7		45 -33
1232603-3		14 -30	1234640-1		15 -13	1241606-8		45 -33
1232606-3		14 -19	1234640-2		15 -14	1241607-11		30 -10
1232606-4		14 -18	1234641-1		15 -34	1241607-12		30 -11
1232612-1		14 -51	1234641-2		15 -35	1241607-23		30 -10
1232613-1		14 -17	1234642-1		15 -36	1241607-24		30 -11
1232613-2		14 -16	1234642-2		15 -37	1241608-1		45 -43
1232619-1		14 -24	1234646-1		15 -77	1241610-4		45 -42
1232619-2		14 -25	1234646-2		15 -78	1241611-1		45 -20
1232621-2		14 -46	1234647-1		15 -79	1241613-1		45 -30
1232621-3		14 -47	1234648-1		15 -73	1241614-2		51 -34
1232621-4		14 -48	1234648-10		15 -65	1241614-4		51 -13
1232621-5		14 -49	1234648-11		15 -68	1241615-1		30 -17
1232621-6		14 -45	1234648-13		15 -76	1241615-2		30 -18
1232622-18		14 -44	1234648-15		15 -69	1241618-5		51 -28
1232622-23		14 -40	1234648-2		15 -72	1241618-6		51 -28
1232622-24		14 -41	1234648-5		15 -74	1241629-1		51 -40
1232622-26		14 -43	1234648-6		15 -66	1241629-2		51 -40
1232622-27		14 -42	1234648-7		15 -67	1241629-3		51 -40
1232622-6		14 -45	1234648-9		15 -75	1241629-4		51 -40
1232623-2		14 -50	1234649-1		15 -27	1241630-7		51 -35
1234008-1		15 -62	1234649-2		15 -27	1241630-8		51 -35
1234008-2		15 -63	1234650-1		15 -10	1241634-5	e	51 -21
1234009-6		15 - 9	1234650-1		15A-26	1241635-1		51 - 9
1234014-1		15 -44	1234650-4		15A-27	1241636-2		51 -15
1234014-2		15 -53	1234650-6		15 -11	1241643-2	e	51 -16
1234019-2		15 -12	1234684-12		15 -70	1241657-1		48 -14

P210 Parts Catalog

PART NUMBER	FICHE AND FRAME	FIGURE AND INDEX NO.	PART NUMBER	FICHE AND FRAME	FIGURE AND INDEX NO.	PART NUMBER	FICHE AND FRAME	FIGURE AND INDEX NO.
1241658-1		48 -11	1250222-4		140A- 7B	1250952-3		24A-61
1241662-2		45 -40	1250222-4		140A- 8A	1250952-7		24A-60
1241663-1		45 -41	1250222-4		141 - 8A	1250952-7		24 -36
1241669-1		45 -33	1250318-1		78 -12	1250953-1		24 -40
1241669-2		45 -33	1250318-1		78A-12	1250953-1		24A-65
1242003-1		90 -57	1250401-3		78 -13	1250954-13		24A-71
1243001-1		42 -18	1250401-3		78A-13	1250954-13		24 -45
1243001-2		42 -19	1250405-1		111 -22	1250956-10		77 -46
1243008-3		42 -18	1250410-5		2 - 2	1250956-11		77 -47
1243008-4		42 -19	1250410-5		2A- 2	1250956-12		77 -47
1243009-12		42 - 9	1250412-3		76 -11	1250956-9		77 -46
1243009-201		42 - 1	1250414-6		76 - 6	1250958-5		84 - 3
1243009-203		42 -	1250414-8		76 - 6	1250973-1		84 -68A
1243009-204		42 - 1	1250419K200		76 - 4	1250976-1		24 -34A
1243009-205		42 -	1250419K201		76 - 4	1250976-1		24 -39A
1243009-7		42 - 9	1250422-1		24 -51	1250976-1		24 -42A
1243018-1		42 -35	1250422-1		24A-77	1250976-1		24A-55
1243019-2		40 -23	1250503-1		89 -14	1250976-1		24A-64
1243021-1		42 -26	1250503-2		89 -15	1250976-1		24A-68
1243025-3		49 - 1	1250504-1		79 -60	1252001-1		77 -23
1243025-6		49 - 3	1250506-1		79 -63	1252007-2		20A- 1
1243027-2		18 -62	1250507-1		79 -62	1252019-1		77 - 3
1243027-3		18 -94A	1250508-1		79 -61	1252019-1		77A-17
1243027-4		18 -98D	1250655-1		110 -18	1252400-16		77 - 2
1243027-5		18 -62	1250655-2		110 -19	1252400-80		77 - 2
1243027-5		18A-16	1250825-1		84 -81	1252405-1		77A-22
1243027-6		18 -94A	1250825-1		84A-95	1252413-18		77 -38
1243027-6		18A-17	1250825-1		84B-95	1252413-18		77 -39
1243030-5		42 -29	1250828-1		84 -77	1252413-19		77 -43
1243030-6		42 -29	1250828-1		84A-91	1252413-20		77 -41
1243030-7		42 -29	1250828-1		84B-93C	1252413-21		77 -42
1243031-1		42 -69	1250828-2		84 -77A	1252413-22		77 -40
1243031-1		47 -12A	1250828-2		84A-91A	1252413-9		77 -44
1243031-6		42 -69	1250828-2		84B-94	1253026-1		24 -63
1243031-6		47 -12B	1250860-117		83A- 7	1253026-1		24A-93
1243034-1		42 - 4	1250860-117		83 - 38	1253047-1		132 -58
1243034-3		42 - 4	1250861-1		18 -29	1253048-1		132 -46
1243038-1		42 -66	1250861-2		18 -29	1253062-1		18 -79
1243039-3		40 -27	1250865-1		82 -28	1253062-1		18A-91
1243040-1		49 -19	1250865-1		82A- 3	1253062-4		18 -80A
1243040-1		50 -44	1250874-1		85 - 3	1253062-4		18A-91B
1243406-1		41 -17	1250874-2		85 - 4	1253069-3		88 - 2
1243411-1		41 -13	1250876-51		24 -11C	1253074-1		24 -48
1243412-1		41 - 7	1250876-51		24A-17	1253074-1		24A-75
1243412-2		41 - 8	1250878-1		78 - 4	1253418-5		24 -16
1243419-1		41 - 2	1250878-1		78A- 4	1253418-5		24A-29
1243420-1		41 - 1	1250918-2		78 -70	1253418-6		24 -16
1243421-1		42 -72	1250921-1		111 -18	1253418-6		24A-29
1243421-2		42 -73	1250921-5		111 -18	1253425-1		24 -17
1243422-1		42 -67	1250922-1		111 -17	1253431-1		24 -61
1243425-1		42 -75	1250922-4		111 -17	1253431-2		24 -62
1243426-2		42 -54	1250942-1		24 -40	1255049-1		84A-22
1243617-1		42 -30	1250942-1		24A-65	1255049-1		84B-27
1243618-2		42 -68	1250944-1		24 -47	1255050-1		84A-21
1243618-3		42 -68	1250944-3		24 -47	1255050-1		84B-26
1243619-1		42 -31	1250944-3		24A-74	1255051-3		84A- 1
1243625-5		42 -32	1250947-1		24 -25	1255051-7		84A- 2
1243626-1		42 -46	1250947-1		24A-38	1255051-8		84A- 3
1243811-6		42 -28	1250949-1		24 -46	1255052-14		84B-24
1243814-1		42 -21	1250949-2		24 -49	1255052-3		84A-19
1247232		138A-24	1250949-3		24 -46	1255052-8		84A-23
1250024-1		78 -33	1250949-3		24A-73	1255076-1		84A-26
1250025-1		78 -39	1250949-4		24 -49	1256006-1		107 -36
1250025-1		78A-47	1250949-4		24A-76	1256017-1		78A-68
1250025-1		85A-33	1250950-1		24 -45	1256017-1		79 -85
1250025-2		85A-33A	1250950-1		24A-71	1256019-1		107 - 4
1250026-1		78 -35	1250951-11		24A-66	1256020-1		107 - 3
1250027-1		78 -32	1250951-11		24 -41	1256020-2		107 -3A
1250053-2		107 -32	1250951-3		24 -42	1260021-1		92 -28
1250106-1		84 -41A	1250951-3		24A-67	1260065-8		97 -54
1250106-1		84A-51	1250951-4		24 -41	1260078-10		93 -62
1250213-15		140 - 9	1250951-9		24A-66	1260078-11		93 -57
1250214-1		140 - 5	1250951-9		24 -41	1260078-110		93 -62
1250215-1		140 -10	1250952-3		24 -37	1260078-111		93 -57

P210 Parts Catalog

PART NUMBER	FICHE AND FRAME	FIGURE AND INDEX NO.	PART NUMBER	FICHE AND FRAME	FIGURE AND INDEX NO.	PART NUMBER	FICHE AND FRAME	FIGURE AND INDEX NO.
1260078-112		93 -58	1260212-2		22 - 6	1260494-1		38 -14
1260078-113		95 - 2	1260212-2		22A-18	1260495-2		22 -31
1260078-114		95 - 2	1260212-3		24A-31	1260497-1		17 -74
1260078-12		93 -58	1260212-4		22A-18	1260497-2		17 -76
1260078-13		95 - 2	1260214-1		18 -72	1260498-1		17 -73
1260078-14		95 - 2	1260214-1		18A-93C	1260498-2		17 -75
1260085-1		38 -24	1260214-2		18 -72	1260499-1		17 -78
1260089-1		38 -19	1260214-2		18A-93C	1260505-112		102 -39
1260089-2		38 -20	1260216-1		103 -17	1260505-113		102 -38
1260089-5		38 -19	1260217-1		103 - 6	1260505-12		102 -39
1260111-1		93 -53	1260231-1		99 - 3	1260505-13		102 -38
1260111-3		93 -55	1260231-2		99 - 4	1260505-140		95 - 4
1260112-1		93 -35	1260232-1		99 - 1	1260505-147		100 - 1
1260112-2		93 -36	1260235-1		99 - 8	1260505-148		100 - 4
1260124-13		4 -75	1260235-2		99 - 7	1260505-170		100 - 9
1260124-13		4 -75	1260238-1		99 - -	1260505-171		100 - 8
1260124-14		4 -75	1260238-2		99 -	1260505-172		100 -10
1260124-14		4 -75	1260243-2		94 - 1	1260505-173		100 - 7
1260124-7		4 -75	1260248-1		93 -21A	1260505-174		103 - 1
1260124-8		4 -75	1260412-1		103 -22	1260505-187		103 - 2
1260126-1		4 -77	1260412-2		103 -23	1260505-196		96 -61
1260126-2		4 -77	1260417-10		90 -45	1260505-197		90 -46
1260126-3		4 -77	1260417-11		90 -45	1260505-314		95 - 7
1260126-4		4 -77	1260417-15		90 -45	1260505-315		95 - 7
1260128-4		100 -39	1260417-16		90 -45	1260505-317		90 -46
1260128-5		100 -57	1260419-1		92 -35	1260505-319		102 -38
1260133-1		15 -81	1260420-1		97 - 3	1260505-321		95 - 4
1260135-1		93 -52	1260421-1		97 -10	1260505-322		95 - 7
1260136-1		93 -51	1260422-1		97 - 1	1260505-323		95 - 7
1260137-2		93 -45	1260425-1		93 -65	1260505-325		97 -40
1260140-11		93 -13	1260429-1		93 -68	1260505-326		97 -39
1260140-13		93 -13	1260430-2		93 -64	1260505-329		102 -38
1260140-26		93 -13	1260436-1		90 -28	1260505-330		102 -39
1260141-11		93 -28	1260438-3		93 -67	1260505-40		95 - 4
1260141-13		93 -28	1260440-3		96 -48	1260505-414		95 - 7
1260141-9		93 -28	1260440-6		96 -48	1260505-415		95 - 7
1260143-11		93 -13	1260442-3		96 -57	1260505-417		90 -46
1260153-1		98 -	1260449-1		96 -69	1260505-419		102 -38
1260153-2		98 -18	1260458-4		55 -18	1260505-421		95 - 4
1260154-1		98 -13	1260466-3		97 -46	1260505-422		95 - 7
1260155-1		98 -30	1260473-1		96 -14	1260505-423		95 - 7
1260155-4		98 -11	1260475-1		97 -34	1260505-425		97 -40
1260155-5		98 -12	1260475-10		97 -40	1260505-426		97 -39
1260156-1		98 -19	1260475-101		97 -34	1260505-429		102 -38
1260156-2		98 -25	1260475-102		97 -35	1260505-430		102 -39
1260156-3		98 -26	1260475-105		102 - 3	1260505-47		100 - 1
1260156-4		98 -20	1260475-106		102 - 4	1260505-48		100 - 4
1260156-6		98 -24	1260475-109		97 -39	1260505-70		100 - 9
1260157-1		98 -32	1260475-110		97 -40	1260505-71		100 - 8
1260157-3		98 -35	1260475-112		96 - 2	1260505-72		100 -10
1260157-4		98 -36	1260475-113		96 - 3	1260505-73		100 - 7
1260158-1		98 - 1	1260475-12		96 - 2	1260505-96		96 -61
1260158-3		98 - 3	1260475-13		96 - 3	1260505-97		90 -46
1260158-3		98 - 8A	1260475-2		97 -35	1260540-1		18 -73
1260158-5		98 - 6	1260475-5		102 - 3	1260540-1		18A-93D
1260159-1		98 -29	1260475-6		102 - 4	1260540-2		18 -73
1260159-5		98A-11	1260475-9		97 -39	1260540-2		18A-93D
1260202-1		4 -77	1260482-1		31 -44	1260540-3		18 -74
1260202-10		4 -83	1260482-2		31 -44	1260540-3		18A-94
1260202-11		4 -84	1260483-1		28 -20	1260558-1		92 -26
1260202-12		4 -85	1260484-1		26 -26	1260558-4		92 -27
1260202-13		4 -81	1260484-2		26 -26	1260610-1		97 - 2
1260202-17		4 -79	1260485-1		15 -80	1260649-1		96 -58
1260202-2		4 -79	1260486-1		31 -43	1260650-1		100 -51
1260202-3		4 -80	1260486-2		31 -43	1260653-5		100 -46
1260202-7		4 -82	1260487-1		31 -45	1260664-1		93 -20
1260202-8		4 -82	1260489-1		30 -30	1260668-2		93 - 2
1260205-1		103 -16	1260490-1		30 -31	1260668-4		93 - 5
1260207-1		103 -21	1260491-1		38 -15	1260741-1		96 -56
1260208-1		103 -18	1260491-2		38 -16	1261122-1		96 -58A
1260209-2		24 -14	1260492-2		28 -48	1261416-1		18 -86
1260209-3		24 -13	1260492-3		28 -47	1261416-1		18A-72
1260210-1		24 -12	1260493-1		21 -37	1261416-3		18 -87
1260211-1		103 - 4	1260493-2		21 -38	1261416-3		18A-72

P210 Parts Catalog

PART NUMBER	FICHE AND FRAME	FIGURE AND INDEX NO.	PART NUMBER	FICHE AND FRAME	FIGURE AND INDEX NO.	PART NUMBER	FICHE AND FRAME	FIGURE AND INDEX NO.
1261420-5		17 -56	1270098-2		70A-19	1270745-3		71A-65
1261422-1		90 -58	1270098-2		70B-33	1270811-2		17 -57
1261422-2		90 -58	1270306-1		136A-62	1270840-1		94 -20
1261437-1		18 -92C	1270479-13		69 -43	1270840-1		94A-26
1261437-1		18A-52	1270479-13		69 -43	1270840-2		94 -22
1261441-2		22 -38	1270483-2		94 -15	1270840-2		94A-27
1261441-2		22A-22	1270483-2		94A-19	1270843-2		94 -24
1261441-3		22 -38	1270497-1		31 -49	1270843-2		94A-13
1261441-3		22 -38	1270497-2		26 -97	1270844-1		94 -35
1261448-1		22 -40	1270497-4		37 -8	1270845-1		94 -28
1261456-2		17 -26	1270497-6		26 -95	1270858-1		94 -19
1261458-1		104 -45	1270497-7		17 -48	1270858-1		94A-21
1261458-2		104 -55	1270497-8		21 -40	1270859-2		47 -58
1261459-1		104 -53	1270497-8		29 -41	1270862-3		136A-90
1261460-1		104 -52	1270620-1		145 -20	1270862-3		136A-89
1261461-1		104 -48	1270623-1		37 -46	1270864-1		71A-68
1261462-1		104 -57	1270623-5		37 -46	1270864-2		71A-67
1261462-6		104 -57	1270709-62		37 -46	1270867-1		136A-97
1261463-1		104 -41	1270709-67		136A-68A	1270867-1		136A-97
1261463-2		104 -42	1270709PA1		136A-68A	1270868-1		90 -24
1261464-1		22 -26	1270709PA12		136 -18	1280111-1		119 -
1261465-1		104 -51	1270709PA15		136 -23	1280111-1		119 -
1261466-1		104 -	1270709PA16		136 -21	1280114-1		121 -23
1261466-2		104 -12	1270709PA29		136 -22	1280119-1		121A -7
1261467-1		104 -13	1270709PA29		136 -23A	1280119-1		121B -7
1261468-1		104 -20	1270709PA30		136A-24	1280119-1		128 -8
1261469-1		104 -19	1270709PA32		136 -21A	1280120-2		128 -9
1261470-1		104 -17	1270709PA33		136A-21	1280120-3		128 -
1261471-5		104 -2	1270709PA35		136A-23	1280120-4		121 -21
1261472-1		104 -8	1270709PA36		136A-22	1280121-1		121A -5
1261473-1		104 -33	1270709PA36		141A-26	1280121-1		121B -5
1261474-1		104 -38	1270709PA37		141A-27	1280121-1		128 -10
1261474-2		104 -39	1270709PB109		141A-51	1280122-1		114 -29
1261475-4		104 -25	1270709PB110		141A-50	1280123-1		126 -6
1261478-1		22 -29	1270709PB123		141B-55	1280129-1		124 -18
1261479-1		22 -10	1270709PB146		141B-54	1280206-1		124 -16
1261479-3		22A-10	1270709PB53		136 -31	1280207-1		124 -12
1261480-1		22 -12	1270709PB54		136 -31	1280209-1		124 -14
1261482-1		22 -28	1270709PB54		136 -31	1280210-1		129 -3
1261482-3		22A-3	1270709PB62		136 -31	1280211-1		130 -12
1261483-1		22 -39	1270709PB63		136A-68	1280222-2		128 -5
1261633-4		22 -42	1270709PB65		136 -62	1280222-2		129 -13
1261648-1		22 -15	1270709PB65		136A-98	1280222-2		130 -15
1262001-4		70 -49	1270709PB67		136 -31	1280222-3		129 -2
1262001-4		70A-42	1270709PB81		136A-68	1280222-3		130 -11
1262001-4		70B-44	1270709PB82		136 -62	1280223-1		128 -3
1262016-2		100 -84	1270709PB82		136A-98	1280223-1		129 -11
1262016-3		100 -84	1270709PB87		141A-49	1280223-1		130 -13
1262022-1		101 -35	1270709PB98		141A-48	1280223-2		115A-40
1262022-3		101 -49	1270709PC13		145 -13	1280231-1		124 -17
1262022-4		101 -49	1270709PC15		145 -35	1280234-3		124 -15
1262024-1		100 -20	1270709PC8		145 -12	1280234-5		124 -15
1262027-1		100 -25	1270717-1		114 -8	1280239-1		123 -37
1262028-5		100 -24	1270717-1		136 -56	1280240-1		124 -1
1262029-1		100 -32	1270717-1		136A-80	1280240-4		124 -1
1262029-2		100 -33	1270717-2		114A-26	1280241-1		124 -3
1262034-5		4 -11	1270718-201		12 -41	1280241-3		124 -6
1262034-6		4 -11	1270727-1		137 -	1280241-4		124 -2
1262034-7		4 -10	1270727-2		137 -8	1280241-6		124 -3
1262034-8		4 -10	1270727-3		137 -6	1280243-2		128 -17
1262036-1		4 -53	1270727-4		137 -7	1280244-2		128 -1
1262036-2		4 -53	1270727-5		137 -14	1280246-1		128 -16
1262038-1		100 -53	1270727-6		137 -10	1280504-2		129 -
1262038-2		100 -53	1270727-9		137 -18	1280504-200		129 -8
1262052-1		4 -9	1270733-2		136 -32	1280504-200		130 -1
1262052-2		4 -9	1270733-2		136A-34	1280504-201		129 -4
1270034-1		40 -33	1270741-1		71A-64	1280504-201		130 -4
1270034-4		40 -33	1270741-2		71A-64	1280504-3		130 -
1270082-1		71 -13	1270741-3		71A-64	1280506-105		90 -15
1270082-1		71A-14	1270741-3		71B-62	1280506-128		120 -19
1270082-1		71B-15	1270741-4		71A-64	1280506-138		120 -22
1270082-1		71C-11	1270744-1		145 -25	1280506-139		120 -20
1270098-1		70 -18	1270745-1		71A-65	1280506-169		120 -15
1270098-2		70 -18	1270745-2		71A-66	1280506-170		120 -16

P210 Parts Catalog

PART NUMBER	FICHE AND FRAME	FIGURE AND INDEX NO.	PART NUMBER	FICHE AND FRAME	FIGURE AND INDEX NO.	PART NUMBER	FICHE AND FRAME	FIGURE AND INDEX NO.
1280506-171		90 -16	1280509-95		114 -28	1280834-4		115 -21
1280506-172		90 -16A	1280509-96		114 -25	1280834-4		115A-32
1280506-54		120 -21	1280509-97		90 -19	1280835-1		115 -17
1280506-54		120A-18	1280509-98		90 -20	1280835-1		115A-22
1280509-10		123 -22	1280509-99		90 -22	1280835-2		115A-23
1280509-100		90 -23	1280514-1		124 -	1280836-1		115 -19
1280509-101		45 -24	1280514-200		124 -19	1280836-2		115A-34
1280509-102		45 -24	1280514-3		124 -22	1280837-1		115 -26
1280509-103		45 -54	1280523-1		122A-13	1280837-1		115A-26
1280509-104		45 -54	1280523-1		122B-19	1280837-3		115 -27
1280509-107		113A-16	1280523-10		114A-18	1280837-3		115A-27
1280509-107		113B-14	1280523-11		114A-15	1280838-3		116 -30
1280509-107		113C-27	1280523-12		121B-9	1280846-5		115 -1
1280509-107		1130-25	1280523-13		117 -14	1280848-4		116 -29
1280509-108		113A-17	1280523-14		120A-18	1280849-2		116 -23
1280509-108		113B-15	1280523-15		114A-18A	1281001-1		125 -15
1280509-108		113C-28	1280523-16		121B-12	1281001-2		125A-10
1280509-11		123 -21	1280523-17		114A-15	1281004-1		125 -9
1280509-112		114A-88B	1280523-18		121B-15	1281013-1		45 -56
1280509-12		123 -19	1280523-19		122B-16	1281013-1		125 -11
1280509-13		122 -27	1280523-2		122A-14	1281015-1		127 -8
1280509-14		122 -23	1280523-2		122B-20	1281018-1		125 -1
1280509-17		121 -1	1280523-20		122B-3	1281018-4		45 -60
1280509-25		122 -30	1280523-21		122B-2	1281019-1		125 -14
1280509-29		121 -7	1280523-22		121B-14	1281019-1		125A-11
1280509-29		121A-18	1280523-3		122A-11	1281021-3		125 -12
1280509-3		122 -13	1280523-4		122A-1	1281021-3		125A-13
1280509-3		122A-12	1280523-4		122A-15	1281026-1		127 -4
1280509-3		122B-14	1280523-5		121A-20	1281029-1		127 -
1280509-30		122 -12	1280523-5		122A-16	1281031-1		126 -8
1280509-30		122A-10	1280523-6		121A-19	1281031-2		126 -8
1280509-30		122B-13	1280523-7		120A-13	1281032-1		127 -6
1280509-33		122 -1	1280523-9		117 -17	1281033-1		131 -
1280509-4		122 -25	1280600-5		124 -7	1281034-1		131 -1
1280509-4		122B-22	1280611-1		129 -1	1281035-1		131 -4
1280509-42		45 -24	1280803-1		116 -1	1281036-1		131 -7
1280509-43		45 -24	1280804-1		116 -16	1281037-1		125 -22
1280509-44		45 -54	1280806-1		115 -3	128523-28		121B-16
1280509-45		45 -54	1280806-2		115 -20	130X299		141 -15
1280509-5		122 -24	1280809-1		115 -15	130368-8		86A-36
1280509-5		122B-21	1280809-4		115 -32	130368-9		86A-47
1280509-53		120 -18	1280809-4		115A-8	130530-3		86A-1
1280509-54		120 -23	1280809-5		115 -11	131358-2		86A-6
1280509-54		120A-15	1280809-5		115 -50	1400019-80		2 -44
1280509-55		121 -18	1280811-1		114 -7	1411206-1		52 -10
1280509-56		122 -4	1280812-1		115 -40	1411207-1		52 -12
1280509-59		121 -15	1280812-1		115A-4	1411207-2		52 -13
1280509-60		122 -2	1280813-1		115 -30	1412280-23		100 -22
1280509-61		121 -13	1280813-2		115A-7	1414100-212		67 -48
1280509-64		121 -11	1280815-2		115 -13	1414104-22		67 -43
1280509-64		121A-9	1280816-1		116 -7	1414104-25		67 -41
1280509-68		122 -31	1280816-2		116 -4	1414104-26		67 -42
1280509-69		123 -2	1280817-1		115 -39	1414104-36		67 -45
1280509-7		123 -1	1280817-5		115 -44	1414104-44		67 -46
1280509-70		122 -3	1280817-6		115 -39	1414104-54		65 -62
1280509-71		123 -3	1280817-6		115A-5	1414104-8		67 -47
1280509-73		122 -29	1280818-1		115 -5	1414116-1		65 -56
1280509-75		120 -17	1280818-1		115A-43	1414116-1		65 -56A
1280509-76		123 -24	1280819-2		115 -16	1414116-1		66 -74
1280509-77		123 -28	1280820-1		115 -4	1414116-1		67 -59
1280509-78		123 -27	1280821-1		116 -13	1414116-4		65 -56
1280509-79		123 -25	1280823-2		115 -33	1414116-4		66 -74
1280509-8		122 -28	1280824-1		115 -38	1422654-1		4 -44
1280509-82		114 -10	1280825-2		115 -18	1422654-1		4 -47
1280509-86		114 -12	1280825-2		115A-29	1422654-1		4 -51
1280509-87		114 -13	1280826-1		115 -47	1441-1-2		19A-46A
1280509-88		114 -15	1280831-1		115 -28	1441003-1		45 -9
1280509-89		117 -12	1280831-1		115A-25	1442113-8		44 -15
1280509-9		123 -18	1280832-1		115 -29	1442113-9		44 -8
1280509-90		117 -15	1280832-1		115A-24	1452225-44		77 -5
1280509-91		117 -13	1280833-1		115 -23	1452225-44		77A-19
1280509-92		117 -16	1280833-1		115A-30	1452530-6		101 -2
1280509-93		117 -14	1280834-3		115 -22	1452537-1		101 -26
1280509-94		114 -31	1280834-3		115A-31	1458		119 -8

P210 Parts Catalog

PART NUMBER	FICHE AND FRAME	FIGURE AND INDEX NO.	PART NUMBER	FICHE AND FRAME	FIGURE AND INDEX NO.	PART NUMBER	FICHE AND FRAME	FIGURE AND INDEX NO.
1460320-1		92 - 1	1513190-51-A59		69A-32	1514315-3		67 -67
1460501-21		92 - 2	1513190-51-C12		69 -24	1515152-1		94 -46
1462012-2		100 -36	1513190-51-C12		69 -25	153-00300		46 -13
1462027-1		100 -19	1513190-51-C12		69 -26	153-00300		46A-13
1470219-12		84B-89A	1513190-51-C12		69 -37	153-00400		46 -10
1495		138A-19	1513190-51-C12		69A-32	153-00400		46A-10
1495X		138A-19	1513190-51-279		69 -24	153-01500		46 -14
15-423		5A-58C	1513190-51-279		69 -25	153-01500		46A-14
15-423		6 -31	1513190-51-279		69 -26	154-00300		46 -11
15-423		6A-37	1513190-51-279		69 -37	154-00300		46A-11
15E36-1		86 -23B	1513190-51-279		69A-32	154-01300		46 -15
1500135-1		134 -21	1513190-52-A59		69 -38	154-01300		46A-15
1500137-1		135 - 9	1513190-52-A59		69A-52	154G		138A- 5
1505039-2		135 -17	1513190-52-C12		69 -38	154G		138A-11
1505039-4		135 -17	1513190-52-C12		69A-52	154G		138A-34
1505083-1		2 -29	1513190-52-279		69 -38	1541028-1		51 - 3
1505086-1		2 -30	1513190-52-279		69A-52	155-00100		46 -12
1505086-2		2 -31	1513190-54-A59		69 -30	155-00100		46A-12
1511229-1		47 -54	1513190-54-A59		69A-40	1550148-1		82 - 7A
1511501-1		86 -14	1513190-54-C12		69 -30	1550148-1		82A-56
1511501-1		105 -55	1513190-54-C12		69A-40	1550148-1		82B-28
1511501-3		86A-48	1513190-54-279		69 -30	1550148-1		82B-31
1512079-6		86 -46	1513190-54-279		69A-40	1550167-28		78A-95
1512079-6		86A-70	1513190-55-A59		69 -31	1552004-17		77 -12
1512280-24		101 -10	1513190-55-A59		69A-41	1552004-17		77A-29
1512280-41		101 - 1	1513190-55-C12		69 -31	1552004-22		77 -11
1512282-3		101 -18	1513190-55-C12		69A-41	1552004-22		77A-28
1512360-2		31 - 9	1513190-55-279		69 -31	1552004-24		77 - 9
1513174-3		69 - 2	1513190-55-279		69A-41	1552004-24		77A-26
1513174-3		69 - 2	1513190-56-A59		69 -29	1552004-25		77 -16
1513174-3		69 - 5	1513190-56-A59		69A-37	1552004-25		77A-31
1513174-3		72 - 2	1513190-56-C12		69 -29	1552010-1		77 - 7
1513174-3		72 - 2	1513190-56-C12		69A-37	1552010-1		77 -13
1513174-3		72 - 9	1513190-56-279		69 -29	1552010-1		77A-21
1513174-4		69 - 2	1513190-56-279		69A-37	1552010-1		77A-30
1513174-4		69 - 2	1513190-57-A59		69 -44	1552171-2		88 - 5
1513174-4		69 - 5	1513190-57-A59		69A-45	1553105-1		25 - 2A
1513174-4		72 - 2	1513190-57-C12		69 -44	1555014-1		83 - 3C
1513174-4		72 - 2	1513190-57-C12		69A-45	1555014-1		83A- 8
1513174-4		72 - 9	1513190-57-279		69 -44	1555045-1		83 - 3D
1513174-5		69 - 2	1513190-57-279		69A-45	1557411-5		112 -23
1513174-5		69 - 2	1513190-59-A59		69 -29	1557411-5		112A-36
1513174-5		69 - 5	1513190-59-A59		69A-37	1557411-5		112B-26
1513174-5		72 - 2	1513190-59-C12		69 -29	1557411-5		112C-38
1513174-5		72 - 2	1513190-59-C12		69A-37	1560024-1		94 - 4
1513174-5		72 - 9	1513190-59-279		69 -29	1560024-1		94A-10
1513190-24		69 -28	1513190-59-279		69A-37	1560024-2		94 - 5
1513190-25		69 -29	1513190-67-A59		69A-36	1560024-2		94A-11
1513190-25		69 -33	1513190-67-C12		69A-36	1560024-9		94 -51
1513190-27		69 -24	1513190-67-279		69A-36	1560024-9		94A-44
1513190-27		69 -25	1513460-6		134 -	1560025-1		94 - 7
1513190-27		69 -26	1513463-1		134 - 9	1560025-1		94A- 8
1513190-27		69 -37	1513470-5		134 - 1	1560027-2		94A- 1
1513190-28		69 -38	1513477-5		134 - 8	1560150-2		93 -18
1513190-31		69 -30	1513478-1		134 - 7	1560218-1		135 -11
1513190-32		69 -31	1513702-1		53 -12	1560218-3		118 -20
1513190-33		69 -29	1513703-4		53 -17	1560321-10		98 -21
1513190-34		69 -44	1513704-1		53 -14	1560321-14		98 -15
1513190-49-A59		69 -28	1513830-1		17 - 8	1560321-9		98 -23
1513190-49-C12		69 -28	1514031-9	#	65 -12	1562033-17		101 - 6
1513190-49-279		69 -28	1514085-3		65 -46	1562033-19		101 - 4
1513190-50-A59		69 -29	1514086-10		65 -16	1562033-20		101 -39
1513190-50-A59		69 -33	1514086-11		65 -16	1562033-24		101 -41
1513190-50-A59		69A-43	1514089-2		67 -38	1562033-25		101 -39
1513190-50-C12		69 -29	1514102-5		65 -18	1570043-10		145 -16
1513190-50-C12		69 -33	1514102-7		65 -17	1570043-15		136A-80
1513190-50-C12		69A-43	1514102-8		65 -17	1570043-15		145 -16
1513190-50-279		69 -29	1514102-9		65 -18	1570102-1		9 -52
1513190-50-279		69 -33	1514119-3		66 -64	1570102-1		14A-11
1513190-50-279		69A-43	1514230-2		67 -10	1570102-1		15 -86
1513190-51-A59		69 -24	1514277-1		67 -52	1570102-12		13 -36
1513190-51-A59		69 -25	1514301-9		66 -12	1570166-1		136 -38
1513190-51-A59		69 -26	1514315-3		65 -75	1570166-2		136 -38
1513190-51-A59		69 -37	1514315-3		66 -95	1570166-2		136A-69

②②②②

P210 Parts Catalog

PART NUMBER	FICHE AND FRAME	FIGURE AND INDEX NO.	PART NUMBER	FICHE AND FRAME	FIGURE AND INDEX NO.	PART NUMBER	FICHE AND FRAME	FIGURE AND INDEX NO.
1570301-1		136 -39	1726045-2		5B-43	2100002-4		135 - 3
1570301-1		136A-70	1726045-2		6 -33	2100003		112B-27
1570306-1		94 -44	1726045-2		6A-39	2100003-1		78 -80
1570307-3		94 -38	1726045-6		5A-51	2100003-100		107A-50
1570394-1		22 -17	1726045-6		5B-44	2100003-100		107B-49
1570394-1		139 -12	1726045-6		6 -32	2100003-102		107A-93E
1570394-1		139A- 7	1726045-6		6A-38	2100003-102		107B-93E
1580011-1		130 - 8	1726045-8		6 -33	2100003-103		107A-93F
16-530004		115 -55	1726045-8		6 -33	2100003-103		107B-93F
16-530004		115A-12	1726048-2		5 -26	2100003-104		107B-93F
1601-0410		10 -40	1726048-2		5A-56	2100003-104		78 -90
1605060-1		2 -34	1726048-2		5B-51	2100003-105		78A-81
1605060-1-E85		2A-27	1726048-2		5B-90	2100003-106		78 -80
161-03000		46 - 2	1726048-2		5 -26	2100003-106	e	107B-97
161-06102		46A- 2	1726049-1		5A-56	2100003-107		107A-97A
162-02700		46 - 3	1726049-1		5B-51	2100003-107		107A-97B
162-05702		46A- 3	1726049-1		5B-90	2100003-109		107B-97A
1620075-3		136 -54	1726049-1		18 -31	2100003-11		5A-55
1620075-3		136A-85	1726049-1		18A-34	2100003-11		107 -77
162200-1		86A-38	1726049-2		18 -98F	2100003-110		5B-49
164-01501		46 - 8	1726049-2		18A-69	2100003-112		5B-93
164-07800		46A- 8	1726049-2		107 -42	2100003-113		5A-79
1650049-1		140A- 6	1760025-2		101 - 5	2100003-113		5A-62
1650049-1		141 - 6	183-00100		46 -26	2100003-114		5B-58
1650069-3		84A-27	183-0100		46A-30	2100003-115		5B-55
1670019-1		100 -85	186- 9		3 -24	2100003-117		107B-13
1670019-1		101 -16	186- 9		3A-46	2100003-118		107B- 5
170043		135A- 3	1922005-11		7 -21	2100003-119		110 -29
1705047-1		2 -61	2H3- 2		113D- 6	2100003-12		5B-91
1705047-1		2A-39	2H30-32		132B-67	2100003-121		107 -77
170901		135A- 4	2H30-32		132C-87	2100003-122		78A-94A
1713030-5		24 -28B	2H48-22		132B-11	2100003-123		78A-72
1713030-5		24A-43	2H48-22		132B-11	2100003-124		78A-71
1713030-5		89 -17	2H48-22		132C-10	2100003-125		82B-35
1714000-K200		66 -80	2H48-24		132C-11	2100003-126		113D-11
1714000-33		65 -57	2LME		137 - 2	2100003-127		88 -32C
1714000-33		66 -84	2N6576		136 -42	2100003-128		78A-83
1714000K200		65 -60	2N6576		136 -43	2100003-129		78A-79
1714061-1		65 -51A	2N6576		136A-73	2100003-13		78A-93A
1714067-5		65 -53	2N6577		136A-74	2100003-131		107 -61
1714067-5		66 -69	2N6577		136 -42	2100003-132		107B-93A
1714067-9		65 -52	2N6577		136 -43	2100003-133		107B-93B
1714067-9		66 -70	2N6577		136A-73	2100003-134		107B-92K
1714074-13		65 -26	2N6577		136A-74	2100003-142		107B-92L
1714074-13		66 -24	20C206		134A- 9	2100003-143		5A-59
1714074-14		65 -27	20HP3		145 -31	2100003-148		107B-92H
1714074-14		66 -25	20H3P		71B-65	2100003-15		107B-91F
1714074-6		65 -30	20H3P		71C-67	2100003-150		107 -58
1714074-6		66 -26	20H3P		141A-32	2100003-17		78A-87A
1714099-31		67 -13	20H3P		145 - 8	2100003-18		107 -47
1714100-1	#	65 -65	2011028-7		32 -41	2100003-19		107 -48
1714100-1	#	66 -20	2011028-7		74 -11	2100003-20		107 -68
1714101-13	#	65 -66	2011028-8		32 -42	2100003-21		107 -69
1714101-13	#	66 -18	2011028-8		74 -11	2100003-22		86 -10
1714101-13	#	67 -15	2013069-1		119 -22	2100003-23		86 -13
1714101-14	#	66 -18	2013142-1		105 -34	2100003-24		86 -12
1714101-14	#	67 -15	2013142-10		105 -34	2100003-25		79 -16
1715071-1		75A- 6	203618-1		136A-99C	2100003-26		107 -57
1715071-2		75A- 7	2080006-1		119 - 3	2100003-27		107 -60
1715071-4		75A- 3	2080006-2		119 - 4	2100003-28		107 -44
1715074-1	#	75A- 9	2080007-1		119 -15	2100003-29		86 -10A
1716008-1		5A-57	2080007-2		119 -21	2100003-29		78 -80
1716008-1		5B-53	2080009-1		119 -15	2100003-33		112 -31
1716008-1		5B-84	2080010-1		119 -26	2100003-33		107 -78
1716008-1		6 -26	2080010-2		119 -27	2100003-33		107A-93A
1716008-1		6A-33	2080010-4		119 -25	2100003-34		107B-92E
1720107-1		5 -16	2080010-4		119 -28	2100003-34		107 -79
1722040-1		5B-98	2080018-2		119 - 7	2100003-34		107A-93B
1722040-2		5B-98	2080018-3		119 - 7	2100003-35		107B-92F
1722087-1		3 -29	2080019-1		119 -11	2100003-38		107 -47
172400		135A- 2	2080030-1		119 -13	2100003-39		107 -48
1726041-14		5 -19	2100002-1		135 - 1	2100003-42		107 -51
1726041-7		5 -19	2100002-3		135 - 3	2100003-42		112 -31
1726045-2		5A-50	2100002-4		135 - 3	2100003-42		112A-14
								112C-15

P210 Parts Catalog

PART NUMBER	FICHE AND FRAME	FIGURE AND INDEX NO.	PART NUMBER	FICHE AND FRAME	FIGURE AND INDEX NO.	PART NUMBER	FICHE AND FRAME	FIGURE AND INDEX NO.
2100003-43		107 -47A	2100003-97		107B-59	2105009-2		2A-28
2100003-44		107 -48	2100003-98		107A-96	2105010-2		2 -41
2100003-45		107 -51A	2100003-98		107B-96	2105010-2		2A-29
2100003-53		5A-54	2100009-1		135 - 5	2105011-1		2 -45
2100003-53		5B-48	2100011-1		5 -17	2105011-1		2A-31
2100003-53		6A-18	2100011-4		87A-13	2105012-1		2 -46
2100003-54		5A-53	2100012-1		135 -20	2105012-2		2 -47
2100003-54		5B-46	2100012-1		135 -20	2105013-1		2 -36
2100003-54		6A-19	2100013-1		135 -16A	2105013-2		2 -37
2100003-55		107A-93L	2100014-1		86 -23A	2105014-1		2 -52
2100003-55		107B-93L	2100016-3		107B-92	2105014-1		2A-33
2100003-56		107A-93L	2101002-5		112 -24	2105015-1		2 -14
2100003-56		107B-93L	2101002-5		112A-37	2105015-1		2A-13
2100003-57		107A-92	2101002-5		112B-37	2105015-2		2 -14
2100003-58		107A-92A	2101002-5		112C-30	2105015-2		2A-13
2100003-59		107A-95F	2101002-6		112 -26	2105015-3		2 -14
2100003-59		107B-95F	2101002-6		112A-39	2105015-3		2A-13
2100003-60		107A-95F	2101002-6		112B-39	2105015-5		2 -14
2100003-60		107B-95F	2101002-6		112C-32	2105015-5		2A-13
2100003-61		3 -27	2101006-1		132 -77	2105016-1		2 -42
2100003-62		3 -27	2101006-1		132A-93	2105018-1		2 -24
2100003-65		107A- 5	2101006-1		132B- 9	2105018-5-E85		2 -24
2100003-66		107A-96C	2101006-1		132C- 8	2105018-5-E85		2A-21
2100003-66		107B-96C	2101007-1		132 -76	2105022-1		2 -54
2100003-67		107A-96C	2101007-1		132A-92	2105022-2		2 -54A
2100003-67		107B-96C	2101007-1		132B- 8	2105022-2		2A-34
2100003-68		107A-15	2101007-1		132C- 7	2105024-1		2 -33
2100003-70		110 -29	2101008-1		132 -73	2105024-1		2A-26
2100003-71		107A-35	2101008-1		132A-89	2105025-1		2 -19
2100003-71		107B-33	2101008-1		132B- 5	2105025-1		2A-16
2100003-72		107A-91A	2101008-3		132B- 5	2105027-2		2 - 6
2100003-72		107B-91A	2101008-3		132C- 5	2105027-3-E85		2 - 6A
2100003-73		107A-91F	2101012-1		134 -15	2105027-3-E85		2A- 6
2100003-74		107A-91G	2101017-1		138 -16	2105028-2		2 - 5A
2100003-74		107B-91G	2101019-11		134A- 4A	2105028-2		2A- 5
2100003-77		107A-91	2101019-6		134A- 2	2105028-3		2A- 5
2100003-77		107B-91	2101019-7		134A- 3A	2105030-1		2 -62
2100003-80		107A-78	2101019-8		134A- 3	2105033-1		2 -63
2100003-80		107B-77	2101036-10		87A-15	2106002-1-A58		72 - 3
2100003-81		107A-59	2101036-13		87A-14	2106002-1-A58		72 - 3A
2100003-81		107B-58	2101038-1		138A-15	2106002-1-A58		72 - 4A
2100003-82		107A-94E	2101044-1		138A-30	2106002-1-A58		72A- 3
2100003-82		107B-94E	2101044-2		138A-32	2106002-1-D65		72 - 3
2100003-83		107A-58	2101050-1		136 -36	2106002-1-D65		72 - 3A
2100003-83		107B-57	2101050-1		136A-37	2106002-1-D65		72 - 4A
2100003-84		107A-79	2101051-1		141A-20A	2106002-1-D65		72A- 3
2100003-84		107B-78	2101055-1		141A-	2106002-1-156		72 - 3
2100003-85		107A-54	2101055-2		141A- 2	2106002-1-156		72 - 3A
2100003-85		107B-53	2101055-4		141A- 5	2106002-1-156		72 - 4A
2100003-86		107A-77	2101055-5		141A- 6	2106002-1-156		72A- 3
2100003-86		107B-76	2101055-6		141A- 7	2106002-14-A58		69A- 4B
2100003-87		107A-94E	2101055-8		141A- 1	2106002-14-D65		69A- 4B
2100003-87		107B-94E	2101058-1		109C- 5	2106002-14-156		69A- 4B
2100003-88		107A-94G	2101059-1		34 -20	2106002-5-A58		72 - 5
2100003-88		107B-94G	2101063-1		132B-48	2106002-5-A58		72 - 6
2100003-89		107A-51	2101063-1		132C-73	2106002-5-A58		72A- 5
2100003-89		107B-50	2101071-1		78A-96B	2106002-5-A58		135A-52
2100003-90		107A-63	2101071-1		141A-53	2106002-5-A58		138A-22
2100003-90		107B-61	2105003-1		2 -36	2106002-5-D65		72 - 5
2100003-91		107A-53	2105003-2		2 -37	2106002-5-D65		72 - 6
2100003-91		107B-52	2105003-3		2 -38	2106002-5-D65		72A- 5
2100003-92		107A-82	2105003-4		2 -38	2106002-5-156		72 - 5
2100003-92		107B-81	2105003-5		2 -39	2106002-5-156		72 - 6
2100003-93		107A-49	2105003-6		2 -39	2106002-5-156		72A- 5
2100003-93		107A-94B	2105004-1		2 -11	2106002-6-A58		69 - 3A
2100003-93		107B-48	2105004-1		2A-10	2106002-6-A58		69 - 7
2100003-93		107B-94B	2105005-1		2 -13	2106002-6-A58		69A- 4
2100003-94		107A-86	2105005-1		2A-12	2106002-6-A58		69A- 8
2100003-94		107B-85	2105005-2		2 -12	2106002-6-D65		69 - 3A
2100003-95		107A-88	2105005-2		2A-11	2106002-6-D65		69 - 7
2100003-95		107B-87	2105008-3		2 -18	2106002-6-D65		69A- 4
2100003-96		107A-94B	2105008-5		2 -53	2106002-6-D65		69A- 8
2100003-96		107B-94B	2105008-5		2A-19A	2106002-6-156		69 - 3A
2100003-97		107A-60	2105009-2		2 -40	2106002-6-156		69 - 7

P210 Parts Catalog

PART NUMBER	FICHE AND FRAME	FIGURE AND INDEX NO.	PART NUMBER	FICHE AND FRAME	FIGURE AND INDEX NO.	PART NUMBER	FICHE AND FRAME	FIGURE AND INDEX NO.
2106002-6-156		69A- 4	2110024-6		32 -46	2110055- 3		132C-68
2106002-6-156		69A- 8	2110025-1		34 -20	2110058- 3		132A-23E
2106002-7-A58		72A- 6	2110025-2		34 -20	2110058- 3		132A-78
2106002-7-D65		72A- 6	2110026-1		34 -19	2110058- 3		132B-18
2106002-7-156		72A- 6	2110026-2		34 -19	2110058- 3		132B-65
2106002-8-A58		69A- 4A	2110026-7		34 -19	2110058- 3		132C- 32
2106002-8-D65		69A- 4A	2110030-1		34 -18	2110058- 3		132C-85
2106002-8-156		69A- 4A	2110030-2		34 -18	2110060-1		86 -23C
2106002-9-A58		72 - 3A	2110031-1		89 -30	2110061-1		132B-51
2106002-9-A58		72 - 4	2110032-1		60 -21	2110061-1		132B-77
2106002-9-A58		72 - 4A	2110032-1		87 - 1	2110061-1		132C-59
2106002-9-A58		72 -10	2110032-2		60 -21	2110061-1		132C-91C
2106002-9-A58		72A- 4	2110033-1		87 - 2	2110061-4		132B-77
2106002-9-A58		72A-10	2110035-1		87 - 5	2110061-5		132C-91C
2106002-9-D65		72 - 3A	2110037-7		132A- 9	2110063-1		132B-14F
2106002-9-D65		72 - 4	2110037-8		132A- 9	2110063-1		132C-28
2106002-9-D65		72 -10	2110038-5		132A-33	2110064-1		132B-13C
2106002-9-D65		72A- 4	2110038-5		132B-61	2110064-1		132C-21
2106002-9-D65		72A-10	2110038-5		132C-81	2110065-1		132C-75
2106002-9-156		72 - 3A	2110039-7		86A-11	2110065-3		132C-42
2106002-9-156		72 - 4	2110039-7		132A-39	2110066-1		132C-64
2106002-9-156		72 -10	2110039-7		132A-65	2110066-3		132C-63
2106002-9-156		72 -25	2110039-7		132B-23	2110067-1		86A-30
2106002-9-156		72A- 4	2110039-7		132C-39	2111300-1		33 -89
2106002-9-156		72A-10	2110039-8		132A-38	2111300-2		33 -89
2106002-9-156		72A-18	2110039-8		132B-25	2111301-1		30 - 5
2106002-9-156		72B- 2	2110039-8		132C-38	2111302-1		30 - 3
2110001-1		34 -11	2110040-8		132A-61	2111303-1		30 -23
2110002-1		32 -60	2110042-1		132A-48	2111303-2		30 -24
2110002-3		32 -60	2110042-1		132B-45	2111305-1		33 -89
2110003-1		32 -29	2110042-1		132C-56	2111305-2		33 -89
2110003-3		32 -29	2110043-16		132A-44A	2111306-1		33 -88
2110004-1		32 -35	2110043-16		132A-45	2111307-1		28 - 3
2110004-2		32 -36	2110043-16		132B-31	2111307-2		28 - 3
2110005-1		32 -49	2110043-17		132A- 4B	2111308-1		30 -33
2110005-3		32 -64	2110043-17		132A-55	2111308-10		86 -31
2110005-4		32 -55	2110043-17		132B-55	2111308-10		86 -33
2110005-5		32 -55	2110043-17		132B-84	2111308-10		86 -37
2110005-6		32 -66	2110043-17		132B-91	2111308-10		86A-60
2110005-7		32 -66	2110043-17		132C-71	2111308-10		86A-62
2110006-1		28 -35	2110043-17		132C-92D	2111308-11		86 -35
2110006-2		28 -35	2110043-18		86A-18	2111308-11		86A-64
2110007-1		28 -45	2110043-18		112B-34	2111308-12		86 -44
2110007-2		28 -45	2110043-18		112C-23	2111308-12		86A-68
2110007-3		28 -44	2110043-18		132A-23J	2111308-13		86 -42
2110008-1		28 -15	2110043-18		132B-73	2111308-13		86A-66
2110008-3		28 -16	2110043-18		132C-91A	2111308-2		30 -34
2110008-4		28 -16	2110043-19		132A-44	2111308-3		30 -32
2110008-5		28 -17	2110043-2		132A-97	2111309-1		28 -46
2110008-6		28 -17	2110043-20		132A-23F	2111309-2		28 -46
2110009-1		28 -11	2110043-20		132A-44E	2111311-1		26 -44
2110009-2		28 -12	2110043-20		132B-38	2111312-1		57 -91
2110010-1		28 -13	2110043-20		132B-76	2111313-1		33 -86
2110010-3		28 -13	2110043-20		132C-45	2111313-2		33 -86
2110011-1		33 -26	2110043-20		132C-90D	2111313-3		33 -86
2110012-1		32 - 1	2110043-24		132A-44B	2111313-4		33 -86
2110012-3		32 - 1	2110043-24		132B-27	2111314-17		26 -97A
2110012-5		32 - 1	2110044-4		132A-72	2111314-18		26 -97B
2110012-7		32 - 1	2110044-4		132B-40	2111314-2		26 -97C
2110013-2		23 - 2	2110044-4		132C-52	2111314-21		26 -97C
2110014-2		23 - 3	2110045-1		132A-23B	2111314-22		26 -97A
2110015-2		23 - 1	2110045-3		132A-23B	2111314-23		26 -97B
2110017-1		23 - 6	2110045-3		132B-69	2111315-1		26 -35
2110017-2		23 - 7	2110045-3		132C-90A	2111315-2		26 -35
2110018-1		23 - 4	2110047-1		32 -58	2111316-1		32 -71
2110018-2		23 - 5	2110048-1		23 -48	2111316-2C		32 -71
2110019-1		23 -10	2110049-1		87A- 7	2111318-1		32 -71
2110021-1		28 -37	2110050-1		87A- 1	2111319-1		31 - 9F
2110022-2		23 - 8	2110050-15		87A- 1	2111500-10		26 -86
2110024-1		32 -48	2110052-1		87A- 8	2111500-11		26 -87
2110024-2		32 -48	2110053-1		34 -44	2111500-12		26 -87
2110024-3		32 -63	2110054-9		113 -29	2111500-13		26 -49
2110024-4		32 -63	2110055-1		132A-58	2111500-14		33 -81
2110024-5		32 -46	2110055-1		132B-57	2111500-17		33 -82

P210 Parts Catalog

PART NUMBER	FICHE AND FRAME	FIGURE AND INDEX NO.	PART NUMBER	FICHE AND FRAME	FIGURE AND INDEX NO.	PART NUMBER	FICHE AND FRAME	FIGURE AND INDEX NO.
2111500-18		33 -83	2111530-1		28 -36	2111605-15		34 -27
2111500-2		33 -78	2111531-1		28 - 9	2111605-16		34 -27
2111500-3		33 -79	2111531-2		28 -10	2111605-19		34 -22
2111500-4		33 -80	2111531-5		28 - 9	2111605-2		34 -23
2111500-7		33 -84	2111531-6		28 -10	2111605-20		34 -23
2111500-8		33 -84	2111532-5		28 - 1	2111605-5		34 -24
2111500-9		26 -85	2111532-6		28 - 2	2111605-6		34 -25
2111501-1		33 -41	2111534-1		26 -62	2111605-9		34 -27
2111501-2		33 -42	2111534-2		26 -63	2111606-1		34 -33
2111501-3		33 -43	2111535-7		26 -46	2111606-2		34 -34
2111502-1		26 -10	2111535-8		33 -77	2111607-1		34 -35
2111502-2		26 -10	2111535-9		33 -59	2111607-2		34 -36
2111502-3		33 -47	2111537-1		33 -24	2111607-4		34 -37
2111502-4		33 -47	2111537-2		33 -25	2111608-1		34 -41
2111503-1		29 - 2	2111540-1		26 -92	2111609-1		34 -31
2111503-3		29 - 2	2111540-2		26 -92	2111609-2		34 -31
2111504-1		29 - 4	2111541-1		32 -32	2111610-1		34 -28
2111504-3		29 - 5	2111542-5		33 -35	2111610-2		34 -29
2111504-5		29 - 4	2111546-1		26 -93	2111611-3		23 -23
2111505-1		26 - 3	2111546-2		26 -93	2111611-5		23 -23
2111505-2		26 - 4	2111546-4		33 -88	2111612-1		34 -12
2111506-1		33 -52	2111546-5		26 -94	2111612-2		34 -12
2111506-2		33 -52	2111546-6		26 -94	2111613-1		34 -40
2111507-10		33 -71	2111546-8		33 -88	2111623-1		23 -34
2111507-11		33 -72	2111546-9		33 -88	2111626-1		21 -25
2111507-12		33 -72	2111548-1		33 -35	2111627-1		23 -19
2111507-9		33 -71	2111548-2		33 -35	2111628-1		29 -11
2111508-1		33 -70	2111549-1		26 -87	2111628-2		29 -12
2111508-2		33 -70	2111550-10		26 -86	2111629-1		29 -15
2111509-1		26 -11	2111550-11		26 -87	2111629-2		29 -16
2111509-2		33 -46	2111550-12		26 -87	2111629-5		29 -19
2111509-3		33 -45	2111550-13		26 -49	2111630-1		33 -53
2111509-4		33 -45	2111550-9		26 -85	2111630-10		33 -55
2111509-5		33 -37	2111551-1		26 -69	2111630-11		33 -54
2111509-6		33 -38	2111552-5		31 - 9A	2111630-12		33 -54
2111510-1		33 -49	2111553-1		26 -20A	2111630-15		33 -56
2111510-2		33 -50	2111553-2		26 -20A	2111630-2		33 -53
2111511-1		33 -39	2111555-4		54 -20	2111630-9		33 -55
2111511-2		33 -40	2111556-1		33 - 7	2111631-1		34 -33
2111511-3		33 -27	2111557-1		33 -18	2111631-2		34 -33
2111512-1		33 -44	2111558-1		33 -18	2111632-1		26 -73
2111512-2		33 -44	2111559-1		135A-22	2111632-2		26 -73
2111513-1		33 -68	2111560-1		135A-14	2111632-3		26 -73
2111514-1		33 - 6	2111561-1		135A- 8	2111632-4		26 -73
2111514-2		33 - 7	2111561-2		135A-50	2111633-1		26 - 5
2111515-1		26 -32	2111561-7		135A-50	2111633-10		26 - 7
2111515-2		26 -33	2111562-1		135A-37	2111633-11		33 -32
2111516-1		26 -34	2111562-2		135A-43	2111633-12		33 -32
2111516-2		26 -35	2111600-2		28 -38	2111633-17		33 -30
2111517-1		26 -88	2111600-3		23 -11	2111633-18		33 -31
2111517-2		26 -88	2111600-4		28 -39	2111633-2		26 - 6
2111517-3		26 -88	2111601-1		23 -12	2111633-23		33 -29
2111517-4		26 -88	2111602-2		23 -14	2111633-31		26 - 5
2111518-1		26 -14	2111602-4		23 -20	2111633-32		26 - 6
2111518-2		26 -15	2111602-5		23 -21	2111633-7		26 - 7
2111519-1		26 -16	2111602-6		23 -22	2111633-8		26 - 7
2111519-2		26 -16	2111603-10		34 - 2	2111633-9		26 - 7
2111519-3		33 -48	2111603-11		34 - 1	2111634-1		26 -53
2111520-3		26 -24	2111603-14		34 - 2	2111634-2		26 -54
2111520-4		26 -24	2111603-15		34 - 1	2111635-1		27 -32
2111521-1		33 -34	2111603-19		34 - 1	2111635-2		27 -33
2111521-3		33 -33	2111603-20		34 - 2	2111635-5		27 -31
2111521-4		33 -34	2111603-26		34 - 2	2111635-6		27 -22
2111522-1		26 -12	2111603-3		34 - 1	2111635-7		27 -21
2111522-2		26 -13	2111603-4		34 - 2	2111636-1		26 -52
2111523-1		26 -60	2111604-3		34 - 9	2111637-1		26 -51
2111523-2		26 -61	2111604-4		34 -10	2111638-1		33 -65
2111524-1		26 -56	2111604-5		34 - 9	2111638-2		33 -66
2111524-2		26 -56	2111605-1		34 -22	2111639-1		33 -36
2111525-1		26 -58	2111605-10		34 -27	2111640-1		33 -51
2111525-2		26 -59	2111605-11		34 -26	2111640-2		33 -51
2111526-1		26 -55	2111605-12		34 -26	2111641-1		33 -62
2111526-2		26 -55	2111605-13		34 -26	2111641-3		33 -60
2111527-1		31 - 1	2111605-14		34 -26	2111641-4		33 -61

P210 Parts Catalog

PART NUMBER	FICHE AND FRAME	FIGURE AND INDEX NO.	PART NUMBER	FICHE AND FRAME	FIGURE AND INDEX NO.	PART NUMBER	FICHE AND FRAME	FIGURE AND INDEX NO.
2111641-5		33 -63	2111681-4		138 - 2	2113000-15		18 -91B
2111641-6		33 -64	2111681-5		138 - 6	2113000-17		18 -12
2111642-1		27 -29	2111681-6		138 - 5A	2113000-2		18 -91B
2111642-10		27 -27	2111681-7		34 -39	2113000-3		17 -31
2111642-11		27 -29	2111681-7		138 - 1A	2113000-4		17 -32
2111642-12		27 -30	2111683-1		28 -18	2113000-5		18 -12
2111642-2		27 -30	2111683-3		28 -26	2113000-7		18 - 6
2111642-3		27 -28	2111683-4		28 -27	2113000-8		18 -19
2111642-4		27 -24	2111683-7		28 -30	2113000-9		18 -91B
2111642-5		27 -25	2111683-8		28 -30	2113002-2		18A-64
2111642-6		27 -25	2111684-1		28 -31	2113002-3		17 -31
2111642-7		27 -26	2111684-2		28 -32	2113002-4		17 -32
2111642-8		27 -26	2111685-1		28 -33	2113002-5		18A- 4
2111642-9		27 -27	2111685-2		28 -33	2113002-6		18A-81
2111643-1		33 -28	2111686-1		28 -41	2113002-7		18A- 3
2111644-1		27 -20	2111686-2		28 -42	2113002-8		18A- 5
2111644-2		32 -59	2111687-3		28 - 7	2113002-9		18A-80
2111647-1		27 - 1	2111687-4		28 - 7	2113005-1		17 -11
2111647-2		27 - 2	2111688-1		33 -85	2113006-1		70B-11A
2111647-3		27 - 3	2111689-1		23 -41	2113006-1		89 - 2
2111647-4		27 - 4	2111690-1		23 -39	2113006-2		70B-11B
2111647-5		27 - 1	2111691-1		28 -53	2113006-2		89 - 1
2111647-6		27 - 2	2111692-1		28 -52	2113007-2		17 -34
2111648-4		27 -39	2111693-1		29 -42	2113007-3		17 -33
2111650-1		27 -	2111693-2		29 -43	2113008-1		17 - 6
2111650-2		27 -	2111694-3		34 - 6	2113009-1		17 - 6A
2111651-1		27 -18	2111694-4		34 - 6	2113010-1		36 - 1
2111651-2		27 -19	2111695-1		33 -90	2113011-1		17 - 9
2111651-3		27 -17	2111695-2		33 -90	2113011-2		17 -10
2111652-1		27 -16	2111696-1		26 -55	2113012-1		36 -15
2111653-1		34 -42	2111696-2		26 -55	2113012-2		36 -16
2111653-4		34 -42	2111697-1		33 -29A	2113013-1		17 - 7
2111654-1		26 - 8	2111697-2		33 -29A	2113015-9		70 - 5
2111654-2		26 - 9	2111697-3		33 -29A	2113016-1		70 -38
2111655-1		23 - 9	2111697-4		33 -29A	2113016-5		70 -38
2111658-1		33 -57	2111698-1		26 -71A	2113016-5		70A-31
2111658-2		33 -58	2111700-1		138A-25	2113017-1		70 -13
2111659-1		26 -71	2111700-2		138A-25A	2113017-3		70 -13
2111660-1		26 -69	2111703-5		34 - 6	2113017-7		70 -13
2111661-2		23 -17	2111703-6		34 - 6	2113017-7		70A-14
2111663-1		27 - 7	2111705-1		26 -98	2113018-1		70 -47
2111664-1		27 - 5	2112101-1		32A-10	2113018-3		70 -47
2111664-2		27 - 6	2112101-2		32A-17	2113018-5		70 -47
2111665-1		23 -18	2112101-5		32A-10	2113018-5		70A-40
2111666-1		23 -27	2112102-1		31 -20	2113018-7		70B-45
2111666-10		23 -28	2112102-1		32A-12	2113019-3		70 - 1
2111666-2		23 -28	2112102-2		31 -21	2113019-3		70A- 1
2111666-4		23 -25	2112102-2		32A-15	2113019-5		70B-12
2111666-8		23 -29	2112103-1		37 -44	2113020-3		70 - 3
2111666-9		23 -25	2112103-2		37 -45	2113020-3		70A- 3
2111667-1		61 -32	2112104-1		32A-18	2113020-3		70B-14
2111668-2		23 -31	2112105-1		37 -48	2113021-1		70 -27
2111669-1		23 -26	2112105-2		37 -47	2113021-10		70 -29
2111670-1		28 -49	2112106-4		32A-14	2113021-13		70 -27
2111670-2		28 -50	2112128-2		37 -49	2113021-13		70A-25
2111670-3		28 -49	2112128-3		37 -50	2113021-14		70 -29
2111670-4		28 -50	2112129-1		38 -15	2113021-14		70A-26
2111671-1		29 -27	2112129-2		38 -16	2113021-2		70 -29
2111671-2		29 -28	2112133-1		38 -10	2113021-5		70 -27
2111672-1		29 -30	2112133-2		38 - 9	2113021-6		70 -29
2111672-2		29 -31	2112136-1		38 - 4	2113021-9		70 -27
2111673-1		29 -37	2112136-2		38 - 5	2113022-1		70 -33
2111673-2		29 -37	2112137-1		14A- 5	2113022-3		70 -33
2111674-1		29 -38	2112137-2		14A- 6	2113022-5		70A-27
2111674-2		29 -38	2112137-3		14A- 8	2113022-7		70B-42
2111675-1		29 -33	2112137-4		14A- 9	2113023-1		70 -34
2111675-2		29 -34	2112137-5		14A- 2	2113023-2		70 -34
2111677-2		29 -39	2112137-6		14A- 3	2113023-2		70A-28
2111678-1		33 -67	2112138-2		38 -30	2113024-1		70 -44
2111678-2		33 -67	2112140-10		37 -57	2113024-1		70A-37
2111679-1		61 -30	2112140-7		37 -54	2113024-2		70 -45
2111679-3		61 -29	2112140-8		37 -55	2113024-2		70A-38
2111681-1		34 -39	2112140-9		37 -56	2113025-1		69 - 1
2111681-1		138 - 1	2113000-11		18 - 6	2113025-29		69 - 1

P210 Parts Catalog

PART NUMBER	FICHE AND FRAME	FIGURE AND INDEX NO.	PART NUMBER	FICHE AND FRAME	FIGURE AND INDEX NO.	PART NUMBER	FICHE AND FRAME	FIGURE AND INDEX NO.
2113227-9		72A-14	2113276-3		85A-10	2115007-7		60 -19
2113227-9		72B- 3	2113276-5		85A- 9	2115008-30		138 -24D
2113228-3		72A-16	2113276-9		85A- 6	2115008-32		138 -26A
2113228-4		69A-15	2113276-9		85A-11	2115008-34		138 -26A
2113229-1		69A-69	2113277-1		18A-30	2115008-35		138 -24D
2113229-1		69B-16	2113277-2		18A-29	2115008-36		138 -20
2113231-1		31A-21	2113278-1		18A-25	2115008-37		138 -20
2113231-2		31A-21	2113278-2		18A-25	2115009-1		23 -35
2113232-1		31A-11	2113279-1		18A-26	2115009-2		61 -13
2113234-1		31A-24	2113279-2		18A-26	2115009-3		17 -81
2113234-2		31A-25	2113281-1		18A-23	2115009-4		61 -23
2113235-1		31A-23	2113282-1		18A-24	2115009-5		23 -38
2113235-1		69A-11	2113283-1		18A-32	2115009-6		23 -35
2113235-1		69B-21	2113283-2		18A-32	2115009-7		61 -13
2113235-2		69A-12	2113284-1		69B- 5	2115009-8		61 -23
2113235-2		69B-22	2113285-4		19A-48	2115010-1		61 -10
2113236-2		69A-13	2113286-1		19A- 4	2115011-1		61 -17
2113236-2		69B- 8	2113287-1		19A- 8	2115011-2		61 -15
2113237-1		69A-18	2113288-1		18A-76	2115011-3		61 -17
2113237-1		69B-13	2113288-1		19A- 3A	2115011-4		61 -15
2113237-2		69A-18	2113289-1		19A-30	2115014-1		27 - 8
2113237-2		69B-13	2113292-1		85A-44	2115014-2		27 - 9
2113237-3		69A-19	2113292-2		85A-50	2115015-3		70 -56
2113237-3		69B-12	2113292-3		85A-45	2115016-1		61 -27
2113242-1		17 -50	2113293-1		18A-73	2115018-1		138 -22
2113242-3		17 -49C	2113294-1		18A-95A	2115018-2		138 -21
2113242-5		17 -49B	2113295-1		18A- 2	2115018-3		138 -23
2113243-3		71C-28	2113297-1		85A-40	2115019-1		138 -27
2113244-1		70A-14A	2113297-3		85A-41	2115019-11		33 -93
2113244-1		70B-34	2113299-1		70B-48	2115019-12		33 -91
2113246-1		24 -12G	2113300-1		71C-72	2115019-15		23 -43
2113246-1		24A-25	2113301-1		71C-71	2115019-25		33 -35A
2113247-1		21 -31B	2113302-1		19A-30B	2115019-26		33 -35A
2113250-1		86A- 9	2113303-1		19A-30A	2115019-27		33 -28
2113252-1		71C- 5	2114014-1		27 -34	2115019-28		33 -28
2113253-1		85A-13	2114019-1		66A-12	2115019-7	#	33 -92
2113253-1		85 -32	2114020-1		66A-11	2115019-8	#	33 -92
2113255-1		71B-66	2114021-1		66A- 9	2115020-1	#	63 -18
2113255-1		71C-68	2114022-1		66A- 5	2115020-10	#	60 - 1
2113256-1		69A-73	2114023-1		66A- 1	2115020-11	#	63 -18B
2113256-1		69B- 6	2115004-200	#	60 -11	2115020-12	#	63 -16
2113257-1		70 -27	2115004-3	#	60 -12	2115020-13	#	63 -18
2113257-1		70A-25	2115004-4	#	60 -13	2115020-14	#	63 -18
2113257-1		70B-29	2115004-5	#	60 -14	2115020-2	#	63 -16
2113257-2		70 -29	2115004-6	#	60 -15	2115020-3	#	63 -17
2113257-2		70A-26	2115004-7	#	60 -16	2115020-4	#	63 -15
2113257-2		70B-30	2115005-1	#	62 - 1	2115020-5	#	63 -19
2113260-3		69A-24	2115005-10	#	62 - 6	2115020-6	#	63 -20
2113260-3		69B- 1	2115005-2	#	62 - 2	2115020-7	#	63 -22
2113263-1		72B- 5	2115005-27	#	61 -11	2115020-8	#	63 -23
2113263-2	e	69B-14	2115005-29	#	62 -23	2115025-7	#	33 -97
2113264-1		70B-16	2115005-3	#	61 - 1	2115025-8	#	31 -49A
2113265-1		70B-23	2115005-30	#	62 -24	2115025-8	#	35 -13
2113266-1		70B- 1	2115005-4	#	61 - 2	2115025-9	#	33 -97
2113266-2		70B- 2	2115005-53	#	61 - 4	2115026-1	#	33 -97A
2113267-1	e	70B- 6	2115005-54	#	61 - 5	2115026-1	#	68 -13
2113267-2	e	70B- 7	2115005-55	#	62 -23	2115026-1	#	68A-11
2113269-1		69B-54	2115005-59	#	62 -23	2115027-27	#	60 - 4
2113269-3		69B-53	2115005-60	#	62 -24	2115027-28	#	60 - 5
2113270-1		19A-22	2115005-64	#	62 - 6	2115027-32	#	60 - 6
2113270-2		19A-51	2115005-65	#	62 -23	2115027-35	#	21 - 5A
2113270-5		19A-52	2115005-66	#	62 -24	2115027-36	#	21 - 5B
2113271-1		18A-20	2115005-7	#	62 - 3	2115027-37	#	21 - 5C
2113271-2		18A-20	2115005-8	#	62 - 4	2115027-38	#	21 - 5D
2113272-1		85A- 1	2115005-9	#	62 - 5	2115028-11	#	63 - 1
2113272-12		85A- 2	2115006-1	#	26 -47	2115028-12	#	63 - 6
2113272-4		85A- 3	2115006-2	#	26 -48	2115028-13	#	63 - 6A
2113272-8		85A- 5	2115006-3	#	62 - 9	2115028-19	#	63 -2A
2113272-9		85A- 4	2115006-4	#	62 -10	2115028-6	#	63 - 2
2113275-1		19A- 1	2115006-5	#	26 -47	2115028-7	#	63 - 3
2113275-2		19A- 3A	2115006-6	#	26 -48	2115028-7	#	63 - 4B
2113275-8		19A- 3	2115006-7	#	62 - 9	2115028-8	#	63 - 5
2113276-1		85A- 8	2115006-8	#	62 -10	2115029-1	#	60 -10
2113276-10		19A- 4	2115007-200	#	60 -18	2115030-1	#	62 -12

P210 Parts Catalog

PART NUMBER	FICHE AND FRAME	FIGURE AND INDEX NO.	PART NUMBER	FICHE AND FRAME	FIGURE AND INDEX NO.	PART NUMBER	FICHE AND FRAME	FIGURE AND INDEX NO.
2115030-3		61 -20	2116006-3		18A-70	2117123-1		54 -47
2115030-4		61 -22	2116008-1		18 -98F	2117123-2		54 -81
2115030-4		61 -25	2116008-1		18A-69	2117124-1		54 -57
2115030-7		61 -21	2116010-1		107A-45	2117124-1		54 -57A
2115031-1	#	62 -17	2116010-6		107A-45	2117124-1		57 -34
2115031-2	#	62 -18	2116010-6		107B-43	2117124-5		54 -57
2115031-27	#	62 -19	2116011-1		6A-22	2117124-5		57 -34
2115031-28	#	62 -19	2116011-2		6A-22	2117124-5		54 -57A
2115031-29	#	62 -18	2116012-1		5A-52	2117124-7		54 -57
2115031-3	#	61 -28	2116012-1		5A-68	2117124-7		54 -57A
2115031-30	#	62 -19	2116012-1		5B-45	2117125-1		54 -63
2115031-9	#	62 -19	2116012-1		5B-66A	2117125-4		54 -63
2115032-1	#	61 -18	2116012-1		6A-23	2117126-1		56 -11
2115032-2	#	61 -19	2116013-1		18 -91A	2117126-1		58 - 7
2115032-23	#	61 -18	2116013-1		18A-67	2117126-2		56 -11
2115032-24	#	61 -19	2116015-1		107A-41	2117126-2		58 - 7
2115032-25	#	62 -13	2116015-1		107B-39	2117127-1		54 -78
2115032-26	#	62 -14	2116016-4		107B-69	2117127-2		54 -56
2115032-27	#	62 -15	2116016-4		107A-71	2117127-2		57 -33
2115032-28	#	62 -16	2116017-1		107A-11	2117127-3		54 -64
2115032-3	#	62 -13	2116018-1		24 -59A	2117127-4		54 -72
2115032-4	#	62 -14	2116019-1		107A- 8	2117128-1		54 -10
2115032-5	#	62 -15	2116022-1		107A-94C	2117129-3		54 -65
2115032-6	#	62 -16	2116022-1		107B-94C	2117129-3		54 -74
2115033-1	#	63 -13	2116022-2		107A-94C	2117129-4		55 - 2
2115033-2	#	63 -12	2116024-1		107A-95D	2117129-5		54 -33
2115033-3	#	63 -14	2116024-1		107B-95D	2117129-5		57 -10
2115035-1		62 -27	2116025-1		107A-95	2117129-5		66A-16
2115035-2		62 -28	2116025-1		107B-95	2117129-6		54 -34
2115035-3		62 -25	2116025-2		107A-95A	2117129-6		57 - 9
2115035-4		62 -26	2116025-2		107B-95A	2117130-1		56 - 1
2115036-1		60 -20	2116030-1		107B- 7	2117137-1		52 -39
2115036-1		138A- 2	2117100-14		57 -68	2117138-1		52 -40
2115036-2		33 -72A	2117100-15		57 -68	2117139-1		52 -41
2115036-2		62 - 7	2117100-16		57 -65	2117139-2		52 -36
2115036-2		62 -29	2117100-17		57 -66	2117139-3		52 -36
2115036-3		62 - 7	2117100-200		57 -56	2117141-1		52 -38
2115037-1		138 -25	2117100-26		57 -86	2117142-1		52 -33
2115037-2		138 -25	2117100-30		57 -77	2117143-1		52 -32
2115037-7		138 -25	2117101-201		52 -16	2117144-1		52 -42
2115037-8		138 -25	2117101-202		52 -21	2117144-8		52 -42
2115038-1		61 - 9	2117101-203		52 -23	2117145-1		52 - 5
2115038-2		61 - 8	2117101-4		52 -17	2117146-1		52 -26
2115040-1		57 -88	2117101-5		52 -20	2117146-3		52 -27
2115041-1		61 -26	2117101-6		52 -47	2117146-5		52 -28
2115043-1		138 -24B	2117102-1		52 -31	2117146-7		52 -29
2115043-2		138 -24C	2117102-1		87A- 6	2117146-9		57 -61
2115043-3		138 -24C	2117103-1		57 -70	2117147-1		52 - 7
2115045-5		63 - 4	2117103-2		57 -71	2117148-2		53 -
2115046-7		23 -44	2117104-4		34 -43	2117148-21		53 -20
2115046-8		23 -45	2117104-5		57 -76	2117148-22		53 -20
2115047-1		74 -24	2117107-2		54 -17	2117148-6		53 -21
2115047-3		74 -24	2117108-1		54 -80	2117148-7		53 -22
2115048-1		33 -96	2117109-1		54 -77	2117153-1		53 -18
2115048-2		33 -96	2117110-1		54 -61	2117157-1		56 -12
2115048-3		33 -96A	2117111-1		54 -79	2117157-1		58 - 8
2115048-4		33 -96A	2117112-1		54 -53	2117157-2		56 -13
2115048-5		33 -96B	2117112-2		54 -52	2117158-1		56 - 7
2115048-6		33 -96B	2117113-1		54 -70	2117158-1		58 - 4
2115048-7		33 -96C	2117114-1		54 -59	2117158-2		56 - 8
2115048-8		33 -96C	2117115-1		54 -27	2117159-1		58 - 1
2115051-3		60 -10A	2117115-2		54 -26	2117162-11		55 - 6
2115055-200	#	60 -11	2117116-1	e	54 - 7	2117162-12		55 -20
2115055-3		60 -12	2117116-1		54 - 7	2117162-14		55 -12
2115055-4		60 -13	2117117-1		54 -21	2117162-16		55 -13
2115055-5		60 -14	2117118-1		23 -33	2117162-17-532		55 -27
2115055-6		60 -15	2117121-1		54 -22A	2117162-19	e	55 -19
2115055-7		60 -16	2117121-11		54 -39	2117162-2		52 -30
2115057-1		73B-35	2117121-2		54 -24	2117162-2		55 -
2116002-1		107 -42	2117121-4		54 -42	2117162-3		55 - 3
2116003-2		109 -47	2117121-6		54 -40	2117162-4		55 - 5
2116005-1		109 -47A	2117121-8		54 -32	2117162-5		55 - 9
2116005-1		109A-28	2117122-1		54 -73	2117162-6		55 - 1
2116006-3		18 -98G	2117122-4		54 -66	2117163-1		55 -21

P210 Parts Catalog

PART NUMBER	FICHE AND FRAME	FIGURE AND INDEX NO.	PART NUMBER	FICHE AND FRAME	FIGURE AND INDEX NO.	PART NUMBER	FICHE AND FRAME	FIGURE AND INDEX NO.
2117168-1		57 -17	2120010-21		3A-13	2121030-4		5A-73
2117169-1		57 -21	2120010-22		3A-13	2121030-4		5B-71A
2117170-1		57 -30	2120018-4		3A-27	2121030-5		5A-73
2117170-6		57 -30	2120018-5		3A-27	2121030-5		5B-71A
2117171-1		57 -53	2120021-1		3A-68	2121030-6		5A-73
2117173-1		57 -19	2120022-1		16 -13	2121030-6		5B-70
2117173-2		57 -20A	2120022-2		16 -13	2121030-7		5A-73
2117175-2		57 -26	2121001-1		5A-61	2121030-7		5B-70
2117175-3		57 -29	2121001-1		5A-80	2121030-8		4 -23A
2117177-1		57 -1	2121001-1		5B-59	2121030-9		4 -23A
2117179-1		57 -8	2121001-1		5B-94	2121031-1		5B-41
2117182-5		56 -4	2121001-1		6A-21	2121031-3		3A-62
2117182-5		56 -4	2121002-1		5A-76	2121032-1		4 -42
2117182-6		56 -6A	2121002-1		5B-95	2121032-2		4 -42
2117183-3C		54 -99A	2121002-2		5A-76	2121036-1		5B-66B
2117183-4C		54 -99	2121002-2		5B-95	2121036-10		5B-66B
2117184-1		54 -89	2121002-3		5A-76	2121036-11		5B-67A
2117185-1		57 -72	2121002-3		5B-95	2121036-2		5B-67
2117185-2		57 -73	2121002-4		5A-76	2121036-9		5B-75
2117188-4		57 -63	2121002-4		5B-95	2121037-1		5B-99
2117188-5		57 -64	2121003-1		5A-77	2121038-1		5 -24A
2117188-7		57 -62	2121003-1		5B-96	2121039-1		5A-43
2117188-8		57 -64	2121003-3		3A-63	2121039-1		5B-77
2117189-1		57 -39	2121005-5		4 -16A	2121040-1		5A-55B
2117190-1		57 -41	2121005-6		4 -16A	2121041-1		5A-55B
2117190-5		57 -42	2121017-1		5B-65	2121041-2		5B-93B
2117191-10		57 -45	2121017-2		5B-65	2121041-5		5B-93B
2117191-5		57 -44	2121017-3		5A-67	2121041-6		5B-93B
2117192-1		57 -57	2121017-4		5A-67	2121042-1		5B-61A
2117192-4		57 -59	2121017-5		5B-65	2122000-1		4 -
2117197-1		54 -71	2121017-6		5B-65	2122000-10		4 -69
2117198-1		55 -25	2121017-7		5A-67	2122000-11		4 -68
2117198-3		55 -23	2121017-8		5A-67	2122000-12		4 -68
2117200-1		57 -16	2121018-1		5B-66	2122000-2		4 -
2117201-1		54 -91	2121018-2		5B-66	2122000-3		4 -
2117201-2		54 -90	2121018-7		5A-68	2122000-4		4 -
2117201-7		52 -46A	2121018-8		5A-68	2122000-5		4 -61
2117202-1		52 -48	2121019-1		5A-69	2122000-6		4 -61
2117203-1		52 -52	2121019-2		5A-69	2122000-7		4 -62
2117209-1		57 -6	2121019-3		5A-70	2122000-8		4 -62
2117211-1		52 -46B	2121019-4		5A-70	2122000-9		4 -69
2117211-2		52 -46C	2121019-5		5B-67	2122002-1		5A-65
2117216-1		53 -32	2121019-6		5B-67	2122002-2		5A-65
2117216-2		53 -33	2121020-1		5B-68	2122003-1		5B-62
2117217-1		53 -43	2121020-2		5B-68	2122003-2		5B-62
2117218-1		53 -27	2121020-7		5A-71	2122004-1		5A-
2117218-2		53 -28	2121020-8		5A-71	2122004-2		5A-
2117220-1		53 -42	2121021-1		5B-60	2122004-3		5B-
2117221-1		53 -5	2121021-13		5A-63	2122004-4		5B-
2117221-2		53 -6	2121021-14		5A-63	2126001-1		5B-93A
2117222-1		53 -3	2121021-2		5B-60	2132000-1		14A-15
2117222-2		53 -1	2121021-3		5A-64	2132000-10		14A-66
2117222-3		53 -2	2121021-3		5B-61	2132000-11		14A-63
2117223-1		53 -9	2121021-4		5A-64	2132000-12		14A-64
2117224-1		57 -89	2121021-4		5B-61	2132000-13		14A-32
2117226-1		54 -76	2121024-1		5B-74	2132000-2		14A-22
2117227-1		57 -25	2121024-2		5B-74	2132000-3		14A-20
2117228-1		57 -87	2121024-7		5B-73	2132000-4		14A-21
2117229-1		54 -8	2121024-8		5B-73	2132000-5		14A-23
2117230-1		53 -3	2121026-1		5B-18	2132000-6		14A-25
2117230-2		53 -1	2121026-2		5B-18	2132000-7		14A-26
2117230-3		53 -2	2121027-1		5B-41	2132000-8		14A-24
2117231-1		54 -78	2121029-1		5B-80	2132000-9		14A-65
2117231-2		54 -56	2121029-3		5B-80	2132001-1		14A-68
2117231-2		57 -33	2121030-1		5B-70A	2132001-2		14A-69
2117231-3		54 -64	2121030-10		4 -23A	2132001-3		14A-70
2117231-4		54 -72	2121030-11		4 -23A	2132001-4		14A-71
2117232-1		52 -4A	2121030-13		4 -22A	2132001-5		14A-72
2117232-2		52 -4A	2121030-14		5B-72	2132001-6		14A-73
2117232-3		52 -4A	2121030-15		5B-72	2132001-7		14A-74
2117234-1		53 -44	2121030-16		4 -22A	2132001-8		14A-67
2117235-1		52 -5A	2121030-2		5A-75	2132002-1		14A-75
212		1 -15	2121030-3		5A-74	2132003-1		14A-79
21200021-1		3A-15	2121030-3		5B-69A	2132003-2		14A-80

P210 Parts Catalog

PART NUMBER	FICHE AND FRAME	FIGURE AND INDEX NO.	PART NUMBER	FICHE AND FRAME	FIGURE AND INDEX NO.	PART NUMBER	FICHE AND FRAME	FIGURE AND INDEX NO.
2132003-3		14A-81	2134008-10		15A-68	2150073-2		88 - 4
2132003-4		14A-83	2134008-2		15A-56	2150075-1		88 - 6
2132003-5		14A-84	2134008-3		15A-58	2150076-4		88 -10
2132003-6		14A-85	2134008-4		15A-59	2150077-1		88 - 7
2132003-7		14A-86	2134008-5		15A-57	2150078-1		88 -13
2132003-8		14A-77	2134008-6		15A-60	2150079-3		88 -11
2132003-9		14A-78	2134008-7		15A-61	2150080-1		88 -16
2132004-1		14A-44	2134008-8		15A-65	2150083-2		88 - 1
2132004-2		14A-43	2134008-9		15A-67	2150084-1		88 -14
2132005-1		14A-33	2134009-10		15A-39	2150085-1		88 - 9
2132005-2		14A-27	2134009-5		15A-48	2150086-1		18 -96B
2132006-1		14A-82	2134009-6		15A-49	2150086-1		19A-44
2132007-1		14A-38	2134009-9		15A-38	2150087-1		18 -96C
2132007-11		14A-48	2134010-1		15A-42	2150087-1		19A-44
2132007-13		14A-49	2134011-1		15A-86	2150088-1		18 -95A
2132007-14		14A-50	2134011-2		15A-87	2150088-1		19A-34
2132007-15		14A-40	2134012-1		15A-75	2150089-1		88 -68
2132007-16		14A-41	2134013-1		15A-74	2150090-2		88 -67
2132007-2		14A-39	2134014-1		15A-71	2150092-1		88 -33
2132007-3		14A-38	2134015-1		97 -54	2150094-1		88 -37A
2132007-5		14A-45	2134016-10		15A-82	2150095-1		18 -95C
2132007-6		14A-47	2134016-11		15A-63	2150095-1		19A-42
2132007-7		14A-46	2134016-12		15A-64	2150096-1		18 -95B
2132008-1		14A-52	2134016-13		15A-66	2150096-7		18 -95B
2132008-2		14A-53	2134016-6		15A-72	2150096-7		19A-40
2132009-1		14A-51	2134016-7		15A-79	2150097-1		18 -96A
2132009-2		14A-61	2134016-8		15A-80	2150097-1		19A-45
2132010-1		14A-87	2134016-9		15A-81	2150097-2		18 -96A
2132011-1		14A-42	2134018-1		15A-44	2150097-2		19A-46
2132012-1-791		14A-88	2134018-2		15A-45	2150098-1		18 -96
2132013-1		14A-54	2134019-1		15A-73	2150098-1		19A-45
2132013-2		14A-55	214-00100		46 - 7	2150098-2		18 -96
2132014-1		14A-39	214-00100		46A- 7	2150098-2		19A-46
2132014-4		14A-39	214-00200		46 - 9	2150099-1		18 -94D
2132015-1		98A- 6	214-00200		46A- 9	2150099-4		18 -96E
2132016-1		14A-29	2141001-1		48 -28	2150099-5		18 -94D
2132016-3		14A-35	2141001-2		48 -29	2150100-3		18 -97
2132018-1		144 - 7A	2150000-200		78 - 8	2150100-4		19A-47
2132018-2		144 - 7A	2150000-200		78A- 8	2150101-1		19 -20
2134000-1		15A- 8	2150001-11		78 -49	2150101-1		19A-14
2134000-10		15A-13	2150001-12		78 -49	2150102-1		79 -25
2134000-12		15A-20	2150002-3		88 -71	2150102-2		79 -27
2134000-13		15A-69	2150002-4		88 -70	2150103-1		79 -22
2134000-14		15A-83	2150012-3		81 -18	2150104-1		81 -26
2134000-2		15A- 8	2150013-1		81 -11	2150106-20		81 -55
2134000-23		15A-71A	2150013-1		81 -16	2150106-23		81A-27
2134000-24		15A-70	2150013-1		81A- 6	2150106-33		81A-27
2134000-25		15A-25	2150013-1		81A-14	2150108-1		81 -48
2134000-27		15A-15	2150014-3		82 -14	2150108-1		81A-16
2134000-27		15A-19	2150014-3		82A-33	2150109-1		88 -15
2134000-28		15A-23	2150015-1		82 - 8	2150110-1		88 -45
2134000-4		15A-22	2150015-1		82A-57	2150111-1		88 -37
2134000-5		15A-24	2150016-1		81 - 6	2150112-1		18 -95D
2134000-6		15A-17	2150017-1		81 -13	2150113-1		88 -48
2134000-7		15A-18	2150018-1		81 - 5	2150114-1		81 -22
2134000-8		15A-12	2150019-1		81 -14	2150114-5		81 -22
2134000-9		15A-14	2150019-1		81A-12	2150115-1		81 -24
2134001-1		15A-28	2150021-1		81 - 8	2150115-3		81A-59
2134001-2		15A-29	2150024-1		108 -28	2150116-1		78 -77
2134001-3		15A-33	2150033-1		78 -72	2150116-2		81 -66
2134002-1		15A-37	2150033-1		78A-92	2150117-1		78 -78
2134002-2		15A-36	2150035-1		19 -19	2150117-1		81 -64
2134003-1		15A-34	2150035-1		19A-14	2150117-2		81 -65
2134003-2		15A-35	2150036-1		19 -18	2150118-1		81 -53
2134004-1		15A-52	2150036-1		19A-13	2150118-1		81A-29
2134004-2		15A-53	2150049-1		19 -16	2150119-1		88 -77
2134005-1		15A-54	2150049-2		19 -16	2150120-1		81 -37
2134005-2		15A-62	2150063-1		79 -26	2150120-4		81A-54A
2134006-1		15A-30	2150065-1		18 -95D	2150121-2		19A-12
2134006-2		15A-31	2150065-1		19A-43	2150122-1		137 -30
2134006-3		15A-32	2150066-1		18 -95D	2150123-1		84 -68B
2134007-1		15A-85	2150066-3		19A-43	2150124-1		18 -94D
2134007-2		15A-84	2150068-1		81 -20	2150124-15		19A-36
2134008-1		15A-55	2150068-1		81A-57	2150124-17		19A-32

P210 Parts Catalog

PART NUMBER	FICHE AND FRAME	FIGURE AND INDEX NO.	PART NUMBER	FICHE AND FRAME	FIGURE AND INDEX NO.	PART NUMBER	FICHE AND FRAME	FIGURE AND INDEX NO.
2150124-6		19A-31	2152012-9		77 -18	2153009-2		24 -68
2150124-7		19A-37	2152012-9		77 -30	2153011-1		17 -51
2150124-9		19A-35	2152013-1		20 -12	2153012-1		24 -65
2150127-2		79 -59C	2152014-1		20 -1	2153012-1		24A-94
2150128-1		79 -58A	2152014-2		20 -2	2153012-2		24 -65
2150129-1		81 -10	2152015-1		20 -10	2153012-2		24A-94
2150129-1		81A-5	2152016-1		20 -4	2153013-1		24 -26
2150130-1		19 -17	2152016-2		20 -5	2153013-1		24A-39
2150130-1		19A-10	2152017-1		18 -97A	2153014-1		24 -66
2150133-1		19 -16	2152018-1		77 -48	2153014-1		24A-94A
2150133-1		19A-9	2152018-3		77 -48	2153015-1		89 -46
2150134-1		85 -3	2152021-1		77A-12	2153015-10		89 -45A
2150134-2		85 -4	2152021-1		77A-34	2153015-13		89 -49
2150134-7		85A-7	2152021-2		77A-37	2153015-19		89 -47
2150134-7		85A-12	2152021-5		77A-35	2153015-21		89 -46A
2150136-1		82A-17	2152021-8		77A-36	2153015-22		89 -47A
2150137-1		85 -20A	2152022-1		77A-1	2153015-3		24 -66
2150138-1		82A-11B	2152022-11		77A-5	2153015-3		24A-94A
2150138-1		82A-18	2152022-2		77A-2	2153015-6		89 -48
2150138-3		86A-37	2152022-3		77A-1	2153016-1		24 -11
2150144-1		79A-8	2152022-4		77A-2	2153016-1		24A-14
2150147-2K4		141 -13	2152022-7		77A-7	2153016-10		24 -9
2150147-4		140A-13	2152022-9		77A-9	2153016-10		24A-12
2150149-1		76A-14	2152023-1		77A-43	2153016-3		24 -10
2150150K200		76A-5	2152024-1		77A-41	2153016-4		24 -9
2150152-1		76A-9	2152025-1		77A-32	2153016-5		24 -6
2150158-1		19A-32	2152026-1		77A-33	2153016-5		24A-6
2150159-1		82B-8	2152027-11		77A-51	2153016-6		24 -7
2150167-1		81A-3	2152027-12		77A-45	2153016-6		24A-7
2150167-13		81A-11	2152027-13		77A-46	2153016-7		24 -8
2150167-16		81A-9	2152027-14		77A-46	2153016-7		24A-8
2150167-19		81A-10	2152027-2		77A-48	2153016-9		24 -10
2150167-22		81A-8	2152027-28		77A-44	2153016-9		24A-13
2150168-1		78A-42A	2152027-29		77A-47	2153017-1		24 -2
2150168-3		78A-42A	2152027-30		77A-52	2153017-1		24A-2
2150170-1		81A-21	2152027-6		77A-49	2153017-2		24 -3
2150902-2		78A-96A	2152027-9		77A-50	2153017-3		24 -4
2150903-1		25 -7	2153000-1		24 -52	2153017-3		24A-4
2150903-5		73A-4	2153000-2		24 -53	2153017-4		24 -5
2152002-12		19 -8	2153000-3		24 -64	2153017-4		24A-5
2152002-14		19 -15A	2153000-3		24A-93A	2153017-5		24A-3
2152002-14		19A-19	2153000-4		24 -63	2153018-1		24 -12
2152002-2		19 -8	2153000-4		24A-93	2153019-1		24 -15
2152002-200		19 -	2153000-5		24 -52	2153019-2		24 -15
2152002-201		19 -	2153000-6		24 -53	2153019-2		24A-28
2152002-5		19 -15A	2153000-7		24A-78	2153020-3		24A-59
2152002-6		19 -15	2153000-8		24A-79	2153020-3		24 -35
2152002-6		19A-18	2153001-1		24 -	2153021-1		24 -19
2152002-7		19 -15	2153001-3		24 -1	2153021-1		24A-32
2152002-7		19A-16	2153001-3		24A-1	2153021-2		24 -19
2152002-8		19 -15	2153001-4		24 -	2153021-2		24A-32
2152002-8		19A-15	2153001-5		24 -	2153021-3		24 -19
2152002-9		19 -15	2153001-6		24A-	2153021-3		24A-32
2152002-9		19A-17	2153006-1		24 -59	2153021-4		24 -19
2152004-1		77 -31	2153006-4		24 -60	2153021-4		24A-32
2152004-13		77 -31	2153006-4		24A-88	2153022-1		24 -20
2152004-14		77 -32	2153006-7		24 -59	2153022-2		24 -20
2152004-2		77 -32	2153006-9		24A-85	2153022-2		24A-33
2152004-30		77 -32	2153007-10		24 -72	2153023-1		24 -21
2152004-31		77 -31	2153007-10		24A-96	2153023-1		24A-34
2152005-1		24 -78	2153007-17		24A-95	2153023-2		24 -21
2152005-10		24A-99	2153007-5		24 -69	2153023-2		24A-34
2152005-2		24 -79	2153007-6		24 -72	2153023-3		24 -21
2152005-9		24A-98	2153007-9		24 -69	2153023-3		24A-34
2152006-1		19 -17	2153008-1		24 -55	2153024-1		24 -29
2152012-1		77 -1	2153008-12		24A-80	2153024-1		24A-48
2152012-10		77 -27	2153008-2		24 -55	2153025-1		24 -28
2152012-15		77 -19	2153008-2		24A-81	2153025-1		24A-41
2152012-16		77 -28	2153008-3		24 -54	2153025-1		89 -16
2152012-2		77 -22	2153008-6		24 -56	2153026-1		24 -18
2152012-22		77 -21	2153008-6		24A-82	2153026-1		24A-31
2152012-23		77 -20	2153008-7		24 -55	2153027-1		24 -34
2152012-24		77 -29	2153008-9		24A-81	2153027-3		24 -34
2152012-25		77 -1	2153009-1		24 -67	2153027-3		24A-54

P210 Parts Catalog

PART NUMBER	FICHE AND FRAME	FIGURE AND INDEX NO.	PART NUMBER	FICHE AND FRAME	FIGURE AND INDEX NO.	PART NUMBER	FICHE AND FRAME	FIGURE AND INDEX NO.
2153028-1		24 -33	2154034-2		83A- 5	2155027-5		84A-39
2153028-1		24A-53	2154036-1		83A-19	2155027-9		84A-40
2153029-1		24 -25	2154036-1		83A-25	2155028-4		84 -18
2153029-1		24A-38	2155021-1		84 -37	2155029-1		84 -51
2153029-2		24 -23	2155021-13		84 -39	2155031-1		84 -56
2153029-2		24A-36	2155021-15		84A-48	2155031-10		84A-77
2153029-3		24 -24	2155021-17		84A-48	2155031-11		84A-67
2153029-3		24A-37	2155021-19		84A-48	2155031-13		84A-74
2153029-4		24 -22	2155021-19		84A-48	2155031-14		84A-68A
2153029-4		24A-35	2155021-21		84A-48	2155031-16		84A-67
2153031-3		89 -53	2155021-21		84A-48	2155031-2		84 -67
2153032-1		24 -34C	2155021-22		84A-46	2155031-5		84 -57
2153032-2		24 -34C	2155021-23		84A-46	2155031-5		84A-68
2153032-2		24A-56	2155021-24		84A-46	2155031-7		84 -62
2153033-1		24 -34B	2155021-25		84A-46	2155031-9		84 -64
2153036-1		24 -17A	2155021-26		84A-54	2155032-1		84 -19
2153036-1		24A-30	2155021-26		84B-91C	2155032-2		84 -22
2153040-1		24A-86	2155021-27		84A-52	2155032-3		84 -21
2153041-1		24A-90	2155021-29		84A-46	2155032-4		84 -20
2153041-2		24A-91	2155021-30		84A-46	2155032-5		84 -23
2153042-1		24A-94B	2155021-31		84B-91A	2155033-1		84 -69
2154000-43	@@	83 - 3A	2155021-33		84B-77	2155033-1		84A-83
2154000-46	@@	83 - 3	2155021-6		84 -42	2155034-1		84 -68B
2154000-47	@@	83 - 2	2155021-8		84A-53	2155036-1		84A-28
2154000-50	@@	83 - 1	2155021-8		84B-91B	2155036-1		84B-32
2154000-55	@@	83 - 7	2155022-1		84 -53	2155037-2		84A-33
2154000-64	@@	83 - 9	2155022-1		84A-64	2155037-4		84A-32
2154000-66	@@	83A- 5	2155022-2		84 -47	2155038-1		84A-60
2154000-68	@@	83 - 5	2155022-2		84 -60	2155038-1		84B-92B
2154001-1	@@	82 - 2	2155022-2		84A-62	2155039-1		84A-56
2154001-1	@@	82A-50	2155022-2		84A-71	2155039-2		84B-92A
2154002-3	@@	83 - 8	2155022-2		84B-86	2155040-1		84A-80
2154002-5	@@	83A- 2	2155022-3		84 -49	2155041-1		84A-79
2154002-7	@@	83A-12	2155023-1		84 - 1	2155042-1		84A-73
2154004-1	@@	83 -23	2155023-4		84 - 4	2155043-1		84A-82
2154004-2	@@	83 -22	2155024-1		84 - 4	2155043-1		84B-62
2154005-1	@@	83 -10	2155024-1		84A- 5	2155043-2		84B-62
2154007-1	@@	83 -17	2155024-2		84 -10	2155043-3		84B-62
2154007-3	@@	83 -17	2155024-2		84A-11	2155044-1		84A-55
2154007-4	@@	83 -17	2155024-3		84 -11	2155044-1		84B-92
2154009-1	@@	79 - 4	2155024-3		84A-12	2155045-1		84B-30
2154009-3	@@	79 - 4	2155024-8		84 -13	2155046-1		84A-38D
2154009-3	@@	79A-21	2155024-8		84A-14	2155047-1		84A-18A
2154014-1	@@	83 -13	2155025-1		84 -16	2155047-1		84B- 7
2154014-4	@@	83 -13	2155025-1		84A-17	2155048-1		84A-18D
2154014-6	@@	83 -13	2155025-1		84A-18Q	2155048-1		84B-10
2154015-1	@@	82 - 1	2155025-1		84B-21	2155048-2		84A-18J
2154015-1	@@	82A-49	2155025-3		84 -14	2155048-2		84B-15
2154016-1	@@	79 -77	2155025-3		84A-15	2155048-3		84A-18H
2154016-1	@@	79A-18	2155025-3		84A-18N	2155048-3		84B-14
2154017-6	@@	79 -74	2155025-3		84B-19	2155048-4		84A-18F
2154017-6	@@	79A-23	2155025-4		84 -82	2155048-4		84B-12
2154018-1	@@	79 -76	2155025-5		84 -28	2155049-1		84 -31
2154018-1	@@	79A-16	2155026-1		84 - 6	2155049-1		84A-41A
2154019-1	@@	79 -75	2155026-1		84A- 7	2155049-2		84A-41B
2154019-1	@@	79A-17	2155026-2		84 -25	2155049-4		84B-38
2154021-1	@@	83A-14	2155026-5		84 - 8	2155049-5		84B-36
2154021-2	@@	83A-20	2155026-5		84A- 9	2155051-7		84B- 5
2154021-7	@@	83A-26	2155026-5		84A-18D	2155053-1		113C-18
2154022-1	@@	83A-19	2155026-5		84B-10	2155053-2		113C-19
2154022-1	@@	83A-25	2155026-6		84 -26	2155053-6		113C-19A
2154022-2	@@	83A-33	2155027-1		84 -33	2155061-1		84B-66
2154023-1	@@	83A- 6	2155027-1		84A-43	2155062-1		84B-61
2154025-1	@@	83A- 1	2155027-10		84 -32	2155062-3		84B-61
2154025-10	@@	83A- 4	2155027-10		84A-42	2155063-1		84B-63
2154026-1	@@	83A-13	2155027-10		84B-41	2155063-4		84B-75
2154027-1	@@	83A-10	2155027-11		84 -36	2155063-5		84B-72
2154027-7	@@	83A-11	2155027-11		84A-46	2155063-6		84B-73
2154029-10	@@	81A-55	2155027-12		84A-45	2155063-8		84B-63
2154029-13	@@	82B-26	2155027-13		84A-39A	2155064-1		84B-78
2154029-6	@@	82B-26	2155027-13		84B-39	2155064-2		84B-90A
2154032-1	@@	79A-36	2155027-15		84B-42	2155064-4		84B-80
2154033-1	@@	83A-10	2155027-2		84 -35	2155065-1		84B-91
2154033-2	@@	83A-30	2155027-5		84 -30	2155066-12		84B-53

P210 Parts Catalog

PART NUMBER	FICHE AND FRAME	FIGURE AND INDEX NO.	PART NUMBER	FICHE AND FRAME	FIGURE AND INDEX NO.	PART NUMBER	FICHE AND FRAME	FIGURE AND INDEX NO.
2155066-13		84B-50	22FH632		91 - 4	302366-01		132A-83
2155066-15		84B-59	2215018-1		45 -23A	302495-02		132 -81
2155066-17		84B-54	222155066-10		84B-55	302600-03		132A-95
2155066-19		84B-53A	2260122-1		92 -29	302600-03		132B-98
2155066-20		84B-52	2270026-1		136A-92	314-1431-006-500		136 -45
2155066-4		84B-48	2270026-2		136A-93	314-1431-006-500		136A-76
2155066-6		84B-58	2270030-3		94A-34	332154		132 -10
2155066-7		84B-46	2270030-8		94A-34	332154		132 -44
2155066-9		84B-56	2270034-1		98A-16	332280		132 -10
2155067-1		84B-31	2270035-1		98A-12	332280		132 -44
2155068-1		84B-1	23S2038-3-1		132 -45	332281		132 -10
2155068-2		84B-6	23S2038-5-2		132 -12	332281		132 -44
2156000-3		82 -17	23S2038-6-1		132 -11	340000		107 -27
2156000-3		82A-34	2315-1		138A-16	34003-817		136A-53
2156001-1		81A-48	2315-3		138A-16	34003-818		136A-54
2156001-1		82 -19	233-11251-964-		44 - 5	3403-817		136 -51
2156001-1		82A-37	233-11251-964-		44 - 6	3404-818		136 -51
2156004-1		81 -31	233-11251-964-		54 -15	3421-0000		94 -37
2156004-1		82 -15	233-11251-964-		124 - 9	3428-1002		94 -45
2156004-1		82A-35	233-11251-964-		128 -21	3473-3000		94 -33
2156005-1		81 -40	2393		138 -17	351-11-03-001		94 -54
2160001-1		17 -24	2394		87 - 2	351-11-03-001		94A-47
2160001-2		17 -24	2394		87A- 8	3690-1/2		1 -77
2160003-1		73B-10	2394		138 -26	3690-1/4		1 -77
2160003-3		73B-10	2394		138A-13	3690-1/8		1 -77
2160004-1		22 -35	24RB		94 -17	37570-0105		69 -30
2160004-2		22 -36	24RB		94A-17	37570-0105		69A-40
2160006-1		93 -40A	24239	e e	141B-26	37570-1011		69 -30
2160008-1		21 -38A	2441	e e	141B-25	37570-1011		69A-40
2160009-1		86 -48	2450016-1	e e	76A-13	3859A161-152A		94 -14
2160009-1		86 -54	24540-250		83 - 4	3859A161-152A		94A-18
2160009-1		86A-72	24540-250		83A- 3	397-6		136 -61
2160011-1		109A- 3	2473	e e	141B-29	397-7		136 -61
2160015-1		15A- 3	25S5D5101-01	e e e e e e e e	132A-50	397-7		136A-96
2162002-1		101 -50	25S5D5101-01	e e e e e e e e	132B-93	397-8		136A-96
2162003-1		101 -40	25S5D5101-02	e e e e e e e e	132A-49	3980143-14		94 -34B
2162004-1		101 -48	25S5D5101-02	e e e e e e e e	132B-94	4004		136 -45
2162005-1		101 -47	25S5D5101-03	e e e e e e e e	132A-19	4004		136A-76
2162006-1		101 -41A	25S5D5101-03	e e e e e e e e	132B-95	400557-0103		82B- 2
2170008-1		145 - 5	25S5D5101-04	e e e e e e e e	132A-18	400559-0117		82B- 2
2170009-1		145 -11	25S5D5101-04	e e e e e e e e	132B-96	401871	e	141B-27
2170010-1		136 -57	25S5D5101-05	e e e e e e e e	132C-95A	402-1		1 -15
2170010-1		136A-87	25S5D5170-01	e e e e e e e e	132C-94	40760-0104		69 -31
2170011-1		136 -57	25S5D5170-02	e e e e e e e e	132C-94A	40760-0104		69A-41
2170011-1		136A-87	25S5D5170-03	e e e e e e e e	132C-94D	40760-0114		69 -31
2170012-1		136 -57	25S5D5170-04	e e e e e e e e	132C-95	40760-0114		69A-41
2170012-1		136A-87	25S5D5170-07	e e e e e e e e	132C-94B	4155-308		22 -17
2170015-3		106A-13	25S5D5170-08	e e e e e e e e	132C-94C	416-9-1		5A-47
2170015-5		106A-25	250-215-4	e e e e e e e e	86 -15	416-9-1		5B-82B
2170024-1		141A-27	25171	e e	141B-24	4189		5 -23
2170024-5		141A-37	2534092-1	e e	15A-16	4197		5 -21
2170024-8		141A-34	2570044-2	e e	69 -61	4199		5 -23
2170024-9		141A-35	2570044-2	e e	69A-67	42540-3128		69 -32
2170025-2		141A-44	2570100-2	e e	69B-69	42540-3128		69A-42
2170026-1		141A-24	2646-00052	e e	69 -42	42540-3228		69 -32
2170026-2		141A-23	2646-00052	e e	69A-57	42540-3228		69A-42
2170027-1		141A-39	2646-00052	e e	69B-63	42540-6128		69B-46
2170029-1		71B-64	2646-00061	e e	69 -42	42540-6228		69B-46
2170035-1		71C-65	2646-00272	e e	69B-64	440480		69 -41
2170035-4		71C-69	2646-00349	e e	69A-56	44430-3235		98A- 9
2170036-1		141B-33	2646-00349	e e	69B-64	44575-2201		98A- 7
2170036-2		141B-38	27E122	e e	134A- 9	44670-0000		69 -30
2170205-1		136A-91	273	e e	80 -12	44670-0000		69A-40
2170206-1		133 -33	3/32X.625TYPE3	e e	99 - 9	44690-0000		69 -31
2170301-1		5 -36	3C1900	e e	1 -45	44690-0000		69A-41
2170301-1		5A-65	3D1541	e e	132 -59	44690-0000		69B-45
2170301-1		5B-62	3D1542-03	e e	132 -63	44760-0000		69 -31
2170301-3		5 -36	3D1549-02A-3	e e	132 -47	44760-0000		69A-41
2170304-1		4 -23	3D2357-01	e e	132A-23	44760-0000		69B-45
2180002-1		114A-21	3D2357-01	e e	132A-68	457-10		5 -24E
22-370-20		69 -44	3D2357-01	e e	132B-43	457-10		5A-47
22-370-20		69A-45	3D2357-01	e e	132B-71	457-10		5B-82A
22-370-20		69B-43	3D2357-01	e e	132C-54	457-98-1		5 -24D
22-8-1125-2		134A- 4C	3D2357-01	e e	132C-89	457-98-1		5A-46

P210 Parts Catalog

PART NUMBER	FICHE AND FRAME	FIGURE AND INDEX NO.	PART NUMBER	FICHE AND FRAME	FIGURE AND INDEX NO.	PART NUMBER	FICHE AND FRAME	FIGURE AND INDEX NO.
457-98-1		5B-83	576-1		1 -38	798701-1		86A-74
458-6SS27-6		81A-45	579.6		1 -39	798705		86 -49
4591		20 - 9	600-015-100S		44 - 3	798705-1		86 -55
4591		20A-20	60232-1		69 -55	798705-1		86A-73
4600-02		6 -23	6109A/B		1 -15	80-707227		69B-69
463-29-1		5 -24D	6241B		40 -34	800-001-6		91 - 7
463-29-1		5A-46	6246-00265		69A-55	814		141A-14
463-29-1		5B-83	6246-00265		69B-62	83-0057		141B-35
4702		71B-65	6246-00265		69 -40	8409		94 -57
4702		141A-32	6246-00272		69 -41	8409		94A-49
4702		141B-37	6246-00272		69A-56	85087-1		86 - 3A
4708		5 -22	6246-00275		69A-54	8547335		79 -55
477092		82B- 9	6246-00275		69B-61	8601-1		75A- 1
505101-5	e	132B-97	6246-00275		69 -39	878014	#	69 -43
505101-5	e	132A- 1	6246-00349		69 -41	88000-4		86 -16
500910		135A- 4	6246-00355		69A-58	880017	###	69 -39
5100313-15		2 -32	6246-00355		69B-66	880035	###	69 -40
5111339-3		18 -92A	6246-00355		69 -43	88030-4		86 -17
5111339-3		18A-68	6246-00426		69B-66	88060-4A		86 - 1
5111339-3		28 -40	625765		80 - 1	883014		69 -42
5111520-4		54 -13	626332		79 -48	93-072		1 -44
5111555-2		54 -20	626341		80 - 8	9501-2		57 -94
5144		5 -23	626342		80 - 7	9505-2		57 -94
5147		5 -23	626431		79 -48	9754008-24		2 -51
51543		1 -45B	626432		79 -48	9754008-24		2A-32
51544		1 -45B	628572		81 -29	9851048-2		12B -24
51545		1 -45B	628572		81A-44	9851055-2	e	109A-15
51546		1 -45B	629076		80 - 3	9851058-3	e	109A- 2
51547		1 -45B	629703-11A1		80 -15	9851075-1		109A-18
51548		1 -45B	630350		78 -49B	9851097-1		109A-11
51640-0000		69B-44	632062-16		80 -13	9851110-3		109A-
5202		1 -43	632480A1		80 -14	9851111-4	e	109A- 1
53080-0000		69B-45	632710		81 -51	9851112-3	e	109A- 8
531001	e	141B-22	632710		81A-19	9851113-1		109A-21
5311268-1		3 -62	632748-14B		80 -18	98600070-1		71C-25
5311268-1		3A-50	632818-7A2		80 -16	9860060-4		107A-29
5311268-1		36 - 4	633311		80 - 5	9860060-4		107B-27
5311268-1		36 - 5A	634326-4A4		80 -17	9860070-1		71 -22
5311268-1		36 - 6	635158-10.00		80 -19	9860070-1		71A-23
5311268-1		36 -10	635158-32.00		80 -22	9860070-1		71B-23A
5311268-1		36 -11	635218S4S12.38		109C- 1	9862055-1		69 -51
5311268-1		36 -12	635218S4S15.25		109C-12	9862056-1		69 -50
5311268-1		36 -13	639171		79 -48	9862065-1		54 -87
5311268-1		36 -19	639171		80 - 6	9862066-1		69 -51
5311268-1		36 -22	640703		111 -21A	9862066-1		69A-62
5311268-1		36 -23	642100-8A1		80 -23	9862067-1		69 -50
5311268-1		36 -26	642650-1A2		80 -16	9862067-1		69A-61
531178		80 - 4	6436635		111 -12	9862068-1		54 -87
5316518-2		86 -19	6436637		111 -13	9863053-13		69 -49
5316518-2		86 -23	6436916		111 -15	9863053-2		69 -49
532432		80 -20	6436989		111 -16	9863055-2		69 -49
534750		80 - 2	643893		141B-21	9863056-2		69 -49
538076		80 - 9	643894	e	141B-16	9863056-2		69A-60
539911		78 - 9	643903	e	141B-30	9864050-14		101 -27
539911		78A- 9	643935		140A- 5	9864050-16		101 -43
5452		1 -36	643935		141 - 2	9864050-20		101 -27
55-0088		71 -45	643935		141B- 5	9880502-1		115 -68
55-0088		71A-46	643955		80 - 1	9880502-1		115A-20E
55-0088		71A-48	646188		80 - 1	9880503-1		114 -32
55-0088		71A-49	646257		80 - 5	9880506-1		124 -11
55-0088		71B-49	646275-1		80 -10	9880507-2		128 -23
55-0088		71B-50	64881-00		135A-71	9880508-1		114A- 9
55-0088		71B-51	6838		133 -20	9880508-3		114A- 9A
55-0088		71C-51	684-3-11-12D		78A-76	9880704-2		115 -58
55-0088		71C-52	684-3-11-12D		141A-54	9880704-2		115A-15
55-0088		71C-53	700		1 -40	9880707-1		115 -54
55-4421-2616		85A-26	7205P4YZQE		94A-30	9880707-1		115A-11
550		1 -37	7341		71 -16	9880708-1		115 -63
5579654		111 -14	7341		71A-17	9880708-1		115A-20
56-3425-1186		85A-25	7341		71B-18	9880709-1		115 -65
565-740-072		69 -53	7341		71C-19	9880709-1		115A-20B
565-740-073		69 -53	7664K5		71A-29	9880710-1		115 -53
565-740-073		69A-64	79B701		86 -50	9880710-1		115A-10
565-740-073		69B-80	79B701-1		86 -56	9881002-5		118 - 5

P210 Parts Catalog

PART NUMBER	FICHE AND FRAME	FIGURE AND INDEX NO.	PART NUMBER	FICHE AND FRAME	FIGURE AND INDEX NO.	PART NUMBER	FICHE AND FRAME	FIGURE AND INDEX NO.
9881003-1		118 - 3						
9881004-2		118 -16						
9881005-2		118 -10						
9881007-1		118 -15A						
9881020-1		118 -						
9881020-2		118 -						
9881021-1		118 - 1						
9881022-1		118 -22						
9881023-1		118 -22						
9881122-1		115A-41						
9881123-3		115A- 1						
9881124-1		114A-						
9881124-1R	e	114A-						
9881128-1		114A- 4						
9881129-1		115A-39						
9881130-1		115A-36						
9881130-2		115A-36						
9881141-1		114A- 4						
9881142-1		115A-39						
9881202-1		116 -18						
9881203-1		116 -19						
9881204-1		116 -31						
9881205-1		114 -						
9881600-2		115A-33						
9881600-3		91A- 2						
9882000-1		125 -						
9882000-2		125 -						
9882001-1		125 -18						
9882002-3		45 -57						
9882004-1		125A- 5						
9882006-1		126 -11						
9882006-2		126 -11						
9882007-1		126 -						
9882007-2		126 -						
9882010-1		91A-						
9882010-4		91A-						
9882011-1		91A- 1						
9882012-1		91A- 5						
9882012-5		91A- 5						
9882013-1		91A- 6						
9882015-2		125A-						
9882016-1		125A- 2						
9882020-1		124 -						
9882021-1		124 - 7						
9882024-1		124 -18						
9910182-3		65 - 9						
9910182-3		66 - 9						
9910182-3		67 - 8						
9910216-2		134A-11						
9910306-1		81 - 2						
9910306-1		81A- 2						