



AIRCRAFT COMPANY

COMMERCIAL AIRCRAFT DIVISION

Wichita, Kansas

Cessna 210B, C, D, E, F
Cessna T210
1962-1967
Parts Catalog

THIS CATALOG SUPERSEDES ALL PREVIOUS
210B, 210C, 210D & 210E CATALOGS

≡ ≡ ≡ ≡ ≡ ≡ ≡ ≡ ≡ ≡ 1 OCTOBER 1965 ≡ ≡ ≡ ≡ ≡ ≡ ≡ ≡ ≡ ≡

Courtesy of Bomar Flying Service
www.bomar.biz

LIST OF REVISED PAGES ISSUED

INSERT LATEST REVISED PAGES. DESTROY SUPERSEDED PAGES.

INTRODUCTION.

This illustrated parts catalog has been prepared to aid you in easily and quickly identifying parts of the models covered herein.

This catalog features an index system consisting of:

1. An alphabetical index located in the front of the catalog.
2. A numerical index located in the back of the catalog, which lists all parts and figures in which they appear.

STANDARD PARTS.

Many parts having standard usage have been incorporated into the Cessna Standard System. Parts in this group are designated with the part number prefix "S-".

For standard hardware items such as Tinnerman nuts, clamps, etc., "AN" and "NAS" numbers have been used.

USABLE ON CODES... Serial listings in this catalog are noted by a letter code located in the usable on code column which is the extreme right hand column of the parts list page. Usable on codes are applicable only to the figure on which they appear. The code letters and the serials to which they apply are listed at the end of the figure.

If no usable on code appears opposite a first column listing of the figure, the usage is applicable to all models and serials covered by this catalog. If no usable on code appears opposite any indented listing, the usage is applicable to all models and serials covered by the figure on which it appears.

NON-INTERCHANGEABLE PARTS... When parts are not interchangeable with earlier models, all parts applicable to the particular usage are listed. The letter code for the individual part usage is listed in the usable on column opposite each part. Care should be exercised in determining proper serial when ordering to insure receipt of correct part.

INTERCHANGEABLE PARTS... When a later design part is completely interchangeable with the part it replaces, both parts will be serialized and the notation "when exhausted use ___" will be entered following the listing of the earlier design part. This means that the earlier design part should be used on airplanes to which they apply until the supply of these parts is exhausted---after which time the later design part must be used. This is done to simplify stocking of parts by our distributors and dealers. The earlier part is as good, physically and functionally, as the later design part---the difference being the later design part can be used on more than one block of airplane serials.

SYMBOLS & PART NUMBER TERMS.

NP - The symbol "NP" appearing in the units per assembly column denotes that the item it appears opposite is not procurable.

AR - The symbol "AR" appearing in the units per assembly column denotes "As Required" and is used to indicate bulk quantity where an indefinite amount is used.

ALT - The symbol "ALT" following the nomenclature of an item is used to denote an alternate part.

LH & RH - The symbols either LH or RH are used following the part nomenclature to denote either left hand or right hand parts.

Other key letter symbols spaced apart from and following the part nomenclature are for cataloging and manufacturing purposes only and are not to be considered by the customer.

A blank entry in the part number column appears before an unprocurable part or installation which is also denoted in the "Units Per Assembly" column by the use of the symbol NP.

GROUP ASSEMBLY PARTS LIST ARRANGEMENT.

This section lists all replaceable items in the airplane and these items are detailed on illustrations throughout the section. The index numbers on the illustration are keyed to each accompanying parts list. The purpose of the index numbers is to provide complete and positive identification of the article, but should not be used for procurement purposes.

- a. The figure and index number column of the parts list shows the figure number once at the beginning of the list. The figure number is followed by a dash and the indexed number. The remaining index numbers are preceded by dash only.
- b. The part number column identifies the item by part number.
- c. In the description column, relationship of items covered is shown by the degree of indentation of each item, for example: The wing assembly (Figure 1) is listed in column (1) of the description column. The wing structure, is the next lower assembly and is therefore listed in column (2).
- d. If two or more assemblies contain a majority of identical parts or the assemblies are left or right hand, the assemblies are listed together and the next lower assemblies or detail parts are listed as common for both assemblies, with the differing parts coded for usage on the correct major assembly.
- e. Attaching parts are listed immediately beneath the item to be attached and preceding any detail parts of the item. They are listed in the same column as the item they attach and are preceded by the caption "Attaching Parts." The end of the attaching parts listing is followed by a separating symbol ---*---

- f. The quantity listed in the "Units Per Assembly" column for attaching parts denotes the quantity necessary to attach only one part. Total quantity necessary to attach more than one part is obtained by multiplying the attaching parts quantity by the number of parts attached.
- g. Component parts of the complete airplane which are not included in any assembly, but which are used in conjunction with, or attach to certain assemblies, are listed either preceding the first detail or following the last detail of the assembly or installation, and in the same column as the major assembly or installation.
- h. The quantities listed in the "Units Per Assembly" column are the quantity used per figure.

ACCESSORY KITS.

For accessory kit listings, refer to separate Accessory Kit Catalog.

BULK ITEMS.

Certain items such as flexible air hose, rubber mouldings and channels, windshield sealing strips etc., are noted in the catalog listings as bulk items. These listings also note the cut length of these materials for one installation. When an item is listed as a bulk item, it will be supplied to the dealer in the most convenient bulk length or quantity. Reference to the cut length or quantity per installation provides for the most satisfactory disbursement to the customer.

HOW TO ORDER.

USE YOUR CATALOG TO ORDER PARTS. Use parts and Accessories Order Form Number P-101A, P-102, or P-103, whichever applies and which will be supplied by Cessna on request. Give complete information on addresses and make sure the part number and part name are as shown in the catalog. Be sure to specify quantities. Specify how the order is to be shipped, otherwise it will be sent out in the manner that seems best to the shipper.

SERIAL, COLOR, & CORROSION PROOFING.

Be sure to indicate model and serial number of the airplane. Serial number is very important to properly identify parts used on each airplane. When color is involved refer to "Upholstery & Interior Trim" section for example. If corrosion proofing is desired add the letters "CP" following the part number.

DISTRIBUTOR ORDERS.

Distributors will send all orders to the factory with instructions as to the shipping destination. The factory prefers not to make C. O. D. shipments for the distributor and all billing will be made to the distributor in the case of direct shipments.

DEALER ORDERS.

Dealers will place all of their parts order requirements with their distributor. The factory will not honor orders received directly from a dealer. It will be necessary for us to forward it to the distributor for his action. Therefore, dealer orders sent direct to the distributor will result in much faster delivery on any parts that are required.

RETAIL ORDERS.

Retail orders will not be honored by the factory. They are to be placed with the dealer or distributor in the owner's territory and when received directly by the factory will be forwarded to the distributor from whose territory it was received. Considerable saving in time will result to the owner if his orders are placed with his dealer or distributor.



Cessna Aircraft Company reserves the right to cancel, add or change the parts and assemblies described in this catalog without notice.



"All aircraft, regardless of manufacturer, are certificated under model number designations. However, popular names are often used for marketing purposes. To provide a consistent method of referring to the various aircraft, model numbers will be used in this publication unless names are required to differentiate between versions of the same basic model. The following table provides a cross reference listing of popular name vs. model numbers."

NAME	MODEL YEAR	MODEL	SERIALS	
			BEGINNING	ENDING
210	1962	210B	21057841	21058085
	1963	210C	21058086	21058220
CENTURION	1964	210D	21058221	21058510
	1965	210E	21058511	21058715
CENTURION	1966	210F	21058716	
TURBO-SYSTEM CENTURION	1966	T210	T210-0001	

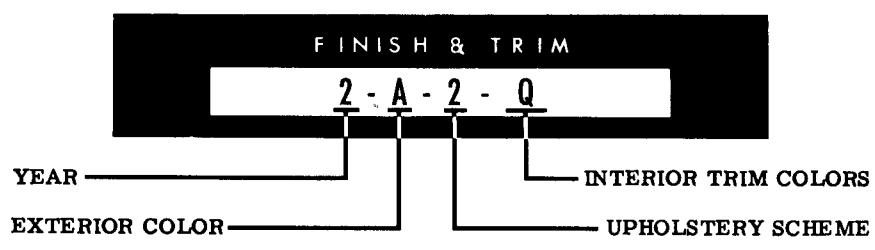


FINISH & TRIM PLATE

The "FINISH AND TRIM" plate is located on the left side of the airplane on the lower door jamb directly behind the M. A. A. name plate.

This plate indicates the model year, exterior paint color, upholstery scheme and interior trim colors.

The following diagram is an example showing the sequence and definition of each code symbol on the "FINISH AND TRIM" plate.



- FINISH & TRIM NUMBER (2 - A - 2 - Q)
- "2" = 1962 Model
 - "A" = Muted Beige Exterior Color
 - "2" = Imperial Green Upholstery
 - "Q" = Black Semi-Gloss, Natural and Tan Interior Trim

1962 & 1963

SEE PAGE V & VI FOR 1964 & 1965

CODE CHART							Serial Listing
PAINT & UPHOLSTERY COMBINATIONS							
Model 210							
YEAR	EXTERIOR PAINT		UPHOLSTERY		INTERIOR TRIM		
	CODE	COLOR	CODE	COLOR	CODE	COLOR	
1 9 6 2	2	A MUTED BEIGE CES-1054-399*	2	IMPERIAL GREEN	Q	BLACK SEMI-GLOSS CES-1054-156	
		B VESTAL WHITE CES-1054-398 or -170*					
		C JONQUIL YELLOW CES-1054-402					
		D MINT GREEN CES-1054-238- or -412*					
		E TURQUOISE TINGE CES-1054-406 or -393*					
		F VALOR RED CES-1054-409					
		G CHEVRON RED CES-1054-401	3	BALI BRONZE	Q	NATURAL CES-1054-259	
		H GINGER CES-1054-403					
		J REGAL GREEN MET. CES-1054-404					
		K TAHOE BLUE MET. CES-1054-407					
		L HERMOSA TURQUOISE CES-1054-408	4	LOCH BLUE	Q	TAN CES-1054-419	
		M DEEP MAHOGANY CES-1054-413					
		N EXECUTIVE GRAY MET. CES-1054-411					
		P CITRON YELLOW CES-1054-344*					
		R TAWNY TAN CES-1054-266	1	SPECIAL UPHOLSTERY	SP	SPECIAL COLORS	
		T MONT MORENCY RED CES-1054-387*					
SP SPECIAL COLORS							

21057841
THRU
21058085

NOTE: WHEN ORDERING PAINT SPECIFY CES 1054 DASH NUMBER. EXAMPLE: CES1054-439

*On all over painted airplanes, base color will be vinyl. All other colors will be lacquer.

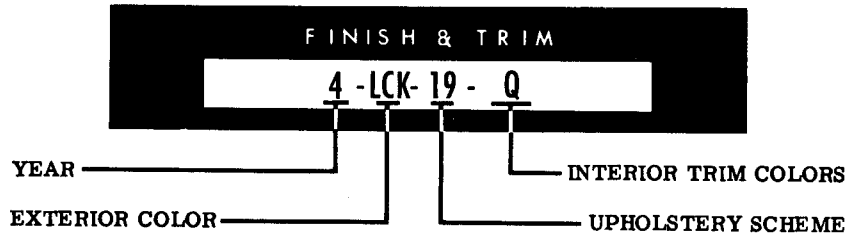
CODE CHART PAINT & UPHOLSTERY COMBINATIONS Model 210								Serial Listing
YEAR	EXTERIOR PAINT		UPHOLSTERY		INTERIOR TRIM			
CODE	CODE	COLOR	CODE	COLOR	CODE	COLOR		
1 9 6 3	3	A	ADOBE BEIGE CES-1054-458*	2	SWEET MINT	Q	BLACK(SEMI GLOSS) CES-1054-156	
		B	VESTAL WHITE CES-1054-170*					
		C	GOLDENROD CES-1054-448					
		D	MINT GREEN CES-1054-412*					
		E	PLATINUM BLUE CES-1054-392*					
		F	VALOR RED CES-1054-409	3	BANNER RED			
		G	MATADOR RED CES-1054-465					
		H	CORK BROWN CES-1054-463					
		J	IVY GREEN METALIC CES-1054-405	4	ARUBA BLUE	Q	SAND CES-1054-435	
		K	TAHOE BLUE METALIC CES-1054-407					
		L	HERMOSO TURQUOISE CES-1054-408					
		M	DEEP MAHOGANY CES-1054-413					
		N	EXECUTIVE GREY CES-1054-411	5	BLONDE TAUPE	Q	FAWN CES-1054-419	
		R	COCOA BROWN CES-1054-459					
		U	EMERALD CES-1054-350					
V	VELVET BLACK CES-1054-151							
SP	SPECIAL COLORS	1	SPECIAL UPHOLSTERY					SP

**21058086
THRU
21058220**

NOTE: WHEN ORDERING PAINT SPECIFY CES-1054 DASH NUMBER. EXAMPLE: CES-1054-170

* On over-all painted airplanes, base color will be vinyl. All other colors will be lacquer.

FINISH & TRIM PLATE



FINISH AND TRIM NUMBER (4-LCK-19-Q)

- "4" = 1964 Model
- "LCK" = Sun Glow Red, Vestal White and Velvet Black Exterior Color
- "19" = Ebony Upholstery
- "Q" = Black Semi-Gloss, Cloud Gray Interior Trim

1964 & 1965

SEE PAGE III & IV FOR 1962 & 1963

<p align="center">CODE CHART PAINT & UPHOLSTERY COMBINATIONS Model 210</p>								Serial Listing
YEAR	EXTERIOR PAINT		UPHOLSTERY		INTERIOR TRIM			
CODE	CODE	COLOR	CODE	COLOR	CODE	COLOR		
1 9 6 4	4	A	EMERALD GREEN MET CES-1054-461*	15	CERULEAN BLUE	Q	BLACK SEMI-GLOSS CES-1054-156	
		B	GOLDENROD CES-1054-448					
		C	VESTAL WHITE CES-1054-170*					
		D	MINT GREEN CES-1054-412*	16	PLATINUM GRAY			
		E	CORK BROWN CES-1054-464*					
		F	JONQUIL YELLOW CES-1054-416*					
		G	MUTED BEIGE CES-1054-399*	17	GOLDEN WILLOW			
		H	REGAL GREEN MET CES-1054-390*					
		J	ITALIAN GOLD CES-1054-265 or -517*					
		K	VELVET BLACK CES-1054-151 or -171*	18	CLOUD GRAY			
		L	SUN GLOW RED CES-1054-493 or -492*					
		M	TUXEDO BLUE CES-1054-495 or 494*					
		N	COFFEE BROWN MET CES-1054-497 or -496*	19	EBONY			
		R	WINE METALLIC CES-1054-505 or -504*					
T	HAWAIIAN RED CES-1054-509 or -508*							
W	TWILIGHT BLUE CES-1054-510*	20	EMBER					
X	SKY BLUE CES-1054-512*							
Z	ARISTO BLUE MET CES-1054-486*							
SP	SPECIAL COLORS	1	SPECIAL UPHOLSTERY	SP	SPECIAL COLORS	21058221 THRU 21058510		

NOTE: WHEN ORDERING PAINT SPECIFY CES-1054 DASH NUMBER.
 EXAMPLE CES-1054-399

* DENOTES VINYL PAINT.
 VINYL IS USED AS BASE COLOR ON OVER-ALL PAINTED AIRPLANES.
 ALL OTHER COLORS ARE LACQUER.

<p align="center">CODE CHART PAINT & UPHOLSTERY COMBINATIONS Model 210</p>							<p align="center">Serial Listing</p>
YEAR	EXTERIOR PAINT		UPHOLSTERY		INTERIOR TRIM		
	CODE	COLOR	CODE	COLOR	CODE	COLOR	
1 9 6 5	5	A	EMERALD GREEN CES-1054-350	14	BLAZE RED (W)	P	BLACK SEMI-GLOSS CES-1054-156 CLOUD GREY CES-1054-531
		B	GOLDENROD CES-1054-448				
		C	VESTAL WHITE CES-1054-398 or -170*	15	CELADON GOLD (V)		
		D	ICE BLUE CES-1054-546*				
		E	AVANTI RED CES-1054-556	16	SHADOW BLUE (Z)	U	LIGHT GRAY CES-1054-586
		F	YUMA YELLOW CES-1054-542				
		G	DESERT BEIGE CES-1054-545	17	ANTELOPE TAN (X)	W	CHESTNUT CES-1054-587
		H	PLATINUM CES-1054-565*				
		K	VELVET BLACK CES-1054-151	18	CLOUD GRAY (U)	X	KHAKI CES-1054-588
		L	SUN GLOW RED CES-1054-493				
		M	VENICE BLUE MET CES-1054-572	19	EMBER (W)	Z	DARK TURQUOISE CES-1054-589
		N	AUTUMN RUSSET MET CES-1054-571				
		R	ARISTO BLUE CES-1054-487	20	EBONY (U)	SP	SPECIAL COLORS
		S	TWILIGHT BLUE CES-1054-511				
		T	HAWAIIAN RED CES-1054-509	21	TEAL (Z)		
SP	SPECIAL COLORS	1	SPECIAL UPHOLSTERY				

NOTE: WHEN ORDERING PAINT SPECIFY CES-1054 DASH NUMBER.
 EXAMPLE CES-1054-399.

* DENOTES VINYL PAINT.
 VINYL IS USED AS BASE COLOR ON OVER-ALL PAINTED AIRPLANES.
 ALL OTHER COLORS ARE LACQUER.

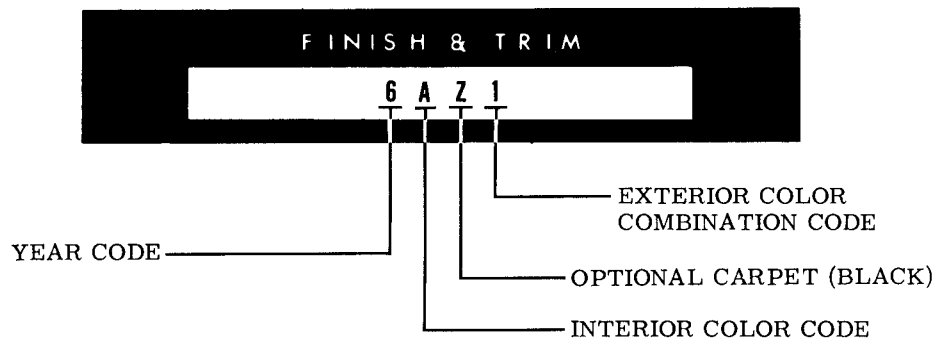
**21058511
THRU
21058715**

FINISH & TRIM PLATE

The "FINISH AND TRIM" plate is located on the left side of the airplane on the lower door jamb directly below the M. A. A. name plate.

This plate indicates the model year, interior color scheme and the exterior paint combination.

The following diagram is an example showing the sequence and definition of each code symbol on the "FINISH AND TRIM" plate.



FINISH & TRIM NUMBER (6AZ1)
6 = 1966 Model Year
A = Coral Interior Scheme
Z = Black Carpet (Optional)
1 = Vestal White & Goldenrod

1966 & ON

SEE PAGE III FOR 1963 THRU 1965

MODEL 210 & T210		PAINT CODE CHART				MODEL 210 & T210						
YEAR	INTERIOR COLOR		INTERIOR PAINT				SERIAL LISTING	EXTERIOR PAINT				
	CODE	CODE	INTERIOR COLOR CODE					CODE	COLOR COMBINATIONS			
			A	B	C	D						
1 9 6 6	A	CORAL	BLACK (SEMI-GLOSS) CES 1054-156	BLACK (SEMI-GLOSS) CES 1054-156	BLACK (SEMI-GLOSS) CES 1054-156	BLACK (SEMI-GLOSS) CES 1054-156	210 21058716 & ON T210 T210-0001 & ON	1	VESTAL WHITE CES-1054-398 or -170	GOLDENROD CES-1054-448		
			CLOUD GRAY (LACQUER) CES 1054-531	CLOUD GRAY (LACQUER) CES 1054-531	CLOUD GRAY (LACQUER) CES 1054-531	CLOUD GRAY (LACQUER) CES 1054-531		2	VESTAL WHITE CES-1054-398 or -170	SAN REMO TURQUOISE CES-1054-705		
		B	GOLD	DULL BLACK (LACQUER) CES 1054-193	DULL BLACK (LACQUER) CES 1054-193	DULL BLACK (LACQUER) CES 1054-193		DULL BLACK (LACQUER) CES 1054-193	3	VESTAL WHITE CES-1054-398 or -170	RACING GREEN CES-1054-692	
				DULL BLACK (EPOXY) CES 1054-482	DULL BLACK (EPOXY) CES 1054-482	DULL BLACK (EPOXY) CES 1054-482		DULL BLACK (EPOXY) CES 1054-482	4	VESTAL WHITE CES-1054-398 or -170	VALOR RED CES-1054-409	
	C	BLUE	CORAL (LACQUER) CES 1054-661	GOLD (LACQUER) CES 1054-663	BLUE (LACQUER) CES 1054-662	BRONZE (LACQUER) CES 1054-719		5	VESTAL WHITE CES-1054-398 or -170	VELVET BLACK CES-1054-151		
			CORAL (VINYL) CES 1054-746	GOLD (VINYL) CES 1054-748	BLUE (VINYL) CES 1054-747	BRONZE (VINYL) CES 1054-751		6	VESTAL WHITE CES-1054-398 or -170	MIDNIGHT TURQUOISE METALLIC CES-1054-697		
	D	BRONZE	INTERIOR PAINT (Cont)					40	VESTAL WHITE CES-1054-398 or -170	VELVET BLACK CES-1054-151	SAN REMO TURQUOISE CES-1054-705	
			INTERIOR COLOR CODE					41	VESTAL WHITE CES-1054-398 or -170	VELVET BLACK CES-1054-151	PINEHURST GREEN CES-1054-757	
	E	RED	E	F	G	H		42	VESTAL WHITE CES-1054-398 or -170	BERKSHIRE BROWN CES-1054-608	GOLDENROD CES-1054-448	
			BLACK (SEMI-GLOSS) CES 1054-156	BLACK (SEMI-GLOSS) CES 1054-156	BLACK (SEMI-GLOSS) CES 1054-156	BLACK (SEMI-GLOSS) CES 1054-156		43	VESTAL WHITE CES-1054-398 or -170	BERKSHIRE BROWN CES-1054-608	VALOR RED CES-1054-409	
	F	SHADOW WHITE	CLOUD GRAY (LACQUER) CES 1054-531	CLOUD GRAY (LACQUER) CES 1054-531	CLOUD GRAY (LACQUER) CES 1054-531	CLOUD GRAY (LACQUER) CES 1054-531		44	VESTAL WHITE CES-1054-398 or -170	ASPEN YELLOW CES-1054-606	VELVET BLACK CES-1054-151	
			DULL BLACK (LACQUER) CES 1054-193	DULL BLACK (LACQUER) CES 1054-193	DULL BLACK (LACQUER) CES 1054-193	DULL BLACK (LACQUER) CES 1054-193		45	VESTAL WHITE CES-1054-398 or -170	GOLDENROD CES-1054-448	BERKSHIRE BROWN CES-1054-608	
	G	BLACK	DULL BLACK (EPOXY) CES 1054-482	DULL BLACK (EPOXY) CES 1054-482	DULL BLACK (EPOXY) CES 1054-482	DULL BLACK (EPOXY) CES 1054-482		46	VESTAL WHITE CES-1054-398 or -170	SAN REMO TURQUOISE CES-1054-705	VELVET BLACK CES-1054-151	
			RED APPLE (LACQUER) CES 1054-718	CLOUD GRAY (VINYL) CES 1054-533	BLACK (VINYL) CES 1054-752	TAN (LACQUER) CES 1054-717		47	VESTAL WHITE CES-1054-398 or -170	MIDNIGHT TURQUOISE METALLIC CES-1054-697	VALOR RED CES-1054-409	
	H	TAN	DULL BLACK (EPOXY) CES 1054-482	DULL BLACK (EPOXY) CES 1054-482	DULL BLACK (EPOXY) CES 1054-482	DULL BLACK (EPOXY) CES 1054-482		48	VESTAL WHITE CES-1054-398 or -170	MIDNIGHT TURQUOISE METALLIC CES-1054-697	ASPEN YELLOW CES-1054-606	
			RED APPLE (VINYL) CES 1054-750			TAN (VINYL) CES 1054-749		49	VESTAL WHITE CES-1054-398 or -170	VALOR RED CES-1054-409	VELVET BLACK CES-1054-151	
Z	OPTIONAL CARPET (BLACK)					50	VESTAL WHITE CES-1054-398 or -170	HAWAIIAN RED CES-1054-509	VELVET BLACK CES-1054-151			
						51	VESTAL WHITE CES-1054-398 or -170	PINEHURST GREEN CES-1054-757	RACING GREEN CES-1054-692			
						52	VESTAL WHITE CES-1054-398 or -170	VELVET BLACK CES-1054-151	VALOR RED CES-1054-409			
						53	VESTAL WHITE CES-1054-398 or -170	SIERRA BEIGE CES-1054-680	VELVET BLACK CES-1054-151			
						54	VESTAL WHITE CES-1054-398 or -170	AUTUMN RUSSET METALLIC CES-1054-571	VELVET BLACK CES-1054-151			
						55	VESTAL WHITE CES-1054-398 or -170	CHESTNUT METALLIC CES-1054-556	SIERRA BEIGE CES-1054-680			
						56	VESTAL WHITE CES-1054-398 or -170	EMERALD GREEN METALLIC CES-1054-350	VELVET BLACK CES-1054-151			

NOTE: WHEN ORDERING PAINT SPECIFY CES-1054 DASH NUMBER. EXAMPLE: CES1054-439

*On all over painted airplanes, base color will be vinyl. All other colors will be lacquer.

UPHOLSTERY &

INTERIOR TRIM

UPHOLSTERED PARTS - HOW TO ORDER

1962 THRU 1965 MODELS

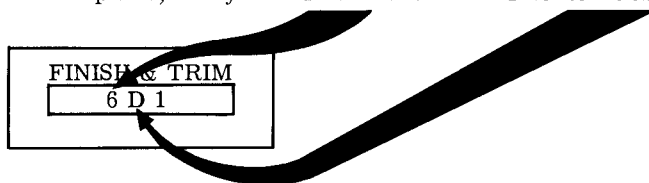
SERIAL NUMBER OF AIRCRAFT MUST BE GIVEN WITH PARTS ORDER

1966 MODEL & ON

PARTS MARKED WITH A # FOLLOWING PART NUMBER REQUIRE A SECOND DASH NUMBER FOR COLOR & MATERIAL

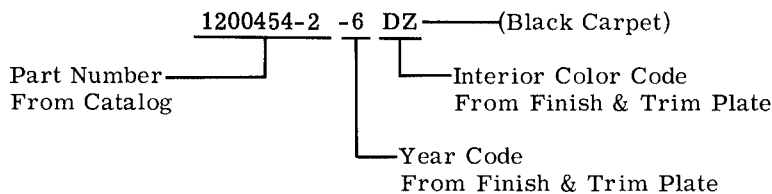
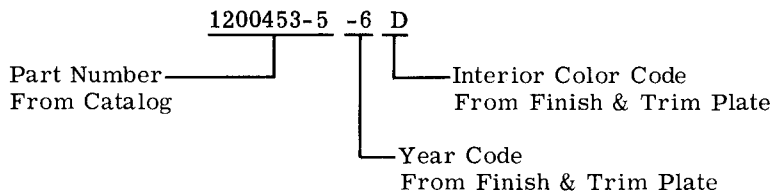
HOW TO DETERMINE 2nd DASH NUMBER

1. Find part number of desired part in catalog.
2. Refer to "FINISH & TRIM" plate, in the airplane, for your "Year Code" and "Interior Color Code."



3. Add the "Year Code" and "Interior Color Code," to the part number from catalog.

EXAMPLE OF COMPLETE NUMBER



INTERIOR PAINTED OR PLASTIC PARTS
HOW TO ORDER

1962 THRU 1964 MODELS

No special handling is required when ordering parts for 1963 and 1964 aircraft. In this group, the second dash number appears, when required, as a part of the part number.

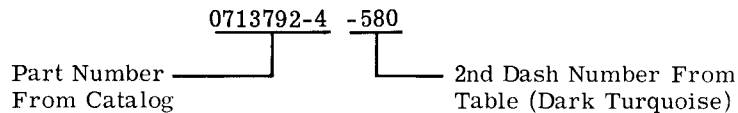
1965 MODEL

PARTS MARKED WITH A □ FOLLOWING PART NUMBER REQUIRE A SECOND DASH NUMBER FOR PROPER COLOR

To obtain second dash number use table "1965 MODEL YEAR."

To use table, "1965 MODEL YEAR," first find number from catalog then find same number in table and add number of color required.

EXAMPLE OF COMPLETE NUMBER



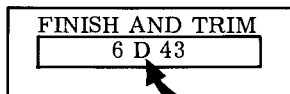
1966 MODEL & ON

PARTS MARKED WITH A □ FOLLOWING PART NUMBER REQUIRE A SECOND DASH NUMBER FOR PROPER COLOR.

To obtain second dash number use of correct table, for your model year, is required.

To use table,

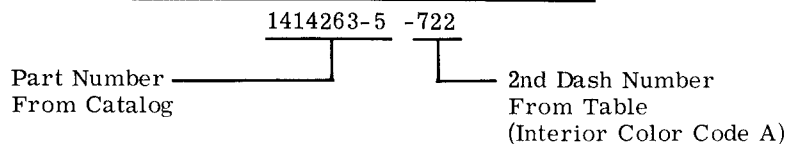
1. Find part number of desired part in catalog.
2. Refer to the "Finish and Trim" plate, in the airplane, for your "Interior Color Code."



3. Locate part number from catalog in table.
4. Add dash number for color that appears under your "Interior Color Code."

INTERIOR PAINTED OR PLASTIC PARTS 1966 MODEL YEAR 210/58716 & ON T210.0001 & ON		INTERIOR COLOR CODE (From Finish and Trim Plate)							
PART NUMBER	PART NAME	A	B	C	D	E	F	G	H
1213653-3	TRIM SWITCH & CONTROL PANEL	722	727	725	726	720	577	577	721
1280461-4	PEDAL COVER - FOLDING PEDAL	279	279	279	279	279	279	279	279
1414110-22	TRIM - SEAT BACK	722	727	725	726	720	532	279	721
1414110-30	POCKET - MAGAZINE	722	727	725	726	720	532	279	720
1414110-32	TRIM - SEAT BACK	722	727	725	726	720	532	279	720
1414240-3	SEAT BOTTOM ASSEMBLY - LH	746	746	751	750	746	533	752	749
1414263-5	SEAT BOTTOM ASSEMBLY - RH	722	727	725	726	720	532	279	721
1414263-6	SEAT SKIRT	722	727	725	726	720	532	279	721
1414263-7	SEAT SKIRT	722	727	725	726	720	532	279	721
1414263-8	SEAT SKIRT	722	727	725	726	720	532	279	721

EXAMPLES OF COMPLETE NUMBER



**INTERIOR PAINTED OR PLASTIC PARTS
1965 MODEL YEAR ONLY**

21058511 THRU 21058715

DARK TURQUOISE	CHARCOAL
DULL BLACK	CLOUD GRAY
DULL BLACK	CHESTNUT
LIGHT GRAY	KHAKI
BLACK	

PART NUMBER	PART NAME							
0700646-1	SKIRT - SEAT BOTTOM - LH							532
0700646-2	SKIRT - SEAT BOTTOM - RH							532
0713777-3	DOOR ASSEMBLY - GLOVE BOX							532
0713792-2	COVER - INSTRUMENT PANEL	279						
0713792-4	COVER - SHOCK PANEL USED WITH NAV-O-MATIC 400		577	573		580	579	578
0713792-6	COVER - SHOCK PANEL STANDARD		577	573		580	579	578
0713792-8	COVER - SHOCK PANEL USED WITH NAV-O-MATIC 300		577	573		580	579	578
0713793-1	COVER - CENTER PANEL		577	573		580	579	578
0770725-5	SHIELD - FRONT DOORPOST LH							532
0770725-6	SHIELD - DOORPOST LH							532
1200449-1	PANEL ASSEMBLY - SIDEWALL FWD LH							532
1200449-2	PANEL ASSEMBLY - SIDEWALL FWD RH							532
1200449-5	PANEL ASSEMBLY - DOOR UPHOLSTERY RH							532
1200449-6	PANEL ASSEMBLY - DOOR UPHOLSTERY LH							532
1200449-9	PANEL ASSEMBLY - AFT LH							532
1200449-10	PANEL ASSEMBLY - AFT RH							532
1200449-13	PANEL ASSEMBLY - LH AFT							532
1200449-14	PANEL ASSEMBLY - RH AFT							532
1200449-17	PANEL ASSEMBLY - BAGGAGE DOOR							532
1200454-7	SHIELD - DOORPOST LH							532
1200454-8	SHIELD - DOORPOST RH							532
1200454-11	MOULDING - DOOR LH							532
1200454-12	MOULDING - DOOR RH							532
1200454-17	MOULDING - BAGGAGE DOOR WINDOW							532
1200454-20	MOULDING - RH AFT							532
1200454-59	FRAME - SIDE WINDOW RH							532
1200454-65	FRAME ASSEMBLY - SIDE WINDOW LH							532
1200454-66	MOULDING ASSEMBLY - LH AFT							532
1200460-5	COVER ASSEMBLY - SHELF							532
1200464-3	COVER - CENTER STRIP							532
1200686-13	PANEL ASSEMBLY - POST LIGHTED INSTRUMENT SHOCK		577	573		580	579	578
1200686-14	PANEL ASSEMBLY - POST LIGHTED INSTRUMENT SHOCK		577	573		580	579	578
1200686-15	PANEL ASSEMBLY - POST LIGHTED INSTRUMENT SHOCK		577	573		580	579	578
1200686-16	PANEL ASSEMBLY - POST LIGHTED INSTRUMENT SHOCK		577	573		580	579	578
1200686-21	PANEL ASSEMBLY - POST LIGHTED INSTRUMENT STATIONARY	279						
1200686-22	PANEL ASSEMBLY - POST LIGHTED INSTRUMENT STATIONARY	279						
1213434-200	COVER - CONTROL PEDESTAL		577	573		580	579	578
1213642-1	COVER - BROW				574			
1213642-2	COVER - SWITCH		577	573		580	579	578
1213643-1	COVER - STATIONARY PANEL		577	573		580	579	578
1213653-2	TRIM - INSTRUMENT PANEL							532
1213674-8	COVER - CONTROL PEDESTAL		577	573		580	579	578
1414110-22	TRIM - SEAT BACK							575
1414110-29	TRIM ASSEMBLY - SEAT BACK							575
1414110-30	POCKET ASSEMBLY - MAGAZINE							575

**INTERIOR PAINTED OR PLASTIC PARTS
1965 MODEL YEAR ONLY**

21058511 THRU 21058715



PART NUMBER	PART NAME												
1414263-5	SKIRT - SEAT LH											532	
1414263-6	SKIRT - SEAT RH											532	
1414263-7	SKIRT - SEAT BOTTOM LH											532	
1414263-8	SKIRT - SEAT BOTTOM RH											532	
1414264-2	TRIM ASSEMBLY - SEAT BACK												575
1414264-7	POCKET ASSEMBLY - MAGAZINE												575

Cessna
Illustrated parts catalog

MODELS 210 & T210

INTERIOR PAINTED OR PLASTIC PARTS
1966 MODEL YEAR

21058716 & ON
T210-0001 & ON

INTERIOR COLOR
CODE

(From Finish and Trim Plate)

PART NUMBER	PART NAME	A	B	C	D	E	F	G	H
0500312-3	MIRROR & COVER ASSEMBLY	279	279	279	279	279	279	279	279
0700631-5	SEAT BOTTOM - VERTICALLY ADJUSTABLE - LH	746	748	747	751	750	533	752	749
0700631-6	SEAT BOTTOM - VERTICALLY ADJUSTABLE - RH	746	748	747	751	750	533	752	749
0713777-3	COVER - GLOVE BOX DOOR	722	727	725	726	574	577	720	721
0713792-2	RH INSTRUMENT PANEL COVER	573	573	573	573	573	573	573	573
0713792-4	SHOCK PANEL COVER - NAV-O-MATIC 400	573	573	573	573	573	573	573	573
0713792-6	SHOCK PANEL COVER - STANDARD	573	573	573	573	573	573	573	573
0713792-8	SHOCK PANEL COVER - NAV-O-MATIC 300	573	573	573	573	573	573	573	573
0713793-1	CENTER COVER INSTRUMENT PANEL	573	573	573	573	573	573	573	573
0770725-8	SHIELD - DOORPOST	722	727	725	726	720	532	279	721
1200434-200	COVER - CONTROL PEDESTAL	722	727	725	726	720	577	577	721
1200446-1	FOOTREST ASSEMBLY	722	727	725	726	720	532	279	721
1200454-28	COVER - BAGGAGE DOOR LATCH	722	727	725	726	720	532	279	721
1200454-66	MOLDING ASSEMBLY - LH AFT	722	727	725	726	720	532	279	721
1200456-15	COVER - REAR PANEL	722	727	725	726	720	532	279	721
1200460-5	COVER ASSEMBLY - SHELF	722	727	725	726	720	532	279	721
1200464-3	COVER - CENTER STRIP	722	727	725	726	720	532	279	721
1200527-1	TRIM ASSEMBLY - SEAT BACK	722	727	725	726	720	532	279	721
1200527-4	TRIM ASSEMBLY - SEAT BACK	722	727	725	726	720	532	279	721
1200528-1	TRIM ASSEMBLY - SEAT BACK	722	727	725	726	720	532	279	721
1200535-4	SHIELD - DOORPOST RH	722	727	725	726	720	532	279	721
1200535-5	SHIELD - DOORPOST LH	722	727	725	726	720	532	279	721
1200535-6	MOLDING - RH DOOR	722	727	725	726	720	532	279	721
1200535-7	MOLDING ASSEMBLY - LH DOOR	722	727	723	726	720	532	279	721
1200535-8	MOLDING ASSEMBLY - RH DOOR	722	727	723	726	720	532	279	721
1200535-9	MOLDING - BAGGAGE DOOR	722	727	723	726	720	532	279	721
1200535-10	MOLDING - RH REAR	722	727	723	726	720	532	279	721
1200535-17	MOLDING - LH DOOR	483	483	483	483	483	483	483	483
1200536-1	COVER - OXYGEN CONTROL	532	532	532	532	532	532	532	532
1200659-6	COVER - RH REAR WINDOW	722	727	725	726	720	532	279	721
1200659-7	COVER - LH REAR WINDOW	722	727	725	726	720	532	279	721
1200686-13	COVER ASSEMBLY - POST LIGHTED INSTRUMENT PANEL	573	573	573	573	573	573	573	573
1200686-14	COVER ASSEMBLY - POST LIGHTED INSTRUMENT PANEL	573	573	573	573	573	573	573	573
1200686-15	COVER ASSEMBLY - POST LIGHTED INSTRUMENT PANEL	573	573	573	573	573	573	573	573
1200686-16	COVER ASSEMBLY - POST LIGHTED INSTRUMENT PANEL	573	573	573	573	573	573	573	573
1200686-21	COVER ASSEMBLY - POST LIGHTED INSTRUMENT PANEL	573	573	573	573	573	573	573	573
1200686-22	COVER ASSEMBLY - POST LIGHTED INSTRUMENT PANEL	573	573	573	573	573	573	573	573
1213243-1	COVER ASSEMBLY - PANEL LIGHT	532	532	532	532	532	532	532	532
1213642-1	COVER - BROW	710	710	710	710	710	710	710	710
1213642-2	COVER - SWITCH PANEL	722	727	725	726	720	577	577	721
1213642-6	COVER - SWITCH PANEL	722	727	725	726	720	577	577	721
1213643-1	COVER - INSTRUMENT PANEL	722	727	725	726	720	577	577	721




**INTERIOR PAINTED OR PLASTIC PARTS
1966 MODEL YEAR**

21058716 & ON
T210-0001 & ON

**INTERIOR COLOR
CODE**

(From Finish and Trim Plate)

PART NUMBER	PART NAME	INTERIOR COLOR CODE							
		A	B	C	D	E	F	G	H
1213653-3	TRIM SWITCH & CONTROL PANEL	722	727	725	726	720	577	577	721
1260461-4	PEDAL COVER - FOLDING PEDAL	279	279	279	279	279	279	279	279
1414110-22	TRIM - SEAT BACK	722	727	725	726	720	532	279	721
1414110-30	POCKET - MAGAZINE	722	727	725	726	720	532	279	720
1414110-32	TRIM - SEAT BACK	722	727	725	726	720	532	279	720
1414240-3	SEAT BOTTOM ASSEMBLY - LH	746	748	751	750	748	533	752	749
1414240-4	SEAT BOTTOM ASSEMBLY - RH	746	748	751	750	748	533	752	749
1414263-5	SEAT SKIRT	722	727	725	726	720	532	279	721
1414263-6	SEAT SKIRT	722	727	725	726	720	532	279	721
1414263-7	SEAT SKIRT	722	727	725	726	720	532	279	721
1414263-8	SEAT SKIRT	722	727	725	726	720	532	279	721
1414264-2	MOLDING - SEAT	722	727	725	726	720	532	279	721
1414264-7	POCKET - SEAT	722	727	725	726	720	532	279	721


Cessna illustrated parts catalog

MODELS 210 & T210

This page intentionally left blank.

 **ALPHABETICAL INDEX**

ALPHABETICAL INDEX

NOMENCLATURE	FIGURE	NOMENCLATURE	FIGURE
A		A (cont)	
ABRASION BOOT,	14	AILERON CONTROL SYSTEM INSTALLATION,	81
ABRASION BOOT,	14A	AILERON CONTROL SYSTEM INSTALLATION,	81A
ACCESS DOOR,	30	AILERON HINGE,	9
ACCESSORY KITS-SEE ACCESSORY KITS CATALOG		AILERON HINGE,	9A
ACTUATOR ARM-MAIN GEAR DOORS,	41	AILERON INSTALLATION,	3
ACTUATOR ASSEMBLY-ELEVATOR TRIM TAB,	83	AILERON INSTALLATION,	3A
ACTUATOR ASSEMBLY-ELEVATOR TRIM TAB,	84	AILERON INSTALLATION,	9
ACTUATOR ASSEMBLY-FLAP,	107	AILERON INSTALLATION,	9A
ACTUATOR ASSEMBLY-FLAP,	109	AILERON PUSH-PULL ROD,	9
ACTUATOR ASSEMBLY-MAIN GEAR ROTARY,	106	AILERON PUSH-PULL ROD,	81A
ACTUATOR ASSEMBLY-MAIN GEAR ROTARY,	106A	AILERON-SHORT SPAN,	9A
ACTUATOR ASSEMBLY-MAIN GEAR ROTARY,	106B	AILERON RIB,	9
ACTUATOR ASSEMBLY-NOSE GEAR,	102	AILERON RIB,	9A
ACTUATOR ASSEMBLY-UNLOCK & SEQUENCE,	110	AILERON-SHORT SPAN,	9A
ACTUATOR ASSEMBLY-WHEEL DOOR LOCKING,	107	AILERON SKIN,	9
ACTUATOR ASSEMBLY-WHEEL DOOR LOCKING,	108	AILERON SKIN,	9A
ACTUATOR ASSEMBLY-WHEEL DOOR LOCKING,	108A	AIR BOX-INDUCTION,	68
ACTUATOR-NOSE GEAR RETRACT & DRAG STRUT,	103	AIR BOX-INDUCTION,	68A
ACTUATOR-NOSE GEAR RETRACT DRAG STRUT,	103A	AIR BOX-INDUCTION,	69
ACTUATOR PARTS-FLAP,	109	AIR BOX-INDUCTION,	69A
ACTUATOR-DOOR,	107	AIR FILTER GASKET,	69
ACTUATOR-DOOR,	108	AIR FILTER GASKET,	69A
ACTUATOR-DOOR,	108A	AIR FILTER-VACUUM	94A
ACTUATOR-UNLOCK,	102	AIR INLET,	18
ACTUATOR-UNLOCK,	107	AIR INLET,	68
ACTUATOR-WHEEL DOOR,	102	AIR INLET,	68A
ACTUATOR-WHEEL DOOR,	108	AIR INLET,	75
ADAPTER ASSEMBLY-FUEL TANK DRAIN,	8	AIR INLET-TURBOCHARGER,	69B
ACTUATOR-WHEEL DOOR,	108A	AIR OUTLET CABIN,	75
ADAPTOR-OIL TEMPERATURE,	68	AIR OUTLET CABIN,	75A
ADAPTOR-TURBOCHARGER OIL,	69C	AIR OUTLET CABIN,	75B
ADHESIVE-GASKET FUEL RESISTANT,	1	AIRBOX ARM ASSEMBLY,	69
ADJUSTABLE FRONT SEAT,	54	AIRBOX ARM ASSEMBLY,	69A
ADJUSTABLE FRONT SEAT,	54A	AIRBOX ASSEMBLY,	69
ADJUSTABLE FRONT SEAT,	54B	AIRBOX ASSEMBLY,	69A
ADJUSTABLE FRONT SEAT,	55	AIRBOX FILTER,	69
ADJUSTABLE FRONT SEAT,	55A	AIRBOX FILTER,	69A
ADJUSTABLE FRONT SEAT BOTTOM,	55	AIRBOX VALVE,	69
ADJUSTABLE FRONT SEAT BOTTOM,	55A	AIRBOX VALVE,	69A
ADJUSTABLE FRONT SEAT BOTTOM,	55B	AIRSPEED-INDICATOR,	58
ADJUSTABLE FRONT SEAT TORQUE TUBE,	55	AIRSPEED-INDICATOR,	88
ADJUSTABLE FRONT SEAT TORQUE TUBE,	55B	ALTERNATOR DIRVE BELT,	68B
ADJUSTABLE FRONT SEAT FROME ASSEMBLY,	55	ALTERNATOR INSTALLATION	114A
ADJ FRONT SEAT ARM ASSY-SEAT LATCH PIN,	55	ALTIMETER,	58
ADJ FRONT SEAT BELLCRANK ASSY SEAT SCREW,	55	ALTIMETER,	88
ADJ FRONT SEAT BACK,	54	AMMETER,	58
ADJ FRONT SEAT BACK,	54B	ANCHOR END-FLAP ACTUATOR,	109
ADJ FRONT SEAT BACK,	55	ANGLE ASSEMBLY-COWL ATTACH,	18
ADJ FRONT SEAT BACK,	55A	ANGLE-BATTERY BOX SUPPORT,	27
AFT TAILCONE ASSEMBLY-FUSELAGE,	30	ANGLE-BATTERY BOX SUPPORT,	27A
AFT TAILCONE ASSEMBLY-FUSELAGE,	31	ANGLE-FRONT SPAR CAP,	6
AILERON ASSEMBLY,	9	ANGLE-FRONT SPAR CAP,	6A
AILERON ASSEMBLY,	9A	ANGLE-TUNNEL ATTACHMENT,	27
AILERON BALANCE WEIGHT,	9	ANGLE-TUNNEL ATTACHMENT,	27A
AILERON BALANCE WEIGHT,	9A	ANTENNA, SEE CESSNA ELECTRONICS MANUAL	
AILERON BELLCRANK,	9	ARM ASSEMBLY-DOWNLOCK,	44
AILERON BELLCRANK,	81	ARM ASSEMBLY-AIRBOX,	69
AILERON BELLCRANK,	81A	ARM ASSEMBLY-AIRBOX,	69A
AILERON BELLCRANK ASSEMBLY,	81	ARM ASSEMBLY-ELEVATOR,	15
AILERON BELLCRANK ASSEMBLY,	81A	ARM ASSEMBLY-ELEVATOR,	15A
AILERON BRACKET, PULLEY,	18	ARM ASSEMBLY-SEAT ADJUSTABLE FRONT,	55
AILERON CABLE CARRY THRU,	81	ARM ASSEMBLY-SEAT ADJUSTABLE FRONT,	55B
AILERON CABLE CARRY THRU,	81A	ARM REST BRACKET,	23
AILERON CABLE DIRECT,	81	ARM REST BRACKET,	45
AILERON CABLE DIRECT,	81A	ARM REST BRACKET,	46
AILERON CHAIN,	80	ARM-ACTUATOR-MAIN GEAR DOORS,	41
AILERON CHAIN,	81	ARM-DOOR STOP,	45
AILERON CHAIN,	81A	ARM-DOOR STOP,	46
AILERON CONTROL BRACKET,	9	ARM-DOOR STOP,	46A
AILERON CONTROL TUBE,	80		

ALPHABETICAL INDEX

NOMENCLATURE	FIGURE	NOMENCLATURE	FIGURE
B (cont)		B (cont)	
BODY & PIN ASSEMBLY-HYDRAULIC POWER PACK,	97	BRACKET-PARKING BRAKE,	18
BODY ASSEMBLY-FUEL STRAINER,	91	BRACKET-RUDDER HINGE,	13
BODY ASSEMBLY-FUEL STRAINER,	91A	BRACKET-SEAT ADJUST REAR SEAT,	56
BODY ASSEMBLY-HYDRAULIC POWER PACK,	97	BRACKET-SQUAT SWITCH,	33
BODY ASSEMBLY-HYDRAULIC POWER PACK,	97A	BRACKET-SUN VISOR,	61
BODY ASSEMBLY-POWER PACK,	96	BRACKET-TRIM TAB PULLEY,	14
BODY ASSEMBLY-POWER PACK,	96A	BRACKET-TRIM TAB PULLEY,	14A
BODY-MASTER CYLINDER-BRAKE,	79	BRAKE & RUDDER PEDAL,	78
BOLT-DOOR LATCH,	47	BRAKE & WHEEL-MAIN,	39
BOLT-DOOR LATCH,	47A	BRAKE & WHEEL-MAIN,	39A
BOOT-ABRASION,	14	BRAKE & WHEEL-MAIN,	39B
BOOT-ABRASION,	14A	BRAKE ASSEMBLY,	39
BOOT-STEERING LINK ROD,	34	BRAKE ASSEMBLY,	39A
BOTTOM ASSEMBLY-FRONT SEAT RECLINING,	54	BRAKE ASSEMBLY,	39B
BOTTOM ASSEMBLY-FRONT SEAT RECLINING,	54A	BRAKE BLEEDER SCREW,	39
BOTTOM ASSEMBLY-FRONT SEAT RECLINING,	54B	BRAKE BLEEDER SCREW,	39A
BOTTOM ASSEMBLY-FRONT SEAT RECLINING,	55	BRAKE BLEEDER SCREW,	39B
BOTTOM ASSEMBLY-FRONT SEAT RECLINING,	55A	BRAKE CYLINDER BODY,	79
BOTTOM ASSEMBLY-FRONT SEAT RECLINING,	55B	BRAKE CYLINDER BRACKET,	78
BOTTOM ASSEMBLY-SEAT ADJ FRONT,	55	BRAKE DISC CLIP,	39
BOTTOM ASSEMBLY-SEAT ADJ FRONT,	55A	BRAKE DISC CLIP,	39A
BOTTOM ASSEMBLY-SEAT ADJ FRONT,	55B	BRAKE DISC CLIP,	39B
BOTTOM ASSEMBLY-SEAT REAR,	56	BRAKE DISC,	39
BOTTOM ASSEMBLY-SEAT REAR,	56A	BRAKE DISC,	39A
BOWL-FUEL STRAINER,	91	BRAKE DISC,	39B
BOX INSTL-INDUCTION AIR,	68	BRAKE-FLAP ACTUATOR,	85B
BOX INSTL-INDUCTION AIR,	68A	BRAKE HOSE,	77
BOX INSTL-INDUCTION AIR,	69	BRAKE HOUSING,	39
BOX INSTL-INDUCTION AIR,	69A	BRAKE INSTALLATION-PARKING,	77
BOX-AIR,	69	BRAKE LINE CLIP,	38
BOX-AIR,	69A	BRAKE LINES-SEE LINES	
BOX-BATTERY,	27	BRAKE LINING-PISTON,	39
BOX-BATTERY,	27A	BRAKE LINING-PISTON,	39A
BRACKET ASSEMBLY-DOOR LATCH,	47	BRAKE LINING-PISTON,	39B
BRACKET ASSEMBLY-DOOR LATCH,	47A	BRAKE MASTER CYLINDER,	77
BRACKET ASSEMBLY-ELEVATOR BELLCRANK REAR,	31	BRAKE MASTER CYLINDER,	78
BRACKET ASSEMBLY-ELEVATOR SPRING,	30	BRAKE MASTER CYLINDER,	79
BRACKET ASSEMBLY-FIN HINGE,	12	BRAKE SYSTEM INSTALLATION,	77
BRACKET ASSEMBLY-FUEL,	22	BREATHER TUBE,	68
BRACKET ASSEMBLY-FUEL STRAINER,	22	BREATHER TUBE,	68A
BRACKET ASSEMBLY-HINGE ELEVATOR,	16	BREATHER TUBE,	68B
BRACKET ASSEMBLY-LANDING LIGHT,	5	BULB-COURTESY LIGHT,	115
BRACKET ASSEMBLY-PARK BRAKE	27	BULB-DOME LIGHT,	113
BRACKET ASSEMBLY-PARK BRAKE,	27A	BULB-INSTRUMENT PANEL,	114
BRACKET ASSY-RUDDER TRIM CONTROL SUPPORT,	21A	BULB-PICTORIAL GYRO,	58
BRACKET ASSEMBLY-TRIM TAB ACTUATOR,	14	BULB-PICTORIAL GYRO,	94
BRACKET ASSEMBLY-TRIM TAB ACTUATOR,	14A	BULB-ROTATING BEACON,	116
BRACKET-AILERON CONTROL,	9	BULKHEAD ASSEMBLY-MAIN GEAR ACTUATOR,	24
BRACKET-AILERON,	18	BULKHEAD ASSEMBLY-MAIN GEAR ACTUATOR,	25
BRACKET-ARM REST,	23	BULKHEAD ASSEMBLY-FRONT DOORPOST,	18
BRACKET-ARM REST,	45	BULKHEAD ASSEMBLY-FRONT DOORPOST,	19
BRACKET-ARM REST,	46	BULKHEAD ASSEMBLY-REAR DOORPOST,	20
BRACKET-ARM REST,	46A	BULKHEAD ASSEMBLY-SPINNER,	62
BRACKET-BRAKE CYLINDER,	78	BULKHEAD ASSEMBLY-STA 80.32,	23
BRACKET-COMPASS,	61	BULKHEAD ASSEMBLY-STA 90.00,	26
BRACKET-COWL FLAP CONTROL,	27	BULKHEAD ASSEMBLY-STA 112.0,	23
BRACKET-COWL FLAP CONTROL,	27A	BULKHEAD ASSEMBLY-STA 98.0,	23
BRACKET-ELEVATOR,	19	BULKHEAD ASSEMBLY-TAILCONE HORIZONTAL,	31
BRACKET-ELEVATOR,	22	BULKHEAD ASSEMBLY-TAILCONE,	31
BRACKET-ELEVATOR,	22A	BULKHEAD ASSEMBLY-UPPER CABIN,	17
BRACKET-ELEVATOR & RUDDER,	19	BULKHEAD-FIREWALL,	27
BRACKET-ELEVATOR TRIM,	19	BULKHEAD-FIREWALL,	27A
BRACKET-FLAP ACTUATOR,	4	BULKHEAD-KEEL,	22
BRACKET-FLAP ACTUATOR,	4A	BULKHEAD-KEEL,	22A
BRACKET-FLAP BELLCRANK,	4	BUMPER-COWL FLAP DOOR,	22
BRACKET-FLAP BELLCRANK,	4A	BUMPER-COWL FLAP DOOR,	22A
BRACKET-FLAP CONTROL ATTACHMENT,	10	BUNGEE ASSEMBLY-NOSE GEAR STEERING,	34
BRACKET-FUEL CONTROL,	21	BUNGEE ASSEMBLY-RUDDER,	87
BRACKET-FUEL CONTROL,	21A	BUNGEE-ARM,	35
BRACKET-NOSE GEAR UPLOCK,	42	BY PASS VALVE-EXHAUST,	69D

ALPHABETICAL INDEX

NOMENCLATURE	FIGURE	NOMENCLATURE	FIGURE
C		C (cont)	
CABIN AIR CONTROL,	59	CAP-42.0 GAL,	8
CABIN AIR CONTROL,	75	CARD-COMPASS CORRECTION,	58
CABIN AIR CONTROL,	75A	CARD-COMPASS CORRECTION,	62A
CABIN AIR CONTROL,	75B	CARGO TIE-DOWN RING,	61
CABIN AIR OUTLET ASSEMBLY,	75	CARPET ASSEMBLY-AFT,	51
CABIN AIR OUTLET ASSEMBLY,	75A	CARPET ASSEMBLY-AFT,	51A
CABIN AIR OUTLET ASSEMBLY,	75B	CARPET ASSEMBLY-AFT,	51B
CABIN COMPONENTS-UPPER AFT,	16	CARPET ASSEMBLY-CENTER,	51
CABIN COMPONENTS-UPPER AFT,	26	CARPET ASSEMBLY-CENTER,	51A
CABIN DOOR ASSEMBLY-LH,	45	CARPET ASSEMBLY-CENTER,	51B
CABIN DOOR ASSEMBLY-RH,	46	CARPET ASSEMBLY-FWD,	51
CABIN DOOR ASSEMBLY-RH,	46A	CARPET ASSEMBLY-FWD,	51A
CABIN DOOR HINGE,	45	CARPET ASSEMBLY-FWD,	51B
CABIN DOOR HINGE,	46	CARPET ASSEMBLY-LUGGAGE COMPARTMENT,	51
CABIN DOOR HINGE,	46A	CARPET ASSEMBLY-RUDDER BAR,	51
CABIN DOOR LH,	45	CARPET ASSEMBLY-RUDDER BAR,	51A
CABIN DOOR RH,	46	CARPET ASSEMBLY-RUDDER BAR,	51B
CABIN DOOR RH,	46A	CASE-OXYGEN MASK,	112
CABIN DOOR SEAL,	45	CASE-OXYGEN MASK,	112A
CABIN DOOR SEAL,	46	CASE-OXYGEN MASK,	112B
CABIN DOOR SEAL,	46A	CATCH-MAGNA-TITE-MAP BOX DOOR,	60
CABIN DOOR UPHOLSTERY,	50	CATCH-MAGNA-TITE-MAP BOX DOOR,	60A
CABIN HEAT CONTROL,	59	CATCH-PARKING BRAKE,	77
CABIN HEAT CONTROL,	76	CEMENT PARTS A & B,	1
CABIN HEAT CONTROL,	76A	CEMENTS,	1
CABIN HEATER VALVE,	76	CESSNA BATTERY,	113
CABIN HEATER VALVE,	76A	CESSNA INSIGNIA,	2
CABIN HEATER,	76	CHAIN ASSEMBLY-AILERON,	80
CABIN HEATER,	76A	CHAIN ASSEMBLY-AILERON,	81
CABIN SECTION ASSEMBLY-LOWER,	16	CHAIN ASSEMBLY-AILERON,	81A
CABIN SECTION ASSEMBLY-LOWER,	23	CHAIN GUARD-ELEVATOR TRIM,	21
CABIN SIDE PANELS UPHOLSTERY,	52	CHAIN-ELEVATOR TAB,	83
CABIN SKIN-SIDE,	26	CHANNEL-AILERON BELLCRANK SUPPORT,	4
CABIN TOP,	17	CHANNEL-FRONT SPAR SPLICE,	6
CABIN TOP & FIREWALL UPHOLSTERY,	49	CHECK VALVE-FUEL	89A
CABIN VENT OUTLET,	75	CHECK VALVE-TURBOCHARGER,	69C
CABIN VENT OUTLET,	75A	CHECK LIST PLACARD,	2
CABIN VENT OUTLET,	75B	CHILDS SEAT,	56B
CABIN VENTILATION SYSTEM,	75	CHILDS SEAT BELT,	56B
CABIN VENTILATION SYSTEM,	75A	CHILDS SEAT INSTALLATION,	23
CABIN VENTILATION SYSTEM,	75B	CHILDS SEAT INSTALLATION,	56B
CABINET-FOOD & BEVERAGE,	51A	CIGAR LIGHTER,	59
CABINET-FOOD & BEVERAGE,	51B	CIGAR LIGHTER,	59A
CABLE & TUBE ASSEMBLY-PARKING BRAKE,	77	CIGAR LIGHTER KNOB,	59
CABLE ASSEMBLY-AILERON DIRECT,	81	CIRCUIT BREAKER,	59
CABLE ASSEMBLY-AILERON DIRECT,	81A	CIRCUIT BREAKER,	59A
CABLE ASSEMBLY-AILERON CARRY THRU,	81	CIRCUIT BREAKER,	59A
CABLE ASSEMBLY-AILERON CARRY THRU,	81A	CLIP-BRAKE DISC,	39
CABLE ASSEMBLY-ELEVATOR DOWN,	82	CLIP-BRAKE DISC,	39A
CABLE ASSEMBLY-ELEVATOR DOWN,	82A	CLIP-BRAKE DISC,	39B
CABLE ASSEMBLY-ELEVATOR TRIM FORWARD,	83	CLIP-BRAKE LINE,	38
CABLE ASSEMBLY-ELEVATOR TRIM AFT,	83	CLIP-STARTER,	18
CABLE ASSEMBLY-ELEVATOR DOWN SPRING,	82	CLOCK-ELECTRIC,	59
CABLE ASSEMBLY-ELEVATOR DOWN SPRING,	82A	CLOCK-ELECTRIC,	59A
CABLE ASSEMBLY-ELEVATOR UP,	82	COAT HANGER HOOK,	49
CABLE ASSEMBLY-RUDDER FORWARD,	86	COAXIAL CABLE,	1
CABLE-FLAP,	85	COLD AIR DOOR,	18
CABLE-FLAP,	85A	COLD AIR INLET,	18
CABLE-RUDDER AFT,	86	COLD AIR INLET,	68
CAM SHAFT-FLAP,	98	COLD AIR INLET,	68A
CAM-RECLINER,	54	COLD AIR INLET,	75
CAP & ADAPTER ASSEMBLY-FUEL,	8	COLD AIR INLET,	75A
CAP & CHAIN ASSEMBLY-OXYGEN FILLER	112A	COLD AIR INLET,	75B
CAP & CHAIN ASSEMBLY-OXYGEN FILLER,	112B	COLD AIR INLET,	76
CAP & PRISM ASSEMBLY,	59C	COLD AIR INLET,	76A
CAP-RUDDER TIP,	13	COLLAR-ADJUSTABLE FRONT SEAT SCREW,	55
CAP-TIP FIN,	12	COLLECTOR ASSEMBLY,	77
CAP-TIP FIN ROTATING BEACON,	12	COLOR CHART,	111
CAP-TIP FIN ROTATING BEACON,	116	COMPASS ASSEMBLY,	61
CAP-32.5 GAL,	8	COMPASS ASSEMBLY,	62A

Courtesy of Bomar Flying Service
www.bomar.biz



ALPHABETICAL INDEX

NOMENCLATURE	FIGURE	NOMENCLATURE	FIGURE
C (cont)		C (Cont)	
COMPASS CARD RETAINER,	58	COVER ASSEMBLY-PEDESTAL,	51A
COMPASS CORRECTION CARD,	58	COVER ASSEMBLY-RADIO VENT,	18
COMPASS CORRECTION CARD,	62A	COVER ASSEMBLY-SEAT BACK RECLINING FRONT,	54
COMPASS MOUNTING BRACKET,	61	COVER ASSEMBLY-SEAT BACK RECLINING FRONT,	55C
COMPASS MOUNTING BRACKET,	62A	COVER ASSEMBLY-REAR SEAT BOTTOM,	56
COMPASS & REARVIEW MIRROR INSTALLATION	62A	COVER ASSEMBLY-REAR SEAT BOTTOM,	56A
CONLEY-WELD,	1	COVER ASSEMBLY-REAR SEAT BOTTOM,	56C
CONSOLE-FOOD & BEVERAGE CABINET,	51A	COVER ASSEMBLY-REAR SEAT BACK,	54A
CONSOLE-FOOD & BEVERAGE CABINET,	51B	COVER ASSEMBLY-REAR SEAT BACK,	54B
CONTACTOR ASSEMBLY,	113	COVER ASSEMBLY-REAR SEAT BACK,	55
CONTROL CABLES COVER	25A	COVER ASSEMBLY-REAR SEAT BACK,	55A
CONTROL COLUMN BEARING BLOCK,	80	COVER ASSEMBLY-REAR SEAT BACK,	56
CONTROL COLUMN INSTALLATION,	80	COVER ASSEMBLY-REAR SEAT BACK,	56A
CONTROL CONSOLE COVER,	51A	COVER ASSEMBLY-REAR SEAT BACK,	56C
CONTROL CONSOLE COVER,	51B	COVER ASSEMBLY-SEAT BOTTOM RECLINING,	54
CONTROL LOCK,	61	COVER ASSEMBLY-SEAT BOTTOM RECLINING,	54A
CONTROL TUBE,	80	COVER ASSEMBLY-SEAT BOTTOM RECLINING,	54B
CONTROL WHEEL,	80	COVER ASSEMBLY-SEAT BOTTOM RECLINING,	55
CONTROL WHEEL ASSEMBLY,	80	COVER ASSEMBLY-SEAT BOTTOM RECLINING,	55A
CONTROL WHEEL EMBLEM,	80	COVER ASSEMBLY-SEAT BOTTOM RECLINING,	55C
CONTROL WHEEL MEDALLION,	2	COVER ASSEMBLY-SHELF,	51
CONTROL-CABIN AIR,	59	COVER ASSEMBLY-SHELF,	51A
CONTROL-CABIN AIR,	59A	COVER-BAGGAGE DOOR,	51
CONTROL-CABIN AIR,	75	COVER-BAGGAGE DOOR,	51A
CONTROL-CABIN AIR,	75A	COVER-BAGGAGE SHELF EDGE,	51
CONTROL-CABIN AIR,	75B	COVER-CONTROL CABLES,	25A
CONTROL -CABIN HEAT,	59	COVER-SHOCK PANEL,	58
CONTROL-CABIN HEAT,	59A	COVER-SHOCK PANEL,	59A
CONTROL -CABIN HEAT,	76	COVER-STATIONARY PANEL,	59
CONTROL-COWL FLAP,	73	COVER-STATIONARY PANEL,	59A
CONTROL-COWL FLAP,	73A	COVER-WINTERIZATION,	74
CONTROL-DEFROST,	59	COVER-WINTERIZATION,	74A
CONTROL-DEFROST,	59A	COWL ASSEMBLY-REMOVABLE,	66
CONTROL-DEFROST,	76	COWL ASSEMBLY-REMOVABLE,	66A
CONTROL-DEFROST,	76A	COWL ASSEMBLY-REMOVABLE,	66B
CONTROL-FUEL STRAINER DRAIN,	59	COWL ATTACH ANGLE,	18
CONTROL-FUEL STRAINER DRAIN,	59B	COWL ATTACH STRIP,	22
CONTROL-FUEL STRAINER DRAIN,	91	COWL DOOR ASSEMBLY-ACCESS,	66
CONTROL-INDUCTION HOT AIR,	59	COWL DOOR ASSEMBLY-ACCESS,	66A
CONTROL-INDUCTION HOT AIR,	59A	COWL DOOR ASSEMBLY-ACCESS,	66B
CONTROL-MIXTURE,	59	COWL DOOR ASSEMBLY-OIL,	66
CONTROL-MIXTURE,	59A	COWL DOOR ASSEMBLY-OIL,	66A
CONTROL-MIXTURE,	67	COWL DOOR ASSEMBLY-OIL,	66B
CONTROL-MIXTURE,	67A	COWL FLAP CONTROL BRACKET,	27
CONTROL-MIXTURE,	67B	COWL FLAP CONTROL BRACKET,	27A
CONTROL-PROPELLER,	59	COWL FLAP CONTROL,	73
CONTROL-PROPELLER,	59A	COWL FLAP CONTROL,	73A
CONTROL-PROPELLER,	67	COWL FLAP DOOR,	73
CONTROL-PROPELLER,	67A	COWL FLAP DOOR,	73A
CONTROL-PROPELLER,	67B	COWL FLAP DOOR BUMPER,	22
CONTROL-STRAINER DRAIN,	59	COWL FLAP DOOR BUMPER,	22A
CONTROL-STRAINER DRAIN,	59B	COWL FLAPS SYSTEM INSTALLATION,	73
CONTROL-STRAINER DRAIN,	91	COWL HALF-LH,	66
CONTROL-THROTTLE,	59	COWL HALF-LH,	66A
CONTROL-THROTTLE,	59A	COWL HALF-LH,	66B
CONTROL-THROTTLE,	67	COWL HALF-RH,	66
CONTROL-THROTTLE,	67A	COWL HALF-RH,	66A
CONTROL-THROTTLE,	67B	COWL HALF-RH,	66B
CONTROLLER-EXHAUST VALVE,	69D	COWL LOUVER,	22
COURTESY LIGHT INSTALLATION,	113	COWL LOUVER,	22A
COURTESY LIGHT INSTALLATION,	115	COWL SKIN-LOWER,	22
COVER ASSEMBLY-AFT FIREWALL,	22	COWL SKIN-LOWER,	22A
COVER ASSEMBLY-AFT FIREWALL,	22A	COWL SKIN-UPPER,	66
COVER ASSEMBLY-BATTERY BOX,	27	COWL SKIN-UPPER,	66A
COVER ASSEMBLY-BATTERY BOX,	27A	COWL SKIN-UPPER,	66B
COVER ASSEMBLY-DECK,	49	CRANK-SPRING DOOR ACTUATOR M.G.,	41
COVER ASSEMBLY-FIREWALL,	49	CUP-FUEL SELECTOR,	92
COVER ASSEMBLY-FRONT HEADREST,	54A	CURTAIN-REAR WINDOW,	51
COVER ASSEMBLY-FRONT HEADREST,	54B	CURTAIN-REAR WINDOW,	51A
COVER ASSEMBLY-FRONT HEADREST,	55A	CUSHION-LOWER ADJUSTABLE FRONT SEAT,	54
COVER ASSEMBLY-FRONT HEADREST,	57	CUSHION-LOWER ADJUSTABLE FRONT SEAT,	54B
COVER ASSEMBLY-PANEL LIGHT,	114	CUSHION-LOWER ADJUSTABLE FRONT SEAT,	54A

ALPHABETICAL INDEX

NOMENCLATURE	FIGURE	NOMENCLATURE	FIGURE
D (cont)		E (cont)	
DOORS & TORQUE TUBE INSTALLATION-NOSE GEAR,	40	ELEVATOR-BRACKET,	22
DOOR WEDGE-CABIN,	19	ELEVATOR-BRACKET,	22A
DORSAL & FIN INSTALLATION,	12	EMBLEM-CONTROL WHEEL,	2
DORSAL FAIRING,	12	EMBLEM-CONTROL WHEEL,	80
DORSAL RIBS,	12	EMBLEM-STAR,	2
DORSAL SKIN,	12	EMERGENCY-HAND PUMP,	96
DOWNLOCK ASSEMBLY-MAIN GEAR,	44	EMERGENCY-HAND PUMP,	96A
DOWNLOCK INSTALLATION-MAIN GEAR,	39	EMERGENCY-HAND PUMP,	100
DOWNLOCK INSTALLATION-MAIN LANDING GEAR,	44	EMERGENCY-HAND PUMP,	100A
DRAIN INSTALLATION-FUEL STRAINER,	91	EMPENNAGE FAIRING,	14
DRAIN INSTALLATION-FUEL STRAINER,	91A	EMPENNAGE FAIRING,	14A
DRAIN PLUG FUEL TANK,	8	ENGINE,	68
DRAIN-FUEL,	91	ENGINE,	68A
DRIVE BELT-ALTERNATOR,	68B	ENGINE-TURBOCHARGED,	68B
DRIVE SHAFT-HYDRAULIC PUMP,	101	ENGINE ASSEMBLY-CONTINENTAL,	68
DUCT-TURBOCHARGER AIR INLET,	69B	ENGINE ASSEMBLY-CONTINENTAL,	68A
		ENGINE ASSEMBLY-CONTINENTAL,	68A
		ENGINE ASSEMBLY-CONTINENTAL,	68A
		ENGINE BAFFLES INSTALLATION,	68
		ENGINE BAFFLES INSTALLATION,	72
		ENGINE BAFFLES INSTALLATION,	72A
		ENGINE BAFFLES INSTALLATION,	72B
		ENGINE BAFFLES,	72
		ENGINE BAFFLES,	72A
		ENGINE BAFFLES,	72B
		ENGINE INSTALLATION,	67
		ENGINE INSTALLATION,	67A
		ENGINE INSTALLATION,	67B
		ENGINE MANIFOLD-PRIMER	92A
		ENGINE MANIFOLD-PRIMER,	92B
		ENGINE MOUNT ASSEMBLY-REAR,	22
		ENGINE MOUNT ASSEMBLY-REAR,	22A
		ENGINE MOUNT-FORWARD SUPPORT,	22
		ENGINE MOUNT-FORWARD SUPPORT,	22A
		ENGINE OIL PLACARD,	2
		ENGINE OIL & TIRE PRESSURE PLACARD,	2
		ENGINE OIL & TIRE PRESSURE PLACARD,	60
		ENGINE PRIMER ASSEMBLY,	92A
		ENGINE PRIMER ASSEMBLY,	92B
		ENGINE PRIMER SYSTEM,	92A
		ENGINE PRIMER SYSTEM,	92B
		EQUIPMENT INSTALLATION STATIONARY PANEL,	59
		EQUIPMENT INSTALLATION STATIONARY PANEL,	59A
		EQUIPMENT-ELECTRICAL,	113
		EQUIPMENT-FUSELAGE,	61
		ESCUTCHEON-DOOR HANDLE,	45
		ESCUTCHEON-DOOR HANDLE,	46
		ESCUTCHEON-DOOR HANDLE,	46A
		ESCUTCHEON-INSTRUMENT PANEL,	58
		EXHAUST BY-PASS VALVE,	69D
		EXHAUST HEAT DEFLECTOR,	68
		EXHAUST HEAT DEFLECTOR,	68A
		EXHAUST STACK INSTALLATION,	71
		EXHAUST STACK INSTALLATION,	71A
		EXHAUST STACK SUPPORT,	27
		EXHAUST STACK SUPPORT,	27A
		EXHAUST VALVE CONTROLLER,	69D
		EXTENDED RANGE FUEL TANK,	8
		EXTENDED RANGE WING,	3
		EXTENDED RANGE WING,	3A
		EXTENSION-BELT-PORTABLE STRETCHER,	62
		EXTENSION-TIRE VALVE,	36A
		EXTENSION-TIRE VALVE,	36B
		EXTENSION-TIRE VALVE,	39A
		EXTERIOR NUMERS-210,	2
		EXTINGUISHER-FIRE,	61
		EYEBOLT-CARGO TIE-DOWN,	61
		EYEBOLT-HOISTING,	61
		EYEBOLT,	51
E			
ELBOW ASSEMBLY-CABIN VENTILATION,	75		
ELBOW ASSEMBLY-CABIN VENTILATION,	75A		
ELBOW ASSEMBLY-CABIN VENTILATION,	75B		
ELECTRIC CLOCK,	59		
ELECTRIC FLAP SYSTEM,	85A		
ELECTRICAL EQUIPMENT INSTALLATION,	113		
ELECTRICAL WIRE,	1		
ELEVATOR ASSEMBLY,	15		
ELEVATOR ASSEMBLY,	15A		
ELEVATOR BALANCE WEIGHT,	15		
ELEVATOR BALANCE WEIGHT,	15A		
ELEVATOR BAR BELLCRANK,	82		
ELEVATOR BELLCRANK BRACKET-REAR,	31		
ELEVATOR-BOB WEIGHTS,	80		
ELEVATOR CONTROL SYSTEM,	82		
ELEVATOR DOWN CABLE,	82		
ELEVATOR DOWN CABLE,	82A		
ELEVATOR DOWN SPRING CABLE,	82		
ELEVATOR DOWN SPRING CABLE,	82A		
ELEVATOR HINGE BRACKET,	15		
ELEVATOR HINGE HALF,	14		
ELEVATOR HINGE HALF,	15A		
ELEVATOR INSTALLATION,	15		
ELEVATOR INSTALLATION,	15A		
ELEVATOR PUSH-PULL TUBE,	82		
ELEVATOR RIB,	15		
ELEVATOR RIB,	15A		
ELEVATOR SKIN,	15		
ELEVATOR SKIN,	15A		
ELEVATOR SPRING BRACKET,	30		
ELEVATOR TAB CHAIN,	83		
ELEVATOR TAB STOP BLCOK,	83		
ELEVATOR TIP,	15		
ELEVATOR TIP,	15A		
ELEVATOR TORQUE TUBE,	15		
ELEVATOR TRIM BRACKET,	19		
ELEVATOR TRIM CABLE-FORWARD,	83		
ELEVATOR TRIM CABLE-AFT,	83		
ELEVATOR TRIM CONTROL SYSTEM INSTL,	83		
ELEVATOR TRIM TAB,	15		
ELEVATOR TRIM TAB,	15A		
ELEVATOR TRIM TAB ACTUATOR,	83		
ELEVATOR TRIM TAB ACTUATOR,	84		
ELEVATOR TRIM WHEEL,	83		
ELEVATOR UP CABLE,	82		
ELEVATOR-BRACKET,	19		

ALPHABETICAL INDEX

NOMENCLATURE	FIGURE	NOMENCLATURE	FIGURE
F		F (Cont)	
FACEPLATE AND BRACKET ASSEMBLY-NAVOMATIC,	59	FIREWALL GROMMETS,	28
FAIRING ASSEMBLY-FIN TO FUSELAGE AFT,	12	FIREWALL SHEET-LOWER,	27
FAIRING ASSEMBLY-WING LOWER AFT,	4	FIREWALL SHEET-LOWER,	27A
FAIRING ASSEMBLY-WING LOWER AFT,	3A	FIREWALL SHEET-UPPER,	27
FAIRING-DORSAL FIN,	12	FIREWALL SHEET-UPPER,	27A
FAIRING-EMPENNAGE,	14	FIREWALL SHIELD-HALF,	28
FAIRING-EMPENNAGE,	15	FITTING,	44
FAIRING-FLAP GAP,	4	FITTING ASSEMBLY-LOCK CYLINDER,	111
FAIRING-STABILIZER LEADING EDGE,	14	FITTING ASSEMBLY-NOSE GEAR,	22
FAIRING-STABILIZER LEADING EDGE,	15	FITTING ASSEMBLY-NOSE GEAR,	22A
FAIRING-STABILIZER,	14	FITTING-FRONT SPAR STRUT,	6
FAIRING-STABILIZER,	15	FITTING-FRONT SPAR STRUT,	6A
FAIRING-WING NAVIGATION LIGHT,	3A	FITTING-LOWER WING STRUT,	11
FAIRING-WING NAVIGATION LIGHT,	4	FITTING-NOSE GEAR DRAG,	22
FAIRING-WING STRUT,	11	FITTING-NOSE GEAR DRAG,	22A
FAIRING-WING TO FUSELAGE,	3A	FITTING-REAR DOORPOST,	20
FAIRING-WING TO FUSELAGE,	4	FITTING-SEAT BELT,	54
FERRULE-AXLE,	33	FITTING-SEAT BELT,	54A
FILLER ASSEMBLY-OXYGEN,	112	FITTING-SEAT BELT,	54B
FILLER ASSEMBLY-OXYGEN,	112A	FITTING-SEAT BELT,	55
FILLER ASSEMBLY-OXYGEN,	112B	FITTING-SEAT BELT,	55A
FILLER CAP & CHAIN ASSEMBLY-OXYGEN,	112A	FLANGE-STATIC SOURCE,	23
FILLER CAP & CHAIN ASSEMBLY-OXYGEN,	112B	FLAP ACTUATOR,	107
FILLET ASSEMBLY-SPINNER,	62	FLAP ACTUATOR,	109
FILLET ASSY-WING TO FUSE LEADING EDGE,	3A	FLAP ACTUATOR BRACKET,	4
FILLET ASSY-WING TO FUSE LEADING EDGE,	4	FLAP ACTUATOR BRACKET,	4A
FILLET-WING,	16	FLAP ACTUATOR MOTOR & BRAKE,	85B
FILTER ASSEMBLY-HYDRAULIC POWER PACK,	95	FLAP ACTUATOR PARTS,	109
FILTER ASSEMBLY-HYDRAULIC POWER PACK,	97A	FLAP ACTUATOR-ANCHOR END,	109
FILTER ASSY-FULL FLOW OIL,	93	FLAP ACTUATOR-BARREL,	109
FILTER ASSY-FULL FLOW OIL,	93A	FLAP ASSEMBLY-WING,	10
FILTER ASSEMBLY-VACUUM SYSTEM	94A	FLAP ASSEMBLY-WING,	117
FILTER ELEMENT-VACUUM	94A	FLAP BELLCRANK,	10
FILTER-AIRBOX,	69	FLAP BELLCRANK,	85
FILTER-AIRBOX,	69A	FLAP BELLCRANK,	85A
FILTER-AIR INTAKE,	69B	FLAP BELLCRANK BRACKET,	4
FIN & DORSAL INSTALLATION,	12	FLAP BELLCRANK BRACKET,	4A
FIN ASSEMBLY,	12	FLAP CABLE ASSEMBLY,	85
FIN FAIRING-FORWARD,	12	FLAP CABLE ASSEMBLY,	85A
FIN HINGE BRACKET,	12	FLAP CAM SHAFT,	98
FIN RIB,	12	FLAP CONTROL ATTACHMENT BRACKET,	10
FIN SKIN,	12	FLAP CONTROL KNOB,	98
FIN TIP CAP ROTATING BEACON,	12	FLAPS-COWL,	73
FIN TIP CAP ROTATING BEACON,	116	FLAP GAP FAIRING,	4
FIN TIP CAP,	12	FLAP INSTALLATION-WING,	10
FIN TIP RIB,	12	FLAP INSTALLATION-WING,	117
FIN TIP-ROTATING BEACON,	12	FLAP LEVER,	98
FIN TIP-ROTATING BEACON,	116	FLAP ACTUATOR MOTOR & ASSY,	85A
FIN TO FUSELAGE FAIRING,	12	FLAP POSITION INDICATOR,	58
FINISH & TRIM PLATE,	2	FLAP POSITION TRANSMITTER,	10
FINISH & TRIM PLATE,	16	FLAP POSITION TRANSMITTER,	85A
FINISH & TRIM PLATE-HOW TO READ,	111	FLAP PUSH-PULL ROD,	10
FIRE EXTINGUISHER,	61	FLAP PUSH-PULL ROD,	85
FIREWALL ASSEMBLY-LOWER,	22	FLAP PUSH-PULL ROD,	85A
FIREWALL ASSEMBLY-LOWER,	22A	FLAP RIB,	10
FIREWALL ASSEMBLY-LOWER,	27	FLAP RIB,	10A
FIREWALL ASSEMBLY-LOWER,	27A	FLAP ROLLER,	10
FIREWALL ASSEMBLY-UPPER,	27	FLAP SYNCHRONIZATION SYSTEM,	85
FIREWALL ASSEMBLY-UPPER,	27A	FLAP SYSTEM-ELECTRIC,	85A
FIREWALL ASSEMBLY,	18	FLAP SYSTEM LINES-SEE LINES	
FIREWALL ASSEMBLY,	27	FLAP TRACK RIB,	4
FIREWALL ASSEMBLY,	27A	FLAP TRACK RIB,	4A
FIREWALL BULKHEAD,	27		
FIREWALL BULKHEAD,	27A		

ALPHABETICAL INDEX

NOMENCLATURE	FIGURE	NOMENCLATURE	FIGURE
F (cont)		F (Cont)	
FLASHER UNIT-POSITION LIGHT,	60	FUEL SELECTOR VALVE,	91B
FLASHER UNIT-POSITION LIGHT,	113	FUEL SELECTOR VALVE,	92
FLOOR PANEL-OUTBOARD,	23	FUEL STRAINER,	90A
FLOOR PANEL-OUTBOARD,	25A	FUEL STRAINER,	91
FLOORBOARDS,	25A	FUEL STRAINER,	91A
FLOORBD & BAGGAGE COMPARTMENT UPHOL,	51A	FUEL STRAINER ASSEMBLY,	90A
FLOORBD & BAGGAGE COMPARTMENT UPHOL,	51B	FUEL STRAINER ASSEMBLY,	91
FLOORBD & BAGGAGE COMPARTMENT UPHOL,	51	FUEL STRAINER ASSEMBLY,	91A
FLOORBOARD ASSEMBLY-CENTER SECTION,	25A	FUEL STRAINER & DRAIN CONTROL INSTL,	91
FLOORBOARD ASSEMBLY-FORWARD,	25A	FUEL STRAINER & DRAIN CONTROL INSTL,	91A
FLOORBOARD-BAGGAGE,	25A	FUEL STRAINER BODY,	91
FLOORBOARD-CENTER,	25A	FUEL STRAINER BODY,	91A
FLOORBOARD-LH,	25A	FUEL STRAINER BOWL-GLASS,	91
FLUSH CUP-FUEL SAMPLER,	61	FUEL STRAINER BRACKET,	22
FOOD & BEVERAGE CABINET,	51A	FUEL STRAINER BRACKET,	22A
FOOD & BEVERAGE CABINET,	51B	FUEL STRAINER DRAIN INSTALLATION,	91
FORWARD BAFFLE-ENGINE,	72	FUEL STRAINER DRAIN INSTALLATION,	91A
FORWARD BAFFLE-ENGINE,	72A	FUEL STRAINER SCREEN ASSEMBLY,	91
FORWARD BAFFLE-ENGINE,	72B	FUEL STRAINER SCREEN ASSEMBLY,	91A
FORWARD DOORPOST & BULKHEAD,	19	FUEL STRAINER-TANK,	8
FORWARD FUSELAGE STRUCTURE,	17	FUEL STRAINER-TANK,	89
FORWARD FUSELAGE STRUCTURE,	18	FUEL SYSTEM INSTALLATION,	89
FRAME-SIDE WINDOW,	52	FUEL SYSTEM INSTALLATION,	89A
FRAME-WINDOW DOOR,	45	FUEL TANK DRAIN ADAPTER,	8
FRONT & CENTER SECTION ASSY-FUSELAGE,	16	FUEL TANK DRAIN PLUG,	8
FRONT & CENTER SECTION ASSY-FUSELAGE,	17	FUEL TANK INSTALLATION,	3
FRONT DOORJAMB,	19	FUEL TANK INSTALLATION,	3A
FRONT DOORPOST BULKHEAD,	19	FUEL TANK INSTALLATION,	8
FRONT SEAT INSTLS,	54	FUEL TANK-WING,	8
FRONT SEAT INSTLS,	54A	FUEL TRANSMITTER GASKET,	8
FRONT SEAT INSTLS,	54B	FUEL VALVE-SOLENOID,	89
FRONT SEAT INSTLS,	55	FUEL WELL PANEL-WING,	7
FRONT SEAT INSTLS,	55A	FUEL WELL PANEL-WING,	7A
FRONT SPAR CAP ANGLE,	6	FULL FLOW FILTER,	93
FRONT SPAR CAP ANGLE,	6A	FULL FLOW FILTER,	93A
FRONT SPAR-WING,	6	FUSEHOLDER,	113
FRONT SPAR,	19	FUSELAGE ASSEMBLY,	16
FUEL BAY RIB,	3A	FUSELAGE BELLY SECTION,	24
FUEL BAY RIB,	4A	FUSELAGE EQUIPMENT INSTALLATION,	61
FUEL CAP & ADAPTER,	8	FUSELAGE FRONT & CENTER SECTION,	16
FUEL CAP-32.5 GAL,	8	FUSELAGE FRONT & CENTER SECTION,	17
FUEL CAP-42.0 GAL,	8	FUSELAGE LOWER CABIN SECTION,	16
FUEL CHECK VALVE	89A	FUSELAGE LOWER CABIN SECTION,	23
FUEL CONTROL BRACKET,	21	FUSELAGE SKINS,	18
FUEL CONTROL BRACKET,	21A	FUSELAGE SKINS,	22
FUEL FLOAT & TRANSMITTER,	8	FUSELAGE SKINS,	22A
FUEL FLOW GAGE,	58	FUSELAGE SKINS,	23
FUEL LINE ASSY,	89	FUSELAGE SKINS,	24
FUEL LINE ASSY,	89A	FUSELAGE TAILCONE,	16
FUEL LINE ASSY,	90	FUSELAGE TAILCONE,	30
FUEL LINE ASSY,	90A	FUSELAGE-LOWER STRUCTURE FWD,	22
FUEL LINE ASSY,	92	FUSELAGE-LOWER STRUCTURE FWD,	22A
FUEL LINE ASSY,	91A		
FUEL PRESSURE HOSE,	67	G	
FUEL PRESSURE HOSE,	68	GAGE ASSEMBLY-OXYGEN PRESSURE,	112A
FUEL PRESSURE HOSE,	68A	GAGE ASSEMBLY-OXYGEN PRESSURE,	112B
FUEL PUMP-AUXILIARY,	90	GAGE-CYLINDER HEAD TEMPERATURE,	58
FUEL PUMP-AUXILIARY,	90A	GAGE-CYLINDER HEAD TEMPERATURE,	59A
FUEL RESERVOIR,	89	GAGE-FUEL FLOW,	58
FUEL RESERVOIR,	89A	GAGE-FUEL FLOW,	59A
FUEL RESISTANT GASKET ADHESIVE,	1	GAGE-FUEL,	58
FUEL SAMPLER CUP,	61	GAGE-FUEL,	59A
FUEL SELECTOR VALVE HANDLE,	91B	GAGE OIL PRESSURE,	58
FUEL SELECTOR VALVE HANDLE,	92	GAGE OIL PRESSURE,	59A
FUEL SELECTOR VALVE PLACARD,	2	GAGE-OIL PRESSURE,	93
FUEL SELECTOR VALVE PLACARD,	91B	GAGE-OIL TEMPERATURE,	58
FUEL SELECTOR VALVE PLACARD,	92	GAGE-OIL TEMPERATURE,	59A
FUEL SELECTOR VALVE SHAFT,	91B		
FUEL SELECTOR VALVE SHAFT,	92		

ALPHABETICAL INDEX

NOMENCLATURE	FIGURE	NOMENCLATURE	FIGURE
G (cont)		H (cont)	
GAGE-OIL TEMPERATURE,	93	HANDLE-SEAT LATCH-RECLINING,	55B
GAGE-OUTSIDE AIR TEMPERATURE,	61	HARNESSES-SHOULDER,	61
GAGE-SUCTION,	58	HEADLINER ASSEMBLY-CABIN,	49
GAGE-SUCTION,	59A	HEADREST ASSEMBLY-FRONT,	54A
GAGE-SUCTION,	94	HEADREST ASSEMBLY-FRONT,	54B
GAGE-SUCTION,	94A	HEADREST ASSEMBLY-FRONT,	55A
GAS CAP-32.5 GAL,	8	HEADREST ASSEMBLY-FRONT,	57
GAS CAP-42.0 GAL,	8	HEADREST ASSEMBLY-REAR,	56A
GAS CAP,	8	HEADREST ASSEMBLY-REAR,	56C
GAS GAGE,	58	HEADREST ASSEMBLY-REAR,	57
GAS GAGE,	59A	HEADREST INSTALLATION-SEAT,	57
GAS TANK INSTALLATION,	3	HEATED PITOT INSTALLATION,	88
GAS TANK INSTALLATION,	3A	HEATER ASSEMBLY-PITOT,	88
GAS TANK INSTALLATION,	8	HEATER INSTALLATION-CABIN,	76
GASKET-AIR FILTER,	69	HEATER INSTALLATION-CABIN,	76A
GASKET-AIR FILTER,	69A	HINGE ASSEMBLY-COLD AIR,	18
GASKET-FUEL TRANSMITTER,	8	HINGE ASSEMBLY-MAP BOX DOOR,	60
GEAR ASSEMBLY-IDLER HYDRAULIC PUMP,	101	HINGE ASSEMBLY-MAP BOX DOOR,	60A
GEAR CONTROL KNOB,	98	HINGE BRACKET-ELEVATOR,	15
GEAR LEVER,	98	HINGE BRACKET-FIN,	12
GEAR OPERATING LINES-SEE LINES		HINGE HALF,	14
GEAR WARNING SPEAKER,	113	HINGE HALF,	15A
GLIDE-AILERON CONTROL,	80	HINGE HALF,	22
GLOVE BOX INSTALLATION,	60A	HINGE HALF,	22A
GOVERNOR PROPELLER,	68	HINGE HALF,	23
GOVERNOR PROPELLER,	70	HINGE HALF-ELEVATOR,	14
GOVERNOR PROPELLER,	70A	HINGE HALF-ELEVATOR,	15A
GOVERNOR-PARTS-PROP,	70	HINGE HALF-MAIN WHEEL DOOR,	23
GOVERNOR-PARTS-PROP,	70A	HINGE-AILERON,	9
GROMMET INSTALLATION-FIREWALL,	28	HINGE-AILERON,	9A
GROUND SERVICE PLUG,	113	HINGE-CABIN DOOR,	45
GROUND STRAP,	8	HINGE-CABIN DOOR,	46
GROUND STRAP,	58	HINGE-CABIN DOOR,	46A
GROUND STRAP,	59A	HINGE-DOOR STOP,	45
GROUND STRAP,	67	HINGE-DOOR STOP,	46
GROUND STRAP,	67A	HINGE-DOOR STOP,	46A
GROUND STRAP,	67B	HINGE-MAIN GEAR DOORS,	41
GYRO COMPASS,	58	HINGE-STABILIZER,	14
GYRO COMPASS,	94	HINGE-WINDOW-CABIN DOOR,	45
GYRO HORIZON INDICATOR,	58	HOISTING RING,	61
GYRO HORIZON INDICATOR,	59A	HOOK & SUPPORT ASSEMBLY-NOSE GEAR UPLOCK,	42
GYRO HORIZON INDICATOR,	94	HOOK ASSEMBLY-NOSE GEAR UPLOCK,	42
H		HOOK-COAT HANGER,	49
HAND PUMP ASSEMBLY-EMERGENCY,	96	HOOK-SHOULDER HARNESS,	61
HAND PUMP ASSEMBLY-EMERGENCY,	96A	HORIZONTAL BAFFLE-ENGINE,	72
HAND PUMP ASSEMBLY-EMERGENCY,	100	HORIZONTAL BAFFLE-ENGINE,	72A
HAND PUMP ASSEMBLY-EMERGENCY,	100A	HORIZONTAL BAFFLE-ENGINE,	72B
HANDLE ASSEMBLY-PARKING BRAKE,	77	HOSE ASSEMBLY-BRAKE,	77
HANDLE-ACTUATOR-RECLINING SEAT,	54	HOSE ASSEMBLY-FUEL PRESSURE,	67
HANDLE-ACTUATOR-RECLINING SEAT,	54A	HOSE ASSEMBLY-FUEL PRESSURE,	68
HANDLE-ACTUATOR-RECLINING SEAT,	54B	HOSE-FUEL PRESSURE ENGINE TO FIREWALL,	68
HANDLE-ACTUATOR-RECLINING SEAT,	55	HOSE ASSEMBLY-OIL PRESSURE,	67
HANDLE-ACTUATOR-RECLINING SEAT,	55A	HOSE ASSEMBLY-OIL PRESSURE,	68
HANDLE-ASSEMBLY-ADJ FRONT SEAT,	55	HOSE ASSEMBLY-OIL PRESSURE,	68A
HANDLE-ASSEMBLY-ADJ FRONT SEAT,	55A	HOSE ASSEMBLY-OIL PRESSURE,	69C
HANDLE-ASSEMBLY-ADJ FRONT SEAT,	55B	HOSE ASSEMBLY-OIL PRESSURE,	93
HANDLE-DOOR INSIDE,	45	HOSE ASSEMBLY-OIL PRESSURE,	93A
HANDLE-DOOR INSIDE,	46	HOSE ASSY-OIL DILUTION,	93
HANDLE-DOOR INSIDE,	46A	HOSE ASSY-OIL DILUTION,	93A
HANDLE-DOOR LATCH,	47	HOUSING ASSEMBLY-PANEL LIGHT,	114
HANDLE-FUEL SELECTOR VALVE,	92	HOUSING-BRAKE,	39
HANDLE-SEAT LATCH-RECLINING,	54	HOW TO ORDER PARTS,	II
HANDLE-SEAT LATCH-RECLINING,	54A	HOW TO ORDER PAINTED PARTS,	XI
HANDLE-SEAT LATCH-RECLINING,	54B	HOW TO ORDER UPHOLSTERED PARTS,	X
HANDLE-SEAT LATCH-RECLINING,	55	HOW TO READ FINISH & TRIM PLATE,	III
HANDLE-SEAT LATCH-RECLINING,	55A	HOW TO USE CATALOG,	I
		HUB CAP-MAIN WHEEL,	38
		HUB CAP-NOSE WHEEL,	33
		HYDRAULIC FLUID PLACARD,	2
		HYDRAULIC LINES-SEE LINES	
		HYDRAULIC POWER PACK BODY,	97
		HYDRAULIC POWER PACK BODY,	97A

ALPHABETICAL INDEX

NOMENCLATURE	FIGURE	NOMENCLATURE	FIGURE
H (cont)		I (cont)	
HYDRAULIC POWER PACK UNIT,	95	INSTRUMENT-POST LIGHTING,	59C
HYDRAULIC POWER PACK UNIT,	96	INSTRUMENT PANEL LAMP,	114
HYDRAULIC POWER PACK UNIT,	96A	INSTRUMENTS & SHOCK PANEL INSTL,	58
HYDRAULIC POWER PACK INSTALLATION,	95	INSTRUMENTS & SHOCK PANEL INSTL,	59A
HYDRAULIC PUMP PARTS,	101	INSTRUMENTS SEE INDIVIDUAL LISTINGS	
HYDRAULIC PUMP,	101	INTER CYLINDER BAFFLE,	72
HYDRAULIC SYSTEM-NOSE GEAR & DOORS,	102	INTER CYLINDER BAFFLE,	72A
HYDRAULIC SYSTEM-STA. 68.33 TO 98.00,	107	INTER CYLINDER BAFFLE,	72B
HYDRAULIC SYSTEM-STA. 44.00 TO 68.33,	105		
HYDRAULIC SYSTEM-STA. 18.00 TO 44.00,	104	J	
I		JACK PAD-UNIVERSAL,	61
IGNITION SWITCH,	59	JACKPOINT ASSEMBLY,	4
IGNITION SWITCH,	59B	JAMB-WINDOW,	45
INDEX-NUMERICAL,	258	K	
INDICATOR-AIRSPEED,	58	KEEL BULKHEAD,	22
INDICATOR-AIRSPEED,	59A	KEEL BULKHEAD,	22A
INDICATOR-AIRSPEED,	88	KIT-IGNITION SWITCH & LOCK KIT,	59
INDICATOR-DIRECTIONAL GYRO,	58	KIT-IGNITION SWITCH & LOCK KIT,	59B
INDICATOR-DIRECTIONAL GYRO,	59A	KNOB-ADJUSTABLE FRONT SEAT,	54A
INDICATOR-DIRECTIONAL GYRO,	94	KNOB-ADJUSTABLE FRONT SEAT,	55
INDICATOR-DIRECTIONAL GYRO,	94A	KNOB-ADJUSTABLE FRONT SEAT,	55B
INDICATOR-DIRECTIONAL GYRO-PICTORIAL,	58	KNOB-CIGAR LIGHTER,	59
INDICATOR-DIRECTIONAL GYRO PICTORIAL,	59A	KNOB-CIGAR LIGHTER,	59A
INDICATOR-DIRECTIONAL GYRO-PICTORIAL,	94	KNOB-FLAP CONTROL,	98
INDICATOR-DIRECTIONAL GYRO PICTORIAL,	94A	KNOB-GEAR CONTROL,	98
INDICATOR-FLAP POSITION,	58	KNOB-MAP BOX,	60
INDICATOR-FLAP POSITION,	59A	KNOB-RHEOSTAT,	59
INDICATOR-GYRO HORIZON,	58	KNOB-RHEOSTAT,	59B
INDICATOR-GYRO HORIZON,	59A	KNOB-ADJ FRONT SEAT,	54A
INDICATOR-GYRO HORIZON,	94	KNOB-ADJ FRONT SEAT,	55
INDICATOR-GYRO HORIZON,	94A	KNOB-ADJ FRONT SEAT,	55B
INDICATOR-GYRO HORIZON-PICTORIAL,	58	L	
INDICATOR-GYRO HORIZON-PICTORIAL,	59A	LAMP ASSEMBLY-TAIL,	32
INDICATOR-GYRO HORIZON-PICTORIAL,	94	LAMP-COURTESY LIGHT,	115
INDICATOR-GYRO HORIZON-PICTORIAL,	94A	LAMP-DOME LIGHT,	113
INDICATOR-MANIFOLD PRESSURE,	58	LAMP-INSTRUMENT PANEL,	114
INDICATOR-MANIFOLD PRESSURE,	59A	LAMP-INSTRUMENT POST LIGHT,	59C
INDICATOR-RUDDER TRIM,	87	LAMP-PICTORIAL GYRO,	58
INDICATOR-TURN & BANK,	58	LAMP-PICTORIAL GYRO,	94
INDICATOR-TURN & BANK,	59A	LAMP-ROTATING BEACON,	116
INDICATOR-VERTICAL SPEED,	58	LAMP-TAIL LIGHT,	32
INDICATOR-VERTICAL SPEED,	59A	LAMP,	59
INDICATOR-VERTICAL SPEED,	88	LAMP,	59B
INDUCTION AIR BOX,	68	LANDING GEAR AXLE,	38
INDUCTION AIR BOX,	68A	LANDING GEAR INSTALLATION-NOSE,	33
INDUCTION AIR BOX,	69	LANDING GEAR INSTALLATION-MAIN,	38
INDUCTION AIR BOX,	69A	LANDING GEAR SWITCHES,	117
INDUCTION HOT AIR CONTROL,	59	LANDING LIGHT,	3
INDUCTION HOT AIR CONTROL,	59A	LANDING LIGHT,	3A
INLET ASSEMBLY-AIR,	18	LANDING LIGHT BRACKET,	5
INLET ASSEMBLY-AIR,	68	LANDING LIGHT WINDOW,	3
INLET ASSEMBLY-AIR,	68A	LANDING LIGHT WINDOW,	3A
INLET ASSEMBLY-AIR,	75	LATCH ASSEMBLY-REMOVABLE-DOOR,	45
INLET ASSEMBLY-AIR,	76	LATCH ASSEMBLY-REMOVABLE-DOOR,	46
INLET ASSY-COLD AIR,	18	LATCH ASSEMBLY-REMOVABLE-DOOR,	46A
INLET ASSY-COLD AIR,	68	LATCH ASSEMBLY-REMOVABLE-DOOR,	47
INLET ASSY-COLD AIR,	68A	LATCH ASSEMBLY-REMOVABLE-DOOR,	47A
INLET ASSY-COLD AIR,	75	LATCH ASSEMBLY-WINDOW,	45
INLET ASSY-COLD AIR,	76	LATCH BOLT-DOOR,	47
INSIGNIA-CESSNA,	2	LATCH BOLT-DOOR,	47A
INSIGNIA-TAIL,	2	LEADING EDGE ASSEMBLIES-WING,	4
INSTRUCTIONS-HOW TO ORDER PARTS,	II		
INSTRUCTIONS-HOW TO READ FINISH & TRIM,	III		
INSTRUCTIONS-HOW TO USE CATALOG,	I		
INSTRUMENT CLUSTER,	58		
INSTRUMENT CLUSTER,	59A		
INSTRUMENT PANEL LIGHTS INSTALLATION,	113		
INSTRUMENT PANEL LIGHTS INSTALLATION,	114		

ALPHABETICAL INDEX

NOMENCLATURE	FIGURE	NOMENCLATURE	FIGURE
L (cont)		L (cont)	
LEADING EDGE ASSEMBLIES-WING,	4A	LINE-FLAP DOWN,	105
LEADING EDGE ASSEMBLIES-WING,	5	LINE-FLAP DOWN,	107
LEADING EDGE ASSY-INBOARD EXTENDED RANGE,	5	LINE-FLAP UP,	95
LEADING EDGE ASSEMBLY-INBOARD,	5	LINE-FLAP UP,	102
LEADING EDGE ASSEMBLY-CENTER,	5	LINE-FLAP UP,	104
LEADING EDGE RIB,	5	LINE-FLAP UP,	105
LEADING EDGE SKIN,	5	LINE-FLAP UP,	107
LENS-ROTATING BEACON,	116	LINE-GEAR DOWN,	95
LENS-TAIL LIGHT,	32	LINE-GEAR DOWN,	102
LENS-WING NAVIGATION LIGHT,	3	LINE-GEAR DOWN,	104
LENS-WING NAVIGATION LIGHT,	3A	LINE-GEAR DOWN,	105
LEVER ASSEMBLY-FLAP,	98	LINE-GEAR DOWN,	107
LEVER-GEAR,	98	LINE-GEAR UP,	95
LIGHT ASSEMBLY-DOME,	113	LINE-GEAR UP,	102
LINE ASSEMBLY-FUEL FLOW		LINE-GEAR UP,	104
LIGHT-ASSY-MAP,	118	LINE-GEAR UP,	105
LIGHT ASSEMBLY-TAIL,	32	LINE-GEAR UP,	107
LIGHT ASSEMBLY-WING NAVIGATION,	3	LINK-STEERING,	35
LIGHT ASSEMBLY-WING NAVIGATION,	3A	LOCK & IGNITION SWITCH KIT,	59
LIGHT ASSEMBLY,	59	LOCK & IGNITION SWITCH KIT,	59B
LIGHT ASSEMBLY,	59B	LOCK ASSEMBLY-DOOR,	45
LIGHT BULB-TAIL LAMP,	32	LOCK ASSEMBLY-DOOR,	46
LIGHT INSTALLATION-COURTESY,	113	LOCK ASSEMBLY-DOOR,	46A
LIGHT INSTALLATION-COURTESY,	115	LOCK CYLINDER ASSEMBLY,	111
LIGHT-LANDING,	3A	LOCK CYLINDER-BARREL & VALVE BODY,	111
LIGHTER ASSEMBLY-CIGAR,	59	LOCK-BAGGAGE DOOR,	48
LIGHTER ASSEMBLY-CIGAR,	59A	LOCK-CONTROL,	61
LIMIT SWITCH-SEE SWITCHES		LONG RANGE FUEL TANK,	3
LINE ASSEMBLY-BATTERY DRAIN,	113	LONG RANGE FUEL TANK,	3A
LINE ASSEMBLY-BRAKE MAIN GEAR,	38	LONG RANGE FUEL TANK,	8
LINE ASSEMBLY-BRAKE MAIN GEAR,	77	LONG RANGE WING,	3
LINE ASSEMBLY-ENGINE PUMP,	68	LONG RANGE WING,	3A
LINE ASSEMBLY-ENGINE PUMP,	68A	LONG RANGE WING,	4
LINE ASSEMBLY-FUEL,	89	LONG RANGE WING,	4A
LINE-MANIFOLD PRESSURE ENGINE TO FIREWALL,	67	LONGERON ASSEMBLY,	23
LINE-MANIFOLD PRESSURE ENGINE TO FIREWALL,	68A	LONGITUDINAL BULKHEAD ASSEMBLY,	25
LINE-MANIFOLD PRESSURE ENGINE TO FIREWALL,	68B	LOUVER-COWL,	22
LINE ASSEMBLY-MANIFOLD DRAIN,	68	LOUVER-COWL,	22A
LINE ASSEMBLY-MANIFOLD DRAIN,	68A	LOWER CABIN SECTION-FUSELAGE,	16
LINE ASSEMBLY-MANIFOLD DRAIN,	68B	LOWER CABIN SECTION-FUSELAGE,	23
LINE ASSEMBLY-OIL DILUTION,	93	LUG-SPINNER ATTACH,	63
LINE ASSEMBLY-OIL DILUTION,	93A		
LINE ASSEMBLY-OXYGEN,	112	M	
LINE ASSEMBLY-OXYGEN,	112A	M.A.A. NAMEPLATE,	2
LINE ASSEMBLY-OXYGEN,	112B	M.A.A. NAMEPLATE,	16
LINE ASSEMBLY-PACK VENT,	95	M.G. ACTUATOR BODY & COVER ASSEMBLY,	106
LINE ASSEMBLY-PITOT,	4	M.G. ACTUATOR BODY & COVER ASSEMBLY,	106A
LINE ASSEMBLY-PITOT,	88	M.G. ACTUATOR BODY & COVER ASSEMBLY,	106B
LINE ASSEMBLY-PUMP DRAIN,	95	MAGNETIC CATCH,	60
LINE ASSEMBLY-PUMP PRESSURE,	95	MAGNETIC CATCH,	60A
LINE ASSEMBLY-PUMP SUCTION,	95	MAIN GEAR ACTUATOR BULKHEAD,	24
LINE ASSY-STATIC,	88	MAIN GEAR ACTUATOR BULKHEAD,	25
LINE ASSEMBLY-STRAINER DRAIN,	91	MAIN GEAR ACTUATOR PARTS,	106
LINE ASSEMBLY-VENT,	9	MAIN GEAR ACTUATOR PARTS,	106A
LINE-DOOR CLOSE,	95	MAIN GEAR ACTUATOR PARTS,	106B
LINE-DOOR CLOSE,	102	MAIN GEAR AXLE,	38
LINE-DOOR CLOSE,	104	MAIN GEAR DOOR HINGE,	41
LINE-DOOR CLOSE,	105	MAIN GEAR DOORS,	41
LINE-DOOR CLOSE,	107	MAIN GEAR DOWNLOCK,	44
LINE-DOOR CLOSE,	107A	MAIN GEAR DOWN LOCK INSTL,	44
LINE-DOOR OPEN,	95	MAIN GEAR INSTALLATION,	38
LINE-DOOR OPEN,	102	MAIN GEAR ROTARY ACTUATOR,	106
LINE-DOOR OPEN,	104	MAIN GEAR ROTARY ACTUATOR,	106A
LINE-DOOR OPEN,	105	MAIN GEAR ROTARY ACTUATOR,	106B
LINE-DOOR OPEN,	107	MAIN GEAR SHIM,	38
LINE-DOOR OPEN,	107A	MAIN GEAR SPRING,	38
LINE-FLAP DOWN,	95	MAIN GEAR UPLOCK BELLCRANK,	43
LINE-FLAP DOWN,	102		
LINE-FLAP DOWN,	104		

ALPHABETICAL INDEX

NOMENCLATURE	FIGURE	NOMENCLATURE	FIGURE
M (cont)		M (cont)	
MAIN GEAR UPLOCK MECHANISM,	43	MOUNT-SHOCK-INSTRUMENT PANEL,	59A
MAIN GEAR WHEEL,	39	MUFFLE ASSEMBLY,	71
MAIN GEAR WHEEL,	39A	MUFFLER SHROUD,	71
MAIN GEAR WHEEL,	39B	MUFFLER SHROUD,	71A
MAIN WHEEL DOOR-HINGE HALF,	23	MYLAR TAPE-CHROME,	1
MANIFOLD PRESSURE INDICATOR,	58		
MANIFOLD PRESSURE INDICATOR,	59A	N	
MANIFOLD PRESSURE LINES-SEE LINES		NAME PLATES-SEE PLACARDS	
MANIFOLD-ENGINE PRIMER,	92A	NAMEPLATES, PLACARDS, & EXTERIOR MARKINGS,	2
MANIFOLD-ENGINE PRIMER,	92B	NAMEPLATE-M.A.A.,	2
MANIFOLD-POWER PACK,	96	NAMEPLATE-M.A.A.,	16
MANIFOLD-POWER PACK,	96A	NAV LIGHT ASSEMBLY,	3
MANIFOLD-POWER PACK,	99	NAV LIGHT ASSEMBLY,	3A
MANIFOLD-POWER PACK,	99A	NAV LIGHT DETECTOR,	3
MAP BOX DOOR CATCH,	60	NAV LIGHT DETECTOR,	3A
MAP BOX DOOR CATCH,	60A	NAV LIGHT FAIRING,	3
MAP BOX DOOR HINGE,	60	NAV LIGHT FAIRING,	3A
MAP BOX DOOR HINGE,	60A	NAV LIGHT FLASHER,	60
MAP BOX KNOB,	60	NAV LIGHT FLASHER,	113
MAP COMPARTMENT DOOR,	60	NAV LIGHT LENS,	3
MAP COMPARTMENT DOOR,	60A	NAV LIGHT LENS,	3A
MAP COMPARTMENT ASSEMBLY,	59	NAVOMATIC AUTOPILOT, SEE CESSNA	
MAP COMPARTMENT ASSEMBLY,	59A	ELECTRONICS MANUAL	
MAP COMPARTMENT ASSEMBLY,	60	NET-BAGGAGE RETAINING,	51
MAP COMPARTMENT ASSEMBLY,	60A	NOISE FILLER-ALTERNATOR,	114A
MAP LIGHT ASSY,	118	NON CONGEALING OIL COOLER,	68A
MAP LIGHT ASSY,	118A	NON CONGEALING OIL COOLER,	68B
MASK ASSEMBLY-OXYGEN,	112	NOSE CAP ASSEMBLY-LOWER,	22
MASK ASSEMBLY-OXYGEN,	112A	NOSE CAP ASSEMBLY-LOWER,	22A
MASK ASSEMBLY-OXYGEN,	112B	NOSE CAP ASSEMBLY-UPPER,	66
MASTER CYLINDER BODY,	79	NOSE CAP ASSEMBLY-UPPER,	66A
MASTER CYLINDER-BRAKE,	77	NOSE CAP ASSEMBLY-UPPER,	66B
MASTER CYLINDER-BRAKE,	78	NOSE CAP PANEL,	66
MASTER CYLINDER-BRAKE,	79	NOSE CAP PANEL,	66A
MASTER SWITCH,	59	NOSE CAP PANEL,	66B
MASTER SWITCH,	59B	NOSE GEAR ACTUATOR,	102
MCCAULEY PROPELLER ASSEMBLY,	63	NOSE GEAR ACTUATOR PARTS,	103
MCCAULEY PROPELLER ASSEMBLY,	63A	NOSE GEAR ACTUATOR PARTS,	103A
MCCAULEY PROPELLER ASSEMBLY,	64	NOSE GEAR ASSEMBLY,	33
MCCAULEY PROPELLER ASSEMBLY,	65	NOSE GEAR DOOR HINGE HALF,	40
MCCAULEY PROPELLER ASSEMBLY,	65A	NOSE GEAR DOORS & TORQUE TUBE INSTALLATION,	40
MCCAULEY PROPELLER INSTALLATION,	63	NOSE GEAR DOORS,	40
MCCAULEY PROPELLER INSTALLATION,	63A	NOSE GEAR DRAG FITTING,	22
MCCAULEY PROPELLER PARTS,	64	NOSE GEAR DRAG FITTING,	22A
MCCAULEY PROPELLER PARTS,	65	NOSE GEAR FITTING,	22
MCCAULEY PROPELLER PARTS,	65A	NOSE GEAR FITTING,	22A
MEDALLION-ADJUSTABLE FRONT SEAT,	55	NOSE GEAR INSTALLATION,	33
MEDALLION-ANNIVERSARY,	2	NOSE GEAR LINK-TORQUE LOWER,	35
MEDALLION-ANNIVERSARY,	59	NOSE GEAR LINK-TORQUE UPPER,	35
MEDALLION-CONTROL WHEEL,	2	NOSE GEAR RETRACTION ACTUATOR,	103
MEDALLION-210-RECLINING SEAT,	54	NOSE GEAR RETRACTION ACTUATOR,	103A
MICROPHONE, SEE CESSNA ELECTRONICS MANUAL		NOSE GEAR SHIM,	35
MIRROR-REAR VIEW,	62A	NOSE GEAR SHOCK STRUT PLACARD,	2
MIXTURE CONTROL,	59	NOSE GEAR SHOCK STRUT,	33
MIXTURE CONTROL,	59B	NOSE GEAR SHOCK STRUT,	35
MIXTURE CONTROL,	67	NOSE GEAR STEERING BUNGEE,	34
MIXTURE CONTROL,	67A	NOSE GEAR STEERING,	34
MIXTURE CONTROL,	67B	NOSE GEAR SUPPORT,	22
MOORING RING,	11	NOSE GEAR SUPPORT,	22A
MOORING RING,	31	NOSE GEAR TORQUE TUBE,	40
MOTOR & TRANSMISSION ASSY-FLAP,	85A	NOSE GEAR UPLOCK HOOK,	42
MOTOR & TRANSMISSION ASSY-FLAP,	85B	NOSE GEAR UPLOCK BRACKET,	42
MOTOR-PILOT & CO-PILOT POWER SEAT	55D	NOSE GEAR UPLOCK INSTALLATION,	42
MOTOR-ROTATING BEACON,	116	NOSE GEAR WHEEL HALF,	36
MOUNT-COWL FLAP HINGE,	22	NOSE GEAR WHEEL HALF,	36A
MOUNT-COWL FLAP HINGE,	22A	NOSE GEAR WHEEL HALF,	36B
MOUNT-SHOCK-ENGINE,	67	NOSE GEAR WHEEL,	33
MOUNT-SHOCK-ENGINE,	67A		
MOUNT-SHOCK-ENGINE,	67B		
MOUNT-SHOCK-ENGINE,	67B		
MOUNT-SHOCK-INSTRUMENT PANEL,	58		

ALPHABETICAL INDEX

NOMENCLATURE	FIGURE	NOMENCLATURE	FIGURE
N (cont)		O (cont)	
NOSE GEAR WHEEL,	36	OXYGEN SYSTEM DECAL,	112
NOSE GEAR WHEEL,	36A	OXYGEN SYSTEM INSTALLATION,	112
NOSE GEAR WHEEL,	36B	OXYGEN SYSTEM INSTALLATION,	112A
NOSE GEAR WHIFFLETREE ASSEMBLY,	34	OXYGEN SYSTEM INSTALLATION,	112B
NOSE WHEEL TUBE-AXLE,	33	OXYGEN VALVE & CYLINDER,	112
NOZZLE ASSEMBLY-DEFROST,	18	OXYGEN VALVE & CYLINDER,	112A
NOZZLE ASSEMBLY-DEFROST,	76	OXYGEN VALVE & CYLINDER,	112B
NOZZLE ASSEMBLY-DEFROST,	76A		
NUMERICAL INDEX,	258	P	
O		PAD-WINDSHIELD,	29
OIL & TIRE PRESSURE PLACARD,	2	PAD-WINDSHIELD,	29A
OIL & TIRE PRESSURE PLACARD,	60	PAINT CHART,	III
OIL ADAPTER-TURBOCHARGER,	69C	PAINTED PARTS-HOW TO ORDER	XI
OIL COOLER BAFFLE,	68	PANEL ASSEMBLY-DOOR UPHOLSTERY,	50
OIL COOLER BAFFLE,	68A	PANEL ASSEMBLY-LOWER PEDESTAL,	21
OIL COOLER BAFFLE,	68B	PANEL ASSEMBLY-NOSE CAP,	66
OIL COOLER BAFFLE,	72	PANEL ASSEMBLY-NOSE CAP,	66A
OIL COOLER BAFFLE,	72A	PANEL ASSEMBLY-NOSE CAP,	66B
OIL COOLER-NON CONGEALING	68A	PANEL ASSEMBLY-POST LIGHT,	59C
OIL COOLER-NON CONGEALING,	68B	PANEL ASSEMBLY-REAR SEAT BACK,	56
OIL DILUTION HOSE,	93	PANEL ASSEMBLY-SIDEWALL FWD,	52
OIL DILUTION HOSE,	93A	PANEL ASSEMBLY-STATIONARY,	18
OIL DILUTION SWITCH,	93	PANEL ASSEMBLY-SWITCH,	18
OIL DILUTION SWITCH,	93A	PANEL ASSEMBLY-UPPR PEDESTAL,	21
OIL DILUTION SYSTEM,	93	PANEL ASSEMBLY-WING FUEL WELL UPPER,	7
OIL DILUTION SYSTEM,	93A	PANEL ASSEMBLY-WING FUEL WELL UPPER,	7A
OIL DILUTION VALVE,	93	PANEL ASSEMBLY-WING FUEL WELL LOWER,	7
OIL DILUTION VALVE,	93A	PANEL ASSEMBLY-WING FUEL WELL LOWER,	7A
OIL PLACARD-ENGINE,	2	PANEL LIGHT COVER,	114
OIL PRESSURE GAGE,	58	PANEL LIGHT HOUSING,	114
OIL PRESSURE GAGE,	59A	PANEL LIGHT-TAB MOUNT,	59C
OIL PRESSURE GAGE,	93	PANEL-BAGGAGE COMPARTMENT,	26
OIL PRESSURE HOSE,	67	PANEL-SHOCK MOUNTED INSTRUMENT,	58
OIL PRESSURE HOSE,	68	PANEL-SHOCK MOUNTED INSTRUMENT,	59A
OIL PRESSURE HOSE,	68A	PARK BRAKE BRACKET,	27
OIL PRESSURE HOSE,	69C	PARK BRAKE BRACKET,	27A
OIL PRESSURE HOSE,	93	PARKING BRAKE BELLCRANK,	77
OIL PRESSURE HOSE,	93A	PARKING BRAKE CABLE & TUBE ASSY,	77
OIL SEPARATOR,	94	PARKING BRAKE CATCH,	77
OIL SYSTEM INSTALLATION,	93	PARKING BRAKE HANDLE,	77
OIL SYSTEM INSTALLATION,	93A	PARKING BRAKE INSTALLATION,	77
OIL TEMPERATURE ADAPTER,	68	PARTS-HOW TO ORDER,	II
OIL TEMPERATURE GAGE,	58	PARTS-HYDRAULIC PUMP,	101
OIL TEMPERATURE GAGE,	59A	PARTS-MAIN GEAR ACTUATOR,	106
OIL TEMPERATURE GAGE,	93	PARTS-MAIN GEAR ACTUATOR,	106A
OIL TEMPERATURE GAGE,	93A	PARTS-MAIN GEAR ACTUATOR,	106B
OIL-FULL FLOW FILTER,	93	PARTS-MCCAULEY PROPELLER,	64
OIL-FULL FLOW FILTER,	93A	PARTS-MCCAULEY PROPELLER,	65
OPERATIONAL LIMITATIONS,	2	PARTS-MCCAULEY PROPELLER,	65A
OPERATIONAL LIMITATIONS,	59	PARTS-NOSE GEAR ACTUATOR,	103
OPERATIONAL LIMITATIONS,	59A	PARTS-NOSE GEAR ACTUATOR,	103A
OUTLET-CABIN VENTILATION,	75	PARTS-POWER PACK,	96
OUTLET-CABIN VENTILATION,	75A	PARTS-POWER PACK,	96A
OUTLET-CABIN VENTILATION,	75B	PARTS-POWER PACK,	97
OUTSIDE AIR TEMP GAGE,	61	PARTS-POWER PACK,	98
OXYGEN FILLER,	112	PARTS-POWER PACK,	99
OXYGEN FILLER,	112A	PARTS-POWER PACK,	99A
OXYGEN FILLER,	112B	PARTS-POWER PACK,	100
OXYGEN LINES,	112	PARTS-POWER PACK,	100A
OXYGEN LINES,	112A	PARTS-UNLOCK & SEQUENCE ACTUATOR,	110
OXYGEN LINES,	112B	PARTS-WHEEL DOOR LOCKING ACTUATOR,	108
OXYGEN MASK ASSEMBLY,	112	PARTS-WHEEL DOOR LOCKING ACTUATOR,	108A
OXYGEN MASK ASSEMBLY,	112A	PAWL ASSEMBLY-MAIN GEAR UPLOCK,	43
OXYGEN MASK ASSEMBLY,	112B	PAWL ASSEMBLY-MAIN GEAR DOWNLOCK,	44
OXYGEN PRESSURE GAGE ASSEMBLY,	112A	PEDAL INSTALLATION-RUDDER & BRAKE,	78
OXYGEN PRESSURE GAGE ASSEMBLY,	112B	PEDAL-RUDDER & BRAKE,	78
OXYGEN SYSTEM ASSEMBLY-AUTOMATIC,	112	PEDESTAL COVER,	51A
OXYGEN SYSTEM ASSEMBLY-AUTOMATIC,	112A	PEDESTAL COVER,	51B
		PEDESTAL INSTALLATION,	21

ALPHABETICAL INDEX

NOMENCLATURE	FIGURE	NOMENCLATURE	FIGURE
P (cont)		P (cont)	
PEDESTAL INSTALLATION,	21A	POWER ADJUSTABLE SEAT-PILOT & CO-PILOT,	55C
PICTORIAL GYRO-DIRECTIONAL,	58	POWER ADJUSTABLE SEAT MOTOR,	55D
PICTORIAL GYRO-DIRECTIONAL,	59A	POWER PACK RESERVOIR ASSEMBLY,	97
PICTORIAL GYRO-DIRECTIONAL,	94	POWER PACK RESERVOIR ASSEMBLY,	97A
PICTORIAL GYRO-DIRECTIONAL,	94A	POWER PACK BODY & PIN ASSEMBLY,	97
PICTORIAL GYRO-HORIZON,	58	POWER PACK BODY & PIN ASSEMBLY,	97A
PICTORIAL GYRO-HORIZON,	59A	POWER PACK FILTER,	95
PICTORIAL GYRO-HORIZON,	94	POWER PACK HARNESS ASSEMBLY-WIRING,	96
PICTORIAL GYRO-HORIZON,	94A	POWER PACK MANIFOLD,	96
PISTON & FORK ASSEMBLY-NOSE GEAR,	35	POWER PACK MANIFOLD,	96A
PISTON & ROD-LOCK CYLINDER,	111	POWER PACK MANIFOLD,	99
PISTON & STOP ASSEMBLY NOSE GEAR ACTUATOR,	103	POWER PACK MANIFOLD,	99A
PISTON & STOP ASSEMBLY NOSE GEAR ACTUATOR,	103A	POWER PACK PARTS,	96
PISTON ASSEMBLY-MASTER CYLINDER-BRAKE,	79	POWER PACK PARTS,	96A
PISTON-SHIMMY DAMPENER,	37	POWER PACK PARTS,	97
PISTON-SHIMMY DAMPENER,	37A	POWER PACK PARTS,	97A
PITOT HEAT SWITCH,	88	POWER PACK PARTS,	98
PITOT HEATER,	88	POWER PACK PARTS,	99
PITOT INSTALLATION-HEATED,	88	POWER PACK PARTS,	99A
PITOT LINES	4	POWER PACK PARTS,	100
PITOT LINES	88	POWER PACK PARTS,	101
PITOT SYSTEM INSTALLATION,	88	POWER PACK UNIT,	95
PITOT TUBE-L SHAPED,	88	POWER PACK UNIT,	96
PLACARD-AUXILIARY HYDRAULIC,	2	POWER PACK UNIT,	96A
PLACARD-BAGGAGE DOOR COVER,	2	POWER PACK VALVE-PRIMARY RELIEF,	97
PLACARD-BAGGAGE DOOR COVER,	51	POWER PACK VALVE-PRIMARY RELIEF,	97A
PLACARD-BAGGAGE DOOR AND FLAP,	2	POWER PACK VALVE-THERMAL RELIEF PRIMARY,	97
PLACARD-BAGGAGE,	2	POWER PACK VALVE-THERMAL RELIEF SECONDARY,	97
PLACARD-CHECK LIST,	2	POWER PACK INSTALLATION-HYDRAULIC,	95
PLACARD-COWL COVER,	2	PRIMER ASSEMBLY-ENGINE,	92A
PLACARD-ENGINE OIL,	2	PRIMER ASSEMBLY-ENGINE,	92B
PLACARD-ENGINE OIL AND TIRE PRESSURE,	2	PRIMER SYSTEM-ENGINE,	92A
PLACARD-ENGINE OIL AND TIRE PRESSURE,	60	PRIMER SYSTEM-ENGINE,	92B
PLACARD-EXTERNAL POWER,	2	PRIMER-ZINC CHROMATE,	1
PLACARD-FUEL SELECTOR VALVE,	2	PRIMER,	1
PLACARD-FUEL SELECTOR VALVE,	91B	PROBE-ECONOMY POWER INDICATOR,	68A
PLACARD-FUEL SELECTOR VALVE,	92	PROBE-ECONOMY POWER INDICATOR,	68B
PLACARD-HYDRAULIC FLUID RESERVOIR,	2	PROPELLER BLADE,	64
PLACARD-MARKER BEACON SWITCH,	2	PROPELLER BLADE,	65
PLACARD-NOSE GEAR SHOCK STRUT,	2	PROPELLER CONTROL,	58
PLACARD-OPERATIONAL LIMITATIONS,	2	PROPELLER CONTROL,	59A
PLACARD-OPERATIONAL LIMITATIONS,	59	PROPELLER CONTROL,	67
PLACARD-OPERATIONAL LIMITATIONS,	59A	PROPELLER CONTROL,	67A
PLACARD-OPERATIONAL LIMITATIONS,	60A	PROPELLER CONTROL,	67B
PLACARD-TIRE PRESSURE & OIL,	2	PROPELLER GOVERNOR,	68
PLACARD-TIRE PRESSURE & OIL,	60	PROPELLER GOVERNOR,	70
PLACARD-VACUUM LIGHTS,	2	PROPELLER GOVERNOR,	70A
PLACARD-VACUUM LIGHTS,	58	PROPELLER GOVERNOR PARTS,	70
PLACARD-VACUUM LIGHTS TEST,	58	PROPELLER GOVERNOR PARTS,	70A
PLACARD-WINTERIZATION,	2	PROPELLER INSTALLATION-MCCAULEY,	63
PLACARD-WINTERIZATION,	74	PROPELLER INSTALLATION-MCCAULEY,	63A
PLACARD-WINTERIZATION,	74A	PROPELLER INSTALLATION-MCCAULEY,	63B
PLATE-FINISH & TRIM,	2	PROPELLER INSTALLATION-MCCAULEY,	64
PLATE-FINISH & TRIM,	16	PROPELLER INSTALLATION-MCCAULEY,	65
PLATE-INSTRUMENT PANEL,	80	PROPELLER-MCCAULEY,	63
PLATE-MAIN GEAR ADJUSTING,	44	PROPELLER-MCCAULEY,	63A
PLATE-STRIKER,	50	PROPELLER-MCCAULEY,	63B
PLATE-STRIKER,	50A	PROPELLER-MCCAULEY,	64
PLATE-TAB ACTUATOR COVER,	14	PROPELLER-MCCAULEY,	65
PLATE-WINDOW LATCH,	45	PROPELLER-MCCAULEY THREE BLADE,	65A
PLUG-FUEL TANK DRAIN,	8	PULL BAR-LATCH,	41
PLUG-SPARK,	68	PULLEY-AILERON CONTROL	81
PLUG-SPARK,	68A	PULLEY-ELEVATOR CONTROL,	82
PLUG-SPARK,	68B	PULLEY-ELEVATOR CONTROL,	82A
PLUNGER-FLAP ACTUATOR LOCK,	109	PULLEY-ELEVATOR TRIM,	83
PORTABLE STRETCHER,	62	PULLEY-FLAP SYNCHRONIZATION,	85
POSITION LIGHT DETECTOR,	3	PULLEY-RUDDER CONTROL,	86
POSITION LIGHT FAIRING,	3	PUMP ASSEMBLY-AUXILIARY FUEL,	90
POSITION LIGHT FLASHER,	6	PUMP ASSEMBLY-AUXILIARY FUEL,	90A
POSITION LIGHT FLASHER,	113	PUMP ASSEMBLY-EMERGENCY HAND,	96
POST LIGHTED INSTRUMENTS,	59C		
POTENTIOMETER,	58		

ALPHABETICAL INDEX

NOMENCLATURE	FIGURE	NOMENCLATURE	FIGURE
P (cont)		R (cont)	
PUMP ASSEMBLY-EMERGENCY HAND,	100	RHEOSTAT-INSTRUMENT LIGHT,	59B
PUMP ASSEMBLY-EMERGENCY HAND,	100A	RIB ASSEMBLY-FIN TIP,	12
PUMP ASSEMBLY-HYDRAULIC,	101	RIB ASSEMBLY-FLAP TRACK,	4
PUMP-VACUUM,	94	RIB ASSEMBLY-FLAP TRACK,	4A
PUSH PULL ROD-FLAP,	10	RIB ASSEMBLY-LEADING EDGE,	5
PUSH PULL ROD-FLAP,	85	RIB ASSEMBLY-NOSE,	5
PUSH PULL ROD-FLAP,	85A	RIB ASSEMBLY-RUDDER TIP,	13
PUSH ROD ASSEMBLY-ELEVATOR CONTROL,	80	RIB ASSEMBLY-TRAILING EDGE,	4
PUSH-PULL ROD AILERON,	9	RIB ASSEMBLY-TRAILING EDGE,	4A
PUSH-PULL ROD AILERON,	81A	RIB ASSEMBLY-TRAILING EDGE WING,	4
PUSH-PULL TUBE ELEVATOR,	82	RIB ASSEMBLY-TRAILING EDGE WING,	4A
		RIB ASSEMBLY-WING FUEL BAY,	4
		RIB ASSEMBLY-WING FUEL BAY,	4A
		RIB ASSEMBLY-WING ROOT,	4
		RIB ASSEMBLY-WING ROOT,	4A
		RIB-AILERON,	9
		RIB-AILERON,	9A
		RIB-CENTER WING,	4
		RIB-CENTER WING,	4A
		RIB-DORSAL AFT,	12
		RIB-DORSAL FORWARD,	12
		RIB-ELEVATOR,	15
		RIB-ELEVATOR,	15A
		RIB-FIN,	12
		RIB-FLAP,	10
		RIB-FLAP,	10A
		RIB-RUDDER,	13
		RIB-STABILIZER,	14
		RIB-STABILIZER,	14A
		RIB-TRAILING EDGE ROOT,	4
		RIB-TRAILING EDGE ROOT,	4A
		RIB-WING,	4
		RIB-WING,	4A
		RING-CARGO TIE-DOWN,	61
		RING-HOISTING,	61
		RING-MOORING,	11
		RING-MOORING,	31
		ROD ASSEMBLY-AILERON PUSH-PULL,	9
		ROD ASSEMBLY-AILERON PUSH-PULL,	81A
		ROD ASSEMBLY-FLAP PUSH PULL,	10
		ROD ASSEMBLY-FLAP PUSH PULL,	85
		ROD ASSEMBLY-FLAP PUSH PULL,	85A
		ROD ASSEMBLY-MAIN GEAR LOCK MECHANISM,	44
		ROLLER ASSEMBLY-FLAP,	10
		ROLLER CURTAIN,	51
		ROLLER CURTAIN,	51A
		ROLLER CURTAIN,	51B
		ROLLER-SEAT,	54
		ROLLER-SEAT,	54A
		ROLLER-SEAT,	54B
		ROLLER-SEAT,	55
		ROLLER-SEAT,	55B
		ROLLER-SEAT,	55D
		ROLLER-SEAT,	56
		ROLLER-SEAT,	56C
		ROOT RIB-WING,	4
		ROOT RIB-WING,	4A
		ROTATING BEACON,	116
		ROTATING BEACON MOTOR,	116
		ROTATING BEACON SWITCH,	116
		ROTATING BEACON BULB,	116
		ROTATING BEACON INSTALLATION,	113
		ROTATING BEACON LENS ASSEMBLY,	116
		RUDDER & BRAKE PEDAL,	78
		RUDDER ASSEMBLY,	13
		RUDDER BALANCE WEIGHT,	13
		RUDDER BAR ASSEMBLY,	78
		RUDDER BAR SHIELD,	51
		RUDDER BAR SHIELD,	51A
		RUDDER BAR SHIELD,	51B
R			
RADIO, SEE CESSNA ELECTRONICS MANUAL			
RAIL-FRONT SEAT,	25A		
REAR BAFFLE-ENGINE,	72		
REAR BAFFLE-ENGINE,	72A		
REAR BAFFLE-ENGINE,	72B		
REAR DOORPOST BULKHEAD,	20		
REAR DOORPOST FITTING,	20		
REAR DOORPOST,	17		
REAR DOORPOST,	20		
REAR ENGINE MOUNT ASSEMBLY,	22		
REAR ENGINE MOUNT ASSEMBLY,	22A		
REAR SEAT BACK,	56		
REAR SEAT BACK,	56A		
REAR SEAT BACK,	56C		
REAR SEAT BOTTOM,	56		
REAR SEAT BOTTOM,	56A		
REAR SEAT BOTTOM,	56C		
REAR SEAT INSTALLATION,	56		
REAR SEAT INSTALLATION,	56A		
REAR SEAT INSTALLATION,	56C		
REAR SEAT VENTS INSTALLATION,	75		
REAR SEAT VENTS INSTALLATION,	75A		
REAR SEAT VENTS INSTALLATION,	75B		
REAR SPAR BLOCK,	61		
REAR SPAR-WING,	6		
RECLINER CAM,	54		
RECLINING FRONT SEAT BACK,	54		
RECLINING FRONT SEAT BACK,	54A		
RECLINING FRONT SEAT BACK,	54B		
RECLINING FRONT SEAT BACK,	55		
RECLINING FRONT SEAT BACK,	55A		
RECLINING FRONT SEAT BOTTOM,	54		
RECLINING FRONT SEAT BOTTOM,	54A		
RECLINING FRONT SEAT BOTTOM,	54B		
RECLINING FRONT SEAT BOTTOM,	55		
RECLINING FRONT SEAT,	54		
RECLINING FRONT SEAT,	54A		
RECLINING FRONT SEAT,	54B		
RECLINING FRONT SEAT,	55		
RECLINING FRONT SEAT,	55A		
REGULATOR-VOLTAGE,	113		
RESERVOIR-FUEL,	89		
RESERVOIR-FUEL,	89A		
RESERVOIR-POWER PACK,	97		
RESERVOIR-POWER PACK,	97A		
RETAINER-CABIN AIR VENT,	52		
RETAINER-COMPASS CARD,	58		
RETAINER-COMPASS CARD,	59A		
RETAINER-LOWER REAR WINDOW,	26		
RETAINER-UPPER REAR WINDOW,	26		
RETAINER-WINDSHIELD,	29		
RHEOSTAT-INSTRUMENT LIGHT,	59		

ALPHABETICAL INDEX

NOMENCLATURE	FIGURE	NOMENCLATURE	FIGURE
S (cont)		S (cont)	
SHIM,	44	SOLENOID,	98
SHIMMY DAMPENER ARM,	35	SOLENOID,	99
SHIMMY DAMPENER ASSEMBLY,	33	SOLENOID,	99A
SHIMMY DAMPENER ASSEMBLY,	37	SOUND DEADENER-LIQUID VIBRATION DAMPENER,	1
SHIMMY DAMPENER ASSEMBLY,	37A	SOUNDPROOFING INSTALLATION-CABIN,	53
SHIMMY DAMPENER-BARREL,	37	SOUNDPROOFING-AFT CABIN,	53
SHIMMY DAMPENER-BARREL,	37A	SOUNDPROOFING-CABIN TOP,	49
SHOCK MOUNT ASSEMBLY-ENGINE,	67	SOUNDPROOFING-CABIN DOOR,	53
SHOCK MOUNT ASSEMBLY-ENGINE,	67A	SOUNDPROOFING-INSTRUMENT PANEL DECK,	53
SHOCK MOUNT ASSEMBLY-ENGINE,	67B	SOUNDPROOFING-REAR WINDOW POST,	53
SHOCK MOUNT-INSTRUMENT PANEL,	58	SOUNDPROOFING-ROOT RIB,	53
SHOCK MOUNT-INSTRUMENT PANEL,	59A	SOUNDPROOFING-SIDE BAGGAGE COMPARTMENT,	53
SHOCK MOUNTED INSTRUMENT PANEL,	58	SOUNDPROOFING-SIDE SHELF WALL,	53
SHOCK MOUNTED INSTRUMENT PANEL,	59A	SPAR ASSEMBLY-REAR,	20
SHOCK MOUNTED PANEL,	58	SPAR ASSEMBLY-FRONT,	19
SHOCK MOUNTED PANEL,	59A	SPAR ASSEMBLY-OUTBOARD AUXILIARY,	6
SHOCK PANEL COVER,	58	SPAR ASSEMBLY-WING FRONT,	6
SHOCK PANEL COVER,	59A	SPAR ASSEMBLY-WING REAR,	6
SHOCK STRUT ASSEMBLY-NOSE GEAR,	33	SPAR BLOCK,	19
SHOCK STRUT ASSEMBLY-NOSE GEAR,	35	SPAR BLOCK,	61
SHOCK STRUT PIN-METERING,	35	SPAR-AFT FIN,	12
SHOULDER HARNESS,	61	SPAR-AILERON,	9
SHROUD ASSEMBLY-MUFFLER,	71	SPAR-AILERON,	9A
SIDEWALL PANEL,	52	SPAR-BELLCRANK RUDDER,	13
SILL ASSEMBLY-UPPER CABIN DOOR,	17	SPAR-FLAP,	10
SILL-BAGGAGE DOOR,	23	SPAR-FLAP,	10A
SKIN ASSEMBLY-COWL LOWER,	22	SPAR-FORWARD FIN,	12
SKIN ASSEMBLY-COWL LOWER,	22A	SPAR-FORWARD RUDDER,	13
SKIN ASSEMBLY-UPPER COWL,	66	SPAR-FRONT,	19
SKIN-AILERON LOWER,	9	SPAR-MAIN ELEVATOR,	15
SKIN-AILERON LOWER,	9A	SPAR-MAIN ELEVATOR,	15A
SKIN-AILERON UPPER,	9	SPAR-STABILIZER FRONT,	14
SKIN-AILERON UPPER,	9A	SPAR-STABILIZER FRONT,	14A
SKIN-CABIN DOOR,	45	SPAR-STABILIZER REAR,	14
SKIN-CABIN DOOR,	46	SPAR-STABILIZER REAR,	14A
SKIN-DECK,	18	SPARK PLUGS,	68
SKIN-DORSAL,	12	SPARK PLUGS,	68A
SKIN-ELEVATOR,	15	SPARK PLUGS,	68B
SKIN-ELEVATOR,	15A	SPARS ASSEMBLIES,	4
SKIN-FIN,	12	SPARS ASSEMBLIES,	4A
SKIN-FORWARD FUSELAGE,	18	SPARS ASSEMBLIES,	6
SKIN-FORWARD FUSELAGE LOWER,	22	SPARS ASSEMBLIES,	6A
SKIN-FORWARD FUSELAGE LOWER,	22A	SPEAKER-RADIO, SEE CESSNA ELECTRONICS MANUAL	
SKIN-LEADING EDGE,	5	SPEAKER-STALL & GEAR WARNING,	113
SKIN-RUDDER,	13	SPINNER ASSEMBLY-MCCAULEY PROPELLER,	63
SKIN-STABILIZER,	14	SPINNER ASSEMBLY-MCCAULEY PROPELLER,	63A
SKIN-STABILIZER,	14A	SPINNER ASSEMBLY-MCCAULEY PROPELLER,	63B
SKIN-TAILCONE,	30	SPINNER ATTACH LUG,	63
SKIN-TOP AFT,	26	SPINNER BULKHEAD,	63
SKIN-TOP CENTER,	26	SPINNER BULKHEAD,	63A
SKIN-TOP FORWARD,	26	SPINNER BULKHEAD,	63B
SKIN-WINDSHIELD RETAINER,	18	SPINNER FILLET,	63
SKINS & STRINGERS INSTL-WING,	4	SPINNER FILLET,	63A
SKINS & STRINGERS INSTL-WING,	4A	SPINNER FILLET,	63B
SKINS & STRINGERS INSTL-WING,	7	SPINNER SUPPORT,	63
SKINS & STRINGERS INSTL-WING,	7A	SPINNER SUPPORT,	63A
SKINS & STRINGERS INSTL-WING EXT RANGE,	7	SPINNER SUPPORT,	63B
SKINS & STRINGERS INSTL-WING EXT RANGE,	7A	SPLICE-DISCONNECT,	1
SKIRT-ADJUSTABLE FRONT SEAT,	54	SPOOL & SLEEVE ASSEMBLY,	99
SKIRT-ADJUSTABLE FRONT SEAT,	55	SPOOL & SLEEVE ASSEMBLY,	99A
SKIRT-ADJUSTABLE FRONT SEAT,	55A	SPRING ASSEMBLY-MAIN LANDING GEAR,	38
SKIRT-ADJUSTABLE FRONT SEAT,	55C	SPRING-CENTERING FLAP SIDE,	98
SKIRT-REAR SEAT,	56	SPRING-DOOR HANDLE,	45
SNUBBER-FUEL FLOW LINE,	67	SPRING-DOOR HANDLE,	46
SOCKET-ARMREST,	54B	SPRING-DOOR HANDLE,	46A
SOCKET-ARMREST,	55A	SPRING-DOOR LATCH,	47
SOCKET-ARMREST,	56A	SPRING-DOOR LATCH,	47A
SOCKET-COURTESY LIGHT,	115	SPRING-DOOR STOP,	45
SOLENOID-FUEL VALVE,	89	SPRING-DOOR STOP,	46
		SPRING-DOOR STOP,	46A
		SPRING-HANDLE,	47

ALPHABETICAL INDEX

NOMENCLATURE	FIGURE	NOMENCLATURE	FIGURE
S (Cont)		S (Cont)	
SPRING-HANDLE,	47A	STRAINER BODY-FUEL,	91
SPRING-LOCK CYLINDER,	111	STRAINER BODY-FUEL,	91A
SPRING-NOSE GEAR UNLOCK,	42	STRAINER BOWL-FUEL,	91
SPRING-SEAT LATCH-RECLINING SEAT,	54	STRAINER BOWL-FUEL,	91A
SPRING-SEAT LATCH-RECLINING SEAT,	54A	STRAINER DRAIN CONTROL,	59
SPRING-SEAT LATCH-RECLINING SEAT,	54B	STRAINER DRAIN CONTROL,	59B
SPRING-SEAT LATCH-RECLINING SEAT,	55	STRAINER DRAIN CONTROL,	91
SPRING-SEAT LATCH-RECLINING SEAT,	56	STRAINER DRAIN CONTROL,	91A
SPROCKET ASSEMBLY-IDLER,	80	STRAINER DRAIN INSTALLATION,	91
SPROCKET-AILERON CONTROL,	80	STRAINER DRAIN INSTALLATION,	91A
SPROCKET-IDLER-ELEVATOR TRIM,	83	STRAINER-FUEL CELL AFT,	8
SQUAT SWITCH BRACKET,	33	STRAINER-FUEL,	90
STABILIZER ASSEMBLY,	14	STRAINER-FUEL,	90A
STABILIZER ASSEMBLY,	14A	STRAINER-FUEL,	91
STABILIZER FAIRING,	14	STRAINER-FUEL,	91A
STABILIZER FAIRING,	14A	STRAP-ASSIST,	52
STABILIZER HINGE,	14	STRAP-GROUND,	8
STABILIZER RIB,	14	STRAP-GROUND,	58
STABILIZER RIB,	14A	STRAP-GROUND,	59A
STABILIZER SKIN,	14	STRAP-GROUND,	67
STABILIZER SKIN,	14A	STRAP-GROUND,	67A
STABILIZER TIP,	14	STRAP-GROUND,	67B
STABILIZER TIP,	14A	STRETCHER INSTALLATION-PORTABLE,	62
STACKS-EXHAUST,	71	STRIKER PLATE,	50
STALL WARNING SPEAKER,	113	STRIKER-SWITCH,	33
STALL WARNING UNIT,	60	STRINGER ASSEMBLY-RESERVOIR,	24
STALL WARNING UNIT,	60A	STRINGER-WING LOWER,	7
STALL WARNING UNIT,	113	STRINGER-WING LOWER,	7A
STALL WARNING UNIT WING,	3	STRINGER-WING UPPER,	7
STALL WARNING UNIT WING,	3A	STRINGER-WING UPPER,	7A
STATIC DISCHARGER,	3A	STRINGERS & SKINS,	4
STATIC DISCHARGER,	13	STRINGERS & SKINS,	4A
STATIC DISCHARGER,	15	STRINGERS & SKINS,	7
STATIC LINES-SEE LINES		STRINGERS & SKINS,	7A
STATIONARY INSTRUMENT PANEL ASSEMBLY,	18	STRINGERS & SKINS-EXTENDED RANGE WING,	7
STATIONARY PANEL COVER,	59	STRINGERS & SKINS-EXTENDED RANGE WING,	7A
STATIONARY PANEL COVER,	59A	STRIP-WINDSHIELD CENTER,	29
STATIONARY PANEL EQUIPMENT INSTALLATION,	59	STRUCTURE ASSEMBLY-WING,	3
STATIONARY PANEL EQUIPMENT INSTALLATION,	59A	STRUCTURE ASSEMBLY-WING,	3A
STEERING BUNGEE,	34	STRUCTURE ASSEMBLY-WING,	4
STEERING BUNGEE ARM,	35	STRUCTURE ASSEMBLY-WING,	4A
STEERING LINK BOOT,	34	STRUCTURE ASSEMBLY-CABIN DOOR RH,	46
STEERING LINK ROD ASSEMBLY,	34	STRUCTURE ASSEMBLY-CABIN DOOR RH,	46A
STEERING LINK,	35	STRUCTURE ASSEMBLY-CABIN DOOR LH,	45
STEERING SHAFT,	35	STRUCTURE ASSEMBLY-FORWARD FUSELAGE,	17
STEERING SYSTEM INSTALLATION-NOSE GEAR,	33	STRUCTURE ASSEMBLY-FORWARD FUSELAGE,	18
STEERING SYSTEM INSTALLATION-NOSE GEAR,	34	STRUCTURE ASSEMBLY-LOWER FUSELAGE FORWARD,	22
STEP TREAD,	38	STRUCTURE ASSEMBLY-LOWER FUSELAGE FORWARD,	22A
STEP-MAIN GEAR,	38	STRUCTURE ASSEMBLY-WING,	3
STIFFENER-FIREWALL,	27	STRUCTURE ASSEMBLY-WING,	3A
STIFFENER-FIREWALL,	27A	STRUCTURE ASSEMBLY-WING,	4
STINGER INSTALLATION,	32	STRUCTURE ASSEMBLY-WING,	4A
STOP ASSEMBLY-RUDDER TRIM CONTROL,	21	STRUCTURE ASSY-WING EXT RANGE,	3
STOP-BAGGAGE DOOR,	48	STRUCTURE ASSY-WING EXT RANGE,	3A
STOP-BAGGAGE DOOR,	48A	STRUCTURE ASSY-WING EXT RANGE,	4
STOP-CABIN DOOR,	45	STRUCTURE ASSY-WING EXT RANGE,	4A
STOP-CABIN DOOR,	46	STRUT FITTING UPPER,	11
STOP-CABIN DOOR,	46A	STRUT FITTING-FRONT SPAR,	6
STOP-DOOR,	23	STRUT FITTING-FRONT SPAR,	6A
STOP-ELEVATOR,	31	STRUT FITTING-LOWER,	11
STRAINER ASSEMBLY-FUEL,	90	STRUT INSTALLATION-WING,	11
STRAINER ASSEMBLY-FUEL,	90A	STRUT-SHOCK,	33
STRAINER ASSEMBLY-FUEL,	91	STRUT-SHOCK,	35
STRAINER ASSEMBLY-FUEL,	91A	SUCTION GAGE,	58
STRAINER ASSEMBLY-FUEL TANK FORWARD,	8	SUCTION GAGE,	59A
STRAINER ASSEMBLY-FUEL TANK FORWARD,	89	SUCTION GAGE,	94
STRAINER ASSEMBLY-FUEL CELL FWD,	8	SUCTION GAGE,	94A
STRAINER ASSEMBLY-FUEL CELL FWD,	89	SUN VISOR BRACKET,	61
STRAINER ASSEMBLY-FUEL TANK AFT,	8	SUN VISOR,	61
STRAINER ASSEMBLY-FUEL TANK AFT,	89	SUPPORT ASSEMBLY-ARMREST,	23

ALPHABETICAL INDEX

NOMENCLATURE	FIGURE	NOMENCLATURE	FIGURE
T (Cont)		V	
TRAILING EDGE RIB,	4A	VACUUM AIR FILTER,	94A
TRANSMITTER & FLOAT-FUEL,	8	VACUUM LIGHT PLACARDS,	2
TRANSMITTER-CYLINDER HEAD TEMPERATURE,	68	VACUUM LIGHT PLACARDS,	58
TRANSMITTER-CYLINDER HEAD TEMPERATURE,	68A	VACUUM PUMP,	94
TRANSMITTER-CYLINDER HEAD TEMPERATURE,	68B	VACUUM PUMP,	94A
TRANSMITTER-FLAP POSITION,	10	VACUUM SYSTEM INSTALLATION,	94
TRANSMITTER-FLAP POSITION,	85A	VACUUM SYSTEM INSTALLATION,	94A
TRAY-ASH,	52	VALVE ASSEMBLY-AIRBOX,	69
TRAY-ASH,	54A	VALVE ASSEMBLY-AIRBOX,	69A
TRAY-ASH,	54B	VALVE ASSEMBLY-CABIN HEATER,	76
TRAY-ASH,	55A	VALVE ASSEMBLY-EXHAUST BY PASS,	69D
TRAY BATTERY BOX,	27	VALVE ASSEMBLY-FLAP CONTROL,	96
TRAY BATTERY BOX,	27A	VALVE ASSEMBLY-FLAP CONTROL,	98
TRIM & FINISH PLATE,	2	VALVE ASSEMBLY-FUEL SELECTOR,	92
TRIM & FINISH PLATE,	16	VALVE ASSEMBLY-GEAR CONTROL,	96
TRIM INSTALLATION-RUDDER,	86	VALVE ASSEMBLY-GEAR CONTROL,	96A
TRIM INSTALLATION-RUDDER,	87	VALVE ASSEMBLY-GEAR CONTROL,	98
TRIM TAB ACTUATOR BRACKET,	14	VALVE ASSEMBLY-OXYGEN,	112
TRIM TAB ACTUATOR BRACKET,	14A	VALVE ASSEMBLY-OXYGEN,	112A
TRIM TAB PULLEY BRACKET,	14	VALVE ASSEMBLY-OXYGEN,	112B
TRIM TAB PULLEY BRACKET,	14A	VALVE ASSEMBLY-VENT,	8
TRIM WHEEL ASSEMBLY-RUDDER,	87	VALVE-AIR PUMP,	94
TRUNNION & BARREL ASSEMBLY-NOSE GEAR,	35	VALVE-AIR PUMP,	94A
TUBE & BEARING ASSY-AIL & ELEV CONTROL,	80	VALVE EXTENSION-TIRE,	36A
TUBE ASSEMBLY-AILERON CONTROL,	80	VALVE EXTENSION-TIRE,	36B
TUBE ASSEMBLY-ELEVATOR TRIM TAB ACTUATOR,	83	VALVE EXTENSION-TIRE,	39A
TUBE ASSEMBLY- L SHAPED PITOT,	88	VALVE-FUEL SOLENOID,	89
TUBE ASSEMBLY-PUSH PULL-ELEVATOR,	82	VALVE-OIL DILUTION,	93
TUBE-BREATHER,	68	VALVE-OIL DILUTION,	93A
TUBE-BREATHER,	68A	VALVE-TUBELESS TIRE INFLATION,	61
TUBE-BREATHER,	68B	VENT INSTALLATION-REAR SEATS,	75
TUBE-CONTROL,	80	VENT INSTALLATION-REAR SEATS,	75A
TUBELESS TIRE,	36	VENT INSTALLATION-REAR SEATS,	75B
TUBELESS TIRE,	36A	VENT LINES-SEE LINES	
TUBELESS TIRE,	39	VENT VALVE,	8
TUNNEL ASSEMBLY-INBOARD,	23	VENTILATION SYSTEM INSTALLATION-CABIN,	75
TUNNEL ASSEMBLY-OUTBOARD,	23	VENTILATION SYSTEM INSTALLATION-CABIN,	75A
TUNNEL WALL,	22	VENTILATION SYSTEM INSTALLATION-CABIN,	75B
TUNNEL WALL,	22A	VERTICAL BAFFLE-ENGINE,	72
TURBOCHARGER INSTALLATION,	69C	VERTICAL BAFFLE-ENGINE,	72A
TURN & BANK INDICATOR,	58	VERTICAL BAFFLE-ENGINE,	72B
TURN & BANK INDICATOR,	59A	VERTICAL SPEED INDICATOR,	58
		VERTICAL SPEED INDICATOR,	88
		VISOR ASSEMBLY-SUN,	61
		VOLTAGE REGULATOR,	113
U		W	
UNIT ASSEMBLY-HYDRAULIC POWER PACK,	95	WARM AIR DUCT,	68
UNIT ASSEMBLY-HYDRAULIC POWER PACK,	96	WARNING UNIT-STALL,	60
UNIT ASSEMBLY-HYDRAULIC POWER PACK,	96A	WARNING UNIT-STALL,	60A
UNLOCK & SEQUENCE ACTUATOR,	110	WARNING UNIT-STALL,	113
UNLOCK & SEQUENCE ACTUATOR PARTS,	110	WEDGE-CABIN DOOR,	19
UNLOCK ACTUATOR,	102	WEIGHT-AILERON BALANCE,	9
UNLOCK ACTUATOR,	107	WEIGHT-AILERON BALANCE,	9A
UPHOLSTERED PARTS-HOW TO ORDER,	X	WEIGHT-ELEVATOR BALANCE,	15
UPHOLSTERY INSTL-CABIN TOP & FIREWALL,	49	WEIGHT-ELEVATOR BALANCE,	15A
UPHOLSTERY INSTALLATION-CABIN SIDE PANELS,	52	WEIGHT-RUDDER BALANCE,	13
UPHOLSTERY-FLOORBOARD & BAGGAGE COMPT,	51	WHEEL & BRAKE ASSEMBLY-MAIN,	39
UPHOLSTERY-FLOORBOARD & BAGGAGE COMPT,	51A	WHEEL & BRAKE ASSEMBLY-MAIN,	39A
UPHOLSTERY-FLOORBOARD & BAGGAGE COMPT,	51B	WHEEL & BRAKE ASSEMBLY-MAIN,	39B
UPHOLSTERY INSTALLATION-CABIN DOORS,	50	WHEEL ASSEMBLY-ELEVATOR TRIM,	83
UPHOLSTERY INSTALLATION-CABIN DOORS,	50A	WHEEL ASSEMBLY-MAIN,	39
UPLOCK BELLCRANK-MAIN GEAR,	43	WHEEL ASSEMBLY-MAIN,	39A
UPLOCK INSTALLATION-NOSE GEAR,	42	WHEEL ASSEMBLY-MAIN,	39B
UPLOCK MECHANISM INSTALLATION-MAIN GEAR,	43		
UPPER AFT CABIN COMPONENTS,	16		
UPPER AFT CABIN COMPONENTS,	26		

ALPHABETICAL INDEX

NOMENCLATURE	FIGURE	NOMENCLATURE	FIGURE
W (Cont)		W (Cont)	
WHEEL ASSEMBLY-NOSE GEAR,	33	WING FLAPS,	10A
WHEEL ASSEMBLY-NOSE GEAR,	36	WING FUEL WELL PANEL,	7
WHEEL ASSEMBLY-NOSE GEAR,	36A	WING FUEL WELL PANEL,	7A
WHEEL ASSEMBLY-NOSE GEAR,	36B	WING LEADING EDGE ASSEMBLIES,	4
WHEEL DOOR ACTUATOR,	102	WING LEADING EDGE ASSEMBLIES,	4A
WHEEL DOOR ACTUATOR,	108	WING LEADING EDGE ASSEMBLIES,	5
WHEEL DOOR ACTUATOR,	108A	WING RIBS-SEE RIB	
WHEEL DOOR LOCKING ACTUATOR,	107	WING STRUCTURE-EXTENDED RANGE,	3
WHEEL DOOR LOCKING ACTUATOR,	108	WING STRUCTURE-EXTENDED RANGE,	3A
WHEEL DOOR LOCKING ACTUATOR,	108A	WING STRUCTURE-EXTENDED RANGE,	4
WHEEL DOOR LOCKING ACTUATOR PARTS,	108	WING STRUCTURE-EXTENDED RANGE,	4A
WHEEL DOOR LOCKING ACTUATOR PARTS,	108A	WING STRUCTURE,	3
WHEEL HALF-NOSE GEAR,	36	WING STRUCTURE,	3A
WHEEL HALF-NOSE GEAR,	36A	WING STRUCTURE,	4
WHEEL HALF-NOSE GEAR,	36B	WING STRUCTURE,	4A
WHEEL SUBASSEMBLY-INBOARD,	39	WING STRUT,	11
WHEEL SUBASSEMBLY-INBOARD,	39A	WING STRUT FAIRING,	11
WHEEL SUBASSEMBLY-INBOARD,	39B	WING TIP,	3
WHEEL SUBASSEMBLY-OUTBOARD,	39	WING TIP,	3A
WHEEL SUBASSEMBLY-OUTBOARD,	39A	WING TO FUSELAGE FAIRING,	3
WHEEL SUBASSEMBLY-OUTBOARD,	39B	WING TO FUSELAGE FAIRING,	3A
WHEEL-CONTROL,	80	WING UNIT-STALL WARNING,	3
WHEEL-RUDDER TRIM,	87	WING UNIT-STALL WARNING,	3A
WHIFFLETREE-NOSE GEAR,	34	WING UNIT-STALL WARNING HEATED,	3
WINDLACE ASSEMBLY,	49	WINTERIZATION COVER,	74
WINDLACE ASSEMBLY,	51A	WINTERIZATION COVER,	74A
WINDLACE ASSEMBLY,	51B	WINTERIZATION EQUIPMENT INSTALLATION,	74
WINDOW ASSEMBLY-DOOR,	45	WINTERIZATION EQUIPMENT INSTALLATION,	74A
WINDOW FRAME DOOR,	45	WIRE-HEADLINER,	49
WINDOW FRAME-SIDE,	52	WIRE-INSULATED ELECTRICAL,	1
WINDOW HINGE-CABIN DOOR,	45	WRISTLOCK DISCONNECT,	1
WINDOW JAMB,	45		
WINDOW LATCH,	45	Z	
WINDOW RETAINERS,	26		
WINDOW SEAL,	26		
WINDOW SUPPORT,	26		
WINDOW-BAGGAGE DOOR,	48		
WINDOW-BAGGAGE DOOR,	48A	ZINC CHROMATE PRIMER,	1
WINDOW CURTAIN-REAR,	51		
WINDOW CURTAIN-REAR,	51A		
WINDOW CURTAIN-REAR,	51B		
WINDOW-DOOR,	45		
WINDOW-DOOR,	46		
WINDOW-DOOR,	46A		
WINDOW-LANDING LIGHT,	3		
WINDOW-LANDING LIGHT,	3A		
WINDOW-REAR CENTER,	26		
WINDOW-SIDE AFT,	26		
WINDOW-SIDE FORWARD,	26		
WINDOW-SIDE REAR,	26		
WINDSHIELD,	29		
WINDSHIELD,	29A		
WINDSHIELD CENTER STRIP,	29		
WINDSHIELD INSTALLATION,	16		
WINDSHIELD INSTALLATION,	29		
WINDSHIELD INSTALLATION,	29A		
WINDSHIELD RETAINER,	29		
WINDSHIELD RETAINER,	29A		
WING ASSEMBLY-COMPLETE,	3		
WING ASSEMBLY-COMPLETE,	3A		
WING ASSEMBLY-COMPLETE EXTENDED RANGE,	3		
WING ASSEMBLY-COMPLETE EXTENDED RANGE,	3A		
WING FAIRING,	3		
WING FAIRING,	3A		
WING FILLET,	3		
WING FILLET,	3A		
WING FILLET,	16		
WING FLAPS,	10		

This page intentionally left blank.

PARTS LISTING

MISCELLANEOUS BULK ITEMS

ITEM NO.	PART NUMBER	DESCRIPTION	USAGE
1 - 1	C1-C2	CONLEY-WELD EPOXY BASE ADHESIVE.	CEMENTING ----- PLASTIC TO PLASTIC PLASTIC TO METAL FIBERGLASS TO FIBERGLASS FIBERGLASS TO METAL METAL TO METAL
- 2	EC880	ADHESIVE-SYNTHETIC RUBBER BASE OIL RESISTANT	CEMENTING ----- RUBBER TO METAL SOUNDPROOFING TO METAL UPHOLSTERY TO METAL
- 3	1024A-B	CEMENT PARTS A & B	CEMENTING DE-ICER ----- AND ABRASION BOOTS TO WING AND STAB- ILIZER LEADING EDGES.
- 4	1007	PRIMER	USED ONLY FOR PRIMING ----- AREAS WHERE DE-ICER AND ABRASION BOOTS ARE TO BE INSTALLED WITH 1024A-B.
- 5	576.1	SEALANT-EXTRUDED PERMAGUM	WEATHER SEALING ----- OF WINDSHIELD OR CABIN.
- 6	579.6	SEALANT-EXTRUDED ZINC CHROMATE	WEATHER SEALING ----- OF WINDSHIELD OR CABIN.
- 7	S1078-1	SEALANT-SYNTHETIC RUBBER-FABRIC REINFORCED .06 THICK .50 WIDE	WINDSHIELD SEALING -----
- 8	S1078-2	SEALANT-SYNTHETIC RUBBER-FABRIC REINFORCED .12 THICK .50 WIDE	WINDSHIELD SEALING -----

CONTINUED ON NEXT PAGE

ITEM NO.	MISCELLANEOUS BULK ITEMS		
	PART NUMBER	DESCRIPTION	USAGE
1 - 9	S1078-3	SEALANT-SYNTHETIC RUBBER-FABRIC REINFORCED 2 MIL MYLAR TAPE BACKING. .06 THICK 1.50 WIDE	WINDSHIELD SEALING -----
-10	EC1239A-B	SEALANT-CATALYTIC	GENERAL PURPOSE- ----- FORFAYING SURFACES- FILLET & RIVET SEALS- FUEL SEALING AND AREAS WHERE SKYDROL IS PRESENT
-11	700	SEALANT-FIREWALL	SEALING FIREWALL JOINTS ----- AND OPENINGS. WITHSTANDS 2000 DEGREE TEMP FOR 5 MINUTES.
-12	EC776	ADHESIVE-GASKET FUEL RESISTANT SYNTHETIC RUBBER BASE.	CEMENTING GASKETS -----
-13	P-12	TAPE-VIBRATION DAMPENING- FOIL BACKED.	VIBRATION DAMPENING ----- SUPERSEDED BY APCO 550.
-14	550	SOUND DEADENER- LIQUID VIBRATION DAMPENER	VIBRATION DAMPENING ----- CAN BE BRUSHED OR SPRAYED.
-15	MX25A	PRIMER-ZINC CHROMATE- YELLOW	CORROSION PROOFING -----
-16	1/4 IN 1/4 IN 1/2 IN 3/4 IN	MYLAR TAPE-CHROME MYLAR TAPE-GOLD MYLAR TAPE-CHROME MYLAR TAPE-CHROME	PRESSURE SENSITIVE ----- DECORATIVE TAPES ----- FOR EXTERIOR AND ----- INTERIOR TRIM -----

CONTINUED ON NEXT PAGE

ITEM NO.	BULK ELECTRICAL TERMINALS AND WIRE		
	PART NUMBER	DESCRIPTION	USAGE
1 -17	S1369-3	TIP-DISCONNECT 22-18 GA	-----
-18	S1369-4	TIP-DISCONNECT 16-14 GA	-----
-19	C50	TIP-DISCONNECT 12-10 GA	-----
-20	A57	SPLICE-DISCONNECT 22-18 GA 3 PC	2 TIPS & COUPLER ---
-21	S1369-2	SPLICE-DISCONNECT 16-14 GA 2 PC	1 TIP & COUPLER ---
-22	C56	SPLICE-DISCONNECT 12-10 GA 2 PC	1 TIP & COUPLER ---
-23	7	COUPLER USE WITH A50 OR B50 TIPS & A57 & B56 SPICES.	-----
-24	8	COUPLER USE WITH C50 TIP & C56 SPLICE.	-----
-25	S341-1	WRISTLOCK DISCONNECT 14-16 GA	2 PER CONNECTION -----
-26	S341-2	WRISTLOCK DISCONNECT 18-22 GA	2 PER CONNECTION -----
-27	RA333	TERMINAL-RING TONGUE INSULATED 22-16 GA	#6 STUD -----
-28	RA713	TERMINAL-RING TONGUE INSULATED 22-16 GA	#1/4 STUD -----
-29	RA863	TERMINAL-RING TONGUE INSULATED 22-16 GA	#8 STUD -----
-30	RA873	TERMINAL-RING TONGUE INSULATED 22-16 GA	#10 STUD -----
-31	RC363	TERMINAL-RING TONGUE INSULATED 12-10 GA	#10 STUD -----
-32	RC713	TERMINAL-RING TONGUE INSULATED 12-10 GA	#1/4 STUD -----
-33	RC733	TERMINAL-RING TONGUE INSULATED 12-10 GA	#3/8 STUD -----
-34	RC863	TERMINAL-RING TONGUE INSULATED 12-10 GA	#8 STUD -----
-35	S1367-1-4	TERMINAL-RING TONGUE INSULATED 22-16 GA	#3 OR 4 -----
-36	S1367-1-8	TERMINAL-RING TONGUE INSULATED 22-16 GA	#8 STUD -----
-37	S1367-1-6	TERMINAL-RING TONGUE INSULATED 22-16 GA	#5 OR 6 -----
-38	S1367-1-10	TERMINAL-RING TONGUE INSULATED 22-16 GA	#10 STUD -----
-39	S1367-1-12	TERMINAL-RING TONGUE INSULATED 22-16 GA	#12 OR 1/4 -----
-40	S1367-2-8	TERMINAL-RING TONGUE INSULATED 22-16 GA	#8 -----
-41	S1367-2-12	TERMINAL-RING TONGUE INSULATED 16-14 GA	#12 OR 1/4 -----
-42	S1367-2-6	TERMINAL-RING TONGUE INSULATED 16-14 GA	#5 OR 6 -----
-43	S1367-3-8	TERMINAL-RING TONGUE INSULATED 12-10 GA	#8 STUD -----
-44	S1367-3-10	TERMINAL-RING TONGUE INSULATED 12-10 GA	#10 STUD -----
-45	S1367-3-12	TERMINAL-RING TONGUE INSULATED 12-10 GA	#1/4 STUD -----
-46	S1367-3-14	TERMINAL-RING TONGUE INSULATED 12-10 GA	#3/8 STUD -----
-47	S1367-4-14	TERMINAL-RING TONGUE NON-INSUL 8 GA	#8 -----
-48	S1367-6-14	TERMINAL-RING TONGUE INSULATED 4 GA	#3/8 -----
-49	S1367-4-8	TERMINAL-RING TONGUE NON-INSUL 8 GA	#8 -----
-50	S1367-4-12	TERMINAL-RING TONGUE NON-INSUL 8 GA	#12 OR 1/4 -----
-51	S1367-6-12	TERMINAL-RING TONGUE INSULATED 4 GA	#12 OR 1/4 -----
-52	S1367-7-12	TERMINAL-RING TONGUE NON-INSUL 2 GA	#12 OR 1/4 -----
-53	S1367-7-14	TERMINAL-RING TONGUE NON-INSUL 2 GA	#3/8 -----
-54	322059	TERMINAL-RING TONGUE NON-INSUL 3-0 GA	#3/8 -----
-55	S1367-7-13	TERMINAL-RING TONGUE NON-INSUL 2 GA	#5/16 -----
-56	S1367-4-10	TERMINAL-RING TONGUE NON-INSUL 8 GA	#10 -----
-57	S1370-1	BUTT CONNECTOR INSULATED 22-16 GA	-----
-58	S1370-2	BUTT CONNECTOR INSULATED 16-14 GA	-----
-59	30956	BUTT CONNECTOR NON-INSUL 22-16 GA	-----
-60	10GA	WIRE-INSULATED ELECTRICAL 10 GA	NON-SHIELDED -----
-61	12GA	WIRE-INSULATED ELECTRICAL 12 GA	NON-SHIELDED -----
-62	14GA	WIRE-INSULATED ELECTRICAL 14 GA	NON-SHIELDED -----
-63	16GA	WIRE-INSULATED ELECTRICAL 16 GA	NON-SHIELDED -----
-64	18GA	WIRE-INSULATED ELECTRICAL 18 GA	NON-SHIELDED -----
-65	RG-62/U	COAXIAL CABLE	-----
-66	RG-58A/U	COAXIAL CABLE	-----
-67	RG-114/U	COAXIAL CABLE	-----

This page intentionally left blank.

Placards

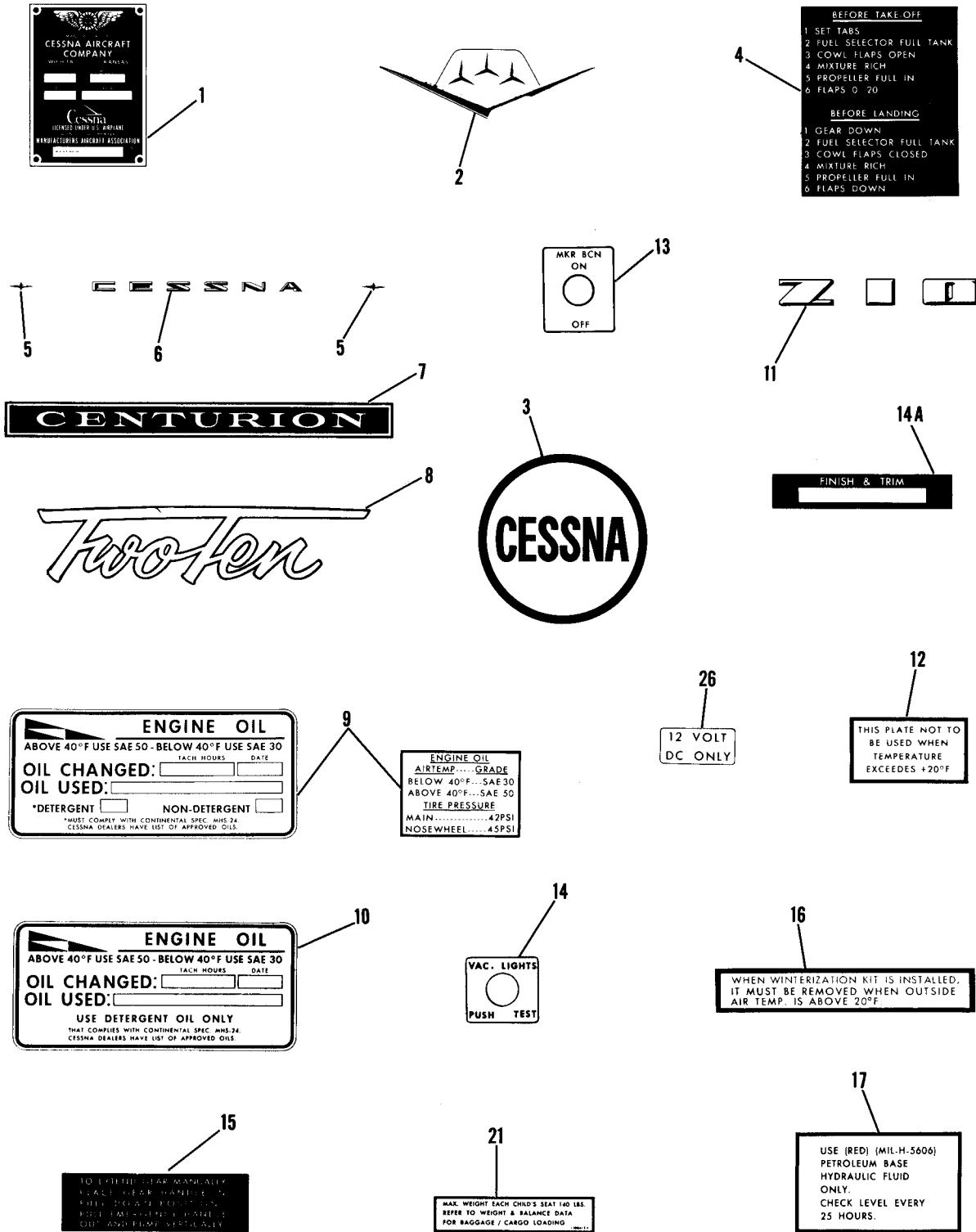
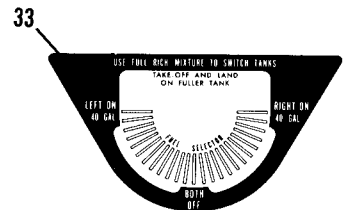
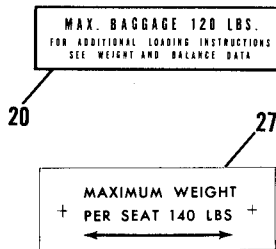
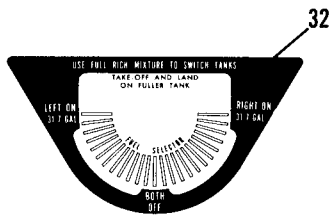
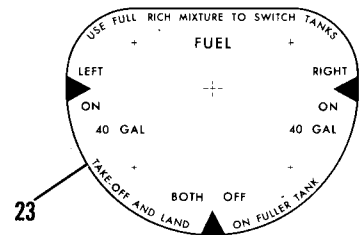
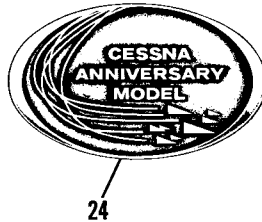
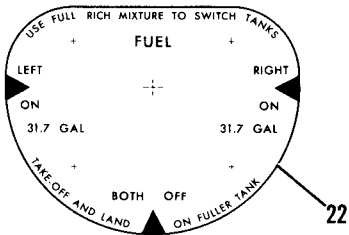
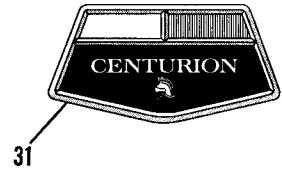
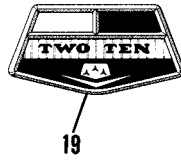
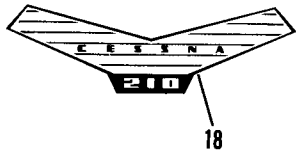


Figure 2. (Sheet 1) Placards, Nameplates and Exterior Markings

Placards (Cont)



CESSNA

30

- 28
- CESSNA AIR OIL SHOCK STRUT
CESSNA AIRCRAFT COMPANY, WICHITA, KANSAS
FILLING INSTRUCTIONS
1. REMOVE VALVE CAP AND RELEASE ALL AIR
 2. REMOVE VALVE HOUSING ASSEMBLY
 3. COMPRESS STRUT COMPLETELY (STOPS IN CONTACT WITH OUTER BARREL HOLE)
 4. OIL LEVEL
 - a. FLUID USED SHOULD COMPLY WITH SPECIFICATION MIL-O-8088
 - b. FILL STRUT TO BOTTOM OF VALVE INSTALLATION HOLE
 - c. MAINTAIN OIL LEVEL AT BOTTOM OF VALVE INSTALLATION HOLE
 5. FULLY EXTEND STRUT
 6. REPLACE VALVE HOUSING ASSEMBLY
 7. WITH STRUT FULLY EXTENDED AND NOSE WHEEL CLEAR OF GROUND, INKASE STRUT TO 95 PSI

25

THIS AIRPLANE MUST BE OPERATED AS A NORMAL CATEGORY AIRPLANE IN COMPLIANCE WITH THE OPERATING LIMITATIONS AS STATED IN THE FORM OF PLACARDS, MARKINGS AND MANUALS.

NO ACROBATIC MANEUVERS, INCLUDING SPINS, APPROVED.

MAXIMUMS

MANEUVERING SPEED 132 MPH-CAS	GEAR EXTENSION SPEED 160 MPH-CAS
DESIGN WEIGHT 3000 LBS.	FLAP EXTENSION SPEEDS 10°-160 MPH-CAS
FLIGHT MANEUVERING LOAD FACTORS	10° to 40°-110 MPH-CAS
FLAPS UP +3.8, -1.52-FLAPS DOWN +3.5	

29

CESSNA PART NO. 1250406-1
ELEMENT NO. 1250406-2
CHANGE OIL & FILTER ELEMENT EVERY 50 HOURS.
TORQUE 15/16" 97 LBS.
ADD (1) ADDITIONAL QT. OF ENGINE OIL WITH INSTALLATION OF THIS FILTER & AT EACH ELEMENT CHANGE.

34

CLIMB FUEL FLOW

S.L.	22 GPH
4000 FT.	20 GPH
8000 FT.	18 GPH

35

THIS AIRPLANE MUST BE OPERATED AS A NORMAL CATEGORY AIRPLANE IN COMPLIANCE WITH THE OPERATING LIMITATIONS AS STATED IN THE FORM OF PLACARDS, MARKINGS AND MANUALS.

NO ACROBATIC MANEUVERS, INCLUDING SPINS, APPROVED.

MAXIMUMS

MANEUVERING SPEED 134 MPH-CAS	GEAR EXTENSION SPEED 160 MPH-CAS
DESIGN WEIGHT 3100 LBS.	FLAP EXTENSION SPEEDS 10°-160 MPH-CAS
FLIGHT MANEUVERING LOAD FACTORS	10° to 40°-110 MPH-CAS
FLAPS UP +3.8, -1.52-FLAPS DOWN +3.5	ALTITUDE LOSS IN STALL RECOVERY-130 FT

36

ALTERNATE STATIC AIR
← CLOSED OPEN →

37

MANUAL PRIMER

Figure 2. (Sheet 2) Placards, Nameplates and Exterior Markings

Placards (Cont)

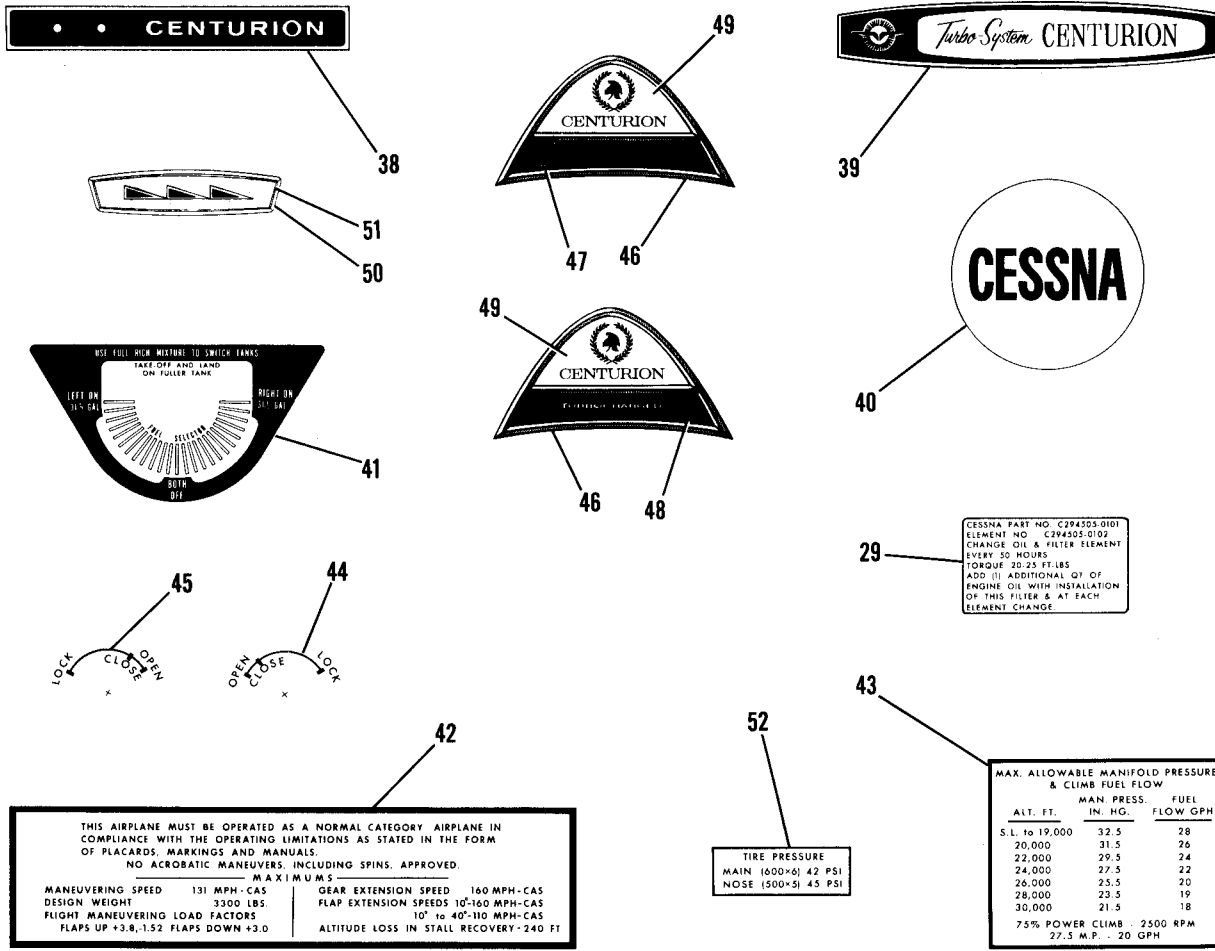


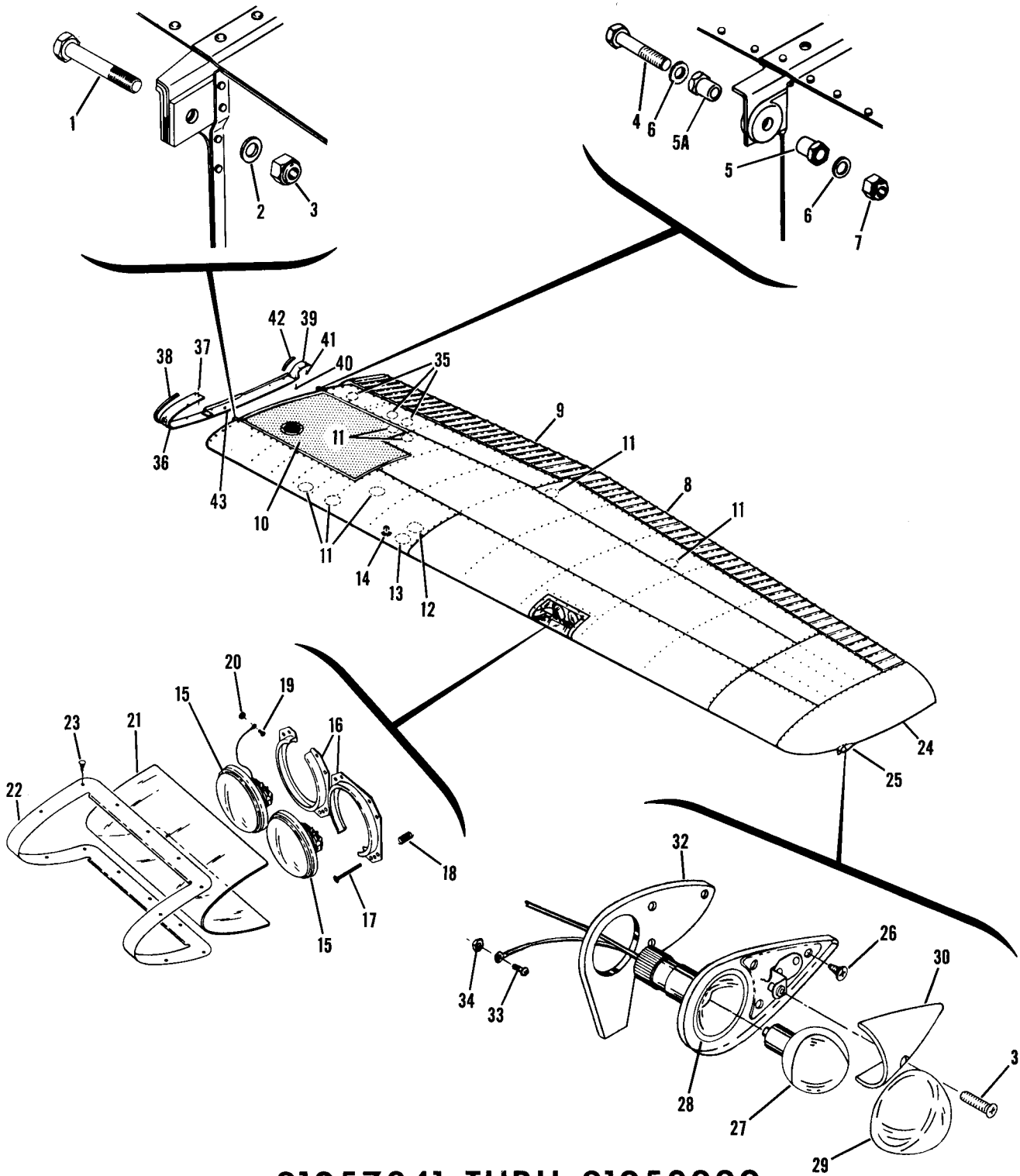
Figure 2. (Sheet 3) Placards, Nameplates and Exterior Markings

FIGURE AND INDEX NO.	PART NUMBER	DESCRIPTION	UNITS PER ASSY	USABLE ON CODE
2 -		NAMEPLATES, PLACARDS, STENCILS AND EXTERIOR MARKINGS -----	NP	
- 1	S1112-1	NAMEPLATE-M.A.A. -----	1	
- 2	1200025-1	INSIGNIA-TAIL -----	6	D
- 3	1400014-1	NAME PLATE-CESSNA -----	1	E
- 4	1213230-3	PLACARD-CHECK LIST -----	1	
- 5	0500085-1	EMBLEM-STAR -----	7	D
- 6	0500085-2	INSIGNIA-CESSNA -----	2	D
- 7	1213629-1	EMBLEM-CENTURION -----	1	M
	C2733-064-3	ATTACHING PARTS CLIP TIN -----	3	
- 8	1213511-1	NAME PLATE -----	2	E
- 9	1213232-3	PLACARD-ENGINE OIL AND TIRE PRESSURE -----	1	A
	S1397-1	PLACARD-ENGINE OIL -----	1	B
-10	S1397-3	PLACARD-ENGINE OIL -----	1	E
-11	0500091-1	EXTERIOR NUMBER-210 -----	2	D

CONTINUED ON NEXT PAGE

FIGURE AND INDEX NO.	PART NUMBER	DESCRIPTION	UNITS PER ASSY	USABLE ON CODE
2 -12	0700319-12	PLACARD-WINTERIZATION -----	2	
-13	1270442-1	PLACARD-MARKER BEACON SWITCH -----	1	
-14	0713705-2	PLACARD-VACUUM LIGHTS -----	1	F
-14A	0713047	PLATE-FINISH AND TRIM -----	1	
-15	1213209-2	PLACARD-AUXILIARY HYDRAULIC -----	1	
-16	0700319-13	PLACARD-WINTERIZATION -----	1	
-17	1280007-1	PLACARD-HYDRAULIC FLUID RESERVIOR -----	1	
-18	1213208-1	MEDALLION-CONTROL WHEEL -----	2	D
-19	0500125-27	INSIGNIA ASSEMBLY-CONTROL WHEEL -----	2	E
-20	0710032-1	PLACARD-BAGGAGE -----	1	D
-21	1200412-1	PLACARD-BAGGAGE -----	1	G
-22	S1287-1	PLACARD-FUEL SELECTOR VALVE -----	1	F
-23	S1287-2	PLACARD-FUEL SELECTOR VALVE EXTENDED RANGE -----	1	F
-24	0713724	MEDALLION-ANNIVERSARY -----	1	A
-25	1213489-1	PLACARD-OPERATIONAL LIMITATIONS -----	1	D
-26	0500130-1	PLACARD-GROUND SERVICE PLUG -----	1	C
-27	1200518-1	PLACARD-CHILD SEAT -----	1	G
-28	1243001-1	PLACARD-NOSE GEAR SHOCK STRUT -----	1	
-29	1250410-1	PLACARD-OIL FILTER -----	1	M
	1250410-3	PLACARD-OIL FILTER -----	1	L
-30	0500248-1	NAMEPLATE-VERTICAL TAIL -----	2	K
-31	0500125-35	PLACARD ASSEMBLY-CONTROL WHEEL -----	2	K
-32	1216015-1	PLACARD ASSEMBLY-FUEL SELECTOR VALVE STANDARD RANGE -----	1	K
-33	1216015-6	PLACARD ASSEMBLY-FUEL SELECTOR VALVE EXTENDED RANGE -----	1	H
-34	1200701-1	PLACARD-CLIMB FUEL FLOW -----	1	H
-35	1213488-1	PLACARD-OPERATIONAL LIMITATIONS -----	1	K
-36	1200678-2	PLACARD-STATIC SOURCE -----	1	H
-37	1200673-1	PLACARD-PRIMER -----	1	I
-38	1200708-1	PLACARD-CENTURION -----	1	N
-39	1200189-1	PLACARD-EXTERIOR T210 -----	1	J
-40	0400135-1	NAMEPLATE-VERTICAL TAIL -----	1	L
-41	1213484-1	PLACARD-TANK SELECTION -----	1	G
-42	1213522-1	PLACARD-OPERATIONAL LIMITATIONS -----	1	L
-43	1213523-1	PLACARD-POWER SETTINGS LIMITATIONS -----	1	J
-44	0700166-1	PLACARD-DOOR HANDLE-LH -----	1	L
-45	0700166-2	PLACARD-DOOR HANDLE-RH -----	1	L
-46	0700742-1	BASE-PLACARD -----	2	L
-47	0700745-1	EMBLEM-CONTROL WHEEL -----	2	N
-48	0700745-2	EMBLEM-CONTROL WHEEL -----	2	J
-49	1200705-1	EMBLEM-CONTROL WHEEL -----	2	L
-50	0500125-1	PLATE -----	2	N
		ATTACHING PARTS		
	C4448-032	CLIP TINN -----	1	N
-51	0700748-1	PLACARD-EXTERIOR T210 -----	2	N
-52	1213532-1	PLACARD-TIRE PRESSURE -----	1	L
<p>A---210 SERIAL 21057841 THRU 21058085 B---210 SERIAL 21058086 THRU 21058220 C---210 SERIAL 21057988 & ON T210 SERIAL T210-0001 & ON D---210 SERIAL 21057841 THRU 21058220 E---210 SERIAL 21058221 THRU 21058511 F---210 SERIAL 21057841 THRU 21058510 G---210 SERIAL 21058221 & ON T210 SERIAL T210-0001 & ON H---210 SERIAL 21058511 & ON T210 SERIAL T210-0001 & ON I---210 SERIAL 21058332 & ON T210 SERIAL T210-0001 & ON J---T210 SERIAL T210-0001 & ON K---210 SERIAL 21058511 THRU 21058715 L---210 SERIAL 21058716 & ON T210 SERIAL T210-0001 & ON M---210 SERIAL 21057841 THRU 21058715 N---210 SERIAL 21058716 & ON</p>				

Wing



21057841 THRU 21058220

Figure 3. Wing Assembly Complete

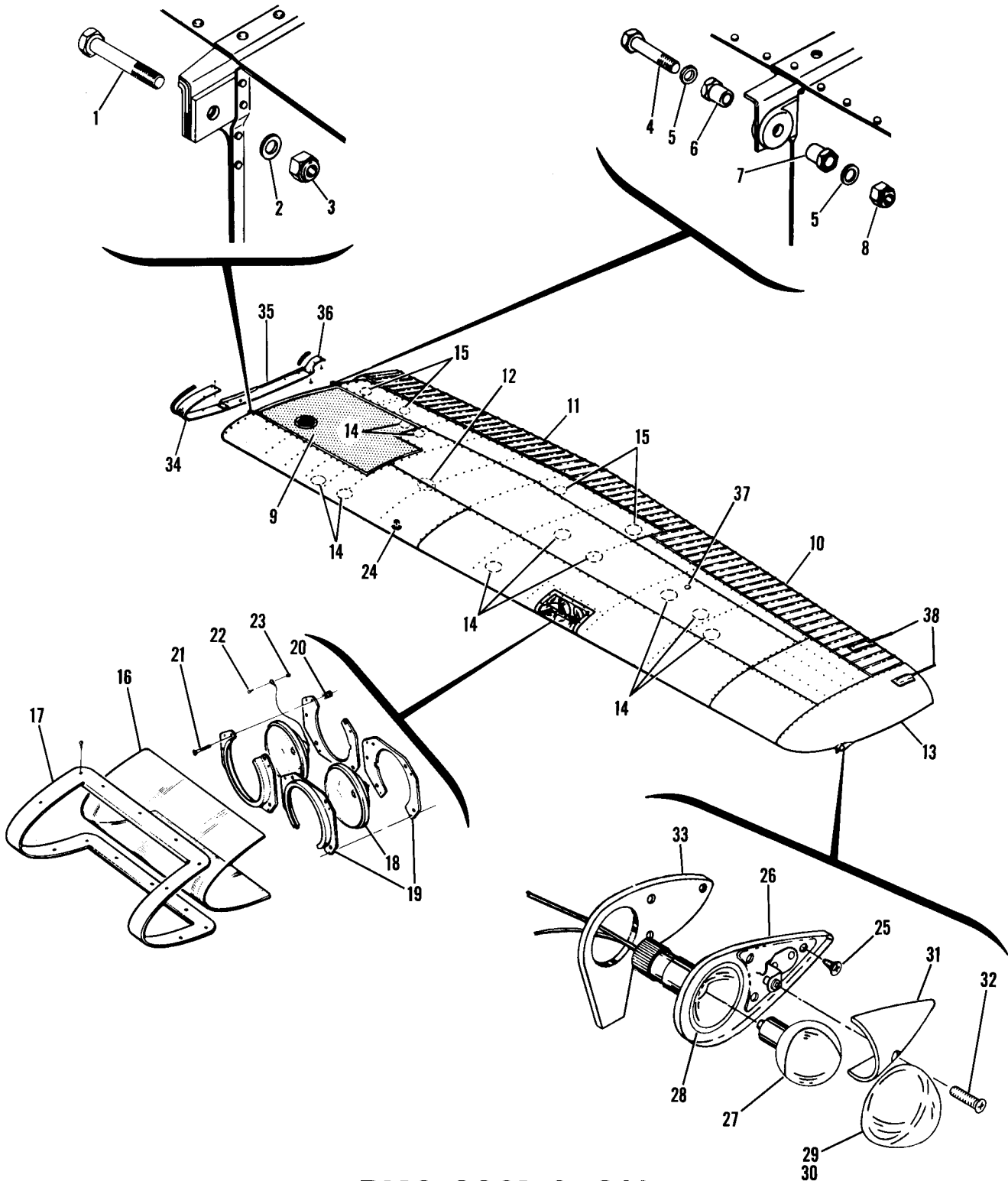
FIGURE AND INDEX NO.	PART NUMBER	DESCRIPTION	UNITS PER ASSY	USABLE ON CODE
		1 2 3 4 5 6 7		
3 -		WING ASSEMBLY-COMplete LH -----	NP	A
		WING ASSEMBLY-COMplete LH EXTENDED RANGE -----	NP	A
		WING ASSEMBLY-COMplete RH -----	NP	A
		WING ASSEMBLY-COMplete RH EXTENDED RANGE -----	NP	A
		ATTACHING PARTS		
- 1	AN8-23A	BOLT ----- 21057841 -----	1	
- 2	AN960-816	WASHER -----	1	
- 3	MS20365-820C	NUT ----- THRU 21058220 -----	1	
- 4	AN7-21A	BOLT -----	1	
- 5	0512123-1	BUSHING-FLANGED FWD SIDE -----	1	
- 5A	0512123	BUSHING-FLANGED AFT SIDE -----	1	
- 6	AN960-716	WASHER -----	2	
- 7	MS20365-720C	NUT -----	1	
- 8		AILERON INSTALLATION SEE FIGURE 9 -----	1	
- 9		FLAP INSTALLATION SEE FIGURE 10 -----	1	
-10		TANK INSTALLATION-FUEL SEE FIGURE 8 -----	1	
		TANK INSTALLATION-EXTENDED RANGE FUEL SEE FIGURE 8 -----	1	
-11	S225-4F	PLATE-INSPECTION -----	8	
		ATTACHING PARTS		
	S1022Z8-8	SCREW -----	6	
-12	1227002-7	PLATE-INSPECTION LH AFT -----	1	
	1227002-6	PLATE-INSPECTION RH AFT -----	1	
-13	1227002-9	PLATE-INSPECTION LH FWD -----	1	
	1227002-8	PLATE-INSPECTION RH FWD -----	1	
		ATTACHING PARTS		
	S1022Z8-8	SCREW -----	6	
-14	0511062-4	WING UNIT-STALL WARNING -----	1	
	0511062-5	WING UNIT-STALL WARNING HEATED -----	1	
		ATTACHING PARTS		
	S1022Z8-6	SCREW -----	4	
	NAS395-17-3	NUT -----	4	
	1220002-203	STRUCTURE ASSEMBLY-WING LH SEE FIGURE 4 -----	1	
	1220003-203	STRUCTURE ASSEMBLY-WING LH EXTENDED RANGE SEE FIGURE 4 --	1	
	1220002-204	STRUCTURE ASSEMBLY-WING RH SEE FIGURE 4 -----	1	
	1220004-204	STRUCTURE ASSEMBLY-WING RH EXTENDED RANGE SEE FIGURE 4 --	1	
-15	0523118-1	LIGHT-LANDING LH WING ONLY -----	2	
		ATTACHING PARTS		
-16	0423542-6	BRACKET ASSEMBLY -----	2	
-17	AN515-8R24	SCREW -----	8	
-18	0713124-1	SPRING -----	8	
-19	AN515-8R6	SCREW-GROUNDING LH WING ONLY -----	1	
-20	NAS679A08	NUT-GROUNDING LH WING ONLY -----	1	
-21	0722100-4	WINDOW-LANDING LIGHT LH WING ONLY -----	1	
		ATTACHING PARTS		
-22	0722100-3	RETAINER-WINDOW -----	1	
-23	S1022Z8-8	SCREW -----	14	
-24	1223000-1	TIP ASSEMBLY-WING LH WHEN EXHAUSTED USE 1223000-7 -----	1	
	1223000-7	TIP ASSEMBLY-WING LH -----	1	
	1223000-2	TIP ASSEMBLY-WING RH WHEN EXHAUSTED USE 1223000-8 -----	1	
	1223000-8	TIP ASSEMBLY WING RH -----	1	
		ATTACHING PARTS		
	S1021Z8-8	SCREW -----	10	
	0721107-1	FAIRING-LH -----	1	
	0721107-2	FAIRING-RH -----	1	
-25	0423006-12	LIGHT ASSEMBLY-WING NAVIGATION LH -----	1	
	0423006-13	LIGHT ASSEMBLY-WING NAVIGATION RH -----	1	
		ATTACHING PARTS		
-26	S1021Z8-6	SCREW -----	3	

CONTINUED ON NEXT PAGE

FIGURE AND INDEX NO.	PART NUMBER	DESCRIPTION							UNITS PER ASSY	USABLE ON CODE
		1	2	3	4	5	6	7		
3 -27	A7512-12	LAMP	GMC	-----	-----	-----	-----	-----	1	
-28	A1257A	GASKET	GMC	-----	-----	-----	-----	-----	1	
-29	A1280-2	LENS-LH	RED	GMC	-----	-----	-----	-----	1	
	A1280-3	LENS-RH	GREEN	GMC	-----	-----	-----	-----	1	
-30	A1104	FAIRING	GMC	-----	-----	-----	-----	-----	1	
		ATTACHING PARTS								
-31	S102128-6	SCREW	-----	-----	-----	-----	-----	-----	1	
		-----*								
-32	1223011-1	DETECTOR-WING NAVIGATION LIGHT							1	
-33	AN515-8R6	SCREW-GROUNDING							1	
-34	NAS679A08	NUT-GROUNDING							1	
-35	S225-1	PLATE-INSPECTION							3	
		ATTACHING PARTS								
	S102128-8	SCREW	-----	-----	-----	-----	-----	-----	3	
		-----*								
-36	0720615-11	FILLET ASSEMBLY-WING TO FUSELAGE LEADING EDGE LH							1	
	0720615-12	FILLET ASSEMBLY-WING TO FUSELAGE LEADING EDGE RH							1	
		ATTACHING PARTS								
-37	S102228-8	SCREW	-----	-----	-----	-----	-----	-----	6	
	S290D832	WASHER	-----	-----	-----	-----	-----	-----	6	
		-----*								
-38	0520005-3	RUB STRIP							1	
-39	1200461-1	FAIRING ASSEMBLY-WING LOWER AFT LH							1	
	1200461-2	FAIRING ASSEMBLY-WING LOWER AFT RH							1	
		ATTACHING PARTS								
-40	S102128-6	SCREW	-----	-----	-----	-----	-----	-----	2	
-41	S102228-8	SCREW	-----	-----	-----	-----	-----	-----	2	
		-----*								
-42	S202R	MOULDING-7.10 IN LG	BULK ITEM	REF S-202R-0710B	-----	-----	-----	-----	1	
-43	0720614-3	FAIRING-WING TO FUSELAGE LH							1	
	0720614-4	FAIRING-WING TO FUSELAGE RH							1	
		ATTACHING PARTS								
	S102228-8	SCREW	-----	-----	-----	-----	-----	-----	12	
	S-290D832	WASHER	-----	-----	-----	-----	-----	-----	12	
		-----*								
		A---210 SERIAL 21057841 THRU 21058220								

FIGURE AND INDEX NO.	PART NUMBER	DESCRIPTION	UNITS PER ASSY	USABLE ON CODE
		1 2 3 4 5 6 7		
3A-		WING ASSEMBLY COMPLETE LH STANDARD RANGE -----	NP	A
		WING ASSEMBLY COMPLETE LH EXTENDED RANGE -----	NP	A
		WING ASSEMBLY COMPLETE RH STANDARD RANGE -----	NP	A
		WING ASSEMBLY COMPLETE RH EXTENDED RANGE -----	NP	A
		ATTACHING PARTS		
- 1	AN8-23A	BOLT -----	1	
- 2	AN960-816	WASHER -----	1	
- 3	MS20365-820C	NUT -----	1	
- 4	AN7-21A	BOLT -----	1	
- 5	AN960-716	WASHER -----	2	
- 6	0512123	BUSHING -----	1	
- 7	0512123-1	BUSHING -----	1	
- 8	MS20365-720C	NUT -----	1	
	1220059-1	WING STRUCTURE ASSEMBLY STANDARD RANGE ----- SEE FIGURE 4A	1	
	1220059-2	WING STRUCTURE ASSEMBLY LH EXTENDED RANGE ----- SEE FIGURE 4A	1	
	1220060-1	WING STRUCTURE ASSEMBLY STANDARD RANGE ----- SEE FIGURE 4A	1	
	1220060-2	WING STRUCTURE ASSEMBLY RH EXTENDED RANGE ----- SEE FIGURE 4A	1	
- 9		FUEL TANK INSTALLATION SEE FIGURE 8 -----	1	
-10		AILERON INSTALLATION SEE FIGURE 9A -----	1	
-11		FLAP INSTALLATION SEE FIGURE 10A -----	1	
-12		COURTESY LIGHT INSTALLATION SEE FIGURE 115 -----	1	
-13	1223000-7	TIP-WING LH -----	1	
	1223000-8	TIP-WING RH -----	1	
	S1021Z8-8	ATTACHING PARTS		
		SCREW -----	10	
		-----*		
		CONTINUED ON NEXT PAGE		

Wing (Cont)



T210-0001 & ON
21058221 & ON

Figure 3A. Wing Assembly Complete

FIGURE AND INDEX NO.	PART NUMBER	DESCRIPTION	UNITS PER ASSY	USABLE ON CODE
		1 2 3 4 5 6 7		
3A-14	S225-4F	PLATE-INSPECTION USED ON STANDARD RANGE -----	10	
	S225-4F 1220094	PLATE-INSPECTION USED ON EXTENDED RANGE ----- COVER-ACCESS HOLE RH WING ONLY -----	9 1	
	S1022Z8-8	ATTACHING PARTS		
	S1021Z8-8	SCREW -----	6	
		SCREW USED ON 1220094 COVER -----	8	
-15	S225-1	PLATE-INSPECTION -----	4	
	S1021Z8-8	ATTACHING PARTS SCREW -----	3	
-16	0722100-4	WINDOW-LANDING LIGHT LH WING -----	1	
-17	0722100-3	RETAINER-WINDOW LH WING -----	1	
	S1022Z8-8	ATTACHING PARTS SCREW -----	14	
-18	0523118-1	LIGHT-LANDING LH WING -----	2	
-19	0423542-6	BRACKET ASSEMBLY-LANDING LIGHT LH WING -----	2	
		ATTACHING PARTS		
-20	0713124-1	SPRING -----	3	
-21	AN515-8R24	SCREW -----	3	
-22	AN515-8R7	SCREW GROUND WIRE -----	2	
-23	NAS679A08	NUT GROUND WIRE -----	2	
-24	0511062-4	STALL WARNING UNIT LH WING -----	1	
	S1021Z8-6	ATTACHING PARTS		
	NAS395-17-3	SCREW -----	4	
		NUT -----	4	
	0423006-12	LIGHT ASSEMBLY-NAVIGATION LH WING -----	1	
	0423006-13	LIGHT ASSEMBLY-NAVIGATION RH WING -----	1	
		ATTACHING PARTS		
-25	S1021Z8-6	SCREW -----	3	
-26	A1286	BASE-LAMP GMC -----	1	
-27	A7512-12	LAMP GMC -----	1	
-28	A1257A	GASKET GMC -----	1	
-29	A1280-2	LENS-RED LH GMC -----	1	
-30	A1280-3	LENS-GREEN RH GMC -----	1	
-31	A1104	FAIRING GMC -----	1	
		ATTACHING PARTS		
-32	S1021Z8-6	SCREW -----	1	
-33	1223011-1	DETECTOR-NAVIGATION LIGHT -----	1	
	AN515-8R6	SCREW GROUND WIRE -----	1	
	NAS679A08	NUT GROUND WIRE -----	1	
-34	0720615-17	FILLET ASSEMBLY-WING LH -----	1	
	0720615-18	FILLET ASSEMBLY-WING RH -----	1	
	S1022Z8-8	ATTACHING PARTS SCREW -----	3	
	0520005-3	RUB STRIP -----	1	
-35	0720614-3	FAIRING-WING TO FUSELAGE LH -----	1	
	0720614-4	FAIRING-WING TO FUSELAGE RH -----	1	
	S1022Z8-8	ATTACHING PARTS SCREW -----	6	
	S-2900832	WASHER-DIMPLED -----	6	
	CR116-4-2	CHERRY RIVET CY -----	2	
-36	1200461-1	FAIRING ASSEMBLY-WING TO FUSELAGE LH -----	1	
	1200461-2	FAIRING ASSEMBLY-WING TO FUSELAGE RH -----	1	
	S1022Z8-8	ATTACHING PARTS SCREW -----	1	
	S1021Z8-6	SCREW -----	1	
	S202RB	CHANNEL-ELASTOMER 07.10 IN LG BULK ITEM -----	1	
		REF S-202-R-0710-B		
-37	CM2692-32-1S	PLUG BUTTON UC -----	1	
-38	5169	STATIC DISCHARGER FERY -----	2	
	NAS1329A08K75	ATTACHING PARTS RIVNUT GD -----	2	
	AN515-8R8	SCREW -----	2	
	AN936A8	WASHER -----	2	

		A---210 SERIAL 21058221 & ON T210 SERIAL T210-0001 & ON B---210 SERIAL 21058221 THRU 21058715		

FIGURE AND INDEX NO.	PART NUMBER	DESCRIPTION	UNITS PER ASSY	USABLE ON CODE
4 -	1220002-203	STRUCTURE ASSEMBLY-WING LH -----	1	A
	1220003-203	STRUCTURE ASSEMBLY-WING LH EXTENDED RANGE -----	1	A
	1220002-204	STRUCTURE ASSEMBLY-WING RH -----	1	A
	1220004-204	STRUCTURE ASSEMBLY-WING RH EXTENDED RANGE -----	1	A
- 1		LEADING EDGE ASSEMBLIES-WING SEE FIGURE 5 -----	1	
		SKINS & STRINGERS INSTALLATION SEE FIGURE 7 -----	1	
- 2		SPARS ASSEMBLIES SEE FIGURE 6 -----	1	
- 3		LINE ASSEMBLY-PITOT ATTACHING PARTS -----	NP	
- 4	AN742D4-27	NUT -----	1	
	S1021Z8-8	SCREW -----	1	
	NAS395-16-3	NUT -----	1	
	S1071-1	TUBE-POLYETHYLENE 52 IN LG BULK ITEM ----- REF S-1071-1-52.0	1	
	S1130-1	NUT-NYLON -----	2	
	S1131-1	INSERT-NYLON -----	2	
- 5	MS21919D66	CLAMP-LH -----	1	
	S1155-3	CLAMP-RH -----	1	
- 6	S1021Z8-8	SCREW -----	1	
- 7	NAS446-4-3	NUT -----	1	
- 8	0721100-27	RIB ASSEMBLY-WING ROOT LH -----	1	
	0721100-28	RIB ASSEMBLY-WING ROOT RH -----	1	
- 9	0721100-29	RIB-WING ROOT LH -----	1	
	0721100-30	RIB-WING ROOT RH -----	1	
-10	1221101-1	REINFORCEMENT-WING ROOT RIB LH -----	1	
	1221101-2	REINFORCEMENT-WING ROOT RIB RH -----	1	
-11	0721116-1	REINFORCEMENT-WING ROOT RIB LH -----	1	
	0721116-2	REINFORCEMENT-WING ROOT RIB RH -----	1	
-12	0721100-7	ANGLE-STIFFENER -----	2	
-13	0721100-6	ANGLE-STIFFENER -----	1	
-14	0721100-5	ANGLE-STIFFENER -----	1	
-15	1220019-9	* RIB-LH WHEN EXHAUSTED USE 1220019-18 -----	1	
	1220019-18	* RIB-LH -----	1	
	1220019-10	* RIB-RH -----	1	
-16	0721111-1	RIB ASSEMBLY-WING FUEL BAY LH WHEN ----- EXHAUSTED USE 0721111-21	1	
	0721111-21	RIB ASSEMBLY-WING FUEL BAY LH -----	1	
	0721111-16	RIB ASSEMBLY-WING FUEL BAY RH -----	1	
-17	1220019-1	* RIB ASSEMBLY-LH STA 85.625 WHEN ----- EXHAUSTED USE 1220019-19	1	
	1220019-19	* RIB ASSEMBLY-LH STA 85.625 -----	1	
	1220019-2	* RIB ASSEMBLY-RH STA 85.625 WHEN ----- EXHAUSTED USE 1220019-20	1	
	1220019-20	* RIB ASSEMBLY-RH STA 85.625 -----	1	
-18	0721111-7	RIB-WING FUEL BAY LH -----	1	
	0721111-15	RIB-WING FUEL BAY RH -----	1	
-19	1220019-3	* RIB-LH STA 85.625 WHEN EXHAUSTED ----- USE 1220019-21	1	
	1220019-21	* RIB-LH STA 85.625 -----	1	
	1220019-4	* RIB-RH STA 85.625 WHEN EXHAUSTED ----- USE 1220019-22	1	
	1220019-22	* RIB-RH STA 85.625 -----	1	
-20	0721100-7	ANGLE-STIFFENER -----	2	
-21	0721100-6	ANGLE-STIFFENER -----	1	
-22	0523509-1	RIB-CENTER STA 85.875 WHEN EXHAUSTED USE 0523509-2 -----	1	
	0523509-2	RIB-CENTER STA 85.875 -----	1	
-23	0523510	RIB-CENTER LH WING STA. 100.0 WHEN ----- EXHAUSTED USE 0523510-7	1	
	0523510-7	RIB-CENTER LH WING STA 100.0 -----	1	
	0523510-1	RIB-CENTER RH WING STA. 100.0 WHEN ----- EXHAUSTED USE 0523510-6	1	
	0823510-6	RIB-CENTER RH WING STA 100 -----	1	

CONTINUED ON NEXT PAGE

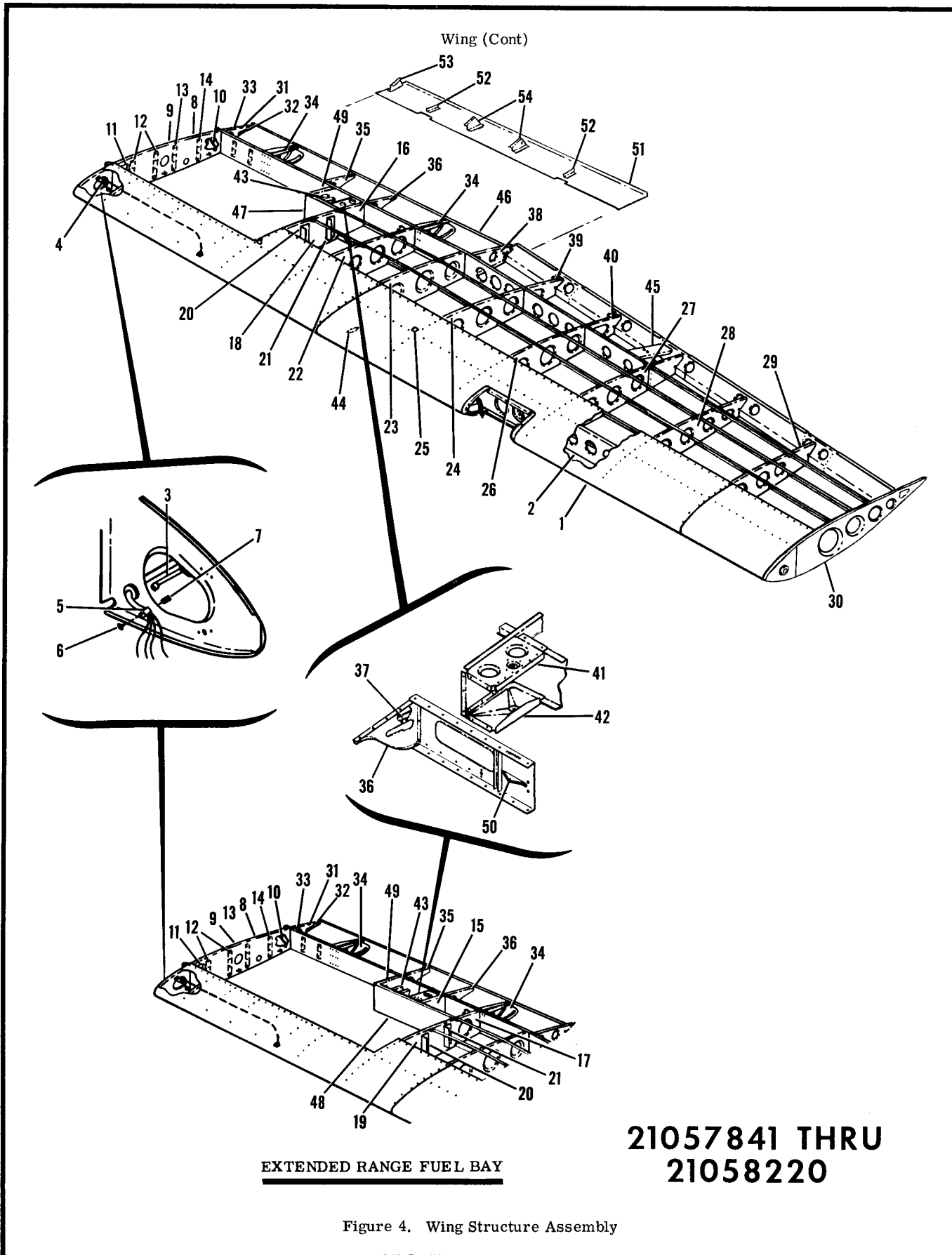


FIGURE AND INDEX NO.	PART NUMBER	DESCRIPTION							UNITS PER ASSY	USABLE ON CODE
		1	2	3	4	5	6	7		
4 -24	0523511-8	RIB-CENTER	STA 118.0	-----					1	
-25	0523511-6	SPACER		-----					1	
-26	0523512-10	RIB-CENTER	STA 136.00	-----					1	
-27	0523513-7	RIB-CENTER LH WING	STA 154.00	-----					1	
	0523513-8	RIB-CENTER RH WING	STA 154.00	-----					1	
-28	0720607-1	RIB-CENTER	STA 172.00	-----					1	
-29	0720607-2	RIB-CENTER	STA 190.00	-----					1	
-30	0720608-1	RIB ASSEMBLY-CENTER	STA 208.00	-----					1	
	A6195-8Z-3	NUT	TIN	-----					13	
-31	NAS395-14-3	NUT		-----					3	
-32	AN6328-8Z-3	NUT		-----					1	
-33	0523232	RIB-TRAILING EDGE ROOT	STA 23.625	-----					1	
-34	1221010-7	RIB ASSEMBLY-FLAP TRACK	STA 39.0 & 85.875	-----					2	
	1221010-5	BRACKET		-----					1	
	1221010-6	BRACKET		-----					1	
-35	1221013-3	RIB-TRAILING EDGE LH	STA 56.415	-----					1	
	1221013-4	RIB-TRAILING EDGE RH	STA 56.415	-----					1	
-36	0523233-7	RIB ASSEMBLY-TRAILING EDGE	STA 71.977	-----					1	
-37	0523233-3	RUB STRIP		-----					1	
-38	0523230	RIB ASSEMBLY-TRAILING EDGE WING LH	STA 100.5	-----					1	
	0523230-1	RIB ASSEMBLY-TRAILING EDGE WING RH	STA 100.5	-----					1	
	0523230-4	ANGLE-WING LH		-----					1	
	0523230-5	ANGLE-WING RH		-----					1	
-39	0523511-4	RIB-TRAILING EDGE	STA 118.00	-----					1	
-40	0523512-4	RIB-TRAILING EDGE	STA 136.00	-----					1	
-41	1221012-3	BRACKET-FLAP BELLCRANK UPPER LH		-----					1	
	1221012-1	* BRACKET-FLAP BELLCRANK UPPER LH		-----					1	
	1221012-4	BRACKET-FLAP BELLCRANK UPPER RH		-----					1	
	1221012-2	* BRACKET-FLAP BELLCRANK UPPER RH		-----					1	
-42	1221011-3	BRACKET-FLAP BELLCRANK LOWER LH		-----					1	
	1221011-1	* BRACKET-FLAP BELLCRANK LOWER LH		-----					1	
	1221011-4	BRACKET-FLAP BELLCRANK LOWER RH		-----					1	
	1221011-2	* BRACKET-FLAP BELLCRANK LOWER RH		-----					1	
-43	1221019-1	BRACKET-FLAP ACTUATOR LH		-----					1	
	1221019-2	BRACKET-FLAP ACTUATOR RH		-----					1	
-44	1200026-1	JACKPOINT ASSEMBLY		-----					1	
-45	0523219-2	CHANNEL-AILERON BELLCRANK SUPPORT UPPER LH		-----					1	
	0523219-3	CHANNEL-AILERON BELLCRANK SUPPORT UPPER RH		-----					1	
	0523219-4	CHANNEL-AILERON BELLCRANK SUPPORT LOWER LH		-----					1	
	0523219-5	CHANNEL-AILERON BELLCRANK SUPPORT LOWER RH		-----					1	
-46	0720005-1	STIFFENER-TRAILING EDGE INBOARD		-----					1	
-47	0722012-1	BULKHEAD ASSEMBLY		-----					1	
-48	1220019-5	* BULKHEAD ASSEMBLY-LH		-----					1	
	1220019-6	* BULKHEAD ASSEMBLY-RH		-----					1	
-49	1221022-1	RIB-WING LH	STA 56.415	-----					1	
	0721111-4	RIB-WING RH	STA 56.415	-----					1	
-50	0523407-1	BRACKET ASSEMBLY-PULLEY LOWER		-----					1	
	0523407	BRACKET ASSEMBLY-PULLEY UPPER		-----					1	
-51	1220028-3	FAIRING-FLAP GAP LH		-----					1	
	1220028-2	FAIRING-FLAP GAP RH		-----					1	
-52	1220027-7	HANGER		-----					2	
-53	1220027-3	HANGER ASSY-LH		-----					1	
	1220027-4	HANGER ASSY-RH		-----					1	
-54	1220027-1	HANGER ASSY-LH		-----					2	
	1220027-2	HANGER ASSY-RH		-----					2	

NOTE. *DENOTES PARTS USED ON WING WITH EXTENDED RANGE FUEL TANK.

NOTE. WING STRUCTURE ASSEMBLIES INCLUDE ALL WIRING NECESSARY FOR INSTALLATION.

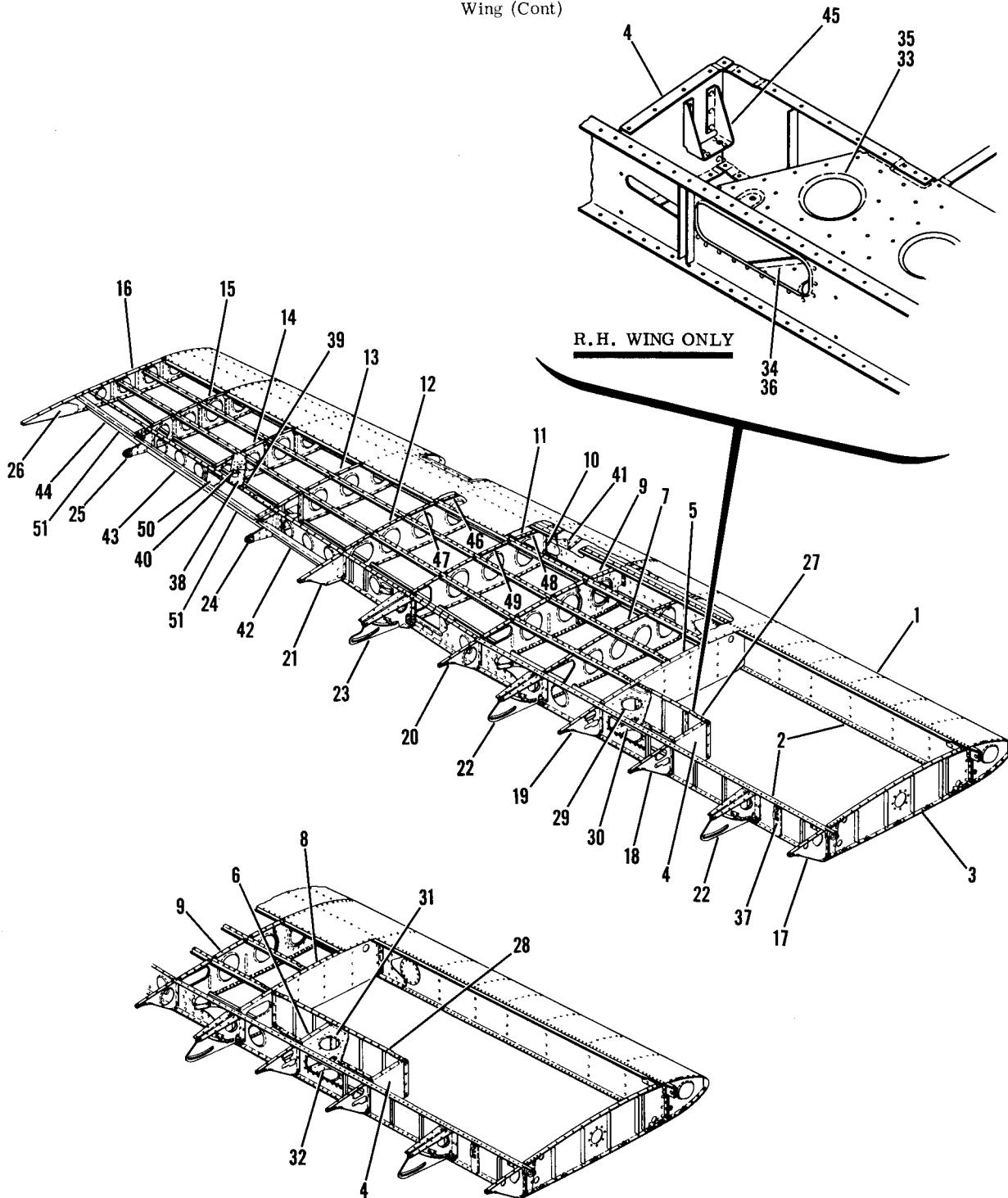
A---210 SERIAL 21057841 THRU 21058220

FIGURE AND INDEX NO.	PART NUMBER	DESCRIPTION	UNITS PER ASSY	USABLE ON CODE
		1 2 3 4 5 6 7		
4A-	1220059-1	WING STRUCTURE ASSEMBLY LH STANDARD RANGE -----	1	A
	1220059-2	WING STRUCTURE ASSEMBLY LH EXTENDED RANGE -----	1	A
	1220060-1	WING STRUCTURE ASSEMBLY RH STANDARD RANGE -----	1	A
	1220060-2	WING STRUCTURE ASSEMBLY RH EXTENDED RANGE -----	1	A
- 1		WING LEADING EDGES INSTALLATION SEE FIGURE 5 -----	1	
- 2		WING SPARS INSTALLATION SEE FIGURE 6A -----	1	
		WING SKINS AND STRINGERS INSTALLATION SEE FIGURE 7A -----	1	
- 3	0721100-27	RIB ASSEMBLY-WING ROOT LH -----	1	
	0721100-28	RIB ASSEMBLY-WING ROOT RH -----	1	
	A6162-8Z-3	NUT TIN -----	5	
- 4	0721111-3	RIB ASSEMBLY-STUB LH STA. 56.531 -----	1	
	0721111-19	RIB ASSEMBLY-STUB RH STA. 56.531 -----	1	
	NAS680A08	NUT PLATE -----	2	
- 5	0721111-21	RIB ASSEMBLY-FUEL BAY LH STANDARD RANGE STA. 71.977 -	1	
	0721111-20	RIB ASSEMBLY-FUEL BAY RH STANDARD RANGE STA. 71.977 -	1	
- 6	1220019-23	RIB-STUB LH EXTENDED RANGE STA. 71.977 -----	1	
	0720617-2	RIB-STUB RH EXTENDED RANGE STA. 71.977 -----	1	
- 7	0523509-2	RIB-CENTER STANDARD RANGE STA. 85.625 -----	1	
- 8	1220019-19	RIB ASSEMBLY-FUEL BAY LH EXTENDED RANGE STA. 85.625 -	1	
	1220019-20	RIB ASSEMBLY-FUEL BAY RH EXTENDED RANGE STA. 85.625 -	1	
- 9	0523510-7	RIB ASSEMBLY-LH STA. 100.00 -----	1	
	0523510-6	RIB ASSEMBLY-RH STA. 100.00 -----	1	
-10	0523511-6	SPACER-RIB -----	1	
-11	0523511-9	RIB-LH STA. 118.00 -----	1	
	0523511-10	RIB-RH STA. 118.00 -----	1	
-12	0523512-13	RIB-LH STA. 136.00 -----	1	
	0523512-12	RIB-RH STA. 136.00 -----	1	
-13	1220069-1	* RIB ASSEMBLY-LH STA. 154.00 -----	1	
	1220069-2	* RIB ASSEMBLY-RH STA. 154.00 -----	1	
	1220082-1	BRACKET-AILERON PULLEY WHEN EXHAUSTED USE 1220098-1 ---	1	B
	1220098-1	* BRACKET-AILERON PULLEY -----	1	C
		ATTACHING PARTS		
	AN515-8R7	SCREW -----	4	
	NAS679A08	NUT -----	4	
		-----*		
-14	0720607-7	RIB-CENTER STA. 172.00 -----	1	
-15	0720607-8	RIB-CENTER STA. 190.00 -----	1	
-16	0720608-10	RIB ASSEMBLY-CENTER STA 208.00 -----	1	
	A6195-8Z-3	NUT TIN -----	10	

T210-0001 & ON
21058221 & ON

CONTINUED ON NEXT PAGE

Wing (Cont)



EXTENDED RANGE FUEL BAY

T210-0001 & ON
21058221 & ON

Figure 4A. Wing Structure Assembly

FIGURE AND INDEX NO.	PART NUMBER	DESCRIPTION	UNITS PER ASSY	USABLE ON CODE
		1 2 3 4 5 6 7		
4A-17	1220083-1	RIB-TRAILING EDGE ROOT LH -----	1	
	1220083-2	RIB-TRAILING EDGE ROOT RH -----	1	
-18	0523233-6	RIB-TRAILING EDGE STA. 36.531 -----	1	
-19	0523233-7	RIB ASSEMBLY-TRAILING EDGE STA. 72.602 -----	1	
	0523233-3	RUB STRIP -----	1	
-20	1220081-1	RIB-TRAILING EDGE STA 100.00 -----	1	
-21	1220068-1	RIB ASSEMBLY-TRAILING EDGE LH STA. 136.00 -----	1	
	1220068-5	BRACKET-AILERON FAIRING -----	1	
	1220068-2	RIB ASSEMBLY-TRAILING EDGE RH STA. 136.00 -----	1	
	1220068-6	BRACKET-AILERON FAIRING -----	1	
-22	1221010-7	RIB ASSEMBLY-FLAP TRACK STA. 39.00 & 85.875 -----	2	
-23	1220058-1	RIB ASSEMBLY-FLAP TRACK LH STA. 118.00 -----	1	
	1220058-2	RIB ASSEMBLY-FLAP TRACK RH STA. 118.00 -----	1	
-24	1220053-11	HINGE ASSEMBLY-AILERON INBOARD LH STA. 154.00 -----	1	
	1220053-12	HINGE ASSEMBLY-AILERON INBOARD RH STA. 154.00 -----	1	
	NAS506-4	BEARING -----	1	
-25	1220052-11	HINGE ASSEMBLY-AILERON OUTBOARD LH STA. 190.00 -----	1	
	1220052-12	HINGE ASSEMBLY-AILERON OUTBOARD RH STA. 190.00 -----	1	
	NAS506-4	BEARING -----	1	
-26	0721107-1	FAIRING-WING TIP LH STA. 208.00 -----	1	
	0721107-2	FAIRING-WING TIP RH STA. 208.00 -----	1	
-27	0722012-1	BULKHEAD ASSEMBLY-FUEL WELL LH STANDARD RANGE -----	1	
	0722012-3	BULKHEAD ASSEMBLY-FUEL WELL RH STANDARD RANGE -----	1	
-28	1220019-13	BULKHEAD ASSEMBLY-FUEL WELL LH EXTENDED RANGE -----	1	
	1220019-14	BULKHEAD ASSEMBLY-FUEL WELL RH EXTENDED RANGE -----	1	
-29	0721117-3	BRACKET-FLAP BELLCRANK UPPER LH STANDARD RANGE -----	1	
-30	0721117-1	BRACKET-FLAP BELLCRANK LOWER LH STANDARD RANGE -----	1	
-31	0721112-3	BRACKET-FLAP BELLCRANK UPPER LH EXTENDED RANGE -----	1	
-32	0721112-1	BRACKET-FLAP BELLCRANK LOWER LH EXTENDED RANGE -----	1	
-33	0720606-5	DOUBLER-FLAP ACTUATOR UPPER RH STANDARD RANGE -----	1	
-34	0720606-6	DOUBLER-FLAP ACTUATOR LOWER RH STANDARD RANGE -----	1	
-35	0720606-3	DOUBLER-FLAP ACTUATOR UPPER RH EXTENDED RANGE -----	1	
-36	0720606-4	DOUBLER-FLAP ACTUATOR LOWER RH EXTENDED RANGE -----	1	
-37	0760617-1	BRACKET ASSEMBLY-FLAP CABLE IDLER LH -----	1	
	NAS680A3	NUTPLATE -----	1	
-38	1220051-1	BRACKET-AILERON BELLCRANK UPPER LH -----	1	
	1220051-2	BRACKET-AILERON BELLCRANK UPPER RH -----	1	
-39	1220051-3	BRACKET-AILERON BELLCRANK LOWER LH -----	1	
	1220051-4	BRACKET-AILERON BELLCRANK LOWER RH -----	1	
-40	1220055-1	STOP ASSEMBLY-AILERON BELLCRANK LH -----	1	
	1220055-2	STOP ASSEMBLY-AILERON BELLCRANK RH -----	1	
-41	0760609-1	BRACKET-AILERON STA. 115.50 -----	1	
-42	1220054-1	TRAILING EDGE-WING LH STA. 136.00 TO STA. 154.00 -----	1	
	1220054-2	TRAILING EDGE-WING RH STA. 136.00 TO STA. 154.00 -----	1	
-43	1220054-3	TRAILING EDGE-WING LH STA. 154.00 TO STA. 190.00 -----	1	
	1220054-4	TRAILING EDGE-WING RH STA. 154.00 TO STA. 190.00 -----	1	
-44	1220054-5	TRAILING EDGE-WING LH STA. 190.00 TO STA. 208.00 -----	1	
	1220054-6	TRAILING EDGE-WING RH STA. 190.00 TO STA. 208.00 -----	1	
-45	0720616-1	SUPPORT ASSEMBLY-FLAP POSITION TRANSMITTER RH -----	1	
	NAS680A3	NUTPLATE -----	2	
-46	1220084-1	ANGLE-REINFORCEMENT STA. 136.00 -----	1	
-47	1220084-2	ANGLE-REINFORCEMENT STA. 136.00 -----	1	
-48	1220084-3	ANGLE-REINFORCEMENT STA. 118.00 -----	1	
-49	1220084-4	ANGLE-REINFORCEMENT STA. 118.00 -----	1	
-50	1220097-1	REINFORCEMENT-SKIN CUTOUT -----	1	
-51	1220113-1	ANGLE-STIFFENER -----	2	

NOTE. *WHEN ORDERING THIS PART FOR AIRPLANES SERIAL 21058221 THRU 21058287, ALSO ORDER ONE 1260071-1 RETAINER.

A---210 SERIAL 21058221 & ON
T210 SERIAL T210-0001 & ON
B---210 SERIAL 21058221 THRU 21058287
C---210 SERIAL 21058288 & ON
T210 SERIAL T210-0001 & ON

Wing (Cont)

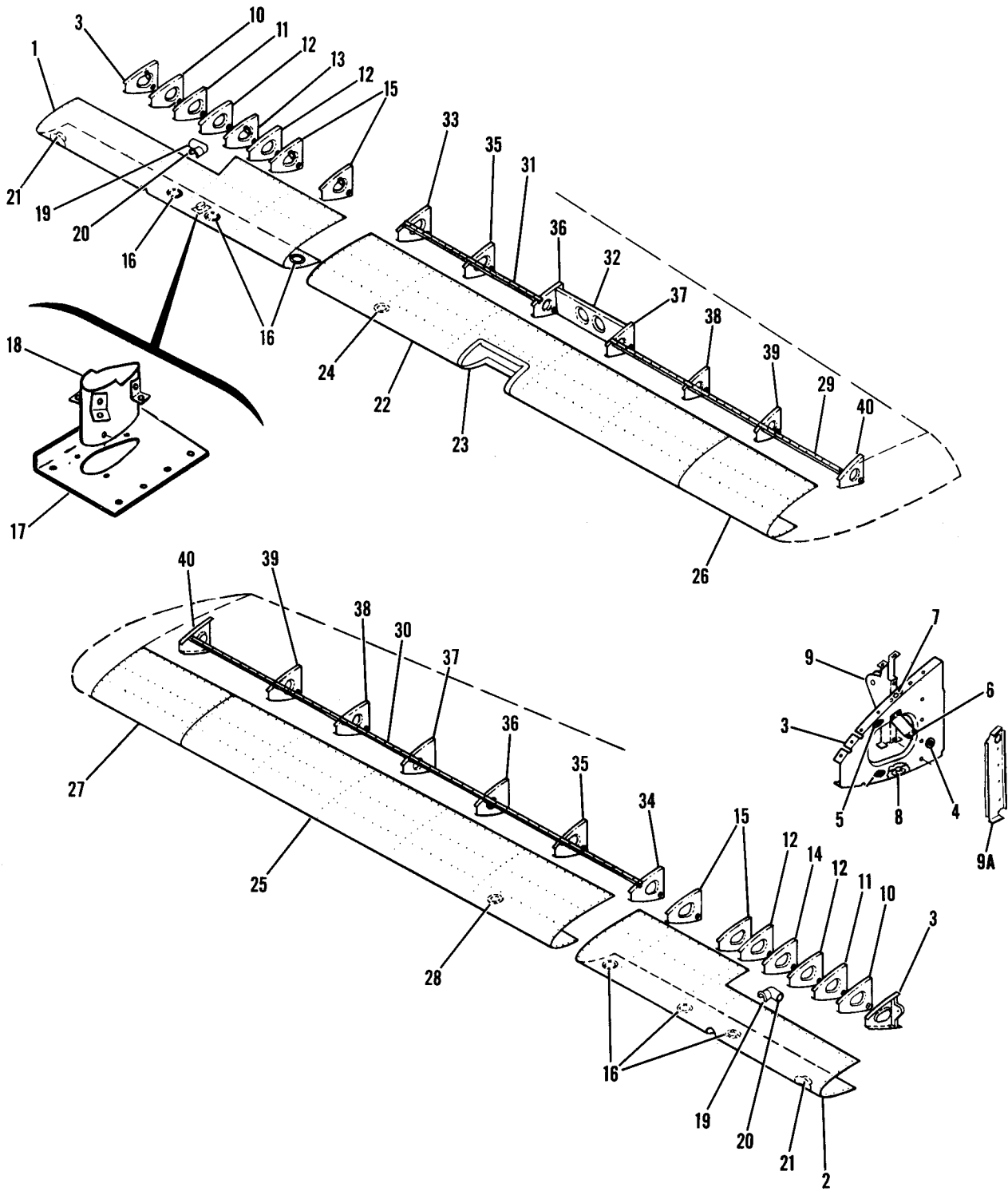
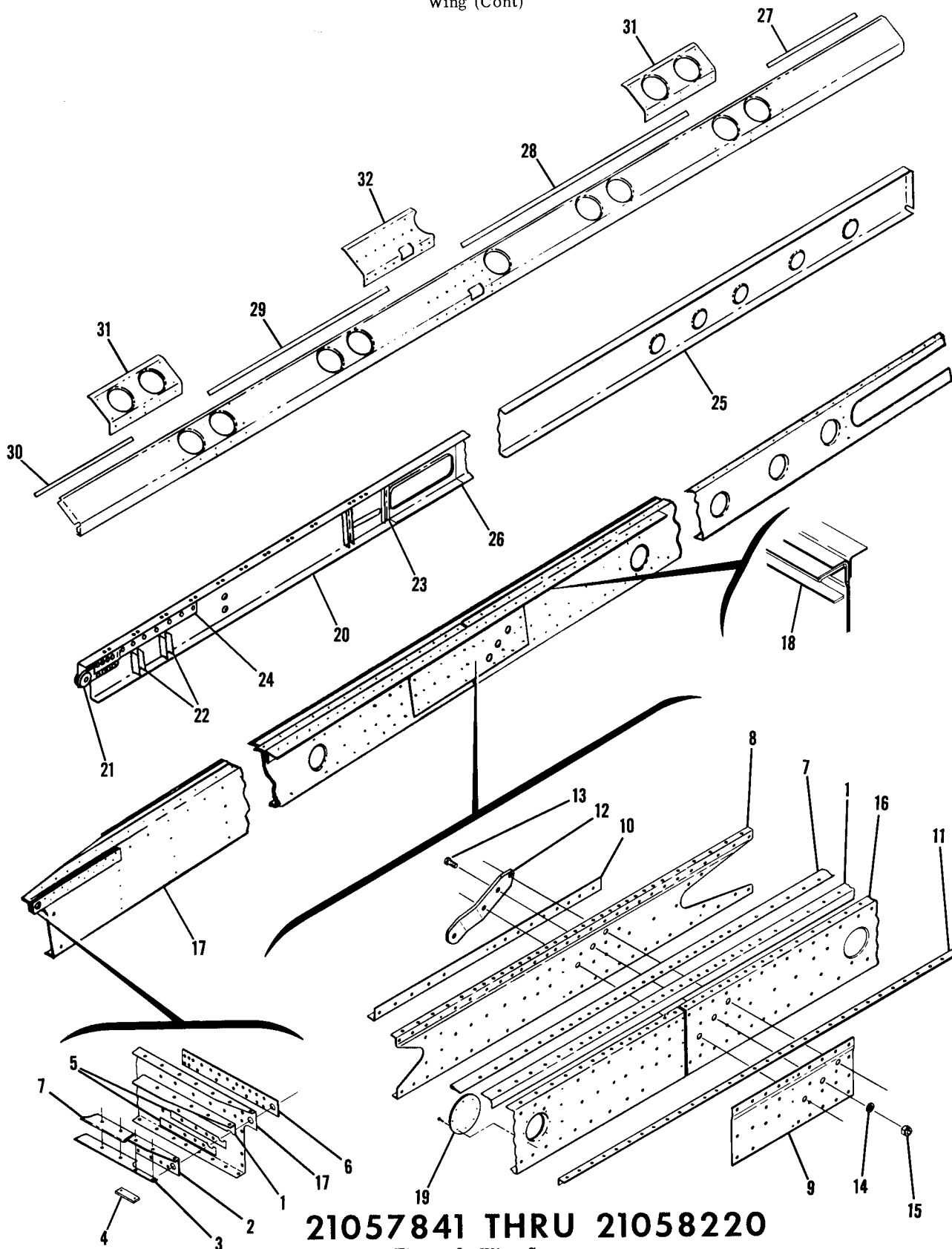


Figure 5. Wing Leading Edges Installation

FIGURE AND INDEX NO.	PART NUMBER	DESCRIPTION	UNITS PER ASSY	USABLE ON CODE
		1 2 3 4 5 6 7		
5 -		WING LEADING EDGES INSTALLATION -----	NP	
	0720601-51	LEADING EDGE ASSEMBLY-INBOARD LH STANDARD RANGE -----	1	
	0720601-52	LEADING EDGE ASSEMBLY-INBOARD RH STANDARD RANGE -----	1	
	0720601-55	LEADING EDGE ASSEMBLY-INBOARD LH EXTENDED RANGE -----	1	
	0720601-56	LEADING EDGE ASSEMBLY-INBOARD RH EXTENDED RANGE -----	1	
- 1	0720601-53	SKIN-LEADING EDGE INBOARD LH STANDARD RANGE -----	1	
	1220003-24	SKIN-LEADING EDGE INBOARD LH EXTENDED RANGE -----	1	
- 2	0720601-54	SKIN-LEADING EDGE INBOARD RH STANDARD RANGE -----	1	
	1220004-23	SKIN-LEADING EDGE INBOARD RH EXTENDED RANGE -----	1	
- 3	0720603-1	RIB ASSEMBLY-NOSE LH STA. 23.625 -----	1	
	0720603-2	RIB ASSEMBLY-NOSE RH STA. 23.625 -----	1	
- 4	MS20230A2	GROMMET -----	1	
- 5	A6195-8Z-3	NUT TIN -----	2	
- 6	0422291	BRACKET-PITOT CLAMP LH WING ONLY -----	1	
- 7	A6162-8Z-3	NUT TIN -----	1	
- 8	A6204-8Z-3	NUT TIN -----	1	
- 9	0760607-3	BRACKET-AILERON PULLEY LH -----	1	
	0760607-4	BRACKET-AILERON PULLEY RH -----	1	
- 9A	1220092-1	STIFFENER-LH -----	1	
	1220092-2	STIFFENER-RH -----	1	
-10	0523107	RIB ASSEMBLY-NOSE STA. 34.500 -----	1	
	MS20230A2	GROMMET -----	1	
-11	0720611-1	RIB ASSEMBLY-NOSE STA. 40.375 -----	1	
-12	0720611-4	RIB ASSEMBLY-NOSE STA. 48.75 & 64.500 -----	2	
-13	0720611-5	RIB ASSEMBLY-NOSE LH STA. 57.125 -----	1	
-14	0720611-4	RIB ASSEMBLY-NOSE RH STA. 57.125 -----	1	
	MS20230A2	GROMMET -----	1	
	0422292	BRACKET-PITOT CLAMP LH RIB STA. 57.125 ONLY -----	1	
-15	0720604-1	RIB ASSEMBLY-NOSE STA. 71.977 & 85.625 -----	2	
	MS20230A2	GROMMET -----	1	
-16	S226-5F	DOUBLER-INSPECTION HOLE -----	3	
-17	0721114-1	DOUBLER-PITOT TUBE CONNECTOR LH WING ONLY -----	1	
-18	0721115-1	CONNECTOR ASSEMBLY-PITOT TUBE LH WING ONLY -----	1	
-19	0413157	SCOOP -----	1	
-20	0450314	FITTING -----	1	
		ATTACHING PARTS -----		
	S1021Z8-8	SCREW -----	1	
	NAS446-4-3	NUT -----	1	
		-----*		
-21	1200637-1	SCOOP-REAR SEAT VENT -----	1	
	0720601-41	LEADING EDGE ASSEMBLY-OUTBOARD LH -----	1	
	0720601-42	LEADING EDGE ASSEMBLY-OUTBOARD RH -----	1	
-22	0720601-206	SKIN ASSEMBLY-LEADING EDGE OUTBOARD LH -----	1	
-23	0722100-1	DOUBLER ASSEMBLY-LANDING LIGHT -----	1	
	A6162-8Z-3	NUT TIN -----	14	
-24	S226-5F	DOUBLER-INSPECTION HOLE -----	1	
-25	0720601-14	SKIN-LEADING EDGE OUTBOARD RH -----	1	
-26	0720601-15	SKIN-LEADING EDGE OUTBOARD LH -----	1	
-27	0720601-16	SKIN-LEADING EDGE OUTBOARD RH -----	1	
-28	S226-5F	DOUBLER-INSPECTION HOLE RH WING ONLY -----	1	
-29	0523541-61	STRINGER-LH -----	1	
-30	0523541-62	STRINGER-RH -----	1	
-31	0523541-63	STRINGER-LH -----	1	
-32	0523106-4	BRACKET-LANDING LIGHT -----	1	
-33	0720610-1	RIB ASSEMBLY-NOSE LH STA. 100.00 -----	1	
-34	0720610-2	RIB ASSEMBLY-NOSE RH STA. 100.00 -----	1	
	MS20230A2	GROMMET -----	1	
-35	0720602-1	RIB ASSEMBLY-NOSE STA. 118.00 -----	1	
	MS20230A2	GROMMET -----	1	
-36	0720609-1	RIB ASSEMBLY-NOSE STA. 136.00 -----	1	
	MS20230A2	GROMMET -----	1	
-37	0720608-3	RIB ASSEMBLY-NOSE STA. 154.00 -----	1	
	MS20230A2	GROMMET -----	1	
-38	0720607-3	RIB ASSEMBLY-NOSE STA. 172.00 -----	1	
	MS20230A2	GROMMET -----	1	
-39	0720607-4	RIB ASSEMBLY-NOSE STA. 190.00 -----	1	
	MS20230A2	GROMMET -----	1	
-40	0720608-2	RIB ASSEMBLY-NOSE STA. 208.00 -----	1	
	MS20230A2	GROMMET -----	1	

Wing (Cont)



21057841 THRU 21058220

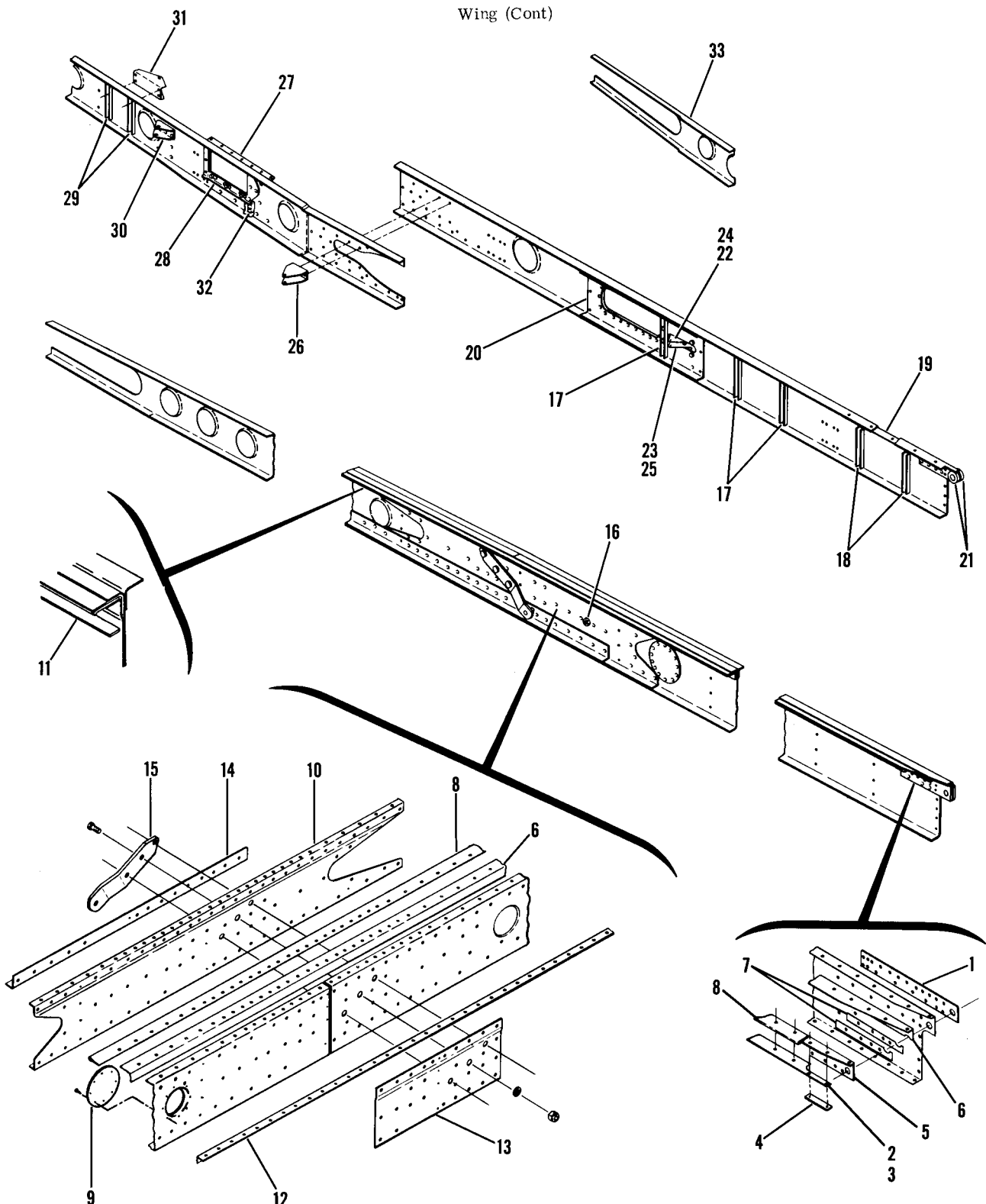
Figure 6. Wing Spars

FIGURE AND INDEX NO.	PART NUMBER	DESCRIPTION	UNITS PER ASSY	USABLE ON CODE
		1 2 3 4 5 6 7		
6 -	0721401-1	SPAR ASSEMBLY-WING FRONT LH -----	1	A
	0721401-5	* SPAR ASSEMBLY-WING FRONT LH -----	1	A
	0721401-2	SPAR ASSEMBLY-WING FRONT RH -----	1	A
	0721401-4	* SPAR ASSEMBLY-WING FRONT RH -----	1	A
- 1	0721400-3	ANGLE-FRONT SPAR CAP LH -----	1	
	0721400-4	ANGLE-FRONT SPAR CAP RH -----	1	
- 2	0523309	ANGLE-FRONT SPAR LH -----	1	
	0523309-1	ANGLE-FRONT SPAR RH -----	1	
- 3	0721400-34	SPACER-FRONT SPAR -----	1	
	0721400-32	* SPACER -----	1	
- 4	1221024-1	SPACER-UPPER FUEL PANEL -----	1	
- 5	0721400-9	SPACER-FRONT SPAR -----	2	
- 6	0523308	PLATE-FRONT SPAR ROOT REINFORCEMENT -----	1	
- 7	0523315	PLATE-FRONT SPAR CAP LH -----	1	
	0523315-1	PLATE-FRONT SPAR CAP RH -----	1	
- 8	0721400-13	CHANNEL-FRONT SPAR SPLICE LH -----	1	
	0721400-14	CHANNEL-FRONT SPAR SPLICE RH -----	1	
- 9	0721400-17	PLATE-FRONT SPAR SPLICE CHANNEL LH -----	1	
	0721400-18	PLATE-FRONT SPAR SPLICE CHANNEL RH -----	1	
-10	0721402-3	ANGLE-FRONT SPAR SPLICE LH -----	1	
	0721402-4	ANGLE-FRONT SPAR SPLICE RH -----	1	
-11	0721402-1	ANGLE-FRONT SPAR FORWARD CAP STRIP LH -----	1	
	0721402-2	ANGLE-FRONT SPAR FORWARD CAP STRIP RH -----	1	
-12	0523306	FITTING-FRONT SPAR STRUT -----	1	
		ATTACHING PARTS		
-13	AN5-7A	BOLT -----	3	
-14	AN960-516	WASHER -----	3	
-15	NAS679A5	NUT -----	3	
		-----*		
-16	0721401-7	CHANNEL-FRONT SPAR OUTBOARD LH -----	1	
	0721401-8	CHANNEL-FRONT SPAR OUTBOARD RH -----	1	
-17	0721401-5	CHANNEL-FRONT SPAR INBOARD LH -----	1	
	0721401-6	CHANNEL-FRONT SPAR INBOARD RH -----	1	
-18	0721400-33	* SPACER -----	1	
-19	0721400-31	COVER -----	1	
		ATTACHING PARTS		
	CR163C-4-4	RIVET CR -----	13	
		-----*		
-20	1220040-7	SPAR ASSEMBLY-WING REAR LH -----	1	A
	1220040-8	SPAR ASSEMBLY-WING REAR RH -----	1	A
-21	0422229-3	FITTING-WING SPAR REINFORCEMENT -----	2	
-22	0523409-1	CHANNEL-REINFORCEMENT -----	2	
-23	0523409-2	CHANNEL-REINFORCEMENT -----	2	
-24	0523400-20	ANGLE-REAR SPAR REINFORCEMENT LH -----	1	
	0523400-21	ANGLE-REAR SPAR REINFORCEMENT RH -----	1	
-25	0523406	SEGMENT-REAR SPAR OUTBOARD LH -----	1	
	0523406-1	SEGMENT-REAR SPAR OUTBOARD RH -----	1	
-26	0523400-59	DOUBLER-LH -----	1	
	0523400-58	DOUBLER-RH -----	1	
	0523005-50	SPAR ASSEMBLY-OUTBOARD AUXILIARY LH -----	1	A
	0523005-51	SPAR ASSEMBLY-OUTBOARD AUXILIARY RH -----	1	A
-27	0523813-3	FILLER-TRAILING EDGE -----	1	
-28	0523813-2	FILLER-TRAILING EDGE -----	1	
-29	0523813-4	FILLER-TRAILING EDGE -----	1	
-30	0523813-5	FILLER-TRAILING EDGE -----	1	
-31	0523216	REINFORCEMENT -----	2	
-32	0523215	REINFORCEMENT-WING LH -----	1	
	0523215-1	REINFORCEMENT-WING RH -----	1	

NOTE. *DENOTES PARTS USED ON WING WITH EXTENDED RANGE FUEL TANK.

A---210 SERIAL 21057841 THRU 21058220

Wing (Cont)



T210-0001 & ON
21058221 & ON

Figure 6A. Wing Spars Installation

FIGURE AND INDEX NO.	PART NUMBER	DESCRIPTION	UNITS PER ASSY	USABLE ON CODE
		1 2 3 4 5 6 7		
6A-		WING SPARS INSTALLATION -----	NP	A
	0721401-1	SPAR ASSEMBLY-FRONT LH STANDARD RANGE -----	1	
	0721401-2	SPAR ASSEMBLY-FRONT RH STANDARD RANGE -----	1	
	0721401-3	SPAR ASSEMBLY-FRONT LH EXTENDED RANGE -----	1	
	0721401-4	SPAR ASSEMBLY-FRONT RH EXTENDED RANGE -----	1	
	0721401-201	CHANNEL ASSEMBLY-INBOARD LH STANDARD RANGE -----	1	
	0721401-202	CHANNEL ASSEMBLY-INBOARD RH STANDARD RANGE -----	1	
	0721401-203	CHANNEL ASSEMBLY-INBOARD LH EXTENDED RANGE -----	1	
	0721401-204	CHANNEL ASSEMBLY-INBOARD RH EXTENDED RANGE -----	1	
- 1	0523308	PLATE -----	1	
- 2	0721400-34	SPACER STANDARD RANGE -----	1	
- 3	0721400-32	SPACER EXTENDED RANGE -----	1	
- 4	1221024-1	SPACER -----	1	
- 5	0523309	ANGLE-LH -----	1	
	0523309-1	ANGLE-RH -----	1	
- 6	0721400-3	CAP ANGLE-LH -----	1	
	0721400-4	CAP ANGLE-RH -----	1	
- 7	0721400-9	SPACER -----	2	
- 8	0523315	CAP PLATE-LH -----	1	
	0523315-1	CAP PLATE-RH -----	1	
- 9	0721400-31	COVER-OPENING -----	1	
-10	0721400-13	CHANNEL-LH -----	1	
	0721400-14	CHANNEL-LH -----	1	
-11	0721400-33	SPACER EXTENDED RANGE -----	1	
-12	0721402-1	ANGLE-LH -----	1	
	0721402-2	ANGLE-RH -----	1	
-13	0721400-17	PLATE-LH -----	1	
	0721400-18	PLATE-RH -----	1	
	0721401-205	CHANNEL ASSEMBLY-OUTBOARD LH -----	1	
	0721401-206	CHANNEL ASSEMBLY-OUTBOARD RH -----	1	
-14	0721402-3	ANGLE-LH -----	1	
	0721401-4	ANGLE-RH -----	1	
-15	0523306	FITTING-FRONT SPAR STRUT -----	1	
		ATTACHING PARTS -----		
	AN5-7A	BOLT -----	3	
	AN960-516	WASHER -----	3	
	NAS679A5	NUT -----	3	
		-----*		
-16	MS35489-34	GROMMET -----	1	
	1220050-1	SPAR ASSEMBLY-REAR LH -----	1	
	1220050-2	SPAR ASSEMBLY-REAR RH -----	1	
	0523400-67	CHANNEL ASSEMBLY-INBOARD LH -----	1	
	0523400-66	CHANNEL ASSEMBLY-INBOARD RH -----	1	
-17	0523409-2	CHANNEL LH WING ONLY -----	3	
	0523409	CHANNEL RH WING ONLY -----	3	
-18	0523409-1	REINFORCEMENT -----	2	
-19	0523400-20	ANGLE-LH -----	1	
	0523400-21	ANGLE-RH -----	1	
-20	0523400-59	DOUBLER-LH -----	1	
	0523400-58	DOUBLER-RH -----	1	
-21	0422229-3	FITTING-WING ATTACHMENT -----	2	
-22	0760618-1	BRACKET-PULLEY UPPER LH -----	1	
-23	0760618-2	BRACKET-PULLEY LOWER LH -----	1	
		ATTACHING PARTS -----		
	AN520-10R8	SCREW -----	2	
	NAS679A3	NUT -----	2	
		-----*		
-24	0523407	BRACKET-PULLEY UPPER RH -----	1	
-25	0523407-1	BRACKET-PULLEY LOWER RH -----	1	
-26	1220047-1	BRACKET-PULLEY -----	1	
	1220050-3	CHANNEL ASSEMBLY-CENTER LH -----	1	
	1220050-4	CHANNEL ASSEMBLY-CENTER RH -----	1	
-27	1220086-1	REINFORCEMENT-LH -----	1	
	1220086-2	REINFORCEMENT-RH -----	1	
-28	1220088-1	DOUBLER ASSEMBLY -----	1	
	NAS680A3	NUT PLATE -----	4	
	NAS682A3	NUT PLATE -----	2	
-29	0523409-3	CHANNEL -----	4	
-30	1220056-1	BRACKET-PULLEY -----	1	
-31	1220093-1	BRACKET-PULLEY -----	1	
-32	1220087-1	ANGLE -----	1	
-33	1220050-7	CHANNEL-OUTBOARD LH -----	1	
	1220050-8	CHANNEL-OUTBOARD RH -----	1	
		A---210 SERIAL 21058221 & ON T210 SERIAL T210-0001 & ON		

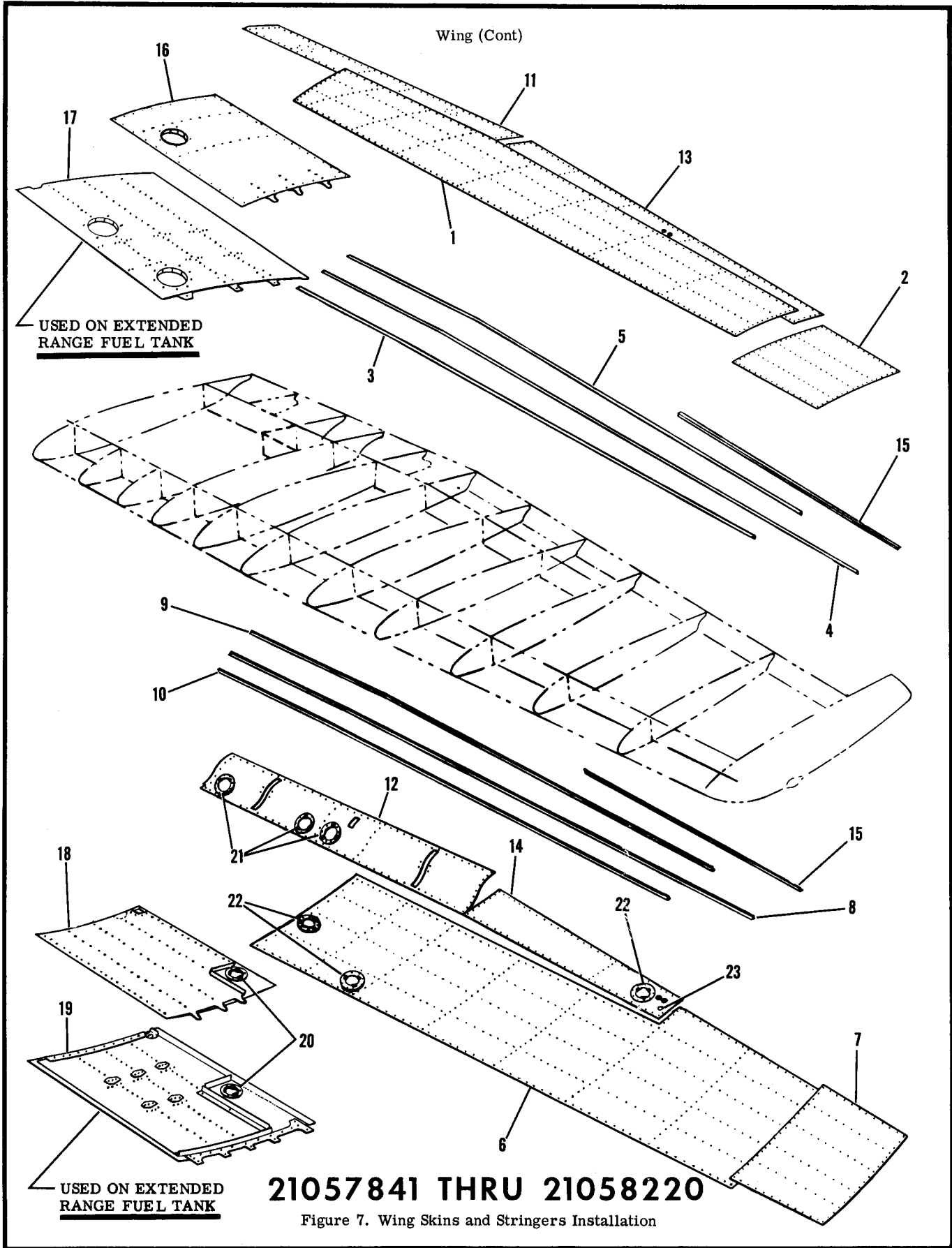


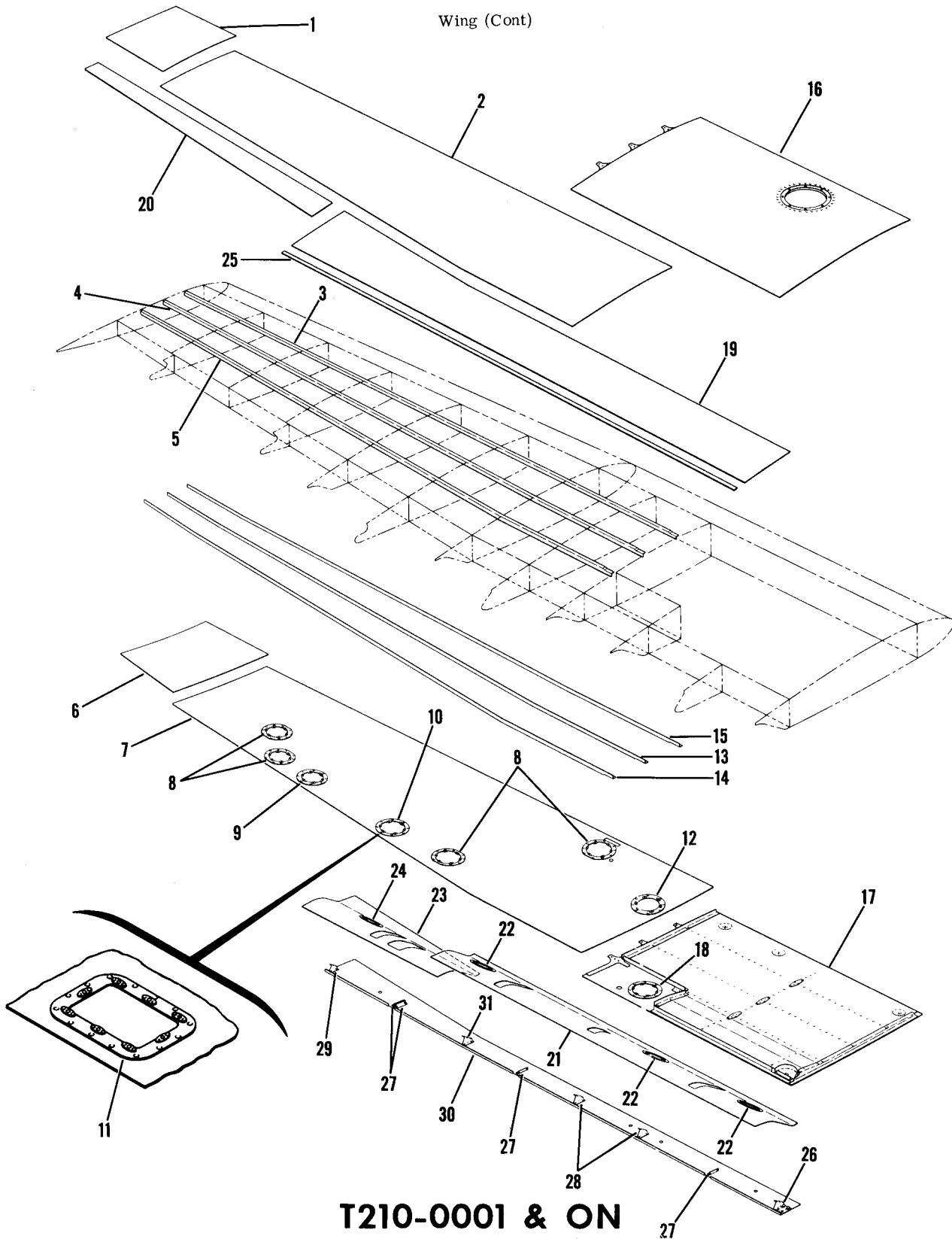
Figure 7. Wing Skins and Stringers Installation

FIGURE AND INDEX NO.	PART NUMBER	DESCRIPTION	UNITS PER ASSY	USABLE ON CODE
		1 2 3 4 5 6 7		
7 -		SKINS & STRINGERS INSTALLATION-WING LH -----	NP	A
		* SKINS & STRINGERS INSTALLATION-WING LH EXTENDED RANGE -----	NP	A
		SKINS & STRINGERS INSTALLATION-WING RH -----	NP	A
		* SKINS & STRINGERS INSTALLATION-WING RH EXTENDED RANGE -----	NP	A
- 1	1220002-46	SKIN-UPPER STA. 71.977 TO 190.00 -----	1	
	1220003-15	SKIN-UPPER LH STA. 85.625 TO 190.00 -----	1	
	1220004-15	SKIN-UPPER RH STA. 85.625 TO 190.00 -----	1	
- 2	1220002-21	SKIN-UPPER STA. 190.00 TO 208.00 -----	1	
- 3	0523541-43	STRINGER-WING UPPER LH -----	1	
	0523541-51	STRINGER-WING UPPER LH -----	1	
	0523541-44	STRINGER-WING UPPER RH -----	1	
	0523541-52	STRINGER-WING UPPER RH -----	1	
- 4	0523541-45	STRINGER-WING UPPER LH -----	1	
	0523541-53	STRINGER-WING UPPER LH -----	1	
	0523541-46	STRINGER-WING UPPER RH -----	1	
	0523541-54	STRINGER-WING UPPER RH -----	1	
- 5	0523541-47	STRINGER-WING UPPER LH -----	1	
	0523541-59	STRINGER-WING UPPER LH -----	1	
	0523541-48	STRINGER-WING UPPER RH -----	1	
	0523541-56	STRINGER-WING UPPER RH -----	1	
- 6	1220002-54	SKIN-LOWER -----	1	
	1220003-20	SKIN-LOWER LH -----	1	
	1220004-20	SKIN-LOWER RH -----	1	
- 7	1220002-22	SKIN-LOWER STA. 190.00 TO 208.00 -----	1	
- 8	0523541-46	STRINGER-WING LOWER LH -----	1	
	0523541-54	STRINGER-WING LOWER LH -----	1	
	0523541-45	STRINGER-WING LOWER RH -----	1	
	0523541-53	STRINGER-WING LOWER RH -----	1	
- 9	0523541-48	STRINGER-WING LOWER LH -----	1	
	0523541-60	STRINGER-WING LOWER LH -----	1	
	0523541-47	STRINGER-WING LOWER RH -----	1	
	0523541-55	STRINGER-WING LOWER RH -----	1	
-10	0523541-50	STRINGER-WING LOWER LH -----	1	
	0523541-58	STRINGER-WING LOWER LH -----	1	
	0523541-49	STRINGER-WING LOWER RH -----	1	
	0523541-57	STRINGER-WING LOWER RH -----	1	
-11	1220002-27	SKIN-UPPER TRAILING EDGE STA. 23.625 TO 100.5 -----	1	
-12	1220002-29	SKIN-LOWER TRAILING EDGE LH STA. 23.625 TO 100.5 -----	1	
	1220002-28	SKIN-LOWER TRAILING EDGE RH STA. 23.625 TO 100.5 -----	1	
-13	1220002-25	SKIN-UPPER TRAILING EDGE STA. 100.5 TO 190.00 -----	1	
-14	1220002-26	SKIN-LOWER TRAILING EDGE STA. 100.5 TO 190.00 -----	1	
-15	0523003-40	STRINGER-WING -----	2	
-16	0722014-15	PANEL ASSEMBLY-WING FUEL WELL UPPER LH -----	1	
	0722014-16	PANEL ASSEMBLY-WING FUEL WELL UPPER RH -----	1	
-17	1220006-1	PANEL ASSEMBLY-WING FUEL WELL UPPER LH -----	1	
	1220006-2	PANEL ASSEMBLY-WING FUEL WELL UPPER RH -----	1	
-18	0722015-17	PANEL ASSEMBLY-WING FUEL WELL LOWER LH -----	1	
	0722015-18	PANEL ASSEMBLY-WING FUEL WELL LOWER RH -----	1	
-19	1220007-1	PANEL ASSEMBLY-WING FUEL WELL LOWER LH -----	1	
	1220007-2	PANEL ASSEMBLY-WING FUEL WELL LOWER RH -----	1	
-20	S1443-3	DOUBLER-INSPECTION OPENING -----	1	
-21	S1048-2	DOUBLER-INSPECTION OPENING -----	3	A
-22	S226-5F	DOUBLER-INSPECTION OPENING -----	3	A
	NAS444-14-3	NUT -----	3	
-23	CM2692-28-1S	PLUG BUTTON UC -----	1	A

NOTE. *DENOTES PARTS USED ON WING WITH EXTENDED RANGE FUEL TANK.

A---210 SERIAL 21057841 THRU 21058220

Wing (Cont)



T210-0001 & ON
21058221 & ON

Figure 7A. Wing Skins and Stringers Installation



FIGURE AND INDEX NO.	PART NUMBER	DESCRIPTION	UNITS PER ASSY	USABLE ON CODE
		1 2 3 4 5 6 7		
7A-		WING SKINS AND STRINGERS INSTALLATION -----	NP	A
	1220059-10	SKIN ASSEMBLY-UPPER LH STANDARD RANGE -----	1	
	1220060-10	SKIN ASSEMBLY-UPPER RH STANDARD RANGE -----	1	
	1220059-15	SKIN ASSEMBLY-UPPER LH EXTENDED RANGE -----	1	
	1220060-15	SKIN ASSEMBLY-UPPER RH EXTENDED RANGE -----	1	
- 1	1220059-6	SKIN-UPPER -----	1	
- 2	1220059-8	SKIN-UPPER LH STANDARD RANGE -----	1	
	1220060-8	SKIN-UPPER RH STANDARD RANGE -----	1	
	1220059-17	SKIN-UPPER LH EXTENDED RANGE -----	1	
	1220060-17	SKIN-UPPER RH EXTENDED RANGE -----	1	
- 3	0523541-43	STRINGER-UPPER LH STANDARD RANGE -----	1	
	0523541-44	STRINGER-UPPER RH STANDARD RANGE -----	1	
	0523541-51	STRINGER-UPPER LH EXTENDED RANGE -----	1	
	0523541-52	STRINGER-UPPER RH EXTENDED RANGE -----	1	
- 4	0523541-45	STRINGER-UPPER LH STANDARD RANGE -----	1	
	0523541-46	STRINGER-UPPER RH STANDARD RANGE -----	1	
	0523541-53	STRINGER-UPPER LH EXTENDED RANGE -----	1	
	0523541-54	STRINGER-UPPER RH EXTENDED RANGE -----	1	
- 5	0523541-47	STRINGER-UPPER LH STANDARD RANGE -----	1	
	0720612-2	STRINGER-UPPER RH STANDARD RANGE -----	1	
	0523541-59	STRINGER-UPPER LH EXTENDED RANGE -----	1	
	0523541-56	STRINGER-UPPER RH EXTENDED RANGE -----	1	
	1220059-9	SKIN ASSEMBLY-LOWER LH STANDARD RANGE -----	1	
	1220060-9	SKIN ASSEMBLY-LOWER RH STANDARD RANGE -----	1	
	1220059-16	SKIN ASSEMBLY-LOWER LH EXTENDED RANGE -----	1	
	1220060-16	SKIN ASSEMBLY-LOWER RH EXTENDED RANGE -----	1	
- 6	1220059-5	SKIN-LOWER -----	1	
- 7	1220059-7	SKIN-LOWER LH STANDARD RANGE -----	1	
	1220060-7	SKIN-LOWER RH STANDARD RANGE -----	1	
	1220059-18	SKIN-LOWER LH EXTENDED RANGE -----	1	
	1220060-18	SKIN-LOWER RH EXTENDED RANGE -----	1	
- 8	S1443-1	DOUBLER-INSPECTION HOLE -----	4	
- 9	S1443-3	DOUBLER-INSPECTION HOLE -----	1	
-10	S1443-3	DOUBLER-INSPECTION HOLE LH WING ONLY -----	1	
-11	1220095-1	DOUBLER ASSEMBLY-ACCESS HOLE RH WING ONLY -----	1	
	A6162-83-3	NUT TIN -----	8	
-12	S226-5F	DOUBLER-INSPECTION HOLE STANDARD RANGE -----	1	
-13	0523541-46	STRINGER-LOWER LH STANDARD RANGE -----	1	
	0523541-45	STRINGER-LOWER RH STANDARD RANGE -----	1	
	0523541-54	STRINGER-LOWER LH EXTENDED RANGE -----	1	
	0523541-53	STRINGER-LOWER RH EXTENDED RANGE -----	1	
-14	0523541-48	STRINGER-LOWER LH STANDARD RANGE -----	1	
	0523541-47	STRINGER-LOWER RH STANDARD RANGE -----	1	
	0523541-58	STRINGER-LOWER LH EXTENDED RANGE -----	1	
	0523541-57	STRINGER-LOWER RH EXTENDED RANGE -----	1	
-15	0523541-50	STRINGER-LOWER LH STANDARD RANGE -----	1	
	0523541-49	STRINGER-LOWER RH STANDARD RANGE -----	1	
	0523541-60	STRINGER-LOWER LH EXTENDED RANGE -----	1	
	0523541-55	STRINGER-LOWER RH EXTENDED RANGE -----	1	

**T210-0001
& ON
21058221
& ON**

CONTINUED ON NEXT PAGE

FIGURE AND INDEX NO.	PART NUMBER	DESCRIPTION	UNITS PER ASSY	USABLE ON CODE
7A-16	0722014-1	PANEL ASSEMBLY-FUEL WELL UPPER LH STANDARD RANGE -----	1	
	0722014-21	PANEL ASSEMBLY-FUEL WELL UPPER RH STANDARD RANGE -----	1	
	1220006-21	PANEL ASSEMBLY-FUEL WELL UPPER LH EXTENDED RANGE -----	1	
	1220006-22	PANEL ASSEMBLY-FUEL WELL UPPER RH EXTENDED RANGE -----	1	
-17	0722015-1	PANEL ASSEMBLY-FUEL WELL LOWER LH STANDARD RANGE -----	1	
	0722015-26	PANEL ASSEMBLY-FUEL WELL LOWER RH STANDARD RANGE -----	1	
	1220007-19	PANEL ASSEMBLY-FUEL WELL LOWER LH EXTENDED RANGE -----	1	
	1220007-28	PANEL ASSEMBLY-FUEL WELL LOWER RH EXTENDED RANGE -----	1	
-18	S1443-3	DOUBLER-INSPECTION HOLE LOWER PANELS ONLY -----	1	
	S1443-3	DOUBLER-INSPECTION HOLE LOWER LH EXTENDED RANGE -----	1	
	1220007-30	DOUBLER ASSEMBLY-INSPECTION HOLE LOWER RH EXTENDED RANGE PANEL ONLY -----	1	
-19	1220059-13	SKIN-TRAILING EDGE UPPER INBOARD -----	1	
-20	1220059-11	SKIN-TRAILING EDGE UPPER OUTBOARD -----	1	
-21	1220059-14	SKIN-TRAILING EDGE LOWER INBOARD LH -----	1	
	1220060-14	SKIN-TRAILING EDGE LOWER INBOARD RH -----	1	
-22	S237-2	DOUBLER-INSPECTION HOLE LOWER SKINS ONLY -----	3	
-23	1220059-12	SKIN-TRAILING EDGE LOWER OUTBOARD LH -----	1	
	1220060-12	SKIN-TRAILING EDGE LOWER OUTBOARD RH -----	1	
-24	S237-2	DOUBLER-INSPECTION HOLE -----	1	
-25	1220049-1	STIFFENER-TRAILING EDGE LH -----	1	
	1220049-2	STIFFENER-TRAILING EDGE RH -----	1	
-26	1220027-3	HANGER ASSEMBLY-FLAP FAIRING LH STA 23.625 -----	1	
	1220027-4	HANGER ASSEMBLY-FLAP FAIRING RH STA 23.625 -----	1	
	NAS696A08K	NUTPLATE -----	4	
-27	1220027-8	HANGER-FLAP FAIRING STA 39.00, 85.875 & 118.00 -----	4	
-28	1220027-1	HANGER-FLAP FAIRING LH STA 56.531 & 72.602 -----	3	
	1220027-2	HANGER-FLAP FAIRING RH STA 56.531 & 72.602 -----	3	
-29	1220068-3	BRACE-FLAP FAIRING LH STA 136.00 -----	1	
	1220068-4	BRACE-FLAP FAIRING RH STA 136.00 -----	1	
-30	1220028-5	FAIRING ASSEMBLY-FLAP GAP LH -----	1	
	1220028-6	FAIRING ASSEMBLY-FLAP GAP RH -----	1	
	CM2692-16-25	PLUG BUTTON -----	4	
-31	1220027-9	HANGER-FLAP FAIRING LH STA 100.50 -----	1	
	1220027-10	HANGER-FLAP FAIRING RH STA 100.50 -----	1	
A---210 SERIAL 21058221 & ON T210 SERIAL T210-0001 & ON				

This page intentionally left blank.

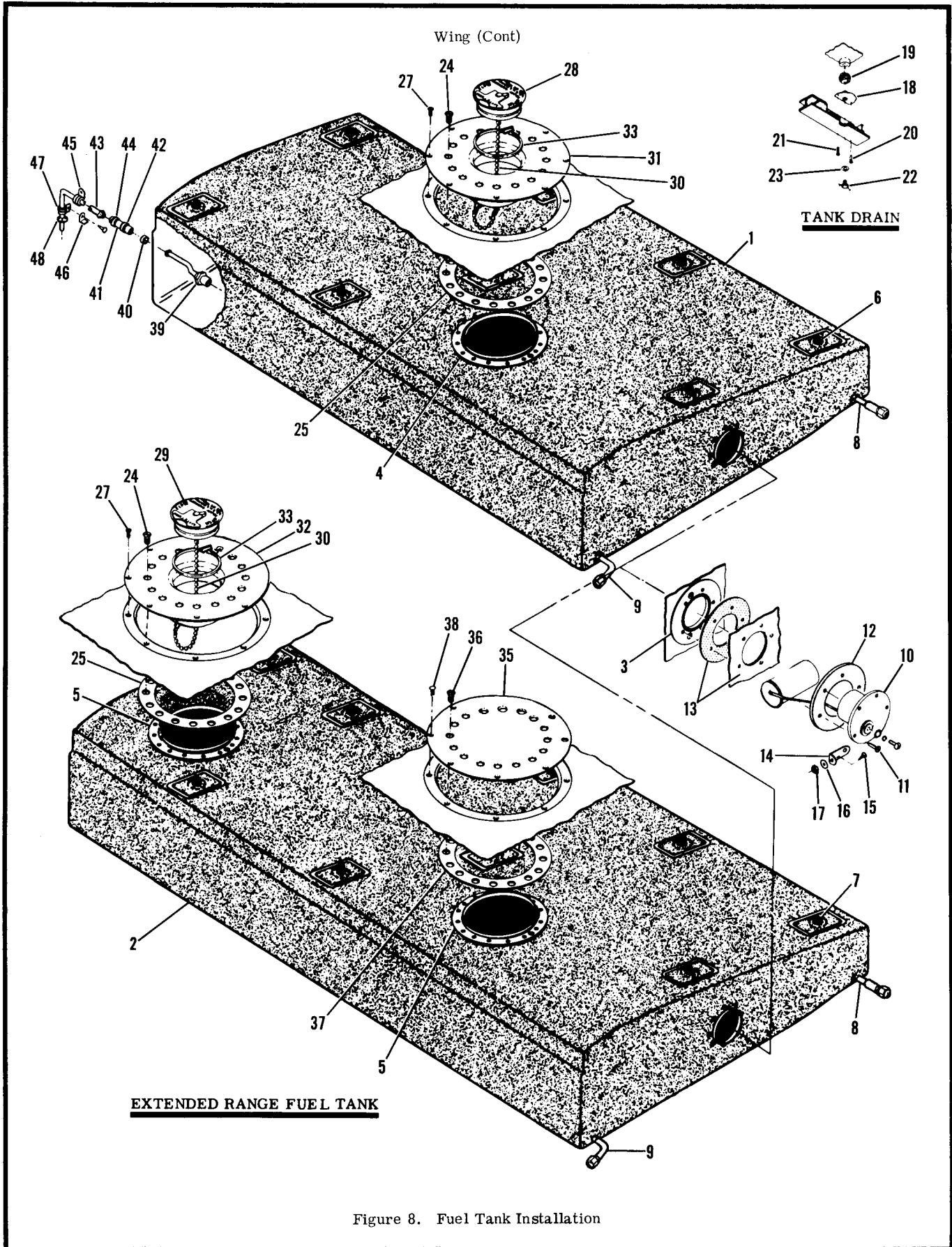


Figure 8. Fuel Tank Installation



FIGURE AND INDEX NO.	PART NUMBER	DESCRIPTION	UNITS PER ASSY	USABLE ON CODE
8 -		FUEL TANK INSTALLATION -----	NP	
- 1	0726001-19	FUEL TANK ASSEMBLY-LH STANDARD RANGE -----	1	A
	0726001-21	FUEL TANK ASSEMBLY-LH STANDARD RANGE -----	1	B
	0726001-20	FUEL TANK ASSEMBLY-RH STANDARD RANGE -----	1	A
	0726001-22	FUEL TANK ASSEMBLY-RH STANDARD RANGE -----	1	B
- 2	1200065-9	FUEL TANK ASSEMBLY-LH EXTENDED RANGE -----	1	A
	1200065-13	FUEL TANK ASSEMBLY-LH EXTENDED RANGE -----	1	B
	1200065-10	FUEL TANK ASSEMBLY-RH EXTENDED RANGE -----	1	A
	1200065-12	FUEL TANK ASSEMBLY-RH EXTENDED RANGE -----	1	B
- 3	0726001-3	RING ASSEMBLY-ADAPTER -----	1	
- 4	FCC-20068	FITTING-STANDARD RANGE USED ON U.S. RUBBER CELL ONLY --	1	
- 5	FCC-20068	FITTING-STANDARD RANGE USED ON U.S. RUBBER CELL ONLY --	2	
		ATTACHING PARTS		
	AN509-10R4	SCREW -----	2	
		-----*		
- 6	295055	FASTENER UC -----	8	
- 7	295055	FASTENER UC -----	10	
- 8	1216404-1	STRAINER ASSEMBLY-FUEL AFT -----	1	
- 9	1216404-2	STRAINER ASSEMBLY-FUEL FORWARD -----	1	
		ATTACHING PARTS		
	QS100-M10S	CLAMP BC -----	1	
		-----*		
-10	0726110-1	TRANSMITTER-FUEL LEVEL -----	1	
		ATTACHING PARTS		
-11	AN520-10R10	SCREW -----	5	
		-----*		
-12	S1588-1	GASKET -----	1	
-13	0726001-7	GASKET -----	1	
-14	0413247	GROUND STRAP -----	1	
		ATTACHING PARTS		
-15	AN515-8R10	SCREW -----	1	
-16	AN960-8	WASHER -----	1	
-17	NAS679A08	NUT -----	1	
		-----*		
-18	0322526-6	ADAPTER ASSEMBLY-FUEL DRAIN -----	1	
		ATTACHING PARTS		
-19	QS100M10S	CLAMP -----	1	
-20	AN500A8-7	SCREW -----	1	
-21	AN515-8R7	SCREW -----	1	
		-----*		
	NAS447-8SP	NUT PLATE -----	2	
-22	0320105	PLUG-FUEL DRAIN -----	1	
-23	MS28778-4	GASKET -----	1	
	0721303-23	CAP AND ADAPTER ASSEMBLY-FUEL STANDARD RANGE -----	1	C
	0721305-20	CAP AND ADAPTER ASSEMBLY-FUEL ALT STANDARD RANGE -----	1	C
	0721303-28	CAP AND ADAPTOR ASSEMBLY-FUEL STANDARD RANGE -----	1	D
	0721305-25	CAP AND ADAPTOR ASSEMBLY-FUEL ALT STANDARD RANGE -----	1	D
	0721303-24	CAP AND ADAPTOR ASSEMBLY-FUEL EXTENDED RANGE -----	1	
	0721305-21	CAP AND ADAPTOR ASSEMBLY-FUEL ALT EXTENDED RANGE -----	1	
		ATTACHING PARTS		
-24	AN507-428R7	SCREW -----	16	
-25	0726002-1	GASKET -----	1	
-26		DELETED -----		
-27	AN509-10R6	SCREW -----	8	
		-----*		
-28	0721303-6	CAP-32.5 GAL -----	1	
	0721305-6	CAP-32.5 GAL ALTERNATE -----	1	
-29	0721303-10	CAP-42.0 GAL EXTENDED RANGE -----	1	
	0721305-10	CAP-42.0 GAL ALTERNATE EXTENDED RANGE -----	1	
-30	0721303-3	CHAIN ASSEMBLY -----	1	
	0721305-3	CHAIN ASSEMBLY ALTERNATE -----	1	
-31	0721303-20	ADAPTOR STANDARD RANGE -----	1	C
	0721305-18	ADAPTOR ALT STANDARD RANGE -----	1	C
	0721303-21	ADAPTOR STANDARD RANGE -----	1	D
	0721305-23	ADAPTOR ALT STANDARD RANGE -----	1	D
-32	0721303-21	ADAPTER EXTENDED RANGE -----	1	
	0721305-23	ADAPTER ALTERNATE EXTENDED RANGE -----	1	
-33	MS29513-232	O RING -----	1	
-34		DELETED, NOT PROCURABLE -----		

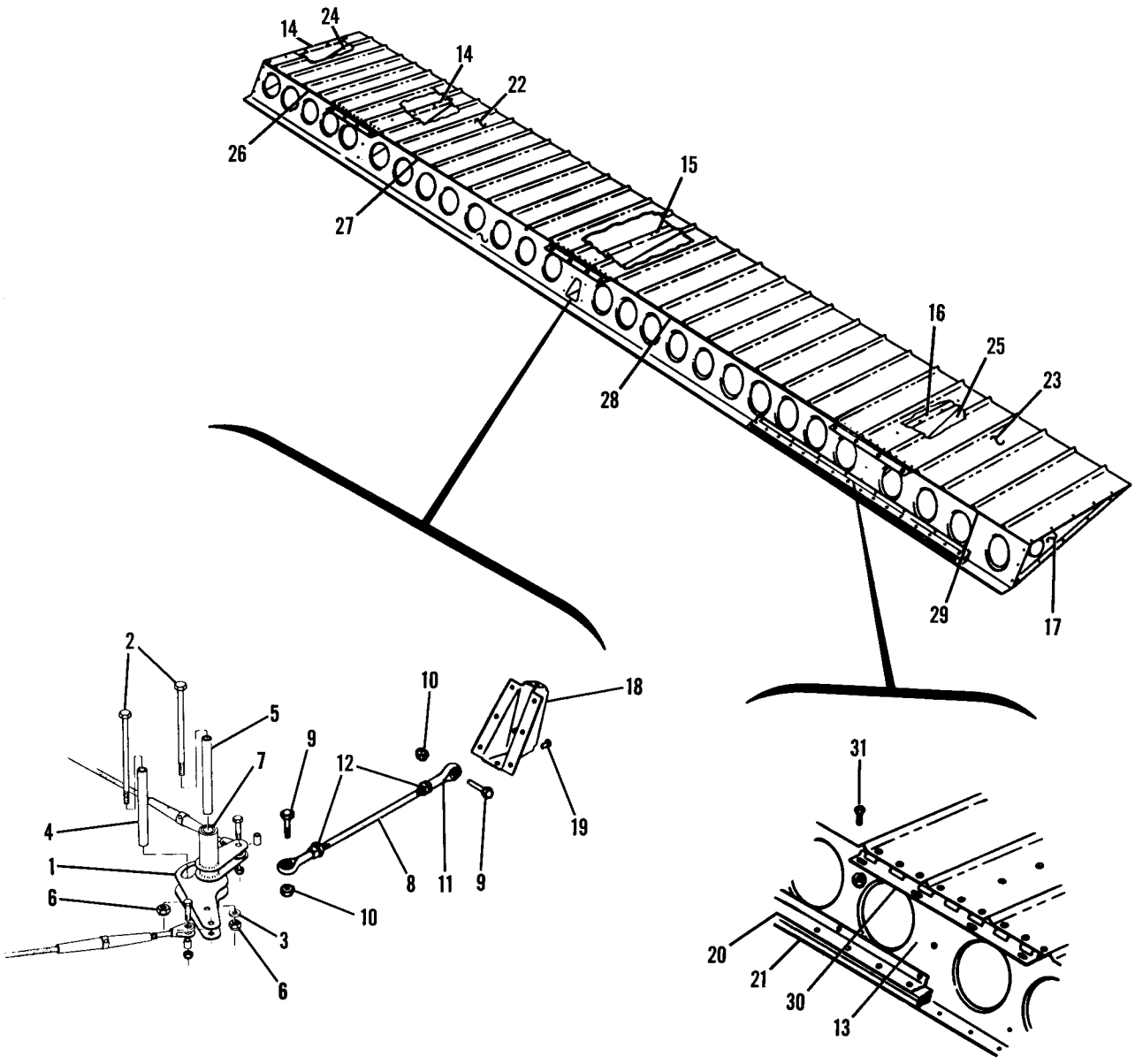
CONTINUED ON NEXT PAGE



FIGURE AND INDEX NO.	PART NUMBER	DESCRIPTION	UNITS PER ASSY	USABLE ON CODE
8 -35	1220022-3	PLATE-FUEL COVER EXTENDED RANGE ----- ATTACHING PARTS -----	1	
-36	AN507-428R7	SCREW -----	16	
-37	0726002-1	GASKET -----	1	
-38	AN509-10R6	SCREW ----- -----*	8	
-39	0716125-2	VALVE ASSEMBLY-FUEL TANK VENT ----- ATTACHING PARTS -----	1	
-40	NAS397-12	CLAMP ----- -----*	1	
-41	S1495-8	HOSE-FUEL 2.00 IN LG BULK ITEM REF S1495-8-2.00 -----	1	
-42	NAS397-14	CLAMP -----	1	
-43	0716127-1	TUBE-FUEL VENT LH STANDARD RANGE -----	1	
	0716127-2	TUBE-FUEL VENT RH STANDARD RANGE -----	1	
	1200106-51	TUBE-FUEL VENT LH EXTENDED RANGE -----	1	
	1200106-52	TUBE-FUEL VENT RH EXTENDED RANGE ----- ATTACHING PARTS -----	1	
-44	AN737RM30	CLAMP -----	1	
-45	S1485DG8U	CLAMP STANDARD RANGE -----	1	
	S1021Z8-8	SCREW STANDARD RANGE -----	1	
-46	0512006-1	ANGLE -----	1	
-47	S1486DG8U	CLAMP -----	1	
	S1021Z8-8	SCREW ----- -----*	1	
-48	MS35489-14	GROMMET -----	1	
<p>A---210 SERIAL 21057841 THRU 21058351 EXCEPT 21058326 B---210 SERIAL 21058326 & 21058352 & ON T210 SERIAL T210-0001 & ON C---210 SERIAL 21057841 THRU 21058220 D---210 SERIAL 21058221 & ON T210 SERIAL T210-0001 & ON</p>				

This page intentionally left blank.

Wing (Cont)



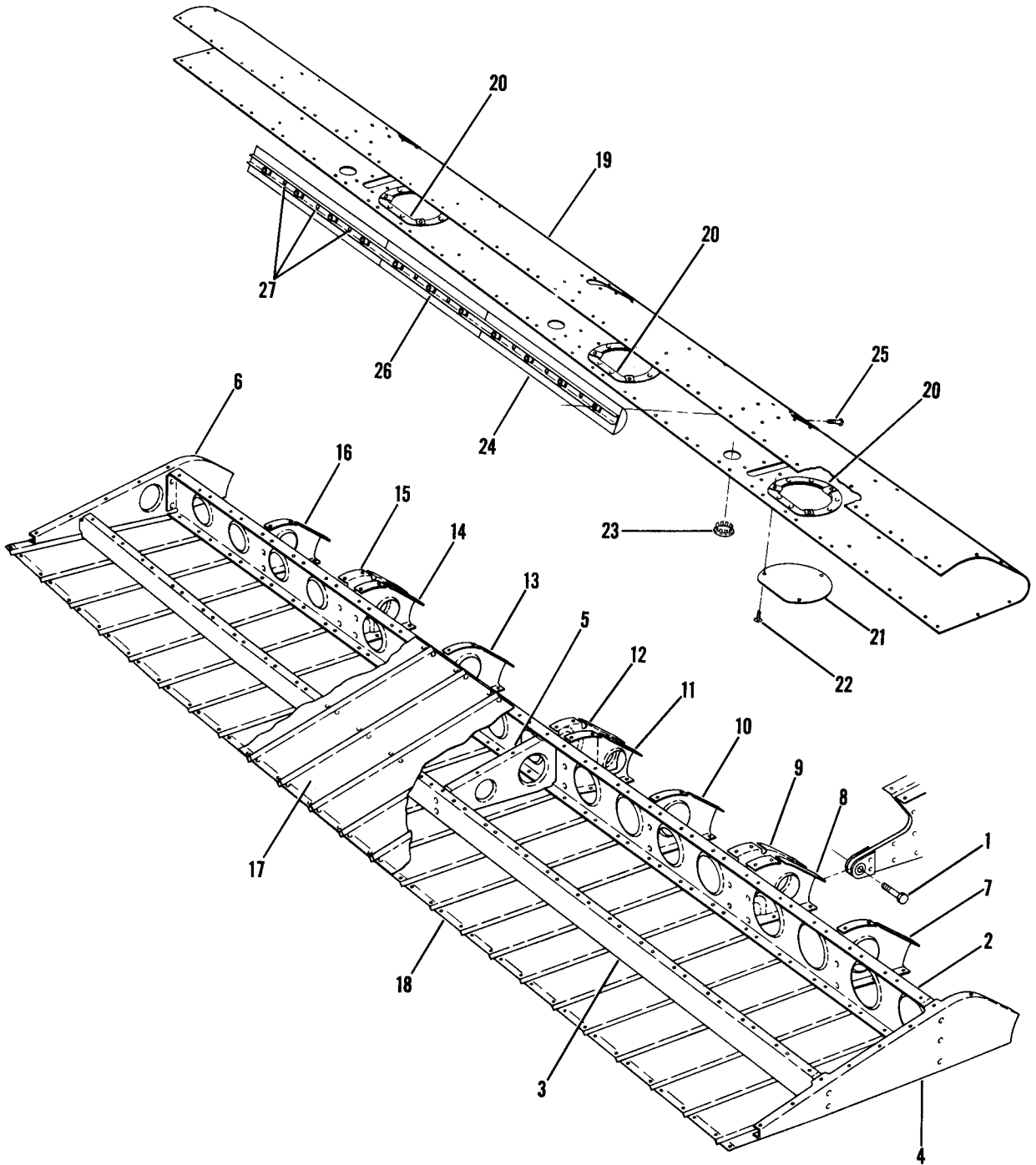
21057841 THRU 21058220

Figure 9. Aileron Installation

FIGURE AND INDEX NO.	PART NUMBER	DESCRIPTION	UNITS	USABLE ON CODE
			PER ASSY	
9 -		1 2 3 4 5 6 7		
- 1	0760611-1 0760611-2	AILERON INSTALLATION-LH ----- AILERON INSTALLATION-RH -----	NP NP	A A
- 2	AN4-42A	BELLCRANK-AILERON LH -----	1	
- 3	0522629-1	BELLCRANK-AILERON RH -----	1	
- 4	0523222	ATTACHING PARTS		
- 5	0523221	BOLT -----	2	
- 6	NAS679A4	WASHER -----	2	
- 7	B610	BUSHING -----	1	
- 8	0523218	BUSHING -----	1	
- 9	AN3-7A	NUT -----	2	
-10	NAS679A3	-----*----- BEARING TOR -----	2	
-11	S1106-3	ROD ASSEMBLY-AILERON PUSH-PULL -----	1	
-12	AN316-4R 0523800-19 0523800-18	ATTACHING PARTS BOLT ----- NUT -----	2 2	
-13	0523806 0523806-1	-----*----- ROD END ----- NUT-CHECK -----	2 2	
-14	0523808	AILERON ASSEMBLY-LH -----	1	
-15	0523808-2	AILERON ASSEMBLY-RH -----	1	
-16	0523809	SPAR-AILERON LH -----	1	
-17	0523809-1	SPAR-AILERON RH -----	1	
-18	0523810	RIB NO. 1-AILERON LH -----	2	
-19	0523811	RIB NO. 1-AILERON RH -----	2	
-20	0523811-1	RIB NO. 2-AILERON LH -----	1	
-21	0523812-2	RIB NO. 2-AILERON RH -----	1	
-22	0523812-3	RIB NO. 3-AILERON -----	1	
-23	NAS455-163C4-8	RIB NO. 4-AILERON LH -----	1	
-24	0523814-7	RIB NO. 4-AILERON RH -----	1	
-25	0724115-2	BRACKET-AILERON CONTROL LH -----	1	
-26	0523800-6	BRACKET-AILERON CONTROL RH -----	1	
-27	0523800-7	ATTACHING PARTS		
-28	0523800-8	RIVET -----	6	
-29	0523800-9	-----*----- BRACKET-AILERON WEIGHT -----	1	
-30	0523800-10	WEIGHT-AILERON BALANCE -----	5	
-31	0523800-11	SKIN-AILERON UPPER INBOARD LH -----	1	
-32	0523800-12	SKIN-AILERON UPPER INBOARD RH -----	1	
-33	0523800-13	SKIN-AILERON UPPER OUTBOARD LH -----	1	
-34	0523800-14	SKIN-AILERON UPPER OUTBOARD RH -----	1	
-35	0523800-15	SKIN-AILERON LOWER INBOARD LH -----	1	
-36	0523800-16	SKIN-AILERON LOWER INBOARD RH -----	1	
-37	0523800-17	SKIN-AILERON LOWER OUTBOARD LH -----	1	
-38	0523800-18	SKIN-AILERON LOWER OUTBOARD RH -----	1	
-39	0523813-1	SPACER -----	1	
-40	0523813-8	SPACER -----	1	
-41	0523813-6	SPACER -----	1	
-42	0523813-7	SPACER -----	1	
-43	0523807	HINGE-AILERON -----	3	
-44	NAS229-8 NAS679A3	ATTACHING PARTS SCREW ----- NUT -----	12 12	
		-----*-----		
		A---210 SERIAL 21057841 THRU 21058220		

FIGURE AND INDEX NO.	PART NUMBER	DESCRIPTION	UNITS PER ASSY	USABLE ON CODE
		1 2 3 4 5 6 7		
9A-		AILERON INSTALLATION -----	NP	A
	1220085-1	AILERON ASSEMBLY-SHORT SPAN LH -----	1	
	1220085-2	AILERON ASSEMBLY-SHORT SPAN RH -----	1	
		ATTACHING PARTS -----		
- 1	AN4-11A	BOLT -----	2	
		-----*-----		
- 2	1220078-1	SPAR-AILERON FRONT LH -----	1	
	1220078-2	SPAR-AILERON FRONT RH -----	1	
- 3	1220073-1	SPAR-AILERON REAR LH -----	1	
	1220073-2	SPAR-AILERON REAR RH -----	1	
- 4	1220072-1	RIB-AILERON INBOARD LH -----	1	
	1220072-2	RIB-AILERON INBOARD RH -----	1	
- 5	1220075-1	RIB-AILERON CENTER LH -----	1	
	1220075-2	RIB-AILERON CENTER RH -----	1	
- 6	1220074-1	RIB-AILERON OUTBOARD LH -----	1	
	1220074-2	RIB-AILERON OUTBOARD RH -----	1	
- 7	1220071-7	RIB-AILERON NOSE -----	1	
- 8	1220076-1	RIB-AILERON NOSE LH -----	1	
	1220076-2	RIB-AILERON NOSE RH -----	1	
- 9	1220076-3	RIB ASSEMBLY-AILERON NOSE LH -----	1	
	1220076-4	RIB ASSEMBLY-AILERON NOSE RH -----	1	
	NAS1068A4	NUT PLATE -----	1	
-10	1220071-5	RIB-AILERON NOSE -----	1	
-11	1220077-1	RIB-AILERON NOSE LH -----	1	
	1220077-2	RIB-AILERON NOSE RH -----	1	
-12	1220077-3	RIB ASSEMBLY-AILERON NOSE LH -----	1	
	1220077-4	RIB ASSEMBLY-AILERON NOSE RH -----	1	
	NAS698A4	NUT PLATE -----	1	
-13	1220071-3	RIB-AILERON NOSE -----	1	
-14	1220076-5	RIB-AILERON NOSE LH -----	1	
	1220076-6	RIB-AILERON NOSE RH -----	1	
-15	1220076-7	RIB ASSEMBLY-AILERON NOSE LH -----	1	
	1220076-8	RIB ASSEMBLY-AILERON NOSE RH -----	1	
	NAS1068A4	NUT PLATE -----	1	
-16	1220071-1	RIB-AILERON NOSE -----	1	
-17	1220085-3	SKIN-AILERON UPPER LH -----	1	
	1220085-4	SKIN-AILERON UPPER RH -----	1	
-18	1220085-5	SKIN-AILERON LOWER LH -----	1	
	1220085-6	SKIN-AILERON LOWER RH -----	1	
-19	1220085-7	SKIN-AILERON LEADING EDGE LH -----	1	
	1220085-8	SKIN-AILERON LEADING EDGE RH -----	1	
-20	S1446-1	DOUBLER ASSEMBLY-INSPECTION HOLE -----	3	
	NAS395-14-3	NUT -----	3	
-21	S1447-1	COVER-INSPECTION HOLE -----	3	
		ATTACHING PARTS -----		
-22	S1021Z8-6	SCREW -----	3	
		-----*-----		
-23	CM2692-32-1S	PLUG BUTTON UC -----	3	
-24	1220079-1	BALANCE WEIGHT ASSEMBLY-AILERON -----	1	
		ATTACHING PARTS -----		
-25	AN515-8R14	SCREW -----	11	
		-----*-----		
-26	NAS688P24-11	GANG CHANNEL -----	1	
-27	AN535-2-3	SCREW -----	8	
		A---210 SERIAL 21058221 & ON T210 SERIAL T210-0001 & ON		

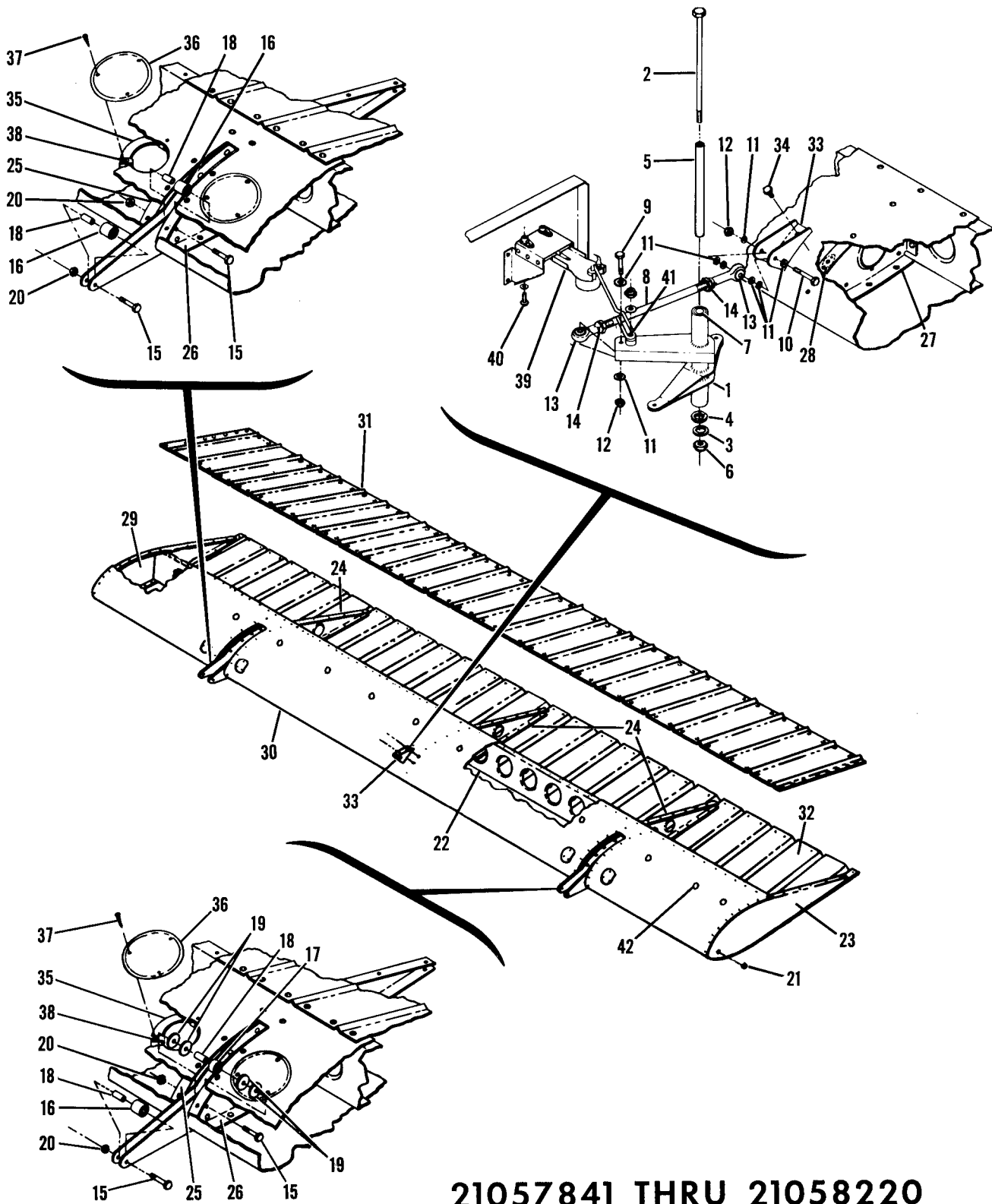
Wing (Cont)



T210-0001 & ON
21058221 & ON

Figure 9A. Aileron Installation

Wing (Cont)



21057841 THRU 21058220

Figure 10. Flap Installation



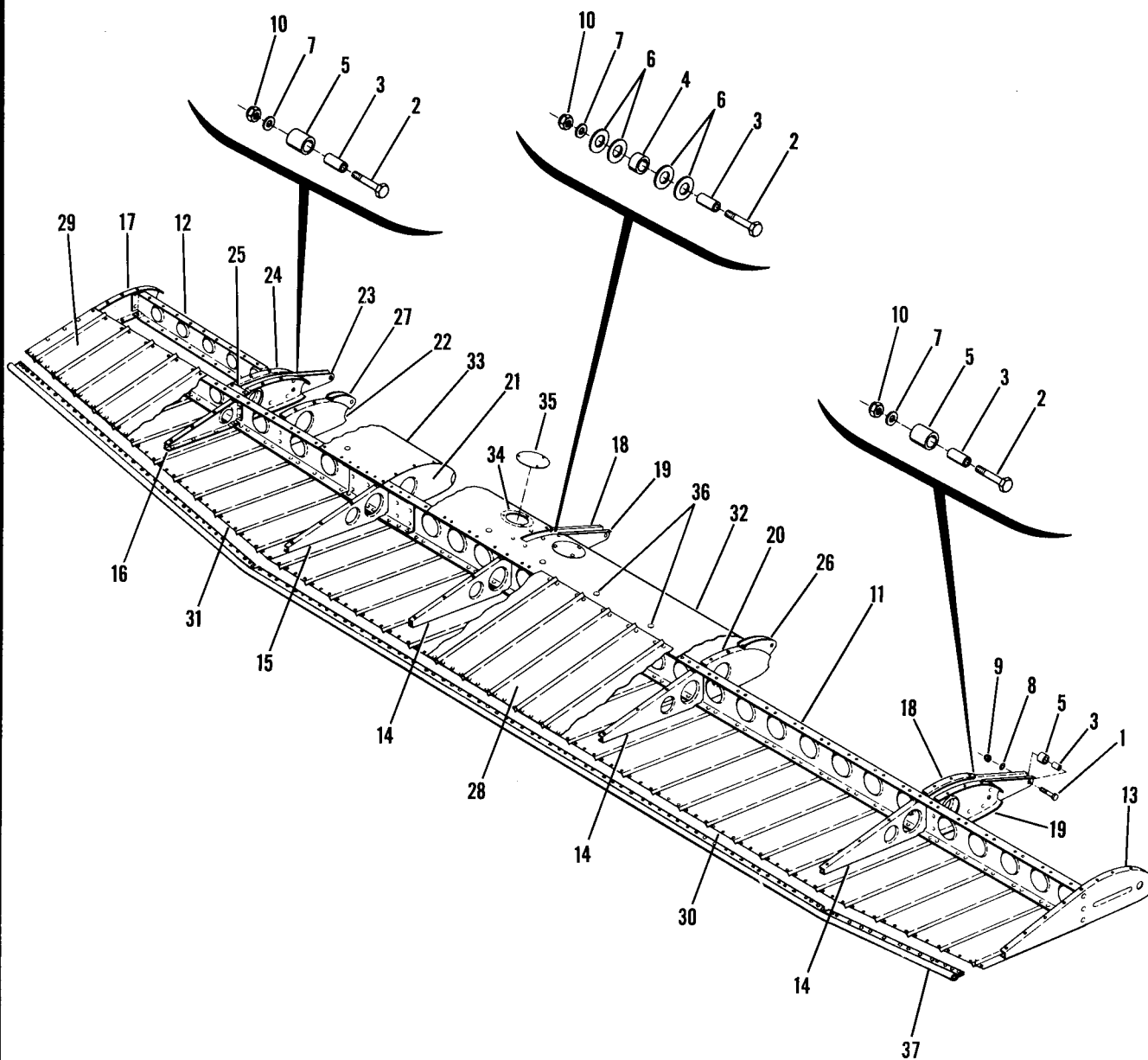
FIGURE AND INDEX NO.	PART NUMBER	DESCRIPTION							UNITS PER ASSY	USABLE ON CODE
		1	2	3	4	5	6	7		
10 -		FLAP INSTALLATION-WING LH -----							NP	C
		FLAP INSTALLATION-WING RH -----							NP	C
- 1	1260061-1	BELLCRANK ASSEMBLY-FLAP LH -----							1	
	1260061-2	BELLCRANK ASSEMBLY-FLAP RH -----							1	
		ATTACHING PARTS -----								
- 2	AN4-57A	BOLT -----							1	
- 3	0522629	WASHER-FLAP BELLCRANK -----							1	
- 4	AN960-416L	WASHER -----							1	
- 5	0523536	BUSHING -----							1	
- 6	NAS679A4	NUT -----							1	
		-----*								
- 7	B610	BEARING TOR -----							2	
- 8	1260063-1	ROD ASSEMBLY-FLAP PUSH PULL -----							1	
		ATTACHING PARTS -----								
- 9	AN3-10A	BOLT -----							1	
-10	AN3-16A	BOLT -----							1	
-11	AN960-10	WASHER -----							8	
-12	NAS679A3	NUT -----							2	
		-----*								
-13	S1106-3	ROD END -----							2	
-14	AN316-4R	NUT-CHECK -----							2	
	0523901-15	*	FLAP ASSEMBLY-WING LH -----						1	A
	0523901-23	*	FLAP ASSEMBLY-WING LH -----						1	B
	0523901-16	*	FLAP ASSEMBLY-WING RH -----						1	A
	0523901-24	*	FLAP ASSEMBLY-WING RH -----						1	B
		ATTACHING PARTS -----								
-15	AN3-10A	BOLT -----							4	
-16	0523921	ROLLER ASSEMBLY -----							3	
-17	0523920	ROLLER ASSEMBLY -----							1	
-18	0523919	BUSHING -----							4	
-19	0523922	SPACER-FLAP OUTBOARD ROLLER ONLY -----							4	
-20	NAS679A3	NUT -----							4	
		-----*								
-21	48172	PLUG BUTTON UC -----							1	
-22	0523911-2	SPAR-FLAP LH -----							1	
	0523911-3	SPAR-FLAP RH -----							1	
-23	0523912	RIB-FLAP LH END -----							1	A
	1225001-1	RIB-FLAP LH END -----							1	B
-24	0523923	RIB-FLAP TRAILING EDGE -----							3	
-25	0523901-13	RIB ASSEMBLY-FLAP SUPPORT ARM LH -----							2	
-26	0523901-14	RIB ASSEMBLY-FLAP SUPPORT ARM RH -----							1	
-27	0523914-2	RIB ASSEMBLY-FLAP LEADING EDGE CENTER -----							1	
-28	NAS680A3	NUTPLATE -----							2	
-29	0523912-1	RIB-FLAP RH END -----							1	A
	1225001-2	RIB-FLAP RH END -----							1	B
-30	0523901-17	SKIN-FLAP LEADING EDGE LH -----							1	
	0523901-18	SKIN-FLAP LEADING EDGE RH -----							1	
-31	0523901-21	SKIN-FLAP UPPER LH -----							1	A
	1225001-25	SKIN-FLAP UPPER LH -----							1	B
	0523901-22	SKIN-FLAP UPPER RH -----							1	A
	1225001-26	SKIN-FLAP UPPER RH -----							1	B
-32	0523901-19	SKIN-FLAP LOWER LH -----							1	A
	0523901-27	SKIN-FLAP LOWER LH -----							1	B
	0523901-20	SKIN-FLAP LOWER RH -----							1	A
	0523901-28	SKIN-FLAP LOWER RH -----							1	B
-33	0523918	BRACKET-FLAP CONTROL ATTACHMENT -----							1	
		ATTACHING PARTS -----								
-34	AN3-4A	BOLT -----							2	
		-----*								
-35	S237-3	DOUBLER-ACCESS OPENING -----							4	
-36	S225-3	PLATE-COVER -----							4	
		ATTACHING PARTS -----								
-37	S102128-8	SCREW -----							12	
-38	NAS395-13-3	NUT -----							12	
		-----*								

CONTINUED ON NEXT PAGE

FIGURE AND INDEX NO.	PART NUMBER	DESCRIPTION	UNITS PER ASSY	USABLE ON CODE
10 -39	1260068-1	1 2 3 4 5 6 7 TRANSMITTER-FLAP POSITION ----- ATTACHING PARTS	1	
-40	AN515-8R8	SCREW -----	2	
-41	AN960-8	WASHER -----	2	
	AN515-8R14	SCREW -----	1	
	1260067-1	WASHER -----	1	
	NAS679A08	NUT -----	1	
	1260066-1	SPACER -----	1	
	S1093-1	# PLUG BUTTON -----	14	
<p>NOTE. *WHEN ORDERING THIS PART ALSO ORDER PART MARKED #.</p> <p>A---210 SERIAL 21057841 THRU 21058003 B---210 SERIAL 21058004 THRU 21058220 C---210 SERIAL 21057841 THRU 21058220</p>				

This page intentionally left blank.

Wing (Cont)



T210-0001 & ON
21058221 & ON

Figure 10A. Flap Installation



FIGURE AND INDEX NO.	PART NUMBER	DESCRIPTION	UNITS PER ASSY	USABLE ON
				CODE
		1 2 3 4 5 6 7		
10A-		FLAP INSTALLATION -----	NP	A
	1220100-1	FLAP ASSEMBLY-EXTENDED SPAN LH -----	1	B
	1220100-25	FLAP ASSEMBLY-EXTENDED SPAN LH -----	1	C
	1220100-2	FLAP ASSEMBLY-EXTENDED SPAN RH -----	1	B
	1220100-26	FLAP ASSEMBLY-EXTENDED SPAN RH -----	1	C
		ATTACHING PARTS		
- 1	AN3-10A	BOLT -----	3	
- 2	AN3-11A	BOLT -----	3	
- 3	0523919	BUSHING -----	6	
- 4	0523920	ROLLER ASSEMBLY -----	1	
- 5	0523921	ROLLER ASSEMBLY -----	5	
- 6	0523922	SPACER -----	4	
- 7	AN960-10	WASHER -----	3	
- 8	AN960-10L	WASHER -----	3	
- 9	NAS679A3	NUT -----	3	
-10	NAS679A3	NUT -----	3	

-11	1220102-1	SPAR ASSEMBLY-FLAP LH -----	1	
	1220102-2	SPAR ASSEMBLY-FLAP RH -----	1	
-12	1220103-1	AUXILIARY SPAR ASSEMBLY-FLAP LH -----	1	
	1220103-2	AUXILIARY SPAR ASSEMBLY-FLAP RH -----	1	
-13	1225001-1	RIB-FLAP LH STA. 22.45 -----	1	
	1225001-2	RIB-FLAP RH STA. 22.45 -----	1	
-14	0523923	RIB-FLAP STA. 39.00, STA. 63.81 & STA. 85.87 -----	3	
-15	0523923-2	RIB-FLAP STA. 100.00 -----	1	
-16	1220110-1	RIB-FLAP STA. 118.00 -----	1	
-17	1220106-1	RIB-FLAP LH STA. 136.00 -----	1	
	1220106-2	RIB-FLAP RH STA. 136.00 -----	1	
-18	0523901-13	ARM ASSEMBLY-FLAP HINGE OUTBOARD STA. 39.00 & 85.87 -----	2	
-19	0523901-14	ARM ASSEMBLY-FLAP HINGE INBOARD STA. 39.00 & 85.87 -----	2	
-20	0523914	RIB-FLAP NOSE STA. 63.81 -----	1	
-21	0523914	RIB-FLAP NOSE LH STA. 100.00 -----	1	
	0523914-1	RIB-FLAP NOSE RH STA. 100.00 -----	1	
-22	1220104-1	RIB-FLAP NOSE STA. 112.50 -----	1	
-23	1220109-1	RIDER ASSEMBLY-FLAP HINGE INBOARD LH STA. 118.00 -----	1	
	1220109-2	RIDER ASSEMBLY-FLAP HINGE INBOARD RH STA. 118.00 -----	1	
-24	1220109-3	RIDER ASSEMBLY-FLAP HINGE OUTBOARD LH STA. 118.00 -----	1	
	1220109-4	RIDER ASSEMBLY-FLAP HINGE OUTBOARD RH STA. 118.00 -----	1	
	NAS680A3	NUT PLATE OUTBOARD ASSEMBLIES ONLY -----	1	
-25	1220111-1	BRACE-FLAP SPAR LH STA. 118.00 -----	1	
	1220111-2	BRACE-FLAP SPAR RH STA. 118.00 -----	1	
-26	1220105-1	BRACKET-FLAP CONTROL INBOARD STA. 63.81 -----	1	
-27	1220105-2	BRACKET-FLAP CONTROL OUTBOARD STA. 112.50 -----	1	
		ATTACHING PARTS		
	AN3-4A	BOLT -----	2	
	NAS697A3	NUT PLATE -----	2	

-28	1220100-11	SKIN-FLAP UPPER INBOARD LH -----	1	
	1220100-12	SKIN-FLAP UPPER INBOARD RH -----	1	
-29	1220100-5	SKIN-FLAP UPPER OUTBOARD LH -----	1	
	1220100-6	SKIN-FLAP UPPER OUTBOARD RH -----	1	
-30	1220100-9	SKIN-FLAP LOWER INBOARD LH -----	1	
	1220100-10	SKIN-FLAP LOWER INBOARD RH -----	1	
-31	1220100-3	SKIN-FLAP LOWER OUTBOARD LH -----	1	
	1220100-4	SKIN-FLAP LOWER OUTBOARD RH -----	1	
-32	1220100-13	SKIN-FLAP LEADING EDGE INBOARD LH -----	1	
	1220100-14	SKIN-FLAP LEADING EDGE INBOARD RH -----	1	
-33	1220100-7	SKIN-LEADING EDGE OUTBOARD LH -----	1	
	1220100-8	SKIN-FLAP LEADING EDGE OUTBOARD RH -----	1	
-34	S237-4	DOUBLER ASSEMBLY-INSPECTION HOLE -----	5	
	NAS395-14-3	NUT -----	3	
-35	S225-3	COVER-INSPECTION HOLE -----	5	
		ATTACHING PARTS		
	S1021Z8-8	SCREW -----	3	

-36	S1093-1	PLUG BUTTON -----	20	
-37	1220100-27	STIFFENER -----	1	C
		A---210 SERIAL 21058221 & ON T210 SERIAL T210-0001 & ON		
		B---210 SERIAL 21058221 THRU 21058552		
		C---210 SERIAL 21058553 & ON T210 SERIAL T210-0001 & ON		

FIGURE AND INDEX NO.	PART NUMBER	DESCRIPTION							UNITS PER ASSY	USABLE ON CODE
		1	2	3	4	5	6	7		
11 -		STRUT INSTALLATION-WING LH -----							NP	
		STRUT INSTALLATION-WING RH -----							NP	
- 1	1227400-1	STRUT ASSEMBLY-WING LH -----							1	F
	1227600-1	STRUT ASSEMBLY-WING LH -----							1	E
- 2	1227400-2	STRUT ASSEMBLY-WING RH -----							1	F
	1227600-2	STRUT ASSEMBLY-WING RH -----							1	E
		ATTACHING PARTS								
- 3	AN8-25A	BOLT -----							1	
- 4	AN8-21A	BOLT -----							1	
- 5	0523307	SPACER -----							1	
- 6	MS20365-820C	NUT -----							2	
- 6A	AN960-816	WASHER -----							1	
		-----*								
- 7	0723614-1	FITTING-LOWER -----							1	
		ATTACHING PARTS								
- 8	MS20426AD10	RIVET -----							5	
	0723600-6	RIVET ALT -----							5	
		-----*								
- 9	0523614-1	FITTING-UPPER -----							1	
		ATTACHING PARTS								
-10	MS20426AD10	RIVET -----							5	
	0723600-6	RIVET ALTERNATE -----							5	
		-----*								
-11	0723604-1	RING-MOORING -----							1	A
	0523615-1	RING-MOORING -----							1	B
		ATTACHING PARTS								
-12	MS20392-2C63	PIN -----							1	A
-12A	MS24665-132	PIN-COTTER -----							1	
-13	0723601-2	SPRING -----							1	A
	0523616-1	SPRING -----							1	B
-14	AN507-832R6	SCREW -----							1	F
-15	NAS679A08	NUT -----							1	F
		-----*								
-16	1227401-3	FAIRING-LOWER LH -----							1	C
	1227402-1	FAIRING-LOWER LH -----							1	D
	1227402-3	FAIRING-LOWER LH -----							1	E
	1227401-2	FAIRING-LOWER RH -----							1	C
	1227402-2	FAIRING-LOWER RH -----							1	D
	1227402-4	FAIRING-LOWER RH -----							1	E
		ATTACHING PARTS								
-17	NAS220-8	SCREW -----							3	
-18	NAS1329A08-75	RIVNUT GD -----							3	
		-----*								
-19	1227002-5	FAIRING-UPPER LH -----							1	F
	1227002-11	FAIRING-UPPER LH -----							1	E
	1227002-4	FAIRING-UPPER RH -----							1	F
	1227002-10	FAIRING-UPPER RH -----							1	E
		ATTACHING PARTS								
-20	NAS220-8	SCREW -----							4	
-21	NAS1329A08-75	RIVNUT GD -----							4	
		-----*								
-22	1200421-2	SEAL -----							1	

NOTE. *WHEN INITIALLY ORDERING THIS PART FOR AIRCRAFT WITH TYPE A TIE DOWN PROVISIONS, ALSO ORDER PARTS CODED B.

A---USED ON TYPE A. SEE DETAIL
 B---USED ON TYPE B. SEE DETAIL
 C---210 SERIAL 21057841 THRU 21058220
 D---210 SERIAL 21058221 THRU 21058715
 E---210 SERIAL 21058716 & ON
 T210 SERIAL T210-0001 & ON
 F---210 SERIAL 21057841 THRU 21058715

Strut

NOTE: THIS PART NO LONGER AVAILABLE, REPLACED BY TYPE B.

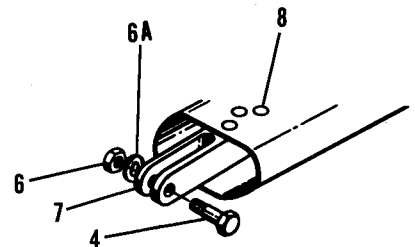
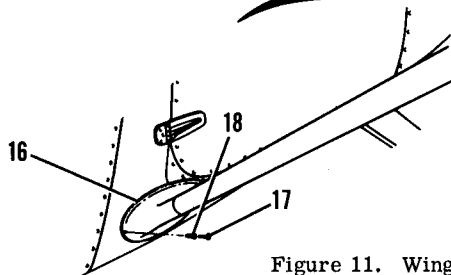
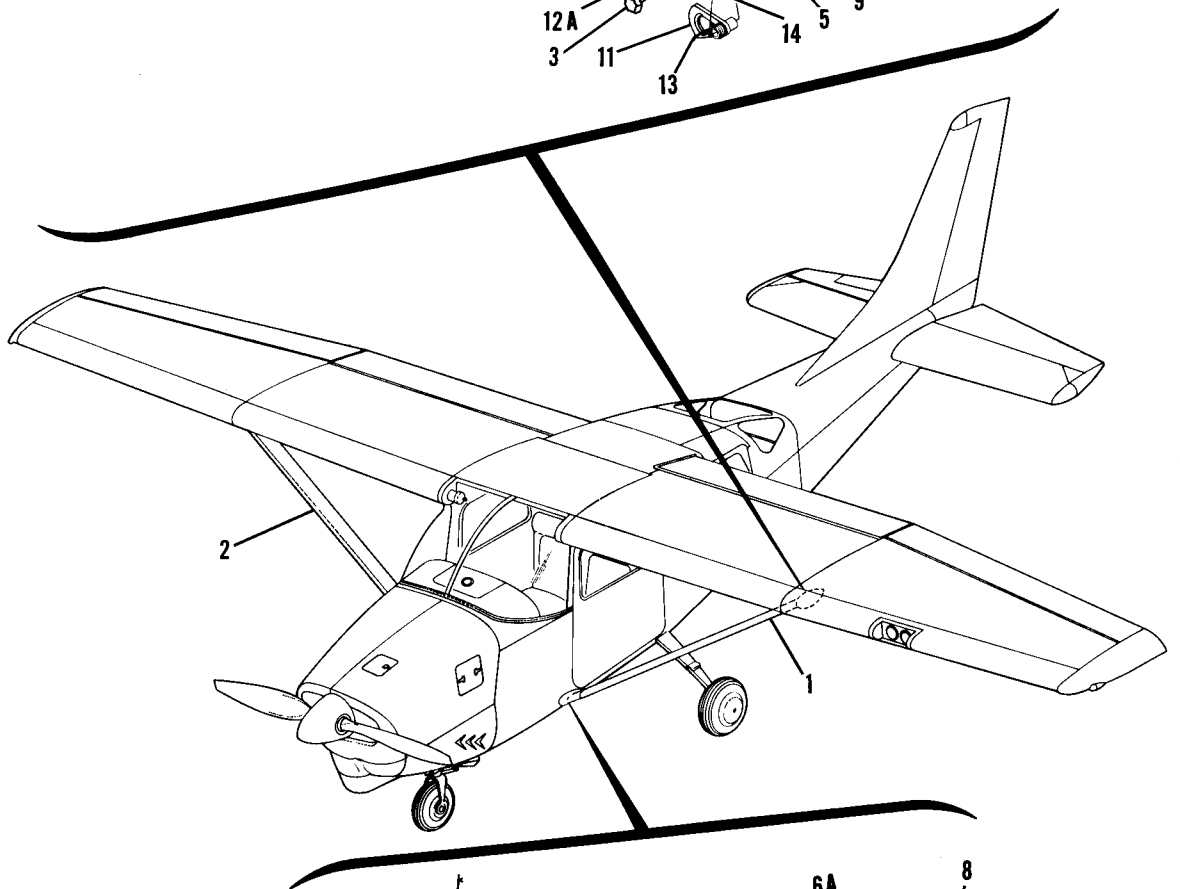
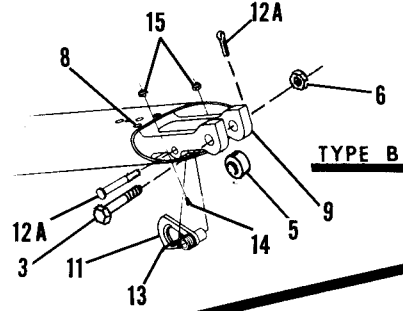
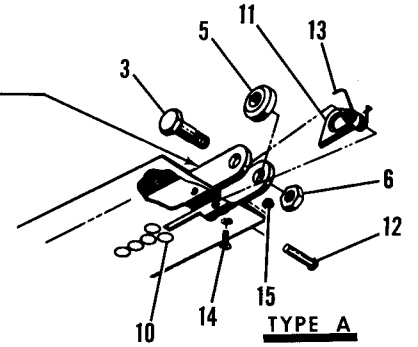
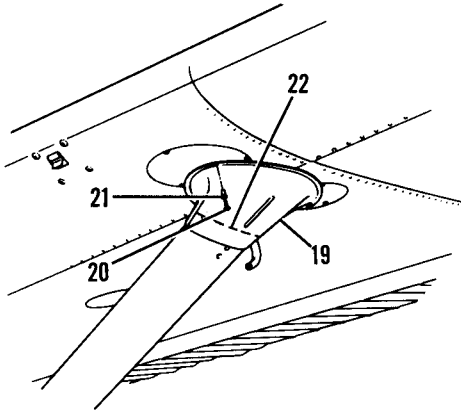


Figure 11. Wing Strut Installation

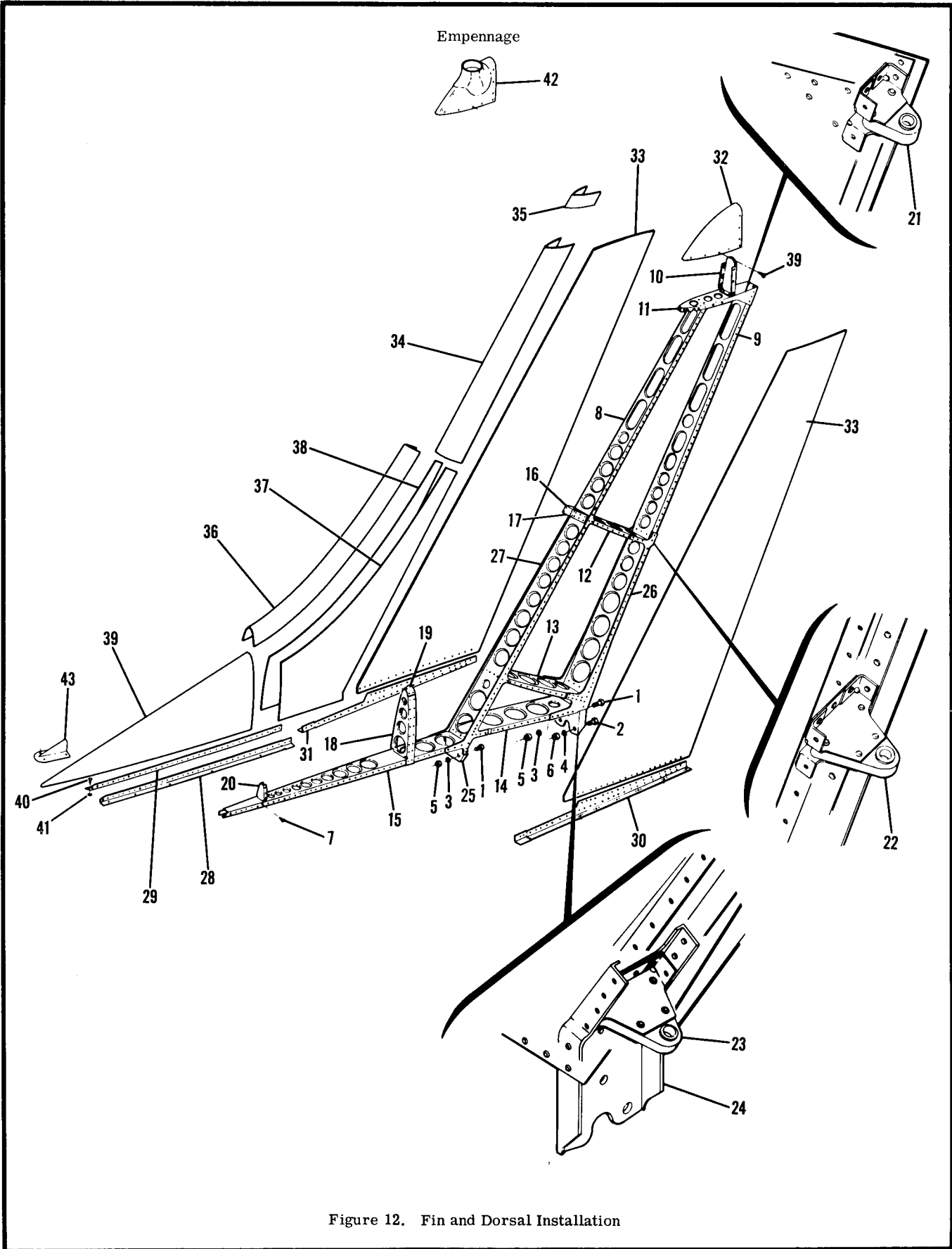


Figure 12. Fin and Dorsal Installation

FIGURE AND INDEX NO.	PART NUMBER	DESCRIPTION	UNITS PER ASSY	USABLE ON CODE
12 -	1231000-13	FIN AND DORSAL INSTALLATION ----- FIN ASSEMBLY ----- ATTACHING PARTS ----- -----*	NP 1	
- 1	AN5-6A	BOLT -----	3	
- 2	AN6-7A	BOLT -----	2	
- 3	AN960-516	WASHER -----	5	
- 4	AN960-616	WASHER -----	2	
- 5	NAS679A5	NUT -----	3	
- 6	NAS679A6	NUT -----	2	
- 7	NAS220-8	SCREW -----	2	
- 8	1231002-1	SPAR-FIN FORWARD -----	1	
- 9	1231002-2	SPAR-FIN AFT -----	1	
-10	1231010-1	RIB ASSEMBLY-FIN TIP CAP -----	1	
	NAS697A08K	NUTPLATE KNM -----	2	
	NAS697A08K	NUTPLATE KNM -----	4	
-11	1231008-1	RIB ASSEMBLY-FIN UPPER -----	1	
	NAS698A08K	NUTPLATE -----	10	
-12	1231007-1	RIB-FIN CENTER -----	1	
-13	1231006-1	RIB-FIN LOWER -----	1	
-14	1231005-2	RIB-FIN BASE AFT -----	1	
-15	0731601-1	RIB-FIN BASE FORWARD -----	1	
-16	1231009-5	RIB ASSEMBLY-LEADING EDGE CENTER -----	1	
-17	1231009-3	STRIP-LEADING EDGE -----	1	
-18	0731602-1	RIB-DORSAL STA. 200.45 -----	1	
-19	0731602-2	STRIP-LEADING EDGE -----	1	
-20	0731603-1	RIB-DORSAL STA. 172.00 -----	1	
-21	1231023-3	BRACKET ASSEMBLY-HINGE UPPER -----	1	
-22	1231023-2	BRACKET ASSEMBLY-HINGE CENTER -----	1	
-23	1231023-1	BRACKET ASSEMBLY-HINGE LOWER -----	1	
	NAS506-4	BEARING -----	1	
-24	1231013-1	FITTING-FIN ATTACH AFT -----	1	
-25	1231012-1	FITTING-FIN ATTACH FORWARD -----	1	
-26	1231014-2	PLATE-SPAR DOUBLER AFT -----	2	
-27	1231014-3	PLATE-SPAR DOUBLER FORWARD -----	2	
-28	0731604-3	FAIRING-DORSAL TO FUSELAGE FORWARD LH -----	1	
-29	0731604-4	FAIRING-DORSAL TO FUSELAGE FORWARD RH -----	1	
-30	0731604-5	FAIRING ASSEMBLY-DORSAL TO FUSELAGE AFT LH -----	1	
-31	0731604-6	FAIRING ASSEMBLY-DORSAL TO FUSELAGE AFT RH -----	1	
	A6196-8Z-3	NUT TINN AFT FAIRINGS ONLY -----	1	
	A6195-8Z-3	NUT TINN AFT FAIRINGS ONLY -----	4	
-32	1231000-19	CAP-FIN TIP -----	1	
		ATTACHING PARTS -----		
	NAS220-6	SCREW -----	16	
		-----*		
-33	1231000-18	SKIN-FIN -----	2	
-34	1231000-4	SKIN-FIN LEADING EDGE UPPER -----	1	
-35	1231000-7	DOUBLER-LEADING EDGE SKIN -----	1	
-36	1231000-17	SKIN-FIN LEADING EDGE -----	1	
-37	1231000-15	SKIN-FIN LH -----	1	
-38	1231000-16	SKIN-FIN RH -----	1	
-39	1231000-14	SKIN-DORSAL -----	1	
-40	S1021Z8-6	SCREW -----	2	
-41	NAS446-4-3	NUT -----	2	
-42	1200039-2	CAP-FIN TIP USED WITH ROTATING BEACON -----	1	
		ATTACHING PARTS -----		
	NAS220-6	SCREW -----	16	
		-----*		
-43	0731605-1	FAIRING DORSAL -----	1	
		ATTACHING PARTS -----		
	NAS220-7	SCREW -----	3	
		-----*		

Empennage (Cont)

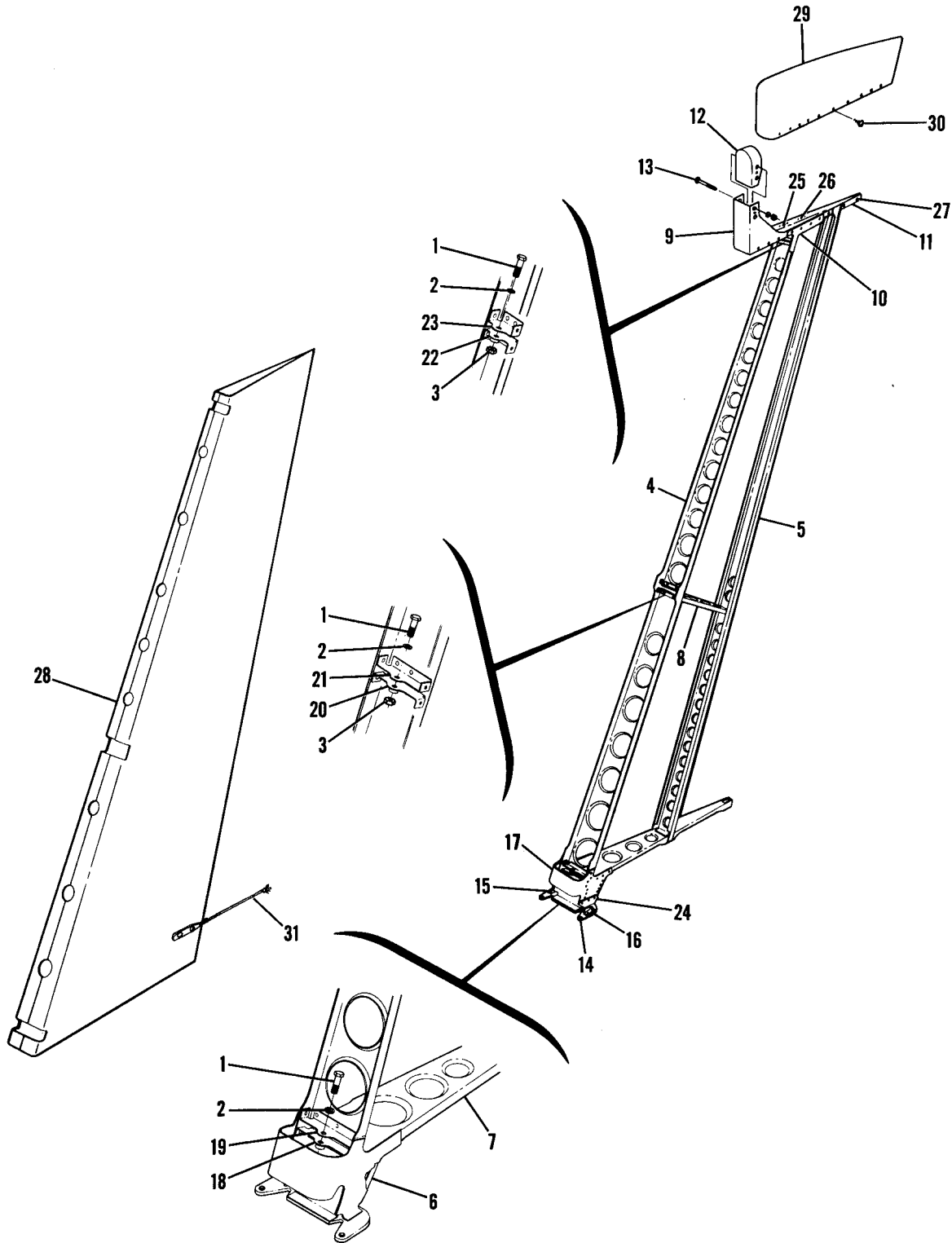
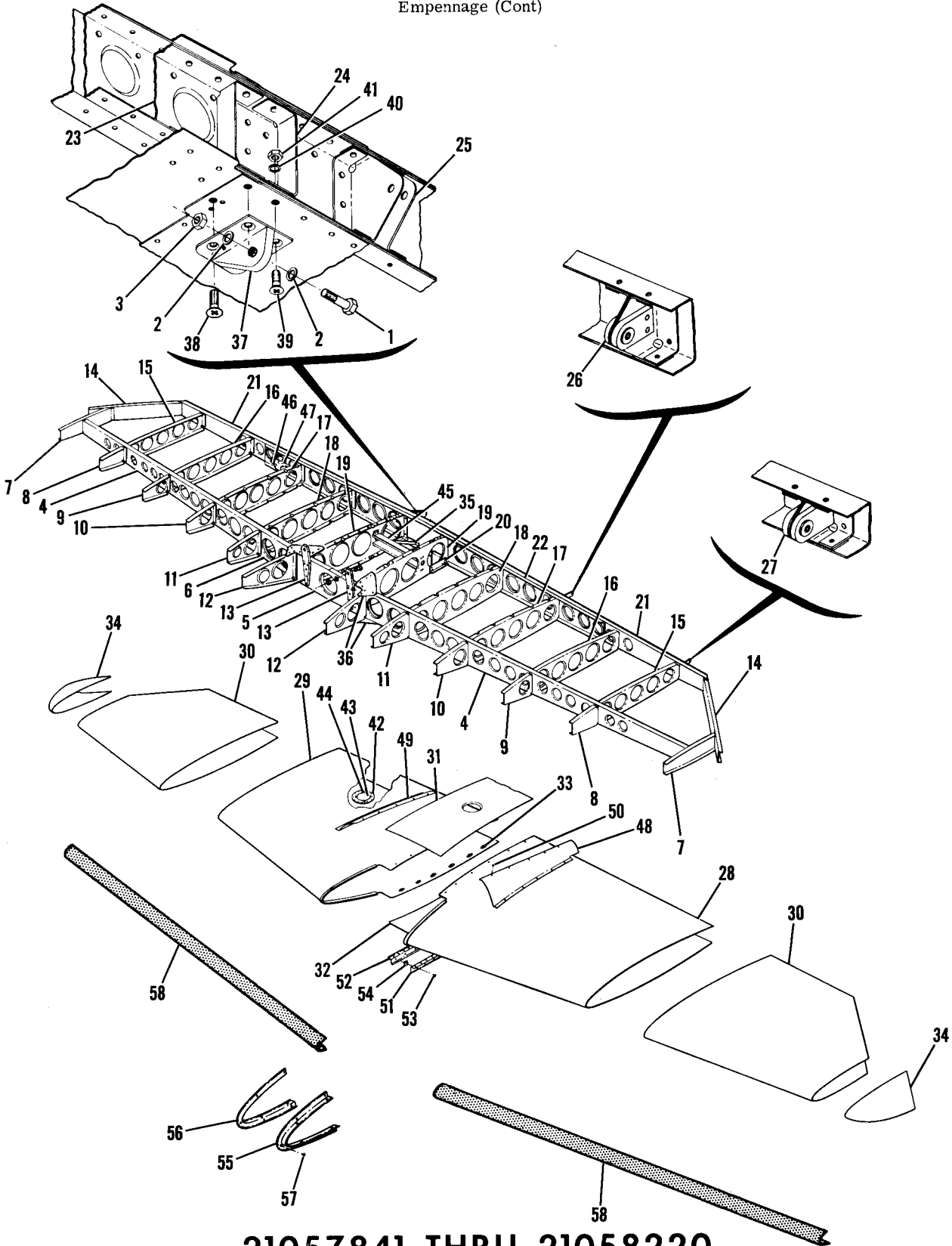


Figure 13. Rudder Assembly

FIGURE AND INDEX NO.	PART NUMBER	DESCRIPTION	UNITS PER ASSY	USABLE ON CODE
		1 2 3 4 5 6 7		
13 -	1231001-5 1231001-7	RUDDER ASSEMBLY ----- RUDDER ASSEMBLY ----- ATTACHING PARTS	1 1	A B
- 1	AN4-11A	BOLT -----	3	
- 2	AN960-416	WASHER -----	3	
- 3	NAS679A4	NUT -----	3	
- 4	1231015-1	SPAR-FORWARD -----	1	
- 5	1231015-2	SPAR-REAR -----	1	
- 6	1231015-3	SPAR-BELLCRANK -----	1	
- 7	1231016-1	RIB-LOWER -----	1	
- 8	1231017-1	RIB-CENTER -----	1	
- 9	1231001-200 NAS697A08K	RIB ASSEMBLY-RUDDER TIP ----- NUTPLATE -----	1 6	
-10	1231029-1 1231029-2	BRACKET-AFT LH ----- BRACKET-AFT RH -----	1 1	
-11	1231032-1	RIB-TIP AFT -----	1	
-12	0733104-2 1231044-1	WEIGHT-RUDDER BALANCE ----- WEIGHT-RUDDER BALANCE ----- ATTACHING PARTS	1 1	A B
-13	AN509-10R31 AN960-10 NAS679A3	SCREW ----- WASHER ----- NUT -----	3 3 3	
-14	1231021-1	BELLCRANK ASSEMBLY-RUDDER -----	1	
-15	1231021-2	CLIP-STOP RH -----	1	
-16	1231021-3 0733103	CLIP-STOP LH ----- BUSHING-BELLCRANK -----	1 2	
-17	1231022-1	GUSSET-BELLCRANK -----	1	
-18	1231023-16	BRACKET-LOWER RUDDER HINGE -----	1	
-19	1231023-19	BRACKET-LOWER RUDDER HINGE -----	1	
-20	1231023-17	BRACKET-CENTER RUDDER HINGE -----	1	
-21	1231023-20	BRACKET-CENTER RUDDER HINGE -----	1	
-22	1231023-18	BRACKET-UPPER RUDDER HINGE -----	1	
-23	1231023-21	BRACKET-UPPER RUDDER HINGE -----	1	
-24	1231026-1 1231026-2	CLIP-BELLCRANK LH ----- CLIP-BELLCRANK RH -----	1 1	
-25	NAS696A08K	NUTPLATE -----	4	
-26	NAS697A08K	NUTPLATE -----	2	
-27	NAS698A08K	NUTPLATE -----	1	
-28	1231001-3	SKIN-RUDDER -----	1	
-29	1231001-2	CAP-RUDDER TIP ----- ATTACHING PARTS	1	
-30	NAS220-8 NAS220-6	SCREW ----- SCREW -----	8 12	
-31	5169 NAS1329A08K75 AN515-8R8 AN936A8	STATIC DISCHARGER FERY ----- ATTACHING PARTS RIVNUT GD ----- SCREW ----- WASHER -----	1 2 2 2	
		A---210 SERIAL 21057841 & ON B---T210 SERIAL T210-0001 & ON		

Empennage (Cont)



21057841 THRU 21058220

Figure 14. Stabilizer Assembly



FIGURE AND INDEX NO.	PART NUMBER	DESCRIPTION	UNITS PER ASSY							USABLE ON CODE
			1	2	3	4	5	6	7	
14 -	1232000-9	STABILIZER ASSEMBLY ----- ATTACHING PARTS -----	1							A
- 1	AN4-11A	BOLT -----							5	
- 2	AN960-416	WASHER -----							5	
- 3	NAS679A4	NUT -----							5	
		21057841 THRU 21058220								
	1232000-6	SPAR ASSEMBLY -----	1							
- 4	0732000-20	SPAR-STABILIZER FRONT -----	2							
- 5	1232116	CHANNEL-STABILIZER FRONT -----	1							
- 6	1232117	SPLICE-STABILIZER FRONT -----	1							
- 7	0732000-21	RIB-STABILIZER TIP -----	2							
- 8	0732000-3	RIB-STABILIZER NOSE -----	2							
- 9	0732000-4	RIB-STABILIZER NOSE -----	2							
-10	0732000-17	RIB-STABILIZER NOSE -----	2							
-11	0732000-18	RIB-STABILIZER NOSE -----	2							
-12	0732000-19	RIB-STABILIZER NOSE CANTED -----	2							
-13	1232401-1	BRACKET-STABILIZER ATTACH FRONT -----	2							
-14	0732000-27	RIB-STABILIZER CANTED -----	2							
-15	0732000-11	RIB-STABILIZER -----	2							
-16	0732000-10	RIB-STABILIZER -----	2							
-17	1232104	RIB-STABILIZER -----	2							
-18	1232105	RIB-STABILIZER -----	2							
-19	1232106	RIB-STABILIZER -----	2							
-20	0732103-1	DOUBLER-STABILIZER LH -----	1							
	0732103-2	DOUBLER-STABILIZER RH -----	1							
	1232000-5	SPAR ASSEMBLY-STABILIZER REAR -----	1							
-21	0732000-30	SPAR-STABILIZER REAR -----	1							
-22	1232114	CHANNEL-STABILIZER REAR SPAR REINFORCEMENT ----- WHEN EXHAUSTED USE 1232114-1 -----	1							
	1232114-1	CHANNEL-STABILIZER REAR SPAR REINFORCEMENT -----	1							
-23	0732000-39	CHANNEL-STABILIZER REAR SPAR REINFORCEMENT -----	1							
-24	0732101-4	REINFORCEMENT-STABILIZER HINGE -----	2							
-25	0732100-6	HINGE-STABILIZER CENTER -----	2							
-26	0732100-7	HINGE ASSEMBLY-STABILIZER INBOARD -----	2							
	NAS296-4A	BEARING -----	1							
-27	0732100-8	HINGE ASSEMBLY-STABILIZER OUTBOARD -----	2							
	NAS296-4A	BEARING -----	1							
-28	1232000-11	SKIN-STABILIZER INBOARD LH -----	1							
	1232600-3	SKIN-STABILIZER INBOARD LH -----	1							
-29	1232000-10	SKIN-STABILIZER INBOARD RH -----	1							
	1232600-4	SKIN-STABILIZER INBOARD RH -----	1							
-30	0732000-25	SKIN-STABILIZER OUTBOARD -----	2							
-31	1232000-3	SKIN-STABILIZER CENTER UPPER -----	1							
	1232600-5	SKIN-STABILIZER CENTER UPPER -----	1							
-32	0732000-47	SKIN-STABILIZER CENTER LOWER -----	1							
-33	A6195-8Z-3	NUT -----	12							
-34	0732000-155	TIP-STABILIZER -----	2							
-35	0732106	REINFORCEMENT-RH -----	1							
	0732106-1	REINFORCEMENT-LH -----	1							
-36	1232118-1	DOUBLER-STABILIZER LOWER LH & UPPER RH -----	2							
	1232118-2	DOUBLER-STABILIZER LOWER RH & UPPER LH -----	2							
-37	1232400-1	BRACKET ASSEMBLY -----	1							
	1232400-2	BRACKET ASSEMBLY ----- ATTACHING PARTS -----	1							
-38	AN509-416R12	SCREW -----	2							
-39	AN509-416R13	SCREW -----	4							
-40	AN960-416	WASHER -----	8							
-41	NAS679A4	NUT -----	6							

CONTINUED ON NEXT PAGE

FIGURE AND INDEX NO.	PART NUMBER	DESCRIPTION	UNITS PER ASSY	USABLE ON CODE
14 -	0732101-3	BUSHING -----	1	
	0732101-7	SPACER -----	1	
-42	1232142-1	DOUBLER-STABILIZER -----	1	
-43	1232141-1	PLATE-TAB ACTUATOR COVER -----	1	
		ATTACHING PARTS		
-44	S102128-8	SCREW -----	4	
	NAS395-14-3	NUT -----	4	
		-----*		
-45	1232140-1	BRACKET-TRIM TAB PULLEY -----	1	
-46	1232139-1	BRACKET ASSEMBLY-TRIM TAB ACTUATOR -----	1	
	NAS697A3	NUTPLATE -----	5	
-47	1234023-1	BRACE-TRIM TAB ACTUATOR -----	1	
		ATTACHING PARTS		
	NAS221-13	SCREW -----	3	
	AN960-10	WASHER -----	2	
	NAS679A3	NUT -----	2	
		-----*		
-48	1212007-1	FAIRING-EMPENNAGE LH -----	1	
-49	1212007-2	FAIRING-EMPENNAGE RH -----	1	
		ATTACHING PARTS		
-50	S102128-8	SCREW -----	11	
		-----*		
-51	1212006-1	FAIRING-STABILIZER LOWER LH -----	1	
-52	1212006-2	FAIRING-STABILIZER LOWER RH -----	1	
		ATTACHING PARTS		
-53	S102128-8	SCREW -----	10	
-54	NAS395-17-3	NUT -----	4	
		-----*		
-55	1212008-1	FAIRING-STABILIZER LEADING EDGE LH -----	1	
-56	1212008-2	FAIRING-STABILIZER LEADING EDGE RH -----	1	
		ATTACHING PARTS		
-57	S102128-8	SCREW -----	5	
		-----*		
-58	0332136-1	BOOT-ABRASION -----	2	
A---210 SERIAL 21057841 THRU 21058220				

This page intentionally left blank.

FIGURE AND INDEX NO.	PART NUMBER	DESCRIPTION	UNITS	USABLE ON CODE
			PER ASSY	
14A-		1 2 3 4 5 6 7 STABILIZER INSTALLATION -----	NP	A
	1232600-1	STABILIZER ASSEMBLY -----	1	
		ATTACHING PARTS -----		
- 1	AN4-11A	BOLT -----	4	
- 2	AN960-416	WASHER -----	6	
- 3	NAS679A4	NUT -----	2	
		-----*		
	1232610-2	SPAR ASSEMBLY-STABILIZER FRONT -----	1	
- 4	1232610-4	SPAR-FRONT -----	2	
- 5	1232605-1	SPLICE -----	1	
- 6	1232116	CHANNEL -----	1	
	1232610-1	SPAR ASSEMBLY-STABILIZER REAR -----	1	
- 7	1232610-3	SPAR-REAR -----	2	
- 8	1232114-1	CHANNEL -----	1	
- 9	0732603-2	CHANNEL -----	1	
-10	0732101-4	REINFORCEMENT -----	2	
-11	0732100-6	BRACKET-HINGE INBOARD -----	2	
-12	0732100-7	BRACKET ASSEMBLY-HINGE CENTER -----	2	
-13	1234626-1	BRACKET ASSEMBLY-HINGE OUTBOARD -----	1	
	NAS506-4	BEARING-HINGE CENTER & OUTBOARD -----	1	
-14	1232602-1	RIB-STABILIZER LATERAL -----	2	
-15	1232601-1	RIB-STABILIZER TIP STA. 66.193 -----	2	
-16	1232603-1	RIB-STABILIZER STA. 61.063 -----	2	
-17	0732610-5	RIB-STABILIZER STA. 50.375 -----	2	
-18	0732610-6	RIB-STABILIZER STA. 38.875 -----	2	
-19	1232104	RIB-STABILIZER STA. 27.375 -----	2	
-20	1232105	RIB-STABILIZER STA. 16.000 -----	2	
-21	1232106	RIB-STABILIZER CANTED -----	2	
-22	1232603-2	RIB-STABILIZER NOSE STA. 61.063 -----	2	
-23	0732611-1	RIB-STABILIZER NOSE STA. 50.375 -----	2	
-24	0732611-2	RIB-STABILIZER NOSE STA. 38.875 -----	2	
-25	0732611-3	RIB-STABILIZER NOSE STA. 27.375 -----	2	
-26	0732611-4	RIB-STABILIZER NOSE STA. 16.000 -----	2	
-27	0732611-6	RIB-STABILIZER NOSE CANTED -----	2	
-28	1232118-1	DOUBLER-STABILIZER LOWER LH & UPPER RH FORWARD -----	2	
-29	1232118-2	DOUBLER-STABILIZER UPPER LH & LOWER RH FORWARD -----	2	
-30	1232606-1	DOUBLER-STABILIZER LOWER LH & UPPER RH AFT -----	2	
-31	1232606-2	DOUBLER-STABILIZER UPPER LH & LOWER RH AFT -----	2	
-32	0732106-1	REINFORCEMENT-STABILIZER LH AFT -----	1	
-33	0732106	REINFORCEMENT-STABILIZER RH AFT -----	1	
-34	1232140-1	BRACKET-TRIM TAB PULLEY -----	1	
-35	1232139-1	BRACKET ASSEMBLY-TRIM TAB ACTUATOR -----	1	
	NAS696A3	NUT PLATE -----	4	
	NAS697A3	NUT PLATE -----	1	
-36	1234023-1	BRACE-TRIM TAB ACTUATOR -----	1	
		ATTACHING PARTS -----		
	NAS221-13	SCREW -----	3	
	AN960-10	WASHER -----	2	
	NAS679A3	NUT -----	2	
		-----*		
-37	1232604-1	TIP-STABILIZER -----	2	
-38	1232600-2	SKIN-STABILIZER OUTBOARD -----	2	
-39	1232600-3	SKIN-STABILIZER INBOARD LH -----	1	
-40	1232600-4	SKIN-STABILIZER INBOARD RH -----	1	
-41	1232600-5	SKIN-STABILIZER CENTER UPPER -----	1	
-42	0732600-3	SKIN-STABILIZER CENTER LOWER -----	1	
-43	A6195-8Z-3	NUT TIN -----	12	
-44	1232142-1	DOUBLER-INSPECTION HOLE -----	1	
-45	NAS395-14-3	NUT -----	4	
-46	1232141-1	PLATE-INSPECTION HOLE -----	1	
		ATTACHING PARTS -----		
	S1021Z8-8	SCREW -----	4	
		-----*		

CONTINUED ON NEXT PAGE

Empennage (Cont)

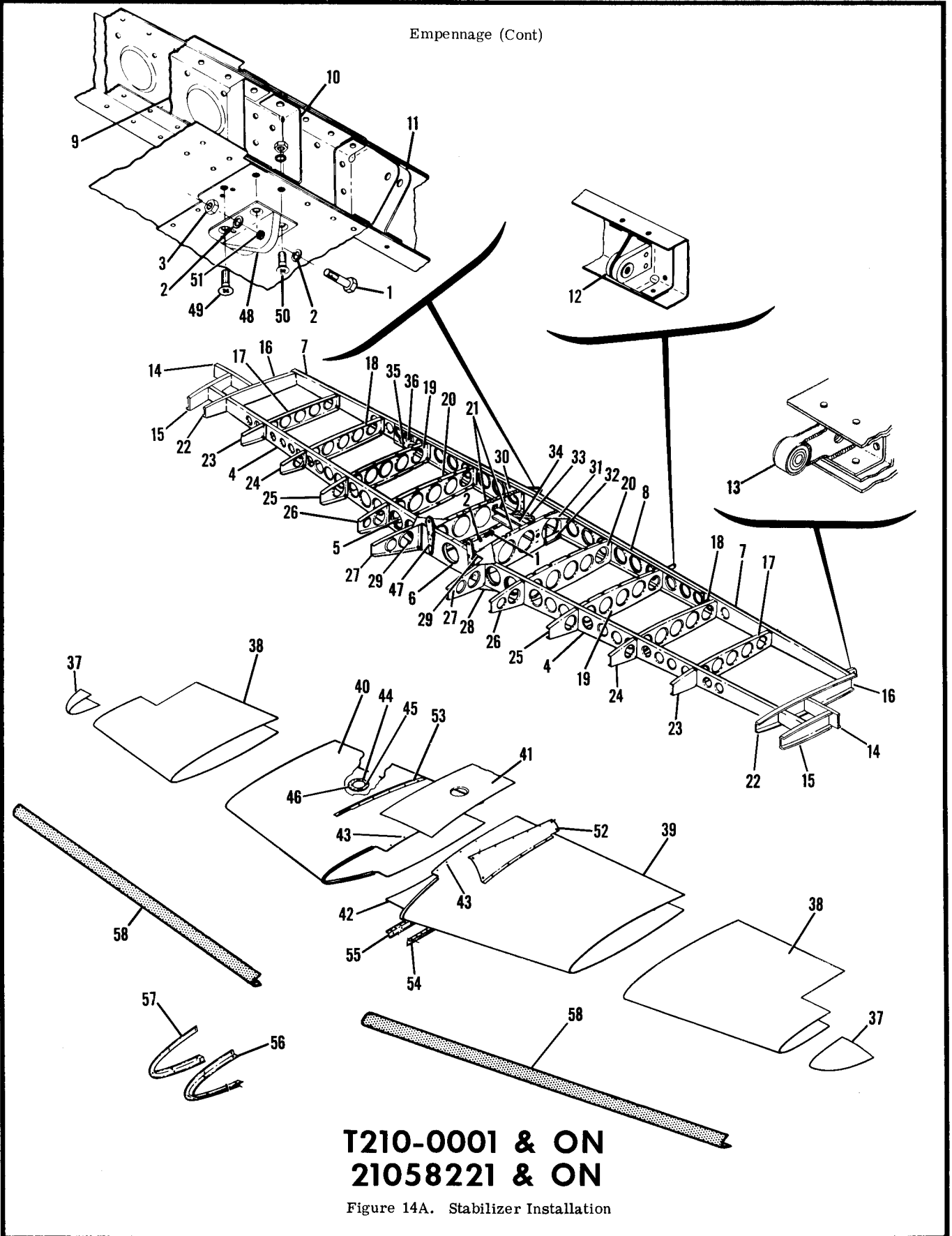
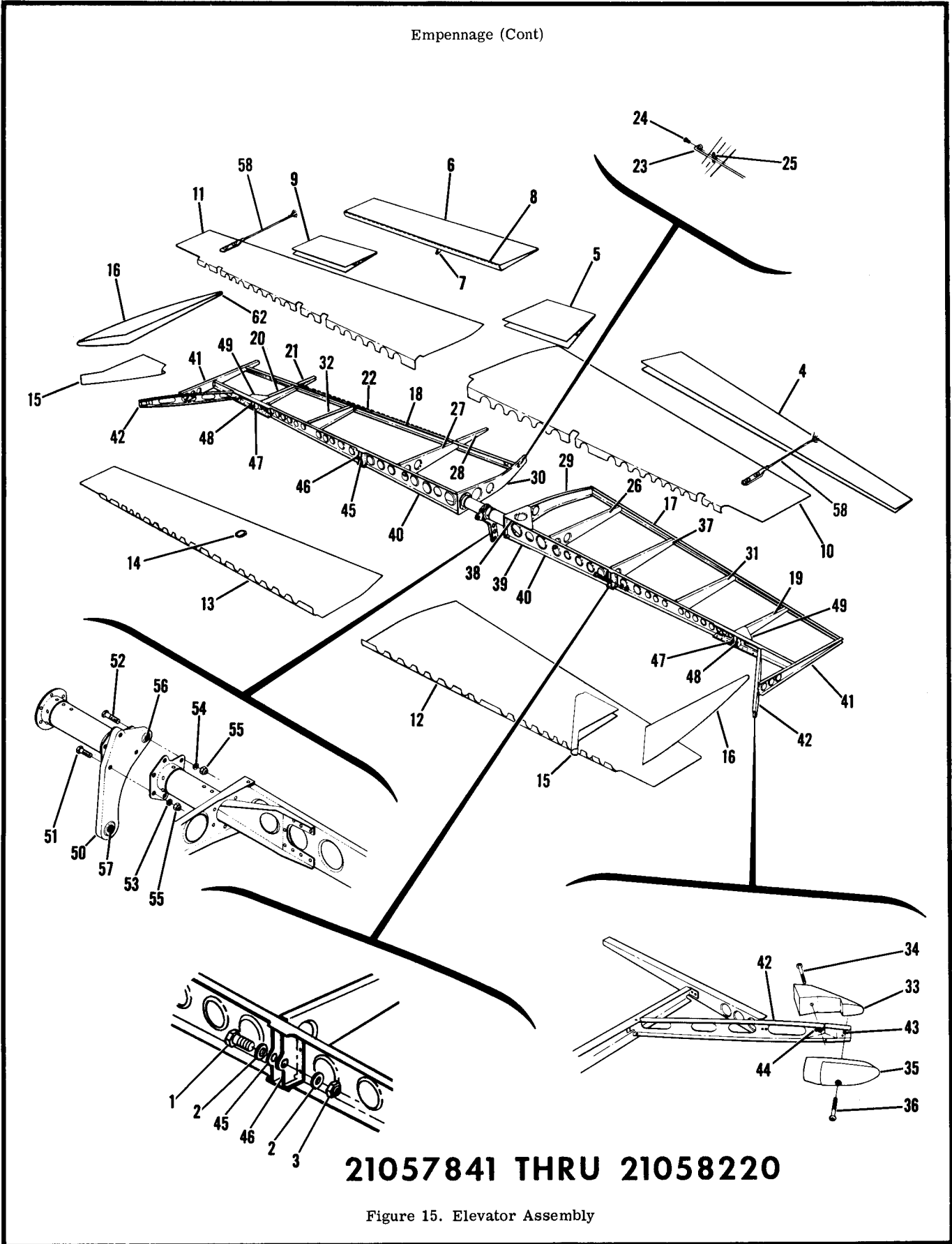




FIGURE AND INDEX NO.	PART NUMBER	DESCRIPTION							UNITS PER ASSY	USABLE ON CODE
		1	2	3	4	5	6	7		
14A-47	0732601-2	FITTING-STABILIZER ATTACH FORWARD -----							2	
-48	1232400-1	HINGE ASSEMBLY-STABILIZER ATTACH AFT LH -----							1	
	1232400-2	HINGE ASSEMBLY-STABILIZER ATTACH AFT RH -----							1	
		ATTACHING PARTS								
-49	AN509-416R12	SCREW -----							2	
-50	AN509-416R13	SCREW -----							4	
	AN960-416	WASHER -----							6	
	NAS679A4	NUT -----							6	
		---*---								
-51	1232143-1	BUSHING -----							1	
-52	1212426-1	FAIRING-STABILIZER UPPER LH -----							1	
-53	1212426-2	FAIRING-STABILIZER UPPER RH -----							1	
		ATTACHING PARTS								
	S1021Z8-8	SCREW -----							2	
	NAS395-10-3	NUT -----							2	
	S1021Z8-6	SCREW -----							13	
		---*---								
-54	1212426-3	FAIRING-STABILIZER LOWER LH -----							1	
-55	1212426-4	FAIRING-STABILIZER LOWER RH -----							1	
		ATTACHING PARTS								
	S1021Z8-6	SCREW -----							4	
	NAS395-12-3	NUT -----							4	
		---*---								
-56	1212426-5	FAIRING-STABILIZER FORWARD LH -----							1	
-57	1212426-6	FAIRING-STABILIZER FORWARD RH -----							1	
		ATTACHING PARTS								
	S1021Z8-6	SCREW -----							4	
	NAS395-12-3	NUT -----							1	
		---*---								
-58	0332136-3	BOOT-ABRASION -----							2	
		A---210 SERIAL 21058221 & ON T210 SERIAL T210-0001 & ON								

FIGURE AND INDEX NO.	PART NUMBER	DESCRIPTION							UNITS PER ASSY	USABLE ON CODE
		1	2	3	4	5	6	7		
15 -		ELEVATOR INSTALLATION -----							NP	F
	1234000-3	ELEVATOR ASSEMBLY-LH -----							1	A
	1234000-25	ELEVATOR ASSEMBLY-LH -----							1	D
	1234000-31	ELEVATOR ASSEMBLY-LH -----							1	E
	1234000-2	ELEVATOR ASSEMBLY-RH -----							1	A
	1234000-26	ELEVATOR ASSEMBLY-RH -----							1	D
	1234000-30	ELEVATOR ASSEMBLY-RH -----							1	E
		ATTACHING PARTS								
- 1	AN4-10A	BOLT -----							2	
- 2	AN960-416	WASHER -----							4	
- 3	NAS679A4	NUT -----							2	
		---*---								
- 4	1234000-14	TRAILING EDGE ASSY LH -----							1	
- 5	1234000-4	TRAILING EDGE ASSEMBLY-INBOARD RH -----							1	
		EXHAUSTED USE 1234620-2								
	1234620-2	TRAILING EDGE ASSEMBLY-INBOARD RH -----							1	
- 6	1234000-7	TAB ASSEMBLY-ELEVATOR TRIM -----							1	
- 7	1234009-1	BRACKET-TRIM TAB -----							1	
- 8	1234011-2	HINGE HALF-TRIM TAB -----							1	
- 9	1234000-11	TRAILING EDGE ASSEMBLY-OUTBOARD RH -----							1	
-10	1234000-17	SKIN-UPPER LH -----							1	
-11	1234000-18	SKIN-UPPER RH -----							1	
-12	1234000-21	SKIN-LOWER LH -----							1	
-13	1234000-20	SKIN-LOWER RH -----							1	
-14	1234012-1	DOUBLER-ELEVATOR RH -----							1	
-15	1234000-19	SKIN-LEADING EDGE TIP -----							1	C
	1234000-29	SKIN-LEADING EDGE TIP LH -----							1	E
	1234000-28	SKIN-LEADING EDGE TIP RH -----							1	E
-16	0734609-2	TIP ASSEMBLY-ELEVATOR -----							1	D
	0734609-11	TIP ASSEMBLY-ELEVATOR LH -----							1	E
	0734609-12	TIP ASSEMBLY-ELEVATOR RH -----							1	E
		CONTINUED ON NEXT PAGE								

Empennage (Cont)



21057841 THRU 21058220

Figure 15. Elevator Assembly

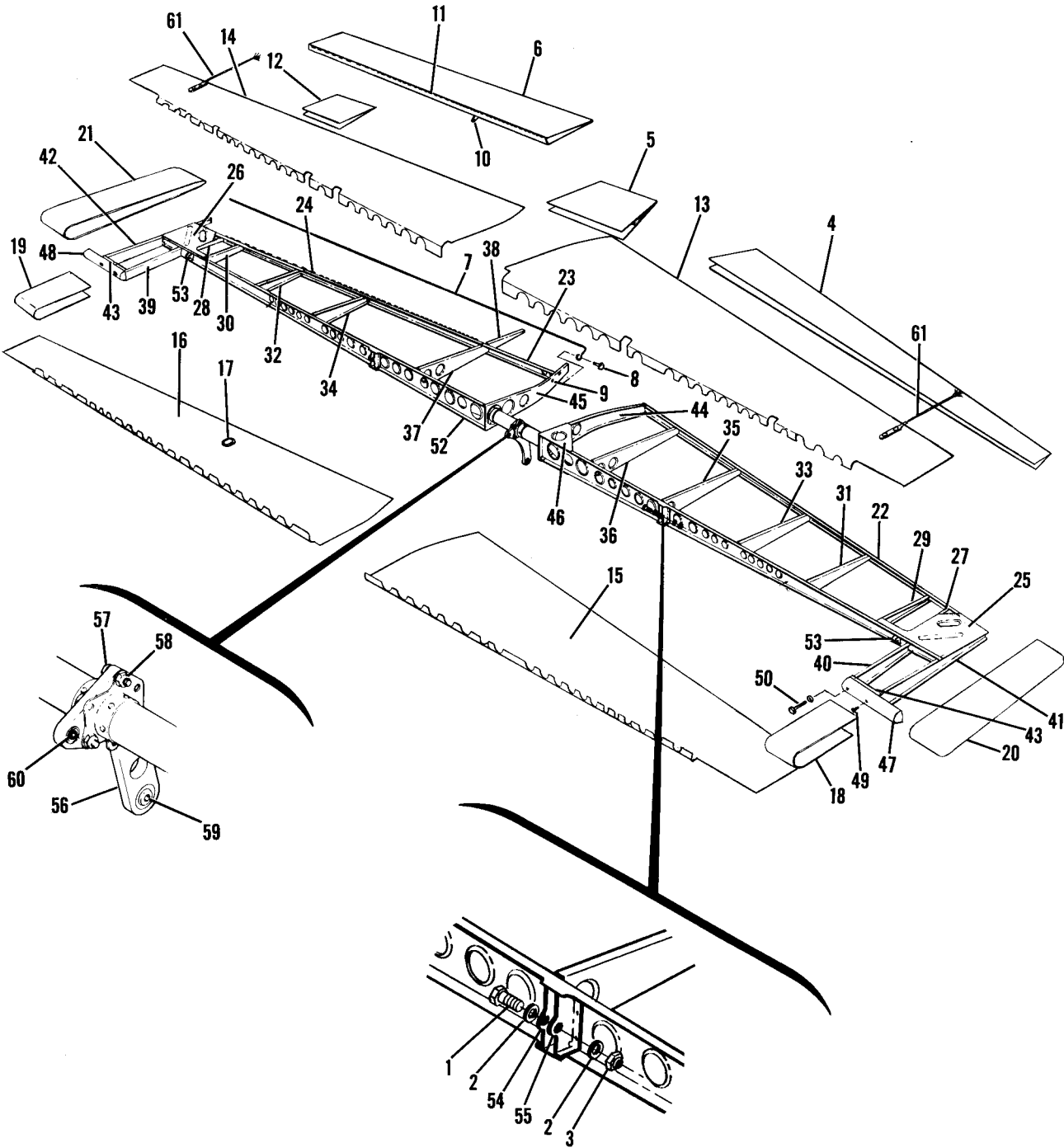
FIGURE AND INDEX NO.	PART NUMBER	DESCRIPTION	UNITS PER ASSY	USABLE ON CODE
15 -17	1234002-1	SPAR-AFT LH -----	1	
-18	1234003-1	SPAR-AFT RH -----	1	
-19	1234016-1	RIB-ELEVATOR LH STA. 50.185 -----	1	
-20	1234005-1	RIB-ELEVATOR FORWARD RH STA. 50.185 -----	1	
-21	1234005-2	RIB-ELEVATOR AFT RH STA. 50.185 -----	1	
-22	1234011-1	HINGE HALF-ELEVATOR RH -----	1	
-23	1234024-1	PIN-HINGE RH -----	1	
		ATTACHING PARTS		
-24	AN515-8R7	SCREW -----	1	
-25	NAS697A08	NUTPLATE -----	1	
		-----*		
-26	1234025-1	RIB-ELEVATOR LH STA. 13.75 -----	1	
-27	1234014-1	RIB-ELEVATOR FORWARD RH STA. 18.325 -----	1	
-28	1234014-2	RIB-ELEVATOR AFT RH STA. 18.325 -----	1	
-29	1234000-23	TORQUE TUBE & RIB ASSEMBLY-ELEVATOR LH -----	1	
-30	1234000-22	TORQUE TUBE & RIB ASSEMBLY-ELEVATOR RH -----	1	
-31	1234022-1	RIB-ELEVATOR LH -----	1	
-32	1234022-2	RIB-ELEVATOR RH -----	1	
-33	1234027-1	WEIGHT-ELEVATOR BALANCE LH -----	1	A
	1234030-1	WEIGHT-ELEVATOR BALANCE LH -----	1	B
	1234027-2	WEIGHT-ELEVATOR BALANCE RH -----	1	A
	1234030-2	WEIGHT-ELEVATOR BALANCE RH -----	1	B
		ATTACHING PARTS		
-34	AN520-10R44	SCREW -----	1	A
	AN520-10R30	SCREW -----	1	B
		-----*		
-35	0733101-4	WEIGHT-ELEVATOR BALANCE -----	1	A
	0734610-1	WEIGHT-ELEVATOR BALANCE -----	1	B
		ATTACHING PARTS		
-36	AN520-10R28	SCREW -----	1	
		-----*		
-37	1234017-1	RIB-INBOARD LH -----	1	
-38	1234026-1	GUSSET-UPPER LH -----	1	
-39	1234026-2	GUSSET-LOWER LH -----	1	
-40	1234004-1	SPAR-MAIN ELEVATOR -----	2	
-41	1234006-1	RIB-TIP ELEVATOR -----	1	C
	1234006-3	RIB-TIP ELEVATOR LH -----	1	E
	1234006-2	RIB-TIP ELEVATOR RH -----	1	E
-42	1234007-1	RIB ASSEMBLY-CANTED -----	1	C
	1234007-3	RIB ASSEMBLY-CANTED -----	1	E
	1234007-4	RIB ASSEMBLY-CANTED -----	1	E
-43	NAS686A3	NUTPLATE -----	1	
-44	NAS697A3	NUTPLATE -----	1	
-45	1234008-1	BRACKET-HINGE -----	1	
-46	1234008-2	BRACKET ASSEMBLY-HINGE -----	1	
-47	1234008-3	BRACKET-HINGE -----	1	
-48	1234008-4	BRACKET ASSEMBLY-HINGE -----	1	
-49	1234013-1	CHANNEL-SPAR -----	1	
-50	1234029-1	ARM ASSEMBLY-ELEVATOR -----	1	A
	0760676-1	ARM ASSEMBLY-ELEVATOR -----	1	B
		ATTACHING PARTS		
-51	AN4-7A	BOLT -----	3	
-52	AN4-10A	BOLT -----	1	
-53	AN960-4	WASHER -----	3	
-54	AN960-416	WASHER -----	1	
-55	NAS679A4	NUT -----	4	
		-----*		
-56	NAS506-4	BEARING -----	1	
-57	MS20200KP4	BEARING -----	1	
-58	5169	STATIC DISCHARGER FERY -----	2	
		ATTACHING PARTS		
	AN5158R6	SCREW -----	2	
	NAS679A08	NUT -----	2	
	AN960-8	WASHER -----	2	
		-----*		
		A---210 SERIAL 21057841 THRU 21057956		
		B---210 SERIAL 21057957 THRU 21058220		
		C---210 SERIAL 21057841 THRU 21058085		
		D---210 SERIAL 21057957 THRU 21058085		
		E---210 SERIAL 21058086 THRU 21058220		
		F---210 SERIAL 21057841 THRU 21058220		



FIGURE AND INDEX NO.	PART NUMBER	DESCRIPTION	UNITS PER ASSY	USABLE ON CODE
		1 2 3 4 5 6 7		
15A-		ELEVATOR INSTALLATION -----	NP	A
	1234620-3	ELEVATOR ASSEMBLY-LH -----	1	
	1234620-4 *	ELEVATOR ASSEMBLY-RH -----	1	
		ATTACHING PARTS		
- 1	AN4-10A	BOLT -----	2	
- 2	AN960-416	WASHER -----	4	
- 3	NAS679A4	NUT -----	2	
		T210-0001 & ON		
		21058221 & ON		
- 4	1234620-15	TRAILING EDGE ASSEMBLY RH -----	1	
- 5	1234620-2	TRAILING EDGE ASSEMBLY-INBOARD RH -----	1	
- 6	1234628-1 *	TAB ASSEMBLY-ELEVATOR TRIM RH ELEVATOR -----	1	
		ATTACHING PARTS		
- 7	1234024-3	PIN-HINGE -----	1	
- 8	AN515-8R7	SCREW -----	1	
- 9	NAS697A08	NUTPLATE -----	1	
		-----*		
-10	1234009-6 *	BRACKET ASSEMBLY-TRIM TAB -----	1	
-11	1234628-5	HINGE HALF-TRIM TAB -----	1	
-12	1234620-16	SKIN ASSEMBLY-TRAILING EDGE OUTBOARD RH -----	1	
-13	1234620-7	SKIN-ELEVATOR UPPER LH -----	1	
-14	1234620-8	SKIN-ELEVATOR UPPER RH -----	1	
-15	1234620-9	SKIN-ELEVATOR LOWER LH -----	1	
-16	1234620-10	SKIN-ELEVATOR LOWER RH -----	1	
-17	1234012-1	DOUBLER-ELEVATOR RH -----	1	
-18	1234620-17	SKIN-ELEVATOR BALANCE LH -----	1	
-19	1234620-18	SKIN-ELEVATOR BALANCE RH -----	1	
-20	1234608-3	TIP-ELEVATOR LH -----	1	
-21	1234608-4	TIP-ELEVATOR RH -----	1	
-22	1234622-3	SPAR-AFT LH -----	1	
-23	1234622-4	SPAR-AFT RH -----	1	

CONTINUED ON NEXT PAGE

Empennage (Cont)



T210-0001 & ON
21058221 & ON

Figure 15A. Elevator Installation

FIGURE AND INDEX NO.	PART NUMBER	DESCRIPTION	UNITS PER ASSY	USABLE ON CODE
		1 2 3 4 5 6 7		
15A-24	1234627	HINGE HALF-RH ELEVATOR -----	1	
-25	1234631-1	DOUBLER-LH -----	1	
-26	1234631-2	DOUBLER-RH -----	1	
-27	1234621-1	RIB-LH -----	1	
-28	1234621-2	RIB-RH -----	1	
-29	1234632-1	RIB-LH -----	1	
-30	1234632-2	RIB-RH -----	1	
-31	1234623-1	RIB-LH -----	1	
-32	1234623-2	RIB-RH -----	1	
-33	1234022-1	RIB-LH -----	1	
-34	1234022-2	RIB-RH -----	1	
-35	1234017-1	RIB-LH -----	1	
-36	1234025-1	RIB-LH -----	1	
-37	1234014-1	RIB-RH -----	1	
-38	1234014-2	RIB-RH -----	1	
-39	1234624-1	RIB-LH -----	1	
-40	1234624-2	RIB-RH -----	1	
-41	1234629-1	RIB-LH -----	1	
-42	1234629-2	RIB-RH -----	1	
-43	1234606-3	RIB ASSEMBLY -----	2	
	NAS680A3	NUTPLATE -----	2	
-44	1234000-23	TORQUE TUBE & RIB ASSEMBLY LH -----	1	
-45	1234000-22	TORQUE TUBE & RIB ASSEMBLY RH -----	1	
-46	1234026-1	GUSSET-UPPER LH ONLY -----	1	
	1234026-2	GUSSET-LOWER LH ONLY -----	1	
-47	1234605-1	WEIGHT-ELEVATOR BALANCE LH -----	1	
-48	1234605-2	WEIGHT-ELEVATOR BALANCE RH -----	1	
		ATTACHING PARTS		
-49	AN509-10R34	SCREW -----	1	
-50	AN3-15A	BOLT -----	1	
	AN960-10L	WASHER -----	1	
		-----*		
-51	1234622-3	SPAR-FORWARD LH -----	1	
-52	1234622-2	SPAR-FORWARD RH -----	1	
-53	1234625-1	HINGE ASSEMBLY -----	1	
-54	1234008-1	BRACKET -----	1	
-55	1234008-2	BRACKET -----	1	
-56	0760676-1	ARM ASSEMBLY-ELEVATOR -----	1	
		ATTACHING PARTS		
-57	AN4-7A	BOLT -----	3	
	AN960-4	WASHER -----	3	
-58	NAS679A4	NUT -----	3	
		-----*		
-59	MS20200KP4	BEARING-LOWER -----	1	
-60	NAS506-4	BEARING-UPPER -----	1	
-61	5169	STATIC DISCHARGER FERY -----	2	
		ATTACHING PARTS		
	AN5158R6	SCREW -----	2	
	NAS679A08	NUT -----	2	
	AN960-8	WASHER -----	2	
		-----*		
<p>NOTE. *WHEN ORDERING THIS PART FOR AIRPLANES PRIOR TO SERIALS 21058715 OR T210-0021, ALSO ORDER 1260065-8 ACTUATOR TUBE ASSEMBLY ON FIGURE 83.</p>				
<p>A---210 SERIAL 21058221 & ON T210 SERIAL T210-0001 & ON</p>				

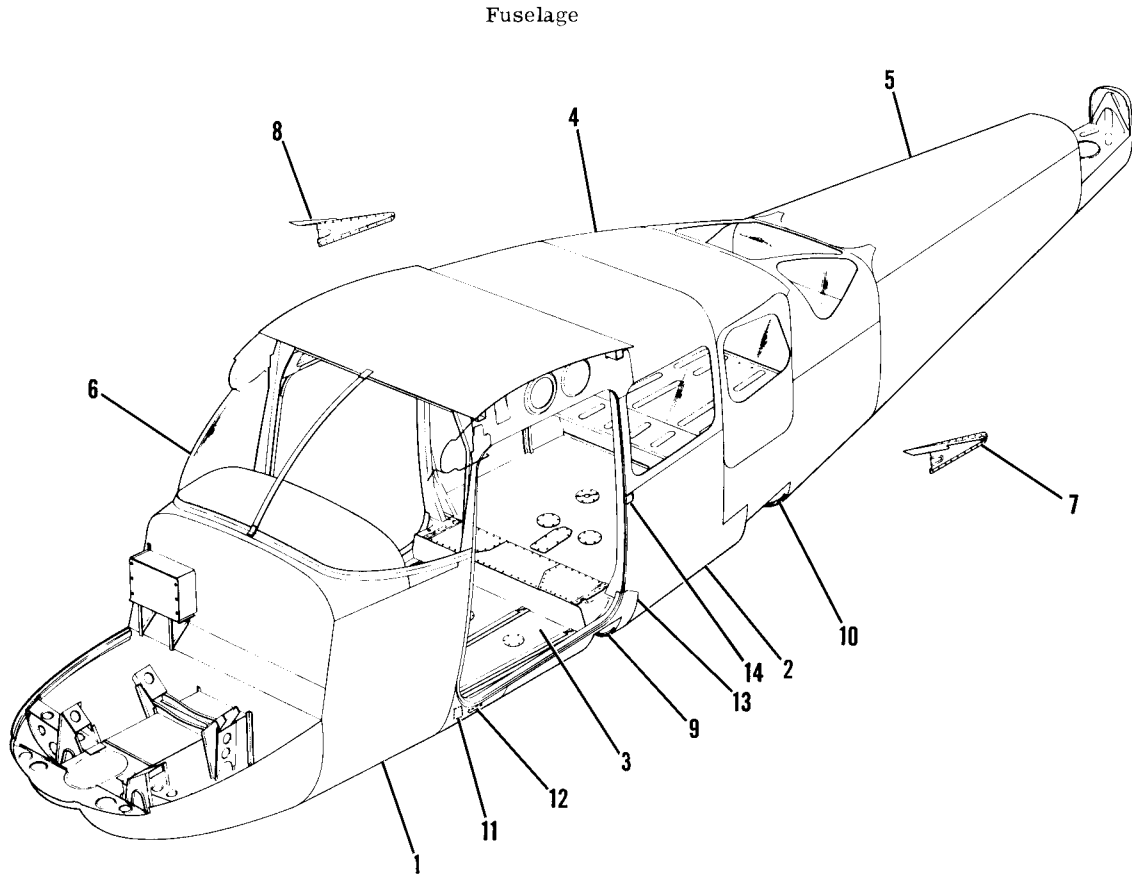


Figure 16. Fuselage Assembly

FIGURE AND INDEX NO.	PART NUMBER	DESCRIPTION	UNITS PER ASSY	USABLE ON CODE
		1 2 3 4 5 6 7		
16 -		FUSELAGE ASSEMBLY -----	NP	
- 1		FRONT AND CENTER SECTION ASSEMBLY SEE FIGURE 17 -----	1	
- 2		LOWER CABIN SECTION COMPONENTS SEE FIGURE 23 -----	1	
- 3		FLOOR BOARDS INSTALLATION SEE FIGURE 25A -----	1	
- 4		UPPER AFT CABIN SECTION COMPONENTS SEE FIGURE 26 -----	1	
- 5		TAILCONE INSTALLATION SEE FIGURE 30 -----	1	
- 6		WINDSHIELD INSTALLATION SEE FIGURE 29 & 29A -----	1	
- 7	1211442-3	FILLET-WING LH -----	1	A
	1211442-9	FILLET-WING LH -----	1	B
- 8	1211442-2	FILLET-WING RH -----	1	A
	1211442-10	FILLET-WING RH -----	1	B
- 9	S1042-1	SEAL-7.50 IN. LG. BULK ITEM REF S-1042-1-7.50 -----	2	
-10	S1042-1	SEAL-14.75 IN. LG. BULK ITEM REF S-1042-1-14.75 -----	2	
		ATTACHING PARTS		
	S102124-6	SCREW -----	1	C
	AN960-6L	WASHER -----	1	C
		-----*		
-11		NAMEPLATE-M.A.A. SEE FIGURE 2 -----	1	
-12		PLATE-FINISH AND TRIM SEE FIGURE 2 -----	1	
-13	1210401-9	DOUBLER-REINFORCEMENT LH -----	1	
	1210401-8	DOUBLER-REINFORCEMENT RH -----	1	
-14	0711701-1	BUMPER-DOOR LATCH -----	1	D
		A---210 SERIAL 21057841 THRU 21057999		
		B---210 SERIAL 21058000 & ON T210 SERIAL T210-0001 & ON		
		C---210 SERIAL 21058025 & ON T210 SERIAL T210-0001 & ON		
		D---210 SERIAL 21058715 & ON T210 SERIAL T210-0001 & ON		

This page intentionally left blank.

FIGURE AND INDEX NO.	PART NUMBER	DESCRIPTION	UNITS PER ASSY	USABLE ON CODE		
					1	2
17 -	1291040-1	FRONT AND CENTER SECTION ASSEMBLY -----	1	A		
	1291040-4	FRONT AND CENTER SECTION ASSEMBLY -----	1	B		
	1291040-5	FRONT AND CENTER SECTION ASSEMBLY -----	1	E		
	1291040-8	FRONT AND CENTER SECTION ASSEMBLY -----	1	F		
	1291040-9	FRONT AND CENTER SECTION ASSEMBLY -----	1	G		
	1291040-13	FRONT AND CENTER SECTION ASSEMBLY -----	1	H		
	1291040-17	FRONT AND CENTER SECTION ASSEMBLY -----	1	I		
- 1	1291340-1	FORWARD FUSELAGE STRUCTURE ASSEMBLY SEE FIGURE 18 -----	1	A		
	1291340-7	FORWARD FUSELAGE STRUCTURE ASSEMBLY SEE FIGURE 18 -----	1	B		
	1291340-9	FORWARD FUSELAGE STRUCTURE ASSEMBLY SEE FIGURE 18 -----	1	E		
	1291340-16	FORWARD FUSELAGE STRUCTURE ASSEMBLY SEE FIGURE 18 -----	1	F		
	1291341-4	FORWARD FUSELAGE STRUCTURE ASSEMBLY SEE FIGURE 18 -----	1	G		
	1291341-7	FORWARD FUSELAGE STRUCTURE ASSEMBLY SEE FIGURE 18 -----	1	H		
	1291341-12	FORWARD FUSELAGE STRUCTURE ASSEMBLY SEE FIGURE 18 -----	1	I		
- 2	1291140-2	BELLY SECTION ASSEMBLY SEE FIGURE 24 -----	1			
- 3	1211435-1	DOORPOST ASSEMBLY-REAR SEE FIGURE 20 -----	1			
		ATTACHING PARTS				
- 4	AN173-4A	BOLT -----	6			
- 5	AN173-5A	BOLT -----	10			
- 6	2935-0	WASHER EN -----	16			
	K19001-3	WASHER KNM ALT -----	16			
- 7	52LH2935-02	NUT EN -----	16			
	H19000-3	NUT KNM ALT -----	16			
		-----*				
- 8	1210416-1	TOP ASSEMBLY-CABIN FORWARD -----	1			
- 9	A6162-8Z-3	NUT -----	4			
-10	0411680	HANGER-UPHOLSTERY -----	6			
-11	0710601-7	BULKHEAD ASSEMBLY-UPPER CABIN LH -----	1			
	NAS680A08	NUTPLATE -----	6			
-11A	0710636-3	PLATE-SPEAKER MOUNTING -----	1			
	AN515-8R8	SCREW -----	6			
-12	0710601-8	BULKHEAD ASSEMBLY-UPPER CABIN RH -----	1			
-13	0710629-2	STIFFENER-RH -----	1			
	0710629-1	STIFFENER-LH -----	1			
-13A	0710636-3	PLATE-SPEAKER MOUNTING -----	1			
	NAS680A08	NUTPLATE -----	6			
	AN515-8R8	SCREW -----	6			
-14	0710602-16	SILL ASSEMBLY-UPPER CABIN DOOR RH -----	1			
	0710602-15	SILL ASSEMBLY-UPPER CABIN DOOR LH -----	1			
-15	0710603-4	GUSSET PLATE-UPPER DOOR JAMB REAR RH -----	1			
	0710603-3	GUSSET PLATE-UPPER DOOR JAMB REAR LH -----	1			
-16	0710630-2	RETAINER-HEADLINER RH -----	1	C		
	1210425-2	RETAINER ASSEMBLY-RH -----	1	D		
	0710630-1	RETAINER-HEADLINER LH -----	1	C		
	1210425-1	RETAINER ASSEMBLY-LH -----	1	D		
-17	0710604-1	SUPPORT ASSEMBLY-VENT -----	2			
		A---210 SERIAL 21057841 THRU 21058085				
		B---210 SERIAL 21058086 THRU 21058220				
		C---210 SERIAL 21057841 THRU 21058220				
		D---210 SERIAL 21058221 & ON				
		T210 SERIAL T210-0001 & ON				
		E---210 SERIAL 21058221 THRU 21058351				
		EXCEPT 21058326				
		F---210 SERIAL 21058326, 21058352 THRU 21058510				
		G---210 SERIAL 21058511 THRU 21058715				
		H---T210 SERIAL T210-0001 & ON				
		I---210 SERIAL 21058716 & ON				

Fuselage (Cont)

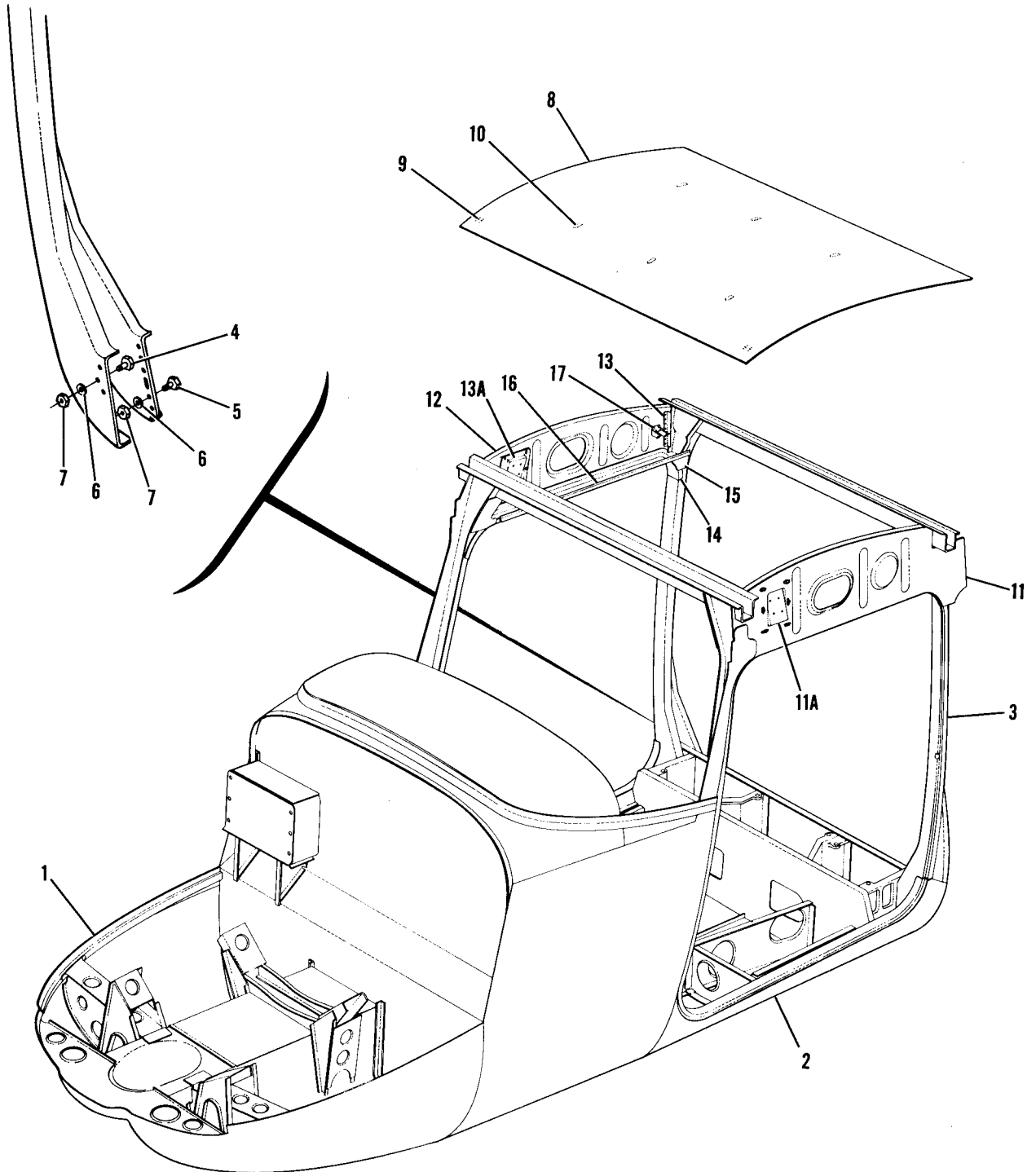


Figure 17. Fuselage Front and Center Section Assembly

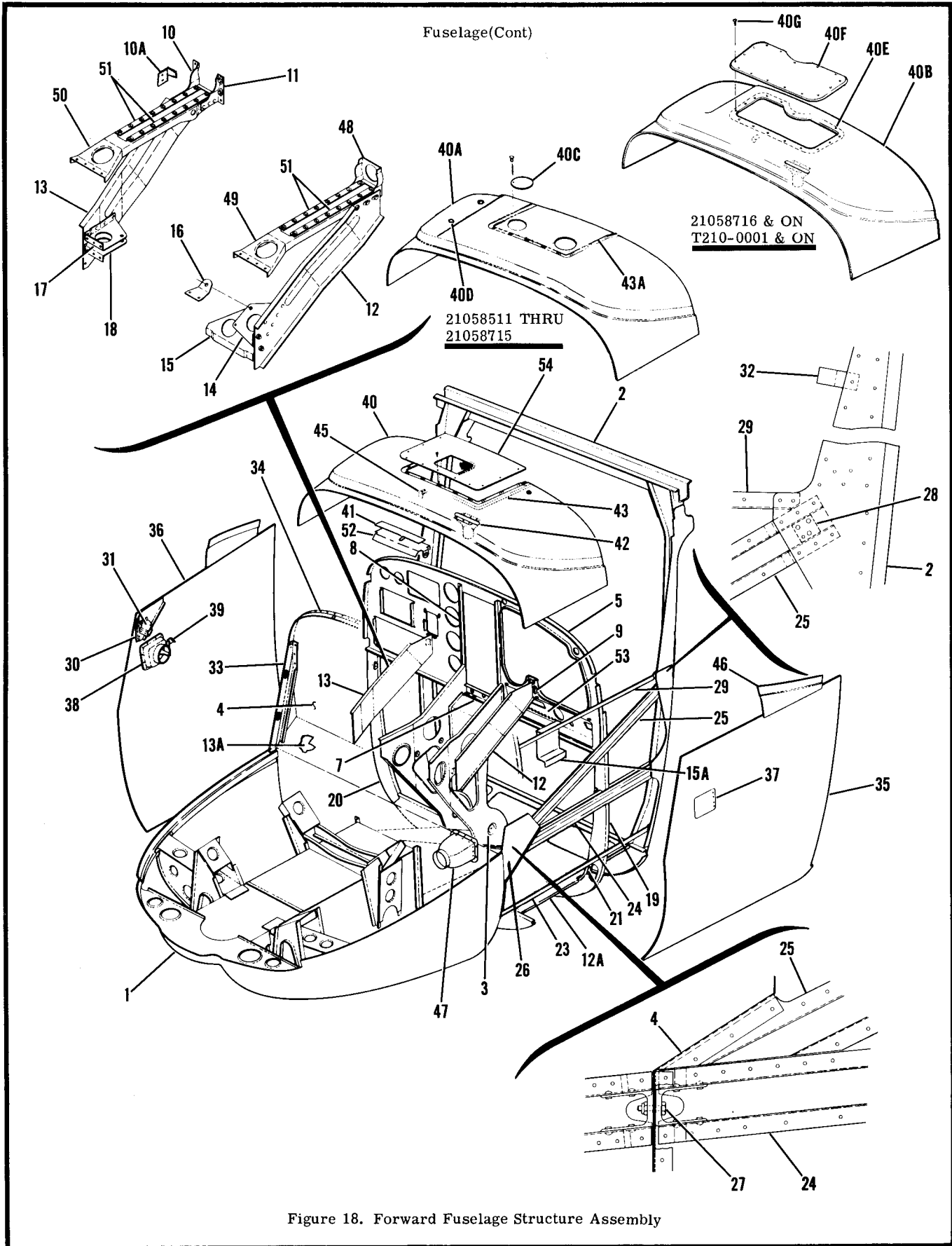


Figure 18. Forward Fuselage Structure Assembly

FIGURE AND INDEX NO.	PART NUMBER	DESCRIPTION	UNITS PER ASSY	USABLE ON CODE	
					1 2 3 4 5 6 7
18 -	1291340-1	FORWARD FUSELAGE STRUCTURE ASSEMBLY -----	1	A	
	1291340-7	FORWARD FUSELAGE STRUCTURE ASSEMBLY -----	1	B	
	1291340-9	FORWARD FUSELAGE STRUCTURE ASSEMBLY -----	1	H	
	1291340-16	FORWARD FUSELAGE STRUCTURE ASSEMBLY -----	1	I	
	1291341-4	FORWARD FUSELAGE STRUCTURE ASSEMBLY -----	1	O	
	1291341-12	FORWARD FUSELAGE STRUCTURE ASSEMBLY -----	1	P	
	1291341-7	FORWARD FUSELAGE STRUCTURE ASSEMBLY -----	1	N	
	- 1	1291340-2	LOWER FORWARD FUSELAGE STRUCTURE ASSEMBLY SEE FIGURE 22 -	1	C
		1291340-10	LOWER FORWARD FUSELAGE STRUCTURE ASSEMBLY SEE FIGURE 22 -	1	H
		1291340-15	LOWER FORWARD FUSELAGE STRUCTURE ASSEMBLY SEE FIGURE 22 -	1	I
		1291341-5	LOWER FORWARD FUSELAGE STRUCTURE ASSEMBLY SEE FIGURE 22 -	1	O
		1291341-13	LOWER FORWARD FUSELAGE STRUCTURE ASSEMBLY SEE FIGURE 22A	1	P
		1291341-6	LOWER FORWARD FUSELAGE STRUCTURE ASSEMBLY SEE FIG 22A ---	1	N
	- 2		FRONT DOOR POST AND BULKHEAD ASSEMBLY SEE FIGURE 19 -----	1	
	- 3		PEDESTAL INSTALLATION SEE FIGURE 21 -----	1	A
			PEDESTAL INSTALLATION SEE FIGURE 21A -----	1	D
	- 4		FIREWALL INSTALLATION SEE FIGURE 27 & 27A -----	1	
	- 5		INSTRUMENT PANEL INSTALLATION-STATIONARY SEE FIGURE 59A -	1	J
	1213410-8	INSTRUMENT PANEL-STATIONARY -----	1	L	
- 6		DELETED -----			
- 7	1213410-4	DOUBLER-PANEL -----	1	L	
	A6196-8Z-1	NUT TINN -----	3	L	
- 8	0713620-3	STIFFENER -----	2	L	
- 9	1261429-1	ANGLE -----	2	L	
	NAS698A3	NUTPLATE -----	2	L	
	1213641-1	BRACKET -----	1	J	
-10	1261428-2	BRACKET ASSEMBLY-OUTBOARD -----	1	L	
	1213638-2	BRACKET ASSEMBLY-OUTBOARD -----	1	J	
	NAS697A08	NUTPLATE -----	1		
	NAS697A08	NUTPLATE -----	4	L	
-10A	1213635-1	ANGLE -----	1	J	
-11	1261428-1	BRACKET ASSEMBLY-CONTROL SUPPORT INBOARD -----	1	L	
	1213638-1	BRACKET ASSEMBLY-CONTROL SUPPORT INBOARD -----	1	J	
	NAS697A08	NUTPLATE -----	2	L	
	NAS697A08	NUTPLATE -----	1	J	
	NAS696A08	NUTPLATE -----	1	J	
-12	1261421-2	SUPPORT-ELEVATOR CONTROL TORQUE TUBE LH -----	1	L	
	1261421-4	SUPPORT-ELEVATOR CONTROL TORQUE TUBE LH -----	1	O	
	1261421-6	SUPPORT-ELEVATOR CONTROL TORQUE TUBE LH -----	1	R	
		ATTACHING PARTS			
	NAS220-9	SCREW -----	2		
	NAS679A08	NUT -----	2		
		-----*			
-12A		FLOORBOARD INSTALLATION-FRONT SEE FIGURE 25A -----	1		
-13	1261423-1	SUPPORT-ELEVATOR CONTROL TORQUE TUBE RH -----	1		
-13A	1253031-10	DUCT ASSEMBLY-HEATER -----	1		
		ATTACHING PARTS			
	NAS221	SCREW -----	7		
	AN4-3A	BOLT -----	1		
		-----*			
	1261417-1	BRACKET-PARKING BRAKE -----	1		
-14	1261424-1	PULLEY BRACKET-ELEVATOR UPPER LH -----	1		
-15	1261424-2	PULLEY BRACKET-ELEVATOR LOWER LH -----	1		
-15A	1213627-1	GUARD-CABLE -----	2		
	1213627-2	STRAP -----	1		

CONTINUED ON NEXT PAGE



FIGURE AND INDEX NO.	PART NUMBER	DESCRIPTION	UNITS PER ASSY	USABLE ON CODE
18 -16	1261436-1	TAB-ELEVATOR BRACKET LH -----	1	
-17	1261418-1	PULLEY BRACKET-ELEVATOR UPPER RH -----	1	
-18	1261418-2	PULLEY BRACKET ASSEMBLY-ELEVATOR LOWER RH -----	1	
	NAS696A08	NUTPLATE -----	1	
-19	1213412-5	BULKHEAD-UPPER LH -----	1	
-20	1213412-6	BULKHEAD-UPPER RH -----	1	
-21		DELETED -----		
-22		DELETED, NOT PROCURABLE -----		
-23	1213402-1	STIFFENER-DOORPOST TO FIREWALL LH -----	1	
	1213402-2	STIFFENER-DOORPOST TO FIREWALL RH -----	1	
-24	1213414-1	STRINGER ASSEMBLY-DOORPOST TO FIREWALL LH -----	1	S
	1213414-5	STRINGER ASSEMBLY-DOOR POST TO FIREWALL LH -----	1	R
	1213414-2	STRINGER ASSEMBLY-DOORPOST TO FIREWALL RH -----	1	S
	1213414-6	STRINGER ASSEMBLY-DOORPOST TO FIREWALL RH -----	1	R
	1213460-1	CHANNEL -----	1	
-25	1213411-1	AUXILIARY STRINGER ASSEMBLY-DOORPOST TO FIREWALL LH -----	1	
	1213411-2	AUXILIARY STRINGER ASSEMBLY-DOORPOST TO FIREWALL RH -----	1	
	S1154-1	BRACKET -----	1	
-26	1213416-1	DOUBLER-LH -----	1	
	1213416-2	DOUBLER-RH -----	1	
-27	AN3-6A	BOLT -----	2	
	NAS679A3	NUT -----	2	
-28	1213459-1	SPACER-UPPER DOOR HINGE LH -----	1	
	1213459-2	SPACER-UPPER DOOR HINGE RH -----	1	
-29	1213413-1	ANGLE-SKIN SPLICE LH -----	1	
	1213413-2	ANGLE-SKIN SPLICE RH -----	1	
-30	1213444-1	DOUBLER-PULLEY BRACKET LH -----	1	
	1213444-2	DOUBLER-PULLEY BRACKET RH -----	1	
-31	1213452-1	BRACKET-AILERON PULLEY LH -----	1	
	1213452-2	BRACKET-AILERON PULLEY RH -----	1	
		ATTACHING PARTS		
	AN507-832R6	SCREW -----	4	
	NAS220-6	SCREW -----	2	
	NAS679A08	NUT -----	6	
		---*---		
-32	0713107-1	CLIP -----	2	
-33	1213453-1	ANGLE ASSEMBLY-COWL ATTACH LH -----	1	
	1213453-2	ANGLE ASSEMBLY-COWL ATTACH RH -----	1	
	4002-244-16	RECEPTACLE CLC -----	2	
-34	1213400-18	STRIP ASSEMBLY-COWL ATTACH -----	1	
	4002-244-16	RECEPTACLE CLC -----	4	
-35	1213400-5	SKIN-SIDE LH -----	1	L
	1213400-33	SKIN-SIDE LH -----	1	J
-36	1213400-6	SKIN-SIDE RH -----	1	L
	1213400-34	SKIN-SIDE RH -----	1	J
-37	1213475-3	INLET ASSEMBLY-COLD AIR LH -----	1	
-38	1213475-4	INLET ASSEMBLY-COLD AIR RH -----	1	
	1213478-1	DOOR ASSEMBLY-INLET -----	1	
	0713134-1	HINGE ASSEMBLY-DOOR -----	1	
	MS20253-2-206	PIN-HINGE -----	1	
	MS24665-132	PIN -----	2	
	MS20392-1C7	PIN -----	2	
	AN960-10L	WASHER -----	1	
	AN960-4L	WASHER -----	AR	
	1213482-2	LEVER-DOOR -----	1	
	1213483-1	SEAL-INLET -----	1	
-39	0450286-1	CLIP -----	2	
-40	1213400-2	SKIN-COWL DECK -----	1	L
-40A	1213400-31	SKIN-COWL DECK -----	1	O
-40B	1213400-38	SKIN-COWL DECK -----	1	R
-40C	S225-10	COVER PLATE-COWL -----	1	O
		ATTACHING PARTS		
	XX49330-3220	STUD UC -----	6	O
		---*---		
-40D	BS12404K1105	EYELET -----	2	J
	AN227-13	STUD -----	2	J
-40E	0713846-2	DOUBLER-COWL DECK -----	1	R
-40F	0713847-2	COVER-COWL DECK -----	1	R
		ATTACHING PARTS		
-40G	S1021Z8-8	SCREW -----	16	R
	NAS395-16-3	NUT -----	16	R
		---*---		
-41	1213600-7	DOUBLER -----	1	
-42	1250502-1	NOZZLE ASSEMBLY-DEFROST -----	1	
-43	0713658-2	DOUBLER-INSPECTION OPENING -----	1	L
-43A	0713658-3	DOUBLER-INSPECTION OPENING -----	1	J

CONTINUED ON NEXT PAGE

FIGURE AND INDEX NO.	PART NUMBER	DESCRIPTION	UNITS PER ASSY	USABLE ON CODE
		1 2 3 4 5 6 7		
18 -44		DELETED, NOT PROCURABLE -----		
-45	AN743-13	BRACKET -----	1	
-46	1213400-3	RETAINER-SKIN LH -----	1	C
	1213400-25	RETAINER ASSEMBLY-LH -----	1	K
	1213400-35	RETAINER ASSEMBLY-LH -----	1	J
	1213400-4	RETAINER-SKIN RH -----	1	C
	1213400-26	RETAINER ASSEMBLY-RH -----	1	K
	1213400-36	RETAINER ASSEMBLY-RH -----	1	J
-47	1253045-2	VALVE ASSEMBLY-HEATER SEE FIGURE 76 -----	1	
-48	1261427-2	SUPPORT ASSEMBLY-CONTROL COLUMN LH -----	1	
		ATTACHING PARTS		
	NAS221-5	SCREW -----	2	
		-----*-----		
	NAS697A3	NUTPLATE -----	2	
-49	1261420-1	GUIDE ASSEMBLY-ELEVATOR CONTROL LH -----	1	
-50	1261420-2	GUIDE ASSEMBLY-ELEVATOR CONTROL RH -----	1	
		ATTACHING PARTS		
	AN3-4A	BOLT -----	4	
		-----*-----		
-51	1261420-5	RUB STRIP -----	2	
	AN960PD2	WASHER -----	10	
-52	1213508-9	BRACKET-SUPPORT -----	1	E
-53	1213410-6	PANEL ASSEMBLY-SWITCH -----	1	C
	1213503-1	PANEL ASSEMBLY-SWITCH -----	1	K
		ATTACHING PARTS		
	AN515-8R8	SCREW -----	10	L
	NAS697A08	NUTPLATE -----	10	L
		-----*-----		
	1213491-1	BRACKET-SWITCH PANEL SUPPORT -----	1	L
-54	0713659-3	COVER-INSPECTION OPENING -----	1	A
	1213501-1	COVER-INSPECTION OPENING -----	1	F
	1213501-3	COVER-INSPECTION OPENING -----	1	G
		ATTACHING PARTS		
	S102128-8	SCREW -----	15	L
	NAS395-16-3	NUT -----	15	L
		-----*-----		
	1213500-1	SUPPORT-COVER -----	1	M
		 A---210 SERIAL 21057841 THRU 21058085 B---210 SERIAL 21058086 THRU 21058220 C---210 SERIAL 21057841 THRU 21058220 D---210 SERIAL 21058086 & ON T210 SERIAL T210-0001 & ON E---210 SERIAL 21058221 & ON T210 SERIAL T210-0001 & ON F---210 SERIAL 21058086 THRU 21058348 G---210 SERIAL 21058349 THRU 21058510 H---210 SERIAL 21058221 THRU 21058351 EXCEPT 21058326 I---210 SERIAL 21058326, 21058352 THRU 21058510 J---210 SERIAL 21058511 & ON T210 SERIAL T210-0001 & ON K---210 SERIAL 21058221 THRU 21058510 L---210 SERIAL 21057841 THRU 21058510 M---210 SERIAL 21058086 THRU 21058510 N---T210 SERIAL T210-0001 & ON O---210 SERIAL 21058511 THRU 21058715 P---210 SERIAL 21058716 & ON R---210 SERIAL 21058716 & ON T210 SERIAL T210-0001 & ON S---210 SERIAL 21057841 THRU 21058715		



FIGURE AND INDEX NO.	PART NUMBER	DESCRIPTION	UNITS PER ASSY	USABLE ON CODE
19 -		FRONT DOORPOST AND BULKHEAD ASSEMBLY -----	1	
- 1	0711066-3	SPAR ASSEMBLY-FRONT -----	1	
		ATTACHING PARTS -----		
- 2	NAS679A3	NUT -----	4	
- 3	AN960D10	WASHER -----	4	
- 4	AN3-21A	BOLT -----	4	
		-----*		
- 5	1213127-4	SPAR-FRONT -----	1	
- 6	0411129	BLOCK-SPAR -----	2	
		ATTACHING PARTS -----		
- 7	AN3-20A	BOLT -----	2	
- 8	AN960-10	WASHER -----	2	
- 9	NAS679A3	NUT -----	2	
		-----*		
-10	0412496	RETAINER-UPHOLSTERY -----	1	
-11	NAS680A3	NUTPLATE -----	4	
-12	0711066-2	REINFORCEMENT-SPAR -----	1	
	1213406-7	DOORPOST ASSEMBLY-LH -----	1	A
	1213406-9	DOORPOST ASSEMBLY-LH -----	1	B
	1213406-6	DOORPOST ASSEMBLY-RH -----	1	A
	1213406-8	DOORPOST ASSEMBLY-RH -----	1	B
-13	1213406-3	DOORJAMB-LH -----	1	
-14	1213406-2	DOORJAMB-RH -----	1	
-14A	NAS680A3	NUTPLATE -----	2	B
-15	1213406-5	CHANNEL-LH -----	1	
-16	1213406-4	CHANNEL-RH -----	1	
-17	1213115-1	HOOKSTRIP-LH -----	1	
	1213115-2	HOOKSTRIP-RH -----	1	
-18	0713606-1	FLANGE PLATE-FORWARD LH -----	1	
	0713606-2	FLANGE PLATE-FORWARD RH -----	1	
-19	0713607-1	FLANGE PLATE-AFT LH -----	1	
	0713607-2	FLANGE PLATE-AFT RH -----	1	
-20	0713609-3	RETAINER-INNER LH -----	1	
	0713609-4	RETAINER-INNER RH -----	1	
-21	0713611-3	RETAINER-OUTER LH -----	1	
	0713611-4	RETAINER-OUTER RH -----	1	
-22	0713633-1	PLATE-UPPER LH -----	1	
	0713633-2	PLATE-UPPER RH -----	1	
-23	0760602-4	BRACKET-PULLEY RH -----	1	
	0760602-3	BRACKET-PULLEY LH -----	1	
		ATTACHING PARTS -----		
	AN525-10R8	SCREW -----	2	
	NAS680A3	NUTPLATE -----	2	
		-----*		
-24	A6191-8Z-3	NUTPLATE TIN -----	2	
-25	NAS680A3	NUTPLATE -----	4	
-25A	NAS697A06L	NUTPLATE -----	4	B
-26	1213407-1	BULKHEAD-FORWARD DOORPOST -----	1	C
	1213407-2	BULKHEAD-FORWARD DOORPOST -----	1	D
-27	1213408-1	ANGLE -----	1	
-28	1213409-1	REINFORCEMENT-LH -----	1	
	1213409-2	REINFORCEMENT-RH -----	1	
-29	1213454-1	BRACKET-ELEVATOR & RUDDER -----	2	
-30	1213455-1	BRACKET-ELEVATOR TRIM -----	1	
-31	0713610-1	FITTING-LH -----	1	
	0713610-2	FITTING-RH -----	1	
-32	NAS179-8	COLLAR -----	16	
-33	NAS179-6	COLLAR -----	20	
-34	NAS1054-8-12	RIVET-HI SHEAR -----	4	
-35	NAS1054-8-13	RIVET-HI SHEAR -----	10	
-36	NAS1054-8-11	RIVET-HI SHEAR -----	2	
-37	NAS1054-6-3	RIVET-HI SHEAR -----	20	
-38	0710638-1	WEDGE-CABIN DOOR -----	2	B
		ATTACHING PARTS -----		
-39	AN515-6R6	SCREW -----	2	B
		-----*		
		A---210 SERIAL 21057841 THRU 21058082		
		B---210 SERIAL 21058083 & ON		
		T210 SERIAL T210-0001 & ON		
		C---210 SERIAL 21057481 THRU 21058351		
		EXCEPT 21058326		
		D---210 SERIAL 21058326, 21058352 & ON		
		T210 SERIAL T210-0001 & ON		

Fuselage (Cont)

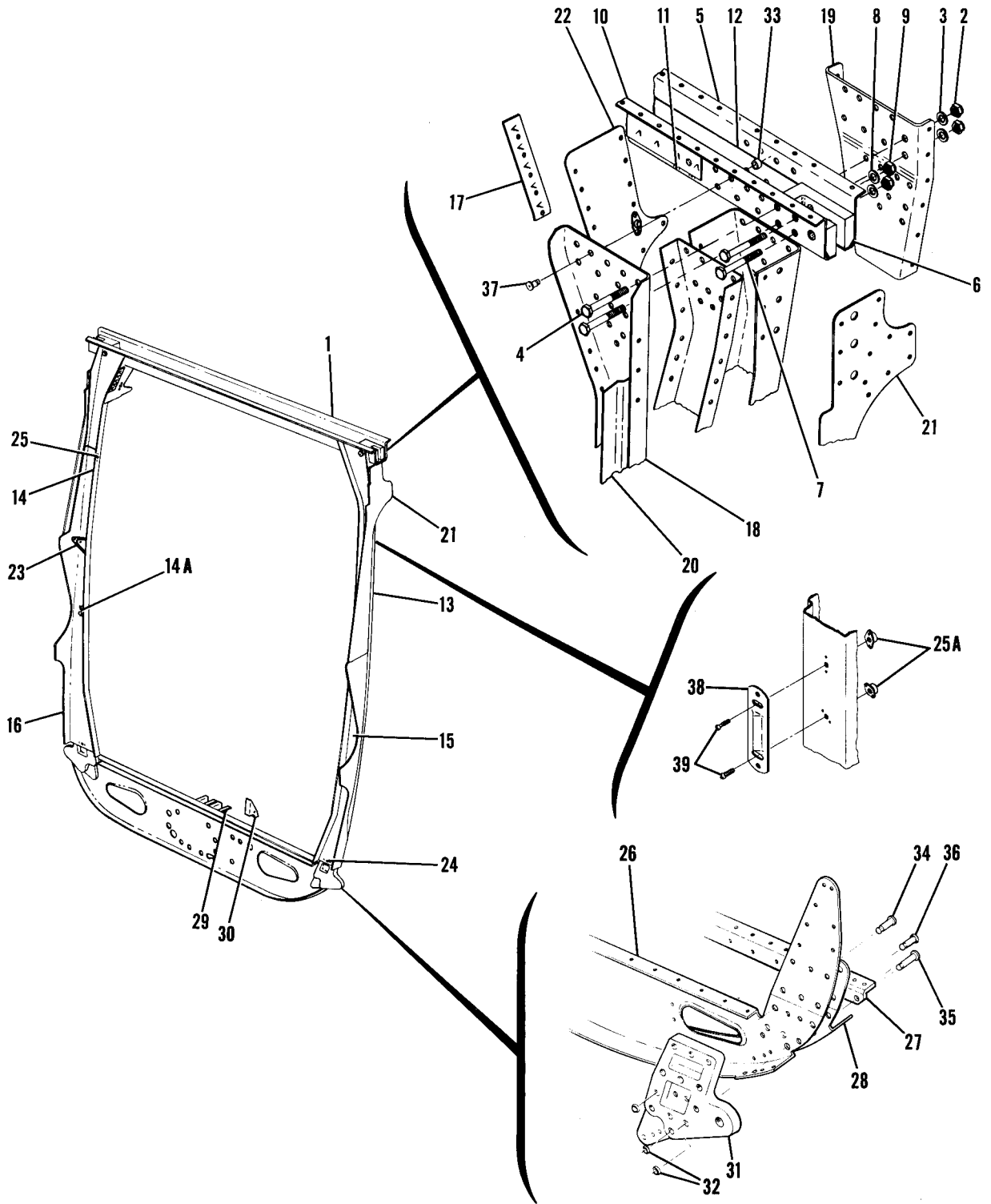


Figure 19. Front Doorpost Bulkhead Assembly

Fuselage (Cont)

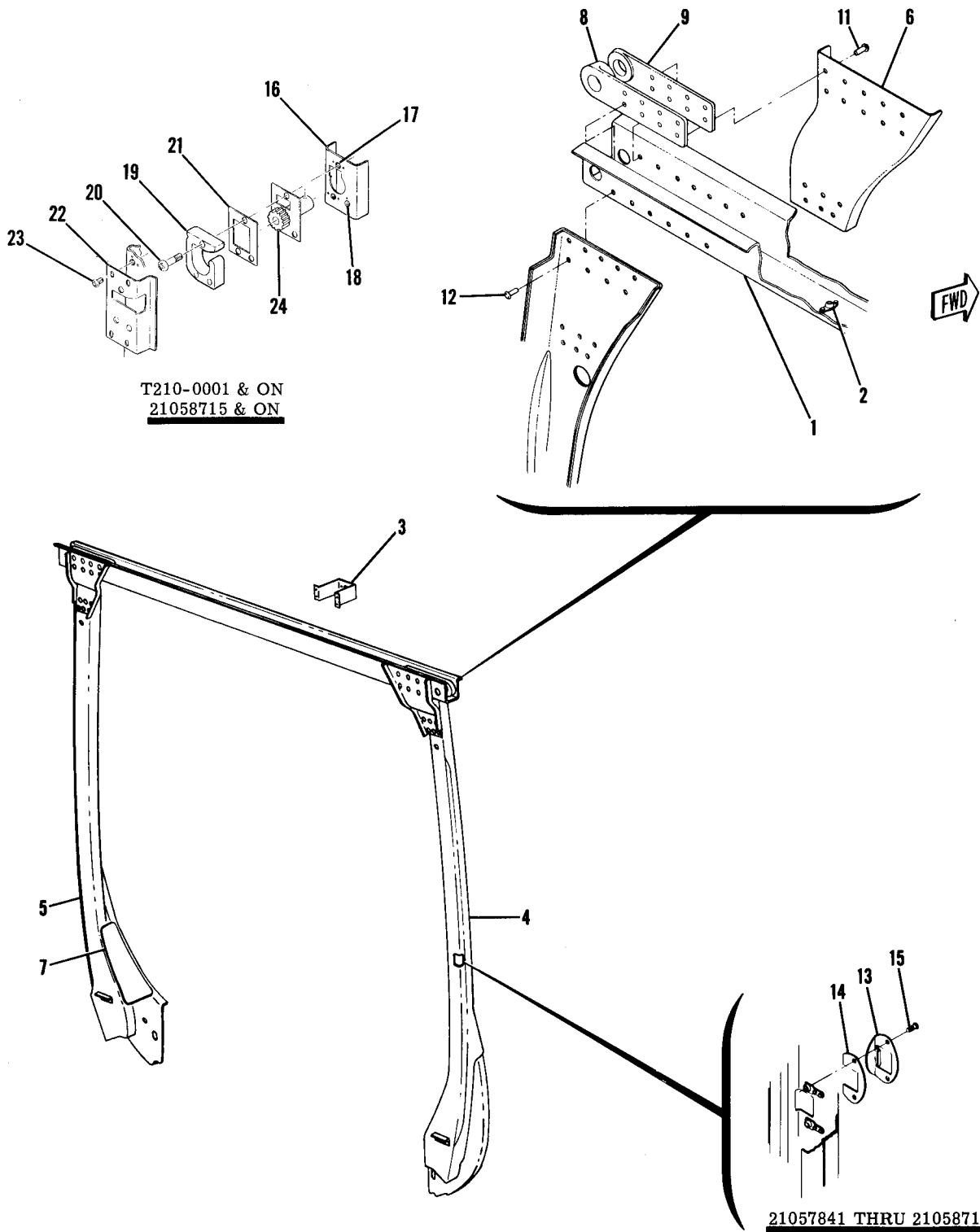
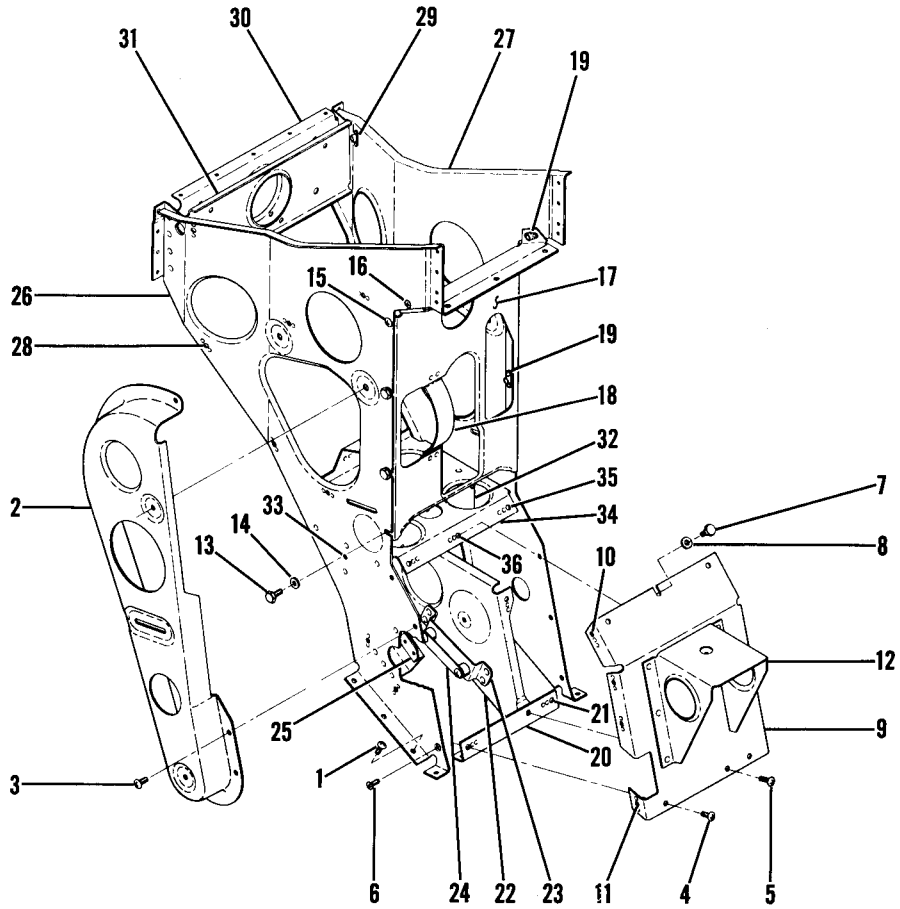


Figure 20. Rear Doorpost Bulkhead Assembly



FIGURE AND INDEX NO.	PART NUMBER	DESCRIPTION	UNITS PER ASSY	USABLE ON CODE
20 -	1211435-1	BULKHEAD ASSEMBLY-REAR DOORPOST -----	1	A
	1211435-38	BULKHEAD ASSEMBLY-REAR DOOR POST -----	1	B
- 1	1211478-1	SPAR ASSEMBLY-CARRY THRU -----	1	
- 2	NAS686A3	NUTPLATE -----	3	
- 3	1210031-2	BRACKET-PULLEY -----	1	
- 4	1211435-201	CHANNEL ASSEMBLY-LH -----	1	A
	1211435-207	CHANNEL ASSEMBLY-LH -----	1	B
- 5	1211435-200	CHANNEL ASSEMBLY-RH -----	1	A
	1211435-208	CHANNEL ASSEMBLY-RH -----	1	B
- 6	0711604-13	GUSSET-LH -----	1	
	0711604-14	GUSSET-RH -----	1	
	NAS680-A3	NUTPLATE -----	1	
- 7	1211435-11	DOUBLER -----	1	
- 8	0711606-3	FITTING-AFT LH -----	1	
	0711606-4	FITTING-AFT RH -----	1	
- 9	0422229-7	FITTING-FORWARD LH -----	1	
	0422229-8	FITTING-FORWARD RH -----	1	
-10		DELETED -----		
-11	NAS1054-6F4	RIVET-HI SHEAR -----	16	
	NAS179-6	COLLAR -----	16	
-12	NAS1054-6F5	RIVET-HI SHEAR -----	16	
	NAS179-6	COLLAR -----	16	
-13	0711024-1	PLATE -----	1	A
		ATTACHING PARTS		
-14	0711024-2	SHIM -----	1	A
-15	AN525-10R8	SCREW -----	2	A
		-----*		
-16	1211435-33	DOUBLER ASSEMBLY-LH -----	1	B
	1211435-34	DOUBLER ASSEMBLY-RH -----	1	B
-17	NAS686A3	NUTPLATE -----	1	
-18	NAS1068A3	NUTPLATE -----	2	
-19	0711695-1	GUIDE -----	2	B
		ATTACHING PARTS		
-20	NAS221-15	SCREW -----	3	B
		-----*		
-21	0711695-5	SHIM -----	2	B
-22	0711695-3	COVER-LH -----	1	B
	0711695-4	COVER-RH -----	1	B
		ATTACHING PARTS		
-23	NAS221-5	SCREW -----	4	B
		-----*		
-24	0711694-1	CLUTCH ASSEMBLY-LH -----	1	B
	0711694-2	CLUTCH ASSEMBLY-RH -----	1	B
		A---210 SERIAL 21057841 THRU 21058714		
		B---210 SERIAL 21058715 & ON		
		T210 SERIAL T210-0001 & ON		

Fuselage (cont)



21057841 THRU 21058085

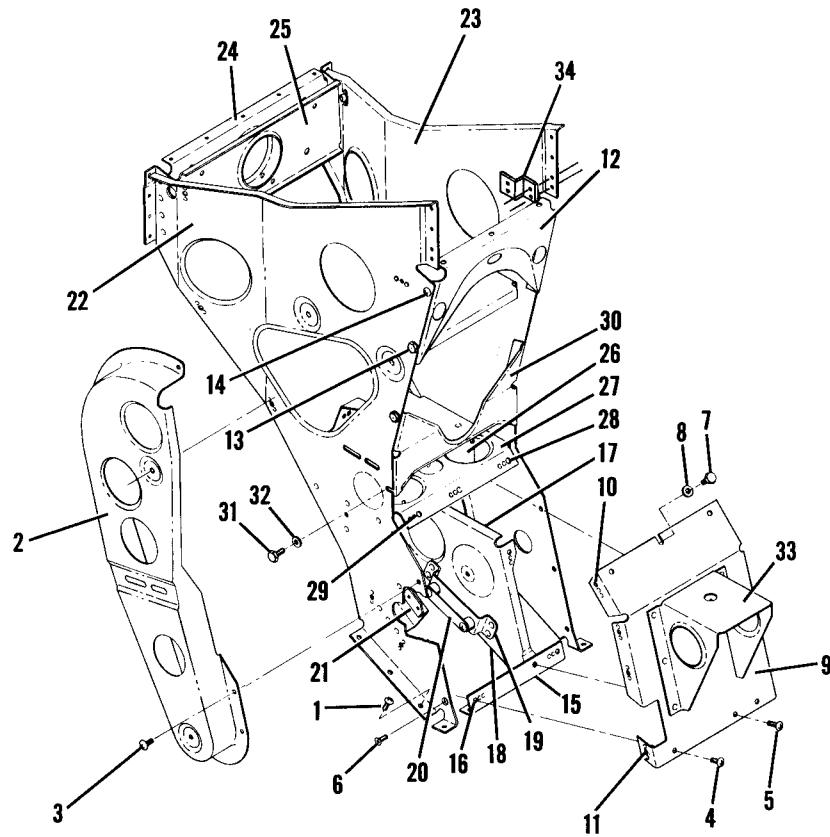
Figure 21. Pedestal Installation

FIGURE AND INDEX NO.	PART NUMBER	DESCRIPTION	UNITS PER ASSY	USABLE ON CODE
		1 2 3 4 5 6 7		
21 -	1261431-200	PEDESTAL INSTALLATION ----- PEDESTAL ASSEMBLY ----- ATTACHING PARTS -----	NP 1	A
- 1	NAS220-8 AN3-4A AN3-3A NAS679A3	SCREW ----- BOLT ----- BOLT ----- NUT -----	6 1 2 3	
		21057841		
		THRU 21058085		
- 2	1261443-1	CHAIN GUARD-ELEVATOR TRIM ----- ATTACHING PARTS -----	1	
- 3	NAS220-8	SCREW -----	8	
	1261445-1	PANEL ASSEMBLY-LOWER PEDESTAL ----- ATTACHING PARTS -----	1	
- 4	NAS220-8	SCREW -----	6	
- 5	NAS220-9	SCREW -----	1	
- 6	AN507-832R6	SCREW -----	5	
- 7	AN3-3A	BOLT -----	1	
- 8	AN960-10L	WASHER -----	1	
- 9	1261445-2	PANEL-LOWER PEDESTAL -----	1	
-10	NAS696A08	NUTPLATE -----	2	
-11	NAS697A08	NUTPLATE -----	6	
-12	1261449-1 1261450-1	BRACKET-FUEL CONTROL ----- PANEL ASSEMBLY-UPPER PEDESTAL ----- ATTACHING PARTS -----	1 1	
-13	AN3-3A	BOLT -----	3	
-14	AN960-10L	WASHER -----	3	
-15	NAS220-8	SCREW -----	4	
-16	AN507-832R6	SCREW -----	3	
-17	1261450-2	PANEL-UPPER PEDESTAL -----	1	
-18	1261450-3	GUARD -----	1	
-19	NAS697A08 NAS696A08 NAS697A3 NAS696A3	NUTPLATE ----- NUTPLATE ----- NUTPLATE ----- NUTPLATE -----	4 3 1 2	
-20	1261448-1	ANGLE ASSEMBLY-PEDESTAL -----	1	
-20	1261448-2	ANGLE-PEDESTAL -----	1	
-21	NAS696A08 1261444-1	NUTPLATE ----- SUPPORT ASSEMBLY-ELEVATOR & RUDDER TRIM SHAFT ----- ATTACHING PARTS -----	2 1	
	AN3-4A NAS679A3	BOLT ----- NUT -----	1 1	
-22	1261444-2 NAS696A08 1261446-1	SUPPORT-ELEVATOR & RUDDER TRIM SHAFT ----- NUTPLATE ----- STOP ASSEMBLY-RUDDER TRIM CONTROL -----	1 2 1	
-23	1261446-2 1261446-3 NAS696A3	BRACKET ASSEMBLY-RUDDER TRIM CONTROL ----- BRACKET ----- NUTPLATE -----	1 1 2	
-24	1261446-4	STRAP ----- ATTACHING PARTS -----	1	
	AN520-10R12 AN960PD10L 1261446-5	SCREW ----- WASHER ----- SPACER -----	2 2 2	
-25	1261451-1 1261442-1 1261442-2	SUPPORT-ELEVATOR TRIM SPROCKET ----- SIDE PANEL ASSEMBLY-PEDESTAL LH ----- SIDE PANEL ASSEMBLY-PEDESTAL RH -----	1 1 1	
-26	1261442-3	SIDE PANEL-PEDESTAL LH -----	1	
-27	1261442-4	SIDE PANEL-PEDESTAL RH -----	1	
-28	NAS697A08	NUTPLATE LH -----	8	
-28A	S1154-1	BRACKET-COLD AIR CONTROL LH -----	1	
-29	NAS697A08	NUTPLATE RH -----	3	
-29A	S1154-1	BRACKET-COLD AIR CONTROL RH -----	1	
-30	1261425-1 1261425-2 NAS680A4	PULLEY BRACKET ASSEMBLY-STA 3.85 CENTER ----- BRACKET ----- NUTPLATE -----	1 1 2	

CONTINUED ON NEXT PAGE

FIGURE AND INDEX NO.	PART NUMBER	DESCRIPTION	UNITS PER ASSY	USABLE ON CODE
		1 2 3 4 5 6 7		
21 -31	1261426-1	PULLEY BRACKET-STA 3.85 CENTER -----	1	
	1260427-1	SUPPORT BRACKET ASSEMBLY-RUDDER TRIM CONTROL -----	1	
-32	1260427-2	SUPPORT BRACKET -----	1	
-33	NAS696A08	NUTPLATE -----	1	
	1261447-1	BRACKET ASSEMBLY-RUDDER TRIM CONTROL SUPPORT -----	1	
-34	1261447-2	BRACKET -----	1	
-35	NAS696A08	NUTPLATE -----	2	
-36	NAS696A3	NUTPLATE -----	1	
	AN256F10	NUTPLATE-RIGHT ANGLE -----	1	
		A---210 SERIAL 21057841 THRU 21058085		
		1 2 3 4 5 6 7		
21A-		PEDESTAL INSTALLATION -----	NP	A
	1261631-201	PEDESTAL ASSEMBLY -----	1	
		ATTACHING PARTS		
- 1	NAS220-8	SCREW -----	6	
	AN3-4A	BOLT -----	1	
	AN3-3A	BOLT -----	2	
	NAS679A3	NUT -----	3	
- 2	1261633-1	*CHAIN GUARD -----	1	
		ATTACHING PARTS		
- 3	NAS220-8	SCREW -----	8	
	1261445-1	PANEL ASSEMBLY-LOWER PEDESTAL -----	1	
		ATTACHING PARTS		
- 4	NAS220-8	SCREW -----	6	
- 5	NAS220-9	SCREW -----	1	
- 6	AN507-832R6	SCREW -----	5	
- 7	AN3-3A	BOLT -----	1	
- 8	AN960-10L	WASHER -----	1	
- 9	1261445-2	PANEL-LOWER PEDESTAL -----	1	
-10	NAS696A08	NUTPLATE -----	2	
-11	NAS697A08	NUTPLATE -----	6	
-12	1261635-1	PANEL ASSEMBLY-UPPER -----	1	
		ATTACHING PARTS		
-13	AN3-3A	BOLT -----	1	
	AN960-10L	WASHER -----	1	
-14	AN507-832R6	SCREW -----	3	
	1261448-1	ANGLE ASSEMBLY-PEDESTAL -----	1	
-15	1261448-2	ANGLE-PEDESTAL -----	1	
-16	NAS696A08	NUTPLATE -----	1	
-17	1261444-1	SUPPORT ASSEMBLY-ELEVATOR & RUDDER TRIM SHAFT -----	1	
		ATTACHING PARTS		
	AN3-4A	BOLT -----	1	
	NAS679A3	NUT -----	1	
-18	1261444-2	SUPPORT-ELEVATOR & RUDDER TRIM SHAFT -----	1	
	NAS696A08	NUTPLATE -----	2	
	1261446-1	STOP ASSEMBLY-RUDDER TRIM CONTROL -----	1	
-19	1261446-2	BRACKET ASSEMBLY-RUDDER TRIM CONTROL -----	1	
	1261446-3	BRACKET -----	1	
	NAS696A3	NUTPLATE -----	2	
-20	1261446-4	STRAP -----	1	
		ATTACHING PARTS		
	AN520-10R12	SCREW -----	2	
	AN960PD10L	WASHER -----	2	
	1261446-5	SPACER -----	2	
		CONTINUED ON NEXT PAGE		

Fuselage(Cont)



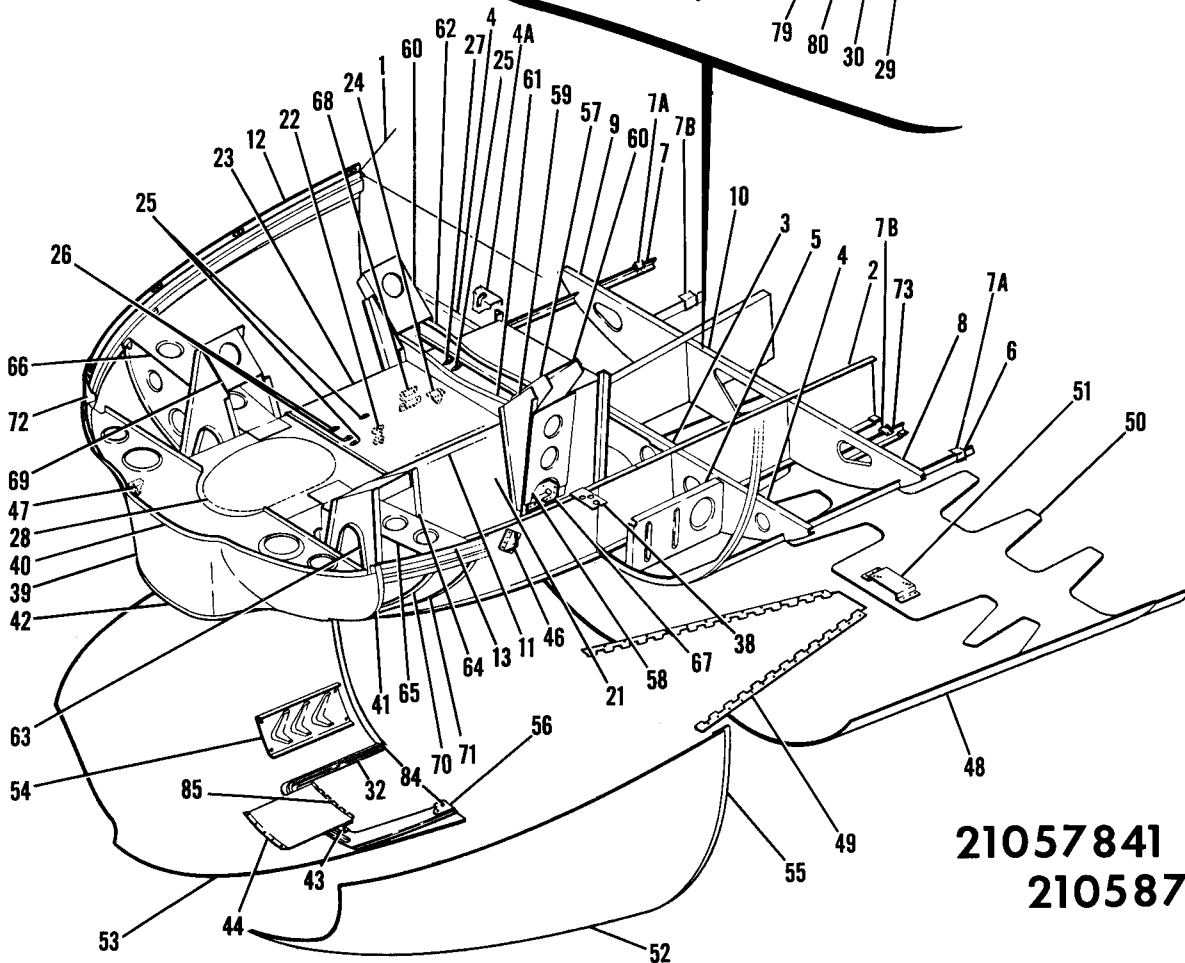
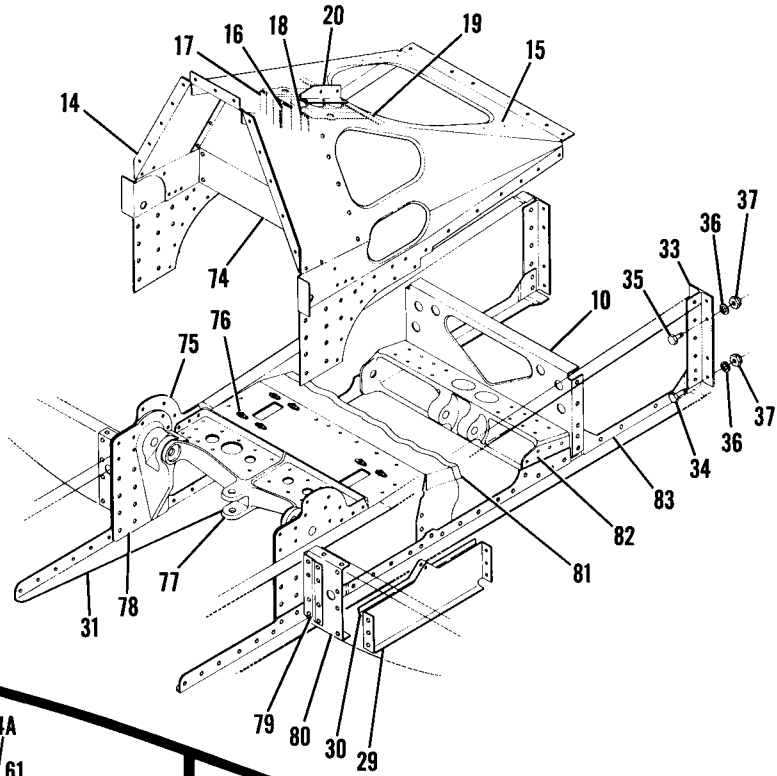
T210-0001 & ON
21058086 & ON

Figure 21A. Pedestal Installation

FIGURE AND INDEX NO.	PART NUMBER	DESCRIPTION							UNITS PER ASSY	USABLE ON CODE
		1	2	3	4	5	6	7		
21A-21	1261451-1								1	
	1261632-9								1	
	1261632-2								1	
-22	1261632-3								1	
-23	1261632-4								1	
	NAS697A08								9	
	NAS697A08								3	
	1261425-1								1	
-24	1261425-2								1	
	NAS680A4								2	
-25	1261426-1								1	
	1260427-1								1	
-26	1260427-2								1	
	NAS696A08								2	
	1261447-1								1	
-27	1261447-2								1	
-28	NAS696A08								2	
-29	NAS696A3								1	
	AN256F10								1	
-30	1261636-1								1	
-31	AN3-3A								2	
-32	AN960-10L								2	
	NAS697A08								1	
	NAS697A3								1	
	NAS696A3								1	
	NAS696A08								1	
-33	1261455-1	#							1	
-34	1261646-1								1	B
<p>NOTE. #WHEN ORDERING FOR SERIALS 21058086 THRU 21058097, ALSO ORDER 1216600-200 SHAFT ASSY.</p> <p>A---210 SERIAL 21058086 & ON T210 SERIAL T210-0001 & ON</p> <p>B---210 SERIAL 21058716 & ON T210 SERIAL T210-0001 & ON</p>										

This page intentionally left blank.

Fuselage (Cont)



21057841 THRU
21058715

Figure 22. Lower Forward Fuselage Assembly

FIGURE AND INDEX NO.	PART NUMBER	DESCRIPTION	UNITS PER ASSY	USABLE ON CODE
22 -	1291340-2	LOWER FORWARD FUSELAGE STRUCTURE ASSEMBLY -----	1	A
	1291340-10	LOWER FORWARD FUSELAGE STRUCTURE ASSEMBLY -----	1	C
	1291340-15	LOWER FORWARD FUSELAGE STRUCTURE ASSEMBLY -----	1	G
	1291341-5	LOWER FORWARD FUSELAGE STRUCTURE ASSEMBLY -----	1	F
- 1		FIREWALL ASSEMBLY-LOWER SEE FIGURE 27 -----	1	
- 2	1213419-1	BULKHEAD-KEEL LH -----	1	A
	1213419-3	BULKHEAD-KEEL LH -----	1	C
	1213419-5	BULKHEAD-KEEL LH -----	1	D
	1213419-2	BULKHEAD-KEEL RH -----	1	A
	1213419-4	BULKHEAD-KEEL RH -----	1	C
	1213419-6	BULKHEAD-KEEL RH -----	1	D
- 3	1213422-1	BULKHEAD-CENTER -----	1	
- 4	1213422-3	BULKHEAD-LH -----	1	
	1213422-2	BULKHEAD-RH -----	1	E
	1213422-4	BULKHEAD ASSEMBLY-LH -----	1	F
- 4A	1213517-1	DOUBLER-RH BULKHEAD -----	1	F
- 5	1261415-2	BULKHEAD-RH -----	1	
	1261415-3	BULKHEAD ASSEMBLY-LH -----	1	
	1261437-1	TAB -----	1	
- 6	1213403-1	STRINGER-LH -----	1	
- 7	1213403-2	STRINGER-RH -----	1	
- 7A	1213514-1	BRACKET-FUEL RESERVOIR LH -----	1	D
	1213514-2	BRACKET-FUEL RESERVOIR RH -----	1	D
- 7B	1213514-3	BRACKET-FUEL RESERVOIR -----	6	D
- 8	1213412-3	BULKHEAD LOWER-LH -----	1	
- 9	1213412-4	BULKHEAD LOWER-RH -----	1	
-10	1213412-7	BULKHEAD LOWER-CENTER -----	1	
-11	1213427-1	ANGLE-LH -----	1	
	1213427-2	ANGLE-RH -----	1	
-12	1213417-8	STRINGER ASSEMBLY-RH -----	1	
-13	1213417-9	STRINGER ASSEMBLY-LH -----	1	
	4002-244-16	RECEPTACLE CLC -----	4	
	NAS697A3	NUTPLATE -----	1	
-14	1253411-2	PANEL-SIDE RH -----	1	
	1253411-11	PANEL-SIDE LH -----	1	
-15	1213420-14	COVER ASSEMBLY-AFT FIREWALL -----	1	
-16	1213420-3	BRACKET-ELEVATOR -----	1	
-17	1213420-4	BRACKET-ELEVATOR RH -----	1	
-18	1213420-5	BRACKET-ELEVATOR LH -----	1	
-19	1213420-6	ANGLE -----	1	
-20	1213420-7	ANGLE -----	1	
-21	1213430-1	TUNNEL WALL-LH -----	1	A
	1213430-3	TUNNEL WALL-LH -----	1	B
	1213430-4	TUNNEL WALL ASSEMBLY-RH -----	1	E
	1213430-8	TUNNEL WALL ASSEMBLY-RH -----	1	F
-22	1243061-2	BRACKET -----	1	
-23	1213428-1	PANEL ASSEMBLY-AFT -----	1	E
	1213428-5	PANEL ASSEMBLY-AFT -----	1	F
-24	1243063-1	LUG -----	1	
-25	NAS697A08	NUTPLATE -----	3	
-26	NAS697A04L	NUTPLATE -----	2	
-27	NAS697A08K	NUTPLATE -----	1	
-28	1213428-3	PANEL-FORWARD -----	1	
-29	1261416-1	SUPPORT ASSEMBLY-BRAKE CYLINDER -----	1	
-30	1261416-3	BRACKET -----	1	
-31	1213423-1	DOUBLER -----	2	
-32	1213446-2	DOUBLER-RH -----	1	
	1213446-1	DOUBLER-LH -----	1	

CONTINUED ON NEXT PAGE

FIGURE AND INDEX NO.	PART NUMBER	DESCRIPTION	UNITS PER ASSY	USABLE ON CODE
22 -33	1213421-1	TEE-KEEL ATTACH ATTACHING PARTS	2	
-34	AN3-5A	BOLT	4	
-35	AN3-4A	BOLT	4	
-36	AN960-10L	WASHER	8	
-37	NAS679A3	NUT	8	
-38	1213440-1	BRACKET-LH	1	
	1213440-2	BRACKET-RH	1	
-39	1252410-1	NOSE CAP ASSEMBLY-LOWER	1	E
	1252410-15	NOSE CAP ASSEMBLY-LOWER	1	F
-40	1252411-1	BULKHEAD ASSEMBLY	1	E
	1252412-1	BULKHEAD ASSEMBLY	1	F
	NAS697A3	NUTPLATE	8	
-41	1252410-7	DOUBLER-LH	1	E
	1252410-17	DOUBLER-LH	1	F
	1252410-8	DOUBLER-RH	1	E
	1252410-16	DOUBLER-RH	1	F
-41A	1252410-18	SKIN-NOSE CAP LOWER	1	F
-42	1252410-11	DOUBLER-LOWER	1	
-43	1213449-2	MOUNT-COWL FLAP HINGE RH	1	
	1213449-1	MOUNT-COWL FLAP HINGE LH	1	
-44	1213450-2	SUPPORT-HINGE RH	1	
	1213450-1	SUPPORT-HINGE LH	1	
	1213496-1	BRACE-HINGE SUPPORT LH OUTBOARD	1	
	1213496-2	BRACE-HINGE SUPPORT RH INBOARD	1	
	1213496-3	BRACE-HINGE SUPPORT LH INBOARD	1	
	1213496-4	BRACE-HINGE SUPPORT RH OUTBOARD	1	
-45		DELETED		
-46	1213429-1	BRACKET-HINGE	8	
-47	1213468-1	FITTING	1	
		ATTACHING PARTS		
	AN3-4A	BOLT	2	
	NAS679A3	NUT	2	
-48	1213400-7	SKIN-FORWARD FUSELAGE LOWER	1	
-49	1213431-3	HINGE HALF	2	
-50	1213461-1	DOUBLER	1	
-51	1213405-1	BRACKET ASSEMBLY-FUEL	1	
	NAS697A4	NUTPLATE	2	
-52	1213400-21	SKIN ASSEMBLY-COWL LOWER LH	1	
-53	1213400-20	SKIN ASSEMBLY-COWL LOWER RH	1	
	0752608-3	LOUVER-LH	1	
-54	0752608-4	LOUVER-RH	1	
-55	1213400-16	ATTACH STRIP-COWL LH	1	
	1213400-17	ATTACH STRIP-COWL RH	1	
-56	1213458-2	STOP-RH	1	
	1213458-1	STOP-LH	1	
-57	1213433-1	REAR ENGINE MOUNT ASSEMBLY	1	E
	1213433-25	REAR ENGINE MOUNT ASSEMBLY	1	F
-58	1213433-2	COVER	2	
-59	1213433-3	BRACKET-LH	2	
	1213433-4	BRACKET-RH	2	
-60	1213433-5	SUPPORT	2	E
	1213433-16	SUPPORT-ENGINE MOUNT	2	F
-61	1213433-6	CHANNEL-FORWARD	1	
-62	1213433-7	CHANNEL-AFT	1	

CONTINUED ON NEXT PAGE

FIGURE AND INDEX NO.	PART NUMBER	DESCRIPTION	UNITS PER ASSY	USABLE ON CODE
		1 2 3 4 5 6 7		
22 -63	1213438-1	BRACKET-FORWARD LH -----	1	
	1213438-3	BRACKET-FORWARD RH -----	1	
-64	1213438-2	BRACKET-AFT LH -----	1	
	1213438-4	BRACKET-AFT RH -----	1	
-65	1213437-1	CHANNEL ASSEMBLY-LH -----	1	
	1213437-3	ANGLE -----	1	
-66	1213442-1	CHANNEL-RH -----	1	
-67	1213443-1	BRACKET-LH -----	1	
	1213443-2	BRACKET-RH -----	1	
-68	1213441-1	BRACKET ASSEMBLY-FUEL STRAINER -----	1	A
	NAS697A4	NUTPLATE -----	2	
-69	1213445-1	SUPPORT-ENGINE MOUNT FORWARD -----	2	E
	1213445-2	SUPPORT-FORWARD ENGINE MOUNT -----	2	F
-70	1213435-1	BULKHEAD-FORWARD LH -----	1	
	1213436-1	BULKHEAD-FORWARD RH -----	1	
-71	1213435-2	BULKHEAD-AFT LH -----	1	
	1213436-2	BULKHEAD-AFT RH -----	1	
-72	1213418-2	DOUBLER ASSEMBLY-RH -----	1	E
	1213418-5	DOUBLER ASSEMBLY-RH -----	1	F
	1213418-1	DOUBLER ASSEMBLY-LH -----	1	E
	1213418-6	DOUBLER ASSEMBLY-LH -----	1	F
	NAS697A3	NUTPLATE -----	1	
-73	1213462-1	STIFFENER-LH -----	1	
	1213621-1	STIFFENER-RH -----	1	
-74	1253411-3	CENTER PANEL ASSEMBLY-UPPER -----	1	
	NAS697A08	NUTPLATE -----	2	
-75	1253411-5	FIREWALL ASSEMBLY-LOWER -----	1	
-76	NAS697A08	NUTPLATE -----	6	
-77	1213432-1	SUPPORT-NOSE GEAR -----	1	
-78	1213426-2	FITTING ASSEMBLY-NOSE GEAR RH -----	1	
	1213426-1	FITTING ASSEMBLY-NOSE GEAR LH -----	1	
-79	1213457-1	ANGLE-FIREWALL -----	2	
-80	1213456-1	CHANNEL-FIREWALL LH -----	1	
	1213456-2	CHANNEL-FIREWALL RH -----	1	
-81	1213424-1	DOUBLER -----	1	
-82	1213425-1	FITTING-NOSE GEAR DRAG -----	1	
-83	1213404-1	ANGLE-LH -----	1	
	1213404-2	ANGLE-RH -----	1	
-84	4250	BUMPER-COWL FLAP AU-VE-CO -----	4	
-85	1213469-205	HINGE ASSEMBLY -----	2	
	1213472-1	PIN -----	1	
		A---210 SERIAL 21057841 THRU 21058220 B---210 SERIAL 21058221 THRU 21058715 C---210 SERIAL 21058221 THRU 21058351 EXCEPT 21058326 D---210 SERIAL 21058326, 21058352 THRU 21058715 E---210 SERIAL 21057841 THRU 21058510 F---210 SERIAL 21058511 THRU 21058715 G---210 SERIAL 21058326, 21058352 THRU 21058510		

Fuselage (Cont)

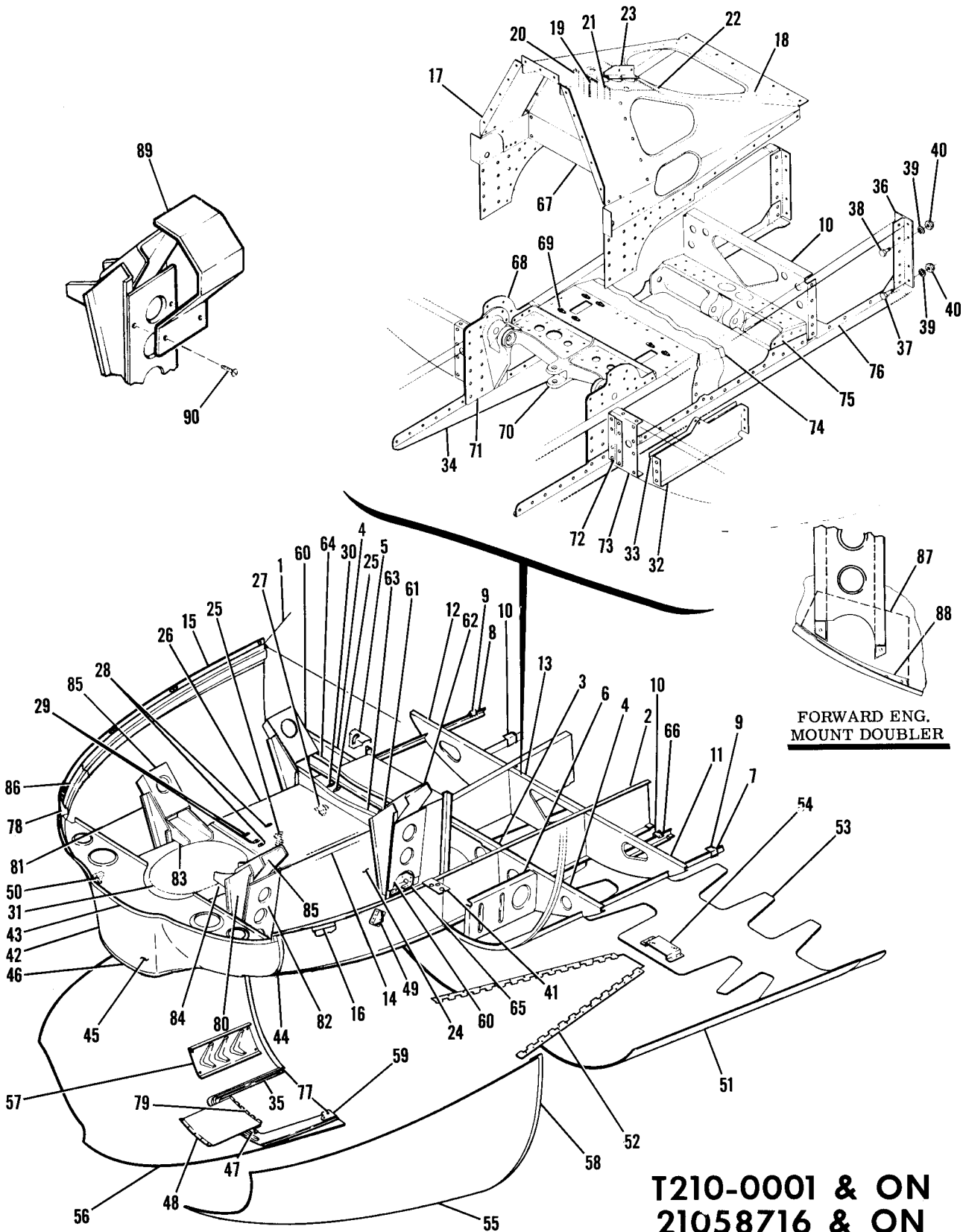


Figure 22A. Lower Forward Fuselage Assembly

FIGURE AND INDEX NO.	PART NUMBER	DESCRIPTION	UNITS PER ASSY	USABLE ON CODE
22A-	1291341-6	LOWER FORWARD FUSELAGE STRUCTURE ASSEMBLY -----	1	A
	1291341-13	LOWER FORWARD FUSELAGE STRUCTURE ASSEMBLY -----	1	B
- 1		FIREWALL ASSEMBLY-LOWER SEE FIGURE 27A -----	1	
- 2	1213419-7	BULKHEAD-KEEL LH -----	1	
	1213419-8	BULKHEAD-KEEL RH -----	1	
- 3	1213422-1	BULKHEAD-CENTER -----	1	
- 4	1213422-3	BULKHEAD-LH -----	1	
	1213422-4	BULKHEAD ASSEMBLY-LH -----	1	
- 5	1213517-1	DOUBLER-RH BULKHEAD -----	1	
- 6	1261415-2	BULKHEAD-RH -----	1	
	1261415-3	BULKHEAD ASSEMBLY-LH -----	1	
	1261437-1	TAB -----	1	
- 7	1213403-1	STRINGER-LH -----	1	
- 8	1213403-2	STRINGER-RH -----	1	
- 9	1213514-1	BRACKET-FUEL RESERVOIR LH -----	1	
	1213515-2	BRACKET-FUEL RESERVOIR RH -----	1	
-10	1213514-3	BRACKET-FUEL RESERVOIR -----	6	
-11	1213412-3	BULKHEAD LOWER-LH -----	1	
-12	1213412-4	BULKHEAD LOWER-RH -----	1	
-13	1213412-7	BULKHEAD LOWER-CENTER -----	1	
-14	1213427-1	ANGLE-LH -----	1	
	1213427-2	ANGLE-RH -----	1	
-15	1213417-8	STRINGER ASSEMBLY-RH -----	1	
-16	1213417-7	STRINGER ASSEMBLY-LH -----	1	
	4002-244-16	RECEPTACLE CLC -----	4	
	NAS697A3	NUTPLATE -----	1	
-17	1253411-2	PANEL-SIDE RH -----	1	
	1253411-11	PANEL-SIDE LH -----	1	
-18	1213420-14	COVER ASSEMBLY-AFT FIREWALL -----	1	
-19	1213420-3	BRACKET-ELEVATOR -----	1	
-20	1213420-4	BRACKET-ELEVATOR RH -----	1	
-21	1213420-5	BRACKET-ELEVATOR LH -----	1	
-22	1213420-6	ANGLE -----	1	
-23	1213420-7	ANGLE -----	1	
-24	1213430-9	TUNNEL WALL-LH -----	1	
	1213430-12	TUNNEL WALL ASSEMBLY-RH -----	1	
-25	1243061-2	BRACKET -----	1	
-26	1213428-5	PANEL ASSEMBLY-AFT -----	1	
-27	1243063-1	LUG -----	1	
-28	NAS697A08	NUTPLATE -----	3	
-29	NAS697A04L	NUTPLATE -----	2	
-30	NAS697A08K	NUTPLATE -----	1	
-31	1213428-3	PANEL-FORWARD -----	1	
-32	1261416-1	SUPPORT ASSEMBLY-BRAKE CYLINDER -----	1	
-33	1261416-3	BRACKET -----	1	
-34	1213423-1	DOUBLER -----	2	
-35	1213446-2	DOUBLER-RH -----	1	
	1213446-1	DOUBLER-LH -----	1	
-36	1213421-1	TEE-KEEL ATTACH -----	2	
		ATTACHING PARTS -----		
-37	AN3-5A	BOLT -----	4	
-38	AN3-4A	BOLT -----	4	
-39	AN960-10L	WASHER -----	8	
-40	NAS679A3	NUT -----	8	

-41	1213440-3	BRACKET-LH -----	1	
	1213440-2	BRACKET-RH -----	1	

CONTINUED ON NEXT PAGE



FIGURE AND INDEX NO.	PART NUMBER	DESCRIPTION	UNITS PER ASSY	USABLE ON CODE
22A-42	1252410-21	NOSE CAP ASSEMBLY-LOWER -----	1	
-43	1252412-6	BULKHEAD ASSEMBLY -----	1	
	NAS697A3	NUTPLATE -----	8	
-44	1252410-23	DOUBLER-LH -----	1	
	1252410-16	DOUBLER-RH -----	1	
-45	1252410-18	SKIN-NOSE CAP LOWER -----	1	
-46	1252410-22	DOUBLER -----	1	
-47	1213449-2	MOUNT-COWL FLAP HINGE RH -----	1	
	1213449-1	MOUNT-COWL FLAP HINGE LH -----	1	
-48	1213450-2	SUPPORT-HINGE RH -----	1	
	1213450-1	SUPPORT-HINGE LH -----	1	
	1213496-1	BRACE-HINGE SUPPORT LH OUTBOARD -----	1	
	1213496-2	BRACE-HINGE SUPPORT RH INBOARD -----	1	
	1213496-3	BRACE-HINGE SUPPORT LH INBOARD -----	1	
	1213496-4	BRACE-HINGE SUPPORT RH OUTBOARD -----	1	
-49	1213429-1	BRACKET-HINGE -----	8	
-50	1213468-1	FITTING -----	1	
	AN3-4A	BOLT -----	2	
	NAS679A3	NUT -----	2	
		-----*-----		
-51	1213400-7	SKIN-FORWARD FUSELAGE LOWER -----	1	
-52	1213431-3	HINGE HALF -----	2	
-53	1213461-1	DOUBLER -----	1	
-54	1213405-1	BRACKET ASSEMBLY-FUEL -----	1	
	NAS697A4	NUTPLATE -----	2	
-55	1213400-21	SKIN ASSEMBLY-COWL LOWER LH -----	1	
-56	1213400-20	SKIN ASSEMBLY-COWL LOWER RH -----	1	B
	1213400-43	SKIN ASSEMBLY-COWL LOWER RH -----	1	A
	1213524-1	DOUBLER-EXHAUST OPENING -----	1	A
	0752608-3	LOUVER-LH -----	1	
-57	0752608-4	LOUVER-RH -----	1	
-58	1213400-16	ATTACH STRIP-COWL LH -----	1	
	1213400-17	ATTACH STRIP-COWL RH -----	1	
-59	1213458-2	STOP-RH -----	1	
	1213458-1	STOP-LH -----	1	
	1213433-26	REAR ENGINE MOUNT ASSEMBLY -----	1	A
	1213433-25	REAR ENGINE MOUNT ASSEMBLY -----	1	B
-60	1213433-2	COVER-ENGINE MOUNT -----	2	
-61	1213433-3	BRACKET-ENGINE MOUNT LH FORWARD & RH AFT -----	2	
	1213433-4	BRACKET-ENGINE MOUNT RH FORWARD & LH AFT -----	2	
-62	1213433-16	SUPPORT-ENGINE MOUNT -----	2	
-63	1213433-6	CHANNEL-ENGINE MOUNT FORWARD -----	1	
-64	1213433-7	CHANNEL-ENGINE MOUNT AFT -----	1	
	A6191-6Z1	NUTPLATE -----	4	A
-65	1213443-1	BRACKET-LH -----	1	
	1213443-2	BRACKET-RH -----	1	
-66	1213462-1	STIFFENER-LH -----	1	
	1213621-1	STIFFENER-RH -----	1	
-67	1253411-3	CENTER PANEL ASSEMBLY-UPPER -----	1	
	NAS697A08	NUTPLATE -----	2	
-68	1253411-5	FIREWALL ASSEMBLY-LOWER -----	1	
-69	NAS697A08	NUTPLATE -----	6	
-70	1213432-1	SUPPORT-NOSE GEAR -----	1	
-71	1213426-2	FITTING ASSEMBLY-NOSE GEAR RH -----	1	
	1213426-1	FITTING ASSEMBLY-NOSE GEAR LH -----	1	
-72	1213457-1	ANGLE-FIREWALL -----	2	
-73	1213456-1	CHANNEL-FIREWALL LH -----	1	
	1213456-2	CHANNEL-FIREWALL RH -----	1	
-74	1213424-1	DOUBLER -----	1	
-75	1213425-1	FITTING-NOSE GEAR DRAG -----	1	
-76	1213404-1	ANGLE-LH -----	1	
	1213404-2	ANGLE-RH -----	1	

CONTINUED ON NEXT PAGE



FIGURE AND INDEX NO.	PART NUMBER	DESCRIPTION	UNITS PER ASSY	USABLE ON CODE
22A-77	4250	BUMPER-COWL FLAP AU-VE-CO -----	4	B
-78	1250844-1	DOUBLER ASSEMBLY-RH -----	1	
	1250844-2	DOUBLER ASSEMBLY-LH -----	1	
-79	1213469-205	HINGE ASSEMBLY-COWL FLAPS -----	2	
	1213433-11	ENGINE MOUNT ASSEMBLY-FORWARD LH -----	1	B
	1213433-27	ENGINE MOUNT ASSEMBLY-FORWARD LH -----	1	A
	1213433-12	ENGINE MOUNT ASSEMBLY-FORWARD RH -----	1	B
	1213433-28	ENGINE MOUNT ASSEMBLY-FORWARD RH -----	1	A
-80	1213433-9	BRACKET LH FORWARD & RH AFT -----	1	
-81	1213433-10	BRACKET RH FORWARD & LH AFT -----	1	
-82	1213433-8	COVER -----	1	
-83	1213433-14	CHANNEL RH ONLY -----	1	
-84	1213433-15	CHANNEL LH ONLY -----	1	
-85	1213433-17	SUPPORT -----	1	
	A6191-6Z1	NUTPLATE -----	2	A
-86	1213657-2	STIFFENER BULK HEAD-RH -----	1	
	1213657-1	STIFFENER BULKHEAD-LH -----	1	
-87	1213526-3	DOUBLER-LH -----	1	
	1213526-4	DOUBLER-RH -----	1	
-88	1213526-1	ANGLE-LH -----	1	
	1213526-2	ANGLE-RH -----	1	
-89	1250918-1	SHIELD-HEAT -----	4	
		ATTACHING PARTS		
-90	S102126-6	SCREW -----	2	
		-----*		
		A---T210 SERIAL T210-0001 & ON		
		B---210 SERIAL 21058716 & ON		

Fuselage (Cont)

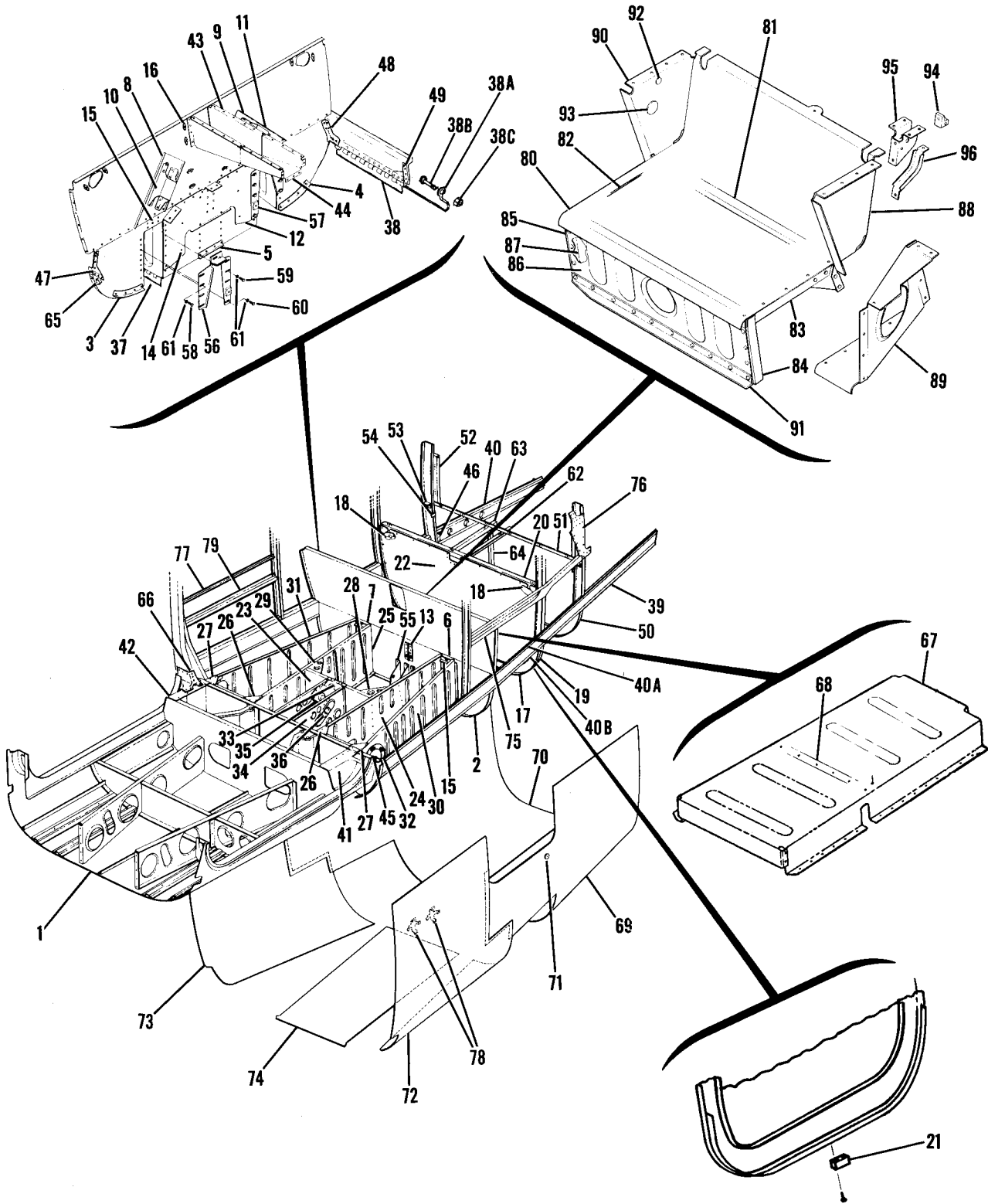


Figure 23. Lower Cabin Section Assembly

FIGURE AND INDEX NO.	PART NUMBER	DESCRIPTION	UNITS PER ASSY	USABLE ON CODE
		1 2 3 4 5 6 7		
23 -		LOWER CABIN SECTION COMPONENTS -----	NP	
	1291140-1	LOWER CABIN SECTION STRUCTURE ASSEMBLY -----	1	A
	1291140-4	LOWER CABIN SECTION STRUCTURE ASSEMBLY -----	1	B
- 1	1291140-2	BELLY SECTION STRUCTURE ASSEMBLY SEE FIGURE 24 -----	1	
	1211407-1	BULKHEAD ASSEMBLY STA. 98.00 -----	1	A
	1211493-1	BULKHEAD ASSEMBLY STA. 98.00 -----	1	B
- 2	1211408-1	BULKHEAD -----	1	A
	1211494-2	BULKHEAD -----	1	B
	1211474-1	DOUBLER -----	2	B
- 3	1211464-1	STOP-LH -----	1	
- 4	1211464-2	STOP-RH -----	1	
- 5	1211410-1	STOP -----	1	
- 6	1211461-1	REINFORCEMENT-LH -----	1	
- 7	1211461-2	REINFORCEMENT-RH -----	1	
- 8	1211485-1	DOUBLER-LH -----	1	A
	1280623-1	DOUBLER-LH -----	1	B
- 9	1211485-3	DOUBLER-RH -----	1	A
	1280623-2	DOUBLER-RH -----	1	B
-10	1211411-1	BRACKET-LH -----	1	A
	1280624-1	BRACKET-LH -----	1	B
-11	1211411-2	BRACKET-RH -----	1	A
	1280624-2	BRACKET-RH -----	1	B
-12	1211409-1	DOUBLER -----	1	
-13	1211413-1	TEE ASSEMBLY -----	1	
	NAS696A4	NUTPLATE -----	2	
-14	NAS680A08	NUTPLATE -----	3	
-15	NAS680A3	NUTPLATE -----	6	
-16	A6195-8Z-3	NUTPLATE TINN -----	13	A
	A6195-8Z-3	NUTPLATE TINN -----	9	B
	1211432-4	BULKHEAD ASSEMBLY STA. 112.00 -----	1	A
	1211444-1	BULKHEAD ASSEMBLY STA. 112.00 -----	1	B
-17	1211432-2	BULKHEAD-LOWER -----	1	
-18	1211462-1	PLATE-COVER -----	2	
-19	1211432-5	ANGLE-BULKHEAD -----	1	
-20	1211432-13	SUPPORT ASSEMBLY-BULKHEAD -----	1	
	A6195-8Z-3	NUT PLATE TINN -----	6	
	A6196-8Z-3	NUT PLATE TINN -----	4	
	NAS680A4	NUTPLATE -----	2	
-21	1211116-1	STOP-DOOR -----	1	
-22	1211432-12	WEB ASSEMBLY-BULKHEAD -----	1	A
	1211444-2	WEB ASSEMBLY-BULKHEAD -----	1	B
	S1021Z8-8	ATTACHING PARTS		
		SCREW -----	26	
		-----*		
	A6201-8Z-3	NUT TINN -----	6	
	A6195-8Z-3	NUT TINN -----	17	A
	A6195-8Z-3	NUT TINN -----	3	B
	A6195-8Z-3	NUT TINN -----	14	B
-23	1211417-1	BULKHEAD ASSEMBLY STA. 80.32 -----	1	
	1211417-3	DOUBLER -----	1	
	1211423-2	FAIRLEAD -----	1	
	S339-9	CLIP -----	4	
	S339-3	CLIP -----	4	
	NAS696A4	NUTPLATE -----	2	
-24	1211414-5	TUNNEL ASSEMBLY-INBOARD LH -----	1	A
	1211414-22	TUNNEL ASSEMBLY-INBOARD LH -----	1	B
	1211416-1	ANGLE -----	1	
	NAS680A3K	NUT -----	4	
-25	1211414-6	TUNNEL ASSEMBLY-INBOARD RH -----	1	A
	1211414-23	TUNNEL ASSEMBLY-INBOARD RH -----	1	B
	NAS680A3K	NUT -----	4	
-26	1211414-13	GUSSET-INBOARD -----	2	
-27	1211414-14	GUSSET-OUTBOARD -----	2	
-28	1211415-1	SUPPORT-LH -----	1	
-29	1211415-2	SUPPORT-RH -----	1	
-30	1211414-9	TUNNEL ASSEMBLY-OUTBOARD LH -----	1	A
	1211414-26	TUNNEL ASSEMBLY-OUTBOARD LH -----	1	B
-31	1211414-10	TUNNEL ASSEMBLY-OUTBOARD RH -----	1	A
	1211414-27	TUNNEL ASSEMBLY-OUTBOARD RH -----	1	B
	NAS680A3K	NUTPLATE -----	4	
-32	S1072-1	DOUBLER ASSEMBLY -----	1	
-33	1211419-1	DOUBLER -----	1	
	1211418-1	SUPPORT ASSEMBLY -----	1	
-34	1211418-2	SUPPORT -----	1	
	1211418-3	DOUBLER -----	1	

CONTINUED ON NEXT PAGE

FIGURE AND INDEX NO.	PART NUMBER	DESCRIPTION	UNITS PER ASSY	USABLE ON CODE
23 -35	1211418-6	SUPPORT -----	1	
	A6191-8Z-3	NUTPLATE TINN -----	6	
-36	1211418-4	SUPPORT ASSEMBLY -----	1	
	NAS1067A4	NUTPLATE -----	2	
	1211414-2	FILLER -----	1	
-37		HINGE ASSEMBLY-SPRING WELL DOOR LH -----	NP	
		HINGE ASSEMBLY-SPRING WELL DOOR RH -----	NP	
	1211480-6 #	HINGE HALF LH-ON DOOR STAINLESS STEEL -----	1	
	1211480-5 #	HINGE HALF RH-ON DOOR STAINLESS STEEL -----	1	
	1211480-8 #	HINGE HALF LH-ON FUSELAGE STAINLESS STEEL -----	1	
	1211480-7 #	HINGE HALF RH-ON FUSELAGE STAINLESS STEEL -----	1	
		ATTACHING PARTS		
	MS20253-2-2981	PIN-HINGE -----	1	
	MS24665-22	PIN-COTTER -----	1	
	1211414-15	CLIP -----	1	
-38		HINGE ASSEMBLY-MAIN WHEEL DOOR RH -----	NP	
		HINGE ASSEMBLY-MAIN WHEEL DOOR LH -----	NP	
	1211480-2 #	HINGE HALF RH-ON DOOR STAINLESS STEEL -----	1	
	1211480-1 #	HINGE HALF LH-ON DOOR STAINLESS STEEL -----	1	
	1211480-4 #	HINGE HALF RH-ON FUSELAGE STAINLESS STEEL -----	1	
	1211480-3 #	HINGE HALF LH-ON FUSELAGE STAINLESS STEEL -----	1	
		ATTACHING PARTS		
-38A	1234024-2	PIN-HINGE -----	1	
-38B	AN515-8R7	SCREW -----	1	
-38C	NAS679A08	NUT -----	1	
		-----*		
-39	1211402-1	LONGERON ASSEMBLY-LH -----	1	A
	1211402-3	LONGERON ASSEMBLY-LH -----	1	B
-40	1211402-2	LONGERON ASSEMBLY-RH -----	1	A
	1211402-4	LONGERON ASSEMBLY-RH -----	1	B
	NAS680A4	NUT -----	1	A
	NAS697A3	NUT -----	2	A
	NAS463WDD416	SHIM -----	2	A
	1211460-1	BRACKET -----	4	B
	1211711-1	BRACKET -----	2	
		ATTACHING PARTS		
	AN525-10R8	SCREW -----	1	B
	NAS679A3	NUT -----	1	B
		-----*		
-40A	1211400-25	ANGLE-LH UPPER -----	1	B
	1211400-24	ANGLE-RH UPPER -----	1	B
-40B	1211400-27	ANGLE-LH LOWER -----	1	B
	1211400-26	ANGLE-RH LOWER -----	1	B
-41	1210414-1	FLOOR PANEL-OUTBOARD LH -----	1	
-42	1210414-2	FLOOR PANEL-OUTBOARD RH -----	1	
-43	1211451-1	BRACKET AND COVER ASSEMBLY -----	1	A
	1211451-4	BRACKET AND COVER ASSEMBLY -----	1	B
-44	1211451-2	COVER -----	1	
-45	1211401-1	ANGLE -----	2	
-46	1211401-2	ANGLE -----	2	
-47	1211404-1	ANGLE-LH -----	1	
-48	1211404-2	ANGLE-RH -----	1	
-49	1211405-2	ANGLE-RH -----	1	
	1211405-1	ANGLE-LH -----	1	
-50	1211427-1	BULKHEAD ASSEMBLY STA. 124.00 -----	1	
-51	1211427-6	SUPPORT ASSEMBLY -----	1	
	A6191-6Z-3	NUT TINN -----	1	
-52	1211427-10	RETAINER ASSEMBLY-RH -----	1	
	1211427-9	RETAINER ASSEMBLY-LH -----	1	
	A6191-6Z-3	NUT TINN -----	2	
-53	1211427-2	CLIP -----	2	
-54	S1154-1	BRACKET -----	2	
-55	1211469-1	BRACKET-PULLEY -----	3	
-56	1211467-1	BRACKET ASSEMBLY-LH -----	1	
-57	1211467-2	BRACKET ASSEMBLY-RH -----	1	
		ATTACHING PARTS		
-58	AN3-3A	BOLT -----	1	
-59	AN3-5A	BOLT -----	4	
-60	AN3H5A	BOLT -----	1	
-61	AN960-10L	WASHER -----	9	
		-----*		
-62	1211450-1	SUPPORT-BAGGAGE FLOOR LH -----	1	
-63	1211450-2	SUPPORT-BAGGAGE FLOOR RH -----	1	

CONTINUED ON NEXT PAGE



FIGURE AND INDEX NO.	PART NUMBER	DESCRIPTION	UNITS PER ASSY	USABLE ON CODE
23 -64	1211483-1	ANGLE-BRACE -----	1	A
	1211499-1	ANGLE-BRACE -----	1	B
	AN3-3A	ATTACHING PARTS		
	AN960-10	BOLT -----	2	
	NAS679A3	WASHER -----	2	
		NUT -----	2	
		*-----		
-65	1211400-22	ANGLE -----	1	
-66	1210411-2	REINFORCEMENT-DOOR SILL RH -----	1	
	1210411-1	REINFORCEMENT-DOOR SILL RH -----	1	
		RADIO SHELF INSTALLATION -----	NP	B
-67	1270460-1	SHELF ASSEMBLY-RADIO -----	1	
-68	1270460-3	ANGLE-RADIO SHELF -----	1	
-69	1211400-11	SKIN-LOWER AFT LH STA. 90.00 TO 138.00 -----	1	
-70	1211400-12	SKIN-LOWER AFT RH STA. 90.00 TO 138.00 -----	1	
-71	S347-1	FLANGE -----	2	
	S1135-1	ELBOW-RH -----	1	
	S1138-1	TEE-LH -----	1	
	S1141-3	WASHER-STATIC -----	2	
-72	1211400-3	SKIN-LOWER FORWARD LH STA. 68.33 TO 98.00 -----	1	
-73	1211400-4	SKIN-LOWER FORWARD RH STA. 68.33 TO 98.00 -----	1	
-74	1211400-5	SKIN-BOTTOM FORWARD STA. 68.33 TO 98.00 -----	1	
-75	1211433-2	SILL-BAGGAGE DOOR LOWER -----	1	
-76	1211428-1	GUSSET-LH -----	1	
	1211428-2	GUSSET-RH -----	1	
-77	1211437-2	STRINGER-RH -----	1	
	1211437-1	STRINGER-LH -----	1	
-78	1211490-1	BRACKET-ARMREST -----	4	A
	0700688-1	BRACKET-ARMREST -----	4	B
-79	1211489-2	STRINGER ASSEMBLY-RH -----	1	A
	1211489-3	STRINGER ASSEMBLY-RH -----	1	B
	1211489-1	STRINGER ASSEMBLY-LH -----	1	A
	1211489-4	STRINGER ASSEMBLY-LH -----	1	B
	1200484-201	CHILD SEAT STRUCTURE ASSEMBLY LH -----	1	B
	1200484-202	CHILD SEAT STRUCTURE ASSEMBLY RH -----	1	B
-80	1200484-2	PAN-SEAT LH -----	1	
	1200484-25	PAN-SEAT RH -----	1	
-81	1200484-3	ANGLE-BULKHEAD LH -----	1	
	1200484-4	ANGLE-BULKHEAD RH -----	1	
-82	1200484-7	ANGLE ASSEMBLY -----	1	
-83	1200484-8	ANGLE ASSEMBLY -----	1	
-84	1200484-11	LEG-SEAT SUPPORT -----	1	
-85	1200484-12	LEG-SEAT SUPPORT -----	1	
-86	1200482-1	PANEL-FWD -----	1	
-87	1200483-1	PANEL-SIDE LH -----	1	
	1200483-2	PANEL-SIDE RH -----	1	
-88	1200489-1	BRACKET-LH -----	1	
	1200489-2	BRACKET-RH -----	1	
-89	1200490-5	COVER-LH -----	1	
	1200490-6	COVER-RH -----	1	
-90	1200489-3	BRACKET-RH LEFT SEAT -----	1	
	1200489-4	BRACKET-LH RIGHT SEAT -----	1	
-91	1200484-31	ANGLE-SUPPORT LH -----	1	
	1200484-30	ANGLE-SUPPORT RH -----	1	
-92	CM2692-12-3S	PLUG BUTTON -----	1	
-93	SS51026K2215	PLUG BUTTON -----	1	
-94	1200484-13	STOP-LOWER -----	4	B
-95	1200484-14	BRACKET-HINGE -----	4	B
-96	1200484-15	COVER-BRACKET -----	4	B
<p>NOTE. #WHEN ORDERING THIS PART FOR AIRPLANES PRIOR TO SERIAL 21058483, ALSO ORDER MATING HINGE HALF AS REQD ON THIS FIGURE.</p> <p>NOTE. *WHEN REPLACING THIS ASSEMBLY AND NEW SPRING WELL DOORS AND MAIN WHEEL WELL DOORS ARE REQUIRED, ORDER THE LATEST CONFIGURATION DOOR ASSEMBLIES AS SHOWN ON FIGURE 41.</p> <p>NOTE. %WHEN INITIALLY ORDERING THIS ASSEMBLY FOR AIRPLANES PRIOR TO SERIAL 21058659, ALSO ORDER ONE 1260451-3 COVER ASSEMBLY SHOWN ON FIGURE 25A.</p> <p>A---210 SERIAL 21057841 THRU 21058220 B---210 SERIAL 21058221 & ON T210 SERIAL T210-0001 & ON</p>				

Fuselage (Cont)

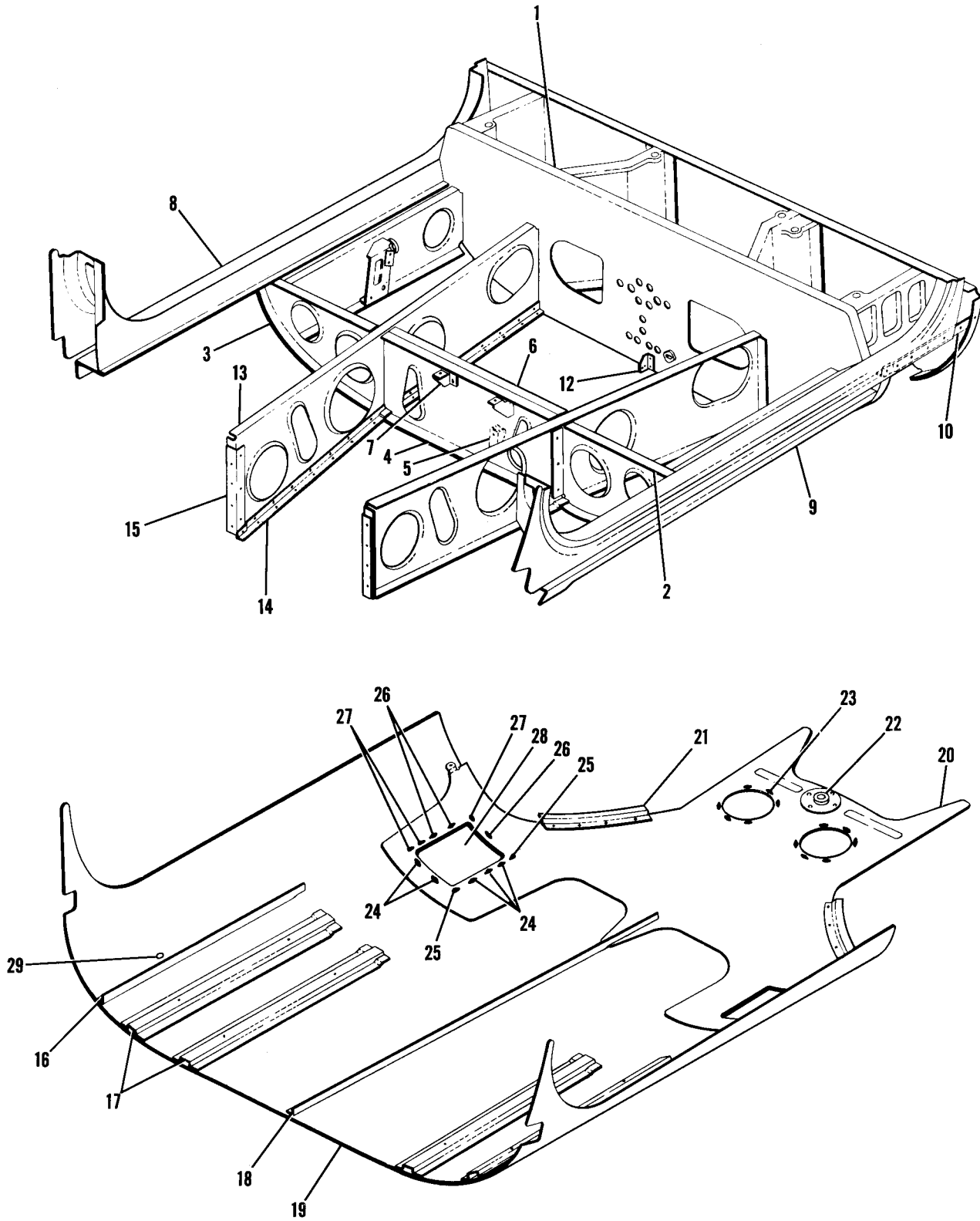
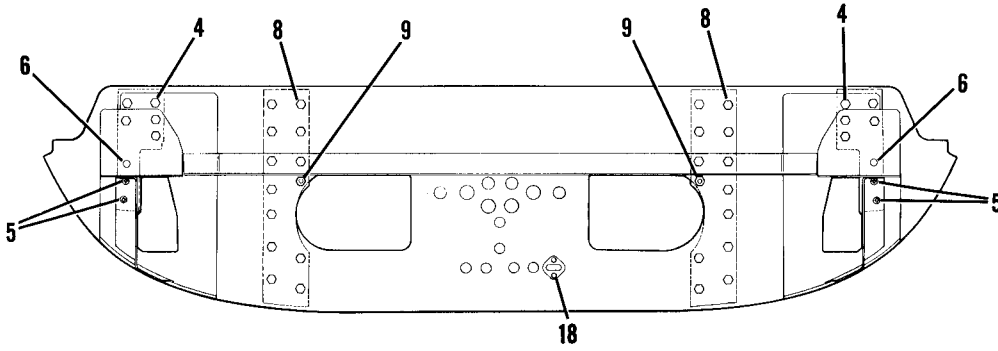


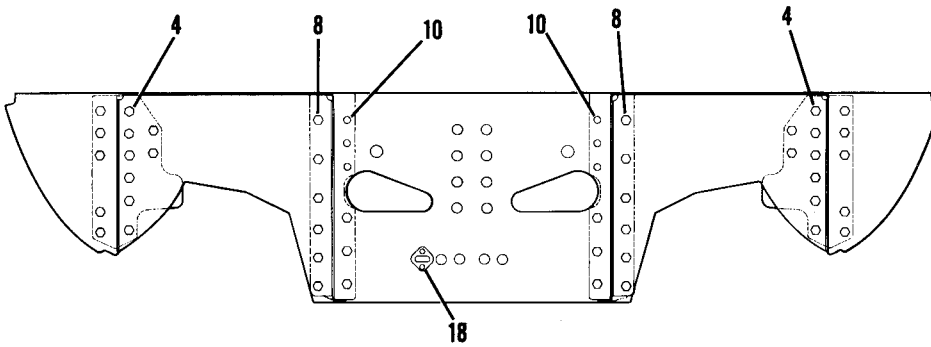
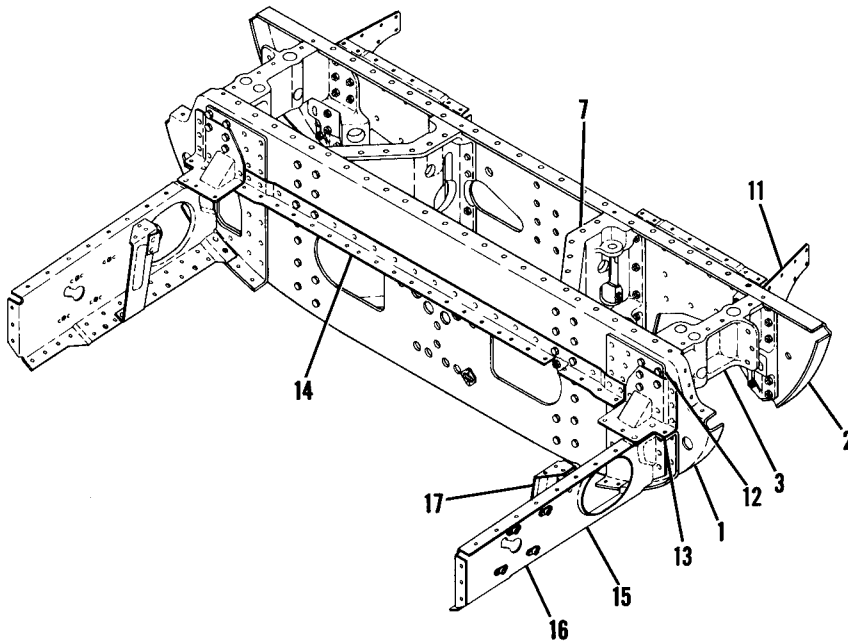
Figure 24. Fuselage Belly Section Assembly

FIGURE AND INDEX NO.	PART NUMBER	DESCRIPTION	UNITS PER ASSY	USABLE ON CODE
		1 2 3 4 5 6 7		
24 -	1291140-2	BELLY SECTION ASSEMBLY-FUSELAGE -----	1	
- 1	1291140-3	BULKHEAD ASSEMBLY-MAIN GEAR ACTUATOR SEE FIGURE 25 -----	1	
- 2	1210412-3	BULKHEAD-LH STA 44.00 -----	1	
- 3	1210412-4	BULKHEAD-RH STA 44.00 -----	1	
- 4	1210412-1	BULKHEAD-CENTER STA 44.00 -----	1	
- 5	1210412-5	BRACKET-TRIM -----	1	
- 6	1210412-6	ANGLE-REINFORCEMENT -----	1	
- 7	0710613-1	SUPPORT -----	2	
- 8	1210402-2	SILL ASSEMBLY-RH -----	1	
	1210402-1	SILL ASSEMBLY-LH -----	1	
- 9	1210402-7	SUPPORT-SILL LH -----	1	
	1210402-8	SUPPORT-SILL RH -----	1	
-10	1210413-1	ANGLE -----	2	
-11		DELETED, NOT PROCURABLE -----	NP	
-12	1210419-1	ANGLE -----	1	
-13	1210405-2	BULKHEAD-INBOARD RH -----	1	
	1210405-1	BULKHEAD-INBOARD LH -----	1	
-14	1210405-6	ANGLE-RH -----	1	
	1210405-5	ANGLE-LH -----	1	
-15	1210410-2	ANGLE-ATTACH RH -----	1	
	1210410-1	ANGLE-ATTACH LH -----	1	
-16	1210409-3	STRINGER-OUTBOARD RH -----	1	
	1210409-2	STRINGER-OUTBOARD LH -----	1	
-17	1210418-1	STRINGER ASSEMBLY-RESERVOIR -----	4	
	NAS680A08K	NUTPLATE -----	2	
-18	1210409-1	STRINGER-CENTER -----	1	
-19	1210401-2	SKIN-LOWER CENTER WHEN EXHAUSTED USE 1210401-11 -----	1	A
	1210401-11	SKIN-LOWER CENTER -----	1	B
-20	1210401-5	DOUBLER-CENTER -----	1	
-21	1211471-4	RETAINER-RH -----	1	
	1211471-3	RETAINER-LH -----	1	
-22	1211420-1	SUPPORT-SPRING DOOR -----	1	
-23	A6162-8Z-3	NUT TIN -----	12	
-24	NAS681A3	NUTPLATE -----	10	
-25	NAS683A3	NUTPLATE -----	4	
-26	NAS680A3	NUTPLATE -----	6	
-27	NAS682A3	NUTPLATE -----	6	
-28	1210401-4	COVER PLATE-RH -----	1	
	1210401-3	COVER PLATE-LH -----	1	
		ATTACHING PARTS -----		
	AN507-1032R10	SCREW -----	26	
		---*---		
		A---210 SERIAL 21058221 THRU 21058351 EXCEPT 21058326		
		B---210 SERIAL 21058326, 21058352 & ON T210 SERIAL T210-0001 & ON		

Fuselage (Cont)



FWD VIEW OF FRONT BULKHEAD

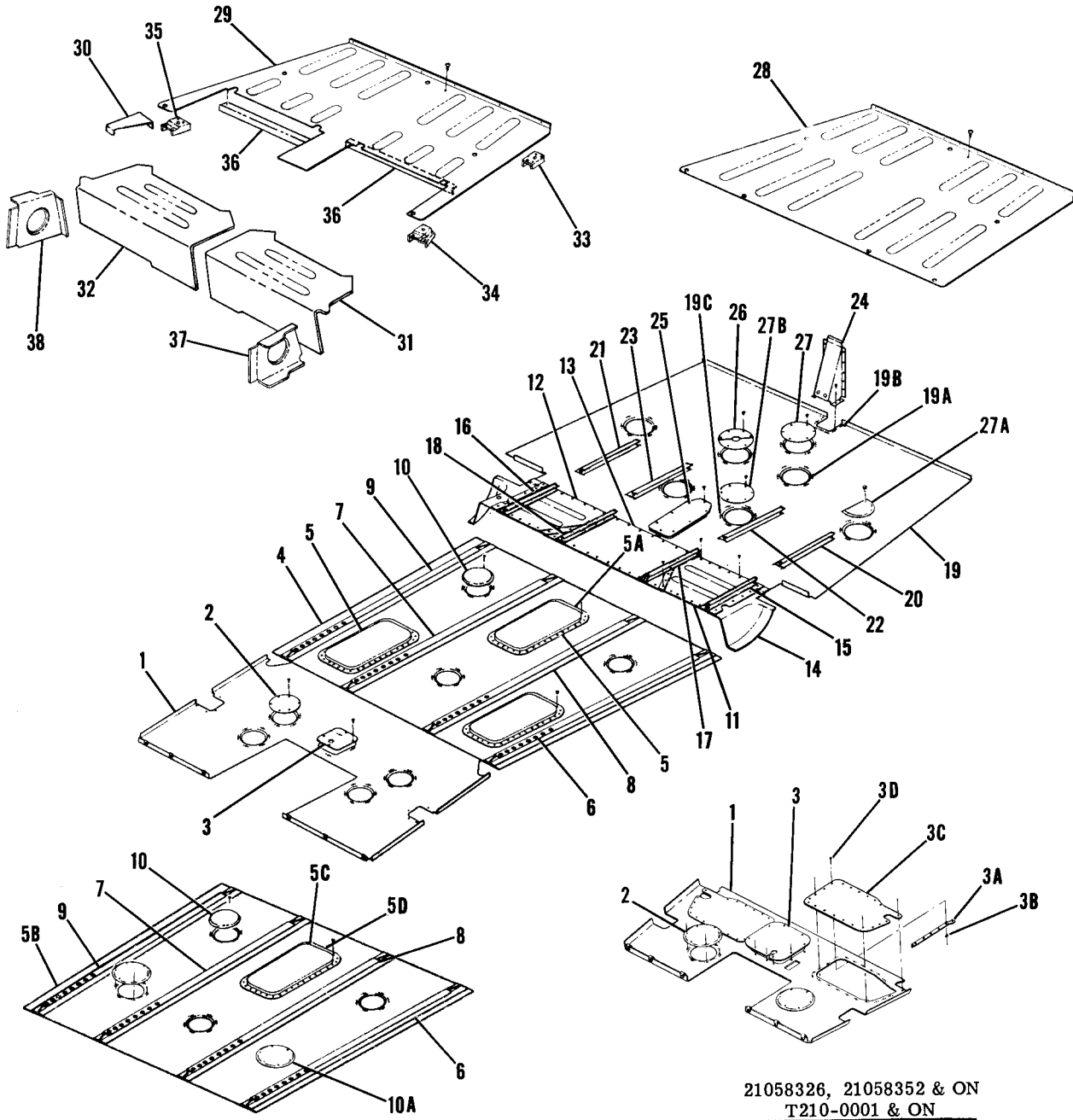


AFT VIEW OF REAR BULKHEAD

Figure 25. Actuator Bulkhead Assembly

FIGURE AND INDEX NO.	PART NUMBER	DESCRIPTION	UNITS PER ASSY	USABLE ON CODE
		1 2 3 4 5 6 7		
25 -	1291140-3	MAIN GEAR ACTUATOR BULKHEAD ASSEMBLY -----	1	
- 1	1211423-1	BULKHEAD STA. 59.70 -----	1	
- 2	1211422-1	BULKHEAD STA. 68.33 -----	1	
- 3	1211424-3	FITTING ASSEMBLY-LH OUTBOARD -----	1	
	1211424-4	FITTING ASSEMBLY-RH OUTBOARD -----	1	
		ATTACHING PARTS		
- 4	AN173-5A	BOLT FORWARD -----	5	
	AN173-5A	BOLT AFT -----	13	
- 5	NAS221-6	SCREW FORWARD -----	2	
	2935-0	WASHER EN -----	20	
	K19001-3	WASHER KNM ALT -----	20	
	52LH2935-02	NUT EN -----	20	
	H19000-3	NUT KNM ALT -----	20	
- 6	NAS1054-6-9	RIVET-HI-SHEAR FORWARD -----	1	
	NAS179-6	COLLAR -----	1	
		-----*		
	NAS698A3	NUTPLATE -----	1	
- 7	1211425-1	FITTING ASSEMBLY-LH INBOARD -----	1	
	1211425-2	FITTING ASSEMBLY-RH INBOARD -----	1	
		ATTACHING PARTS		
- 8	AN173-5A	BOLT FORWARD -----	13	
	AN173-5A	BOLT AFT -----	9	
	2935-0	WASHER EN -----	21	
	K19001-3	WASHER KNM ALT -----	21	
	52LH2935-02	NUT EN -----	21	
	H19000-3	NUT KNM ALT -----	21	
- 9	NAS679A3	NUT -----	1	
	AN960-10	WASHER -----	1	
-10	NAS1054-6-5	RIVET-HI-SHEAR -----	3	
	NAS179-6	COLLAR -----	3	
		-----*		
	13630-02	NUT-ANCHOR NUS -----	5	
	1241041-1	BUSHING -----	1	
	NAS561P4-6	PIN -----	1	
-11	1211422-3	DOUBLER-LH STA. 68.33 -----	1	
	1211422-4	DOUBLER-RH STA. 68.33 -----	1	
-12	1211423-3	DOUBLER-LH STA. 59.70 -----	1	
	1211423-4	DOUBLER-RH STA. 59.70 -----	1	
-13	1211423-5	COVER-LH STA. 59.70 -----	1	
	1211423-6	COVER-RH STA. 59.70 -----	1	
-14	1211423-7	ANGLE STA. 59.70 -----	1	
-15	1210401-201	LONGITUDINAL BULKHEAD ASSEMBLY-LH -----	1	
	1210401-200	LONGITUDINAL BULKHEAD ASSEMBLY-RH -----	1	
-16	1210406-1	BULKHEAD-LH -----	1	
	1210406-2	BULKHEAD-RH -----	1	
-17	1210417-1	SUPPORT ASSEMBLY-ACTUATOR LH -----	1	
	1210417-2	SUPPORT ASSEMBLY-ACTUATOR RH -----	1	
-18	1211423-2	FAIRLEAD -----	2	

Fuselage (Cont)



21058694 & ON
T210-0001 & ON

21058326, 21058352 & ON
T210-0001 & ON

Figure 25A. Floorboards Installation

FIGURE AND INDEX NO.	PART NUMBER	DESCRIPTION	UNITS PER ASSY	USABLE ON CODE
		1 2 3 4 5 6 7		
25A-		FLOORBOARD INSTALLATION -----	NP	
- 1	1213415-3	FLOORBOARD INSTALLATION-FRONT -----	NP	
	1213415-5 *	FLOORBOARD ASSY-FWD SECTION WHEN EXHAUSTED USE 1213415-5 -----	1	E
	NAS697A08	FLOORBOARD ASSEMBLY-FORWARD SECTION -----	1	
	NAS697A08	NUTPLATE -----	1	E
	A6191-8Z-3	NUTPLATE -----	25	F
	NAS395-14-3	NUTPLATE TIN -----	27	
	NAS696A08	NUT -----	6	
- 2	S225-5	NUTPLATE -----	2	F
	S225-6	PLATE-INSPECTION -----	4	A
	S225-6	PLATE-INSPECTION -----	4	G
	S225-6	PLATE-INSPECTION -----	2	F
		ATTACHING PARTS		
	S1021Z8-8	SCREW -----	24	A
	S1021Z8-8	SCREW -----	18	G
	S1021Z8-8	SCREW -----	6	G
	S1022Z8-8	SCREW -----	12	F
- 3	1213471-1	COVER ASSEMBLY -----	1	A
	1213495-1	COVER ASSEMBLY -----	1	B
	S1021Z8-8	ATTACHING PARTS		
		SCREW -----	3	
- 3A	NAS697A08	NUTPLATE -----	1	
	1213513-1 **	ANGLE -----	1	F
	1213513-2 **	ANGLE -----	1	F
- 3B	NAS697A08	NUTPLATE -----	18	F
- 3C	1213512-1 **	COVERPLATE -----	2	F
		ATTACHING PARTS		
- 3D	AN515-8R8 **	SCREW -----	21	F
- 4	1210404-4	FLOORBOARD ASSEMBLY-CENTER SECTION -----	1	J
	A6191-8Z-3	NUTPLATE TINN -----	24	
- 5	1210404-3	PLATE COVER -----	3	
		ATTACHING PARTS		
	AN515-10R7	SCREW -----	24	
- 5A	NAS680A08	NUTPLATE -----	24	
	NAS680A03	NUTPLATE -----	1	
- 5B	1210404-10	FLOORBOARD ASSEMBLY-CENTER SECTION -----	1	K
	A6191-8Z3	NUTPLATE -----	30	
- 5C	1210404-7	COVER PLATE ASSEMBLY -----	1	
		ATTACHING PARTS		
	AN515-8R7	SCREW -----	23	
	NAS680A08	NUTPLATE -----	23	
- 5D	NAS680A03	NUTPLATE -----	1	
- 6	1210408-5	RAIL-SEAT LH OUTBOARD -----	1	
- 7	1210408-6	RAIL-SEAT RH INBOARD -----	1	
- 8	1210408-1	RAIL-SEAT LH INBOARD -----	1	
- 9	1210408-4	RAIL-SEAT RH OUTBOARD -----	1	
-10	S225-5	PLATE-INSPECTION -----	3	J
-10A	S225-7	PLATE-INSPECTION -----	1	
		ATTACHING PARTS		
	S1021Z8-8	SCREW -----	6	
-11	1210407-1	FLOORBOARDS INSTALLATION-AFT SECTION -----	NP	
	1210407-7	FLOORBOARD-FORWARD LH -----	1	C
	NAS680A3K	FLOORBOARD ASSEMBLY-FWD LH -----	1	H
		NUTPLATE -----	3	H
-12	1210407-2	FLOORBOARD-FORWARD RH -----	1	C
	1210407-8	FLOORBOARD ASSEMBLY-FORWARD RH -----	1	H
	NAS680A3K	NUTPLATE -----	3	H
-13	1210407-3	FLOORBOARD-FORWARD CENTER -----	1	C
	1210407-9	FLOORBOARD ASSEMBLY-FORWARD CENTER -----	1	H
		ATTACHING PARTS		
	NAS221-8	SCREW -----	56	
	NAS221-10	SCREW -----	2	
	NAS221-15	SCREW -----	2	
	NAS680A3K	NUTPLATE -----	3	H

CONTINUED ON NEXT PAGE

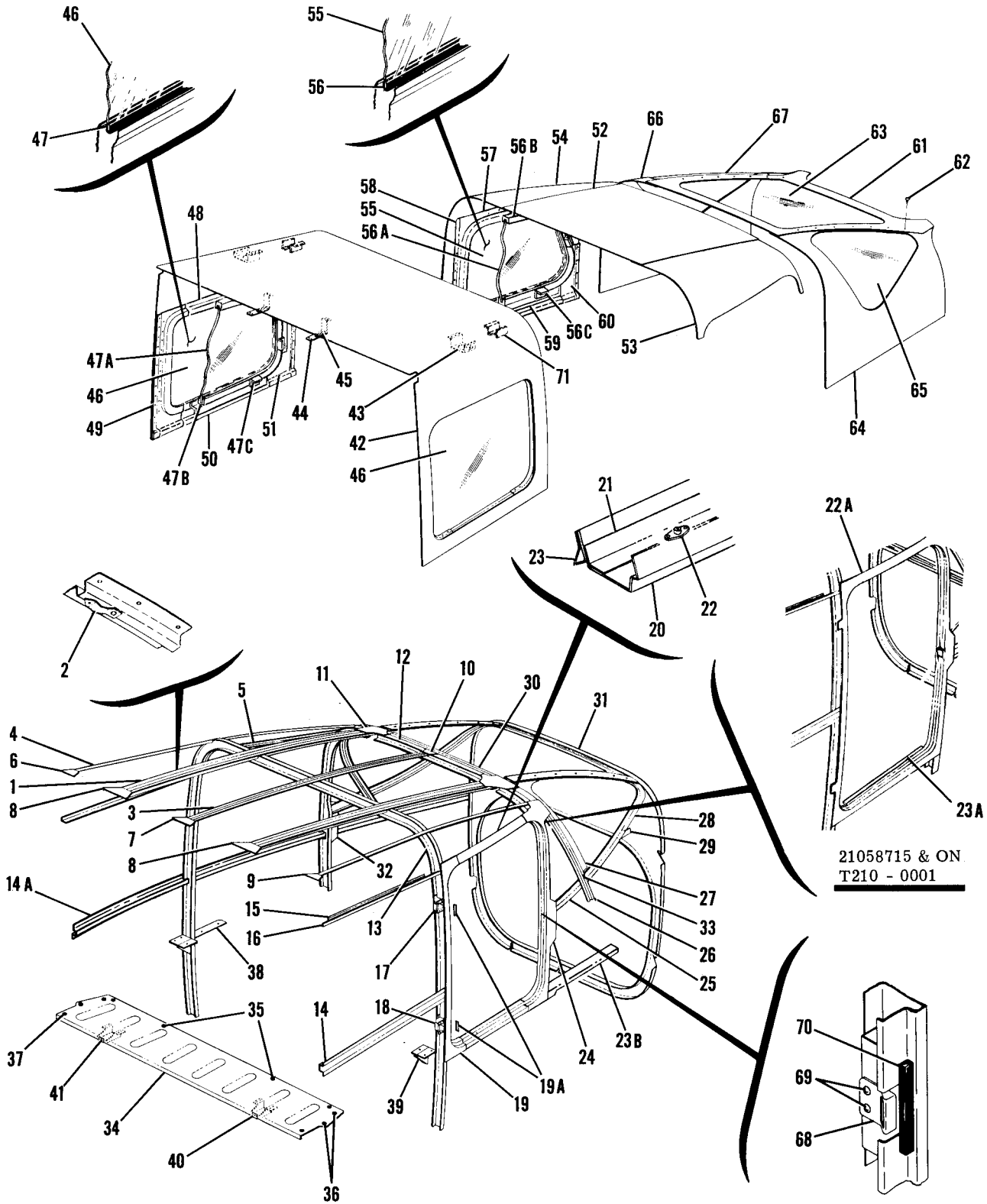
FIGURE AND INDEX NO.	PART NUMBER	DESCRIPTION	UNITS PER ASSY							USABLE ON CODE	
			1	2	3	4	5	6	7		
25A-14	1210414-1	FLOOR PANEL-OUTBOARD LH -----								1	
	1210414-2	FLOOR PANEL-OUTBOARD RH -----								1	
-15	1200487-3	RAIL-SEAT LH OUTBOARD -----								1	D
	1200524-5	RAIL-SEAT LH OUTBOARD 4 PLACE ONLY -----								1	
-16	1200487-4	RAIL-SEAT RH OUTBOARD -----								1	D
	1200524-6	RAIL-SEAT RH OUTBOARD 4 PLACE ONLY -----								1	
		ATTACHING PARTS									
	1200487-10	SHIM -----								1	H
	NAS221-6	SCREW -----								3	H
	NAS221-9	SCREW -----								5	H
		-----*									
-17	1200487-1	RAIL-SEAT LH INBOARD -----								1	D
-18	1200487-2	RAIL-SEAT RH INBOARD -----								1	D
		ATTACHING PARTS									
	NAS221-6	SCREW -----								3	D
	NAS221-9	SCREW -----								3	D
		-----*									
-19	1211414-12	PANEL ASSEMBLY-CENTER -----								1	L
	1211414-28	PANEL ASSEMBLY-CENTER -----								1	M
-19A	NAS680A08K	NUTPLATE -----								36	L
	NAS680A08K	NUTPLATE -----								12	M
-19B	NAS680A3	NUTPLATE -----								2	
-19C	NAS681A08K	NUTPLATE -----								12	
	NAS682A08K	NUTPLATE -----								4	M
-20	1200487-7	RAIL-SEAT LH OUTBOARD -----								1	I
	1200487-11	RAIL-SEAT LH OUTBOARD -----								1	M
	1200524-3	RAIL-SEAT LH OUTBOARD 4 PLACE ONLY -----								1	I
	1200527-7	RAIL-SEAT LH OUTBOARD 4 PLACE ONLY -----								1	M
-21	1200487-8	RAIL-SEAT RH OUTBOARD -----								1	I
	1200487-12	RAIL-SEAT RH OUTBOARD -----								1	M
	1200487-4	RAIL-SEAT RH OUTBOARD 4 PLACE ONLY -----								1	I
	1200524-8	RAIL-SEAT RH OUTBOARD 4 PLACE ONLY -----								1	M
-22	1200487-5	RAIL-SEAT LH INBOARD -----								1	I
	1200524-1	RAIL-SEAT RH INBOARD 4 PLACE ONLY -----								1	M
-23	1200487-6	RAIL-SEAT RH INBOARD -----								1	I
	1200524-2	RAIL-SEAT RH INBOARD 4 PLACE ONLY -----								1	M
		ATTACHING PARTS									
	AN525-832R8	SCREW INBOARD ONLY -----								8	I
	AN525-832R8	SCREW -----								13	M
	NAS680A08K	NUTPLATE -----								5	M
		-----*									
-24	1260451-3	COVER-CONTROL CABLES -----								1	
		ATTACHING PARTS									
	S1021Z8-8	SCREW -----								17	
		-----*									
-25	1211414-18	PLATE-COVER -----								1	
		ATTACHING PARTS									
	S1022Z8-8	SCREW -----								8	
		-----*									
-26	S1261-1	PLATE-INSPECTION -----								2	
		ATTACHING PARTS									
	S1022Z8-8	SCREW -----								3	
		-----*									
-27	S225-6	PLATE-INSPECTION -----								4	C
	S225-6	PLATE-INSPECTION -----								2	M
		ATTACHING PARTS									
	S1022Z8-8	SCREW -----								6	
		-----*									
-27A	1200522-1	PLATE-INSPECTION -----								2	M
-27B	1200488-1	COVER-INSPECTION LH -----								1	
	1200488-2	COVER-INSPECTION RH -----								1	
		ATTACHING PARTS									
	AN509-8R7	SCREW -----								12	
		-----*									

CONTINUED ON NEXT PAGE



FIGURE AND INDEX NO.	PART NUMBER	DESCRIPTION	UNITS PER ASSY	USABLE ON CODE
25A-28	1211465-1	FLOORBOARD-BAGGAGE -----	1	C
-29	1211497-1	FLOORBOARD-BAGGAGE -----	1	H
		ATTACHING PARTS		
	AN525-416R9	SCREW -----	6	
	NAS680A4	NUTPLATE -----	4	
	5S5-6	RECEPTACLE CLC -----	2	
		-----*		
-30	1211477-9	SUPPORT-CHILDS SEAT -----	1	D
-31	1211060-1	COVER-LH -----	1	N
-32	1211060-2	COVER-RH -----	1	N
-33	1211066-3	CHANNEL ASSEMBLY -----	2	N
	NAS682A4	NUTPLATE -----	1	
-34	1211066-1	CHANNEL ASSEMBLY -----	1	N
-35	1211066-5	CHANNEL ASSEMBLY-LH -----	1	N
	NAS682A4	NUTPLATE -----	1	
-36	1211066-4	STIFFENER -----	2	N
-37	1200490-3	COVER-LH -----	1	N
-38	1200490-4	COVER-RH -----	1	N
<p>NOTE. *USE ON AIRPLANES EQUIPPED WITH CHILD'S SEAT ONLY. FOR AIRPLANE WITH FOUR PLACE SEATING ARRANGEMENT. SEE FIGURE 518 FOR REQUIRED PART.</p> <p>A---210 SERIAL 21057841 THRU 21057998 B---210 SERIAL 21057999 & ON T210 SERIAL T210-0001 & ON C---210 SERIAL 21057841 THRU 21058220 D---210 SERIAL 21058221 & ON E---210 SERIAL 21057841 THRU 21058351 EXCEPT 21058326 F---210 SERIAL 21058326, 21058352 & ON T210 SERIAL T210-0001 & ON G---210 SERIAL 21057999 THRU 21058351 EXCEPT 21058236 H---210 SERIAL 21058221 & ON T210 SERIAL T210-0001 & ON I---210 SERIAL 21058221 THRU 21058715 T210 SERIAL T210-0001 THRU T210-0025 J---210 SERIAL 21057841 THRU 21058693 K---210 SERIAL 21058694 & ON T210 SERIAL T210-0001 & ON L---210 SERIAL 21057841 THRU 21058715 T210 SERIAL T210-0001 THRU T210-0025 M---210 SERIAL 21058716 & ON T210 SERIAL T210-0026 & ON N---210 SERIAL 21058716 & ON T210 SERIAL T210-0001 & ON</p>				

Fuselage (Cont)



21058715 & ON.
T210 - 0001

Figure 26. Upper Aft Cabin Components

FIGURE AND INDEX NO.	PART NUMBER	DESCRIPTION	UNITS PER ASSY	USABLE ON CODE
26 -		CABIN COMPONENTS-UPPER AFT -----	NP	
- 1	1211431-26	STRINGER ASSEMBLY-RH -----	1	
	1211431-25	STRINGER ASSEMBLY-LH -----	1	
- 2	0411680	HANGER -----	2	
	NAS686A3	NUTPLATE -----	7	
- 3	1211441-1	STRINGER-CENTERLINE -----	1	
- 4	1211439-2	ANGLE-RH -----	1	L
	1211439-8	ANGLE-RH -----	1	M
	1211439-1	ANGLE-LH -----	1	L
	1211439-7	ANGLE-LH -----	1	M
- 5	1211488-3	RETAINER-RH -----	1	
- 6	1211440-2	GUSSET-RH -----	1	
- 7	1211440-3	GUSSET-CENTER -----	1	
- 8	1211440-4	GUSSET -----	2	
- 9	1211440-1	GUSSET-LH -----	1	
-10	1211440-5	GUSSET-CENTER AFT -----	1	
-11	1211438-2	GUSSET-PLATE RH -----	1	
	1211438-1	GUSSET-PLATE LH -----	1	
-12	1211432-6	BULKHEAD ASSEMBLY-UPPER -----	1	
-13	1211434-1	BULKHEAD ASSEMBLY-STA 90.00 -----	1	G
	1211434-17	BULKHEAD ASSEMBLY-UPPER -----	1	H
	1211434-9	GUSSET-LH -----	1	
	1211434-10	GUSSET-RH -----	1	
	NAS697A3	NUTPLATE -----	3	
	1211434-19	DOUBLER-LOWER HINGE OPENING -----	1	H
	1211434-20	DOUBLER-UPPER HINGE OPENING -----	1	H
-14	1211436-5	CHANNEL-LH -----	1	B
	1211436-6	CHANNEL-LH -----	1	D
	NAS680A3K	NUTPLATE -----	1	B
-14A	1211436-6	CHANNEL-RH -----	1	B
	1211436-5	CHANNEL-RH -----	1	D
	NAS680A3K	NUTPLATE -----	1	B
-15	1211487-1	RETAINER-LH -----	1	B
	1211487-3	RETAINER-LH -----	1	D
	1211487-2	RETAINER-RH -----	1	B
	1211487-4	RETAINER-RH -----	1	D
-16	1211443-1	STRINGER-LH -----	1	
	1211443-2	STRINGER-RH -----	1	
-17	1211433-8	BRACKET-HINGE UPPER -----	1	G
	1211065-1	BRACKET-HINGE UPPER -----	1	H
-18	1211433-9	BRACKET-HINGE LOWER -----	1	G
	1211065-2	BRACKET-HINGE LOWER -----	1	H
-19	1211433-5	FRAME-FORWARD -----	1	G
	1211433-12	FRAME-FORWARD -----	1	J
-19A	S1441-2	SEAL 3.0 IN LG BULK ITEM REF S1441-2-3.0 -----	2	H
-20	1211433-3	SILL-UPPER -----	1	J
-21	1211433-7	ANGLE -----	1	
-22	NAS680A3	NUT -----	1	
-22A	1211070-4	SILL-BAGGAGE DOOR -----	1	K
	1211433-7	ANGLE -----	1	K
-23	1211473-1	RETAINER ASSEMBLY -----	1	A
-23A	1200627-1	SCUFF PLATE-UPHOLSTERY -----	1	K
-23B	1211061-5	SUPPORT-AFT FLOORBOARD -----	1	K
-24	1211433-4	FRAME-AFT -----	1	

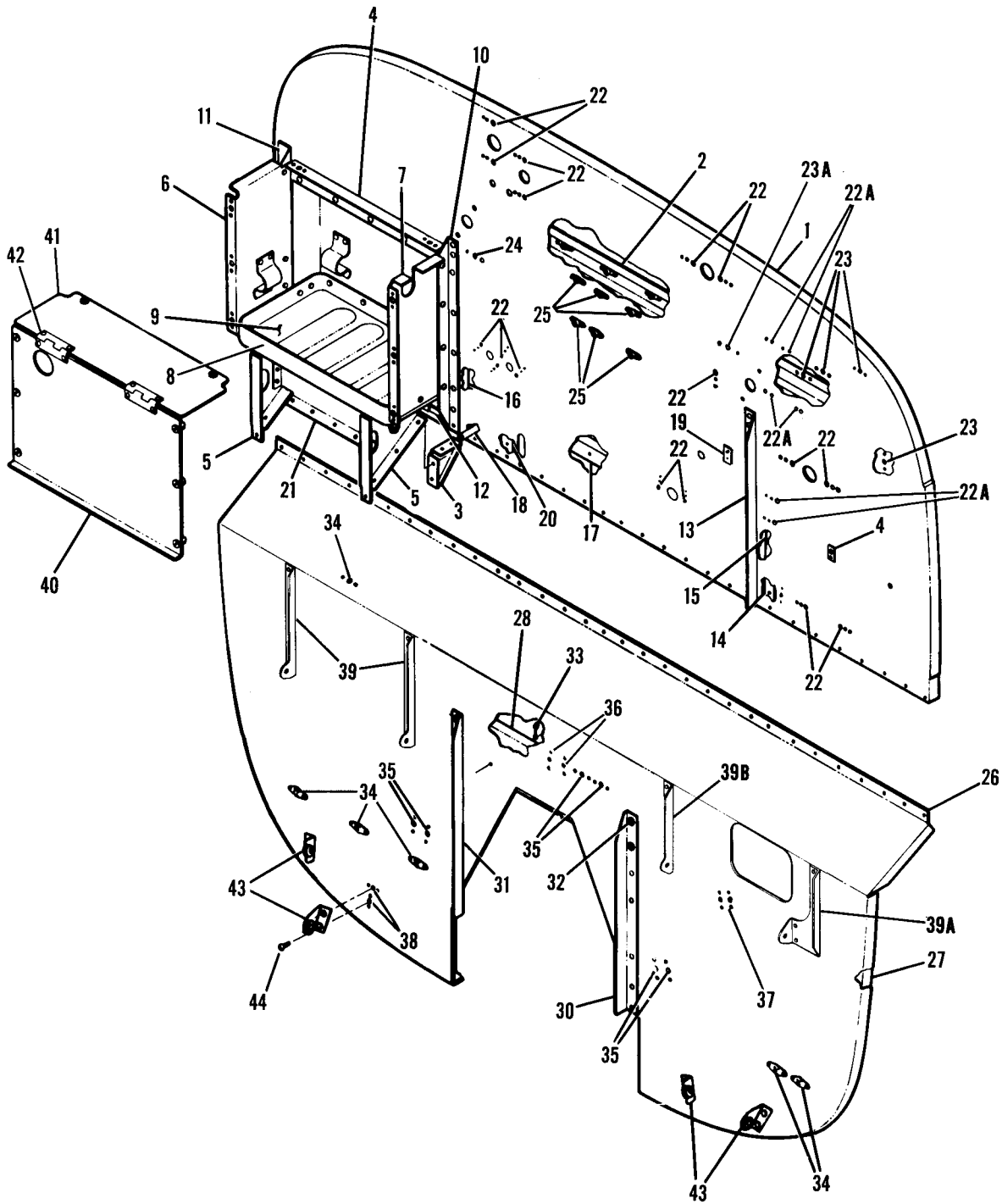
CONTINUED ON NEXT PAGE

FIGURE AND INDEX NO.	PART NUMBER	DESCRIPTION	UNITS PER ASSY	USABLE ON CODE
26 -25	1211481-1	SUPPORT-WINDOW LH -----	1	
	1211481-2	SUPPORT-WINDOW RH -----	1	
-26	1211482-5	RETAINER-LH -----	1	
	1211482-6	RETAINER-RH -----	1	
-27	1211482-7	RETAINER-LH -----	1	
	1211482-8	RETAINER-RH -----	1	
-28	1211482-1	RETAINER-LH -----	1	
	1211482-2	RETAINER-RH -----	1	
-29	1211429-1	GUSSET-REAR WINDOW -----	2	
-30	1211482-3	RETAINER-UPPER REAR WINDOW -----	1	
-31	1211482-4	RETAINER-LOWER REAR WINDOW -----	1	
-32	1211430-1	GUSSET-RH -----	1	
-33	1211472-1	SPACER-WINDOW RETAINER -----	2	
-34	1211475-1	BAGGAGE PANEL ASSEMBLY -----	1	B
-35	5R2-1	RECEPTACLE CLC -----	2	
-36	5S5-3	STUD CLC -----	4	
-37	98293-2-.120	STUD ALIC -----	2	
	99785-2	PIN ALIC -----	2	
-38	1211477-4	SUPPORT ASSEMBLY -----	1	
	5R2-1	RECEPTACLE CLC -----	2	
-39	1211477-7	SUPPORT ASSEMBLY-LH -----	1	
	1211477-8	SUPPORT ASSEMBLY-RH -----	1	
	99871-P.098	RECEPTACLE CLC -----	1	
-40	1211476-1	BRACKET -----	2	
-41	NAS697A3	NUTPLATE -----	2	
-42	1211400-2	SKIN-TOP FORWARD -----	1	E
	1211600-15	SKIN-TOP FORWARD -----	1	F
-43	1211486-1	SUPPORT ASSEMBLY-LIGHT LH -----	1	B
	1211486-5	SUPPORT ASSEMBLY-LIGHT LH -----	1	D
	1211486-2	SUPPORT ASSEMBLY-LIGHT RH -----	1	B
	1211486-6	SUPPORT ASSEMBLY-LIGHT RH -----	1	D
	NAS680A08	NUTPLATE -----	1	
-44	0700108-3	BRACKET-TIARA LH -----	1	
	0700108-4	BRACKET-TIARA RH -----	1	
-45	A9028-4Z-3	NUT TIN -----	4	
-46	1211400-16	WINDOW-SIDE FORWARD -----	2	
-47	S1166-1	SEAL-WINDOW 64.00 IN LG BULK ITEM REF S1166-1-64.00 --	2	
-47A	1211061-57	WINDOW-INNER SIDE -----	2	M
-47B	1211061-51	SEAL-WINDOW -----	2	M
		ATTACHING PARTS		
-47C	1211061-38	CLIP -----	8	M
	S1021Z4-6C	SCREW -----	16	M
		-----*		
-48	1211445-12	CHANNEL-UPPER RH -----	1	L
	1211061-14	CHANNEL ASSEMBLY-UPPER RH -----	1	M
	1211445-7	CHANNEL-UPPER LH -----	1	L
	1211061-13	CHANNEL ASSEMBLY-UPPER LH -----	1	M
-49	1211445-2	CHANNEL-FORWARD RH -----	1	L
	1211061-16	CHANNEL ASSEMBLY -----	1	M
	1211445-1	CHANNEL-FORWARD LH -----	1	L
	1211061-15	CHANNEL ASSEMBLY -----	1	M
-50	1211445-4	CHANNEL-LOWER RH -----	1	L
	1211061-10	CHANNEL ASSEMBLY-LOWER RH -----	1	M
	1211061-3	CHANNEL-LOWER LH -----	1	L
	1211061-9	CHANNEL ASSEMBLY-LOWER LH -----	1	M
-51	1211445-6	CHANNEL-AFT RH -----	1	L
	1211061-10	CHANNEL ASSEMBLY-AFT RH -----	1	M
	1211445-5	CHANNEL-AFT LH -----	1	L
	1211061-11	CHANNEL ASSEMBLY-AFT LH -----	1	M

CONTINUED ON NEXT PAGE

FIGURE AND INDEX NO.	PART NUMBER	DESCRIPTION	UNITS PER ASSY	USABLE ON CODE
		1 2 3 4 5 6 7		
26 -52	1211400-6	SKIN-TOP CENTER -----	1	
-53	1211400-7	SKIN-SIDE LH -----	1	
-54	1211400-8	SKIN-SIDE RH -----	1	
-55	1211400-14	WINDOW-SIDE AFT RH -----	1	
-56	S1166-1	SEAL-WINDOW 56.00 IN LG BULK ITEM REF S1166-1-56.00 ---	1	
-56A	1211061-58	WINDOW-INNER DOOR RH -----	1	M
-56B	1211061-52	SEAL-WINDOW -----	1	M
		ATTACHING PARTS		
-56C	1211061-38	CLIP -----	6	M
	S1021Z4-6C	SCREW -----	12	M
		-----*		
-57	1211445-9	CHANNEL-UPPER RH -----	1	L
	1211061-8	CHANNEL ASSEMBLY-UPPER -----	1	M
-58	1211445-10	CHANNEL-FORWARD RH -----	1	L
	1211061-5	CHANNEL ASSEMBLY-FWD RH -----	1	M
-59	1211445-11	CHANNEL-LOWER RH -----	1	L
	1211445-6	CHANNEL ASSEMBLY-LOWER RH -----	1	M
-60	1211445-8	CHANNEL-AFT RH -----	1	L
	1211061-7	CHANNEL ASSEMBLY-AFT RH -----	1	M
-61	1211400-13	SKIN-TOP AFT -----	1	
		ATTACHING PARTS		
-62	AN507-1032R12	SCREW -----	14	
		-----*		
-63	1211400-19	WINDOW-REAR CENTER -----	1	
-64	1211400-9	SKIN-SIDE AFT LH -----	1	
-65	1211400-17	WINDOW-SIDE REAR LH -----	1	
-66	1211400-10	SKIN-SIDE AFT RH -----	1	
-67	1211400-18	WINDOW-SIDE REAR RH -----	1	
-68	0311319-1	PLATE-BAGGAGE DOOR STRIKER -----	1	
	0311319-2	SHIM-STRIKER PLATE -----	AR	
		ATTACHING PARTS		
-69	AN515-8R6	SCREW -----	2	
		-----*		
-70	1210400-2	SEAL -----	1	
-71	1200631-1	BRACKET-AIR VENT LH -----	1	D
	1200631-2	BRACKET-AIR VENT RH -----	1	D
		A---210 SERIAL 21057841 THRU 21058085 B---210 SERIAL 21057841 THRU 21058220 D---210 SERIAL 21058221 & ON T210 SERIAL T210-0001 & ON E---210 SERIAL 21057841 THRU 21058510 F---210 SERIAL 21058511 & ON T210 SERIAL T210-0001 & ON G---210 SERIAL 21057841 THRU 21058704 H---210 SERIAL 21058705 & ON T210 SERIAL T210-0001 & ON J---210 SERIAL 21058705 THRU 21058714 K---210 SERIAL 21058715 & ON T210 SERIAL T210-0001 & ON L---210 SERIAL 21057841 THRU 21058714 M---210 SERIAL 21058715 & ON T210 SERIAL T210-0001 & ON		

Fuselage (Cont)



21057841 THRU 21058715

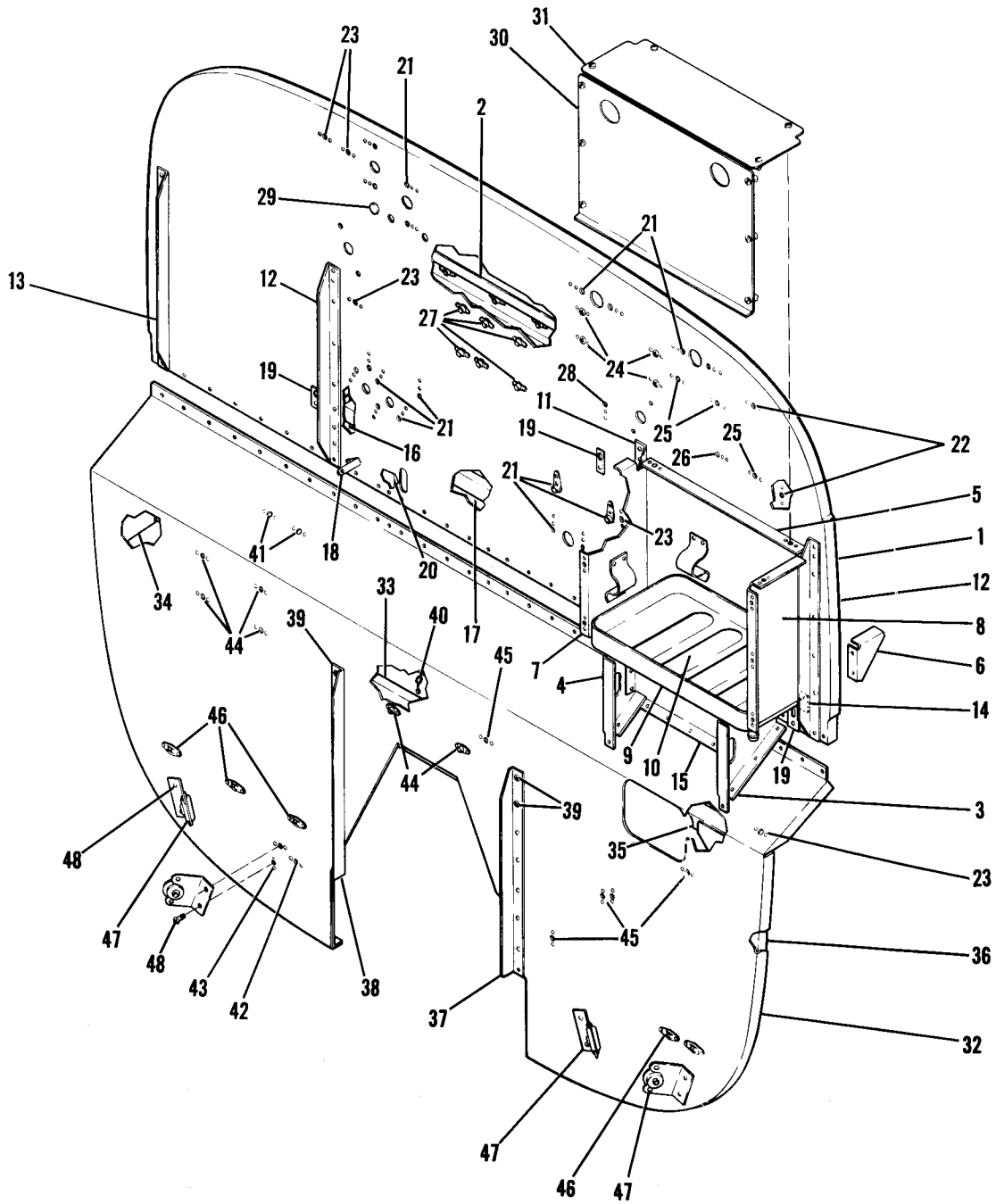
Figure 27. Firewall Installation

FIGURE AND INDEX NO.	PART NUMBER	DESCRIPTION	UNITS PER ASSY	USABLE ON CODE
27 -		FIREWALL INSTALLATION -----	NP	A
		FIREWALL GROMMETS INSTALLATION SEE FIGURE 28 -----	NP	
		FIREWALL ASSEMBLY-UPPER -----	1	
- 1	1253400-14	FIREWALL-UPPER -----	1	
- 2	1253400-6	REINFORCEMENT ASSEMBLY-UPPER -----	1	
	NAS697A08	NUTPLATE -----	3	
- 3	1253401-1	SUPPORT-BATTERY BOX AFT -----	2	
- 4	1253402-1	SUPPORT ASSEMBLY-BATTERY BOX UPPER -----	1	
	S1115-19	RECEPTACLE -----	2	
- 5	1253403-1	SUPPORT-BATTERY BOX FORWARD -----	2	
- 6	1253404-1	SIDE PANEL ASSEMBLY-BATTERY BOX OUTBOARD -----	1	
- 7	1253404-2	SIDE PANEL ASSEMBLY-BATTERY BOX INBOARD -----	1	
	S1115-19	RECEPTACLE -----	3	
- 8	1253405-1	BOX ASSEMBLY-BATTERY -----	1	
- 9	1253412-1	TRAY-BATTERY BOX -----	1	
-10	1253408-1	SUPPORT ANGLE-BATTERY BOX INBOARD -----	1	
-11	1253408-2	SUPPORT ANGLE-BATTERY BOX OUTBOARD -----	1	
-12	1253416-1	SUPPORT ANGLE-BATTERY BOX LOWER -----	1	
-13	1253410-1	STIFFENER-FIREWALL -----	1	
-14	1253417-1	BRACKET ASSEMBLY-PARKING BRAKE -----	1	
-15	1253418-1	ANGLE-AILERON AND ELEVATOR CHANNEL LH -----	1	
-16	1253418-2	ANGLE-AILERON AND ELEVATOR CHANNEL RH -----	1	
-17	1253419-1	STIFFENER-ELEVATOR BRACKET -----	1	
-18	1253425-1	SUPPORT-CONTROLS CLAMP -----	1	
-19	0753000-13	DOUBLER -----	2	
-20	1213615-1	BRACKET-COWL FLAP CONTROL -----	1	
-21	1253415-1	BRACKET-CONTACTOR ASSEMBLY -----	2	
-22	A6196-8Z-3	NUTPLATE TINN -----	21	
-22A	NAS696A08K	NUTPLATE -----	6	
-23	NAS680A4	NUTPLATE -----	4	
-23A	NAS697A3	NUTPLATE -----	1	
-24	NAS680A3K	NUTPLATE -----	1	
-25	NAS697A08	NUTPLATE -----	7	
-25A	1253400-201	FIREWALL ASSEMBLY-LOWER -----	1	
-26	1253400-10	FIREWALL-LOWER -----	1	
-27	1253409-1	BULKHEAD-FIREWALL LH -----	1	
	1253409-2	BULKHEAD-FIREWALL RH -----	1	
-28	1253400-5	SUPPORT-FIREWALL -----	1	
-29		DELETED, NOT PROCURABLE -----		
-30	1253407-1	ANGLE-TUNNEL -----	1	
-31	1253407-2	ANGLE-TUNNEL -----	1	
		ATTACHING PARTS -----		
-32	NAS220-6	SCREW -----	2	
	NAS679A08	NUT RH ANGLE -----	2	
	NAS679A08	NUT LH ANGLE -----	2	
	NAS697A08K	NUT PLATE LH ANGLE -----	1	

-33	1253026-1	CLIP-FIREWALL UPHOLSTERY -----	6	
-34	A6191-8Z-3	NUT PLATE -----	6	
-35	NAS680A3K	NUT PLATE -----	6	
-36	NAS697A08	NUT PLATE -----	2	
-37	NAS697A3K	NUT PLATE -----	3	
-38	NAS697A08K	NUTPLATE -----	8	
-39	1253424-1	ANGLE -----	2	
-39A	1253423-1	ANGLE-INBOARD -----	1	
-39B	1253423-2	CHANNEL-OUTBOARD -----	1	
	1253406-1	COVER ASSEMBLY-BATTERY BOX -----	1	
-40	1253406-2	COVER ASSEMBLY-FRONT -----	1	
	1253406-6	HINGE HALF -----	2	
	0412167-1	CLIP -----	2	
	S1115-10	STUD -----	6	
	S1115-20	RING -----	6	
-41	1253406-3	COVER ASSEMBLY-TOP -----	1	
	1253406-6	HINGE HALF -----	2	
	S1115-10	STUD -----	2	
	S1115-20	RING -----	2	
	1253427-1	INSULATION -----	1	
-42	MS20253-1-194	PIN-HINGE -----	2	
-43	1250258-1	SUPPORT ASSEMBLY-TAILPIPE -----	4	
		ATTACHING PARTS -----		
-44	NAS220-6	SCREW -----	2	

	100PDLT-44-6	SHOCK MOUNT LO -----	1	
		A---210 SERIAL 21057841 THRU 21058715		

Fuselage (Cont)



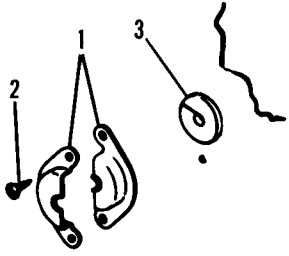
T210-0001 & ON
21058716 & ON

Figure 27A. Firewall Installation

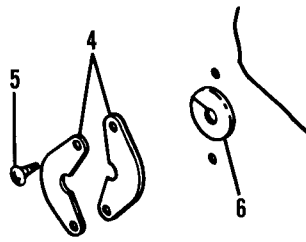


FIGURE AND INDEX NO.	PART NUMBER	DESCRIPTION	UNITS PER ASSY	USABLE ON CODE
		1 2 3 4 5 6 7		
27A-		FIREWALL INSTALLATION -----	NP	A
		FIREWALL GROMMETS INSTALLATION SEE FIGURE 28 -----	1	
		FIREWALL ASSEMBLY-UPPER -----	1	
- 1	1250876-6	FIREWALL-UPPER -----	1	
- 2	1250876-17	REINFORCEMENT ASSEMBLY-UPPER -----	1	
	NAS697A08	NUTPLATE -----	3	
	NAS697A3	NUTPLATE -----	2	
- 3	1253403-1	SUPPORT-BATTERY BOX FORWARD -----	1	
- 4	1253403-2	SUPPORT-BATTERY BOX FORWARD -----	1	
- 5	1253402-1	ANGLE SUPPORT ASSEMBLY -----	1	
	S1115-19	RECEPTACLE -----	1	
- 6	1253401-1	SUPPORT-BATTERY BOX AFT -----	2	
- 7	1253404-5	SIDE PANEL ASSEMBLY-BATTERY BOX INBOARD -----	1	
	S1115-19	RECEPTACLE -----	1	
- 8	1253404-6	SIDE PANEL ASSEMBLY-BATTERY BOX OUTBOARD -----	1	
- 9	1253405-1	BOX ASSEMBLY-BATTERY -----	1	
-10	1253412-1	TRAY-BATTERY BOX -----	1	
-11	1253429-1	SUPPORT ANGLE-BATTERY BOX -----	1	
-12	1253408-1	ANGLE-STIFFENER FIREWALL -----	2	
-13	1253408-2	ANGLE-STIFFENER FIREWALL -----	1	
-14	1253416-1	SUPPORT ANGLE-BATTERY BOX -----	1	
-15	1253415-1	BRACKET ASSEMBLY -----	1	
-16	1253418-2	ANGLE-AILERON AND ELEVATOR CHANNEL RH -----	1	
	1253418-1	ANGLE-AILERON AND ELEVATOR CHANNEL LH -----	1	
-17	1253419-1	STIFFENER ELEVATOR BRACKET -----	1	
-18	1253425-2	SUPPORT-CONTROLS CLAMP -----	1	
-19	0753000-13	DOUBLER -----	3	
-20	1213615-1	BRACKET-COWL FLAP CONTROL -----	1	
-21	A6196-8Z3	NUTPLATE -----	18	
-22	NAS680A4K	NUTPLATE -----	2	
-23	NAS680A3K	NUTPLATE -----	5	
-24	NAS680A08K	NUTPLATE -----	4	
	NAS220-5	SCREW -----	4	
-25	NAS680A08K	NUTPLATE -----	3	
-26	NAS682A08K	NUTPLATE -----	1	
-27	NAS680A08	NUTPLATE -----	6	
-28	NAS682A3K	NUTPLATE -----	1	
-29	CM2692-18-1H	PLUG BUTTON -----	1	
-30	1253428-1	COVER ASSEMBLY-BATTERY BOX-FRONT -----	1	
	0412167-1	CLIP -----	2	
	S1115-9	RING -----	6	
	S1115-10	STUD -----	6	
-31	1253428-3	COVER ASSEMBLY-BATTERY BOX-TOP -----	1	
	S1115-9	RING -----	4	
	S1115-10	STUD -----	4	
	1250876-9	FIREWALL ASSEMBLY-LOWER -----	1	
-32	1250876-11	FIREWALL-LOWER -----	1	
-33	1250876-16	SUPPORT-FIREWALL -----	1	
-34	1250876-19	GUSSET -----	2	
-35	1250876-20	ANGLE-SUPPORT -----	1	
-36	1253409-3	BULKHEAD-FIREWALL LH -----	1	
	1253409-4	BULKHEAD-FIREWALL RH -----	1	
-37	1253407-1	ANGLE-TUNNEL LH -----	1	
-38	1253407-2	ANGLE-TUNNEL RH -----	1	
		ATTACHING PARTS		
-39	NAS220-6	SCREW -----	2	
	NAS679A08	NUT LH -----	1	
	NAS679A08	NUT RH -----	2	
	NAS680A08K	NUTPLATE -----	1	
		-----*		
-40	1253026-1	CLIP-FIREWALL UPHOLSTERY -----	6	
-41	NAS680A04K	NUTPLATE -----	2	
	AN500A4-4	SCREW -----	2	
-42	NAS680A08K	NUTPLATE -----	1	
	NAS220-5	SCREW -----	1	
-43	NAS680A08K	NUTPLATE -----	8	
-44	NAS680A3K	NUTPLATE -----	6	
	NAS221-6	SCREW -----	6	
-45	NAS680A3K	NUTPLATE -----	5	
-46	A6191-8Z3	NUTPLATE -----	5	
-47	1250258-1	SUPPORT ASSEMBLY-TAILPIPE -----	4	
		ATTACHING PARTS		
-48	NAS220-6	SCREW -----	2	
		-----*		
	100PDLT44-6	SHOCK MOUNT LO -----	4	
		A---210 SERIAL 21058716 & ON T210 SERIAL T210-0001 & ON		

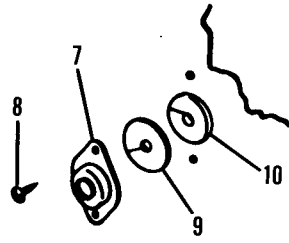
Fuselage (Cont)



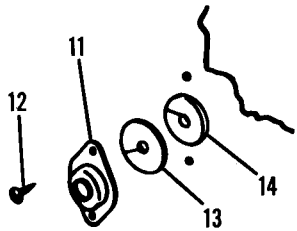
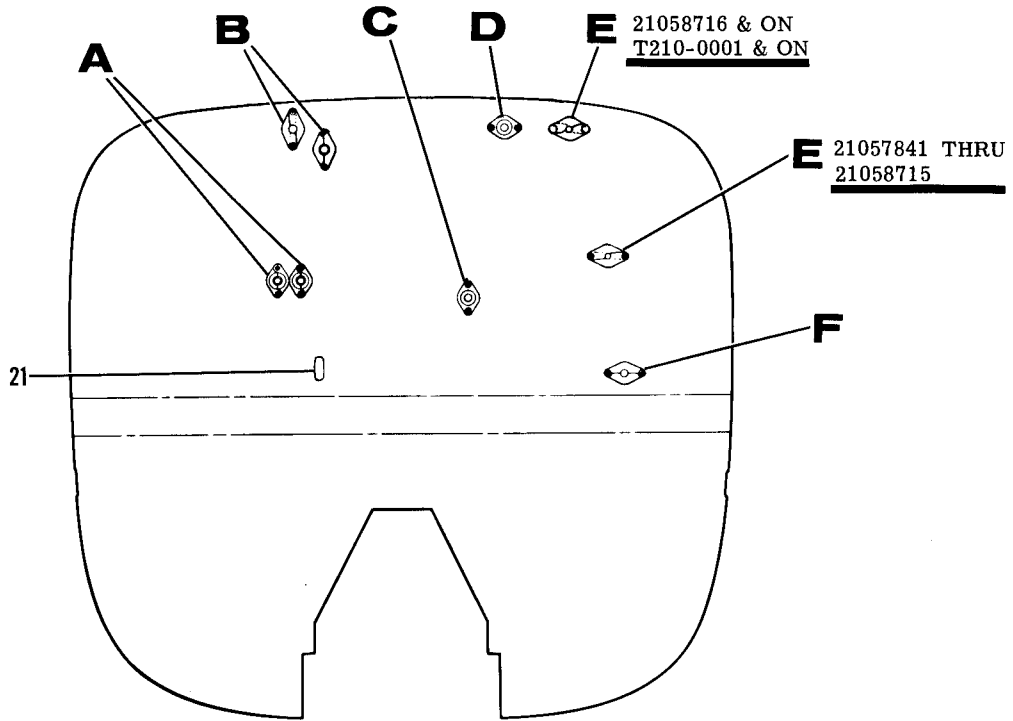
INSTALLATION **A**



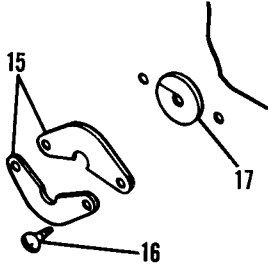
INSTALLATION **B**



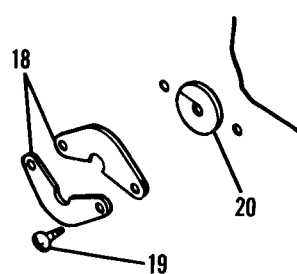
INSTALLATION **C**



INSTALLATION **D**



INSTALLATION **E**



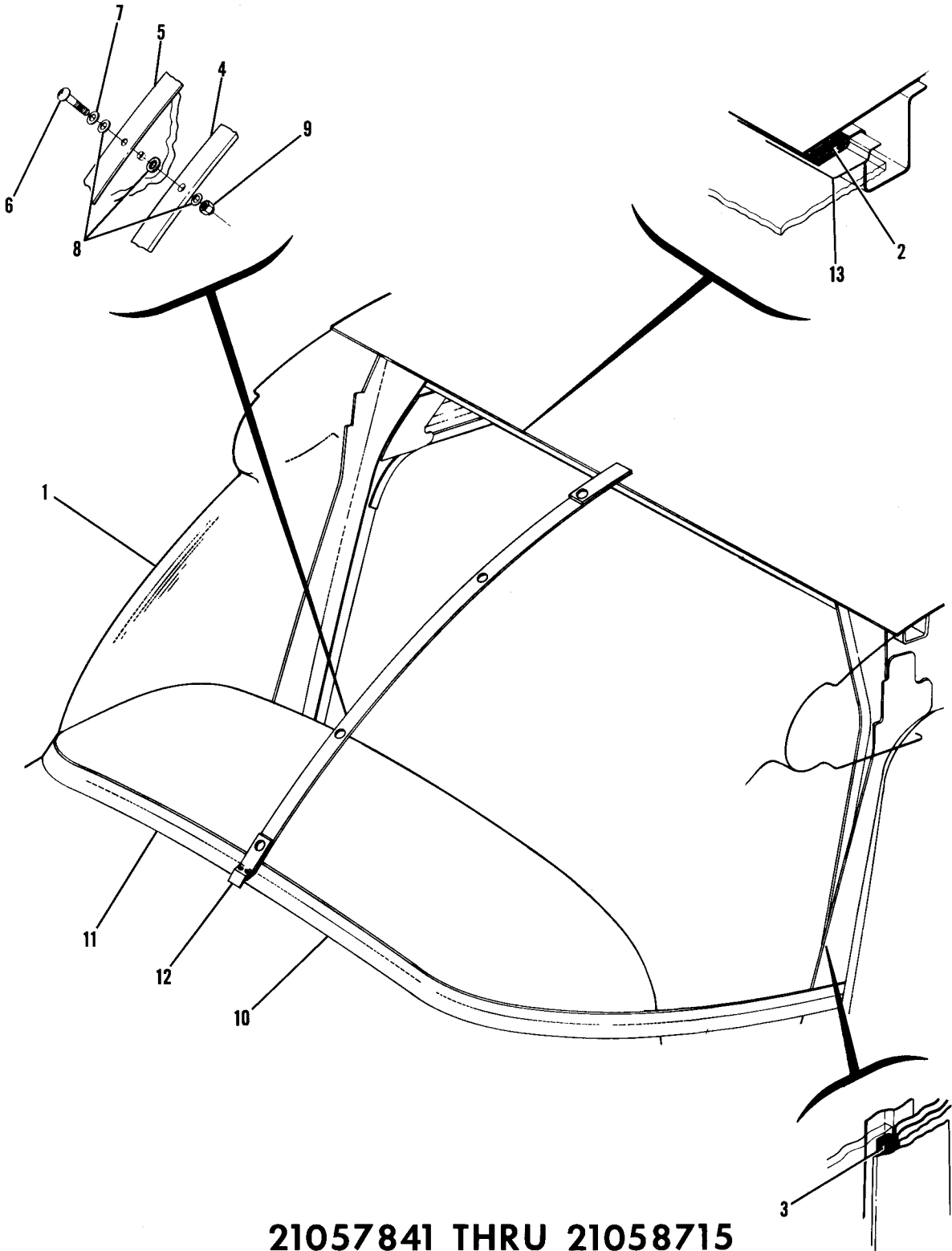
INSTALLATION **F**

Figure 28. Firewall Grommets Installation



FIGURE AND INDEX NO.	PART NUMBER	DESCRIPTION	UNITS PER ASSY	USABLE ON CODE
		1 2 3 4 5 6 7		
28 -		FIREWALL GROMMETS INSTALLATION -----	NP	
		INSTALLATION A -----	2	
- 1	S353-6	SHIELD-HALF -----	2	
		ATTACHING PARTS -----		
- 2	S1021Z8-8	SCREW -----	2	
		-----*		
- 3	S354-1	GROMMET -----	3	
		INSTALLATION B -----	2	
- 4	S1095-3	SHIELD-HALF -----	2	
		ATTACHING PARTS -----		
- 5	S1021Z8-8	SCREW -----	2	
		-----*		
- 6	NAS557-6A	GROMMET -----	1	
		INSTALLATION C -----	1	
- 7	S352	SHIELD-ONE PIECE -----	1	
		ATTACHING PARTS -----		
- 8	S1021Z8-8	SCREW -----	2	
		-----*		
- 9	MS35489-115	GROMMET -----	1	
-10	S354-1	GROMMET -----	1	
		INSTALLATION D -----	1	
-11	S352	SHIELD-ONE PIECE -----	1	
		ATTACHING PARTS -----		
-12	S1021Z8-8	SCREW -----	2	
		-----*		
-13	MS35489-118	GROMMET -----	1	
-14	S354-1	GROMMET -----	1	
		INSTALLATION E -----	1	
-15	S1095-3	SHIELD-HALF -----	2	
		ATTACHING PARTS -----		
-16	S1021Z8-8	SCREW -----	2	
		-----*		
-17	NAS557-6A	GROMMET -----	1	
		INSTALLATION F -----	1	
-18	S1095-2	SHIELD -----	2	A
		ATTACHING PARTS -----		
-19	S1021Z8-8	SCREW -----	2	A
		-----*		
-20	NAS557-4A	GROMMET -----	1	A
-21	NAS557-6A	GROMMET COWL FLAP CONTROLS -----	2	
A---210 SERIAL 21057841 THRU 21058715				

Fuselage (Cont)



21057841 THRU 21058715

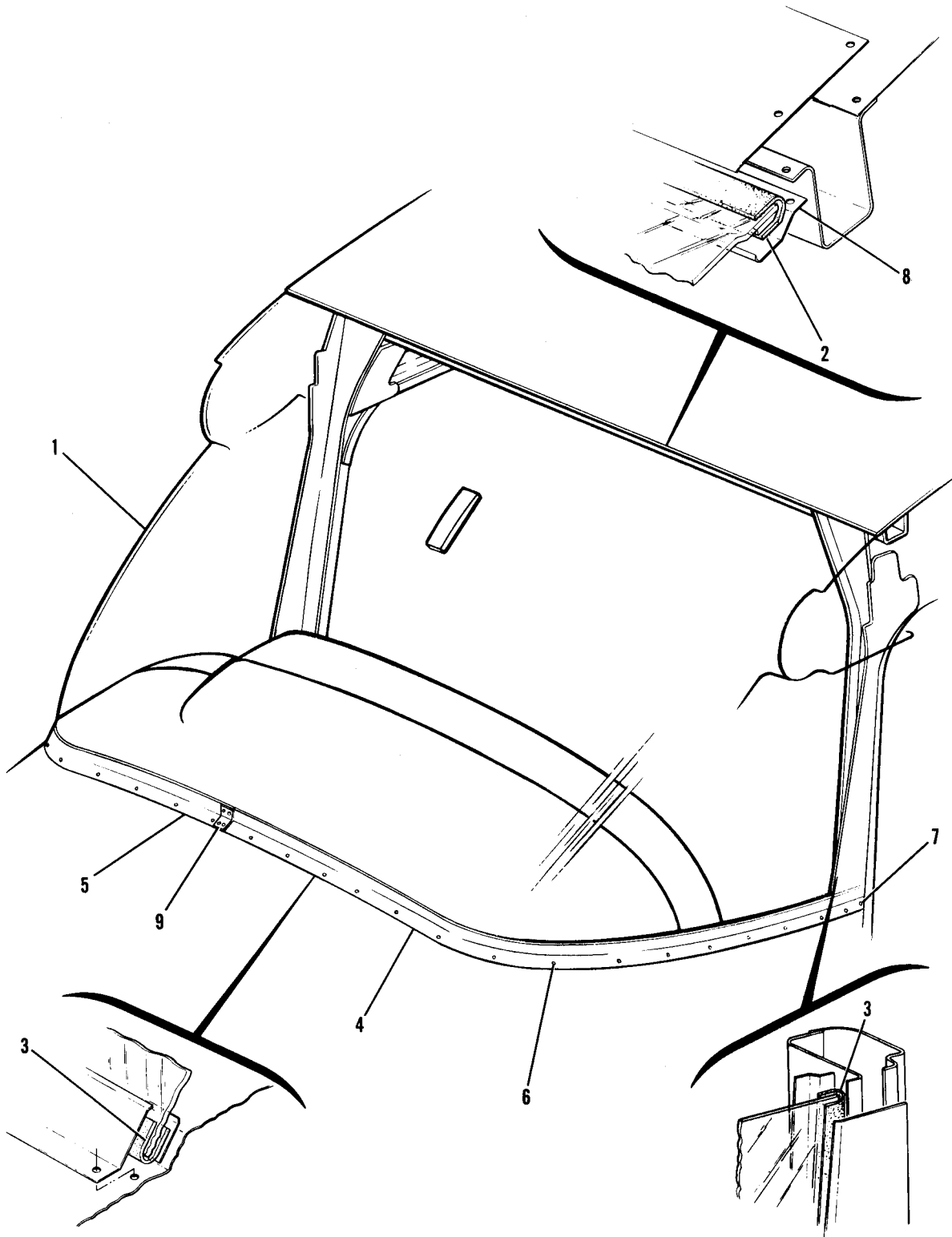
Figure 29. Windshield Installation

FIGURE AND INDEX NO.	PART NUMBER	DESCRIPTION	UNITS PER ASSY	USABLE ON CODE
		1 2 3 4 5 6 7		
29 -		WINDSHIELD INSTALLATION -----	NP	E
- 1	1213400-15	WINDSHIELD-PLEXIGLASS -----	1	C
	1213400-24	WINDSHIELD-PLEXIGLASS -----	1	D
- 2	0713113-1	PAD-WINDSHIELD UPPER -----	1	A
	S1389-3	SEAL STRIP-FELT 47 IN LG BULK ITEM -----	1	B
		REF S1389-3-47.00		
- 3	0713680-1	PAD-WINDSHIELD SIDE -----	2	A
	S1389-2	SEAL STRIP-FELT 115 IN LG BULK ITEM -----	2	B
		REF S1389-2-115.00		
- 4	0713673-3	STRIP-WINDSHIELD CENTER INNER -----	1	F
	0713673-4	STRIP ASSEMBLY-WINDSHIELD CENTER INNER -----	1	G
	NAS680A3	NUTPLATE -----	1	G
- 5	1213400-12	STRIP ASSEMBLY-WINDSHIELD CENTER OUTER -----	1	
		ATTACHING PARTS		
- 6	AN520-10R10	SCREW -----	4	
- 7	AN960-10L	WASHER -----	4	
- 8	S350	WASHER -----	12	
- 9	NAS679A3	NUT -----	4	

-10	1213400-10	RETAINER HALF-LH -----	1	
-11	1213400-11	RETAINER HALF-RH -----	1	
		ATTACHING PARTS		
-12	AN507-632R6	SCREW -----	19	
	NAS679A06	NUT -----	19	

-13	0511000-63	RETAINER-WINDSHIELD INNER -----	1	
		 A---210 SERIAL 21057841 THRU 21058085 B---210 SERIAL 21058086 THRU 21058715 C---210 SERIAL 21057841 THRU 21058220, 21058511 THRU 21058715 D---210 SERIAL 21058221 THRU 21058510 E---210 SERIAL 21057841 THRU 21058715 F---210 SERIAL 21057841 THRU 21058589 G---210 SERIAL 21058590 THRU 21058715		

Fuselage (Cont)



T210-0001 & ON
21058716 & ON

Figure 29A. Windshield Installation



FIGURE AND INDEX NO.	PART NUMBER	DESCRIPTION	UNITS PER ASSY	USABLE ON CODE
1 2 3 4 5 6 7				
29A-		WINDSHIELD INSTALLATION -----		
- 1	1213400-200	WINDSHIELD -----	NP	A
- 2	S1389-3	SEAL-FELT 47 IN LG APPROX BULK ITEM -----	1	
		REF S1389-3-47.00	AR	
- 3	S1389-2	SEAL-FELT 115 IN LG APPROX BULK ITEM -----	AR	
		REF S1389-2-115.00		
- 4	1213400-10	RETAINER-HALF LH -----	1	
- 5	1213400-11	RETAINER-HALF RH -----	1	
		ATTACHING PARTS		
- 6	S102128-8	SCREW -----	8	
- 7	AN507-632R6	SCREW -----	7	
	NAS679A06	NUT -----	15	
		-----*		
- 8	0713822-1	RETAINER-WINDSHIELD INNER -----	1	
- 9	1213400-45	TAB-RETAINER -----	1	
<p>A---210 SERIAL 21058716 & ON T210 SERIAL T210-0001 & ON</p>				

Fuselage(Cont)

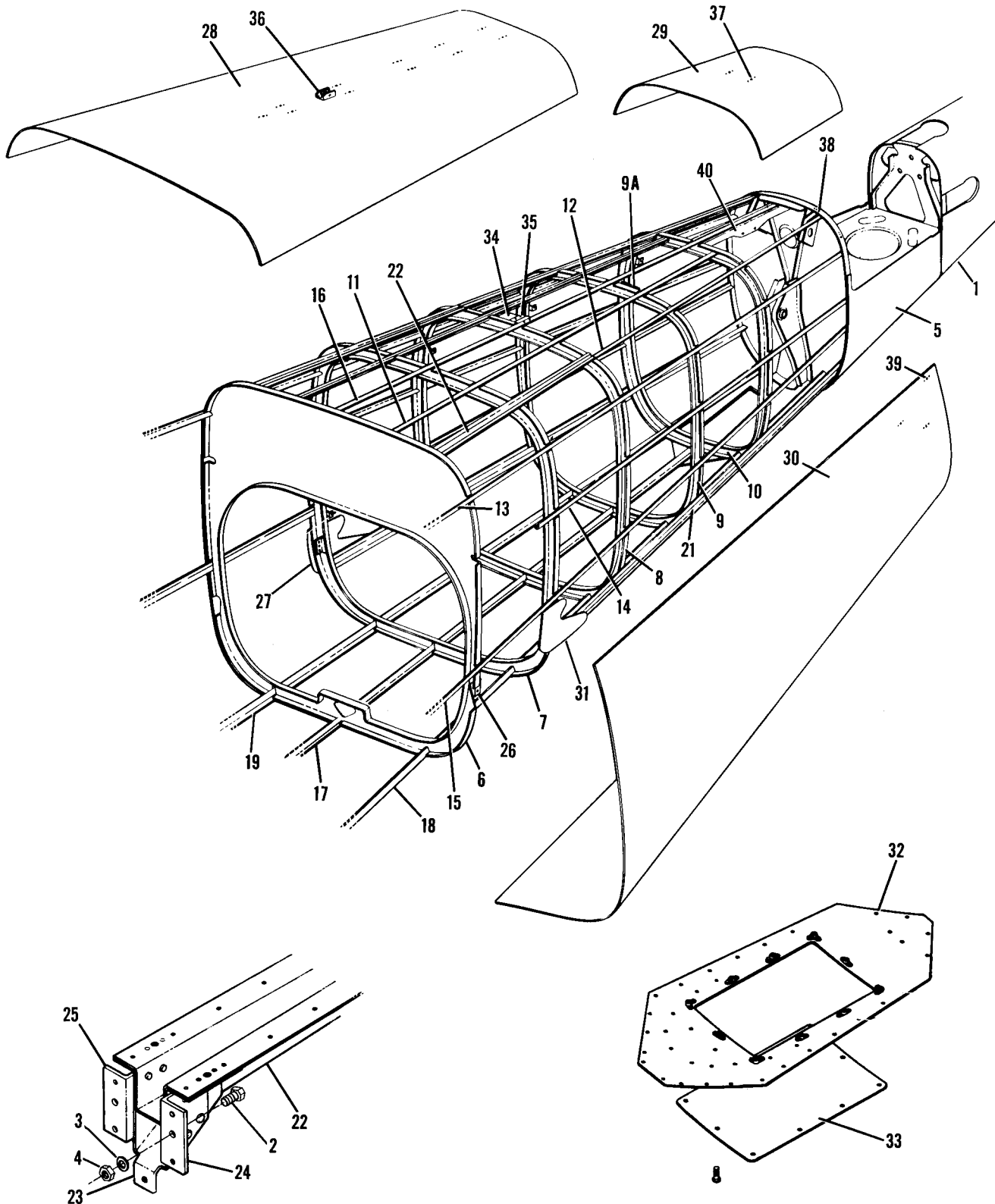


Figure 30. Tailcone Installation

FIGURE AND INDEX NO.	PART NUMBER	DESCRIPTION	UNITS PER ASSY	USABLE ON CODE
		1 2 3 4 5 6 7		
30 -		TAILCONE INSTALLATION -----	NP	
- 1	1212400-1	STINGER INSTALLATION SEE FIGURE 32 -----	1	
		TAILCONE ASSEMBLY -----	1	
		ATTACHING PARTS -----		
- 2	AN3-5A	BOLT -----	6	
- 3	AN960-10	WASHER -----	6	
- 4	NAS679A3	NUT -----	6	
- 5	1212401-1	AFT TAILCONE ASSEMBLY SEE FIGURE 31 -----	1	
- 6		BULKHEAD ASSEMBLY STA. 138.00 -----	1	
	1212411-3	BULKHEAD -----	1	
	S1154-1	BRACKET -----	2	
	NAS680A3	NUTPLATE -----	2	
- 7		BULKHEAD ASSEMBLY STA. 152.20 -----	1	
	1212412-2	FRAME-TOP -----	1	
	1212412-3	FRAME-LH -----	1	
	1212412-4	FRAME-RH -----	1	
	S1154-1	BRACKET -----	2	
- 8		BULKHEAD ASSEMBLY STA. 166.40 -----	1	
	1212413-2	FRAME-TOP -----	1	
	1212413-3	FRAME-LH -----	1	
	1212413-4	FRAME-RH -----	1	
	S1154-1	BRACKET -----	2	
- 9		BULKHEAD ASSEMBLY STA. 180.60 -----	1	
	1212414-2	FRAME-TOP -----	1	
	1212414-3	FRAME-LH -----	1	
	1212414-4	FRAME-RH -----	1	
	S1154-1	BRACKET -----	2	
- 9A	1212414-5	DOUBLER -----	1	
-10		BULKHEAD ASSEMBLY STA. 194.80 -----	1	
	1212415-2	FRAME-TOP -----	1	
	1212415-3	FRAME-LH -----	1	
	1212415-4	FRAME-RH -----	1	
	S1154-1	BRACKET -----	2	
-11	1212416-1	STRINGER-TOP LH STA. 138.00 TO 194.80 -----	1	
	1212416-2	STRINGER-TOP RH STA. 138.00 TO 194.80 -----	1	
-12	1212416-3	STRINGER-TOP LH STA. 166.40 TO 209.00 -----	1	
	1212416-4	STRINGER-TOP RH STA. 166.40 TO 209.00 -----	1	
-13	1212416-5	STRINGER-SIDE UPPER LH STA. 138.00 TO 209.00 -----	1	
	1212416-6	STRINGER-SIDE UPPER RH STA. 138.00 TO 209.00 -----	1	
-14	1212416-7	STRINGER-SIDE CENTER LH STA. 152.20 TO 209.00 -----	1	
	1212416-8	STRINGER-SIDE CENTER RH STA. 152.20 TO 209.00 -----	1	
-15	1212416-9	STRINGER-SIDE LOWER LH STA. 138.00 TO 209.00 -----	1	
	1212416-10	STRINGER-SIDE LOWER RH STA. 138.00 TO 209.00 -----	1	

CONTINUED ON NEXT PAGE

FIGURE AND INDEX NO.	PART NUMBER	DESCRIPTION							UNITS PER ASSY	USABLE ON CODE
		1	2	3	4	5	6	7		
30 -16	1212416-13	STRINGER-TOP CENTER STA. 138.00 TO 209.00 -----							1	
-17	1212416-14	STRINGER-LOWER CENTER STA. 138.00 TO 194.80 -----							1	
-18	1212416-11	STRINGER-LOWER LH STA. 112.00 TO 209.00 -----							1	
-19	1212416-12	STRINGER-LOWER RH STA. 112.00 TO 209.00 -----							1	
-20		DELETED, NEVER USED -----							NP	
-21	1212417-1	STRINGER-SIDE LH STA. 152.20 TO 230.187 -----							1	
	1212417-2	STRINGER-SIDE RH STA. 152.20 TO 230.187 -----							1	
-22	1211431-5	STRINGER ASSEMBLY-TOP LH STA. 138.00 TO 166.40 -----							1	
	1211431-6	STRINGER ASSEMBLY-TOP RH STA. 138.00 TO 166.40 -----							1	
-23	1211431-3	BRACKET-LH -----							1	
	1211431-4	BRACKET-RH -----							1	
-24	1211431-17	ANGLE-OUTBOARD LH -----							1	
	1211431-18	ANGLE-OUTBOARD RH -----							1	
-25	1211431-19	ANGLE-INBOARD LH -----							1	
	1211431-20	ANGLE-INBOARD RH -----							1	
-26	1211401-1	ANGLE-LONGERON -----							2	
-27	1211401-3	ANGLE-LONGERON -----							2	
-28	1212400-2	*	SKIN-TOP FORWARD -----						1	
-29	1212400-6	#	SKIN-TOP AFT -----						1	
-30	1212400-3	SKIN-SIDE LH -----							1	
	1212400-4	SKIN-SIDE RH -----							1	
-31	1212418-1	GUSSET-LH -----							1	
	1212418-2	GUSSET-RH -----							1	
-32	1212420-1	DOUBLER ASSEMBLY-TAILCONE -----							1	
	NAS697A08	NUTPLATE -----							1	
	NAS698A08	NUTPLATE -----							1	
-33	1212421-1	DOOR-ACCESS -----							1	
	AN515-8R6	ATTACHING PARTS SCREW -----							10	
-34	1212422-1	DOUBLER-ELEVATOR DOWN SPRING -----							1	
-35	1212025-5	BRACKET-ELEVATOR DOWN SPRING -----							1	
-36	1212419-1	CHANNEL ASSEMBLY-DORSAL FIN -----							1	
	NAS686A08	NUTPLATE -----							2	
-37	NAS697A08K	NUTPLATE -----							13	
-38	A6194-8Z-3	NUT TINN -----							4	
-39	A6195-8Z-3	NUT TINN -----							6	
-40	1212427-1	BRACKET-PULLEY -----							1	

NOTE.*WHEN ORDERING THIS PART
FOR AIRCRAFT PRIOR TO SERIAL
21058000 ALSO ORDER PART MARKED #.

This page intentionally left blank.

Fuselage (Cont)

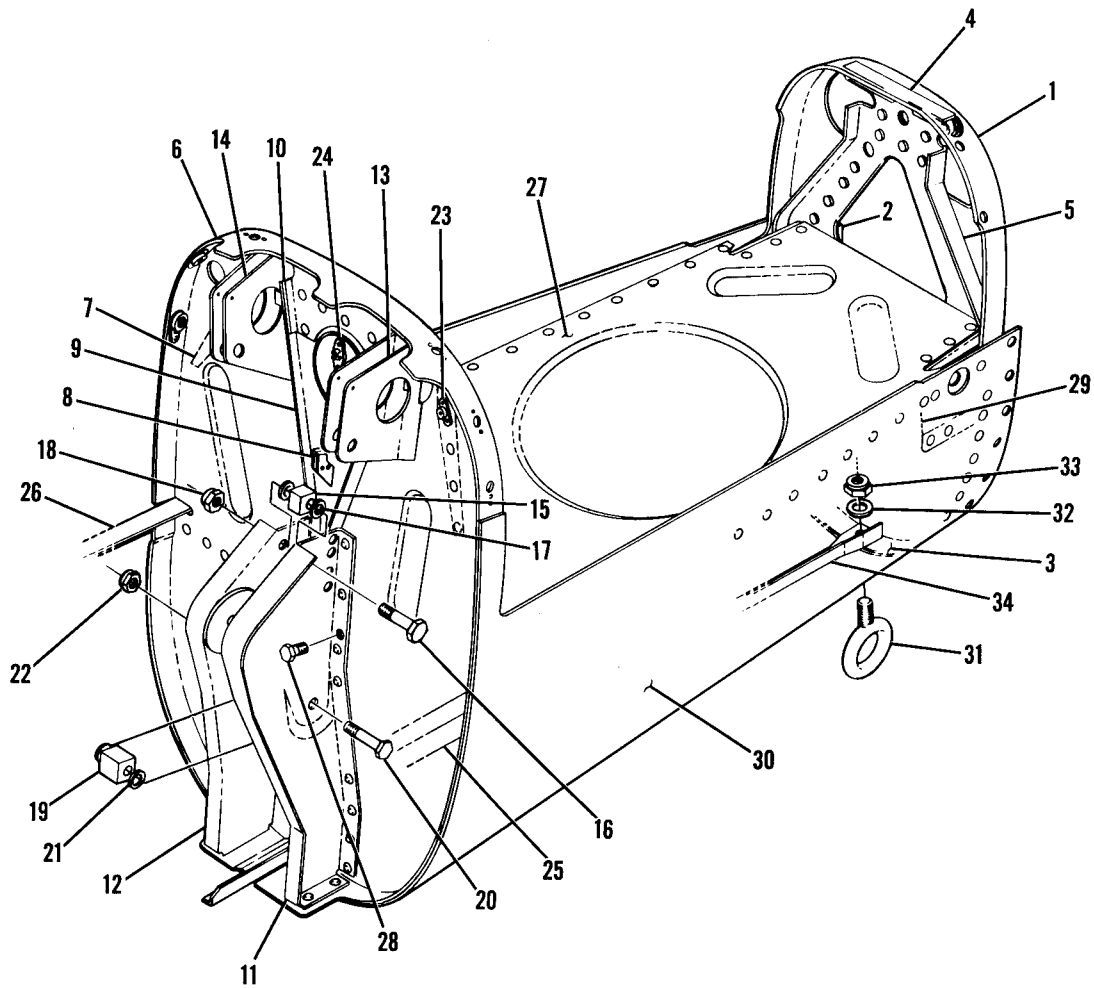


Figure 31. Aft Tailcone Assembly

FIGURE AND INDEX NO.	PART NUMBER	DESCRIPTION	UNITS PER ASSY	USABLE ON CODE
31 -	1212401-1	AFT TAILCONE ASSEMBLY-FUSELAGE STA 209.0 TO 230.187 -----	1	
	1212409-1	BULKHEAD ASSEMBLY-TAILCONE STA 230.187 -----	1	
- 1	1212409-2	BULKHEAD-TAILCONE STA 230.187 -----	1	
- 2	1212409-3	STIFFENER -----	1	
- 3	0712616-3	REINFORCEMENT -----	1	
- 4	0712616-5	STIFFENER -----	1	
- 5	1212410-1	STIFFENER -----	1	
	NAS696A3	NUT -----	2	
	1212402-1	BULKHEAD ASSEMBLY-TAILCONE STA 209.0 -----	1	
- 6	1212402-2	BULKHEAD-TAILCONE STA 209.0 -----	1	
- 7	1212003-1	DOUBLER -----	2	
- 8	0412467	BRACKET -----	1	
- 9	1212403-1	DOUBLER -----	1	
-10	1212404-1	DOUBLER -----	1	
-11	1212424-1	BRACKET ASSEMBLY-ELEVATOR BELLCRANK REAR LH -----	1	
-12	1212424-2	BRACKET ASSEMBLY-ELEVATOR BELLCRANK REAR RH -----	1	
-13	0760621-1	BRACKET-PULLEY LH -----	1	
-14	0760621-2	BRACKET-PULLEY RH -----	1	
		ATTACHING PARTS		
	AN3-3A	BOLT -----	1	
	NAS679A3	NUT -----	2	
		-----*		
-15	0510146-10	STOP-ELEVATOR UPPER -----	1	
		ATTACHING PARTS		
-16	AN4-12A	BOLT -----	1	
-17	AN960-416	WASHER -----	2	
-18	NAS679A4	NUT -----	1	
		-----*		
-19	0510146-9	STOP-ELEVATOR LOWER -----	1	
		ATTACHING PARTS		
-20	AN4-14A	BOLT -----	1	
-21	AN960-416	WASHER -----	2	
-22	NAS679A4	NUT -----	1	
		-----*		
-23	NAS697A4	NUTPLATE -----	2	
-24	A6191-6Z-3	NUT TIN -----	1	
-25	1212407-1	ANGLE-REINFORCEMENT LH -----	1	
-26	1212407-2	ANGLE-REINFORCEMENT RH -----	1	
-27	1212408-1	BULKHEAD ASSEMBLY-TAILCONE HORIZONTAL -----	1	
		ATTACHING PARTS		
-28	AN3-5A	BOLT -----	2	
	AN960-10	WASHER -----	2	
		-----*		
-29	1212408-4	STIFFENER ASSEMBLY -----	1	
	0712629-3	BRACKET-STABILIZER ATTACH LH -----	1	
	0712629-4	BRACKET-STABILIZER ATTACH RH -----	1	
-30	1212401-2	SKIN -----	1	
-31	0422344	RING-MOORING -----	1	
		ATTACHING PARTS		
-32	AN960-516L	WASHER -----	1	
-33	NAS679A5	NUT -----	1	
		-----*		
-34	1212406-1	STRINGER -----	1	

Fuselage (Cont)

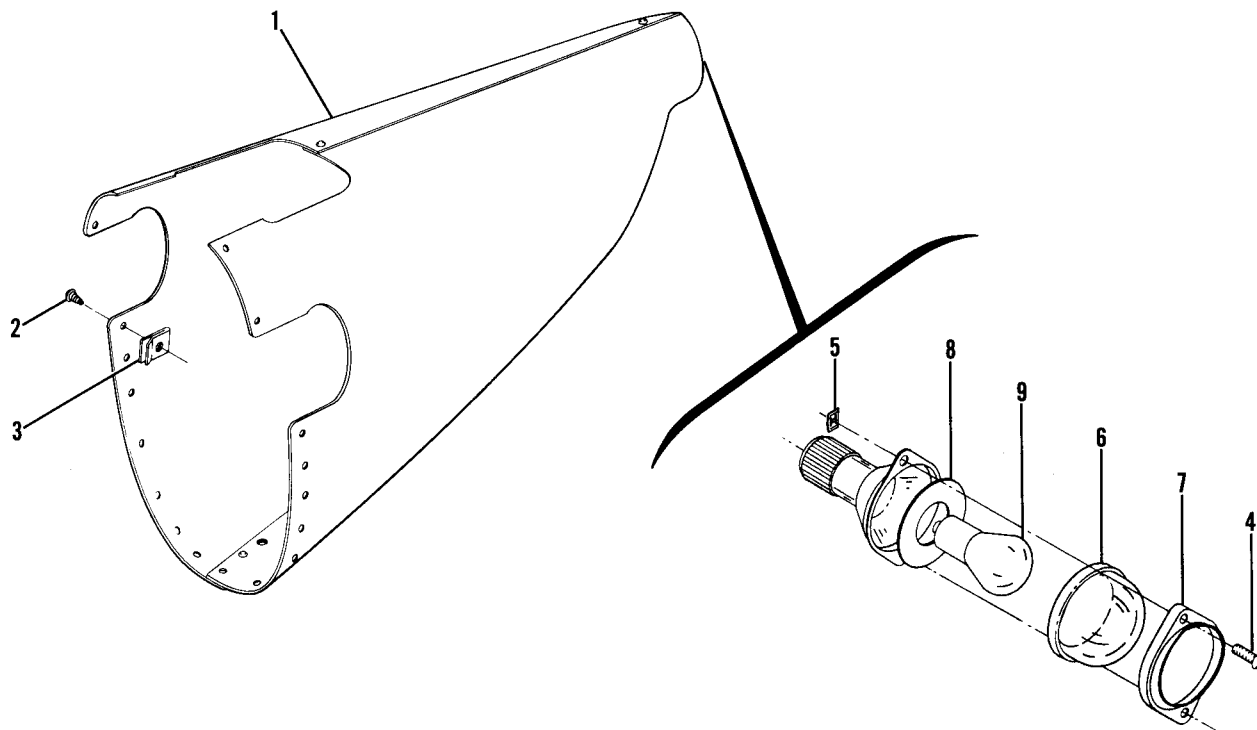


Figure 32. Stinger Installation

FIGURE AND INDEX NO.	PART NUMBER	DESCRIPTION	UNITS PER ASSY	USABLE ON CODE
32 -		1 2 3 4 5 6 7		
- 1	1212423-1	STINGER INSTALLATION -----	NP	
- 2	S1021Z8-8	STINGER ASSEMBLY -----	1	
- 3	NAS395-14-3	ATTACHING PARTS -----		
		SCREW -----	15	
		NUT -----	15	
	0433006-7	-----		
		LIGHT ASSEMBLY-TAIL -----	1	
- 4	S1021Z6-8	ATTACHING PARTS -----		
- 5	NAS395-6-3	SCREW -----	2	
		NUT -----	2	
	11682-23-1777	-----		
- 6	A2103-1	LAMP ASSEMBLY GMC -----	1	
- 7	A2108	LENS CLEAR GMC -----	1	
- 8	A2109-2	RETAINER-LENS GMC -----	1	
- 9	1777	GASKET GMC -----	1	
		LAMP BULB GMC -----	1	

This page intentionally left blank.

FIGURE AND INDEX NO.	PART NUMBER	DESCRIPTION	UNITS PER ASSY	USABLE ON CODE
		1 2 3 4 5 6 7		
33 -		LANDING GEAR INSTALLATION-NOSE -----	NP	
- 1		STEERING SYSTEM INSTALLATION SEE FIGURE 34 -----	NP	
		NOSE GEAR ASSEMBLY -----	NP	
		ATTACHING PARTS		
- 2	AN176-21A	BOLT -----	2	
- 3	AN960-616L	WASHER -----	2	
- 4	NAS679A6	NUT -----	2	
- 5	NAS464P6-42	BOLT -----	1	
- 6	AN960-616L *	WASHER -----	4	
- 7	AN960-616 *	WASHER -----	2	
- 8	AN320-6 *	NUT -----	1	
- 9	MS24665-285	PIN-COTTER -----	1	
		-----*		
-10		WHEEL ASSEMBLY-NOSE GEAR SEE FIGURES 36 & 36A -----	1	
		ATTACHING PARTS		
-11	AN5-47	BOLT -----	1	
-12	0543001	FERRULE-AXLE -----	2	
-13	0543037-1	SPACER-AXLE -----	2	
-14	0543003	TUBE-AXLE -----	1	
-15	AN960-516L	WASHER -----	1	
-16	AN310-5	NUT -----	1	
-17	MS24665-136	PIN-COTTER -----	1	
		-----*		
-18	1241062-1	HUB CAP-NOSE WHEEL -----	2	E
	1241062-1	HUB CAP-NOSE WHEEL -----	1	F
	1241062-2	HUB CAP-NOSE WHEEL ON VALVE SIDE ONLY -----	1	F
		ATTACHING PARTS		
-19	AN515-8R4	SCREW -----	3	
-20	AN936B8	WASHER -----	3	
		-----*		
-21	1243407-1	SHIMMY DAMPENER ASSEMBLY WHEN EXHAUSTED USE 1243407-3 -	1	A
		SEE FIGURE 37		
	1243407-2	SHIMMY DAMPENER ASSEMBLY WHEN EXHAUSTED USE 1243407-3 -	1	A
		SEE FIGURE 37		
	1243407-3	SHIMMY DAMPENER ASSEMBLY WHEN EXHAUSTED USE 1442114-3 -	1	B
		SEE FIGURE 37		
	1442114-3	SHIMMY DAMPENER ASSEMBLY SEE FIGURE 37A -----	1	G
	1442114-9	SHIMMY DAMPENER ASSEMBLY SEE FIGURE 37A -----	1	H
		ATTACHING PARTS		
-22	NAS464P3A12	BOLT -----	1	
-23	NAS464P3A8	BOLT -----	1	
	AN960-10L	WASHER -----	2	
	NAS679A3	NUT -----	1	
-23A	AN310C3	NUT -----	1	
	MS24665-132	COTTER PIN -----	1	
		-----*		
-24		SHOCK STRUT ASSEMBLY SEE FIGURE 35 -----	1	
-25	1243019-2	BRACKET-SQUAT SWITCH -----	1	
		ATTACHING PARTS		
-26	AN3-4A	BOLT -----	2	
	AN960-10L	WASHER -----	2	
	NAS679A3	NUT -----	2	
		-----*		
-27	1243020-1	STRIKER-SWITCH -----	1	
-28	AN3-4A	BOLT -----	1	
-29	AN960-10L	WASHER -----	1	
-30	NAS679A3	NUT -----	1	
-31	1652-B	FITTING-LUBE AL -----	1	
-32	AN936A416	WASHER -----	1	
-33	1270034-1	SWITCH -----	1	
	1270034-4	SWITCH ALT -----	1	
		-----*		
		NOTE. *PARTS MARKED * ARE PART OF 1280502-1 NOSE GEAR ACTUATOR ASSEMBLY.		
		A---210 SERIAL 21057841 THRU 21058111		
		B---210 SERIAL 21058112 THRU 21058220		
		E---210 SERIAL 21057841 THRU 21058085		
		F---210 SERIAL 21058086 & ON		
		T210 SERIAL T210-0001 & ON		
		G---210 SERIAL 21058221 THRU 21058416		
		H---210 SERIAL 21058417 & ON		
		T210 SERIAL T210-0001 & ON		

Nose Gear (Cont)

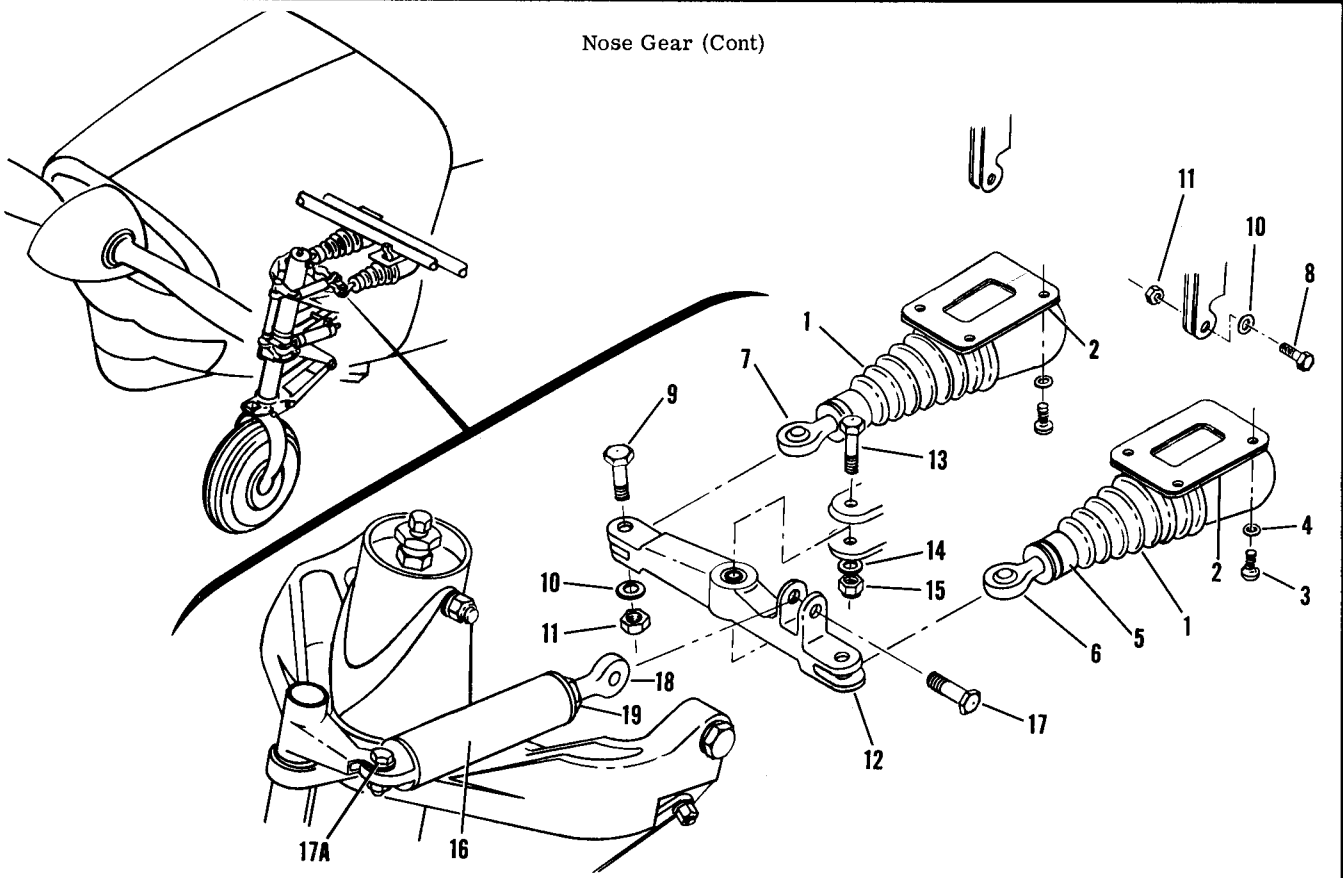


Figure 34. Nose Gear Steering System Installation

FIGURE AND INDEX NO.	PART NUMBER	DESCRIPTION	UNITS PER ASSY	USABLE ON CODE
34 -		1 2 3 4 5 6 7		
- 1	1243420-1	STEERING SYSTEM INSTALLATION-NOSE GEAR	NP	
- 2	1243419-1	BOOT-STEERING LINK ROD	2	
- 3	AN515-8R6	ATTACHING PARTS		
- 4	AN960-8L	RETAINER-STEERING BOOT	1	
- 5	NAS397-12	SCREW	4	
- 6	1243412-1	WASHER	4	
- 7	1243412-2	CLAMP	1	
- 8	NAS464P3A7	LINK ROD ASSEMBLY-LH	1	
- 9	NAS464P3A9	LINK ROD ASSEMBLY-RH	1	
- 10	AN960-10L	ATTACHING PARTS		
- 11	NAS679A3	BOLT	1	
- 12	1243411-1	BOLT	1	
- 13	NAS464P4A20	WASHER	2	
- 14	AN960-416L	NUT	2	
- 15	NAS679A4	NUT	1	
- 16	1243406-1	WHIFFLETREE ASSEMBLY	1	
- 17	NAS464P4A16	ATTACHING PARTS		
- 17A	AN960-416L	BOLT	1	
	NAS679A4	WASHER	1	
	NAS464P3A10	NUT	1	
	AN960-10L	BOLT	1	
	NAS679A3	WASHER	1	
	NAS679A3	NUT	1	
- 18	REF-4TH-8	ROD END HLFB	1	
- 19	AN316-4R	NUT-CHECK	1	

This page intentionally left blank.

Nose Gear (cont)

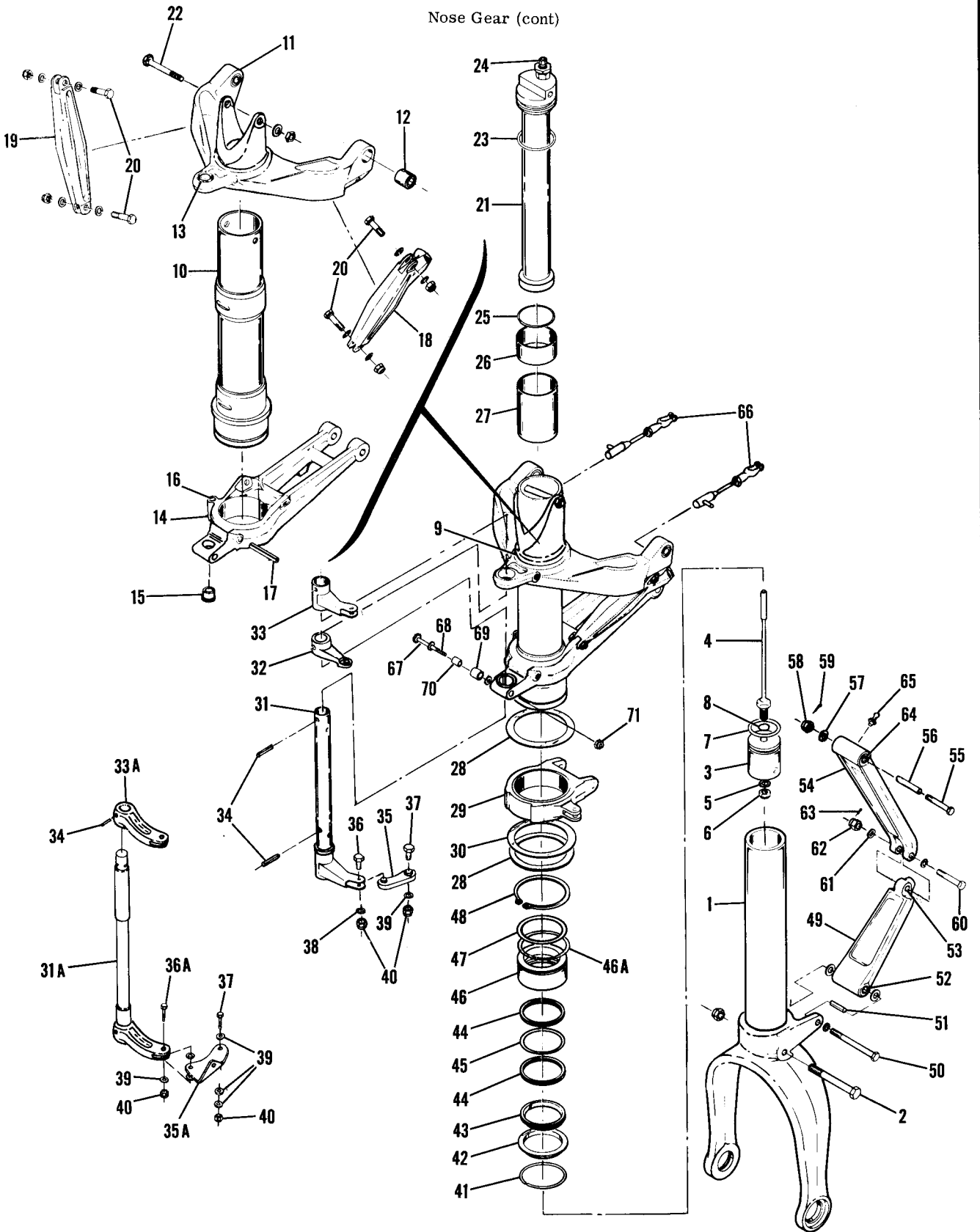


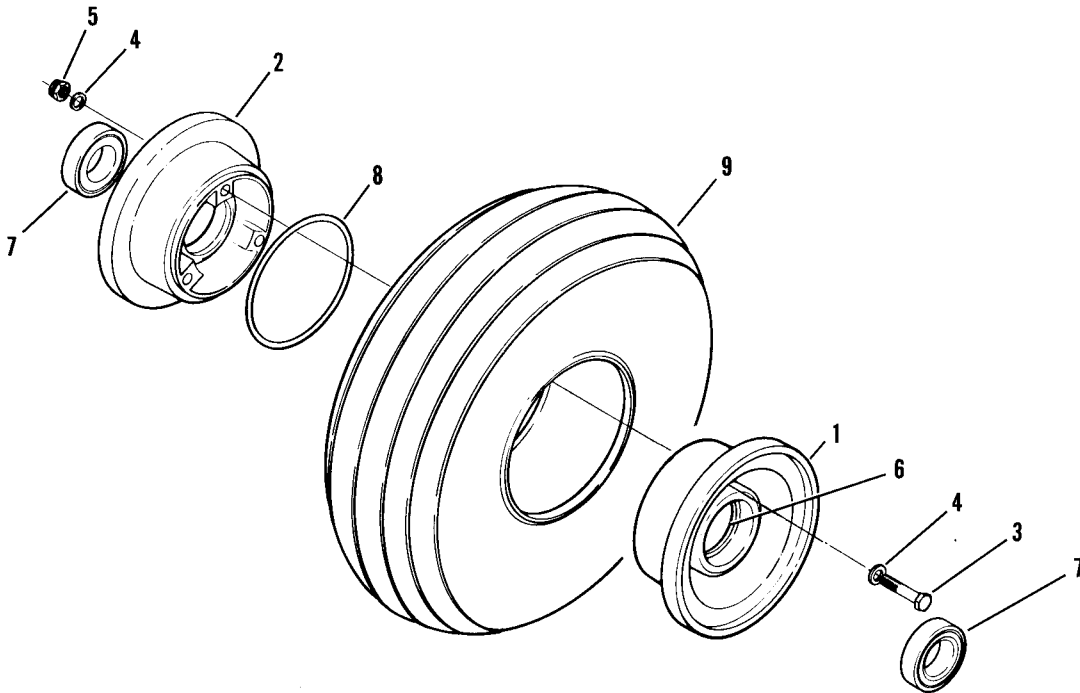
Figure 35. Nose Gear Shock Strut Assembly

FIGURE AND INDEX NO.	PART NUMBER	DESCRIPTION	UNITS PER ASSY	USABLE ON CODE
		1 2 3 4 5 6 7		
35 -	1243400-200	SHOCK STRUT ASSY-NOSE GEAR WHEN EXHAUSTED ----- USE 1243400-203	1	A
	1243400-203	SHOCK STRUT ASSEMBLY-NOSE GEAR WHEN EXHAUSTED ----- USE 1243400-204	1	E
	1243400-204 **	SHOCK STRUT ASSEMBLY-NOSE GEAR -----	1	D
- 1	1243400-201	PISTON & FORK ASSY-NOSE GEAR WHEN EXHAUSTED USE 1243400-202 -----	1	A
	1243400-202	PISTON & FORK ASSY-NOSE GEAR -----	1	B
	SK210-40	FORK-NOSE GEAR REPLACEMENT KIT -----	1	
- 2	AN5-30A	BOLT -----	1	A
	AN5-33A	BOLT -----	1	B
	AN960-516L	WASHER -----	1	
	NAS679A5	NUT -----	1	
- 3	0841200-7	PLUG-PIN BASE -----	1	
- 4	0841200-21	PIN-METERING -----	1	
		ATTACHING PARTS		
- 5	AN960-416L	WASHER -----	1	
- 6	NAS679A4	NUT -----	1	
		---*---		
- 7	AN6227B26	O RING -----	1	
- 8	AN6227B5	O RING -----	1	
- 9	1243400-2	TRUNNION & BARREL ASSEMBLY-NOSE GEAR -----	1	
-10		DELETED NOT PROCURABLE -----		
-11		DELETED NOT PROCURABLE -----		
-12	BRA-6	BEARING TOR -----	2	
-13	S1004-46A	BEARING -----	1	
-14		DELETED NOT PROCURABLE -----		
-15	S1004-45A	BEARING -----	1	
-16	7-1028-1	PIN-DOWEL DMS -----	1	
-17	NAS561P8-32	PIN-SPRING -----	1	
-18	1243008-3	BRACE LH -----	1	
-19	1243008-4	BRACE RH -----	1	
		ATTACHING PARTS		
-20	NAS464P4A10	BOLT -----	2	
	AN960-416L	WASHER -----	2	
	NAS679A4	NUT -----	2	
		---*---		
-21	1243400-4	SUPPORT ASSEMBLY-PISTON ORIFICE -----	1	
		ATTACHING PARTS		
-22	AN5-32A	BOLT -----	1	
	AN960-516L	WASHER -----	1	
	NAS679A5	NUT -----	1	
		---*---		
-23	AN6230B3	O RING -----	1	
-24	0543036-1	VALVE ASSEMBLY -----	1	
	AN6287-1	VALVE ASSEMBLY ALT -----	1	
	MS28889-1	VALVE ASSEMBLY ALT -----	1	
-25	0841200-19	LOCK RING -----	1	
-26	0841200-18	BEARING -----	1	
-27	1243014-1	SPACER -----	1	
-28	0543029	WASHER -----	2	
-29	1243404-1	COLLAR ASSEMBLY -----	1	
-30	1243030-5	SHIM .006 IN. THICK STAINLESS STEEL -----	AR	
	1243030-6	SHIM .012 IN. THICK STAINLESS STEEL -----	AR	
	1243030-7	SHIM .020 IN. THICK STAINLESS STEEL -----	AR	
	1243405-200	SHAFT ASSEMBLY-NOSE GEAR STEERING -----	1	C
	1243625-200	SHAFT ASSEMBLY-NOSE GEAR STEERING -----	1	D
-31		WELD ASSEMBLY ORDER COMPLETE ASSEMBLY -----	NP	
-32		ARM-SHIMMEY DAMPENER ORDER COMPLETE ASSEMBLY -----	NP	
-33		ARM-STEERING BUNGEE ORDER COMPLETE ASSEMBLY -----	NP	
		ATTACHING PARTS		
-34	NAS561P7-16	PIN-SPRING -----	2	
		---*---		
-35	1243018-1	LINK-STEERING -----	1	C
-35A	1243621-2	LINK-STEERING -----	1	D
		ATTACHING PARTS		
-36	NAS464P3A7	BOLT -----	1	C
-36A	NAS464P3A9	BOLT -----	1	D
-37	NAS464P3A9	BOLT -----	1	
-38	AN960-10	WASHER FORWARD ATTACH -----	1	C
-39	AN960-10L	WASHER 3 FORWARD ATTACH -----	3	D
	AN960-10L	WASHER -----	1	C
-40	NAS679A3	NUT -----	2	
		---*---		

CONTINUED ON NEXT PAGE

FIGURE AND INDEX NO.	PART NUMBER	DESCRIPTION	UNITS PER ASSY	USABLE ON CODE
35 -41	0841200-25	RING-LOCK -----	1	
-42	0841200-15	RING-PACK RETAINER -----	1	
-43	S11065-21	RING-SCRAPER -----	1	
-44	S1628-329	RING-BACK UP -----	2	
-45	AN6227B32	O RING -----	1	
-46	1243626-1	RING-PACK SUPPORT -----	1	
-46A	0841200-31	SHIM -----	AR	
-47	AN6230B6	O RING -----	1	
-48	NAS670-275	SNAP RING -----	1	
-49	0543035-7	LINK-TORQUE LOWER ATTACHING PARTS -----	1	
-50	AN4-31A	BOLT -----	1	
-51	0543047-1	SPACER -----	1	
	AN960-416L	WASHER -----	AR	
	AN310-4	NUT -----	1	
	MS24665-134	PIN-COTTER -----	1	
-52	NAS77-6-88	BUSHING -----	1	
-53	NAS77-3-23	BUSHING -----	1	
-54	0543035-6	LINK-TORQUE UPPER ATTACHING PARTS -----	1	
-55	AN4-31A	BOLT -----	1	
-56	0543047-1	SPACER -----	2	
	0543048-1	SHIM -----	AR	
-57	AN960-416L	WASHER -----	1	
-58	AN310-4	NUT -----	1	
-59	MS24665-134	PIN-COTTER -----	1	
-60	NAS464P3-22	BOLT -----	1	
-61	AN960-10L	WASHER -----	1	
-62	AN310-3	NUT -----	1	
-63	MS24665-134	PIN-COTTER -----	1	
-64	NAS77-6-88	BUSHING -----	1	
-65	AN944-101A	FITTING-NOSE GEAR LUBRICATION -----	1	
-66	1243037-5	ROD ASSEMBLY -----	2	
-67	AN4-23A	BOLT -----	1	
-68	AN960-416L	WASHER -----	2	
-69	1243421-1	ROLLER -----	1	
-70	1243421-2	BUSHING -----	1	
-71	NAS679A4	NUT -----	1	
<p>NOTE.**PARTS MARKED * ARE INCLUDED IN 1243400-202 ASSEMBLY.</p> <p>NOTE.#WHEN ORDERING THIS PART FOR AIRPLANES PRIOR TO SERIAL 21058133 ALSO ORDER MATING PART MARKED #.</p> <p>NOTE. **WHEN ORDERING THIS PART FOR AIRPLANES PRIOR TO SERIAL 21058499 ALSO ORDER 1442114-9 SHIMMY DAMPENER.</p> <p>A---210 SERIAL 21057841 THRU 21058190 B---210 SERIAL 21058191 & ON T210 SERIAL T210-0001 & ON C---210 SERIAL 21057841 THRU 21058498 D---210 SERIAL 21058499 & ON T210 SERIAL T210-0001 & ON E---210 SERIAL 21058191 THRU 21058498</p>				

Nose Gear (Cont)



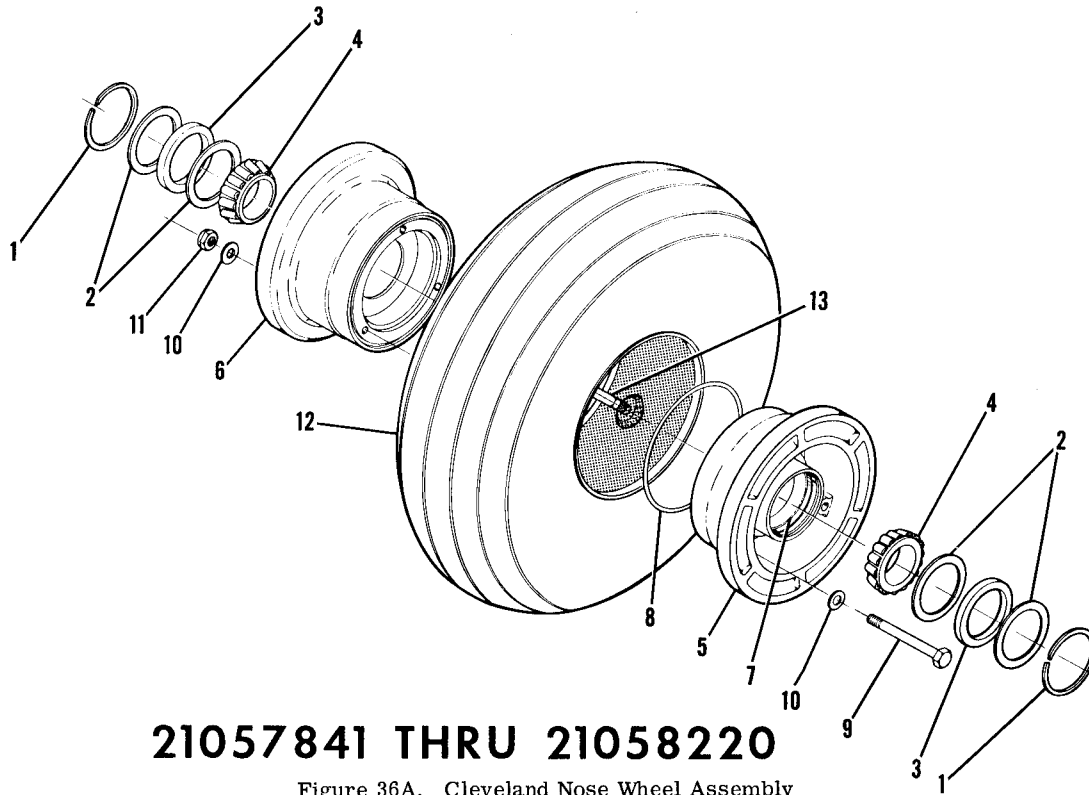
21057841 THRU 21058085

Figure 36. Nose Wheel Assembly

FIGURE AND INDEX NO.	PART NUMBER	DESCRIPTION	UNITS PER ASSY	USABLE ON CODE
36 -		1 2 3 4 5 6 7		
-	0743001-2	WHEEL ASSEMBLY-NOSE GEAR -----	NP	A
- 1	9532671	WHEEL ASSEMBLY-NOSE GY9532669 -----	1	
- 2	9532672	WHEEL SUBASSEMBLY-FEMALE GY -----	1	
		WHEEL SUBASSEMBLY-MALE GY -----	1	
		ATTACHING PARTS		
- 3	AN4-14A	BOLT -----	3	
- 4	AN960-416	WASHER -----	6	
- 5	22-FH-428	NUT SPS -----	3	

- 6	LM67010XL	CUP-BEARING TYR -----	1	
- 7	LM6708XL	CONE-BEARING TYR -----	2	
- 8	AN6230B20	O RING -----	1	
- 9	C262003-0302	TIRE TUBELESS 5.00X5 6 PLY RATED -----	1	
		A---210 SERIAL 21057841 THRU 21058085		

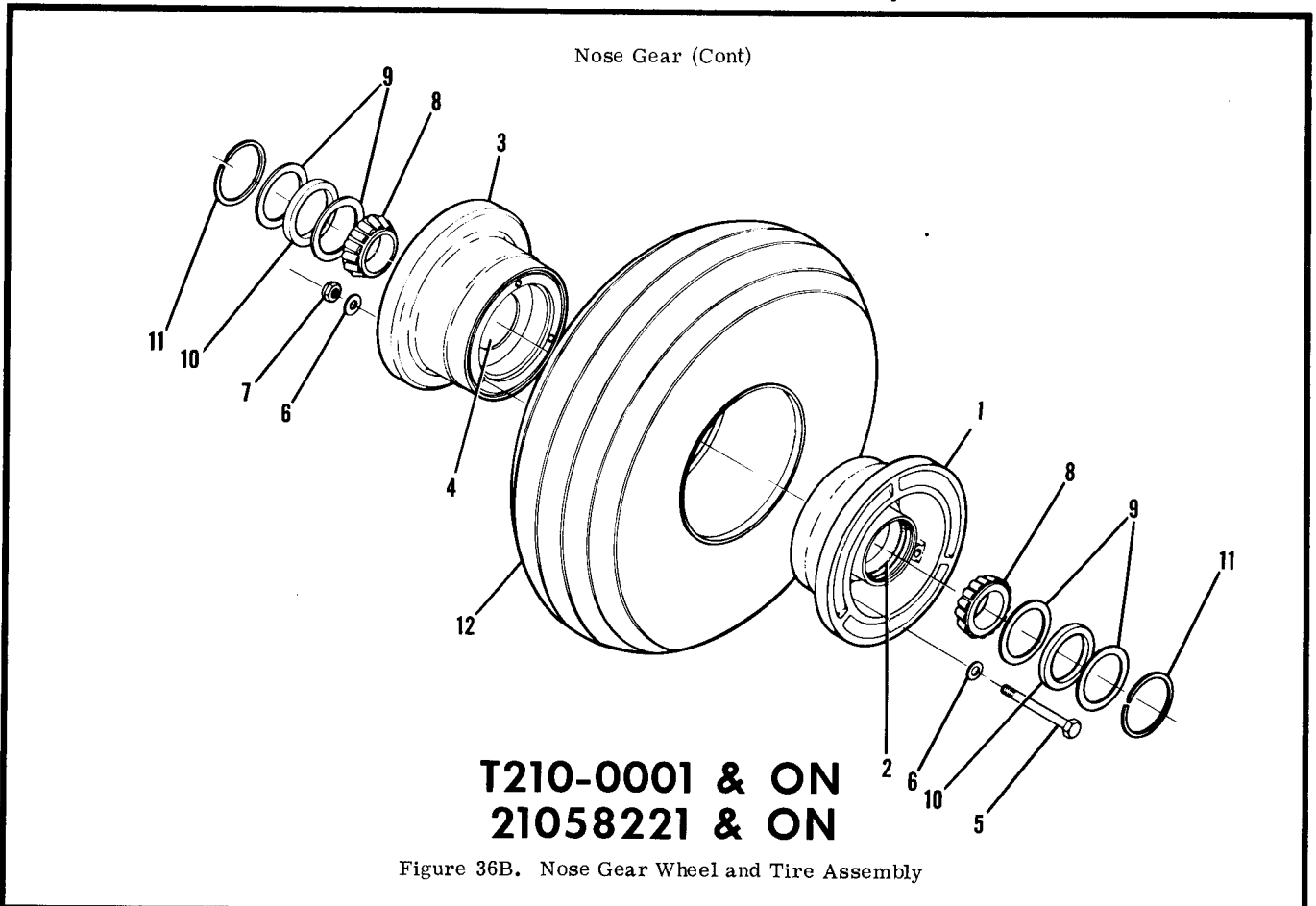
Nose Gear (Cont)



21057841 THRU 21058220

Figure 36A. Cleveland Nose Wheel Assembly

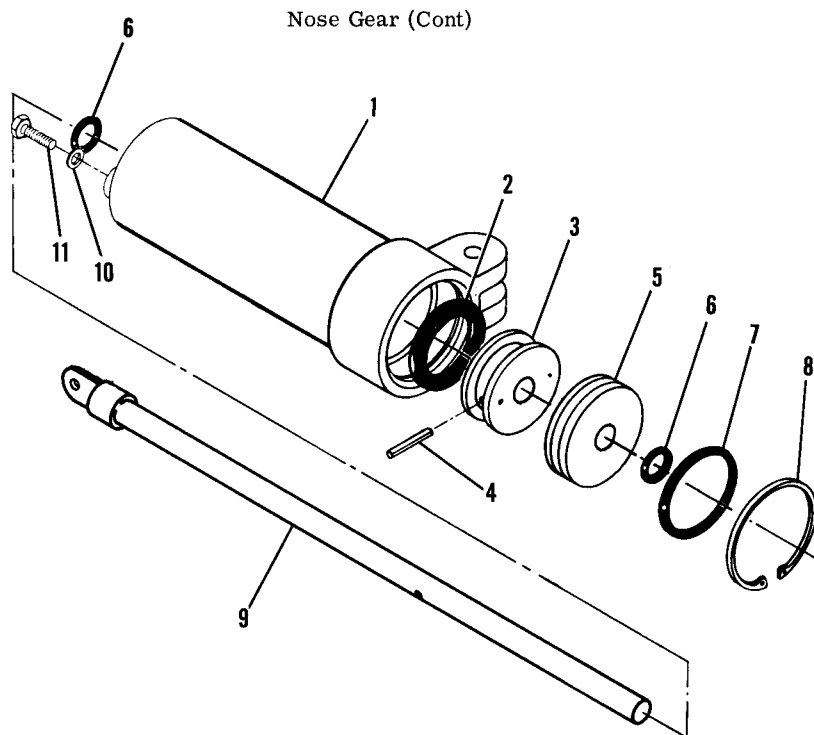
FIGURE AND INDEX NO.	PART NUMBER	DESCRIPTION	UNITS PER ASSY	USABLE ON CODE
		1 2 3 4 5 6 7		
36A-		WHEEL ASSEMBLY-NOSE GEAR ALTERNATE CLEVELAND -----	NP	A
		WHEEL ASSEMBLY-NOSE GEAR CLEVELAND -----	NP	B
	0743001-4	WHEEL ASSEMBLY CFP 40-35 -----	1	A
	0441156-20	WHEEL ASSEMBLY CFP 40-68 -----	1	B
- 1	155-2	RING-SNAP CFP -----	2	
- 2	153-8	RING-GREASE SEAL CFP -----	4	
- 3	154-6	GREASE SEAL-FELT CFP -----	2	
- 4	08125	BEARING CFP -----	2	
- 5	161-18	WHEEL HALF ASSEMBLY-MALE CFP -----	1	A
	161-15	WHEEL HALF ASSEMBLY-MALE CFP -----	1	B
- 6	161-16	WHEEL HALF ASSEMBLY-FEMALE CFP -----	1	A
	162-14	WHEEL HALF ASSEMBLY-FEMALE CFP -----	1	B
- 7	08231	CUP-BEARING CFP -----	1	
- 8	1866-22	O RING CFP -----	1	A
- 9	AN3-31A	BOLT -----	3	A
	AN4-31A	BOLT -----	3	B
-10	AN960-416	WASHER -----	6	
-11	NAS679A4	NUT -----	3	
-12	C262003-0302	TIRE-TUBELESS 5.00X5 6 PLY RATED -----	1	A
	C262003-0202	TIRE 5.00X5 6 PLY RATED -----	1	B
	C262023-0101	TUBE -----	1	B
-13	6241M	EXTENSION-VALVE DL -----	1	B
	3680C	EXTENSION-VALVE SV ALTERNATE -----	1	B
		A---210 SERIAL 21057841 THRU 21058085		
		B---210 SERIAL 21058086 THRU 21058220		



**T210-0001 & ON
21058221 & ON**

Figure 36B. Nose Gear Wheel and Tire Assembly

FIGURE AND INDEX NO.	PART NUMBER	DESCRIPTION	UNITS PER ASSY	USABLE ON CODE
		1 2 3 4 5 6 7		
36B-		NOSE GEAR WHEEL ASSEMBLY -----	NP	A
- 1	1241156-12	WHEEL ASSEMBLY-NOSE CFP 40-77 5.00X5 -----	1	
- 2	161-31	INNER WHEEL HALF ASSEMBLY 5.00X5 CFP -----	1	
- 3	08231	CUP-BEARING CFP -----	1	
- 4	162-28	OUTER WHEEL HALF ASSEMBLY 5.00 X 5 CFP -----	1	
- 5	08231	CUP-BEARING CFP -----	1	
- 6	217-1	GROMMET CFP -----	1	
- 7	AN4-22A	BOLT CFP -----	3	
- 8	AN960-416	WASHER CFP -----	6	
- 9	NAS679A4	NUT CFP -----	3	
- 10	08125	CONE-BEARING CFP -----	2	
- 11	153-8	RING-GREASE SEAL CFP -----	4	
- 12	154-6	FELT-GREASE SEAL CFP -----	2	
	155-2	RING-SNAP CFP -----	2	
	C262003-0202	TIRE 5.00 X 5 6 PLY RATED -----	1	
	C262023-0101	TUBE 5.00 X 5 -----	1	
	6241M	EXTENSION-VALVE DL -----	1	
	3680C	EXTENSION-VALVE SV ALTERNATE -----	1	
		A---210 SERIAL 21058221 & ON T210 SERIAL T210-0001 & ON		



21057841 THRU 21058220

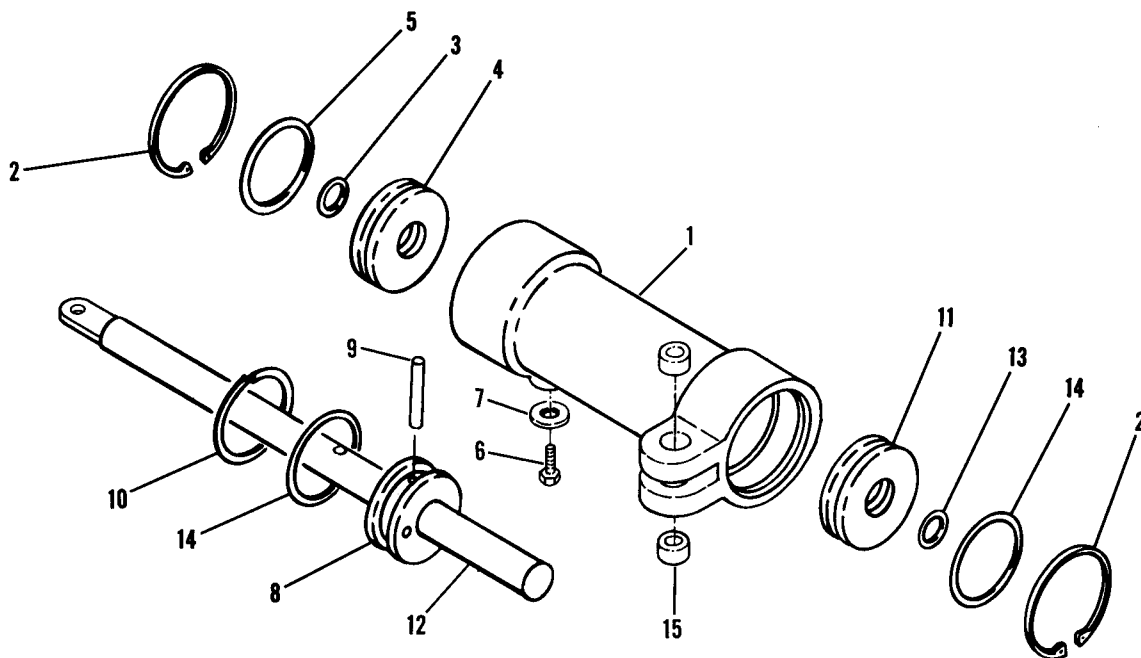
Figure 37. Shimmy Dampener Assembly

FIGURE AND INDEX NO.	PART NUMBER	DESCRIPTION	UNITS PER ASSY	USABLE ON CODE		
			1	2	3	4
37 -	1243407-1	SHIMMY DAMPENER ASSEMBLY WHEN EXHAUSTED USE 1243407-3	1	A		
	1243407-2	SHIMMY DAMPENER ASSEMBLY ALT WHEN EXHAUSTED USE 1243407-3	1	A		
	1243407-3	SHIMMY DAMPENER ASSEMBLY WHEN EXHAUSTED USE 1442114-3 SEE FIGURE 37A	1	B		
	- 1	0542100-1 * BARREL-SHIMMY DAMPENER	1			
		0542100-5 # BARREL-SHIMMY DAMPENER	1			
		0542100-3 ## BARREL-SHIMMY DAMPENER	1			
	- 2	AN6227B18 ** O-RING	1			
	- 3	1243416-1 * PISTON-SHIMMY DAMPENER	1			
		0743615-1 ** PISTON-SHIMMY DAMPENER	1			
	- 4	NAS561P4-14 PIN-SLOTTED SPRING	1			
	- 5	0542102-1 * BEARING-HEAD	1			
	0542102-2 ** BEARING-HEAD	1				
- 6	AN6227B6 * O-RING	2				
	AN6227B7 ** O-RING	2				
- 7	AN6227B20 O-RING	1				
- 8	NAS669-131 RING-INTERNAL	1				
- 9	0743603-4 * SHAFT ASSEMBLY	1				
	0743603-10 # SHAFT ASSEMBLY	1				
	0743603-12 ## SHAFT ASSEMBLY	1				
-10	600-015-100S ## STAT-O-SEAL PAET	1				
-11	NAS563-11 ** BOLT	1				

NOTE. * THESE PARTS USED ON 1243407-1 ONLY
 NOTE. # THESE PARTS USED ON 1243407-2 ONLY
 NOTE. ##THESE PARTS USED ON 1243407-3 ONLY
 NOTE. ** THESE PARTS USED ON 1243407-2 & 1243407-3

A---210 SERIAL 21057841 THRU 21058109, 21058112 & 21058113
 B---210 SERIAL 21058110, 21058111, 21058114 THRU 21058220

Nose Gear (Cont)



T210-0001 & ON 21058221 & ON

Figure 37A. Shimmy Dampener Assembly

FIGURE AND INDEX NO.	PART NUMBER	DESCRIPTION	UNITS PER ASSY	USABLE ON CODE
		1 2 3 4 5 6 7		
37A-	1442114-3	SHIMMY DAMPENER ASSEMBLY -----	1	A
	1442114-9	SHIMMY DAMPENER ASSEMBLY -----	1	B
- 1	1442112-1	BARREL-SHIMMY DAMPENER -----	1	
- 2	NAS669-143	RING-INTERNAL RETAINING -----	4	
- 3	AN6227B10	O RING -----	1	
- 4	1442113-4	BEARING-HEAD -----	1	
- 5	AN6227B22	O RING -----	1	
- 6	NAS563-11	BOLT -----	1	
- 7	600-015-1005	LOCK-O-SEAL PAET -----	1	
	1442114-4	PISTON ASSEMBLY-SHIMMY DAMPENER -----	1	A
	1442114-8	PISTON ASSEMBLY-SHIMMY DAMPENER -----	1	B
- 8	1442113-1	PISTON -----	1	
		ATTACHING PARTS		
- 9	NAS561P4-18	PIN-ROLL -----	1	
		-----*		
-10	MS28782-22	RETAINER -----	1	
-11	1422113-2	BEARING-HEAD -----	1	
-12	1442113-4	ROD-PISTON -----	1	A
	1442113-6	ROD-PISTON -----	1	B
-13	AN6227B10	O RING -----	1	
-14	AN6227B22	O RING -----	2	
-15	NAS75-3-008	BUSHING -----	2	
		A---210 SERIAL 21058221 THRU 21058416		
		B---210 SERIAL 21058417 & ON		
		T210 SERIAL T210-0001 & ON		

Main Gear

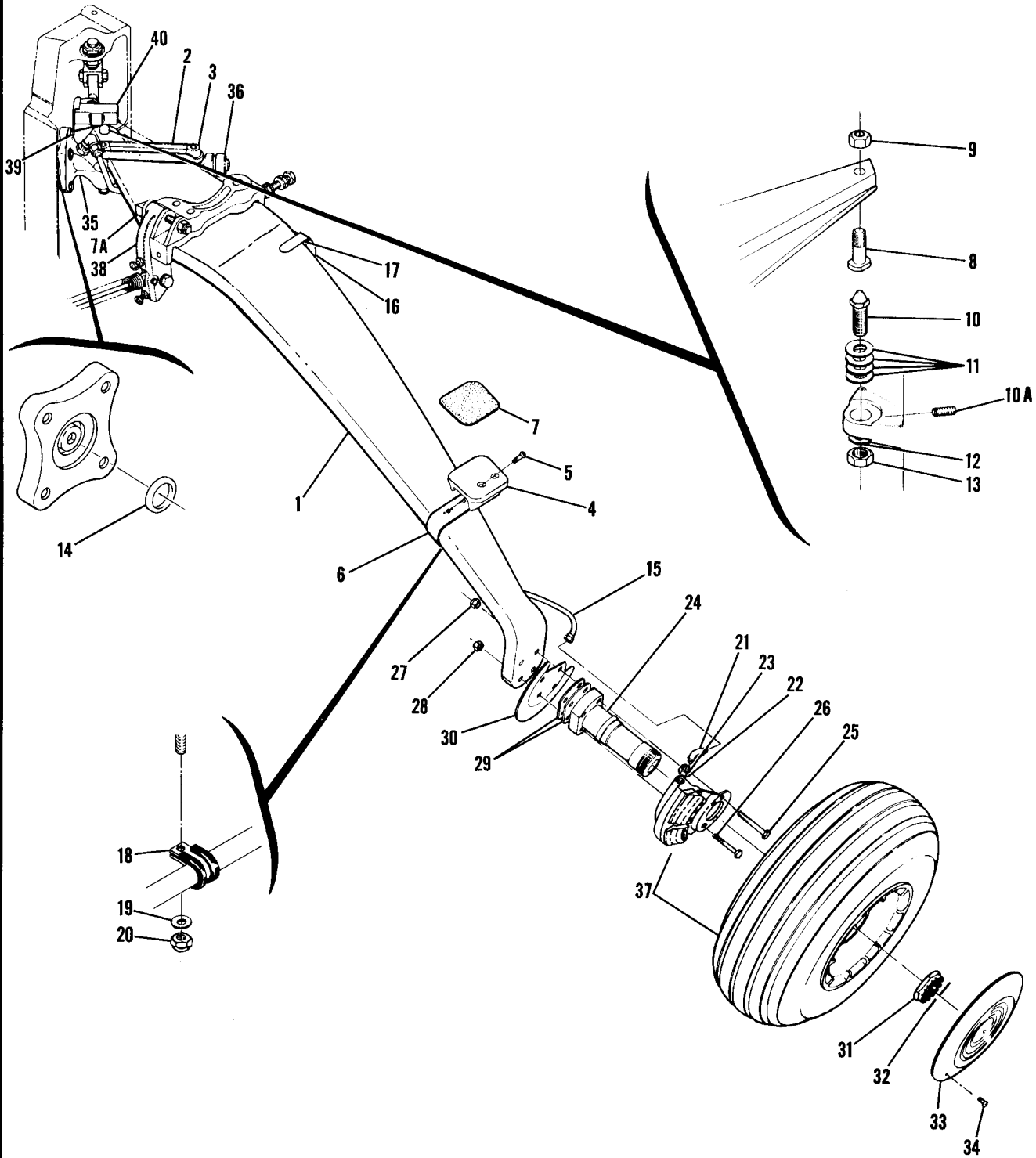


Figure 38. Main Gear Installation

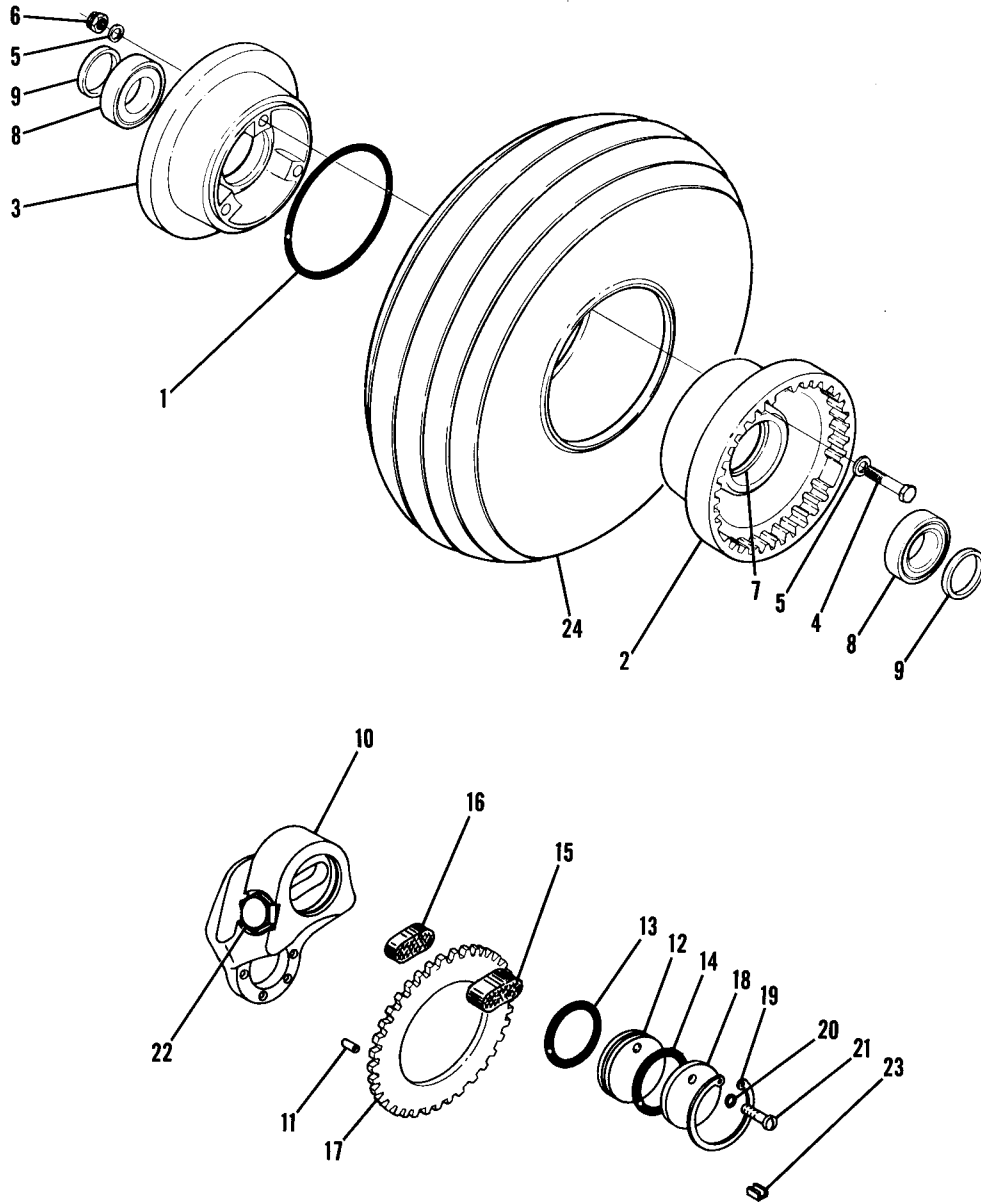
FIGURE AND INDEX NO.	PART NUMBER	DESCRIPTION	UNITS PER ASSY	USABLE ON CODE
		1 2 3 4 5 6 7		
38 -		LANDING GEAR INSTALLATION-MAIN -----	NP	
- 1	1241401-201	SPRING ASSEMBLY-MAIN LANDING GEAR LH -----	1	
	1241401-200	SPRING ASSEMBLY-MAIN LANDING GEAR RH -----	1	
		ATTACHING PARTS -----		
- 2	1241425-1	CAP -----	1	
	1241425-2	CAP -----	1	
- 3	NAS146-39	BOLT -----	2	
	MS20002C6	WASHER -----	2	
	NAS679A6	NUT -----	2	
		-----*		
- 4	1241043-1	STEP-LH -----	1	
	1241043-2	STEP-RH -----	1	
		ATTACHING PARTS -----		
- 5	AN525-10R14	SCREW -----	2	
		-----*		
- 6	1241042-1	STRAP ASSEMBLY-LH -----	1	
	1241042-2	STRAP ASSEMBLY-RH -----	1	
- 7	1241048-1	TREAD-LH -----	1	
	1241048-2	TREAD-RH -----	1	
- 7A	1241416-1	STOP-POSITION SWITCH LH -----	1	
	1241416-2	STOP-POSITION SWITCH RH -----	1	
- 8	1241407-1	BOLT-STOP -----	1	
- 9	MS20364-720C	NUT -----	1	
-10	1241434-1	PIN -----	1	
-10A	AN565D8H5	SET SCREW -----	2	
-11	1241418-1	SHIM .045 IN. THICK -----	AR	
	1241418-2	SHIM .012 IN. THICK -----	AR	
	1241418-3	SHIM .020 IN. THICK -----	AR	
	1241418-4	SHIM .032 IN. THICK -----	AR	
-12	AN960C616L	WASHER -----	1	
-13	NAS679A6	NUT -----	1	
-14	AN6227B12	O RING -----	1	
-15	1280506-1	LINE ASSEMBLY-BRAKE LH -----	1	A
	1280506-93	LINE ASSEMBLY-BRAKE LH -----	1	E
	1280506-99	LINE ASSEMBLY-BRAKE LH -----	1	F
	1280506-2	LINE ASSEMBLY-BRAKE RH -----	1	A
	1280506-94	LINE ASSEMBLY-BRAKE RH -----	1	E
	1280506-100	LINE ASSEMBLY-BRAKE RH -----	1	F
		ATTACHING PARTS -----		
-16	0441119	HOSE -----	1	
-17	1241035-1	CLIP-BRAKE LINE LH -----	1	
	1241035-2	CLIP-BRAKE LINE RH -----	1	
-18	MS21919DG4	CLAMP -----	1	
-19	AN960D10	WASHER -----	1	
-20	NAS679A3	NUT -----	1	
-21	AN833-4D	ELBOW -----	1	G
	MS20823-4D	ELBOW -----	1	E
-22	MS28778-4	GASKET -----	1	A
-23	AN924-4D	NUT -----	1	A
		-----*		
-24	0541124-1	AXLE-MAIN LANDING GEAR -----	1	
		ATTACHING PARTS -----		
-25	AN5-25A	BOLT -----	2	A
	AN5-22A	BOLT -----	2	B
-26	AN6-24A	BOLT -----	2	A
	AN6-23A	BOLT -----	2	B
-27	NAS679A5	NUT -----	2	
-28	NAS679A6	NUT -----	2	
-29	0541157-1	SHIM -----	AR	
	0541157-2	SHIM -----	AR	
	0441139-5	SHIM -----	AR	
	0441139-6	SHIM -----	AR	
	1241061-1	SHIM -----	AR	
-30	0441141-3	PLATE-LH -----	1	A
	0441141-4	PLATE-RH -----	1	A
		-----*		
-31	S1117-24	NUT -----	1	
-32	MS24665-351	KEY -----	2	
-33	1241063-1	HUB CAP -----	1	
		ATTACHING PARTS -----		
-34	AN515-8R4	SCREW -----	3	
	AN936A8	WASHER -----	3	
		-----*		

CONTINUED ON NEXT PAGE

FIGURE AND INDEX NO.	PART NUMBER	DESCRIPTION	UNITS PER ASSY	USABLE ON CODE
38 -35	1241423-1	SADDLE ASSEMBLY-LH -----	1	
	1241423-2	SADDLE ASSEMBLY-RH -----	1	
-36	1241422-1	SPACER -----	1	
	LHSSV9	BEARING HEC -----	1	
-37		WHEEL & BRAKE ASSEMBLY-MAIN SEE FIGURE 39 -----	NP	A
		WHEEL & BRAKE ASSEMBLY-MAIN SEE FIGURE 39A -----	NP	B
-38		DOWNLOCK INSTALLATION-MAIN GEAR SEE FIGURE 44 -----	NP	
-39	NAS1304-4H	BOLT -----	4	C
	MKN1304-4H	BOLT KNM -----	4	D
	AN960-416L	WASHER -----	4	
-40	1241416-3	BRACKET-POSITION SWITCH LH -----	1	
	1241416-4	BRACKET-POSITION SWITCH RH -----	1	
<p>A---210 SERIAL 21057841 THRU 21058085 B---210 SERIAL 21058086 & ON T210 SERIAL T210-0001 & ON C---210 SERIAL 21057841 THRU 21058098 D---210 SERIAL 21058099 & ON T210 SERIAL T210-0001 & ON E---210 SERIAL 21058086 THRU 21058220 F---210 SERIAL 21058221 & ON T210 SERIAL T210-0001 & ON G---210 SERIAL 21057841 THRU 21058085 AND 21058221 & ON T210 SERIAL T210-0001 & ON</p>				

FIGURE AND INDEX NO.	PART NUMBER	DESCRIPTION	UNITS PER ASSY	USABLE ON CODE
39 -		WHEEL & BRAKE ASSEMBLY-MAIN LANDING GEAR -----	NP	A
- 1	0541160-13	WHEEL ASSEMBLY-MAIN GY9532673 -----	1	
- 2	AN6230B28	O RING -----	1	
- 3	9524201	WHEEL SUBASSEMBLY-INBOARD HALF GY -----	1	
	9524202	WHEEL SUBASSEMBLY-OUTBOARD HALF GY -----	1	
		ATTACHING PARTS -----		
- 4	AN4-13A	BOLT -----	3	
- 5	AN960-416	WASHER -----	6	
- 6	22-FH-428	NUT SPS -----	3	
		21057841 -----		
		THRU 21058085 -----		
- 7	13830	CUP-BEARING TI -----	1	
- 8	13889	CONE-BEARING TI -----	2	
- 9	9524218	SEAL-BEARING GY -----	2	
	0541161-2	BRAKE ASSEMBLY GY9532181 -----	1	B
	0541161-3	BRAKE ASSEMBLY GY9541936 -----	1	C
-10	9541458	HOUSING-BRAKE GY -----	1	
-11	9521184	BUSHING GY -----	1	
-12	9524223	PISTON GY -----	1	
-13	AN6230B2	O RING -----	1	
-14	AN6230B3	O RING -----	1	
-15	9511269	LINING-PISTON GY -----	1	B
	95-25412	LINING-PISTON GY -----	1	C
-16	9511271	LINING-PISTON GY -----	1	B
	95-25413	LINING-PISTON GY -----	1	C
-17	9532277	DISC-BRAKE GY -----	1	
-18	9524343	CYLINDER HEAD GY -----	1	
-19	NAS669-212	SNAP RING -----	1	
-20	511846-4	SEAL-BLEEDER GY -----	1	
-21	AN502-10-6	SCREW-BLEEDER -----	1	
-22	9520448	PLUG-DRAIN GY -----	1	
	M528778-4	GASKET-DRAIN -----	1	
-23	9525059	CLIP-BRAKE DISC CANTILEVER TYPE GY -----	1	
-24	C262003-0303	TIRE-TUBELESS 6.00X6 6 PLY RATED -----	1	
<p>A---210 SERIAL 21057841 THRU 21058085 B---210 SERIAL 21057841 THRU 21057985 C---210 SERIAL 21057986 THRU 21058085</p>				

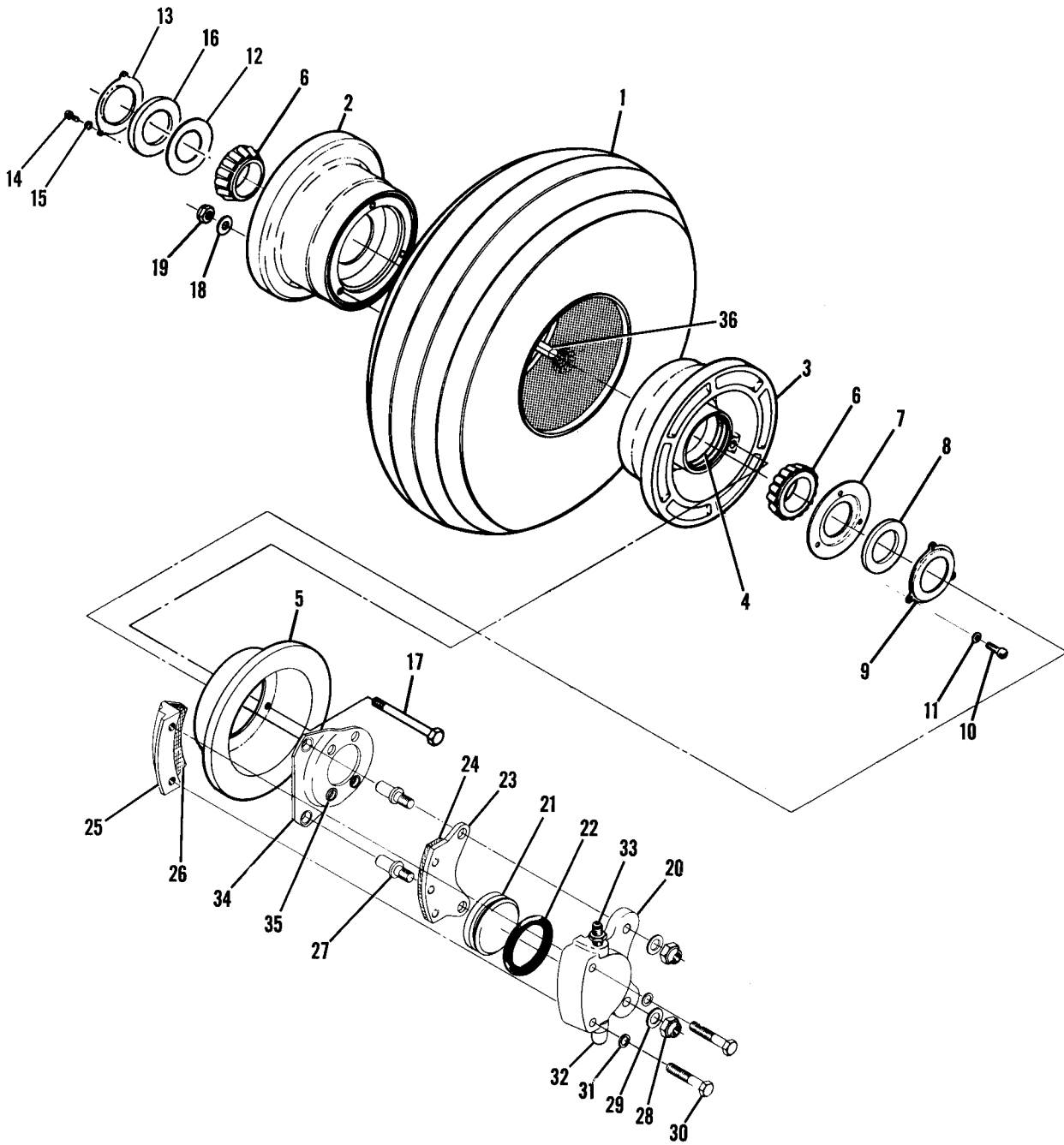
Main Gear (Cont)



21057841 THRU 21058085

Figure 39. Main Gear Wheel & Brake Assembly

Main Gear (Cont)



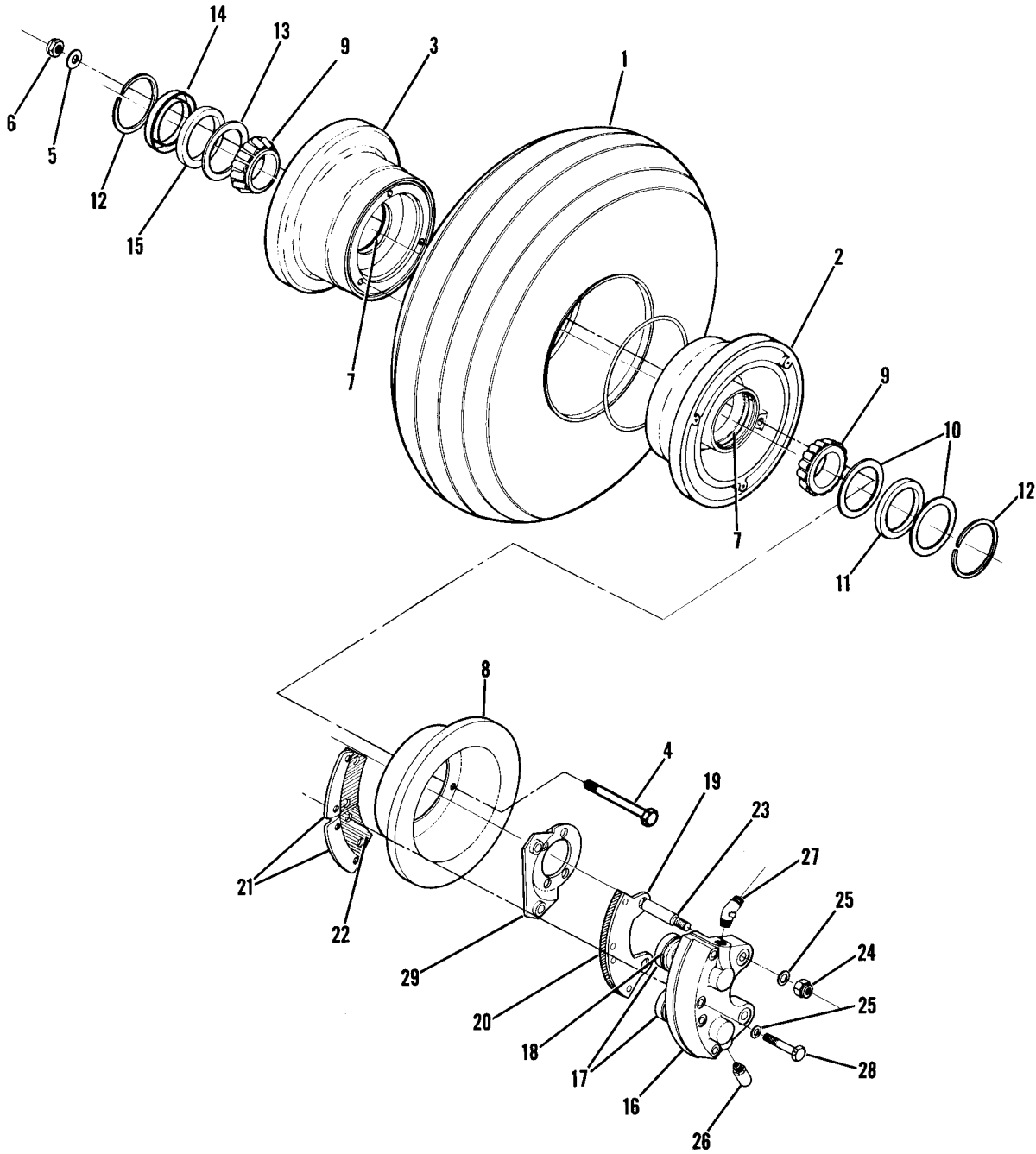
21058086 THRU 21058220

Figure 39A. Cleveland Main Gear Wheel and Brake Assembly



FIGURE AND INDEX NO.	PART NUMBER	DESCRIPTION	UNITS PER ASSY	USABLE ON CODE
		1 2 3 4 5 6 7		
39A-		WHEEL & BRAKE ASSEMBLY-MAIN GEAR CLEVELAND -----	NP	A
- 1	C262003-0204	TIRE 6.00X6 6 PLY RATED -----	1	
	C262023-0102	TUBE 6.00 X 6 -----	1	
	0441156-15	WHEEL ASSEMBLY-MAIN GEAR CFP 40-21 -----	1	
- 2	162-23	WHEEL HALF ASSEMBLY-OUTER CFP -----	1	
- 3	162-25	WHEEL HALF ASSEMBLY-INNER CFP -----	1	
- 4	13836	CUP-BEARING CFP -----	1	
- 5	164-9	BRAKE DISC ASSEMBLY CFP -----	1	
- 6	13889	CONE-BEARING CFP -----	2	
- 7	156-1	PLATE-GREASE SEAL CFP -----	1	
- 8	39091	GREASE SEAL-FELT CFP -----	1	
- 9	B39094	RING-GREASE SEAL CFP -----	1	
		ATTACHING PARTS		
-10	8-32 X 1/2	SCREW -----	3	
-11	1208	WASHER-LOCK CFP -----	3	
		*-----		
-12	A39070	RING-GREASE SEAL CFP -----	1	
-13	153-10	RING-GREASE SEAL CFP -----	1	
		ATTACHING PARTS		
-14	8-32 X 1/2	SCREW -----	3	
-15	1208	WASHER-LOCK CFP -----	3	
		*-----		
-16	154-9	SEAL-FELT CFP -----	1	
-17	AN4-40A	BOLT -----	3	
-18	AN960-416	WASHER -----	3	
-19	NAS679A4	NUT -----	2	
	1241438-1	BRAKE ASSEMBLY CFP 30-45 -----	1	
-20	91-19	CYLINDER-BRAKE CFP -----	1	
-21	62-11	PISTON CFP -----	1	
-22	AN6227B30	O RING-PISTON CFP -----	1	
-23	73-1	PLATE ASSEMBLY-PRESSURE CFP -----	1	
-24	35-204	LINING-BRAKE CFP -----	1	
	561	RIVET-LINING CFP -----	1	
-25	74-1	PLATE ASSEMBLY-BACK CFP -----	1	
-26	35-204	LINING-BRAKE CFP -----	1	
	561	RIVET-LINING CFP -----	1	
-27	3013	BOLT-ANCHOR CFP -----	2	
-28	NAS679A6	NUT -----	2	
-29	AN960-616L	WASHER -----	2	
-30	LP5-14AM	BOLT CFP -----	2	
-31	AN960-516L	WASHER -----	2	
-32	183-1	CAP-BLEEDER CFP -----	1	
	FC-6446	SCREW-BLEEDER CFP -----	1	
	37-206	SEAT-BLEEDER CFP -----	1	
-33	AN816-4D	FITTING -----	1	
-34	75-6	TORQUE PLATE ASSEMBLY CFP -----	1	
-35	145-10	BUSHING CFP -----	2	
-36	6241M	EXTENSION-VALVE -----	1	
		A---210 SERIAL 21058086 THRU 21058220		

Main Gear (Cont)



T210-0001 & ON
21058221 & ON

Figure 39B. Main Landing Gear Wheel and Brake Installation

FIGURE AND INDEX NO.	PART NUMBER	DESCRIPTION	UNITS PER ASSY	USABLE ON CODE
		1 2 3 4 5 6 7		
39B-		MAIN LANDING GEAR WHEEL & BRAKE INSTALLATION -----	NP	A
- 1	C262003-0204	TIRE 6.00X6 6 PLY RATED -----	1	
	C262023-0102	TUBE 6.00X6 -----	1	
	1241156-10	WHEEL ASSEMBLY CFP 40-75 -----	1	
- 2	161-30	WHEEL HALF ASSEMBLY-INNER CFP -----	1	
- 3	162-27	WHEEL HALF ASSEMBLY-OUTER CFP -----	1	
		ATTACHING PARTS		
- 4	AN5-35A	BOLT -----	3	
- 5	AN960-516	WASHER -----	3	
- 6	NAS679A5	NUT -----	3	
		T210-0001 & ON -----		
		21058221 & ON -----		
- 7	138836	CUP-BEARING CFP -----	1	
- 8	164-15	BRAKE DISC ASSEMBLY CFP -----	1	
- 9	13889	CONE-BEARING CFP -----	2	
-10	3022	RING-GREASE SEAL CFP -----	2	
-11	3021	FELT-GREASE SEAL CFP -----	1	
-12	3023	RING-SNAP CFP -----	2	
-13	A39070	RING-GREASE SEAL CFP -----	1	
-14	153-15	RING-GREASE SEAL CFP -----	1	
-15	154-13	FELT-GREASE SEAL CFP -----	1	
	1241157-1	BRAKE ASSEMBLY CFP -----	1	
-16	61-18	CYLINDER-BRAKE CFP -----	1	
-17	62-15	PISTON CFP -----	2	
-18	AN6227B27	O RING -----	2	
-19	73-10	PLATE ASSEMBLY-PRESSURE CFP -----	1	
-20	66-30	LINING CFP -----	2	
	561	RIVET CFP -----	4	
-21	74-10	PLATE ASSEMBLY-BACK CFP -----	2	
-22	66-30	LINING CFP -----	1	
	561	RIVET CFP -----	2	
-23	69-4	BOLT-ANCHOR -----	2	
-24	NAS679A4	NUT -----	2	
-25	AN960-416L	WASHER -----	6	
-26	183-1	CAP-BLEEDER CFP -----	1	
	FC-6446	SCREW-BLEEDER CFP -----	1	
	37-206	SEAT-BLEEDER CFP -----	1	
-27	MS20823-4D	FITTING-TUBE -----	1	
-28	LP4-20AM	BOLT CFP -----	4	
-29	75-15	PLATE ASSEMBLY-TORQUE CFP -----	1	
	R561	RIVET SET KIT CFP -----	1	
		A---210 SERIAL 21058221 & ON T210 SERIAL T210-0001 & ON		

Landing Gear Doors

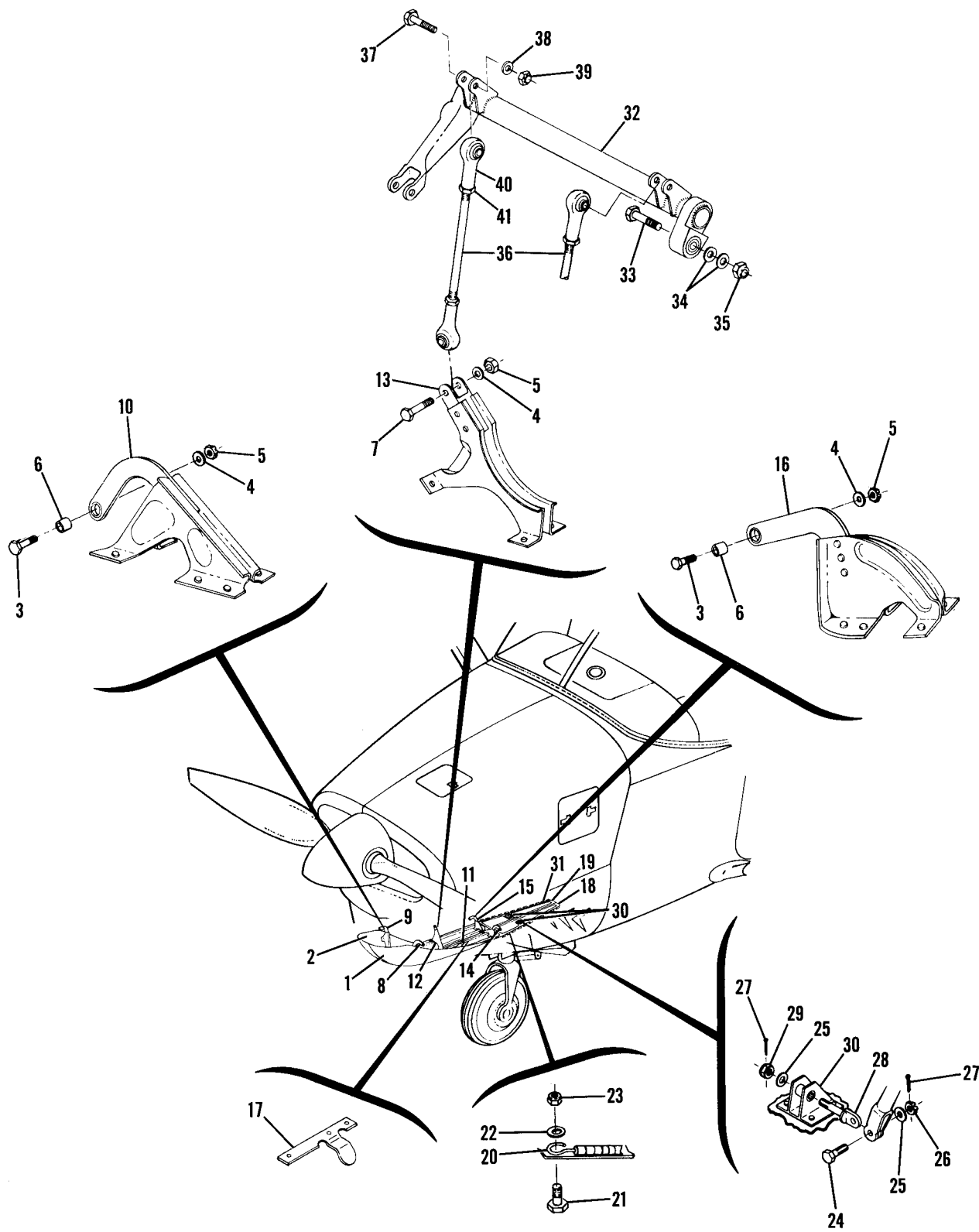


Figure 40. Nose Gear Doors and Torque Tube Installation

FIGURE AND INDEX NO.	PART NUMBER	DESCRIPTION	UNITS PER ASSY	USABLE ON CODE
40 -		DOORS & TORQUE TUBE INSTALLATION-NOSE GEAR -----	NP	
- 1	1213466-1	DOOR ASSEMBLY-NOSE GEAR FORWARD LH -----	1	
- 2	1213466-2	DOOR ASSEMBLY-NOSE GEAR FORWARD RH -----	1	
		ATTACHING PARTS		
- 3	AN3-6A	BOLT -----	2	
- 4	AN960-10	WASHER -----	3	
- 5	NAS679A3	NUT -----	3	
- 6	NAS74A-3E004P	BUSHING -----	2	
- 7	AN3-10A	BOLT -----	1	
		-----*		
- 8	1213463-1	BRACKET ASSEMBLY-LH -----	1	
- 9	1213463-2	BRACKET ASSEMBLY-RH -----	1	
-10	1213463-19	ARM-HINGE -----	1	
-11	1213463-5	BRACKET ASSEMBLY-LH -----	1	
-12	1213463-6	BRACKET ASSEMBLY-RH -----	1	
		ATTACHING PARTS		
	NAS514P1032-10	SCREW -----	2	
	1213466-7	WASHER -----	2	A
	NAS679A3	NUT -----	2	A
		-----*		
-13	1213464-1	CLEVIS -----	1	
-14	1213463-3	BRACKET ASSEMBLY-LH -----	1	
-15	1213463-4	BRACKET ASSEMBLY-RH -----	1	
-16	1213463-20	ARM-HINGE -----	1	
-17	1213253-1	CLIP-GUIDE -----	2	
-18	1213467-1	DOOR ASSEMBLY-NOSE GEAR AFT LH -----	1	
-19	1213467-2	DOOR ASSEMBLY-NOSE GEAR AFT RH -----	1	
		ATTACHING PARTS		
-20	1213431-1	HINGE PIN-LH -----	1	
	1213431-2	HINGE PIN-RH -----	1	
-21	AN507-832R7	SCREW -----	1	
-22	AN960-8	WASHER -----	1	
-23	NAS679A08	NUT -----	1	
-24	AN3-5	BOLT -----	1	
-25	AN960-10	WASHER -----	1	
-26	AN320-3	NUT -----	1	
-27	MS24665-132	PIN-COTTER -----	1	
-28	AN42B-10	EYEBOLT -----	1	
-29	AN310-3	NUT -----	1	
		-----*		
-30	1213129-1	TEE ASSEMBLY -----	1	
	NAS75-3-019	BUSHING -----	1	
-31	1213431-4	HINGE HALF -----	1	
-32	1243417-1	TORQUE TUBE ASSEMBLY-NOSE GEAR DOORS -----	1	
		ATTACHING PARTS		
-33	AN4-11A	BOLT -----	2	
-34	AN960-416	WASHER -----	AR	
-35	NAS679A4	NUT -----	2	
		-----*		
-36	1243065-3	ROD ASSEMBLY -----	2	
		ATTACHING PARTS		
-37	AN3-10A	BOLT -----	2	
-38	AN960-10	WASHER -----	2	
-39	NAS679A3	NUT -----	2	
		-----*		
-40	S1106-3	ROD END -----	2	
-41	AN316-4R	NUT -----	2	

A---210 SERIAL 21058157 & ON
T210 SERIAL T210-0001 & ON

Landing Gear Doors (Cont)

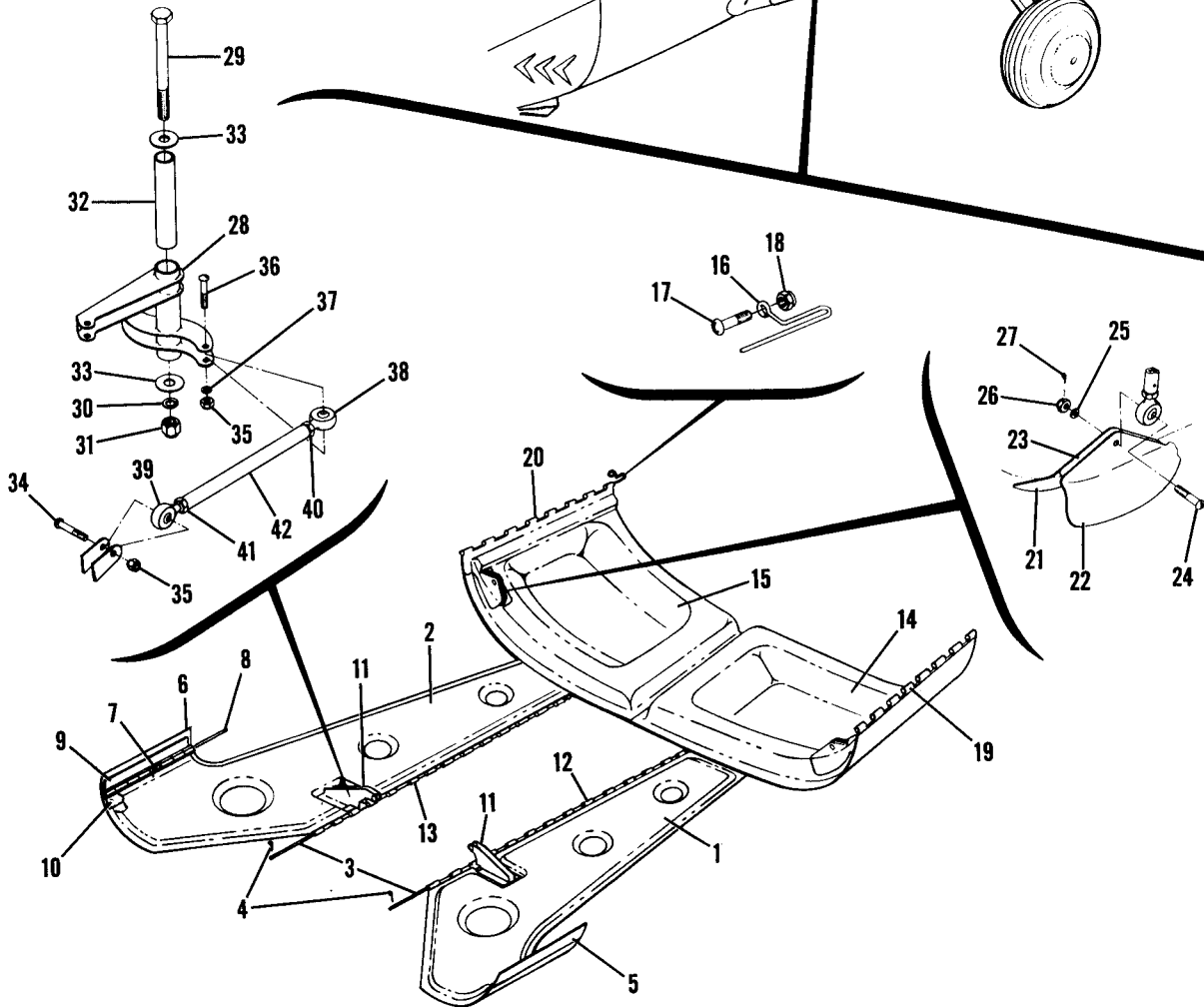
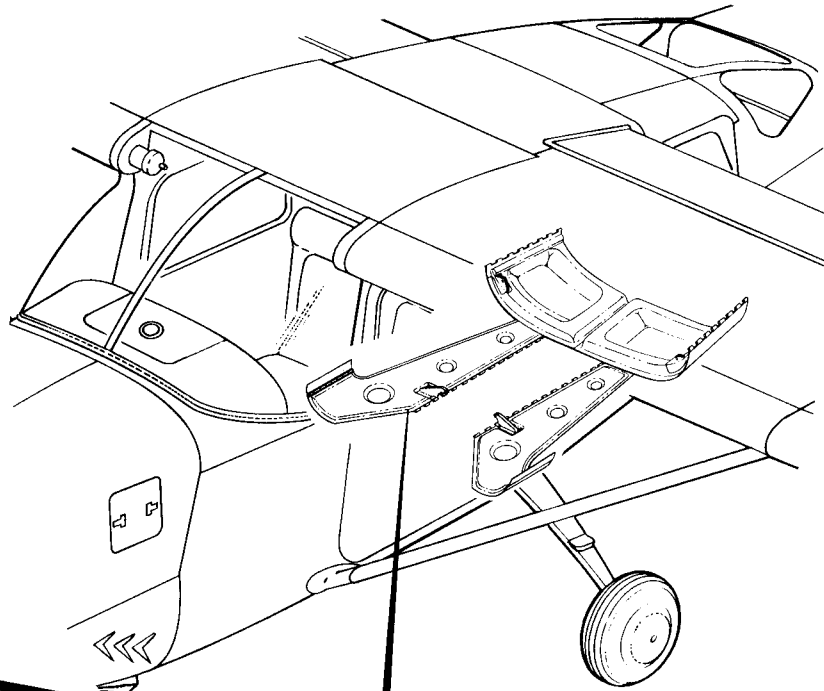


Figure 41. Main Gear Doors Installation

FIGURE AND INDEX NO.	PART NUMBER	DESCRIPTION	UNITS PER ASSY	USABLE ON CODE
		1 2 3 4 5 6 7		
41 -		DOORS INSTALLATION-MAIN GEAR -----	NP	
- 1	1211447-1	DOOR ASSEMBLY-MAIN GEAR SPRING WELL LH -----	1	A
	1211447-13	DOOR ASSEMBLY-MAIN GEAR SPRING WELL LH -----	1	B
- 2	1211447-2	DOOR ASSEMBLY-MAIN GEAR SPRING WELL RH -----	1	A
	1211447-14	DOOR ASSEMBLY-MAIN GEAR SPRING WELL RH -----	1	B
		ATTACHING PARTS		
- 3	MS20253-2-2981	PIN-HINGE -----	1	
- 4	MS24665-22	PIN-COTTER -----	1	
		-----*		
- 5	1211447-9	DOOR-STUB LH -----	1	
- 6	1211447-10	DOOR-STUB RH -----	1	
		ATTACHING PARTS		
- 7	S147	SPRING -----	1	
- 8	MS20253-2-502	PIN-HINGE -----	1	
		-----*		
- 9	1211455-4	HINGE RH -----	1	
	1211455-3	HINGE LH -----	1	
-10	1211455-6	HINGE RH -----	1	
	1211455-5	HINGE LH -----	1	
-11	1211446-1	ARM-ACTUATOR -----	1	
-12	1211455-1	HINGE LH -----	1	
	1211480-5	HINGE LH STAINLESS STEEL -----	1	A
-13	1211455-2	HINGE RH -----	1	B
	1211480-6	HINGE RH STAINLESS STEEL -----	1	A
-14	1211456-1	DOOR ASSEMBLY-MAIN GEAR WHEEL WELL LH -----	1	A
	1211456-21	DOOR ASSEMBLY-MAIN GEAR WHEEL WELL LH -----	1	B
-15	1211456-2	DOOR ASSEMBLY-MAIN GEAR WHEEL WELL RH -----	1	A
	1211456-22	DOOR ASSEMBLY-MAIN GEAR WHEEL WELL RH -----	1	B
		ATTACHING PARTS		
-16	1234024-2	PIN-HINGE -----	1	
-17	AN515-8R7	SCREW -----	1	
-18	NAS679A08	NUT -----	1	
		-----*		
-19	1211455-7	HINGE-LH -----	1	A
	1211480-1	HINGE LH STAINLESS STEEL -----	1	B
-20	1211455-8	HINGE-RH -----	1	A
	1211480-2	HINGE RH STAINLESS STEEL -----	1	B
-21	1211456-20	BRACKET-FORWARD RH -----	1	
	1211456-19	BRACKET-FORWARD LH -----	1	
-22	1211456-18	BRACKET-AFT RH -----	1	
	1211456-17	BRACKET-AFT LH -----	1	
-23	1211456-16	SPACER -----	1	
-24	AN3-7	BOLT -----	2	
-25	AN960-10	WASHER -----	2	
-26	AN310-3	NUT -----	2	
-27	MS24665-134	PIN-COTTER -----	2	
-28	1241427-1	CRANK ASSEMBLY-SPRING DOOR ACTUATOR -----	1	
		ATTACHING PARTS		
-29	NAS464-4A-58	BOLT -----	1	
-30	AN960-416L	WASHER -----	1	
-31	NAS679A4	NUT -----	1	
-32	1211457-1	SPACER -----	1	
-33	1211463-1	WASHER -----	1	
		-----*		
	1211459-1	ROD ASSEMBLY -----	2	
		ATTACHING PARTS		
-34	AN3-11A	BOLT -----	1	
-35	NAS679A3	NUT -----	2	
-36	AN23-15A	BOLT -----	1	
-37	AN960-10	WASHER -----	1	
		-----*		
-38	M34-14	ROD END HEIM -----	1	
-39	BRE-3700	ROD END SWPC -----	1	
-40	AN316C4R	NUT -----	1	
-41	AN316C5R	NUT -----	1	
-42	1211459-2	ROD -----	1	
		A---210 SERIAL 21057841 THRU 21058482		
		B---210 SERIAL 21058483 & ON		
		T210 SERIAL T210-0001 & ON		

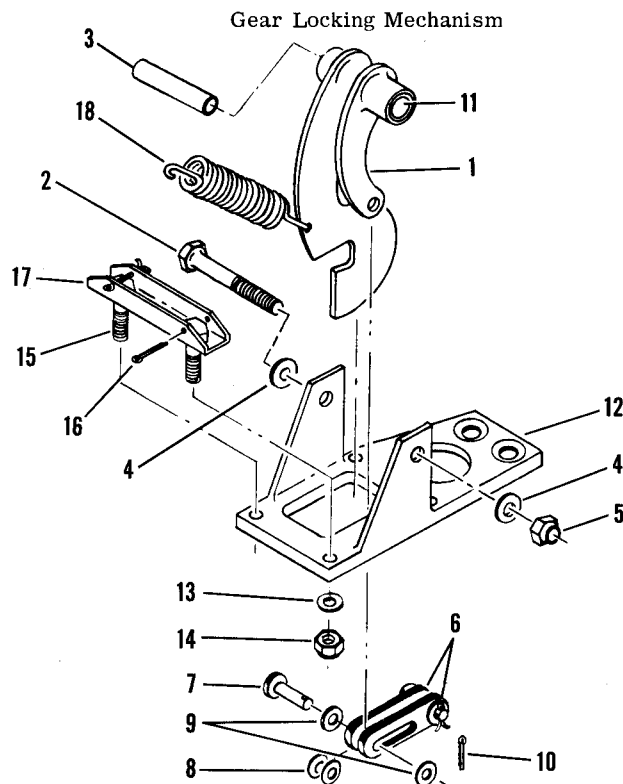


Figure 42. Nose Gear Uplock Installation

FIGURE AND INDEX NO.	PART NUMBER	DESCRIPTION	UNITS PER ASSY	USABLE ON CODE
42 -		UPLOCK INSTALLATION-NOSE GEAR -----	NP	
- 1	1243415-1	HOOK & SUPPORT ASSEMBLY-NOSE GEAR UPLOCK -----	1	
	1243415-2	HOOK ASSEMBLY-NOSE GEAR UPLOCK -----	1	
		ATTACHING PARTS		
- 2	AN4-24A	BOLT -----	1	
- 3	1243415-6	RACE-BEARING INNER -----	1	
- 4	AN960-416L	WASHER -----	2	
- 5	NAS679A4	NUT -----	1	
- 6	1241424-1	LINK -----	2	
- 7	MS20392-2C17	PIN-FLATHEAD -----	1	
- 8	AN960-10L	WASHER -----	2	
- 9	AN960-10	WASHER -----	2	
-10	MS24665-132	PIN-COTTER -----	1	
		-----*		
-11	NAS295-6	BEARING -----	2	
-12	1243415-5	BRACKET-NOSE GEAR UPLOCK -----	1	
	1243415-3	BRACKET-NOSE GEAR UPLOCK -----	2	
	1241421-3	ANCHOR ASSEMBLY-BOLT -----	2	
		ATTACHING PARTS		
-13	AN960-10L	WASHER -----	2	
-14	NAS679A3	NUT -----	2	
		-----*		
-15	AN3-6A	BOLT -----	2	
-16	MS24665-134	PIN-COTTER -----	2	
-17	1243415-10	CHANNEL -----	1	
-18	1241029-1	SPRING-NOSE GEAR UPLOCK -----	1	

Gear Locking Mechanism (cont)

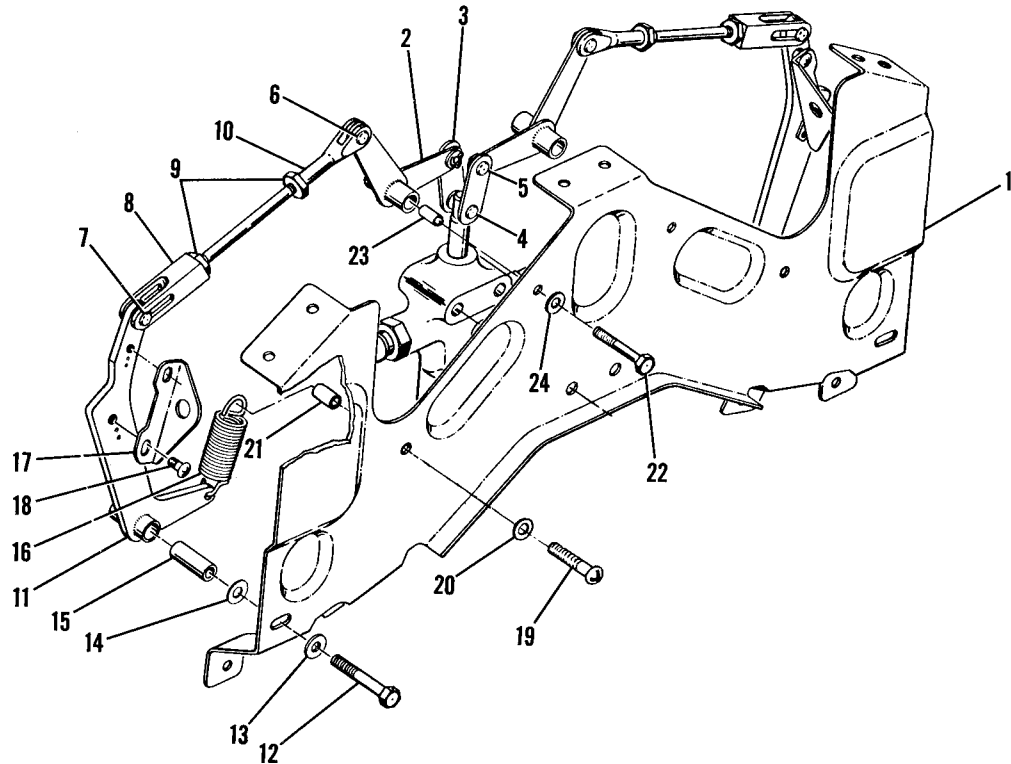


Figure 43. Main Gear Uplock Mechanism Installation

FIGURE AND INDEX NO.	PART NUMBER	DESCRIPTION	UNITS PER ASSY	USABLE ON CODE
43 -		UPLOCK MECHANISM INSTALLATION-MAIN GEAR -----	NP	
- 1	1211466-1	BRACKET -----	1	
- 2	1241430-1	BELLCRANK ASSEMBLY -----	2	
- 3	1241025-1	LINK -----	2	
		ATTACHING PARTS		
- 4	MS20392-1C19	PIN -----	1	
	MS24665-132	PIN-COTTER -----	1	
- 5	MS20392-1C9	PIN -----	1	
	AN960-6	WASHER -----	1	
	MS24665-132	PIN-COTTER -----	1	
	1241030-9	ROD ASSEMBLY-MAIN GEAR LOCK MECHANISM -----	2	
		ATTACHING PARTS		
- 6	MS20392-2C11	PIN -----	1	
	AN960-10L	WASHER -----	1	
	MS24665-132	PIN-COTTER -----	1	
- 7	MS20392-2C17	PIN -----	1	
	AN960-10L	WASHER -----	1	
	MS24665-132	PIN-COTTER -----	1	
- 8	1241026-1	CLEVIS -----	1	
- 9	AN345-10	NUT -----	2	
-10	AN665-21R	TERMINAL -----	1	
-11	1241428-1	PAWL ASSEMBLY-LH -----	1	
	1241428-2	PAWL ASSEMBLY-RH -----	1	
		ATTACHING PARTS		
-12	NAS1303-14H	BOLT -----	1	
-13	1241429-3	SHIM -----	1	
-14	AN960-10	WASHER -----	1	
-15	NAS76A3-031	BUSHING -----	1	

CONTINUED ON NEXT PAGE

FIGURE AND INDEX NO.	PART NUMBER	DESCRIPTION							UNITS PER ASSY	USABLE ON CODE
		1	2	3	4	5	6	7		
43 -16	1241029-1	SPRING -----							2	
-17	1241436-1	BRACKET-LH -----							1	
	1241436-2	BRACKET-RH -----							1	
		ATTACHING PARTS								
-18	AN520-10R8	SCREW -----							2	
-19	AN525-832R26	SCREW -----							2	
-20	AN960-8L	WASHER -----							2	
-21	NAS43-3-80	SPACER -----							2	
-22	AN3-17A	BOLT -----							2	
-23	NAS76A3-108	BUSHING -----							2	
-24	AN960-10L	WASHER -----							2	
44 -		DOWNLOCK INSTALLATION-MAIN LANDING GEAR -----							NP	
- 1	1241403-1	PLATE-MAIN GEAR ADJUSTING LH -----							1	
	1241403-2	PLATE-MAIN GEAR ADJUSTING RH -----							1	
		ATTACHING PARTS								
- 2	NAS146-31	BOLT -----							1	
	2935-06	WASHER EN -----							1	
	12NE2935-064	NUT EN -----							1	
- 3	1241417-1	SPACER -----							1	
- 4	NAS145-31	BOLT -----							1	
	2935-05	WASHER EN -----							1	
	52LH2935-054	NUT EN -----							1	
- 5	1241417-2	SPACER -----							1	
- 6	NAS566-81	BOLT -----							2	
	AN960-616	WASHER -----							2	
	1241435-1	WASHER -----							2	
	NAS679A6	NUT -----							6	
- 7	1241410-1	DOWNLOCK ASSEMBLY-LH -----							1	
	1241410-2	DOWNLOCK ASSEMBLY-RH -----							1	
		ATTACHING PARTS								
- 8	AN6-26A	BOLT -----							1	
	NAS679A6	NUT -----							1	
- 9	1241411-1	HOUSING-LH -----							1	
	1241411-2	HOUSING-RH -----							1	
-10	1541009-1	SPRING -----							1	
		ATTACHING PARTS								
-11	NAS561-2-15	PIN -----							1	
	1241413-1	PIN ASSEMBLY -----							1	
		ATTACHING PARTS								
-12	NAS464-6-15	BOLT -----							1	
-13	AN960-616L	WASHER -----							1	
-14	NAS679A6	NUT -----							1	
-15	1241413-2	BASE -----							1	
-16	1241413-3	PIN -----							1	
-17	NAS563-29	BOLT -----							1	
-18	NAS679A3	NUT -----							1	
-19	NAS564-29	BOLT -----							1	
-20	AN316-4R	NUT -----							1	

CONTINUED ON NEXT PAGE

Gear Locking Mechanism (cont)

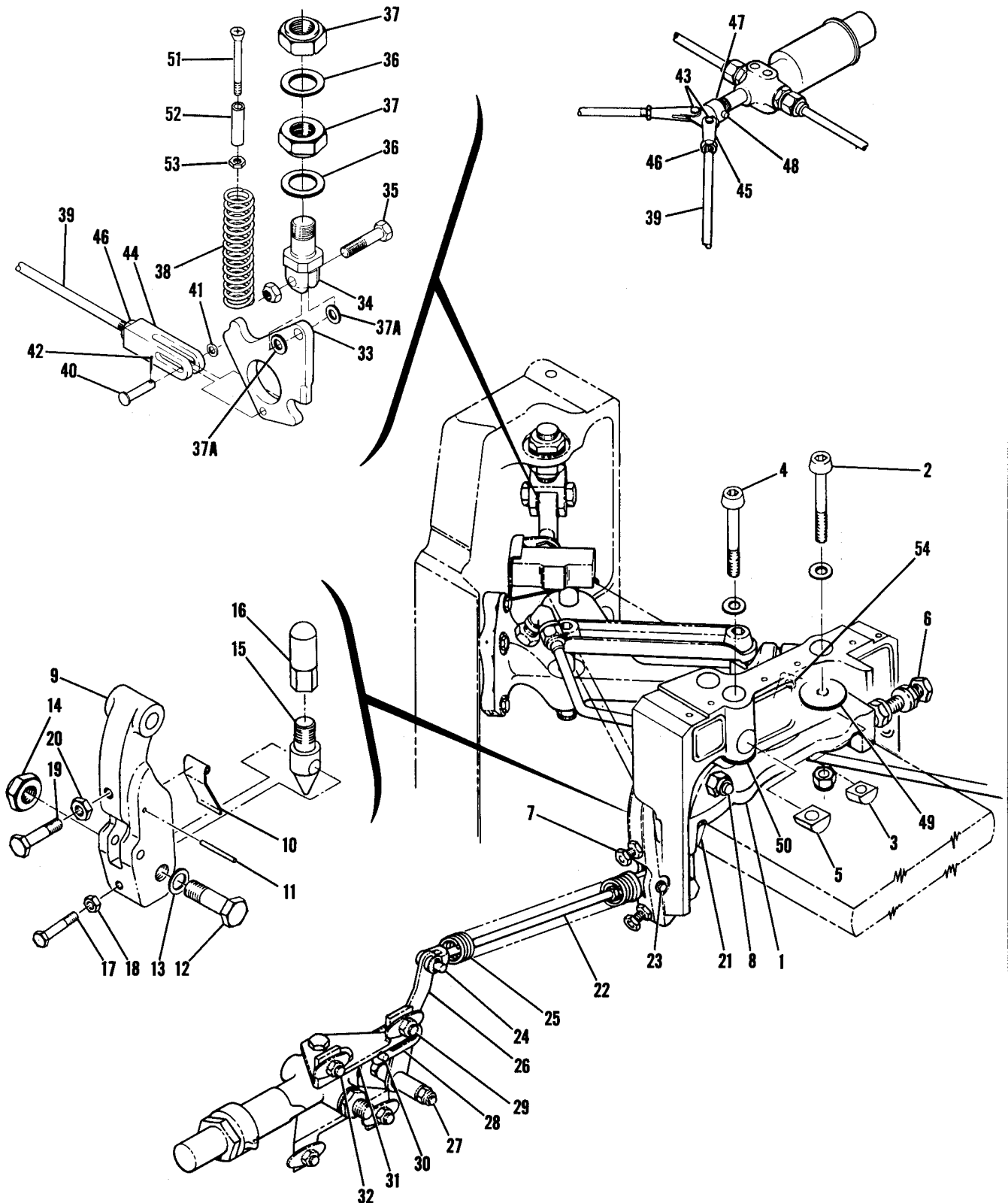


Figure 44. Main Gear Downlock Installation

FIGURE AND INDEX NO.	PART NUMBER	DESCRIPTION	UNITS PER ASSY	USABLE ON CODE
44 -21	1241404-1	WEDGE -----	2	
	1241404-2	WEDGE -----	AR	
	1241404-3	WEDGE -----	AR	
-22	1241409-1	ROD ASSEMBLY ----- ATTACHING PARTS	2	
-23	MS20392-2C29	PIN -----	1	
	AN960C10	WASHER -----	1	
	MS24665-132	PIN-COTTER -----	1	
-24	MS20392-2C17	PIN -----	1	
	AN960-10	WASHER -----	1	
	MS24665-132	PIN-COTTER -----	1	
-25	1241406-1	SPRING -----	2	
-26	1241414-1	ARM ASSEMBLY ----- ATTACHING PARTS	2	
-27	AN3-16A	BOLT -----	1	
	AN960-10	WASHER -----	1	
	NAS76A-3-110	BUSHING -----	2	
-28	1241424-1	LINK ----- ATTACHING PARTS	4	
-29	MS20392-2C17	PIN -----	1	
	AN960-10	WASHER -----	1	
	MS24665-132	PIN-COTTER -----	1	
-30	MS20392-1C17	PIN -----	1	
	AN960-6	WASHER -----	1	
	MS24665-132	PIN-COTTER -----	1	
-31	1241415-1	ANCHOR -----	2	
	1241415-2	ANCHOR -----	2	
-32	AN3-5A	BOLT -----	2	
	AN960-10	WASHER -----	2	
-33	1241419-1	PAWL ASSEMBLY -----	2	
-34	1241405-1	BOLT-CLEVIS ----- ATTACHING PARTS	2	
-35	NAS464P6LA13	BOLT -----	1	
	NAS679A6	NUT -----	1	
-36	AN960-816L	WASHER -----	2	
-37	NAS1022A8	NUT -----	2	
-37A	120476-1	SHIM-.016 THICK -----	AR	
-38	1241406-2	SPRING -----	1	
-39	1241030-7	ROD ASSEMBLY ----- ATTACHING PARTS	2	
-40	MS20392-2C19	PIN -----	1	
-41	AN960-10	WASHER -----	1	
-42	MS24665-132	PIN-COTTER -----	2	
-43	MS20392-2C11	PIN -----	1	
-44	1241030-8	ROD -----	1	
	1241026-1	CLEVIS -----	1	
-45	AN665-21R	TERMINAL -----	1	
-46	AN345-10	NUT -----	1	
-47	1241017-1	FITTING ----- ATTACHING PARTS	1	
-48	MS20392-1C21	PIN -----	1	
	MS24665-132	PIN-COTTER -----	1	
-49	1241418-1	SHIM .045 IN. THICK -----	AR	
	1241418-2	SHIM .012 IN. THICK -----	AR	
	1241418-3	SHIM .020 IN. THICK -----	AR	
	1241418-4	SHIM .032 IN. THICK -----	AR	
-50	1241418-5	SHIM .045 IN. THICK -----	AR	
	1241418-6	SHIM .012 IN. THICK -----	AR	
	1241418-7	SHIM .020 IN. THICK -----	AR	
	1241418-8	SHIM .032 IN. THICK -----	AR	
	1241418-9	SHIM .006 IN. THICK -----	AR	
	1241418-10	SHIM .006 IN. THICK -----	AR	
-51	AN509-416R34	BOLT -----	2	A
-52	NAS43HT4-80	SPACER -----	2	A
-53	NAS1291-4	NUT -----	2	A
-54	AN565D1032H10	SET SCREW -----	2	
	NAS679A3	NUT -----	2	

A---210 SERIAL 21058221 & ON
T210 SERIAL T210-0001 & ON

This page intentionally left blank.

Door and Window

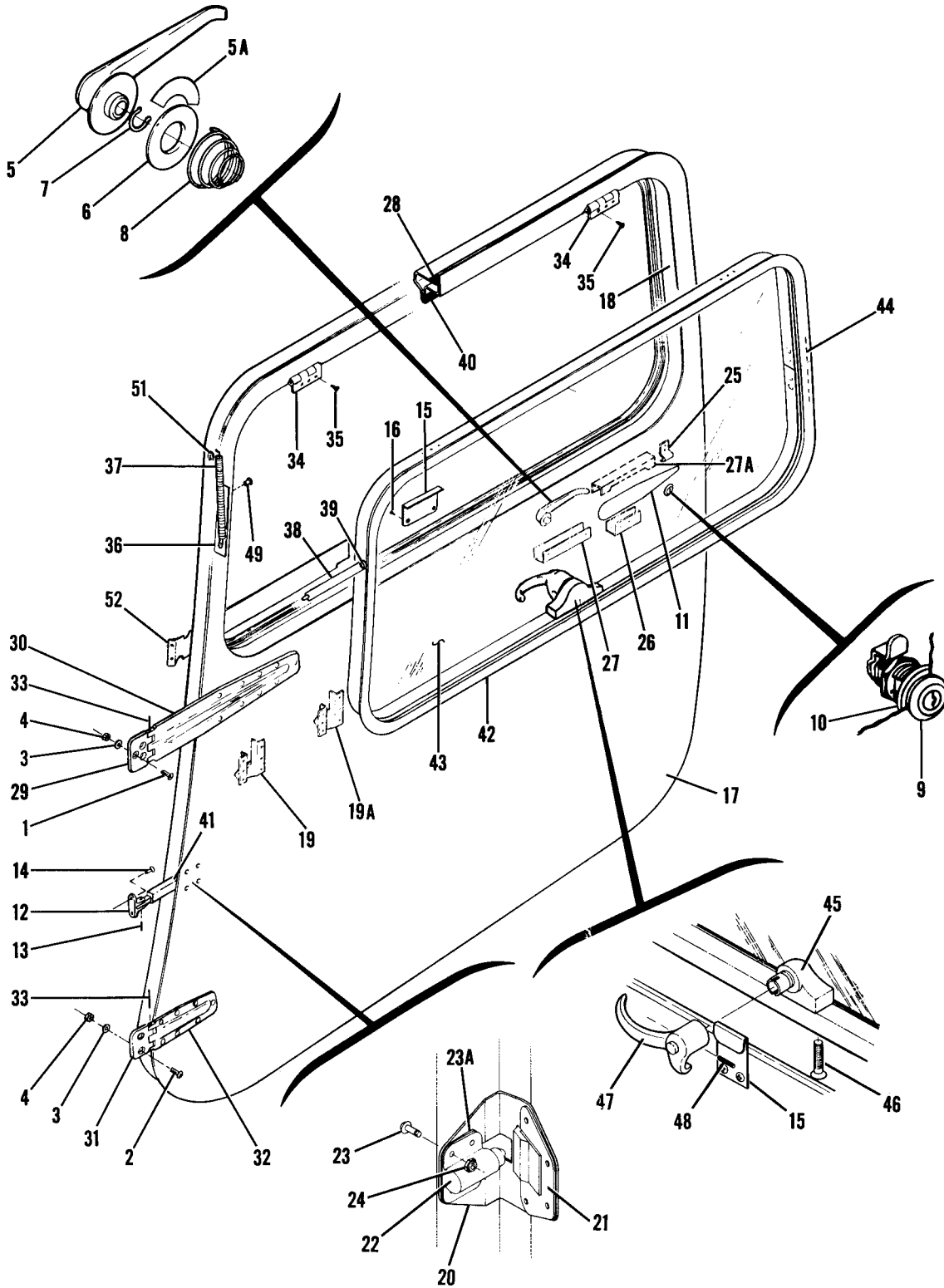


Figure 45. Left Cabin Door Assembly

FIGURE AND INDEX NO.	PART NUMBER	DESCRIPTION	UNITS PER ASSY	USABLE ON CODE
		1 2 3 4 5 6 7		
45 -		CABIN DOOR ASSEMBLY-LH -----	NP	A
		CABIN DOOR ASSEMBLY-LH -----	NP	B
		CABIN DOOR ASSEMBLY-LH -----	NP	E
		CABIN DOOR ASSEMBLY-LH -----	NP	S
		ATTACHING PARTS		
- 1	AN509-10R14	SCREW -----	3	
- 2	AN509-10R16	SCREW -----	2	
- 3	AN960-10L	WASHER -----	5	
- 4	NAS679A3	NUT -----	5	

- 5	0711027-1	HANDLE-DOOR INSIDE -----	1	
- 5A	0700166-1	PLACARD-LH DOOR HANDLE -----	1	R
- 6	0511189-2	ESCUTCHEON-DOOR HANDLE -----	1	
- 7	0511189-1	CLIP-DOOR HANDLE -----	1	
- 8	0413317-1	SPRING-DOOR HANDLE -----	1	G
	0413317	SPRING-DOOR HANDLE -----	1	H
- 9	0413323-5	LOCK ASSEMBLY-DOOR -----	1	
	0711033	CAM -----	1	
-10	0411851	WASHER -----	1	
-11	0711061-3	LATCH ASSEMBLY-REMOVABLE -----	1	L
	0711061-6	LATCH ASSEMBLY-REMOVABLE -----	1	M
		ATTACHING PARTS		
	NAS220-5	SCREW -----	12	
	NAS696A08	NUTPLATE -----	1	
	NAS697A08	NUTPLATE -----	4	

-12	0710625-1	HINGE-DOOR STOP -----	1	
		ATTACHING PARTS		
-13	MS20450C8-20	RIVET -----	1	
-14	AN507-832R8	SCREW -----	2	

-15	0700685-1	PLATE-WINDOW LATCH -----	1	
		ATTACHING PARTS		
-16	S102128-8	SCREW -----	1	

	0710620-203	STRUCTURE ASSEMBLY-CABIN DOOR LH -----	1	A
	0710620-205	STRUCTURE ASSEMBLY-CABIN DOOR LH -----	1	B
	0710620-209	STRUCTURE ASSEMBLY-CABIN DOOR LH -----	1	E
	0710620-215	STRUCTURE ASSEMBLY-CABIN DOOR LH -----	1	S
-17	0710620-9	SKIN-CABIN DOOR -----	1	
-18	0710620-11	JAMB-WINDOW -----	1	
-19	0710619-1	SUPPORT ASSEMBLY-ARM REST -----	2	A
	0700684-1	SUPPORT-ARM REST -----	2	F
	NAS696A3	NUTPLATE -----	1	
	1200544-1	BRACKET-DOOR PULL FWD LH -----	1	S
-19A	1200544-3	BRACKET-DOOR PULL AFT LH -----	1	S
-20	0710622-1	REINFORCEMENT-DOOR STOP -----	1	
-21	0710623-1	PLATE-STOP -----	1	
-22	0710624-1	SPRING-DOOR STOP -----	1	
		ATTACHING PARTS		
-23	AN515-6R6	SCREW -----	4	
-23A	0710637-1	SPACER -----	1	C
-24	NAS679A06	NUT -----	4	

-25	0711034-1	STOP-CABIN DOOR -----	1	
-26	0711064-5	SUPPORT ASSEMBLY-DOOR LATCH FORWARD -----	1	
	NAS696A08	NUTPLATE -----	2	
-27	0711065-1	SUPPORT ASSEMBLY-DOOR LATCH -----	1	
	NAS696A08	NUTPLATE -----	1	
	NAS697A08	NUTPLATE -----	2	
-27A	0710631-3	STIFFENER ASSEMBLY -----	1	R
	0710620-81	STIFFENER ASSEMBLY -----	1	S
	NAS682A08	NUTPLATE -----	1	
-28	S1346-1	SEAL-116.0 IN LG BULK ITEM REF S-1346-1-116.0 -----	1	
	S1441-1	SEAL-12.0 IN LG BULK ITEM REF S-1441-1-12.0 -----	1	
	S1441-2	SEAL-15.0 IN LG BULK ITEM REF S-1441-2-15.0 -----	1	
	S1264-1	SEAL-28.0 IN LG BULK ITEM REF S-1264-1-28.0 -----	1	
-29	0711037-15	HINGE-STATIONARY UPPER LH -----	1	
-30	0711037-17	HINGE-UPPER LH -----	1	

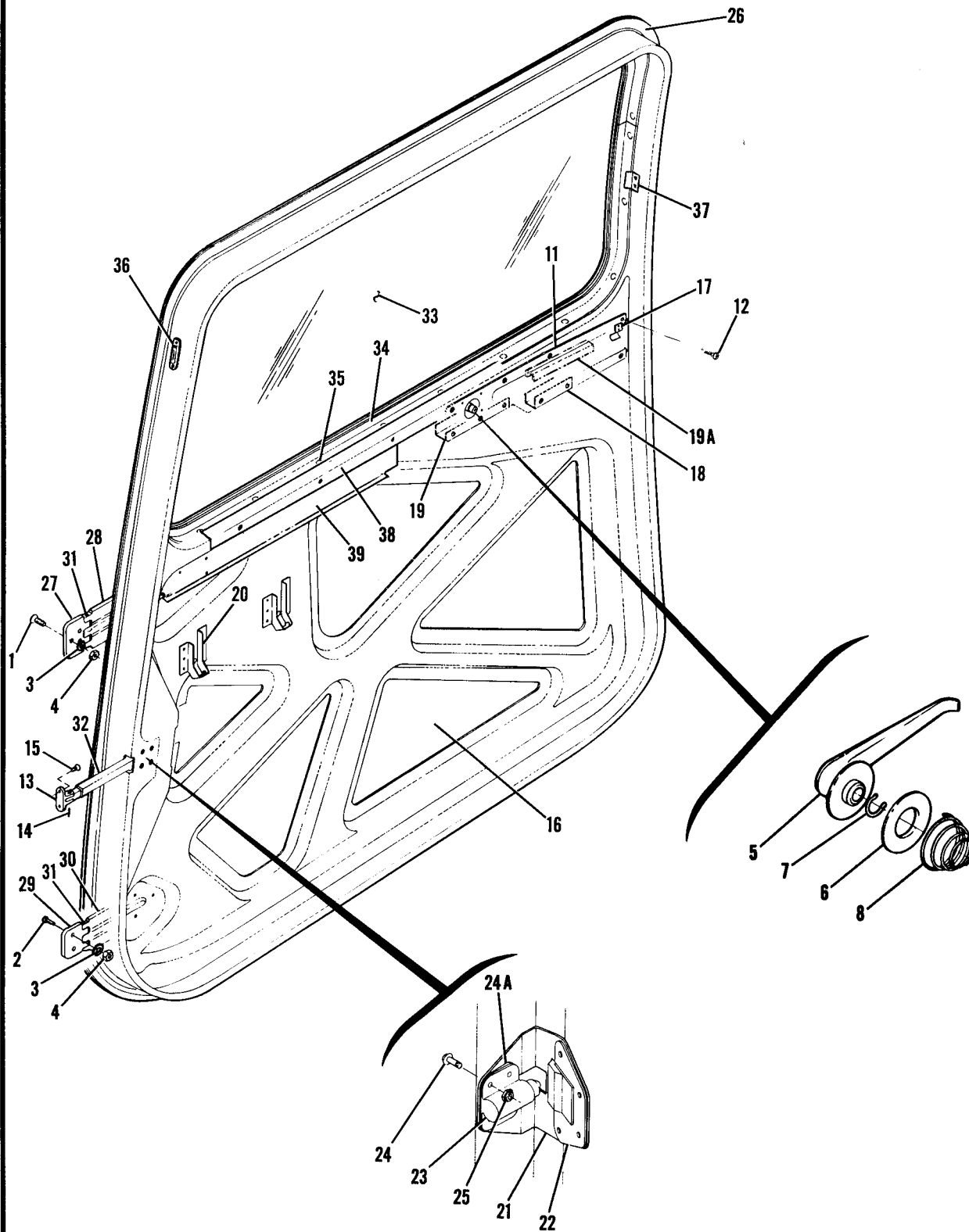
CONTINUED ON NEXT PAGE



FIGURE AND INDEX NO.	PART NUMBER	DESCRIPTION	UNITS PER ASSY	USABLE ON CODE
45 -31	0711037-19	HINGE-LOWER STATIONARY LH -----	1	
-32	0711037-21	HINGE-LOWER -----	1	
-33	0711038-1	PIN-HINGE -----	2	
-34	0411185-7	HINGE-WINDOW -----	2	
-35	CR163C4-4	RIVET CR -----	4	
-36	0711021-1	PLATE -----	1	
-37	0711021-9	SPRING -----	1	
-38	0711021-4	ARM ASSEMBLY -----	1	
-39	AN525-10R8	SCREW -----	1	
-40	S1378-1	SEAL-84.0 IN. LG. BULK ITEM REF S1378-1-84.00W -----	1	N
	S1378-2	SEAL-84.0 IN. LG. BULK ITEM REF S1378-1-84.00 -----	1	O
-41	0710626-3	ARM-DOOR STOP -----	1	
	0711050-17	WINDOW ASSEMBLY-DOOR LH -----	1	P
	0711050-201	WINDOW ASSEMBLY-DOOR LH -----	1	S
-42	0711050-18	FRAME-WINDOW -----	1	
-43	0711051-6	WINDOW-DOOR -----	1	P
	0711051-9	WINDOW-DOOR -----	1	S
	0711051-5	SEAL -----	1	P
-44	0711050-15	TUBE-SPLICE -----	1	
	CR163C4-4	ATTACHING PARTS RIVET CR -----	6	
-45	0711050-200	BRACKET ASSEMBLY-WINDOW LATCH WHEN -----	1	P
	1411202-201	EXHAUSTED USE 1411202-201 BRACKET ASSEMBLY-WINDOW LATCH -----	1	S
		ATTACHING PARTS		
-46	NAS514-1032-14	SCREW -----	1	
	NAS43-3-34	SPACER -----	2	
-47	0811725-40	HANDLE ASSEMBLY-WINDOW LATCH WHEN EXHAUSTED -----	1	J
	S1483-2	USE S1483-2 HANDLE ASSEMBLY-WINDOW LATCH -----	1	K
		ATTACHING PARTS		
-48	NAS561P3-8	PIN -----	1	
-49	S1613-3-75	RIVNUT GD -----	1	
-50		DELETED NO LONGER AVAILABLE -----		
-51	0710638-1	WEDGE-CABIN DOOR -----	1	D
		ATTACHING PARTS		
	AN515-6R6	SCREW DOOR POST ATTACH -----	2	
	CR163C4	RIVET CY -----	2	
-52	0710620-61	SUPPORT-UPHOLSTERY -----	1	
	S1021Z4-6	ATTACHING PARTS SCREW -----	6	
<p>NOTE. #WHEN INITIALLY ORDERING THIS PART PRIOR TO SERIAL 21058246 ALSO ORDER ONE 0711653-2 HANDLE SHOWN ON FIG. 47.</p> <p>A---210 SERIAL 21057841 THRU 21058085 B---210 SERIAL 21058086 THRU 21058220 C---210 SERIAL 21058072 & ON T210 SERIAL T210-0001 & ON D---210 SERIAL 21058083 & ON T210 SERIAL T210-0001 & ON E---210 SERIAL 21058221 THRU 21058714 F---210 SERIAL 21058086 THRU 21058714 G---210 SERIAL 21057841 THRU 21058204 H---210 SERIAL 21058205 & ON T210 SERIAL T210-0001 & ON J---210 SERIAL 21057841 THRU 21058306 K---210 SERIAL 21058307 THRU 21058714 L---210 SERIAL 21058221 THRU 21058245 M---210 SERIAL 21058246 THRU 21058714 N---210 SERIAL 21057841 THRU 21058510 O---210 SERIAL 21058511 & ON T210 SERIAL T210-0001 & ON P---210 SERIAL 21057841 THRU 21058714 R---210 SERIAL 21058358 THRU 21058714 S---210 SERIAL 21058715 & ON T210 SERIAL T210-0001 & ON</p>				

This page intentionally left blank.

Door and Window (Cont)



21057841 THRU 21058714

Figure 46. Right Cabin Door Installation

FIGURE AND INDEX NO.	PART NUMBER	DESCRIPTION	UNITS PER ASSY	USABLE ON CODE
46 -		1 2 3 4 5 6 7 CABIN DOOR ASSEMBLY-RH ----- CABIN DOOR ASSEMBLY-RH ----- CABIN DOOR ASSEMBLY-RH ----- ATTACHING PARTS SCREW ----- 21057841 ----- SCREW ----- WASHER ----- THRU 21058714 ----- NUT ----- -----*-----	NP NP NP	A B E
- 1	AN509-10R14	SCREW -----	3	
- 2	AN509-10R16	SCREW -----	2	
- 3	AN960-10L	WASHER -----	5	
- 4	NAS679A3	NUT -----	5	
- 5	0711027-1	HANDLE-DOOR INSIDE -----	1	
- 6	0511189-2	ESCUTCHEON-DOOR HANDLE -----	1	
- 7	0511189-1	CLIP-DOOR HANDLE -----	1	
- 8	0413317-1	SPRING-DOOR HANDLE -----	1	G
	0413317	SPRING-DOOR HANDLE -----	1	H
- 9		DELETED NO LONGER AVAILABLE -----		
-10		DELETED -----		
-11	0711061-4	LATCH ASSEMBLY-REMOVABLE SEE FIGURE 47 -----	1	J
	0711061-5	LATCH ASSEMBLY-REMOVABLE SEE FIGURE 47 -----	1	K
		ATTACHING PARTS		
-12	NAS220-5	SCREW -----	12	
	NAS696A08	NUTPLATE -----	1	
	NAS697A08	NUTPLATE -----	4	
		-----*-----		
-13	0710625-1	HINGE-DOOR STOP -----	1	
		ATTACHING PARTS		
-14	MS20450C8-20	RIVET -----	1	
-15	AN507-832R8	SCREW -----	2	
		-----*-----		
	0710620-202	STRUCTURE ASSEMBLY-CABIN DOOR RH -----	1	A
	0710620-204	STRUCTURE ASSEMBLY-CABIN DOOR RH -----	1	B
	0710620-208	STRUCTURE ASSEMBLY-CABIN DOOR RH -----	1	E
-16	0710620-10	SKIN-CABIN DOOR -----	1	
-17	0711034-1	STOP-CABIN DOOR -----	1	
-18	0711064-5	SUPPORT ASSEMBLY-DOOR LATCH FORWARD -----	1	
	NAS696A08	NUTPLATE -----	2	
-19	0711065-1	SUPPORT ASSEMBLY-DOOR LATCH -----	1	
	NAS696A08	NUTPLATE -----	1	
	NAS697A08	NUTPLATE -----	2	
-19A	0710631-3	STIFFENER -----	1	M
	NAS682A08	NUTPLATE -----	1	
-20	0710619-4	SUPPORT ASSEMBLY-ARM REST -----	2	A
	0700684-1	SUPPORT-ARMREST -----	2	F
	NAS696A3	NUTPLATE -----	1	
-21	0710622-2	REINFORCEMENT-DOOR STOP -----	1	
-22	0710623-2	PLATE-STOP -----	1	
-23	0710624-1	SPRING-DOOR STOP -----	1	
		ATTACHING PARTS		
-24	AN515-6R6	SCREW -----	4	
-24A	0710637-1	SPACER -----	1	C
-25	NAS679A06	NUT -----	4	
		-----*-----		

CONTINUED ON NEXT PAGE

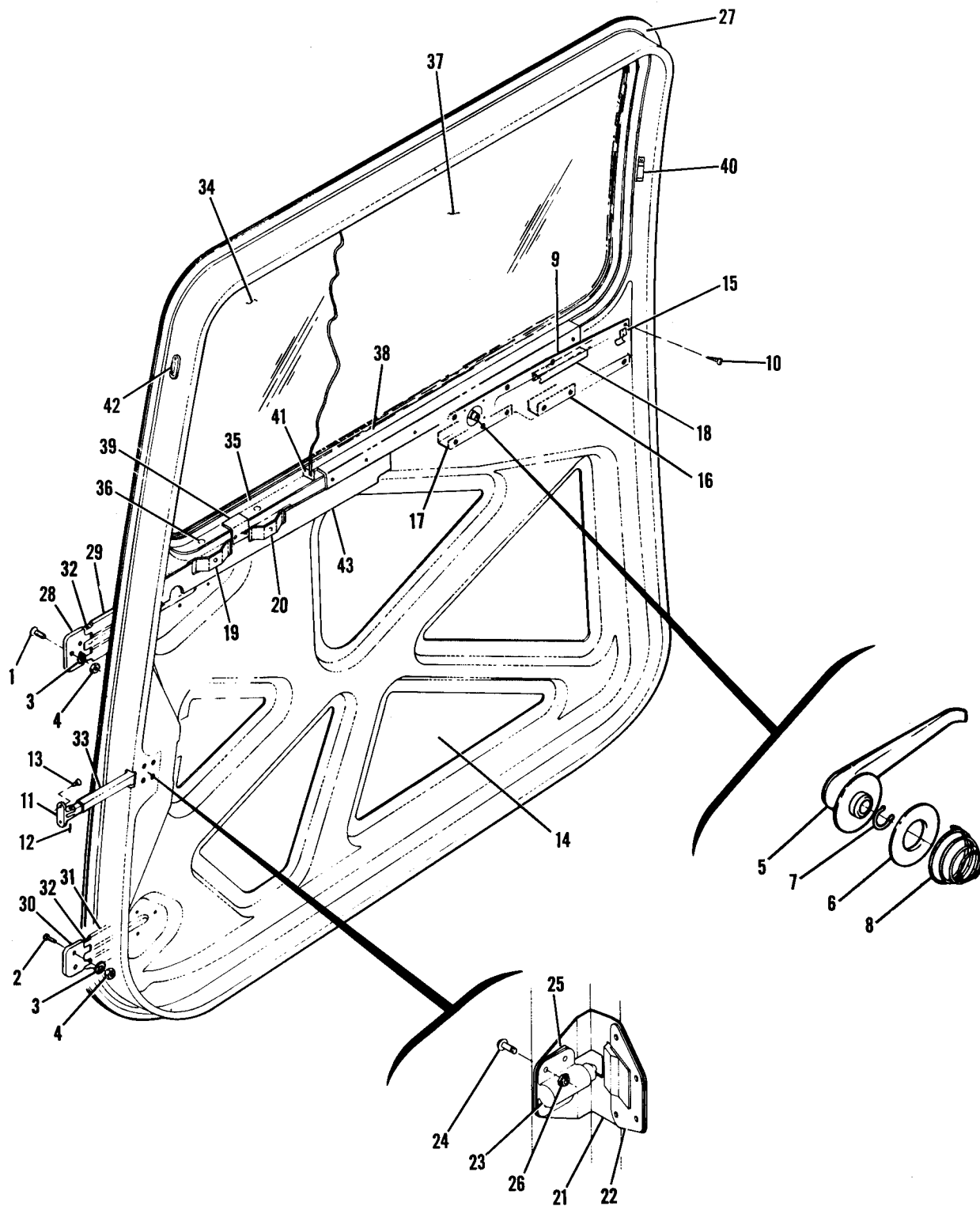
FIGURE AND INDEX NO.	PART NUMBER	DESCRIPTION							UNITS PER ASSY	USABLE ON CODE
		1	2	3	4	5	6	7		
46 -26	S1346-1	SEAL-116.0 IN LG	BULK ITEM	REF S-1346-1-116.0	----				1	
	S1441-1	SEAL-12.0 IN LG	BULK ITEM	REF S-1441-1-12.0	----				1	
	S1441-2	SEAL-15.0 IN LG	BULK ITEM	REF S-1441-2-15.0	----				1	
	S1264-1	SEAL-28.0 IN LG	BULK ITEM	REF S-1264-1-28.0	----				1	
-27	0711037-14	HINGE-UPPER STATIONARY	-----						1	
-28	0711037-16	HINGE-UPPER	-----						1	
-29	0711037-18	HINGE-LOWER STATIONARY	-----						1	
-30	0711037-20	HINGE-LOWER	-----						1	
-31	0711038-1	PIN-HINGE	-----						2	
-32	0710626-4	ARM-DOOR STOP	-----						1	
-33	0710620-16	WINDOW-DOOR	-----						1	
-34	0710620-28	RETAINER-WINDOW	-----						1	
		ATTACHING PARTS	-----							
-35	CR163C4-2	RIVET CR	-----						42	
		-----*								
-36	0710638-1	WEDGE-CABIN DOOR	-----						1	D
		ATTACHING PARTS	-----							
	AN515-6R6	SCREW	-----						2	
	CR163CJ	RIVET CY	-----						2	
		-----*								
-37	0710620-58	RETAINER-WINDOW TRIM	-----						5	E
		ATTACHING PARTS	-----							
	S1021Z4-6	SCREW	-----						2	
		-----*								
-38	0710620-59	RETAINER-LOWER	-----						1	E
		ATTACHING PARTS	-----							
	S1021Z4-6	SCREW	-----						5	
		-----*								
-39	0710620-60	SUPPORT-UPHOLSTERY	-----						1	E
		ATTACHING PARTS	-----							
	S1021Z4-6	SCREW	-----						8	
		-----*								
<p>NOTE. #WHEN INITIALLY ORDERING THIS PART PRIOR TO SERIAL 21058246 ALSO ORDER ONE 0711653-2 HANDLE SHOWN ON FIG. 47.</p>										
<p>A---210 SERIAL 21057841 THRU 21058085 B---210 SERIAL 21058086 THRU 21058220 C---210 SERIAL 21058072 THRU 21058714 D---210 SERIAL 21058083 THRU 21058714 E---210 SERIAL 21058221 THRU 21058714 F---210 SERIAL 21058086 THRU 21058714 G---210 SERIAL 21057841 THRU 21058204 H---210 SERIAL 21058205 THRU 21058714 J---210 SERIAL 21058221 THRU 21058245 K---210 SERIAL 21058246 THRU 21058714 M---210 SERIAL 21058358 THRU 21058714</p>										



FIGURE AND INDEX NO.	PART NUMBER	DESCRIPTION	UNITS PER ASSY	USABLE ON CODE
46A-		1 2 3 4 5 6 7 CABIN DOOR ASSEMBLY-RH ----- ATTACHING PARTS -----	NP	A
- 1	AN509-10R14	SCREW -----	3	
- 2	AN509-10R16	SCREW -----	2	
- 3	AN960-10L	WASHER -----	5	
- 4	NAS679A3	NUT -----	5	
- 5	0711027-2	-----*		
- 6	0511189-2	HANDLE DOOR INSIDE -----	1	
- 7	0511189-1	ESCUTCHEON -----	1	
- 8	0413317	CLIP -----	1	
- 9	0511205-7	SPRING-DOOR HANDLE -----	1	
-10	NAS220-5 NAS696A08 NAS697A08	LATCH ASSEMBLY-REMOVABLE SEE FIGURE 47B ----- ATTACHING PARTS -----	1	
-11	0710625-1	SCREW -----	12	
-12	MS20450C8-20	NUTPLATE -----	1	
-13	AN507-832R8	NUTPLATE -----	4	
-14	0710620-214	-----*		
-15	0711034-1	HINGE-DOOR STOP -----	1	
-16	0711064-5 NAS696A08	ATTACHING PARTS -----		
-17	0711065-1 NAS696A08 NAS697A08	RIVET -----	1	
-18	0710620-82 NAS682A08	SCREW -----	2	
-19	1200544-2	NUTPLATE -----	1	
-20	1200544-4	NUTPLATE -----	2	
-21	0710622-2	STIFFENER ASSEMBLY -----	1	
-22	0710623-2	NUTPLATE -----	1	
-23	0710624-1	BRACKET-DOOR PULL FWD RH -----	1	
-24	AN515-6R6	BRACKET-DOOR PULL AFT RH -----	1	
-25	0710637-1	REINFORCEMENT-DOOR STOP -----	1	
-26	NAS679A06	PLATE-STOP -----	1	
		SPRING-DOOR STOP -----	1	
		ATTACHING PARTS -----		
		SCREW -----	4	
		SPACER -----	1	
		NUT -----	4	
		-----*		

CONTINUED ON NEXT PAGE

Doors (Cont)

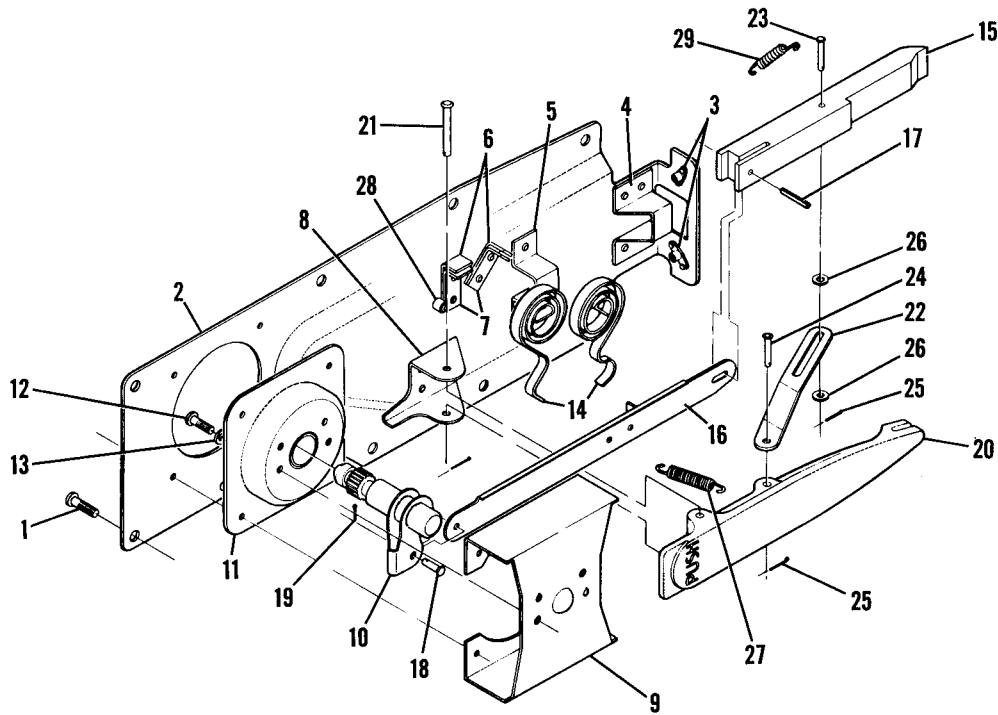


T210-0001 & ON
21058715 & ON

Figure 46A. Right Cabin Door Installation

FIGURE AND INDEX NO.	PART NUMBER	DESCRIPTION						UNITS PER ASSY	USABLE ON CODE
		1	2	3	4	5	6		
46A-27	S1346-1	SEAL-116.0 IN LG	BULK ITEM	REF S1346-1-116.0	-----			1	
	S1441-1	SEAL-12.0 IN LG	BULK ITEM	REF S1441-1-12.0	-----			1	
	S1441-2	SEAL-15.0 IN LG	BULK ITEM	REF S1441-2-15.0	-----			1	
	S1264-1	SEAL-28.0 IN LG	BULK ITEM	REF S1264-1-28.0	-----			1	
-28	0711037-14	HINGE-UPPER STATIONARY -----						1	
-29	0711037-16	HINGE-UPPER -----						1	
-30	0711037-18	HINGE-LOWER STATIONARY -----						1	
-31	0711037-20	HINGE-LOWER -----						1	
-32	0711038-1	PIN-HINGE -----						2	
-33	0710626-4	ARM-DOOR STOP -----						1	
-34	0710620-16	WINDOW-DOOR OUTER -----						1	
-35	0710620-28	RETAINER-OUTER WINDOW -----						1	
		ATTACHING PARTS							
-36	CR163C4-2	RIVET CR -----						42	
		-----*							
-37	1211061-54	WINDOW-DOOR INNER -----						1	
		ATTACHING PARTS							
-38	1211061-46	CLIP-WINDOW RETAINER -----						1	
-39	1211061-60	CLIP-WINDOW RETAINER -----						1	
-40	1211061-61	HAT-WINDOW RETAINER -----						5	
	S1021A4-6	SCREW -----						16	
		-----*							
-41	1211061-50	SEAL-INNER WINDOW -----						1	
-42	0710638-1	WEDGE-CABIN DOOR -----						1	
		ATTACHING PARTS							
	AN515-6R6	SCREW -----						2	
	CR163CJ	RIVET CY -----						2	
		-----*							
-43	0710620-60	SUPPORT-UPHOLSTERY -----						1	
		ATTACHING PARTS							
	S1021Z4-6	SCREW -----						6	
		-----*							
A---210 SERIAL 21058715 & ON T210 SERIAL T210-0001 & ON									

Door & Window (Cont)

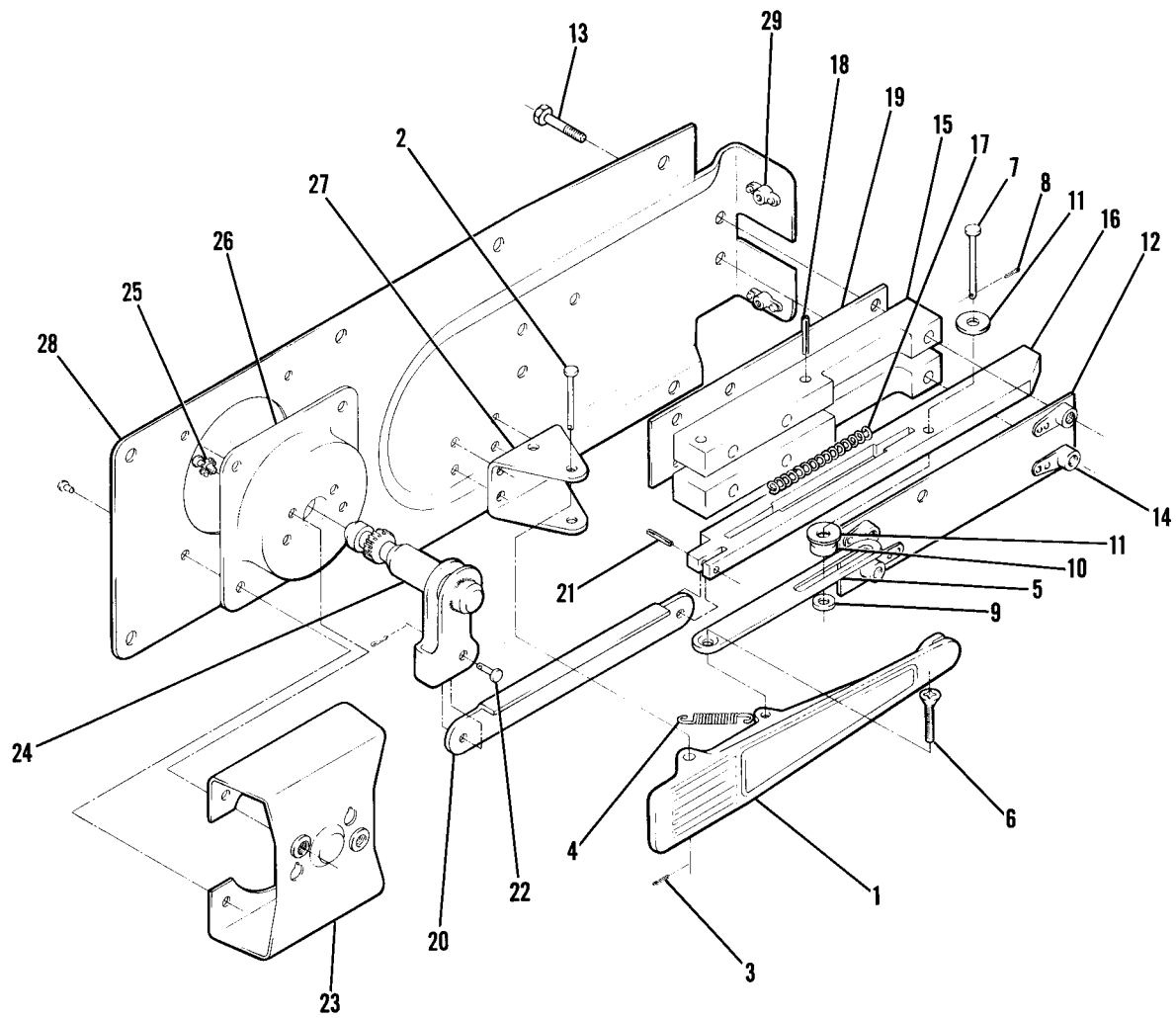


21057841 THRU 21058714

Figure 47. Removable Cabin Door Latch Assembly

FIGURE AND INDEX NO.	PART NUMBER	DESCRIPTION	UNITS PER ASSY	USABLE ON CODE
47 -	0711061-3	LATCH ASSEMBLY-CABIN DOOR REMOVABLE LH -----	1	A
	0711061-6	LATCH ASSEMBLY-CABIN DOOR REMOVABLE LH -----	1	B
	0711061-4	LATCH ASSEMBLY-CABIN DOOR REMOVABLE RH -----	1	A
	0711061-5	LATCH ASSEMBLY-CABIN DOOR REMOVABLE RH -----	1	B
		ATTACHING PARTS		
- 1	NAS220-5	SCREW -----	12	
		-----*		
- 2	0711062-1	BASE PLATE-LATCH LH -----	1	
	0711062-2	BASE PLATE-LATCH RH -----	1	
- 3	NAS697A08K	NUTPLATE -----	2	
- 4	0711018-27	BRACKET -----	1	
- 5	0711132-1	BRACKET-LH -----	1	
	0711132-2	BRACKET-RH -----	1	
- 6	0711018-19	BRACKET-SPRING -----	2	
- 7	0711018-20	BRACKET-SPRING -----	2	
- 8	0711018-25	BRACKET-HANDLE -----	1	
- 9	0711063-1	BRACKET ASSEMBLY-DOOR LATCH LH -----	1	
	0711063-2	BRACKET ASSEMBLY-DOOR LATCH RH -----	1	
-10	0711029-1	SHAFT ASSEMBLY-DOOR LATCH LH -----	1	
	0711029-2	SHAFT ASSEMBLY-DOOR LATCH RH -----	1	
-11	0413195-5	PLATE ASSEMBLY-BEARING -----	1	
		ATTACHING PARTS		
-12	AN520-10R9	SCREW -----	2	
-13	AN936B10	WASHER -----	2	
		-----*		
-14	0711019-1	SPRING-DOOR LATCH -----	2	
-15	0711017-1	BOLT-DOOR LATCH -----	1	
-16	0711018-36	STRAP ASSEMBLY-LATCH LH -----	1	
	0711018-37	STRAP ASSEMBLY-LATCH RH -----	1	
		ATTACHING PARTS		
-17	NAS561-4-9	ROLL PIN EN -----	1	
-18	MS20392-1C7	PIN -----	1	
-19	MS24665-132	PIN-COTTER -----	1	
		-----*		
-20	0711653-1	HANDLE-LATCH -----	1	A
	0711653-2	HANDLE-LATCH -----	1	B
		ATTACHING PARTS		
-21	MS20392-1C33	PIN -----	3	
		-----*		
-22	0711018-32	PULL BAR-LATCH LH -----	1	
	0711018-33	PULL BAR-LATCH RH -----	1	
		ATTACHING PARTS		
-23	MS20392-1C23	PIN -----	1	
-24	AN507-632R12	SCREW -----	1	
-25	MS24665-132	PIN-COTTER -----	2	
-26	NAS70A-128-313	WASHER -----	3	
		-----*		
-27	0711016-1	SPRING-HANDLE -----	1	
-28	0711018-22	STOP -----	1	
-29	0711126-1	SPRING -----	1	
		-----*		
		A---210 SERIAL 21057841 THRU 21058245		
		B---210 SERIAL 21058246 THRU 21058714		

Door And Window (Cont)



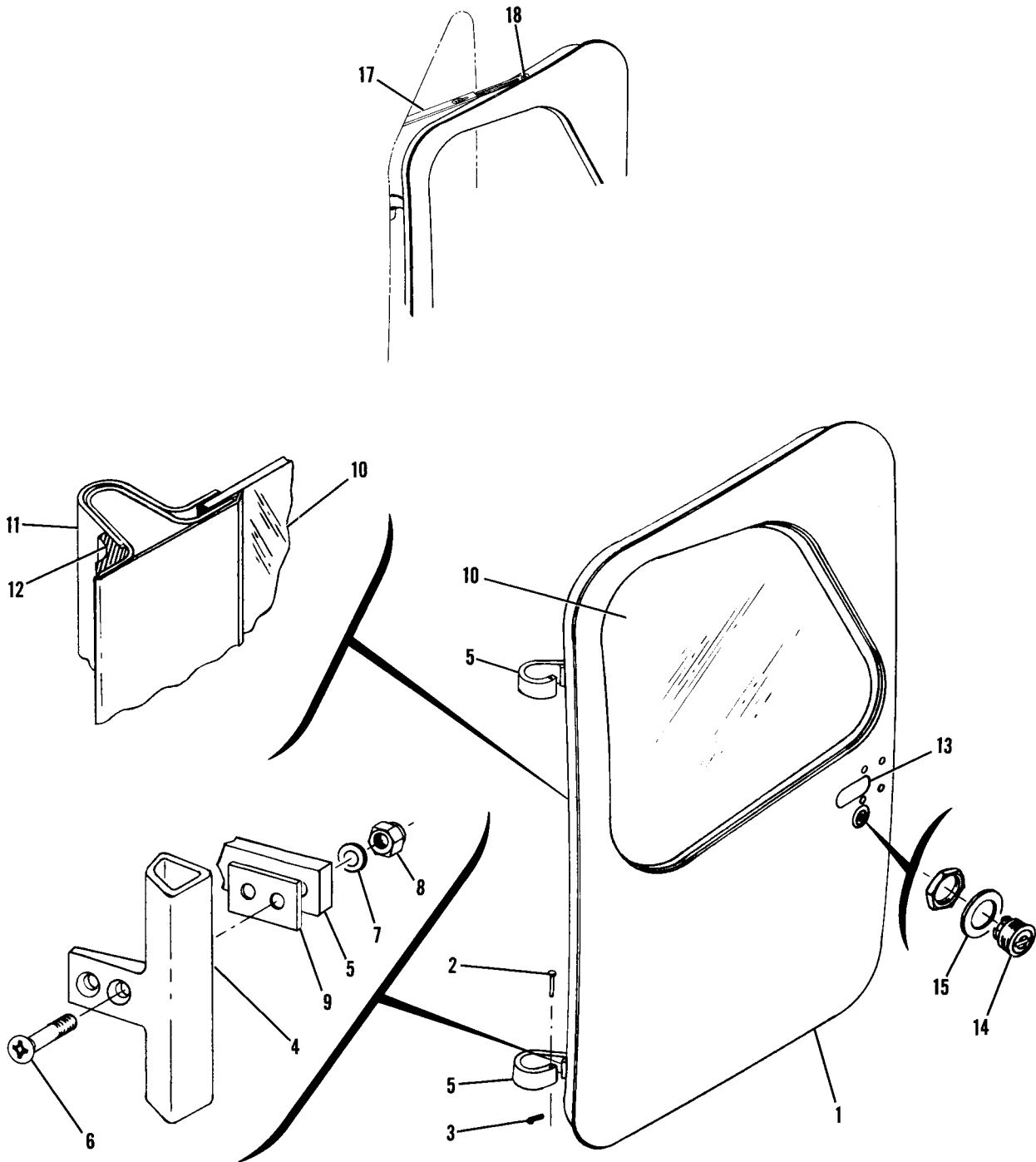
T210-0001 & ON
21058715 & ON

Figure 47A. Removable Cabin Door Latch Assembly



FIGURE AND INDEX NO.	PART NUMBER	DESCRIPTION	UNITS	USABLE ON CODE
			PER ASSY	
		1 2 3 4 5 6 7		
47A-	1511205-6	REMOVABLE LATCH ASSEMBLY-RH -----	1	A
	1511205-7	REMOVABLE LATCH ASSEMBLY-LH -----	1	A
- 1	0711653-3	HANDLE-DOOR OUTSIDE -----	1	
		ATTACHING PARTS -----		
- 2	MS20392-1C33	PIN -----	1	
- 3	MS24665-132	PIN-COTTER -----	1	
		-----*		
- 4	0711016-1	SPRING-DOOR HANDLE -----	1	
- 5	1511209-12	PULL BAR-DOOR HANDLE -----	1	
		ATTACHING PARTS -----		
- 6	AN507-632R12	SCREW -----	1	
- 7	MS20392-2C45	PIN -----	1	
- 8	MS24665-132	PIN-WASHER -----	1	
- 9	AN960D10L	WASHER -----	1	
-10	NAS43DD3-12	SPACER -----	1	
-11	1511209-8	WASHER -----	2	
		-----*		
-12	1511206-20	BOLT GUIDE ASSEMBLY-TOP -----	1	
		ATTACHING PARTS -----		
-13	AN525-10R18	SCREW -----	4	
		-----*		
-14	NAS682A3	NUTPLATE -----	3	
	NAS698A3	NUTPLATE -----	1	
-15	1511206-11	BOLT GUIDE-SIDE -----	1	
-16	1511206-13	BOLT ASSEMBLY-LH -----	1	
	1511206-14	BOLT ASSEMBLY-RH -----	1	
		ATTACHING PARTS -----		
-17	1511207-1	SPRING -----	1	
-18	NAS561P4-15	ROLL PIN -----	2	
		-----*		
-19	1511206-4	BOLT GUIDE-BASE -----	1	
-20	1511209-10	PUSH ROD-LH -----	1	
	1511209-11	PUSH ROD-RH -----	1	
		ATTACHING PARTS -----		
-21	NAS561P4-6	ROLL PIN -----	1	
-22	MS20392-1C7	PIN -----	1	
	MS24665-132	PIN-COTTER -----	1	
		-----*		
-23	0711063-6	BRACKET ASSEMBLY -----	1	
-24	1511212-3	SHAFT ASSEMBLY-LH -----	1	
	1511212-1	SHAFT ASSEMBLY-RH -----	1	
-25	AN520-10R9	SCREW -----	2	
-26	0413195-5	PLATE ASSEMBLY -----	1	
-27	1511209-1	BRACKET -----	1	
-28	1511208-4	PLATE ASSEMBLY-LH -----	1	
	1511208-3	PLATE ASSEMBLY-RH -----	1	
-29	NAS697A08K	NUTPLATE -----	2	
		A---210 SERIAL 21058715 & ON		
		T210 SERIAL T210-0001 & ON		

Door & Window (Cont)

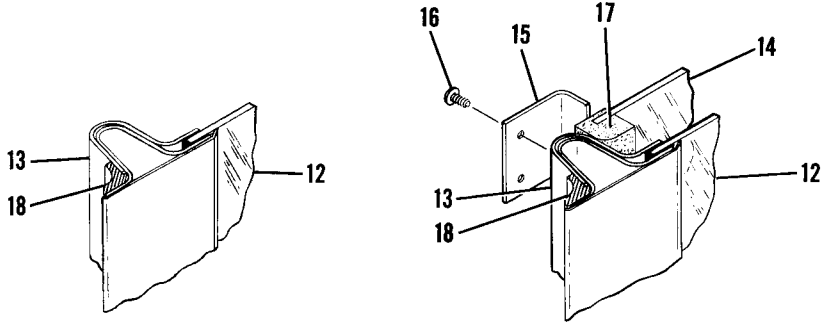


21057841 THRU 21058703

Figure 48. Baggage Door Installation

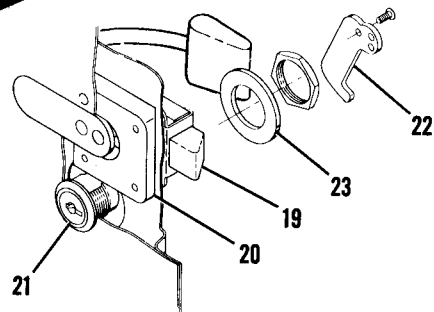
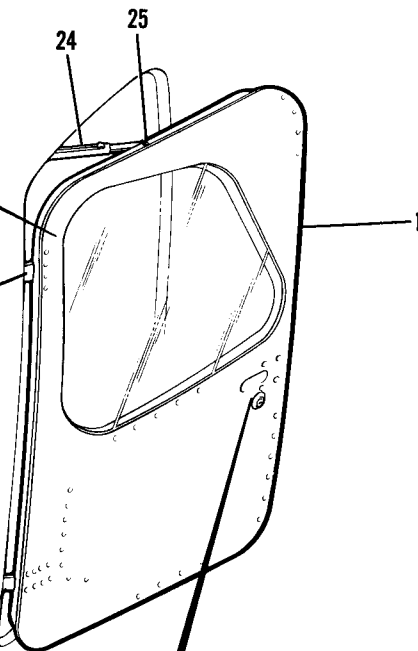
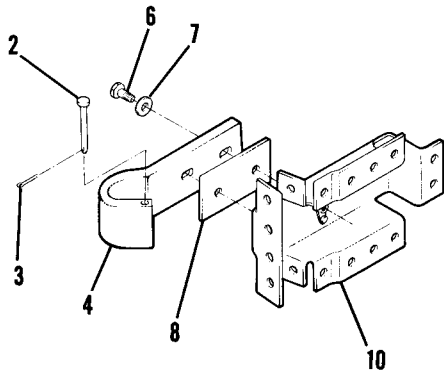
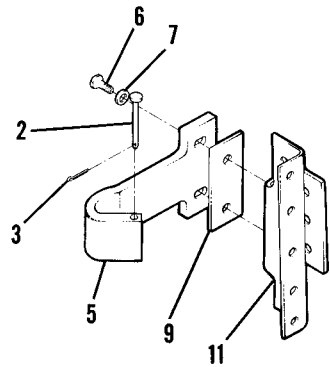
FIGURE AND INDEX NO.	PART NUMBER	DESCRIPTION	UNITS PER ASSY	USABLE ON CODE
		1 2 3 4 5 6 7		
48 -		BAGGAGE DOOR INSTALLATION -----	NP	E
- 1	1211448-20	DOOR ASSEMBLY-BAGGAGE -----	1	
		ATTACHING PARTS -----		
- 2	MS20392-1C39	PIN -----	2	
- 3	MS24665-151	PIN-COTTER --- 21057841 THRU 21058703 -----	2	
		-----*		
- 4	1211448-14	SUPPORT-LOWER -----	1	
	1211448-15	SUPPORT-UPPER -----	1	
- 5	1211448-12	ARM-HINGE -----	2	
		ATTACHING PARTS -----		
- 6	AN509-10R13	SCREW -----	2	
- 7	AN960-10	WASHER -----	2	
- 8	NAS679A3	NUT -----	2	
- 9	1211452-1	SHIM -----	AR	
		-----*		
-10	1211448-7	WINDOW -----	1	C
	1211448-24	WINDOW -----	1	D
-11	1211448-6	RETAINER-FORWARD -----	1	C
	1211448-22	RETAINER-FORWARD -----	1	D
	1211448-13	RETAINER-AFT -----	1	C
	1211448-23	RETAINER-AFT -----	1	D
		ATTACHING PARTS -----		
	CR763-4-6	RIVET CR -----	AR	
		-----*		
-12	S1116-1-	SEAL-71.76 IN LG BULK ITEM REF S1116-1-71.76 -----	1	
-13	S1359-1	LATCH -----	1	A
	S1359-3	LATCH -----	1	B
-14	0413323-3	LOCK -----	1	
-15	AN960D1216	WASHER -----	1	
-16		DELETED, NEVER USED -----		
-17	1211644-1	SWING STOP & DETENT ASSEMBLY -----	1	
		ATTACHING PARTS -----		
-18	AN525-10R8	SCREW -----	2	
	AN960-10L	WASHER -----	2	
	AN960-10	WASHER -----	2	
		-----*		
		A---210 SERIAL 21057841 THRU 21058220		
		B---210 SERIAL 21058221 THRU 21058703		
		C---210 SERIAL 21057841 THRU 21058191		
		D---210 SERIAL 21058192 THRU 21058703		
		E---210 SERIAL 21057841 THRU 21058703		

Door & Window (Cont)



21058704 THRU 21058715

21058716 & ON
T210-0001 & ON



T210-0001 & ON
21058704 & ON

Figure 48A. Baggage Door Installation

FIGURE AND INDEX NO.	PART NUMBER	DESCRIPTION	UNITS PER ASSY	USABLE ON CODE
48A-		1 2 3 4 5 6 7		
- 1	1211448-25 1211448-200	BAGGAGE DOOR INSTALLATION ----- DOOR ASSEMBLY-BAGGAGE ----- T210-0001 & ON ----- DOOR ASSEMBLY-BAGGAGE ----- 21058704 & ON ----- ATTACHING PARTS -----	NP 1 1	A B C
- 2	MS20392-1C39	PIN -----	2	
- 3	MS24665-151	PIN-COTTER -----	2	
- 4	1211063-2	HINGE-BAGGAGE DOOR LOWER -----	1	
- 5	1211063-1	HINGE-BAGGAGE DOOR UPPER ----- ATTACHING PARTS -----	1	
- 6	AN3-5A	BOLT -----	2	
- 7	AN960D10	WASHER -----	2	
- 8	1211062-1	SHIM-LOWER -----	AR	
- 9	1211062-2	SHIM-UPPER -----	AR	
-10	1211064-2	SUPPORT ASSEMBLY-LOWER HINGE -----	1	
-11	1211064-1	SUPPORT ASSEMBLY-UPPER HINGE -----	1	
-12	1211448-24	WINDOW-BAGGAGE DOOR -----	1	
-13	1211448-29 1211448-23	RETAINER-FORWARD ----- RETAINER-AFT ----- ATTACHING PARTS -----	1 1	
	CR763-4-6	RIVET CR -----	AR	
-14	1211061-47	WINDOW ----- ATTACHING PARTS -----	1	C
-15	1211061-45	CLIP -----	6	C
-16	S1021A4-6	SCREW -----	12	C
-17	1211061-49	SEAL-WINDOW -----	1	C
-18	S1116-1-	SEAL-DOOR 71.76 IN LG BULK ITEM REF S1116-1-71.76 -	1	
-19	S1359-3	LATCH ASSEMBLY -----	1	
-20	1211448-8	SPACER -----	1	
-21	0413323-3	LOCK ASSEMBLY -----	1	
-22	0711111-1	CAM -----	1	
-23	AN960D1216	WASHER -----	1	
-24	1211644-1	SWING STOP & DETENT ASSEMBLY ----- ATTACHING PARTS -----	1	
-25	AN525-10R8 AN960-10L AN960-10	SCREW ----- WASHER ----- WASHER -----	2 2 2	
<p>A---210 SERIAL 21058704 & ON T210 SERIAL T210-0001 & ON B---210 SERIAL 21058704 THRU 21058715 C---210 SERIAL 21058716 & ON T210 SERIAL T210-0001 & ON</p>				

Upholstery

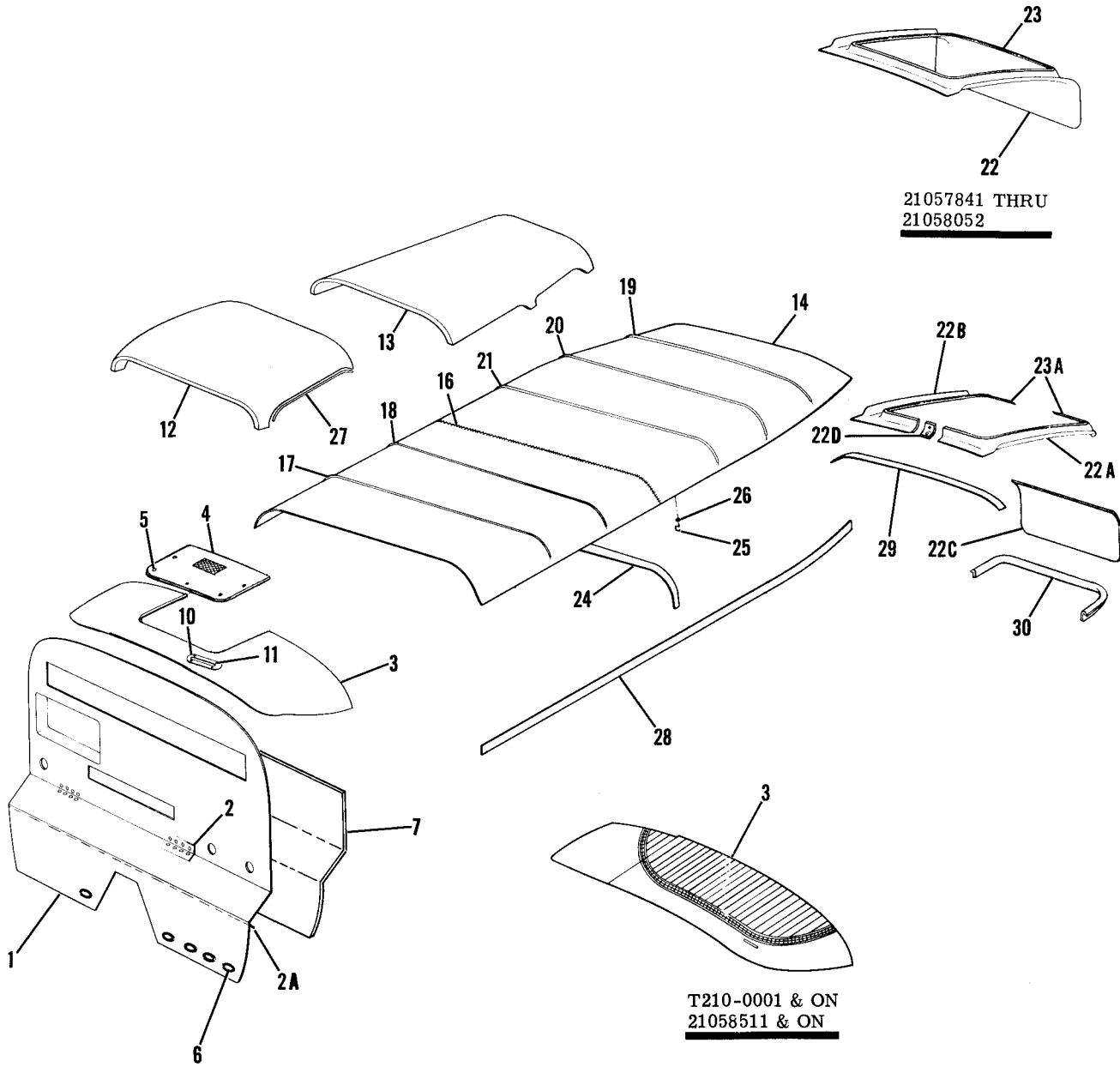


Figure 49. Cabin Top & Firewall Upholstery

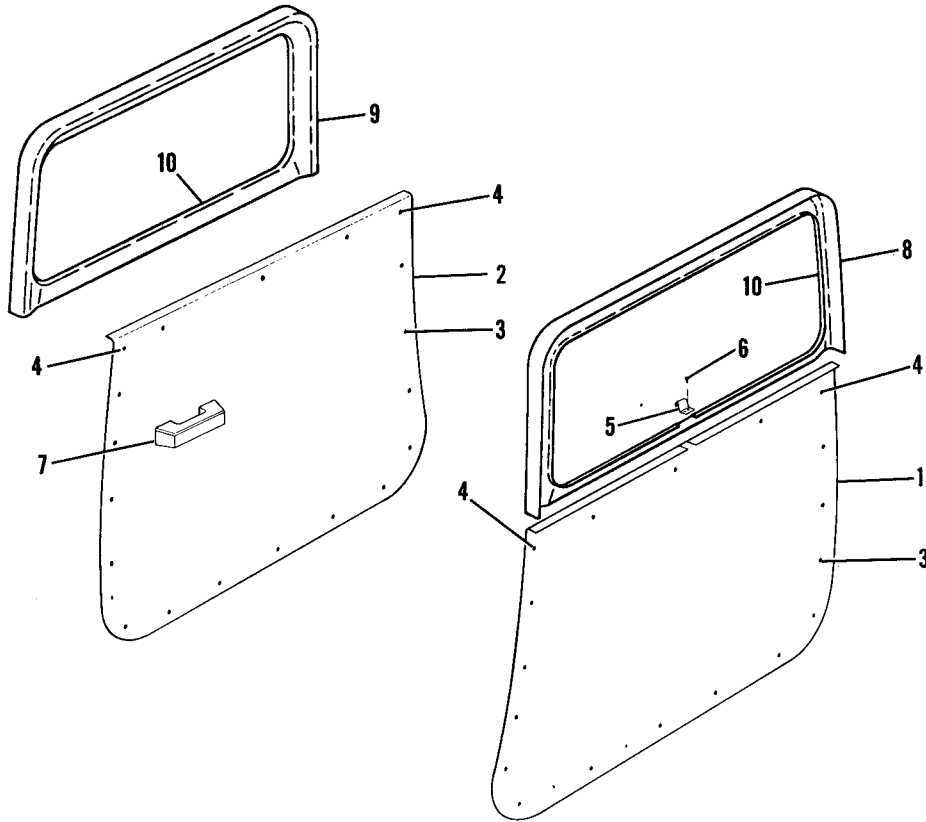
FIGURE AND INDEX NO.	PART NUMBER	DESCRIPTION	UNITS PER ASSY	USABLE ON CODE
49 -		1 2 3 4 5 6 7 UPHOLSTERY INSTALLATION-CABIN TOP & FIREWALL -----		
- 1	1200460-6	COVER ASSEMBLY-FIREWALL -----	NP 1	
		ATTACHING PARTS -----		
- 2	1213231-1	ANGLE -----	2	
	S1021Z8-8	SCREW -----	8	
		-----*-----		
- 2A	1200460-14	WIRE -----	1	
- 3	1200460-7	COVER ASSEMBLY-DECK -----	1	J
	1200460-24	COVER ASSEMBLY-DECK -----	1	K
- 4	1200460-8	COVER ASSEMBLY-DECK -----	1	G
	1200460-23	COVER ASSEMBLY-DECK -----	1	H
- 5	49265	STUD UC -----	1	
- 6	AN227-13B	STUD -----	4	C
- 7	1200454-36	CARPET ASSEMBLY-FIREWALL -----	1	E
- 8		DELETED -----		
- 9		DELETED -----		
-10	0713046	RETAINER-UPHOLSTERY -----	1	
		ATTACHING PARTS -----		
-11	S1021Z4-6B	SCREW -----	4	
		-----*-----		
-12	1200467-2	SOUNDPROOFING-CABIN TOP FWD -----	1	
-13	1200467-3	SOUNDPROOFING-CABIN TOP AFT -----	1	
-14	1200459-200	HEADLINER ASSEMBLY-CABIN -----	1	D
	1200459-201	HEADLINER ASSEMBLY-CABIN -----	1	E
		ATTACHING PARTS -----		
	S1021Z4-6	SCREW -----	10	
		-----*-----		
-15		DELETED, NEVER USED -----		
-16	0511001-150	ZIPPER -----	1	
-17	1200459-4	WIRE-HEADLINER -----	1	
-18	1200459-5	WIRE-HEADLINER -----	1	
-19	1200459-6	WIRE-HEADLINER -----	1	
-20	1200459-7	WIRE-HEADLINER -----	1	
-21	1200459-8	WIRE-HEADLINER -----	1	
-22	1200456-9	COVER-REAR PANEL -----	1	A

CONTINUED ON NEXT PAGE

FIGURE AND INDEX NO.	PART NUMBER	DESCRIPTION	UNITS PER ASSY	USABLE ON CODE
49 -22A	1200456-13	COVER-WINDOW POST LH -----	1	B
	1200659-7	COVER-WINDOW POST LH -----	1	E
-22B	1200456-14	COVER-WINDOW POST RH -----	1	B
	1200659-6	COVER-WINDOW POST RH -----	1	E
-22C	1200456-15	COVER-REAR PANEL -----	1	L
-22D	1200456-16	PLATE-SPLICE -----	1	B
	1200659-8	PLATE-SPLICE -----	1	E
-23	S1247-1E	SEAL-* IN LG BULK ITEM REF S1247-1E-* -----	1	A
-23A	S1247-1E	SEAL-* IN LG BULK ITEM REF S1247-1E-* -----	2	B
	S1247-1K	SEAL-* IN LG BULK ITEM REF S1247-1K-* -----	2	E
-24	0700667-1	TIARA ASSEMBLY -----	1	
		ATTACHING PARTS		
	S102324-8C	SCREW -----	4	
		---*---		
-25	0511186	HOOK-COAT HANGER WHEN EXHAUSTED USE S1430-2 -----	1	D
	S1430-2	HOOK-COAT HANGER -----	2	E
-26	0500010-4	WASHER -----	1	D
-27	0700668-5	WINDLACE ASSEMBLY -----	2	
-28	1200454-16	MOULDING ASSEMBLY -----	2	E
-29	1200454-29	TRIM STRIP -----	1	E
-30	1200535-11	TRIM STRIP-AFT -----	1	M
<p>NOTE. *LENGTHS TO BE ADDED LATER</p> <p>NOTE. #THIS PART NUMBER MUST HAVE A SECOND DASH NUMBER ADDED TO DENOTE COLOR. REFER TO HOW TO ORDER UPHOLSTERED PARTS-PAGE X.</p> <p>NOTE. □THIS PART NUMBER MUST HAVE A SECOND DASH NUMBER ADDED TO DENOTE COLOR. REFER TO HOW TO ORDER INTERIOR PARTS-PAGE XI.</p> <p>A---210 SERIAL 21057841 THRU 21058052 B---210 SERIAL 21058053 THRU 21058220 C---210 SERIAL 21058000 & ON T210 SERIAL T210-0001 & ON D---210 SERIAL 21057841 THRU 21058220 E---210 SERIAL 21058221 & ON T210 SERIAL T210-0001 & ON G---210 SERIAL 21057841 THRU 21058367 H---210 SERIAL 21058368 THRU 21058510 J---210 SERIAL 21057841 THRU 21058510 K---210 SERIAL 21058511 & ON T210 SERIAL T210-0001 & ON L---210 SERIAL 21058053 & ON T210 SERIAL T210-0001 & ON M---210 SERIAL 21058716 & ON T210 SERIAL T210-0001 & ON</p>				

This page intentionally left blank.

Upholstery (Cont)

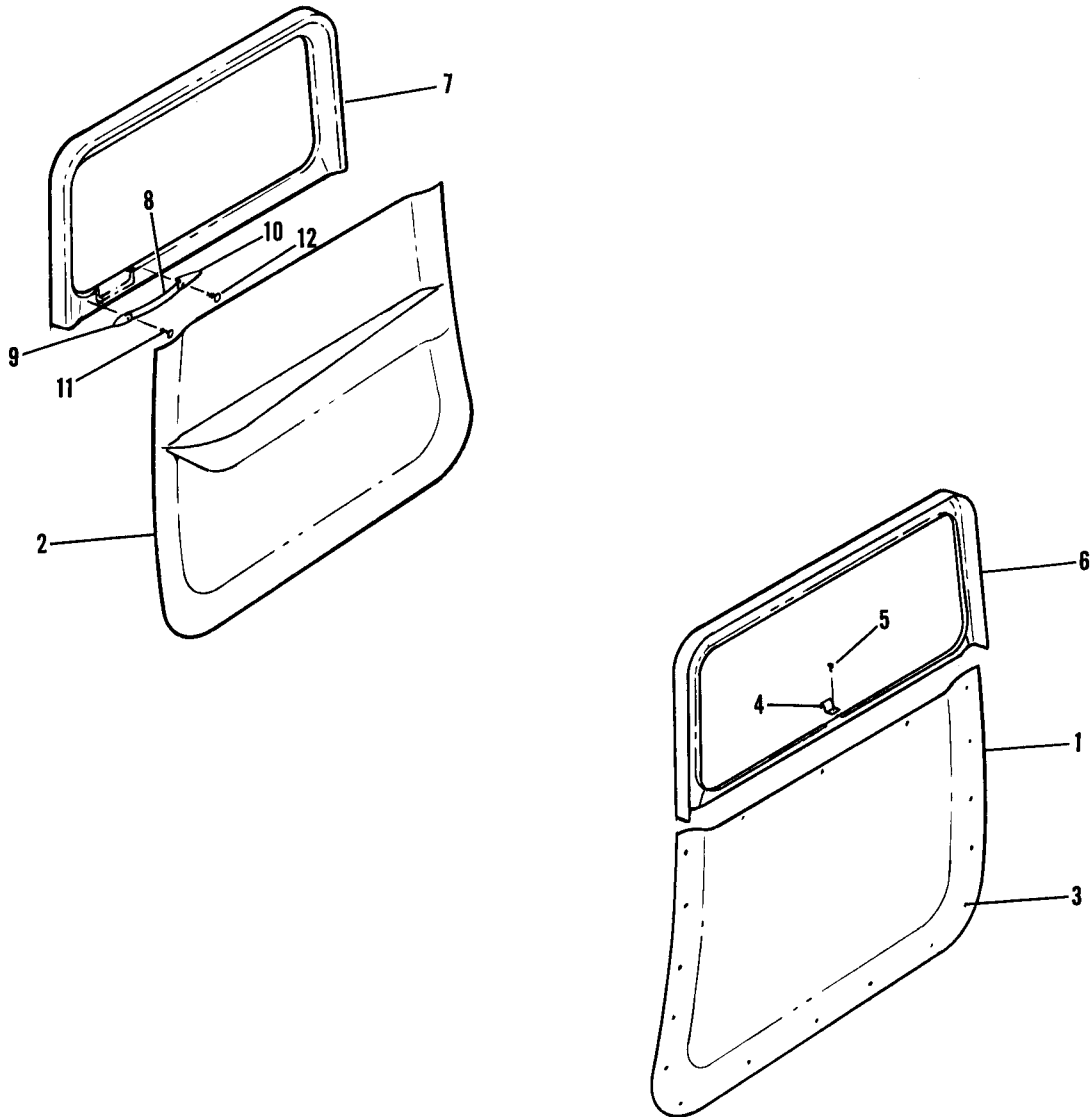


21057841 THRU 21058715

Figure 50. Cabin Door Upholstery Installation

FIGURE AND INDEX NO.	PART NUMBER	DESCRIPTION	UNITS PER ASSY	USABLE ON CODE
		1 2 3 4 5 6 7		
50 -		UPHOLSTERY INSTALLATION-CABIN DOORS -----	NP	H
- 1	1200455-9	PANEL ASSEMBLY-DOOR UPHOLSTERY LH -----	1	A
	1200491-1	PANEL ASSEMBLY-DOOR UPHOLSTERY LH -----	1	B
	1200454-73	PANEL ASSEMBLY-DOOR UPHOLSTERY LH -----	1	F
	1200449-6	PANEL ASSEMBLY-DOOR UPHOLSTERY LH -----	1	G
- 2	1200455-10	PANEL ASSEMBLY-DOOR UPHOLSTERY RH -----	1	A
	1200491-2	PANEL ASSEMBLY-DOOR UPHOLSTERY RH -----	1	B
	1200454-74	PANEL ASSEMBLY-DOOR UPHOLSTERY RH -----	1	F
	1200449-5	PANEL ASSEMBLY-DOOR UPHOLSTERY RH -----	1	G
		ATTACHING PARTS		
- 3	807	CLIP AU-VE-CD -----	16	
- 4	S1023A4-6	SCREW -----	2	D
	S1066C1	WASHER -----	2	D
		21057841 THRU 21058715		
- 5	0700685-1	PLATE-STRIKER -----	1	
		ATTACHING PARTS		
- 6	S1021Z8-8	SCREW -----	2	
- 7	1200089-4	DOOR PULL -----	2	A
	1414082-1	ARMREST ASSEMBLY -----	2	B
	1414082-8	ARMREST ASSEMBLY-FABRIC -----	2	C
	1414082-17	ARMREST ASSEMBLY-LEATHER -----	2	C
		ATTACHING PARTS		
	AN520-416R12	SCREW -----	2	A
	AN960C416L	WASHER -----	2	A
	AN520-10R20	SCREW -----	2	E
	1414082-6	PAD ASSEMBLY-ARMREST -----	1	B
	1414082-9	PAD ASSEMBLY-ARMREST FABRIC -----	1	C
	1414082-16	PAD ASSEMBLY-ARMREST LEATHER -----	1	C
- 8	1200454-11	MOULDING-DOOR LH -----	1	E
- 9	1200454-12	MOULDING-DOOR RH -----	1	E
- 10	S1247-1K	SEAL-* IN. LG. BULK ITEM REF S-1247-1K* -----	2	E
		NOTE. *LENGTHS TO BE ADDED LATER		
		NOTE. □THIS PART NUMBER MUST HAVE A SECOND DASH NUMBER ADDED TO DENOTE COLOR. REFER TO HOW TO ORDER INTERIOR PARTS-PAGE XI.		
		A---210 SERIAL 21057841 THRU 21058085		
		B---210 SERIAL 21058086 THRU 21058220		
		C---210 SERIAL 21058221 THRU 21058715		
		D---210 SERIAL 21057841 THRU 21058220		
		E---210 SERIAL 21058086 THRU 21058715		
		F---210 SERIAL 21058221 THRU 21058510		
		G---210 SERIAL 21058571 THRU 21058715		
		H---210 SERIAL 21057841 THRU 21058715		

Upholstery (Cont)



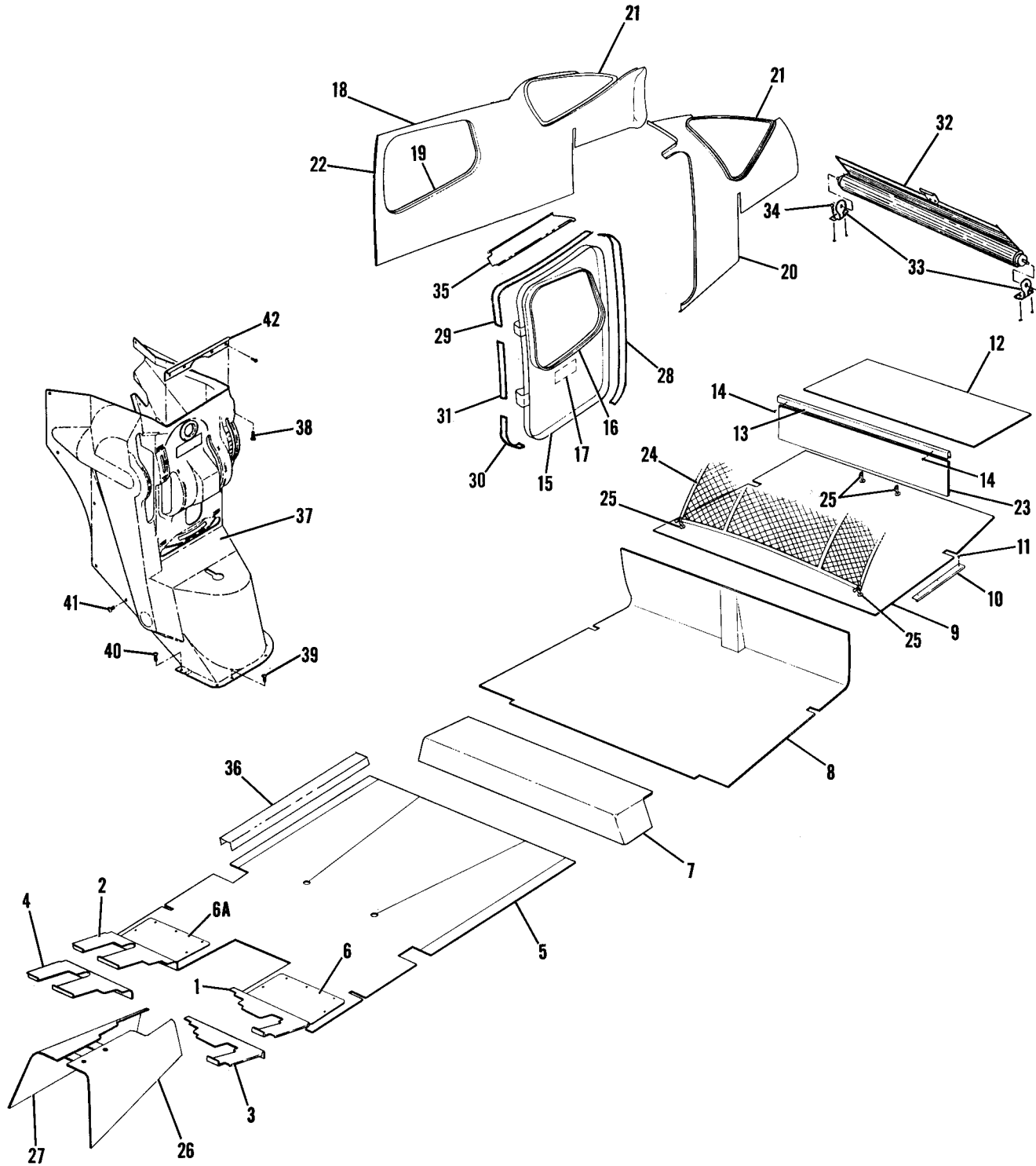
T210-0001 & ON
21058716 & ON

Figure 50A. Cabin Door Upholstery Installation

FIGURE AND INDEX NO.	PART NUMBER		DESCRIPTION	UNITS PER ASSY	USABLE ON CODE
			1 2 3 4 5 6 7		
50A-			UPHOLSTERY INSTALLATION-CABIN DOORS -----	NP	A
- 1	1200523-3	#	PANEL ASSEMBLY-DOOR TRIM LH -----	1	
- 2	1200523-4	#	PANEL ASSEMBLY-DOOR TRIM RH -----	1	
- 3	807		CLIP-TRIM AUV -----	21	
- 4	0700685-1		PLATE-STRIKER -----	1	
			ATTACHING PARTS		
- 5	S102128-8		SCREW -----	2	
			T210-0001 & ON		
			21058716 & ON		
- 6	1200535-17	□	MOULDING-DOOR LH -----	1	
- 7	1200535-6	□	MOULDING-DOOR RH -----	1	
- 8	1200545-4	#	HANDLE ASSEMBLY-DOOR PULL -----	2	
			ATTACHING PARTS		
- 9	1200545-1		SUPPORT-DOOR PULL FORWARD -----	1	
-10	1200545-2		SUPPORT-DOOR PULL AFT -----	1	
-11	NAS388-10-18P		SCREW -----	1	
-12	NAS388-10-16P		SCREW -----	1	

			NOTE. #THIS PART NUMBER MUST HAVE A SECOND DASH NUMBER ADDED TO DENOTE COLOR. REFER TO HOW TO ORDER UPHOLSTERED PARTS-PAGE X.		
			NOTE. □THIS PART NUMBER MUST HAVE A SECOND DASH NUMBER ADDED TO DENOTE COLOR. REFER TO HOW TO ORDER INTERIOR PARTS-PAGE XI.		
			A---210 SERIAL 21058716 & ON T210 SERIAL T210-0001 & ON		

Upholstery (Cont)



21057841 THRU 21058220

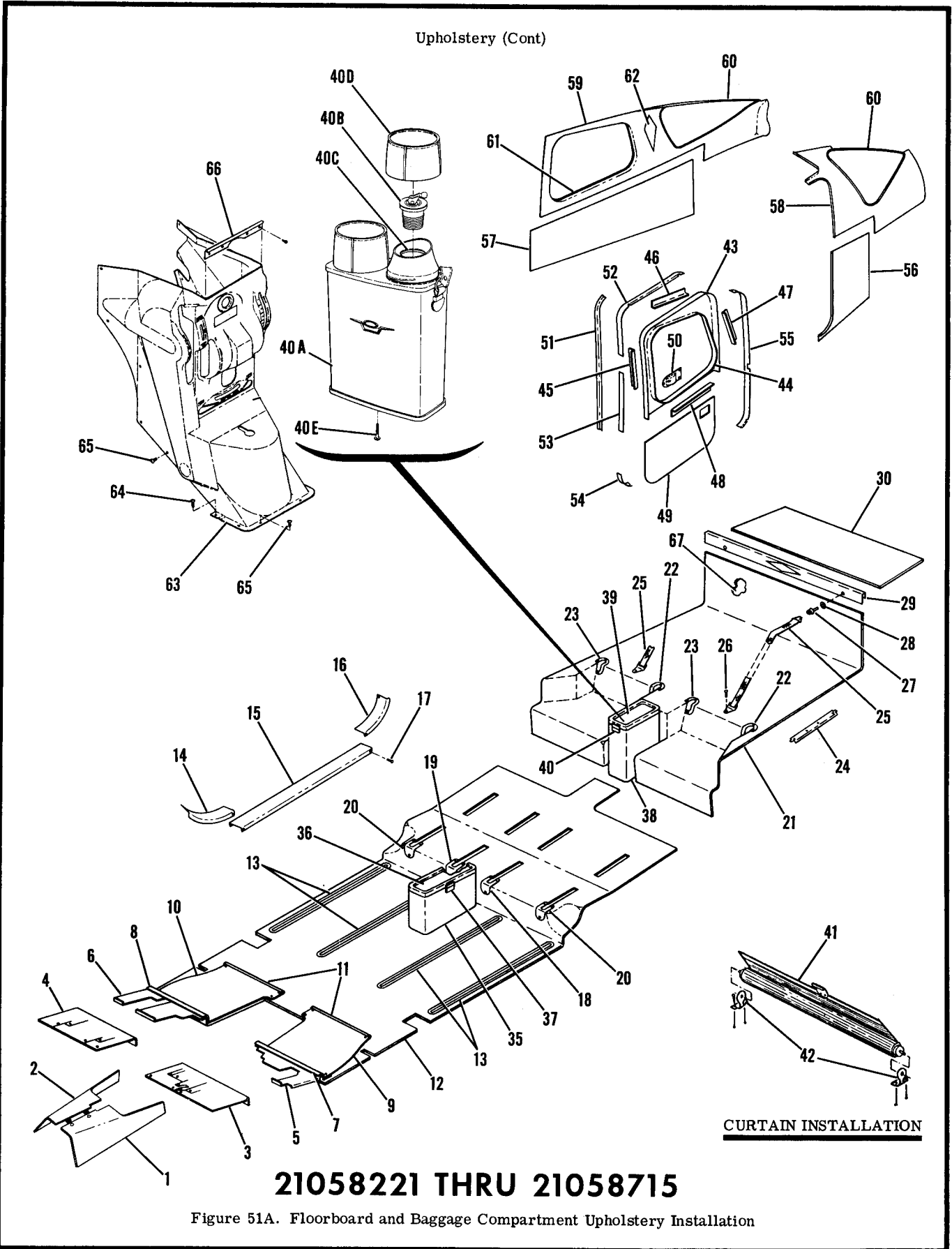
Figure 51. Floorboard and Baggage Compartment Upholstery Installation

FIGURE AND INDEX NO.	PART NUMBER	DESCRIPTION	UNITS PER ASSY	USABLE ON CODE
51 -		UPHOLSTERY INSTALLATION-FLOORBOARD & BAGGAGE COMPARTMENT -----	NP	E
- 1	1200460-21	CARPET ASSEMBLY-RUDDER BAR LH -----	1	
- 2	1200460-20	CARPET ASSEMBLY-RUDDER BAR RH DUAL CONTROLS ONLY -----	1	
	1200647-2	CARPET ASSEMBLY-RUDDER BAR RH SINGLE CONTROL ONLY -----	1	
		ATTACHING PARTS		
	S102128-10	SCREW USE WITH 1200647-2 ONLY -----	4	
	NAS446-4-3	NUT USE WITH 1200647-2 ONLY -----	4	
		-----*		
- 3	1213473-1	SHIELD-RUDDER BAR LH -----	1	
- 4	1213473-2	SHIELD-RUDDER BAR RH DUAL CONTROLS ONLY -----	1	
- 5	1200460-1	CARPET ASSEMBLY-FWD -----	1	
- 6	0700669-1	SCUFF PLATE-LH -----	1	
		ATTACHING PARTS		
	S102126-6	SCREW -----	4	
	AN970-3	WASHER -----	4	
		-----*		
- 6A	0700669-1	SCUFF PLATE-RH DUAL CONTROLS ONLY -----	1	
	0700669-2	SCUFF PLATE-RH SINGLE CONTROLS ONLY -----	1	
		ATTACHING PARTS		
	S102126-8	SCREW -----	4	
	AN970-3	WASHER -----	4	
		-----*		
- 7	1200460-2	CARPET ASSEMBLY-CENTER -----	1	
- 8	1200460-3	CARPET ASSEMBLY-AFT -----	1	
- 9	1200460-4	CARPET ASSEMBLY-LUGGAGE COMPARTMENT -----	1	
-10	1200477-1	SCUFF PLATE -----	1	
		ATTACHING PARTS		
-11	S1023A10-6C	SCREW -----	6	
		-----*		
-12	1200460-5	COVER ASSEMBLY-SHELF -----	1	
-13	1200463-1	COVER-BAGGAGE SHELF EDGE -----	1	
		ATTACHING PARTS		
-14	S1021A6-8	SCREW -----	5	
		-----*		
-15	1200456-19	COVER-BAGGAGE DOOR -----	1	F
	1200456-34	COVER-BAGGAGE DOOR -----	1	G
-16	S1247-1E	SEAL-* IN. LG. BULK ITEM REF S-1247-1E* -----	1	
-17	0710032-1	PLACARD-BAGGAGE DOOR COVER -----	1	
		ATTACHING PARTS		
	S102128-6	SCREW -----	2	
		-----*		
-18	1200456-6	FRAME-AFT SIDE WINDOW RH -----	1	A
	1200456-12	FRAME-AFT SIDE WINDOW RH -----	1	B
-19	S1247-1E	SEAL-* IN. LG. BULK ITEM REF S-1247-1E* -----	1	
-20	1200456-7	SIDE COVER-AFT WINDOW LH -----	1	A
	1200456-11	SIDE COVER-AFT WINDOW LH -----	1	C
	1200456-30	SIDE COVER-AFT WINDOW LH -----	1	D
-21	S1247-1E	SEAL-* IN. LG. BULK ITEM REF S-1247-1E* -----	2	
-22	S1248-1E	SEAL-* IN. LG. BULK ITEM REF S-1248-1E* -----	1	
-23	1200460-13	COVER ASSEMBLY-STA 124.0 -----	1	
-24	0500236-2	NET-BAGGAGE RETAINING -----	1	
-25	1211203-1	EYEBOLT -----	4	
	1200127-1	WASHER -----	4	
-26	1200460-15	CARPET ASSEMBLY-TUNNEL FWD LH -----	1	
-27	1200460-16	CARPET ASSEMBLY-TUNNEL FWD RH -----	1	
-28	1200458-10	RETAINER-AFT -----	1	D
-29	1200458-11	RETAINER-UPPER -----	1	D
-30	1200458-12	RETAINER-LOWER -----	1	D
-31	1200458-13	RETAINER-FWD -----	1	D
-32	1200612-2	CURTAIN ASSEMBLY-ROLLER -----	1	
		ATTACHING PARTS		
-33	1200612-5	BRACKET KIT CONTAINS 2 BRACKETS -----	1	
-34	S1021A4-6C	SCREW -----	4	
		-----*		
-35	1200456-10	COVER-BAGGAGE DOOR SILL UPPER -----	1	H
-36	1200494-1	TREAD PLATE-DOOR SILL -----	2	D
		ATTACHING PARTS		
	S102126-8C	SCREW -----	6	D
		-----*		

CONTINUED ON NEXT PAGE

FIGURE AND INDEX NO.	PART NUMBER	DESCRIPTION	UNITS PER ASSY	USABLE ON CODE
		1 2 3 4 5 6 7		
51 -37	1213474-2-418 1213674-6-418	COVER-PEDESTAL ----- COVER-PEDESTAL ----- ATTACHING PARTS	1 1	H D
-38	S1021Z8-10	SCREW -----	4	H
-39	NAS220-8	SCREW -----	3	
-40	NAS220-10	SCREW -----	2	
-41	NAS220-8 S1021A8-8	SCREW ----- SCREW -----	10 6	H D
-42	1200481-1 S1021A4-6	RETAINER-PEDESTAL COVER ----- ATTACHING PARTS SCREW -----	1 4	D D
		NOTE. *LENGTHS TO BE ADDED LATER A---210 SERIAL 21057841 THRU 21058052 B---210 SERIAL 21058053 THRU 21058220 C---210 SERIAL 21058053 THRU 21058085 D---210 SERIAL 21058086 THRU 21058220 E---210 SERIAL 21057841 THRU 21058220 F---210 SERIAL 21057841 THRU 21058191 G---210 SERIAL 21058192 THRU 21058220 H---210 SERIAL 21057841 THRU 21058085		
FIGURE AND INDEX NO.	PART NUMBER	DESCRIPTION	UNITS PER ASSY	USABLE ON CODE
		1 2 3 4 5 6 7		
51A-		UPHOLSTERY INSTALLATION-FLOORBOARD & BAGGAGE COMPARTMENT -----	NP	A
- 1	1200460-15	CARPET ASSEMBLY-TUNNEL FWD LH -----	1	
- 2	1200460-16	CARPET ASSEMBLY-TUNNEL FWD RH -----	1	
- 3	1200460-21	CARPET ASSEMBLY-RUDDER BAR LH SINGLE CONTROLS -----	1	
- 4	1200460-20 1200647-2	CARPET ASSEMBLY-RUDDER BAR RH DUAL CONTROLS ----- CARPET ASSEMBLY-RUDDER BAR RH USE ON SINGLE ----- CONTROL AIRPLANES ONLY	1 1	
	S1021Z8-10 NAS446-4-3	ATTACHING PARTS SCREW USE WITH 1200647-2 ONLY ----- 21058221 NUT USE WITH 1200647-2 ONLY ----- THRU 21058715	4 4	
- 5	1213473-1	SHIELD-RUDDER BAR LH -----	1	
- 6	1213473-2 1200646-1	SHIELD-RUDDER BAR RH DUAL CONTROLS ----- COVER-RUDDER BAR RH SINGLE CONTROLS -----	1 1	
- 7	1200447-3	COVER-RUDDER BAR LH -----	1	
- 8	1200447-4	COVER-RUDDER BAR RH DUAL CONTROLS -----	1	
- 9	1200447-1	SCUFF PLATE-LH -----	1	
-10	1200443-1 1200447-2	SCUFF PLATE-RH SINGLE CONTROLS ----- SCUFF PLATE-RH DUAL CONTROLS -----	1 1	
	S1021A6-12C S1022Z8-14C S1021Z6-12C	ATTACHING PARTS SCREW ATTACH 1200447-1 ONLY ----- SCREW ATTACH 1200443-1 & 1200447-2 ONLY ----- SCREW ATTACH 1200443-1 & 1200447-2 ONLY -----	5 4 2	
-11	1200447-5	TRIM-SCUFF PLATE -----	2	
-12	1200454-2	CARPET ASSEMBLY-FWD -----	1	
-13	1200444-1	ESCUTCHEON -----	4	
	S1023A4-10C	ATTACHING PARTS SCREW -----	8	
-14	1200507-2 1200507-1	SCUFF PLATE-RH ----- SCUFF PLATE-LH -----	1 1	
-15	1200506-1	SCUFF PLATE -----	2	
-16	1200507-4 1200507-3	SCUFF PLATE-RH ----- SCUFF PLATE-LH -----	1 1	
-17	S1021Z6-8	SCREW -----	12	
-18	1200444-5	ESCUTCHEON -----	1	
-19	1200444-6	ESCUTCHEON -----	1	
-20	1200444-7	ESCUTCHEON -----	2	
	S1023A4-10C	ATTACHING PARTS SCREW -----	3	
		CONTINUED ON NEXT PAGE		

Upholstery (Cont)



CURTAIN INSTALLATION

21058221 THRU 21058715

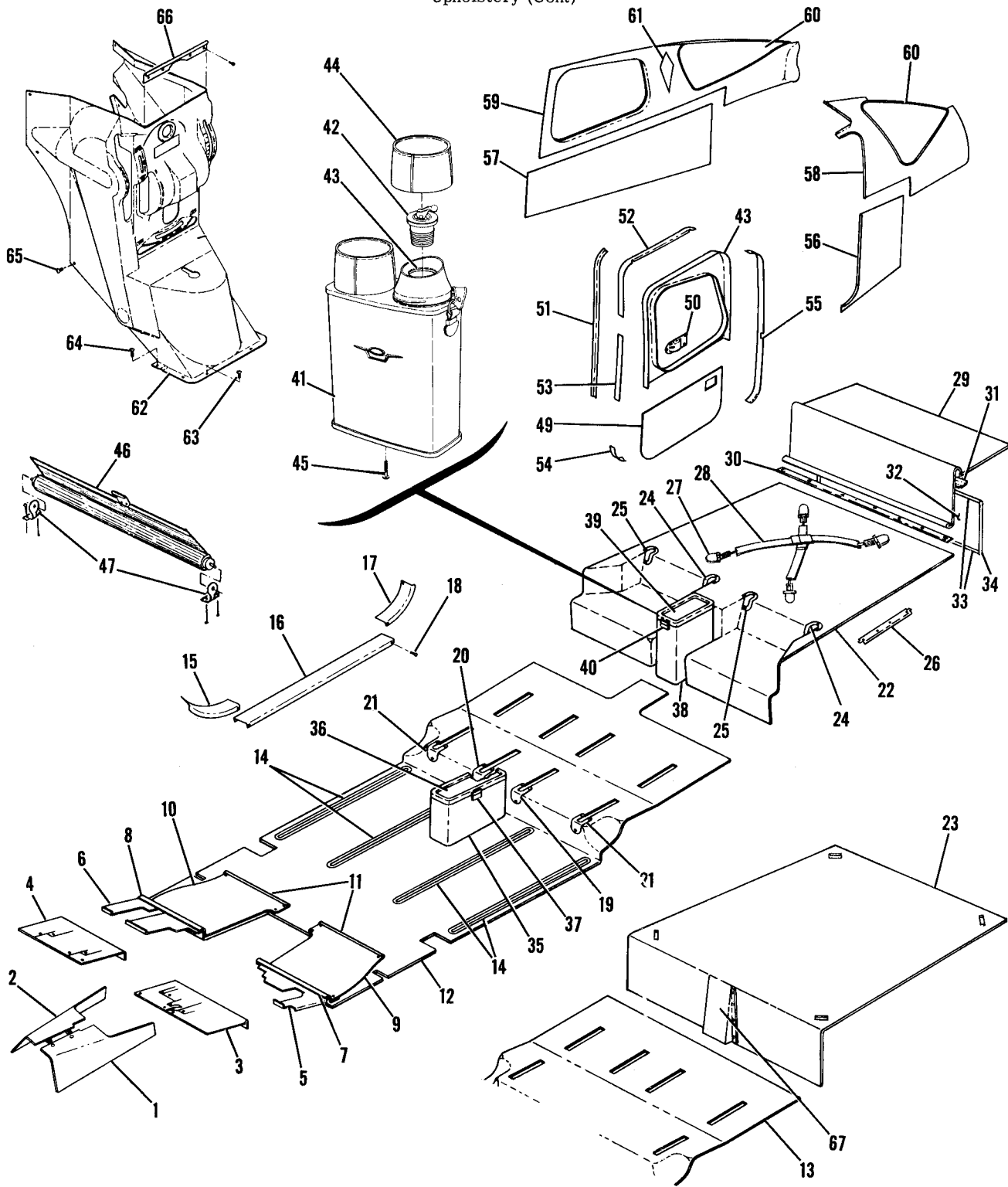
Figure 51A. Floorboard and Baggage Compartment Upholstery Installation

FIGURE AND INDEX NO.	PART NUMBER	DESCRIPTION	UNITS PER ASSY	USABLE ON CODE
51A-21	1200454-3	CARPET ASSEMBLY-AFT -----	1	
-22	1200444-2	ESCUTCHEON -----	2	
-23	1200444-3	ESCUTCHEON -----	2	
	S1023A6-10C	ATTACHING PARTS		
		SCREW -----	3	
		-----*		
-24	1200444-4	SCUFF PLATE-BAGGAGE DOOR -----	1	
	S1023A6-10C	ATTACHING PARTS		
		SCREW -----	4	
		-----*		
-25	S1504-1	BELT ASSEMBLY -----	2	
		ATTACHING PARTS		
-26	NAS221-10	SCREW -----	2	
		-----*		
-27	1211203-2	EYEBOLT -----	2	
-28	1200127-1	WASHER -----	2	
-29	1200463-3	COVER ASSEMBLY -----	1	
		ATTACHING PARTS		
	S1021A6-8	SCREW -----	4	
		-----*		
-30	1200460-5	COVER ASSEMBLY-SHELF -----	1	
-31		DELETED, NEVER USED -----		
-32		DELETED, NEVER USED -----		
-33		DELETED, NEVER USED -----		
-34		DELETED, NEVER USED -----		
-35	1200515-7	CABINET ASSEMBLY-AFT CONSOLE -----	1	
		ATTACHING PARTS		
	1200519-1	BOLT ASSEMBLY -----	2	
	AN970-3	WASHER -----	2	
		-----*		
-36	1200515-2	DOOR ASSEMBLY -----	1	
		ATTACHING PARTS		
	MS20253-2-2.65	PIN-HINGE -----	2	
		-----*		
-37	1200516-8	CATCH-LWR HALF -----	1	
	1200516-12	HINGE HALF-LWR -----	2	
-38	1200516-10	CABINET ASSEMBLY-FOOD & BEVERAGE CONSOLE -----	1	
		ATTACHING PARTS		
	1200519-1	BOLT ASSEMBLY -----	2	
	AN970-3	WASHER -----	2	
		-----*		
-39	1200516-3	DOOR ASSEMBLY -----	1	
		ATTACHING PARTS		
	MS20253-2-2.65	PIN-HINGE -----	1	
		-----*		
-40	1200516-8	CATCH-LWR HALF -----	1	
	1200516-12	HINGE HALF-LWR -----	1	
-40A	C733001-0101	TWIN PACK ASSEMBLY-BEVERAGE -----	1	
-40B	C733001-0103	STOPPER -----	2	
-40C	01	FILLER LFC -----	2	
-40D	1195-0061	CAP LFC -----	2	
-40E	S1021A10-16	SCREW -----	2	
-41	1200612-8	CURTAIN ASSEMBLY-ROLLER -----	1	
		ATTACHING PARTS		
-42	1200612-5	BRACKET KIT CONTAINS 2 BRACKETS -----	1	
	S1021A4-6C	SCREW -----	4	
		-----*		
-43	1200454-17	MOULDING-BAGGAGE DOOR WINDOW -----	1	F
	1200454-93	MOULDING-BAGGAGE DOOR WINDOW -----	1	G
-44	S1247-1K	SEAL-* IN. LG. BULK ITEM REF S-1247-1K-* -----	1	
-45	1200659-18	ANGLE-TRIM SUPPORT -----	1	
-46	1200659-19	ANGLE-TRIM SUPPORT -----	1	
-47	1200659-20	ANGLE-TRIM SUPPORT -----	1	
-48	1200659-21	ANGLE-TRIM SUPPORT -----	1	
		ATTACHING PARTS		
	S1021Z4-6	SCREW -----	2	
		-----*		
-49	1200454-77	PANEL ASSEMBLY-BAGGAGE DOOR -----	1	B
	1200449-17	PANEL ASSEMBLY-BAGGAGE DOOR -----	1	F
	1200449-20	PANEL ASSEMBLY-BAGGAGE DOOR -----	1	G
	807	CLIP AUV -----	6	

CONTINUED ON NEXT PAGE

FIGURE AND INDEX NO.	PART NUMBER	DESCRIPTION	UNITS PER ASSY	USABLE ON CODE
		1 2 3 4 5 6 7		
51A-50	1200454-28	COVER-BAGGAGE DOOR LATCH -----	1	
	S1023A6-8C	ATTACHING PARTS		
		SCREW -----	3	
		-----*		
-51	1200454-31	WINDLACE ASSEMBLY-BAGGAGE DOOR -----	1	
-52	1200454-32	RETAINER-WINDLACE UPR -----	1	
-53	1200454-33	RETAINER-WINDLACE FWD -----	1	
-54	1200454-34	RETAINER-WINDLACE LWR -----	1	
-55	1200454-35	RETAINER-WINDLACE AFT -----	1	
-56	1200454-78	PANEL ASSEMBLY-LH AFT -----	1	B
	1200449-13	PANEL ASSEMBLY-LH AFT -----	1	C
-57	1200454-44	PANEL ASSEMBLY-RH AFT -----	1	B
	1200449-14	PANEL ASSEMBLY-RH AFT -----	1	C
-58	1200454-66	MOULDING ASSEMBLY-LH AFT -----	1	
-59	1200454-20	MOULDING-RH AFT -----	1	
-60	S1247-1K	SEAL-* IN. LG. BULK ITEM REF S-1247-1K-* -----	2	
-61	S1247-1K	SEAL-* IN. LG. BULK ITEM REF S-1247-1K-* -----	1	
-62	1200454-30	PANEL-WALNUT TRIM -----	2	
-63	1213674-8-279	COVER-CONTROL PEDESTAL -----	1	D
	1213434-200-279	COVER-CONTROL PEDESTAL -----	1	E
	1213434-200	COVER-CONTROL PEDESTAL -----	1	C
		ATTACHING PARTS		
-64	NAS220-10	SCREW -----	2	
-65	NAS220-8	SCREW -----	13	
		-----*		
-66	1213434-3	RETAINER-CONTROL PEDESTAL COVER USED WITH 1213434-200 -	1	
	1200481-1	RETAINER-CONTROL PEDESTAL COVER USED WITH 1213674-8 -----	1	
		ATTACHING PARTS		
	S1021A4-6	SCREW -----	4	
		-----*		
-67	1200454-79	COVER-REAR WALL -----	1	
<p>NOTE. *LENGTHS TO BE ADDED LATER.</p> <p>NOTE. □THIS PART NUMBER MUST HAVE A SECOND DASH NUMBER ADDED TO DENOTE COLOR. REFER TO HOW TO ORDER INTERIOR PARTS-PAGE XI.</p> <p>A---210 SERIAL 21058221 THRU 21058715 B---210 SERIAL 21058221 THRU 21058510 C---210 SERIAL 21058511 THRU 21058715 D---210 SERIAL 21058221 THRU 21058461 EXCEPT AIRCRAFT LISTED IN TABLE ON FIGURE 95A. USED WITH 1280500-3 POWER PACK. E---210 SERIAL 21058462 THRU 21058510 & AIRPLANES LISTED IN TABLE ON FIGURE 95A. ALSO USED WHEN 1280510-1 POWER PACK IS USED AS AN ALTERNATE ON 210 AIRCRAFT IN SERIAL BLOCK 21058221 THRU 21058461 F---210 SERIAL 21058511 THRU 21058703 G---210 SERIAL 21058704 THRU 21058715</p>				

Upholstery (Cont)



T210-0001 & ON
21058716 & ON

Figure 51B. Floorboard and Baggage Compartment Upholstery Installation

FIGURE AND INDEX NO.	PART NUMBER		DESCRIPTION	UNITS PER ASSY	USABLE ON CODE
			1 2 3 4 5 6 7		
51B-			UPHOLSTERY INSTALLATION-FLOORBOARD & BAGGAGE COMPARTMENT -----	NP	A
- 1	1200460-15	#	CARPET ASSEMBLY-TUNNEL FWD LH -----	1	
- 2	1200460-16	#	CARPET ASSEMBLY-TUNNEL FWD RH -----	1	
- 3	1200460-21	#	CARPET ASSEMBLY-RUDDER BAR LH SINGLE CONTROLS -----	1	
- 4	1200460-20	#	CARPET ASSEMBLY-RUDDER BAR RH DUAL CONTROLS -----	1	
	1200647-2	#	CARPET ASSEMBLY-RUDDER BAR RH SINGLE CONTROLS -----	1	
	S1021Z8-10		ATTACHING PARTS -----		
	NAS446-4-3		SCREW USE WITH 1200647-2 ONLY ----- T210-0001 -----	4	
			NUT USE WITH 1200647-2 ONLY ----- & ON -----	4	
- 5	1213473-1		SHIELD-RUDDER BAR LH -----	1	
- 6	1213473-2		SHIELD-RUDDER BAR RH DUAL CONTROLS -----	1	
	1200646-1		COVER-RUDDER BAR RH SINGLE CONTROLS ----- 21058716 -----	1	
- 7	1200447-3		COVER-RUDDER BAR LH -----	1	
- 8	1200447-4		COVER-RUDDER BAR RH DUAL CONTROLS ----- & ON -----	1	
- 9	1200447-1		SCUFF PLATE-LH -----	1	
-10	1200443-1		SCUFF PLATE-RH SINGLE CONTROLS -----	1	
	1200447-2		SCUFF PLATE-RH DUAL CONTROLS -----	1	
	S1021A6-12C		ATTACHING PARTS -----		
	S1022Z8-14C		SCREW ATTACH 1200447-1 ONLY -----	5	
	S1021Z6-12C		SCREW ATTACH 1200443-1 & 1200447-2 ONLY -----	4	
			SCREW ATTACH 1200443-1 & 1200447-2 ONLY -----	2	
-11	1200447-5		TRIM-SCUFF PLATE -----	2	
-12	1200454-2	#	CARPET ASSEMBLY-FWD STANDARD 6 PLACE -----	1	
-13	1200712-6	#	CARPET ASSEMBLY-FWD DELUXE 4 PLACE -----	1	
-14	1200444-1		ESCUTCHEON -----	4	
	S1021Z6-12C		ATTACHING PARTS -----		
			SCREW -----	8	
-15	1200507-2		SCUFF PLATE-DOOR RH -----	1	
	1200507-1		SCUFF PLATE-DOOR LH -----	1	
-16	1200506-1		SCUFF PLATE-DOOR -----	2	
-17	1200507-4		SCUFF PLATE-DOOR RH -----	1	
	1200507-3		SCUFF PLATE-DOOR LH -----	1	
-18	S1021Z-6-8		SCREW -----	12	
-19	1200444-5		ESCUTCHEON USED ON STANDARD 6 PLACE ONLY -----	1	
-20	1200444-6		ESCUTCHEON USED ON STANDARD 6 PLACE ONLY -----	1	
-21	1200444-7		ESCUTCHEON USED ON STANDARD 6 PLACE ONLY -----	2	
	S1023A4-10C		ATTACHING PARTS -----		
			SCREW -----	3	
-22	1200535-3	#	CARPET-AFT USED ON STANDARD 6 PLACE ONLY -----	1	
-23	1200712-9	#	CARPET-AFT USED ON DELUXE 4 PLACE ONLY -----	1	
-24	1200444-2		ESCUTCHEON USED ON STANDARD 6 PLACE ONLY -----	2	
-25	1200444-3		ESCUTCHEON USED ON STANDARD 6 PLACE ONLY -----	2	
	S1023A6-10C		ATTACHING PARTS -----		
			SCREW -----	3	
-26	1200444-4		SCUFF PLATE-BAGGAGE DOOR -----	1	
	S1023A6-10C		ATTACHING PARTS -----		
			SCREW -----	4	
-27	0711083-1		LATCH ASSEMBLY -----	4	
	AN3-5A		ATTACHING PARTS -----		
			BOLT -----	1	
-28	S1504-3		BELT ASSEMBLY-CARGO TIE DOWN -----	2	
-29	1200523-19	#	PANEL ASSEMBLY-REAR WALL TRIM -----	1	
-30	1200541-2		RETAINER -----	1	
	S1021Z4-4		ATTACHING PARTS -----		
			SCREW -----	6	
-31	1200541-1		RETAINER -----	1	
	807		ATTACHING PARTS -----		
			CLIP AUV -----	6	
-32	1200716-1		COVER-REAR WALL -----	1	
	S1021Z6-8		ATTACHING PARTS -----		
			SCREW -----	16	

CONTINUED ON NEXT PAGE

FIGURE AND INDEX NO.	PART NUMBER	DESCRIPTION						UNITS PER ASSY	USABLE ON CODE	
		1	2	3	4	5	6			7
51B-33	S1047-1	SEAL-* IN LG	BULK ITEM	REF S1047-1-*	-----			2		
-34	S1047-1	SEAL-* IN LG	BULK ITEM	REF S1047-1-*	-----			2		
-35	1200515-7	CABINET ASSEMBLY-AFT CONSOLE	-----					1		
		ATTACHING PARTS	-----							
	1200519-1	BOLT ASSEMBLY	-----					2		
	AN970-3	WASHER	-----					2		
		-----*	-----							
-36	1200515-2	DOOR ASSEMBLY	-----					1		
		ATTACHING PARTS	-----							
	MS20253-2-2.65	PIN-HINGE	-----					2		
		-----*	-----							
-37	1200516-8	CATCH-LOWER HALF	-----					1		
	1200516-12	HINGE HALF-LOWER	-----					2		
-38	1200516-10	CABINET ASSEMBLY-FOOD & BEVERAGE CONSOLE	-----					1		
		ATTACHING PARTS	-----							
	1200519-1	BOLT ASSEMBLY	-----					2		
	AN970-3	WASHER	-----					2		
		-----*	-----							
-39	1200516-3	DOOR ASSEMBLY	-----					1		
		ATTACHING PARTS	-----							
	MS20253-2-2.65	PIN-HINGE	-----					1		
		-----*	-----							
-40	1200516-8	CATCH-LOWER HALF	-----					1		
	1200516-12	HINGE HALF-LOWER	-----					1		
-41	C733001-0101	TWIN PACK ASSEMBLY-BEVERAGE	-----					1		
-42	C733001-0103	STOPPER	-----					2		
-43	01	FILLER LFC	-----					2		
-44	1195-0061	CAP LFC	-----					2		
-45	S1021A10-16	SCREW	-----					2		
-46	1200612-8	CURTAIN ASSEMBLY-ROLLER	-----					1		
		ATTACHING PARTS	-----							
-47	1200612-5	BRACKET KIT	CONTAINS 2 BRACKETS	-----				1		
	S1021A4-6C	SCREW	-----					4		
		-----*	-----							
-48	1200535-9	MOULDING-BAGGAGE DOOR WINDOW	-----					1		
-49	1200523-9	PANEL ASSEMBLY-BAGGAGE DOOR	-----					1		
-50	1200454-28	COVER-BAGGAGE DOOR LATCH	-----					1		
-51	1200454-31	WINDLACE ASSEMBLY-BAGGAGE DOOR	-----					1		
-52	1200454-32	RETAINER-WINDLACE UPPER	-----					1		
-53	1200454-94	RETAINER-WINDLACE FORWARD	-----					1		
-54	1200454-34	RETAINER-WINDLACE LOWER	-----					1		
-55	1200454-35	RETAINER-WINDLACE AFT	-----					1		
-56	1200523-7	PANEL ASSEMBLY-LH AFT	-----					1		
-57	1200523-8	PANEL ASSEMBLY-RH AFT	-----					1		
-58	1200454-66	MOULDING ASSEMBLY-LH AFT	-----					1		
-59	1200535-10	MOULDING-RH AFT	-----					1		
-60	S1247-1K	SEAL-* IN LG	BULK ITEM	REF S1247-1K-*	-----			2		
-61	1200535-18	INSERT ASSEMBLY	-----					2		
-62	1213434-200	COVER ASSEMBLY-PEDESTAL	-----					1		
		ATTACHING PARTS	-----							
-63	NAS220-8	SCREW	-----					4		
-64	NAS220-10	SCREW	-----					2		
-65	S1021A8-8	SCREW	-----					6		
		-----*	-----							
-66	1213434-3	RETAINER-PEDESTAL COVER	-----					1		
		ATTACHING PARTS	-----							
	S1021A4-6	SCREW	-----					4		
		-----*	-----							
-67	1200712-7	COVER ASSEMBLY-CONTROL CABLES	DELUXE 4 PLACE ONLY	-----				1		
		-----*	-----							
		NOTE. *LENGTHS TO BE ADDED LATER.								
		NOTE. □THIS PART NUMBER MUST HAVE A SECOND DASH NUMBER ADDED TO DENOTE COLOR. REFER TO HOW TO ORDER INTERIOR PARTS-PAGE XI.								
		NOTE. #THIS PART NUMBER MUST HAVE A SECOND DASH NUMBER ADDED TO DENOTE COLOR. REFER TO HOW TO ORDER UPHOLSTERED PARTS-PAGE X.								
		A---210 SERIAL 21058716 & ON T210 SERIAL T210-0001 & ON								

This page intentionally left blank.

Upholstery (Cont)

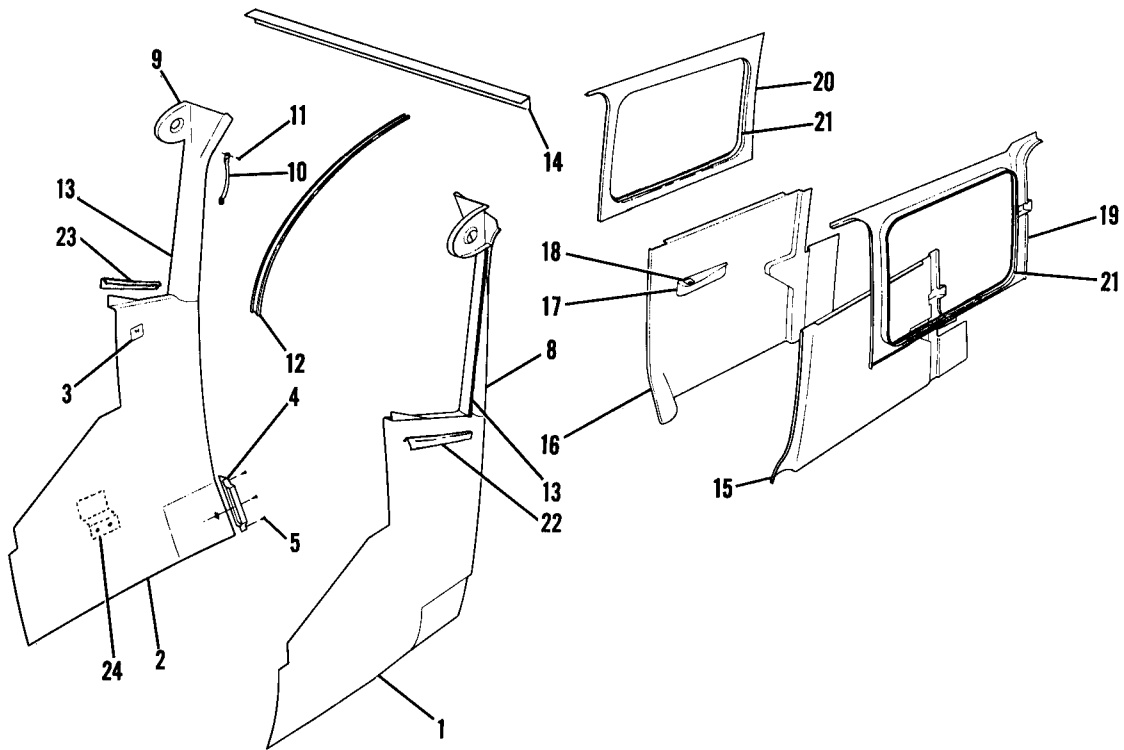


Figure 52. Cabin Side Panels Upholstery Installation

FIGURE AND INDEX NO.	PART NUMBER	DESCRIPTION	UNITS PER ASSY	USABLE ON CODE
		1 2 3 4 5 6 7		
52 -		UPHOLSTERY INSTALLATION-CABIN SIDE PANELS -----	NP	
- 1	1200455-7	PANEL ASSEMBLY-SIDEWALL FWD LH -----	1	A
	1200492-1	PANEL ASSEMBLY-SIDEWALL FWD LH -----	1	B
	1200454-71	PANEL ASSEMBLY-SIDEWALL FWD LH -----	1	E
	1200449-1	PANEL ASSEMBLY-SIDEWALL FWD LH -----	1	F
	1200523-1	PANEL ASSEMBLY-SIDEWALL FWD LH -----	1	H
	#	PANEL ASSEMBLY-SIDEWALL FWD LH -----	1	H
- 2	1200455-8	PANEL ASSEMBLY-SIDEWALL FWD RH -----	1	A
	1200492-2	PANEL ASSEMBLY-SIDEWALL FWD RH -----	1	B
	1200454-72	PANEL ASSEMBLY-SIDEWALL FWD RH -----	1	E
	1200449-2	PANEL ASSEMBLY-SIDEWALL FWD RH -----	1	F
	1200523-2	PANEL ASSEMBLY-SIDEWALL FWD RH -----	1	H
	#	PANEL ASSEMBLY-SIDEWALL FWD RH -----	1	H
- 3	0411030-6	ASH RECEIVER -----	2	
	0411030-5	RETAINER -----	2	
		ATTACHING PARTS		
	S102124-8	SCREW -----	2	
	NAS446-1-3	NUT -----	2	
- 4	1200084-22	RETAINER-CABIN AIR VENT RH -----	1	
	1200084-21	RETAINER-CABIN AIR VENT LH -----	1	
		ATTACHING PARTS		
- 5	S102124-6	SCREW -----	4	
- 6		DELETED, NEVER USED -----		
- 7		DELETED, NEVER USED -----		
- 8	0700655-1	SHIELD-DOORPOST LH -----	1	C
	1200454-7	SHIELD-DOORPOST LH -----	1	D
	1200535-5	SHIELD-DOORPOST LH -----	1	H
	1270463-2-532	SHIELD-DOORPOST LH USE WITH MAP LIGHT -----	1	E
	0770725-6	SHIELD-DOORPOST LH USE WITH MAP LIGHT -----	1	F
	0770725-8	SHIELD-DOORPOST LH USE WITH MAP LIGHT -----	1	H
- 9	0700655-2	SHIELD-DOORPOST RH -----	1	C
	1200454-8	SHIELD-DOORPOST RH -----	1	D
	1200535-4	SHIELD-DOORPOST RH -----	1	H
-10	0511229-2	STRAP-ASSIST -----	2	A
	S1362-5	HANDLE ASSEMBLY -----	2	B
	S1362-6	HANDLE ASSEMBLY -----	4	J
		ATTACHING PARTS		
-11	1032X5/8	SCREW AU-VE-CO T5/8 -----	2	A
	AN509-10R10	SCREW -----	2	B
	AN507-1032R12	SCREW -----	2	J
-12	1200464-1	COVER-CENTER STRIP -----	1	E
	1200464-3	COVER-CENTER STRIP -----	1	F
-13	S1247-1E	SEAL-30.80 IN. LG. BULK ITEM REF S1247-1E-30.80 -----	2	C
	S1247-1K	SEAL-30.80 IN LG BULK ITEM REF S1247-1K-30.80 -----	2	J
-14	0511130-1	SHIELD-TRIM -----	1	
		ATTACHING PARTS		
	49265F938	STUD UC -----	3	
-15	1200455-11	PANEL ASSEMBLY-AFT LH -----	1	A
	1200493-1	PANEL ASSEMBLY-AFT LH -----	1	B
	1200454-75	PANEL ASSEMBLY-CENTER LH -----	1	E
	1200449-9	PANEL ASSEMBLY-CENTER LH -----	1	K
	1200449-19	PANEL ASSEMBLY-CENTER LH -----	1	L
	1200523-21	PANEL ASSEMBLY-CENTER LH STANDARD 6 PLACE ONLY -----	1	H
	1200523-5	PANEL ASSEMBLY-CENTER LH DELUXE 4 PLACE ONLY -----	1	H
-16	1200455-12	PANEL ASSEMBLY-AFT RH -----	1	A
	1200493-2	PANEL ASSEMBLY-AFT RH -----	1	B
	1200454-76	PANEL ASSEMBLY-CENTER RH -----	1	E
	1200449-10	PANEL ASSEMBLY-CENTER RH -----	1	F
	1200523-22	PANEL ASSEMBLY-CENTER RH STANDARD 6 PLACE ONLY -----	1	H
	1200523-6	PANEL ASSEMBLY-CENTER RH DELUXE 4 PLACE ONLY -----	1	H

CONTINUED ON NEXT PAGE

FIGURE AND INDEX NO.	PART NUMBER	DESCRIPTION	UNITS PER ASSY	USABLE ON CODE
52 -17	0700668-8	ARMREST ASSEMBLY-REAR RH -----	1	A
	0700668-9	ARMREST ASSEMBLY-REAR LH -----	1	A
	1200496-1	ARMREST ASSEMBLY-REMOVABLE -----	2	B
	1414082-8	ARMREST ASSEMBLY-FABRIC -----	2	D
	1414082-17	ARMREST ASSEMBLY-LEATHER -----	2	D
		ATTACHING PARTS		
		SCREW -----	6	C
		NUT -----	6	C
		SOCKET ASSEMBLY -----	2	C
		SCREW -----	2	D
-18	1A1002X-1	ASH RECEIVER GDR -----	1	A
	1414082-6	PAD ASSEMBLY-ARMREST -----	1	B
	1414082-9	PAD ASSEMBLY-ARMREST FABRIC -----	1	D
	1414082-16	PAD ASSEMBLY-ARMREST LEATHER -----	1	D
-19	1200456-1	FRAME-SIDE WINDOW LH -----	1	A
	1200456-29	FRAME-SIDE WINDOW LH -----	1	B
	1200454-65-532	FRAME ASSEMBLY-SIDE WINDOW LH -----	1	E
	1200454-65	FRAME ASSEMBLY-SIDE WINDOW LH -----	1	K
	1200454-92	FRAME ASSEMBLY-SIDE WINDOW LH -----	1	L
	1200535-7	FRAME ASSEMBLY-SIDE WINDOW LH -----	1	H
-20	1200456-2	FRAME-SIDE WINDOW RH -----	1	A
	1200456-18	FRAME-SIDE WINDOW RH -----	1	B
	1200454-59	FRAME-SIDE WINDOW RH -----	1	E
	1200454-59	FRAME-SIDE WINDOW RH -----	1	F
	1200535-8	FRAME ASSEMBLY-SIDE WINDOW RH -----	1	H
	-21	S1247-1E	SEAL-53.0 IN. LG. BULK ITEM REF S-1247-1E-53.0 -----	2
	S1247-1K	SEAL-60.0 IN. LG. BULK ITEM REF S-1247-1K-60.0 -----	2	D
-22	1200454-25	TRIM STRIP-LH -----	1	E
	1200454-83	TRIM STRIP-LH -----	1	F
-23	1200454-26	TRIM STRIP-RH -----	1	E
	1200454-82	TRIM STRIP-RH -----	1	F
-24	1200696-1	BRACKET-SUPPORT -----	1	G
	S1023A4-6C	SCREW -----	1	G

NOTE. #THIS PART NUMBER MUST HAVE A SECOND DASH NUMBER ADDED TO DENOTE COLOR. REFER TO HOW TO ORDER UPHOLSTERED PARTS-PAGE X.

NOTE. □THIS PART NUMBER MUST HAVE A SECOND DASH NUMBER ADDED TO DENOTE COLOR. REFER TO HOW TO ORDER INTERIOR PARTS-PAGE XI.

A---210 SERIAL 21057841 THRU 21058085
 B---210 SERIAL 21058086 THRU 21058220
 C---210 SERIAL 2105841 THRU 21058220
 D---210 SERIAL 21058221 THRU 21058715
 E---210 SERIAL 21058221 THRU 21058510
 F---210 SERIAL 21058511 THRU 21058715
 G---210 SERIAL 21058511 & ON
 T210 SERIAL T210-0001 & ON
 H---210 SERIAL 21058716 & ON
 T210 SERIAL T210-0001 & ON
 J---210 SERIAL 21058221 & ON
 T210 SERIAL T210-0001 & ON
 K---210 SERIAL 21058511 THRU 21058703
 L---210 SERIAL 21058704 THRU 21058715

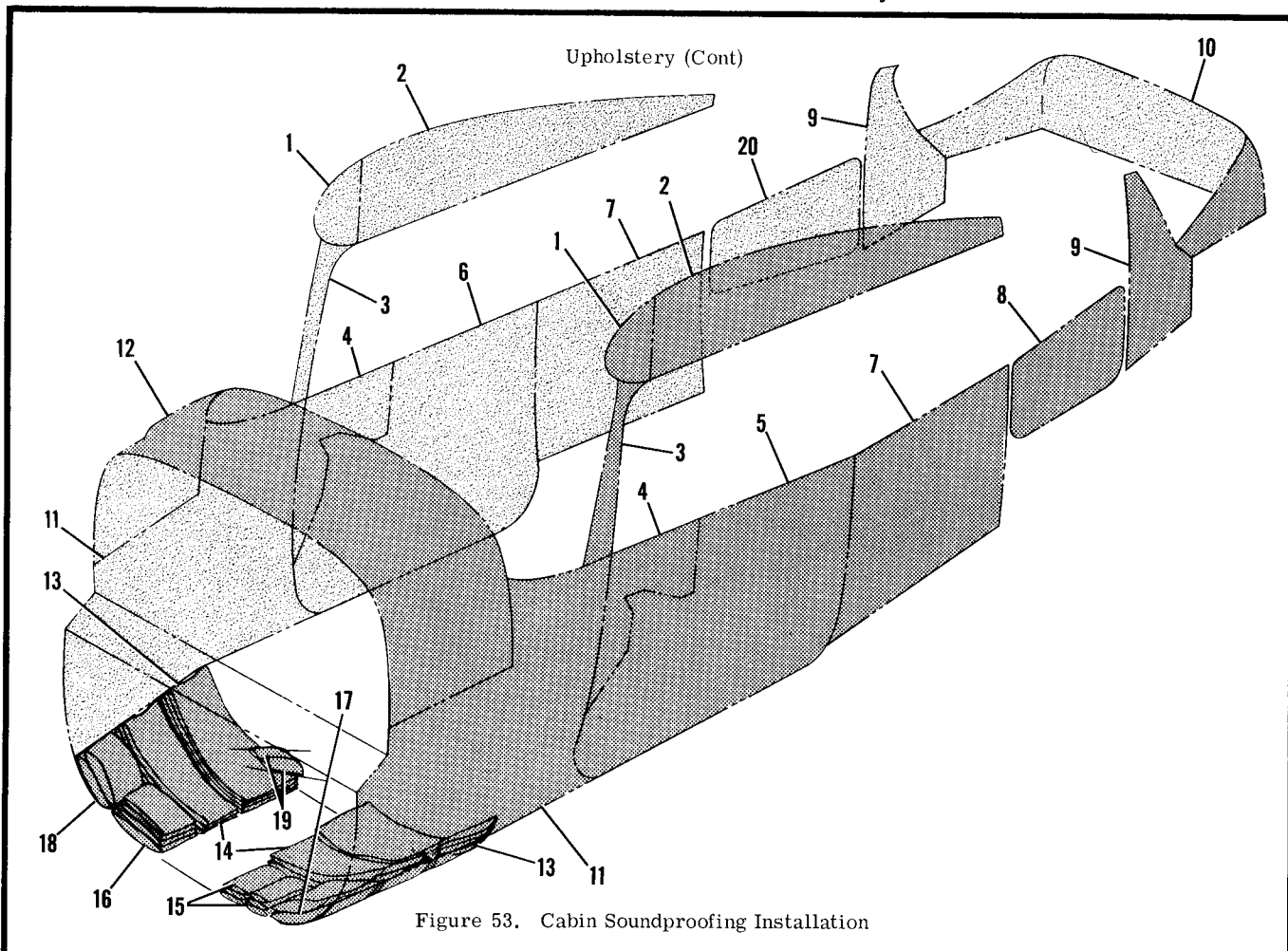
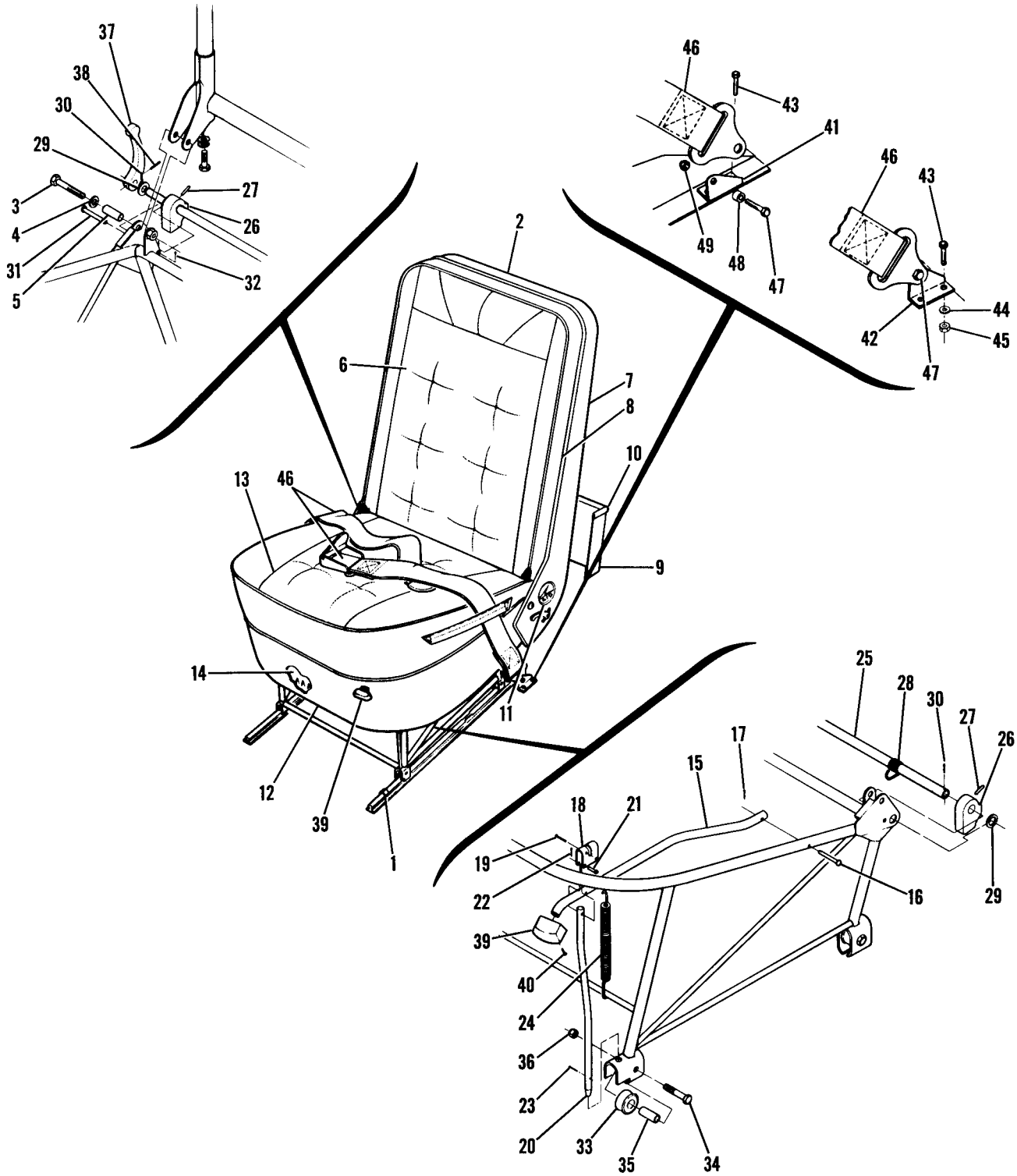


Figure 53. Cabin Soundproofing Installation

FIGURE AND INDEX NO.	PART NUMBER	DESCRIPTION	UNITS PER ASSY	USABLE
				ON CODE
53 -		1 2 3 4 5 6 7 CABIN SOUNDPROOFING INSTALLATION -----	NP	
- 1	0511001-133	PANEL ASSEMBLY-SOUNDPROOFING -----	2	A
	1200467-14	PANEL ASSEMBLY-SOUNDPROOFING -----	2	B
- 2	0700105-396	SOUNDPROOFING-ROOT RIB -----	2	
- 3	1200467-15	SOUNDPROOFING-DOOR POST -----	2	
- 4	1200467-16	SOUNDPROOFING-DOOR -----	2	
- 5	1200467-19	SOUNDPROOFING-DOOR LH -----	1	
- 6	1200467-20	SOUNDPROOFING-DOOR RH -----	1	
- 7	1200467-4	SOUNDPROOFING-AFT CABIN -----	2	
- 8	1200467-5	SOUNDPROOFING ASSEMBLY-BAGGAGE DOOR -----	1	
- 9	1200467-6	SOUNDPROOFING-REAR WINDOW POST -----	2	
-10	1200467-7	SOUNDPROOFING-SHELF WALL -----	1	
-11	1200087-15	SOUNDPROOFING-FORWARD SIDE -----	4	
-12	0511001-131	SOUNDPROOFING-INSTRUMENT PANEL DECK -----	1	
-13	1200467-22	BAG-SOUNDPROOFING -----	8	C
-14	1200467-8	BAG-SOUNDPROOFING -----	2	A
	1200467-21	BAG-SOUNDPROOFING -----	6	B
-15	1200467-11	BAG-SOUNDPROOFING -----	2	A
	1200467-11	BAG-SOUNDPROOFING -----	6	B
-16	1200467-9	BAG-SOUNDPROOFING -----	2	A
	1200467-9	BAG-SOUNDPROOFING -----	4	B
-17	1200467-9	BAG-SOUNDPROOFING -----	1	A
	1200467-8	BAG-SOUNDPROOFING -----	2	B
-18	1200467-9	BAG-SOUNDPROOFING -----	2	A
	1200467-8	BAG-SOUNDPROOFING -----	2	B
-19	1200467-11	BAG-SOUNDPROOFING -----	2	B
-20	1200467-27	SOUNDPROOFING ASSEMBLY-BAGGAGE COMPARTMENT SIDE RH -----	1	
A---210 SERIAL 21057841 THRU 21057999 B---210 SERIAL 21058000 & ON T210 SERIAL T210-0001 & ON C---210 SERIAL 21057841 THRU 21058351 EXCEPT 21058326				

Front Seat



21057841 THRU 21058085

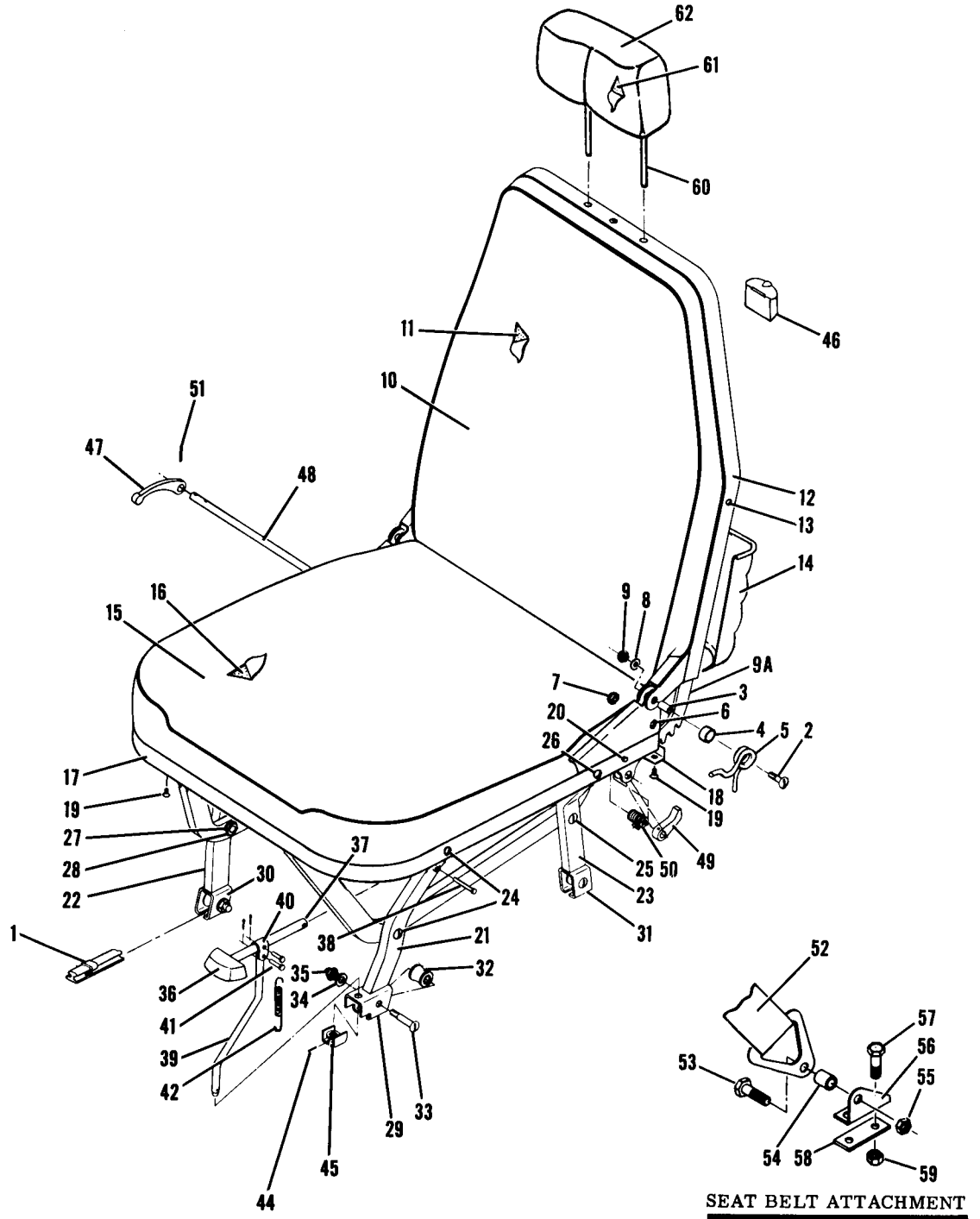
Figure 54. Front Seat Installation

FIGURE AND INDEX NO.	PART NUMBER	DESCRIPTION	UNITS PER ASSY	USABLE ON CODE
54 -	1200465-1 1200465-2	SEAT INSTALLATION-FRONT ----- SEAT ASSEMBLY-FRONT RECLINING LH ----- SEAT ASSEMBLY-FRONT RECLINING RH -----	NP 1 1	A
- 1	0713074-1 MS20392-1C21 MS24665-151	ATTACHING PARTS ----- STOP-SEAT ----- 21057841 ----- PIN-CLEVIS ----- THRU 21058085 ----- PIN-COTTER -----	2 2 2	
- 2	1200465-203 1200465-202	BACK ASSEMBLY-FRONT SEAT LH ----- BACK ASSEMBLY-FRONT SEAT RH -----	1 1	
- 3	AN24-28A	ATTACHING PARTS ----- BOLT -----	2	
- 4	S1074-1	WASHER -----	2	
- 5	0710313-2	BUSHING -----	2	
- 6	1200465-5 1200465-6	COVER ASSEMBLY-SEAT BACK LH ----- COVER ASSEMBLY-SEAT BACK RH -----	1 1	
- 7	1200084-9 1200084-8	PANEL-SEAT BACK LH ----- PANEL-SEAT BACK RH -----	1 1	
- 8	1200088-11	TRIM-MOULDING -----	1	
- 9	1200084-15	POCKET-SEAT BACK -----	1	
-10	1200088-13	TRIM-POCKET -----	1	
-11	1200107-1	MEDALLION-210 -----	1	
-12	1200465-201 1200465-200	BOTTOM ASSEMBLY-FRONT SEAT LH ----- BOTTOM ASSEMBLY-FRONT SEAT RH -----	1 1	
-13	1200465-3 1200465-4	COVER ASSEMBLY-SEAT BOTTOM LH ----- COVER ASSEMBLY-SEAT BOTTOM RH -----	1 1	
-14	0500104-89 S102124-6	SKIRT ----- ATTACHING PARTS ----- SCREW -----	1 11	
-15	0710316-2	HANDLE-SEAT LATCH ----- ATTACHING PARTS -----	1	
-16	MS20392-2C31	PIN-FLATHEAD -----	1	
-17	MS24665-134	PIN-COTTER -----	1	
-18	0311644	CLEVIS ----- ATTACHING PARTS -----	1	
-19	MS24665-134	PIN-COTTER -----	1	
-20	0710304-3	PIN-SEAT LATCH ----- ATTACHING PARTS -----	1	
-21	MS20392-1C15	PIN-FLATHEAD -----	1	
-22	MS24665-134	PIN-COTTER -----	1	
-23	MS24665-132	PIN-COTTER -----	1	
-24	0310196-16	SPRING-SEAT LATCH -----	1	
-25	0710302-1	TUBE -----	1	
-26	0710317-1	CAM-RECLINER ----- ATTACHING PARTS -----	2	
-27	NAS561C3-12	ROLLPIN -----	1	
-28	0710308-1	SPRING-CAM RETURN -----	1	
-29	AN960C616L	WASHER ----- ATTACHING PARTS -----	2	
-30	NAS561C3-12	ROLLPIN -----	2	
-31	MS20392-1C39	PIN-FLATHEAD -----	2	
-32	MS24665-132	PIN-COTTER -----	1	
-33	0311310	ROLLER-SEAT ----- ATTACHING PARTS -----	4	
-34	AN3-11A	BOLT -----	1	
-35	0311586	BUSHING -----	1	
-36	NAS679A3	NUT -----	1	
-37	0710312-2	HANDLE-ACTUATOR ----- ATTACHING PARTS -----	1	
-38	NAS561C3-10	ROLLPIN -----	1	

CONTINUED ON NEXT PAGE

FIGURE AND INDEX NO.	PART NUMBER	DESCRIPTION	UNITS PER ASSY	USABLE ON CODE
		1 2 3 4 5 6 7		
54 -39	0700113-1	KNOB-SEAT LATCH HANDLE -----	1	
-40	S102126-8	ATTACHING PARTS SCREW -----	1	
-41	0511301-18	FITTING-SEAT BELT INBOARD LH & OUTBOARD RH -----	2	
-42	0511301-19	FITTING-SEAT BELT INBOARD RH & OUTBOARD LH -----	2	
-43	AN3-4A	ATTACHING PARTS BOLT -----	2	
-44	AN970-3	WASHER -----	2	
-45	NAS679A3	NUT -----	2	
-46	S1060-15	BELT ASSEMBLY-SEAT FRONT -----	2	
-47	AN4-5A	ATTACHING PARTS BOLT -----	2	
-48	NAS43-4-20	SPACER -----	2	
-49	NAS679A4	NUT -----	2	
		A---210 SERIAL 21057841 THRU 21058085		
		1 2 3 4 5 6 7		
FIGURE AND INDEX NO.	PART NUMBER	DESCRIPTION	UNITS PER ASSY	USABLE ON CODE
54A-	1200605-6	PILOT & CO-PILOT SEAT INSTALLATION -----	NP	A
- 1	0713074-1	SEAT ASSEMBLY-PILOT & CO-PILOT -----	2	
	MS20392-1C21	ATTACHING PARTS STOP-SEAT -----	2	
	MS24665-151	PIN -----	2	
	1200605-200	PIN-COTTER -----	2	
- 2	AN23-16	BACK ASSEMBLY-UPHOLSTERED SEAT -----	1	
- 3	1414104-4	ATTACHING PARTS BOLT -----	2	
- 4	0711668-1	BUSHING -----	2	
- 5	0711667-1	BUSHING -----	2	
- 6	AN507-832R14	SPRING -----	2	
- 7	NAS679A08	SCREW -----	2	
- 8	AN960-10K	NUT -----	2	
- 9	22K2-02	WASHER -----	2	
- 9A	1414230-1	NUT EN -----	2	
-10	1200605-12	CAM-SEAT BACK -----	1	
-11	1414100-9	COVER-SEAT BACK -----	1	
-12	1414110-1	CUSHION-SEAT BACK -----	1	
-13	S102128-6C	TRIM-SEAT BACK -----	1	
-14	1414110-3	ATTACHING PARTS SCREW -----	3	
-15	1200605-203	POCKET ASSEMBLY-MAGAZINE -----	1	
-16	1200605-11	BOTTOM ASSEMBLY-UPHOLSTERED SEAT -----	1	
-17	1414100-8	COVER-SEAT BOTTOM -----	1	
-18	1414217-2	CUSHION-SEAT BOTTOM -----	1	
-19	1414217-3	RETAINER-SEAT BOTTOM -----	1	
-20	S102126-4	RETAINER-SEAT BOTTOM -----	1	
-21	AN23-15A	SCREW -----	14	
-22	AN23-19A	BOLT-SEAT BACK STOP -----	1	
-23	NAS43-3-16	BOLT-RH SIDE ONLY -----	1	
-24	NAS679A3	SPACER-RH SIDE ONLY -----	1	
-25	1414103-2	NUT -----	2	
-26	1414103-12	LEG ASSEMBLY-FORWARD L.H. -----	1	
-27	1414103-6	LEG ASSEMBLY-FORWARD R.H. -----	1	
-28	1414112-1	LEG-SEAT AFT -----	2	
		ATTACHING PARTS BOLT-FORWARD LEG -----	2	
		BOLT-AFT LEG -----	1	
		BOLT-AFT LEG -----	1	
		WASHER -----	2	
		WASHER -----	2	
		NUT -----	2	
		CONTINUED ON NEXT PAGE		

Front Seat (Cont)



21058086 THRU 21058220

Figure 54A. Pilot and Co-Pilot Seat Installation

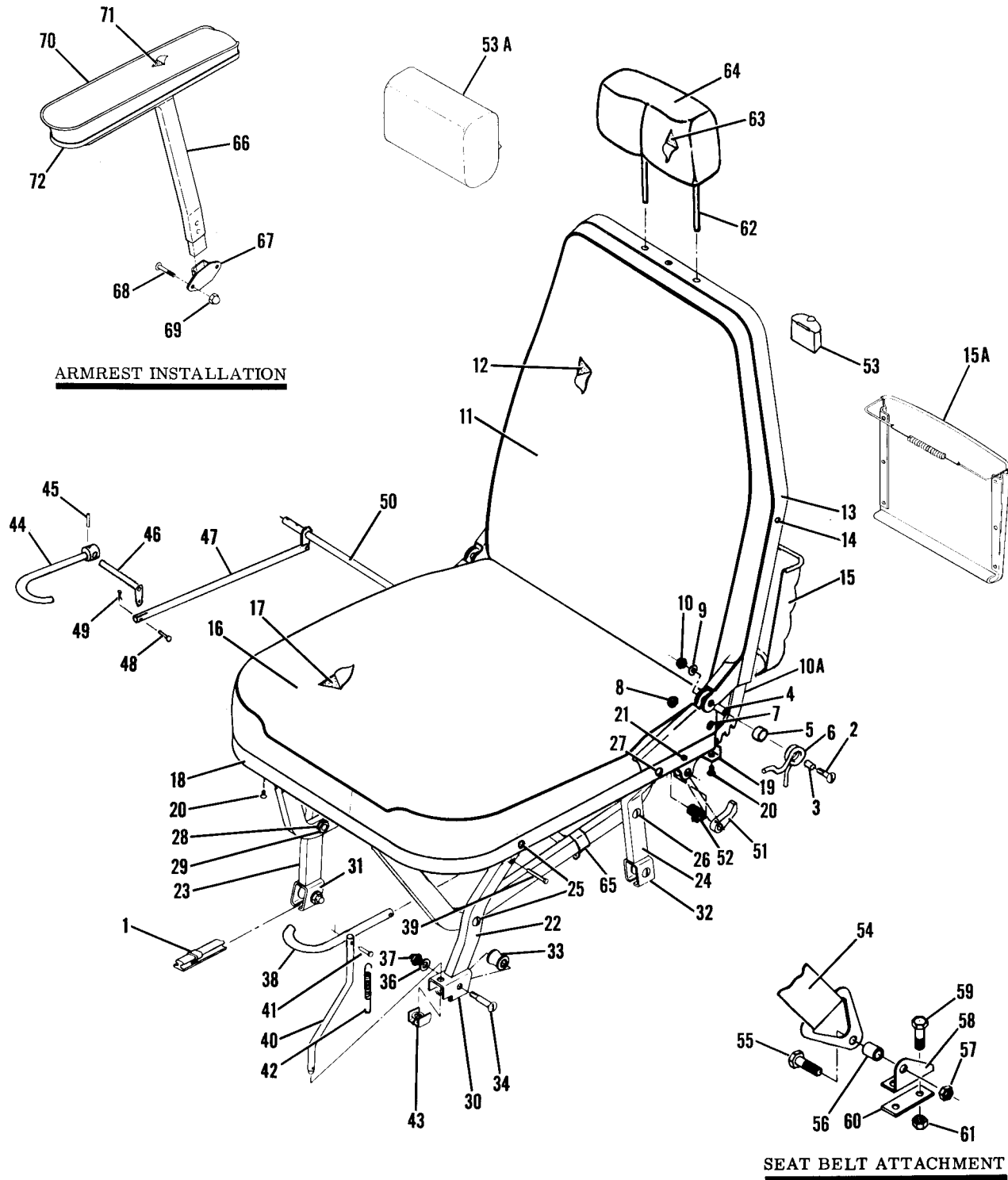
FIGURE AND INDEX NO.	PART NUMBER	DESCRIPTION							UNITS PER ASSY	USABLE ON CODE
		1	2	3	4	5	6	7		
54A-29	1414104-39	HOUSING-SEAT ROLLER FORWARD L.H. -----							1	
-30	1414104-40	HOUSING-SEAT ROLLER FORWARD R.H. -----							1	
-31	1414104-41	HOUSING-SEAT ROLLER AFT L.H. -----							1	
	1414104-42	HOUSING-SEAT ROLLER AFT R.H. -----							1	
-32	1414100-212	KIT-SEAT ROLLER -----							4	
		ATTACHING PARTS								
-33	AN23-19A	BOLT -----							1	
-34	AN960-10L	WASHER -----							1	
-35	22K2-02	NUT EN -----							1	
		-----*								
-36	0700113-1	KNOB-FORE & AFT SEAT ADJUSTMENT -----							1	
	S1021Z6-8	SCREW -----							1	
-37	1414104-45	ARM-SEAT ADJUSTMENT -----							1	
		ATTACHING PARTS								
-38	MS20392-2C47	PIN -----							1	
	MS24665-132	PIN-COTTER -----							1	
		-----*								
-39	1414104-46	PIN-SEAT ADJUSTMENT -----							1	
-40	1414104-2	CLAMP -----							1	
-41	MS20392-1C15	PIN -----							2	
	MS24665-132	PIN-COTTER -----							2	
-42	1414116-1	SPRING-SEAT ADJUSTMENT -----							1	
-43		DELETED, NEVER USED -----								
-44	NAS561-2-12	PIN -----							1	
-45	1414104-8	BRACKET-SEAT ADJUSTMENT -----							1	
-46	1A1002X	ASH RECEIVER-SEAT BACK GDR -----							1	
-47	0710312-2	HANDLE-RECLINING ADJUSTMENT -----							1	
-48	1414104-1	TUBE-SEAT ADJUSTMENT TORQUE -----							1	
-49	1414231-1	PAWL-SEAT ADJUSTMENT -----							2	B
	1414231-3	PAWL-SEAT ADJUSTMENT -----							2	C
-50	1414107-1	SPRING-SEAT ADJUSTMENT -----							1	
-51	NAS561C3-10	PIN -----							3	
-52	S1060-15	BELT ASSEMBLY-FRONT SEAT -----							2	
		ATTACHING PARTS								
-53	AN4-6A	BOLT -----							2	
-54	NAS43-4-22	SPACER -----							2	
-55	NAS679A4	NUT -----							2	
		-----*								
-56	0511301-18	FITTING-SEAT BELT INBOARD LH & OUTBOARD RH -----							2	
	0511301-19	FITTING-SEAT BELT OUTBOARD LH & INBOARD RH -----							2	
		ATTACHING PARTS								
-57	AN3-4A	BOLT -----							2	
-58	0710632-1	PLATE -----							1	
-59	NAS679A3	NUT -----							2	
		-----*								
	1414252-1	HEADREST ASSEMBLY -----							2	
-60	1414252-2	FRAME ASSEMBLY-HEADREST -----							1	
-61	1414252-7	CUSHION-HEADREST -----							1	
-62	1414252-6	COVER-HEADREST -----							1	
		A---210 SERIAL 21058086 THRU 21058220								
		B---210 SERIAL 21058086 THRU 21058198								
		C---210 SERIAL 21058199 THRU 21058220								

FIGURE AND INDEX NO.	PART NUMBER	DESCRIPTION	UNITS PER ASSY	USABLE ON CODE
		1 2 3 4 5 6 7		
54B-		PILOT AND CO-PILOT SEAT INSTALLATION -----	NP	A
	1200454-52	SEAT ASSEMBLY-PILOT AND CO-PILOT FABRIC -----	2	C
	1200454-52 #	SEAT ASSEMBLY-PILOT & CO-PILOT -----	2	B
	1200454-55	SEAT ASSEMBLY-PILOT AND CO-PILOT LEATHER -----	2	C
	1200538-1 #	SEAT ASSEMBLY-PILOT & CO-PILOT-HIGH BACK -----	2	B
		ATTACHING PARTS		
	1200454-200 #	BACK ASSEMBLY-UPHOLSTERED SEAT -----	1	B
- 1	0713074-1	STOP-SEAT -----	2	
	MS20392-1C21	PIN -----	2	
	MS24665-151	PIN-COTTER -----	2	
		-----*		
	1200454-200	BACK ASSEMBLY-UPHOLSTERED SEAT FABRIC -----	1	C
	1200454-201	BACK ASSEMBLY-UPHOLSTERED SEAT LEATHER -----	1	C
	1200538-201 #	BACK ASSEMBLY-UPHOLSTERED SEAT-HIGH BACK -----	1	B
		ATTACHING PARTS		
- 2	AN23-19A	BOLT -----	2	
- 3	NAS43-3-12	SPACER -----	2	
- 4	1414104-4	BUSHING -----	2	
- 5	0711668-1	BUSHING -----	2	
- 6	0711667-1	SPRING -----	2	
- 7	AN507-832R14	SCREW -----	2	
- 8	NAS679A08	NUT -----	2	
- 9	AN960-10L	WASHER -----	2	
-10	22K2-02	NUT EN -----	2	
		-----*		
-10A	1414230-1	CAM-SEAT BACK -----	2	
-11	1200454-54	COVER-SEAT BACK FABRIC -----	1	C
	1200454-54 #	COVER-SEAT BACK -----	1	B
	1200454-57	COVER-SEAT BACK LEATHER -----	1	C
	1200538-5 #	COVER-HIGH BACK SEAT -----	1	B
-12	1414100-9	CUSHION-SEAT BACK -----	1	
-13	1414110-29	TRIM ASSEMBLY-SEAT BACK -----	1	A
	1200527-4	TRIM ASSEMBLY-HIGH BACK SEAT -----	1	B
		ATTACHING PARTS		
-14	S1021Z6-4	SCREW -----	3	
		-----*		
-15	1414110-30	POCKET ASSEMBLY-MAGAZINE -----	1	A
-15A	1200538-2 #	POCKET ASSEMBLY-HIGH BACK SEAT -----	1	B
		ATTACHING PARTS		
	1414045-1	SPRING -----	1	B
		-----*		
	1200454-202	BOTTOM ASSEMBLY-SEAT FABRIC -----	1	C
	1200454-202 #	BOTTOM ASSEMBLY-SEAT -----	1	B
	1200454-203	BOTTOM ASSEMBLY-SEAT LEATHER -----	1	C
	1200538-200 #	BOTTOM ASSEMBLY-HIGH BACK SEAT -----	1	B
-16	1200454-53	COVER-SEAT BOTTOM FABRIC -----	1	C
	1200454-56	COVER-SEAT BOTTOM LEATHER -----	1	C
	1200454-53 #	COVER-SEAT BOTTOM -----	1	B
	1200538-4 #	COVER-HIGH BACK SEAT BOTTOM -----	1	B
-17	1414100-8	CUSHION-SEAT BOTTOM -----	1	
-18	1414217-7	RETAINER-SEAT BOTTOM -----	1	
-19	1414217-3	RETAINER-SEAT BOTTOM -----	1	
-20	S1021Z6-4	SCREW -----	14	
-21	AN23-15A	BOLT-SEAT BACK STOP -----	2	
	NAS679A3	NUT -----	2	
-22	1414103-2	LEG ASSEMBLY-FORWARD LH -----	1	
-23	1414103-45	LEG ASSEMBLY-FORWARD RH -----	1	
-24	1414103-6	LEG-SEAT AFT -----	2	
		ATTACHING PARTS		
-25	AN24-13	BOLT-FORWARD LEG -----	2	
-26	AN24-13	BOLT-AFT LEG -----	1	
-27	AN24-16	BOLT-AFT LEG -----	1	
	AN936A416	WASHER -----	2	
-28	AN936A616	WASHER -----	2	
-29	1414112-1	NUT -----	2	
		-----*		
-30	1414104-39	HOUSING-SEAT ROLLER FWD LH -----	1	
-31	1414104-40	HOUSING-SEAT ROLLER FWD RH -----	1	
-32	1414104-41	HOUSING-SEAT ROLLER AFT LH -----	1	
	1414104-42	HOUSING-SEAT ROLLER AFT RH -----	1	

T210-0001 & ON
21058221 & ON

CONTINUED ON NEXT PAGE

Front Seat (Cont)



**T210-0001 & ON
21058221 & ON**

Figure 54B. Pilot and Co-Pilot Seat Installation

FIGURE AND INDEX NO.	PART NUMBER	DESCRIPTION	UNITS PER ASSY	USABLE ON CODE
		1 2 3 4 5 6 7		
54B-33	1414100-212	KIT-SEAT ROLLER ----- ATTACHING PARTS -----	4	
-34	AN23-19A	BOLT -----	1	
-35		DELETED INCLUDED IN ROLLER KIT -----	NP	
-36	AN960-10L	WASHER -----	1	
-37	22K2-02	NUT EN -----	1	
-38	1200504-1	HANDLE-SEAT ADJUSTMENT ----- ATTACHING PARTS -----	1	
-39	MS20392-2C43 MS24665-132	PIN ----- PIN-COTTER -----	1 1	
-40	1200505-1	PIN-SEAT ADJUSTMENT ----- ATTACHING PARTS -----	1	
-41	MS20392-1C21	PIN -----	1	
-42	1414116-1	SPRING-SEAT ADJUSTMENT -----	1	
-43	1414104-8	BRACKET-SEAT ADJUSTMENT -----	1	
-44	1200504-3	HANDLE ASSEMBLY-RECLINING ADJUSTMENT ----- ATTACHING PARTS -----	1	
-45	NAS561-3-8	ROLL PIN -----	1	
-46	1200503-1	ARM ASSEMBLY-SEAT BACK ADJUST -----	1	
-47	1200502-1	LINK-SEAT BACK ADJUST ----- ATTACHING PARTS -----	1	
-48	MS20392-1C9	PIN -----	2	
-49	MS24665-132	PIN-COTTER -----	2	
-50	1414223-34	TUBE ASSEMBLY-TORQUE -----	1	
-51	1414231-4	PAWL-SEAT BACK ADJUST REPLACE IN PAIRS ONLY ----- ATTACHING PARTS -----	2	
	NAS561C3-10	ROLL PIN -----	1	
-52	1414107-1	SPRING -----	1	
-53	1A1002X	ASH RECEIVER-SEAT BACK GDR -----	1	
-53A	1200538-9	HEADREST ASSEMBLY-HIGH BACK SEAT -----	1	B
	1200538-10	COVER-HEADREST -----	1	B
-54	S1060-3	BELT ASSEMBLY-SEAT -----	2	C
	S1618B3	BELT ASSEMBLY-SEAT BLACK -----	2	B
	S1618C3	BELT ASSEMBLY-SEAT BLUE -----	2	B
	S1618D3	BELT ASSEMBLY-SEAT TAN -----	2	B
	S1618F3	BELT ASSEMBLY-SEAT OLIVE GOLD -----	2	B
	S1618H3	BELT ASSEMBLY-SEAT CORAL -----	2	B
	S1618J3	BELT ASSEMBLY-SEAT RED APPLE ----- ATTACHING PARTS -----	2	B
-55	AN4-5A	BOLT -----	2	
-56	NAS43-4-20	SPACER -----	2	
-57	NAS679A4	NUT -----	2	
-58	0511301-175 0511301-176	FITTING-SEAT BELT INBOARD LH AND OUTBOARD RH ----- FITTING-SEAT BELT OUTBOARD LH AND INBOARD RH ----- ATTACHING PARTS -----	2 2	
-59	AN3-4A	BOLT -----	2	
-60	0710632-1	PLATE -----	1	
-61	NAS679A3	NUT -----	2	
	1414252-1	HEADREST ASSEMBLY-FABRIC -----	2	C
	1414252-1	HEADREST ASSEMBLY -----	2	B
	1414252-10	HEADREST ASSEMBLY-LEATHER -----	2	C
-62	1414252-2	FRAME ASSEMBLY-HEADREST -----	1	
-63	1414252-7	CUSHION HEADREST -----	1	
-64	1414252-6	COVER ASSEMBLY-FABRIC -----	1	C
	1414252-6	COVER ASSEMBLY-HEADREST -----	1	B
	1414252-9	COVER ASSEMBLY-LEATHER -----	1	C

CONTINUED ON NEXT PAGE

FIGURE AND INDEX NO.	PART NUMBER	DESCRIPTION	UNITS PER ASSY	USABLE ON CODE
54B-65	1200446-1	FOOTREST ASSEMBLY ----- ATTACHING PARTS	2	A
	NAS221C6	SCREW -----	2	
	22K2-02	CAP NUT EN -----	2	
-66	1200453-9	ARMREST ASSEMBLY-LH FABRIC USED ON CO-PILOT SEAT -----	1	C
	1200453-9	ARMREST ASSEMBLY-LH USED ON CO-PILOT SEAT -----	1	B
	1200453-11	ARMREST ASSEMBLY-LH LEATHER USED ON CO-PILOT SEAT -----	1	C
	1200453-10	ARMREST ASSEMBLY-RH FABRIC USED ON PILOT SEAT -----	1	C
	1200453-10	ARMREST ASSEMBLY-RH USED ON PILOT SEAT -----	1	B
	1200453-12	ARMREST ASSEMBLY-RH LEATHER USED ON PILOT SEAT -----	1	C
		ATTACHING PARTS		
-67	1200448-1	SOCKET INCLUDED IN SEAT ASSEMBLY -----	1	
-68	AN23-16A	BOLT INCLUDED IN SEAT ASSEMBLY -----	2	
-69	22NKM-02	NUT-CAP EN INCLUDED IN SEAT ASSEMBLY -----	2	
-70	1200453-5	COVER-FABRIC -----	1	C
	1200453-5	COVER-ARMREST -----	1	B
	1200453-13	COVER-LEATHER -----	1	C
-71	0812971-5	CUSHION-LH -----	1	
	0812971-4	CUSHION-RH -----	1	
-72	0812929-1	COVER-TRIM LH -----	1	
	0812929-2	COVER-TRIM RH -----	1	
		ATTACHING PARTS		
	AN509-8RT	SCREW -----	4	
		-----*		
		NOTE. □THIS PART NUMBER MUST HAVE A SECOND DASH NUMBER ADDED TO DENOTE COLOR. REFER TO HOW TO ORDER INTERIOR PARTS-PAGE XI.		
		NOTE. #THIS PART NUMBER MUST HAVE A SECOND DASH NUMBER ADDED TO DENOTE COLOR. REFER TO HOW TO ORDER UPHOLSTERED PARTS-PAGE X.		
		A---210 SERIAL 21058221 & ON T210 SERIAL T210-0001 & ON		
		B---210 SERIAL 21058716 & ON T210 SERIAL T210-0001 & ON		
		C---210 SERIAL 21058221 THRU 21058715		

This page intentionally left blank.



FIGURE AND INDEX NO.	PART NUMBER	DESCRIPTION	UNITS PER ASSY	USABLE ON CODE
		1 2 3 4 5 6 7		
55 -		SEAT INSTALLATION-ADJUSTABLE FRONT -----	NP	A
	1200162-1	SEAT ASSEMBLY-ADJUSTABLE FRONT LH -----	1	
	1200162-2	SEAT ASSEMBLY-ADJUSTABLE FRONT RH -----	1	
		ATTACHING PARTS -----		
- 1	0713074-1	STOP-SEAT -----	2	
	MS20392-1C21	PIN-CLEVIS -----	2	
	MS24665-138	PIN-COTTER -----	2	
		-----*		
- 2	1200162-8	BACK ASSEMBLY-SEAT LH -----	1	
	1200162-9	BACK ASSEMBLY-SEAT RH -----	1	
		ATTACHING PARTS -----		
- 3	AN24-28A	BOLT -----	2	
- 4	AN960-416L	WASHER -----	2	
- 5	0710313-2	BUSHING -----	2	
- 6	S1074-1	WASHER -----	2	
- 7	NAS679A4	NUT -----	2	
		-----*		
- 8	1200162-12	COVER-SEAT BACK -----	1	
- 9	1200084-8	SEAT BACK-LH -----	1	
	1200084-9	SEAT BACK-RH -----	1	
-10	1200084-15	POCKET-SEAT -----	1	
-11	1200088-11	TRIM-MOULDING -----	1	
-12	0700320-1	RETAINER -----	1	
-13	1200107-1	MEDALLION -----	1	
-14	1200088-13	TRIM-POCKET -----	1	
-15	1200162-3	CUSHION ASSEMBLY-LOWER LH -----	1	
	1200162-4	CUSHION ASSEMBLY-LOWER RH -----	1	
-16	1200161-1	SKIRT -----	1	
		ATTACHING PARTS -----		
-17	S1021Z4-6	SCREW -----	11	
		-----*		
-18	1200164-1	KNOB -----	1	
		ATTACHING PARTS -----		
	S1022Z6-10	SCREW -----	1	
		-----*		
-19	1200162-7	COVER-SEAT BOTTOM -----	1	
-20	0710312-2	HANDLE -----	1	
		ATTACHING PARTS -----		
-21	NAS561C3-10	ROLLPIN -----	1	
		-----*		
CONTINUED ON NEXT PAGE				

**21057841 THRU
21058085**

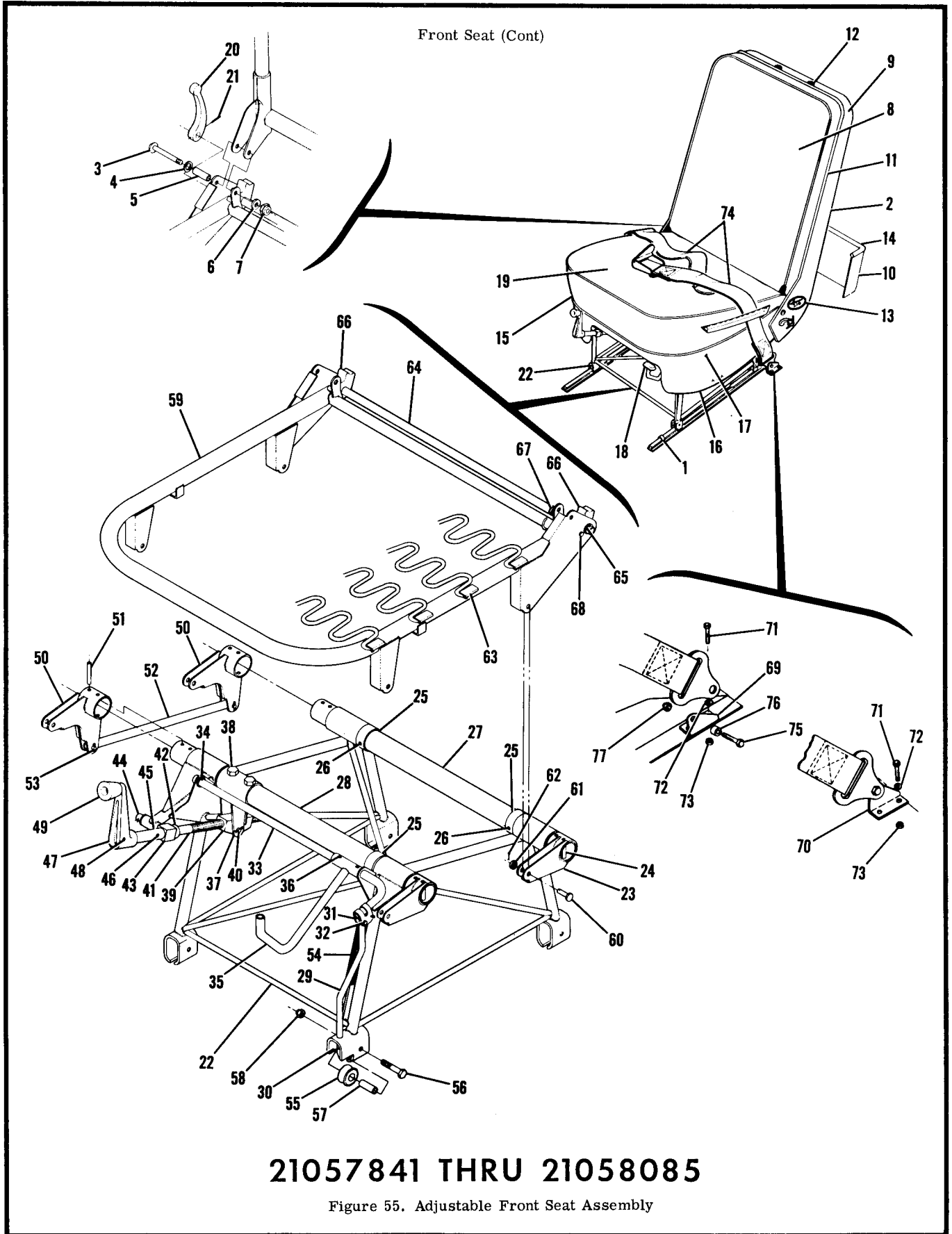
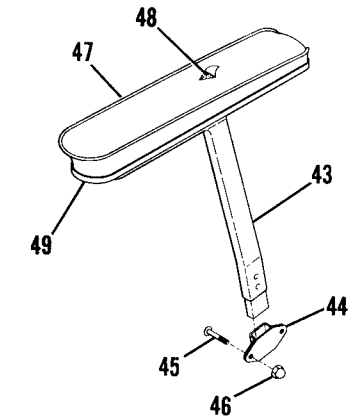


FIGURE AND INDEX NO.	PART NUMBER	DESCRIPTION							UNITS PER ASSY	USABLE ON CODE
		1	2	3	4	5	6	7		
55 -22	1200163-1	BOTTOM ASSEMBLY-SEAT LH -----							1	
	1200163-2	BOTTOM ASSEMBLY-SEAT RH -----							1	
-23	1200141-1	ARM ASSEMBLY-SEAT LH -----							1	
	1200141-2	ARM ASSEMBLY-SEAT RH -----							1	
		ATTACHING PARTS								
-24	NAS561-6-12	ROLLPIN -----							2	
		-----*								
-25	1200136-1	COLLAR-TORQUE TUBE -----							3	
		ATTACHING PARTS								
-26	NAS561-6-18	ROLLPIN -----							1	
		-----*								
-27	1200147-1	TORQUE TUBE-AFT -----							1	
-28	1200147-2	TORQUE TUBE-FORWARD -----							1	
-29	1200152-1	PIN-LATCH -----							1	
		ATTACHING PARTS								
-30	MS24665-132	PIN-COTTER -----							1	
-31	0311644	CLEVIS -----							1	
-32	MS20392-1C15	PIN -----							1	
	MS24665-134	PIN-COTTER -----							1	
		-----*								
-33	1200146-1	TORQUE TUBE-LATCH PIN -----							1	
		ATTACHING PARTS								
-34	AN960C616L	WASHER -----							1	
	MS24665-134	PIN-COTTER -----							1	
		-----*								
-35	1200157-1	ARM ASSEMBLY-SEAT LATCH PIN -----							1	
		ATTACHING PARTS								
-36	NAS561P3-8	ROLLPIN -----							2	
		-----*								
-37	1200141-1	BELLCRANK ASSEMBLY-LH SEAT SCREW -----							1	
	1200141-2	BELLCRANK ASSEMBLY-RH SEAT SCREW -----							1	
		ATTACHING PARTS								
-38	AN4-14A	BOLT -----							2	
	NAS679A4	NUT -----							2	
		-----*								
-39	1200139-1	NUT-SEAT ADJUST SCREW -----							1	
		ATTACHING PARTS								
-40	MS20392-2C20	PIN -----							1	
	AN960-10	WASHER -----							1	
	MS24665-132	PIN-COTTER -----							1	
		-----*								
-41	1200155-1	SCREW-ADJUSTABLE FRONT SEAT -----							1	
-42	1200138-1	COLLAR-ADJUSTABLE FRONT SEAT SCREW -----							1	
		ATTACHING PARTS								
	NAS561P4-10	ROLLPIN -----							1	
		-----*								

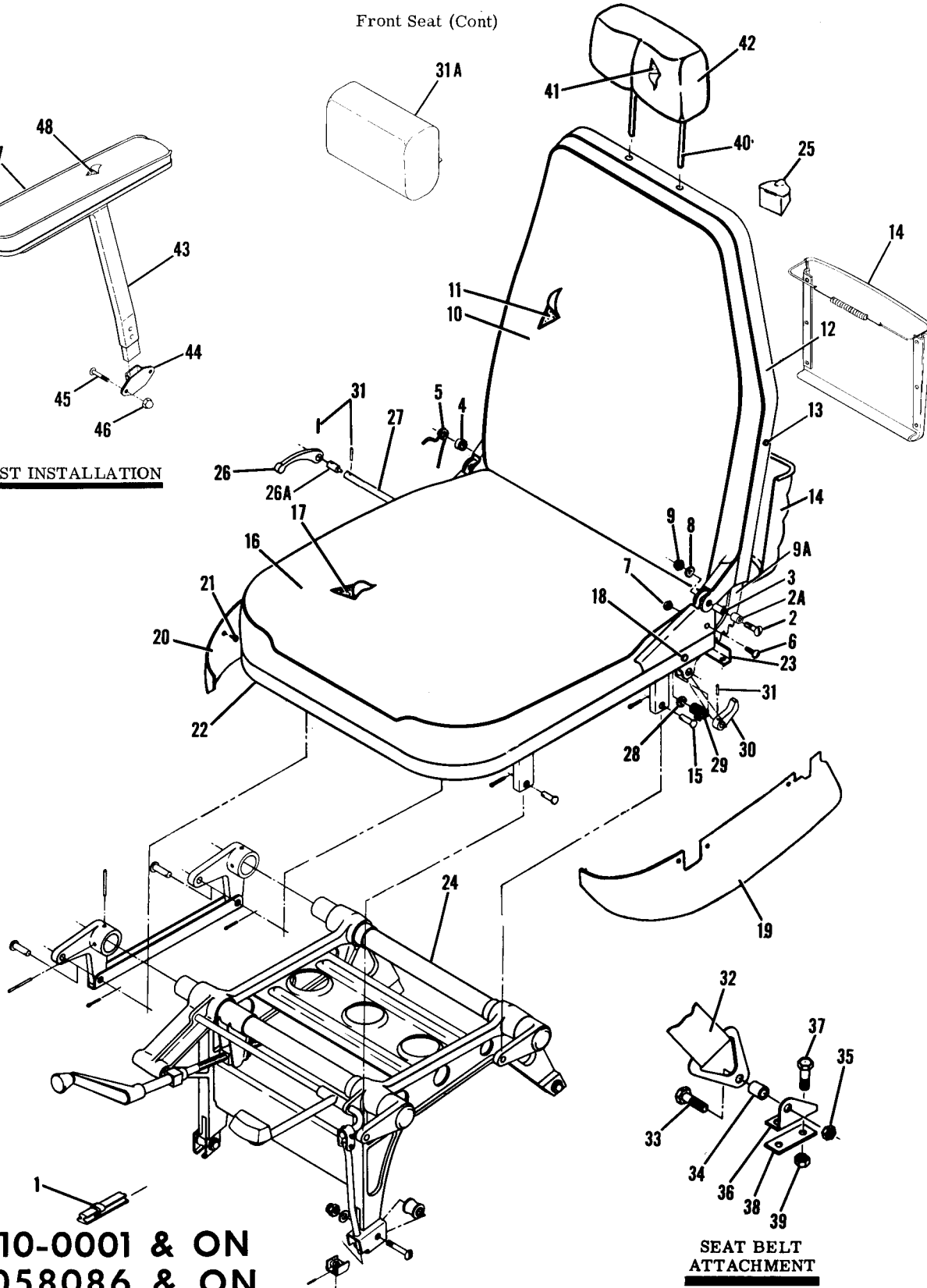
CONTINUED ON NEXT PAGE

FIGURE AND INDEX NO.	PART NUMBER	DESCRIPTION	UNITS PER ASSY	USABLE ON CODE
		1 2 3 4 5 6 7		
55 -43	1200154-1	BEARING BLOCK-SCREW ----- ATTACHING PARTS -----	1	
-44	AN960-716 MS24665-351	WASHER ----- PIN-COTTER -----	1 1	
-45	1200156-1	SPACER-SCREW HANDLE ----- ATTACHING PARTS -----	1	
-46	NAS561P4-8	ROLLPIN -----	1	
-47	1200159-1	HANDLE ASSEMBLY-ADJUSTABLE FRONT SEAT ----- ATTACHING PARTS -----	1	
-48	NAS561P4-12	ROLLPIN -----	1	
-49	1200092-1	KNOB -----	1	
-50	1200143-1 1200143-2	ARM ASSEMBLY-SEAT LH ----- ARM ASSEMBLY-SEAT RH ----- ATTACHING PARTS -----	2 2	
-51	NAS561-6-18	ROLL PIN -----	2	
-52	1200137-1	ROD-SEAT ADJUSTMENT ----- ATTACHING PARTS -----	1	
-53	MS20392-2C17 AN960-10 MS24665-132	PIN ----- WASHER ----- PIN-COTTER -----	2 2 2	
-54	0310196-15	SPRING-SEAT LATCH PIN -----	1	
-55	0311310	ROLLER-SEAT ----- ATTACHING PARTS -----	4	
-56	AN3-11A	BOLT -----	1	
-57	0311586	BUSHING-ROLLER -----	1	
-58	NAS679A3	NUT -----	1	
-59	1200158-1 1200158-5	FRAME ASSEMBLY-SEAT LH ----- FRAME ASSEMBLY-SEAT RH ----- ATTACHING PARTS -----	1 1	
-60	MS20392-2C17	PIN -----	4	
-61	AN960-10	WASHER -----	4	
-62	MS24665-132	PIN-COTTER -----	4	
-63	S1146-1	CLIP-UPHOLSTERY SPRING -----	8	
-64	0710302-1	TUBE-SEAT BACK ----- ATTACHING PARTS -----	1	
-65	AN960C616L NAS561C3-10	WASHER ----- ROLLPIN -----	2 2	
-66	0710317-1 NAS561C3-12	CAM ----- ATTACHING PARTS ----- ROLLPIN -----	2 1	
-67	0710308-1	SPRING-CAM RETURN -----	1	
-68	MS20392-1C39 MS24665-132	PIN ----- ATTACHING PARTS ----- PIN-COTTER -----	2 1	
-69	0511301-18	FITTING-SEAT BELT INBOARD LH & OUTBOARD RH -----	2	
-70	0511301-19	FITTING-SEAT BELT INBOARD RH & OUTBOARD LH ----- ATTACHING PARTS -----	2	
-71	AN3-4A	BOLT -----	2	
-72	AN970-3	WASHER -----	2	
-73	NAS679A3	NUT -----	2	
-74	S1060-15	BELT ASSEMBLY-SEAT FRONT ----- ATTACHING PARTS -----	2	
-75	AN4-5A	BOLT -----	2	
-76	NAS43-4-20	SPACER -----	2	
-77	NAS679A4	NUT -----	2	
A---210 SERIAL 21057841 THRU 21058085				

Front Seat (Cont)



ARMREST INSTALLATION



SEAT BELT ATTACHMENT

T210-0001 & ON
21058086 & ON

Figure 55A. Vertically Adjustable Pilot & Co-Pilot Seat Installation

FIGURE AND INDEX NO.	PART NUMBER	DESCRIPTION	UNITS PER ASSY	USABLE ON CODE
		1 2 3 4 5 6 7		
55A-		VERTICALLY ADJUSTABLE PILOT AND CO-PILOT SEAT INSTALLATION ----	NP	A
	0700630-3	SEAT ASSEMBLY-VERTICALLY ADJUSTABLE LH FABRIC -----	1	B
	0700630-15	SEAT ASSEMBLY-VERTICALLY ADJUSTABLE LH FABRIC -----	1	F
	0700630-15 #	SEAT ASSEMBLY-VERTICALLY ADJUSTABLE LH -----	1	G
	0700630-13	SEAT ASSEMBLY-VERTICALLY ADJUSTABLE LH LEATHER -----	1	F
	1200539-1 #	SEAT ASSEMBLY-HIGH BACK VERTICALLY ADJ LH -----	1	C
	0700630-16	SEAT ASSEMBLY-VERTICALLY ADJUSTABLE RH FABRIC -----	1	G
	0700630-16	SEAT ASSEMBLY-VERTICALLY ADJUSTABLE RH FABRIC -----	1	F
	0700630-16 #	SEAT ASSEMBLY-VERTICALLY ADJUSTABLE RH -----	1	F
	0700630-14	SEAT ASSEMBLY-VERTICALLY ADJUSTABLE RH LEATHER -----	1	G
	1200539-2 #	SEAT ASSEMBLY-HIGH BACK VERTICALLY ADJ RH -----	1	G
		ATTACHING PARTS		
- 1	0713074-1	STOP-SEAT -----	2	
	MS20392-1C21	PIN -----	2	
	MS24665-151	PIN-COTTER -----	2	
		-----*		
	0700630-209	BACK ASSEMBLY-UPHOLSTERED SEAT FABRIC -----	1	B
	0700630-210	BACK ASSEMBLY-UPHOLSTERED SEAT FABRIC -----	1	F
	0700630-210 #	BACK ASSEMBLY-UPHOLSTERED SEAT -----	1	G
	1200539-201 #	BACK ASSEMBLY-UPHOLSTERED SEAT-HIGH BACK -----	1	G
	0700630-211	BACK ASSEMBLY-UPHOLSTERED SEAT LEATHER -----	1	F
		ATTACHING PARTS		
- 2	AN23-16A	BOLT -----	2	B
	AN23-19A	BOLT -----	2	C
- 2A	NAS43-3-12	SPACER -----	2	C
- 3	1414104-4	BUSHING -----	2	
- 4	0711668-1	BUSHING -----	2	
- 5	0711667-1	SPRING -----	2	
- 6	AN507-832R14	SCREW -----	2	
- 7	NAS679A08	NUT -----	2	
- 8	AN960-10L	WASHER -----	2	
- 9	22K2-02	NUT EN -----	2	
		-----*		
- 9A	1414111-5	CAM-SEAT BACK -----	2	
-10	1200605-12	COVER-SEAT BACK FABRIC -----	1	K
	1200605-12 #	COVER-SEAT BACK -----	1	G
	1200538-5 #	COVER-HIGH BACK SEAT -----	1	G
	1200454-57	COVER-SEAT BACK LEATHER -----	1	F
-11	1414100-9	CUSHION-SEAT BACK -----	1	
-12	1414110-1	TRIM ASSEMBLY-SEAT BACK -----	1	B
	1414110-29 □	TRIM ASSEMBLY-SEAT BACK -----	1	C
	1200527-4 □	TRIM ASSEMBLY-HIGH BACK SEAT -----	1	G
		ATTACHING PARTS		
-13	S102128-6C	SCREW -----	3	
		-----*		
-14	1414110-3	POCKET ASSEMBLY-MAGAZINE -----	1	B
	1414110-30 □	POCKET ASSEMBLY-MAGAZINE -----	1	A
	1200538-2 #	POCKET ASSEMBLY-HIGH BACK SEAT -----	1	G
		ATTACHING PARTS		
	1414045-1	SPRING -----	1	G
		-----*		
	0700630-212	BOTTOM ASSEMBLY-SEAT FABRIC -----	1	D
	0700630-216	BOTTOM ASSEMBLY-SEAT FABRIC -----	1	J
	0700630-216 #	BOTTOM ASSEMBLY-SEAT -----	1	G
	1200539-200 #	BOTTOM ASSEMBLY-HIGH BACK SEAT -----	1	G
	0700630-213	BOTTOM ASSEMBLY-SEAT LEATHER -----	1	D
	0700630-217	BOTTOM ASSEMBLY-SEAT LEATHER -----	1	J
		ATTACHING PARTS		
-15	MS20392-2C17	PIN -----	4	
	MS24665-132	PIN-COTTER -----	4	
		-----*		
-16	1200605-11	COVER-SEAT BOTTOM FABRIC -----	1	K
	1200605-11 #	COVER-SEAT BOTTOM -----	1	G
	1200454-56	COVER-SEAT BOTTOM LEATHER -----	1	F
	1200538-5 #	COVER-HIGH BACK SEAT BOTTOM -----	1	G
-17	1414100-8	CUSHION-SEAT BOTTOM -----	1	
-18	AN23-15A	BOLT -----	1	
	NAS679A3	NUT -----	2	
-19	0700646-1 □	SKIRT-SEAT BOTTOM LH -----	1	D
	1414263-7 □	SKIRT-SEAT BOTTOM LH -----	1	E

CONTINUED ON NEXT PAGE

FIGURE AND INDEX NO.	PART NUMBER		DESCRIPTION							UNITS PER ASSY	USABLE ON CODE
			1	2	3	4	5	6	7		
55A-20	0700646-2	□								1	D
	1414263-8	□								1	E
-21	S102126-4									4	
-22	1414217-7									1	
-23	1414217-3									1	
	S102126-4									14	
-24										1	
										1	
-25	1A1002X									1	
-26	0710312-2									1	
-26A	0700632-5									1	H
-27	1414104-1									1	
-28	AN960D616									2	
-29	1414107-1									1	
-30	0700636-1									2	
-31	NAS561C3-10									3	
-31A	1200538-9	#								1	G
	1200538-10	#								1	G
-32	S1060-15									2	B
	S1060-3									1	F
	S1618B3									1	G
	S1618C3									1	G
	S1618D3									1	G
	S1618F3									1	G
	S1618H3									1	G
	S1618J3									1	G
-33	AN4-4A									2	B
	AN4-5A									2	C
-34	NAS43-4-22									2	B
	NAS43-4-20									2	C
-35	NAS679A4									2	C
-36	0511301-175									2	
	0511301-176									2	
-37	AN3-4A									2	
-38	0710632-1									2	
-39	NAS679A3									2	
	1414252-1									1	K
	1414252-10									1	F
-40	1414252-2									1	
-41	1414252-7									1	
-42	1414252-6									1	K
	1414252-9									1	F
-43	1200453-9	#								1	F
	1200453-9	#								1	G
	1200453-11	#								1	F
	1200453-12	#								1	F
	1200453-10									1	F
	1200453-12									1	F
-44	1200448-1									1	C
-45	AN23-16A									2	C
-46	22NKM-02									2	C

CONTINUED ON NEXT PAGE

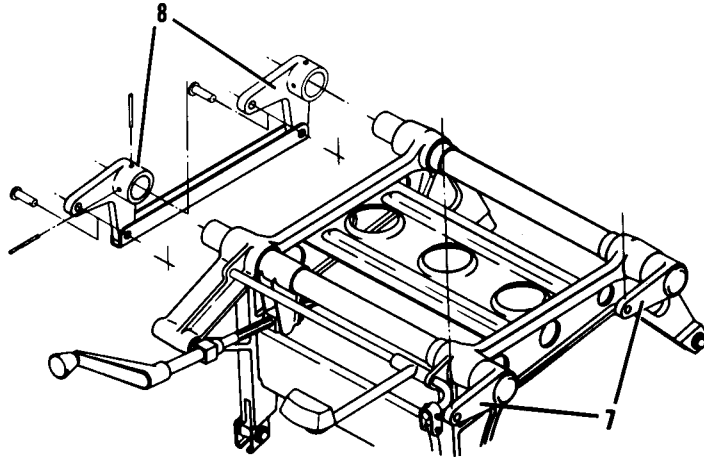


FIGURE AND INDEX NO.	PART NUMBER		DESCRIPTION							UNITS PER ASSY	USABLE ON CODE
			1	2	3	4	5	6	7		
55A-47	1200453-5	#	COVER-FABRIC -----							1	F
	1200453-5		COVER -----							1	F
	1200453-13		COVER-LEATHER -----							1	F
-48	0812971-5		CUSHION-LH -----							1	C
	0812971-4		CUSHION-RH -----							1	C
-49	0812929-1		COVER-TRIM LH -----							1	C
	0812929-2		COVER-TRIM RH -----							1	C
	AN509-8R7		ATTACHING PARTS								
			SCREW -----							4	C

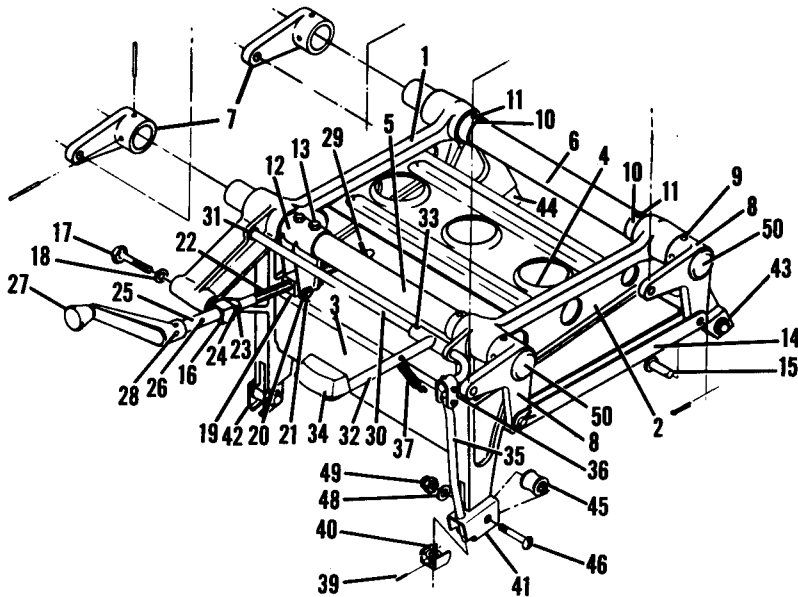
			NOTE. □THIS PART NUMBER MUST HAVE A SECOND DASH NUMBER ADDED TO DENOTE COLOR. REFER TO HOW TO ORDER INTERIOR PARTS-PAGE XI.								
			NOTE. #THIS PART NUMBER MUST HAVE A SECOND DASH NUMBER ADDED TO DENOTE COLOR. REFER TO HOW TO ORDER UPHOLSTERED PARTS-PAGE X.								
			A---210 SERIAL 21058086 & ON T210 SERIAL T210-0001 & ON								
			B---210 SERIAL 21058086 THRU 21058220								
			C---210 SERIAL 21058221 & ON T210 SERIAL T210-0001 & ON								
			D---210 SERIAL 21058086 THRU 21058513								
			E---210 SERIAL 21058514 & ON T210 SERIAL T210-0001 & ON								
			F---210 SERIAL 21058221 THRU 21058715								
			G---210 SERIAL 21058716 & ON T210 SERIAL T210-0001 & ON								
			H---210 SERIAL 21058221 THRU 21058510								
			J---210 SERIAL 21058514 THRU 21058715								
			K---210 SERIAL 21058086 THRU 21058715								
FIGURE AND INDEX NO.	PART NUMBER		DESCRIPTION							UNITS PER ASSY	USABLE ON CODE
			1	2	3	4	5	6	7		
55B-	0700631-5	□	VERTICALLY ADJUSTABLE SEAT BOTTOM FRAME ASSEMBLY LH -----							1	A
	0700631-5		VERTICALLY ADJUSTABLE SEAT BOTTOM FRAME ASSEMBLY LH -----							1	B
	0700631-6	□	VERTICALLY ADJUSTABLE SEAT BOTTOM FRAME ASSEMBLY RH -----							1	A
	0700631-6		VERTICALLY ADJUSTABLE SEAT BOTTOM FRAME ASSEMBLY RH -----							1	B
- 1	0700640-1		LEG-SEAT INBOARD LH -----							1	
	0700640-2		LEG-SEAT INBOARD RH -----							1	
- 2	0700640-5		LEG-SEAT OUTBOARD LH -----							1	
	0700640-6		LEG-SEAT OUTBOARD RH -----							1	
- 3	0700641-1		BRACE-FORWARD BULKHEAD -----							1	
- 4	0700641-2		BRACE-UPPER BULKHEAD -----							1	
- 5	0700639-1		TUBE-FORWARD TORQUE -----							1	
- 6	0700639-2		TUBE-AFT TORQUE -----							1	
- 7	0700633-2		BELLCRANK -----							1	
- 8	0700633-4		BELLCRANK LH SEAT ONLY -----							2	
	0700633-1		BELLCRANK RH SEAT ONLY -----							2	
- 9	NAS561P6-22		ROLL PIN -----							2	
-10	1200136-1		COLLAR -----							8	
-11	NAS561P6-18		ROLL PIN -----							3	
-12	1200141-1		BELLCRANK-LH -----							3	
	1200141-2		BELLCRANK-RH -----							1	
			ATTACHING PARTS								
-13	AN4-14A		BOLT -----							1	
	NAS679A4		NUT -----							2	
			-----							2	

			CONTINUED ON NEXT PAGE								

Front Seat (Cont)



RH SEAT BELLCRANK ARRANGEMENT



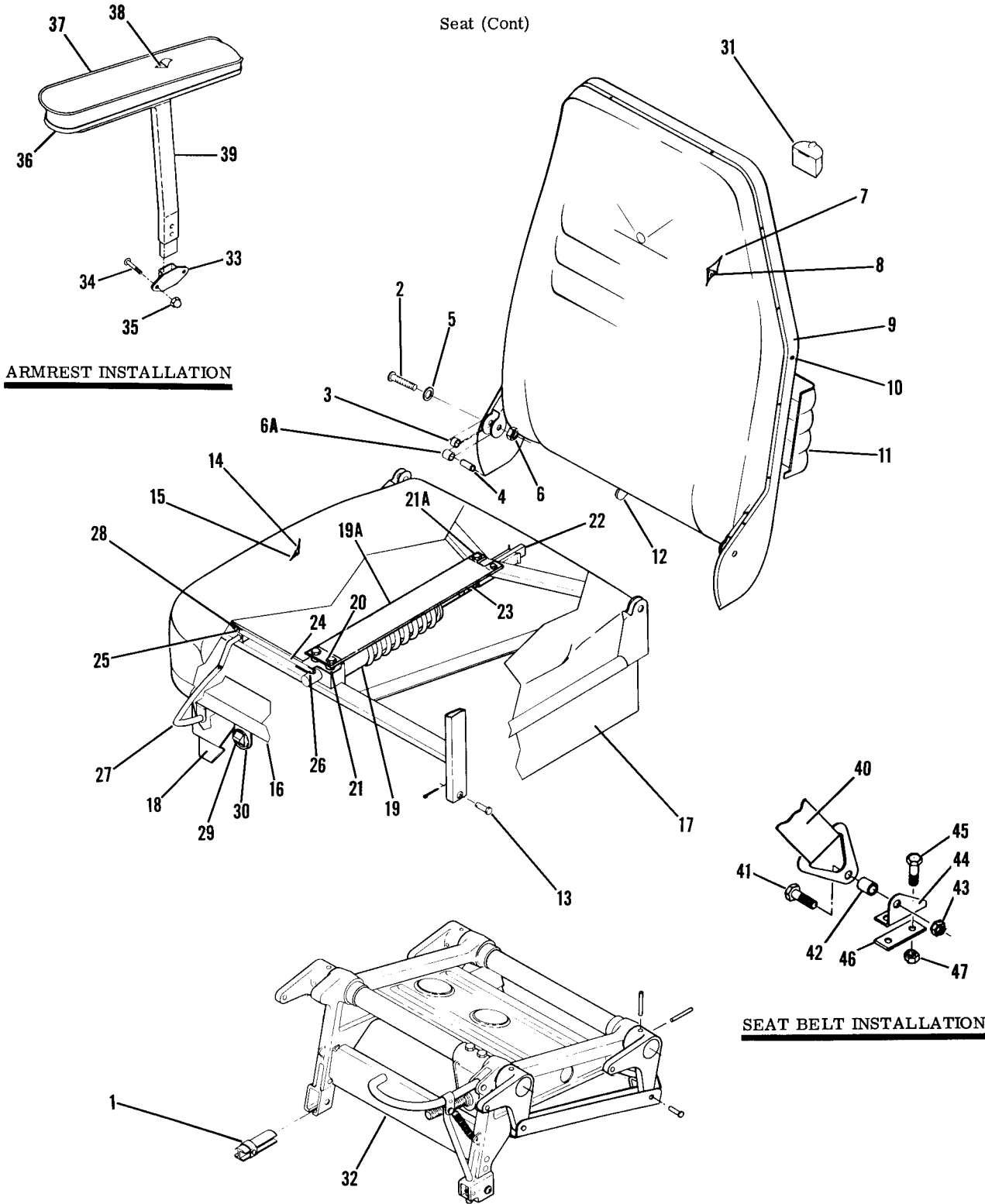
LH SEAT BELLCRANK ARRANGEMENT

T210-0001 & ON
21058086 & ON

Figure 55B. Vertically Adjustable Seat Bottom Frame Assembly

FIGURE AND INDEX NO.	PART NUMBER	DESCRIPTION	UNITS PER ASSY	USABLE ON CODE
		1 2 3 4 5 6 7		
55B-14	0700634-1	CHANNEL-PUSH PULL ----- ATTACHING PARTS -----	1	
-15	MS20392-2C17 MS24665-132	PIN ----- PIN-COTTER ----- -----*	2 2	
-16	0700638-1	BLOCK-BEARING -----	1	
-17	AN520-10R8	SCREW -----	1	
-18	AN960-10L	WASHER -----	1	
-19	1200139-1	NUT -----	1	
-20	AN960-10	WASHER -----	1	
-21	MS20392-IC17 MS24665-132	PIN ----- PIN-COTTER -----	1 1	
-22	1200186-1	SCREW-SEAT ADJUSTMENT -----	1	
-23	1200138-1	COLLAR -----	1	
-24	NAS561P4-10	ROLL PIN -----	1	
-25	1200156-1	SPACER -----	1	
-26	NAS561P4-8	ROLL PIN -----	1	
-27	1200159-1	HANDLE ASSEMBLY-VERTICAL ADJUSTMENT -----	1	
-28	NAS561P4-12	ROLL PIN -----	2	
-29	NAS561P4-10	ROLL PIN -----	1	
-30	0700642-1	TUBE-SEAT ADJUSTMENT TORQUE -----	1	
-31	AN960-616L MS24665-5	WASHER ----- PIN-COTTER -----	1 1	
-32	0700643-1	ARM-SEAT ADJUSTMENT -----	1	
-33	NAS561P3-8	ROLL PIN -----	2	
-34	1200164-1	KNOB-FORE & AFT ADJUSTMENT ----- ATTACHING PARTS -----	1	
	S102276-10	SCREW ----- -----*	1	
-35	0700644-1	PIN-SEAT ADJUSTMENT -----	1	
-36	1414104-2 MS24665-134	CLAMP ----- PIN-COTTER -----	1 2	
-37	1414116-1	SPRING -----	1	
-38		DELETED NEVER USED -----		
-39	MS24665-132	PIN-COTTER -----	1	
-40	1414104-8	BRACKET-SEAT ADJUSTMENT -----	1	
-41	0700645-1	HOUSING-WHEEL -----	1	
-42	0700645-2	HOUSING-WHEEL -----	1	
-43	0700645-3	HOUSING-WHEEL -----	1	
-44	0700645-4	HOUSING-WHEEL -----	1	
-45	1414100-212	KIT-SEAT ROLLER ----- ATTACHING PARTS -----	4	
-46	AN23-19A	BOLT -----	1	
-47		DELETED INCLUDED IN ROLLER KIT -----	NP	
-48	AN960-10L	WASHER -----	1	
-49	22K2-02	NUT EN -----	1	
		-----*		
-50	51045	PLUG BUTTON UC -----	2	
<p>NOTE. THIS PART MUST HAVE A SECOND DASH NUMBER ADDED TO DENOTE COLOR. REFER TO HOW TO ORDER INTERIOR PARTS-PAGE XI.</p> <p>A---210 SERIAL 21058716 & ON T210 SERIAL T210-0001 & ON B---210 SERIAL 21058086 THRU 21058715</p>				

Seat (Cont)



T210-0001 & ON
21058221 , 21058314 & ON

Figure 55C. Pilot & Co-pilot Power Adjustable Seat Installation

FIGURE AND INDEX NO.	PART NUMBER		DESCRIPTION	UNITS PER ASSY	USABLE ON CODE
		1 2 3 4 5 6 7			
55C-	1414265-3		PILOT & CO-PILOT POWER ADJUSTABLE SEAT INSTALLATION -----	NP	A
	1414265-3	#	SEAT-PILOT POWER ADJUSTABLE FABRIC -----	1	D
	1414265-5		SEAT-PILOT POWER ADJUSTABLE -----	1	B
	1200533-3	#	SEAT-PILOT POWER ADJUSTABLE LEATHER -----	1	D
	1414265-6		SEAT-PILOT POWER ADJUSTABLE-HIGH BACK -----	1	B
	1414265-4		SEAT ASSEMBLY-CO-PILOT POWER ADJUSTABLE LEATHER -----	1	
	1414265-4	#	SEAT-CO-PILOT POWER ADJUSTABLE FABRIC -----	1	D
	1414265-4	#	SEAT-CO-PILOT POWER ADJUSTABLE -----	1	B
	1414265-6		SEAT-CO-PILOT POWER ADJUSTABLE LEATHER -----	1	D
	1200533-2	#	SEAT-CO-PILOT POWER ADJUSTABLE-HIGH BACK -----	1	B
			ATTACHING PARTS		
- 1	0713074-1		STOP-SEAT -----	2	
	MS20392-1C21		PIN -----	2	
	MS24665-151		PIN-COTTER -----	2	
			-----*		
	1414265-202		BACK ASSEMBLY-UPHOLSTERED SEAT FABRIC -----	1	D
	1414265-202	#	BACK ASSEMBLY-UPHOLSTERED SEAT -----	1	B
	1414265-203		BACK ASSEMBLY-UPHOLSTERED SEAT LEATHER -----	1	D
	1200533-7	#	BACK ASSEMBLY-UPHOLSTERED HIGH BACK SEAT -----	1	B
			ATTACHING PARTS		
- 2	AN23-19A		BOLT -----	2	
- 3	NAS43-3-12		SPACER -----	2	
- 4	1414104-4		BUSHING -----	2	
- 5	AN960-10L		WASHER -----	2	
- 6	22K2-02		NUT EN -----	2	
- 6A	NAS43-4-18		SPACER -----	2	
			-----*		
- 7	1200454-54		COVER-SEAT BACK FABRIC -----	1	D
	1200454-54	#	COVER-SEAT BACK -----	1	B
	1200454-57		COVER-SEAT BACK LEATHER -----	1	D
	1200533-6	#	COVER-HIGH BACK SEAT -----	1	B
- 8	1414100-9		CUSHION-SEAT BACK -----	1	
- 9	1414264-2	□	TRIM ASSEMBLY-SEAT BACK -----	1	
	1200527-1	□	TRIM ASSEMBLY-HIGH BACK SEAT -----	1	B
			ATTACHING PARTS		
-10	S102128-6C		SCREW -----	3	
			-----*		
-11	1414264-7	□	POCKET ASSEMBLY-MAGAZINE -----	1	
-12	1414262-1		CAM-SEAT BACK RECLINE -----	1	
			ATTACHING PARTS		
	AN3-10A		BOLT -----	3	
	AN960-10L		WASHER -----	3	
	NAS679A3		NUT -----	3	
			-----*		
-12A	1200538-2	#	POCKET ASSEMBLY-HIGH BACK SEAT -----	1	B
			ATTACHING PARTS		
	1414045-1		SPRING -----	1	B
			-----*		
	1414265-204	#	CUSHION ASSEMBLY-SEAT BOTTOM -----	1	B
	1414265-204		CUSHION ASSEMBLY-SEAT BOTTOM FABRIC -----	1	D
	1414265-205		CUSHION ASSEMBLY-SEAT BOTTOM LEATHER -----	1	D
	1200533-8	#	CUSHION ASSEMBLY-HIGH BACK SEAT BOTTOM -----	1	B
			ATTACHING PARTS		
-13	MS20392-2C17		PIN -----	4	
	MS24665-132		COTTER PIN -----	4	
			-----*		
-14	1200454-53		COVER-SEAT BOTTOM FABRIC -----	1	D
	1200454-53	#	COVER-SEAT BOTTOM -----	1	B
	1200454-56		COVER-SEAT BOTTOM LEATHER -----	1	D
	1200538-4	#	COVER-HIGH BACK SEAT BOTTOM -----	1	B
-15	1414100-8		CUSHION-SEAT BOTTOM -----	1	
-16	1414217-7		RETAINER-SEAT BOTTOM -----	1	
	1414217-3		RETAINER-SEAT BOTTOM -----	1	
			ATTACHING PARTS		
	S102126-4		SCREW -----	12	
			-----*		
-17	1414263-5	□	SKIRT-SEAT LH -----	1	
-18	1414263-6	□	SKIRT-SEAT RH -----	1	
			ATTACHING PARTS		
	S102126-4		SCREW -----	AR	
			-----*		
-19	1414266-1		ACTUATOR-SEAT BACK -----	1	

CONTINUED ON NEXT PAGE



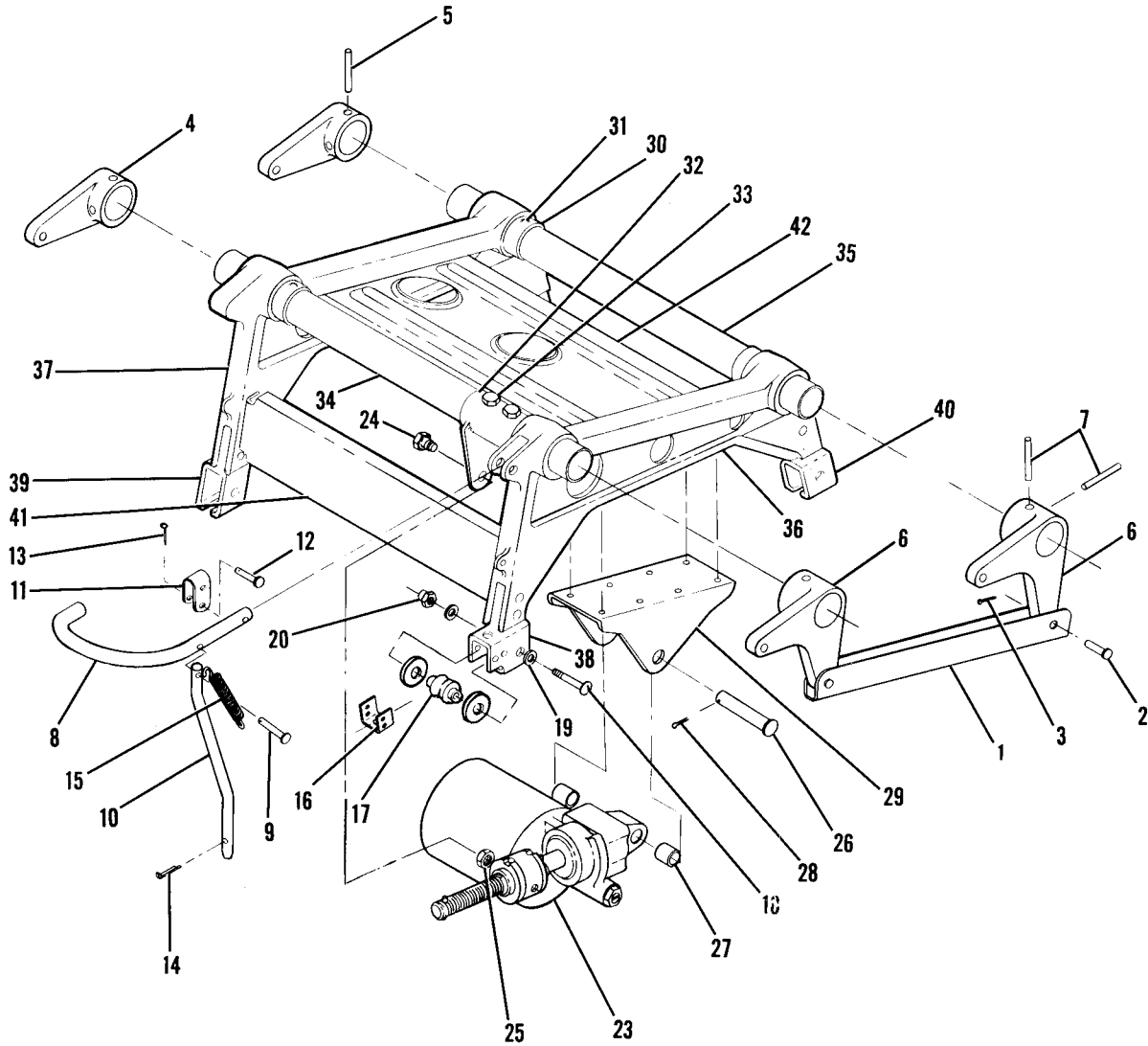
FIGURE AND INDEX NO.	PART NUMBER	DESCRIPTION	UNITS PER ASSY	USABLE ON CODE
55C-19A	1514059-1	STIFFENER ----- ATTACHING PARTS -----	1	
-20	1414269-1	STOP-SEAT -----	1	
-21	AN3-17A	BOLT -----	2	
	AN960-10L	WASHER -----	4	
	NAS679A3	NUT -----	4	
	NAS43DD3-12	SPACER UNDER STIFFENER -----	2	
	NAS43DD3-3	SPACER BETWEEN ACTUATOR & FRAME -----	2	
-21A	AN3-13A	BOLT ----- -----*	2	
-22	1414261-1	STOP-SEAT BACK ----- ATTACHING PARTS -----	1	
-23	AN3-10A	BOLT -----	2	
	AN960-10L	WASHER -----	2	
	NAS679A3	NUT -----	2	
-24	1414258-1	LINK ----- ATTACHING PARTS -----	1	
-25	MS20392-1C9	PIN -----	2	
	MS24665-132	COTTER PIN ----- -----*	2	
-26	1414259-1	SCREW -----	1	
-27	1414257-5	HANDLE ----- ATTACHING PARTS -----	1	
	MS24665-283	COTTER PIN ----- -----*	2	
-28	1200478-2	SPRING-HANDLE RETURN -----	1	
-29	1414268-1	SWITCH ASSEMBLY -----	1	
-30	1414267-1	BRACKET-SWITCH ----- ATTACHING PARTS -----	1	
	S102126-6	SCREW ----- -----*	1	
-31	1A1002X-1	ASH RECEIVER -----	1	
-32		POWER SEAT BOTTOM ASSEMBLY-LH SEE FIGURE 55D -----	1	
		POWER SEAT BOTTOM ASSEMBLY-RH SEE FIGURE 55D -----	1	
-33	1200448-1	SOCKET -----	1	
		ATTACHING PARTS -----		
-34	AN23-16A	BOLT -----	2	
-35	22NKM-02	NUT-CAP EN ----- -----*	2	
-35A	1200538-9	# HEADREST ASSEMBLY-HIGH BACK SEAT -----	1	B
	1200538-10	# COVER-HEADREST -----	1	B
-36	1200453-9	# ARMREST ASSEMBLY-FABRIC LH USED ON CO-PILOT SEAT -----	1	D
	1200453-9	# ARMREST ASSEMBLY LH USED ON CO-PILOT SEAT -----	1	B
	1200453-11	# ARMREST ASSEMBLY-LEATHER LH USED ON CO-PILOT SEAT -----	1	D
	1200453-10	# ARMREST ASSEMBLY RH USED ON PILOT SEAT -----	1	B
	1200453-10	# ARMREST ASSEMBLY-FABRIC RH USED ON PILOT SEAT -----	1	D
	1200453-12	# ARMREST ASSEMBLY-LEATHER RH USED ON PILOT SEAT -----	1	D
-37	1200453-5	# COVER-FABRIC -----	1	D
	1200453-5	# COVER-ARMREST -----	1	B
	1200453-13	# COVER-LEATHER -----	1	D
-38	0812971-5	CUSHION-LH -----	1	
	0812971-4	CUSHION-RH -----	1	
-39	0812929-1	COVER-TRIM LH -----	1	
	0812929-2	COVER-TRIM RH ----- ATTACHING PARTS -----	1	
	AN509-8R7	SCREW ----- -----*	4	
	0700719-1	COVER-TERMINAL LOCATED ON FLOORBOARD -----	1	
	S1491-1	BUSHING-TERMINAL LOCATED ON FLOORBOARD -----	1	

CONTINUED ON NEXT PAGE



FIGURE AND INDEX NO.	PART NUMBER	DESCRIPTION	UNITS PER ASSY	USABLE ON CODE	
					1 2 3 4 5 6 7
55C-40	S1060-3	BELT ASSEMBLY-SEAT-JOGGLED STIRRUPS -----	1	C	
	S1619B3	BELT ASSEMBLY-SEAT-JOGGLED STIRRUPS BLACK -----	1	B	
	S1619C3	BELT ASSEMBLY-SEAT-JOGGLED STIRRUPS BLUE -----	1	B	
	S1619D3	BELT ASSEMBLY-SEAT-JOGGLED STIRRUPS TAN -----	1	B	
	S1619F3	BELT ASSEMBLY-SEAT-JOGGLED STIRRUPS OLIVE GOLD -----	1	B	
	S1619H3	BELT ASSEMBLY-SEAT-JOGGLED STIRRUPS CORAL -----	1	B	
	S1619J3	BELT ASSEMBLY-SEAT-JOGGLED STIRRUPS RED APPLE -----	1	B	
		ATTACHING PARTS			
	-41	AN4-4A	BOLT -----	2	
		AN4-5A	BOLT -----	2	
-42	NAS43-4-22	SPACER -----	2		
	NAS43-4-20	SPACER -----	2		
-43	NAS679A4	NUT -----	2		
		-----*			
-44	0511301-175	FITTING-SEAT BELT INBOARD LH & OUTBOARD RH -----	2		
	0511301-176	FITTING-SEAT BELT OUTBOARD LH & INBOARD RH -----	2		
		ATTACHING PARTS			
-45	AN3-4A	BOLT -----	2		
-46	0710632-1	PLATE -----	2		
-47	NAS679A3	NUT -----	2		
		-----*			
<p>NOTE. □THIS PART MUST HAVE A SECOND DASH NUMBER ADDED TO DENOTE COLOR. REFER TO HOW TO ORDER INTERIOR PARTS-PAGE XI.</p> <p>NOTE. #THIS PART MUST HAVE A SECOND DASH NUMBER ADDED TO DENOTE COLOR. REFER TO HOW TO ORDER UPHOLSTERED PARTS-PAGE X.</p> <p>A---210 SERIAL 21058221, 21058314 & ON T210 SERIAL T210-0001 & ON</p> <p>B---210 SERIAL 21058716 & ON T210 SERIAL T210-0001 & ON</p> <p>C---210 SERIAL 21058221 THRU 21058715</p> <p>D---210 SERIAL 21058221, 2105314 THRU 21058715</p>					

Seat (Cont)



T210-0001 & ON
21058221 , 21058314 & ON

Figure 55D. Power Seat Bottom Assembly - Pilot & Co-Pilot

FIGURE AND INDEX NO.	PART NUMBER	□	DESCRIPTION	UNITS PER ASSY	USABLE ON CODE
			1 2 3 4 5 6 7		
55D-	1414240-3	□	POWER SEAT BOTTOM ASSEMBLY-PILOTS -----	1	A
	1414240-3		POWER SEAT BOTTOM ASSEMBLY-PILOTS -----	1	B
	1414240-4	□	POWER SEAT BOTTOM ASSEMBLY-CO-PILOTS -----	1	A
	1414240-4		POWER SEAT BOTTOM ASSEMBLY-CO-PILOTS -----	1	B
- 1	0700634-1		CHANNEL OUTBOARD SIDE ONLY ----- ATTACHING PARTS -----	1	
- 2	MS20392-2C17		PIN -----	2	
- 3	MS24665-132		COTTER PIN -----	2	
- 4	0700633-2		BELLCRANK-INBOARD -----	2	
- 5	NAS561P6-22		ATTACHING PARTS ----- ROLL PIN -----	4	
- 6	0700633-4		BELLCRANK-OUTBOARD -----	2	
	0700633-1		BELLCRANK-OUTBOARD -----	2	
- 7	NAS561P6-22		ATTACHING PARTS ----- ROLL PIN -----	4	
- 8	1414248-1		HANDLE-SEAT ADJUSTMENT ----- ATTACHING PARTS -----	1	
- 9	MS20392-2C21		PIN -----	1	
	MS24665-132		COTTER PIN -----	1	
-10	1414245-2		ROD-SEAT ADJUSTMENT ----- ATTACHING PARTS -----	1	
-11	1414104-2		CLAMP -----	1	
-12	MS20392-1C15		PIN -----	2	
-13	MS24665-132		COTTER PIN -----	2	
-14	MS24665-132		COTTER PIN -----	1	
-15	1414116-1		SPRING -----	1	
-16	1414104-8		BRACKET-SEAT ADJUSTMENT ROD -----	1	
-17	1414100-212		KIT-SEAT ROLLER ----- ATTACHING PARTS -----	4	
-18	AN23-19A		BOLT -----	1	
-19	AN960-10L		WASHER -----	2	
-20	22K2-02		NUT EN -----	1	
-21			DELETED INCLUDED IN ROLLER KIT -----		
-22			DELETED INCLUDED IN ROLLER KIT -----		
-23	1414249-2		MOTOR ASSEMBLY ----- ATTACHING PARTS -----	1	
-24	1414247-1		BOLT -----	1	
-25	AN316C5R		NUT -----	1	
-26	MS20392-5C65		PIN -----	1	
-27	NAS43DD6-33		SPACER -----	2	
-28	MS24665-283		COTTER PIN -----	1	
-29	1414242-1		BRACKET-MOTOR ASSEMBLY -----	1	
-30	1200136-1		COLLAR-TORQUE TUBE ----- ATTACHING PARTS -----	3	
-31	NAS561P6-18		ROLL PIN -----	3	
-32	1414243-1		BELLCRANK ----- ATTACHING PARTS -----	1	
-33	AN4-14A		BOLT -----	2	
	NAS679A4		NUT -----	2	
-34	0700639-3		TORQUE TUBE-FORWARD -----	1	
-35	0700639-2		TORQUE TUBE-AFT -----	1	
-36	1414241-3		LEG-LH -----	1	
-37	1414241-4		LEG-RH -----	1	
-38	0700645-1		HOUSING-SEAT ROLLER FWD LH -----	1	
-39	0700645-2		HOUSING-SEAT ROLLER FWD RH -----	1	
-40	0700645-3		HOUSING-SEAT ROLLER AFT LH -----	1	
	0700645-4		HOUSING-SEAT ROLLER AFT RH -----	1	
-41	0700641-3		BRACE-SEAT -----	1	
-42	0700641-4		BRACE-SEAT -----	1	

NOTE. □ THIS PART MUST HAVE A SECOND DASH NUMBER ADDED TO DENOTE COLOR. REFER TO HOW TO ORDER INTERIOR PARTS-PAGE XI.

A---210 SERIAL 21058716 & ON
T210 SERIAL T210-0001 & ON
B---210 SERIAL 21058221, 21058314 THRU 21058715

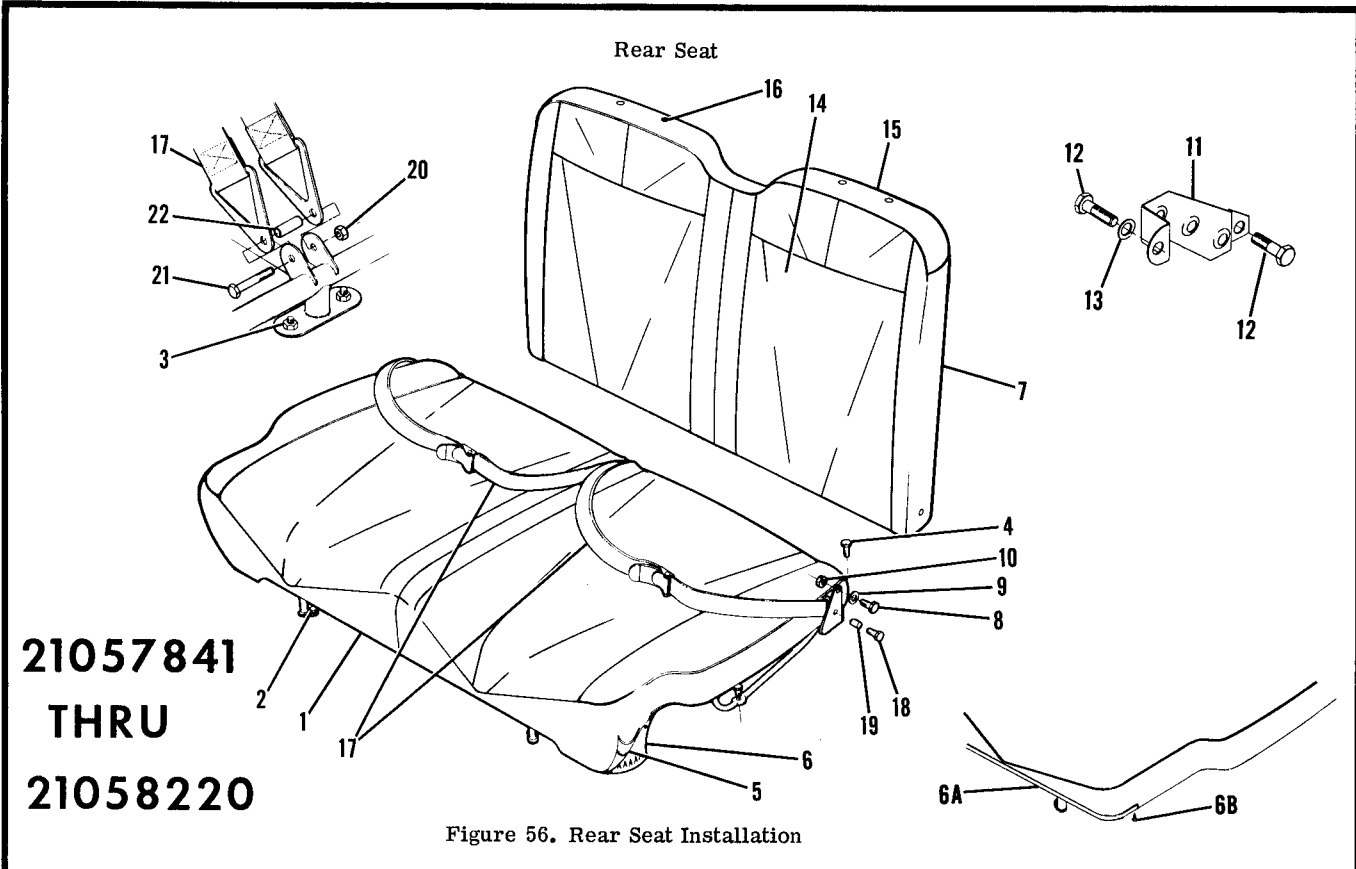


Figure 56. Rear Seat Installation

**21057841
THRU
21058220**

FIGURE AND INDEX NO.	PART NUMBER	DESCRIPTION	UNITS PER ASSY							USABLE ON CODE
			1	2	3	4	5	6	7	
56 -		SEAT INSTALLATION-REAR -----							NP	C
- 1	1200466-2	BOTTOM ASSEMBLY-SEAT REAR -----							1	A
	1200466-8	BOTTOM ASSEMBLY-REAR SEAT -----							1	B
		ATTACHING PARTS -----								
- 2	AN3-7A	BOLT -----							2	
- 3	AN4-4A	BOLT -----							2	
- 4	AN4-5A	BOLT -----							2	
- 5	1200466-5	COVER ASSEMBLY-REAR SEAT BOTTOM -----							1	A
	1200466-10	COVER ASSEMBLY-REAR SEAT BOTTOM -----							1	B
- 6	0700660-1	SKIRT -----							1	A
- 6A	1200497-1	RETAINER -----							1	B
- 6B	S102124-5	SCREW -----							12	B
- 7	1200466-3	BACK ASSEMBLY-SEAT REAR -----							1	A
	1200466-9	BACK ASSEMBLY-REAR SEAT -----							1	B
- 8	AN4-20A	BOLT -----							2	
- 9	AN960D416L	WASHER -----							2	
-10	NAS679A4	NUT -----							2	
-11	1211491-1	BRACKET-SEAT ADJUST LH -----							1	
	1211491-2	BRACKET-SEAT ADJUST RH -----							1	
-12	AN3-13A	BOLT -----							4	
-13	AN960-10	WASHER -----							4	
-14	1200466-4	COVER ASSEMBLY-REAR SEAT BACK -----							1	A
	1200466-11	COVER ASSEMBLY-REAR SEAT BACK -----							1	B
-15	1200466-6	PANEL ASSEMBLY-REAR SEAT BACK -----							1	
-16	0700320-1	RETAINER -----							4	
-17	S1060-14	BELT ASSEMBLY-SEAT REAR -----							2	
-18	AN4-5A	BOLT -----							1	
-19	NAS43-4-20	SPACER -----							1	
-20	NAS679A4	NUT -----							2	
-21	AN4-11A	BOLT -----							1	
-22	NAS43-4-47	SPACER -----							1	

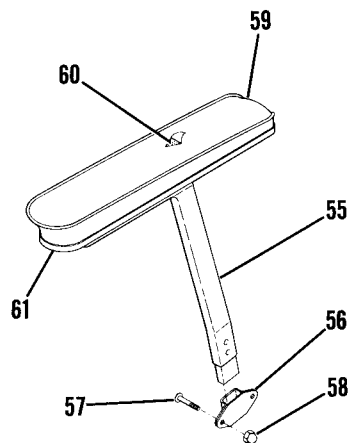
A---210 SERIAL 21057841 THRU 21058085
 B---210 SERIAL 21058086 THRU 21058220
 C---210 SERIAL 21057841 THRU 21058220



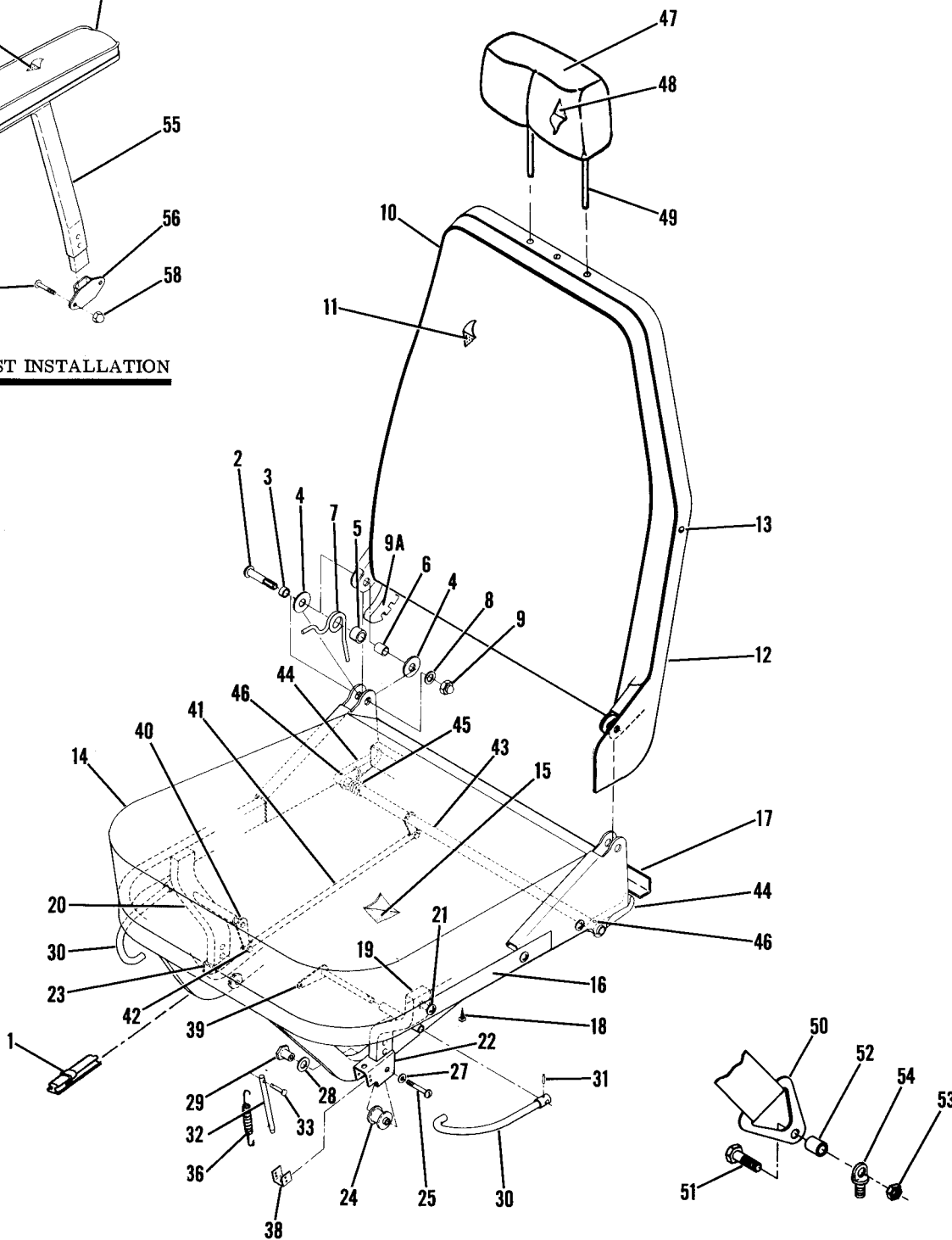
FIGURE AND INDEX NO.	PART NUMBER	DESCRIPTION	UNITS PER ASSY	USABLE ON CODE
		1 2 3 4 5 6 7		
56A-		REAR SEATS INSTALLATION -----	NP	A
	1200485-1	SEAT ASSEMBLY-REAR FABRIC -----	2	B
	1200485-1 #	SEAT ASSEMBLY-REAR -----	1	C
	1200485-19	SEAT ASSEMBLY-REAR LEATHER -----	2	B
		ATTACHING PARTS		
- 1	0713074-1	STOP-SEAT -----	2	
	MS20392-1C21	PIN -----	2	
	MS24665-138	PIN-COTTER -----	2	
		-----*		
	1200485-201	BACK ASSEMBLY-UPHOLSTERED SEAT FABRIC -----	1	B
	1200485-201 #	BACK ASSEMBLY-UPHOLSTERED SEAT -----	1	C
	1200485-202	BACK ASSEMBLY-UPHOLSTERED SEAT LEATHER -----	1	B
		ATTACHING PARTS		
- 2	AN23-19A	BOLT -----	2	
- 3	NAS43-3-12	SPACER -----	2	
- 4	S1438-1	WASHER -----	4	
- 5	NAS43-4-18	SPACER -----	2	
- 6	1414104-4	BUSHING -----	2	
- 7	0711667-1	SPRING -----	2	
- 8	AN960-10L	WASHER -----	2	
- 9	22K2-02	NUT EN -----	2	
		-----*		
- 9A	1414230-1	CAM-SEAT BACK -----	2	
-10	1200454-54	COVER-SEAT BACK FABRIC -----	1	B
	1200454-54 #	COVER-SEAT BACK -----	1	C
	1200454-57	COVER-SEAT BACK LEATHER -----	1	B
-11	1414100-9	CUSHION-SEAT BACK -----	1	
-12	1414110-22	TRIM-SEAT BACK -----	1	
		ATTACHING PARTS		
-13	S102128-6C	SCREW -----	3	
		-----*		
	1200485-203	BOTTOM ASSEMBLY-UPHOLSTERED SEAT FABRIC -----	1	B
	1200485-203 #	BOTTOM ASSEMBLY-UPHOLSTERED SEAT -----	1	C
	1200485-204	BOTTOM ASSEMBLY-UPHOLSTERED SEAT LEATHER -----	1	B
-14	1200454-53	COVER-SEAT BOTTOM FABRIC -----	1	B
	1200454-53 #	COVER-SEAT BOTTOM -----	1	C
	1200454-56	COVER-SEAT BOTTOM LEATHER -----	1	B
-15	1414100-8	CUSHION-SEAT BOTTOM -----	1	
-16	1414217-7	RETAINER-SEAT BOTTOM -----	1	
-17	1414217-3	RETAINER-SEAT BOTTOM -----	1	
-18	S102126-4	SCREW -----	14	
-19	1200485-15	LEG ASSEMBLY-FWD LH -----	1	
-20	1200485-16	LEG ASSEMBLY-FWD RH -----	1	
		ATTACHING PARTS		
-21	AN24-21A	BOLT -----	1	
	AN936A416	WASHER UNDER HEAD OF BOLT -----	1	
	AN936A616	WASHER UNDER NUT -----	1	
	1414112-3	NUT -----	1	
		-----*		
-22	1414104-53	HOUSING-SEAT ROLLER FWD LH -----	1	
-23	1414104-52	HOUSING-SEAT ROLLER FWD RH -----	1	
-24	1414100-212	KIT-SEAT ROLLER -----	4	
		ATTACHING PARTS		
-25	AN23-20	BOLT -----	1	
-26		DELETED INCLUDED IN ROLLER KIT -----	NP	
-27	AN936A10	WASHER UNDER BOLT HEAD -----	1	
-28	AN936A616	WASHER UNDER NUT -----	1	
-29	1414112-2	NUT -----	1	
		-----*		
-30	1414122-16	HANDLE ASSEMBLY-SEAT ADJUSTMENT -----	2	
		ATTACHING PARTS		
-31	NAS561-3-6	ROLL PIN -----	1	
		-----*		
-32	1200485-9	PIN-SEAT ADJUSTMENT -----	1	
		ATTACHING PARTS		
-33	MS20392-1C21	PIN -----	1	
-34		DELETED -----		
-35		DELETED -----		
		-----*		

CONTINUED ON NEXT PAGE

Rear Seats (Cont)



ARMREST INSTALLATION



SEAT BELT ATTACHMENT

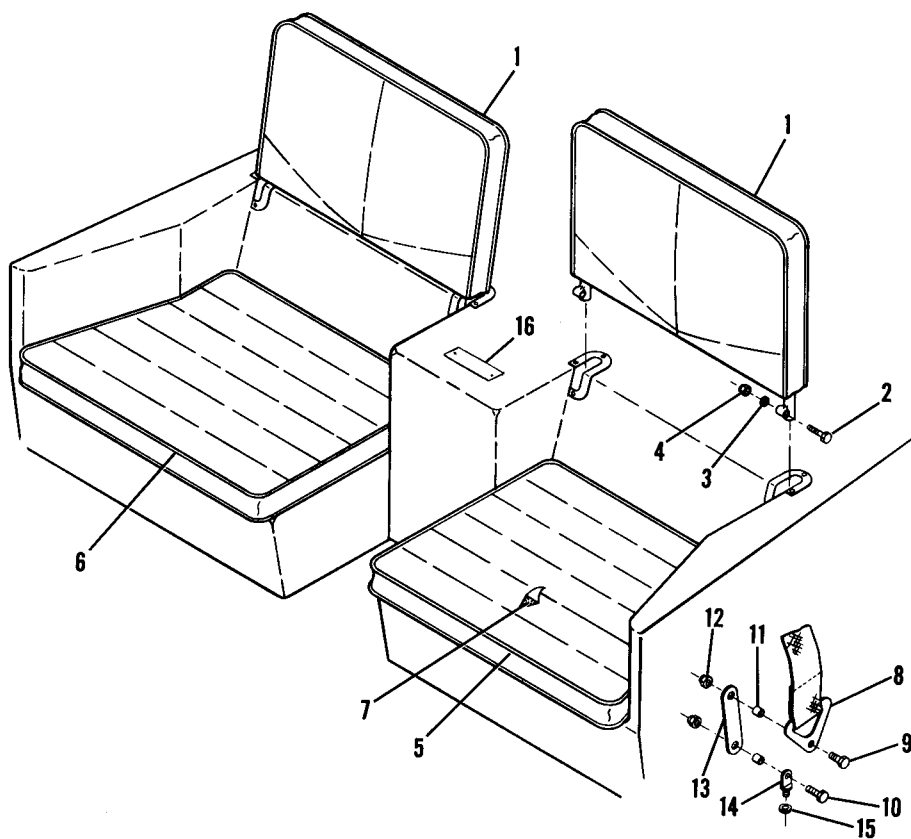
T210-0001 & ON
21058221 & ON

Figure 56A. Rear Seats Installation



FIGURE AND INDEX NO.	PART NUMBER	DESCRIPTION						UNITS PER ASSY	USABLE ON CODE
		1	2	3	4	5	6		
56A-36	1414116-1	SPRING-SEAT ADJUSTMENT -----						1	
-37		DELETED -----							
-38	1414104-8	BRACKET-SEAT ADJUSTMENT -----						1	
-39	1200485-8	ARM ASSEMBLY-SEAT ADJUSTMENT -----						1	
-40	1200485-17	ARM ASSEMBLY-RECLINING ADJUSTMENT -----						1	
-41	1414122-35	TUBE-RECLINING ADJUSTMENT -----						1	
		ATTACHING PARTS							
-42	MS20392-1C9	PIN -----						2	
	MS24665-132	PIN-COTTER -----						2	
		-----*							
-43	1200485-18	TUBE ASSEMBLY-TORQUE -----						1	
-44	1414114-1	PAWL-RECLINING ADJUSTMENT -----						2	
-45	1414107-1	SPRING-RECLINING ADJUSTMENT -----						1	
-46	NAS561C3-10	ROLL PIN -----						2	
	1414252-1	HEADREST ASSEMBLY-FABRIC -----						1	B
	1414252-1	#	HEADREST ASSEMBLY -----					1	C
	1414252-10	#	HEADREST ASSEMBLY-LEATHER -----					1	B
-47	1414252-6	#	COVER ASSEMBLY-HEADREST		FABRIC	-----	1	B	
	1414252-6	#	COVER ASSEMBLY-HEADREST		-----	-----	1	C	
	1414252-9		COVER ASSEMBLY-HEADREST		LEATHER	-----	1	B	
-48	1414252-7	CUSHION-HEADREST -----						1	
-49	1414252-2	FRAME-HEADREST -----						1	
-50	S1060-3	BELT ASSEMBLY-SEAT -----						2	B
	S1618B3	BELT ASSEMBLY-SEAT BLACK -----						2	C
	S1618C3	BELT ASSEMBLY-SEAT BLUE -----						2	C
	S1618D3	BELT ASSEMBLY-SEAT TAN -----						2	C
	S1618F3	BELT ASSEMBLY-SEAT OLIVE GOLD -----						2	C
	S1618H3	BELT ASSEMBLY-SEAT CORAL -----						2	C
	S1618J3	BELT ASSEMBLY-SEAT RED APPLE -----						2	C
		ATTACHING PARTS							
-51	AN4-6A	BOLT -----						2	
-52	NAS43-4-20	SPACER -----						2	
-53	NAS679A4	NUT -----						2	
		-----*							
-54	1211685-1	EYEBOLT -----						2	
-55	1200453-9	#	ARMREST ASSEMBLY-FABRIC LH USED ON CO-PILOT SEAT -----					1	B
	1200453-9	#	ARMREST ASSEMBLY LH USED ON CO-PILOT SEAT -----					1	C
	1200453-11	#	ARMREST ASSEMBLY-LEATHER LH USED ON CO-PILOT SEAT -----					1	B
	1200453-10	#	ARMREST ASSEMBLY-FABRIC RH USED ON PILOT SEAT -----					1	B
	1200453-10	#	ARMREST ASSEMBLY RH USED ON PILOT SEAT -----					1	C
	1200453-12	#	ARMREST ASSEMBLY-LEATHER RH USED ON PILOT SEAT -----					1	B
		ATTACHING PARTS							
-56	1200448-1	SOCKET INCLUDED IN SEAT ASSEMBLY -----						1	
-57	AN23-16A	BOLT INCLUDED IN SEAT ASSEMBLY -----						2	
-58	22NKM-02	NUT-CAP EN INCLUDED IN SEAT ASSEMBLY -----						2	
		-----*							
-59	1200453-5	#	COVER-FABRIC -----					1	B
	1200453-5	#	COVER-ARMREST -----					1	C
	1200453-13	#	COVER-LEATHER -----					1	B
-60	0812971-5	CUSHION-LH -----						1	
	0812971-4	CUSHION-RH -----						1	
-61	0812929-1	COVER-TRIM LH -----						1	
	0812929-2	COVER-TRIM RH -----						1	
		ATTACHING PARTS							
	AN509-8R7	SCREW -----						4	
		-----*							
<p>NOTE. □THIS PART MUST HAVE A SECOND DASH NUMBER ADDED TO DENOTE COLOR. REFER TO HOW TO ORDER INTERIOR PARTS-PAGE XI.</p> <p>NOTE. #THIS PART MUST HAVE A SECOND DASH NUMBER ADDED TO DENOTE COLOR. REFER TO HOW TO ORDER UPHOLSTERED PARTS-PAGE X.</p> <p>A---210 SERIAL 21058221 & ON T210 SERIAL T210-0001 & ON</p> <p>B---210 SERIAL 21058221 THRU 21058715</p> <p>C---210 SERIAL 21058716 & ON T210 SERIAL T210-0001 & ON</p>									

Rear Seat (Cont)



T210-0001 & ON
21058221 & ON

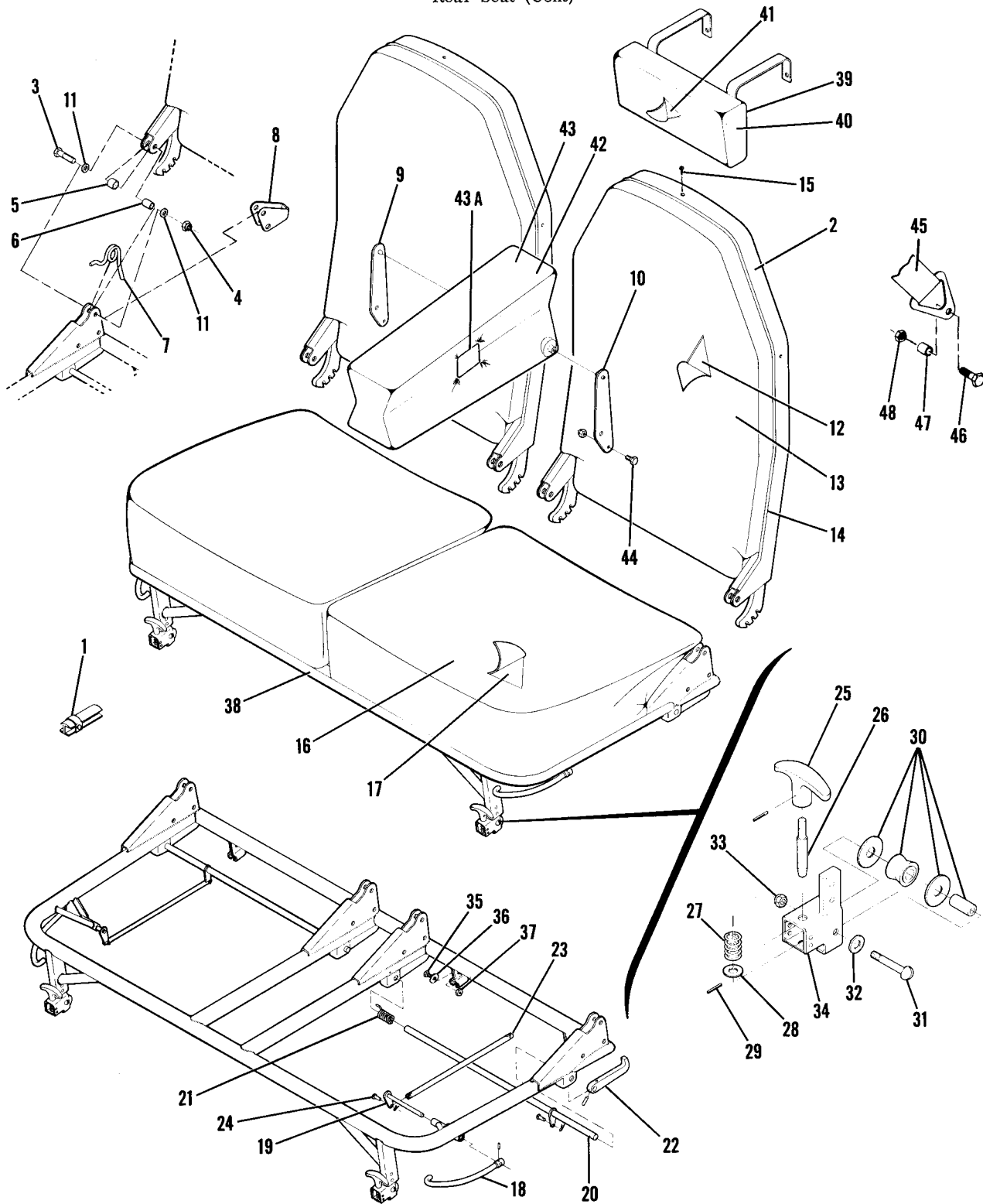
Figure 56B. Childs Seat Installation

FIGURE AND INDEX NO.	PART NUMBER	DESCRIPTION	UNITS PER ASSY	USABLE ON CODE
56B-		1 2 3 4 5 6 7		
		CHILDS SEAT INSTALLATION -----		
		BACK ASSEMBLY-CHILDS SEAT -----	NP	A
- 1	1200484-17	BACK ASSEMBLY-CHILDS SEAT -----	2	C
	1200484-17	BACK ASSEMBLY-CHILDS SEAT FABRIC -----	2	B
	1200484-28	BACK ASSEMBLY-CHILDS SEAT LEATHER -----	2	
	1200484-28	BACK ASSEMBLY-CHILDS SEAT LEATHER -----	2	B
		ATTACHING PARTS -----		
- 2	AN3-11A	BOLT -----	2	
- 3	AN960-10	WASHER -----	2	
- 4	NAS679A3	NUT -----	2	
		T210-0001 & ON		
		21058221 & ON		
	1200454-27	CUSHION ASSEMBLY-SEAT BOTTOM LH FABRIC -----	1	B
	1200454-27	CUSHION ASSEMBLY-SEAT BOTTOM LH -----	1	C
	1200454-61	CUSHION ASSEMBLY-SEAT BOTTOM LH LEATHER -----	1	B
	1200454-67	CUSHION ASSEMBLY-SEAT BOTTOM RH FABRIC -----	1	B
	1200454-67	CUSHION ASSEMBLY-SEAT BOTTOM RH -----	1	C
	1200454-68	CUSHION ASSEMBLY-SEAT BOTTOM RH LEATHER -----	1	B
- 5	1200454-23	COVER-SEAT CUSHION LH FABRIC -----	1	B
	1200454-23	COVER-SEAT CUSHION LH -----	1	C
	1200454-62	COVER-SEAT CUSHION LH LEATHER -----	1	B
- 6	1200454-69	COVER-SEAT CUSHION RH FABRIC -----	1	B
	1200454-69	COVER-SEAT CUSHION RH -----	1	C
	1200454-70	COVER-SEAT CUSHION RH LEATHER -----	1	B
- 7	1200454-22	CUSHION-SEAT BOTTOM -----	1	
- 8	S1060-1	BELT ASSEMBLY-SEAT -----	2	B
	S1618B1	BELT ASSEMBLY-SEAT BLACK -----	2	C
	S1618C1	BELT ASSEMBLY-SEAT BLUE -----	2	C
	S1618D1	BELT ASSEMBLY-SEAT TAN -----	2	C
	S1618F1	BELT ASSEMBLY-SEAT OLIVE GOLD -----	2	C
	S1618H3	BELT ASSEMBLY-SEAT CORAL -----	2	C
	S1618J3	BELT ASSEMBLY-SEAT RED APPLE -----	2	C
		ATTACHING PARTS -----		
- 9	AN4-5A	BOLT USE ON OUTBD SIDE OF SEAT ONLY -----	1	
-10	AN4-6A	BOLT -----	2	
-11	NAS43-4-20	SPACER -----	3	
-12	NAS679A4	NUT -----	3	
-13	1200484-24	STRAP USED ON OUTBD SIDE OF SEAT ONLY -----	1	

-14	1211685-1	EYEBOLT -----	4	
-15	AN960PD416L	WASHER -----	AR	
-16	1200518-1	PLACARD -----	1	
		ATTACHING PARTS -----		
	S1021A4-6C	SCREW -----	2	

		NOTE. #THIS PART MUST HAVE A SECOND DASH NUMBER ADDED TO DENOTE COLOR. REFER TO HOW TO ORDER UPHOLSTERED PARTS-PAGE X.		
		A---210 SERIAL 21058221 & ON T210 SERIAL T210-0001 & ON		
		B---210 SERIAL 21058221 THRU 21058715		
		C---210 SERIAL 21058716 & ON T210 SERIAL T210-0001 & ON		

Rear Seat (Cont)



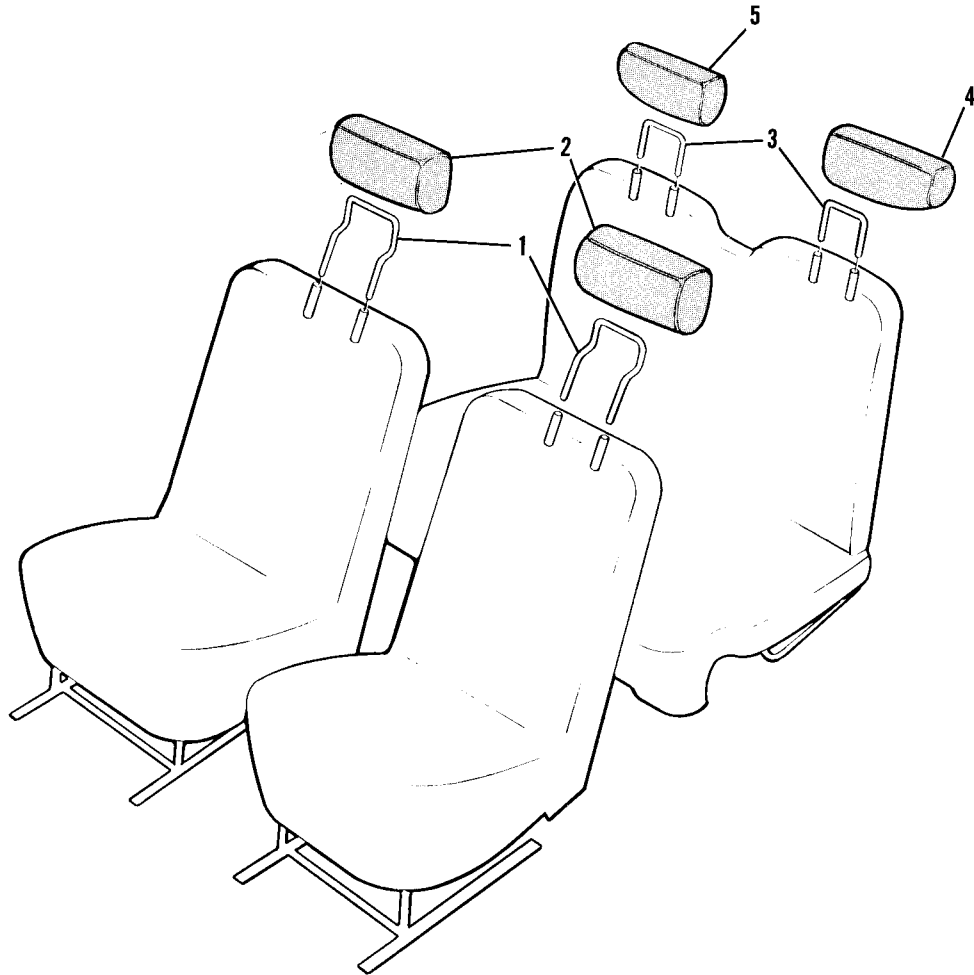
T210-0001 & ON
21058716 & ON

Figure 56C. High Back Rear Seat Installation

FIGURE AND INDEX NO.	PART NUMBER		DESCRIPTION	UNITS PER ASSY	USABLE ON CODE
			1 2 3 4 5 6 7		
56C-			HIGH BACK REAR SEAT INSTALLATION -----	NP	A
	1200534-1	#	SEAT ASSEMBLY-REAR-HIGH BACK -----	1	
			ATTACHING PARTS -----		
- 1	0713074-1		STOP-SEAT ----- T210-0001 & ON -----	4	
	MS20392-1C21		PIN-FLAT HEAD -----	4	
	MS24665-151		COTTER PIN ----- 21058221 & ON -----	4	
			-----*		
- 2	1200534-12	#	BACK ASSEMBLY-REAR SEAT-HIGH BACK -----	2	
			ATTACHING PARTS -----		
- 3	AN3-10A		BOLT -----	2	
- 4	NAS679A3		NUT -----	2	
- 5	0711668-1		BUSHING -----	2	
- 6	1414104-4		BUSHING -----	2	
- 7	0711667-1		SPRING -----	2	
- 8	1200551-1		STOP ON OUTBOARD SIDE -----	1	
- 9	1200525-27		PIVOT BRACKET ASSEMBLY LH -----	1	
-10	1200525-28		PIVOT BRACKET ASSEMBLY RH -----	1	
-11	AN960-10L		WASHER INSTALL ON EACH SIDE OF PIVOT BRACKET -----	4	
			-----*		
-12	1200534-4	#	COVER-BACK -----	1	
-13	1200534-5		CUSHION-BACK -----	1	
-14	1200528-1	□	TRIM ASSEMBLY-SEAT BACK -----	1	
			ATTACHING PARTS -----		
-15	S102128-6C		SCREW -----	5	
			-----*		
-16	1200534-13	#	BOTTOM ASSEMBLY-REAR SEAT -----	1	
-17	1200534-2	#	COVER-FABRIC -----	1	
-18	1200534-3		CUSHION-BOTTOM -----	1	
-19	1414122-16		HANDLE ASSEMBLY-BACK ADJUST -----	2	
	1414122-10		BELLCRANK -----	2	
			ATTACHING PARTS -----		
	NAS561-3-6		ROLLPIN -----	1	
			-----*		
-20	1200525-17		BELLCRANK ASSEMBLY-LH -----	1	
	1200525-16		BELLCRANK ASSEMBLY-RH -----	1	
-21	1414107-2		SPRING-LH -----	1	
	1414107-1		SPRING-RH -----	1	
-22	1414231-2		PAWL -----	4	
			ATTACHING PARTS -----		
	NAS561P3-10		ROLLPIN -----	1	
			-----*		
-23	1414122-17		TUBE-BACK ADJUST LINK -----	2	
			ATTACHING PARTS -----		
-24	MS20392-1C9		PIN-FLAT HEAD -----	2	
	MS24665-132		COTTER PIN -----	2	
			-----*		
-25	0851588-1		HANDLE-SEAT POSITIONING -----	2	
			ATTACHING PARTS -----		
	MS16562-15		ROLLPIN -----	1	
			-----*		
-26	1200604-11		PIN-SEAT TRACK ENGAGEMENT -----	2	
			ATTACHING PARTS -----		
-27	1414108-1		SPRING -----	1	
-28	AN960C416L		WASHER -----	1	
-29	NAS561-2-8		ROLLPIN -----	1	
			-----*		
-30	1414100-212		KIT-SEAT ROLLER -----	2	
			ATTACHING PARTS -----		
-31	AN23-19A		BOLT -----	1	
-32	AN960-10L		WASHER -----	1	
-33	22K2-02		NUT EN -----	1	
			-----*		

CONTINUED ON NEXT PAGE

Headrests

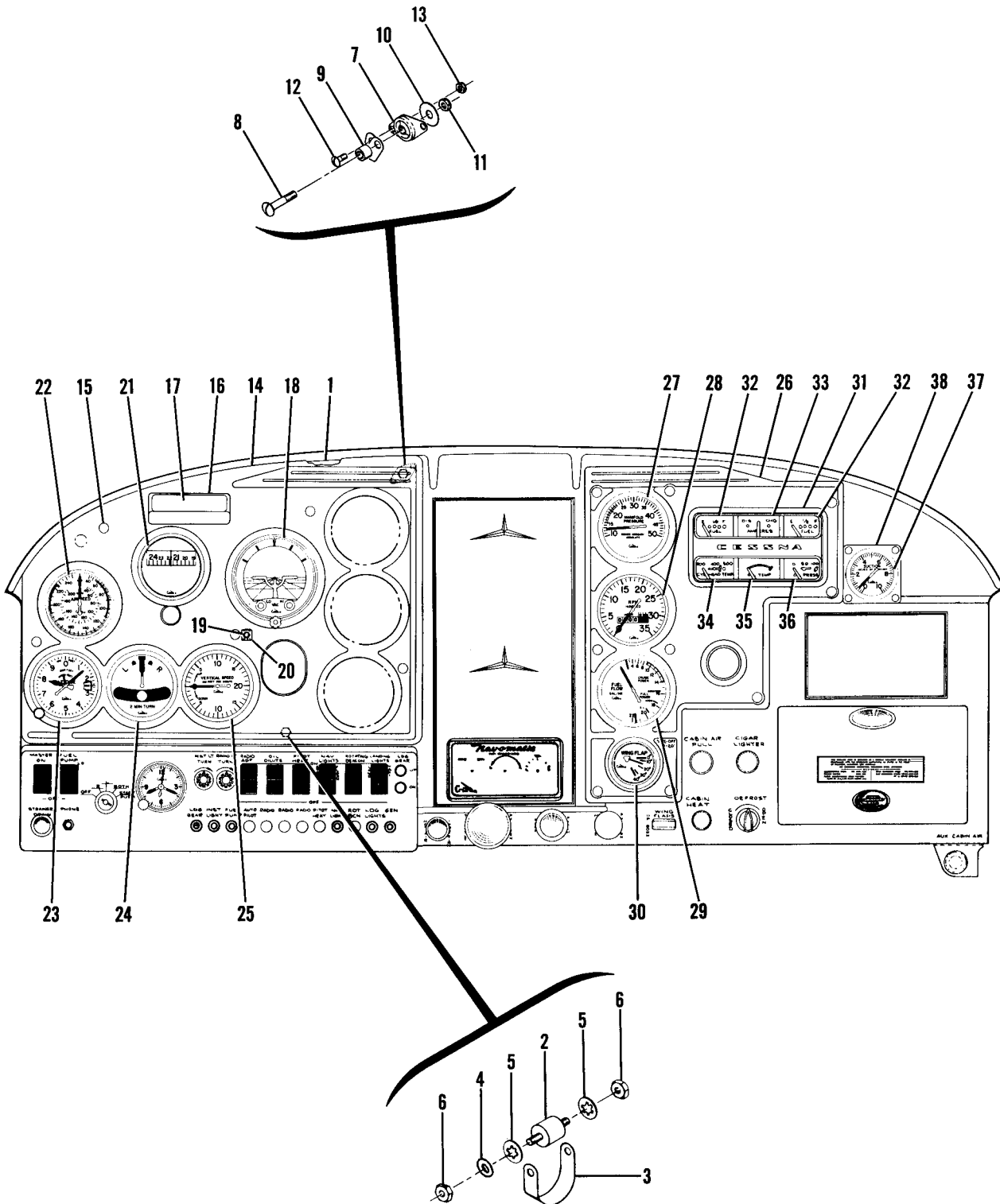


21057841 THRU 21058085

Figure 57. Headrests Installation

FIGURE AND INDEX NO.	PART NUMBER	DESCRIPTION	UNITS PER ASSY	USABLE ON CODE
		1 2 3 4 5 6 7		
57 -		HEADREST INSTALLATION -----	NP	A
- 1	1200108-2	HEADREST ASSEMBLY-FRONT -----	2	
- 2	1200108-1	FRAME ASSEMBLY-FRONT HEADREST -----	1	
	0800023-6	COVER ASSEMBLY-FRONT HEADREST -----	1	
	1200134-1	CUSHION-FOAM FILLER -----	1	
	1200103-1	HEADREST ASSEMBLY-REAR LH -----	1	
	1200103-2	HEADREST ASSEMBLY-REAR RH -----	1	
- 3	1200103-5	SUPPORT-HEADREST REAR -----	1	
- 4	1200103-3	HEADREST-REAR LH -----	1	
- 5	1200103-4	HEADREST-REAR RH -----	1	
		A---210 SERIAL 21057841 THRU 21058085		

Instruments



21057841 THRU 21058510

Figure 58. Shock Mounted Panel and Instruments Installation

FIGURE AND INDEX NO.	PART NUMBER	DESCRIPTION	UNITS PER ASSY	USABLE ON CODE
58 -		INSTRUMENTS & SHOCK MOUNTED PANEL INSTALLATION -----	NP	G
- 1	0713621-2	PANEL-SHOCK MOUNTED INSTRUMENT -----	1	A
	0713621-3	PANEL-SHOCK MOUNTED INSTRUMENTS -----	1	B
		ATTACHING PARTS		
- 2	0411059-1	MOUNT-SHOCK -----	3	
- 3	0413247	STRAP-GROUND -----	3	
- 4	S355	SPACER -----	3	
- 5	AN963A8	WASHER -----	6	
- 6	AN340B8	NUT -----	6	
- 7	102PDLN4	MOUNT-SHOCK LO -----	2	
- 8	AN507B832R24	SCREW -----	2	
- 9	NAS43-3-15	SPACER -----	2	
-10	J2049-1D	WASHER LO -----	2	
-11	MS20365B832C	NUT -----	2	
-12	AN515B6R6	SCREW -----	4	
-13	MS20365B632C	NUT -----	4	
		-----*		
-14	0713696-2	COVER-SHOCK PANEL -----	1	A
	0713696-8	COVER-SHOCK PANEL -----	1	B
		ATTACHING PARTS		
-15	XX49804	STUD TMT -----	4	
		-----*		
-16	0813569-1	RETAINER ASSEMBLY -----	1	
	AN507-440R8	ATTACHING PARTS		
		SCREW -----	2	
		-----*		
	0813569-2	RETAINER-COMPASS CARD -----	1	
		PLATE-DESIGNATION -----	NP	
-17	0713028-8	CARD-COMPASS CORRECTION -----	1	
	0713028-3	COVER-CARD -----	1	
-18	S1309N1	INDICATOR-HORIZON GYRO REMANUFACTURED WHEN -----	1	
		EXHAUSTED USE C661001-0101		
	C661001-0101	INDICATOR-HORIZON GYRO REMANUFACTURED -----	1	
	S1473N1	INDICATOR-HORIZON GYRO ALTERNATE WHEN -----	1	
		EXHAUSTED USE C661001-0101		
	C661001-0101	INDICATOR-HORIZON GYRO ALTERNATE -----	1	
	S1308N1	INDICATOR-HORIZON GYRO PICTORIAL WHEN -----	1	
		EXHAUSTED USE C661001-0101		
	C661001-0101	INDICATOR-HORIZON GYRO PICTORIAL -----	1	
	S1326N1	GYRO HORIZON INSTALLATION -----	NP	
		INDICATOR-GYRO HORIZON-PICTORIAL TYPE 34B -----	1	
		WITH VACUUM WARNING LIGHTS		
		ATTACHING PARTS		
	AN507B1032R16	SCREW -----	4	
		-----*		
	330R	BULB GE -----	1	
-19	S1284-1	SWITCH -----	1	
-20	0713705-2	PLACARD-VACUUM LIGHTS TEST -----	1	
-21	S1316N1	INDICATOR-DIRECTIONAL GYRO REMANUFACTURED WHEN -----	1	
		EXHAUSTED USE C661002-0101		
	C661002-0101	INDICATOR-DIRECTIONAL GYRO REMANUFACTURED -----	1	
	S1476N1	INDICATOR-DIRECTIONAL GYRO ALTERNATE -----	1	
	S1327N1	INDICATOR-DIRECTIONAL GYRO-PICTORIAL TYPE 34B -----	1	
		USED WITH VACUUM LIGHTS		
		ATTACHING PARTS		
	AN507B632R16	SCREW -----	4	
	NAS43-3-23	SPACER -----	4	
		-----*		
-22	S1471N1	INDICATOR-AIRSPEED -----	1	
	S1321N1	INDICATOR-AIRSPEED ALTERNATE -----	1	
	S1388N1	INDICATOR-AIRSPEED KILOMETERS PER HOUR & MPH -----	1	
		ATTACHING PARTS		
	AN507B632R16	SCREW -----	4	
		-----*		
-23	S1313N1	ALTIMETER -----	1	
	S1384N1	ALTIMETER-METERS & MILLIBARS -----	1	
	S1432N1	ALTIMETER-FEET & MILLIBARS -----	1	
		ATTACHING PARTS		
	AN507B632R16	SCREW -----	4	
		-----*		
-24	S1302N1	INDICATOR-TURN & BANK -----	1	
	S1413N1	INDICATOR-TURN & BANK ALT -----	1	
		ATTACHING PARTS		
	AN515B6R12	SCREW -----	4	
		-----*		

CONTINUED ON NEXT PAGE

FIGURE AND INDEX NO.	PART NUMBER	DESCRIPTION	UNITS PER ASSY	USABLE ON CODE
58 -25	S1304N1	INDICATOR-VERTICAL SPEED REMANUFACTURED -----	1	
	S1392N1	INDICATOR-VERTICAL SPEED NEW -----	1	
	S1385N1	INDICATOR-VERTICAL SPEED REMANUFACTURED ----- 10 METERS PER MIN	1	
	CM2647N1	INDICATOR-VERTICAL SPEED NEW 10 METERS PER MIN ----- ATTACHING PARTS	1	
	AN507B632R16	SCREW -----	4	
-26	1213492-1	ESCUTCHEON-INSTRUMENT PANEL ----- ATTACHING PARTS	1	
	XX-49323	STUD TRIMOUNT -----	9	
-27	S1301N2	INDICATOR-MANIFOLD PRESSURE -----	1	A
	S1301N3	INDICATOR-MANIFOLD PRESSURE ----- ATTACHING PARTS	1	B
	AN507B632R16	SCREW -----	4	
-28	S1305N4	TACHOMETER -----	1	C
	S1305N9	TACHOMETER -----	1	D
	S1305N10	TACHOMETER ----- ATTACHING PARTS	1	B
	AN507B632R16	SCREW -----	4	
-29	0450017-20	SHAFT-TACHOMETER WHEN EXHAUSTED USE S1363-3 -----	1	
	0450017-11	SHAFT-TACHOMETER ALT -----	1	
	S1363-3	SHAFT-TACHOMETER -----	1	
	S1312N1	GAGE-FUEL FLOW -----	1	E
	S1393N1	GAGE-FUEL FLOW -----	1	F
	S1393N3	GAGE-FUEL FLOW ----- ATTACHING PARTS	1	B
	AN507B632R16	SCREW -----	4	
-30	S1318-1	INDICATOR-FLAP POSITION -----	1	
-31	0713602-2	INSTRUMENT CLUSTER WHEN EXHAUSTED USE 1213505-2 -----	1	A
	1213505-2	INSTRUMENT CLUSTER -----	1	B
-32	G441252	GAGE-FUEL SW -----	2	A
	G441304	GAGE-FUEL SW -----	2	B
-33	G440370	AMMETER SW -----	1	A
	G440404	AMMETER SW -----	1	B
-34	G442630	GAGE-CYLINDER HEAD TEMPERATURE SW -----	1	E
	0713602-200	GAGE MATCHED SET-CYLINDER HEAD TEMPERATURE -----	1	F
	1213505-200	GAGE MATCHED SET-CYLINDER HEAD TEMPERATURE -----	1	B
-35	G442629	GAGE-OIL TEMPERATURE WHEN EXHAUSTED USE G442698 -----	1	A
	G442698	GAGE-OIL TEMPERATURE SW -----	1	B
-36	G444593	GAGE-OIL PRESSURE SW -----	1	A
	G444619	GAGE-OIL PRESSURE SW -----	1	B
-37	S1414N1	GAGE-SUCTION ----- ATTACHING PARTS	1	
-38	0713208-1	ESCUTCHEON -----	1	
	AN507B632R16	SCREW -----	4	

NOTE. %THIS INSTRUMENT USED ONLY ON VACUUM SYSTEMS THAT INCORPORATE VACUUM PRESS TO TEST LIGHTS.

NOTE#. THIS INSTRUMENT USED ONLY ON VACUUM SYSTEMS THAT HAVE SUCTION GAGE.

NOTE.## GAGE, SENDING UNIT & POTENTIOMETER MUST BE ORDERED AS A MATCHED SET, ORDER 0713602-200 OR 1213505-200.

NOTE. *WHEN ORDERING COVER FOR AIRCRAFT EQUIPPED WITH VACUUM TEST SWITCH ALSO ORDER PART MARKED **.

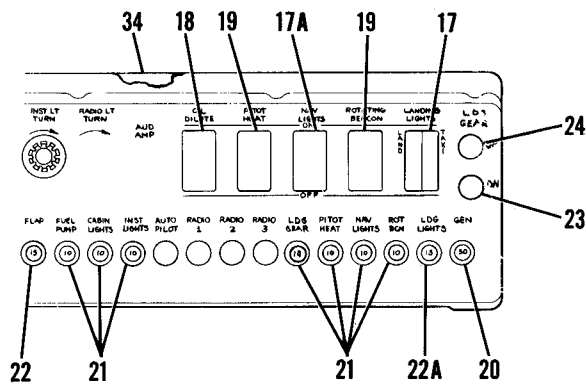
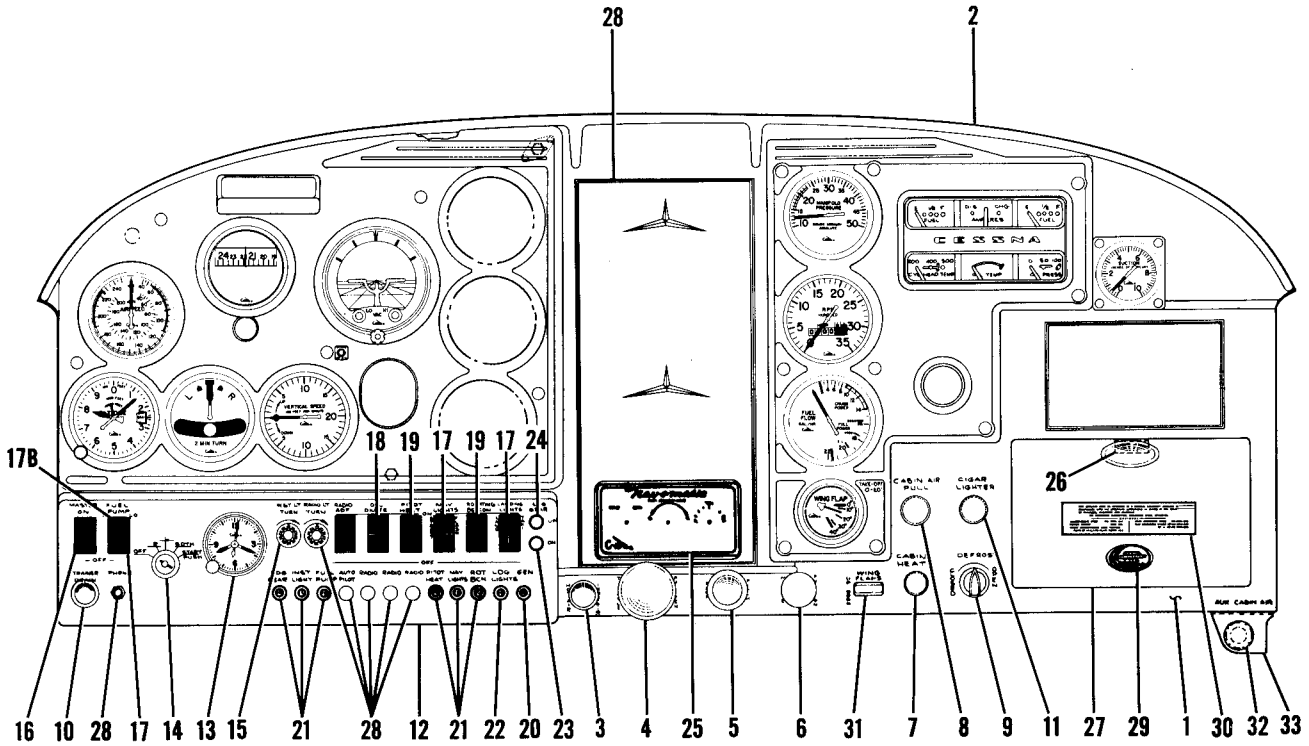
- A---210 SERIAL 21057841 THRU 21058220
- B---210 SERIAL 21058221 THRU 21058510
- C---210 SERIAL 21057841 THRU 21058183
- D---210 SERIAL 21058184 THRU 21058220
- E---210 SERIAL 21057841 THRU 21058085
- F---210 SERIAL 21058086 THRU 21058220
- G---210 SERIAL 21057841 THRU 21058510



FIGURE AND INDEX NO.	PART NUMBER	DESCRIPTION	UNITS PER ASSY	USABLE ON CODE		
					1	2
59 -		STATIONARY PANEL EQUIPMENT INSTALLATION -----	NP	K		
- 1	1213439-1-418	COVER-STATIONARY PANEL -----	1	G		
	1213439-4-532	COVER-STATIONARY PANEL -----	1	F		
- 2	1213439-2-418	COVER-STATIONARY PANEL -----	1	C		
	1213439-7-418	COVER-STATIONARY PANEL -----	1	E		
	1213439-7-532	COVER-STATIONARY PANEL -----	1	F		
- 3	S1235-1	CONTROL-INDUCTION HOT AIR -----	1	G		
	S1235-5	CONTROL-INDUCTION HOT AIR -----	1	F		
- 4	S1219-1	CONTROL-THROTTLE -----	1			
- 5	S1223-2	CONTROL-PROPELLER -----	1			
- 6	S1220-3	CONTROL-MIXTURE -----	1			
- 7	S1241-1	CONTROL-CABIN HEAT -----	1			
- 8	S1241-3	CONTROL-CABIN AIR -----	1			
- 9	S1268-2	CONTROL-DEFROST -----	1			
-10	S1239-4	CONTROL-STRAINER DRAIN -----	1			
-11	0513039-7	LIGHTER ASSEMBLY-CIGAR -----	1			
	32	SOCKET ASSEMBLY CUNO -----	1			
	L-4858-1	PLUG-HEATING CUNO -----	1			
	L-4483-36	TRIM CUP CUNO -----	1			
	S1240-6	KNOB-CIGAR LIGHTER -----	1			
	60232-1	CIRCUIT BREAKER-CIGAR LIGHTER CUNO -----	1	J		
-12	1213439-3	COVER-SWITCH PANEL -----	1	C		
	1213439-6	COVER-SWITCH PANEL -----	1	E		
	1213504-1	COVER-SWITCH PANEL -----	1	F		
	1213504-2 **	COVER-SWITCH PANEL -----	1	F		
		ATTACHING PARTS				
	AN515-8R10	SCREW -----	5			
	AN515-8R12	SCREW -----	3			
-13	S1317N1	CLOCK-ELECTRIC -----	1			
		ATTACHING PARTS				
	AN507B632R12	SCREW -----	2			
-14	S1255-3 *	SWITCH-IGNITION AND LOCK KIT -----	1	C		
	0713129-4 *	SWITCH-IGNITION & LOCK KIT -----	1	D		
	0713221-1	COVER-IGNITION SWITCH -----	1			
-15	0105-351	RHEOSTAT-INSTRUMENT LIGHT OM -----	1			
	R-12 1/2-8-RS34	RHEOSTAT-INSTRUMENT LIGHT ALT TRTA -----	1			
	S1163-2	KNOB-RHEOSTAT -----	1			
-16	S1159-1-1	SWITCH -----	1			
-17	S1160-1-1	SWITCH-DOUBLE ROCKER -----	3	G		
	S1160-1-1	SWITCH-DOUBLE ROCKER LANDING LIGHTS -----	1	F		
-17A	S1158-2-1	SWITCH-NAVIGATION LIGHT -----	1	F		
	S1160-1-1 **	SWITCH-DOUBLE ROCKER NAVIGATION LIGHT -----	1	F		
-17B	S1160-1-2	SWITCH-FUEL PUMP -----	1	F		
-18	S1158-1-1	SWITCH -----	1			
-19	S1158-2-1	SWITCH -----	2			
		ATTACHING PARTS				
	AN507-632R4	SCREW -----	2			
-20	S1232-50	CIRCUIT BREAKER -----	1	G		
	S1360-50	CIRCUIT BREAKER -----	1	F		
-21	S1232-10	CIRCUIT BREAKER -----	6	G		
	S1360-10	CIRCUIT BREAKER -----	7	F		
-22	S1232-15	CIRCUIT BREAKER -----	1	G		
	S1360-15	CIRCUIT BREAKER -----	1	F		
-22A	S1360-20	CIRCUIT BREAKER -----	1	F		

CONTINUED ON NEXT PAGE

Instruments (Cont)



21058221 THRU 21058510

21057841 THRU 21058510

Figure 59. Stationary Panel Equipment Installation

FIGURE AND INDEX NO.	PART NUMBER	DESCRIPTION	UNITS PER ASSY	USABLE ON CODE
		1 2 3 4 5 6 7		
59 -	1270429-1	BUS BAR CONNECT CIRCUIT BREAKERS -----	1	G
	1270461-1	BUS BAR CONNECT CIRCUIT BREAKERS -----	1	F
-23	VM920M-3	LIGHT ASSEMBLY MARI -----	1	
	330	LAMP GE -----	1	
-24	VM911M-2A	LIGHT ASSEMBLY MARI -----	1	
	10850M-2	LENS-RED MARI -----	1	
-25	0713721-1	FACEPLATE AND BRACKET ASSEMBLY-NAVOMATIC -----	1	A
	0770648-2	FACEPLATE-NAVOMATIC -----	1	B
		ATTACHING PARTS		
	S102126-8	SCREW -----	2	A
	NAS446-2-3	NUT -----	2	A
		-----*		
	0770648-1	FACEPLATE-NAVOMATIC -----	1	
-26	1000	CATCH EDNP -----	1	
		ATTACHING PARTS		
	S102126-6	SCREW -----	2	
	NAS395-2-3	NUT -----	2	
		-----*		
-27		MAP COMPARTMENT ASSEMBLY SEE FIGURE 60 -----	1	
-28		RADIO INSTALLATIONS-SEE CESSNA ELECTRONICS MANUAL -----	NP	
-29	0713724	MEDALLION -----	1	C
-30	1213489-1	PLACARD-OPERATIONAL LIMITATIONS -----	1	G
	1213488-1	PLACARD-OPERATIONAL LIMITATIONS -----	1	F
	0760632-1	SWITCH ASSEMBLY-ELECTRIC FLAP -----	1	F
-31	0813526-6	KNOB-FLAP SWITCH -----	1	F
	S1216-1	NUT-FLAP SWITCH DECORATIVE -----	1	
-32	S1241-5	CONTROL ASSEMBLY-AUXILIARY CABIN AIR -----	1	H
-33	1213352-2	BRACKET-AUXILIARY CABIN AIR -----	1	H
-34	1213410-6	PANEL ASSEMBLY-SWITCH STRUCTURE -----	1	G
	1213503-1	PANEL ASSEMBLY-SWITCH STRUCTURE -----	1	F
<p>NOTE. *THIS KIT INCLUDES TWO DOOR LOCKS AND KEYS</p> <p>NOTE**. USED ON AIRPLANES EQUIPPED WITH NAVIGATION LIGHT FLASHER</p> <p>A---210 SERIAL 21057841 THRU 21057949 B---210 SERIAL 21057950 THRU 21058085 C---210 SERIAL 21057841 THRU 21058085 D---210 SERIAL 21058086 THRU 21058510 E---210 SERIAL 21058086 THRU 21058220 F---210 SERIAL 21058221 THRU 21058510 G---210 SERIAL 21057841 THRU 21058220 H---210 SERIAL 21057941 THRU 21058510 J---210 SERIAL 21058162 THRU 21058510 K---210 SERIAL 21057841 THRU 21058510</p>				

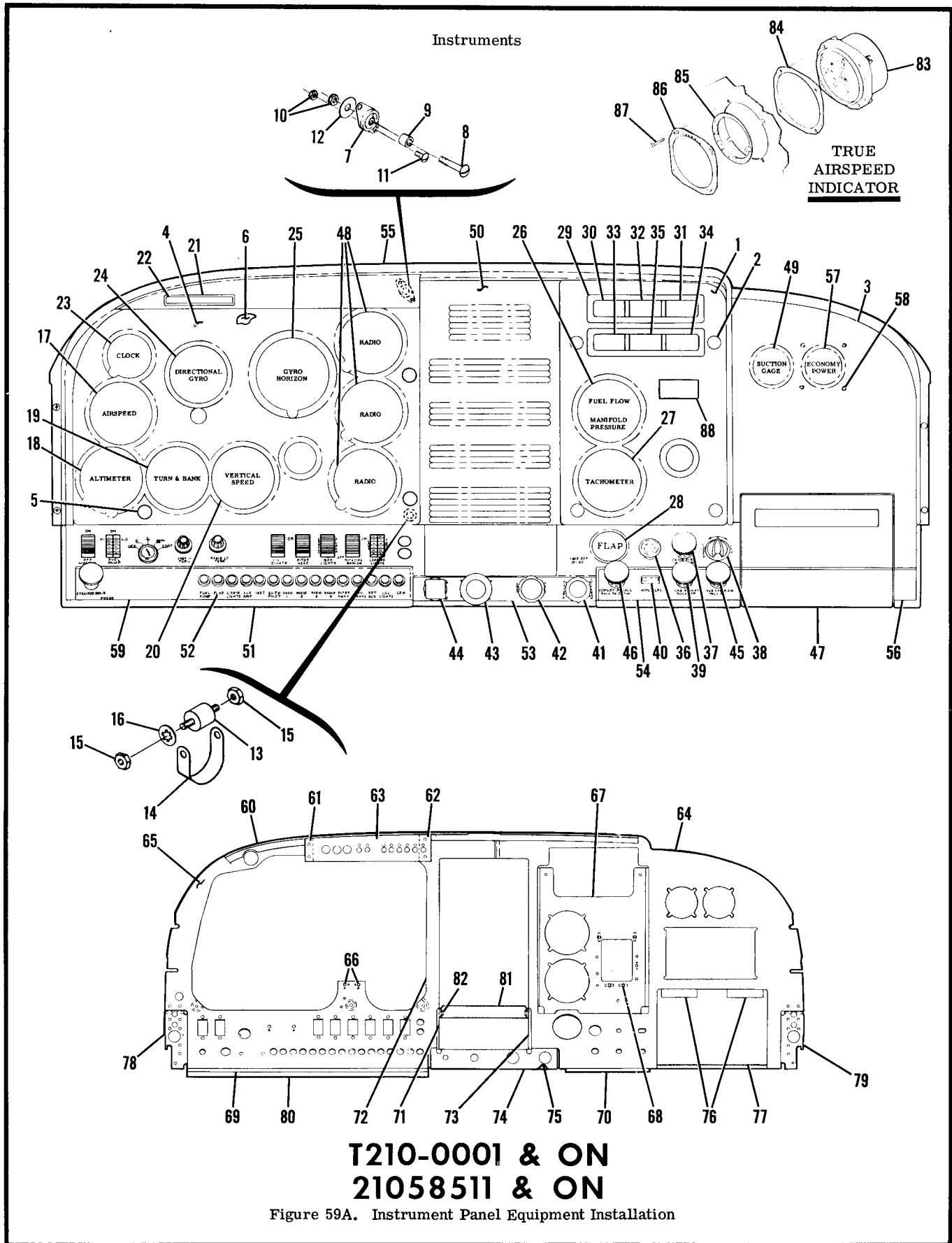


Figure 59A. Instrument Panel Equipment Installation

FIGURE AND INDEX NO.	PART NUMBER	DESCRIPTION	UNITS PER ASSY	USABLE ON CODE
1 2 3 4 5 6 7				
59A-		INSTRUMENT PANEL EQUIPMENT -----	NP	A
- 1	0713792-2 □#	COVER-INSTRUMENT PANEL ----- T210-0001 & ON -----	1	
		ATTACHING PARTS -----		
- 2	HS49673-P5001	FASTENER UC ----- 21058511 & ON -----	4	
	NAS43DD4-16	SPACER -----	4	
- 3	1213643-1 □#	COVER-STATIONARY PANEL -----	1	
- 4	0713792-6 □#	COVER-SHOCK PANEL STANDARD -----	1	
	0713792-8 □#	COVER-SHOCK PANEL USED WITH NAV-O-MATIC 300 -----	1	
	0713792-4 □#	COVER-SHOCK PANEL USED WITH NAV-O-MATIC 400 -----	1	
		ATTACHING PARTS -----		
- 5	HS49673-P5001	FASTENER -----	4	
	NAS43DD4-16	SPACER -----	4	
- 6	0713781-1	SHOCK PANEL -----	1	
		ATTACHING PARTS -----		
- 7	102PDLN-4	MOUNT-SHOCK LO -----	2	
- 8	AN5158R20	SCREW -----	2	
- 9	NAS43DD3-18	SPACER -----	2	
-10	MS20365B832C	NUT -----	6	
-11	AN515B6R6	SCREW -----	4	
-12	J2049-1D	WASHER -----	2	
-13	1213645-1	MOUNT-SHOCK -----	3	
-14	0413247	GROUND STRAP -----	1	
-15	AN340B8	NUT -----	6	
-16	AN936A8	WASHER -----	3	
-17	S1471N1	INDICATOR-AIRSPPEED -----	1	
	S1321N1	INDICATOR-AIRSPPEED ALTERNATE -----	1	
		ATTACHING PARTS -----		
	AN515B6R16	SCREW -----	4	
-18	S1313N1	ALTIMETER-35000 FT -----	1	B
	S1313N2	ALTIMETER-35000 FT -----	1	C
	S1432N1	ALTIMETER-35000 FT FEET & MILIBARS. -----	1	D
	S1432N2	ALTIMETER-35000 FT FEET & MILIBARS -----	1	E
		ATTACHING PARTS -----		
	AN515B6R16	SCREW -----	4	
-19	S1302N1	INDICATOR-TURN & BANK -----	1	
	S1413N1	INDICATOR-TURN & BANK ALTERNATE -----	1	
		ATTACHING PARTS -----		
	AN515B6R12	SCREW -----	4	
-20	S1304N1	INDICATOR-VERTICAL SPEED -----	1	
	S1392N1	INDICATOR-VERTICAL SPEED ALTERNATE -----	1	
	S1392N2	INDICATOR-VERTICAL SPEED ALTERNATE -----	1	
		ATTACHING PARTS -----		
	AN515B6R12	SCREW -----	4	
-21	0713820-1	RETAINER-CALL LETTER -----	1	
		ATTACHING PARTS -----		
	S1022Z6-10	SCREW -----	2	
	NAS446-2-3	NUT -----	2	
-22	0813569-3	PLATE-CALL LETTER -----	1	
-23	S1317N1	CLOCK-ELECTRIC -----	1	
		ATTACHING PARTS -----		
	AN515B6R12	SCREW -----	3	
-24	C661002-0101	INDICATOR-DIRECTIONAL GYRO REMANUFACTURED -----	1	
	30370-0100	INDICATOR-DIRECTIONAL GYRO-ARC USED WITH NAV-O-MATIC -----	1	
		ATTACHING PARTS -----		
	AN520-10R12	SCREW -----	4	
-25	C661001-0101	INDICATOR-HORIZONTAL GYRO REMANUFACTURED -----	1	
	30475-0000	INDICATOR-HORIZONTAL GYRO-ARC USED WITH NAV-O-MATIC -----	1	
		ATTACHED PARTS -----		
	AN520-10R14	SCREW -----	4	

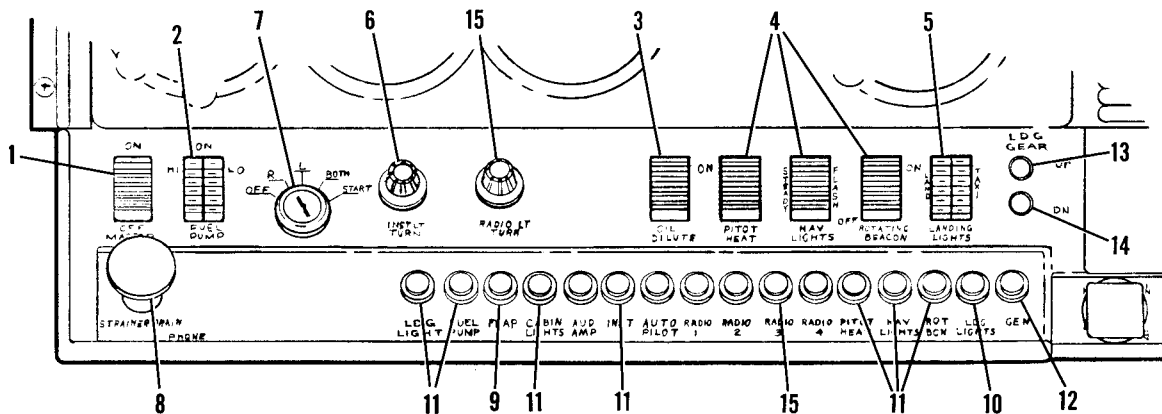
CONTINUED ON NEXT PAGE

FIGURE AND INDEX NO.	PART NUMBER	DESCRIPTION							UNITS PER ASSY	USABLE ON CODE
		1	2	3	4	5	6	7		
59A-26	C662001-0102	INDICATOR-DUAL	FUEL FLOW & MANIFOLD PRESSURE	-----					1	B
	C662001-0103	INDICATOR-DUAL	FUEL FLOW & MANIFOLD PRESSURE	-----					1	C
	AN515B6R12	ATTACHING PARTS							4	
-27	S1305N10	TACHOMETER							1	
	AN515B6R12	ATTACHING PARTS							4	
-28	S1363-3	SHAFT-TACHOMETER							1	
	S1318-3	INDICATOR-FLAP POSITION							1	D
	C668001-0102	INDICATOR-FLAP POSITION							1	E
		ATTACHING PARTS								
	0713816-2	RING							1	
	0713823-1	SPACER							1	
	AN507-632R12	SCREW							4	
	AN340-6	NUT							4	
	AN936D6	WASHER							4	
	AN936A6	WASHER							4	
-29	C669502-0104	INSTRUMENT CLUSTER							1	
		ATTACHING PARTS								
	AN507B832R24	SCREW							2	
	AN340B8	NUT							2	
	NAS43-3-64	SPACER							2	
	401627	WASHER-INSULATING	SW						6	
	404713	WASHER-INSULATING	SW						2	
-30	G815825	LENS ASSEMBLY	SW						1	
	2182D-R	BULB	GE						6	
-31	G441304	GAGE-FUEL	SW						2	
-32	G440404	AMMETER	SW						1	
-33	1213505-200	GAGE-CYLINDER HEAD TEMPERATURE				MATCHED SET			1	
-34	G444619	GAGE-OIL PRESSURE	SW						1	
-35	G442698	GAGE-OIL TEMPERATURE							1	
	1213505-7	LENS ASSEMBLY-INSTRUMENT CLUSTER							1	
-36	0513039-7	CIGAR LIGHTER	CUNO						1	
	32	SOCKET ASSEMBLY	CUNO						1	
	L-4858-1	PLUG-HEATING	CUNO						1	
	L-4983-36	TRIM CUP	CUNO						1	
	S1240-6	KNOB-CIGAR LIGHTER							1	
	60232-1	CIRCUIT BREAKER-CIGAR LIGHTER	CUNO						1	
-37	S1241-2	CONTROL ASSEMBLY-CABIN AIR							1	
-38	S1268-6	CONTROL ASSEMBLY-DEFROSTER							1	
-39	S1241-1	CONTROL ASSEMBLY-CABIN HEAT							1	
-40	0760632-1	SWITCH ASSEMBLY-FLAP							1	
		ATTACHING PARTS								
	S1216-1	WASHER							1	
-41	0813526-6	KNOB-FLAP SWITCH							1	
	S1220-3	CONTROL ASSEMBLY-MIXTURE							1	
	1213646-1	WASHER	MIXTURE CONTROL						1	
-42	S1223-4	CONTROL ASSEMBLY-PROPELLER							1	
	NAS43DD12-64	SPACER	PROPELLER						1	
	1213646-1	WASHER	PROPELLER						1	
-43	S1222-10	CONTROL ASSEMBLY-THROTTLE							1	
-44	S1235-5	CONTROL ASSEMBLY-INDUCTION AIR							1	B
	CM2692-15H1S	PLUG BUTTON							1	C
-45	S1241-8	CONTROL ASSEMBLY-AUX. CABIN AIR							1	
-46	1260458-1	CONTROL ASSEMBLY-STOWABLE COPILOT PEDALS							1	
-47		GLOVE BOX INSTALLATION	SEE FIGURE 60A						1	
-48		RADIO INSTALLATION	SEE ELECTRONICS MANUAL						1	
-49	S1414-1	GAGE-SUCTION							1	
		ATTACHING PARTS								
	AN507B632R12	SCREW							4	
	MS20365B632C	NUT							4	
	C7000-632-67	NUT	TIN						4	
-50	0713793-1	COVER-CENTER PANEL							1	
		ATTACHING PARTS								
	S1021A6-8B	SCREW							4	
-51	1213642-2	COVER-SWITCH							1	B
	1213642-6	COVER-SWITCH							1	C
		ATTACHING PARTS								
	S1021A6-6B	SCREW							7	

CONTINUED ON NEXT PAGE

FIGURE AND INDEX NO.	PART NUMBER	□#	DESCRIPTION							UNITS PER ASSY	USABLE ON CODE
			1	2	3	4	5	6	7		
59A-52	0713799-4		PLACARD-PANEL SWITCHING -----							1	
-53	0713798-2		PLACARD-PANEL -----							1	
-54	0713797-2		PLACARD-PANEL -----							1	
-55	1213642-1	□#	COVER-BROW -----							1	
			ATTACHING PARTS								
	1213644-1		RETAINER-BROW -----							1	
	S106781		WASHER -----							11	
	S1023A6-8B		SCREW -----							11	
			*-----								
-56	0713796-3		STRIP -----							1	
-57	C668501-0101		INDICATOR-POWER ECONOMY -----							1	
			ATTACHING PARTS								
-58	AN5078632R12		SCREW -----							4	
	MS20365B632C		NUT -----							4	
	C7000-632-67		NUT TIN -----							4	
			*-----								
	C668501-0103		LEAD-POWER ECONOMY-INSTRUMENT TO PROBE -----							1	
-59			SWITCH PANEL INSTALLATION SEE FIGURE 59B -----							1	
			STATIONARY INSTRUMENT PANEL INSTALLATION -----							1	
-60	0713789-1		BRACKET-ROYALITE -----							1	
-61	0713804-1		BRACKET-SWITCH PLATE OUTBOARD -----							1	
-62	0713804-2		BRACKET-SWITCH PLATE INBOARD -----							1	
-63	0713805-1		BRACKET-SWITCH MOUNTING -----							1	
	1213630-1		PANEL ASSEMBLY-INSTRUMENT -----							1	
-64	1213630-2		PANEL-RH -----							1	
-65	1213630-3		PANEL-LH -----							1	
-66	NAS698A3		NUTPLATE -----							2	
-67	0713773-2		PANEL ASSEMBLY -----							1	
-68	NAS697A08		NUTPLATE -----							4	
-69	0713801-5		SUPPORT-COVER -----							1	
-70	0713801-2		SUPPORT-COVER -----							1	
-71	0713772-1		ANGLE -----							1	
-72	0713772-2		ANGLE -----							1	
-73	0713780-1		BRACKET -----							1	
-74	0713774-1		PANEL ASSEMBLY-CENTER -----							1	
	NAS697A08		NUTPLATE -----							1	
-75	0713775-2		REINFORCEMENT -----							1	
-76	0713776-1		DOOR-STOP -----							2	
-77	0713779-1		ANGLE ASSEMBLY -----							1	
	NAS697A08		NUTPLATE -----							3	
-78	1213632-1		BRACKET-LH -----							1	
-79	1213632-2		BRACKET-RH -----							1	
-80	1213636-1		SUPPORT-PARKING BRAKE -----							1	
-81	1213650-1		SUPPORT -----							1	
			ATTACHING PARTS								
-82	NAS446-4-3		NUT -----							2	
	S102128-8		SCREW -----							2	
			*-----								
			TRUE AIRSPEED INSTALLATION -----							NP	E
-83	C661010-0206		INDICATOR-AIRSPEED -----							1	E
-84	0700162-6		SPACER -----							1	E
-85	0700163-3		RING ASSEMBLY-TRUE AIRSPEED -----							1	E
-86	0700162-1		RETAINER ASSEMBLY-TRUE AIRSPEED -----							1	E
			ATTACHING PARTS								
-87	AN515B6R16		SCREW -----							4	E
			*-----								
-88	1200701-1		PLACARD-CLIMB FUEL FLOW -----							1	B
	1213523-1		PLACARD-MAX MANIFOLD PRESSURE & CLIMB FUEL FLOW -----							1	C
<p>NOTE. *GAGE, SENDING UNIT & POTENTIOMETER MUST BE ORDERED AS MATCHED SET, ORDER 1213505-200.</p> <p>NOTE. □THIS PART NUMBER MUST HAVE A SECOND DASH NUMBER ADDED TO DENOTE COLOR. REFER TO HOW TO ORDER INTERIOR PARTS-PAGE XI.</p> <p>NOTE. #THESE PARTS ARE NOT APPLICABLE TO AIRPLANES EQUIPPED WITH POST LIGHTING. FOR REQUIRED PARTS SEE FIGURE 59C.</p> <p>A---210 SERIAL 21058511 & ON T210 SERIAL T210-0001 & ON</p> <p>B---210 SERIAL 21058511 & ON</p> <p>C---T210 SERIAL T210-0001 & ON</p> <p>D---210 SERIAL 21058511 THRU 21058715</p> <p>E---210 SERIAL 21058716 & ON T210 SERIAL T210-0001 & ON</p>											

Instruments (Cont)



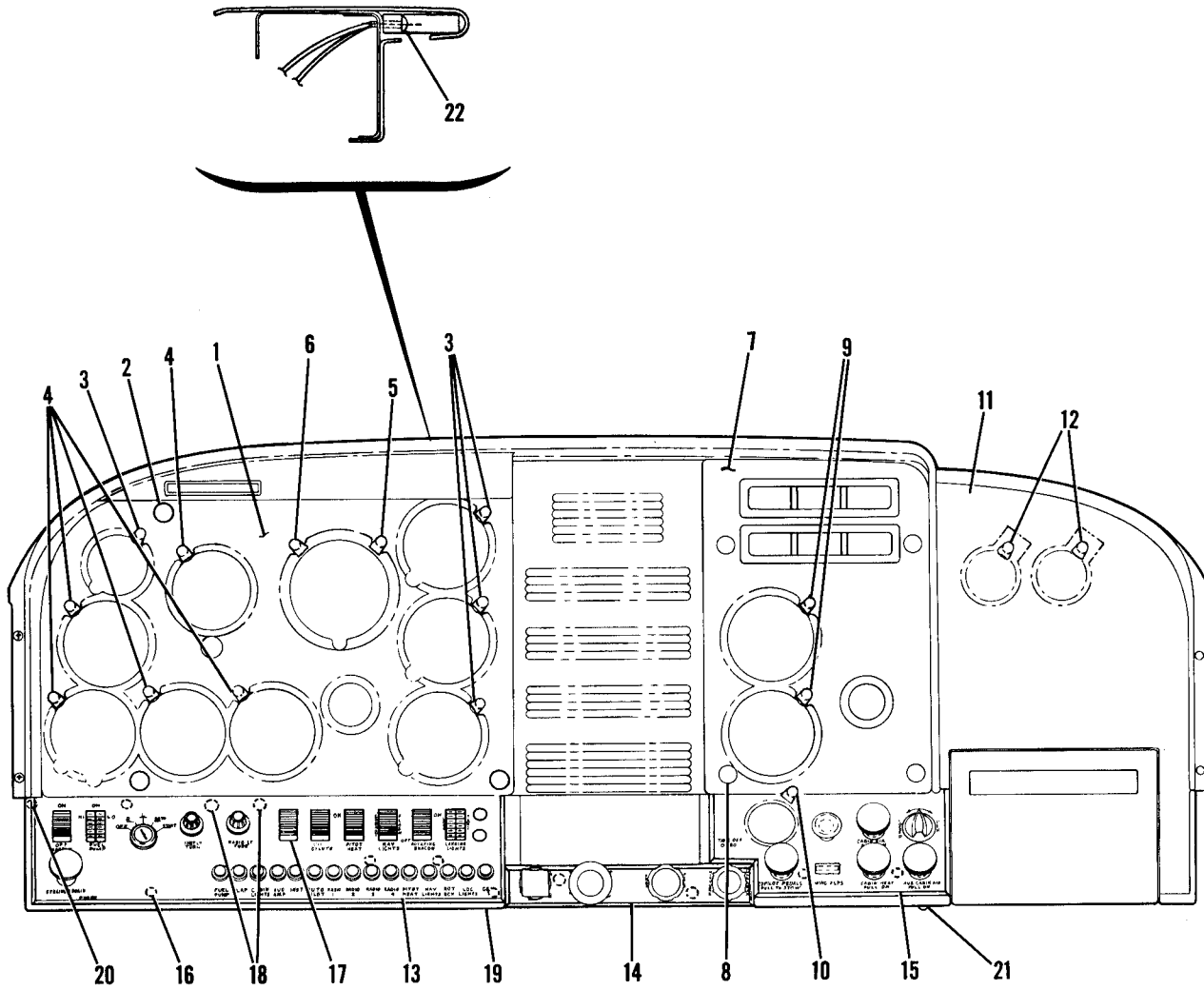
T210-0001 & ON
21058511 & ON

Figure 59B. Switch Panel Installation

FIGURE AND INDEX NO.	PART NUMBER	DESCRIPTION	UNITS PER ASSY	USABLE ON CODE
		1 2 3 4 5 6 7		
59B-		SWITCH PANEL INSTALLATION -----	NP	A
- 1	S1159-1-1	SWITCH-MASTER -----	1	
	0770719-1	DIODE ASSEMBLY MOUNTED ON BACK OF MASTER SWITCH -----	1	
- 2	S1160-1-2	SWITCH-FUEL PUMP -----	1	
- 3	S1158-1-1	SWITCH-OIL DILUTION -----	1	
- 4	S1158-2-1	SWITCH -----	3	
- 5	S1160-1-1	SWITCH-LANDING LIGHTS -----	1	
	AN507-632R4	ATTACHING PARTS		
		SCREW -----	2	
- 6	R12 1/2-8RS-34	RHEOSTAT-INSTRUMENT LIGHT TRTA -----	1	
	S1163-2	KNOB-RHEOSTAT -----	1	
- 7	0713129-4	SWITCH & LOCK KIT-IGNITION -----	1	
	0713221-1	COVER-IGNITION SWITCH -----	1	
- 8	S1533-1	CONTROL-STRAINER DRAIN -----	1	
	S1503-1	KNOB-CONTROL -----	1	
- 9	S1360-15	CIRCUIT BREAKER -----	1	
- 10	S1360-20	CIRCUIT BREAKER -----	1	
- 11	S1360-10	CIRCUIT BREAKER -----	7	
- 12	S1360-50	CIRCUIT BREAKER -----	1	B
	S1596-60	CIRCUIT BREAKER -----	1	C
	0713803-1	BUS BAR-CONNECTS CIRCUIT BREAKERS -----	1	B
	0713803-2	BUS BAR-CONNECTS CIRCUIT BREAKERS -----	1	C
- 13	VM920M-3	LIGHT ASSEMBLY MARI -----	1	
	10850M-3	LENS-GREEN MARI -----	1	
- 14	VM911M-4A	LIGHT ASSEMBLY MARI -----	1	
	10850M-4	LENS-AMBER MARI -----	1	
	330	LAMP GE -----	2	
- 15		RADIO INSTALLATIONS SEE ELECTRONICS MANUAL -----	NP	
<p>NOTE. *THIS KIT ALSO INCLUDES TWO DOOR LOCKS & FOUR KEYS.</p> <p>A---210 SERIAL 21058511 & ON T210 SERIAL T210-0001 & ON B---210 SERIAL 21058511 THRU 21058715 C---210 SERIAL 21058716 & ON T210 SERIAL T210-0001 & ON</p>				

This page intentionally left blank.

Instrument Equipment (Cont)



T210-0001 & ON
21058511 & ON

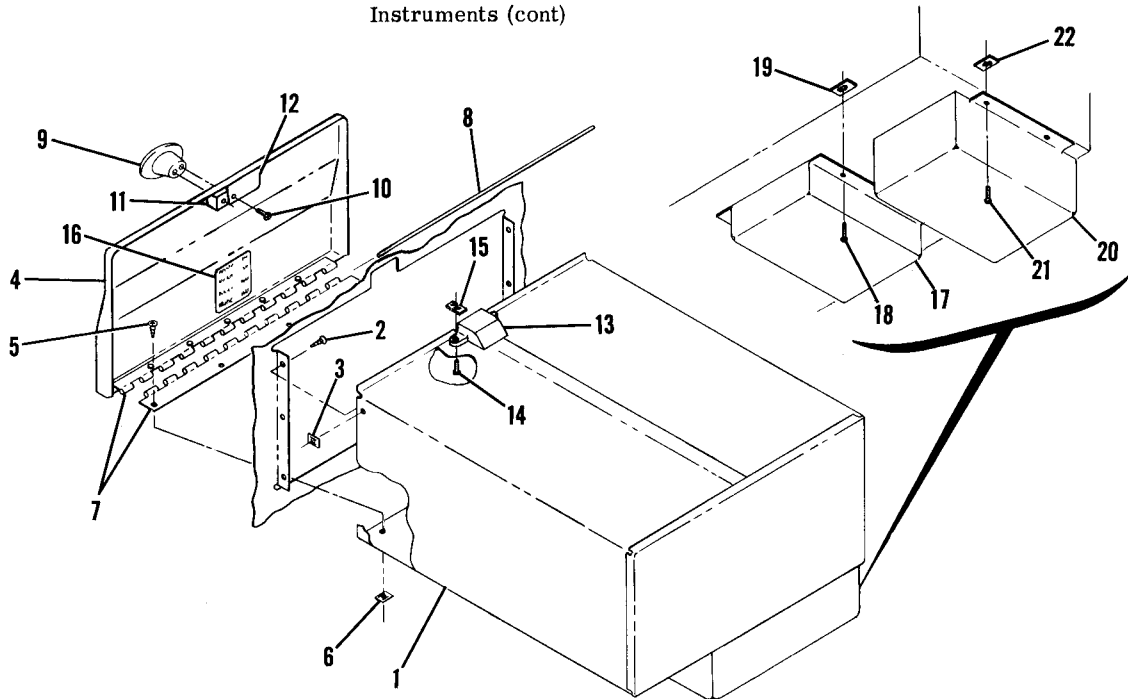
Figure 59C. Post Lighted Instrument Panel Installation

FIGURE AND INDEX NO.	PART NUMBER		DESCRIPTION	UNITS PER ASSY	USABLE ON CODE
		1 2 3 4 5 6 7			
59C-			POST LIGHTED INSTRUMENT PANEL INSTALLATION -----	NP	E
- 1	1200686-13	□	PANEL ASSEMBLY-POST LIGHTED INSTRUMENT SHOCK -----	1	A
	1200686-14	□	PANEL ASSEMBLY-POST LIGHTED INSTRUMENT SHOCK -----	1	B
	1200686-15	□	PANEL ASSEMBLY-POST LIGHTED INSTRUMENT SHOCK -----	1	C
	1200686-16	□	PANEL ASSEMBLY-POST LIGHTED INSTRUMENT SHOCK -----	1	D
			ATTACHING PARTS		
- 2	HS49673-P5001		FASTENER -----	4	
	NAS43DD4-16		SPACER -----	4	
			T210-0001 & ON		
			21058511 & ON		
- 3	5952-3RH-R-14		PANEL LIGHT-TAB MOUNT GBN -----	4	
- 4	5952-3LH-R-14		PANEL LIGHT-TAB LIGHT GBN -----	5	
	C65-2R12		CAP & LAMP ASSEMBLY GBN -----	1	
	330		LAMP GE -----	1	
- 5	5602M-3RH-R-14		PANEL LIGHT-TAB MOUNT GBN -----	1	
	5602M-3LH-R-14		PANEL LIGHT-TAB MOUNT GBN -----	1	
- 6	C65-3R12		CAP & LAMP ASSEMBLY GBN -----	1	
	330		LAMP GE -----	1	
- 7	1200686-21	□	PANEL ASSEMBLY-POST LIGHTED INSTRUMENT STATIONARY -----	1	
			ATTACHING PARTS		
- 8	HS49673-P5001		FASTENER -----	4	
	NAS43DD4-16		SPACER -----	4	
- 9	5952-3RH-R-14		PANEL LIGHT-TAB MOUNTED GBN -----	2	
	C65-2R12		CAP & LAMP ASSEMBLY GBN -----	1	
	330		LAMP GE -----	1	
-10	5602M-3RH-R-14		PANEL LIGHT-TAB MOUNTED GBN -----	1	
	C65-3R12		CAP & LAMP ASSEMBLY GBN -----	1	
	330		LAMP GE -----	1	
-11	1200686-22	□	PANEL ASSEMBLY-POST LIGHTED INSTRUMENT STATIONARY -----	1	
-12	5952-3RH-R-14		PANEL LIGHT-TAB MOUNTED GBN -----	2	
	C65-2R12		CAP & LAMP ASSEMBLY GBN -----	1	
	330		LAMP GE -----	1	
-13	1200686-25		COVER ASSEMBLY-SWITCH PANEL-EDGE LIGHTED -----	1	
-14	1200686-27		COVER ASSEMBLY-ENGINE CONTROLS-EDGE LIGHTED -----	1	
-15	1200686-29		COVER ASSEMBLY-ENGINE CONTROLS-EDGE LIGHTED -----	1	
-16	41163-C-14		LIGHT ASSEMBLY-PANEL EDGE LIGHTING -----	9	
	336		LAMP GE -----	1	
-17	S1238-2-1		SWITCH -----	1	
			ATTACHING PARTS		
	AN507-632R3		SCREW -----	2	
-18	18-1		INSULATOR -----	2	
			ATTACHING PARTS		
	AN507-440R4		SCREW -----	1	
-19	1213653-2	□	TRIM-INSTRUMENT PANEL -----	1	F
	1213653-3	□	TRIM-INSTRUMENT PANEL -----	1	G
-20	S1022A4-6		SCREW -----	2	
-21	S1021A6-6B		SCREW -----	7	
-22	0700737-1		RADIO PANEL LIGHT ASSEMBLY -----	1	
	336		LAMP GE -----	3	

NOTE. □THIS PART NUMBER MUST HAVE A SECOND DASH NUMBER ADDED TO DENOTE COLOR. REFER TO HOW TO ORDER INTERIOR PARTS-PAGE XI.

- A---210 SERIAL 21058511 & ON
T210 SERIAL T210-0001 & ON
EQUIPPED WITH STANDARD EQUIPMENT
- B---210 SERIAL 21058511 & ON
T210 SERIAL T210-0001 & ON
EQUIPPED WITH NAV-D-MATIC 300
- C---210 SERIAL 21058511 & ON
T210 SERIAL T210-0001 & ON
EQUIPPED WITH NAV-D-MATIC 400
- D---210 SERIAL 21058511 & ON
T210 SERIAL T210-0001 & ON
EQUIPPED WITH FULL GYRO PANEL
- E---210 SERIAL 21058511 & ON
T210 SERIAL 21058511 & ON
- F---210 SERIAL 21058511 THRU 21058715
- G---210 SERIAL 21058716 & ON
T210 SERIAL T210-0001 & ON

Instruments (cont)



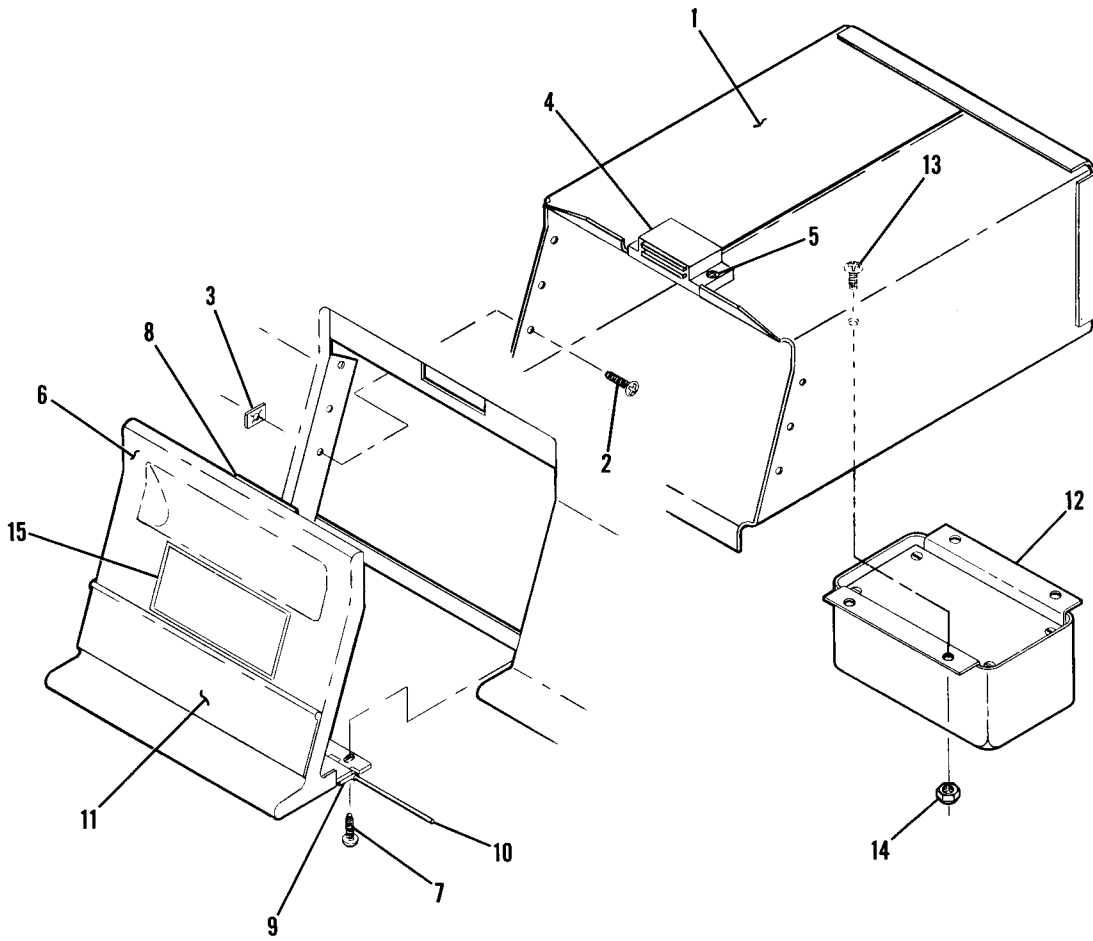
21057841 THRU 21058510

Figure 60. Map Compartment Installation

FIGURE AND INDEX NO.	PART NUMBER	DESCRIPTION	UNITS PER ASSY	USABLE
				ON CODE
60 -		1 2 3 4 5 6 7		
- 1	0713708-1	MAP COMPARTMENT INSTALLATION -----	NP	D
- 2	S102126-6	MAP COMPARTMENT ASSEMBLY -----	1	
- 3	NAS395-2-3	ATTACHING PARTS -----	6	
		SCREW -----	6	
		NUT -----	6	
		-----*		
- 4	0713697-1	DOOR ASSEMBLY-MAP COMPARTMENT -----	1	
		ATTACHING PARTS -----		
- 5	S102126-6	SCREW -----	4	
- 6	NAS446-2-3	NUT -----	4	
		-----*		
- 7	0713697-6	HINGE ASSEMBLY -----	1	
- 8	MS20253-2-724	PIN-HINGE -----	1	
- 9	0713303-7	KNOB -----	1	
		ATTACHING PARTS -----		
-10	AN507-632R10	SCREW -----	2	
-11	0713697-4	SPACER -----	1	
-12	0713697-5	PLATE-STRIKER -----	1	
		-----*		
-13	1000	CATCH EDNP -----	1	
		ATTACHING PARTS -----		
-14	S102126-6	SCREW -----	2	
-15	NAS446-2-3	NUT -----	2	
		-----*		
-16	1213232-3	PLACARD-TIRE PRESSURE & OIL -----	1	A
-17	0713511-1	FLASHER UNIT-POSITION LIGHT -----	1	
		ATTACHING PARTS -----		
-18	AN515-8R8	SCREW -----	4	
-19	NAS679A06	NUT -----	4	
		-----*		
-20	1213239-1	WARNING UNIT-STALL -----	1	B
	1213242-1	WARNING UNIT-STALL -----	1	C
		ATTACHING PARTS -----		
-21	AN515-8R8	SCREW -----	4	
-22	NAS446-4-3	NUT -----	4	
		-----*		
		A---210 SERIAL 21057841 THRU 21058085		
		B---210 SERIAL 21057841 THRU 21058248		
		C---210 SERIAL 21058249 THRU 21058510		
		D---210 SERIAL 21057841 THRU 21058510		

This page intentionally left blank.

Instruments (Cont)



T210-0001 & ON
21058511 & ON

Figure 60A. Glove Box Installation

FIGURE AND INDEX NO.	PART NUMBER	DESCRIPTION	UNITS PER ASSY	USABLE ON CODE
60A-		1 2 3 4 5 6 7		
- 1	0713778-1	GLOVE BOX INSTALLATION ----- BOX ASSEMBLY-GLOVE ----- ATTACHING PARTS -----	NP 1	A
- 2	S102126-6	SCREW -----	6	
- 3	NAS446-2-3	NUT -----	6	
- 4	1000	CATCH-MAGNA-TITE EDNP --- ATTACHING PARTS -----	1	
- 5	S102126-6	SCREW -----	2	
	NAS446-2-3	NUT -----	2	
- 6	0713777-3	DOOR ASSEMBLY-GLOVE BOX ----- ATTACHING PARTS -----	1	
- 7	AN515-8R7	SCREW -----	3	
- 8	0713782-1	PLATE-STRIKER -----	1	
- 9	0713785-1	HINGE ASSEMBLY -----	1	
-10	MS20253-2-646	PIN-HINGE -----	1	
-11	0713796-1	TRIM PLATE -----	1	
-12	1213242-1	DUAL WARNING-STALL & GEAR DOWN ----- ATTACHING PARTS -----	1	
-13	AN515-8R6	SCREW -----	4	
-14	NAS679A08	NUT -----	4	
-15	1213488-1	PLACARD-OPERATIONAL LIMITATIONS -----	1	B
	1213522-1	PLACARD-OPERATIONAL LIMITATIONS -----	1	C
<p>NOTE. □ THIS PART NUMBER MUST HAVE A SECOND DASH NUMBER ADDED TO DENOTE COLOR. REFER TO HOW TO ORDER INTERIOR PARTS-PAGE XI.</p> <p>A---210 SERIAL 21058511 & ON T210 SERIAL T210-0001 & ON</p> <p>B---210 SERIAL 21058511 THRU 21058715</p> <p>C---210 SERIAL 21058716 & ON T210 SERIAL T210-0001 & ON</p>				

Fuselage Equipment

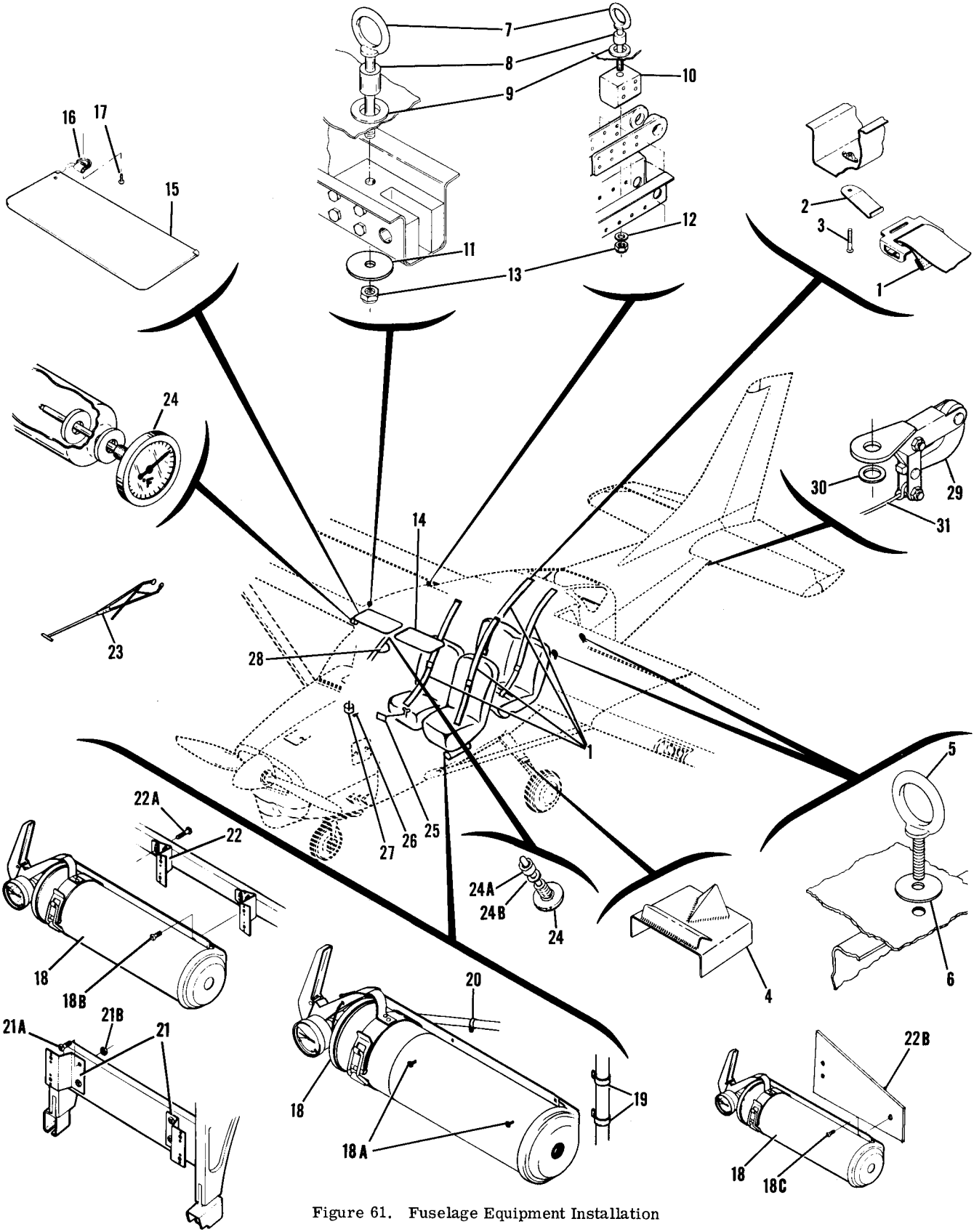


Figure 61. Fuselage Equipment Installation



FIGURE AND INDEX NO.	PART NUMBER	DESCRIPTION	UNITS PER ASSY	USABLE ON CODE
61 -		FUSELAGE EQUIPMENT INSTALLATION -----	NP	
- 1	0511233-7	HARNESS-SHOULDER -----	4	
- 2	0511232-3	HOOK-SHOULDER HARNESS -----	4	
		ATTACHING PARTS		
- 3	NAS229-10	SCREW -----	1	
		-----*		
- 4	10004-98	JACK PAD-UNIVERSAL -----	1	
- 5	0511165	EYEBOLT-CARGO TIE-DOWN -----	6	F
- 6	NAS70A261-1000	WASHER -----	6	F
- 7	0541115-3	EYEBOLT-HOISTING -----	4	
		ATTACHING PARTS		
- 8	0541115-2	SPACER -----	1	
- 9	MS35489-17	GROMMET -----	1	
-10	0700612-2	BLOCK-REAR SPAR -----	1	
-11	AN970-5	WASHER -----	1	
-12	AN960-516	WASHER -----	1	
-13	NAS679A5	NUT -----	1	
		-----*		
-14	1200116-1	VISOR ASSEMBLY-SUN LH -----	1	A
	0700122-1	VISOR ASSEMBLY-SUN LH -----	1	B
	0700122-9	VISOR ASSEMBLY-SUN LH -----	1	G
	0700122-13	VISOR ASSEMBLY-SUN LH -----	1	H
-15	1200116-2	VISOR ASSEMBLY-SUN RH -----	1	A
	0700122-2	VISOR ASSEMBLY-SUN RH -----	1	B
	0700122-10	VISOR ASSEMBLY-SUN RH -----	1	G
	0700122-12	VISOR ASSEMBLY-SUN RH -----	1	H
		ATTACHING PARTS		
-16	0713011-12	BRACKET-SUN VISOR -----	1	
-17	AN507-1032R14	SCREW -----	2	
		-----*		
-18	0800111-2	FIRE EXTINGUISHER -----	1	
	CP-2 3/4	FIRE EXTINGUISHER ALTERNATE -----	1	
		ATTACHING PARTS		
-18A	S1021Z8-8	SCREW -----	3	A
-18B	AN515-8R16	SCREW -----	4	F
		-----*		
-18C	AN520-10R10	SCREW -----	3	E
-19	S148508U	CLAMP -----	2	A
-20	S148504U	CLAMP -----	1	A
-21	0500120-2	SUPPORT ASSEMBLY-FIRE EXTINGUISHER ADJUSTABLE SEAT ONLY -----	2	B
		ATTACHING PARTS		
-21A	AN515-8R8	SCREW -----	4	B
-21B	NAS679A08	NUT -----	4	B
		-----*		
-22	1400054-2	BRACKET-FIRE EXTINGUISHER STANDARD SEAT -----	2	B
		ATTACHING PARTS		
-22A	AN515-832R14	SCREW -----	4	F
		-----*		
-22B	1200521-2	BRACKET-FIRE EXTINGUISHER -----	1	E
	NAS697A3	NUTPLATE -----	3	E
-23	1200008-1	TOW BAR ASSEMBLY WHEN EXHAUSTED USE 1200008-8 -----	1	
	1200008-8	TOW BAR ASSEMBLY -----	1	
-24	S1322-1	GAGE-OUTSIDE AIR TEMPERATURE -----	1	
		ATTACHING PARTS		
-24A	NAS43DD5-24	SPACER -----	1	G
-24B	AN960PD516	WASHER -----	1	G
		-----*		
-25	0760606-1	LOCK-CONTROL -----	1	J
	1260463-1	LOCK-CONTROL -----	1	K
-26	0541162-1	VALVE-TUBELESS TIRE INFLATION -----	1	A
-27	0526001-1	FLUSH CUP-FUEL SAMPLER -----	1	

CONTINUED ON NEXT PAGE

FIGURE AND INDEX NO.	PART NUMBER	DESCRIPTION	UNITS PER ASSY	USABLE ON CODE
61 -28	0713068-4	COMPASS ASSEMBLY -----	1	C
	0713068-5	COMPASS ASSEMBLY -----	1	D
		ATTACHING PARTS		
	AN507B632R12	SCREW -----	4	
	0713723-2	SUPPORT ASSEMBLY-COMPASS -----	1	C
	0713723-8	SUPPORT ASSEMBLY-COMPASS -----	1	D
		-----*		
-28A		COMPASS & REAR VIEW MIRROR INSTALLATION SEE FIGURE 62A --	NP	H
-29	0500228-2	TOW HOOK-GLIDER -----	1	
		ATTACHING PARTS		
	AN5-7A	BOLT -----	1	E
-30	AN970-5	WASHER -----	1	E
	NAS679A5	NUT -----	1	E
		-----*		
-31	0500228-3	CORD-GLIDER RELEASE -----	1	
		A---210 SERIAL 21057841 THRU 21058085		
		B---210 SERIAL 21058086 THRU 21058220		
		C---210 SERIAL 21057841 THRU 21058033		
		D---210 SERIAL 21058034 THRU 21058510		
		E---210 SERIAL 21058221 & ON		
		T210 SERIAL T210-0001 & ON		
		F---210 SERIAL 21057841 THRU 21058510		
		G---210 SERIAL 21058221 THRU 21058510		
		H---210 SERIAL 21058511 & ON		
		T210 SERIAL T210-0001 & ON		
		J---210 SERIAL 21057841 THRU 21058715		
		K---210 SERIAL 21058716 & ON		
		T210 SERIAL T210-0001 & ON		

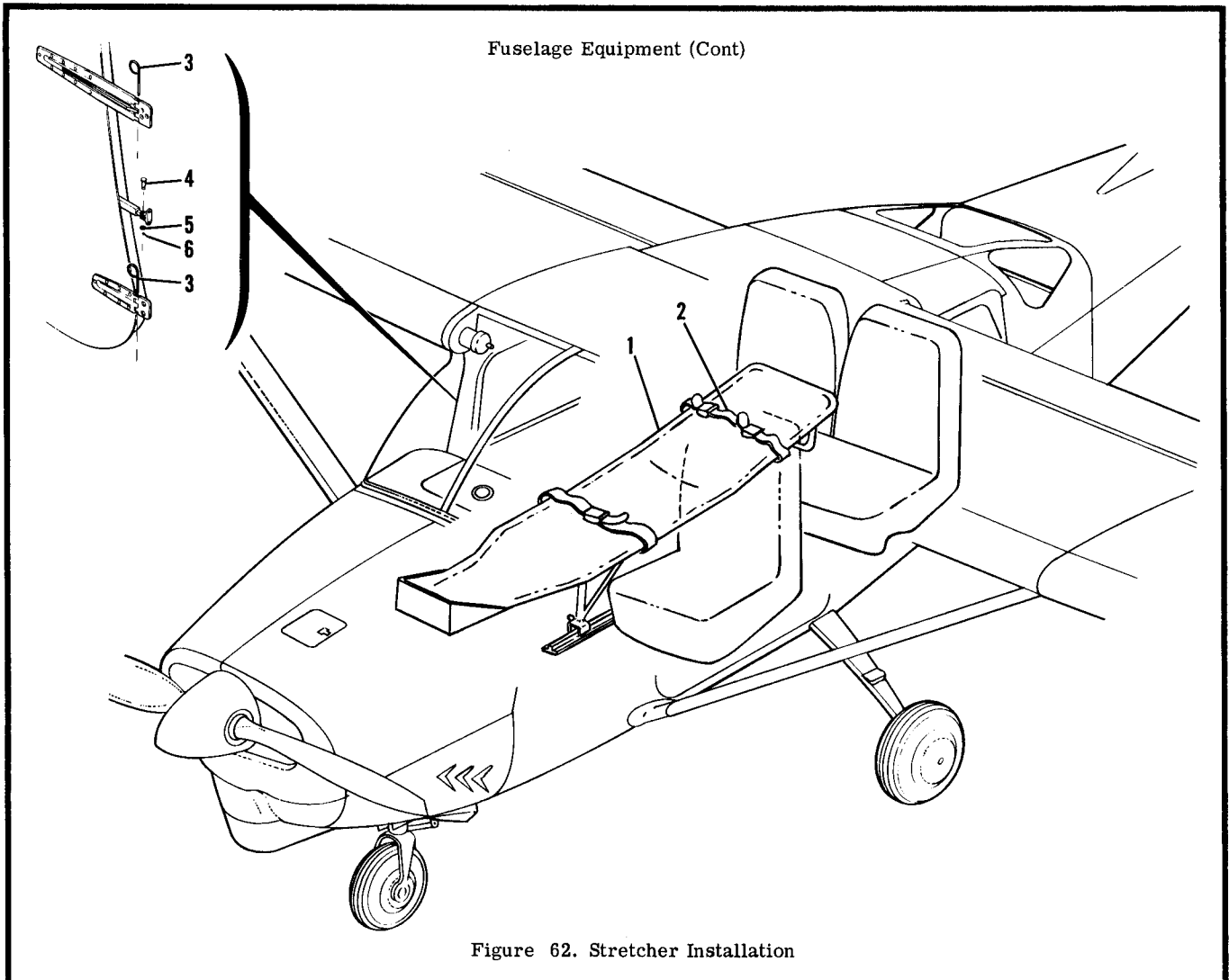
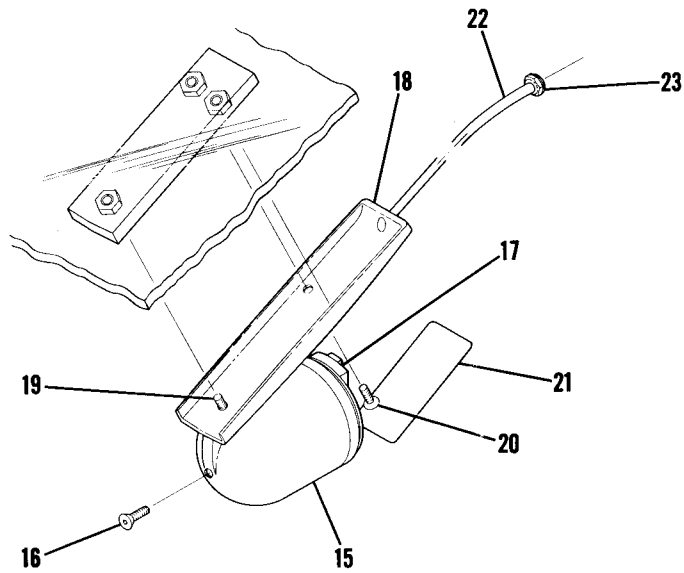
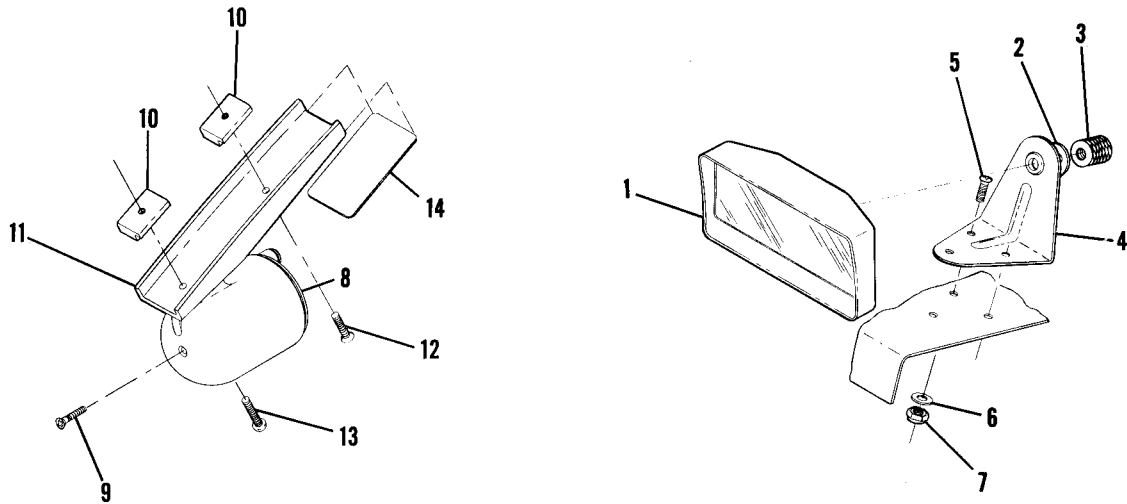


Figure 62. Stretcher Installation

FIGURE AND INDEX NO.	PART NUMBER	DESCRIPTION	UNITS PER ASSY	USABLE ON CODE
62 -		1 2 3 4 5 6 7		
- 1	0700164-6	STRETCHER INSTALLATION-PORTABLE -----	NP	
- 2	FCD2475-50	STRETCHER-PORTABLE -----	1	
- 3	0511003-31	EXTENSION-BELT DAPI -----	1	
	S1426-1	PIN-HINGE -----	2	A
- 4	MS20392-1C17	PIN-HINGE -----	2	B
- 5	AN960-10L	PIN-FLATHEAD -----	1	
- 6	MS24665-151	WASHER -----	1	
		PIN-COTTER -----	1	
		A---210 SERIAL 21057841 THRU 21058135		
		B---210 SERIAL 21058136 & ON		
		T210 SERIAL T210-0001 & ON		

Equipment (Cont)



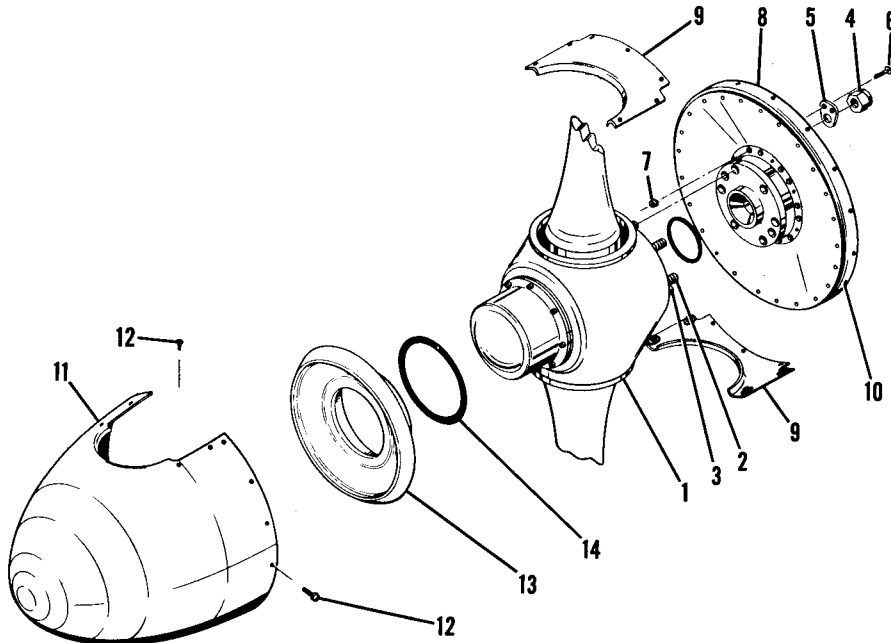
T210-0001 & ON
21058511 & ON

Figure 62A. Compass & Rear View Mirror Installation



FIGURE AND INDEX NO.	PART NUMBER	DESCRIPTION	UNITS PER ASSY	USABLE ON CODE
		1 2 3 4 5 6 7		
62A-		REAR VIEW MIRROR INSTALLATION -----	NP	C
- 1	0500312-3 □	MIRROR & COVER ASSEMBLY -----	1	
		ATTACHING PARTS -----		
- 2	S1450-4A11-063	WASHER -----	1	
- 3	0500313-1	NUT -----	1	
		-----*		
- 4	0500310-1	BRACKET ASSEMBLY -----	1	
		ATTACHING PARTS -----		
- 5	AN507B832R8	SCREW -----	3	
- 6	AN960PD10	WASHER -----	2	
- 7	MS203658832C	NUT -----	3	
		-----*		
- 8	C660501-0101	COMPASS INSTALLATION -----	NP	A
		COMPASS -----	1	
		ATTACHING PARTS -----		
- 9	S1571-8-10	SCREW -----	1	
		-----*		
-10	1200688-2	BLOCK -----	2	
-11	0713813-2	COMPASS MOUNT -----	1	
		ATTACHING PARTS -----		
-12	S1571-8-8	SCREW -----	1	
-13	S1571-8-12	SCREW -----	1	
		-----*		
-14	0713819-1	CARD-COMPASS -----	1	
-15	C660501-0101	COMPASS INSTALLATION -----	NP	B
		COMPASS -----	1	
		ATTACHING PARTS -----		
-16	S1571-8-10	SCREW -----	1	
		-----*		
-17	330	BULB GE -----	1	
-18	0713813-1	MOUNT-COMPASS -----	1	
		ATTACHING PARTS -----		
-19	S1570-8-12	SCREW -----	1	
	AN960D8	WASHER -----	2	
-20	S1570-8-6	SCREW -----	2	
		-----*		
-21	0713819-1	CARD-COMPASS -----	1	
-22	0713817-4	TUBE ASSEMBLY -----	1	
		ATTACHING PARTS -----		
-23	S1216-3	NUT -----	1	
	AN936A416	WASHER -----	1	
		-----*		
<p>NOTE. □THIS PART MUST HAVE A SECOND DASH NUMBER ADDED TO DENOTE COLOR. REFER TO HOW TO ORDER INTERIOR PARTS-PAGE XI.</p> <p>A---210 SERIAL 21058511 THRU 21058715 B---210 SERIAL 21058716 & ON T210 SERIAL T210-0001 & ON C---210 SERIAL 21058511 & ON T210 SERIAL T210-0001 & ON</p>				

Propeller



McCAULEY PROPELLER

21057841 THRU 21058510

Figure 63. Propeller Installation

FIGURE AND INDEX NO.	PART NUMBER	DESCRIPTION	UNITS PER ASSY	USABLE ON CODE
63 -		1 2 3 4 5 6 7		
- 1	1250021-2	PROPELLER INSTALLATION-MC CAULEY -----	NP	A
		PROPELLER ASSEMBLY-MODEL D2A36C33/90M-8 82 IN. DIA -----	1	D
		SEE FIGURE 65		
	1250021-8	PROPELLER ASSEMBLY-MODEL D2A34C49/90A-8 82IN. DIA -----	1	B
		SEE FIGURE 64A		
	1250021-11	PROPELLER ASSEMBLY-MODEL D2A34C58/90AT8 82 IN. DIA -----	1	C
		SEE FIGURE 65		
		ATTACHING PARTS		
- 2	A1561-2	BOLT MCL -----	6	
- 3	A1562	PIN-DOWEL MCL -----	2	
- 4	MS20365-820C	NUT -----	6	

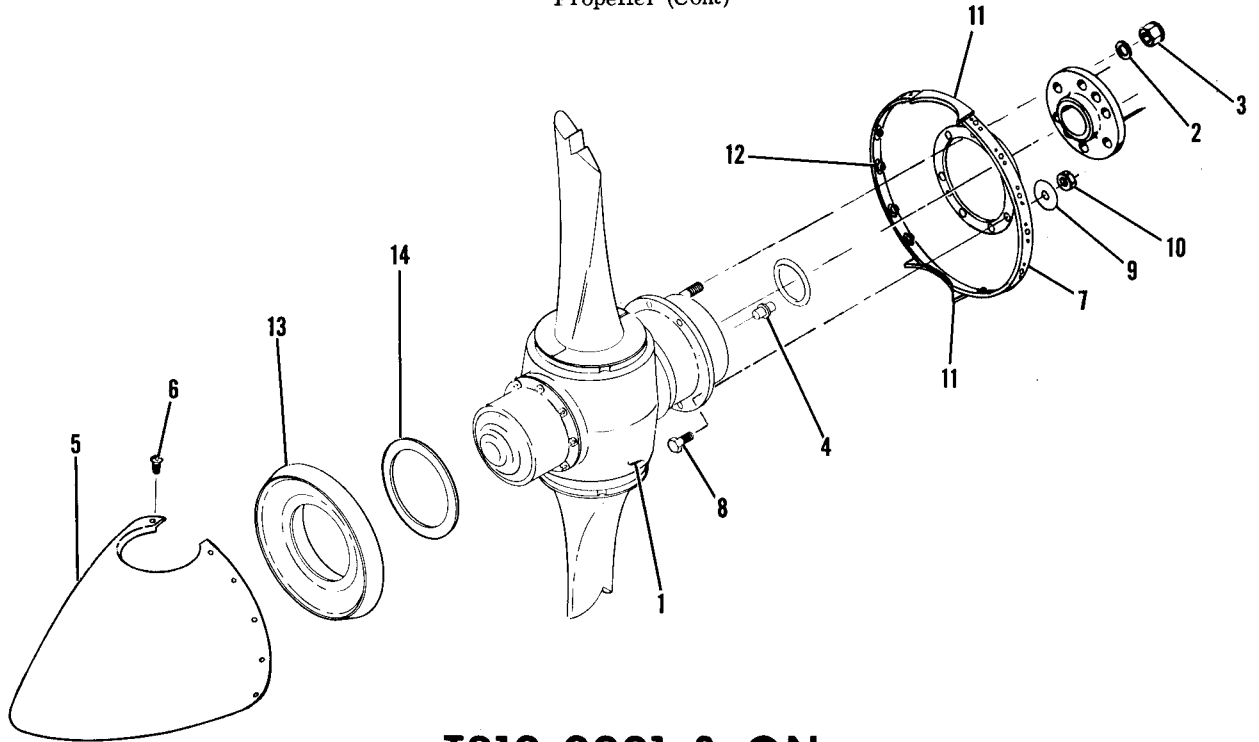
		SPINNER ASSEMBLY-MC CAULEY PROPELLER -----	NP	
		ATTACHING PARTS		
- 5	0752005-4	LUG -----	6	
- 6	AN509-10R16	SCREW -----	12	
- 7	NAS679A3	NUT -----	12	

- 8	0752004-5	BULKHEAD ASSEMBLY-SPINNER -----	1	
- 9	0752004-1	FILLET ASSEMBLY -----	2	
-10	NAS680A3	NUTPLATE -----	4	
-11	0752614-1	DOME-SPINNER -----	1	
		ATTACHING PARTS		
-12	NAS221-8	SCREW -----	22	

-13	0752615-1	SUPPORT-SPINNER -----	1	
-14	0752620-1	SPACER -----	AR	

		A---210 SERIAL 21057841 THRU 21058510		
		B---210 SERIAL 21058096 THRU 21058220		
		C---210 SERIAL 21058221 THRU 21058510		
		D---210 SERIAL 21057841 THRU 21058095		

Propeller (Cont)



T210-0001 & ON
21058511 & ON

Figure 63A. Two Bladed Propeller Installation

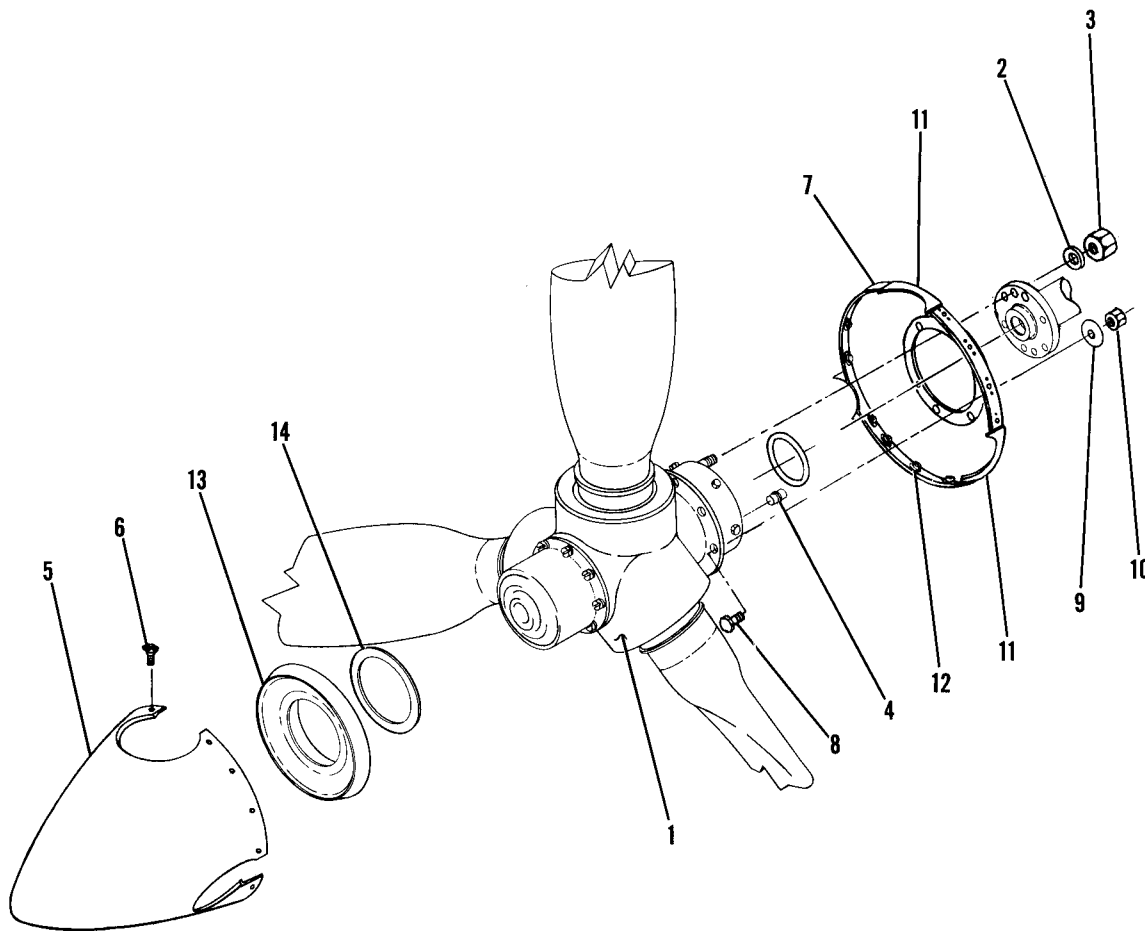
FIGURE AND INDEX NO.	PART NUMBER	DESCRIPTION	UNITS PER ASSY	USABLE ON CODE
63A-		1 2 3 4 5 6 7		
- 1	C161005-0101	PROPELLER INSTALLATION-TWO BLADED MCCAULEY	NP	A
		PROPELLER ASSEMBLY-MODEL E2A34C73/90AT-8 82 IN	1	B
		DIA SEE FIGURE 65		
	C161005-0102	PROPELLER ASSEMBLY-MODEL E2A34C70/90AT-8 82 IN	1	C
		DIA SEE FIGURE 65		
		ATTACHING PARTS		
- 2	A1638-2	WASHER MCL	6	
- 3	A1639-2	NUT MCL	6	
- 4	A3047	DOWEL-HUB ALIGNMENT MCL	2	

- 5	1250415-2	SPINNER DOME ASSEMBLY	1	
		ATTACHING PARTS		
- 6	NAS221-8	SCREW	14	

- 7	1250414-1	BULKHEAD ASSEMBLY-PROPELLER SPINNER	1	
		ATTACHING PARTS		
- 8	AN3-6A	BOLT	8	
- 9	AN970-3	WASHER	8	
-10	NAS679A3	NUT	8	

-11	1250414-4	FILLET	2	
-12	NAS680A3	NUTPLATE	14	
-13	1250412-1	SUPPORT-SPINNER	1	
-14	0752620-1	SPACER	AR	
		A---210 SERIAL 21058511 & ON T210 SERIAL T210-0001 & ON		
		B---210 SERIAL 21058511 & ON		
		C---T210 SERIAL T210-0001 & ON		

Propeller (Cont)

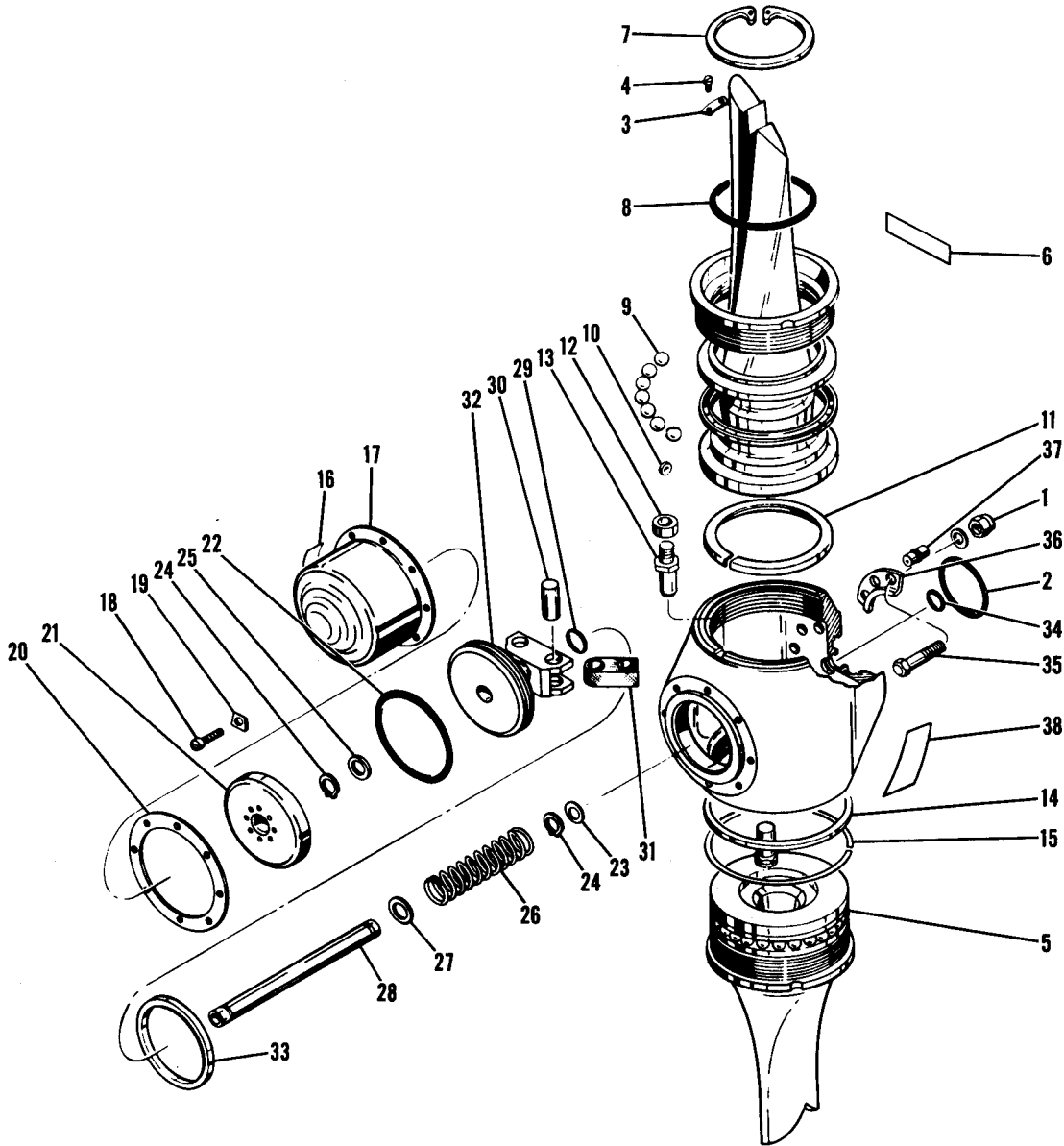


T210-0001 & ON
21058716 & ON

Figure 63B. Three Bladed Propeller Installation

FIGURE AND INDEX NO.	PART NUMBER	DESCRIPTION	UNITS PER ASSY	USABLE ON CODE
63B-		1 2 3 4 5 6 7		
- 1	C161006-0102	PROPELLER INSTALLATION-THREE BLADED MCCAULEY -----	NP	A
		PROPELLER ASSEMBLY-MODEL D3A32C77/82NK-2 -----	1	B
		80 IN DIA SEE FIGURE 65A		
	C161006-0101	PROPELLER ASSEMBLY-MODEL D3A32C77/82NK-2 -----	1	C
		80 IN DIA SEE FIGURE 65A		
		ATTACHING PARTS		
- 2	A1638-2	WASHER MCL -----	6	
- 3	A1639-2	NUT MCL -----	6	
- 4	A3047	DOWEL-HUB ALIGNMENT MCL -----	2	
		*-----		
- 5	1250419-2	SPINNER DOME ASSEMBLY -----	1	
		ATTACHING PARTS		
- 6	NAS221-8	SCREW -----	12	
		*-----		
- 7	1250414-6	BULKHEAD ASSEMBLY-PROPELLER SPINNER -----	1	
		ATTACHING PARTS		
- 8	NAS221-12	SCREW -----	8	
- 9	AN970-3	WASHER -----	8	
-10	NAS679A3	NUT -----	8	
		*-----		
-11	1250414-4	FILLET -----	3	
-12	NAS680A3	NUTPLATE -----	12	
-13	1250412-1	SUPPORT-SPINNER -----	1	
-14	0752620-1	SPACER -----	1	
		A---210 SERIAL 21058716 & ON T210 SERIAL T210-0001 & ON B---210 SERIAL 21058716 & ON C---T210 SERIAL T210-0001 & ON		

Propeller (Cont)

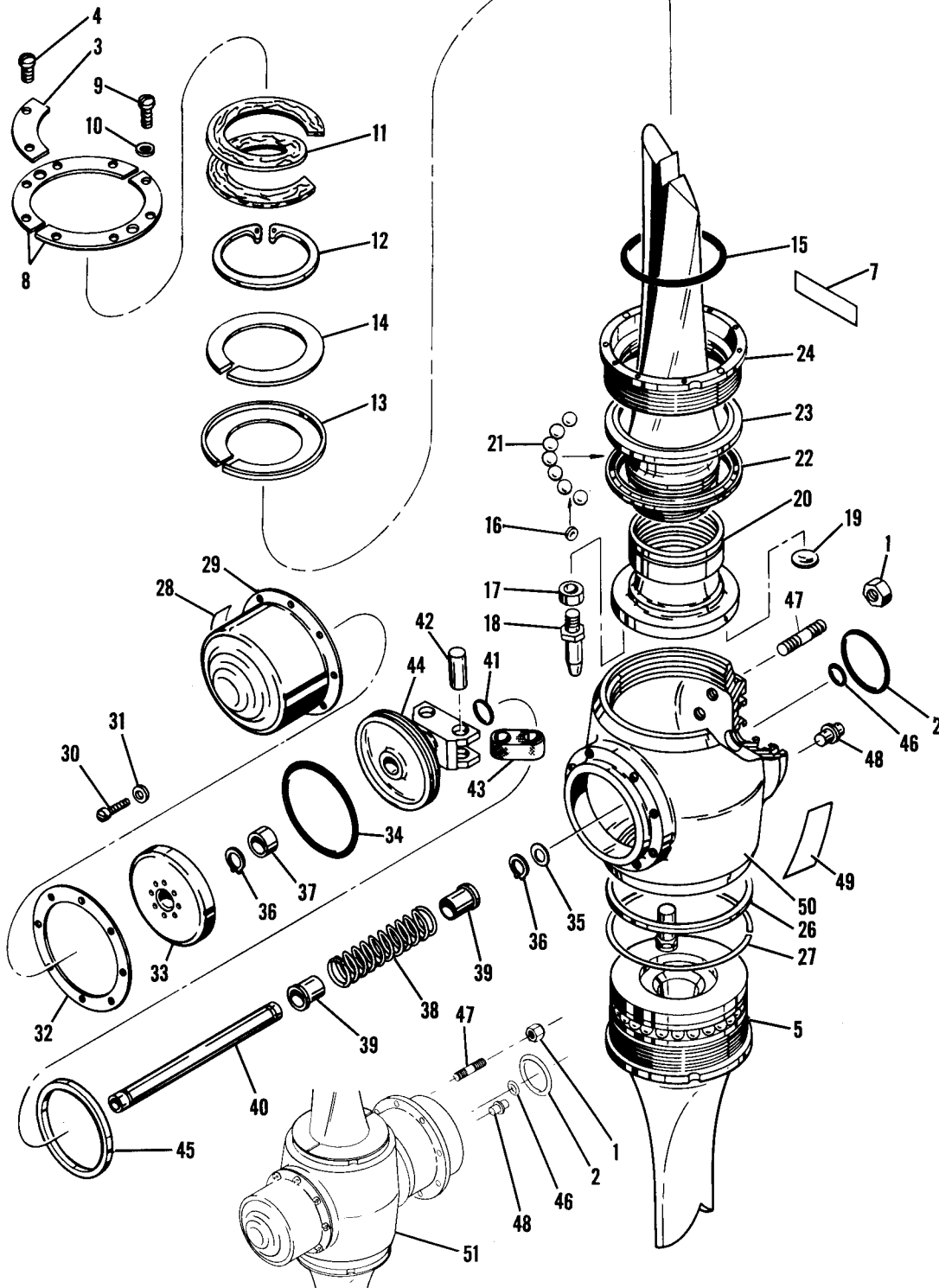


21057841 THRU 21058095
& 21058109 THRU 21058144

Figure 64. McCauley Propeller Assembly

FIGURE AND INDEX NO.	PART NUMBER	DESCRIPTION	UNITS PER ASSY	USABLE ON CODE
64 -	1250021-2	PROPELLER ASSEMBLY-MC CAULEY D2A36C33/90M-8 82 IN. DIA. ----- ATTACHING PARTS	1	A
- 1	A1639-2	NUT MCL -----	6	
- 2	A1633-3	PACKING-O RING MCL -----	1	
- 3	A2104	WEIGHT-BALANCE MCL -----	AR	
- 4	A1635-16	SCREW-ATTACH ONE WEIGHT MCL ---	AR	
	A1635-17	SCREW-ATTACH TWO WEIGHTS MCL ---	AR	
	A1635-18	SCREW-ATTACH THREE WEIGHTS MCL ---	AR	
	A1635-19	SCREW-ATTACH FOUR WEIGHTS MCL ---	AR	
	A1635-21	SCREW-ATTACH FIVE WEIGHTS MCL ---	AR	
	A1635-22	SCREW-ATTACH SIX WEIGHTS MCL ---	AR	
- 5	D-2341/90M-8	BLADE ASSEMBLY-82 INCH MCL -----	2	
- 6	A1958	DECAL MCL -----	1	
- 7	A1636-6	RING-EXTERNAL RETAINING MCL -----	1	
- 8	A1633-13	PACKING-O RING MCL -----	1	
- 9	A1634-4	BALL BEARING MCL -----	22	
-10	A1742	SEPARATOR-BALL MCL -----	22	
-11	B-2289-1	SHIM-FERRULE 0.005 IN. MCL -----	AR	
	B-2289-2	SHIM-FERRULE 0.010 IN. MCL -----	AR	
	B-2289-3	SHIM-FERRULE 0.015 IN. MCL -----	AR	
-12	A1883	WASHER-ACTUATING PIN MCL -----	1	
-13	A1882	PIN-BLADE ACTUATING MCL -----	1	
-14	B-1564	RING-RETENTION NUT LOCK MCL -----	2	
-15	A1563-1	SHIM-BALANCING MCL -----	2	
-16	A2356	DECAL-SPRING KIT INSTALLATION MCL -----	1	
-17	C-1904	CYLINDER MCL -----	1	
-18	A1635-13	SCREW MCL -----	8	
-19	B-2192	WASHER MCL -----	8	
-20	A1938	GASKET-CYLINDER MCL -----	1	
-21	B-1965	SUPPORT-SPACER MCL -----	1	
-22	A1633-12	PACKING-O RING MCL -----	1	
-23	A2351	WASHER-FIBER MCL -----	1	
-24	A1636-7	RING-EXTERNAL RETAINING MCL -----	2	
-25	A2108-290	SPACER-LOW PITCH STOP MCL -----	1	
-26	A2357	SPRING-LOW PITCH RETURN BOOST MCL -----	1	
-27	A1552	WASHER-SPRING MCL -----	1	
-28	B-2345	TUBE-PISTON ROD MCL -----	1	
-29	A1633-9	PACKING-O RING MCL -----	1	
	A1934	PISTON ASSEMBLY MCL -----	1	
-30	A1936	PIN-PISTON MCL -----	2	
-31	A1935	LINK-BLADE ACTUATING MCL -----	2	
-32	C-1939	PISTON-BLADE ACTUATING MCL -----	1	
-33	A1937-3	SPACER-HIGH PITCH STOP MCL -----	1	
-34	A1633-9	PACKING-O RING MCL -----	1	
	C-2343	HUB ASSEMBLY MCL -----	1	
-35	A1561-2	BOLT-HUB MOUNTING MCL -----	6	
	A1561-4	BOLT-HUB MOUNTING 0.002 IN. OVERSIZE MCL -----	AR	
	A1561-6	BOLT-HUB MOUNTING 0.004 IN. OVERSIZE MCL -----	AR	
-36	A2185	WASHER-FLANGE MCL -----	3	
-37	A1562	DOWEL-HUB ALIGNMENT MCL -----	2	
-38	A2230	DECAL-PROP INSTALLATION INSTRUCTIONS MCL -----	1	
A---210 SERIAL 21057841 THRU 21058095 & 21058109 THRU 21058144				

Propeller



T210-0001 & ON
21058096 THRU 21058108
21058145 & ON

Figure 65. Mc Cauley Propeller Assembly

FIGURE AND INDEX NO.	PART NUMBER	DESCRIPTION	1 2 3 4 5 6 7							UNITS PER ASSY	USABLE ON CODE
65 -	125C021-8	PROPELLER ASSEMBLY-TWO BLADED MCCAULEY -----								1	A
	1250021-11	D2A34C49/90A-8 82 IN DIA PROPELLER ASSEMBLY-TWO BLADED MCCAULEY -----								1	D
	C161005-0101	D2A34C58/90AT-8 82 IN DIA PROPELLER ASSEMBLY-TWO BLADED MCCAULEY -----								1	C
	C161005-0102	E2A34C73/90AT-8 82 IN DIA PROPELLER ASSEMBLY-TWO BLADED MCCAULEY -----								1	F
		E2A34C70/90AT-8 82 IN DIA ATTACHING PARTS									
- 1	A1639-2	NUT MCL -----								6	
	A1638-2	WASHER-PLAIN MCL -----								6	
- 2	A1633-3	PACKING-O RING MCL -----								1	G
		-----*									
- 3	A2423	WEIGHT-BALANCE MCL -----								AR	
		ATTACHING PARTS									
- 4	A1635-16	SCREW-ATTACH ONE WEIGHT MCL -----								2	
	A1635-17	SCREW-ATTACH TWO WEIGHTS MCL -----								2	
	A1635-18	SCREW-ATTACH THREE WEIGHTS MCL -----								2	
	A1635-19	SCREW-ATTACH FOUR WEIGHTS MCL -----								2	
	A1635-21	SCREW-ATTACH FIVE WEIGHTS MCL -----								2	
	A1635-22	SCREW-ATTACH SIX WEIGHTS MCL -----								2	
		-----*									
- 5	D-3108/90A-8	BLADE ASSEMBLY MCL -----								2	A
	D-3223/90AT-8	BLADE ASSEMBLY MCL -----								2	B
	D3546/90AT-8	BLADE ASSEMBLY MCL -----								2	F
- 6		DELETED-NON PROCURABLE -----									
- 7	A1958	DECAL MCL -----								1	
- 8	B2417	PLATE-SPLIT COVER MCL -----								2	
		ATTACHING PARTS									
- 9	A1635-27	SCREW MCL -----								4	
-10	A1638-5	WASHER-FIBER MCL -----								4	
		-----*									
-11	B-2422-1	PACKING-FELT MCL -----								1	
-12	A1636-6	RING-EXTERNAL RETAINING MCL -----								1	
-13	B-2420-4	SHIM-0.004 IN. MCL -----								AR	
	B-2420-6	SHIM-0.006 IN. MCL -----								AR	
-14	B-2421-8	SHIM-0.008 IN. MCL -----								AR	
	B-2421-10	SHIM-0.010 IN. MCL -----								AR	
	B-2421-12	SHIM-0.012 IN. MCL -----								AR	
	B-2421-14	SHIM-0.014 IN. MCL -----								AR	
	B-2421-16	SHIM-0.016 IN. MCL -----								AR	
	B-2421-18	SHIM-0.018 IN. MCL -----								AR	
	B-2421-20	SHIM-0.020 IN. MCL -----								AR	
-15	A1633-13	PACKING-O RING MCL -----								1	
-16	A3110	SEPARATOR-BALL MCL -----								30	
-17	A3100	WASHER-ACTUATING PIN MCL -----								1	
-18	A1882	PIN-BLADE ACTUATING MCL -----								1	A
	A3149	PIN-BLADE ACTUATING MCL -----								1	H
-19	A1580	PLUG-FERRULE STAKING MCL -----								1	
-20	C-3054	FERRULE-BLADE RETENTION MCL -----								1	
	C-2987	BEARING-BLADE RETENTION MCL -----								1	
-21	A1634-5	BALL-BEARING MCL -----								30	
-22	C2987-1	RACE-INNER MCL -----								1	
-23	C2987-2	RACE-OUTER MCL -----								1	
-24	C-3092	NUT-BLADE RETENTION MCL -----								1	
-25		DELETED-NON PROCURABLE -----									
-26	B-1564	RING-RETENTION NUT LOCK MCL -----								2	E
	B3216	RING-RETENTION NUT LOCK MCL -----								2	G
-27	A1563-1	SHIM-BALANCING MCL -----								2	E
	A3217	SHIM-BALANCING MCL -----								2	G
-28	A2356	DECAL MCL -----								1	
-29	C-1904	CYLINDER MCL -----								1	
		ATTACHING PARTS									
-30	A1635-43	SCREW MCL -----								8	
-31	A1638-9	WASHER-BRASS MCL -----								8	
-32	A1938	GASKET-CYLINDER MCL -----								1	
		-----*									
-33	B1965	SUPPORT-SPACER MCL -----								1	J
	B3526	SUPPORT-SPACER MCL -----								1	F
-34	A1633-12	PACKING-O RING MCL -----								1	
-35	A2351	WASHER-FIBER MCL -----								1	

CONTINUED ON NEXT PAGE



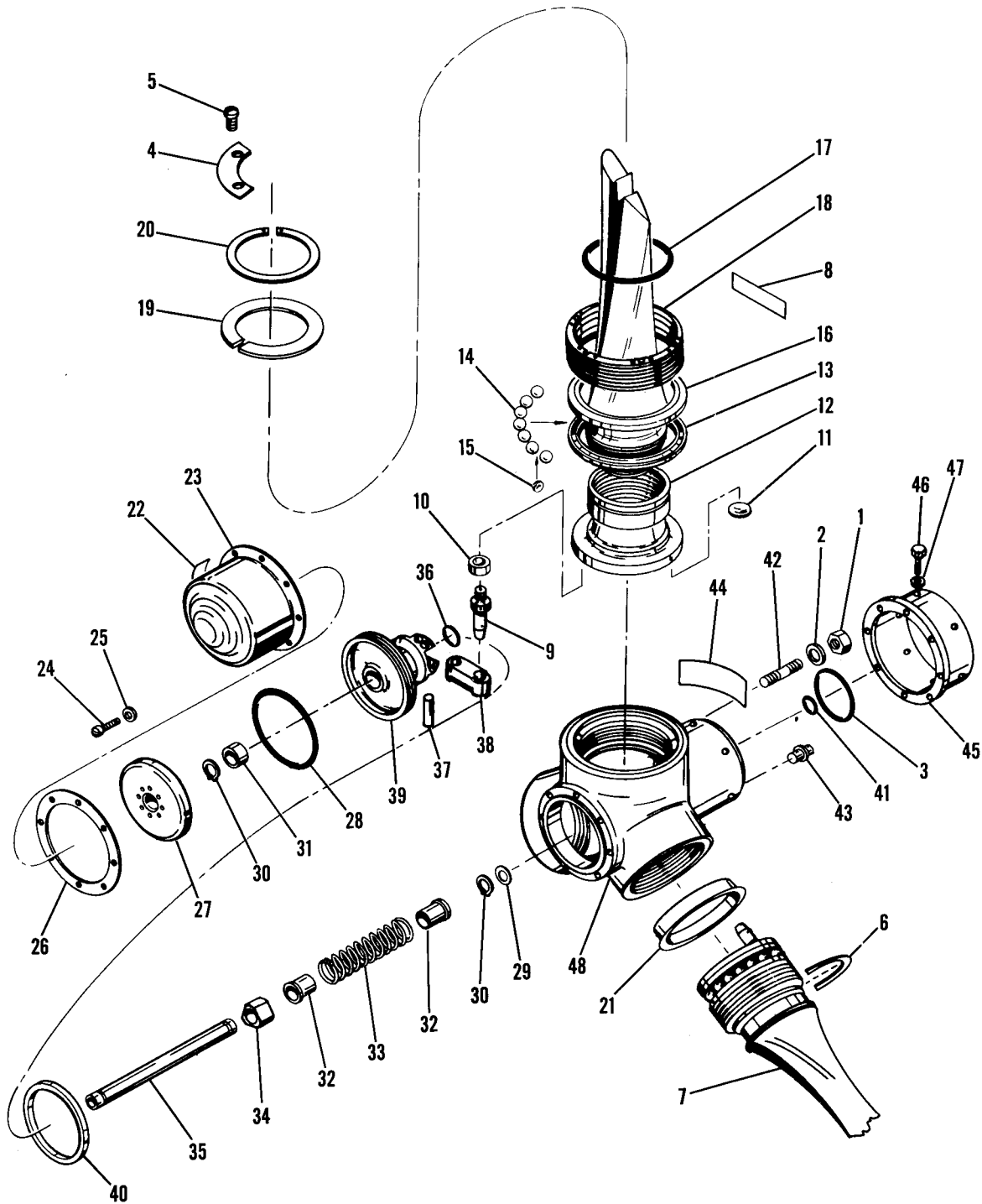
FIGURE AND INDEX NO.	PART NUMBER	DESCRIPTION	UNITS PER ASSY							USABLE ON CODE	
			1	2	3	4	5	6	7		
65 -36	A1636-7	RING-EXTERNAL RETAINING MCL -----								2	
-37	A2108 *	SPACER STOCK-LOW PITCH STOP MCL -----								AR	
-38	A3125	SPRING-LOW PITCH RETURN BOOST MCL -----								1	
-39	A3124	GUIDE-SPRING MCL -----								2	
-40	B-2345	TUBE-PISTON ROD MCL -----								1	
-41	A1633-9	PACKING-O RING MCL -----								1	
	A1934	PISTON ASSEMBLY MCL -----								1	J
	A3547	PISTON ASSEMBLY MCL -----								1	F
-42	A1936	PIN-PISTON MCL -----								2	
-43	A1935	LINK-BLADE ACTUATING MCL -----								2	J
	A3549	LINK-BLADE ACTUATING MCL -----								2	F
-44	C1939	PISTON-BLADE ACTUATING MCL -----								1	J
	C3548	PISTON-BLADE ACTUATING MCL -----								1	F
-45	A1937 *	SPACER STOCK-HIGH PITCH STOP MCL -----								AR	
-46	A1633-9	PACKING-O RING MCL -----								1	
	C-3103	HUB ASSEMBLY MCL -----								1	E
	D3522	HUB ASSEMBLY MCL -----								1	G
-47	B-3099	STUD-HUB MOUNTING MCL -----								6	
-48	A1562	DOWEL-HUB ALIGNMENT MCL -----								2	E
	A3047	DOWEL-HUB ALIGNMENT MCL -----								2	G
	A1562-30	DOWEL-HUB ALIGNMENT 0.0015 IN OVERSIZE MCL -----								AR	E
	A3047-30	DOWEL-HUB ALIGNMENT 0.0015 IN OVERSIZE MCL -----								AR	G
	A1562-45	DOWEL-HUB ALIGNMENT 0.0030 IN OVERSIZE MCL -----								AR	E
	A3047-45	DOWEL-HUB ALIGNMENT 0.0030 IN OVERSIZE MCL -----								AR	G
-49	A2230	DECAL-PROP INSTALLATION INSTRUCTIONS MCL -----								1	
-50	D-3098	HUB-PROPELLER MCL -----								1	E
-51	D3521	HUB-PROPELLER MCL -----								1	G

NOTE. *FURNISHED IN 3-1/2 IN STOCK LENGTHS.
 PROPER THICKNESS TO BE DETERMINED &
 CUT AT REASSEMBLY.

A---210 SERIAL 21058096 THRU 21058108
 & 21058145 THRU 21058220
 B---210 SERIAL 21058221 & ON
 C---210 SERIAL 21058511 & ON
 D---210 SERIAL 21058221 THRU 21058510
 E---210 SERIAL 21058096 THRU 21058108
 & 21058145 THRU 21058510
 F---T210 SERIAL T210-0001 & ON
 G---210 SERIAL 21058511 & ON
 T210 SERIAL T210-0001 & ON
 H---210 SERIAL 21058221 & ON
 T210 SERIAL T210-0001 & ON
 J---210 SERIAL 21058096 THRU 21058108
 & 21058145 & ON

This page intentionally left blank.

Propeller (Cont)



T210-0001 & ON
21058716 & ON

Figure 65A. Three Bladed Propeller Assembly

FIGURE AND INDEX NO.	PART NUMBER	DESCRIPTION	UNITS PER ASSY	USABLE ON CODE
65A-	C161006-0102	PROPELLER ASSEMBLY-THREE BLADED MCCAULEY ----- D3A32C77/82NK-2 80 IN DIA	1	A
	C161006-0101	PROPELLER ASSEMBLY-THREE BLADED MCCAULEY ----- D3A32C77/82NK-2 80 IN DIA	1	B
		ATTACHING PARTS		
- 1	A1639-2	NUT MCL -----	6	
- 2	A1638-2	WASHER-PLAIN MCL -----	6	
- 3	A1633-3	PACKING-O RING MCL -----	1	
		T210-0001 & ON		
		21058716 & ON		
- 4	A3530	WEIGHT-BALANCE MCL -----	AR	
		ATTACHING PARTS		
- 5	A1635-36	SCREW-ATTACH ONE WEIGHT MCL -----	2	
	A1635-40	SCREW-ATTACH TWO OR THREE WEIGHTS MCL -----	2	
	A1635-56	SCREW-ATTACH FOUR OR FIVE WEIGHTS MCL -----	2	
	A1635-57	SCREW-ATTACH SIX WEIGHTS MCL -----	2	
		ATTACHING PARTS		
- 6	B3503	RING HALF-SPACER MCL -----	6	
- 7	D3542/82NK-2	BLADE ASSEMBLY MCL -----	3	
- 8	A1958	DECAL MCL -----	1	
- 9	B3491	PIN-BLADE ACTUATING MCL -----	1	
-10	A3543	WASHER-SPACER MCL -----	1	
-11	A1580	PLUG-FERRULE STAKING MCL -----	1	
-12	C3111	FERRULE-BLADE RETENTION MCL -----	1	
	C2987	BEARING-BLADE RETENTION MCL -----	1	
-13	C2987	RACE-INNER MCL -----	1	
-14	A1634-5	BALL-BEARING MCL -----	30	
-15	A3110	SEPARATOR-BALL MCL -----	30	
-16	C2987-2	RACE-OUTER MCL -----	1	
-17	A1633-30	PACKING-O RING MCL -----	1	
-18	C3493	NUT-BLADE RETENTION MCL -----	1	
-19	B3476-8	SHIM-0.008 IN MCL -----	AR	
	B3476-10	SHIM-0.010 IN MCL -----	AR	
	B3476-12	SHIM-0.012 IN MCL -----	AR	
	B3476-14	SHIM-0.014 IN MCL -----	AR	
	B3476-16	SHIM-0.016 IN MCL -----	AR	
	B3476-18	SHIM-0.018 IN MCL -----	AR	
	B3476-20	SHIM-0.020 IN MCL -----	AR	
	B3476-22	SHIM-0.022 IN MCL -----	AR	
	B3476-25	SHIM-0.025 IN MCL -----	AR	
-20	B3478	RING-RETAINING MCL -----	1	
-21	B3551	RETAINER-GREASE MCL -----	3	
-22	A2356	DECAL-SPRING KIT INSTALLATION MCL -----	1	
-23	C1904	CYLINDER MCL -----	1	
		ATTACHING PARTS		
-24	A1635-43	SCREW MCL -----	8	
-25	A1638-9	WASHER-BRASS MCL -----	8	
		ATTACHING PARTS		
-26	A1938	GASKET-CYLINDER MCL -----	1	
-27	B3526	SUPPORT-SPACER MCL -----	1	
-28	A1633-12	PACKING-O RING MCL -----	1	
-29	A2351	WASHER-FIBER MCL -----	1	
-30	A1636-7	RING-EXTERNAL RETAINING MCL -----	2	
-31	A2108	SPACER STOCK-LOW PITCH STOP MCL -----	AR	
-32	A3124	GUIDE-SPRING MCL -----	2	
-33	A3125	SPRING-LOW PITCH RETURN BOOST MCL -----	1	
-34	A3556	SPACER-SPRING GUIDE MCL -----	1	
-35	B2345	TUBE-PISTON ROD MCL -----	1	
-36	A1633-9	PACKING-O RING MCL -----	1	
	B3531	PISTON ASSEMBLY MCL -----	1	
-37	B3557	PIN-PISTON MCL -----	3	
-38	B3529	LINK-BLADE ACTUATING MCL -----	3	
-39	D3496	PISTON-BLADE ACTUATING MCL -----	1	
-40	A1937	SPACER STOCK-HIGH PITCH STOP MCL -----	AR	
-41	A1633-9	PACKING-O RING MCL -----	1	

CONTINUED ON NEXT PAGE



FIGURE AND INDEX NO.	PART NUMBER	DESCRIPTION	UNITS PER ASSY	USABLE ON CODE
		1 2 3 4 5 6 7		
65A-41	D3541	HUB ASSEMBLY MCL -----	1	
-42	B3099	STUD-HUB MOUNTING MCL -----	6	
-43	A3047	DOWEL-HUB ALIGNMENT MCL -----	2	
	A3047-30	DOWEL-HUB ALIGNMENT 0.0015 IN OVERSIZE MCL -----	AR	
	A3047-45	DOWEL-HUB ALIGNMENT 0.0030 IN OVERSIZE MCL -----	AR	
-44	A2230	DECAL-PROP INSTALLATION INSTRUCTIONS MCL -----	1	
-45	C3498	ADAPTER-HUB SLEEVE MCL -----	1	
		ATTACHING PARTS		
-46	A1635-6	BOLT MCL -----	6	
-47	A1638-15	WASHER MCL -----	6	
		-----*-----		
-48	E3497	HUB-PROPELLER MCL -----	1	
<p>NOTE. *FURNISHED IN 3-1/2 IN STOCK LENGTHS. PROPER THICKNESS TO BE DETERMINED & CUT AT REASSEMBLY.</p> <p>A---210 SERIAL 21058716 & ON B---T210 SERIAL T210-0001 & ON</p>				

FIGURE AND INDEX NO.	PART NUMBER	DESCRIPTION	UNITS PER ASSY	USABLE ON CODE
66 -		1 2 3 4 5 6 7		
- 1	1252400-1	ENGINE COWL ASSEMBLY -----	NP	E
	1252400-10	COWL HALF-LH -----	1	A
	1252400-17	COWL HALF-LH -----	1	C
- 2	1252400-3	COWL HALF-LH -----	1	D
	1252400-12	SKIN ASSEMBLY-UPPER COWL LH -----	1	A
	1252400-19	SKIN ASSEMBLY-UPPER COWL LH -----	1	C
- 2A	1252400-16	SKIN ASSEMBLY-UPPER COWL LH -----	1	D
- 2B	1252000-11	ANGLE -----	1	B
- 3	1252000-9	STIFFENER -----	1	
- 4	0752624-3	HINGE HALF -----	2	A
	S1188-1	DOOR ASSEMBLY-ACCESS -----	1	B
	1452225-5	LATCH -----	1	B
	MS20253-2-4.04	HINGE ASSEMBLY -----	1	B
	1252002-4	PIN-HINGE -----	1	B
- 5	MS20253-2-646	DOOR ASSEMBLY-ACCESS -----	1	A
		ATTACHING PARTS -----		
- 6	S1188-1	PIN-HINGE -----	1	A
- 7	MS20253-2-646	LATCH -----	2	A
- 7A	S1397-1	PIN-COTTER -----	1	
- 7B	1252000-10	PLACARD -----	1	A
- 8	0752000-56	DOUBLER -----	1	A
- 9	S1188-1	DOOR ASSEMBLY-OIL -----	1	
-10	MS24665-134	LATCH -----	2	
-11	0752000-117	PIN-COTTER -----	1	
-11A	MS24665-134	HINGE ASSEMBLY -----	1	
-11B	0752000-64	PIN-HINGE -----	1	
-11C	0752000-14	LATCH -----	1	
-12	CM2791	DOUBLER -----	1	
-13	4002-G	SNAP RING CLC -----	20	
-14	4002-3	GROMMET CLC -----	20	
-15	4002-5	STUD CLC -----	19	
		STUD CLC -----	1	

CONTINUED ON NEXT PAGE

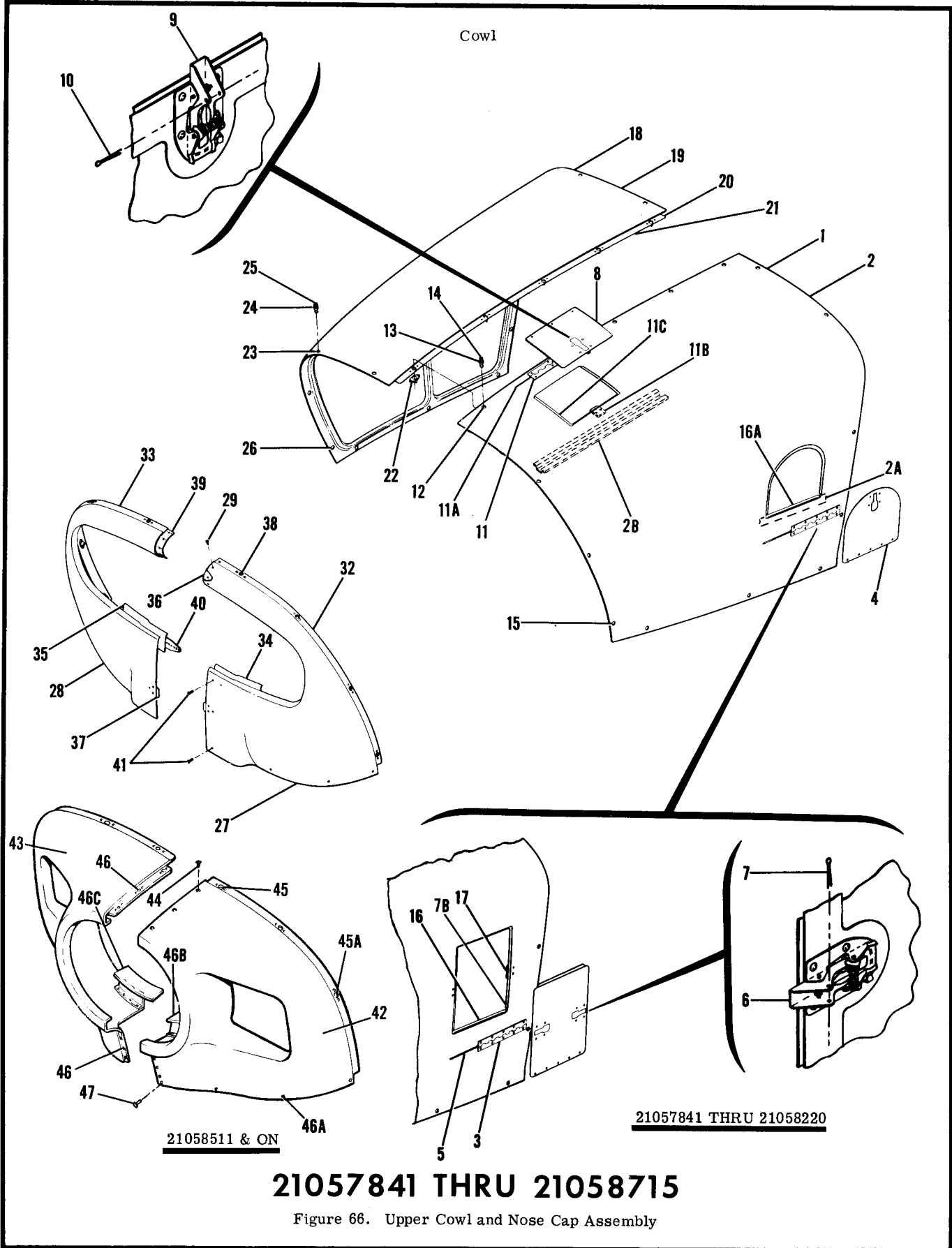
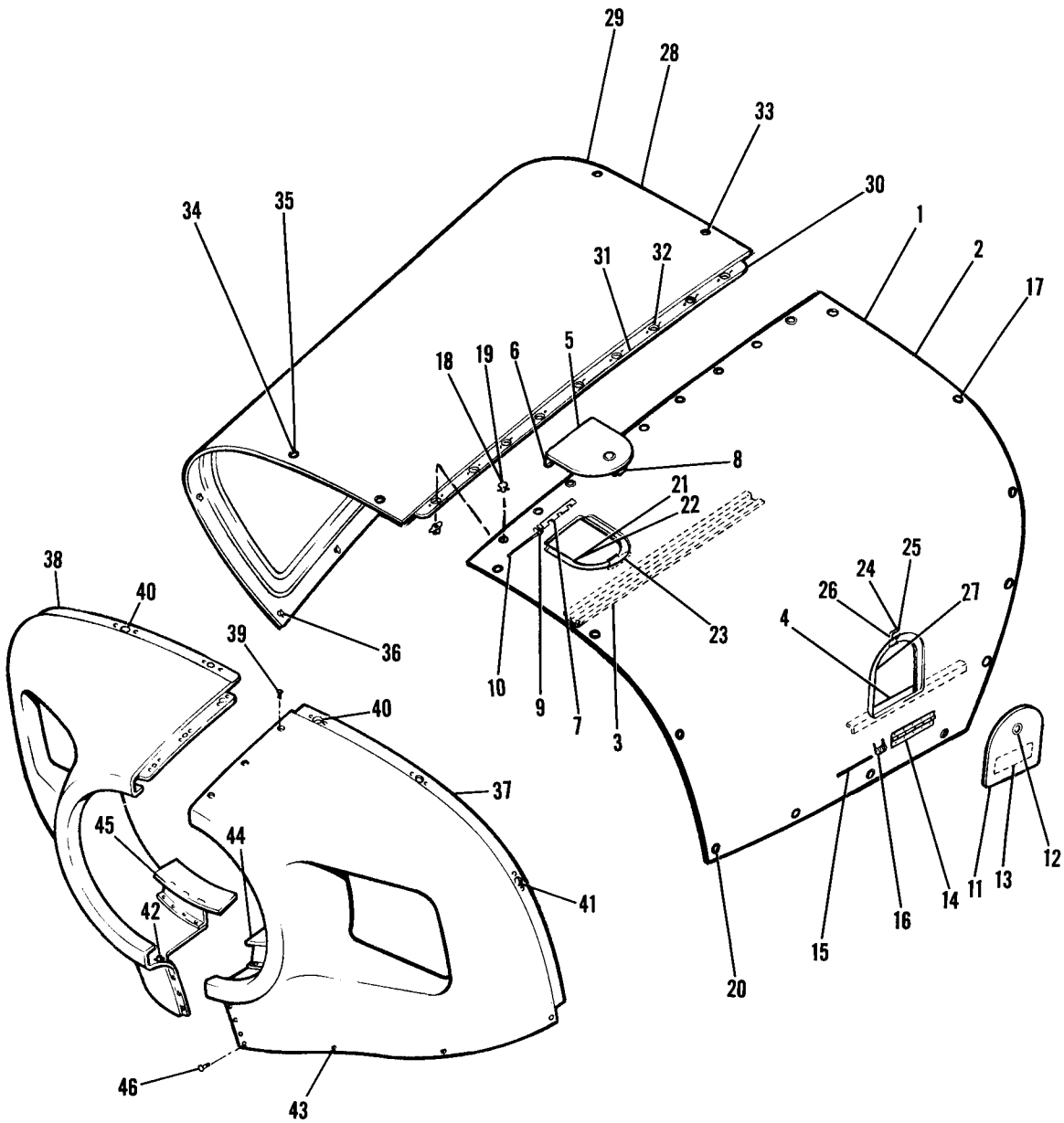




FIGURE AND INDEX NO.	PART NUMBER	DESCRIPTION	UNITS PER ASSY	USABLE ON CODE
		1 2 3 4 5 6 7		
66 -16	1252400-9	ANGLE-STIFFENER -----	1	A
-16A	1252400-15	DOUBLER-DOOR -----	1	B
-17	1252004-1	SPACER-DOOR -----	2	A
-18	1252400-2	COWL HALF RH -----	1	E
	1252400-18	COWL HALF-RH -----	1	D
-19	1252400-4	SKIN ASSEMBLY-UPPER COWL RH -----	1	E
	1252400-20	SKIN ASSEMBLY-UPPER COWL RH -----	1	D
-20	1252001-1	STRIP ASSEMBLY-REMOVABLE COWL -----	1	
-21	1250001-2	STRIP -----	1	
-22	4002-244-16	RECEPTACLE CLC -----	9	
-23	CM2791	SNAP RING CLC -----	11	
-24	4002-6	GROMMET CLC -----	11	
-25	4002-3	STUD CLC -----	10	
-26	4002-5	STUD CLC -----	1	
		NOSE CAP ASSEMBLY-UPPER -----	1	E
-27	1252410-3	PANEL ASSEMBLY-NOSE CAP LH -----	1	
-28	1252410-4	PANEL ASSEMBLY-NOSE CAP RH -----	1	
		ATTACHING PARTS		
-29	AN509-10R7	SCREW -----	7	
		---*---		
-30		DELETED NOT PROCURABLE -----		
-31		DELETED NOT PROCURABLE -----		
-32	1252410-9	DOUBLER-NOSE CAP ATTACH LH -----	1	
-33	1252410-10	DOUBLER-NOSE CAP ATTACH RH -----	1	
-34	1252010-9	DOUBLER-NOSE CAP LH -----	1	
-35	1252010-10	DOUBLER-NOSE CAP RH -----	1	
-36	1252010-11	DOUBLER-UPPER SPLICE LH -----	1	
	1252010-12	DOUBLER-UPPER SPLICE RH -----	1	
-37	1252013-1	CLIP-NOSE CAP -----	1	
-38	4002-244-16	RECEPTACLE CLC -----	3	
-39	1252010-2	SPLICE ASSEMBLY-RH -----	1	
	1252010-16	SPLICE-UPPER NOSE CAP -----	1	
	NAS697A3	NUTPLATE -----	4	
-40	1252012-1	PLATE ASSEMBLY-NOSE CAP RH -----	1	
	1252012-2	PLATE-NOSE CAP -----	1	
	NAS697A3	NUTPLATE -----	2	
-41	AN509C10-5	SCREW -----	14	
		NOSE CAP ASSEMBLY-UPPER -----	1	D
-42	1252413K201	PANEL ASSEMBLY KIT-NOSE CAP LH -----	1	
-43	1252413K200	PANEL ASSEMBLY KIT-NOSE CAP RH -----	1	
		ATTACHING PARTS		
-44	AN509-10R10	SCREW -----	6	
		---*---		
-45	4002-244-16	RECEPTACLE -----	4	
-45A	4002-244-16	* RECEPTACLE -----	2	
-46	NAS680A3	NUTPLATE RH ONLY -----	6	
-46A	S1589-3	* EYELETS -----	6	
-46B	1252413-11	SEAL-LH -----	1	
-46C	1252413-12	SEAL-RH -----	1	
-47	AN509-10R9	SCREW -----	12	
NOTE. *THESE PARTS ARE SHIPPED AS LOOSE ITEMS.				
A---210 SERIAL 21057841 THRU 21058220				
B---210 SERIAL 21058221 THRU 21058715				
C---210 SERIAL 21058221 THRU 21058510				
D---210 SERIAL 21058511 THRU 21058715				
E---210 SERIAL 21057841 THRU 21058510				

Cowl (Cont)

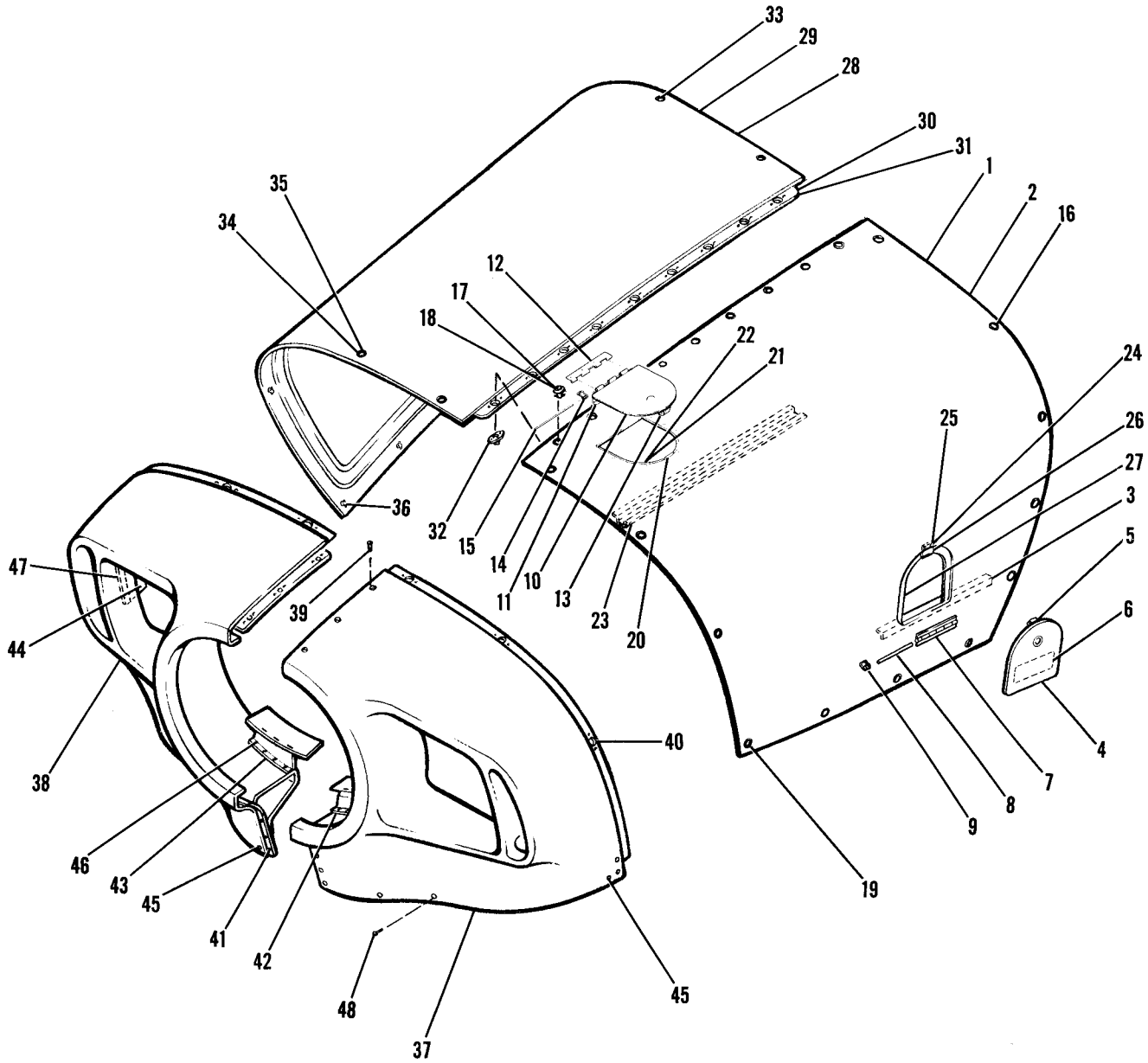


21058716 & ON

Figure 66A. Upper Cowl and Nose Cap Assembly

FIGURE AND INDEX NO.	PART NUMBER	DESCRIPTION	UNITS PER ASSY	USABLE ON CODE
		1 2 3 4 5 6 7		
66A-		ENGINE COWL & NOSE CAP INSTALLATION -----	NP	A
- 1	1252400-33	COWL HALF-LH -----	1	
- 2	1252400-34	SKIN ASSEMBLY-UPPER COWL-LH -----	1	
- 3	1252000-11	STIFFENER -----	1	
- 4	1252400-16	ANGLE -----	1	
- 5	1250823-1	DOOR ASSEMBLY-OIL FILLER -----	1	
- 6	1552004-24	RETAINER ASSEMBLY -----	1	
- 7	1552004-22	HINGE HALF -----	1	
- 8	KM610-51	LATCH CLC -----	1	
- 9	1552010-1	SPRING -----	1	
-10	1552004-17	PIN-HINGE -----	1	
-11	1250841-1	DOOR ASSEMBLY-OIL CHECK -----	1	
-12	KM610-51	LATCH CLC -----	1	
-13	S1397-3	PLACARD -----	1	
-14	1452225-44	HINGE ASSEMBLY -----	1	
-15	AN253-2-4.04	PIN-HINGE -----	1	
-16	1252010-1	SPRING -----	1	
-17	CM2791	SNAP RING CLC -----	20	
-18	4002G	GROMMET CLC -----	20	
-19	4002-3	STUD CLC -----	19	
-20	4002-5	STUD CLC -----	1	
-21	1250842-1	DOUBLER -----	1	
-22	1250842-2	SPACER -----	1	
-23	1552004-25	STRIKER -----	1	
-24	0752635-1	STRIKER -----	1	
-25	0752635-2	SPACER -----	1	
		ATTACHING PARTS		
-26	AN507-632R6	SCREW -----	2	
	NAS679A06	NUT -----	2	
		-----*		
-27	1252400-15	DOUBLER -----	1	
-28	1252400-18	COWL HALF-RH -----	1	
-29	1252400-20	SKIN ASSEMBLY-UPPER COWL RH -----	1	
-30	1252001-1	STRIP ASSEMBLY-REMOVABLE COWL -----	1	
-31	1252001-2	STRIP -----	1	
-32	4002-244-16	RECEPTACLE CLC -----	9	
-33	CM2791	SNAP RING CLC -----	11	
-34	4002G	GROMMET CLC -----	11	
-35	4002-3	STUD -----	10	
-36	4002-5	STUD -----	1	
		NOSE CAP ASSEMBLY-UPPER	NP	
-37	1252413K201	PANEL ASSEMBLY-NOSE CAP LH-KIT -----	1	
-38	1252413K200	PANEL ASSEMBLY-NOSE CAP RH-KIT -----	1	
		ATTACHING PARTS		
-39	AN509-10R10	SCREW -----	6	
		-----*		
-40	4002-244-16	RECEPTACLE -----	4	
-41	4002-244-16	RECEPTACLE -----	2	
-42	NAS680A3	NUTPLATE-RH ONLY -----	6	
-43	S1589-3	EYELETS -----	6	
-44	1252413-11	SEAL-LH -----	1	
-45	1252413-12	SEAL-RH -----	1	
-46	AN509-10R9	SCREW -----	12	
		NOTE. *THESE PARTS ARE SHIPPED AS LOOSE ITEMS		
		A---210 SERIAL 21058716 & ON		

Cowl (Cont)



T210-0001 & ON

Figure 66B. Upper Cowl and Nose Cap Assembly

FIGURE AND INDEX NO.	PART NUMBER	DESCRIPTION	UNITS PER ASSY	USABLE ON CODE
		1 2 3 4 5 6 7		
66B-		ENGINE COWL & NOSE CAP INSTALLATION -----	NP	A
- 1	1252400-25	COWL HALF-LH -----	1	
- 2	1252400-31	SKIN ASSEMBLY-UPPER COWL LH -----	1	
- 3	1252400-16	ANGLE -----	1	
- 4	1250841-1	DOOR ASSEMBLY-OIL CHECK ACCESS -----	1	
- 5	KM610-51	LATCH CLC -----	1	
- 6	S1397-3	PLACARD -----	1	
- 7	1452225-44	HINGE ASSEMBLY ----- T210-0001 & ON	1	
- 8	AN253-2-4.04	PIN-HINGE -----	1	
- 9	1552010-1	SPRING -----	1	
-10	1250823-1	DOOR ASSEMBLY-OIL FILLER ACCESS -----	1	
-11	1552004-24	RETAINER ASSEMBLY -----	1	
-12	1552004-22	HINGE HALF -----	1	
-13	KM610-51	LATCH CLC -----	1	
-14	1552010-1	SPRING -----	1	
-15	1552004-17	PIN-HINGE -----	1	
-16	CM2791	SNAP RING CLC -----	1	
-17	4002G	GROMMET CLC -----	20	
-18	4002-3	STUD CLC -----	19	
-19	4002-5	STUD CLC -----	1	
-20	1552004-25	STRIKER -----	1	
-21	1250842-1	DOUBLER -----	1	
-22	1250842-2	SPACER -----	1	
-23	1252000-11	STIFFENER -----	1	
-24	0752635-1	STRIKER -----	1	
-25	0752635-2	SPACER -----	1	
		ATTACHING PARTS		
-26	AN507-632	SCREW -----	2	
	NAS679A06	NUT -----	2	
		---*---		
-27	1252400-15	DOUBLER -----	1	
-28	1252400-26	COWL HALF-RH -----	1	
-29	1252400-32	SKIN ASSEMBLY-UPPER COWL RH -----	1	
-30	1252001-1	STRIP ASSEMBLY-REMOVABLE COWL -----	1	
-31	1252001-2	STRIP -----	1	
-32	4002-244-16	RECEPTACLE CLC -----	9	
-33	CM2791	SNAP RING CLC -----	11	
-34	4002G	GROMMET CLC -----	11	
-35	4002-3	STUD CLC -----	10	
-36	4002-5	STUD CLC -----	1	
-37	1250821-1	NOSE CAP ASSEMBLY-LH -----	1	
-38	1250821-2	NOSE CAP ASSEMBLY-RH -----	1	
		ATTACHING PARTS		
-39	AN509-10R10	SCREW -----	6	
		---*---		
-40	4002-244-16	RECEPTACLE CLC -----	3	
-41	NAS680A3	NUTPLATE -----	3	
-42	1250822-1	SEAL ASSEMBLY-LH -----	1	
-43	1250822-2	SEAL ASSEMBLY-RH -----	1	
-44	1250893-1	SEAL-RH ONLY -----	1	
-45	S1589-3	EYELET-LH -----	12	
	S1589-3	EYELET-RH -----	6	
-46	AN960PD2	WASHER -----	5	
-47	1250893-2	RETAINER-RH -----	1	
-48	AN509-10R9	SCREW -----	12	
		A---T210 SERIAL T210-0001 & ON		

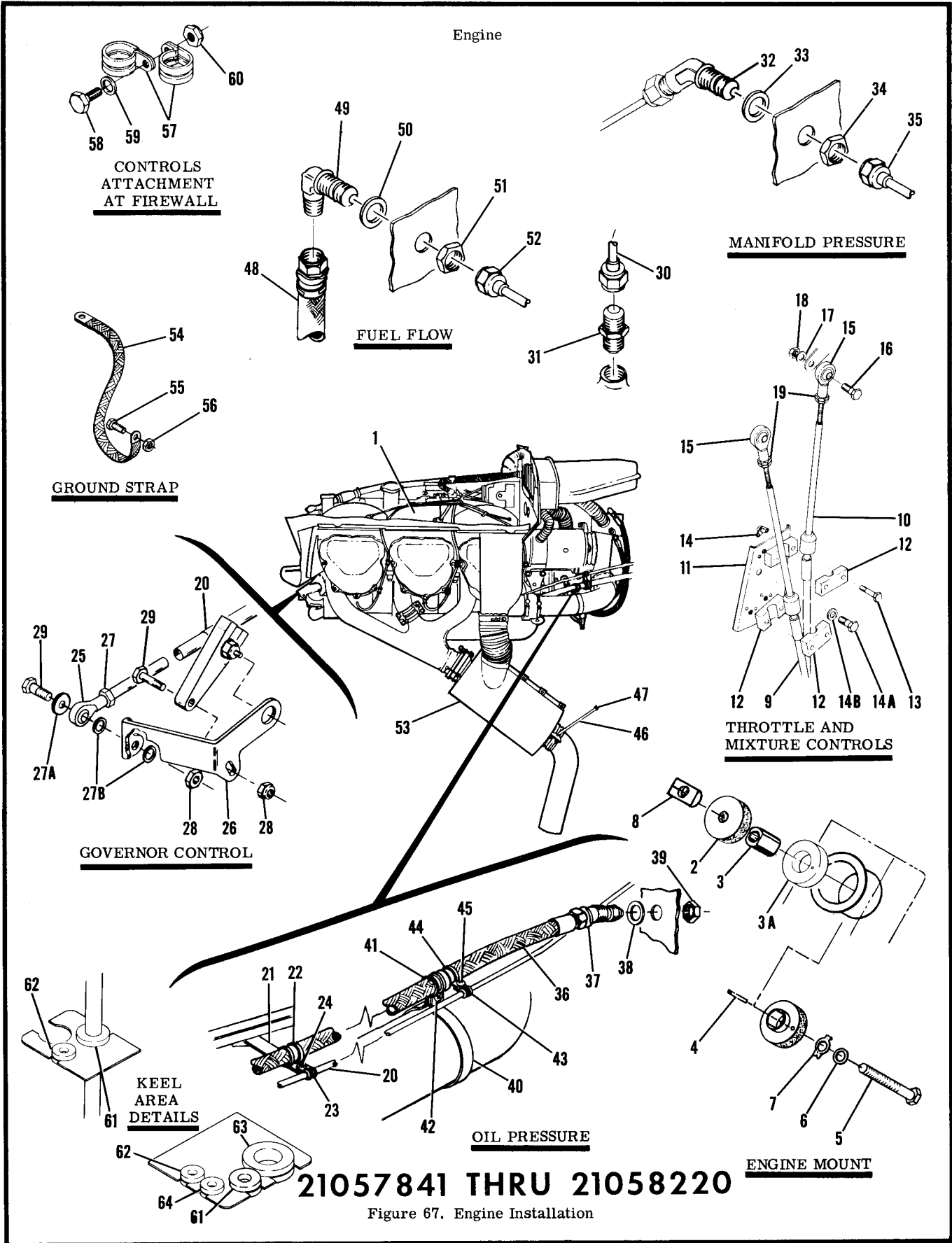


Figure 67. Engine Installation



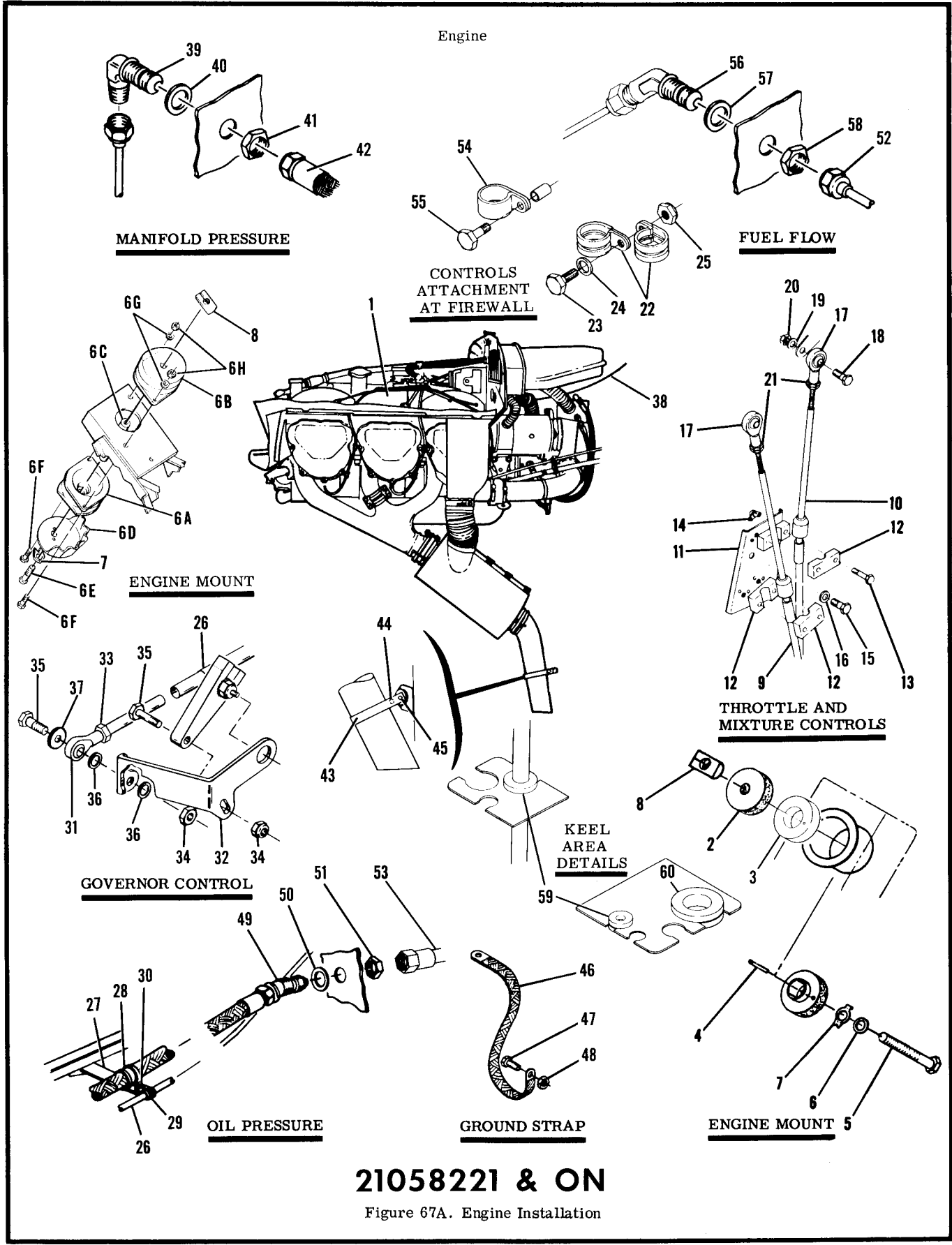
FIGURE AND INDEX NO.	PART NUMBER	DESCRIPTION	UNITS PER ASSY	USABLE ON CODE
		1 2 3 4 5 6 7		
67 -		ENGINE INSTALLATION -----	NP	E
- 1		ENGINE ASSEMBLY-CONTINENTAL SEE FIGURE 68 -----	1	
		ATTACHING PARTS		
- 2	0750132-1	SHOCK MOUNT ASSEMBLY -----	4	
- 3	0750132-2	SPACER -----	1	
- 3A	0851551-1	SPACER -----	1	
- 4	NAS561-P4-15	PIN -----	4	
- 5	AN7-33A	BOLT -----	4	
- 6	AN960-716L	WASHER -----	AR	
- 7	0851559-1	LOCKWASHER -----	4	
- 8	539911	NUT-BARREL CM -----	4	
		-----*		
- 9	S1220-3	CONTROL-MIXTURE -----	1	
-10	S1219-1	CONTROL-THROTTLE -----	1	
		ATTACHING PARTS		
	1250401-1	CLAMP ASSEMBLY -----	1	
-11	1250401-2	BRACKET -----	1	
-12	1250401-3	CLAMP HALF -----	1	
-13	AN3-7A	BOLT -----	4	
-14	NAS698A3	NUTPLATE -----	4	
-14A	MS20074-03-3	BOLT ATTACH 1250401-1 TO ENGINE -----	2	
-14B	AN960-10L	WASHER ATTACH 1250401-1 TO ENGINE -----	2	
-15	S1104-3	ROD END -----	1	
-16	AN3-6A	BOLT -----	1	
-17	AN960-10L	WASHER -----	3	
-18	NAS679A3	NUT -----	1	
-19	AN315-3R	NUT -----	2	
-19A	MS20074-03-3	BOLT -----	2	
		-----*		
-20	S1223-2	CONTROL-PROPELLER -----	1	
		ATTACHING PARTS		
-21	0550100-9	BRACKET -----	1	
-22	MS21919DG8	CLAMP -----	1	
-23	S1486DG5U	CLAMP -----	1	
-24	S1021Z8-8	SCREW -----	1	
-25	S1104-3	ROD END -----	1	
-26	0750138	ARM -----	1	
-27	AN315-3R	NUT -----	1	
-27A	AN960D10	WASHER -----	2	
-27B	AN970-3	WASHER -----	1	
-28	NAS679A3	NUT -----	2	
-29	AN3-7A	BOLT -----	2	
		-----*		
-30	1200106-54	LINE ASSEMBLY-MANIFOLD PRESSURE ENGINE TO FIREWALL -----	1	
		ATTACHING PARTS		
-31	AN816-2D	NIPPLE -----	1	
-32	AN837-2D	ELBOW -----	1	
-33	AN960D516	WASHER -----	1	
-34	AN924-2D	NUT -----	1	
		-----*		
-35	1200106-47	LINE ASSEMBLY-MANIFOLD PRESSURE FIREWALL TO PANEL -----	1	C
	S1168-2-13	HOSE ASSEMBLY-MANIFOLD PRESSURE FIREWALL TO PANEL -----	1	D
-36	S1167-4-0240	HOSE ASSEMBLY-OIL PRESSURE -----	1	
		ATTACHING PARTS		
-37	AN837-4D	ELBOW -----	1	
-38	AN960D716	WASHER -----	1	
-39	AN924-4D	NUT -----	1	
-40	S1485D36L	CLAMP -----	1	
-41	MS21919DG8	CLAMP -----	1	
-42	S1021Z10-8	SCREW -----	1	
-43	MS21919DG5	CLAMP -----	1	
-44	MS21919DG8	CLAMP -----	1	
-45	S1021Z8-8	SCREW -----	1	
	NAS446-4-3	NUT -----	1	
		-----*		
-46	1250254-1	SUPPORT ASSEMBLY-EXHAUST STACK -----	2	A
	1250259-1	CLAMP ASSEMBLY -----	2	B
		ATTACHING PARTS		
-47	AN3-4A	BOLT -----	2	
	NAS679A3	NUT -----	2	
		-----*		

CONTINUED ON NEXT PAGE

FIGURE AND INDEX NO.	PART NUMBER	DESCRIPTION	UNITS PER ASSY	USABLE ON CODE
		1 2 3 4 5 6 7		
67 -48	S1168-2-32	HOSE ASSEMBLY-FUEL PRESSURE ----- ATTACHING PARTS	1	
-49	AN833-2D	ELBOW -----	1	
-50	AN960D516	WASHER -----	1	
-51	AN924-2D	NUT ----- -----*	1	
-52	1200106-36	LINE ASSEMBLY-FUEL FLOW FIREWALL TO PANEL -----	1	
	0813627-1	SNUBBER-FUEL FLOW LINE -----	1	
-53		EXHAUST STACK ASSEMBLIES SEE FIGURE 71 -----	NP	
-54	0412007-8	GROUND STRAP ----- ATTACHING PARTS	1	
-55	AN4-4A	BOLT -----	1	
-56	NAS679A4	NUT ----- -----*	1	
-57	MS21919D65	CLAMP -----	2	
-58	AN3-4A	BOLT -----	1	
-59	AN960-10L	WASHER -----	1	
-60	NAS679A3	NUT -----	1	
-61	MS35489-11	GROMMET -----	2	
-62	MS35489-6	GROMMET -----	2	
-63	MS35489-20	GROMMET -----	1	
-64	MS35489-4	GROMMET -----	1	
<p>NOTE.*WHEN ORDERING THIS PART FOR AIRPLANES PRIOR TO 21058130, ALSO ORDER ONE AN3-7A BOLT, ONE AN970-3 WASHER AND TWO AN960D10 WASHER.</p> <p>A---210 SERIAL 21057841 THRU 21057999 B---210 SERIAL 21058000 THRU 21058220 C---210 SERIAL 21057841 THRU 21057974 D---210 SERIAL 21057975 THRU 21058220 E---210 SERIAL 21057841 THRU 21058220</p>				

FIGURE AND INDEX NO.	PART NUMBER	DESCRIPTION	UNITS PER ASSY	USABLE ON CODE
		1 2 3 4 5 6 7		
67A-		ENGINE INSTALLATION -----	NP	A
- 1		ENGINE ASSEMBLY-CONTINENTAL SEE FIGURE 63 -----	1	
		ATTACHING PARTS -----		
- 2	0750132-1	SHOCKMOUNT ASSEMBLY ----- 21058221 & ON ----	4	B
- 3	0851551-1	SPACER -----	4	B
- 4	NAS561P4-15	PIN -----	4	B
- 5	AN7-33A	BOLT -----	4	B
- 6	AN960-716	WASHER -----	AR	
	AN960-716L	WASHER -----	AR	
	J12453-2	SHOCK MOUNT ASSEMBLY-FORWARD LO -----	2	C
	J12453-1	SHOCK MOUNT ASSEMBLY-REAR LO -----	2	C
	J12454-1	SHOCK MOUNT REAR ONLY LO -----	2	C
- 6A	J12454-1	SHOCK MOUNT FORWARD LOWER LO -----	1	C
- 6B	J12454-2	SHOCK MOUNT FORWARD UPPER LO -----	1	C
- 6C	J10931-11	SPACER LO -----	1	C
- 6D	1250878-1	DEFLECTOR -----	4	C
- 6E	AN7-41A	BOLT -----	4	C
- 6F	AN4-7A	BOLT -----	8	C
- 6G	AN960-416	WASHER -----	8	C
- 6H	NAS679A4	NUT -----	8	C
- 7	0851559-1	LOCKWASHER -----	4	
- 8	539911	NUT-BARREL CM -----	4	
		-----*		
- 9	S1220-3	CONTROL-MIXTURE -----	1	
-10	S1219-1	CONTROL-THROTTLE -----	1	B
	S1222-10	CONTROL-THROTTLE -----	1	C
		ATTACHING PARTS -----		
	1250401-1	CLAMP ASSEMBLY -----	1	
-11	1250401-2	BRACKET -----	1	
-12	1250401-3	CLAMP HALF -----	4	
-13	AN3-7A	BOLT -----	4	
-14	NAS698A3	NUTPLATE -----	4	
-15	MS20074-03-3	BOLT ATTACH 1250401-1 TO ENGINE -----	2	
-16	AN960-10L	WASHER ATTACH 1250401-1 TO ENGINE -----	2	
-17	S1104-3	ROD END -----	1	
-18	AN3-6A	BOLT -----	1	
-19	AN960-10L	WASHER -----	1	
-20	NAS679A3	NUT -----	1	
-21	AN315-3R	NUT -----	2	
-22	MS21919D65	CLAMP ATTACH S-1220-3 & S-1219-3 TOGETHER -----	2	
-23	AN3-4A	BOLT -----	1	
-24	AN960-10L	WASHER -----	1	
-25	NAS679A3	NUT -----	1	
		-----*		

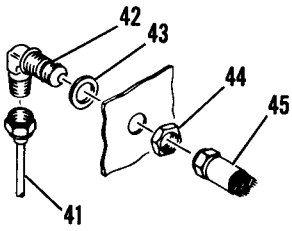
CONTINUED ON NEXT PAGE



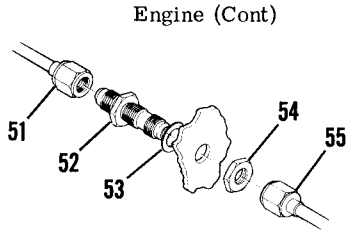
21058221 & ON

Figure 67A. Engine Installation

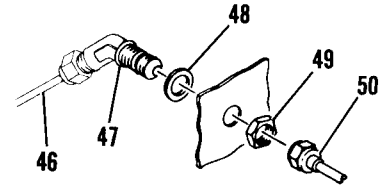
FIGURE AND INDEX NO.	PART NUMBER	DESCRIPTION	UNITS PER ASSY	USABLE ON CODE
		1 2 3 4 5 6 7		
67A-26	S1223-2	CONTROL-PROPELLER -----	1	B
	S1223-4	CONTROL-PROPELLER -----	1	C
		ATTACHING PARTS		
-27	0550100-9	BRACKET -----	1	
-28	MS21919DG8	CLAMP -----	1	
-29	S1486DG8U	CLAMP -----	1	
-30	S1021Z8-8	SCREW -----	1	
-31	S1104-3	ROD END -----	1	
-32	0750138	ARM -----	1	
-33	AN315-3R	NUT -----	1	
-34	NAS679A3	NUT -----	2	
-35	AN3-7A	BOLT -----	2	
-36	AN960D10	WASHER -----	2	
-37	AN970-3	WASHER -----	1	
		*-----		
-38	S1363-3	SHAFT-TACHOMETER -----	1	
		ATTACHING PARTS		
-39	AN833-2D	ELBOW -----	1	
-40	AN960D516	WASHER -----	1	
-41	AN924-2D	NUT -----	1	
-42	S1168-2-13	HOSE ASSEMBLY-MANIFOLD PRESSURE FIREWALL TO PANEL -----	1	
	AN816-2D	NIPPLE ATTACH MANIFOLD PRESSURE HOSE AT PANEL -----	1	
-43	1250259-1	CLAMP ASSEMBLY-EXHAUST -----	1	
		ATTACHING PARTS		
-44	AN3-5A	BOLT -----	1	
	AN960-10L	WASHER -----	1	
	NAS679A3	NUT -----	1	
-45	AN3-6A	BOLT -----	2	
	AN960-10L	WASHER -----	2	
	NAS679A3	NUT -----	2	
		*-----		
-46	0412007-8	GROUND STRAP -----	1	
		ATTACHING PARTS		
-47	AN4-4A	BOLT -----	1	
-48	NAS679A4	NUT -----	1	
		*-----		
-49	AN837-4D	ELBOW OIL PRESSURE -----	1	
-50	AN960D716	WASHER -----	1	
-51	AN924-4D	NUT -----	1	
-52	1200106-36	LINE ASSEMBLY-FUEL PRESSURE FIREWALL TO PANEL -----	1	
-53	1200106-57	LINE ASSEMBLY-OIL PRESSURE FIREWALL TO PANEL -----	1	
-54	AN742D4	CLAMP ATTACH INDUCTION AIR CONTROL TO FIREWALL -----	1	
		ATTACHING PARTS		
-55	AN3-7A	BOLT -----	1	
	NAS43DD3-32	SPACER -----	1	
		*-----		
-56	AN837-2D	ELBOW ATTACH FUEL PRESSURE LINE AT FIREWALL -----	1	D
	1250890-1	ELBOW ATTACH FUEL PRESSURE LINE AT FIREWALL -----	1	E
-57	AN960D516	WASHER -----	1	
-58	AN924-2D	NUT -----	1	
-59	MS35489-6	GROMMET ATTACH MANIFOLD DRAIN LINE AT KEEL -----	2	
-60	MS35489-20	GROMMET ATTACH CRANKCASE VENT LINE AT KEEL -----	1	
-61	MS35489-11	GROMMET -----	2	
-62	MS35489-4	GROMMET -----	1	
		*-----		
		A---210 SERIAL 21058221 & ON		
		B---210 SERIAL 21058221 THRU 21058510		
		C---210 SERIAL 21058511 & ON		
		D---210 SERIAL 21058221 THRU 21058715		
		E---210 SERIAL 21058716 & ON		



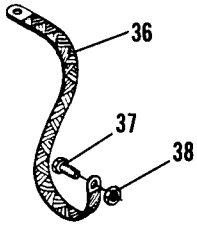
MANIFOLD PRESSURE



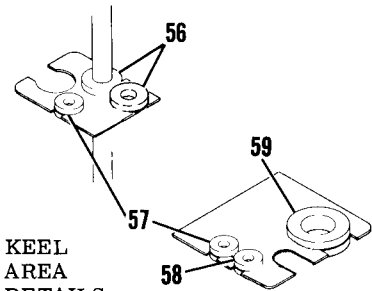
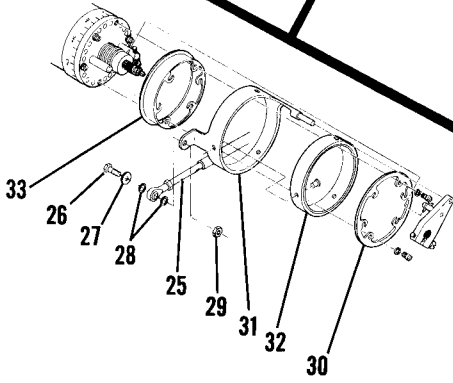
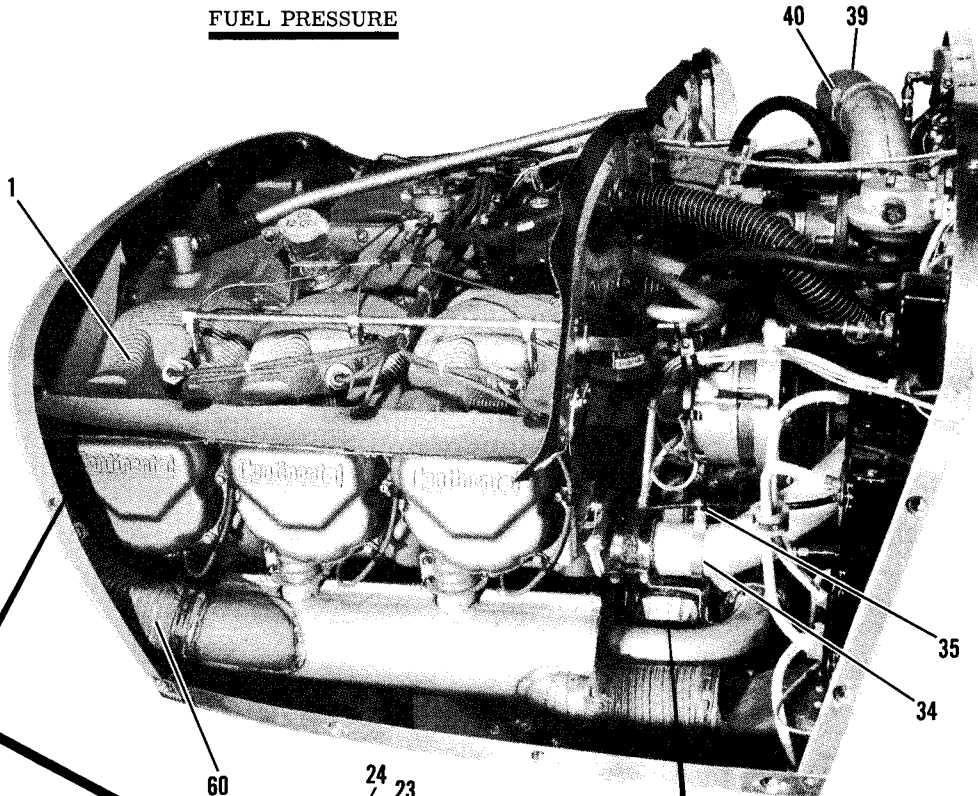
FUEL PRESSURE



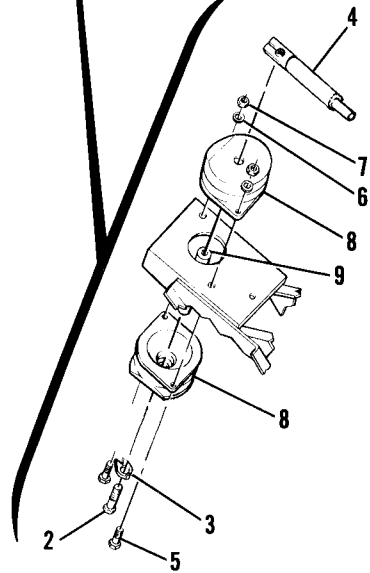
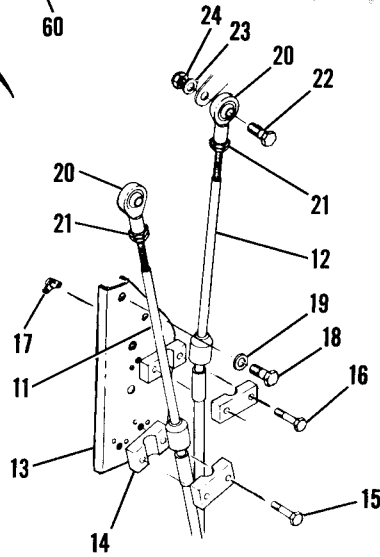
FUEL PRESSURE



GROUND STRAP



KEEL AREA DETAILS



T210-0001 & ON

Figure 67B. Engine Installation - Turbocharged



FIGURE AND INDEX NO.	PART NUMBER	DESCRIPTION	UNITS PER ASSY	USABLE ON CODE
			1 2 3 4 5 6 7	
67B-		ENGINE INSTALLATION-TURBOCHARGED -----	NP	A
- 1		ENGINE ASSEMBLY-TURBOCHARGED SEE FIGURE 68B -----	1	
		ATTACHING PARTS -----		
- 2	AN7-41A	BOLT -----	4	
- 3	0851559-1	LOCK WASHER -----	4	
- 4	1250897-1	SHAFT ASSEMBLY LH SIDE -----	2	
	539911	NUT-BARREL RH SIDE CM -----	2	
- 5	AN4-7A	BOLT -----	8	
- 6	AN960-416	WASHER -----	8	
- 7	NAS679A4	NUT -----	8	
- 8	J12454-1	DELETED, NEVER USED -----		
	J12454-1	SHOCK MOUNT REAR LO -----	4	
	J12454-2	SHOCK MOUNT LOWER FRONT RH LO -----	1	
	1250896-1	SHOCK MOUNT UPPER FRONT LO -----	2	
	J10931-11	SHOCK MOUNT LOWER FRONT LH LO -----	1	
- 9		SPACER -----	1	
-10		DELETED, NEVER USED -----		
-11	S1220-3	CONTROL-MIXTURE -----	1	
-12	S1220-10	CONTROL-THROTTLE -----	1	
		ATTACHING PARTS -----		
-13	1250807-1	CLAMP ASSEMBLY -----	1	
-14	1250401-3	CLAMP HALF -----	4	
-15	AN3-7A	BOLT -----	2	
-16	AN3-10A	BOLT -----	2	
-17	NAS698A3	NUTPLATE -----	4	
-18	MS20074-03-3	BOLT -----	3	
-19	AN960-10L	WASHER -----	3	
-20	S1104-3	ROD END -----	2	
-21	AN315-3R	NUT-CHECK -----	2	
-22	AN3-6A	BOLT -----	2	
-23	AN960-10L	WASHER -----	2	
-24	NAS679A3	NUT -----	2	
	MS21919DG5	CLAMP ATTACH CONTROLS TOGETHER -----	2	
	AN3-4A	BOLT -----	2	
	AN960-10L	WASHER -----	2	
	NAS679A3	NUT -----	2	
-25	S1223-4	CONTROL-GOVERNOR -----	1	
		ATTACHING PARTS -----		
-26	AN3-7A	BOLT -----	1	
-27	AN970-3	WASHER -----	1	
-28	AN960D10	WASHER -----	2	
-29	NAS679A3	NUT -----	1	
-30	1250838-2	RETAINER -----	1	
	1250837-1	ARM & BEARING ASSY-GOVERNOR CONTROL -----	1	
-31	1250837-7	ARM-GOVERNOR CONTROL -----	1	
-32	1250837-3	BEARING -----	1	
-33	1250838-1	RACE-CONTROL ARM ASSEMBLY -----	1	
-34	S1485D36L	CLAMP -----	1	
-35	MS21919DG5	CLAMP -----	1	
	S1021210-8	SCREW -----	1	
-36	0412007-8	STRAP-GROUND -----	1	
		ATTACHING PARTS -----		
-37	AN4-4A	BOLT -----	1	
-38	NAS679A4	NUT -----	1	
-39	1250833-1	HOSE -----	1	
		ATTACHING PARTS -----		
-40	AN737TW91	CLAMP -----	2	

CONTINUED ON NEXT PAGE



FIGURE AND INDEX NO.	PART NUMBER	DESCRIPTION							UNITS PER ASSY	USABLE ON CODE
		1	2	3	4	5	6	7		
67B-41	1200106-118	LINE ASSEMBLY-MANIFOLD PRESSURE -----							1	
		ATTACHING PARTS								
-42	AN816-2D	ELBOW -----							1	
-43	AN960D516	WASHER -----							1	
-44	AN924-2D	NUT -----							1	
		-----*								
-45	S1168-2-13	HOSE ASSEMBLY FIREWALL TO GAGE -----							1	
-46	1200106-83	LINE ASSEMBLY-FUEL PRESSURE MANIFOLD VALVE TO FIREWALL ---							1	
		ATTACHING PARTS								
-47	1250890-1	ELBOW -----							1	
-48	AN960D516	WASHER -----							1	
-49	AN924-2D	NUT -----							1	
		-----*								
-50	1200106-36	LINE ASSY-FUEL PRESSURE FIREWALL TO FUEL PORT ON GAGE ---							1	
-51	1200106-119	LINE ASSY-FUEL PRESSURE AIR MANIFOLD TO FIREWALL -----							1	
		ATTACHING PARTS								
-52	AN832-2D	UNION -----							1	
-53	AN960D516	WASHER -----							1	
-54	AN924-2D	NUT -----							1	
		-----*								
-55	1200106-36	LINE ASSY-FUEL PRESSURE FIREWALL TO VENT PORT ON GAGE ---							1	
-56	MS35489-11	GROMMET -----							2	
-57	MS35489-6	GROMMET -----							2	
-58	MS35489-4	GROMMET -----							1	
-59	MS35489-20	GROMMET -----							1	
-60		CABIN HEAT & DEFROST INSTALLATION SEE FIGURE 76A -----							NP	
A---T210 SERIAL T210-0001 & ON										

This page intentionally left blank.

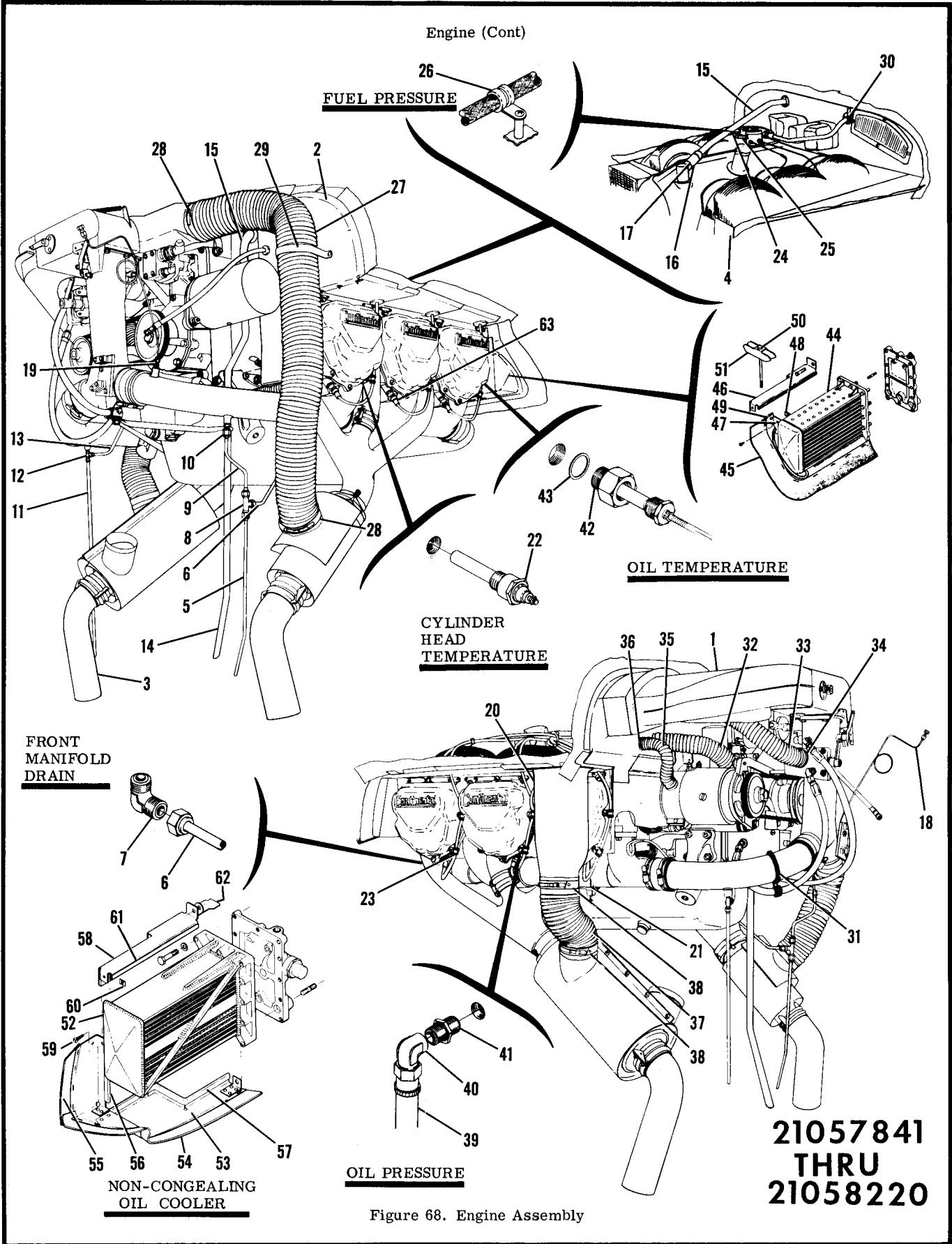


Figure 68. Engine Assembly



FIGURE AND INDEX NO.	PART NUMBER	DESCRIPTION	UNITS PER ASSY	USABLE ON CODE
		1 2 3 4 5 6 7		
68 -		ENGINE ASSEMBLY-CONTINENTAL -----	NP	C
	I0-470-S	ENGINE CM -----	1	
- 1		BOX INSTALLATION-INDUCTION AIR SEE FIGURE 69 -----	1	
- 2		BAFFLES INSTALLATION-ENGINE SEE FIGURE 72 -----	1	
- 3		EXHAUST STACK INSTALLATION SEE FIGURE 71 -----	1	
- 4		GOVERNOR-PROPELLER SEE FIGURE 70 -----	1	
- 5	1200106-7	LINE ASSEMBLY-MANIFOLD DRAIN LOWER RH -----	1	
- 6	1200106-6	LINE ASSEMBLY-MANIFOLD DRAIN FORWARD -----	1	
		ATTACHING PARTS -----		
- 7	MS20822-4D	ELBOW -----	1	
- 8	AN824-4D	TEE -----	1	
	1250402-1	SUPPORT-MANIFOLD DRAIN -----	1	
		-----*-----		
- 9	1200106-50	LINE ASSEMBLY-MANIFOLD DRAIN UPPER RH -----	1	
		ATTACHING PARTS -----		
-10	AN816-4D	NIPPLE -----	1	
		-----*-----		
-11	1200106-49	LINE ASSEMBLY-MANIFOLD DRAIN LH -----	1	
		ATTACHING PARTS -----		
-12	MS20826-4D	TEE -----	1	
		-----*-----		
-13	1200106-48	LINE ASSEMBLY-ENGINE PUMP -----	1	
		ATTACHING PARTS -----		
	MS20823-4D	ELBOW -----	1	
		-----*-----		
-14	1200106-8	TUBE-BREATHING AFT -----	1	
-15	0500106-164	TUBE-BREATHING FORWARD -----	1	
		ATTACHING PARTS -----		
-16	S51-12	HOSE-3.0 IN. LG. BULK ITEM REF S-51-12-12 -----	2	
-17	NAS397-18	CLAMP -----	4	
		-----*-----		
-18	1200106-54	LINE ASSEMBLY-MANIFOLD PRESSURE -----	1	
		ATTACHING PARTS -----		
-19	AN816-2D	NIPPLE -----	1	
		-----*-----		
-20	1250123-1	INLET ASSEMBLY-AIR -----	1	
		ATTACHING PARTS -----		
	S102126-6	SCREW -----	6	
	NAS446-2-3	NUT -----	6	
		-----*-----		
-21	0750121-1	DEFLECTOR-EXHAUST HEAT -----	6	
-22	S1372-1	TRANSMITTER-CYLINDER HEAD TEMPERATURE -----	1	A
	0713602-200 *	TRANSMITTER-CYLINDER HEAD TEMPERATURE MATCHED SET -----	1	D
	AN900-6	GASKET -----	1	
-23	82582	CLAMP ADEL -----	6	
-24	S1168-2-*	HOSE ASSEMBLY-FUEL PRESSURE ENGINE TO FIREWALL -----	1	
		ATTACHING PARTS -----		
-25	MS20822-2D	ELBOW -----	1	
-26	MS21919DG6	CLAMP -----	1	
	AN3-12A	BOLT -----	1	
	NAS43DD3-48	SPACER -----	1	
	NAS679A3	NUT -----	1	
		-----*-----		
-27	S1053K24T	DUCT-38.0 IN. LG. BULK ITEM REF S-1053K-24T-38.0 -----	1	A
		ATTACHING PARTS -----		
-28	NAS398-50	CLAMP -----	2	
-29	AN742D50	CLAMP -----	1	
	AN3-12A	BOLT -----	1	
	NAS43DD3-56	SPACER -----	1	
	NAS679A3	NUT -----	1	
		-----*-----		
		CONTINUED ON NEXT PAGE		

FIGURE AND INDEX NO.	PART NUMBER	DESCRIPTION	UNITS PER ASSY	USABLE ON CODE
68 -30	MS21919DG8	CLAMP -----	1	
	AN515-8R8	SCREW -----	1	
	AN960-8L	WASHER -----	1	
	NAS679A08	NUT -----	1	
-31	MS21919DG3	CLAMP -----	1	
	S1485D36L	CLAMP -----	1	
	S1021Z10-8	SCREW -----	1	
-32	S1053E12T	DUCT-16.5 IN. LG. BULK ITEM REF S-1053E-12T-16.5 ----	1	
-33	S1053E12T	DUCT-19.0 IN. LG. BULK ITEM REF S-1053E-12T-19.0 ----	1	
		ATTACHING PARTS		
-34	NAS397-28	CLAMP -----	2	
		-----*		
-35	S1053E7T	DUCT-6.5 IN. LG. BULK ITEM REF S-1053E-7T-6.5 -----	1	
		ATTACHING PARTS		
-36	NAS397-16	CLAMP -----	2	
		-----*		
-37	S1053K24T	DUCT-*** IN. LG. BULK ITEM REF S-1053K-24T-*** -----	1	
		ATTACHING PARTS		
-38	NAS398-50	CLAMP -----	2	
		-----*		
-39	S1167-4-0240	HOSE ASSEMBLY-OIL PRESSURE -----	1	
		ATTACHING PARTS		
-40	0752037-1	ELBOW ASSEMBLY -----	1	
-41	AN912-3	BUSHING -----	1	
		-----*		
-42	0750139	ADAPTOR-OIL TEMPERATURE -----	1	
-43	AN900-10	GASKET -----	1	
		COOLER INSTALLATION-LARGE FLOW OIL -----	NP	
-44	EQ5491S	KIT-OIL COOLER CM -----	1	
-45	0700309-1	BAFFLE ASSEMBLY -----	1	
-46	0700309-2	BAFFLE ASSEMBLY -----	1	
-47	0700309-3	BRACKET-OIL COOLER -----	1	
-48	NAS446-2-3	NUT -----	2	
-49	S1021Z6-6	SCREW -----	2	
-50	AN3-60A	BOLT -----	1	
-51	0750117-31	SUPPORT -----	1	
		COOLER INSTALLATION OIL-NON CONGEALING -----	1	B
-52	EQ5914	KIT-OIL COOLER CM -----	1	
-53	1200614-2	BAFFLE ASSEMBLY -----	1	
-54	0700318-8	SEAL -----	1	
-55	0700318-7	SEAL -----	1	
-56	S202RB	MOULDING 5.0 IN LG BULK ITEM REF S-202-R500B ----	1	
-57	S202RB	MOULDING 11.50 IN LG BULK ITEM REF S-202-R1150B -	1	
-58	1200614-4	BAFFLE ASSEMBLY -----	1	
		ATTACHING PARTS		
-59	S1021Z6-6	SCREW -----	1	
-60	NAS446-2-3	NUT -----	1	
		-----*		
-61	S-202RB	MOULDING 8.50 IN LG BULK ITEM REF S-202-R850B ---	1	
-62	0750152-3	BAFFLE -----	1	
-63	SL300A-C	SPARK PLUG FOR USE IN SHIELDED SYSTEM WITH 3-4 20-3A ----	12	
		THREADS		
<p>NOTE. *SENDING UNIT, GAGE, AND POTENTIOMETER MUST BE ORDERED AS A MATCHED SET, SEE FIGURE 58.</p> <p>A---210 SERIAL 21057841 THRU 21058085 B---210 SERIAL 21058070 THRU 21058220 C---210 SERIAL 21058741 THRU 21058220 D---210 SERIAL 21058086 THRU 21058220</p>				



FIGURE AND INDEX NO.	PART NUMBER	DESCRIPTION	UNITS PER ASSY	USABLE ON CODE
68A-		ENGINE ASSEMBLY -----	NP	A
- 1	1D-520A	ENGINE-CONTINENTAL -----	1	
- 2		BOX INSTALLATION-INDUCTION AIR SEE FIGURE 69A -----	1	
- 3		BAFFLES INSTALLATION-ENGINE SEE FIGURE 72A -----	1	
- 4	0750101-68	EXHAUST STACK ASSEMBLIES SEE FIGURE 71 -----	2	
- 5	1200106-7	GOVERNOR-PROPELLER SEE FIGURE 70A -----	1	
- 6	1200106-6	LINE ASSEMBLY-MANIFOLD DRAIN LOWER RH -----	1	
		LINE ASSEMBLY-MANIFOLD DRAIN FORWARD -----	1	
		ATTACHING PARTS -----		
- 7	MS20822-4D	ELBOW -----	1	
- 8	AN824-4D	TEE -----	1	
	1250402-1	SUPPORT-MANIFOLD DRAIN -----	1	
	S1486DG4L	CLAMP -----	1	
	S1021Z8-8	SCREW -----	1	

- 9	1200106-50	LINE ASSEMBLY-MANIFOLD DRAIN UPPER RH -----	1	
		ATTACHING PARTS -----		
-10	AN816-4D	NIPPLE -----	1	

-11	1200106-49	LINE ASSEMBLY-MANIFOLD DRAIN LH -----	1	
		ATTACHING PARTS -----		
-12	MS20826-4D	TEE -----	1	

-13	1200106-84	LINE ASSEMBLY-ENGINE PUMP -----	1	
-14	1200106-8	TUBE-BREATHING AFT -----	1	B
	1200106-113	TUBE-BREATHING AFT -----	1	C
-15	1200106-164	TUBE-BREATHING FORWARD -----	1	B
	1200106-108	TUBE-BREATHING FORWARD -----	1	C
		ATTACHING PARTS -----		
-16	S51-12	HOSE-3.0 IN LG BULK ITEM REF S-51-12-12 -----	2	
-17	NAS397-18	CLAMP -----	4	

-18	1200106-54	LINE ASSEMBLY-MANIFOLD PRESSURE -----	1	
		ATTACHING PARTS -----		
-19	AN816-2D	NIPPLE -----	1	

-20	1250123-1	INLET ASSEMBLY-AIR -----	1	
		ATTACHING PARTS -----		
	S1021Z6-6	SCREW -----	6	
	NAS446-2-3	NUT -----	6	

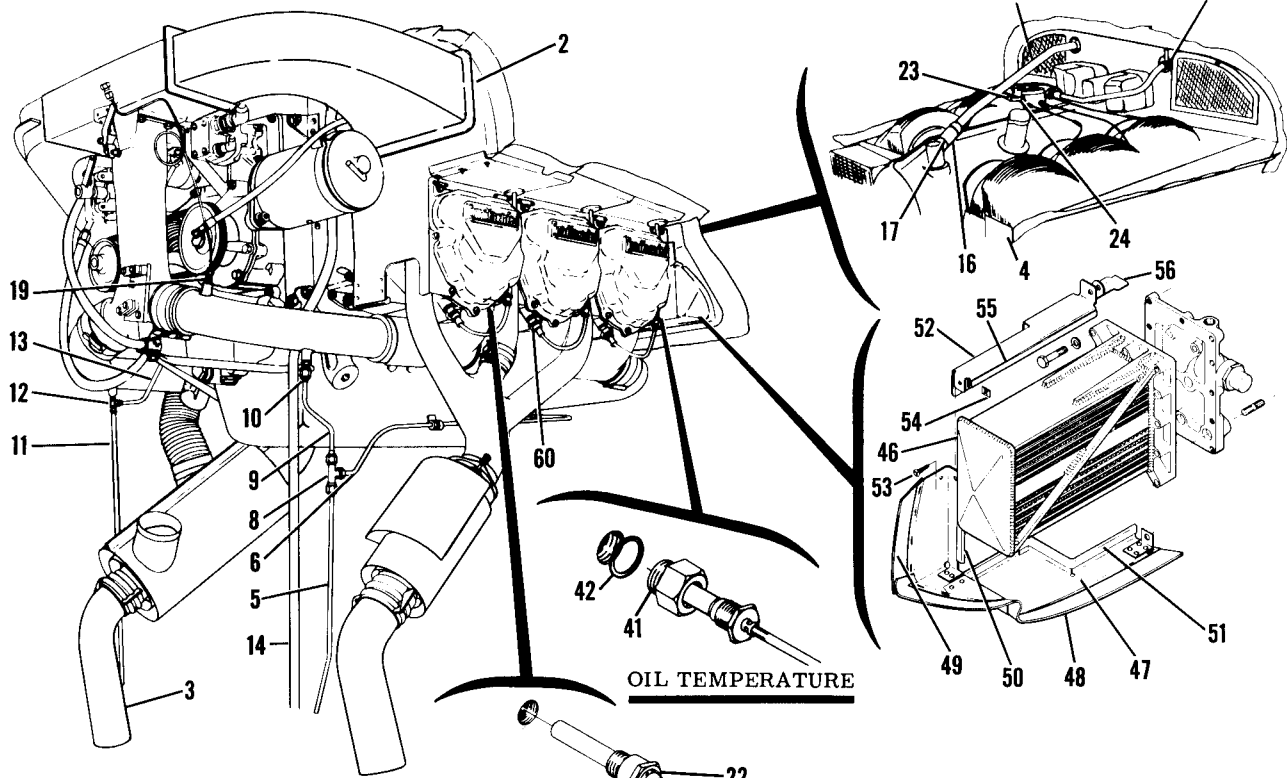
-21	0750121-1	DEFLECTOR-EXHAUST HEAT -----	6	
-22	1213505-200	SENDING UNIT-CYLINDER HEAD TEMPERATURE MATCHED SET -----	1	
	AN900-6	GASKET USED WITH SENDING UNIT ABOVE -----	1	
-23	1200106-83	LINE ASSEMBLY-FUEL PRESSURE -----	1	
-24	MS20822-2D	ELBOW ATTACH FUEL PRESSURE LINE AT DISTRIBUTOR -----	1	
-25	MS21919DG8	CLAMP -----	1	
	AN515-8R8	SCREW -----	1	
	AN960-8L	WASHER -----	1	
	NAS679A08	NUT -----	1	
-26	MS21919DG3	CLAMP -----	1	
	S1485D36L	CLAMP -----	1	
	S1021Z10-8	SCREW -----	1	
-27	S1053E12T	DUCT 16.5 IN LG BULK ITEM REF S-1053E-12T-16.5 --	1	
-28	S1053E12T	DUCT 19.0 IN LG BULK ITEM REF S-1053E-12T-19.0 --	1	
		ATTACHING PARTS -----		
-29	NAS397-28	CLAMP -----	2	

-30	S1053E7T	DUCT 14.5 IN LG BULK ITEM REF S1053E7T-14.5 -----	1	E
		ATTACHING PARTS -----		
-31	NAS397-16	CLAMP -----	2	E

-32	S1236-4	HOSE ASSEMBLY-OIL PRESSURE -----	1	
		ATTACHING PARTS -----		
-33	0752037-1	ELBOW ASSEMBLY -----	1	
-34	AN912-3	BUSHING -----	1	
-35	S1485D36L	CLAMP -----	1	
-36	MS21919DG3	CLAMP -----	1	
-37	S1021Z10-8	SCREW -----	1	
-38	MS21919DG5	CLAMP -----	1	
-39	MS21919DG8	CLAMP -----	1	
-40	S1021Z8-8	SCREW -----	1	
	NAS446-4-3	NUT -----	1	

CONTINUED ON NEXT PAGE

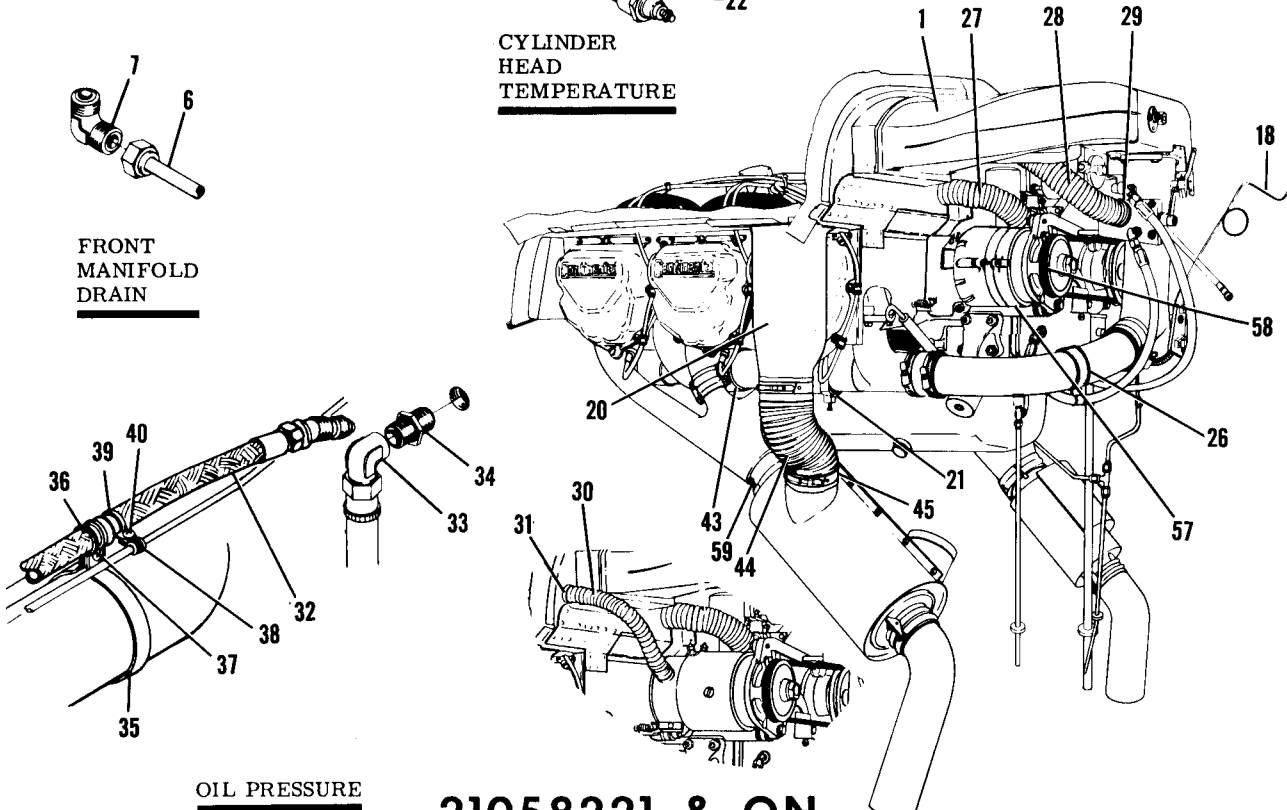
Engine (cont)



OIL TEMPERATURE

CYLINDER HEAD TEMPERATURE

FRONT MANIFOLD DRAIN



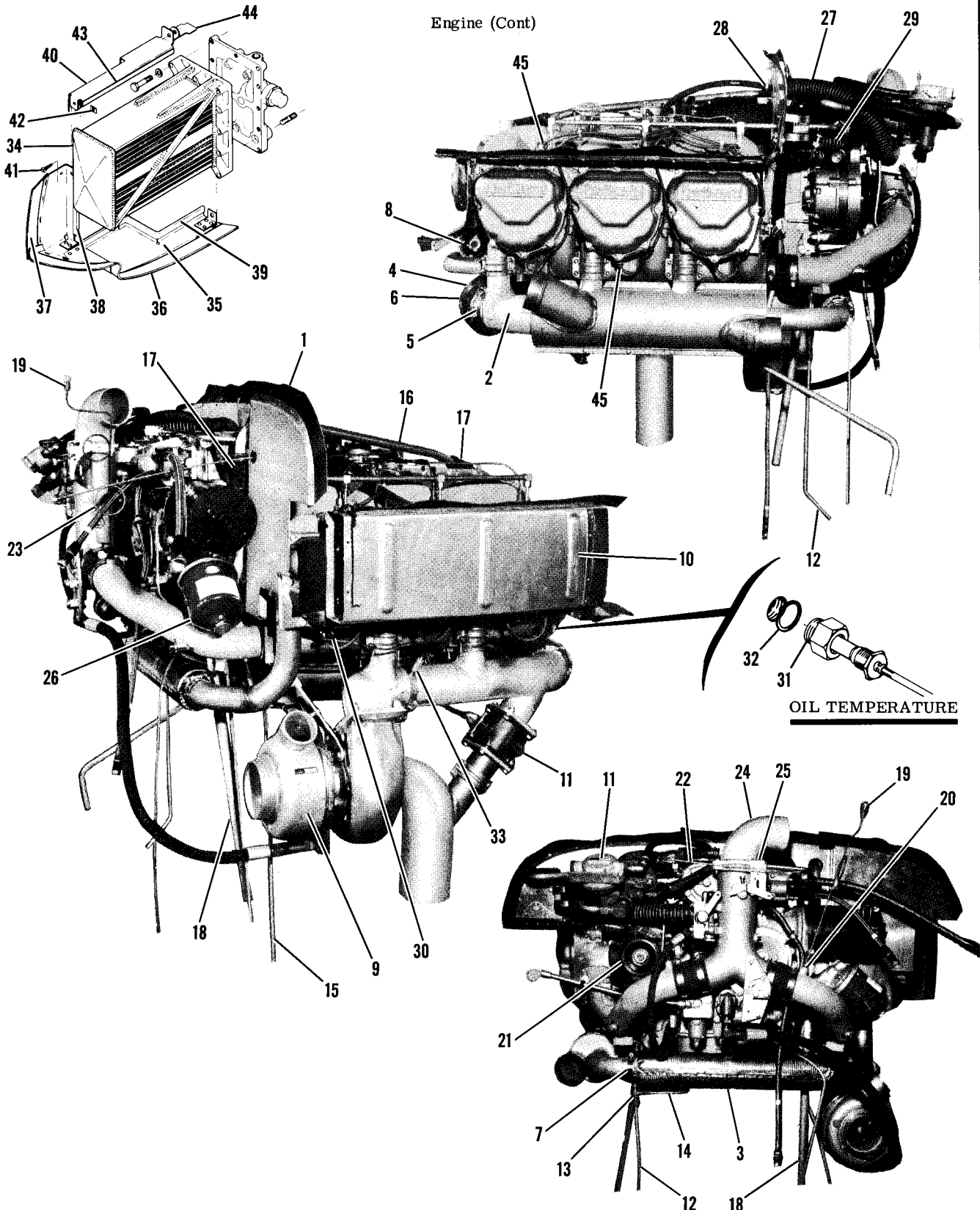
OIL PRESSURE

21058221 & ON

Figure 68A. Engine Assembly

FIGURE AND INDEX NO.	PART NUMBER	DESCRIPTION	UNITS PER ASSY	USABLE ON CODE
		1 2 3 4 5 6 7		
68A-41	0750139	ADAPTER-OIL TEMPERATURE -----	1	
-42	AN900-10	GASKET -----	1	
-43	0450191-1	CLAMP -----	1	
	AN3-12A	BOLT -----	1	
	AN936B10	WASHER -----	1	
	AN741-18P	CLAMP -----	1	
	NAS679A3	NUT -----	1	
-44	S1053E7T	DUCT 9.5 IN LONG BULK ITEM REF S-1053K-24T-9.5 -----	1	
		ATTACHING PARTS	1	
-45	NAS398-50	CLAMP -----	2	
		-----*		
		COOLER INSTALLATION OIL-NON CONGEALING -----	1	
-46	EQ5914	KIT-OIL COOLER CM -----	1	
-47	1200614-2	BAFFLE ASSEMBLY -----	1	
-48	0700318-8	SEAL -----	1	
-49	0700318-7	SEAL -----	1	
-50	S202RB	MOULDING 5.0 IN LG BULK ITEM REF S-202-R5008 -----	1	
-51	S202RB	MOULDING 11.50 IN LG BULK ITEM REF S-202-R1150B -----	1	
-52	1200614-4	BAFFLE ASSEMBLY -----	1	
		ATTACHING PARTS	1	
-53	S1021Z6-6	SCREW -----	1	
-54	NAS446-2-3	NUT -----	1	
		-----*		
-55	S202RB	MOULDING 8.50 IN LG BULK ITEM REF S-202-R850B -----	1	
-56	0750152-3	BAFFLE -----	1	
-57		ALTERNATOR INSTALLATION SEE FIGURE 113 -----	1	
-58	S1597-1-31.2	DRIVE BELT-ALTERNATOR -----	1	D F G D D
	S1597-1-30.8	DRIVE BELT-ALTERNATOR -----	1	
-59	C665801-0110	PROBE ASSEMBLY-ECONOMY POWER INDICATOR -----	1	
	AN515-4R4	SCREW -----	2	
-60	SL350C	SPARK PLUG FOR USE IN SHIELDED SYSTEM WITH 3-4 20-3A -----	12	
		THREADS		
		NOTE. *SENDING UNIT, GAGE & POTENTIOMETER MUST BE ORDERED AS A MATCHED SET. ORDER 1213505-200.		
		A---210 SERIAL 21058221 & ON B---210 SERIAL 21058221 THRU 21058491 C---210 SERIAL 21058492 & ON D---210 SERIAL 21058511 & ON E---210 SERIAL 21058221 THRU 21058491 F---210 SERIAL 21058511 THRU 21058715 G---210 SERIAL 21058716 & ON		

Engine (Cont)



T210-0001 & ON

Figure 68B. Engine Assembly - Turbocharged

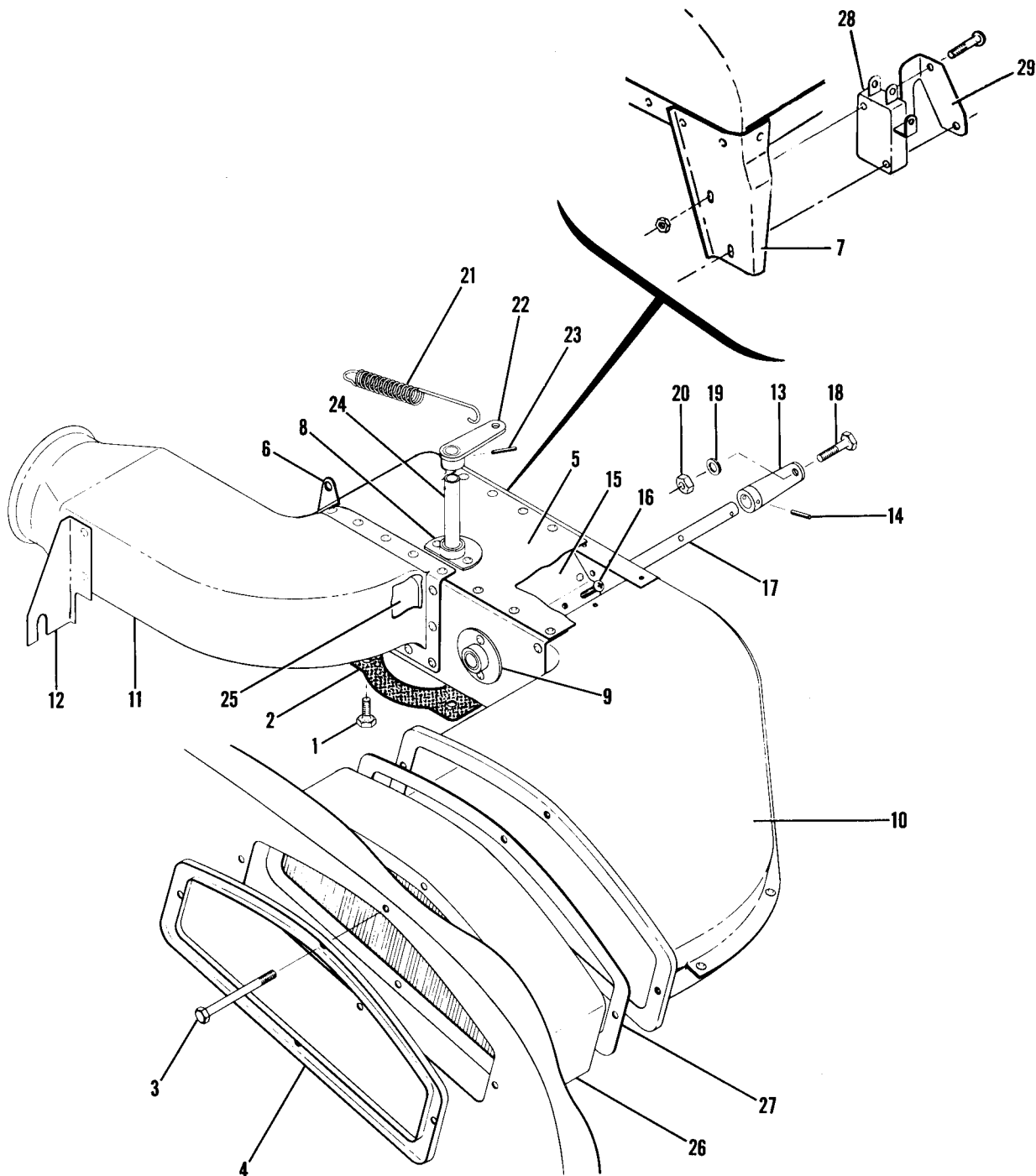
FIGURE AND INDEX NO.	PART NUMBER	DESCRIPTION	UNITS PER ASSY	USABLE ON CODE
68B-		1 2 3 4 5 6 7 ENGINE ASSEMBLY-TURBOCHARGED-----	NP	A
	TS10520C	ENGINE-CONTINENTAL -----	1	
- 1		BAFFLES INSTALLATION SEE FIGURE 72B -----	1	
- 2		EXHAUST SYSTEM COMPONENTS ---SEE FIGURE 71A -----	1	
- 3	1250914-1 **	INSULATION BLANKET ASSEMBLY-REAR -----	1	
	1250914-2	INSULATION BLANKET ASSEMBLY-REAR UPPER-----	1	
	1250914-3	INSULATION BLANKET ASSEMBLY-REAR LOWER-----	1	
- 4	1250915-1 **	INSULATION BLANKET ASSEMBLY-FRONT -----	1	
	1250915-2	INSULATION BLANKET-FRONT UPPER -----	1	
	1250915-3	INSULATION BLANKET-FRONT LOWER -----	1	
- 5	QS100M48S	CLAMP FRONT BC -----	2	
- 6	NAS398-62	CLAMP FRONT -----	2	
- 7	NAS397-28	CLAMP REAR -----	2	
- 8	0750101-71	GOVERNOR-PROPELLER SEE FIGURE 70A -----	1	
- 9		TURBOCHARGER INSTALLATION ---SEE FIGURE 69C -----	NP	
-10		AIR INLET INSTALLATION SEE FIGURE 69B -----	NP	
-11		EXHAUST VALVE & CONTROLLER INSTALLATION SEE FIG 69D-----	NP	
-12	1200106-123	LINE ASSEMBLY-MANIFOLD DRAIN LH LOWER -----	1	
	1200106-120	LINE ASSEMBLY-MANIFOLD DRAIN LH UPPER -----	1	
		ATTACHING PARTS -----		
	MS20822-4D	ELBOW -----	1	
-13	AN824-4D	TEE -----	1	
		---*---		
-14	1200106-121	LINE ASSEMBLY-PUMP DRAIN -----	1	
-15	1200106-122	LINE ASSEMBLY-MANIFOLD DRAIN RH -----	1	
-16	1200106-108	TUBE-BREATHER FORWARD-----	1	
-17	S51-12-	HOSE 3 IN LG---BULK ITEM---REF S51-12-12 -----	2	
		ATTACHING PARTS -----		
	NAS397-18	CLAMP -----	2	
		---*---		
-18	1200106-113	TUBE-BREATHER AFT -----	1	
-19	1200106-118	LINE ASSEMBLY-MANIFOLD PRESSURE -----	1	
		ATTACHING PARTS -----		
-20	AN816-2D	NIPPLE-----	1	
		---*---		
-21	S1597-1-30.8	BELT-ALTERNATOR DRIVE-----	1	
-22	1200106-119	LINE ASSEMBLY-FUEL PRESSURE -----	1	
		ATTACHING PARTS -----		
	AN816-2D	NIPPLE-----	1	
		---*---		
-23	1200106-83	LINE ASSEMBLY-FUEL PRESSURE -----	1	
-24	1250817-1	ADAPTER ASSEMBLY-THROTTLE BODY-----	1	
		ATTACHING PARTS -----		
-25	AN4-11A	BOLT -----	4	
	NAS679A4	NUT -----	4	
	AN960PD10	WASHER-----	4	
		---*---		
-26		OIL FILTER INSTALLATION SEE FIGURE 93A -----	NP	
-27	S1053E12T	DUCT 19.0 IN LG BULK ITEM REF S1053E12T19.0-----	1	
		ATTACHING PARTS -----		
	NAS397-28	CLAMP -----	2	
		---*---		
-28	MS21919DG8	CLAMP -----	1	
		ATTACHING PARTS -----		
	AN515-8R8	SCREW -----	1	
	AN960-8L	WASHER-----	1	
	NAS679A08	NUT -----	1	
		---*---		
-29	S1053E12T	DUCT 16.5 IN LG BULK ITEM REF S1053E12T16.5-----	1	
		ATTACHING PARTS -----		
	NAS397-28	CLAMP -----	2	
		---*---		

CONTINUED ON NEXT PAGE

FIGURE AND INDEX NO.	PART NUMBER	DESCRIPTION	UNITS PER ASSY	USABLE ON CODE
68B-30	1213505-200 *	SENDING UNIT-CYLINDER HEAD TEMPERATURE MATCHED SET ----	1	
	AN900-6	GASKET-----	1	
-31	0750139	ADAPTER-OIL TEMPERATURE -----	1	
-32	AN900-10	GASKET-----	1	
-33	C668501-0110	PROBE-ECONOMY POWER INDICATOR -----	1	
	AN515-4R4	SCREW -----	2	
		OIL COOLER INSTALLATION-NON CONGEALING -----	NP	
-34	EQ5914	KIT-OIL COOLER-----CM -----	1	
-35	1200614-2	BAFFLE ASSEMBLY -----	1	
-36	0700318-8	SEAL -----	1	
-37	0700318-7	SEAL -----	1	
-38	S202RB	MOULDING-5.0 IN LG BULK ITEM REF S202R500B ----	1	
-39	S202RB	MOULDING-11.50 IN LG BULK ITEM REF S202R1150B ----	1	
-40	1200614-4	BAFFLE ASSEMBLY -----	1	
		ATTACHING PARTS		
-41	S1021Z6-6	SCREW -----	1	
-42	NAS446-2-3	NUT -----	1	
		---*---		
-43	S202RB	MOULDING-8.50 IN LG BULK ITEM REF S202R850B ----	1	
-44	0750152-3	BAFFLE -----	1	
-45	SL350C	SPARK PLUG FOR USE IN SHIELDED SYSTEMS WITH 3-4 20.3A THREADS	12	
<p>NOTE. *SENDING UNIT, GAGE & POTENTIOMETER MUST BE ORDERED AS A MATCHED SET. ORDER 1213505-200.</p> <p>NOTE. **FOR AIRPLANES THAT ARE EQUIPPED WITH FOSTER INSULATION BLANKETS, IT IS NECESSARY TO ORDER THIS COMPLETE ASSEMBLY.</p> <p>A---T210 SERIAL T210-0001 & ON</p>				

This page intentionally left blank.

Engine (Cont)

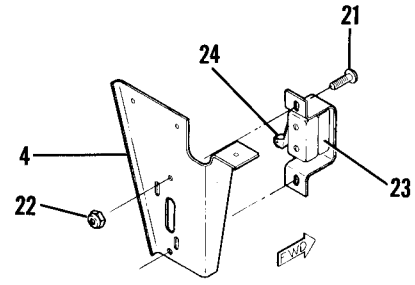


21057841 THRU 21058220

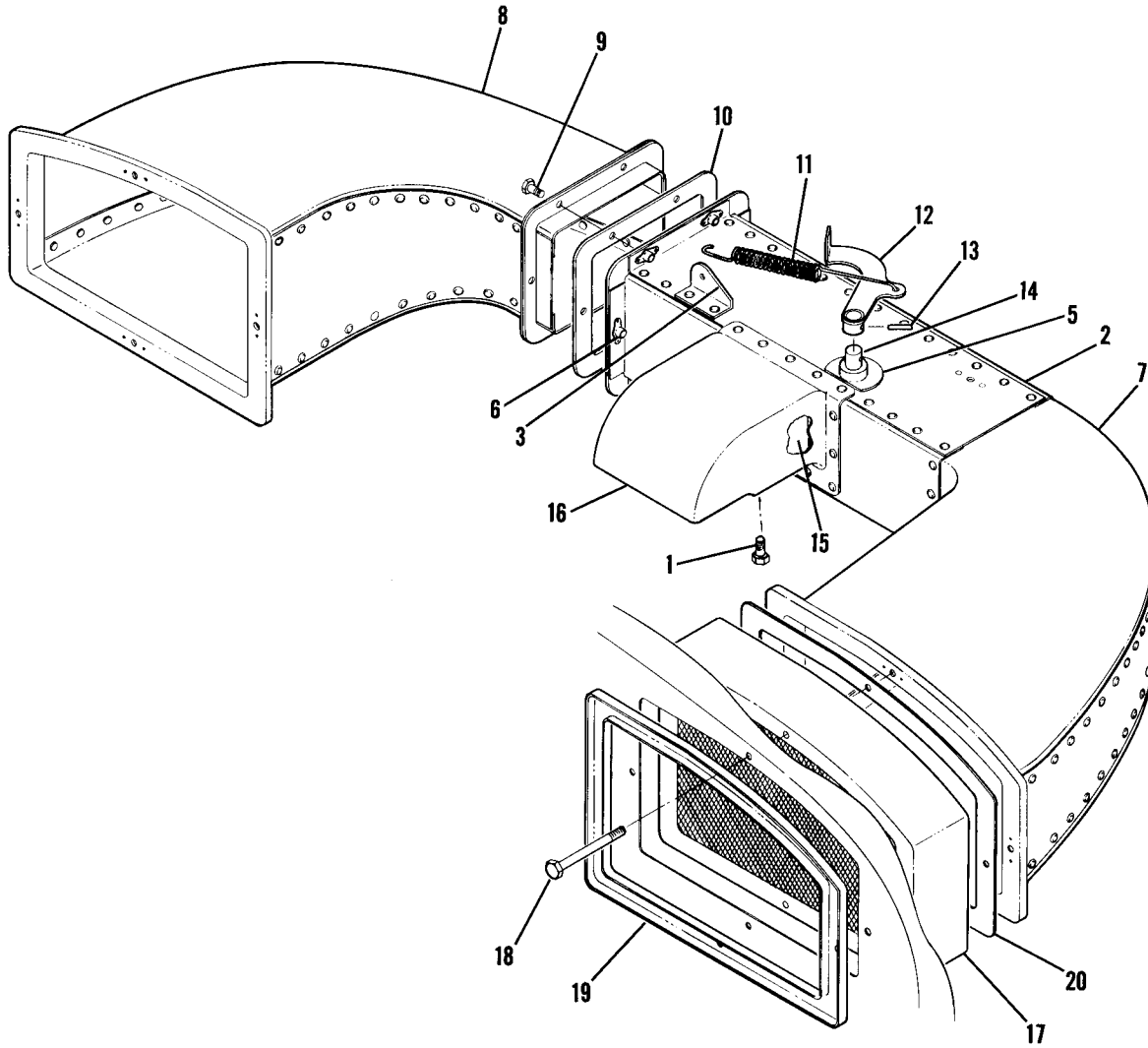
Figure 69. Airbox Assembly

FIGURE AND INDEX NO.	PART NUMBER	DESCRIPTION	UNITS PER ASSY	USABLE ON CODE
		1 2 3 4 5 6 7		
69 -	1250700-1 1250700-4	AIRBOX ASSEMBLY ----- AIRBOX ASSEMBLY ----- ATTACHING PARTS	1 1	A B
- 1	AN4-6A	BOLT -----	4	
- 2	630350	GASKET CM -----	1	
- 3	AN3-23A	BOLT -----	4	
- 4	0851700-9	RETAINER -----	1	
		-----*		
- 5	1250701-1	DUCT ASSEMBLY-INBOARD -----	1	
- 6	1250701-5	BRACKET -----	1	
- 7	1250701-6	SUPPORT-SWITCH -----	1	
- 8	1250309-1	BUSHING ASSEMBLY -----	2	
- 9	0850500-31	BUSHING ASSEMBLY -----	2	
-10	1250300-2	DUCT ASSEMBLY-OUTBOARD -----	1	
-11	1250307-1	ADAPTOR -----	1	
	1250703-1	ADAPTOR -----	1	A
-12	1250315-1	BRACKET -----	1	B
-13	0850500-3	ARM ASSEMBLY -----	1	A
		ATTACHING PARTS		
-14	NAS561P3-10	ROLL PIN -----	1	
		-----*		
-15	0850500-16	VALVE ASSEMBLY -----	1	
		ATTACHING PARTS		
-16	AN515-6R10	SCREW -----	2	
	NAS679A06	NUT -----	2	
		-----*		
-17	0850500-37	SHAFT -----	1	
-18	0450311-5	CLAMP -----	1	
-19	AN960-10L	WASHER -----	1	
-20	NAS679A3	NUT -----	1	
-21	1250310-1	SPRING -----	1	
-22	0850500-30	ARM ASSEMBLY -----	1	
		ATTACHING PARTS		
-23	NAS561P3-10	ROLL PIN -----	1	
		-----*		
-24	1250311-1	SHAFT -----	1	
-25	1250306-1	DOOR -----	1	
		ATTACHING PARTS		
	AN515-6R10	SCREW -----	2	
	NAS679A06	NUT -----	2	
		-----*		
-26	0850550-2	FILTER-AIR -----	1	
-27	13778-06	GASKET-AIR FILTER AMA -----	1	
-28	AN3234-2	SWITCH THROTTLE OPERATED -----	1	
-29	JV5	ACTUATOR MCS -----	1	
		-----*		
		A---210 SERIAL 21057841 THRU 21058085		
		B---210 SERIAL 21058086 THRU 21058220		

Engine (Cont)



THROTTLE LIMIT SWITCH

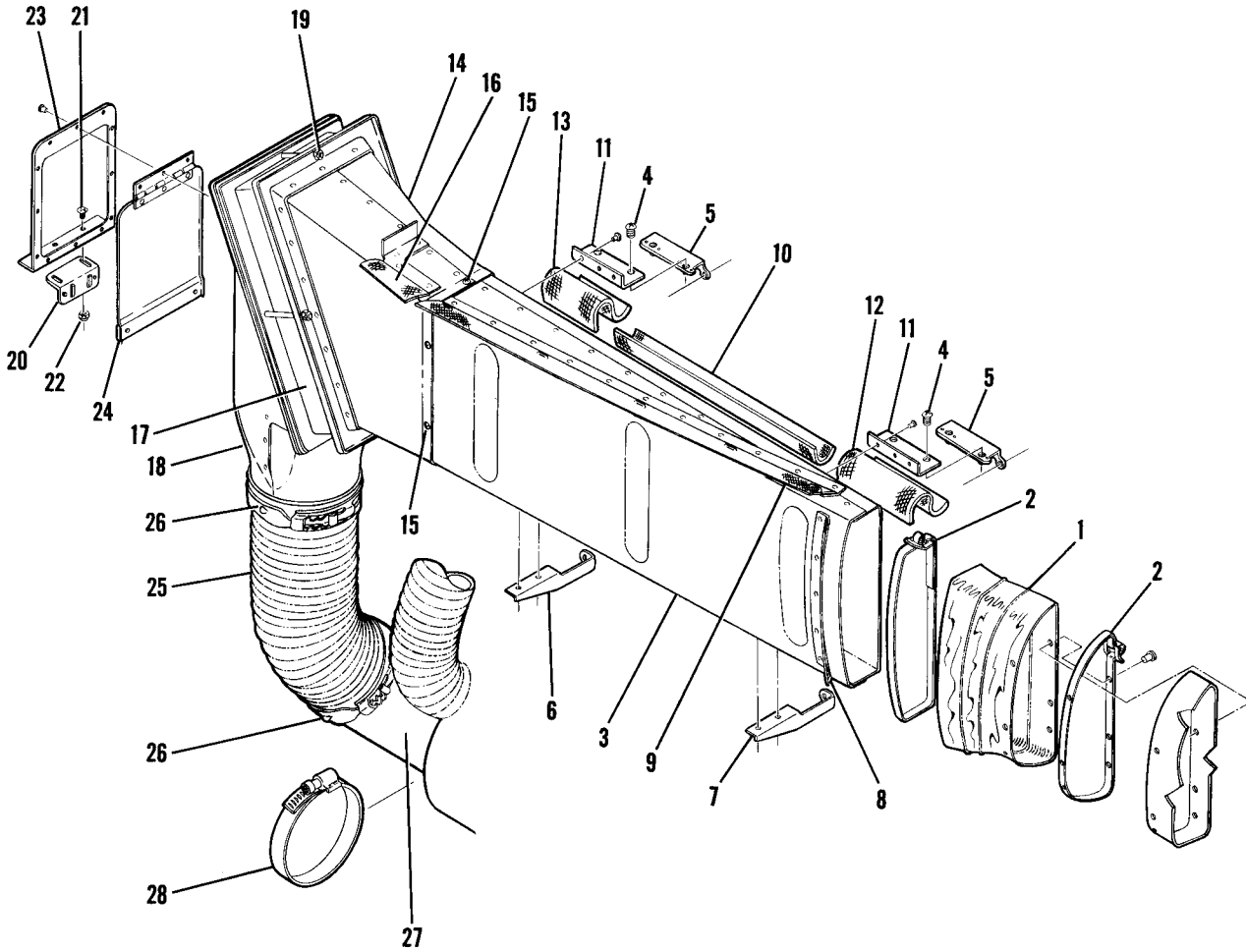


21058221 & ON

Figure 69A. Induction Air Box Installation

FIGURE AND INDEX NO.	PART NUMBER	DESCRIPTION	UNITS PER ASSY	USABLE ON CODE
69A-		1 2 3 4 5 6 7		
		INDUCTION AIRBOX INSTALLATION -----	NP	A
	1250717-1	AIRBOX ASSEMBLY -----	1	
		ATTACHING PARTS -----		
- 1	AN4-6A	BOLT ----- 21058221 & ON -----	4	
		-----*		
- 2	1250707-1	DUCT ASSEMBLY-INBOARD -----	1	
- 3	1250711-1	BRACKET-SPRING -----	1	
- 4	1250712-1	SUPPORT -SWITCH -----	1	
- 5	1250309-1	BUSHING ASSEMBLY -----	2	
- 6	NAS697A3	NUTPLATE -----	6	
- 7	1250705-1	DUCT ASSEMBLY-OUTBOARD LH -----	1	
	NAS697A3	NUTPLATE -----	4	
- 8	1250716-1	DUCT ASSEMBLY-OUTBOARD RH -----	1	
		ATTACHING PARTS -----		
- 9	AN3-4A	BOLT -----	6	
-10	1250715-1	GASKET -----	1	
		-----*		
	NAS697A3	NUTPLATE -----	4	
-11	1250310-1	SPRING -----	1	
-12	1250718-1	ARM ASSEMBLY -----	1	
		ATTACHING PARTS -----		
-13	NAS561P3-10	PIN -----	1	
		-----*		
-14	1250311-1	SHAFT -----	1	
-15	1250306-1	DOOR ASSEMBLY -----	1	
		ATTACHING PARTS -----		
	AN515-6R10	SCREW -----	2	
	NAS679A06	NUT -----	2	
		-----*		
-16	1250713-1	ADAPTER -----	1	
-17	1250704-1	FILTER-AIR LH -----	1	
	1250704-2	FILTER-AIR RH -----	1	
		ATTACHING PARTS -----		
-18	AN3-23A	BOLT -----	4	
-19	1250132-1	RETAINER LH ONLY -----	1	
		-----*		
-20	124756.06	GASKET-FELT AMA -----	1	
	1250706-1	LIMIT SWITCH ASSEMBLY-THROTTLE -----	1	
		ATTACHING PARTS -----		
-21	AN515-8R6	SCREW -----	2	
-22	NAS679A06	NUT -----	2	
		-----*		
-23	USM5-B	SWITCH UMX -----	2	
-24	AAM20	ACTUATOR UMX -----	1	
	AN515-2R12	SCREW -----	2	
	AN340-2	NUT -----	2	
	AN936A2	WASHER -----	2	
	1250706-2	BRACKET-SWITCH MOUNTING -----	1	
		 A---210 SERIAL 21058221 & ON		

Engine (Cont)



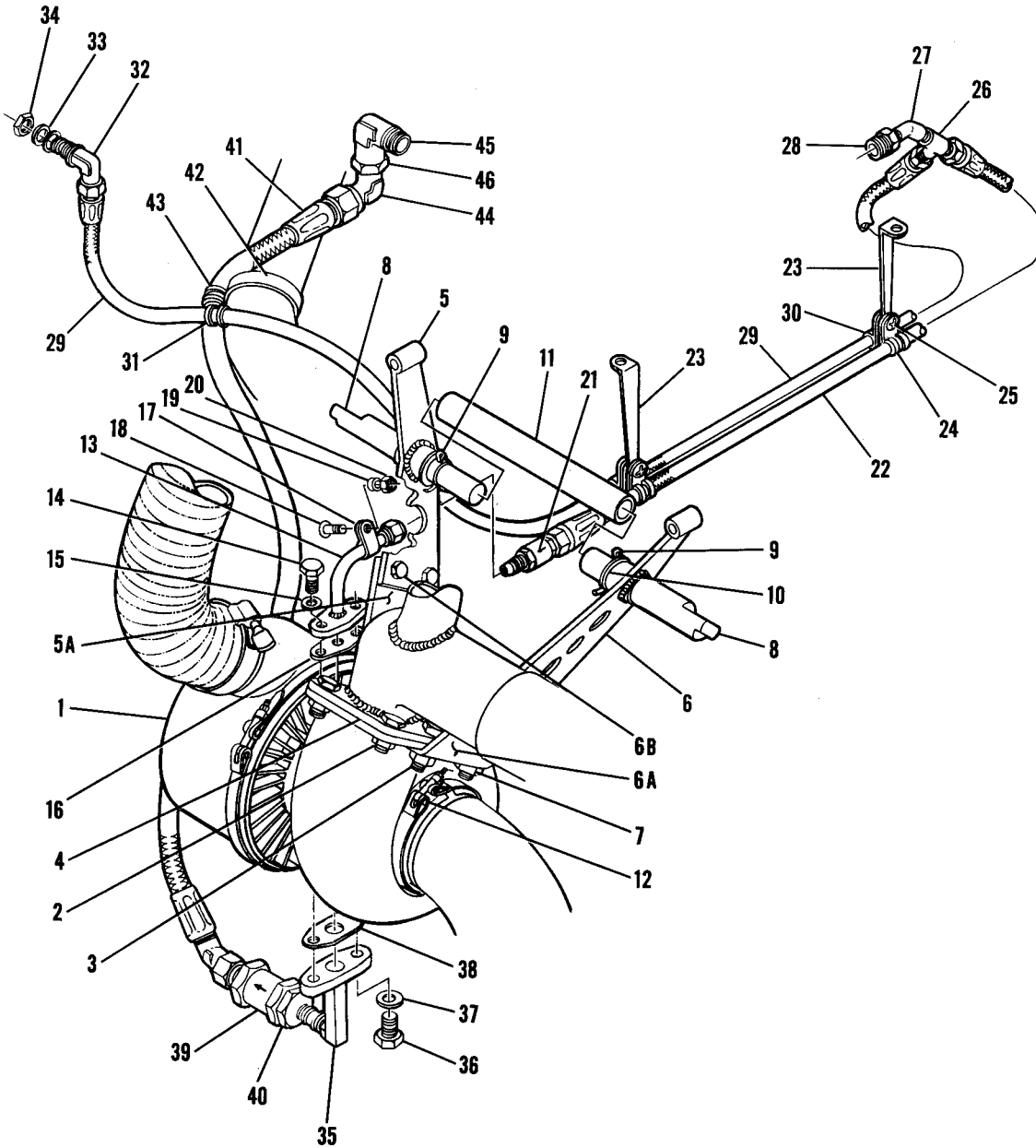
T210-0001 & ON

Figure 69B. Air Inlet Installation - Turbocharger



FIGURE AND INDEX NO.	PART NUMBER	DESCRIPTION	UNITS PER ASSY	USABLE ON CODE
69B-		1 2 3 4 5 6 7		
- 1	1250879-1	AIR INLET INSTALLATION-TURBOCHARGER ----- DUCT-FLEXIBLE ----- ATTACHING PARTS -----	NP 1	A
- 2	S1026BG	CLAMP 20.0 IN LG BULK ITEM REF S1026BG20.0 ----- -----*	2	
- 3	1250830-5	DUCT ASSEMBLY-FORWARD ----- ATTACHING PARTS -----	1	
- 4	AN520-10R6	SCREW -----	4	
- 5	1250830-17	BRACKET ----- -----*	2	
- 6	1250912-1	BRACKET-AFT -----	1	
- 7	1250912-2	BRACKET-FORWARD -----	1	
- 8	1250877-3	SEAL -----	1	
- 9	1250847-3	SEAL -----	1	
-10	1250830-16	SEAL -----	1	
-11	1250830-19	BRACKET -----	2	
-12	1250830-20	SEAL-FORWARD -----	1	
-13	1250830-21	SEAL-AFT -----	1	
-14	1250830-10	DUCT ASSEMBLY-CENTER ----- ATTACHING PARTS -----	1	
-15	S1021Z8-8	SCREW ----- -----*	4	
-16	1250875-3	SEAL -----	1	
-17	1250846-1	FILTER-AIR INTAKE -----	1	
-18	1250839-1	DUCT ASSEMBLY-AFT ----- ATTACHING PARTS -----	1	
-19	AN3-27A AN960D10 NAS679A3	BOLT ----- WASHER ----- NUT ----- -----*	4 4 4	
-20	1250839-7	CATCH-MAGNETIC ----- ATTACHING PARTS -----	1	
-21	AN515-6R7	SCREW -----	2	
-22	NAS679A06	NUT ----- -----*	2	
-23	1250839-4	DOUBLER -----	1	
-24	1250839-5	DOOR ASSEMBLY-ALTERNATE AIR -----	1	
-25	S1053E32T	DUCT 3.0 IN LG BULK ITEM REF S1053E32T3.0 ----- ATTACHING PARTS -----	1	
-26	NAS398-66	CLAMP ----- -----*	2	
-27	1250831-1	ELBOW ----- ATTACHING PARTS -----	1	
-28	QS100M64S	CLAMP ----- -----*	1	
A---T210 SERIAL T210-0001 & ON				

Engine (Cont)



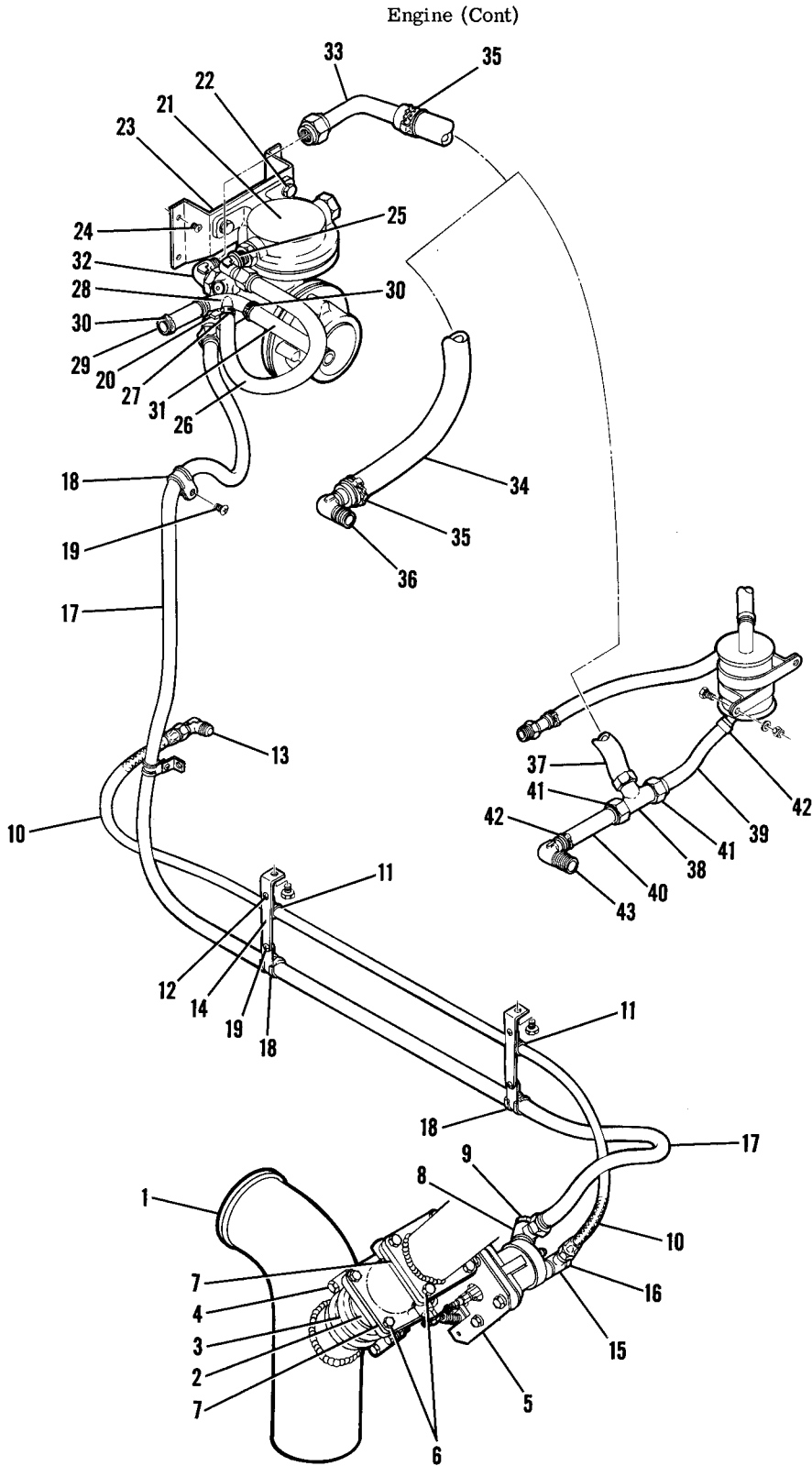
T210-0001 & ON

Figure 69C. Turbocharger Installation



FIGURE AND INDEX NO.	PART NUMBER	DESCRIPTION	UNITS PER ASSY	USABLE ON CODE
69C-		TURBOCHARGER INSTALLATION -----		
- 1	C295001-0101	TURBOCHARGER -----	NP	A
		ATTACHING PARTS -----	1	
- 2	MS20036-5	BOLT -----	3	
	AN960C616L	WASHER -----	4	
	S1604-6	NUT -----	4	
- 3	MS20036-7	BOLT -----	1	
- 4	1250816-1	GASKET -----	1	
- 5	1250818-9	SUPPORT ASSEMBLY-REAR UPPER -----	1	
- 5A	1250818-200	SUPPORT-REAR LOWER -----	1	
- 6	1250818-10	SUPPORT ASSEMBLY-FORWARD UPPER -----	1	
- 6A	1250818-201	SUPPORT-FORWARD LOWER -----	1	
- 6B	AN4C6A	BOLT -----	4	
	AN960C416	WASHER -----	4	
	NAS679A4	NUT -----	4	
- 7	1250824-1	BOLT -----	1	
	AN960C616L	WASHER -----	1	
	NAS679C16	NUT -----	1	
- 8	1250897-1	SHAFT ASSEMBLY -----	2	
- 9	MS24665-214	COTTER PIN -----	2	
-10	AN960C1216	WASHER -----	2	
-11	1250897-3	TUBE -----	1	
		-----*		
-12	400465-375	CLAMP ARSH -----	1	
-13	1250815-1	ADAPTER ASSEMBLY-OIL INLET -----	1	
		ATTACHING PARTS -----		
-14	MS20074-06-6	BOLT -----	2	
-15	AN960C616L	WASHER -----	2	
-16	1250816-3	GASKET-OIL INLET -----	1	
-17	AN742D4	CLAMP -----	1	
-18	AN520-10R12	SCREW -----	1	
-19	NAS43DD3-14	SPACER -----	1	
-20	NAS679A3	NUT -----	1	
	AN960C10L	WASHER -----	1	
		-----*		
-21	HE646-1	CHECK VALVE HEAC -----	1	
-22	S1236-4-0234	HOSE ASSEMBLY -----	1	
		ATTACHING PARTS -----		
-23	1250402-2	SUPPORT -----	2	
-24	MS21919DG7	CLAMP -----	2	
-25	S1021210-10	SCREW -----	2	
		-----*		
-26	1250908-1	TEE -----	1	
-27	AN915-1	ELBOW -----	1	
-28	AN912-3	BUSHING -----	1	
-29	S1236-4-0450	HOSE ASSEMBLY-OIL PRESSURE -----	1	
		ATTACHING PARTS -----		
-30	S1486DG7U	CLAMP -----	2	
-31	MS21919DG7	CLAMP -----	1	
		-----*		
-32	AN833-4D	ELBOW -----	1	
-33	AN960D716	WASHER -----	2	
-34	AN924-4D	NUT -----	1	
-35	1250913-1	ADAPTOR ASSEMBLY-OIL OUTLET -----	1	
		ATTACHING PARTS -----		
-36	MS20074-06-7	BOLT -----	2	
-37	AN960C616L	WASHER -----	2	
-38	1250816-2	GASKET-OIL OUTLET -----	1	
		-----*		
-39	3142-00-5	VALVE-CHECK DUKA -----	1	
-40	AN924-8D	NUT -----	1	
	MS28778-8	GASKET -----	1	
-41	S1167-8-0290	HOSE ASSEMBLY -----	1	
		ATTACHING PARTS -----		
-42	AN742D36	CLAMP -----	1	
-43	S1486DG13U	CLAMP -----	1	
	S1021210-10	SCREW -----	1	
		-----*		
-44	MS20822-8D	ELBOW -----	1	
-45	AN914-4D	ELBOW -----	1	
-46	AN912-4D	BUSHING -----	1	

A---T210 SERIAL T210-0001 & ON



T210-0001 & ON

Figure 69D. Exhaust Valve and Controller Installation

FIGURE AND INDEX NO.	PART NUMBER	DESCRIPTION	UNITS PER ASSY	USABLE ON CODE
		1 2 3 4 5 6 7		
69D-		EXHAUST VALVE & CONTROLLER INSTALLATION -----	NP	A
- 1	1250860-6	TAILPIPE ASSEMBLY-EXHAUST -----	1	
- 2	1250860-55	ADAPTER ASSEMBLY -----	1	
		ATTACHING PARTS -----		
- 3	1250860-28	CLAMP HALF -----	2	
- 4	AN3-4A	BOLT -----	4	
	NAS679A3	NUT -----	4	
		-----*-----		
- 5	C165006-0101	VALVE ASSEMBLY-EXHAUST BY-PASS -----	1	
	C165006-0101R	VALVE ASSEMBLY-EXHAUST BY-PASS REMANUFACTURED -----	1	
		ATTACHING PARTS -----		
- 6	AN4-10A	BOLT -----	8	
	AN960C416L	WASHER -----	8	
	NAS679A4	NUT -----	8	
- 7	1250850-3	PACKING -----	1	
		-----*-----		
- 8	1250858-3	ELBOW-OUTLET -----	1	
- 9	1250858-4	BOLT-OUTLET -----	1	
	AN901-6A	GASKET -----	2	
	MS28778-6	PACKING -----	1	
-10	S1236-4-0350	HOSE ASSEMBLY -----	1	
		ATTACHING PARTS -----		
-11	S1486DG7U	CLAMP -----	2	
-12	S1021Z10-8	SCREW -----	2	
		-----*-----		
-13	MS20822-4	ELBOW -----	1	
-14	1250402-1	SUPPORT -----	2	
-15	1250858-1	ELBOW-INLET -----	1	
-16	1250858-2	BOLT-INLET -----	1	
	AN901-4A	GASKET -----	2	
	MS28778-4	PACKING -----	1	
-17	S1236-6-0580	HOSE ASSEMBLY -----	1	
		ATTACHING PARTS -----		
-18	S1486DG7U	CLAMP -----	3	
-19	S1021Z8-6	SCREW -----	3	
		-----*-----		
-20	AN837-6D	ELBOW -----	1	
	AN924-6D	NUT -----	1	
	MS28778-6	PACKING -----	1	
-21	C165004-0101	CONTROLLER ASSEMBLY-EXHAUST VALVE -----	1	
	C165004-0101R	CONTROLLER ASSEMBLY-EXHAUST VALVE REMFD -----	1	
		ATTACHING PARTS -----		
-22	AN5-6A	BOLT -----	1	
	NAS679A5	NUT -----	1	
	AN960-516	WASHER -----	1	
		-----*-----		
-23	1250865-1	BRACKET-CONTROLLER -----	1	
		ATTACHING PARTS -----		
-24	AN515-8R6	SCREW -----	4	
		-----*-----		
-25	AN833-6D	ELBOW -----	1	
	AN924-6D	NUT -----	1	
	MS28778-6	PACKING -----	1	
-26	S1495-6-	HOSE 14 IN LG BULK ITEM REF S1495-6-14.00 -----	1	
	S1497-6	FITTING-SOCKETLESS -----	1	
-27	NAS397-12	CLAMP -----	2	
-28	1250889-1	ELBOW -----	1	
-29	S1495-8-	HOSE 2.50 IN LG BULK ITEM REF S1495-8-2.50 -----	1	
-30	NAS397-12	CLAMP -----	3	
-31	S1495-8-	HOSE 3.00 IN LG BULK ITEM REF S1495-8-3.00 -----	1	
-32	AN921-8D	ELBOW -----	1	
	AN924-8D	NUT -----	1	
	MS28778-8	PACKING -----	1	
-33	1200106-125	TUBE ASSEMBLY -----	1	
-34	S1495-8	HOSE 15.75 IN LG BULK ITEM REF S1495-8-15.75 -----	1	
-35	NAS397-12	CLAMP -----	2	
-36	1250003-1	ELBOW -----	1	
-37	S1495-8-	HOSE 12.75 IN LG BULK ITEM REF S1495-8-12.75 -----	1	
	S1497-8	FITTING-SOCKETLESS -----	1	
-38	AN824-8D	TEE -----	1	
-39	S1495-8-	HOSE 3.50 IN LG BULK ITEM REF S1495-8-03.50 -----	1	
-40	S1495-8-	HOSE 7.00 IN LG BULK ITEM REF S1495-8-07.00 -----	1	
-41	S1497-8	FITTING-SOCKETLESS -----	1	
-42	NAS397-12	CLAMP -----	2	
-43	1250003-1	ELBOW -----	1	
		A---T210 SERIAL T210-0001 & ON		

Engine (Cont)

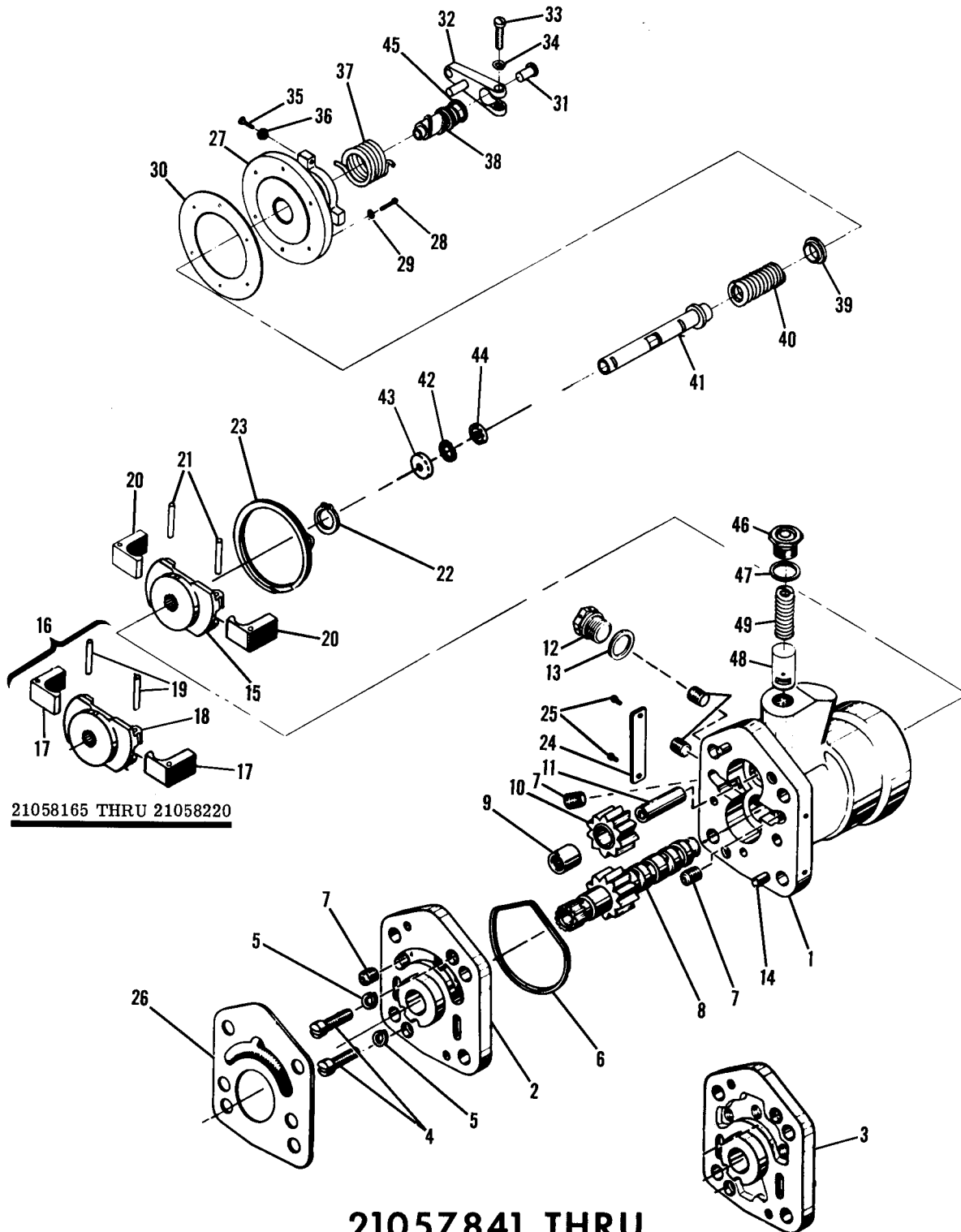


Figure 70. Propeller Governor Assembly

FIGURE AND INDEX NO.	PART NUMBER	DESCRIPTION	UNITS PER ASSY	USABLE ON CODE
		1 2 3 4 5 6 7		
70 -	0750101-61	PROPELLER GOVERNOR ASSEMBLY WOODWARD 210340 WHEN -----	1	A
		EXHAUSTED USE 0750101-66		
- 1	0750101-66	PROPELLER GOVERNOR ASSEMBLY WOODWARD A210452 -----	1	B
- 2	210253	BODY-GOVERNOR WGV -----	1	
- 3	210259	BASE-GOVERNOR WGV -----	1	A
	213214	BASE-GOVERNOR WGV -----	1	B
		ATTACHING PARTS		
- 4	218036	SCREW WGV -----	2	A
	189744	SCREW WGV -----	2	B
- 5	AN935-10	WASHER -----	1	A
	218547	WASHER WGV -----	2	B
- 6	206336	GASKET-BASE WGV -----	1	

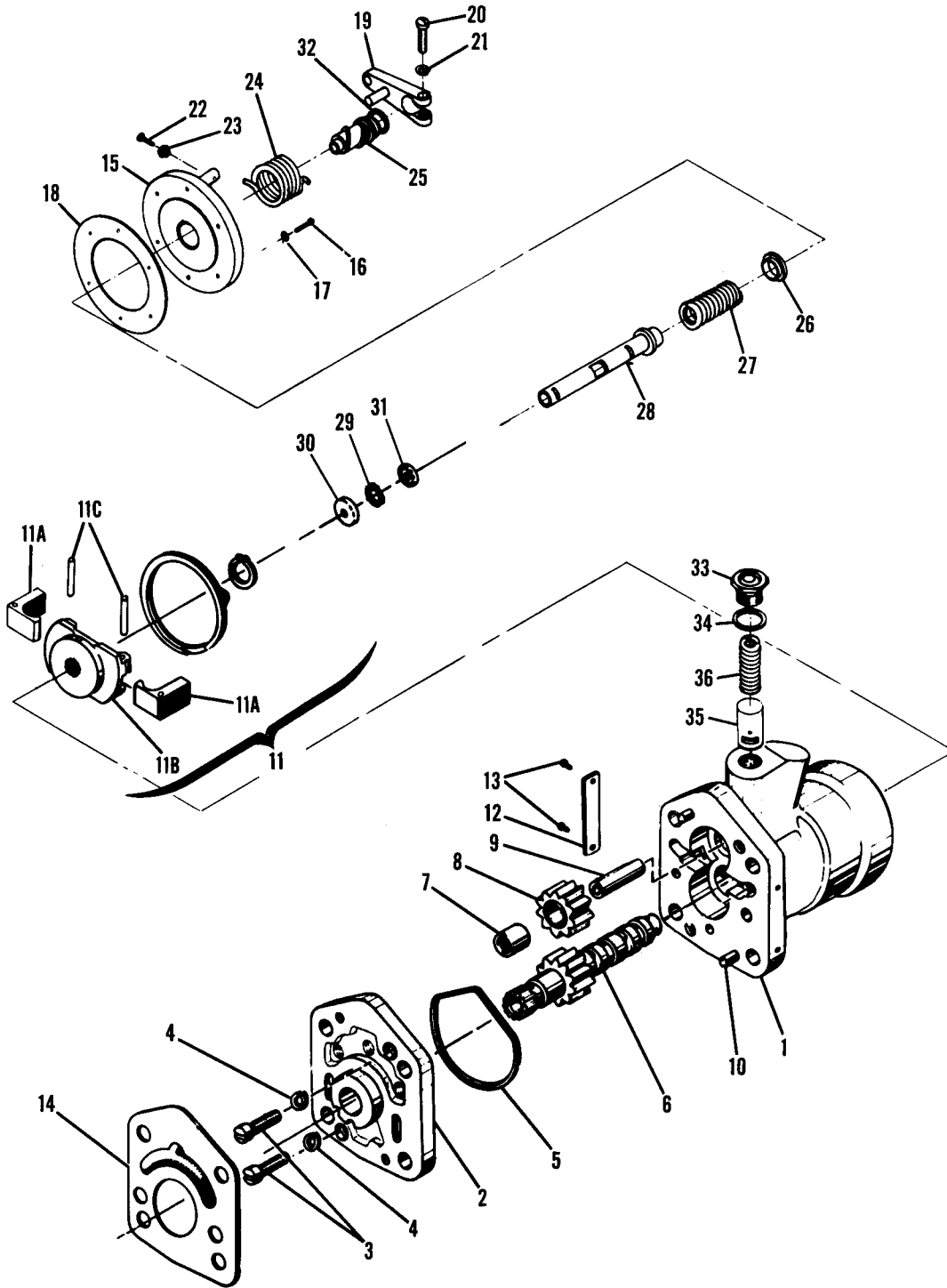
- 7	190734	PLUG-PIPE WGV -----	6	A
- 8	210206	GEAR-PUMP DRIVE WGV -----	1	A
	210396	GEAR-PUMP DRIVE WGV -----	1	B
- 9	210036	BEARING-NEEDLE WGV -----	1	
-10	20864	GEAR-PUMP IDLER WGV -----	1	
-11	210031	STUD-IDLER GEAR WGV -----	1	
-12	210095	PLUG-SCREW THREAD WGV -----	3	A
-13	190733	WASHER WGV -----	3	A
-14	184793	PIN-DOWEL WGV -----	2	A
	210261	PIN-DOWEL WGV -----	2	B
-15	210207	HEAD-FLYWEIGHT WGV -----	1	A
-16	210382	HEAD ASSEMBLY-FLYWEIGHT WGV -----	1	B
-17	196195	FLYWEIGHT WGV -----	2	B
-18	210393	HEAD-FLYWEIGHT WGV -----	1	B
	210394	KEEPER-FLYWEIGHT WGV -----	1	B
-19	214202	PIN-FLYWEIGHT -----	2	B
-20	210289	FLYWEIGHT WGV -----	1	A
-21	210112	PIN-FLYWEIGHT WGV -----	2	A
-22	190094	RING-RETAINING WGV -----	1	A
-23	192103	RING-SPIROLOX RETAINING WGV -----	1	A
-24	193385	NAMEPLATE WGV -----	1	A
-25	AN535-D-2	SCREW -----	2	A
	189574	DRIVE PIN WGV -----	2	B
-26	MS100009	GASKET-MOUNTING -----	1	
-27	210272	COVER-GOVERNOR WGV -----	1	A
	210399	COVER-GOVERNOR WGV -----	1	B
-28	AN503-8-10	SCREW -----	4	A
	189482	SCREW WGV -----	6	B
-29	AN935-8L	WASHER -----	4	A
	189739	WASHER WGV -----	6	B
-30	206337	GASKET-COVER WGV -----	1	
-31	210293	PLUG-SPEED ADJUSTMENT WGV -----	1	A
-32	210039	LEVER ASSEMBLY-SPEED ADJUSTMENT WGV -----	1	
		ATTACHING PARTS		
-33	188434	SCREW WGV -----	1	
-34	188141	WASHER WGV -----	1	

-35	190576	SCREW-STOP WGV -----	1	A
	218537	SCREW-STOP WGV -----	1	B
-36	188302	NUT WGV -----	1	
-37	191869	SPRING-LEVER RETURN WGV -----	1	
-38	210100	SHAFT & WORM ASSEMBLY-SPEED ADJUSTMENT WGV -----	1	A
	213232	SHAFT & WORM ASSEMBLY-SPEED ADJUSTMENT WGV -----	1	B
-39	210214	SEAT-SPEEDER SPRING WGV -----	1	A
	210326	SEAT-SPEEDER SPRING WGV -----	1	B
-40	192528	SPRING-SPEEDER WGV -----	1	A
	192709	SPRING-SPEEDER WGV -----	1	B
-41	210269	PLUNGER ASSEMBLY-PILOT VALVE WGV -----	1	A
	210398	PLUNGER ASSEMBLY-PILOT VALVE WGV -----	1	B
-42	180231	BEARING-PILOT VALVE WGV -----	1	
-43	213200	RACE-PILOT VALVE BEARING LOWER WGV -----	1	
-44	210216	RACE-PILOT VALVE BEARING UPPER WGV -----	1	
-45	182684	O RING WGV -----	1	A
	182747	O RING WGV -----	1	B
-46	218446	PLUG-RELIEF VALVE WGV -----	1	
-47	186320	GASKET WGV -----	1	
-48	210257	PLUNGER-RELIEF VALVE WGV -----	1	
-49	192558	SPRING-RELEIF VALVE WGV -----	1	

21057841 THRU
21058220

A---210 SERIAL 21057841 THRU 21058164
B---210 SERIAL 21058165 THRU 21058220

Engine (Cont)

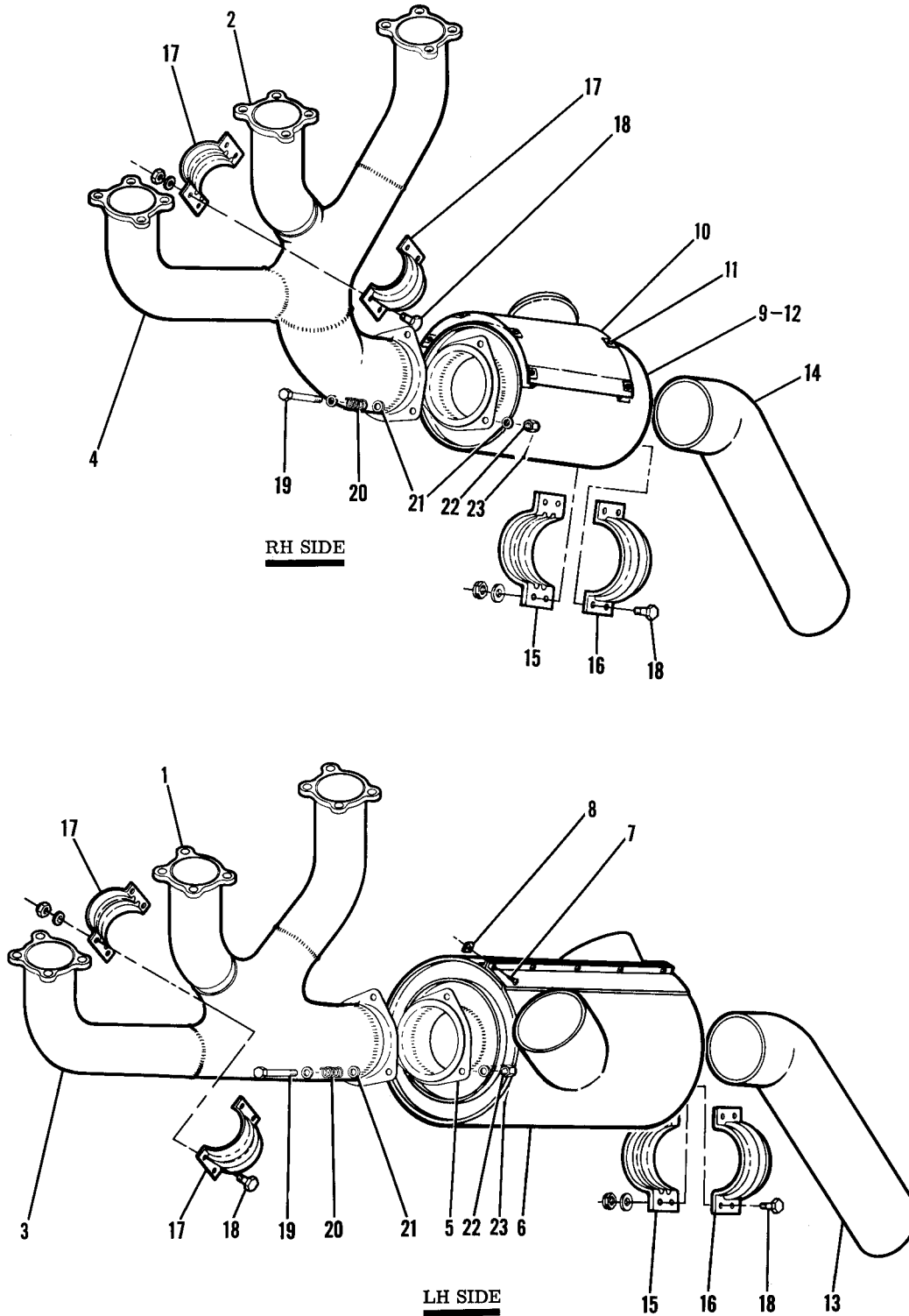


T210-0001 & ON
21058221 & ON

Figure 70A. Propeller Governor Assembly

FIGURE AND INDEX NO.	PART NUMBER	DESCRIPTION	UNITS PER ASSY	USABLE ON CODE
		1 2 3 4 5 6 7		
70A-	0750101-68	PROPELLER GOVERNOR ASSEMBLY-WOODWARD D210452 -----	1	A
	0750101-71	PROPELLER GOVERNOR ASSEMBLY-WOODWARD G210452 -----	1	B
- 1	210253	BODY-GOVERNOR WGVS -----	1	
- 2	213214	BASE-GOVERNOR WGVS -----	1	
		ATTACHING PARTS		
- 3	189744	SCREW WGVS -----	2	
- 4	218547	WASHER WGVS -----	2	
- 5	206336	GASKET-BASE WGVS -----	1	
		-----*		
- 6	210396	GEAR-PUMP DRIVE WGVS -----	1	
- 7	210036	BEARING-NEEDLE WGVS -----	1	
- 8	204864	GEAR-PUMP IDLER WGVS -----	1	
- 9	210031	STUD-IDLER GEAR WGVS -----	1	
-10	210261	PIN-DOWEL WGVS -----	2	
-11	210382	HEAD ASSEMBLY-FLYWEIGHT WGVS -----	1	
-11A	196195	FLYWEIGHT -----	2	
-11B	210393	HEAD-FLYWEIGHT -----	1	
	210394	KEEPER -----	1	
-11C	214202	PIN-FLYWEIGHT -----	2	
-12	193385	NAMEPLATE WGVS -----	1	
		ATTACHING PARTS		
-13	189574	DRIVE PIN WGVS -----	2	
		-----*		
-14	MS100009	GASKET-MOUNTING -----	1	
-15	210399	COVER-GOVERNOR WGVS -----	1	
		ATTACHING PARTS		
-16	189482	SCREW WGVS -----	6	
-17	189739	WASHER WGVS -----	6	
-18	206337	GASKET-COVER WGVS -----	1	
		-----*		
-19	210039	LEVER ASSEMBLY-SPEED ADJUSTMENT WGVS -----	1	
		ATTACHING PARTS		
-20	188434	SCREW WGVS -----	1	
-21	188141	WASHER WGVS -----	1	
		-----*		
-22	218537	SCREW-STOP WGVS -----	1	
-23	188302	NUT WGVS -----	1	
-24	191869	SPRING-LEVER RETURN WGVS -----	1	
-25	213232	SHAT-SPEED ADJUSTMENT WGVS -----	1	
-26	210326	SEAT-SPEEDER SPRING WGVS -----	1	
-27	192709	SPRING-SPEEDER WGVS -----	1	
-28	210398	PLUNGER ASSEMBLY-PILOT VALVE WGVS -----	1	
-29	180231	BEARING-PILOT VALVE WGVS -----	1	
-30	213200	RACE-PILOT VALVE BEARING LOWER WGVS -----	1	
-31	210216	RACE-PILOT VALVE BEARING UPPER WGVS -----	1	
-32	182747	O RING WGVS -----	1	
-33	218446	PLUG-RELIEF VALVE WGVS -----	1	
-34	186320	GASKET WGVS -----	1	
-35	210257	PLUNGER-RELIEF VALVE WGVS -----	1	
-36	192558	SPRING-RELIEF VALVE WGVS -----	1	
		-----*		
		A---210 SERIAL 21058221 & ON		
		B---T210 SERIAL T210-0001 & ON		

Engine (Cont)

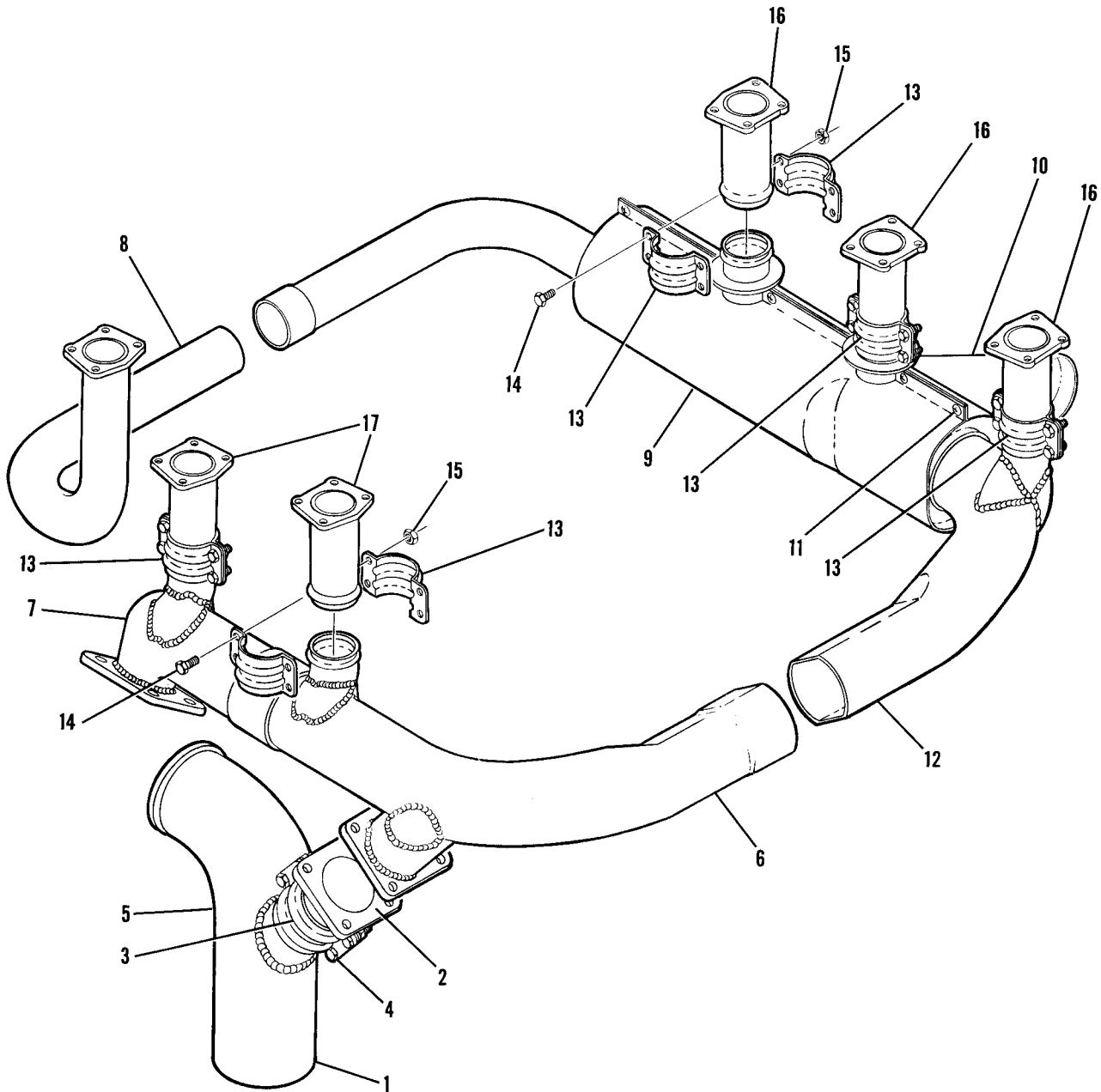


21057841 & ON

Figure 71. Exhaust Stack Assembly

FIGURE AND INDEX NO.	PART NUMBER	DESCRIPTION	UNITS PER ASSY	USABLE ON CODE
		1 2 3 4 5 6 7		
71 -	1250250-1	EXHAUST STACK ASSEMBLY-LH -----	1	A
	1250256-1	EXHAUST STACK ASSEMBLY-LH -----	1	B
	1250251-1	EXHAUST STACK ASSEMBLY-RH -----	1	A
	1250257-1	EXHAUST STACK ASSEMBLY-RH -----	1	C
	1250257-9	EXHAUST STACK ASSEMBLY-RH -----	1	E
- 1	1250250-7	STACK ASSEMBLY-CENTER UPPER LH -----	1	
- 2	1250251-9	STACK ASSEMBLY-CENTER UPPER RH -----	1	
- 3	1250250-4	COLLECTOR ASSEMBLY-LH -----	1	A
	1250256-3	COLLECTOR ASSEMBLY-LH -----	1	B
- 4	1250251-2	COLLECTOR ASSEMBLY-RH -----	1	A
	1250257-3	COLLECTOR ASSEMBLY-RH -----	1	B
- 5	1250250-5	CORE ASSEMBLY-MUFFLER LH -----	1	
- 6	1250250-6	SHROUD ASSEMBLY-MUFFLER LH -----	1	
		ATTACHING PARTS		
- 7	AN515-8-8	SCREW -----	5	
- 8	A6052-832-3	NUT TIN -----	5	
		-----*		
- 9	1250251-12	MUFFLER ASSEMBLY-RH -----	1	D
	1250251-13	MUFFLER-RH -----	1	D
-10	1250251-14	SHROUD ASSEMBLY-RH -----	1	D
		ATTACHING PARTS		
-11	S1021Z6-6	SCREW -----	8	D
	C7707-6Z3	NUT TIN -----	8	D
		-----*		
-12	1250251-16	MUFFLER-RH -----	1	E
-13	1250250-8	TAILPIPE ASSEMBLY-LH -----	1	A
	1250256-7	TAILPIPE ASSEMBLY-LH -----	1	B
-14	1250251-7	TAILPIPE ASSEMBLY-RH -----	1	A
	1250257-7	TAILPIPE ASSEMBLY-RH -----	1	B
-15	1250201-8	CLAMP -----	2	
-16	1250201-14	CLAMP -----	2	
-17	1250201-12	CLAMP -----	4	
	0750161-25	CLAMP ALTERNATE -----	4	
		ATTACHING PARTS		
-18	AN3-4A	BOLT -----	2	
	NAS679A3	NUT -----	2	
		-----*		
-19	AN3-15	BOLT -----	6	
-20	1250250-30	SPRING -----	6	
-21	AN960-10	WASHER -----	18	
-22	AN310-3	NUT -----	6	
-23	MS24665-134	PIN-COTTER -----	6	A
	MS24665-134	PIN-COTTER -----	6	B
A---210 SERIAL 21057841 THRU 21057999 B---210 SERIAL 21058000 & ON C---210 SERIAL 21058000 THRU 21058085 D---210 SERIAL 21057841 THRU 21058085 E---210 SERIAL 21058086 & ON				

Engine (Cont)

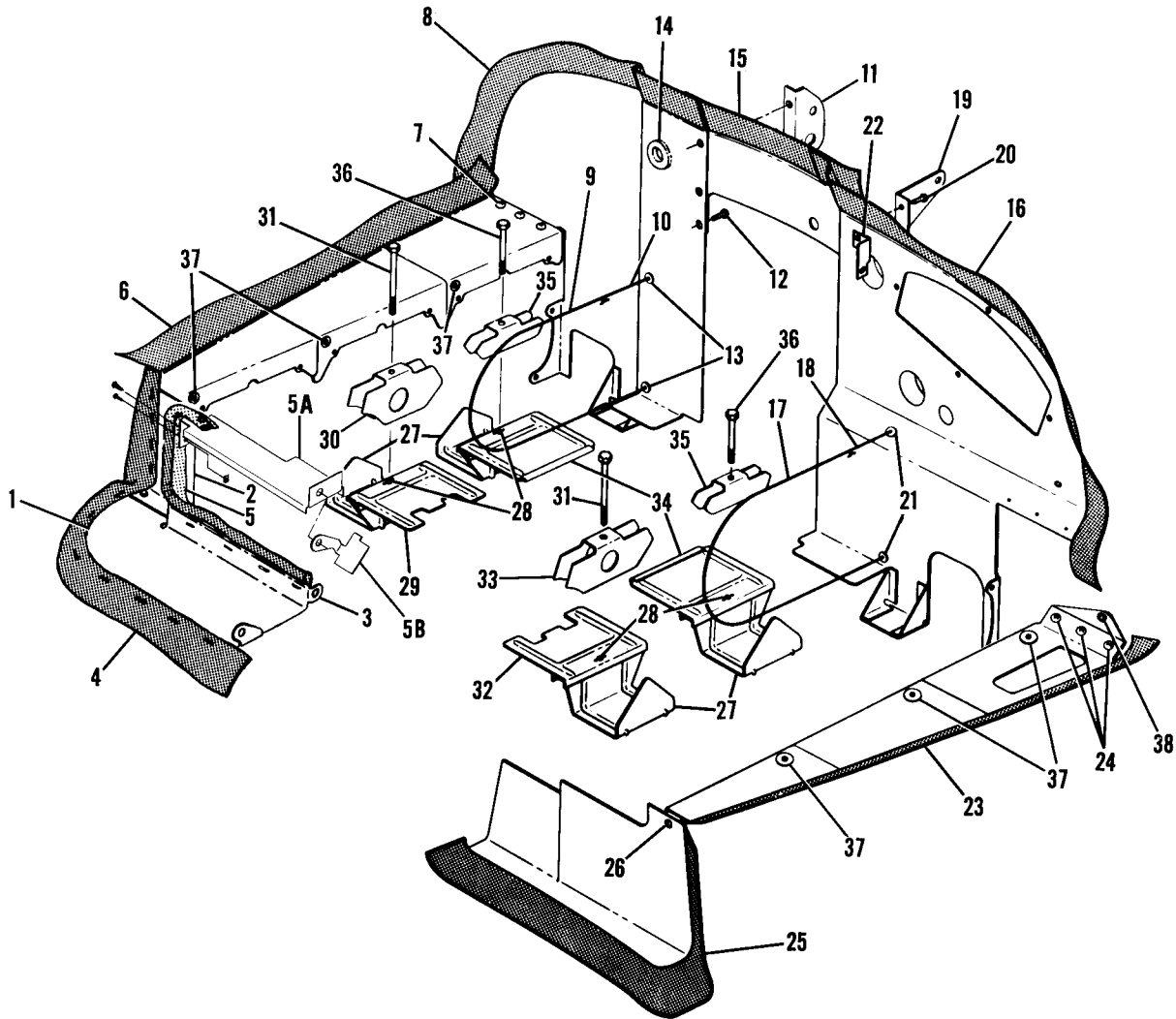


T210-0001 & ON

Figure 71A. Exhaust System Components

FIGURE AND INDEX NO.	PART NUMBER	DESCRIPTION	UNITS PER ASSY	USABLE ON CODE
		1 2 3 4 5 6 7		
71A-		EXHAUST STACK ASSEMBLY -----	NP	A
- 1	1250860-6	TAILPIPE ASSEMBLY -----	1	
- 2	1250860-55	ADAPTER ASSEMBLY-BY PASS -----	1	
- 3	1250860-28	CLAMP HALF -----	2	
		ATTACHING PARTS		
- 4	AN3-4A	BOLT -----	4	
	NAS679A3	NUT ----- T210-0001 & ON -----	4	
		-----*		
- 5	1250860-70	TAILPIPE WELD ASSEMBLY -----	1	
- 6	1250860-3	* EXHAUST STACK ASSEMBLY-FRONT RIGHT -----	1	
- 7	1250860-4	* EXHAUST STACK ASSEMBLY-TURBO INLET -----	1	
- 8	1250860-5	EXHAUST STACK ASSEMBLY-NO. 1 CYLINDER -----	1	
- 9	1250860-64	SHROUD ASSEMBLY-INBOARD -----	1	
-10	1250860-65	SHROUD ASSEMBLY-OUTBOARD -----	1	
		ATTACHING PARTS		
-11	AN515-8-8	SCREW -----	12	
	A6052-832-3	NUT TIN -----	12	
		-----*		
-12	1250860-2	EXHAUST STACK ASSEMBLY-LEFT SIDE -----	1	
-13	1250860-29	CLAMP HALF -----	10	
		ATTACHING PARTS		
-14	AN3-4A	BOLT -----	4	
-15	NAS679A3	NUT -----	4	
		-----*		
-16	1250860-12	RISER ASSEMBLY -----	3	
-17	1250860-12	* RISER ASSEMBLY -----	2	
		NOTE. WHEN ORDERING PARTS MARKED * ALSO ORDER 1250818-200 & 1250818-201 SUPPORTS FROM FIGURE 69C. REFER TO SERVICE MANUAL FOR INSTALLATION.		
		A---T210 SERIAL T210-0001 & ON		

Engine (Cont)



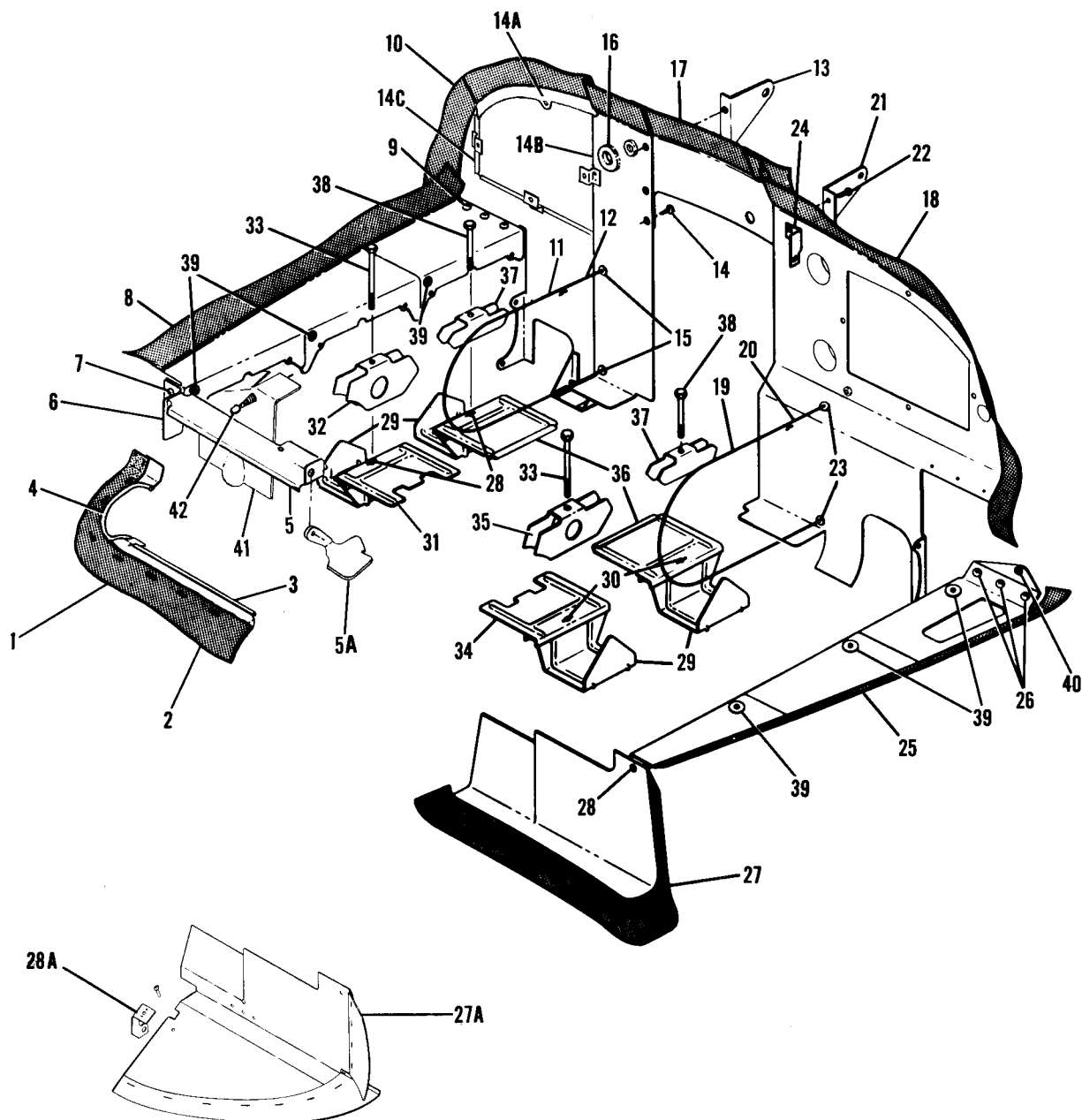
21057841 THRU 21058220

Figure 72. Engine Baffles Installation



FIGURE AND INDEX NO.	PART NUMBER	DESCRIPTION	UNITS PER ASSY	USABLE ON CODE
		1 2 3 4 5 6 7		
72 -		BAFFLES INSTALLATION-ENGINE -----	NP	A
- 1	0750149-7	BAFFLE ASSEMBLY-OIL COOLER -----	1	
- 2	0750149-2	BAFFLE-VERTICAL -----	1	
- 3	0750149-6	BAFFLE-HORIZONTAL -----	1	
- 4	0750149-4	SEAL-HORIZONTAL BAFFLE -----	1	
- 5	0750149-5	SEAL-VERTICAL BAFFLE -----	1	
- 5A	0750148-2	BAFFLE ASSEMBLY-OIL COOLER -----	1	
		ATTACHING PARTS -----		
	S1021Z6-6	SCREW -----	2	
	S1021Z8-8	SCREW -----	1	
	NAS446-2-3	NUT -----	1	
- 5B	0750152-1	BAFFLE-OIL COOLER -----	1	
- 6	1250100-8	BAFFLE ASSEMBLY-RH -----	1	
		ATTACHING PARTS -----		
- 7	S1021Z6-6	SCREW -----	3	
	NAS446-2-3	NUT -----	3	
- 8	1250100-10	BAFFLE ASSEMBLY-REAR RH -----	1	
		ATTACHING PARTS -----		
- 9	0450277-2	FASTENER -----	1	
-10	0450277-3	FASTENER -----	1	
-11	1250126-1	BRACKET -----	1	
-12	S1021Z6-6	SCREW -----	4	
	NAS446-2-3	NUT -----	4	
-13	MS20230B20	GROMMET -----	2	
-14	MS35489-20	GROMMET -----	1	
-15	1250100-12	BAFFLE ASSEMBLY-REAR CENTER -----	1	
-16	1250100-16	BAFFLE ASSEMBLY-REAR LH -----	1	
		ATTACHING PARTS -----		
-17	0450277-2	FASTENER -----	1	
-18	0450277-6	FASTENER -----	1	
-19	1250105-1	SUPPORT -----	1	
-20	S1021Z6-6	SCREW -----	4	
	NAS446-2-3	NUT -----	4	
-21	MS20230B20	GROMMET -----	2	
-22	1250106-1	CLIP -----	1	
-23	1250100-15	BAFFLE ASSEMBLY-LH -----	1	
		ATTACHING PARTS -----		
-24	S1021Z6-6	SCREW -----	3	
	NAS446-2-3	NUT -----	3	
-25	1250100-13	BAFFLE ASSEMBLY-FORWARD LH -----	1	
		ATTACHING PARTS -----		
-26	S1021Z6-6	SCREW -----	2	
	NAS446-2-3	NUT -----	2	
-27	0750135-1	BAFFLE ASSEMBLY-INTER CYLINDER -----	4	
-28	NAS686A3	NUTPLATE -----	1	
-29	0750135-3	BAFFLE-FORWARD RH INTER CYLINDER -----	1	
		ATTACHING PARTS -----		
-30	0851700-96	SUPPORT -----	1	
-31	AN3-66A	BOLT -----	1	
-32	0750135-3	BAFFLE-FORWARD LH INTER CYLINDER -----	1	
		ATTACHING PARTS -----		
-33	0851700-96	SUPPORT -----	1	
	AN3-60A	BOLT -----	1	
-34	0750135-8	BAFFLE ASSEMBLY-REAR INTER CYLINDER -----	2	
		ATTACHING PARTS -----		
-35	0750117-31	SUPPORT -----	1	
-36	AN3-60A	BOLT -----	1	
-37	MS35489-12	GROMMET -----	6	
-38	MS35489-6	GROMMET -----	1	
	AN3-5A	BOLT -----	1	
	NAS43DD-3-12	SPACER -----	1	
	AN960-10L	WASHER -----	1	
	NAS679A3	NUT -----	1	
A---210 SERIAL 21057841 THRU 21058220				

Engine (Cont)



21058221 & ON

Figure 72A. Engine Baffles Installation

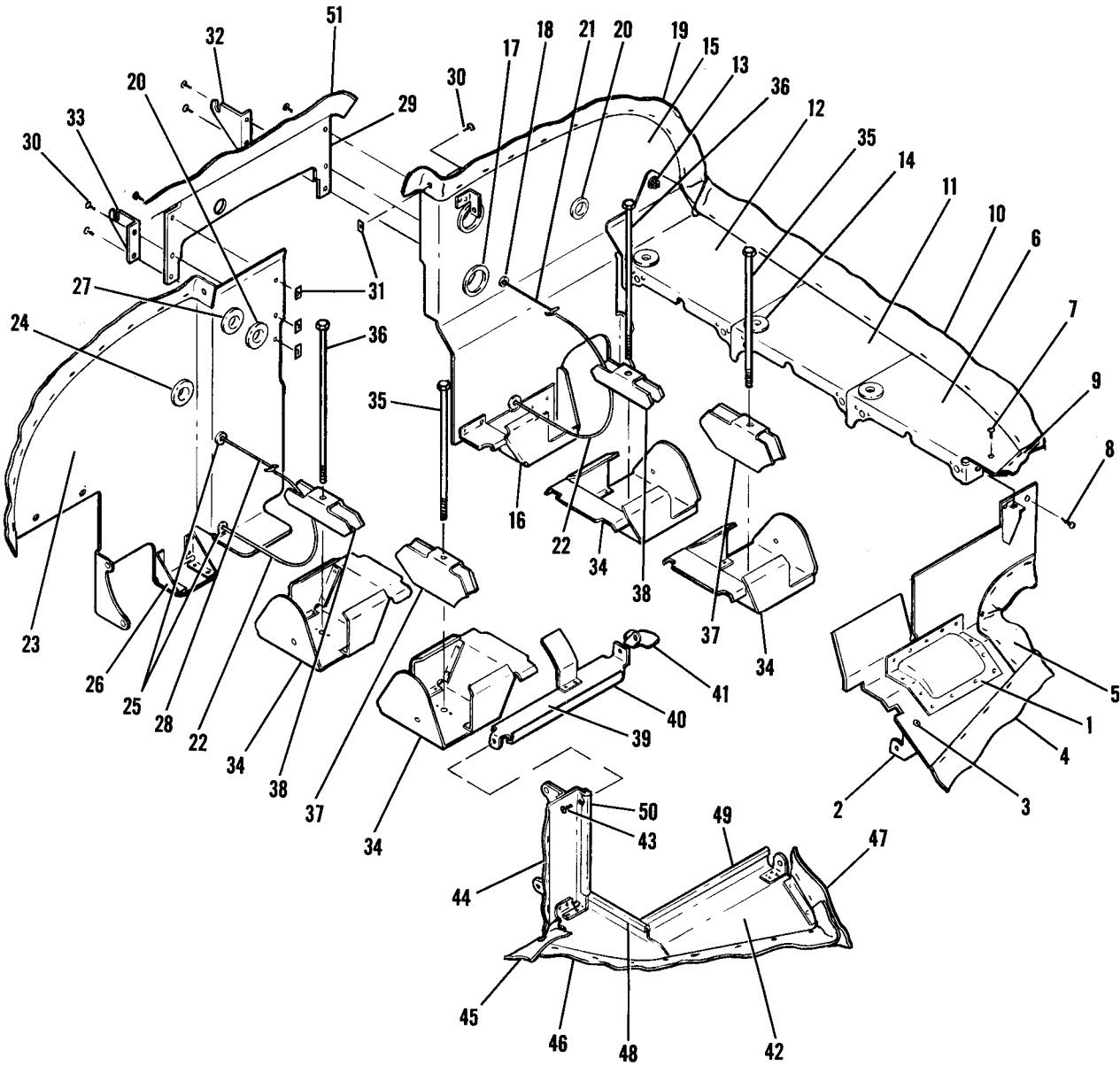
FIGURE AND INDEX NO.	PART NUMBER	DESCRIPTION	UNITS PER ASSY	USABLE ON CODE
		1 2 3 4 5 6 7		
72A-		ENGINE BAFFLES INSTALLATION -----	NP	A
- 1	0700309-7	BAFFLE ASSEMBLY-OIL COOLER -----	1	
- 2	0700309-6	SEAL -----	1	
- 3	0411875-21	MOULDING -----	1	
- 4	S202RB	MOULDING 8.28 IN LG BULK ITEM REF S202R0828B --	1	
- 5	0700309-2	BAFFLE ASSEMBLY -----	1	
- 5A	0750152-4	BAFFLE-OIL COOLER IN8D -----	1	
- 6	0700309-3	BRACKET ----- 21058221 & ON -----	1	
		ATTACHING PARTS -----		
- 7	S1021Z6-6	SCREW -----	1	
		-----*		
- 8	1250100-8	BAFFLE ASSEMBLY-RH -----	1	
		ATTACHING PARTS -----		
- 9	S1021Z6-6	SCREW -----	3	
	NAS446-2-3	NUT -----	3	
		-----*		
-10	1250100-23	BAFFLE ASSEMBLY-REAR RH -----	1	
		ATTACHING PARTS -----		
-11	0450277-9	FASTENER -----	1	
-12	0450277-3	FASTENER -----	1	
-13	1250105-2	BRACKET -----	1	
-14	S1021Z6-6	SCREW -----	4	
	NAS446-2-3	NUT -----	4	
		-----*		
-14A	1250719-1	STRAP ASSEMBLY-AIR FILTER -----	1	
		ATTACHING PARTS -----		
	S1021Z6-6	SCREW -----	2	
	NAS446-2-3	NUT -----	2	
		-----*		
-14B	S1055-1	CHANNEL 5.50 IN LG BULK ITEM -----	1	
		REF S-1055-1-5.50 -----		
-14C	S1055-1	CHANNEL 13 IN LG BULK ITEM -----	1	
		REF S-1055-1-13 -----		
-15	MS20230B20	GROMMET -----	2	
-16	MS35489-5	GROMMET -----	1	
-17	1250100-12	BAFFLE ASSEMBLY-REAR CENTER -----	1	
-18	1250100-21	BAFFLE ASSEMBLY-REAR LH -----	1	B
	1250100-27	BAFFLE ASSEMBLY-REAR LH -----	1	C
		ATTACHING PARTS -----		
-19	0450277-9	FASTENER -----	1	
-20	0450277-6	FASTENER -----	1	
		-----*		
-21	1250105-1	SUPPORT-BAFFLE -----	1	
		ATTACHING PARTS -----		
-22	S1021Z6-6	SCREW -----	4	
	NAS446-2-3	NUT -----	4	
		-----*		
-23	MS20230B20	GROMMET -----	2	
-24	1250106-1	CLIP -----	1	
-25	1250100-15	BAFFLE ASSEMBLY-LH -----	1	
		ATTACHING PARTS -----		
-26	S1021Z6-6	SCREW -----	3	
	NAS446-2-3	NUT -----	3	
		-----*		
-27	1250100-13	BAFFLE ASSEMBLY-FORWARD LH -----	1	B
-27A	1250137-1	BAFFLE ASSEMBLY-FORWARD LH -----	1	C
		ATTACHING PARTS -----		
-28	S1021Z6-6	SCREW -----	2	
	NAS446-2-3	NUT -----	2	
		-----*		
	1250137-2	SEAL-LOWER -----	1	C
	1250137-3	SEAL-SIDE -----	1	C
-28A	1250135-1	BRACKET-ASSEMBLY -----	1	C
		ATTACHING PARTS -----		
	AN515-8R8	SCREW -----	1	C
		-----*		
-29	0750135-1	BAFFLE ASSEMBLY-INTER CYLINDER -----	4	
-30	NAS686A3	NUTPLATE -----	1	
-31	0750135-3	BAFFLE-FORWARD RH INTER CYLINDER -----	1	
		ATTACHING PARTS -----		
-32	0851700-96	SUPPORT -----	1	
-33	AN3-71A	BOLT -----	1	
		-----*		

CONTINUED ON NEXT PAGE

FIGURE AND INDEX NO.	PART NUMBER	DESCRIPTION							UNITS PER ASSY	USABLE ON CODE
		1	2	3	4	5	6	7		
72A-34	0750135-3	BAFFLE-FORWARD LH INTER CYLINDER -----							1	
		ATTACHING PARTS								
-35	0851700-96	SUPPORT -----							1	
	AN3-60A	BOLT -----							1	
		-----*								
-36	0750135-8	BAFFLE ASSEMBLY-REAR INTER CYLINDER -----							2	
		ATTACHING PARTS								
-37	0750117-31	SUPPORT -----							1	
-38	AN3-62A	BOLT -----							1	
		-----*								
-39	MS35489-12	GROMMET -----							6	
-40	MS35489-6	GROMMET -----							1	
	AN3-5A	BOLT -----							1	
	NAS43DD3-12	SPACER -----							1	
	AN960-10L	WASHER -----							1	
	NAS679A3	NUT -----							1	
-41	1250134-1	BAFFLE-NO. 5 CYLINDER -----							1	
-42	0450277-10	FASTENER-BAFFLE -----							1	
		A---210 SERIAL 21058221 & ON								
		B---210 SERIAL 21058221 THRU 21058510								
		C---210 SERIAL 21058511 & ON								

This page intentionally left blank.

Engine (Cont)



T210-0001 & ON

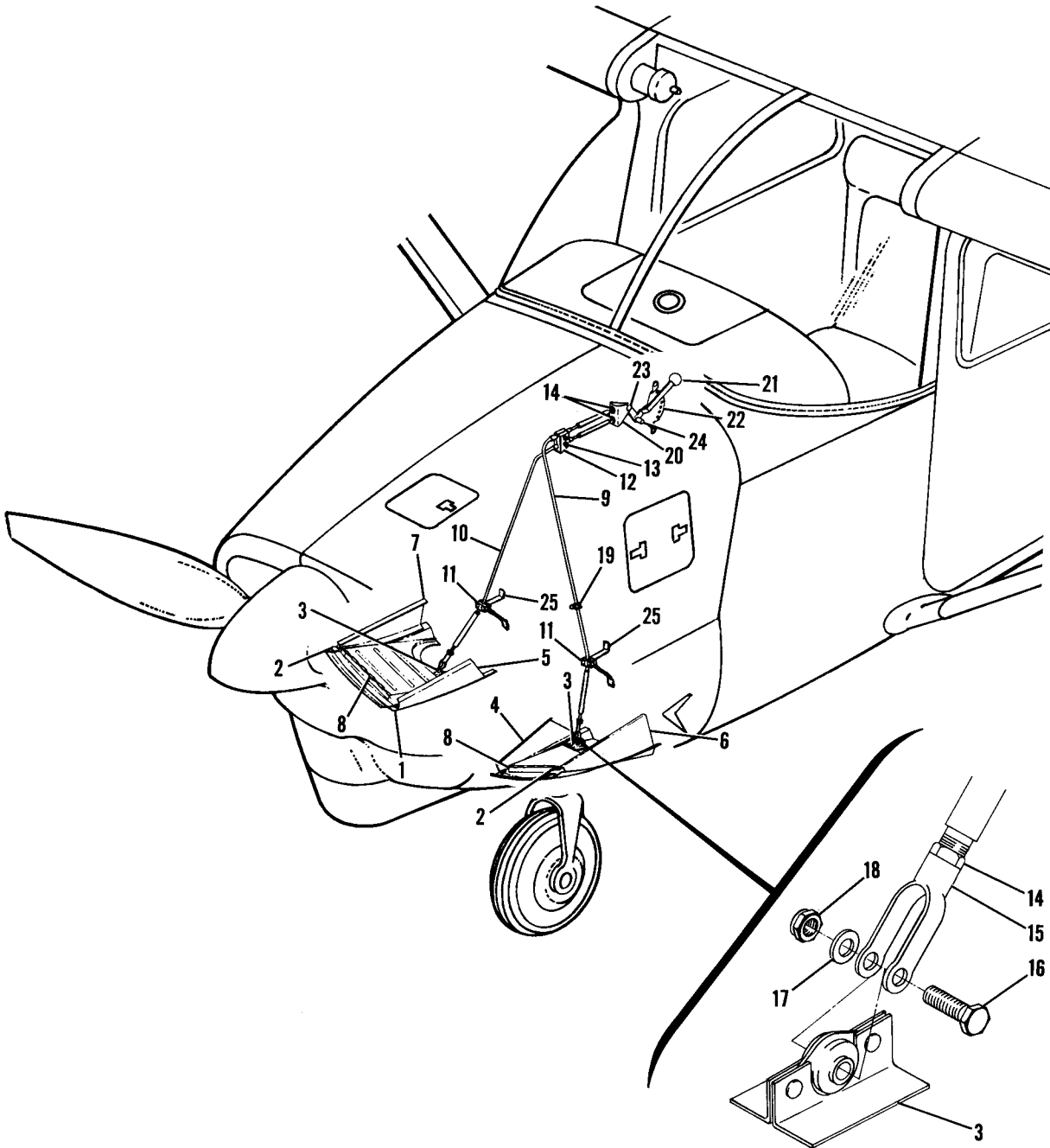
Figure 72B. Engine Baffles Installation



FIGURE AND INDEX NO.	PART NUMBER	DESCRIPTION	UNITS PER ASSY	USABLE ON CODE
		1 2 3 4 5 6 7		
72B-		ENGINE Baffles INSTALLATION -----	NP	A
- 1	1250868-1	BAFFLE ASSEMBLY-LH FRONT -----	1	
- 2	1250135-1	BRACKET ASSEMBLY -----	1	
		ATTACHING PARTS -----		
- 3	AN515-8R8	SCREW ----- T210-0001 & ON	1	
		-----*		
- 4	1250868-2	SEAL -----	1	
- 5	1250868-3	SEAL -----	1	
- 6	1250869-1	BAFFLE-HORIZONTAL FORWARD -----	1	
		ATTACHING PARTS -----		
- 7	AN520-8R5	SCREW -----	1	
- 8	S1021Z6-6	SCREW -----	1	
	NAS446-2-3	NUT -----	1	
		-----*		
- 9	1250829-8	SEAL -----	1	
-10	1250829-7	SEAL -----	1	
-11	1250870-1	BAFFLE ASSEMBLY-HORIZONTAL CENTER -----	1	
-12	1250871-1	BAFFLE ASSEMBLY-HORIZONTAL AFT -----	1	
		ATTACHING PARTS -----		
-13	AN3-5A	BOLT -----	1	
	NAS43DD3-12	SPACER -----	1	
	AN960-10L	WASHER -----	1	
	NAS679A3	NUT -----	1	
		-----*		
-14	MS35489-12	GROMMET -----	3	
-15	1250826-1	BAFFLE ASSEMBLY-LH REAR VERTICAL -----	1	
-16	1250827-1	BAFFLE ASSEMBLY-REAR CYLINDER -----	1	
-17	1250101-5	OUTLET-BLAST TUBE -----	2	
-18	MS20230B20	GROMMET -----	2	
-19	1250100-5	SEAL -----	1	
-20	MS35489-12	GROMMET -----	2	
-21	0450277-6	FASTENER -----	1	
-22	0450277-9	FASTENER -----	2	
-23	1250826-2	BAFFLE ASSEMBLY-RH REAR VERTICAL -----	1	
-24	MS35489-5	GROMMET -----	1	
-25	MS20230B20	GROMMET -----	2	
-26	0750128-11	BRACKET -----	1	
-27	MS35489-20	GROMMET -----	1	
-28	0450277-3	FASTENER -----	1	
-29	1250872-1	BAFFLE-REAR CENTER -----	1	
		ATTACHING PARTS -----		
-30	S1021Z6-6	SCREW -----	8	
-31	NAS446-2-3	NUT -----	8	
		-----*		
-32	1250105-1	SUPPORT-LH -----	1	
-33	1250105-2	SUPPORT-RH -----	1	
-34	1250828-1	BAFFLE-INTERCYLINDER -----	4	
		ATTACHING PARTS -----		
-35	1250825-1	BOLT FORWARD -----	2	
-36	AN3-71A	BOLT AFT -----	2	
-37	0851700-96	SUPPORT FORWARD -----	2	
-38	0750117-31	SUPPORT AFT -----	2	
		-----*		
-39	1250888-1	BAFFLE ASSEMBLY -----	1	
-40	S202RB	MOULDING 7.30 IN LG BULK ITEM REF S202R0730B --	1	
-41	0750152-3	BAFFLE -----	1	
-42	1250881-1	BAFFLE ASSEMBLY-OIL COOLER -----	1	
		ATTACHING PARTS -----		
-43	S1021Z6-6	SCREW -----	1	
	NAS446-2-3	NUT -----	1	
		-----*		
-44	1250881-4	SEAL -----	1	
-45	1250881-3	SEAL -----	1	
-46	1250881-2	SEAL -----	1	
-47	1250881-5	SEAL -----	1	
-48	S202RB	MOULDING 3.5 IN LG BULK ITEM REF S202R0350B --	1	
-49	S202RB	MOULDING 7.87 IN LG BULK ITEM REF S202R0787B --	1	
-50	S202RB	MOULDING 5.65 IN LG BULK ITEM REF S202R0565B --	1	
-51	1250100-4	SEAL -----	1	

A---T210 SERIAL T210-0001 & ON

Engine (Cont)

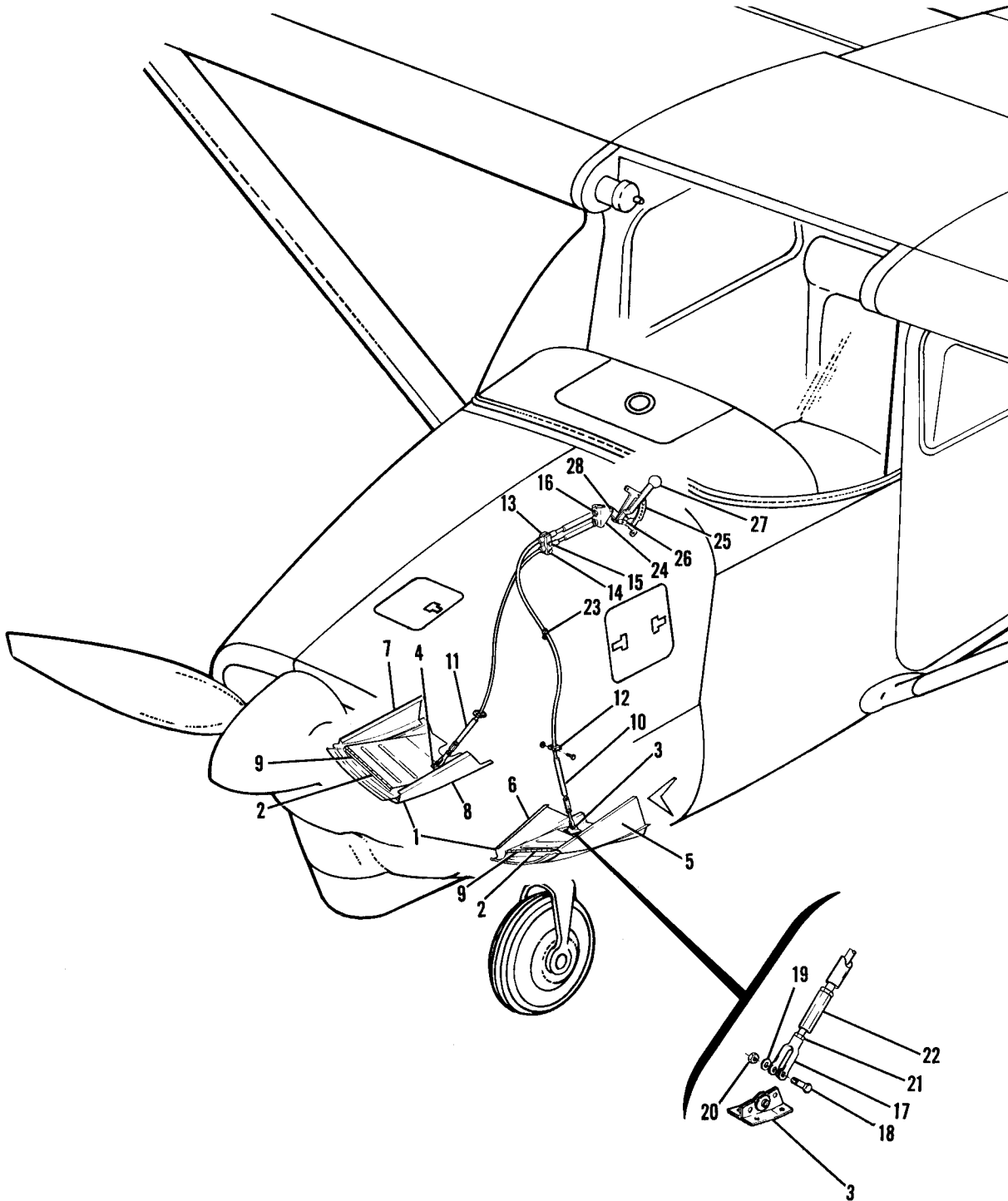


21057841 THRU 21058715

Figure 73. Cowl Flaps Control System Installation

FIGURE AND INDEX NO.	PART NUMBER	DESCRIPTION	UNITS PER ASSY	USABLE ON CODE
73 -		COWL FLAPS SYSTEM INSTALLATION -----	NP	F
- 1	1213469-201	DOOR ASSEMBLY-COWL FLAP LH -----	1	A
	1213469-203	DOOR ASSEMBLY-COWL FLAP LH -----	1	G
	1213515-201	DOOR ASSEMBLY-COWL FLAP-LH -----	1	H
	1213469-202	DOOR ASSEMBLY-COWL FLAP RH -----	1	A
	1213469-204	DOOR ASSEMBLY-COWL FLAP RH -----	1	G
	1213515-200	DOOR ASSEMBLY-COWL FLAP-RH -----	1	H
		ATTACHING PARTS		
- 2	1213472-1	PIN-HINGE -----	1	
- 3	1213072-1	BRACKET-CONTROL ----- 21057841 THRU	1	A
	1213497-1	BRACKET-CONTROL ----- 21058715	1	G
	1213518-1	BRACKET-CONTROL-LH -----	1	H
	1213518-2	BRACKET-CONTROL-RH -----	1	H
- 4	1213470-3	BAFFLE-INBOARD LH -----	1	
- 5	1213470-4	BAFFLE-INBOARD RH -----	1	
- 6	1213470-1	BAFFLE-OUTBOARD LH -----	1	G
	1213516-1	BAFFLE-OUTBOARD-LH -----	1	H
- 7	1213407-2	BAFFLE-OUTBOARD RH -----	1	G
	1213516-2	BAFFLE-OUTBOARD-RH -----	1	H
- 8	1213469-205	HINGE ASSEMBLY-COWL FLAP -----	1	
- 9	S1244-5	CONTROL-COWL FLAP LH -----	1	
-10	S1244-6	CONTROL-COWL FLAP RH -----	1	
		ATTACHING PARTS		
-11	0713307-2	CLAMP -----	4	
	AN520-10R22	SCREW -----	4	A
	AN3-14A	BOLT -----	4	B
-12	0713148-1	CLAMP -----	2	
-13	AN520-10R22	SCREW -----	2	A
	AN3-14A	BOLT -----	2	B
	AN960-10L	WASHER -----	2	
	NAS679A3	NUT -----	2	
-14	AN316-4R	NUT -----	6	
	AN936A416	WASHER -----	4	
-15	AN486-4	CLEVIS -----	1	A
	1213079-1	CLEVIS -----	1	B
-16	MS20392-2C11	PIN -----	1	A
	AN3-10A	BOLT -----	1	B
-17	AN960-10L	WASHER -----	1	A
	AN960C10	WASHER -----	1	B
-18	MS24665-132	PIN-COTTER -----	1	A
	NAS679A3	NUT -----	1	B
-19	AN742D5	CLAMP-LH ONLY -----	1	
-20	0713701-1	CLEVIS -----	1	
-21	1213486-1	LEVER ASSEMBLY -----	1	C
	1261645-1	LEVER ASSEMBLY -----	1	D
-22	1261647-1	BRACKET ASSEMBLY-POSITION -----	1	
-23	MS20392-3C11	PIN -----	1	
	AN960-416L	WASHER -----	1	
	MS24665-132	PIN-COTTER -----	1	
-24	1261441-3	STUD -----	1	
	AN960-10L	WASHER -----	1	
	NAS76A3-017	BUSHING -----	1	
	NAS679A3	NUT -----	1	
-25	1213519-1	CLAMP-BRACKET ASSEMBLY -----	2	E
		ATTACHING PARTS		
	AN525-10R6	SCREW -----	2	
		-----*		
<p>A---210 SERIAL 21057841 THRU 21058085</p> <p>B---210 SERIAL 21058086 THRU 21058715</p> <p>C---210 SERIAL 21057841 THRU 21058036</p> <p>D---210 SERIAL 21058307 THRU 21058715</p> <p>E---210 SERIAL 21058086 THRU 21058306</p> <p>F---210 SERIAL 21057841 THRU 21058715</p> <p>G---210 SERIAL 21058086 THRU 21058510</p> <p>H---210 SERIAL 21058511 THRU 21058715</p>				

Engine (Cont)



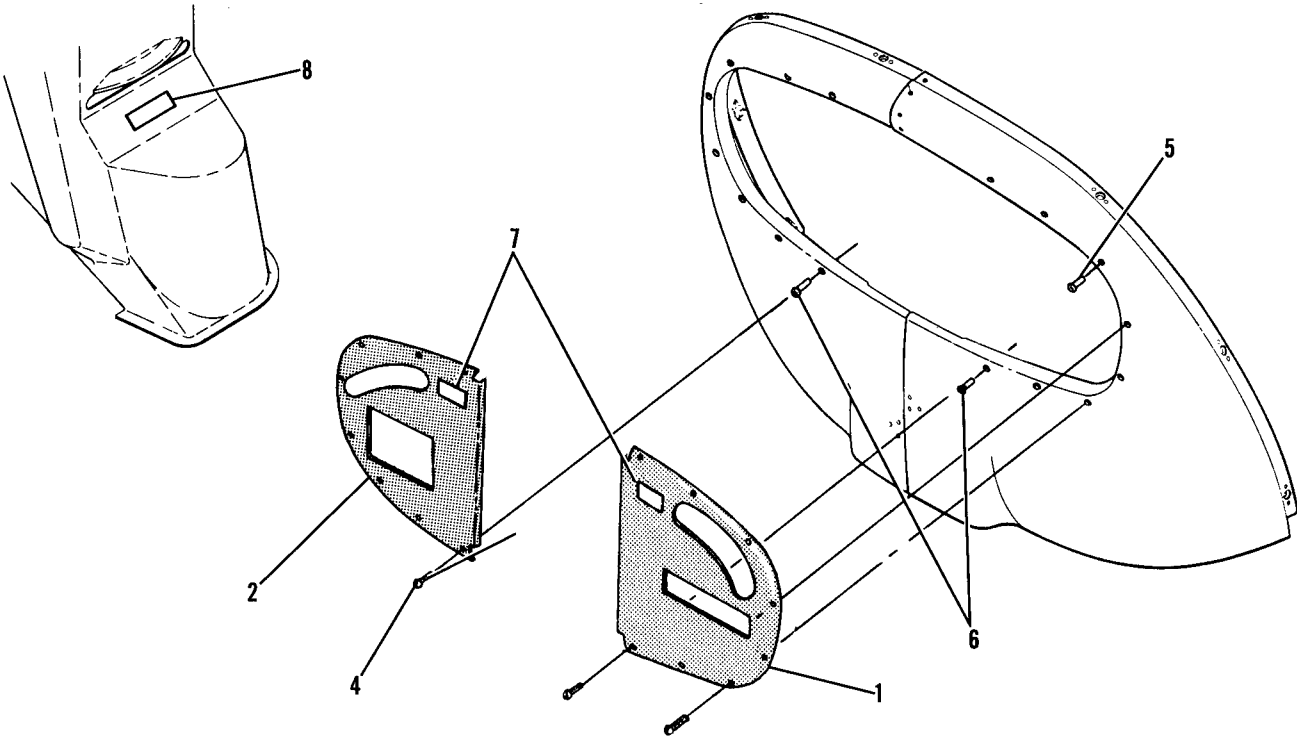
T210-0001 & ON
21058716 & ON

Figure 73A. Cowl Flaps Control System Installation



FIGURE AND INDEX NO.	PART NUMBER	DESCRIPTION	UNITS PER ASSY	USABLE ON CODE
73A-		COWL FLAPS SYSTEM INSTALLATION -----	NP	A
- 1	1213515-200	DOOR ASSEMBLY-COWL FLAP RH -----	1	B
	1250873-200	DOOR ASSEMBLY-COWL FLAP RH -----	1	C
	1213515-201	DOOR ASSEMBLY-COWL FLAP LH -----	1	B
	1250873-201	DOOR ASSEMBLY-COWL FLAP LH -----	1	C
		ATTACHING PARTS		
- 2	1213472-1	PIN-HINGE -----	1	
		-----*		
- 3	1213518-1	BRACKET-CONTROL-LH ----- T210-0001 & ON -----	1	B
	1250874-1	BRACKET-CONTROL-LH -----	1	C
- 4	1213518-2	BRACKET-CONTROL-RH ----- 21058716 & ON -----	1	B
	1250874-2	BRACKET-CONTROL-RH -----	1	C
- 5	1213516-1	BAFFLE-OUTBOARD-LH -----	1	
- 6	1213470-3	BAFFLE-INBOARD-LH -----	1	
- 7	1213516-2	BAFFLE-OUTBOARD-RH -----	1	
- 8	1213470-4	BAFFLE-INBOARD-RH -----	1	
- 9	1213469-205	HINGE ASSEMBLY-COWL FLAP -----	1	
-10	S1244-5	CONTROL-COWL FLAP LH -----	1	
-11	S1244-6	CONTROL-COWL FLAP RH -----	1	
		ATTACHING PARTS		
-12	0713307-6	CLAMP-BLOCK -----	2	
	1213527-1	CLAMP-BLOCK -----	2	
	AN3-14A	BOLT -----	4	
	NAS679A3	NUT -----	4	
-13	0713148-1	CLAMP -----	1	
-14	0713148-2	CLAMP -----	1	
-15	AN3-13A	BOLT -----	2	
	NAS679A3	NUT -----	2	
-16	AN316-4R	NUT -----	4	
	AN936A416	WASHER -----	4	
-17	1213079-1	CLEVIS -----	1	
-18	AN3-10A	BOLT -----	1	
-19	AN960-10	WASHER -----	1	
-20	NAS679A3	NUT -----	1	
-21	AN316-4R	NUT -----	2	
-22	1213626-1	LINK -----	1	
-23	AN742D5	CLAMP -----	1	
		-----*		
-24	0713701-1	CLEVIS -----	1	
-25	1261647-1	POSITION BRACKET ASSEMBLY -----	1	
-26	1261441-3	STUD -----	1	
	AN960-10L	WASHER -----	1	
	NAS76A3-017	SPACER -----	1	
	NAS679A3	NUT -----	1	
-27	1261645-6	LEVER ASSEMBLY -----	1	
-28	MS20392-3C11	PIN -----	1	
	AN960-10L	WASHER -----	2	
	MS24665-132	COTTER PIN -----	1	
		A---210 SERIAL 21058716 & ON T210 SERIAL T210-0001 & ON B---210 SERIAL 21058716 & ON C---T210 SERIAL T210-0001 & ON		

Engine (Cont)



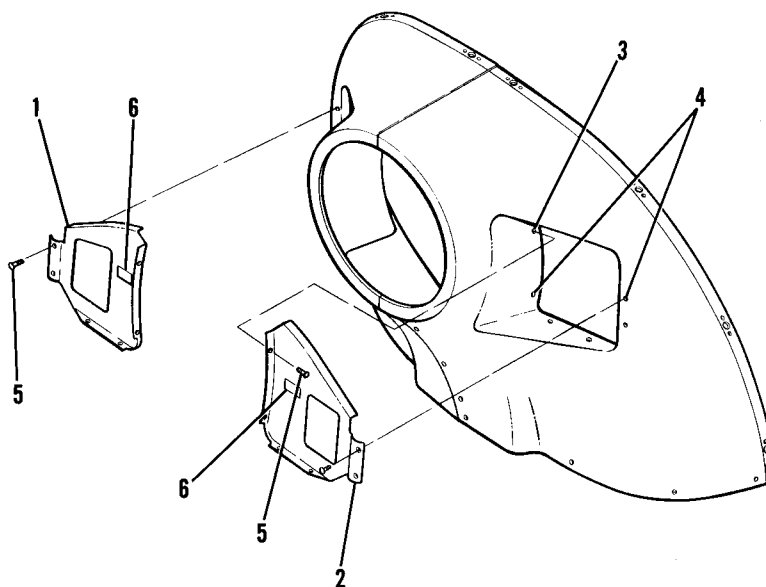
21057841 THRU 21058510

Figure 74. Winterization Equipment Installation

FIGURE AND INDEX NO.	PART NUMBER	DESCRIPTION	UNITS PER ASSY	USABLE ON CODE
		1 2 3 4 5 6 7		
74 -		WINTERIZATION EQUIPMENT INSTALLATION -----	NP	D
- 1	1200053-3	COVER-WINTERIZATION LH -----	1	A
	1200053-7	COVER-WINTERIZATION LH -----	1	B
- 2	1200053-4	COVER-WINTERIZATION RH -----	1	A
	1200053-8	COVER WINTERIZATION RH -----	1	B
	1200053-14	COVER-WINTERIZATION -----	1	C
		ATTACHING PARTS		
- 3	NAS220-7	SCREW -----	14	
- 4	NAS220-8	SCREW -----	2	
- 5	NAS1329A08K75	RIVNUT GD -----	14	
- 6	NAS1329A08K120	RIVNUT GD -----	2	

- 7	0700319-12	PLACARD-WINTERIZATION -----	2	
- 8	0700319-13	PLACARD-WINTERIZATION -----	1	
		 A---210 SERIAL 21057841 THRU 21058220 B---210 SERIAL 21058221 THRU 21058323 C---210 SERIAL 21058221 THRU 21058510 D---210 SERIAL 21057841 THRU 21058510		

Engine (Cont)



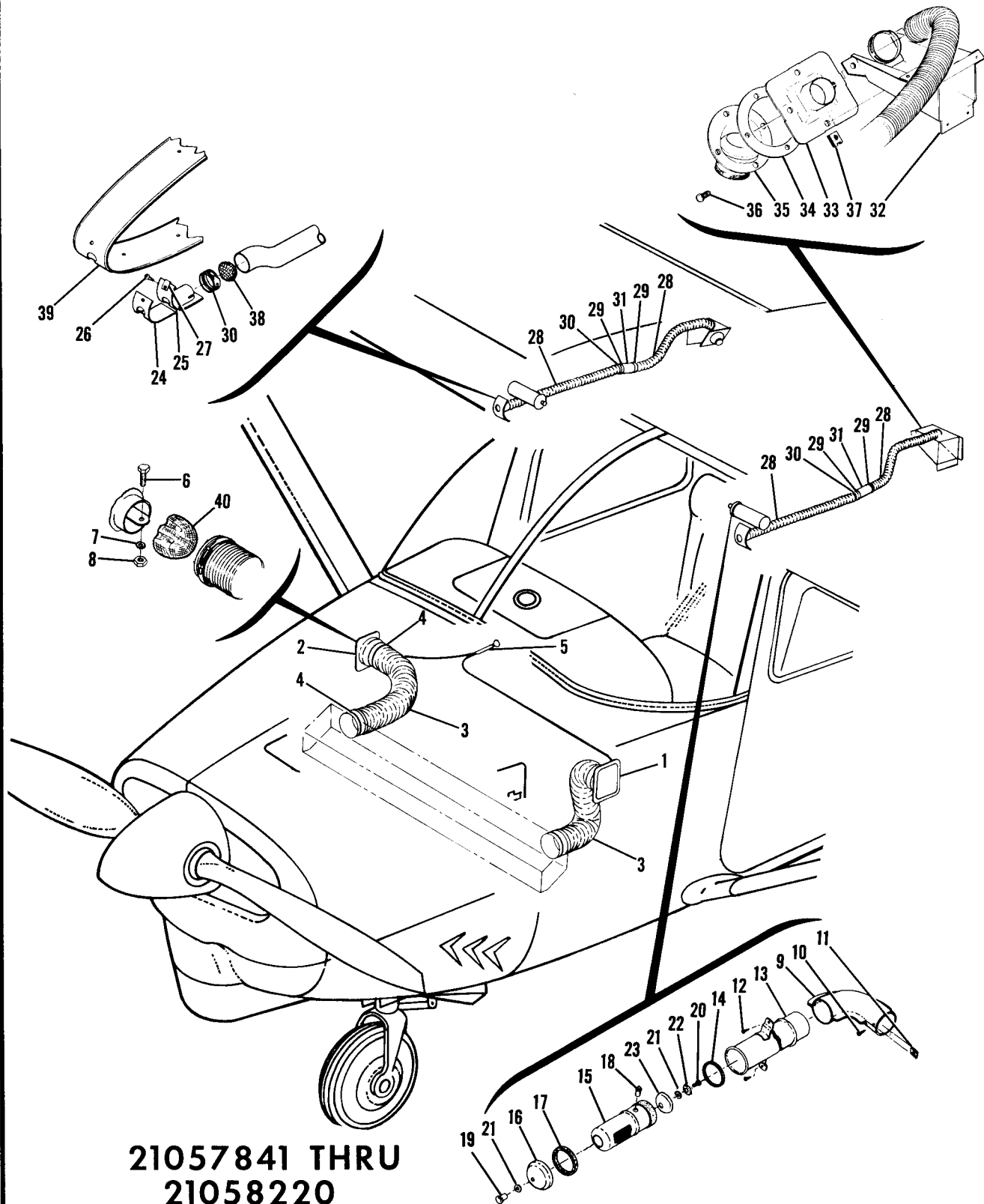
21058511 & ON

Figure 74A. Winterization Equipment Installation

FIGURE AND INDEX NO.	PART NUMBER	DESCRIPTION	UNITS PER ASSY	USABLE ON CODE
		1 2 3 4 5 6 7		
74A-		WINTERIZATION EQUIPMENT INSTALLATION -----	NP	A
- 1	1200702-2	COVER-WINTERIZATION RH -----	1	
- 2	1200702-3	COVER-WINTERIZATION LH -----	1	
		ATTACHING PARTS		
- 3	NAS698A3	NUTPLATE -----	1	
- 4	NAS697A3	NUTPLATE -----	5	
- 5	AN520-10R6	SCREW -----	6	

- 6	0700319-13	PLACARD -----	2	
	0700319-12	PLACARD LOCATED ON CONSOLE COVER -----	1	
		A---210 SERIAL 21058511 & ON		
		1966 COVERAGE FOR THE T210 & 210 WILL BE ADDED BY REVISION AT LATER DATE.		

Cabin Ventilation System

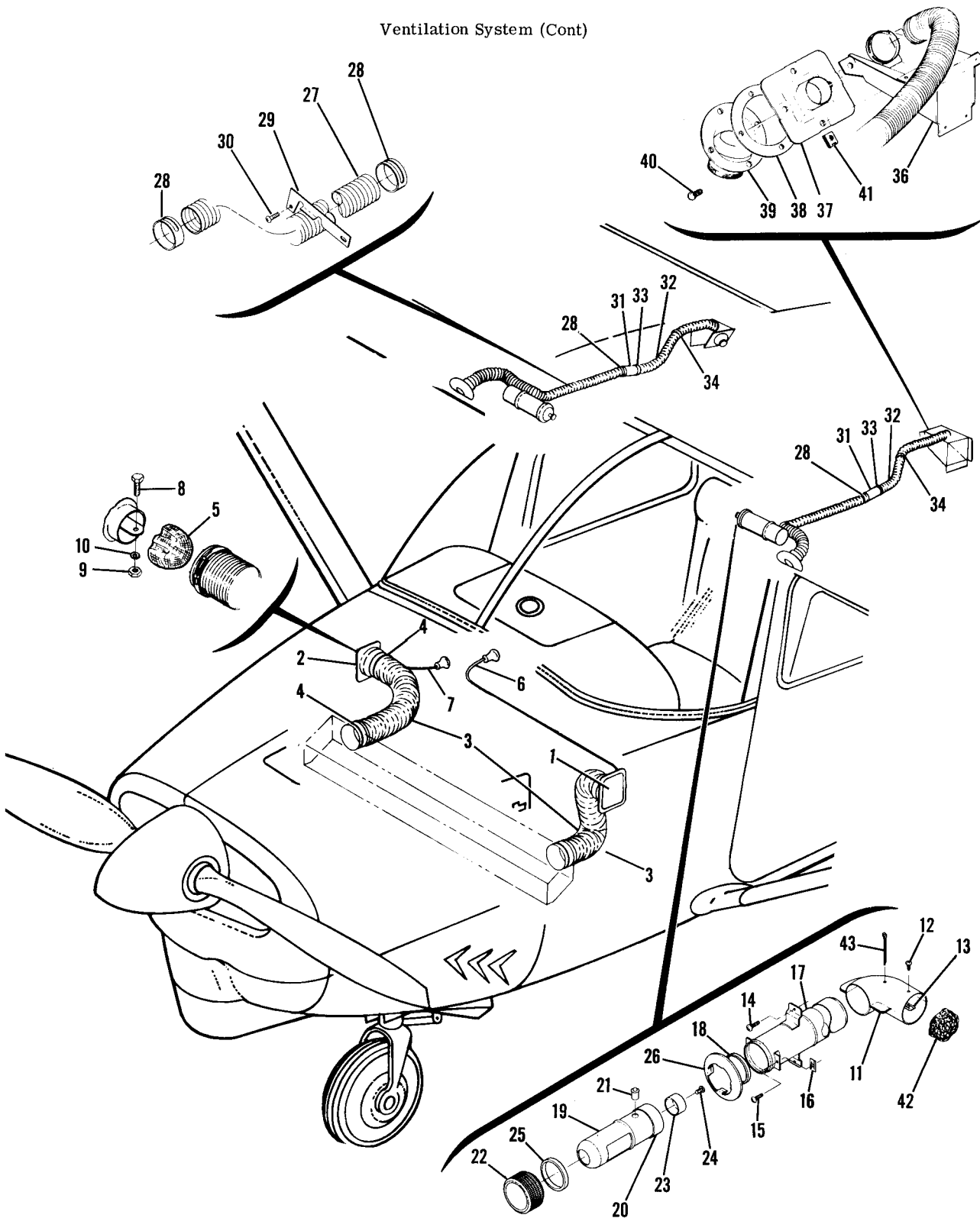


21057841 THRU
21058220

Figure 75. Cabin Ventilation System Installation

FIGURE AND INDEX NO.	PART NUMBER	DESCRIPTION	UNITS PER ASSY	USABLE ON CODE
		1 2 3 4 5 6 7		
75 -		VENTILATION SYSTEM INSTALLATION-CABIN -----	NP	E
- 1	1213475-1	INLET ASSEMBLY-COLD AIR LH -----	1	
- 2	1213475-2	INLET ASSEMBLY-COLD AIR RH -----	1	
- 3	S1053E20T	HOSE-*** IN. LONG BULK ITEM REF S-1053E20T-* -----	2	
		ATTACHING PARTS -----		
- 4	NAS398-42	CLAMP -----	2	
		-----*		
- 5	S1241-3	CONTROL ASSEMBLY-CABIN AIR LH -----	1	A
	S1241-5	CONTROL ASSEMBLY-CABIN AIR RH -----	1	B
	1213352-2	BRACKET-AIR CONTROL RH -----	1	B
		ATTACHING PARTS -----		
- 6	0450311-5	CLAMP -----	1	
- 7	AN960-10	WASHER -----	1	
- 8	NAS679A3	NUT -----	1	
		-----*		
- 9	0450314	ELBOW ASSEMBLY-CABIN VENTILATION -----	2	
		ATTACHING PARTS -----		
-10	S102128-8	SCREW -----	1	
-11	NAS446-4-3	NUT -----	1	
		-----*		
	0413163-31	OUTLET ASSEMBLY-RH LESS KNOB -----	1	
	0413163-29	OUTLET ASSEMBLY-LH LESS KNOB -----	1	
		ATTACHING PARTS -----		
-12	S102128-6	SCREW -----	2	
		-----*		
-13	0413163-28	TUBE ASSEMBLY-LH -----	1	
	0413163-27	TUBE ASSEMBLY-RH -----	1	
-14	0413163-7	SEAL-FELT -----	1	
-15	0413163-18	OUTLET-CABIN VENTILATION -----	1	
-16	0413163-11	CAP ASSEMBLY-OUTLET -----	1	
-17	0413163-10	SEAL-CAP -----	1	
-18	0413203	CATCH-BULLET -----	1	
-19	0713303-2	KNOB -----	2	
		ATTACHING PARTS -----		
-20	AN515-8R8	SCREW -----	1	
-21	0413228	WASHER -----	2	
-22	AN936A8	WASHER -----	1	
-23	0413347-1	WASHER -----	1	
		-----*		
		REAR SEAT VENTS INSTALLATION -----	NP	
-24	0700322-4	SEAL-ADAPTER -----	2	
-25	0700325-2	ADAPTOR -----	2	
		ATTACHING PARTS -----		
-26	S102228-8	SCREW -----	2	
-27	NAS396-6-3	NUT -----	2	
		-----*		
-28	S1053E8T	HOSE-21.5 IN. LG. BULK ITEM REF S-1053E8T-21.50 ---	4	
		ATTACHING PARTS -----		
-29	NAS397-18	CLAMP -----	4	
-30	S1485D17U	CLAMP -----	1	
	S102128-8	SCREW -----	1	
		-----*		
-31	0700626-1	TUBE-AIR DUCT DRAIN -----	1	
-32	0710604-1	SUPPORT ASSEMBLY -----	2	
-33	0700327-1	ADAPTOR -----	2	
-34	1213043-1	GASKET -----	2	
-35	0813610-3	VALVE -----	2	C
	0813610-6	VALVE -----	2	D
		ATTACHING PARTS -----		
-36	S102126-8C	SCREW -----	4	
-37	A1793-6Z-3	NUT -----	4	
		-----*		
-38	1200018-1	ELEMENT -----	2	
-39	0720615-11	FILLET ASSEMBLY-LH -----	1	
	0720615-12	FILLET ASSEMBLY-RH -----	1	
-40	1213345-1	SCREEN-AIR INLET -----	2	
		-----*		
		A---210 SERIAL 21057841 THRU 21057940		
		B---210 SERIAL 21057941 THRU 21058220		
		C---210 SERIAL 21057841 THRU 21058085		
		D---210 SERIAL 21058086 THRU 21058220		
		E---210 SERIAL 21057841 THRU 21058220		

Ventilation System (Cont)

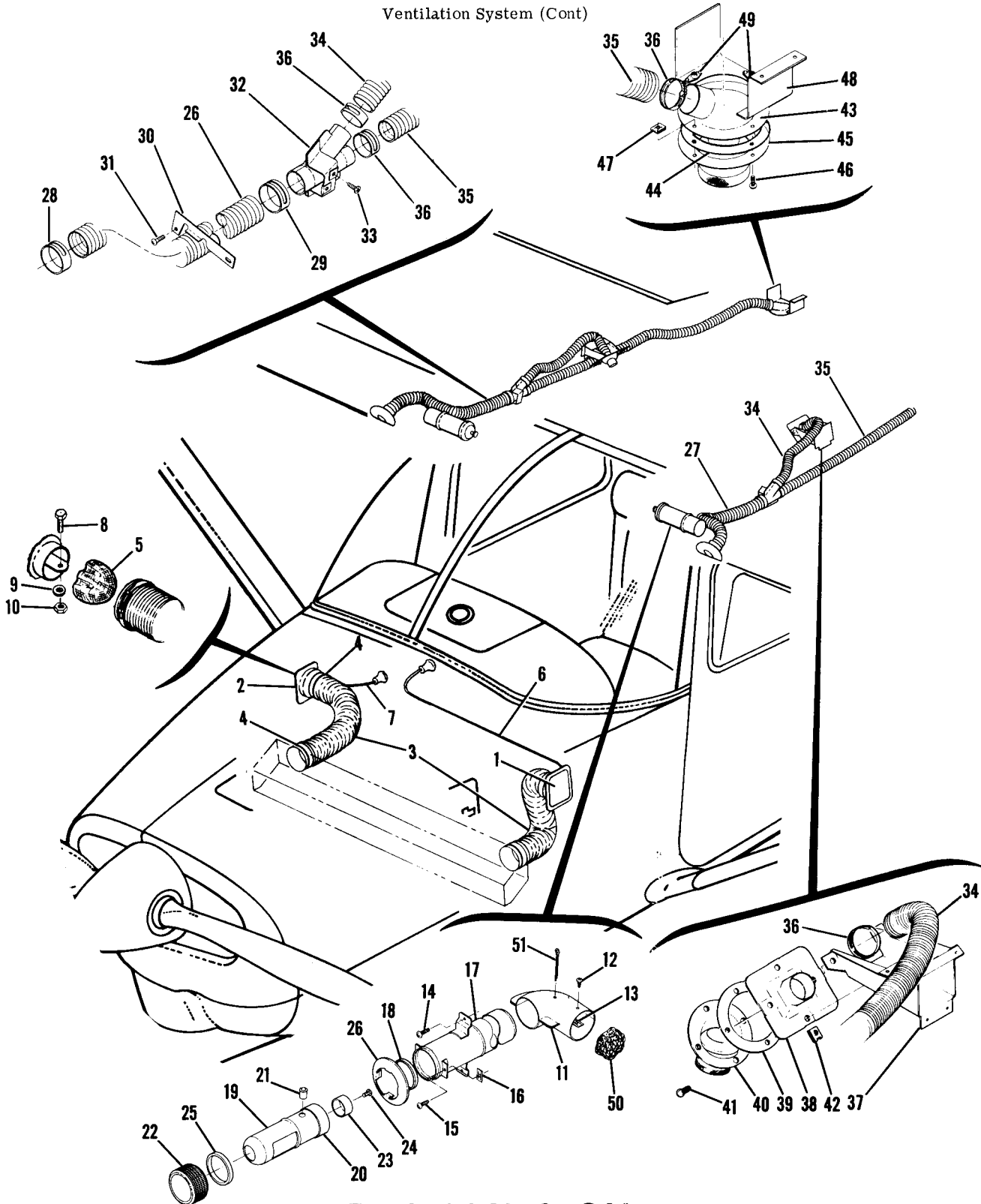


21058221 THRU 21058510

Figure 75A. Cabin Ventilation System Installation

FIGURE AND INDEX NO.	PART NUMBER	DESCRIPTION	UNITS PER ASSY	USABLE ON CODE
		1 2 3 4 5 6 7		
75A-		CABIN VENTILATION SYSTEM INSTALLATION -----	NP	A
- 1	1213475-3	INLET ASSEMBLY-COLD AIR LH -----	1	
- 2	1213475-4	INLET ASSEMBLY-COLD AIR RH -----	1	
- 3	S1053E20T	HOSE-15.0 IN LG BULK ITEM REF S1053E20T-15.00 -----	2	
		ATTACHING PARTS -----		
- 4	NAS398-42	CLAMP -----	2	
		-----*		
- 5	1213345-1	SCREEN-COLD AIR INLET ----- 21058221 -----	2	
- 6	S1241-3	CONTROL-CABIN AIR LH -----	1	
- 7	S1241-5	CONTROL-CABIN AIR RH ----- THRU 21058510 -----	1	
		ATTACHING PARTS -----		
- 8	0450311-5	CLAMP-CONTROL CABLE -----	1	
- 9	AN960-10	WASHER -----	1	
-10	NAS679A3	NUT -----	1	
		-----*		
-11	0450314	ELBOW ASSEMBLY-CABIN VENTILATION -----	1	
		ATTACHING PARTS -----		
-12	S1021Z8-8	SCREW -----	1	
-13	NAS446-4-3	NUT -----	1	
		-----*		
	1200512-200	OUTLET ASSEMBLY-CABIN AIR VENT -----	2	
		ATTACHING PARTS -----		
-14	S1021Z8-6	SCREW -----	2	
-15	S1021Z6-6	SCREW -----	2	
-16	NAS446-2-3	NUT -----	2	
		-----*		
-17	1200512-2	TUBE ASSEMBLY -----	1	
-18	0413163-7	SEAL -----	1	
-19	1200512-3	BARREL -----	1	
-20	0413163-5	SEAL -----	1	
-21	0413203	CATCH-BULLET -----	2	
-22	1200512-4	CAP ASSEMBLY-OUTLET -----	2	
		ATTACHING PARTS -----		
-23	1200511-2	RETAINER-OUTLET CAP -----	1	
-24	AN515-10R6	SCREW -----	1	
		-----*		
-25	S1441-2-6-56	SEAL-CAP -----	1	
-26	1200509-1	TRIM RING-CABIN AIR VENT -----	2	
		REAR SEAT VENTS INSTALLATION -----	NP	
-27	S1053E10T	HOSE-30.0 IN LG BULK ITEM REF S1053E10T30.0 -----	2	
		ATTACHING PARTS -----		
-28	NAS397-22	CLAMP -----	2	
		-----*		
-29	1213618-1	RETAINER-HOSE LH -----	1	
	1213618-2	RETAINER-HOSE RH -----	1	
		ATTACHING PARTS -----		
-30		SCREW -----	2	
		-----*		
-31	1200691-1	FITTING-DRAIN -----	2	
		ATTACHING PARTS -----		
	S1021Z8-8	SCREW -----	1	
		-----*		
-32	S1053E8T	HOSE-19.0 IN LG BULK ITEM S1053E819.0 -----	2	
		ATTACHING PARTS -----		
-33	NAS397-18	CLAMP -----	2	
-34	S1485D17U	CLAMP -----	1	
	S1021Z8-8	SCREW -----	1	
		-----*		
-36	0710604-1	SUPPORT ASSEMBLY-VENT -----	2	
-37	0700327-1	ADAPTER -----	2	
-38	1213043-1	GASKET -----	2	
-39	0813610-6	VALVE -----	2	
		ATTACHING PARTS -----		
-40	S1021Z6-8C	SCREW -----	4	
-41	NAS395-7-3	NUT -----	4	
		-----*		
-42	1200018-1	FILTER-AIR -----	2	
-43	MS24465-144	PIN-COTTER -----	2	
		-----*		
		A---210 SERIAL 21058221 THRU 21058510		

Ventilation System (Cont)



T210-0001 & ON
21058511 & ON

Figure 75B. Cabin Ventilation System Installation



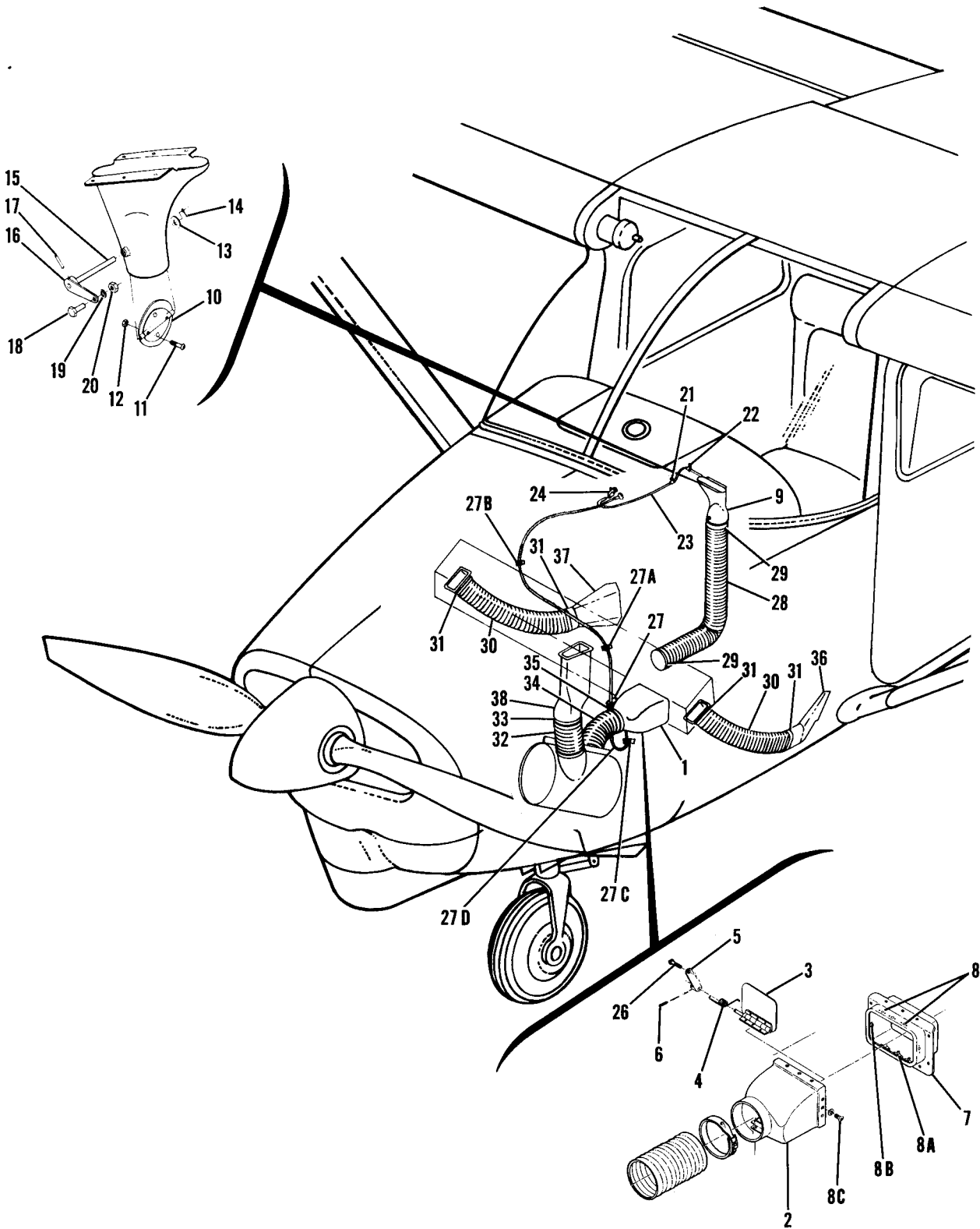
FIGURE AND INDEX NO.	PART NUMBER	DESCRIPTION	UNITS PER ASSY	USABLE ON CODE
75B-		CABIN VENTILATION SYSTEM INSTALLATION -----	NP	A
- 1	1213475-3	INLET ASSEMBLY-COLD AIR LH -----	1	
- 2	1213475-4	INLET ASSEMBLY-COLD AIR RH -----	1	
- 3	S1053E20T	HOSE-15.0 IN LG BULK ITEM REF S1053E20T-15.0 -----	2	
		ATTACHING PARTS -----		
- 4	NAS398-42	CLAMP -----	2	
		-----*-----		
- 5	1213345-1	SCREEN-COLD AIR INLET -----	2	
- 6	S1241-2	CONTROL-CABIN AIR LH -----	1	B
	S1241-10	CONTROL-CABIN AIR LH -----	1	C
- 7	S1241-8	CONTROL-CABIN AIR RH -----	1	
		ATTACHING PARTS -----		
- 8	0450311-5	CLAMP-CONTROL CABLE -----	1	
- 9	AN960-10	WASHER -----	1	
-10	NAS679A3	NUT -----	1	
		-----*-----		
-11	0450314	ELBOW ASSEMBLY-CABIN VENTILATION -----	1	
		ATTACHING PARTS -----		
-12	S102128-8	SCREW -----	1	
-13	NAS446-4-3	NUT -----	1	
		-----*-----		
	1200512-200	OUTLET ASSEMBLY-CABIN AIR VENT -----	2	
		ATTACHING PARTS -----		
-14	S102128-6	SCREW -----	2	
-15	S102126-6	SCREW -----	2	
-16	NAS446-2-3	NUT -----	2	
		-----*-----		
-17	1200512-2	TUBE ASSEMBLY -----	1	
-18	0413163-7	SEAL -----	1	
-19	1200512-3	BARREL ASSEMBLY -----	1	
-20	0413163-5	SEAL -----	1	
-21	0413203	CATCH-BULLET -----	2	
-22	1200512-4	CAP ASSEMBLY-OUTLET -----	1	
	1200512-6 *	CAP ASSEMBLY-OUTLET -----	1	
		ATTACHING PARTS -----		
-23	1200511-1	RETAINER-OUTLET CAP -----	1	
	1200511-2 *	RETAINER-OUTLET CAP -----	1	
-24	AN515-10R6	SCREW -----	1	
		-----*-----		
-25	S1441-2-6-56	SEAL-CAP -----	1	
-26	1200509-1	TRIM RING-CABIN AIR VENT -----	2	
		REAR SEAT VENTS INSTALLATION -----	NP	
-27	S1053E10T	HOSE-30.00 IN LG BULK ITEM REF S1053E10T30.0 -----	2	
-28	AN737TW46	CLAMP -----	1	
-29	NAS397-22	CLAMP -----	1	
-30	1213618-1	RETAINER-HOSE LH -----	1	
	1213618-2	RETAINER-HOSE RH -----	1	
		ATTACHING PARTS -----		
-31	AN515-8R6	SCREW -----	2	
		-----*-----		

CONTINUED ON NEXT PAGE

FIGURE AND INDEX NO.	PART NUMBER	DESCRIPTION	UNITS PER ASSY	USABLE ON CODE
75B-32	1200638-1	FITTING ASSEMBLY-COLD AIR LH -----	1	
	1200638-2	FITTING ASSEMBLY-COLD AIR RH -----	1	
		ATTACHING PARTS		
-33	S102128-8	SCREW -----	2	
		-----*		
-34	S1053E8T	HOSE-19.0 IN LG BULK ITEM REF S-1053E8T19.0 -----	2	
-35	S1053E8T	HOSE-48.0 IN LG BULK ITEM REF S-1053E8T48.0 -----	2	
		ATTACHING PARTS		
-36	NAS397-18	CLAMP -----	2	
		-----*		
-37	0710604-1	SUPPORT ASSEMBLY-VENT -----	2	
-38	0700327-1	ADAPTOR -----	2	
-39	1213043-1	GASKET -----	2	
-40	S1646-1	VALVE -----	2	
		ATTACHING PARTS		
-41	S102126-8C	SCREW -----	4	
-42	NAS395-7-3	NUT -----	4	
		-----*		
-43	1200633-1	ADAPTER -----	2	
-44	1213043-2	GASKET -----	2	
-45	S1646-1	VALVE -----	2	
		ATTACHING PARTS		
-46	S102126-8C	SCREW -----	4	
-47	NAS395-7-3	NUT -----	1	
		-----*		
-48	1200631-1	BRACKET-AIR VENT MOUNTING LH -----	1	
	1200631-2	BRACKET-AIR VENT MOUNTING RH -----	1	
-49	A6195-6Z3	NUT TIN -----	3	
-50	1200018-1	FILTER-AIR -----	2	
-51	MS24465-144	PIN-COTTER -----	2	
<p>NOTE. *THESE PARTS TO BE USED IN CONJUNCTION WITH AIR TEMPERATURE GAGE.</p> <p>A---210 SERIAL 21058511 & ON T210 SERIAL T210-0001 & ON B---210 SERIAL 21058511 THRU 21058524 C---210 SERIAL 21058525 & ON T210 SERIAL T210-0001 & ON</p>				

FIGURE AND INDEX NO.	PART NUMBER	DESCRIPTION	UNITS PER ASSY	USABLE ON CODE
		1 2 3 4 5 6 7		
76 -		HEATER INSTALLATION-CABIN -----	NP	E
- 1	1253045-2	VALVE ASSEMBLY-CABIN HEATER -----	1	
- 2	1253044-3	VALVE BODY-CABIN HEATER -----	1	
- 3	1253034-1	VALVE PLATE ASSEMBLY -----	1	
- 4	1253041-1	SPRING-WARM AIR -----	1	
- 5	1253037-4	ARM-CONTROL -----	1	
		ATTACHING PARTS 21057841 & ON		
- 6	NAS561C2-8	ROLLPIN -----	1	
		-----*		
- 7	1253035-2	SEAT-VALVE -----	1	
- 8	NAS696A08	NUTPLATE -----	4	
- 8A	NAS697A08	NUTPLATE -----	2	
- 8B	NAS698A08	NUTPLATE -----	2	
- 8C	AN515-8R6	SCREW -----	8	
	AN960-8L	WASHER -----	5	
- 9	1250502-1	NOZZLE ASSEMBLY-DEFROST -----	1	
-10	1250116-1	VALVE ASSEMBLY -----	1	
		ATTACHING PARTS		
-11	AN515-6R10	SCREW -----	2	
-12	NAS679A06	NUT -----	2	
		-----*		
	1250115-1	LEVER ASSEMBLY -----	1	A
	1250115-3	LEVER ASSEMBLY -----	1	B
		ATTACHING PARTS		
-13	AN960-416L	WASHER -----	1	
-14	MS24665-132	PIN-COTTER -----	1	
		-----*		
CONTINUED ON NEXT PAGE				

Heating System

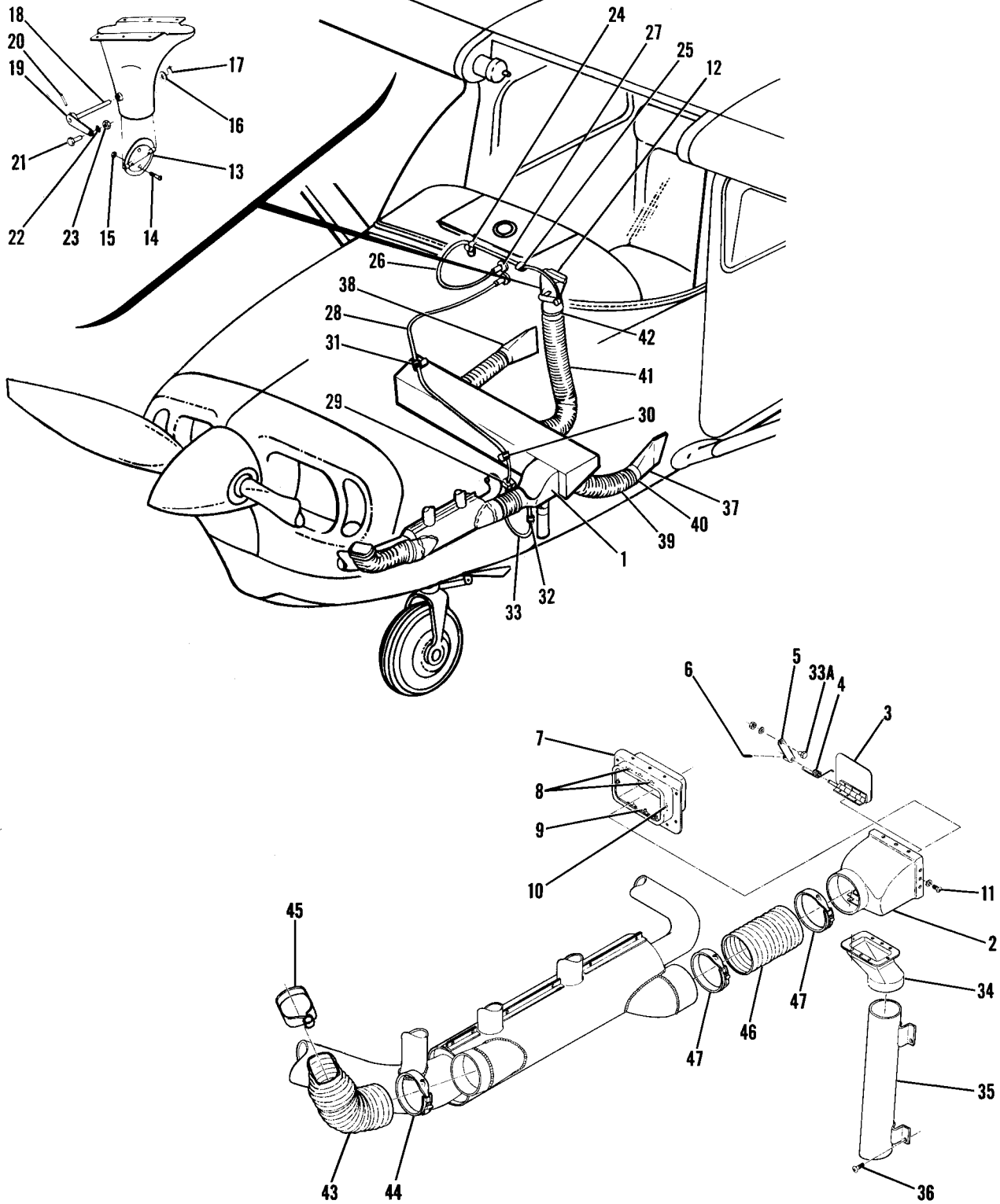


21057841 & ON

Figure 76. Cabin Heat and Defrost Installation

FIGURE AND INDEX NO.	PART NUMBER	DESCRIPTION	UNITS PER ASSY	USABLE ON CODE
76 -15	1250115-2	SHAFT -----	1	A
	1250115-4	SHAFT -----	1	B
-16	0713019-24	ARM ASSEMBLY -----	1	
-17	MS16562-16	ROLLPIN EN -----	1	
-18	0450311-5	CLAMP -----	1	
-19	AN960-10L	WASHER -----	1	
-20	NAS679A3	NUT -----	1	
	S1268-6	CONTROL ASSEMBLY-DEFROST -----	1	
		ATTACHING PARTS		
-21	AN742D3	CLAMP -----	1	
	S148503U	CLAMP -----	1	
	S1021Z8-8	SCREW -----	1	
-22	S148503U	CLAMP -----	1	
	S1021Z8-8	SCREW -----	1	
		---*---		
-23	S1266-1	CONTROL ASSEMBLY -----	1	C
	S1266-6	CONTROL ASSEMBLY -----	1	D
-24	0813475-3	KNOB WHEN EXHAUSTED USE S1587-1 -----	1	
	S1587-1	KNOB -----	1	
-25	S1241-1	CONTROL ASSEMBLY-CABIN HEAT -----	1	
		ATTACHING PARTS		
-26	0450311-5	CLAMP -----	1	
	AN960-10L	WASHER -----	1	
	NAS679A3	NUT -----	1	
-27	0713307-2	CLAMP -----	2	
	AN523-10R22	SCREW -----	2	
	AN960-10L	WASHER -----	2	
-27A	MS21919DG4	CLAMP -----	1	
	NAS43DD3-32	SPACER -----	1	
	AN520-10R10	SCREW -----	1	
-27B	S14860G4U	CLAMP -----	1	
	MS21919DG4	CLAMP -----	1	
	S1021Z8-6	CLAMP -----	1	
-27C	MS21919DG3	CLAMP -----	1	
	S1021Z8-6	SCREW -----	1	
-27D	S1399-1	SLEEVE -----	AR	
		---*---		
-28	S1053E16T- *	HOSE-DEFROST -----	1	
		ATTACHING PARTS		
-29	NAS397-32	CLAMP -----	1	
		---*---		
-30	S-1110ET19.5	HOSE-HEATER -----	2	
		ATTACHING PARTS		
-31	S1026BG10.90X	CLAMP -----	2	
		---*---		
-32	S1053K24T- *	HOSE -----	1	
		ATTACHING PARTS		
-33	NAS398-50	CLAMP -----	2	
		---*---		
-34	S1053K24T- *	HOSE -----	1	
		ATTACHING PARTS		
-35	NAS398-50	CLAMP -----	2	
		---*---		
-36	1250503-1	DUCT-LH -----	1	
-37	1250503-2	DUCT-RH -----	1	
-38	1250123-1	AIR INLET ASSEMBLY -----	1	
<p>NOTE. *LENGTHS TO BE ADDED LATER.</p> <p>A---210 SERIAL 21057841 THRU 21058039 B---210 SERIAL 21058040 & ON C---210 SERIAL 21057841 THRU 21058510 D---210 SERIAL 21058511 & ON E---210 SERIAL 21057841 & ON</p>				

Heating System (Cont)



T210-0001 & ON

Figure 76A. Cabin Heat And Defrost Installation

FIGURE AND INDEX NO.	PART NUMBER	DESCRIPTION	UNITS PER ASSY	USABLE ON CODE
		1 2 3 4 5 6 7		
76A-		HEATER INSTALLATION-CABIN -----	NP	A
- 1	1253045-2	VALVE ASSEMBLY-CABIN HEATER -----	1	
- 2	1253044-3	VALVE BODY-CABIN HEATER -----	1	
- 3	1253034-1	VALVE PLATE ASSEMBLY -----	1	
- 4	1253041-1	SPRING-WARM AIR -----	1	
- 5	1253037-4	ARM-CONTROL -----	1	
		ATTACHING PARTS		
		T210-0001 & ON		
- 6	NAS561C2-8	ROLLPIN -----	1	

- 7	1253035-2	VALVE SEAT ASSEMBLY -----	1	
- 8	NAS696A08	NUTPLATE -----	4	
- 9	NAS697A08	NUTPLATE -----	2	
-10	NAS698A08	NUTPLATE -----	2	
-11	AN515-8R6	SCREW -----	8	
	AN960-8L	WASHER -----	5	
-12	1250502-1	NOZZLE ASSEMBLY-DEFROST -----	1	
-13	1250116-1	VALVE ASSEMBLY -----	1	
		ATTACHING PARTS		
-14	AN515-6R10	SCREW -----	2	
-15	NAS679A06	NUT -----	2	

	1250115-3	LEVER ASSEMBLY -----	1	
		ATTACHING PARTS		
-16	AN960-416L	WASHER -----	1	
-17	MS24665-132	PIN-COTTER -----	1	

-18	1250115-4	SHAFT -----	1	
-19	0713019-24	ARM ASSEMBLY -----	1	
-20	MS16562-16	ROLL PIN EN -----	1	
-21	0450311	CLAMP -----	1	
-22	AN960-10L	WASHER -----	1	
-23	NAS679A3	NUT -----	1	
	S1268-6	CONTROL -----	1	
		ATTACHING PARTS		
-24	AN742D3	CLAMP -----	1	
	S1485D3U	CLAMP -----	1	
	S1021Z8-8	SCREW -----	1	
-25	S1485D3U	CLAMP -----	1	
	S1021Z8-8	SCREW -----	1	

-26	S1266-6	CONTROL ASSEMBLY-DEFROST -----	1	
-27	S1587-1	KNOB -----	1	
-28	S1241-1	CONTROL ASSEMBLY-CABIN HEAT -----	1	
		ATTACHING PARTS		
-29	0713307-2	CLAMP -----	2	
	AN523-10R22	SCREW -----	2	
	AN960-10L	WASHER -----	2	
-30	MS21919DG4	CLAMP -----	1	
	NAS43DD3-32	SPACER -----	1	
	AN520-10R10	SCREW -----	1	
-31	S1486DG4U	CLAMP -----	1	
	MS21919DG4	CLAMP -----	1	
	S1021Z8-6	SCREW -----	1	
-32	MS21919DG3	CLAMP -----	1	
	S1021Z8-6	SCREW -----	1	
-33	S1399-1	SLEEVE -----	1	
-33A	0450311-5	CLAMP -----	AR	
	NAS679A3	NUT -----	1	
	AN960-10L	WASHER -----	1	

CONTINUED ON NEXT PAGE

FIGURE AND INDEX NO.	PART NUMBER	DESCRIPTION							UNITS PER ASSY	USABLE ON CODE
		1	2	3	4	5	6	7		
76A-34	1250843-1	ADAPTOR -----							1	
-35	1250849-1	TUBE ASSEMBLY -----							1	
		ATTACHING PARTS								
-36	AN515-8R7	SCREW -----							4	
	NAS696A08	NUTPLATE -----							4	
		---*---								
-37	1250503-1	DUCT LH -----							1	
-38	1250503-2	DUCT RH -----							1	
-39	S1110ET-19.5	DUCT -----							2	
		ATTACHING PARTS								
-40	S10268G10.90X	CLAMP -----							4	
		---*---								
-41	S1053E16T	HOSE -----							1	
		ATTACHING PARTS								
-42	NAS397-32	CLAMP -----							2	
		---*---								
-43	S1053K24T	*	HOSE -----						1	
			ATTACHING PARTS							
-44	NAS398-50	CLAMP -----							2	
-45	S1026CH	CLAMP -----							1	
		---*---								
-46	S1053K24T	*	HOSE -----						1	
			ATTACHING PARTS							
-47	NAS398-50	CLAMP -----							2	
		---*---								
NOTE. *LENGTHS TO BE ADDED LATER										
A---T210 SERIAL T210-0001 & ON										

This page intentionally left blank.

Brake System

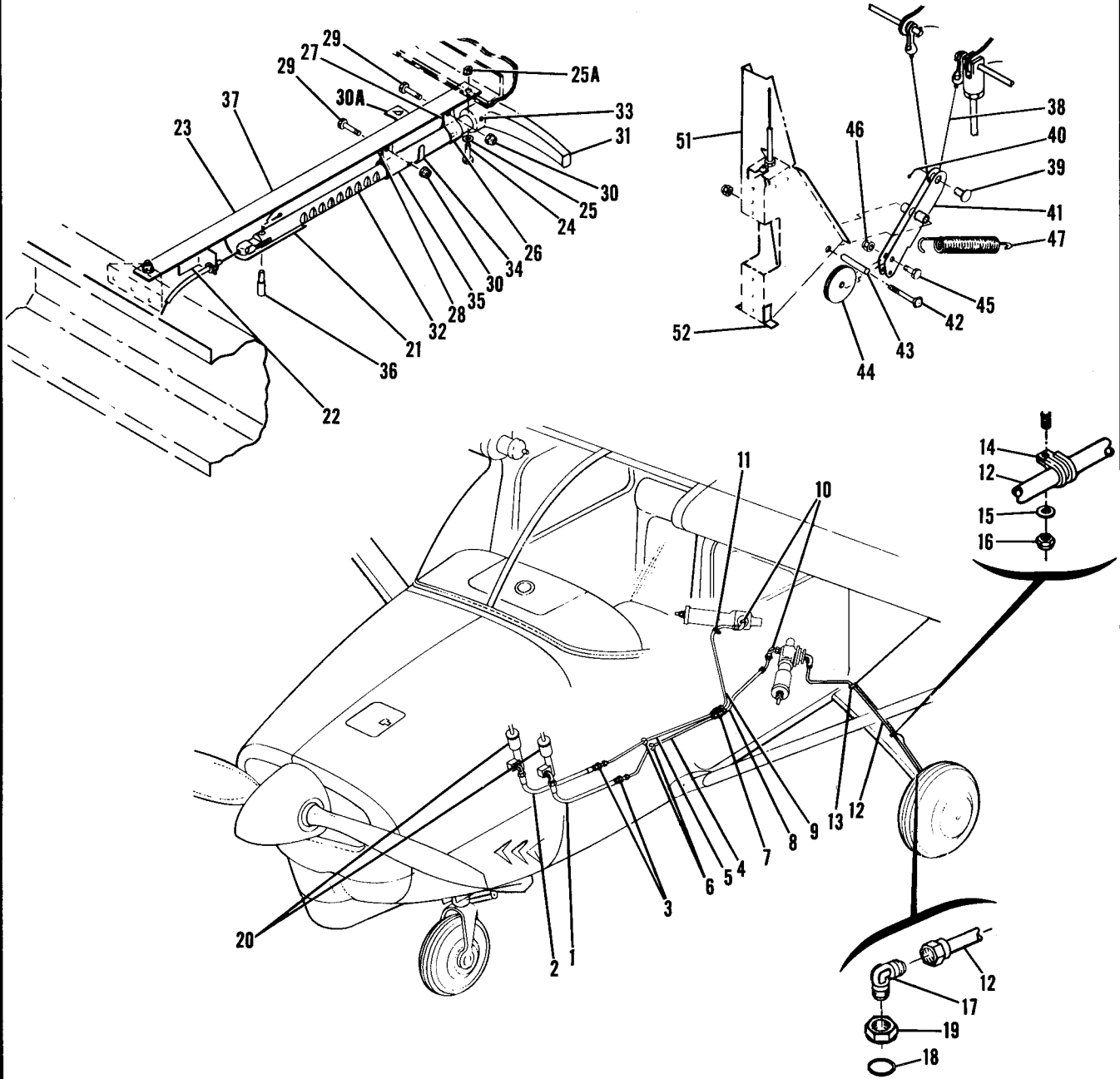


Figure 77. Brake System Installation

FIGURE AND INDEX NO.	PART NUMBER	DESCRIPTION	UNITS PER ASSY	USABLE ON CODE
77 -		BRAKE SYSTEM INSTALLATION -----	NP	
- 1	S1167-3-0152	HOSE ASSEMBLY-BRAKE LH -----	1	
- 2	S1167-3-0144	HOSE ASSEMBLY-BRAKE RH -----	1	
		ATTACHING PARTS		
- 3	AN832-3D	UNION-BULKHEAD -----	1	C
	AN837-3D	ELBOW-UNIVERSAL 45 DEGREES -----	1	D
	AN960PD616	WASHER -----	1	
	AN924-3D	NUT -----	1	
		-----*		
- 4	1280506-19	LINE ASSEMBLY-BRAKE LH -----	1	C
	1280506-105	LINE ASSEMBLY-BRAKE LH -----	1	D
- 5	1280506-20	LINE ASSEMBLY-BRAKE RH -----	1	C
	1280506-106	LINE ASSEMBLY-BRAKE RH -----	1	D
		ATTACHING PARTS		
- 6	MS35489-5	GROMMET -----	1	
- 7	AN832-3D	UNION-BULKHEAD -----	1	
	AN960PD616	WASHER -----	1	
	AN924-3D	NUT -----	1	
		-----*		
- 8	1280506-21	LINE ASSEMBLY-BRAKE LH -----	1	
- 9	1280506-22	LINE ASSEMBLY-BRAKE RH -----	1	
		ATTACHING PARTS		
-10	1280111-1	SWIVEL ASSEMBLY -----	1	
-11	755AE-4-2-6	CLAMP AP -----	1	
	755A3-2-6	CLAMP AP -----	1	
	AN515-8R8	SCREW -----	1	
		-----*		
-12	1280506-1	LINE ASSEMBLY-BRAKE LH -----	1	A
	1280506-93	LINE ASSEMBLY-BRAKE LH -----	1	B
	1280506-2	LINE ASSEMBLY-BRAKE RH -----	1	A
	1280506-94	LINE ASSEMBLY-BRAKE RH -----	1	B
		ATTACHING PARTS		
-13	1241035-1	CLIP-BRAKE LINE LH -----	1	
	1241035-2	CLIP-BRAKE LINE RH -----	1	
-14	MS21919DG4	CLAMP -----	1	
-15	AN960D10	WASHER -----	1	
-16	NAS679A3	NUT -----	1	
-17	AN833-4D	ELBOW -----	1	
-18	MS28778-4	GASKET -----	1	
-19	AN924-4D	NUT -----	1	
		-----*		
-20	0541138-3	CYLINDER ASSEMBLY-BRAKE MASTER SEE FIGURE 79 -----	2	
		BRAKE INSTALLATION-PARKING -----	NP	
-21	0713070-4	RACK -----	1	
-22	0713070-5	ANGLE -----	1	
-23	1260436-1	ANGLE -----	1	
		ATTACHING PARTS		
-24	AN3-4A	BOLT -----	1	
-25	AN960-10	WASHER -----	1	E
-25A	NAS679A3	NUT -----	1	F
		-----*		
	0813150-55	HANDLE ASSEMBLY-PARKING BRAKE -----	1	
		ATTACHING PARTS		
-26	0713070-25	CLAMP-PARKING BRAKE -----	1	
-27	0713070-32	SPACER-PARKING BRAKE -----	1	
-28	0713070-15	SPACER-PARKING BRAKE -----	1	
-29	AN3-6A	BOLT -----	2	
-30	NAS679A3	NUT -----	2	
		-----*		
-30A	S1154-1	BRACKET -----	1	
-31	0811490-6	HANDLE-PARKING BRAKE -----	1	
-32	0813150-54	TUBE-PARKING BRAKE -----	1	
-33	NAS561-5-12	ROLLPIN -----	1	
-34	0713070-24	CATCH-PARKING BRAKE -----	1	
		ATTACHING PARTS		
	AN960-4	WASHER -----	1	
		-----*		
-35	0813156-4	HOUSING ASSEMBLY -----	1	
-36	0713070-6	PIN-POSITIONING -----	1	
-37	MS24665-132	PIN-COTTER -----	1	
-38	1260505-1	CABLE ASSEMBLY -----	1	
-39	MS20392-4C13	PIN -----	1	
-40	MS24665-281	PIN-COTTER -----	1	

CONTINUED ON NEXT PAGE

FIGURE AND INDEX NO.	PART NUMBER	DESCRIPTION							UNITS PER ASSY	USABLE ON CODE
		1	2	3	4	5	6	7		
77 -41	0713070-35	BELLCRANK ASSEMBLY -----							1	
-42	AN3-13A	ATTACHING PARTS -----							1	
-43	0713070-19	BOLT -----							1	
	NAS679A3	SPACER -----							1	
		NUT -----							1	
		-----*								
-44	S378-1	PULLEY -----							1	
		ATTACHING PARTS -----								
-45	AN23-9A	BOLT -----							1	
-46	NAS679A3	NUT -----							1	
		-----*								
-47	0713625-1	SPRING -----							1	
	1260417-1	CABLE & TUBE ASSEMBLY -----							1	
	1260417-2	CABLE & TUBE ASSEMBLY-STAINLESS STEEL CABLE -----							1	
-48		DELETED-NON PROCURABLE -----								
-49		DELETED-NON PROCURABLE -----								
-50		DELETED-NON PROCURABLE -----								
-51	1261417-1	BRACKET -----							1	
-52	1261422-1	ANGLE-LH -----							1	
	1261422-2	ANGLE-RH -----							1	
		A---210 SERIAL 21057841 THRU 21058085								
		B---210 SERIAL 21058086 & ON								
		T210 SERIAL T210-0001 & ON								
		C---210 SERIAL 21057841 THRU 21058351								
		EXCEPT 21058326								
		D---210 SERIAL 21058326, 21058352 & ON								
		T210 SERIAL T210-0001 & ON								
		E---210 SERIAL 21057841 THRU 21058510								
		F---210 SERIAL 21058511 & ON								
		T210 SERIAL T210-0001 & ON								



FIGURE AND INDEX NO.	PART NUMBER	DESCRIPTION	UNITS PER ASSY	USABLE ON CODE
1 2 3 4 5 6 7				
78 -		PEDAL INSTALLATION-RUDDER & BRAKE -----	NP	
- 1	0310453	PEDAL-RUDDER & BRAKE -----	4	A
	1460320-1	PEDAL -----	4	B
		ATTACHING PARTS		
- 2	0411369-2	SHAFT -----	1	A
	1460501-21	SHAFT -----	1	B
- 2A	1260459-8	PIN ON RH PEDALS ONLY -----	1	D
- 3	MS24665-285	PIN-COTTER -----	1	
- 4	MS24665-132	PIN-COTTER -----	1	
		-----*		
- 5	S1438-2	WASHER INSTALL BETWEEN BRAKE CYLINDER ROD & COTTER PIN --	AR	
- 6	0411778-2	SHAFT -----	2	C
- 6A	0411778-4	SHAFT -----	2	D
- 7	NAS42-6-8	SPACER-RH -----	2	
- 8	0411307	ARM-RUDDER BAR -----	4	
		ATTACHING PARTS		
- 9	AN3-11A	BOLT -----	1	
	NAS679A3	NUT -----	1	
		-----*		
CONTINUED ON NEXT PAGE				

Control Pedals

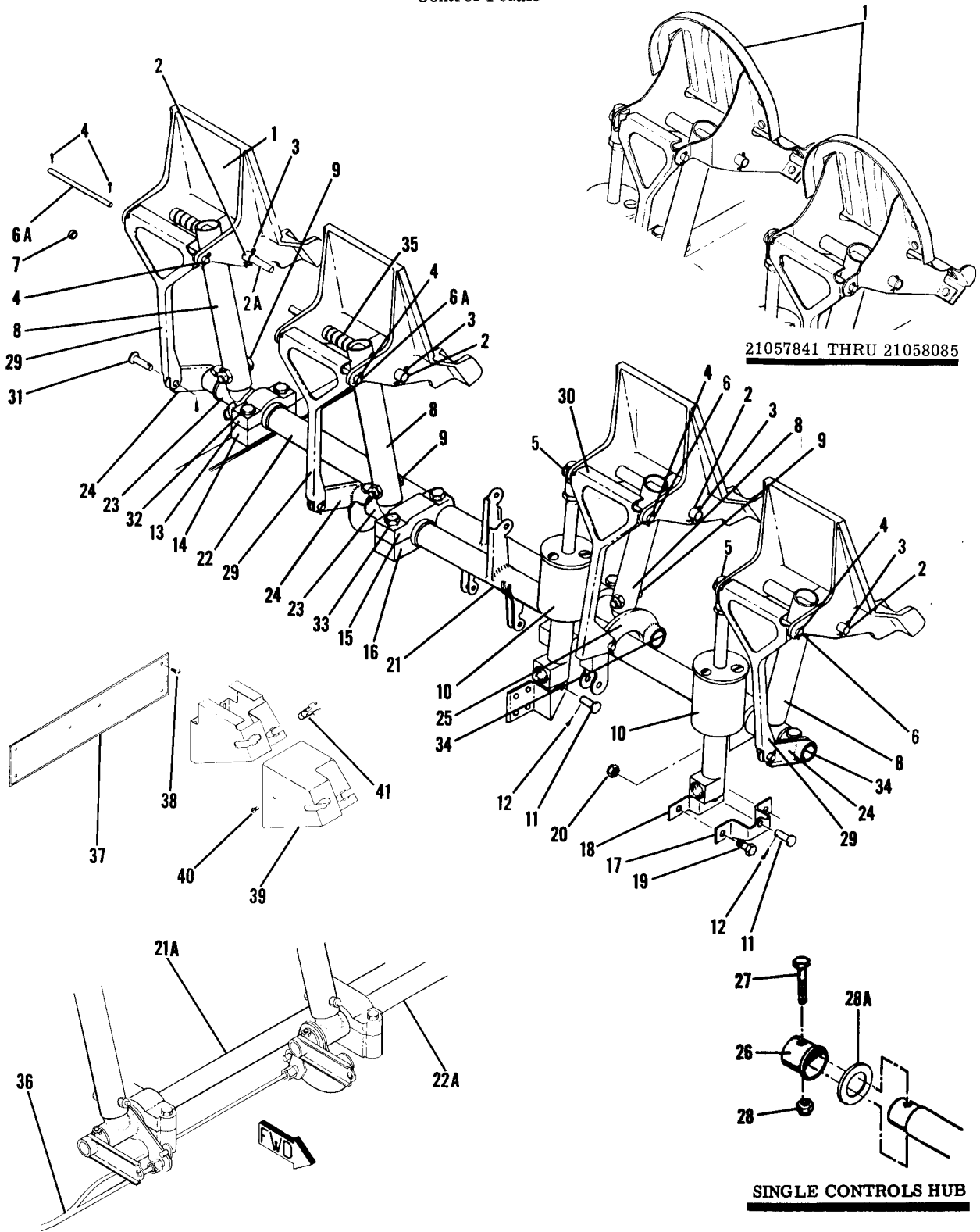


Figure 78. Brake & Rudder Pedals Installation



FIGURE AND INDEX NO.	PART NUMBER	DESCRIPTION	UNITS PER ASSY	USABLE ON CODE
		1 2 3 4 5 6 7		
78 -10	0541138-16	CYLINDER ASSEMBLY-BRAKE MASTER SEE FIGURE 79 ----- ATTACHING PARTS	2	
-11	MS20392-2C15	PIN -----	1	
-12	MS24665-132	PIN-COTTER ----- -----*	1	
-13	0411263-5	BEARING HALF-UPPER OUTBOARD -----	2	
-14	0411263-6	BEARING HALF-LOWER OUTBOARD -----	2	
-15	0411264-5	BEARING HALF-UPPER INBOARD -----	2	
-16	0411264-6	BEARING HALF-LOWER INBOARD -----	2	
-17	0411549	BRACKET-BRAKE CYLINDER OUTSIDE -----	1	
-18	0411550	BRACKET-BRAKE CYLINDER INSIDE ----- ATTACHING PARTS	1	
-19	AN3-3A	BOLT -----	2	
-20	NAS679A3	NUT ----- -----*	2	
-21	1260418-1	RUDDER BAR ASSEMBLY-LH -----	1	C
-21A	1260456-3	RUDDER BAR ASSEMBLY-DISENGAGING RUDDER PEDALS LH -----	1	D
-22	1260418-2	RUDDER BAR ASSEMBLY-RH -----	1	C
-22A	1260456-4	RUDDER BAR ASSEMBLY-DISENGAGING RUDDER PEDALS RH -----	1	D
-23	S1003-43A	BEARING -----	4	
-24	0411563	BELLCRANK ASSEMBLY DUAL CONTROLS -----	3	
-25	0411573-1	BELLCRANK ASSEMBLY DUAL CONTROLS -----	1	
-26	0411562	HUB SINGLE CONTROLS ----- ATTACHING PARTS	4	
-27	AN3-10A	BOLT -----	4	
-28	NAS679A3	NUT ----- -----*	4	
-28A	1260459-3	WASHER USED WITH SINGLE CONTROL HUB -----	AR	D
-29	0411564	LINK -----	3	
-30	0411564-3	LINK ----- ATTACHING PARTS	1	
-31	MS20392-2C15	PIN -----	1	
	NAS43-3-12	SPACER -----	1	
	MS24665-132	PIN-COTTER ----- -----*	1	
-32	AN3-15A	BOLT -----	4	
	NAS679A3	NUT -----	4	
-33	AN3-13A	BOLT -----	4	
-34	1260419-1	TUBE -----	2	
-35	0760682-1	SPRING-ANTI RATTLE -----	4	B
-36	1260458-1	CONTROL ASSEMBLY-DISENGAGING RUDDER PEDALS -----	1	D
-37	1260459-11	SCUFF PLATE ----- ATTACHING PARTS	1	D
-38	NAS221-5	SCREW -----	8	D
	NAS680A3	NUTPLATE ----- -----*	8	D
-39	1260461-4	COVER ASSEMBLY-DISENGAGING RUDDER PEDALS ----- ATTACHING PARTS	1	D
-40	S1021A8-8	SCREW -----	2	D
-41	S1213-1	CATCH -----	2	D
<p>NOTE. □THIS PART MUST HAVE A SECOND DASH NUMBER ADDED TO DENOTE COLOR. REFER TO HOW TO ORDER INTERIOR PARTS-PAGE XI.</p> <p>A---210 SERIAL 21057841 THRU 21058085 B---T210 SERIAL T210-0001 & ON 210 SERIAL 21058086 & ON C---210 SERIAL 21057841 THRU 21058510 D---T210 SERIAL T210-0001 & ON 210 SERIAL 21058511 & ON</p>				

Brakes (Cont)

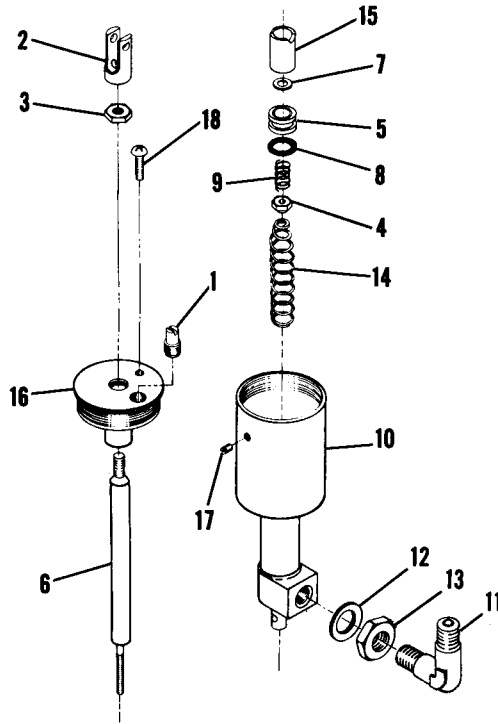


Figure 79. Brake Master Cylinder Assembly

FIGURE AND INDEX NO.	PART NUMBER	DESCRIPTION	UNITS PER ASSY	USABLE ON CODE
79		1 2 3 4 5 6 7		
-	0541138-16	CYLINDER ASSEMBLY-BRAKE MASTER -----	2	
- 1	0541139	PLUG -----	1	
- 2	0541140	CLEVIS -----	1	
- 3	AN316-4R	NUT-CHECK -----	1	
	0541138-5	PISTON ASSEMBLY-MASTER CYLINDER -----	1	
- 4	NAS679A06	ATTACHING PARTS		
		NUT -----	1	
- 5	0541143	PISTON-MASTER CYLINDER -----	1	
- 6	0541144	ROD-PISTON -----	1	
- 7	200AC-6	LOCK-O-SEAL WERC -----	1	
- 8	AN6227B8	O RING -----	1	
- 9	0541148-1	SPRING-PISTON -----	1	
-10	0541147-2	BODY-MASTER CYLINDER WHEN EXHAUSTED USE 0541184-200 -----	1	
	0541184-200	BODY-MASTER CYLINDER -----	1	
-11	AN921-4D	ELBOW -----	1	
-12	MS28778-4	GASKET -----	1	
-13	AN924-4D	NUT -----	1	
-14	0541148	SPRING -----	1	
-15	0541149	SLEEVE -----	1	
-16	0541151	COVER -----	1	
-17	AN565D6	SET SCREW -----	1	
-18	AN515-10R8	SCREW -----	1	

This page intentionally left blank.

Flight Controls

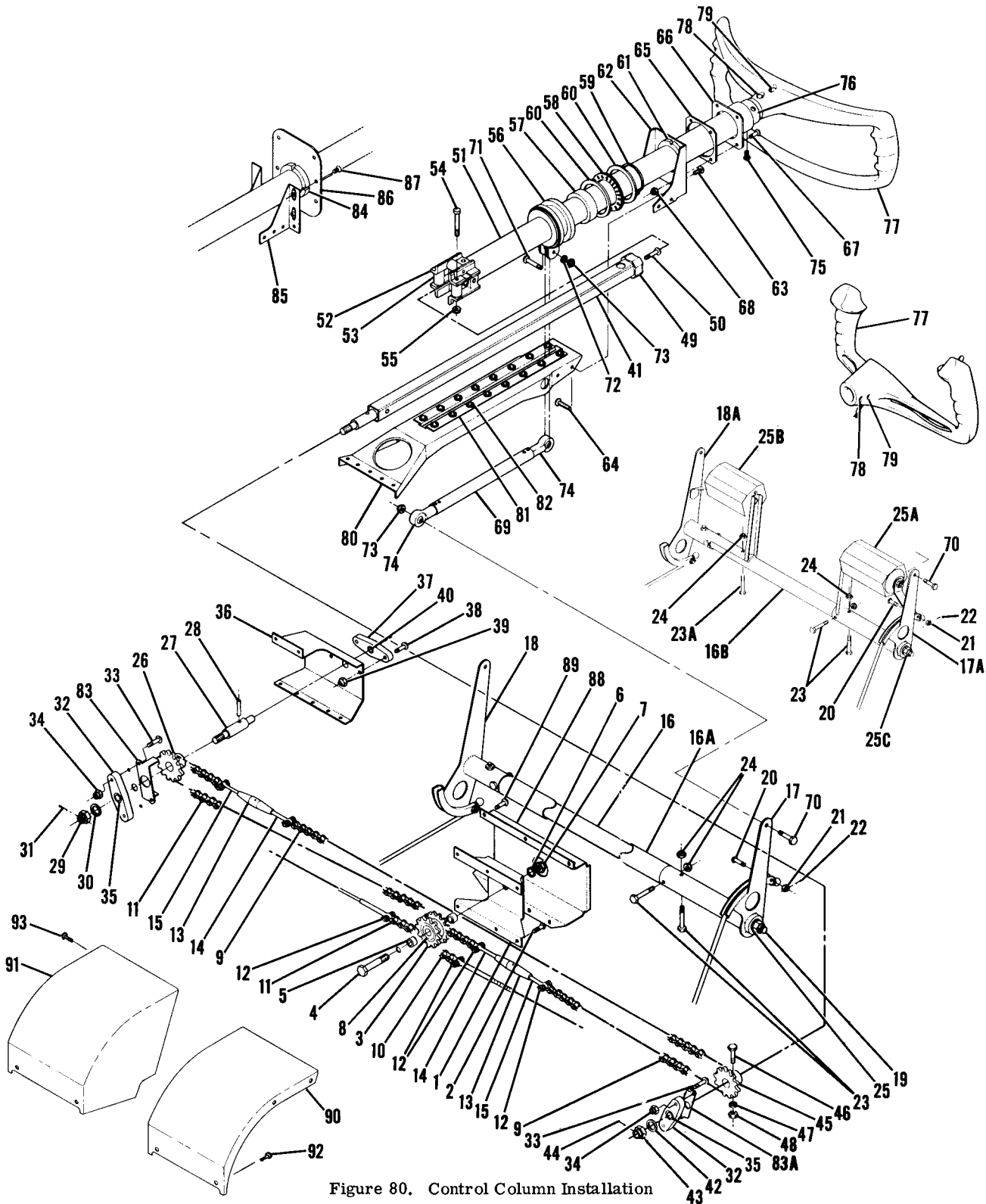


Figure 80. Control Column Installation



FIGURE AND INDEX NO.	PART NUMBER	DESCRIPTION	UNITS PER ASSY	USABLE ON CODE
80 -		CONTROL COLUMN INSTALLATION -----	NP	
- 1	0760663-2	SUPPORT-IDLER SPROCKET ----- ATTACHING PARTS -----	1	
- 2	NAS220-6	SCREW ----- -----*	6	
- 3	0760664-1	SPROCKET ASSEMBLY-IDLER ----- ATTACHING PARTS -----	1	
- 4	AN5-16A	BOLT -----	1	
- 5	NAS43-5-17	SPACER -----	2	
- 6	AN960-516	WASHER -----	1	
- 7	NAS679A4	NUT ----- -----*	1	
- 8	NAS506-5	BEARING -----	1	
	0760668-1	CHAIN ASSEMBLY-AILERON -----	1	
- 9	0760668-3	CHAIN-AILERON LH -----	1	
-10	0760668-2	CHAIN-AILERON LH LOWER -----	1	
-11	0760668-4	CHAIN-AILERON RH ----- ATTACHING PARTS -----	1	
-12		DELETED-NEVER USED -----		
-13	AN155B32S	BARREL -----	1	
-14	NAS288-35LH	TERMINAL-LH -----	2	
-15	NAS288-35RH	TERMINAL-RH ----- -----*	2	
-16	1260429-1	TUBE-CONTROL -----	1	
-16A	1260438-1	TUBE-RUB PROTECTION -----	1	
-16B	1260438-2	TUBE-RUB PROTECTION -----	1	F
-17	1260430-1	ARM ASSEMBLY-LH -----	1	
-17A	1260447-1	ARM ASSEMBLY-ELEVATOR BOB WEIGHT LH -----	1	F
-18	1260425-1	ARM ASSEMBLY-RH -----	1	
-18A	1260448-1	ARM ASSEMBLY-ELEVATOR BOB WEIGHT RH ----- ATTACHING PARTS -----	1	F
-19	NAS679A4	NUT -----	1	
	NAS222-14	SCREW -----	1	
-20	AN21-10	SCREW -----	1	
-21	AN320-1	NUT -----	1	
-22	MS24665-24	PIN -----	1	
-23	NAS220-22	SCREW -----	2	
-24	NAS679A08	NUT ----- -----*	2	
-25	NAS504-4	BEARING -----	1	G
-25A	1260443-1	WEIGHT LH -----	1	F
-25B	1260443-1	WEIGHT RH ----- ATTACHING PARTS -----	1	F
	AN4-41A	BOLT -----	1	F
	NAS679A4	NUT ----- -----*	1	F
-25C	NAS504-4	BEARING -----	1	F
-26	0411047-2	SPROCKET-IDLER SINGLE CONTROLS ONLY ----- ATTACHING PARTS -----	1	
-27	0760649-1	SHAFT-IDLER SINGLE CONTROLS ONLY -----	1	
-28	NAS561-6-14	PIN-SPRING -----	1	
-29	AN310-5	NUT -----	1	
-30	AN960C516	WASHER -----	1	
-31	MS24665-132	PIN ----- -----*	1	
-32	0760633-1	BEARING BLOCK ASSEMBLY ----- ATTACHING PARTS -----	2	
-33	NAS220-11	SCREW -----	2	
-34	NAS679A08	NUT ----- -----*	2	
-35	B-55	BEARING TOR -----	1	
-36	1261430-1	SUPPORT ASSEMBLY-IDLER SINGLE CONTROLS ONLY -----	1	
-37	0760633-1	BEARING BLOCK ASSEMBLY ----- ATTACHING PARTS -----	1	
-38	NAS220-11	SCREW -----	2	
-39	NAS679A08	NUT ----- -----*	2	

CONTINUED ON NEXT PAGE

FIGURE AND INDEX NO.	PART NUMBER	DESCRIPTION							UNITS PER ASSY	USABLE ON CODE
		1	2	3	4	5	6	7		
80 -40	B-55	BEARING TOR -----							1	
-41	1260424-1	TUBE ASSEMBLY-AILERON CONTROL SINGLE CONTROLS -----							1	
	1260424-1	TUBE ASSEMBLY-AILERON CONTROL DUAL CONTROLS -----							2	
		ATTACHING PARTS								
-42	AN960-516	WASHER -----							1	
-43	AN310-5	NUT -----							1	
-44	MS24665-132	PIN -----							1	
		-----*								
-45	0411047-2	SPROCKET-AILERON CONTROL -----							1	
		ATTACHING PARTS								
-46	AN3-11A	BOLT -----							1	
-47	AN960-10L	WASHER -----							1	
-48	NAS679A3	NUT -----							1	
		-----*								
-49	0760651-1	GLIDE-AILERON CONTROL -----							1	B
	0760651-2	GLIDE-AILERON CONTROL -----							1	C
		ATTACHING PARTS								
-50	NAS220-13	SCREW -----							1	
	AN256F8	NUT -----							1	
	0760681-1	PLUG -----							1	C
		-----*								
	1260423-1	TUBE & BEARING ASSEMBLY-AILERON & ELEVATOR CONTROL -----							1	M
		SINGLE CONTROLS								
	1260423-6	TUBE & BEARING ASSEMBLY-AILERON & ELEVATOR CONTROLS -----							1	N
		SINGLE CONTROLS								
-51	1260423-1	TUBE & BEARING ASSEMBLY-AILERON & ELEVATOR CONTROL -----							1	M
		DUAL CONTROLS								
	1260423-6	TUBE & BEARING ASSEMBLY-AILERON & ELEVATOR CONTROLS -----							1	N
		DUAL CONTROLS								
-52	0760646-2	RETAINER-CONTROLS -----							1	
-53	B-59	BEARING TOR -----							4	
	0760672-1	SPACER -----							4	
	NAS43DD5-4	SPACER -----							8	
-54	0760644-1	SCREW-MACHINE -----							4	
-55	NAS679A3	NUT -----							4	A
-56	0760643-1	SLEEVE WELD ASSEMBLY -----							1	
-57	B-228	BEARING TOR -----							1	
-58	NTA-2233	BEARING TOR -----							2	
-59	NAS670-137	RETAINER -----							1	
-60	TRA2233	RACE-BEARING TOR -----							4	
-61	S1080-4	GROMMET-LH -----							1	
-62	1261427-2	SUPPORT PLATE-CONTROL LH -----							1	
		ATTACHING PARTS								
-63	NAS220-5	SCREW -----							6	
-64	AN3-4A	BOLT -----							4	
	AN960-10	WASHER ONE UNDER HEAD OF EACH BOLT -----							4	
		-----*								
-65	0760642-2	SPACER-LH -----							1	
-66	0760642-1	COLLAR-LH -----							1	
		ATTACHING PARTS								
-67	AN515-6R8	SCREW -----							4	
-68	NAS679A06	NUT -----							4	
		-----*								
-69	0760634-3	PUSH ROD ASSEMBLY-ELEVATOR CONTROL SINGLE CONTROLS -----							1	
	0760634-3	PUSH ROD ASSEMBLY-ELEVATOR CONTROL DUAL CONTROLS -----							2	
		ATTACHING PARTS								
-70	NAS222-16	SCREW -----							1	
-71	0760674-1	SCREW -----							1	
-72	AN960-416	WASHER -----							2	
-73	NAS679A4	NUT -----							2	
		-----*								
-74	F-3M-14	ROD END HEC -----							2	
	0513167-16	CONTROL WHEEL ASSEMBLY WHEN EXHAUSTED USE 0513167-200 ---							2	D
	0513167-200	CONTROL WHEEL ASSEMBLY -----							2	E
	0713747-200	CONTROL WHEEL ASSEMBLY -----							2	H
	0713747-201	CONTROL WHEEL ASSEMBLY -----							2	J
	0713245-200	CONTROL WHEEL ASSEMBLY-WITH MIKE SWITCH 210 -----							1	N
		USAGE WHEN EQUIPPED WITH OXYGEN								
	0713245-201	CONTROL WHEEL ASSEMBLY USED ON 210 LH & RH -----							2	K
	0713245-201	CONTROL WHEEL ASSEMBLY USED ON T210 RH -----							1	L
		ATTACHING PARTS								
-75	AN507-1032R6	SCREW -----							3	
		-----*								

CONTINUED ON NEXT PAGE



FIGURE AND INDEX NO.	PART NUMBER	DESCRIPTION	UNITS PER ASSY	USABLE ON CODE
80 -76	0760636-1	ADAPTER ASSEMBLY-CONTROL -----	1	
	3591-3CNX.285	INSERT AF -----	1	
-77	0513166-1	WHEEL-CONTROL WHEN EXHAUSTED USE 0513168-2 -----	1	D
	0513168-2	WHEEL-CONTROL -----	1	E
	0513166-3	WHEEL-CONTROL -----	1	H
	0513166-7	WHEEL-CONTROL -----	2	J
	1200835-1	WHEEL ASSEMBLY-CONTROL LH WITH MIKE SWITCH 210 ----- USAGE WHEN EQUIPPED WITH OXYGEN	1	N
	1560001-2	WHEEL ASSEMBLY-CONTROL RH -----	1	L
	1560001-2	WHEEL ASSEMBLY-CONTROL RH & LH WITHOUT OXYGEN SYSTEM -- ATTACHING PARTS	1	K
-78	0413216	RIVET -----	1	
-79	0413216-4	RIVET -----	1	
	A8002	SWITCH-MIKE HETH -----	1	N
	1250835-3	RETAINER-SWITCH -----	1	N
	1213208-1	EMBLEM-CONTROL WHEEL -----	1	G
	0500125-27	INSIGNIA ASSEMBLY-CONTROL WHEEL -----	1	H
	0500125-35	PLACARD ASSEMBLY-CONTROL WHEEL -----	1	J
	0700741-3	PLACARD ASSEMBLY-CONTROL WHEEL 210 -----	2	K
	0700741-7	PLACARD ASSEMBLY-CONTROL WHEEL-TURBOCHARGED -----	2	L
-80	1261420-1	GUIDE ASSEMBLY-LH -----	1	
	1261420-2	GUIDE ASSEMBLY-RH -----	1	
-81	1261420-5	RUB STRIP -----	2	
-82	AN960PD2	WASHER -----	10	
-83	1260432-2	GUARD-CHAIN RH CONTROL ONLY -----	1	
-83A	1260432-1	GUARD-CHAIN LH CONTROL -----	1	
-84	S1080-4	GROMMET-RH -----	1	
-85	1261428-1	BRACKET-SUPPORT RH CONTROL ONLY -----	1	
-86	1261454-1	PLATE-INSTRUMENT PANEL RH CONTROL ONLY ----- ATTACHING PARTS	1	
-87	AN507-832R6	SCREW -----	7	
-88	1260437-1	SHIELD-ELEVATOR CONTROL CHAIN -----	1	G
	1260450-1	SHIELD-ELEVATOR CONTROL CHAIN ----- ATTACHING PARTS	1	F
-89	NAS220-6	SCREW -----	6	
-90	1260446-1	GUARD-ELEVATOR BOB WEIGHT LH -----	1	F
-91	1260446-2	GUARD-ELEVATOR BOB WEIGHT RH ----- ATTACHING PARTS	1	F
-92	S102128-8	SCREW -----	4	F
-93	AN520-10R6	SCREW -----	2	F

		A---210 SERIAL 21057841 THRU 21058073		
		B---210 SERIAL 21057841 THRU 21058076		
		C---T210 SERIAL T210-0001 & ON		
		210 SERIAL 21058077 & ON		
		D---210 SERIAL 21057841 THRU 21057689		
		E---210 SERIAL 21057690 THRU 21058220		
		F---T210 SERIAL T210-0001 & ON		
		210 SERIAL 21058221 & ON		
		G---210 SERIAL 21057841 THRU 21058220		
		H---210 SERIAL 21058221 THRU 21058510		
		J---210 SERIAL 21058511 THRU 21058715		
		K---210 SERIAL 21058716 & ON		
		L---T210 SERIAL T210-0001 & ON		
		M---210 SERIAL 21057841 THRU 21058715		
		N---T210 SERIAL T210-0001 & ON		
		210 SERIAL 21058716 & ON		

Flight Controls (Cont)

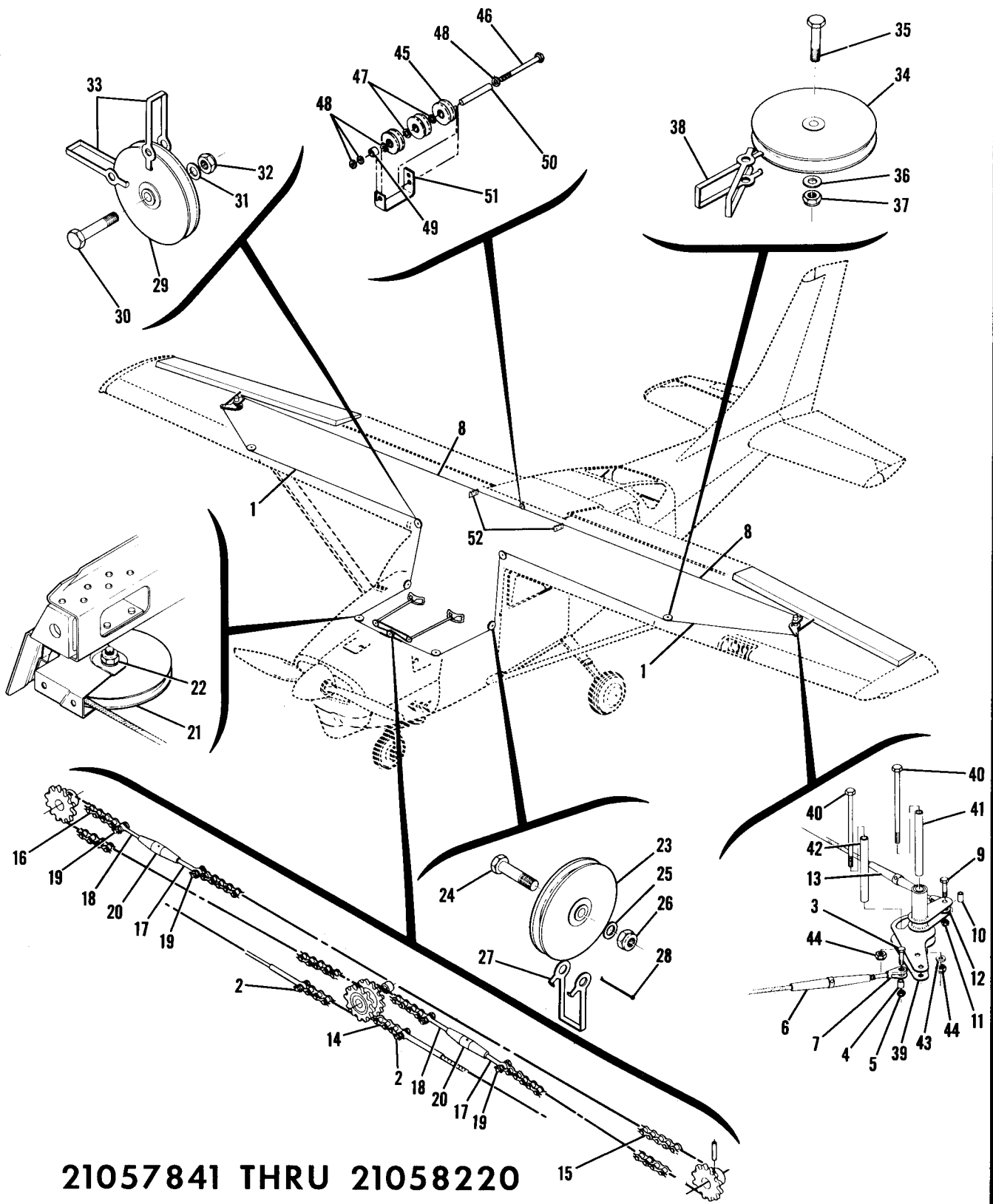


Figure 81. Aileron Control System Installation

FIGURE AND INDEX NO.	PART NUMBER	DESCRIPTION	UNITS PER ASSY	USABLE ON CODE
81 -		1 2 3 4 5 6 7		
- 1	1260505-3 1260505-103	AILERON CONTROL SYSTEM INSTALLATION ----- CABLE ASSEMBLY-AILERON DIRECT ----- CABLE ASSEMBLY-AILERON DIRECT STAINLESS STEEL ----- ATTACHING PARTS	NP 2 2	A
- 2	AN21-10 AN320-1 MS24665-7	BOLT ----- 21057841 ----- NUT ----- PIN -----	1 1 1	
- 3	AN3-7A	BOLT ----- THRU 21058220 -----	1	
- 4	0422280	BUSHING -----	1	
- 5	NAS679A3	NUT -----	1	
- 6	AN155B32L	BARREL -----	1	
- 7	AN161-32LL	FORK ----- -----*	1	
- 8	0510105-13 0510105-113	CABLE ASSEMBLY-AILERON CARRY THRU ----- CABLE ASSEMBLY-AILERON CARRY THRU STAINLESS STEEL ----- ATTACHING PARTS	1 1	
- 9	AN3-7A	BOLT -----	2	
-10	0422280	BUSHING -----	2	
-11	NAS679A3	NUT -----	2	
-12	AN161-32LL	FORK LH ONLY -----	1	
-13	AN155B32L	BARREL LH ONLY ----- -----*	1	
-14	0760668-1	CHAIN ASSEMBLY-AILERON -----	1	
-15	0760668-2	CHAIN-AILERON LH LOWER -----	1	
-16	0760668-3	CHAIN-AILERON LH -----	1	
-17	0760668-4	CHAIN-AILERON RH -----	1	
-18	NAS288-35L	TERMINAL -----	2	
-19	NAS288-35R	TERMINAL -----	2	
-20	AN21-10 AN320-1 MS24665-7	BOLT ----- NUT ----- PIN -----	4 4 4	
-21	AN155B32S S378-4	BARREL ----- PULLEY -----	2 2	
-22	AN4-10A AN960-416 NAS679A4	ATTACHING PARTS BOLT ----- WASHER ----- NUT ----- -----*	1 1 1	
-23	MS20220-2	PULLEY -----	2	
-24	AN5-12A	ATTACHING PARTS BOLT -----	1	
-25	AN960-516L	WASHER -----	1	
-26	NAS679A5	NUT ----- -----*	1	
-27	0760610-3	GUARD -----	2	
-28	MS24665-285	PIN-COTTER -----	2	
-29	MS20220-2	PULLEY ----- ATTACHING PARTS	2	
-30	AN5-13A	BOLT -----	1	
-31	AN960-516	WASHER -----	1	
-32	NAS679A5	NUT ----- -----*	1	
-33	0760610-1	GUARD -----	4	
-34	S378-4	PULLEY ----- ATTACHING PARTS	2	
-35	AN4-11A	BOLT -----	1	
-36	AN960-416	WASHER -----	1	
-37	NAS679A4	NUT ----- -----*	1	

CONTINUED ON NEXT PAGE

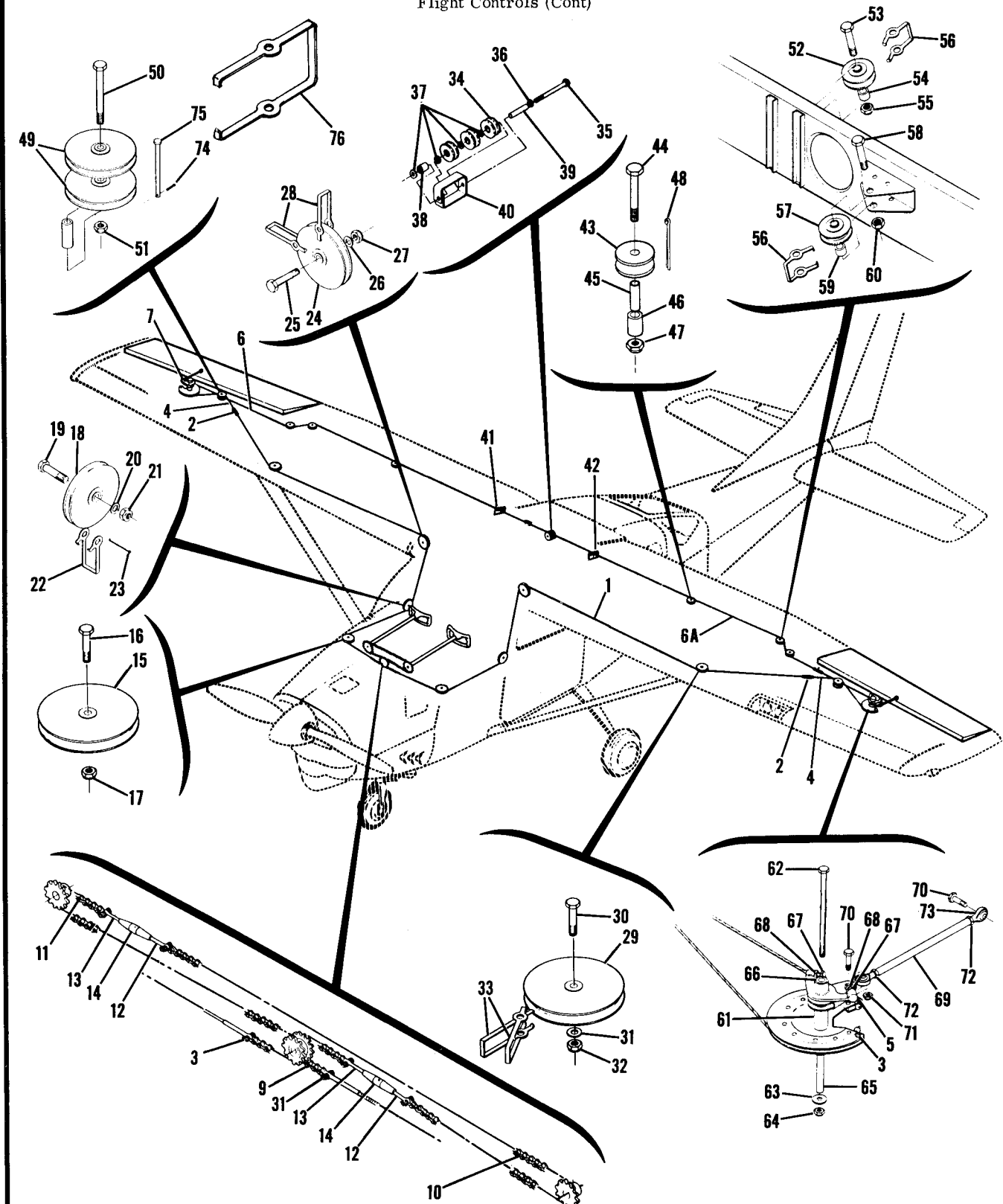
FIGURE AND INDEX NO.	PART NUMBER	DESCRIPTION	UNITS PER ASSY	USABLE ON CODE
81 -38 -39	0760610-2	GUARD -----	4	
	0760611-1	BELLCRANK ASSEMBLY-LH -----	1	
	0760611-2	BELLCRANK ASSEMBLY-RH -----	1	
		ATTACHING PARTS		
-40	AN4-42A	BOLT -----	2	
-41	0523221	BUSHING -----	1	
-42	0523222	BUSHING -----	1	
-43	0522629	WASHER -----	1	
-44	NAS679A4	NUT -----	2	
		-----*		
-45	S394	PULLEY -----	1	
		ATTACHING PARTS		
-46	AN3-21A	BOLT -----	1	
-47	AN960-10L	WASHER -----	2	
-48	AN960-416L	WASHER -----	4	
-49	NAS43-4-16	SPACER -----	1	
-50	0512138	BUSHING -----	1	
-51	1260060-1	GUARD -----	1	
		-----*		
-52	0760615-1	GUARD -----	2	
	0760616-1	RUB STRIP -----	2	
		ATTACHING PARTS		
	AN515-8R12	SCREW -----	2	
	NAS679A08	NUT -----	2	
		-----*		
A---210 SERIAL 21057841 THRU 21058220				



FIGURE AND INDEX NO.	PART NUMBER	DESCRIPTION	UNITS PER ASSY	USABLE ON CODE
81A-		AILERON CONTROL SYSTEM INSTALLATION -----	NP	A
- 1	1260505-25	CABLE ASSEMBLY-AILERON DIRECT -----	2	
	1260505-125	CABLE ASSEMBLY-AILERON DIRECT STAINLESS STEEL -----	2	
		ATTACHING PARTS		
- 2	AN155B32S	BARREL -----	1	
- 3	AN21-10	SCREW -----	1	
	AN320-1	NUT -----	1	
	MS24665-7	PIN-COTTER -----	1	
		T210-0001 & ON		
		21058221 & ON		
- 4	1260505-26	CABLE ASSEMBLY-AILERON DIRECT OUTBOARD -----	2	
	1260505-126	CABLE ASSEMBLY-AILERON DIRECT OUTBOARD STAINLESS STEEL -----	2	
		ATTACHING PARTS		
- 5	AN21-9	BOLT -----	1	
	AN320-1	NUT -----	1	
	MS24665-5	PIN-COTTER -----	1	
- 6	1260505-23	CABLE ASSEMBLY-AILERON CARRY THRU -----	1	
- 6A	1260505-27	CABLE ASSEMBLY-AILERON CARRY THRU -----	1	
	1260505-123	CABLE ASSEMBLY-AILERON CARRY THRU STAINLESS STEEL -----	1	
	1260505-127	CABLE ASSEMBLY-AILERON CARRY THRU STAINLESS STEEL -----	1	
		ATTACHING PARTS		
- 7	AN21-9	BOLT -----	1	
	AN320-1	NUT -----	1	
	MS24665-5	PIN-COTTER -----	1	
- 8	AN155B32S	BARREL -----	1	
		-----*		
- 9	0760668-1	CHAIN ASSEMBLY-AILERON -----	1	
- 10	0760668-2	CHAIN-AILERON LH LOWER -----	1	
- 11	0760668-3	CHAIN-AILERON LH -----	1	
- 12	0760668-4	CHAIN-AILERON RH -----	1	
- 13	NAS288-35L	TERMINAL -----	2	
- 14	NAS288-35R	TERMINAL -----	2	
- 15	AN155B32S	BARREL -----	2	
	S378-4	PULLEY -----	2	
		ATTACHING PARTS		
- 16	AN4-10A	BOLT -----	1	
- 17	NAS679A4	NUT -----	1	
		-----*		
- 18	MS20220-2	PULLEY -----	2	
		ATTACHING PARTS		
- 19	AN5-12A	BOLT -----	1	
- 20	AN960-516L	WASHER -----	1	
- 21	NAS679A5	NUT -----	1	
		-----*		
- 22	0760610-3	GUARD -----	2	
- 23	MS24665-285	PIN-COTTER CABLE GUARD -----	2	
- 24	MS20220-2	PULLEY -----	2	
		ATTACHING PARTS		
- 25	AN5-13A	BOLT -----	1	
- 26	AN960-516	WASHER -----	1	
- 27	NAS679A5	NUT -----	1	
		-----*		
- 28	0760610-1	GUARD -----	2	
- 29	S378-4	PULLEY -----	2	
		ATTACHING PARTS		
- 30	AN4-11A	BOLT -----	1	
- 31	AN960-416	WASHER -----	1	
- 32	NAS679A4	NUT -----	1	
		-----*		
- 33	0760612-2	GUARD -----	4	
- 34	S394	PULLEY -----	1	
		ATTACHING PARTS		
- 35	AN3-21	BOLT -----	1	
- 36	AN960-10L	WASHER -----	1	
- 37	AN960-416L	WASHER -----	4	
- 38	NAS43-4-16	SPACER -----	1	
- 39	0512138-1	BUSHING -----	1	
		-----*		
- 40	1260060-1	GUARD -----	1	
- 41	0760615-1	GUARD -----	2	
	0760616-1	RUB STRIP -----	2	
		ATTACHING PARTS		
	AN515-8R12	SCREW -----	2	
	NAS679A08	NUT -----	2	
		-----*		

CONTINUED ON NEXT PAGE

Flight Controls (Cont)



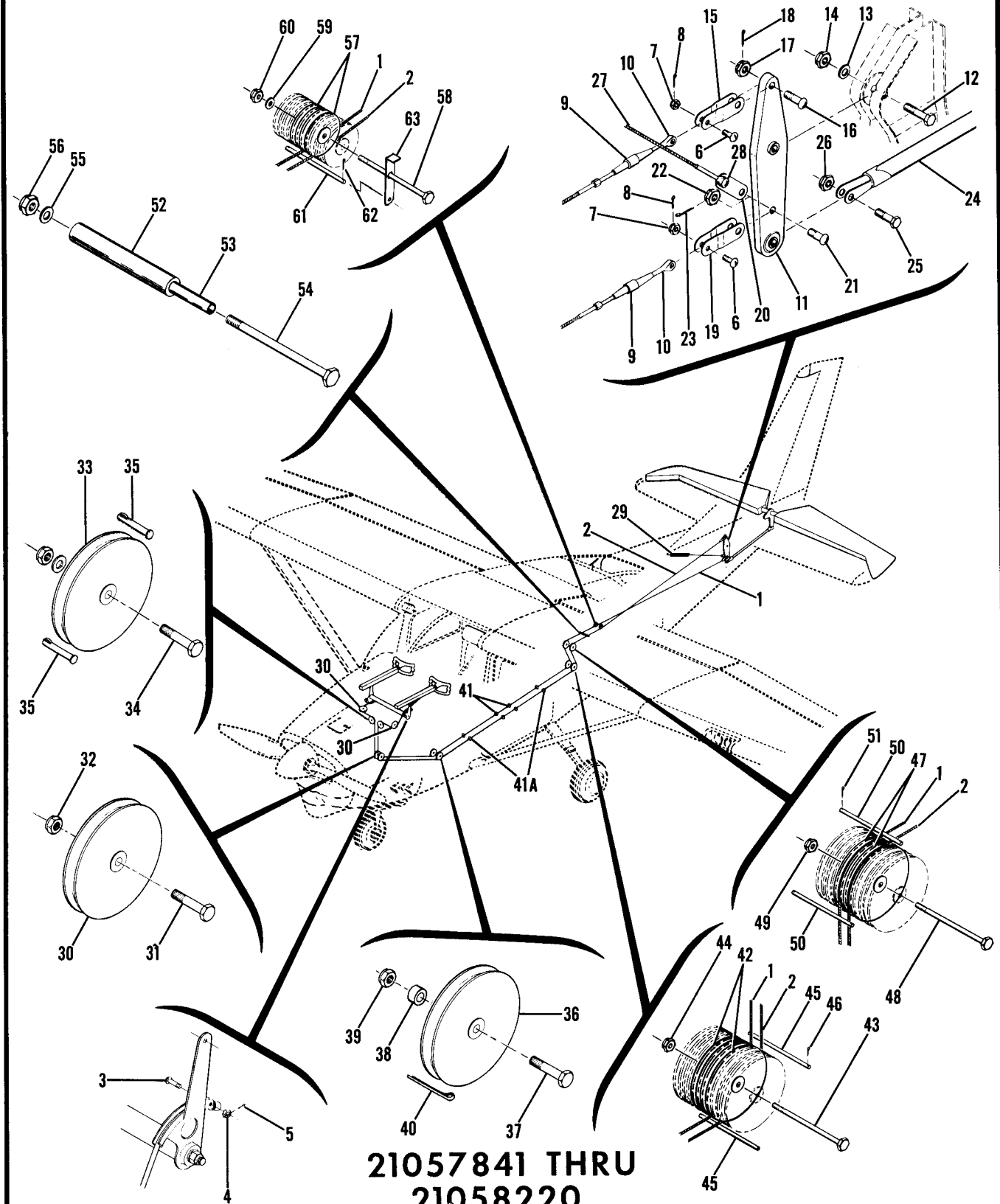
21058221 & ON

T210-0001 & ON

Figure 81A. Aileron Control System Installation

FIGURE AND INDEX NO.	PART NUMBER	DESCRIPTION	UNITS PER ASSY	USABLE ON CODE
		1 2 3 4 5 6 7		
81A-43	S394	PULLEY ----- ATTACHING PARTS -----	2	
-44	AN3-13A	BOLT -----	1	
-45	1260054-1	BUSHING -----	1	
-46	NAS43-4-30	SPACER -----	1	
-47	NAS679A3	NUT ----- -----*	1	
-48	MS24665-289	PIN-COTTER CABLE GUARD -----	2	
-49	MS20220-2	PULLEY ----- ATTACHING PARTS -----	4	
-50	AN5-30A	BOLT -----	1	
-51	NAS679A5	NUT -----	1	
	NAS43DD5-80	SPACER ----- -----*	1	
-52	MS20220-1	PULLEY ----- ATTACHING PARTS -----	2	
-53	AN5-16A	BOLT -----	1	
-54	NAS43-5-40	SPACER -----	1	
-55	NAS679A5	NUT ----- -----*	1	
-56	1260055-1	RETAINER -----	4	
-57	MS20220-1	PULLEY ----- ATTACHING PARTS -----	2	
-58	AN5-16A	BOLT -----	1	
-59	NAS43-5-40	SPACER -----	1	
-60	NAS679A5	NUT ----- -----*	1	
-61	1220065-1	BELLCRANK ASSEMBLY-AILERON LH -----	1	
	1220065-2	BELLCRANK ASSEMBLY-AILERON RH ----- ATTACHING PARTS -----	1	
-62	AN4-51A	BOLT -----	1	
-63	0522629-1	WASHER AT LOWER END OF BELLCRANK -----	1	
-64	NAS679A4	NUT ----- -----*	1	
-65	1220066-2	BUSHING -----	1	
-66	B610	BEARING TOR -----	2	
-67	NAS428K4-10	BOLT -----	2	
-68	AN316C4R	NUT -----	2	
-69	1260648-1	* ROD ASSEMBLY-AILERON CONTROL ----- ATTACHING PARTS -----	2	
-70	AN4-7A	BOLT -----	2	
-71	NAS679A4	NUT ----- -----*	2	
-72	AN316C4R	NUT -----	1	
-73	S1105-4	ROD END -----	1	
	S1581-4	ROD END USED ON RIVETED END -----	1	
-74	MS24665-132	PIN-COTTER CABLE GUARD -----	2	
-75	MS20392-2C85	PIN-FLATHEAD -----	2	B
-76	1260071-1	RETAINER-CABLE -----	2	C
<p>NOTE. *WHEN INITIALLY ORDERING THIS PART FOR AIRPLANES PRIOR TO 210 SERIAL 21058731 THEY MUST BE ORDERED AND REPLACED IN PAIRS.</p> <p>A---T210 SERIAL T210-0001 & ON 210 SERIAL 21058221 & ON B---210 SERIAL 21058221 THRU 21058295 C---T210 SERIAL T210-0001 & ON 210 SERIAL 21058296 & ON</p>				

Flight Controls (Cont)



21057841 THRU
21058220

Figure 82. Elevator Control System Installation

FIGURE AND INDEX NO.	PART NUMBER	DESCRIPTION	UNITS PER ASSY	USABLE ON CODE
		1 2 3 4 5 6 7		
82 -		ELEVATOR CONTROL SYSTEM -----	NP	A
- 1	1260505-9	CABLE ASSEMBLY-ELEVATOR DOWN -----	1	
	1260505-109	CABLE ASSEMBLY-ELEVATOR DOWN STAINLESS STEEL -----	1	
- 2	1260505-10	CABLE ASSEMBLY-ELEVATOR UP -----	1	
	1260505-110	CABLE ASSEMBLY-ELEVATOR UP STAINLESS STEEL -----	1	
		ATTACHING PARTS		
- 3	AN21-10	BOLT -----	1	
- 4	AN320-1	NUT -----	1	
- 5	MS24665-24	PIN-COTTER -----	1	
- 6	AN23-10	BOLT -----	1	
- 7	AN310-3	NUT -----	1	
- 8	MS24665-134	PIN-COTTER -----	1	
- 9	AN155B32S	BARREL -----	1	
-10	AN165-22RS	EYE -----	1	
		-----*		
-11	1260012-1	BELLCRANK ASSEMBLY-ELEVATOR BAR -----	1	
		ATTACHING PARTS		
-12	AN4-12A	BOLT -----	1	
-13	AN960-416	WASHER -----	1	
-14	NAS679A4	NUT -----	1	
		-----*		
-15	0761202-2	LINK -----	2	
		ATTACHING PARTS		
-16	AN24-13	BOLT -----	1	
-17	AN320-4	NUT -----	1	
-18	MS24665-134	PIN-COTTER -----	1	
		-----*		
-19	0761202-2	LINK -----	2	
-20	1260012-2	LINK -----	1	
		ATTACHING PARTS		
-21	AN24-14	BOLT -----	1	
-22	AN320-4	NUT -----	1	
-23	MS24665-134	PIN-COTTER -----	1	
		-----*		
-24	0510111-11	TUBE ASSEMBLY-PUSH PULL -----	1	
		ATTACHING PARTS		
-25	AN4-10A	BOLT -----	2	
-26	NAS679A4	NUT -----	2	
		-----*		
-27	1260505-2	CABLE ASSEMBLY-ELEVATOR DOWN SPRING -----	1	
	1260505-102	CABLE ASSEMBLY-ELEVATOR DOWN SPRING STAINLESS STEEL -----	1	
		ATTACHING PARTS		
-28	AN23-10	BOLT -----	1	
	AN310-3	NUT -----	1	
	MS24665-134	PIN-COTTER -----	1	
-29	1260016-1	SPRING -----	1	
		-----*		
-30	S378-4	PULLEY-CABLE -----	4	
		ATTACHING PARTS		
-31	AN4-10A	BOLT -----	1	
-32	NAS679A4	NUT -----	1	
		-----*		
-33	S378-4	PULLEY-CABLE -----	2	
		ATTACHING PARTS		
-34	AN4-10A	BOLT -----	1	
-35	NAS427K-9	PIN-CABLE GUARD -----	2	
		-----*		
-36	S378-4	PULLEY-CABLE -----	2	
		ATTACHING PARTS		
-37	AN4-20A	BOLT -----	1	
-38	NAS43-4-41	SPACER -----	1	
-39	NAS679A4	NUT -----	1	
		-----*		
-40	MS24665-143	PIN-COTTER -----	2	
-41	S338-5	HALF-FAIRLEAD -----	8	
	S339-3	CLIP -----	4	
-41A	S338-9	HALF-FAIRLEAD -----	8	
	S339-3	CLIP -----	4	
-42	S378-4	PULLEY-CABLE -----	2	
		ATTACHING PARTS		
-43	AN4-36A	BOLT -----	1	
-44	NAS679A4	NUT -----	1	
	NAS43DD4-7	SPACER -----	1	
		-----*		

CONTINUED ON NEXT PAGE



FIGURE AND INDEX NO.	PART NUMBER	DESCRIPTION	UNITS PER ASSY	USABLE ON CODE
82 -45	1200017-2	PIN-CABLE GUARD ----- ATTACHING PARTS	2	
-46	MS24665-132	PIN-COTTER ----- -----*	2	
-47	S378-4	PULLEY-CABLE ----- ATTACHING PARTS	2	
-48	AN4-33A	BOLT -----	1	
-49	NAS679A4	NUT ----- -----*	1	
-50	1200017-1	PIN-CABLE GUARD ----- ATTACHING PARTS	2	
-51	MS24665-132	PIN-COTTER ----- -----*	2	
-52	1260031-1	ROLLER-PULLEY ----- ATTACHING PARTS	1	
-53	1260030-1	SPACER-PULLEY -----	1	
-54	AN3-33A	BOLT -----	1	
-55	AN960-10L	WASHER -----	1	
-56	NAS679A3	NUT ----- -----*	1	
-57	S378-3L	PULLEY-CABLE ----- ATTACHING PARTS	2	
-58	AN4-34A	BOLT -----	1	
-59	AN960-416L	WASHER -----	1	
-60	NAS679A4	NUT ----- -----*	1	
-61	1200017-1	PIN-CABLE GUARD ----- ATTACHING PARTS	1	
-62	MS24665-132	PIN-COTTER ----- -----*	2	
-63	1260032-1	GUARD -----	2	
A---210 SERIAL 21057841 THRU 21058220				

FIGURE AND INDEX NO.	PART NUMBER	DESCRIPTION	UNITS PER ASSY	USABLE ON CODE
		1 2 3 4 5 6 7		
82A-		ELEVATOR CONTROL SYSTEM INSTALLATION -----	NP	A
- 1	1260505-32	CABLE ASSEMBLY-ELEVATOR DOWN -----	1	
	1260505-132	CABLE ASSEMBLY-ELEVATOR DOWN STAINLESS STEEL -----	1	
- 2	1260505-33	CABLE ASSEMBLY-ELEVATOR UP -----	1	
	1260505-133	CABLE ASSEMBLY-ELEVATOR UP STAINLESS STEEL -----	1	
		ATTACHING PARTS		
- 3	AN21-10	BOLT -----	1	
- 4	AN320-1	NUT -----	1	
- 5	MS24665-24	PIN-COTTER -----	1	
- 6	AN23-10	BOLT -----	1	
- 7	AN310-3	NUT -----	1	
- 8	MS24665-134	PIN-COTTER -----	1	
- 9	AN155832S	BARREL -----	1	
-10	AN165-22RS	EYE -----	1	
		-----*		
-11	1260440-1	BELLCRANK ASSEMBLY-ELEVATOR BAR -----	1	
		ATTACHING PARTS		
-12	AN4-12A	BOLT -----	1	
-13	AN960-416	WASHER -----	1	
-14	NAS679A4	NUT -----	1	
		-----*		
-15	1260442-1	LINK -----	2	
		ATTACHING PARTS		
-16	AN24-14	BOLT -----	1	
-17	AN24-16	BOLT -----	1	
	AN320-4	NUT -----	1	
	AN960D146L	WASHER LOWER LINKS ONLY -----	2	
	MS24665-134	PIN-COTTER -----	1	
-18	1260441-1	LINK ASSEMBLY -----	1	
		-----*		
-19	NAS506-4	BUSHING -----	1	
-20	MS20200KP4	BEARING -----	1	
-21	S378-2	PULLEY -----	1	
		ATTACHING PARTS		
-22	AN3-12A	BOLT -----	1	
-23	NAS42DD6-24A	BUSHING -----	1	
	AN960D10	WASHER -----	1	
	NAS679A3	NUT -----	1	
		-----*		
-24	0510111-11	TUBE ASSEMBLY-PUSH PULL -----	1	
		ATTACHING PARTS		
-25	AN4-10A	BOLT -----	2	
-26	NAS679A4	NUT -----	2	
		-----*		
-27	1260505-31	CABLE ASSEMBLY-ELEVATOR DOWN SPRING -----	1	
	1260505-131	CABLE ASSEMBLY-ELEVATOR DOWN SPRING STAINLESS STEEL -----	1	
		ATTACHING PARTS		
-28	AN23-10	BOLT -----	1	
	AN310-3	NUT -----	1	
	MS24665-134	PIN-COTTER -----	1	
	AN155816L	BARREL -----	1	
	AN165-16RS	EYE -----	1	
		-----*		

CONTINUED ON NEXT PAGE

Flight Controls (Cont)

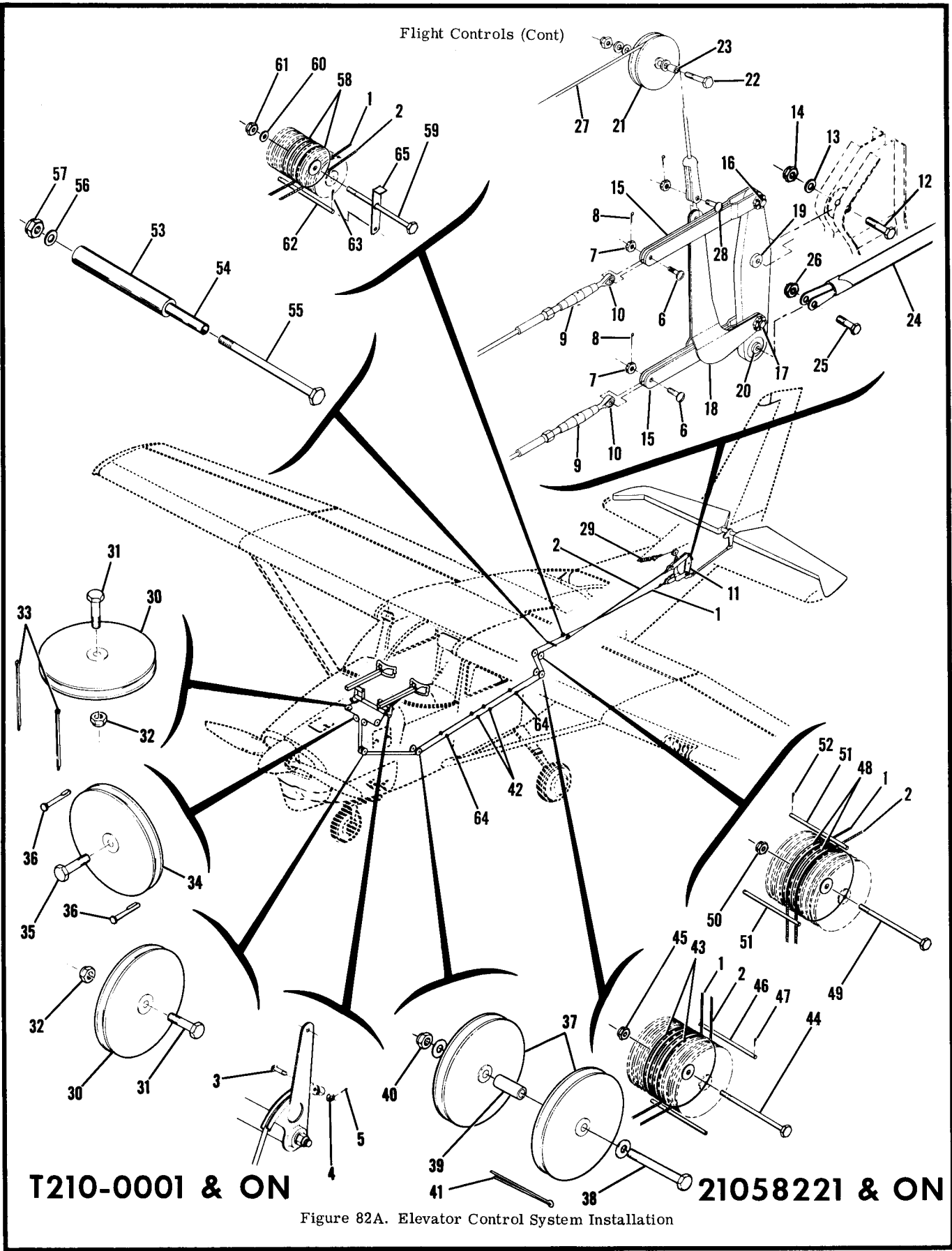


Figure 82A. Elevator Control System Installation

FIGURE AND INDEX NO.	PART NUMBER	DESCRIPTION	UNITS PER ASSY	USABLE ON CODE
		1 2 3 4 5 6 7		
82A-29	1260449-1	SPRING-ELEVATOR DOWN ----- ATTACHING PARTS -----	1	
	AN23-10	BOLT -----	1	
	AN310-3	NUT -----	1	
	AN960-10L	WASHER -----	1	
	MS24665-134	PIN-COTTER -----	1	
	NAS43HT3	SPACER -----	1	
		-----*		
-30	S378-4	PULLEY-CABLE ----- ATTACHING PARTS -----	4	
-31	AN4-10A	BOLT -----	1	
-32	NAS679A4	NUT -----	1	
		-----*		
-33	MS24665-283	PIN-COTTER CABLE GUARD -----	4	
-34	S378-4	PULLEY-CABLE ----- ATTACHING PARTS -----	2	
-35	AN4-10A	BOLT -----	1	
-36	NAS427K-9	PIN-CABLE GUARD -----	2	
		-----*		
-37	S378-4	PULLEY-CABLE ----- ATTACHING PARTS -----	2	
-38	AN4-20A	BOLT -----	1	
-39	NAS43-4-41	SPACER -----	1	
-40	NAS679A4	NUT -----	1	
		-----*		
-41	MS24665-143	PIN-COTTER -----	2	
-42	S338-5	HALF-FAIRLEAD -----	8	
	S339-3	CLIP -----	4	
-43	S378-4	PULLEY-CABLE ----- ATTACHING PARTS -----	2	
-44	AN4-36A	BOLT -----	1	
-45	NAS679A4	NUT -----	1	
	NAS43DD4-7	SPACER -----	1	
		-----*		
-46	1200017-2	PIN-CABLE GUARD ----- ATTACHING PARTS -----	2	
-47	MS24665-132	PIN-COTTER -----	2	
		-----*		
-48	S378-4	PULLEY-CABLE ----- ATTACHING PARTS -----	2	
-49	AN4-33A	BOLT -----	1	
-50	NAS679A4	NUT -----	1	
		-----*		
-51	1200017-1	PIN-CABLE GUARD ----- ATTACHING PARTS -----	2	
-52	MS24665-132	PIN-COTTER -----	2	
		-----*		
-53	1260031-1	ROLLER-PULLEY ----- ATTACHING PARTS -----	1	
-54	1260030-1	SPACER-PULLEY -----	1	
-55	AN3-33A	BOLT -----	1	
-56	AN960-10L	WASHER -----	1	
-57	NAS679A3	NUT -----	1	
		-----*		
-58	S378-3L	PULLEY-CABLE ----- ATTACHING PARTS -----	2	
-59	AN4-34A	BOLT -----	1	
-60	AN960-416L	WASHER -----	1	
-61	NAS679A4	NUT -----	1	
		-----*		
-62	1200017-1	PIN-CABLE GUARD ----- ATTACHING PARTS -----	1	
-63	MS24665-132	PIN-COTTER -----	2	
		-----*		
-64	S338-9	FAIRLEAD HALF -----	8	
	S339-3	CLIP -----	4	
-65	1260032-1	GUARD-CONTROL CABLE -----	2	
		-----*		
		A---T210 SERIAL T210-0001 & ON 210 SERIAL 21058221 & ON		

Flight Controls (Cont)

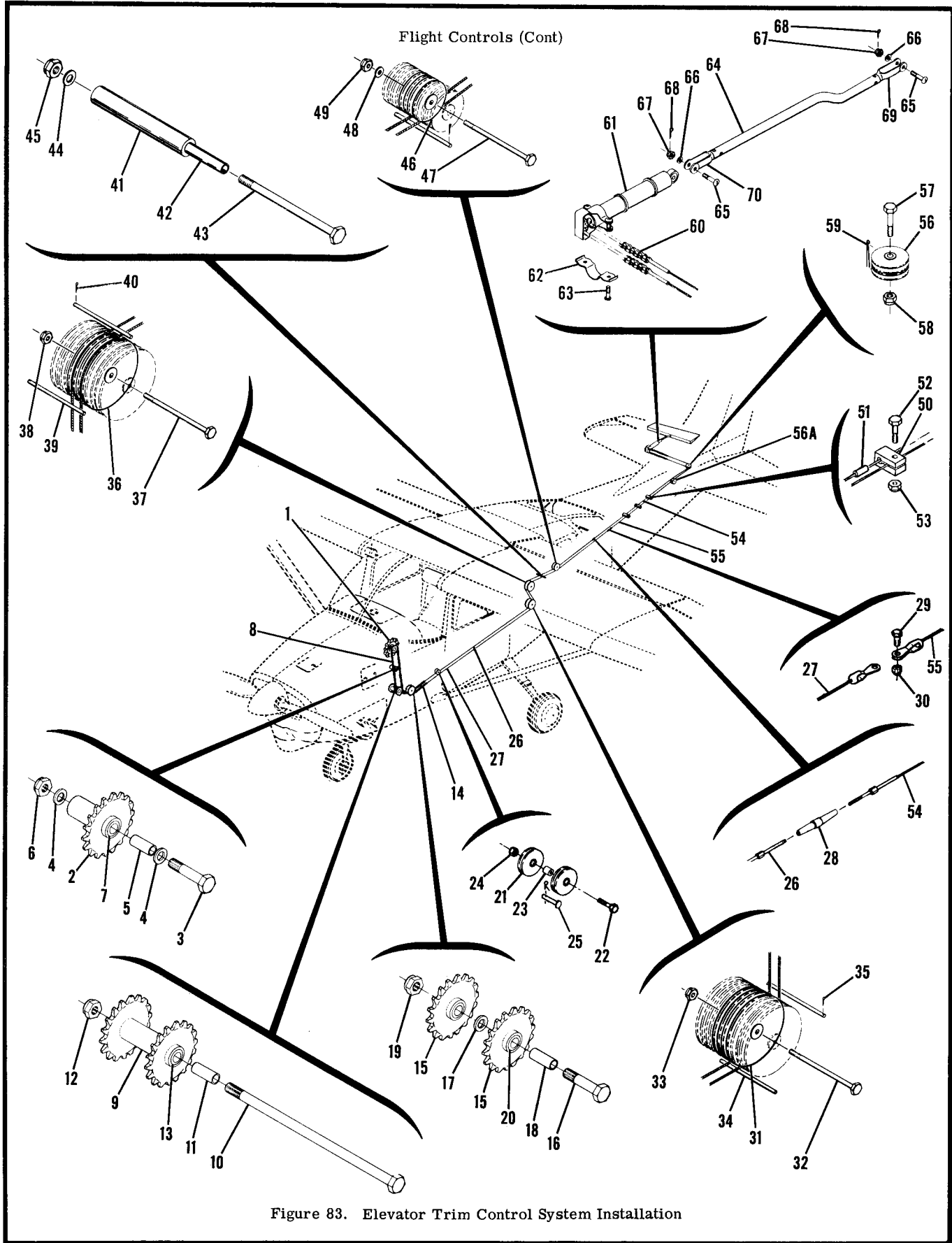


Figure 83. Elevator Trim Control System Installation



FIGURE AND INDEX NO.	PART NUMBER	DESCRIPTION	UNITS PER ASSY	USABLE ON CODE
		1 2 3 4 5 6 7		
83 -		ELEVATOR TRIM CONTROL SYSTEM INSTALLATION -----	NP	
- 1	1260422-1	WHEEL ASSEMBLY-ELEVATOR TRIM -----	1	
	S1003-69A	BUSHING -----	1	
	1260434-1	INDICATOR-ELEVATOR TRIM -----	1	A
	1266604-1	INDICATOR-ELEVATOR TRIM -----	1	B
- 2	1260420-1	SPROCKET-IDLER -----	2	
		ATTACHING PARTS		
- 3	AN3-16A	BOLT -----	1	
- 4	AN960-10L	WASHER -----	2	
- 5	NAS75-3-107	BUSHING -----	1	
- 6	NAS679A3	NUT -----	1	
		-----*		
- 7	S1003-69A	BUSHING -----	2	
- 8	0432138-14	CHAIN-ELEVATOR TAB -----	1	
- 9	1260421-1	SPROCKET-DRIVE -----	1	
		ATTACHING PARTS		
-10	AN3-53A	BOLT -----	1	
-11	NAS75-3-130	BUSHING -----	1	
-12	NAS679A3	NUT -----	1	
		-----*		
-13	S1003-69A	BUSHING -----	2	
-14	0432138-12	CHAIN-ELEVATOR TAB -----	1	
-15	0761210-4	SPROCKET ASSEMBLY -----	2	
		ATTACHING PARTS		
-16	AN3-11A	BOLT -----	1	
-17	AN960-416	WASHER -----	1	
-18	0411491-1	BUSHING -----	1	
-19	NAS679A3	NUT -----	1	
		-----*		
-20	S1003-10B	BEARING -----	1	
-21	S378-1L	PULLEY-CABLE -----	2	
		ATTACHING PARTS		
-22	AN3-11A	BOLT -----	1	
-23	NAS43-3-6	SPACER -----	1	
-24	NAS679A3	NUT -----	1	
		-----*		
-25	MS20392-1C5	PIN-FLAT HEAD CABLE GUARD -----	1	
	MS24665-132	PIN-COTTER -----	1	
-26	1260505-5	CABLE ASSEMBLY-ELEVATOR TRIM FORWARD RH -----	1	A
	1260505-105	CABLE ASSEMBLY-ELEVATOR TRIM FORWARD RH STAINLESS STEEL -	1	A
	1260505-22	CABLE ASSEMBLY-ELEVATOR TRIM FORWARD RH -----	1	B
	1260505-122	CABLE ASSEMBLY-ELEVATOR TRIM FORWARD RH STAINLESS STEEL -	1	B
-27	1260505-6	CABLE ASSEMBLY-ELEVATOR TRIM FORWARD LH -----	1	
	1260505-106	CABLE ASSEMBLY-ELEVATOR TRIM FORWARD LH STAINLESS STEEL -	1	
		ATTACHING PARTS		
-28	AN155B8S	BARREL RH ONLY -----	1	
-29	AN3-3A	BOLT LH ONLY -----	1	
-30	NAS679A3	NUT LH ONLY -----	1	
		-----*		
-31	S378-4	PULLEY-CABLE -----	2	
		ATTACHING PARTS		
-32	AN4-36A	BOLT -----	1	
-33	NAS679A4	NUT -----	1	
		-----*		

CONTINUED ON NEXT PAGE

FIGURE AND INDEX NO.	PART NUMBER	DESCRIPTION	UNITS PER ASSY	USABLE ON CODE
83 -34	1200017-2	PIN-CABLE GUARD ----- ATTACHING PARTS -----	2	
-35	MS24665-132	PIN-COTTER ----- -----*	2	
-36	S378-4	PULLEY ----- ATTACHING PARTS -----	2	
-37	AN4-33A	BOLT -----	1	
-38	NAS679A3	NUT ----- -----*	1	
-39	1200017-1	PIN-CABLE GUARD ----- ATTACHING PARTS -----	3	
-40	MS24665-132	PIN-COTTER ----- -----*	2	
-41	1260031-1	ROLLER-PULLEY ----- ATTACHING PARTS -----	1	
-42	1260030-1	SPACER-PULLEY -----	1	
-43	AN3-33A	BOLT -----	1	
-44	AN960-10L	WASHER -----	1	
-45	NAS679A3	NUT ----- -----*	1	
-46	S378-3L	PULLEY-CABLE ----- ATTACHING PARTS -----	2	
-47	AN4-34A	BOLT -----	1	
-48	AN960-416	WASHER -----	1	
-49	NAS679A4	NUT ----- -----*	1	
-50	0411523	BLOCK-ELEVATOR TAB STOP ----- ATTACHING PARTS -----	3	
-51	0411524	BUSHING -----	1	
-52	AN3-6A	BOLT -----	1	
-53	NAS679A3	NUT ----- -----*	1	
-54	1260505-7	CABLE ASSEMBLY-ELEVATOR TRIM AFT RH -----	1	A
	1260505-107	CABLE ASSEMBLY-ELEVATOR TRIM AFT RH STAINLESS STEEL -----	1	A
	1260505-20	CABLE ASSEMBLY-ELEVATOR TRIM AFT RH -----	1	B
	1260505-120	CABLE ASSEMBLY-ELEVATOR TRIM AFT RH STAINLESS STEEL -----	1	B
-55	1260505-8	CABLE ASSEMBLY-ELEVATOR TRIM AFT -----	1	
	1260505-108	CABLE ASSEMBLY-ELEVATOR TRIM AFT STAINLESS STEEL -----	1	
-56	S378-1	PULLEY-CABLE -----	2	
-56A	S378-1L	PULLEY-CABLE ----- ATTACHING PARTS -----	2	
-57	AN3-10A	BOLT -----	1	
-58	NAS679A3	NUT ----- -----*	1	
-59	MS24665-136	PIN-COTTER -----	2	
-60	0432138-10	CHAIN-ELEVATOR TAB -----	1	
-61		ACTUATOR ASSEMBLY-ELEVATOR TRIM SEE FIGURE 84 ----- ATTACHING PARTS -----	1	
-62	0432126	CLAMP -----	2	
-63	AN520-10R8	SCREW ----- -----*	4	
-64	1260065-4	TUBE ASSEMBLY-ELEVATOR TRIM TAB ACTUATOR -----	1	C
	1260065-7	TUBE ASSEMBLY-ELEVATOR TRIM TAB ACTUATOR -----	1	D
	1260065-8	TUBE ASSEMBLY-ELEVATOR TRIM TAB ACTUATOR ----- ATTACHING PARTS -----	1	E
-65	NAS464P3-8	BOLT -----	2	
	1234031-1	BUSHING REF 1234009-6 BRACKET ASSY -----	1	E
-66	AN960-10	WASHER -----	2	
-67	AN320C3	NUT -----	2	
-68	MS24665-134	PIN-COTTER ----- -----*	2	
-69	1260065-5	CLEVIS -----	1	F
	AN481-1P	CLEVIS -----	1	E
-70	1260065-3	CLEVIS -----	1	

A---210 SERIAL 21057841 THRU 21058085
 B---T210 SERIAL T210-0001 & ON
 210 SERIAL 21058086 & ON
 C---210 SERIAL 21057841 THRU 21058220
 D---T210 SERIAL T210-0001 THRU T210-0020
 210 SERIAL 21058221 THRU 21058714
 E---T210 SERIAL T210-0021 & ON
 210 SERIAL 21058715 & ON
 F---T210 SERIAL T210-0001 THRU T21058714
 210 SERIAL 21057841 THRU 21058714

Flight Controls (Cont)

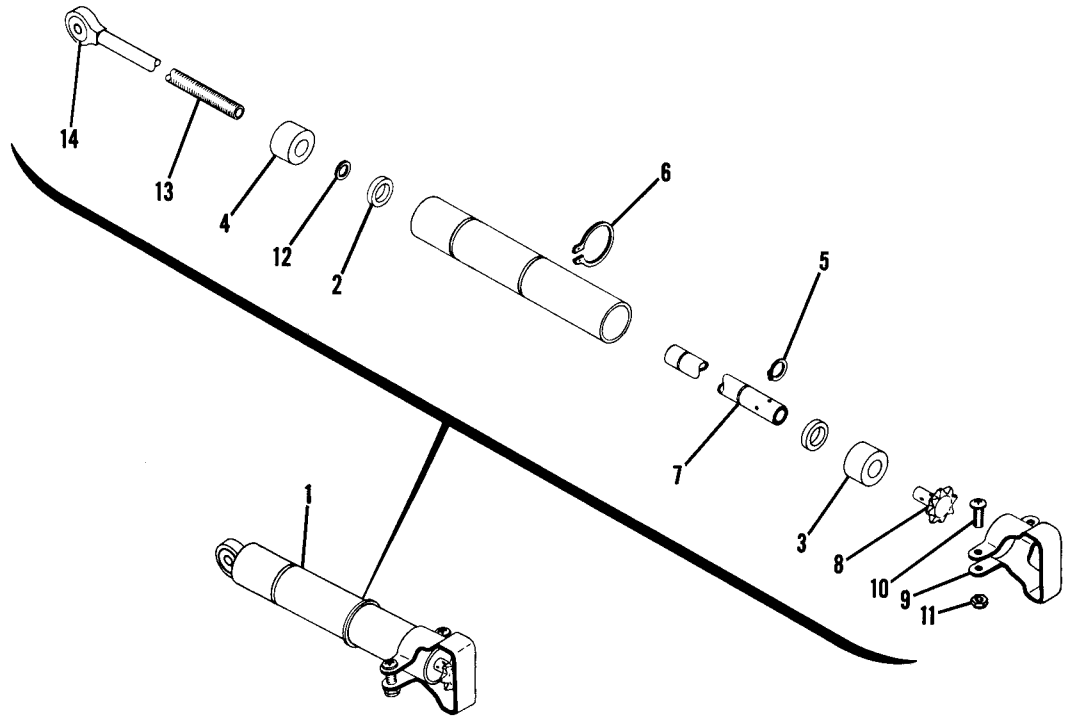
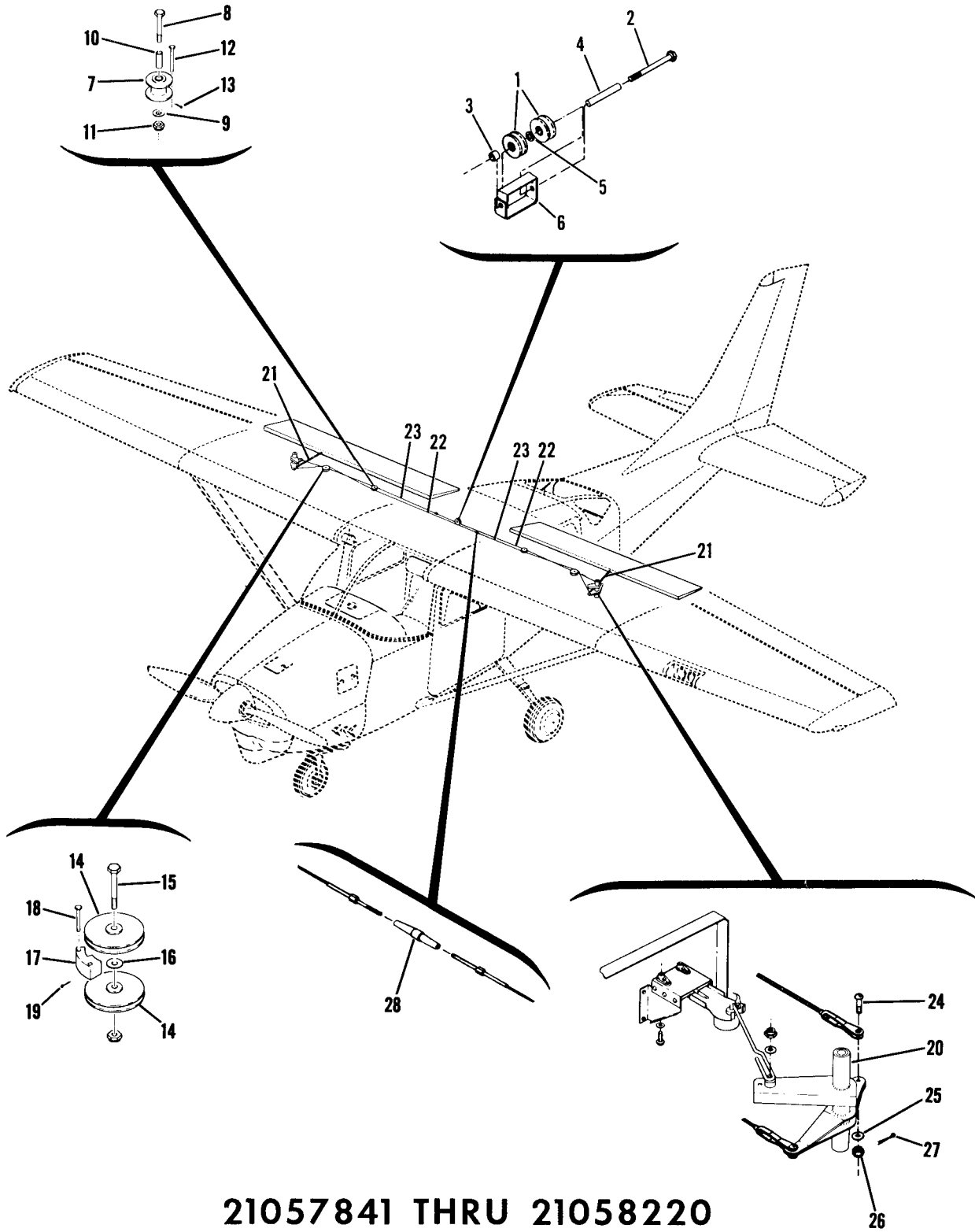


Figure 84. Elevator Trim Tab Actuator Assembly

FIGURE AND INDEX NO.	PART NUMBER	DESCRIPTION	UNITS PER ASSY	USABLE ON CODE
		1 2 3 4 5 6 7		
84 - 1	0310293-14	ACTUATOR ASSEMBLY-ELEVATOR TRIM TAB WHEN EXHAUSTED ----- USE 1260074-1	1	A
	1260074-1	ACTUATOR ASSEMBLY-ELEVATOR TRIM TAB -----	1	B
- 2	0310295	COLLAR-ACTUATOR -----	2	
- 3	0310297-1	BEARING-ACTUATOR -----	1	
- 4	0310298-1	BEARING-ACTUATOR -----	1	
- 5	NAS670-37	* RING-RETAINING INSIDE -----	2	A
- 6	NAS670-81	* RING-RETAINING OUTSIDE -----	2	
- 7	0310352-1	* SCREW-INTERNAL THREAD -----	1	A
	1260049-1	SCREW-INTERNAL THREADS -----	1	B
- 8	0310332	SPROCKET-ROLL CHAIN -----	1	
- 9	0310422-1	GUARD-ROLL CHAIN -----	1	
		ATTACHING PARTS		
-10	AN515-8R8	SCREW -----	2	
-11	NAS679A08	NUT -----	2	
		-----*		
-12	AN6227B5	PACKING-ACTUATOR -----	1	
-13	0310362-5	SCREW ASSEMBLY-ACTUATOR -----	1	
-14	PN-3-A	BEARING TOR -----	1	
<p>NOTE. *WHEN REPLACING THIS PART ON AIRPLANES PRIOR TO 21058680 ALSO ORDER OTHER PART MARKED * IN QUANTITY REQD.</p> <p>A---T210 SERIAL T210-0001 THRU T210-0083 210 SERIAL 21057841 THRU 21058720 B---T210 SERIAL T210-0084 & ON 210 SERIAL 21058721 & ON</p>				

Flight Controls (Cont)

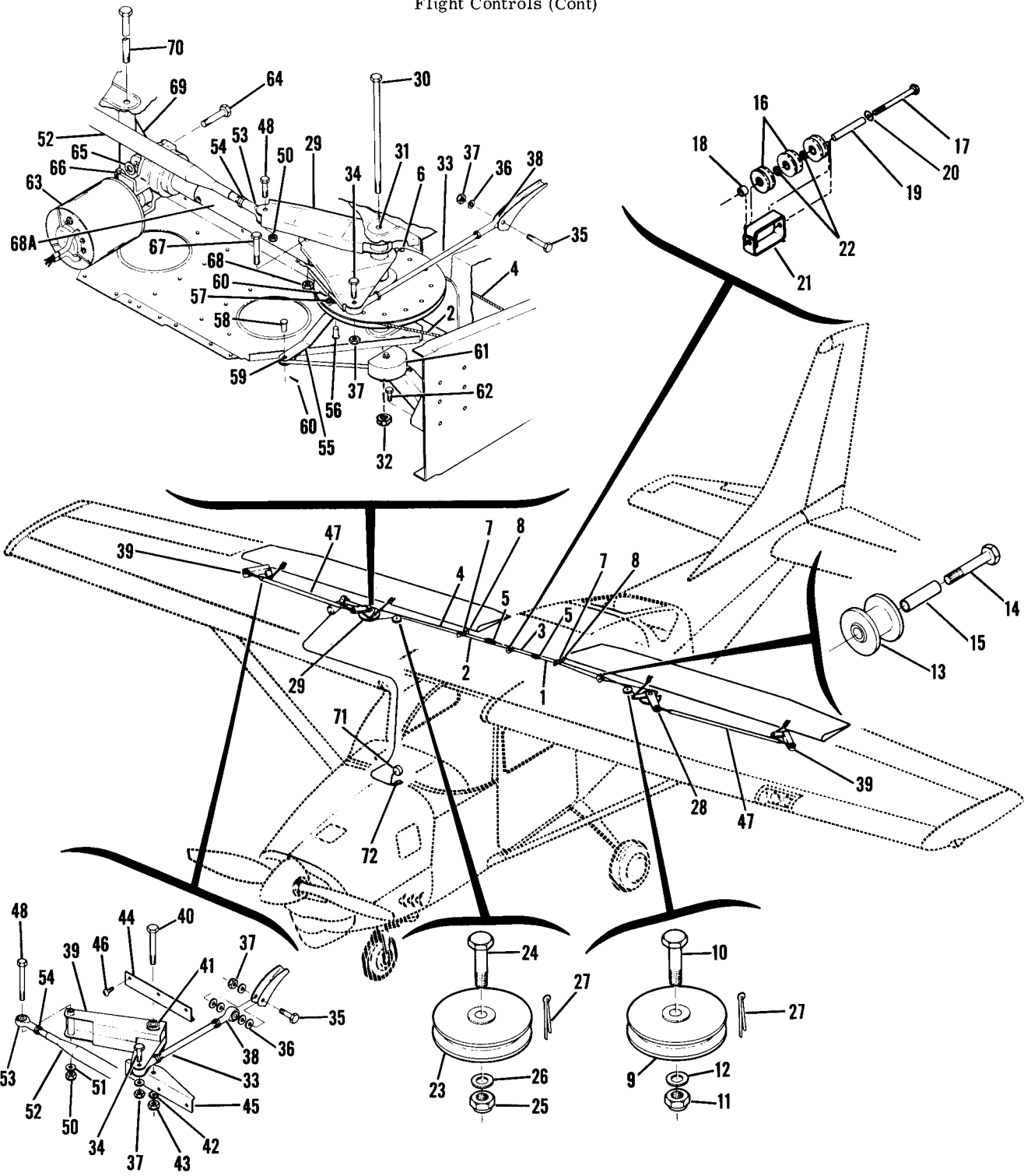


21057841 THRU 21058220

Figure 85. Flap Synchronization System

FIGURE AND INDEX NO.	PART NUMBER	DESCRIPTION	UNITS PER ASSY	USABLE ON CODE
85 -		1 2 3 4 5 6 7		
- 1	S394	SYNCHRONIZATION SYSTEM-FLAP ----- PULLEY ----- ATTACHING PARTS -----	NP 2	A
- 2	AN3-21A	BOLT -----	1	
- 3	NAS45-4-16	SPACER -----	1	
- 4	0512138	BUSHING -----	1	
- 5	AN960-10L	WASHER -----	1	
- 6	1260060-1	GUARD -----	1	
- 7	S1052-1	PULLEY ----- ATTACHING PARTS -----	2	
- 8	AN23-18	BOLT -----	2	
- 9	AN960-10L	WASHER -----	2	
-10	1260064	BUSHING -----	2	
-11	AN320-3	NUT -----	2	
-12	MS20392-1C27	PIN ----- ATTACHING PARTS -----	4	
-13	MS24665-132	PIN-COTTER -----	6	
-14	S378-2	PULLEY ----- ATTACHING PARTS -----	4	
-15	AN3-11A	BOLT -----	2	
-16	AN960-10L	WASHER -----	2	
-17	1260062-1	GUARD ----- ATTACHING PARTS -----	2	
-18	MS20392-1C25	PIN -----	4	
-19	MS24665-132	PIN-COTTER -----	4	
-20	1260061-1	BELLCRANK-LH SEE FIGURE 10 -----	1	
	1260061-2	BELLCRANK-RH SEE FIGURE 10 -----	1	
-21	1260063-1	ROD ASSEMBLY SEE FIGURE 10 -----	2	
-22	1260505-14	CABLE ASSEMBLY -----	2	
	1260505-114	CABLE ASSEMBLY STAINLESS STEEL -----	2	
-23	1260505-4	CABLE ASSEMBLY -----	2	
	1260505-104	CABLE ASSEMBLY STAINLESS STEEL -----	2	
-24	AN23-9	ATTACHING PARTS ----- BOLT-CLEVIS -----	4	
-25	AN960-10L	WASHER -----	4	
-26	AN320-3	NUT -----	4	
-27	MS24665-134	PIN-COTTER -----	4	
-28	AN155B16S	TURNBUCKLE -----	2	
A---210 SERIAL 21057841 THRU 21058220				

Flight Controls (Cont)



T210-0001 & ON
21058221 & ON

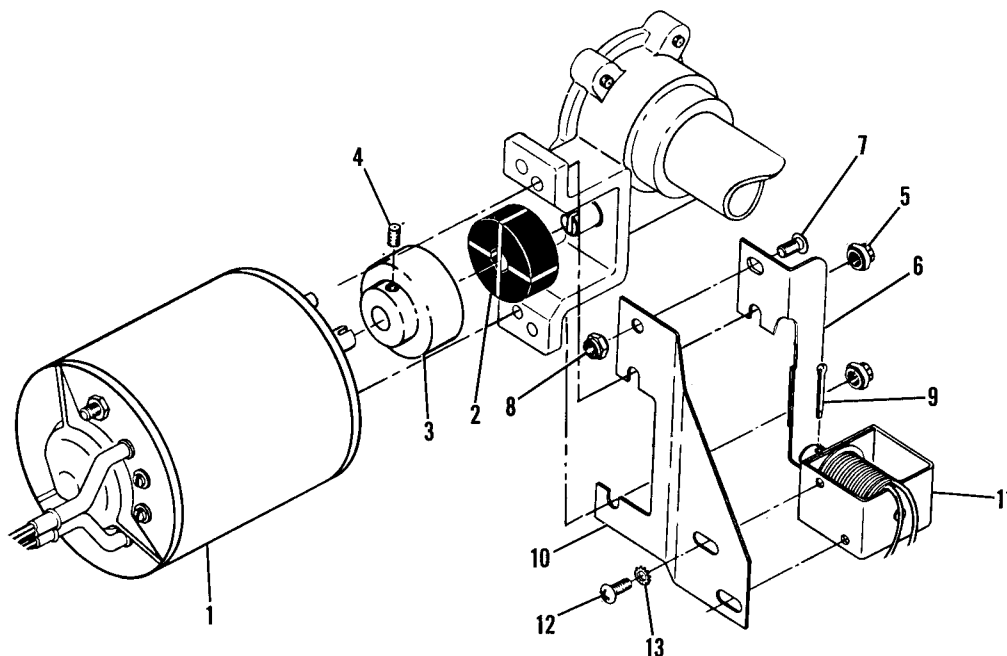
Figure 85A. Electric Flap Installation

FIGURE AND INDEX NO.	PART NUMBER	DESCRIPTION	UNITS PER ASSY	USABLE ON CODE
		1 2 3 4 5 6 7		
85A-		ELECTRIC FLAP SYSTEM INSTALLATION -----	NP	A
- 1	0510105-93	CABLE-FLAP RETRACT LH -----	1	
	0510105-193	CABLE-FLAP RETRACT LH STAINLESS STEEL -----	1	
- 2	0510105-94	CABLE-FLAP RETRACT RH -----	1	
	0510105-194	CABLE-FLAP RETRACT RH STAINLESS STEEL -----	1	
- 3	0510105-91	CABLE-FLAP DIRECT LH -----	1	
	0510105-191	CABLE-FLAP DIRECT LH STAINLESS STEEL -----	1	
- 4	0510105-92	CABLE-FLAP DIRECT RH -----	1	
	0510105-192	CABLE-FLAP DIRECT RH STAINLESS STEEL -----	1	
- 5	AN155816S	ATTACHING PARTS -----		
- 6	MS20392-1C11	BARREL-TURNBUCKLE ATTACH LH & RH MATCHING CABLES -----	1	
	MS24665-134	PIN-FLATHEAD ATTACH EACH CABLE AT DRIVE PULLEY -----	1	
		PIN-COTTER -----	1	
- 7	0760616-1	RUB STRIP -----	2	
- 8	0760615-1	GUARD -----	2	
	AN515-8R12	ATTACHING PARTS -----		
	NAS679A08	SCREW -----	2	
		NUT -----	2	
- 9	MS20220-2	PULLEY -----	1	
		ATTACHING PARTS -----		
-10	AN5-12A	BOLT -----	1	
-11	NAS679A5	NUT -----	1	
-12	AN960-516L	WASHER -----	1	
-13	S1052-1	PULLEY -----	1	
		ATTACHING PARTS -----		
-14	AN3-11A	BOLT -----	1	
-15	1260064-1	BUSHING -----	1	
-16	S394	PULLEY -----	3	
		ATTACHING PARTS -----		
-17	AN3-21A	BOLT -----	1	
-18	NAS43-4-16	SPACER -----	1	
-19	0512138	BUSHING -----	1	
-20	AN960-10L	WASHER -----	1	
-21	1260060-1	GUARD -----	1	
-22	AN960-416L	WASHER -----	4	
-23	S378-2	PULLEY -----	1	
		ATTACHING PARTS -----		
-24	AN3-6A	BOLT -----	1	
-25	NAS679A3	NUT -----	1	
-26	AN960-10	WASHER -----	1	
-27	MS24665-283	PIN-COTTER CABLE GUARD -----	2	
-28	1260056-1	DRIVE ASSEMBLY-FLAP LH -----	1	
-29	1260056-2	DRIVE ASSEMBLY-FLAP RH -----	1	
		ATTACHING PARTS -----		
-30	AN4-56A	BOLT -----	1	
-31	0523536	BUSHING -----	1	
	0522629-1	WASHER AT BOTTOM END OF DRIVE ASSEMBLY -----	1	
-32	NAS679A4	NUT -----	1	
-33	B610	BEARING TOR -----	2	
	1260058-2	ROD ASSEMBLY-PUSH PULL -----	4	
		ATTACHING PARTS -----		
-34	AN3-6A	BOLT -----	1	
-35	AN3-11A	BOLT -----	1	
-36	AN960-10	WASHER -----	5	
-37	NAS679A3	NUT -----	2	
-38	S1106-3	ROD END -----	2	
	AN316-4R	NUT-CHECK -----	2	
	0523218-2	ROD -----	2	
-39	1260059-1	BELLCRANK ASSEMBLY-FLAP OUTBOARD -----	2	
		ATTACHING PARTS -----		
-40	AN4-24A	BOLT -----	1	
-41	0523536	BUSHING -----	1	
-42	AN960-616	WASHER AT BOTTOM END OF BELLCRANK SHAFT -----	1	
-43	NAS679A4	NUT -----	1	
	B610	BEARING TOR -----	2	

CONTINUED ON NEXT PAGE

FIGURE AND INDEX NO.	PART NUMBER	DESCRIPTION	UNITS PER ASSY	USABLE ON CODE
85A-44	1220089-1	SUPPORT-OUTBOARD BELLCRANK UPPER RH & LOWER LH -----	2	
-45	1220089-2	SUPPORT-OUTBOARD BELLCRANK LOWER RH & UPPER LH -----	2	
		ATTACHING PARTS -----		
-46	AN3-4A	BOLT -----	3	
		-----*		
-47	1260057-1	ROD ASSEMBLY-FLAP SYNC -----	2	
		ATTACHING PARTS -----		
-48	AN3-25A	BOLT -----	2	
-49		DELETED -----		
-50	NAS679A3	NUT -----	2	
-51	AN960-10L	WASHER -----	2	
		-----*		
-52	1260057-2	TUBE ASSEMBLY -----	1	
-53	S1106-3	ROD END -----	2	
-54	AN316-4R	NUT-CHECK -----	2	
-55	0760662-1	ARM ASSEMBLY-FLAP POSITION TRANSMITTER -----	1	
		ATTACHING PARTS -----		
-56	MS20392-2C15	PIN-FLAT HEAD HEAD INSTALLED DOWN DRIVE END -----	1	
-57	AN960-10L	WASHER -----	1	
-58	MS20392-2C9	PIN-FLAT HEAD HEAD INSTALLED UP TRANS. END -----	1	
-59	NAS43DD3-12	SPACER TRANS. END -----	1	
-60	MS24665-132	PIN-COTTER -----	2	
		-----*		
-61	1260068-2	TRANSMITTER-FLAP POSITION INDICATOR -----	1	B
	C590501-0101	TRANSMITTER-FLAP POSITION INDICATOR -----	1	C
		ATTACHING PARTS -----		
-62	AN3-3A	BOLT -----	2	
		-----*		
-63	0760657-5	TRANSMISSION AND MOTOR ASSEMBLY-FLAP ACTUATOR -----	1	
		SEE FIGURE 85B.		
		ATTACHING PARTS -----		
-64	AN6-15A	BOLT -----	1	
-65	AN960-616	WASHER -----	1	
-66	NAS679A6	NUT -----	1	
-67	AN4-15A	BOLT -----	1	
-68	0760614-1	BUSHING -----	1	
	NAS679A4	NUT -----	1	
		-----*		
-68A	0760620-1	TUBE-ACTUATING -----	1	
		ATTACHING PARTS -----		
	AN565D8H3	SCREW-SET -----	1	
		-----*		
-69	0760619-1	HINGE ASSEMBLY-FLAP MOTOR -----	1	
		ATTACHING PARTS -----		
-70	AN4-56A	BOLT -----	1	
	0523536	BUSHING -----	1	
	0522629	WASHER -----	1	
	NAS679A5	NUT -----	1	
		-----*		
-71	B610	BEARING TOR -----	1	
-71	S1318-1	INDICATOR-FLAP POSITION -----	1	
-72	0760632-1	SWITCH-FLAP -----	1	
	0813526-6	KNOB -----	1	
	S1232-15	CIRCUIT BREAKER -----	1	
		A---T210 SERIAL T210-0001 & ON		
		210 SERIAL 21058221 & ON		
		B---210 SERIAL 21058221 THRU 21058715		
		C---T210 SERIAL T210-0001 & ON		
		210 SERIAL 21058716 & ON		

Flight Controls (Cont)



T210-0001 & ON 21058221 & ON

Figure 85B. Flap Actuator Transmission and Motor Assembly

FIGURE AND INDEX NO.	PART NUMBER	DESCRIPTION	UNITS PER ASSY	USABLE ON CODE
		1 2 3 4 5 6 7		
858-	0760657-5	FLAP ACTUATOR TRANSMISSION AND MOTOR ASSEMBLY -----	1	A
- 1	M072218A	MOTOR-FLAP ACTUATOR AM -----	1	
	1016584	TRANSMISSION ASSEMBLY-FLAP ACTUATOR DHDD -----	1	
- 2	11918	COUPLING -----	1	
- 3	0760684-1	DRUM-BRAKE -----	1	
		ATTACHING PARTS -----		
- 4	AN565D6H3	SET SCREW -----	1	
		-----*		
	0760683-6	BRAKE ASSEMBLY -----	1	
		ATTACHING PARTS -----		
- 5	H14-3	NUT KNM -----	2	
		-----*		
- 6	0760683-7	SPRING ASSEMBLY -----	1	
		ATTACHING PARTS -----		
- 7	AN515-6R6	SCREW -----	1	
- 8	NAS679A06	NUT -----	1	
- 9	MS24665-132	PIN-COTTER -----	1	
		-----*		
-10	0760683-9	BRACKET -----	1	
-11	28INT-12DC	SOLENOID GN -----	1	
		ATTACHING PARTS -----		
-12	AN515-6R4	SCREW -----	2	
-13	AN936B6	WASHER -----	2	
		-----*		
A---T210 SERIAL T210-0001 & ON 210 SERIAL 21058221 & ON				

Flight Controls (Cont)

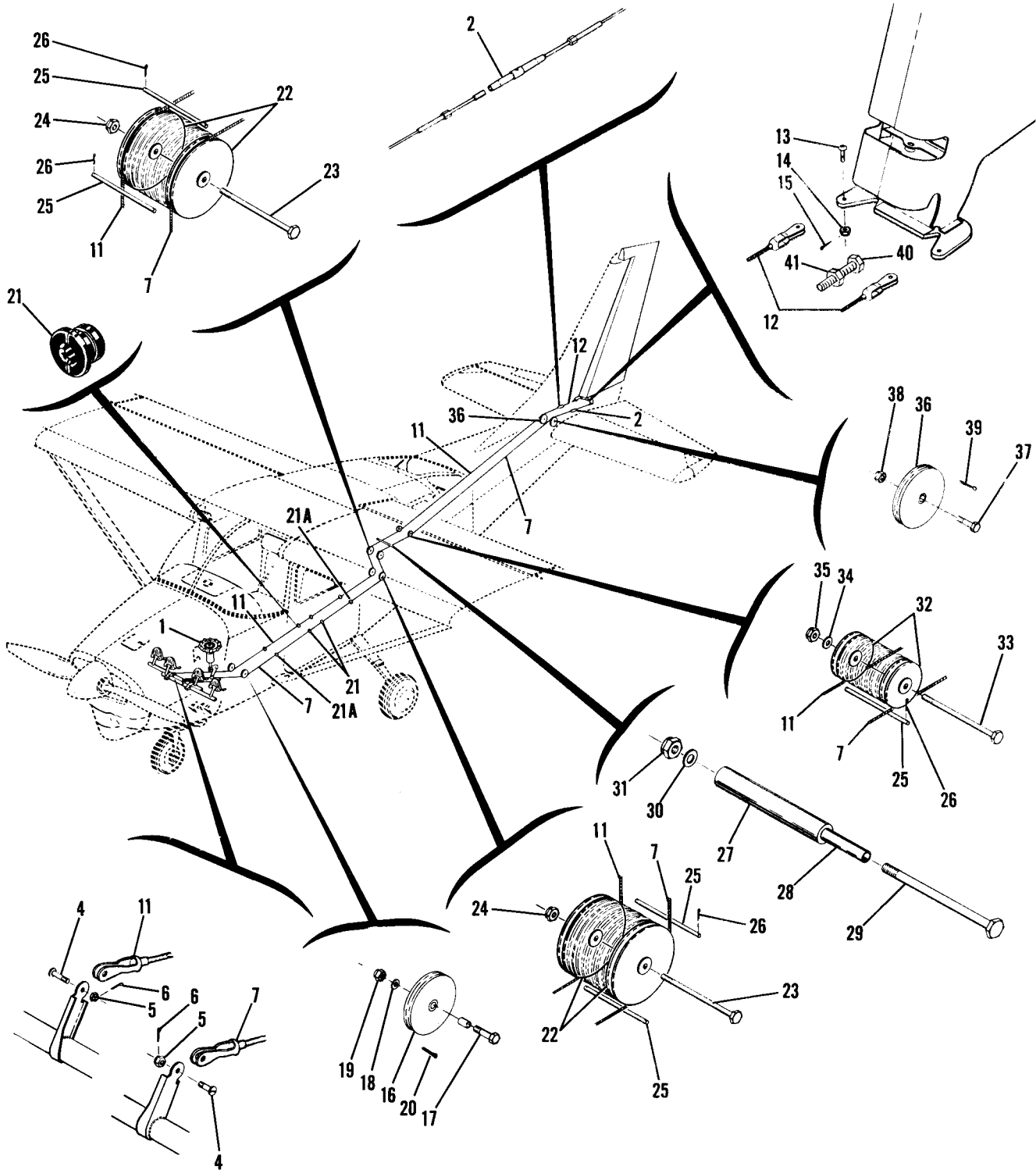


Figure 86. Rudder Control System Installation



FIGURE AND INDEX NO.	PART NUMBER	DESCRIPTION	UNITS PER ASSY	USABLE ON CODE		
					1	2
86 -		RUDDER CONTROL SYSTEM INSTALLATION -----	NP			
- 1		TRIM INSTALLATION-RUDDER SEE FIGURE 87 -----	1			
- 2	AN1558325	BARREL -----	4			
- 3		DELETED, NEVER USED -----				
		ATTACHING PARTS -----				
- 4	AN23-10	BOLT -----	1			
- 5	AN310-3	NUT -----	1			
- 6	MS24665-134	PIN-COTTER -----	1			

- 7	1260505-15	CABLE ASSEMBLY-RUDDER FORWARD LH -----	1			
	1260505-115	CABLE ASSEMBLY-RUDDER FORWARD LH STAINLESS STEEL -----	1			
- 8		DELETED -----				
- 9		DELETED -----				
-10		DELETED -----				
-11	1260505-11	CABLE ASSEMBLY-RUDDER FORWARD RH -----	1			
	1260505-111	CABLE ASSEMBLY-RUDDER FORWARD RH STAINLESS STEEL -----	1			
-12	1260505-13	CABLE ASSEMBLY AFT LH -----	1			
	1260505-113	CABLE ASSEMBLY AFT LH STAINLESS STEEL -----	1			
	1260505-12	CABLE ASSEMBLY AFT RH -----	1			
	1260505-112	CABLE ASSEMBLY AFT RH STAINLESS STEEL -----	1			
		ATTACHING PARTS -----				
-13	AN23-10	BOLT -----	1			
-14	AN310-3	NUT -----	1			
-15	MS24665-134	PIN-COTTER -----	1			

-16	S378-4	PULLEY-CABLE -----	2			
		ATTACHING PARTS -----				
-17	AN4-20A	BOLT -----	1			
-18	NAS43-4-41	WASHER -----	1			
-19	NAS679A4	NUT -----	1			

-20	MS24665-143	PIN-COTTER -----	3			
-21	S338-5	FAIRLEAD HALF-CABLE -----	8			
-21A	S338-9	FAIRLEAD HALF-CABLE -----	8			
	S339-3	CLIP ATTACH FAIRLEAD HALVES -----	8			
-22	S378-4	PULLEY-CABLE -----	4			
		ATTACHING PARTS -----				
-23	AN4-33A	BOLT -----	1			
-24	NAS679A4	NUT -----	1			

-25	1200017-1	PIN-CABLE GUARD -----	4			
		ATTACHING PARTS -----				
-26	MS24665-132	PIN-COTTER -----	2			

-27	1260031-1	ROLLER-PULLEY -----	1			
		ATTACHING PARTS -----				
-28	1260030-1	SPACER-PULLEY -----	1			
-29	AN3-33A	BOLT -----	1			
-30	AN960-10L	WASHER -----	1			
-31	NAS679A3	NUT -----	1			

-32	S378-3L	PULLEY-CABLE -----	2			
		ATTACHING PARTS -----				
-33	AN4-34A	BOLT -----	1			
-34	AN960-416	WASHER -----	1			
-35	NAS679A4	NUT -----	1			

-36	S378-4	PULLEY-CABLE -----	2			
		ATTACHING PARTS -----				
-37	AN4-10A	BOLT -----	1			
-38	NAS679A4	NUT -----	1			

-39	MS24665-134	PIN-COTTER -----	2			
-40	AN428-3-7	BOLT RUDDER STOP -----	2			
-41	AN315-3R	NUT RUDDER STOP -----	2			

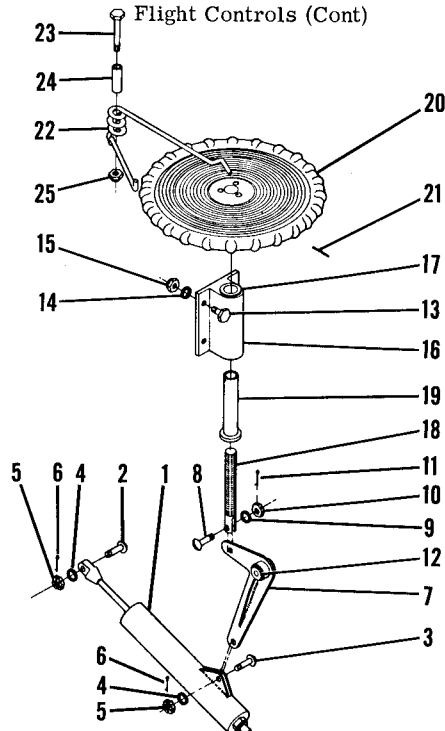


Figure 87. Rudder Trim Installation

FIGURE AND INDEX NO.	PART NUMBER	DESCRIPTION	UNITS PER ASSY	USABLE ON CODE
87 -		1 2 3 4 5 6 7		
- 1	1261432-1 1261432-5	TRIM INSTALLATION-RUDDER ----- BUNGEE ASSEMBLY-RUDDER ----- BUNGEE ASSEMBLY-RUDDER -----	NP 1 1	A B
- 2	AN23-11	ATTACHING PARTS ----- BOLT -----	1	
- 3	AN23-12	BOLT -----	1	
- 4	AN960-10L	WASHER -----	2	
- 5	AN320-3	NUT -----	2	
- 6	MS24665-132	PIN-COTTER ----- -----	2	
- 7	1260433-1	BELLCRANK ASSEMBLY-RUDDER ----- ATTACHING PARTS -----	1	
- 8	AN23-11	BOLT -----	1	
- 9	AN960-10L	WASHER -----	1	
- 10	AN320-3	NUT -----	1	
- 11	MS24665-132	PIN-COTTER ----- -----	1	
- 12	B-59 1261438-1	BEARING-NEEDLE TOR ----- SCREWJACK ASSEMBLY-RUDDER ----- ATTACHING PARTS -----	1 1	
- 13	AN3-5A	BOLT -----	4	
- 14	AN960-10L	WASHER -----	4	
- 15	NAS679A3	NUT ----- -----	4	
- 16	1261112-3	HOUSING ASSEMBLY-RUDDER -----	1	
- 17	S1004-41A	BEARING-FLANGED -----	2	
- 18	1261103-2	SCREWJACK SCREW-RUDDER BUNGEE -----	1	
- 19	1261107-2	SCREWJACK SHAFT-RUDDER BUNGEE -----	1	
- 20	1260428-1	WHEEL ASSEMBLY-RUDDER ----- ATTACHING PARTS -----	1	
- 21	NAS561-4-12	ROLL PIN EN ----- -----	1	
CONTINUED ON NEXT PAGE				

FIGURE AND INDEX NO.	PART NUMBER	DESCRIPTION	UNITS PER ASSY	USABLE ON CODE
87 -22 -23 -24 -25	1260435-1 AN23-23A NAS43-3-72 NAS679A3	<p style="text-align: center;">1 2 3 4 5 6 7</p> INDICATOR-RUDDER TRIM ----- ATTACHING PARTS BOLT ----- SPACER ----- NUT ----- ---*--- A---210 SERIAL 21057841 THRU 21058220 B---T210 SERIAL T210-0001 & ON 210 SERIAL 21058221 & ON	1 1 1 1	

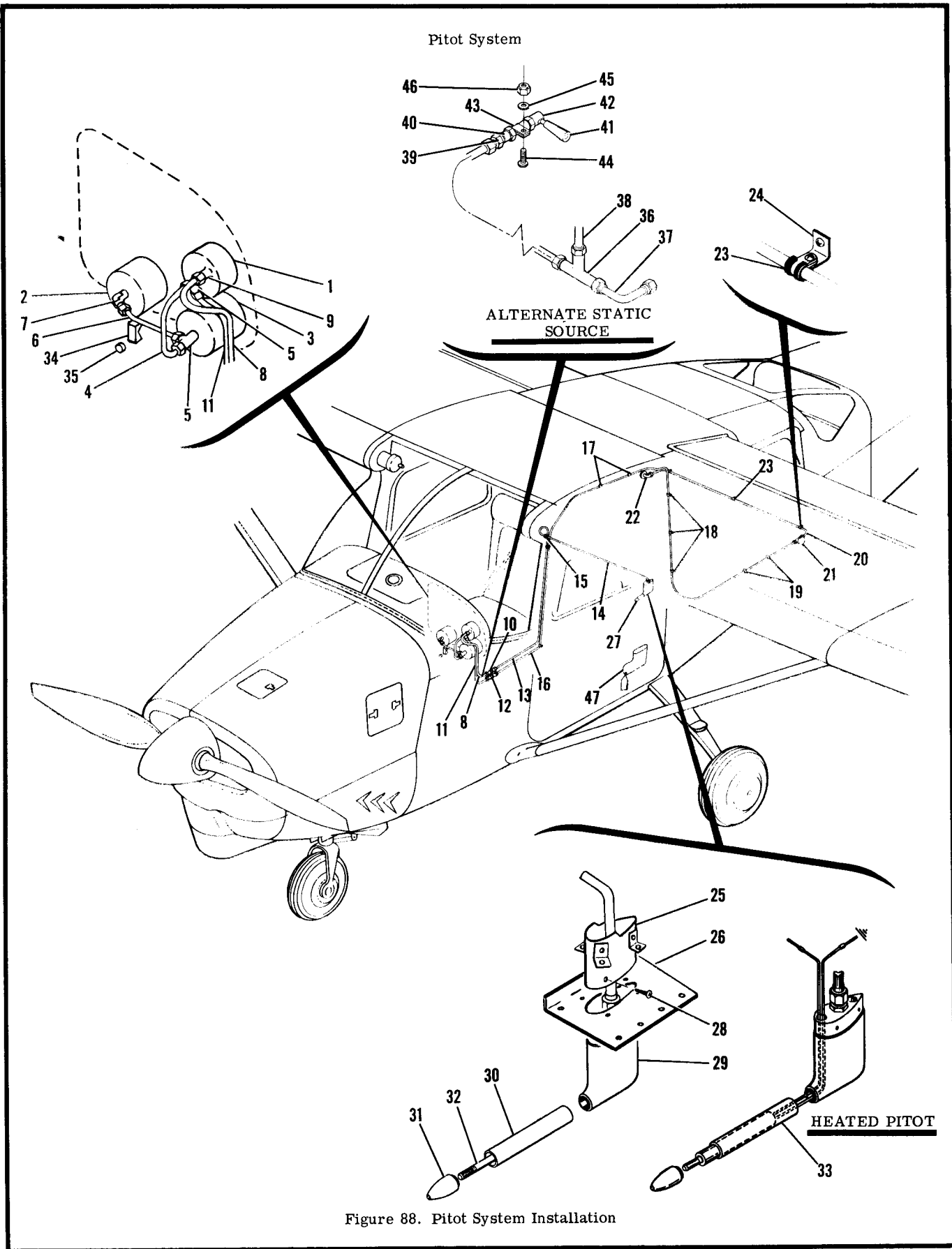


FIGURE AND INDEX NO.	PART NUMBER	DESCRIPTION	UNITS PER ASSY	USABLE ON CODE
88 -		PITOT SYSTEM INSTALLATION -----	NP	
- 1		INDICATOR-AIRSPEED SEE FIGURE 59 & 59A -----	1	
- 2		INDICATOR-VERTICAL SPEED SEE FIGURE 59 & 59A -----	1	
- 3		INDICATOR-ALTIMETER SEE FIGURE 59 & 59A -----	1	
- 4		LINE ASSEMBLY-AIRSPEED TO ALTIMETER -----	NP	
		ATTACHING PARTS -----		
- 5	S1139-1	TEE-NYLON -----	2	
		-----*		
	S1071-1	TUBE-POLYETHYLENE *** IN. LG. BULK ITEM -----	1	
		REF S-1071-1-*** -----		
	S1131-1	INSERT-NYLON -----	2	
	S1130-1	NUT-NYLON -----	2	
- 6		LINE ASSEMBLY-ALTIMETER TO VERTICAL SPEED -----	NP	
		ATTACHING PARTS -----		
- 7	S1135-1	ELBOW-NYLON -----	1	
		-----*		
	S1071-1	TUBE-POLYETHYLENE *** IN. LG. BULK ITEM -----	1	
		REF S-1071-1-*** -----		
	S1131-1	INSERT-NYLON -----	2	
	S1130-1	NUT-NYLON -----	2	
- 8		LINE ASSEMBLY-PITOT AIRSPEED TO BULKHEAD -----	NP	
		ATTACHING PARTS -----		
- 9	S1133-1	CONNECTOR-NYLON -----	1	
-10	S1134-1	BULKHEAD FITTING-NYLON -----	1	
		-----*		
	S1071-1	TUBE-POLYETHYLENE 16.0 IN. LG. BULK ITEM -----	1	
		REF S-1071-1-16.0 -----		
	S1131-1	INSERT-NYLON -----	2	
	S1130-1	NUT-NYLON -----	2	
-11		LINE ASSEMBLY-STATIC AIRSPEED TO BULKHEAD -----	NP	
		ATTACHING PARTS -----		
-12	S1134-1	BULKHEAD FITTING-NYLON -----	1	
		-----*		
	S1071-1	TUBE-POLYETHYLENE 16.0 IN. LG. BULK ITEM -----	1	
		REF S-1071-1-16.0 -----		
	S1131-1	INSERT-NYLON -----	2	
	S1130-1	NUT-NYLON -----	2	
-13		LINE ASSEMBLY-PITOT BULKHEAD TO WING ROOT -----	NP	
	S1071-1	TUBE-POLYETHYLENE 25.5 IN. LG. BULK ITEM -----	1	
		REF S-1071-1-25.5 -----		
	S1131-1	INSERT-NYLON -----	2	
	S1130-1	NUT-NYLON -----	2	
-14		LINE ASSEMBLY-PITOT WING ROOT TO PITOT TUBE -----	NP	
		ATTACHING PARTS -----		
-15	S1132-1	UNION-NYLON -----	1	
		-----*		
	S1071-1	TUBE-POLYETHYLENE 52 IN. LG. BULK ITEM -----	1	
		REF 1071-1-52.0 -----		
	S1131-1	INSERT-NYLON -----	2	
	S1130-1	NUT-NYLON -----	2	
-16		LINE ASSEMBLY-STATIC BULKHEAD TO STATIC SOURCE -----	NP	
		ATTACHING PARTS -----		
-17	S1151-1	CLAMP -----	2	
-18	S1155-4	CLAMP -----	3	
-19	MS35489-6	GROMMET -----	2	
		-----*		
	S1071-1	TUBE-POLYETHYLENE 139.0 IN. LG. BULK ITEM -----	1	
		REF S-1071-1-139.0 -----		
	S1131-1	INSERT-NYLON -----	2	
	S1130-1	NUT-NYLON -----	2	

CONTINUED ON NEXT PAGE

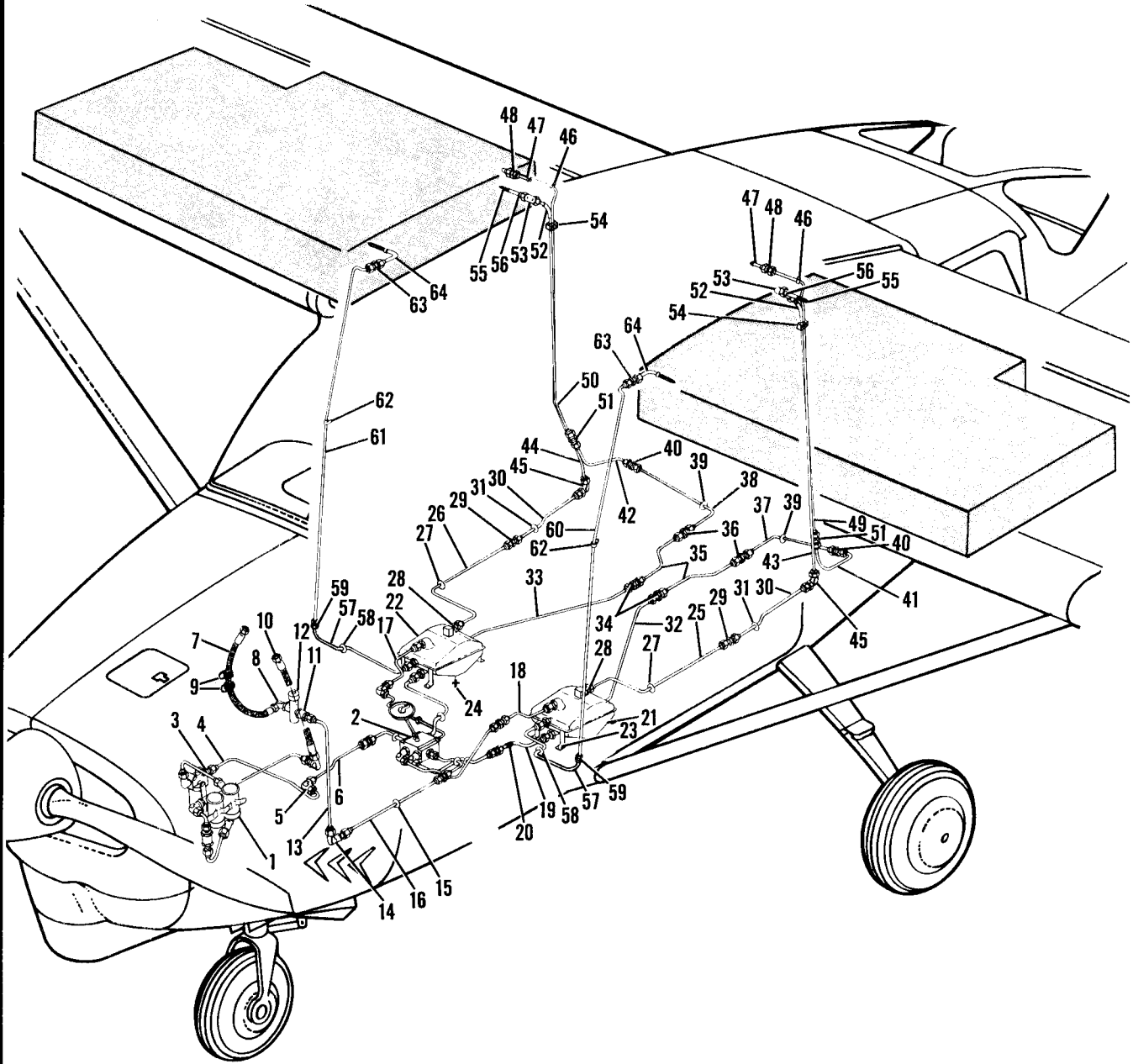
FIGURE AND INDEX NO.	PART NUMBER	DESCRIPTION	UNITS PER ASSY	USABLE ON CODE
88 -20		LINE ASSEMBLY-STATIC STATIC SOURCE TO STATIC SOURCE ----- ATTACHING PARTS	NP	
-21	S1138-1	TEE-NYLON -----	1	
-22	S1135-1	ELBOW -----	1	
-23	S1155-4	CLAMP -----	3	
-24	S1154-1	BRACKET -----	2	
	S102128-8	SCREW -----	2	
	S1071-1	*----- TUBE-POLYETHYLENE 42.0 IN. LG. BULK ITEM ----- REF S-1071-1-42.0	1	
	S1131-1	INSERT-NYLON -----	2	
	S1130-1	NUT-NYLON -----	2	
-25	0721115-1	CONNECTOR ASSEMBLY-PITOT TUBE -----	1	
-26	0721114-1	DOUBLER -----	1	
-27	0721105-10	TUBE ASSEMBLY-L SHAPED PITOT -----	1	A
	0721105-14	TUBE ASSEMBLY-L SHAPED PITOT -----	1	B
	0721105-11	TUBE ASSEMBLY-L SHAPED PITOT HEATED -----	1	A
	0721105-15	TUBE ASSEMBLY-L SHAPED PITOT HEATED -----	1	B
		ATTACHING PARTS		
-28	AN507-640R4	SCREW -----	4	
		*-----		
-29	0721105-7	BODY-PITOT TUBE -----	1	A
	0721105-13	BODY-PITOT -----	1	B
	S1133-2	CONNECTOR-NYLON -----	1	
-30	0721105-3	TUBE-PITOT -----	1	
-31	0721105-4	FITTING-PITOT TUBE NOSE -----	1	
-32	0721105-8	STEM-PITOT TUBE -----	1	
-33	0721105-5	HEATER ASSEMBLY-PITOT -----	1	
-34	S1158-2-1	SWITCH-PITOT HEAT -----	1	
		ATTACHING PARTS		
	AN507-632R4	SCREW -----	2	
		*-----		
-35	S1232-10	CIRCUIT BREAKER -----	1	
		STATIC SOURCE INSTALLATION-ALTERNATE -----	1	C
-36	S1137-1	TEE-NYLON -----	1	
-37	S1071-1	TUBE-POLEYETHYLENE 2.0 IN LG BULK ITEM REFS-1071-1- S1131-1 INSERT -----	1	
	S1130-1	NUT -----	2	
-38	S1071-1	TUBE-POLEYETHYLENE *** IN LG BULK ITEM REFS 1071-1- S1131-1 INSERT -----	1	
	S1130-1	NUT -----	1	
-39	S1133-1	CONNECTOR -----	1	
-40	AN910-10	COUPLING -----	1	
-41	S430-1	KNOB -----	1	
-42	0511199-20	VALVE -----	1	
		ATTACHING PARTS		
-43	AN74209	CLAMP -----	1	
-44	AN520-10R14	SCREW -----	1	
-45	AN960D10	WASHER -----	1	
-46	NAS679A3	NUT -----	1	
		*-----		
	1200678-2	PLACARD -----	1	
-47	1200187-1	COVER ASSEMBLY-PITOT TUBE -----	1	

NOTE. *LENGTHS TO BE ADDED LATER

A---210 SERIAL 21057841 THRU 21058220
 B---210 SERIAL 21058221 & ON
 T210 SERIAL T210-0001 & ON
 C---210 SERIAL 21058511 & ON
 T210 SERIAL T210-0001 & ON

This page intentionally left blank.

Fuel System



**21057841 THRU 21058351
EXCEPT 21058326**

Figure 89. Fuel System Installation



FIGURE AND INDEX NO.	PART NUMBER	DESCRIPTION	UNITS	USABLE ON CODE
			PER ASSY	
		1 2 3 4 5 6 7		
89 -		FUEL SYSTEM INSTALLATION -----	NP	E
- 1		AUXILIARY FUEL PUMP AND STRAINER INSTALLATION ----- SEE FIGURES 90 & 90A	1	
- 2		FUEL SELECTOR VALVE INSTALLATION SEE FIGURE 92 -----	1	
- 3	AN816-6-6D	NIPPLE -----	1	C
	MS20823-8D	ELBOW -----	1	D
- 4	1200406-31	LINE ASSEMBLY-FUEL STRAINER TO ELBOW -----	1	C
	1200406-61	LINE ASSEMBLY-FUEL STRAINER TO ELBOW -----	1	D
		ATTACHING PARTS		
- 5	AN833-6D	ELBOW -----	1	C
	AN833-8D	ELBOW -----	1	D
	AN960D1216L	WASHER -----	2	
	AN924-8D	NUT -----	1	
		21057841 THRU 21058351		
		EXCEPT 21058326		
- 6	1200406-30	LINE ASSEMBLY-FUEL -----	1	C
	1200106-78	LINE ASSEMBLY-FUEL -----	1	D
- 7	S1167-4-0114	HOSE ASSEMBLY-FUEL -----	1	C
	S1236-4-*	HOSE ASSEMBLY-FUEL -----	1	D
		ATTACHING PARTS		
- 8	AN833-4D	ELBOW -----	1	C
	MS29512-4	GASKET -----	1	C
	AN924-4D	NUT -----	1	C
- 9	MS21919D7	CLAMP -----	2	D
	AN515-8R8	SCREW -----	2	D
	NAS679A08	NUT -----	2	D
	0550100-9	BRACKET -----	2	D
		ATTACHING PARTS		
-10	S1167-6-0116	HOSE ASSEMBLY-FUEL -----	1	C
	S1167-8-0120	HOSE ASSEMBLY-FUEL -----	1	D
-11	1111-517700	CHECK VALVE-FUEL PAET -----	1	
	366-00	CHECK VALVE-FUEL DUKA ALT -----	1	
		ATTACHING PARTS		
	AN742D17	CLAMP -----	1	
	AN3-3A	BOLT -----	1	
	NAS43DD3-12	SPACER -----	1	
		ATTACHING PARTS		
-12	AV2B1371	VALVE-SOLENOID GECO -----	1	C
	A76	VALVE-SOLENOID HEP ALT -----	1	C
		ATTACHING PARTS		
	AN3-15A	BOLT -----	2	
	NAS43DD3-24	SPACER -----	2	
		ATTACHING PARTS		
-13	1200406-13	LINE ASSEMBLY-FUEL CHECK VALVE TO ELBOW -----	1	C
	1200406-50	LINE ASSEMBLY-FUEL CHECK VALVE TO ELBOW -----	1	D
		ATTACHING PARTS		
-14	AN833-4D	ELBOW -----	1	
	AN960D716L	WASHER -----	1	
	AN924-4D	NUT -----	1	
		ATTACHING PARTS		
-15	MS35489-36	GROMMET -----	1	D
	MS35489-7	GROMMET -----	1	C

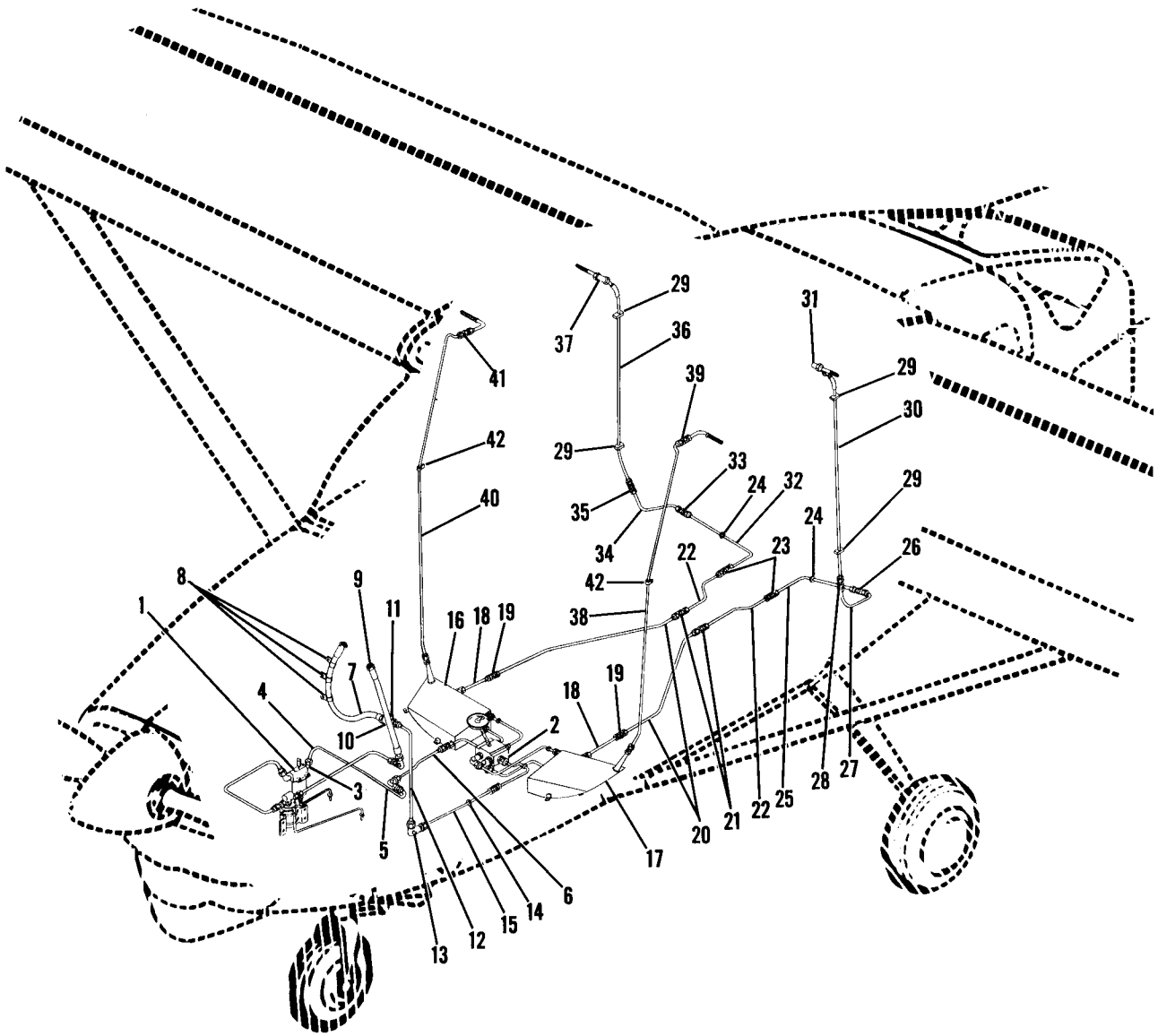
CONTINUED ON NEXT PAGE

FIGURE AND INDEX NO.	PART NUMBER	DESCRIPTION	UNITS PER ASSY	USABLE ON CODE
89 -16	1200406-12	LINE ASSEMBLY-FUEL -----	1	
-17	1200406-8	LINE ASSEMBLY-FUEL ELBOW TO RESERVOIR UPPER RH -----	1	
-18	1200406-7	LINE ASSEMBLY-FUEL UNION TO RESERVOIR UPPER LH -----	1	
-19	1200406-26	LINE ASSEMBLY-FUEL UNION TO RESERVOIR LOWER LH -----	1	C
	1200406-74	LINE ASSEMBLY-FUEL UNION TO RESERVOIR LOWER LH -----	1	D
-20	S292-14	SLEEVE -----	1	
-21	1216402-1	RESERVOIR ASSEMBLY-FUEL LH -----	1	C
	1216402-13	RESERVOIR ASSEMBLY-FUEL LH -----	1	D
-22	1216402-2	RESERVOIR ASSEMBLY-FUEL RH -----	1	C
	1216402-14	RESERVOIR ASSEMBLY-FUEL RH -----	1	D
		ATTACHING PARTS		
-23	AN515-8R8	SCREW -----	4	
	AN970-3	WASHER -----	4	
	MS35489-5	GROMMET -----	4	
		-----*		
-24	MS20913-1D	PLUG-FUEL RESERVOIR -----	2	C
	MS20913-1	PLUG-FUEL RESERVOIR -----	2	D
-25	1200406-5	LINE ASSEMBLY-LH RESERVOIR TO BULKHEAD -----	1	A
	1200406-59	LINE ASSEMBLY-LH RESERVOIR TO WING UPPER AFT -----	1	B
-26	1200406-6	LINE ASSEMBLY-RH RESERVOIR TO BULKHEAD -----	1	A
	1200406-60	LINE ASSEMBLY-RH RESERVOIR TO WING UPPER AFT -----	1	B
		ATTACHING PARTS		
-27	MS35489-7	GROMMET -----	1	C
	MS35489-36	GROMMET -----	1	D
-28	AN816-4-4D	NIPPLE -----	1	
-29	AN815-4D	UNION -----	1	C
		-----*		
-30	1200406-2	LINE ASSEMBLY UNION TO ELBOW -----	2	C
-31	MS35489-7	GROMMET -----	2	C
-32	1200406-23	LINE ASSEMBLY-FUEL RESERVOIR TO WING LOWER AFT LH -----	1	C
-33	1200406-24	LINE ASSEMBLY-FUEL RESERVOIR TO WING LOWER AFT RH -----	1	C
	1200406-55	LINE ASSEMBLY-FUEL RESERVOIR TO WING LOWER AFT -----	2	D
		ATTACHING PARTS		
-34	AN832-6D	UNION -----	1	
	AN960D916L	WASHER -----	1	
	AN924-6D	NUT -----	1	
		-----*		
-35	1200406-25	LINE ASSEMBLY -----	2	
		ATTACHING PARTS		
-36	AN832-6D	UNION -----	1	
	AN960D916L	WASHER -----	1	
	AN924-6D	NUT -----	1	
		-----*		
-37	1200406-21	LINE ASSEMBLY-LH -----	1	
-38	1200406-22	LINE ASSEMBLY-RH -----	1	
		ATTACHING PARTS		
-39	MS35489-12	GROMMET -----	1	C
	MS35489-41	GROMMET -----	1	D
-40	AN832-6D	UNION -----	1	
	AN960D916L	WASHER -----	1	
	AN924-6D	NUT -----	1	
		-----*		

CONTINUED ON NEXT PAGE

FIGURE AND INDEX NO.	PART NUMBER	DESCRIPTION	UNITS PER ASSY	USABLE ON CODE
89 -41	1200406-19	LINE ASSEMBLY-LH -----	1	
-42	1200406-20	LINE ASSEMBLY-RH -----	1	
-43	1200406-3	LINE ASSEMBLY-LH -----	1	
-44	1200406-4	LINE ASSEMBLY-RH -----	1	
		ATTACHING PARTS		
-45	AN833-4D	ELBOW -----	1	
	AN960D716L	WASHER -----	1	
	AN924-4D	NUT -----	1	
-46	AN742D4	CLAMP -----	1	
	AN520-10R8	SCREW -----	1	
	NAS679A3	NUT -----	1	
		-----*		
-47	1200406-1	LINE ASSEMBLY-FUEL TANK CONNECTION -----	2	
		ATTACHING PARTS		
-48	AN919-6D	REDUCER -----	1	
	QS100-M8S	CLAMP -----	1	
		-----*		
-49	1200406-15	LINE ASSEMBLY-LH -----	1	
-50	1200406-16	LINE ASSEMBLY-RH -----	1	
		ATTACHING PARTS		
-51	AN815-6D	UNION -----	1	
-52	S292-12	SLEEVE -----	1	
-53	AN821-6D	ELBOW -----	1	
-54	1280613-2	BLOCK-MIDDLE -----	4	D
	1280613-3	BLOCK-BOTTOM -----	4	D
	AN515-8R8	SCREW -----	4	D
		-----*		
-55	1216404-1	STRAINER-FUEL CELL AFT -----	2	
-56	QS100-M8S	CLAMP -----	4	
-57	1200406-37	LINE ASSEMBLY-LH -----	1	
	1200406-40	LINE ASSEMBLY-RH -----	1	
		ATTACHING PARTS		
-58	MS35489-41	GROMMET -----	1	
-59	AN815-6D	UNION -----	1	
		-----*		
-60	1200406-17	LINE ASSEMBLY-LH -----	1	
-61	1200406-18	LINE ASSEMBLY-RH -----	1	
		ATTACHING PARTS		
-62	AN742D6	CLAMP -----	1	
-63	AN815-6D	UNION -----	1	
		-----*		
-64	1216404-2	STRAINER ASSEMBLY-FUEL CELL FWD -----	1	
<p>NOTE. *LENGTH TO BE ADDED LATER</p> <p>A---210 SERIAL 21057841 THRU 21058087 B---210 SERIAL 21058088 THRU 21058351 EXCEPT 21058326 C---210 SERIAL 21057841 THRU 21058220 D---210 SERIAL 21058221 THRU 21058351 EXCEPT 21058326 E---210 SERIAL 21057841 THRU 21058351 EXCEPT 21058326</p>				

Fuel System (Cont)



T210-0001 & ON
21058326, 21058352 & ON

Figure 89A. Fuel System Installation



FIGURE AND INDEX NO.	PART NUMBER	DESCRIPTION	UNITS PER ASSY	USABLE ON CODE
		1 2 3 4 5 6 7		
89A-		FUEL SYSTEM INSTALLATION -----	NP	A
		SEE FIGURE 90A -----		
- 1		AUXILIARY FUEL PUMP & STRAINER INSTAL SEE FIG 90A -----	1	
- 2		FUEL SELECTOR VALVE INSTALLATION SEE FIGURE 91B -----	1	
- 3	MS20823-8D	ELBOW -----	2	
- 4	1200406-61	LINE ASSEMBLY-FUEL STRAINER TO ELBOW -----	1	
		ATTACHING PARTS -----		
- 5	AN833-8D	ELBOW -----	1	
	AN960D1216L	WASHER -----	2	
	AN924-8D	NUT -----	1	

- 6	1200106-78	LINE ASSEMBLY-FUEL -----	1	
- 7	S1236-4	HOSE ASSEMBLY-FUEL -----	1	
		ATTACHING PARTS -----		
- 8	MS21919D7	CLAMP -----	3	
	AN515-8R8	SCREW -----	3	
	NAS679A08	NUT -----	3	
	0550100-9	BRACKET -----	3	

- 9	S1167-8	HOSE ASSEMBLY-FUEL -----	1	
-10	1111-517700	CHECK VALVE-FUEL PAET -----	1	
	366-00	CHECK VALVE-FUEL DUKA ALT -----	1	
		ATTACHING PARTS -----		
-11	AN742D17	CLAMP -----	1	
	AN3-3A	BOLT -----	1	
	NAS43DD3-12	SPACER -----	1	

-12	1200406-50	LINE ASSEMBLY-FUEL -----	1	
		ATTACHING PARTS -----		
-13	AN833-4D	ELBOW -----	1	
	AN924-4D	NUT -----	1	
	AN960D716L	WASHER -----	1	

-14	MS35489-36	GROMMET -----	1	
-15	1200406-12	LINE ASSEMBLY-FUEL -----	1	
-16	1216407-2	RESERVOIR ASSEMBLY-FUEL RH WHEN EXHAUSTED USE 1216407-12	1	B
	1216407-12	* RESERVOIR ASSEMBLY-FUEL RH -----	1	C
-17	1216407-1	RESERVOIR ASSEMBLY-FUEL LH WHEN EXHAUSTED USE 1216407-11	1	B
	1216407-11	* RESERVOIR ASSEMBLY-FUEL LH -----	1	C
-18	1200406-68	LINE ASSEMBLY-FUEL RESERVOIR TO UNION -----	1	
		ATTACHING PARTS -----		
-19	AN815-6D	UNION -----	1	

-20	1200406-55	LINE ASSEMBLY-FUEL -----	1	
		ATTACHING PARTS -----		
-21	AN832-6D	UNION -----	1	
	AN960D916L	WASHER -----	1	
	AN924-6D	NUT -----	1	

-22	1200406-25	LINE ASSEMBLY-FUEL -----	1	
		ATTACHING PARTS -----		
-23	AN832-6D	UNION -----	1	
	AN960D916L	WASHER -----	1	
	AN924-6D	NUT -----	1	

-24	MS35489-41	GROMMET -----	1	
-25	1200406-21	LINE ASSEMBLY-FUEL -----	1	
		ATTACHING PARTS -----		
-26	AN832-6D	UNION -----	1	
	AN960D916L	WASHER -----	1	
	AN924-6D	NUT -----	1	

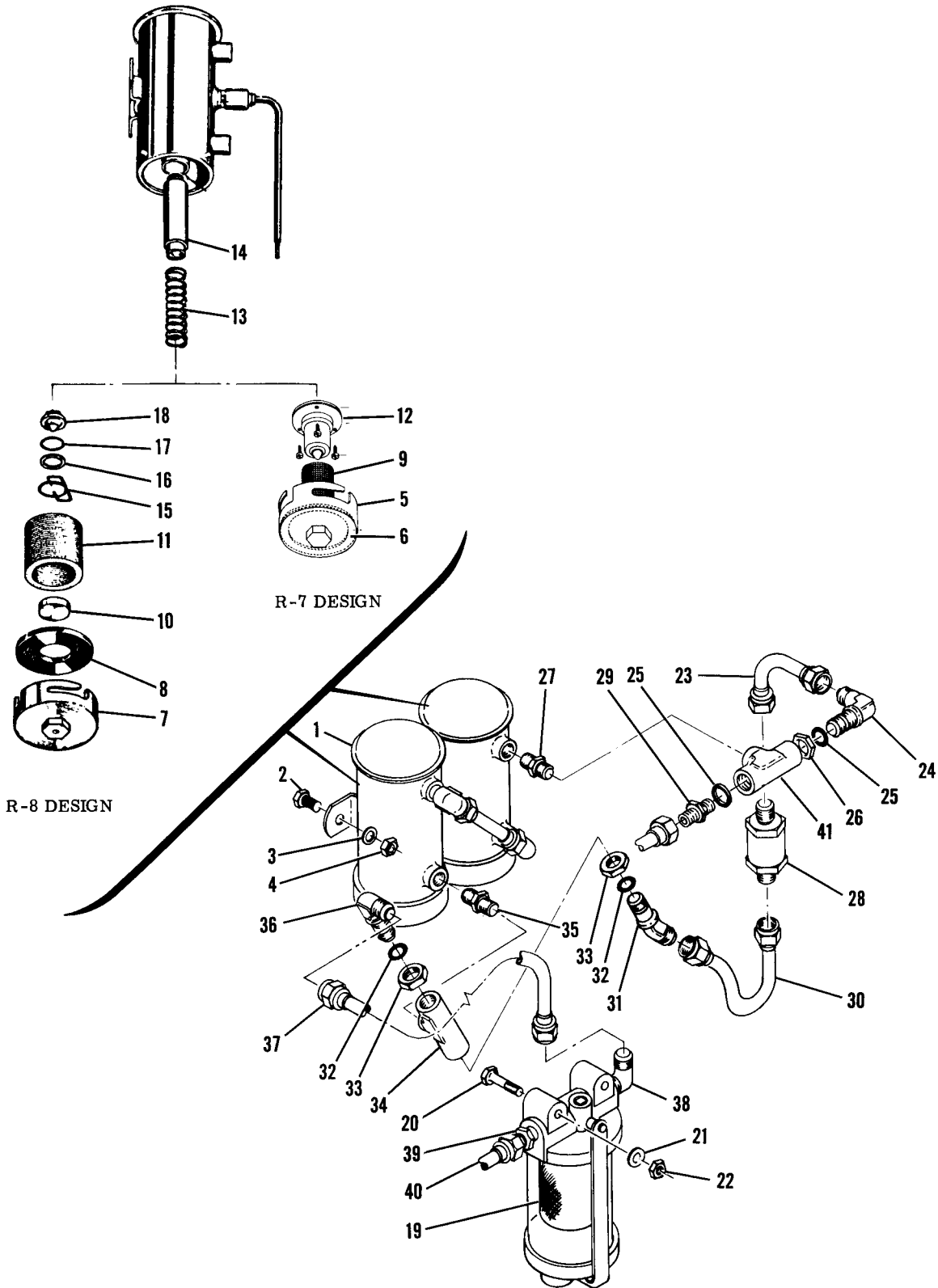
-27	1200406-19	LINE ASSEMBLY-FUEL -----	1	
		ATTACHING PARTS -----		
-28	AN815-6D	UNION -----	1	

CONTINUED ON NEXT PAGE

FIGURE AND INDEX NO.	PART NUMBER	DESCRIPTION							UNITS PER ASSY	USABLE ON CODE
		1	2	3	4	5	6	7		
89A-29	1280613-3	BLOCK-BOTTOM -----							2	
	AN515-8R18	ATTACHING PARTS								
		SCREW -----							1	
-30	1200406-15	LINE ASSEMBLY-FUEL -----							1	
		ATTACHING PARTS								
-31	AN821-6D	ELBOW -----							1	
-32	1200406-22	LINE ASSEMBLY-FUEL -----							1	
		ATTACHING PARTS								
-33	AN832-6D	UNION -----							1	
	AN960D916L	WASHER -----							1	
	AN924-6D	NUT -----							1	
-34	1200406-20	LINE ASSEMBLY-FUEL -----							1	
		ATTACHING PARTS								
-35	AN815-6D	UNION -----							1	
-36	1200406-16	LINE ASSEMBLY-FUEL -----							1	
		ATTACHING PARTS								
-37	AN821-6D	ELBOW -----							1	
-38	1200406-17	LINE ASSEMBLY-FUEL LH -----							1	B
	1200406-77	**	LINE ASSEMBLY-FUEL LH -----					1	C	
		ATTACHING PARTS								
-39	AN815-6D	UNION -----							1	
-40	1200406-18	LINE ASSEMBLY-FUEL RH -----							1	B
	1200406-76	**	LINE ASSEMBLY-FUEL RH -----					1	C	
		ATTACHING PARTS								
-41	AN815-6D	UNION -----							1	
-42	AN742D6	CLAMP -----							1	
<p>NOTE. *WHEN INITIALLY ORDERING THIS PART FOR AIRPLANES PRIOR TO 21058716 ALSO ORDER RELATED PART MARKED **.</p> <p>A---210 SERIAL 21058326, 21058352 & ON T210 SERIAL T210-0001 & ON</p> <p>B---210 SERIAL 21058326, 21058352 THRU 21058715</p> <p>C---210 SERIAL 21058716 & ON T210 SERIAL T210-0001 & ON</p>										

This page intentionally left blank.

Fuel System (cont)



21057841 THRU 21058220

Figure 90. Auxiliary Pumps and Strainer Installation



FIGURE AND INDEX NO.	PART NUMBER	DESCRIPTION	UNITS PER ASSY	USABLE ON CODE
90 -		AUXILIARY FUEL PUMPS & STRAINER INSTALLATION -----	NP	A
- 1	1216012-1	PUMP ASSEMBLY-AUXILIARY FUEL -----	2	
		ATTACHING PARTS -----		
- 2	AN4-4A	BOLT -----	3	
- 3	AN960-416D	WASHER -----	3	
- 4	NAS679A4	NUT -----	3	

- 5	476563	* COVER & GASKET ASSEMBLY BARB -----	1	
- 6	475594	* GASKET-COVER BARB -----	1	
- 7	479130	# COVER BARB -----	1	
- 8	479136	# GASKET-COVER BARB -----	1	
- 9	475634	* SCREEN BARB -----	1	
-10	479012	# MAGNET BARB -----	1	
-11	479135	# FILTER BARB -----	1	
-12	476364	* CUP-PLUNGER SPRING BARB -----	1	
-13	475127	* SPRING-PLUNGER BARB -----	1	
-14	476474	* PLUNGER ASSEMBLY BARB -----	1	
-15	479137	# RETAINER BARB -----	1	
-16	479138	# WASHER BARB -----	1	
-17	479139	# O RING BARB -----	1	
-18	479132	# CUP VALVE BARB -----	1	
-19	0511196-34	STRAINER ASSEMBLY-FUEL SEE FIGURE 91 -----	1	
		ATTACHING PARTS -----		
-20	AN4-13A	BOLT -----	2	
-21	AN960-416D	WASHER -----	2	
-22	NAS679A4	NUT -----	2	

-23	1200406-34	LINE ASSEMBLY -----	1	
		ATTACHING PARTS -----		
-24	AN921-6D	ELBOW -----	1	
-25	MS29512-6	GASKET -----	2	
-26	AN924-6D	NUT -----	1	
-27	AN816-6-2D	NIPPLE -----	1	
-28	111-517702	VALVE-CHECK PAET -----	1	
	367-00	VALVE-CHECK ALT DUK -----	1	
-29	AN815-6D	UNION -----	1	

-30	1200406-33	LINE ASSEMBLY -----	1	
		ATTACHING PARTS -----		
-31	AN837-6D	ELBOW -----	1	
-32	MS29512-6	GASKET -----	2	
-33	AN924-6D	NUT -----	2	
-34	AN938D6	TEE -----	1	
-35	AN816-6-2D	NIPPLE -----	1	
-36	AN833-6D	ELBOW -----	1	
-37	1200406-32	LINE ASSEMBLY -----	1	
		ATTACHING PARTS -----		
-38	MS20822-6-6D	ELBOW -----	1	

-39	AN816-6-6D	LINE ASSEMBLY -----	1	
-41	AN938D6	TEE -----	1	

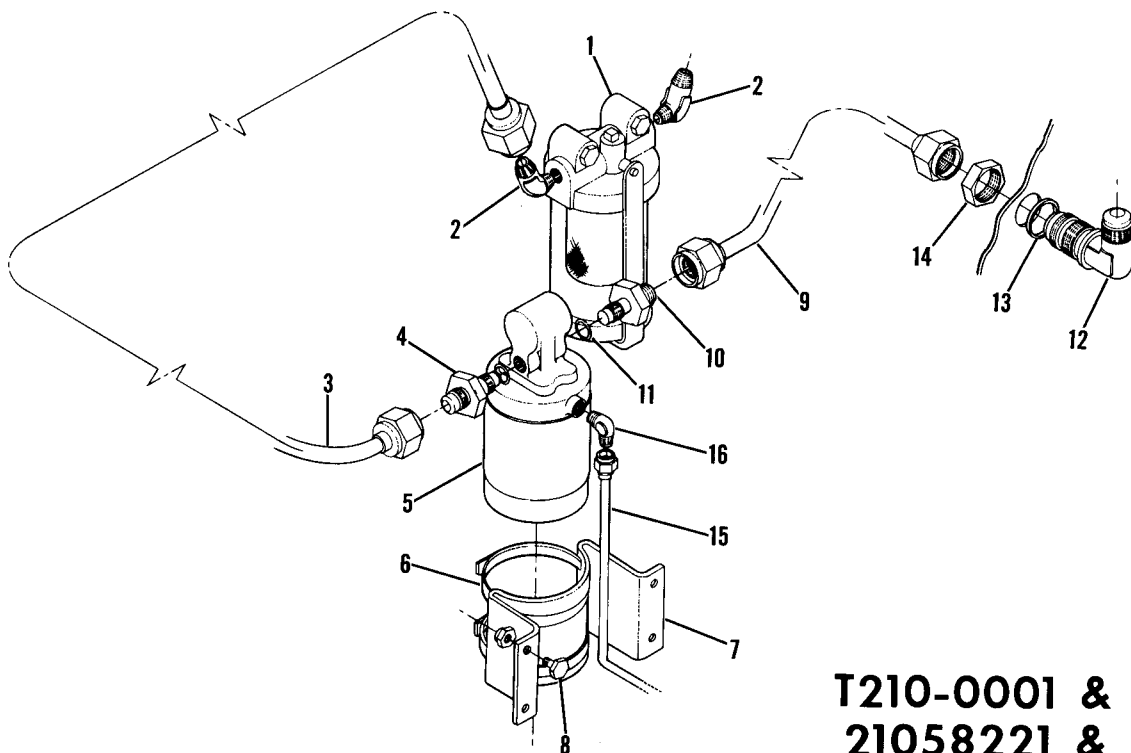
NOTE.*PARTS MARKED WITH ASTERISK ARE BENDIX R-7 DESIGN.

NOTE. #PARTS MARKED WITH POUND SIGN ARE BENDIX R-8 DESIGN.

A---210 SERIAL 21057841 THRU 21058220

This page intentionally left blank.

Fuel System (Cont)

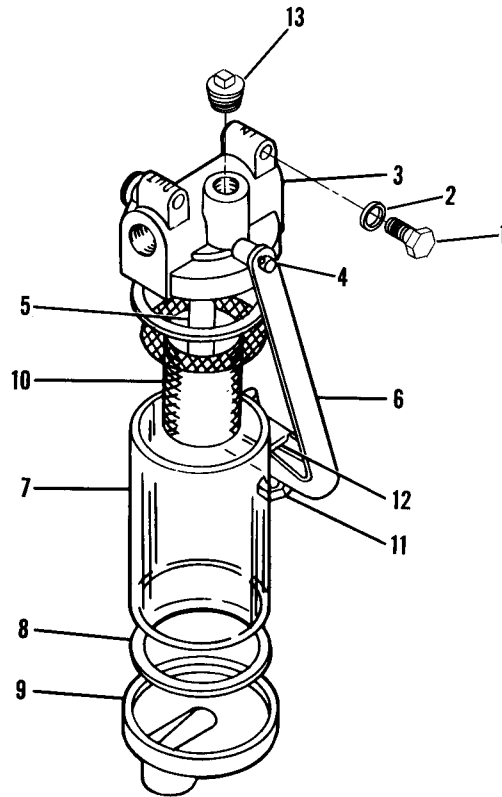
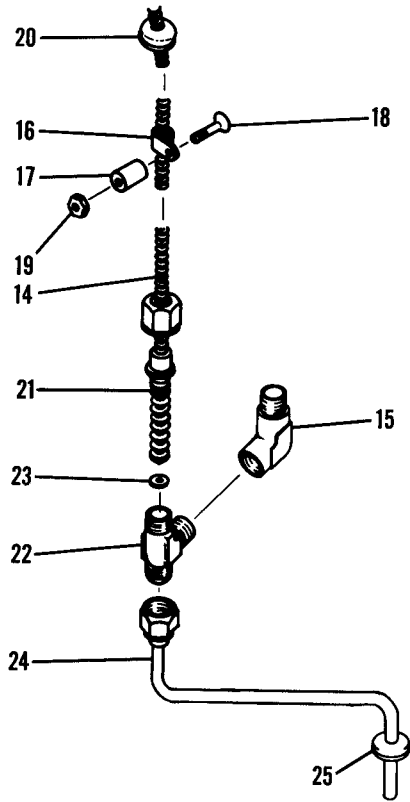


T210-0001 & ON
21058221 & ON

Figure 90A. Auxiliary Fuel Pump and Strainer Installation

FIGURE AND INDEX NO.	PART NUMBER	DESCRIPTION	UNITS PER ASSY	USABLE ON CODE
90A-		1 2 3 4 5 6 7		
- 1		AUXILIARY FUEL PUMP & STRAINER INSTALLATION -----	NP	A
- 2	MS20823-8D	FUEL STRAINER & DRAIN INSTALLATION SEE FIGURE 91 -----	1	B
- 3	1200406-62 1200406-74	STRAINER & DRAIN INSTALLATION SEE FIGURE 91A -----	2	C
- 4	AN919-12D MS29512-8	ELBOW -----	1	
- 5	4140-00-17	LINE ASSEMBLY-FUEL STRAINER TO PUMP -----	1	B
- 6	AN737TW91	LINE ASSEMBLY-FUEL STRAINER TO PUMP -----	1	C
- 7	1216498-1	ATTACHING PARTS -----		
- 8	AN3-3A NAS679A3	REDUCER -----	1	
- 9	1200406-63	GASKET -----	1	
- 10	AN919-12D	PUMP-AUXILIARY FUEL DUKA -----	1	
- 11	MS29512-8	ATTACHING PARTS -----		
- 12	AN833-8D	CLAMP -----	2	
- 13	AN960D1216L	BRACKET-FUEL PUMP -----	1	
- 14	AN924-8D	ATTACHING PARTS -----		
- 15	1200406-65	BOLT -----	4	
- 16	TF10052	NUT -----	4	
		LINE ASSEMBLY-FUEL PUMP TO KEEL -----	1	
		ATTACHING PARTS -----		
		REDUCER -----	1	
		GASKET -----	1	
		ELBOW -----	1	
		WASHER -----	1	
		NUT -----	1	
		LINE ASSEMBLY-PUMP DRAIN -----	1	
		ATTACHING PARTS -----		
		ELBOW TUFC -----	1	
		-----*		
		A---210 SERIAL 21058221 & ON T210 SERIAL T210-0001 & ON		
		B---210 SERIAL 21058221 THRU 21058510		
		C---210 SERIAL 21058511 & ON T210 SERIAL T210-0001 & ON		

Fuel System (cont)



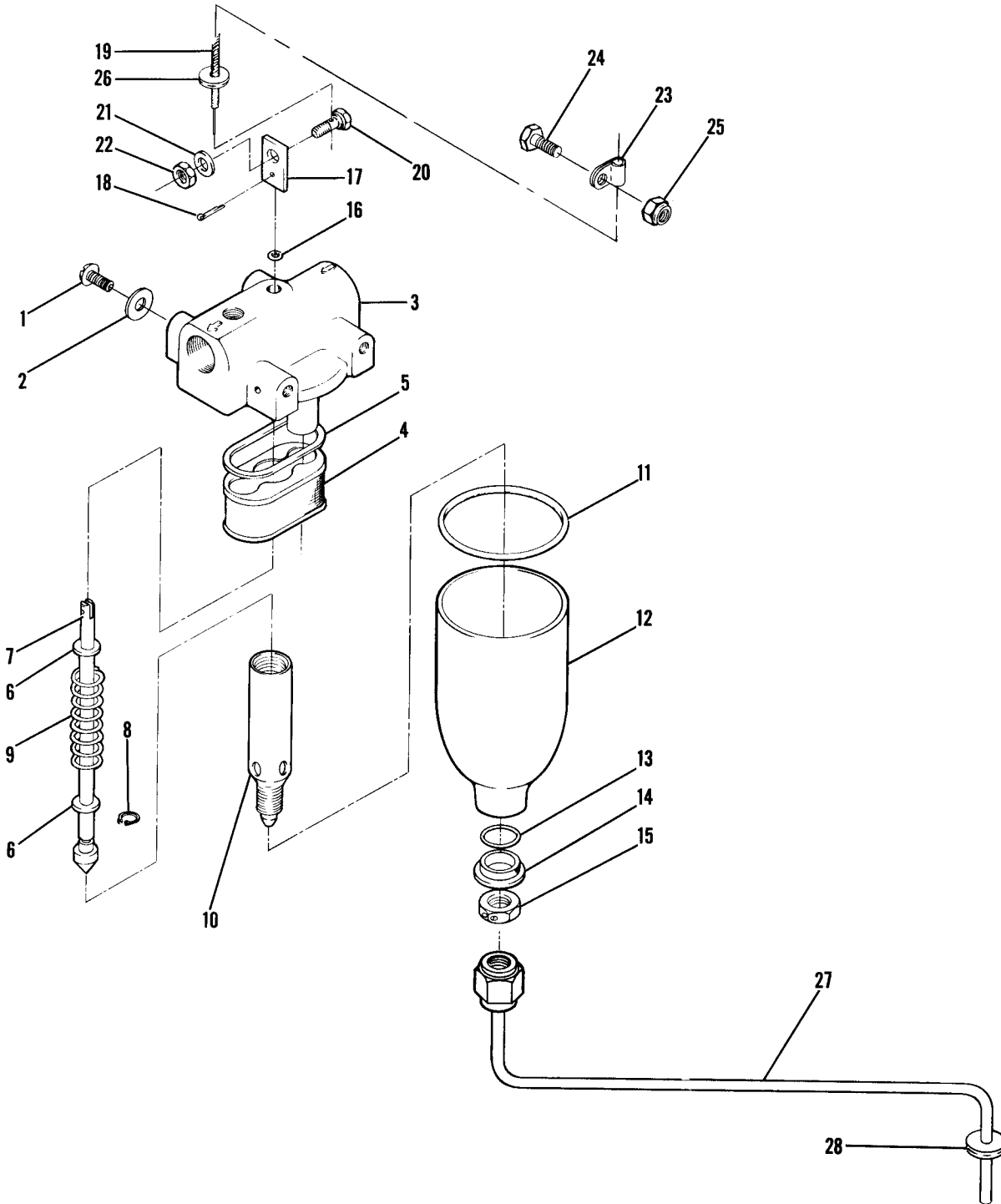
21057841 THRU 21058510

Figure 91. Fuel Strainer and Strainer Drain Installation



FIGURE AND INDEX NO.	PART NUMBER	DESCRIPTION	UNITS PER ASSY	USABLE ON CODE
91 -		FUEL STRAINER & DRAIN INSTALLATION -----	NP	C
	0511199-50	STRAINER ASSEMBLY-FUEL -----	1	A
	0511199-53	STRAINER ASSEMBLY-FUEL ----- 21057841 THRU	1	B
		ATTACHING PARTS ----- 21058510 -----		
- 1	AN4-13A	BOLT -----	2	
- 2	AN960-416D	WASHER -----	2	
		-----*		
	33-199-902	CAP ASSEMBLY-FUEL STRAINER GAW -----	1	A
	33-199-905	CAP ASSEMBLY-FUEL STRAINER GAW -----	1	B
- 3	33-199-102	CAP-FUEL STRAINER GAW -----	1	
- 4	33-199-46	PIN-HINGE GAW -----	2	
- 5	33-199-R70	STANDPIPE-FUEL STRAINER GAW -----	1	A
	33-199-R125	STANDPIPE-FUEL STRAINER GAW -----	1	B
- 6	33-199-3	ARM-FUEL STRAINER GAW -----	1	
- 7	33-199-5	BOWL-GLASS GAW -----	1	
- 8	33-199-6	GASKET GAW -----	1	
- 9	33-199-1	BOTTOM-FUEL STRAINER GAW -----	1	
-10	33-199-912	SCREEN-FILTER GAW -----	1	
-11	33-199-7	BOLT GAW -----	1	
-12	33-199-8	NUT GAW -----	1	
-13	MS20913-1D	PLUG -----	1	A
	MS20913-1	PLUG -----	1	B
-14	S1290-2	CONTROL-STRAINER DRAIN -----	1	
		ATTACHING PARTS -----		
-15	AN914-1D	ELBOW -----	1	
-16	AN742D4	CLAMP -----	1	
-17	NAS43DD3-48	SPACER -----	1	
-18	AN3-5A	BOLT -----	1	
-19	NAS679A3	NUT -----	1	
-20	MS35489-134	GROMMET -----	2	
		-----*		
-21	MS29513-8	O-RING -----	1	
-22	HE-1437-1	BODY HEAC -----	1	
-23	HE-1433	SEAL HEAC -----	1	
-24	1200406-54	LINE ASSEMBLY-STRAINER DRAIN -----	1	A
	1200406-64	LINE ASSEMBLY-STRAINER DRAIN -----	1	B
		ATTACHING PARTS -----		
	MS21919DG3	CLAMP -----	1	
	S1486DG6U	CLAMP -----	1	
	S1021Z8-8	SCREW -----	1	
		-----*		
<p>NOTE.*WHEN ORDERING THIS PART FOR AIRCRAFT PRIOR TO SERIAL 21057882 ALSO ORDER PARTS MARKED#.</p> <p>A---210 SERIAL 21057841 THRU 21058220 B---210 SERIAL 21058221 THRU 21058510 C---210 SERIAL 21057841 THRU 21058510</p>				

Fuel System (Cont)



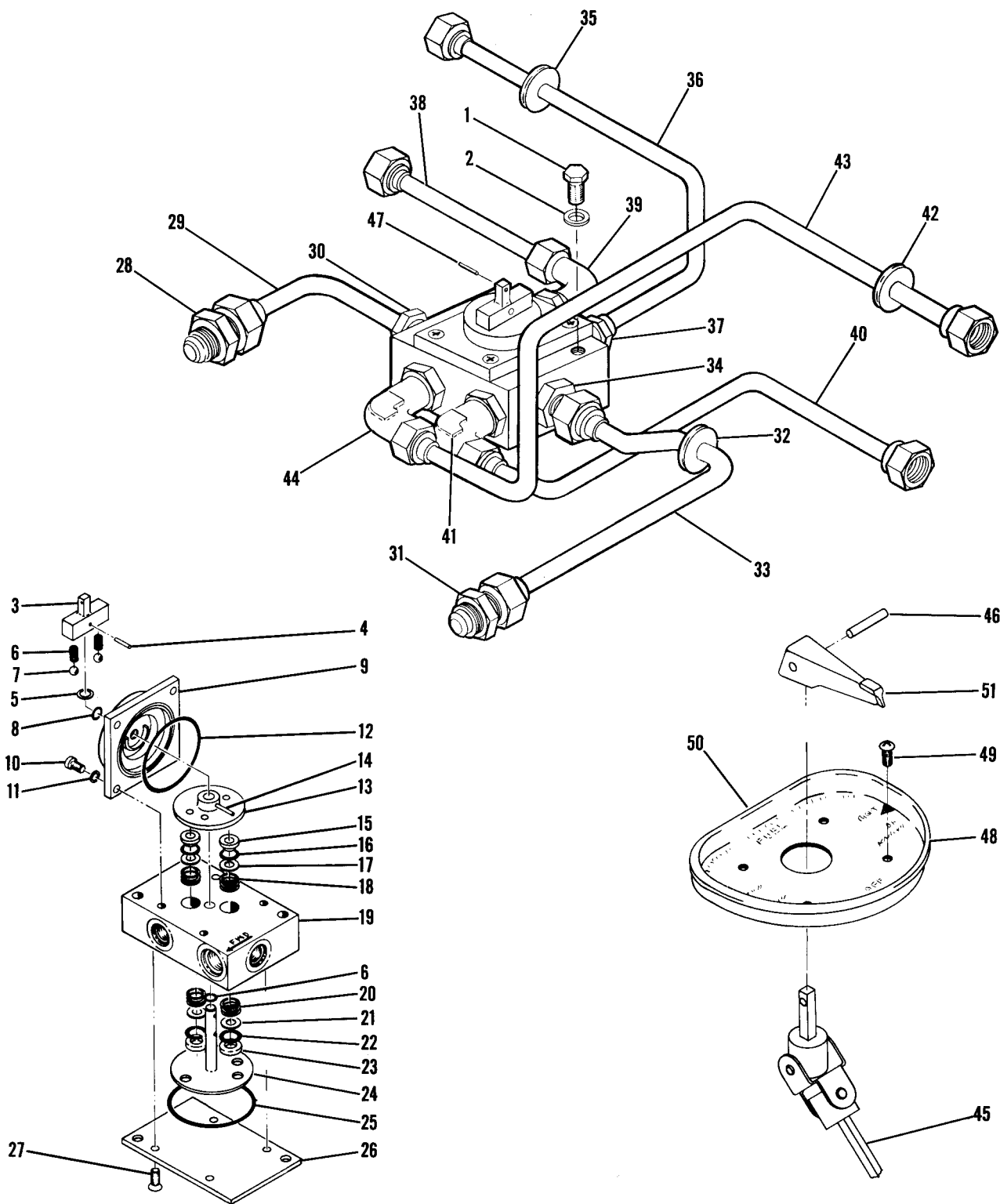
T210-0001 & ON
21058511 & ON

Figure 91A. Fuel Strainer and Strainer Drain Installation



FIGURE AND INDEX NO.	PART NUMBER	DESCRIPTION	UNITS PER ASSY	USABLE ON CODE
1 2 3 4 5 6 7				
91A-	0756005-3	FUEL STRAINER AND DRAIN INSTALLATION -----	NP	A
		STRAINER ASSEMBLY-FUEL -----	1	
		ATTACHING PARTS -----		
- 1	MS20074-03-3	BOLT ----- T210-0001 & ON -----	2	
- 2	AN936A10	WASHER ----- 21058511 & ON -----	1	
-----*				
- 3	0756005-2	TOP ASSEMBLY-FUEL STRAINER -----	1	
- 4	0756009-7	FILTER ASSEMBLY-FUEL STRAINER -----	1	
- 5	0756009-5	GASKET -----	1	
- 6	0756014-2	WASHERS -----	2	
- 7	0756010-1	PLUNGER ASSEMBLY-FUEL STRAINER -----	1	
- 8	NAS670-25	SNAP RING -----	1	
- 9	0756012-1	SPRING -----	1	
-10	0756011-1	STANDPIPE -----	1	
-11	MS29513-138	O-RING -----	1	
-12	0756008-1	BOWL -----	1	
-13	MS29513-111	O-RING -----	1	
-14	0756015-1	WASHER -----	1	
-15	S1573-3	NUT -----	1	
-16	MS29513-10	O-RING -----	1	
-17	0756014-1	PLATE -----	1	
		ATTACHING PARTS -----		
-18	MS24665-132	COTTER PIN -----	1	
-----*				
-19	S1533-2	CONTROL-STRAINER DRAIN -----	1	
		ATTACHING PARTS -----		
-20	0450311-3	CLAMP -----	1	
-21	AN960-416	WASHER -----	1	
-22	NAS679A4	NUT -----	1	
-23	AN742D3	CLAMP -----	1	
-24	AN3-5A	BOLT -----	1	
-25	NAS679A3	NUT -----	1	
-----*				
-26	MS35489-134	GROMMET -----	1	
-27	1200406-75	LINE ASSEMBLY-STRAINER DRAIN -----	1	
-28	MS35489-134	GROMMET -----	1	
-----*				
A---210 SERIAL 21058511 & ON T210 SERIAL T210-0001 & ON				

Fuel System (Cont)



T210-0001 & ON
21058326, 21058352 & ON

Figure 91B. Fuel Selector Valve Installation

FIGURE AND INDEX NO.	PART NUMBER	DESCRIPTION	UNITS PER ASSY	USABLE ON CODE
91B-		FUEL SELECTOR VALVE INSTALLATION -----	NP	A
	HE-764	VALVE ASSEMBLY-FUEL SELECTOR HEAC -----	1	
		ATTACHING PARTS -----		
- 1	AN4-16A	BOLT ----- T210-0001 & ON -----	2	
- 2	AN960-416D	WASHER -----	2	
		-----*		
- 3	HE-1328	YOKE HEAC --- 21058326, 21058352 ---	1	
		ATTACHING PARTS -----		
- 4	NAS561P3-6	PIN ----- & ON -----	1	
		-----*		
- 5	HE-194	WASHER HEAC -----	1	
- 6	HE-189	SPRING HEAC -----	2	
- 7		STEEL BALL 1/4 IN. DIA HEAC -----	2	
- 8	MS29513-10	O-RING -----	1	
- 9		COVER HEAC -----	NP	
		ATTACHING PARTS -----		
-10	AN500-8-6	SCREW -----	4	
-11	AN935-8	LOCKWASHER -----	4	
		-----*		
-12	MS29513-130	O-RING -----	1	
-13		ROTOR HEAC -----	NP	
		ATTACHING PARTS -----		
-14	NAS561P3-11	PIN -----	1	
		-----*		
-15	HE-1331	SEAL HEAC -----	2	
-16	MS29513-11	O-RING -----	2	
-17	HE-1332	WASHER HEAC -----	2	
-18	EE-191	SPRING HEAC -----	2	
-19		BODY HEAC -----	NP	
-20	HE-1251	SPRING -----	2	
-21	HE-1285	WASHER -----	2	
-22	MS-29513-14	O-RING -----	2	
-23	HE-1286	SEAL HEAC -----	2	
-24		ROTOR HEAC -----	NP	
-25	MS29513-133	O-RING -----	1	
-26		PLATE-SUMP HEAC -----	NP	
		ATTACHING PARTS -----		
-27	AN507-832R6	SCREW -----	4	
		-----*		
-28	AN815-8D	UNION -----	1	
-29	1200106-77	LINE ASSEMBLY-FUEL -----	1	
		ATTACHING PARTS -----		
-30	AN815-8D	UNION -----	1	
	MS29512-8	GASKET -----	1	
		-----*		
-31	AN832-4D	UNION -----	1	
	AN960D716L	WASHER -----	1	
	AN924-4D	NUT -----	1	
-32	MS35489-36	GROMMET -----	1	
-33	1200106-63	LINE ASSEMBLY-FUEL -----	1	
		ATTACHING PARTS -----		
-34	AN815-4D	UNION -----	1	
	MS29512-4	GASKET -----	1	
		-----*		
-35	MS35489-36	GROMMET -----	1	
-36	1200406-70	LINE ASSEMBLY-FUEL -----	1	
		ATTACHING PARTS -----		
-37	AN815-4D	UNION -----	1	
	MS29512-4	GASKET -----	1	
		-----*		

CONTINUED ON NEXT PAGE

FIGURE AND INDEX NO.	PART NUMBER	DESCRIPTION	UNITS PER ASSY	USABLE ON CODE
91B-38	1200406-66	LINE ASSEMBLY-FUEL ----- ATTACHING PARTS -----	1	
-39	AN921-8D MS29512-8 AN924-8D	ELBOW ----- GASKET ----- NUT ----- -----*	1 1 1	
-40	1200406-67	LINE ASSEMBLY-FUEL ----- ATTACHING PARTS -----	1	
-41	AN921-8D MS29512-8 AN924-8D	ELBOW ----- GASKET ----- NUT ----- -----*	1 1 1	
-42	MS35489-36	GROMMET -----	1	
-43	1200406-69	LINE ASSEMBLY-FUEL ----- ATTACHING PARTS -----	1	
-44	AN921-4D MS29512-4 AN924-4D	ELBOW ----- GASKET ----- NUT ----- -----*	1 1 1	
-45	1216600-200	SHAFT ASSEMBLY-FUEL SELECTOR ----- ATTACHING PARTS -----	1	
-46	NAS561-2-10	ROLL PIN -----	1	
-47	NAS561-2-8	ROLL PIN ----- -----*	1	
-48	0716610-1	CUP-FUEL SELECTOR ----- ATTACHING PARTS -----	1	B
-49	S102124-6	SCREW ----- -----*	4	
-50	S1287-1 1216015-1 1216015-7 1216015-6	PLACARD ----- PLACARD STANDARD RANGE ----- PLACARD STANDARD RANGE ----- PLACARD EXTENDED RANGE -----	1 1 1 1	B D E C
-51	0716612-201	HANDLE-FUEL SELECTOR -----	1	
<p>A---210 SERIAL 21058326, 21058352 & ON T210 SERIAL T210-0001 & ON B---210 SERIAL 21058326, 21058352 THRU 21058510 C---210 SERIAL 21058511 & ON T210 SERIAL T210-0001 & ON D---210 SERIAL 21058511 THRU 21058715 E---210 SERIAL 21058716 & ON T210 SERIAL T210-0001 & ON</p>				

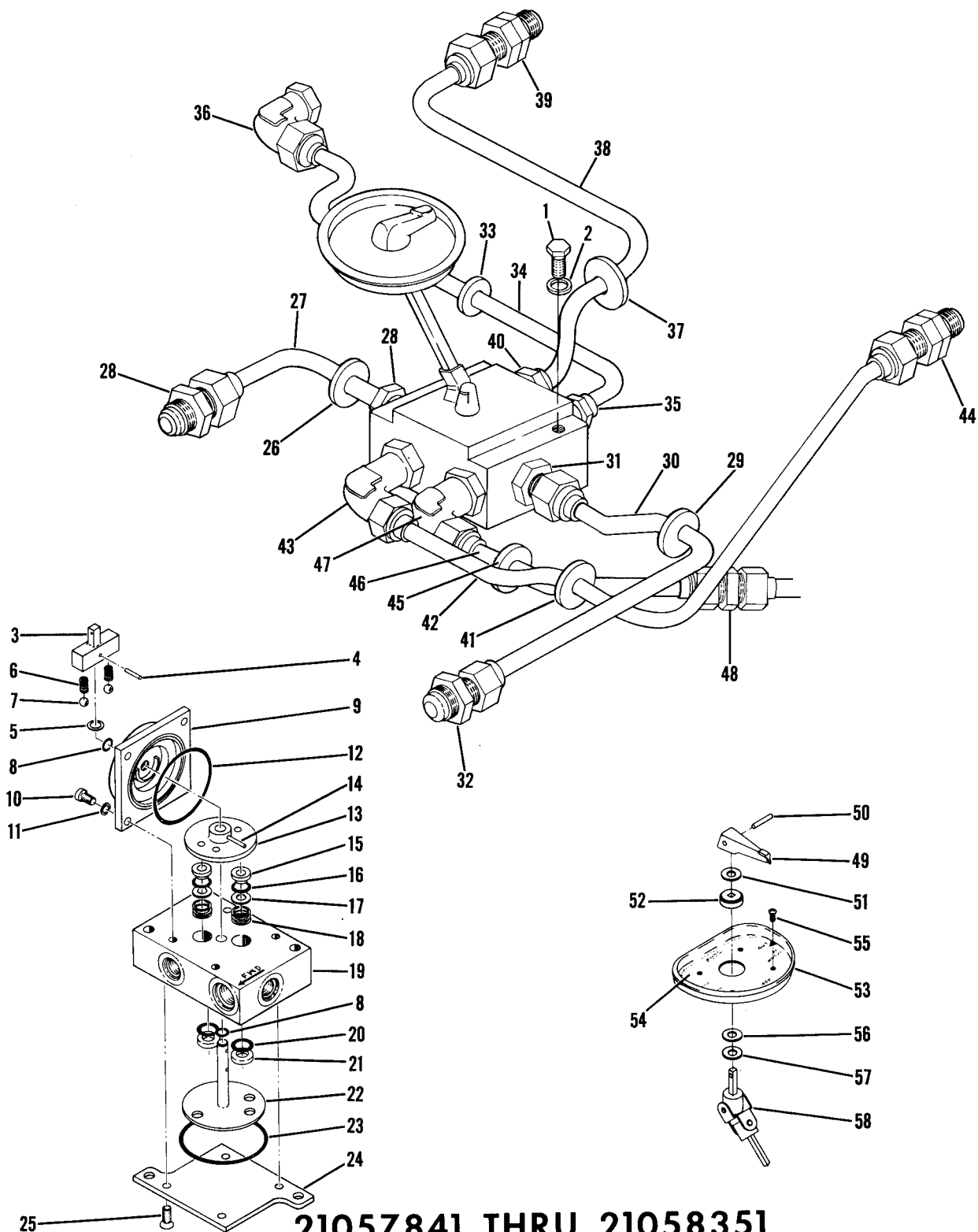


FIGURE AND INDEX NO.	PART NUMBER	DESCRIPTION	UNITS PER ASSY	USABLE ON CODE
92 -		FUEL SELECTOR VALVE INSTALLATION -----	NP	F
	1216405-1	VALVE ASSEMBLY-FUEL SELECTOR -----	1	C
	HE-764	VALVE ASSEMBLY-FUEL SELECTOR HEAC -----	1	E
		ATTACHING PARTS		
- 1	AN4-16A	BOLT -----	2	
- 2	AN960-416D	WASHER -----	1	
		-----*		
- 3	HE-1328	YOKE HEAC -----	1	
		ATTACHING PARTS		
- 4	NAS561P3-6	PIN -----	1	
		-----*		
- 5	HE-194-1	WASHER HEAC -----	1	C
	HE-194	WASHER HEAC -----	1	E
- 6	HE-189	SPRING HEAC -----	2	
- 7		STEEL BALL 1/4 IN DIA HEAC -----	2	
- 8	MS29513-10	O-RING -----	1	
- 9		COVER HEAC -----	NP	
		ATTACHING PARTS		
-10	AN500-8-6	SCREW -----	4	
-11	AN935-8	LOCKWASHER -----	4	
		-----*		
-12	MS29513-130	O-RING -----	1	
-13		ROTOR HEAC -----	NP	
		ATTACHING PARTS		
-14	NAS561P3-11	PIN -----	1	
		-----*		
-15	HE-1331	SEAL HEAC -----	2	
-16	MS29513-11	O-RING -----	2	
-17	HE-1332	WASHER HEAC -----	2	
-18	HE-191	SPRING HEAC -----	2	
-19		BODY HEAC -----	NP	
-20	MS29513-12	O-RING -----	2	C
	MS29513-14	O-RING -----	2	E
-21	HE-1333	SEAL -----	2	C
	HE-1286	SEAL -----	2	E
-22		ROTOR HEAC -----	NP	
-23	MS29513-133	O-RING -----	1	
-24		PLATE-SUMP HEAC -----	NP	
		ATTACHING PARTS		
-25	AN507-832R6	SCREW -----	4	
		-----*		
-26	MS35489-12	GROMMET -----	1	C
	MS35489-19	GROMMET -----	1	E
-27	1200406-29	LINE ASSEMBLY-FUEL -----	1	C
	1200106-77	LINE ASSEMBLY-FUEL -----	1	E
		ATTACHING PARTS		
-28	AN815-6D	UNION -----	2	C
	AN815-8D	UNION -----	2	E
	MS29512-6	GASKET -----	1	C
	MS29512-8	GASKET -----	1	E
	AN924-8D	NUT -----	1	E
		-----*		
-29	MS35489-7	GROMMET -----	1	C
	MS35489-36	GROMMET -----	1	E
-30	1200406-11	LINE ASSEMBLY-FUEL -----	1	
		ATTACHING PARTS		
-31	AN815-4D	UNION -----	1	
	MS29512-4	GASKET -----	1	
-32	AN832-4D	UNION -----	1	
	AN960D716L	WASHER -----	1	
	AN924-4D	NUT -----	1	
		-----*		

21057841 THRU
21058351
EXCEPT 21058326

CONTINUED ON NEXT PAGE

Fuel System (Cont)

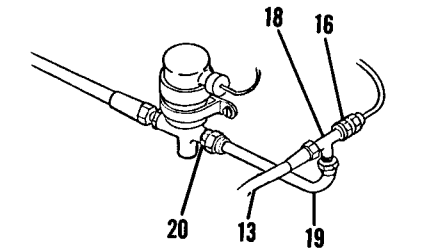
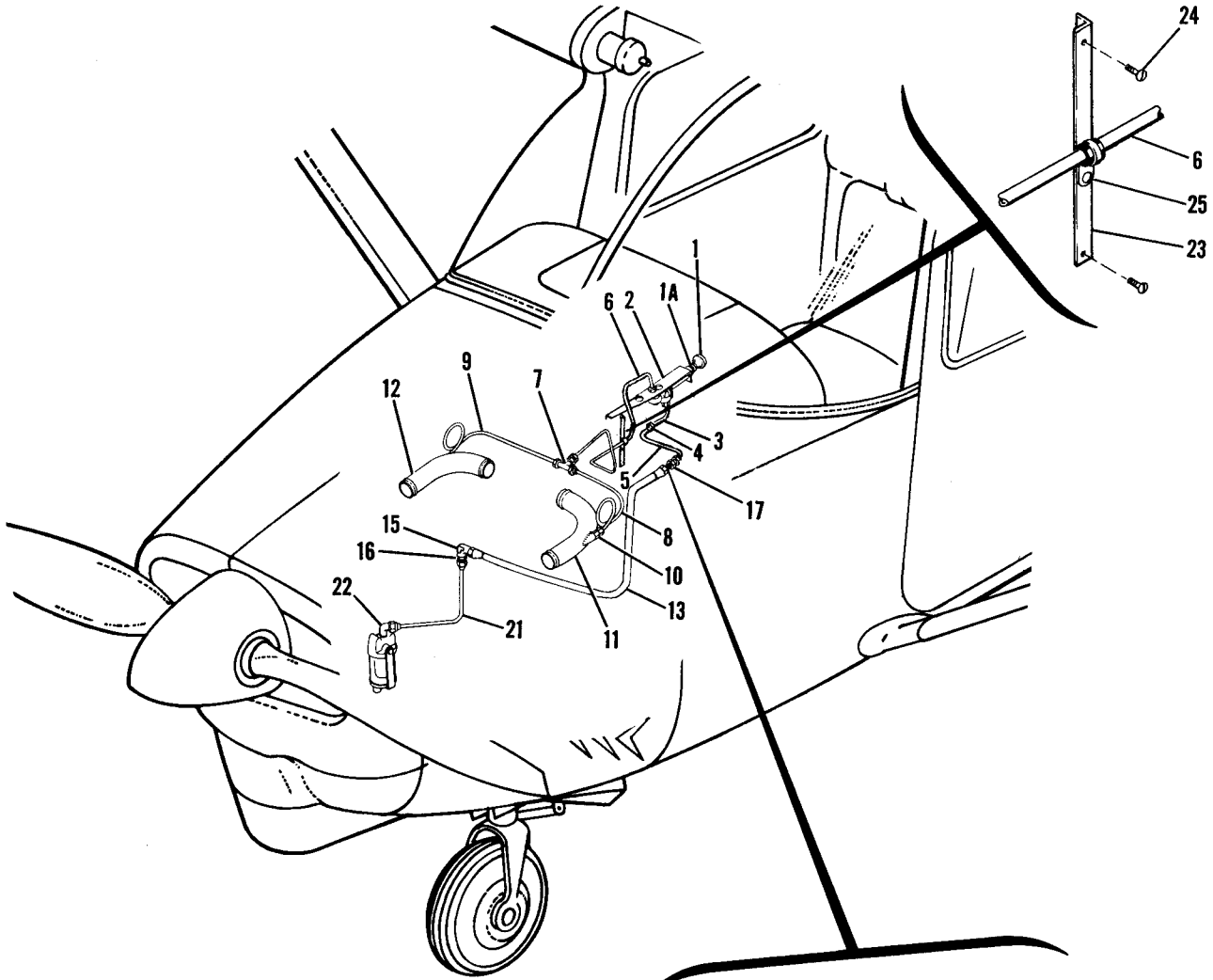


**21057841 THRU 21058351
EXCEPT 21058326**

Figure 92. Fuel Selector Valve Installation

FIGURE AND INDEX NO.	PART NUMBER	DESCRIPTION	UNITS PER ASSY	USABLE ON CODE
		1 2 3 4 5 6 7		
92 -33	MS35489-7	GROMMET -----	1	C
	MS35489-36	GROMMET -----	1	E
-34	1200406-10	LINE ASSEMBLY-FUEL ----- ATTACHING PARTS	1	
-35	AN815-4D	UNION -----	1	
	MS29512-4	GASKET -----	1	
-36	AN922-4D	ELBOW -----	1	
	AN960D716L	WASHER -----	2	
	AN924-4D	NUT -----	1	
		*-----		
-37	MS35489-12	GROMMET -----	1	C
	MS35489-19	GROMMET -----	1	E
-38	1200106-27	LINE ASSEMBLY-FUEL -----	1	C
	1200106-76	LINE ASSEMBLY-FUEL ----- ATTACHING PARTS	1	E
-39	AN815-6D	UNION -----	2	C
	AN815-8D	UNION -----	1	E
-40	AN837-8D	ELBOW -----	1	E
	MS29512-6	GASKET -----	1	C
	MS29512-8	GASKET -----	1	E
	AN924-8D	NUT -----	1	E
		*-----		
-41	MS35489-36	GROMMET -----	1	E
-42	1200406-9	LINE ASSEMBLY-FUEL -----	1	C
	1200106-73	LINE ASSEMBLY-FUEL ----- ATTACHING PARTS	1	E
-43	AN921-4D	ELBOW -----	1	
	MS29512-4	GASKET -----	1	C
	MS29512-8	GASKET -----	1	E
	AN924-4D	NUT -----	1	C
	AN924-8D	NUT -----	1	E
-44	AN832-4D	UNION -----	1	
	AN960D716L	WASHER -----	1	
	AN924-4D	NUT -----	1	
		*-----		
-45	MS35489-12	GROMMET -----	1	C
	MS35489-19	GROMMET -----	1	E
-46	1200406-28	LINE ASSEMBLY-FUEL -----	1	C
	1200106-75	LINE ASSEMBLY-FUEL ----- ATTACHING PARTS	1	E
-47	AN921-6D	ELBOW -----	1	C
	AN921-8D	ELBOW -----	1	E
	MS29512-6	GASKET -----	1	C
	MS29512-8	GASKET -----	1	E
	AN924-6D	NUT -----	1	C
	AN924-8D	NUT -----	1	E
-48	AN832-6D	UNION -----	1	C
	AN815-8D	UNION -----	1	E
	AN960D716L	WASHER -----	1	C
	AN924-6D	NUT -----	1	C
		*-----		
-49	0716612-201	HANDLE-FUEL SELECTOR ----- ATTACHING PARTS	1	
-50	NAS561-2-10	ROLL PIN -----	1	
		*-----		
-51	AN960-616L	WASHER -----	1	C
-52	1261453	GUIDE -----	1	C
-53	0716610-1	CUP-FUEL SELECTOR -----	1	
-54	S1287-1	PLACARD-FUEL SELECTOR ----- ATTACHING PARTS	1	
-55	S102124-4	SCREW -----	4	C
	S102124-6	SCREW -----	4	E
		*-----		
-56	AN960PD616	WASHER -----	1	
-57	S1357-1	WASHER -----	1	C
-58	1261440-200	SHAFT ASSEMBLY-FUEL SELECTOR -----	1	A
	1261440-201	SHAFT ASSEMBLY-FUEL SELECTOR -----	1	B
	1216600-200	SHAFT ASSEMBLY-FUEL SELECTOR -----	1	
		*-----		
		A---210 SERIAL 21057841 THRU 21057960		
		B---210 SERIAL 21057961 THRU 21058083		
		C---210 SERIAL 21057841 THRU 21058220		
		EXCEPT 21058326		
		E---210 SERIAL 21058221 THRU 21058351		
		EXCEPT 21058326		
		F---210 SERIAL 21057841 THRU 21058351		
		EXCEPT 21058326		

Fuel System (Cont)



PRIMER SYSTEM WITH OIL DILUTION

21058332 THRU 21058715

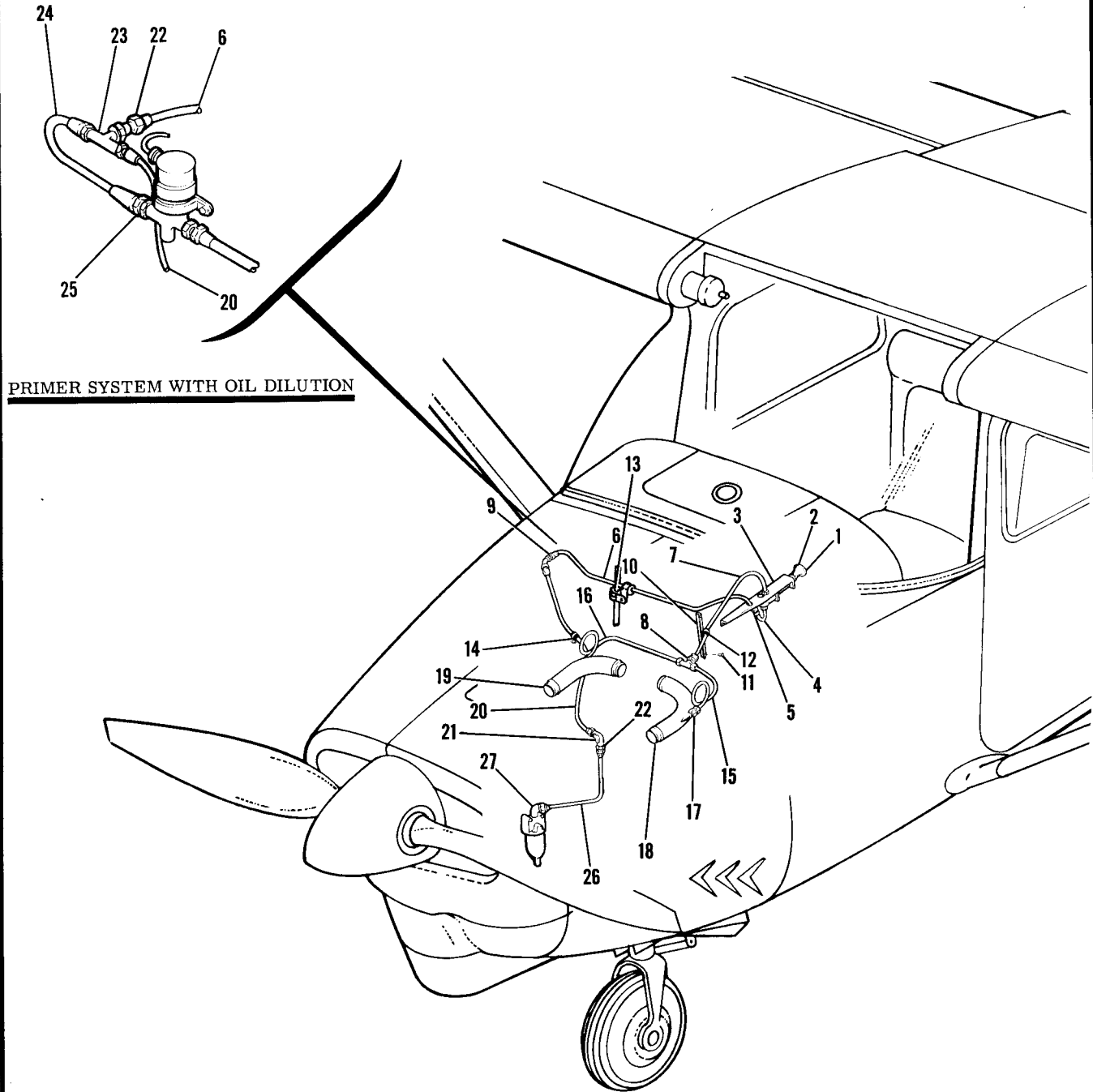
Figure 92A. Engine Primer System

FIGURE AND INDEX NO.	PART NUMBER	DESCRIPTION	UNITS PER ASSY	USABLE ON CODE
92A-		PRIMER SYSTEM-ENGINE -----	1	A
- 1	0311538-13	PRIMER ASSEMBLY -----	1	
	0311538-6	NUT-LOCK -----	1	
- 1A	S1240-5	KNOB-PRIMER ----- 21058332 THRU -----	1	
	A571	ATTACHING PARTS ----- 21058715 -----	1	
- 2	1216613-1	PIN KOE -----	1	
- 3	1200106-86	BRACKET ASSEMBLY -----	1	
- 4	AN919-1D	LINE ASSEMBLY -----	1	
- 5	1200106-92	REDUCER -----	1	
- 6	1200106-88	LINE ASSEMBLY -----	1	
- 7	AN834-2D	LINE ASSEMBLY -----	1	
		TEE -----	1	
	AN924-2D	ATTACHING PARTS -----		
		NUT -----	1	
- 8	1200106-89	LINE ASSEMBLY-LH -----	1	
- 9	1200106-90	LINE ASSEMBLY-RH -----	1	
		ATTACHING PARTS -----		
-10	AN4022-1	NIPPLE -----	1	
-11	1250653-1	MANIFOLD-INTAKE LH -----	1	
-12	1250654-1	MANIFOLD-INTAKE RH -----	1	
-13	S1236-4-0290	HOSE ASSEMBLY -----	1	
-14		DELETED, NEVER USED -----		
-15	AN833-4D	ELBOW -----	1	
-16	AN924-4D	NUT -----	1	
	AN960PD716L	WASHER -----	1	
-17	AN837-4D	ELBOW -----	1	
	AN924-4D	NUT -----	1	
	AN960PD716	WASHER -----	1	
-18	AN804D4 #	TEE -----	1	
-19	S1236-4-0080 #	HOSE ASSEMBLY -----	1	
		ATTACHING PARTS -----		
-20	AN816-4D #	NIPPLE -----	1	
-21	1200106-94	LINE ASSEMBLY -----	1	B
	1200106-111	LINE ASSEMBLY -----	1	C
-22	MS20822-4D	ATTACHING PARTS -----		
		ELBOW -----	1	
-23	1216612-4	ANGLE -----	1	C
		ATTACHING PARTS -----		
-24	AN515-6R7	SCREW -----	2	C
	NAS43DD1-9	SPACER -----	2	C
	NAS679A06	NUT -----	2	C
-25	AN742D2	CLAMP -----	1	C
	AN520-10R8	SCREW -----	1	C
	NAS679A3	NUT -----	1	C

NOTE. #USED ONLY ON AIRPLANES THAT ARE
EQUIPPED WITH OIL DILUTION SYSTEM.

A---210 SERIAL 21058332 THRU 21058715
B---210 SERIAL 21058332 THRU 21058510
C---210 SERIAL 21058511 THRU 21058715

Fuel System (Cont)



PRIMER SYSTEM WITH OIL DILUTION

T210-0001 & ON
21058716 & ON

Figure 92B. Engine Primer System

FIGURE AND INDEX NO.	PART NUMBER	DESCRIPTION	UNITS PER ASSY	USABLE ON CODE
		1 2 3 4 5 6 7		
92B-		PRIMER SYSTEM-ENGINE -----	NP	A
- 1	0311538-13	PRIMER ASSEMBLY -----	1	
	0311538-6	NUT-LOCK -----	1	
- 2	S1240-5	KNOB-PRIMER -----	1	
	A571	ATTACHING PARTS T210-0001 & ON -----		
	1216613-1	PIN KOE -----	1	
- 3	1200106-131	BRACKET ASSEMBLY ----- 21058716 & ON	1	
- 4	AN919-1D	LINE ASSEMBLY -----	1	
- 5	1200106-128	REDUCE -----	1	
- 6	1200106-88	LINE ASSEMBLY -----	1	
- 7	AN834-2D	LINE ASSEMBLY -----	1	
- 8	AN834-2D	TEE -----	1	
	AN924-2D	ATTACHING PARTS -----		
		NUT -----	1	
- 9	AN837-4D	ELBOW -----	1	
	AN924-4D	NUT -----	2	
	AN960PD716	WASHER -----	1	
-10	1216612-4	ANGLE ATTACH TO PEDESTAL -----	1	
		ATTACHING PARTS -----		
-11	AN515-6R7	SCREW -----	2	
	NAS43DD1-9	SPACER -----	2	
	NAS679A06	NUT -----	2	
-12	AN742D2	CLAMP -----	1	
		ATTACHING PARTS -----		
	AN520-10R8	SCREW -----	1	
	NAS679A3	NUT -----	1	
-13	MS21919DG5	CLAMP -----	1	
	MS21919DG8	CLAMP -----	1	
		ATTACHING PARTS -----		
	AN525-10R8	SCREW -----	1	
	NAS679A3	NUT -----	1	
-14	MS21919DG7	CLAMP -----	1	
		ATTACHING PARTS -----		
	NAS680A0K	NUTPLATE -----	1	
	AN515-8R6	SCREW -----	1	
-15	1200106-89	LINE ASSEMBLY LH -----	1	
-16	1200106-90	LINE ASSEMBLY RH -----	1	
		ATTACHING PARTS -----		
-17	AN4022-1	NIPPLE -----	1	
-18	1250653-1	MANIFOLD INTAKE LH -----	1	B
	1250655-1	MANIFOLD INTAKE LH -----	1	C
-19	1250654-1	MANIFOLD INTAKE RH -----	1	B
	1250655-2	MANIFOLD INTAKE RH -----	1	C
-20	S1236-4-*	HOSE ASSEMBLY -----	1	
-21	AN833-4D	ELBOW -----	1	
-22	AN924-4D	NUT -----	1	
	AN960PD716L	WASHER -----	1	
-23	AN834D4	TEE -----	1	
-24	S1236-4-*	HOSE ASSEMBLY -----	1	
		ATTACHING PARTS -----		
-25	AN816-4D	NIPPLE -----	1	
-26	1200106-111	LINE ASSEMBLY -----	1	
		ATTACHING PARTS -----		
-27	MS20822-4D	ELBOW -----	1	

		NOTE. *LENGTHS TO BE DETERMINED LATER		
		NOTE. %USED ONLY ON AIRPLANES THAT ARE EQUIPPED WITH OIL DILUTION SYSTEM.		
		A---210 SERIAL 21058716 & ON T210 SERIAL T210-0001 & ON		
		B---210 SERIAL 21058716 & ON		
		C---T210 SERIAL T210-0001 & ON		

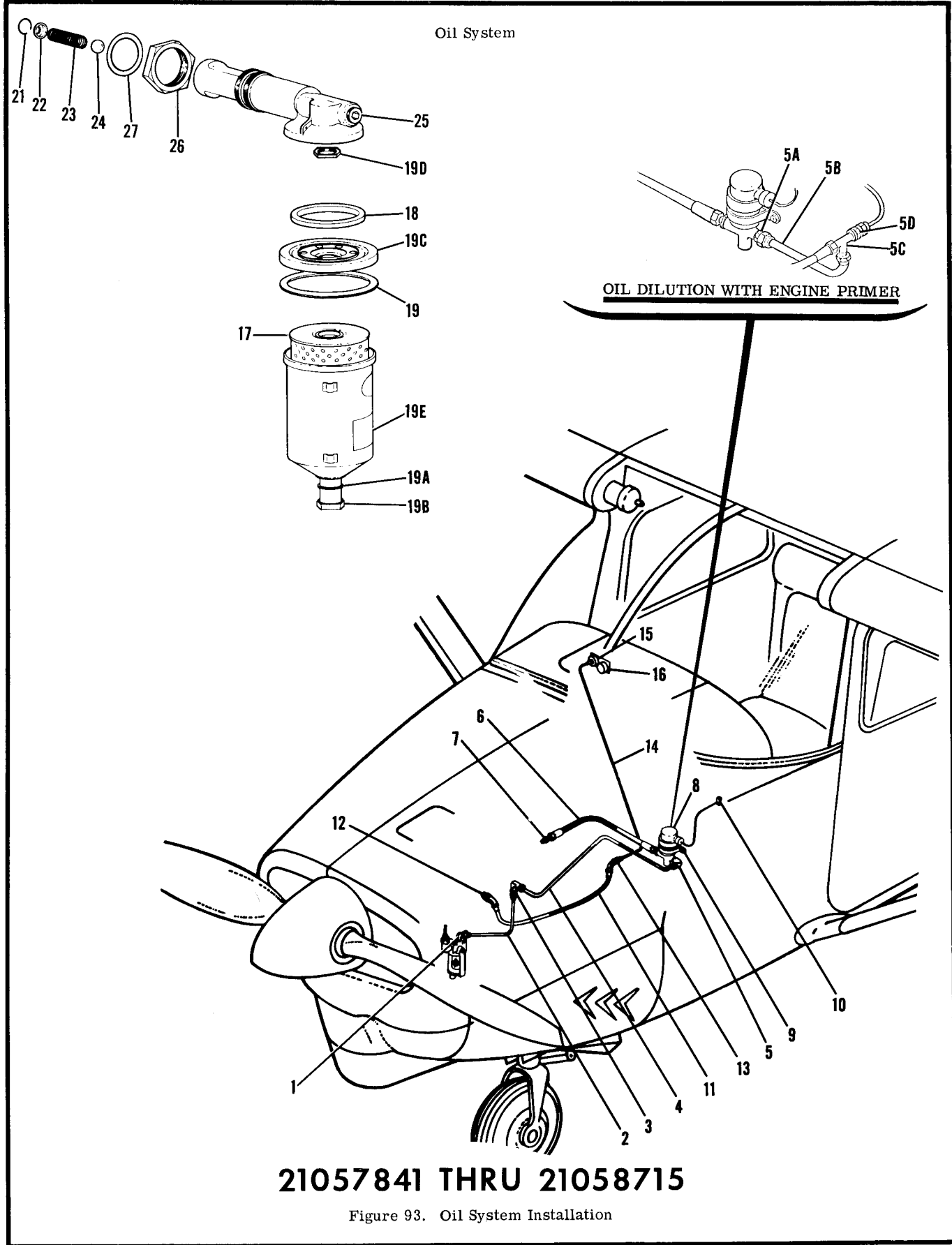
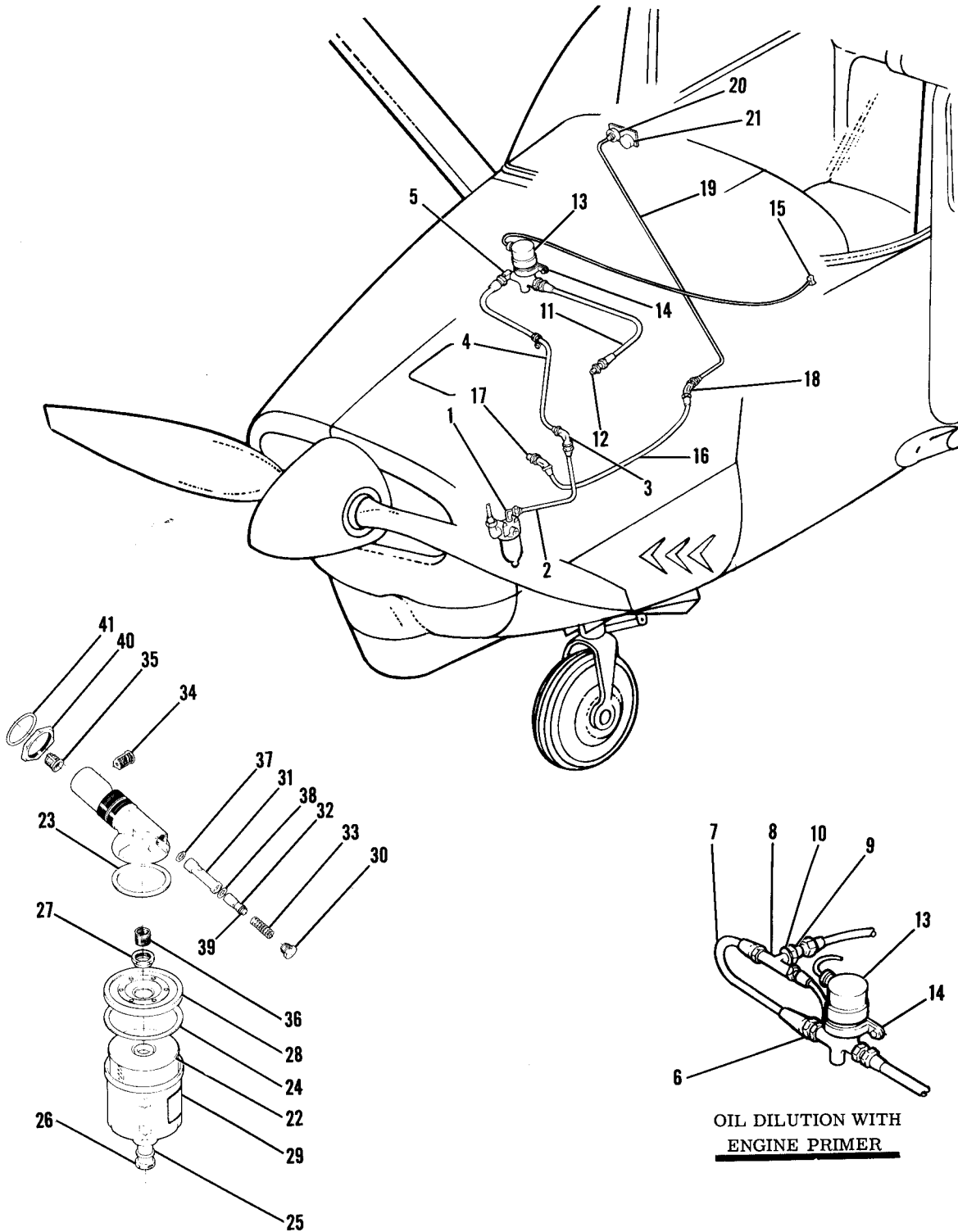


FIGURE AND INDEX NO.	PART NUMBER	DESCRIPTION	UNITS PER ASSY	USABLE ON CODE
93 -		OIL SYSTEM INSTALLATION -----		F
		DILUTION SYSTEM-OIL -----	NP	
- 1	MS20822-4D	ELBOW -----	1	
- 2	1200106-94	LINE ASSEMBLY-OIL DILUTION -----	1	B
	1200106-111	LINE ASSEMBLY-OIL DILUTION -----	1	C
- 3	AN924-4D	NUT -----	1	
	AN960PD716L	WASHER -----	1	
	AN833-4D	ELBOW -----	1	
- 4	S1236-4-0290	HOSE ASSEMBLY-OIL DILUTION THRU 21058715 -----	1	
- 5	MS20822-4D	ELBOW -----	1	
- 5A	AN816-4D	NIPPLE -----	1	A
- 5B	S1236-4-0080	HOSE ASSEMBLY -----	1	A
- 5C	AN804D4	TEE -----	1	A
- 5D	AN924-4D	NUT -----	1	A
- 6	S1236-4-0180	HOSE ASSY-OIL DILUTION -----	1	
- 7	AN816-4D	UNION -----	2	
- 8	AN4078-1	VALVE-OIL DILUTION -----	1	
		ATTACHING PARTS		
- 9	AN3-5A	BOLT -----	2	
	AN742D32	CLAMP -----	2	
	AN960D10L	WASHER -----	2	
	NAS679A3	NUT -----	2	
-10	S1158-1-1	SWITCH-OIL DILUTION -----	1	
	AN507-632R3	SCREW -----	2	
-11	S1236-4-0240	HOSE ASSY-OIL PRESSURE -----	1	
		ATTACHING PARTS		
-12	0752037-1	ELBOW ASSY -----	1	
	AN912-3	BUSHING -----	1	
-13	AN837-4D	ELBOW -----	1	
	AN960D716	WASHER -----	1	
	AN924-4D	NUT -----	1	
-14	1200106-57	LINE ASSEMBLY-OIL PRESSURE -----	1	D
	1200106-85	LINE ASSEMBLY-OIL PRESSURE -----	1	E
-15	0713602-8	GAGE-OIL PRESSURE -----	1	D
	G444619	GAGE-OIL PRESSURE GARW -----	1	E
-16	0713602-7	GAGE-OIL TEMPERATURE -----	1	D
	G442698	GAGE-OIL PRESSURE GARW -----	1	E
		OIL FILTER INSTALLATION-FULL FLOW -----	NP	
	C294505-0101	OIL FILTER ASSEMBLY SEE FIGURE 93A FOR BREAKDOWN -----	1	
		OIL FILTER ASSEMBLY ORDER C294505-0101 -----	NP	F
-17	1250406-2	FILTER ELEMENT KIT -----	1	
-18	5575288	GASKET AC -----	1	
-19	6436637	GASKET AC -----	1	
-19A	5579654	WASHER AC -----	1	
-19B	5579535	BOLT-CENTER AC -----	1	
-19C	5579539	LID-OIL FILTER AC -----	1	
-19D	5579432	NUT-CENTER BOLT AC -----	1	
-19E	1250410-1	PLACARD-OIL FILTER -----	1	
	1250418-1	ADAPTER ASSEMBLY-OIL FILTER SEE FIG 93A FOR BREADKOWN -----	1	
		ADAPTER ASSEMBLY-OIL FILTER ORDER 1250418-1 -----	NP	F
-21	1250407-1	SNAP RING -----	1	
-22	1250408-1	CAP RETAINER -----	1	
-23	1250409-1	SPRING -----	1	
-24	S272-17	BALL -----	1	
-25	AN932C4	PLUG -----	1	
-26	1250405-1	NUT-ADAPTER -----	1	
-27	AN123883	PACKING-ADAPTER NUT -----	1	
	SE-709	WRENCH ADAPTER-OIL FILTER -----	1	
NOTE. #USED ONLY ON AIRPLANES EQUIPPED WITH ENGINE PRIMER SYSTEM.				
A---210 SERIAL 21058332 THRU 21058715				
B---210 SERIAL 21058332 THRU 21058510				
C---210 SERIAL 21058511 THRU 21058715				
D---210 SERIAL 21057841 THRU 21058220				
E---210 SERIAL 21058221 THRU 21058715				
F---210 SERIAL 21057841 THRU 21058715				

Oil System (Cont)

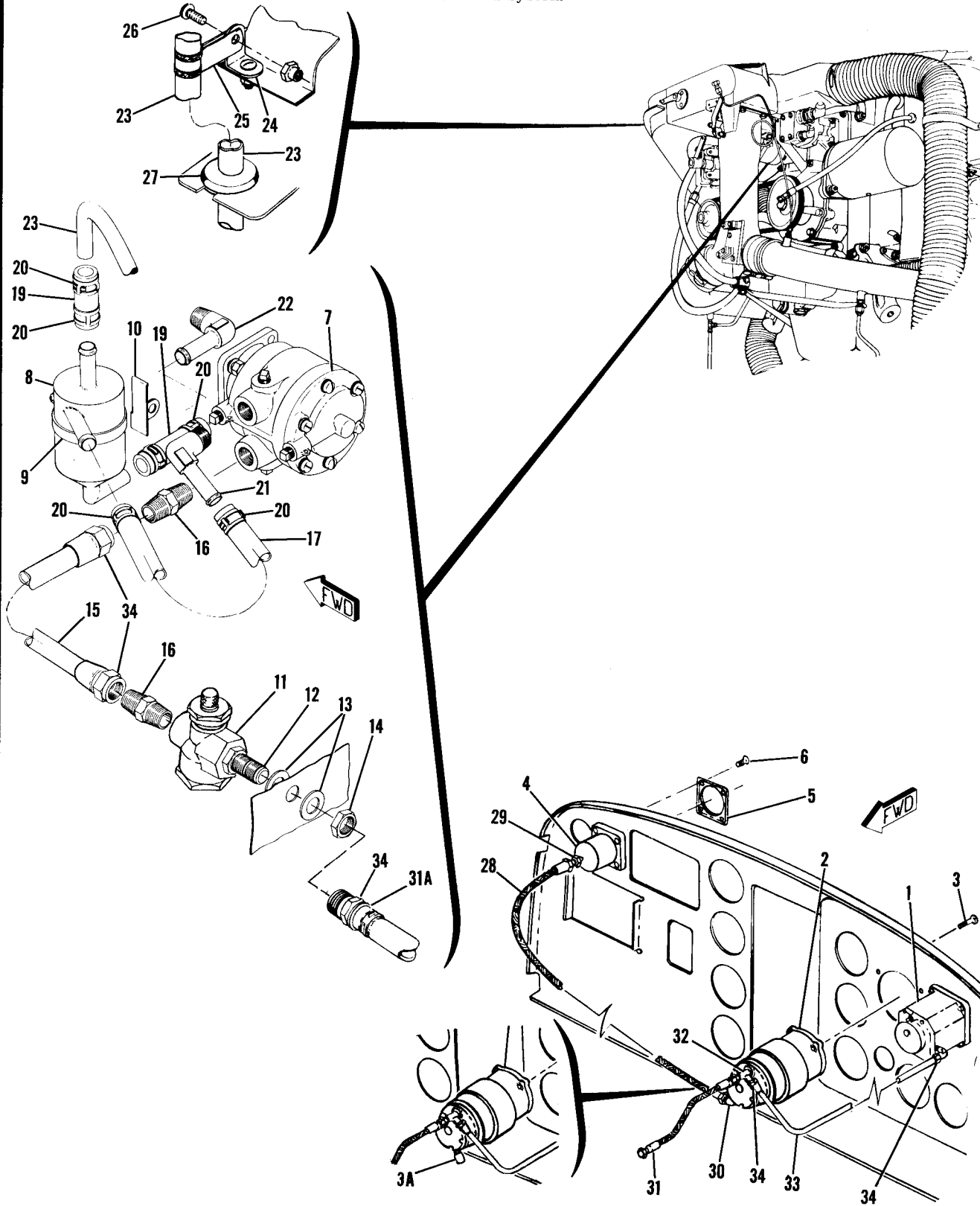


T210-0001 & ON
21058716 & ON

Figure 93A. Oil System Installation

FIGURE AND INDEX NO.	PART NUMBER	DESCRIPTION	UNITS PER ASSY	USABLE ON CODE
93A-		OIL SYSTEM INSTALLATION -----	NP	A
		DILUTION SYSTEM-OIL -----	1	
- 1	MS20822-4D	ELBOW -----	1	
- 2	1200109-111	LINE ASSEMBLY-OIL DILUTION -----	1	
- 3	AN924-4D	NUT -----	1	
	AN960PD716L	WASHER -----	1	
	AN833-4D	ELBOW -----	1	
- 4	S1236-4	HOSE ASSEMBLY-OIL DILUTION -----	1	
- 5	MS20822-4D	ELBOW -----	1	
- 6	AN816-4D	NIPPLE -----	1	
- 7	S1236-4	HOSE ASSEMBLY -----	1	
- 8	AN834D4	TEE -----	1	
- 9	AN924-4D	NUT -----	1	
-10	AN960PD716	WASHER -----	1	
-11	S1236-4	HOSE ASSEMBLY-OIL DILUTION -----	1	
-12	AN816-4D	NIPPLE -----	1	
-13	AN4078-1	VALVE-OIL DILUTION -----	1	
		ATTACHING PARTS		
-14	AN3-5A	BOLT -----	2	
	AN742D32	CLAMP -----	2	
	AN960D10L	WASHER -----	2	
	NAS679A3	NUT -----	2	
		-----*		
-15	S1158-1-1	SWITCH-OIL DILUTION -----	1	
		ATTACHING PARTS		
	AN507-632R3	SCREW -----	1	
		-----*		
-16	S1236-4	HOSE ASSEMBLY OIL PRESSURE -----	1	
		ATTACHING PARTS		
-17	0752037-1	ELBOW ASSEMBLY -----	1	
	AN912-3	BUSHING -----	1	
-18	AN837-4D	ELBOW -----	1	
	AN960D716	WASHER -----	1	
	AN924-4D	NUT -----	1	
		-----*		
-19	1200106-110	LINE ASSEMBLY-OIL PRESSURE -----	1	
-20	G444619	GAGE-OIL PRESSURE SW -----	1	
-21	G442698	GAGE-OIL TEMPERATURE SW -----	1	
		OIL FILTER INSTALLATION-FULL FLOW -----	NP	
	C294505-0101	OIL FILTER ASSEMBLY -----	1	
-22	C294505-0102	FILTER ELEMENT KIT -----	1	
-23	5574397	GASKIT AC -----	1	
-24	6436637	GASKET AC -----	1	
-25	5579654	METAL GASKET AC -----	1	
-26	6436916	STUD-CENTER AC -----	1	
-27	5579432	NUT-CENTER STUD AC -----	1	
-28	6436989	LID-OIL FILTER AC -----	1	
-29	1250410-3	PLACARD-OIL FILTER -----	1	
	1250418-2	ADAPTER ASSEMBLY-OIL FILTER -----	1	
-30	0756018-1	PLUG -----	1	
-31	0756019-1	SLEEVE -----	1	
-32	0756020-1	PISTON -----	1	
-33	0756021-1	SPRING -----	1	
-34	0756022-1	VALVE-BY PASS -----	1	
-35	0756022-2	VALVE-OUTLET -----	1	
-36	MS124663	HELI-COIL -----	1	
-37	M20002C6	WASHER -----	1	
-38	AN6227-6	O RING -----	1	
-39	AN6227B10	O RING -----	1	
-40	1250405-1	NUT-ADAPTER -----	1	
-41	AN123883	PACKING-NUT ADAPTER -----	1	
	SE709	WRENCH-ADAPTER-OIL FILTER -----	1	
NOTE. %USED ONLY ON AIRPLANES EQUIPPED WITH ENGINE PRIMER SYSTEM.				
NOTE. *LENGTHS TO BE DETERMINED LATER				
A---210 SERIAL 21058716 & ON T210 SERIAL T210-0001 & ON				

Vacuum System



21057841 THRU 21058510

Figure 94. Vacuum System Installation

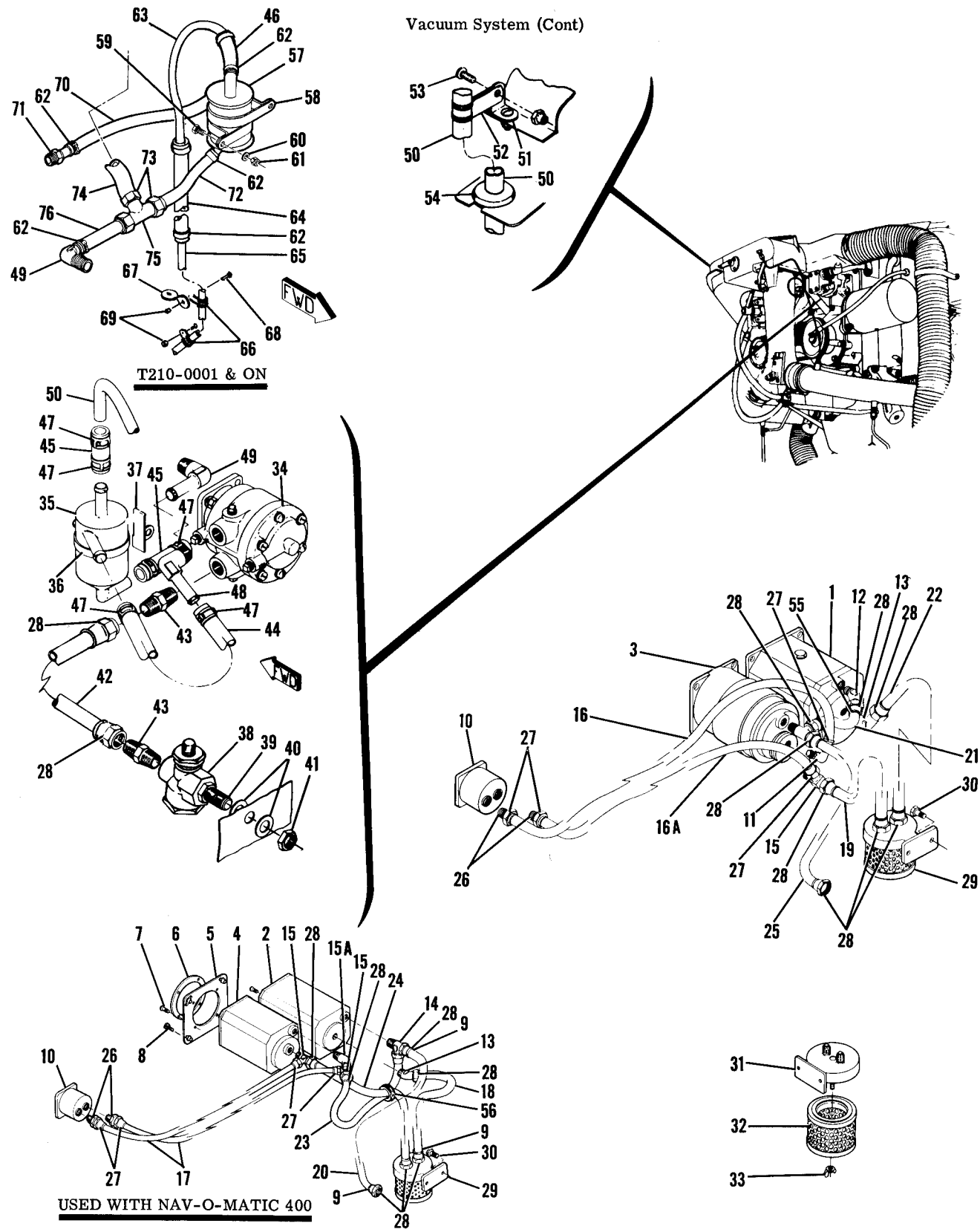
FIGURE AND INDEX NO.	PART NUMBER	DESCRIPTION	UNITS PER ASSY	USABLE ON CODE
		1 2 3 4 5 6 7		
94 -		VACUUM SYSTEM INSTALLATION -----	NP	C
- 1	S1316N1	INDICATOR-DIRECTIONAL GYRO REMANUFACTURED WHEN -----	1	
	C661002-0101	EXHAUSTED USE C661002-0101 -----		
	S1476N1	INDICATOR-DIRECTIONAL GYRO ALTERNATE WHEN -----	1	
	C661002-0101	EXHAUSTED USE C661002-0101 -----		
- 2	S1327N1	INDICATOR-DIRECTIONAL GYRO PICTORIAL TYPE 34B -----	1	
	S1309N1	INDICATOR-HORIZON GYRO REMANUFACTURED WHEN -----	1	
	C661001-0101	EXHAUSTED USE C661001-0101 -----		
	S1473N1	INDICATOR-HORIZON GYRO WHEN EXHAUSTED -----	1	
	C661001-0101	USE C661001-0101 -----		
	S1326N1 **	INDICATOR-HORIZON GYRO PICTORIAL TYPE 34B -----	1	
	S1308N1 ##	USED WITH VACUUM LIGHTS -----		
	C661001-0101 ##	INDICATOR-HORIZON GYRO PICTORIAL WHEN EXHAUSTED -----	1	
		USE C661001-0101 -----		
- 3	AN507B1032R16	INDICATOR-HORIZON GYRO PICTORIAL -----	1	
	AN507B1032R22 #	ATTACHING PARTS -----		
	NAS43-3-23 #	SCREW -----	4	
		SCREW -----	4	
		SPACER -----	4	
		21057841 THRU		
		21058510		
	330R	BULB -----	1	
- 3A	S1365-1 #	SWITCH -----		
- 4	S1414N1	GAGE-SUCTION -----	1	
		ATTACHING PARTS -----		
- 5	0713208-1	ESCUTCHEON -----	1	
- 6	AN507B632R16	SCREW -----	4	
- 7	C431001-0101	PUMP-VACUUM -----	1	
- 8	0850406-10	SEPARATOR-OIL WHEN EXHAUSTED USE C165001-0101 -----	1	A
	C165001-0101	SEPARATOR-OIL -----	1	
		ATTACHING PARTS -----		
- 9	AN735D36	CLAMP -----	1	
	AN520-10RB	SCREW -----	1	
	NAS679A3	NUT -----	1	
-10	1250002-1	BRACKET -----	1	
-11	C4842001-0101	VALVE-AIR PUMP -----	1	
		ATTACHING PARTS -----		
-12	0550177-1	FITTING-BULKHEAD -----	1	
-13	AN960D916	WASHER -----	2	
-14	AN924-6D	NUT -----	1	
-15	S1495-6	HOSE 9.00 IN LG BULK ITEM REFS-1499-6-LL-9 -----	1	
		ATTACHING PARTS -----		
-16	AN816-6	NIPPLE -----	2	
-17	S1495-8	HOSE-14.0 IN LG BULK ITEM REF S1495-8-14.0 -----	1	
-18		DELETED, NEVER USED -----		
-19	S1495-8	HOSE-2.75 IN LG BULK ITEM REF S1495-8-2.75 -----	2	
-20	NAS397-16	CLAMP -----	6	
-21	AN842-8	ELBOW -----	1	
-22	1250003-1	ELBOW -----	1	
-23	1200106-41	TUBE-VENT -----	1	
		ATTACHING PARTS -----		
-24	AN743-12	BRACKET -----	1	
-25	MS21919DG8	CLAMP -----	1	
-26	AN520-10R8	SCREW -----	1	
	NAS679A3	NUT -----	1	
-27	MS35489-14	GROMMET -----	1	

CONTINUED ON NEXT PAGE

FIGURE AND INDEX NO.	PART NUMBER	DESCRIPTION	UNITS	USABLE
			PER ASSY	ON CODE
94 -28	S1168-2-30	HOSE ASSEMBLY ----- ATTACHING PARTS	1	
-29	AN816-2D	NIPPLE -----	1	
-30	MS20823-2D	ELBOW -----	1	
	AN912-1D	BUSHING -----	1	
	MS20913-2D	PLUG -----	1	
	S1486DG6U	CLAMP -----	2	
	S1021Z8-8	SCREW -----	2	
		---*---		
-31	S1615-6	HOSE-11.0 IN LG BULK ITEM REF S1616-6LL-11.0 -----	1	
-31A	NAS397-10	CLAMP -----	2	
-32	MS20826-6D	TEE -----	1	
-33	S1495-6	HOSE 9.62 IN LG BULK ITEM S1499-6LL-9.62 -----	1	
		ATTACHING PARTS		
	MS20822-6-6	ELBOW -----	1	
		---*---		
-34	S1497-6	FITTING-HOSE -----	6	
		NOTE. #USED WITH PICTORAL GYRO ONLY.		
		NOTE. ##THIS INSTRUMENT USED ONLY ON VACUUM SYSTEMS THAT HAVE SUCTION GAGE.		
		NOTE. **THIS INSTRUMENT USED ONLY ON VACUUM SYSTEMS THAT INCORPORATE VACUUM PRESS TO TEST LIGHTS.		
		A---210 SERIAL 21057841 THRU 21058220		
		B---210 SERIAL 21058221 THRU 21058510		
		C---210 SERIAL 21057841 THRU 21058510		

This page intentionally left blank.

Vacuum System (Cont)



T210-0001 & ON

USED WITH NAV-O-MATIC 400

21058511 & ON T210-0001 & ON

Figure 94A. Vacuum System Installation



FIGURE AND INDEX NO.	PART NUMBER	DESCRIPTION	UNITS PER ASSY	USABLE ON CODE
		1 2 3 4 5 6 7		
94A-		VACUUM SYSTEM INSTALLATION-ENGINE DRIVEN -----	NP	A
- 1	C661002-0101	GYRO-DIRECTIONAL REMANUFACTURED -----	1	
- 2	30370-0100	GYRO-DIRECTIONAL ARC -----	1	
- 3	C661001-0101	GYRO-HORIZON REMANUFACTURED -----	1	
- 4	30475-0000	GYRO-HORIZON ARC -----	1	
- 5	0713749-6	PLATE ASSEMBLY -----	1	
	NAS697A3	NUTPLATE -----	4	
- 6	2104	RING ARC -----	1	
		ATTACHING PARTS T210-0001 & ON -----		
- 7	AN515-6R12	SCREW -----	4	
- 8	AN507-10R6	SCREW -----	4	
		-----*		
- 9	NAS397-10	CLAMP -----	4	
-10	S1414N1	GAGE -----	1	
-11	MS20822-4-4D	ELBOW -----	1	
-12	MS20823-6D	ELBOW -----	1	
	MS20822-6D	ELBOW USED ON NAVO-MATIC 300 -----	1	
-13	MS20823-6D	ELBOW -----	1	
-14	MS20826-6D	TEE -----	1	
-15	S1521-1	TEE -----	2	
-15A	AN915-2D	ELBOW -----	1	
-16	S1495-4	HOSE 36.0 IN LG BULK ITEM REF S-1499-4JJ-36.0 -----	1	
-16A	S1495-4	HOSE 32.0 IN LG BULK ITEM REF S-1499-4JJ-32.0 -----	1	
-17	S1495-4	HOSE 32.0 IN LG BULK ITEM REF S-1499-4JJ-32.0 -----	2	
-18	S1615-6	HOSE 10.00 IN LG BULK ITEM REF S1616-6LL-10.00 -----	1	
-19	S1495-6	HOSE 19.25 IN LG BULK ITEM REF S-1499-6LL-19.25 -----	1	
-20	S1615-6	HOSE 11.00 IN LG BULK ITEM REF S1616-6LL-11.00 -----	1	
-21	S1615-6	HOSE 3.62 IN LG BULK ITEM REF S1616-6LL-3.62 -----	1	
	S1495-6	HOSE 8.00 IN LG BULK ITEM REF S1495-6LL-8.00 -----	1	
		USED ON NAVO-MATIC 300		
-22	S1495-6	HOSE 12.75 IN LG BULK ITEM REF S-1499-6LL-12.75 -----	1	
-23	S1495-6	HOSE 19.25 IN LG BULK ITEM REF S1499-6LL-19.25 -----	1	
-24	S1495-6	HOSE 11.00 IN LG BULK ITEM REF S-1499-6LL-11.00 -----	1	
-25	S1495-6	HOSE 11.00 IN LG BULK ITEM REF S-1499-6LL-11.00 -----	1	
-26	AN816-4D	NIPPLE -----	2	
-27	S1497-4	FITTING SOCKETLESS -----	4	
-28	S1497-6	FITTING SOCKETLESS -----	8	
-29	C294501-0101	AIR FILTER ASSEMBLY -----	1	
		ATTACHING PARTS		
-30	AN3-3A	BOLT -----	2	
		-----*		
-31	C294501-0102	BRACKET -----	1	
-32	C294501-0103	FILTER ELEMENT -----	1	
		ATTACHING PARTS		
-33	P2274	NUT-WING DC1 -----	1	
		-----*		
-34	C431001-0101	PUMP-VACUUM -----	1	
	G-455PM	PUMP-VACUUM GARW ALTERNATE -----	1	
-35	C165001-0101	SEPARATOR-OIL -----	1	B
		ATTACHING PARTS		
-36	AN735D36	CLAMP -----	1	B
	AN520-10R8	SCREW -----	1	B
	NAS679A3	NUT -----	1	B
		-----*		
-37	1250002-1	BRACKET -----	1	B
-38	C482001-0101	VALVE-AIR PUMP -----	1	
		ATTACHING PARTS		
-39	0550177-1	FITTING-BULKHEAD -----	1	
-40	AN960D916	WASHER -----	2	
-41	AN924-6D	NUT -----	1	
		-----*		

CONTINUED ON NEXT PAGE

FIGURE AND INDEX NO.	PART NUMBER	DESCRIPTION	UNITS PER ASSY	USABLE ON CODE
94A-42	S1495-6	HOSE 9.0 IN LG BULK ITEM REF S-1499-6LL-9.0 ----- ATTACHING PARTS	1	
-43	AN816-6-6	NIPPLE ----- -----*	2	
-44	S1495-8	HOSE-14.0 IN LG BULK ITEM REF S1495-8-14.0 -----	1	B
-45	S1495-8	HOSE-2.75 IN LG BULK ITEM REF S1495-8-2.75 -----	2	B
-46	S1495-8	HOSE-2.75 IN LG BULK ITEM REF S1495-8-2.75 -----	1	C
-47	NAS397-16	CLAMP -----	6	B
-48	AN842-8	ELBOW -----	1	B
-49	1250003-1	ELBOW -----	1	
-50	1200106-41	TUBE-VENT ----- ATTACHING PARTS	1	B
-51	AN743-12	BRACKET -----	1	
-52	MS21919DG8	CLAMP -----	1	
-53	AN520-10R8	SCREW -----	1	
	NAS679A3	NUT -----	1	
-54	MS35489-14	GROMMET ----- -----*	1	
-55	NAS397-10	CLAMP -----	2	
-56	NAS437-4B	CLAMP -----	1	
-57	C165001-0102	SEPARATOR-OIL ----- ATTACHING PARTS	1	C
-58	AN742D36	CLAMP -----	2	C
-59	AN520-10R8	SCREW -----	2	C
-60	AN960-10L	WASHER -----	2	C
-61	NAS679A3	NUT ----- -----*	2	C
-62	NAS397-12	CLAMP -----	8	C
-63	1200106-124	TUBE-VENT -----	1	C
-64	S1495-8	HOSE-9.00 IN LG BULK ITEM REF S1495-8-9.00 -----	1	C
-65	1200106-126	TUBE-VENT ----- ATTACHING PARTS	1	C
-66	MS21919DG8	CLAMP -----	2	C
-67	0550100-6	BRACKET -----	1	C
-68	AN520-10R8	SCREW -----	2	C
-69	NAS679A3	NUT ----- -----*	2	C
-70	S1495-8	HOSE-* IN LG BULK ITEM REF S1495-8-* -----	1	C
-71	AN840-8	ADAPTER -----	1	C
-72	S1495-8	HOSE-* IN LG BULK ITEM REF S1499-8N-* -----	1	C
-73	S1497-8	FITTING-SOCKETLESS -----	3	C
-74	S1495-8	HOSE-* IN LG BULK ITEM REF S1499-8N-* -----	1	C
-75	AN824-8D	TEE -----	1	C
-76	S1495-8	HOSE-* IN LG BULK ITEM REF S1499-8N-* -----	1	C

NOTE. *LENGTH TO BE DETERMINED LATER.

A---210 SERIAL 21058511 & ON
T210 SERIAL T210-0001 & ON
B---210 SERIAL 21058511 & ON
C---T210 SERIAL T210-0001 & ON

FIGURE AND INDEX NO.	PART NUMBER		DESCRIPTION	UNITS PER ASSY	USABLE ON CODE
		1 2 3 4 5 6 7			
95 -			POWERPACK INSTALLATION-HYDRAULIC -----	NP	
- 1	1280500-2		UNIT ASSEMBLY-HYDRAULIC POWER PACK SEE FIGURE 96 -----	1	E
	1280500-202		UNIT ASSEMBLY-HYDRAULIC POWER PACK REMFD SEE -----	1	E
	1280500-3	%	FIGURE 96 UNIT ASSEMBLY-HYDRAULIC POWER PACK SEE FIGURE 96 -----	1	G
	1280500-203	%	UNIT ASSEMBLY-HYDRAULIC POWER PACK REMFD SEE -----	1	G
	1280510-1	#	FIGURE 96A UNIT ASSEMBLY-HYDRAULIC POWER PACK SEE FIGURE 96A -----	1	C
	1280510-2	#	UNIT ASSEMBLY-HYDRAULIC POWER PACK REMFD SEE -----	1	C
			FIGURE 96A ATTACHING PARTS		
- 2	1261441-2		STUD -----	1	
- 3	1261441-1		STUD -----	1	
- 4	1261441-3		STUD -----	1	
- 5	AN960-416L		WASHER -----	1	
- 6	AN4-4A		BOLT -----	1	
			-----*		
- 7	1280506-72		LINE ASSEMBLY-PUMP SUCTION -----	1	A
	1280506-90		LINE ASSEMBLY-PUMP SUCTION -----	1	J
- 7A	1280506-107	*	LINE ASSEMBLY-PUMP SUCTION -----	1	C
			ATTACHING PARTS		
- 8	AN815-8D		NIPPLE -----	1	
	MS28778-8		GASKET -----	1	
- 9	AN515-8R16		SCREW -----	1	
-10	NAS43DD3-32		SPACER -----	1	
-11	MS21919DG8		CLAMP AP -----	1	
-12	775A-8-2-6		CLAMP AP -----	1	
			-----*		
-13	AN784D8		TEE -----	1	B
	AN837-8D		ELBOW -----	1	C
-14	AN815-8D		UNION -----	1	B
-15	AN960PD1216		WASHER -----	1	
-16	AN924-8D		NUT -----	1	
-17	MS28778-8		GASKET -----	1	B
-18	AN929-8D		CAP -----	1	B
-19	S1236-8-0164		HOSE ASSEMBLY -----	1	
-20	1280506-71		LINE ASSEMBLY-PUMP PRESSURE -----	1	A
	S1167-4-0324		HOSE ASSEMBLY-PUMP PRESSURE -----	1	H
-21	AN815-4D		UNION -----	1	B
-22	AN970-7		WASHER -----	2	C

CONTINUED ON NEXT PAGE



FIGURE AND INDEX NO.	PART NUMBER	DESCRIPTION	UNITS PER ASSY	USABLE ON CODE		
					1	2
95 -23	AN924-4D	NUT -----	1	C		
	1280505-1	FILTER ASSEMBLY WHEN EXHAUSTED USE 1280505-2 -----	1	D		
	1280505-2	FILTER ASSEMBLY -----	1	F		
-24	150031-57D	BODY -----	1	D		
-24A	HE-1646-1	BODY ELE -----	1	F		
-25	150045	SPRING -----	1	D		
-25A	HE-1091-1	SPRING ELE -----	1	F		
-26	150034-200	SCREEN ASSEMBLY -----	1	D		
-26A	HE1649-1	FILTER-DISC ELE -----	1	F		
-26B	NAS669-106	SNAP-RINGE -----	1	F		
-27	150044	CONE ASSEMBLY -----	1	D		
-27A	1/4 DIA.	BALL-STEEL -----	1	F		
-28	150224	CROSS -----	1	D		
-29	AN6227B24	O RING -----	1			
-30	150032-50D	CAP -----	1	D		
-30A	HE-1648-1	END FITTING ELE -----	1	F		
-31	AN503-8-10	SCREW -----	4	D		
-31A	AN501-10-14	SCREW -----	4	F		
-31B	AN935-10	LOCK WASHER -----	4	F		
-31C	HE-1647	SPIDER -----	1	F		
-32	AN783D4	TEE -----	1	B		
-33	MS28778-4	GASKET -----	2	B		
	MS28778-4	GASKET -----	1	C		
-34	AN929-4D	CAP -----	1	B		
-34A	AN833-4D	ELBOW-90 DEGREES -----	1	H		
-34B	AN6289D4	NUT -----	1	H		
-34C	MS9058-04	RING-BACKUP -----	1	H		
-35	S1236-4-0160	HOSE ASSEMBLY -----	1	B		
	S1236-4-106	HOSE ASSEMBLY -----	1	C		
-36	1280506-76	LINE ASSEMBLY-PUMP DRAIN -----	1			
		ATTACHING PARTS				
-37	MS9025-02	CLAMP -----	1			
-38	AN837-3D	ELBOW -----	1			
-39	AN924-3D	NUT -----	1			
-40	MS28778-3	GASKET -----	1			
-41	MS35489-134	GROMMET -----	1			
		-----*				
-42	1280506-73	LINE ASSEMBLY-FILLER -----	1	A		
	1280506-91	LINE ASSEMBLY-FILLER -----	1	H		
-42A	1280506-108	LINE ASSEMBLY-PUMP SUCTION -----	1	K		
	1280506-115	LINE ASSEMBLY-PUMP SUCTION -----	1	L		
		ATTACHING PARTS				
-43	1280607-1	FITTING-HYDRAULIC FILLER -----	1			
-44	AN960PD916	WASHER -----	2			
-45	AN924-6D	NUT -----	1			
-46	AN6204B1	VALVE -----	1			
-47	AN960-10L	WASHER -----	1			
-48	AN520-10R6	SCREW -----	1			
		-----*				
-49	1280506-74	LINE ASSEMBLY-PACK VENT -----	1	A		
	1280506-92	LINE ASSEMBLY-PACK VENT -----	1	H		
		ATTACHING PARTS				
-50	AN815-6D	UNION -----	1			
	MS28778-6	GASKET -----	1			
-51	AN833-6D	ELBOW -----	1			
	AN960PD916	WASHER -----	2			
	AN924-6D	NUT -----	1			
	MS35489-12	GROMMET -----	1			
		-----*				
-52	1280506-75	LINE ASSEMBLY-PACK VENT -----	1	M		
	1280506-114	LINE ASSEMBLY-PACK VENT -----	1	L		
		ATTACHING PARTS				
-53	MS21919-6	CLAMP -----	1			
	AN520-8R6	SCREW -----	1			
-54	MS35489-11	GROMMET -----	1			
		-----*				

CONTINUED ON NEXT PAGE

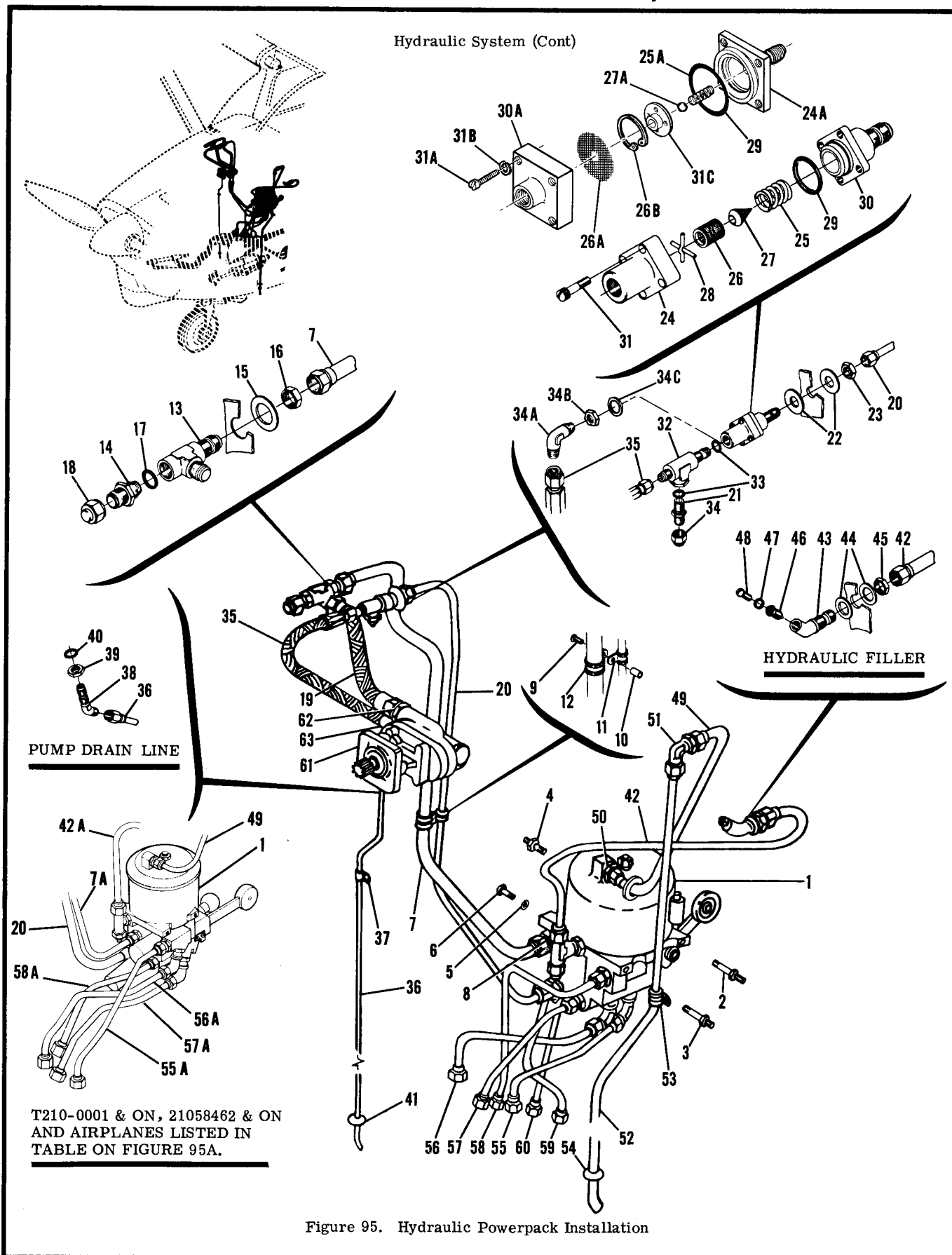


Figure 95. Hydraulic Powerpack Installation

FIGURE AND INDEX NO.	PART NUMBER	DESCRIPTION	UNITS PER ASSY	USABLE ON CODE
95 -55	1280506-67	LINE ASSEMBLY-DOOR CLOSE -----	1	A
	1280506-85	LINE ASSEMBLY-DOOR CLOSE -----	1	J
-55A	1280506-112	* LINE ASSEMBLY-DOOR CLOSE -----	1	C
-56	1280506-68	LINE ASSEMBLY-DOOR OPEN -----	1	A
	1280506-86	LINE ASSEMBLY-DOOR OPEN -----	1	J
-56A	1280506-111	* LINE ASSEMBLY-DOOR OPEN -----	1	C
-57	1280506-66	LINE ASSEMBLY-GEAR DOWN -----	1	A
	1280506-84	LINE ASSEMBLY-GEAR DOWN -----	1	J
-57A	1280506-110	* LINE ASSEMBLY-GEAR DOWN -----	1	C
-58	1280506-65	LINE ASSEMBLY-GEAR UP -----	1	A
	1280506-83	LINE ASSEMBLY-GEAR UP -----	1	J
-58A	1280506-109	* LINE ASSEMBLY-GEAR UP -----	1	C
-59	1280506-69	LINE ASSEMBLY-FLAP UP -----	1	A
	1280506-87	LINE ASSEMBLY-FLAP UP -----	1	B
-60	1280506-70	LINE ASSEMBLY-FLAP DOWN -----	1	A
	1280506-88	LINE ASSEMBLY-FLAP DOWN -----	1	B
-61		PUMP ASSEMBLY-HYDRAULIC SEE FIGURE 101 -----	1	
-62	AN815-8D	UNION -----	1	
	MS28778-8	GASKET -----	1	
-63	AN837-4D	ELBOW -----	1	
	AN6289-4D	NUT -----	1	
	MS9058-04	BACKUP RING -----	1	
	MS28778-4	GASKET -----	1	
<p>NOTE. #WHEN THIS PART IS USED AS AN ALTERNATE FOR THE 1280500-3 OR -203 POWER UNIT, ALSO ORDER PARTS MARKED * ON THIS FIGURE AND ONE 1261635-1 PANEL, ONE 1213434-200 PEDESTAL COVER, AND ONE 1280619-1 GUARD ASSEMBLY. SEE FIGURES 21A, 51A AND 100A. THIS NOTE APPLICABLE TO 210 AIRPLANES ONLY IN THE 21058221 THRU 21058461 SERIAL BLOCK.</p> <p>NOTE. %WHEN THIS PART IS NOT AVAILABLE USE 1280510-1 OR 1280510-2 AS ALTERNATE PART FOR REPLACEMENT ON 210 AIRPLANES SERIAL 21058221 THRU 21058461 THAT WERE EQUIPPED WITH THE 1280500-3 OR 1280500-203 POWER PACK UNITS. SEE NOTE # FOR OTHER NECESSARY DETAILS.</p> <p>A---210 SERIAL 21057841 THRU 21058085 B---210 SERIAL 21058086 THRU 21058220 C---T210 SERIAL T210-0001 & ON 210 SERIAL 21058462 & ON AND AIRPLANES LISTED IN TABLE ON FIGURE 95A. D---210 SERIAL 21058086 THRU 21058202 E---210 SERIAL 21057841 THRU 21058220 F---T210 SERIAL T210-0001 & ON 210 SERIAL 21058203 & ON G---210 SERIAL 21058221 THRU 21058461 EXCEPT AIRPLANES LISTED IN TABLE ON FIGURE 95A. H---T210 SERIAL T210-0001 & ON 210 SERIAL 21058086 & ON J---210 SERIAL 21058086 THRU 21058461 EXCEPT AIRPLANES LISTED IN TABLE ON FIGURE 95A. K---210 SERIAL 21058221 THRU 21058715 AND AIRPLANES LISTED IN TABLE ON FIGURE 95A. L---T210 SERIAL T210-0001 & ON 210 SERIAL 21058716 & ON M---210 SERIAL 21057841 THRU 21058715</p>				

Hydraulic System (Cont)

1280510-1 POWER PACK USAGE TABLE 1964 MODELS

210 AIRPLANES 21058462 & ON ALL USE 1280510-1 POWER PACKS.
PRIOR TO 21058462 THE 1280510-1 POWER PACK WAS INSTALLED
ON THE AIRPLANES LISTED BY SERIAL BELOW:

21058393	21058419	21058455
21058412	21058421	21058456
21058413	21058436	21058457
21058414	21058445	21058458
21058416	21058447	21058459
21058417	21058453	21058460

THIS TABLE IS APPLICABLE TO COMPONENT PARTS OF 1280510-1
POWER PACK AND IS USED IN CONJUNCTION WITH FIGURES
95, 96, 96A, 97, 97A, 98, 99, 99A, 100 & 100A
TO DEFINE SERIALIZATION.

Figure 95A. Usage Table For 1280510-1 Hydraulic Power Pack

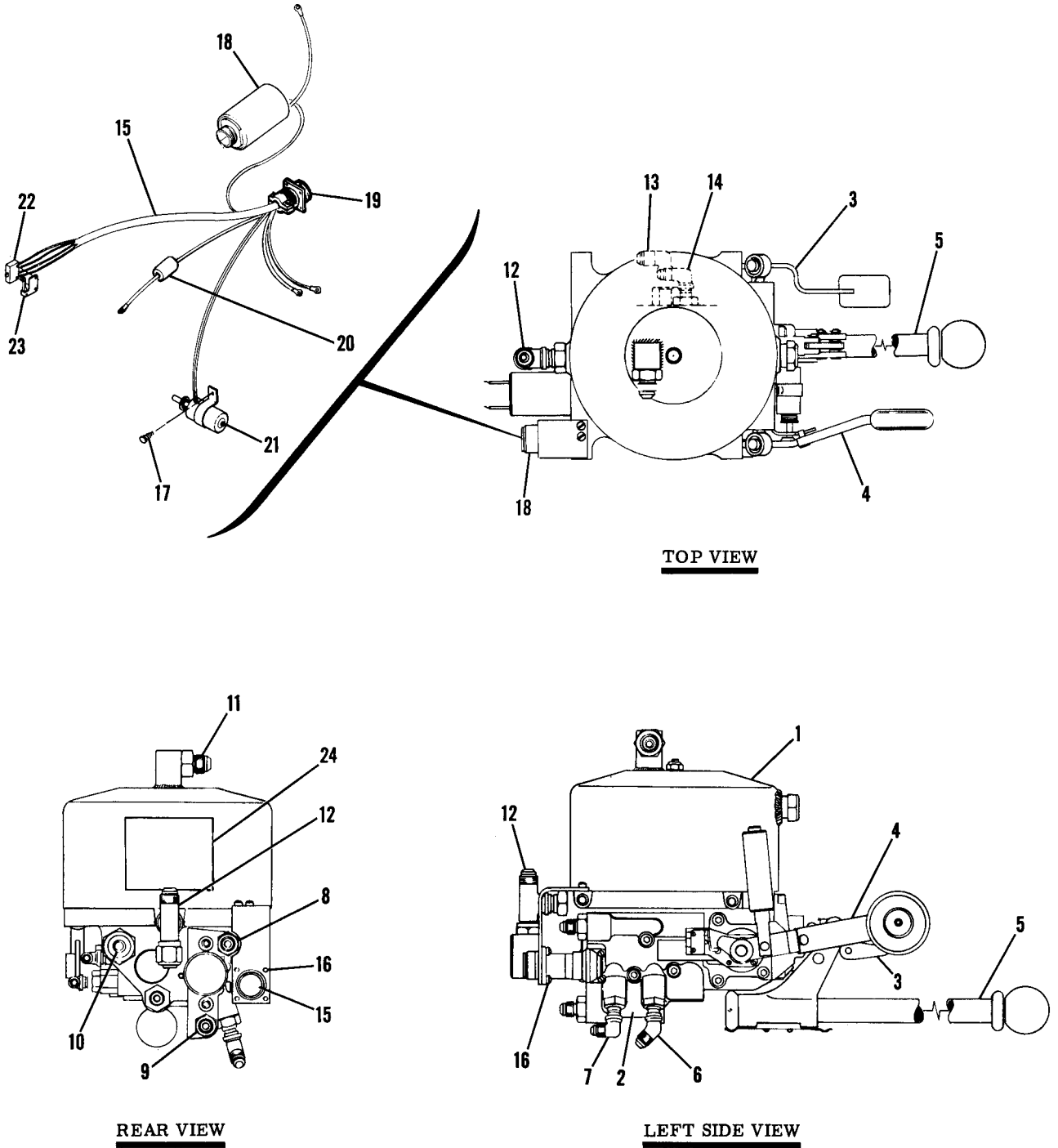
FIGURE AND INDEX NO.	PART NUMBER	DESCRIPTION	UNITS PER ASSY	USABLE ON CODE
96 -	1280500-2	UNIT ASSEMBLY-HYDRAULIC POWER PACK ELE EA1585-4 -----	1	A
- 1	1280500-202	UNIT ASSEMBLY-HYDRAULIC POWER PACK ELE EA1585-4 REMFD -	1	A
- 2	1280500-3	UNIT ASSEMBLY-HYDRAULIC POWER PACK ELE EA 1763 -----	1	B
- 3	1280500-203	UNIT ASSEMBLY-HYDRAULIC POWER PACK ELE EA1763 REMFD ---	1	B
- 4		BODY ASSEMBLY-POWER PACK SEE FIGURE 97 -----	1	
- 5		MANIFOLD ASSEMBLY SEE FIGURE 99 -----	1	
- 6		VALVE ASSEMBLY-FLAP CONTROL SEE FIGURE 98 -----	1	A
- 7		VALVE ASSEMBLY-GEAR CONTROL SEE FIGURE 98 -----	1	
- 8		HAND PUMP ASSEMBLY-EMERGENCY SEE FIGURE 100 -----	1	
- 9	AN837-4D	ELBOW -----	1	
- 10	MS28778-4	GASKET -----	1	
- 11	MS9058-04	RING-BACKUP --- 21057841 THRU 21058461 -----	1	
- 12	AN6289D4	NUT -----	1	
- 13	AN833-4D	ELBOW ----- EXCEPT AIRPLANES LISTED IN TABLE ON FIGURE 95A	1	
- 14	MS28778-4	GASKET -----	1	
- 15	MS9058-04	RING-BACKUP -----	1	
- 16	AN6289D4	NUT -----	1	
- 17	AN832-4D	UNION -----	1	
- 18	MS28778-4	GASKET -----	1	
- 19	AN815-4D	UNION -----	1	
- 20	MS28778-4	GASKET -----	1	
- 21	AN815-8D	UNION -----	1	
- 22	MS28778-8	GASKET -----	1	
- 23	AN815-6D	UNION -----	1	
- 24	MS28778-6	GASKET -----	1	
- 25	AN834-6D	TEE -----	1	
- 26	MS28778-6	GASKET -----	1	
- 27	AN924D6	NUT -----	1	
- 28	AN929-6	CAP -----	1	
- 29	AN921-3D	ELBOW -----	1	A
- 30	AN814-3D	PLUG -----	1	B
- 31	MS28778-3	GASKET -----	1	B
- 32	MS28778-3	GASKET -----	1	A
- 33	MS9058-03	RING-BACKUP -----	1	A
- 34	AN6289D3	NUT -----	1	A
- 35	AN833-3D	ELBOW -----	1	A
- 36	AN814-3D	PLUG -----	1	B
- 37	MS28778-3	GASKET -----	1	B
- 38	MS28778-3	GASKET -----	1	A
- 39	MS9058-03	RING-BACKUP -----	1	A
- 40	AN6289D3	NUT -----	1	A
- 41	ES12649	HARNES ASSEMBLY-WIRING ELE -----	1	
- 42		ATTACHING PARTS		
- 43	AN500-4-4	SCREW -----	4	
- 44	AN935-4L	LOCK WASHER -----	4	
- 45	AN500A8-4	SCREW -----	2	
- 46	AN935-8	LOCK WASHER -----	2	
- 47		-----		
- 48	ED12591	SOLENOID ELE -----	1	
- 49	MS3100A-14S-2P	CONNECTOR -----	1	
- 50	5MF-150V	CAPACITOR -----	1	
- 51	ED12713	SOLENOID-GEAR DOWN SAFETY LOCK ELE -----	1	
- 52	16-4042	SWITCH LITW -----	1	
- 53	70-120	ACTUATOR-SWITCH LITW -----	1	
- 54	SI440-1	NAMEPLATE -----	1	

NOTE. *210 SERIAL 21058393 THRU 21058461, TWO TYPES OF POWER PACKS WERE USED ON PRODUCTION. CHECK THIS FIGURE & ALSO FIGURE 96A FOR THE TYPE USED ON AIRPLANE BEING SERVICED.

NOTE. %WHEN THIS PART IS NOT AVAILABLE USE 1280510-1 OR 1280510-2 AS ALTERNATE PART FOR REPLACEMENT ON 210 AIRPLANES SERIAL 21058221 THRU 21058461 THAT WERE EQUIPPED WITH THE 1280500-3 OR 1280500-203 POWER PACK UNITS. SEE NOTE # ON FIGURE 95 FOR OTHER NECESSARY DETAILS.

A---210 SERIAL 21057841 THRU 21058220
 B---210 SERIAL 21058221 THRU 21058461 EXCEPT 210 AIRPLANES LISTED IN TABLE 95A.

Hydraulic System (Cont)

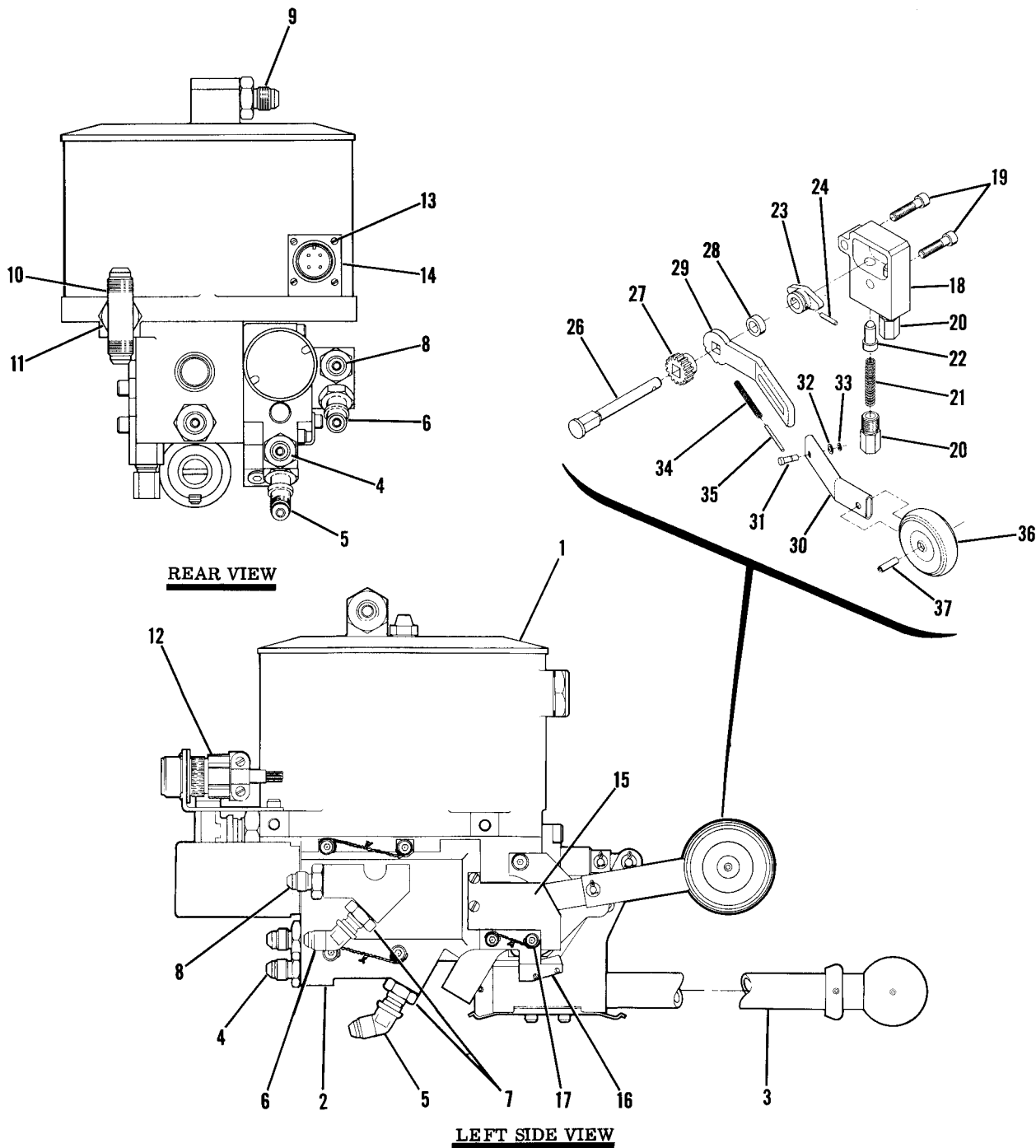


21057841 THRU 21058461

EXCEPT AIRPLANES LISTED IN TABLE ON FIGURE 95A

Figure 96. Unit Assembly - Hydraulic Power Pack

Hydraulic System (Cont)



T210-0001 & ON
21058462 & ON

AND 210 AIRPLANES LISTED IN TABLE ON FIGURE 95A

Figure 96A. Unit Assembly-Hydraulic Power Pack

FIGURE AND INDEX NO.	PART NUMBER		DESCRIPTION	UNITS PER ASSY	USABLE ON CODE
		1 2 3 4 5 6 7			
96A-	1280510-1	*	UNIT ASSEMBLY-HYDRAULIC POWER PACK ALTERNATE -----	1	A
	1280510-2	*	UNIT ASSEMBLY-HYDRAULIC POWER PACK REMFD -----	1	A
- 1			BODY ASSEMBLY-POWER PACK SEE FIGURE 97A -----	1	
- 2			MANIFOLD ASSEMBLY-POWER PACK SEE FIGURE 99A -----	1	
- 3			HAND PUMP-EMERGENCY SEE FIGURE 100A -----	1	
- 4	AN815-4D		UNION -----	1	
- 5	AN837-4D		ELBOW -----	1	
	MS28778-4		PACKING -----	1	
- 6	AN837-4D		ELBOW -----	1	
- 7	AN9289D4		NUT -----	2	
	MS28778-4		PACKING -----	2	
	MS28777-4		BACK-UP -----	2	
- 8	AN815-4D		UNION ----- AND 210 AIRPLANES LISTED IN TABLE ON FIGURE 95A	1	
	MS28778-4		PACKING -----	1	
- 9	AN815-6D		UNION -----	1	
	MS28778-6		PACKING -----	1	
-10	AN834-6D		TEE -----	1	
-11	AN6289D6		NUT -----	1	
	MS28778-6		PACKING -----	1	
	MS28777-6		BACK-UP -----	1	
-12	MS3100A14S-2P		CONNECTOR -----	1	
	MS3057-6A		CABLE CLAMP -----	1	
-13	NAS609-448-4		SCREW -----	4	
-14	294074-1		PLATE-MOUNTING OAC -----	1	
			ATTACHING PARTS -----		
	NAS608C3H6		SCREW -----	2	
			-----*		
-15	294082-1		COVER OAC -----	1	
			ATTACHING PARTS -----		
	AN500AD6-3		SCREW -----	2	
	MS122028		WASHER -----	2	
			-----*		
-16	294070-1		SWITCH-LIMIT OAC -----	1	
	294069-1		BRACKET-LIMIT SWITCH OAC -----	1	
			ATTACHING PARTS -----		
-17	NAS608C3H6		SCREW -----	2	
			-----*		
-18	294005-1		HOUSING OAC -----	1	
			ATTACHING PARTS -----		
-19	NAS608C4H16		SCREW -----	2	
			-----*		
-20	294008-1		PLUG ASSEMBLY OAC -----	2	
-21	294017-1		SPRING OAC -----	2	
-22	294006-1		PLUNGER OAC -----	2	
-23	294009-1		CAM OAC -----	1	
			ATTACHING PARTS -----		
-24	MS171528		PIN-SPRING -----	1	
-25			DELETED-NEVER USED -----		
			-----*		
-26	294067-1		SHAFT OAC -----	1	
-27	294063-1		GEAR OAC -----	1	
-28	294068-1		SPACER OAC -----	1	
-29	294024-1		HANDLE OAC -----	1	
-30	294027-1		SLEEVE-HANDLE OAC -----	1	
			ATTACHING PARTS -----		
-31	294054-1		PIN OAC -----	1	
-32	294079-1		WASHER OAC -----	1	
-33	CS-18		SNAP RING -----	1	
-34	294026-1		SPRING OAC -----	1	
-35	MS9105-41		PIN -----	1	
			-----*		
-36	294078-1		KNOB-HANDLE OAC -----	1	
			ATTACHING PARTS -----		
-37	MS171586		PIN-SPRING -----	1	
			-----*		

NOTE. *210 SERIAL 21058393 & ON, TWO TYPES OF POWER PACKS ARE USED ON PRODUCTION. CHECK THIS FIGURE & ALSO FIGURE 96 FOR THE TYPE USED ON AIRPLANE BEING SERVICED.

A---T210 SERIAL T210-0001 & ON 210 SERIAL 21058462 & ON AND 210 AIRPLANES LISTED IN TABLE ON FIGURE 95A.

Hydraulic System (cont)

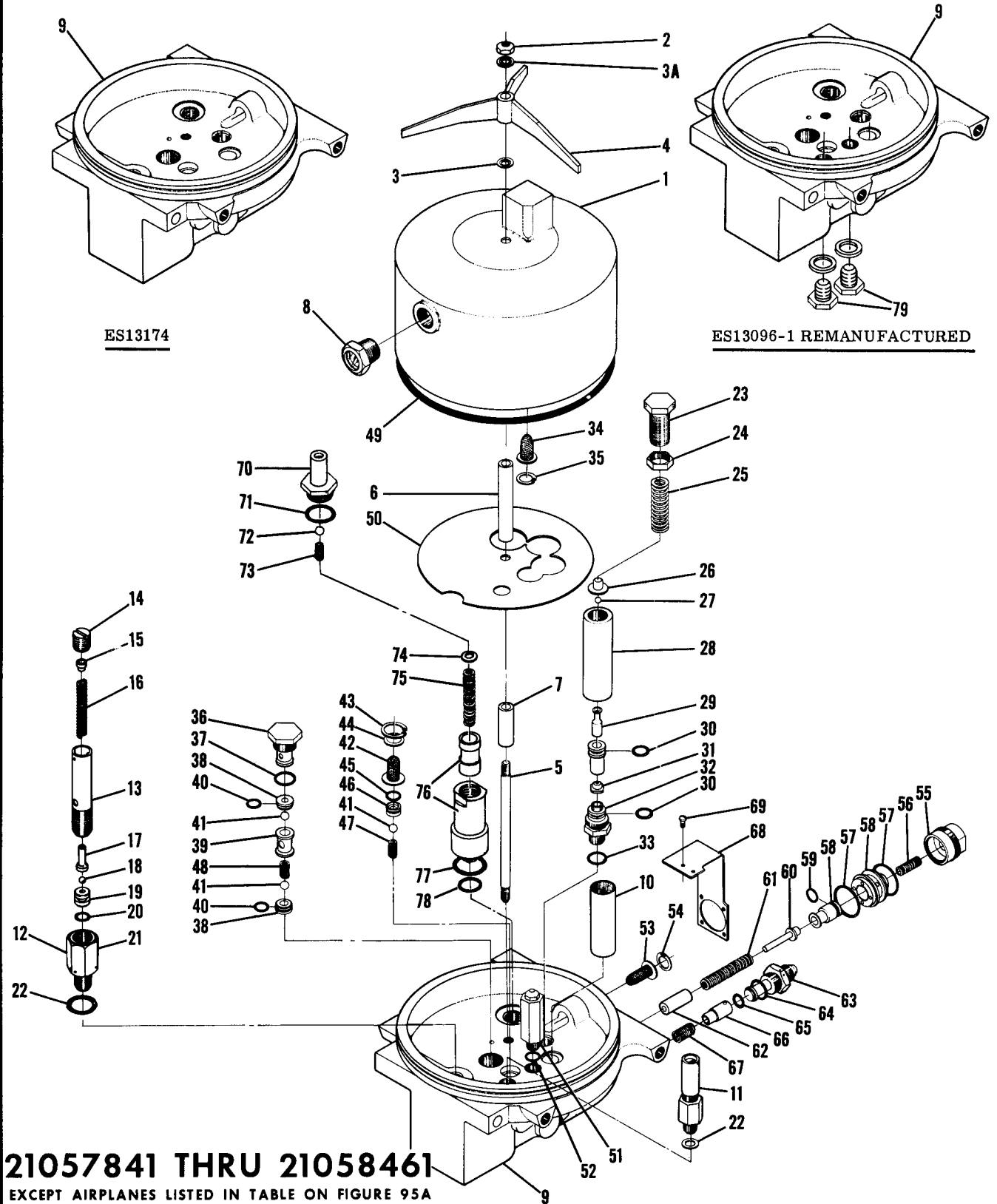


Figure 97. Body Assembly Hydraulic Power Pack

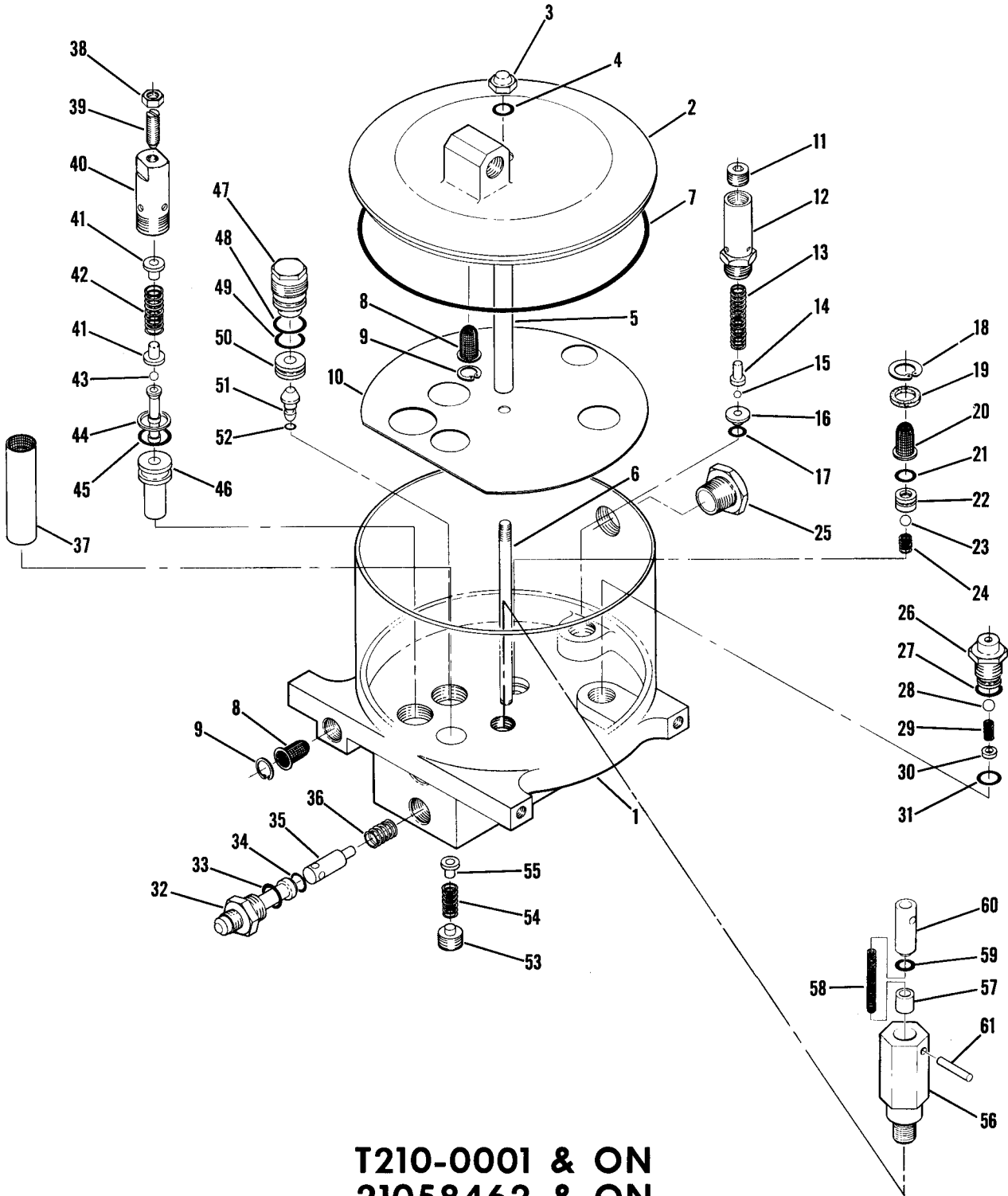
FIGURE AND INDEX NO.	PART NUMBER	DESCRIPTION	UNITS PER ASSY	USABLE ON CODE
		1 2 3 4 5 6 7		
97 -		BODY ASSEMBLY-HYDRAULIC POWER PACK -----	NP	E
- 1	ES12563	RESERVOIR ASSEMBLY ELE -----	1	
		ATTACHING PARTS		
		21057841		
- 2	NAS679A4	NUT -----	1	
- 3	AN6227B5	STAT O SEAL WFRC -----	2	
- 3A	AN960-416	WASHER -----	1	
- 4	ES12967	CROWFOOT ELE -----	1	
- 5	ED12564	STUD ELE -----	1	
- 6	ED12566	SPACER-UPPER ELE -----	1	
- 7	A9653	SPACER-LOWER ELE -----	1	
		-----*		
- 8	4040	GLASS-SIGHT GITS -----	1	
- 9	ES12697	BODY & PIN ASSEMBLY-HYDRAULIC POWER PACK ELE -----	1	A
	ES13096-1	BODY & PIN ASSEMBLY-HYDRAULIC POWER PACK ELE -----	1	B
	ES13174	BODY AND PIN ASSEMBLY-HYDRAULIC POWER PACK ELE -----	1	D
-10	ES12567	STANDPIPE & SCREEN ASSEMBLY ELE -----	1	
-11	EA1474	VALVE-THERMAL RELIEF PRIMARY ELE -----	1	C
-12	EA1474	VALVE-THERMAL RELIEF SECONDARY ELE -----	1	
-13	A9638	BODY ELE -----	1	
-14	A9641	SCREW ELE -----	1	
-15	A4976	RETAINER ELE -----	1	
-16	ED10353	SPRING ELE -----	1	
-17	A1975	RETAINER ELE -----	1	
-18	ELA16-4	BALL ELE -----	1	
-19	A6476	SEAT ELE -----	1	
-20	AN6227B4	O RING -----	1	
-21	ED11992	HEAD ELE -----	1	
-22	MS28778-3	GASKET -----	2	
	EA1592	VALVE-PRIMARY RELIEF ELE -----	1	
-23	ED12508	CAP-ADJUSTING ELE -----	1	
-24	A6473	NUT ELE -----	1	
-25	ED12510	SPRING ELE -----	1	
-26	ED12506	GUIDE ELE -----	1	
-27	ELA16-5	BALL ELE -----	1	
-28	ED12507	BODY ELE -----	1	
-29	ES12504	POPPET & SEAT ASSEMBLY ELE -----	1	
-30	AN6227B7	O RING -----	1	
-31	ED12505	RETAINER ELE -----	1	
-32	ED12509	FITTING-END ELE -----	1	
-33	MS28778-4	GASKET -----	1	
-34	ED12772	SCREEN-VENT ELE -----	1	
-35	NAS669-50	SNAP RING -----	1	
-36	ED12739	PLUG-CHECK ELE -----	1	
-37	AN6227B10	O RING ELE -----	1	
-38	ED12013	SEAT ELE -----	2	
-39	ED12643	SPACER ELE -----	1	
-40	AN6227B7	O RING -----	2	
-41	ELA16-8	BALL ELE -----	3	
-42	ED12772	SCREEN-VENT ELE -----	1	
-43	NAS669-62	SNAP RING -----	1	
-44	AN960-616	WASHER -----	1	
-45	AN6227B6	O RING -----	1	
-46	ED12756	SEAT-CHECK ELE -----	1	
-47	A1993	SPRING ELE -----	1	
-48	ED12933	SPRING ELE -----	1	
-49	AN6230B36	O RING -----	1	
-50	ED12747	BAFFLE ELE -----	1	
-51	EA1633	VALVE-DOWN FLAP VENT ELE -----	1	C
-52	MS28778-3	O RING -----	1	
-53	ED12740	SCREEN ELE -----	1	
-54	NAS669-50	SNAP RING -----	1	
-55	ED12613	CAP-SEAT ELE -----	1	
-56	ED12619	SPRING-POPPET ELE -----	1	
-57	AN6227B14	O RING -----	2	

CONTINUED ON NEXT PAGE

FIGURE AND INDEX NO.	PART NUMBER	DESCRIPTION							UNITS PER ASSY	USABLE ON CODE
		1	2	3	4	5	6	7		
97 -58	ES12610	POPPET & SEAT ASSEMBLY ELE -----							1	
-59	AN6227B5	O RING -----							1	
-60	ED12612	GUIDE-SPRING ELE -----							1	
-61	ED12620	SPRING-PLUNGER ELE -----							1	
-62	ED12735	PLUNGER-CAM ELE -----							1	
-63	ED12741	END FITTING ELE -----							1	
-64	MS28778-6	O RING -----							1	
-65	AN6227B6	O RING -----							1	
-66	ED12480	POPPET ELE -----							1	
-67	A5716	SPRING ELE -----							1	
-68	ED12803	BRACKET-CONNECTOR ELE -----							1	
		ATTACHING PARTS								
-69	AN500A8-4	SCREW -----							2	
	EA1729	VALVE-TIME DELAY ELE -----							1	D
-70	ED13008-1	CAP ELE -----							1	
-71	MS28778-4	GASKET -----							1	
-72	ELA16-8	BALL ELE -----							1	
-73	A1993	SPRING ELE -----							1	
-74	ED13009-1	WASHER ELE -----							1	
-75	ED13051-1	SPRING ELE -----							1	
-76	ES13006-1	BODY AND SPOOL ASSEMBLY ELE -----							1	
-77	MS28778-3	O RING -----							1	
-78	MS28775-018	O RING -----							1	
-79	AN814-3D	PLUG -----							2	D
	MS28778-3	GASKET -----							2	D
		A---210 SERIAL 21057841 THRU 21058085 B---210 SERIAL 21058086 THRU 21058220 C---210 SERIAL 21057841 THRU 21058220 D---210 SERIAL 21058221 THRU 21058461 EXCEPT 210 AIRPLANES LISTED IN TABLE ON FIGURE 95A. E---210 SERIAL 21057841 THRU 21058461 EXCEPT 210 AIRPLANES LISTED IN TABLE ON FIGURE 95A.								

This page intentionally left blank.

Hydraulic System (Cont)



T210-0001 & ON
21058462 & ON

AND 210 AIRPLANES LISTED IN TABLE ON FIGURE 95A

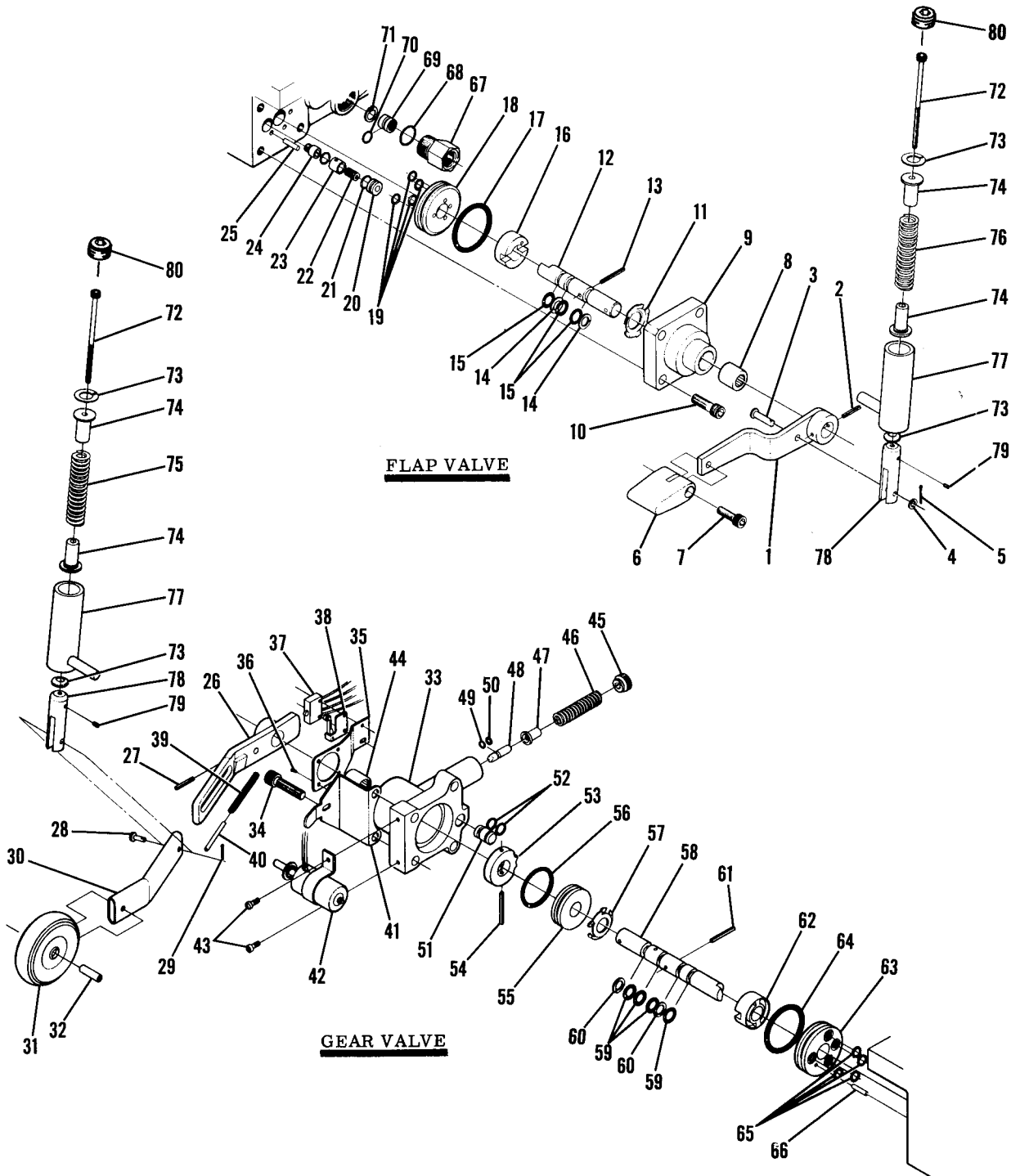
Figure 97A. Hydraulic Power Pack Body Assembly

FIGURE AND INDEX NO.	PART NUMBER	DESCRIPTION	UNITS PER ASSY	USABLE ON CODE
97A-		1 2 3 4 5 6 7		
- 1	294001-1	BODY ASSEMBLY-HYDRAULIC POWER PACK -----	NP	A
- 2	294003-1	RESERVOIR ASSEMBLY OAC -----	1	
		COVER-RESERVOIR OAC -----	1	
		ATTACHING PARTS -----		
- 3	294081-1	NUT OAC -----	1	
- 4	MS28775-010	PACKING -----	1	
- 5	294044-1	SPACER OAC -----	1	
- 6	294046-1	ROD OAC -----	1	
- 7	MS28775-257	PACKING -----	1	
		T210-0001 & ON		
		21058462 & ON		
		AND 210 AIRPLANES LISTED IN TABLE ON FIGURE 95A		
- 8	294061-1	FILTER ASSEMBLY OAC -----	2	
		ATTACHING PARTS -----		
- 9	CR-50	SNAP RING -----	1	

-10	294042-1	BAFFLE OAC -----	1	
-11	294030-1	RETAINER ASSY-SECONDARY RELIEF VALVE OAC -----	1	
-12	294045-1	BODY-SECONDARY RELIEF VALVE OAC -----	1	
-13	294047-1	SPRING OAC -----	1	
-14	294048-1	BUTTON OAC -----	1	
-15	MS134352	BALL -----	1	
-16	294049-1	SEAT-SECONDARY RELIEF VALVE OAC -----	1	
-17	MS28775-010	PACKING -----	1	
-18	CR-62	SNAP RING -----	1	
-19	294062-1	SPACER OAC -----	1	
-20	294061-1	FILTER ASSEMBLY OAC -----	1	
-21	MS28775-011	PACKING -----	1	
-22	294051-1	SEAT OAC -----	1	
-23	MS134356	BALL -----	1	
-24	294018-1	SPRING OAC -----	1	
-25	4040	GAUGE-OIL -----	1	
-26	294020-1	RETAINER-TIME DELAY VALVE OAC -----	1	
-27	MS28775-016	PACKING -----	1	
-28	MS134356	BALL -----	1	
-29	294018-1	SPRING OAC -----	1	
-30	294019-1	SPACER OAC -----	1	
-31	MS28775-012	PACKING -----	1	
-32	294066-1	FITTING-CHECK VALVE OAC -----	1	
-33	MS28778-6	PACKING -----	1	
-34	MS28775-011	PACKING -----	1	
-35	294065-1	PLUNGER-CHECK VALVE OAC -----	1	
-36	294072-1	SPRING OAC -----	1	
-37	294031-1	FILTER ASSEMBLY OAC -----	1	
-38	NAS509-4	NUT-CHECK -----	1	
-39	294032-1	SCREW OAC -----	1	
-40	294033-1	RETAINER-PRIMARY RELIEF VALVE OAC -----	1	
-41	294034-1	BUTTON OAC -----	2	
-42	294035-1	SPRING OAC -----	1	
-43	MS134354	BALL -----	1	
-44	MS28774-15	BACK-UP -----	1	
-45	MS28775-015	PACKING -----	1	
-46	294007-1	SEAT & POPPET ASSEMBLY-PRIMARY RELIEF VALVE OAC -----	1	
-47	294036-1	RETAINER ASSEMBLY-PRIORITY VALVE OAC -----	1	
-48	MS28775-015	PACKING -----	1	
-49	MS28775-014	PACKING -----	1	
-50	294037-1	SEAT-PRIORITY VALVE OAC -----	1	
-51	294038-1	POPPET-PRIORITY VALVE OAC -----	1	
-52	MS28775-006	PACKING -----	1	
-53	294041-1	RETAINER ASSEMBLY-PRIORITY VALVE OAC -----	1	
-54	294040-1	SPRING OAC -----	1	
-55	294039-1	BUTTON OAC -----	1	
	OAS2925	VALVE ASSEMBLY-VENT OAC -----	1	
-56	292501-1	BODY OAC -----	1	
-57	292502-1	POPPET OAC -----	1	
-58	292503-1	SPRING OAC -----	1	
-59	MS28775-009	PACKING -----	1	
-60	292504-1	RETAINER OAC -----	1	
		ATTACHING PARTS -----		
-61		PIN -----	1	

		A---T210 SERIAL T210-0001 & ON 210 SERIAL 21058462 & ON AND 210 AIRPLANES LISTED IN TABLE ON FIGURE 95A.		

Hydraulic System (cont)



21057841 THRU 21058461

EXCEPT AIRPLANES LISTED IN TABLE ON FIGURE 95A

Figure 98. Flap and Gear Valve Assemblies



FIGURE AND INDEX NO.	PART NUMBER	DESCRIPTION	UNITS PER ASSY	USABLE
				ON CODE
98 -		VALVE ASSEMBLY-FLAP CONTROL -----	NP	A
- 1	120462-1	LEVER ASSEMBLY-FLAP LESS KNOB -----	1	
		ATTACHING PARTS -----		
- 2	NAS561F4-12	ROLL PIN -----	1	
- 3	MS20392-2C15	PIN-FLATHEAD -----	1	
- 4	AN960-10L	WASHER -----	1	
- 5	MS24665-134	PIN-COTTER -----	1	

- 6	ED11514	KNOB-FLAP ELE -----	1	
		ATTACHING PARTS -----		
- 7	10-32NF-2X11/16	SCREW -----	1	

- 8	B65TYPE DC	BEARING-NEEDLE TOR -----	1	
- 9	ED12707	HOUSING-DISC ELE -----	1	
		ATTACHING PARTS -----		
-10	NAS608H4-12	SCREW -----	4	
-11	5-08	SPRING -----	1	
-12	ED12699	CAM SHAFT-FLAP ELE -----	1	
-13	NAS561F4-12	ROLL PIN -----	1	
-14	MS28774-010	RING-BACKUP -----	2	
-15	AN6227B5	O RING -----	3	
-16	ED12715	DISC-SELECTOR FLAP ELE -----	1	
-17	MS28775-123	O RING -----	1	
-18	ED12700	DISC-FIXED ELE -----	1	
-19	AN6227B4	O RING -----	4	
-20	ED12822	PLUG ELE -----	1	
-21	AN6227B5	O RING -----	1	
-22	ED12774	SPRING ELE -----	1	
-23	ED12732	POPPET ELE -----	1	
-24	ED12733	RETAINER-CHECK ELE -----	1	
-25	A5445	PIN ELE -----	1	
		VALVE ASSEMBLY-GEAR CONTROL -----	NP	B
-26	ED12719	LEVER-GEAR ELE -----	1	
		ATTACHING PARTS -----		
-27	NAS561F4-12	ROLL PIN -----	1	
-28	ED12724	STUD ELE -----	1	
-29	MS24665-134	PIN-COTTER -----	1	

-30	ED12718	TUBE-KNOB ELE -----	1	
-31	ED11490	KNOB-GEAR ELE -----	1	
		ATTACHING PARTS -----		
-32	NAS561F6-10	ROLL PIN -----	1	

-33	ED12720	HOUSING-DISC ELE -----	1	
		ATTACHING PARTS -----		
-34	NAS608H4-16	SCREW-SOCKET HEAD -----	4	

-35	ED12748	BRACKET-SWITCH ELE -----	1	
		ATTACHING PARTS -----		
-36	AN535-0-4	SCREW -----	4	

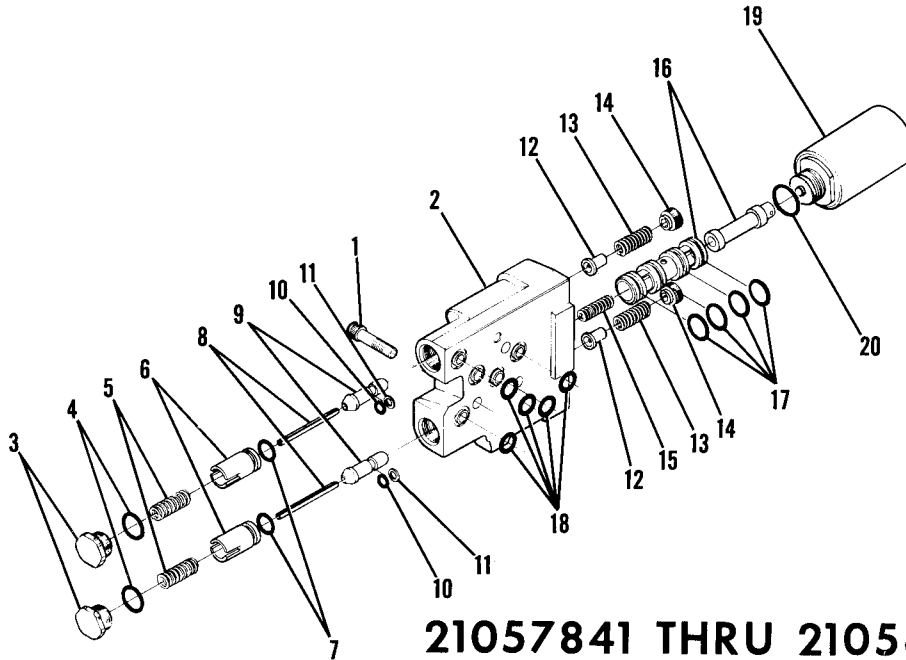
CONTINUED ON NEXT PAGE

FIGURE AND INDEX NO.	PART NUMBER	DESCRIPTION	UNITS PER ASSY	USABLE ON CODE
98 -37	16-4042 *	SWITCH LITW -----	1	
-38	70-120	ARM-ROLLER LITW -----	1	
-39	ED11984	SPRING ELE -----	1	
-40	NAS561F3-20	ROLL PIN -----	1	
-41	ED12714	BRACKET-GEAR STOP ELE -----	1	
-42	ED12713 *	SOLENOID ELE -----	1	
		ATTACHING PARTS		
-43	AN500A8-4	SCREW -----	2	
	AN935-8	LOCK WASHER -----	2	
		-----*		
-44	B65TYPE DC	BEARING-NEEDLE TOR -----	1	
-45	A9978	PLUG ELE -----	1	
-46	ED12953	SPRING ELE -----	1	
-47	ED12773	GUIDE-SPRING ELE -----	1	
-48	ED12734	PLUNGER-DETENT ELE -----	1	
-49	MS28775-005	O RING -----	1	
-50	MS28774-004	RING-BACKUP -----	1	
-51	ED12737-1	TUBE-DOORS ELE -----	1	
-52	AN6227B4	O RING -----	2	
-53	ED12717	CAM-GEAR ELE -----	1	
-54	NAS561F4-14	ROLL PIN -----	1	
-55	ED12712	SEPARATOR ELE -----	1	
-56	MS28775-119	O RING -----	1	
-57	S08	SPRING -----	1	
-58	ED12716	CAM SHAFT-GEAR ELE -----	1	
-59	AN6227B5	O RING -----	4	
-60	MS28774-010	RING-BACKUP -----	2	
-61	NAS561F4-12	ROLL PIN -----	1	
-62	ED12702	DISC-SELECTOR ELE -----	1	
-63	ED12701	DISC-FIXED ELE -----	1	
-64	MS28775-123	O RING -----	1	
-65	AN6227B4	O RING -----	4	
-66	A5445	PIN ELE -----	1	
-67	ED12821	ADAPTER ELE -----	1	
-68	MS28778-6	O RING -----	1	
-69	ES12608	PLUG-ORIFICE ELE -----	1	
-70	AN6227B5	O RING -----	1	
-71	NAS669-37	RING-SNAP -----	1	
-72	10-32NF-3X2 3/4	SCREW-SOCKET HEAD -----	2	
-73	RRT.56	RING -----	4	
-74	ED12725	GUIDE-SPRING ELE -----	4	
-75	ED13012	SPRING-CENTERING GEAR SIDE ELE -----	1	
-76	ED13047-1	SPRING-CENTERING FLAP SIDE ELE -----	1	
-77	ES12728	BODY ASSEMBLY ELE -----	2	
-78	ED12727	CLEVIS ELE -----	2	
		ATTACHING PARTS		
-79	6-32NC-38X1/8	SCREW-SET -----	1	
		-----*		
-80	ED12957	SCREW-ADJUSTMENT -----	2	

NOTE. *PART OF ES12649 WIRING HARNESS.

A---210 SERIAL 21057841 THRU 21058220
 B---210 SERIAL 21057841 THRU 21058461 EXCEPT 210
 AIRPLANES LISTED IN TABLE ON FIGURE 95A.

Hydraulic System (Cont)



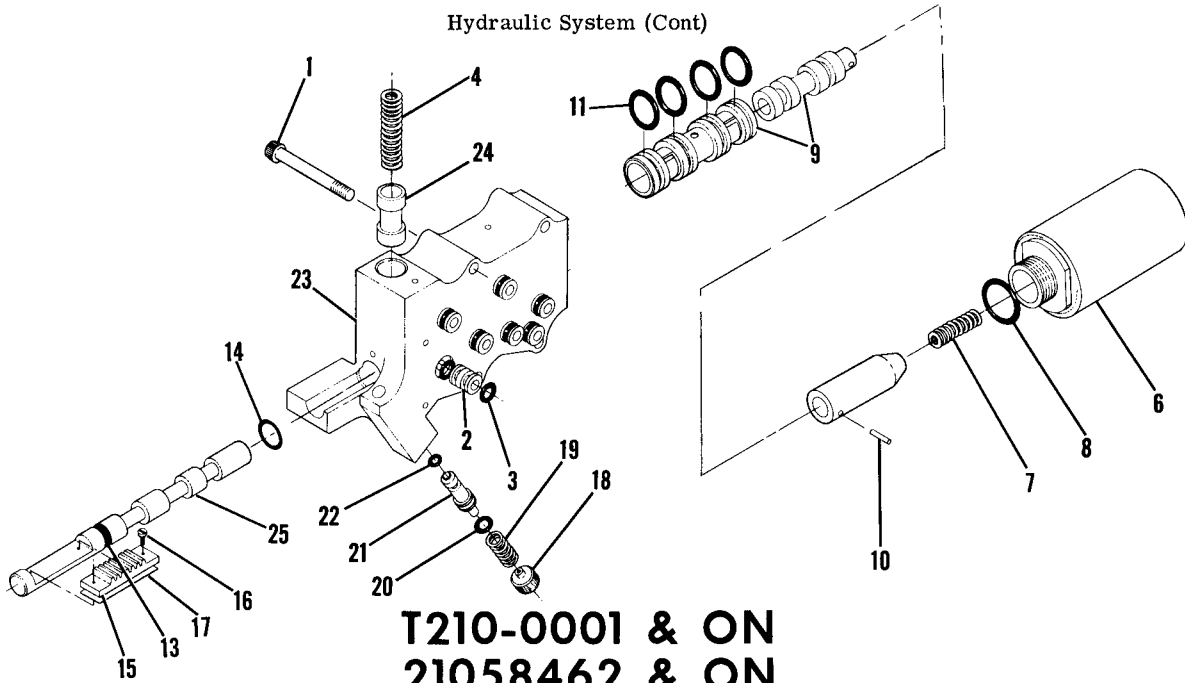
21057841 THRU 21058461

EXCEPT AIRPLANES LISTED IN TABLE ON FIGURE 95A

Figure 99. Powerpack Manifold Assembly

FIGURE AND INDEX NO.	PART NUMBER	DESCRIPTION	UNITS PER ASSY	USABLE ON CODE
99 -		1 2 3 4 5 6 7 MANIFOLD ASSEMBLY-POWER PACK -----	NP	A
- 1	NAS608H4-22	ATTACHING PARTS SCREW-SOCKET HEAD -----	3	
- 2	ES12698	BODY & PIN ASSEMBLY ELE -----	1	
- 3	ED12579	CAP ELE -----	2	
- 4	MS28775-015	O RING -----	2	
- 5	ED12892	SPRING ELE -----	2	
- 6	ED12577	SEAT-CHECK ELE -----	2	
- 7	AN6227B7	O RING -----	2	
- 8	79-018-078-1698	ROLL PIN -----	2	
- 9	ED12576	POPPET ELE -----	2	
-10	AN6227B1	O RING -----	2	
-11	MS28774-006	RING-BACKUP -----	2	
-12	ED12773	GUIDE-SPRING ELE -----	2	
-13	ED12799	SPRING ELE -----	2	
-14	A9978	PLUG ELE -----	2	
-15	ED12574	SPRING-SOLENOID ELE -----	1	
-16	ES12704	SPOOL & SLEEVE ASSEMBLY ELE -----	1	
-17	MS28775-014	O RING -----	4	
-18	AN6227B6	O RING -----	5	
-19	ED12591	* SOLENOID ELE -----	1	
-20	AN6227B12	O RING -----	1	
		NOTE. *PART OF ES12649 WIRING HARNESS ASSEMBLY.		
		A---210 SERIAL 21057841 THRU 21058461 EXCEPT 210 AIRPLANES LISTED IN TABLE ON FIGURE 95A. THIS MANIFOLD ASSEMBLY IS APPLICABLE ONLY TO 1280500-2, -3, -202 & -203 POWER PACK ASSEMBLIES. SEE FIGURE 96.		

Hydraulic System (Cont)



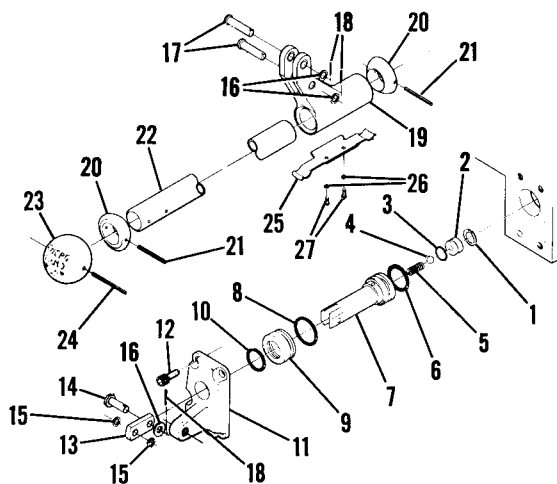
T210-0001 & ON
21058462 & ON

AND 210 AIRPLANES LISTED IN TABLE ON FIGURE 95A

Figure 99A. Powerpack Manifold Assembly

FIGURE AND INDEX NO.	PART NUMBER	DESCRIPTION	UNITS PER ASSY	USABLE ON CODE
99A-		1 2 3 4 5 6 7 MANIFOLD ASSEMBLY-POWER PACK ----- ATTACHING PARTS	NP	A
- 1	NAS608C3H24	SCREW -----	4	
- 2	294076-1	TRANSFER TUBE OAC -----	7	
- 3	MS28775-011	PACKING -----	14	
- 4	294017-1	SPRING-TIME DELAY VALVE OAC -----	1	
- 5		DELETED, NEVER USED -----		
- 6	294013-1	SOLENOID OAC -----	1	
- 7	294014-1	SPRING OAC -----	1	
- 8	MS28775-018	PACKING -----	1	
- 9	294016-1	SLEEVE & SPOOL OAC -----	1	
-10	294015-1	ATTACHING PARTS PIN OAC -----	1	
-11	MS28775-016	PACKING -----	4	
-12		DELETED, NEVER USED -----		
-13	MS28775-011	PACKING -----	1	
-14	MS28775-013	PACKING -----	1	
-15	294021-1	RACK OAC -----	1	
-16	4-48X 1/4	ATTACHING PARTS SCREW -----	2	
-17	294022-1	SHIM OAC -----	1	
-18	294030-1	RETAINER ASSEMBLY OAC -----	1	
-19	294029-1	SPRING OAC -----	1	
-20	MS28775-008	PACKING -----	1	
-21	294028-1	POPPET OAC -----	1	
-22	MS28775-006	PACKING -----	1	
-23	294060-1	MANIFOLD HOUSING ASSEMBLY OAC -----	1	
-24		PLUNGER OAC -----	NP	
-25		SPOOL OAC -----	NP	
<p>A---T210 SERIAL T210-0001 & ON 210 SERIAL 21058462 & ON AND 210 AIRPLANES LISTED IN TABLE ON FIGURE 95A. THIS BODY ASSEMBLY IS APPLICABLE ONLY TO THE 1280510-1 & 1280510-2 POWER PACK ASSEMBLIES. SEE FIGURE 96A.</p>				

Hydraulic System (Cont)



21057841 THRU 21058461

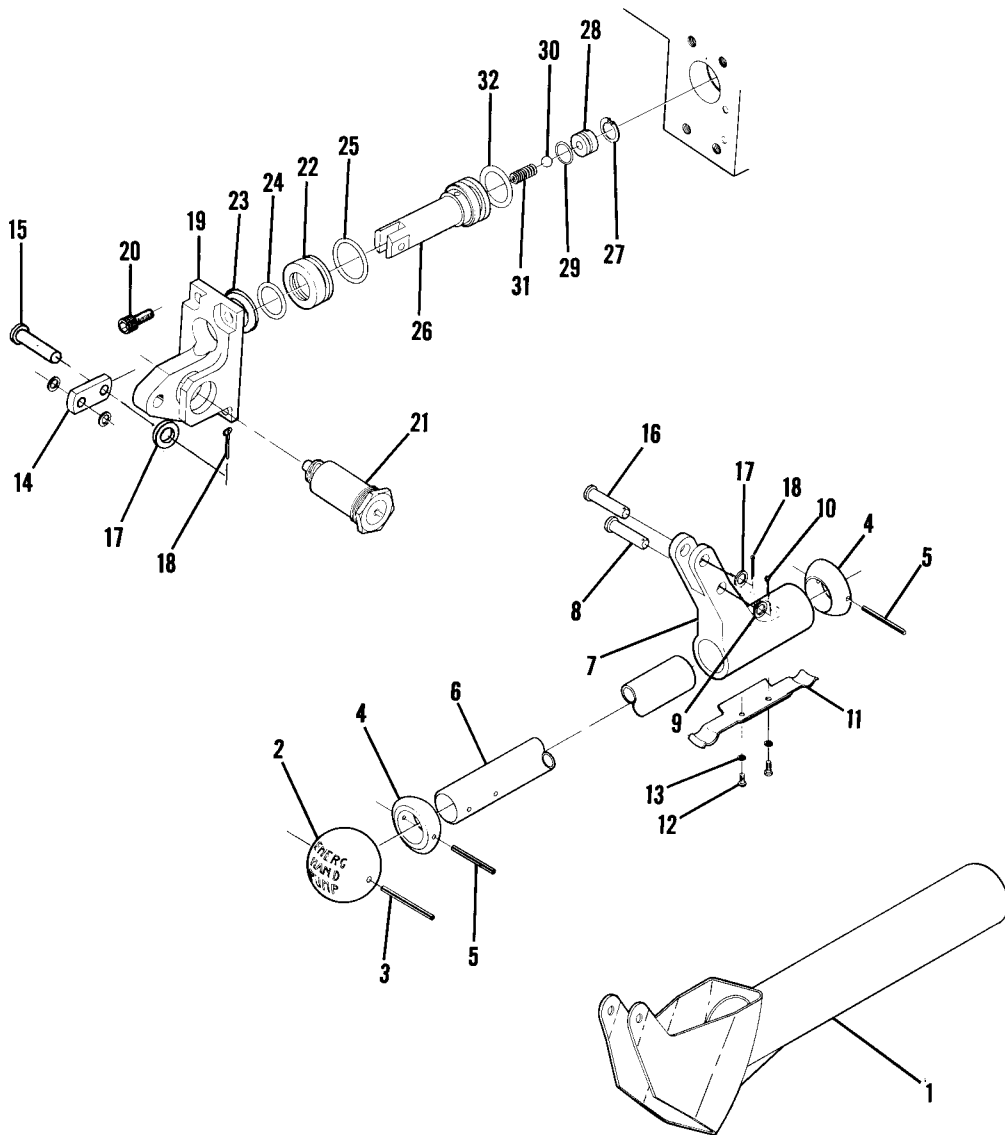
EXCEPT AIRPLANES LISTED IN TABLE ON FIGURE 95A

Figure 100. Emergency Hand Pump Assembly

FIGURE AND INDEX NO.	PART NUMBER	DESCRIPTION	UNITS PER ASSY	USABLE ON CODE
100 -		1 2 3 4 5 6 7 PUMP ASSEMBLY-EMERGENCY HAND -----	NP	A
- 1	NAS669-43	SNAP RING -----	1	
- 2	ED12756	SEAT-CHECK ELE -----	1	
- 3	AN6227B6	O RING -----	1	
- 4	ELA16-8	BALL ELE -----	1	
- 5	A1993	SPRING ELE -----	1	
- 6	AN6227B13	O RING -----	1	
- 7	ED12580	PISTON-HAND PUMP ELE -----	1	
- 8	MS28775-117	O RING -----	1	
- 9	ED12581	GLAND-PISTON ELE -----	1	
-10	AN6227B12	O RING -----	1	
-11	ES12722	END-CLEVIS ELE -----	1	
-12	NPS608H4-6	ATTACHING PARTS SCREW-SOCKET -----	4	
-13	ED12736	LINK ELE -----	1	
-14	MS20392-2C17	ATTACHING PARTS PIN-FLATHEAD -----	1	
-15	AN960-10L	WASHER -----	2	
-16	AN960-10	WASHER -----	3	
-17	MS20392-2C27	PIN -----	2	
-18	MS24665-134	PIN-COTTER -----	3	
-19	ES12721	FORK & BUSHING ASSEMBLY ELE -----	1	
-20	ED12110	STOP-HANDLE ELE -----	2	
-21	NAS561-4-18	ATTACHING PARTS ROLL PIN -----	1	
-22	ED12778	HANDLE HAND PUMP ELE -----	1	
-23	ED12017	GRIP-HAND PUMP ELE -----	1	
-24	NAS561-4-22	ATTACHING PARTS ROLL PIN -----	1	
-25	ED12099	SPRING CLIP ELE -----	1	
-26	AN500-6-3	ATTACHING PARTS SCREW -----	2	
-27	AN935-6L	WASHER -----	2	

A---210 SERIAL 21057841 THRU 21058461 EXCEPT 210 AIRPLANES LISTED IN TABLE ON FIGURE 95A.

Hydraulic System (Cont)



T210-0001 & ON
21058462 & ON

AND 210 AIRPLANES LISTED IN TABLE ON FIGURE 95A

Figure 100A. Emergency Hand Pump Assembly



FIGURE AND INDEX NO.	PART NUMBER	DESCRIPTION	UNITS PER ASSY	USABLE ON CODE
100A-		1 2 3 4 5 6 7		
- 1	1280619-1	EMERGENCY HAND PUMP INSTALLATION ----- GUARD ASSEMBLY-HANDLE ----- ATTACHING PARTS -----	NP 1	A
	AN520-10R8	SCREW -----	1	
	AN960-10L	WASHER -----	1	
	AN735D22	CLAMP -----	1	
		----- T210-0001 & ON 21058462 & ON -----		
		AND 210 AIRPLANES LISTED IN TABLE ON FIGURE 95A		
- 2	294077-1	GRIP-HANDLE OAC ----- ATTACHING PARTS -----	1	
- 3	MS171534	PIN-SPRING -----	1	
- 4	294059-1	STOP-HANDLE OAC ----- ATTACHING PARTS -----	2	
- 5	MS171534	PIN-SPRING -----	1	
- 6	294058-1	HANDLE OAC -----	1	
- 7	294056-1	LEVER ASSEMBLY OAC ----- ATTACHING PARTS -----	1	
- 8	294025-5	PIN OAC -----	1	
- 9	294079-1	WASHER OAC -----	1	
-10	MS24665-151	COTTER PIN -----	1	
-11	294057-1	SPRING-HANDLE LATCH OAC ----- ATTACHING PARTS -----	1	
-12	AN500AD6-3	SCREW -----	2	
-13	MS122028	WASHER -----	2	
-14	294055-1	LINK OAC ----- ATTACHING PARTS -----	1	
-15	294025-3	PIN OAC -----	1	
-16	294025-1	PIN OAC -----	1	
-17	294079-1	WASHER OAC -----	2	
-18	MS24665-151	COTTER PIN -----	2	
-19	294004-1	BRACKET ASSEMBLY-HAND PUMP OAC ----- ATTACHING PARTS -----	1	
-20	NAS608C4-8	SCREW -----	4	
-21	294075-1	SOLENOID OAC -----	1	
-22	294050-1	GLAND-HAND PUMP OAC -----	1	
-23	MS28776-3	SCRAPER -----	1	
-24	MS28775-114	PACKING -----	1	
-25	MS28775-021	PACKING -----	1	
-26	294053-1	PLUNGER-HAND PUMP OAC -----	1	
-27	CR-43	SNAP RING -----	1	
-28	294051-1	SEAT OAC -----	1	
-29	MS28775-011	PACKING -----	1	
-30	MS134356	BALL -----	1	
-31	294018-1	SPRING OAC -----	1	
-32	MS28775-115	PACKING -----	1	
		A---T210 SERIAL T210-0001 & ON 210 SERIAL 21058462 & ON AND 210 AIRPLANES LISTED IN TABLE ON FIGURE 95A. THIS PUMP ASSEMBLY IS APPLICABLE ONLY TO THE 1280510-1 & 1280510-2 POWER PACK ASSEMBLIES. SEE FIGURE 96A.		

Hydraulic System (Cont)

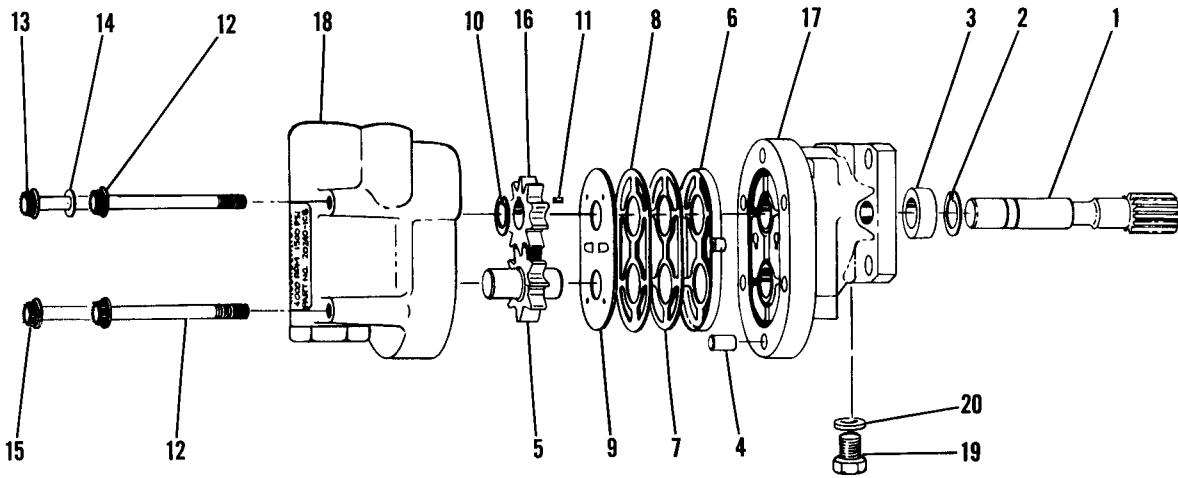


Figure 101. Hydraulic Pump Assembly



FIGURE AND INDEX NO.	PART NUMBER	DESCRIPTION						UNITS PER ASSY	USABLE ON CODE	
		1	2	3	4	5	6			7
101 -	1280103-4	PUMP ASSEMBLY-HYDRAULIC 20240-1CB WHEN -----						1	A	
		EXHAUSTED USE 1280103-7								
	1280103-7	%	PUMP ASSEMBLY-HYDRAULIC X20240-1CD -----						1	B
- 1	20240-18		DRIVE SHAFT CESH -----						1	
- 2	16077-14	*	SNAP RING CESH -----						1	
- 3	20240-8	*	SEAL-SHAFT CESH -----						1	
- 4	16028-404		PIN-DOWEL CESH -----						2	
- 5	20246-5		GEAR ASSEMBLY-IDLER CESH -----						1	
	20246-4		SHAFT-IDLER CESH -----						1	
	20246-3		GEAR CESH -----						1	
	20240-9	*	SNAP RING CESH -----						2	
	20246-7		KEY CESH -----						1	
- 6	20240-14	*	SEAL-DIAPHRAGM CESH -----						1	
- 7	20240-15	*	GASKET-PROTECTOR CESH -----						1	
- 8	20240-16	*	GASKET-BACK UP CESH -----						1	
- 9	20240-17	*	DIAPHRAGM CESH -----						1	
-10	20240-9		SNAP RING CESH -----						2	
-11	20240-25	*	KEY CESH -----						1	
-12	16119-422		SCREW-CAP CESH -----						2	
-13	16119-416		SCREW-CAP CESH -----						1	
-14	20240-22	*	WASHER CESH -----						1	
-15	16119-410		SCREW-CAP CESH -----						1	
-16	20246-3		GEAR CESH -----						1	
	20240-21	*	MOUNTING PAD GASKET -----						1	
-17	20240-13		FRONT PLATE ASSEMBLY CESH USED ON 1280103-4 -----						1	A
	20240-53		FRONT PLATE ASSEMBLY CESH USED ON 1280103-7 -----						1	B
-18	20240-37		REAR HOUSING ASSEMBLY CESH CONSISTS OF HOUSING -----						1	
	20240-36		KIT-MAJOR SEAL REPAIR CESH CONSISTS OF ALL PARTS -----						1	
			MARKED *.							
-19	MS21913D3		PLUG REQD WHEN 1280103-7 IS USED -----						1	B
-20	MS28775-010		O RING REQD WHEN 1280103-7 IS USED -----						1	B
<p>NOTE. %WHEN THIS PART IS USED AS A SPARE ON AIRPLANES THAT HAVE PREVIOUSLY BEEN EQUIPPED WITH 1280103-4 ALSO ORDER MS21913D3 PLUG AND MS28775-010 O RING.</p> <p>A---T210 SERIAL T210-0001 THRU T210-0086 210 SERIAL 21057841 THRU 21058724</p> <p>B---T210 SERIAL T210-0087 & ON 210 SERIAL 21058725 & ON</p>										

Hydraulic System (cont)

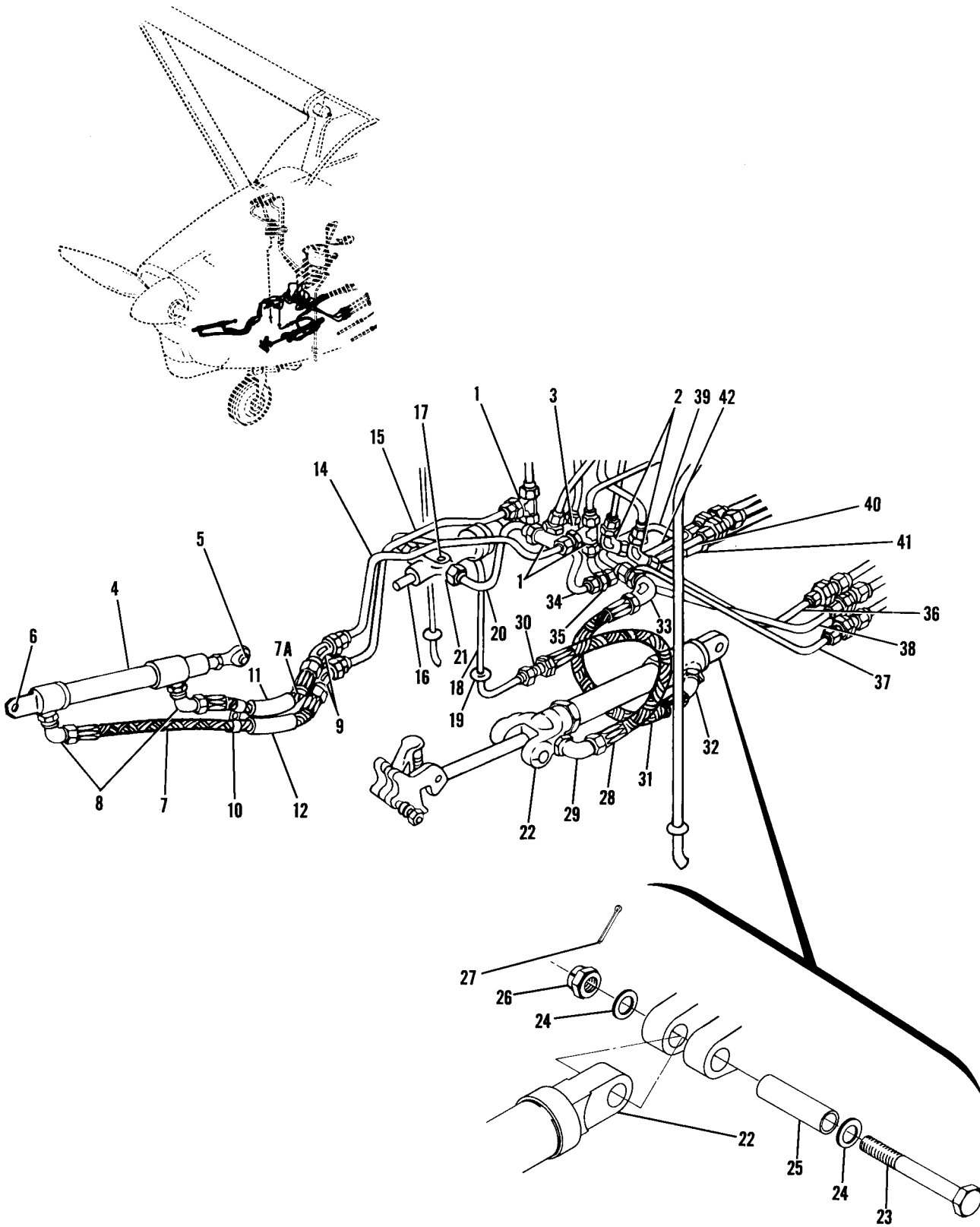


Figure 102. Hydraulic System Installation-Nose Gear and Nose Gear Doors

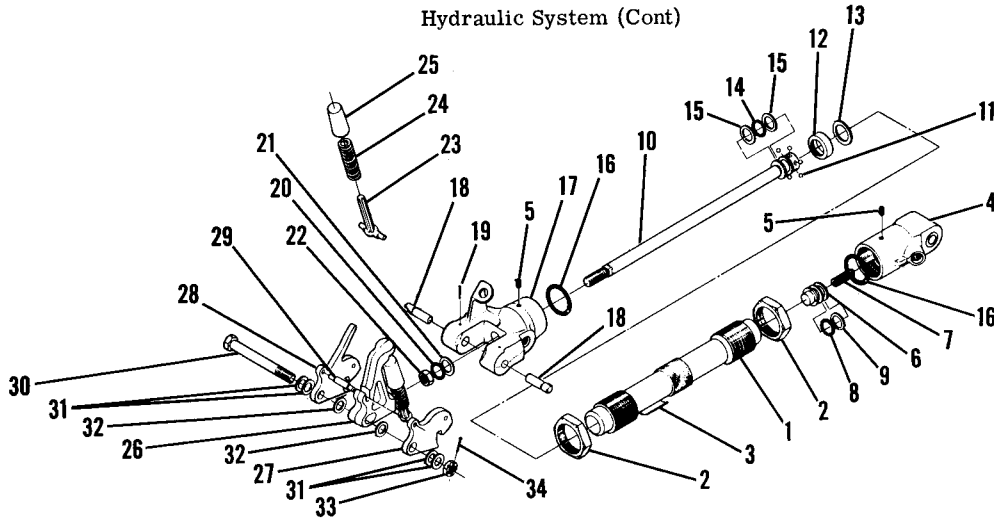
FIGURE AND INDEX NO.	PART NUMBER	DESCRIPTION	UNITS PER ASSY	USABLE ON CODE
		1 2 3 4 5 6 7		
102 -		HYDRAULIC SYSTEM INSTALLATION-NOSE GEAR & NOSE GEAR DOORS -----	NP	
- 1	AN834-4D	TEE-BULKHEAD -----	1	
	AN960PD716	WASHER -----	2	
	AN924-4D	NUT -----	1	
- 2	AN833-3D	ELBOW -----	1	C
	AN960PD616	WASHER -----	1	C
	AN924-3D	NUT -----	1	C
- 3	AN833-4D	ELBOW -----	1	
	AN960PD716	WASHER -----	1	
	AN924-4D	NUT -----	1	
- 4	1280503-2	ACTUATOR-WHEEL DOOR SEE FIGURE 108 WHEN -----	1	D
		EXHAUSTED USE 1280513-1		
	1280513-1	ACTUATOR-WHEEL DOOR SEE FIGURE 108A -----	1	E
		ATTACHING PARTS		
- 5	AN23-13	BOLT -----	1	
	AN320-3	NUT -----	1	
	MS24665-134	PIN-COTTER -----	1	
- 6	AN3-13	BOLT -----	1	
	AN960-10L	WASHER -----	1	
	AN320-3	NUT -----	1	
	MS24665-134	PIN-COTTER -----	1	
		-----*		
- 7	S1167-4-0180	HOSE ASSEMBLY-DOOR OPEN -----	1	
- 7A	S1167-4-0110	HOSE ASSEMBLY-DOOR CLOSE -----	1	
		ATTACHING PARTS		
- 8	A2000C-4-3A	ELBOW -----	1	A
	AN921-4D	ELBOW -----	1	B
	MS28778-3	GASKET -----	1	A
	AN6289D3	NUT -----	1	A
	AN6289D4	NUT -----	1	B
	MS9058-03	RING-BACKUP -----	1	A
	MS9058-04	RING-BACKUP -----	1	B
- 9	AN837-4D	ELBOW -----	1	
	AN960PD716	WASHER -----	1	
	AN924-4D	NUT -----	1	
-10	S1485D8U	CLAMP -----	1	
	AN742D8	CLAMP -----	1	
	S1021Z8-6	SCREW -----	1	
		-----*		
-11	S292-15	SLEEVING 10.0 IN LG BULK ITEM S292-15-10.00 -----	1	
-12	S292-15	SLEEVING 17.0 IN LG BULK ITEM S292-15-17.00 -----	1	
-13		DELETED-NEVER USED -----		
-14	1280506-60	LINE ASSEMBLY-DOOR CLOSE -----	1	
-15	1280506-63	LINE ASSEMBLY-DOOR OPEN -----	1	
-16	1280504-1	ACTUATOR-UNLOCK -----	1	
		ATTACHING PARTS		
-17	AN509-416R29	SCREW -----	2	
	AN960-416L	WASHER -----	2	
	NAS679A4	NUT -----	2	
		-----*		
-18	1280506-58	LINE ASSEMBLY-GEAR DOWN -----	1	
-19	MS35489-34	GROMMET -----	1	
-20	1280506-57	LINE ASSEMBLY-GEAR DOWN -----	1	
-21	AN919-2D	REDUCER -----	1	
	MS28778-4	GASKET -----	1	
-22	1280502-1	ACTUATOR ASSEMBLY-NOSE GEAR SEE FIGURE 103 WHEN -----	1	D
		EXHAUSTED USE 1280512-1		
	1280512-1	ACTUATOR ASSEMBLY-NOSE GEAR SEE FIGURE 100A -----	1	E
		ATTACHING PARTS		
-23	NAS464P5-42	BOLT -----	1	
-24	AN916-516L	WASHER -----	2	
-25	1280608-1	BUSHING-ACTUATOR -----	1	
-26	AN320-5	NUT -----	1	
-27	MS24665-136	PIN-COTTER -----	1	
		-----*		
-28	S1167-3-01414	HOSE ASSEMBLY -----	1	
		ATTACHING PARTS		
-29	AN833-3D	ELBOW -----	1	
	MS28778-3	GASKET -----	1	
	AN6289D3	NUT -----	1	
	MS9058-03	RING-BACKUP -----	1	
-30	AN832-3D	UNION-BULKHEAD -----	1	
	AN960PD616	WASHER -----	1	
	AN924-3D	NUT -----	1	
		-----*		

CONTINUED ON NEXT PAGE



FIGURE AND INDEX NO.	PART NUMBER	DESCRIPTION	UNITS PER ASSY	USABLE ON CODE
102 -31	S1167-3-0122	HOSE ASSEMBLY ----- ATTACHING PARTS -----	1	
-32	AN837-3D	ELBOW -----	1	
	MS28778-3	GASKET -----	1	
	MS9058-03	RING-BACKUP -----	1	
	AN6289D3	NUT -----	1	
-33	AN833-3D	ELBOW -----	1	
	AN960PD616	WASHER -----	2	
	AN924-3D	NUT -----	1	
		-----*		
-34	1280506-55	LINE ASSEMBLY-GEAR DOWN ----- ATTACHING PARTS -----	1	
-35	AN832-4D	UNION-BULKHEAD -----	1	
	AN960PD716	WASHER -----	1	
	AN924-4D	NUT -----	1	
		-----*		
-36	1280506-51	LINE ASSEMBLY-FLAP UP -----	1	C
-37	1280506-56	LINE ASSEMBLY-GEAR DOWN -----	1	
-38	1280506-59	LINE ASSEMBLY-DOOR CLOSE -----	1	
-39	1280506-54	LINE ASSEMBLY-GEAR UP -----	1	
-40	1280506-52	LINE ASSEMBLY-FLAP DOWN -----	1	C
-41	1280506-53	LINE ASSEMBLY-GEAR UP -----	1	
-42	1280506-64	LINE ASSEMBLY-DOOR OPEN -----	1	
<p>NOTE. *WHEN ORDERING THIS PART FOR AIRCRAFT PRIOR TO SERIAL 21057861 ALSO ORDER PART MARKED #.</p> <p>A---210 SERIAL 21057841 THRU 21057860 B---T210 SERIAL T210-0001 & ON 210 SERIAL 21057861 & ON C---210 SERIAL 21057841 THRU 21058220 D---210 SERIAL 21057841 THRU 21058484 E---T210 SERIAL T210-0001 & ON 210 SERIAL 21058485 & ON AND AS ALTERNATE ON SOME 210 AIRPLANES IN SERIAL BLOCK 21058398 THRU 21058484</p>				

Hydraulic System (Cont)



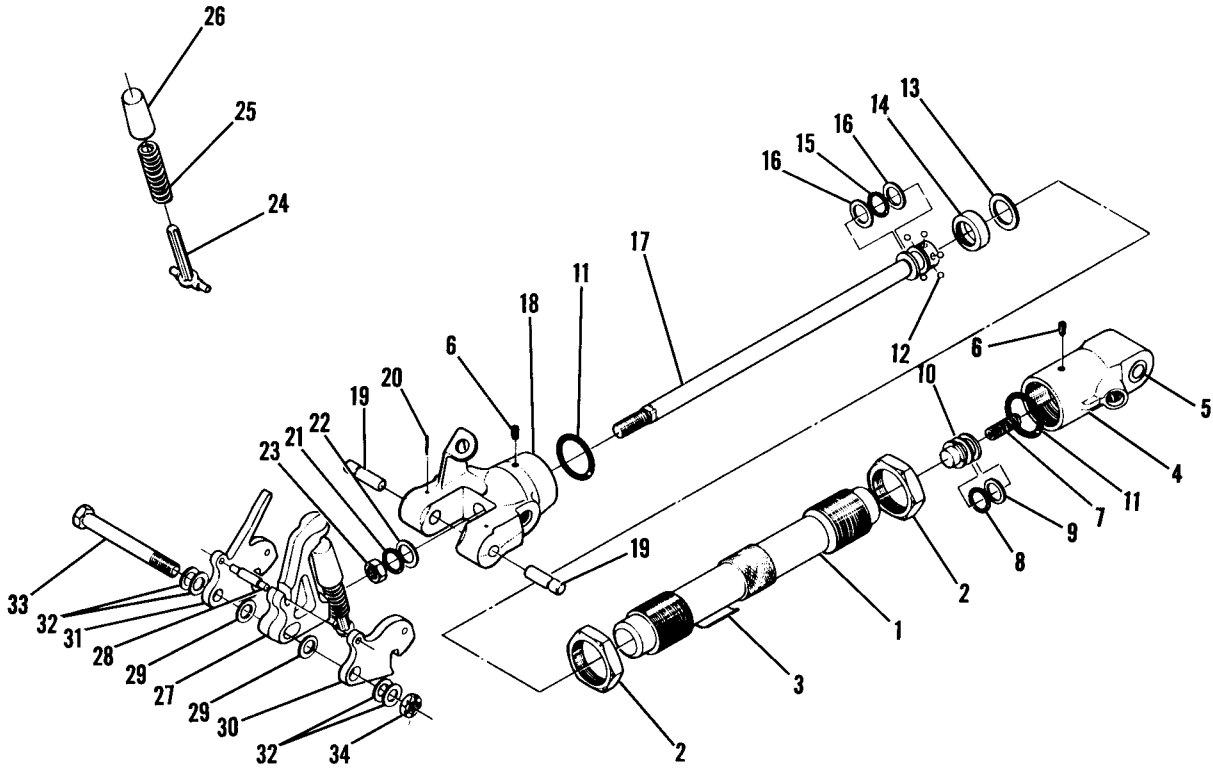
21057841 THRU 21058484

SEE SERIAL CODE A FOR EXCEPTIONS

Figure 103. Nose Gear Actuator Assembly

FIGURE AND INDEX NO.	PART NUMBER	DESCRIPTION	UNITS PER ASSY							USABLE ON CODE
			1	2	3	4	5	6	7	
103 -	1280502-1	ACTUATOR ASSY-NOSE GEAR RETRACTION & DRAG STRUT EXHAUSTED USE 1280512-1 SEE FIGURE 103A	1							A
- 1	ED12832	BARREL ELE	1							
- 2	1280211-1	NUT ELE	2							
- 3	S1440-1	NAMEPLATE	1							
- 4	ES12824	HEAD & BUSHING ASSEMBLY ELE	1							
- 5	M75-FS-10245CR	SET SCREW FLN	2							
- 6	ED12831	PLUNGER ELE	1							
- 7	ED12816	SPRING ELE	1							
- 8	AN6227B11	O RING	1							
- 9	MS28774-113	RING-BACKUP	1							
-10	ES12825	PISTON & STOP ASSEMBLY ELE	1							
-11	ELA16-6	BALL ELE	6							
-12	ED12828	RACE ELE	1							
-13	ED12829	WASHER ELE	1							
-14	S1120-491	O RING	1							
-15	S1121-515	RING-BACKUP	2							
-16	AN6227B19	O RING	1							
	ED12830	BEARING END ASSEMBLY ELE	1							
-17	1280600-1	BEARING END	1							
-18	1280209-1	PIN	2							
-19	MS16562-18	PIN SELOK	2							
-20	AN6227B9	O RING	1							
-21	MS28774-111	RING-BACKUP	1							
-22	1280612-1	NUT	1							
-23	1280206-1	GUIDE-SPRING	1							
-24	1280231-1	SPRING	1							
-25	1280207-1	SHIELD	1							
-26	1280234-2	ROD END	1							
-27	1280602-1	HOOK-LH	1							
-28	1280602-2	HOOK-RH	1							
-29	1280210-1	CROSS BAR	1							
-30	NAS464P6-42	BOLT	1							
-31	AN960-616L	WASHER	4							
-32	AN960-616	WASHER	2							
-33	AN320-6	NUT	1							
-34	MS24665-285	PIN-COTTER	1							
<p>A---210 SERIAL 21057841 THRU 21058484 EXCEPT WHEN ALTERNATE 1280512-1 WAS USED ON SOME 210 AIRPLANES IN SERIAL BLOCK 21058393 THRU 21058484</p>										

Hydraulic System (Cont)



T210-0001 & ON
21058485 & ON

AND AS ALTERNATE ON SOME 210
AIRPLANES IN SERIAL BLOCK
21058393 THRU 21058484

Figure 103A. Nose Gear Actuator Assembly

FIGURE AND INDEX NO.	PART NUMBER	DESCRIPTION	UNITS PER ASSY	USABLE ON CODE
		1 2 3 4 5 6 7		
103A-	1280512-1	ACTUATOR ASSY-NOSE GEAR RETRACTION & DRAG STRUT -----	1	A
- 1	294710-1	BARREL OAC -----	1	
- 2	1280211-2	NUT OAS -----	2	
- 3	OAS200-1	NAMEPLATE OAS -----	1	
- 4	294717-1	HEAD OAS -----	1	
- 5	294714-1	BUSHING OAS -----	1	
- 6	M75FS-1024-5CR	SET SCREW -----	2	
- 7	294715-1	SPRING OAS -----	1	
- 8	AN6227B10	PACKING -----	1	
- 9	MS28774-112	PACKING-BACKUP -----	1	
-10	294716-1	PLUNGER OAS -----	1	
-11	AN6227B19	PACKING -----	2	
-12	MS150455	BALL -----	6	
-13	294713-1	WASHER-STOP OAS -----	1	
-14	294712-1	RACE OAS -----	1	
-15	AN6227B11	PACKING -----	1	
-16	MS28774-113	PACKING-BACKUP -----	2	
-17	294709-1	PISTON & ROD OAS -----	1	
-18	294708-1	BEARING END OAS -----	1	
-19	294702-1	PIN OAS -----	2	
-20	MS16562-18	ROLL PIN -----	2	
-21	AN6227B9	PACKING -----	1	
-22	MS28774-111	PACKING-BACKUP -----	1	
-23	1280612-1	NUT OAS -----	1	
-24	1280206-1	GUIDE-SPRING OAS -----	1	
-25	1280231-1	SPRING OAS -----	1	
-26	1280207-1	SHIELD OAS -----	1	
-27	1280234-2	ROD END OAS -----	1	
-28	1280210-1	CROSS BAR OAS -----	1	
-29	AN960-616	WASHER -----	2	
-30	1280602-1	HOOK OAS -----	1	
-31	1280602-2	HOOK OAS -----	1	
-32	AN960-616L	WASHER -----	4	
-33	NAS464P6-42	BOLT -----	1	
-34	AN320-6	NUT -----	1	
		<p>A---T210 SERIAL T210-0001 & ON 210 SERIAL 21058485 & ON AND AS ALTERNATE ON SOME 210 AIRPLANES IN SERIAL BLOCK 21058393 THRU 21058484</p>		

Hydraulic System (cont)

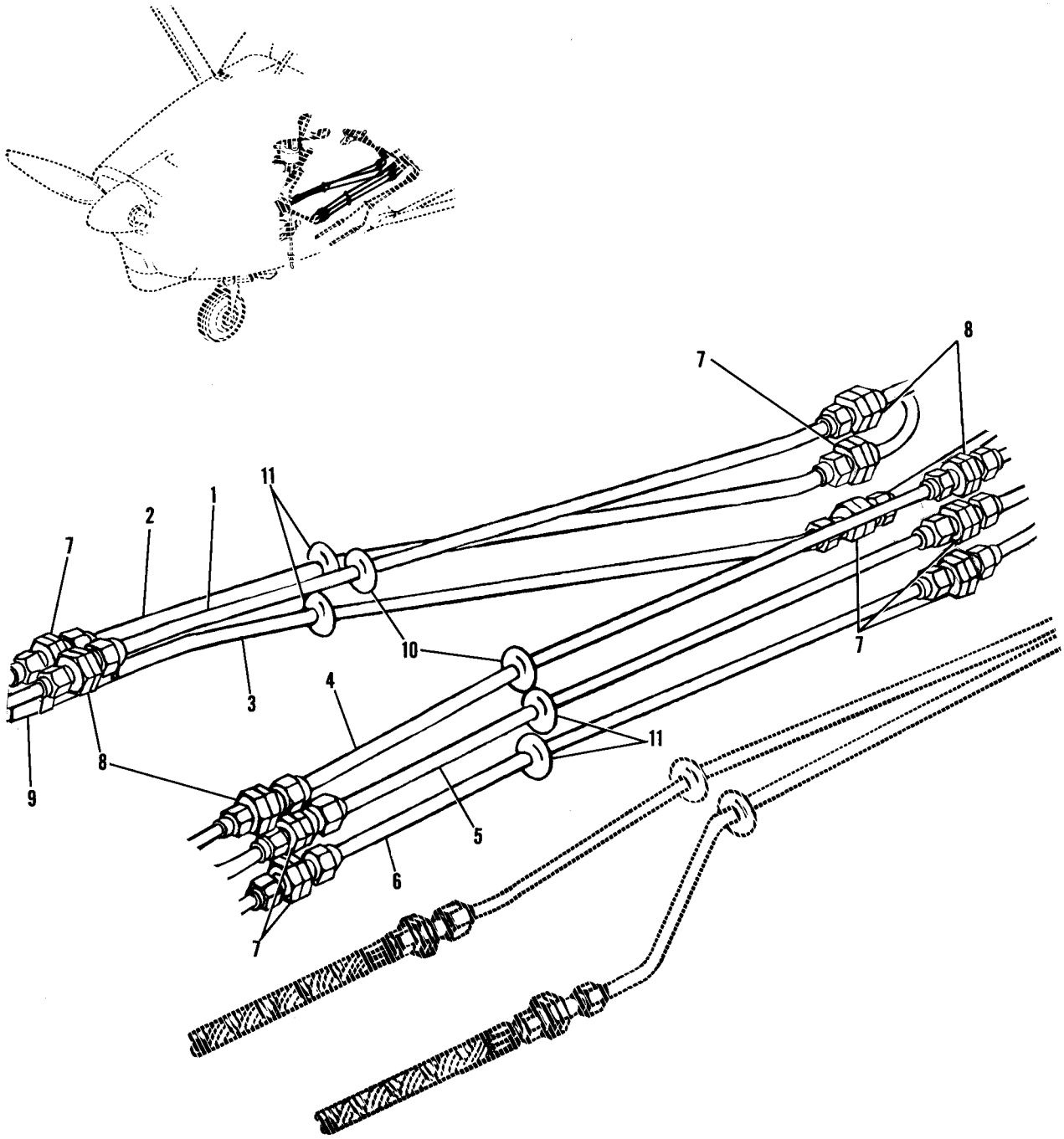


Figure 104. Hydraulic System Installation - Sta. 18.00 to 44.00



FIGURE AND INDEX NO.	PART NUMBER	DESCRIPTION	UNITS PER ASSY	USABLE ON CODE
1 2 3 4 5 6 7				
104 -		HYDRAULIC SYSTEM INSTALLATION-STA. 18.00 TO 44.00 -----	NP	
- 1	1280506-18	LINE ASSEMBLY-FLAP DOWN -----	1	A
- 2	1280506-35	LINE ASSEMBLY-DOOR OPEN -----	1	
- 3	1280506-23	LINE ASSEMBLY-GEAR UP -----	1	
- 4	1280506-17	LINE ASSEMBLY-FLAP UP -----	1	A
- 5	1280506-33	LINE ASSEMBLY-DOOR CLOSE -----	1	
- 6	1280506-28	LINE ASSEMBLY-GEAR DOWN -----	1	
- 7	AN832-4D	UNION-BULKHEAD -----	7	
	AN960PD716	WASHER -----	7	
	AN924-4D	NUT -----	7	
- 8	AN832-3D	UNION-BULKHEAD -----	4	A
	AN960PD616	WASHER -----	4	
	AN924-3D	NUT -----	4	
- 9	AN783D4	TEE-INTERNAL THREAD -----	1	
	AN912-2D	REDUCER-EXTERNAL THREAD -----	1	
	AN960PD716	WASHER -----	1	
	MS28778-3	GASKET -----	1	
	AN924-4D	NUT-BULKHEAD -----	1	
-10	MS35489-5	GROMMET -----	2	A
-11	MS35489-7	GROMMET -----	4	
A---210 SERIAL 21057841 THRU 21058220				

Hydraulic System (cont)

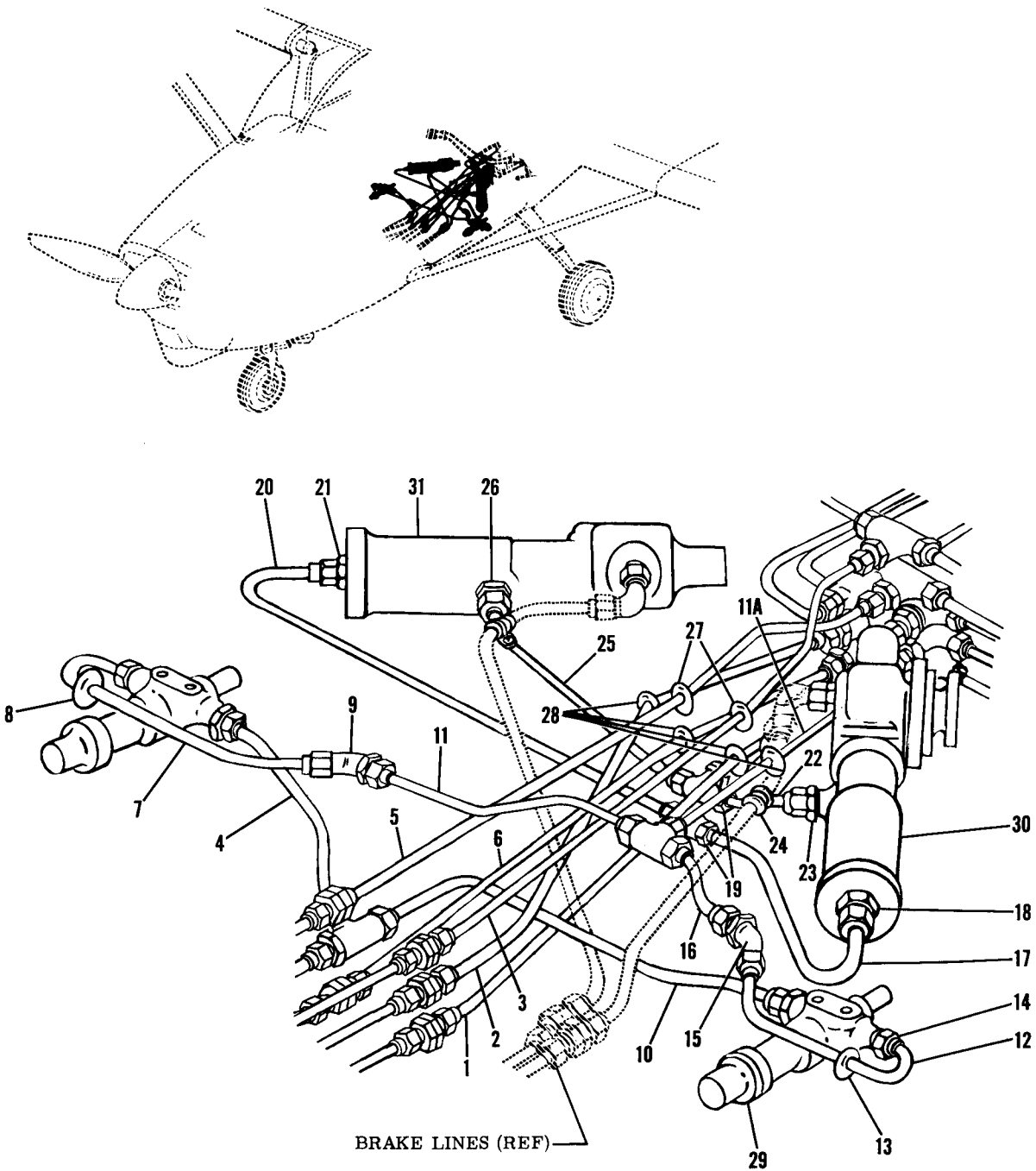


Figure 105. Hydraulic System Installation—Sta. 44.00 to 68.33

FIGURE AND INDEX NO.	PART NUMBER	DESCRIPTION	UNITS PER ASSY	USABLE ON CODE
105 -		HYDRAULIC SYSTEM INSTALLATION-STA. 44.00 TO 68.33 -----	NP	
- 1	1280506-29	LINE ASSEMBLY-GEAR DOWN -----	1	
- 2	1280506-34	LINE ASSEMBLY-DOOR CLOSE -----	1	
- 3	1280506-15	LINE ASSEMBLY-FLAP UP -----	1	C
- 4	1280506-36	LINE ASSEMBLY-DOOR OPEN -----	1	
- 5	1280506-16	LINE ASSEMBLY-FLAP DOWN -----	1	C
- 6	1280506-24	LINE ASSEMBLY-GEAR UP -----	1	
- 7	1280506-37	LINE ASSEMBLY-DOOR OPEN -----	1	
		ATTACHING PARTS		
- 8	MS35489-6	GROMMET -----	1	
- 9	AN837-4D	ELBOW -----	2	
	AN960PD716	WASHER -----	2	
	AN924-4D	NUT -----	2	
-10	1280506-38	LINE ASSEMBLY-DOOR OPEN -----	1	
-11	1280506-78	LINE ASSEMBLY-DOOR OPEN -----	1	
-11A	1280506-77	LINE ASSEMBLY-DOOR OPEN -----	1	
-12	1280506-39	LINE ASSEMBLY-DOOR OPEN -----	1	
		ATTACHING PARTS		
-13	MS35489-6	GROMMET -----	1	
-14	AN815-4D	UNION -----	1	
	MS28778-4	GASKET -----	1	
-15	AN837-4D	ELBOW -----	1	
	AN960PD716	WASHER -----	2	
	AN924-4D	NUT -----	1	
-16	1280506-40	LINE ASSEMBLY-DOOR OPEN -----	1	
-17	1280506-26	LINE ASSEMBLY-GEAR UP LH SIDE -----	1	E
	1280506-101 ***	LINE ASSEMBLY-GEAR UP RH SIDE -----	1	G
		ATTACHING PARTS		
-18	AN815-4D	UNION -----	1	E
	AN919-3D	REDUCER USED ONLY WITH 1280511-3 & -4 -----	1	E
	MS28778-4	GASKET -----	1	E
	MS28778-5	GASKET USED ONLY WITH 1280511-3 & -4 -----	1	E

-19	AN834-4D	TEE -----	2	
	AN960PD716	WASHER -----	2	
	AN924-4D	NUT -----	2	
-20	1280506-27	LINE ASSEMBLY-GEAR UP RH SIDE -----	1	E
	1280506-102 ***	LINE ASSEMBLY-GEAR UP RH SIDE -----	1	G
		ATTACHING PARTS		
-21	AN815-4D	UNION -----	1	H
	AN919-3D	REDUCER USED ONLY WITH 1280511-3 & -4 -----	1	D
	MS28778-4	GASKET -----	1	H
	MS28778-5	GASKET USED ONLY WITH 1280511-3 & -4 -----	1	D

-22	1280506-31	LINE ASSEMBLY-GEAR DOWN LH SIDE -----	1	E
	1280506-113 ***	LINE ASSEMBLY-GEAR DOWN LH SIDE -----	1	G
		ATTACHING PARTS		
-23	AN815-4D	UNION -----	1	
	MS28778-4	GASKET -----	1	

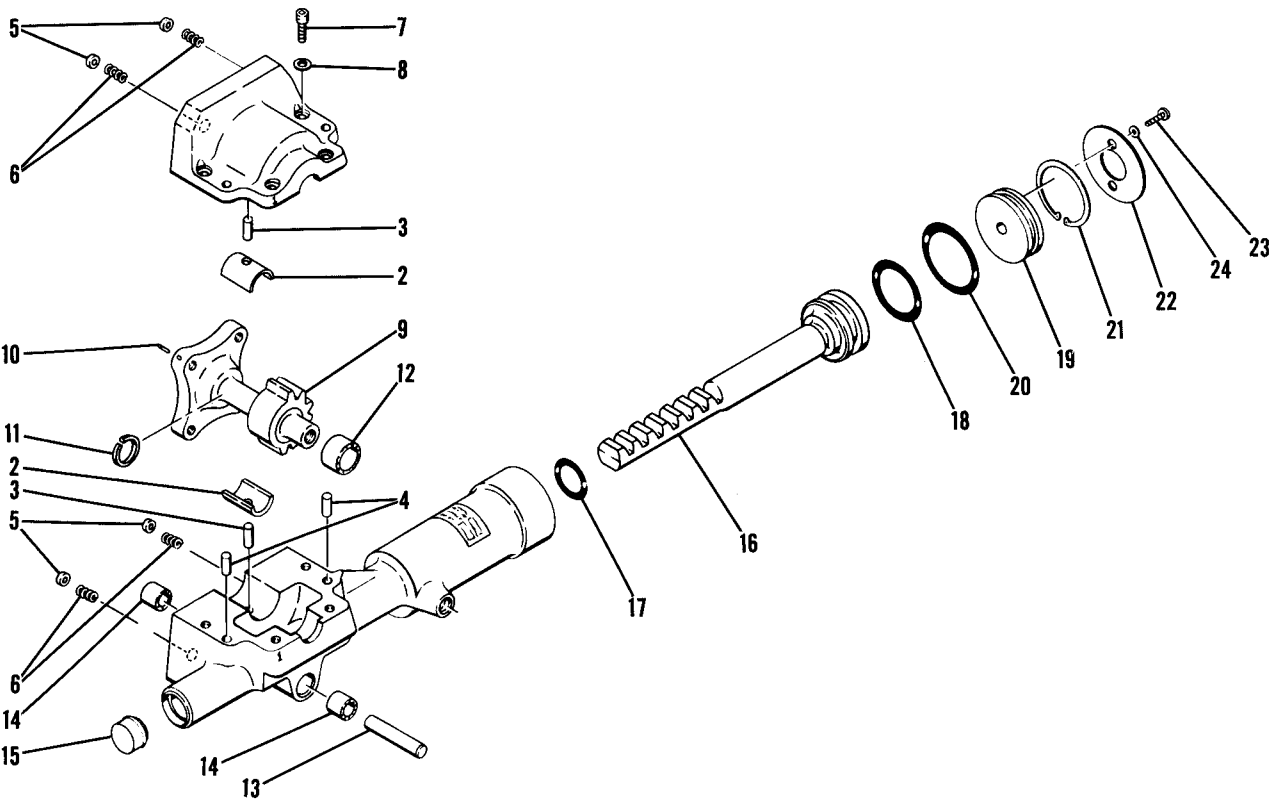
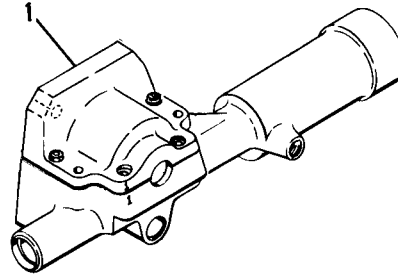
-24	755AE-4-2-6	CLAMP AP -----	1	
	MS21919DG3	CLAMP AP -----	1	
	AN815-8R8	SCREW -----	1	
-25	1280506-32	LINE ASSEMBLY-GEAR DOWN RH SIDE -----	1	E
	1280506-113 ***	LINE ASSEMBLY-GEAR DOWN RH SIDE -----	1	G
		ATTACHING PARTS		
-26	AN815-4D	UNION -----	1	
	MS28778-4	GASKET -----	1	

CONTINUED ON NEXT PAGE

FIGURE AND INDEX NO.	PART NUMBER	DESCRIPTION							UNITS PER ASSY	USABLE ON CODE	
		1	2	3	4	5	6	7			
105 -27	MS35489-5	GROMMET -----							2	C	
-28	MS35489-7	GROMMET -----							4		
-29	1280109-3	ACTUATOR ASSEMBLY-UNLOCK SEE FIGURE 111 -----							2		
-30	1280501-1	*	ACTUATOR-MAIN GEAR ROTARY LH SEE FIGURE 106 -----						1	E	
	1280511-3	**	ACTUATOR-MAIN GEAR ROTARY LH ALTERNATE -----						1	D	
			SEE FIGURE 106A.								
	1280511-1		ACTUATOR-MAIN GEAR ROTARY LH SEE FIGURE 106B WHEN ---						1	F	
			EXHAUSTED USE 1280511-5								
	1280511-5		ACTUATOR-MAIN GEAR ROTARY LH SEE FIGURE 106B -----						1	J	
-31	1280501-2	*	ACTUATOR-MAIN GEAR ROTARY RH SEE FIGURE 106 -----						1	E	
	1280511-4	**	ACTUATOR-MAIN GEAR ROTARY RH ALTERNATE -----						1	D	
			SEE FIGURE 106A.								
	1280511-2		ACTUATOR-MAIN GEAR ROTARY RH SEE FIGURE 106B WHEN ---						1	F	
			EXHAUSTED USE 1280511-6								
	1280511-6		ACTUATOR-MAIN GEAR ROTARY RH SEE FIGURE 106B -----						1	J	
			ATTACHING PARTS								
	NAS1304-4H		BOLT -----						4	A	
	MKN1304-4H	#	BOLT KNM -----						4	B	
			-----*								
<p>NOTE. **WHEN THIS PART IS USED AS AN ALTERNATE ALSO ORDER 1280506-101 & -113 LINES FOR LH PART OR 1280506-102 & -113 LINES FOR RH PART TO REPLACE EXISTING LINES. ORDER AN919-3D REDUCER AND AN6290B5 GASKET TO REPLACE EXISTING AN815-4D UNION AND AN6290B4 GASKET AT LOCATION OF INDEX 21 ON ILLUSTRATION.</p> <p>NOTE. ***THESE LINES ARE USED ONLY WHEN THE 1280511-1 & 2, -3 & -4 AND -5 & -6 ACTUATORS ARE USED.</p> <p>NOTE. *WHEN ORDERING THIS PART FOR AIRCRAFT PRIOR TO SERIAL 21058099 ALSO ORDER PART MARKED #.</p> <p>A---210 SERIAL 21057841 THRU 21058098 B---T210 SERIAL T210-0001 & ON 210 SERIAL 21058099 & ON C---210 SERIAL 21057841 THRU 21058220 D---210 SERIAL 21058415, 21058416, 21058429 THRU 21058434, 21058461 THRU 21058510 E---210 SERIAL 21057841 THRU 21058414, 21058417 THRU 21058428, 21058435 THRU 21058460 F---T210 SERIAL T210-0001 THRU T210-0004 AND T210-0045 & T210-0046 210 SERIAL 21058511 THRU 21058714 G---T210 SERIAL T210-0001 & ON 210 SERIAL 21058415, 21058416, 21058429 THRU 21058434 & 21058461 & ON H---210 SERIAL 21057841 THRU 21058414, 21058417 THRU 21058428, 21058435 THRU 21058510 J---T210 SERIAL T210-0005 THRU T210-0044 & T210-0047 & ON 210 SERIAL 21058715 & ON</p>											

This page intentionally left blank.

Hydraulic System (Cont)



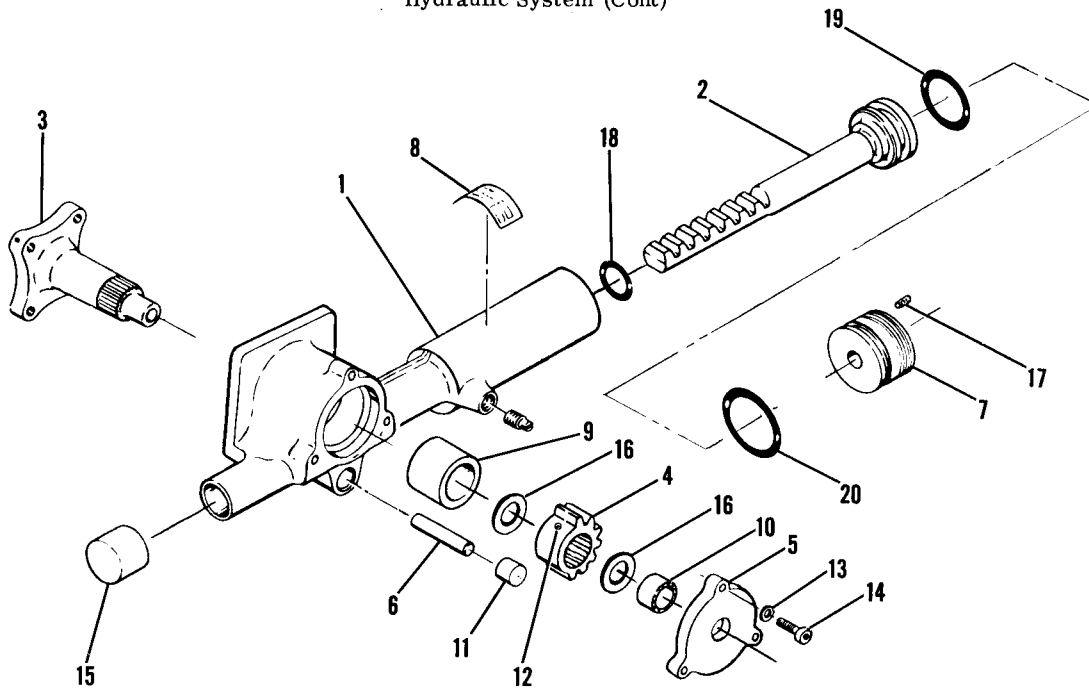
21057841 THRU 21058460

EXCEPT SERIALS OMITTED IN CODE B

Figure 106. Main Gear Actuator Assembly

FIGURE AND INDEX NO.	PART NUMBER	*	DESCRIPTION	UNITS PER ASSY	USABLE ON CODE	
			1 2 3 4 5 6 7			
106 -	1280501-1	*	ACTUATOR ASSEMBLY-MAIN GEAR ROTARY LH	ELE EA1614-1 -----	1	B
- 1	1280501-2	*	ACTUATOR ASSEMBLY-MAIN GEAR ROTARY RH	ELE EA1614-2 -----	1	B
- 2	ES12694L		BODY & COVER ASSEMBLY LH	ELE -----	1	
- 3	ES12694R		BODY & COVER ASSEMBLY RH	ELE -----	1	
- 4	ED11952		BEARING	ELE -----	2	
- 5			DOWEL 1/4 DIA X 1/2 IN. LONG	-----	2	
- 6	ED11955		DOWEL	-----	2	
- 7	3591-4CN-.250		BUSHING	ELE -----	4	
- 8	1/4-28UNF-3		INSERT-HELI-COIL	-----	4	
- 9	AN935-416L		CAP SCREW	-----	4	
- 10	ED11935L		WASHER	-----	4	
- 11	ED11935R		SPINDLE-LH	ELE -----	1	
- 12	ED12003		SPINDLE-RH	ELE -----	1	
- 13	ED11977		PELLET-NYLON	ELE -----	1	A
- 14	B128		SEAL	ELE -----	1	
- 15	ED11934		BEARING TOR	-----	1	
- 16	M781		ROLLER	ELE -----	1	
- 17	ED12695		BEARING TOR	-----	2	
- 18	AN6227B18		CAPLUG	-----	1	
- 19	AN6227B30		RACK-PISTON	ELE -----	1	
- 20	ED12696		O RING	-----	1	
- 21	AN6230B3		O RING	-----	1	
- 22	NAS669-212		PLUG	ELE -----	1	
- 23	ED12119		O RING	-----	1	
- 24	AN503-10-8		SNAP RING	-----	1	
	NAS620-10L		RETAINER	ELE -----	1	
			SCREW	-----	2	
			WASHER	-----	2	
<p>NOTE. *WHEN ORDERING THIS PART FOR AIRCRAFT PRIOR TO SERIAL 21058089 ALSO ORDER PARTS MARKED # ON FIGURE 105. WHEN SPARES STOCKS ARE EXHAUSTED USE 1280511-3 LH OR 1280511-4 RH. REFER TO FIGURE 105 NOTE ** FOR DETAILS NECESSARY FOR USAGE.</p> <p>A---ACTUATORS SERIALS 1 THRU 328 LH & 1 THRU 326 RH. B---210 SERIAL 21057841 THRU 21058414, 21058417 THRU 21058428, 21058435 THRU 21058460. FOR OMITTED SERIALS SEE FIGURE 106A.</p>						

Hydraulic System (Cont)



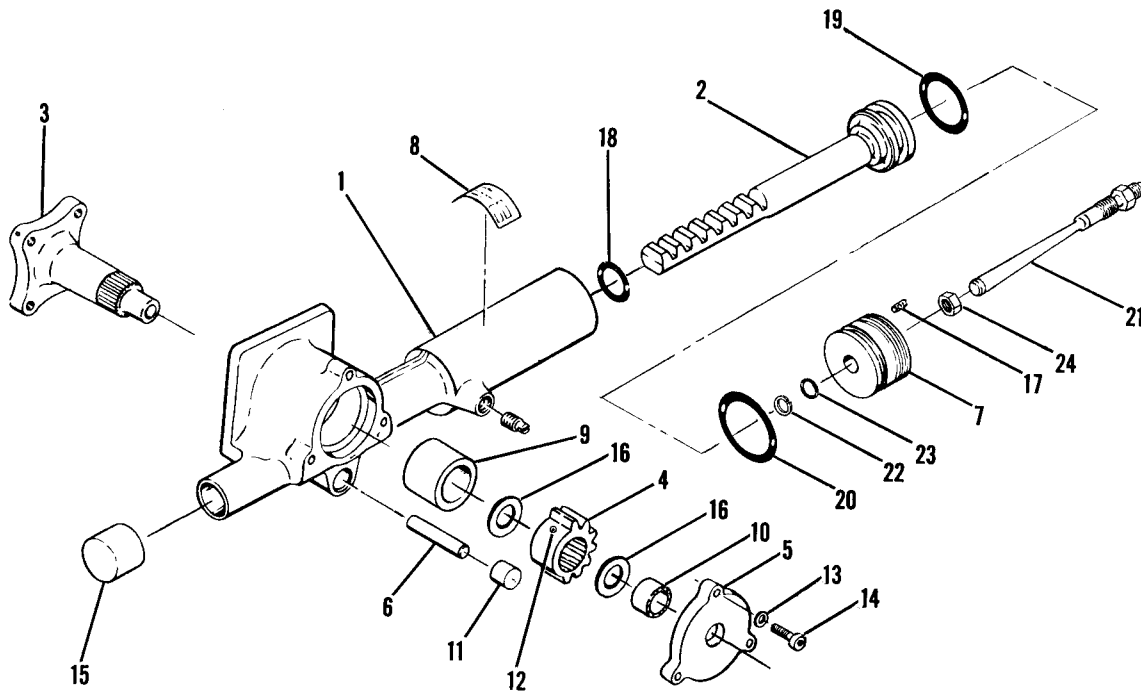
**21058415, 21058416
21058429 THRU 21058434
21058461 THRU 21058510**

Figure 106A. Main Gear Actuator Assembly

FIGURE AND INDEX NO.	PART NUMBER	DESCRIPTION	UNITS PER ASSY	USABLE ON CODE
		1 2 3 4 5 6 7		
106A-	1280511-3	* ACTUATOR ASSEMBLY-MAIN GEAR ROTARY LH OAC 2944-3 -----	1	A
	1280511-4	* ACTUATOR ASSEMBLY-MAIN GEAR ROTARY RH OAC 2944-4 -----	1	A
- 1	294401-041	BODY ASSEMBLY-LH ONLY OAC -----	1	
	294401-051	BODY ASSEMBLY-RH ONLY OAC -----	1	
- 2	294402-101	PISTON OAC -----	1	
- 3	294405-101	SHAFT OAC -----	1	
- 4	294406-101	SECTOR OAC -----	1	
- 5	294407-101	CAP OAC -----	1	
- 6	294408-101	ROLLER OAC -----	1	
- 7	294414-101	GLAND OAC -----	1	
- 8	200-3	NAMEPLATE OAC LH ACTUATOR -----	1	
	200-4	NAMEPLATE OAC RH ACTUATOR -----	1	
- 9	B-1612-X	BEARING TOR -----	1	
-10	B-128-X	BEARING TOR -----	1	
-11	M-781-X	BEARING TOR -----	2	
-12	294412-101	SET SCREW OAC -----	1	
-13	AN960PD10	WASHER -----	3	
-14	NAS608-3-10	SCREW -----	3	
-15	1 1/4 SC	CAP PLUG -----	1	
-16	294411-101	WASHER OAC -----	2	
-17	NAS1081-3A4	SET SCREW -----	1	
-18	MS-28-775-213	PACKING -----	1	
-19	MS28775-327	PACKING -----	1	
-20	MS28775-135	PACKING -----	1	
<p>NOTE. *WHEN ORDERING THIS PART FOR AIRCRAFT PRIOR TO SERIAL 21058098 ALSO ORDER PARTS MARKED # ON FIGURE 105.</p> <p>A----210 SERIAL 21058415, 21058416, 21058429 THRU 21058434 AND 21058461 THRU 21058510</p>				

This page intentionally left blank.

Hydraulic System (Cont)

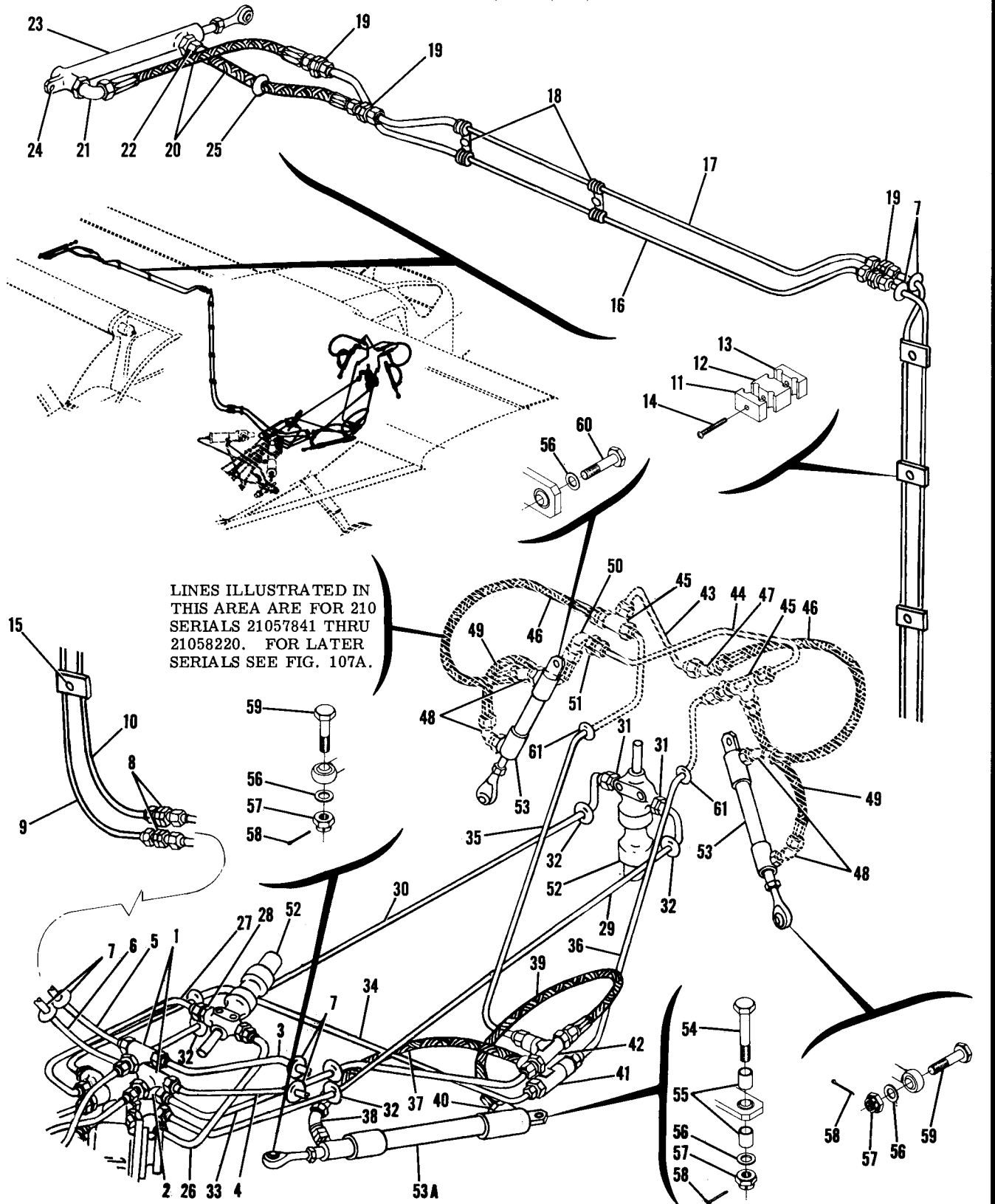


T210-0001 & ON
21058511 & ON

Figure 106B. Main Gear Actuator Assembly

FIGURE AND INDEX NO.	PART NUMBER	DESCRIPTION	UNITS PER ASSY	USABLE ON CODE
		1 2 3 4 5 6 7		
106B-	1280511-1	ACTUATOR ASSEMBLY-MAIN GEAR ROTARY LH WHEN -----	1	A
		EXHAUSTED USE 1280511-5		
	1280511-5	ACTUATOR ASSEMBLY-MAIN GEAR ROTARY LH -----	1	B
	1280511-2	ACTUATOR ASSEMBLY-MAIN GEAR ROTARY RH WHEN -----	1	A
		EXHAUSTED USE 1280511-6		
	1280511-6	ACTUATOR ASSEMBLY-MAIN GEAR ROTARY RH -----	1	B
- 1	294401-041	BODY ASSEMBLY-LH ONLY OAC -----	1	
	294401-051	BODY ASSEMBLY-RH ONLY OAC -----	1	
- 2	294402-103	PISTON OAC -----	1	
- 3	294405-101	SHAFT OAC -----	1	
- 4	294406-101	SECTOR OAC -----	1	
- 5	294407-101	CAP OAC -----	1	
- 6	294408-101	ROLLER OAC -----	1	
- 7	294410-101	GLAND OAC -----	1	
	294414-101	GLAND OAC -----	1	A
- 8	200-1	NAMEPLATE OAC LH ACTUATOR -----	1	B
	200-2	NAMEPLATE OAC RH ACTUATOR -----	1	
- 9	B-1612-X	BEARING TOR -----	1	
-10	B-128-X	BEARING TOR -----	1	
-11	M-781-X	BEARING TOR -----	2	
-12	294412-101	SET SCREW OAC -----	1	
-13	AN960PD10	WASHER -----	3	
-14	NAS608-3-10	SCREW -----	3	
-15	1 1/4 SC	CAP PLUG -----	1	
-16	294411-101	WASHER OAC -----	2	
-17	NAS1081-3A4	SET SCREW -----	1	
-18	MS-28-77S-213	PACKING -----	1	
-19	MS28775-327	PACKING -----	1	
-20	MS28775-135	PACKING -----	1	
-21	294404-101	METERING PIN OAC -----	1	A
	294413-101	METERING PIN OAC -----	1	B
-22	CS-43	SNAP RING OAC -----	1	
-23	MS28775-013	PACKING -----	1	
-24	294409-101	NUT OAC -----	1	
<p>A---T210 SERIAL T210-0001 THRU T210-0004 AND T210-0045 & T210-0046 210 SERIAL 21058511 THRU 21058714</p> <p>B---T210 SERIAL T210-0005 THRU T210-0044 AND T210-0047 & ON 210 SERIAL 21058715 & ON</p>				

Hydraulic System (cont)



LINES ILLUSTRATED IN THIS AREA ARE FOR 210 SERIALS 21057841 THRU 21058220. FOR LATER SERIALS SEE FIG. 107A.

Figure 107. Hydraulic System Installation-Sta. 68.33 to 98.00



FIGURE AND INDEX NO.	PART NUMBER	DESCRIPTION	UNITS PER ASSY	USABLE ON CODE
107 -		HYDRAULIC SYSTEM INSTALLATION—STA 68.33 TO 98.00 -----	NP	
- 1	AN834-3D	TEE-BULKHEAD -----	2	C
	AN960PD616	WASHER -----	4	
	AN924-3D	NUT -----	2	
- 2	AN833-4D	ELBOW -----	6	
	AN960PD716	WASHER -----	12	
	AN924-4D	NUT -----	6	
- 3	1280506-11	LINE ASSEMBLY-FLAP UP -----	1	C
- 4	1280506-13	LINE ASSEMBLY-FLAP DOWN -----	1	C
- 5	1280506-12	LINE ASSEMBLY-FLAP UP -----	1	C
- 6	1280506-14	LINE ASSEMBLY-FLAP DOWN -----	1	C
- 7	MS35489-5	GROMMET -----	4	C
- 8	AN832-3D	UNION-BULKHEAD -----	4	C
	AN960PD616	WASHER -----	4	C
	AN924-3D	NUT -----	4	C
- 9	1280506-10	LINE ASSEMBLY-FLAP DOWN RH -----	1	C
	1280506-9	LINE ASSEMBLY-FLAP DOWN LH -----	1	C
-10	1280506-8	LINE ASSEMBLY-FLAP UP RH -----	1	C
	1280506-7	LINE ASSEMBLY-FLAP UP LH -----	1	C
		ATTACHING PARTS		
-11	1280613-1	BLOCK-CLAMP TOP -----	4	C
-12	1280613-2	BLOCK-CLAMP MIDDLE -----	4	C
-13	1280613-3	BLOCK-CLAMP BOTTOM -----	4	C
-14	AN515-8R22	SCREW -----	3	C
-15	AN515-8R20	SCREW -----	1	C
		-----*		
-16	1280506-6	LINE ASSEMBLY-FLAP DOWN RH -----	1	C
	1280506-5	LINE ASSEMBLY-FLAP DOWN LH -----	1	C
-17	1280506-4	LINE ASSEMBLY-FLAP UP RH -----	1	C
	1280506-3	LINE ASSEMBLY-FLAP UP LH -----	1	C
		ATTACHING PARTS		
-18	MS21919DG3	CLAMP AP -----	4	C
	AN515-8R8	SCREW -----	2	C
-19	AN832-3D	UNION-BULKHEAD -----	2	C
	AN960-616	WASHER -----	4	C
	AN924-3D	NUT -----	2	C
		-----*		
-20	S1167-3-0104	HOSE ASSEMBLY -----	4	C
-21	AN921-3D	ELBOW -----	2	C
	MS28778-3	GASKET -----	2	C
	MS9058-03	RING-BACKUP -----	2	C
	AN6289D3	NUT -----	2	C
-22	AN815-3D	UNION -----	2	C
	MS28778-3	GASKET -----	2	C
-23	1280116-2	ACTUATOR ASSEMBLY-FLAP SEE FIGURE 109 -----	2	C
		ATTACHING PARTS		
-24	MS20392-2C13	PIN-CLEVIS -----	1	C
	MS20380-2-2	PIN-COTTER -----	1	C
	AN960-10L	WASHER -----	2	C
		-----*		
-25	S1050-1-2.35	GROMMET -----	2	C
-26	1280506-48	LINE ASSEMBLY-GEAR UP -----	1	
-27	1280506-47	LINE ASSEMBLY-GEAR UP -----	1	
		ATTACHING PARTS		
-28	AN815-4D	UNION -----	1	
	MS28778-4	GASKET -----	1	
		-----*		
-29	1280506-49	LINE ASSEMBLY-GEAR DOWN -----	1	
-30	1280506-50	LINE ASSEMBLY-GEAR DOWN -----	1	
		ATTACHING PARTS		
-31	AN815-4D	UNION -----	1	
	MS28778-4	GASKET -----	1	
-32	MS35487-7S	GROMMET -----	4	
		-----*		
-33	1280506-45	LINE ASSEMBLY-DOOR OPEN -----	1	
-34	1280506-46	LINE ASSEMBLY-DOOR CLOSE -----	1	
-35	1280506-43	LINE ASSEMBLY-DOOR OPEN -----	1	C
	1280506-9	LINE ASSEMBLY-DOOR OPEN -----	1	F
-36	1280506-44	LINE ASSEMBLY-DOOR CLOSE -----	1	C
	1280506-95	LINE ASSEMBLY-DOOR CLOSE -----	1	F

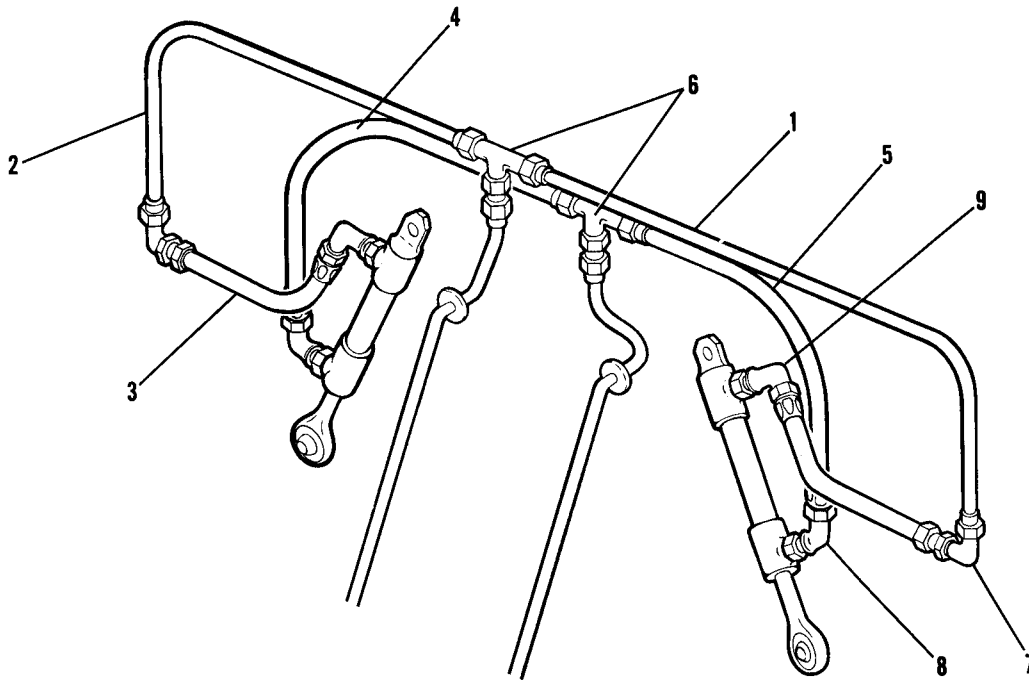
CONTINUED ON NEXT PAGE

FIGURE AND INDEX NO.	PART NUMBER	DESCRIPTION	UNITS PER ASSY	USABLE ON CODE
107 -37	S1167-4-0124	HOSE ASSEMBLY ----- ATTACHING PARTS	1	
-38	A4500C4-3A	ELBOW FLDR -----	1	A
	A4500C4A	ELBOW FLDR -----	1	B
	MS28778-3	GASKET -----	1	A
	MS28778-3	GASKET -----	1	B
	MS9058-03	RING-BACKUP -----	1	A
	MS9058-04	RING-BACKUP -----	1	B
	AN6289D3	NUT -----	1	A
	AN6289D4	NUT -----	1	B
-39	S1167-4-0140	HOSE ASSEMBLY ----- ATTACHING PARTS	1	
-40	AN815-4D	UNION -----	1	
	MS28778-4	GASKET -----	1	
-41	AN804D4	TEE -----	1	
	AN924-4D	NUT -----	1	
	MS28778-4	GASKET -----	2	
	AN960PD716	WASHER -----	1	
-42	AN804D4	TEE -----	1	
	AN894D4-3	BUSHING -----	1	
	AN919-2D	REDUCER -----	1	
	AN924-4D	NUT -----	1	
	MS28778-4	GASKET -----	2	
	AN960PD716	WASHER -----	1	
		LINES INSTALLATION-MG WHEEL DOOR ACTUATORS AFT OF BULKHEAD STA 98.0 SEE FIGURE 107A	1	F
		LINES INSTALLATION-MG WHEEL DOOR ACTUATORS AFT OF BULKHEAD STA 98.0	1	C
-43	1280506-41	LINE ASSEMBLY-DOOR OPEN -----	1	C
-44	1280506-42	LINE ASSEMBLY-DOOR CLOSE -----	1	C
-45	AN804D4	TEE-BULKHEAD -----	2	C
	AN960PD716	WASHER -----	4	C
	AN924-4D	NUT -----	2	C
-46	S1167-4-0260	HOSE ASSEMBLY -----	2	C
-47	AN837-4D	ELBOW -----	1	C
	AN960PD716	WASHER -----	2	C
	AN924-4D	NUT -----	1	C
-48	A4500C4-3A	ELBOW FLDR -----	4	A
	A4500C4-4A	ELBOW FLDR -----	4	B
	MS28778-3	GASKET -----	4	A
	MS28778-4	GASKET -----	4	B
	MS9058-03	RING-BACK UP -----	4	A
	MS9058-04	RING-BACK UP -----	4	B
	AN6289D3	NUT -----	4	A
	AN6289D4	NUT -----	4	B
-49	S1167-4-0124	HOSE ASSEMBLY -----	2	C
-50	AN833-4D	ELBOW -----	1	C
-51	AN924-4D	NUT -----	2	C
	AN960PD716	WASHER -----	1	C

CONTINUED ON NEXT PAGE

FIGURE AND INDEX NO.	PART NUMBER	DESCRIPTION	UNITS PER ASSY	USABLE ON CODE
		1 2 3 4 5 6 7		
107 -52	1280504-1	ACTUATOR-UNLOCK SEE FIGURE 110 ----- ATTACHING PARTS -----	2	
	AN4-16A	BOLT -----	2	
	AN960-416L	WASHER -----	2	
	NAS679A4	NUT -----	2	
		-----*		
-53	1280503-4	% ACTUATOR-MG WHEEL DOORS SEE FIGURE 108 WHEN ----- EXHAUSTED USE 1280513-2 -----	2	D
	1280513-2	ACTUATOR-MG WHEEL DOORS SEE FIGURE 108A -----	2	E
-53A	1280503-2	% ACTUATOR-MG STRUT DOORS SEE FIGURE 108 WHEN ----- EXHAUSTED USE 1280513-1 -----	2	D
	1280513-1	ACTUATOR-MG STRUT DOORS SEE FIGURE 108A ----- ATTACHING PARTS -----	2	E
-54	AN3-16	BOLT -----	1	
-55	NAS43-3-24	SPACER -----	2	
-56	AN960-10	WASHER -----	1	
-57	AN310-3	NUT -----	1	
-58	MS24665-134	PIN-COTTER -----	1	
-59	AN3-7	BOLT -----	1	
-60	AN3-10A	BOLT -----	1	
-61	MS35487-5S	GROMMET -----	2	
		-----*		
<p>NOTE. %WHEN ORDERING THIS PART FOR AIRCRAFT PRIOR TO SERIAL 21057861 ALSO ORDER PARTS MARKED #.</p> <p>A---210 SERIAL 21057841 THRU 21057860 B---210 SERIAL 21057861 THRU 21058220 C---210 SERIAL 21057841 THRU 21058220 D---210 SERIAL 21057841 THRU 21058484 EXCEPT SOME 210 AIRPLANES IN SERIAL BLOCK 21058393 THRU 21058484 E---T210 SERIAL T210-0001 & ON 210 SERIAL 21058485 & ON AND SOME 210 AIRPLANES IN SERIAL BLOCK 21058393 THRU 21058484 F---T210 SERIAL T210-0001 & ON 210 SERIAL 21058221 & ON</p>				

Hydraulic System (Cont)



T210-0001 & ON
21058221 & ON

Figure 107A. Main Gear Wheel Door Actuators Lines Installation Aft Of Sta. 98.0

FIGURE AND INDEX NO.	PART NUMBER	DESCRIPTION	UNITS PER ASSY	USABLE ON CODE
		1 2 3 4 5 6 7		
107A-		MAIN GEAR WHEEL DOOR ACTUATORS LINES INSTALLATION ----- AFT OF BULKHEAD STA 98.0	NP	A
- 1	1280506-97	LINE ASSEMBLY-DOOR OPEN LH -----	1	
- 2	1280506-98	LINE ASSEMBLY-DOOR OPEN RH -----	1	
- 3	S1167-4-0074	HOSE ASSEMBLY-DOOR OPEN -----	2	
- 4	S1167-4-0146	HOSE ASSEMBLY-DOOR CLOSE RH -----	1	
- 5	S1167-4-0172	HOSE ASSEMBLY-DOOR CLOSE LH -----	1	
- 6	AN834-4D	TEE -----	2	
	AN960-716	WASHER -----	2	
	AN924-4D	NUT -----	2	
- 7	AN833-4D	ELBOW-90 DEGREE -----	2	
	AN960-716	WASHER -----	2	
	AN924-4D	NUT -----	2	
- 8	AN837-4D	ELBOW-45 DEGREE -----	2	
	MS9058-04	RING-BACK UP -----	2	
	MS28778-4	O RING -----	2	
	AN628904	NUT -----	2	
- 9	AN833-4D	ELBOW-90 DEGREE -----	2	
	MS9058-04	RING-BACK UP -----	2	
	MS28778-4	O RING -----	2	
	AN628904	NUT -----	2	
		A---T210 SERIAL T210-0001 & ON 210 SERIAL 21058221 & ON		

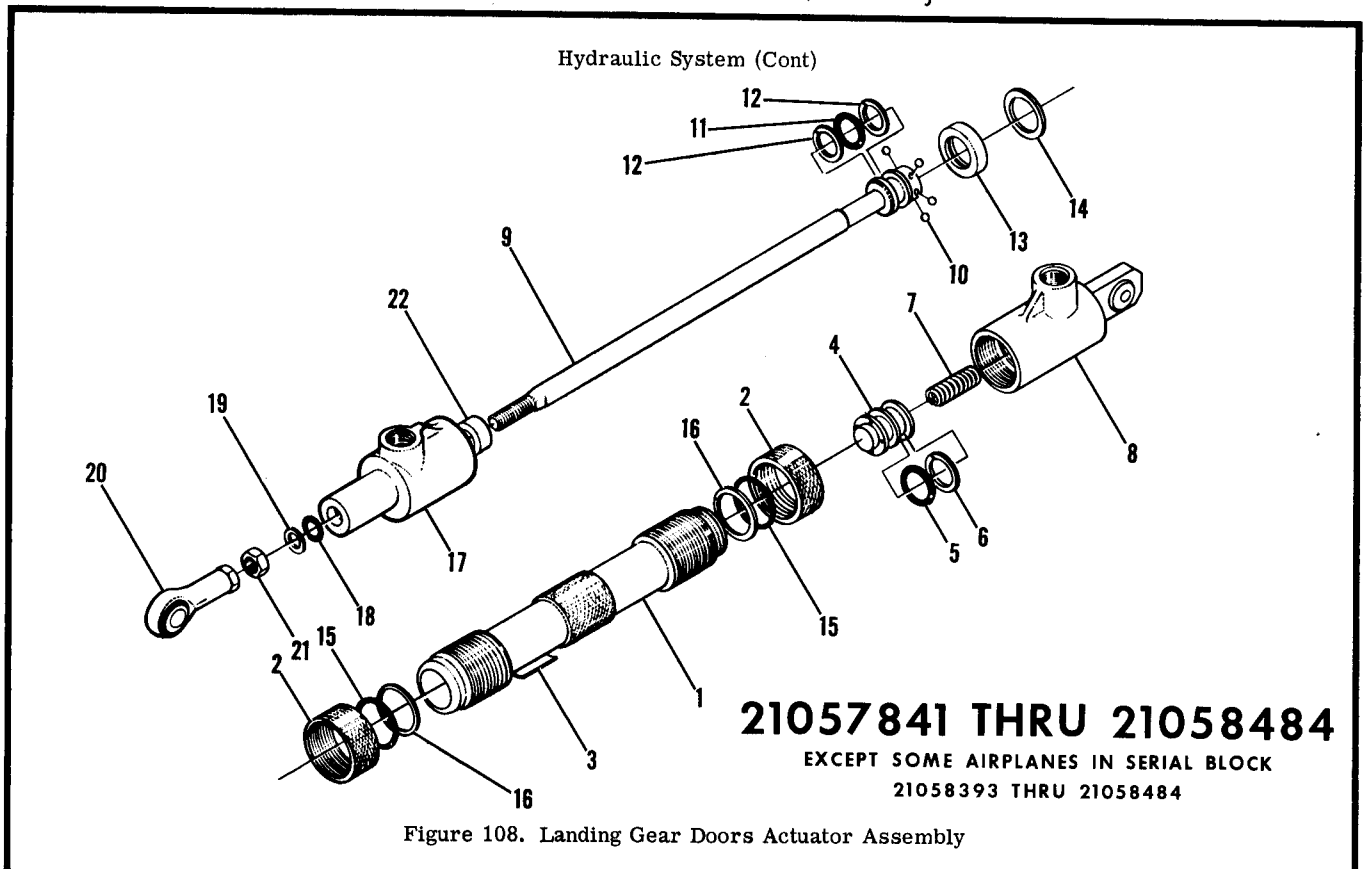
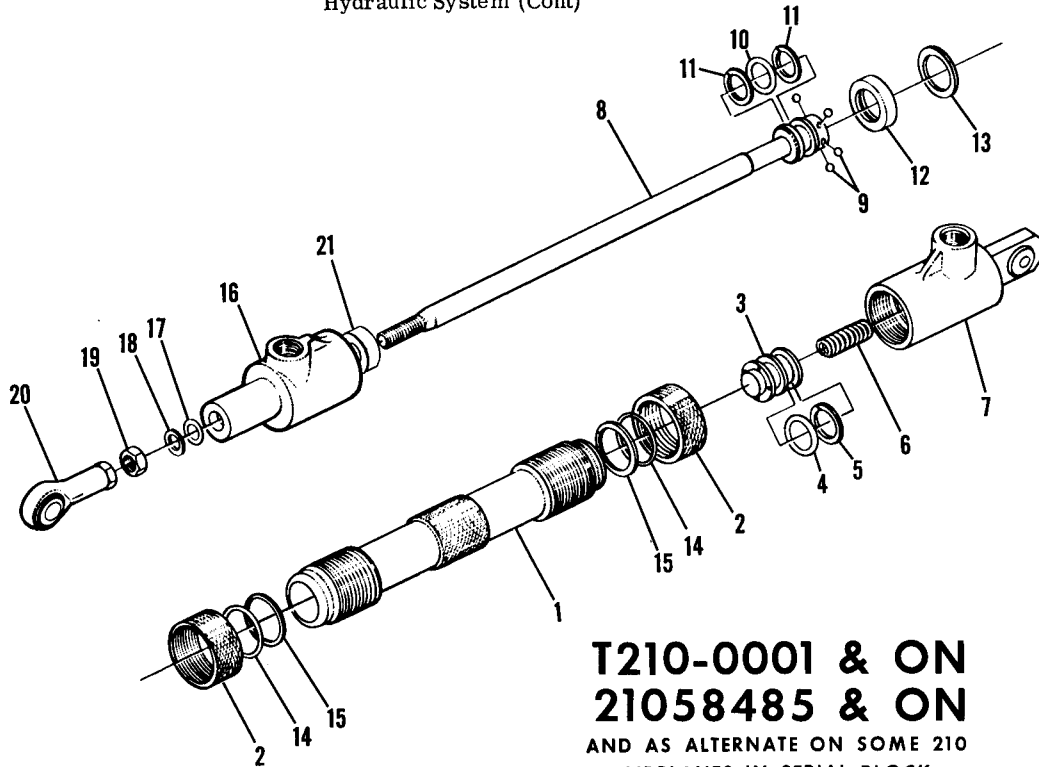


FIGURE AND INDEX NO.	PART NUMBER	DESCRIPTION	UNITS PER ASSY	USABLE ON CODE
		1 2 3 4 5 6 7		
108 -	1280503-2	ACTUATOR ASSY-NG DOORS & MG STRUT DOORS WHEN EXHAUSTED USE 1280513-1 SEE FIGURE 108A	2	A
	1280503-4	ACTUATOR ASSY-MG WHEEL DOORS WHEN EXHAUSTED USE 1280513-2 SEE FIGURE 108A	2	
- 1	ED12813	BODY ELE	1	
- 2	ED12815	NUT ELE	2	
- 3	S1440-1	NAMEPLATE	1	
- 4	ED12814	PLUNGER ELE	1	
- 5	AN6227B10	O RING	1	
- 6	MS28774-112	RING-BACKUP	1	
- 7	ED12816	SPRING ELE	1	
- 8	ED12805	END-CLEVIS ELE	1	
	HSBY-3D-4	BEARING KAHR	1	
- 9	ES12808	PISTON & PLUG ASSEMBLY	1	
-10	ELA16-4	BALL ELE	6	
-11	S1120-363	O RING ELE	1	
-12	S1121-389	RING-BACKUP	2	
-13	ED12809	RACE ELE	1	
-14	ED12810	WASHER ELE	1	
-15	MS28775-018	O RING	2	
-16	MS28774-018	RING-BACKUP	2	
-17	ED12812	END-GLAND ELE	1	
-18	AN6227B6	O RING ELE	1	
-19	MS28774-11	RING-BACKUP	1	
-20	F34-14	ROD END HEC	1	
-21	AN316-4R	NUT	1	
-22	1280616-1 *	SPACER	1	
NOTE. *USED ON 1280503-4 ASSYS ONLY				
A---210 SERIAL 21057841 THRU 21058484 EXCEPT SOME 210 AIRPLANES IN SERIAL BLOCK 21058393 THRU 21058484. FOR ALTERNATE PART THAT WAS USED SEE FIGURE 108A				

Hydraulic System (Cont)



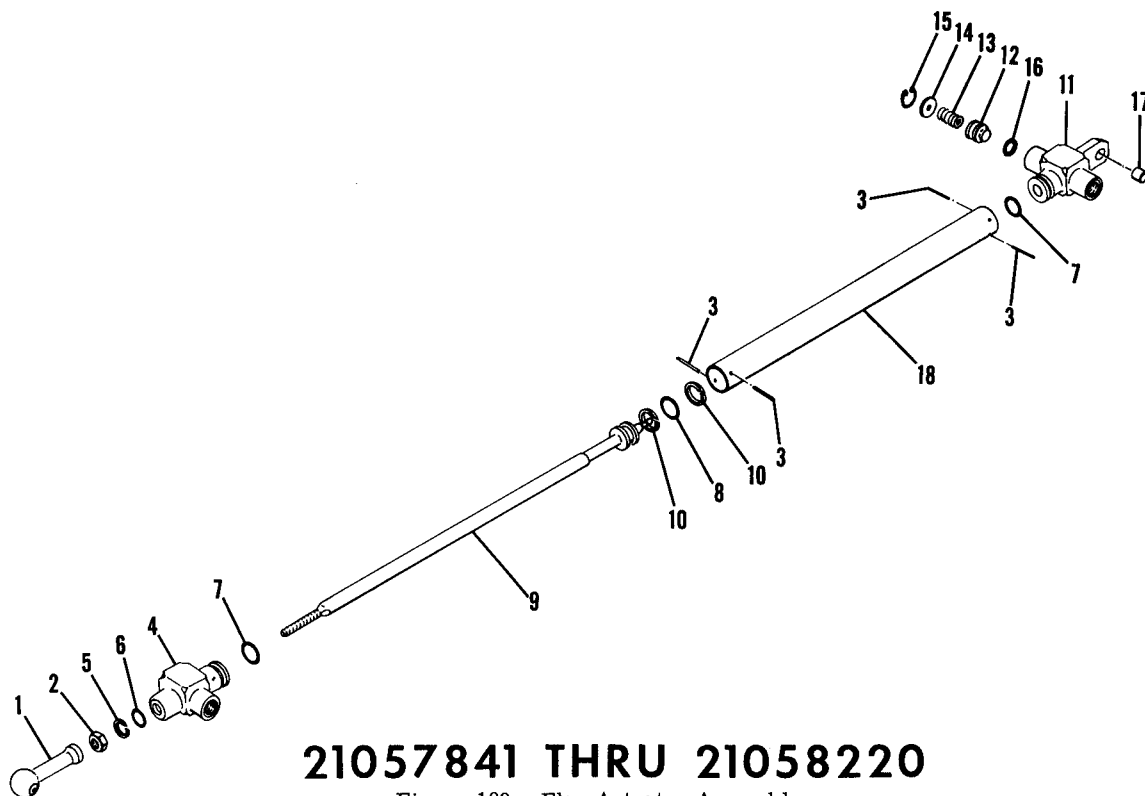
T210-0001 & ON
21058485 & ON
 AND AS ALTERNATE ON SOME 210
 AIRPLANES IN SERIAL BLOCK
 21058393 THRU 21058484

Figure 108A. Landing Gear Doors Actuator Assembly

FIGURE AND INDEX NO.	PART NUMBER	DESCRIPTION	UNITS PER ASSY	USABLE ON CODE
		1 2 3 4 5 6 7		
108A-	1280513-1	ACTUATOR ASSEMBLY-NOSE GEAR DOORS & MAIN GEAR STRUT DOORS -----	2	A
	1280513-2	ACTUATOR ASSEMBLY-MAIN GEAR DOORS -----	2	A
- 1	294902-101	BARREL OAC -----	1	
- 2	294909-101	NUT OAC -----	2	
- 3	294906-101	PLUNGER OAC -----	1	
- 4	MS28775-112	O RING -----	1	
- 5	MS28774-112	RING-BACKUP -----	1	
- 6	294715-1	SPRING OAC -----	1	
- 7	294908-041	CLEVIS ASSEMBLY-END OAC -----	1	
- 8	294903-101	PISTON ROD OAC -----	1	
- 9	MS150453	BALL -----	6	
-10	MS28775-111	O RING -----	1	
-11	MS28774-111	RING-BACKUP -----	2	
-12	294904-101	RACE OAC -----	1	
-13	294905-101	WASHER OAC -----	1	
-14	MS28775-018	O RING -----	2	
-15	MS28774-18	RING-BACKUP -----	1	
-16	294901-101	END GLAND OAC -----	1	
-17	MS28775-011	O RING -----	1	
-18	MS28774-11	RING-BACKUP -----	1	
-19	AN316-4R	NUT -----	1	
-20	F34-14	ROD END HEC -----	1	
-21	294907-101	SPACER OAC USED ON 1280513-2 ASSEMBLY ONLY -----	1	
A---T210 SERIAL T210-0001 & ON 210 SERIAL 21058485 & ON AND AS ALTERNATE FOR SOME AIRPLANES IN SERIAL BLOCK 21058393 THRU 21058484				

This page intentionally left blank.

Hydraulic System (Cont)



21057841 THRU 21058220

Figure 109. Flap Actuator Assembly

FIGURE AND INDEX NO.	PART NUMBER	DESCRIPTION	UNITS PER ASSY	USABLE ON CODE
109 -	1280116-2	ACTUATOR ASSEMBLY-FLAP	1	A
- 1	F34-14	ROD END HEC	1	
- 2	AN316-3R	NUT-CHECK	1	
- 3	NAS561C2-9	PIN-SPRING	4	
- 4	1280224-1	BEARING END	1	
- 5	MS28774-11	RING-BACKUP	1	
- 6	AN6227B6	O RING	1	
- 7	AN6227B7	O RING	2	
- 8	S1120-238	O RING	1	
- 9	1280117-1	PISTON & LOCK ASSEMBLY	1	
-10	S1121-264	RING-BACKUP	2	
	1280116-3	ANCHOR END ASSEMBLY-FLAP ACTUATOR	1	
-11	1280235-1	ANCHOR END-FLAP ACTUATOR	1	
-12	1280237-1	PLUNGER-FLAP ACTUATOR LOCK	1	
-13	1280238-1	SPRING-ANCHOR END	1	
-14	1280236-1	WASHER	1	
-15	NAS669-50	SNAP RING	1	
-16	AN6227B5	O RING	1	
-17	NAS76A3-008P	BUSHING	1	
-18	1280226-1	BARREL ASSEMBLY-FLAP ACTUATOR	1	
	S1440-1	NAMEPLATE	1	
A---210 SERIAL 21057841 THRU 21058220				

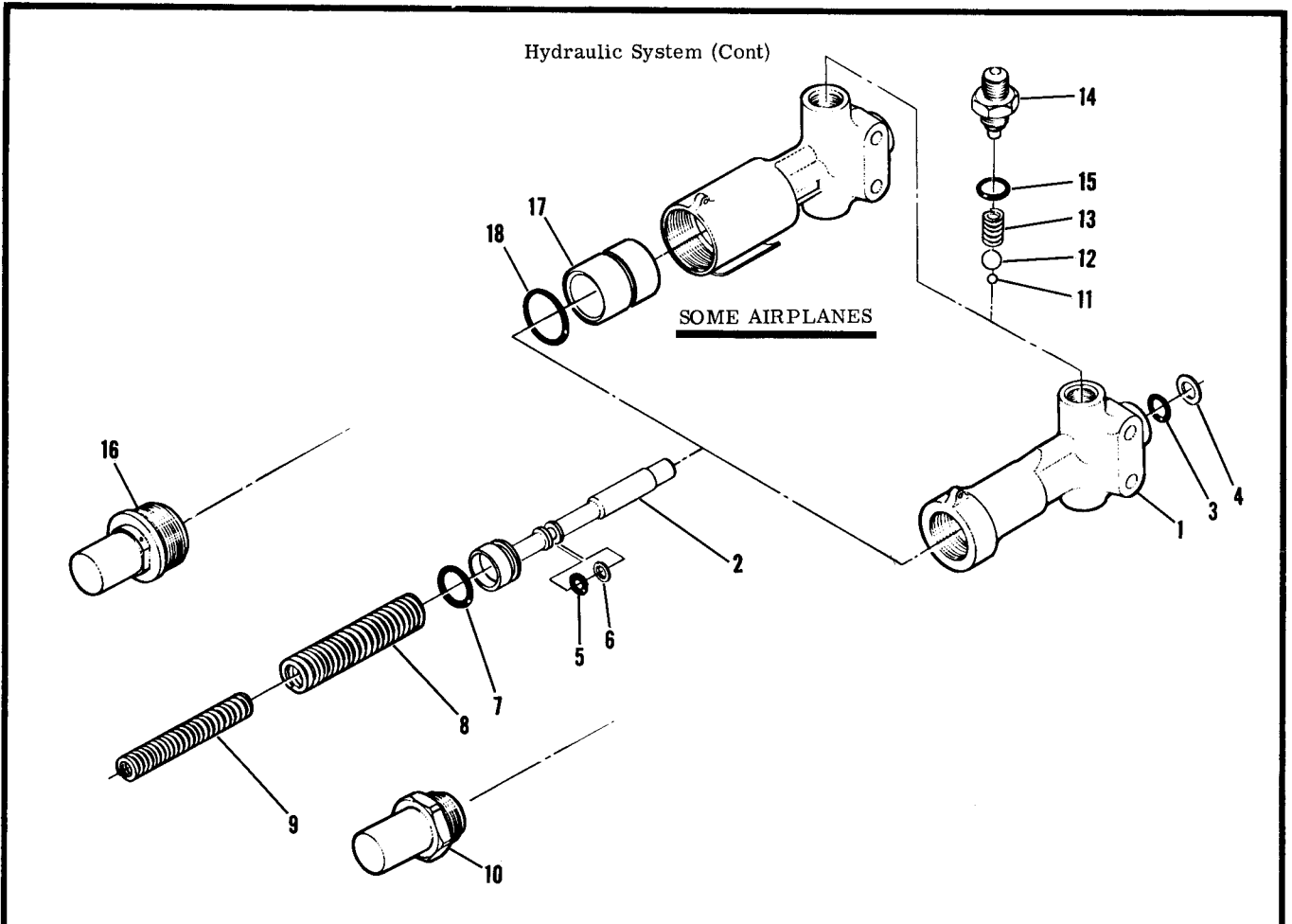


Figure 110. Unlock and Sequence Cylinder Assembly

FIGURE AND INDEX NO.	PART NUMBER	DESCRIPTION	UNITS PER ASSY	USABLE ON CODE
		1 2 3 4 5 6 7		
110 -	1280504-1	ACTUATOR ASSEMBLY-UNLOCK & SEQUENCE -----	3	
- 1	1280609-3	BARREL & VALVE BODY -----	1	
- 2	1280610-1	PISTON & ROD -----	1	
- 3	S1120-363	O RING -----	1	
- 4	S1121-389	RING-BACKUP -----	1	
- 5	S1120-181	O RING -----	1	
- 6	S1121-207	RING-BACKUP -----	1	
- 7	AN6227B11	O RING -----	1	
- 8	1280222-1	SPRING-OUTER -----	1	
- 9	1280222-3	SPRING-INNER -----	1	
-10	1280611-1	PLUG -----	1	
-11	S272-5	BALL -----	1	
-12	S272-9	BALL -----	1	
-13	1280222-2	SPRING -----	1	
-14	1280223-1	FITTING ASSEMBLY -----	1	
-15	MS28778-4	GASKET -----	1	
-16	1280221-1	* PLUG -----	1	
-17	120429-3	* SLEEVE -----	1	
-18	MS28775-020	* O RING -----	1	
	S1440-1	NAMEPLATE -----	1	
NOTE. *PARTS MARKED * ARE USED WITH BARREL & VALVE BODIES INCORPORATING 1.00 IN. DIA. CYLINDER BORE.				

Hydraulic System (Cont)

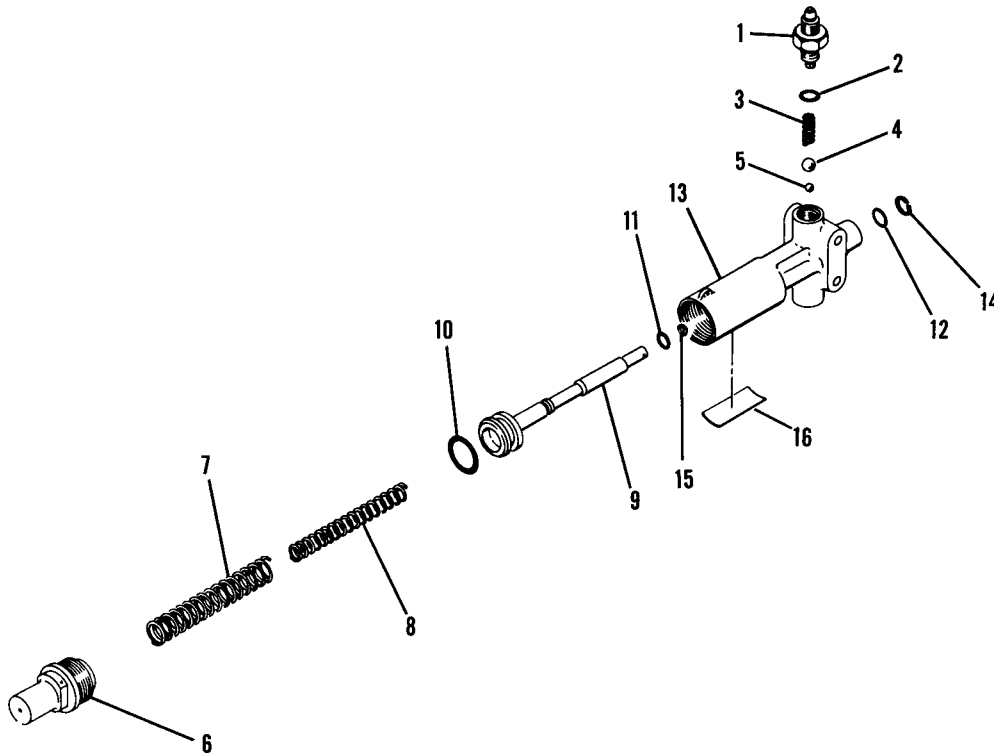
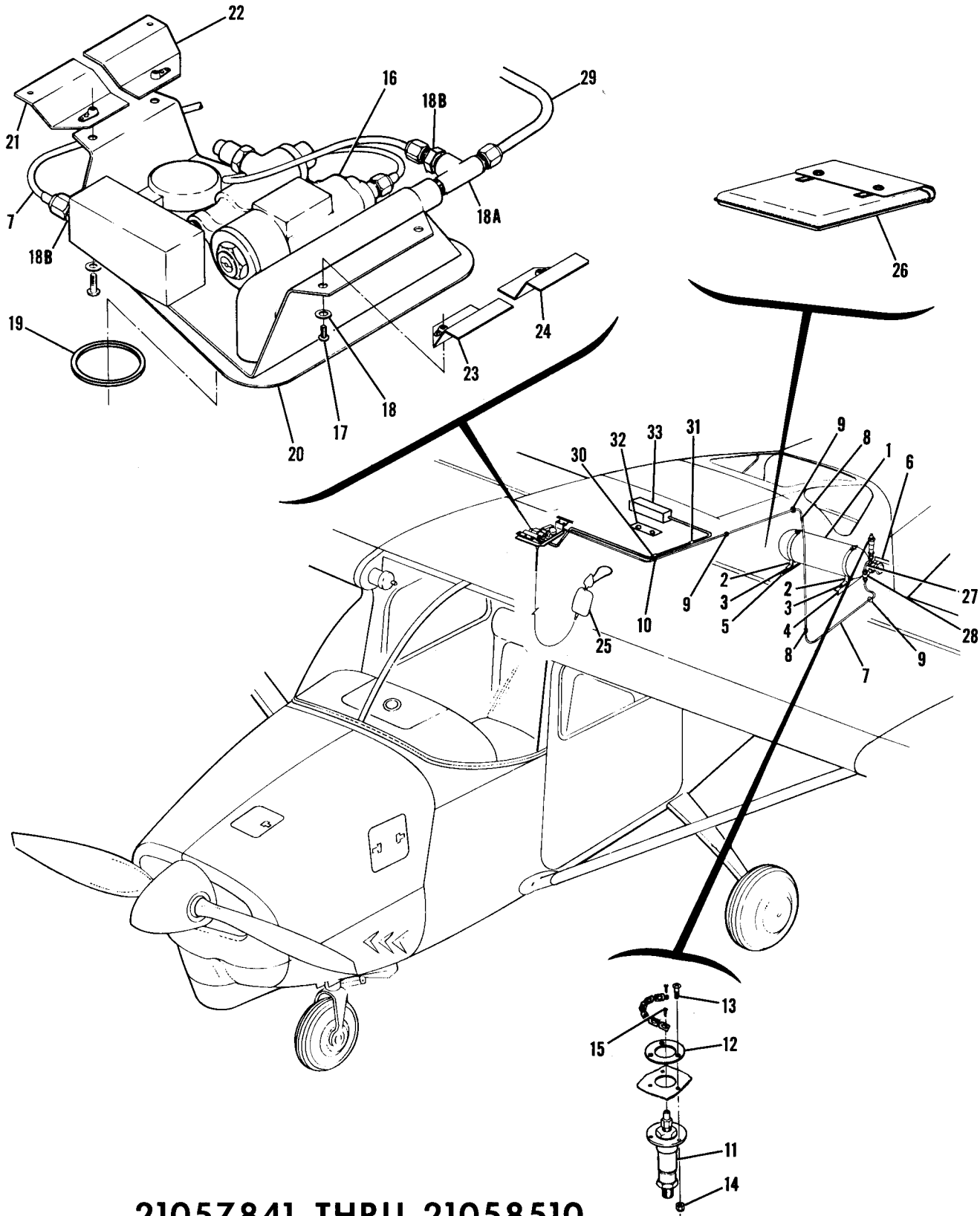


Figure 111. Lock Cylinder Assembly

FIGURE AND INDEX NO.	PART NUMBER	DESCRIPTION	UNITS PER ASSY	USABLE ON CODE
		1 2 3 4 5 6 7		
111 -	1280109-3	CYLINDER ASSEMBLY-LOCK -----	2	
- 1	1280223-1	FITTING ASSEMBLY-LOCK CYLINDER -----	1	
- 2	MS28778-4	GASKET -----	1	
- 3	1280222-2	SPRING-LOCK CYLINDER -----	1	
- 4	S272-9	BALL -----	1	
- 5	S272-5	BALL -----	1	
- 6	1280221-1	END PLUG-LOCK CYLINDER -----	1	
- 7	1280222-1	SPRING-LOCK CYLINDER -----	1	
- 8	1280222-3	SPRING-LOCK CYLINDER -----	1	
- 9	1280220-3	PISTON & ROD-LOCK CYLINDER -----	1	
-10	AN6227B15	O RING -----	1	
-11	S1120-181	O RING -----	1	
-12	S1120-363	O RING -----	1	
-13	1280219-3	BARREL & VALVE BODY-LOCK CYLINDER -----	1	
-14	S1121-389	RING-BACKUP -----	1	
-15	S1121-207	RING-BACKUP -----	1	
-16	S1440-1	NAMEPLATE -----	1	

This page intentionally left blank.

Oxygen System



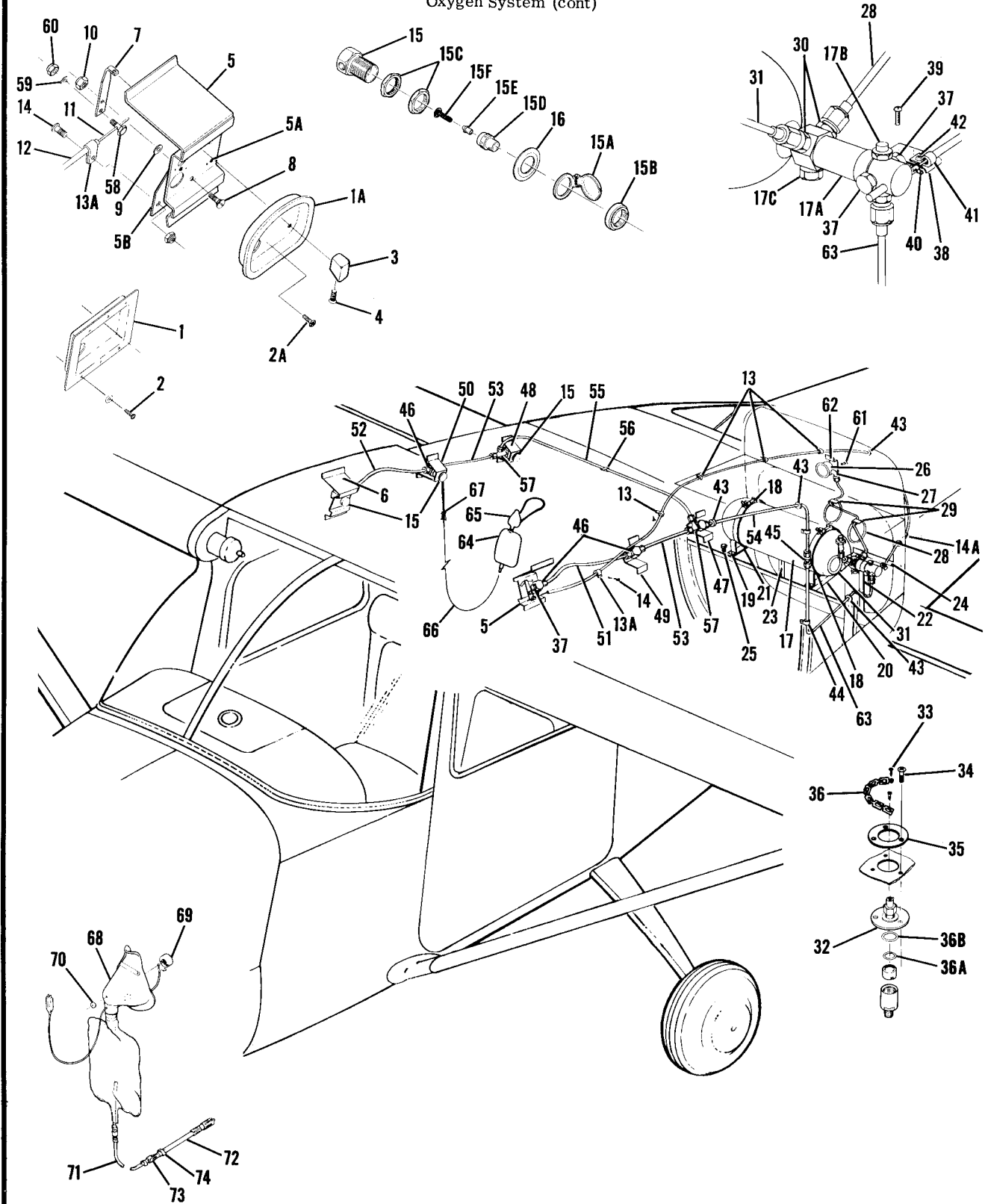
21057841 THRU 21058510

Figure 112. Oxygen System Installation

FIGURE AND INDEX NO.	PART NUMBER	DESCRIPTION	UNITS PER ASSY	USABLE ON CODE
		1 2 3 4 5 6 7		
112 -		OXYGEN SYSTEM INSTALLATION -----	NP	A
- 1	1200058-1	CYLINDER & VALVE ASSEMBLY-OXYGEN -----	1	
- 2	C166007-0102	BRACKET-MOUNTING -----	2	
		ATTACHING PARTS -----		
- 3	AN3-5A	BOLT -----	2	
	AN960-10	WASHER -----	2	
	NAS679A3	NUT -----	2	
		-----*		
- 4	1200405-1	SUPPORT-OXYGEN CYLINDER LH -----	1	
- 5	1200405-2	SUPPORT-OXYGEN CYLINDER RH -----	1	
- 6	1200405-5	SUPPORT-HORIZONTAL -----	1	
	1200405-6	SUPPORT-HORIZONTAL -----	1	
		ATTACHING PARTS -----		
	AN3-5A	BOLT -----	2	
	AN960-10	WASHER -----	2	
	NAS679A3	NUT -----	2	
		-----*		
- 7	0800045-18	LINE ASSEMBLY-OXYGEN -----	1	
		ATTACHING PARTS -----		
- 8	MS21919DG3	CLAMP -----	2	
	S1021Z6-6	SCREW -----	2	
	NAS446-2-3	NUT -----	2	
- 9	MS35489-5	GROMMET -----	3	
-10	MS21919DG3	CLAMP -----	1	
		-----*		
-11	C166008-0101	FILLER ASSEMBLY-OXYGEN -----	1	
-12	1200054-2	RETAINER -----	1	
		ATTACHING PARTS -----		
-13	NAS220-8	SCREW -----	3	
-14	NAS679A08	NUT -----	3	
		-----*		
-15	S1021Z4-6	SCREW -----	1	
-16	1200055-9	OXYGEN SYSTEM ASSEMBLY-AUTOMATIC USE WHEN 5 PORT -----	1	
		SYSTEM IS INSTALLED -----		
	1200055-10	OXYGEN SYSTEM ASSEMBLY-AUTOMATIC USE WHEN 2 PORT -----	1	
		SUPPLEMENTAL SYSTEM IS INSTALLED -----		
		ATTACHING PARTS -----		
-17	AN520-10R7	SCREW -----	4	
-18	AN960-10	WASHER -----	4	
		-----*		
-18A	C800349-1	TEE-FITTING APPLICABLE TO 1200055-10 ONLY ZEP -----	1	
-18B	ZF304	NIPPLE APPLICABLE TO 1200055-10 ONLY ZEP -----	2	
-19	1200055-3	RING-RETAINING -----	1	
-20	1200055-8	PLATE ASSEMBLY-COVER -----	1	
	1200055-5	DECAL -----	1	
-21	1200404-1	SUPPORT ASSEMBLY -----	1	
-22	1200404-2	SUPPORT ASSEMBLY -----	1	
-23	1200404-7	SUPPORT ASSEMBLY -----	1	
-24	1200404-6	SUPPORT ASSEMBLY -----	1	
-25	1200059-1	MASK ASSEMBLY-OXYGEN -----	4	
	7	MASK-OXYGEN ZEP -----	1	
-26	0800030-19	CASE-OXYGEN MASK USED WITH 5 PORT SYSTEM -----	1	
	0800030-35	CASE-OXYGEN MASK USED WITH SUPPLEMENTAL OXYGEN SYSTEM -----	1	
-27	0800045-22	LINE ASSEMBLY -----	1	
-28	0800045-15	TEE -----	1	
-29	0800045-23	LINE ASSEMBLY-OXYGEN USED WITH 2 PORT -----	1	
		SUPPLEMENTAL SYST. ONLY -----		
		ATTACHING PARTS -----		
-30	S1155-3	CLAMP -----	1	
	MS21919DG5	CLAMP -----	1	
	AN515-8R20	SCREW -----	1	
	NAS430D3-32	SPACER -----	1	
	NAS679A08	NUT -----	1	
-31	S1155-3	CLAMP -----	4	
	S1021Z8-8	SCREW -----	2	
	NAS446-4-3	NUT -----	2	
		-----*		
-32	1200620-1	COVER PLATE-2 PORT SUPPLEMENTAL -----	1	
		ATTACHING PARTS -----		
	AN515-6R6	SCREW -----	2	
		-----*		
-33	1400059-1	MANIFOLD-2 PORT OXYGEN -----	1	
	0800045-11	NIPPLE USED ON SUPPLEMENTAL SYSTEM ONLY -----	1	

A---210 SERIAL 21057841 THRU 21058510

Oxygen System (cont)



21058511 & ON

Figure 112A. Oxygen System Installation



FIGURE AND INDEX NO.	PART NUMBER		DESCRIPTION							UNITS PER ASSY	USABLE ON CODE
			1	2	3	4	5	6	7		
112A-			OXYGEN SYSTEM INSTALLATION -----							NP	A
- 1	0700733-1	□	COVER-LH -----							1	B
	0700733-2	□	COVER-RH -----							1	B
- 1A	1200536-1	□	COVER-LH -----							1	C
			21058511 & ON								
			ATTACHING PARTS								
- 2	S1023A6-8		SCREW -----							6	B
	S1067C1		WASHER -----							6	B
- 2A	AN515-6R6		SCREW -----							2	C
			-----*								
- 3	0813808-2		KNOB -----							1	
			ATTACHING PARTS								
- 4	S1022Z4-8		SCREW -----							1	
			-----*								
- 5	0700729-11		BRACKET ASSEMBLY-OXYGEN VALVE LH -----							1	
- 5A	NAS697A06L		NUTPLATE -----							2	
- 5B	0700729-10		SUPPORT -----							1	
- 6	1200416-10		BRACKET ASSEMBLY-OXYGEN VALVE RH -----							1	
- 7	0700732-1		LEVER -----							1	
			ATTACHING PARTS								
- 8	AN525-10R7		SCREW -----							1	
- 9	AN960-10		WASHER -----							1	
-10	NAS679A3		NUT -----							1	
			-----*								
-11	S1398-1		WIRE-PUSH PULL CONTROL 121.00 IN LG BULK ITEM -----							1	
			REF S1398-1-121.00								
-12	S1398-2		CASING-PUSH PULL CONTROL 116.62 IN LG BULK ITEM -----							1	
			REF S1398-2-116.62								
			ATTACHING PARTS								
-13	S1155-3		CLAMP -----							4	
	S1021Z6-6		SCREW -----							4	
	AN960-8L		WASHER -----							4	
-13A	MS21919-3		CLAMP -----							2	
-14	AN515-8R8		SCREW -----							2	
	NAS679A08		NUT -----							2	
-14A	S1155-3		CLAMP -----							1	
	AN515-8R8		SCREW -----							1	
	NAS679A08		NUT -----							1	
			-----*								
-15	C166006-0101		VALVE OUTLET ASSEMBLY-OXYGEN -----							6	
-15A	Z651-1		COVER ASSEMBLY ZEPA -----							1	
-15B	Z651-3		LOCKRING ZEPA -----							1	
-15C	Z651-13		NUT-JAMB ZEPA -----							2	
-15D	Z687-1		CORE ZEPA -----							1	
-15E	Z687-2		POPPET ZEPA -----							1	
-15F	Z687-3		SPRING ZEPA -----							1	
-16	1200415-7		ESCUTCHEON -----							4	
-17	C166001-0104		CYLINDER & REGULATOR ASSEMBLY-OXYGEN -----							1	
-17A	C166001-0101		REGULATOR ASSEMBLY -----							1	
-17B	C166001-0104		RELIEF VALVE-LOW PRESSURE -----							1	
-17C	C166001-0103		RELIEF VALVE-HIGH PRESSURE -----							1	
-18	C166007-0102		MOUNTING BRACKET-OXYGEN CYLINDER -----							2	
			ATTACHING PARTS								
-19	AN3-5A		BOLT -----							2	
	AN960-10		WASHER -----							2	
	NAS679A3		NUT -----							2	
			-----*								
-20	1200405-1		SUPPORT ANGLE LH -----							1	
-21	1200405-2		SUPPORT ANGLE RH -----							1	
-22	1200405-3		SUPPORT ANGLE LH -----							1	
-23	1200405-4		SUPPORT ANGLE RH -----							1	
-24	1200405-5		SUPPORT ANGLE LH -----							1	
	1200405-6		SUPPORT ANGLE RH -----							1	
-25	AN3-5A		BOLT -----							6	
	AN960-10		WASHER -----							6	
	NAS679A3		NUT -----							6	
-26	C166010-0101		GAGE ASSEMBLY-OXYGEN PRESSURE -----							1	
	C166010-0102		GAGE -----							1	
	C116010-0103		BEZEL -----							1	
-27	S1529-1		ELBOW -----							1	

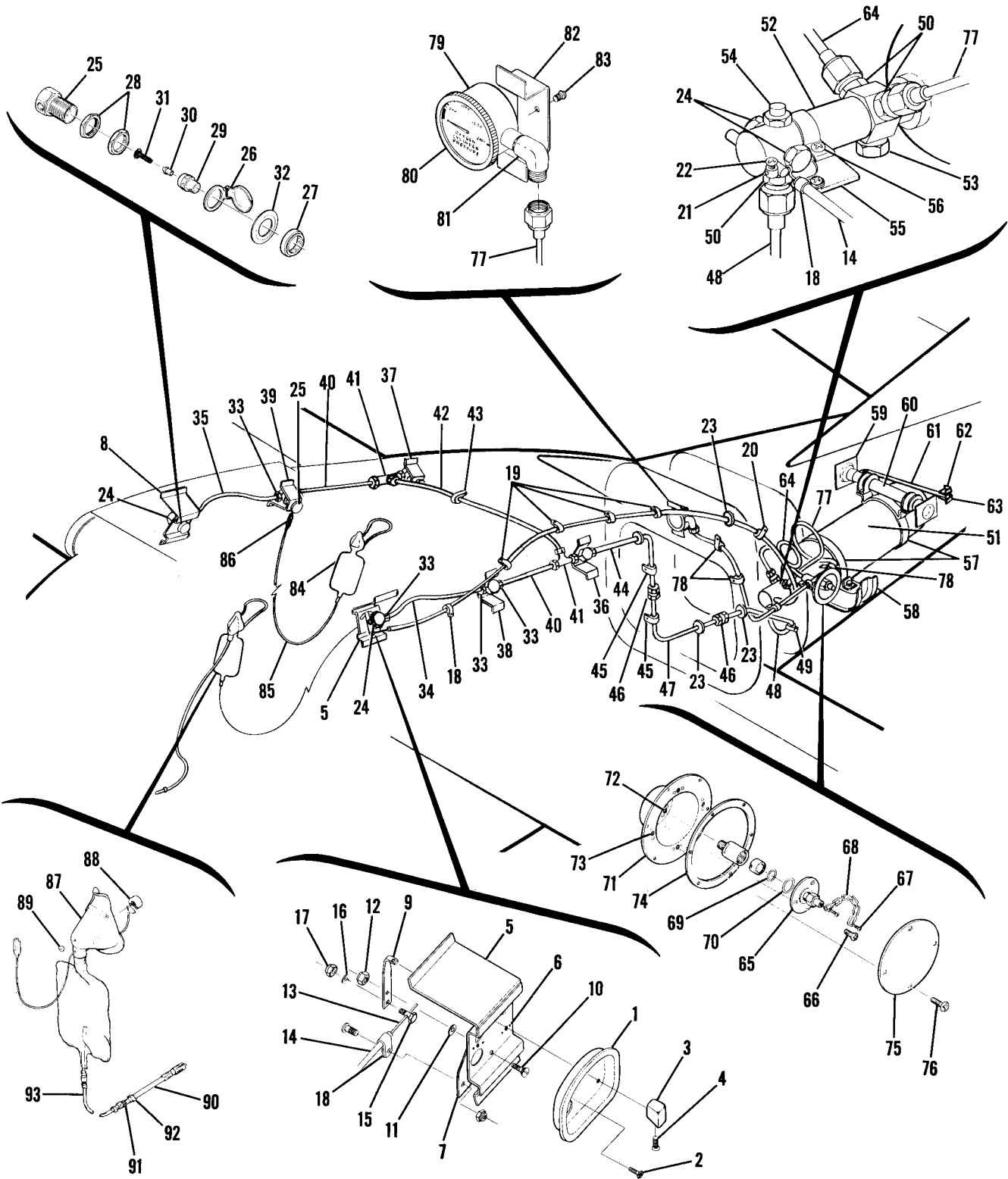
CONTINUED ON NEXT PAGE

FIGURE AND INDEX NO.	PART NUMBER	DESCRIPTION	UNITS PER ASSY	USABLE ON CODE
112A-28	C166010-0105	LINE ASSEMBLY-OXYGEN PRESSURE ----- ATTACHING PARTS -----	1	
-29	S1155-2	CLAMP -----	2	
	AN515-8R8	SCREW -----	2	
	AN960-8L	WASHER -----	2	
	NAS679A08	NUT ----- -----*	2	
-30	0800045-11	NIPPLE -----	2	
-31	0800045-24	LINE ASSEMBLY-OXYGEN -----	1	
-32	C166008-0101	VALVE ASSEMBLY-FILLER-REMOTE OXYGEN ----- ATTACHING PARTS -----	1	
-33	S1021Z4-6	SCREW -----	1	
-34	AN515-8R8	SCREW -----	3	
-35	1200054-2	RETAINER -----	1	
	NAS679A08	NUT ----- -----*	3	
-36	S1520-1	CAP & CHAIN ASSEMBLY -----	1	
-36A	2-11	O RING PKSC -----	1	
-36B	2-15	O RING PKSC -----	1	
-37	MS20913-1D	PLUG -----	5	
-38	1200415-5	CLAMP ----- ATTACHING PARTS -----	1	
-39	AN520-10R10	SCREW -----	1	
	NAS679A3	NUT ----- -----*	1	
-40	1200416-4	CLAMP -----	1	
	AN520C5-4	SCREW -----	1	
-41	MS21919-3	CLAMP ----- ATTACHING PARTS -----	1	
-42	AN515-8R8	SCREW -----	1	
	NAS679A08	NUT ----- -----*	1	
-43	MS35489-7	GROMMET -----	4	
-44	MS21919DG4	CLAMP ----- ATTACHING PARTS -----	2	
	S1021Z6-6	SCREW -----	1	
	NAS446-2-3	NUT ----- -----*	1	
-45	AN815-4D	UNION -----	1	
-46	AN816-4D	NIPPLE -----	7	
-47	1200415-1	BRACKET-OXYGEN VALVE SUPPORT LH REAR -----	1	
-48	1200415-2	BRACKET-OXYGEN VALVE SUPPORT RH REAR -----	1	
-49	1200415-3	BRACKET-OXYGEN VALVE SUPPORT LH CENTER -----	1	
-50	1200415-4	BRACKET-OXYGEN VALVE SUPPORT RH CENTER -----	1	
-51	1200417-3	LINE ASSEMBLY-OXYGEN LH -----	1	
-52	1200417-10	LINE ASSEMBLY-OXYGEN RH -----	1	
-53	1200417-2	LINE ASSEMBLY-OXYGEN LH -----	2	
-54	1200417-12	LINE ASSEMBLY-OXYGEN LH AFT -----	1	
-55	1200417-4	LINE ASSEMBLY-OXYGEN CROSSOVER -----	1	
-56	MS21919DG4	CLAMP ----- ATTACHING PARTS -----	1	
	S1021Z6-6	SCREW -----	1	
	AN960-8L	WASHER ----- -----*	1	
-57	MS20826-4D	TEE -----	2	
-58	0450311-5	CLAMP -----	1	
-59	AN960-10	WASHER -----	AR	
-60	NAS679A3	NUT -----	1	
-61	AN515-6R5	SCREW -----	1	
-62	0700735-1	SUPPORT-GAGE -----	1	
-63	1200417-1	LINE ASSEMBLY-OXYGEN -----	1	

CONTINUED ON NEXT PAGE

FIGURE AND INDEX NO.	PART NUMBER	DESCRIPTION	UNITS PER ASSY	USABLE ON CODE
		1 2 3 4 5 6 7		
112A-64	C166005-0501	MASK & LINE ASSEMBLY-PASSENGER -----	5	
	C166005-0502	MASK & LINE ASSEMBLY-PILOT -----	1	D
-65	C166009-0501	MASK ASSEMBLY -----	1	
	C166005-0504	LINE & FITTING ASSEMBLY-PASSENGER 8,000-14,000 FT -----	1	
	C166005-0505	LINE & FITTING ASSEMBLY-PILOT 14,000-22,000 FT -----	1	D
-66	ZH716	HOSE ASSEMBLY ZEPA -----	1	
-67	ZH727-8	LINE & FITTING ASSEMBLY-8,000-14,000 FT ZEPA -----	1	
	ZH727-14	LINE & FITTING ASSEMBLY-14,000-22,000 FT ZEPA -----	1	D
	C166005-0402	MASK & LINE ASSEMBLY-PILOT WITH MICROPHONE -----	1	E
-68	C166009-0401	MASK ASSEMBLY -----	1	E
-69	ANB-MC1	MICROPHONE -----	1	E
-70	Z736	NUT ZEPA -----	1	E
	C166005-0505	LINE & FITTING ASSEMBLY 14,000-22,000 FT -----	1	E
-71	ZH716	HOSE ASSEMBLY ZEPA -----	1	E
-72	ZH727-14	LINE & FITTING ASSEMBLY-14,000-22,000 FT ZEPA -----	1	E
-73	8540	FLOW INDICATOR ZEPA -----	1	E
-74	Z730-7	CLAMP ZEPA -----	1	E
	0800030-35	CASE-OXYGEN MASKS NOT ILLUSTRATED -----	1	
<p>NOTE. THIS FIGURE IS APPLICABLE TO THE 210 ONLY. SEE FIGURE 112B FOR T210 COVERAGE.</p> <p>NOTE. □THIS PART NUMBER MUST HAVE A SECOND DASH NUMBER ADDED TO DENOTE COLOR. REFER TO HOW TO ORDER INTERIOR PARTS-PAGE XI.</p> <p>A---210 SERIAL 21058511 & ON B---210 SERIAL 21058511 THRU 21058633 C---210 SERIAL 21058634 & ON D---210 SERIAL 21058511 THRU 21058715 E---210 SERIAL 21058716 & ON</p>				

Oxygen System (Cont)



T210-0001 & ON

Figure 112B. Oxygen System Installation

FIGURE AND INDEX NO.	PART NUMBER	DESCRIPTION	UNITS PER ASSY	USABLE ON CODE
		1 2 3 4 5 6 7		
112B-		OXYGEN SYSTEM INSTALLATION -----	NP	A
- 1	1200536-1	COVER-LH ONLY -----	1	
		ATTACHING PARTS -----		
- 2	AN515-6R6	SCREW ----- T210-0001 & ON -----	2	
- 3	0813808-2	KNOB -----	1	
		ATTACHING PARTS -----		
- 4	S102274-8	SCREW -----	1	
- 5	0700729-11	BRACKET ASSEMBLY-OXYGEN VALVE LH FWD -----	1	
- 6	NAS697A06L	NUTPLATE -----	2	
- 7	0700729-10	SUPPORT -----	1	
- 8	1200416-10	BRACKET ASSEMBLY-OXYGEN VALVE RH FWD -----	1	
- 9	0700732-1	LEVER -----	1	
		ATTACHING PARTS -----		
-10	AN525-10R7	SCREW -----	1	
-11	AN960-10	WASHER -----	1	
-12	NAS679A3	NUT -----	1	
-13	S1398-1	WIRE-PUSH PULL CONTROL 126.00 IN LG BULK ITEM ----- REF S1398-1-126.00	1	
-14	S1398-2	CASING-PUSH PULL CONTROL 118.00 IN LG BULK ITEM ----- REF S1398-2-118.00	1	
		ATTACHING PARTS -----		
-15	0450311-5	CLAMP -----	1	
-16	AN960-10	WASHER -----	AR	
-17	NAS679A3	NUT -----	1	
-18	MS21919-3	CLAMP -----	3	
	AN515-8R8	SCREW -----	3	
	NAS679A08	NUT -----	3	
-19	S1155-3	CLAMP -----	4	
	S1021Z6-6	SCREW -----	4	
	AN960-8L	WASHER -----	4	
-20	MS21919DG3	CLAMP -----	1	
	S1021Z8-8	SCREW -----	1	
	NAS446-4-3	NUT -----	1	
-21	1200416-4	CLAMP -----	1	
-22	AN520C5-4	SCREW -----	1	
-23	MS35489-7	GROMMET -----	5	
-24	MS20913-1D	PLUG -----	5	
-25	C166006-0101	VALVE OUTLET ASSEMBLY-OXYGEN -----	6	
-26	Z651-1	COVER ASSEMBLY ZEPA -----	1	
-27	Z651-3	LOCKRING ZEPA -----	1	
-28	Z651-13	NUT-JAMB ZEPA -----	2	
-29	Z687-1	CORE ZEPA -----	1	
-30	Z687-2	POPPET ZEPA -----	1	
-31	Z687-3	SPRING ZEPA -----	1	
-32	1200415-7	ESCUTCHEON -----	4	
-33	AN816-4D	NIPPLE -----	7	
-34	1200417-3	LINE ASSEMBLY-OXYGEN LH -----	1	
-35	1200417-10	LINE ASSEMBLY-OXYGEN RH -----	1	
-36	1200415-1	BRACKET-OXYGEN VALVE SUPPORT LH REAR -----	1	
-37	1200415-2	BRACKET-OXYGEN VALVE SUPPORT RH REAR -----	1	
-38	1200415-3	BRACKET-OXYGEN VALVE SUPPORT LH CENTER -----	1	
-39	1200415-4	BRACKET-OXYGEN VALVE SUPPORT RH CENTER -----	1	
-40	1200417-2	LINE ASSEMBLY-OXYGEN -----	2	
-41	MS20826-4D	TEE -----	2	
-42	1200417-4	LINE ASSEMBLY-OXYGEN CROSSOVER -----	1	
-43	MS21919DG4	CLAMP -----	1	
		ATTACHING PARTS -----		
	S1021Z6-6	SCREW -----	1	
	AN960-8L	WASHER -----	1	
-44	1200417-12	LINE ASSEMBLY-OXYGEN -----	1	
-45	MS21919DG4	CLAMP -----	2	
-46	AN815-4D	UNION -----	2	
-47	1200417-19	LINE ASSEMBLY-OXYGEN -----	1	
-48	1200417-18	LINE ASSEMBLY-OXYGEN -----	1	

CONTINUED ON NEXT PAGE

FIGURE AND INDEX NO.	PART NUMBER	DESCRIPTION	UNITS	USABLE ON CODE
			PER ASSY	
		1 2 3 4 5 6 7		
112B-49	MS21919DG4	CLAMP -----	1	
		ATTACHING PARTS -----		
	S1021Z8-8	SCREW -----	1	
	NAS446-4-3	NUT -----	1	
		-----*		
-50	0800045-11	NIPPLE -----	3	
-51	C166001-0201	CYLINDER & REGULATOR ASSEMBLY-OXYGEN -----	1	
-52	C166002-0101	REGULATOR ASSEMBLY -----	1	
-53	C16002-0103	RELIEF VALVE-HIGH PRESSURE -----	1	
-54	C16002-0104	RELIEF VALVE-LOW PRESSURE -----	1	
-55	1200415-5	CLAMP -----	1	
		ATTACHING PARTS -----		
-56	AN520-10R10	SCREW -----	1	
	NAS679A3	NUT -----	1	
		-----*		
-57	C166007-0103	MOUNTING BRACKET-OXYGEN CYLINDER -----	2	
		ATTACHING PARTS -----		
	AN3-4A	BOLT REAR MOUNT ONLY -----	2	
	AN3-5A	BOLT FORWARD MOUNT ONLY -----	2	
	AN960-10	WASHER -----	2	
		-----*		
-58	1200429-1	SUPPORT BRACKET ASSEMBLY -----	1	
	NAS697A3	NUTPLATE -----	2	
-59	1200429-8	SUPPORT BRACKET ASSEMBLY -----	1	
-60	1200433-8	SUPPORT ASSEMBLY -----	1	
	NAS697A3	NUTPLATE -----	2	
-61	1200433-7	BRACE ASSEMBLY -----	1	
		ATTACHING PARTS -----		
	AN3-11A	BOLT -----	2	
	AN960-10L	WASHER -----	2	
	NAS679A3	NUT -----	2	
		-----*		
-62	1200433-3	BRACKET-UPPER -----	1	
-63	1200433-4	BRACKET-LOWER -----	1	
-64	1200417-20	LINE ASSEMBLY-OXYGEN -----	1	
-65	C166008-0101	VALVE ASSEMBLY-OXYGEN FILLER -----	1	
		ATTACHING PARTS -----		
-66	AN515-8R8	SCREW -----	3	
-67	S1021Z4-6	SCREW -----	1	
		-----*		
-68	S1520-1	CAP & CHAIN ASSEMBLY -----	1	
-69	2-11	O RING PKSC -----	1	
-70	2-15	O RING PKSC -----	1	
-71	1200429-15	ADAPTER-VALVE -----	1	
-72	NAS697A08	NUTPLATE -----	3	
-73	NAS697A06L	NUTPLATE -----	4	
-74	1200429-13	SPACER -----	1	
-75	1200429-12	COVER-VALVE -----	1	
		ATTACHING PARTS -----		
-76	AN515-6R6	SCREW -----	4	
		-----*		
-77	C166010-0106	LINE ASSEMBLY-OXYGEN PRESSURE -----	1	
		ATTACHING PARTS -----		
-78	S1155-2	CLAMP -----	6	
	S1021Z8-8	SCREW -----	6	
	NAS446-4-3	NUT -----	6	
		-----*		

CONTINUED ON NEXT PAGE

FIGURE AND INDEX NO.	PART NUMBER	DESCRIPTION	UNITS PER ASSY	USABLE ON CODE
		1 2 3 4 5 6 7		
112B-	C166010-0101	GAGE ASSEMBLY-OXYGEN PRESSURE -----	1	
-79	C166010-0102	GAGE -----	1	
-80	C166010-0103	BEZEL -----	1	
-81	S1529-1	ELBOW -----	1	
-82	0700735-2	SUPPORT-GAGE -----	1	
-83	AN515-6R5	SCREW -----	1	
	C166005-0501	MASK & LINE ASSEMBLY-PASSENGER -----	5	
-84	C166009-0501	MASK ASSEMBLY -----	1	
	C166005-0504	LINE & FITTING ASSEMBLY-PASSENGER 8,000-14,000 FT -----	1	
-85	ZH716	HOSE ASSEMBLY ZEPA -----	1	
-86	ZH727-8	LINE & FITTING ASSEMBLY-8,000-14,000 FT ZEPA -----	1	
	C166005-0401	MASK & LINE ASSEMBLY-PILOT WITH MICROPHONE -----	1	
-87	C166009-0401	MASK ASSEMBLY -----	1	
-88	ANB-MC1	MICROPHONE -----	1	
-89	Z736	NUT ZEPA -----	1	
	C166005-0506	LINE & FITTING ASSEMBLY-PILOT 22,000-30,000 FT -----	1	
-90	ZH727-22	LINE & FITTING ASSEMBLY-22,000-30,000 FT ZEPA -----	1	
-91	8540	FLOW INDICATOR ZEPA -----	1	
-92	Z730-7	CLAMP ZEPA -----	1	
-93	ZH716	HOSE ASSEMBLY ZEPA -----	1	
	0800030-35	CASE-OXYGEN MASKS NOT ILLUSTRATED -----	1	
<p>NOTE. □THIS PART NUMBER MUST HAVE A SECOND DASH NUMBER ADDED TO DENOTE COLOR. REFER TO HOW TO ORDER INTERIOR PARTS-PAGE XI.</p> <p>A---T210 SERIAL T210-0001 & ON</p>				

Electrical Equipment

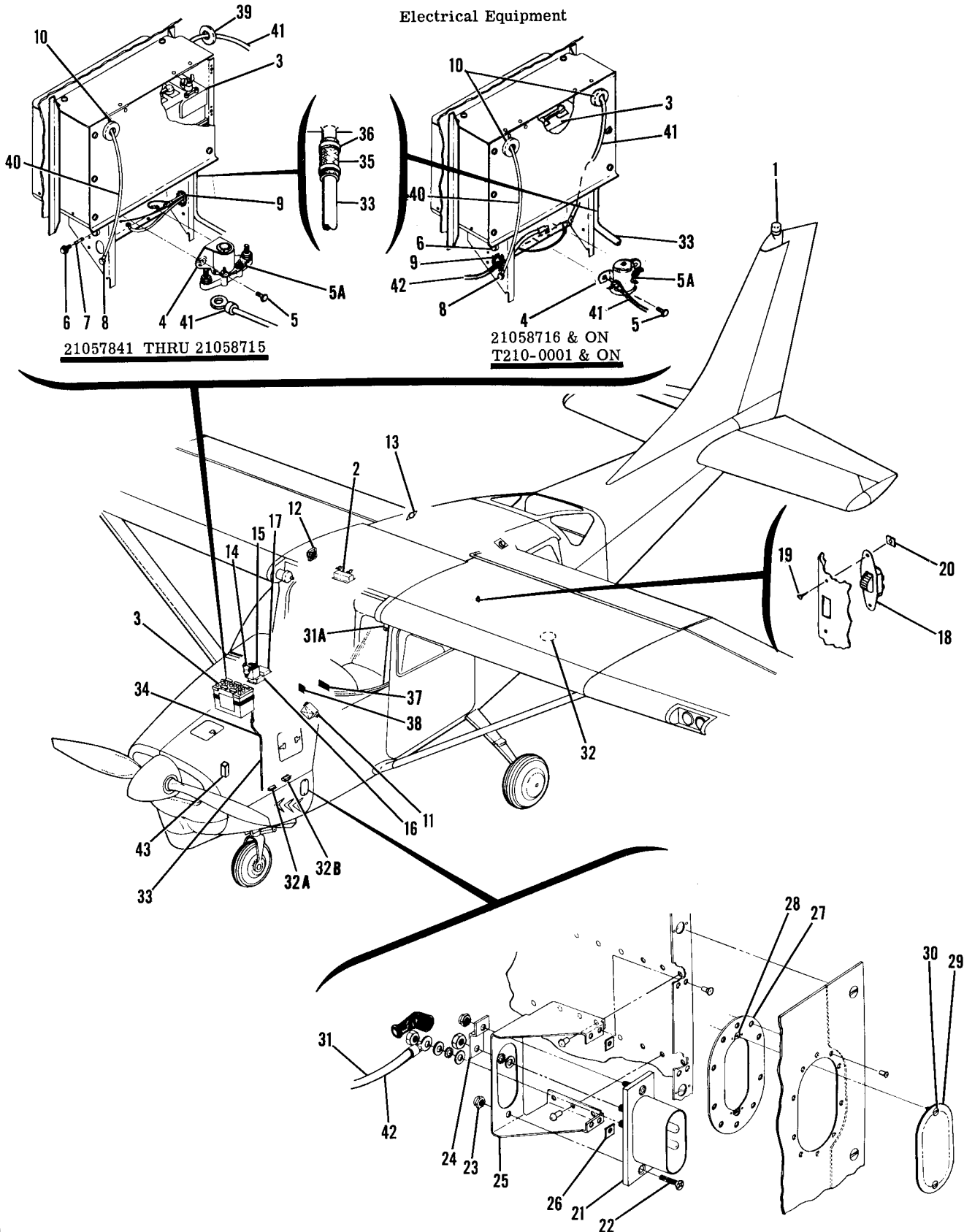


Figure 113. Electrical Equipment Installation



FIGURE AND INDEX NO.	PART NUMBER	DESCRIPTION							UNITS PER ASSY	USABLE ON CODE
		1	2	3	4	5	6	7		
113 -		ELECTRICAL EQUIPMENT INSTALLATION -----							NP	
- 1		ROTATING BEACON INSTALLATION SEE FIGURE 116 -----							1	
- 2		INSTRUMENT PANEL LIGHTS INSTALLATION SEE FIGURE 114 -----							1	
- 3	0712605-201 *	BATTERY KIT -----							1	
- 4	0712603-2	CONTACTOR ASSEMBLY -----							1	M
	S1579-1	CONTACTOR-BATTERY -----							1	N
		ATTACHING PARTS -----								
- 5	AN3-3A	BOLT -----							2	
		-----*								
- 5A	0770657-1	DIODE ASSEMBLY -----							1	M
	0770728-1	DIODE ASSEMBLY -----							1	N
- 6	S1090-18	FUSEHOLDER -----							1	D
	S1090-19	CAP-2 AMP -----							1	D
	S1090-22	FUSEHOLDER -----							1	E
	S1090-23	CAP-1 AMP -----							1	E
- 7	S1091-2	FUSE-2 AMP -----							1	D
	S1091-1	FUSE-1 AMP -----							1	E
- 8	AN4-4A	BOLT -----							1	
	AN960-416	WASHER -----							1	
	NAS679A4	NUT -----							1	
- 9	S1050-1-3.10	GROMMET -----							1	
-10	MS35489-135	GROMMET -----							1	
-11	0413205-11	REGULATOR-VOLTAGE FOR USE WITH GENERATOR -----							1	J
	0750216-1	REGULATOR-VOLTAGE FOR USE WITH ALTERNATOR -----							1	K
		ATTACHING PARTS -----								
	AN4-6A	BOLT -----							3	
		-----*								
-12	C4FF10A568A	PLUG -----							1	K
	1270035-2	SPEAKER-STALL & GEAR WARNING -----							1	B
		ATTACHING PARTS -----								
	AN515-8R6	SCREW -----							2	
	AN970-3	WASHER -----							2	
		-----*								
-13	181522	LIGHT ASSEMBLY-DOME UCTE -----							2	
	90	BULB GE -----							1	
	0700629-1	RETAINER-HEADLINER DOME LIGHT INSTALLATION -----							2	F
		ATTACHING PARTS -----								
	S1022A4-6	SCREW -----							4	F
		-----*								
-14	0750027-1	CONTACTOR -----							1	
-15	0713130-1	VIBRATOR -----							1	A
		ATTACHING PARTS -----								
	AN3-4A	BOLT -----							2	A
	NAS679A3	NUT -----							2	A
		-----*								
-16	1213239-1	WARNING UNIT WHEN EXHAUSTED USE 1213242-1 -----							1	B
	1213242-1	WARNING UNIT-DUAL-STALL -----							1	C
-17	0713511-1	FLASHER UNIT -----							1	
		ATTACHING PARTS -----								
	AN515-8R8	SCREW -----							4	
	S1155-2	CLAMP -----							4	
	NAS679A08	NUT -----							4	
		-----*								
-18	0713029	SWITCH-DOME LIGHT -----							1	
		ATTACHING PARTS -----								
-19	S102176-8	SCREW -----							2	
-20	NAS446-2-3	NUT -----							2	
		-----*								
-21	AN2552-3A	RECEPTACLE INSTALLATION-GROUND SERVICE PLUG -----							NP	
		RECEPTACLE -----							1	
		ATTACHING PARTS -----								
-22	AN509-10R14	SCREW -----							2	
-23	NAS679A3	NUT -----							2	
-24	0312155-10	GROUND STRAP -----							1	
		-----*								
-25	0713711-2	SUPPORT BRACKET -----							1	
-26	1270434-2	SHIM -----							2	
-27	0752610-1	DOUBLER ASSEMBLY -----							1	
-28	S1115-19	RECEPTACLE-STUD -----							2	
-29	0752611-1	DOOR ASSEMBLY -----							1	
-30	S1115-10	STUD -----							2	
	S1115-20	RING -----							2	
-31	S1488-3S	NIPPLE -----							1	

CONTINUED ON NEXT PAGE



FIGURE AND INDEX NO.	PART NUMBER	DESCRIPTION	UNITS PER ASSY	USABLE ON CODE
113 -31A		MAP LIGHT SEE FIGURE 118 -----	1	G
-32		FLAP MOTOR-ELECTRIC SEE FIGURE 85B -----	1	
-32A	30D192A1	LIGHT INSTALLATION-COURTESY SEE FIGURE 115 -----	NP	
-32B	MOR-20-2	CAPACITOR SPR -----	2	H
		RESISTOR TRTA -----	1	
		ATTACHING PARTS		
	AN515-4R7	SCREW -----	2	
-33	1200106-55	LINE ASSEMBLY-BATTERY DRAIN -----	1	
		ATTACHING PARTS		
-34	MS21919DG6	CLAMP -----	1	
	S1021Z8-6	SCREW -----	1	
-35	S1495-6	TUBE 2.00 IN LG BULK ITEM REF S1495-6-02.00 -----	1	
-36	NAS397-10	CLAMP -----	2	
-37	S550B	SUPPRESSOR SATA -----	1	
-38	CA-2	CIRCUIT BREAKER MTCC -----	1	
		ALTERNATOR INSTALLATION SEE FIGURE 114A -----	1	
		SWITCHES-LANDING GEAR LIMIT SEE FIGURE 117 -----	1	
		POST LIGHTING-INSTRUMENT PANEL SEE FIGURE 59C -----	1	
-39	S1050-2-3.00	GROMMET -----	1	
-40	1270425FPA1	CABLE-BATTERY GROUND -----	1	A
	1270405FPA1	CABLE-BATTERY GROUND -----	1	E
-41	1270425FPA9	CABLE-BATTERY TO CONTACTOR -----	1	A
	1270405FPA9	CABLE-BATTERY TO CONTACTOR -----	1	O
	1270405FPA16	CABLE-BATTERY TO CONTACTOR -----	1	N
-42	1270425FPC1	CABLE-EXTERNAL POWER-BATTERY CONTACTOR -----	1	A
	1270405FPC1	CABLE-EXTERNAL POWER-BATTERY CONTACTOR -----	1	O
	1270425FPA12	CABLE-SOLENOID TO STARTER -----	1	A
	1270405FPC2	CABLE-EXTERNAL POWER-BATTERY CONTACTOR -----	1	N
	1270405FPA12	CABLE-SOLENOID TO STARTER -----	1	E
	1270405FPA10	CABLE-BATTERY CONTACTOR TO STARTER SOLENOID -----	1	O
	1270405FPA15	CABLE-BATTERY CONTACTOR TO STARTER SOLENOID -----	1	N
	1270425FPA10	CABLE-BATTERY CONTACTOR TO STARTER SOLENOID -----	1	A
-43	E33-10K	POWER SEAT ELECTRICAL DETAILS SEE FIGURES 55C & 55D -----	1	
	JV5	SWITCH & ACTUATOR ASSEMBLY ON AIRBOX CRYE -----	1	H
	AN3234-1	ACTUATOR MCS -----	1	H
	125C706-1	SWITCH ALTERNATE WHEN USED WITH JV5 ACTUATOR -----	1	H
	USM5-B	LIMIT SWITCH ASSEMBLY-THROTTLE ON AIRBOX -----	1	G
	AAM20	SWITCH UMX -----	2	G
		ACTUATOR UMX -----	1	G
<p>NOTE. *THIS KIT INCLUDES DRY BATTERY AND ELECTROLYTE.</p> <p>A---210 SERIAL 21057841 THRU 21057085 B---210 SERIAL 21057841 THRU 21058262 C---210 SERIAL 21058263 & ON T210 SERIAL T210-0001 & ON D---210 SERIAL 21057841 THRU 21058085 E---210 SERIAL 21058086 & ON T210 SERIAL T210-0001 & ON F---210 SERIAL 21058083 & ON T210 SERIAL T210-0001 & ON G---210 SERIAL 21058221 & ON T210 SERIAL T210-0001 & ON H---210 SERIAL 21057841 THRU 21058220 J---210 SERIAL 21057841 THRU 21058510 K---210 SERIAL 21058511 & ON T210 SERIAL T210-0001 & ON L---210 SERIAL 21058324 & ON T210 SERIAL T210-0001 & ON M---210 SERIAL 21057841 THRU 21058715 N---210 SERIAL 21058716 & ON T210 SERIAL T210-0001 & ON O---210 SERIAL 21058086 THRU 21058715</p>				

This page intentionally left blank.

Electrical Equipment (Cont)

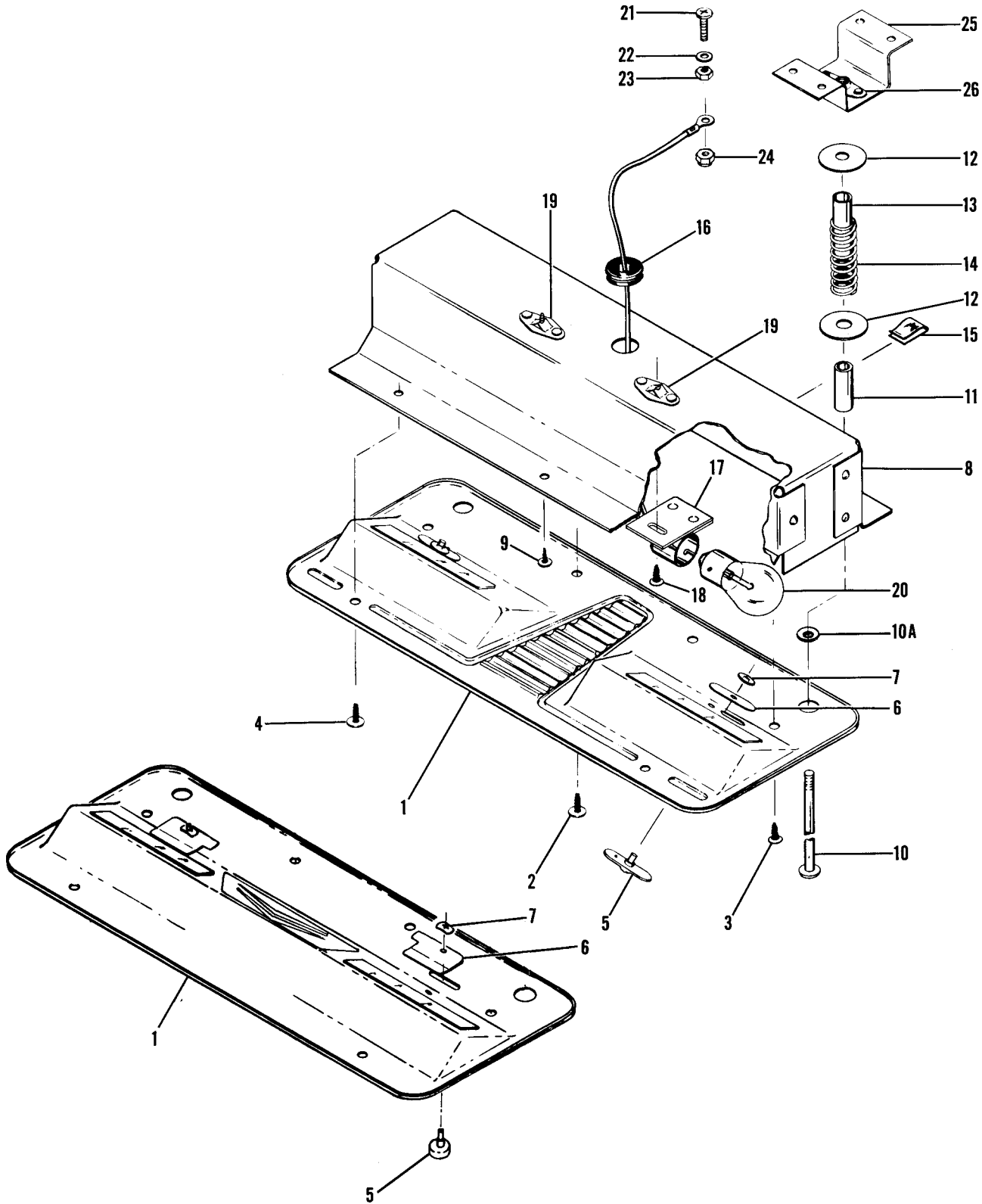
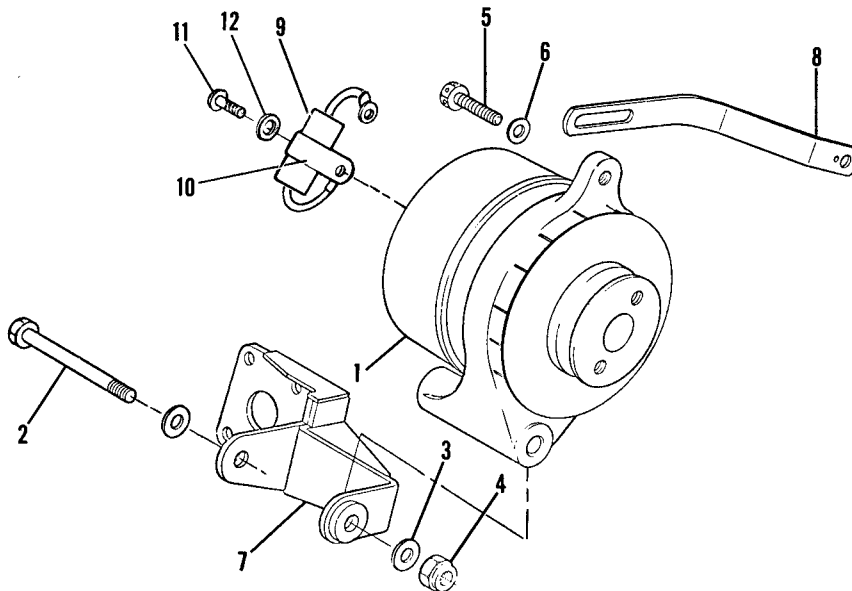


Figure 114. Instrument Panel Lights Installation

FIGURE AND INDEX NO.	PART NUMBER	DESCRIPTION	UNITS PER ASSY	USABLE ON CODE
114 -		1 2 3 4 5 6 7		
- 1	0700622-1 0700628-1 0700628-7 1213243-1	INSTRUMENT PANEL LIGHT INSTALLATION ----- COVER ASSEMBLY-PANEL LIGHT ----- COVER ASSEMBLY-PANEL LIGHT ----- COVER ASSEMBLY-PANEL LIGHT WHEN EXHAUSTED USE 1213243-1. COVER ASSEMBLY-PANEL LIGHT ----- ATTACHING PARTS	NP 1 1 1 1	 A C D D
- 2	S102278-14	SCREW-INBOARD -----	2	
- 3	NAS602-40	SCREW-OUTBOARD -----	2	
- 4	S102178-14	SCREW -----	2	
- 5	0700622-4 0700628-5	SLIDE ----- SLIDE -----	2 2	 A B
- 6	0700622-5 0700628-4 0700628-9 0700628-12	COVER-SLIDE ----- COVER-SLIDE ----- COVER-SLIDE RH ----- COVER-SLIDE LH -----	2 2 1 1	 A C D D
- 7	S1278-1	ATTACHING PARTS CLIP-PUSH ON -----	1	
- 8	0700623-1 0700623-8	HOUSING ASSEMBLY-PANEL LIGHT ----- HOUSING-PANEL LIGHT ----- ATTACHING PARTS	1 1	 A B
- 9	S102178-14	SCREW -----	1	
-10	NAS602-40	SCREW -----	2	
-10A	AN960-8	WASHER -----	2	
-11	NAS43DD3-48	SPACER -----	2	
-12	S1074-1	WASHER -----	4	
-13	NAS43DD3-70	SPACER -----	2	
-14	0713124-1	SPRING -----	2	
-15	NAS395-14-3	NUT -----	4	
-16	MS35489-6	GROMMET -----	1	
-17	0700623-5 0700623-6	SOCKET ASSEMBLY-LH ----- SOCKET ASSEMBLY-RH ----- ATTACHING PARTS	1 1	
-18	S102176-6	SCREW -----	2	
-19	A6195-6Z-3	NUT TIN -----	2	
-20	94	LAMP GE -----	2	
-21	AN515-6R8	SCREW-GROUND -----	1	
-22	AN936A6	WASHER -----	1	
-23	AN340-6	NUT -----	1	
-24	NAS679A06	NUT -----	1	
-25	0700624-1	BRACKET ASSEMBLY-PANEL LIGHT -----	2	
-26	NAS680A08	NUTPLATE -----	1	
<p>NOTE. □ THIS PART NUMBER MUST HAVE A SECOND DASH NUMBER ADDED TO DENOTE COLOR. REFER TO HOW TO ORDER INTERIOR PARTS-PAGE XI.</p> <p>A---210 SERIAL 21057841 THRU 21058085 B---210 SERIAL 21058086 & ON T210 SERIAL T210-0001 & ON C---210 SERIAL 21058086 THRU 21058220 D---210 SERIAL 21058221 & ON T210 SERIAL T210-0001 & ON</p>				

Electrical Equipment (Cont)



T210-0001 & ON
21058511 & ON

Figure 114A. Alternator Installation

FIGURE AND INDEX NO.	PART NUMBER	DESCRIPTION	UNITS PER ASSY	USABLE ON CODE
114A-		1 2 3 4 5 6 7		
- 1	0750217-1 C611501-101	ALTERNATOR INSTALLATION-52AMP-14VOLT ----- ALTERNATOR C4FF10300A FOR ----- ALTERNATOR ----- ATTACHING PARTS	NP 1 1	A B C
- 2	AN7-40A	BOLT -----	1	
- 3	AN960-716	WASHER -----	2	
- 4	MS20365-720C	NUT -----	1	
- 5	0750220-1	BOLT -----	1	
- 6	S1450-6-14-080	WASHER -----	1	
- 7	0750213-1	SUPPORT ASSEMBLY -----	1	
- 8	0750221-1	ADJUSTING ARM ----- -----*	1	
- 9	1250209-1	NOISE FILTER ----- ATTACHING PARTS	1	B
-10	AN742D12	CLAMP -----	1	B
-11	AN520-10R8	SCREW -----	1	B
-12	AN936A10	LOCKWASHER ----- -----*	1	B
		A---210 SERIAL 21058511 & ON T210 SERIAL T210-0001 & ON B---210 SERIAL 21058511 THRU 21058715 C---210 SERIAL 21058716 & ON T210 SERIAL T210-0001 & ON		

This page intentionally left blank.

Electrical Equipment (Cont)

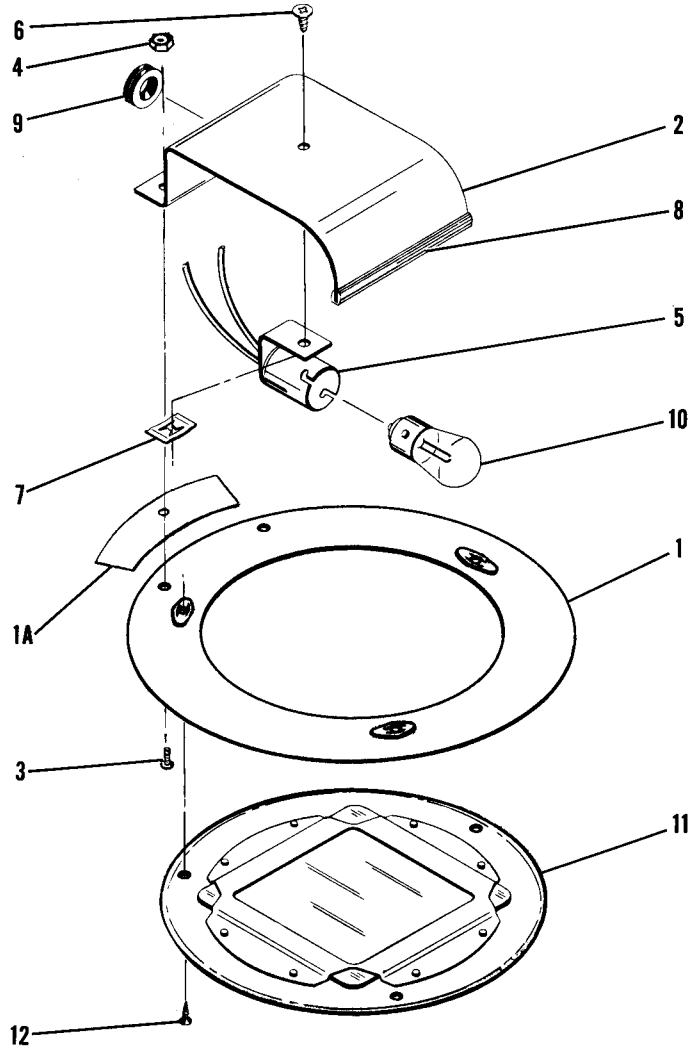


Figure 115. Courtesy Light Installation

FIGURE AND INDEX NO.	PART NUMBER	DESCRIPTION	UNITS PER ASSY	USABLE ON CODE
		1 2 3 4 5 6 7		
115 -		COURTESY LIGHT INSTALLATION -----	NP	
- 1	S1443-3	DOUBLER ASSEMBLY -----	1	
- 1A	0700617-1	SPACER-SHIELD ASSEMBLY -----	1	
- 2	0700616-1	SHIELD ASSEMBLY -----	1	
		ATTACHING PARTS		
- 3	S1021Z6-8	SCREW -----	2	
- 4	NAS446-2-3	NUT -----	2	
		-----*		
- 5	0513208-1	SOCKET -----	1	
		ATTACHING PARTS		
- 6	S1021Z6-6	SCREW -----	1	
- 7	NAS446-2-3	NUT -----	1	
		-----*		
- 8	S1055-1	CHANNEL-2.25 IN. LG. BULK ITEM REF S-1055-1-2.25 --	1	
- 9	MS35489-134	GROMMET -----	1	
-10	MS15584-2	LAMP -----	1	
-11	1270432-2	COVER ASSEMBLY -----	1	
		ATTACHING PARTS		
-12	S1021Z8-8	SCREW -----	6	
		-----*		

Electrical Equipment (Cont)

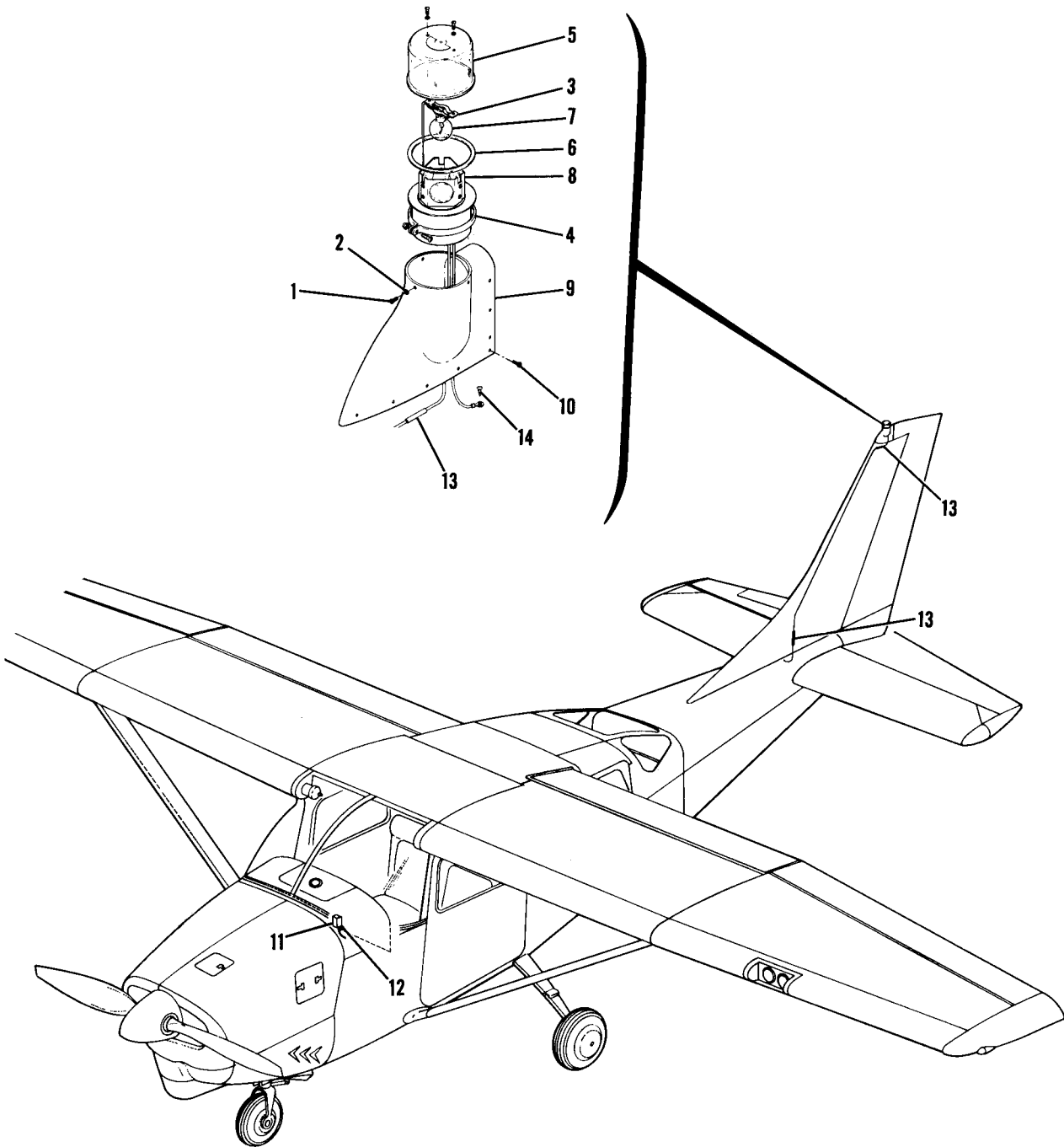


Figure 116. Rotating Beacon Installation

FIGURE AND INDEX NO.	PART NUMBER	DESCRIPTION	UNITS PER ASSY	USABLE ON CODE
116 -	0700120-1	BEACON INSTALLATION-ROTATING ----- BEACON ASSEMBLY-ROTATING ----- ATTACHING PARTS	NP 1	
- 1	AN515-8R6	SCREW -----	3	
- 2	AN960-6L	WASHER -----	3	
- 3	WRM-15	SOCKET ASSEMBLY WHEL -----	1	
- 4	WRM-25	CLAMP ASSEMBLY WHEL -----	1	
- 5	WRM-10	DOME ASSEMBLY WHEL -----	1	
- 6	WRM-30	GASKET-DOME WHEL -----	1	
- 7	WRM-44-12	BULB WHEL -----	1	
- 8	WRM-20	LENS ASSEMBLY WHEL -----	1	
- 8	WRM-39	MOTOR-ROTATING BEACON WHEL -----	1	
- 9	1200039-2	TIP-FIN ----- ATTACHING PARTS	1	
-10	NAS220-6	SCREW -----	16	
-11	S1158-2-1	SWITCH ASSEMBLY -----	1	
-12	S1232-10	CIRCUIT BREAKER -----	1	A
	S1360-10	CIRCUIT BREAKER -----	1	B
-13	S292-5-003	SLEEVING -----	2	
-14	AN515-8R6	SCREW -----	1	
	NAS679A08	NUT -----	1	
		A---210 SERIAL 21057841 THRU 21058220 B---210 SERIAL 21058221 & ON T210 SERIAL T210-0001 & ON		

Electrical Equipment (cont)

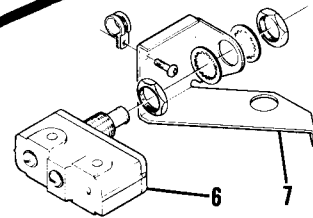
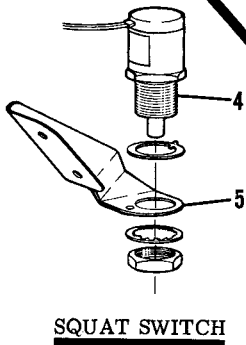
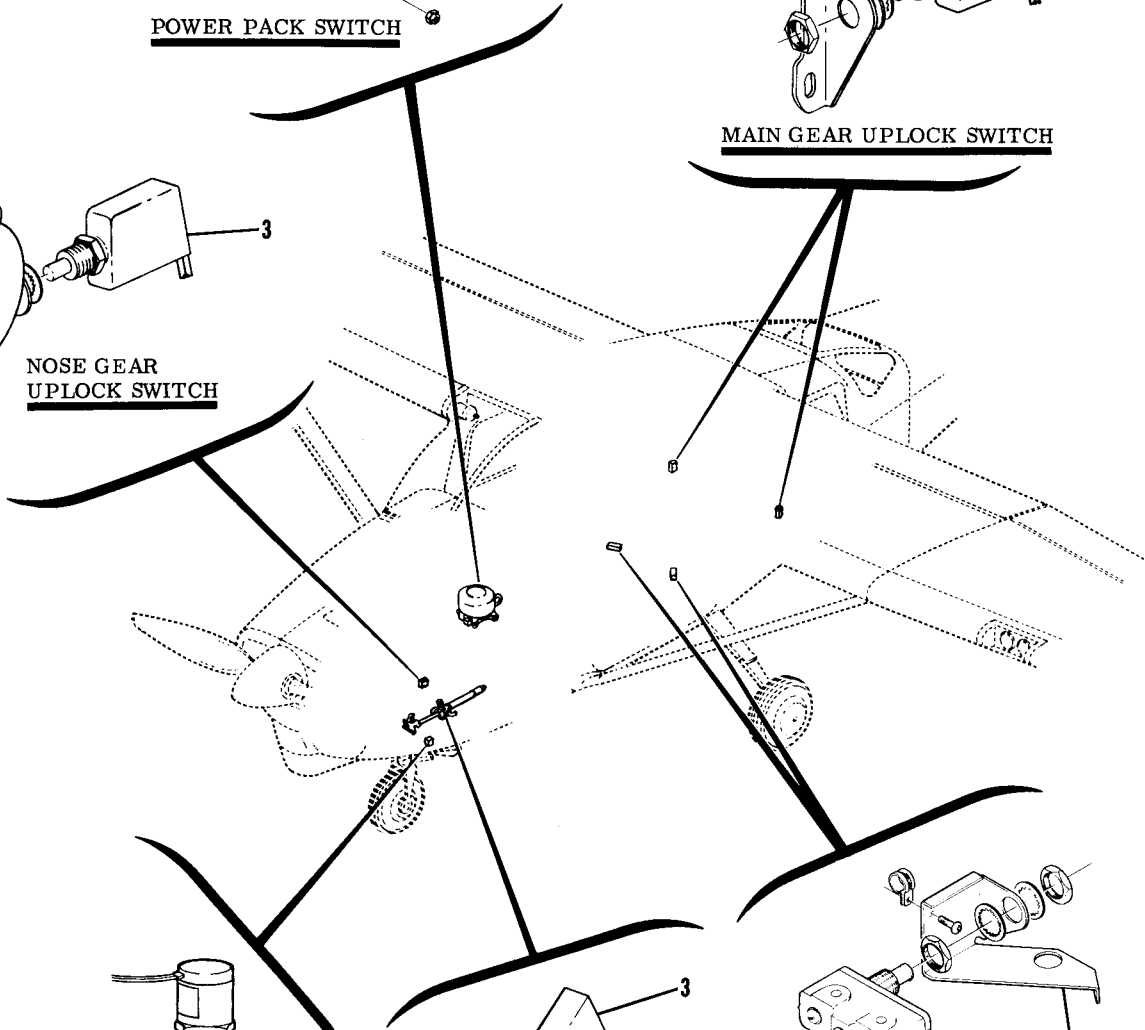
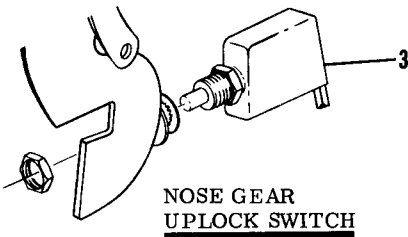
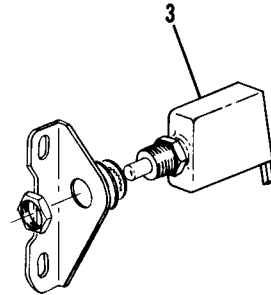
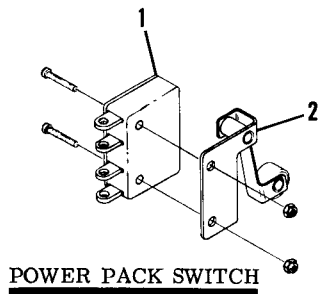
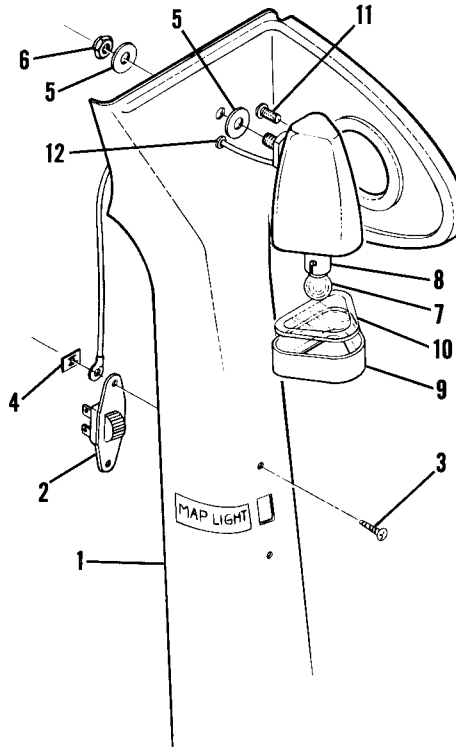


Figure 117. Landing Gear Switches Installation



FIGURE AND INDEX NO.	PART NUMBER	DESCRIPTION	UNITS PER ASSY	USABLE ON CODE
1 2 3 4 5 6 7				
117 -		SWITCHES INSTALLATION-LANDING GEAR -----	NP	
- 1	16-4042	SWITCH LITW -----	1	A
	294070-1	SWITCH-LIMIT OAC -----	1	B
- 2	70-120	ACTUATOR LITW -----	1	A
- 3	S1377-1	SWITCH -----	4	
- 4	1270034-1	SWITCH -----	1	
	1270034-4	SWITCH ALT -----	1	
		ATTACHING PARTS		
- 5	1243019-2	BRACKET -----	1	
		-----*		
- 6	10-300017	SWITCH LITW -----	2	
	YZ2RQIT	SWITCH MCS ALTERNATE -----	2	
- 7	1241416-3	BRACKET-LH -----	1	
	1241416-4	BRACKET-RH -----	1	
<p>A---USED ON ELECTROL POWER PACKS ONLY. B---USED ON OZONE POWER PACKS ONLY.</p>				

Electrical Equipment (Cont)

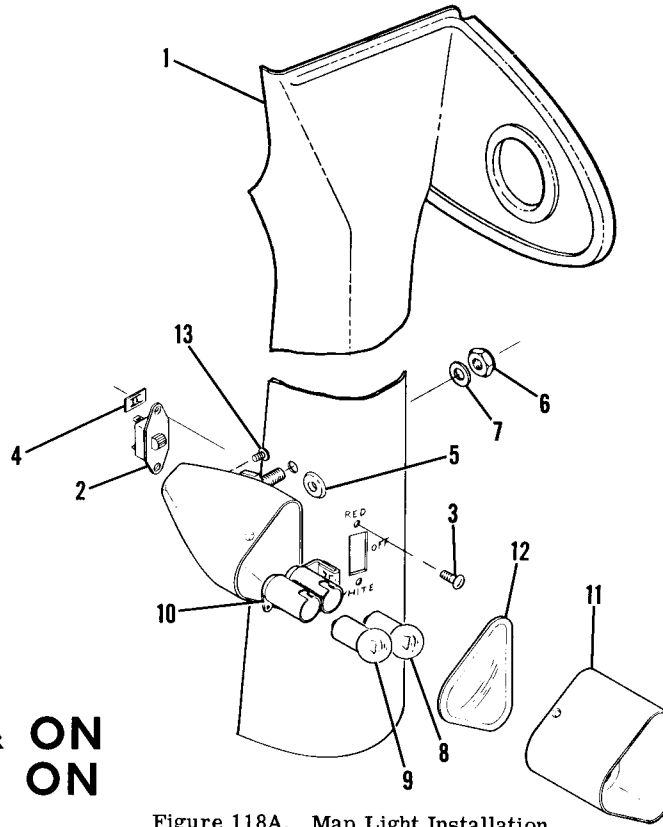


21058221 THRU 21058510

Figure 118. Map Light Installation

FIGURE AND INDEX NO.	PART NUMBER	DESCRIPTION	UNITS PER ASSY	USABLE ON CODE
118 -		1 2 3 4 5 6 7		
- 1	1270463-4-532	MAP LIGHT INSTALLATION -----	NP	A
- 2	0713029	SHIELD-FRONT DOORPOST LH -----	1	
		SWITCH -----	1	
		ATTACHING PARTS -----		
- 3	S102126-6	SCREW -----	2	
- 4	NAS446-2-3	NUT -----	2	
	1470089-10	MAP LIGHT ASSEMBLY -----	1	
		ATTACHING PARTS -----		
- 5	AN970-3	WASHER -----	2	
- 6	NAS679A3	NUT -----	1	
- 7	1816	LAMP GE -----	1	
- 8	1924	SOCKET SHHI -----	1	
- 9	1470089-6	RETAINER -----	1	
-10	1470089-8	LENS -----	1	
-11	AN520-6-8	SCREW ADJUSTMENT -----	1	
-12	MS35489-4	GROMMET -----	1	
		A---210 SERIAL 21058221 THRU 21058510		

Map Light (Cont)



T210-0001 & ON
21058511 & ON

Figure 118A. Map Light Installation

FIGURE AND INDEX NO.	PART NUMBER	DESCRIPTION	UNITS PER ASSY	USABLE ON CODE
		1 2 3 4 5 6 7		
118A-		MAP LIGHT INSTALLATION	NP	A
- 1	0770725-6	SHIELD-FRONT DOORPOST LH	1	B
	0770725-8	SHIELD-FRONT DOORPOST LH	1	C
- 2	S1501	SWITCH-MAP LIGHT	1	
		ATTACHING PARTS		
- 3	AN515-3R6	SCREW	2	
- 4	AN340-3	NUT	2	
	AN935-3L	WASHER	2	
- 5	MS35489-4	GROMMET	1	
	1470089-14	MAP LIGHT ASSEMBLY	1	
		ATTACHING PARTS		
- 6	NAS679A3	NUT	1	
- 7	AN960-10L	WASHER	1	
- 8	1816	LAMP	1	
- 9	1816R	LAMP RED	1	
-10	ID1757	SOCKET ASSEMBLY ISES	1	
-11	0700148-1	HOOD ASSEMBLY	1	
-12	1470089-8	LENS	1	
-13	AN520-6-8	SCREW-ADJUSTMENT	1	
		NOTE. □PART NUMBER MUST HAVE A SECOND DASH NUMBER ADDED TO DENOTE COLOR. REFER TO HOW TO ORDER INTERIOR PARTS PAGE XI.		
		A---210 SERIAL 21058511 & ON T210 SERIAL T210-0001 & ON		
		B---210 SERIAL 21058511 THRU 21058715		
		C---210 SERIAL 21058716 & ON T210 SERIAL T210-0001 & ON		

This page intentionally left blank.

 **NUMERICAL INDEX**



PART NUMBER	FIGURE AND INDEX NO.
AAM20	69A-24
AAM20	113 -43
ANB-MC1	112A-69
ANB-MC1	112B-88
AN123883	93 -27
AN123883	93A-41
AN155B16L	82A-28
AN155B16S	85 -28
AN155B16S	85A- 5
AN155B32L	81 - 6
AN155B32L	81 -13
AN155B32S	80 -13
AN155B32S	81 -20
AN155B32S	81A- 2
AN155B32S	81A- 8
AN155B32S	82 - 9
AN155B32S	82A- 9
AN155B32S	86 - 2
AN155B32S	81A-14
AN155B8S	83 -28
AN161-32LL	81 - 7
AN161-32LL	81 -12
AN165-16RS	82A-28
AN165-22RS	82 -10
AN165-22RS	82A-10
AN173-4A	17 - 4
AN173-5A	17 - 5
AN173-5A	25 - 4
AN173-5A	25 - 4
AN173-5A	25 - 8
AN173-5A	25 - 8
AN176-21A	33 - 2
AN21-10	80 -20
AN21-10	81 - 2
AN21-10	81 -19
AN21-10	81A- 3
AN21-10	82 - 3
AN21-10	82A- 3
AN21-9	81A- 5
AN21-9	81A- 7
AN227-13	18 -40D
AN227-13B	49 - 6
AN23-10	82 - 6
AN23-10	82 -28
AN23-10	82A- 6
AN23-10	82A-28
AN23-10	82A-29
AN23-10	86 - 4
AN23-10	86 -13
AN23-11	87 - 2
AN23-11	87 - 8
AN23-12	87 - 3
AN23-13	102 - 5
AN23-15A	41 -36
AN23-15A	54A-20
AN23-15A	54B-21
AN23-15A	55A-18
AN23-16	54A- 2
AN23-16A	54B-68
AN23-16A	55A- 2
AN23-16A	55A-45
AN23-16A	55C-34
AN23-16A	56A-57
AN23-18	85 - 8
AN23-19A	54A-20
AN23-19A	54A-33
AN23-19A	54B- 2
AN23-19A	54B-34
AN23-19A	55A- 2
AN23-19A	55B-46
AN23-19A	55C- 2
AN23-19A	55D-18
AN23-19A	56A- 2
AN23-19A	56C-31
AN23-20	56A-25

PART NUMBER	FIGURE AND INDEX NO.
AN23-23A	87 -23
AN23-9	85 -24
AN23-9A	77 -45
AN24-13	54A-24
AN24-13	54A-25
AN24-13	54B-25
AN24-13	54B-26
AN24-13	82 -16
AN24-14	82 -21
AN24-14	82A-16
AN24-16	54A-26
AN24-16	54B-27
AN24-16	82A-17
AN24-21A	56A-21
AN24-28A	54 - 3
AN24-28A	55 - 3
AN253-2-4.04	66A-15
AN253-2-4.04	66B- 8
AN2552-3A	113 -21
AN256F10	21 -36
AN256F10	21A-29
AN256F8	80 -50
AN3-10A	10 - 9
AN3-10A	10 -15
AN3-10A	10A- 1
AN3-10A	40 - 7
AN3-10A	40 -37
AN3-10A	55C-12
AN3-10A	55C-23
AN3-10A	56C- 3
AN3-10A	67B-16
AN3-10A	73 -16
AN3-10A	73A-18
AN3-10A	78 -27
AN3-10A	83 -57
AN3-10A	107 -60
AN3-11A	10A- 2
AN3-11A	41 -34
AN3-11A	54 -34
AN3-11A	55 -56
AN3-11A	56B- 2
AN3-11A	78 - 9
AN3-11A	80 -46
AN3-11A	83 -16
AN3-11A	83 -22
AN3-11A	85 -15
AN3-11A	85A-14
AN3-11A	85A-35
AN3-11A	112B-61
AN3-12A	68 -26
AN3-12A	68 -29
AN3-12A	68A-43
AN3-12A	82A-22
AN3-13	102 - 6
AN3-13A	55C-21A
AN3-13A	56 -12
AN3-13A	73A-15
AN3-13A	77 -42
AN3-13A	78 -33
AN3-13A	81A-44
AN3-14A	73 -11
AN3-14A	73 -13
AN3-14A	73A-12
AN3-15	71 -19
AN3-15A	15A-50
AN3-15A	78 -32
AN3-15A	89 -12
AN3-16	107 -54
AN3-16A	10 -10
AN3-16A	44 -27
AN3-16A	83 - 3
AN3-17A	43 -22
AN3-17A	55C-21
AN3-20A	19 - 7
AN3-21	81A-35

PART NUMBER	FIGURE AND INDEX NO.
AN3-21A	19 - 4
AN3-21A	81 -46
AN3-21A	85 - 2
AN3-21A	85A-17
AN3-23A	69 - 3
AN3-23A	69A-18
AN3-25A	85A-48
AN3-27A	69B-19
AN3-3A	21 - 1
AN3-3A	21 - 7
AN3-3A	21 -13
AN3-3A	21A- 1
AN3-3A	21A- 7
AN3-3A	21A-13
AN3-3A	21A-31
AN3-3A	23 -58
AN3-3A	23 -64
AN3-3A	31 -14
AN3-3A	78 -19
AN3-3A	83 -29
AN3-3A	85A-62
AN3-3A	89 -11
AN3-3A	89A-11
AN3-3A	90A- 8
AN3-3A	94A-30
AN3-3A	113 - 5
AN3-31A	36A- 9
AN3-33A	82 -54
AN3-33A	82A-55
AN3-33A	83 -43
AN3-33A	86 -29
AN3-4A	10 -34
AN3-4A	10A-27
AN3-4A	18 -50
AN3-4A	21 - 1
AN3-4A	21 -21
AN3-4A	21A- 1
AN3-4A	21A-17
AN3-4A	22 -35
AN3-4A	22 -47
AN3-4A	22A-38
AN3-4A	22A-50
AN3-4A	33 -26
AN3-4A	33 -28
AN3-4A	54 -43
AN3-4A	54A-57
AN3-4A	54B-59
AN3-4A	55 -71
AN3-4A	55A-37
AN3-4A	55C-45
AN3-4A	56C-35
AN3-4A	56C-44
AN3-4A	67 -47
AN3-4A	67 -58
AN3-4A	67A-23
AN3-4A	67B-24
AN3-4A	69A- 9
AN3-4A	69D- 4
AN3-4A	71 -18
AN3-4A	71A- 4
AN3-4A	71A-14
AN3-4A	77 -24
AN3-4A	80 -64
AN3-4A	85A-46
AN3-4A	112B-57
AN3-4A	113 -15
AN3-5	40 -24
AN3-5A	22 -34
AN3-5A	22A-37
AN3-5A	23 -59
AN3-5A	30 - 2
AN3-5A	31 -28
AN3-5A	44 -32
AN3-5A	48A- 6
AN3-5A	51B-27

PART NUMBER	FIGURE AND INDEX NO.
67A-44	AN3-5A
72 -38	AN3-5A
72A-40	AN3-5A
72B-13	AN3-5A
87 -13	AN3-5A
91 -18	AN3-5A
91A-24	AN3-5A
93 - 9	AN3-5A
93A-14	AN3-5A
112 - 3	AN3-5A
112 - 6	AN3-5A
112A-19	AN3-5A
112A-25	AN3-5A
112B-57	AN3-5A
83 -10	AN3-53A
18 -27	AN3-6A
40 - 3	AN3-6A
42 -15	AN3-6A
63A- 8	AN3-6A
67 -16	AN3-6A
67A-18	AN3-6A
67A-45	AN3-6A
67B-22	AN3-6A
77 -29	AN3-6A
83 -52	AN3-6A
85A-24	AN3-6A
85A-34	AN3-6A
68 -50	AN3-60A
72 -33	AN3-60A
72 -36	AN3-60A
72A-35	AN3-60A
72A-38	AN3-62A
72 -31	AN3-66A
41 -24	AN3-7
107 -59	AN3-7
9 - 9	AN3-7A
56 - 2	AN3-7A
67 -13	AN3-7A
67 -29	AN3-7A
67A-13	AN3-7A
67A-35	AN3-7A
67A-55	AN3-7A
67B-15	AN3-7A
67B-26	AN3-7A
81 - 3	AN3-7A
81 - 9	AN3-7A
72A-33	AN3-71A
72B-36	AN3-71A
23 -60	AN3H5A
35 -62	AN310-3
40 -29	AN310-3
41 -26	AN310-3
71 -22	AN310-3
82 - 7	AN310-3
82 -28	AN310-3
82A- 7	AN310-3
82A-28	AN310-3
82A-29	AN310-3
86 - 5	AN310-3
86 -14	AN310-3
107 -57	AN310-3
35 -51	AN310-4
35 -58	AN310-4
33 -16	AN310-5
80 -29	AN310-5
80 -43	AN310-5
33 -23A	AN310C3
67 -19	AN315-3R
67 -27	AN315-3R
67A-21	AN315-3R
67A-33	AN315-3R
67B-21	AN315-3R
86 -41	AN315-3R
109 - 2	AN316-3R
9 -12	AN316-4R

PART NUMBER	FIGURE AND INDEX NO.
AN316-4R	10 -14
AN316-4R	34 -19
AN316-4R	40 -41
AN316-4R	44 -20
AN316-4R	73 -14
AN316-4R	73A-16
AN316-4R	73A-21
AN316-4R	79 - 3
AN316-4R	85A-38
AN316-4R	85A-54
AN316-4R	108 -21
AN316-4R	108A-19
AN316C4R	41 -40
AN316C4R	81A-68
AN316C4R	81A-72
AN316C5R	41 -41
AN316C5R	55D-25
AN320-1	80 -21
AN320-1	81 - 2
AN320-1	81 -19
AN320-1	81A- 3
AN320-1	81A- 5
AN320-1	81A- 7
AN320-1	82 - 4
AN320-1	82A- 4
AN320-3	40 -26
AN320-3	85 -11
AN320-3	85 -26
AN320-3	87 - 5
AN320-3	87 -10
AN320-3	102 - 5
AN320-3	102 - 6
AN320-4	82 -17
AN320-4	82 -22
AN320-4	82A-17
AN320-5	102 -26
AN320-6	103 -33
AN320-6	103A-34
AN320-6	33 - 8
AN320C3	83 -67
AN3234-1	113 -43
AN3234-2	69 -28
AN340-2	69A-24
AN340-3	118A- 4
AN340-6	59A-28
AN340-6	114 -23
AN340B8	58 - 6
AN340B8	59A-15
AN340B8	59A-29
AN345-10	43 - 9
AN345-10	44 -46
AN4-10A	15 - 1
AN4-10A	15 -52
AN4-10A	15A- 1
AN4-10A	69D- 6
AN4-10A	81 -22
AN4-10A	81A-16
AN4-10A	82 -25
AN4-10A	82 -31
AN4-10A	82 -34
AN4-10A	82A-25
AN4-10A	82A-31
AN4-10A	82A-35
AN4-10A	86 -37
AN4-11A	9A- 1
AN4-11A	13 - 1
AN4-11A	14 - 1
AN4-11A	14A- 1
AN4-11A	40 -33
AN4-11A	56 -21
AN4-11A	68B-25
AN4-11A	81 -35
AN4-11A	81A-30
AN4-12A	31 -16
AN4-12A	82 -12

PART NUMBER	FIGURE AND INDEX NO.
AN4-12A	82A-12
AN4-13A	39 - 4
AN4-13A	90 -20
AN4-13A	91 - 1
AN4-14A	31 -20
AN4-14A	36 - 3
AN4-14A	55 -38
AN4-14A	55B-13
AN4-14A	55D-33
AN4-15A	85A-67
AN4-16A	91B- 1
AN4-16A	92 - 1
AN4-16A	107 -52
AN4-20A	56 - 8
AN4-20A	82 -37
AN4-20A	82A-38
AN4-20A	86 -17
AN4-22A	36B- 5
AN4-23A	35 -67
AN4-24A	42 - 2
AN4-24A	85A-40
AN4-3A	18 -13A
AN4-31A	35 -50
AN4-31A	35 -55
AN4-31A	36A- 9
AN4-33A	82 -48
AN4-33A	82A-49
AN4-33A	83 -37
AN4-33A	86 -23
AN4-34A	82 -58
AN4-34A	82A-59
AN4-34A	83 -47
AN4-34A	86 -33
AN4-36A	82 -43
AN4-36A	82A-44
AN4-36A	83 -32
AN4-4A	55A-33
AN4-4A	55C-41
AN4-4A	56 - 3
AN4-4A	67 -55
AN4-4A	67A-47
AN4-4A	67B-37
AN4-4A	90 - 2
AN4-4A	95 - 6
AN4-4A	113 - 8
AN4-40A	39A-17
AN4-41A	80 -25B
AN4-42A	9 - 2
AN4-42A	81 -40
AN4-5A	54 -47
AN4-5A	54B-55
AN4-5A	55 -75
AN4-5A	55A-33
AN4-5A	55C-41
AN4-5A	56 - 4
AN4-5A	56 -18
AN4-5A	56B- 9
AN4-51A	81A-62
AN4-56A	85A-30
AN4-56A	85A-70
AN4-57A	10 - 2
AN4-6A	54A-53
AN4-6A	56A-51
AN4-6A	56B-10
AN4-6A	56C-46
AN4-6A	69 - 1
AN4-6A	69A- 1
AN4-6A	113 -11
AN4-7A	15 -51
AN4-7A	15A-57
AN4-7A	67A- 6F
AN4-7A	67B- 5
AN4-7A	81A-70
AN4C6A	69C- 6B
AN4022-1	92A-10

PART NUMBER	FIGURE AND INDEX NO.
AN4022-1	92B-17
AN4078-1	93 - 8
AN4078-1	93A-13
AN42B-10	40 -28
AN428-3-7	86 -40
AN481-1P	83 -69
AN486-4	73 -15
AN5-12A	81 -24
AN5-12A	81A-19
AN5-12A	85A-10
AN5-13A	81 -30
AN5-13A	81A-25
AN5-16A	80 - 4
AN5-16A	81A-53
AN5-16A	81A-58
AN5-22A	38 -25
AN5-25A	38 -25
AN5-30A	35 - 2
AN5-30A	81A-50
AN5-32A	35 -22
AN5-33A	35 - 2
AN5-35A	39B- 4
AN5-47	33 -11
AN5-6A	12 - 1
AN5-6A	69D-22
AN5-7A	6 -13
AN5-7A	6A-15
AN5-7A	61 -29
AN500-4-4	96 -16
AN500-6-3	100 -26
AN500-8-6	91B-10
AN500-8-6	92 -10
AN500AD6-3	96A-15
AN500AD6-3	100A-12
AN500A4-4	27A-41
AN500A8-4	96 -17
AN500A8-4	97 -69
AN500A8-4	98 -43
AN500A8-7	8 -20
AN501-10-14	95 -31A
AN502-10-6	39 -21
AN503-10-8	106 -23
AN503-8-10	70 -28
AN503-8-10	95 -31
AN507-10R6	94A- 8
AN507-1032R10	24 -28
AN507-1032R12	26 -62
AN507-1032R12	52 -11
AN507-1032R14	61 -17
AN507-1032R6	80 -75
AN507-428R7	8 -24
AN507-428R7	8 -36
AN507-440R4	59C-18
AN507-440R8	58 -16
AN507-632	66B-26
AN507-632R10	60 -10
AN507-632R12	47 -24
AN507-632R12	47A- 6
AN507-632R12	59A-28
AN507-632R3	59C-17
AN507-632R3	93 -10
AN507-632R3	93A-15
AN507-632R4	59 -19
AN507-632R4	59B- 5
AN507-632R4	88 -34
AN507-632R6	29 -12
AN507-632R6	29A- 7
AN507-632R6	66A-26
AN507-640R4	88 -28
AN507-832R14	54A- 6
AN507-832R14	54B- 7
AN507-832R14	55A- 6
AN507-832R6	11 -14
AN507-832R6	18 -31
AN507-832R6	21 - 6

PART NUMBER	FIGURE AND INDEX NO.
AN507-832R6	21 -16
AN507-832R6	21A- 6
AN507-832R6	21A-14
AN507-832R6	80 -87
AN507-832R6	91B-27
AN507-832R6	92 -25
AN507-832R7	40 -21
AN507-832R8	45 -14
AN507-832R8	46 -15
AN507-832R8	46A-13
AN507B1032R16	58 -18
AN507B1032R16	94 - 3
AN507B1032R22	94 - 3
AN507B632R12	59 -13
AN507B632R12	59A-49
AN507B632R12	59A-58
AN507B632R12	61 -28
AN507B632R16	58 -21
AN507B632R16	58 -22
AN507B632R16	58 -23
AN507B632R16	58 -25
AN507B632R16	58 -27
AN507B632R16	58 -28
AN507B632R16	58 -29
AN507B632R16	58 -38
AN507B632R16	94 - 6
AN507B832R24	58 - 8
AN507B832R24	59A-29
AN509-10R10	62A- 5
AN509-10R10	66A-39
AN509-10R10	66B-39
AN509-10R10	66 -44
AN509-10R10	52 -11
AN509-10R13	48 - 6
AN509-10R14	113 -22
AN509-10R14	46A- 1
AN509-10R14	45 - 1
AN509-10R14	46 - 1
AN509-10R16	45 - 2
AN509-10R16	46 - 2
AN509-10R16	46A- 2
AN509-10R16	63 - 6
AN509-10R31	13 -13
AN509-10R34	15A-49
AN509-10R4	8 - 5
AN509-10R6	8 -27
AN509-10R6	8 -38
AN509-10R7	66 -29
AN509-10R9	66 -47
AN509-10R9	66A-46
AN509-10R9	66B-48
AN509-416R12	14 -38
AN509-416R12	14A-49
AN509-416R13	14 -39
AN509-416R13	14A-50
AN509-416R29	102 -17
AN509-416R34	44 -51
AN509-8RT	54B-72
AN509-8R7	25A-27B
AN509-8R7	55A-49
AN509-8R7	55C-39
AN509-8R7	56A-61
AN509C10-5	66 -41
AN515-10R6	75A-24
AN515-10R6	75B-24
AN515-10R7	25A- 5
AN515-10R8	79 -18
AN515-2R12	69A-24
AN515-3R6	118A- 3
AN515-4R4	68A-59
AN515-4R4	68B-33
AN515-4R7	113 -32B
AN515-6R10	69 -16
AN515-6R10	69 -25
AN515-6R10	69A-15

PART NUMBER	FIGURE AND INDEX NO.
AN515-6R10	76 -11
AN515-6R10	76A-14
AN515-6R12	94A- 7
AN515-6R4	85B-12
AN515-6R5	112B-83
AN515-6R5	112A-61
AN515-6R6	19 -39
AN515-6R6	45 -23
AN515-6R6	45 -51
AN515-6R6	46 -24
AN515-6R6	46 -36
AN515-6R6	46A-42
AN515-6R6	85B- 7
AN515-6R6	112 -32
AN515-6R6	112A- 2A
AN515-6R6	112B- 2
AN515-6R6	112B-76
AN515-6R7	69B-21
AN515-6R7	92A-24
AN515-6R7	92B-11
AN515-6R8	80 -67
AN515-6R8	114 -21
AN515-8-8	71 - 7
AN515-8-8	71A-11
AN515-8R10	8 -15
AN515-8R10	59 -12
AN515-8R12	59 -12
AN515-8R12	81 -52
AN515-8R12	81A-41
AN515-8R12	85A- 8
AN515-8R14	9A-25
AN515-8R14	10 -41
AN515-8R16	95 - 9
AN515-8R16	61 -18B
AN515-8R18	89A-29
AN515-8R20	107 -15
AN515-8R20	112 -30
AN515-8R22	107 -14
AN515-8R24	3 -17
AN515-8R24	3A-21
AN515-8R4	38 -34
AN515-8R4	33 -19
AN515-8R6	3 -19
AN515-8R6	3 -33
AN515-8R6	3A-33
AN515-8R6	26 -69
AN515-8R6	30 -33
AN515-8R6	34 - 3
AN515-8R6	60A-13
AN515-8R6	69A-21
AN515-8R6	69D-24
AN515-8R6	75B-31
AN515-8R6	76 - 8C
AN515-8R6	76A-11
AN515-8R6	92B-14
AN515-8R6	113 -12
AN515-8R6	116 - 1
AN515-8R6	116 -14
AN515-8R7	3A-22
AN515-8R7	4A-13
AN515-8R7	8 -21
AN515-8R7	15 -24
AN515-8R7	15A- 8
AN515-8R7	23 -38B
AN515-8R7	25A- 5C
AN515-8R7	41 -17
AN515-8R7	60A- 7
AN515-8R7	76A-36
AN515-8R8	3A-38
AN515-8R8	10 -40
AN515-8R8	13 -31
AN515-8R8	17 -11A
AN515-8R8	17 -13A
AN515-8R8	18 -53
AN515-8R8	60 -18

PART NUMBER	FIGURE AND INDEX NO.	PART NUMBER	FIGURE AND INDEX NO.	PART NUMBER	FIGURE AND INDEX NO.
AN515-8R8	60 -21	AN520-10R8	94A-59	AN6227B4	97 -20
AN515-8R8	61 -21A	AN520-10R8	94A-68	AN6227B4	98 -19
AN515-8R8	68 -30	AN520-10R8	100A- 1	AN6227B4	98 -52
AN515-8R8	68A-25	AN520-10R8	114A-11	AN6227B4	98 -65
AN515-8R8	68B-28	AN520-10R9	47 -12	AN6227B5	84 -12
AN515-8R8	72A-28A	AN520-10R9	47A-25	AN6227B5	97 - 3
AN515-8R8	72B- 3	AN520-416R12	50 - 7	AN6227B5	97 -59
AN515-8R8	75 -20	AN520-6-8	118 -11	AN6227B5	98 -15
AN515-8R8	77 -11	AN520-6-8	118A-13	AN6227B5	98 -21
AN515-8R8	84 -10	AN520-8R5	72B- 7	AN6227B5	98 -59
AN515-8R8	89 - 9	AN520-8R6	95 -53	AN6227B5	98 -70
AN515-8R8	89 -23	AN520C5-4	112A-40	AN6227B5	109 -16
AN515-8R8	89 -54	AN520C5-4	112B-22	AN6227B5	35 - 8
AN515-8R8	89A- 8	AN523-10R22	76 -27	AN6227B6	97 -45
AN515-8R8	107 -18	AN523-10R22	76A-29	AN6227B6	97 -65
AN515-8R8	112A-14	AN525-10R14	38 - 5	AN6227B6	99 -18
AN515-8R8	112A-14A	AN525-10R18	47A-13	AN6227B6	100 - 3
AN515-8R8	112A-29	AN525-10R6	73 -25	AN6227B6	108 -18
AN515-8R8	112A-34	AN525-10R7	112A- 8	AN6227B6	109 - 6
AN515-8R8	112A-42	AN525-10R7	112B-10	AN6227B6	37 - 6
AN515-8R8	112B-18	AN525-10R8	19 -23	AN6227B7	97 -30
AN515-8R8	112B-66	AN525-10R8	20 -15	AN6227B7	97 -40
AN515-8R8	113 -17	AN525-10R8	23 -40	AN6227B7	99 - 7
AN515-8R8	25A- 3D	AN525-10R8	45 -39	AN6227B7	109 - 7
AN515-832R14	61 -22A	AN525-10R8	48 -18	AN6227B7	37 - 6
AN515B6R12	58 -24	AN525-10R8	48A-25	AN6227B8	79 - 8
AN515B6R12	59A-19	AN525-10R8	92B-13	AN6227B9	103 -20
AN515B6R12	59A-20	AN525-416R9	25A-29	AN6227B9	103A-21
AN515B6R12	59A-23	AN525-832R26	43 -19	AN6230B2	39 -13
AN515B6R12	59A-26	AN525-832R8	25A-23	AN6230B20	36 - 8
AN515B6R12	59A-27	AN525-832R8	25A-23	AN6230B28	39 - 1
AN515B6R16	59A-17	AN535-D-2	70 -25	AN6230B3	35 -23
AN515B6R16	59A-18	AN535-0-4	98 -36	AN6230B3	39 -14
AN515B6R16	59A-87	AN535-2-3	9A-27	AN6230B3	106 -20
AN515B6R6	58 -12	AN565D1032H10	44 -54	AN6230B36	97 -49
AN515B6R6	59A-11	AN565D6	79 -17	AN6230B6	35 -47
AN515BR20	59A- 8	AN565D6H3	85B- 4	AN6287-1	35 -24
AN515BR6	15 -58	AN565D8H3	85A-68A	AN6289-4D	95 -63
AN515BR6	15A-61	AN565D8H5	38 -10A	AN6289D3	96 -13
AN520-10RB	94 - 9	AN6-15A	85A-64	AN6289D3	96 -14
AN520-10R10	8 -11	AN6-23A	38 -26	AN6289D3	102 - 8
AN520-10R10	112A-39	AN6-24A	38 -26	AN6289D3	102 -29
AN520-10R10	112B-56	AN6-26A	44 - 8	AN6289D3	102 -32
AN520-10R10	76 -27A	AN6-7A	12 - 2	AN6289D3	107 -21
AN520-10R10	76A-30	AN6204B1	95 -46	AN6289D3	107 -38
AN520-10R10	29 - 6	AN6227-6	93A-38	AN6289D3	107 -48
AN520-10R10	61 -18C	AN6227B1	99 -10	AN6289D4	95 -34B
AN520-10R12	59A-24	AN6227B10	37A- 3	AN6289D4	96 - 6
AN520-10R12	69C-18	AN6227B10	37A-13	AN6289D4	96 - 7
AN520-10R12	21 -24	AN6227B10	97 -37	AN6289D4	107A- 8
AN520-10R12	21A-20	AN6227B10	103A- 8	AN6289D4	107A- 9
AN520-10R14	88 -44	AN6227B10	108 - 5	AN6289D4	102 - 8
AN520-10R14	59A-25	AN6227B10	93A-39	AN6289D4	107 -38
AN520-10R20	50 - 7	AN6227B11	103 - 8	AN6289D4	107 -48
AN520-10R20	52 -17	AN6227B11	103A-15	AN6289D6	96A-11
AN520-10R22	73 -11	AN6227B11	110 - 7	AN6328-82-3	4 -32
AN520-10R22	73 -13	AN6227B12	38 -14	AN665-21R	43 -10
AN520-10R28	15 -36	AN6227B12	99 -20	AN665-21R	44 -45
AN520-10R30	15 -34	AN6227B12	100 -10	AN7-21A	3 - 4
AN520-10R44	15 -34	AN6227B13	100 - 6	AN7-21A	3A- 4
AN520-10R6	69B- 4	AN6227B14	97 -57	AN7-33A	67 - 5
AN520-10R6	74A- 5	AN6227B15	111 -10	AN7-33A	67A- 5
AN520-10R6	80 -93	AN6227B18	106 -17	AN7-40A	114A- 2
AN520-10R6	95 -48	AN6227B18	37 - 2	AN7-41A	67A- 6E
AN520-10R7	112 -17	AN6227B19	103 -16	AN7-41A	67B- 2
AN520-10R8	6A-23	AN6227B19	103A-11	AN735D22	100A- 1
AN520-10R8	43 -18	AN6227B20	37 - 7	AN735D36	94 - 9
AN520-10R8	55B-17	AN6227B22	37A- 5	AN735D36	94A-36
AN520-10R8	83 -63	AN6227B22	37A-14	AN737RM30	8 -44
AN520-10R8	89 -46	AN6227B24	95 -29	AN737TW46	75B-28
AN520-10R8	92A-25	AN6227B26	35 - 7	AN737TW91	67B-40
AN520-10R8	92B-12	AN6227B27	39B-18	AN737TW91	90A- 6
AN520-10R8	94 -26	AN6227B30	39A-22	AN741-18P	68A-43
AN520-10R8	94A-36	AN6227B30	106 -18	AN742D12	114A-10
AN520-10R8	94A-53	AN6227B32	35 -45	AN742D17	89 -11



PART NUMBER	FIGURE AND INDEX NO.
AN742D17	89A-11
AN742D2	92A-25
AN742D2	92B-12
AN742D3	76 -21
AN742D3	76A-24
AN742D3	91A-23
AN742D32	93 - 9
AN742D32	93A-14
AN742D36	69C-42
AN742D36	94A-58
AN742D4	67A-54
AN742D4	69C-17
AN742D4	89 -46
AN742D4	91 -16
AN742D4-27	4 - 4
AN742D5	73 -19
AN742D5	73A-23
AN742D50	68 -29
AN742D6	89 -62
AN742D6	89A-42
AN742D8	102 -10
AN742D9	88 -43
AN743-12	94 -24
AN743-12	94A-51
AN743-13	18 -45
AN783D4	95 -32
AN783D4	104 - 9
AN784D8	95 -13
AN8-21A	11 - 4
AN8-23A	3 - 1
AN8-23A	3A- 1
AN8-25A	11 - 3
AN804D4	107 -41
AN804D4	107 -42
AN804D4	107 -45
AN804D4	92A-18
AN804D4	93 - 5C
AN814-3D	96 -13
AN814-3D	96 -14
AN814-3D	97 -79
AN815-3D	107 -22
AN815-4D	89 -29
AN815-4D	91B-34
AN815-4D	91B-37
AN815-4D	92 -31
AN815-4D	92 -35
AN815-4D	95 -21
AN815-4D	96 - 9
AN815-4D	96A- 4
AN815-4D	96A- 8
AN815-4D	105 -14
AN815-4D	105 -18
AN815-4D	105 -21
AN815-4D	105 -23
AN815-4D	105 -26
AN815-4D	107 -28
AN815-4D	107 -31
AN815-4D	107 -40
AN815-4D	112A-45
AN815-4D	112B-46
AN815-6D	89 -51
AN815-6D	89 -59
AN815-6D	89 -63
AN815-6D	89A-19
AN815-6D	89A-28
AN815-6D	89A-35
AN815-6D	89A-39
AN815-6D	89A-41
AN815-6D	90 -29
AN815-6D	92 -28
AN815-6D	92 -39
AN815-6D	95 -50
AN815-6D	96 -11
AN815-6D	96A- 9
AN815-8D	91B-28

PART NUMBER	FIGURE AND INDEX NO.
AN815-8D	91B-30
AN815-8D	92 -28
AN815-8D	92 -39
AN815-8D	92 -48
AN815-8D	95 - 8
AN815-8D	95 -14
AN815-8D	95 -62
AN815-8D	96 -10
AN815-8R8	105 -24
AN816-2D	67 -31
AN816-2D	67A-42
AN816-2D	67B-42
AN816-2D	68 -19
AN816-2D	68A-19
AN816-2D	68B-20
AN816-2D	68B-22
AN816-2D	94 -29
AN816-4D	89 -28
AN816-4D	39A-33
AN816-4D	68 -10
AN816-4D	68A-10
AN816-4D	93 - 7
AN816-4D	93A-12
AN816-4D	94A-26
AN816-4D	112A-46
AN816-4D	112B-33
AN816-4D	92B-25
AN816-4D	93A- 6
AN816-4D	92A-20
AN816-4D	93 - 5A
AN816-6	94 -16
AN816-6-2D	90 -27
AN816-6-2D	90 -35
AN816-6-6	94A-43
AN816-6-6D	89 - 3
AN816-6-6D	90 -39
AN821-6D	89 -53
AN821-6D	89A-31
AN821-6D	89A-37
AN824-4D	68 - 8
AN824-4D	68A- 8
AN824-4D	68B-13
AN824-8D	69D-38
AN824-8D	94A-75
AN832-2D	67B-52
AN832-3D	77 - 3
AN832-3D	77 - 7
AN832-3D	102 -30
AN832-3D	104 - 8
AN832-3D	107 - 8
AN832-3D	107 -19
AN832-4D	91B-31
AN832-4D	92 -32
AN832-4D	92 -44
AN832-4D	96 - 8
AN832-4D	102 -35
AN832-4D	104 - 7
AN832-6D	89 -34
AN832-6D	89 -36
AN832-6D	89 -40
AN832-6D	89A-21
AN832-6D	89A-23
AN832-6D	89A-26
AN832-6D	89A-33
AN832-6D	92 -48
AN833-2D	67 -49
AN833-2D	67A-39
AN833-3D	96 -14
AN833-3D	102 - 2
AN833-3D	102 -29
AN833-3D	102 -33
AN833-4D	38 -21
AN833-4D	69C-32
AN833-4D	77 -17
AN833-4D	89 - 8

PART NUMBER	FIGURE AND INDEX NO.
AN833-4D	89 -14
AN833-4D	89 -45
AN833-4D	89A-13
AN833-4D	92A-15
AN833-4D	92B-21
AN833-4D	93 - 3
AN833-4D	93A- 3
AN833-4D	95 -34A
AN833-4D	96 - 7
AN833-4D	102 - 3
AN833-4D	107 - 2
AN833-4D	107 -50
AN833-4D	107A- 7
AN833-4D	107A- 9
AN833-6D	69D-25
AN833-6D	89 - 5
AN833-6D	90 -36
AN833-6D	95 -51
AN833-8D	89 - 5
AN833-8D	89A- 5
AN833-8D	90A-12
AN834-2D	92A- 7
AN834-2D	92B- 8
AN834-3D	107 - 1
AN834-4D	102 - 1
AN834-4D	105 -19
AN834-4D	107A- 6
AN834-6D	96 -12
AN834-6D	96A-10
AN834D4	92B-23
AN834D4	93A- 8
AN837-2D	67 -32
AN837-2D	67A-56
AN837-3D	77 - 3
AN837-3D	95 -38
AN837-3D	102 -32
AN837-4D	67 -37
AN837-4D	67A-49
AN837-4D	92A-17
AN837-4D	92B- 9
AN837-4D	93 -13
AN837-4D	93A-18
AN837-4D	95 -63
AN837-4D	96 - 6
AN837-4D	96A- 5
AN837-4D	96A- 6
AN837-4D	102 - 9
AN837-4D	105 - 9
AN837-4D	105 -15
AN837-4D	107 -47
AN837-4D	107A- 8
AN837-6D	69D-20
AN837-6D	90 -31
AN837-8D	92 -40
AN837-8D	95 -13
AN840-8	94A-71
AN842-8	94 -21
AN842-8	94A-48
AN894D4-3	107 -42
AN900-10	68 -43
AN900-10	68A-42
AN900-10	68B-32
AN900-6	68 -22
AN900-6	68A-22
AN900-6	68B-30
AN901-4A	69D-16
AN901-6A	69D- 9
AN910-1D	88 -40
AN912-1D	94 -30
AN912-2D	104 - 9
AN912-3	68 -41
AN912-3	68A-34
AN912-3	69C-28
AN912-3	93 -12
AN912-3	93A-17

PART NUMBER	FIGURE AND INDEX NO.
AN912-4D	69C-46
AN914-1D	91 -15
AN914-4D	69C-45
AN915-1	69C-27
AN915-2D	94A-15A
AN916-516L	102 -24
AN919-1D	92A- 4
AN919-1D	92B- 5
AN919-12D	90A- 4
AN919-12D	90A-10
AN919-2D	102 -21
AN919-2D	107 -42
AN919-3D	105 -18
AN919-3D	105 -21
AN919-6D	89 -48
AN921-3D	96 -13
AN921-3D	107 -21
AN921-4D	79 -11
AN921-4D	91B-44
AN921-4D	92 -43
AN921-4D	102 - 8
AN921-6D	90 -24
AN921-6D	92 -47
AN921-8D	69D-32
AN921-8D	91B-39
AN921-8D	91B-41
AN921-8D	92 -47
AN922-4D	92 -36
AN924-2D	67 -34
AN924-2D	67 -51
AN924-2D	67A-41
AN924-2D	67A-58
AN924-2D	67B-44
AN924-2D	67B-49
AN924-2D	67B-54
AN924-2D	92A- 7
AN924-2D	92B- 8
AN924-3D	77 - 3
AN924-3D	77 - 7
AN924-3D	95 -39
AN924-3D	102 - 2
AN924-3D	102 -30
AN924-3D	102 -33
AN924-3D	104 - 8
AN924-3D	107 - 1
AN924-3D	107 - 8
AN924-3D	107 -19
AN924-4D	38 -23
AN924-4D	67 -39
AN924-4D	67A-51
AN924-4D	69C-34
AN924-4D	77 -19
AN924-4D	79 -13
AN924-4D	89 - 8
AN924-4D	89 -14
AN924-4D	89 -45
AN924-4D	89A-13
AN924-4D	91B-31
AN924-4D	91B-44
AN924-4D	92 -32
AN924-4D	92 -36
AN924-4D	92 -43
AN924-4D	92 -44
AN924-4D	92A-16
AN924-4D	92A-17
AN924-4D	92B- 9
AN924-4D	92B-22
AN924-4D	93 - 3
AN924-4D	93 -13
AN924-4D	93A- 3
AN924-4D	93A-18
AN924-4D	95 -23
AN924-4D	102 - 1
AN924-4D	102 - 3
AN924-4D	102 - 9

PART NUMBER	FIGURE AND INDEX NO.
AN924-4D	102 -35
AN924-4D	104 - 7
AN924-4D	104 - 9
AN924-4D	105 - 9
AN924-4D	105 -15
AN924-4D	105 -19
AN924-4D	107 - 2
AN924-4D	107 -41
AN924-4D	107 -42
AN924-4D	107 -45
AN924-4D	107 -47
AN924-4D	107 -51
AN924-4D	107A- 6
AN924-4D	107A- 7
AN924-4D	93A- 9
AN924-4D	93 - 5D
AN924-6D	69D-20
AN924-6D	69D-25
AN924-6D	89 -34
AN924-6D	89 -36
AN924-6D	89 -40
AN924-6D	89A-21
AN924-6D	89A-23
AN924-6D	89A-26
AN924-6D	89A-33
AN924-6D	90 -26
AN924-6D	90 -33
AN924-6D	92 -47
AN924-6D	92 -48
AN924-6D	94 -14
AN924-6D	94A-41
AN924-6D	95 -45
AN924-6D	95 -51
AN924-8D	69C-40
AN924-8D	69D-32
AN924-8D	89 - 5
AN924-8D	89A- 5
AN924-8D	90A-14
AN924-8D	91B-39
AN924-8D	91B-41
AN924-8D	92 -28
AN924-8D	92 -40
AN924-8D	92 -43
AN924-8D	92 -47
AN924-8D	95 -16
AN924D6	96 -12
AN9289D4	96A- 7
AN929-4D	95 -34
AN929-6	96 -12
AN929-8D	95 -18
AN932C4	93 -25
AN935-10	70 - 5
AN935-10	95 -31B
AN935-3L	118A- 4
AN935-4L	96 -16
AN935-416L	106 - 8
AN935-6L	100 -27
AN935-8	91B-11
AN935-8	92 -11
AN935-8	96 -17
AN935-8	98 -43
AN935-8L	70 -29
AN936A10	56A-27
AN936A10	91A- 2
AN936A10	114A-12
AN936A2	69A-24
AN936A416	33 -32
AN936A416	54A-27
AN936A416	54B-27
AN936A416	56A-21
AN936A416	62A-23
AN936A416	73 -14
AN936A416	73A-16
AN936A6	59A-28
AN936A6	114 -22

PART NUMBER	FIGURE AND INDEX NO.
AN936A616	54A-27
AN936A616	54B-28
AN936A616	56A-21
AN936A616	56A-28
AN936A8	3A-38
AN936A8	13 -31
AN936A8	38 -34
AN936A8	59A-16
AN936A8	75 -22
AN936B10	47 -13
AN936B10	68A-43
AN936B8	85B-13
AN936B8	33 -20
AN936D6	59A-28
AN938D6	90 -34
AN938D6	90 -41
AN944-101A	35 -65
AN960-10	10 -11
AN960-10	10A- 7
AN960-10	13 -13
AN960-10	14 -47
AN960-10	14A-36
AN960-10	19 - 8
AN960-10	23 -64
AN960-10	25 - 9
AN960-10	30 - 3
AN960-10	31 -28
AN960-10	35 -38
AN960-10	40 - 4
AN960-10	40 -25
AN960-10	40 -38
AN960-10	41 -25
AN960-10	41 -37
AN960-10	42 - 9
AN960-10	43 -14
AN960-10	44 -24
AN960-10	44 -27
AN960-10	44 -29
AN960-10	44 -32
AN960-10	44 -41
AN960-10	48 - 7
AN960-10	48 -18
AN960-10	48A-25
AN960-10	55 -40
AN960-10	55 -53
AN960-10	55 -61
AN960-10	55B-20
AN960-10	56 -13
AN960-10	56B- 3
AN960-10	71 -21
AN960-10	73A-19
AN960-10	75 - 7
AN960-10	75A- 9
AN960-10	75B- 9
AN960-10	77 -25
AN960-10	80 -64
AN960-10	83 -66
AN960-10	85A-26
AN960-10	85A-36
AN960-10	100 -16
AN960-10	107 -56
AN960-10	112 - 3
AN960-10	112 - 6
AN960-10	112 -18
AN960-10	112A- 9
AN960-10	112A-19
AN960-10	112A-25
AN960-10	112A-59
AN960-10	112B-11
AN960-10	112B-16
AN960-10	112B-57
AN960-10K	54A- 8
AN960-10L	10A- 8
AN960-10L	15A-50
AN960-10L	18 -38

PART NUMBER	FIGURE AND INDEX NO.
AN960-10L	21 - 8
AN960-10L	21 -14
AN960-10L	21A- 8
AN960-10L	21A-13
AN960-10L	21A-32
AN960-10L	22 -36
AN960-10L	22A-39
AN960-10L	23 -61
AN960-10L	29 - 7
AN960-10L	33 -23
AN960-10L	33 -26
AN960-10L	33 -29
AN960-10L	34 -10
AN960-10L	34 -17A
AN960-10L	35 -39
AN960-10L	35 -39
AN960-10L	35 -61
AN960-10L	42 - 8
AN960-10L	42 -13
AN960-10L	43 - 6
AN960-10L	43 - 7
AN960-10L	43 -24
AN960-10L	45 - 3
AN960-10L	46 - 3
AN960-10L	46A- 3
AN960-10L	48 -18
AN960-10L	48A-25
AN960-10L	54A-34
AN960-10L	54B- 9
AN960-10L	54B-36
AN960-10L	55A- 8
AN960-10L	55B-18
AN960-10L	55B-48
AN960-10L	55C- 5
AN960-10L	55C-12
AN960-10L	55C-21
AN960-10L	55C-23
AN960-10L	55D-19
AN960-10L	56A- 8
AN960-10L	56C-11
AN960-10L	56C-32
AN960-10L	56C-36
AN960-10L	62 - 5
AN960-10L	67 -14B
AN960-10L	67 -17
AN960-10L	67 -59
AN960-10L	67A-16
AN960-10L	67A-19
AN960-10L	67A-24
AN960-10L	67A-44
AN960-10L	67A-45
AN960-10L	67B-19
AN960-10L	67B-23
AN960-10L	67B-24
AN960-10L	69 -19
AN960-10L	72 -38
AN960-10L	72A-40
AN960-10L	72B-13
AN960-10L	73 -13
AN960-10L	73 -17
AN960-10L	73 -24
AN960-10L	73A-26
AN960-10L	73A-28
AN960-10L	76 -19
AN960-10L	76 -26
AN960-10L	76 -27
AN960-10L	76A-22
AN960-10L	76A-29
AN960-10L	76A-33A
AN960-10L	80 -47
AN960-10L	81 -47
AN960-10L	81A-36
AN960-10L	82 -55
AN960-10L	82A-29
AN960-10L	82A-56

PART NUMBER	FIGURE AND INDEX NO.
AN960-10L	83 - 4
AN960-10L	83 -44
AN960-10L	85 - 5
AN960-10L	85 - 9
AN960-10L	85 -16
AN960-10L	85 -25
AN960-10L	85A-20
AN960-10L	85A-51
AN960-10L	85A-57
AN960-10L	86 -30
AN960-10L	87 - 4
AN960-10L	87 - 9
AN960-10L	87 -14
AN960-10L	94A-60
AN960-10L	95 -47
AN960-10L	98 - 4
AN960-10L	100 -15
AN960-10L	100A- 1
AN960-10L	102 - 6
AN960-10L	107 -24
AN960-10L	112B-61
AN960-10L	118A- 7
AN960-4	15 -53
AN960-4	15A-57
AN960-4	77 -34
AN960-4L	18 -38
AN960-4L	56C-39
AN960-416	91A-21
AN960-416	97 - 3A
AN960-416	113 - 8
AN960-416	13 - 2
AN960-416	14 - 2
AN960-416	14 -40
AN960-416	14A- 2
AN960-416	14A-50
AN960-416	15 - 2
AN960-416	15 -54
AN960-416	15A- 2
AN960-416	31 -17
AN960-416	31 -21
AN960-416	36 - 4
AN960-416	36A-10
AN960-416	36B- 6
AN960-416	39 - 5
AN960-416	39A-18
AN960-416	40 -34
AN960-416	67A- 6G
AN960-416	67B- 6
AN960-416	80 -72
AN960-416	81 -22
AN960-416	81 -36
AN960-416	81A-31
AN960-416	82 -13
AN960-416	82A-13
AN960-416	83 -17
AN960-416	83 -48
AN960-416	86 -34
AN960-416D	90 - 3
AN960-416D	90 -21
AN960-416D	91 - 2
AN960-416D	91B- 2
AN960-416D	92 - 2
AN960-416L	10 - 4
AN960-416L	34 -14
AN960-416L	34 -17
AN960-416L	35 -20
AN960-416L	35 -51
AN960-416L	35 -57
AN960-416L	35 -68
AN960-416L	38 -39
AN960-416L	39B-25
AN960-416L	41 -30
AN960-416L	42 - 4
AN960-416L	55 - 4
AN960-416L	73 -23

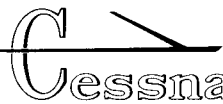
PART NUMBER	FIGURE AND INDEX NO.
AN960-416L	76 -13
AN960-416L	76A-16
AN960-416L	81 -48
AN960-416L	81A-37
AN960-416L	82 -59
AN960-416L	82A-60
AN960-416L	85A-22
AN960-416L	95 - 5
AN960-416L	102 -17
AN960-416L	107 -52
AN960-416L	35 - 5
AN960-516	6 -14
AN960-516	6A-15
AN960-516	12 - 3
AN960-516	39B- 5
AN960-516	61 -12
AN960-516	69D-22
AN960-516	80 - 6
AN960-516	80 -42
AN960-516	81 -31
AN960-516	81A-26
AN960-516L	31 -32
AN960-516L	33 -15
AN960-516L	35 - 2
AN960-516L	35 -22
AN960-516L	39A-31
AN960-516L	81 -25
AN960-516L	81A-20
AN960-516L	85A-12
AN960-6	43 - 5
AN960-6	44 -30
AN960-6L	16 -10
AN960-6L	116 - 2
AN960-616	12 - 4
AN960-616	44 - 6
AN960-616	85A-42
AN960-616	85A-65
AN960-616	97 -44
AN960-616	103 -32
AN960-616	107 -19
AN960-616	103A-29
AN960-616	33 - 7
AN960-616L	33 - 3
AN960-616L	39A-29
AN960-616L	44 -13
AN960-616L	55B-31
AN960-616L	92 -51
AN960-616L	103 -31
AN960-616L	103A-32
AN960-616L	33 - 6
AN960-716	3 - 6
AN960-716	3A- 5
AN960-716	55 -44
AN960-716	67A- 6
AN960-716	107A- 6
AN960-716	107A- 7
AN960-716	114A- 3
AN960-716L	67 - 6
AN960-716L	67A- 6
AN960-8	8 -16
AN960-8	10 -40
AN960-8	15 -58
AN960-8	15A-61
AN960-8	40 -22
AN960-8	114 -10A
AN960-8L	34 - 4
AN960-8L	43 -20
AN960-8L	68 -30
AN960-8L	68A-25
AN960-8L	68B-28
AN960-8L	76 - 8C
AN960-8L	76A-11
AN960-8L	112A-13
AN960-8L	112A-29
AN960-8L	112A-56



PART NUMBER	FIGURE AND INDEX NO.
AN960-8L	112B-19
AN960-8L	112B-43
AN960-816	3 - 2
AN960-816	3A- 2
AN960-816	11 - 6A
AN960-816	44 -36
AN960-816L	44 -23
AN960C10	73 -17
AN960C10	69C-20
AN960C10L	69C-10
AN960C1216	69C- 6B
AN960C416	50 - 7
AN960C416L	56C-28
AN960C416L	69D- 6
AN960C516	80 -30
AN960C616L	38 -12
AN960C616L	54 -29
AN960C616L	55 -34
AN960C616L	55 -65
AN960C616L	69C- 2
AN960C616L	69C- 7
AN960C616L	69C-15
AN960C616L	69C-37
AN960D10	19 - 3
AN960D10	38 -19
AN960D10	48A- 7
AN960D10	67 -27A
AN960D10	67A-36
AN960D10	67B-28
AN960D10	69B-19
AN960D10	77 -15
AN960D10	82A-23
AN960D10	88 -45
AN960D10L	47A- 9
AN960D10L	93 - 9
AN960D10L	93A-14
AN960D1216	48 -15
AN960D1216	48A-23
AN960D1216L	89 - 5
AN960D1216L	89A- 5
AN960D1216L	90A-13
AN960D146L	82A-17
AN960D416L	56 - 9
AN960D516	67 -33
AN960D516	67 -50
AN960D516	67A-40
AN960D516	67A-57
AN960D516	67B-43
AN960D516	67B-48
AN960D516	67B-53
AN960D616	55A-28
AN960D716	67 -38
AN960D716	67A-50
AN960D716	69C-33
AN960D716	93 -13
AN960D716	93A-18
AN960D716L	89 -14
AN960D716L	89 -45
AN960D716L	89A-13
AN960D716L	91B-31
AN960D716L	92 -32
AN960D716L	92 -36
AN960D716L	92 -44
AN960D716L	92 -48
AN960D8	62A-19
AN960D916	94 -13
AN960D916	94A-40
AN960D916L	89 -34
AN960D916L	89 -36
AN960D916L	89 -40
AN960D916L	89A-21
AN960D916L	89A-23
AN960D916L	89A-26
AN960D916L	89A-33
AN960PD10	62A- 6

PART NUMBER	FIGURE AND INDEX NO.
AN960PD10	68B-25
AN960PD10	106A-13
AN960PD10	106B-13
AN960PD10L	21 -24
AN960PD10L	21A-20
AN960PD1216	95 -15
AN960PD2	18 -51
AN960PD2	66B-46
AN960PD2	80 -82
AN960PD416L	56B-15
AN960PD516	61 -24B
AN960PD616	77 - 3
AN960PD616	77 - 7
AN960PD616	92 -56
AN960PD616	102 - 2
AN960PD616	102 -30
AN960PD616	102 -33
AN960PD616	104 - 8
AN960PD616	107 - 1
AN960PD616	107 - 8
AN960PD716	92A-17
AN960PD716	92B- 9
AN960PD716	102 - 1
AN960PD716	102 - 3
AN960PD716	102 - 9
AN960PD716	102 -35
AN960PD716	104 - 7
AN960PD716	104 - 9
AN960PD716	105 - 9
AN960PD716	105 -15
AN960PD716	105 -19
AN960PD716	107 - 2
AN960PD716	107 -41
AN960PD716	107 -42
AN960PD716	107 -45
AN960PD716	107 -47
AN960PD716	107 -51
AN960PD716	93A-10
AN960PD716L	92A-16
AN960PD716L	92B-22
AN960PD716L	93 - 3
AN960PD716L	93A- 3
AN960PD916	95 -44
AN960PD916	95 -51
AN963A8	58 - 5
AN970-3	51 - 6
AN970-3	51 - 6A
AN970-3	51A-35
AN970-3	51A-38
AN970-3	51B-35
AN970-3	51B-38
AN970-3	54 -44
AN970-3	55 -72
AN970-3	63A- 9
AN970-3	63B- 9
AN970-3	67 -27B
AN970-3	67A-37
AN970-3	67B-27
AN970-3	89 -23
AN970-3	113 -12
AN970-3	118 - 5
AN970-5	61 -11
AN970-5	61 -30
AN970-7	95 -22
AV2B1371	89 -12
A1104	3 -30
A1104	3A-31
A1257A	3 -28
A1257A	3A-28
A1280-2	3 -29
A1280-2	3A-29
A1280-3	3 -29
A1280-3	3A-30
A1286	3A-26
A1552	64 -27

PART NUMBER	FIGURE AND INDEX NO.
A1561-2	63 - 2
A1561-2	64 -35
A1561-4	64 -35
A1561-6	64 -35
A1562	63 - 3
A1562	64 -37
A1562	65 -48
A1562-30	65 -48
A1562-45	65 -48
A1563-1	64 -15
A1563-1	65 -27
A1580	65 -19
A1580	65A-11
A1633-12	64 -22
A1633-12	65 -34
A1633-12	65A-28
A1633-13	64 - 8
A1633-13	65 -15
A1633-3	64 - 2
A1633-3	65 - 2
A1633-3	65A- 3
A1633-30	65A-17
A1633-9	64 -29
A1633-9	64 -34
A1633-9	65 -41
A1633-9	65 -46
A1633-9	65A-36
A1633-9	65A-41
A1634-4	64 - 9
A1634-5	65 -21
A1634-5	65A-14
A1635-13	64 -18
A1635-16	64 - 4
A1635-16	65 - 4
A1635-17	64 - 4
A1635-17	65 - 4
A1635-17	64 - 4
A1635-18	65 - 4
A1635-18	64 - 4
A1635-19	65 - 4
A1635-21	64 - 4
A1635-21	65 - 4
A1635-22	64 - 4
A1635-27	65 - 9
A1635-36	65A- 5
A1635-40	65 -30
A1635-43	65A-24
A1635-56	65A- 5
A1635-57	65A- 5
A1635-6	65A-46
A1636-6	64 - 7
A1636-6	65 -12
A1636-7	64 -24
A1636-7	65 -36
A1636-7	65A-30
A1638-15	65A-47
A1638-2	63A- 2
A1638-2	63B- 2
A1638-2	65 - 1
A1638-2	65A- 2
A1638-5	65 -10
A1638-7	65 -31
A1638-9	65A-25
A1639-2	63A- 3
A1639-2	63B- 3
A1639-2	64 - 1
A1639-2	65 - 1
A1639-2	65A- 1
A1742	64 -10
A1793-6Z-3	75 -37
A1882	64 -13
A1882	65 -18
A1883	64 -12



PART NUMBER	FIGURE AND INDEX NO.
A1934	64 -29
A1934	65 -41
A1935	64 -31
A1935	65 -43
A1936	64 -30
A1936	65 -42
A1937	65A-40
A1937	65 -45
A1937-3	64 -33
A1938	64 -20
A1938	65 -32
A1938	65A-26
A1958	64 - 6
A1958	65 - 7
A1958	65A- 8
A1975	97 -17
A1993	97 -47
A1993	97 -73
A1993	100 - 5
A2000C-4-3A	102 - 8
A2103-1	32 - 6
A2104	64 - 3
A2108	32 - 7
A2108	65A-31
A2108	65 -37
A2108-290	64 -25
A2109-2	32 - 8
A2185	64 -36
A2230	64 -38
A2230	65 -49
A2230	65A-44
A2351	64 -23
A2351	65 -35
A2351	65A-29
A2356	64 -16
A2356	65 -28
A2356	65A-22
A2357	64 -26
A2423	65 - 3
A3047	63A- 4
A3047	63B- 4
A3047	65 -48
A3047	65A-43
A3047-30	65 -48
A3047-30	65A-43
A3047-45	65 -48
A3047-45	65A-43
A3100	65 -17
A3110	65 -16
A3110	65A-15
A3124	65 -39
A3124	65A-32
A3125	65 -38
A3125	65A-33
A3149	65 -18
A3217	65 -27
A3530	65A- 4
A3543	65A-10
A3547	65 -41
A3549	65 -43
A3556	65A-34
A39070	39A-12
A39070	39B-13
A4500C4-3A	107 -38
A4500C4-3A	107 -48
A4500C4-4A	107 -48
A4500C4A	107 -38
A4976	97 -15
A5445	98 -25
A5445	98 -66
A57	1 -20
A571	92A- 1A
A571	92B- 2
A5716	97 -67
A6052-832-3	71 - 8

PART NUMBER	FIGURE AND INDEX NO.
A6052-832-3	71A-11
A6162-8Z-3	4A- 3
A6162-8Z-3	5 - 7
A6162-8Z-3	5 -23
A6162-8Z-3	17 - 9
A6162-8Z-3	24 -23
A6162-83-3	7A-11
A6191-6Z-3	23 -51
A6191-6Z-3	23 -52
A6191-6Z-3	31 -24
A6191-6Z1	22A-64
A6191-6Z1	22A-85
A6191-8Z-3	19 -24
A6191-8Z-3	23 -35
A6191-8Z-3	25A- 1
A6191-8Z-3	25A- 4
A6191-8Z-3	27 -34
A6191-8Z3	25A- 5B
A6191-8Z3	27A-46
A6194-8Z-3	30 -38
A6195-6Z-3	114 -19
A6195-6Z3	75B-49
A6195-8Z-3	4 -30
A6195-8Z-3	4A-16
A6195-8Z-3	5 - 5
A6195-8Z-3	12 -31
A6195-8Z-3	14 -33
A6195-8Z-3	14A-43
A6195-8Z-3	23 -16
A6195-8Z-3	23 -16
A6195-8Z-3	23 -20
A6195-8Z-3	23 -22
A6195-8Z-3	23 -22
A6195-8Z-3	23 -22
A6195-8Z-3	30 -39
A6196-8Z-1	18 - 7
A6196-8Z-3	12 -31
A6196-8Z-3	23 -20
A6196-8Z-3	27 -22
A6196-8Z3	27A-21
A6201-8Z-3	23 -22
A6204-8Z-3	5 - 8
A6473	97 -24
A6476	97 -19
A7512-12	3 -27
A7512-12	3A-27
A76	89 -12
A8002	80 -79
A9028-4Z-3	26 -45
A9638	97 -13
A9641	97 -14
A9653	97 - 7
A9978	98 -45
A9978	99 -14
B-128-X	106A-10
B-128-X	106B-10
B-1564	64 -14
B-1564	65 -26
B-1612-X	106A- 9
B-1612-X	106B- 9
B-1965	64 -21
B-2192	64 -19
B-228	80 -57
B-2289-1	64 -11
B-2289-2	64 -11
B-2289-3	64 -11
B-2345	64 -28
B-2345	65 -40
B-2420-4	65 -13
B-2420-6	65 -13
B-2421-10	65 -14
B-2421-12	65 -14
B-2421-14	65 -14
B-2421-16	65 -14
B-2421-18	65 -14

PART NUMBER	FIGURE AND INDEX NO.
B-2421-20	65 -14
B-2421-8	65 -14
B-2422-1	65 -11
B-3099	65 -47
B-55	80 -35
B-55	80 -40
B-59	80 -53
B-59	87 -12
BRA-6	35 -12
BRE-3700	41 -39
BS12404K1105	18 -40D
B128	106 -12
B1965	65 -33
B2345	65A-35
B2417	65 - 8
B3099	65A-42
B3216	65 -26
B3476-10	65A-19
B3476-12	65A-19
B3476-14	65A-19
B3476-16	65A-19
B3476-18	65A-19
B3476-20	65A-19
B3476-22	65A-19
B3476-25	65A-19
B3476-8	65A-19
B3478	65A-20
B3491	65A- 9
B3503	65A- 6
B3526	65 -33
B3526	65A-27
B3529	65A-38
B3531	65A-36
B3551	65A-21
B3557	65A-37
B39094	39A- 9
B610	9 - 7
B610	10 - 7
B610	81A-66
B610	85A-32
B610	85A-43
B610	85A-70
B65TYPE DC	98 - 8
B65TYPE DC	98 -44
C-1904	64 -17
C-1904	65 -29
C-1939	64 -32
C-2343	64 -34
C-2987	65 -20
C-3054	65 -20
C-3092	65 -24
C-3103	65 -46
CA-2	113 -38
CM2647N1	58 -25
CM2692-12-3S	23 -92
CM2692-15H1S	59A-44
CM2692-16-2S	7A-30
CM2692-18-1H	27A-29
CM2692-28-1S	7 -23
CM2692-32-1S	3A-37
CM2692-32-1S	9A-23
CM2791	66 -12
CM2791	66 -23
CM2791	66A-17
CM2791	66A-33
CM2791	66B-16
CM2791	66B-33
CP-2 3/4	61 -18
CR-43	100A-27
CR-50	97A- 9
CR-62	97A-18
CR116-4-2	3A-35
CR163C-4-4	6 -19
CR163CJ	46 -36
CR163CJ	46A-42

PART NUMBER	FIGURE AND INDEX NO.
CR163C4	45 -51
CR163C4-2	46 -35
CR163C4-2	46A-36
CR163C4-4	45 -35
CR163C4-4	45 -44
CR763-4-6	48 -11
CR763-4-6	48A-13
CS-18	96A-33
CS-43	106B-22
C1-C2	1 - 1
C116010-0103	112A-26
C16002-0103	112B-53
C16002-0104	112B-54
C161005-0101	63A- 1
C161005-0101	65 -
C161005-0102	63A- 1
C161005-0102	65 -
C161006-0101	63B- 1
C161006-0101	65A-
C161006-0102	63B- 1
C161006-0102	65A-
C165001-0101	94 - 8
C165001-0101	94A-35
C165001-0102	94A-57
C165004-0101	69D-21
C165004-0101R	69D-21
C165006-0101	69D- 5
C165006-0101R	69D- 5
C166001-0101	112A-17A
C166001-0103	112A-17C
C166001-0104	112A-17
C166001-0104	112A-17B
C166001-0201	112B-51
C166002-0101	112B-52
C166005-0401	112B-86
C166005-0402	112A-67
C166005-0501	112A-64
C166005-0501	112B-83
C166005-0502	112A-64
C166005-0504	112A-65
C166005-0504	112B-84
C166005-0505	112A-65
C166005-0505	112A-70
C166005-0506	112B-89
C166006-0101	112A-15
C166006-0101	112B-25
C166007-0102	112 - 2
C166007-0102	112A-18
C166007-0103	112B-57
C166008-0101	112 -11
C166008-0101	112A-32
C166008-0101	112B-65
C166009-0401	112A-68
C166009-0401	112B-87
C166009-0501	112A-65
C166009-0501	112B-84
C166010-0101	112A-26
C166010-0101	112B-78
C166010-0102	112A-26
C166010-0102	112B-79
C166010-0103	112B-80
C166010-0105	112A-28
C166010-0106	112B-77
C1904	65A-23
C1939	65 -44
C262003-0202	36A-12
C262003-0202	36B-12
C262003-0204	39A- 1
C262003-0204	39B- 1
C262003-0302	36 - 9
C262003-0302	36A-12
C262003-0303	39 -24
C262023-0101	36A-12
C262023-0101	36B-12
C262023-0102	39A- 1

PART NUMBER	FIGURE AND INDEX NO.
C262023-0102	39B- 1
C2733-064-3	2 - 7
C294501-0101	94A-29
C294501-0102	94A-31
C294501-0103	94A-32
C294505-0101	93 -16
C294505-0101	93A-21
C294505-0102	93A-22
C295001-0101	69C- 1
C2987	65A-12
C2987	65A-13
C2987-1	65 -22
C2987-2	65 -23
C2987-2	65A-16
C3111	65A-12
C3493	65A-18
C3498	65A-45
C3548	65 -44
C4FF10A568A	113 -11
C431001-0101	94 - 7
C431001-0101	94A-34
C4448-032	2 -50
C482001-0101	94A-38
C4842001-0101	94 -11
C50	1 -19
C56	1 -22
C590501-0101	85A-61
C611501-101	114A- 1
C65-2R12	59C- 4
C65-2R12	59C- 9
C65-2R12	59C-12
C65-3R12	59C- 6
C65-3R12	59C-10
C660501-0101	62A- 8
C660501-0101	62A-15
C661001-0101	58 -18
C661001-0101	58 -18
C661001-0101	59A-25
C661001-0101	94 - 2
C661001-0101	94 - 2
C661001-0101	94A- 3
C661001-0101	58 -18
C661001-0101	94 - 2
C661002-0101	58 -21
C661002-0101	59A-24
C661002-0101	94 - 1
C661002-0101	94 - 1
C661002-0101	94A- 1
C661010-0206	59A-83
C662001-0102	59A-26
C662001-0103	59A-26
C665801-0110	68A-59
C668001-0102	59A-28
C668501-0101	59A-57
C668501-0103	59A-58
C668501-0110	68B-33
C669502-0104	59A-29
C7000-632-67	59A-49
C7000-632-67	59A-58
C733001-0101	51A-40A
C733001-0101	51B-41
C733001-0103	51A-40B
C733001-0103	51B-42
C7707-6Z3	71 -11
C800349-1	112 -18A
D-2341/90M-8	64 - 5
D-3098	65 -50
D-3108/90A-8	65 - 5
D-3223/90AT-8	65 - 5
D3496	65A-39
D3521	65 -51
D3522	65 -46
D3541	65A-41
D3542/82NK-2	65A- 7
D3546/90AT-8	65 - 5

PART NUMBER	FIGURE AND INDEX NO.
EA1474	97 -11
EA1474	97 -12
EA1592	97 -22
EA1633	97 -51
EA1729	97 -69
EC1239A-B	1 -10
EC776	1 -12
EC880	1 - 2
ED10353	97 -16
ED11490	98 -31
ED11514	98 - 6
ED11934	106 -13
ED11935L	106 - 9
ED11935R	106 - 9
ED11952	106 - 2
ED11955	106 - 5
ED11977	106 -11
ED11984	98 -39
ED11992	97 -21
ED12003	106 -10
ED12013	97 -38
ED12017	100 -23
ED12099	100 -25
ED12110	100 -20
ED12119	106 -22
ED12480	97 -66
ED12505	97 -31
ED12506	97 -26
ED12507	97 -28
ED12508	97 -23
ED12509	97 -32
ED12510	97 -25
ED12564	97 - 5
ED12566	97 - 6
ED12574	99 -15
ED12576	99 - 9
ED12577	99 - 6
ED12579	99 - 3
ED12580	100 - 7
ED12581	100 - 9
ED12591	96 -18
ED12591	99 -19
ED12612	97 -60
ED12613	97 -55
ED12619	97 -56
ED12620	97 -61
ED12643	97 -39
ED12695	106 -16
ED12696	106 -19
ED12699	98 -12
ED12700	98 -18
ED12701	98 -63
ED12702	98 -62
ED12707	98 - 9
ED12712	98 -55
ED12713	96 -21
ED12713	98 -42
ED12714	98 -41
ED12715	98 -16
ED12716	98 -58
ED12717	98 -53
ED12718	98 -30
ED12719	98 -26
ED12720	98 -33
ED12724	98 -28
ED12725	98 -74
ED12727	98 -78
ED12732	98 -23
ED12733	98 -24
ED12734	98 -48
ED12735	97 -62
ED12736	100 -13
ED12737-1	98 -51
ED12739	97 -36
ED12740	97 -53



PART NUMBER	FIGURE AND INDEX NO.
ED12741	97 -63
ED12747	97 -50
ED12748	98 -35
ED12756	97 -46
ED12756	100 - 2
ED12772	97 -34
ED12772	97 -42
ED12773	98 -47
ED12773	99 -12
ED12774	98 -22
ED12778	100 -22
ED12799	99 -13
ED12803	97 -68
ED12805	108 - 8
ED12809	108 -13
ED12810	108 -14
ED12812	108 -17
ED12813	108 - 1
ED12814	108 - 4
ED12815	108 - 2
ED12816	103 - 7
ED12816	108 - 7
ED12821	98 -67
ED12822	98 -20
ED12828	103 -12
ED12829	103 -13
ED12830	103 -16
ED12831	103 - 6
ED12832	103 - 1
ED12892	99 - 5
ED12933	97 -48
ED12953	98 -46
ED12957	98 -80
ED13008-1	97 -70
ED13009-1	97 -74
ED13012	98 -75
ED13047-1	98 -76
ED13051-1	97 -75
EE-191	91B-18
ELA16-4	97 -18
ELA16-4	108 -10
ELA16-5	97 -27
ELA16-6	103 -11
ELA16-8	97 -41
ELA16-8	97 -72
ELA16-8	100 - 4
EQ5491S	68 -44
EQ5914	68 -52
EQ5914	68A-46
EQ5914	68B-34
ES12504	97 -29
ES12563	97 - 1
ES12567	97 -10
ES12608	98 -69
ES12610	97 -58
ES12649	96 -15
ES12694L	106 - 1
ES12694R	106 - 1
ES12697	97 - 9
ES12698	99 - 2
ES12704	99 -16
ES12721	100 -19
ES12722	100 -11
ES12728	98 -77
ES12808	108 - 9
ES12824	103 - 4
ES12825	103 -10
ES12967	97 - 4
ES13006-1	97 -76
ES13096-1	97 - 9
ES13174	97 - 9
E33-10K	113 -43
E3497	65A-48
F-3M-14	80 -74
FC-6446	39A-32

PART NUMBER	FIGURE AND INDEX NO.
FC-6446	39B-26
FCC-20068	8 - 4
FCC-20068	8 - 5
FCD2475-50	62 - 2
F34-14	108 -20
F34-14	108A-20
F34-14	109 - 1
G-455PM	94A-34
G440370	58 -33
G440404	58 -33
G440404	59A-32
G441252	58 -32
G441304	58 -32
G441304	59A-31
G442629	58 -35
G442630	58 -34
G442698	58 -35
G442698	59A-35
G442698	93 -16
G442698	93A-21
G444593	58 -36
G444619	58 -36
G444619	59A-34
G444619	93 -15
G444619	93A-20
G815825	59A-30
HE-1091-1	95 -25A
HE-1251	91B-20
HE-1285	91B-21
HE-1286	91B-23
HE-1286	92 -21
HE-1328	91B- 3
HE-1328	92 - 3
HE-1331	91B-15
HE-1331	92 -15
HE-1332	91B-17
HE-1332	92 -17
HE-1333	92 -21
HE-1433	91 -23
HE-1437-1	91 -22
HE-1646-1	95 -24A
HE-1647	95 -31C
HE-1648-1	95 -30A
HE-189	91B- 6
HE-189	92 - 6
HE-191	92 -18
HE-194	91B- 5
HE-194	92 - 5
HE-194-1	92 - 5
HE-764	91B-
HE-764	92 -
HE1649-1	95 -26A
HE646-1	69C-21
HSBY-3D-4	108 - 8
HS49673-P5001	59A- 2
HS49673-P5001	59A- 5
HS49673-P5001	59C- 2
HS49673-P5001	59C- 8
H14-3	85B- 5
H19000-3	17 - 7
H19000-3	25 - 5
H19000-3	25 - 8
ID1757	118A-10
IO-520A	68A-
IO-470-S	68 -
JV5	69 -29
JV5	113 -43
J10931-11	67A- 6C
J10931-11	67B- 9
J12453-1	67A- 6
J12453-1	67B- 7
J12453-2	67A- 6
J12453-2	67B- 7
J12454-1	67A- 6
J12454-1	67A- 6A

PART NUMBER	FIGURE AND INDEX NO.
J12454-1	67B- 8
J12454-1	67B- 8
J12454-2	67A- 6B
J12454-2	67B- 8
J2049-1D	58 -10
J2049-1D	59A-12
KM610-51	66A- 8
KM610-51	66A-12
KM610-51	66B- 5
KM610-51	66B-13
K19001-3	17 - 6
K19001-3	25 - 5
K19001-3	25 - 8
L-4483-36	59 -11
L-4858-1	59 -11
L-4858-1	59A-36
L-4983-36	59A-36
LHSSV9	38 -36
LM67010XL	36 - 6
LM6708XL	36 - 7
LP4-20AM	39B-28
LP5-14AM	39A-30
M-781-X	106A-11
M-781-X	106B-11
MKN1304-4H	38 -39
MKN1304-4H	105 -31
MOR-20-2	113 -32B
MS-28-77S-213	106B-18
MS-28-77S-213	106A-18
MS-29513-14	91B-22
MS100009	70 -26
MS100009	70A-14
MS122028	96A-15
MS122028	100A-13
MS124663	93A-36
MS134352	97A-15
MS134354	97A-43
MS134356	97A-23
MS134356	97A-28
MS134356	100A-30
MS150453	108A- 9
MS150455	103A-12
MS15584-2	115 -10
MS16562-15	56C-25
MS16562-16	76 -17
MS16562-16	76A-20
MS16562-18	103 -19
MS16562-18	103A-20
MS171528	96A-24
MS171534	100A- 3
MS171534	100A- 5
MS171586	96A-37
MS20002C6	38 - 3
MS20036-5	69C- 2
MS20036-7	69C- 3
MS20074-03-3	67 -19A
MS20074-03-3	67A-15
MS20074-03-3	67B-18
MS20074-03-3	91A- 1
MS20074-03-3	67 -14A
MS20074-06-6	69C-14
MS20074-06-7	69C-36
MS20200KP4	15 -57
MS20200KP4	15A-59
MS20200KP4	82A-20
MS20220-1	81A-52
MS20220-1	81A-57
MS20220-2	81 -23
MS20220-2	81 -29
MS20220-2	81A-18
MS20220-2	81A-24
MS20220-2	81A-49
MS20220-2	85A- 9
MS20230A2	5 - 4
MS20230A2	5 -10

PART NUMBER	FIGURE AND INDEX NO.
MS20230A2	5 -14
MS20230A2	5 -15
MS20230A2	5 -34
MS20230A2	5 -35
MS20230A2	5 -36
MS20230A2	5 -37
MS20230A2	5 -38
MS20230A2	5 -39
MS20230A2	5 -40
MS20230B20	72 -13
MS20230B20	72 -21
MS20230B20	72A-15
MS20230B20	72A-23
MS20230B20	72B-18
MS20230B20	72B-25
MS20253-1-194	27 -42
MS20253-2-2.65	51A-36
MS20253-2-2.65	51A-39
MS20253-2-2.65	51B-36
MS20253-2-2.65	51B-39
MS20253-2-206	18 -38
MS20253-2-2981	23 -37
MS20253-2-2981	41 - 3
MS20253-2-4.04	66 - 4
MS20253-2-502	41 - 8
MS20253-2-646	60A-10
MS20253-2-646	66 - 5
MS20253-2-646	66 - 7
MS20253-2-724	60 - 8
MS20364-720C	38 - 9
MS20365-720C	3A- 8
MS20365-720C	114A- 4
MS20365-720C	3 - 7
MS20365-820C	3A- 3
MS20365-820C	11 - 6
MS20365-820C	63 - 4
MS20365-820C	3 - 3
MS20365B632C	58 -13
MS20365B632C	59A-49
MS20365B632C	59A-58
MS20365B832C	58 -11
MS20365B832C	59A-10
MS20365B832C	62A- 7
MS20380-2-2	107 -24
MS20392-1C17	55B-21
MS20392-1C11	85A- 6
MS20392-1C15	54 -21
MS20392-1C15	54A-41
MS20392-1C15	55 -32
MS20392-1C15	55D-12
MS20392-1C17	44 -30
MS20392-1C17	62 - 4
MS20392-1C19	43 - 4
MS20392-1C21	56A-33
MS20392-1C21	44 -48
MS20392-1C21	54 - 1
MS20392-1C21	54A- 1
MS20392-1C21	54B- 1
MS20392-1C21	54B-41
MS20392-1C21	55 - 1
MS20392-1C21	55A- 1
MS20392-1C21	56A- 1
MS20392-1C21	55C- 1
MS20392-1C21	56C- 1
MS20392-1C23	47 -23
MS20392-1C25	85 -18
MS20392-1C27	85 -12
MS20392-1C33	47 -21
MS20392-1C33	47A- 2
MS20392-1C39	48 - 2
MS20392-1C39	54 -31
MS20392-1C39	55 -68
MS20392-1C39	48A- 2
MS20392-1C5	83 -25
MS20392-1C7	47 -18

PART NUMBER	FIGURE AND INDEX NO.
MS20392-1C7	47A-22
MS20392-1C7	18 -38
MS20392-1C9	43 - 5
MS20392-1C9	54B-48
MS20392-1C9	55C-25
MS20392-1C9	56A-42
MS20392-1C9	56C-24
MS20392-2C11	43 - 6
MS20392-2C11	44 -43
MS20392-2C11	73 -16
MS20392-2C13	107 -24
MS20392-2C15	78 -11
MS20392-2C15	78 -31
MS20392-2C15	85A-56
MS20392-2C15	98 - 3
MS20392-2C17	42 - 7
MS20392-2C17	43 - 7
MS20392-2C17	44 -24
MS20392-2C17	44 -29
MS20392-2C17	55 -53
MS20392-2C17	55 -60
MS20392-2C17	55A-15
MS20392-2C17	55B-15
MS20392-2C17	55C-13
MS20392-2C17	55D- 2
MS20392-2C17	100 -14
MS20392-2C19	44 -40
MS20392-2C20	55 -40
MS20392-2C21	55D- 9
MS20392-2C27	100 -17
MS20392-2C29	44 -23
MS20392-2C31	54 -16
MS20392-2C43	54B-39
MS20392-2C45	47A- 7
MS20392-2C47	54A-38
MS20392-2C63	11 -12
MS20392-2C85	81A-75
MS20392-2C9	85A-58
MS20392-3C11	73 -23
MS20392-3C11	73A-28
MS20392-4C13	77 -39
MS20392-5C65	55D-26
MS20426AD10	11 - 8
MS20426AD10	11 -10
MS20450C8-20	45 -13
MS20450C8-20	46 -14
MS20450C8-20	46A-12
MS20822-2D	68 -25
MS20822-2D	68A-24
MS20822-4	69D-13
MS20822-4-4D	94A-11
MS20822-4D	68 - 7
MS20822-4D	68A- 7
MS20822-4D	68B-12
MS20822-4D	92A-22
MS20822-4D	92B-27
MS20822-4D	93 - 1
MS20822-4D	93 - 5
MS20822-4D	93A- 1
MS20822-4D	93A- 5
MS20822-6-6	94 -33
MS20822-6-6D	90 -38
MS20822-6D	94A-12
MS20822-8D	69C-44
MS20823-2D	94 -30
MS20823-4D	38 -21
MS20823-4D	39B-27
MS20823-4D	68 -13
MS20823-6D	94A-12
MS20823-6D	94A-13
MS20823-8D	89 - 3
MS20823-8D	89A- 3
MS20823-8D	90A- 2
MS20826-4D	68 -12
MS20826-4D	68A-12

PART NUMBER	FIGURE AND INDEX NO.
MS20826-4D	112A-57
MS20826-4D	112B-41
MS20826-6D	94 -32
MS20826-6D	94A-14
MS20913-1	89 -24
MS20913-1	91 -13
MS20913-1D	89 -24
MS20913-1D	91 -13
MS20913-1D	112A-37
MS20913-1D	112B-24
MS20913-2D	94 -30
MS21913D3	101 -19
MS21919-3	112A-13A
MS21919-3	112A-41
MS21919-3	112B-18
MS21919-6	95 -53
MS21919DG3	68 -31
MS21919DG3	68A-26
MS21919DG3	68A-36
MS21919DG3	76 -27C
MS21919DG3	76A-32
MS21919DG3	112 - 8
MS21919DG3	112 -10
MS21919DG3	112B-20
MS21919DG3	105 -24
MS21919DG3	107 -18
MS21919DG3	91 -24
MS21919DG4	76 -27A
MS21919DG4	76 -27B
MS21919DG4	76A-30
MS21919DG4	76A-31
MS21919DG4	77 -14
MS21919DG4	112A-44
MS21919DG4	112A-56
MS21919DG4	112B-43
MS21919DG4	112B-45
MS21919DG4	112B-49
MS21919DG4	38 -18
MS21919DG5	67B-24
MS21919DG5	67B-35
MS21919DG5	68A-38
MS21919DG5	92B-13
MS21919DG5	112 -30
MS21919DG5	67 -43
MS21919DG5	67 -57
MS21919DG6	68 -26
MS21919DG6	113 -34
MS21919DG6	4 - 5
MS21919DG7	69C-24
MS21919DG7	69C-31
MS21919DG7	92B-14
MS21919DG8	67A-28
MS21919DG8	68 -30
MS21919DG8	68A-25
MS21919DG8	68A-39
MS21919DG8	68B-28
MS21919DG8	92B-13
MS21919DG8	94 -25
MS21919DG8	94A-52
MS21919DG8	94A-66
MS21919DG8	67 -22
MS21919DG8	67 -41
MS21919DG8	67 -44
MS21919DG8	95 -11
MS21919DG5	67A-22
MS21919D7	89 - 9
MS21919D7	89A- 8
MS24465-144	75A-43
MS24465-144	75B-51
MS24665-132	40 -27
MS24665-132	43 - 4
MS24665-132	43 - 5
MS24665-132	43 - 6
MS24665-132	43 - 7
MS24665-132	44 -23

PART NUMBER	FIGURE AND INDEX NO.
MS24665-132	44 -24
MS24665-132	44 -29
MS24665-132	44 -30
MS24665-132	44 -42
MS24665-132	44 -48
MS24665-132	47 -19
MS24665-132	47 -25
MS24665-132	54 -23
MS24665-132	54 -32
MS24665-132	55 -30
MS24665-132	55 -40
MS24665-132	55 -53
MS24665-132	55 -62
MS24665-132	55B-39
MS24665-132	55D-14
MS24665-132	73 -18
MS24665-132	73 -23
MS24665-132	73A-28
MS24665-132	78 - 4
MS24665-132	78 -12
MS24665-132	78 -31
MS24665-132	80 -31
MS24665-132	80 -44
MS24665-132	81A-74
MS24665-132	83 -25
MS24665-132	85 -13
MS24665-132	85 -19
MS24665-132	85B- 9
MS24665-132	87 - 6
MS24665-132	87 -11
MS24665-132	91A-18
MS24665-132	11 -12A
MS24665-132	76 -14
MS24665-132	76A-17
MS24665-132	33 -23A
MS24665-132	54A-38
MS24665-132	54A-41
MS24665-132	54B-39
MS24665-132	54B-49
MS24665-132	42 -10
MS24665-132	47A- 3
MS24665-132	47A- 8
MS24665-132	47A-22
MS24665-132	85A-60
MS24665-132	86 -26
MS24665-132	55 -68
MS24665-132	55A-15
MS24665-132	55B-15
MS24665-132	55B-21
MS24665-132	55C-13
MS24665-132	55C-25
MS24665-132	55D- 3
MS24665-132	55D- 9
MS24665-132	55D-13
MS24665-132	56A-42
MS24665-132	56C-24
MS24665-132	77 -37
MS24665-132	82 -46
MS24665-132	82 -51
MS24665-132	82 -62
MS24665-132	82A-47
MS24665-132	82A-52
MS24665-132	82A-63
MS24665-132	83 -35
MS24665-132	83 -40
MS24665-132	18 -38
MS24665-134	35 -51
MS24665-134	35 -59
MS24665-134	35 -63
MS24665-134	41 -27
MS24665-134	42 -16
MS24665-134	55 -32
MS24665-134	55 -34
MS24665-134	55B-36
MS24665-134	66 -10

PART NUMBER	FIGURE AND INDEX NO.
MS24665-134	71 -23
MS24665-134	71 -23
MS24665-134	82 - 8
MS24665-134	82 -18
MS24665-134	82 -23
MS24665-134	82 -28
MS24665-134	82A- 8
MS24665-134	82A-17
MS24665-134	82A-28
MS24665-134	82A-29
MS24665-134	83 -68
MS24665-134	85 -27
MS24665-134	85A- 6
MS24665-134	86 - 6
MS24665-134	86 -15
MS24665-134	86 -39
MS24665-134	98 - 5
MS24665-134	98 -29
MS24665-134	100 -18
MS24665-134	102 - 5
MS24665-134	102 - 6
MS24665-134	107 -58
MS24665-134	54 -17
MS24665-134	54 -19
MS24665-134	54 -22
MS24665-134	66 -11A
MS24665-136	83 -59
MS24665-136	102 -27
MS24665-136	33 -17
MS24665-138	55 - 1
MS24665-138	56A- 1
MS24665-143	82 -40
MS24665-143	82A-41
MS24665-143	86 -20
MS24665-151	56C- 1
MS24665-151	54 - 1
MS24665-151	54A- 1
MS24665-151	54B- 1
MS24665-151	55A- 1
MS24665-151	55C- 1
MS24665-151	62 - 6
MS24665-151	100A-10
MS24665-151	100A-18
MS24665-151	48 - 3
MS24665-151	48A- 3
MS24665-214	69C- 9
MS24665-22	41 - 4
MS24665-22	23 -37
MS24665-24	80 -22
MS24665-24	82 - 5
MS24665-24	82A- 5
MS24665-281	77 -40
MS24665-283	82A-33
MS24665-283	85A-27
MS24665-283	55C-27
MS24665-285	55D-28
MS24665-285	81A-23
MS24665-285	103 -34
MS24665-285	78 - 3
MS24665-285	81 -28
MS24665-285	33 - 9
MS24665-289	81A-48
MS24665-351	38 -32
MS24665-351	55 -44
MS24665-5	55B-31
MS24665-5	81A- 5
MS24665-5	81A- 7
MS24665-7	81 - 2
MS24665-7	81 -19
MS24665-7	81A- 3
MS24665-7	98 -50
MS28774-004	99 -11
MS28774-006	98 -14
MS28774-010	98 -60
MS28774-018	108 -16

PART NUMBER	FIGURE AND INDEX NO.
MS28774-11	108 -19
MS28774-11	108A-18
MS28774-11	109 - 5
MS28774-111	103A-22
MS28774-111	108A-11
MS28774-111	103 -21
MS28774-112	103A- 9
MS28774-112	108 - 6
MS28774-112	108A- 5
MS28774-113	103 - 9
MS28774-113	103A-16
MS28774-15	97A-44
MS28774-18	108A-15
MS28775-005	98 -49
MS28775-006	97A-52
MS28775-006	99A-22
MS28775-008	99A-20
MS28775-009	97A-59
MS28775-010	101 -20
MS28775-010	97A- 4
MS28775-010	97A-17
MS28775-011	97A-34
MS28775-011	108A-17
MS28775-011	99A- 3
MS28775-011	99A-13
MS28775-011	100A-29
MS28775-011	97A-21
MS28775-012	97A-31
MS28775-013	99A-14
MS28775-013	106B-23
MS28775-014	97A-49
MS28775-014	99 -17
MS28775-015	99 - 4
MS28775-015	97A-45
MS28775-015	97A-48
MS28775-016	99A-11
MS28775-016	97A-27
MS28775-018	97 -78
MS28775-018	99A- 8
MS28775-018	108A-14
MS28775-018	108 -15
MS28775-020	110 -18
MS28775-021	100A-25
MS28775-111	108A-10
MS28775-112	108A- 4
MS28775-114	100A-24
MS28775-115	100A-32
MS28775-117	100 - 8
MS28775-119	98 -56
MS28775-123	98 -17
MS28775-123	98 -64
MS28775-135	106A-20
MS28775-135	106B-20
MS28775-257	97A- 7
MS28775-327	106A-19
MS28775-327	106B-19
MS28776-3	100A-23
MS28777-4	96A- 7
MS28777-6	96A-11
MS28778-3	96 -13
MS28778-3	96 -14
MS28778-3	97 -52
MS28778-3	97 -79
MS28778-3	97 -22
MS28778-3	95 -40
MS28778-3	96 -13
MS28778-3	96 -14
MS28778-3	97 -77
MS28778-3	102 - 8
MS28778-3	102 -29
MS28778-3	102 -32
MS28778-3	104 - 9
MS28778-3	107 -21
MS28778-3	107 -22
MS28778-3	107 -38

PART NUMBER	FIGURE AND INDEX NO.
MS28778-3	107 -38
MS28778-3	107 -48
MS28778-4	96A- 5
MS28778-4	96A- 7
MS28778-4	96A- 8
MS28778-4	97 -33
MS28778-4	8 -23
MS28778-4	38 -22
MS28778-4	77 -18
MS28778-4	79 -12
MS28778-4	69D-16
MS28778-4	39 -22
MS28778-4	95 -33
MS28778-4	95 -33
MS28778-4	95 -63
MS28778-4	96 - 6
MS28778-4	96 - 7
MS28778-4	96 - 8
MS28778-4	96 - 9
MS28778-4	97 -71
MS28778-4	102 -21
MS28778-4	105 -14
MS28778-4	105 -18
MS28778-4	105 -21
MS28778-4	105 -23
MS28778-4	105 -26
MS28778-4	107 -28
MS28778-4	107 -31
MS28778-4	107 -40
MS28778-4	107 -41
MS28778-4	107 -42
MS28778-4	107A- 8
MS28778-4	107A- 9
MS28778-4	110 -15
MS28778-4	111 - 2
MS28778-4	107 -48
MS28778-5	105 -18
MS28778-5	105 -21
MS28778-6	96A- 9
MS28778-6	96A-11
MS28778-6	97 -64
MS28778-6	97A-33
MS28778-6	69D- 9
MS28778-6	69D-20
MS28778-6	95 -50
MS28778-6	96 -11
MS28778-6	96 -12
MS28778-6	98 -68
MS28778-6	69D-25
MS28778-8	95 - 8
MS28778-8	95 -17
MS28778-8	95 -62
MS28778-8	69C-40
MS28778-8	69D-32
MS28778-8	96 -10
MS28782-22	37A-10
MS28889-1	35 -24
MS29512-4	89 - 8
MS29512-4	92 -31
MS29512-4	92 -35
MS29512-4	92 -43
MS29512-4	91B-34
MS29512-4	91B-37
MS29512-4	91B-44
MS29512-6	90 -25
MS29512-6	90 -32
MS29512-6	92 -28
MS29512-6	92 -40
MS29512-6	92 -47
MS29512-8	90A- 4
MS29512-8	90A-11
MS29512-8	91B-30
MS29512-8	91B-39
MS29512-8	91B-41
MS29512-8	92 -28

PART NUMBER	FIGURE AND INDEX NO.
MS29512-8	92 -40
MS29512-8	92 -43
MS29512-8	92 -47
MS29513-10	91A-16
MS29513-10	91B- 8
MS29513-10	92 - 8
MS29513-11	91B-16
MS29513-11	92 -16
MS29513-111	91A-13
MS29513-12	92 -20
MS29513-130	92 -12
MS29513-130	91B-12
MS29513-133	91B-25
MS29513-133	92 -23
MS29513-138	91A-11
MS29513-14	92 -20
MS29513-232	8 -33
MS29513-8	91 -21
MS3057-6A	96A-12
MS3100A-14S-2P	96 -19
MS3100A14S-2P	96A-12
MS35487-5S	107 -61
MS35487-7S	107 -32
MS35489-11	67B-56
MS35489-11	95 -54
MS35489-11	67 -61
MS35489-11	67A-61
MS35489-115	28 - 9
MS35489-118	28 -13
MS35489-12	72B-14
MS35489-12	72B-20
MS35489-12	72 -37
MS35489-12	72A-39
MS35489-12	89 -39
MS35489-12	95 -51
MS35489-12	92 -26
MS35489-12	92 -37
MS35489-12	92 -45
MS35489-12	95 -41
MS35489-134	115 - 9
MS35489-134	91 -20
MS35489-134	91A-26
MS35489-134	91A-28
MS35489-135	113 -10
MS35489-14	94 -27
MS35489-14	94A-54
MS35489-14	8 -48
MS35489-17	61 - 9
MS35489-19	92 -26
MS35489-19	92 -37
MS35489-19	92 -45
MS35489-20	67B-59
MS35489-20	72 -14
MS35489-20	72B-27
MS35489-20	67 -63
MS35489-20	67A-60
MS35489-34	6A-16
MS35489-34	102 -19
MS35489-36	89A-14
MS35489-36	91B-32
MS35489-36	91B-35
MS35489-36	91B-42
MS35489-36	92 -29
MS35489-36	92 -33
MS35489-36	92 -41
MS35489-36	89 -15
MS35489-36	89 -27
MS35489-4	118 -12
MS35489-4	118A- 5
MS35489-4	67B-58
MS35489-4	67 -64
MS35489-4	67A-62
MS35489-41	89 -39
MS35489-41	89 -58
MS35489-41	89A-24

PART NUMBER	FIGURE AND INDEX NO.
MS35489-5	72B-24
MS35489-5	89 -23
MS35489-5	72A-16
MS35489-5	77 - 6
MS35489-5	104 -10
MS35489-5	105 -27
MS35489-5	107 - 7
MS35489-5	112 - 9
MS35489-6	67B-57
MS35489-6	72 -38
MS35489-6	72A-40
MS35489-6	88 -19
MS35489-6	114 -16
MS35489-6	67 -62
MS35489-6	67A-59
MS35489-6	105 - 8
MS35489-6	105 -13
MS35489-7	112A-43
MS35489-7	112B-23
MS35489-7	89 -15
MS35489-7	89 -27
MS35489-7	89 -31
MS35489-7	92 -29
MS35489-7	92 -33
MS35489-7	104 -11
MS35489-7	105 -28
MS35489-7	95 -37
MS9025-02	96 -13
MS9058-03	96 -14
MS9058-03	102 - 8
MS9058-03	102 -29
MS9058-03	102 -32
MS9058-03	107 -21
MS9058-03	107 -38
MS9058-03	107 -48
MS9058-04	95 -34C
MS9058-04	95 -63
MS9058-04	96 - 6
MS9058-04	96 - 7
MS9058-04	102 - 8
MS9058-04	107A- 8
MS9058-04	107A- 9
MS9058-04	107 -38
MS9058-04	107 -48
MS9058-04	96A-35
MX25A	1 -15
M072218A	85B- 1
M20002C6	93A-37
M34-14	41 -38
M75FS-10245CR	103 - 5
M75FS-1024-5CR	103A- 6
M781	106 -14
NAS1022A8	44 -37
NAS1054-6-3	19 -37
NAS1054-6-5	25 -10
NAS1054-6-9	25 - 6
NAS1054-6F4	20 -11
NAS1054-6F5	20 -12
NAS1054-8-11	19 -36
NAS1054-8-12	19 -34
NAS1054-8-13	19 -35
NAS1067A4	23 -36
NAS1068A3	20 -18
NAS1068A4	9A - 9
NAS1068A4	9A-15
NAS1081-3A4	106A-17
NAS1081-3A4	106B-17
NAS1291-4	44 -53
NAS1303-14H	43 -12
NAS1304-4H	38 -39
NAS1304-4H	105 -31
NAS1329A08-75	11 -18
NAS1329A08-75	11 -21
NAS1329A08K120	74 - 6
NAS1329A08K75	3A-38



PART NUMBER	FIGURE AND INDEX NO.
NAS1329A08K75	13 -31
NAS1329A08K75	74 - 5
NAS145-31	44 - 4
NAS146-31	44 - 2
NAS146-39	38 - 3
NAS179-6	19 -33
NAS179-6	20 -11
NAS179-6	20 -12
NAS179-6	25 - 6
NAS179-6	25 -10
NAS179-8	19 -32
NAS220-10	51 -40
NAS220-10	51A-64
NAS220-10	51B-64
NAS220-11	80 -33
NAS220-11	80 -38
NAS220-13	80 -50
NAS220-22	80 -23
NAS220-5	27A-24
NAS220-5	27A-42
NAS220-5	45 -11
NAS220-5	46 -12
NAS220-5	46A-10
NAS220-5	47 - 1
NAS220-5	80 -63
NAS220-6	12 -32
NAS220-6	12 -42
NAS220-6	13 -30
NAS220-6	18 -31
NAS220-6	27 -32
NAS220-6	27 -44
NAS220-6	27A-39
NAS220-6	27A-48
NAS220-6	80 - 2
NAS220-6	80 -89
NAS220-6	116 -10
NAS220-7	12 -43
NAS220-7	74 - 3
NAS220-8	11 -17
NAS220-8	11 -20
NAS220-8	12 - 7
NAS220-8	13 -30
NAS220-8	21 - 1
NAS220-8	21 - 3
NAS220-8	21 - 4
NAS220-8	21 -15
NAS220-8	21A- 1
NAS220-8	21A- 3
NAS220-8	21A- 4
NAS220-8	51 -39
NAS220-8	51 -41
NAS220-8	51A-65
NAS220-8	51B-63
NAS220-8	74 - 4
NAS220-8	112 -13
NAS220-9	18 -12
NAS220-9	21 - 5
NAS220-9	21A- 5
NAS221	18 -13A
NAS221-10	25A-13
NAS221-10	51A-26
NAS221-12	63B- 8
NAS221-13	14 -47
NAS221-13	14A-36
NAS221-15	20 -20
NAS221-15	25A-13
NAS221-5	18 -48
NAS221-5	20 -23
NAS221-5	78 -38
NAS221-6	25 - 5
NAS221-6	25A-16
NAS221-6	25A-18
NAS221-6	27A-44
NAS221-8	25A-13
NAS221-8	63 -12

PART NUMBER	FIGURE AND INDEX NO.
NAS221-8	63A- 6
NAS221-8	63B- 6
NAS221-9	25A-16
NAS221-9	25A-18
NAS221C6	54B-65
NAS222-14	80 -19
NAS222-16	80 -70
NAS229-10	61 - 3
NAS229-8	9 -31
NAS288-35L	81 -17
NAS288-35L	81A-12
NAS288-35LH	80 -14
NAS288-35R	81 -18
NAS288-35RH	81A-13
NAS288-35RH	80 -15
NAS295-6	42 -11
NAS296-4A	14 -26
NAS296-4A	14 -27
NAS388-10-16P	50A-12
NAS388-10-18P	50A-11
NAS395-10-3	14A-53
NAS395-12-3	14A-55
NAS395-12-3	14A-57
NAS395-13-3	10 -38
NAS395-14-3	4 -31
NAS395-14-3	9A-20
NAS395-14-3	10A-34
NAS395-14-3	14 -44
NAS395-14-3	14A-45
NAS395-14-3	25A- 1
NAS395-14-3	32 - 3
NAS395-14-3	114 -15
NAS395-16-3	4 - 4
NAS395-16-3	18 -40G
NAS395-16-3	18 -54
NAS395-17-3	3 -14
NAS395-17-3	3A-24
NAS395-17-3	14 -54
NAS395-2-3	59 -26
NAS395-2-3	60 - 3
NAS395-3-3	52 -17
NAS395-6-3	32 - 5
NAS395-7-3	75A-41
NAS395-7-3	75B-42
NAS395-7-3	75B-47
NAS396-6-3	75 -27
NAS397-10	94 -31A
NAS397-10	94A- 9
NAS397-10	94A-55
NAS397-10	113 -36
NAS397-12	8 -40
NAS397-12	34 - 5
NAS397-12	69D-27
NAS397-12	69D-30
NAS397-12	69D-35
NAS397-12	69D-42
NAS397-12	94A-62
NAS397-14	8 -42
NAS397-16	68 -36
NAS397-16	68A-31
NAS397-16	94 -20
NAS397-16	94A-47
NAS397-18	68 -17
NAS397-18	68A-17
NAS397-18	68B-17
NAS397-18	75 -29
NAS397-18	75A-33
NAS397-18	75B-36
NAS397-22	75A-28
NAS397-22	75B-29
NAS397-28	68 -34
NAS397-28	68A-29
NAS397-28	68B- 7
NAS397-28	68B-27
NAS397-28	68B-29

PART NUMBER	FIGURE AND INDEX NO.
NAS397-32	76 -29
NAS397-32	76A-42
NAS398-42	75 - 4
NAS398-42	75A- 4
NAS398-42	75B- 4
NAS398-50	68 -28
NAS398-50	68 -38
NAS398-50	68A-45
NAS398-50	76 -33
NAS398-50	76 -35
NAS398-50	76A-44
NAS398-50	76A-47
NAS398-62	68B- 6
NAS398-66	69B-26
NAS42-6-8	78 - 7
NAS42DD6-24A	82A-23
NAS427K-9	82 -35
NAS427K-9	82A-36
NAS428K4-10	81A-67
NAS43-3-12	78 -31
NAS43-3-12	54B- 3
NAS43-3-12	55A- 2A
NAS43-3-12	55C- 3
NAS43-3-12	56A- 3
NAS43-3-15	58 - 9
NAS43-3-16	54A-20
NAS43-3-23	58 -21
NAS43-3-23	94 - 3
NAS43-3-24	107 -55
NAS43-3-34	45 -46
NAS43-3-6	83 -23
NAS43-3-64	59A-29
NAS43-3-72	87 -24
NAS43-3-80	43 -21
NAS43-4-16	81 -49
NAS43-4-16	81A-38
NAS43-4-16	85A-18
NAS43-4-18	55C- 6A
NAS43-4-18	56A- 5
NAS43-4-20	54 -48
NAS43-4-20	54B-56
NAS43-4-20	55 -76
NAS43-4-20	55A-34
NAS43-4-20	55C-42
NAS43-4-20	56 -19
NAS43-4-20	56A-52
NAS43-4-20	56B-11
NAS43-4-20	56C-47
NAS43-4-22	54A-54
NAS43-4-22	55A-34
NAS43-4-22	55C-42
NAS43-4-30	81A-46
NAS43-4-41	82 -38
NAS43-4-41	82A-39
NAS43-4-41	86 -18
NAS43-4-47	56 -22
NAS43-5-17	80 - 5
NAS43-5-40	81A-54
NAS43-5-40	81A-59
NAS43DD-3-12	72 -38
NAS43DD1-9	92A-24
NAS43DD1-9	92B-11
NAS43DD12-64	59A-42
NAS43DD3-12	47A-10
NAS43DD3-12	55C-21
NAS43DD3-12	72A-40
NAS43DD3-12	72B-13
NAS43DD3-12	85A-59
NAS43DD3-12	89 -11
NAS43DD3-12	89A-11
NAS43DD3-12	69C-19
NAS43DD3-14	59A- 9
NAS43DD3-18	89 -12
NAS43DD3-24	55C-21
NAS43DD3-3	67A-55
NAS43DD3-32	

PART NUMBER	FIGURE AND INDEX NO.
NAS43DD3-32	76 -27A
NAS43DD3-32	76A-30
NAS43DD3-32	95 -10
NAS43DD3-32	112 -30
NAS43DD3-48	68 -26
NAS43DD3-48	91 -17
NAS43DD3-48	114 -11
NAS43DD3-56	68 -29
NAS43DD3-70	114 -13
NAS43DD4-16	59A- 2
NAS43DD4-16	59A- 5
NAS43DD4-16	59C- 2
NAS43DD4-16	59C- 8
NAS43DD4-7	82 -44
NAS43DD4-7	82A-45
NAS43DD5-24	61 -24A
NAS43DD5-4	80 -53
NAS43DD5-80	81A-51
NAS43DD6-33	55D-27
NAS43HT3	82A-29
NAS43HT4-80	44 -52
NAS437-4B	94A-56
NAS444-14-3	7 -22
NAS446-1-3	52 - 3
NAS446-1-3	56C-39
NAS446-2-3	59 -25
NAS446-2-3	59A-21
NAS446-2-3	60 - 6
NAS446-2-3	60 -15
NAS446-2-3	60A- 3
NAS446-2-3	60A- 5
NAS446-2-3	68 -20
NAS446-2-3	68 -48
NAS446-2-3	68 -60
NAS446-2-3	68A-20
NAS446-2-3	68A-54
NAS446-2-3	68B-42
NAS446-2-3	72 - 5A
NAS446-2-3	72 - 7
NAS446-2-3	72 -12
NAS446-2-3	72 -20
NAS446-2-3	72 -24
NAS446-2-3	72 -26
NAS446-2-3	72A- 9
NAS446-2-3	72A-14
NAS446-2-3	72A-14A
NAS446-2-3	72A-22
NAS446-2-3	72A-26
NAS446-2-3	72A-28
NAS446-2-3	72B- 8
NAS446-2-3	72B-31
NAS446-2-3	72B-43
NAS446-2-3	75A-16
NAS446-2-3	75B-16
NAS446-2-3	112 - 8
NAS446-2-3	112A-44
NAS446-2-3	113 -20
NAS446-2-3	115 - 4
NAS446-2-3	115 - 7
NAS446-2-3	118 - 4
NAS446-4-3	4 - 7
NAS446-4-3	5 -20
NAS446-4-3	12 -41
NAS446-4-3	51 - 2
NAS446-4-3	51A- 4
NAS446-4-3	51B- 4
NAS446-4-3	59A-82
NAS446-4-3	60 -22
NAS446-4-3	67 -45
NAS446-4-3	68A-40
NAS446-4-3	75 -11
NAS446-4-3	75A-13
NAS446-4-3	75B-13
NAS446-4-3	112 -31
NAS446-4-3	112B-20

PART NUMBER	FIGURE AND INDEX NO.
NAS446-4-3	112B-49
NAS446-4-3	112B-78
NAS447-85P	8 -21
NAS45-4-16	85 - 3
NAS455-163C4-8	9 -19
NAS463WDD416	23 -40
NAS464-4A-58	41 -29
NAS464-6-15	44 -12
NAS464P3-22	35 -60
NAS464P3-8	83 -65
NAS464P3A10	34 -17A
NAS464P3A12	33 -22
NAS464P3A7	34 - 8
NAS464P3A7	35 -36
NAS464P3A8	33 -23
NAS464P3A9	34 - 9
NAS464P3A9	35 -36A
NAS464P3A9	35 -37
NAS464P4A10	35 -20
NAS464P4A16	34 -17
NAS464P4A20	34 -13
NAS464P5-42	102 -23
NAS464P6-42	103 -30
NAS464P6-42	103A-33
NAS464P6-42	33 - 5
NAS464P6LA13	44 -35
NAS504-4	80 -25
NAS504-4	80 -25C
NAS506-4	4A-24
NAS506-4	4A-25
NAS506-4	12 -23
NAS506-4	14A-13
NAS506-4	15 -56
NAS506-4	15A-60
NAS506-4	82A-19
NAS506-5	80 - 8
NAS509-4	97A-38
NAS514-1032-14	45 -46
NAS514P1032-10	40 -12
NAS557-4A	28 -20
NAS557-6A	28 - 6
NAS557-6A	28 -17
NAS557-6A	28 -21
NAS561-P4-15	67 - 4
NAS561-2-10	91B-46
NAS561-2-10	92 -50
NAS561-2-12	54A-44
NAS561-2-15	44 -11
NAS561-2-8	56C-29
NAS561-2-8	91B-47
NAS561-3-6	56A-31
NAS561-3-6	56C-19
NAS561-3-8	54B-45
NAS561-4-12	87 -21
NAS561-4-18	100 -21
NAS561-4-22	100 -24
NAS561-4-9	47 -17
NAS561-5-12	77 -33
NAS561-6-12	55 -24
NAS561-6-14	80 -28
NAS561-6-18	55 -26
NAS561-6-18	55 -51
NAS561C2-8	76 - 6
NAS561C2-8	76A- 6
NAS561C2-9	109 - 3
NAS561C3-10	54 -38
NAS561C3-10	54A-51
NAS561C3-10	54B-51
NAS561C3-10	55 -21
NAS561C3-10	55 -65
NAS561C3-10	55A-31
NAS561C3-10	56A-46
NAS561C3-12	54 -27
NAS561C3-12	54 -30
NAS561C3-12	55 -66

PART NUMBER	FIGURE AND INDEX NO.
NAS561F3-20	98 -40
NAS561F4-12	98 - 2
NAS561F4-12	98 -13
NAS561F4-12	98 -27
NAS561F4-12	98 -61
NAS561F4-14	98 -54
NAS561F6-10	98 -32
NAS561P3-10	56C-22
NAS561P3-10	69 -14
NAS561P3-10	69 -23
NAS561P3-10	69A-13
NAS561P3-11	91B-22
NAS561P3-11	92 -14
NAS561P3-6	91B- 4
NAS561P3-6	92 - 4
NAS561P3-8	45 -48
NAS561P3-8	55 -36
NAS561P3-8	55B-33
NAS561P4-10	55B-24
NAS561P4-10	55B-29
NAS561P4-10	55 -42
NAS561P4-12	55 -48
NAS561P4-12	55B-28
NAS561P4-14	37 - 4
NAS561P4-15	47A-18
NAS561P4-15	67A- 4
NAS561P4-18	37A- 9
NAS561P4-6	25 -10
NAS561P4-6	47A-21
NAS561P4-8	55 -46
NAS561P4-8	55B-26
NAS561P6-18	55B-11
NAS561P6-18	55D-31
NAS561P6-22	55B- 9
NAS561P6-22	55D- 5
NAS561P6-22	55D- 7
NAS561P7-16	35 -34
NAS561P8-32	35 -17
NAS563-11	37A- 6
NAS563-11	37 -11
NAS563-29	44 -17
NAS564-29	44 -19
NAS566-81	44 - 6
NAS608BH4-12	98 -10
NAS602-40	114 - 3
NAS602-40	114 -10
NAS608-3-10	106A-14
NAS608-3-10	106B-14
NAS608C3H24	99A- 1
NAS608C3H6	96A-14
NAS608C3H6	96A-17
NAS608C4-8	100A-20
NAS608C4H16	96A-19
NAS608H4-16	98 -34
NAS608H4-22	99 - 1
NAS609-448-4	96A-13
NAS620-10L	106 -24
NAS669-106	95 -26B
NAS669-131	37 - 8
NAS669-143	37A- 2
NAS669-212	39 -19
NAS669-212	106 -21
NAS669-37	98 -71
NAS669-43	100 - 1
NAS669-50	97 -35
NAS669-50	97 -54
NAS669-50	109 -15
NAS669-62	97 -43
NAS670-137	80 -59
NAS670-25	91A- 8
NAS670-275	35 -48
NAS670-37	84 - 5
NAS670-81	84 - 6
NAS679A06	29 -12
NAS679A06	29A- 7

PART NUMBER	FIGURE AND INDEX NO.
NAS679A06	114 -24
NAS679A06	85B- 8
NAS679A06	80 -68
NAS679A06	76A-15
NAS679A06	79 - 4
NAS679A06	76 -12
NAS679A06	69 -16
NAS679A06	69 -25
NAS679A06	69A-15
NAS679A06	69A-22
NAS679A06	69B-22
NAS679A06	66B-26
NAS679A06	66A-26
NAS679A06	60 -19
NAS679A06	46A-26
NAS679A06	46 -25
NAS679A06	45 -24
NAS679A06	92A-24
NAS679A06	92B-11
NAS679A08	3 -20
NAS679A08	3 -34
NAS679A08	3A-23
NAS679A08	3A-33
NAS679A08	4A-13
NAS679A08	8 -17
NAS679A08	10 -41
NAS679A08	11 -15
NAS679A08	15 -58
NAS679A08	15A-61
NAS679A08	18 -12
NAS679A08	18 -31
NAS679A08	23 -38C
NAS679A08	40 -23
NAS679A08	41 -18
NAS679A08	55A- 7
NAS679A08	60A-14
NAS679A08	68 -30
NAS679A08	68A-25
NAS679A08	68B-28
NAS679A08	80 -34
NAS679A08	80 -39
NAS679A08	81 -52
NAS679A08	81A-41
NAS679A08	84 -11
NAS679A08	85A- 8
NAS679A08	89 - 9
NAS679A08	89A- 8
NAS679A08	112 -14
NAS679A08	112 -30
NAS679A08	112A-14
NAS679A08	112A-14A
NAS679A08	112A-29
NAS679A08	112A-35
NAS679A08	112A-42
NAS679A08	112B-18
NAS679A08	113 -17
NAS679A08	116 -14
NAS679A08	27 -32
NAS679A08	27 -32
NAS679A08	27A-39
NAS679A08	27A-39
NAS679A08	54A- 7
NAS679A08	54B- 8
NAS679A08	61 -21B
NAS679A08	80 -24
NAS679A3	92B-13
NAS679A3	10A- 9
NAS679A3	18 -27
NAS679A3	21 - 1
NAS679A3	21A- 1
NAS679A3	29 - 9
NAS679A3	33 -23
NAS679A3	33 -26
NAS679A3	33 -30
NAS679A3	34 -17A

PART NUMBER	FIGURE AND INDEX NO.
NAS679A3	35 -40
NAS679A3	44 -18
NAS679A3	44 -54
NAS679A3	54A-20
NAS679A3	54B-21
NAS679A3	56C- 4
NAS679A3	56C-37
NAS679A3	56C-44
NAS679A3	73 -13
NAS679A3	73 -18
NAS679A3	73 -24
NAS679A3	73A-15
NAS679A3	73A-20
NAS679A3	73A-26
NAS679A3	76 -20
NAS679A3	76A-23
NAS679A3	77 -46
NAS679A3	80 -48
NAS679A3	80 -55
NAS679A3	87 -25
NAS679A3	92A-25
NAS679A3	92B-12
NAS679A3	94 -26
NAS679A3	94A-53
NAS679A3	94A-69
NAS679A3	112B-61
NAS679A3	55A-18
NAS679A3	72 -38
NAS679A3	77 -43
NAS679A3	6A-23
NAS679A3	9 -10
NAS679A3	9 -31
NAS679A3	10 -12
NAS679A3	10 -20
NAS679A3	10A-10
NAS679A3	13 -13
NAS679A3	14 -47
NAS679A3	14A-36
NAS679A3	19 - 2
NAS679A3	19 - 9
NAS679A3	21 -21
NAS679A3	21A-17
NAS679A3	22 -37
NAS679A3	22 -47
NAS679A3	22A-40
NAS679A3	22A-50
NAS679A3	23 -40
NAS679A3	23 -64
NAS679A3	25 - 9
NAS679A3	30 - 4
NAS679A3	31 -14
NAS679A3	34 -11
NAS679A3	38 -20
NAS679A3	40 - 5
NAS679A3	40 -12
NAS679A3	40 -39
NAS679A3	41 -35
NAS679A3	42 -14
NAS679A3	45 - 4
NAS679A3	46 - 4
NAS679A3	46A- 4
NAS679A3	48 - 8
NAS679A3	54 -36
NAS679A3	54 -45
NAS679A3	54A-59
NAS679A3	54B-61
NAS679A3	55 -58
NAS679A3	55 -73
NAS679A3	55A-39
NAS679A3	55C-12
NAS679A3	55C-21
NAS679A3	55C-23
NAS679A3	55C-47
NAS679A3	56B- 4
NAS679A3	63 - 7

PART NUMBER	FIGURE AND INDEX NO.
NAS679A3	63A-10
NAS679A3	63B-10
NAS679A3	67 -18
NAS679A3	67 -28
NAS679A3	67 -47
NAS679A3	67 -60
NAS679A3	67A-20
NAS679A3	67A-25
NAS679A3	67A-34
NAS679A3	67A-44
NAS679A3	67A-45
NAS679A3	67B-24
NAS679A3	67B-24
NAS679A3	67B-29
NAS679A3	68 -26
NAS679A3	68 -29
NAS679A3	68A-43
NAS679A3	69 -20
NAS679A3	69B-19
NAS679A3	69C-20
NAS679A3	69D- 4
NAS679A3	71 -18
NAS679A3	71A- 4
NAS679A3	71A-15
NAS679A3	72A-40
NAS679A3	72B-13
NAS679A3	73A-12
NAS679A3	75 - 8
NAS679A3	75A-10
NAS679A3	75B-10
NAS679A3	76 -26
NAS679A3	76A-33A
NAS679A3	77 -16
NAS679A3	77 -25A
NAS679A3	77 -30
NAS679A3	78 - 9
NAS679A3	78 -20
NAS679A3	78 -28
NAS679A3	78 -32
NAS679A3	81 - 5
NAS679A3	81 -11
NAS679A3	81A-47
NAS679A3	82 -56
NAS679A3	82A-23
NAS679A3	82A-57
NAS679A3	83 - 6
NAS679A3	83 -12
NAS679A3	83 -19
NAS679A3	83 -24
NAS679A3	83 -30
NAS679A3	83 -38
NAS679A3	83 -45
NAS679A3	83 -53
NAS679A3	83 -58
NAS679A3	85A-25
NAS679A3	85A-37
NAS679A3	85A-50
NAS679A3	86 -31
NAS679A3	87 -15
NAS679A3	88 -46
NAS679A3	89 -46
NAS679A3	90A- 8
NAS679A3	91 -19
NAS679A3	91A-25
NAS679A3	93 - 9
NAS679A3	93A-14
NAS679A3	94 - 9
NAS679A3	94A-36
NAS679A3	94A-61
NAS679A3	112 - 3
NAS679A3	112 - 6
NAS679A3	112A-19
NAS679A3	112A-10
NAS679A3	112A-25
NAS679A3	112A-39

PART NUMBER	FIGURE AND INDEX NO.
NAS679A3	112A-60
NAS679A3	112B-12
NAS679A3	112B-17
NAS679A3	112B-56
NAS679A3	113 -15
NAS679A3	113 -23
NAS679A3	118 - 6
NAS679A3	118A- 6
NAS679A4	35 -20
NAS679A4	35 -71
NAS679A4	91A-22
NAS679A4	102 -17
NAS679A4	9 - 6
NAS679A4	13 - 3
NAS679A4	14 - 3
NAS679A4	14 -41
NAS679A4	14A- 3
NAS679A4	14A-50
NAS679A4	15 - 3
NAS679A4	15 -55
NAS679A4	15A- 3
NAS679A4	15A-58
NAS679A4	10 - 6
NAS679A4	31 -18
NAS679A4	31 -22
NAS679A4	34 -15
NAS679A4	34 -17
NAS679A4	86 -19
NAS679A4	86 -24
NAS679A4	86 -35
NAS679A4	86 -38
NAS679A4	90 - 4
NAS679A4	90 -22
NAS679A4	97 - 2
NAS679A4	107 -52
NAS679A4	113 - 8
NAS679A4	85A-32
NAS679A4	85A-43
NAS679A4	85A-68
NAS679A4	81A-64
NAS679A4	81A-71
NAS679A4	82 -14
NAS679A4	82 -26
NAS679A4	82 -32
NAS679A4	82 -39
NAS679A4	82 -44
NAS679A4	82 -49
NAS679A4	82 -60
NAS679A4	82A-14
NAS679A4	82A-26
NAS679A4	82A-32
NAS679A4	82A-40
NAS679A4	82A-45
NAS679A4	82A-50
NAS679A4	82A-61
NAS679A4	83 -33
NAS679A4	83 -49
NAS679A4	81A-32
NAS679A4	81 -37
NAS679A4	81 -44
NAS679A4	81A-17
NAS679A4	80 -73
NAS679A4	81 -22
NAS679A4	80 - 7
NAS679A4	80 -19
NAS679A4	80 -25B
NAS679A4	69C- 6B
NAS679A4	69D- 6
NAS679A4	67 -56
NAS679A4	67A- 6H
NAS679A4	67A-48
NAS679A4	67B- 7
NAS679A4	67B-38
NAS679A4	68B-25
NAS679A4	55D-33

PART NUMBER	FIGURE AND INDEX NO.
NAS679A4	56 -10
NAS679A4	56 -20
NAS679A4	56A-53
NAS679A4	56B-12
NAS679A4	56C-48
NAS679A4	54 -49
NAS679A4	54A-55
NAS679A4	54B-57
NAS679A4	55 - 7
NAS679A4	55 -38
NAS679A4	55 -77
NAS679A4	55A-35
NAS679A4	55B-13
NAS679A4	55C-43
NAS679A4	39B-24
NAS679A4	40 -35
NAS679A4	41 -31
NAS679A4	42 - 5
NAS679A4	39A-19
NAS679A4	36A-11
NAS679A4	36B- 7
NAS679A4	35 - 6
NAS679A5	6 -15
NAS679A5	35 - 2
NAS679A5	35 -22
NAS679A5	31 -33
NAS679A5	12 - 5
NAS679A5	85A-70
NAS679A5	85A-11
NAS679A5	81A-51
NAS679A5	81A-55
NAS679A5	81A-60
NAS679A5	81A-21
NAS679A5	81A-27
NAS679A5	81 -26
NAS679A5	81 -32
NAS679A5	69D-22
NAS679A5	61 -30
NAS679A5	61 -13
NAS679A5	39B- 6
NAS679A5	38 -27
NAS679A5	6A-15
NAS679A6	12 - 6
NAS679A6	33 - 4
NAS679A6	85A-66
NAS679A6	44 - 8
NAS679A6	38 - 3
NAS679A6	38 -13
NAS679A6	38 -28
NAS679A6	39A-28
NAS679A6	44 - 6
NAS679A6	44 -14
NAS679A6	44 -35
NAS679C16	69C- 7
NAS680-A3	20 - 6
NAS680A0K	92B-14
NAS680A03	25A- 5A
NAS680A03	25A- 5D
NAS680A04K	27A-41
NAS680A08	4A- 4
NAS680A08	17 -11
NAS680A08	17 -13A
NAS680A08	23 -14
NAS680A08	25A- 5
NAS680A08	25A- 5C
NAS680A08	26 -43
NAS680A08	27A-27
NAS680A08K	114 -26
NAS680A08K	24 -17
NAS680A08K	25A-19A
NAS680A08K	25A-19A
NAS680A08K	25A-23
NAS680A08K	27A-24
NAS680A08K	27A-25
NAS680A08K	27A-39

PART NUMBER	FIGURE AND INDEX NO.
NAS680A08K	27A-42
NAS680A08K	27A-43
NAS680A3	4A-37
NAS680A3	4A-45
NAS680A3	6A-28
NAS680A3	10 -28
NAS680A3	10A-24
NAS680A3	15A-43
NAS680A3	19 -11
NAS680A3	19 -14A
NAS680A3	19 -23
NAS680A3	19 -25
NAS680A3	23 -15
NAS680A3	24 -26
NAS680A3	25A-19B
NAS680A3	26 -22
NAS680A3	29 - 4
NAS680A3	30 - 6
NAS680A3	63 -10
NAS680A3	63A-12
NAS680A3	63B-12
NAS680A3	66 -46
NAS680A3	66A-42
NAS680A3	66B-41
NAS680A3	78 -38
NAS680A3K	23 -24
NAS680A3K	23 -25
NAS680A3K	23 -31
NAS680A3K	25A-11
NAS680A3K	25A-12
NAS680A3K	25A-13
NAS680A3K	26 -14
NAS680A3K	26 -14A
NAS680A3K	27 -24
NAS680A3K	27 -35
NAS680A3K	27A-23
NAS680A3K	27A-44
NAS680A3K	27A-45
NAS680A4	21 -30
NAS680A4	21A-24
NAS680A4	23 -20
NAS680A4	23 -40
NAS680A4	25A-29
NAS680A4	27 -23
NAS680A4K	27A-22
NAS681A08K	25A-19C
NAS681A3	24 -24
NAS682A08	45 -27A
NAS682A08	46 -19A
NAS682A08	46A-18
NAS682A08K	25A-19C
NAS682A08K	27A-26
NAS682A3	6A-28
NAS682A3	24 -27
NAS682A3	47A-14
NAS682A3K	27A-28
NAS682A4	25A-33
NAS682A4	25A-35
NAS683A3	24 -25
NAS686A08	30 -36
NAS686A3	15 -43
NAS686A3	20 - 2
NAS686A3	20 -17
NAS686A3	26 - 2
NAS686A3	72 -28
NAS686A3	72A-30
NAS688P24-11	9A-26
NAS696A08	18 -11
NAS696A08	18 -18
NAS696A08	21 -10
NAS696A08	21 -19
NAS696A08	21 -21
NAS696A08	21 -22
NAS696A08	21 -33
NAS696A08	21 -35



PART NUMBER	FIGURE AND INDEX NO.
NAS696A08	21A-10
NAS696A08	21A-16
NAS696A08	21A-18
NAS696A08	21A-26
NAS696A08	21A-28
NAS696A08	21A-32
NAS696A08	25A- 1
NAS696A08	45 -11
NAS696A08	45 -26
NAS696A08	45 -27
NAS696A08	46 -12
NAS696A08	46 -18
NAS696A08	46 -19
NAS696A08	46A-10
NAS696A08	46A-16
NAS696A08	46A-17
NAS696A08	76 - 8
NAS696A08	76A- 8
NAS696A08	76A-36
NAS696A08K	7A-26
NAS696A08K	13 -25
NAS696A08K	27 -22A
NAS696A3	14A-35
NAS696A3	21 -19
NAS696A3	21 -23
NAS696A3	21 -36
NAS696A3	21A-19
NAS696A3	21A-29
NAS696A3	21A-32
NAS696A3	31 - 5
NAS696A3	45 -19
NAS696A3	46 -20
NAS696A4	23 -13
NAS696A4	23 -23
NAS697A04L	22 -26
NAS697A04L	22A-29
NAS697A06L	19 -25A
NAS697A06L	112A- 5A
NAS697A06L	112B- 6
NAS697A06L	112B-73
NAS697A08	15 -25
NAS697A08	15A- 9
NAS697A08	18 -10
NAS697A08	18 -10
NAS697A08	18 -11
NAS697A08	18 -11
NAS697A08	18 -53
NAS697A08	21 -11
NAS697A08	21 -19
NAS697A08	21 -28
NAS697A08	21 -29
NAS697A08	21A-11
NAS697A08	21A-23
NAS697A08	21A-23
NAS697A08	21A-32
NAS697A08	22 -25
NAS697A08	22 -74
NAS697A08	22 -76
NAS697A08	22A-28
NAS697A08	22A-67
NAS697A08	22A-69
NAS697A08	25A- 1
NAS697A08	25A- 1
NAS697A08	25A- 3
NAS697A08	27 - 2
NAS697A08	27 -25
NAS697A08	27 -36
NAS697A08	27A- 2
NAS697A08	30 -32
NAS697A08	45 -11
NAS697A08	45 -27
NAS697A08	46 -12
NAS697A08	46 -19
NAS697A08	46A-10
NAS697A08	46A-17

PART NUMBER	FIGURE AND INDEX NO.
NAS697A08	59A-68
NAS697A08	59A-74
NAS697A08	59A-77
NAS697A08	76 - 8A
NAS697A08	76A- 9
NAS697A08	112B-72
NAS697A08	25A- 3B
NAS697A08K	12 -10
NAS697A08K	12 -10
NAS697A08K	13 - 9
NAS697A08K	13 -26
NAS697A08K	22 -27
NAS697A08K	22A-30
NAS697A08K	27 -32
NAS697A08K	27 -38
NAS697A08K	30 -37
NAS697A08K	47 - 3
NAS697A08K	47A-29
NAS697A3	10A-27
NAS697A3	14 -46
NAS697A3	14A-35
NAS697A3	15 -44
NAS697A3	18 -48
NAS697A3	21 -19
NAS697A3	21A-32
NAS697A3	22 -13
NAS697A3	22 -40
NAS697A3	22 -72
NAS697A3	22A-16
NAS697A3	22A-43
NAS697A3	23 -40
NAS697A3	26 -13
NAS697A3	26 -41
NAS697A3	27 -23A
NAS697A3	27A- 2
NAS697A3	61 -22B
NAS697A3	66 -39
NAS697A3	66 -40
NAS697A3	69A- 6
NAS697A3	69A- 7
NAS697A3	69A-10
NAS697A3	74A- 4
NAS697A3	94A- 5
NAS697A3	112B-58
NAS697A3	112B-60
NAS697A3K	27 -37
NAS697A4	22 -51
NAS697A4	22 -68
NAS697A4	22A-54
NAS697A4	31 -23
NAS698A08	30 -32
NAS698A08	76 - 8B
NAS698A08	76A-10
NAS698A08K	12 -11
NAS698A08K	13 -27
NAS698A3	18 - 9
NAS698A3	25 - 6
NAS698A3	47A-14
NAS698A3	59A-66
NAS698A3	67 -14
NAS698A3	67A-14
NAS698A3	67B-17
NAS698A3	74A- 3
NAS698A4	9A-12
NAS70A-128-313	47 -26
NAS70A261-1000	61 - 6
NAS74A-3E004P	40 - 6
NAS75-3-008	37A-15
NAS75-3-019	40 -30
NAS75-3-107	83 - 5
NAS75-3-130	83 -11
NAS76A-3-110	44 -27
NAS76A3-008P	109 -17
NAS76A3-017	73 -24
NAS76A3-017	73A-26

PART NUMBER	FIGURE AND INDEX NO.
NAS76A3-031	43 -15
NAS76A3-108	43 -23
NAS77-3-23	35 -53
NAS77-6-88	35 -52
NAS77-6-88	35 -64
NPS608H4-6	100 -12
NTA-2233	80 -58
OAS200-1	103A- 3
OAS2925	97A-55
P-12	1 -13
PN-3-A	84 -14
P2274	94A-33
QS100-M10S	8 - 9
QS100-M8S	89 -48
QS100-M8S	89 -56
QS100M10S	8 -19
QS100M48S	68B- 5
QS100M64S	69B-28
R-12 1/2-8-RS34	59 -15
RA333	1 -27
RA713	1 -28
RA863	1 -29
RA873	1 -30
RC363	1 -31
RC713	1 -32
RC733	1 -33
RC863	1 -34
REF-4TH-8	34 -18
RG-114/U	1 -67
RG-58A/U	1 -66
RG-62/U	1 -65
RRT.56	98 -73
R12 1/2-8RS-34	59B- 6
R561	39B-29
S-1110ET19.5	76 -30
S-202RB	68 -61
S-290D832	3 -43
S-290D832	3A-35
SE-709	93 -27
SE709	93A-41
SK210-40	35 - 1
SL300A-C	68 -63
SL350C	68A-60
SL350C	68B-45
SS51026K2215	23 -93
S08	98 -57
S1003-10B	83 -20
S1003-43A	78 -23
S1003-69A	83 - 1
S1003-69A	83 - 7
S1003-69A	83 -13
S1004-41A	87 -17
S1004-45A	35 -15
S1004-46A	35 -13
S1021A10-16	51A-40E
S1021A10-16	51B-45
S1021A4-6	46A-40
S1021A4-6	48A-16
S1021A4-6	51 -42
S1021A4-6	51A-66
S1021A4-6	51B-66
S1021A4-6C	51 -34
S1021A4-6C	51A-42
S1021A4-6C	51B-47
S1021A4-6C	56B-16
S1021A6-12C	51A-10
S1021A6-12C	51B-10
S1021A6-6B	59A-51
S1021A6-6B	59C-21
S1021A6-8	51 -14
S1021A6-8	51A-29
S1021A6-8B	59A-50
S1021A8-8	51 -41
S1021A8-8	51B-65
S1021A8-8	78 -40

PART NUMBER	FIGURE AND INDEX NO.
S1021Z-6-8	51B-18
S1021Z10-10	69C-25
S1021Z10-10	69C-43
S1021Z10-8	67 -42
S1021Z10-8	67B-35
S1021Z10-8	68 -31
S1021Z10-8	68A-26
S1021Z10-8	68A-37
S1021Z10-8	69D-12
S1021Z4-4	51B-30
S1021Z4-4	92 -55
S1021Z4-5	56 - 6B
S1021Z4-6	52 - 5
S1021Z4-6	54 -14
S1021Z4-6	55 -17
S1021Z4-6	112A-33
S1021Z4-6	112B-67
S1021Z4-6	16 -10
S1021Z4-6	45 -52
S1021Z4-6	46 -37
S1021Z4-6	46 -38
S1021Z4-6	46 -39
S1021Z4-6	46A-43
S1021Z4-6	49 -14
S1021Z4-6	51A-48
S1021Z4-6	91B-49
S1021Z4-6	92 -55
S1021Z4-6	112 -15
S1021Z4-6B	49 -11
S1021Z4-6C	26 -47C
S1021Z4-6C	26 -56C
S1021Z4-6C	56C-39
S1021Z4-8	52 - 3
S1021Z6-10	52 -17
S1021Z6-12C	51A-10
S1021Z6-12C	51B-10
S1021Z6-12C	51B-14
S1021Z6-4	54A-19
S1021Z6-4	54B-14
S1021Z6-4	54B-20
S1021Z6-4	55A-21
S1021Z6-4	55A-23
S1021Z6-4	55C-16
S1021Z6-4	55C-18
S1021Z6-4	56A-18
S1021Z6-6	114 -18
S1021Z6-6	115 - 6
S1021Z6-6	118 - 3
S1021Z6-6	22A-90
S1021Z6-6	51 - 6
S1021Z6-6	55C-30
S1021Z6-6	59 -26
S1021Z6-6	60 - 2
S1021Z6-6	60 - 5
S1021Z6-6	60 -14
S1021Z6-6	60A- 2
S1021Z6-6	60A- 5
S1021Z6-6	68 -20
S1021Z6-6	68 -49
S1021Z6-6	68 -59
S1021Z6-6	68A-20
S1021Z6-6	68A-53
S1021Z6-6	68B-41
S1021Z6-6	71 -11
S1021Z6-6	72 - 5A
S1021Z6-6	72 - 7
S1021Z6-6	72 -12
S1021Z6-6	72 -20
S1021Z6-6	72 -24
S1021Z6-6	72 -26
S1021Z6-6	72A- 7
S1021Z6-6	72A- 9
S1021Z6-6	72A-14
S1021Z6-6	72A-14A
S1021Z6-6	72A-22

PART NUMBER	FIGURE AND INDEX NO.
S1021Z6-6	72A-26
S1021Z6-6	72A-28
S1021Z6-6	72B- 8
S1021Z6-6	72B-30
S1021Z6-6	72B-43
S1021Z6-6	75A-15
S1021Z6-6	75B-15
S1021Z6-6	112 - 8
S1021Z6-6	112A-13
S1021Z6-6	112A-44
S1021Z6-6	112A-56
S1021Z6-6	112B-19
S1021Z6-6	112B-43
S1021Z6-8	113 -19
S1021Z6-8	115 - 3
S1021Z6-8	32 - 4
S1021Z6-8	51 - 6A
S1021Z6-8	51A-17
S1021Z6-8	51B-32
S1021Z6-8	54 -40
S1021Z6-8	54A-36
S1021Z6-8	59 -25
S1021Z6-8C	51 -36
S1021Z6-8C	75 -36
S1021Z6-8C	75A-40
S1021Z6-8C	75B-41
S1021Z6-8C	75B-46
S1021Z8-10	51 - 2
S1021Z8-10	51 -38
S1021Z8-10	51A- 4
S1021Z8-10	51B- 4
S1021Z8-14	114 - 4
S1021Z8-14	114 - 9
S1021Z8-6	102 -10
S1021Z8-6	113 -34
S1021Z8-6	3 -26
S1021Z8-6	3 -31
S1021Z8-6	3 -40
S1021Z8-6	3A-24
S1021Z8-6	3A-25
S1021Z8-6	3A-32
S1021Z8-6	3A-36
S1021Z8-6	9A-22
S1021Z8-6	12 -40
S1021Z8-6	14A-53
S1021Z8-6	14A-55
S1021Z8-6	14A-57
S1021Z8-6	51 -17
S1021Z8-6	69D-19
S1021Z8-6	75 -12
S1021Z8-6	75A-14
S1021Z8-6	75B-14
S1021Z8-6	76 -27B
S1021Z8-6	76 -27C
S1021Z8-6	76A-31
S1021Z8-6	76A-32
S1021Z8-6C	54A-13
S1021Z8-6C	55A-13
S1021Z8-6C	55C-10
S1021Z8-6C	56A-13
S1021Z8-6C	56C-15
S1021Z8-8	3 -24
S1021Z8-8	3 -35
S1021Z8-8	3A-13
S1021Z8-8	3A-14
S1021Z8-8	3A-15
S1021Z8-8	4 - 4
S1021Z8-8	4 - 6
S1021Z8-8	5 -20
S1021Z8-8	8 -45
S1021Z8-8	8 -47
S1021Z8-8	10 -37
S1021Z8-8	10A-35
S1021Z8-8	14 -44
S1021Z8-8	14 -50

PART NUMBER	FIGURE AND INDEX NO.
S1021Z8-8	14 -53
S1021Z8-8	14 -57
S1021Z8-8	14A-46
S1021Z8-8	14A-53
S1021Z8-8	18 -40G
S1021Z8-8	18 -54
S1021Z8-8	23 -22
S1021Z8-8	25A- 2
S1021Z8-8	25A- 2
S1021Z8-8	25A- 2
S1021Z8-8	25A- 3
S1021Z8-8	25A-10A
S1021Z8-8	25A-24
S1021Z8-8	28 - 2
S1021Z8-8	28 - 5
S1021Z8-8	28 - 8
S1021Z8-8	28 -12
S1021Z8-8	28 -16
S1021Z8-8	28 -19
S1021Z8-8	29A- 6
S1021Z8-8	32 - 2
S1021Z8-8	45 -16
S1021Z8-8	49 - 2
S1021Z8-8	50 - 6
S1021Z8-8	50A- 5
S1021Z8-8	59A-82
S1021Z8-8	61 -18A
S1021Z8-8	67 -24
S1021Z8-8	67 -45
S1021Z8-8	67A-30
S1021Z8-8	68A- 8
S1021Z8-8	68A-40
S1021Z8-8	69B-15
S1021Z8-8	72 - 5A
S1021Z8-8	75 -10
S1021Z8-8	75 -30
S1021Z8-8	75A-12
S1021Z8-8	75A-31
S1021Z8-8	75A-34
S1021Z8-8	75B-12
S1021Z8-8	75B-33
S1021Z8-8	76 -21
S1021Z8-8	76 -22
S1021Z8-8	76A-24
S1021Z8-8	76A-25
S1021Z8-8	80 -92
S1021Z8-8	88 -24
S1021Z8-8	94 -30
S1021Z8-8	112 -31
S1021Z8-8	112B-20
S1021Z8-8	112B-49
S1021Z8-8	112B-78
S1021Z8-8	115 -12
S1021Z8-8	91 -24
S1022A4-6	113 -13
S1022A4-6	59C-20
S1022Z4-8	112A- 4
S1022Z4-8	112B- 4
S1022Z6-10	55 -18
S1022Z6-10	55B-34
S1022Z6-10	59A-21
S1022Z8-14	114 - 2
S1022Z8-14C	51A-10
S1022Z8-14C	51B-10
S1022Z8-6	3 -14
S1022Z8-8	3 -11
S1022Z8-8	3 -13
S1022Z8-8	3 -23
S1022Z8-8	3 -37
S1022Z8-8	3 -41
S1022Z8-8	3 -43
S1022Z8-8	3A-14
S1022Z8-8	3A-17
S1022Z8-8	3A-34
S1022Z8-8	3A-35



PART NUMBER	FIGURE AND INDEX NO.
S1022Z8-8	3A-36
S1022Z8-8	25A- 2
S1022Z8-8	25A-25
S1022Z8-8	25A-26
S1022Z8-8	25A-27
S1022Z8-8	75 -26
S1023A10-6C	51 -11
S1023A4-10C	51A-13
S1023A4-10C	51A-20
S1023A4-10C	51B-21
S1023A4-6	50 - 4
S1023A4-6C	52 -24
S1023A6-10C	51A-23
S1023A6-10C	51A-24
S1023A6-10C	51B-25
S1023A6-10C	51B-26
S1023A6-8	112A- 2
S1023A6-8B	59A-55
S1023A6-8C	51A-50
S1023Z4-8C	49 -24
S1026BG	69B- 2
S1026BG10.90X	76 -31
S1026BG10.90X	76A-40
S1026CH	76A-45
S1042-1	16 - 9
S1042-1	16 -10
S1047-1	51B-33
S1047-1	51B-34
S1048-2	7 -21
S1050-1-2.35	107 -25
S1050-1-3.10	113 - 9
S1050-2-3.00	113 -39
S1052-1	85 - 7
S1052-1	85A-13
S1053E10T	75A-27
S1053E10T	75B-27
S1053E12T	68 -32
S1053E12T	68 -33
S1053E12T	68A-27
S1053E12T	68A-28
S1053E12T	68B-27
S1053E12T	68B-29
S1053E16T	76A-41
S1053E16T-	76 -28
S1053E20T	75 - 3
S1053E20T	75A- 3
S1053E20T	75B- 3
S1053E32T	69B-25
S1053E7T	68 -35
S1053E7T	68A-30
S1053E7T	68A-44
S1053E8T	75 -28
S1053E8T	75A-32
S1053E8T	75B-34
S1053E8T	75B-35
S1053K24T	68 -27
S1053K24T	68 -37
S1053K24T	76A-43
S1053K24T	76A-46
S1053K24T-	76 -32
S1053K24T-	76 -34
S1055-1	115 - 8
S1055-1	72A-14B
S1055-1	72A-14C
S1060-1	56B- 8
S1060-14	56 -17
S1060-15	54 -46
S1060-15	54A-52
S1060-15	55 -74
S1060-15	55A-32
S1060-3	54B-54
S1060-3	55A-32
S1060-3	55C-40
S1060-3	56A-50
S1066C1	50 - 4

PART NUMBER	FIGURE AND INDEX NO.
S1067B1	59A-55
S1067C1	112A- 2
S1071-1	88 -19
S1071-1	88 -24
S1071-1	88 -37
S1071-1	88 -38
S1071-1	4 - 4
S1071-1	88 - 5
S1071-1	88 - 7
S1071-1	88 -10
S1071-1	88 -12
S1071-1	88 -13
S1071-1	88 -15
S1072-1	23 -32
S1074-1	114 -12
S1074-1	54 - 4
S1074-1	55 - 6
S1078-1	1 - 7
S1078-2	1 - 8
S1078-3	1 - 9
S1080-4	80 -61
S1080-4	80 -84
S1090-18	113 - 6
S1090-19	113 - 6
S1090-22	113 - 6
S1090-23	113 - 6
S1091-1	113 - 7
S1091-2	113 - 7
S1093-1	10A-36
S1093-1	10 -42
S1095-2	28 -18
S1095-3	28 - 4
S1095-3	28 -15
S1104-3	67 -15
S1104-3	67A-17
S1104-3	67A-31
S1104-3	67B-20
S1104-3	67 -25
S1105-4	81A-73
S1106-3	9 -11
S1106-3	10 -13
S1106-3	40 -40
S1106-3	85A-38
S1106-3	85A-53
S11065-21	35 -43
S1110ET-19.5	76A-39
S1112-1	2 - 1
S1115-10	113 -30
S1115-10	27 -40
S1115-10	27 -41
S1115-10	27A-30
S1115-10	27A-31
S1115-19	113 -28
S1115-19	27 - 4
S1115-19	27 - 7
S1115-19	27A- 5
S1115-19	27A- 7
S1115-20	113 -30
S1115-20	27 -40
S1115-20	27 -41
S1115-9	27A-30
S1115-9	27A-31
S1116-1-	48 -12
S1116-1-	48A-18
S1117-24	38 -31
S1120-181	110 - 5
S1120-181	111 -11
S1120-238	109 - 8
S1120-363	108 -11
S1120-363	110 - 3
S1120-363	111 -12
S1120-491	103 -14
S1121-207	110 - 6
S1121-207	111 -15
S1121-264	109 -10

PART NUMBER	FIGURE AND INDEX NO.
S1121-389	108 -12
S1121-389	110 - 4
S1121-389	111 -14
S1121-515	103 -15
S1130-1	88 -19
S1130-1	88 - 5
S1130-1	88 - 7
S1130-1	88 -10
S1130-1	88 -12
S1130-1	88 -13
S1130-1	88 -15
S1130-1	88 -24
S1130-1	88 -37
S1130-1	88 -38
S1130-1	4 - 4
S1131-1	88 -19
S1131-1	88 -10
S1131-1	88 -12
S1131-1	88 -13
S1131-1	88 -15
S1131-1	4 - 4
S1131-1	88 - 5
S1131-1	88 - 7
S1131-1	88 -24
S1131-1	88 -37
S1131-1	88 -38
S1132-1	88 -15
S1133-1	88 - 9
S1133-1	88 -39
S1133-2	88 -29
S1134-1	88 -10
S1134-1	88 -12
S1135-1	88 -22
S1135-1	23 -71
S1135-1	88 - 7
S1137-1	88 -36
S1138-1	88 -21
S1138-1	23 -71
S1139-1	88 - 5
S1141-3	23 -71
S1146-1	55 -63
S1151-1	88 -17
S1154-1	88 -24
S1154-1	18 -25
S1154-1	21 -28A
S1154-1	21 -29A
S1154-1	23 -54
S1154-1	30 - 6
S1154-1	30 - 7
S1154-1	30 - 8
S1154-1	30 - 9
S1154-1	30 -10
S1154-1	77 -30A
S1155-2	112A-29
S1155-2	112B-78
S1155-2	113 -17
S1155-3	112 -30
S1155-3	112 -31
S1155-3	112A-13
S1155-3	112A-14A
S1155-3	112B-19
S1155-3	4 - 5
S1155-4	88 -18
S1155-4	88 -23
S1158-1-1	93 -10
S1158-1-1	93A-15
S1158-1-1	59 -18
S1158-1-1	59B- 3
S1158-2-1	88 -34
S1158-2-1	116 -11
S1158-2-1	59 -17A
S1158-2-1	59 -19
S1158-2-1	59B- 4
S1159-1-1	59 -16
S1159-1-1	59B- 1

PART NUMBER	FIGURE AND INDEX NO.
S1160-1-1	59 -17
S1160-1-1	59 -17
S1160-1-1	59B- 5
S1160-1-1	59 -17A
S1160-1-2	59 -17B
S1160-1-2	59B- 2
S1163-2	59 -15
S1163-2	59B- 6
S1166-1	26 -47
S1166-1	26 -56
S1167-3-0104	107 -20
S1167-3-0122	102 -31
S1167-3-01414	102 -28
S1167-3-0144	77 - 2
S1167-3-0152	77 - 1
S1167-4-0074	107A- 3
S1167-4-0110	102 - 7A
S1167-4-0114	89 - 7
S1167-4-0124	107 -37
S1167-4-0124	107 -49
S1167-4-0140	107 -39
S1167-4-0146	107A- 4
S1167-4-0172	107A- 5
S1167-4-0180	102 - 7
S1167-4-0240	67 -36
S1167-4-0240	68 -39
S1167-4-0260	107 -46
S1167-4-0324	95 -20
S1167-6-0116	89 -10
S1167-8	89A- 9
S1167-8-0120	89 -10
S1167-8-0290	69C-41
S1168-2-*	68 -24
S1168-2-13	67 -35
S1168-2-13	67A-42
S1168-2-13	67B-45
S1168-2-30	94 -28
S1168-2-32	67 -48
S1188-1	66 - 4
S1188-1	66 - 6
S1188-1	66 - 9
S1213-1	78 -41
S1216-1	59 -31
S1216-1	59A-40
S1216-3	62A-23
S1219-1	59 - 4
S1219-1	67 -10
S1219-1	67A-10
S1220-10	67B-12
S1220-3	59 - 6
S1220-3	59A-41
S1220-3	67 - 9
S1220-3	67A- 9
S1220-3	67B-11
S1222-10	59A-43
S1222-10	67A-10
S1223-2	59 - 5
S1223-2	67 -20
S1223-2	67A-26
S1223-4	59A-42
S1223-4	67A-26
S1223-4	67B-25
S1232-10	88 -35
S1232-10	116 -12
S1232-10	59 -21
S1232-15	59 -22
S1232-15	85A-72
S1232-50	59 -20
S1235-1	59 - 3
S1235-5	59 - 3
S1235-5	59A-44
S1236-4	68A-32
S1236-4	89A- 7
S1236-4	93A- 4
S1236-4	93A-11

PART NUMBER	FIGURE AND INDEX NO.
S1236-4	93A-16
S1236-4	93A- 7
S1236-4-	89 - 7
S1236-4-*	92B-20
S1236-4-*	92B-24
S1236-4-0080	92A-19
S1236-4-0080	93 - 5B
S1236-4-0160	95 -35
S1236-4-0180	93 - 6
S1236-4-0234	69C-22
S1236-4-0240	93 -11
S1236-4-0290	92A-13
S1236-4-0290	93 - 4
S1236-4-0350	69D-10
S1236-4-0450	69C-29
S1236-4-106	95 -35
S1236-6-0580	69D-17
S1236-8-0164	95 -19
S1238-2-1	59C-17
S1239-4	59 -10
S1240-5	92A- 1A
S1240-5	92B- 2
S1240-6	59 -11
S1240-6	59A-36
S1241-1	59 - 7
S1241-1	59A-39
S1241-1	76 -25
S1241-1	76A-28
S1241-10	75B- 6
S1241-2	59A-37
S1241-2	75B- 6
S1241-3	59 - 8
S1241-3	75 - 5
S1241-3	75A- 6
S1241-5	75 - 5
S1241-5	75A- 7
S1241-8	59 -32
S1241-8	59A-45
S1244-5	75B- 7
S1244-5	73 - 9
S1244-6	73A-10
S1244-6	73 -10
S1244-6	73A-11
S1247-1E	49 -23
S1247-1E	49 -23A
S1247-1E	51 -16
S1247-1E	51 -19
S1247-1E	51 -21
S1247-1E	52 -13
S1247-1E	52 -21
S1247-1K	49 -23A
S1247-1K	50 -10
S1247-1K	51A-44
S1247-1K	51A-60
S1247-1K	51A-61
S1247-1K	51B-60
S1247-1K	52 -13
S1247-1K	52 -21
S1248-1E	51 -22
S1255-3	59 -14
S1261-1	25A-26
S1264-1	45 -28
S1264-1	46 -26
S1264-1	46A-27
S1266-1	76 -23
S1266-6	76 -23
S1266-6	76A-26
S1268-2	59 - 9
S1268-6	59A-38
S1268-6	76 -20
S1268-6	76A-23
S1278-1	114 - 7
S1284-1	58 -19
S1287-1	91B-50
S1287-1	92 -54

PART NUMBER	FIGURE AND INDEX NO.
S1287-1	2 -22
S1287-2	2 -23
S1290-2	91 -14
S1301N2	58 -27
S1301N3	58 -27
S1302N1	59A-19
S1302N1	58 -24
S1304N1	58 -25
S1304N1	59A-20
S1305N10	58 -28
S1305N10	59A-27
S1305N4	58 -28
S1305N9	58 -28
S1308N1	58 -18
S1308N1	94 - 2
S1309N1	94 - 2
S1309N1	58 -18
S1312N1	58 -29
S1313N1	58 -23
S1313N1	59A-18
S1313N2	59A-18
S1316N1	94 - 1
S1316N1	58 -21
S1317N1	59 -13
S1317N1	59A-23
S1318-1	58 -30
S1318-1	85A-71
S1318-3	59A-28
S1321N1	58 -22
S1321N1	59A-17
S1322-1	61 -24
S1326N1	58 -18
S1326N1	94 - 2
S1327N1	94 - 1
S1327N1	58 -21
S1346-1	45 -28
S1346-1	46 -26
S1346-1	46A-27
S1357-1	92 -57
S1359-1	48 -13
S1359-3	48 -13
S1359-3	48A-19
S1360-10	116 -12
S1360-10	59 -21
S1360-10	59B-11
S1360-15	59 -22
S1360-15	59B- 9
S1360-20	59 -22A
S1360-20	59B-10
S1360-50	59 -20
S1360-50	59B-12
S1362-5	52 -10
S1362-6	52 -10
S1363-3	58 -28
S1363-3	59A-27
S1363-3	67A-38
S1365-1	94 - 3A
S1367-1-10	1 -38
S1367-1-12	1 -39
S1367-1-4	1 -35
S1367-1-6	1 -37
S1367-1-8	1 -36
S1367-2-12	1 -41
S1367-2-6	1 -42
S1367-2-8	1 -40
S1367-3-10	1 -44
S1367-3-12	1 -45
S1367-3-14	1 -46
S1367-3-8	1 -43
S1367-4-10	1 -56
S1367-4-12	1 -50
S1367-4-14	1 -47
S1367-4-8	1 -49
S1367-6-12	1 -51
S1367-6-14	1 -48

PART NUMBER	FIGURE AND INDEX NO.
S1367-7-12	1 -52
S1367-7-13	1 -55
S1367-7-14	1 -53
S1369-2	1 -21
S1369-3	1 -17
S1369-4	1 -18
S1370-1	1 -57
S1370-2	1 -58
S1372-1	68 -22
S1377-1	117 - 3
S1378-1	45 -40
S1378-2	45 -40
S1384N1	58 -23
S1385N1	58 -25
S1388N1	58 -22
S1389-2	29 - 3
S1389-2	29A- 3
S1389-3	29 - 2
S1389-3	29A- 2
S1392N1	59A-20
S1392N1	58 -25
S1392N2	59A-20
S1393N1	58 -29
S1393N3	58 -29
S1397-1	2 - 9
S1397-1	66 - 7A
S1397-3	2 -10
S1397-3	66A-13
S1397-3	66B- 6
S1398-1	112A-11
S1398-1	112B-13
S1398-2	112A-12
S1398-2	112B-14
S1399-1	76 -27D
S1399-1	76A-33
S1413N1	58 -24
S1413N1	59A-19
S1414-1	59A-49
S1414N1	94 - 4
S1414N1	94A-10
S1414N1	58 -37
S1426-1	62 - 3
S1430-2	49 -25
S1432N1	58 -23
S1432N1	59A-18
S1432N2	59A-18
S1438-1	56A- 4
S1438-2	78 - 5
S1440-1	96 -24
S1440-1	103 - 3
S1440-1	108 - 3
S1440-1	109 -18
S1440-1	110 -18
S1440-1	111 -16
S1441-1	45 -28
S1441-1	46 -26
S1441-1	46A-27
S1441-2	26 -19A
S1441-2	45 -28
S1441-2	46 -26
S1441-2	46A-27
S1441-2-6-56	75A-25
S1441-2-6-56	75B-25
S1443-1	7A- 8
S1443-3	115 - 1
S1443-3	7 -20
S1443-3	7A- 9
S1443-3	7A-10
S1443-3	7A-18
S1443-3	7A-18
S1446-1	9A-20
S1447-1	9A-21
S1450-4A11-063	62A- 2
S1450-6-14-080	114A- 6
S147	41 - 7

PART NUMBER	FIGURE AND INDEX NO.
S1471N1	58 -22
S1471N1	59A-17
S1473N1	94 - 2
S1473N1	58 -18
S1476N1	94 - 1
S1476N1	58 -21
S1483-2	45 -47
S1485DG8U	8 -45
S1485D17U	75 -30
S1485D17U	75A-34
S1485D3U	76 -21
S1485D3U	76 -22
S1485D3U	76A-24
S1485D3U	76A-25
S1485D36L	67 -40
S1485D36L	67B-34
S1485D36L	68 -31
S1485D36L	68A-26
S1485D36L	68A-35
S1485D4U	61 -20
S1485D8U	102 -10
S1485D8U	61 -19
S1486DG13U	69C-43
S1486DG4L	68A- 8
S1486DG4U	76 -27B
S1486DG4U	76A-31
S1486DG5U	67 -23
S1486DG6U	94 -30
S1486DG6U	91 -24
S1486DG7U	69C-30
S1486DG7U	69D-11
S1486DG7U	69D-18
S1486DG8U	8 -47
S1486DG8U	67A-29
S1488-3S	113 -31
S1491-1	55C-39
S1495-4	94A-16
S1495-4	94A-16A
S1495-4	94A-17
S1495-6	94 -15
S1495-6	94 -33
S1495-6	94A-19
S1495-6	94A-21
S1495-6	94A-22
S1495-6	94A-23
S1495-6	94A-24
S1495-6	94A-25
S1495-6	94A-42
S1495-6	113 -35
S1495-6-	69D-26
S1495-8	94 -17
S1495-8	94 -19
S1495-8	94A-44
S1495-8	94A-45
S1495-8	94A-46
S1495-8	94A-64
S1495-8	94A-70
S1495-8	94A-72
S1495-8	94A-74
S1495-8	94A-76
S1495-8	8 -41
S1495-8	69D-34
S1495-8-	69D-29
S1495-8-	69D-31
S1495-8-	69D-37
S1495-8-	69D-39
S1495-8-	69D-40
S1497-4	94A-27
S1497-6	94 -34
S1497-6	94A-28
S1497-6	69D-26
S1497-8	94A-73
S1497-8	69D-37
S1497-8	69D-41
S1501	118A- 2

PART NUMBER	FIGURE AND INDEX NO.
S1503-1	59B- 8
S1504-1	51A-25
S1504-3	51B-28
S1520-1	112A-36
S1520-1	112B-68
S1521-1	94A-15
S1529-1	112A-27
S1529-1	112B-81
S1533-1	59B- 8
S1533-2	91A-19
S1570-8-12	62A-19
S1570-8-6	62A-20
S1571-8-10	62A- 9
S1571-8-10	62A-16
S1571-8-12	62A-13
S1571-8-8	62A-12
S1573-3	91A-15
S1579-1	113 - 4
S1581-4	81A-73
S1587-1	76 -24
S1587-1	76A-27
S1588-1	8 -12
S1589-3	66B-45
S1589-3	66B-45
S1589-3	66 -46A
S1589-3	66A-43
S1596-60	59B-12
S1597-1-30.8	68A-58
S1597-1-30.8	68B-21
S1597-1-31.2	68A-58
S1604-6	69C- 2
S1613-3-75	45 -49
S1615-6	94 -31
S1615-6	94A-18
S1615-6	94A-20
S1615-6	94A-21
S1618B1	56B- 8
S1618B3	54B-54
S1618B3	55A-32
S1618B3	56A-50
S1618C1	56B- 8
S1618C3	54B-54
S1618C3	55A-32
S1618C3	56A-50
S1618D1	56B- 8
S1618D3	54B-54
S1618D3	55A-32
S1618D3	56A-50
S1618F1	56B- 8
S1618F3	54B-54
S1618F3	55A-32
S1618F3	56A-50
S1618H3	54B-54
S1618H3	55A-32
S1618H3	56A-50
S1618H3	56B- 8
S1618J3	54B-54
S1618J3	55A-32
S1618J3	56A-50
S1618J3	56B- 8
S1619B3	55C-40
S1619C3	55C-40
S1619D3	55C-40
S1619F3	55C-40
S1619H3	55C-40
S1619J3	55C-40
S1622B5	56C-45
S1622C5	56C-45
S1622D5	56C-45
S1622F5	56C-45
S1622H5	56C-45
S1622J5	56C-45
S1628-329	35 -44
S1646-1	75B-40
S1646-1	75B-45

PART NUMBER	FIGURE AND INDEX NO.
S202R	3 -42
S202RB	3A-36
S202RB	68 -56
S202RB	68 -57
S202RB	68A-50
S202RB	68A-51
S202RB	68A-55
S202RB	68B-38
S202RB	68B-39
S202RB	68B-43
S202RB	72A- 4
S202RB	72B-40
S202RB	72B-48
S202RB	72B-49
S202RB	72B-50
S225-1	3 -35
S225-1	3A-15
S225-10	18 -40C
S225-3	10 -36
S225-3	10A-35
S225-4F	3 -11
S225-4F	3A-14
S225-4F	3A-14
S225-5	25A- 2
S225-5	25A-10
S225-6	25A- 2
S225-6	25A- 2
S225-6	25A-27
S225-6	25A-27
S225-7	25A-10A
S226-5F	5 -16
S226-5F	5 -24
S226-5F	5 -28
S226-5F	7 -22
S226-5F	7A-12
S237-2	7A-22
S237-2	7A-24
S237-3	10 -35
S237-4	10A-34
S272-17	93 -24
S272-5	110 -11
S272-5	111 - 5
S272-9	110 -12
S272-9	111 - 4
S290D832	3 -37
S292-12	89 -52
S292-14	89 -20
S292-15	102 -11
S292-15	102 -12
S292-5-003	116 -13
S338-5	82 -41
S338-5	82A-42
S338-5	86 -21
S338-9	82 -41A
S338-9	82A-64
S338-9	86 -21A
S339-3	23 -23
S339-3	82 -41
S339-3	82 -41A
S339-3	82A-42
S339-3	82A-64
S339-3	86 -21A
S339-9	23 -23
S341-1	1 -25
S341-2	1 -26
S347-1	23 -71
S350	29 - 8
S352	28 - 7
S352	28 -11
S353-6	28 - 1
S354-1	28 - 3
S354-1	28 -10
S354-1	28 -14
S355	58 - 4
S378-1	77 -44

PART NUMBER	FIGURE AND INDEX NO.
S378-1	83 -56
S378-1L	83 -21
S378-1L	83 -56A
S378-2	82A-21
S378-2	85 -14
S378-2	85A-23
S378-3L	82 -57
S378-3L	82A-58
S378-3L	83 -46
S378-3L	86 -32
S378-4	81 -21
S378-4	81 -34
S378-4	81A-15
S378-4	81A-29
S378-4	82 -30
S378-4	82 -33
S378-4	82 -36
S378-4	82 -42
S378-4	82 -47
S378-4	82A-30
S378-4	82A-34
S378-4	82A-37
S378-4	82A-43
S378-4	82A-48
S378-4	83 -31
S378-4	83 -36
S378-4	86 -16
S378-4	86 -22
S378-4	86 -36
S394	81 -45
S394	81A-34
S394	81A-43
S394	85 - 1
S394	85A-16
S430-1	88 -41
S51-12	68 -16
S51-12	68A-16
S51-12-	68B-17
S550B	113 -37
TF10052	90A-16
TRA2233	80 -60
TSIO520C	68B-
USM5-B	113 -43
USM5-B	69A-23
VM911M-2A	59 -24
VM911M-4A	59B-14
VM920M-3	59 -23
VM920M-3	59B-13
WRM-10	116 - 5
WRM-15	116 - 3
WRM-20	116 - 8
WRM-25	116 - 4
WRM-30	116 - 6
WRM-39	116 - 8
WRM-44-12	116 - 7
XX-49323	58 -26
XX49330-3220	18 -40C
XX49804	58 -15
Y22RQIT	117 - 6
ZF304	112 -18B
ZH716	112A-66
ZH716	112A-71
ZH716	112B-85
ZH716	112B-93
ZH727-14	112A-67
ZH727-14	112A-72
ZH727-22	112B-90
ZH727-8	112A-67
ZH727-8	112B-86
Z651-1	112A-15A
Z651-1	112B-26
Z651-13	112A-15C
Z651-13	112B-28
Z651-3	112A-15B
Z651-3	112B-27

PART NUMBER	FIGURE AND INDEX NO.
Z687-1	112A-15D
Z687-1	112B-29
Z687-2	112A-15E
Z687-2	112B-30
Z687-3	112A-15F
Z687-3	112B-31
Z730-7	112A-74
Z730-7	112B-92
Z736	112A-70
Z736	112B-89
01	51A-40C
01	51B-43
0105-351	59 -15
0310196-15	55 -54
0310196-16	54 -24
0310293-14	84 - 1
0310295	84 - 2
0310297-1	84 - 3
0310298-1	84 - 4
0310332	84 - 8
0310352-1	84 - 7
0310362-5	84 -13
0310422-1	84 - 9
0310453	78 - 1
0311310	54 -33
0311310	55 -55
0311319-1	26 -68
0311319-2	26 -68
0311538-13	92A- 1
0311538-13	92B- 1
0311538-6	92A- 1
0311538-6	92B- 1
0311586	54 -35
0311586	55 -57
0311644	54 -18
0311644	55 -31
0312155-10	113 -24
0320105	8 -22
0322526-6	8 -18
0332136-1	14 -58
0332136-3	14A-58
0400135-1	2 -40
0411030-5	52 - 3
0411030-6	52 - 3
0411047-2	80 -26
0411047-2	80 -45
0411059-1	58 - 2
0411129	19 - 6
0411185-7	45 -34
0411263-5	78 -13
0411263-6	78 -14
0411264-5	78 -15
0411264-6	78 -16
0411307	78 - 8
0411369-2	78 - 2
0411491-1	83 -18
0411523	83 -50
0411524	83 -51
0411549	78 -17
0411550	78 -18
0411562	78 -26
0411563	78 -24
0411564	78 -29
0411564-3	78 -30
0411573-1	78 -25
0411680	17 -10
0411680	26 - 2
0411778-2	78 - 6
0411778-4	78 - 6A
0411851	45 -10
0411875-21	72A- 3
0412007-8	67 -54
0412007-8	67A-46
0412007-8	67B-36
0412167-1	27 -40

PART NUMBER	FIGURE AND INDEX NO.
0412167-1	27A-30
0412467	31 - 8
0412496	19 -10
0413157	5 -19
0413163-10	75 -17
0413163-11	75 -16
0413163-18	75 -15
0413163-27	75 -13
0413163-28	75 -13
0413163-29	75 -11
0413163-31	75 -11
0413163-5	75A-20
0413163-5	75B-20
0413163-7	75 -14
0413163-7	75A-18
0413163-7	75B-18
0413195-5	47 -11
0413195-5	47A-26
0413203	75 -18
0413203	75A-21
0413203	75B-21
0413205-11	113 -11
0413216	80 -78
0413216-4	80 -79
0413228	75 -21
041323-5	45 - 9
0413247	8 -14
0413247	58 - 3
0413247	59A-14
0413317	45 - 8
0413317	46 - 8
0413317	46A- 8
0413317-1	45 - 8
0413317-1	46 - 8
0413323-3	48 -14
0413323-3	48A-21
0413347-1	75 -23
0422229-3	6 -21
0422229-3	6A-21
0422229-7	20 - 9
0422229-8	20 - 9
0422280	81 - 4
0422280	81 -10
0422291	5 - 6
0422292	5 -14
0422344	31 -31
0423006-12	3 -25
0423006-12	3A-24
0423006-13	3 -25
0423006-13	3A-24
0423542-6	3 -16
0423542-6	3A-19
0432126	83 -62
0432138-10	83 -60
0432138-12	83 -14
0432138-14	83 - 8
0433006-7	32 - 3
0441119	38 -16
0441139-5	38 -29
0441139-6	38 -29
0441141-3	38 -30
0441141-4	38 -30
0441156-15	39A- 1
0441156-20	36A-
0450017-11	58 -28
0450017-20	58 -28
0450191-1	68A-43
0450277-10	72A-42
0450277-2	72 - 9
0450277-2	72 -17
0450277-3	72 -10
0450277-3	72A-12
0450277-3	72B-28
0450277-6	72 -18
0450277-6	72A-20

PART NUMBER	FIGURE AND INDEX NO.
0450277-6	72B-21
0450277-9	72A-11
0450277-9	72A-19
0450277-9	72B-22
0450286-1	18 -39
0450311	76A-21
0450311-3	91A-20
0450311-5	69 -18
0450311-5	75 - 6
0450311-5	75A- 8
0450311-5	75B- 8
0450311-5	76 -18
0450311-5	76 -26
0450311-5	76A-33A
0450311-5	112A-58
0450311-5	112B-15
0450314	5 -20
0450314	75 - 9
0450314	75A-11
0450314	75B-11
0500010-4	49 -26
0500085-1	2 - 5
0500085-2	2 - 6
0500091-1	2 -11
0500104-89	54 -14
0500106-164	68 -15
0500120-2	61 -21
0500125-1	2 -50
0500125-27	2 -19
0500125-27	80 -79
0500125-35	2 -31
0500125-35	80 -79
0500130-1	2 -26
0500228-2	61 -29
0500228-3	61 -31
0500236-2	51 -24
0500248-1	2 -30
0500310-1	62A- 4
0500312-3	62A- 1
0500313-1	62A- 3
0510105-113	81 - 8
0510105-13	81 - 8
0510105-191	85A- 3
0510105-192	85A- 4
0510105-193	85A- 1
0510105-194	85A- 2
0510105-91	85A- 3
0510105-92	85A- 4
0510105-93	85A- 1
0510105-94	85A- 2
0510111-11	82 -24
0510111-11	82A-24
0510146-10	31 -15
0510146-9	31 -19
0511000-63	29 -13
0511001-131	53 -12
0511001-133	53 - 1
0511001-150	49 -16
0511003-31	62 - 3
0511062-4	3 -14
0511062-4	3A-24
0511062-5	3 -14
0511130-1	52 -14
0511165	61 - 5
0511186	49 -25
0511189-1	45 - 7
0511189-1	46 - 7
0511189-2	45 - 6
0511189-2	46 - 6
0511189-2	46A- 6
0511196-34	90 -19
0511199-20	88 -42
0511199-50	91 -
0511199-53	91 -

PART NUMBER	FIGURE AND INDEX NO.
0511205-7	46A- 9
0511229-2	52 -10
0511232-3	61 - 2
0511233-7	61 - 1
0511301-175	54B-58
0511301-175	55A-36
0511301-175	55C-44
0511301-176	54B-58
0511301-176	55A-36
0511301-176	55C-44
0511301-18	54 -41
0511301-18	54A-56
0511301-18	55 -69
0511301-19	54 -42
0511301-19	54A-56
0511301-19	55 -70
0512006-1	8 -46
0512123	3 - 5A
0512123	3A- 6
0512123-1	3 - 5
0512123-1	3A- 7
0512138	81 -50
0512138	85 - 4
0512138	85A-19
0512138-1	81A-39
0513039-7	59 -11
0513039-7	59A-36
0513166-1	80 -77
0513166-3	80 -77
0513166-7	80 -77
0513167-16	80 -74
0513167-200	80 -74
0513168-2	80 -77
0513208-1	115 - 5
0520005-3	3 -38
0520005-3	3A-34
0522629	10 - 3
0522629	81 -43
0522629	85A-70
0522629-1	9 - 3
0522629-1	81A-63
0522629-1	85A-31
0523003-40	7 -15
0523005-50	6 -26
0523005-51	6 -26
0523106-4	5 -32
0523107	5 -10
0523118-1	3 -15
0523118-1	3A-18
0523215	6 -32
0523215-1	6 -32
0523216	6 -31
0523218	9 - 8
0523218-2	85A-38
0523219-2	4 -45
0523219-3	4 -45
0523219-4	4 -45
0523219-5	4 -45
0523221	9 - 5
0523221	81 -41
0523222	9 - 4
0523222	81 -42
0523230	4 -38
0523230-1	4 -38
0523230-4	4 -38
0523230-5	4 -38
0523232	4 -33
0523233-3	4 -37
0523233-3	4A-19
0523233-6	4A-18
0523233-7	4 -36
0523233-7	4A-19
0523306	6 -12
0523306	6A-15
0523307	11 - 5

PART NUMBER	FIGURE AND INDEX NO.
0523308	6 - 6
0523308	6A- 1
0523309	6 - 2
0523309	6A- 5
0523309-1	6A- 5
0523309-1	6 - 2
0523315	6 - 7
0523315	6A- 8
0523315-1	6 - 7
0523315-1	6A- 8
0523400-20	6 -24
0523400-20	6A-19
0523400-21	6 -24
0523400-21	6A-19
0523400-58	6 -26
0523400-58	6A-20
0523400-59	6 -26
0523400-59	6A-20
0523400-66	6A-16
0523400-67	6A-16
0523406	6 -25
0523406-1	6 -25
0523407	4 -50
0523407	6A-24
0523407-1	4 -50
0523407-1	6A-25
0523409	6A-17
0523409-1	6 -22
0523409-1	6A-18
0523409-2	6 -23
0523409-2	6A-17
0523409-3	6A-29
0523509-1	4 -22
0523509-2	4 -22
0523509-2	4A- 7
0523510	4 -23
0523510-1	4 -23
0523510-6	4A- 9
0523510-7	4 -23
0523510-7	4A- 9
0523511-10	4A-11
0523511-4	4 -39
0523511-6	4 -25
0523511-6	4A-10
0523511-8	4 -24
0523511-9	4A-11
0523512-10	4 -26
0523512-12	4A-12
0523512-13	4A-12
0523512-4	4 -40
0523513-7	4 -27
0523513-8	4 -27
0523536	10 - 5
0523536	85A-31
0523536	85A-41
0523536	85A-70
0523541-43	7 - 3
0523541-43	7A- 3
0523541-44	7 - 3
0523541-44	7A- 3
0523541-45	7 - 4
0523541-45	7 - 8
0523541-45	7A- 4
0523541-45	7A-13
0523541-46	7 - 4
0523541-46	7 - 8
0523541-46	7A- 4
0523541-46	7A-13
0523541-47	7 - 5
0523541-47	7 - 9
0523541-47	7A- 5
0523541-47	7A-14
0523541-48	7 - 5
0523541-48	7 - 9
0523541-48	7A-14

PART NUMBER	FIGURE AND INDEX NO.
0523541-49	7 -10
0523541-49	7A-15
0523541-50	7 -10
0523541-50	7A-15
0523541-51	7A- 3
0523541-51	7 - 3
0523541-52	7A- 3
0523541-52	7 - 3
0523541-53	7A- 4
0523541-53	7A-13
0523541-53	7 - 4
0523541-53	7 - 8
0523541-54	7A- 4
0523541-54	7A-13
0523541-54	7 - 4
0523541-54	7 - 8
0523541-55	7A-15
0523541-55	7 - 9
0523541-56	7A- 5
0523541-56	7 - 5
0523541-57	7A-14
0523541-57	7 -10
0523541-58	7A-14
0523541-58	7 -10
0523541-59	7A- 5
0523541-59	7 - 5
0523541-60	7A-15
0523541-60	7 - 9
0523541-61	5 -29
0523541-62	5 -30
0523541-63	5 -31
0523614-1	11 - 9
0523615-1	11 -11
0523616-1	11 -13
0523800-10	9 -24
0523800-11	9 -24
0523800-12	9 -25
0523800-13	9 -25
0523800-18	9 -12
0523800-19	9 -12
0523800-6	9 -22
0523800-7	9 -22
0523800-8	9 -23
0523800-9	9 -23
0523806	9 -13
0523806-1	9 -13
0523807	9 -30
0523808	9 -14
0523808-2	9 -14
0523809	9 -15
0523809-1	9 -15
0523810	9 -16
0523811	9 -17
0523811-1	9 -17
0523812-2	9 -18
0523812-3	9 -18
0523813-1	9 -26
0523813-2	6 -28
0523813-3	6 -27
0523813-4	6 -29
0523813-5	6 -30
0523813-6	9 -28
0523813-7	9 -29
0523813-8	9 -27
0523814-7	9 -20
0523901-13	10 -25
0523901-13	10A-18
0523901-14	10 -26
0523901-14	10A-19
0523901-15	10 -14
0523901-16	10 -14
0523901-17	10 -30
0523901-18	10 -30
0523901-19	10 -32
0523901-20	10 -32

PART NUMBER	FIGURE AND INDEX NO.
0523901-21	10 -31
0523901-22	10 -31
0523901-23	10 -14
0523901-24	10 -14
0523901-27	10 -32
0523901-28	10 -32
0523911-2	10 -22
0523911-3	10 -22
0523912	10 -23
0523912-1	10 -29
0523914	10A-20
0523914	10A-21
0523914-1	10A-21
0523914-2	10 -27
0523918	10 -33
0523919	10 -18
0523919	10A- 3
0523920	10 -17
0523920	10A- 4
0523921	10 -16
0523921	10A- 5
0523922	10 -19
0523922	10A- 6
0523923	10 -24
0523923	10A-14
0523923-2	10A-15
0526001-1	61 -27
0541115-2	61 - 8
0541115-3	61 - 7
0541124-1	38 -24
0541138-16	78 -10
0541138-16	79 -
0541138-3	77 -20
0541138-5	79 - 3
0541139	79 - 1
0541140	79 - 2
0541143	79 - 5
0541144	79 - 6
0541147-2	79 -10
0541148	79 -14
0541148-1	79 - 9
0541149	79 -15
0541151	79 -16
0541157-1	38 -29
0541157-2	38 -29
0541160-13	39 -
0541161-2	39 - 9
0541161-3	39 - 9
0541162-1	61 -26
0541184-200	79 -10
0542100-1	37 - 1
0542100-3	37 - 1
0542100-5	37 - 1
0542102-1	37 - 5
0542102-2	37 - 5
0543001	33 -12
0543003	33 -14
0543029	35 -28
0543035-6	35 -54
0543035-7	35 -49
0543036-1	35 -24
0543037-1	33 -13
0543047-1	35 -51
0543047-1	35 -56
0543048-1	35 -56
0550100-6	94A-67
0550100-9	67 -21
0550100-9	67A-27
0550100-9	89 - 9
0550100-9	89A- 8
0550177-1	94 -12
0550177-1	94A-39
0700105-396	53 - 2
0700108-3	26 -44
0700108-4	26 -44



PART NUMBER	FIGURE AND INDEX NO.
0700113-1	54 -39
0700113-1	54A-36
0700120-1	116 -
0700122-1	61 -14
0700122-10	61 -15
0700122-12	61 -15
0700122-13	61 -14
0700122-2	61 -15
0700122-9	61 -14
0700148-1	118A-11
0700162-1	59A-86
0700162-6	59A-84
0700163-3	59A-85
0700164-6	62 - 1
0700166-1	2 -44
0700166-1	45 - 5A
0700166-2	2 -45
0700309-1	68 -45
0700309-2	68 -46
0700309-2	72A- 5
0700309-3	68 -47
0700309-3	72A- 6
0700309-6	72A- 2
0700309-7	72A- 1
0700318-7	68 -55
0700318-7	68A-49
0700318-7	68B-37
0700318-8	68 -54
0700318-8	68A-48
0700318-8	68B-36
0700319-12	2 -12
0700319-12	74 - 7
0700319-12	74A- 6
0700319-13	2 -16
0700319-13	74 - 8
0700319-13	74A- 6
0700320-1	55 -12
0700320-1	56 -16
0700322-4	75 -24
0700325-2	75 -25
0700327-1	75 -33
0700327-1	75A-37
0700327-1	75B-38
0700612-2	61 -10
0700616-1	115 - 2
0700617-1	115 - 1A
0700622-1	114 - 1
0700622-4	114 - 5
0700622-5	114 - 6
0700623-1	114 - 8
0700623-5	114 -17
0700623-6	114 -17
0700623-8	114 - 8
0700624-1	114 -25
0700626-1	75 -31
0700628-1	114 - 1
0700628-12	114 - 6
0700628-4	114 - 6
0700628-5	114 - 5
0700628-7	114 - 1
0700628-9	114 - 6
0700629-1	113 -13
0700630-13	55A-
0700630-14	55A-
0700630-15	55A-
0700630-15	55A-
0700630-16	55A-
0700630-16	55A-
0700630-16	55A-
0700630-209	55A- 1
0700630-210	55A- 1
0700630-210	55A- 1
0700630-211	55A- 1
0700630-212	55A-14
0700630-213	55A-14

PART NUMBER	FIGURE AND INDEX NO.
0700630-216	55A-14
0700630-216	55A-14
0700630-217	55A-14
0700630-3	55A-
0700631-5	55B-
0700631-5	55B-
0700631-6	55B-
0700631-6	55B-
0700632-5	55A-26A
0700633-1	55B- 8
0700633-1	55D- 6
0700633-2	55B- 7
0700633-2	55D- 4
0700633-4	55B- 8
0700633-4	55D- 6
0700634-1	55B-14
0700634-1	55D- 1
0700636-1	55A-30
0700638-1	55B-16
0700639-1	55B- 5
0700639-2	55B- 6
0700639-2	55D-35
0700639-3	55D-34
0700640-1	55B- 1
0700640-2	55B- 1
0700640-5	55B- 2
0700640-6	55B- 2
0700641-1	55B- 3
0700641-2	55B- 4
0700641-3	55D-41
0700641-4	55D-42
0700642-1	55B-30
0700643-1	55B-32
0700644-1	55B-35
0700645-1	55B-41
0700645-1	55D-38
0700645-2	55B-42
0700645-2	55D-39
0700645-3	55B-43
0700645-3	55D-40
0700645-4	55B-44
0700645-4	55D-40
0700646-1	55A-19
0700646-2	55A-20
0700655-1	52 - 8
0700655-2	52 - 9
0700660-1	56 - 6
0700667-1	49 -24
0700668-5	49 -27
0700668-8	52 -17
0700668-9	52 -17
0700669-1	51 - 6
0700669-1	51 - 6A
0700669-2	51 - 6A
0700684-1	45 -19
0700684-1	46 -20
0700685-1	45 -15
0700685-1	50 - 5
0700685-1	50A- 4
0700688-1	23 -78
0700719-1	55C-39
0700729-10	112A- 5B
0700729-10	112B- 7
0700729-11	112A- 5
0700729-11	112B- 5
0700732-1	112A- 7
0700732-1	112B- 9
0700733-1	112A- 1
0700733-2	112A- 1
0700735-1	112A-62
0700735-2	112B-82
0700737-1	59C-22
0700741-3	80 -79
0700741-7	80 -79
0700742-1	2 -46

PART NUMBER	FIGURE AND INDEX NO.
0700745-1	2 -47
0700745-2	2 -48
0700748-1	2 -51
0710032-1	2 -20
0710032-1	51 -17
0710302-1	54 -25
0710302-1	55 -64
0710304-3	54 -20
0710308-1	54 -28
0710308-1	55 -67
0710312-2	54 -37
0710312-2	54A-47
0710312-2	55 -20
0710312-2	55A-26
0710313-2	54 - 5
0710313-2	55 - 5
0710316-2	54 -15
0710317-1	54 -26
0710317-1	55 -66
0710601-7	17 -11
0710601-8	17 -12
0710602-15	17 -14
0710602-16	17 -14
0710603-3	17 -15
0710603-4	17 -15
0710604-1	17 -17
0710604-1	75 -32
0710604-1	75A-36
0710604-1	75B-37
0710613-1	24 - 7
0710619-1	45 -19
0710619-4	46 -20
0710620-10	46 -16
0710620-10	46A-14
0710620-11	45 -18
0710620-16	46 -33
0710620-16	46A-34
0710620-202	46 -15
0710620-203	45 -16
0710620-204	46 -15
0710620-205	45 -16
0710620-208	46 -15
0710620-209	45 -16
0710620-214	46A-13
0710620-215	45 -16
0710620-28	46 -34
0710620-28	46A-35
0710620-58	46 -37
0710620-59	46 -38
0710620-60	46 -39
0710620-60	46A-43
0710620-61	45 -52
0710620-81	45 -27A
0710620-82	46A-18
0710620-9	45 -17
0710622-1	45 -20
0710622-2	46 -21
0710622-2	46A-21
0710623-1	45 -21
0710623-2	46 -22
0710623-2	46A-22
0710624-1	45 -22
0710624-1	46 -23
0710624-1	46A-23
0710625-1	45 -12
0710625-1	46 -13
0710625-1	46A-11
0710626-3	45 -41
0710626-4	46 -32
0710626-4	46A-33
0710629-2	17 -13
0710629-2	17 -13
0710630-1	17 -16
0710630-2	17 -16
0710631-3	45 -27A

PART NUMBER	FIGURE AND INDEX NO.
0710631-3	46 -19A
0710632-1	54A-58
0710632-1	54B-60
0710632-1	55A-38
0710632-1	55C-46
0710636-3	17 -11A
0710636-3	17 -13A
0710637-1	45 -23A
0710637-1	46 -24A
0710637-1	46A-25
0710638-1	19 -38
0710638-1	45 -51
0710638-1	46 -36
0710638-1	46A-42
0711016-1	47 -27
0711016-1	47A- 4
0711017-1	47 -15
0711018-19	47 - 6
0711018-20	47 - 7
0711018-22	47 -28
0711018-25	47 - 8
0711018-27	47 - 4
0711018-32	47 -22
0711018-33	47 -22
0711018-36	47 -16
0711018-37	47 -16
0711019-1	47 -14
0711021-1	45 -36
0711021-4	45 -38
0711021-9	45 -37
0711024-1	20 -13
0711024-2	20 -14
0711027-1	45 - 5
0711027-1	46 - 5
0711027-2	46A- 5
0711029-1	47 -10
0711029-2	47 -10
0711033	45 - 9
0711034-1	45 -25
0711034-1	46 -17
0711034-1	46A-15
0711037-14	46 -27
0711037-14	46A-28
0711037-15	45 -29
0711037-16	46 -28
0711037-16	46A-29
0711037-17	45 -30
0711037-18	46 -29
0711037-18	46A-30
0711037-19	45 -31
0711037-20	46 -30
0711037-20	46A-31
0711037-21	45 -32
0711038-1	45 -33
0711038-1	46 -31
0711038-1	46A-32
0711050-15	45 -44
0711050-17	45 -41
0711050-18	45 -42
0711050-200	45 -45
0711050-201	45 -41
0711051-5	45 -43
0711051-6	45 -43
0711051-9	45 -43
0711061-3	45 -11
0711061-3	47 -
0711061-4	46 -11
0711061-4	47 -
0711061-5	46 -11
0711061-5	47 -
0711061-6	45 -11
0711061-6	47 -
0711062-1	47 - 2
0711062-2	47 - 2
0711063-1	47 - 9

PART NUMBER	FIGURE AND INDEX NO.
0711063-2	47 - 9
0711063-6	47A-23
0711064-5	45 -26
0711064-5	46 -18
0711064-5	46A-16
0711065-1	45 -27
0711065-1	46 -19
0711065-1	46A-17
0711065-1	19 -12
0711066-2	19 - 1
0711066-3	51B-27
0711083-1	48A-22
0711111-1	47 -29
0711126-1	47 - 5
0711132-1	47 - 5
0711132-2	47 - 5
0711604-13	20 - 6
0711604-14	20 - 6
0711606-3	20 - 8
0711606-4	20 - 8
0711653-1	47 -20
0711653-2	47 -20
0711653-3	47A- 1
0711667-1	54A- 5
0711667-1	54B- 6
0711667-1	55A- 5
0711667-1	56A- 7
0711667-1	56C- 7
0711668-1	54A- 4
0711668-1	54B- 5
0711668-1	55A- 4
0711668-1	56C- 5
0711694-1	20 -24
0711694-2	20 -24
0711695-1	20 -19
0711695-3	20 -22
0711695-4	20 -22
0711695-5	20 -21
0711701-1	16 -14
0712603-2	113 - 4
0712605-201	113 - 3
0712616-3	31 - 3
0712616-5	31 - 4
0712629-3	31 -29
0712629-4	31 -29
0713011-12	61 -16
0713019-24	76 -16
0713019-24	76A-19
0713028-3	58 -17
0713028-8	58 -17
0713029	113 -18
0713029	118 - 2
0713046	49 -10
0713047	2 -14A
0713068-4	61 -28
0713068-5	61 -28
0713070-15	77 -28
0713070-19	77 -43
0713070-24	77 -34
0713070-25	77 -26
0713070-32	77 -27
0713070-35	77 -41
0713070-4	77 -21
0713070-5	77 -22
0713070-6	77 -36
0713074-1	54 - 1
0713074-1	54A- 1
0713074-1	54B- 1
0713074-1	55 - 1
0713074-1	55A- 1
0713074-1	55C- 1
0713074-1	56A- 1
0713074-1	56C- 1
0713107-1	18 -32
0713113-1	29 - 2
0713124-1	3 -18

PART NUMBER	FIGURE AND INDEX NO.
0713124-1	3A-20
0713124-1	114 -14
0713129-4	59 -14
0713129-4	59B- 7
0713130-1	113 -15
0713134-1	18 -38
0713148-1	73 -12
0713148-1	73A-13
0713148-2	73A-14
0713208-1	58 -38
0713208-1	94 - 5
0713221-1	59 -14
0713221-1	59B- 7
0713245-200	80 -74
0713245-201	80 -74
0713245-201	80 -74
0713303-2	75 -19
0713303-7	60 - 9
0713307-2	73 -11
0713307-2	76 -27
0713307-2	76A-29
0713307-6	73A-12
0713511-1	60 -17
0713511-1	113 -17
0713602-2	58 -31
0713602-200	68 -22
0713602-200	58 -34
0713602-7	93 -16
0713602-8	93 -15
0713606-1	19 -18
0713606-2	19 -18
0713607-1	19 -19
0713607-2	19 -19
0713609-3	19 -20
0713609-4	19 -20
0713610-1	19 -31
0713610-2	19 -31
0713611-3	19 -21
0713611-4	19 -21
0713620-3	18 - 8
0713621-2	58 - 1
0713621-3	58 - 1
0713625-1	77 -47
0713633-1	19 -22
0713633-2	19 -22
0713658-2	18 -43
0713658-3	18 -43A
0713659-3	18 -54
0713673-3	29 - 4
0713673-4	29 - 4
0713680-1	29 - 3
0713696-2	58 -14
0713696-8	58 -14
0713697-1	60 - 4
0713697-4	60 -11
0713697-5	60 -12
0713697-6	60 - 7
0713701-1	73 -20
0713701-1	73A-24
0713705-2	2 -14
0713705-2	58 -20
0713708-1	60 - 1
0713711-2	113 -25
0713721-1	59 -25
0713723-2	61 -28
0713723-8	61 -28
0713724	2 -24
0713724	59 -29
0713747-200	80 -74
0713747-201	80 -74
0713749-6	94A- 5
0713772-1	59A-71
0713772-2	59A-72
0713773-2	59A-67
0713774-1	59A-74

PART NUMBER	FIGURE AND INDEX NO.
0713775-2	59A-75
0713776-1	59A-76
0713777-3	60A- 6
0713778-1	60A- 1
0713779-1	59A-77
0713780-1	59A-73
0713781-1	59A- 6
0713782-1	60A- 8
0713785-1	60A- 9
0713789-1	59A-60
0713792-2	59A- 1
0713792-4	59A- 4
0713792-6	59A- 4
0713792-8	59A- 4
0713793-1	59A-50
0713796-1	60A-11
0713796-3	59A-56
0713797-2	59A-54
0713798-2	59A-53
0713799-4	59A-52
0713801-2	59A-70
0713801-5	59A-69
0713803-1	59B-12
0713803-2	59A-61
0713804-1	59A-62
0713804-2	59A-63
0713805-1	62A-18
0713813-1	62A-11
0713813-2	59A-28
0713816-2	62A-22
0713817-4	62A-14
0713819-1	62A-21
0713819-1	59A-21
0713820-1	29A- 8
0713822-1	59A-28
0713823-1	18 -40E
0713846-2	18 -40F
0713847-2	8 -39
0716125-2	8 -43
0716127-1	8 -43
0716127-2	8 -43
0716610-1	91B-48
0716610-1	92 -53
0716612-201	91B-51
0716612-201	92 -49
0720005-1	4 -46
0720601-14	5 -25
0720601-15	5 -26
0720601-16	5 -27
0720601-206	5 -22
0720601-41	5 -21
0720601-42	5 -21
0720601-51	5 -
0720601-52	5 -
0720601-53	5 - 1
0720601-54	5 - 2
0720601-55	5 -
0720601-56	5 -
0720602-1	5 -35
0720603-1	5 - 3
0720603-2	5 - 3
0720604-1	5 -15
0720606-3	4A-35
0720606-4	4A-36
0720606-5	4A-33
0720606-6	4A-34
0720607-1	4 -28
0720607-2	4 -29
0720607-3	5 -38
0720607-4	5 -39
0720607-7	4A-14
0720607-8	4A-15
0720608-1	4 -30
0720608-10	4A-16
0720608-2	5 -40

PART NUMBER	FIGURE AND INDEX NO.
0720608-3	5 -37
0720609-1	5 -36
0720610-1	5 -33
0720610-2	5 -34
0720611-1	5 -11
0720611-4	5 -12
0720611-4	5 -14
0720611-5	5 -13
0720612-2	7A- 5
0720614-3	3 -43
0720614-3	3A-35
0720614-4	3 -43
0720614-4	3A-35
0720615-11	3 -36
0720615-11	75 -39
0720615-12	3 -36
0720615-12	75 -39
0720615-17	3A-34
0720615-18	3A-34
0720616-1	4A-45
0720617-2	4A- 6
0721100-27	4 - 8
0721100-27	4A- 3
0721100-28	4 - 8
0721100-28	4A- 3
0721100-29	4 - 9
0721100-30	4 - 9
0721100-5	4 -14
0721100-6	4 -13
0721100-6	4 -21
0721100-7	4 -12
0721100-7	4 -20
0721105-10	88 -27
0721105-11	88 -27
0721105-13	88 -29
0721105-14	88 -27
0721105-15	88 -27
0721105-3	88 -30
0721105-4	88 -31
0721105-5	88 -33
0721105-7	88 -29
0721105-8	88 -32
0721107-1	3 -24
0721107-1	4A-26
0721107-2	3 -24
0721107-2	4A-26
0721111-1	4 -16
0721111-15	4 -18
0721111-16	4 -16
0721111-19	4A- 4
0721111-20	4A- 5
0721111-21	4 -16
0721111-21	4A- 5
0721111-3	4A- 4
0721111-4	4 -49
0721111-7	4 -18
0721112-1	4A-32
0721112-3	4A-31
0721114-1	5 -17
0721114-1	88 -26
0721115-1	5 -18
0721115-1	88 -25
0721116-1	4 -11
0721116-2	4 -11
0721117-1	4A-30
0721117-3	4A-29
0721303-10	8 -29
0721303-20	8 -31
0721303-21	8 -31
0721303-21	8 -32
0721303-23	8 -23
0721303-24	8 -23
0721303-28	8 -23
0721303-3	8 -30
0721303-6	8 -28

PART NUMBER	FIGURE AND INDEX NO.
0721305-10	8 -29
0721305-18	8 -31
0721305-20	8 -23
0721305-21	8 -23
0721305-23	8 -31
0721305-23	8 -32
0721305-25	8 -23
0721305-3	8 -30
0721305-6	8 -28
0721400-13	6 - 8
0721400-13	6A-10
0721400-14	6 - 8
0721400-14	6A-10
0721400-17	6 - 9
0721400-17	6A-13
0721400-18	6 - 9
0721400-18	6A-13
0721400-3	6 - 1
0721400-3	6A- 6
0721400-31	6 -19
0721400-31	6A- 9
0721400-32	6A- 3
0721400-32	6 - 3
0721400-33	6A-11
0721400-33	6 -18
0721400-34	6 - 3
0721400-34	6A- 2
0721400-4	6 - 1
0721400-4	6A- 6
0721400-9	6 - 5
0721400-9	6A- 7
0721401-1	6 -
0721401-1	6A-
0721401-2	6 -
0721401-2	6A-
0721401-201	6A-
0721401-202	6A-
0721401-203	6A-
0721401-204	6A-
0721401-205	6A-13
0721401-206	6A-13
0721401-3	6A-
0721401-4	6A-
0721401-4	6A-14
0721401-4	6 -
0721401-5	6 -17
0721401-5	6 -
0721401-6	6 -17
0721401-7	6 -16
0721401-8	6 -16
0721402-1	6 -11
0721402-1	6A-12
0721402-2	6 -11
0721402-2	6A-12
0721402-3	6 -10
0721402-3	6A-14
0721402-4	6 -10
0722012-1	4 -47
0722012-1	4A-27
0722012-3	4A-27
0722014-1	7A-16
0722014-15	7 -16
0722014-16	7 -16
0722014-21	7A-16
0722015-1	7A-17
0722015-17	7 -18
0722015-18	7 -18
0722015-26	7A-17
0722100-1	5 -23
0722100-3	3 -22
0722100-3	3A-17
0722100-4	3 -21
0722100-4	3A-16
0723600-6	11 - 8
0723600-6	11 -10

PART NUMBER	FIGURE AND INDEX NO.
0723601-2	11 -13
0723604-1	11 -11
0723614-1	11 - 7
0724115-2	9 -21
0726001-19	8 - 1
0726001-20	8 - 1
0726001-21	8 - 1
0726001-22	8 - 1
0726001-3	8 - 3
0726001-7	8 -13
0726002-1	8 -25
0726002-1	8 -37
0726110-1	8 -10
0731601-1	12 -15
0731602-1	12 -18
0731602-2	12 -19
0731603-1	12 -20
0731604-3	12 -28
0731604-4	12 -29
0731604-5	12 -30
0731604-6	12 -31
0731605-1	12 -43
0732000-10	14 -16
0732000-11	14 -15
0732000-155	14 -34
0732000-17	14 -10
0732000-18	14 -11
0732000-19	14 -12
0732000-20	14 - 4
0732000-21	14 - 7
0732000-25	14 -30
0732000-27	14 -14
0732000-3	14 - 8
0732000-30	14 -21
0732000-39	14 -23
0732000-4	14 - 9
0732000-47	14 -32
0732100-6	14 -25
0732100-6	14A-11
0732100-7	14 -26
0732100-7	14A-12
0732100-8	14 -27
0732101-3	14 -41
0732101-4	14 -24
0732101-4	14A-10
0732101-7	14 -41
0732103-1	14 -20
0732103-2	14 -20
0732106	14 -35
0732106	14A-33
0732106-1	14 -35
0732106-1	14A-32
0732600-3	14A-42
0732601-2	14A-47
0732603-2	14A- 9
0732610-5	14A-17
0732610-6	14A-18
0732611-1	14A-23
0732611-2	14A-24
0732611-3	14A-25
0732611-4	14A-26
0732611-6	14A-27
0733101-4	15 -35
0733103	13 -16
0733104-2	13 -12
0734609-11	15 -16
0734609-12	15 -16
0734609-2	15 -16
0734610-1	15 -35
0743001-2	36 -
0743001-4	36A-
0743603-10	37 - 9
0743603-12	37 - 9
0743603-4	37 - 9
0743615-1	37 - 3

PART NUMBER	FIGURE AND INDEX NO.
0750027-1	113 -14
0750101-61	70 -
0750101-66	70 -
0750101-68	68A- 4
0750101-68	70A-
0750101-71	68B- 8
0750101-71	70A-
0750117-31	68 -51
0750117-31	72 -35
0750117-31	72A-37
0750117-31	72B-38
0750121-1	68 -21
0750121-1	68A-21
0750128-11	72B-26
0750132-1	67 - 2
0750132-1	67A- 2
0750132-2	67 - 3
0750135-1	72 -27
0750135-1	72A-29
0750135-3	72 -29
0750135-3	72 -32
0750135-3	72A-31
0750135-3	72A-34
0750135-8	72 -34
0750135-8	72A-36
0750138	67 -26
0750138	67A-32
0750139	68 -42
0750139	68A-41
0750139	68B-31
0750148-2	72 - 5A
0750149-2	72 - 2
0750149-4	72 - 4
0750149-5	72 - 5
0750149-6	72 - 3
0750149-7	72 - 1
0750152-1	72 - 5B
0750152-3	68 -62
0750152-3	68A-56
0750152-3	68B-44
0750152-3	72B-41
0750152-4	72A- 5A
0750161-25	71 -17
0750213-1	114A- 7
0750216-1	113 -11
0750217-1	114A- 1
0750220-1	114A- 5
0750221-1	114A- 8
0752000-117	66 -11
0752000-14	66 -11C
0752000-56	66 - 8
0752000-64	66 -11B
0752004-1	63 - 9
0752004-5	63 - 8
0752005-4	63 - 5
0752037-1	68 -40
0752037-1	68A-33
0752037-1	93 -12
0752037-1	93A-17
0752608-3	22 -53
0752608-3	22A-56
0752608-4	22 -54
0752608-4	22A-57
0752610-1	113 -27
0752611-1	113 -29
0752614-1	63 -11
0752615-1	63 -13
0752620-1	63 -14
0752620-1	63A-14
0752620-1	63B-14
0752624-3	66 - 4
0752635-1	66A-24
0752635-1	66B-24
0752635-2	66A-25
0752635-2	66B-25

PART NUMBER	FIGURE AND INDEX NO.
0753000-13	27 -19
0753000-13	27A-19
0756005-2	91A- 3
0756005-3	91A-
0756008-1	91A-12
0756009-5	91A- 5
0756009-7	91A- 4
0756010-1	91A- 7
0756011-1	91A-10
0756012-1	91A- 9
0756014-1	91A-17
0756014-2	91A- 6
0756015-1	91A-14
0756018-1	93A-30
0756019-1	93A-31
0756020-1	93A-32
0756021-1	93A-33
0756022-1	93A-34
0756022-2	93A-35
0760602-3	19 -23
0760602-4	19 -23
0760606-1	61 -25
0760607-3	5 - 9
0760607-4	5 - 9
0760609-1	4A-41
0760610-1	81 -33
0760610-1	81A-28
0760610-2	81 -38
0760610-3	81 -27
0760610-3	81A-22
0760611-1	9 - 1
0760611-1	81 -39
0760611-2	9 - 1
0760611-2	81 -39
0760612-2	81A-33
0760614-1	85A-67
0760615-1	81 -52
0760615-1	81A-41
0760615-1	85A- 8
0760616-1	81 -52
0760616-1	81A-41
0760616-1	85A- 7
0760617-1	4A-37
0760618-1	6A-22
0760618-2	6A-23
0760619-1	85A-69
0760620-1	85A-68A
0760621-1	31 -13
0760621-2	31 -14
0760632-1	59 -31
0760632-1	59A-40
0760632-1	85A-72
0760633-1	80 -32
0760633-1	80 -37
0760634-3	80 -68
0760634-3	80 -69
0760636-1	80 -76
0760642-1	80 -66
0760642-2	80 -65
0760643-1	80 -56
0760644-1	80 -54
0760646-2	80 -52
0760649-1	80 -27
0760651-1	80 -49
0760651-2	80 -49
0760657-5	85A-63
0760657-5	85B-
0760662-1	85A-55
0760663-2	80 - 1
0760664-1	80 - 3
0760668-1	80 - 8
0760668-1	81 -13
0760668-1	81A- 8
0760668-2	80 -10
0760668-2	81 -14



PART NUMBER	FIGURE AND INDEX NO.
0760668-2	81A-9
0760668-3	80-9
0760668-3	81-15
0760668-3	81A-10
0760668-4	80-11
0760668-4	81-16
0760668-4	81A-11
0760672-1	80-53
0760674-1	80-71
0760676-1	15-50
0760676-1	15A-56
0760681-1	80-50
0760682-1	78-35
0760683-6	85B-4
0760683-7	85B-6
0760683-9	85B-10
0760684-1	85B-3
0761202-2	82-15
0761202-2	82-19
0761210-4	83-15
0770648-1	59-25
0770648-2	59-25
0770657-1	113-5A
0770719-1	59B-1
0770725-6	52-8
0770725-6	118A-1
0770725-8	52-8
0770725-8	118A-1
0770728-1	113-5A
0800023-6	57-2
0800030-19	112-26
0800030-35	112-26
0800030-35	112A-74
0800030-35	112B-93
0800045-11	112-33
0800045-11	112A-30
0800045-11	112B-50
0800045-15	112-28
0800045-18	112-7
0800045-22	112-27
0800045-23	112-29
0800045-24	112A-31
0800111-2	61-18
0811490-6	77-31
0811725-40	45-47
0812339-1	52-17
08125	36A-4
08125	36B-8
0812929-1	54B-72
0812929-1	55A-49
0812929-1	55C-39
0812929-1	56A-61
0812929-2	54B-72
0812929-2	55A-49
0812929-2	55C-39
0812929-2	56A-61
0812971-4	54B-71
0812971-4	55A-48
0812971-4	55C-38
0812971-4	56A-60
0812971-5	54B-71
0812971-5	55A-48
0812971-5	55C-38
0812971-5	56A-60
0813150-54	77-32
0813150-55	77-25A
0813156-4	77-35
0813475-3	76-24
0813526-6	59-31
0813526-6	59A-40
0813526-6	85A-72
0813569-1	58-16
0813569-2	58-16
0813569-3	59A-22
0813610-3	75-35

PART NUMBER	FIGURE AND INDEX NO.
0813610-6	75-35
0813610-6	75A-39
0813627-1	67-52
0813808-2	112A-3
0813808-2	112B-3
08231	36A-7
08231	36B-2
08231	36B-4
0823510-6	4-23
0841200-15	35-42
0841200-18	35-26
0841200-19	35-25
0841200-21	35-4
0841200-25	35-41
0841200-31	35-46A
0841200-7	35-3
0850406-10	94-8
0850500-16	69-15
0850500-3	69-13
0850500-30	69-22
0850500-31	69-9
0850500-37	69-17
0850550-2	69-26
0851551-1	67-3A
0851551-1	67A-3
0851559-1	67-7
0851559-1	67A-7
0851559-1	67B-3
0851588-1	56C-25
0851700-9	69-4
0851700-96	72-30
0851700-96	72-33
0851700-96	72A-32
0851700-96	72A-35
0851700-96	72B-37
1 1/4 SC	106A-15
1 1/4 SC	106B-15
1-652515-23	68B-4
1-652515-25	68B-4
1-652515-27	68B-4
1-652515-29	68B-4
1-652515-35	68B-3
1-652515-37	68B-3
1/2 IN	1-16
1/4 DIA.	95-27A
1/4 IN	1-16
1/4 IN	1-16
1/4-28UNF-3	106-7
1A1002X	54A-46
1A1002X	54B-53
1A1002X	55A-25
1A1002X-1	52-18
1A1002X-1	55C-31
10-300017	117-6
10-32NF-2X11/16	98-7
10-32NF-3X2 3/4	98-72
10GA	1-60
100PDLT-44-6	27-44
100PDLT44-6	27A-48
1000	59-26
1000	60-13
1000	60A-4
10004-98	61-4
1007	1-4
1016584	85B-1
102PDLN-4	59A-7
102PDLN4	58-7
1024A-B	1-3
1032X5/8	52-11
10850M-2	59-24
10850M-3	59B-13
10850M-4	59B-14
111-517702	90-28
1111-517700	89-11
1111-517700	89A-10

PART NUMBER	FIGURE AND INDEX NO.
11682-23-1777	32-5
11918	85B-2
1195-0061	51A-40D
1195-0061	51B-44
12GA	1-61
12NE2935-064	44-2
1200008-1	61-23
1200008-8	61-23
1200017-1	82-50
1200017-1	82-61
1200017-1	82A-51
1200017-1	82A-62
1200017-1	83-39
1200017-1	86-25
1200017-2	82-45
1200017-2	82A-46
1200017-2	83-34
1200018-1	75-38
1200018-1	75A-42
1200018-1	75B-50
1200025-1	2-2
1200026-1	4-44
1200039-2	12-42
1200039-2	116-9
1200053-14	74-2
1200053-3	74-1
1200053-4	74-2
1200053-7	74-1
1200053-8	74-2
1200054-2	112-12
1200054-2	112A-35
1200055-10	112-16
1200055-3	112-19
1200055-5	112-20
1200055-8	112-20
1200055-9	112-16
1200058-1	112-1
1200059-1	112-25
1200065-10	8-2
1200065-12	8-2
1200065-13	8-2
1200065-9	8-2
1200084-15	54-9
1200084-15	55-10
1200084-21	52-4
1200084-22	52-4
1200084-8	54-7
1200084-8	55-9
1200084-9	54-7
1200084-9	55-9
1200087-15	53-11
1200088-11	54-8
1200088-11	55-11
1200088-13	54-10
1200088-13	55-14
1200089-4	50-7
1200092-1	55-49
1200103-1	57-2
1200103-2	57-2
1200103-3	57-4
1200103-4	57-5
1200103-5	57-3
1200106-108	68B-16
1200106-108	68A-15
1200106-110	93A-19
1200106-111	92A-21
1200106-111	92B-26
1200106-111	93-2
1200106-113	68A-14
1200106-113	68B-18
1200106-118	67B-41
1200106-118	68B-19
1200106-119	67B-51
1200106-119	68B-22
1200106-120	68B-12

PART NUMBER	FIGURE AND INDEX NO.
1200106-121	68B-14
1200106-122	68B-15
1200106-123	68B-12
1200106-124	94A-63
1200106-125	69D-33
1200106-126	94A-65
1200106-128	92B- 6
1200106-131	92B- 4
1200106-164	68A-15
1200106-27	92 -38
1200106-36	67 -52
1200106-36	67A-52
1200106-36	67B-50
1200106-36	67B-55
1200106-41	94 -23
1200106-41	94A-50
1200106-47	67 -35
1200106-48	68 -13
1200106-49	68 -11
1200106-49	68A-11
1200106-50	68 - 9
1200106-50	68A- 9
1200106-51	8 -43
1200106-52	8 -43
1200106-54	67 -30
1200106-54	68 -18
1200106-54	68A-18
1200106-55	113 -33
1200106-57	67A-53
1200106-57	93 -14
1200106-6	68 - 6
1200106-6	68A- 6
1200106-63	91B-33
1200106-7	68 - 5
1200106-7	68A- 5
1200106-73	92 -42
1200106-75	92 -46
1200106-76	92 -38
1200106-77	91B-29
1200106-77	92 -27
1200106-78	89 - 6
1200106-78	89A- 6
1200106-8	68 -14
1200106-8	68A-14
1200106-83	67B-46
1200106-83	68A-23
1200106-83	68B-23
1200106-84	68A-13
1200106-85	93 -14
1200106-86	92A- 3
1200106-88	92A- 6
1200106-88	92B- 7
1200106-89	92A- 8
1200106-89	92B-15
1200106-90	92A- 9
1200106-90	92B-16
1200106-92	92A- 5
1200106-94	92A-21
1200106-94	93 - 2
1200107-1	54 -11
1200107-1	55 -13
1200108-1	57 - 1
1200108-2	57 -
1200109-111	93A- 2
1200116-1	61 -14
1200116-2	61 -15
1200127-1	51 -25
1200127-1	51A-28
1200134-1	57 - 2
1200136-1	55 -25
1200136-1	55B-10
1200136-1	55D-30
1200137-1	55 -52
1200138-1	55 -42
1200138-1	55B-23

PART NUMBER	FIGURE AND INDEX NO.
1200139-1	55 -39
1200139-1	55B-19
1200141-1	55 -23
1200141-1	55 -37
1200141-1	55B-12
1200141-2	55 -23
1200141-2	55 -37
1200141-2	55B-12
1200143-1	55 -50
1200143-2	55 -50
1200146-1	55 -33
1200147-1	55 -27
1200147-2	55 -28
1200152-1	55 -29
1200154-1	55 -43
1200155-1	55 -41
1200156-1	55 -45
1200156-1	55B-25
1200157-1	55 -35
1200158-1	55 -59
1200158-5	55 -59
1200159-1	55 -47
1200159-1	55B-27
1200161-1	55 -16
1200162-1	55 -
1200162-12	55 - 8
1200162-2	55 -
1200162-3	55 -15
1200162-4	55 -15
1200162-7	55 -19
1200162-8	55 - 2
1200162-9	55 - 2
1200163-1	55 -22
1200163-2	55 -22
1200164-1	55 -18
1200164-1	55B-34
1200186-1	55B-22
1200187-1	88 -47
1200189-1	2 -39
1200404-1	112 -21
1200404-2	112 -22
1200404-6	112 -24
1200404-7	112 -23
1200405-1	112 - 4
1200405-1	112A-20
1200405-2	112 - 5
1200405-2	112A-21
1200405-3	112A-22
1200405-4	112A-23
1200405-5	112 - 6
1200405-5	112A-24
1200405-6	112 - 6
1200405-6	112A-24
1200406-1	89 -47
1200406-10	92 -34
1200406-11	92 -30
1200406-12	89 -16
1200406-12	89A-15
1200406-13	89 -13
1200406-15	89 -49
1200406-15	89A-30
1200406-16	89 -50
1200406-16	89A-36
1200406-17	89 -60
1200406-17	89A-38
1200406-18	89 -61
1200406-18	89A-40
1200406-19	89 -41
1200406-19	89A-27
1200406-2	89 -30
1200406-20	89A-34
1200406-20	89 -42
1200406-21	89A-25
1200406-21	89 -37
1200406-22	89 -38

PART NUMBER	FIGURE AND INDEX NO.
1200406-22	89A-32
1200406-23	89 -32
1200406-24	89 -33
1200406-25	89 -35
1200406-25	89A-22
1200406-26	89 -19
1200406-28	92 -46
1200406-29	92 -27
1200406-3	89 -43
1200406-30	89 - 6
1200406-31	89 - 4
1200406-32	90 -37
1200406-33	90 -30
1200406-34	90 -23
1200406-37	89 -57
1200406-4	89 -44
1200406-40	89 -57
1200406-5	89 -25
1200406-50	89 -13
1200406-50	89A-12
1200406-54	91 -24
1200406-55	89 -33
1200406-55	89A-20
1200406-59	89 -25
1200406-6	89 -26
1200406-60	89 -26
1200406-61	89 - 4
1200406-61	89A- 4
1200406-62	90A- 3
1200406-63	90A- 9
1200406-64	91 -24
1200406-65	90A-15
1200406-66	91B-38
1200406-67	91B-40
1200406-68	89A-18
1200406-69	91B-43
1200406-7	89 -18
1200406-70	91B-36
1200406-74	89 -19
1200406-74	90A- 3
1200406-75	91A-27
1200406-76	89A-40
1200406-77	89A-38
1200406-8	89 -17
1200406-9	92 -42
1200412-1	2 -21
1200415-1	112A-47
1200415-1	112B-36
1200415-2	112A-48
1200415-2	112B-37
1200415-3	112A-49
1200415-3	112B-38
1200415-4	112A-50
1200415-4	112B-39
1200415-5	112A-38
1200415-5	112B-55
1200415-7	112A-16
1200415-7	112B-32
1200416-10	112A- 6
1200416-10	112B- 8
1200416-4	112A-40
1200416-4	112B-21
1200417-1	112A-63
1200417-10	112A-52
1200417-10	112B-35
1200417-12	112A-54
1200417-12	112B-44
1200417-18	112B-48
1200417-19	112B-47
1200417-2	112A-53
1200417-2	112B-40
1200417-20	112B-64
1200417-3	112A-51
1200417-3	112B-34
1200417-4	112A-55

PART NUMBER	FIGURE AND INDEX NO.
1200417-4	112B-42
1200421-2	11 -22
1200429-1	112B-58
1200429-12	112B-75
1200429-13	112B-74
1200429-15	112B-71
1200429-8	112B-59
1200433-3	112B-62
1200433-4	112B-63
1200433-7	112B-61
1200433-8	112B-60
1200443-1	51A-10
1200443-1	51B-10
1200444-1	51A-13
1200444-1	51B-14
1200444-2	51A-22
1200444-2	51B-24
1200444-3	51A-23
1200444-3	51B-25
1200444-4	51A-24
1200444-4	51B-26
1200444-5	51A-18
1200444-5	51B-19
1200444-6	51A-19
1200444-6	51B-20
1200444-7	51A-20
1200444-7	51B-21
1200446-1	54B-65
1200447-1	51A- 9
1200447-1	51B- 9
1200447-2	51A-10
1200447-2	51B-10
1200447-3	51A- 7
1200447-3	51B- 7
1200447-4	51A- 8
1200447-4	51B- 8
1200447-5	51A-11
1200447-5	51B-11
1200448-1	54B-67
1200448-1	55A-44
1200448-1	55C-33
1200448-1	56A-56
1200449-1	52 - 1
1200449-10	52 -16
1200449-13	51A-56
1200449-14	51A-57
1200449-17	51A-49
1200449-19	52 -15
1200449-2	52 - 2
1200449-20	51A-49
1200449-5	50 - 2
1200449-6	50 - 1
1200449-9	52 -15
1200453-10	54B-66
1200453-10	55C-36
1200453-10	56A-55
1200453-10	55A-43
1200453-10	54B-66
1200453-10	55C-36
1200453-10	56A-55
1200453-11	54B-66
1200453-11	55A-43
1200453-11	55C-36
1200453-11	56A-55
1200453-12	54B-66
1200453-12	55A-43
1200453-12	55C-36
1200453-12	56A-55
1200453-12	55A-43
1200453-13	54B-70
1200453-13	55A-47
1200453-13	55C-37
1200453-13	56A-59
1200453-5	54B-70
1200453-5	55A-47

PART NUMBER	FIGURE AND INDEX NO.
1200453-5	55C-37
1200453-5	56A-59
1200453-5	54B-70
1200453-5	55A-47
1200453-5	55C-37
1200453-5	56A-59
1200453-9	54B-66
1200453-9	55A-43
1200453-9	55C-36
1200453-9	56A-55
1200453-9	54B-66
1200453-9	55A-43
1200453-9	55C-36
1200453-9	56A-55
1200454-11	50 - 8
1200454-12	50 - 9
1200454-16	49 -28
1200454-17	51A-43
1200454-2	51A-12
1200454-2	51B-12
1200454-20	51A-59
1200454-200	54B- 1
1200454-200	54B-
1200454-201	54B- 1
1200454-202	54B-15A
1200454-202	54B-15A
1200454-203	54B-15A
1200454-22	56B- 7
1200454-23	56B- 5
1200454-23	56B- 5
1200454-25	52 -22
1200454-26	52 -23
1200454-27	56B- 4
1200454-27	56B- 4
1200454-28	51A-50
1200454-28	51B-50
1200454-29	49 -29
1200454-3	51A-21
1200454-30	51A-62
1200454-31	51A-51
1200454-31	51B-51
1200454-32	51A-52
1200454-32	51B-52
1200454-33	51A-53
1200454-34	51A-54
1200454-34	51B-54
1200454-35	51A-55
1200454-35	51B-55
1200454-36	49 - 7
1200454-44	51A-57
1200454-52	54B-
1200454-52	54B-
1200454-53	55C-14
1200454-53	56A-14
1200454-53	54B-16
1200454-53	54B-16
1200454-53	55C-14
1200454-54	56A-14
1200454-54	55C- 7
1200454-54	56A-10
1200454-54	54B-11
1200454-54	54B-11
1200454-54	55C- 7
1200454-54	56A-10
1200454-55	54B-
1200454-56	54B-16
1200454-56	55A-16
1200454-56	55C-14
1200454-56	56A-14
1200454-57	54B-11
1200454-57	55A-10
1200454-57	55C- 7
1200454-57	56A-10
1200454-59	52 -20
1200454-59	52 -20

PART NUMBER	FIGURE AND INDEX NO.
1200454-61	56B- 4
1200454-62	56B- 5
1200454-65	52 -19
1200454-65-532	52 -19
1200454-66	51A-58
1200454-66	51B-58
1200454-67	56B- 4
1200454-67	56B- 4
1200454-68	56B- 4
1200454-69	56B- 6
1200454-69	56B- 6
1200454-7	52 - 8
1200454-70	56B- 6
1200454-71	52 - 1
1200454-72	52 - 2
1200454-73	50 - 1
1200454-74	50 - 2
1200454-75	52 -15
1200454-76	52 -16
1200454-77	51A-49
1200454-78	51A-56
1200454-79	51A-67
1200454-8	52 - 9
1200454-82	52 -23
1200454-83	52 -22
1200454-92	52 -19
1200454-93	51A-43
1200454-94	51B-53
1200455-10	50 - 2
1200455-11	52 -15
1200455-12	52 -16
1200455-7	52 - 1
1200455-8	52 - 2
1200455-9	50 - 1
1200456-1	52 -19
1200456-10	51 -35
1200456-11	51 -20
1200456-12	51 -18
1200456-13	49 -22A
1200456-14	49 -22B
1200456-15	49 -22C
1200456-16	49 -22D
1200456-18	52 -20
1200456-19	51 -15
1200456-2	52 -20
1200456-29	52 -19
1200456-30	51 -20
1200456-34	51 -15
1200456-6	51 -18
1200456-7	51 -20
1200456-9	49 -22
1200458-10	51 -28
1200458-11	51 -29
1200458-12	51 -30
1200458-13	51 -31
1200459-200	49 -14
1200459-201	49 -14
1200459-4	49 -17
1200459-5	49 -18
1200459-6	49 -19
1200459-7	49 -20
1200459-8	49 -21
1200460-1	51 - 5
1200460-13	51 -23
1200460-14	49 - 2A
1200460-15	51 -26
1200460-15	51A- 1
1200460-15	51B- 1
1200460-16	51 -27
1200460-16	51A- 2
1200460-16	51B- 2
1200460-2	51 - 7
1200460-20	51 - 2
1200460-20	51A- 4
1200460-20	51B- 4

PART NUMBER	FIGURE AND INDEX NO.
1200460-21	51 - 1
1200460-21	51A-3
1200460-21	51B-3
1200460-23	49 - 4
1200460-24	49 - 3
1200460-3	51 - 8
1200460-4	51 - 9
1200460-5	51 -12
1200460-5	51A-30
1200460-6	49 - 1
1200460-7	49 - 3
1200460-8	49 - 4
1200461-1	3 -39
1200461-1	3A-36
1200461-2	3 -39
1200461-2	3A-36
1200463-1	51 -13
1200463-3	51A-29
1200464-1	52 -12
1200464-3	52 -12
1200465-1	54 -
1200465-2	54 -
1200465-200	54 -12
1200465-201	54 -12
1200465-202	54 - 2
1200465-203	54 - 2
1200465-3	54 -13
1200465-4	54 -13
1200465-5	54 - 6
1200465-6	54 - 6
1200466-10	56 - 5
1200466-11	56 -14
1200466-2	56 - 1
1200466-3	56 - 7
1200466-4	56 -14
1200466-5	56 - 5
1200466-6	56 -15
1200466-8	56 - 1
1200466-9	56 - 7
1200467-11	53 -15
1200467-11	53 -15
1200467-11	53 -19
1200467-14	53 - 1
1200467-15	53 - 3
1200467-16	53 - 4
1200467-19	53 - 5
1200467-2	49 -12
1200467-20	53 - 6
1200467-21	53 -14
1200467-22	53 -13
1200467-27	53 -20
1200467-3	49 -13
1200467-4	53 - 7
1200467-5	53 - 8
1200467-6	53 - 9
1200467-7	53 -10
1200467-8	53 -14
1200467-8	53 -17
1200467-8	53 -18
1200467-9	53 -16
1200467-9	53 -16
1200467-9	53 -17
1200467-9	53 -18
1200477-1	51 -10
1200478-2	55C-28
1200481-1	51 -42
1200481-1	51A-66
1200482-1	23 -86
1200483-1	23 -87
1200483-2	23 -87
1200484-11	23 -84
1200484-12	23 -85
1200484-13	23 -94
1200484-14	23 -95
1200484-15	23 -96

PART NUMBER	FIGURE AND INDEX NO.
1200484-17	56B- 1
1200484-17	56B-
1200484-2	23 -80
1200484-201	23 -79
1200484-202	23 -79
1200484-24	56B-13
1200484-25	23 -80
1200484-28	56B- 1
1200484-3	23 -81
1200484-30	23 -91
1200484-31	23 -91
1200484-4	23 -81
1200484-7	23 -82
1200484-8	23 -83
1200485-1	56A-
1200485-1	56A-
1200485-15	56A-19
1200485-16	56A-20
1200485-17	56A-40
1200485-18	56A-43
1200485-19	56A-
1200485-201	56A- 1
1200485-201	56A- 1
1200485-202	56A- 1
1200485-203	56A-13
1200485-203	56A-13
1200485-204	56A-13
1200485-8	56A-39
1200485-9	56A-32
1200487-1	25A-17
1200487-10	25A-16
1200487-11	25A-20
1200487-12	25A-21
1200487-2	25A-18
1200487-3	25A-15
1200487-4	25A-16
1200487-4	25A-21
1200487-5	25A-22
1200487-6	25A-23
1200487-7	25A-20
1200487-8	25A-21
1200488-1	25A-27B
1200488-2	23 -88
1200489-1	23 -88
1200489-2	23 -90
1200489-3	23 -90
1200489-4	25A-37
1200490-3	25A-38
1200490-4	23 -89
1200490-5	23 -89
1200490-6	50 - 1
1200491-1	50 - 2
1200491-2	52 - 1
1200492-1	52 - 2
1200492-2	52 -15
1200493-1	52 -16
1200493-2	51 -36
1200494-1	52 -17
1200496-1	56 - 6A
1200497-1	54B-47
1200502-1	54B-46
1200503-1	54B-38
1200504-1	54B-44
1200504-3	54B-40
1200505-1	51A-15
1200506-1	51B-16
1200507-1	51A-14
1200507-1	51B-15
1200507-2	51A-14
1200507-2	51B-15
1200507-3	51A-16
1200507-3	51B-17
1200507-4	51A-16

PART NUMBER	FIGURE AND INDEX NO.
1200507-4	51B-17
1200509-1	75A-26
1200509-1	75B-26
1200511-1	75B-23
1200511-2	75A-23
1200511-2	75B-23
1200512-2	75A-17
1200512-2	75B-17
1200512-200	75A-13
1200512-200	75B-13
1200512-3	75A-19
1200512-3	75B-19
1200512-4	75A-22
1200512-4	75B-22
1200512-6	75B-22
1200515-2	51A-36
1200515-2	51B-36
1200515-7	51A-35
1200515-7	51B-35
1200516-10	51A-38
1200516-10	51B-38
1200516-12	51A-37
1200516-12	51A-40
1200516-12	51B-37
1200516-12	51B-40
1200516-3	51A-39
1200516-3	51B-39
1200516-8	51A-37
1200516-8	51A-40
1200516-8	51B-37
1200516-8	51B-40
1200518-1	2 -27
1200518-1	56B-16
1200519-1	51A-35
1200519-1	51A-38
1200519-1	51B-35
1200519-1	51B-38
1200521-2	61 -22B
1200522-1	25A-27A
1200523-1	52 - 1
1200523-19	51B-29
1200523-2	52 - 2
1200523-21	52 -15
1200523-22	52 -16
1200523-3	50A- 1
1200523-4	50A- 2
1200523-5	52 - 15
1200523-6	52 -16
1200523-7	51B-56
1200523-8	51B-57
1200523-9	51B-49
1200524-1	25A-22
1200524-2	25A-23
1200524-3	25A-20
1200524-5	25A-15
1200524-6	25A-16
1200524-8	25A-21
1200525-16	56C-20
1200525-17	56C-20
1200525-27	56C- 9
1200525-28	56C-10
1200525-33	56C-34
1200527-1	55C- 9
1200527-4	54B-13
1200527-4	55A-12
1200527-7	25A-20
1200528-1	56C-14
1200533-2	55C-
1200533-3	55C-
1200533-6	55C- 7
1200533-7	55C- 1
1200533-8	55C-12A
1200534-1	56C-
1200534-12	56C- 2
1200534-13	56C-15

PART NUMBER	FIGURE AND INDEX NO.
1200534-14	56C-39
1200534-15	56C-42
1200534-16	56C-43A
1200534-2	56C-16
1200534-3	56C-17
1200534-4	56C-12
1200534-5	56C-13
1200534-7	56C-40
1200534-8	56C-41
1200534-9	56C-43
1200535-10	51B-59
1200535-11	49 -30
1200535-17	50A- 6
1200535-18	51B-61
1200535-3	51B-22
1200535-4	52 - 9
1200535-5	52 - 8
1200535-6	50A- 7
1200535-7	52 -19
1200535-8	52 -20
1200535-9	51B-48
1200536-1	112A- 1A
1200536-1	112B- 1
1200538-1	54B-
1200538-10	54B-53A
1200538-10	55A-31A
1200538-10	55C-35A
1200538-2	54B-15A
1200538-2	55A-14
1200538-2	55C-12A
1200538-200	54B-15A
1200538-201	54B- 1
1200538-4	54B-16
1200538-4	55C-14
1200538-5	54B-11
1200538-5	55A-10
1200538-5	55A-16
1200538-9	54B-53A
1200538-9	55A-31A
1200538-9	55C-35A
1200539-1	55A-
1200539-2	55A-
1200539-200	55A-14
1200539-201	55A- 1
1200541-1	51B-31
1200541-2	51B-30
1200544-1	45 -19
1200544-2	46A-19
1200544-3	45 -19A
1200544-4	46A-20
1200545-1	50A- 9
1200545-2	50A-10
1200545-4	50A- 8
1200551-1	56C- 8
1200604-11	56C-26
1200605-11	54A-15
1200605-11	55A-16
1200605-11	55A-16
1200605-12	54A-10
1200605-12	55A-10
1200605-12	55A-10
1200605-200	54A- 1
1200605-203	54A-14
1200605-6	54A-
1200612-2	51 -32
1200612-5	51 -33
1200612-5	51A-42
1200612-5	51B-47
1200612-8	51A-41
1200612-8	51B-46
1200614-2	68 -53
1200614-2	68A-47
1200614-2	68B-35
1200614-4	68 -58
1200614-4	68A-52

PART NUMBER	FIGURE AND INDEX NO.
1200614-4	68B-40
1200620-1	112 -32
1200627-1	26 -23A
1200631-1	26 -71
1200631-1	75B-48
1200631-2	26 -71
1200631-2	75B-48
1200633-1	75B-43
1200637-1	5 -21
1200638-1	75B-32
1200638-2	75B-32
1200646-1	51A- 6
1200646-1	51B- 6
1200647-2	51 - 2
1200647-2	51A- 4
1200647-2	51B- 4
1200659-18	51A-45
1200659-19	51A-46
1200659-20	51A-47
1200659-21	51A-48
1200659-6	49 -22B
1200659-7	49 -22A
1200659-8	49 -22D
1200673-1	2 -37
1200678-2	2 -36
1200678-2	88 -46
1200686-13	59C- 1
1200686-14	59C- 1
1200686-15	59C- 1
1200686-16	59C- 1
1200686-21	59C- 7
1200686-22	59C-11
1200686-25	59C-13
1200686-27	59C-14
1200686-29	59C-15
1200688-2	62A-10
1200691-1	75A-31
1200696-1	52 -24
1200701-1	2 -34
1200701-1	59A-88
1200702-2	74A- 1
1200702-3	74A- 2
1200705-1	2 -49
1200708-1	2 -38
1200712-6	51B-13
1200712-7	51B-67
1200712-9	51B-23
1200716-1	51B-32
1200835-1	80 -77
120429-3	110 -17
120462-1	98 - 1
120476-1	44 -37A
1208	39A-11
1208	39A-15
1210031-2	20 - 3
1210400-2	26 -70
1210401-11	24 -19
1210401-2	24 -19
1210401-200	25 -15
1210401-201	25 -15
1210401-3	24 -28
1210401-4	24 -28
1210401-5	24 -20
1210401-8	16 -13
1210401-9	16 -13
1210402-1	24 - 8
1210402-2	24 - 8
1210402-7	24 - 9
1210402-8	24 - 9
1210404-10	25A- 5B
1210404-3	25A- 5
1210404-4	25A- 4
1210404-7	25A- 5C
1210405-1	24 -13
1210405-2	24 -13

PART NUMBER	FIGURE AND INDEX NO.
1210405-5	24 -14
1210405-6	24 -14
1210406-1	25 -16
1210406-2	25 -16
1210407-1	25A-11
1210407-2	25A-12
1210407-3	25A-13
1210407-7	25A-11
1210407-8	25A-12
1210407-9	25A-13
1210408-1	25A- 8
1210408-4	25A- 9
1210408-5	25A- 6
1210408-6	25A- 7
1210409-1	24 -18
1210409-2	24 -16
1210409-3	24 -16
1210410-1	24 -15
1210410-2	24 -15
1210411-1	23 -66
1210411-2	23 -66
1210412-1	24 - 4
1210412-3	24 - 2
1210412-4	24 - 3
1210412-5	24 - 5
1210412-6	24 - 6
1210413-1	24 -10
1210414-1	23 -41
1210414-1	25A-14
1210414-2	23 -42
1210414-2	25A-14
1210416-1	17 - 8
1210417-1	25 -17
1210417-2	25 -17
1210418-1	24 -17
1210419-1	24 -12
1210425-1	17 -16
1210425-2	17 -16
1211060-1	25A-31
1211060-2	25A-32
1211061-10	26 -50
1211061-10	26 -51
1211061-11	26 -51
1211061-13	26 -48
1211061-14	26 -48
1211061-15	26 -49
1211061-16	26 -49
1211061-3	26 -50
1211061-38	26 -47C
1211061-38	26 -56C
1211061-45	48A-15
1211061-46	46A-38
1211061-47	48A-14
1211061-49	48A-17
1211061-5	26 -23B
1211061-5	26 -58
1211061-50	46A-41
1211061-51	26 -47B
1211061-52	26 -56B
1211061-54	46A-37
1211061-57	26 -47A
1211061-58	26 -56A
1211061-60	46A-39
1211061-61	46A-40
1211061-7	26 -60
1211061-8	26 -57
1211061-9	26 -50
1211062-1	48A- 8
1211062-2	48A- 9
1211063-1	48A- 5
1211063-2	48A- 4
1211064-1	48A-11
1211064-2	48A-10
1211065-1	26 -17
1211065-2	26 -18

PART NUMBER	FIGURE AND INDEX NO.
1211066-1	25A-34
1211066-3	25A-33
1211066-4	25A-36
1211066-5	25A-35
1211070-4	26 -22A
1211116-1	23 -21
1211203-1	51 -25
1211203-2	51A-27
1211400-10	26 -66
1211400-11	23 -69
1211400-12	23 -70
1211400-13	26 -61
1211400-14	26 -55
1211400-16	26 -46
1211400-17	26 -65
1211400-18	26 -67
1211400-19	26 -63
1211400-2	26 -42
1211400-22	23 -65
1211400-24	23 -40A
1211400-25	23 -40A
1211400-26	23 -40B
1211400-27	23 -40B
1211400-3	23 -72
1211400-4	23 -73
1211400-5	23 -74
1211400-6	26 -52
1211400-7	26 -53
1211400-8	26 -54
1211400-9	26 -64
1211401-1	23 -45
1211401-1	30 -26
1211401-2	23 -46
1211401-3	30 -27
1211402-1	23 -39
1211402-2	23 -40
1211402-3	23 -39
1211402-4	23 -40
1211404-1	23 -47
1211404-2	23 -48
1211405-1	23 -49
1211405-2	23 -49
1211407-1	23 - 1
1211408-1	23 - 2
1211409-1	23 -12
1211410-1	23 - 5
1211411-1	23 -10
1211411-2	23 -11
1211413-1	23 -13
1211414-10	23 -31
1211414-12	25A-19
1211414-13	23 -26
1211414-14	23 -27
1211414-15	23 -37
1211414-18	25A-25
1211414-2	23 -36
1211414-22	23 -24
1211414-23	23 -25
1211414-26	23 -30
1211414-27	23 -31
1211414-28	25A-19
1211414-5	23 -24
1211414-6	23 -25
1211414-9	23 -30
1211415-1	23 -28
1211415-2	23 -29
1211416-1	23 -24
1211417-1	23 -23
1211417-3	23 -23
1211418-1	23 -33
1211418-2	23 -34
1211418-3	23 -34
1211418-4	23 -36
1211418-6	23 -35
1211419-1	23 -33

PART NUMBER	FIGURE AND INDEX NO.
1211420-1	24 -22
1211422-1	25 - 2
1211422-3	25 -11
1211422-4	25 -11
1211423-1	25 - 1
1211423-2	23 -23
1211423-2	25 -18
1211423-3	25 -12
1211423-4	25 -12
1211423-5	25 -13
1211423-6	25 -13
1211423-7	25 -14
1211424-3	25 - 3
1211424-4	25 - 3
1211425-1	25 - 7
1211425-2	25 - 7
1211427-1	23 -50
1211427-10	23 -52
1211427-2	23 -53
1211427-6	23 -51
1211427-9	23 -52
1211428-1	23 -76
1211428-2	23 -76
1211429-1	26 -29
1211430-1	26 -32
1211431-17	30 -24
1211431-18	30 -24
1211431-19	30 -25
1211431-20	30 -25
1211431-25	26 - 1
1211431-26	26 - 1
1211431-3	30 -23
1211431-4	30 -23
1211431-5	30 -22
1211431-6	30 -22
1211432-12	23 -22
1211432-13	23 -20
1211432-2	23 -17
1211432-4	23 -16
1211432-5	23 -19
1211432-6	26 -12
1211433-12	26 -19
1211433-2	23 -75
1211433-3	26 -20
1211433-4	26 -24
1211433-5	26 -19
1211433-7	26 -21
1211433-7	26 -22A
1211433-8	26 -17
1211433-9	26 -18
1211434-1	26 -13
1211434-10	26 -13
1211434-17	26 -13
1211434-19	26 -13
1211434-20	26 -13
1211434-9	26 -13
1211435-1	17 - 3
1211435-1	20 -
1211435-11	20 - 7
1211435-200	20 - 5
1211435-201	20 - 4
1211435-207	20 - 4
1211435-208	20 - 5
1211435-33	20 -16
1211435-34	20 -16
1211435-38	20 -
1211436-5	26 -14
1211436-5	26 -14A
1211436-6	26 -14
1211436-6	26 -14A
1211437-1	23 -77
1211437-2	23 -77
1211438-1	26 -11
1211438-2	26 -11
1211439-1	26 - 4

PART NUMBER	FIGURE AND INDEX NO.
1211439-2	26 - 4
1211439-7	26 - 4
1211439-8	26 - 4
1211440-1	26 - 9
1211440-2	26 - 6
1211440-3	26 - 7
1211440-4	26 - 8
1211440-5	26 -10
1211441-1	26 - 3
1211442-1	16 - 8
1211442-2	16 - 8
1211442-3	16 - 7
1211442-9	16 - 7
1211443-1	26 -16
1211443-2	26 -16
1211444-1	23 -16
1211444-2	23 -22
1211445-1	26 -49
1211445-10	26 -58
1211445-11	26 -59
1211445-12	26 -48
1211445-2	26 -49
1211445-4	26 -50
1211445-5	26 -51
1211445-6	26 -51
1211445-6	26 -59
1211445-7	26 -48
1211445-8	26 -60
1211445-9	26 -57
1211446-1	41 -11
1211447-1	41 - 1
1211447-10	41 - 6
1211447-13	41 - 1
1211447-14	41 - 2
1211447-2	41 - 2
1211447-9	41 - 5
1211448-12	48 - 5
1211448-13	48 -11
1211448-14	48 - 4
1211448-15	48 - 4
1211448-20	48 - 1
1211448-200	48A- 1
1211448-22	48 -11
1211448-23	48 -11
1211448-23	48A-13
1211448-24	48 -10
1211448-24	48A-12
1211448-25	48A- 1
1211448-29	48A-13
1211448-6	48 -11
1211448-7	48 -10
1211448-8	48A-20
1211450-1	23 -62
1211450-2	23 -63
1211451-1	23 -43
1211451-2	23 -44
1211451-4	23 -43
1211452-1	48 - 9
1211455-1	41 -12
1211455-2	41 -13
1211455-3	41 - 9
1211455-4	41 - 9
1211455-5	41 -10
1211455-6	41 -10
1211455-7	41 -19
1211455-8	41 -20
1211456-1	41 -14
1211456-16	41 -23
1211456-17	41 -22
1211456-18	41 -22
1211456-19	41 -21
1211456-2	41 -15
1211456-20	41 -21
1211456-21	41 -14
1211456-22	41 -15



PART NUMBER	FIGURE AND INDEX NO.
1211457-1	41 -32
1211459-1	41 -33
1211459-2	41 -42
1211460-1	23 -40
1211461-1	23 - 6
1211461-2	23 - 7
1211462-1	23 -18
1211463-1	41 -33
1211464-1	23 - 3
1211464-2	23 - 4
1211465-1	25A-28
1211466-1	43 - 1
1211467-1	23 -56
1211467-2	23 -57
1211469-1	23 -55
1211471-3	24 -21
1211471-4	24 -21
1211472-1	26 -33
1211473-1	26 -23
1211474-1	23 - 2
1211475-1	26 -34
1211476-1	26 -40
1211477-4	26 -38
1211477-7	26 -39
1211477-8	26 -39
1211477-9	25A-30
1211478-1	20 - 1
1211480-1	41 -19
1211480-1	23 -38
1211480-2	41 -20
1211480-2	23 -38
1211480-3	23 -38
1211480-4	23 -38
1211480-5	41 -12
1211480-5	23 -37
1211480-6	41 -13
1211480-6	23 -37
1211480-7	23 -37
1211480-8	23 -37
1211481-1	26 -25
1211481-2	26 -25
1211482-1	26 -28
1211482-2	26 -28
1211482-3	26 -30
1211482-4	26 -31
1211482-5	26 -26
1211482-6	26 -26
1211482-7	26 -27
1211482-8	26 -27
1211483-1	23 -64
1211485-1	23 - 8
1211485-3	23 - 9
1211486-1	26 -43
1211486-2	26 -43
1211486-5	26 -43
1211486-6	26 -43
1211487-1	26 -15
1211487-2	26 -15
1211487-3	26 -15
1211487-4	26 -15
1211488-3	26 - 5
1211489-1	23 -79
1211489-2	23 -79
1211489-3	23 -79
1211489-4	23 -79
1211490-1	23 -78
1211491-1	56 -11
1211491-2	56 -11
1211493-1	23 - 1
1211494-2	23 - 2
1211497-1	25A-29
1211499-1	23 -64
1211600-15	26 -42
1211644-1	48 -17
1211644-1	48A-24

PART NUMBER	FIGURE AND INDEX NO.
1211685-1	56A-54
1211685-1	56B-14
1211711-1	23 -40
1212003-1	31 - 7
1212006-1	14 -51
1212006-2	14 -52
1212007-1	14 -48
1212007-2	14 -49
1212008-1	14 -55
1212008-2	14 -56
1212025-5	30 -35
1212400-1	30 - 1
1212400-2	30 -28
1212400-3	30 -30
1212400-4	30 -30
1212400-6	30 -29
1212401-1	30 - 5
1212401-1	31 -
1212401-2	31 -30
1212402-1	31 - 5
1212402-2	31 - 6
1212403-1	31 - 9
1212404-1	31 -10
1212406-1	31 -34
1212407-1	31 -25
1212407-2	31 -26
1212408-1	31 -27
1212408-4	31 -28
1212409-1	31 -
1212409-2	31 - 1
1212409-3	31 - 2
1212410-1	31 - 5
1212411-3	30 - 6
1212412-2	30 - 7
1212412-3	30 - 7
1212412-4	30 - 7
1212413-2	30 - 8
1212413-3	30 - 8
1212413-4	30 - 8
1212414-2	30 - 9
1212414-3	30 - 9
1212414-4	30 - 9
1212414-5	30 - 9A
1212415-2	30 -10
1212415-3	30 -10
1212415-4	30 -10
1212416-1	30 -11
1212416-10	30 -15
1212416-11	30 -18
1212416-12	30 -19
1212416-13	30 -16
1212416-14	30 -17
1212416-2	30 -11
1212416-3	30 -12
1212416-4	30 -12
1212416-5	30 -13
1212416-6	30 -13
1212416-7	30 -14
1212416-8	30 -14
1212416-9	30 -15
1212417-1	30 -21
1212417-2	30 -21
1212418-1	30 -31
1212418-2	30 -31
1212419-1	30 -36
1212420-1	30 -32
1212421-1	30 -33
1212422-1	30 -34
1212423-1	32 - 1
1212424-1	31 -11
1212424-2	31 -12
1212426-1	14A-52
1212426-2	14A-53
1212426-3	14A-54
1212426-4	14A-55

PART NUMBER	FIGURE AND INDEX NO.
1212426-5	14A-56
1212426-6	14A-57
1212427-1	30 -40
1213043-1	75 -34
1213043-1	75A-38
1213043-1	75B-39
1213043-2	75B-44
1213072-1	73 - 3
1213079-1	73 -15
1213079-1	73A-17
1213115-1	19 -17
1213115-2	19 -17
1213127-4	19 - 5
1213129-1	40 -30
1213208-1	2 -18
1213208-1	80 -79
1213209-2	2 -15
1213230-3	2 - 4
1213231-1	49 - 2
1213232-3	2 - 9
1213232-3	60 -16
1213239-1	60 -20
1213239-1	113 -16
1213242-1	60 -20
1213242-1	60A-12
1213242-1	113 -16
1213243-1	114 - 1
1213253-1	40 -17
1213345-1	75 -40
1213345-1	75A- 5
1213345-1	75B- 5
1213352-2	59 -33
1213352-2	75 - 5
1213400-10	29 -10
1213400-10	29A- 4
1213400-11	29 -11
1213400-11	29A- 5
1213400-12	29 - 5
1213400-15	29 - 1
1213400-16	22 -55
1213400-16	22A-58
1213400-17	22 -55
1213400-17	22A-58
1213400-18	18 -34
1213400-2	18 -40
1213400-20	22 -53
1213400-20	22A-56
1213400-200	29A- 1
1213400-21	22 -52
1213400-21	22A-55
1213400-24	29 - 1
1213400-25	18 -46
1213400-26	18 -46
1213400-3	18 -46
1213400-31	18 -40A
1213400-33	18 -35
1213400-34	18 -36
1213400-35	18 -46
1213400-36	18 -46
1213400-38	18 -40B
1213400-4	18 -46
1213400-43	22A-56
1213400-45	29A- 9
1213400-5	18 -35
1213400-6	18 -36
1213400-7	22 -48
1213400-7	22A-51
1213402-1	18 -23
1213402-2	18 -23
1213403-1	22 - 6
1213403-1	22A- 7
1213403-2	22 - 7
1213403-2	22A- 8
1213404-1	22 -83
1213404-1	22A-76

PART NUMBER	FIGURE AND INDEX NO.
1213404-2	22 -83
1213404-2	22A-76
1213405-1	22 -51
1213405-1	22A-54
1213406-2	19 -14
1213406-3	19 -13
1213406-4	19 -16
1213406-5	19 -15
1213406-6	19 -12
1213406-7	19 -12
1213406-8	19 -12
1213406-9	19 -12
1213407-1	19 -26
1213407-2	19 -26
1213407-2	73 - 7
1213408-1	19 -27
1213409-1	19 -28
1213409-2	19 -28
1213410-4	18 - 7
1213410-6	18 -53
1213410-6	59 -34
1213410-8	18 - 5
1213411-1	18 -25
1213411-2	18 -25
1213412-3	22 - 8
1213412-3	22A-11
1213412-4	22 - 9
1213412-4	22A-12
1213412-5	18 -19
1213412-6	18 -20
1213412-7	22 -10
1213412-7	22A-13
1213413-1	18 -29
1213413-2	18 -29
1213414-1	18 -24
1213414-2	18 -24
1213414-5	18 -24
1213414-6	18 -24
1213415-3	25A- 1
1213415-5	25A- 1
1213416-1	18 -26
1213416-2	18 -26
1213417-7	22A-16
1213417-8	22 -12
1213417-8	22A-15
1213417-9	22 -13
1213418-1	22 -72
1213418-2	22 -72
1213418-5	22 -72
1213418-6	22 -72
1213419-1	22 - 2
1213419-2	22 - 2
1213419-3	22 - 2
1213419-4	22 - 2
1213419-5	22 - 2
1213419-6	22 - 2
1213419-7	22A- 2
1213419-8	22A- 2
1213420-14	22 -15
1213420-14	22A-18
1213420-3	22 -16
1213420-3	22A-19
1213420-4	22 -17
1213420-4	22A-20
1213420-5	22 -18
1213420-5	22A-21
1213420-6	22 -19
1213420-6	22A-22
1213420-7	22 -20
1213420-7	22A-23
1213421-1	22 -33
1213421-1	22A-36
1213422-1	22 - 3
1213422-1	22A- 3
1213422-2	22 - 4

PART NUMBER	FIGURE AND INDEX NO.
1213422-3	22 - 4
1213422-3	22A- 4
1213422-4	22 - 4
1213422-4	22A- 4
1213423-1	22 -31
1213423-1	22A-34
1213424-1	22 -81
1213424-1	22A-74
1213425-1	22 -82
1213425-1	22A-75
1213426-1	22 -78
1213426-1	22A-71
1213426-2	22 -78
1213426-2	22A-71
1213427-1	22 -11
1213427-1	22A-14
1213427-1	22 -11
1213427-2	22A-14
1213428-1	22 -23
1213428-3	22 -28
1213428-3	22A-31
1213428-5	22 -23
1213428-5	22A-26
1213429-1	22 -46
1213429-1	22A-49
1213430-1	22 -21
1213430-12	22A-24
1213430-3	22 -21
1213430-4	22 -21
1213430-8	22 -21
1213430-9	22A-24
1213431-1	40 -20
1213431-2	40 -20
1213431-3	22 -49
1213431-3	22A-52
1213431-4	40 -31
1213432-1	22 -77
1213432-1	22A-70
1213433-1	22 -57
1213433-10	22A-81
1213433-11	22A-79
1213433-12	22A-79
1213433-14	22A-83
1213433-15	22A-84
1213433-16	22 -60
1213433-16	22A-62
1213433-17	22A-85
1213433-2	22 -58
1213433-2	22A-60
1213433-25	22 -57
1213433-25	22A-59
1213433-26	22A-59
1213433-27	22A-79
1213433-28	22A-79
1213433-3	22 -59
1213433-3	22A-61
1213433-3	22 -59
1213433-4	22A-61
1213433-4	22 -60
1213433-6	22 -61
1213433-6	22A-63
1213433-7	22 -62
1213433-7	22A-64
1213433-8	22A-82
1213433-9	22A-80
1213434-200	51A-63
1213434-200	51B-62
1213434-200-279	51A-63
1213434-3	51A-66
1213434-3	51B-66
1213435-1	22 -70
1213435-2	22 -71
1213436-1	22 -70
1213436-2	22 -71
1213437-1	22 -65

PART NUMBER	FIGURE AND INDEX NO.
1213437-3	22 -65
1213438-1	22 -63
1213438-2	22 -64
1213438-3	22 -63
1213438-4	22 -64
1213439-1-418	59 - 1
1213439-2-418	59 - 2
1213439-3	59 -12
1213439-4-532	59 - 1
1213439-6	59 -12
1213439-7-418	59 - 2
1213439-7-532	59 - 2
1213440-1	22 -38
1213440-2	22 -38
1213440-2	22A-41
1213440-3	22A-41
1213441-1	22 -68
1213442-1	22 -66
1213443-1	22 -67
1213443-1	22A-65
1213443-2	22 -67
1213443-2	22A-65
1213444-1	18 -30
1213444-2	18 -30
1213445-1	22 -69
1213445-2	22 -69
1213446-1	22 -32
1213446-1	22A-35
1213446-2	22 -32
1213446-2	22A-35
1213449-1	22 -43
1213449-1	22A-47
1213449-2	22 -43
1213449-2	22A-47
1213450-1	22 -44
1213450-2	22A-48
1213450-2	22 -44
1213452-1	22A-48
1213452-2	18 -31
1213453-1	18 -33
1213453-2	18 -33
1213454-1	19 -29
1213455-1	19 -30
1213456-1	22 -80
1213456-1	22A-73
1213456-2	22 -80
1213456-2	22A-73
1213457-1	22 -79
1213457-1	22A-72
1213458-1	22 -56
1213458-1	22A-59
1213458-2	22 -56
1213458-2	22A-59
1213459-1	18 -28
1213459-2	18 -28
1213460-1	18 -24
1213461-1	22 -50
1213461-1	22A-53
1213462-1	22 -73
1213462-1	22A-66
1213463-1	40 - 8
1213463-19	40 -10
1213463-2	40 - 9
1213463-20	40 -16
1213463-3	40 -14
1213463-4	40 -15
1213463-5	40 -11
1213463-6	40 -12
1213464-1	40 -13
1213466-1	40 - 1
1213466-2	40 - 2
1213466-7	40 -12
1213467-1	40 -18
1213467-2	40 -19

PART NUMBER	FIGURE AND INDEX NO.
1213468-1	22 -47
1213468-1	22A-50
1213469-201	73 - 1
1213469-202	73 - 1
1213469-203	73 - 1
1213469-204	73 - 1
1213469-205	22 -85
1213469-205	22A-79
1213469-205	73 - 8
1213469-205	73A- 9
1213470-1	73 - 6
1213470-3	73 - 4
1213470-3	73A- 6
1213470-4	73 - 5
1213470-4	73A- 8
1213471-1	25A- 3
1213472-1	22 -85
1213472-1	73 - 2
1213472-1	73A- 2
1213473-1	51 - 3
1213473-1	51A- 5
1213473-1	51B- 5
1213473-2	51 - 4
1213473-2	51A- 6
1213473-2	51B- 6
1213474-2-418	51 -37
1213475-1	75 - 1
1213475-2	75 - 2
1213475-3	18 -37
1213475-3	75A- 1
1213475-3	75B- 1
1213475-4	18 -38
1213475-4	75A- 2
1213475-4	75B- 2
1213478-1	18 -38
1213482-2	18 -38
1213483-1	18 -38
1213484-1	2 -41
1213486-1	73 -21
1213488-1	2 -35
1213488-1	59 -30
1213488-1	60A-15
1213489-1	2 -25
1213489-1	59 -30
1213491-1	18 -53
1213492-1	58 -26
1213495-1	25A- 3
1213496-1	22 -44
1213496-1	22A-48
1213496-2	22 -44
1213496-2	22A-48
1213496-3	22 -44
1213496-3	22A-48
1213496-4	22 -44
1213496-4	22A-48
1213497-1	73 - 3
1213500-1	18 -54
1213501-1	18 -54
1213501-3	18 -54
1213503-1	18 -53
1213503-1	59 -34
1213504-1	59 -12
1213504-2	59 -12
1213505-2	58 -31
1213505-200	59A-33
1213505-200	68A-22
1213505-200	68B-30
1213505-200	58 -34
1213505-7	59A-35
1213508-9	18 -52
1213511-1	2 - 8
1213512-1	25A- 3C
1213513-1	25A- 3A
1213513-2	25A- 3A
1213514-1	22 - 7A

PART NUMBER	FIGURE AND INDEX NO.
1213514-1	22A- 9
1213514-2	22 - 7A
1213514-3	22 - 7B
1213514-3	22A-10
1213515-2	22A- 9
1213515-200	73 - 1
1213515-200	73A- 1
1213515-201	73 - 1
1213515-201	73A- 1
1213516-1	73 - 6
1213516-1	73A- 5
1213516-2	73 - 7
1213516-2	73A- 7
1213517-1	22 - 4A
1213517-1	22A- 5
1213518-1	73 - 3
1213518-1	73A- 3
1213518-2	73 - 3
1213518-2	73A- 4
1213519-1	73 -25
1213522-1	2 -42
1213522-1	60A-15
1213523-1	2 -43
1213523-1	59A-88
1213524-1	22A-56
1213526-1	22A-88
1213526-2	22A-88
1213526-3	22A-87
1213526-4	22A-87
1213527-1	73A-12
1213532-1	2 -52
1213600-7	18 -41
1213615-1	27 -20
1213615-1	27A-20
1213618-1	75A-29
1213618-1	75B-30
1213618-2	75A-29
1213618-2	75B-30
1213621-1	22 -73
1213621-1	22A-66
1213626-1	73A-22
1213627-1	18 -15A
1213627-2	18 -15A
1213629-1	2 - 7
1213630-1	59A-63
1213630-2	59A-64
1213630-3	59A-65
1213632-1	59A-78
1213632-2	59A-79
1213635-1	18 -10A
1213636-1	59A-80
1213638-1	18 -11
1213638-2	18 -10
1213641-1	18 - 9
1213642-1	59A-55
1213642-2	59A-51
1213642-6	59A-51
1213643-1	59A- 3
1213644-1	59A-55
1213645-1	59A-13
1213646-1	59A-41
1213646-1	59A-42
1213650-1	59A-81
1213653-2	59C-19
1213653-3	59C-19
1213657-1	22A-86
1213657-2	22A-86
1213674-6-418	51 -37
1213674-8-279	51A-63
1216012-1	90 - 1
1216015-1	2 -32
1216015-1	91B-50
1216015-6	2 -33
1216015-6	91B-50
1216015-7	91B-50

PART NUMBER	FIGURE AND INDEX NO.
1216402-1	89 -21
1216402-13	89 -21
1216402-14	89 -22
1216402-2	89 -22
1216404-1	8 - 8
1216404-1	89 -55
1216404-2	8 - 9
1216404-2	89 -64
1216405-1	92 -
1216407-1	89A-17
1216407-11	89A-17
1216407-12	89A-16
1216407-2	89A-16
1216498-1	90A- 7
1216600-200	91B-45
1216600-200	92 -58
1216612-4	92A-23
1216612-4	92B-10
1216613-1	92A- 2
1216613-1	92B- 3
1220002-203	3 -14
1220002-203	4 -
1220002-204	3 -14
1220002-204	4 -
1220002-21	7 - 2
1220002-22	7 - 7
1220002-25	7 -13
1220002-26	7 -14
1220002-27	7 -11
1220002-28	7 -12
1220002-29	7 -12
1220002-46	7 - 1
1220002-54	7 - 6
1220003-15	7 - 1
1220003-20	7 - 6
1220003-203	3 -14
1220003-203	4 -
1220003-24	5 - 1
1220004-15	7 - 1
1220004-20	7 - 6
1220004-204	3 -14
1220004-204	4 -
1220004-23	5 - 2
1220006-1	7 -17
1220006-2	7 -17
1220006-21	7A-16
1220006-22	7A-16
1220007-1	7 -19
1220007-19	7A-17
1220007-2	7 -19
1220007-28	7A-17
1220007-30	7A-18
1220019-1	4 -17
1220019-10	4 -15
1220019-13	4A-28
1220019-14	4A-28
1220019-18	4 -15
1220019-19	4A- 8
1220019-19	4 -17
1220019-2	4 -17
1220019-20	4A- 8
1220019-20	4 -17
1220019-21	4 -19
1220019-22	4 -19
1220019-23	4A- 6
1220019-3	4 -19
1220019-4	4 -19
1220019-5	4 -48
1220019-6	4 -48
1220019-9	4 -15
1220022-3	8 -35
1220027-1	4 -54
1220027-1	7A-28
1220027-10	7A-31
1220027-2	4 -54

PART NUMBER	FIGURE AND INDEX NO.
1220027-2	7A-28
1220027-3	4 -53
1220027-3	7A-26
1220027-4	4 -53
1220027-4	7A-26
1220027-7	4 -52
1220027-8	7A-27
1220027-9	7A-31
1220028-2	4 -51
1220028-3	4 -51
1220028-5	7A-30
1220028-6	7A-30
1220040-7	6 -20
1220040-8	6 -20
1220047-1	6A-26
1220049-1	7A-25
1220049-2	7A-25
1220050-1	6A-16
1220050-2	6A-16
1220050-3	6A-26
1220050-4	6A-26
1220050-7	6A-33
1220050-8	6A-33
1220051-1	4A-38
1220051-2	4A-38
1220051-3	4A-39
1220051-4	4A-39
1220052-11	4A-25
1220052-12	4A-25
1220053-11	4A-24
1220053-12	4A-24
1220054-1	4A-42
1220054-2	4A-42
1220054-3	4A-43
1220054-4	4A-43
1220054-5	4A-44
1220054-6	4A-44
1220055-1	4A-40
1220055-2	4A-40
1220056-1	6A-30
1220058-1	4A-23
1220058-2	4A-23
1220059-1	3A- 8
1220059-1	4A-
1220059-10	7A-
1220059-11	7A-20
1220059-12	7A-23
1220059-13	7A-19
1220059-14	7A-21
1220059-15	7A-
1220059-16	7A- 5
1220059-17	7A- 2
1220059-18	7A- 7
1220059-2	3A- 8
1220059-2	4A-
1220059-5	7A- 6
1220059-6	7A- 1
1220059-7	7A- 7
1220059-8	7A- 2
1220059-9	7A- 5
1220060-1	3A- 8
1220060-1	4A-
1220060-10	7A-
1220060-12	7A-23
1220060-14	7A-21
1220060-15	7A-
1220060-16	7A- 5
1220060-17	7A- 2
1220060-18	7A- 7
1220060-2	3A- 8
1220060-2	4A-
1220060-7	7A- 7
1220060-8	7A- 2
1220060-9	7A- 5
1220065-1	81A-61

PART NUMBER	FIGURE AND INDEX NO.
1220065-2	81A-61
1220066-2	81A-65
1220068-1	4A-21
1220068-2	4A-21
1220068-3	7A-29
1220068-4	7A-29
1220068-5	4A-21
1220068-6	4A-21
1220069-1	4A-13
1220069-2	4A-13
1220071-1	9A-16
1220071-3	9A-13
1220071-5	9A-10
1220071-7	9A- 7
1220072-1	9A- 4
1220072-2	9A- 4
1220073-1	9A- 3
1220073-2	9A- 3
1220074-1	9A- 6
1220074-2	9A- 6
1220075-1	9A- 5
1220075-2	9A- 5
1220076-1	9A- 8
1220076-2	9A- 8
1220076-3	9A- 9
1220076-4	9A- 9
1220076-5	9A-14
1220076-6	9A-14
1220076-7	9A-15
1220076-8	9A-15
1220077-1	9A-11
1220077-2	9A-11
1220077-3	9A-12
1220077-4	9A-12
1220078-1	9A- 2
1220078-2	9A- 2
1220079-1	9A-24
1220081-1	4A-20
1220082-1	4A-13
1220083-1	4A-17
1220083-2	4A-17
1220084-1	4A-46
1220084-2	4A-47
1220084-3	4A-48
1220084-4	4A-49
1220085-1	9A-
1220085-2	9A-
1220085-3	9A-17
1220085-4	9A-17
1220085-5	9A-18
1220085-6	9A-18
1220085-7	9A-19
1220085-8	9A-19
1220086-1	6A-27
1220086-2	6A-27
1220087-1	6A-32
1220088-1	6A-28
1220089-1	85A-44
1220089-2	85A-45
1220092-1	5 - 9A
1220092-2	5 - 9A
1220093-1	6A-31
1220094	3A-14
1220095-1	7A-11
1220097-1	4A-50
1220098-1	4A-13
1220100-1	10A-
1220100-10	10A-30
1220100-11	10A-28
1220100-12	10A-28
1220100-13	10A-32
1220100-14	10A-32
1220100-2	10A-
1220100-25	10A-
1220100-26	10A-

PART NUMBER	FIGURE AND INDEX NO.
1220100-27	10A-37
1220100-3	10A-31
1220100-4	10A-31
1220100-5	10A-29
1220100-6	10A-29
1220100-7	10A-33
1220100-8	10A-33
1220100-9	10A-30
1220102-1	10A-11
1220102-2	10A-11
1220103-1	10A-12
1220103-2	10A-12
1220104-1	10A-22
1220105-1	10A-26
1220105-2	10A-27
1220106-1	10A-17
1220106-2	10A-17
1220109-1	10A-23
1220109-2	10A-23
1220109-3	10A-24
1220109-4	10A-24
1220110-1	10A-16
1220111-1	10A-25
1220111-2	10A-25
1220113-1	4A-51
1221010-5	4 -34
1221010-6	4 -34
1221010-7	4 -34
1221010-7	4A-22
1221011-1	4 -42
1221011-2	4 -42
1221011-3	4 -42
1221011-4	4 -42
1221012-1	4 -41
1221012-2	4 -41
1221012-3	4 -41
1221012-4	4 -41
1221013-3	4 -35
1221013-4	4 -35
1221019-1	4 -43
1221019-2	4 -43
1221022-1	4 -49
1221024-1	6 - 4
1221024-1	6A- 4
1221101-1	4 -10
1221101-2	4 -10
1223000-1	3 -24
1223000-2	3 -24
1223000-7	3 -24
1223000-7	3A-13
1223000-8	3 -24
1223000-8	3A-13
1223011-1	3 -32
1223011-1	3A-33
1225001-1	10 -23
1225001-1	10A-13
1225001-2	10 -29
1225001-2	10A-13
1225001-2	10 -31
1225001-25	10 -31
1225001-26	10 -31
1227002-10	11 -19
1227002-11	11 -19
1227002-4	11 -19
1227002-5	11 -19
1227002-6	3 -12
1227002-7	3 -12
1227002-8	3 -13
1227002-9	3 -13
1227400-1	11 - 1
1227400-2	11 - 2
1227401-2	11 -16
1227401-3	11 -16
1227402-1	11 -16
1227402-2	11 -16
1227402-3	11 -16

PART NUMBER	FIGURE AND INDEX NO.
1227402-4	11 -16
1227600-1	11 - 1
1227600-2	11 - 2
1231000-13	12 -
1231000-14	12 -39
1231000-15	12 -37
1231000-16	12 -38
1231000-17	12 -36
1231000-18	12 -33
1231000-19	12 -32
1231000-4	12 -34
1231000-7	12 -35
1231001-2	13 -29
1231001-200	13 - 9
1231001-3	13 -28
1231001-5	13 -
1231001-7	13 -
1231002-1	12 - 8
1231002-2	12 - 9
1231005-2	12 -14
1231006-1	12 -13
1231007-1	12 -12
1231008-1	12 -11
1231009-3	12 -17
1231009-5	12 -16
1231010-1	12 -10
1231012-1	12 -25
1231013-1	12 -24
1231014-2	12 -26
1231014-3	12 -27
1231015-1	13 - 4
1231015-2	13 - 5
1231015-3	13 - 6
1231016-1	13 - 7
1231017-1	13 - 8
1231021-1	13 -14
1231021-2	13 -15
1231021-3	13 -16
1231022-1	13 -17
1231023-1	12 -23
1231023-16	13 -18
1231023-17	13 -20
1231023-18	13 -22
1231023-19	13 -19
1231023-2	12 -22
1231023-20	13 -21
1231023-21	13 -23
1231023-3	12 -21
1231026-1	13 -24
1231026-2	13 -24
1231029-1	13 -10
1231029-2	13 -10
1231032-1	13 -11
1231044-1	13 -12
1232000-10	14 -29
1232000-11	14 -28
1232000-3	14 -31
1232000-5	14 -20
1232000-6	14 - 3
1232000-9	14 -
1232104	14 -17
1232104	14A-19
1232105	14 -18
1232105	14A-20
1232106	14 -19
1232106	14A-21
1232114	14 -22
1232114-1	14 -22
1232114-1	14A- 8
1232116	14 - 5
1232116	14A- 6
1232117	14 - 6
1232118-1	14 -36
1232118-1	14A-28
1232118-2	14 -36

PART NUMBER	FIGURE AND INDEX NO.
1232118-2	14A-29
1232139-1	14 -46
1232139-1	14A-35
1232140-1	14 -45
1232140-1	14A-34
1232141-1	14 -43
1232141-1	14A-46
1232142-1	14 -42
1232142-1	14A-44
1232143-1	14A-51
1232400-1	14 -37
1232400-1	14A-48
1232400-2	14 -37
1232400-2	14A-48
1232401-1	14 -13
1232600-1	14A-
1232600-2	14A-38
1232600-3	14 -28
1232600-3	14A-39
1232600-4	14 -29
1232600-4	14A-40
1232600-5	14 -31
1232600-5	14A-41
1232601-1	14A-15
1232602-1	14A-14
1232603-1	14A-16
1232603-2	14A-22
1232604-1	14A-37
1232605-1	14A- 5
1232606-1	14A-30
1232606-2	14A-31
1232610-1	14A- 6
1232610-2	14A- 3
1232610-3	14A- 7
1232610-4	14A- 4
1234000-11	15 - 9
1234000-14	15 - 4
1234000-17	15 -10
1234000-18	15 -11
1234000-19	15 -15
1234000-2	15 -
1234000-20	15 -13
1234000-21	15 -12
1234000-22	15 -30
1234000-22	15A-45
1234000-23	15 -29
1234000-23	15A-44
1234000-25	15 -
1234000-26	15 -
1234000-28	15 -15
1234000-29	15 -15
1234000-3	15 -
1234000-30	15 -
1234000-31	15 -
1234000-4	15 - 5
1234000-7	15 - 6
1234002-1	15 -17
1234003-1	15 -18
1234004-1	15 -40
1234005-1	15 -20
1234005-2	15 -21
1234006-1	15 -41
1234006-2	15 -41
1234006-3	15 -41
1234007-1	15 -42
1234007-3	15 -42
1234007-4	15 -42
1234008-1	15 -45
1234008-1	15A-54
1234008-2	15 -46
1234008-2	15A-55
1234008-3	15 -47
1234008-4	15 -48
1234009-1	15 - 7
1234009-6	15A-10

PART NUMBER	FIGURE AND INDEX NO.
1234011-1	15 -22
1234011-2	15 - 8
1234012-1	15 -14
1234012-1	15A-17
1234013-1	15 -49
1234014-1	15 -27
1234014-1	15A-37
1234014-2	15 -28
1234014-2	15A-38
1234016-1	15 -19
1234017-1	15 -37
1234017-1	15A-35
1234022-1	15 -31
1234022-1	15A-33
1234022-2	15 -32
1234022-2	15A-34
1234023-1	14 -47
1234023-1	14A-36
1234024-1	15 -23
1234024-2	23 -38A
1234024-2	41 -16
1234024-3	15A- 7
1234025-1	15 -26
1234025-1	15A-36
1234026-1	15 -38
1234026-1	15A-46
1234026-2	15 -39
1234026-2	15A-46
1234027-1	15 -33
1234027-2	15 -33
1234029-1	15 -50
1234030-1	15 -33
1234030-2	15 -33
1234031-1	83 -65
1234605-1	15A-47
1234605-2	15A-48
1234606-3	15A-43
1234608-3	15A-20
1234608-4	15A-21
1234620-10	15A-16
1234620-15	15A- 4
1234620-16	15A-12
1234620-17	15A-18
1234620-18	15A-19
1234620-2	15 - 5
1234620-2	15A- 5
1234620-3	15A-
1234620-4	15A-
1234620-7	15A-13
1234620-8	15A-14
1234620-9	15A-15
1234621-1	15A-27
1234621-2	15A-28
1234622-2	15A-52
1234622-3	15A-22
1234622-3	15A-51
1234622-4	15A-23
1234623-1	15A-31
1234623-2	15A-32
1234624-1	15A-39
1234624-2	15A-40
1234625-1	15A-53
1234626-1	14A-13
1234627	15A-24
1234628-1	15A- 6
1234628-5	15A-11
1234629-1	15A-41
1234629-2	15A-42
1234631-1	15A-25
1234631-2	15A-26
1234632-1	15A-29
1234632-2	15A-30
1241017-1	44 -47
1241025-1	43 - 3
1241026-1	43 - 8

PART NUMBER	FIGURE AND INDEX NO.
1241026-1	44 -44
1241029-1	42 -18
1241029-1	43 -16
1241030-7	44 -39
1241030-8	44 -43
1241030-9	43 - 5
1241035-1	38 -17
1241035-1	77 -13
1241035-2	38 -17
1241035-2	77 -13
1241041-1	25 -10
1241042-1	38 - 6
1241042-2	38 - 6
1241043-1	38 - 4
1241043-2	38 - 4
1241048-1	38 - 7
1241048-2	38 - 7
1241061-1	38 -29
1241062-1	33 -18
1241062-1	33 -18
1241062-2	33 -18
1241063-1	38 -33
1241156-10	39B- 1
1241156-12	36B-
1241157-1	39B-15
1241401-200	38 - 1
1241401-201	38 - 1
1241403-1	44 - 1
1241403-2	44 - 1
1241404-1	44 -21
1241404-2	44 -21
1241404-3	44 -21
1241405-1	44 -34
1241406-1	44 -25
1241406-2	44 -38
1241407-1	38 - 8
1241409-1	44 -22
1241410-1	44 - 7
1241410-2	44 - 7
1241411-1	44 - 9
1241411-2	44 - 9
1241413-1	44 -11
1241413-2	44 -15
1241413-3	44 -16
1241414-1	44 -26
1241415-1	44 -31
1241415-2	44 -31
1241416-1	38 - 7A
1241416-2	38 - 7A
1241416-3	38 -40
1241416-3	117 - 7
1241416-4	38 -40
1241416-4	117 - 7
1241417-1	44 - 3
1241417-2	44 - 5
1241418-1	38 -11
1241418-1	44 -49
1241418-10	44 -50
1241418-2	38 -11
1241418-2	44 -49
1241418-3	38 -11
1241418-3	44 -49
1241418-4	38 -11
1241418-4	44 -49
1241418-5	44 -50
1241418-6	44 -50
1241418-7	44 -50
1241418-8	44 -50
1241418-9	44 -50
1241419-1	44 -33
1241421-3	42 -12
1241422-1	38 -36
1241423-1	38 -35
1241423-2	38 -35
1241424-1	42 - 6

PART NUMBER	FIGURE AND INDEX NO.
1241424-1	44 -28
1241425-1	38 - 2
1241425-2	38 - 2
1241427-1	41 -28
1241428-1	43 -11
1241428-2	43 -11
1241429-3	43 -13
1241430-1	43 - 2
1241434-1	38 -10
1241435-1	44 - 6
1241436-1	43 -17
1241436-2	43 -17
1241438-1	39A-19
1243001-1	2 -28
1243008-3	35 -18
1243008-4	35 -19
1243014-1	35 -27
1243018-1	35 -35
1243019-2	33 -25
1243019-2	117 - 5
1243020-1	33 -27
1243030-5	35 -30
1243030-6	35 -30
1243030-7	35 -30
1243037-5	35 -66
1243061-2	22 -22
1243061-2	22A-25
1243063-1	22 -24
1243063-1	22A-27
1243065-3	40 -36
1243400-2	35 - 9
1243400-200	35 -
1243400-201	35 - 1
1243400-202	35 - 1
1243400-203	35 -
1243400-204	35 -
1243400-4	35 -21
1243404-1	35 -29
1243405-200	35 -30
1243406-1	34 -16
1243407-1	33 -21
1243407-1	37 -
1243407-2	33 -21
1243407-2	37 -
1243407-3	33 -21
1243407-3	37 -
1243411-1	34 -12
1243412-1	34 - 6
1243412-2	34 - 7
1243415-1	42 -
1243415-10	42 -17
1243415-2	42 - 1
1243415-3	42 -12
1243415-5	42 -12
1243415-6	42 - 3
1243416-1	37 - 3
1243417-1	40 -32
1243419-1	34 - 2
1243420-1	34 - 1
1243421-1	35 -69
1243421-2	35 -70
1243621-2	35 -35A
1243625-200	35 -30
1243626-1	35 -46
124756.06	69A-20
1250001-2	66 -21
1250002-1	94 -10
1250002-1	94A-37
1250003-1	69D-36
1250003-1	69D-43
1250003-1	94 -22
1250003-1	94A-49
1250021-11	63 - 1
1250021-11	65 -
1250021-2	63 - 1

PART NUMBER	FIGURE AND INDEX NO.
1250021-2	64 -
1250021-8	63 - 1
1250021-8	65 -
1250100-10	72 - 8
1250100-12	72 -15
1250100-12	72A-17
1250100-13	72 -25
1250100-13	72A-27
1250100-15	72 -23
1250100-15	72A-25
1250100-16	72 -16
1250100-21	72A-18
1250100-23	72A-10
1250100-27	72A-18
1250100-4	72B-51
1250100-5	72B-19
1250100-8	72 - 6
1250100-8	72A- 8
1250101-5	72B-17
1250105-1	72 -19
1250105-1	72A-21
1250105-1	72B-32
1250105-2	72A-13
1250105-2	72B-33
1250106-1	72 -22
1250106-1	72A-24
1250115-1	76 -12
1250115-2	76 -15
1250115-3	76 -12
1250115-4	76A-15
1250115-4	76 -15
1250115-4	76A-18
1250116-1	76 -10
1250116-1	76A-13
1250123-1	68 -20
1250123-1	68A-20
1250123-1	76 -38
1250126-1	72 -11
1250132-1	69A-19
1250134-1	72A-41
1250135-1	72A-28A
1250135-1	72B- 2
1250137-1	72A-27A
1250137-2	72A-28
1250137-3	72A-28
1250201-12	71 -17
1250201-14	71 -16
1250201-8	71 -15
1250209-1	114A- 9
1250250-1	71 -
1250250-30	71 -20
1250250-4	71 - 3
1250250-5	71 - 5
1250250-6	71 - 6
1250250-7	71 - 1
1250250-8	71 -13
1250251-1	71 -
1250251-12	71 - 8
1250251-13	71 - 9
1250251-14	71 -10
1250251-16	71 -12
1250251-2	71 - 4
1250251-7	71 -14
1250251-9	71 - 2
1250254-1	67 -46
1250256-1	71 -
1250256-3	71 - 3
1250256-7	71 -13
1250257-1	71 -
1250257-3	71 - 4
1250257-7	71 -14
1250257-9	71 -
1250258-1	27 -43
1250258-1	27A-47
1250259-1	67 -46



PART NUMBER	FIGURE AND INDEX NO.
1250259-1	67A-43
1250300-2	69 -10
1250306-1	69 -25
1250306-1	69A-15
1250307-1	69 -11
1250309-1	69 - 8
1250309-1	69A- 5
1250310-1	69 -21
1250310-1	69A-11
1250311-1	69 -24
1250311-1	69A-14
1250315-1	69 -12
1250401-1	67 -10
1250401-1	67A-10
1250401-2	67 -11
1250401-2	67A-11
1250401-3	67 -12
1250401-3	67A-12
1250401-3	67B-14
1250402-1	68 - 8
1250402-1	68A- 8
1250402-1	69D-14
1250402-2	69C-23
1250405-1	93 -26
1250405-1	93A-40
1250406-2	93 -17
1250407-1	93 -21
1250408-1	93 -22
1250409-1	93 -23
1250410-1	2 -29
1250410-1	93 -19E
1250410-3	2 -29
1250410-3	93A-29
1250412-1	63A-13
1250412-1	63B-13
1250414-1	63A- 7
1250414-4	63A-11
1250414-4	63B-11
1250414-6	63B- 7
1250415-2	63A- 5
1250418-1	93 -19E
1250418-2	93A-29
1250419-2	63B- 5
1250502-1	18 -42
1250502-1	76 - 9
1250502-1	76A-12
1250503-1	76 -36
1250503-1	76A-37
1250503-2	76 -37
1250503-2	76A-38
1250653-1	92A-11
1250653-1	92B-18
1250654-1	92A-12
1250654-1	92B-19
1250655-1	92B-18
1250655-2	92B-19
1250700-1	69 -
1250700-4	69 -
1250701-1	69 - 5
1250701-5	69 - 6
1250701-6	69 - 7
1250703-1	69 -11
1250704-1	69A-17
1250704-2	69A-17
1250705-1	69A- 7
1250706-1	69A-20
1250706-1	113 -43
1250706-2	69A-24
1250707-1	69A- 2
1250711-1	69A- 3
1250712-1	69A- 4
1250713-1	69A-16
1250715-1	69A-10
1250716-1	69A- 8
1250717-1	69A-

PART NUMBER	FIGURE AND INDEX NO.
1250718-1	69A-12
1250719-1	72A-14A
1250807-1	67B-13
1250815-1	69C-13
1250816-1	69C- 4
1250816-2	69C-38
1250816-3	69C-16
1250817-1	68B-24
1250818-10	69C- 6
1250818-200	69C- 5A
1250818-201	69C- 6A
1250818-9	69C- 5
1250821-1	66B-37
1250821-2	66B-38
1250822-1	66B-42
1250822-2	66B-43
1250823-1	66A- 5
1250823-1	66B-10
1250824-1	69C- 7
1250825-1	72B-35
1250826-1	72B-15
1250826-2	72B-23
1250827-1	72B-16
1250828-1	72B-34
1250829-7	72B-10
1250829-8	72B- 9
1250830-10	69B-14
1250830-16	69B-10
1250830-17	69B- 5
1250830-19	69B-11
1250830-20	69B-12
1250830-21	69B-13
1250830-5	69B- 3
1250831-1	69B-27
1250833-1	67B-39
1250835-3	80 -79
1250837-1	67B-30
1250837-3	67B-32
1250837-7	67B-31
1250838-1	67B-33
1250838-2	67B-30
1250839-1	69B-18
1250839-4	69B-23
1250839-5	69B-24
1250839-7	69B-20
1250841-1	66A-11
1250841-1	66B- 4
1250842-1	66A-21
1250842-1	66B-21
1250842-2	66A-22
1250842-2	66B-22
1250843-1	76A-34
1250844-1	22A-78
1250844-2	22A-78
1250846-1	69B-17
1250847-3	69B- 9
1250849-1	76A-35
1250850-3	69D- 7
1250858-1	69D-15
1250858-2	69D-16
1250858-3	69D- 8
1250858-4	69D- 9
1250860-12	71A-16
1250860-12	71A-17
1250860-2	71A-12
1250860-28	69D- 3
1250860-28	71A- 3
1250860-29	71A-13
1250860-3	71A- 6
1250860-4	71A- 7
1250860-5	71A- 8
1250860-55	69D- 2
1250860-55	71A- 2
1250860-6	69D- 1
1250860-6	71A- 1

PART NUMBER	FIGURE AND INDEX NO.
1250860-64	71A- 9
1250860-65	71A-10
1250860-70	71A- 5
1250865-1	69D-23
1250868-1	72B- 1
1250868-2	72B- 4
1250868-3	72B- 5
1250869-1	72B- 6
1250870-1	72B-11
1250871-1	72B-12
1250872-1	72B-29
1250873-200	73A- 1
1250873-201	73A- 1
1250874-1	73A- 3
1250874-2	73A- 4
1250875-3	69B-16
1250876-11	27A-32
1250876-16	27A-33
1250876-17	27A- 2
1250876-19	27A-34
1250876-20	27A-35
1250876-5	27A-
1250876-6	27A- 1
1250876-9	27A-31
1250877-3	69B- 8
1250878-1	67A- 6D
1250879-1	69B- 1
1250881-1	72B-42
1250881-2	72B-46
1250881-3	72B-45
1250881-4	72B-44
1250881-5	72B-47
1250888-1	72B-39
1250889-1	69D-28
1250890-1	67A-56
1250890-1	67B-47
1250893-1	66B-44
1250893-2	66B-47
1250897-1	67B- 4
1250897-1	69C- 8
1250897-3	69C-11
1250908-1	69C-26
1250912-1	69B- 6
1250912-2	69B- 7
1250913-1	69C-35
1250918-1	22A-89
1252000-10	66 - 7B
1252000-11	66 - 2B
1252000-11	66A- 3
1252000-11	66B-23
1252000-9	66 - 3
1252001-1	66 -20
1252001-1	66A-30
1252001-1	66B-30
1252001-2	66A-31
1252001-2	66B-31
1252002-4	66 - 4
1252004-1	66 -17
1252010-1	66A-16
1252010-10	66 -35
1252010-11	66 -36
1252010-12	66 -36
1252010-16	66 -39
1252010-2	66 -39
1252010-9	66 -34
1252012-1	66 -40
1252012-2	66 -40
1252013-1	66 -37
1252400-1	66 - 1
1252400-10	66 - 1
1252400-12	66 - 2
1252400-15	66A-27
1252400-15	66B-27
1252400-15	66 -16A
1252400-16	66 - 2A

PART NUMBER	FIGURE AND INDEX NO.
1252400-16	66A- 4
1252400-16	66B- 3
1252400-17	66 - 1
1252400-18	66 -18
1252400-18	66A-28
1252400-19	66 - 2
1252400-2	66 -18
1252400-20	66 -19
1252400-20	66A-29
1252400-25	66B- 1
1252400-26	66B-28
1252400-3	66 - 2
1252400-31	66B- 2
1252400-32	66B-29
1252400-33	66A- 1
1252400-34	66A- 2
1252400-4	66 -19
1252400-9	66 -16
1252410-1	22 -39
1252410-10	66 -33
1252410-11	22 -42
1252410-15	22 -39
1252410-16	22 -41
1252410-16	22A-44
1252410-17	22 -41
1252410-18	22 -41A
1252410-18	22A-45
1252410-21	22A-42
1252410-22	22A-46
1252410-23	22A-44
1252410-3	66 -27
1252410-4	66 -28
1252410-7	22 -41
1252410-8	22 -41
1252410-9	66 -32
1252411-1	22 -40
1252412-1	22 -40
1252412-6	22A-43
1252413-11	66A-44
1252413-11	66 -46B
1252413-12	66 -46C
1252413-12	66A-45
1252413K200	66 -43
1252413K200	66A-38
1252413K201	66 -42
1252413K201	66A-37
1253026-1	27 -33
1253026-1	27A-40
1253031-10	18 -13A
1253034-1	76 - 3
1253034-1	76A- 3
1253035-2	76 - 7
1253035-2	76A- 7
1253037-4	76 - 5
1253037-4	76A- 5
1253041-1	76 - 4
1253041-1	76A- 4
1253044-3	76 - 2
1253044-3	76A- 2
1253045-2	18 -47
1253045-2	76 - 1
1253045-2	76A- 1
1253400-10	27 -26
1253400-14	27 - 1
1253400-200	27 -
1253400-201	27 -25A
1253400-5	27 -28
1253400-6	27 - 2
1253401-1	27 - 3
1253401-1	27A- 6
1253402-1	27 - 4
1253402-1	27A- 5
1253403-1	27 - 5
1253403-1	27A- 3
1253403-2	27A- 4

PART NUMBER	FIGURE AND INDEX NO.
1253404-1	27 - 6
1253404-2	27 - 7
1253404-5	27A- 7
1253404-6	27A- 8
1253405-1	27 - 8
1253405-1	27A- 9
1253406-1	27 -39B
1253406-2	27 -40
1253406-3	27 -41
1253406-6	27 -40
1253406-6	27 -41
1253407-1	27 -30
1253407-1	27A-37
1253407-2	27 -31
1253407-2	27A-38
1253408-1	27 -10
1253408-1	27A-12
1253408-2	27 -11
1253408-2	27A-13
1253409-1	27 -27
1253409-2	27 -27
1253409-3	27A-36
1253409-4	27A-36
1253410-1	27 -13
1253411-11	22 -14
1253411-11	22A-17
1253411-2	22 -14
1253411-2	22A-17
1253411-3	22 -74
1253411-3	22A-67
1253411-5	22 -75
1253411-5	22A-68
1253412-1	27 - 9
1253412-1	27A-10
1253415-1	27 -21
1253415-1	27A-15
1253416-1	27 -12
1253416-1	27A-14
1253417-1	27 -14
1253418-1	27 -15
1253418-1	27A-16
1253418-2	27 -16
1253418-2	27A-16
1253419-1	27 -17
1253419-1	27A-17
1253423-1	27 -39A
1253423-2	27 -39B
1253424-1	27 -39
1253425-1	27 -18
1253425-2	27A-18
1253427-1	27 -41
1253428-1	27A-30
1253428-3	27A-31
1253429-1	27A-11
1260012-1	82 -11
1260012-2	82 -20
1260016-1	82 -29
1260030-1	82 -53
1260030-1	82A-54
1260030-1	83 -42
1260030-1	86 -28
1260031-1	82 -52
1260031-1	82A-53
1260031-1	83 -41
1260031-1	86 -27
1260032-1	82 -63
1260032-1	82A-65
1260049-1	84 - 7
1260054-1	81A-45
1260055-1	81A-56
1260056-1	85A-28
1260056-2	85A-29
1260057-1	85A-47
1260057-2	85A-52
1260058-2	85A-33

PART NUMBER	FIGURE AND INDEX NO.
1260059-1	85A-39
1260060-1	81 -51
1260060-1	81A-40
1260060-1	85 - 6
1260060-1	85A-21
1260061-1	10 - 1
1260061-1	85 -20
1260061-2	10 - 1
1260061-2	85 -20
1260062-1	85 -17
1260063-1	10 - 8
1260063-1	85 -21
1260064	85 -10
1260064-1	85A-15
1260065-3	83 -70
1260065-4	83 -64
1260065-5	83 -69
1260065-7	83 -64
1260065-8	83 -64
1260066-1	10 -41
1260067-1	10 -41
1260068-1	10 -39
1260068-2	85A-61
1260071-1	81A-76
1260074-1	84 - 1
1260417-1	77 -47
1260417-2	77 -47
1260418-1	78 -21
1260418-2	78 -22
1260419-1	78 -34
1260420-1	83 - 2
1260421-1	83 - 9
1260422-1	83 - 1
1260423-1	80 -50
1260423-1	80 -51
1260423-6	80 -50
1260423-6	80 -51
1260424-1	80 -41
1260424-1	80 -41
1260425-1	80 -18
1260427-1	21 -31
1260427-1	21A-25
1260427-2	21 -32
1260427-2	21A-26
1260428-1	87 -20
1260429-1	80 -16
1260430-1	80 -17
1260432-1	80 -83A
1260432-2	80 -83
1260433-1	87 - 7
1260434-1	83 - 1
1260435-1	87 -22
1260436-1	77 -23
1260437-1	80 -88
1260438-1	80 -16A
1260438-2	80 -16B
1260440-1	82A-11
1260441-1	82A-18
1260442-1	82A-15
1260443-1	80 -25A
1260443-1	80 -25B
1260446-1	80 -90
1260446-2	80 -91
1260447-1	80 -17A
1260448-1	80 -18A
1260449-1	82A-29
1260450-1	80 -88
1260451-3	25A-24
1260456-3	78 -21A
1260456-4	78 -22A
1260458-1	59A-46
1260458-1	78 -36
1260459-11	78 -37
1260459-3	78 -28A
1260459-8	78 - 2A

PART NUMBER	FIGURE AND INDEX NO.
1260461-4	78 -39
1260463-1	61 -25
1260505-1	77 -38
1260505-10	82 - 2
1260505-102	82 -27
1260505-103	81 - 1
1260505-104	85 -23
1260505-105	83 -26
1260505-106	83 -27
1260505-107	83 -54
1260505-108	83 -55
1260505-109	82 - 1
1260505-11	86 -11
1260505-110	82 - 2
1260505-111	86 -11
1260505-112	86 -12
1260505-113	86 -12
1260505-114	85 -22
1260505-115	86 - 7
1260505-12	86 -12
1260505-120	83 -54
1260505-122	83 -26
1260505-123	81A- 6A
1260505-125	81A- 1
1260505-126	81A- 4
1260505-127	81A- 6A
1260505-13	86 -12
1260505-131	82A-27
1260505-132	82A- 1
1260505-133	82A- 2
1260505-14	85 -22
1260505-15	86 - 7
1260505-2	82 -27
1260505-20	83 -54
1260505-22	83 -26
1260505-23	81A- 6
1260505-25	81A- 1
1260505-26	81A- 4
1260505-27	81A- 6A
1260505-3	81 - 1
1260505-31	82A-27
1260505-32	82A- 1
1260505-33	82A- 2
1260505-4	85 -23
1260505-5	83 -26
1260505-6	83 -27
1260505-7	83 -54
1260505-8	83 -55
1260505-9	82 - 1
1260604-1	83 - 1
1260648-1	81A-69
1261103-2	87 -18
1261107-2	87 -19
1261112-3	87 -16
1261415-2	22 - 5
1261415-2	22A- 6
1261415-3	22 - 5
1261415-3	22A- 6
1261416-1	22 -29
1261416-1	22A-32
1261416-3	22 -30
1261416-3	22A-33
1261417-1	18 -13A
1261417-1	77 -51
1261418-1	18 -17
1261418-2	18 -18
1261420-1	18 -49
1261420-1	80 -80
1261420-2	18 -50
1261420-2	80 -80
1261420-5	18 -51
1261420-5	80 -81
1261421-2	18 -12
1261421-4	18 -12
1261421-6	18 -12

PART NUMBER	FIGURE AND INDEX NO.
1261422-1	77 -52
1261422-2	77 -52
1261423-1	18 -13
1261424-1	18 -14
1261424-2	18 -15
1261425-1	21 -29A
1261425-1	21A-23
1261425-2	21 -30
1261425-2	21A-24
1261426-1	21 -31
1261426-1	21A-25
1261427-2	18 -48
1261427-2	80 -62
1261428-1	18 -11
1261428-1	80 -85
1261428-2	18 -10
1261429-1	18 - 9
1261430-1	80 -36
1261431-200	21 -
1261432-1	87 - 1
1261432-5	87 - 1
1261436-1	18 -16
1261437-1	22 - 5
1261437-1	22A- 6
1261438-1	87 -12
1261440-200	92 -58
1261440-201	92 -58
1261441-1	95 - 3
1261441-2	95 - 2
1261441-3	73 -24
1261441-3	73A-26
1261441-3	95 - 4
1261442-1	21 -25
1261442-2	21 -25
1261442-3	21 -26
1261442-4	21 -27
1261443-1	21 - 2
1261444-1	21 -21
1261444-1	21A-17
1261444-2	21 -22
1261444-2	21A-18
1261445-1	21 - 3
1261445-1	21A- 3
1261445-2	21 - 9
1261445-2	21A- 9
1261446-1	21 -22
1261446-1	21A-18
1261446-2	21 -23
1261446-2	21A-19
1261446-3	21 -23
1261446-3	21A-19
1261446-4	21 -24
1261446-4	21A-20
1261446-5	21 -24
1261446-5	21A-20
1261447-1	21 -33
1261447-1	21A-26
1261447-2	21 -34
1261447-2	21A-27
1261448-1	21 -19
1261448-1	21A-14
1261448-2	21 -20
1261448-2	21A-15
1261449-1	21 -12
1261450-1	21 -12
1261450-2	21 -17
1261450-3	21 -18
1261451-1	21 -25
1261451-1	21A-21
1261453	92 -52
1261454-1	80 -86
1261455-1	21A-33
1261631-201	21A-
1261632-2	21A-21
1261632-3	21A-22

PART NUMBER	FIGURE AND INDEX NO.
1261632-4	21A-23
1261632-9	21A-21
1261633-1	21A- 2
1261635-1	21A-12
1261636-1	21A-30
1261645-1	73 -21
1261645-6	73A-27
1261646-1	21A-34
1261647-1	73 -22
1261647-1	73A-25
1270034-1	33 -33
1270034-1	117 - 4
1270034-4	33 -33
1270034-4	117 - 4
1270035-2	113 -12
1270405FPA1	113 -40
1270405FPA10	113 -42
1270405FPA12	113 -42
1270405FPA15	113 -42
1270405FPA16	113 -41
1270405FPA9	113 -41
1270405FPC1	113 -42
1270405FPC2	113 -42
1270425FPA1	113 -40
1270425FPA10	113 -42
1270425FPA12	113 -42
1270425FPA9	113 -41
1270425FPC1	113 -42
1270429-1	59 -22A
1270432-2	115 -11
1270434-2	113 -26
1270442-1	2 -13
1270460-1	23 -67
1270460-3	23 -68
1270461-1	59 -22A
1270463-2-532	52 - 8
1270463-4-532	118 - 1
1280007-1	2 -17
1280103-4	101 -
1280103-7	101 -
1280109-3	105 -29
1280109-3	111 -
1280111-1	77 -10
1280116-2	107 -23
1280116-2	109 -
1280116-3	109 -10
1280117-1	109 - 9
1280206-1	103 -23
1280206-1	103A-24
1280207-1	103 -25
1280207-1	103A-26
1280209-1	103 -18
1280210-1	103 -29
1280210-1	103A-28
1280211-1	103 - 2
1280211-2	103A- 2
1280219-3	111 -13
1280220-3	111 - 9
1280221-1	111 - 6
1280221-1	110 -16
1280222-1	110 - 8
1280222-1	111 - 7
1280222-2	110 -13
1280222-2	111 - 3
1280222-3	110 - 9
1280222-3	111 - 8
1280223-1	110 -14
1280223-1	111 - 1
1280224-1	109 - 4
1280226-1	109 -18
1280231-1	103 -24
1280231-1	103A-25
1280234-2	103 -26
1280234-2	103A-27
1280235-1	109 -11

PART NUMBER	FIGURE AND INDEX NO.
1280236-1	109 -14
1280237-1	109 -12
1280238-1	109 -13
1280500-2	96 -
1280500-2	95 - 1
1280500-202	95 - 1
1280500-202	96 -
1280500-203	95 - 1
1280500-203	96 -
1280500-3	95 - 1
1280500-3	96 -
1280501-1	105 -30
1280501-1	106 -
1280501-2	105 -31
1280501-2	106 -
1280502-1	102 -22
1280502-1	103 -
1280503-2	108 -
1280503-2	102 - 4
1280503-2	107 -53A
1280503-4	108 -
1280503-4	107 -53
1280504-1	102 -16
1280504-1	107 -52
1280504-1	110 -
1280505-1	95 -23
1280505-2	95 -23
1280506-1	38 -15
1280506-1	77 -12
1280506-10	107 - 9
1280506-100	38 -15
1280506-101	105 -17
1280506-102	105 -20
1280506-105	77 - 4
1280506-106	77 - 5
1280506-107	95 - 7A
1280506-108	95 -42A
1280506-109	95 -58A
1280506-11	107 - 3
1280506-110	95 -57A
1280506-111	95 -56A
1280506-112	95 -55A
1280506-113	105 -22
1280506-113	105 -25
1280506-114	95 -52
1280506-115	95 -42A
1280506-12	107 - 5
1280506-13	107 - 4
1280506-14	107 - 6
1280506-15	105 - 3
1280506-16	105 - 5
1280506-17	104 - 4
1280506-18	104 - 1
1280506-19	77 - 4
1280506-2	77 -12
1280506-2	38 -15
1280506-20	77 - 5
1280506-21	77 - 8
1280506-22	77 - 9
1280506-23	104 - 3
1280506-24	105 - 6
1280506-26	105 -17
1280506-27	105 -20
1280506-28	104 - 6
1280506-29	105 - 1
1280506-3	107 -17
1280506-31	105 -22
1280506-32	105 -25
1280506-33	104 - 5
1280506-34	105 - 2
1280506-35	104 - 2
1280506-36	105 - 4
1280506-37	105 - 7
1280506-38	105 -10
1280506-39	105 -12

PART NUMBER	FIGURE AND INDEX NO.
1280506-4	107 -17
1280506-40	105 -16
1280506-41	107 -43
1280506-42	107 -44
1280506-43	107 -35
1280506-44	107 -36
1280506-45	107 -33
1280506-46	107 -34
1280506-47	107 -27
1280506-48	107 -26
1280506-49	107 -29
1280506-5	107 -16
1280506-50	107 -30
1280506-51	102 -36
1280506-52	102 -40
1280506-53	102 -41
1280506-54	102 -39
1280506-55	102 -34
1280506-56	102 -37
1280506-57	102 -20
1280506-58	102 -18
1280506-59	102 -38
1280506-6	107 -16
1280506-60	102 -14
1280506-63	102 -15
1280506-64	102 -42
1280506-65	95 -58
1280506-66	95 -57
1280506-67	95 -55
1280506-68	95 -56
1280506-69	95 -59
1280506-7	107 -10
1280506-70	95 -60
1280506-71	95 -20
1280506-72	95 - 7
1280506-73	95 -42
1280506-74	95 -49
1280506-75	95 -52
1280506-76	95 -36
1280506-77	105 -11A
1280506-78	105 -11
1280506-8	107 -10
1280506-83	95 -58
1280506-84	95 -57
1280506-85	95 -55
1280506-86	95 -56
1280506-87	95 -59
1280506-88	95 -60
1280506-9	107 - 9
1280506-9	107 -35
1280506-90	95 - 7
1280506-91	95 -42
1280506-92	95 -49
1280506-93	38 -15
1280506-93	77 -12
1280506-94	38 -15
1280506-94	77 -12
1280506-95	107 -36
1280506-97	107A- 1
1280506-98	107A- 2
1280506-99	38 -15
1280510-1	96A-
1280510-1	95 - 1
1280510-2	96A-
1280510-2	95 - 1
1280511-1	105 -30
1280511-1	106B-
1280511-2	105 -31
1280511-2	106B-
1280511-3	106A-
1280511-3	105 -30
1280511-4	106A-
1280511-4	105 -31
1280511-5	105 -30
1280511-5	106B-

PART NUMBER	FIGURE AND INDEX NO.
1280511-6	105 -31
1280511-6	106B-
1280512-1	102 -22
1280512-1	103A-
1280513-1	102 - 4
1280513-1	107 -53A
1280513-1	108A-
1280513-2	107 -53
1280513-2	108A-
1280600-1	103 -17
1280602-1	103 -27
1280602-1	103A-30
1280602-2	103 -28
1280602-2	103A-31
1280607-1	95 -43
1280608-1	102 -25
1280609-3	110 - 1
1280610-1	110 - 2
1280611-1	110 -10
1280612-1	103 -22
1280612-1	103A-23
1280613-1	107 -11
1280613-2	89 -54
1280613-2	107 -12
1280613-3	89 -54
1280613-3	89A-29
1280613-3	107 -13
1280616-1	108 -22
1280619-1	100A- 1
1280623-1	23 - 8
1280623-2	23 - 9
1280624-1	23 -10
1280624-2	23 -11
1291040-1	17 -
1291040-13	17 -
1291040-17	17 -
1291040-4	17 -
1291040-5	17 -
1291040-8	17 -
1291040-9	17 -
1291140-1	23 -
1291140-2	17 - 2
1291140-2	23 - 1
1291140-2	24 -
1291140-3	24 - 1
1291140-3	25 -
1291140-4	23 -
1291340-1	18 -
1291340-1	17 - 1
1291340-10	18 - 1
1291340-10	22 -
1291340-15	18 - 1
1291340-15	22 -
1291340-16	17 - 1
1291340-16	18 -
1291340-2	18 - 1
1291340-2	22 -
1291340-7	17 - 1
1291340-7	18 -
1291340-9	17 - 1
1291340-9	18 -
1291341-12	17 - 1
1291341-12	18 -
1291341-13	18 - 1
1291341-13	22A-
1291341-4	17 - 1
1291341-4	18 -
1291341-5	18 - 1
1291341-5	22 -
1291341-6	18 - 1
1291341-6	22A-
1291341-7	17 - 1
1291341-7	18 -
13630-02	25 -10
13778-06	69 -27



PART NUMBER	FIGURE AND INDEX NO.
13830	39 - 7
13836	39A- 4
138836	39B- 7
13889	39 - 8
13889	39A- 6
13889	39B- 9
14GA	1 -62
1400014-1	2 - 3
1400054-2	61 -22
1400059-1	112 -33
1411202-201	45 -45
1414045-1	54B-15A
1414045-1	55A-14
1414045-1	55C-12A
1414082-1	50 - 7
1414082-16	50 - 7
1414082-16	52 -18
1414082-17	50 - 7
1414082-17	52 -17
1414082-6	50 - 7
1414082-6	52 -18
1414082-8	50 - 7
1414082-8	52 -17
1414082-9	50 - 7
1414082-9	52 -18
1414100-212	54A-32
1414100-212	54B-33
1414100-212	55B-45
1414100-212	55D-17
1414100-212	56A-24
1414100-212	56C-30
1414100-8	54A-16
1414100-8	54B-17
1414100-8	55A-17
1414100-8	55C-15
1414100-8	56A-15
1414100-9	54A-11
1414100-9	54B-12
1414100-9	55A-11
1414100-9	55C- 8
1414100-9	56A-11
1414103-12	54A-22
1414103-2	54A-21
1414103-2	54B-22
1414103-45	54B-23
1414103-6	54A-23
1414103-6	54B-24
1414104-1	54A-48
1414104-1	55A-27
1414104-2	54A-40
1414104-2	55B-36
1414104-2	55D-11
1414104-39	54A-29
1414104-39	54B-30
1414104-4	54B- 4
1414104-4	54A- 3
1414104-4	55A- 3
1414104-4	55C- 4
1414104-4	56A- 6
1414104-4	56C- 6
1414104-40	54B-31
1414104-40	54A-30
1414104-41	54B-32
1414104-41	54A-31
1414104-42	54B-32
1414104-42	54A-31
1414104-45	54A-37
1414104-46	54A-39
1414104-52	56A-23
1414104-53	56A-22
1414104-8	54A-45
1414104-8	54B-43
1414104-8	55B-40
1414104-8	55D-16
1414104-8	56A-38

PART NUMBER	FIGURE AND INDEX NO.
1414107-1	54A-50
1414107-1	54B-52
1414107-1	55A-29
1414107-1	56A-45
1414107-1	56C-21
1414107-2	56C-21
1414108-1	56C-27
1414110-1	54A-12
1414110-1	55A-12
1414110-22	56A-12
1414110-29	54B-13
1414110-29	55A-12
1414110-3	54A-14
1414110-3	55A-14
1414110-30	54B-15
1414110-30	55A-14
1414111-5	55A- 9A
1414112-1	54A-28
1414112-1	54B-29
1414112-2	56A-29
1414112-3	56A-21
1414114-1	56A-44
1414116-1	54A-42
1414116-1	54B-42
1414116-1	55B-37
1414116-1	55D-15
1414116-1	56A-36
1414122-10	56C-19
1414122-16	56A-30
1414122-16	56C-18
1414122-17	56C-23
1414122-35	56A-41
1414217-2	54A-17
1414217-3	54A-18
1414217-3	54B-19
1414217-3	55A-23
1414217-3	55C-16
1414217-3	56A-17
1414217-7	54B-18
1414217-7	55A-22
1414217-7	55C-16
1414217-7	56A-16
1414217-8	56C-38
1414223-34	54B-50
1414230-1	54A- 9A
1414230-1	54B-10A
1414230-1	56A- 9A
1414231-1	54A-49
1414231-2	56C-22
1414231-3	54A-49
1414231-4	54B-51
1414240-3	55D-
1414240-3	55D-
1414240-4	55D-
1414240-4	55D-
1414241-3	55D-36
1414241-4	55D-37
1414242-1	55D-29
1414243-1	55D-32
1414245-2	55D-10
1414247-1	55D-24
1414248-1	55D- 8
1414249-2	55D-23
1414252-1	55A-39
1414252-1	56A-46
1414252-1	54A-59
1414252-1	54B-61
1414252-1	54B-61
1414252-1	56A-46
1414252-10	54B-61
1414252-10	55A-39
1414252-10	56A-46
1414252-2	54A-60
1414252-2	54B-62
1414252-2	55A-40

PART NUMBER	FIGURE AND INDEX NO.
1414252-2	56A-49
1414252-6	54A-62
1414252-6	54B-64
1414252-6	55A-42
1414252-6	56A-47
1414252-6	54B-64
1414252-6	56A-47
1414252-6	54A-61
1414252-7	54B-63
1414252-7	55A-41
1414252-7	56A-48
1414252-9	54B-64
1414252-9	55A-42
1414252-9	56A-47
1414257-5	55C-27
1414258-1	55C-24
1414259-1	55C-26
1414261-1	55C-22
1414262-1	55C-12
1414263-5	55C-17
1414263-6	55C-18
1414263-7	55A-19
1414263-8	55A-20
1414264-2	55C- 9
1414264-7	55C-11
1414265-202	55C- 1
1414265-202	55C- 1
1414265-203	55C- 1
1414265-204	55C-12A
1414265-204	55C-12A
1414265-205	55C-12A
1414265-3	55C-
1414265-3	55C-
1414265-4	55C-
1414265-4	55C-
1414265-5	55C-
1414265-6	55C-
1414265-6	55C-
1414266-1	55C-19
1414267-1	55C-30
1414268-1	55C-29
1414269-1	55C-20
1422113-2	37A-11
1442112-1	37A- 1
1442113-1	37A- 8
1442113-4	37A- 4
1442113-4	37A-12
1442113-6	37A-12
1442114-3	33 -21
1442114-3	37A-
1442114-4	37A- 7
1442114-8	37A- 7
1442114-9	33 -21
1442114-9	37A-
145-10	39A-35
1452225-44	66A-14
1452225-44	66B- 7
1452225-5	66 - 4
1460320-1	78 - 1
1460501-21	78 - 2
1470089-10	118 - 4
1470089-14	118A- 5
1470089-6	118 - 9
1470089-8	118 -10
1470089-8	118A-12
150031-57D	95 -24
150032-50D	95 -30
150034-200	95 -26
150044	95 -27
150045	95 -25
150224	95 -28
1511205-6	47A-
1511205-7	45 -11
1511205-7	47A-
1511206-11	47A-15

PART NUMBER	FIGURE AND INDEX NO.
1511206-13	47A-16
1511206-14	47A-16
1511206-20	47A-12
1511206-4	47A-19
1511207-1	47A-17
1511208-3	47A-28
1511208-4	47A-28
1511209-1	47A-27
1511209-10	47A-20
1511209-11	47A-20
1511209-12	47A- 5
1511209-8	47A-11
1511212-1	47A-24
1511212-3	47A-24
1514059-1	55C-19A
1514223-1	56C-34
153-10	39A-13
153-15	39B-14
153-8	36A- 2
153-8	36B- 9
154-13	39B-15
154-6	36A- 3
154-6	36B-10
154-9	39A-16
1541009-1	44 -10
155-2	36A- 1
155-2	36B-11
1552004-17	66A-10
1552004-17	66B-15
1552004-22	66A- 7
1552004-22	66B-12
1552004-24	66B-11
1552004-24	66A- 6
1552004-25	66A-23
1552004-25	66B-20
1552010-1	66A- 9
1552010-1	66B- 9
1552010-1	66B-14
156-1	39A- 7
1560001-2	80 -77
1560001-2	80 -77
16-4042	96 -22
16-4042	117 - 1
16-4042	98 -37
16GA	1 -63
16028-404	101 - 4
16077-14	101 - 2
161-15	36A- 5
161-16	36A- 6
161-18	36A- 5
161-20	39B- 2
161-31	36B- 1
16119-410	101 -15
16119-416	101 -13
16119-422	101 -12
162-14	36A- 6
162-23	39A- 2
162-25	39A- 3
162-27	39B- 3
162-28	36B- 3
164-15	39B- 8
164-9	39A- 5
1652-B	33 -31
1777	32 - 9
18-1	59C-18
18GA	1 -64
180231	70 -42
180231	70A-29
181522	113 -13
1816	118 - 7
1816	118A- 8
1816R	118A- 9
182684	70 -45
182747	70 -45
182747	70A-32

PART NUMBER	FIGURE AND INDEX NO.
183-1	39A-32
183-1	39B-26
184793	70 -14
186320	70 -47
186320	70A-34
1866-22	36A- 8
188141	70 -34
188141	70A-21
188302	70 -36
188302	70A-23
188434	70 -33
188434	70A-20
189482	70 -28
189482	70A-16
189574	70 -25
189574	70A-13
189739	70 -29
189739	70A-17
189744	70 - 4
189744	70A- 3
190094	70 -22
190576	70 -35
190733	70 -13
190734	70 - 7
191869	70 -37
191869	70A-24
192103	70 -23
1924	118 - 8
192528	70 -40
192558	70 -49
192558	70A-36
192709	70 -40
192709	70A-27
193385	70 -24
193385	70A-12
196195	70 -17
196195	70A-11A
2-11	112A-36A
2-11	112B-69
2-15	112A-36B
2-15	112B-70
200-1	106B- 8
200-2	106B- 8
200-3	106A- 8
200-4	106A- 8
200AC-6	79 - 7
20240-13	101 -17
20240-14	101 - 6
20240-15	101 - 7
20240-16	101 - 8
20240-17	101 - 9
20240-18	101 - 1
20240-21	101 -16
20240-22	101 -14
20240-25	101 -11
20240-36	101 -18
20240-37	101 -18
20240-53	101 -17
20240-8	101 - 3
20240-9	101 -10
20240-9	101 - 5
20246-3	101 - 5
20246-3	101 -16
20246-4	101 - 5
20246-5	101 - 5
20246-7	101 - 5
204864	70A- 8
206336	70 - 6
206336	70A- 5
206337	70 -30
206337	70A-18
20864	70 -10
210031	70 -11
210031	70A- 9
210036	70 - 9

PART NUMBER	FIGURE AND INDEX NO.
210036	70A- 7
210039	70 -32
210039	70A-19
210095	70 -12
210100	70 -38
210112	70 -21
210206	70 - 8
210207	70 -15
210214	70 -39
210216	70 -44
210216	70A-31
210253	70 - 1
210253	70A- 1
210257	70 -48
210257	70A-35
210259	70 - 2
210261	70 -14
210261	70A-10
210269	70 -41
210272	70 -27
210289	70 -20
210293	70 -31
210326	70 -39
210326	70A-26
210382	70 -16
210382	70A-11
210393	70 -18
210393	70A-11B
210394	70 -18
210394	70A-11B
210396	70 - 8
210396	70A- 6
210398	70 -41
210398	70A-28
210399	70 -27
210399	70A-15
2104	94A- 6
213200	70 -43
213200	70A-30
213214	70 - 3
213214	70A- 2
213232	70 -38
213232	70A-25
214202	70 -19
214202	70A-11C
217-1	36B- 4
218036	70 - 4
21820-R	59A-30
218446	70 -46
218446	70A-33
218537	70 -35
218537	70A-22
218547	70 - 5
218547	70A- 4
22-FH-428	36 - 5
22-FH-428	39 - 6
22K2-02	54A- 9
22K2-02	54A-35
22K2-02	54B-10
22K2-02	54B-37
22K2-02	54B-65
22K2-02	55A- 9
22K2-02	55B-49
22K2-02	55C- 6
22K2-02	55D-20
22K2-02	56A- 9
22K2-02	56C-33
22NKM-02	54B-69
22NKM-02	55A-46
22NKM-02	55C-35
22NKM-02	56A-58
28INT-12DC	85B-11
292501-1	97A-56
292502-1	97A-57
292503-1	97A-58



PART NUMBER	FIGURE AND INDEX NO.
292504-1	97A-60
2935-0	17 - 6
2935-0	25 - 5
2935-0	25 - 8
2935-05	44 - 4
2935-06	44 - 2
294001-1	97A- 1
294003-1	97A- 2
294004-1	100A-19
294005-1	96A-18
294006-1	96A-22
294007-1	97A-46
294008-1	96A-20
294009-1	96A-23
294013-1	99A- 6
294014-1	99A- 7
294015-1	99A-10
294016-1	99A- 9
294017-1	96A-21
294017-1	99A- 4
294018-1	97A-24
294018-1	97A-29
294018-1	100A-31
294019-1	97A-30
294020-1	97A-26
294021-1	99A-15
294022-1	99A-17
294024-1	96A-29
294025-1	100A-16
294025-3	100A-15
294025-5	100A- 8
294026-1	96A-34
294027-1	96A-30
294028-1	99A-21
294029-1	99A-19
294030-1	97A-11
294030-1	99A-18
294031-1	97A-37
294032-1	97A-39
294033-1	97A-40
294034-1	97A-41
294035-1	97A-42
294036-1	97A-47
294037-1	97A-50
294038-1	97A-51
294039-1	97A-55
294040-1	97A-54
294041-1	97A-53
294042-1	97A-10
294044-1	97A- 5
294045-1	97A-12
294046-1	97A- 6
294047-1	97A-13
294048-1	97A-14
294049-1	97A-16
294050-1	100A-22
294051-1	97A-22
294051-1	100A-28
294053-1	100A-26
294054-1	96A-31
294055-1	100A-14
294056-1	100A- 7
294057-1	100A-11
294058-1	100A- 6
294059-1	100A- 4
294060-1	99A-23
294061-1	97A- 8
294061-1	97A-20
294062-1	97A-19
294063-1	96A-27
294065-1	97A-35
294066-1	97A-32
294067-1	96A-26
294068-1	96A-28
294069-1	96A-16

PART NUMBER	FIGURE AND INDEX NO.
294070-1	96A-16
294070-1	117 - 1
294072-1	97A-36
294074-1	96A-14
294075-1	100A-21
294076-1	99A- 2
294077-1	100A- 2
294078-1	96A-36
294079-1	96A-32
294079-1	100A- 9
294079-1	100A-17
294081-1	97A- 3
294082-1	96A-15
294401-041	106A- 1
294401-041	106B- 1
294401-051	106A- 1
294401-051	106B- 1
294402-101	106A- 2
294402-103	106B- 2
294404-101	106B-21
294405-101	106A- 3
294405-101	106B- 3
294406-101	106A- 4
294406-101	106B- 4
294407-101	106A- 5
294407-101	106B- 5
294408-101	106A- 6
294408-101	106B- 6
294409-101	106B-24
294410-101	106B- 7
294411-101	106A-16
294411-101	106B-16
294412-101	106A-12
294412-101	106B-12
294413-101	106B-21
294414-101	106A- 7
294414-101	106B- 7
294702-1	103A-19
294708-1	103A-18
294709-1	103A-17
294710-1	103A- 1
294712-1	103A-14
294713-1	103A-13
294714-1	103A- 5
294715-1	103A- 7
294715-1	108A- 6
294716-1	103A-10
294717-1	103A- 4
294901-101	108A-16
294902-101	108A- 1
294903-101	108A- 8
294904-101	108A-12
294905-101	108A-13
294906-101	108A- 3
294907-101	108A-21
294908-041	108A- 7
294909-101	108A- 2
295055	8 - 6
295055	8 - 7
3/4 IN	1 -16
30D192A1	113 -32A
3013	39A-27
3021	39B-11
3022	39B-10
3023	39B-12
30370-0100	59A-24
30370-0100	94A- 2
30475-0000	59A-25
30475-0000	94A- 4
30956	1 -59
3142-00-5	69C-39
32	59 -11
32	59A-36
322059	1 -54
33-199-R125	91 - 5

PART NUMBER	FIGURE AND INDEX NO.
33-199-R70	91 - 5
33-199-1	91 - 9
33-199-102	91 - 3
33-199-3	91 - 6
33-199-46	91 - 4
33-199-5	91 - 7
33-199-6	91 - 8
33-199-7	91 -11
33-199-8	91 -12
33-199-902	91 - 2
33-199-905	91 - 2
33-199-912	91 -10
330	59 -23
330	59B-14
330	59C- 4
330	59C- 6
330	59C- 9
330	59C-10
330	59C-12
330	62A-17
330R	58 -18
330R	94 - 3
336	59C-16
336	59C-22
35-204	39A-24
35-204	39A-26
3591-3CNX.285	80 -76
3591-4CN.250	106 - 6
366-00	89 -11
366-00	89A-10
367-00	90 -28
3680C	36A-13
3680C	36B-12
37-206	39A-32
37-206	39B-26
39091	39A- 8
4-48X 1/4	99A-16
4002-G	66 -13
4002-G	66 -24
4002-244-16	18 -33
4002-244-16	18 -34
4002-244-16	22 -13
4002-244-16	22A-16
4002-244-16	66 -22
4002-244-16	66 -38
4002-244-16	66 -45
4002-244-16	66A-32
4002-244-16	66A-40
4002-244-16	66B-32
4002-244-16	66B-40
4002-244-16	66 -45A
4002-244-16	66A-41
4002-3	66 -14
4002-3	66 -25
4002-3	66A-19
4002-3	66A-35
4002-3	66B-18
4002-3	66B-35
4002-5	66 -15
4002-5	66 -26
4002-5	66A-20
4002-5	66A-36
4002-5	66B-19
4002-5	66B-36
4002G	66A-18
4002G	66A-34
4002G	66B-17
4002G	66B-34
400465-375	69C-12
401627	59A-29
4040	97 - 8
4040	97A-25
404713	59A-29
41163-C-14	59C-16
4140-00-17	90A- 5

This page intentionally left blank.