



AIRCRAFT COMPANY

PAWNEE DIVISION

Wichita, Kansas

**Cessna 210K, L
Cessna T210K, L
1970-1975
Parts Catalog**

**THIS CATALOG SUPERSEDES ALL PREVIOUS
210K, T210K, 210L & T210L PARTS CATALOGS**

1 SEPTEMBER 1974

**Courtesy of Bomar Flying Service
www.bomar.biz**

LIST OF EFFECTIVE PAGES

Dates of issue for original and changed pages are:

Original . . . 0 . . . 1 September 1974

TOTAL NUMBER OF PAGES IN THIS PUBLICATION IS 668 CONSISTING OF THE FOLLOWING:

Page No.	Change No.	Page No.	Change No.	Page No.	Change No.
Title	0	65B	0	126	0
A	0	66.	0	127	0
B	0	67.	0	127A	0
C blank	0	67A	0	127B	0
i thru iv	0	67B	0	128 thru 133	0
iv-a thru iv-e	0	68.	0	133A	0
iv-f blank	0	69.	0	133B	0
v thru x	0	69A	0	134 thru 137	0
x-a thru x-j	0	69B	0	137A	0
x-k blank	0	70 thru 78	0	137B blank	0
xi thru xxxii	0	78A	0	138 thru 143	0
1 thru 9	0	78B	0	143A thru 143F.	0
9A	0	79 thru 84	0	144 thru 149	0
9B	0	85 blank	0	149A thru 149E.	0
10	0	86 thru 91	0	149F blank	0
10A	0	91A	0	150 thru 152	0
10B blank	0	91B	0	152A thru 152F.	0
11 thru 37	0	92 thru 94	0	153 thru 155	0
37A	0	95 blank	0	155A thru 155D.	0
37B blank	0	96 thru 103.	0	156 thru 159	0
37C	0	103A	0	159A	0
37D	0	103B blank	0	159B	0
37E blank	0	104 thru 109	0	160 Blank	0
37F	0	109A	0	160A thru 160Z.	0
38 thru 50	0	109B	0	161	0
50A	0	110 thru 114	0	161A	0
50B blank	0	115 blank	0	161B	0
51 thru 55	0	116 thru 119	0	162	0
55A thru 55E.	0	119A	0	163	0
55F blank	0	119B blank	0	163A thru 163H.	0
56 thru 59	0	119C	0	164 thru 167	0
59A	0	119D	0	167A	0
59B blank	0	119E blank	0	167B blank	0
60 thru 62	0	119F	0	167C thru 167F.	0
62A blank	0	120 thru 122	0	168 thru 178	0
62B	0	122A	0	179 blank	0
62C	0	122B	0	180 thru 185	0
62D blank	0	123 thru 125	0	185A	0
63 thru 65	0	125A thru 125C.	0	185B	0
65A	0	125D blank	0	186 thru 191	0

Upon receipt of the second and subsequent changes to this book, personnel responsible for maintaining this publication in current status should ascertain that all previous changes have been received and incorporated.

* The asterisk indicates pages changed, added, or deleted by the current change.

LIST OF EFFECTIVE PAGES

Dates of issue for original and changed pages are:

Original . . . 0 . . . 1 September 1974

Page No.	Change No.	Page No.	Change No.
191A	0	300D blank	0
191B blank	0	301 thru 303	0
192 thru 220	0	303A thru 303C	0
220A thru 220D	0	303D blank	0
221 thru 223	0	304 thru 307	0
223A thru 223C	0	307A thru 307D	0
223D blank	0	308 thru 311	0
224	0	311A	0
225	0	311B	0
225A	0	312 thru 315	0
225B blank	0	315A thru 315D	0
226 thru 229	0	316	0
229A thru 229C	0	317	0
229D blank	0	317A	0
229E	0	317B	0
229F	0	318 thru 321	0
230 thru 249	0	321A	0
249A thru 249E	0	321B blank	0
249F blank	0	322	0
250 thru 256	0	323	0
256A thru 256C	0	323A	0
256D blank	0	323B	0
257 thru 265	0	324 thru 328	0
265A thru 265F	0	328A thru 328D	0
266 thru 276	0	329	0
276A blank	0	329A	0
276B thru 276D	0	329B	0
277 thru 279	0	330 thru 338	0
279A	0	338A	0
279B	0	338B blank	0
280 thru 294	0	339 thru 341	0
295 blank	0	341A thru 341D	0
296	0	342	0
297	0	343	0
297A	0	343A	0
297B	0	343B blank	0
298 thru 300	0	344 thru 351	0
300A blank	0	352 blank	0
300B	0	353 thru 413	0
300C	0	414 blank	0

Upon receipt of the second and subsequent changes to this book, personnel responsible for maintaining this publication in current status should ascertain that all previous changes have been received and incorporated.

* The asterisk indicates pages changed, added, or deleted by the current change.

This page intentionally left blank.

INTRODUCTION.

This illustrated parts catalog has been prepared to aid you in easily and quickly identifying parts of the models covered herein.

This catalog features an index system consisting of:

1. An alphabetical index located in the front of the catalog.
2. A numerical index located in the back of the catalog, which lists all parts and figures in which they appear.

STANDARD PARTS.

Many parts having standard usage have been incorporated into the Cessna Standard System. Parts in this group are designated with the part number prefix "S".

For standard hardware items such as Tinnerman nuts, clamps, etc., "AN" and "NAS" numbers have been used.

USABLE ON CODES. . . . Serial listings in this catalog are noted by a letter code located in the usable on code column which is the extreme right hand column of the parts list page. Usable on codes are applicable only to the figure on which they appear. The code letters and the serials to which they apply are listed at the end of the figure.

If no usable on code appears opposite a first column listing of the figure, the usage is applicable to all models and serials covered by this catalog. If no usable on code appears opposite any indented listing, the usage is applicable to all models and serials covered by the figure on which it appears.

Bold face type serials appearing on certain figures are for quick reference to large blocks of airplanes.

NON-INTERCHANGEABLE PARTS. . . . When parts are not interchangeable with earlier models, all parts applicable to the particular usage are listed. The letter code for the individual part usage is listed in the usable on column opposite each part. Care should be exercised in determining proper serial when ordering to insure receipt of correct part.

INTERCHANGEABLE PARTS. . . . When a later design part is completely interchangeable with the part it replaces, both parts will be serialized and the notation "when exhausted use ___", or the abbreviation, "WEU ___" will be entered following the listing of the earlier design part. This means that the earlier design part should be used on airplanes to which they apply until the supply of these parts is exhausted---after which time the later design part must be used. This is done to simplify stocking of parts by our distributors and dealers. The earlier part is as good, physically and functionally, as the later design part---the difference being the later design part can be used on more than one block of airplane serials.

SYMBOLS & PART NUMBER TERMS.

NP - The symbol "NP" appearing in the units per assembly column denotes that the item it appears opposite is not procurable.

AR - The symbol "AR" appearing in the units per assembly column denotes "As Required" and is used to indicate bulk quantity where an indefinite amount is used.

The following is a list of abbreviations that may appear in the description nomenclature:

- | | |
|------------------------|--------------------------|
| ALT - Alternate part | INSTL - Installation |
| ASSY - Assembly | LH - Left hand |
| BKI - Bulk item | RH - Right hand |
| FSO - For spares order | WEU - When exhausted use |

Other key letter symbols spaced apart from and following the part nomenclature are for cataloging and manufacturing purposes only and are not to be considered by the customer.

A blank entry in the part number column appears before an unprocurable part or installation which is also denoted in the "Units Per Assembly" column by the use of the symbol NP.

GROUP ASSEMBLY PARTS LIST ARRANGEMENT.

This section lists all replaceable items in the airplane and these items are detailed on illustrations throughout the section. The index numbers on the illustration are keyed to each accompanying parts list. The purpose of the index numbers is to provide complete and positive identification of the article, but should not be used for procurement purposes.

- a. The figure and index number column of the parts list shows the figure number once at the beginning of the list. The figure number is followed by a dash and the indexed number. The remaining index numbers are preceded by dash only.
- b. The part number column identifies the item by part number.
- c. In the description column, relationship of items covered is shown by the degree of indention of each item, for example: The wing assembly (Figure 3) is listed in column (1) of the description column. The wing structure, is the next lower assembly and is therefore listed in column (2).
- d. If two or more assemblies contain a majority of identical parts or the assemblies are left or right hand, the assemblies are listed together and the next lower assemblies or detail parts are listed as common for both assemblies, with the differing parts coded for usage on the correct major assembly.



- e. Attaching parts are listed immediately beneath the item to be attached and preceding any detail parts of the item. They are listed in the same column as the item they attach and are preceded by the caption "Attaching Parts." The end of the attaching parts listing is followed by a separating symbol ---*---.
- f. The quantity listed in the "Units Per Assembly" column for attaching parts denotes the quantity necessary to attach only one part. Total quantity necessary to attach more than one part is obtained by multiplying the attaching parts quantity by the number of parts attached.
- g. Component parts of the complete airplane which are not included in any assembly, but which are used in conjunction with, or attach to certain assemblies, are listed either preceding the first detail or following the last detail of the assembly or installation, and in the same column as the major assembly or installation.
- h. The quantities listed in the "Units Per Assembly" column are the quantity used per figure.

prefers not to make C.O.D. shipments for the distributor and all billing will be made to the distributor in the case of direct shipments.

DEALER ORDERS.

Dealers will place all of their parts order requirements with their distributor. The factory will not honor orders received directly from a dealer. It will be necessary for us to forward it to the distributor for his action. Therefore, dealer orders sent direct to the distributor will result in much faster delivery on any parts that are required.

RETAIL ORDERS.

Retail orders will not be honored by the factory. They are to be placed with the dealer or distributor in the owner's territory and when received directly by the factory will be forwarded to the distributor from whose territory it was received. Considerable saving in time will result to the owner if his orders are placed with his dealer or distributor.

ACCESSORY KITS.

For accessory kit listings, refer to separate Accessory Kit Catalog.

BULK ITEMS.

Certain items such as flexible air hose, rubber mouldings and channels, windshield sealing strips etc., are noted in the catalog listings as bulk items. These listings also note the cut length of these materials for one installation. When an item is listed as a bulk item, it will be supplied to the dealer in the most convenient bulk length or quantity. Reference to the cut length or quantity per installation provides for the most satisfactory disbursement to the customer.

HOW TO ORDER.

USE YOUR CATALOG TO ORDER PARTS. Use parts and Accessories Order Form, which will be supplied by Cessna on request. Give complete information on addresses and make sure the part number and part name are as shown in the catalog. Be sure to specify quantities. Specify how the order is to be shipped, otherwise it will be sent out in the manner that seems best to the shipper.

SERIAL, COLOR, & CORROSION PROOFING.

Be sure to indicate model and serial number of the airplane. Serial number is very important to properly identify parts used on each airplane. When color is involved refer to "Upholstery & Interior Trim" section for example. If corrosion proofing is desired add the letters "CP" following the part number.

DISTRIBUTOR ORDERS.

Distributors will send all orders to the factory with instructions as to the shipping destination. The factory



Cessna Aircraft Company reserves the right to cancel, add or change the parts and assemblies described in this catalog without notice.



"All aircraft, regardless of manufacturer, are certificated under model number designations. However, popular names are often used for marketing purposes. To provide a consistent method of referring to the various aircraft, model numbers will be used in this publication unless names are required to differentiate between versions of the same basic model. The following table provides a cross reference listing of popular name vs. model numbers."

NAME	MODEL YEAR	MODEL	SERIALS	
			BEGINNING	ENDING
CENTURION	1970	210K	21059200	21059351
TURBO CENTURION	1970	T210K	21059200	21059351
CENTURION CENTURION II	1971	210K	21059352	21059502
TURBO CENTURION TURBO CENTURION II	1971	T210K	21059352	21059502
CENTURION CENTURION II	1972	210L	21059503	21059719
TURBO CENTURION TURBO CENTURION II	1972	T210L	21059503	21059719
CENTURION CENTURION II	1973	210L	21059720	21060089
TURBO CENTURION TURBO CENTURION II	1973	T210L	21059720	21060089
CENTURION CENTURION II	1974	210L	21060090	21060539
TURBO CENTURION TURBO CENTURION II	1974	T210L	21060090	21060539
CENTURION CENTURION II	1975	210L	21060540	
TURBO CENTURION TURBO CENTURION II	1975	T210L	21060540	

FINISH & TRIM PLATE

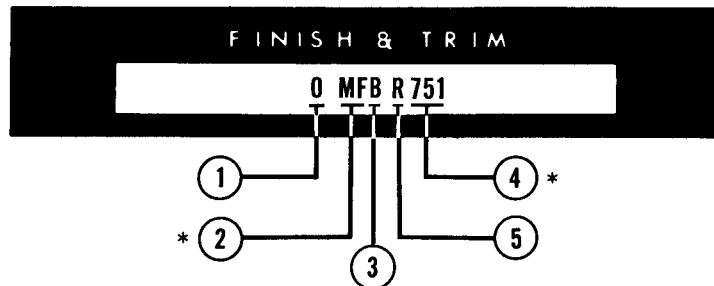
The "FINISH AND TRIM" plate is located on the left side of the airplane on the lower door jamb directly below the M.A.A. nameplate.

This plate indicates model year, interior color scheme and the exterior color combination.

Interpretation of information stamped on the Finish and Trim Plate is obtained by use of the Color Code Chart for the respective year.

Color Code Charts for yearly models appear on pages immediately following this page.

The Finish and Trim Plate is explained below. Explanatory remarks are keyed to the illustrated example.



- ① First column number indicates year.
- ② Second column letter or letters indicate interior color code of aircraft. Refer to Color Code Chart for respective year to obtain color.
- ③ The letter "B" following the interior code indicates optional black carpet.
- ④ Third column number or numbers indicate exterior trim. The basic number is found on the Color Code Chart and indicates colors and type paint used on the aircraft.
- ⑤ Standardized arctic color reversal is designated by the prefix "R" on the exterior color combination code.

* The special exterior and/or interior is denoted by the letters "SP" in lieu of the standard codes.

Interpretation of the example Finish and Trim Code O-MFB-R751 that is obtained from 1970 Color Code Chart is:

O = 1970 Model Year
 MF = Marigold Fabric Interior Scheme
 B = Black Carpet (Optional)
 751 = Vestal White, Goldfin Met. & Italian Gold
 R751 = Vestal White, Goldfin Met. & Italian Gold (Color Reversal)

MODEL 210 & T210				PAINT CODE CHART				MODEL 210 & T210			
YEAR	INTERIOR COLOR		INTERIOR PAINT				SERIAL LISTING	EXTERIOR PAINT			
	CODE	CODE	COLOR	INTERIOR COLOR CODE				CODE	COLOR COMBINATIONS		
1 9 7 0	BF	Silver Teal Blue Fabric	BF	CF	HF	MF	21059200 THRU 21059351	740	VESTAL WHITE CES1054-802	PROVINCIAL RED MET CES1054-963	VALOR RED CES1054-806
			741	VESTAL WHITE CES1054-802	PROVINCIAL RED MET CES1054-963	BLACK CHERRY MET CES1054-964					
			743	VESTAL WHITE CES1054-802	BLACK CHERRY MET CES1054-964	GOLDFIN MET CES1054-965					
			744	VESTAL WHITE CES1054-802	ITALIAN GOLD CES1054-834	BUTTERSCOTCH CES1054-990					
	CF	Light Olive Fabric	BF	CF	HF	MF		749	VESTAL WHITE CES1054-802	GLENWOOD GREEN MET CES1054-768	BLUE WING MET CES1054-968
			751	VESTAL WHITE CES1054-802	GOLDFIN MET CES1054-965	ITALIAN GOLD CES1054-834					
	HF	Sun Gold Fabric	BF	CF	HF	MF		753	VESTAL WHITE CES1054-802	OLIVE CES1054-944	GOLDFIN MET CES1054-965
			771	VESTAL WHITE CES1054-802	VALOR RED CES1054-806	VELVET BLACK CES1054-807					
	MF	Marigold Fabric	BF	CF	HF	MF		772	VESTAL WHITE CES1054-802	BLUE WING MET CES1054-968	VENICE BLUE MET CES1054-833
			774	VESTAL WHITE CES1054-802	VENICE BLUE MET CES1054-833	SILVER MIST MET CES1054-969					
	EL	Cloud Gray Leather	INTERIOR PAINT					4740	LUSTER WHITE CES1054-967	PROVINCIAL RED MET CES1054-963	VALOR RED CES1054-806
			INTERIOR COLOR CODE					4741	LUSTER WHITE CES1054-967	PROVINCIAL RED MET CES1054-963	BLACK CHERRY MET CES1054-964
FL	Black Leather	EL	FL	HL	ML	4743	LUSTER WHITE CES1054-967	BLACK CHERRY MET CES1054-964	GOLDFIN MET CES1054-965		
		4744	LUSTER WHITE CES1054-967	ITALIAN GOLD CES1054-834	BUTTERSCOTCH CES1054-990						
HL	Sun Gold Leather	BF	CF	HF	MF	4749	LUSTER WHITE CES1054-967	GLENWOOD GREEN MET CES1054-768	BLUE WING MET CES1054-968		
		4751	LUSTER WHITE CES1054-967	GOLDFIN MET CES1054-965	ITALIAN GOLD CES1054-834						
ML	Marigold Leather	BF	CF	HF	MF	4753	LUSTER WHITE CES1054-967	OLIVE CES1054-944	GOLDFIN MET CES1054-965		
		4771	LUSTER WHITE CES1054-967	VALOR RED CES1054-806	VELVET BLACK CES1054-807						
Z	Optional Black Carpet	BF	CF	HF	MF	4772	LUSTER WHITE CES1054-967	BLUE WING MET CES1054-968	VENICE BLUE MET CES1054-833		
		BF	CF	HF	MF	4774	LUSTER WHITE CES1054-967	VENICE BLUE MET CES1054-833	SILVER MIST MET CES1054-969		

NOTE: WHEN ORDERING PAINT SPECIFY CES1054 DASH NUMBER EXAMPLE: CES1054-802

* TO BE USED ON COWL DECK ONLY

MODELS 210 & T210			PAINT CODE CHART				MODELS 210 & T210								
YEAR	INTERIOR COLOR		INTERIOR PAINT				SERIAL LISTING	EXTERIOR PAINT							
	CODE	COLOR	INTERIOR COLOR CODE					CODE	COLOR COMBINATIONS						
1 9 7 1	AF	CLOVE BROWN FABRIC	CLOVE BROWN CES1054-970 (LACQUER)	HOLIDAY BLUE CES1054-A25 (LACQUER)	PICNIC GREEN CES1054-A31 (LACQUER)	FIESTA RED CES1054-A28 (LACQUER)	21059352 THRU 21059502	191V	VESTAL WHITE CES1054-802	ITALIAN GOLD CES1054-834	BUTTERSCOTCH CES1054-990				
	BF	HOLIDAY BLUE FABRIC						CLOVE BROWN CES1054-985 (VINYL)	HOLIDAY BLUE CES1054-A26 (VINYL)	PICNIC GREEN CES1054-A32 (VINYL)	FIESTA RED CES1054-A29 (VINYL)	192V	VESTAL WHITE CES1054-802	VENICE BLUE MET. CES1054-833	BLUE WING MET. CES1054-968
	CF	PICNIC GREEN FABRIC	VESTAL WHITE CES1054-802	VELVET BLACK CES1054-807	VALOR RED CES1054-806	193V						VESTAL WHITE CES1054-802	COLONIAL BLUE MET. CES1054-A21	FLEET BLUE CES1054-A20	
	DF	FIESTA RED FABRIC				194V						VESTAL WHITE CES1054-802	GOLD FIN METALLIC CES1054-965	DUBONNET CES1054-A18	
	HL	PALOMINO TAN LEATHER	INTERIOR PAINT									195V	VESTAL WHITE CES1054-802	OLIVE CES1054-944	SILVER MIST MET. CES1054-969
			INTERIOR COLOR CODE									196V	VESTAL WHITE CES1054-802	SEAL BROWN MET. CES1054-A17	GOLDENROD CES1054-803
	EL	CLOUD GRAY LEATHER	BLACK SEMI-GLOSS CES1054-156 (LACQUER)	BLACK SEMI-GLOSS CES1054-156 (LACQUER)	BLACK SEMI-GLOSS CES1054-156 (LACQUER)	FIESTA RED CES1054-A28 (LACQUER)						197V	VESTAL WHITE CES1054-802	SEAL BROWN MET. CES1054-A17	CAVALIER GREEN MET. CES1054-A22
	FL	EBONY LEATHER	BLACK SEMI-GLOSS CES1054-752 (VINYL)	BLACK SEMI-GLOSS CES1054-752 (VINYL)	CLOUD GRAY CES1054-533 (VINYL)	FIESTA RED CES1054-A29 (VINYL)						198V	VESTAL WHITE CES1054-802	DUBONNET CES1054-A18	GOLD FIN MET. CES1054-965
	DL	FIESTA RED LEATHER										191L	LUSTER WHITE CES1054-967	ITALIAN GOLD CES1054-834	BUTTERSCOTCH CES1054-990
	B	OPTIONAL BLACK CARPET										192L	LUSTER WHITE CES1054-967	VENICE BLUE MET. CES1054-833	BLUE WING MET. CES1054-968
						193L	LUSTER WHITE CES1054-967					VELVET BLACK CES1054-807	VALOR RED CES1054-806		
						194L	LUSTER WHITE CES1054-967	COLONIAL BLUE MET. CES1054-A21	FLEET BLUE CES1054-A20						
						195L	LUSTER WHITE CES1054-967	GOLD FIN MET. CES1054-965	DUBONNET CES1054-A18						
						196L	LUSTER WHITE CES1054-967	OLIVE CES1054-944	SILVER MIST MET. CES1054-969						
						197L	LUSTER WHITE CES1054-967	SEAL BROWN MET. CES1054-A17	GOLDENROD CES1054-803						
						198L	LUSTER WHITE CES1054-967	SEAL BROWN MET. CES1054-A17	CAVALIER GREEN MET. CES1054-A22						
						199L	LUSTER WHITE CES1054-967	DUBONNET CES1054-A18	GOLD FIN MET. CES1054-965						

NOTE: WHEN ORDERING PAINT SPECIFY CES-1054 DASH NUMBER. EXAMPLE: CES1054-802

MODELS 210 & T210			PAINT CODE CHART				MODELS 210 & T210					
YEAR	INTERIOR COLOR		INTERIOR PAINT				SERIAL LISTING	EXTERIOR PAINT				
	CODE	COLOR	AF	BF	CF	DF		CODE	COLOR COMBINATIONS			
1972	AF	JAVA GOLD FABRIC	CLOVE BROWN CES1054-970 (LACQUER)	BOGOTA BLUE CES1054-A41 (LACQUER)	CYPRUS GREEN CES1054-A45 (LACQUER)	TAHITIAN RED CES1054-A49 (LACQUER)	21059503 THRU 21059719	214V	VESTAL WHITE CES1054-802	EMPRESS BLUE CES1054-832	VELVET BLACK CES1054-807	
	BF	BOGOTA BLUE FABRIC	SHADOW GREY CES1054-A58 (LACQUER)	SHADOW GREY CES1054-A58 (LACQUER)	SHADOW GREY CES1054-A58 (LACQUER)	SHADOW GREY CES1054-A58 (LACQUER)		215V	VESTAL WHITE CES1054-802	EMPRESS BLUE CES1054-832	CONTRALTO BLUE CES1054-A63	
	CF	CYPRUS GREEN FABRIC	BLACK SEMI-GLOSS CES1054-156 (LACQUER)	BLACK SEMI-GLOSS CES1054-156 (LACQUER)	BLACK SEMI-GLOSS CES1054-156 (LACQUER)	BLACK SEMI-GLOSS CES1054-156 (LACQUER)		216V	VESTAL WHITE CES1054-802	VALOR RED CES1054-806	VELVET BLACK CES1054-807	
	DF	TAHITIAN RED FABRIC	CLOVE BROWN CES1054-985 (VINYL)	BOGOTA BLUE CES1054-A42 (VINYL)	CYPRUS GREEN CES1054-A46 (VINYL)	TAHITIAN RED CES1054-A50 (VINYL)		225V	VESTAL WHITE CES1054-802	PROVINCIAL RED MET. CES1054-963	VALOR RED CES1054-806	
	DL	TAHITIAN RED LEATHER	INTERIOR PAINT						226V	VESTAL WHITE CES1054-802	GOLDEN ROD CES1054-803	CARNIVAL YELLOW CES1054-A15
	EL	CLOUD GREY LEATHER	INTERIOR COLOR CODE						230V	VESTAL WHITE CES1054-802	OLIVE CES1054-944	GOLDFIN METALLIC CES1054-965
	FL	EBONY LEATHER	TAHITIAN RED CES1054-A49 (LACQUER)	CLOUD GRAY CES1054-531 (LACQUER)	BLACK SEMI-GLOSS CES1054-156 (LACQUER)	CLOUD GRAY CES1054-531 (LACQUER)		234V	VESTAL WHITE CES1054-802	LIME CES1054-A62	OLIVE CES1054-944	
	HL	PALOMINO TAN LEATHER	SHADOW GREY CES1054-A56 (LACQUER)	SHADOW GREY CES1054-A58 (LACQUER)	SHADOW GREY CES1054-A58 (LACQUER)	SHADOW GREY CES1054-A58 (LACQUER)		235V	VESTAL WHITE CES1054-802	CARNIVAL YELLOW CES1054-A15	VELVET BLACK CES1054-807	
	B	OPTIONAL BLACK CARPET	BLACK SEMI-GLOSS CES1054-156 (LACQUER)	BLACK SEMI-GLOSS CES1054-156 (LACQUER)	BLACK SEMI-GLOSS CES1054-156 (LACQUER)	BLACK SEMI-GLOSS CES1054-156 (LACQUER)		237V	VESTAL WHITE CES1054-802	PROVINCIAL RED MET. CES1054-963	TROPICAL ORANGE CES1054-774	
			TAHITIAN RED CES1054-A50 (VINYL)	BLACK SEMI-GLOSS CES1054-752 (VINYL)	CLOUD GREY CES1054-533 (VINYL)	BLACK SEMI-GLOSS CES1054-752 (VINYL)						

NOTE: WHEN ORDERING PAINT SPECIFY CES-1054 DASH NUMBER. EXAMPLE: CES1054-802

YEAR		INTERIOR COLOR		INTERIOR PAINT				SERIAL LISTING	EXTERIOR PAINT					
YEAR	CODE	CODE	COLOR	AF	BF	CF	DF		CODE	COLOR COMBINATIONS				
1 9 7 3	3	AF	JAVA GOLD FABRIC	CLOVE BROWN CES1054-970 (LACQUER)	PEACOCK BLUE CES1054-A81 (LACQUER)	GOLDEN OLIVE CES1054-A89 (LACQUER)	POPPY RED CES1054-A85 (LACQUER)	21059720 THRU 21060089	316	VESTAL WHITE CES1054-802	VERMILLION CES1054-A94	SHOAL TURQUOISE CES1054-804		
		BF	PEACOCK BLUE FABRIC	SHADOW GREY CES1054-A58 (LACQUER)	SHADOW GREY CES1054-A58 (LACQUER)	SHADOW GREY CES1054-A58 (LACQUER)	SHADOW GREY CES1054-A58 (LACQUER)		317	VESTAL WHITE CES1054-802	NUTMEG CES1054-A95	GRANADA GREEN CES1054-A97		
		CF	GOLDEN OLIVE FABRIC	BLACK SEMI-GLOSS CES1054-156 (LACQUER)	BLACK SEMI-GLOSS CES1054-156 (LACQUER)	BLACK SEMI-GLOSS CES1054-156 (LACQUER)	BLACK SEMI-GLOSS CES1054-156 (LACQUER)		319	VESTAL WHITE CES1054-802	LIME CES1054-A62	OLIVE CES1054-944		
		DF	POPPY RED FABRIC	CLOVE BROWN CES1054-985 (VINYL)	PEACOCK BLUE CES1054-A82 (VINYL)	GOLDEN OLIVE CES1054-A90 (VINYL)	POPPY RED CES1054-A86 (VINYL)		320	VESTAL WHITE CES1054-802	SERENA BLUE CES1054-A96	CONTRALTO BLUE CES1054-A63		
		INTERIOR PAINT				INTERIOR COLOR CODE				321	VESTAL WHITE CES1054-802	FLAG RED CES1054-A93	CRANBERRY CES1054-875	
		EL	CLOUD GREY LEATHER	CLOUD GRAY CES1054-531 (LACQUER)	BLACK SEMI-GLOSS CES1054-156 (LACQUER)	CLOUD GRAY CES1054-531 (LACQUER)			333	VESTAL WHITE CES1054-802	FLAG RED CES1054-A93	VELVET BLACK CES1054-807		
		FL	EBONY LEATHER	SHADOW GREY CES1054-A58 (LACQUER)	SHADOW GREY CES1054-A58 (LACQUER)	SHADOW GREY CES1054-A58 (LACQUER)			335	VESTAL WHITE CES1054-802	TROPICAL ORANGE CES1054-744	NUTMEG CES1054-A95		
		HL	PALOMINO TAN LEATHER	BLACK SEMI-GLOSS CES1054-156 (LACQUER)	BLACK SEMI-GLOSS CES1054-156 (LACQUER)	BLACK SEMI-GLOSS CES1054-156 (LACQUER)			337	VESTAL WHITE CES1054-802	CARNIVAL YELLOW CES1054-A15	GRANADA GREEN CES1054-A97		
		B	OPTIONAL BLACK CARPET	CLOUD GREY CES1054-533 (VINYL)	BLACK CES1054-752 (VINYL)	CLOUD GREY CES1054-533 (VINYL)			341	VESTAL WHITE CES1054-802	VERMILLION CES1054-A94	GRANADA GREEN CES1054-A97		
		NOTE: WHEN ORDERING PAINT SPECIFY CES-1054 DASH NUMBER. EXAMPLE: CES1054-802												



MODELS 210 & T210			PAINT CODE CHART					MODELS 210 & T210					
YEAR	INTERIOR COLOR		INTERIOR PAINT					SERIAL LISTING	EXTERIOR PAINT				
	CODE	CODE	AF	BF	CF	DF	GF		CODE	COLOR COMBINATIONS			
1 9 7 4	4	AF	CHESTNUT BROWN FABRIC	CHESTNUT BROWN CES1054-B41 (LACQUER)	COPEN BLUE CES1054-B29 (LACQUER)	OLIVE GREEN CES1054-B33 (LACQUER)	SUNSET RED CES1054-B37 (LACQUER)	OLD GOLD CES1054-B25 (LACQUER)	21060090 THRU 21060539	418	VESTAL WHITE CES1054-802	SUMMER GOLD CES1054-B48	TIGER YELLOW CES1054-966
		BF	COPEN BLUE FABRIC	BLACK SEMI-GLOSS CES1054-156 (LACQUER)	BLACK SEMI-GLOSS CES1054-156 (LACQUER)	BLACK SEMI-GLOSS CES1054-156 (LACQUER)	BLACK SEMI-GLOSS CES1054-156 (LACQUER)	BLACK SEMI-GLOSS CES1054-156 (LACQUER)		430	VESTAL WHITE CES1054-802	FLAG RED CES1054-A93	VELVET BLACK CES1054-807
		CF	OLIVE GREEN FABRIC	CLOUD GREY CES1054-531 (LACQUER)	CLOUD GREY CES1054-531 (LACQUER)	CLOUD GREY CES1054-531 (LACQUER)	CLOUD GREY CES1054-531 (LACQUER)	CLOUD GREY CES1054-531 (LACQUER)		435	VESTAL WHITE CES1054-802	PEPPER GREEN CES1054-B50	TIGER YELLOW CES1054-966
		DF	SUNSET RED FABRIC	CHESTNUT BROWN CES1054-B42 (VINYL)	COPEN BLUE CES1054-B30 (VINYL)	OLIVE GREEN CES1054-B34 (VINYL)	SUNSET RED CES1054-B38 (VINYL)	OLD GOLD CES1054-B26 (VINYL)		440	VESTAL WHITE CES1054-802	SERENA BLUE CES1054-A96	VELVET BLACK CES1054-807
		GF	OLD GOLD FABRIC	INTERIOR PAINT						442	VESTAL WHITE CES1054-802	GROVE GREEN CES1054-B49	PEPPER GREEN CES1054-B50
				INTERIOR COLOR CODE						443	VESTAL WHITE CES1054-802	POLE BLUE CES1054-B47	SERENA BLUE CES1054-A96
				AL	EL	FL	GL	444		VESTAL WHITE CES1054-802	FLAG RED CES1054-A93	JAY GREY CES1054-B46	
	AL	CHESTNUT BROWN LEATHER	CHESTNUT BROWN CES1054-B41 (LACQUER)				OLD GOLD CES1054-B25 (LACQUER)	445		VESTAL WHITE CES1054-802	MAPLE MAROON CES1054-B44	JAY GREY CES1054-B46	
	EL	CLOUD GREY LEATHER	BLACK SEMI-GLOSS CES1054-156 (LACQUER)	BLACK SEMI-GLOSS CES1054-156 (LACQUER)	BLACK SEMI-GLOSS CES1054-156 (LACQUER)	BLACK SEMI-GLOSS CES1054-156 (LACQUER)	BLACK SEMI-GLOSS CES1054-156 (LACQUER)	446		VESTAL WHITE CES1054-802	NUTMEG CES1054-A95	SUMMER GOLD CES1054-B48	
	FL	EBONY BLACK LEATHER	CLOUD GREY CES1054-531 (LACQUER)	CLOUD GREY CES1054-531 (LACQUER)	CLOUD GREY CES1054-531 (LACQUER)	CLOUD GREY CES1054-531 (LACQUER)	CLOUD GREY CES1054-531 (LACQUER)						
GL	OLD GOLD LEATHER	CHESTNUT BROWN CES1054-B42 (VINYL)	CLOUD GREY CES1054-533 (VINYL)	BLACK CES1054-752 (VINYL)	OLD GOLD CES1054-B26 (VINYL)								

NOTE: WHEN ORDERING PAINT SPECIFY CES-1054 DASH NUMBER. EXAMPLE: CES1054-802

YEAR		INTERIOR COLOR		INTERIOR PAINT					SERIAL LISTING	EXTERIOR PAINT				
1 9 7 5	5	CODE	COLOR	INTERIOR COLOR CODE						21060540 & ON	COLOR COMBINATIONS			
		AF	BF	CF	DF	GF	CODE							
		AF *	CHESTNUT BROWN FABRIC	CHESTNUT BROWN CES1054-B41 (LACQUER)	COPEN BLUE CES1054-B29 (LACQUER)	OLIVE GREEN CES1054-B33 (LACQUER)	SUNSET RED CES1054-B37 (LACQUER)	OLD GOLD CES1054-B25 (LACQUER)		541	VESTAL WHITE CES1054-802	SUMMER GOLD CES1054-B48	CARNIVAL YELLOW CES1054-A15	
		BF	COPEN BLUE FABRIC	SHADOW GREY CES1054-A58 (LACQUER)	SHADOW GREY CES1054-A58 (LACQUER)	SHADOW GREY CES1054-A58 (LACQUER)	SHADOW GREY CES1054-A58 (LACQUER)	SHADOW GREY CES1054-A58 (LACQUER)		542	VESTAL WHITE CES1054-802	NUTMEG CES1054-A95	SUMMER GOLD CES1054-B48	
		CF *	OLIVE GREEN FABRIC	CLOUD GREY CES1054-531 (LACQUER)	CLOUD GREY CES1054-531 (LACQUER)	CLOUD GREY CES1054-531 (LACQUER)	CLOUD GREY CES1054-531 (LACQUER)	CLOUD GREY CES1054-531 (LACQUER)		544	VESTAL WHITE CES1054-802	SADDLE BROWN CES1054-B63	CARNIVAL YELLOW CES1054-A15	
		DF *	SUNSET RED FABRIC	CHESTNUT BROWN CES1054-B42 (VINYL)	COPEN BLUE CES1054-B30 (VINYL)	OLIVE GREEN CES1054-B34 (VINYL)	SUNSET RED CES1054-B38 (VINYL)	OLD GOLD CES1054-B26 (VINYL)		545	VESTAL WHITE CES1054-802	SATIN BLUE CES1054-B62	EMPRESS BLUE CES1054-B32	
		GF *	OLD GOLD FABRIC	INTERIOR PAINT						547	VESTAL WHITE CES1054-802	MEADOW GREEN CES1054-B65	SUMMER GOLD CES1054-B48	
		AL	CHESTNUT BROWN LEATHER	INTERIOR COLOR CODE						548	VESTAL WHITE CES1054-802	MEADOW GREEN CES1054-B65	SPRING GREEN CES1054-B64	
		EL	CLOUD GREY LEATHER	AL	EL	FL	GL		564	VESTAL WHITE CES1054-802	NUTMEG CES1054-A95	TROPICAL ORANGE CES1054-714		
		FL	EBONY BLACK LEATHER	CHESTNUT BROWN CES1054-B41 (LACQUER)			OLD GOLD CES1054-B25 (LACQUER)		566	VESTAL WHITE CES1054-802	FLAG RED CES1054-A93	SUMMER GOLD CES1054-B48		
		GL	OLD GOLD LEATHER	SHADOW GREY CES1054-A58 (LACQUER)	SHADOW GREY CES1054-A58 (LACQUER)	SHADOW GREY CES1054-A58 (LACQUER)	SHADOW GREY CES1054-A58 (LACQUER)		567	VESTAL WHITE CES1054-802	SATIN BLUE CES1054-B62	FLAG RED CES1054-A93		
				CLOUD GREY CES1054-531 (LACQUER)	CLOUD GREY CES1054-531 (LACQUER)	CLOUD GREY CES1054-531 (LACQUER)	CLOUD GREY CES1054-531 (LACQUER)							
				CHESTNUT BROWN CES1054-B42 (VINYL)	CLOUD GREY CES1054-533 (VINYL)	BLACK CES1054-752 (VINYL)	OLD GOLD CES1054-B26 (VINYL)							

NOTE: WHEN ORDERING PAINT SPECIFY CES-1054 DASH NUMBER. EXAMPLE: CES1054-802

*** INTERIOR COLOR & PAINT CODES.**

- AFD SAME AS AF EXCEPT SEATS ARE SUNSET RED
- CFG SAME AS CF EXCEPT SEATS ARE OLD GOLD
- DFA SAME AS DF EXCEPT SEATS ARE CHESTNUT BROWN
- GFC SAME AS GF EXCEPT SEATS ARE OLIVE GREEN

This page intentionally left blank.

UPHOLSTERY &

INTERIOR TRIM

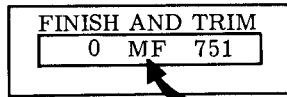
INTERIOR PAINTED OR PLASTIC PARTS HOW TO ORDER

**PARTS MARKED WITH A □ FOLLOWING PART NUMBER REQUIRE A SECOND DASH NUMBER FOR PROPER COLOR
(SPECIFY SERIAL NUMBER OF AIRCRAFT WHEN ORDERING)**

To obtain second dash number use of correct table, for your model year, is required.

To use table,

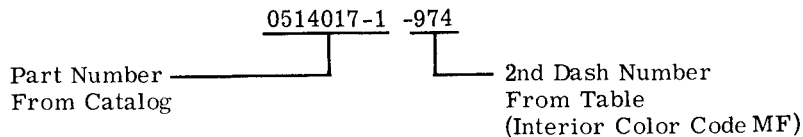
1. Find part number of desired part in catalog.
2. Refer to the "Finish and Trim" plate, in the airplane, for your "Interior Color Code."



3. Locate part number from catalog in table.
4. Add dash number for color that appears under your "Interior Color Code."

INTERIOR PAINTED OR PLASTIC PARTS 1970 MODEL YEAR 210S9200 & ON		INTERIOR COLOR CODE (From Finish and Trim Plate)							
PART NUMBER	PART NAME	BF	CF	HF	MF	EL	FL	HL	ML
0500049-2	MIRROR & COVER ASSEMBLY	279	279	279	279	279	279	279	279
0514017-1	TRIM - SEAT SIDE LH	976	975	974	974	974	974	974	974
0514017-2	TRIM - SEAT SIDE RH	976	976	977	974	532	279	974	977
0514017-3	TRIM - SEAT FORWARD	976	975	977	974	532	279	974	977
0514018-1	TRIM ASSEMBLY - SEAT BACK	976	975	977	974	532	279	974	977
0514018-3	POCKET ASSEMBLY - MAGAZINE	976	975	977	974	532	279	974	977
0514018-7	TRIM ASSEMBLY - SEAT BACK	976	975	977	974	532	279	974	977
0514018-9	POCKET ASSEMBLY - MAGAZINE	976	975	977	974	532	279	974	977
0712301-3	DOOR ASSEMBLY - GLOVE BOX	976	975	977	974	532	279	974	977
1200084-21	RETAINER - CABIN AIR VENT LH	976	975	977	974	*	*	974	977
1200084-22	RETAINER - CABIN AIR VENT RH	976	975	977	974	532	279	974	977
1200207-1	ESCUTCHEON - CENTER OXYGEN PORTS	532	532	532	532	532	532	532	532
1200207-2	ESCUTCHEON - CENTER AIR VENTS	532	532	532	532	532	532	532	532
1200214-1	COVER ASSEMBLY - OVERHEAD CONSOLE	532	532	532	532	532	532	532	532
1200214-2	COVER ASSEMBLY - OVERHEAD CONSOLE	532	532	532	532	532	532	532	532
1200220-1	COVER - REAR SEAT CONSOLE	532	532	532	532	532	532	532	532
1200220-2	COVER - REAR SEAT OXYGEN CONTROL	532	532	532	532	532	532	532	532
1213005-2	COVER - SWITCH MOUNTING BRACKET	279	279	279	279	279	279	279	279
1213006-9	COVER ASSEMBLY - POST LIGHTED INSTRUMENT PNL LH	279	279	279	279	279	279	279	279
1213006-10	COVER - STATIONARY PANEL LH	989	989	989	989	989	989	989	989
1213006-14	COVER ASSEMBLY - POST LIGHTED INSTRUMENT PNL LH	989	989	989	989	989	989	989	989
1213116-2	COVER - CENTER PANEL	279	279	279	279	279	279	279	279
1213138-8	COVER ASSEMBLY - POST LIGHTED INSTRUMENT PNL RH	279	279	279	279	279	279	279	279
1213138-11	COVER ASSEMBLY - STATIONARY PNL RH	989	989	989	989	989	989	989	989
1213138-12	COVER ASSEMBLY - POST LIGHTED INSTRUMENT PNL RH	989	989	989	989	989	989	989	989
1213174-24	COVER ASSEMBLY - INSTRUMENT PNL LOWER	976	975	977	974	*	*	974	977

EXAMPLES OF COMPLETE NUMBER

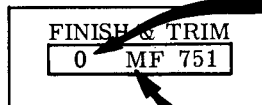


UPHOLSTERED PARTS - HOW TO ORDER

PARTS MARKED WITH A # FOLLOWING PART NUMBER REQUIRE A SECOND DASH NUMBER FOR COLOR & MATERIAL

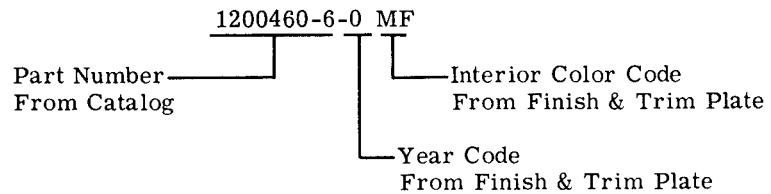
HOW TO DETERMINE 2nd DASH NUMBER

1. Find part number of desired part in catalog.
2. Refer to "FINISH & TRIM" plate, in the airplane, for your "Year Code" and "Interior Color Code."



3. Add the "Year Code" and "Interior Color Code," to the part number from catalog.

EXAMPLE OF COMPLETE NUMBER



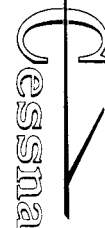
**INTERIOR PAINTED OR PLASTIC PARTS
1970 MODEL YEAR**

21059200 THRU 21059351

INTERIOR COLOR CODE

(From Finish and Trim Plate)

PART NUMBER	PART NAME	INTERIOR COLOR CODE							
		BF	CF	MF	HF	EL	FL	HL	ML
0500312-2	MIRROR & COVER ASSY	279	279	279	279	279	279	279	279
0514017-1	TRIM - SEAT SIDE LH	976	975	977	974	532	279	974	977
0514017-2	TRIM - SEAT SIDE RH	976	976	977	974	532	279	974	977
0514017-3	TRIM - SEAT FORWARD	976	975	977	974	532	279	974	977
0514017-4	TRIM - RH OUTBOARD	977	975	977	974	532	279	974	977
0514017-5	TRIM - LH OUTBOARD	976	975	977	974	532	279	974	977
0514018-1	TRIM ASSY - SEAT BACK	976	975	977	974	532	279	974	977
0514018-3	POCKET ASSY - MAGAZINE	976	975	977	974	532	279	974	977
0514018-9	POCKET ASSY - MAGAZINE	976	975	977	974	532	279	974	977
0514018-16	TRIM ASSY - SEAT BACK RH	976	975	977	974	532	279	974	977
0514018-17	TRIM ASSY - SEAT BACK LH	976	975	977	974	532	279	974	977
0713881-3	DOOR ASSY - GLOVE BOX	976	975	977	974	*	*	974	977
1200084-21	RETAINER - CABIN AIR VENT LH	976	975	977	974	532	279	974	977
1200084-22	RETAINER - CABIN AIR VENT RH	976	975	977	974	532	279	974	977
1200214-1	COVER ASSY - OVERHEAD CONSOLE	532	532	532	532	532	532	532	532
1200214-2	COVER ASSY - OVERHEAD CONSOLE	532	532	532	532	532	532	532	532
1200216-1	ESCUTCHEON - CENTER AIR VENTS	532	532	532	532	532	532	532	532
1200216-2	ESCUTCHEON - CENTER OXYGEN PORTS	532	532	532	532	532	532	532	532
1200218-1	COVER - REAR SEAT CONSOLE	532	532	532	532	532	532	532	532
1200218-2	COVER - REAR SEAT OXYGEN CONTROL	532	532	532	532	532	532	532	532
1200231-1	RETAINER - CABIN AIR VENT LH	976	975	977	974	532	279	974	977
1200231-2	RETAINER - CABIN AIR VENT RH	976	975	977	974	532	279	974	977
1213005-2	COVER - SWITCH MOUNTING BRACKET	279	279	279	279	279	279	279	279
1213096-10 **	COVER - STATIONARY PANEL LH	989	989	989	989	989	989	989	989
1213096-14 **	COVER ASSEMBLY - POST LIGHTED INSTRUMENT PNL LH	989	989	989	989	989	989	989	989
1213096-23 **	COVER ASSEMBLY - STATIONARY PANEL LH	989	989	989	989	989	989	989	989
1213096-24 **	COVER ASSEMBLY - POST LIGHTED INSTRUMENT PANEL LH	279	279	279	279	279	279	279	279
1213116-2	COVER - CENTER PANEL	279	279	279	279	279	279	279	279
1213138-8	COVER ASSY - POST LIGHTED INSTRUMENT PNL RH	279	279	279	279	279	279	279	279
1213138-11 **	COVER ASSY - STATIONARY PANEL RH	989	989	989	989	989	989	989	989
1213138-12	COVER ASSY - POST LIGHTED INSTRUMENT PNL RH	989	989	989	989	989	989	989	989
1213174-23	COVER ASSY - INSTRUMENT PNL LOWER	976	975	977	974	*	*	974	977
1213180-2	COVER ASSY - PEDESTAL	976	975	977	974	*	*	974	977
1213180-4	COVER ASSY - PEDESTAL	976	975	977	974	*	*	974	977
1213188-1	CUP - PROP DE-ICE SWITCH	989	989	989	989	989	989	989	989
1213189-1	COVER - INSTRUMENT PANEL LOWER RH	976	975	977	974	*	*	974	977
1215045-1	SHIELD - DOORPOST LH	532	532	532	532	532	532	532	532
1215045-2	SHIELD - DOORPOST RH	532	532	532	532	532	532	532	532
1215045-3	SHIELD - FORWARD DOORPOST LH	532	532	532	532	532	532	532	532
1215045-4	SHIELD - FORWARD DOORPOST RH	532	532	532	532	532	532	532	532
1215045-5	SHIELD - DOOR LH UPPER	532	532	532	532	532	532	532	532
1215045-6	SHIELD - DOOR RH UPPER	532	532	532	532	532	532	532	532



INTERIOR PAINTED OR PLASTIC PARTS

1970 MODEL YEAR

21059200 THRU 21059351

INTERIOR COLOR CODE

(From Finish and Trim Plate)

PART NUMBER	PART NAME	BF	CF	MF	HF	EL	FL	HL	ML
1215045-13	MOULDING - WINDOW LH	532	532	532	532	532	532	532	532
1215045-14	MOULDING - WINDOW RH	532	532	532	532	532	532	532	532
1215045-15	MOULDING - BAGGAGE DOOR	532	532	532	532	532	532	532	532
1215045-16	MOULDING - WINDOW UPPER REAR	532	532	532	532	532	532	532	532
1215045-17	PANEL - BAGGAGE DOOR	532	532	532	532	532	532	532	532
1215045-18	MOULDING - WINDOW LOWER REAR	532	532	532	532	532	532	532	532
1215045-19	PANEL - BAGGAGE COMPARTMENT UPPER	532	532	532	532	532	532	532	532
1215045-23	SHIELD ASSEMBLY - AFT DOORPOST LH	532	532	532	532	532	532	532	532
1215045-24	SHIELD ASSEMBLY - AFT DOORPOST RH	532	532	532	532	532	532	532	532
1215045-30	MOULDING - DOOR RH	532	532	532	532	532	532	532	532
1215045-31	MOULDING - DOOR LH	532	532	532	532	532	532	532	532
1215045-33	SHIELD - DOORPOST CENTER	532	532	532	532	532	532	532	532
1215045-47	SHIELD - DOORPOST	532	532	532	532	532	532	532	532
1215081-1	PANEL - BAGGAGE WALL	532	532	532	532	532	532	532	532
1215081-3	PANEL ASSY - BAGGAGE WALL	532	532	532	532	532	532	532	532
1215054-1	COVER - BAGGAGE COMPARTMENT LIGHT	532	532	532	532	532	532	532	532
1215066-1	SHIELD - TRIM	532	532	532	532	532	532	532	532
1260461-2	COVER - DISENGAGE RUDDER PEDALS	279	279	279	279	279	279	279	279
1715037-1	TRIM - SEAT BOTTOM	976	975	977	974	532	279	974	977

NOTE * THESE PARTS WILL BE BLACK (279) WHEN GRAY SHOCK PANEL & RH STATIONARY PANEL COVERS ARE INSTALLED. WHEN BLACK SHOCK PANEL & RH STATIONARY PANEL COVERS ARE INSTALLED THESE PARTS WILL BE GRAY (577).

NOTE ** THESE COVER ASSEMBLIES ARE ALSO AVAILABLE IN OPTIONAL BLACK 279 MATERIAL.

Cessna Illustrated parts catalog

MODELS 210 & 210

**INTERIOR PAINTED OR PLASTIC PARTS
1971 MODEL YEAR**

21059352 THRU 21059502

INTERIOR COLOR CODE

(From Finish and Trim Plate)

PART NUMBER	PART NAME	INTERIOR COLOR CODE							
		AF	BF	CF	DF	HL	EL	FL	DL
0500312-2	MIRROR & COVER ASSEMBLY	279	279	279	279	279	279	279	279
0514017-1	TRIM - LH	978	A24	A30	A27	532	532	279	A27
0514017-2	TRIM - RH	978	A24	A30	A27	532	532	279	A27
0514017-3	TRIM - FORWARD	978	A24	A30	A27	532	532	279	A27
0514017-4	TRIM - RH OUTBOARD	978	A24	A30	A27	532	532	279	A27
0514017-5	TRIM - LH OUTBOARD	978	A24	A30	A27	532	532	279	A27
0514018-3	POCKET ASSEMBLY - MAGAZINE	978	A24	A30	A27	532	532	279	A27
0514018-9	POCKET ASSEMBLY - MAGAZINE	978	A24	A30	A27	532	532	279	A27
0514018-15	TRIM ASSEMBLY - SEAT BACK	978	A24	A30	A27	532	532	279	A27
0514018-16	TRIM ASSY - SEAT BACK RH	978	A24	A30	A27	532	532	279	A27
0514018-17	TRIM ASSY - SEAT BACK LH	978	A24	A30	A27	532	532	279	A27
0713881-10	DOOR ASSEMBLY - GLOVE BOX	978	A24	A30	A27	279	279	279	A27
1200214-1	COVER ASSEMBLY - OVERHEAD CONSOLE	532	532	532	532	532	532	532	532
1200214-2	COVER ASSEMBLY - OVERHEAD CONSOLE	532	532	532	532	532	532	532	532
1200216-1	ESCUTCHEON - CENTER VENTS	532	532	532	532	532	532	532	532
1200216-2	ESCUTCHEON - CENTER VENTS	532	532	532	532	532	532	532	532
1200218-1	COVER - REAR SEAT CONSOLE	532	532	532	532	532	532	532	532
1200218-2	COVER - REAR SEAT CONSOLE	532	532	532	532	532	532	532	532
1200231-1	RETAINER - CABIN AIR VENT LH	970	A25	A31	A28	156	156	156	A28
1200231-2	RETAINER - CABIN AIR VENT RH	970	A25	A31	A28	156	156	156	A28
1213005-2	COVER - SWITCH MOUNTING BRACKET	279	279	279	279	279	279	279	279
1213096-27*	COVER ASSEMBLY - STATIONARY PANEL LH	989	989	989	989	989	989	989	989
1213096-31*	COVER ASSEMBLY - POST LIGHTED INSTRUMENT PANEL LH	989	989	989	989	989	989	989	989
1213096-41*	COVER ASSEMBLY - STATIONARY PANEL LH	989	989	989	989	989	989	989	989
1213096-43*	COVER ASSEMBLY - POST LIGHTED INSTRUMENT PANEL LH	989	989	989	989	989	989	989	989
1213116-2	COVER - CENTER PANEL	279	279	279	279	279	279	279	279
1213138-8	COVER ASSEMBLY - POST LIGHTED INSTRUMENT PANEL RH	279	279	279	279	279	279	279	279
1213138-11*	COVER ASSEMBLY - STATIONARY PANEL RH	989	989	989	989	989	989	989	989
1213138-12	COVER ASSEMBLY - POST LIGHTED INSTRUMENT PANEL RH	989	989	989	989	989	989	989	989
1213180-4	COVER ASSEMBLY - PEDESTAL	978	A24	A30	A27	279	279	279	A27
1213188-1	CUP - PROP DE-ICE SWITCH	989	989	989	989	989	989	989	989
1213189-3	COVER - INSTRUMENT PANEL LOWER RH	978	A24	A30	A27	279	279	279	A27
1213317-14	COVER ASSEMBLY - INSTRUMENT PANEL LOWER	978	A24	A30	A27	279	279	279	A27
1215045-2	SHIELD - DOORPOST RH	532	532	532	532	532	532	532	532
1215045-3	SHIELD - DOORPOST LH FWD	532	532	532	532	532	532	532	532
1215045-4	SHIELD - DOORPOST RH FWD	532	532	532	532	532	532	532	532
1215045-5	SHIELD - DOOR LH UPPER	532	532	532	532	532	532	532	532
1215045-6	SHIELD - DOOR RH UPPER	532	532	532	532	532	532	532	532

**INTERIOR PAINTED OR PLASTIC PARTS
1971 MODEL YEAR**


21059352 THRU 21059502

INTERIOR COLOR CODE

(From Finish and Trim Plate)

PART NUMBER	PART NAME	AF	BF	CF	DF	HL	EL	FL	DL
1215045-14	MOULDING - WINDOW RH	532	532	532	532	532	532	532	532
1215045-15	MOULDING - BAGGAGE DOOR	978	A24	A30	A27	532	532	279	A27
1215045-16	MOULDING - WINDOW UPPER REAR	532	532	532	532	532	532	532	532
1215045-17	PANEL - BAGGAGE DOOR	978	A24	A30	A27	532	532	279	A27
1215045-18	MOULDING - WINDOW LOWER REAR	532	532	532	532	532	532	532	532
1215045-19	PANEL - BAGGAGE COMPARTMENT UPPER	532	532	532	532	532	532	532	532
1215045-23	SHIELD ASSEMBLY - DOORPOST LH AFT	532	532	532	532	532	532	532	532
1215045-24	SHIELD ASSEMBLY - DOORPOST RH AFT	532	532	532	532	532	532	532	532
1215045-27	SHIELD - DOORPOST LH	532	532	532	532	532	532	532	532
1215045-29	MOULDING - WINDOW LH	532	532	532	532	532	532	532	532
1215045-30	MOULDING - DOOR RH	532	532	532	532	532	532	532	532
1215045-31	MOULDING - DOOR LH	532	532	532	532	532	532	532	532
1215045-33	SHIELD ASSY-DOORPOST	532	532	532	532	532	532	532	532
1215045-47	SHIELD-DOORPOST CENTER	532	532	532	532	532	532	532	532
1215081-1	PANEL ASSY - REAR BAGGAGE WALL	978	A24	A30	A27	532	532	279	A27
1215081-3	PANEL - BAGGAGE WALL RH	978	A24	A30	A27	532	532	279	A27
1215054-1	COVER - BAGGAGE COMPARTMENT LIGHT	532	532	532	532	532	532	532	532
1215066-1	SHIELD - TRIM	532	532	532	532	532	532	532	532
1260461-2	COVER - DISENGAGING RUDDER PEDALS	978	A24	A30	A27	532	532	279	A27
1715037-1	TRIM - SEAT BOTTOM	978	A24	A30	A27	532	532	279	A27

NOTE: *THESE COVER ASSEMBLIES ARE ALSO AVAILABLE IN OPTIONAL BLACK 279 MATERIAL.


Cessna Illustrated parts catalog

MODELS 210 & T210

**INTERIOR PAINTED OR PLASTIC PARTS
1972 MODEL YEAR**

21059503 THRU 21059719

INTERIOR COLOR CODE
(From Finish and Trim Plate)

PART NUMBER	PART NAME	AF	BF	CF	DF	DL	EL	FL	HL
0500312-2	MIRROR & COVER ASSY	279	279	279	279	279	279	279	279
0514017-3	TRIM - FWD SEAT	978	A44	A48	A52	A52	532	279	532
0514076-2	TRIM - SEAT BACK	978	A44	A48	A52	A52	532	279	532
0514077-4	TRIM - RH INBD SEAT	978	A44	A48	A52	A52	532	279	532
0514077-7	TRIM - LH INBD SEAT	978	A44	A48	A52	A52	532	279	532
0713881-11	DOOR ASSY - GLOVE BOX	A58	A58	A58	A58	A58	A58	A58	A58
	(TRI - COLOR)	156	156	156	156	156	156	156	156
0714010-1	TRIM - SEAT RH	970	A41	A45	A49	A49	531	156	531
0714010-2	TRIM - SEAT LH	978	A44	A48	A52	A52	532	279	532
0714010-3	TRIM - LH OUTBD SEAT	978	A44	A48	A52	A52	532	279	532
0714010-4	TRIM - RH OUTBD SEAT	978	A44	A48	A52	A52	532	279	532
1200214-1	COVER ASSY - OVERHEAD CONSOLE OXYGEN	532	532	532	532	532	532	532	532
1200214-8	COVER ASSY - OVERHEAD CONSOLE	532	532	532	532	532	532	532	532
1200218-1	COVER ASSY - REAR SEAT CONSOLE	532	532	532	532	532	532	532	532
1200218-2	COVER ASSY - REAR SEAT CONSOLE	532	532	532	532	532	532	532	532
1200231-1	RETAINER - CABIN AIR VENT LH	970	A41	A45	A49	A49	531	156	531
1200231-2	RETAINER - CABIN AIR VENT RH	970	A41	A45	A49	A49	531	156	531
1200234-1	ESCUTCHEON - CENTER OXYGEN VENT	532	532	532	532	532	532	532	532
1200234-2	ESCUTCHEON - CENTER VENT	532	532	532	532	532	532	532	532
1200535-41	SHIELD - TRIM	532	532	532	532	532	532	532	532
1213188-1	CUP - PROP DE-ICE SWITCH	A59	A59	A59	A59	A59	A59	A59	A59
1213189-3	COVER - INSTRUMENT PANEL LWR RH	978	A44	A48	A52	A52	532	279	532
1213196-6	COVER ASSY - PEDESTAL	978	A44	A48	A52	A52	532	279	532
1213196-8	LENS ASSY - PEDESTAL LIGHT	978	A44	A48	A52	A52	532	279	532
1213196-10	LENS ASSY - PEDESTAL LIGHT	978	A44	A48	A52	A52	532	279	532
1213317-14	COVER ASSY - INSTRUMENT PANEL LWR	978	A44	A48	A52	A52	532	279	532
1213329-1	COVER - SELECTOR SWITCH	978	A44	A48	A52	A52	532	279	532
1213333-1	COVER ASSY - STATIONARY PANEL LH	A59	A59	A59	A59	A59	A59	A59	A59
1213333-2	COVER ASSY - POST LIGHTED PANEL LH	A59	A59	A59	A59	A59	A59	A59	A59
1213334-1	COVER ASSY - STATIONARY PANEL RH	A59	A59	A59	A59	A59	A59	A59	A59
1213334-2	COVER ASSY - POST LIGHTED PANEL RH	A59	A59	A59	A59	A59	A59	A59	A59
1213338-1	COVER ASSY - CENTER PANEL	A59	A59	A59	A59	A59	A59	A59	A59
1213338-4	COVER PANEL	A59	A59	A59	A59	A59	A59	A59	A59
1214062-5	POCKET ASSY - MAGAZINE	978	A44	A48	A52	A52	532	279	532
1214071-1	TRIM ASSY - SEAT BACK LH	978	A44	A48	A52	A52	532	279	532
1214071-2	TRIM ASSY - SEAT BACK RH	978	A44	A48	A52	A52	532	279	532
1215045-2	SHIELD - DOORPOST RH	532	532	532	532	532	532	532	532
1215045-3	SHIELD - DOORPOST LH FWD	532	532	532	532	532	532	532	532
1215045-4	SHIELD - DOORPOST RH FWD	532	532	532	532	532	532	532	532
1215045-5	SHIELD - DOORPOST LH UPPER	532	532	532	532	532	532	532	532
1215045-6	SHIELD - DOORPOST RH UPPER	532	532	532	532	532	532	532	532
1215045-9	MOULDING - DOOR LH	532	532	532	532	532	532	532	532
1215045-10	MOULDING - DOOR RH	532	532	532	532	532	532	532	532

MODELS 210 & 1210



illustrated parts catalog

**INTERIOR PAINTED OR PLASTIC PARTS
1972 MODEL YEAR**

21059503 THRU 21059719

INTERIOR COLOR CODE

(From Finish and Trim Plate)

PART NUMBER	PART NAME	INTERIOR COLOR CODE							
		AF	BF	CF	DF	DL	EL	FL	HL
1215045-14	MOULDING - WINDOW RH	532	532	532	532	532	532	532	532
1215045-15	MOULDING - BAGGAGE DOOR	978	A44	A48	A52	A52	532	279	532
1215045-16	MOULDING - WINDOW UPPER REAR	532	532	532	532	532	532	532	532
1215045-17	PANEL - BAGGAGE DOOR	978	A44	A48	A52	A52	532	279	532
1215045-18	MOULDING - WINDOW LOWER REAR	532	532	532	532	532	532	532	532
1215045-19	PANEL - BAGGAGE COMPARTMENT UPPER	532	532	532	532	532	532	532	532
1215045-23	SHIELD ASSY - DOORPOST LH AFT	532	532	532	532	532	532	532	532
1215045-24	SHIELD ASSY - DOORPOST RH AFT	532	532	532	532	532	532	532	532
1215045-27	SHIELD - DOORPOST LH	532	532	532	532	532	532	532	532
1215045-29	MOULDING - WINDOW LH	532	532	532	532	532	532	532	532
1215045-30	MOULDING - DOOR RH	532	532	532	532	532	532	532	532
1215045-31	MOULDING - DOOR LH	532	532	532	532	532	532	532	532
1215045-33	SHIELD ASSY-DOORPOST	532	532	532	532	532	532	532	532
1215045-47	SHIELD-DOORPOST CENTER	532	532	532	532	532	532	532	532
1215081-1	PANEL - REAR BAGGAGE WALL	978	A44	A48	A52	A52	532	279	532
1215081-3	PANEL - BAGGAGE WALL RH	978	A44	A48	A52	A52	532	279	532
1215054-1	COVER - BAGGAGE COMPARTMENT LIGHT	532	532	532	532	532	532	532	532
1215066-1	SHIELD - TRIM	532	532	532	532	532	532	532	532
1260461-2	COVER - DISENGAGING RUDDER PEDALS	978	A44	A48	A52	A52	532	279	532
1514233-10	POCKET ASSY - MAGAZINE	978	A44	A48	A52	A52	532	279	532
1715037-1	TRIM - SEAT BOTTOM	978	A44	A48	A52	A52	532	279	532

Courtesy of Bomar Flying Service
www.bomar.biz


Cessna Illustrated parts catalog

MODELS 210 & T210

INTERIOR PAINTED OR PLASTIC PARTS
1973 MODEL YEAR

21059720 THRU 21060089

INTERIOR COLOR CODE
(From Finish and Trim Plate)

PART NUMBER	PART NAME	AF	BF	CF	DF	EL	FL	HL
0413517-8	COMPASS ASSEMBLY	A14	A14	A14	A14	A14	A14	A14
0413517-10	BASE - COMPASS & OUTSIDE AIR TEMPERATURE	A14	A14	A14	A14	A14	A14	A14
0413517-15	BEZEL - COMPASS	A14	A14	A14	A14	A14	A14	A14
0500312-2	MIRROR & COVER ASSEMBLY	279	279	279	279	279	279	279
0514017-3	TRIM - SEAT FORWARD	978	A80	A88	A84	532	279	532
0514083-1	TRIM ASSEMBLY - SEAT BACK	978	A80	A88	A84	532	279	532
0713881-13	DOOR ASSEMBLY - GLOVE BOX	A58	A58	A58	A58	A58	A58	A58
	(TRI - COLOR)	156	156	156	156	156	156	156
		970	A81	A89	A85	531	156	531
0714010-1	TRIM - SEAT LH	978	A80	A88	A84	532	279	532
0714010-2	TRIM - SEAT RH	978	A80	A88	A84	532	279	532
0714010-3	TRIM - LH OUTBOARD	978	A80	A88	A84	532	279	532
0714010-4	TRIM - RH OUTBOARD	978	A80	A88	A84	532	279	532
1200214-9	COVER ASSY - OVERHEAD CONSOLE	532	532	532	532	532	532	532
1200214-11	COVER ASSY - OVERHEAD CONSOLE OXYGEN	532	532	532	532	532	532	532
1200218-1	COVER - REAR SEAT CONSOLE	532	532	532	532	532	532	532
1200218-2	COVER - REAR SEAT CONSOLE OXYGEN	532	532	532	532	532	532	532
1200231-1	RETAINER - CABIN AIR VENT LH	970	A81	A89	A85	531	156	531
1200231-2	RETAINER - CABIN AIR VENT RH	970	A81	A89	A85	531	156	531
1200234-1	ESCUTCHEON - CENTER VENT	532	532	532	532	532	532	532
1200234-2	ESCUTCHEON - CENTER OXYGEN VENT	532	532	532	532	532	532	532
1213188-1	CUP- PROP DE-ICE SWITCH	A59	A59	A59	A59	A59	A59	A59
1213196-8	LENS ASSEMBLY - PEDESTAL LIGHT	978	A80	A88	A84	532	279	532
1213196-10	LENS ASSEMBLY - PEDESTAL LIGHT	978	A80	A88	A84	532	279	532
1213196-14	COVER ASSEMBLY - PEDESTAL	978	A80	A88	A84	532	279	532
1213317-19	COVER ASSEMBLY - INSTRUMENT PANEL LOWER	978	A80	A88	A84	279	279	279
1213366-1	COVER - SWITCH MOUNTING BRACKET	710	710	710	710	710	710	710
1213368-6	COVER ASSEMBLY - RH INSTRUMENT PANEL	A59	A59	A59	A59	A59	A59	A59
1213368-7	COVER ASSY - POST LIGHTED INSTRUMENT PANEL RH	A59	A59	A59	A59	A59	A59	A59
1213368-10	COVER ASSY-RH INSTRUMENT PANEL-DUAL ALTIMETERS	A59	A59	A59	A59	A59	A59	A59
1213368-11	COVER ASSY-POST LIGHTED INSTRUMENT PANEL RH-DUAL ALTIMETERS	A59	A59	A59	A59	A59	A59	A59
1213369-11	COVER ASSEMBLY - LH INSTRUMENT PANEL	A59	A59	A59	A59	A59	A59	A59
1213369-12	COVER ASSY - POST LIGHTED INSTRUMENT PANEL LH	A59	A59	A59	A59	A59	A59	A59
1213377-1	COVER - CENTER INSTRUMENT PANEL UPPER	A59	A59	A59	A59	A59	A59	A59
1213381-1	COVER - CENTER INSTRUMENT PANEL	A59	A59	A59	A59	A59	A59	A59
1213382-1	COVER - INSTRUMENT PANEL RH LOWER	978	A80	A88	A84	279	279	279
1214062-5	POCKET ASSEMBLY - MAGAZINE	978	A80	A88	A84	532	279	532
1214071-1	TRIM ASSEMBLY - SEAT BACK LH	978	A80	A88	A84	532	279	532
1214071-2	TRIM ASSEMBLY - SEAT BACK RH	978	A80	A88	A84	532	279	532
1215045-2	SHIELD - DOORPOST RH	532	532	532	532	532	532	532
1215045-3	SHIELD - DOORPOST LH FWD	532	532	532	532	532	532	532
1215045-4	SHIELD - DOORPOST RH FWD	532	532	532	532	532	532	532
1215045-5	SHIELD - DOORPOST LH UPPER	532	532	532	532	532	532	532
1215045-6	SHIELD - DOORPOST RH UPPER	532	532	532	532	532	532	532
1215045-14	MOULDING - WINDOW RH	532	532	532	532	532	532	532

**INTERIOR PAINTED OR PLASTIC PARTS
1973 MODEL YEAR**

21059720 THRU 21060089

INTERIOR COLOR CODE
(From Finish and Trim Plate)

PART NUMBER	PART NAME	AF	BF	CF	DF	EL	FL	HL
1215045-15	MOULDING - BAGGAGE DOOR	978	A80	A88	A84	532	279	532
1215045-16	MOULDING - WINDOW UPPER REAR	532	532	532	532	532	532	532
1215045-17	PANEL - BAGGAGE DOOR	978	A80	A88	A84	532	279	532
1215045-18	MOULDING - WINDOW LOWER REAR	532	532	532	532	532	532	532
1215045-19	PANEL - BAGGAGE COMPARTMENT UPPER	532	532	532	532	532	532	532
1215045-23	SHIELD ASSEMBLY - DOORPOST LH AFT	532	532	532	532	532	532	532
1215045-24	SHIELD ASSEMBLY - DOORPOST RH AFT	532	532	532	532	532	532	532
1215045-27	SHIELD - DOORPOST LH	532	532	532	532	532	532	532
1215045-29	MOULDING - WINDOW LH	532	532	532	532	532	532	532
1215045-30	MOULDING - DOOR RH	532	532	532	532	532	532	532
1215045-31	MOULDING - DOOR LH	532	532	532	532	532	532	532
1215045-33	SHIELD ASSY-DOORPOST	532	532	532	532	532	532	532
1215045-47	SHIELD-DOORPOST RH & LH CENTER	532	532	532	532	532	532	532
1215081-1	PANEL ASSEMBLY - REAR BAGGAGE WALL	532	532	532	532	532	532	532
1215081-3	PANEL - BAGGAGE WALL RH	978	A80	A88	A84	532	279	532
1215054-1	COVER - BAGGAGE COMPARTMENT LIGHT	532	532	532	532	532	532	532
1215066-1	SHIELD - TRIM	532	532	532	532	532	532	532
1260461-2	COVER - DISENGAGING RUDDER PEDALS	978	A80	A88	A84	532	279	532
1514233-10	POCKET ASSEMBLY - MAGAZINE	978	A80	A88	A84	532	279	532
1715037-1	TRIM - SEAT BOTTOM	978	A80	A88	A84	532	279	532


Cessna Illustrated parts catalog

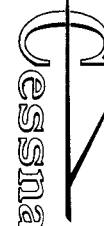
MODELS 210 & T210

**INTERIOR PAINTED OR PLASTIC PARTS
1974 MODEL YEAR**

INTERIOR COLOR CODE
(From Finish and Trim Plate)

21060090 THRU 21060539

PART NUMBER	PART NAME	AL				GL		
		AF	BF	CF	DF	GF	EL	FL
0413517-8	COMPASS ASSY	A14	A14	A14	A14	A14	A14	A14
0413517-10	BASE - COMPASS & OUTSIDE AIR TEMPERATURE	A14	A14	A14	A14	A14	A14	A14
0413517-15	BEZEL - COMPASS	A14	A14	A14	A14	A14	A14	A14
0500312-2	MIRROR & COVER ASSY	279	279	279	279	279	279	279
0514117-1	TRIM - SEAT LH	B40	B28	B32	B36	B24	532	279
0514117-2	TRIM - SEAT RH	B40	B28	B32	B36	B24	532	279
0515010-5	TRAY - SHOULDER HARNESS	532	532	532	532	532	532	532
0515010-6	TRAY - SHOULDER HARNESS	532	532	532	532	532	532	532
0715038-1	HANGER-COAT	532	532	532	532	532	532	532
0715046-4	HOLDER ASSY - APPROACH PLATE	279	279	279	279	279	279	279
0715046-8	HOLDER ASSY - APPROACH PLATE	279	279	279	279	279	279	279
1200231-1	RETAINER - CABIN AIR VENT LH	B41	B29	B33	B37	B25	531	156
1200231-2	RETAINER - CABIN AIR VENT RH	B41	B29	B33	B37	B25	531	156
1200239-1	ESCUTCHEON - OVERHEAD CENTER - WITHOUT OXYGEN	532	532	532	532	532	532	532
1200239-2	ESCUTCHEON - OVERHEAD CENTER - WITH OXYGEN	532	532	532	532	532	532	532
1200239-3	ESCUTCHEON - OVERHEAD CENTER - INERTIA REEL - WITHOUT OXYGEN	532	532	532	532	532	532	532
1200239-4	ESCUTCHEON - OVERHEAD CENTER - INERTIA REEL - WITH OXYGEN	532	532	532	532	532	532	532
1200241-1	ESCUTCHEON - REAR AIR VENT - WITHOUT OXYGEN	532	532	532	532	532	532	532
1200241-2	ESCUTCHEON - REAR AIR VENT - WITH OXYGEN	532	532	532	532	532	532	532
1200243-1	COVER ASSY - OVERHEAD CONSOLE - WITHOUT OXYGEN	532	532	532	532	532	532	532
1200243-2	COVER ASSY - OVERHEAD CONSOLE - WITH OXYGEN	532	532	532	532	532	532	532
1213188-1	CUP - PROP DE-ICE SWITCH	A59	A59	A59	A59	A59	A59	A59
1213196-8	LENS ASSY - PEDESTAL LIGHT	B40	B28	B32	B36	B24	532	279
1213196-10	LENS ASSY - PEDESTAL LIGHT	B40	B28	B32	B36	B24	532	279
1213196-16	COVER ASSY - PEDESTAL	B40	B28	B32	B36	B24	532	279
1213366-1	COVER - SWITCH MOUNTING BRACKET	710	710	710	710	710	710	710
1213377-1	COVER - CENTER INSTRUMENT PANEL UPPER	A59	A59	A59	A59	A59	A59	A59
1213381-1	COVER ASSY - RADIO CUTOFF	A59	A59	A59	A59	A59	A59	A59
1213692-7	COVER ASSY - LH INSTRUMENT PANEL	A59	A59	A59	A59	A59	A59	A59
1213692-8	COVER ASSY - POST LIGHTED INSTRUMENT PANEL LH	A59	A59	A59	A59	A59	A59	A59
1213693-6	COVER ASSY - RH INSTRUMENT PANEL	A59	A59	A59	A59	A59	A59	A59
1213693-7	COVER ASSY - POST LIGHTED INSTRUMENT PANEL RH	A59	A59	A59	A59	A59	A59	A59
1213693-10	COVER ASSY - RH INSTRUMENT PANEL - DUAL ALTIMETERS	A59	A59	A59	A59	A59	A59	A59
1213693-11	COVER ASSY - POST LIGHTED INSTRUMENT PANEL RH - DUAL ALTIMETERS	A59	A59	A59	A59	A59	A59	A59
1214098-1	TRIM - SEAT AFT	B40	B28	B32	B36	B24	532	279
1214099-1	TRIM - SEAT LH	B40	B28	B32	B36	B24	532	279
1214099-2	TRIM - SEAT RH	B40	B28	B32	B36	B24	532	279
1214101-1	TRIM - LH SEAT AFT	B40	B28	B32	B36	B24	532	279
1214101-2	TRIM - RH SEAT AFT	B40	B28	B32	B36	B24	532	279
1215045-5	SHIELD - DOORPOST LH UPPER	532	532	532	532	532	532	532
1215045-6	SHIELD - DOORPOST RH UPPER	532	532	532	532	532	532	532
1215045-15	MOULDING - BAGGAGE DOOR	B40	B28	B32	B36	B24	532	279
1215045-16	MOULDING - WINDOW UPPER REAR	532	532	532	532	532	532	532
1215045-17	PANEL - BAGGAGE DOOR	B40	B28	B32	B36	B24	532	279
1215045-18	MOULDING - WINDOW LOWER REAR	532	532	532	532	532	532	532
1215045-19	PANEL - BAGGAGE COMPARTMENT UPPER	884	884	884	884	884	884	884

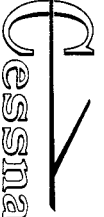


**INTERIOR PAINTED OR PLASTIC PARTS
1974 MODEL YEAR**

INTERIOR COLOR CODE
(From Finish and Trim Plate)

21060090THRU 21060539

PART NUMBER	PART NAME	AL	GL			FL		
		AF	BF	CF	DF	GF	EL	FL
1215045-33	SHIELD ASSY - DOOR POST	532	532	532	532	532	532	532
1215045-35	MOULDING - DOOR LH	532	532	532	532	532	532	532
1215045-36	MOULDING - DOOR RH	532	532	532	532	532	532	532
1215045-37	SHIELD - DOORPOST LH	532	532	532	532	532	532	532
1215045-38	SHIELD - DOORPOST RH	532	532	532	532	532	532	532
1215045-39	SHIELD - DOORPOST LH FWD	532	532	532	532	532	532	532
1215045-40	SHIELD - DOORPOST RH FWD	532	532	532	532	532	532	532
1215045-43	SHIELD ASSY - DOORPOST LH AFT	532	532	532	532	532	532	532
1215045-44	SHIELD ASSY - DOORPOST RH AFT	532	532	532	532	532	532	532
1215045-45	MOULDING - WINDOW LH	532	532	532	532	532	532	532
1215045-46	MOULDING - WINDOW RH	532	532	532	532	532	532	532
1215045-47	SHIELD - DOORPOST RH & LH CENTER	532	532	532	532	532	532	532
1215045-49	MOULDING - DOOR LH	532	532	532	532	532	532	532
1215045-50	MOULDING - DOOR RH	532	532	532	532	532	532	532
1215054-1	COVER - BAGGAGE COMPARTMENT LIGHT	532	532	532	532	532	532	532
1215066-1	SHIELD - TRIM	532	532	532	532	532	532	532
1215081-1	PANEL ASSY - REAR BAGGAGE WALL	B40	B28	B32	B36	B24	532	279
1215081-3	PANEL - BAGGAGE WALL RH	B40	B28	B32	B36	B24	532	279
1260461-2	COVER - DISENGAGING RUDDER PEDALS	B40	B28	B32	B36	B24	532	279
1514304-1	SCUFF PLATE - ARMREST LH	B40	B28	B32	B36	B24	532	279
1514304-2	SCUFF PLATE - ARMREST RH	B40	B28	B32	B36	B24	532	279


Cesna illustrated parts catalog

MODELS 210 & T210

**INTERIOR PAINTED OR PLASTIC PARTS
1975 MODEL YEAR**

21060540 & ON

**INTERIOR COLOR CODE
(From Finish and Trim Plate)**


PART NUMBER	PART NAME	AFD	BF	CFG	DFA	GFC	EL	FL
		AL		CF	DF	GL		
		AF		CF	DF	GF		
0413517-8	COMPASS ASSY	A14	A14	A14	A14	A14	A14	A14
0413517-10	BASE - COMPASS & OUTSIDE AIR TEMPERATURE	A14	A14	A14	A14	A14	A14	A14
0413517-15	BEZEL - COMPASS	A14	A14	A14	A14	A14	A14	A14
0500312-2	MIRROR & COVER ASSY	279	279	279	279	279	279	279
0514117-1	TRIM - SEAT LH	B40	B28	B32	B36	B24	532	279
0514117-2	TRIM - SEAT RH	B40	B28	B32	B36	B24	532	279
0515010-5	TRAY - SHOULDER HARNESS	532	532	532	532	532	532	532
0515010-6	TRAY - SHOULDER HARNESS	532	532	532	532	532	532	532
0715038-1	HANGER - COAT	532	532	532	532	532	532	532
0715046-4	HOLDER ASSY - APPROACH PLATE	279	279	279	279	279	279	279
0715046-8	HOLDER ASSY - APPROACH PLATE	279	279	279	279	279	279	279
1200231-1	RETAINER - CABIN AIR VENT LH	B41	B29	B33	B37	B25	531	156
1200231-2	RETAINER - CABIN AIR VENT RH	B41	B29	B33	B37	B25	531	156
1200239-1	ESCUTCHEON - OVERHEAD CENTER - WITHOUT OXYGEN	532	532	532	532	532	532	532
1200239-2	ESCUTCHEON - OVERHEAD CENTER - WITH OXYGEN	532	532	532	532	532	532	532
1200239-3	ESCUTCHEON - OVERHEAD CENTER - INERTIA REEL - WITHOUT OXYGEN	532	532	532	532	532	532	532
1200239-4	ESCUTCHEON - OVERHEAD CENTER - INERTIA REEL - WITH OXYGEN	532	532	532	532	532	532	532
1200241-1	ESCUTCHEON - REAR AIR VENT - WITHOUT OXYGEN	532	532	532	532	532	532	532
1200241-2	ESCUTCHEON - REAR AIR VENT - WITH OXYGEN	532	532	532	532	532	532	532
1200243-1	COVER ASSY - OVERHEAD CONSOLE - WITHOUT OXYGEN	532	532	532	532	532	532	532
1200243-2	COVER ASSY - OVERHEAD CONSOLE - WITH OXYGEN	532	532	532	532	532	532	532
1213188-1	CUP - PROPELLER DE-ICE SWITCH	A59	A59	A59	A59	A59	A59	A59
1213317-30	COVER ASSY - INSTRUMENT PANEL LOWER	A59	A59	A59	A59	A59	A59	A59
1213377-1	COVER - CENTER INSTRUMENT PANEL UPPER	A59	A59	A59	A59	A59	A59	A59
1213381-1	COVER ASSY - RADIO CUTOUT	A59	A59	A59	A59	A59	A59	A59
1213382-5	COVER - INSTRUMENT PANEL LWR LH	A59	A59	A59	A59	A59	A59	A59
1213399-1	COVER - SWITCH MOUNTING BRACKET	710	710	710	710	710	710	710
1213742-1	COVER ASSY - RH INSTRUMENT PANEL	A59	A59	A59	A59	A59	A59	A59
1213743-1	COVER ASSY - INSTRUMENT PANEL LH	A59	A59	A59	A59	A59	A59	A59
1213743-2	COVER ASSY - POST LIGHTED INSTRUMENT PANEL RH	A59	A59	A59	A59	A59	A59	A59
1213743-3	COVER ASSY - POST LIGHTED INSTRUMENT PANEL LH	A59	A59	A59	A59	A59	A59	A59
1213743-5	COVER ASSY - INSTRUMENT PANEL LH - DUAL ADF	A59	A59	A59	A59	A59	A59	A59
1213743-7	COVER ASSY - POST LIGHTED INSTRUMENT PANEL LH - DUAL ADF	A59	A59	A59	A59	A59	A59	A59
1213746-1	COVER ASSY - PEDESTAL	B40	B28	B32	B36	B24	532	279
1213746-4	LENS ASSY - PEDESTAL LIGHT	B40	B28	B32	B36	B24	532	279
1213748-1	LENS ASSY - PEDESTAL LIGHT	B40	B28	B32	B36	B24	532	279
1213748-2	LENS ASSY - PEDESTAL LIGHT	B40	B28	B32	B36	B24	532	279
1214098-1	TRIM - SEAT AFT	B40	B28	B32	B36	B24	532	279
1214101-1	TRIM - LH SEAT AFT	B40	B28	B32	B36	B24	532	279
1214101-2	TRIM - RH SEAT AFT	B40	B28	B32	B36	B24	532	279
1215045-5	SHIELD - DOORPOST LH UPPER	532	532	532	532	532	532	532
1215045-6	SHIELD - DOORPOST RH UPPER	532	532	532	532	532	532	532
1215045-15	MOULDING - BAGGAGE DOOR	B40	B28	B32	B36	B24	532	279
1215045-16	MOULDING - WINDOW UPPER REAR	532	532	532	532	532	532	532

**INTERIOR PAINTED OR PLASTIC PARTS
1975 MODEL YEAR**

21060540 & ON

INTERIOR COLOR CODE
(From Finish and Trim Plate)

PARTNUMBER	PARTNAME	AFD	BF	CFG	DFA	GFC	EL	FL
		AL		CF	DF	GL		
		AF		CF	DF	GF		
1215045-17	PANEL - BAGGAGE DOOR	B40	B28	B32	B36	B24	532	279
1215045-18	MOULDING - WINDOW LOWER REAR	532	532	532	532	532	532	532
1215045-19	PANEL - BAGGAGE COMPARTMENT UPPER	884	884	884	884	884	884	884
1215045-33	SHIELD ASSY - DOORPOST	532	532	532	532	532	532	532
1215045-37	SHIELD - DOORPOST LH	532	532	532	532	532	532	532
1215045-38	SHIELD - DOORPOST RH	532	532	532	532	532	532	532
1215045-39	SHIELD - DOORPOST LH FWD	532	532	532	532	532	532	532
1215045-40	SHIELD - DOORPOST RH FWD	532	532	532	532	532	532	532
1215045-43	SHIELD ASSY - DOORPOST LH AFT	532	532	532	532	532	532	532
1215045-44	SHIELD ASSY - DOORPOST RH AFT	532	532	532	532	532	532	532
1215045-45	MOULDING - WINDOW LH	532	532	532	532	532	532	532
1215045-46	MOULDING - WINDOW RH	532	532	532	532	532	532	532
1215045-47	SHIELD - DOORPOST RH & LH CENTER	532	532	532	532	532	532	532
1215045-49	MOULDING - DOOR LH	532	532	532	532	532	532	532
1215045-50	MOULDING - DOOR RH	532	532	532	532	532	532	532
1215054-1	COVER - BAGGAGE COMPARTMENT LIGHT	532	532	532	532	532	532	532
1215066-1	SHIELD - TRIM	532	532	532	532	532	532	532
1215081-1	PANEL ASSY - REAR BAGGAGE WALL	B40	B28	B32	B36	B24	532	279
1215081-3	PANEL - BAGGAGE WALL RH	B40	B28	B32	B36	B24	532	279
1260461-2	COVER - DISENGAGING RUDDER PEDALS	B40	B28	B32	B36	B24	532	279
1513190-4	CAP - INSTRUMENT	A59	A59	A59	A59	A59	A59	A59
1513190-7	CAP - INSTRUMENT	A59	A59	A59	A59	A59	A59	A59
1513190-12	CAP - INSTRUMENT	A59	A59	A59	A59	A59	A59	A59
1513190-13	CAP - INSTRUMENT	A59	A59	A59	A59	A59	A59	A59
1513190-14	CAP - INSTRUMENT	A59	A59	A59	A59	A59	A59	A59
1513377-4	COVER - ADF	A59	A59	A59	A59	A59	A59	A59
1514304-1	SCUFF PLATE - ARMREST LH	B40	B28	B32	B36	B24	532	279
1514304-2	SCUFF PLATE - ARMREST RH	B40	B28	B32	B36	B24	532	279


Cessna Illustrated parts catalog

MODELS 210 & T210

This page intentionally left blank.

 **ALPHABETICAL INDEX**

ALPHABETICAL INDEX

NOMENCLATURE	FIGURE	NOMENCLATURE	FIGURE
A		A (Cont)	
ABRASION BOOT	13	ALTIMETER	58C
ACCESSORY KITS-SEE ACCESSORY KIT CATALOG		ALTIMETER	58D
ACCUMULATOR	131B	ALTIMETER	108A
ACTUATOR & MOTOR FLAP	103	ALTIMETER ENCODING	58C
ACTUATOR DOWNLOCK	130	ALTIMETER ENCODING	58D
ACTUATOR DOWNLOCK	130A	ALTIMETER ENCODING	108A
ACTUATOR DOWNLOCK	130B	AMMETER	133
ACTUATOR FLAP	103	AMMETER GAGE	58
ACTUATOR SWITCH	117	AMMETER GAGE	58A
ADAPTER OIL FILTER	113	AMMETER GAGE	58B
ADAPTER OIL TEMPERATURE	74	AMMETER GAGE	58C
ADAPTER THROTTLE BODY	74	AMMETER GAGE	58D
ADAPTOR OIL TEMPERATURE	73	ANGLE COWL ATTACH	16
ADHESIVE GASKET	1	ANTENNA VHF	11A
AFT CABIN STRUCTURE LOWER	22	ARMREST	53
AFT CABIN STRUCTURE UPPER	25A	ARMREST	53A
AFT CARPET	51	ARMREST	54
AFT FIREWALL COVER	17	ARMREST	55
AFT FIREWALL COVER	17A	ARMREST	56
AFT FLOORBOARD	24	ARMREST	56A
AFT TAILCONE	30	ARMREST DOOR	44A
AILERON	4	ARMREST DOOR	45A
AILERON	9	ASH RECEIVER	49
AILERON BELLCRANK	97	ASH RECEIVER	50
AILERON CABLE	97	ASH RECEIVER	53
AILERON CONTROL GLIDE	95	ASH RECEIVER	54
AILERON CONTROL QUADRANT	95	ASH RECEIVER	56
AILERON CONTROL SYSTEM	97	ATTACH STRIP COWL	17
AILERON CONTROL TUBE	95	AUTO PILOT-NAVOMATIC SEE ELECTRONICS MANUAL	
AILERON DIRECT CABLE	97	AUX CABIN AIR CONTROL	58C
AILERON PULLEY	97	AUX CABIN AIR CONTROL	58D
AILERON PULLEY BRACKET	16	AUXILIARY FUEL PUMP	109
AILERON PULLEY BRACKET	98	AUXILIARY SPAR	14
AILERON RIB	4	AXLE	37
AILERON RIB	9	AXLE SPACER	32
AILERON SERVO BRACKET	98		
AILERON SKIN	9	B	
AILERON SPAR	9	BACK COVER SEAT	53A
AILERON TRIM TAB	9	BACK SEAT	53A
AIR BOX INDUCTION	77	BACK SEAT	56A
AIR FILTER	75	BACK SEAT	57A
AIR FILTER	77	BACK UPHOLSTERED SEAT	53
AIR FILTER	85A	BACK UPHOLSTERED SEAT	53A
AIR INLET	73	BACK UPHOLSTERED SEAT	54
AIR INLET	78	BACK UPHOLSTERED SEAT	55
AIR INTAKE FILTER	78	BACK UPHOLSTERED SEAT	56
AIR PUMP VALVE	115	BACK UPHOLSTERED SEAT	56A
AIR TEMP GAGE OUTSIDE	64	BACK UPHOLSTERED SEAT	57
AIR TEMP OUTSIDE	64	BACK UPHOLSTERED SEAT	57A
AIR THROTTLE	75	BAFFLE FASTENER	85
AIR THROTTLE	76	BAFFLE FORWARD	85
AIRBOX	77	BAFFLE FORWARD	85A
AIRSPEED INDICATOR	58	BAFFLE FORWARD	86A
AIRSPEED INDICATOR	58A	BAFFLE HORIZONTAL	86
AIRSPEED INDICATOR	58B	BAFFLE INTER CYLINDER	85
AIRSPEED INDICATOR	58C	BAFFLE INTER CYLINDER	86
AIRSPEED INDICATOR	58D	BAFFLE OIL COOLER	73
AIRSPEED INDICATOR	108	BAFFLE OIL COOLER	85
AIRSPEED INDICATOR	108A	BAFFLE OIL COOLER	85A
ALTERNATE AIR DOOR	78	BAFFLE OIL COOLER	86
ALTERNATE STATIC SOURCE PLACARD	2	BAFFLE OIL COOLER	86A
ALTERNATOR	138	BAFFLE REAR	85
ALTERNATOR DRIVE BELT	74	BAFFLE REAR	85A
ALTERNATOR DRIVE BELT	75	BAFFLE REAR	86
ALTERNATOR DRIVE BELT	76	BAFFLE REAR	86A
ALTIMETER	58		
ALTIMETER	58A		
ALTIMETER	58B		

ALPHABETICAL INDEX

NOMENCLATURE	FIGURE	NOMENCLATURE	FIGURE
B (Cont)		B (Cont)	
BAFFLE REAR CYLINDER	86	BELT FRONT SEAT	55
BAFFLE SEAL	69	BELT SEAT	53
BAFFLE SEAL	70A	BELT SEAT	56
BAFFLE SEAL	78	BELT SEAT	56A
BAFFLE SEAL	85	BELT SEAT	57
BAFFLE SEAL	85A	BELT SEAT	57A
BAFFLE SEAL	86	BLEEDER SCREW	38
BAFFLE SEAL	86A	BLOCK BEARING	53
BAFFLE SIDE	85A	BLOCK BEARING	53A
BAFFLE SIDE	86A	BLOCK BEARING	54
BAFFLES ENGINE	85	BLOCK BEARING	55
BAFFLES ENGINE	85A	BLOCK BEARING	56
BAFFLES ENGINE	86	BLOCK BEARING	56A
BAFFLES ENGINE	86A	BLOCK BEARING	95
BAG SOUNDPROOFING	52	BLOCK ELEVATOR TAB STOP	101
BAGGAGE COMPARTMENT PANEL	51	BOARD DIODE	58
BAGGAGE DOOR	47	BOARD DIODE	135
BAGGAGE DOOR	51	BOOT ABRASION	13
BAGGAGE DOOR LATCH COVER	47	BOOT STEERING LINK	33
BAGGAGE DOOR PANEL	51	BOOT STEERING LINK ROD	33
BAGGAGE FLOORBOARD	24	BOTTOM SEAT	53A
BAGGAGE NET	51	BOTTOM SEAT	56A
BAGGAGE PLACARD	2	BOTTOM SEAT	57
BALANCE WEIGHT AILERON	9	BOTTOM SEAT	57A
BALANCE WEIGHT RUDDER	12	BOTTOM UPHOLSTERED SEAT	53
BARREL SHIMMY DAMPENER	36	BOTTOM UPHOLSTERED SEAT	54
BARREL TURNBUCKLE	103	BOTTOM UPHOLSTERED SEAT	55
BATTERY BOX	26	BOTTOM UPHOLSTERED SEAT	56
BATTERY BOX SUPPORT	26	BOTTOM UPHOLSTERED SEAT	56A
BATTERY BOX TOP COVER	26	BOTTOM UPHOLSTERED SEAT	57A
BATTERY BOX TRAY	26	BOX BATTERY	26
BATTERY CABLE	135	BOX GLOVE	61
BATTERY CONTACTOR	135	BRAKE	38
BATTERY DRAIN LINE	135	BRAKE	38A
BATTERY GROUND CABLE	135	BRAKE	93
BATTERY KIT	135	BRAKE & RUDDER PEDALS	93
BEACON FLASHING	140	BRAKE CYLINDER	38
BEACON LIGHT FLASHER	140	BRAKE CYLINDER	38A
BEARING BLOCK	53	BRAKE CYLINDER BRACKET	93
BEARING BLOCK	53A	BRAKE CYLINDER SUPPORT	17
BEARING BLOCK	54	BRAKE CYLINDER SUPPORT	17A
BEARING BLOCK	55	BRAKE DISC	38
BEARING BLOCK	56	BRAKE LINE	37
BEARING BLOCK	56A	BRAKE LINE	92
BEARING BLOCK	95	BRAKE MASTER CYLINDER	94
BEARING CONE	35	BRAKE SYSTEM	92
BEARING CONE	35A	BREAKER CIRCUIT	58
BEARING CONE	38	BREAKER CIRCUIT	58A
BEARING CONE	38A	BREAKER CIRCUIT	58B
BELLCRANK AILERON	97	BREAKER CIRCUIT	58C
BELLCRANK AND HOOK NOSE GEAR UNLOCK	41	BREAKER CIRCUIT	58D
BELLCRANK RUDDER	12	BREAKER CIRCUIT	59
BELLCRANK RUDDER	107	BREAKER CIRCUIT	59A
BELLCRANK SEAT	53	BREAKER CIRCUIT	102
BELLCRANK SEAT	53A	BREAKER CIRCUIT	108
BELLCRANK SEAT	54	BREAKER CIRCUIT	140
BELLCRANK SEAT	56	BREAKER FLASHING BEACON CIRCUIT	140
BELLCRANK SEAT	56A	BREATHER AFT TUBE	73
BELLCRANK SPRING DOOR ACTUATOR	40	BREATHER AFT TUBE	74
BELLY SECTION FUSELAGE	21A	BULB	58
BELLY SECTION FUSELAGE	21B	BULB	58A
BELT ALTERNATOR DRIVE	73	BULB	58B
BELT ALTERNATOR DRIVE	74	BULB	58C
BELT EXTENSION	63	BULB	58D
BELT FITTING SEAT	21	BULB	60
BELT FRONT SEAT	53	BULB	60C
BELT FRONT SEAT	53A	BULB	60D
BELT FRONT SEAT	54	BULB	64

ALPHABETICAL INDEX

NOMENCLATURE	FIGURE	NOMENCLATURE	FIGURE
B (Cont)		C (Cont)	
BULB	137	CABIN SECTION COMPONENTS UPPER	25
BULB	137A	CABIN SECTION LOWER	21
BULB ALSO SEE LIGHTS.. . . .		CABIN SIDE PANELS	50
BULB DOME LIGHT.	135	CABIN SIDE PANELS UPHOLSTERY	50
BULB INSTRUMENT CLUSTER	58	CABIN SOUNDPROOFING.	52
BULB INSTRUMENT CLUSTER.	58A	CABIN STEP	218
BULB INSTRUMENT CLUSTER.	58B	CABIN STEP	37
BULB INSTRUMENT CLUSTER.	58C	CABIN TOP.	24A
BULB NAVIGATION LIGHT.	3	CABIN TOP.	48
BULB WING DE ICE	58	CABIN TOP & FIREWALL UPHOLSTERY.	48
BULB WING DE ICE	58A	CABIN TOP COMPONENTS FORWARD	24A
BULB WING DE ICE	58B	CABIN TOP FORWARD.	24A
BULB WING DE ICE	58C	CABIN VENTILATION SYSTEM	89
BULB WING DE ICE	58D	CABIN VENTILATION SYSTEM	89A
BULK ITEMS-LIST OF	1	CABLES-CONTROL-SEE APPLICABLE SYSTEM	
BULKHEAD HORIZONTAL TAIL	30	CALL LETTER RETAINER	58
BULKHEAD KEEL	17	CAP FIN TIP.	11
BULKHEAD KEEL.	17A	CAP FIN TIP.	11A
BULKHEAD PROPELLER SPINNER	65	CAP FUEL	5
BULKHEAD PROPELLER SPINNER	66	CAP HUB.	32
BULKHEAD TAILCONE.	30	CAP HUB.	37
BUMPER COWL FLAP	17	CAP LOWER NOSE	17
BUMPER COWL FLAP	17A	CAP LOWER NOSE	17A
BUNGEE NOSE GEAR STEERING.	33	CAP NOSE	17A
BUNGEE RUDDER.	107	CAP NOSE	70
BUNGEE RUDDER TRIM	107A	CAP NOSE	70A
BUS BAR.	59	CAP NOSE WHEEL HUB	32
BUS BAR.	59A	CAP RUDDER TIP	12
BUS BAR STRAP.	135	CAP UPPER NOSE	69
BUTTON STATIC SOURCE	108	CAPACITOR.	99
		CAPACITOR.	99A
C		CARPET	51
CABIN AIR CONTROL.	58	CARPET	57
CABIN AIR CONTROL.	58A	CARPET	57A
CABIN AIR CONTROL.	58B	CARPET AFT	51
CABIN AIR CONTROL.	58C	CARPET FIREWALL.	48
CABIN AIR CONTROL.	58D	CARPET FORWARD	51
CABIN AIR CONTROL.	89	CARPET RUDDER BAR.	51
CABIN AIR CONTROL.	89A	CARPET TUNNEL.	51
CABIN AIR VENT RETAINER.	50	CATALOG-HOW TO USE	SEE INTRODUCTION.
CABIN DOOR LATCH	46A	CATCH MAGNA TITE	61
CABIN DOOR LEFT.	44	CATCH MAGNETIC	78
CABIN DOOR LEFT.	44A	CATCH PARKING BRAKE.	92
CABIN DOOR RIGHT	45	CELL COMPONENTS FUEL	6
CABIN DOOR RIGHT	45A	CENTER SECTION FLOORBOARD.	24
CABIN DOOR SKIN.	44A	CENTER UPPER STACK	83
CABIN DOOR SKIN.	45	CESSNA PLACARD	2
CABIN DOOR SKIN.	45A	CHAIN ELEVATOR TAB	101
CABIN DOOR STEP.	15	CHAIN ELEVATOR TRIM.	101
CABIN DOOR STRUCTURE	44	CHAIN RUDDER TRIM.	107A
CABIN DOOR STRUCTURE	44A	CHECK LIST PILOTS.	2
CABIN DOOR STRUCTURE	45	CHECK VALVE.	79
CABIN DOOR UPHOLSTERY.	49	CHECK VALVE.	118A
CABIN DOOR WEDGE	44	CHECK VALVE.	119A
CABIN DOOR WEDGE	45	CHECK VALVE.	130D
CABIN HEAT CONTROL	58	CHECK VALVE FUEL	109
CABIN HEAT CONTROL	58A	CHECKLIST PLACARD.	2
CABIN HEAT CONTROL	58B	CIGAR LIGHTER.	58
CABIN HEAT CONTROL	58C	CIGAR LIGHTER.	58A
CABIN HEAT CONTROL	58D	CIGAR LIGHTER.	58B
CABIN HEAT CONTROL	90	CIGAR LIGHTER.	58C
CABIN HEAT CONTROL	91	CIGAR LIGHTER.	58D
CABIN HEAT CONTROL	91	CIRCUIT BREAKER.	58
CABIN HEAT CONTROL	91	CIRCUIT BREAKER.	58A
CABIN HEAT CONTROL	91	CIRCUIT BREAKER.	58B
CABIN HEAT CONTROL	91	CIRCUIT BREAKER.	58C
CABIN HEAT CONTROL	91	CIRCUIT BREAKER.	58D
CABIN HEAT CONTROL	91	CIRCUIT BREAKER.	59
CABIN HEAT CONTROL	91		

ALPHABETICAL INDEX

NOMENCLATURE	FIGURE	NOMENCLATURE	FIGURE
C (Cont)		C (Cont)	
CIRCUIT BREAKER	59A	COURTESY LIGHT	139
CIRCUIT BREAKER	102	COURTESY LIGHT BRACKET	25
CIRCUIT BREAKER	108	COURTESY LIGHT SHIELD	139
CIRCUIT BREAKER	140	COURTESY LIGHT SOCKET	139
CIRCUIT BREAKER FLASHING BEACON	140	COURTESY LIGHT SWITCH	139
CLAMP EXHAUST	71	COWL & NOSE CAP UPPER	69
CLEAR LENS	31	COWL & NOSE CAP UPPER	70
CLIP DOOR HANDLE	44	COWL & NOSE CAP UPPER	70A
CLIP DOOR HANDLE	45	COWL ATTACH ANGLE	16
CLIP FIREWALL UPHOLSTERY	26	COWL ATTACH STRIP	16
CLIP UPHOLSTERY	18	COWL DECK SKIN	16
CLIP UPHOLSTERY	25	COWL FLAP	17
CLOCK ELECTRIC	58	COWL FLAP	17A
CLOCK ELECTRIC	58A	COWL FLAP BUMPER	17
CLOCK ELECTRIC	58B	COWL FLAP BUMPER	17A
CLOCK ELECTRIC	58C	COWL FLAP CONTROL	87
CLOCK ELECTRIC	58D	COWL FLAP CONTROL BRACKET	20A
CLOCK FUSE	135	COWL FLAP CONTROL BRACKET	26
CLUSTER INSTRUMENT	58	COWL FLAP DOOR	17A
CLUSTER INSTRUMENT	58A	COWL FLAP DOOR	87
CLUSTER INSTRUMENT	58B	COWL FLAP HINGE	17
CLUSTER INSTRUMENT	58C	COWL FLAP HINGE	17A
CLUSTER INSTRUMENT	58D	COWL FLAP HINGE	87
CLUTCH COVER	102	COWL FLAP HINGE MOUNT	17
CLUTCH ELECTRIC TRIM	102	COWL FLAP HINGE SUPPORT	17A
COLD AIR INLET	16	COWL FLAP LEVER	87
COLD AIR INLET SCREEN	89	COWL FLAPS SYSTEM	87
COLD AIR INLET SCREEN	89A	COWL HALF	69
COLLAR CONTROL LOCK	95	COWL HALF	70
COLLECTOR	83	COWL HALF	70A
COLOR CHART-PAINT	IV	COWL LOWER SKIN	17
COMPASS	64	COWL LOWER SKIN	17A
COMPASS & OUTSIDE AIR TEMPERATURE	64	COWL UPPER	69
COMPASS CORRECTION PLACARD	64	COWL UPPER	70
COMPLETE WING	3	COWL UPPER	70A
COMPONENTS ENGINE	75	CUP FUEL SAMPLER	8
COMPONENTS ENGINE	76	CUP HOLDER	62
COMPRESSOR DUCT COUPLER	72	CUSHION SEAT BACK	53A
CONE BEARING	35	CUSHION SEAT BACK	55
CONE BEARING	35A	CUSHION SEAT BACK	56A
CONE BEARING	38	CUSHION SEAT BACK	57A
CONE BEARING	38A	CUSHION SEAT BOTTOM	53A
CONLEY WELD	1	CUSHION SEAT BOTTOM	55
CONNECTOR PITOT TUBE	108	CUSHION SEAT BOTTOM	56A
CONTACTOR	135	CUSHION SEAT BOTTOM	57A
CONTACTOR BATTERY	135	CYLINDER & REGULATOR OXYGEN	134
CONTACTOR STARTER	135	CYLINDER BRAKE	38
CONTINENTAL ENGINE	73	CYLINDER BRAKE	38A
CONTINENTAL ENGINE	74	CYLINDER HEAD TEMP GAGE	58C
CONTROL CABLES-SEE INDIVIDUAL SYSTEM		CYLINDER HEAD TEMP GAGE	58D
CONTROL SYSTEMS-SEE INDIVIDUAL SYSTEMS		CYLINDER HEAD TEMPERATURE GAGE	58
CONTROL WHEEL SEE WHEEL-CONTROL		CYLINDER HEAD TEMPERATURE GAGE	58A
CONTROL-PUSH/PULL-SEE ENGINE INSTL		CYLINDER HEAD TEMPERATURE GAGE	58B
CONTROL-PUSH/PULL-SEE INSTRUMENT PANEL			
CONTROLLER EXHAUST VALVE	80	D	
COOLER ENGINE OIL	73	DAMPENER SHIMMY	36
COOLER NON CONGEALING OIL	74	DE ICE PROPELLER	133
COOLER NON CONGEALING OIL	76	DE ICE SYSTEM	132
COOLER OIL	73	DE ICE SYSTEM PROPELLER	133
COOLER OIL	74	DE ICE SYSTEM WING & STABILIZER	132
COOLER OIL	75	DEADENER SOUND	1
COOLER OIL	76	DECALS-SEE PLACARDS	
COOLER OIL NON CONGEALING	73	DECK SKIN	16
COORDINATOR TURN	99	DEFLECTOR	3
COORDINATOR TURN	99A	DEFLECTOR	48
CORD GLIDER RELEASE	62		
CORE MUFFLER	83		
COUPLER COMPRESSOR DUCT	72		

ALPHABETICAL INDEX

NOMENCLATURE	FIGURE	NOMENCLATURE	FIGURE
D (Cont)		D (Cont)	
DEFLECTOR	71	DOOR HANDLE	44
DEFLECTOR	74	DOOR HANDLE	45
DEFLECTOR DEFROST	48	DOOR HANDLE	45A
DEFLECTOR EXHAUST HEAT	73	DOOR HANDLE	46
DEFLECTOR FRONT SHIELD	74	DOOR HANDLE CLIP	44
DEFLECTOR OIL FILTER	113	DOOR HANDLE CLIP	45
DEFROST CONTROL	58	DOOR HANDLE ESCUTCHEON	44A
DEFROST CONTROL	58A	DOOR HANDLE ESCUTCHEON	45A
DEFROST CONTROL	58B	DOOR HANDLE SPRING	44
DEFROST CONTROL	58C	DOOR HANDLE SPRING	45
DEFROST CONTROL	58D	DOOR HANDLE SPRING	46
DEFROST CONTROL	90	DOOR HANDLE SPRING	46A
DEFROST CONTROL	91	DOOR JAMB	18
DEFROST DEFLECTOR	48	DOOR JAMB	22
DEFROST HOSE	90	DOOR LATCH SUPPORT	44
DEFROST NOZZLE	16	DOOR LATCH SUPPORT	44A
DEFROST NOZZLE	90	DOOR LATCH SUPPORT	45
DEFROST NOZZLE	91	DOOR LATCH SUPPORT	45A
DEFROST RETAINER	48	DOOR LOCK	44
DEFROSTER NOZZLE	90	DOOR LOCK	44A
DEFROSTER NOZZLE	91	DOOR MAIN GEAR	40
DEFROSTER VALVE	90	DOOR MAIN GEAR SPRING WELL	40
DEFROSTER VALVE	91	DOOR MAIN GEAR WHEEL WELL	40
DILUTION SYSTEM OIL	113	DOOR Moulding	49
DIODE	59	DOOR NOSE GEAR	39
DIODE	59A	DOOR OIL	70
DIODE	116A	DOOR OIL	70A
DIODE	135	DOOR OIL CHECK	69
DIODE BOARD	58	DOOR OIL CHECK	70
DIODE BOARD	135	DOOR OIL CHECK	70A
DIP STICK EXTENDED HANDLE	75	DOOR OIL FILLER ACCESS	70
DIP STICK EXTENDED HANDLE	76	DOOR OIL FILLER ACCESS	70A
DIPSTICK	118A	DOOR OPEN LINE	116
DIRECTIONAL GYRO	114	DOOR OPEN LINE	116A
DISC BRAKE	38	DOOR OPEN LINE	122
DISCHARGER STATIC	3	DOOR OPEN LINE	122A
DISCHARGER STATIC	12	DOOR OPEN LINE	123
DISCHARGER STATIC	14	DOOR OPEN LINE	123A
DISENGAGING RUDDER PEDALS CONTROL	93	DOOR OPEN LINE	124
DISENGAGING RUDDER PEDALS COVER	93	DOOR OPEN LINE	125
DOME LIGHT	135	DOOR POST SHIELD	49
DOME LIGHT BULB	135	DOOR PULL BRACKET	44
DOME LIGHT LENS	89	DOOR PULL BRACKET	45
DOME LIGHT LENS	135	DOOR SEAL	3
DOME LIGHT SWITCH	135	DOOR STOP	58
DOME SPINNER	65	DOOR STOP	58A
DOME SPINNER	66	DOOR STOP	58B
DOME SPINNER	133	DOOR STOP	58C
DOOR ALTERNATE AIR	78	DOOR STOP ESCUTCHEON	49
DOOR ARMREST	44A	DOOR STOP HINGE	44
DOOR ARMREST	45A	DOOR STOP HINGE	44A
DOOR BAGGAGE	47	DOOR STOP HINGE	45
DOOR BAGGAGE	51	DOOR STOP HINGE	45A
DOOR CLOSE LINE	116	DOOR TRIM PANEL	49
DOOR CLOSE LINE	116A	DOOR UPHOLSTERY CABIN	49
DOOR CLOSE LINE	122	DOOR WINDOW	44
DOOR CLOSE LINE	122A	DOOR WINDOW	44A
DOOR CLOSE LINE	123	DOOR WINDOW	45
DOOR CLOSE LINE	123A	DOOR WINDOW	45A
DOOR CLOSE LINE	124	DOORPOST	16
DOOR CLOSE LINE	125	DOORPOST	18
DOOR CLOSE LOCK VALVE	130C	DOORPOST & BULKHEAD FRONT	18
DOOR CLOSE LOCK VALVE	130D	DOORPOST FRONT	18
DOOR COWL FLAP	17A	DOORPOST JAMB	19
DOOR COWL FLAP	87	DOORPOST REAR	19
DOOR FUEL FILLER	5	DOORPOST SHIELD	49
DOOR GLOVE BOX	61	DOORPOST SHIELD	50
DOOR GUIDE	19	DORSAL FAIRING	11

ALPHABETICAL INDEX

NOMENCLATURE	FIGURE	NOMENCLATURE	FIGURE
D (Cont)		E (Cont)	
DORSAL FAIRING	11A	ELECTROLUMINESCENT PANEL	58D
DORSAL FIN FAIRING	11	ELECTRONIC EQUIPMENT—SEE ELECTRONICS MANUAL	
DORSAL FIN FAIRING	11A	ELEMENT FILTER	89
DORSAL RIB	11	ELEMENT FILTER	89A
DORSAL RIB	11A	ELEMENT KIT FILTER	113
DOWEL HUB ALIGNMENT	65	ELEVATOR	14
DOWEL HUB ALIGNMENT	67	ELEVATOR & RUDDER PULLEY BRACKET	18
DOWEL HUB ALIGNMENT	68	ELEVATOR ARM	14
DOWEL PIN WING ATTACH	3	ELEVATOR BALANCE SKIN	14
DOWNLOCK ACTUATOR	130	ELEVATOR BALANCE WEIGHT	14
DOWNLOCK ACTUATOR	130A	ELEVATOR BELLCRANK BRACKET	30
DOWNLOCK ACTUATOR	130B	ELEVATOR BRACKET	17
DOWNLOCK SWITCH	43	ELEVATOR BRACKET	17A
DOWNLOCK SWITCH	122	ELEVATOR BRACKET	18
DOWNLOCK SWITCH	122A	ELEVATOR BRACKET	21A
DRAIN VALVE	5	ELEVATOR BRACKET	21B
DRAIN VALVE	8	ELEVATOR BRACKET	26
DRAIN VALVE	109	ELEVATOR CONTROL GUIDE	16
DRAIN VALVE FUEL	8	ELEVATOR CONTROL SYSTEM	100
DRIVE BELT ALTERNATOR	73	ELEVATOR DOWN CABLE	100
DRIVE BELT ALTERNATOR	75	ELEVATOR ELECTRIC TRIM	102
DRIVE BELT ALTERNATOR	76	ELEVATOR ELECTRIC TRIM	102A
DRIVE COUPLING MAGNETO	75	ELEVATOR ELECTRIC TRIM COMPONENTS	102
DRIVE COUPLING MAGNETO	76	ELEVATOR ELECTRIC TRIM COMPONENTS	102A
DRIVE ELECTRIC TRIM	102	ELEVATOR HINGE BRACKET	14
DRIVE ELECTRIC TRIM	102A	ELEVATOR LOWER STOP	30
DRIVE GEAR MAGNETO	75	ELEVATOR RIB	14
DRIVE GEAR MAGNETO	76	ELEVATOR TAB CHAIN	101
DUAL FUEL FLOW & MANIFOLD PRESSURE INDICATOR	58	ELEVATOR TAB STOP BLOCK	101
DUAL FUEL FLOW & MANIFOLD PRESSURE INDICATOR	58A	ELEVATOR TIP	14
DUAL FUEL FLOW & MANIFOLD PRESSURE INDICATOR	58B	ELEVATOR TRIM CABLE	101
DUAL FUEL FLOW & MANIFOLD PRESSURE INDICATOR	58C	ELEVATOR TRIM CABLE	102
DUAL FUEL FLOW & MANIFOLD PRESSURE INDICATOR	58D	ELEVATOR TRIM CHAIN	101
DUCT HEATER	16	ELEVATOR TRIM CONTROL	101
DUCT HEATER	90	ELEVATOR TRIM CONTROL SYSTEM	101
E		ELEVATOR TRIM INDICATOR	101
ECONOMY POWER INDICATOR PROBE	73	ELEVATOR TRIM PULLEY BRACKET	18
ECONOMY POWER INDICATOR PROBE	74	ELEVATOR TRIM SUPPORT	20
ECONOMY POWER PROBE	73	ELEVATOR TRIM SUPPORT	20A
ECONOMY POWER PROBE	74	ELEVATOR TRIM TAB	102B
ELECTRIC CLOCK	58	ELEVATOR TRIM TAB	102C
ELECTRIC CLOCK	58A	ELEVATOR TRIM TAB ACTUATOR	102B
ELECTRIC CLOCK	58B	ELEVATOR TRIM TAB ACTUATOR	102C
ELECTRIC CLOCK	58C	ELEVATOR UP CABLE	100
ELECTRIC CLOCK	58D	ELEVATOR UPPER STOP	30
ELECTRIC FLAP SYSTEM	103	EMERGENCY HAND PUMP	120
ELECTRIC TRIM CLUTCH	102	EMERGENCY HAND PUMP	120A
ELECTRIC TRIM COMPONENTS ELEVATOR	102	ENCODING ALTIMETER	58C
ELECTRIC TRIM COMPONENTS ELEVATOR	102A	ENCODING ALTIMETER	58D
ELECTRIC TRIM DRIVE	102	ENCODING ALTIMETER	108A
ELECTRIC TRIM DRIVE	102A	END ROD	33
ELECTRIC TRIM ELEVATOR	102	END ROD	39
ELECTRIC TRIM ELEVATOR	102A	END ROD	40
ELECTRIC TRIM HOUSING	102	END ROD	42
ELECTRIC TRIM HOUSING	102A	END ROD	43
ELECTRIC TRIM MOTOR	102	END ROD	71
ELECTRIC TRIM MOTOR	102A	END ROD	72
ELECTRIC TRIM SWITCH	96A	END ROD	95
ELECTRIC TRIM SWITCH	96B	END ROD	97
ELECTRICAL EQUIPMENT	135	END ROD	103
ELECTROLUMINESCENT PANEL	58	END ROD	104
ELECTROLUMINESCENT PANEL	58A	END ROD	126
ELECTROLUMINESCENT PANEL	58B	END ROD	126A
ELECTROLUMINESCENT PANEL	58C	END ROD	128
		END ROD	130A
		END ROD	130B
		ENGINE	71
		ENGINE	73

ALPHABETICAL INDEX

NOMENCLATURE

FIGURE

NOMENCLATURE

FIGURE

E (Cont)

ENGINE BAFFLES	85
ENGINE BAFFLES	85A
ENGINE BAFFLES	86
ENGINE BAFFLES	86A
ENGINE COMPONENTS	75
ENGINE COMPONENTS	76
ENGINE CONTINENTAL	73
ENGINE CONTINENTAL	74
ENGINE DRIVEN GYROS	114
ENGINE DRIVEN GYROS	114A
ENGINE MOUNT	17A
ENGINE MOUNT BRACKET	17
ENGINE MOUNT BRACKET	17A
ENGINE MOUNT COVER	17
ENGINE MOUNT COVER	17A
ENGINE MOUNT FORWARD	17
ENGINE MOUNT REAR	17
ENGINE MOUNT REAR	17A
ENGINE OIL COOLER	73
ENGINE OIL PLACARD	2
ENGINE PRIMER SYSTEM	112
ENGINE PUMP LINE	73
ENGINE TURBOCHARGED	72
EQUIPMENT ELECTRICAL	135
EQUIPMENT FUSELAGE	62
EQUIPMENT WINTERIZATION	88
ESCUTCHEON	51
ESCUTCHEON	57
ESCUTCHEON	62B
ESCUTCHEON	89
ESCUTCHEON	89A
ESCUTCHEON	134
ESCUTCHEON DOOR HANDLE	44A
ESCUTCHEON DOOR HANDLE	45A
ESCUTCHEON DOOR STOP	49
EXHAUST BY PASS VALVE	80
EXHAUST CLAMP	71
EXHAUST HEAT DEFLECTOR	73
EXHAUST SHROUD	74
EXHAUST STACK	83
EXHAUST STACK	84
EXHAUST STACK TURBO	84
EXHAUST SYSTEM COMPONENTS	84
EXHAUST VALVE CONTROLLER	80
EXTENSION BELT	63
EXTENSION VALVE	32
EXTINGUISHER FIRE	62
EXTINGUISHER KIT FIRE	62
EYEBOLT	39
EYEBOLT	43
EYEBOLT	51
EYEBOLT	62
EYEBOLT HOISTING	62

F

FAIRING DORSAL	11
FAIRING DORSAL	11A
FAIRING DORSAL FIN	11
FAIRING DORSAL FIN	11A
FAIRING STABILIZER	13
FAIRING WING	3
FASTENER BAFFLE	85
FELT GREASE SEAL	35
FELT GREASE SEAL	38
FIBERGLASS SOUNDPROOFING	52

F (Cont)

FILLET WING	15
FILTER	99
FILTER	99A
FILTER	114
FILTER	114A
FILTER	116
FILTER	118
FILTER	118A
FILTER	132
FILTER AIR	75
FILTER AIR	77
FILTER AIR	85A
FILTER AIR INTAKE	78
FILTER ELEMENT	89
FILTER ELEMENT	89A
FILTER ELEMENT KIT	113
FILTER FUEL STRAINER	110
FILTER FULL FLOW OIL	113
FILTER NOISE	135
FILTER OIL	113
FIN	11
FIN	11A
FIN & DORSAL	11
FIN & DORSAL	11A
FIN AFT SPAR	11
FIN AFT SPAR	11A
FIN ATTACH FITTING	11
FIN ATTACH FITTING	11A
FIN FORWARD SPAR	11
FIN RIB	11
FIN RIB	11A
FIN SKIN	11
FIN SKIN	11A
FIN SPAR	11A
FIN TIP CAP	11
FIN TIP CAP	11A
FINISH & TRIM PLATE	2
FINISH & TRIM PLATE-HOW TO READ	SEE PAGE. III
FIRE EXTINGUISHER	62
FIRE EXTINGUISHER BRACKET	62
FIRE EXTINGUISHER KIT	62
FIRE SLEEVE	80
FIREWALL	26
FIREWALL CARPET	48
FIREWALL COVER	48
FIREWALL GROMMETS	27
FIREWALL LOWER	26
FIREWALL TUNNEL LOWER	17
FIREWALL TUNNEL LOWER	17A
FIREWALL UPHOLSTERY CLIP	26
FIREWALL UPPER	26
FLAP	10
FLAP ACTUATOR	103
FLAP ARM	104
FLAP BRACKET	4
FLAP BRACKET	24A
FLAP CABLE	103
FLAP CONTROL BRACKET	10
FLAP CONTROL BRACKET	58B
FLAP CONTROL BRACKET	58C
FLAP CONTROL BRACKET	58D
FLAP CONTROL BRACKET	103
FLAP CONTROL DETAILS	104
FLAP COWL	17
FLAP COWL	17A
FLAP LEVER	104
FLAP LEVER KNOB	104
FLAP MOTOR	4

ALPHABETICAL INDEX

NOMENCLATURE	FIGURE	NOMENCLATURE	FIGURE
F (Cont)		F (Cont)	
FLAP RIB	4	FUEL LINE	111
FLAP RIB	10	FUEL LINES-SEE FUEL SYSTEM	72
FLAP SKIN	103	FUEL PRESSURE HOSE	71
FLAP SYSTEM ELECTRIC	4	FUEL PRESSURE LINE	72
FLAP TRACK	10	FUEL PRESSURE LINE	74
FLAP WING	87	FUEL PUMP	75
FLAPS SYSTEM COWL	140	FUEL PUMP	76
FLASHER BEACON LIGHT	140	FUEL RESERVOIR	109
FLASHING BEACON	140	FUEL RESERVOIR BRACKET	17
FLASHING BEACON FIN TIP	140	FUEL RESERVOIR BRACKET	17A
FLASHING BEACON LIGHT	140	FUEL SAMPLER CUP	8
FLASHING BEACON SWITCH	140	FUEL SELECTOR HANDLE	111
FLASHING BEACON TIP	140	FUEL SELECTOR PLACARD	2
FLOORBOARD	51	FUEL SELECTOR SHAFT	111
FLOORBOARD AFT	24	FUEL SELECTOR VALVE	111
FLOORBOARD BAGGAGE	24	FUEL STRAINER	110
FLOORBOARD CENTER SECTION	24	FUEL STRAINER FILTER	110
FLOORBOARD FORWARD SECTION	24	FUEL STRAINER PLUNGER	110
FLOORBOARD FRONT	24	FUEL STRAINER TOP	110
FLOORBOARDS	24	FUEL SYSTEM	109
FLOORBOARDS & RADIO SHELVES	24	FUEL VENT	5
FORK HAND PUMP	120A	FUEL VENT LINE	109
FORWARD BAFFLE	85	FUEL VENT LINE	111
FORWARD BAFFLE	85A	FUEL VENT VALVE	3
FORWARD BAFFLE	86A	FUSE	135
FORWARD CABIN TOP	24A	FUSE CLOCK	135
FORWARD CABIN TOP COMPONENTS	24A	FUSEHOLDER	135
FORWARD CARPET	51	FUSELAGE	15
FORWARD FUSELAGE LOWER	17	FUSELAGE BELLY SECTION	21A
FORWARD FUSELAGE LOWER	17A	FUSELAGE BELLY SECTION	21B
FORWARD FUSELAGE SKIN	17	FUSELAGE EQUIPMENT	62
FORWARD FUSELAGE SKIN	17A	FUSELAGE STRUCTURE FORWARD	16
FORWARD FUSELAGE STRUCTURE	16		
FORWARD FUSELAGE STRUCTURE LOWER	17	G	
FORWARD FUSELAGE STRUCTURE LOWER	17A	GAGE-SEE INDIVIDUAL LISTING	
FORWARD SECTION FLOORBOARD	24	GAS CAP-SEE FUEL CAP	
FRAME WINDOW	44	GAS GAGE-SEE INSTRUMENT PANEL	
FRAME WINDOW	44A	GAS LINES-SEE FUEL SYSTEM	
FRESH AIR SILENCER	89	GASKET ADHESIVE	1
FRONT DOORPOST	18	GASKET OIL COOLER	73
FRONT DOORPOST & BULKHEAD	18	GASKET OIL COOLER	74
FRONT FLOORBOARD	24	GEAR ACTUATOR BULKHEAD MAIN	23
FRONT SEAT	54	GEAR ACTUATOR MAIN	23
FRONT SEAT	55	GEAR ACTUATOR MAIN	128
FRONT SEAT BELT	53	GEAR ACTUATOR NOSE	128
FRONT SEAT BELT	53A	GEAR ACTUATOR NOSE	128
FRONT SEAT BELT	54	GEAR DOOR ACTUATOR MAIN	128
FRONT SEAT BELT	55	GEAR DOOR ACTUATOR NOSE	128
FRONT SPAR	13	GEAR DOOR MAIN	128
FRONT SPAR	18	GEAR DOOR NOSE	128
FUEL CAP	5	GEAR DOORS & TORQUE TUBE NOSE	39
FUEL CELL COMPONENTS	6	GEAR DOORS MAIN	40
FUEL CELL STRAINER	6	GEAR DOWN LINE	116
FUEL CONTROL BRACKET	20	GEAR DOWN LINE	116A
FUEL CONTROL BRACKET	20A	GEAR DOWN LINE	122
FUEL DRAIN VALVE	8	GEAR DOWN LINE	122A
FUEL FILLER DOOR	5	GEAR DOWN LINE	123
FUEL GAGE	58	GEAR DOWN LINE	123A
FUEL GAGE	58A	GEAR DOWN LINE	124
FUEL GAGE	58B	GEAR DOWN LINE	125
FUEL GAGE	58C	GEAR DOWNLOCK MAIN	43
FUEL GAGE	58D	GEAR GOVERNOR BEVEL DRIVE	75
FUEL HOSE	1	GEAR GOVERNOR BEVEL DRIVE	76
FUEL HOSE	75	GEAR MANIFOLD	119A
FUEL HOSE	76	GEAR NOSE	32
FUEL HOSE	109		
FUEL HOSE	111		
FUEL LINE	109		



ALPHABETICAL INDEX

NOMENCLATURE		FIGURE	NOMENCLATURE		FIGURE
G (Cont)			H		
GEAR NOSE		34	HAND OF FRIENDSHIP PLACARD		2
GEAR NOSE		39	HAND PUMP BODY		120A
GEAR NOSE		122	HAND PUMP EMERGENCY		120
GEAR NOSE		122A	HAND PUMP FORK		120A
GEAR NOSE		126	HAND PUMP HANDLE		120A
GEAR NOSE		126A	HANDLE DOOR		44
GEAR RETRACTION & DRAG STRUT ACTUATOR NOSE		126	HANDLE DOOR		45
GEAR RETRACTION & DRAG STRUT ACTUATOR NOSE		126A	HANDLE DOOR		45A
GEAR ROTARY ACTUATOR LH MAIN		127	HANDLE DOOR		46
GEAR ROTARY ACTUATOR RH MAIN		127	HANDLE FUEL SELECTOR		111
GEAR SHOCK STRUT NOSE		34	HANDLE HAND PUMP		120A
GEAR SPRING DOOR ACTUATOR MAIN		129	HANDLE INSIDE DOOR		44A
GEAR STEERING NOSE		33	HANDLE PARKING BRAKE		92
GEAR STEERING SYSTEM NOSE		33	HANDLE SEAT		53
GEAR UP LINE		116	HANDLE SEAT		53A
GEAR UP LINE		116A	HANDLE SEAT		54
GEAR UP LINE		122	HANDLE SEAT		56
GEAR UP LINE		122A	HANDLE SEAT		56A
GEAR UP LINE		123	HANDLE SEAT ADJUST		55
GEAR UP LINE		123A	HANDLE SEAT ADJUST		56
GEAR UP LINE		124	HANDLE SEAT ADJUST		56A
GEAR UNLOCK MAIN		42	HANDLE WINDOW LATCH		44
GEAR UNLOCK MECHANISM MAIN		42	HANDLE WINDOW LATCH		44A
GEAR UNLOCK NOSE		41	HARNES IGNITION		75
GEAR WARNING SWITCH		135A	HARNES IGNITION		76
GEAR WHEEL NOSE		35	HARNES SHOULDER		62A
GLARE SHIELD		58	HEADLINER		48
GLARE SHIELD		58A	HEADLINER RETAINER		25
GLARESHIELD		58C	HEADLINER RETAINER		135
GLARESHIELD		58D	HEADLINER RETAINER		136
GLIDE AILERON CONTROL		95	HEADLINER WIRE		48
GLIDER RELEASE CORD		62	HEADREST		53
GLOVE BOX		61	HEADREST		53A
GLOVE BOX DOOR		61	HEADREST		54
GLOVE BOX PLACARD BASE		2	HEADREST		55
GLOVE BOX PLACARD BASE		61	HEADREST		56
GOVERNOR BASE		81	HEADREST		56A
GOVERNOR BEVEL DRIVE GEAR		75	HEADREST		57
GOVERNOR BEVEL DRIVE GEAR		76	HEADREST		57A
GOVERNOR BODY		81	HEADREST COVER		53
GOVERNOR BODY		82	HEADREST COVER		54
GOVERNOR CONTROL		71	HEADREST COVER		56
GOVERNOR CONTROL		72	HEADREST COVER		56A
GOVERNOR CONTROL ARM		72	HEADREST COVER		57A
GOVERNOR COVER		81	HEAT SHIELD		17
GOVERNOR PROPELLER		81	HEAT SHIELD		17A
GOVERNOR PROPELLER		82	HEAT SHIELD		60D
GREASE SEAL FELT		35	HEAT SHIELD		70A
GREASE SEAL FELT		35A	HEATER & DEFROSTER		90
GREASE SEAL FELT		38	HEATER & DEFROSTER		91
GREASE SEAL FELT		38A	HEATER DUCT		16
GRILL SPEAKER		136	HEATER DUCT		90
GROMMETS FIREWALL		27	HEATER PITOT		108
GROUND SERVICE PLUG RECEPTACLE		135	HEATING PLUG		58
GROUND STRAP		71	HEATING PLUG		58A
GROUND STRAP		72	HEATING PLUG		58B
GROUND STRAP		135	HEATING PLUG		58C
GUIDE DOOR		19	HEATING PLUG		58D
GUIDE ELEVATOR CONTROL		16	HEAVY DUTY STARTER		75
GYRO DIRECTIONAL		114	HEAVY DUTY STARTER		76
GYRO HORIZON		114	HINGE BRACKET		11
GYRO HORIZON		114A	HINGE BRACKET		11A
GYRO SLAVING INDICATOR		58B	HINGE BRACKET		12
GYRO SLAVING INDICATOR		58C	HINGE BRACKET		13
GYRO SLAVING INDICATOR		58D	HINGE BRACKET		17
GYROS ENGINE DRIVEN		114	HINGE BRACKET		17A
GYROS ENGINE DRIVEN		114A	HINGE COWL FLAP		17
			HINGE COWL FLAP		17A

ALPHABETICAL INDEX

NOMENCLATURE	FIGURE	NOMENCLATURE	FIGURE
H (Cont)		I	
HINGE COWL FLAP	87	IDLER SPROCKET	101
HINGE DOOR STOP	44	IDLER SPROCKET	107A
HINGE DOOR STOP	44A	IGNITION HARNESS	75
HINGE DOOR STOP	45	IGNITION HARNESS	76
HINGE DOOR STOP	45A	INDICATOR-SEE INSTRUMENT PANEL	
HINGE HALF ELEVATOR	14	INDUCTION AIR BOX	77
HINGE HALF TRIM TAB	14	INERTIA REEL	62B
HINGE STABILIZER	13	INLET AIR	73
HINGE WINDOW	44	INLET AIR	78
HINGE WINDOW	44A	INLET COLD AIR	16
HOISTING EYEBOLT	62	INSIDE DOOR HANDLE	44A
HOLDER CUP	62	INSTRUMENT CLUSTER	58
HOOK GLIDER TOW	62	INSTRUMENT CLUSTER	58A
HOOK SHOULDER HARNESS	62A	INSTRUMENT CLUSTER	58B
HOOK STRIP	18	INSTRUMENT CLUSTER	58C
HORIZON GYRO	114	INSTRUMENT CLUSTER	58D
HORIZON GYRO	114A	INSTRUMENT CLUSTER BULB	58
HORIZONTAL BAFFLE	86	INSTRUMENT CLUSTER BULB	58A
HORIZONTAL GYRO INDICATOR	58	INSTRUMENT CLUSTER BULB	58B
HORIZONTAL GYRO INDICATOR	58A	INSTRUMENT CLUSTER BULB	58C
HORIZONTAL GYRO INDICATOR	58B	INSTRUMENT CLUSTER LENS	58
HORIZONTAL GYRO INDICATOR	58C	INSTRUMENT CLUSTER LENS	58A
HORIZONTAL GYRO INDICATOR	58D	INSTRUMENT CLUSTER LENS	58B
HORIZONTAL TAIL BULKHEAD	30	INSTRUMENT CLUSTER LENS	58C
HOSE DEFROST	90	INSTRUMENT LIGHT	58
HOSE FUEL	1	INSTRUMENT LIGHT	58A
HOSE FUEL	75	INSTRUMENT LIGHT	58B
HOSE FUEL	76	INSTRUMENT LIGHT	58C
HOSE FUEL	109	INSTRUMENT LIGHT	58D
HOSE FUEL	111	INSTRUMENT LIGHT	60A
HOSE FUEL PRESSURE	72	INSTRUMENT LIGHT	60B
HOSE MANIFOLD PRESSURE	71	INSTRUMENT LIGHT	60C
HOSE MANIFOLD PRESSURE	72	INSTRUMENT LIGHT	60D
HOSE MANIFOLD PRESSURE	73	INSTRUMENT PANEL	58
HOSE OIL PRESSURE	79	INSTRUMENT PANEL	58A
HOSE OIL PRESSURE	113	INSTRUMENT PANEL	58B
HOSES-SEE APPLICABLE SYSTEM		INSTRUMENT PANEL	58C
HOUSING ELECTRIC TRIM	102	INSTRUMENT PANEL	135
HOUSING ELECTRIC TRIM	102A	INSTRUMENT PANEL	137
HOUSING SEAT ROLLER	55	INSTRUMENT PANEL	137A
HOW TO ORDER PAINTED PARTS SEE PAGE	VI	INSTRUMENT PANEL BROW LIGHTS	137
HOW TO ORDER PARTS-SEE INTRODUCTION		INSTRUMENT PANEL BROW LIGHTS	137A
HOW TO ORDER UPHOLSTERED PARTS-SEE PAGE	VII	INSTRUMENT PANEL COVER	58
HOW TO READ FINISH & TRIM PLATE-SEE PAGE	III	INSTRUMENT PANEL COVER	58A
HOW TO USE PARTS CATALOG-SEE PAGE	I	INSTRUMENT PANEL COVER	58B
HUB ALIGNMENT DOWEL	65	INSTRUMENT PANEL COVER	58C
HUB ALIGNMENT DOWEL	67	INSTRUMENT PANEL COVER	58D
HUB ALIGNMENT DOWEL	68	INSTRUMENT PANEL EQUIPMENT	58
HUB CAP	32	INSTRUMENT PANEL EQUIPMENT	58A
HUB CAP	37	INSTRUMENT PANEL EQUIPMENT	58B
HUB CAP NOSE WHEEL	32	INSTRUMENT PANEL EQUIPMENT	58C
HUB PROPELLER	67	INSTRUMENT PANEL EQUIPMENT	58D
HUB PROPELLER	68	INSTRUMENT PANEL LIGHTS	136
HYDRAULIC FLUID PLACARD	2	INSTRUMENT PANEL POST LIGHTS	135
HYDRAULIC FLUID RESERVOIR PLACARD	2	INSTRUMENT PANEL STATIONARY	58
HYDRAULIC POWER PACK	116	INSTRUMENT PANEL STATIONARY	58A
HYDRAULIC POWER PACK	116A	INSTRUMENT PANEL STATIONARY	58B
HYDRAULIC POWER PACK	117	INSTRUMENT PANEL STATIONARY	58C
HYDRAULIC POWER PACK	118	INSTRUMENT PANEL STATIONARY	58D
HYDRAULIC POWER PACK	118A	INSTRUMENT-SEE INDIVIDUAL LISTINGS	
HYDRAULIC POWER PACK BODY	118	INSULATION PAD	70
HYDRAULIC POWER PACK BODY & RESERVOIR	118A	INSULATION PAD	70A
HYDRAULIC POWER PACK UNIT	117	INSULATION PAD SKIN	70
HYDRAULIC PUMP	121	INTAKE MANIFOLD	112
		INTER CYLINDER BAFFLE	85
		INTER CYLINDER BAFFLE	86
		INVERTER	99
		INVERTER	99A

ALPHABETICAL INDEX

NOMENCLATURE	FIGURE	NOMENCLATURE	FIGURE
J		L (Cont)	
JACK POINT	3	LANDING GEAR MAIN.	38
JACK POINT	62	LANDING GEAR MAIN.	38A
JACK-HEADSET-SEE CESSNA ELECTRONICS MANUAL		LANDING GEAR WHEEL & BRAKE MAIN.	38
JACK-MICROPHONE-SEE CESSNA ELECTRONICS MANUAL.		LANDING GEAR WHEEL & BRAKE MAIN.	38A
JAMB DOOR.	18	LANDING LIGHT.	3
JAMB DOOR.	22	LANDING LIGHT LENS	5
JAMB DOORPOST.	19	LATCH.	19
JAMB WINDOW.	44	LATCH.	47
		LATCH.	57
K		LATCH.	57A
KEEL ATTACH TEE.	17	LATCH.	69
KEEL ATTACH TEE.	17A	LATCH.	70
KEEL BULKHEAD.	17	LATCH.	70A
KEEL BULKHEAD.	17A	LATCH CABIN DOOR	46A
KIT BATTERY.	135	LATCH REMOVABLE.	46
KIT SEAT ROLLER.	53	LEAD POWER ECONOMY	58
KIT SEAT ROLLER.	53A	LEAD POWER ECONOMY	58A
KIT SEAT ROLLER.	54	LEAD POWER ECONOMY	58B
KIT SEAT ROLLER.	56	LEAD POWER ECONOMY	58C
KIT SEAT ROLLER.	56A	LEAD POWER ECONOMY	58D
KITS-SEE ACCESSORY KIT CATALOG		LEADING EDGE SKIN.	5
KNOB FLAP LEVER.	104	LEADING EDGE SKIN.	11
KNOB LIGHTER	58	LEADING EDGE WING.	5
KNOB LIGHTER	58A	LEFT CABIN DOOR.	44
KNOB LIGHTER	58B	LEFT CABIN DOOR.	44A
KNOB LIGHTER	58C	LENS CLEAR	31
KNOB LIGHTER	58D	LENS DOME LIGHT.	89
KNOB PRIMER.	112	LENS DOME LIGHT.	135
KNOB RHEOSTAT.	59	LENS INSTRUMENT CLUSTER.	58
KNOB RHEOSTAT.	59A	LENS INSTRUMENT CLUSTER.	58A
KNOB SEAT ADJUST	53	LENS INSTRUMENT CLUSTER.	58B
KNOB SEAT ADJUST	54	LENS INSTRUMENT CLUSTER.	58C
KNOB SEAT ADJUST	56A	LENS LANDING LIGHT	5
KNOB VALVE	99	LENS NAVIGATION LIGHT.	3
KNOB VALVE	99A	LENS PEDESTAL LIGHT.	51
KNOBS-SEE INDIVIDUAL APPLICATIONS.		LENS PEDESTAL LIGHT.	60A
		LENS PEDESTAL LIGHT.	60B
L		LENS PEDESTAL LIGHT.	60C
LAMP	17	LENS PEDESTAL LIGHT.	60D
LAMP	17A	LENS STROBE LIGHT.	3
LAMP	20	LEVELER COMPONENTS WING.	99
LAMP	31	LEVELER COMPONENTS WING.	99A
LAMP	59	LEVELER WING	98
LAMP	59A	LEVER COWL FLAP.	87
LAMP	60	LEVER FLAP	104
LAMP	60A	LEVER POSITION BRACKET	87
LAMP	60B	LEVER SPEED ADJUSTMENT	81
LAMP	60C	LIGHT COURTESY	139
LAMP	60D	LIGHT DOME	135
LAMP	96	LIGHT FLASHING BEACON.	140
LAMP	96A	LIGHT INSTRUMENT	58
LAMP	96B	LIGHT INSTRUMENT	58A
LAMP	132	LIGHT INSTRUMENT	58B
LAMP	135	LIGHT INSTRUMENT	58C
LAMP	136	LIGHT INSTRUMENT	58D
LAMP	137	LIGHT INSTRUMENT	60A
LAMP	137A	LIGHT INSTRUMENT	60B
LAMP	139	LIGHT INSTRUMENT	60C
LAMP	140	LIGHT INSTRUMENT	60D
LAMPS-SEE BULBS.		LIGHT LANDING.	3
LAMPS-SEE LIGHTS.		LIGHT STROBE	3
LANDING GEAR MAIN.	37	LIGHT TAB MOUNT PANEL.	60
		LIGHT WING	58
		LIGHT WING DE ICE.	58
		LIGHTER CIGAR.	58
		LIGHTER CIGAR.	58A
		LIGHTER CIGAR.	58B
		LIGHTER CIGAR.	58C

ALPHABETICAL INDEX

NOMENCLATURE	FIGURE	NOMENCLATURE	FIGURE
L (Cont)		M (Cont)	
LIGHTER CIGAR	58D	MAIN LANDING GEAR WHEEL & BRAKE	38
LIGHTER KNOB	58	MAIN LANDING GEAR WHEEL & BRAKE	38A
LIGHTER KNOB	58A	MANIFOLD DRAIN LINE	73
LIGHTER KNOB	58B	MANIFOLD DRAIN LINE	74
LIGHTER KNOB	58C	MANIFOLD GEAR	119A
LIGHTER KNOB	58D	MANIFOLD INTAKE	112
LIMIT SWITCH THROTTLE	77	MANIFOLD POWERPACK	119
LIMIT SWITCH THROTTLE	135	MANIFOLD PRESSURE HOSE	71
LIMIT SWITCHES-SEE SWITCHES		MANIFOLD PRESSURE HOSE	72
LINES-SEE INDIVIDUAL SYSTEM		MANIFOLD PRESSURE HOSE	73
LINK STEERING	34	MANIFOLD PRESSURE LINE	72
LINK TORQUE LOWER	34	MANIFOLD PRESSURE LINE	73
LINK TORQUE UPPER	34	MANIFOLD PRESSURE LINE	74
LOCK CONTROL	62	MAP LIGHT SOCKET	96A
LOCK DOOR	44	MAP LIGHT SOCKET	96B
LOCK DOOR	44A	MAP LIGHT SWITCH	58B
LOWER AFT CABIN STRUCTURE	22	MAPLIGHT	96
LOWER CABIN SECTION	21	MAPLIGHT SWITCH	58C
LOWER CABIN SECTION COMPONENTS	21	MAPLIGHT SWITCH	58D
LOWER FIREWALL	26	MARKER BEACON PLACARD	58C
LOWER FORWARD FUSELAGE	17	MARKER BEACON PLACARD	58D
LOWER FORWARD FUSELAGE	17A	MASTER CYLINDER BODY	94
LOWER FORWARD FUSELAGE STRUCTURE	17	MASTER CYLINDER BRAKE	94
LOWER FORWARD FUSELAGE STRUCTURE	17A	MASTER CYLINDER PISTON	94
LOWER PEDESTAL PANEL	20	METERING PIN	34
LOWER PEDESTAL PANEL	20A	METERING PIN	127
LOWER STRINGER	6	MIDDLE SEAT	56
LUBRICATION FITTING	23	MIDDLE SEAT	56A
M		MIKE SWITCH	96
M.A.A. PLATE	15	MIKE SWITCH	96A
MAGAZINE POCKET	53	MIKE SWITCH	96B
MAGAZINE POCKET	53A	MIRROR & COVER	64
MAGAZINE POCKET	54	MIXTURE CONTROL	58
MAGAZINE POCKET	55	MIXTURE CONTROL	58A
MAGAZINE POCKET	56	MIXTURE CONTROL	58B
MAGAZINE POCKET	56A	MIXTURE CONTROL	58C
MAGNA TITE CATCH	61	MIXTURE CONTROL	58D
MAGNETIC CATCH	78	MIXTURE CONTROL	71
MAGNETO	75	MIXTURE CONTROL	72
MAGNETO	76	MOORING RING	3
MAGNETO DRIVE COUPLING	75	MOTOR ELECTRIC TRIM	102
MAGNETO DRIVE COUPLING	76	MOTOR ELECTRIC TRIM	102A
MAGNETO DRIVE GEAR	75	MOTOR FLAP	4
MAGNETO DRIVE GEAR	76	MOULDING DOOR	49
MAIN GEAR ACTUATOR	23	MOULDING WINDOW	50
MAIN GEAR ACTUATOR	128	MOUNT COWL FLAP HINGE	17
MAIN GEAR ACTUATOR BULKHEAD	23	MOUNT ENGINE	17A
MAIN GEAR DOOR	40	MOUNT FORWARD ENGINE	17
MAIN GEAR DOOR	128	MOUNT FORWARD SHOCK	71
MAIN GEAR DOOR ACTUATOR	128	MOUNT KIT SHOCK	72
MAIN GEAR DOORS	40	MOUNT REAR ENGINE	17
MAIN GEAR DOWNLOCK	43	MOUNT REAR ENGINE	17A
MAIN GEAR FITTING	37	MOUNT REAR SHOCK	71
MAIN GEAR ROTARY ACTUATOR LH	127	MOUNT SHOCK	26
MAIN GEAR ROTARY ACTUATOR RH	127	MOUNT SHOCK	58
MAIN GEAR SPRING DOOR ACTUATOR	129	MOUNT SHOCK	58A
MAIN GEAR SPRING WELL DOOR	40	MOUNT SHOCK	58B
MAIN GEAR UPLOCK	42	MOUNT SHOCK	58C
MAIN GEAR UPLOCK MECHANISM	42	MOUNT SHOCK	58D
MAIN GEAR WHEEL	38A	MUFFLER	83
MAIN GEAR WHEEL WELL DOOR	40	MUFFLER CORE	83
MAIN LANDING GEAR	37	MUFFLER SHROUD	83
MAIN LANDING GEAR	38	N	
MAIN LANDING GEAR	38A	NAMEPLATE	81

ALPHABETICAL INDEX

NOMENCLATURE	FIGURE	NOMENCLATURE	FIGURE
N (Cont)		O (Cont)	
NAMEPLATE	116	OIL CHECK DOOR	70
NAMEPLATE	118A	OIL CHECK DOOR	70A
NAMEPLATE	120A	OIL COOLER	73
NAMEPLATE	126	OIL COOLER	74
NAMEPLATE	126A	OIL COOLER	75
NAMEPLATE	130A	OIL COOLER	76
NAMEPLATE	130B	OIL COOLER BAFFLE	73
NAMEPLATE	130C	OIL COOLER BAFFLE	85
NAMEPLATE	130D	OIL COOLER BAFFLE	85A
NAMEPLATE	131	OIL COOLER BAFFLE	86
NAMEPLATE	131A	OIL COOLER BAFFLE	86A
NAMEPLATES PLACARDS &	2	OIL COOLER GASKET	73
NAVIGATION LIGHT BULB	3	OIL COOLER GASKET	74
NAVIGATION LIGHT LENS	3	OIL COOLER NON CONGEALING	74
NAVOMATIC AUTO PILOT-SEE ELECTRONICS MANUAL		OIL COOLER NON CONGEALING	76
NET BAGGAGE	51	OIL COOLER PLATE	73
NOISE FILTER	135	OIL COOLER PLATE	74
NOSE CAP	17A	OIL DILUTION VALVE	113
NOSE CAP	70	OIL DOOR	70
NOSE CAP	70A	OIL DOOR	70A
NOSE CAP LOWER	17	OIL FILLER ACCESS DOOR	70
NOSE CAP LOWER	17A	OIL FILLER ACCESS DOOR	70A
NOSE CAP LOWER SKIN	17	OIL FILTER	113
NOSE CAP LOWER SKIN	17A	OIL FILTER ADAPTER	113
NOSE CAP PANEL	69	OIL FILTER ADAPTER WRENCH	113
NOSE CAP UPPER	69	OIL FILTER DEFLECTOR	113
NOSE GEAR	32	OIL FILTER FULL FLOW	113
NOSE GEAR	34	OIL FILTER PLACARD	2
NOSE GEAR	39	OIL FILTER PLACARD	113
NOSE GEAR	122	OIL GAGE	58D
NOSE GEAR	122A	OIL NON CONGEALING COOLER	73
NOSE GEAR	126	OIL PRESSURE GAGE	58
NOSE GEAR	126A	OIL PRESSURE GAGE	58A
NOSE GEAR ACTUATOR	128	OIL PRESSURE GAGE	58B
NOSE GEAR DOOR	39	OIL PRESSURE GAGE	58C
NOSE GEAR DOOR	128	OIL PRESSURE GAGE	113
NOSE GEAR DOOR ACTUATOR	128	OIL PRESSURE HOSE	79
NOSE GEAR DOORS & TORQUE TUBE	39	OIL PRESSURE HOSE	113
NOSE GEAR DRAG FITTING	17	OIL PRESSURE LINE	113
NOSE GEAR DRAG FITTING	17A	OIL PRESSURE SWITCH	113
NOSE GEAR FITTING	17	OIL PRESSURE TRANSDUCER	113
NOSE GEAR FITTING	17A	OIL SEPARATOR	115
NOSE GEAR RETRACTION & DRAG STRUT ACTUATOR	126	OIL SYSTEM	113
NOSE GEAR RETRACTION & DRAG STRUT ACTUATOR	126A	OIL TEMP GAGE	58D
NOSE GEAR SHOCK STRUT	34	OIL TEMPERATURE ADAPTER	74
NOSE GEAR SHOCK STRUT PLACARD	2	OIL TEMPERATURE ADAPTOR	73
NOSE GEAR STEERING	33	OIL TEMPERATURE GAGE	58
NOSE GEAR STEERING BUNGEE	33	OIL TEMPERATURE GAGE	58A
NOSE GEAR STEERING SHAFT	34	OIL TEMPERATURE GAGE	58B
NOSE GEAR STEERING SYSTEM	33	OIL TEMPERATURE GAGE	58C
NOSE GEAR SUPPORT	17	OIL TEMPERATURE GAGE	113
NOSE GEAR SUPPORT	17A	OPERATIONAL LIMITATIONS PLACARD	2
NOSE GEAR UPLOCK	41	OUTSIDE AIR TEMP	64
NOSE GEAR WHEEL	35	OUTSIDE AIR TEMP GAGE	64
NOSE GEAR WHEEL	35A	OUTSIDE AIR TEMPERATURE GAGE	64
NOSE WHEEL	35	OXYGEN CYLINDER BRACKET	134
NOZZLE DEFROST	16	OXYGEN FILLER VALVE	134
NOZZLE DEFROST	90	OXYGEN PRESSURE GAGE	134
NOZZLE DEFROST	91	OXYGEN SYSTEM	134
NOZZLE DEFROSTER	90	OXYGEN VALVE	134
NOZZLE DEFROSTER	91		
NUMERICAL INDEX-SEE LAST SECTION IN CATALOG		P	
		PAD CONTROL WHEEL	96A
		PAD CONTROL WHEEL	96B
		PAD INSULATION	70
OIL CHECK DOOR	69		

ALPHABETICAL INDEX

NOMENCLATURE	FIGURE	NOMENCLATURE	FIGURE
P (Cont)		P (Cont)	
PAD INSULATION	70A	PEDESTAL PANEL	20A
PAINT-SEE FINISH & TRIM PLATE	SEE PAGE III	PEDESTAL SEAT	53
PAINTED PARTS-HOW TO ORDER	SEE PAGE VI	PEDESTAL SEAT	53A
PANEL BAGGAGE COMPARTMENT	51	PILOTS CHECK LIST	2
PANEL BAGGAGE DOOR	51	PIN BASE PLUG	34
PANEL BROW LIGHTS INSTRUMENT	137	PIN METERING	34
PANEL BROW LIGHTS INSTRUMENT	137A	PIN METERING	127
PANEL DOOR TRIM	49	PIN SEAT ADJUSTMENT	56
PANEL ELECTROLUMINESCENT	58	PIN SEAT ADJUSTMENT	56A
PANEL ELECTROLUMINESCENT	58A	PIN SEAT STOP	54
PANEL ELECTROLUMINESCENT	58B	PIN WING ATTACH DOWEL	3
PANEL ELECTROLUMINESCENT	58C	PISTON & FORK NOSE GEAR	34
PANEL ELECTROLUMINESCENT	58D	PISTON MASTER CYLINDER	94
PANEL EQUIPMENT INSTRUMENT	58	PITOT HEAT SWITCH	108
PANEL EQUIPMENT INSTRUMENT	58A	PITOT HEATER	108
PANEL EQUIPMENT INSTRUMENT	58B	PITOT SYSTEM	108
PANEL EQUIPMENT INSTRUMENT	58C	PITOT TUBE	108
PANEL EQUIPMENT INSTRUMENT	58D	PITOT TUBE CONNECTOR	108
PANEL INSTRUMENT	58	PITOT TUBE NOSE FITTING	108
PANEL INSTRUMENT	58A	PLACARDS SEE FIG 2	
PANEL INSTRUMENT	58B	PLATE FINISH & TRIM	2
PANEL INSTRUMENT	58C	PLATE M.A.A.	15
PANEL INSTRUMENT	135	PLATE OIL COOLER	73
PANEL INSTRUMENT	137	PLATE OIL COOLER	74
PANEL INSTRUMENT	137A	PLATE PEDESTAL CENTER	20
PANEL LIGHT BRACKET	136	PLATE PRESSURE	38
PANEL LIGHT TAB MOUNT	60	PLATE PRESSURE	38A
PANEL LIGHTS INSTRUMENT	136	PLATE SCUFF	49
PANEL LOWER PEDESTAL	20	PLATE SCUFF	53A
PANEL LOWER PEDESTAL	20A	PLATE SCUFF	55
PANEL NOSE CAP	69	PLATE SCUFF	56A
PANEL PEDESTAL	20A	PLATE SCUFF	93
PANEL POST LIGHTS INSTRUMENT	135	PLATE STRIKER	21
PANEL REMOVABLE	58B	PLATE STRIKER	44
PANEL REMOVABLE	58C	PLATE STRIKER	44A
PANEL SHOCK	58	PLUG HEATING	58
PANEL SHOCK	58A	PLUG HEATING	58A
PANEL SHOCK	58B	PLUG HEATING	58B
PANEL SHOCK MOUNTED	58C	PLUG HEATING	58C
PANEL SHOCK MOUNTED	58D	PLUG HEATING	58D
PANEL SWITCH	58	PLUG PIN BASE	34
PANEL SWITCH	58A	PLUG SPARK	75
PANEL SWITCH	58B	PLUG SPARK	76
PANEL SWITCH	58C	PLUG VOLTAGE REGULATOR	135
PANEL SWITCH	58D	PLUNGER FUEL STRAINER	110
PANEL SWITCH	59	POCKET MAGAZINE	53
PANEL SWITCH	59A	POCKET MAGAZINE	53A
PANEL UPPER PEDESTAL	20A	POCKET MAGAZINE	54
PARKING BRAKE CATCH	92	POCKET MAGAZINE	55
PARKING BRAKE HANDLE	92	POCKET MAGAZINE	56
PARKING BRAKE SUPPORT	58	POCKET MAGAZINE	56A
PARKING BRAKE SUPPORT	58A	POINT JACK	3
PARKING BRAKE SUPPORT	58B	POINT JACK	62
PARKING BRAKE SUPPORT	58C	POLYETHYLENE TUBE	1
PARKING BRAKE SUPPORT	58D	POLYETHYLENE TUBE	108
PEDESTAL	20	POLYETHYLENE TUBE	108A
PEDESTAL	20A	PORTABLE STRETCHER	63
PEDESTAL	53	POST LIGHTED INSTRUMENT PANEL COVER	60
PEDESTAL	53A	POST LIGHTED INSTRUMENT PANEL COVER	60A
PEDESTAL	54	POST LIGHTED INSTRUMENT PANEL COVER	60B
PEDESTAL	55	POST LIGHTED INSTRUMENT PANEL COVER	60C
PEDESTAL CENTER PLATE	20	POTENTIOMETER	58
PEDESTAL COVER	51	POTENTIOMETER	58A
PEDESTAL LIGHT LENS	51	POTENTIOMETER	58B
PEDESTAL LIGHT LENS	60A	POTENTIOMETER	58C
PEDESTAL LIGHT LENS	60B	POWER ECONOMY INDICATOR	58
PEDESTAL LIGHT LENS	60C	POWER ECONOMY INDICATOR	58A
PEDESTAL LIGHT LENS	60D	POWER ECONOMY INDICATOR	58B



ALPHABETICAL INDEX

NOMENCLATURE	FIGURE	NOMENCLATURE	FIGURE
P (Cont)		P (Cont)	
POWER ECONOMY INDICATOR.	58C	PUMP AUXILIARY FUEL.	109
POWER ECONOMY INDICATOR.	58D	PUMP DRAIN LINE.	74
POWER ECONOMY LEAD	58	PUMP DRAIN LINE.	109
POWER ECONOMY LEAD	58A	PUMP DRAIN LINE.	116
POWER ECONOMY LEAD	58B	PUMP EMERGENCY HAND.	120A
POWER ECONOMY LEAD	58C	PUMP FUEL	75
POWER ECONOMY LEAD	58D	PUMP FUEL	76
POWER PACK	116A	PUMP HYDRAULIC	121
POWER PACK BODY.	118A	PUMP VACUUM.	115
POWER PACK BODY & RESERVOIR HYDRAULIC.	118A	PUMP VACUUM.	115A
POWER PACK BODY HYDRAULIC.	118	PUSH ROD DOOR LATCH.	44A
POWER PACK HYDRAULIC	116	PUSH ROD DOOR LATCH.	45A
POWER PACK HYDRAULIC	116A	PUSH ROD ELEVATOR CONTROL.	95
POWER PACK HYDRAULIC	117	PUSH ROD FLAP.	103
POWER PACK HYDRAULIC	118		
POWER PACK HYDRAULIC	118A	Q	
POWER PACK MANIFOLD.	119A	QUADRANT AILERON CONTROL	95
POWER PACK RESERVOIR	118A		
POWER PACK UNIT HYDRAULIC	117	R	
POWER RELAY.	58	RADIO COMPARTMENT VENTILATION SYSTEM WING.	89B
POWER SUPPLY ELECTROLUMINESCENT.	135	RADIO CUTOFF COVER	58C
POWER SUPPLY ELECTROLUMINESCENT PANEL.	135	RADIO CUTOFF COVER	58D
POWER SUPPLY STROBE LIGHT.	135	RADIO SHELF.	24
POWERPACK MANIFOLD	119	RADIOS-SEE CESSNA ELECTRONICS MANUAL	
PRESSURE PLATE	38	RAIL SEAT.	24
PRESSURE PLATE	38A	REAR BAFFLE.	85
PRESSURE TRANSDUCER OIL.	113	REAR BAFFLE.	85A
PRIMER	1	REAR BAFFLE.	86
PRIMER	112	REAR BAFFLE.	86A
PRIMER KNOB.	112	REAR CYLINDER BAFFLE	86
PRIMER SYSTEM ENGINE	112	REAR DOORPOST.	19
PRIMER ZINC CHROMATE	1	REAR SEAT.	134
PROBE ECONOMY POWER.	73	REAR SEAT COVER.	89
PROBE ECONOMY POWER.	74	REAR SPAR.	10
PROBE ECONOMY POWER INDICATOR.	73	REAR SPAR.	13
PROBE ECONOMY POWER INDICATOR.	74	REAR VIEW MIRROR	64
PROPELLER CONTROL.	58	REAR WINDOW.	25
PROPELLER CONTROL.	58A	REAR WINDOW RETAINER	25
PROPELLER CONTROL.	58B	RECEIVER ASH	49
PROPELLER CONTROL.	58C	RECEIVER ASH	50
PROPELLER CONTROL.	58D	RECEIVER ASH	53
PROPELLER DE ICE	133	RECEIVER ASH	54
PROPELLER DE ICE SYSTEM.	133	RECEIVER ASH	56
PROPELLER GOVERNOR	81	RECEPTACLE GROUND SERVICE PLUG	135
PROPELLER GOVERNOR	82	REEL INERTIA	62B
PROPELLER HUB.	67	REFLECTOR.	135
PROPELLER HUB.	68	REFLECTOR.	137
PROPELLER SPINNER BULKHEAD	65	REFLECTOR.	137A
PROPELLER SPINNER BULKHEAD	66	REGULATOR VOLTAGE.	75
PULL BAR DOOR HANDLE	46	REGULATOR VOLTAGE.	76
PULLEY AILERON	97	REGULATOR VOLTAGE.	102
PULLEY BRACKET	4	REGULATOR VOLTAGE.	102A
PULLEY BRACKET	5	REGULATOR VOLTAGE.	135
PULLEY BRACKET	16	RELAY POWER.	58
PULLEY BRACKET	17A	RELIEF VALVE	115A
PULLEY BRACKET	18	RELIEF VALVE	118A
PULLEY BRACKET	20	REMOVABLE LATCH.	46
PULLEY BRACKET	21	REMOVABLE PANEL.	58B
PULLEY BRACKET	21A	REMOVABLE PANEL.	58C
PULLEY BRACKET	21B	RESERVOIR FUEL	109
PULLEY BRACKET	22	RESERVOIR POWER PACK	118A
PULLEY BRACKET	23	RESISTOR	59
PULLEY BRACKET	29		
PULLEY BRACKET	30		
PULLEY BRACKET	92		
PULLEY BRACKET	102		
PULLEY BRACKET	103		
PULLEYS-SEE APPLICABLE SYSTEM.			

ALPHABETICAL INDEX

NOMENCLATURE	FIGURE	NOMENCLATURE	FIGURE
R(Cont)		R(Cont)	
RESISTOR	135	RUDDER CONTROL SYSTEM	105
RESISTOR	140	RUDDER FORWARD SPAR	12
RESTRICTOR VALVE	99	RUDDER PEDAL ARM	93
RESTRICTOR VALVE	99A	RUDDER RIB	12
RETAINER CABIN AIR VENT.	50	RUDDER SKIN	12
RETAINER CALL LETTER	58	RUDDER STOP	20
RETAINER DEFROST	48	RUDDER TIP CAP	12
RETAINER HEADLINER	25	RUDDER TRIM	107
RETAINER HEADLINER	135	RUDDER TRIM	107A
RETAINER HEADLINER	136	RUDDER TRIM BUNGEE	107A
RETAINER OUTER WINDOW	45	RUDDER TRIM CHAIN	107A
RETAINER OUTER WINDOW	45A	RUDDER TRIM CONTROL STOP	20
RETAINER REAR WINDOW	25	RUDDER TRIM CONTROL SUPPORT BRACKET	20
RETAINER STEERING BOOT	33	RUDDER TRIM INDICATOR	107
RETAINER TRUE AIRSPEED	580	RUDDER TRIM INDICATOR	107A
RETAINER WINDOW	44A	RUDDER TRIM SUPPORT	107A
RETAINER WINDOW MOULDING	45A	RUDDER TRIM WHEEL	107A
RHEOSTAT	59		
RHEOSTAT	59A	S	
RHEOSTAT	96A	SAFETY BELT-ALSO SEE SEAT BELTS	
RHEOSTAT	96B	SCREEN COLD AIR INLET	89
RHEOSTAT KNOB	59	SCREEN COLD AIR INLET	89A
RHEOSTAT KNOB	59A	SCUFF PLATE	49
RIBS-SEE APPLICABLE STRUCTURE		SCUFF PLATE	53A
RIGHT CABIN DOOR	45	SCUFF PLATE	55
RIGHT CABIN DOOR	45A	SCUFF PLATE	56A
RING MOORING	3	SCUFF PLATE	93
RING TRUE AIRSPEED	580	SEAL BAFFLE	69
RISER	84	SEAL BAFFLE	70A
RIVET SET KIT	38	SEAL BAFFLE	78
ROD DOOR LATCH PUSH	44A	SEAL BAFFLE	85
ROD DOOR LATCH PUSH	45A	SEAL BAFFLE	85A
ROD ELEVATOR CONTROL PUSH	95	SEAL BAFFLE	86
ROD END	33	SEAL BAFFLE	86A
ROD END	39	SEAL DOOR	3
ROD END	40	SEAL FELT GREASE	35A
ROD END	42	SEAL FELT GREASE	38A
ROD END	43	SEALANT	1
ROD END	71	SEAT ADJUST ARM	53
ROD END	72	SEAT ADJUST HANDLE	55
ROD END	95	SEAT ADJUST HANDLE	56
ROD END	97	SEAT ADJUST HANDLE	56A
ROD END	103	SEAT ADJUST KNOB	53
ROD END	104	SEAT ADJUST KNOB	54
ROD END	126	SEAT ADJUST KNOB	56A
ROD END	126A	SEAT ADJUSTMENT PIN	56
ROD END	128	SEAT ADJUSTMENT PIN	56A
ROD END	130A	SEAT BACK	53A
ROD END	130B	SEAT BACK	56A
ROD FLAP PUSH	103	SEAT BACK	57A
ROD SHIMMY DAMPENER	36	SEAT BACK BRACKET	56
ROLLER KIT SEAT	53	SEAT BACK COVER	53
ROLLER KIT SEAT	53A	SEAT BACK COVER	53A
ROLLER KIT SEAT	54	SEAT BACK COVER	54
ROLLER SEAT	55	SEAT BACK COVER	55
ROTARY ACTUATOR BODY	127	SEAT BACK COVER	56
RUDDER	12	SEAT BACK COVER	56A
RUDDER	106	SEAT BACK COVER	57A
RUDDER AFT SPAR	12	SEAT BACK COVERS-SEE APPLICABLE SEAT	
RUDDER BAR	93	SEAT BACK CUSHION	53A
RUDDER BAR CARPET	51	SEAT BACK CUSHION	55
RUDDER BAR COVER	51	SEAT BACK CUSHION	56A
RUDDER BAR SHIELD	51	SEAT BACK CUSHION	57A
RUDDER BELLCRANK	12	SEAT BACK CUSHION-SEE APPLICABLE SEAT	
RUDDER BELLCRANK	107	SEAT BACK TRIM	53
RUDDER BELLCRANK BRACKET	12		
RUDDER BUNGEE	107		
RUDDER CABLE	105		



ALPHABETICAL INDEX

NOMENCLATURE	FIGURE	NOMENCLATURE	FIGURE
S (Cont)		S (Cont)	
SEAT BACK TRIM	53A	SET KIT RIVET.	38
SEAT BACK TRIM	54	SHAFT FUEL SELECTOR.	111
SEAT BACK TRIM	56	SHAFT NOSE GEAR STEERING	34
SEAT BACK-SEE INDIVIDUAL SEAT.		SHAFT TACHOMETER	71
SEAT BELLCRANK	53	SHAFT TACHOMETER	72
SEAT BELLCRANK	53A	SHelf RADIO.	24
SEAT BELLCRANK	54	SHIELD COURTESY LIGHT.	139
SEAT BELLCRANK	56	SHIELD DEFLECTOR FRONT	74
SEAT BELLCRANK	56A	SHIELD DOOR POST	49
SEAT BELT.	53	SHIELD DOORPOST.	49
SEAT BELT.	56	SHIELD DOORPOST.	50
SEAT BELT.	56A	SHIELD GLARE	58
SEAT BELT.	57	SHIELD GLARE	58A
SEAT BELT.	57A	SHIELD HEAT.	17
SEAT BELT FITTING.	21	SHIELD HEAT.	17A
SEAT BELT FITTING.	53	SHIELD HEAT.	60D
SEAT BELT FITTING.	53A	SHIELD HEAT.	70A
SEAT BELT FITTING.	54	SHIELD RUDDER BAR.	51
SEAT BELT FITTING.	55	SHIMMY DAMPENER.	36
SEAT BELT FITTING.	56	SHIMMY DAMPENER BARREL	36
SEAT BELT FITTING.	56A	SHIMMY DAMPENER ROD.	36
SEAT BELT FITTING.	62B	SHOCK MOUNT.	26
SEAT BOTTOM.	53A	SHOCK MOUNT.	58
SEAT BOTTOM.	56A	SHOCK MOUNT.	58A
SEAT BOTTOM.	57	SHOCK MOUNT.	58B
SEAT BOTTOM.	57A	SHOCK MOUNT.	58C
SEAT BOTTOM COVER.	53	SHOCK MOUNT.	58D
SEAT BOTTOM COVER.	53A	SHOCK MOUNT FORWARD.	71
SEAT BOTTOM COVER.	54	SHOCK MOUNT KIT.	72
SEAT BOTTOM COVER.	55	SHOCK MOUNT REAR	71
SEAT BOTTOM COVER.	56	SHOCK MOUNTED ALTERNATOR	138
SEAT BOTTOM COVER.	56A	SHOCK MOUNTED PANEL.	58C
SEAT BOTTOM COVER.	57A	SHOCK MOUNTED PANEL.	58D
SEAT BOTTOM CUSHION.	53A	SHOCK PANEL.	58
SEAT BOTTOM CUSHION.	55	SHOCK PANEL.	58A
SEAT BOTTOM CUSHION.	56A	SHOCK PANEL.	58B
SEAT BOTTOM CUSHION.	57A	SHOCK PANEL.	58B
SEAT BOTTOM-SEE INDIVIDUAL SEAT.		SHOULDER HARNESS	62A
SEAT FRONT	54	SHOULDER HARNESS HOOK.	62A
SEAT FRONT	55	SHROUD	84
SEAT HANDLE.	53	SHROUD EXHAUST	74
SEAT HANDLE.	53A	SHROUD MUFFLER	83
SEAT HANDLE.	54	SHUTTLE VALVE.	132
SEAT HANDLE.	56	SIDE BAFFLE.	85A
SEAT HANDLE.	56A	SIDE BAFFLE.	86A
SEAT MIDDLE.	56	SIDE PANELS CABIN.	50
SEAT MIDDLE.	56A	SIDE PANELS UPHOLSTERY CABIN	50
SEAT PEDESTAL.	53	SILENCER FRESH AIR	89
SEAT PEDESTAL.	53A	SKINS-SEE APPLICABLE STRUCTURE	
SEAT RAIL.	24	SLEEVE FIRE.	80
SEAT REAR.	134	SOCKET COURTESY LIGHT.	139
SEAT ROLLER.	55	SOCKET MAP LIGHT	96A
SEAT ROLLER HOUSING.	55	SOCKET MAP LIGHT	96B
SEAT ROLLER KIT.	56	SOUND DEADENER	1
SEAT ROLLER KIT.	56A	SOUNDPROOFING BAG.	52
SEAT STOP.	53	SOUNDPROOFING CABIN.	52
SEAT STOP.	53A	SOUNDPROOFING FIBERGLASS	52
SEAT STOP.	54	SPACER AXLE.	32
SEAT STOP.	55	SPAR AILERON	9
SEAT STOP.	56	SPAR AUXILIARY	14
SEAT STOP.	56A	SPAR CENTER SECTION WING	24A
SEAT STOP PIN.	54	SPAR FIN	11A
SEAT STOP-SEE INDIVIDUAL SEAT INSTALLATION		SPAR FIN AFT	11
SEAT TRACK	24	SPAR FIN AFT	11A
SELECTOR VALVE FUEL.	111	SPAR FIN FORWARD	11
SEPARATOR.	67	SPAR FRONT	13
SEPARATOR.	68	SPAR FRONT	18
SEPARATOR OIL.	115	SPAR MAIN WING	7
		SPAR REAR.	10

ALPHABETICAL INDEX

NOMENCLATURE	FIGURE	NOMENCLATURE	FIGURE
S (Cont)		S (Cont)	
SPAR REAR	13	STOP DOOR	58A
SPAR RUDDER AFT	12	STOP DOOR	58B
SPAR RUDDER FORWARD	12	STOP DOOR	58C
SPAR STABILIZER FRONT	13	STOP ELEVATOR LOWER	30
SPAR STABILIZER REAR	13	STOP ELEVATOR UPPER	30
SPAR VERTICAL FIN	11	STOP RUDDER	20
SPAR WING	7	STOP RUDDER TRIM CONTROL	20
SPAR WING	24A	STOP SEAT	53
SPARK PLUG	75	STOP SEAT	53A
SPARK PLUG	76	STOP SEAT	54
SPEAKER GRILL	136	STOP SEAT	55
SPEAKER-RADIO-SEE CESSNA ELECTRONICS MANUAL		STOP SEAT	56
SPEED ADJUSTMENT LEVER	81	STOP SEAT	56A
SPINNER DOME	65	STOWABLE CO PILOT PEDALS CONTROL	58D
SPINNER DOME	66	STRAINER DRAIN CONTROL	110
SPINNER DOME	133	STRAINER DRAIN LINE	110
SPINNER SUPPORT	65	STRAINER FUEL	110
SPINNER SUPPORT	66	STRAINER FUEL CELL	6
SPROCKET IDLER	101	STRAP BUS BAR	135
SPROCKET IDLER	107A	STRAP GROUND	71
SQUAT SWITCH BRACKET	32	STRAP GROUND	72
STABILIZER	13	STRAP GROUND	135
STABILIZER FAIRING	13	STRETCHER PORTABLE	63
STABILIZER FITTING	13	STRIKER PLATE	21
STABILIZER FRONT SPAR	13	STRIKER PLATE	44
STABILIZER HINGE	13	STRIKER PLATE	44A
STABILIZER REAR SPAR	13	STRIP COWL ATTACH	16
STABILIZER RIB	13	STRIP COWL ATTACH	17
STABILIZER SKIN	13	STRIP HOOK	18
STABILIZER TIP	13	STRIP UPHOLSTERY ATTACH	18
STACK CENTER UPPER	83	STROBE LIGHT	3
STACK EXHAUST	83	STROBE LIGHT LENS	3
STACK EXHAUST	84	SUCTION GAGE	58
STACK TURBO EXHAUST	84	SUCTION GAGE	58A
STAINLESS STEEL CABLES-SEE SPECIFIC SYSTEM		SUCTION GAGE	58B
STALL WARNING UNIT	3	SUCTION GAGE	58C
STALL WARNING UNIT WING	3	SUCTION GAGE	58D
STARTER CONTACTOR	135	SUCTION GAGE	99
STARTER CONTACTOR CABLE	135	SUCTION GAGE	99A
STARTER HEAVY DUTY	75	SUCTION GAGE	114
STARTER HEAVY DUTY	76	SUCTION GAGE	114A
STATIC DISCHARGER	3	SUMP STATIC SOURCE	108
STATIC DISCHARGER	12	SUN VISOR	48
STATIC DISCHARGER	14	SWITCH & LOCK KIT IGNITION	59
STATIC SOURCE ALTERNATE	108	SWITCH & LOCK KIT IGNITION	59A
STATIC SOURCE BUTTON	108	SWITCH ACTUATOR	117
STATIC SOURCE SUMP	108	SWITCH COURTESY LIGHT	139
STATIONARY INSTRUMENT PANEL	58	SWITCH COVER	58
STATIONARY INSTRUMENT PANEL	58A	SWITCH COVER	58A
STATIONARY INSTRUMENT PANEL	58B	SWITCH COVER	58B
STATIONARY INSTRUMENT PANEL	58C	SWITCH COVER	58C
STATIONARY INSTRUMENT PANEL	58D	SWITCH COVER	58D
STATIONARY PANEL COVER	58	SWITCH COVER	59A
STATIONARY PANEL COVER	58A	SWITCH COVER	96A
STEERING ARM	34	SWITCH COVER	96B
STEERING BOOT RETAINER	33	SWITCH COVER	135A
STEERING LINK	34	SWITCH DOME LIGHT	135
STEERING LINK BOOT	33	SWITCH DOWNLOCK	43
STEERING LINK ROD BOOT	33	SWITCH DOWNLOCK	122
STEP	15	SWITCH DOWNLOCK	122A
STEP	43A	SWITCH ELECTRIC TRIM	96A
STEP CABIN	21B	SWITCH ELECTRIC TRIM	96B
STEP CABIN	37	SWITCH FLASHING BEACON	140
STEP CABIN DOOR	15	SWITCH GEAR WARNING	135A
STICK EXTENDED HANDLE DIP	75	SWITCH ICE DETECTOR LIGHT	59
STICK EXTENDED HANDLE DIP	76	SWITCH MAP LIGHT	58B
STINGER	31	SWITCH MAPLIGHT	58C
STOP DOOR	58	SWITCH MAPLIGHT	58D



ALPHABETICAL INDEX

NOMENCLATURE

FIGURE

NOMENCLATURE

FIGURE

S (Cont)

SWITCH MIKE.	96
SWITCH MIKE.	96A
SWITCH MIKE.	96B
SWITCH OIL PRESSURE.	113
SWITCH PANEL	58
SWITCH PANEL	58A
SWITCH PANEL	58B
SWITCH PANEL	58C
SWITCH PANEL	58D
SWITCH PANEL	59
SWITCH PANEL	59A
SWITCH PITOT HEAT.	108
SWITCH THROTTLE LIMIT.	77
SWITCH THROTTLE LIMIT.	135
SWITCH UPLOCK.	41
SWITCH UPLOCK.	42
SWITCHES-SEE INSTRUMENT PANEL.	
SYSTEMS-SEE INDIVIDUAL LISTINGS.	

T

TAB AILERON TRIM	9
TAB ELEVATOR TRIM.	14
TACHOMETER	58
TACHOMETER	58A
TACHOMETER	58B
TACHOMETER	58C
TACHOMETER	58D
TACHOMETER SHAFT	71
TACHOMETER SHAFT	72
TAIL PIPE SUPPORT.	26
TAILCONE	29
TAILCONE AFT	30
TAILCONE BULKHEAD.	30
TAILPIPE	80
TAILPIPE	83
TAILPIPE	84
TEE KEEL ATTACH.	17
TEE KEEL ATTACH.	17A
THREE BLADED PROPELLER	66
THREE BLADED PROPELLER	68
THROTTLE AIR	75
THROTTLE AIR	76
THROTTLE BODY ADAPTER.	74
THROTTLE CONTROL	58
THROTTLE CONTROL	58A
THROTTLE CONTROL	58B
THROTTLE CONTROL	58C
THROTTLE CONTROL	58D
THROTTLE CONTROL	71
THROTTLE CONTROL	72
TIP ELEVATOR	14
TIP FLASHING BEACON.	140
TIP FLASHING BEACON FIN.	140
TIP STABILIZER	13
TIP WING	3
TIRE	35
TIRE	35A
TIRE	38
TIRE	38A
TIRE PRESSURE PLACARD.	2
TOP & FIREWALL UPHOLSTERY CABIN.	48
TOP CABIN.	24A
TOP CABIN.	48
TOP FUEL STRAINER.	110
TORQUE LOWER LINK.	34

T (Cont)

TORQUE TUBE.	14
TORQUE TUBE.	39
TORQUE TUBE.	53
TORQUE TUBE.	54
TORQUE TUBE.	55
TORQUE TUBE.	56
TORQUE TUBE.	56A
TORQUE TUBE.	95
TORQUE TUBE SUPPORT BRACKET.	16
TORQUE UPPER LINK.	34
TOW BAR.	62
TOW HOOK GLIDER.	62
TRACK FLAP	4
TRACK SEAT	24
TRAILING EDGE SKIN	4
TRAILING EDGE SKIN	10
TRAILING EDGE SKIN	14
TRANSDUCER OIL PRESSURE.	113
TRAY BATTERY BOX	26
TRIM BUNGEE RUDDER	107A
TRIM CONTROL ELEVATOR.	101
TRIM CONTROL SYSTEM ELEVATOR	101
TRIM RUDDER.	107
TRIM RUDDER.	107A
TRIM SEAT BACK	53
TRIM SEAT BACK	53A
TRIM SEAT BACK	54
TRIM SEAT BACK	56
TRIM TAB ACTUATOR ELEVATOR	102B
TRIM TAB ACTUATOR ELEVATOR	102C
TRIM TAB ACTUATOR MOUNTING BRACKET	13
TRIM TAB ELEVATOR.	14
TRIM TAB ELEVATOR.	102B
TRIM TAB ELEVATOR.	102C
TRUE AIRSPEED RETAINER	58D
TRUE AIRSPEED RING	58D
TRUNNION & BARREL NOSE GEAR.	34
TUBE AILERON CONTROL	95
TUBE BREATHER AFT.	73
TUBE BREATHER AFT.	74
TUBE PITOT	108
TUBE POLYETHYLENE.	1
TUBE POLYETHYLENE.	108
TUBE POLYETHYLENE.	108A
TUBE TORQUE.	14
TUBE TORQUE.	39
TUBE TORQUE.	53
TUBE TORQUE.	54
TUBE TORQUE.	55
TUBE TORQUE.	56
TUBE TORQUE.	56A
TUBE TORQUE.	95
TUBE VENT.	115
TUNNEL CARPET.	51
TUNNEL COVER	21
TUNNEL LOWER FIREWALL.	17
TUNNEL LOWER FIREWALL.	17A
TUNNEL WALL.	17
TUNNEL WALL.	17A
TUNNEL WALL.	21
TURBO CHARGER AIR INLET.	78
TURBOCHARGED ENGINE.	72
TURBOCHARGER	79
TURN & BANK INDICATOR.	58
TURN & BANK INDICATOR.	58A
TURN & BANK INDICATOR.	58B
TURN & BANK INDICATOR.	58C
TURN & BANK INDICATOR.	58D

ALPHABETICAL INDEX

NOMENCLATURE	FIGURE	NOMENCLATURE	FIGURE
T (Cont)		V (Cont)	
TURN COORDINATOR	99	VALVE CHECK	130D
TURN COORDINATOR	99A	VALVE DEFROSTER	90
TURN COORDINATOR INDICATOR	58	VALVE DEFROSTER	91
TURN COORDINATOR INDICATOR	58A	VALVE DOOR CLOSE LOCK	130C
TURN COORDINATOR INDICATOR	58B	VALVE DOOR CLOSE LOCK	130D
TURN COORDINATOR INDICATOR	58C	VALVE DRAIN	5
TURN COORDINATOR INDICATOR	58D	VALVE DRAIN	8
TURNBUCKLE BARREL	103	VALVE DRAIN	109
TWO BLADED PROPELLER	65	VALVE EXHAUST BY PASS	80
TWO BLADED PROPELLER	67	VALVE EXTENSION	32
U		VALVE FUEL CHECK	109
UNLOCK & SEQUENCE ACTUATOR	131	VALVE FUEL SELECTOR	111
UPHOLSTERED SEAT BACK	53	VALVE FUEL VENT	3
UPHOLSTERED SEAT BACK	53A	VALVE KNOB	99
UPHOLSTERED SEAT BACK	54	VALVE KNOB	99A
UPHOLSTERED SEAT BACK	55	VALVE OIL DILUTION	113
UPHOLSTERED SEAT BACK	56	VALVE OXYGEN	134
UPHOLSTERED SEAT BACK	56A	VALVE OXYGEN FILLER	134
UPHOLSTERED SEAT BACK	57	VALVE RELIEF	115A
UPHOLSTERED SEAT BACK	57A	VALVE RELIEF	118A
UPHOLSTERED SEAT BOTTOM	53	VALVE RESTRICTOR	99
UPHOLSTERED SEAT BOTTOM	54	VALVE RESTRICTOR	99A
UPHOLSTERED SEAT BOTTOM	55	VALVE SHUTTLE	132
UPHOLSTERED SEAT BOTTOM	56	VALVE VENT	118
UPHOLSTERED SEAT BOTTOM	56A	VENT FUEL	5
UPHOLSTERED SEAT BOTTOM	57A	VENT LINE	116A
UPHOLSTERY ATTACH STRIP	18	VENT TUBE	115
UPHOLSTERY CLIP	18	VENT VALVE	118
UPHOLSTERY CLIP	25	VENTILATION SYSTEM CABIN	89
UPLOCK ARM	42	VENTILATION SYSTEM CABIN	89A
UPLOCK SWITCH	41	VERTICAL FIN SPAR	11
UPLOCK SWITCH	42	VERTICAL SPEED INDICATOR	58
UPPER AFT CABIN STRUCTURE	25A	VERTICAL SPEED INDICATOR	58A
UPPER CABIN SECTION COMPONENTS	25	VERTICAL SPEED INDICATOR	58B
UPPER COWL	69	VERTICAL SPEED INDICATOR	58C
UPPER COWL	70	VERTICAL SPEED INDICATOR	58D
UPPER COWL	70A	VERTICAL SPEED INDICATOR	108
UPPER COWL & NOSE CAP	69	VERTICAL SPEED INDICATOR	108A
UPPER COWL & NOSE CAP	70	VHF ANTENNA	11A
UPPER COWL & NOSE CAP	70A	VIEW MIRROR REAR	64
UPPER COWL SKIN	69	VISOR SUN	48
UPPER COWL SKIN	70	VOLTAGE REGULATOR	75
UPPER FIREWALL	26	VOLTAGE REGULATOR	76
UPPER PEDESTAL PANEL	20A	VOLTAGE REGULATOR	102
UPPER STRINGER	6	VOLTAGE REGULATOR	102A
V		VOLTAGE REGULATOR	135
VACUUM PUMP	115	VOLTAGE REGULATOR PLUG	135
VACUUM PUMP	115A	W	
VACUUM SYSTEM	115	WALL TUNNEL	17
VACUUM SYSTEM	115A	WALL TUNNEL	17A
VACUUM SYSTEM ENGINE DRIVEN	115	WALL TUNNEL	21
VACUUM SYSTEM ENGINE DRIVEN	115A	WARM AIR SPRING	90
VALVE AIR PUMP	115	WARM AIR SPRING	91
VALVE BODY CABIN HEATER	90	WARNING UNIT DUAL STALL	135
VALVE BODY CABIN HEATER	91	WARNING UNIT STALL	3
VALVE CABIN HEATER	90	WARNING UNIT STALL	135
VALVE CABIN HEATER	91	WARNING UNIT WING STALL	3
VALVE CHECK	79	WEDGE CABIN DOOR	44
VALVE CHECK	118A	WEDGE CABIN DOOR	45
VALVE CHECK	119A	WEIGHT AILERON BALANCE	9
		WEIGHT ELEVATOR BALANCE	14
		WEIGHT RUDDER BALANCE	12
		WELL WHEEL	21
		WHEEL & SWITCHES CONTROL	96



ALPHABETICAL INDEX

NOMENCLATURE

FIGURE

NOMENCLATURE

FIGURE

W (Cont)

WHEEL & SWITCHES CONTROL	96A
WHEEL & SWITCHES CONTROL	96B
WHEEL CONTROL	96
WHEEL CONTROL	96A
WHEEL CONTROL	96B
WHEEL MAIN GEAR	38A
WHEEL NOSE	35
WHEEL NOSE GEAR	35A
WHEEL RUDDER TRIM	107A
WHEEL WELL	21
WINDOW	25
WINDOW DOOR	44
WINDOW DOOR	44A
WINDOW DOOR	45
WINDOW DOOR	45A
WINDOW FRAME	44
WINDOW FRAME	44A
WINDOW HINGE	44
WINDOW HINGE	44A
WINDOW JAMB	44
WINDOW LATCH BRACKET	44
WINDOW LATCH BRACKET	44A
WINDOW LATCH HANDLE	44
WINDOW LATCH HANDLE	44A
WINDOW MOULDING	50
WINDOW MOULDING RETAINER	45A
WINDOW OUTER DOOR	45A
WINDOW REAR	25
WINDOW RETAINER	44A
WINDSHIELD	28
WING	89B
WING COMPLETE	3
WING DE ICE BULB	58
WING DE ICE BULB	58A
WING DE ICE BULB	58B
WING DE ICE BULB	58C
WING DE ICE BULB	58D
WING DE ICE LIGHT	58
WING FAIRING	3
WING FILLET	15
WING FLAP	10
WING LEADING EDGE	5
WING LEVELER	98
WING LEVELER COMPONENTS	99
WING LEVELER COMPONENTS	99A
WING LIGHT	58
WING RADIO COMPARTMENT VENTILATION SYSTEM	89B
WING ROOT RIB	4
WING ROOT RIB	5
WING SPAR	7
WING SPAR	24A
WING SPAR CENTER SECTION	24A
WING SPAR MAIN	7
WING STRUCTURE	4
WING TIP	3
WINTERIZATION COVER	88
WINTERIZATION EQUIPMENT	88
WINTERIZATION PLACARD	2
WIRE HEADLINER	48
WRENCH OIL FILTER ADAPTER	113

Z

ZINC CHROMATE PRIMER	1
--------------------------------	---

 **PARTS LISTING**



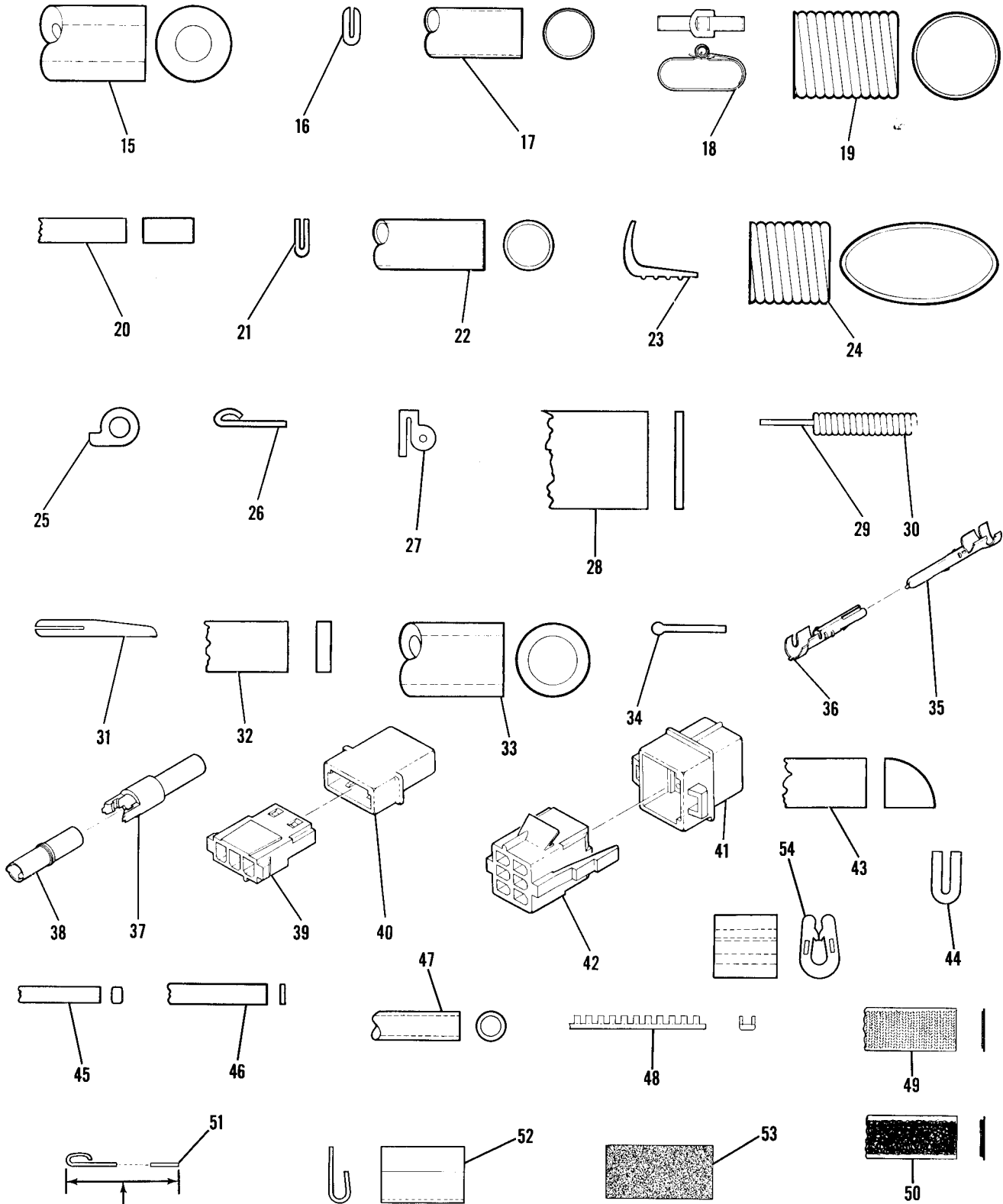
FIGURE AND INDEX NO.	PART NUMBER	DESCRIPTION	UNITS PER ASSY	USABLE ON CODE
		1 2 3 4 5 6 7		
1 -		MISCELLANEOUS BULK ITEMS -----	AR	
- 1	C1C2	CONLEY-WELD EPOXY BASE ADHESIVE.		
- 2	EC880	ADHESIVE-SYNTHETIC RUBBER BASE OIL RESISTANT		
- 3	1024A-B	CEMENT PARTS A & B		
- 4	1007	PRIMER		
- 5	576.1	SEALANT-EXTRUDED PERMAGUM		
- 6	579.6	SEALANT-EXTRUDED ZINC CHROMATE		
- 7	S1078-1	SEALANT-SYNTHETIC RUBBER-FABRIC REINFORCED .06 THICK .50 WIDE		
- 8	S1078-2	SEALANT-SYNTHETIC RUBBER-FABRIC REINFORCED .12 THICK .50 WIDE		
- 9	S1078-3	SEALANT-SYNTHETIC RUBBER-FABRIC REINFORCED 2 MIL MYLAR TAPE BACKING. .06 THICK 1.50 WIDE		
-10	EC1239AB	SEALANT-CATALYTIC		
-11	700	SEALANT-FIREWALL		
-12	EC776	ADHESIVE-GASKET FUEL RESISTANT SYNTHETIC RUBBER BASE.		
-13	550	SOUND DEADENER- LIQUID VIBRATION DAMPENER		
-14	MIL-P-8585	PRIMER-ZINC CHROMATE- GREEN		
-14A	EC1675A-B	SEALANT-CATALYTIC		
-14B	PR0890	SEALANT-CATALYTIC ALTERNATE FOR EC1675A-B		



FIGURE AND INDEX NO.	PART NUMBER	DESCRIPTION	UNITS PER ASSY	USABLE ON CODE
		1 2 3 4 5 6 7		
1 -14C	LOCTITE5381	EPOXY MIXER CUP		
		URETHANE TO URETHANE ----- URETHANE TO METAL POLYCARBONATE TO METAL ABS TO METAL METAL TO METAL -----		
-14D	EC22168/A	ADHESIVE PARTS A & B		
-14E	LOCTITE8721	LOCKING & RETAINING COMPOUND		
		METAL TO METAL -----		
-15	S51-4	HOSE-FUEL & OIL-1/4 ID	AVAILABLE BY THE FOOT -----	AR
	S51-6	HOSE-FUEL & OIL-3/8 ID	AVAILABLE BY THE FOOT -----	AR
	S51-8	HOSE-FUEL & OIL-1/2 ID	AVAILABLE BY THE FOOT -----	AR
	S51-10	HOSE-FUEL & OIL-5/8 ID	AVAILABLE BY THE FOOT -----	AR
	S51-12	HOSE-FUEL & OIL-3/4 ID	AVAILABLE BY THE FOOT -----	AR
	S51-16	HOSE-FUEL & OIL-1.00 ID	AVAILABLE BY THE FOOT -----	AR
	S51-32	HOSE-FUEL & OIL-2.00 ID	AVAILABLE BY THE FOOT -----	AR
-16	S202RB	CHANNEL-EXTRUDED BLACK	AVAILABLE BY THE FOOT -----	AR
	S202VW	CHANNEL-EXTRUDED WHITE	AVAILABLE BY THE FOOT -----	AR
-17	S292-1	INSULATION SLEEVING-ELEC-.118 ID	AVAILABLE BY THE FOOT --	AR
	S292-2	INSULATION SLEEVING-ELEC-.133 ID	AVAILABLE BY THE FOOT --	AR
	S292-3	INSULATION SLEEVING-ELEC-.148 ID	AVAILABLE BY THE FOOT --	AR
	S292-4	INSULATION SLEEVING-ELEC-.166 ID	AVAILABLE BY THE FOOT --	AR
	S292-5	INSULATION SLEEVING-ELEC-.186 ID	AVAILABLE BY THE FOOT --	AR
	S292-6	INSULATION SLEEVING-ELEC-.208 ID	AVAILABLE BY THE FOOT --	AR
	S292-8	INSULATION SLEEVING-ELEC-.263 ID	AVAILABLE BY THE FOOT --	AR
	S292-11	INSULATION SLEEVING-ELEC-5/16 ID	AVAILABLE BY THE FOOT --	AR
	S292-12	INSULATION SLEEVING-ELEC-3/8 ID	AVAILABLE BY THE FOOT ---	AR
	S292-14	INSULATION SLEEVING-ELEC-1/2 ID	AVAILABLE BY THE FOOT ---	AR
	S292-16	INSULATION SLEEVING-ELEC-3/4 ID	AVAILABLE BY THE FOOT ---	AR
	S292-28	INSULATION SLEEVING-ELEC-2-1/2 ID	AVAILABLE BY THE FOOT -	AR
-18	S1026BG	CLAMP-WRAP TYPE AVAILABLE IN 100 FOOT ROLL	-----	AR
-19	S1053E7T	DUCT-FLEXIBLE-NEOPRENE IMPREGNATED 7/8 DIA	-----	AR
		AVAILABLE IN 10 FOOT LENGTHS ONLY		
	S1053E8T	DUCT-FLEXIBLE-NEOPRENE IMPREGNATED 1.00 DIA	-----	AR
		AVAILABLE IN 10 FOOT LENGTHS ONLY		
	S1053E10T	DUCT-FLEXIBLE-NEOPRENE IMPREGNATED 1-1/4 DIA	-----	AR
	S1053K10T	DUCT-FLEXIBLE-SILICONE IMPREGNATED 1-1/4 DIA	-----	AR
		AVAILABLE IN 10 FOOT LENGTHS ONLY		
	S1053E12T	DUCT-FLEXIBLE-NEOPRENE IMPREGNATED 1-1 1/2 DIA	-----	AR
	S1053K12T	DUCT-FLEXIBLE-SILICONE IMPREGNATED 1-1/2 DIA	-----	AR
		AVAILABLE IN 10 FOOT LENGTHS ONLY		
	S1053E20T	DUCT-FLEXIBLE-NEOPRENE IMPREGNATED 2-1/2 DIA	-----	AR
	S1053K20T	DUCT-FLEXIBLE-SILICONE IMPREGNATED 2-1/2 DIA	-----	AR
		AVAILABLE IN 10 FOOT LENGTHS ONLY		
	S1053E24T	DUCT-FLEXIBLE-NEOPRENE IMPREGNATED 3.00 DIA	-----	AR
	S1053K24T	DUCT-FLEXIBLE-SILICONE IMPREGNATED 3.00 DIA	-----	AR
	S1053K24W	DUCT-FLEXIBLE-SILICONE IMPREGNATED 2 PLY 3.00 DIA	---	AR
		AVAILABLE IN 10 FOOT LENGTHS ONLY		
	S1053E28T	DUCT-FLEXIBLE-NEOPRENE IMPREGNATED 3-1/2 DIA	-----	AR
	S1053K28W	DUCT-FLEXIBLE-SILICONE IMPREGNATED 2 PLY 3-1/2 DIA	--	AR
		AVAILABLE IN 10 FOOT LENGTHS ONLY		
	S1053E32T	DUCT-FLEXIBLE-NEOPRENE IMPREGNATED 4.00 DIA	-----	AR
	S1053K32T	DUCT-FLEXIBLE-SILICONE IMPREGNATED 4.00 DIA	-----	AR
		AVAILABLE IN 10 FOOT LENGTHS ONLY		
-20	S1047-1	SEAL-SPONGE RUBBER-1/4 THICK	AVAILABLE BY THE FOOT -----	AR
	S1047-2	SEAL-SPONGE RUBBER-5/16 THICK	AVAILABLE BY THE FOOT -----	AR
-21	S1055-1	CHANNEL-EXTRUDED RUBBER	AVAILABLE BY THE FOOT -----	AR
-22	S1071-1	TUBE-POLYETHYLENE-1/4 DIA	AVAILABLE BY THE FOOT -----	AR
	S1071-3	TUBE-POLYETHYLENE-3/8 DIA	AVAILABLE BY THE FOOT -----	AR
	S1071-4	TUBE-POLYETHYLENE-1/2 DIA	AVAILABLE BY THE FOOT -----	AR
	S1071-5	TUBE-POLYETHYLENE-5/8 DIA	AVAILABLE BY THE FOOT -----	AR
-23	S1084-1	SEAL-EXTRUDED RUBBER	AVAILABLE BY THE FOOT -----	AR
-24	S1110ET	DUCT-OVAL-FLEXIBLE-NEOPRENE IMPREGNATED	-----	AR
		AVAILABLE IN 10 FOOT LENGTHS ONLY		
-25	S1346-1	SEAL-SPONGE RUBBER AVAILABLE IN 12 FT LENGTHS ONLY	-----	AR
-26	S1366-1	MOULDING-EXTRUDED PLASTIC-SAND	AVAILABLE BY THE FOOT ----	AR
	S1366-2	MOULDING-EXTRUDED PLASTIC-FAWN	AVAILABLE BY THE FOOT ----	AR
	S1366-3	MOULDING-EXTRUDED PLASTIC-BLACK	AVAILABLE BY THE FOOT ---	AR
-27	S1378-1	SEAL-SPONGE RUBBER-BEIGE	AVAILABLE IN 7 FT LENGTHS ONLY -	AR
	S1378-2	SEAL-SPONGE RUBBER-CLOUD GRAY	AVAILABLE IN 7FT LENGTHS --	AR
-28	S1389-1	SEALER STRIP-FELT-1.00 WIDE	AVAILABLE BY THE FOOT -----	AR
	S1389-2	SEALER STRIP-FELT-1-1/2 WIDE	AVAILABLE BY THE FOOT -----	AR
	S1389-3	SEALER STRIP-FELT-2.00 WIDE	AVAILABLE BY THE FOOT -----	AR
	S1389-4	SEALER STRIP-FELT-1-3/4 WIDE	AVAILABLE BY THE FOOT -----	AR
	S1389-5	SEALER STRIP-FELT-1-1/4 WIDE	AVAILABLE BY THE FOOT -----	AR
	S1389-6	SEALER STRIP-FELT-2-1/4 WIDE	AVAILABLE BY THE FOOT -----	AR
	S1389-7	SEALER STRIP-FELT-1-3/8 WIDE	AVAILABLE BY THE FOOT -----	AR

CONTINUED ON NEXT PAGE

Bulk Items (Cont)



RETURN-SEE
TEXT *

Figure 1. Miscellaneous Bulk Items



FIGURE AND INDEX NO.	PART NUMBER	DESCRIPTION							UNITS PER ASSY	USABLE ON CODE	
		1	2	3	4	5	6	7			
1 -29	S1398-1	CONTROL-PUSH PULL-WIRE AVAILABLE BY THE FOOT -----							AR		
-30	S1398-2	CONTROL-PUSH PULL-CASING AVAILABLE BY THE FOOT -----							AR		
-31	S1415-1	MOULDING-EXTRUDED VINYL -----							AR		
-32	S1441-1	SEAL-SPONGE RUBBER-3/8 WIDE AVAILABLE BY THE FOOT -----							AR		
	S1441-2	SEAL-SPONGE RUBBER-1/4 WIDE AVAILABLE BY THE FOOT -----							AR		
	S1441-3	SEAL-SPONGE RUBBER-1/2 WIDE AVAILABLE BY THE FOOT -----							AR		
-33	S1495-4	HOSE-RUBBER-1/4 ID AVAILABLE BY THE FOOT -----							AR		
	S1495-6	HOSE-RUBBER-3/8 ID AVAILABLE BY THE FOOT -----							AR		
	S1495-8	HOSE-RUBBER-1/2 ID AVAILABLE BY THE FOOT -----							AR		
	S1495-10	HOSE-RUBBER-5/8 ID AVAILABLE BY THE FOOT -----							AR		
-34	S1611-1	SEAL-EXTRUDED VINYL AVAILABLE BY THE FOOT -----							AR		
-35	S1635-1	ELECTRICAL PIN WIRE SIZE 22-18 -----							AR		
	S1635-2	ELECTRICAL PIN WIRE SIZE 18-14 -----							AR		
	S1635-3	ELECTRICAL PIN WIRE SIZE 18 GA-2 WIRE -----							AR		
-36	S1636-1	ELECTRICAL SOCKET WIRE SIZE 22-18 -----							AR		
	S1636-2	ELECTRICAL SOCKET WIRE SIZE 18-14 -----							AR		
	S1636-3	ELECTRICAL SOCKET WIRE SIZE 18 GA-2 WIRE -----							AR		
-37	S1637-1	HOUSING-ELECTRICAL PIN -----							AR		
-38	S1637-2	HOUSING-ELECTRICAL SOCKET -----							AR		
-39	S1638-1	HOUSING-ELECTRICAL SOCKET-3 CIRCUIT -----							AR		
-40	S1638-2	HOUSING-ELECTRICAL PIN-3 CIRCUIT -----							AR		
-41	S1640-6	HOUSING-ELECTRICAL PIN-6 CAVITY -----							AR		
	S1640-9	HOUSING-ELECTRICAL PIN-9 CAVITY -----							AR		
	S1640-12	HOUSING-ELECTRICAL PIN-12 CAVITY -----							AR		
	S1640-15	HOUSING-ELECTRICAL PIN-15 CAVITY -----							AR		
-42	S1641-6	HOUSING-ELECTRICAL SOCKET-6 CAVITY -----							AR		
	S1641-9	HOUSING-ELECTRICAL SOCKET-9 CAVITY -----							AR		
	S1641-12	HOUSING-ELECTRICAL SOCKET-12 CAVITY -----							AR		
	S1641-15	HOUSING-ELECTRICAL SOCKET-15 CAVITY -----							AR		
-43	S1116	SEAL-NEOPRENE AVAILABLE IN 12 FOOT LENGTHS ONLY -----							AR		
-44	S1356	SEAL-EXTRUDED RUBBER AVAILABLE BY THE FOOT -----							AR		
-45	S1614	LACING-KOROSEAL AVAILABLE BY THE FOOT -----							AR		
-46	3690-1/8	FILM-BLACK VINYL-1/8 IN WIDE AVAILABLE BY THE ROLL -----							AR		
	3690-1/4	FILM-BLACK VINYL-1/4 IN WIDE AVAILABLE BY THE ROLL -----							AR		
	3690-1/2	FILM-BLACK VINYL-1/2 IN WIDE AVAILABLE BY THE ROLL -----							AR		
-47	110691	WIRE-TEFLON AVAILABLE BY THE FOOT -----							AR		
-48	S1050-1	GROMMET-CATERPILLAR .056 WIDE -----							AR		
	S1050-2	GROMMET-CATERPILLAR .090 WIDE -----							AR		
	S1050-3	GROMMET-CATERPILLAR .131 WIDE -----							AR		
-49	S2092-3	FABRIC FASTENER-HOOK AVAILABLE BY THE FOOT -----							AR		
	S2092-7	FABRIC FASTENER-HOOK AVAILABLE BY THE FOOT -----							AR		
-50	S2092-4	FABRIC FASTENER-HOOK AVAILABLE BY THE FOOT -----							AR		
	S2092-8	FABRIC FASTENER-PILE AVAILABLE BY THE FOOT -----							AR		
	S2092-10	FABRIC FASTENER-PILE AVAILABLE BY THE FOOT -----							AR		
-51	S1948-2-1	*	TRIM-EXTRUDED CLOUD GRAY AVAILABLE BY THE FOOT -----						AR		
	S1948-2-2	*	TRIM-EXTRUDED EBONY AVAILABLE BY THE FOOT -----						AR		
	S1948-2-3	*	TRIM-EXTRUDED SILVER TEAL BLUE AVAILABLE BY THE FOOT -----						AR		
	S1948-2-4	*	TRIM-EXTRUDED MARIGOLD AVAILABLE BY THE FOOT -----						AR		
	S1948-2-5	*	TRIM-EXTRUDED SUNGOLD AVAILABLE BY THE FOOT -----						AR		
	S1948-2-6	*	TRIM-EXTRUDED LIGHT OLIVE AVAILABLE BY THE FOOT -----						AR		
	S1948-2-7	*	TRIM-EXTRUDED CLOVE BROWN AVAILABLE BY THE FOOT -----						AR		
	S1948-2-8	*	TRIM-EXTRUDED HOLIDAY BLUE AVAILABLE BY THE FOOT -----						AR		
	S1948-2-9	*	TRIM-EXTRUDED FIESTA RED AVAILABLE BY THE FOOT -----						AR		
	S1948-2-10	*	TRIM-EXTRUDED PICNIC GREEN AVAILABLE BY THE FOOT -----						AR		
	S1948-2-11	*	TRIM-EXTRUDED BOGOTA BLUE AVAILABLE BY THE FOOT -----						AR		
	S1948-2-12	*	TRIM-EXTRUDED TAHITIAN RED AVAILABLE BY THE FOOT -----						AR		
	S1948-2-13	*	TRIM-EXTRUDED CYPRESS GREEN AVAILABLE BY THE FOOT -----						AR		
	S1948-2-14	*	TRIM-EXTRUDED PEACOCK BLUE AVAILABLE BY THE FOOT -----						AR		
	S1948-2-15	*	TRIM-EXTRUDED POPPY RED AVAILABLE BY THE FOOT -----						AR		
	S1948-2-16	*	TRIM-EXTRUDED GOLDEN OLIVE & OLIVE GREEN -----						AR		
			AVAILABLE BY THE FOOT								
	S1948-2-17	*	TRIM-EXTRUDED SUNSET RED AVAILABLE BY THE FOOT -----						AR		
	S1948-2-18	*	TRIM-EXTRUDED COPEN BLUE AVAILABLE BY THE FOOT -----						AR		
	S1948-2-19	*	TRIM-EXTRUDED CHESTNUT BROWN AVAILABLE BY THE FOOT -----						AR		
	S1948-2-20	*	TRIM-EXTRUDED OLD GOLD AVAILABLE BY THE FOOT -----						AR		
-52	S1029-1	J-SECTION AVAILABLE BY THE FOOT -----							AR		
-53	S2108-1	SEAL-VINYL FOAM .50X.25 AVAILABLE BY THE FOOT -----							AR		
	S2108-2	SEAL-VINYL FOAM .25X.062 AVAILABLE BY THE FOOT -----							AR		
	S2108-3	SEAL-VINYL FOAM .38X.25 AVAILABLE BY THE FOOT -----							AR		
	S2108-4	SEAL-VINYL FOAM .50X.18 AVAILABLE BY THE FOOT -----							AR		
-54	S2195-1	TRIM-MOULDING AVAILABLE BY THE FOOT -----							AR		
	S2195-2	TRIM-MOULDING AVAILABLE BY THE FOOT -----							AR		

NOTE. *PART NUMBER LISTED IN TEXT HAS A 1/2 INCH RETURN. FOR A 7/8 INCH RETURN CHANGE FIRST DASH NUMBER TO-1. EXAMPLE-S1948-1-4.

Placards

***ABCDEFGHIJKLMN
OPQRSTUVWXYZ
-1234567890***

**ABCDEFGHIJKLMN
OPQRSTUVWXYZ
-1234567890**

**ABCDEFGHIJKLMN
OPQRSTUVWXYZ
-1234567890**

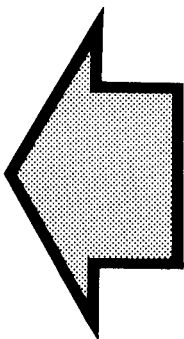
Figure 2. (Sheet 1) Name Plates, Placards & Exterior Markings Installation

Placards (Cont)

S1500 TYPE STENCILS * FOR SLANT GOTHIC LETTERS & NUMERALS

LETTERS AND NUMERALS ARE AVAILABLE IN 10 INCH AND 12 INCH HEIGHTS IN EITHER LEFT HAND OR RIGHT HAND SLANT.

LETTERS AVAILABLE ARE A THRU Z.
NUMERALS AVAILABLE ARE 0 THRU 9.



TO ORDER:

EACH LETTER OR NUMERAL WANTED MUST BE ORDERED BY GIVING BASIC PART NUMBER, FOLLOWED BY HEIGHT DESIRED, FOLLOWED BY SPECIFIC LETTER OR NUMERAL AND THE DESIGNATOR L OR R TO INDICATE LEFT OR RIGHT HAND SLANT.

EXAMPLE:

S1500 - 10 - M L

BASIC PART NO. | | |

DIRECTION OF SLANT
LETTER WANTED
HEIGHT
WANTED

S1600 TYPE STENCILS * FOR VERTICAL GOTHIC LETTERS & NUMERALS

LETTERS AND NUMERALS ARE AVAILABLE IN 6 INCH, 12 INCH AND 20 INCH HEIGHTS. LETTERS AVAILABLE ARE A THRU Z. NUMERALS AVAILABLE ARE 0 THRU 9.

TO ORDER:

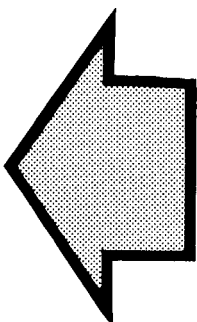
EACH LETTER OR NUMERAL WANTED MUST BE ORDERED BY GIVING BASIC PART NUMBER, FOLLOWED BY HEIGHT DESIRED, FOLLOWED BY SPECIFIC LETTER OR NUMERAL WANTED.

EXAMPLE:

S1600 - 20 - N

BASIC PART NO. | | |

LETTER WANTED
HEIGHT WANTED



* EACH STENCIL PROVIDES FOR EITHER
BACKGROUND OR CENTER MASK.

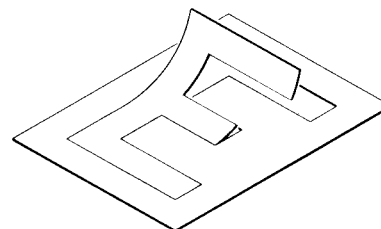


Figure 2. (Sheet 2) Name Plates, Placards & Exterior Markings Installation

Placards (Cont)

ENGINE OIL
 ABOVE 40°F USE SAE 50 - BELOW 40°F USE SAE 30
 TACH HOURS DATE
OIL CHANGED: _____
OIL USED: _____
 USE DETERGENT OIL ONLY
THAT COMPLIES WITH CONTINENTAL SPEC WMS 24
 CESSNA DEALERS HAVE LIST OF APPROVED OILS

USE (RED) (MIL-H-5606) PETROLEUM BASE HYDRAULIC FLUID ONLY. CHECK LEVEL EVERY 25 HOURS.

FOR 32 GAL. FUEL FLOW FILL TO BOTTOM OF FILLER NECK EXTENSION

SERVICE THIS AIRPLANE WITH 100/130 MIN AVIATION GRADE GASOLINE TOTAL CAPACITY 43.0 GAL

FINISH & TRIM

MAX. PERMISSIBLE AUTOPILOT SPEED
 200 MPH CAS. MAX. ALTITUDE LOSS DURING AUTOPILOT MALFUNCTION RECOVERY -150 FEET
07/2750-12

MAX. PERMISSIBLE AUTOPILOT SPEED
 210 MPH CAS. ALTITUDE LOSS DURING AUTOPILOT MALFUNCTION IN CRUISE -300 FT.
07/3750-15

CESSNA PART NO. C294505 D101
 ELEMENT NO. C294505 D102
 CHANGE OIL & FILTER ELEMENT EVERY 30 HOURS.
 TORQUE 20-24 FT LBS.
 ADD .1 ADDITIONAL QT OF ENGINE OIL WITH INSTALLATION OF THIS FILTER & AT EACH ELEMENT CHANGE

FUEL FLOW AT FULL THROTTLE

Altitude	2700 RPM	2850 RPM
S.L.	138 GPH	144 GPH
4000 FT.	126 GPH	132 GPH
8000 FT.	114 GPH	120 GPH

FUEL FLOW AT FULL THROTTLE

Altitude	2700 RPM	2850 RPM
S.L.	138 LBS/HR	144 LBS/HR
4000 FT.	126 LBS/HR	132 LBS/HR
8000 FT.	114 LBS/HR	120 LBS/HR

MANUAL PRIMER

FUEL FLOW AT FULL THROTTLE

Altitude	2700 RPM	2850 RPM
S.L.	138 LBS/HR	144 LBS/HR
4000 FT.	126 LBS/HR	132 LBS/HR
8000 FT.	114 LBS/HR	120 LBS/HR

THIS PLATE NOT TO BE USED WHEN TEMPERATURE EXCEEDS -20 F

DO NOT TURN OFF ALTERNATOR IN FLIGHT EXCEPT IN EMERGENCY

WINTERIZATION KIT MUST BE REMOVED WHEN OUTSIDE AIR TEMPERATURE IS ABOVE 20° F
0301029-2

THIS AIRPLANE MUST BE OPERATED AS A NORMAL CATEGORY AIRPLANE IN COMPLIANCE WITH THE OPERATING LIMITATIONS AS STATED IN THE FORM OF PLACARDS, MARKINGS AND MANUALS.
 NO ACROBATIC MANEUVERS, INCLUDING SPINS, APPROVED.

MAXIMUMS

MANEUVERING SPEED	135 MPH CAS	GEAR EXTENSION SPEED	160 MPH CAS
DESIGN WEIGHT	3800 LB	FLAP EXT SPEEDS	10 - 160 MPH CAS
FLIGHT MANEUVERING LOAD FACTORS	1.0 TO 3.0	110 MPH CAS	
FLAPS UP	+3.8 - 1.52	FLAPS DOWN	+2.0
ALT LOSS IN STALL RECOVERY - 300 FT. <small>1205001-09</small>			

This airplane must be operated as a normal category airplane in compliance with the operating limitations as stated in the form of placards, markings, and manuals.

MAXIMUMS

MANEUVERING SPEED	135 mph CAS (117 knots)
GEAR EXTENSION SPEED	160 mph CAS (139 knots)
GROSS WEIGHT	3800 lbs.
FLIGHT LOAD FACTOR	Flaps Up +3.8, -1.52 Flaps Down +2.0

No acrobatic maneuvers, including spins, approved. Altitude loss in a stall recovery - 300 ft. Known icing conditions to be avoided. This airplane is certified for the following flight operations as of date of original airworthiness certificate: DAY NIGHT VFR IFR
0301012-02

- BEFORE TAKE-OFF**
1. ADJUST TRIM CONTROLS
 2. FUEL SELECTOR FULL TANK
 3. COWL FLAPS OPEN
 4. MIXTURE RICH
 5. PROPELLER FULL IN
 6. FLAPS UP TO 10°
- BEFORE LANDING**
1. FUEL SELECTOR FULL TANK
 2. GEAR DOWN
 3. COWL FLAPS CLOSED
 4. MIXTURE RICH
 5. PROPELLER FULL IN
 6. FLAPS DOWN
- 1205010-2

This airplane must be operated as a normal category airplane in compliance with the operating limitations as stated in the form of placards, markings, and manuals.

MAXIMUMS

MANEUVERING SPEED	135 mph CAS (117 knots)
GEAR EXTENSION SPEED	160 mph CAS (139 knots)
GROSS WEIGHT	3800 lbs.
FLIGHT LOAD FACTOR	Flaps Up +3.8, -1.52 Flaps Down +2.0

No acrobatic maneuvers, including spins, approved. Altitude loss in a stall recovery - 300 ft. Known icing conditions to be avoided. This airplane is certified for the following flight operations as of date of original airworthiness certificate: DAY NIGHT VFR
1205001-01

TO EXTEND GEAR MANUALLY PLACE GEAR HANDLE IN FULL DOWN POSITION. PULL EMERGENCY HANDLE OUT AND PUMP VERTICALLY

CAUTION 12 VOLTS D.C. THIS AIRCRAFT IS EQUIPPED WITH ALTERNATOR AND A NEGATIVE GROUND SYSTEM. OBSERVE PROPER POLARITY REVERSE POLARITY WILL DAMAGE ELECTRICAL COMPONENTS.

This airplane must be operated as a normal category airplane in compliance with the operating limitations as stated in the form of placards, markings, and manuals.

MAXIMUMS

MANEUVERING SPEED	135 mph CAS (117 knots)
GEAR EXTENSION SPEED	160 mph CAS (139 knots)
GROSS WEIGHT	3800 lbs.
FLIGHT LOAD FACTOR	Flaps Up +3.8, -1.52 Flaps Down +2.0

No acrobatic maneuvers, including spins, approved. Altitude loss in a stall recovery - 300 ft. Known icing conditions to be avoided. This airplane is certified for the following flight operations as of date of original airworthiness certificate: DAY VFR
1205001-140

MAX. ALLOWABLE MANIFOLD PRESSURE & CLIMB FUEL FLOW

ALT. FT.	MAN. PRESS. IN. HG.	FUEL FLOW GPH
S.L. to 19,000	32.5	28
20,000	31.5	26
22,000	29.5	24
24,000	27.5	22
26,000	25.5	20
28,000	23.5	19
30,000	21.5	18

75% POWER CLIMB - 2500 RPM
 27.5 M.P. - 120 LBS/HR
1205001-17

MAX. ALLOWABLE MANIFOLD PRESSURE & CLIMB FUEL FLOW

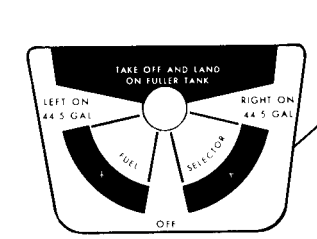
ALT. FT.	MAN. PRESS. IN. HG.	FUEL FLOW LBS/HR
S.L. to 19,000	32.5	168
20,000	31.5	156
22,000	29.5	144
24,000	27.5	132
26,000	25.5	120
28,000	23.5	114
30,000	21.5	108

75% POWER CLIMB - 2500 RPM
 27.5 M.P. - 120 LBS/HR
1205001-17

MAX. ALLOWABLE MANIFOLD PRESSURE & CLIMB FUEL FLOW

ALT. FT.	MAN. PRESS. IN. HG.	FUEL FLOW LBS/HR
S.L. to 19,000	32.5	168
20,000	31.5	156
22,000	29.5	144
24,000	27.5	132
26,000	25.5	120
28,000	23.5	114
30,000	21.5	108

75% POWER CLIMB - 2500 RPM
 27.5 M.P. - 120 LBS/HR
1205001-17



TIRE PRESSURE
 MAIN (600x6): 55 PSI
 NOSE (500x5): 50 PSI

MAX BAGGAGE 120 LBS. REFER TO WEIGHT AND BALANCE DATA FOR BAGGAGE/CARGO LOADING.
1205011-1

ALTERNATE STATIC AIR
 ← CLOSED OPEN →

MAX. ALLOWABLE MANIFOLD PRESSURE & CLIMB FUEL FLOW

ALT. FT.	MAN. PRESS. IN. HG.	FUEL FLOW LBS/HR
S.L. to 19,000	32.5	168
20,000	31.5	156
22,000	29.5	144
24,000	27.5	132
26,000	25.5	120
28,000	23.5	114
30,000	21.5	108

75% POWER CLIMB - 2500 RPM
 27.5 M.P. - 120 LBS/HR
1205001-17

MAX. ALLOWABLE MANIFOLD PRESSURE & CLIMB FUEL FLOW

ALT. FT.	MAN. PRESS. IN. HG.	FUEL FLOW LBS/HR
S.L. to 19,000	32.5	168
20,000	31.5	156
22,000	29.5	144
24,000	27.5	132
26,000	25.5	120
28,000	23.5	114
30,000	21.5	108

75% POWER CLIMB - 2500 RPM
 27.5 M.P. - 120 LBS/HR
1205001-17

Figure 2. (Sheet 3) Name Plates, Placards & Exterior Markings Installation

Placards (Cont)

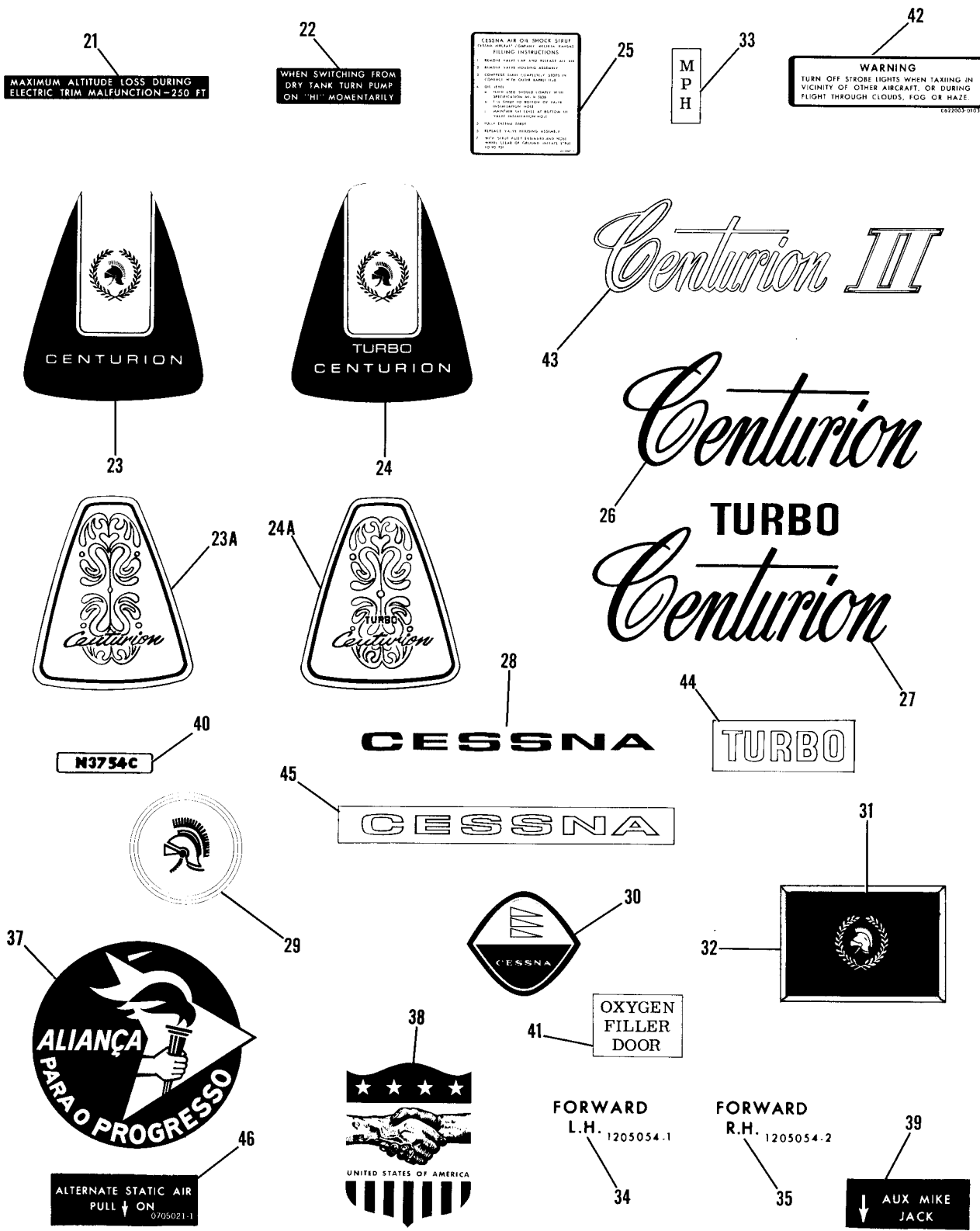
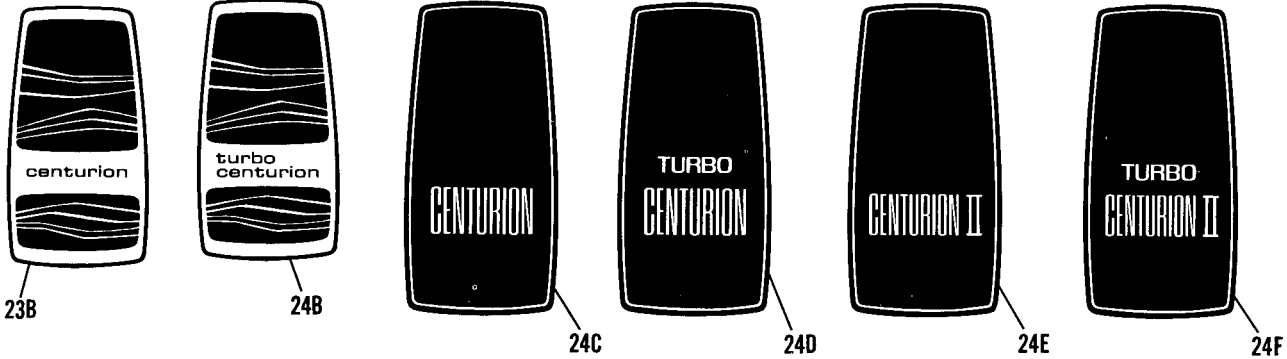


Figure 2. (Sheet 4) Name Plates, Placards & Exterior Markings Installation

Placards (Cont)



CAUTION 24 VOLTS D.C.
THIS AIRCRAFT IS EQUIPPED WITH ALTERNATOR AND A NEGATIVE GROUND SYSTEM. OBSERVE PROPER POLARITY REVERSE POLARITY WILL DAMAGE ELECTRICAL COMPONENTS.

16A

ELEC TRIM
DN 50 UP 51

47
HI ← → LO
MAP LIGHT RHEOSTAT
0705028-1

52
Turbo system



53

CENTURION & CENTURION II CHECK LIST

- BEFORE TAKE-OFF**
1. Controls - FREE AND CORRECT
 2. Elevator and rudder trim - SET
 3. Fuel selector - FULLEST TANK
 4. Cowl flaps - OPEN
 5. Propeller - HIGH RPM
 6. Mixture - AS REQUIRED
 7. Flaps - 0° TO 10°
 8. Instruments - CHECK AND SET
 9. Seats and belts - SECURE
- BEFORE LANDING**
1. Fuel selector - FULLEST TANK
 2. Landing gear - DN 100 MPH MAX
 3. Mixture - RICH
 4. Propeller - HIGH RPM
 5. Airspeed - 100 MPH FLAPS UP
90 MPH FLAPS DOWN
- 1209023-1

49

53C

Turbo CENTURION

53A

CENTURION II

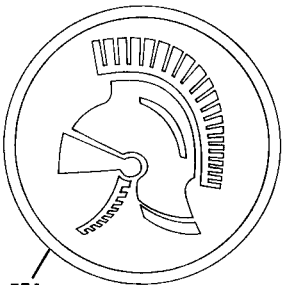
53B

Turbo CENTURION II

53D



55



55A

56

CESSNA

57

CESSNA

EMERGENCY LOCATOR TRANSMITTER
INSTALLED AFT OF THIS PARTITION.
MUST BE SERVICED IN ACCORDANCE
WITH FAR PART 91.52

58



59

Figure 2. (Sheet 5) Name Plates, Placards & Exterior Markings Installation

Placards (Cont)

WARNING
BEFORE WORKING IN WHEEL
WELL AREA PULL HYDRAULIC
PUMP CIRCUIT BREAKER OFF

48

WARNING
RELEASE AIR AND FLUID
PRESSURE BEFORE REMOVING
ANY PART OF THIS ASSEMBLY
CHANGE IS 500150PSI NITROGEN OR
DRY AIR, WTD. PRESSURE ZERO

60

PITCH
SYNC

61

GA

62

FLIGHT INTO KNOWN ICING CONDITIONS
ABOVE 14500 FT IS NOT RECOMMENDED
SEE OWNERS MANUAL INSTRUCTIONS
1205092-2

63

FLIGHT INTO KNOWN ICING CONDITIONS
ABOVE 14500 FT IS NOT RECOMMENDED
SEE OWNERS MANUAL INSTRUCTIONS

64

DIM
100000 2

65

MODE SEL LGTS
○ WHITE
● GREEN
● PUSH TO TEST
1205096-1

66

CESSNA

67



68

CENTURION

69

CENTURION II

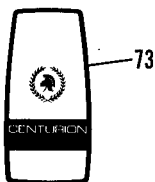
70

Turbo **CENTURION**

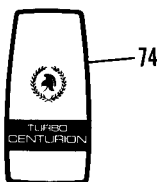
71

Turbo **CENTURION II**

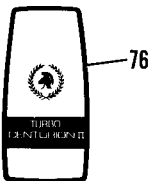
72



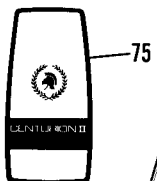
73



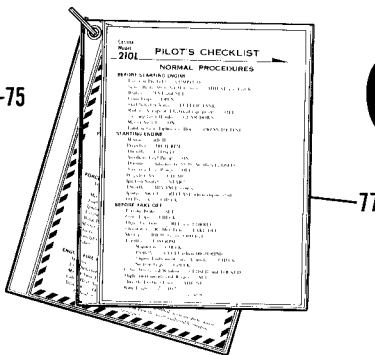
74



76



75



77

CESSNA

78



79

turbo

82

Centurion

80

turbo

83

Centurion II

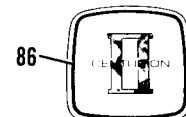
81



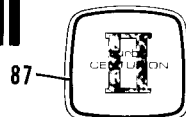
84



85



86



87

Figure 2. (Sheet 6) Name Plates, Placards & Exterior Markings Installation

FIGURE AND INDEX NO.	PART NUMBER	DESCRIPTION	UNITS PER ASSY	USABLE ON CODE
2 -		NAMEPLATES PLACARDS & EXTERIOR MARKINGS -----	NG	
- 1	S1397-4	PLACARD-ENGINE OIL -----	1	
- 2	1280007-1	PLACARD-HYDRAULIC FLUID RESERVOIR -----	1	C
- 3	1205036-1	PLACARD-32 GAL FUEL CELL -----	2	
- 4	1200745-1	PLACARD-FUEL CELL -----	2	
- 5	0713047	PLATE-FINISH & TRIM -----	1	
- 6	0713750-12	PLACARD-NAV-O-MATIC -----	1	C
	0713750-16	PLACARD-NAV-O-MATIC -----	1	D
- 6A	0713750-18	PLACARD-NAV-O-MATIC -----	1	G
- 7	1250410-3	PLACARD-OIL FILTER -----	1	
- 8	1205027-3	PLACARD-CLIMB FUEL FLOW 210 -----	1	B
- 8A	1205059-1	PLACARD-CLIMB FUEL FLOW 210 -----	1	E
- 8B	1205059-7	PLACARD-CLIMB FUEL FLOW 210 -----	1	D
- 9	1205026-1	PLACARD-FUEL PRIMER -----	1	
-10	1205043-1	PLACARD-COWL COVER 210 -----	2	
-11	0505020-2	PLACARD-MASTER SWITCH -----	1	C
	0505020-3	PLACARD-MASTER SWITCH -----	1	F
-12	0505009-2	PLACARD-WINTERIZATION 210 -----	1	C
	0505009-3	PLACARD-WINTERIZATION 210 -----	1	D
-13	1205001-49	PLACARD-OPERATIONAL LIMITATIONS -----	1	B
-13A	1205001-81	PLACARD-OPERATIONAL LIMITATIONS DAY-NIGHT-VFR -----	1	A
-13B	1205001-82	PLACARD-OPERATIONAL LIMITATIONS DAY-NIGHT-VFR-IFR -----	1	A
-13C	1205001-140	PLACARD-OPERATIONAL LIMITATIONS DAY-VFR -----	1	G
-14	1205016-2	PLACARD-CHECKLIST -----	1	C
-15	1205018-1	PLACARD-GEAR HANDLE -----	1	C
-16	1205024-1	PLACARD-BATTERY BOX -----	1	D
-16A	1205024-2	PLACARD-BATTERY BOX -----	2	C
-17	1205027-4	PLACARD-POWER SETTINGS LIMITATIONS -----	1	B
-17A	1205059-2	PLACARD-POWER SETTING LIMITATIONS -----	1	E
-17B	1205059-4	PLACARD-POWER SETTING LIMITATIONS -----	1	F
-17C	1205059-5	PLACARD-POWER SETTING LIMITATIONS -----	1	N
-17D	1205059-6	PLACARD-POWER SETTING LIMITATIONS -----	1	L
-18	0705048-10	PLACARD-FUEL SELECTOR -----	1	P
	0705048-11	PLACARD-FUEL SELECTOR -----	1	L
		ATTACHING PARTS -----		
	S102124-6	SCREW -----	4	
		-----*		
-19	1205084-4	PLACARD-TIRE PRESSURE -----	1	
-20	1205045-1	PLACARD-BAGGAGE LOAD LIMITS -----	1	
-21	1205046-1	PLACARD-ELECTRIC TRIM -----	1	C
	1205046-3	PLACARD-ELECTRIC TRIM -----	1	D
-22	1205047-1	PLACARD-FUEL PUMP -----	1	C
-23	1205052-4	PLACARD-CONTROL WHEEL 210 -----	1	B
-23A	1205061-3	PLACARD-CONTROL WHEEL 210 -----	1	E
-23B	1205076-4	PLACARD-CONTROL WHEEL 210 -----	1	F
-24	1205052-5	PLACARD-CONTROL WHEEL T210 -----	1	B
-24A	1205061-4	PLACARD-CONTROL WHEEL T210 -----	1	E
-24B	1205076-5	PLACARD-CONTROL WHEEL T210 -----	1	F
-24C	1205088-7	PLACARD-CONTROL WHEEL 210 -----	1	J
-24D	1205088-8	PLACARD-CONTROL WHEEL T210 -----	1	J
-24E	1205088-9	PLACARD-CONTROL WHEEL 210 -----	1	J
-24F	1205088-10	PLACARD-CONTROL WHEEL T210 -----	1	J
-25	1243001-4	PLACARD-NOSE GEAR SHOCK STRUT -----	1	
-26	1505015-23	PLACARD-CENTURION -----	2	C
	1505015-36	PLACARD-CENTURION FOR ALASKAN AIRCRAFT ONLY -----	2	E
-27	1505015-24	PLACARD-TURBO CENTURION -----	2	C
-28	1205055-1	PLACARD-CESSNA -----	2	B
-29	1205056-1	EXTERIOR INSIGNIA-LH -----	1	C
	1205056-2	EXTERIOR INSIGNIA-RH -----	1	C
-30	1205035-1	PLACARD-EXTERIOR -----	2	B
	1205035-2	PLACARD-EXTERIOR -----	2	E
-31	0713254-5	PLACARD-GLOVE BOX -----	1	C
-32	700756-1	BASE-GLOVE BOX PLACARD -----	1	C
-33	1205041-1	PLACARD-MPH -----	1	B
-34	1205054-1	PLACARD-WING RADIO COMPARTMENT DOOR LH -----	1	
-35	1205054-2	PLACARD-WING RADIO COMPARTMENT DOOR RH -----	1	
-36	0505005-2	PLACARD-ALTERNATE STATIC SOURCE -----	1	B
-37	S1714-1	PLACARD-ALLIANCE FOR PROGRESS -----	1	
-38	S1713-1	PLACARD-HAND OF FRIENDSHIP -----	1	
-39	1213317-10	PLACARD-AUX MIKE JACK -----	1	A
-40		PLACARD-AIRCRAFT IDENTIFICATION NUMBER -----	NP	
-41	1500066-8	PLACARD-OXYGEN FILLER -----	1	B
	1500066-9	PLACARD-OXYGEN FILLER -----	1	A

CONTINUED ON NEXT PAGE

FIGURE AND INDEX NO.	PART NUMBER	DESCRIPTION	UNITS PER ASSY							USABLE ON CODE	
			1	2	3	4	5	6	7		
2 -42	C622003-0103	PLACARD-STROBE LIGHT WARNING -----								1	E
	C622003-0105	PLACARD-STROBE LIGHT WARNING -----								1	D
-43	1205062-1	PLACARD ASSEMBLY-CENTURION II -----								2	E
-44	1205062-4	PLACARD-TURBO -----								2	E
-45	1505022-1	PLACARD-CESSNA EXTERIOR -----								2	E
-46	0705021-2	PLACARD-ALTERNATE STATIC SOURCE -----								1	A
-47	0705028-1	PLACARD-MAP LIGHT -----								1	D
-48	1205082-1	PLACARD-WHEEL WELL DOORS -----								6	D
-49	1205003-4	PILOTS CHECK LIST CARD -----								1	K
-50	1505003-3	PLACARD ELECTRIC TRIM DN ON CONTROL WHEEL -----								1	D
-51	1505003-2	PLACARD ELECTRIC TRIM UP ON CONTROL WHEEL -----								1	D
-52	0800189-1	PLACARD-TURBO SYSTEM -----								2	F
-53	1205074-1	PLACARD-CESSNA -----								2	F
-53A	1205094-1	PLACARD-CENTURION -----								2	J
-53B	1205094-2	PLACARD-CENTURION II -----								2	J
-53C	1205094-3	PLACARD-TURBO CENTURION -----								2	J
-53D	1205094-4	PLACARD-TURBO CENTURION II -----								2	J
-54	1205079-1	PLACARD-CENTURION -----								2	F
-55	1205079-2	PLACARD-CENTURION II -----								2	F
-55A	1205095-1	PLACARD-CENTURION -----								2	J
-56	0405015-2	PLACARD-CESSNA -----								2	F
-57	0405020-1	PLACARD-CESSNA -----								2	J
-58	1205085-1	PLACARD-EMERGENCY LOCATOR TRANSMITTER -----								1	A
-59	1205093-1	PLACARD-EMERGENCY LOCATOR TRANSMITTER -----								1	A
-60	1205082-2	PLACARD-LANDING GEAR WARNING -----								1	H
-61	1400019-56	PLACARD-GO AROUND -----								1	G
-62	1400019-57	PLACARD-PITCH SYNCHRONIZATION -----								1	G
-63	1205032-3	PLACARD-ICING CONDITIONS USED WITH OPTIONAL BLACK ----- INSTRUMENT PANEL COVERS								1	C
-64	1205032-4	PLACARD-ICING CONDITIONS -----								1	
-65	1205096-2	PLACARD-MODE SELECTOR -----								1	G
-66	1205096-1	PLACARD-MODE SELECTOR -----								1	G
-67	0405028-3	PLACARD-CESSNA -----								2	M
-68	1205099-2	PLACARD-CENTURION RH -----								1	M
	1205099-1	PLACARD-CENTURION LH -----								1	M
-69	1205099-6	PLACARD-CENTURION -----								2	M
-70	1205099-5	PLACARD-CENTURION II -----								2	M
-71	1205099-4	PLACARD-TURBO CENTURION -----								2	M
-72	1205099-3	PLACARD-TURBO CENTURION II -----								2	M
-73	0405027-7	PLACARD-CONTROL WHEEL CENTURION -----								1	M
-74	0405027-8	PLACARD-CONTROL WHEEL TURBO CENTURION -----								1	M
-75	0405027-9	PLACARD-CONTROL WHEEL CENTURION II -----								1	M
-76	0405027-10	PLACARD-CONTROL WHEEL TURBO CENTURION II -----								1	M
-77	1205210-3	PILOTS CHECK LIST ASSY 210 -----								1	L
	1205211-3	PILOTS CHECK LIST ASSY T210 -----								1	L
-78	1205102-2	PLACARD-CESSNA BLACK -----								2	L
	1205102-1	PLACARD-CESSNA WHITE -----								2	L
-79	1205101-2	PLACARD-CENTURION RH -----								1	L
	1205101-1	PLACARD-CENTURION LH -----								1	L
-80	1205101-9	PLACARD-CENTURION BLACK -----								2	L
	1205101-10	PLACARD-CENTURION WHITE -----								2	L
-81	1205101-7	PLACARD-CENTURION II BLACK -----								2	L
	1205101-8	PLACARD-CENTURION II WHITE -----								2	L
-82	1205101-5	PLACARD-TURBO CENTURION BLACK -----								2	L
	1205101-6	PLACARD-TURBO CENTURION WHITE -----								2	L
-83	1205101-3	PLACARD-TURBO CENTURION II BLACK -----								2	L
	1205101-4	PLACARD-TURBO CENTURION II WHITE -----								2	L
-84	0505052-14	PLACARD-CONTROL WHEEL CENTURION -----								2	L
-85	0505052-15	PLACARD-CONTROL WHEEL TURBO CENTURION -----								2	L
-86	0505052-16	PLACARD-CONTROL WHEEL CENTURION II -----								2	L
-87	0505052-17	PLACARD-CONTROL WHEEL TURBO CENTURION II -----								2	L

A	---	210 & T210 SERIAL 21059352 & ON
B	---	210 & T210 SERIAL 21059200 THRU 21059351
C	---	210 & T210 SERIAL 21059200 THRU 21059502
D	---	210 & T210 SERIAL 21059503 & ON
E	---	210 & T210 SERIAL 21059352 THRU 21059502
F	---	210 & T210 SERIAL 21059503 THRU 21059719
G	---	210 & T210 SERIAL 21059720 & ON
H	---	210 & T210 SERIAL 21060090 & ON
J	---	210 & T210 SERIAL 21059720 THRU 21060089
K	---	210 & T210 SERIAL 21059503 THRU 21060539
L	---	210 & T210 SERIAL 21060540 & ON
M	---	210 & T210 SERIAL 21060090 THRU 21060539
N	---	210 & T210 SERIAL 21059720 THRU 21060539
P	---	210 & T210 SERIAL 21059200 THRU 21060539

This page intentionally left blank.



FIGURE AND INDEX NO.	PART NUMBER	DESCRIPTION	UNITS PER ASSY	USABLE ON CODE
		1 2 3 4 5 6 7		
3 -		WING ASSEMBLIES COMPLETE LH -----	NP	
		WING ASSEMBLIES COMPLETE RH -----	NP	
		ATTACHING PARTS -----		
- 1	AN-47A	BOLT -----	2	
- 2	1210704-1	DOWEL PIN-WING ATTACH UPPER -----	1	
- 3	1210704-2	DOWEL PIN-WING ATTACH LOWER -----	1	
- 4	MS21042L4	NUT -----	2	
- 5	AN960-416	WASHER -----	4	
- 6	1713259-1	RETAINER-DOWEL PIN -----	4	
- 7	AN8-23A	BOLT -----	1	
- 8	AN960-816	WASHER -----	1	
- 9	MS20365-820C	NUT -----	1	
		---*---		
	SEE FIG 4	WING STRUCTURE ASSEMBLY -----	1	
-10	SEE FIG 9	AILERON INSTALLATION -----	1	
-11	SEE FIG 10	FLAP INSTALLATION -----	1	
-12	SEE FIG 139	COURTESY LIGHT INSTALLATION -----	1	
-13	1221111-201	TIP ASSEMBLY-WING LH -----	1	C
	1221111-203	TIP ASSEMBLY-WING LH -----	1	D
	1221111-200	TIP ASSEMBLY-WING RH -----	1	C
	1221111-202	TIP ASSEMBLY-WING RH -----	1	D
		ATTACHING PARTS -----		
	AN515-8R8	SCREW -----	14	
		---*---		
	S1863-3	NUT ATTACH WING LIGHT -----	2	C
	S1863-3	NUT ATTACH WING LIGHT -----	3	D
	1221111-7	SUPPORT ASSEMBLY-LH -----	1	
	1221111-8	SUPPORT ASSEMBLY-RH -----	1	
	NAS697A08	NUTPLATE -----	1	
-14	1221096-3	DOOR ACCESS -----	3	
		ATTACHING PARTS -----		
	AN507-632R8	SCREW -----	6	
		---*---		
-15	1221050-3	PLATE-COVER -----	1	
		ATTACHING PARTS -----		
	AN507-1032R8	SCREW -----	4	
		---*---		
-16	1221050-3	PLATE-COVER -----	4	
		ATTACHING PARTS -----		
	AN507-1032R7	SCREW -----	4	
		---*---		
-17	1221116-3	DOOR LH-ACCESS -----	1	
		ATTACHING PARTS -----		
	AN507-1032R7	SCREW -----	8	
		---*---		
-18	1221093-3	DOOR LH-ACCESS -----	3	
	1221093-3	DOOR RH-ACCESS -----	4	C
	1221093-3	DOOR RH-ACCESS -----	3	D
	1221116-3	DOOR RH-ACCESS WING STA. 25 -----	1	D
		ATTACHING PARTS -----		
	AN507-1032R7	SCREW -----	AR	
		---*---		
-19	1222125-1	PLATE-INSPECTION -----	1	
		ATTACHING PARTS -----		
	AN507-832R8	SCREW -----	6	
		---*---		
-20	S225-4	PLATE-INSPECTION -----	1	
		ATTACHING PARTS -----		
	S1022Z8-6	SCREW -----	6	
		---*---		
-21	1221091-3	DOOR-ACCESS -----	1	
		ATTACHING PARTS -----		
	AN507-1032R7	SCREW -----	6	
		---*---		

CONTINUED ON NEXT PAGE

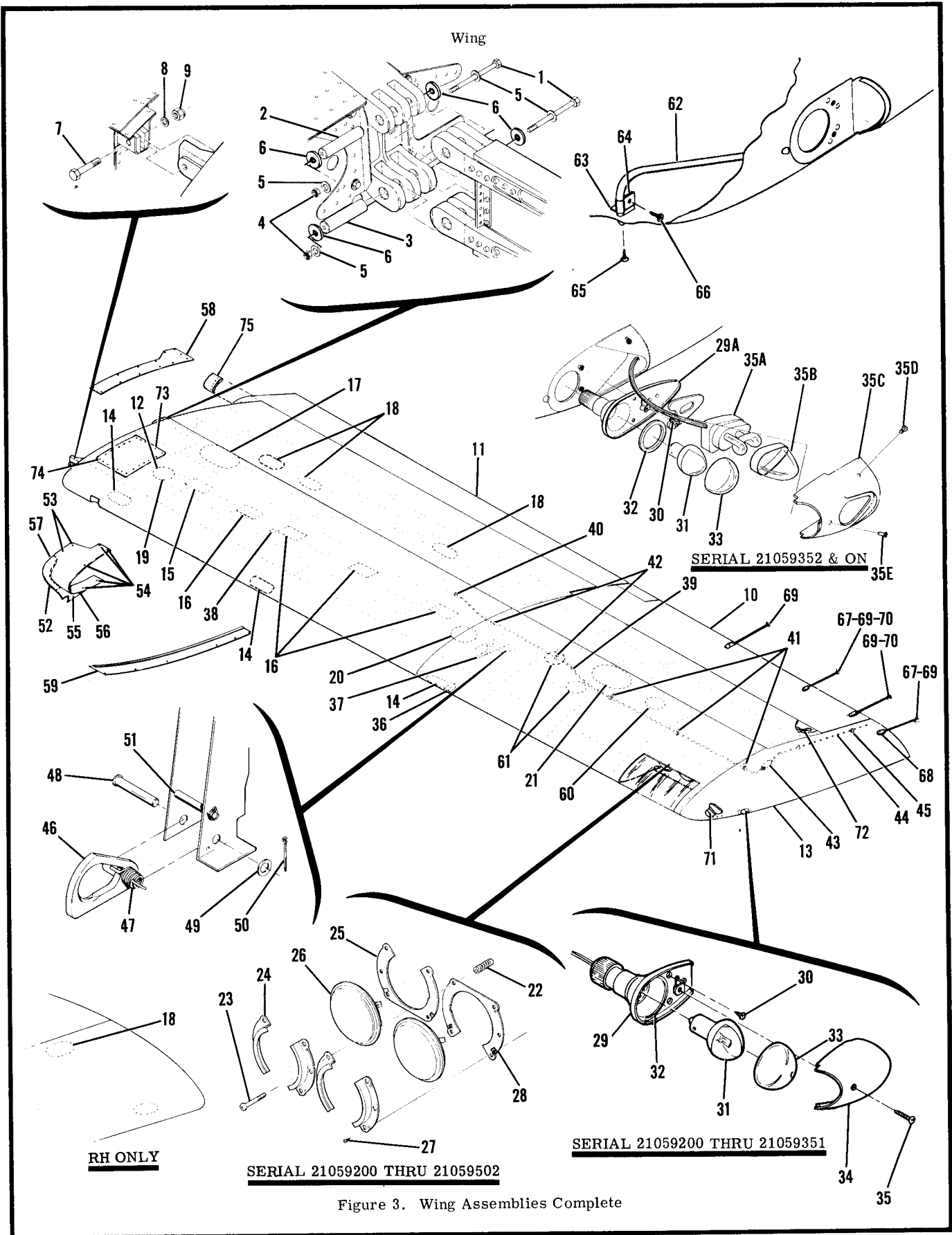


Figure 3. Wing Assemblies Complete

FIGURE AND INDEX NO.	PART NUMBER	DESCRIPTION							UNITS PER ASSY	USABLE ON CODE
		1	2	3	4	5	6	7		
3 -	1221059-1	LIGHT ASSEMBLY-LANDING -----							2	E
		ATTACHING PARTS -----								
-22	0713124-1	SPRING -----							3	
-23	AN515-8R24	SCREW -----							3	
		---*---								
-24	1221059-2	BRACKET -----							2	
-25	1221059-3	PLATE -----							1	
-26	0523118-1	LIGHT -----							1	
-27	AN515-8R8	SCREW -----							2	
-28	MS21044N08	NUT -----							2	
	SEE FIG 17	LIGHT ASSY-LANDING -----							1	H
-29	C622001-0202	LIGHT BASE ASSEMBLY-WING NAVIGATION -----							2	C
-29A	C622001-0201	LIGHT BASE ASSEMBLY-WING NAVIGATION -----							2	D
		ATTACHING PARTS -----								
-30	S1021Z8-6	SCREW -----							AR	
		---*---								
-31	A7512-12	BULB-NAVIGATION LIGHT 12 VOLT GMC -----							2	E
	MS25309-7512	BULB-NAVIGATION LIGHT 24 VOLT -----							2	H
-32	A1257A	GASKET GMC -----							2	
-33	A1280-2	LENS-NAVIGATION LIGHT LH RED GMC -----							1	
	A1280-3	LENS-NAVIGATION LIGHT RH GREEN GMC -----							1	
-34	1221112-3	SHIELD-LH -----							1	C
	1221112-4	SHIELD-RH -----							1	C
		ATTACHING PARTS -----								
-35	AN507-632R12	SCREW -----							2	C
		---*---								
-35A	C622003-0101	LIGHT ASSEMBLY-STROBE -----							2	L
	C622006-0102	LIGHT ASSEMBLY-STROBE -----							2	K
-35B	C622003-0102	LENS-STROBE LIGHT -----							2	L
	C622006-0103	LENS-STROBE LIGHT -----							2	K
	C622006-0105	GASKET-STROBE LIGHT -----							2	K
-35C	1221147-3	SHIELD-LH NOT USED WITH STROBE LIGHT -----							1	D
	1221147-1	SHIELD-LH USED WITH STROBE LIGHT -----							1	D
	1221147-4	SHIELD-RH NOT USED WITH STROBE LIGHT -----							1	D
	1221147-2	SHIELD-RH USED WITH STROBE LIGHT -----							1	D
		ATTACHING PARTS -----								
-35D	AN507-632R8	SCREW -----							2	L
	S1022Z6-8	SCREW -----							2	K
-35E	AN507-632R12	SCREW -----							1	
		---*---								
-36	S1672-1	STALL WARNING UNIT-LH WING -----							1	
	S1672-2	STALL WARNING UNIT-LH WING HEATED 12 VOLT SYSTEM -----							1	E
	S1672-3	STALL WARNING UNIT-LH WING HEATED 24 VOLT SYSTEM -----							1	H
		ATTACHING PARTS -----								
	S1021Z8-6	SCREW -----							4	
	NAS395-17-3	NUT -----							4	
		---*---								
-37	SEE FIG 108	PITOT TUBE -----							1	
-38	1200028-1	JACK POINT ASSEMBLY-REMOVABLE -----							1	
		ATTACHING PARTS -----								
	AN520-10R12	SCREW -----							3	
		---*---								
-39	1200406-83	TUBE ASSEMBLY-FUEL VENT LH -----							1	
	1200406-84	TUBE ASSEMBLY-FUEL VENT RH -----							1	
		ATTACHING PARTS -----								
-40	AN815-6D	UNION -----							1	
-41	S1592-2A	*	BAND -----						3	A
	S1592-2A	**	BAND STA. 206.0 ONLY -----						1	B
	S1021Z6-8	*	SCREW -----						3	A
	S1021Z6-8	**	SCREW STA. 206.0 ONLY -----						1	B
	MS35489-12S	**	GROMMET STA. 172.0 & 189.0 ONLY -----						2	B
-42	MS35489-12S	*	GROMMET -----						2	A
	MS35489-12S	**	GROMMET STA. 155.0 ONLY -----						1	B
	1722087-1	**	RETAINER STA. 138.00 ONLY -----						1	B
	S1021Z8-8	**	SCREW -----						2	B
		---*---								
-43	1422051-1	VALVE-FUEL VENT -----							1	
-44	1200406-85	TUBE ASSEMBLY -----							1	
		ATTACHING PARTS -----								
-45	AN742D6	CLAMP -----							1	
	AN515-8R6	SCREW -----							1	
	1221256-1	GUARD-LH -----							1	B
	1221256-2	GUARD-RH -----							1	B
		---*---								
-46	0523615-1	RING ASSEMBLY-MOORING -----							1	

CONTINUED ON NEXT PAGE

FIGURE AND INDEX NO.	PART NUMBER	DESCRIPTION							UNITS PER ASSY	USABLE ON CODE
		1	2	3	4	5	6	7		
3 -47	0523616-1	SPRING-RING -----							1	
		ATTACHING PARTS -----								
-48	MS20392-2C39	PIN -----							1	
-49	AN960-10L	WASHER -----							1	
-50	MS24665-132	COTTER PIN -----							1	
		---*---								
-51	MS20392-1C39	PIN-STOP -----							1	
	AN960-4	WASHER -----							1	
	MS24665-132	COTTER PIN -----							1	
-52	1213710-23	FAIRING ASSEMBLY-WING LH -----							1	
	1213710-24	FAIRING ASSEMBLY-WING RH -----							1	
		ATTACHING PARTS -----								
-53	S1022Z8-8	SCREW -----							2	
-54	AN509-10R8	SCREW -----							2	
	S290-1032	WASHER -----							2	
-55	S1021Z10-10	SCREW -----							1	
-56	AN509-10R10	SCREW -----							1	
		---*---								
-57	1213710-19	RETAINER ASSEMBLY-LH -----							1	
	1213710-20	RETAINER ASSEMBLY-RH -----							1	
		ATTACHING PARTS -----								
	S1022Z8-8	SCREW -----							4	
		---*---								
	A6195-8Z1	NUTPLATE TIN -----							2	
	A6162-8Z1	NUTPLATE TIN -----							1	
-58	1221105-5	FILLET-CENTER UPPER LH -----							1	F
	1221105-17	FILLET-CENTER UPPER LH -----							1	G
	1221105-6	FILLET-CENTER UPPER RH -----							1	F
	1221105-18	FILLET-CENTER UPPER RH -----							1	G
		ATTACHING PARTS -----								
	AN509-10R8	SCREW -----							12	
	S290-1032	WASHER -----							12	
		---*---								
-59	1221105-15	FILLET ASSEMBLY-CENTER LOWER LH -----							1	
	1221105-16	FILLET ASSEMBLY-CENTER LOWER RH -----							1	
		ATTACHING PARTS -----								
	S1022Z8-8	SCREW -----							6	
	S290-832	WASHER -----							6	
		---*---								
-60	1222012-1	PLATE-COVER -----							1	
		ATTACHING PARTS -----								
	S1022Z8-6	SCREW -----							6	
		---*---								
-61	S225-4F	PLATE-INSPECTION -----							2	
		ATTACHING PARTS -----								
	S1022Z8-6	SCREW -----							6	
		---*---								
-62	1221201-3	DETECTOR-LIGHT LH -----							1	
	1221201-4	DETECTOR-LIGHT RH -----							1	
		ATTACHING PARTS -----								
-63	S1154-1	BRACKET -----							1	E
-64	S1155-4	CLAMP -----							1	E
-65	S1021Z8-6	SCREW -----							1	E
-66	S1021Z8-8	SCREW -----							1	E
	NAS446-4	NUTPLATE -----							1	E
		---*---								
-67	C592001-0101	STATIC DISCHARGER -----							4	J
		ATTACHING PARTS -----								
-68	AN515-6R8	SCREW -----							4	J
	AN936A6	WASHER -----							4	J
	NAS1329A06K75	NUT -----							4	J
		---*---								

CONTINUED ON NEXT PAGE

FIGURE AND INDEX NO.	PART NUMBER	DESCRIPTION	UNITS PER ASSY	USABLE ON CODE	
3	-69	C592001-0103	8	M	
		AN515-6R10	2	M	
		AN936A6	2	M	
		S1648-06K75	2	M	
		-----*-----			
	-70	C592001-0201	4	N	
		AN515-6R10	2	N	
		AN936A6	2	N	
		S1648-06K75	2	N	
		-----*-----			
	-71	1570102-10	STRAP ASSY	2	K
	-72	1570102-1	STRAP ASSY	2	K
			ATTACHING PARTS		
		AN515-8R6	SCREW	1	K
		MS21044N08	NUT	1	K
	-----*-----				
-73	1221236-1	DOOR ASSEMBLY-WING RADIO COMPARTMENT LH	1		
	1221236-2	DOOR ASSEMBLY-WING RADIO COMPARTMENT RH	1		
	1221236-8	SEAL-DOOR	1		
	1221236-9	DEFLECTOR	1		
	NAS680A08	NUTPLATE	4		
-74	80S01-1-1AA	STUD ASSEMBLY CLC	26		
	4S9-2	RING-RETAINING CLC	26		
-75	1221119-1	FILLET ASSY-LH	1		
	1221119-4	FILLET ASSY-RH	1		
		ATTACHING PARTS			
	S1022Z8-8	SCREW	3		
		-----*-----			
<p>NOTE. FOR AIRPLANES WITH ORIGINAL WING ORDER PARTS MARKED *. FOR AIRPLANES THAT DO NOT HAVE ORIGINAL WING ORDER PARTS MARKED **.</p> <p>A---210 & T210 SERIAL 21059200 THRU 21059315 B---210 & T210 SERIAL 21059316 & ON C---210 & T210 SERIAL 21059200 THRU 21059351 D---210 & T210 SERIAL 21059352 & ON E---210 & T210 SERIAL 21059200 THRU 21059502 F---210 & T210 SERIAL 21059200 THRU 21059384, 21059386 THRU 21059397 21059399 G---210 & T210 SERIAL 21059385, 21059398 & 21059400 & ON H---210 & T210 SERIAL 21059503 & ON J---210 & T210 SERIAL 21059200 THRU 21059719 K---210 & T210 SERIAL 21059720 & ON L---210 & T210 SERIAL 21059352 THRU 21059719 M---210 & T210 SERIAL 21059720 THRU 21060539 N---210 & T210 SERIAL 21060540 & ON</p>					

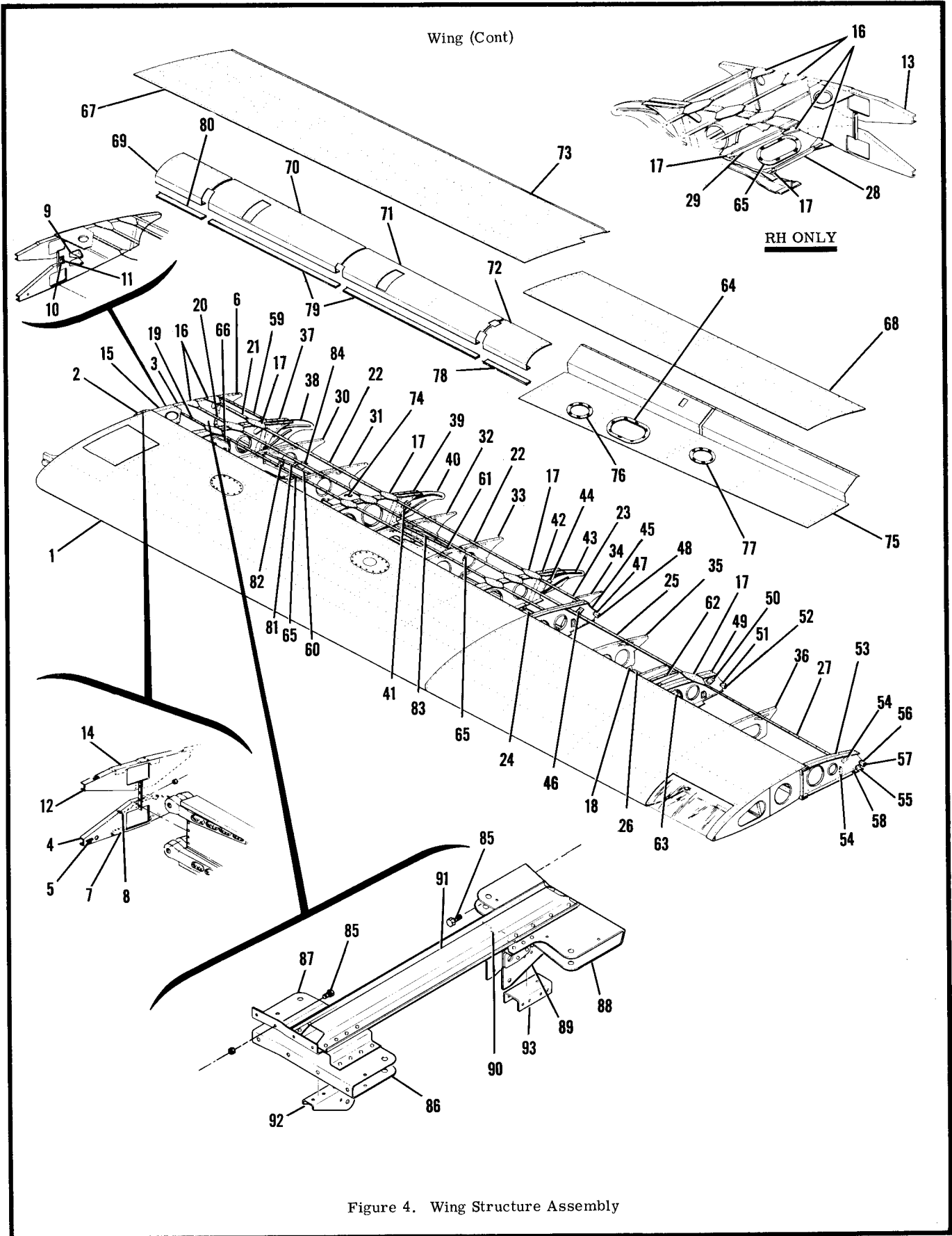




FIGURE AND INDEX NO.	PART NUMBER	DESCRIPTION	UNITS PER ASSY	USABLE ON CODE		
					1	2
4 -	1221221-11	WING STRUCTURE ASSEMBLY LH	1	C		
	1221221-12	WING STRUCTURE ASSEMBLY LH	1	D		
		WING STRUCTURE ASSEMBLY LH	1	G		
		WING STRUCTURE ASSEMBLY RH WEU 1221222-13	1	A		
		WING STRUCTURE ASSEMBLY RH	1	H		
		WING STRUCTURE ASSEMBLY RH	1	G		
	- 1	SEE FIG 5	LEADING EDGE ASSEMBLIES & COMPONENTS	1		
	- 2	SEE FIG 7	SPAR ASSEMBLY-WING	1		
	- 3	1221040-87	RIB ASSEMBLY-WING ROOT LH	1		
		1221040-86	RIB ASSEMBLY-WING ROOT RH	1		
	- 4	1221229-1	STIFFENER ASSEMBLY LOWER LH	1		
		1221229-2	STIFFENER ASSEMBLY LOWER RH	1		
	- 5	NAS686A08	NUTPLATE	2		
- 6	NAS697A3	NUTPLATE TINN	3			
- 7	1222131-3	REINFORCEMENT-SPAR CUTOUT LOWER LH	1			
	1222131-4	REINFORCEMENT-SPAR CUTOUT LOWER RH	1			
	NAS686A08	NUTPLATE	1			
- 8	1221202-1	REINFORCEMENT-LH	1			
	1221202-2	REINFORCEMENT-RH	1			
- 9	1262018-1	BRACKET-FLAP SUPPORT UPPER	1			
	1262018-2	BRACKET-FLAP SUPPORT LOWER	1			
-10	1262034-5	BRACKET HALF-FLAP PULLEY LH FWD	1			
	1262034-6	BRACKET HALF-FLAP PULLEY RH FWD	1			
-11	1262034-7	BRACKET HALF-FLAP PULLEY LH AFT	1			
	1262034-8	BRACKET HALF-FLAP PULLEY RH AFT	1			
-12	SEE FIG 5	STIFFENER ASSEMBLY UPPER LH	1			
-13	SEE FIG 5	STIFFENER ASSEMBLY UPPER RH	1			
-14	SEE FIG 5	REINFORCEMENT-SPAR CUTOUT UPPER LH	1			
	SEE FIG 5	REINFORCEMENT-SPAR CUTOUT UPPER RH	1			
	A6194-823	NUTPLATE TIN	1			
-15	1221231-1	GUSSET LH	1			
	1221231-2	GUSSET RH	1			
-16	1221047-1	GUSSET LH	2			
	1221047-1	GUSSET RH	4	A		
	1221047-1	GUSSET RH	2	B		
-17	1221047-3	GUSSET LH	14			
	1221047-3	GUSSET RH	16			
-18	1221047-5	GUSSET	1			
-19	1221055-63	STRINGER	1			
	1221055-64	STRINGER	1			
-20	1221055-65	STRINGER UPPER LH	1			
	1221055-66	STRINGER UPPER RH	1			
-21	1221055-67	STRINGER UPPER LH	1			
	1221055-68	STRINGER UPPER RH	1			
-22	1221055-69	STRINGER LH	10			
	1221055-70	STRINGER RH	10			
-23	1221055-81	STRINGER LH	3			
	1221055-82	STRINGER RH	3			
-24	1221055-101	STRINGER LOWER LH	2			
	1221055-102	STRINGER LOWER RH	2			
-25	1221055-87	STRINGER UPPER LH	1			
	1221055-88	STRINGER UPPER RH	1			
-26	1221055-103	STRINGER LOWER LH	1			
	1221055-104	STRINGER LOWER RH	1			
-27	1221055-89	STRINGER UPPER LH	1			
	1221055-90	STRINGER UPPER RH	1			
-28	1221055-105	STRINGER LOWER RH	1	A		
-29	1221055-106	STRINGER LOWER RH	1	A		
-30	1221138-11	RIB LH	1			
	1221138-12	RIB RH	1			
-31	1221061-25	RIB LH	1			
	1221061-26	RIB RH	1			
-32	1221138-7	RIB ASSEMBLY-LH	1			
	1221138-8	RIB ASSEMBLY-RH	1			
	AN3-5A	ATTACHING PARTS BOLT	2			
	AN960-10L	WASHER	2			
	MS21044N3	NUT	2			
		---*---				

CONTINUED ON NEXT PAGE

FIGURE AND INDEX NO.	PART NUMBER	DESCRIPTION	UNITS PER ASSY	USABLE ON CODE		
					1	2
4 -33	1221061-7	RIB LH -----	1			
	1221061-8	RIB RH -----	1			
	AN3-5A	ATTACHING PARTS -----				
	AN960-10L	BOLT -----	2			
	MS21044N3	WASHER -----	2			
		NUT -----	2			
		---*---				
-34	1221092-5	RIB ASSEMBLY-LH -----	1			
	1221092-3	DOUBLER -----	1			
	1221092-6	RIB ASSEMBLY-RH -----	1			
	1221092-4	DOUBLER -----	1			
-35	1221061-9	RIB LH -----	1	E		
	1221061-10	RIB RH WEU 1221144-2 -----	1			
	1221144-2	RIB RH -----	1			
-36	1221061-11	RIB LH -----	1	F		
	1221061-12	RIB RH -----	1			
	1221064-31	RIB ASSEMBLY-FLAP TRACK LH STA. 40.00 -----	1			
-37	1221064-32	RIB ASSEMBLY-FLAP TRACK RH STA. 40.00 -----	1			
		ATTACHING PARTS -----				
	AN3-11A	BOLT -----	2			
	AN960-10L	WASHER -----	2			
	MS21044N3	NUT -----	2			
		---*---				
-38	1221064-21	RIDER TRACK-FLAP -----	1			
-39	1221064-37	RIB ASSEMBLY-FLAP TRACK LH STA. 82.00 -----	1			
	1221064-38	RIB ASSEMBLY-FLAP TRACK RH STA. 82.00 -----	1			
		ATTACHING PARTS -----				
	AN3-7A	BOLT -----	2			
	AN960-10L	WASHER -----	2			
	MS21044N3	NUT -----	2			
		---*---				
-40	1221064-19	RIDER TRACK-FLAP -----	1			
-41	1221064-23	CLIP -----	2			
-42	1221064-7	RIB ASSEMBLY-FLAP TRACK LH STA. 124.00 -----	1			
	1221064-8	RIB ASSEMBLY-FLAP TRACK RH STA. 124.00 -----	1			
-43	1221064-20	RIDER TRACK-FLAP -----	1			
-44	1221064-23	CLIP -----	2			
-45	1221089-1	RIB ASSEMBLY-AILERON HINGE LH STA. 138.00 -----	1			
	1221089-2	RIB ASSEMBLY-AILERON HINGE RH STA. 138.00 -----	1			
-46	1221089-19	BRACKET-AILERON HINGE -----	2			
-47	1422654-1	SPACER-AILERON HINGE -----	2			
-48	MS24462-4	BEARING-AILERON HINGE -----	1			
-49	1221089-7	RIB ASSEMBLY-AILERON HINGE LH STA. 172.00 -----	1			
	1221089-8	RIB ASSEMBLY-AILERON HINGE RH STA. 172.00 -----	1			
-50	1221089-19	BRACKET-AILERON HINGE -----	2			
-51	1422654-1	SPACER-AILERON HINGE -----	2			
-52	MS24462-4	BEARING-AILERON HINGE -----	1			
-53	1221089-41	RIB ASSEMBLY-AILERON HINGE LH STA. 206.00 -----	1			
	1221089-40	RIB ASSEMBLY-AILERON HINGE RH STA. 206.00 -----	1			
-54	1221089-19	BRACKET-AILERON HINGE -----	2			
-55	1221089-39	CLIP -----	1			
-56	1422654-1	SPACER-AILERON HINGE -----	2			
-57	MS24462-4	BEARING-AILERON HINGE -----	1			
-58	NAS686A08	NUTPLATE -----	6			
-59	1221062-11	BULKHEAD ASSEMBLY LH-INTERCOSTAL -----	1			
	1262036-1	SUPPORT-LH -----	1			
	1262036-2	SUPPORT-RH -----	1			
	1221062-6	BULKHEAD RH-INTERCOSTAL -----	1			
-60	1221062-1	BULKHEAD LH-INTERCOSTAL -----	1			
	1221062-2	BULKHEAD RH-INTERCOSTAL -----	1			
-61	1221062-3	BULKHEAD LH-INTERCOSTAL -----	1			
	1221062-4	BULKHEAD RH-INTERCOSTAL -----	1			
-62	1221090-1	SUPPORT-BELLCRANK AILERON LH -----	1			
	1221090-2	SUPPORT-BELLCRANK AILERON RH -----	1			
-63	1221090-3	SUPPORT ASSEMBLY-BELLCRANK AILERON LH -----	1			
	1221090-4	SUPPORT ASSEMBLY-BELLCRANK AILERON RH -----	1			
	NAS680A4	NUTPLATE -----	1			
-64	1221091-1	DOUBLER ASSEMBLY-AILERON ACCESS DOOR -----	1			
	NAS681A3K	NUTPLATE -----	8			

CONTINUED ON NEXT PAGE

FIGURE AND INDEX NO.	PART NUMBER	DESCRIPTION	UNITS PER ASSY	USABLE ON CODE
		1 2 3 4 5 6 7		
4 -65	1221093-1	DOUBLER ASSEMBLY-ACCESS DOOR LH -----	3	
	1221093-1	DOUBLER ASSEMBLY-ACCESS DOOR RH -----	4	
	NAS681A3	NUTPLATE -----	6	
-66	1221116-1	DOUBLER ASSEMBLY-FLAP MOTOR ACCESS DOOR LH ONLY -----	1	A
	1221116-8	DOUBLER ASSEMBLY-FLAP MOTOR ACCESS DOOR LH ONLY -----	1	B
	NAS681A3	NUTPLATE -----	8	
-67	1221221-2	SKIN UPPER INBOARD LH -----	1	
	1221222-2	SKIN UPPER INBOARD RH -----	1	
-68	1221221-4	SKIN UPPER OUTBOARD LH -----	1	
	1221222-4	SKIN UPPER OUTBOARD RH -----	1	
-69	1221221-5	SKIN-TRAILING EDGE LH -----	1	
	1221222-5	SKIN-TRAILING EDGE RH -----	1	
-70	1221221-6	SKIN-TRAILING EDGE LH -----	1	
	1221222-6	SKIN-TRAILING EDGE RH -----	1	
-71	1221221-7	SKIN-TRAILING EDGE LH -----	1	
	1221222-7	SKIN-TRAILING EDGE RH -----	1	
-72	1221221-8	SKIN-TRAILING EDGE LH -----	1	
	1221222-8	SKIN-TRAILING EDGE RH -----	1	
-73	1221221-10	TRAILING EDGE -----	1	
-74	1221221-3	SKIN LOWER INBOARD LH -----	1	
	1221222-3	SKIN LOWER INBOARD RH -----	1	A
	1221222-12	SKIN LOWER INBOARD RH -----	1	B
-75	1221221-9	SKIN LOWER OUTBOARD LH -----	1	
	1221222-10	SKIN LOWER OUTBOARD RH -----	1	
-76	S226-5F	DOUBLER ASSEMBLY -----	1	
	A6163-8Z3	NUTPLATE -----	6	
-77	1222013-1	DOUBLER ASSEMBLY -----	1	
	A6162-8Z3	NUTPLATE -----	6	
-78	1221134-1	STIFFENER -----	1	
-79	1221134-2	STIFFENER -----	2	
-80	1221134-3	STIFFENER -----	1	
-81	1260124-7	BRACKET ASSEMBLY-BELLCRANK UPPER LH ONLY -----	1	
	1260124-8	BRACKET ASSEMBLY-BELLCRANK LOWER LH ONLY -----	1	
	1260124-9	BRACKET ASSEMBLY-BELLCRANK UPPER RH ONLY -----	1	
	1260124-10	BRACKET ASSEMBLY-BELLCRANK LOWER RH ONLY -----	1	
-82	1221120-6	BRACKET-SUPPORT UPPER LH ONLY -----	1	
	1221120-7	BRACKET-SUPPORT LOWER LH ONLY -----	1	
	1222028-1	BRACKET-SUPPORT UPPER RH ONLY -----	1	
	1222028-2	BRACKET-SUPPORT LOWER RH ONLY -----	1	
-83	1260126-1	BRACKET-BELLCRANK OUTBOARD FLAP UPPER LH -----	1	
	1260126-2	BRACKET-BELLCRANK OUTBOARD FLAP UPPER RH -----	1	
	1260126-3	BRACKET-BELLCRANK OUTBOARD FLAP LOWER LH -----	1	
	1260126-4	BRACKET-BELLCRANK OUTBOARD FLAP LOWER RH -----	1	
-84	1221120-6	BRACKET-SUPPORT UPPER LH ONLY -----	1	
	1221120-7	BRACKET-SUPPORT LOWER LH ONLY -----	1	
	1260202-1	SUPPORT ASSEMBLY-FLAP ACTUATOR -----	1	
		ATTACHING PARTS		
-85	AN3-3A	BOLT -----	8	
	MS21044N3	NUT -----	8	
		*----		
-86	1260202-2	BRACKET-PULLEY -----	1	
-87	1260202-3	BRACKET-PULLEY -----	1	
-88	1260202-13	BRACKET-PULLEY -----	1	
-89	1260202-7	BRACKET ASSEMBLY-LH -----	1	
	1260202-8	BRACKET ASSEMBLY-RH -----	1	
-90	1260202-10	SUPPORT -----	1	
-91	1260202-11	SUPPORT -----	1	
-92	1260202-12	CHANNEL -----	1	
-93	1412280-7	CHANNEL -----	1	

NOTE. WHEN INITIALLY ORDERING THIS PART FOR AIRPLANES PRIOR TO SERIAL 21059352 ALSO ORDER 1221116-3 DOOR & ATTACHING PARTS.

A---210 & T210 SERIAL 21059200 THRU 21059351
 B---210 & T210 SERIAL 21059352 & ON
 C---210 & T210 SERIAL 21059200 THRU 21059502
 D---210 & T210 SERIAL 21059503 THRU 21060209
 E---210 & T210 SERIAL 21059200 THRU 21060089
 F---210 & T210 SERIAL 21060090 & ON
 G---210 & T210 SERIAL 21060210 & ON
 H---210 & T210 SERIAL 21059352 THRU 21060209

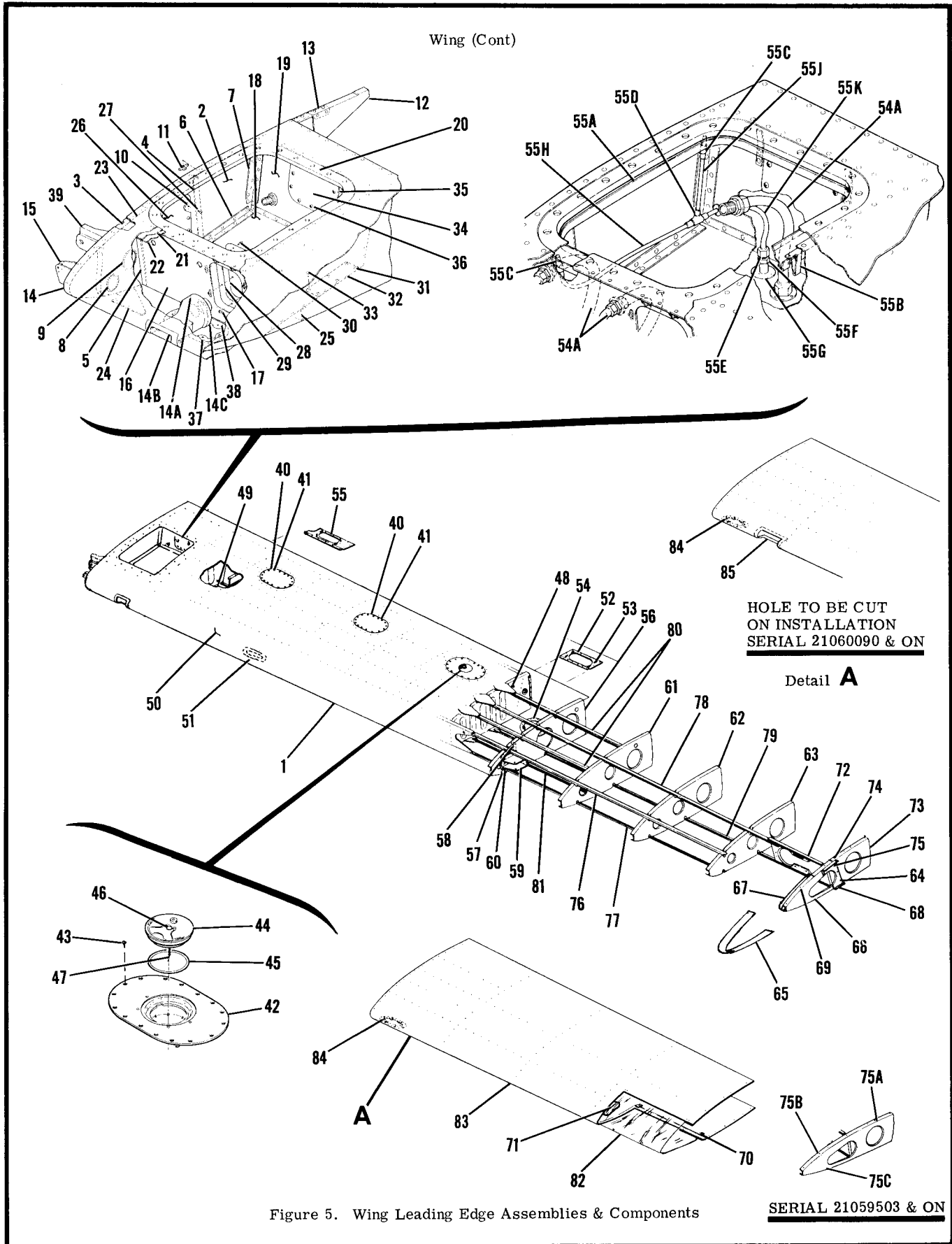


FIGURE AND INDEX NO.	PART NUMBER	DESCRIPTION	UNITS PER ASSY	USABLE ON CODE
		1 2 3 4 5 6 7		
5 -		WING LEADING EDGE ASSEMBLIES & COMPONENTS -----	1	
- 1	1221223-2	LEADING EDGE ASSEMBLY-LH INBOARD -----	1	F
	1221224-3	LEADING EDGE ASSEMBLY-LH INBOARD -----	1	G
		LEADING EDGE ASSEMBLY-RH INBOARD -----	1	F
		LEADING EDGE ASSEMBLY-RH INBOARD -----	1	G
- 2	1222122-5	RIB ASSEMBLY-WING ROOT LH -----	1	
	1222122-6	RIB ASSEMBLY-WING ROOT RH -----	1	
- 3	1222123-3	REINFORCEMENT ASSEMBLY-LH -----	1	
	1222123-4	REINFORCEMENT ASSEMBLY-RH -----	1	
	NAS697A3	NUTPLATE -----	2	
	NAS686A08	NUTPLATE -----	1	
- 4	1221244-1	STIFFENER -----	1	
- 5	1221244-2	ANGLE -----	1	
- 6	1221242-1	ANGLE-LH -----	1	
	1221242-4	ANGLE-RH -----	1	
- 7	1221243-3	ANGLE-LH -----	1	
	1221243-4	ANGLE-RH -----	1	
- 8	S1050-2	GROMMET 5.11 IN LG BULK ITEM REF S1050-2-5.11 ---	1	
- 9	S1050-2	GROMMET 5.50 IN LG BULK ITEM REF S1050-2-5.50 ---	1	
	S1050-2	GROMMET 5.45 IN LG BULK ITEM REF S1050-2-5.45 ---	1	
-10	NAS680A08	NUTPLATE -----	10	
-11	S1863-3	NUTPLATE -----	2	
	NAS686A08	NUTPLATE -----	1	
-12	1222130-1	STIFFENER ASSEMBLY-LH -----	1	
	1222130-2	STIFFENER ASSEMBLY-RH -----	1	
	NAS697A3	NUTPLATE -----	2	
-13	1222131-1	REINFORCEMENT ASSEMBLY-LH -----	1	
	1222131-2	REINFORCEMENT ASSEMBLY-RH -----	1	
	NAS696A3	NUTPLATE -----	1	
-14	1221063-7	RIB ASSEMBLY-LH LEADING EDGE STA 26.00 -----	1	
	1221063-6	RIB ASSEMBLY-RH LEADING EDGE STA 26.00 -----	1	
	NAS686A3	NUTPLATE -----	2	
-14A	1221025-1	SCOOP-FRESH AIR -----	1	
-14B	1221027-1	FLANGE-AIR SCOOP -----	1	
	1720102-1	DOUBLE-AIR SCOOP FLANGE -----	1	
-14C	1200221-1	CONNECTOR -----	1	
-15	1221097-1	BRACKET ASSEMBLY-AILERON CONTROL LH -----	1	
	1221097-2	BRACKET ASSEMBLY-AILERON CONTROL RH -----	1	
-16	1221237-7	PANEL ASSEMBLY-FORWARD RADIO COMPARTMENT LH -----	1	
	1221237-8	PANEL ASSEMBLY-FORWARD RADIO COMPARTMENT RH -----	1	
-17	NAS680A08	NUTPLATE -----	8	
-18	1221240-3	FLOOR ASSEMBLY-RADIO COMPARTMENT LH -----	1	
	NAS680A08	NUTPLATE -----	13	
	NAS682A08	NUTPLATE -----	4	
	1221240-4	FLOOR ASSEMBLY-RADIO COMPARTMENT RH -----	1	
	NAS680A08	NUTPLATE -----	14	
	NAS682A08	NUTPLATE -----	4	
-19	1221237-5	PANEL ASSEMBLY-AFT RADIO COMPARTMENT LH -----	1	
	1221237-6	PANEL ASSEMBLY-AFT RADIO COMPARTMENT RH -----	1	
	NAS680A08	NUTPLATE -----	14	
-20	1221238-1	RETAINER ASSEMBLY-LH -----	1	
	1221238-2	RETAINER ASSEMBLY-RH -----	1	
	80R01-1-1AA	RECEPTACLE CLC -----	26	
-21	1221239-1	REINFORCEMENT -----	1	
-22	1221239-2	SHIM -----	1	
-23	1221247-1	SPACER -----	1	
-24	1222176-1	SHIM-FWD FUEL SPAR LH -----	1	
	1222126-2	SHIM-FWD FUEL SPAR RH -----	1	
-25	1221241-1	CHANNEL-LH -----	1	
	1221241-2	CHANNEL-RH -----	1	
-26	1221248-10	PLATE-COVER -----	1	
	1221253-2	SEAL -----	1	
		ATTACHING PARTS		
-27	AN515-8R8	SCREW -----	10	
		---*---		
-28	1221246-1	COVER ASSEMBLY LH-ACCESS -----	1	
	1221246-2	COVER ASSEMBLY RH-ACCESS -----	1	
-29	1221253-1	SEAL -----	1	
		ATTACHING PARTS		
-30	AN515-8R8	SCREW -----	8	
		---*---		

CONTINUED ON NEXT PAGE



FIGURE AND INDEX NO.	PART NUMBER	DESCRIPTION							UNITS PER ASSY	USABLE ON CODE
		1	2	3	4	5	6	7		
5 -31	1221245-1	COVER PLATE	-----	-----	-----	-----	-----	-----	1	
-32	1221252-1	SEAL-LH	-----	-----	-----	-----	-----	-----	1	
	1221252-2	SEAL-RH	-----	-----	-----	-----	-----	-----	1	
		ATTACHING PARTS	-----	-----	-----	-----	-----	-----		
-33	AN515-8R8	SCREW	-----	-----	-----	-----	-----	-----	6	
		---*---	-----	-----	-----	-----	-----	-----		
-34	1221248-11	COVER PLATE	-----	-----	-----	-----	-----	-----	1	
-35	1221253-3	SEAL	-----	-----	-----	-----	-----	-----	1	
		ATTACHING PARTS	-----	-----	-----	-----	-----	-----		
-36	AN515-8R8	SCREW	-----	-----	-----	-----	-----	-----	10	
		---*---	-----	-----	-----	-----	-----	-----		
-37	1221096-1	DOUBLER ASSEMBLY	-----	-----	-----	-----	-----	-----	1	
-38	NAS682A06	NUTPLATE	-----	-----	-----	-----	-----	-----	6	
-39	1221030-2	STRAP	-----	-----	-----	-----	-----	-----	1	
-40	1221048-2	DOOR-ACCESS	-----	-----	-----	-----	-----	-----	2	
		ATTACHING PARTS	-----	-----	-----	-----	-----	-----		
-41	AN507-1032R7	SCREW	-----	-----	-----	-----	-----	-----	16	
		---*---	-----	-----	-----	-----	-----	-----		
-42	1726041-7	DOOR ASSEMBLY-FUEL FILLER & CAP	-----	-----	-----	-----	-----	-----	1	
		ATTACHING PARTS	-----	-----	-----	-----	-----	-----		
-43	AN507-1032R7	SCREW	-----	-----	-----	-----	-----	-----	16	
		---*---	-----	-----	-----	-----	-----	-----		
-44	C156001-0102	CAP ASSEMBLY-FUEL	WEU C156001-0105	-----	-----	-----	-----	-----	1	A
	C156001-0105	CAP ASSEMBLY-FUEL	-----	-----	-----	-----	-----	-----	1	B
-45	4196	O-RING	WISO	-----	-----	-----	-----	-----	1	
-46	4189	HANDLE	WISO	-----	-----	-----	-----	-----	1	
	4199	PIN-HANDLE	WISO	-----	-----	-----	-----	-----	1	
	4197	O-RING	WISO	-----	-----	-----	-----	-----	1	
-47	C156001-0104	CHAIN ASSEMBLY	-----	-----	-----	-----	-----	-----	1	
-48	1221053-7	VENT ASSEMBLY-FUEL	-----	-----	-----	-----	-----	-----	1	
-49	1726048-1	BOSS-FUEL DRAIN	-----	-----	-----	-----	-----	-----	1	
	1726049-1	CLIP-FUEL DRAIN BOSS	-----	-----	-----	-----	-----	-----	1	
	90588	PLUG-FUEL	NOT USED WITH DRAIN VALVE	-----	-----	-----	-----	-----	1	
	S2020-1	VALVE-DRAIN	-----	-----	-----	-----	-----	-----	1	H
	MS29513-111	PACKING	USED WITH PLUG	-----	-----	-----	-----	-----	1	H
	SEE FIG 8	FUEL DRAIN VALVE & SAMPLER CUP KIT	-----	-----	-----	-----	-----	-----	1	
-50	SEE FIG 6	FUEL CELL COMPONENTS INSTALLATION	-----	-----	-----	-----	-----	-----	1	
-51	1221096-1	DOUBLER ASSEMBLY	-----	-----	-----	-----	-----	-----	1	
	NAS682A06	NUTPLATE	-----	-----	-----	-----	-----	-----	6	
-52	1221050-8	DOUBLER ASSEMBLY	-----	-----	-----	-----	-----	-----	4	
-53	NAS680A3	NUTPLATE	-----	-----	-----	-----	-----	-----	4	
-54	S226-5F	DOUBLER ASSEMBLY	-----	-----	-----	-----	-----	-----	1	
	A6162-8Z3	NUTPLATE	-----	-----	-----	-----	-----	-----	6	
-54A	SEE FIG 898	RADIO COMPARTMENT VENTILATION SYSTEM INSTALLATION	-----	-----	-----	-----	-----	-----	1	
-55	1222133-1	REINFORCEMENT ASSEMBLY-LH	-----	-----	-----	-----	-----	-----	1	
	1222133-2	REINFORCEMENT ASSEMBLY-RH	-----	-----	-----	-----	-----	-----	1	
	NAS681A3	NUTPLATE	-----	-----	-----	-----	-----	-----	4	
-55A	1221254-1	SCUPPER ASSEMBLY-LH	-----	-----	-----	-----	-----	-----	1	
	1221254-2	SCUPPER ASSEMBLY-RH	-----	-----	-----	-----	-----	-----	1	
-55B	1221255-2	CLIP	-----	-----	-----	-----	-----	-----	1	
-55C	S1803-1	COUPLING	-----	-----	-----	-----	-----	-----	2	
	S1825-1	INSERT	-----	-----	-----	-----	-----	-----	4	
-55D	S1826-1	TEE	-----	-----	-----	-----	-----	-----	1	
	S1825-1	INSERT	-----	-----	-----	-----	-----	-----	3	
-55E	S1130-1	NUT	-----	-----	-----	-----	-----	-----	1	
	S1131-1	INSERT	-----	-----	-----	-----	-----	-----	1	
-55F	S1133-1	CONNECTOR	-----	-----	-----	-----	-----	-----	1	
-55G	S1776-6	BUTTON	-----	-----	-----	-----	-----	-----	1	
-55H	S1071-1	TUBE 14.25 IN LG	BULK ITEM	REF S1071-1-14.25	-----	-----	-----	-----	1	
-55J	S1071-1	TUBE 3.25 IN LG	BULK ITEM	REF S1071-1-3.25	-----	-----	-----	-----	1	
-55K	S1071-1	TUBE 7.00 IN LG	BULK ITEM	REF S1071-1-7.00	-----	-----	-----	-----	1	
-56	1221042-101	RIB ASSEMBLY-LH	STA. 138.00	-----	-----	-----	-----	-----	1	
	1221042-100	RIB ASSEMBLY-RH	STA. 138.00	-----	-----	-----	-----	-----	1	
-57	1221051-1	STIFFENER	-----	-----	-----	-----	-----	-----	1	
-58	1221051-3	STIFFENER-LH	-----	-----	-----	-----	-----	-----	1	
	1221054-4	STIFFENER-RH	-----	-----	-----	-----	-----	-----	1	
	NAS682A3	NUTPLATE	-----	-----	-----	-----	-----	-----	1	
-59	1221086-1	BRACKET-PULLEY	-----	-----	-----	-----	-----	-----	1	
		ATTACHING PARTS	-----	-----	-----	-----	-----	-----		
-60	AN3-3A	BOLT	-----	-----	-----	-----	-----	-----	4	
		---*---	-----	-----	-----	-----	-----	-----		

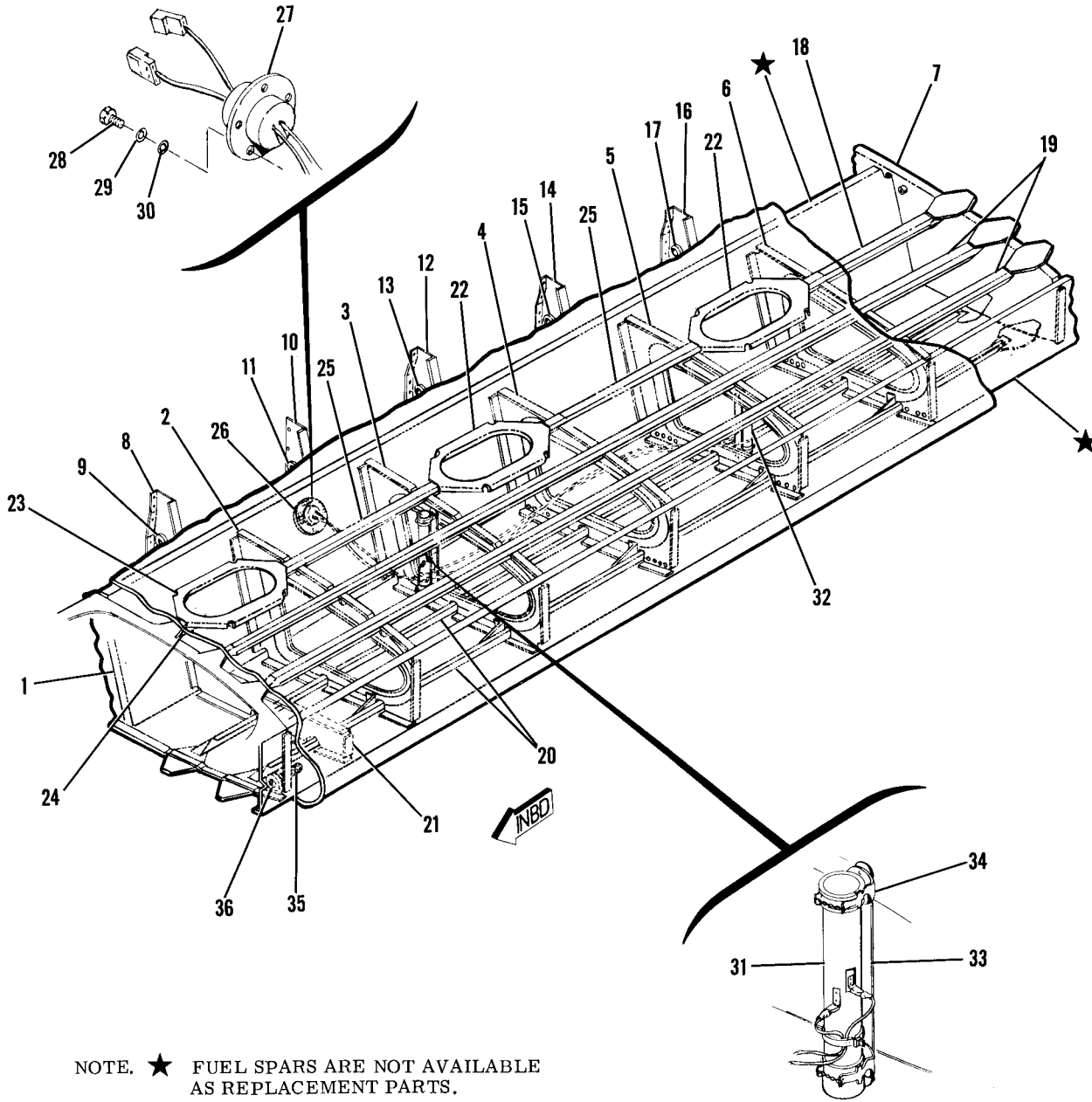
CONTINUED ON NEXT PAGE



FIGURE AND INDEX NO.	PART NUMBER	DESCRIPTION	UNITS PER ASSY	USABLE ON CODE
		1 2 3 4 5 6 7		
5 -	1221223-7	LEADING EDGE ASSEMBLY-OUTBOARD LH -----	1	C
	1221223-9	LEADING EDGE ASSEMBLY-OUTBOARD LH -----	1	D
	1221224-7	LEADING EDGE ASSEMBLY-OUTBOARD RH -----	1	
-61	1221042-99	RIB-LEADING EDGE LH STA. 155.00 -----	1	
	1221042-98	RIB-LEADING EDGE RH STA. 155.00 -----	1	
-62	1221042-97	RIB-LEADING EDGE LH STA. 172.00 -----	1	
	1221042-96	RIB-LEADING EDGE RH STA. 172.00 -----	1	
-63	1221042-95	RIB-LEADING EDGE LH STA. 189.00 -----	1	
	1221042-94	RIB-LEADING EDGE RH STA. 189.00 -----	1	
	1221129-2	RIB ASSEMBLY-REMOVABLE LH FORWARD STA. 206.00 -----	1	C
		ATTACHING PARTS -----		
-64	AN525-8R8	SCREW -----	3	C

-65	1221130-1	SKIN -----	1	C
-66	1221127-5	RIB ASSEMBLY -----	1	C
	NAS680A08	NUTPLATE -----	1	C
-67	1221125-1	RETAINER -----	1	C
-68	1221132-1	DOUBLER -----	1	C
-69	NAS680A08	NUTPLATE -----	3	C
-70	1221126-1	RETAINER-LH WING -----	2	C
-71	1221124-1	RETAINER-LH WING -----	1	C
-72	1221131-1	SUPPORT ASSEMBLY-LH WING -----	1	C
	NAS696A08	NUTPLATE -----	6	C
-73	1221128-5	RIB ASSEMBLY-AFT LH WING STA. 206.00 -----	1	C
-74	NAS680A08	NUTPLATE -----	3	C
	NAS682A08	NUTPLATE -----	1	C
-75	NAS697A08K	NUTPLATE -----	3	C
	1221042-59	RIB ASSEMBLY RH STA. 206.00 -----	1	
-75A	1221042-111	RIB ASSEMBLY-LH STA. 206.00 -----	1	D
-75B	NAS686A08	NUTPLATE -----	7	D
-75C	NAS687A08	NUTPLATE -----	1	D
	S1860-2A	NUTPLATE RH ONLY -----	14	
-76	1221055-193	STRINGER-LH UPPER -----	1	C
	1221055-162	STRINGER-LH UPPER -----	1	D
	1221055-192	STRINGER-RH UPPER -----	1	
-77	1221055-195	STRINGER-LH LOWER -----	1	C
	1221055-164	STRINGER-LH LOWER -----	1	D
	1221055-194	STRINGER-RH LOWER -----	1	
-78	1221055-159	STRINGER-LH UPPER -----	1	C
	1221055-160	STRINGER-LH UPPER -----	1	D
	1221055-58	STRINGER-RH UPPER -----	1	
-79	1221055-59	STRINGER-LH LOWER -----	1	
	1221055-60	STRINGER-RH LOWER -----	1	
-80	1221055-197	STRINGER-LH UPPER -----	2	
	1221055-196	STRINGER-RH UPPER -----	2	
-81	1221055-55	STRINGER-LH LOWER -----	1	
	1221055-56	STRINGER-RH LOWER -----	1	
-82	1221060-1	LENS-LANDING LIGHT LH WING ONLY -----	1	
-83	1221223-5	SKIN-LEADING EDGE LH OUTBOARD -----	1	C
	1221223-10	SKIN-LEADING EDGE LH OUTBOARD -----	1	D
	1221224-5	SKIN-LEADING EDGE RH OUTBOARD -----	1	
-84	1221096-1	DOUBLER ASSEMBLY -----	1	
-85	1270087-6	% DOUBLER ASSY-GLIDESLOPE ANTENNA -----	1	E
<p>NOTE. *WHEN ORDERING THIS PART OR ITS NEXT ASSY FOR AIRCRAFT EQUIPPED WITH GLIDESLOPE ANTENNA ALSO ORDER PARTS MARKED %.</p>				
<p>A---210 & T210 SERIAL 21059200 THRU 21059624 B---210 & T210 SERIAL 21059625 & ON C---210 & T210 SERIAL 21059200 THRU 21059502 D---210 & T210 SERIAL 21059503 & ON E---210 & T210 SERIAL 21060090 & ON F---210 & T210 SERIAL 21059200 THRU 21060209 G---210 & T210 SERIAL 21060210 & ON H---210 & T210 SERIAL 21059200 THRU 21060539 J---210 & T210 SERIAL 21060540 & ON</p>				

Wing (Cont)



NOTE. ★ FUEL SPARS ARE NOT AVAILABLE AS REPLACEMENT PARTS.

Figure 6. Fuel Cell Components Installation



FIGURE AND INDEX NO.	PART NUMBER	DESCRIPTION							UNITS PER ASSY	USABLE ON CODE
		1	2	3	4	5	6	7		
6 -		FUEL CELL COMPONENTS INSTALLATION -----							NP	
	S2034-1	MOUNT -----							4	
	S1693-2	STA-STRAP -----							4	
- 1	1221041-45 *	RIB ASSEMBLY-LH -----							1	
	1221041-46 *	RIB ASSEMBLY-RH -----							1	
- 2	1221042-1 *	RIB-LH STA. 54.00 -----							1	
	1221042-2 *	RIB-RH STA. 54.00 -----							1	
- 3	1221042-3 *	RIB-LH STA. 68.00 -----							1	
	1221042-4 *	RIB-RH STA. 68.00 -----							1	
- 4	1221042-5 *	RIB-LH STA. 82.00 -----							1	
	1221042-6 *	RIB-RH STA. 82.00 -----							1	
- 5	1221042-7 *	RIB-LH STA. 96.00 -----							1	
	1221042-8 *	RIB-RH STA. 96.00 -----							1	
- 6	1221042-9 *	RIB-LH STA. 110.00 -----							1	
	1221042-10 *	RIB-RH STA. 110.00 -----							1	
- 7	1221041-15 *	RIB-LH STA. 124.00 -----							1	
	1221041-16 *	RIB-RH STA. 124.00 -----							1	
- 8	1221226-1	RIB ASSEMBLY-LH STA. 54.00 -----							1	
	1221226-2	RIB ASSEMBLY-RH STA. 54.00 -----							1	
- 9	S1291-16	GROMMET -----							1	
-10	1221227-1	RIB ASSEMBLY-LH STA. 68.00 -----							1	
	1221227-2	RIB ASSEMBLY-RH STA. 68.00 -----							1	
-11	S1291-16	GROMMET -----							1	
-12	1221228-1	RIB ASSEMBLY-LH STA. 82.00 -----							1	
	1221228-2	RIB ASSEMBLY-RH STA. 82.00 -----							1	
-13	S1291-16	GROMMET -----							1	
-14	1221229-1	RIB ASSEMBLY-LH STA. 96.00 -----							1	
	1221229-2	RIB ASSEMBLY-RH STA. 96.00 -----							1	
-15	S1291-16	GROMMET -----							1	
-16	1221230-1	RIB ASSEMBLY-LH STA. 110.00 -----							1	
	1221230-2	RIB ASSEMBLY-RH STA. 110.00 -----							1	
-17	S1291-16	GROMMET -----							1	
-18	1221055-51 *	STRINGER-UPPER LH -----							1	
	1221055-52 *	STRINGER-UPPER RH -----							1	
-19	1221055-41 *	STRINGER-UPPER LH -----							2	
	1221055-43 *	STRINGER-UPPER RH -----							2	
-20	1221055-42 *	STRINGER-LOWER LH -----							2	
	1221055-44 *	STRINGER-LOWER RH -----							2	
-21	1221043-1 *	RIB-BAFFLE LH -----							1	
	1221043-2 *	RIB-BAFFLE RH -----							1	
-22	1221049-2 *	DOUBLER ASSEMBLY -----							2	
	4600-2	NUTPLATE -----							16	
-23	1222009-1 *	DOUBLER ASSEMBLY -----							1	
	4600-2	NUTPLATE -----							16	
-24	1222018-1 *	CHANNEL-STIFFENER -----							1	
-25	1222019-1 *	STRINGER-UPPER LH -----							2	
	1222019-2 *	STRINGER-UPPER RH -----							2	
-26	1716008-1	NUTRING ASSEMBLY -----							1	
	S1588-2	GASKET -----							1	
-27	C668005-0101	FLANGE & CABLE ASSEMBLY -----							1	
		ATTACHING PARTS								
-28	MS20074-03-05	BOLT -----							5	A
	MS20074-03-04	BOLT -----							5	B
-29	AN960-10L	WASHER -----							5	
-30	S350	WASHER-SEALING -----							5	A
	S1588-1	GASKET -----							1	A
	S1588-2	GASKET -----							1	B
		-----*								
-31	C668003-0102	SENSOR-FUEL WING STA. 54.00 -----							1	
-32	C668003-0101	SENSOR-FUEL WING STA. 96.00 -----							1	
-33	1216412-2	BRACKET WING STA. 54.00 -----							1	
	1216412-1	BRACKET WING STA. 96.0 -----							1	
-34	S2007-1	CLIP -----							4	
-35	1726045-6	STRAINER ASSEMBLY-FUEL CELL LESS FITTING -----							2	
-36	1726045-8	FITTING -----							2	
		NOTE. *THESE ITEMS ARE LISTED ONLY FOR MAKING SPLICE REPAIRS TO EXISTING PARTS WHICH ARE IMPRACTICAL TO REPLACE. SEE SERVICE MANUAL FOR REPAIR & SEALING PROCEDURES.								
		A---210 & T210 SERIAL 21059200 THRU 21060209								
		B---210 & T210 SERIAL 21060210 & ON								

Wing (Cont)

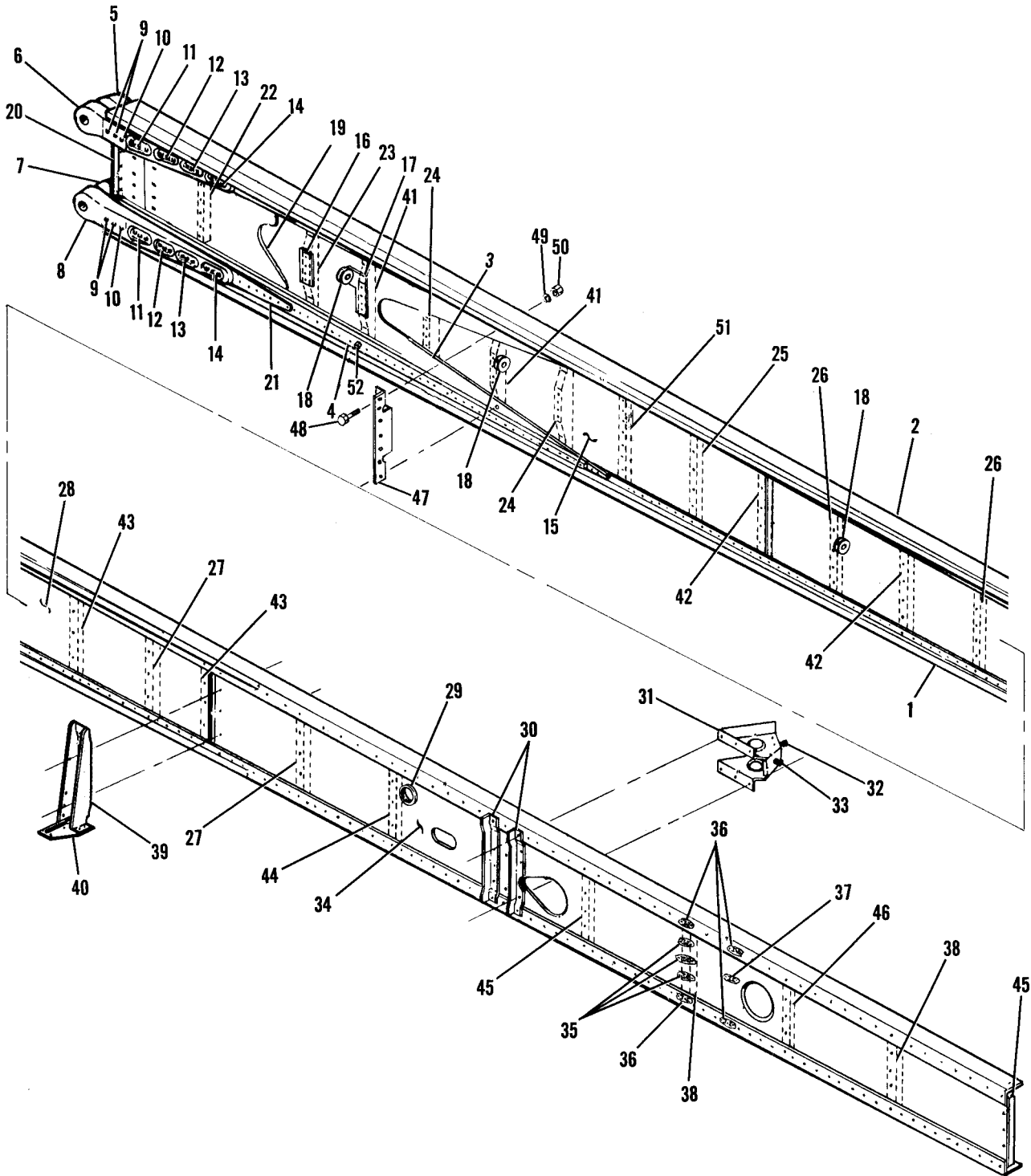


Figure 7. Wing Spar Assemblies & Components

FIGURE AND INDEX NO.	PART NUMBER	DESCRIPTION	UNITS PER ASSY	USABLE ON CODE
		1 2 3 4 5 6 7		
7 -		WING SPAR ASSEMBLIES & COMPONENTS -----	NP	
	1221235-1	WING SPAR ASSEMBLY-MAIN LH -----	1	
	1221235-2	WING SPAR ASSEMBLY-MAIN RH -----	1	
- 1	1221235-3	CAP-SPAR LOWER LH -----	1	
	1221235-4	CAP-SPAR LOWER RH -----	1	
- 2	1221235-5	CAP-SPAR UPPER LH -----	1	
	1221235-6	CAP-SPAR UPPER RH -----	1	
- 3	1222031-3	DOUBLER-LH -----	1	
	1222031-4	DOUBLER-RH -----	1	
- 4	1221235-13	PLATE-FORWARD -----	2	
	1221235-15	PLATE-AFT -----	2	
- 5	1210102-10	FITTING ASSEMBLY-SPAR -----	1	
- 6	1210102-12	FITTING ASSEMBLY-SPAR -----	1	
- 7	1210102-9	FITTING ASSEMBLY-SPAR -----	1	
- 8	1210102-11	FITTING ASSEMBLY-SPAR -----	1	
		ATTACHING PARTS		
- 9	NAS1054-10-51	RIVET-HI-SHEAR -----	4	
-10	NAS1054-10-50	RIVET-HI-SHEAR -----	2	
-11	NAS1054-10-44	RIVET-HI-SHEAR -----	6	
-12	NAS1054-10-39	RIVET-HI-SHEAR -----	6	
-13	NAS1054-10-33	RIVET-HI-SHEAR -----	6	
-14	NAS1054-10-28	RIVET-HI-SHEAR -----	6	
	NAS179-10	COLLAR -----	30	
		-----*		
-15	1221235-11	WEB ASSEMBLY-SPAR LH -----	1	
	1221235-12	WEB ASSEMBLY-SPAR RH -----	1	
-16	1221035-1	SPACER -----	1	
-17	1221034-1	SPACER-LH -----	1	
	1221034-2	SPACER-RH -----	1	
-18	S1590-3A	CLAMP-LH -----	3	
	S1590-2	CLAMP-RH -----	3	
		ATTACHING PARTS		
	S1021Z10-8	SCREW-LH -----	3	
	S1021Z6-6	SCREW-RH -----	3	
	NAS446-5	NUT-LH -----	3	
	NAS446-3	NUT-RH -----	3	
		-----*		
-19	1221031-1	SPACER-LH -----	1	
	1221031-2	SPACER-RH -----	1	
-20	1222035-1	STIFFENER-LH AFT -----	1	
	1222035-2	STIFFENER-RH AFT -----	1	
	1222035-3	STIFFENER-LH FWD -----	1	
	1222035-4	STIFFENER-RH FWD -----	1	
-21	1922005-11	REINFORCEMENT -----	1	
-22	1221057-9	STIFFENER-SPAR -----	1	
-23	1221057-1	STIFFENER-SPAR -----	1	
-24	1221057-3	STIFFENER-SPAR -----	2	
-25	1221057-11	STIFFENER-SPAR -----	1	
-26	1221085-16	STIFFENER -----	2	
-27	1221085-5	STIFFENER -----	2	
-28	1221235-9	WEB-LH -----	1	
	1221235-10	WEB-RH -----	1	
-29	NAS557-16A	GROMMET -----	1	
-30	1221085-11	STIFFENER-LH -----	2	
	1221085-12	STIFFENER-RH -----	2	
-31	1221088-7	BRACKET ASSEMBLY-LH -----	1	
	1221088-8	BRACKET ASSEMBLY-RH -----	1	
	NAS680A3	NUTPLATE -----	2	
-32	NAS428-3-7	BOLT -----	1	
-33	NAS428-3-10	BOLT -----	1	
	AN345-10	NUT -----	2	
-34	1221055-11	WEB -----	1	
-35	NAS686A08	NUTPLATE-LH -----	3	
	NAS220-7	SCREW-LH -----	3	
-36	NAS686A08	NUTPLATE-LH -----	4	
	NAS220-9	SCREW-LH -----	4	
-37	NAS686A08	NUTPLATE-LH -----	1	

CONTINUED ON NEXT PAGE

FIGURE AND INDEX NO.	PART NUMBER	DESCRIPTION							UNITS PER ASSY	USABLE ON CODE
		1	2	3	4	5	6	7		
7 -38	1221085-6								2	
-39	1221104-1								1	
	1221104-5								1	
-40	1221104-3								1	
-41	1221057-12								3	
-42	1221085-1								2	
-43	1221085-14								2	
-44	1221085-2								1	
-45	1221085-15								2	
-46	1221085-3								1	
-47	1221232-1								1	
	1221232-2								1	
-48	AN3-11A								2	
-49	AN960-10L								2	
-50	MS21044N3								2	
-51	1221057-13								1	
-52	AN3-11A								2	
	AN960-10L								2	
	MS21044N3								2	

Wing (Cont)

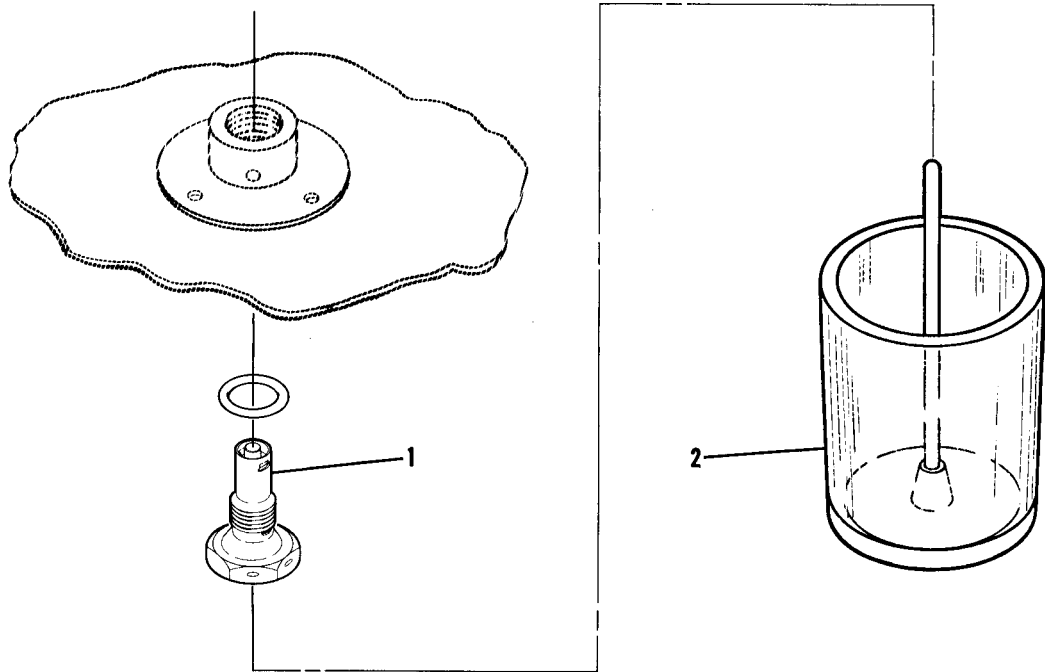


Figure 8. Fuel Drain Valve & Sampler Cup

FIGURE AND INDEX NO.	PART NUMBER	DESCRIPTION	UNITS PER ASSY	USABLE ON CODE
8 -		1 2 3 4 5 6 7		
- 1	S2020-1	* FUEL DRAIN VALVE & SAMPLER CUP ----- DRAIN VALVE -----	NP 4	
- 2	S2107-1	* CUP-FUEL SAMPLER -----	1	
<p>NOTE. *THESE PARTS & INSTALLATION INSTRUCTIONS ARE AVAILABLE AS A KIT & MAY BE ORDERED UNDER P/N AK210-89</p>				

Wing (Cont)

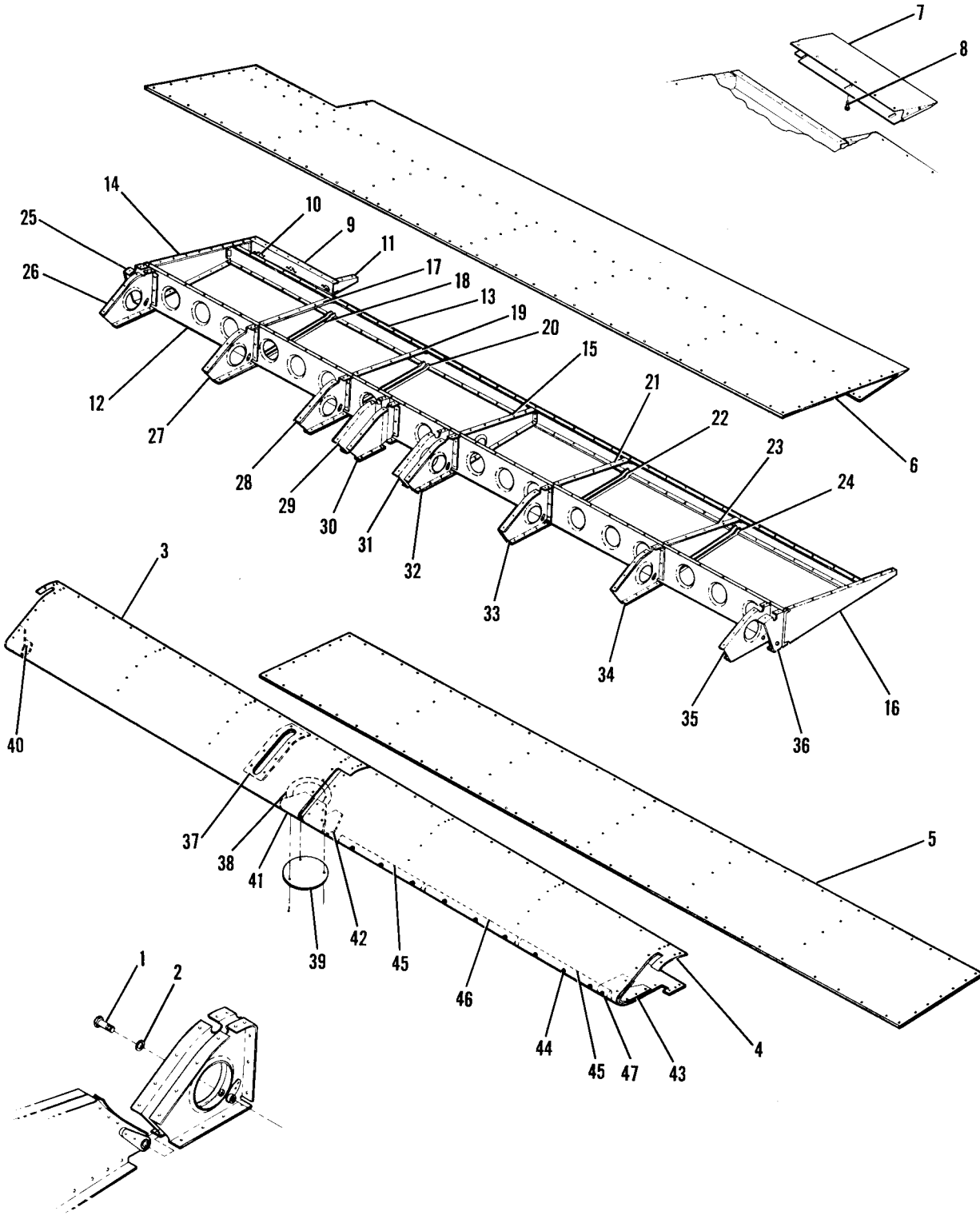


Figure 9. Aileron Installation



FIGURE AND INDEX NO.	PART NUMBER	DESCRIPTION	UNITS PER ASSY	USABLE ON CODE
		1 2 3 4 5 6 7		
9 -		AILERON INSTALLATION -----	NP	
	1221006-1	AILERON ASSEMBLY-CANTILEVER WING LH -----	1	
	1221006-2	AILERON ASSEMBLY-CANTILEVER WING RH -----	1	
		ATTACHING PARTS -----		
- 1	AN4-11A	BOLT -----	3	
- 2	AN960-416	WASHER -----	3	
		-----*		
- 3	1221006-19	SKIN-AILERON LEADING EDGE INBOARD LH -----	1	
	1221006-18	SKIN-AILERON LEADING EDGE INBOARD RH -----	1	
- 4	1221006-21	SKIN-AILERON LEADING EDGE OUTBOARD LH -----	1	
	1221006-20	SKIN-AILERON LEADING EDGE OUTBOARD RH -----	1	
- 5	1221006-7	SKIN-AILERON LOWER -----	1	
- 6	1221006-15	SKIN-AILERON TRAILING EDGE LH -----	1	
	1221006-16	SKIN-AILERON TRAILING EDGE RH -----	1	
- 7	1221006-8	TAB-AILERON TRIM LH -----	1	
	1221006-11	TAB-AILERON TRIM RH -----	1	
		ATTACHING PARTS -----		
- 8	AN515-8R8	SCREW -----	3	
		-----*		
- 9	1221075-7	SPAR ASSEMBLY-AILERON TAB LH -----	1	
	1221075-8	SPAR ASSEMBLY-AILERON TAB RH -----	1	
-10	NAS686A08K	NUTPLATE -----	3	
-11	1221074-3	RIB-AILERON TAB LH -----	1	
	1221074-4	RIB-AILERON TAB RH -----	1	
-12	1221065-5	SPAR-AILERON FORWARD LH -----	1	
	1221065-6	SPAR-AILERON FORWARD RH -----	1	
-13	1221065-1	SPAR-AILERON AFT LH -----	1	
	1221065-2	SPAR-AILERON AFT RH -----	1	
-14	1221069-1	RIB-AILERON INBOARD LH -----	1	
	1221069-2	RIB-AILERON INBOARD RH -----	1	
-15	1221070-1	RIB-AILERON CENTER LH -----	1	
	1221070-2	RIB-AILERON CENTER RH -----	1	
-16	1221071-1	RIB-AILERON OUTBOARD LH -----	1	
	1221071-2	RIB-AILERON OUTBOARD RH -----	1	
-17	1221068-1	STIFFENER-AILERON SKIN UPPER -----	1	
-18	1221068-2	STIFFENER-AILERON SKIN LOWER -----	1	
-19	1221068-9	STIFFENER-AILERON SKIN UPPER -----	1	
-20	1221068-4	STIFFENER-AILERON SKIN LOWER -----	1	
-21	1221068-5	STIFFENER-AILERON SKIN UPPER -----	1	
-22	1221068-6	STIFFENER-AILERON SKIN LOWER -----	1	
-23	1221068-7	STIFFENER-AILERON SKIN UPPER -----	1	
-24	1221068-8	STIFFENER-AILERON SKIN LOWER -----	1	
-25	1221072-1	BRACKET-AILERON HINGE INBOARD LH -----	1	
	1221072-2	BRACKET-AILERON HINGE INBOARD RH -----	1	
-26	1221066-1	RIB ASSEMBLY-AILERON LEADING EDGE LH -----	1	
	1221066-2	RIB ASSEMBLY-AILERON LEADING EDGE RH -----	1	
	NAS682A4	NUTPLATE -----	1	
-27	1221066-5	RIB-AILERON LEADING EDGE -----	1	
-28	1221066-6	RIB-AILERON LEADING EDGE -----	1	
-29	1221067-1	RIB ASSEMBLY-AILERON LEADING EDGE LH -----	1	
	1221067-2	RIB ASSEMBLY-AILERON LEADING EDGE RH -----	1	
	NAS682A4	NUTPLATE -----	1	
-30	1221067-3	RIB-AILERON LEADING EDGE LH -----	1	
	1221067-4	RIB-AILERON LEADING EDGE RH -----	1	
-31	1221066-15	RIB-AILERON LEADING EDGE LH -----	1	
	1221066-16	RIB-AILERON LEADING EDGE RH -----	1	
-32	1221066-14	RIB ASSEMBLY-LEADING EDGE LH -----	1	
	1221066-13	RIB ASSEMBLY-LEADING EDGE RH -----	1	
	NAS682A4	NUTPLATE -----	1	
-33	1221066-7	RIB-AILERON LEADING EDGE -----	1	
-34	1221066-8	RIB-AILERON LEADING EDGE -----	1	
-35	1221066-11	RIB ASSEMBLY-LEADING EDGE LH -----	1	
	1221066-12	RIB ASSEMBLY-LEADING EDGE RH -----	1	
	NAS682A4	NUTPLATE -----	1	

CONTINUED ON NEXT PAGE



FIGURE AND INDEX NO.	PART NUMBER	DESCRIPTION	UNITS PER ASSY	USABLE ON CODE
9 -36	1221072-3	BRACKET-AILERON LEADING EDGE OUTBOARD LH -----	1	
	1221072-4	BRACKET-AILERON LEADING EDGE OUTBOARD RH -----	1	
-37	1221067-6	DOUBLER-AILERON LEADING EDGE -----	1	
-38	S237-6	DOUBLER ASSEMBLY -----	1	
	NAS395-14-3	NUT -----	3	
-39	S225-8	PLATE-INSPECTION -----	1	
		ATTACHING PARTS		
	S102128-6	SCREW -----	3	
		---*---		
-40	1221117-1	GUSSET-AILERON LH -----	1	
	1221117-2	GUSSET-AILERON RH -----	1	
-41	1221117-3	GUSSET-AILERON LH -----	1	
	1221117-4	GUSSET-AILERON RH -----	1	
-42	1221117-5	GUSSET-AILERON LH -----	1	
	1221117-6	GUSSET-AILERON RH -----	1	
-43	1221117-7	GUSSET-AILERON LH -----	1	
	1221117-8	GUSSET-AILERON RH -----	1	
	1221121-1	BALANCE WEIGHT ASSEMBLY-AILERON -----	1	
		ATTACHING PARTS		
-44	AN515-8R10	SCREW -----	9	
		---*---		
-45	1221121-2	BALANCE WEIGHT -----	2	
-46	1221121-3	BALANCE WEIGHT -----	1	
	1221121-4	GANG CHANNEL -----	1	
		ATTACHING PARTS		
	AN535-2-3	SCREW -----	8	
		---*---		
-47	S1093-1	PLUG BUTTON -----	1	



FIGURE AND INDEX NO.	PART NUMBER	DESCRIPTION	UNITS PER ASSY	USABLE ON CODE
10 -		1 2 3 4 5 6 7 FLAP INSTALLATION -----	NP	
	1221007-11	FLAP ASSEMBLY-WING LH -----	1	
	1221007-12	FLAP ASSEMBLY-WING RH -----	1	
		ATTACHING PARTS -----		
- 1	0523919	BUSHING -----	6	
- 2	0523920	ROLLER ASSEMBLY -----	3	
- 3	1220114-1	SPACER -----	6	
- 4	MS21044N3	NUT -----	3	
- 5	AN3-11A	BOLT -----	3	
- 6	0523921	ROLLER -----	3	
- 7	AN3-10A	BOLT -----	3	
		---*---		
		CONTINUED ON NEXT PAGE		

Wing (Cont)

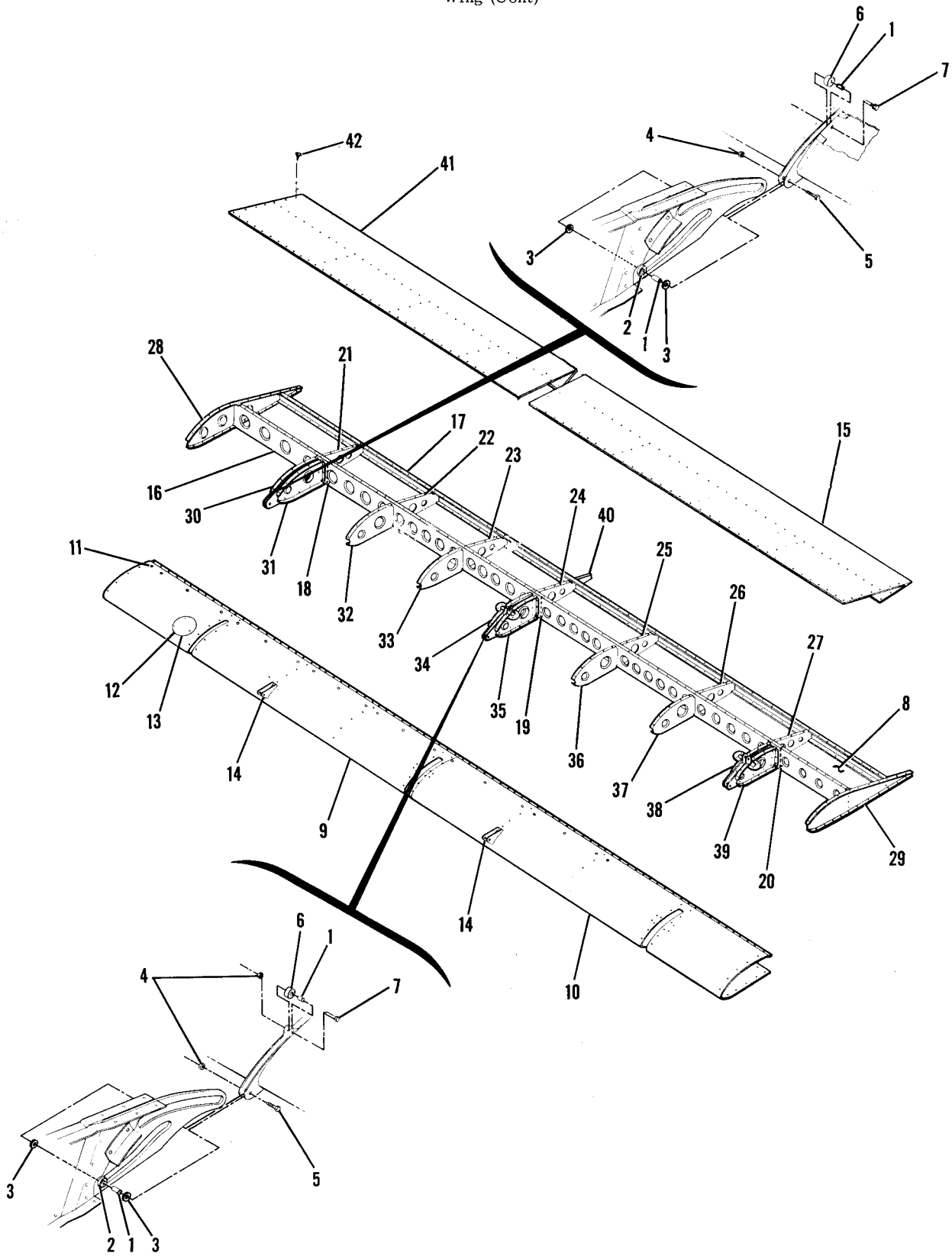


Figure 10. Flap Installation

FIGURE AND INDEX NO.	PART NUMBER	DESCRIPTION	UNITS PER ASSY	USABLE ON CODE
		1 2 3 4 5 6 7		
10 - 8	1221007-10	SKIN-FLAP LOWER -----	1	
- 9	1221007-13	SKIN-FLAP LEADING EDGE INBOARD LH -----	1	
	1221007-14	SKIN-FLAP LEADING EDGE INBOARD RH -----	1	
-10	1221007-17	SKIN-FLAP LEADING EDGE OUTBOARD LH -----	1	
	1221007-18	SKIN-FLAP LEADING EDGE OUTBOARD RH -----	1	
-11	S1193-1	PLUG BUTTON -----	25	
-12	S237-4	DOUBLER ASSEMBLY -----	1	
	NAS395-14-3	NUT -----	3	
-13	S225-3	COVER-INSPECTION -----	1	
		ATTACHING PARTS -----		
	S102128-8	SCREW -----	3	
		---*---		
-14	0523918	BRACKET-FLAP CONTROL -----	2	
		ATTACHING PARTS -----		
	NAS221-8	SCREW -----	2	
		---*---		
-15	1221007-21	SKIN-TRAILING EDGE OUTBOARD LH -----	1	
	1221007-22	SKIN-TRAILING EDGE OUTBOARD RH -----	1	
-16	1221076-5	SPAR-FORWARD FLAP LH -----	1	
	1221076-6	SPAR-FORWARD FLAP RH -----	1	
-17	1221076-7	SPAR-REAR FLAP LH -----	1	
	1221076-8	SPAR-REAR FLAP RH -----	1	
-18	1221084-7	DOUBLER LH -----	1	
	1221084-8	DOUBLER RH -----	1	
-19	1221084-9	DOUBLER LH -----	1	
	1221084-10	DOUBLER RH -----	1	
-20	1221084-11	DOUBLER LH -----	1	
	1221084-12	DOUBLER RH -----	1	
-21	1221077-7	RIB-FLAP TRAILING EDGE STA. 40.00 -----	1	
-22	1221080-5	RIB-FLAP TRAILING EDGE STA. 57.40 -----	1	
-23	1221080-6	RIB-FLAP TRAILING EDGE STA. 63.35 -----	1	
-24	1221078-8	RIB-FLAP TRAILING EDGE STA. 82.00 -----	1	
-25	1221080-7	RIB-FLAP TRAILING EDGE STA. 96.80 -----	1	
-26	1221080-8	RIB-FLAP TRAILING EDGE STA. 110.40 -----	1	
-27	1221079-8	RIB-FLAP TRAILING EDGE STA. 124.00 -----	1	
-28	1221083-3	RIB-FLAP CLOSING INBOARD LH -----	1	
	1221083-4	RIB-FLAP CLOSING INBOARD RH -----	1	
-29	1221082-3	RIB-FLAP CLOSING OUTBOARD LH -----	1	
	1221082-4	RIB-FLAP CLOSING OUTBOARD RH -----	1	
-30	1221077-9	RIB ASSEMBLY-LH INBOARD RH OUTBOARD STA. 40.00 -----	1	
-31	1221077-10	RIB ASSEMBLY-LH OUTBOARD RH INBOARD STA. 40.00 -----	1	
	1221077-8	RIB EXTENSION -----	1	
	NAS680A3	NUTPLATE -----	1	
-32	1221081-9	RIB ASSEMBLY-FLAP NOSE STA. 54.70 -----	1	
	NAS680A3	NUTPLATE -----	2	
-33	1221081-6	RIB-FLAP NOSE STA. 68.35 -----	1	
-34	1221078-11	RIB ASSEMBLY-LH INBOARD RH OUTBOARD STA. 82.00 -----	1	
-35	1221078-12	RIB ASSEMBLY-LH OUTBOARD RH INBOARD STA. 82.00 -----	1	
	1221078-9	RIB EXTENSION -----	1	
	1221078-10	GUSSET -----	1	
-36	1221081-10	RIB ASSEMBLY-FLAP NOSE STA. 96.80 -----	1	
	NAS680A3	NUTPLATE -----	2	
-37	1221081-5	RIB-FLAP NOSE STA 110.40 -----	1	
-38	1221079-9	RIB ASSEMBLY-LH INBOARD RH OUTBOARD STA. 124.00 -----	1	
-39	1221079-10	RIB ASSEMBLY-RH OUTBOARD LH INBOARD STA. 124.00 -----	1	
	1221079-8	RIB EXTENSION -----	1	
	1221078-10	GUSSET -----	1	
-40	1221123-1	RIB-FLAP TRAILING EDGE -----	1	
		ATTACHING PARTS -----		
	1601-0410	RIVET AVEX -----	6	
		---*---		
-41	1221007-19	SKIN-TRAILING EDGE INBOARD LH -----	1	
	1221007-20	SKIN-TRAILING EDGE INBOARD RH -----	1	
		ATTACHING PARTS -----		
-42	CR763-4-2	RIVET CY -----	4	
		---*---		

Empennage

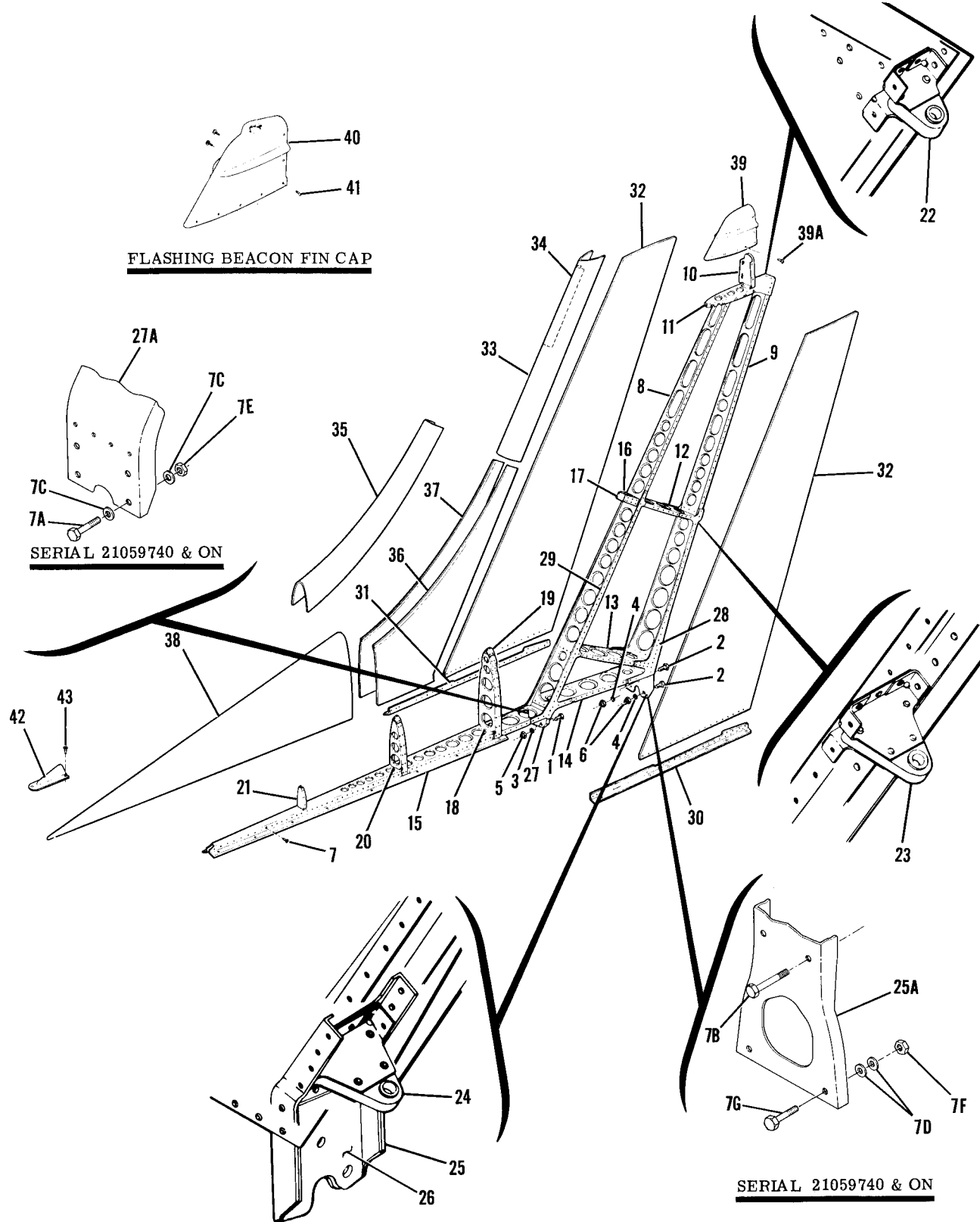


Figure 11. Fin & Dorsal Installation

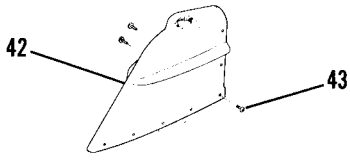
FIGURE AND INDEX NO.	PART NUMBER	DESCRIPTION							UNITS PER ASSY	USABLE ON CODE
		1	2	3	4	5	6	7		
11 -		FIN & DORSAL INSTALLATION -----							NP	
	1231048-3	FIN ASSEMBLY -----							1	A
	1231057-1 *	FIN ASSEMBLY -----							1	B
		ATTACHING PARTS								
- 1	AN5-6A	BOLT -----							2	A
- 2	AN6-7A	BOLT -----							3	A
- 3	AN960-516	WASHER -----							4	A
- 4	AN960-616	WASHER -----							3	A
- 5	MS21042L5	NUT -----							2	A
- 6	MS21042L6	NUT -----							3	A
- 7	NAS220-8	SCREW -----							2	A
- 7A	AN4-6A	BOLT -----							4	B
- 7B	AN5-7A	BOLT UPPER -----							2	B
- 7C	AN960-416	WASHER -----							8	B
- 7D	AN960-516	WASHER -----							8	B
- 7E	MS21042L4	NUT -----							4	B
- 7F	MS21042L5	NUT -----							4	B
- 7G	AN5-6A	BOLT LOWER -----							2	B
		---*---								
- 8	1231002-1	SPAR-FIN FORWARD -----							1	A
	1231002-3	SPAR-FIN FORWARD -----							1	B
- 9	1231002-2	SPAR-FIN AFT -----							1	
-10	1231010-3	RIB ASSEMBLY-FIN TIP-CAP -----							1	
	NAS696A08K	NUTPLATE -----							2	
	NAS697A08K	NUTPLATE -----							2	
-11	1231008-1	RIB ASSEMBLY-FIN UPPER -----							1	
	NAS698A08K	NUTPLATE -----							10	
	NAS680A06	NUTPLATE -----							1	
-12	1231007-1	RIB-FIN CENTER -----							1	
-13	1231006-1	RIB-FIN LOWER -----							1	
-14	1231005-2	RIB-FIN BASE AFT -----							1	A
	1231005-3	RIB-FIN BASE AFT -----							1	B
-15	1231049-1	RIB-FIN BASE FORWARD -----							1	
-16	1231009-1	RIB ASSEMBLY-LEADING EDGE CENTER -----							1	
-17	1231009-3	STRIP-LEADING EDGE -----							1	
-18	0731602-1	RIB-DORSAL STA 200.45 -----							1	
-19	0731602-2	STRIP-LEADING EDGE -----							1	
-20	1231049-2	RIB-DORSAL STA 190.00 -----							1	
-21	1231049-3	RIB-DORSAL STA 160.00 -----							1	
-22	1231023-3	BRACKET ASSEMBLY-HINGE UPPER -----							1	
-23	1231023-2	BRACKET ASSEMBLY-HINGE CENTER -----							1	
-24	1231023-1	BRACKET ASSEMBLY-HINGE LOWER -----							1	
-25	1231013-2	FITTING-FIN ATTACH AFT -----							1	A
-25A	1231058-1	FITTING-FIN ATTACH AFT -----							1	B
-26	1231054-1	SPAR DOUBLER-VERTICAL FIN ATTACH AFT -----							1	A
-27	1231012-2	FITTING-FIN ATTACH FORWARD -----							1	A
	1231054-2	SPAR DOUBLER-VERTICAL FIN ATTACH FORWARD -----							1	A
-27A	1231056-1	FITTING-FIN ATTACH FORWARD -----							1	B
-28	1231014-2	PLATE-SPAR DOUBLER AFT -----							2	
-29	1231014-3	PLATE-SPAR DOUBLER FORWARD -----							2	A
	1231014-4	PLATE-SPAR DOUBLER FORWARD -----							2	B
-30	0731604-5	FAIRING ASSEMBLY-DORSAL TO FUSELAGE AFT LH -----							1	A
	0731604-7	FAIRING ASSEMBLY-DORSAL TO FUSELAGE AFT LH -----							1	B
-31	0731604-6	FAIRING ASSEMBLY-DORSAL TO FUSELAGE AFT RH -----							1	A
	0731604-8	FAIRING ASSEMBLY-DORSAL TO FUSELAGE AFT RH -----							1	B
	A6196-8Z3	NUT TIN -----							1	
	A6195-8Z3	NUT TIN -----							4	
-32	1231000-18	SKIN-FIN -----							2	
-33	1231000-4	SKIN-FIN LEADING EDGE UPPER -----							1	
-34	1231000-7	DOUBLER-LEADING EDGE SKIN -----							1	
-35	1231000-17	SKIN-FIN LEADING EDGE LOWER -----							1	
-36	1231000-15	SKIN-FIN LH -----							1	A
	1231057-3	SKIN-FIN LH -----							1	B
-37	1231000-16	SKIN-FIN RH -----							1	A
	1231057-4	SKIN-FIN RH -----							1	B
-38	1231048-2	SKIN-DORSAL -----							1	A
	1231057-10	SKIN-DORSAL -----							1	B

CONTINUED ON NEXT PAGE

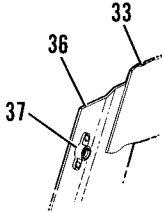
FIGURE AND INDEX NO.	PART NUMBER	DESCRIPTION	UNITS PER ASSY	USABLE ON CODE
11 -39	0731606-1-791	CAP-FIN TIP ----- ATTACHING PARTS	1	
-39A	NAS220-6	SCREW ----- -----*	14	
-40	0731606-3-791	CAP-FIN TIP USED WITH FLASHING BEACON -----	1	C
	1231059-1-791	CAP-FIN TIP USED WITH FLASHING BEACON -----	1	D
-41	NAS220-6	SCREW -----	14	
-42	1231050-1	FAIRING-DORSAL FIN ----- ATTACHING PARTS	1	
-43	AN525-832R7	SCREW ----- -----*	3	
<p>NOTE. *FOR FIN ASSY WITH VHF COMM ANTENNA SEE FIG 11A.</p> <p>A---210 & T210 SERIAL 21059200 THRU 21059739 B---210 & T210 SERIAL 21059740 & ON C---210 & T210 SERIAL 21059200 THRU 21059719 D---210 & T210 SERIAL 21059720 & ON</p>				

This page intentionally left blank.

Empennage (Cont)

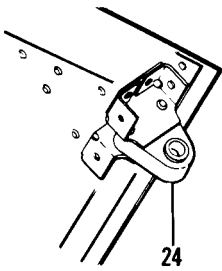
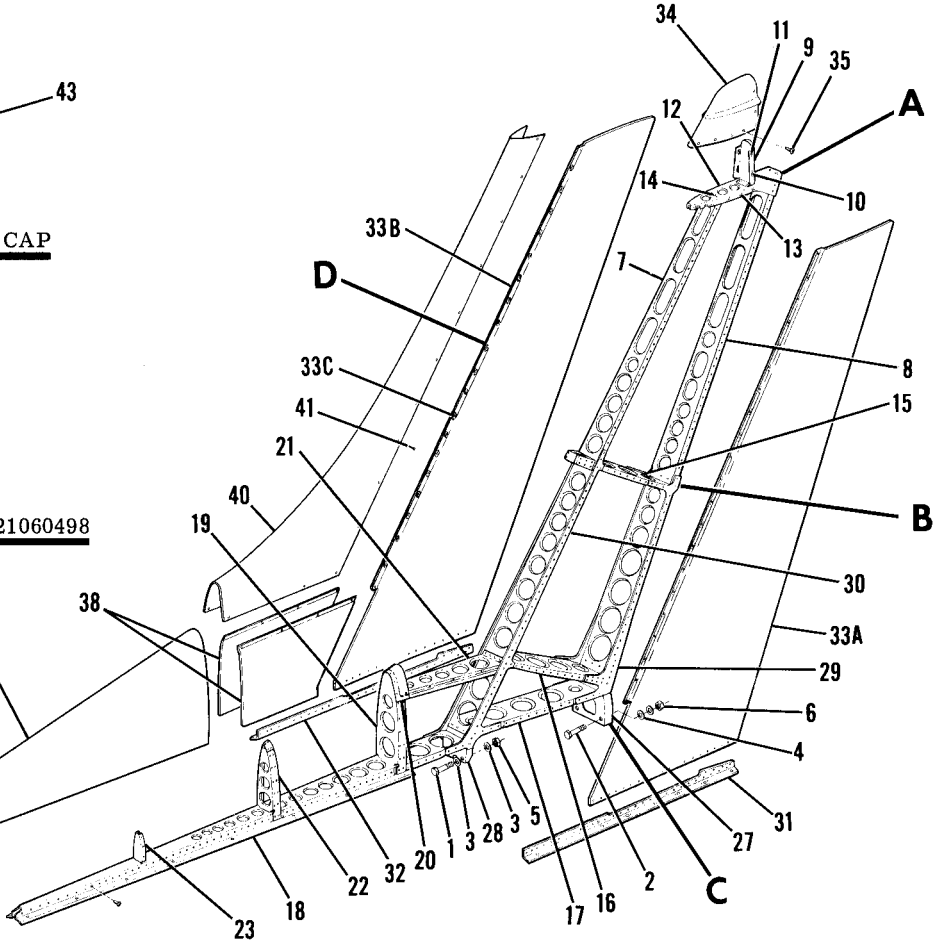
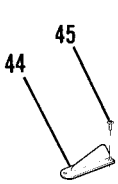


FLASHING BEACON FIN CAP

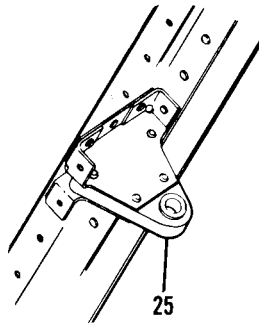


SERIAL 21059740 THRU 21060498

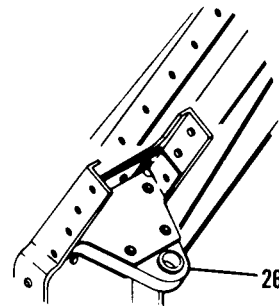
Detail **D**



Detail **A**



Detail **B**



Detail **C**

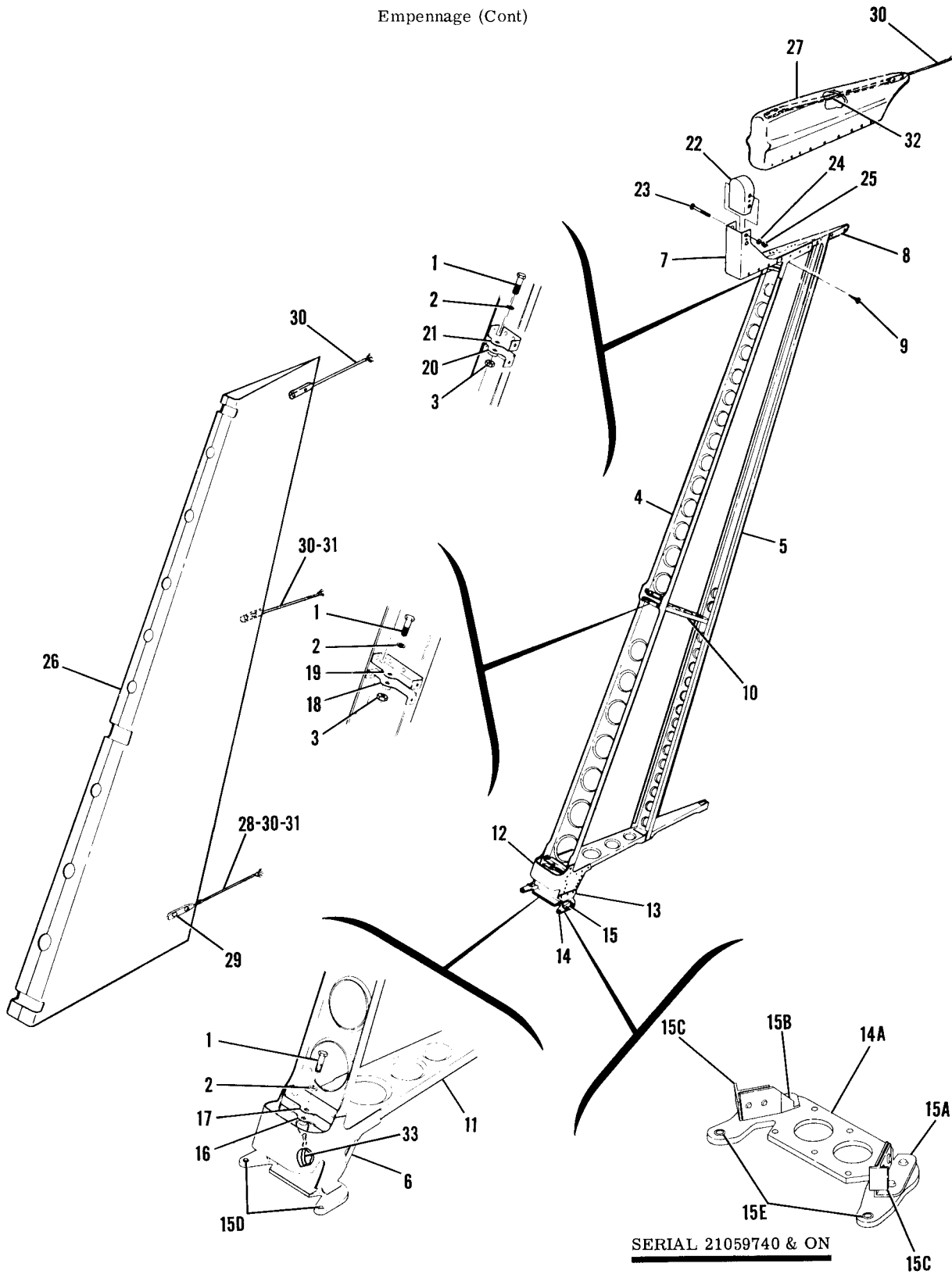
210 & T210 SERIAL 21059740 & ON
Figure 11A. Fin & Dorsal Installation - VHF COMM Antenna

FIGURE AND INDEX NO.	PART NUMBER	DESCRIPTION	UNITS PER ASSY	USABLE ON CODE
		1 2 3 4 5 6 7		
11A-		FIN & DORSAL INSTALLATION-VHF COMM ANTENNA -----	NP	A
	1231057-2 *	FIN ASSY-VHF COMM ANTENNA -----	1	B
	1231057-15 *	FIN ASSY-VHF COMM ANTENNA -----	1	C
		ATTACHING PARTS		
- 1	AN4-6A	BOLT FWD -----	4	
- 2	AN5-6A	BOLT LOWER AFT ATTACH -----	2	
	AN5-7A	BOLT UPPER AFT ATTACH -----	2	
- 3	AN960-416	WASHER FWD -----	8	
- 4	AN960-516	WASHER AFT -----	8	
- 5	MS21042L4	NUT FWD -----	4	
- 6	MS21042L5	NUT AFT -----	4	
		---*---		
- 7	1231002-3	SPAR-FIN FWD -----	1	
- 8	1231002-2	SPAR-FIN AFT -----	1	
- 9	1231010-3	RIB ASSY-FIN TIP CAP -----	1	
-10	NAS697AOK	NUTPLATE -----	2	
-11	NAS696A08K	NUTPLATE -----	2	
-12	1231062-5	RIB ASSY-FIN UPPER -----	1	
-13	NAS698A08K	NUTPLATE -----	10	
-14	NAS680A06	NUTPLATE -----	1	
-15	1231007-1	RIB-FIN CENTER -----	1	
-16	1231006-1	RIB-FIN LOWER -----	1	
-17	1231005-3	RIB-FIN BASE AFT -----	1	
-18	1231049-1	RIB-FIN BASE FWD -----	1	
-19	1231060-1	RIB-DORSAL STA 200.45 -----	1	
-20	1231060-3	STRIP-ADAPTER STA 200.45 -----	1	
-21	1231061-1	RIB ASSY-FIN -----	1	B
	1231063-1	RIB ASSY-FIN -----	1	C
	NAS697A08	NUTPLATE -----	8	B
	NAS686A08	NUTPLATE -----	12	C
-22	1231049-2	RIB-DORSAL STA 180.00 -----	1	
-23	1231049-3	RIB-DORSAL STA 160.00 -----	1	
-24	1231023-3	BRACKET ASSY-HINGE UPPER -----	1	
-25	1231023-2	BRACKET ASSY-HINGE CENTER -----	1	
-26	1231023-1	BRACKET ASSY-HINGE LOWER -----	1	
-27	1231058-1	FITTING-FIN ATTACH AFT -----	1	
-28	1231056-1	FITTING-FIN ATTACH FWD -----	1	
-29	1231014-2	PLATE-SPAR DOUBLER AFT -----	2	
-30	1231014-4	PLATE-SPAR DOUBLER FWD -----	2	
-31	0731604-7	FAIRING ASSY-DORSAL TO FUSELAGE AFT LH -----	1	
-32	0731604-8	FAIRING ASSY-DORSAL TO FUSELAGE AFT RH -----	1	
	A6196-8Z3	NUTPLATE -----	1	
	A6195-8Z3	NUTPLATE -----	4	
-33	1231000-18	SKIN-FIN -----	2	B
-33A	1231057-11	SKIN ASSY-FIN LH -----	1	C
-33B	1231057-12	SKIN ASSY-FIN RH -----	1	C
-33C	NAS686A08K	NUTPLATE -----	19	C
-34	0731606-1-791	CAP-FIN TIP -----	1	
		ATTACHING PARTS		
-35	AN525-832R6	SCREW -----	14	B
	NAS220-6	SCREW -----	14	C
		---*---		
-36	1231057-5	ADAPTER ASSY-LH -----	1	B
	1231057-6	ADAPTER ASSY-RH -----	1	B
-37	NAS697A08	NUTPLATE -----	9	
-38	1231057-9	SKIN-FIN -----	2	
-39	1231057-10	SKIN-DORSAL -----	1	
-40	1270718-1	ANTENNA ASSY-VHF COMM -----	1	B
	1270718-14	ANTENNA ASSY-VHF COMM -----	1	C
		ATTACHING PARTS		
-41	AN525-832R6	SCREW -----	26	B
	AN507-832R7	SCREW -----	50	C
		---*---		
-42	1231059-1-791	CAP-FIN TIP USED WITH FLASHING BEACON -----	1	
-43	AN525-832R6	SCREW -----	14	
-44	1231050-1	FAIRING-DORSAL FIN -----	1	
		ATTACHING PARTS		
-45	AN525-832R7	SCREW -----	3	
		---*---		
NOTE. *FOR STANDARD FIN ASSY-SEE FIGURE 11.				
A---210 & T210 SERIAL 21059740 & ON				
B---210 & T210 SERIAL 21059740 THRU 21060498				
C---210 & T210 SERIAL 21060499 & ON				

This page intentionally left blank.

FIGURE AND INDEX NO.	PART NUMBER	DESCRIPTION	UNITS PER ASSY	USABLE ON CODE
		1 2 3 4 5 6 7		
12 -	1231001-8 1231001-10	RUDDER INSTALLATION ----- RUDDER ASSEMBLY WEU 1231001-10 ----- RUDDER ASSEMBLY ----- ATTACHING PARTS -----	NP 1 1	A B
- 1	AN4-11A	BOLT -----	3	
- 2	AN960-416	WASHER -----	3	
- 3	MS21042L4	NUT ----- ---*---	3	
- 4	1231015-1 1231015-7	SPAR-RUDDER FORWARD ----- SPAR-RUDDER FORWARD -----	1 1	A B
- 5	1231015-2	SPAR-RUDDER AFT -----	1	
- 6	1231015-3 1231015-9	SPAR-BELLCRANK ----- SPAR-BELLCRANK -----	1 1	A B
- 7	1231033-1 1231030-1 1231031-1 NAS680A08K NAS697A08 NAS680A08	RIB ASSEMBLY-RUDDER TIP FORWARD ----- BRACKET-FORWARD ----- RIB TIP-FORWARD ----- NUTPLATE ----- NUTPLATE ----- NUTPLATE -----	1 1 1 8 2 4	
CONTINUED ON NEXT PAGE				

Empennage (Cont)



SERIAL 21059740 & ON

Figure 12. Rudder Installation



FIGURE AND INDEX NO.	PART NUMBER	DESCRIPTION							UNITS PER ASSY	USABLE ON CODE
		1	2	3	4	5	6	7		
12 - 8	1231032-1	RIB-RUDDER TIP AFT -----							1	
	1231029-1	BRACKET-AFT LH -----							1	
	1231029-2	BRACKET-AFT RH -----							1	
	NAS696A08K	NUTPLATE -----							3	
	NAS697A08K	NUTPLATE -----							2	
	NAS698A08K	NUTPLATE -----							1	
- 9	NAS220-8	SCREW -----							2	
-10	1231017-1	RIB-RUDDER CENTER -----							1	
-11	1231016-1	RIB-RUDDER LOWER -----							1	
-12	1231022-1	GUSSET-RUDDER BELLCRANK -----							1	A
	1231022-3	GUSSET-RUDDER BELLCRANK -----							1	B
-13	1231026-1	BRACKET-RUDDER BELLCRANK LH -----							1	
	1231026-2	BRACKET-RUDDER BELLCRANK RH -----							1	
-14	1231021-1	BELLCRANK ASSEMBLY-RUDDER WEU 1231021-9 -----							1	A
-14A	1231021-9	BELLCRANK ASSEMBLY-RUDDER -----							1	B
-15	1231021-3	BRACKET LH -----							1	A
	1231021-2	BRACKET RH -----							1	A
-15A	1231021-7	SUPPORT-LH TEE -----							1	B
-15B	1231021-8	SUPPORT-RH TEE -----							1	B
-15C	0733113-1	CLIP-TEE -----							2	B
-15D	0733103	BUSHING -----							2	A
-15E	0733103-1	BUSHING -----							2	B
-16	1231023-16	BRACKET-HINGE LOWER LOWER HINGE -----							1	
-17	1231023-19	BRACKET-HINGE UPPER LOWER HINGE -----							1	
-18	1231023-17	BRACKET-HINGE LOWER CENTER HINGE -----							1	
-19	1231023-20	BRACKET-HINGE UPPER CENTER HINGE -----							1	
-20	1231023-18	BRACKET-HINGE LOWER UPPER HINGE -----							1	
-21	1231023-21	BRACKET-HINGE UPPER UPPER HINGE -----							1	
-22	1231045-1	BALANCE WEIGHT-RUDDER -----							1	
		ATTACHING PARTS								
-23	AN509-10R31	SCREW -----							3	
-24	AN960-10	WASHER -----							3	
-25	MS21044N3	NUT -----							3	
		*-----								
-26	1231001-3	SKIN-RUDDER -----							1	
-27	0731606-6-791	CAP-RUDDER TIP -----							1	
		ATTACHING PARTS								
	NAS220-6	SCREW -----							8	
	NAS220-8	SCREW -----							12	
		*-----								
-28	C592001-0101	STATIC DISCHARGER -----							1	C
		ATTACHING PARTS								
-29	NAS1329A06K75	RIVNUT -----							2	C
	AN515-6R8	SCREW -----							2	C
	AN93646	WASHER -----							2	C
		*-----								
-30	C592001-0103	STATIC DISCHARGER -----							4	E
		ATTACHING PARTS								
	AN515-6R10	SCREW -----							2	E
	AN93606	WASHER -----							2	E
	S1648-0K75	NUT -----							2	E
		*-----								
-31	C592001-0201	STATIC DISCHARGER -----							2	F
		ATTACHING PARTS								
	AN515-6R10	SCREW -----							2	F
	AN93606	WASHER -----							2	F
	S1648-06K75	RIVNUT -----							2	F
		*-----								
-32	1570102-8	STRAP ASSY -----							1	E
		ATTACHING PARTS								
	AN960PD3	WASHER -----							2	E
		*-----								
-33	1570102-12	STRAP ASSY -----							1	D
		A---210 & T210 SERIAL 21059200 THRU 21059739								
		B---210 & T210 SERIAL 21059740 & ON								
		C---210 & T210 SERIAL 21059200 THRU 21059719								
		D---210 & T210 SERIAL 21059720 & ON								
		E---210 & T210 SERIAL 21059720 THRU 21060539								
		F---210 & T210 SERIAL 21060540 & ON								

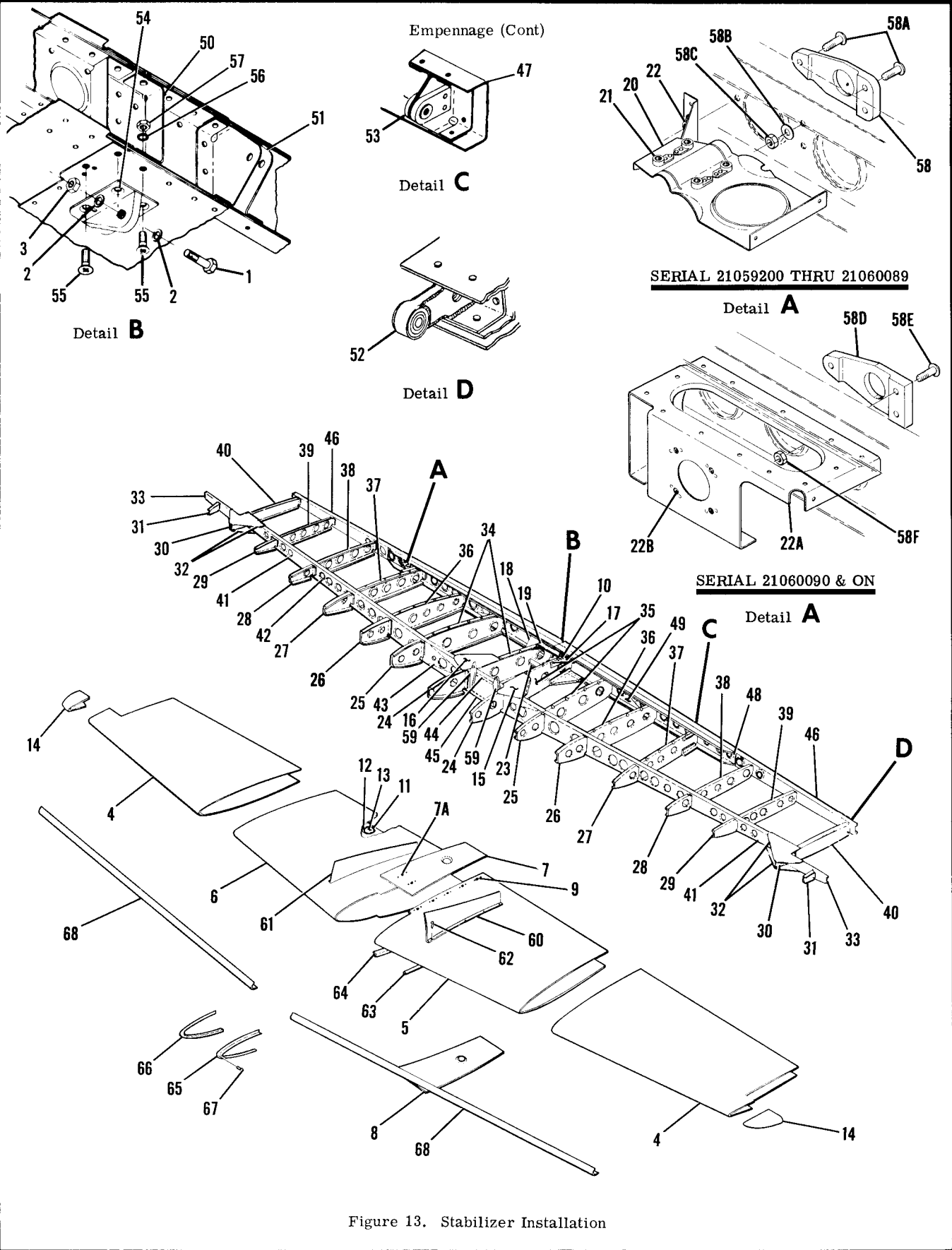


FIGURE AND INDEX NO.	PART NUMBER	DESCRIPTION	UNITS PER ASSY	USABLE ON CODE
		1 2 3 4 5 6 7		
13 -		STABILIZER INSTALLATION -----	NP	
	1232600-18	STABILIZER ASSEMBLY -----	1	E
	1232600-25	STABILIZER ASSEMBLY -----	1	L
	1232600-29	STABILIZER ASSEMBLY -----	1	M
		ATTACHING PARTS		
- 1	AN4-11A	BOLT -----	4	
- 2	AN960-416	WASHER -----	6	
- 3	MS21042L4	NUT -----	2	
		-----*		
- 4	1232600-16	SKIN-STABILIZER OUTBOARD -----	2	
- 5	1232600-11	SKIN-STABILIZER INBOARD LH -----	1	
- 6	1232600-10	SKIN-STABILIZER INBOARD RH -----	1	E
	1232600-28	SKIN-STABILIZER INBOARD RH -----	1	F
- 7	1232600-5	SKIN-STABILIZER CENTER UPPER WEU 1232600-19 -----	1	A
	1232600-19	SKIN ASSEMBLY-STABILIZER CENTER UPPER -----	1	B
- 7A	MS21044N08	NUTPLATE -----	2	
- 8	0732600-3	SKIN-STABILIZER CENTER LOWER -----	1	
- 9	A6195-8Z3	NUT TIN -----	10	
-10	A6196-8Z3	NUT TIN -----	2	
-11	1232142-1	DOUBLER-STABILIZER SKIN -----	1	E
	1232142-2	DOUBLER-STABILIZER SKIN -----	1	F
-12	NAS395-14-3	NUT -----	4	
-13	1212141-1	PLATE-TAB ACTUATOR COVER -----	1	
		ATTACHING PARTS		
	S1021Z8-8	SCREW -----	4	
		-----*		
-14	1232012-1-791	TIP-STABILIZER -----	2	
		ATTACHING PARTS		
	CR763C4-4	RIVET-CHERRY -----	12	
		-----*		
-15	1232613-2	DOUBLER-STABILIZER UPPER LH & LOWER RH FORWARD -----	2	
-16	1232613-1	DOUBLER-STABILIZER LOWER LH & UPPER RH FORWARD -----	2	
-17	1232606-4	DOUBLER-STABILIZER UPPER LH & LOWER RH AFT -----	2	
-18	1232606-3	DOUBLER-STABILIZER LOWER LH & UPPER RH AFT -----	2	
-19	1232014-1	DOUBLER-STABILIZER -----	1	G
	1232014-2	DOUBLER-STABILIZER -----	1	H
-20	1232139-1	BRACKET ASSEMBLY-TRIM TAB ACTUATOR MOUNTING -----	1	E
-21	NAS696A3	NUTPLATE -----	4	E
-22	NAS697A3	NUTPLATE -----	1	E
-22A	1232146-1	BRACKET ASSY-TRIM TAB ACTUATOR MOUNTING -----	1	L
	1232146-3	BRACKET ASSY-TRIM TAB ACTUATOR MOUNTING -----	1	M
-22B	NAS680A3	NUTPLATE -----	4	F
	CM2692-28-1S	PLUG BUTTON -----	1	
-23	1232140-1	BRACKET-TRIM TAB PULLEY -----	1	
-24	1232619-1	RIB-STABILIZER NOSE CANTED STA. 8.075 -----	2	
-25	1232619-2	RIB-STABILIZER NOSE CANTED STA. 14.740 -----	2	
-26	0732611-4	RIB-STABILIZER NOSE STA. 24.54 -----	2	
-27	0732611-3	RIB-STABILIZER NOSE STA. 35.915 -----	2	
-28	0732611-2	RIB-STABILIZER NOSE STA. 45.415 -----	2	
-29	0732611-1	RIB-STABILIZER NOSE STA. 58.915 -----	2	
-30	1232603-3	RIB-STABILIZER NOSE STA. 69.603 -----	2	
-31	1232007-2	RIB-STABILIZER TIP STA. 74.733 -----	2	
-32	1232011-1	DOUBLER-STABILIZER -----	4	
-33	1232008-2	RIB-STABILIZER OUTBOARD -----	2	
-34	1232107-2	RIB-STABILIZER INBOARD CANTED RH -----	2	
-35	1232106-3	RIB-STABILIZER INBOARD CANTED LH -----	2	
-36	1232105-1	RIB-STABILIZER CENTER STA. 24.54 -----	2	
-37	1232104	RIB-STABILIZER CENTER CANTED WEU 1232108-1 -----	2	N
	1232108-1	RIB-STABILIZER CENTER CANTED -----	2	P
-38	0732610-6	RIB-STABILIZER CENTER STA. 45.415 -----	2	
-39	0732610-5	RIB-STABILIZER CENTER STA. 58.915 -----	2	
-40	1232603-1	RIB-STABILIZER CENTER STA. 69.603 -----	2	
	1232622-13	SPAR ASSEMBLY-STABILIZER FRONT -----	1	
-41	1232622-14	SPAR-FRONT -----	2	
-42	1232622-16	SPLICE -----	1	
-43	1232622-15	CHANNEL -----	1	
-44	1232622-5	SUPPORT-ANGLE -----	1	
-45	1232622-6	SUPPORT-ANGLE -----	1	

CONTINUED ON NEXT PAGE

FIGURE AND INDEX NO.	PART NUMBER	DESCRIPTION							UNITS PER ASSY	USABLE ON CODE
		1	2	3	4	5	6	7		
13 -	1232621-1	SPAR ASSEMBLY-STABILIZER REAR -----							1	G
	1232621-6	SPAR ASSEMBLY-STABILIZER REAR -----							1	H
-46	1232621-2	SPAR-REAR -----							2	
-47	1232621-3	CHANNEL -----							1	
-48	1232621-4	CHANNEL -----							1	
-49	1232621-5	CHANNEL -----							1	
-50	1232623-1	REINFORCEMENT -----							2	G
	1232623-3	REINFORCEMENT -----							2	H
-51	1232612-1	BRACKET-HINGE -----							2	
-52	1234626-1	HINGE ASSEMBLY-STABILIZER OUTBOARD -----							2	
-53	0732100-7	HINGE ASSEMBLY-STABILIZER INBOARD -----							2	
-54	1232400-1	BRACKET ASSEMBLY-LH -----							1	
	1232400-2	BRACKET ASSEMBLY-RH -----							1	
		ATTACHING PARTS								
-55	AN509-416R13	SCREW -----							3	
-56	AN960-416	WASHER -----							3	
-57	MS21042L4	NUT -----							3	
		---*---								
-58	1234023-1	BRACE -----							1	E
		ATTACHING PARTS								
-58A	NAS221-13	SCREW -----							3	E
-58B	AN960-10	WASHER -----							2	E
-58C	MS21044N3	NUT -----							2	E
		---*---								
-58D	1232145-1	PLATE-MOUNTING -----							1	F
		ATTACHING PARTS								
-58E	NAS221-13	SCREW -----							3	F
-58F	MS21044N3	NUT -----							3	F
		---*---								
-59	1232013-1	FITTING-STABILIZER FRONT -----							2	
-60	1212426-1	FAIRING-STABILIZER UPPER LH -----							1	
-61	1212426-2	FAIRING-STABILIZER UPPER RH -----							1	
		ATTACHING PARTS								
-62	S102128-6	SCREW -----							13	
		---*---								
-63	1212426-3	FAIRING-STABILIZER LOWER LH -----							1	C
	1212426-7	FAIRING-STABILIZER LOWER LH -----							1	D
-64	1212426-4	FAIRING-STABILIZER LOWER RH -----							1	C
	1212426-8	FAIRING-STABILIZER LOWER RH -----							1	D
		ATTACHING PARTS								
	S102128-8	SCREW -----							5	
	NAS395-12-3	NUT -----							5	
		---*---								
-65	1212013-1	FAIRING-STABILIZER FORWARD LH -----							1	
-66	1212013-2	FAIRING-STABILIZER FORWARD RH -----							1	
		ATTACHING PARTS								
-67	S102128-8	SCREW -----							5	
		---*---								
-68	S1938-1	BOOT ABRASION -----							2	J
	S1938-3	BOOT ABRASION -----							2	K
<p>A---210 & T210 SERIAL 21059200 THRU 21059320 B---210 & T210 SERIAL 21059321 & ON C---210 & T210 SERIAL 21059200 THRU 21059739 D---210 & T210 SERIAL 21059740 & ON E---210 & T210 SERIAL 21059200 THRU 21060089 F---210 & T210 SERIAL 21060090 & ON G---210 & T210 SERIAL 21059200 THRU 21060009 H---210 & T210 SERIAL 21060010 & ON J---210 & T210 SERIAL 21059200 THRU 21060107 K---210 & T210 SERIAL 21060108 & ON L---210 & T210 SERIAL 21060090 THRU 21060539 M---210 & T210 SERIAL 21060540 & ON N---210 & T210 SERIAL 21059200 THRU 21060396 P---210 & T210 SERIAL 21060397 & ON</p>										



FIGURE AND INDEX NO.	PART NUMBER	DESCRIPTION	UNITS PER ASSY	USABLE ON CODE
14 -		ELEVATOR INSTALLATION -----	NP	
	1234633-3	ELEVATOR ASSEMBLY-LH -----	1	
	1234633-2	ELEVATOR ASSEMBLY-RH -----	1	
		ATTACHING PARTS -----		
- 1	AN4-11A	BOLT -----	2	
- 2	AN960-416	WASHER -----	2	
- 3	MS21042L6	NUT -----	2	
		---*---		
- 4	1234628-1	TRIM TAB ASSEMBLY-ELEVATOR RH -----	1	
		ATTACHING PARTS -----		
- 5	1234024-5	PIN-HINGE -----	1	
- 6	AN515-8R7	SCREW -----	1	
- 7	NAS697A08	NUTPLATE -----	1	
		---*---		
- 8		DELETED, NOT PROCURABLE -----		
- 9		DELETED, NOT PROCURABLE -----		
-10		DELETED, NOT PROCURABLE -----		
-11	1234009-6	BRACKET ASSEMBLY -----	1	
-12		DELETED, NOT PROCURABLE -----		
-13	1234628-5	HINGE HALF-TRIM TAB -----	1	
-14	1234640-1-791	TIP-ELEVATOR LH -----	1	
-15	1234640-2-791	TIP-ELEVATOR RH -----	1	
-16	1234633-15	TRAILING EDGE ASSEMBLY LH -----	1	
-17		DELETED-NOT AVAILABLE -----		
-18		DELETED-NOT AVAILABLE -----		
-19	1234633-4	TRAILING EDGE ASSEMBLY-INBOARD RH -----	1	
-20		DELETED-NOT AVAILABLE -----		
-21		DELETED-NOT AVAILABLE -----		
-22	1234620-16	SKIN ASSEMBLY-TRAILING EDGE OUTBOARD RH -----	1	
-23	1234620-19	SKIN UPPER-OUTBOARD -----	1	
-24	1234620-20	SKIN LOWER OUTBOARD -----	1	
		SPACER-TRAILING EDGE OUTBOARD -----	1	
-25	1234633-17	SKIN-ELEVATOR BALANCE LH -----	1	
-26	1234633-16	SKIN-ELEVATOR BALANCE RH -----	1	
-27	1234633-7	SKIN-UPPER LH -----	1	
-28	1234633-8	SKIN-UPPER RH -----	1	
-29	1234633-9	SKIN-LOWER LH -----	1	
-30	1234633-10	SKIN-LOWER RH -----	1	
-31	1234649-1	GUSSET-UPPER -----	1	
	1234649-2	GUSSET-LOWER -----	1	
-32	1234634-1	DOUBLER-ELEVATOR LH -----	1	
-33	1234634-2	DOUBLER-ELEVATOR RH -----	1	
-34	1234638-3	SPAR-AFT LH -----	1	
-35	1234638-4	SPAR-AFT RH -----	1	
-36	1234627-1	HINGE HALF-ELEVATOR RH -----	1	
	1234635-1	RIB-ELEVATOR LH STA. 70.523 -----	1	
-37	1234635-2	RIB-ELEVATOR RH STA. 70.523 -----	1	
-38	1234641-1	RIB-ELEVATOR CANTED LH -----	1	
-39	1234641-2	RIB-ELEVATOR CANTED RH -----	1	
-40	1234642-1	RIB-ELEVATOR CANTED LH -----	1	
-41	1234642-2	RIB-ELEVATOR CANTED RH -----	1	
-42	1234623-1	RIB-ELEVATOR LH STA. 58.725 -----	1	
-43	1234623-2	RIB-ELEVATOR RH STA. 58.725 -----	1	
-44	1234022-1	RIB-ELEVATOR LH STA. 47.440 -----	1	
-45	1234022-2	RIB-ELEVATOR RH STA. 47.440 -----	1	
-46	1234017-1	RIB-ELEVATOR LH STA. 34.865 -----	1	
-47	1234035-1	RIB-ELEVATOR LH STA. 24.540 -----	1	
-48	1234014-1	RIB-ELEVATOR RH STA. 26.865 -----	1	
-49	1234036-1	RIB-ELEVATOR LH STA. 13.290 -----	1	
-50	1234036-2	RIB-ELEVATOR RH STA. 13.290 -----	1	
-51	1234636-1	RIB-ELEVATOR LH STA. 70.523 FWD -----	1	
-52	1234636-2	RIB-ELEVATOR RH STA. 70.523 FWD -----	1	
	1234637-1	RIB ASSEMBLY-ELEVATOR -----	1	
-53	1234637-3	RIB-LH STA. 74.733 -----	1	
-54	1234637-2	RIB-RH STA. 74.733 -----	1	
	1234637-4	SPACER -----	1	
	AN960PD21	WASHER -----	1	
-55	1234639-3	RIB-ELEVATOR -----	1	

CONTINUED ON NEXT PAGE

Empennage (Cont)

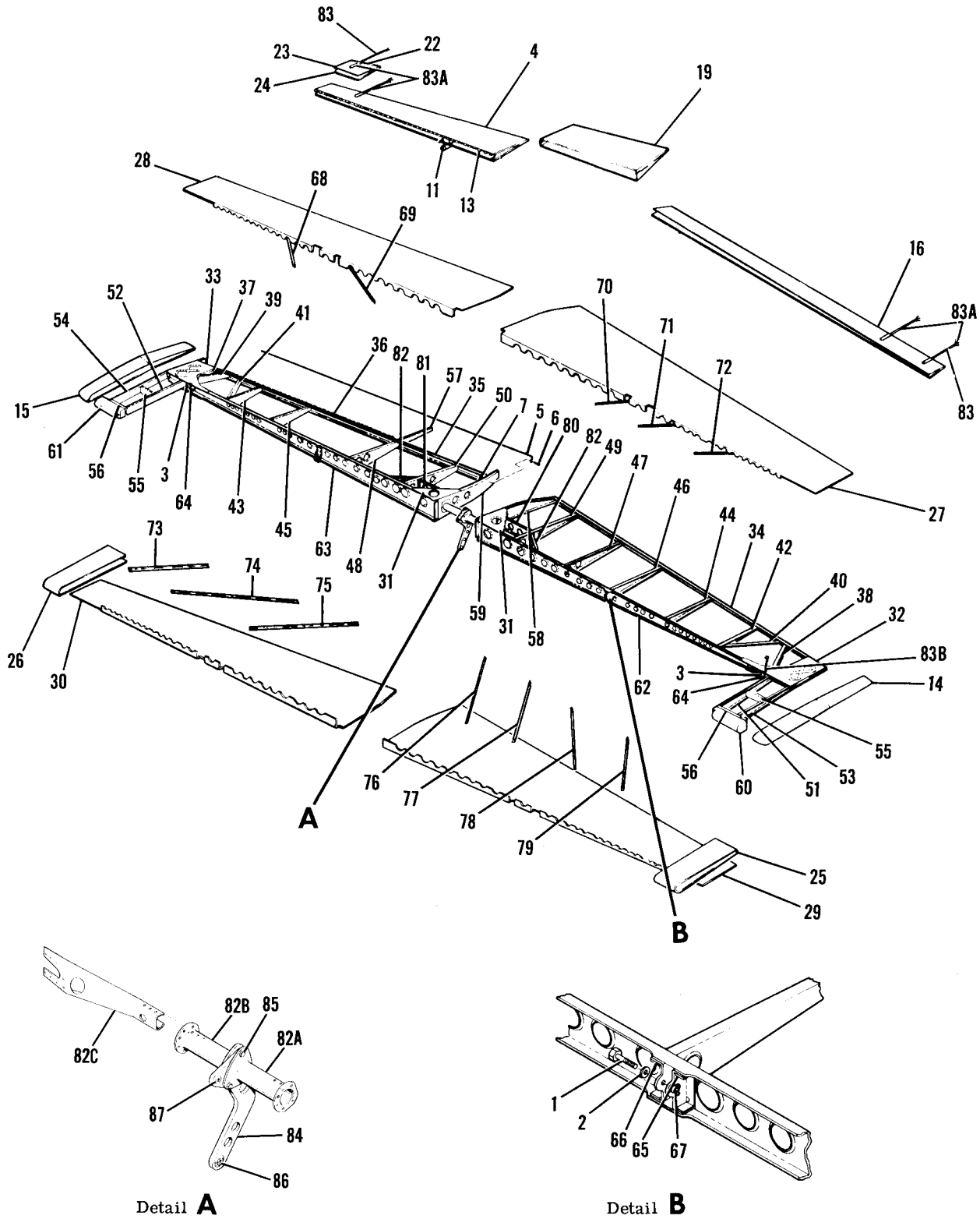


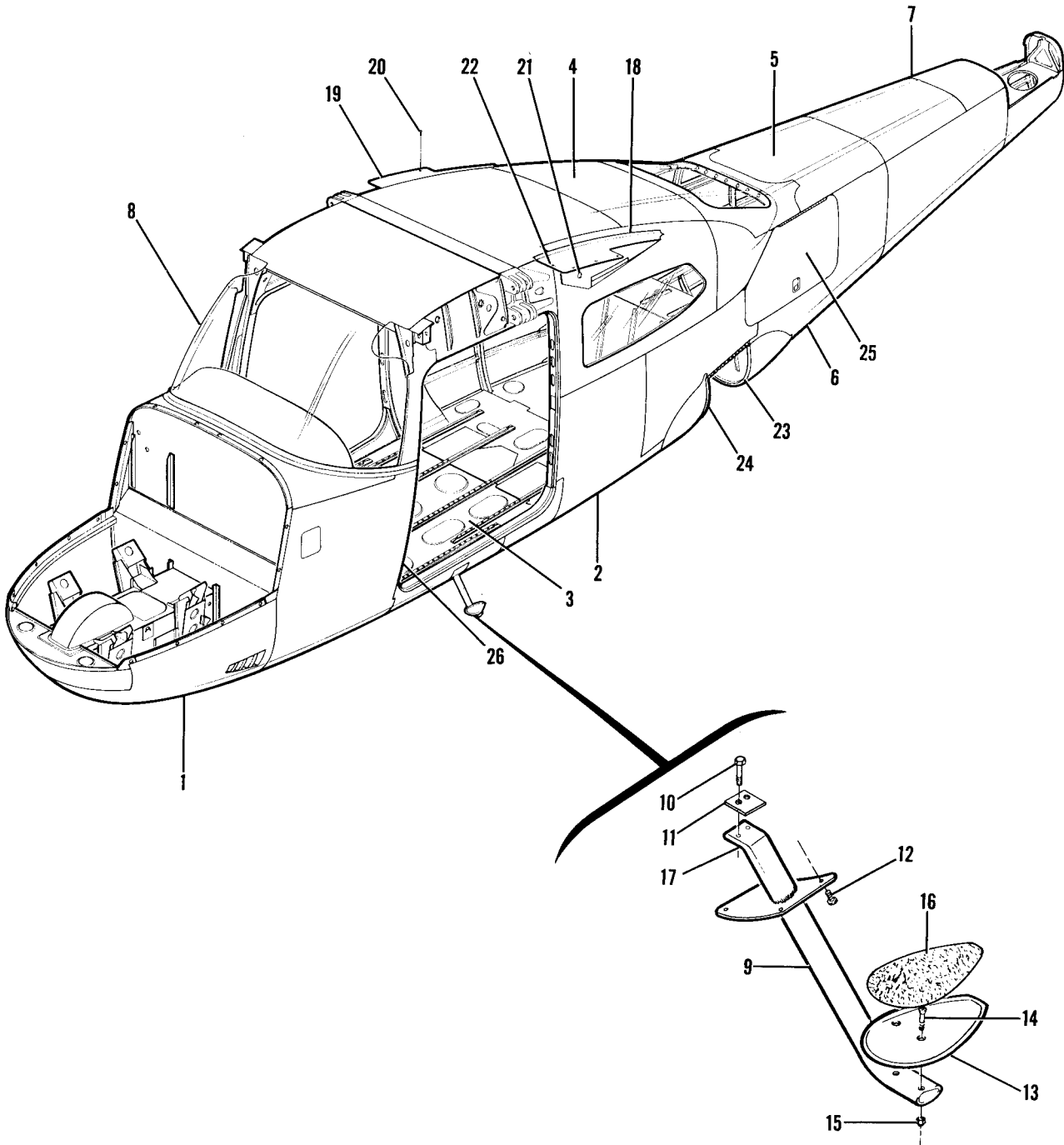
Figure 14. Elevator Installation



FIGURE AND INDEX NO.	PART NUMBER	DESCRIPTION	UNITS PER ASSY	USABLE ON CODE
14 -56	1234639-1	RIB ASSEMBLY-ELEVATOR -----	1	
	NAS680A3	NUTPLATE -----	2	
-57	1234014-2	RIB-ELEVATOR RH AFT STA. 26.865 -----	1	
-58	1234037-1	RIB-ELEVATOR LH STA. 4.750 -----	1	
-59	1234037-2	RIB-ELEVATOR RH STA. 4.750 -----	1	
-60	1234605-7	WEIGHT-ELEVATOR BALANCE LH -----	1	
-61	1234605-8	WEIGHT-ELEVATOR BALANCE RH -----	1	
		ATTACHING PARTS		
	AN509-10R34	SCREW -----	2	
	AN3-15A	BOLT -----	2	
	AN960-10L	WASHER -----	2	
		---*---		
-62	1234638-1	SPAR-FORWARD LH -----	1	
-63	1234638-2	SPAR-FORWARD RH -----	1	
	1234638-5	CHANNEL-SPAR REINFORCEMENT -----	1	
-64	1234625-1	HINGE ASSEMBLY -----	1	
-65	1234008-2	BRACKET-ELEVATOR HINGE INBOARD LH STA. 26.625 -----	1	
-66	1234008-1	BRACKET-ELEVATOR HINGE INBOARD RH STA. 26.625 -----	1	
-67	NAS698A4	NUT-ANCHOR -----	1	
-68	1234648-10	STIFFENER-UPPER RH -----	1	
-69	1234648-6	STIFFENER-UPPER RH -----	1	
-70	1234648-7	STIFFENER-UPPER LH -----	1	
-71	1234648-11	STIFFENER-UPPER LH -----	1	
-72	1234648-15	STIFFENER-UPPER LH -----	1	
-73	1234648-12	STIFFENER-LOWER RH -----	1	
-74	1234648-8	STIFFENER-LOWER RH -----	1	
-75	1234648-2	STIFFENER-LOWER RH -----	1	
-76	1234648-1	STIFFENER-LOWER LH -----	1	
-77	1234648-5	STIFFENER-LOWER LH -----	1	
-78	1234648-9	STIFFENER-LOWER LH -----	1	
-79	1234648-13	STIFFENER-LOWER LH -----	1	
-80	1234646-1	SPAR-AUXILIARY LH -----	1	
-81	1234646-2	SPAR-AUXILIARY RH -----	1	
-82	1234647-1	SPAR-AUXILIARY -----	2	
-82A	1234650-1	TUBE-TORQUE LH -----	1	
-82B	1234650-2	TUBE-TORQUE RH -----	1	
-82C	1234019-2	BRACKET-SPAR TO TORQUE TUBE -----	1	
-83	C592001-0101	STATIC DISCHARGER -----	2	A
		ATTACHING PARTS		
	AN515-6R6	SCREW -----	2	A
	MS21044N06	NUT -----	2	A
	AN960-6	WASHER -----	2	A
		---*---		
-83A	C592001-0103	STATIC DISCHARGER -----	4	C
	C592001-0201	STATIC DISCHARGER -----	4	D
-83B	1570102-1	STRAP ASSY -----	2	B
		ATTACHING PARTS		
	AN515-8R6	SCREW -----	1	B
	MS21044N08	NUT -----	1	B
		---*---		
-84	1260133-1	ARM ASSEMBLY-ELEVATOR -----	1	
		ATTACHING PARTS		
-85	AN4-7A	BOLT -----	3	
	MS21042L6	NUT -----	3	
	AN960-416	WASHER -----	3	
		---*---		
-86	MS20200KP4	BEARING-LOWER -----	1	
-87	MS24462-4	BEARING-UPPER -----	1	

A---210 & T210 SERIAL 21059200 THRU 21059719
 B---210 & T210 SERIAL 21059720 & ON
 C---210 & T210 SERIAL 21059720 THRU 21060539
 D---210 & T210 SERIAL 21060540 & ON

Fuselage



SERIAL 21059200 THRU 21059502

Figure 15. Fuselage Assembly

FIGURE AND INDEX NO.	PART NUMBER	DESCRIPTION	UNITS PER ASSY	USABLE ON CODE
		1 2 3 4 5 6 7		
15 -		FUSELAGE ASSEMBLY -----	NP	
- 1	SEE FIG 16	FORWARD FUSELAGE STRUCTURE ASSEMBLY -----	1	
- 2	SEE FIG 21	LOWER CABIN SECTION COMPONENTS -----	1	
- 3	SEE FIG 24	FLOORBOARDS AND RADIO SHELF INSTALLATION -----	1	
- 4	SEE FIG 25	UPPER CABIN SECTION COMPONENTS -----	1	
- 5	SEE FIG 25A	UPPER AFT CABIN STRUCTURE ASSEMBLY -----	1	
- 6	SEE FIG 22	LOWER AFT CABIN STRUCTURE ASSEMBLY -----	1	
- 7	SEE FIG 29	TAILCONE INSTALLATION -----	1	
- 8	SEE FIG 28	WINDSHIELD INSTALLATION -----	1	
- 9	1213863-1	STEP ASSEMBLY LH-CABIN DOOR -----	1	A
	1213863-2	STEP ASSEMBLY RH-CABIN DOOR -----	1	A
		ATTACHING PARTS		
-10	AN509-10R10	SCREW -----	2	
-11	1212036-1	SHIM -----	1	
-12	AN525-832R6	SCREW -----	8	
		-----*		
-13	1510041-2	STEP-LH CABIN DOOR -----	1	
	1510041-1	STEP-RH CABIN DOOR -----	1	
		ATTACHING PARTS		
-14	AN509-10R16	SCREW -----	2	
-15	MS21044N3	NUT -----	2	
		-----*		
-16	1510040-5	SAFETY STEP -----	1	
-17	NAS698A3	NUTPLATE -----	2	
-18	1220120-7	FILLET ASSEMBLY-WING LH -----	1	
-19	1220120-8	FILLET ASSEMBLY-WING RH -----	1	
		ATTACHING PARTS		
-20	AN509-10R8	SCREW ATTACH TO WING -----	3	
	S290-1032	WASHER ATTACH TO WING -----	3	
		-----*		
-21	S1050-1	GROMMET-3.93 IN LG BULK ITEM REF S1050-1-3.93 -----	1	
		LH ONLY		
-22	NAS697A3	NUTPLATE -----	1	
-23	S1042-1	* SEAL * IN LG BULK ITEM REF S1042-1-* -----	2	
-24	S1042-1	* SEAL * IN LG BULK ITEM REF S1042-1-* -----	2	
	S1042-1	* SEAL * IN LG BULK ITEM REF S1042-1-* -----	2	
	S1042-1	* SEAL * IN LG BULK ITEM REF S1042-1-* -----	2	
		SPRING GEAR DOORS-INBOARD		
		SPRING GEAR DOORS-OUTBOARD		
		ATTACHING PARTS		
	AN960-6L	WASHER -----	2	
	S1021Z4-6	SCREW -----	2	
		-----*		
-25	SEE FIG 47	BAGGAGE DOOR INSTALLATION -----	1	
-26		M.A.A. PLATE -----	NP	
		NOTE. *LENGTH TO BE ADDED LATER		
		A---210 & T210 SERIAL 21059200 THRU 21059502		

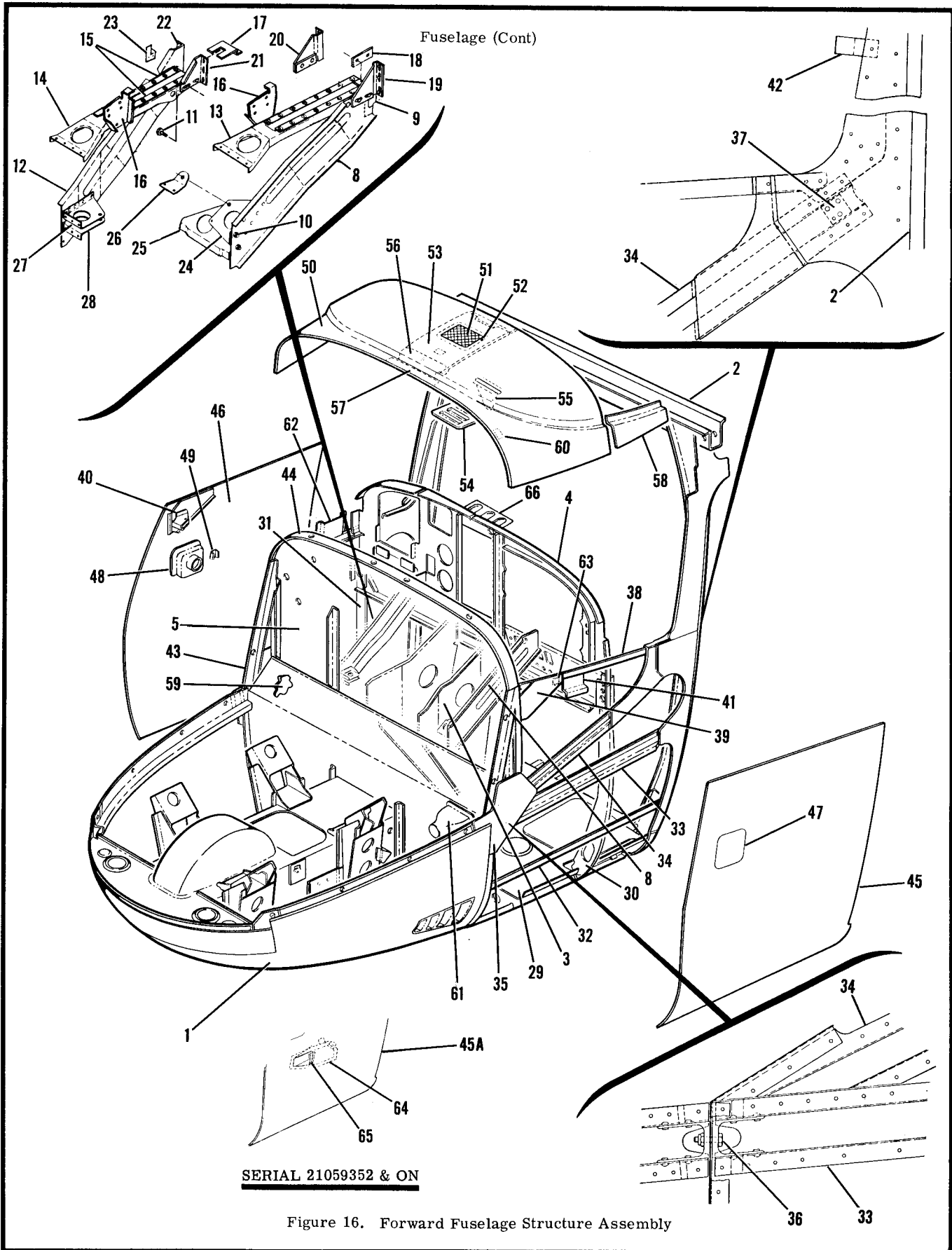


FIGURE AND INDEX NO.	PART NUMBER	DESCRIPTION	UNITS PER ASSY	USABLE ON CODE
16 -		1 2 3 4 5 6 7 FORWARD FUSELAGE STRUCTURE ASSEMBLY ORDER 1291350-1 -----	1	A
	1291350-1	FORWARD FUSELAGE STRUCTURE ASSEMBLY -----	1	B
	1291350-5	FORWARD FUSELAGE STRUCTURE ASSEMBLY -----	1	F
		FORWARD FUSELAGE STRUCTURE ASSEMBLY -----	NP	G
		FORWARD FUSELAGE STRUCTURE ASSEMBLY -----	NP	M
		FORWARD FUSELAGE STRUCTURE ASSEMBLY -----	NP	N
		FORWARD FUSELAGE STRUCTURE ASSEMBLY -----	NP	P
		FORWARD FUSELAGE STRUCTURE ASSEMBLY -----	NP	R
- 1	SEE FIG 17	LOWER FUSELAGE STRUCTURE ASSEMBLY -----	1	Q
	SEE FIG 17A	LOWER FUSELAGE STRUCTURE ASSEMBLY -----	1	R
- 2	SEE FIG 18	FRONT DOOR POST AND BULKHEAD ASSEMBLY -----	1	
- 3	SEE FIG 20	PEDESTAL INSTALLATION -----	1	
- 4	SEE FIG 58	INSTRUMENT PANEL INSTALLATION-STATIONARY -----	1	C
	SEE FIG 58A	INSTRUMENT PANEL INSTALLATION-STATIONARY -----	1	J
	SEE FIG 58B	INSTRUMENT PANEL INSTALLATION-STATIONARY -----	1	N
	SEE FIG 58C	INSTRUMENT PANEL INSTALLATION-STATIONARY -----	1	P
- 5	SEE FIG 26	FIREWALL INSTALLATION -----	1	
- 6		DELETED-NOT USED -----		
- 7		DELETED-NOT USED -----		
- 8	1261421-13	SUPPORT ASSEMBLY-ELEVATOR CONTROL TORQUE TUBE LH -----	1	
		ATTACHING PARTS -----		
	AN515-6R4	SCREW -----	2	
		-----*		
- 9	1213091-2	BRACKET ASSEMBLY -----	1	
	1261421-7	ANGLE -----	1	
-10	NAS697A08	NUTPLATE -----	2	
	NAS697A3	NUTPLATE -----	1	
	NAS680A06	NUTPLATE -----	2	
-11	AN3-3A	BOLT -----	10	
-12	1213051-4	SUPPORT ASSEMBLY-ELEVATOR CONTROL TORQUE TUBE RH -----	1	
	NAS697A3	NUTPLATE -----	1	
-13	1213936-1	GUIDE ASSEMBLY-ELEVATOR CONTROL TORQUE TUBE-LH -----	1	Q
	1213936-5	GUIDE ASSEMBLY-ELEVATOR CONTROL TORQUE TUBE-LH -----	1	R
-14	1213936-2	GUIDE ASSEMBLY-ELEVATOR CONTROL TORQUE TUBE-RH -----	1	
-15	1261420-5	RUB STRIP -----	2	
	AN960PD2	WASHER -----	10	
-16	1270481-1	BRACKET LH ONLY -----	1	Q
	1270811-1	SUPPORT LH ONLY -----	1	R
-17	1213935-1	SUPPORT -----	1	
-18	1213938-6	SPACER-LH OUTBOARD -----	1	
	1213938-7	SPACER-RH OUTBOARD -----	1	
-19	1213937-1	BRACKET ASSEMBLY LH CONTROL ONLY OUTBOARD -----	1	
-20	1213937-2	BRACKET ASSEMBLY LH CONTROL ONLY INBOARD -----	1	
	1213938-2	SPACER-INBOARD -----	1	
	1213938-3	SPACER-OUTBOARD -----	1	
	NAS696A08	NUTPLATE -----	2	
	NAS696A3	NUTPLATE -----	1	
	NAS697A08	NUTPLATE -----	1	
	NAS697A3	NUTPLATE -----	1	
-21	1213931-2	BRACKET ASSEMBLY RH CONTROL ONLY INBOARD -----	1	
-22	1213931-1	BRACKET ASSEMBLY RH CONTROL ONLY OUTBOARD -----	1	
	NAS696A08	NUTPLATE -----	2	
	NAS696A3	NUTPLATE -----	1	
	NAS697A08	NUTPLATE -----	1	
	NAS697A3	NUTPLATE -----	1	
-23	1213148-1	BRACKET-TORQUE TUBE SUPPORT -----	1	
-24	1261424-1	PULLEY BRACKET-ELEVATOR UPPER LH -----	1	
-25	1261424-2	PULLEY BRACKET-ELEVATOR LOWER LH -----	1	
-26	1261436-1	TAB -----	1	
-27	1261418-1	PULLEY BRACKET-ELEVATOR UPPER RH -----	1	
-28	1261418-2	PULLEY BRACKET ASSEMBLY-ELEVATOR LOWER RH -----	1	
	NAS696A08	NUTPLATE -----	1	
-29	SEE FIG 24	FLOORBOARD INSTALLATION-FRONT -----	1	
-30	1213412-23	BULKHEAD-UPPER LH -----	1	
-31	1213412-24	BULKHEAD UPPER RH -----	1	
-32	1213402-1	STIFFENER-DOORPOST TO FIREWALL LH -----	1	
	1213402-2	STIFFENER-DOORPOST TO FIREWALL RH -----	1	
-33	1213414-5	STRINGER ASSEMBLY-DOORPOST TO FIREWALL LH -----	1	
	1213414-6	STRINGER ASSEMBLY-DOORPOST TO FIREWALL RH -----	1	
	1213460-1	CHANNEL -----	1	
-34	1213411-11	AUXILIARY STRINGER ASSEMBLY-DOORPOST TO FIREWALL LH -----	1	
	1213411-12	AUXILIARY STRINGER ASSEMBLY-DOORPOST TO FIREWALL RH -----	1	
	S1154-1	BRACKET -----	1	

CONTINUED ON NEXT PAGE

FIGURE AND INDEX NO.	PART NUMBER	DESCRIPTION	UNITS PER ASSY							USABLE ON CODE
			1	2	3	4	5	6	7	
16 -35	1213416-1	DOUBLER-LH -----							1	
	1213416-2	DOUBLER-RH -----							1	S
	1213736-1	DOUBLER-RH -----							1	T
-36	AN3-6A	BOLT -----							2	
	MS21044N3	NUT -----							2	
-37	1213459-3	SPACER-UPPER DOOR HINGE LH -----							1	
	1213459-4	SPACER-UPPER DOOR HINGE RH -----							1	
-38	1211765-3	STRINGER-SKIN SPLICE LH -----							1	
	1211765-4	STRINGER-SKIN SPLICE RH -----							1	
-39	1260138-3	DOUBLER-PULLEY BRACKET-LH -----							1	A
	1260138-4	DOUBLER-PULLEY BRACKET-RH -----							1	A
	1260138-5	DOUBLER-PULLEY BRACKET-LH -----							1	E
	1260138-6	DOUBLER-PULLEY BRACKET-RH -----							1	E
-40	1260134-9	BRACKET-AILERON PULLEY LH -----							1	A
	1260134-10	BRACKET-AILERON PULLEY RH -----							1	A
	1260123-1	BRACKET ASSEMBLY-AILERON PULLEY LH -----							1	E
	1260123-2	BRACKET ASSEMBLY-AILERON PULLEY-RH -----							1	E
		ATTACHING PARTS								
	AN515-8R8	SCREW ATTACH TO FIREWALL -----							2	E
	AN507-832R6	SCREW -----							4	
	MS21044N08	NUT -----							6	
		*-----								
-41	1213637-1	GUARD-CABLE -----							2	
	1213637-2	STRAP -----							2	
-42	0713107-1	CLIP -----							2	L
-43	1213453-1	ANGLE ASSEMBLY-COWL ATTACH LH -----							1	
	1213453-2	ANGLE ASSEMBLY-COWL ATTACH RH -----							1	S
	1213453-6	ANGLE ASSEMBLY-COWL ATTACH RH -----							1	T
	4002-244-16	RECEPTACLE CLC -----							2	
-44	1213390-1	STRIP ASSEMBLY-COWL ATTACH -----							1	
	4002-244-16	RECEPTACLE CLC -----							4	
-45	1213001-51	SKIN-LH -----							1	C
-45A	1213401-3	SKIN-LH -----							1	D
-46	1213001-52	SKIN-RH -----							1	C
	1213401-4	SKIN-RH -----							1	D
-47	1213475-3	INLET ASSEMBLY-COLD AIR LH -----							1	
-48	1213475-4	INLET ASSEMBLY-COLD AIR RH -----							1	
	1213478-1	DOOR ASSEMBLY-INLET -----							1	
	0713134-1	HINGE ASSEMBLY -----							1	
	MS20253-2-206	PIN-HINGE -----							1	
	1213483-1	SEAL-INLET -----							1	
	1213482-2	LEVER-DOOR -----							1	
	MS24665-132	PIN -----							2	
	MS20392-1C7	PIN -----							2	
	AN960-6L	WASHER -----							1	
	AN960-4L	WASHER -----							1	AR
-49	0450286-1	CLIP -----							2	
-50	1213001-57	SKIN-COWL DECK -----							1	L
	1213401-5	SKIN-COWL DECK -----							1	H
	NAS680A08	NUTPLATE -----							6	H
-51	0713847-11	GRILL -----							1	
-52	AN960-03L	WASHER -----							4	
-53	1213299-1	DOUBLER-DECK SKIN -----							1	L
	1213299-2	DOUBLER ASSY-DECK SKIN -----							1	H
	NAS680A08	NUTPLATE -----							3	H
	NAS697A08K	NUTPLATE -----							1	H
	S1741-1	ANCHOR-STA STRAP -----							1	H
-54	1213929-1	LOUVER-DECK SKIN -----							1	
-55	0713952-1	NOZZLE ASSEMBLY-DEFROST -----							1	L
	1213385-1	NOZZLE ASSEMBLY-DEFROST -----							1	H
-56	1213508-1	SUPPORT BRACKET -----							1	
-57	1213600-7	DOUBLER -----							1	
-58	1213391-1	RETAINER ASSEMBLY-LH -----							1	Q
	1213391-2	RETAINER ASSEMBLY-RH -----							1	Q
	1213391-5	RETAINER ASSEMBLY-LH -----							1	R
	1213391-6	RETAINER ASSEMBLY-RH -----							1	R
	1200454-82	TRIM STRIP-RH -----							1	Q
	1215096-2	TRIM STRIP-RH -----							1	R
	1200454-83	TRIM STRIP-LH -----							1	Q
	1215096-1	TRIM STRIP-LH -----							1	R

CONTINUED ON NEXT PAGE

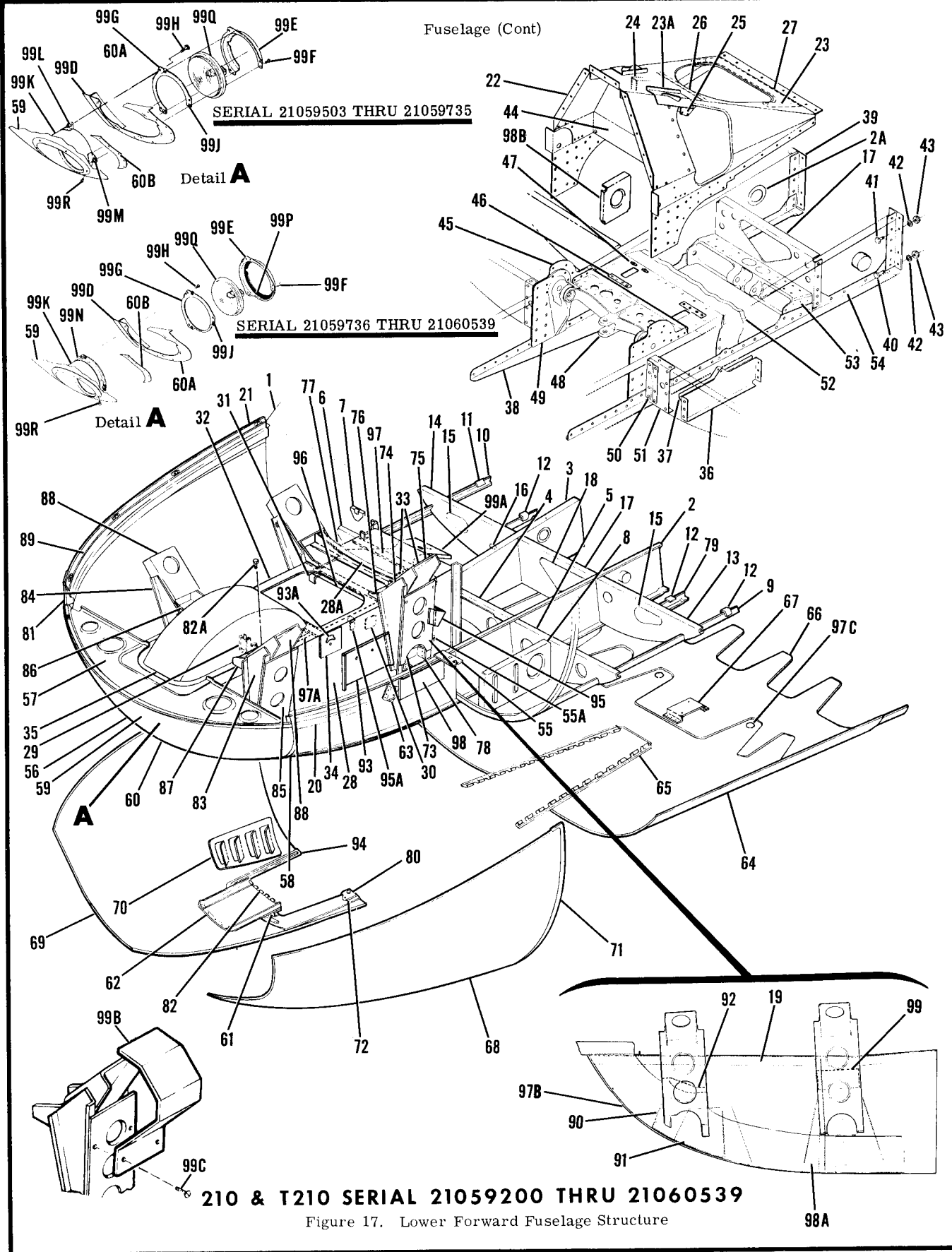
FIGURE AND INDEX NO.	PART NUMBER	DESCRIPTION	UNITS PER ASSY	USABLE ON CODE
16 -59	1253031-10	DUCT ASSEMBLY-HEATER -----	1	C
	1253031-17	DUCT ASSEMBLY-HEATER -----	1	D
	NAS221-6	ATTACHING PARTS -----		
	AN4-3A	SCREW -----	7	
		BOLT -----	1	
		-----*-----		
-60	S1590-4A	BAND -----	5	L
	S1741-3	ANCHOR-STA STRAP -----	5	H
-61	SEE FIG 90 & 91	VALVE ASSEMBLY -----	1	
-62	1213675-1	SUPPORT ASSEMBLY-RH -----	1	
	NAS682A3	NUTPLATE -----	4	
-63	S1592-3A	BAND -----	2	L
		ATTACHING PARTS -----		
	S1021Z6-6	SCREW -----	2	L
		-----*-----		
-64	1213361-1	SCOOP ASSEMBLY-LH -----	1	D
	1213361-2	SCOOP ASSEMBLY-RH -----	1	D
-65	1213362-1	STIFFENER -----	2	D
-66	1213677-1	SUPPORT -----	1	K
		ATTACHING PARTS -----		
	S1021Z8-6	SCREW -----	4	K
		-----*-----		
		A---210 & T210 SERIAL 21059200 THRU 21059245		
		B---210 & T210 SERIAL 21059246 THRU 21059351		
		C---210 & T210 SERIAL 21059200 THRU 21059351		
		D---210 & T210 SERIAL 21059352 & ON		
		E---210 & T210 SERIAL 21059246 & ON		
		F---210 & T210 SERIAL 21059352 THRU 21059502		
		G---210 & T210 SERIAL 21059503 THRU 21059656		
		H---210 & T210 SERIAL 21059720 & ON		
		J---210 & T210 SERIAL 21059352 THRU 21059719		
		K---210 & T210 SERIAL 21059503 THRU 21059719		
		L---210 & T210 SERIAL 21059200 THRU 21059719		
		M---210 & T210 SERIAL 21059657 THRU 21059719		
		N---210 & T210 SERIAL 21059720 THRU 21060089		
		P---210 & T210 SERIAL 21060090 THRU 21060539		
		Q---210 & T210 SERIAL 21059200 THRU 21060539		
		R---210 & T210 SERIAL 21060540 & ON		
		S---210 SERIAL 21059200 & ON		
		T210 SERIAL 21059200 THRU 21060539		
		T---T210 SERIAL 21060540 & ON		

This page intentionally left blank.

FIGURE AND INDEX NO.	PART NUMBER	DESCRIPTION	UNITS PER ASSY	USABLE ON CODE
17 -	1291350-2	LOWER FORWARD FUSELAGE STRUCTURE -----	1	C
	1291350-4	LOWER FORWARD FUSELAGE STRUCTURE -----	1	D
		LOWER FORWARD FUSELAGE STRUCTURE -----	1	N
		LOWER FORWARD FUSELAGE STRUCTURE -----	1	P
		LOWER FORWARD FUSELAGE STRUCTURE -----	1	Q
- 1	1291350-6	FIREWALL ASSEMBLY LOWER -----	1	
	SEE FIG 26			
- 2	1213194-1	BULKHEAD-KEEL LH -----	1	C
	1213194-3	BULKHEAD ASSEMBLY-KEEL LH -----	1	D
	1213194-7	BULKHEAD ASSEMBLY-KEEL LH -----	1	H
- 2A	1213361-5	TUBE-ADAPTER -----	1	
- 3	1213194-2	BULKHEAD-KEEL RH -----	1	C
	1213194-4	BULKHEAD ASSEMBLY-KEEL RH -----	1	D
	1213194-8	BULKHEAD ASSEMBLY-KEEL RH -----	1	H
	1213361-5	TUBE-ADAPTER -----	1	
- 4	1213422-1	BULKHEAD-CENTER -----	1	
- 5	1213422-6	BULKHEAD ASSEMBLY-LH -----	1	
	0713272-1	BRACKET -----	1	
- 6	1213422-4	BULKHEAD-RH WEJ 1213539-1 -----	1	E
	1213539-1	BULKHEAD-RH -----	1	F
- 7	1213517-1	DOUBLER-RH BULKHEAD -----	1	
- 8	1261415-3	BULKHEAD ASSEMBLY-LH -----	1	
	1264437-1	TAB-PARKING BRAKE -----	1	
	1261415-2	BULKHEAD-RH -----	1	
- 9	1213403-3	STRINGER-LH -----	1	
-10	1213403-4	STRINGER-RH -----	1	
-11	1213514-1	BRACKET-FUEL RESERVOIR LH -----	1	
	1213514-2	BRACKET-FUEL RESERVOIR RH -----	1	
-12	1213514-3	BRACKET-FUEL RESERVOIR -----	6	
-13	1213412-47	BULKHEAD ASSEMBLY-LOWER LH -----	1	
-14	1213412-34	BULKHEAD ASSEMBLY-LOWER RH -----	1	
	1213412-30	RETAINER HALF UPPER -----	1	
	1213412-31	RETAINER HALF LOWER -----	1	
-15	1213412-32	SEAL -----	1	
-16	1213412-25	SEAL RH ONLY -----	1	
	1213412-26	RETAINER HALF RH ONLY -----	2	
-17	1213412-17	BULKHEAD ASSEMBLY-LOWER CENTER -----	1	
	1213412-28	RETAINER-JPPER -----	1	
	1213412-29	RETAINER-LOWER -----	2	
-18	1213412-27	SEAL -----	1	
-19	1213183-1	ANGLE-LH -----	1	G
	1213183-3	ANGLE-LH -----	1	H
	1213183-2	ANGLE-RH -----	1	G
	1213183-4	ANGLE-RH -----	1	H
-20	1213417-9	STRINGER ASSEMBLY-LH -----	1	
-21	1213417-10	STRINGER ASSEMBLY-RH -----	1	
	4002-244-16	RECEPTACLE CLC -----	4	
	NAS697A3	NUTPLATE -----	1	
-22	1253411-2	PANEL-RH SIDE -----	1	
	1253411-11	PANEL-LH SIDE -----	1	
-23	1213420-25	COVER ASSEMBLY-AFT FIREWALL -----	1	G
	1213420-27	COVER ASSEMBLY-AFT FIREWALL -----	1	H
-23A	1260213-1	DOUBLER-LH -----	1	
	1260213-2	DOUBLER-RH -----	1	
-24	1260214-2	BRACKET-ELEVATOR PULLEY RH -----	1	
-25	1260214-1	BRACKET-ELEVATOR PULLEY LH -----	1	
-26	1213420-6	ANGLE -----	1	
-27	1213420-21	DOUBLER ASSEMBLY -----	1	
	MS21044N08	NUTPLATE -----	6	
-28	1213184-1	TUNNEL WALL-LH -----	1	
	1213184-2	TUNNEL WALL-RH -----	1	
-28A	1213343-1	CHANNEL-AFT ENGINE MOUNT -----	1	
-29	1217019-1	BRACKET ASSEMBLY-NOSE GEAR DOOR ACTUATOR ATTACH -----	1	
-30	1217026-2	BRACKET -----	1	
-31	1217026-1	BRACKET -----	1	
-32	1213181-5	TUNNEL TOP ASSEMBLY -----	1	
-33	NAS697A04L	NUTPLATE -----	2	
-34	1213801-1	STIFFENER-LH -----	1	
	1213801-2	STIFFENER-RH -----	1	
-35	1213181-2	COVER-WHEEL -----	1	
-36	1261416-1	SUPPDRT ASSEMBLY-BRAKE CYLINDER -----	2	
-37	1261416-3	BRACKET -----	1	
-38	1213423-1	DOUBLER -----	1	

CONTINUED ON NEXT PAGE

Fuselage (Cont)



210 & T210 SERIAL 21059200 THRU 21060539

Figure 17. Lower Forward Fuselage Structure



FIGURE AND INDEX NO.	PART NUMBER	DESCRIPTION	UNITS PER ASSY	USABLE ON CODE
17 -39	1213421-1	TEE-KEEL ATTACH ATTACHING PARTS -----	2	
-40	AN3-5A	BOLT -----	4	
-41	AN3-4A	BOLT -----	4	
-42	AN960-10L	WASHER -----	8	
-43	MS21044N3	NUT -----	8	
-44	1253411-28	CENTER PANEL ASSEMBLY-UPPER -----	1	G
	1253411-29	CENTER PANEL ASSEMBLY-UPPER -----	1	H
	NAS697A08	NUTPLATE -----	2	
-45	1253411-26	FIREWALL ASSEMBLY-TUNNEL LOWER -----	1	
-46	1253062-1	STUD ASSEMBLY -----	4	
-47	NAS697A08	NUTPLATE -----	4	
-48	1213432-1	SUPPORT-NOSE GEAR -----	1	
-49	1213426-2	FITTING ASSEMBLY-NOSE GEAR-RH -----	1	
	1213426-1	FITTING ASSEMBLY-NOSE GEAR-LH -----	1	
-50	1213457-1	ANGLE-FIREWALL -----	1	
-51	1213456-1	CHANNEL-FIREWALL LH -----	1	
	1213456-2	CHANNEL-FIREWALL RH -----	1	
-52	1213424-1	DOUBLER -----	1	
-53	1213425-2	FITTING NOSE GEAR DRAG -----	1	
-54	1213404-1	ANGLE-LH -----	1	
	1213404-2	ANGLE-RH -----	1	
-55	1213440-3	BRACKET-LH -----	1	
	1213440-2	BRACKET-RH -----	1	
-55A	NAS697A08	NUTPLATE -----	3	
-56	1252410-37	NOSE CAP ASSEMBLY-LOWER -----	1	G
	1252410-45	NOSE CAP ASSEMBLY-LOWER -----	1	H
-57	1213197-5	BULKHEAD ASSEMBLY -----	1	G
	1213197-9	BULKHEAD ASSEMBLY WEU 1213197-14 -----	1	L
	1213197-14	BULKHEAD ASSEMBLY -----	1	M
	NAS697A3	NUTPLATE -----	8	
	AN515-6R5	SCREW -----	4	M
	NAS697A06L	NUTPLATE -----	4	M
	1252017-2	HEATSHIELD -----	1	M
-58	1252410-33	DOUBLER-LH -----	1	
	1252410-34	DOUBLER-RH -----	1	
-59	1252410-38	SKIN-NOSE CAP LOWER -----	1	G
	1252410-41	SKIN-NOSE CAP LOWER -----	1	H
-60	1252410-35	DOUBLER -----	1	G
	1252410-42	DOUBLER -----	1	H
-60A	1252016-1	DOUBLER ASSEMBLY-LH -----	1	H
	1252016-2	DOUBLER ASSEMBLY-RH -----	1	H
	NAS697A08	NUTPLATE -----	5	
-60B	1252016-5	SHIM-LH -----	1	H
	1252016-6	SHIM-RH -----	1	H
-61	1213263-1	MOUNT-COWL FLAP HINGE LH -----	1	
	1213263-2	MOUNT-COWL FLAP HINGE RH -----	1	
-62	1213450-3	SUPPORT-HINGE LH -----	1	
	1213450-4	SUPPORT-HINGE RH -----	1	
	1213496-5	BRACE-HINGE SUPPORT LH OUTBOARD & RH INBOARD -----	2	
	1213496-6	BRACE-HINGE SUPPORT LH INBOARD & RH OUTBOARD -----	2	
-63	1213429-1	BRACKET HINGE -----	8	
-64	1213001-14	SKIN FORWARD FUSELAGE LOWER -----	1	G
	1213401-6	SKIN FORWARD FUSELAGE LOWER -----	1	H
-65	1213431-3	HINGE HALF -----	2	
-66	1213461-1	DOUBLER -----	1	
-67	1213405-1	BRACKET ASSEMBLY-FUEL -----	1	
	NAS697A4	NUTPLATE -----	2	
-68	1213401-7	SKIN ASSEMBLY COWL LOWER-LH -----	1	
-69	1213401-8	SKIN ASSEMBLY COWL LOWER-RH -----	1	A
	1213401-12	SKIN ASSEMBLY COWL LOWER-RH -----	1	B
	1213310-1	SUPPORT-LH -----	1	
	1213310-2	SUPPORT-RH -----	1	
	1213538-1	DOUBLER-EXHAUST OPENING -----	1	B
	1213309-1	LOUVER-LH -----	1	
-70	1213309-2	LOUVER-RH -----	1	

CONTINUED ON NEXT PAGE

FIGURE AND INDEX NO.	PART NUMBER	DESCRIPTION	UNITS PER ASSY	USABLE ON CODE
17 -71	1213001-12	ATTACH STRIP-COWL LH -----	1	S
	1213389-1	ATTACH STRIP-COWL LH -----	1	Q
	1213001-13	ATTACH STRIP-COWL RH -----	1	S
	1213389-2	ATTACH STRIP-COWL RH -----	1	Q
-72	1213458-2	STOP-RH -----	1	
	1213458-1	STOP-LH -----	1	
	1213433-34	ENGINE MOUNT ASSEMBLY-REAR RH -----	1	
	1213433-35	ENGINE MOUNT ASSEMBLY-REAR LH -----	1	
-73	1213433-2	COVER-ENGINE MOUNT LH -----	1	
	1213433-33	COVER-ENGINE MOUNT RH -----	1	
-74	1213433-3	BRACKET-ENGINE MOUNT LH FORWARD & RH AFT -----	1	
	1213433-4	BRACKET-ENGINE MOUNT RH FORWARD & LH AFT -----	1	
-75	1213433-16	SUPPORT-ENGINE MOUNT -----	1	
-76	1213186-1	SUPPORT-ENGINE MOUNT LOWER LH -----	1	
-77	1213186-2	SUPPORT-ENGINE MOUNT LOWER RH -----	1	
	A6191-6Z1	NUTPLATE TIN -----	2	
-78	1213754-1	BRACKET-LH -----	1	
	1213754-2	BRACKET-RH -----	1	
-79	1213462-1	STIFFENER-LH -----	1	
	1213621-1	STIFFENER-RH -----	1	
-80	S1929-1	BUMPER-COWL FLAP -----	4	
-81	1250844-8	DOUBLER ASSEMBLY RH -----	1	
	1250844-7	DOUBLER ASSEMBLY LH -----	1	
-82	1213261-200	HINGE ASSEMBLY-COWL FLAP -----	2	
	1213433-37	ENGINE MOUNT ASSEMBLY-FORWARD LH -----	1	
	1213433-36	ENGINE MOUNT ASSEMBLY-FORWARD RH -----	1	
		ATTACHING PARTS		
-82A	AN3-3A	BOLT -----	3	
	AN960-10L	WASHER -----	3	
	MS21044N3	NUT -----	3	
		---*---		
-83	1213433-9	BRACKET LH FORWARD & RH AFT -----	1	
-84	1213433-10	BRACKET RH FORWARD & LH AFT -----	1	
-85	1213433-8	COVER -----	1	
-86	1213433-32	CHANNEL RH -----	1	
-87	1213433-31	CHANNEL LH -----	1	
-88	1213433-17	SUPPORT -----	1	
	A6191-6Z1	NUTPLATE TIN -----	2	
-89	1213657-4	STIFFENER BULKHEAD-RH -----	1	
	1213657-3	STIFFENER BULKHEAD-LH -----	1	
-90	1213187-1	DOUBLER-LH -----	1	
	1213187-2	DOUBLER-RH -----	1	
-91	1213195-1	ANGLE-LH -----	1	
	1213195-2	ANGLE-RH -----	1	
-92	1250861-1	SHIM-ENGINE MOUNT LH -----	1	
	1250861-2	SHIM-ENGINE MOUNT RH -----	1	
-93	1216615-1	SUPPORT-FUEL STRAINER -----	1	
-93A	1726049-1	CLIP FUEL DRAIN -----	2	
-94	1213446-4	DOUBLER COWL FLAP RH -----	1	
	1213446-3	DOUBLER COWL FLAP LH -----	1	
-95	1213528-1	CLAMP-BRACKET LH -----	1	
	1213528-2	CLAMP-BRACKET RH -----	1	
-95A	1216616-1	SUPPORT-FUEL STRAINER -----	1	
-96	1243027-2	SUPPORT -----	1	
-97	1243027-3	SUPPORT -----	1	
-97A	1213185-1	STIFFENER-LH -----	1	
	1213185-2	STIFFENER-RH -----	1	
	1213185-3	STIFFENER -----	1	
-97B	1213862-1	BUMPER -----	1	
	1213862-2	BUMPER -----	1	
-97C	CM2692-36-1S	PLUG BUTTON -----	2	
-98	1213530-1	DOUBLER-LH -----	1	
	1213530-2	DOUBLER-RH -----	1	
-98A	1213529-1	DOUBLER-LH -----	1	
	1213529-2	DOUBLER-RH -----	1	
-98B	1213296-1	BULKHEAD -----	1	
-99	1213176-1	DOUBLER-RH -----	1	

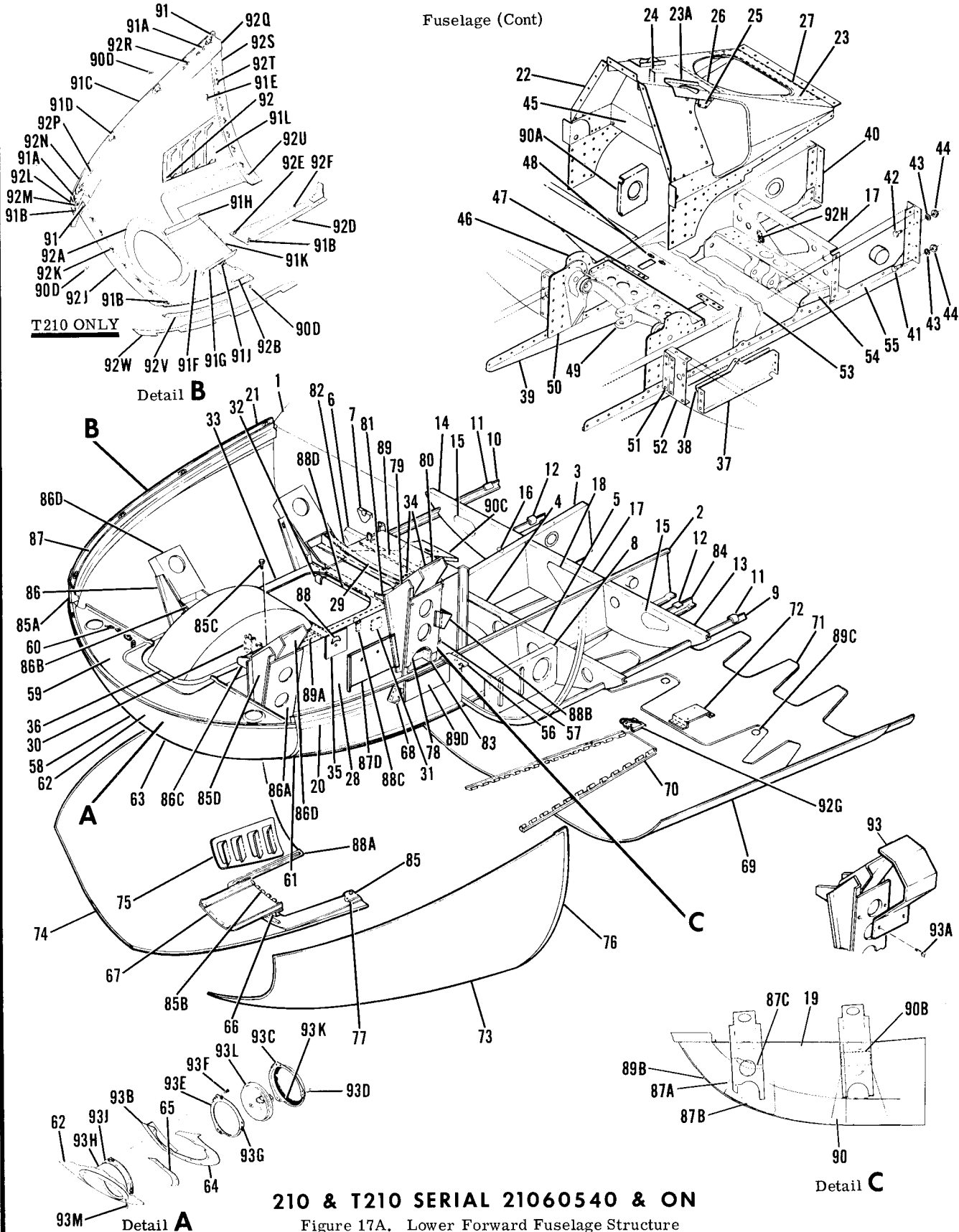
CONTINUED ON NEXT PAGE



FIGURE AND INDEX NO.	PART NUMBER	DESCRIPTION	UNITS PER ASSY	USABLE ON CODE
17 -99A	1213179-3	DOUBLER ASSEMBLY -----	1	G
	1213179-5	DOUBLER ASSEMBLY -----	1	H
-99B	S1863-3	NUTPLATE -----	2	
	1250918-2	SHIELD-HEAT -----	4	
-99C	S102126-6	ATTACHING PARTS		
		SCREW -----	2	
-99D	1252016-7	DOUBLER-LH -----	1	H
	1252016-8	DOUBLER-RH -----	1	H
	1252014-35	SUPPORT ASSY-LH FSD 1252014-35 -----	NP	J
		SUPPORT ASSY-LH FSD 1252014-35 -----	NP	K
	1252014-36	SUPPORT ASSY-LH -----	1	T
		SUPPORT ASSY-RH FSD 1252014-36 -----	NP	J
-99E	1252015-1	SUPPORT ASSY-RH FSD 1252014-36 -----	NP	K
	0752644-1	SUPPORT ASSY-RH -----	1	T
	1252015-2	BRACKET-LH -----	1	R
	0752644-2	BRACKET-LH -----	1	T
-99F	S102126-8	BRACKET-RH -----	1	R
		BRACKET-RH -----	1	T
-99G	1252015-4	ATTACHING PARTS		
		SCREW -----	3	R
-99H	AN515-8R8	SCREW -----	2	T
		SCREW -----		
-99J	NAS488-1-3	PLATE ASSY-LH -----	1	R
		PLATE ASSY-LH -----	1	T
-99K	1252014-1	PLATE ASSY-RH -----	1	R
		PLATE ASSY-RH -----	1	T
-99L	1252018-2	PLATE ASSY-RH -----	1	R
		PLATE ASSY-RH -----	1	T
-99M	1252014-5	ATTACHING PARTS		
		SCREW -----	3	
-99N	0752645-1	SCREW -----		
		NUTPLATE -----	3	
-99P	NAS697A08	SUPPORT ASSY-LH WEU 1252014-25 -----	1	J
		SUPPORT ASSY-LH WEU 1252014-33 -----	1	K
-99Q	0752645-2	SUPPORT ASSY-LH -----	1	T
		SUPPORT ASSY-RH WEU 1252014-26 -----	1	J
-99R	AN507-832R6	SUPPORT ASSY-RH WEU 1252014-34 -----	1	K
		SUPPORT ASSY-RH -----	1	T
-99S	1252014-2	CLIP ASSY-LH WEU 1252018-2 -----	1	J
		CLIP ASSY-LH -----	1	K
-99T	1252014-11	CLIP ASSY-RH WEU 1252018-1 -----	1	J
		CLIP ASSY-RH -----	1	K
-99U	NAS697A08	NUTPLATE -----	1	
		CLIP ASSY-LH WEU 1252018-9 -----	1	J
-99V	0752645-1	CLIP ASSY-LH -----	1	K
		CLIP ASSY-RH WEU 1252018-10 -----	1	J
-99W	NAS697A08	CLIP ASSY-RH -----	1	K
		NUTPLATE -----	1	
-99X	0752645-2	RING ASSY-ATTACH LH -----	1	T
		RING ASSY-ATTACH RH -----	1	T
-99Y	4591	NUTPLATE -----	3	
		GASKET -----	AR	T
-99Z	AN507-832R6	LAMP GE -----	2	
		SCREW -----	10	H

- A---210 SERIAL 21059200 THRU 21060539
- B---T210 SERIAL 21059200 THRU 21060539
- C---210 & T210 SERIAL 21059200 THRU 21059351
- D---210 & T210 SERIAL 21059352 THRU 21059502
- E---210 & T210 SERIAL 21059200 THRU 21059404
- F---210 & T210 SERIAL 21059405 THRU 21060539
- G---210 & T210 SERIAL 21059200 THRU 21059502
- H---210 & T210 SERIAL 21059503 THRU 21060539
- J---210 & T210 SERIAL 21059503 THRU 21059656
- K---210 & T210 SERIAL 21059657 THRU 21059735
- L---210 & T210 SERIAL 21059503 THRU 21059734
- M---210 & T210 SERIAL 21059735 THRU 21060539
- N---210 & T210 SERIAL 21059503 THRU 21059656
- P---210 & T210 SERIAL 21059657 THRU 21059719
- Q---210 & T210 SERIAL 21059720 THRU 21060539
- R---210 & T210 SERIAL 21059503 THRU 21059735
- S---210 & T210 SERIAL 21059200 THRU 21059719
- T---210 & T210 SERIAL 21059736 THRU 21060539

Fuselage (Cont)



210 & T210 SERIAL 21060540 & ON

Figure 17A. Lower Forward Fuselage Structure



FIGURE AND INDEX NO.	PART NUMBER	DESCRIPTION	UNITS PER ASSY	USABLE ON CODE		
					1	2
17A-		LOWER FORWARD FUSELAGE STRUCTURE 210 -----	1	A		
		LOWER FORWARD FUSELAGE STRUCTURE T210 -----	1	B		
- 1	SEE FIG 26	FIREWALL ASSY-LOWER -----	1			
- 2	1213194-7	BULKHEAD ASSY-KEEL LH -----	1			
	1213361-5	TUBE-ADAPTER -----	1			
- 3	1213194-8	BULKHEAD ASSY-KEEL RH 210 -----	1	A		
	1213194-10	BULKHEAD ASSY-KEEL RH T210 -----	1	B		
	1213361-5	TUBE-ADAPTER -----	1			
- 4	1213422-1	BULKHEAD-CENTER -----	1			
- 5	1213422-6	BULKHEAD ASSY-LH -----	1			
	0713272-1	BRACKET -----	1			
- 6	1213539-1	BULKHEAD-RH -----	1			
- 7	1213517-1	DOUBLER-RH BULKHEAD -----	1			
- 8	1261415-3	BULKHEAD ASSY-LH -----	1			
	1264437-1	TAB-PARKING BRAKE -----	1			
	1261415-2	BULKHEAD-RH -----	1			
- 9	1213403-3	STRINGER-LH -----	1			
-10	1213403-4	STRINGER-RH -----	1			
-11	1213514-1	BRACKET-FUEL RESERVOIR LH -----	1			
	1213514-2	BRACKET-FUEL RESERVOIR RH -----	1			
-12	1213514-3	BRACKET-FUEL RESERVOIR -----	6			
-13	1213412-47	BULKHEAD ASSY-LOWER LH -----	1			
-14	1213412-34	BULKHEAD ASSY-LOWER RH -----	1			
	1213412-30	RETAINER HALF-UPPER -----	1			
	1213412-31	RETAINER HALF-LOWER -----	1			
-15	1213412-32	SEAL -----	1			
-16	1213412-25	SEAL RH ONLY -----	1			
	1213412-26	RETAINER HALF RH ONLY -----	1			
-17	1211507-1	BULKHEAD ASSY-LOWER CENTER -----	1			
	1213412-28	RETAINER-UPPER -----	1			
	1213412-29	RETAINER-LOWER -----	2			
-18	1213412-27	SEAL -----	1			
	NAS697A08	NUTPLATE -----	2			
-19	1213183-3	ANGLE-LH -----	1			
	1213183-4	ANGLE-RH -----	1			
-20	1213417-9	STRINGER ASSY-LH -----	1			
-21	1213417-10	STRINGER ASSY-RH 210 -----	1	A		
	4002-244-16	RECEPTACLE CLC -----	4			
	NAS697A3	NUTPLATE -----	1			
-22	1253411-2	PANEL-RH SIDE -----	1			
	1253411-11	PANEL-LH SIDE -----	1			
-23	1213420-29	COVER ASSY-AFT FIREWALL -----	1			
-23A	1260213-1	DOUBLER-LH -----	1			
	1260213-2	DOUBLER-RH -----	1			
-24	1260214-2	BRACKET-ELEVATOR PULLEY RH -----	1			
-25	1260214-1	BRACKET-ELEVATOR PULLEY LH -----	1			
-26	1213420-6	ANGLE -----	1			
-27	1213420-31	DOUBLER ASSY -----	1			
	NAS697A08	NUTPLATE -----	8			
-28	1213184-1	TUNNEL WALL-LH -----	1			
	1213184-2	TUNNEL WALL-RH -----	1			
-29	1213343-1	CHANNEL-AFT ENGINE MOUNT -----	1			
-30	1217019-1	BRACKET ASSY-NOSE GEAR DOOR ACTUATOR ATTACH -----	1			
-31	1217026-1	BRACKET -----	1			
-32	1217026-2	BRACKET -----	1			
-33	1213181-5	TUNNEL TOP ASSY -----	1			
-34	NAS697A04L	NUTPLATE -----	2			
-35	1213801-1	STIFFENER-LH -----	1			
	1213801-2	STIFFENER-RH -----	1			
-36	1213181-2	COVER-WHEEL -----	1			
-37	1261416-1	SUPPORT ASSY-BRAKE CYLINDER -----	2			
-38	1261416-3	BRACKET -----	1			
-39	1213423-1	DOUBLER -----	1			
-40	1213421-1	TEE-KEEL ATTACH -----	2			
		ATTACHING PARTS -----				
-41	AN3-5A	BOLT -----	4			
-42	AN3-4A	BOLT -----	4			
-43	AN960-10L	WASHER -----	8			
-44	MS21044N3	NUT -----	8			
		---*---				
-45	1253411-29	CENTER PANEL ASSY-UPPER -----	1			
	NAS697A08	NUTPLATE -----	2			

CONTINUED ON NEXT PAGE

FIGURE AND INDEX NO.	PART NUMBER	DESCRIPTION	UNITS PER ASSY							USABLE ON CODE
			1	2	3	4	5	6	7	
17A-46	1253411-26	FIREWALL ASSY-TUNNEL LOWER	1							
-47	1253062-1	STUD ASSY	4							
-48	NAS697A08	NUTPLATE	4							
-49	1213432-1	SUPPORT-NOSE GEAR	1							
-50	1213426-2	FITTING ASSY-NOSE GEAR RH	1							
	1213426-1	FITTING ASSY-NOSE GEAR LH	1							
-51	1213457-1	ANGLE-FIREWALL	1							
-52	1213456-1	CHANNEL-FIREWALL LH	1							
	1213456-2	CHANNEL-FIREWALL RH	1							
-53	1213424-1	DOUBLER	1							
-54	1213425-2	FITTING-NOSE GEAR DRAG	1							
-55	1213404-1	ANGLE-LH	1							
	1213404-2	ANGLE-RH	1							
-56	1213440-3	BRACKET-LH	1							
	1213440-2	BRACKET-RH	1							
-57	NAS697A08	NUTPLATE	3							
-58	1252410-45	NOSE CAP ASSY-LOWER 210	1							A
	1252410-47	NOSE CAP ASSY-LOWER T210	1							B
-59	1213197-14	BULKHEAD ASSY 210	1							A
	1213197-18	BULKHEAD ASSY T210	1							B
-60	NAS697A06L	NUTPLATE	4							
	1252017-2	HEAT SHIELD	1							
	AN515-6R5	ATTACHING PARTS SCREW	4							
	NAS697A3	NUTPLATE	8							
-61	1252410-33	DOUBLER-LH	1							
	1252410-34	DOUBLER-RH	1							
-62	1252410-41	SKIN-NOSE CAP LOWER 210	1							A
	1252410-50	SKIN-NOSE CAP LOWER T210	1							B
-63	1252410-42	DOUBLER 210	1							A
	1252410-49	DOUBLER T210	1							B
-64	1252016-1	DOUBLER ASSY-LH	1							
	1252016-2	DOUBLER ASSY-RH	1							
-65	NAS697A08	NUTPLATE	5							
	1252016-5	SHIM-LH	1							
	1252016-6	SHIM-RH	1							
-66	1213263-1	MOUNT-COWL FLAP HINGE LH	1							
	1213263-2	MOUNT-COWL FLAP HINGE RH 210	1							A
-67	1213450-3	SUPPORT-HINGE LH	1							
	1213450-4	SUPPORT-HINGE RH 210	1							A
	1213496-5	BRACE-HINGE SUPPORT LH OUTBD & RH INBD 210	2							A
	1213496-5	BRACE-HINGE SUPPORT LH OUTBD T210	1							B
	1213496-6	BRACE-HINGE SUPPORT LH INBD & RH OUTBD 210	2							A
	1213496-6	BRACE-HINGE SUPPORT LH INBD T210	1							B
-68	1213429-1	BRACKET-HINGE	8							
-69	1213401-6	SKIN-FORWARD FUSELAGE LWR	1							
-70	1213431-3	HINGE HALF	2							
-71	1213461-1	DOUBLER	1							
-72	1213405-1	BRACKET ASSY-FUEL	1							
	NAS697A4	NUTPLATE	2							
-73	1213401-7	SKIN ASSY-COWL LOWER LH	1							
-74	1213401-8	SKIN ASSY-COWL LOWER RH 210	1							A
	1213310-1	SUPPORT-LH	1							
	1213310-2	SUPPORT-RH	1							
-75	1213309-2	LOUVER-RH	1							
	1213309-1	LOUVER-LH	1							
	1213401-25	SKIN-COWL LOWER RH T210	1							B
-76	1213389-1	STRIP-COWL LH ATTACH	1							
	1213389-2	STRIP-COWL RH ATTACH 210	1							A
-77	1213458-2	STOP-RH	1							
	1213458-1	STOP-LH	1							
	1213433-34	ENGINE MOUNT ASSY-REAR RH	1							
	1213433-35	ENGINE MOUNT ASSY-REAR LH	1							
-78	1213433-2	COVER-ENGINE MOUNT LH	1							
	1213433-33	COVER-ENGINE MOUNT RH	1							
-79	1213433-3	BRACKET-ENGINE MOUNT LH FORWARD & RH AFT	1							
	1213433-4	BRACKET-ENGINE MOUNT RH FORWARD & LH AFT	1							
-80	1213433-16	SUPPORT-ENGINE MOUNT	1							
-81	1213186-1	SUPPORT-ENGINE MOUNT LOWER LH	1							
-82	1213186-2	SUPPORT-ENGINE MOUNT LOWER RH	1							
	A6191-6Z1	NUTPLATE TIN	2							

CONTINUED ON NEXT PAGE



FIGURE AND INDEX NO.	PART NUMBER	DESCRIPTION	UNITS PER ASSY	USABLE ON CODE
17A-83	1213754-1	BRACKET-REAR ENGINE MOUNT LH -----	1	
	1213754-2	BRACKET-REAR ENGINE MOUNT RH -----	1	
-84	1213462-1	STIFFENER-LH -----	1	
	1213621-1	STIFFENER-RH -----	1	
-85	S1929-1	BUMPER-COWL FLAP -----	4	
-85A	1250844-8	DOUBLER ASSY-RH 210 -----	1	A
	1250844-7	DOUBLER ASSY-LH -----	1	
-85B	1213261-200	HINGE ASSY-COWL FLAP 210 -----	1	A
	1213433-37	ENGINE MOUNT ASSY-FWD LH -----	1	
	1213433-36	ENGINE MOUNT ASSY-FWD RH -----	1	
		ATTACHING PARTS		
-85C	AN3-3A	BOLT -----	3	
	AN960-10L	WASHER -----	3	
	MS21044N3	NUT -----	3	
		---*---		
-85D	1213433-9	BRACKET LH FORWARD & RH AFT -----	1	
-86	1213433-10	BRACKET RH FORWARD & LH AFT -----	1	
-86A	1213433-8	COVER -----	1	
-86B	1213433-32	CHANNEL-RH -----	1	
-86C	1213433-31	CHANNEL-LH -----	1	
-86D	1213433-17	SUPPORT -----	1	
	A6191-6Z1	NUTPLATE TIN -----	2	
-87	1213657-4	STIFFENER-BULKHEAD RH -----	1	
	1213657-3	STIFFENER-BULKHEAD LH -----	1	
-87A	1213187-1	DOUBLER-LH -----	1	
	1213187-2	DOUBLER-RH -----	1	
-87B	1213195-1	ANGLE-LH -----	1	
	1213195-2	ANGLE-RH 210 -----	1	A
-87C	1250861-1	SHIM-ENGINE MOUNT LH -----	1	
	1250861-2	SHIM-ENGINE MOUNT RH -----	1	
-87D	1216615-1	SUPPORT-FUEL STRAINER -----	1	
-88	1726049-1	CLIP-FUEL DRAIN -----	2	
-88A	1213446-4	DOUBLER-COWL FLAP RH 210 -----	1	A
	1213446-3	DOUBLER-COWL FLAP LH -----	1	
-88B	1213528-1	CLAMP-BRACKET LH -----	1	
	1213528-2	CLAMP-BRACKET RH -----	1	
-88C	1216616-1	SUPPORT-FUEL STRAINER -----	1	
-88D	1243027-2	SUPPORT -----	1	
-89	1243027-3	SUPPORT -----	1	
-89A	1213185-1	STIFFENER-LH -----	1	
	1213185-2	STIFFENER-RH -----	1	
	1213185-3	STIFFENER -----	1	
-89B	1213862-1	BUMPER-LH -----	1	
	1213862-2	BUMPER-RH 210 -----	1	A
-89C	CM2692-36-1S	PLUG BUTTON -----	2	
-89D	1213530-1	DOUBLER-LH -----	1	
	1213530-2	DOUBLER-RH -----	1	
-90	1213529-1	DOUBLER-LH -----	1	
	1213529-2	DOUBLER-RH -----	1	
-90A	1213296-1	BULKHEAD -----	1	
-90B	1213176-1	DOUBLER-RH -----	1	
-90C	1213179-5	DOUBLER ASSY -----	1	
	S1863-3	NUTPLATE -----	2	
	1213401-17	DOOR ASSY-REMOVABLE RH T210 -----	1	B
		ATTACHING PARTS		
-90D	AN509-10RB	SCREW -----	36	
-91	NAS1067A3	NUTPLATE -----	3	
-91A	NAS696A3	NUTPLATE -----	4	
-91B	NAS697A3	NUTPLATE -----	8	
		---*---		
-91C	1213721-3	STRINGER ASSY-RH CENTER -----	1	
-91D	244-16	RECEPTACLE CLC -----	2	
-91E	1213401-20	SKIN ASSY-DOOR -----	1	
-91F	1213450-4	SUPPORT-COWL FLAP HINGE -----	1	
-91G	1213496-5	BRACE-RH INBD -----	1	
-91H	1213496-6	BRACE-RH OUTBD -----	1	
-91J	1213263-2	HINGE MOUNT-RH -----	1	
-91K	1213261-200	HINGE ASSY-COWL FLAP -----	1	
	1213472-1	PIN-HINGE -----	1	
	1213261-202	DOOR ASSY-CDWL FLAP SEE FIG 87 FOR BREAKDOWN -----	1	
-91L	1213309-2	LOUVER -----	1	
-92	1213310-2	SUPPORT-LOUVER -----	1	
-92A	1213538-1	DOUBLER -----	1	
-92B	1213734-1	DOUBLER -----	1	

CONTINUED ON NEXT PAGE



FIGURE AND INDEX NO.	PART NUMBER	DESCRIPTION	UNITS PER ASSY	USABLE ON CODE
17A-92C	244-16	RECEPTACLE CLC T210 -----	2	B
-92D	1213734-2	DOUBLER ASSY T210 -----	1	B
-92E	NAS697A3	NUTPLATE -----	1	
-92F	1213401-24	SKIN T210 -----	1	B
-92G	1211502-5	PULLEY BRACKET-LH -----	1	
	1211502-6	PULLEY BRACKET-RH -----	1	
-92H	1211522-1	FITTING ASSY -----	1	
-92J	1213719-1	BULKHEAD ASSY-RH CANTED T210 -----	1	B
-92K	NAS697A3	NUTPLATE -----	6	
-92L	1213720-1	DOUBLER ASSY-NOSE CAP RH T210 -----	1	B
-92M	NAS698A3	NUTPLATE -----	1	
-92N	1213721-1	STRINGER ASSY-RH FWD T210 -----	1	B
-92P	NAS696A3	NUTPLATE -----	4	
-92Q	1213721-6	STRINGER ASSY-RH AFT T210 -----	1	B
-92R	NAS696A3	NUTPLATE -----	4	
-92S	1213735-1	STRIP ASSY-LWR COWL ATTACH RH T210 -----	1	B
-92T	NAS697A3	NUTPLATE -----	7	
-92U	NAS696A3	NUTPLATE -----	1	
-92V	1213737-2	STIFFENER T210 -----	1	B
-92W	1213738-1	STRIP-BUMPER T210 -----	1	B
-93	1250918-2	SHIELD-HEAT -----	1	
		ATTACHING PARTS		
-93A	5102126-6	SCREW -----	2	
		*-----		
-93B	1252016-7	DOUBLER-LH -----	1	
	1252016-8	DOUBLER-RH -----	1	
	1252014-35	SUPPORT ASSY-LH -----	1	
	1252014-36	SUPPORT ASSY-RH -----	1	
-93C	0752644-1	BRACKET-LH -----	1	
	0752644-2	BRACKET-RH -----	1	
		ATTACHING PARTS		
-93D	5102126-8	SCREW -----	2	
		*-----		
-93E	0752644-5	PLATE ASSY-LH -----	1	
	0752644-6	PLATE ASSY-RH -----	1	
		ATTACHING PARTS		
-93F	AN515-8R8	SCREW -----	3	
		*-----		
-93G	NAS488-1-3	NUTPLATE -----	3	
-93H	1252014-33	SUPPORT ASSY-LH -----	1	
	1252014-34	SUPPORT ASSY-RH -----	1	
-93J	0752645-1	RING ASSY-ATTACH LH -----	1	
	0752645-2	RING ASSY-ATTACH RH -----	1	
	NAS697A08	NUTPLATE -----	3	
-93K	0752646-1	GASKET -----	AR	
-93L	4591	LAMP GE -----	2	
-93M	AN507-83R6	SCREW -----	10	
		A---210 SERIAL 21060540 & ON		
		B---T210 SERIAL 21060540 & ON		

This page intentionally left blank.

Fuselage (Cont)

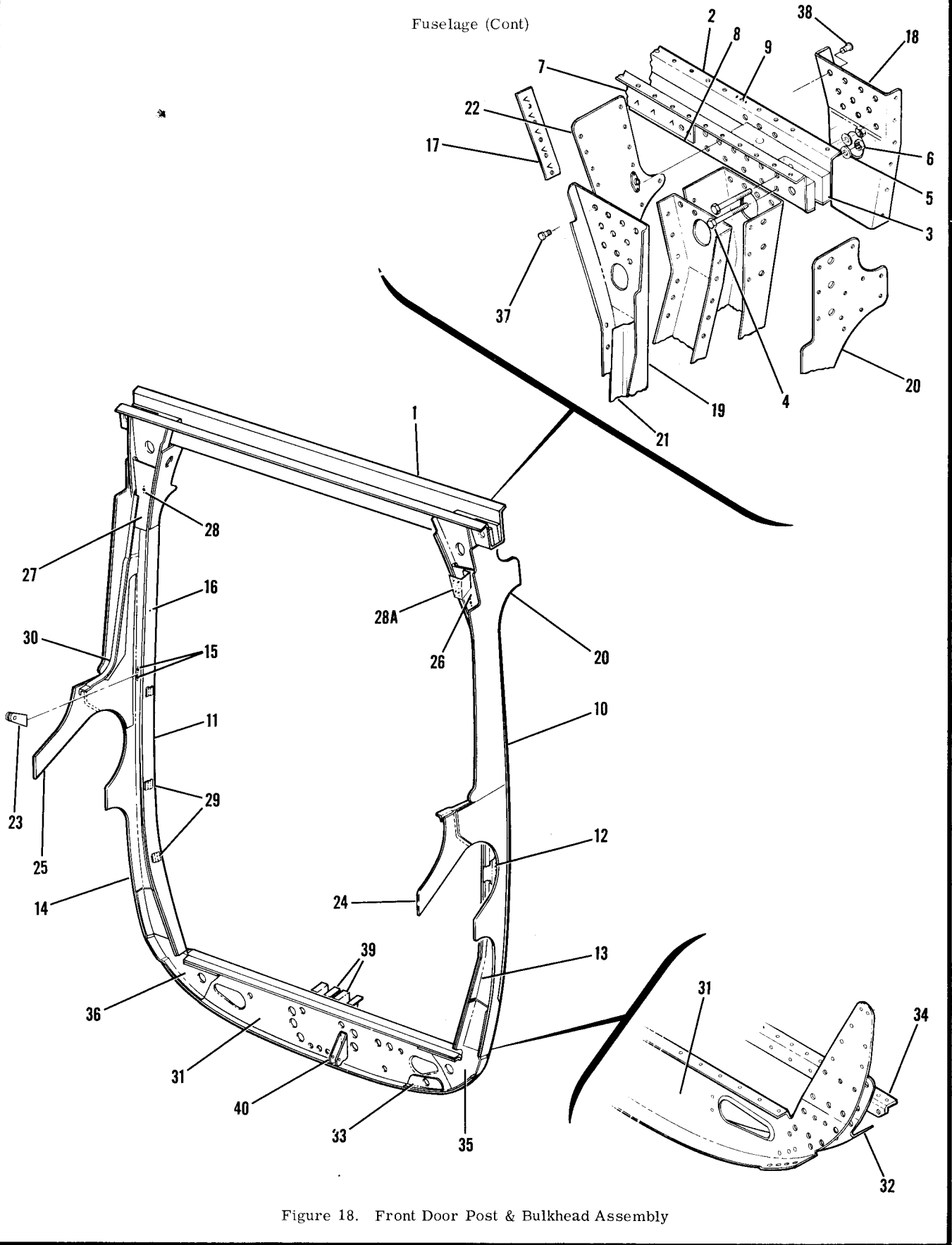


Figure 18. Front Door Post & Bulkhead Assembly



FIGURE AND INDEX NO.	PART NUMBER	DESCRIPTION	UNITS PER ASSY	USABLE ON CODE
		1 2 3 4 5 6 7		
18 -	1213701-9	FRONT DOORPOST & BULKHEAD ASSEMBLY -----	1	
- 1	1211774-1	SPAR ASSEMBLY-FRONT -----	1	
- 2	1211774-2	SPAR-FRONT -----	1	
- 3	1213708-1	BLOCK-SPAR -----	2	
		ATTACHING PARTS		
- 4	AN3-20A	BOLT -----	4	
- 5	AN960-10	WASHER -----	4	
- 6	MS2104 4N3	NUT -----	4	
		---*---		
- 7	0412496	STRIP-UPHOLSTERY ATTACH -----	2	
- 8	NAS686A3	NUTPLATE -----	4	
- 9	NAS697A3	NUTPLATE -----	4	
	1213701-11	DOORPOST ASSEMBLY-LH -----	1	
	1213701-12	DOORPOST ASSEMBLY-RH -----	1	
-10	1213701-7	DOOR JAMB-LH -----	1	
-11	1213701-8	DOOR JAMB-RH -----	1	
-12	NAS680A3	NUTPLATE -----	3	
	NAS697A06L	NUTPLATE -----	2	
	S1863-2	NUTPLATE -----	1	
-13	1213713-5	CHANNEL ASSEMBLY-LH -----	1	
-14	1213713-6	CHANNEL ASSEMBLY-RH -----	1	
-15	NAS680A3	NUTPLATE -----	2	
-16	NAS698A3	NUTPLATE -----	1	
-17	1213115-1	HOOKSTRIP-LH -----	1	
	1213115-2	HOOK STRIP-RH -----	1	
-18	1213703-1	FLANGE PLATE-AFT LH -----	1	
	1213703-2	FLANGE PLATE-AFT RH -----	1	
-19	1211766-1	FLANGE PLATE-FWD LH -----	1	
	1211766-2	FLANGE PLATE-FWD RH -----	1	
-20	1211767-1	RETAINER-OUTER LH -----	1	
	1211767-2	RETAINER-OUTER RH -----	1	
-21	1211764-3	RETAINER-INNER-LH -----	1	
	1211764-4	RETAINER-INNER-RH -----	1	
-22	0713633-3	PLATE-UPPER-LH -----	1	
	0713633-4	PLATE-UPPER-RH -----	1	
-23	0760602-1	BRACKET-PULLEY LH -----	1	
	0760602-2	BRACKET-PULLEY RH -----	1	
		ATTACHING PARTS		
	AN525-10R8	SCREW -----	2	
		---*---		
-24	1211762-1	REINFORCEMENT-LH -----	1	
-25	1211762-2	REINFORCEMENT-RH -----	1	
-26	1211768-1	CHANNEL ASSEMBLY-LH -----	1	
-27	1211768-2	CHANNEL ASSEMBLY-RH -----	1	
	NAS680A3	NUTPLATE -----	1	
-28	NAS697A08	NUTPLATE -----	1	
	S1978-4	NUTPLATE -----	1	
-23A	1270066-1	BRACKET ASSEMBLY-BOOM MIKE MOUNT LH ONLY -----	1	A
	NAS697A06L	NUTPLATE -----	4	
-29	0700704-1	CLIP-UPHOLSTERY -----	3	
-30	1211769-1	STIFFENER-LH -----	1	
	1211769-2	STIFFENER-RH -----	1	
-31	1213407-8	BULKHEAD -----	1	
-32	1213409-9	REINFORCEMENT LH-BULKHEAD -----	1	
	1213409-4	REINFORCEMENT RH-BULKHEAD -----	1	
-33	1213502-1	REINFORCEMENT-BULKHEAD -----	1	B
-34	1213408-2	ANGLE -----	1	
-35	1213705-3	GUSSET-LH -----	1	
-36	1213705-4	GUSSET-RH -----	1	
-37	NAS1054-6-3	RIVET-HI-SHEAR -----	6	
	NAS179-6	COLLAR-HI-SHEAR -----	6	
-38	NAS1054-6-4	RIVET-HI-SHEAR -----	6	
	NAS179-6	COLLAR-HI-SHEAR -----	6	
-39	1213454-1	BRACKET-ELEVATOR & RUDDER PULLEY -----	2	
-40	1213455-1	BRACKET-ELEVATOR TRIM PULLEY -----	1	

A---210 & T210 SERIAL 21059352 THRU 21059362
 B---210 & T210 SERIAL 21059200 THRU 21059502

Fuselage (Cont)

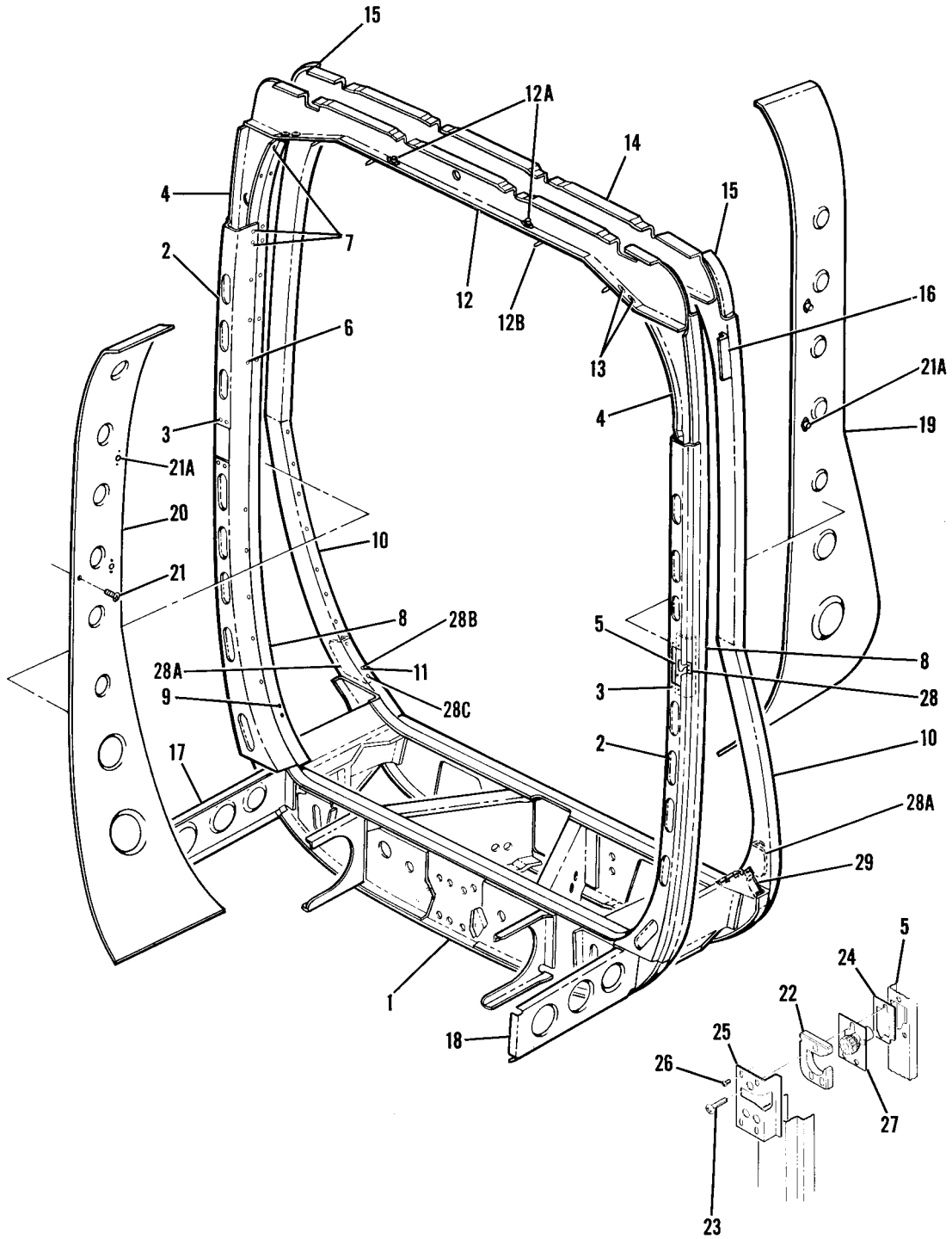


Figure 19. Rear Doorpost & Main Landing Gear Bulkhead Assembly

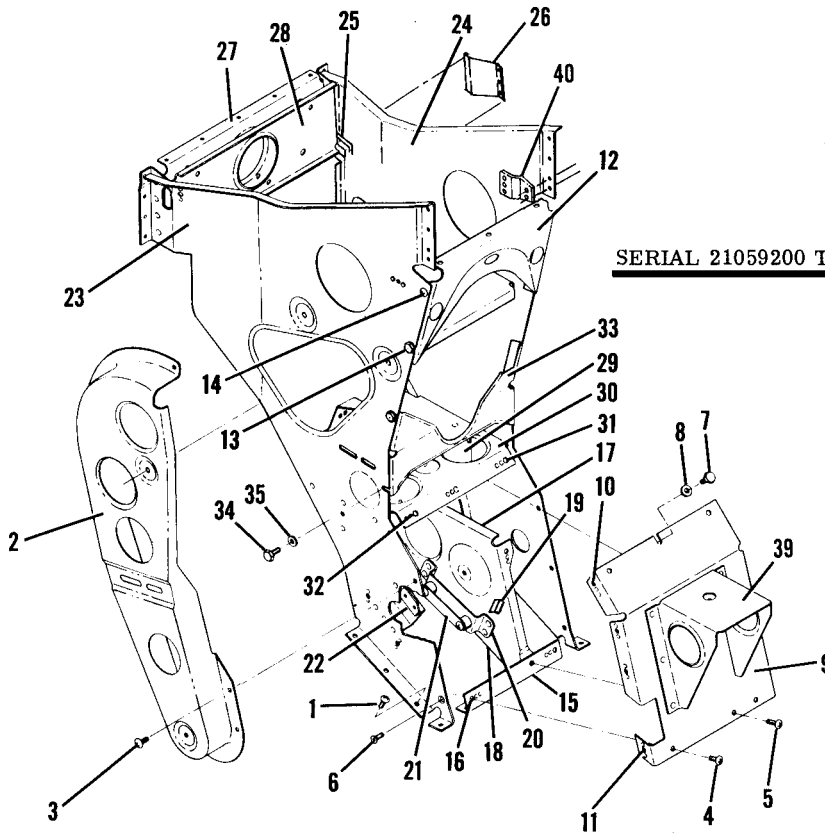
FIGURE AND INDEX NO.	PART NUMBER	DESCRIPTION	UNITS PER ASSY	USABLE ON CODE
19 -	1291150-1	REAR DOORPOST & MAIN LANDING GEAR BULKHEAD ASSEMBLY -----	1	A
		REAR DOORPOST & MAIN LANDING GEAR BULKHEAD ASSEMBLY -----	1	B
		REAR DOORPOST & MAIN LANDING GEAR BULKHEAD ASSEMBLY -----	1	E
- 1	SEE FIG 23	BULKHEAD ASSEMBLY-MAIN GEAR ACTUATOR -----	1	
- 2	1212203-1	JAMB ASSEMBLY-DOORPOST REAR LH -----	1	
	1212203-2	JAMB ASSEMBLY-DOORPOST REAR RH -----	1	
- 3	NAS698A3	NUTPLATE -----	4	
- 4	1212204-1	CHANNEL ASSEMBLY FWD-REAR DOORPOST LH -----	1	
	1212204-2	CHANNEL ASSEMBLY FWD-REAR DOORPOST RH -----	1	
- 5	1212208-1	LATCH MOUNT ASSEMBLY-LH -----	1	
	1212208-2	LATCH MOUNT ASSEMBLY-RH -----	1	
	S2031-3	NUTPLATE -----	1	
	NAS696A3	NUTPLATE -----	4	
	NAS697A3	NUTPLATE -----	1	
- 6	NAS680A3	NUTPLATE -----	10	
- 7	NAS682A3	NUTPLATE -----	3	
- 8	1212202-1	CHANNEL ASSEMBLY INNER-REAR DOORPOST LH -----	1	
	1212202-2	CHANNEL ASSEMBLY INNER-REAR DOORPOST RH -----	1	
- 9	NAS680A3	NUTPLATE -----	16	
	NAS680A4	NUTPLATE -----	1	
-10	1212201-1	CHANNEL ASSEMBLY AFT-REAR DOORPOST LH -----	1	F
	1212201-5	CHANNEL ASSEMBLY AFT-REAR DOORPOST LH -----	1	E
	1212201-2	CHANNEL ASSEMBLY AFT-REAR DOORPOST RH -----	1	F
	1221201-6	CHANNEL ASSEMBLY AFT-REAR DOORPOST RH -----	1	E
-11	NAS680A3	NUTPLATE -----	18	F
	NAS680A3	NUTPLATE -----	16	E
-12	1211797-1	SUPPORT CHANNEL ASSEMBLY-FWD -----	1	C
	1211797-3	SUPPORT CHANNEL ASSEMBLY-FWD -----	1	D
-12A	NAS680A08	NUTPLATE -----	2	C
-12B	0511176	CLIP -----	4	C
	0511176	CLIP -----	2	D
-13	NAS697A3	NUTPLATE -----	4	
-14	1211796-1	SUPPORT CHANNEL ASSEMBLY-AFT -----	1	C
	1211796-3	SUPPORT CHANNEL ASSEMBLY-AFT -----	1	D
	NAS697A3	NUTPLATE -----	4	
	NAS680A08	NUTPLATE -----	2	C
-15	1211819-1	REINFORCEMENT-LH -----	1	
	1211819-2	REINFORCEMENT-RH -----	1	
-16	1211792-1	ATTACH BRACKET-LH -----	1	
	1211792-2	ATTACH BRACKET-RH -----	1	
-17	1211307-2	SUPPORT-RH -----	1	
-18	1211307-1	SUPPORT-LH -----	1	
-19	1212207-3	WEB ASSEMBLY-LH -----	1	F
	1212207-7	WEB ASSEMBLY-LH -----	1	E
-20	1212207-4	WEB ASSEMBLY-RH -----	1	F
	1212207-8	WEB ASSEMBLY-RH -----	1	E
-21	NAS221-7	SCREW -----	112	
		-----*-----		
-21A	NAS680A3	NUTPLATE -----	2	
-22	0711695-9	GUIDE-DOOR -----	2	
		ATTACHING PARTS		
-23	NAS221-15	SCREW -----	3	
		-----*-----		
-24	0711695-10	SHIM -----	2	
-25	0711695-7	COVER-LH -----	1	
	0711695-8	COVER-RH -----	1	
		ATTACHING PARTS		
-26	NAS221-5	SCREW -----	4	
		-----*-----		
-27	0711694-15	CLUTCH ASSEMBLY-LH -----	1	
	0711694-11	CLUTCH ASSEMBLY-LH ALT FOR 0711694-15 -----	1	
	0711694-16	CLUTCH ASSEMBLY-RH -----	1	
	0711694-12	CLUTCH ASSEMBLY-RH ALT FOR 0711694-16 -----	1	
-28	1211253-1	BUMPER -----	2	

CONTINUED ON NEXT PAGE

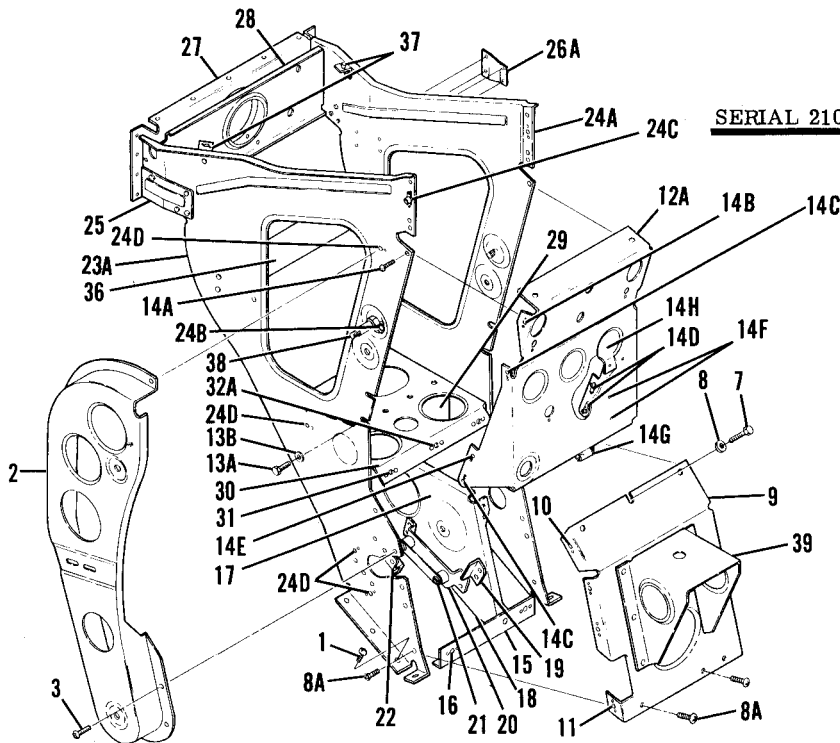
FIGURE AND INDEX NO.	PART NUMBER	DESCRIPTION	UNITS PER ASSY	USABLE ON CODE
		1 2 3 4 5 6 7		
19 -28A	1211201-1	STIFFENER-LH FWD -----	1	E
	1211201-2	STIFFENER-RH FWD -----	1	E
	1211201-3	STIFFENER ASSY-LH AFT -----	1	E
	1211201-4	STIFFENER ASSY-RH AFT -----	1	E
-28B	NAS680A4	NUTPLATE -----	1	E
-28C	NAS680A3	NUTPLATE -----	1	E
-29	1211228-1	SUPPORT ASSEMBLY-SEAT BELT LH -----	1	F
	1211228-5	SUPPORT ASSEMBLY-SEAT BELT LH -----	1	E
	1211228-2	SUPPORT ASSEMBLY-SEAT BELT RH -----	1	F
	1211228-6	SUPPORT ASSEMBLY-SEAT BELT RH -----	1	E
	NAS696A3	NUTPLATE -----	2	F
	NAS696A4	NUTPLATE -----	2	E
<p>A---210 & T210 SERIAL 21059200 THRU 21060089 B---210 & T210 SERIAL 21060090 THRU 21060305 21060307 THRU 21060328 21060330, 21060331, 21060332, 21060334, 21060335 & 21060338 C---210 & T210 SERIAL 21059200 THRU 21060089 D---210 & T210 SERIAL 21060090 & ON E---210 & T210 SERIAL 21060306, 21060329, 21060333, 21060336, 21060337 & 21060339 & ON F---210 & T210 SERIAL 21059200 THRU 21060305 21060307 THRU 21060328 21060330, 21060331, 21060332, 21060334, 21060335 & 21060338</p>				

This page intentionally left blank.

Fuselage (Cont)



SERIAL 21059200 THRU 21059502



SERIAL 21059503 THRU 21060539

210 & T210 SERIAL 21059200 THRU 21060539

Figure 20. Pedestal Installation

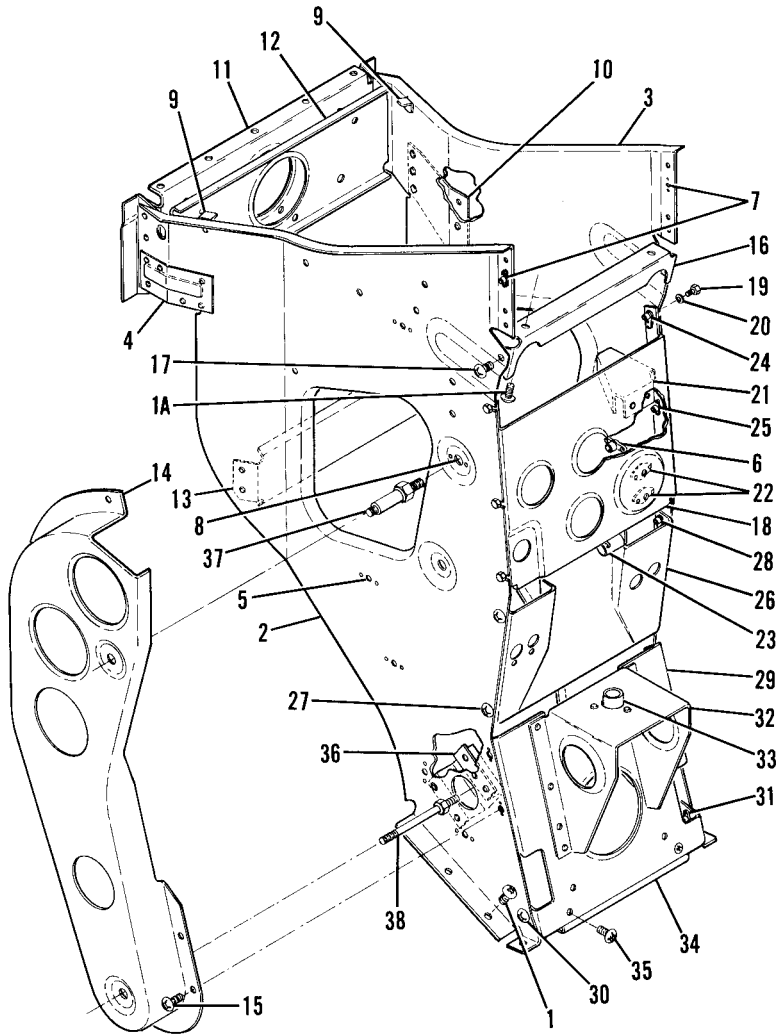
FIGURE AND INDEX NO.	PART NUMBER	DESCRIPTION	UNITS PER ASSY	USABLE ON CODE
		1 2 3 4 5 6 7		
20 -		PEDESTAL INSTALLATION -----	NP	E
	1261631-204	PEDESTAL ASSEMBLY -----	1	C
	1261640-200	PEDESTAL ASSEMBLY -----	1	F
	1261640-201	PEDESTAL ASSEMBLY -----	1	G
		ATTACHING PARTS		
- 1	NAS220-8	SCREW -----	6	
	AN3-4A	BOLT -----	1	
	AN3-3A	BOLT -----	2	
	MS21044N3	NUT -----	3	
		---*---		
- 2	1261633-1	CHAIN GUARD -----	1	
		ATTACHING PARTS		
- 3	NAS220-8	SCREW -----	8	
		---*---		
	1261445-3	PANEL ASSEMBLY-LOWER PEDESTAL -----	1	
		ATTACHING PARTS		
- 4	NAS220-8	SCREW -----	6	C
- 5	NAS220-9	SCREW -----	1	C
- 6	AN507-832R6	SCREW -----	5	C
- 7	AN3-3A	BOLT -----	1	
- 8	AN960-10L	WASHER -----	1	
- 8A	NAS220-8	SCREW -----	11	D
		---*---		
- 9	1261445-4	PANEL-LOWER PEDESTAL -----	1	
-10	NAS696A08	NUTPLATE -----	2	
-11	NAS697A08	NUTPLATE -----	6	
-12	1261635-3	PANEL ASSEMBLY-UPPER WEU 1261630-1 -----	1	A
	1261630-1	PANEL ASSEMBLY-UPPER -----	1	B
-12A	1261641-1	PANEL ASSEMBLY-UPPER -----	1	D
		ATTACHING PARTS		
-13	AN3-3A	BOLT -----	1	C
-13A	AN3-3A	BOLT -----	3	D
	AN960-10L	WASHER -----	1	C
-13B	AN960-10L	WASHER -----	3	D
-14	AN507-832R6	SCREW -----	3	C
-14A	NAS220-8	SCREW -----	5	D
		---*---		
-14B	NAS696A08	NUTPLATE -----	2	D
-14C	NAS696A3	NUTPLATE -----	2	D
-14D	NAS697A08	NUTPLATE -----	3	D
-14E	NAS697A3	NUTPLATE -----	1	D
-14F	S1863-2	NUTPLATE -----	2	D
-14G	4155-308	LAMP HOLDER DMC -----	1	D
-14H	1261648-1	BRACKET ASSY -----	1	D
	NAS696A4	NUTPLATE -----	1	D
	1261448-1	ANGLE ASSY-PEDESTAL -----	1	
-15	1261448-2	ANGLE-PEDESTAL -----	1	
-16	NAS696A08	NUTPLATE -----	2	
-17	1261444-4	SUPPORT ASSEMBLY-ELEVATOR & RUDDER TRIM SHAFT -----	1	
		ATTACHING PARTS		
	AN3-4A	BOLT -----	1	
	MS21044N3	NUT -----	1	
		---*---		
-18	1261444-2	SUPPORT-ELEVATOR & RUDDER TRIM SHAFT -----	1	
	NAS696A08	NUTPLATE -----	2	
-19	1260103-1	BRACKET ASSEMBLY -----	1	
	NAS680A3	NUTPLATE -----	2	
	1261446-1	STOP ASSEMBLY-RUDDER TRIM CONTROL -----	1	
-20	1261446-2	BRACKET ASSEMBLY-RUDDER TRIM CONTROL -----	1	
	1261446-3	BRACKET -----	1	
	NAS696A3	NUTPLATE -----	2	
-21	1261446-4	STRAP -----	1	
		ATTACHING PARTS		
	AN520-10R12	SCREW -----	2	
	AN960PD10L	WASHER -----	2	
	1261446-5	SPACER -----	2	
		---*---		
-22	1261451-1	SUPPORT-ELEVATOR TRIM POCKET -----	1	

CONTINUED ON NEXT PAGE

FIGURE AND INDEX NO.	PART NUMBER	DESCRIPTION							UNITS PER ASSY	USABLE ON CODE	
		1	2	3	4	5	6	7			
20 -23	1261632-13	SIDE PANEL ASSEMBLY-PEDESTAL LH	---	---	---	---	---	---	1	C	
-23A	1261640-3	SIDE PANEL ASSEMBLY-PEDESTAL LH	---	---	---	---	---	---	1	F	
	1261640-11	SIDE PANEL ASSEMBLY-PEDESTAL LH	---	---	---	---	---	---	1	G	
-24	1261632-17	SIDE PANEL ASSEMBLY-PEDESTAL RH	---	---	---	---	---	---	1	C	
-24A	1261640-4	SIDE PANEL ASSEMBLY-PEDESTAL RH	---	---	---	---	---	---	1	F	
	1261640-12	SIDE PANEL ASSEMBLY-PEDESTAL RH	---	---	---	---	---	---	1	G	
-24B	NAS697A4	NUTPLATE LH ONLY	---	---	---	---	---	---	1	D	
-24C	NAS697A06L	NUTPLATE	---	---	---	---	---	---	1	D	
-24D	NAS680A08	NUTPLATE LH ONLY	---	---	---	---	---	---	4	D	
-25	1213297-2	DOUBLER-RH	---	---	---	---	---	---	1		
	1213297-1	DOUBLER-LH	---	---	---	---	---	---	1		
-26	1260212-2	BRACKET RH PANEL	---	---	---	---	---	---	1	C	
	NAS680A4	NUTPLATE RH PANEL	---	---	---	---	---	---	2	C	
-26A	1260212-2	BRACKET	---	---	---	---	---	---	1	D	
	1261425-1	PULLEY BRACKET-STA. 3.85 CENTER	---	---	---	---	---	---	1		
-27	1261425-2	BRACKET	---	---	---	---	---	---	1		
	NAS680A4	NUTPLATE	---	---	---	---	---	---	2		
-28	1261426-1	PULLEY BRACKET-STA. 3.85 CENTER	---	---	---	---	---	---	1		
	1260427-1	SUPPORT BRACKET ASSEMBLY-RUDDER TRIM CONTROL	---	---	---	---	---	---	1	C	
	1260427-3	SUPPORT BRACKET ASSEMBLY-RUDDER TRIM CONTROL	---	---	---	---	---	---	1	D	
-29	1260427-2	BRACKET-SUPPORT	---	---	---	---	---	---	1	C	
	1260427-4	BRACKET-SUPPORT	---	---	---	---	---	---	1	D	
	NAS696A08	NUTPLATE	---	---	---	---	---	---	2		
	1261447-1	BRACKET ASSEMBLY-RUDDER TRIM CONTROL SUPPORT	---	---	---	---	---	---	1	C	
	1261640-7	BRACKET ASSEMBLY-RUDDER TRIM CONTROL SUPPORT	---	---	---	---	---	---	1	D	
-30	1261447-2	BRACKET	---	---	---	---	---	---	1	C	
	1261640-8	BRACKET	---	---	---	---	---	---	1	D	
-31	NAS696A08	NUTPLATE	---	---	---	---	---	---	2		
-32	NAS696A3	NUTPLATE	---	---	---	---	---	---	1	C	
	AN256F10	NUTPLATE-RING ANGLE	---	---	---	---	---	---	1	C	
-32A	NAS680A3	NUTPLATE	---	---	---	---	---	---	1	D	
-33	1261636-3	PLATE-PEDESTAL CENTER ATTACHING PARTS	---	---	---	---	---	---	1	C	
-34	AN3-3A	BOLT	---	---	---	---	---	---	2	C	
-35	AN960-10L	WASHER	---	---	---	---	---	---	2	C	
	NAS697A08	NUTPLATE	---	---	---	---	---	---	1	C	
	NAS697A3	NUTPLATE	---	---	---	---	---	---	1	C	
	NAS696A3	NUTPLATE	---	---	---	---	---	---	1	C	
	NAS696A08	NUTPLATE	---	---	---	---	---	---	1	C	
-36	1261640-2	SUPPORT-POWER PACK	---	---	---	---	---	---	1	D	
-37	S1154-1	BRACKET	---	---	---	---	---	---	2	D	
-38	1261441-2	STUD-LH	---	---	---	---	---	---	1	D	
	1261441-3	STUD-RH	---	---	---	---	---	---	1	D	
-39	1261455-1	BRACKET ASSY-FUEL CONTROL	---	---	---	---	---	---	1		
-40	1261646-2	SUPPORT BRACKET-COWL FLAP CONTROL	---	---	---	---	---	---	1	C	
		A---210 & T210 SERIAL 21059200 THRU 21059333									
		B---210 & T210 SERIAL 21059334 THRU 21059502									
		C---210 & T210 SERIAL 21059200 THRU 21059502									
		D---210 & T210 SERIAL 21059503 THRU 21060539									
		E---210 & T210 SERIAL 21059200 THRU 21060539									
		F---210 & T210 SERIAL 21059503 THRU 21060390									
		G---210 & T210 SERIAL 21060391 THRU 21060539									

This page intentionally left blank.

Fuselage (Cont)



210 & T210 SERIAL 21060540 & ON

Figure 20A. Pedestal Installation



FIGURE AND INDEX NO.	PART NUMBER	DESCRIPTION	UNITS PER ASSY	USABLE ON CODE
20A-		PEDESTAL INSTALLATION -----	NP	A
		PEDESTAL ASSY -----	1	
		ATTACHING PARTS -----		
- 1	NAS220-8	SCREW -----	8	
- 1A	AN515-6R8	SCREW -----	2	
		-----*		
- 2	1261477-1	PANEL ASSY-PEDESTAL LH SIDE -----	1	
- 3	1261477-2	PANEL ASSY-PEDESTAL RH SIDE -----	1	
- 4	1213297-1	DOUBLER-PANEL LH -----	1	
	1213297-2	DOUBLER-PANEL RH -----	1	
- 5	NAS680A08	NUTPLATE LH ONLY -----	5	
- 6	NAS680A3	NUTPLATE RH ONLY -----	1	
- 7	NAS697A06L	NUTPLATE -----	1	
- 8	NAS697A4	NUTPLATE LH ONLY -----	1	
- 9	S1154-1	BRACKET -----	2	
-10	1260212-2	BRACKET-RH -----	1	
-11	1261425-1	BRACKET ASSY-CENTER PULLEY -----	1	
	NAS680A4	NUTPLATE -----	2	
-12	1261426-1	BRACKET-CENTER PULLEY -----	1	
-13	1261478-1	SUPPORT-PJWER PACK -----	1	
-14	1261633-4	CHAIN GUARD-ELEVATOR TRIM -----	1	
		ATTACHING PARTS -----		
-15	NAS220-8	SCREW -----	7	
		-----*		
-16	1261479-1	PANEL ASSY-UPPER PEDESTAL -----	1	
		ATTACHING PARTS -----		
-17	NAS220-8	SCREW -----	2	
		-----*		
	NAS698A08	NUTPLATE -----	2	
-18	1261480-1	PANEL ASSY-PEDESTAL -----	1	
		ATTACHING PARTS -----		
-19	AN3-3A	BOLT -----	6	
-20	AN960-10L	WASHER -----	6	
		-----*		
-21	1261648-1	BRACKET ASSY-COWL FLAP CONTROL -----	1	
	NAS696A4	NUTPLATE -----	1	
-22	S1863-2	NUTPLATE -----	2	
-23	4155-308	LAMPHOLDER DMC -----	1	
-24	NAS696A3	NUTPLATE -----	4	
-25	NAS697A3	NUTPLATE -----	2	
-26	1261481-1	PANEL ASSY-PEDESTAL -----	1	
		ATTACHING PARTS -----		
-27	NAS220-8	SCREW -----	4	
		-----*		
-28	NAS696A08	NUTPLATE -----	4	
-29	1261464-1	PANEL ASSY-LOWER PEDESTAL -----	1	
		ATTACHING PARTS -----		
-30	NAS220-8	SCREW -----	6	
		-----*		
-31	NAS697A08	NUTPLATE -----	6	
-32	1261455-1	BRACKET ASSY-FUEL CONTROL -----	1	
-33	1261604-1	BEARING ASSY -----	1	
-34	1261448-1	ANGLE ASSY-PEDESTAL -----	1	
		ATTACHING PARTS -----		
-35	NAS220-8	SCREW -----	2	
		-----*		
	NAS696A08	NUTPLATE -----	2	
-36	1261482-1	SUPPORT ASSY-ELEVATOR TRIM SPROCKET -----	1	
	NAS697A4	NUTPLATE -----	1	
-37	1261441-2	STUD-LH -----	1	
	1261441-3	STUD-RH -----	1	
-38	1261483-1	STUD -----	1	
		A---210 & T210 SERIAL 21060540 & DN		

This page intentionally left blank.

FIGURE AND INDEX NO.	PART NUMBER	DESCRIPTION	UNITS PER ASSY	USABLE ON CODE
		1 2 3 4 5 6 7		
21 -		LOWER CABIN SECTION COMPONENTS -----	NP	
- 1	SEE FIG 21A	BELLY SECTION COMPONENTS-FUSELAGE -----	1	J
	SEE FIG 21B	BELLY SECTION COMPONENTS-FUSELAGE -----	1	K
- 2	1211281-6	BULKHEAD ASSEMBLY CANTED STA. 106 -----	1	G
	1211281-7	BULKHEAD ASSEMBLY CANTED STA. 106 -----	1	H
- 3	1211338-4	REINFORCEMENT ASSEMBLY -----	1	
	NAS680A08	NUTPLATE -----	2	
	NAS682A08	NUTPLATE -----	2	
- 4	1211095-1	GUIDE ASSEMBLY-LH -----	1	
- 5	1211095-2	GUIDE ASSEMBLY-RH -----	1	
- 6	1211096-1	SPACER -----	2	
- 7	1211302-1	CLIP-LH -----	1	
- 8	1211302-2	CLIP-RH -----	1	
- 9	1211302-3	CLIP -----	2	
-10	1211302-4	CLIP-RH -----	1	
-11	1211302-5	CLIP-LH -----	1	
-12	NAS680A4K	NUTPLATE -----	8	
	NAS680A08	NUTPLATE -----	2	
-12A	1211234-1	BRACKET ASSEMBLY -----	2	
-12B	1211659-3	REINFORCEMENT-LH -----	1	A
	1211659-4	REINFORCEMENT-RH -----	1	A
-13	1212227-11	BULKHEAD ASSEMBLY-LH -----	1	
	1212227-10	BULKHEAD ASSEMBLY-RH -----	1	
	1211267-1	BULKHEAD ASSEMBLY LOWER LH STA. 90.00 -----	1	
	1211267-2	BULKHEAD ASSEMBLY LOWER RH STA. 90.00 -----	1	
-14	1211271-1	BULKHEAD-LH -----	1	
-15	1211271-2	BULKHEAD-RH -----	1	
-16	1211270-1	BULKHEAD-LH -----	1	
-17	1211270-2	BULKHEAD-RH -----	1	
-18	1211607-8	CLIP-RH -----	1	
	1211607-9	CLIP-LH -----	1	
-19	1211279-3	SPLICE ASSEMBLY-LH -----	1	
-20	1211279-4	SPLICE ASSEMBLY-LH -----	1	
-21	1211272-4	BULKHEAD-RH -----	1	
	1211272-1	BULKHEAD-LH -----	1	
-22	1211278-1	CLIP -----	1	
	1211268-1	BULKHEAD ASSEMBLY-LH STA 98.00 -----	1	
	1211268-2	BULKHEAD ASSEMBLY-RH STA. 98.00 -----	1	
-23	1211273-1	BULKHEAD-LH -----	1	
-24	1211273-2	BULKHEAD-RH -----	1	
-25	1211274-1	BULKHEAD-LH -----	1	
-26	1211274-2	BULKHEAD-RH -----	1	
-27	1211278-2	CLIP -----	1	
-28	1211279-1	SPLICE-LH -----	1	
-29	1211279-2	SPLICE-RH -----	1	
	1211254-1	TUNNEL ASSEMBLY-LH WEU 1211254-9 -----	1	B
	1211254-9	TUNNEL ASSEMBLY-LH -----	1	A
	1211254-2	TUNNEL ASSEMBLY-RH WEU 1211254-10 -----	1	B
	1211254-10	TUNNEL ASSEMBLY-RH -----	1	A
-30	1211254-3	TUNNEL LEG-LH OUTBOARD -----	1	
	1211254-4	TUNNEL LEG-RH OUTBOARD -----	1	
-31	1211254-14	TUNNEL LEG-RH INBOARD -----	1	
	1211254-13	TUNNEL LEG-LH INBOARD -----	1	
	NAS697A08	NUTPLATE ATTACH BOOT -----	4	
-32	1211254-7	COVER-TUNNEL LH WEU 1211254-11 -----	1	B
	1211254-11	COVER-TUNNEL LH -----	1	A
-33	1211254-8	COVER-TUNNEL RH WEU 1211254-12 -----	1	B
	1211254-12	COVER-TUNNEL RH -----	1	A
-34	1211275-1	SUPPORT ASSEMBLY-LH -----	1	
-35	1211275-2	SUPPORT ASSEMBLY-RH -----	1	
	1211275-5	ATTACH CLIP-SKIN SUPPORT LH -----	1	
	1211275-6	ATTACH CLIP-SKIN SUPPORT RH -----	1	
	1211790-1	TUNNEL ASSEMBLY-CONTROL CABLES -----	1	G
	1211790-7	TUNNEL ASSEMBLY-CONTROL CABLES -----	1	H
-36	1211790-2	TUNNEL ASSEMBLY-UPPER -----	1	G
	1211790-8	TUNNEL ASSEMBLY-UPPER -----	1	H
	1211790-3	TUNNEL-UPPER -----	1	G
	1211790-9	TUNNEL-UPPER -----	1	H
-37	1211790-6	PAN-WIRE BUNDLE -----	1	
-38	1211098-1	BRACKET-MOUNTING -----	1	
-39	S2018-2	NUTPLATE -----	2	
	NAS680A4	NUTPLATE -----	1	G
-39A	1211199-1	DOUBLER ASSY-SEAT BELT FITTING -----	1	H
	NAS680A4	NUTPLATE -----	4	H

CONTINUED ON NEXT PAGE

Fuselage (Cont)

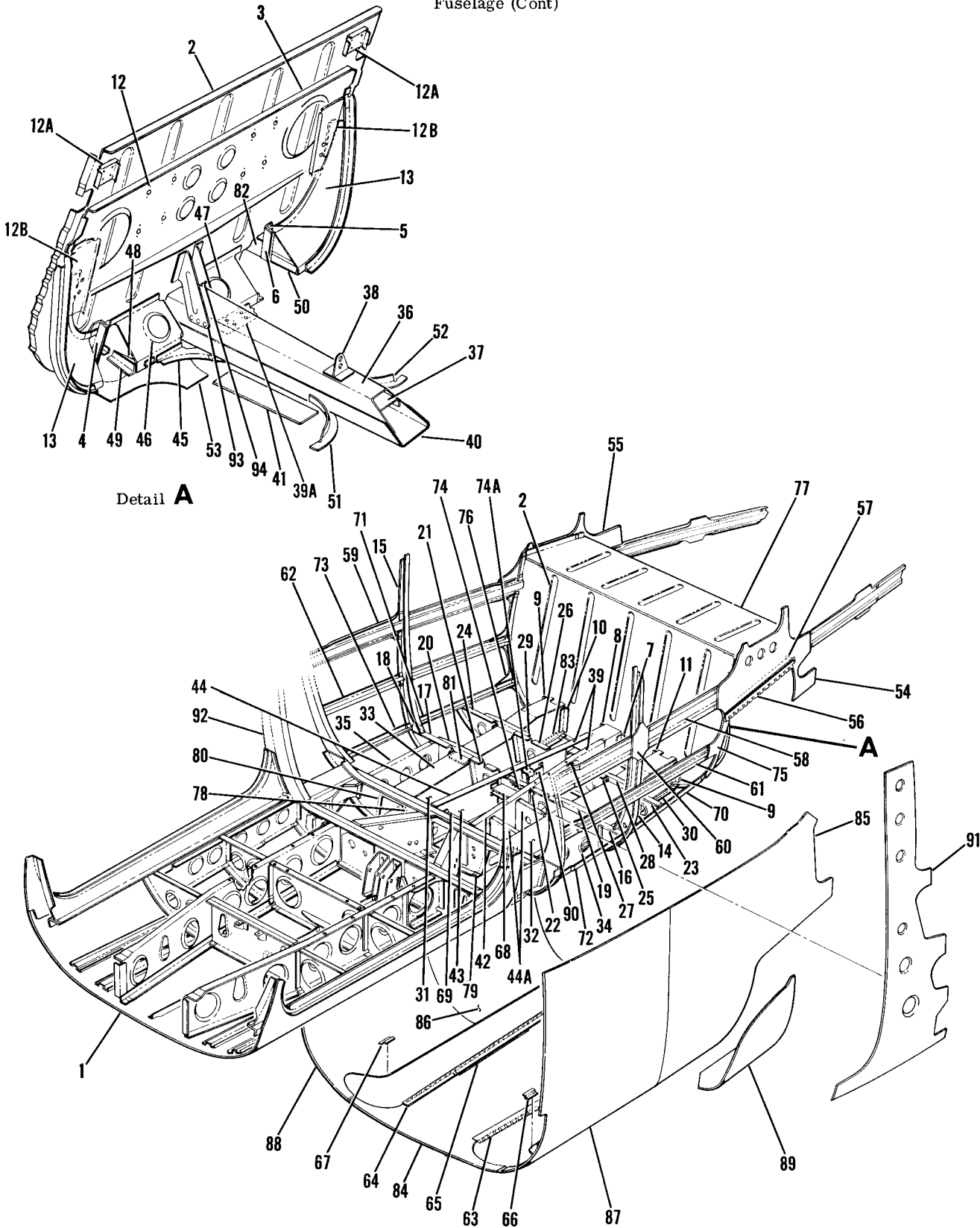


Figure 21. Lower Cabin Section Components

FIGURE AND INDEX NO.	PART NUMBER	DESCRIPTION	UNITS PER ASSY	USABLE ON CODE
21 -40	1211790-4	TUNNEL-LOWER -----	1	
-41	1211790-5	SKIN-TUNNEL -----	1	
-42	1211276-1	TUNNEL WALL ASSEMBLY-AFT LH -----	1	C
	1211276-7	TUNNEL WALL ASSEMBLY-AFT LH -----	1	D
-43	1211276-2	TUNNEL WALL ASSEMBLY-AFT RH -----	1	C
	1211276-8	TUNNEL WALL ASSEMBLY-AFT RH -----	1	D
	1211277-1	CLIP ASSEMBLY-LH -----	1	
	1211277-2	CLIP ASSEMBLY-RH -----	1	
-44	S2031-3	NUTPLATE -----	3	
-44A	1211200-2	BRACKET-BULKHEAD FITTING AFT -----	1	D
	1211200-1	BRACKET-BULKHEAD FITTING FWD -----	1	D
-45	1212226-1	JAMB FWD LH-MAIN LANDING GEAR DOOR -----	1	
	1212226-2	JAMB FWD RH-MAIN LANDING GEAR DOOR -----	1	
-46	1212223-1	BULKHEAD ASSEMBLY INBOARD-LH -----	1	
-47	1212223-2	BULKHEAD ASSEMBLY INBOARD-RH -----	1	
	1212223-5	STRIKER PLATE -----	1	
-48	1212228-1	FAIRING-LH -----	1	
	1212228-2	FAIRING-RH -----	1	
-49	1212224-1	RETAINER ASSEMBLY-SEAL LH INBOARD -----	1	
	1212224-2	RETAINER ASSEMBLY-SEAL RH INBOARD -----	1	
-50	1212225-2	RETAINER ASSEMBLY-SEAL RH OUTBOARD -----	1	
	1212225-1	RETAINER ASSEMBLY-SEAL LH OUTBOARD -----	1	
-51	1211791-1	JAMB-AFT DOOR WHEEL WELL LH -----	1	
-52	1211791-2	JAMB-AFT DOOR WHEEL WELL RH -----	1	
-53	1211324-1	REINFORCEMENT CANTED STA. 106.00 -----	1	
-54	1211298-1	DOUBLER WHEEL WELL-LH -----	1	
-55	1211298-2	DOUBLER WHEEL WELL-RH -----	1	
-56	1241150-201	HINGE ASSEMBLY-LH M.L.G. WELL DOOR -----	1	
	1241152-3	PIN-HINGE -----	1	
	1241150-202	HINGE ASSEMBLY-RH M.L.G. WELL DOOR -----	1	
	1241152-4	PIN-HINGE -----	1	
-57	1212037-7	SUPPORT-LH -----	1	
	1212037-8	SUPPORT-RH -----	1	
-58	1211322-1	STRINGER-LH -----	1	
-59	1211322-2	STRINGER-RH -----	1	
-60	1211317-1	GUSSET -----	2	
-61	1211316-1	STIFFENER-LH -----	1	
-62	1211316-2	STIFFENER-RH -----	1	
-63	1211832-1	HINGE HALF-LH -----	1	
-64	1211832-2	HINGE HALF-RH -----	1	
-65	1211832-3	SHIM-HINGE -----	2	
-66	1211831-5	RETAINER-LH OUTBOARD -----	1	
-67	1211831-6	RETAINER-RH OUTBOARD -----	1	
-68	1241071-3	BRACKET ASSEMBLY -----	1	
-69	SEE FIG 40	BELLCRANK SUPPRT -----	1	
-70	1212027-1	ANGLE-ATTACH LH -----	1	
-71	1212027-2	ANGLE-ATTACH RH -----	1	
-72	1212027-3	ANGLE-ATTACH LH -----	1	
-73	1212027-4	ANGLE-ATTACH RH -----	1	
-74	1211269-1	BULKHEAD ASSEMBLY LOWER CENTER STA 89.96 -----	1	E
	1211269-3	BULKHEAD ASSEMBLY LOWER CENTER STA 89.96 -----	1	F
	NAS680A08	NUTPLATE -----	1	
	NAS696A08	NUTPLATE -----	2	
	S1050-1	GROMMET 5.35 IN LG BULK ITEM REF S1050-1-5.35 -----	1	E
	S1050-1	GROMMET 4.12 IN LG BULK ITEM REF S1050-1-4.12 -----	2	F
-74A	1270480-1	GUARD-LH -----	1	F
	1270480-2	GUARD-RH -----	1	F
	AN3-3A	ATTACHING PARTS BOLT -----	2	F
-75	1211315-1	GUSSET-LH CANTED STA. 106.00 -----	1	
-76	1211315-2	GUSSET-RH CANTED STA. 106.00 -----	1	
-77	1211282-2	COVER ASSEMBLY-WHEEL WELL TOP -----	1	
	NAS680A3	NUTPLATE -----	2	
-78	1211327-6	STIFFENER-RH INBOARD -----	1	
-79	1211327-5	STIFFENER-LH INBOARD -----	1	
-80	1211327-8	STIFFENER-RH OUTBOARD -----	1	
	1211327-9	STIFFENER-LH OUTBOARD -----	1	
-81	1211097-1	GUARD -----	2	
-82	1211831-2	RETAINER -----	1	
	1211831-1	RETAINER -----	1	
-83	1211831-7	RETAINER -----	2	
-84	1210505-11	SKIN-AFT BOTTOM -----	1	
-85	1210505-7	SKIN-AFT LOWER LH -----	1	

CONTINUED ON NEXT PAGE

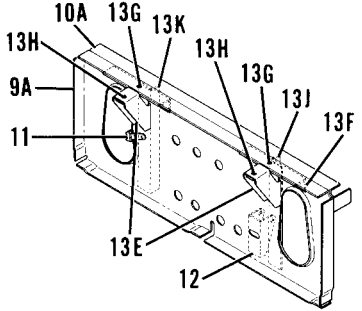
FIGURE AND INDEX NO.	PART NUMBER	DESCRIPTION	UNITS PER ASSY	USABLE ON CODE
21 -86	1210505-6	SKIN-AFT LOWER-RH -----	1	C
	1210505-20	SKIN-AFT LOWER RH -----	1	D
-87	1210505-3	SKIN-FWD LOWER-LH -----	1	
-88	1210505-2	SKIN-FWD LOWER-RH -----	1	
-89	1212019-5	FAIRING-LH -----	1	
	1212019-6	FAIRING-RH -----	1	
-90	1260470-1	BRACKET-PULLEY -----	1	
	1260470-2	BRACKET-PULLEY -----	1	
-91	1212205-1	WEB-OUTBOARD LH -----	1	
	1212205-2	WEB-OUTBOARD RH -----	1	
-92	SEE FIG 19	REAR DOORPOST AND MAIN LANDING GEAR BULKHEAD ASSEMBLY -----	1	
-93	1211339-1	BRACKET-LH -----	1	
-94	1211339-2	BRACKET-RH -----	1	
	CR163-4	ATTACHING PARTS RIVET-CHERRY -----	3	
		---*---		
		A---210 & T210 SERIAL 21059352 & ON		
		B---210 & T210 SERIAL 21059200 THRU 21059351		
		C---210 & T210 SERIAL 21059200 THRU 21059502		
		D---210 & T210 SERIAL 21059503 & ON		
		E---210 & T210 SERIAL 21059200 THRU 21059719		
		F---210 & T210 SERIAL 21059720 & ON		
		G---210 & T210 SERIAL 21059200 THRU 21060305 21060307 THRU 21060328 21060330, 21060331, 21060332, 21060334, 21060335 & 21060338		
		H---210 & T210 SERIAL 21060306, 21060329, 21060333, 21060336, 21060337 & 21060339 & ON		
		J---210 & T210 SERIAL 21059200 THRU 21060539		
		K---210 & T210 SERIAL 21060540 & ON		

FIGURE AND INDEX NO.	PART NUMBER	DESCRIPTION	UNITS PER ASSY	USABLE ON CODE
21A-		FUSELAGE BELLY SECTION COMPONENTS -----	NP	F
- 1	SEE FIG 19	REAR DOORPOST & MAIN LANDING GEAR BULKHEAD ASSY -----	1	
- 2	1211308-1	LONGITUDINAL BULKHEAD ASSY-INBOARD LH -----	1	
- 3	1211308-2	LONGITUDINAL BULKHEAD ASSY-INBOARD RH -----	1	
- 4	1210410-1	ANGLE-LH -----	1	
- 5	1210410-2	ANGLE-RH -----	1	
- 6	1211309-2	STIFFENER-RH -----	1	
	1211309-1	STIFFENER-LH -----	1	
- 7	1211343-1	STIFFENER LH -----	1	
	1211343-2	STIFFENER RH -----	1	
- 8	NAS680A08	NUTPLATE -----	4	
- 8A	S1862-2	NUT LH ONLY -----	2	
- 9	1210412-23	BULKHEAD ASSEMBLY CENTER STA. 44.00 -----	1	C
- 9A	1210412-29	BULKHEAD ASSEMBLY CENTER STA. 44.00 -----	1	D
-10	1210412-17	ANGLE -----	1	C
-10A	1210412-42	ANGLE -----	1	D
-11	S2034-1	MOUNT -----	1	
-12	1210412-5	BRACKET ELEVATOR TRIM -----	1	
-13	1211628-10	SUPPORT ASSY -----	2	C
-13A	NAS696A3	NUTPLATE -----	1	C
-13B	NAS680A3	NUTPLATE -----	1	C
-13C	1211628-3	SUPPORT -----	1	C
-13D	1211628-4	SUPPORT -----	1	C
-13E	1210426-1	SUPPORT -----	2	D
-13F	1210427-5	STIFFENER ASSY-LH -----	1	D
	1210427-6	STIFFENER ASSY-RH -----	1	D
-13G	NAS680A4	NUTPLATE -----	1	D
-13H	NAS696A4	NUTPLATE -----	2	D
-13J	1211628-11	SUPPORT-LH -----	1	D
-13K	1211628-12	SUPPORT-RH -----	1	D

CONTINUED ON NEXT PAGE

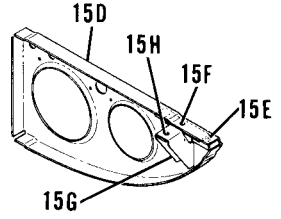
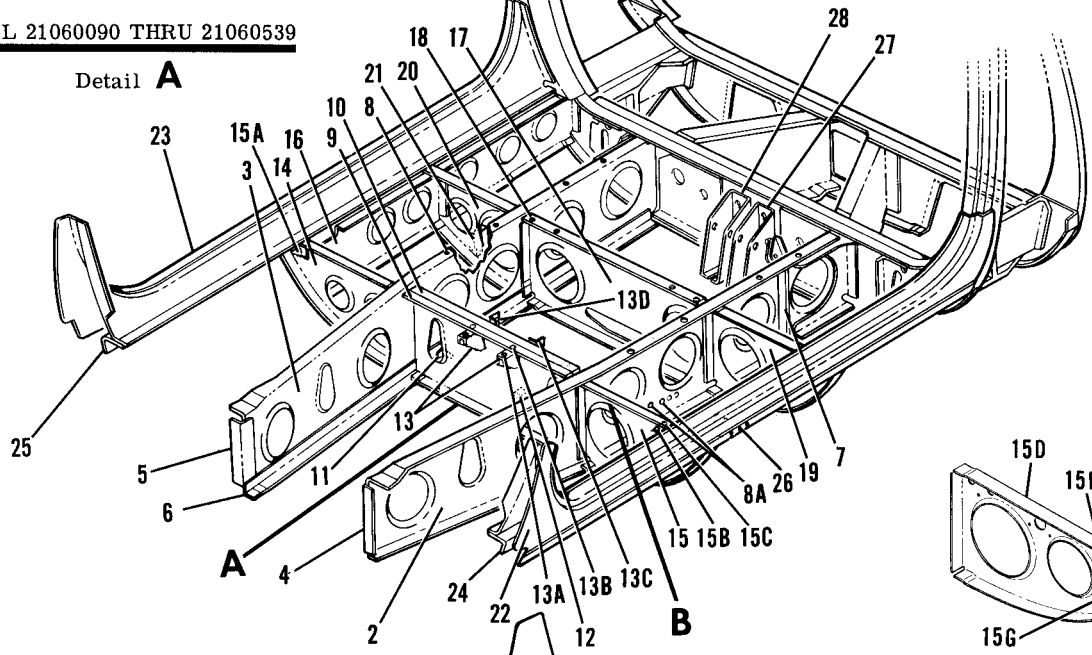


Fuselage (Cont)



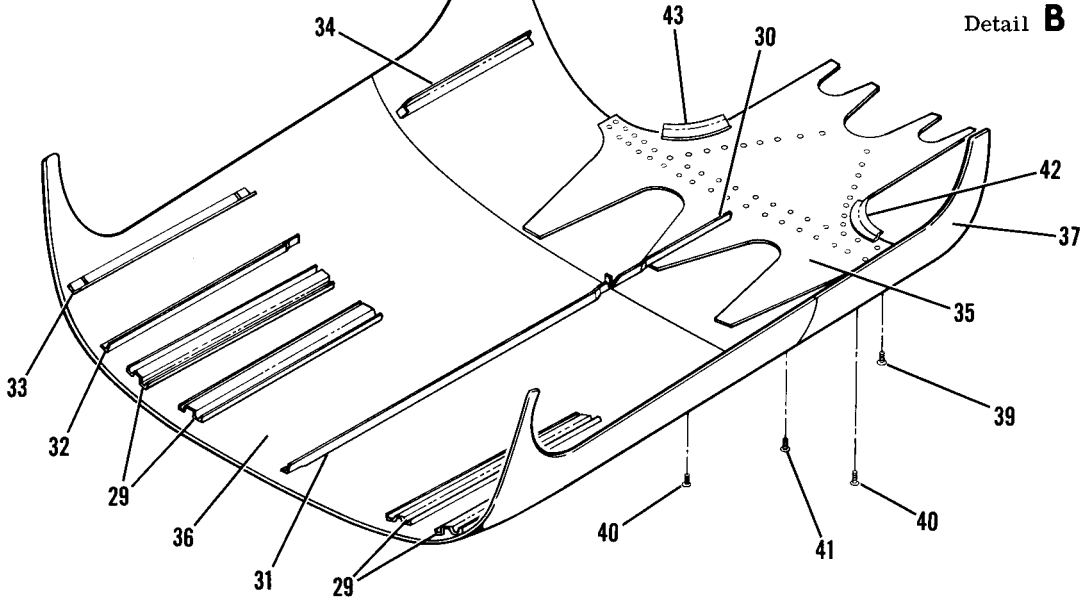
SERIAL 21060090 THRU 21060539

Detail **A**



SERIAL 21060090 THRU 21060539

Detail **B**



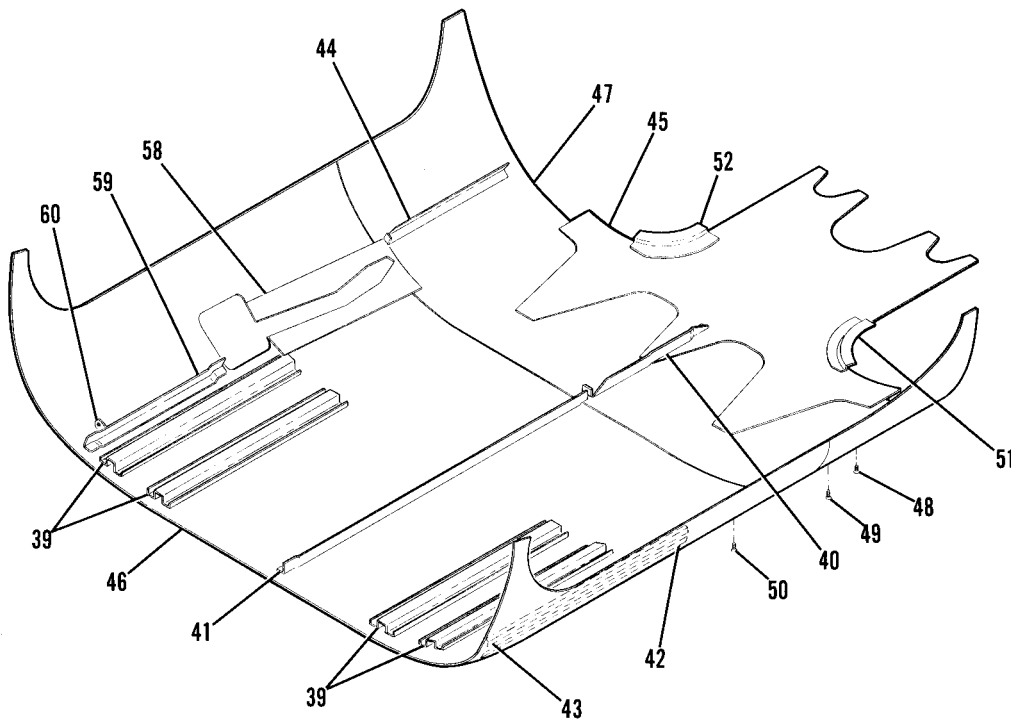
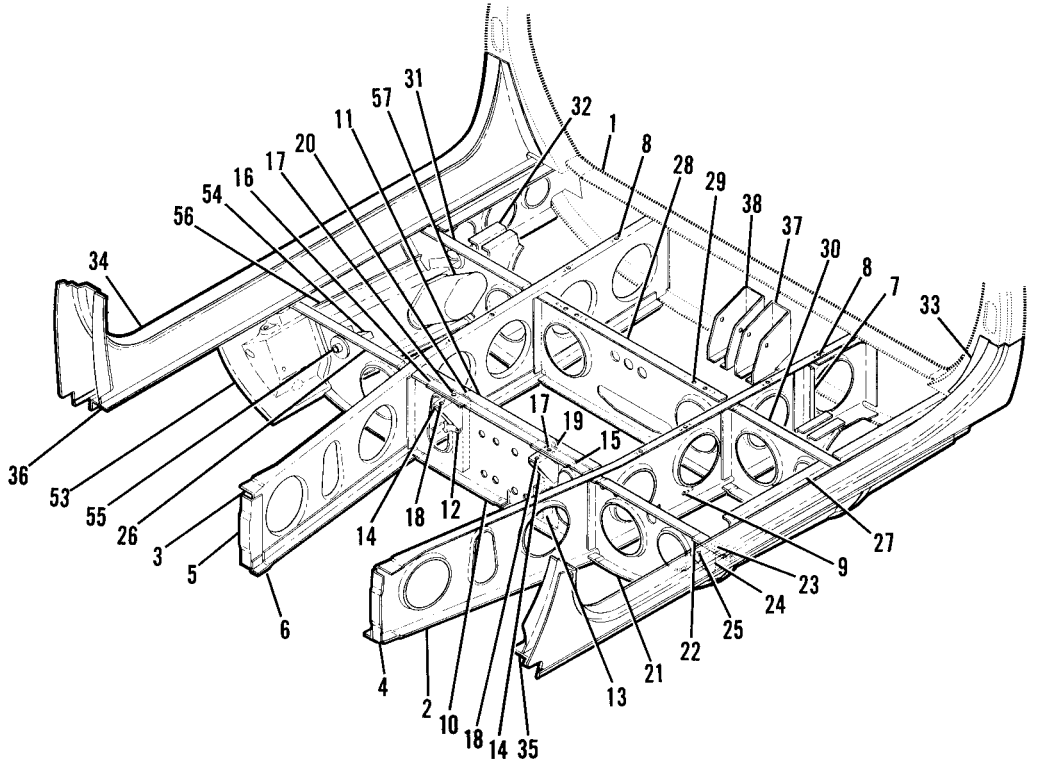
210 & T210 SERIAL 21059200 THRU 21060539

Figure 21A. Fuselage Belly Section Components

FIGURE AND INDEX NO.	PART NUMBER	DESCRIPTION							UNITS PER ASSY	USABLE ON CODE
		1	2	3	4	5	6	7		
21A-14	1210412-22	BULKHEAD ASSEMBLY-RH	STA. 44.00	-----	-----	-----	-----	1	A	
	1210412-28	BULKHEAD ASSEMBLY-RH	STA 44.00	-----	-----	-----	-----	1	E	
-15	1210412-21	BULKHEAD ASSEMBLY-LH	STA 44.00	-----	-----	-----	-----	1	A	
	1210412-25	BULKHEAD ASSEMBLY-LH	STA 44.00	-----	-----	-----	-----	1	E	
	NAS1067A08	NUTPLATE	-----	-----	-----	-----	-----	1	A	
	NAS680A3	NUTPLATE	-----	-----	-----	-----	-----	1	A	
	MS21044N08	NUTPLATE	-----	-----	-----	-----	-----	1	A	
-15A	1211628-10	SUPPORT ASSY	-----	-----	-----	-----	-----	1	C	
-15B	NAS696A3	NUTPLATE	-----	-----	-----	-----	-----	1	C	
-15C	NAS680A3	NUTPLATE	-----	-----	-----	-----	-----	1	C	
-15D	1210412-31	BULKHEAD ASSY-LH	STA 44.00	-----	-----	-----	-----	1	D	
	1210412-32	BULKHEAD ASSY-RH	STA 44.00	-----	-----	-----	-----	1	D	
-15E	1210427-1	STIFFENER ASSY-LH	-----	-----	-----	-----	-----	1	D	
	1210427-2	STIFFENER ASSY-RH	-----	-----	-----	-----	-----	1	D	
-15F	NAS680A4	NUTPLATE	-----	-----	-----	-----	-----	1	D	
-15G	1210426-1	SUPPORT	-----	-----	-----	-----	-----	1	D	
-15H	NAS696A4	NUTPLATE	-----	-----	-----	-----	-----	1	D	
-16	1211307-4	SUPPORT-RH	-----	-----	-----	-----	-----	1		
	1211307-3	SUPPORT-LH	-----	-----	-----	-----	-----	1		
-17	1211304-2	BULKHEAD ASSEMBLY CENTER	STA. 55.625	-----	-----	-----	-----	1		
-18	NAS682A08	NUTPLATE	-----	-----	-----	-----	-----	4		
-19	1211305-1	BULKHEAD ASSEMBLY OUTBOARD	STA. 55.625 LH	-----	-----	-----	-----	1		
-20	1211305-2	BULKHEAD ASSEMBLY OUTBOARD	STA. 55.625 RH	-----	-----	-----	-----	1		
-21	1211167-2	BRACKET-RH	-----	-----	-----	-----	-----	1		
	1211167-1	BRACKET-LH	-----	-----	-----	-----	-----	1		
-22	1210402-27	SILL ASSEMBLY-LH	-----	-----	-----	-----	-----	1		
-23	1210402-28	SILL ASSEMBLY-RH	-----	-----	-----	-----	-----	1		
-24	1210402-31	SUPPORT ASSEMBLY SILL-LH	-----	-----	-----	-----	-----	1	A	
	1210402-37	SILL SUPPORT-LH	-----	-----	-----	-----	-----	1	B	
-25	1210402-32	SUPPORT ASSEMBLY SILL-RH	-----	-----	-----	-----	-----	1	A	
	1210402-38	SILL SUPPORT-RH	-----	-----	-----	-----	-----	1	B	
-26	NAS697A08K	NUTPLATE	-----	-----	-----	-----	-----	3	A	
-27	1260471-1	PULLEY BRACKET	-----	-----	-----	-----	-----	1		
-28	1260471-2	PULLEY BRACKET	-----	-----	-----	-----	-----	1		
-29	1210418-2	STRINGER	-----	-----	-----	-----	-----	4		
-30	1211312-3	STIFFENER	-----	-----	-----	-----	-----	1		
-31	1211312-4	STIFFENER	-----	-----	-----	-----	-----	1		
-32	1210409-2	STRINGER-RH	-----	-----	-----	-----	-----	1		
	1210409-3	STRINGER-LH	-----	-----	-----	-----	-----	1		
-33	1211312-8	STIFFENER ASSEMBLY-RH	-----	-----	-----	-----	-----	1	A	
	1211312-10	STIFFENER ASSEMBLY-RH	-----	-----	-----	-----	-----	1	B	
	1211312-7	STIFFENER ASSEMBLY-LH	-----	-----	-----	-----	-----	1	A	
	1211312-9	STIFFENER ASSEMBLY-LH	-----	-----	-----	-----	-----	1	B	
	NAS696A08K	NUTPLATE	-----	-----	-----	-----	-----	1		
-34	1211312-2	STIFFENER-RH	-----	-----	-----	-----	-----	1		
	1211312-1	STIFFENER-LH	-----	-----	-----	-----	-----	1		
-35	1211329-1	GUSSET	-----	-----	-----	-----	-----	1		
-36	1210500-4	SKIN	-----	-----	-----	-----	-----	1	A	
	1210500-15	SKIN	-----	-----	-----	-----	-----	1	B	
-37	1210500-3	SKIN	-----	-----	-----	-----	-----	1		
-38		DELETED-NOT USED	-----	-----	-----	-----	-----			
-39	AN525-10R12	SCREW	-----	-----	-----	-----	-----	76		
	AN960-10L	WASHER	-----	-----	-----	-----	-----	76		
	MS21044N3	NUT	-----	-----	-----	-----	-----	76		
-40	NAS222-13	SCREW	-----	-----	-----	-----	-----	2		
-41	NAS221-11	SCREW	-----	-----	-----	-----	-----	16		
	AN960-10	WASHER	-----	-----	-----	-----	-----	16		
	MS21044N3	NUT	-----	-----	-----	-----	-----	16		
-42	1211831-3	RETAINER-LH INBOARD	-----	-----	-----	-----	-----	1		
-43	1211831-4	RETAINER-RH INBOARD	-----	-----	-----	-----	-----	1		

A---210 & T210 SERIAL 21059200 THRU 21059502
 B---210 & T210 SERIAL 21059503 THRU 21060539
 C---210 & T210 SERIAL 21059200 THRU 21060089
 D---210 & T210 SERIAL 21060090 THRU 21060539
 E---210 & T210 SERIAL 21059503 THRU 21060089
 F---210 & T210 SERIAL 21059200 THRU 21060539

Fuselage (Cont)



210 & T210 SERIAL 21060540 & ON

Figure 21B. Fuselage Belly Section Components



FIGURE AND INDEX NO.	PART NUMBER	DESCRIPTION	UNITS PER ASSY	USABLE ON CODE
		1 2 3 4 5 6 7		
		FUSELAGE BELLY SECTION COMPONENTS -----	NP	A
21B-				
- 1	SEE FIG 19	REAR DOORPOST & MAIN LANDING GEAR BULKHEAD ASSY -----	1	
- 2	1211308-1	LONGITUDINAL BULKHEAD ASSY-INBOARD LH -----	1	
- 3	1211308-2	LONGITUDINAL BULKHEAD ASSY-INBOARD RH -----	1	
- 4	1210410-1	ANGLE-LH -----	1	
- 5	1210410-2	ANGLE-RH -----	1	
- 6	1211309-2	STIFFENER-RH -----	1	
	1211309-1	STIFFENER-LH -----	1	
- 7	1211343-1	STIFFENER-LH -----	1	
	1211343-2	STIFFENER-RH -----	1	
- 8	NAS680A08	NUTPLATE -----	4	
- 9	S1862-2	NUTPLATE LH ONLY -----	2	
-10	1210412-29	BULKHEAD ASSY-CENTER STA 44.00 -----	1	
-11	1210412-42	ANGLE -----	1	
-12	S2034-1	MOUNT -----	1	
-13	1210412-5	BRACKET-ELEVATOR TRIM -----	1	
-14	1210426-1	SUPPORT -----	2	
-15	1210427-5	STIFFENER ASSY-LH -----	1	
-16	1210427-6	STIFFENER ASSY-RH -----	1	
-17	NAS680A4	NUTPLATE -----	1	
-18	NAS696A4	NUTPLATE -----	2	
-19	1211628-11	SUPPORT-LH -----	1	
-20	1211628-12	SUPPORT-RH -----	1	
-21	1210412-31	BULKHEAD ASSY-LH STA 44.00 -----	1	
-22	1210427-1	STIFFENER ASSY-LH -----	1	
-23	NAS680A4	NUTPLATE -----	1	
-24	1210426-1	SUPPORT -----	1	
-25	NAS696A4	NUTPLATE -----	1	
-26	1211506-4	BULKHEAD ASSY-RH STA 44.00 -----	1	
	NAS697A3K	NUTPLATE -----	1	
-27	1211307-3	SUPPORT-LH -----	1	
-28	1211304-2	BULKHEAD ASSY-CENTER STA 55.625 -----	1	
-29	NAS682A08	NUTPLATE -----	4	
-30	1211305-1	BULKHEAD ASSY-LH STA 55.625 -----	1	
-31	1211516-2	BULKHEAD ASSY-RH STA 55.625 -----	1	
-32	1211167-2	BRACKET-RH -----	1	
	1211167-1	BRACKET-LH -----	1	
-33	1210402-27	SILL ASSY-LH -----	1	
-34	1210402-28	SILL ASSY-RH -----	1	
-35	1210402-37	SUPPORT-LH SILL -----	1	
-36	1210402-38	SUPPORT-RH SILL -----	1	
-37	1260471-1	BRACKET-PULLEY -----	1	
-38	1260471-2	BRACKET-PULLEY -----	1	
-39	1210418-2	STRINGER -----	4	
-40	1211312-3	STIFFENER -----	1	
-41	1211312-4	STIFFENER -----	1	
-42	1210409-2	STRINGER-LH -----	1	
-43	1211312-9	STIFFENER ASSY-LH -----	1	
	NAS696A08K	NUTPLATE -----	1	
-44	1211312-2	STIFFENER-RH -----	1	
	1211312-1	STIFFENER-LH -----	1	
-45	1211329-1	GUSSET -----	1	
-46	1210501-5	SKIN -----	1	
-47	1210501-3	SKIN -----	1	
-48	AN525-10R12	SCREW -----	76	
	AN960-10L	WASHER -----	76	
	MS21044N3	NUT -----	76	
-49	NAS222-14	SCREW -----	2	
-50	NAS221-11	SCREW -----	16	
	AN960-10	WASHER -----	16	
	MS21044N3	NUT -----	16	
-51	1211831-3	RETAINER-LH INBOARD -----	1	
-52	1211831-4	RETAINER-RH INBOARD -----	1	
-53	1211501-4	SUPPORT ASSY-CABIN STEP -----	1	
	1211523-1	RETAINER -----	1	
	1211523-2	SEAL -----	1	
	AN535-2-3	SCREW -----	3	
-54	1211510-1	PULLEY BRACKET-CABIN STEP -----	1	
-55	1211511-1	BOSS-RETRACTABLE STEP CABLE -----	1	
-56	1211512-2	TUNNEL ASSY-CABIN STEP -----	1	
	NAS697A08	NUTPLATE -----	2	
-57	1211513-2	COVER-CABIN STEP -----	1	
-58	1211515-2	DOUBLER-CABIN STEP -----	1	
-59	1211519-2	STRINGER ASSY-CENTER FUSELAGE -----	1	
-60	AN743P13	BRACKET -----	1	

A---210 & T210 SERIAL 21060540 & ON

Fuselage (Cont)

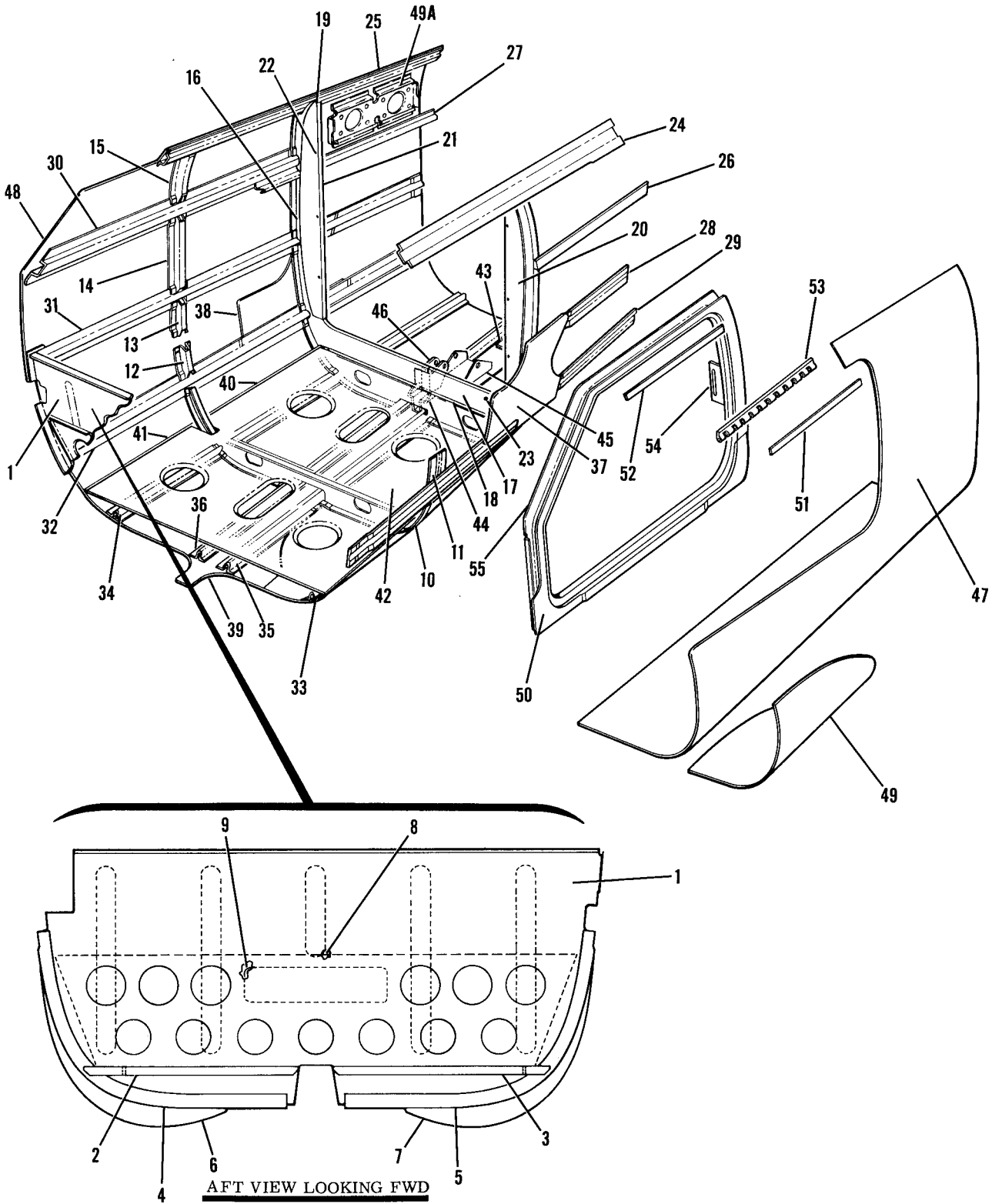


Figure 22. Lower Aft Cabin Structure Assembly



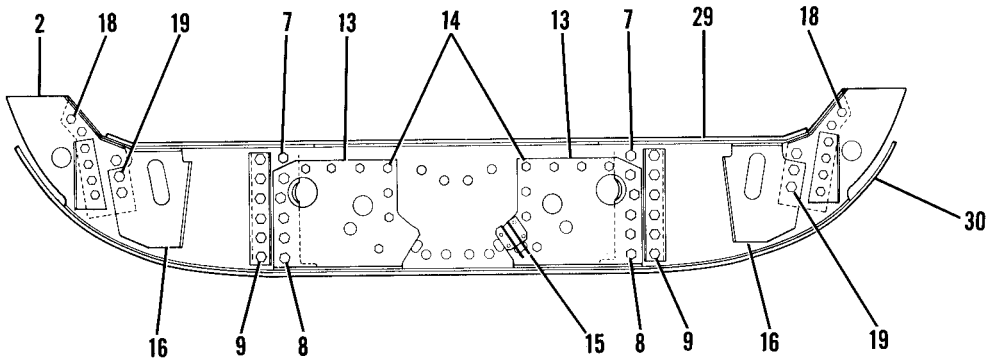
FIGURE AND INDEX NO.	PART NUMBER	DESCRIPTION	UNITS PER ASSY	USABLE ON CODE		
					1	2
22 -	1291210-3	LOWER AFT CABIN STRUCTURE ASSEMBLY	1	A		
	1291210-4	LOWER AFT CABIN STRUCTURE ASSEMBLY	1	B		
- 1	1211280-5	BULKHEAD ASSEMBLY	1			
- 2	1211290-1	SUPPORT-LH	1			
- 3	1211290-2	SUPPORT-RH	1			
- 4	1211299-1	STIFFENER-LH	1			
- 5	1211299-2	STIFFENER-RH	1			
- 6	1211300-5	ATTACH CLIP	1			
- 7	1211300-6	ATTACH CLIP	1			
- 8	1211341-2	REINFORCEMENT	1			
- 9	1512360-2	SUPPORT-ACTUATOR	1			
-10	1211296-1	BULKHEAD-LOWER	1			
-11	1211293-4	STRINGER	1			
-12	1211293-5	STRINGER	1			
-13	1211293-3	STRINGER	1			
-14	1211293-2	STRINGER	1			
-15	1211293-1	STRINGER	1			
-16	1211286-2	BULKHEAD-RH	1	A		
	1211286-6	BULKHEAD-RH	1	B		
-17	1211286-3	BULKHEAD-LH	1	A		
	1211286-7	BULKHEAD-LH	1	B		
-18	1211290-7	SUPPORT	1			
-19	1211313-2	SPLICE-RH	1			
	1211313-1	SPLICE-LH	1			
-20	1211344-1	BRACKET ASSEMBLY-LH	1	A		
	1211344-5	BRACKET ASSEMBLY-AFT PANEL LH	1	B		
-21	1211344-2	BRACKET ASSEMBLY-RH	1	A		
	1211344-6	BRACKET ASSEMBLY-AFT PANEL RH	1	B		
-22	NAS686A3	NUTPLATE	3	A		
	S1115-19	RECEPTACLE	3	B		
-23	NAS686A3	NUTPLATE	4	A		
	S1115-19	RECEPTACLE	4	B		
-24	1212431-1	STRINGER-LH	1			
-25	1212431-2	STRINGER-RH	1			
-26	1212709-3	STRINGER-LH	1			
-27	1212709-4	STRINGER-RH	1			
-28	1212710-3	STRINGER-LH	1			
-29	1212710-9	STRINGER-LH	1			
-30	1212710-8	STRINGER-RH	1			
-31	1212710-4	STRINGER-RH	1			
-32	1212710-10	STRINGER-RH	1			
-33	1212710-11	STRINGER-LH	1			
-34	1212710-12	STRINGER-RH	1			
-35	1212710-5	STRINGER-LH	1			
-36	1212710-6	STRINGER-RH	1			
-37	1211285-1	DOUBLER-LH	1			
-38	1211285-2	DOUBLER-RH	1			
-39	1212434-1	REINFORCEMENT	1			
-40	1211290-4	SUPPORT-RH	1			
	1211290-3	SUPPORT-LH	1			
-41	1211290-6	SUPPORT-RH	1			
	1211290-5	SUPPORT-LH	1			
-42	SEE FIG 24	FLOORBOARD ASSEMBLY	1			
-43	1212435-1	STIFFENER	1			
-44	1260465-1	SUPPORT BRACKET-PULLEY LH	1			
	1260465-2	SUPPORT BRACKET-PULLEY RH	1			
-45	1260467-1	BRACKET-PULLEY LH	1			
	1260467-2	BRACKET-PULLEY RH	1			
-46	1260468-1	BRACKET ASSEMBLY-PULLEY STA. 152.20	1			
	MS24665-143	PIN	4			
	NAS697A08K	NUTPLATE	2			
-47	1210504-3	SKIN-LH	1			
-48	1210504-2	SKIN-RH	1			
-49	1212019-1	FAIRING-LH	1			
	1212019-2	FAIRING-RH	1			
-49A	1260474-1	BRACKET-EMERGENCY LOCATOR TRANSMITTER	1	B		
-50	1211288-1	JAMB-DOOR	1			

CONTINUED ON NEXT PAGE

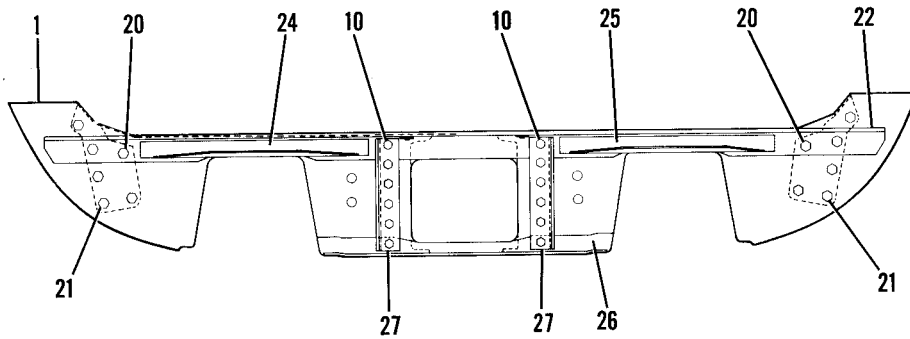
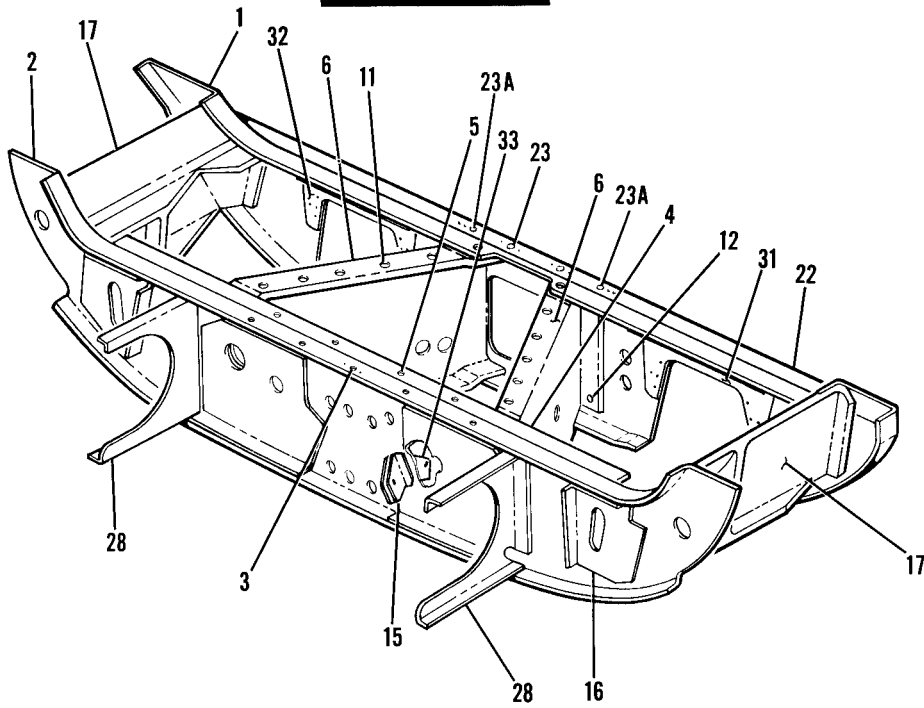
FIGURE AND INDEX NO.	PART NUMBER	DESCRIPTION	UNITS PER ASSY	USABLE ON CODE
		1 2 3 4 5 6 7		
22 -51	1211292-2	SHIM -----	1	
-52	1211292-1	SHIM -----	1	
-53	1211283-1	HINGE -----	1	
-54	1212111-1	BRACKET ASSEMBLY -----	1	
	1212121-1	GUIDE -----	1	
-55	1211289-1	STIFFENER -----	1	
		ATTACHING PARTS		
	CR163-4	RIVET-CHERRY -----	AR	
	CR162-4	RIVET-CHERRY -----	AR	
		---*---		
		A---210 & T210 SERIAL 21059200 THRU 21059351		
		B---210 & T210 SERIAL 21059352 & DN		

FIGURE AND INDEX NO.	PART NUMBER	DESCRIPTION	UNITS PER ASSY	USABLE ON CODE
		1 2 3 4 5 6 7		
23 -	1291150-2	MAIN GEAR ACTUATOR BULKHEAD ASSEMBLY -----	1	A
		MAIN GEAR ACTUATOR BULKHEAD ASSEMBLY -----	1	B
- 1	1211325-2	BULKHEAD ASSY STA 77.00 -----	1	C
	1211325-4	BULKHEAD ASSY STA 77.00 -----	1	A
	1211325-6	BULKHEAD ASSY STA 77.00 -----	1	B
	NAS686A3	NUTPLATE -----	2	C
	NAS686A4	NUTPLATE -----	2	D
- 2	1211326-1	BULKHEAD ASSEMBLY-FORWARD STA. 67.25 -----	1	C
- 3	NAS680A3	NUTPLATE -----	5	
- 4	1211332-1	BULKHEAD ASSEMBLY-AFT STA. 67.25 -----	1	
- 5	NAS680A3	NUTPLATE -----	4	
- 6	1241607-1	SUPPORT ASSEMBLY-INBOARD LH -----	1	
	1241607-2	SUPPORT ASSEMBLY-INBOARD RH -----	1	
		ATTACHING PARTS		
- 7	AN4-5A	BOLT -----	1	
	AN960-416	WASHER -----	1	
- 8	AN4-6A	BOLT -----	5	
	AN960-10	WASHER -----	5	
- 9	AN4-10A	BOLT -----	6	
	AN960-416	WASHER -----	12	
	MS21042L4	NUT -----	6	
-10	AN3-7A	BOLT -----	6	
	AN960-10	WASHER -----	12	
	MS21044N3	NUT -----	6	
		---*---		
-11	S1956-3	ANCHOR NUT -----	4	
	MS15001-1	FITTING-LUBRICATION -----	1	
-12	NAS1395-C4L	INSERT -----	8	
	MS21209F4-15	INSERT -----	3	
	NAS75-4-006	BUSHING -----	1	
CONTINUED ON NEXT PAGE				

Fuselage (Cont)



VIEW LOOKING AFT

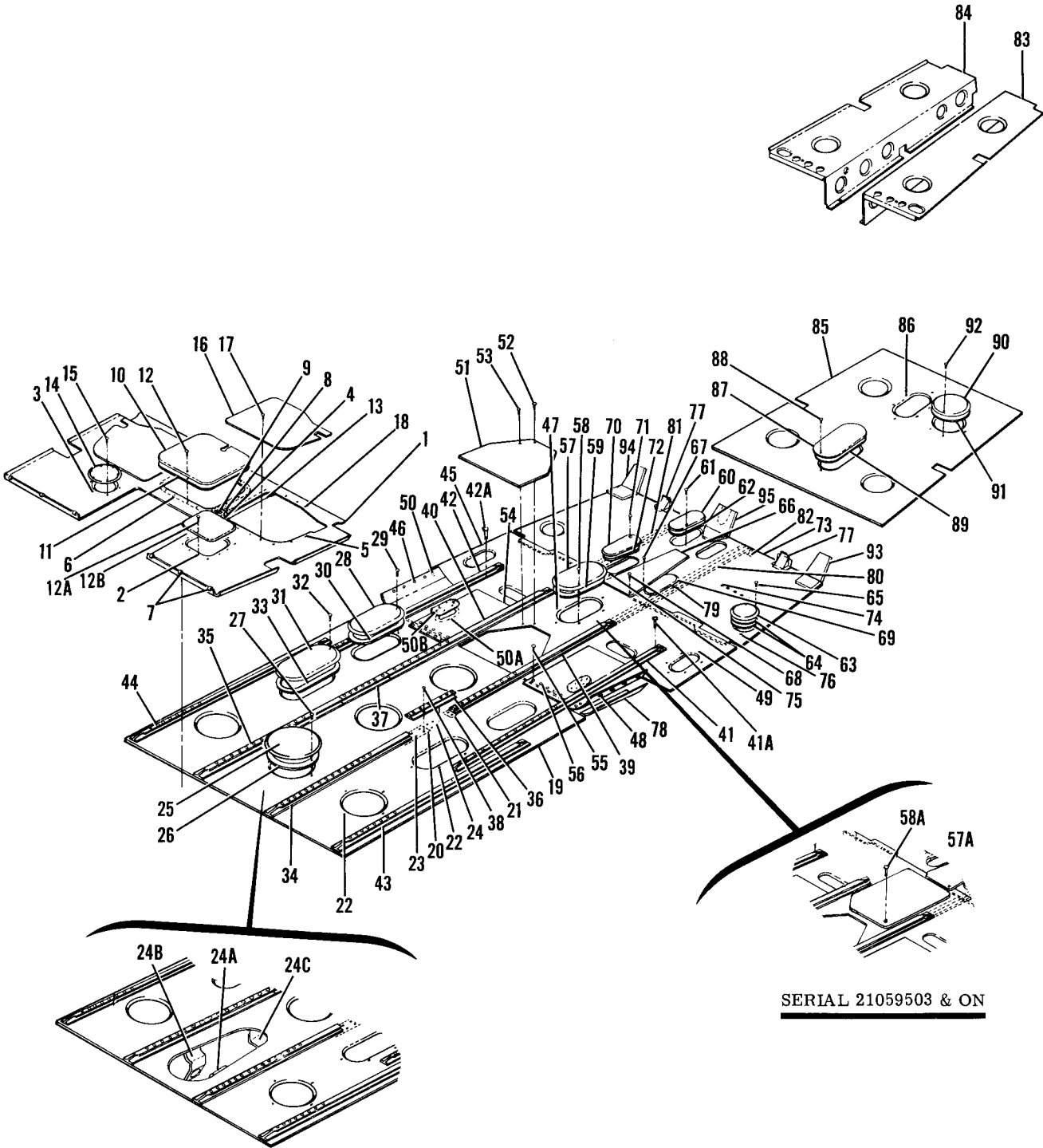


VIEW LOOKING FORWARD

Figure 23. Main Gear Actuator Bulkhead Assembly

FIGURE AND INDEX NO.	PART NUMBER	DESCRIPTION	UNITS PER ASSY	USABLE ON CODE
		1 2 3 4 5 6 7		
23 -13	1211333-1 1211333-2	DOUBLER ASSEMBLY-LH ----- DOUBLER ASSEMBLY-RH ----- ATTACHING PARTS -----	1 1	
-14	AN3-6A AN960-10 MS21044N3	BOLT ----- WASHER ----- NUT ----- -----*-----	7 7 7	
-15	1260469-3 1260469-4	PULLEY BRACKET-LH ----- PULLEY BRACKET-RH -----	1 1	
-16	1211342-1 1211342-2 NAS1054-6	REINFORCEMENT-LH ----- REINFORCEMENT-RH ----- ATTACHING PARTS ----- RIVET-HI-SHEAR ----- -----*-----	1 1 1 8	
-17	1241615-1 1241615-2	SUPPORT ASSEMBLY-OUTBOARD LH ----- SUPPORT ASSEMBLY-OUTBOARD RH ----- ATTACHING PARTS -----	1 1	
-18	AN4-11A AN960-416 MS21042L4	BOLT ----- WASHER ----- NUT -----	6 8 6	
-19	AN5-12A AN960-516 MS21042L5	BOLT ----- WASHER ----- NUT -----	3 6 3	
-20	AN4-5A AN960-416	BOLT ----- WASHER -----	1 1	
-21	AN4-6A AN960-416 MS21042L4	BOLT ----- WASHER ----- NUT ----- -----*-----	5 10 5	
	MS15001-1 NAS1395-C4L	FITTING-LUBRICATION ----- INSERT -----	1 2	
-22	1211328-4 1211328-6 1211328-8	STIFFENER ASSEMBLY BULKHEAD STA. 77.00 ----- STIFFENER ASSEMBLY BULKHEAD STA. 77.00 ----- STIFFENER ASSEMBLY BULKHEAD STA. 77.00 -----	1 1 1	A B C D C
-23	NAS696A3 NAS696A4	NUTPLATE ----- NUTPLATE -----	2 2	
-23A	NAS680A3	NUTPLATE -----	2	
-24	1211327-1	STIFFENER-UPPER LH -----	1	
-25	1211327-2	STIFFENER-UPPER RH -----	1	
-26	1211327-7	STIFFENER-LWR -----	1	
-27	1211277-1 1211277-2	CLIP ASSEMBLY-LH ----- CLIP ASSEMBLY-RH -----	1 1	
-28	1211314-1 1211314-2	DOUBLER-LH ----- DOUBLER-RH -----	1 1	
-29	1211330-1	CAP STRIP-UPPER -----	1	
-30	1211331-1	CAP STRIP-LOWER -----	1	
-31	1211347-3	STIFFENER LH-BULKHEAD STA. 77.00 -----	1	
-32	1211347-4	STIFFENER RH-BULKHEAD STA. 77.00 -----	1	
-33	1260472-2	PULLEY BRACKET-INBD STA. 67.25 -----	1	
<p>A---210 & T210 SERIAL 21059200 THRU 21059502 B---210 & T210 SERIAL 21059503 THRU 21060305 21060307 THRU 21060328 21060330, 21060331, 21060332, 21060334, 21060335 & 21060338 C---210 & T210 SERIAL 21060306, 21060329, 21060333, 21060336, 21060337 & 21060339 & ON D---210 & T210 SERIAL 21059200 THRU 21060305 21060307 THRU 21060328 21060330, 21060331, 21060332, 21060334, 21060335 & 21060338</p>				

Fuselage (Cont)



SERIAL 21059503 & ON

SERIAL 21059503 & ON

Figure 24. Floorboards & Radio Shelves Installation

FIGURE AND INDEX NO.	PART NUMBER	DESCRIPTION	UNITS PER ASSY	USABLE ON CODE
		1 2 3 4 5 6 7		
24 -		FLOORBOARDS & RADIO SHELVES INSTALLATION -----	NP	
		FLOORBOARD INSTALLATION-FRONT -----	NP	
- 1	1213415-15	FLOORBOARD ASSEMBLY-FORWARD SECTION -----	1	
- 2	S1863-3A	NUTPLATE -----	12	
- 3	A6195-8Z-3	NUTPLATE -----	6	
- 4	NAS696A08	NUTPLATE -----	2	
- 5	NAS697A08	NUTPLATE -----	23	
- 6	1213494-1	DOUBLER ASSEMBLY -----	1	
	A6196-10Z-1	NUT TIN -----	2	
	A6195-10Z-1	NUT TIN -----	7	
- 7	NAS395-14-3	NUT -----	6	
- 8	1213415-11	RETAINER-SEAL -----	1	
- 9	1213415-12	SEAL -----	1	
-10	1213495-6	PLATE-COVER -----	1	
		ATTACHING PARTS -----		
-11	1210421-1	GASKET-COVER PLATE -----	1	
-12	S1021Z10-8	SCREW -----	9	
		-----*-----		
-12A	1213302-1	PLATE-COVER -----	1	
		ATTACHING PARTS -----		
-12B	S1022Z8-8	SCREW -----	12	
		-----*-----		
-13	1213513-3	STIFFENER ASSEMBLY-LH -----	1	
	1213513-4	STIFFENER ASSEMBLY-RH -----	1	
	NAS697A08	NUTPLATE -----	4	
-14	S225-6	PLATE-INSPECTION -----	1	
		ATTACHING PARTS -----		
	1210420-2	GASKET-INSPECTION PLATE -----	1	
-15	S1022Z8-8	SCREW -----	6	
		-----*-----		
-16	1213512-1	PLATE-COVER -----	2	
		ATTACHING PARTS -----		
-17	AN515-8R8	SCREW -----	20	
		-----*-----		
-18	NAS697A08	NUTPLATE -----	8	
-19	1211310-1	FLOORBOARD ASSEMBLY-CENTER SECTION -----	1	A
	1211310-4	FLOORBOARD ASSEMBLY-CENTER SECTION -----	1	F
	1211310-6	FLOORBOARD ASSEMBLY-CENTER SECTION -----	1	G
-20	1211311-1	STIFFENER-FWD -----	2	
-21	1211311-2	STIFFENER -----	2	
-22	NAS680A08	NUTPLATE -----	36	
-23	NAS696A08	NUTPLATE -----	8	
-24	NAS697A08	NUTPLATE -----	12	
-24A	1211359-1	SUPPORT ASSY-LH -----	1	B
-24B	1211359-2	SUPPORT ASSY-RH -----	1	B
	NAS680A3	NUTPLATE -----	1	B
-24C	1211406-1	GUIDE-HAND PUMP HANDLE -----	1	B
-25	S329	PLATE -----	5	A
	S329	PLATE -----	4	B
		ATTACHING PARTS -----		
-26	1212032-6	GASKET -----	1	
-27	AN515-8R8	SCREW -----	4	
		-----*-----		
-28	1212031-1	COVER ASSEMBLY-ACCESS -----	2	
		ATTACHING PARTS -----		
-29	AN515-8R8	SCREW -----	6	
		-----*-----		
-30	1212032-1	GASKET -----	1	
-31	1212031-6	COVER ASSEMBLY-ACCESS -----	2	
		ATTACHING PARTS -----		
-32	AN515-8R8	SCREW -----	6	
		-----*-----		
-33	1212032-5	GASKET -----	1	
-34	1210520-1	RAIL-SEAT LH FWD INBOARD WEU 1210520-11 -----	1	C
	1210520-11	RAIL-SEAT LH FWD INBOARD -----	1	D
-35	1210520-2	RAIL-SEAT RH FWD INBOARD -----	1	
-36	1210520-3	RAIL-REMOVABLE SEAT LH INBOARD -----	1	
-37	1210520-4	RAIL-REMOVABLE SEAT RH INBOARD -----	1	
		ATTACHING PARTS -----		
-38	AN507-832R8	SCREW -----	12	
		-----*-----		

CONTINUED ON NEXT PAGE

FIGURE AND INDEX NO.	PART NUMBER	DESCRIPTION	UNITS PER ASSY	USABLE ON CODE
24 -39	1210520-5	RAIL-SEAT LH AFT INBOARD -----	1	
-40	1210520-6	RAIL-SEAT RH AFT INBOARD -----	1	
-41	1210520-7	RAIL-SEAT LH AFT OUTBOARD -----	1	
		ATTACHING PARTS		
-41A	NAS220-15	SCREW -----	2	E
	MS21044N08	NUT -----	2	E
		---*---		
-42	1210520-8	RAIL-SEAT RH AFT OUTBOARD -----	1	
		ATTACHING PARTS		
-42A	NAS220-15	SCREW -----	2	E
	MS21044N08	NUT -----	2	E
		---*---		
-43	1210520-9	RAIL-SEAT LH FWD OUTBOARD -----	1	L
	1211514-1	RAIL-SEAT LH FWD OUTBOARD -----	1	N
-44	1210520-10	RAIL-SEAT RH FWD OUTBOARD WEU 1210520-12 -----	1	C
	1210520-12	RAIL-SEAT RH FWD OUTBD -----	1	M
	1211514-1	RAIL-SEAT RH FWD OUTBD -----	1	N
		ATTACHING PARTS		
	AN507-1032R8	SCREW -----	2	N
	MS21044N3	NUT -----	2	N
		---*---		
-45	1212021-7	FLOORBOARD ASSEMBLY-AFT CENTER -----	1	A
	1212039-1	FLOORBOARD ASSEMBLY-AFT CENTER -----	1	K
	1212039-3	FLOORBOARD ASSEMBLY-AFT CENTER -----	1	J
		ATTACHING PARTS		
-46	AN525-10R6	SCREW -----	8	
	NAS222-12	SCREW -----	2	
	NAS221-11	SCREW -----	2	
	AN960-10	WASHER -----	2	
	MS21044N3	NUT -----	2	
	CR163C-4	RIVET-CHERRY -----	36	
		---*---		
-47	22NA1K02	NUTPLATE -----	6	A
-48	NAS680A3	NUTPLATE -----	6	
-49	S1863-3	NUTPLATE -----	24	
-50	NAS682A3	NUTPLATE -----	2	
-50A	1200564-1	DOUBLER ASSEMBLY -----	2	
	NAS697A3	NUTPLATE -----	6	
-50B	1200563-1	COVER ASSEMBLY -----	2	
		ATTACHING PARTS		
	NAS221-7	SCREW -----	6	
		---*---		
-51	1212024-1	COVER ASSEMBLY-REMOVABLE -----	1	
		ATTACHING PARTS		
-52	NAS221-8	SCREW -----	2	
-53	NAS221-11	SCREW -----	17	
		---*---		
-54	1212028-2	REINFORCEMENT -----	2	
		ATTACHING PARTS		
-55	NAS221-12	SCREW -----	2	
-56	NAS221-11	SCREW -----	10	
	AN960-10	WASHER -----	12	
	MS21044N3	NUT -----	12	
	NAS221-13	SCREW -----	2	
		---*---		
-57	1212031-16	COVER ASSEMBLY ACCESS -----	1	A
-57A	1212038-1	COVER-ACCESS -----	1	B
		ATTACHING PARTS		
-58	AN520-10R7	SCREW -----	6	A
-58A	AN520-10R7	SCREW -----	4	B
	NAS221-9	SCREW -----	2	B
	AN520-10R8	SCREW -----	10	B
		---*---		
-59	1212032-9	GASKET -----	1	A
-60	1212031-2	COVER ASSEMBLY ACCESS -----	6	
		ATTACHING PARTS		
-61	S1021Z8-8	SCREW -----	6	
		---*---		
-62	1212032-2	GASKET -----	1	
-63	S225-5	PLATE-INSPECTION -----	2	
		ATTACHING PARTS		
-64	1210420-1	GASKET -----	2	
-65	S1021Z8-8	SCREW -----	6	
		---*---		

CONTINUED ON NEXT PAGE

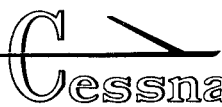


FIGURE AND INDEX NO.	PART NUMBER	DESCRIPTION	UNITS PER ASSY	USABLE ON CODE
24 -66	1212023-2	COVER ASSEMBLY ----- ATTACHING PARTS -----	1	
-67	AN520-10R7	SCREW -----	7	
-68	AN520-10R8	SCREW INSTALLED AT CORNERS ----- ---*---	4	
-69	1212031-4	COVER ASSEMBLY-ACCESS LH -----	1	
-70	1212031-13	COVER ASSEMBLY-ACCESS RH ----- ATTACHING PARTS -----	1	
-71	S1021Z8-8	SCREW ----- ---*---	5	
-72	1212032-4	GASKET -----	1	
-73	1212020-1	FLOORBOARD ASSEMBLY-AFT -----	1	H
	1212020-3	FLOORBOARD ASSEMBLY-AFT ----- ATTACHING PARTS -----	1	J
-74	CR163C-4	RIVET-CHERRY ----- ---*---	10	
-75	S1862-2A	NUTPLATE -----	6	
-76	S1863-3A	NUTPLATE -----	26	
-77	1212026-1	COVER -----	2	
-78	1212030-1	STIFFENER-LH -----	1	H
	1212030-3	STIFFENER-LH -----	1	J
	1212030-2	STIFFENER-RH -----	1	H
	1212030-4	STIFFENER-RH -----	1	J
-79	S1863-3	NUTPLATE -----	2	
-80	1212022-1	STIFFENER-SEAT TRACK LH -----	1	
-81	1212022-2	STIFFENER-SEAT TRACK RH -----	1	A
	1212022-4	STIFFENER-SEAT TRACK RH -----	1	B
-82	1212029-1	BRACKET-SUPPORT -----	4	
-83	1210525-1	SHELF-RADIO AFT LH -----	1	
-84	1210525-2	SHELF-RADIO AFT RH -----	1	
-85	1211297-2	FLOORBOARD ASSEMBLY-BAGGAGE COMPARTMENT -----	1	
-86	NAS680A08	NUTPLATE -----	36	
-87	1212031-1	COVER ASSEMBLY ----- ATTACHING PARTS -----	2	
-88	AN5158R8	SCREW ----- ---*---	6	
-89	1212032-1	GASKET -----	1	
-90	S225-7	PLATE-INSPECTION ----- ATTACHING PARTS -----	4	
-91	1212032-7	GASKET -----	1	
-92	AN515-8R8	SCREW ----- ---*---	6	
-93	1211009-1	REINFORCEMENT-SEAT BELT LH -----	1	J
-94	1211009-2	REINFORCEMENT-SEAT BELT RH -----	1	J
-95	1211075-1	REINFORCEMENT-SEAT BELT CENTER -----	1	J
		A---210 & T210 SERIAL 21059200 THRU 21059502		
		B---210 & T210 SERIAL 21059503 & ON		
		C---210 & T210 SERIAL 21059200 THRU 21059719		
		D---210 & T210 SERIAL 21059720 & ON		
		E---210 & T210 SERIAL 21059529 & ON		
		F---210 & T210 SERIAL 21059503 THRU 21060039		
		G---210 & T210 SERIAL 21060090 & ON		
		H---210 & T210 SERIAL 21059200 THRU 21060305		
		21060307 THRU 21060328		
		21060330 THRU 21060332		
		21060334, 21060335 & 21060338		
		J---210 & T210 SERIAL 21060306, 21060329, 21060333,		
		21060336, 21060337 & 21060339 & ON		
		K---210 & T210 SERIAL 21059503 THRU 21060305		
		21060307 THRU 21060328		
		21060330 THRU 21060332		
		21060334, 21060335 & 21060338		
		L---210 & T210 SERIAL 21059200 THRU 21060539		
		M---210 & T210 SERIAL 21059720 THRU 21060539		
		N---210 & T210 SERIAL 21060540 & ON		

Fuselage (Cont)

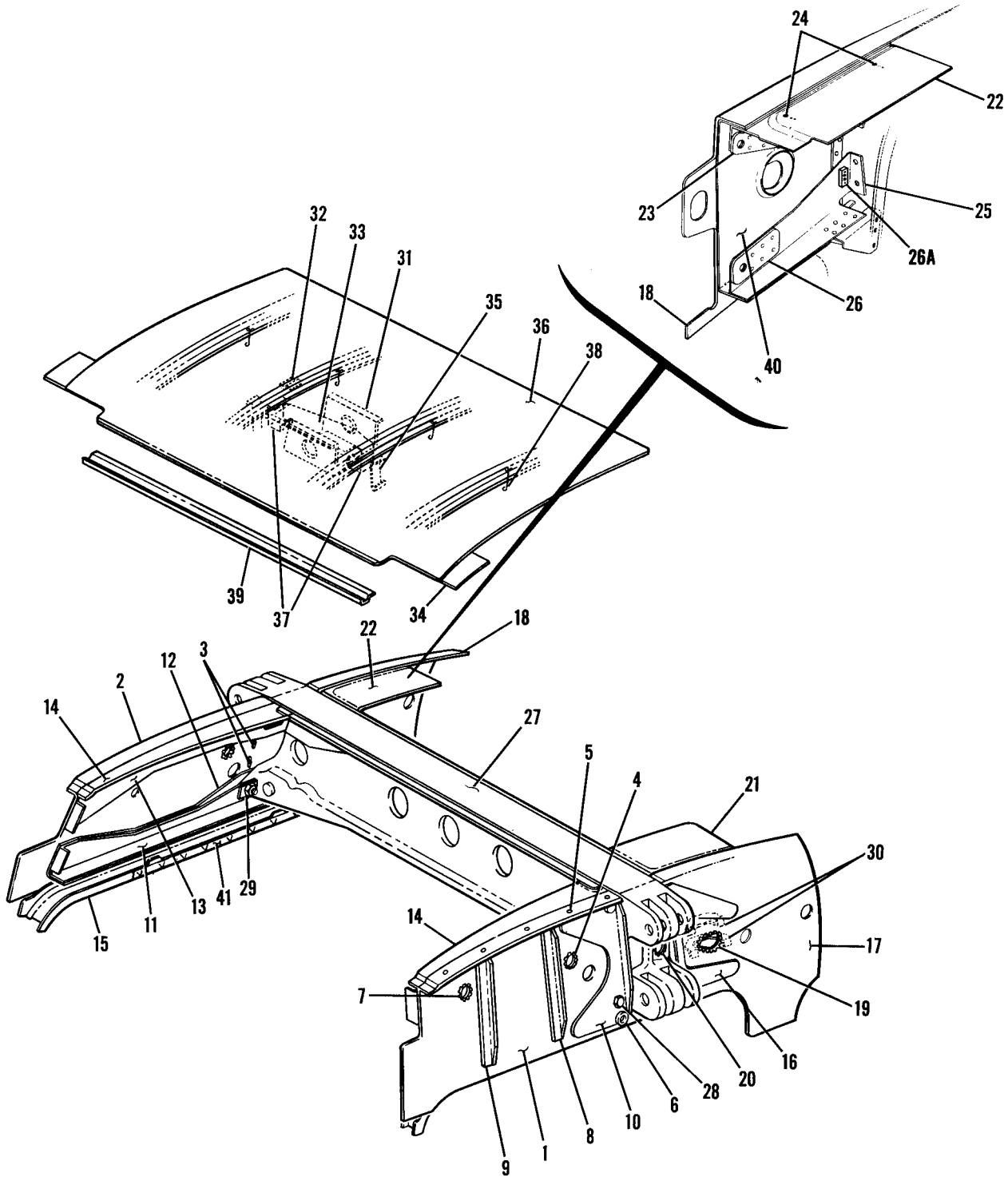
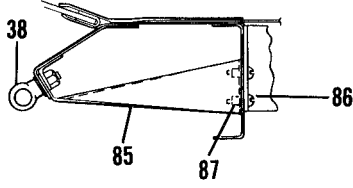


Figure 24A. Forward Cabin Top Components

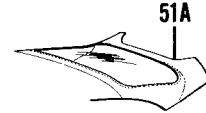


FIGURE AND INDEX NO.	PART NUMBER	DESCRIPTION	UNITS PER ASSY	USABLE ON CODE
24A-		1 2 3 4 5 6 7 FORWARD CABIN TOP COMPONENTS -----	NP	
- 1	1210708-19	RIB ASSEMBLY-CABIN ROOT LH -----	1	A
	1210708-23	RIB ASSEMBLY-CABIN ROOT LH -----	1	B
- 2	1210708-20	RIB ASSEMBLY-CABIN ROOT RH -----	1	A
	1210708-24	RIB ASSEMBLY-CABIN ROOT RH -----	1	B
- 3	NAS680A3	NUTPLATE-RH ONLY -----	2	
- 4	S1050-1	GROMMET 3.93 IN LG BULK ITEM REF S1050-1-3.93 -----	1	A
- 5	NAS697A3	NUTPLATE -----	5	
	1210708-21	STIFFENER ASSEMBLY-RH -----	1	
- 6	MS35489-118S	GROMMET-FUEL LINE -----	1	
- 7	S1050-1	GROMMET 6.28 IN LG BULK ITEM REF S1050-1-6.28 -----	1	
- 8	1210708-5	STIFFENER-LH -----	1	
	NAS680A3	NUTPLATE -----	2	
- 9	1210708-6	STIFFENER -----	2	
-10	1210708-3	DOUBLER-LH -----	1	
	1210708-4	DOUBLER-RH -----	1	
-11	1210709-12	SUPPDRT ASSEMBLY-LOWER RH -----	1	
	1210709-11	SUPPDRT ASSEMBLY-LOWER LH -----	1	
	1210708-7	DOUBLER -----	1	
-12	1210709-8	SUPPORT-LOWER RH -----	1	
	1210709-7	SUPPORT-LOWER LH -----	1	
-13	1210709-6	SUPPORT ASSEMBLY-UPPER RH -----	1	
	1210709-5	SUPPORT ASSEMBLY-JPPER LH -----	1	
-14	1210709-2	SUPPORT-UPPER RH -----	1	
	1210709-1	SUPPORT-UPPER LH -----	1	
-15	0710602-22	SILL ASSEMBLY-RH -----	1	
	0710602-21	SILL ASSEMBLY-LH -----	1	
-16	1211747-7	DOUBLER-OUTSIDE LH -----	1	
	1211747-8	DOUBLER-OUTSIDE RH -----	1	
-17	1211799-3	RIB-CABIN ROOT LH -----	1	
-18	1211799-4	RIB-CABIN ROOT RH -----	1	
-19	S1050-1	GROMMET 6.10 IN LG BULK ITEM REF S1050-1-6.10 -----	2	
-20	S1050-1	GROMMET 4.50 IN LG BULK ITEM REF S1050-1-4.50 -----	2	
-21	1211794-1	BRACKET ASSEMBLY-UPPER LH -----	1	
-22	1211794-2	BRACKET ASSEMBLY-UPPER RH -----	1	
-23	1211747-9	DOUBLER -----	1	
-24	NAS696A3	NUTPLATE -----	2	
-25	1211793-2	BRACKET ASSEMBLY-LOWER RH -----	1	
	1211793-1	BRACKET ASSEMBLY-LOWER LH -----	1	
-26	1211747-9	DOUBLER -----	1	
-26A	1211837-1	SPACER -----	1	
-27	1210702-11	WING SPAR ASSEMBLY-CENTER SECTION CANTILEVER -----	1	
		ATTACHING PARTS -----		
-28	AN6-13A	BOLT -----	8	
-29	MS21042L6	NUT -----	8	
	AN960-C616L	WASHER -----	8	
	AN960-C616	WASHER -----	8	
		---*---		
-30	1211834-1	BRACKET-FLAP INDICATOR CABLE LH ONLY -----	2	
	1211778-1	TOP ASSEMBLY-CABIN -----	1	
-31	1200204-1	BRACKET ASSEMBLY -----	1	
	NAS680A08K	NUTPLATE -----	4	
-32	1210037-1	BRACKET -----	1	
-33	1211775-1	REINFORCEMENT -----	1	
-34	1211777-1	CAP-SPAR -----	1	
-35	1215012-4	SUPPORT -----	2	
-36	1211778-2	SKIN -----	1	
-37	1200205-1	BRACKET-OXYGEN PORT -----	2	
-38	1200542-9	HANGER -----	4	
		ATTACHING PARTS -----		
	S102124-5	SCREW -----	1	
		---*---		
-39	1213711-1	STRIP-RETAINER -----	1	
-40	1211795-4	STIFFENER-RH -----	1	
	1211795-3	STIFFENER-LH -----	1	
-41	1215047-1	RETAINER -----	2	
		A---210 & T210 SERIAL 21059200 THRU 21060089		
		B---210 & T210 SERIAL 21060090 & ON		

Fuselage (Cont)

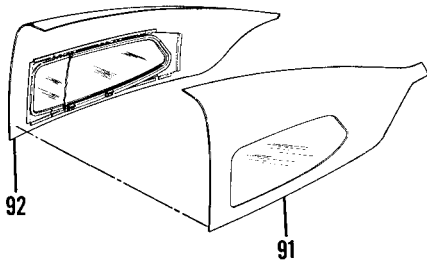
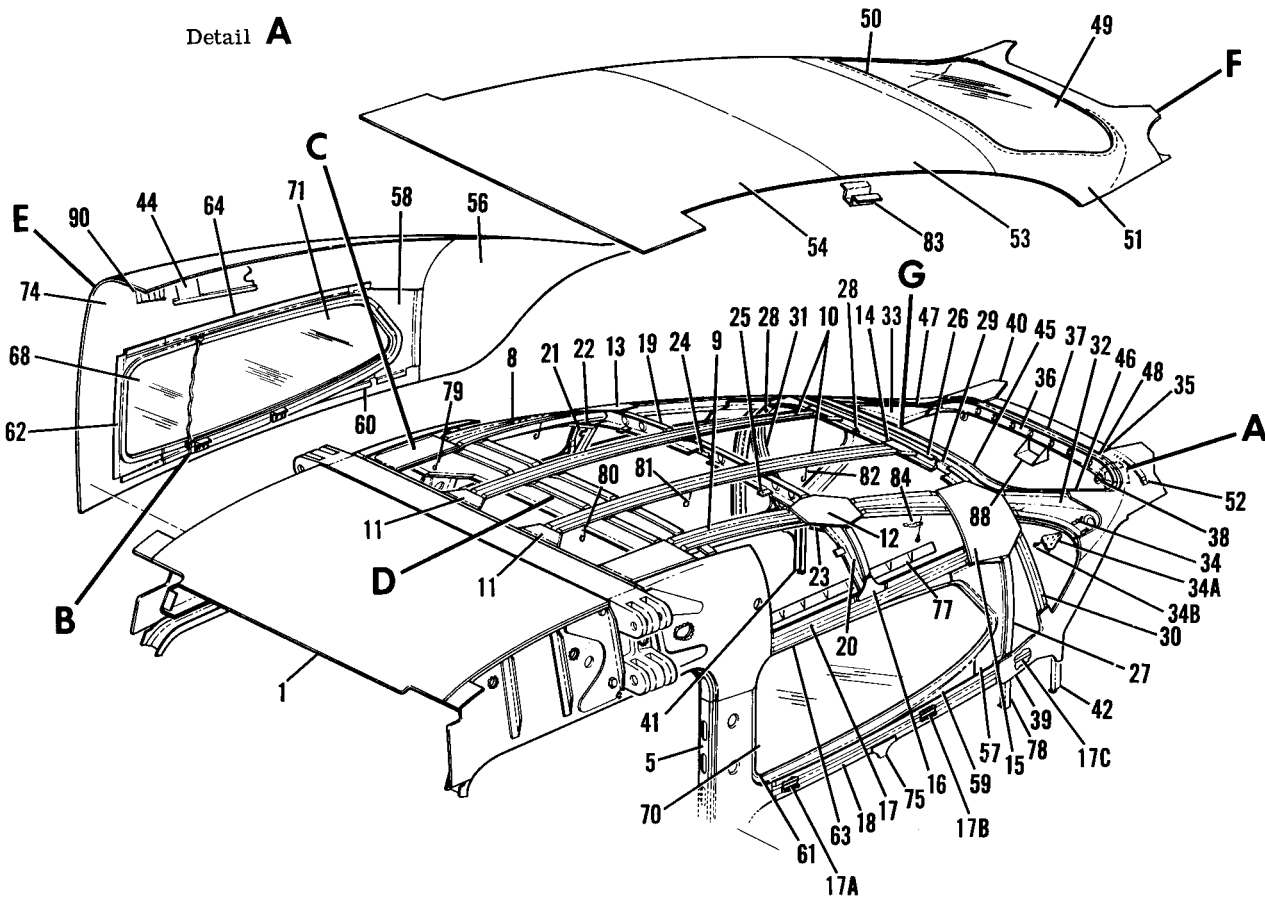


Detail A



SERIAL 21059503 & ON

Detail F



SERIAL 21059503 & ON

Detail E

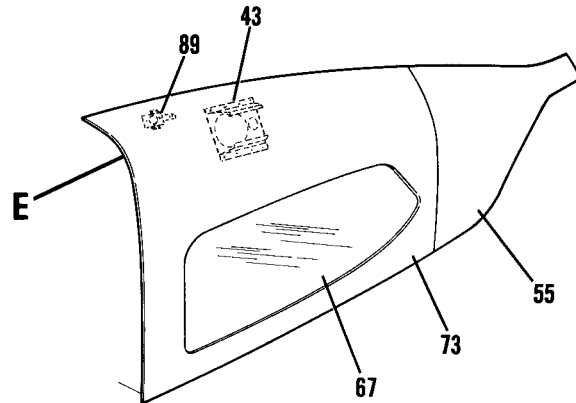
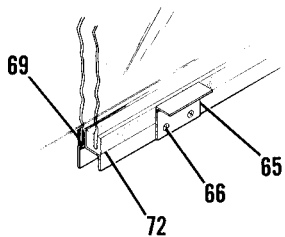
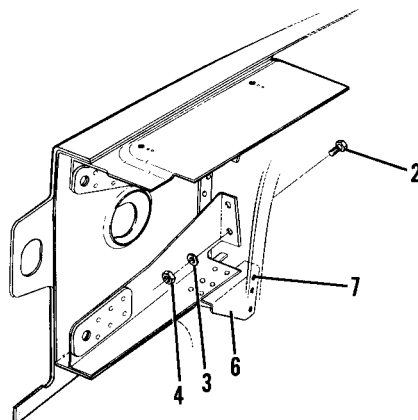


Figure 25. Upper Cabin Section Components (Sheet 1 of 2)

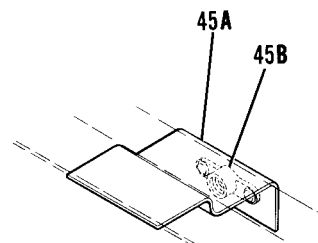
Fuselage (Cont)



Detail **B**

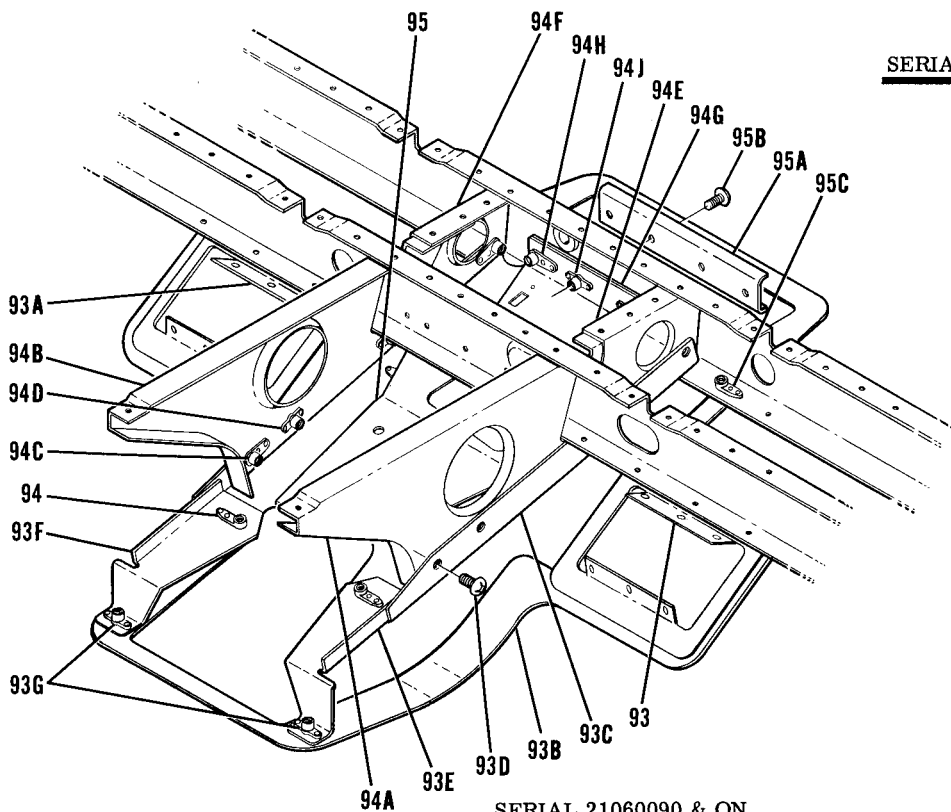


Detail **C**



SERIAL 21060090 & ON

Detail **G**



SERIAL 21060090 & ON

Detail **D**

Figure 25. Upper Cabin Section Components (Sheet 2 of 2)

FIGURE AND INDEX NO.	PART NUMBER	DESCRIPTION	UNITS PER ASSY	USABLE ON CODE
25 -		UPPER CABIN SECTION COMPONENTS -----	NP	
- 1	SEE FIG 24A	FORWARD CABIN TOP COMPONENTS -----	1	
		ATTACHING PARTS -----		
- 2	AN3-5A	BOLT -----	8	
- 3	AN960-10	WASHER -----	16	
- 4	MS21044N3	NUT -----	8	
		---*---		
- 5	SEE FIG 19	REAR DOORPOST & MAIN LANDING GEAR BULKHEAD ASSEMBLY -----	1	
- 6	1211798-2	REINFORCEMENT ASSEMBLY-RH -----	1	
	1211798-1	REINFORCEMENT ASSEMBLY-LH -----	1	
- 7	NAS696A3	NUTPLATE -----	2	
	NAS697A3	NUTPLATE -----	1	
- 8	1211773-1	STIFFENER ASSEMBLY -----	1	B
	1211773-5	STIFFENER -----	1	A
- 9	1211773-2	STIFFENER ASSEMBLY -----	1	B
	1211773-6	STIFFENER -----	1	A
	NAS680A3	NUTPLATE -----	1	B
	NAS682A3	NUTPLATE -----	1	B
-10	1211772-1	STRINGER -----	2	
-11	1211771-1	GUSSET -----	2	
-12	1211093-1	GUSSET-LH -----	1	
-13	1211093-2	GUSSET-RH -----	1	
-14	1211440-5	GUSSET -----	2	
-15	1211319-1	REINFORCEMENT-LH -----	1	
	1211319-2	REINFORCEMENT-RH -----	1	
-16	1211317-3	GUSSET -----	2	
-17	1211320-1	STIFFENER-LH -----	1	B
	1211320-2	STIFFENER-RH -----	1	B
	1211356-1	STIFFENER ASSEMBLY-LH -----	1	A
	1211356-2	STIFFENER ASSEMBLY-RH -----	1	A
	NAS680A4	NUTPLATE -----	1	A
	1215094-1	SUPPORT ASSY-COAT HANGER -----	1	A
	NAS680A3	NUTPLATE COAT HANGER ATTACH -----	1	A
-17A	1215093-1	SUPPORT-FWD -----	2	
-17B	1215093-2	SUPPORT-AFT -----	2	
		ATTACHING PARTS -----		
	S1021A4-6	SCREW -----	4	
		---*---		
-17C	1215093-3	SUPPORT -----	2	
		ATTACHING PARTS -----		
	S1021A4-6	SCREW -----	2	
		---*---		
-18	1211321-1	STIFFENER-LH -----	1	
	1211321-2	STIFFENER-RH -----	1	
	1211258-1	BULKHEAD ASSEMBLY UPPER STA. 90.00 -----	1	
		ATTACHING PARTS -----		
	NAS221-8	SCREW -----	1	
	NAS221-6	SCREW -----	1	
		---*---		
-19	1211259-1	BULKHEAD -----	1	
-20	1211260-1	BULKHEAD -----	1	
-21	1211260-2	BULKHEAD -----	1	
-22	1211261-2	GUSSET-RH -----	1	B
-23	1211261-1	GUSSET-LH -----	1	B
-24	1211262-1	STIFFENER -----	1	
	NAS697A3	NUTPLATE -----	2	B
-25	0511176	CLIP -----	6	
	1211263-1	BULKHEAD ASSEMBLY UPPER STA. 112.00 -----	1	
-26	1211263-2	BULKHEAD-UPPER CENTER -----	1	
-27	1211263-3	BULKHEAD-UPPER LH -----	1	
	1211263-4	BULKHEAD-UPPER RH -----	1	
-28	NAS680A3	NUTPLATE -----	1	
-29	1211710-8	STIFFENER -----	1	
-30	1211256-1	STIFFENER-LH -----	1	
-31	1211256-2	STIFFENER-RH -----	1	
-32	1211770-1	FORK ASSEMBLY-LH -----	1	
-33	1211770-2	FORK ASSEMBLY-RH -----	1	
-34	NAS680A3	NUTPLATE -----	5	
-34A	1211839-1	PLATE ASSEMBLY-SHOULDER HARNESS -----	2	A
		ATTACHING PARTS -----		
-34B	AN509-10R8	SCREW -----	5	
		---*---		
	NAS680A4	NUTPLATE -----	5	

CONTINUED ON NEXT PAGE

FIGURE AND INDEX NO.	PART NUMBER	DESCRIPTION	UNITS PER ASSY	USABLE ON CODE
		1 2 3 4 5 6 7		
25 -35	1211323-1	REINFORCEMENT -----	1	
-36	1211255-1	BULKHEAD ASSEMBLY -----	1	
-37	NAS697A08	NUTPLATE -----	1	
-38	SEE FIG 51	EYEBOLT-BAGGAGE NET -----	2	
-39	1211318-1	REINFORCEMENT-LH -----	1	
-40	1211318-2	REINFORCEMENT-RH -----	1	
-41	1211340-1	BULKHEAD-RH -----	1	
-42	1211284-1	STRIP-CLOSURE -----	1	
-43	1200219-1	SUPPORT ASSEMBLY-AIR VENT LH -----	1	F
	1211855-1	SUPPORT ASSEMBLY-AIR VENT LH -----	1	E
	NAS680A08	NUTPLATE -----	4	F
	NAS395-16-3	NUT -----	2	E
	1211800-1	SHIELD -----	1	E
-44	1200219-2	SUPPORT ASSEMBLY-AIR VENT RH -----	1	F
	1211855-2	SUPPORT ASSEMBLY-AIR VENT RH -----	1	E
	NAS680A08	NUTPLATE -----	4	F
	NAS395-16-3	NUT -----	2	E
-45	1211257-1	RETAINER-REAR WINDOW -----	1	
-45A	1215082-1	BRACKET ASSY-COAT HANGER -----	1	E
-45B	NAS680A3	NUTPLATE -----	1	
-46	1211257-3	RETAINER LH-REAR WINDOW -----	1	
-47	1211257-4	RETAINER RH-REAR WINDOW -----	1	
-48	1211257-2	RETAINER-REAR WINDOW -----	1	
-49	1211349-1	WINDOW-REAR -----	1	
-50	S1389-1	SEAL 97.5 IN LG BULK ITEM REF S1389-1-97.5 -----	1	
-51	1210505-10	SKIN-REAR WINDOW -----	1	C
-51A	1210505-19	SKIN-REAR WINDOW -----	1	D
-52	1211295-1	BULKHEAD -----	1	
-53	1210505-13	SKIN-CABIN TOP AFT -----	1	
-54	1210505-12	SKIN-CABIN TOP CENTER -----	1	
-55	1210505-9	SKIN-UPPER AFT LH -----	1	C
-56	1210505-8	SKIN-UPPER AFT RH -----	1	C
-57	1210529-1	RETAINER ASSEMBLY AFT-SIDE WINDOW LH -----	1	
-58	1210529-2	RETAINER ASSEMBLY AFT-SIDE WINDOW RH -----	1	
-59	1210528-1	RETAINER ASSEMBLY LOWER-SIDE WINDOW LH -----	1	
-60	1210528-2	RETAINER ASSEMBLY LOWER-SIDE WINDOW RH -----	1	
-61	1210530-1	RETAINER ASSEMBLY FORWARD-SIDE WINDOW LH -----	1	
-62	1210530-2	RETAINER ASSEMBLY FORWARD-SIDE WINDOW RH -----	1	
-63	1210531-1	RETAINER ASSEMBLY UPPER-SIDE WINDOW LH -----	1	
-64	1210531-2	RETAINER ASSEMBLY JPPER-SIDE WINDOW RH -----	1	
-65	1211061-67	CLIP-UPHOLSTERY -----	9	
		ATTACHING PARTS		
-66	S1021A46	SCREW -----	18	
		---*---		
-67	1210532-1	WINDOW ASSEMBLY-OUTBOARD LH -----	1	
-68	1210532-2	WINDOW ASSEMBLY-OUTBOARD RH -----	1	
-69	S1166-1	* CHANNEL * IN LG BULK ITEM REF S1166-1-* -----	1	
-70	1210533-1	WINDOW ASSEMBLY-INBOARD LH -----	1	
-71	1210533-2	WINDOW ASSEMBLY-INBOARD RH -----	1	
-72	CM2978-1	* MOLDING * IN LG BULK ITEM REF CM2978-1-* -----	1	
-73	1210505-5	SKIN FORWARD-LH -----	1	C
-74	1210505-4	SKIN FORWARD-RH -----	1	C
-75	1211317-2	GUSSET -----	2	
-76		DELETED-NOT USED -----	NP	
-77	1215047-2	RETAINER-UPHOLSTERY -----	2	
	1215047-3	RETAINER-UPHOLSTERY -----	2	F
	1215047-4	RETAINER-UPHOLSTERY -----	2	E
-78	1211264-1	BULKHEAD-LOWER LH -----	1	
	1211264-2	BULKHEAD-LOWER RH -----	1	
-79	1200542-10	HANGER-OUTBOARD -----	2	
-80	1200542-11	HANGER-INBOARD -----	2	
		ATTACHING PARTS		
	S1021A4-8	SCREW -----	1	
		---*---		
-81	1200542-7	HANGER -----	4	
		ATTACHING PARTS		
	S1021A4-8	SCREW -----	1	
		---*---		
-82	1200542-12	HANGER -----	4	
		ATTACHING PARTS		
	S1021A4-8	SCREW -----	1	
		---*---		

CONTINUED ON NEXT PAGE

FIGURE AND INDEX NO.	PART NUMBER	DESCRIPTION							UNITS PER ASSY	USABLE ON CODE
		1	2	3	4	5	6	7		
25 -83	0512000-66	BRACKET ASSEMBLY -----							2	G
-84	0411680	HANGER-UPHOLSTERY -----							4	G
	0411680	HANGER-UPHOLSTERY -----							2	H
		ATTACHING PARTS -----								
	S1021A4-8	SCREW -----							2	
-85	1211350-1	BRACKET LH-CARGO TIE DOWN -----							1	
	1211350-2	BRACKET RH-CARGO TIE DOWN -----							1	
		ATTACHING PARTS -----								
-86	NAS220-7	SCREW -----							2	
-87	MS21044N08	NUT -----							2	
	AN960-8L	WASHER -----							2	
		*-----								
-88	1211345-1	BRACKET ASSEMBLY-BAGGAGE COMPARTMENT LIGHT -----							1	
	NAS696A04LK	NUTPLATE -----							2	
-89	1210717-1	BRACKET LH-COURTESY LIGHT -----							1	C
-90	1210717-2	BRACKET RH-COURTESY LIGHT -----							1	C
-91	1210505-17	SKIN-UPPER LH REAR DOOR POST TO 1211255-1 BULKHEAD -----							1	D
-92	1210505-18	SKIN-UPPER RH REAR DOOR POST TO 1211255-1 BULKHEAD -----							1	D
-93	1211858-1	SUPPORT-LH AIR VENT & OXYGEN PORT -----							1	E
-93A	1211858-2	SUPPORT-RH AIR VENT & OXYGEN PORT -----							1	E
-93B	1215089-1	RETAINER-HEADLINER -----							1	E
-93C	1211850-1	BASE PLATE ASSY-INERTIA REEL -----							1	E
		ATTACHING PARTS -----								
-93D	NAS220-5	SCREW -----							10	
		*-----								
-93E	1211850-3	BRACKET-LH -----							1	
-93F	1211850-4	BRACKET-RH -----							1	
-93G	NAS697A08	NUTPLATE -----							2	
-94	NAS682A08	NUTPLATE -----							4	
-94A	1211851-1	BRACKET ASSY-LH INERTIA REEL -----							1	E
-94B	1211851-2	BRACKET ASSY-RH INERTIA REEL -----							1	E
-94C	NAS682A08	NUTPLATE -----							2	
-94D	NAS680A08	NUTPLATE -----							3	
-94E	1211852-1	SUPPORT-LH -----							1	E
-94F	1211852-2	SUPPORT-RH -----							1	E
-94G	1211853-2	PLATE ASSY-AFT INERTIA REEL -----							1	E
-94H	NAS682A08	NUTPLATE OUTBOARD -----							2	
-94J	NAS680A08	NUTPLATE INBOARD -----							2	
-95	1211853-1	PLATE-FWD INERTIA REEL -----							1	E
-95A	1211854-1	STIFFENER -----							1	E
		ATTACHING PARTS -----								
-95B	NAS220-7	SCREW -----							4	
		*-----								
-95C	NAS682A08	NUTPLATE -----							2	E

NOTE. *LENGTH TO BE ADDED LATER.

- A---210 & T210 SERIAL 21059352 & ON
- B---210 & T210 SERIAL 21059200 THRU 21059351
- C---210 & T210 SERIAL 21059200 THRU 21059502
- D---210 & T210 SERIAL 21059503 & ON
- E---210 & T210 SERIAL 21060090 & ON
- F---210 & T210 SERIAL 21059200 THRU 21060089
- G---210 & T210 SERIAL 21059200 THRU 21060399
- H---210 & T210 SERIAL 21060400 & ON

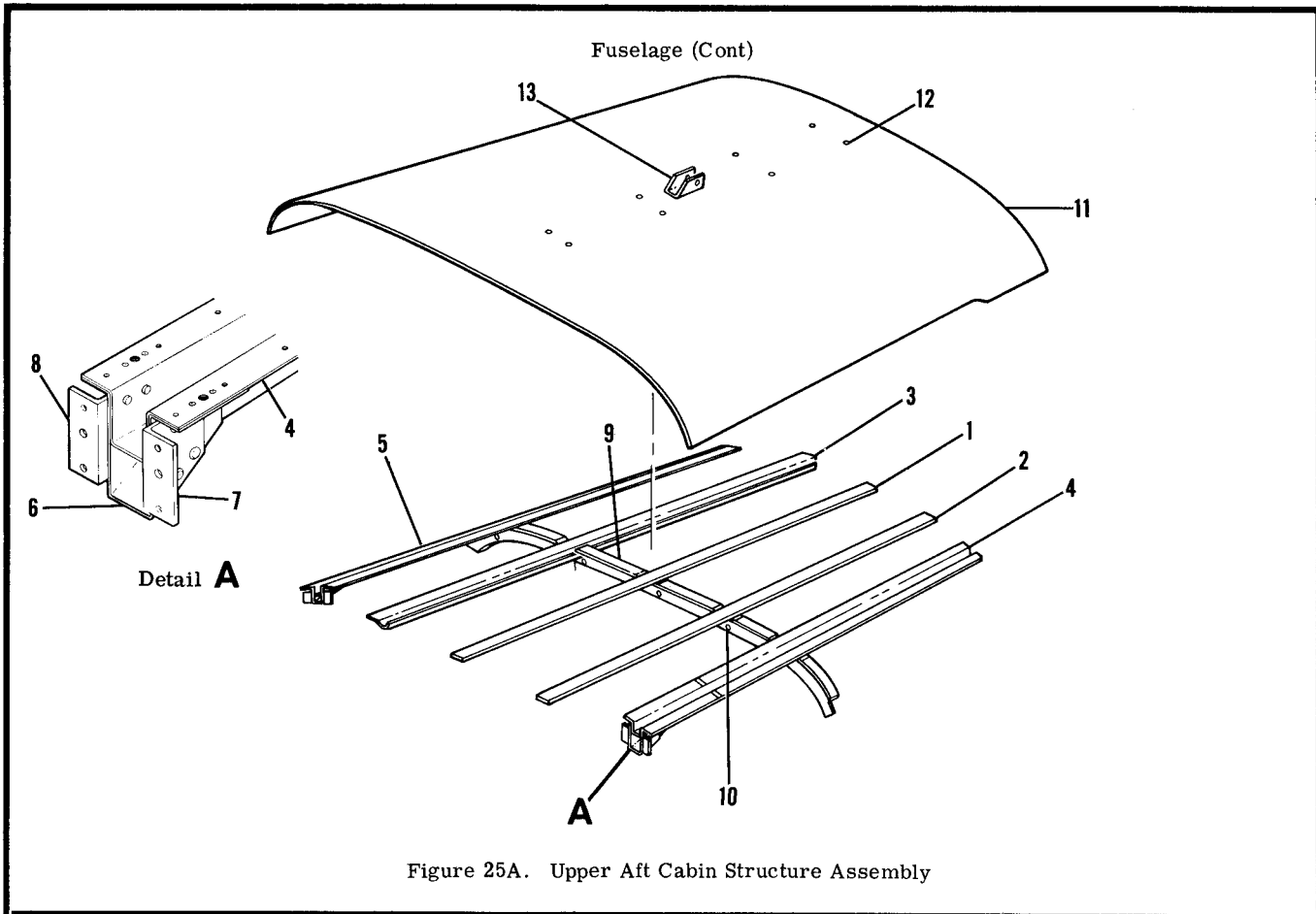


Figure 25A. Upper Aft Cabin Structure Assembly

FIGURE AND INDEX NO.	PART NUMBER	DESCRIPTION	UNITS PER ASSY	USABLE ON CODE
		1 2 3 4 5 6 7		
25A-	1291210-2	UPPER AFT CABIN STRUCTURE ASSEMBLY -----	1	A
	1291210-5	UPPER AFT CABIN STRUCTURE ASSEMBLY -----	1	B
- 1	1212709-13	STRINGER -----	1	
- 2	1212709-9	STRINGER-LH -----	1	
- 3	1212709-10	STRINGER-RH -----	1	
- 4	1211431-27	STRINGER ASSEMBLY-LH -----	1	
- 5	1211431-28	STRINGER ASSEMBLY-RH -----	1	
- 6	1211431-31	BRACKET-LH -----	1	
	1211431-32	BRACKET-RH -----	1	
- 7	1211431-33	ANGLE-OUTBOARD LH -----	1	
	1211431-34	ANGLE-OUTBOARD RH -----	1	
- 8	1211431-35	ANGLE-INBOARD LH -----	1	
	1211431-36	ANGLE-INBOARD RH -----	1	
- 9	1211286-4	BULKHEAD-UPPER -----	1	A
	1211286-8	BULKHEAD-UPPER -----	1	B
-10	NAS686A3	NUTPLATE -----	5	A
	S1115-19	RECEPTACLE -----	5	B
-11	1210504-6	SKIN -----	1	
-12	NAS697A08K	NUTPLATE -----	8	
-13	1231052-1	BRACKET ASSEMBLY -----	1	
	NAS686A08	NUTPLATE -----	2	
		A---210 & T210 SERIAL 21059200 THRU 21059351		
		B---210 & T210 SERIAL 21059352 & ON		

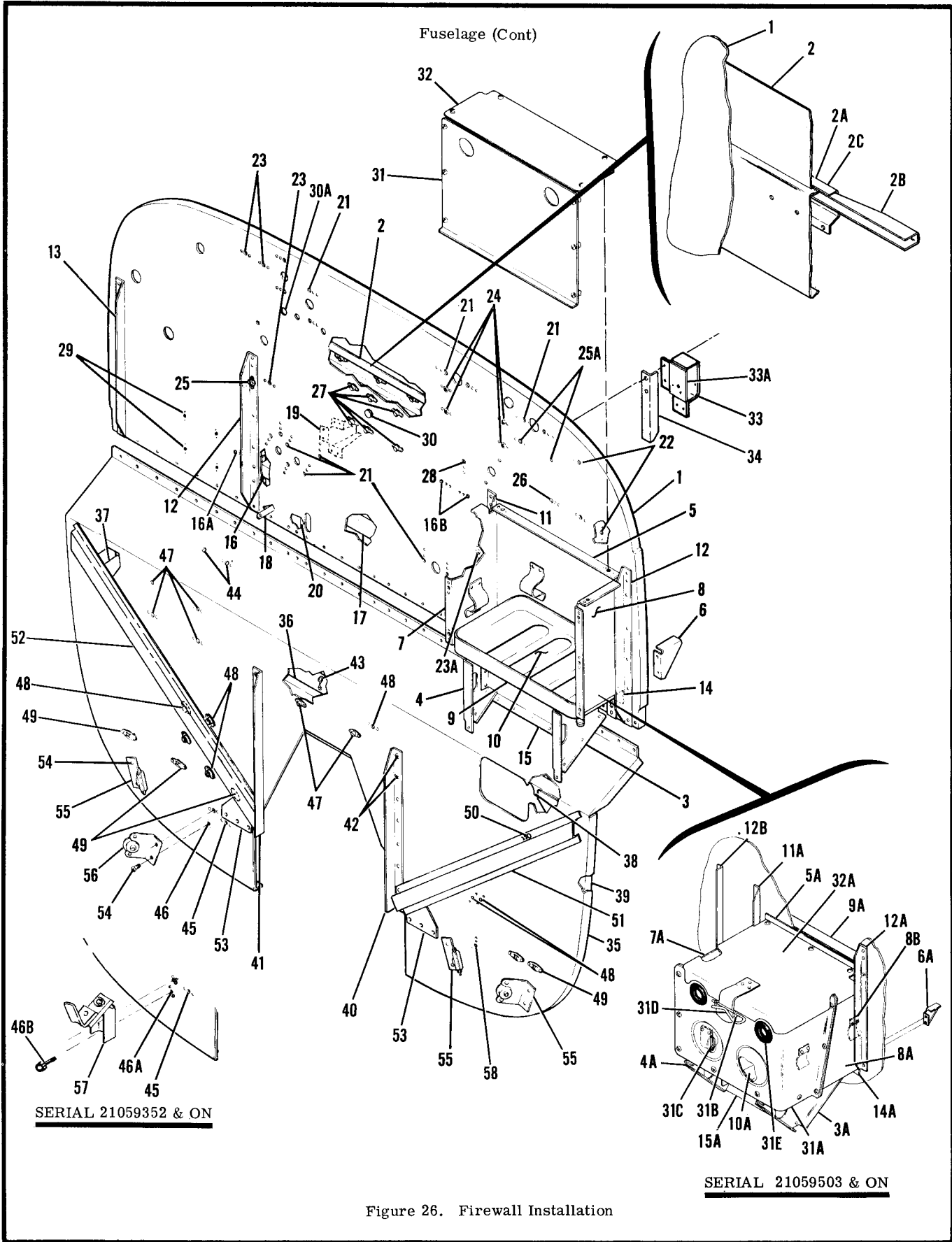


Figure 26. Firewall Installation

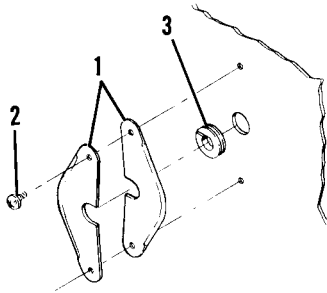
FIGURE AND INDEX NO.	PART NUMBER	DESCRIPTION	UNITS PER ASSY	USABLE ON CODE
		1 2 3 4 5 6 7		
26 -	SEE FIG 27	FIREWALL INSTALLATION -----	NP	
	1250876-38	FIREWALL GROMMETS INSTALLATION -----	1	
	1250940-4	FIREWALL ASSEMBLY-UPPER -----	1	E
	1250940-5	FIREWALL ASSEMBLY-JPPER 210 -----	1	F
- 1	1250876-35	FIREWALL ASSEMBLY-UPPER T210 -----	1	G
	1250940-3	FIREWALL-JPPER -----	1	E
	1250876-34	FIREWALL-JPPER -----	1	H
- 2	1250940-7	REINFORCEMENT ASSEMBLY-UPPER -----	1	E
	1250940-3	REINFORCEMENT ASSEMBLY-UPPER -----	1	H
	NAS697A08	NUTPLATE -----	3	E
	NAS697A3	NUTPLATE -----	2	E
	NAS680A3	NUTPLATE -----	2	H
- 2A	1250422-1	CABLE GJARD -----	1	H
- 2B	1250876-27	BRACE -----	1	
- 2C	1250422-1	CABLE GUARD -----	1	E
- 3	1253403-1	SUPPORT-BATTERY BOX FORWARD -----	1	E
- 3A	1250949-1	SUPPORT-BATTERY BOX FORWARD -----	1	H
- 4	1253403-2	SUPPORT-BATTERY BOX FORWARD -----	1	E
- 4A	1250949-2	SUPPORT-BATTERY BOX FORWARD -----	1	H
	S1050-1	GROMMET 3.11 IN LG BKI REF S1050-1-3.11 -----	1	H
- 5	1253402-1	ANGLE SUPPORT ASSEMBLY -----	1	E
- 5A	1250943-1	ANGLE SUPPORT ASSEMBLY -----	1	H
	S1115-19	RECEPTACLE -----	1	
- 6	1253401-1	SUPPORT-BATTERY BOX AFT -----	2	E
- 6A	1250941-1	SUPPORT-BATTERY BOX AFT -----	2	H
- 7	1253404-5	SIDE PANEL ASSEMBLY-BATTERY BOX INBOARD -----	1	E
- 7A	1250953-1	SIDE PANEL ASSEMBLY-BATTERY BOX INBOARD -----	1	H
	S1115-19	RECEPTACLE -----	1	
- 8	1253404-6	SIDE PANEL ASSEMBLY-BATTERY BOX OUTBOARD -----	1	E
- 8A	1250942-1	SIDE PANEL ASSEMBLY-BATTERY BOX OUTBOARD -----	1	H
	S1115-19	RECEPTACLE -----	4	D
- 8B	0412167-1	CLIP -----	2	H
- 9	1253405-1	BOX ASSEMBLY-BATTERY -----	1	E
- 9A	1250954-1	BOX ASSEMBLY-BATTERY -----	1	H
- 10	1253412-1	TRAY-BATTERY BOX -----	1	E
- 10A	1250950-1	TRAY-BATTERY BOX -----	1	H
- 11	1253429-1	SUPPORT ANGLE-BATTERY BOX -----	1	E
- 11A	1250948-2	SUPPORT ANGLE-BATTERY BOX -----	1	H
- 12	1253408-1	ANGLE STIFFENER FIREWALL -----	2	E
- 12A	1250948-1	ANGLE STIFFENER FIREWALL -----	1	H
- 12B	1250948-3	ANGLE STIFFENER FIREWALL -----	1	H
- 13	1253408-2	ANGLE STIFFENER FIREWALL -----	1	
- 14	1253416-1	SUPPORT ANGLE-BATTERY BOX -----	1	E
- 14A	1250947-1	SUPPORT ANGLE-BATTERY BOX -----	1	H
- 15	1253415-3	BRACKET ASSEMBLY -----	1	E
- 15A	1250944-1	BRACKET ASSEMBLY -----	1	H
- 16	1253418-2	ANGLE-AILERON & ELEVATOR CHANNEL RH -----	1	
	1253418-1	ANGLE-AILERON & ELEVATOR -----	1	
- 16A	CM2692-14-1S	PLUG BUTTON -----	1	H
- 16B	NAS682A3K	NUTPLATE -----	2	H
- 17	1253419-1	STIFFENER ELEVATOR BRACKET -----	1	
- 18	1253425-1	SUPPORT-CONTROLS CLAMP -----	1	
- 19	1253046-1	BRACKET -----	1	
- 20	1260212-1	BRACKET-COWL FLAP CONTROL -----	1	
- 21	S1862-2A	NUTPLATE -----	14	
- 22	NAS680A4K	NUTPLATE -----	3	
- 23	NAS680A3K	NUTPLATE -----	3	
- 23A	NAS680A3K	NUTPLATE -----	2	E
- 24	NAS680A08K	NUTPLATE -----	4	
	NAS220-5	SCREW 210 -----	4	
- 25	NAS680A08K	NUTPLATE -----	1	
- 25A	NAS680A08K	NUTPLATE -----	3	J
	NAS680A4K	NUTPLATE -----	3	H
- 26	NAS682A08K	NUTPLATE -----	1	E
- 27	NAS680A08	NUTPLATE -----	5	E
	NAS697A08	NUTPLATE -----	3	H
	AN525-832R6	SCREW -----	6	E
	NAS220-6	SCREW -----	3	E
- 28	NAS682A3K	NUTPLATE -----	1	E
- 29	NAS697A08	NUTPLATE ATTACH DUAL WARNING UNIT -----	4	

CONTINUED ON NEXT PAGE

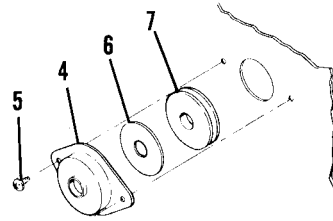
FIGURE AND INDEX NO.	PART NUMBER	DESCRIPTION	UNITS PER ASSY							USABLE ON CODE	
			1	2	3	4	5	6	7		
26 -30	CM2692-10-1S	PLUG BUTTON -----							1	J	
-30A	CM2692-12-3S	PLUG BUTTON -----							1	F	
-31	1253428-1	COVER ASSEMBLY-BATTERY BOX FRONT -----							1	E	
-31A	1250951-1	COVER ASSEMBLY-BATTERY BOX FRONT -----							1	H	
	0412167-1	CLIP -----							2		
	S1115-9	RING -----							6	E	
	S1115-9	STUD -----							9	H	
	S1115-10	STUD -----							6	E	
	S1115-30	STUD -----							9	H	
-31B	0413307-13	CATCH -----							1	H	
-31C	1250951-3	SPACER -----							2	H	
-31D	AN415-2	PIN -----							1	H	
-31E	MS35489-15	GROMMET -----							2	H	
-32	1253428-3	COVER ASSEMBLY-BATTERY BOX-TOP -----							1	E	
-32A	1250952-1	COVER ASSEMBLY-BATTERY BOX-TOP -----							1	H	
	S1115-9	RING -----							1		
	S1115-10	STUD -----							4	E	
	S1115-32	STUD -----							3	H	
-33	1260210-1	BRACKET-AILERON INTERCONNECT -----							1		
-33A	1260209-3	DOUBLER-LH -----							1	H	
	1260209-2	DOUBLER-RH -----							1	H	
-34	1253430-1	STIFFENER -----							1		
	1253435-2	FIREWALL ASSEMBLY-LOWER T210 -----							1	A	
	1253435-1	FIREWALL ASSEMBLY-LOWER 210 -----							1	C	
	1253435-7	FIREWALL ASSEMBLY-LOWER 210 -----							1	B	
-35	1253435-3	FIREWALL-LOWER -----							1		
-36	1253435-5	SUPPDRT-FIREWALL -----							1		
-37	1253435-6	GUSSET -----							2		
-38	1253435-4	ANGLE-SUPPDRT -----							1		
-39	1253409-5	BULKHEAD-FIREWALL LH -----							1		
	1253409-6	BULKHEAD-FIREWALL RH -----							1		
-40	1253431-1	ANGLE-TUNNEL LH -----							1		
-41	1253431-2	ANGLE-TUNNEL RH -----							1		
		ATTACHING PARTS									
-42	NAS220-6	SCREW -----							2		
	MS21044N08	NUT LH -----							1		
	MS21044N08	NUT RH -----							2		
	NAS680A08K	NUTPLATE LH -----							1		
		-----*									
-43	1253026-1	CLIP-FIREWALL UPHOLSTERY -----							6		
-44	NAS680A04K	NUTPLATE -----							2		
	AN500A4-4	SCREW -----							2		
-45	NAS680A08K	NUTPLATE -----							1		
	NAS220-5	SCREW -----							1		
-46	NAS680A08K	NUTPLATE -----							8	C	
-46A	NAS680A3	NUTPLATE -----							4	B	
-46B	NAS221-8	BOLT -----							4	B	
-47	NAS680A3K	NUTPLATE -----							6		
	NAS221-6	SCREW -----							6		
-48	NAS680A3K	NUTPLATE -----							7		
-49	S1863-3	NUTPLATE -----							5		
-50	NAS682A3K	NUTPLATE -----							1		
-51	1242008-5	STIFFENER-LH -----							1		
-52	1242008-6	STIFFENER-RH -----							1		
-53	1253432-1	GUSSET -----							2		
-54	NAS220-6	SCREW -----							8	C	
-55	1250258-1	SUPPORT ASSY-TAIL PIPE -----							4	C	
-56	S2087-1	SHOCK MOUNT -----							4		
-57	1250255-5	SHOCK MOUNT ASSY-TAIL PIPE -----							2	B	
-58	NAS696A08	NUTPLATE T210 -----							2	A	
A---T210 SERIAL 21059200 & ON											
B---210 SERIAL 21059352 & ON											
C---210 SERIAL 21059200 THRU 21059351											
D---210 & T210 SERIAL 21059352 & ON											
E---210 & T210 SERIAL 21059352 THRU 21059502											
F---210 SERIAL 21059503 & ON											
G---T210 SERIAL 21059503 & ON											
H---210 & T210 SERIAL 21059503 & ON											
J---210 & T210 SERIAL 21059200 THRU 21059502											

This page intentionally left blank.

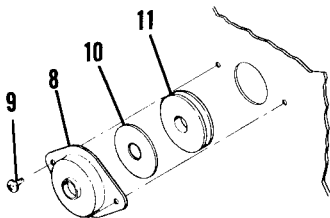
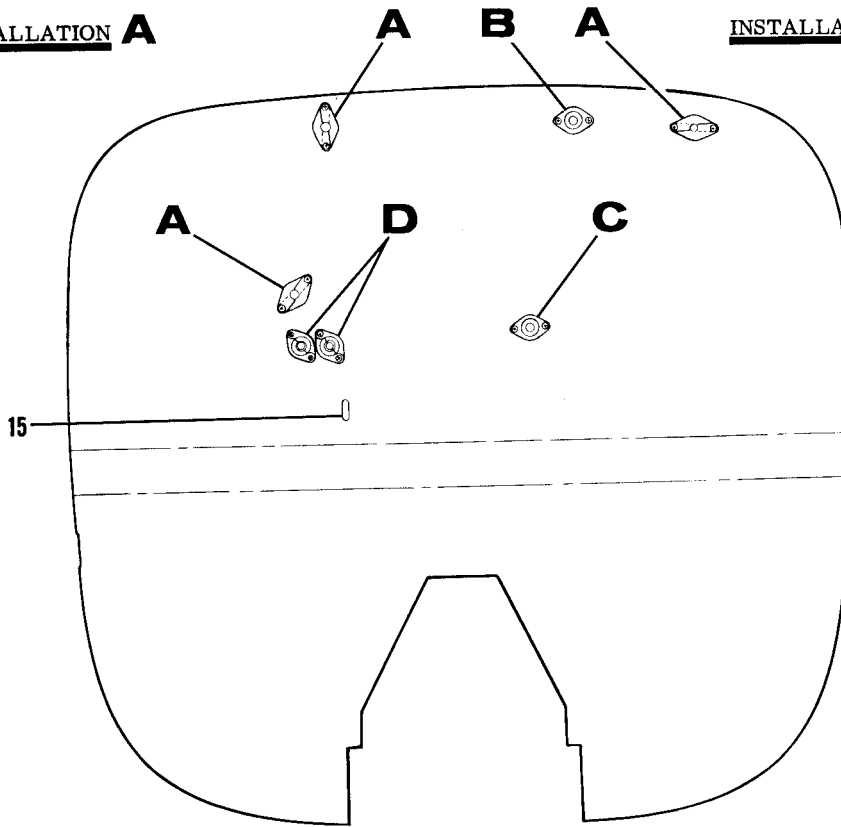
Fuselage (Cont)



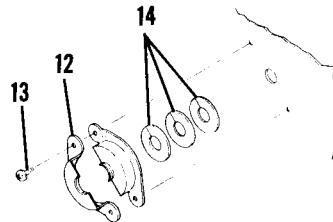
INSTALLATION A



INSTALLATION B



INSTALLATION C



INSTALLATION D

Figure 27. Firewall Grommets Installation



FIGURE AND INDEX NO.	PART NUMBER	DESCRIPTION	UNITS PER ASSY	USABLE ON CODE
27 -		FIREWALL GROMMETS INSTALLATION -----	NP	
- 1	S1095-3	INSTALLATION A -----	3	
		SHIELD-HALF -----	2	
- 2	S1021Z8-8	ATTACHING PARTS		
		SCREW -----	2	
		---*---		
- 3	NAS557-6A	GROMMET -----	1	
- 4	S352	INSTALLATION B -----	1	
		SHIELD -----	1	
		ATTACHING PARTS		
- 5	S1021Z8-8	SCREW -----	2	
		---*---		
- 6	S354-1	GROMMET -----	1	
- 7	MS35489-118	GROMMET -----	1	
		INSTALLATION C -----	1	
- 8	S352	SHIELD -----	1	
		ATTACHING PARTS		
- 9	S1021Z8-8	SCREW -----	2	
		---*---		
-10	S354-1	GROMMET -----	1	
-11	MS35489-115	GROMMET -----	1	
		INSTALLATION D -----	2	
-12	S353-6	SHIELD-HALF -----	2	
		ATTACHING PARTS		
-13	S1021Z8-8	SCREW -----	2	
		---*---		
-14	S354-1	GROMMET -----	3	
-15	NAS557-6A	GROMMET COWL FLAP CONTROL -----	2	

Fuselage (Cont)

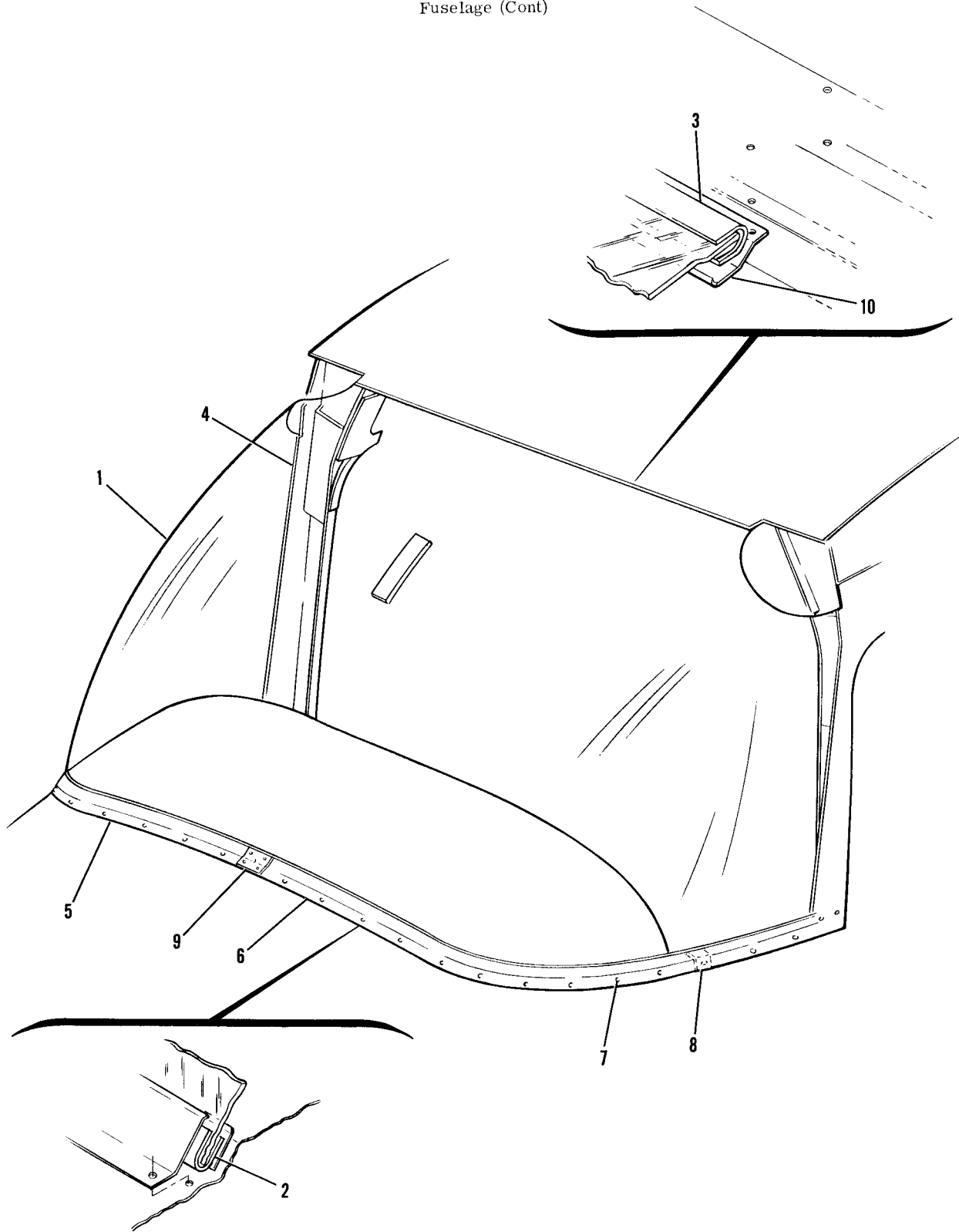
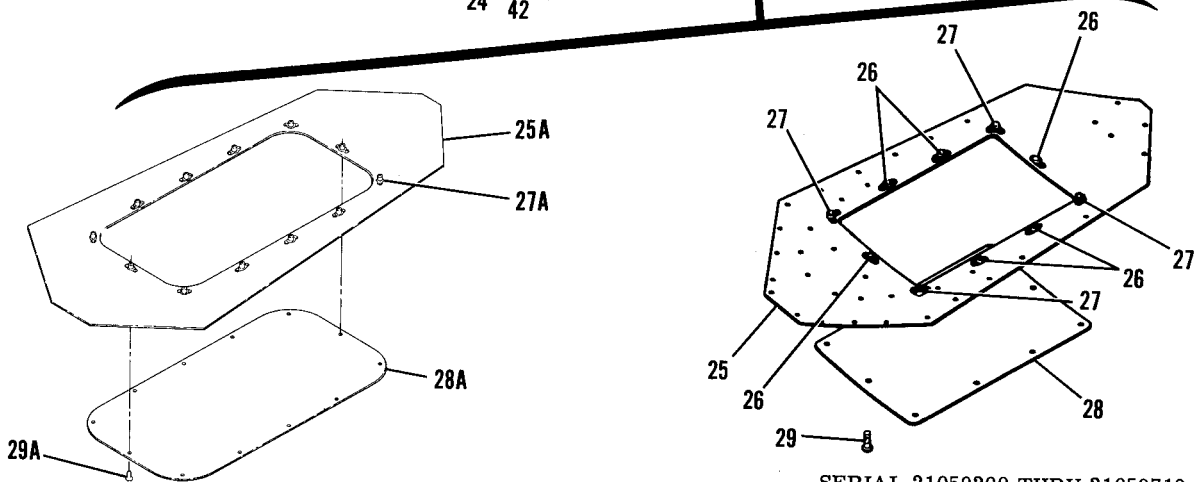
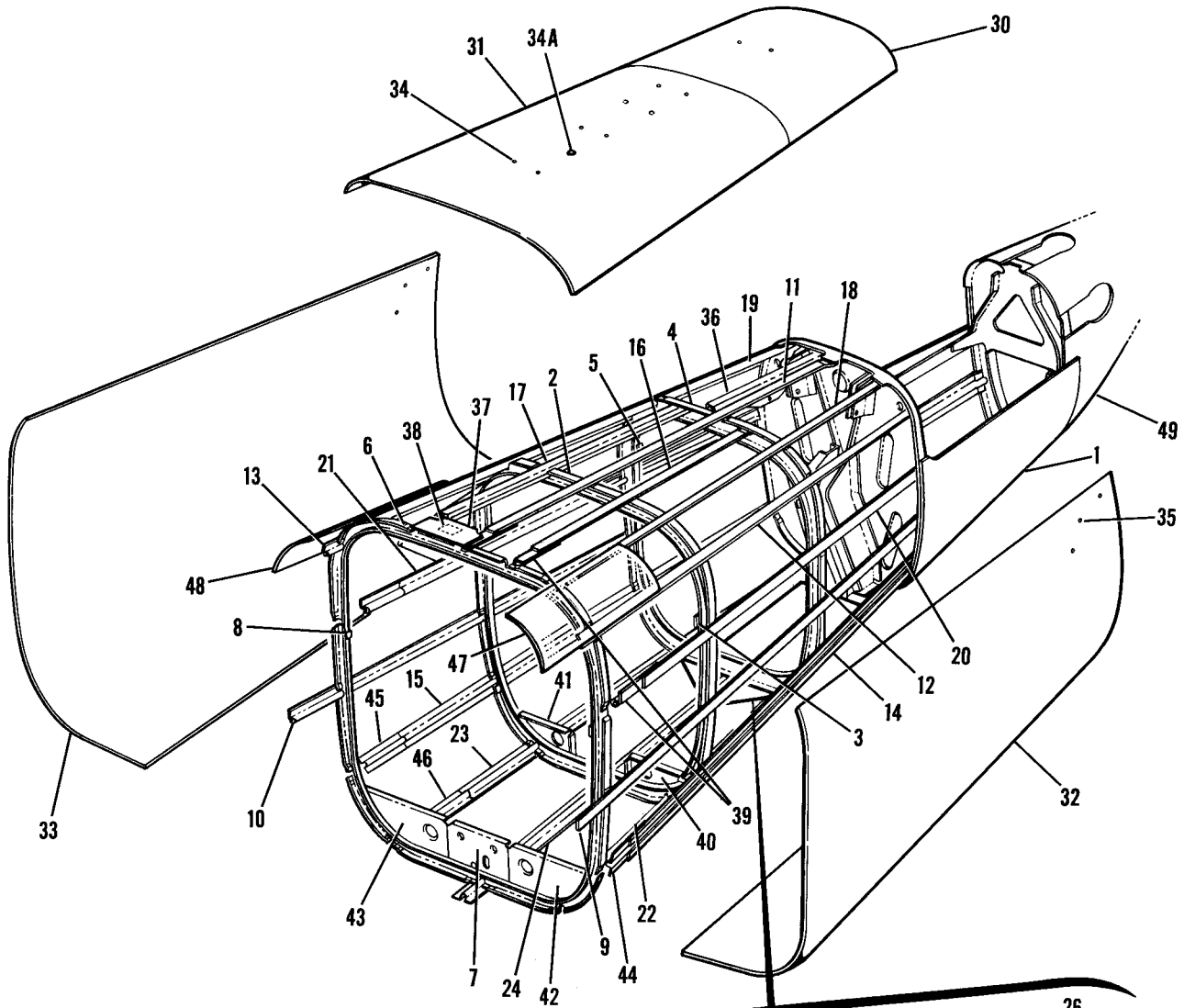


Figure 28. Windshield Installation

FIGURE AND INDEX NO.	PART NUMBER	DESCRIPTION	UNITS PER ASSY	USABLE ON CODE
1 2 3 4 5 6 7				
28 -		WINDSHIELD INSTALLATION -----	NP	
- 1	1213388-1	WINDSHIELD ASSEMBLY -----	1	
- 2	S1389-2	SEAL-FELT 115.0 IN LG BULK ITEM REF S1389-2-115 -----	1	
- 3	S1389-3	SEAL-FELT 29.2 IN LG BULK ITEM REF S1389-3-29.2 -----	1	
- 4	S1389-7	SEAL-FELT 18.0 IN LG BULK ITEM REF S1389-7-18.0 -----	2	
- 5	1213001-10	RETAINER HALF RH -----	1	A
- 6	1213001-11	RETAINER HALF LH -----	1	A
	1213001-72	RETAINER WEU 1213392-1 -----	1	B
	1213392-1	RETAINER -----	1	C
ATTACHING PARTS				
- 7	AN507-6R6	SCREW -----	26	A
	AN507-6R6	SCREW -----	51	D
	MS21044N06	NUT -----	26	A
	MS21044N06	NUT -----	51	D
---*---				
- 8	1213600-8	CLIP -----	2	E
- 9	1213001-15	TAB-RETAINER -----	1	A
-10	1213711-1	STRIP-RETAINER -----	1	
A---210 & T210 SERIAL 21059200 THRU 21059423				
B---210 & T210 SERIAL 21059424 THRU 21059719				
C---210 & T210 SERIAL 21059720 & ON				
D---210 & T210 SERIAL 21059424 & ON				
E---210 & T210 SERIAL 21059200 THRU 21059719				

Fuselage (Cont)



SERIAL 21059720 & ON

SERIAL 21059200 THRU 21059719

Figure 29. Tailcone Installation



FIGURE AND INDEX NO.	PART NUMBER	DESCRIPTION	UNITS PER ASSY	USABLE ON CODE
29 -	1291210-1	TAILCONE INSTALLATION -----	NP	
		TAILCONE ASSEMBLY -----	1	A
		TAILCONE ASSEMBLY -----	1	E
		TAILCONE ASSEMBLY -----	1	D
- 1	SEE FIG 30	AFT TAILCONE ASSEMBLY -----	1	
- 2	1212414-9	BULKHEAD ASSEMBLY STA. 180.60 -----	1	
	1212414-10	FRAME-TOP -----	1	
	1212414-11	FRAME-LH -----	1	
	1212414-12	FRAME-RH -----	1	
- 3	S1154-1	BRACKET -----	2	
	1212414-5	DOUBLER -----	1	
- 4	1212415-8	BULKHEAD ASSEMBLY STA. 194.80 -----	1	
	1212415-9	FRAME-LH -----	1	
	1212415-10	FRAME-RH -----	1	
	1212415-11	FRAME-TOP -----	1	
- 5	S1154-1	BRACKET -----	2	
- 6	1212413-8	BULKHEAD ASSEMBLY STA. 166.40 -----	1	
	1212413-9	FRAME-TOP -----	1	
	1212413-10	FRAME-RH -----	1	
	1212413-11	FRAME-LH -----	1	
- 7	1212034-1	REINFORCEMENT -----	1	
- 8	S1154-1	BRACKET -----	2	
- 9	1212709-1	STRINGER-LH -----	1	
-10	1212709-2	STRINGER-RH -----	1	
-11	1212709-14	STRINGER -----	1	
-12	1212709-5	STRINGER-LH -----	1	
-13	1212709-6	STRINGER-RH -----	1	
-14	1212710-1	STRINGER-LH -----	1	C
	1212710-13	STRINGER-LH -----	1	D
-15	1212710-2	STRINGER-RH -----	1	C
	1212710-14	STRINGER-RH -----	1	D
-16	1212709-11	STRINGER-LH -----	1	
-17	1212709-12	STRINGER-RH -----	1	
-18	1212709-15	STRINGER-LH -----	1	
-19	1212709-16	STRINGER-RH -----	1	
-20	1212709-17	STRINGER ASSEMBLY-LH -----	1	
-21	1212709-18	STRINGER ASSEMBLY-RH -----	1	
	S1863-3A	NUTPLATE STA. 203.60 -----	1	
-22	1212809-9	STRINGER-LH -----	1	
-23	1212809-10	STRINGER RH -----	1	
-24	1212710-7	STRINGER -----	1	
-25	1212420-5	DOUBLER ASSEMBLY -----	1	A
-25A	1212438-1	DOUBLER ASSEMBLY -----	1	B
-26	NAS697A08	NUTPLATE -----	6	A
-27	NAS698A08	NUTPLATE -----	4	A
-27A	NAS697A08	NUTPLATE -----	12	A
-28	1212421-1	DOOR -----	1	A
-28A	1212439-1	DOOR -----	1	B
		ATTACHING PARTS		
-29	AN515-8R6	SCREW -----	10	A
-29A	AN515-8R6	SCREW -----	12	B
		---*---		
-30	1210504-5	SKIN-UPPER AFT -----	1	
-31	1210504-4	SKIN-UPPER -----	1	
-32	1210504-9	SKIN-LH -----	1	A
	1210504-11	SKIN-LH -----	1	B
-33	1210504-10	SKIN-RH -----	1	A
	1210504-12	SKIN-RH -----	1	B
-34	NAS697A08K	NUTPLATE -----	1	
-34A	MS35489-6S	GROMMET -----	1	
-35	S1863-3A	NUTPLATE -----	6	
-36	1212427-2	BRACKET-PULLEY -----	1	
-37	1212422-1	DOUBLER -----	1	
-38	1212025-5	BRACKET ASSEMBLY -----	1	
-39	1212430-1	SPLICE -----	5	

CONTINUED ON NEXT PAGE

FIGURE AND INDEX NO.	PART NUMBER	DESCRIPTION							UNITS PER ASSY	USABLE ON CODE
		1	2	3	4	5	6	7		
29 -40	1210527-1	SUPPORT-RADIO SHELF-LH -----							1	
-41	1210527-2	SUPPORT-RADIO SHELF-RH -----							1	
-42	1210526-1	SUPPORT-RADIO SHELF-LH -----							1	
-43	1210526-2	SUPPORT-RADIO SHELF-RH -----							1	
-44	1212433-1	SPlice -----							1	
-45	1212433-2	SPlice -----							1	
-46	1212432-1	SPlice -----							1	
	1212432-2	SPlice -----							1	
-47	1212436-1	GUSSET-LH -----							1	
-48	1212436-2	GUSSET-RH -----							1	
-49	SEE FIG 31	STINGER INSTALLATION -----							1	
		A---210 & T210 SERIAL 21059200 THRU 21059719 B---210 & T210 SERIAL 21059720 & ON C---210 & T210 SERIAL 21059200 THRU 21059739 D---210 & T210 SERIAL 21059740 & ON E---210 & T210 SERIAL 21059720 THRU 21059739								

FIGURE AND INDEX NO.	PART NUMBER	DESCRIPTION	UNITS PER ASSY	USABLE ON CODE
		1 2 3 4 5 6 7		
30 -	1212401-10	AFT TAILCONE ASSEMBLY -----	1	A
	1212134-1	AFT TAILCONE ASSEMBLY -----	1	B
	1212409-9	BULKHEAD ASSEMBLY-TAILCONE STA. 230.187 -----	1	A
	1212130-1	BULKHEAD ASSEMBLY-TAILCONE STA. 230.187 -----	1	B
- 1	1212409-10	BULKHEAD-TAILCONE STA. 230.187 -----	1	A
- 1A	1212130-2	BULKHEAD-TAILCONE STA. 230.187 -----	1	B
- 2	1212409-3	STIFFENER -----	1	A
- 3	0712616-3	REINFORCEMENT -----	1	A
- 4	0712616-5	STIFFENER -----	1	A
- 4A	0712528-1	DOUBLER ASSEMBLY -----	1	B
- 4B	NAS696A3	NUTPLATE -----	2	B
- 5	1212410-2	STIFFENER -----	1	A
	NAS696A3	NUT -----	2	A
- 6	1212859-1	DOUBLER -----	1	A
	1212402-6	BULKHEAD ASSEMBLY-TAILCONE STA. 209.00 -----	1	A
	1212131-1	BULKHEAD ASSEMBLY-TAILCONE STA. 209.00 -----	1	B
- 7	1212402-7	BULKHEAD-TAILCONE STA. 209.00 -----	1	A
	1212131-2	BULKHEAD-TAILCONE STA. 209.00 -----	1	B
- 8	1212003-1	DOUBLER AFT SIDE -----	2	A
	1212127-3	DOUBLER AFT SIDE -----	2	B
- 8A	1212127-1	DOUBLER ASSY FWD SIDE -----	2	B
	NAS697A4	NUTPLATE -----	1	B
CONTINUED ON NEXT PAGE				

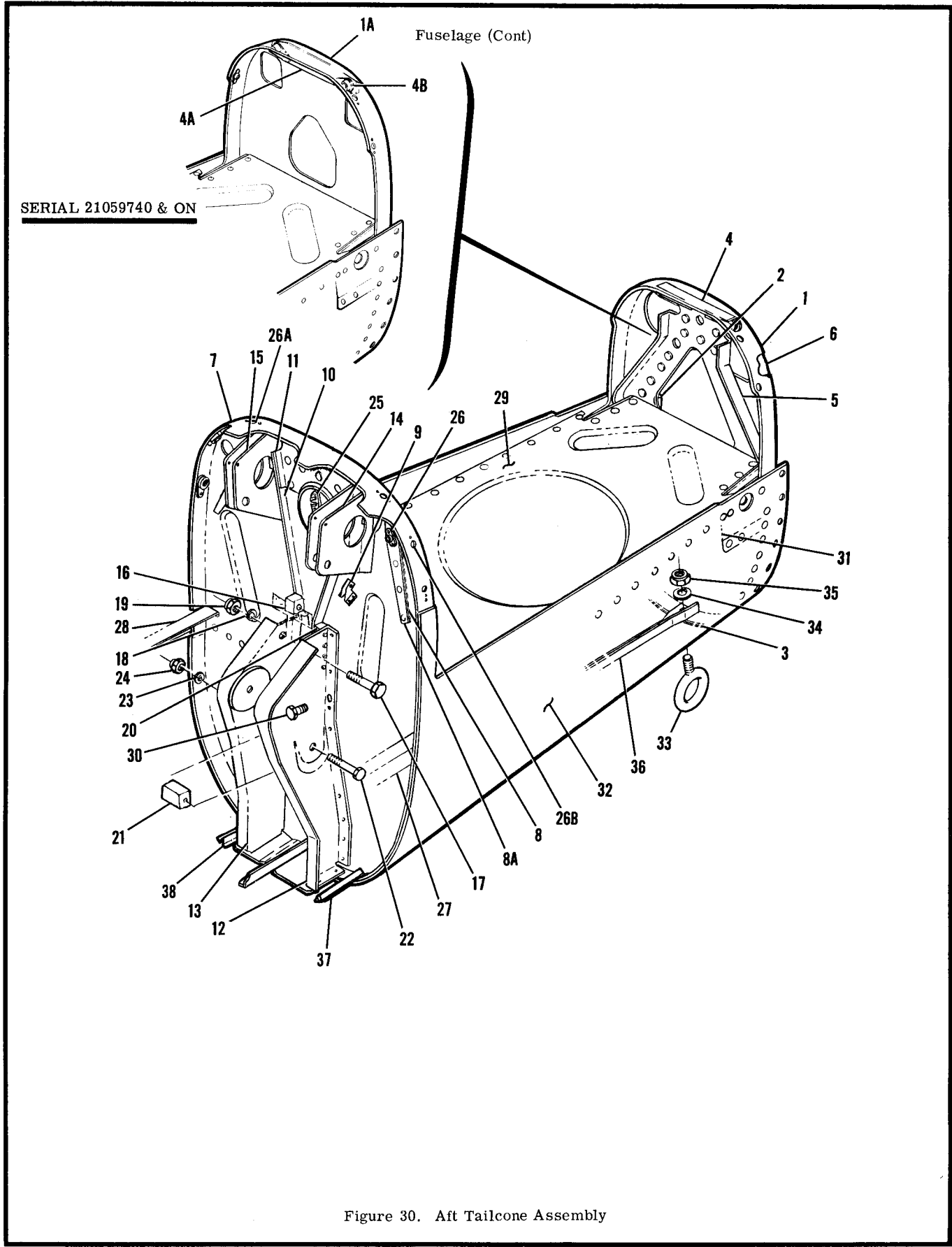


Figure 30. Aft Tailcone Assembly

FIGURE AND INDEX NO.	PART NUMBER	DESCRIPTION	UNITS PER ASSY	USABLE ON CODE
		1 2 3 4 5 6 7		
30 - 9	1260088-1	BRACKET-TRIM TAB PULLEY -----	1	
-10	1212403-1	DOUBLER -----	1	A
	1212132-1	DOUBLER -----	1	B
-11	1212402-2	DOUBLER -----	1	A
	1212126-1	DOUBLER -----	1	B
-12	1212424-9	BRACKET ASSEMBLY-ELEVATOR BELLCRANK REAR LH -----	1	
-13	1212424-8	BRACKET ASSEMBLY-ELEVATOR BELLCRANK REAR RH -----	1	
-14	0760621-1	BRACKET-PULLEY LH -----	1	
-15	0760621-2	BRACKET-PULLEY RH -----	1	
		ATTACHING PARTS		
	AN3-3A	BOLT -----	2	A
	AN3-4A	BOLT -----	2	B
	MS21044N3	NUT -----	2	
		---*---		
-16	1260089-1	STOP-ELEVATOR UPPER -----	1	
		ATTACHING PARTS		
-17	AN4-16A	BOLT -----	1	
-18	AN960-416	WASHER -----	1	A
-19	MS21042L4	NUT -----	1	
		---*---		
-20	1260085-1	SPACER -----	1	
-21	1260089-2	STOP-ELEVATOR LOWER -----	1	
		ATTACHING PARTS		
-22	AN4-17A	BOLT -----	1	
-23	AN960-416	WASHER -----	1	A
-24	MS21042L4	NUT -----	1	
		---*---		
-25	A6191-6Z3	NUTPLATE -----	1	A
	S1863-2	NUTPLATE -----	1	B
-26	NAS697A4	NUTPLATE -----	2	A
-26A	NAS697A08	NUTPLATE -----	2	B
-26B	NAS696A08	NUTPLATE -----	2	B
-27	1212407-1	ANGLE-REINFORCEMENT LH -----	1	A
	1212407-3	ANGLE-REINFORCEMENT LH -----	1	B
-28	1212407-2	ANGLE-REINFORCEMENT RH -----	1	A
	1212407-4	ANGLE-REINFORCEMENT RH -----	1	B
-29	1212408-6	BULKHEAD ASSEMBLY-HORIZONTAL TAIL -----	1	A
	1212133-1	BULKHEAD ASSEMBLY-HORIZONTAL TAIL -----	1	B
		ATTACHING PARTS		
-30	AN3-5A	BOLT -----	2	A
	AN3-4A	BOLT -----	2	B
	AN960-10	WASHER -----	2	
		---*---		
	1212408-3	STIFFENER ASSEMBLY -----	1	A
	1212408-8	STIFFENER ASSEMBLY -----	1	B
	NAS680A3K	NUTPLATE -----	2	
-31	0712629-3	BRACKET LH -----	1	A
	0712629-4	BRACKET RH -----	1	A
	1212128-1	BRACKET-LH -----	1	B
	1212128-2	BRACKET-RH -----	1	B
-32	1212401-7	SKIN -----	1	A
	1212134-2	SKIN -----	1	B
-33	0422344	EYE BOLT -----	1	
		ATTACHING PARTS		
-34	AN960-516L	WASHER -----	1	
-35	MS21042L5	NUT -----	1	
		---*---		
-36	1212406-1	STRINGER -----	1	A
	1212406-2	STRINGER -----	1	B
-37	1212818-1	STRINGER-LH -----	1	A
	1212818-3	STRINGER-LH -----	1	B
-38	1212818-2	STRINGER-RH -----	1	A
	1212818-4	STRINGER-RH -----	1	B
A---210 & T210 SERIAL 21059200 THRU 21059739 B---210 & T210 SERIAL 21059740 & ON				

Fuselage (Cont)

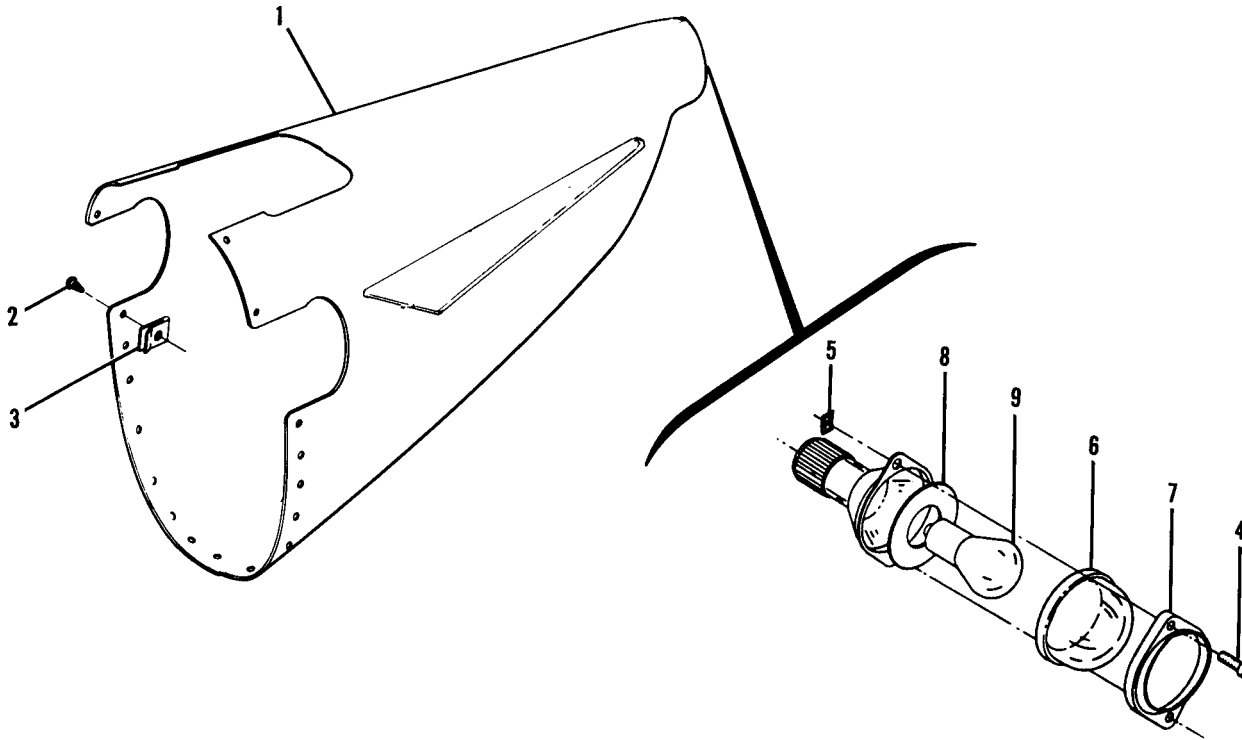


Figure 31. Stinger Installation

FIGURE AND INDEX NO.	PART NUMBER	DESCRIPTION	UNITS PER ASSY	USABLE ON CODE
31 -		1 2 3 4 5 6 7		
- 1	1212010-7-791 1212010-9-791 1212010-14-791	STINGER INSTALLATION ----- STINGER ASSEMBLY ----- STINGER ASSEMBLY ----- STINGER ASSEMBLY ----- ATTACHING PARTS -----	NP 1 1 1	A B C
- 2	S102128-8	SCREW -----	15	
- 3	NAS395-14-3	NUT -----	15	
	C622001-0102	-----*----- LIGHT ASSEMBLY ----- ATTACHING PARTS -----	1	
- 4	S102126-10	SCREW -----	2	
- 5	NAS488-5-3	NUTPLATE -----	2	
		-----*-----		
- 6	A4513-1	LENS-CLEAR GMC -----	1	
- 7	C622001-0104	RETAINER-LENS -----	1	
- 8	A2109-3	GASKET GMC -----	1	
- 9	1777	LAMP BULB GMC 12 VOLT SYSTEM -----	1	A
	MS35478-307	LAMP BULB GMC 24 VOLT SYSTEM -----	1	D
		A---210 & T210 SERIAL 21059200 THRU 21059502 B---210 & T210 SERIAL 21059503 THRU 21059739 C---210 & T210 SERIAL 21059740 & ON D---210 & T210 SERIAL 21059503 & ON		

This page intentionally left blank.

Nose Gear

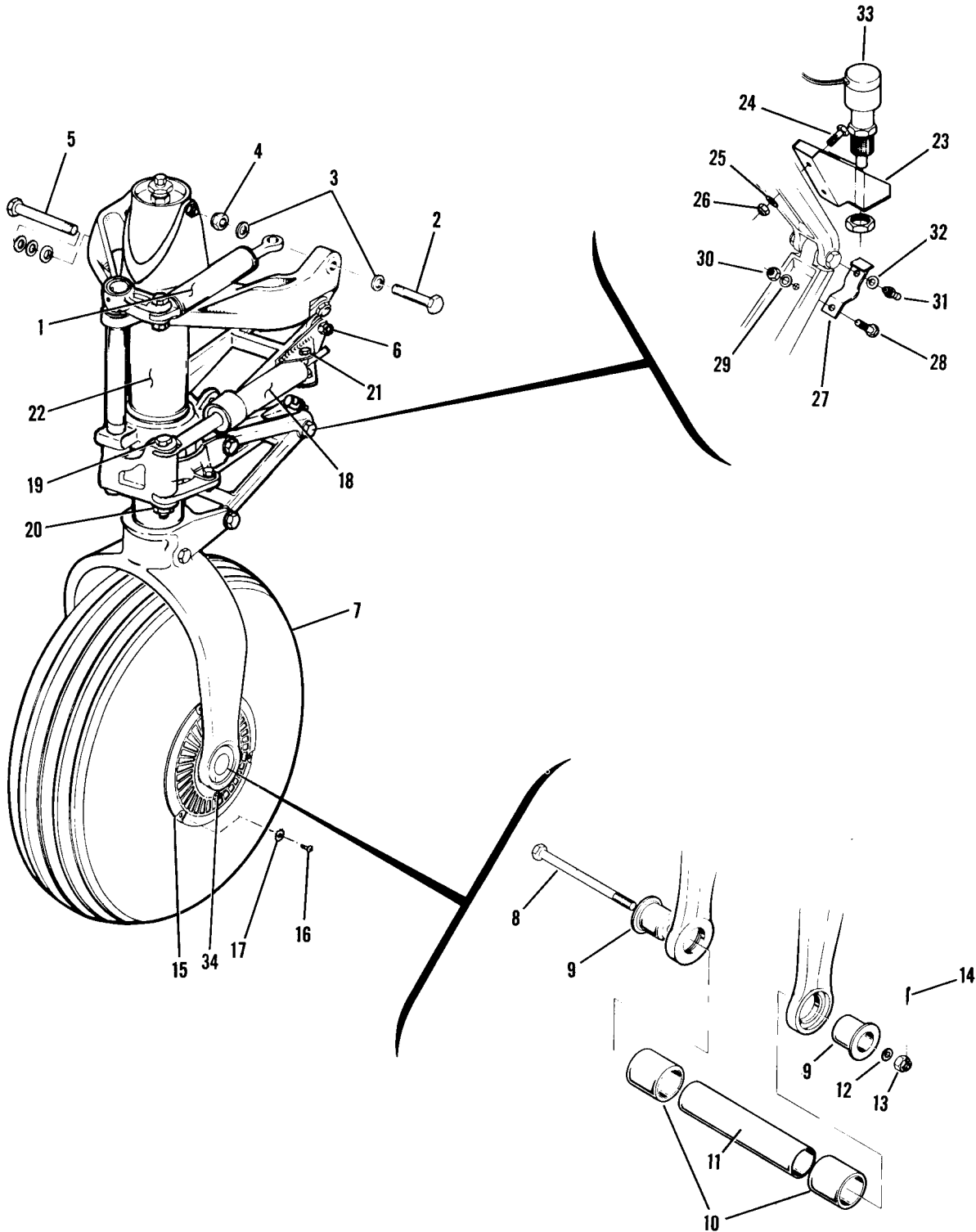


Figure 32. Nose Gear Installation



FIGURE AND INDEX NO.	PART NUMBER	DESCRIPTION	UNITS PER ASSY	USABLE ON CODE
32 -		NOSE GEAR INSTALLATION -----	NP	
- 1	SEE FIG 33	STEERING SYSTEM INSTALLATION -----	NP	
		NOSE GEAR ASSEMBLY -----	NP	
		ATTACHING PARTS -----		
- 2	AN176-21A	BOLT -----	2	
- 3	AN960-616L	WASHER -----	2	
- 4	MS21042L6	NUT -----	2	
- 5	NAS464P6-44	BOLT -----	1	
	AN960-616	WASHER -----	3	
	AN960-616L	WASHER -----	6	
- 6	MS21042L6	NUT -----	1	
	MS24665-285	PIN-COTTER -----	1	
		---*---		
- 7	SEE FIG 35	WHEEL ASSEMBLY NOSE GEAR CLEVELAND -----	1	
	SEE FIG 35A	WHEEL ASSEMBLY NOSE GEAR ALT MCCAULEY -----	1	A
		ATTACHING PARTS -----		
- 8	AN5-47	BOLT -----	1	
- 9	0543001	FERRULE-AXLE -----	2	
-10	0543037-1	SPACER-AXLE -----	2	
-11	0543003	TUBE-AXLE -----	1	
-12	AN960-516L	WASHER -----	1	
-13	AN310-5	NUT -----	1	
-14	MS24665-136	PIN-COTTER -----	1	
		---*---		
-15	0743627-4	HUB CAP-NOSE WHEEL USED WITH CLEVELAND WHEEL -----	1	
	0743627-3	HUB CAP-NOSE WHEEL ON VALVE SIDE ONLY -----	1	
		USED ON CLEVELAND WHEEL -----		
	0743627-6	HUB CAP-NOSE WHEEL USED WITH MCCAULEY WHEEL -----	1	A
	0743627-5	HUB CAP-NOSE WHEEL ON VALVE SIDE ONLY -----	1	A
		USED WITH MCCAULEY WHEEL -----		
		ATTACHING PARTS -----		
-16	AN515-8R4	SCREW USED WITH CLEVELAND WHEEL -----	3	
	S2191-8-4	SCREW USED WITH MCCAULEY WHEEL -----	3	A
-17	AN936B8	WASHER -----	3	
		---*---		
-18	SEE FIG 36	SHIMMY DAMPENER ASSEMBLY -----	1	
		ATTACHING PARTS -----		
-19	NAS464P3A32C	BOLT -----	1	
	AN4-15A	WASHER -----	1	
-20	MS21044N3	NUT -----	2	
-21	AN4H5A	BOLT -----	2	
	NAS76A4-006	BUSHING -----	2	
	AN960-616L	WASHER -----	2	
		---*---		
-22	SEE FIG 34	SHOCK STRUT ASSEMBLY -----	1	
-23	1243019-2	BRACKET-SQUAT SWITCH -----	1	
		ATTACHING PARTS -----		
-24	AN3-4A	BOLT -----	2	
-25	AN960-10L	WASHER -----	2	
	AN936A416	WASHER -----	3	
-26	MS21044N3	NUT -----	2	
		---*---		
-27	1243039-3	STRIKER ARM ASSEMBLY-GEAR LIMIT SWITCH -----	1	
		ATTACHING PARTS -----		
-28	AN3-4A	BOLT -----	1	
-29	AN960-10L	WASHER -----	1	
-30	MS21044N3	NUT -----	1	
		---*---		
-31	S1867-1	FITTING-LJBE -----	1	
-32	AN936A416	WASHER-LOCK -----	1	
-33	1270034-1	SWITCH -----	1	
	1270034-4	SWITCH ALT -----	1	
-34	6241M	VALVE-EXTENSION DL USED WITH CLEVELAND WHEEL -----	1	
	6241B	VALVE-EXTENSION DL USED WITH MCCAULEY WHEEL -----	1	A
		A---210 & T210 SERIAL 21059662 & ON		

Nose Gear (Cont)

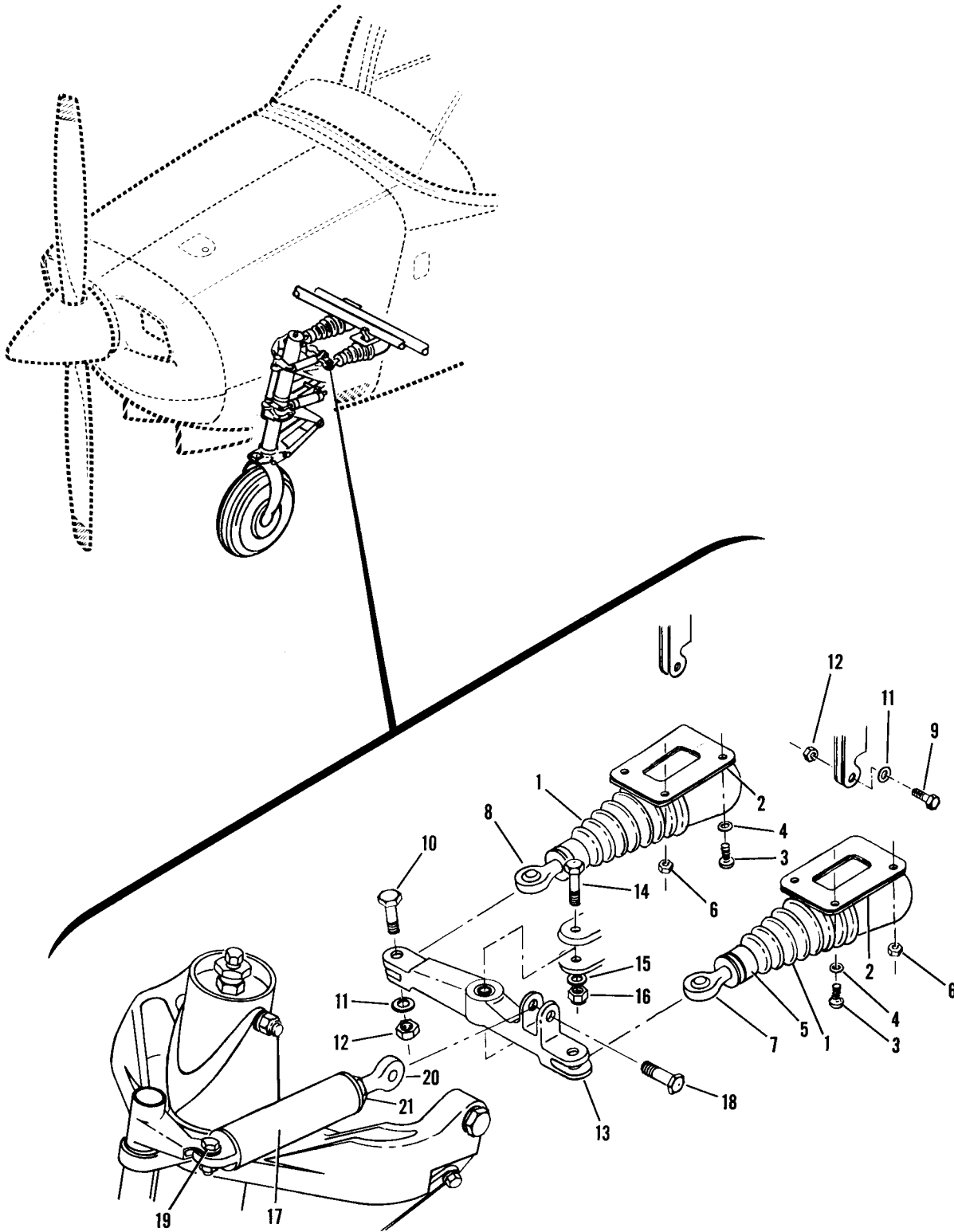


Figure 33. Nose Gear Steering System Installation



FIGURE AND INDEX NO.	PART NUMBER	DESCRIPTION	UNITS	USABLE ON CODE
			PER ASSY	
		1 2 3 4 5 6 7		
33 -		NOSE GEAR STEERING SYSTEM INSTALLATION -----	NP	
- 1	1243420-1	BOOT-STEERING LINK ROD -----	2	
		ATTACHING PARTS -----		
- 2	1243419-1	RETAINER-STEERING BOOT -----	1	
- 3	AN515-8R6	SCREW -----	2	
- 4	AN960-8L	WASHER -----	2	
- 5	NAS397-12	CLAMP -----	1	
- 6	MS1022N08	NUT -----	2	
		---*---		
- 7	1243412-1	LINK ROD ASSEMBLY-LH -----	1	
- 8	1243412-2	LINK ROD ASSEMBLY-RH -----	1	
		ATTACHING PARTS -----		
- 9	NAS464P3A7	BOLT -----	1	
-10	NAS464P3A9	BOLT -----	1	
-11	AN960-10L	WASHER -----	2	
-12	MS21044N3	NUT -----	2	
		---*---		
-13	1243411-1	WHIFFLETREE ASSEMBLY -----	1	
		ATTACHING PARTS -----		
-14	NAS464PA20	BOLT -----	1	
-15	AN960-416L	WASHER -----	1	
-16	MS21042L4	NUT -----	1	
		---*---		
-17	1243406-1	BUNGEE ASSEMBLY-NOSE GEAR STEERING -----	1	
		ATTACHING PARTS -----		
-18	NAS464P4A16	BOLT -----	1	
	AN916-416L	WASHER -----	1	
	MS21042L4	NUT -----	1	
-19	NAS464P3A10	BOLT -----	1	
	AN960-10L	WASHER -----	1	
	MS21044N3	NUT -----	1	
		---*---		
-20	REF4TH8	ROD END HLFB -----	1	
-21	AN316-4R	NUT-CHECK -----	1	

Nose Gear (Cont)

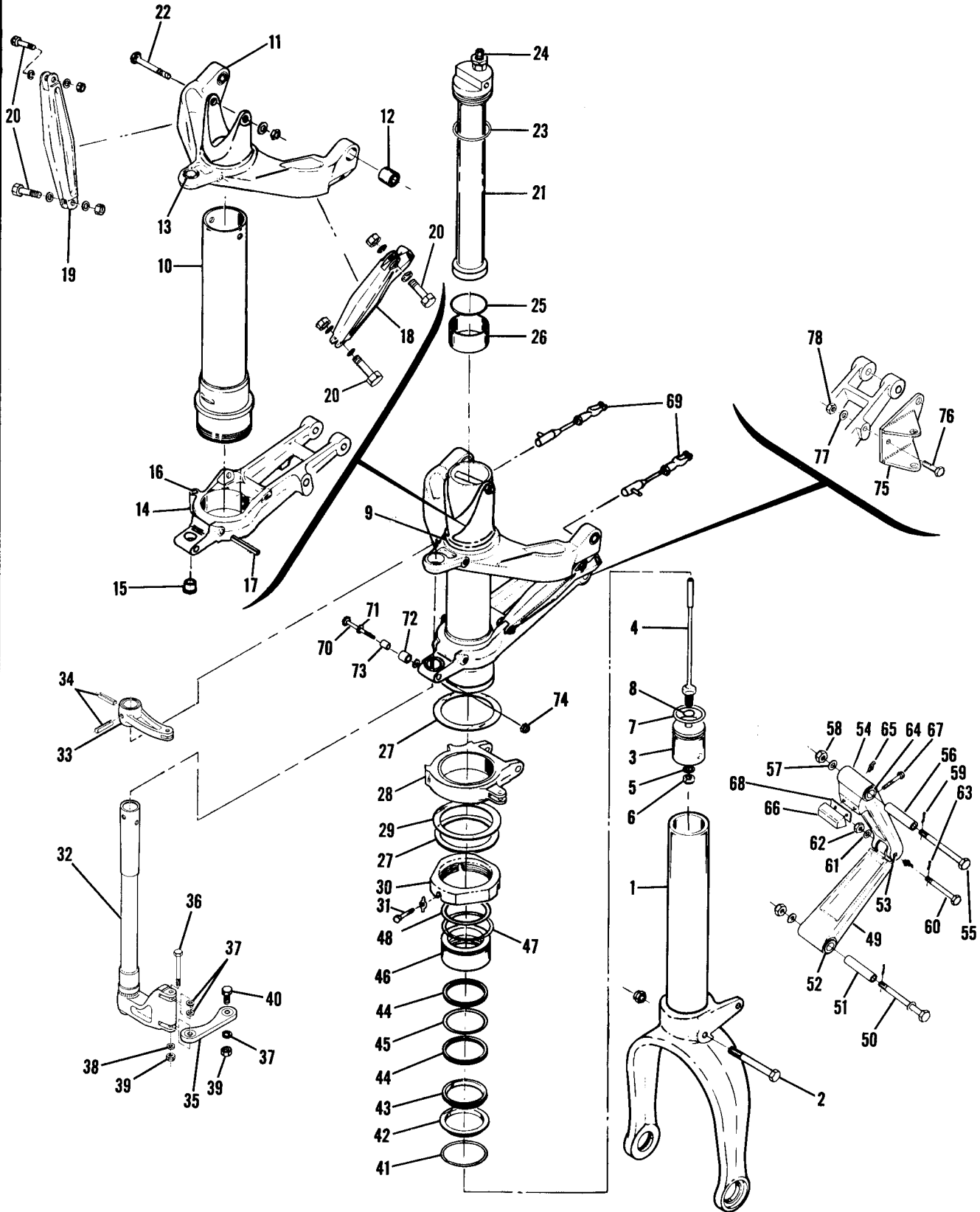


Figure 34. Nose Gear Shock Strut Assembly



FIGURE AND INDEX NO.	PART NUMBER	DESCRIPTION	1 2 3 4 5 6 7						UNITS PER ASSY	USABLE ON CODE
34 -	1243009-200	NOSE GEAR SHOCK STRUT ASSEMBLY WEU 1243009-202 -----							1	A
	1243009-202	NOSE GEAR SHOCK STRUT ASSEMBLY WEU 1243009-203 -----							1	C
	1243009-203	NOSE GEAR SHOCK STRUT ASSEMBLY -----							1	D
- 1	1243009-201	PISTON & FORK ASSEMBLY-NOSE GEAR -----							1	
	SK210-40	FORK-NOSE GEAR REPLACEMENT KIT -----							1	
- 2	NAS464-5A48	BOLT -----							1	
	AN960-516L	WASHER -----							1	
	MS21042L5	NUT -----							1	
- 3	0841200-54	PLUG-PIN BASE -----							1	
- 4	1243034-1	PIN-METERING -----							1	
		ATTACHING PARTS								
- 5	AN960-416L	WASHER -----							1	
- 6	MS21042L4	NUT -----							1	
		---*---								
- 7	AN6227B26	O RING -----							1	
- 8	AN6227B5	O RING -----							1	
- 9	1243009-2	TRUNNION & BARREL ASSEMBLY-NOSE GEAR WEU 1243009-7 -----							1	A
	1243009-7	TRUNNION & BARREL ASSEMBLY-NOSE GEAR -----							1	B
-10		BARREL ASSEMBLY -----							NP	
-11		TRUNNION ASSEMBLY-UPPER -----							NP	
-12	BRA 6	BEARING TOR -----							2	
-13	S1004-46A	BEARING -----							1	
-14		TRUNNION ASSEMBLY-LOWER -----							NP	
-15	S1004-45A	BEARING -----							1	
-16	MS16555-56	PIN-DOWEL -----							1	
-17	NAS561P8-32	PIN-SPRING -----							1	
-18	1243008-3	BRACE-LH -----							1	
-19	1243008-4	BRACE-RH -----							1	
		ATTACHING PARTS								
-20	NAS464P4A10	BOLT -----							2	
	AN960-416L	WASHER -----							2	
	MS21042L4	NUT -----							2	
		---*---								
-21	1243009-5	SUPPORT ASSEMBLY-PISTON ORFICE -----							1	
		ATTACHING PARTS								
-22	AN5-32A	BOLT -----							1	
	AN960-516L	WASHER -----							1	
	MS21042L5	NUT -----							1	
		---*---								
-23	AN6230B3	O-RING -----							1	
-24	S1827-1	VALVE ASSEMBLY -----							1	
-25	0841200-19	LOCK RING -----							1	
-26	1243021-1	BEARING -----							1	
-27	0543029	WASHER -----							2	
-28	1243404-1	COLLAR ASSEMBLY WEU 1243811-1 -----							1	A
	1243811-1	COLLAR ASSEMBLY WEU 1243811-6 -----							1	C
	1243811-6	COLLAR ASSEMBLY -----							1	D
-29	1243030-5	SHIM .006 IN. THICK STAINLESS STEEL -----							AR	
	1243030-6	SHIM .012 IN. THICK STAINLESS STEEL -----							AR	
	1243030-7	SHIM .020 IN. THICK STAINLESS STEEL -----							AR	
-30	1243617-1	COLLAR -----							1	
		ATTACHING PARTS								
-31	AN3H3A	BOLT -----							1	
	1243619-1	WASHER -----							1	
		---*---								
-32	1243625-5	SHAFT ASSEMBLY-NOSE GEAR STEERING -----							1	
-33		ARM-STEERING-ORDER COMPLETE ASSEMBLY -----							NP	
		ATTACHING PARTS								
-34	NAS561P7-16	PIN-SPRING -----							2	
		---*---								
-35	1243018-1	LINK-STEERING -----							1	
		ATTACHING PARTS								
-36	NAS464-3A32	BOLT -----							1	
-37	AN960-10L	WASHER 2 FORWARD-1 AFT -----							2	
-38	AN960-10	WASHER -----							1	
-39	MS21044N3	NUT -----							1	
-40	NAS464P3A9	BOLT -----							1	
		---*---								
-41	0841200-25	RING-LOCK -----							1	
-42	0841200-15	RING-PACK RETAINER -----							1	
-43	S11065-21	RING-SCRAPER -----							1	
-44	S1628-329	RING-BACK UP -----							2	

CONTINUED ON NEXT PAGE

FIGURE AND INDEX NO.	PART NUMBER	DESCRIPTION	UNITS PER ASSY	USABLE ON CODE
34 -45	AN6227B32	O RING -----	1	
-46	1243626-1	RING-PACK SUPPORT -----	1	
-47	0841200-31	SHIM -----	AR	
-48	AN623086	O RING -----	1	
-49	0543035-7	LINK ASSEMBLY-TORQUE LOWER ----- ATTACHING PARTS	1	
-50	AN4-31	BOLT -----	1	
-51	0543047-1	SPACER -----	1	
	AN960-416L	WASHER -----	AR	
	AN310-4	NUT -----	1	
	MS24665-134	PIN-COTTER ----- ---*---	1	
-52	NAS77-6-88	BUSHING -----	1	
-53	NAS77-3-23	BUSHING -----	1	
	AN944-101A	FITTING-LUBE -----	1	
-54	1243426-2	LINK ASSEMBLY-TORQUE UPPER ----- ATTACHING PARTS	1	
-55	AN4-31	BOLT -----	1	
-56	0543047-1	SPACER -----	2	E
	0543047-2	SPACER -----	2	D
	0543048-1	SHIM -----	AR	
-57	AN960-416L	WASHER -----	1	
-58	AN310-4	NUT -----	1	
-59	MS24665-134	PIN-COTTER -----	1	
-60	NAS464P3-22	BOLT -----	1	
-61	AN960-10L	WASHER -----	1	
-62	AN310-3	NUT -----	1	
-63	MS24665-134	PIN-COTTER ----- ---*---	1	
-64	NAS77-6-88	BUSHING -----	2	
-65	AN944-101A	FITTING-LJBE -----	1	
-66	1243038-1	LUG -----	1	
-67	1243422-1	BOLT -----	1	
-68	1243618-3	SHIM .010 THICK -----	AR	
	1243618-2	SHIM .020 THICK -----	AR	
-69	1243031-1	ROD ASSEMBLY-LH -----	1	
	1243031-6	ROD ASSEMBLY-RH -----	1	
-70	AN4-23A	BOLT -----	1	
-71	AN960-416L	WASHER -----	2	
-72	1243421-1	ROLLER -----	1	
-73	1243421-2	BUSHING -----	1	
-74	MS21042L4	NUT -----	1	
-75	1243425-1	BRACKET ASSEMBLY ----- ATTACHING PARTS	1	
-76	AN4-7A	BOLT -----	1	
-77	AN960-416L	WASHER -----	1	
-78	NAS697A4	NUT ----- ---*---	1	
<p>NOTE. *WHEN INITIALLY ORDERING THIS ASSEMBLY FOR AIRPLANES PRIOR TO SERIAL 21059305, ALSO ORDER 1243811-1 OR 1243811-6 COLLAR ASSY.</p> <p>NOTE. **WHEN INITIALLY ORDERING THIS COLLAR ASSY FOR AIRPLANES PRIOR TO SERIAL 21059305 THAT ARE EQUIPPED WITH 1243009-2 TRUNNION. ALSO ORDER ONE 1294300-1 PIN TO REPLACE EXISTING MS16555-56 PIN. SEE SERVICE MANUAL FOR INSTALLATION</p> <p>NOTE. ZWHEN INITIALLY ORDERING THIS COLLAR ASSY FOR AIRPLANES PRIOR TO 21060256 ALSO ORDER ONE 0543047-2 SPACER TO REPLACE EXISTING 0543047-1 SPACER ON UPPER TORQUE LINK.</p> <p>A---210 & T210 SERIAL 21059200 THRU 21059304 B---210 & T210 SERIAL 21059305 & ON C---210 & T210 SERIAL 21059305 THRU 21060255 D---210 & T210 SERIAL 21060256 & ON E---210 & T210 SERIAL 21059200 THRU 21060255</p>				

Nose Gear (Cont)

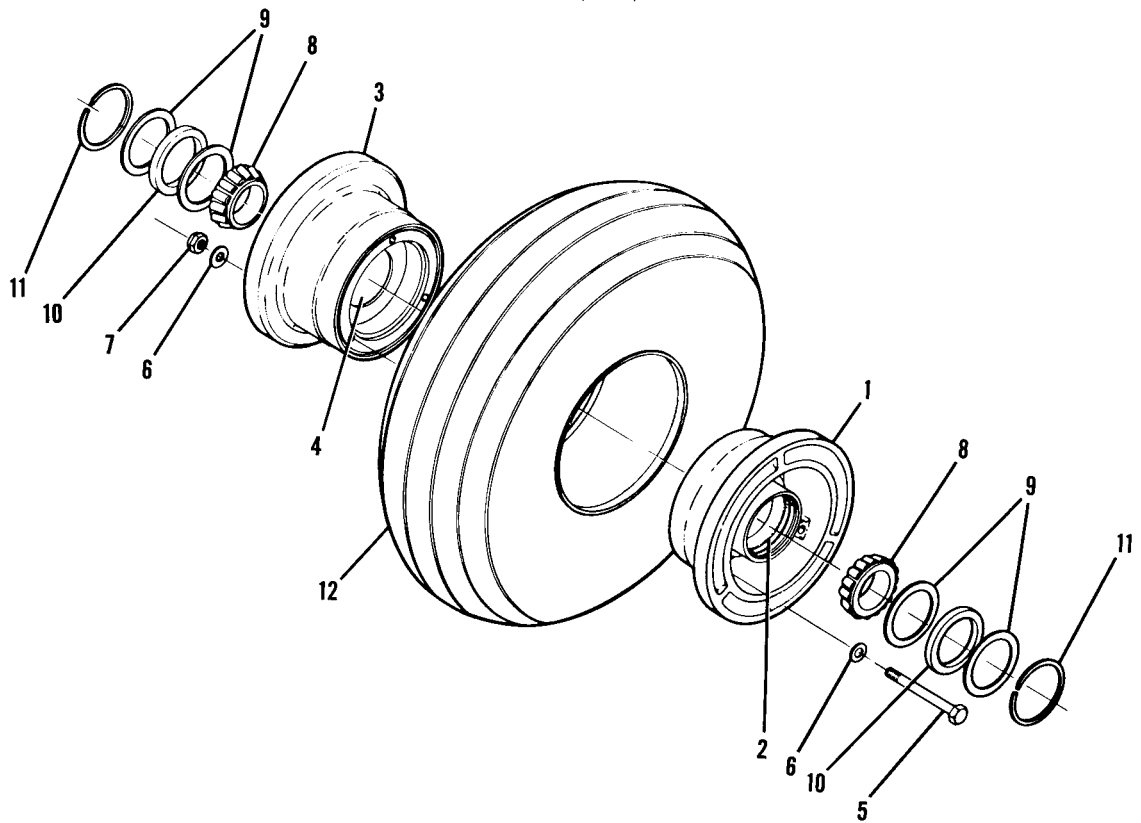
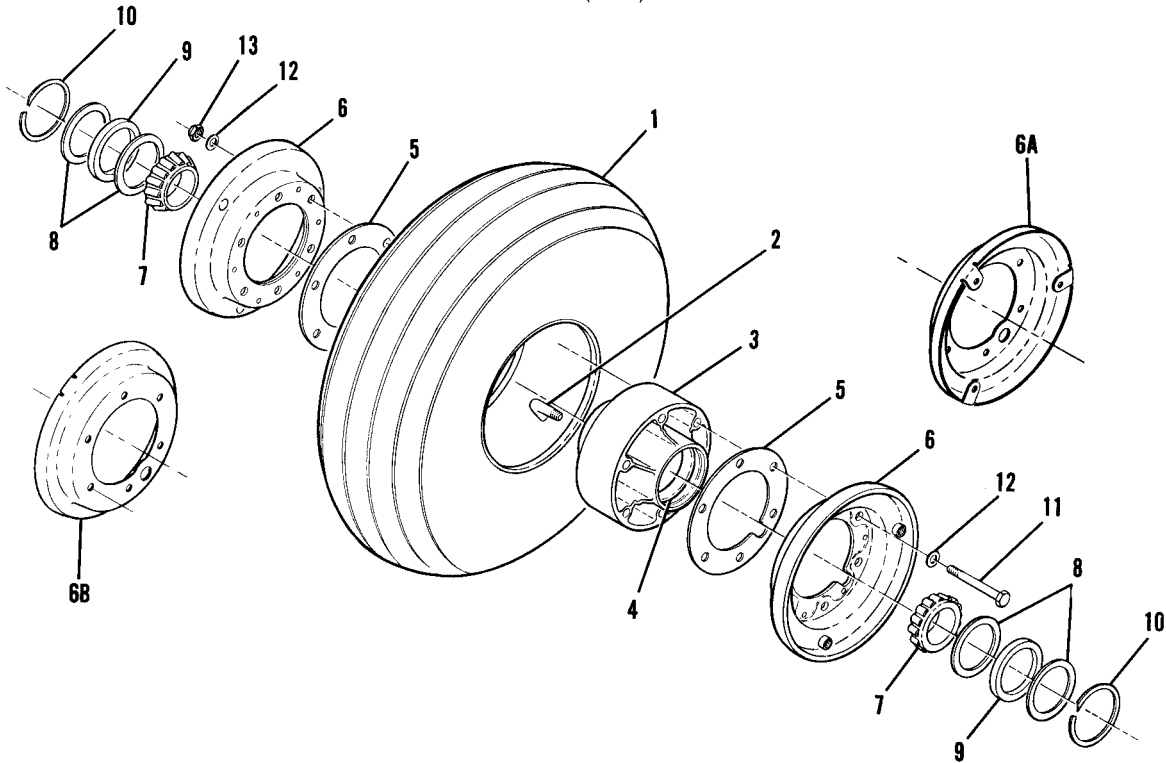


Figure 35. Nose Gear Wheel & Tire Assembly - Cleveland

FIGURE AND INDEX NO.	PART NUMBER	DESCRIPTION	UNITS PER ASSY	USABLE ON CODE
35 -		1 2 3 4 5 6 7 NOSE GEAR WHEEL AND TIRE ASSEMBLY CLEVELAND -----	NP	
- 1	1241156-12	WHEEL ASSEMBLY-NOSE -----	1	
- 2	161-31	INNER WHEEL HALF ASSEMBLY 5.00X5 CFP -----	1	
- 3	08231	CUP-BEARING CFP -----	1	
- 4	162-28	OUTER WHEEL HALF ASSEMBLY 5.00 X 5 CFP -----	1	
	08231	CUP-BEARING CFP -----	1	
	217-1	GROMMET CFP -----	1	
- 5	AN4-22A	BOLT CFP -----	3	
- 6	AN960-416	WASHER CFP -----	6	
- 7	MS21042L4	NUT CFP -----	3	
- 8	08125	CONE-BEARING CFP -----	2	
- 9	153-8	RING-GREASE SEAL CFP -----	4	
-10	154-6	FELT-GREASE SEAL CFP -----	2	
-11	155-2	RING-SNAP CFP -----	2	
-12	C262003-0202	TIRE 5.00 X 5 6 PLY RATED -----	1	
	C262001-0202	TIRE 5.00 X 5 6 PLY RATED WHITEWALL -----	1	
	C262023-0101	TUBE 5.00 X 5 -----	1	

Nose Gear (Cont)



210 & T210 SERIAL 21059662 & ON
 Figure 35A. Nose Gear Wheel & Tire Assembly - McCauley

FIGURE AND INDEX NO.	PART NUMBER	DESCRIPTION	UNITS PER ASSY	USABLE ON CODE
35A-		1 2 3 4 5 6 7		
- 1	C262003-0202	WHEEL ASSEMBLY-NOSE GEAR ALTERNATE MCCAULEY	NP	A
	C262001-0202	TIRE-BLACKWALL 5.00X5 6 PLY RATED	1	
- 2	C262023-0101	TIRE-WHITWALL 5.00X5 6 PLY RATED	1	
	C163002-0201	TUBE-5.00X5	1	
	C163003-0201 *	WHEEL ASSY WEU C163003-0201	1	B
- 3	C30057	WHEEL ASSY	1	C
- 4	A30078-1	HUB ASSY MCL	1	
- 5	B30077	CUP-BEARING MCL	2	
- 6	D30058	SPACER MCL	2	
- 6A	C30172-1	FLANGE-WHEEL MCL	2	B
- 6B	C30172	FLANGE-WHEEL MCL	1	C
- 7	A30078-2	FLANGE-WHEEL MCL	1	C
- 8	A30048	CONE-BEARING MCL	2	
- 9	A30047	RETAINER-GREASE SEAL MCL	4	
- 10	A1636-23	GREASE SEAL-FELT MCL	2	
- 11	AN4-24A	RING-RETAINER MCL	2	
	A2513-66	BOLT	6	B
- 12	AN960-416L	BOLT MCL	6	C
	A1638-29	WASHER	12	B
- 13	A1639-24	WASHER MCL	12	C
	A1639-14	NUT MCL	6	B
		NUT MCL	6	C
<p>NOTE. *THIS WHEEL ASSY MUST BE USED ONLY ON AIRCRAFT EQUIPPED WITH C163002-0103 MAIN GEAR WHEEL ASSY.</p> <p>A---210 & T210 SERIAL 21059662 & ON B---210 & T210 SERIAL 21059662 THRU 21059841 C---210 & T210 SERIAL 21059842 & ON</p>				

This page intentionally left blank.

Nose Gear (Cont)

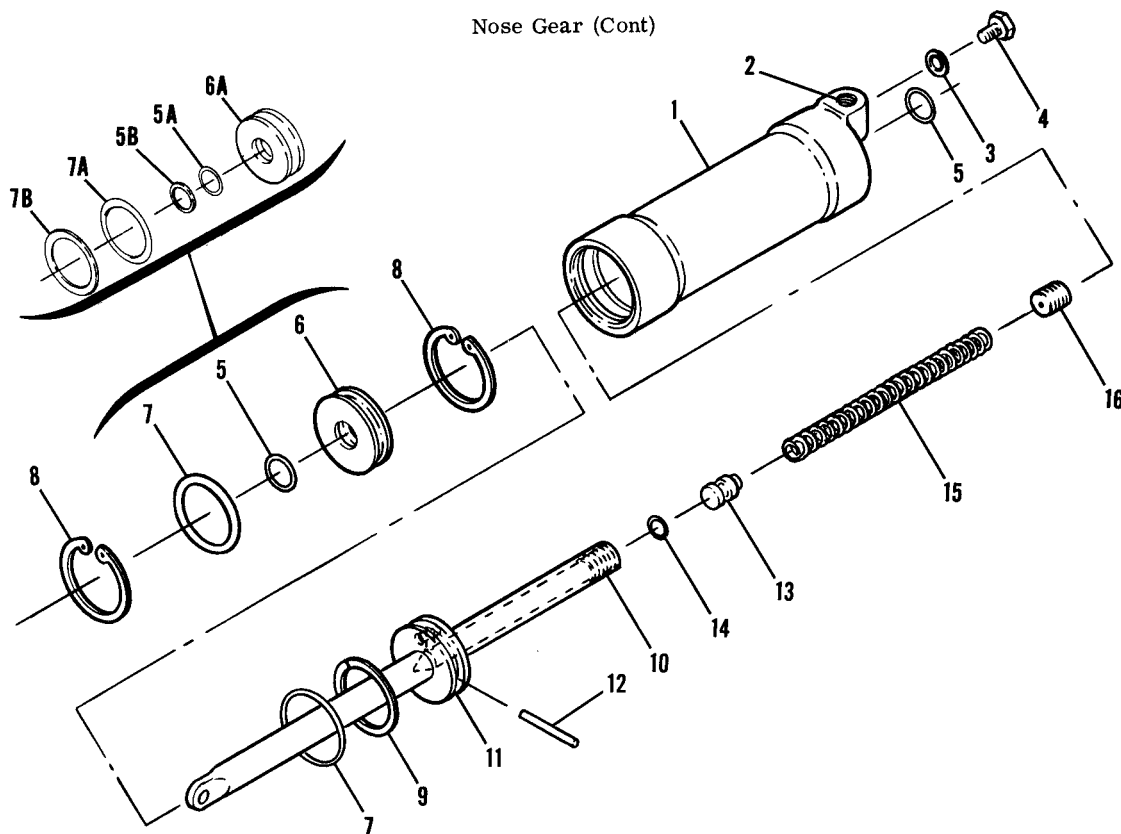


Figure 36. Shimmy Dampener Assembly

FIGURE AND INDEX NO.	PART NUMBER	DESCRIPTION	UNITS PER ASSY	USABLE ON CODE
36 -	0743624-2	SHIMMY DAMPENER ASSEMBLY -----	1	
- 1	0743622-1	BARREL ASSEMBLY-SHIMMY DAMPENER -----	1	
- 2	MS21209F4-20	INSERT -----	2	
- 3	600-015-10-05	STAT-O-SEAL PKSC -----	1	
- 4	NAS563-11	BOLT -----	1	
- 5	AN6227810	O-RING -----	2	A
- 5A	AN6227810	O-RING -----	1	B
- 5B	MS28775-112	PACKING RING USED WITH 1442113-9 ONLY -----	1	
- 6	S1628-112	BACKUP RING USED WITH 1442113-9 ONLY -----	1	
- 6A	1442113-9	HEAD FSD 1442113-9 -----	1	A
- 7	AN6227822	HEAD BEARING -----	1	B
- 7A	AN6227822	O-RING -----	2	A
- 7B	AN6227822	O-RING -----	1	B
- 7A	MS28775-027	PACKING RING USED WITH 1442113-9 ONLY -----	1	
- 7B	S1628-112	BACKUP RING USED WITH 1442113-9 ONLY -----	1	
- 8	MS16625-143	RING-RETAINING-INTERNAL -----	2	
- 9	MS28782-22	RETAINER -----	1	
-10	0743623-8	ROD ASSEMBLY-SHIMMY DAMPENER -----	1	
-11	1442113-8	PISTON -----	1	
-12	NAS561P4-18	ATTACHING PARTS PIN-ROLL -----	1	
-13	0743623-4	PISTON-FLOATING -----	1	
-14	AN622783	O-RING -----	1	
-15	0743623-3	SPRING -----	1	
-16	0743623-6	SET SCREW -----	1	
<p>NOTE. *WHEN INITIALLY ORDERING THIS PART FOR AIRPLANES PRIOR TO SERIAL 21059442 ALSO ORDER PARTS MARKED %.</p> <p>A---210 & T210 SERIAL 21059200 THRU 21059441 B---210 & T210 SERIAL 21059442 & ON</p>				

FIGURE AND INDEX NO.	PART NUMBER	DESCRIPTION	UNITS PER ASSY	USABLE ON CODE
37 -		1 2 3 4 5 6 7		
- 1	0741048-8	MAIN LANDING GEAR INSTALLATION -----	NP	
- 2	AN515-8R4	HUB CAP -----	2	
- 3	AN936B8	ATTACHING PARTS -----	3	
- 4	SEE FIG 38	SCREW -----	3	
	SEE FIG 38A	WASHER -----	3	
		-----*		
- 5	S1117-24	WHEEL ASSEMBLY -----	2	
- 6	MS24665-351	WHEEL ASSEMBLY ALT MCCAULEY -----	2	F
		ATTACHING PARTS -----		
- 7	MS20822-3D	NUT -----	2	
- 8	SEE FIG 38	KEY-COTTER -----	2	
	SEE FIG 38A	-----*		
		ELBOW -----	2	
		BRAKE ASSEMBLY -----	2	
		BRAKE ASSEMBLY ALT MCCAULEY -----	2	E
CONTINUED ON NEXT PAGE				

Main Gear

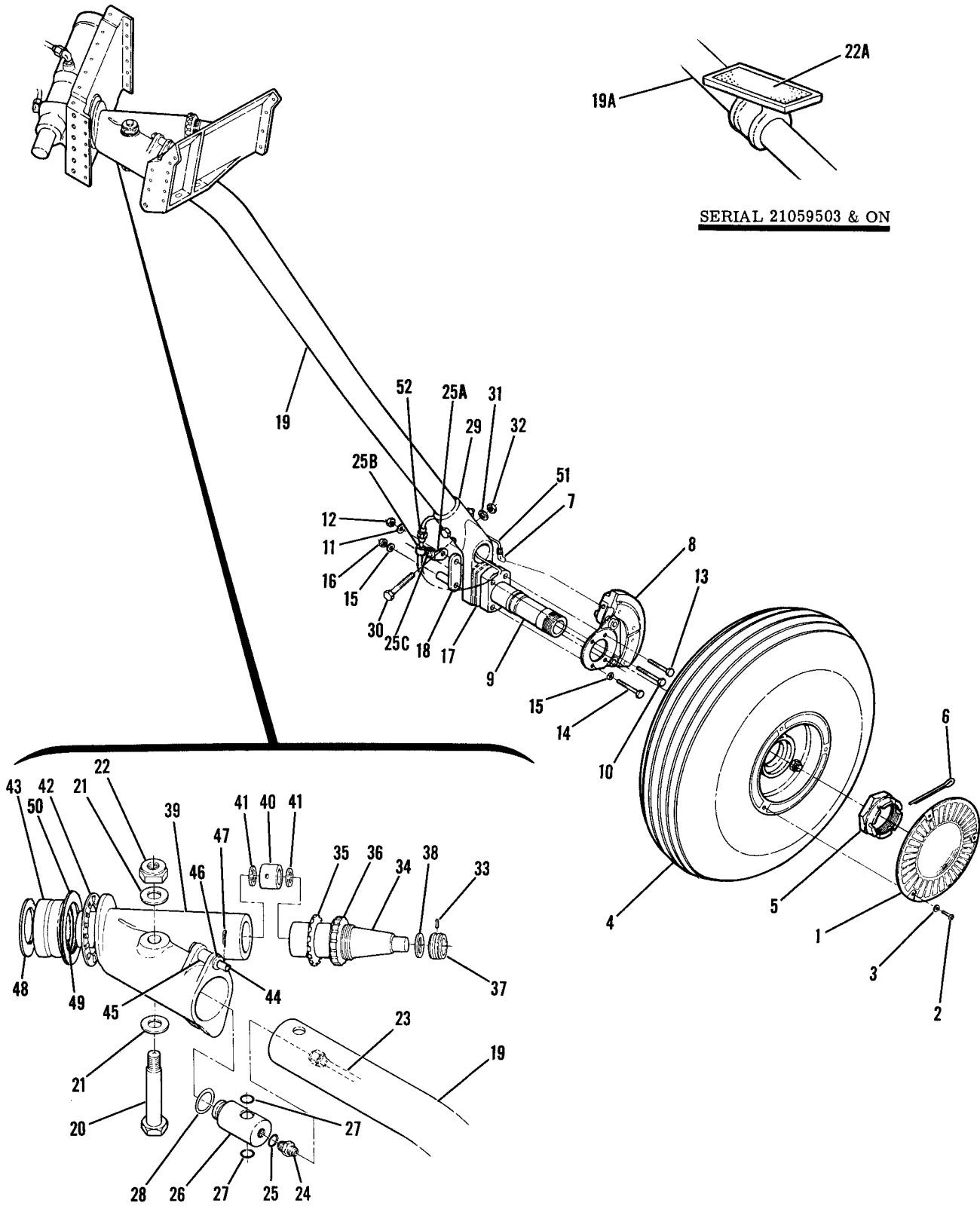


Figure 37. Main Landing Gear Installation

FIGURE AND INDEX NO.	PART NUMBER	DESCRIPTION	UNITS PER ASSY	USABLE ON CODE
		1 2 3 4 5 6 7		
37 - 9	1441003-1	AXLE -----	2	
		ATTACHING PARTS -----		
-10	AN5-23A	BOLT -----	1	
-11	AN960-516	WASHER -----	1	
-12	MS21042L5	NUT -----	2	
-13	AN5-20A	BOLT -----	1	
-14	NAS1306-24H	BOLT -----	2	
-15	AN960-616	WASHER -----	1	
-16	MS21042L6	NUT -----	1	
		---*---		
-17		SHIM REFER TO SERVICE MANUAL FOR USEAGE -----	AR	
-18	1241073-3	STUD-UPLOCK WEU 1241073-4 -----	2	A
	1241073-4	STUD-UPLOCK -----	2	B
-19	1241102-1	SPRING-MAIN GEAR LH -----	1	C
	1241102-2	SPRING-MAIN GEAR RH -----	1	C
-19A	1241102-3	SPRING ASSY-MAIN GEAR LH -----	1	D
	1241102-4	SPRING ASSY-MAIN GEAR RH -----	1	D
		ATTACHING PARTS -----		
-20	1241611-1	BOLT -----	1	
-21	AN960-816	WASHER -----	2	
-22	MS20364-820C	NUT -----	1	
		---*---		
-22A	1241108-1	STEP ASSY-CABIN ENTRY -----	1	D
-23	1280509-43	BRAKE LINE ASSEMBLY-LH -----	1	
	1280509-42	BRAKE LINE ASSEMBLY-RH -----	1	
		ATTACHING PARTS -----		
-24	AN815-3D	UNION -----	1	
-25	MS28778-3	GASKET -----	1	
-25A	0550100-6	BRACKET -----	1	
-25B	MS21919DG3	CLAMP -----	1	
-25C	AN520-10R8	SCREW -----	1	
	MS21044N3	NUT -----	1	
		---*---		
-26	1241613-1	PLUG -----	2	
-27	MS28775-017	PACKING -----	4	
-28	MS28775-019	PACKING -----	2	
-29	1241606-7	FITTING-MAIN GEAR AXLE LH -----	1	
	1241606-8	FITTING-MAIN GEAR AXLE RH -----	1	
		ATTACHING PARTS -----		
-30	NAS464P6LA32	BOLT -----	2	
-31	AN960-616	WASHER -----	2	
-32	MS21042L6	NUT -----	2	
		---*---		
-33	AN565D1032H5	SCREW-SET -----	2	
-34	1241609-1	SHAFT -----	2	
-35	MS172208	WASHER -----	2	
-36	MS172243	NUT -----	2	
-37	S2011-1	BEARING -----	2	
-38	1241612-1	SPACER -----	2	
-39	1241610-4	PIVOT ASSEMBLY -----	2	
-40	1241608-1	COLLAR -----	1	
-41	MS28775-019	PACKING -----	4	
-42	S2013-1	BEARING -----	2	
-43	S2012-1	BEARING -----	2	
-44	MS20392-4C39	PIN-FLAT HEAD -----	2	
-45	1241103-1	SPACER -----	2	
-46	AN960-516	WASHER -----	2	
-47	MS24665-283	PIN-COTTER -----	2	
-48	1241107-1	SEAL ASSEMBLY -----	2	
-49	S2012-2	RACE-INNER -----	2	
-50	S2014-1	RACE-BEARING -----	2	
-51	1280509-45	BRAKE LINE ASSEMBLY-LH -----	2	
	1280509-44	BRAKE LINE ASSEMBLY-RH -----	2	
-52	AN815-3D	UNION -----	2	
		A---210 & T210 SERIAL 21059200 THRU 21059351		
		B---210 & T210 SERIAL 21059352 & ON		
		C---210 & T210 SERIAL 21059200 THRU 21059502		
		D---210 & T210 SERIAL 21059503 & ON		
		E---210 & T210 SERIAL 21060090 & ON		

Main Gear (Cont)

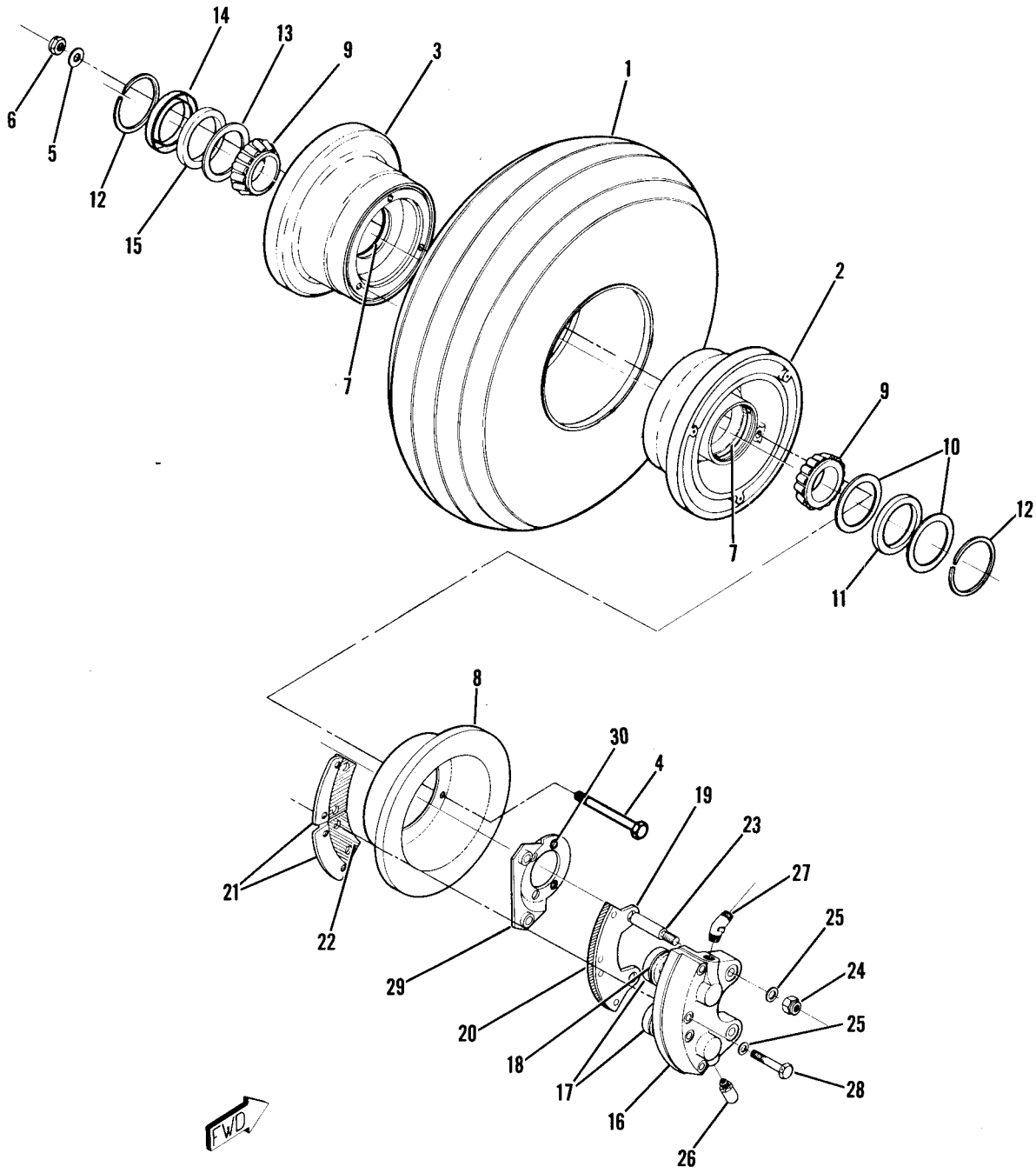
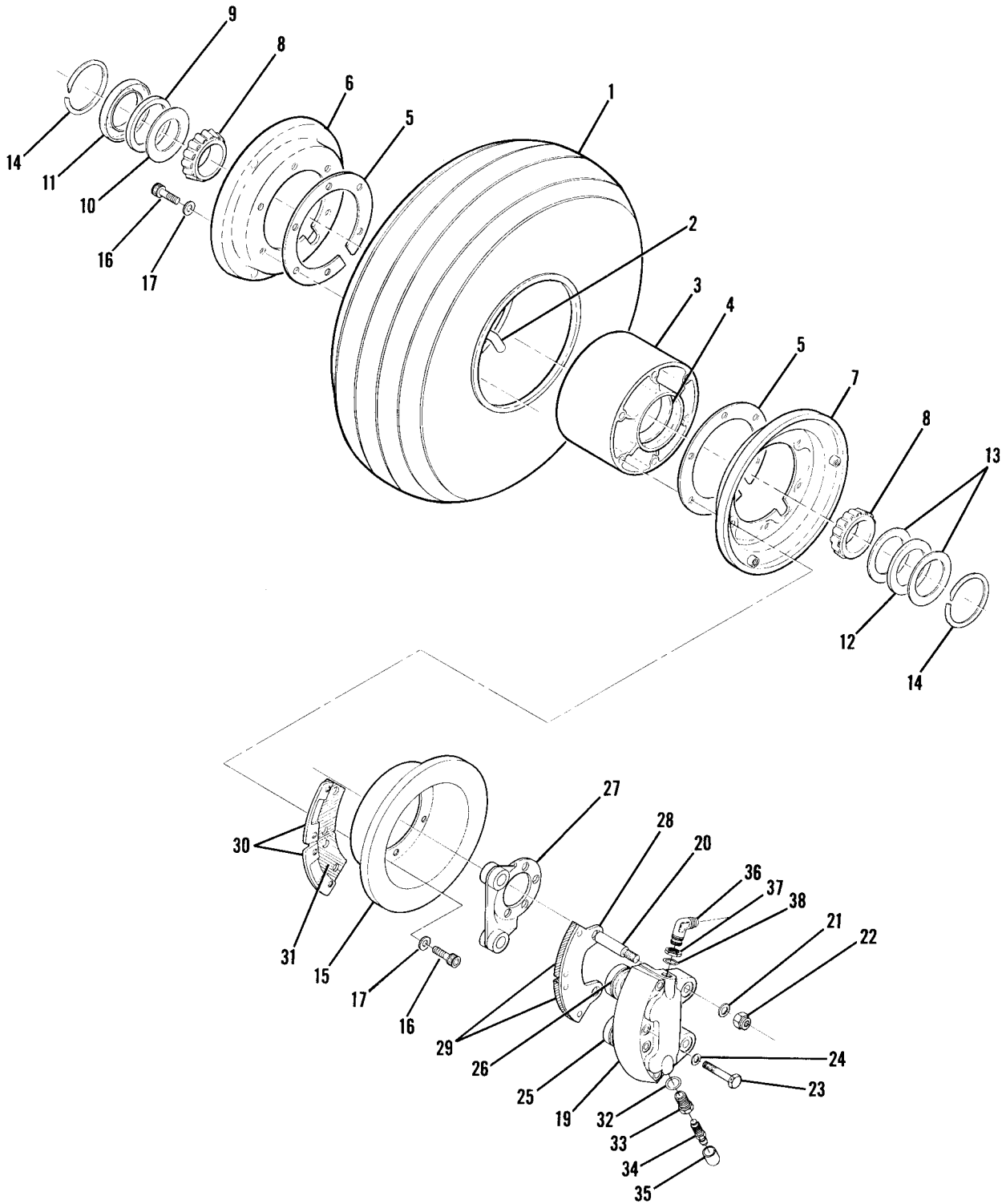


Figure 38. Main Landing Gear Wheel & Brake Installation

FIGURE AND INDEX NO.	PART NUMBER	DESCRIPTION	UNITS PER ASSY	USABLE ON CODE
		1 2 3 4 5 6 7		
38 -		MAIN LANDING GEAR WHEEL & BRAKE INSTALLATION -----	NP	
- 1	C262003-0208	TIRE 6.00X6 8 PLY RATED -----	1	
	C262001-0203	TIRE 6.00X6 8 PLY RATED WHITEWALL -----	1	
	C262023-0102	TUBE 6.00X6 -----	1	
	C163001-0301	WHEEL ASSEMBLY CFP 40-75B -----	1	
- 2	161-30	WHEEL HALF ASSEMBLY-INNER CFP -----	1	
- 3	162-27	WHEEL HALF ASSEMBLY-OUTER CFP -----	1	
		ATTACHING PARTS		
- 4	AN5-35A	BOLT -----	3	
- 5	AN960-516	WASHER -----	3	
- 6	MS21042L5	NUT -----	3	
		---*---		
- 7	13836	CUP-BEARING CFP -----	1	
- 8	164-15A	BRAKE DISC ASSEMBLY CFP -----	1	
- 9	13889	CONE-BEARING CFP -----	2	
-10	3022	RING-GREASE SEAL CFP -----	2	
-11	3021	FELT-GREASE SEAL CFP -----	1	
-12	3023	RING-SNAP CFP -----	2	
-13	A39070	RING-GREASE SEAL CFP -----	1	
-14	153-15	RING-GREASE SEAL CFP -----	1	
-15	154-13	FELT-GREASE SEAL CFP -----	1	
	C163030-0303 *	BRAKE ASSEMBLY CFP 30-52 -----	1	
-16	61-18	CYLINDER-BRAKE CFP -----	1	
-17	62-15	PISTON CFP -----	2	
-18	AN6227B27	O RING -----	2	
-19	73-10	PLATE ASSEMBLY-PRESSURE CFP -----	1	
-20	66-30	LINING CFP -----	2	
	561	RIVET CFP -----	4	
-21	74-10	PLATE ASSEMBLY-BACK CFP -----	2	
-22	66-30	LINING CFP -----	1	
	561	RIVET CFP -----	2	
-23	69-4	BOLT-ANCHOR -----	2	
-24	MS21042L4	NUT -----	2	
-25	AN960-416L	WASHER -----	6	
-26	183-1	CAP-BLEEDER CFP -----	1	
	FC6446	SCREW-BLEEDER CFP -----	1	
	37-206	SEAT-BLEEDER CFP -----	1	
-27	MS20823-4D	FITTING-TUBE -----	1	
-28	LP4-20AM	BOLT -----	4	
-29	75-15	PLATE ASSEMBLY-TORQUE CFP -----	1	
-30	145-10	BUSHING-TORQUE PLATE -----	2	
	R561	RIVET SET KIT CFP -----	1	
		NOTE. *BRAKE ASSEMBLIES DESCRIBED ARE NORMALLY LH, REVERSE FITTINGS FOR RH INSTALLATION.		

Main Gear (Cont)



210 & T210 SERIAL 21060090 & ON

Figure 38A. Main Landing Gear Wheel & Brake Installation - McCauley

FIGURE AND INDEX NO.	PART NUMBER	DESCRIPTION	UNITS PER ASSY	USABLE ON CODE
		1 2 3 4 5 6 7		
38A-		MAIN LANDING GEAR WHEEL & BRAKE INSTL ALT MCCAULEY ----	NP	A
- 1	C262003-0208	TIRE 6.00X6 8 PLY RATED -----	1	
	C262001-0203	TIRE 6.00X6 8 PLY RATED WHITEWALL -----	1	
- 2	C262023-0102	TUBE 6.00X6 -----	1	
	C163004-0102 *	WHEEL ASSY-MAIN GEAR MCL D30291-2 -----	1	
- 3	D30259	HUB ASSY MCL -----	1	
- 4	A30079-1	CUP-BEARING MCL -----	2	
- 5	B30076	SPACER MCL -----	2	
- 6	D30222-1	FLANGE-WHEEL MCL -----	1	
- 7	D30210	FLANGE-WHEEL MCL -----	1	
- 8	A30079-2	CONE-BEARING MCL -----	2	
- 9	A30010	GREASE SEAL-FELT MCL -----	1	
-10	A30015	RETAINER-GREASE SEAL MCL -----	1	
-11	A30014	RETAINER-GREASE SEAL MCL -----	1	
-12	A30011	GREASE SEAL-FELT MCL -----	1	
-13	A30013	RETAINER-GREASE SEAL MCL -----	2	
-14	A1636-24	RING-RETAINER MCL -----	2	
-15	C30398	DISC ASSY MCL -----	1	
-16	A1635-79	SOCKET HEAD CAP SCREW MCL -----	12	
-17	A1638-1	WASHER MCL -----	12	
-18		DELETED -----		
	C163032-0206 **	BRAKE ASSY-LH WHEEL -----	1	
	C163032-0205 **	BRAKE ASSY-RH WHEEL -----	1	
-19	D30119	CYLINDER ASSY-BRAKE MCL -----	1	
-20	A30023	BOLT-ANCHOR MCL -----	2	
-21	A1638-15	WASHER MCL -----	2	
-22	A1639-26	NUT MCL -----	2	
-23	A2513-49	BOLT MCL -----	4	
-24	A1638-15	WASHER MCL -----	4	
-25	B30161	PISTON MCL -----	2	
-26	A1633-48	O-RING MCL -----	2	
-27	B30107-1	TORQUE PLATE ASSY-RH MCL -----	1	
	B30107-2	TORQUE PLATE ASSY-LH MCL -----	1	
-28	B30113	PLATE ASSY-PRESSURE MCL -----	1	
-29	B30026	LINING MCL -----	2	
	A30087	RIVET MCL -----	4	
-30	B30027	PLATE ASSY-BACK MCL -----	2	
-31	B30026	LINING MCL -----	1	
	A30087	RIVET MCL -----	2	
-32	A1633-47	GASKET MCL -----	1	
-33	A30169	FITTING-BLEEDER MCL -----	1	
-34	A30085	FITTING-BLEEDER MCL -----	1	
-35	A30040	CAP-DUST MCL -----	1	
-36	AN921-3D **	ELBOW -----	1	
-37	AN924-3D **	NUT -----	1	
-38	MS28778-3 **	PACKING -----	1	
<p>NOTE. *THIS WHEEL ASSY MUST BE USED ONLY ON AIRCRAFT EQUIPPED WITH C163002-0201 OR C163003-0201 NOSE GEAR WHEEL & C163004-0102 MAIN GEAR WHEEL.</p> <p>NOTE. **THESE PARTS MUST BE USED ONLY ON AIRCRAFT EQUIPPED WITH C163004-0102 MAIN GEAR WHEEL ASSEMBLY.</p> <p>A---210 & T210 SERIAL 21060090 & ON</p>				

Landing Gear Doors

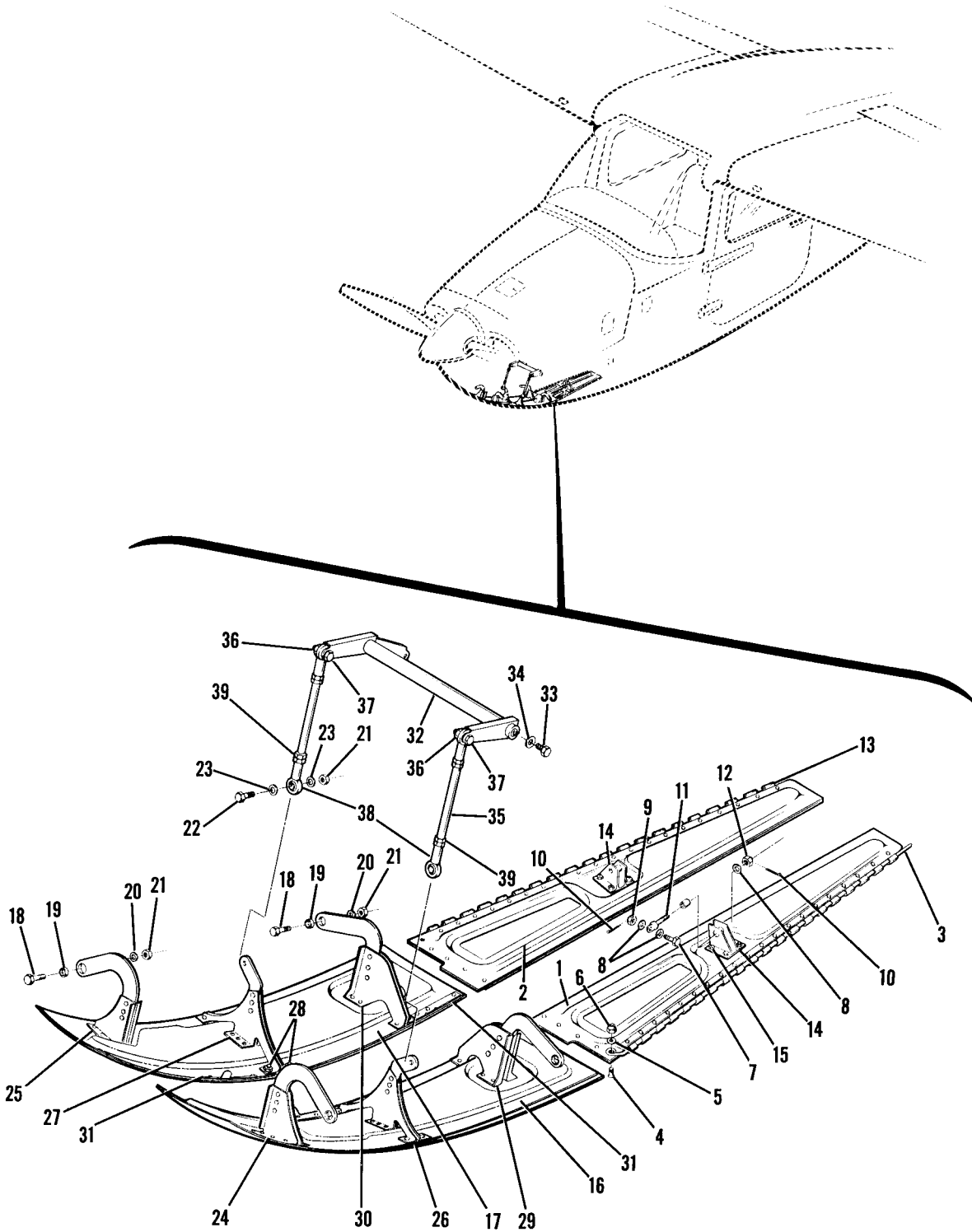


Figure 39. Nose Gear Doors & Torque Tube Installation

FIGURE AND INDEX NO.	PART NUMBER	DESCRIPTION	UNITS PER ASSY	USABLE ON CODE
39 -		1 2 3 4 5 6 7 NOSE GEAR DOORS & TORQUE TUBE INSTALLATION -----	NP	
- 1	1213467-7	DOOR ASSEMBLY NOSE GEAR AFT LH -----	1	
- 2	1213467-8	DOOR ASSEMBLY NOSE GEAR AFT RH -----	1	
		ATTACHING PARTS		
- 3	1213431-1	HINGE PIN-LH -----	1	
	1213431-2	HINGE PIN-RH -----	1	
- 4	AN507-832R7	SCREW -----	1	
- 5	AN960-8	WASHER -----	1	
- 6	MS21044N08	NUT -----	1	
- 7	AN3-5	BOLT -----	1	
- 8	AN960-10	WASHER -----	3	
- 9	AN320-3	NUT -----	1	
-10	MS24665-132	PIN-COTTER -----	2	
-11	AN428-10	EYEBOLT -----	1	
-12	AN310-3	NUT -----	1	
		---*---		
-13	1213431-4	HINGE HALF -----	1	
-14	1217014-1	BRACKET -----	1	
		ATTACHING PARTS		
-15	AN507-632R6	SCREW -----	4	
	AN960-6L	WASHER -----	4	
	MS21044N06	NUT -----	4	
		---*---		
-16	1217009-7	DOOR ASSEMBLY-NOSE GEAR FWD LH -----	1	
-17	1217009-8	DOOR ASSEMBLY-NOSE GEAR FWD RH -----	1	
		ATTACHING PARTS		
-18	AN3-6A	BOLT -----	2	
-19	NAS74A-3E004P	BUSHING -----	2	
-20	AN960-10	WASHER -----	2	
-21	MS21044N3	NUT -----	3	
-22	AN3-10A	BOLT -----	1	
-23	AN960-10L	WASHER -----	2	
		---*---		
-24	1217011-1	BRACKET ASSEMBLY-LH -----	1	
-25	1217011-2	BRACKET ASSEMBLY-RH -----	1	
-26	1217012-1	BRACKET ASSEMBLY-LH -----	1	
-27	1217012-2	BRACKET ASSEMBLY-RH -----	1	
		ATTACHING PARTS		
-28	NAS514P1032-10	SCREW -----	2	
	MS20365-1032C	NUT -----	2	
		---*---		
-29	1217013-1	BRACKET ASSEMBLY-LH -----	1	
-30	1217013-2	BRACKET ASSEMBLY-RH -----	1	
-31	1213292-2	GUIDE-CLIP -----	2	
-32	1217025-1	TORQUE TUBE ASSEMBLY-NOSE GEAR DOOR -----	1	
		ATTACHING PARTS		
-33	NAS564-29	BOLT -----	2	
-34	AN935-416	WASHER -----	2	
		---*---		
-35	1217017-1	ROD ASSEMBLY -----	2	
		ATTACHING PARTS		
-36	AN960-10	WASHER -----	AR	
-37	AN3-7A	BOLT -----	3	
	MS21044N3	NUT -----	3	
		---*---		
-38	S1106-3	ROD END -----	2	
-39	AN316-4R	NUT -----	2	

Landing Gear Doors (Cont)

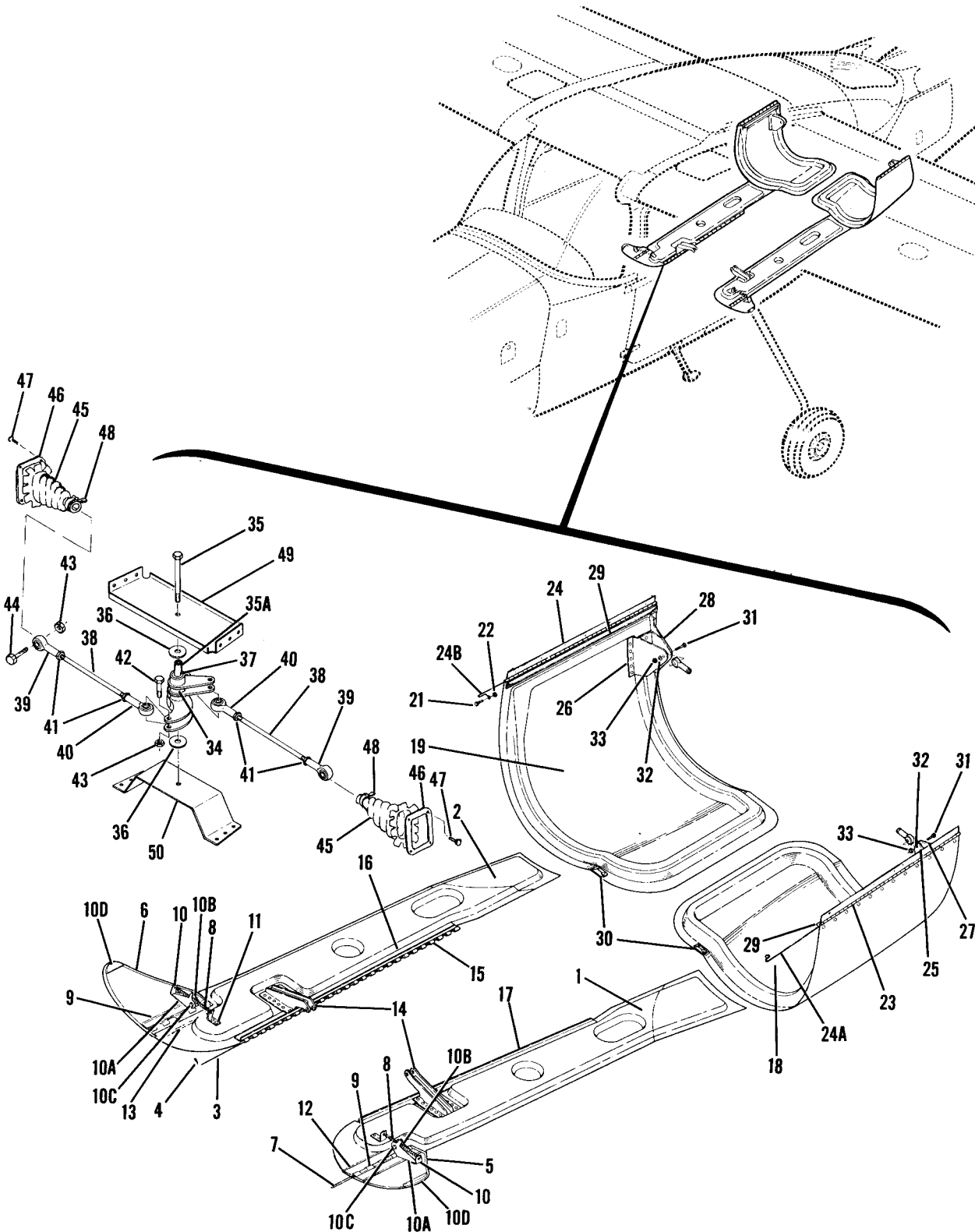


Figure 40. Main Landing Gear Doors Installation

FIGURE AND INDEX NO.	PART NUMBER	DESCRIPTION	UNITS PER ASSY	USABLE ON CODE
		1 2 3 4 5 6 7		
40 -		MAIN GEAR DOORS INSTALLATION -----	NP	
- 1	1241158-1	DOOR ASSEMBLY-MAIN GEAR SPRING WELL LH -----	1	
- 2	1241158-2	DOOR ASSEMBLY-MAIN GEAR SPRING WELL RH -----	1	
		ATTACHING PARTS -----		
- 3	1211832-4	PIN-HINGE -----	1	
- 4	MS24665-22	PIN-COTTER -----	2	
		-----*-----		
- 5	1241145-7	DOOR-STUB LH -----	1	
- 6	1241145-8	DOOR-STUB RH -----	1	
		ATTACHING PARTS -----		
- 7	MS20253-2-502	PIN-HINGE -----	1	
- 8	LE-0550-8	SPRING LSCI -----	1	
		-----*-----		
- 9	1241159-1	HINGE HALF -----	1	
-10	1241106-1	SUPPORT-SPRING -----	1	
-10A	1241658-1	BRACKET -----	1	
-10B	S1551-1	ROLLER -----	1	
-10C	AN3-7A	BOLT -----	1	
	NAS43HT3-35	SPACER -----	1	
	MS21044N3	NUT -----	1	
-10D	1241657-1	BUMPER -----	1	
-11	1241104-1	BRACKET-SPRING -----	1	
-12	1241159-1	HINGE HALF-LH -----	1	
-13	1241159-2	HINGE HALF-RH -----	1	
-14	1211446-1	ARM ACTUATOR -----	1	
-15	1241142-2	HINGE HALF-RH -----	1	
	1241142-1	HINGE HALF-LH -----	1	
-16	1241144-1	STIFFENER LH -----	1	
-17	1241144-2	STIFFENER RH -----	1	
-18	1241150-203	DOOR ASSEMBLY-MAIN GEAR WHEEL WELL LH -----	1	
-19	1241150-204	DOOR ASSEMBLY-MAIN GEAR WHEEL WELL RH -----	1	
		ATTACHING PARTS -----		
-20		DELETED, NOT PROCURABLE -----		
-21	AN515-8R7	SCREW -----	1	
-22	MS21044N08	NUT -----	1	
		-----*-----		
-23	1241150-201	HINGE ASSEMBLY-LH -----	1	
-24	1241150-202	HINGE ASSEMBLY-RH -----	1	
-24A	1241152-3	PIN-HINGE LH -----	1	
-24B	1241152-4	PIN-HINGE RH -----	1	
-25	1241148-3	BRACKET ASSEMBLY-FORWARD LH -----	1	
-26	1241148-4	BRACKET ASSEMBLY-FORWARD RH -----	1	
-27	1241148-1	BRACKET ASSEMBLY-AFT LH -----	1	
-28	1241148-2	BRACKET ASSEMBLY-AFT RH -----	1	
-29	1241153-1	STIFFENER -----	1	
-30	1241155-1	BUMPER-MAIN LANDING GEAR DOOR -----	1	
-31	AN3-11A	BOLT -----	2	
-32	AN960-10L	WASHER -----	2	
-33	MS21044N3	NUT -----	2	
-34	1241070-6	BELLCRANK ASSEMBLY-SPRING DOOR ACTUATOR -----	1	
		ATTACHING PARTS -----		
-35	AN4-27A	BOLT -----	1	
-35A	1211457-2	SPACER -----	1	
-36	AN960PD616	WASHER -----	2	
		-----*-----		
-37	B610	BEARING TOR -----	2	
-38	NAS354-4-520	ROD -----	2	
-39	S1106-4	ROD END -----	2	
-40	S1106-3	ROD END -----	2	
-41	AN316-4R	NUT -----	4	
-42	AN4-7A	BOLT -----	2	
-43	MS21042L4	NUT -----	4	
-44	AN3-11A	BOLT -----	2	
-45	1211358-1	BOOT ASSEMBLY-SPRING ACTUATOR ROD -----	2	A
		ATTACHING PARTS -----		
-46	1211353-1	RETAINER-BOOT -----	1	
-47	AN507-832R8	SCREW -----	1	
		-----*-----		
-48	S1693-2	CLAMP -----	1	
-49	1241068-1	BRACKET-UPPER SUPPORT -----	1	
-50	1241069-1	BRACKET ASSY-LOWER SUPPORT -----	1	

A---210 & T210 SERIAL 21059345 & ON

Gear Locking Mechanism

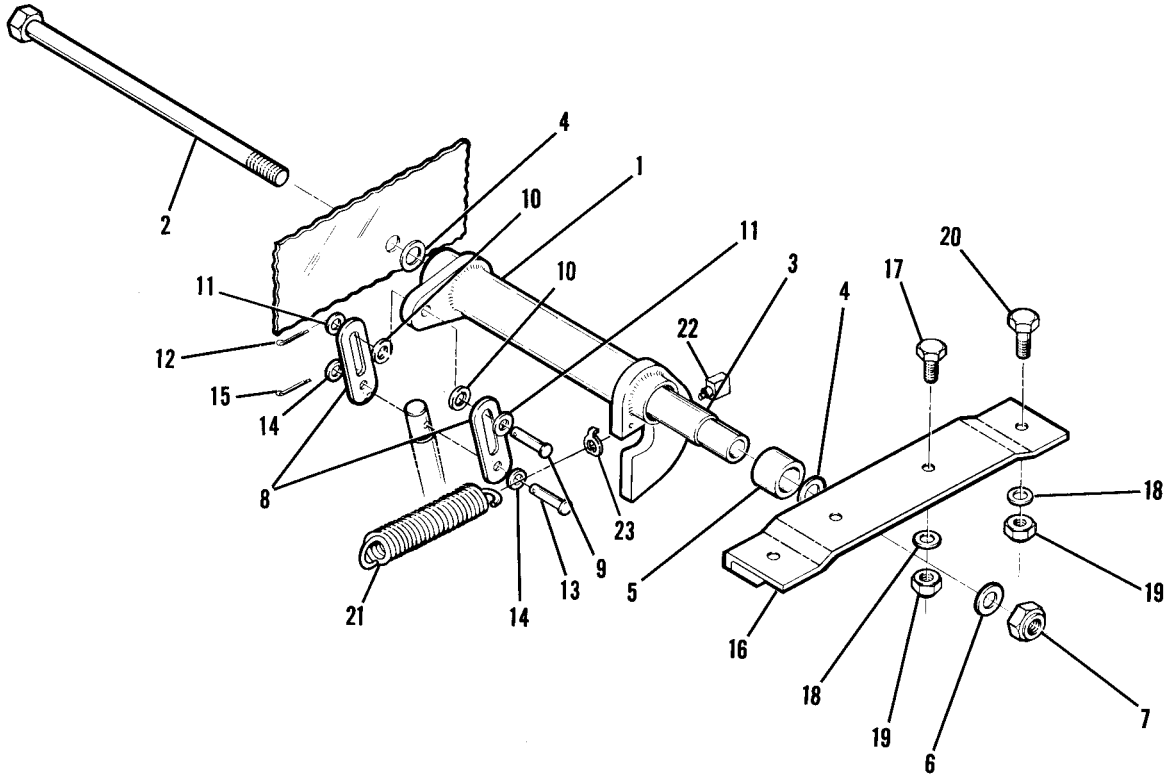


Figure 41. Nose Gear Uplock Installation

FIGURE AND INDEX NO.	PART NUMBER	DESCRIPTION	UNITS PER ASSY	USABLE ON CODE
41 -		1 2 3 4 5 6 7 NOSE GEAR UPLOCK INSTALLATION -----	NP	
- 1	1243025-3	BELLCRANK AND HOOK ASSEMBLY-NOSE GEAR UPLOCK -----	1	
		ATTACHING PARTS -----		
- 2	AN5-55A	BOLT -----	1	
- 3	1243025-6	RACE BEARING-INNER -----	1	
- 4	AN960-716L	WASHER -----	2	
- 5	NAS295-7	BEARING -----	2	
- 6	AN960-516L	WASHER -----	1	
- 7	MS21042L5	NUT -----	1	
		---*---		
- 8	1241424-1	LINK -----	2	
		ATTACHING PARTS -----		
- 9	MS20392-2C17	PIN-FLATHEAD -----	1	
-10	AN960-10	WASHER -----	2	
-11	AN960-10L	WASHER -----	2	
-12	MS24665-132	PIN-COTTER -----	1	
		---*---		
-13	MS20392-1C17	PIN-FLATHEAD -----	1	
-14	AN960-4	WASHER -----	2	
-15	MS24665-132	PIN-COTTER -----	1	
-16	1243027-1	SUPPORT -----	1	
		ATTACHING PARTS -----		
-17	AN3-4A	BOLT -----	3	
-18	AN960-10L	WASHER -----	5	
-19	MS21044N3	NUT -----	5	
-20	AN3-5A	BOLT -----	2	
		---*---		
-21	1241029-3	SPRING -----	1	
-22	S1377-1	SWITCH-UPLOCK -----	1	
-23	1243040-1	WASHER-KEYING -----	1	

This page intentionally left blank.

Gear Locking Mechanism (Cont)

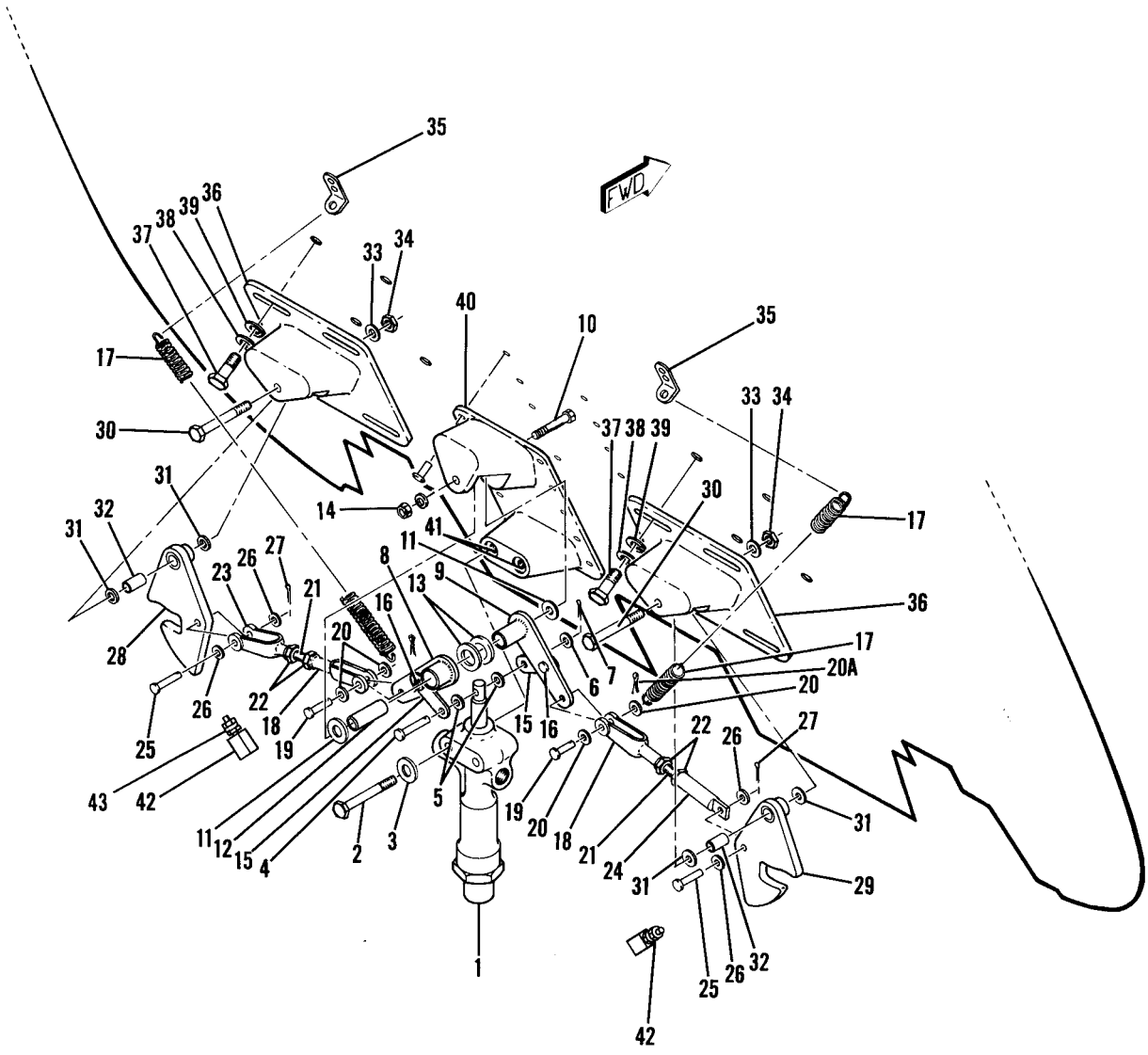
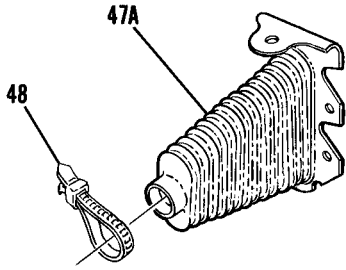


Figure 42. Main Gear Uplock Mechanism Installation



FIGURE AND INDEX NO.	PART NUMBER	DESCRIPTION	UNITS PER ASSY	USABLE ON CODE
42 -		1 2 3 4 5 6 7 MAIN GEAR UPLOCK MECHANISM INSTALLATION -----		
- 1	SEE FIG 131	ACTUATOR ASSEMBLY-UNLOCK -----	NP	
		ATTACHING PARTS -----	1	
- 2	AN4-15A	BOLT -----	2	
- 3	AN960-416L	WASHER -----	2	
- 4	MS20392-1C23	PIN -----	1	
- 5	AN960-4	WASHER -----	2	
- 6	AN960-4L	WASHER -----	2	
- 7	MS24665-132	PIN-COTTER -----	1	
		-----*		
- 8	1241077-1	ARM ASSEMBLY-UPLOCK ACTUATOR LH -----	1	
- 9	1241077-2	ARM ASSEMBLY-UPLOCK ACTUATOR RH -----	1	
		ATTACHING PARTS -----		
-10	AN4-20A	BOLT -----	1	
-11	AN960-616	WASHER -----	2	
-12	NAS76A4-105	BUSHING -----	1	
-13	AN960-816	WASHER -----	2	
-14	MS21042L4	NUT -----	1	
		AN960-416L -----	1	
		-----*		
-15	1241074-1	LINK -----	2	
		ATTACHING PARTS -----		
-16	MS20392-1C11	PIN -----	1	
	AN960-4L	WASHER -----	3	
	MS24665-132	PIN-COTTER -----	1	
		-----*		
-17	LE-049D14MW	SPRING LSCI -----	2	
-18	AN486-3	CLEVIS -----	2	
		ATTACHING PARTS -----		
-19	MS20392-2C13	PIN -----	1	
-20	AN960-10L	WASHER -----	2	
-20A	MS24665-132	PIN-COTTER -----	1	
		-----*		
-21	NAS354-4-200	ROD -----	2	
-22	AN316-4R	NUT -----	4	
-23	AN486-4	CLEVIS LH SIDE -----	1	
-24	1241079-1	ROD END RH SIDE -----	1	
		ATTACHING PARTS -----		
-25	MS20392-2C19	PIN -----	1	
-26	AN960-10L	WASHER -----	2	
-27	MS24665-132	PIN-COTTER -----	2	
		-----*		
-28	1241078-5	LOCK ASSEMBLY-LH -----	1	
-29	1241078-6	LOCK ASSEMBLY-RH -----	1	
		ATTACHING PARTS -----		
-30	AN4-14A	BOLT -----	1	
-31	AN960-616	WASHER -----	2	
-32	NAS76A4-021	BUSHING -----	1	
-33	AN960-416L	WASHER -----	1	
-34	MS21042L4	NUT -----	1	
		-----*		
-35	AN743-13	BRACKET -----	2	
-36	1241075-1	SUPPORT-UPLOCK -----	2	
		ATTACHING PARTS -----		
-37	AN4-5A	BOLT -----	4	
-38	AN960-416	WASHER -----	4	
-39	AN936B416	WASHER-LOCK -----	4	
		-----*		
-40	1241076-1	SUPPORT ASSEMBLY-UPLOCK ACTUATOR -----	1	
-41	NAS1395C4L	INSERT -----	2	
-42	S1377-1	SWITCH-UPLOCK -----	2	
-43	1243040-1	WASHER-KEYING -----	1	

Gear Locking Mechanism (Cont)



SERIAL 21059503 & ON

Detail A

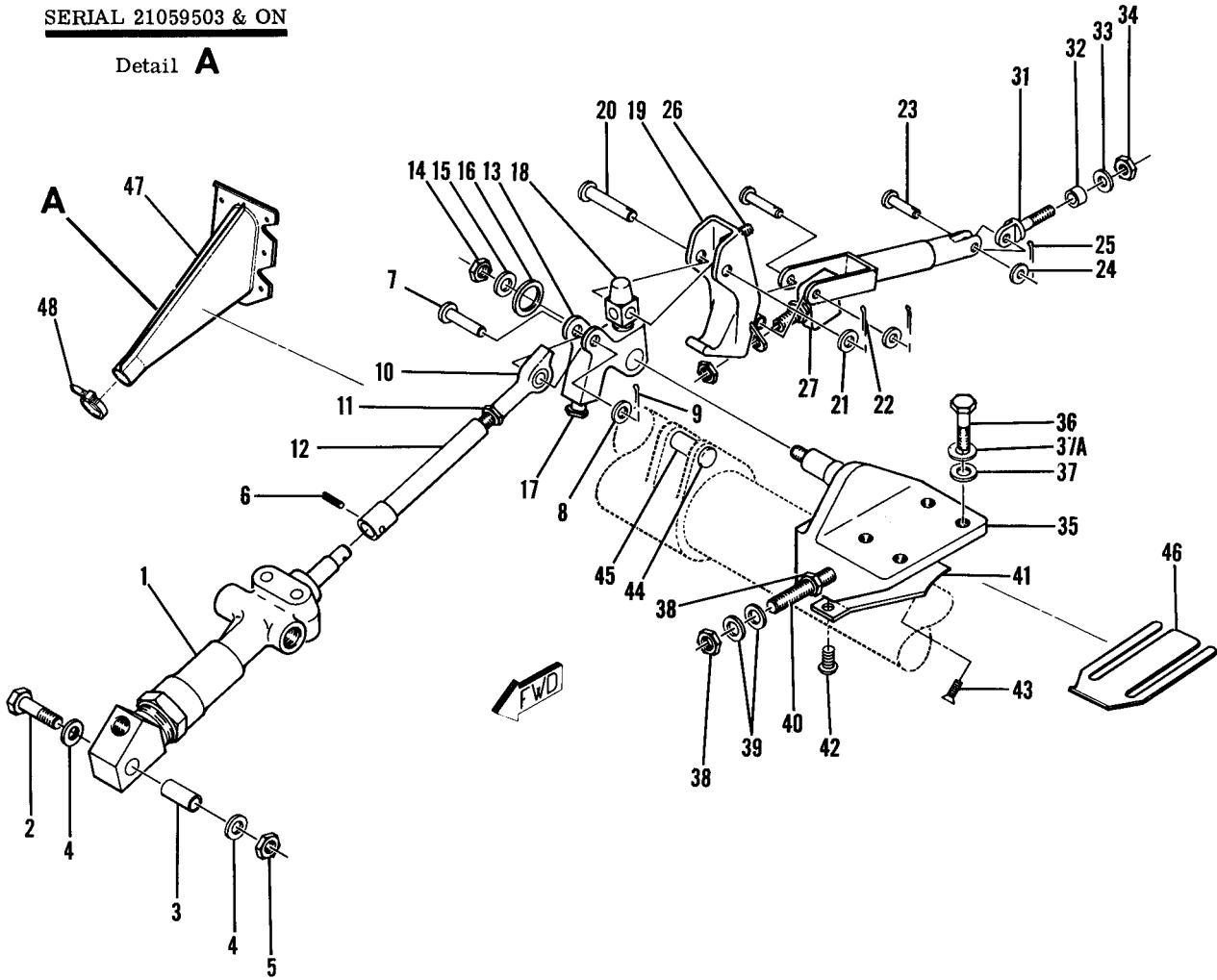


Figure 43. Main Gear Downlock Installation

FIGURE AND INDEX NO.	PART NUMBER		DESCRIPTION							UNITS PER ASSY	USABLE ON CODE
			1	2	3	4	5	6	7		
43 -			MAIN GEAR DOWNLOCK INSTALLATION -----							NP	
- 1	SEE FIG 130		ACTUATOR ASSEMBLY-DOWNLOCK -----							2	B
	SEE FIG 130A		ACTUATOR ASSEMBLY-DOWNLOCK -----							2	G
	SEE FIG 130B		ACTUATOR ASSEMBLY-DOWNLOCK -----							2	E
			ATTACHING PARTS								
- 2	AN4-15A		BOLT -----							1	
- 3	1541028-1		BUSHING -----							1	
- 4	AN960-616L		WASHER -----							2	
- 5	MS21042L4		NUT -----							1	
			---*---								
- 6	NAS561P4-10		PIN-ROLL -----							2	B
	SEE FIG 130A	**	ROD ASSEMBLY-DOWNLOCK -----							2	B
			ROD ASSEMBLY-DOWNLOCK -----							2	C
			ATTACHING PARTS								
- 7	MS20392-2C23		PIN -----							1	
- 8	AN960-10		WASHER -----							1	
- 9	MS24665-132		PIN-COTTER -----							1	
			---*---								
-10		**	ROD END -----							1	B
-11	AN316-6		NUT -----							1	B
-12		**	ROD-ACTUATOR -----							1	B
-13	1241635-1		ARM ASSEMBLY-DOWNLOCK -----							2	
			ATTACHING PARTS								
-14	MS21042L5		NUT -----							1	
-15	AN960-516		WASHER -----							1	
-16	NAS43HT8-3		SPACER USED WITH 1241618-1 & 1241618-2 SUPPORT ASSYS ONLY-							AR	
	1241614-4		SPACER USED WITH 1241618-5 & 1241618-6 SUPPORT ASSYS ONLY-							2	
			---*---								
	MS21209F1-20		INSERT -----							1	
-17	NAS428H3-6		BOLT -----							2	
	NAS43HT3-20		SPACER -----							2	
-18	1241636-1		SCREW-DOWNLOCK ADJUSTMENT WEU 1241636-2 -----							2	B
	1241636-2		SCREW-DOWNLOCK ADJUSTMENT -----							2	C
-19	1241111-200		HOOK & SPRING ASSEMBLY-DOWN LOCK -----							2	
			ATTACHING PARTS								
-20	MS20392-4C33		PIN -----							1	
-21	AN960-516		WASHER -----							1	
-22	MS24665-283		PIN-COTTER -----							1	
-23	MS20392-2C23		PIN -----							1	
-24	AN960-10		WASHER -----							1	
-25	MS24665-132		PIN-COTTER -----							1	
			---*---								
-26	AN565E428H10		SCREW-SET -----							2	
	AN316-4R		NUT -----							2	
-27	S1377-1		SWITCH-DOWNLOCK -----							2	
-28			DELETED, NOT PROCURABLE -----								
-29			DELETED, NOT PROCURABLE -----								
-30			DELETED, NOT PROCURABLE -----								
-31	AN4384A		EYEBOLT -----							2	
			ATTACHING PARTS								
-32	NAS43-4-10		SPACER -----							1	A
-33	AN960-416L		WASHER -----							1	
-34	MS21042L4		NUT -----							1	
			---*---								
-35	1241618-1		SUPPORT ASSEMBLY-MAIN GEAR DOWNLOCK LH				WEU 1241618-5		1	B	
	1241618-5	*	SUPPORT ASSEMBLY-MAIN GEAR DOWNLOCK LH -----							1	C
	1241618-2		SUPPORT ASSEMBLY-MAIN GEAR DOWNLOCK RH				WEU 1241618-6		1	B	
	1241618-6	*	SUPPORT ASSEMBLY-MAIN GEAR DOWNLOCK RH -----							1	C
			ATTACHING PARTS								
-36	NAS565-33		BOLT -----							4	
-37	AN960-516		WASHER -----							4	
-37A	AN936A516		WASHER -----							4	
-38	MS21042L6		NUT -----							1	
-39	AN960-616		WASHER -----							2	
			---*---								

CONTINUED ON NEXT PAGE

FIGURE AND INDEX NO.	PART NUMBER	DESCRIPTION							UNITS PER ASSY	USABLE ON CODE
		1	2	3	4	5	6	7		
43 -40	1241614-2								1	
-41	1241630-1								1	F
	1241630-7								1	E
	1241630-2								1	F
	1241630-8								1	E
-42	NAS220-5								1	
-43	AN507-832R8								1	
-44	MS20392-4C39								2	
-45	1241103-1								2	
	AN960-516								2	
	MS24665-283								2	
-46	1241629-1	%							1	
	1241629-2	%							1	
	1241629-3	%							1	
	1241629-4	%							1	
-47	1211354-1								1	D
	1211354-2								1	D
-47A	1211357-3								1	E
	1211357-4								1	E
-48	S1693-1								1	

STUD -----
 SHELL ASSEMBLY-LH WEU 1241630-7 -----
 SHELL ASSEMBLY-LH -----
 SHELL ASSEMBLY-RH WEU 1241630-8 -----
 SHELL ASSEMBLY-RH -----
 ATTACHING PARTS
 SCREW -----
 SCREW -----
 ---*---
 PIN -----
 SPACER -----
 WASHER -----
 PIN-COTTER -----
 SHIM .016 THICKNESS -----
 SHIM .025 THICKNESS -----
 SHIM .050 THICKNESS -----
 SHIM .071 THICKNESS -----
 SEAL ASSY-LH WEU 1211357-3 -----
 SEAL ASSY-RH WEU 1211357-4 -----
 SEAL ASSY-LH -----
 SEAL ASSY-RH -----
 ATTACHING PARTS
 STA-STRAP -----
 ---*---

NOTE. %SEE SERVICE MANUAL FOR
 INSTALLATION OF THESE PARTS.

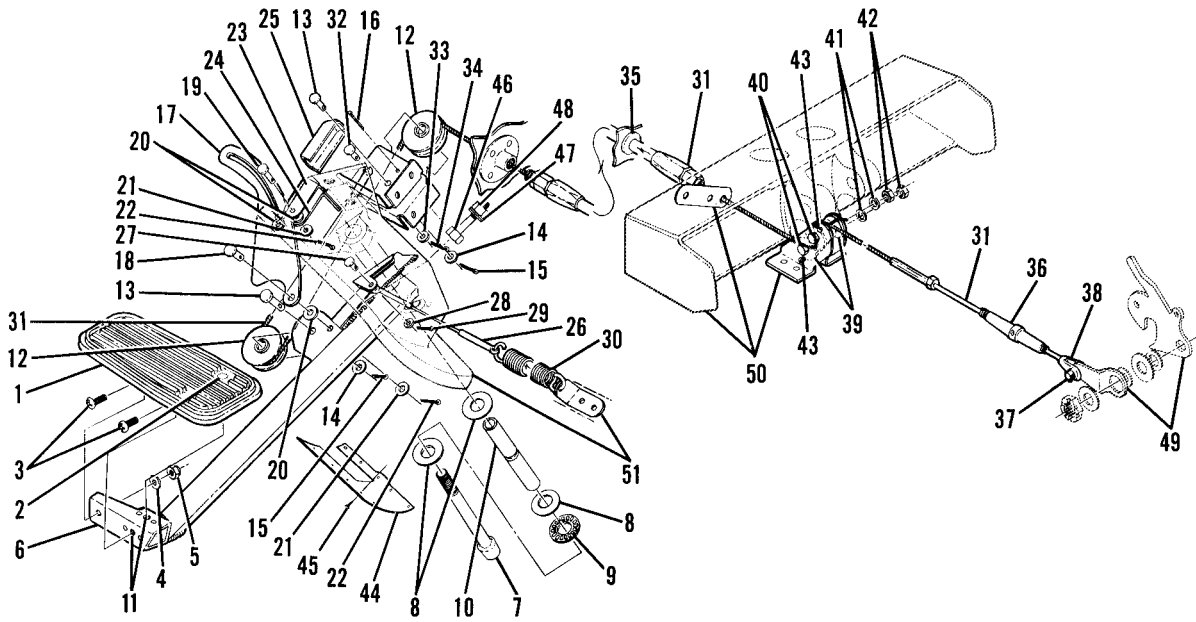
NOTE. *WHEN INITIALLY ORDERING THIS PART FOR
 AIRPLANES PRIOR TO SERIAL 21059352 ALSO ORDER
 TWO 1241614-4 SPACERS.

NOTE. **THESE PARTS ARE NO LONGER AVAILABLE.
 FOR REPLACEMENT ORDER SK210-66 KIT
 WHICH CONSISTS OF ALL NECESSARY PARTS
 & INSTRUCTIONS.

A---210 & T210 SERIAL 21059200 THRU 21059251
 B---210 & T210 SERIAL 21059200 THRU 21059351
 C---210 & T210 SERIAL 21059352 & ON
 D---210 & T210 SERIAL 21059345 THRU 21059502
 E---210 & T210 SERIAL 21059503 & ON
 F---210 & T210 SERIAL 21059200 THRU 21059502
 G---210 & T210 SERIAL 21059352 THRU 21059502

This page intentionally left blank.

Retractable Step



210 & T210 SERIAL 21060540 & ON
Figure 43A. Retractable Cabin Step Installation

FIGURE AND INDEX NO.	PART NUMBER	DESCRIPTION	UNITS PER ASSY	USABLE ON CODE
		1 2 3 4 5 6 7		
43A-		RETRACTABLE CABIN STEP INSTALLATION -----	NP	A
- 1	0741623-1	STEP ASSY-RETRACTABLE CABIN -----	1	
		ATTACHING PARTS -----		
- 2	AN509-10RB	SCREW -----	1	
- 3	NAS221-9	SCREW -----	2	
- 4	AN960-10L	WASHER -----	1	
- 5	MS21044N3	NUT -----	1	
		---*---		
- 6	1211508-2	ATTACH ASSY-RETRACTABLE STEP -----	1	
		ATTACHING PARTS -----		
- 7	NAS145-57	BOLT -----	1	
- 8	S2014-2	RACE -----	3	
- 9	S2013-2	BEARING -----	1	
-10	NAS74-5-0210	BUSHING -----	1	
		---*---		
-11	NAS697A3	NUTPLATE -----	2	
-12	S378-1	PULLEY -----	2	
		ATTACHING PARTS -----		
-13	MS20392-2C15	PIN -----	1	
-14	AN960-10L	WASHER -----	1	
-15	MS24665-132	COTTER PIN -----	1	
		---*---		
-16	MS24665-134	COTTER PIN -----	2	
-17	1211524-1	COVER ASSY-CABIN STEP CABLE -----	1	
		ATTACHING PARTS -----		
-18	MS20392-1C17	PIN -----	1	
-19	MS20392-1C11	PIN -----	1	
-20	S2202-3	WASHER -----	3	
-21	AN960-4	WASHER -----	1	
-22	MS24665-132	COTTER PIN -----	1	
		---*---		
-23	1211525-1	BRACKET-CABLE COVER UPPER -----	1	
-24	1211525-2	BRACKET-CABLE COVER LOWER -----	1	
		ATTACHING PARTS -----		
	AN515-8R7	SCREW -----	2	
		---*---		
-25	1211521-1	COVER SEAL-PULLEY BRACKET -----	1	
-26	1211504-3	CABLE ASSY-RETRACTABLE STEP -----	1	
		ATTACHING PARTS -----		
-27	MS20392-1C15	PIN -----	1	
-28	AN960-4	WASHER -----	1	
-29	MS24665-132	COTTER PIN -----	1	
		---*---		
-30	1211520-2	SPRING -----	1	
-31	1211504-1	CABLE ASSY-RETRACTABLE STEP -----	1	
		ATTACHING PARTS -----		
-32	MS20392-1C15	PIN -----	1	
-33	AN960-4	WASHER -----	1	
-34	MS24665-132	COTTER PIN -----	1	
-35	MS35489-9	GROMMET -----	1	
-36	AN155-8S	BARREL -----	1	
-37	MS20392-2C11	PIN -----	1	
	MS24665-132	COTTER PIN -----	1	
-38	AN161-8LS	FORK -----	1	
		---*---		
-39	S1710-1	PULLEY -----	2	
		ATTACHING PARTS -----		
-40	AN3-7A	BOLT -----	1	
-41	AN960-10L	WASHER -----	1	
-42	MS21044N3	NUT -----	1	
	0411783	BUSHING -----	1	
		---*---		
-43	MS24665-134	COTTER PIN -----	2	
-44	1211517-2	COVER-CABIN STEP SUPPORT -----	1	
		ATTACHING PARTS -----		
-45	NAS221-6	SCREW -----	10	
		---*---		
-46	NAS428-4-5	BOLT -----	1	
-47	AN960-416	WASHER -----	1	
-48	MS21042L4	NUT -----	1	
-49	SEE FIG 126A	NOSE GEAR RETRACTION & DRAG STRUT ACTUATOR ASSY -----	1	
-50	SEE FIG 17A	LOWER FORWARD FUSELAGE STRUCTURE -----	1	
-51	SEE FIG 21B	FUSELAGE BELLY SECTION COMPONENTS -----	1	

A---210 & T210 SERIAL 21060540 & ON

This page intentionally left blank.

FIGURE AND INDEX NO.	PART NUMBER	DESCRIPTION	UNITS PER ASSY	USABLE ON CODE
44 -		LEFT CABIN DOOR INSTALLATION ----- ATTACHING PARTS	NP	H
- 1	AN509-10R14	SCREW -----	3	
- 2	AN509-10R16	SCREW -----	2	
- 3	AN960-10L	WASHER -----	5	
- 4	MS21044N3	NUT -----	5	
		---*---		
- 5	1211250-6	HANDLE-DOOR INSIDE -----	1	C
	1211250-7	HANDLE-DOOR INSIDE -----	1	G
- 5A	0517006-2	HANDLE-DOOR INSIDE -----	1	F
- 5B	1211251-2	INSERT -----	1	C
	1211251-1	INSERT -----	1	G
- 6	1705015-1	PLACARD-LH CABIN DOOR HANDLE -----	1	
- 6A	1211836-1	WASHER -----	1	
- 7	0511189-1	CLIP-DOOR HANDLE -----	1	
- 8	0413317	SPRING-DOOR HANDLE -----	1	
- 9	C253001-0101	LOCK ASSEMBLY-DOOR -----	1	
-10	0711033-1	CAM -----	1	
-11	0411851	WASHER -----	1	
-12	SEE FIG 46	LATCH ASSEMBLY-REMOVABLE -----	1	
		ATTACHING PARTS		
	NAS220-5	SCREW -----	12	C
	NAS220-5	SCREW -----	13	E
	NAS696A08	NUTPLATE -----	1	
	NAS697A08	NUTPLATE -----	4	
		---*---		
-13	1217008-1	HINGE ASSEMBLY-DOOR STOP LH -----	1	A
-13A	1213942-1	HINGE ASSEMBLY-DOOR STOP LH -----	1	B
		ATTACHING PARTS		
-14	AN509-10R8	SCREW -----	2	A
-14A	AN509-10R8	SCREW -----	3	B
		---*---		
-15	1411206-7	ARM-CABIN DOOR STOP -----	1	
		ATTACHING PARTS		
-16	MS20615-4M10	RIVET -----	1	
		---*---		
-17	1411206-1	SPACER -----	2	
-18	NAS220-16	SCREW -----	1	
-19	MS21044N08	NUT -----	1	
-20	1411207-1	SPRING -----	1	
-21	1411207-2	SPRING -----	1	
		ATTACHING PARTS		
-22	AN525-832R7	SCREW -----	1	
		---*---		
-23	1411206-5	BRACKET-CABIN DOOR STOP -----	1	
-24	1411206-4	BRACKET-CABIN DOOR STOP -----	1	
-25	0700685-1	PLATE-STRIKER -----	1	
		ATTACHING PARTS		
-26	S1022Z8-8	SCREW -----	2	
		---*---		
	1217004-201	STRUCTURE ASSEMBLY-CABIN DOOR LH -----	1	D
	1217037-201	STRUCTURE ASSEMBLY-CABIN DOOR LH -----	1	F
-27	1217004-15	SKIN -----	1	D
	1217037-9	SKIN -----	1	F
-27A	1217035-1	RUB BLOCK -----	1	
	AN960PD3L	WASHER -----	2	
-27B	0711034-1	STOP -----	1	
-28	0717010-28	JAMB-WINDOW -----	1	
	S1862-5A	NUTPLATE -----	2	
-29	1200544-3	BRACKET ASSEMBLY-DOOR PULL FWD LH -----	1	
	1200544-1	BRACKET ASSEMBLY-DOOR PULL AFT LH -----	1	
	NAS680A3	NUTPLATE -----	1	
-30	0717010-22	PLATE-REINFORCEMENT -----	1	
-31	0711064-5	SUPPORT ASSEMBLY-DOOR LATCH FORWARD -----	1	
	NAS696A08	NUTPLATE -----	2	

CONTINUED ON NEXT PAGE

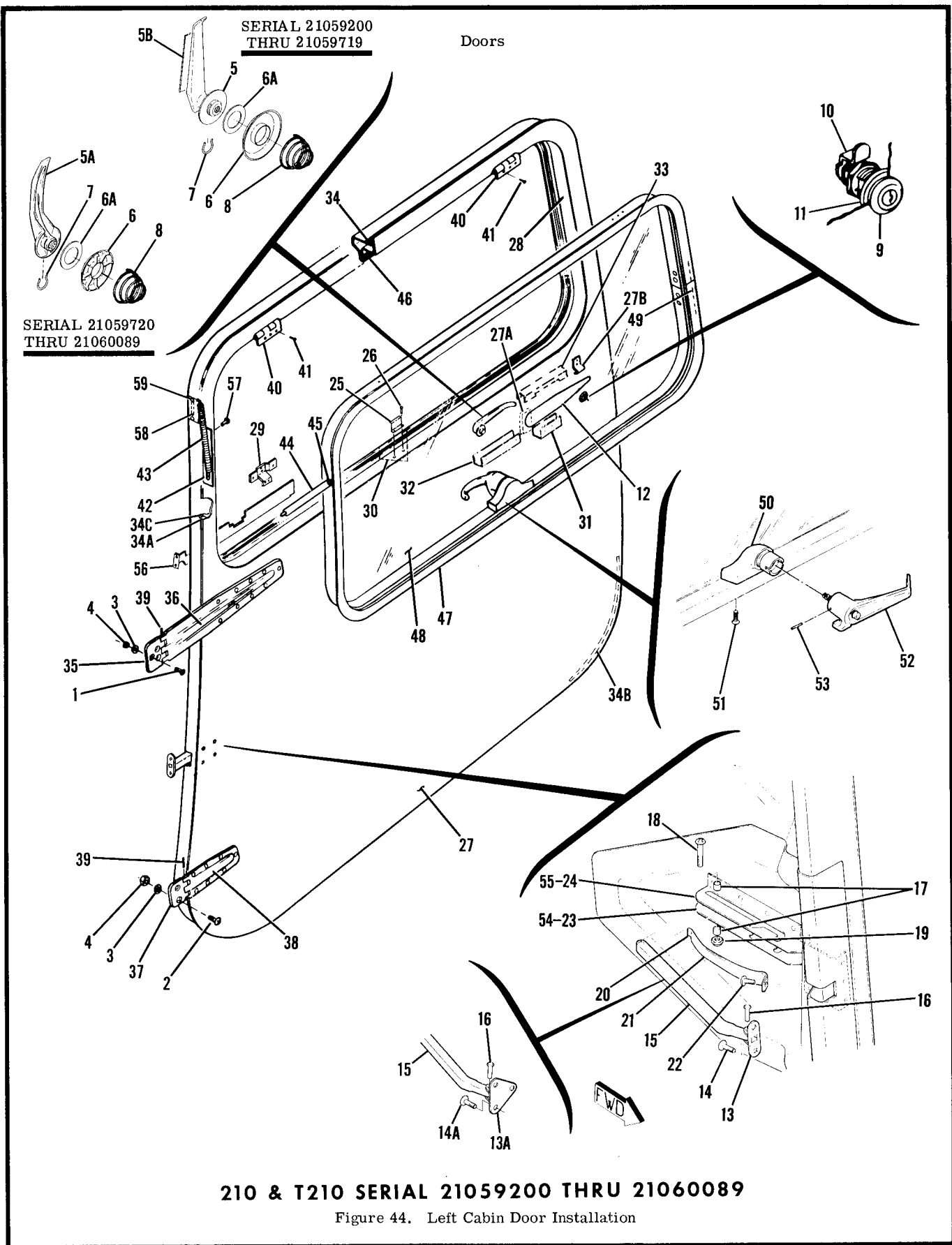
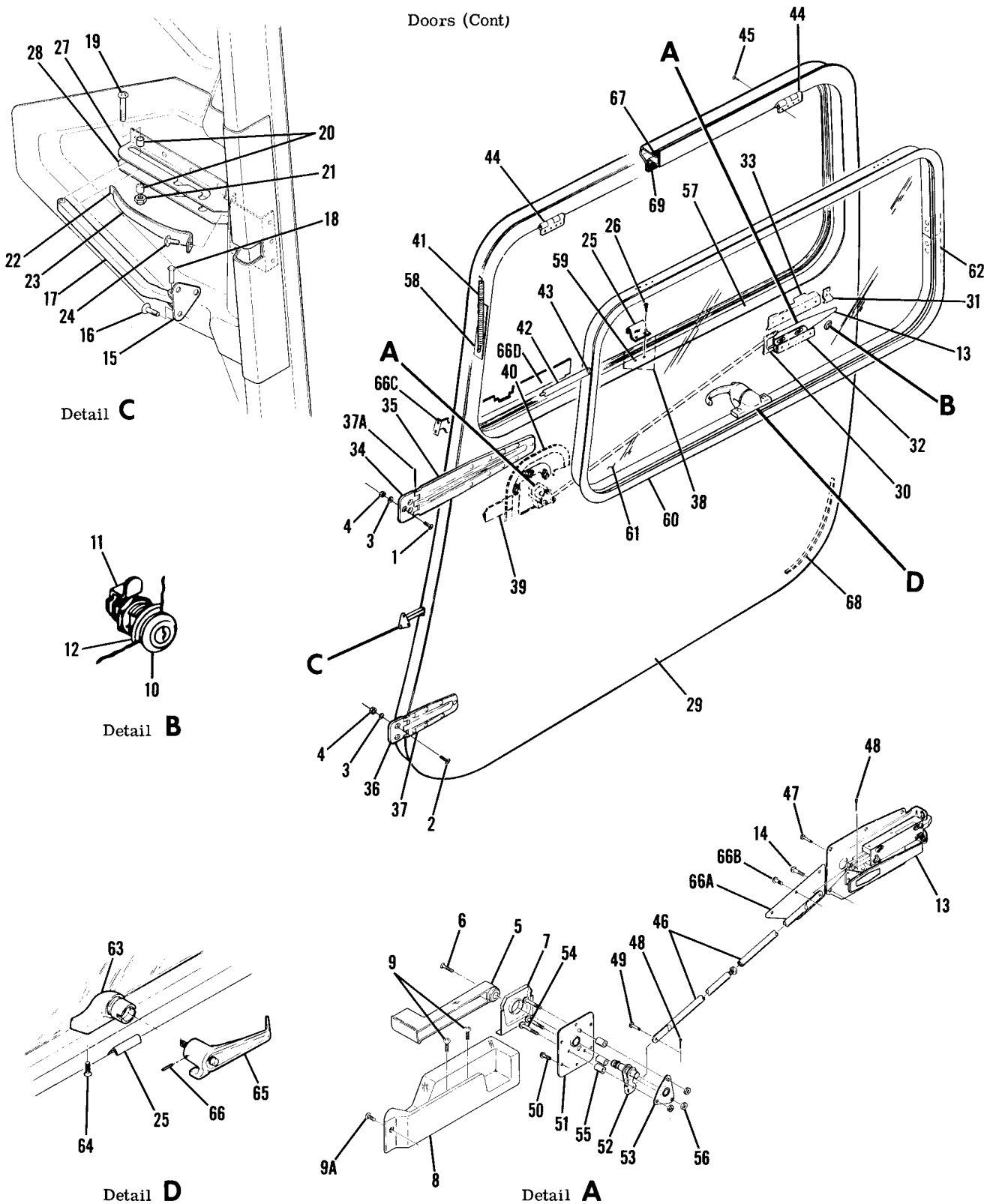




FIGURE AND INDEX NO.	PART NUMBER	DESCRIPTION	UNITS PER ASSY	USABLE ON CODE
44 -32	0711065-1	SUPPORT ASSEMBLY-DOOR LATCH -----	1	
	NAS696A08	NUTPLATE -----	2	
	NAS697A08	NUTPLATE -----	1	
-33	0717010-23	STIFFENER ASSEMBLY -----	1	
	NAS682A08	NUTPLATE -----	1	
-34	S1116-1	SEAL 116.0 IN LG BULK ITEM REF S1116-1-116.0 -----	1	D
	S1116-1	SEAL 160.0 IN LG BULK ITEM REF S1116-1-160.0 -----	1	F
-34A	S1441-2	SEAL-12.0 IN LG BULK ITEM REF S1441-2-12.0 -----	1	D
-34B	S1441-2	SEAL-15.0 IN LG BULK ITEM REF S1441-2-15.0 -----	1	
-34C	S1116-1	SEAL 28.0 IN LG BULK ITEM REF S1116-1-28.0 -----	1	D
-35	0711037-15	HINGE-STATIONARY UPPER LH -----	1	
-36	0711037-17	HINGE-UPPER LH -----	1	
-37	0711037-19	HINGE-STATIONARY LOWER LH -----	1	
-38	0711037-21	HINGE-LOWER LH -----	1	
-39	0711038-1	PIN-HINGE -----	2	
-40	0411185-7	HINGE ASSY-WINDOW -----	2	
-41	CR163-4-4	RIVET CR -----	4	
-42	0711021-1	PLATE -----	1	
-43	0711021-9	SPRING -----	1	
-44	0711021-4	ARM ASSEMBLY -----	1	
-45	AN525-10R8	SCREW -----	1	
-46	S2108-1	SEAL-84.0 IN LG BULK ITEM REF S2108-2-84.00 -----	1	
	0711050-27	WINDOW ASSEMBLY-DOOR LH -----	1	
-47	0711050-18	FRAME-WINDOW -----	1	
-48	0711051-9	WINDOW-DOOR -----	1	
-49	0711050-15	TUBE-SPLICE -----	1	
		ATTACHING PARTS		
	CR163-4-4	RIVET CR -----	6	
		---*---		
-50	1411202-201	BRACKET ASSEMBLY-WINDOW LATCH -----	1	
		ATTACHING PARTS		
-51	NAS514P1032-14	SCREW -----	2	
	NAS43HT3-34	SPACER -----	2	
		---*---		
-52	S1483-2	HANDLE ASSEMBLY-WINDOW LATCH -----	1	
		ATTACHING PARTS		
-53	NAS561P3-8	PIN -----	1	
		---*---		
-54	1411206-5	BRACKET-CABIN DOOR STOP -----	1	F
-55	1411206-4	BRACKET-CABIN DOOR STOP -----	1	F
-56	1217036-1	SUPPORT-JPHOLSTERY -----	1	
		ATTACHING PARTS		
	CR163-3-4	RIVET CR -----	5	
		---*---		
-57	S1613-3-75	RIVNUT -----	1	
-58	0710638-1	WEDGE-CABIN DOOR -----	1	
		ATTACHING PARTS		
-59	CR163-4	RIVET CR -----	2	
		---*---		
		A---210 & T210 SERIAL 21059200 THRU 21059223		
		B---210 & T210 SERIAL 21059224 THRU 21060089		
		C---210 & T210 SERIAL 21059200 THRU 21059502		
		D---210 & T210 SERIAL 21059200 THRU 21059719		
		E---210 & T210 SERIAL 21059503 THRU 21060089		
		F---210 & T210 SERIAL 21059720 THRU 21060089		
		G---210 & T210 SERIAL 21059503 THRU 21059719		
		H---210 & T210 SERIAL 21059200 THRU 21060089		

Doors (Cont)



210 & T210 SERIAL 21060090 & ON

Figure 44A. Left Cabin Door Installation



FIGURE AND INDEX NO.	PART NUMBER	DESCRIPTION	UNITS PER ASSY	USABLE ON CODE
44A-		LEFT CABIN DOOR INSTALLATION -----	NP	A
		ATTACHING PARTS -----		
- 1	AN509-10R14	SCREW UPPER HINGE -----	3	
- 2	AN509-10R16	SCREW LOWER HINGE -----	2	
- 3	AN960-10L	WASHER -----	5	
- 4	MS21044N3	NUT -----	5	
		---*---		
- 5	1217053-2	HANDLE-INSIDE DOOR -----	1	
		ATTACHING PARTS -----		
- 6	NAS388-10-7P	SCREW -----	1	
		---*---		
- 7	1215084-1	ESCUTCHEON-LH DOOR HANDLE -----	1	
- 8	1215085-1	ARMREST ASSY-LH DOOR -----	1	
		ATTACHING PARTS -----		
- 9	AN515-8R12	SCREW -----	2	
		---*---		
- 9A	S1021Z6-10	SCREW -----	1	
-10	C253001-0101	LOCK ASSY-DOOR -----	1	
-11	0711033-1	CAM-LOCK ASSY -----	1	
-12	0411851	WASHER-LOCK ASSY -----	1	
-13	SEE FIG 46A	LATCH ASSY-REMOVABLE -----	1	
		ATTACHING PARTS -----		
-14	NAS220-5	SCREW -----	10	
	NAS697A08	NUTPLATE -----	5	
		---*---		
-15	1213942-1	HINGE ASSY-LH DOOR STOP -----	1	
		ATTACHING PARTS -----		
-16	AN509-10R8	SCREW -----	3	
		---*---		
-17	1411206-7	ARM-CABIN DOOR STOP -----	1	
		ATTACHING PARTS -----		
-18	MS20615-4M10	RIVET -----	1	
-19	NAS220-16	SCREW -----	1	
-20	1411206-1	SPACER -----	2	
-21	MS21044N08	NUT -----	1	
		---*---		
-22	1411207-2	SPRING-OUTBOARD -----	1	
-23	1411207-1	SPRING-INBOARD -----	1	
		ATTACHING PARTS -----		
-24	AN525-832R7	SCREW -----	1	
		---*---		
-25	0700685-3	PLATE-STRIKER -----	1	
		ATTACHING PARTS -----		
-26	AN507-832R6	SCREW -----	2	
		---*---		
	1217045-201	STRUCTURE ASSY-CABIN DOOR LH -----	1	B
		STRUCTURE ASSY-CABIN DOOR LH -----	1	C
-27	1411206-5	BRACKET-CABIN DOOR STOP UPPER -----	1	
-28	1411206-4	BRACKET-CABIN DOOR STOP LOWER -----	1	
-29	1217045-7	SKIN-CABIN DOOR -----	1	
-30	1217035-1	BLOCK-RUB -----	1	
		ATTACHING PARTS -----		
	AN960PU3L	WASHER -----	2	
		---*---		
-31	0711034-1	STOP -----	1	
-32	0711064-5	SUPPORT ASSY-DOOR LATCH -----	1	
	NAS696A08	NUTPLATE -----	2	
-33	0717010-23	BRACKET ASSY-STIFFENER -----	1	
	NAS682A08	NUTPLATE -----	1	
-34	0711037-15	HINGE UPPER FWD -----	1	
-35	0711037-17	HINGE UPPER AFT -----	1	
-36	0711037-19	HINGE LOWER FWD -----	1	
-37	0711037-21	HINGE LOWER AFT -----	1	
-37A	0711038-1	PIN -----	2	
-38	0717010-22	REINFORCEMENT -----	1	
-39	0717012-17	SUPPORT ASSY-ARMREST -----	1	
	NAS697A08	NUTPLATE -----	2	
-40	1217048-1	PAN ASSY-INTERIOR DOOR HANDLE -----	1	
	NAS697A08	NUTPLATE -----	5	
-41	0711021-9	SPRING -----	1	
-42	0711021-4	ARM ASSY -----	1	
-43	AN525-10R8	SCREW -----	1	

CONTINUED ON NEXT PAGE



FIGURE AND INDEX NO.	PART NUMBER	DESCRIPTION	1 2 3 4 5 6 7							UNITS PER ASSY	USABLE ON CODE
44A-44	0411185-11	HINGE ASSY-WINDOW ----- ATTACHING PARTS -----								2	
-45	CR163-4-4	RIVET CR ----- -----*								4	
-46	1217047-7	PUSH ROD ASSY-DOOR LATCH ----- ATTACHING PARTS -----								1	
-47	MS20392-1C15	PIN -----								1	
-48	MS24665-132	COTTER PIN -----								2	
-49	MS20392-1C9	PIN ----- -----*								1	
	1217046-3	BASE PLATE ASSY-INTERIOR DOOR HANDLE ----- ATTACHING PARTS -----								1	
-50	NAS220-5	SCREW ----- -----*								5	
-51	1217046-5	PLATE ASSY -----								1	
-52	1217050-3	SHAFT ASSY -----								1	
-53	1217046-6	BEARING ASSY -----								1	
-54	NAS221-15	SCREW -----								3	
-55	NAS43HT3-45	SPACER -----								3	
-56	MS20364-1032C	NUT -----								3	
-57	1217056-1	RETAINER ASSY-OPENABLE WINDOW -----								1	
-58	0711021-1	PLATE -----								1	
-59	NAS696A08K	NUTPLATE -----								2	
	0711050-27	WINDOW ASSY-LH DOOR -----								1	
-60	0711050-18	FRAME-WINDOW -----								1	
-61	0711051-9	WINDOW-DOOR -----								1	
-62	0711050-15	TUBE-SPLICE ----- ATTACHING PARTS -----								1	
	CR163-4-4	RIVET CR ----- -----*								6	
-63	1411202-201	BRACKET ASSY-WINDOW LATCH ----- ATTACHING PARTS -----								1	
-64	NAS514P1032-14	SCREW -----								2	
	NAS43HT3-34	SPACER ----- -----*								2	
-65	S1438-2	HANDLE ASSY-WINDOW LATCH ----- ATTACHING PARTS -----								1	
-66	NAS561P3-8	PIN ----- -----*								1	
-66A	1217058-1	PLATE-SPLICE ----- ATTACHING PARTS -----								1	
-66B	NAS220-5	SCREW -----								5	
	NAS697A08	NUTPLATE ----- -----*								5	
-66C	1217036-6	SUPPORT ASSY -----								1	
-66D	NAS697A3	NUTPLATE -----								1	
-67	S1116-1	SEAL 160.00 IN LG BKI REF S1116-1-160.00 -----								1	
-68	S1441-2	SEAL 15.00 IN LG BKI REF S1441-2-15.00 -----								1	
-69	S2108-4	SEAL 84.00 IN LG BKI REF S2108-1-84.00 -----								1	

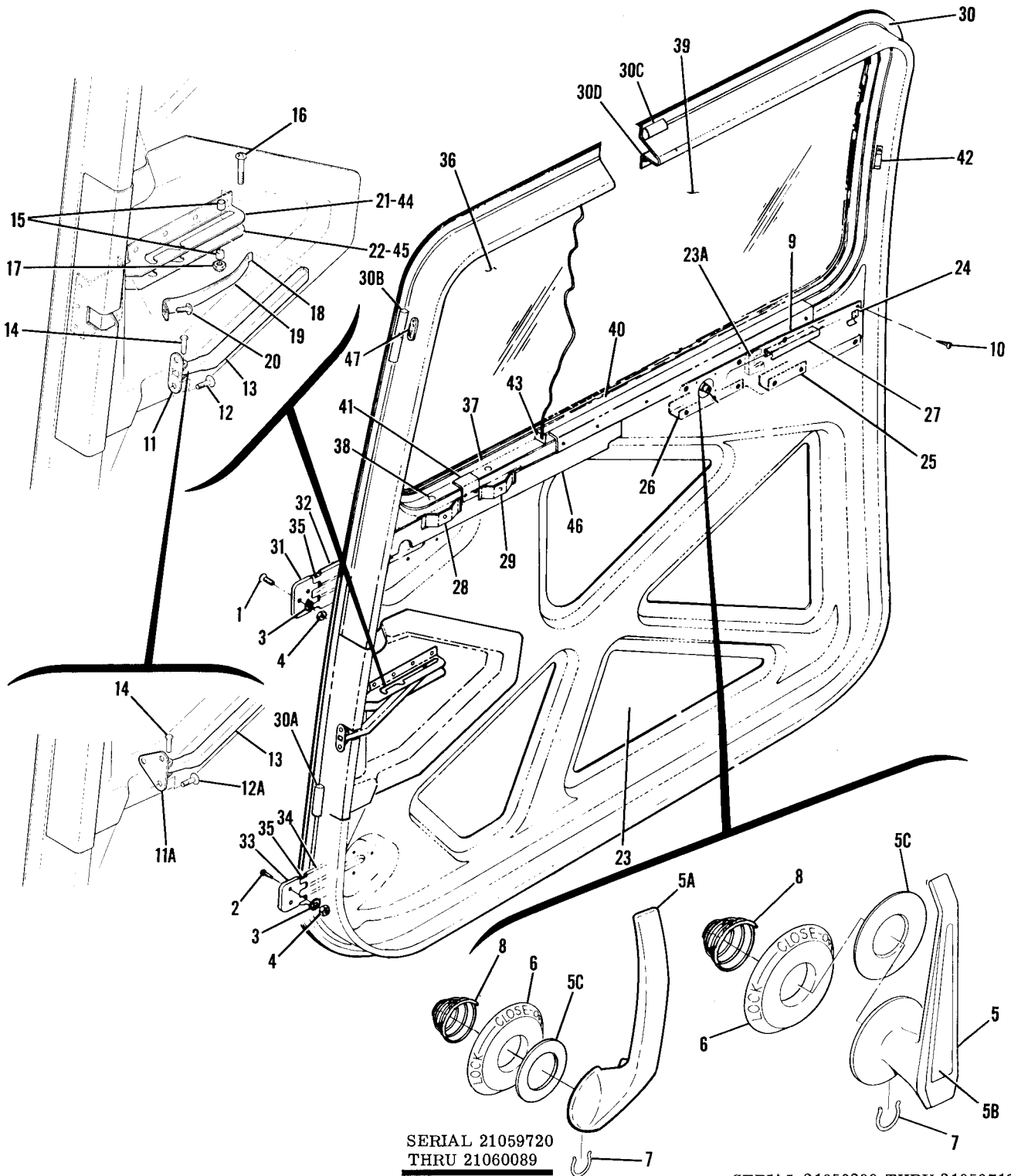
NOTE. #THIS PART NUMBER MUST HAVE A SECOND DASH NUMBER ADDED TO DENOTE COLOR. REFER TO HOW TO ORDER UPHOLSTERED PARTS-PAGE VII.

A---210 & T210 SERIAL 21060090 & ON
 B---210 & T210 SERIAL 21060090 THRU 21060268
 C---210 & T210 SERIAL 21060269 & ON

FIGURE AND INDEX NO.	PART NUMBER	DESCRIPTION	UNITS PER ASSY	USABLE ON CODE
		1 2 3 4 5 6 7		
45 -		RIGHT CABIN DOOR INSTALLATION -----	NP	G
		ATTACHING PARTS		
- 1	AN509-10R14	SCREW -----	3	
- 2	AN509-10R16	SCREW -----	2	
- 3	AN960-10L	WASHER -----	5	
- 4	MS21044N3	NUT -----	5	
		---*---		
- 5	1211250-6	HANDLE ASSEMBLY-DOOR INSIDE -----	1	C
	1211250-7	HANDLE ASSEMBLY-DOOR INSIDE -----	1	F
- 5A	0517006-2	HANDLE-DOOR INSIDE -----	1	E
- 5B	1211251-2	INSERT -----	1	C
	1211251-1	INSERT -----	1	F
- 5C	1211836-1	WASHER -----	1	
- 6	1705015-2	PLACARD-RH -----	1	
- 7	0511189-1	CLIP-DOOR HANDLE -----	1	
- 8	0413317-1	SPRING-DOOR HANDLE -----	1	
- 9	SEE FIG 46	LATCH ASSEMBLY-REMOVABLE -----	1	
		ATTACHING PARTS		
-10	NAS220-5	SCREW -----	12	D
	NAS220-5	SCREW -----	13	E
	NAS696A08	NUTPLATE -----	1	
	NAS697A08	NUTPLATE -----	4	
-11	1217008-1	HINGE ASSEMBLY-DOOR STOP -----	1	A
-11A	1213942-2	HINGE ASSEMBLY-DOOR STOP -----	1	B
		ATTACHING PARTS		
-12	AN509-10R8	SCREW -----	2	A
-12A	AN509-10R8	SCREW -----	3	B
		---*---		
-13	1411206-7	ARM-CABIN DOOR STOP -----	1	
		ATTACHING PARTS		
-14	MS20615-4M10	RIVET -----	1	
		---*---		
-15	1411206-1	SPACER -----	2	
-16	NAS220-16	SCREW -----	1	
-17	MS21044N08	NUT -----	1	
-18	1411207-1	SPRING -----	1	
-19	1411207-2	SPRING -----	1	
		ATTACHING PARTS		
-20	AN525-832R7	SCREW -----	1	
		---*---		

CONTINUED ON NEXT PAGE

Doors (Cont)



SERIAL 21059720
THRU 21060089

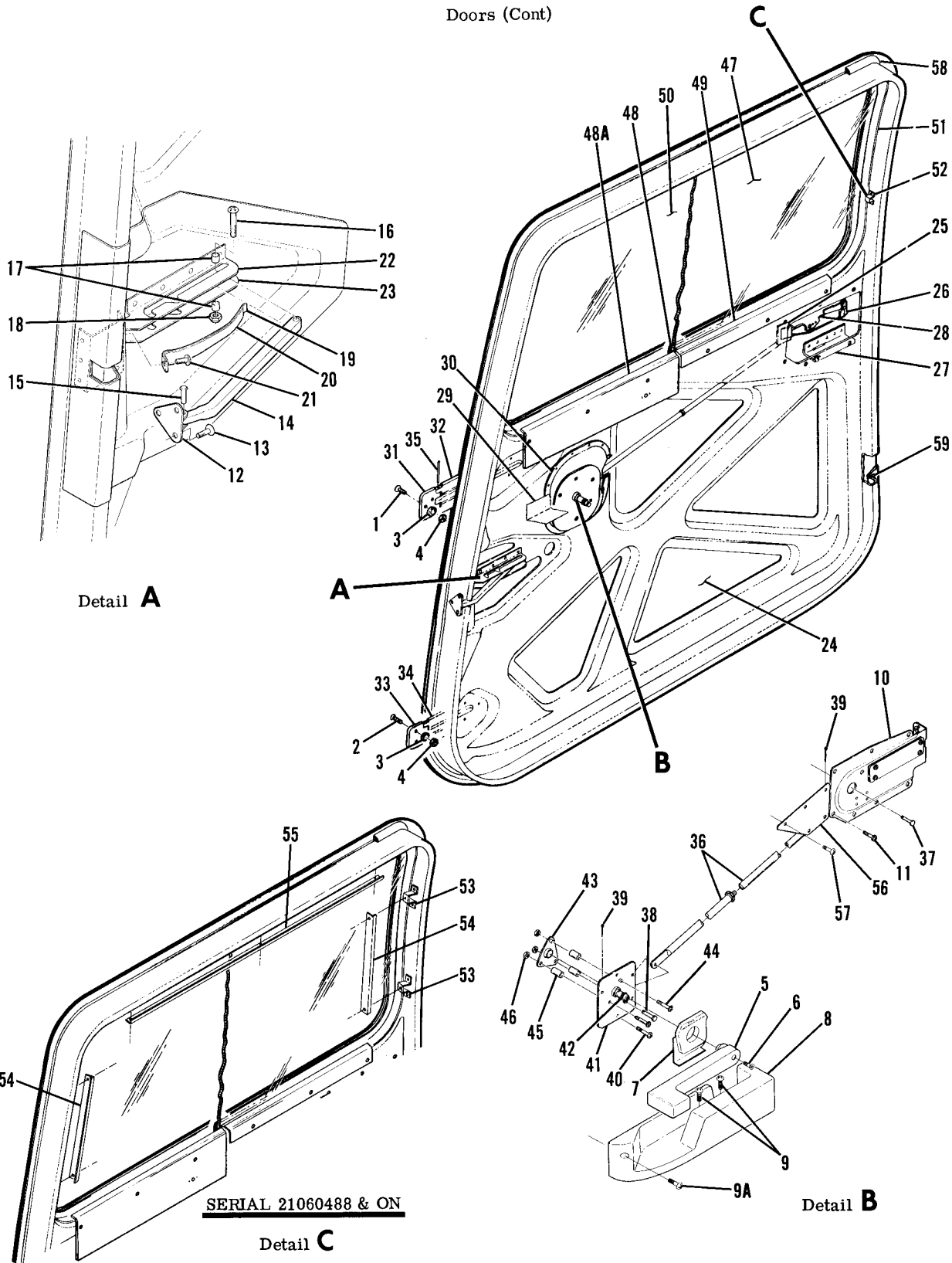
SERIAL 21059200 THRU 21059719

210 & T210 SERIAL 21059200 THRU 21060089

Figure 45. Right Cabin Door Installation

FIGURE AND INDEX NO.	PART NUMBER	DESCRIPTION	UNITS PER ASSY	USABLE ON CODE
		1 2 3 4 5 6 7		
45 -21	1411206-4	BRACKET-CABIN DOOR STOP -----	1	D
-22	1411206-5	BRACKET-CABIN DOOR STOP -----	1	D
	1217004-200	STRUCTURE ASSEMBLY-CABIN DOOR RH -----	1	D
	1217037-200	STRUCTURE ASSEMBLY-CABIN DOOR RH -----	1	E
-23	1217004-16	SKIN-CABIN DOOR -----	1	D
	1217037-10	SKIN-CABIN DOOR -----	1	E
-23A	1217035-1	RUB BLOCK -----	1	
	AN960PD3L	WASHER -----	2	
-24	0711034-1	STOP -----	1	
-25	0711064-5	SUPPORT ASSEMBLY-DOOR LATCH FORWARD -----	1	
	NAS696A08	NUTPLATE -----	2	
-26	0711065-1	SUPPORT ASSEMBLY-DOOR LATCH -----	1	
	NAS696A08	NUTPLATE -----	1	
	NAS697A08	NUTPLATE -----	2	
-27	0717010-24	STIFFENER ASSEMBLY -----	1	
	NAS682A08	NUTPLATE -----	1	
-28	1200544-2	BRACKET-DOOR PULL FWD RH -----	1	
-29	1200544-4	BRACKET-DOOR PULL AFT RH -----	1	
-30	S1441-2	SEAL-12.0 IN LG BULK ITEM REF S1441-2-12.0 -----	1	D
-30A	S1441-2	SEAL-15.0 IN LG BULK ITEM REF S1441-2-15.0 -----	1	
-30B	S1116-1	SEAL-28.0 IN LG BULK ITEM REF S1116-1-28.0 -----	1	
-30C	S1116-1	SEAL-116.0 IN LG BULK ITEM REF S1116-1-116.0 -----	1	D
	S1116-1	SEAL-160.0 IN LG BULK ITEM REF S1116-1-160.0 -----	1	E
-30D	S2108-1	SEAL-84.0 IN LG BULK ITEM REF S2108-1-84.0 -----	1	E
-31	0711037-14	HINGE-UPPER STATIONARY -----	1	
-32	0711037-16	HINGE-UPPER -----	1	
-33	0711037-18	HINGE-LOWER STATIONARY -----	1	
-34	0711037-20	HINGE-LOWER -----	1	
-35	0711038-1	PIN-HINGE -----	2	
-36	0717010-16	WINDOW-DOOR OUTER -----	1	
-37	0717010-27	RETAINER-OUTER WINDOW -----	1	
		ATTACHING PARTS		
-38	CR163-4-2	RIVET CR -----	21	
		---*---		
-39	1211061-54	WINDOW-DOOR INNER -----	1	
		ATTACHING PARTS		
-40	1211061-46	CLIP-WINDOW RETAINER -----	1	
-41	1211061-60	CLIP-WINDOW RETAINER -----	1	
-42	1211061-61	HAT-WINDOW RETAINER -----	5	
	S1021Z4-6	SCREW -----	16	
		---*---		
-43	CM2978-1	SEAL-INNER WINDOW 85.00 IN LG BULK ITEM REF 1211061-50-	1	
-44	1411206-4	BRACKET-CABIN DOOR STOP -----	1	E
-45	1411206-5	BRACKET-CABIN DOOR STOP -----	1	E
-46	1217036-2	SUPPORT-UPHOLSTERY -----	1	
		ATTACHING PARTS		
	CR163-3-4	RIVET CR -----	2	
		---*---		
-47	0710638-1	WEDGE-CABIN DOOR -----	1	
		ATTACHING PARTS		
	CR163-4	RIVET CR -----	5	
		---*---		
<p>A---210 & T210 SERIAL 21059200 THRU 21059223</p> <p>B---210 & T210 SERIAL 21059224 THRU 21060089</p> <p>C---210 & T210 SERIAL 21059200 THRU 21059502</p> <p>D---210 & T210 SERIAL 21059200 THRU 21059719</p> <p>E---210 & T210 SERIAL 21059720 THRU 21060089</p> <p>F---210 & T210 SERIAL 21059503 THRU 21059719</p> <p>G---210 & T210 SERIAL 21059200 THRU 21060089</p>				

Doors (Cont)



Detail A

A

B

Detail B

Detail C

SERIAL 21060488 & ON

210 & T210 SERIAL 21060090 & ON

Figure 45A. Right Cabin Door Installation

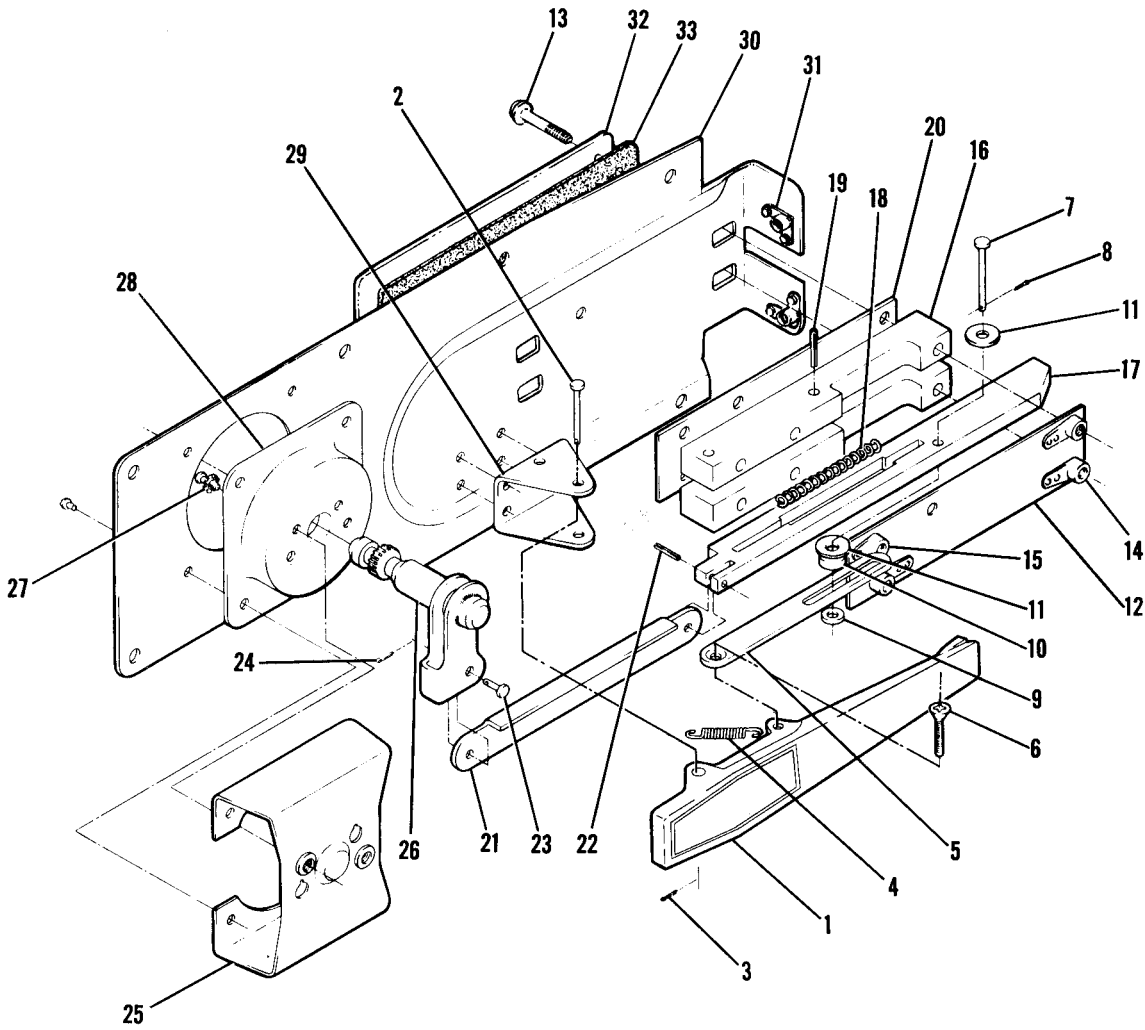
FIGURE AND INDEX NO.	PART NUMBER	DESCRIPTION	UNITS PER ASSY	USABLE ON CODE
45A-		1 2 3 4 5 6 7 RIGHT CABIN DOOR INSTALLATION -----	NP	A
		ATTACHING PARTS -----		
- 1	AN509-10R14	SCREW UPPER HINGE -----	3	
- 2	AN509-10R16	SCREW LOWER HINGE -----	2	
- 3	AN960-10L	WASHER -----	5	
- 4	MS21044N3	NUT -----	5	
		---*---		
- 5	1217053-2	HANDLE-RH DOOR -----	1	
		ATTACHING PARTS -----		
- 6	NAS388-10-7P	SCREW -----	1	
		---*---		
- 7	1215084-2	ESCUTCHEON-RH DOOR HANDLE -----	1	
- 8	1215085-2	ARMREST ASSY-RH DOOR -----	1	
		ATTACHING PARTS -----		
- 9	AN515-8R12	SCREW -----	2	
- 9A	S102126-10	SCREW -----	1	
		---*---		
-10	SEE FIG 46A	LATCH ASSY-REMOVABLE -----	1	
		ATTACHING PARTS -----		
-11	NAS220-5	SCREW -----	10	
	MS21044N08	NUTPLATE -----	5	
		---*---		
-12	1213942-2	HINGE ASSY-LH DOOR STOP -----	1	
		ATTACHING PARTS -----		
-13	AN509-10R8	SCREW -----	3	
		---*---		
-14	1411206-7	ARM-CABIN DOOR STOP -----	1	
		ATTACHING PARTS -----		
-15	MS20615-4M10	RIVET -----	1	
-16	NAS220-16	SCREW -----	1	
-17	1411206-1	SPACER -----	2	
-18	MS21044N08	NUT -----	1	
		---*---		
-19	1411207-2	SPRING-OUTBOARD -----	1	
-20	1411207-1	SPRING-INBOARD -----	1	
		ATTACHING PARTS -----		
-21	AN525-832R7	SCREW -----	1	
		---*---		
	1217045-200	STRUCTURE ASSY-RH CABIN DOOR -----	1	B
		STRUCTURE ASSY-RH CABIN DOOR -----	1	C
		STRUCTURE ASSY-RH CABIN DOOR -----	1	D
-22	1411206-4	BRACKET-CABIN DOOR STOP UPPER -----	1	
-23	1411206-5	BRACKET-CABIN DOOR STOP LOWER -----	1	
-24	1217045-8	SKIN-CABIN DOOR -----	1	
-25	1217035-1	BLOCK-RUB -----	1	
		ATTACHING PARTS -----		
	AN960PD3L	WASHER -----	2	
		---*---		
-26	0711034-1	STOP -----	1	
-27	0711064-5	SUPPORT ASSY-DOOR LATCH -----	1	
	NAS696A08	NUTPLATE -----	1	
-28	0717010-24	BRACKET ASSY-STIFFENER -----	1	
	NAS682A08	NUTPLATE -----	1	
-29	0717012-18	SUPPORT ASSY-ARMREST -----	1	
	NAS697A08	NUTPLATE -----	2	
-30	1217048-2	PAN ASSY-INTERIOR DOOR HANDLE -----	1	
	NAS697A08	NUTPLATE -----	5	
-31	0711037-14	HINGE-UPPER FWD -----	1	
-32	0711037-16	HINGE-UPPER AFT -----	1	
-33	0711037-18	HINGE-LOWER FWD -----	1	
-34	0711037-20	HINGE-LOWER AFT -----	1	
-35	0711038-1	PIN -----	2	
-36	1217047-7	PUSH ROD ASSY-DOOR LATCH -----	1	
		ATTACHING PARTS -----		
-37	MS20392-1C15	PIN -----	1	
-38	MS20392-1C9	PIN -----	1	
-39	MS24665-132	COTTER PIN -----	2	
		---*---		

CONTINUED ON NEXT PAGE

FIGURE AND INDEX NO.	PART NUMBER	DESCRIPTION	UNITS PER ASSY	USABLE ON CODE		
					1	2
45A-	1217046-4	BASE PLATE ASSY-INTERIOR DOOR HANDLE -----	1			
		ATTACHING PARTS -----				
-40	NAS220-5	SCREW -----	5			
		-----*				
-41	1217046-5	PLATE ASSY -----	1			
-42	1217050-4	SHAFT ASSY -----	1			
-43	1217046-6	BEARING ASSY -----	1			
-44	NAS221-15	SCREW -----	3			
-45	NAS43HT3-45	SPACER -----	3			
-46	MS20364-1032C	NUT -----	3			
-47	1211061-54	WINDOW-DOOR INNER -----	1			
-48	1211061-50	SEAL -----	1			
-48A	1217052-5	RETAINER ASSY-INNER WINDOW FWD -----	1			
	NAS697A3	NUTPLATE -----	1			
-49	1217052-3	RETAINER-INNER WINDOW-AFT -----	1			
		ATTACHING PARTS -----				
	S1021A4-6	SCREW -----	3			
		-----*				
-50	0717010-16	WINDOW-OUTER DOOR -----	1			
-51	0717010-27	RETAINER-OUTER WINDOW -----	1			
-52	1211061-61	HAT -----	5	E		
		ATTACHING PARTS -----				
	S1021Z4-6	SCREW -----	2	E		
		-----*				
-53	0715060-1	SUPPORT-WINDOW MOULDING RETAINER -----	7	D		
		ATTACHING PARTS -----				
	S1021Z4-6	SCREW -----	2	D		
		-----*				
-54	0715061-2	RETAINER-WINDOW MOULDING -----	2	D		
-55	0715061-1	RETAINER-WINDOW MOULDING -----	1	D		
-56	1217058-1	PLATE-SPLICE -----	1	D		
		ATTACHING PARTS -----				
-57	NAS220-5	SCREW -----	5			
	NAS697A08	NUTPLATE -----	5			
		-----*				
-58	S1116-1	SEAL 160.00 IN LG BKI REF S1116-1-160.00 -----	1			
-59	S1441-2	SEAL 15.00 IN LG BKI REF S1441-2-15.00 -----	1			
<p>NOTE. #THIS PART NUMBER MUST HAVE A SECOND DASH NUMBER ADDED TO DENOTE COLOR. REFER TO HOW TO ORDER UPHOLSTERED PARTS-PAGE VII.</p> <p>A---210 & T210 SERIAL 21060090 & ON B---210 & T210 SERIAL 21060090 THRU 21060268 C---210 & T210 SERIAL 21060269 THRU 21060487 D---210 & T210 SERIAL 21060488 & ON E---210 & T210 SERIAL 21060090 THRU 21060487</p>						

This page intentionally left blank.

Doors (Cont)



210 & T210 SERIAL 21059200 THRU 21060089

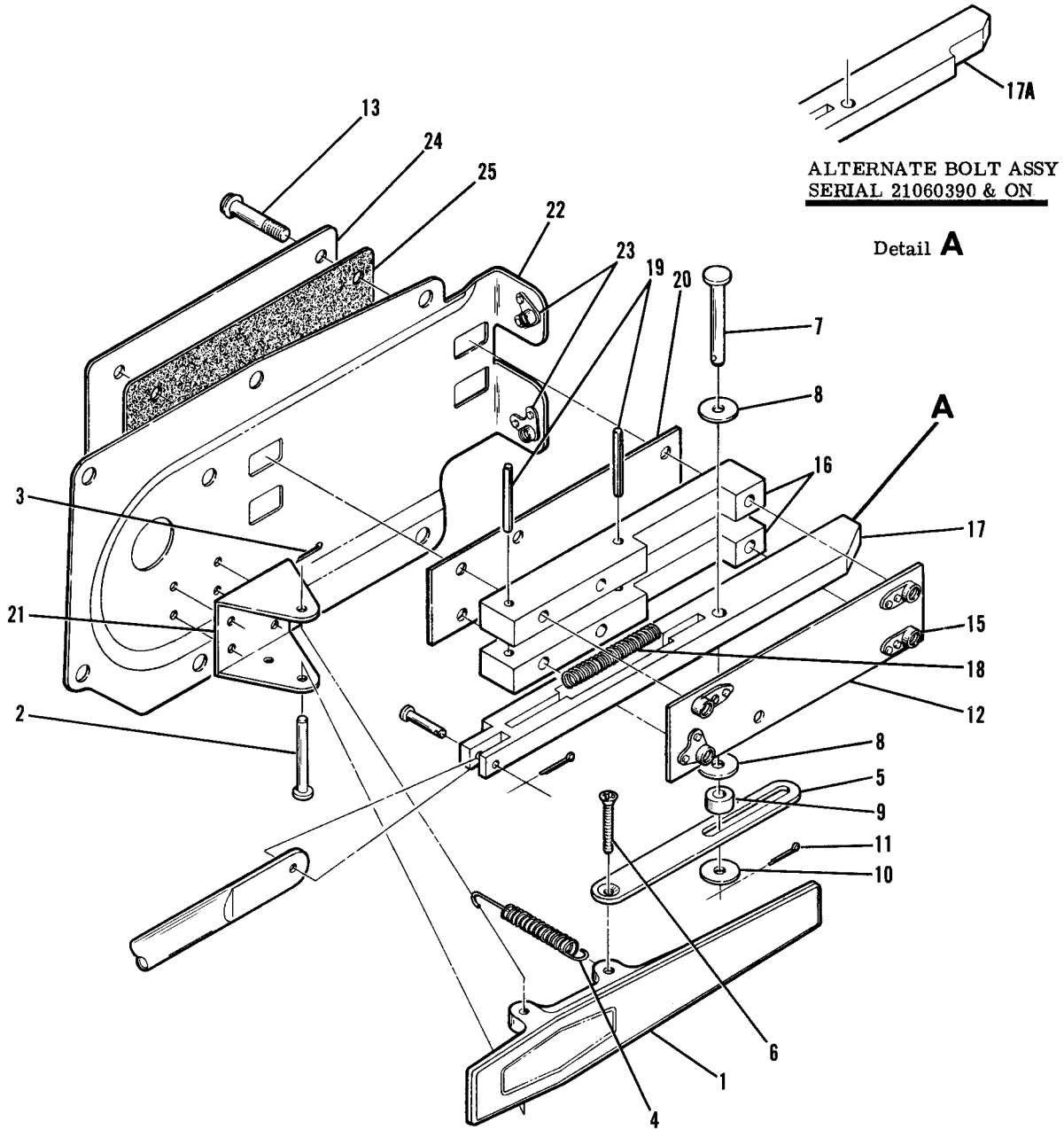
Figure 46. Removable Latch Assembly



FIGURE AND INDEX NO.	PART NUMBER	DESCRIPTION	UNITS PER ASSY	USABLE ON CODE
46 -	1511205-17	REMOVABLE LATCH ASSEMBLY-RH -----	1	A
- 1	1511205-16	REMOVABLE LATCH ASSEMBLY-LH -----	1	A
	0517003-2	HANDLE-DOOR OUTSIDE -----	1	
		ATTACHING PARTS -----		
- 2	MS20392-1C33	PIN -----	1	
- 3	MS24665-132	PIN-COTTER -----	1	
		---*---		
- 4	0711788-1	SPRING-DOOR HANDLE -----	1	
- 5	1511209-12	PULL BAR-DOOR HANDLE -----	1	
		ATTACHING PARTS -----		
- 6	AN507-632R6	SCREW -----	1	
- 7	MS20392-2C45	PIN -----	1	
- 8	MS24665-132	PIN-COTTER -----	1	
- 9	AN960D10L	WASHER -----	1	
-10	NAS430D3-12	SPACER -----	1	
-11	1511209-8	WASHER -----	1	
		---*---		
-12	1511206-20	BOLT-GUIDE-TOP -----	1	
		ATTACHING PARTS -----		
-13	AN525-10R18	SCREW -----	4	
		---*---		
-14	NAS682A3	NUTPLATE -----	3	
-15	NAS698A3	NUTPLATE -----	1	
-16	1511206-11	BOLT GUIDE-SIDE -----	2	
-17	1511206-13	BOLT ASSEMBLY-LH -----	1	
	1511206-14	BOLT ASSEMBLY-RH -----	1	
		ATTACHING PARTS -----		
-18	1511207-1	SPRING -----	1	
-19	NAS561P4-15	ROLL PIN -----	2	
		---*---		
-20	1511206-4	BOLT GUIDE-BASE -----	1	
-21	1511209-10	PUSH ROD-LH -----	1	
	1511209-11	PUSH ROD-RH -----	1	
		ATTACHING PARTS -----		
-22	NAS561P4-6	ROLL PIN -----	1	
-23	MS20392-107	PIN -----	1	
-24	MS24665-132	PIN-COTTER -----	1	
		---*---		
-25	0711063-6	BRACKET ASSEMBLY -----	1	
-26	1511212-5	SHAFT ASSEMBLY-RH -----	1	
	1511212-6	SHAFT ASSEMBLY-LH -----	1	
-27	AN520-10R9	SCREW -----	2	
-28	0413195-5	PLATE ASSEMBLY -----	1	
-29	1511209-1	BRACKET -----	1	
-30	1511208-12	PLATE ASSEMBLY-LH -----	1	
	1511208-13	PLATE ASSEMBLY-RH -----	1	
-31	NAS698A08K	NUTPLATE -----	2	
-32	1511208-16	SHIM -----	1	
-33	1511208-17	SHIM-BACKING -----	1	

A---210 & T210 SERIAL 21059200 THRU 21060089

Doors (Cont)



210 & T210 SERIAL 21060090 & ON

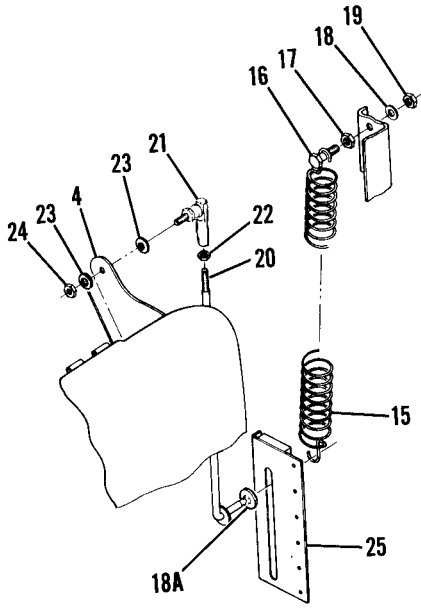
Figure 46A. Removable Latch Assembly



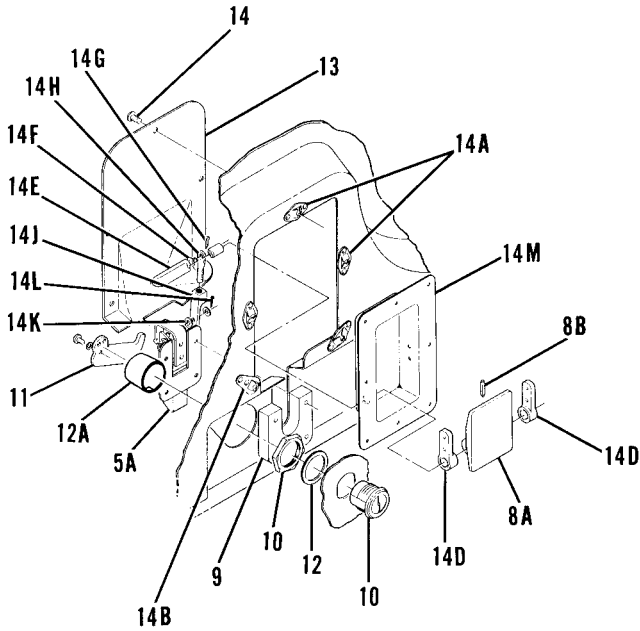
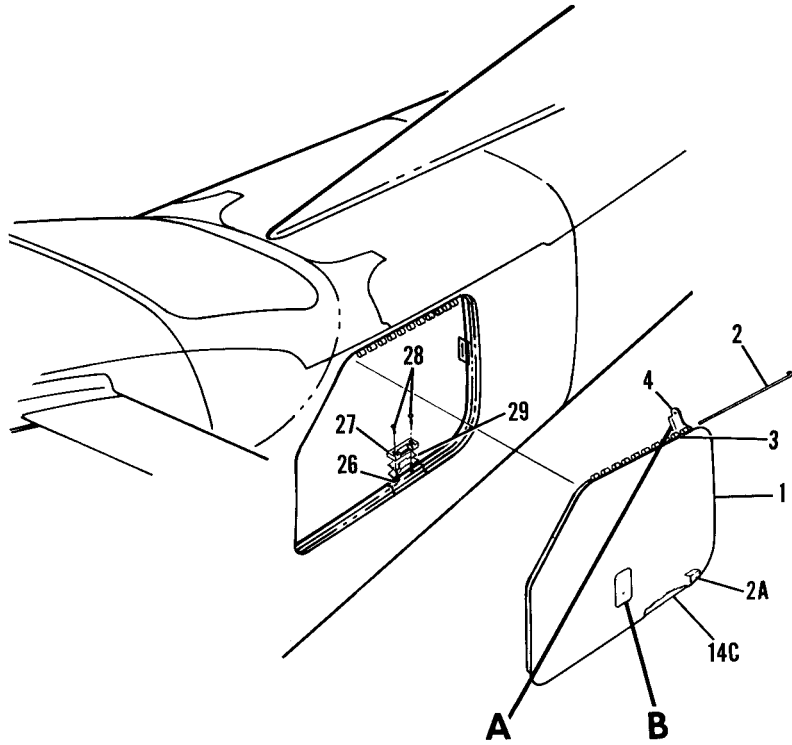
FIGURE AND INDEX NO.	PART NUMBER	DESCRIPTION	UNITS PER ASSY	USABLE ON CODE
46A-	1217049-1	LATCH ASSEMBLY-CABIN DOOR LH -----	1	A
	1217049-2	LATCH ASSEMBLY-CABIN DOOR RH -----	1	A
	1217049-7	LATCH ASSEMBLY-CABIN DOOR LH ALT -----	1	B
	1217049-8	LATCH ASSEMBLY-CABIN DOOR RH ALT -----	1	B
- 1	0517003-2	HANDLE-OUTSIDE DOOR ----- ATTACHING PARTS	1	
- 2	MS20392-1C33	PIN -----	1	
- 3	MS20665-132	COTTER PIN ----- ---*---	1	
- 4	0711788-1	SPRING-DOOR HANDLE -----	1	
- 5	1511209-12	PULL BAR ----- ATTACHING PARTS	1	
- 6	AN507-632R12	SCREW -----	1	
- 7	MS20392-2C45	PIN -----	1	
- 8	1511209-8	WASHER -----	2	
- 9	NAS430D3-12	SPACER -----	1	
-10	AN960D10L	WASHER -----	1	
-11	MS24665-132	COTTER PIN ----- ---*---	1	
-12	1511206-20	BOLT GUIDE ASSEMBLY-TOP ----- ATTACHING PARTS	1	
-13	AN525-10R18	SCREW ----- ---*---	4	
-14	NAS698A3	NUTPLATE -----	1	
-15	NAS682A3	NUTPLATE -----	3	
-16	1511206-11	BOLT GUIDE-SIDE -----	2	
-17	1511206-21	BOLT ASSEMBLY LH -----	1	
	1511206-22	BOLT ASSEMBLY RH -----	1	
-17A	1511206-25	BOLT ASSEMBLY LH ALT -----	1	B
	1511206-26	BOLT ASSEMBLY RH ALT ----- ATTACHING PARTS	1	B
-18	1511207-1	SPRING -----	1	
-19	NAS561P4-16	ROLL PIN ----- ---*---	1	
-20	1511206-4	BOLT GUIDE BASE -----	1	
-21	1511209-1	BRACKET -----	1	
-22	1217049-3	PLATE ASSY-LH -----	1	
	1217049-4	PLATE ASSY-RH -----	1	
-23	NAS698A08	NUTPLATE -----	2	
-24	1511208-16	BACKING-SHIM -----	1	
-25	1511208-17	BACKING -----	1	

A---210 & T210 SERIAL 21060090 & ON
 B---210 & T210 SERIAL 21060390 & ON

Doors (Cont)

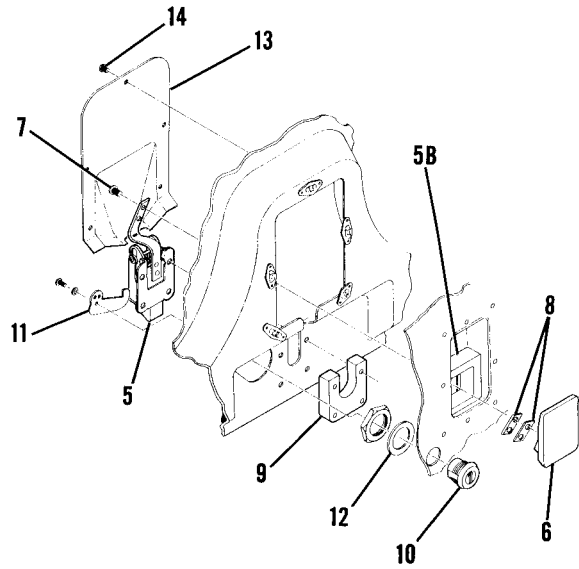


Detail A



SERIAL 21060090 & ON

Detail B



SERIAL 21059200 THRU 21060089

Detail B

Figure 47. Baggage Door Installation

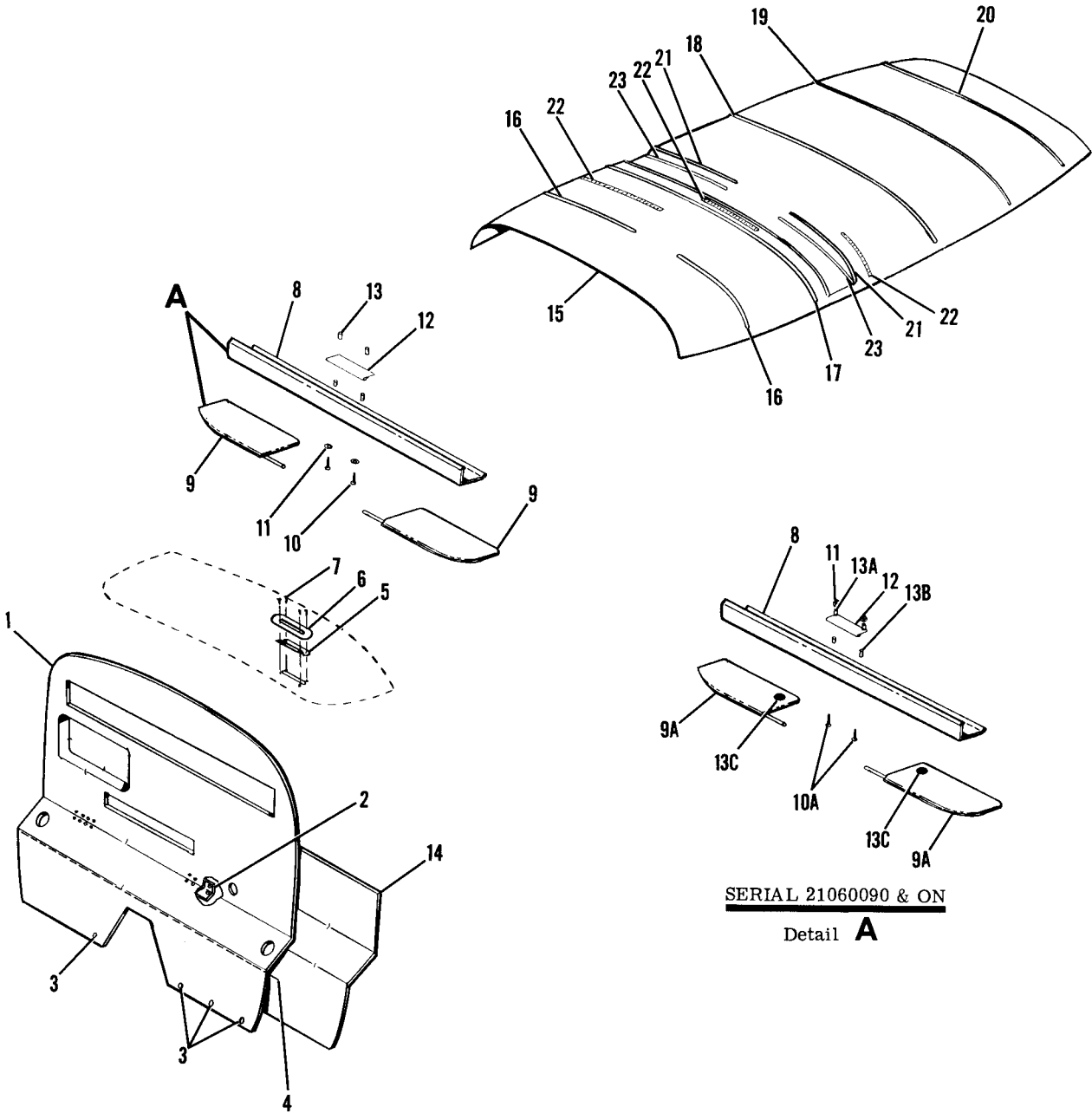


FIGURE AND INDEX NO.	PART NUMBER	DESCRIPTION	UNITS PER ASSY	USABLE ON CODE
47 -		BAGGAGE DOOR INSTALLATION -----	NP	
- 1	1212110-3	DOOR ASSY-BAGGAGE FSD 1212110-3 -----	NP	A
		DOOR ASSY-BAGGAGE -----	1	B
		ATTACHING PARTS -----		
- 2	1212122-1	PIN-HINGE -----	1	
		-----*		
- 2A	1217060-1	DRAIN EXTENSION-BAGGAGE DOOR -----	1	
- 3	1212115-1	HINGE HALF -----	1	
- 4	1212123-1	BRACKET ASSEMBLY -----	1	
- 5	S1359-8	LATCH ASSEMBLY -----	1	A
- 5A	S1359-9	LATCH ASSEMBLY -----	1	B
- 5B	1212118-1	SEAL -----	1	A
- 6	0711705-1	HANDLE -----	1	A
		ATTACHING PARTS -----		
- 7	S1931-8	SCREW -----	2	A
- 8	0711709-1	SPACER -----	AR	A
		-----*		
- 8A	1217043-1	HANDLE -----	1	B
		ATTACHING PARTS -----		
- 8B	NAS561C3-8	PIN -----	1	B
		-----*		
- 9	1211448-8	SPACER -----	1	
-10	C253001-0101	LOCK ASSEMBLY -----	1	
-11	0711111-1	CAM -----	1	
-12	AN960-01216	WASHER -----	1	
-12A	1217057-1	CAP-BAGGAGE DOOR LOCK -----	1	B
-13	1212108-1	COVER-BAGGAGE DOOR LATCH -----	1	
		ATTACHING PARTS -----		
-14	S1021Z6R6	SCREW -----	5	
	S1863-2	NUTPLATE -----	5	A
-14A	S1863-2	NUTPLATE -----	4	B
-14B	S1862-1	NUTPLATE -----	1	B
		-----*		
-14C	S1116-1	SEAL * IN LG BKI REF S116-1-* -----	1	
-14D	1217041-1	BEARING ASSY -----	2	B
-14E	1217040-1	SHAFT-HANDLE -----	1	B
		ATTACHING PARTS -----		
-14F	NAS620-5	WASHER -----	AR	B
-14G	MS24665-22	COTTER PIN -----	1	B
		-----*		
-14H	1217054-1	BOLT-LINK -----	1	B
-14J	1217055-1	NUT-LINK -----		
		ATTACHING PARTS -----		
-14K	NAS620-5	WASHER -----	AR	B
-14L	MS24665-22	COTTER PIN -----	1	B
		-----*		
-14M	1217039-1	PAN-BAGGAGE DOOR HANDLE -----	1	B
-15	1211148-1	SPRING-BAGGAGE DOOR BALANCE -----	1	
-16	AN3-5A	BOLT -----	1	
-17	AN315-3R	NUT -----	1	
-18	AN960-10L	WASHER -----	1	
-18A	1211144-1	WASHER -----	1	
-19	MS21044N3	NUT -----	1	
-20	1211142-1	ROD ASSEMBLY -----	1	
		ATTACHING PARTS -----		
-21	S2104-1	BALL JOINT -----	1	
-22	AN315-3R	NUT -----	1	
-23	AN960-10L	WASHER -----	2	
-24	MS21044N3	NUT -----	1	
		-----*		
-25	SEE FIG 22	BRACKET ASSEMBLY-ROD SUPPORT -----	1	
-26	1212114-1	REINFORCEMENT ASSEMBLY-STRIKER PLATE -----	1	
	NAS682A08K	NUTPLATE -----	2	
-27	1212113-1	STRIKER -----	1	
		ATTACHING PARTS -----		
-28	AN515-8R10	SCREW -----	2	
-29	1212124-1	SHIM -----	AR	
	1212124-2	SHIM -----	AR	
		-----*		

NOTE. *LENGTH TO BE DETERMINED LATER

A---210 & T210 SERIAL 21059200 THRU 21060089
 B---210 & T210 SERIAL 21060090 & ON

Upholstery



SERIAL 21060090 & ON
Detail **A**

Figure 48. Cabin Top & Firewall Upholstery Installation

FIGURE AND INDEX NO.	PART NUMBER		DESCRIPTION	UNITS PER ASSY	USABLE ON CODE
48 -			1 2 3 4 5 6 7		
- 1	1215083-4	#	CABIN TOP & FIREWALL UPHOLSTERY INSTALLATION ----- COVER ASSEMBLY-FIREWALL ----- ATTACHING PARTS -----	NP 1	
- 2	1213231-1		ANGLE -----	2	A
	1213231-2		ANGLE-RH -----	1	B
	1213231-3		ANGLE-LH -----	1	B
	S102178-8		SCREW -----	8	
- 3	AN227-138		STUD ----- -----*	4	
- 4	1215083-10		WIRE -----	1	
- 5	1213090-1		DEFROST DEFLECTOR -----	1	A
	0713253-1		DEFLECTOR PLATE-DEFROST -----	1	B
- 6	0713046		RETAINER-DEFROST DEFLECTOR ----- ATTACHING PARTS -----	1	A
- 7	S102174-68		SCREW ----- -----*	4	
- 8	1215066-1	#	SHIELD-TRIM -----	1	
- 9	1414087-10		VISOR-SUN -----	2	C
- 9A	1414087-18		VISOR-SUN ----- ATTACHING PARTS -----	2	D
-10	AN525-10R16		SCREW -----	2	C
-10A	AN525-10R20		SCREW -----	2	D
-11	AN960-10L		WASHER -----	2	
-12	1414087-5		CLAMP -----	1	
-13	NAS43003-14		SPACER -----	4	C
-13A	NAS43003-16		SPACER JPPER -----	2	D
-13B	NAS43003-12		SPACER LOWER ----- -----*	2	D
-13C	S2092-8		FASTENER-PILE BKI SUN VISOR ATTACH -----	AR	D
-14	1200454-36	#	CARPET ASSEMBLY-FIREWALL -----	1	
-15	1215078-1	#	HEADLINER ASSY -----	1	
-16	1215078-3		WIRE-HEADLINER -----	2	
-17	1215078-4		WIRE-HEADLINER -----	1	
-18	1215078-7		WIRE-HEADLINER -----	1	
-19	1215078-8		WIRE-HEADLINER -----	1	
-20	1215078-9		WIRE-HEADLINER -----	1	
-21	1215078-6		WIRE-HEADLINER -----	2	
-22	1215078-10		ZIPPER -----	3	
-23	1215078-11		WIRE-HEADLINER -----	2	
<p>NOTE. #THIS PART NUMBER MUST HAVE A SECOND DASH NUMBER ADDED TO DENOTE COLOR. REFER TO HOW TO ORDER INTERIOR PARTS-PAGE VI.</p> <p>NOTE. #THIS PART NUMBER MUST HAVE A SECOND DASH NUMBER ADDED TO DENOTE COLOR. REFER TO HOW TO ORDER UPHOLSTERED PARTS-PAGE VII.</p> <p>A---210 & T210 SERIAL 21059200 THRU 21059351 B---210 & T210 SERIAL 21059352 & ON C---210 & T210 SERIAL 21059200 THRU 21060089 D---210 & T210 SERIAL 21060090 & ON</p>					

Upholstery (Cont)

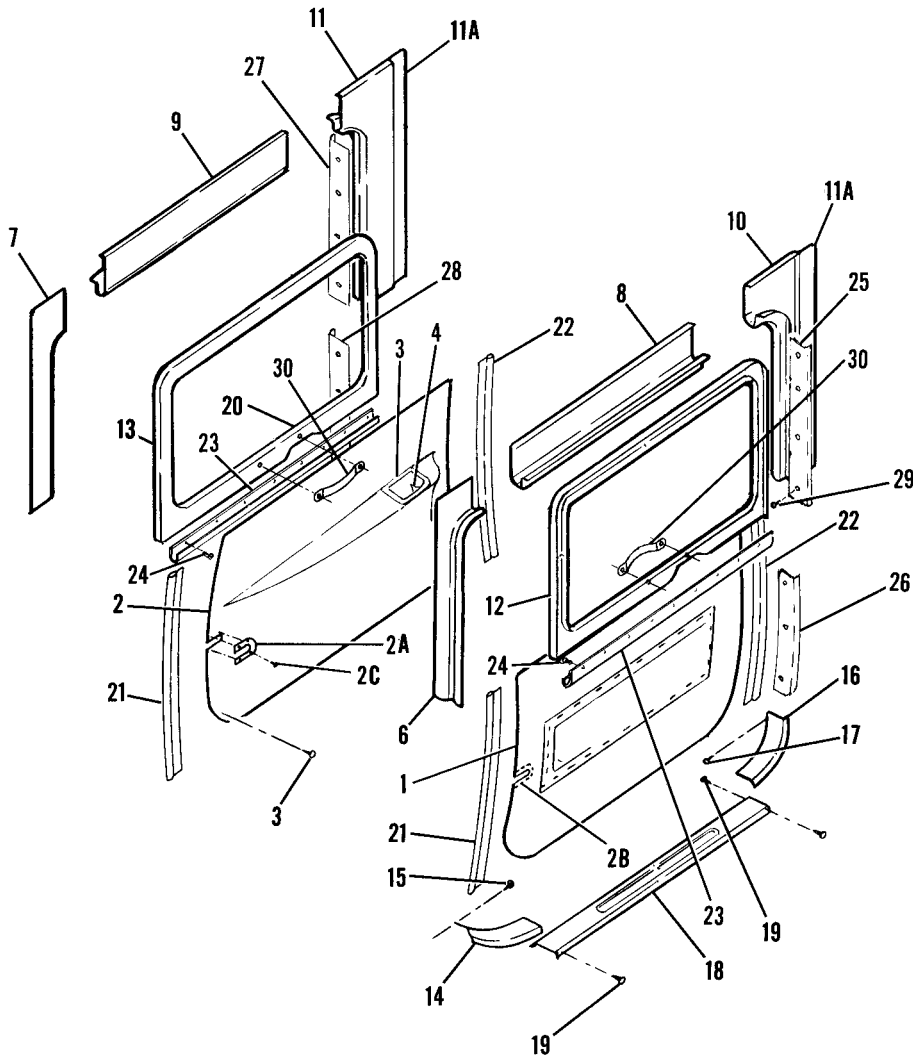


Figure 49. Cabin Door Upholstery & Trim Installation



FIGURE AND INDEX NO.	PART NUMBER		DESCRIPTION							UNITS PER ASSY	USABLE ON CODE
			1	2	3	4	5	6	7		
49 -			CABIN DOOR UPHOLSTERY & TRIM INSTALLATION -----							NP	
- 1	1215041-5	#	PANEL ASSEMBLY-DOOR TRIM LH -----							1	A
	1215050-5	#	PANEL ASSEMBLY-DOOR TRIM LH -----							1	B
	1215057-3	#	PANEL ASSEMBLY-DOOR TRIM LH -----							1	D
	1215064-3	#	PANEL ASSEMBLY-DOOR TRIM LH -----							1	E
	1215067-3	#	PANEL ASSEMBLY-DOOR TRIM LH -----							1	G
- 2	1215041-6	#	PANEL ASSEMBLY-DOOR TRIM RH -----							1	A
	1215050-6	#	PANEL ASSEMBLY-DOOR TRIM RH -----							1	B
	1215057-4	#	PANEL ASSEMBLY-DOOR TRIM RH -----							1	D
	1215064-4	#	PANEL ASSEMBLY-DOOR TRIM RH -----							1	E
	1215067-4	#	PANEL ASSEMBLY-DOOR TRIM RH -----							1	G
			ATTACHING PARTS								
- 2A	1514012-3		ESCUTCHEON-DOOR STOP RH -----							1	F
	1715047-2		ESCUTCHEON-DOOR STOP RH -----							1	G
- 2B	1514012-2		ESCUTCHEON-DOOR STOP LH -----							1	F
	1715047-1		ESCUTCHEON-DOOR STOP LH -----							1	G
- 2C	S1022A4-6		SCREW -----							8	
			-----*								
	S1933-1		CLIP-DOOR TRIM ATTACH -----							21	H
	S1933-1		CLIP-DOOR TRIM ATTACH -----							22	E
	S1933-1		CLIP-DOOR TRIM ATTACH -----							18	G
- 3	1215059-1		RETAINER ASSEMBLY -----							1	C
			ATTACHING PARTS								
	AN960-8L		WASHER -----							2	
	MS21044N08		NUT -----							2	
			-----*								
- 4	S1957-2		ASH RECEIVER ASSY -----							2	C
- 5			DELETED-NOT USED -----								
- 6	1215045-3	II	SHIELD-DOORPOST LH FWD -----							1	F
	1215045-39	II	SHIELD-DOORPOST LH FWD -----							1	G
- 7	1215045-4	II	SHIELD-DOORPOST RH FWD -----							1	F
	1215045-40	II	SHIELD-DOORPOST RH FWD -----							1	G
- 8	1215045-5	II	SHIELD-DOOR LH UPPER -----							1	
- 9	1215045-6	II	SHIELD-DOOR RH UPPER -----							1	
-10	1215045-23	II	SHIELD ASSEMBLY-DOOR POST LH AFT -----							1	F
	1215045-43	II	SHIELD ASSEMBLY-DOOR POST LH AFT -----							1	G
-11	1215045-24	II	SHIELD ASSEMBLY-DOOR POST RH AFT -----							1	F
	1215045-44	II	SHIELD ASSEMBLY-DOOR POST RH AFT -----							1	G
-11A	1215045-21	II	DOUBLER-SHIELD -----							1	
			ATTACHING PARTS								
	S2016-2		RIVET -----							5	
			-----*								
-12	1215045-31	II	MOULDING-DOOR LH -----							1	F
	1215045-35	II	MOULDING-DOOR LH -----							1	J
	1215045-49	II	MOULDING-DOOR LH -----							1	K
-13	1215045-30	II	MOULDING-DOOR RH -----							1	F
	1215045-36	II	MOULDING-DOOR RH -----							1	J
	1215045-50	II	MOULDING-DOOR RH -----							1	K
-14	1200507-1		SCUFF PLATE-LH -----							1	
	1200507-2		SCUFF PLATE-RH -----							1	
			ATTACHING PARTS								
-15	S1021Z6-8		SCREW -----							1	
			-----*								
-16	1200507-3		SCUFF PLATE-LH -----							1	
	1200507-4		SCUFF PLATE-RH -----							1	
			ATTACHING PARTS								
-17	S1021Z6-8		SCREW -----							1	
			-----*								
-18	1200506-3		SCUFF PLATE -----							2	
			ATTACHING PARTS								
-19	S1021Z6-8		SCREW -----							4	
			-----*								
-20			DELETED-NOT USED -----								
-21	0700668-13	#	WINDLACE-FWD -----							2	
-22	0700668-14	#	WINDLACE-REAR -----							2	
-23	1215091-3		RETAINER-LH -----							1	G
	1215091-4		RETAINER-RH -----							1	G
			ATTACHING PARTS								
-24	S1022Z4-6		SCREW -----							AR	
			-----*								
-25	1212206-1		TRIM STRIP-UPPER LH -----							1	
-26	1212206-3		TRIM STRIP-LOWER LH -----							1	
-27	1212206-2		TRIM STRIP-UPPER RH -----							1	

CONTINUED ON NEXT PAGE

FIGURE AND INDEX NO.	PART NUMBER	DESCRIPTION							UNITS PER ASSY	USABLE ON CODE
		1	2	3	4	5	6	7		
49 -28 -29	1212206-4	TRIM STRIP--LOWER RH -----							1	
	S1021A4-6	SCREW UPPER TRIM -----							4	
	S1021A4-6	SCREW LOWER TRIM -----							3	
-30	S1362-25	HANDLE ASSY -----							2	G
		ATTACHING PARTS -----								
	AN507-1032R10	SCREW -----							2	
	S1450-3-8-0190	WASHER -----							AR	
<p>NOTE. #THIS PART NUMBER MUST HAVE A SECOND DASH NUMBER ADDED TO DENOTE COLOR. REFER TO HOW TO ORDER INTERIOR PARTS-PAGE VI.</p> <p>NOTE. #THIS PART NUMBER MUST HAVE A SECOND DASH NUMBER ADDED TO DENOTE COLOR. REFER TO HOW TO ORDER UPHOLSTERED PARTS-PAGE VII.</p> <p>A---210 & T210 SERIAL 21059200 THRU 21059351 B---210 & T210 SERIAL 21059352 THRU 21059502 C---210 & T210 SERIAL 21059503 & ON D---210 & T210 SERIAL 21059503 THRU 21059719 E---210 & T210 SERIAL 21059720 THRU 21060089 F---210 & T210 SERIAL 21059200 THRU 21060089 G---210 & T210 SERIAL 21060090 & ON H---210 & T210 SERIAL 21059200 THRU 21059719 J---210 & T210 SERIAL 21060090 THRU 21060268 K---210 & T210 SERIAL 21060269 & ON</p>										

FIGURE AND INDEX NO.	PART NUMBER		DESCRIPTION	UNITS PER ASSY	USABLE ON CODE
50 -			1 2 3 4 5 6 7		
- 1	1215041-1	#	CABIN SIDE PANELS UPHOLSTERY INSTALLATION -----	NP	
	1215050-1	#	PANEL ASSEMBLY-SIDE WALL LH -----	1	A
	1215057-1	#	PANEL ASSEMBLY-SIDE WALL LH -----	1	C
	1215064-1	#	PANEL ASSEMBLY-SIDE WALL LH -----	1	F
	1215067-1	#	PANEL ASSEMBLY-SIDE WALL LH -----	1	G
- 2	1215041-2	#	PANEL ASSEMBLY-SIDE WALL RH -----	1	H
	1215050-2	#	PANEL ASSEMBLY-SIDE WALL RH -----	1	A
	1215057-2	#	PANEL ASSEMBLY-SIDE WALL RH -----	1	C
	1215064-2	#	PANEL ASSEMBLY-SIDE WALL RH -----	1	F
	1215067-2	#	PANEL ASSEMBLY-SIDE WALL RH -----	1	G
- 3	S1762-1		ASH RECEIVER ASSY -----	2	H
			ATTACHING PARTS		
	S102124-8		SCREW -----	2	
	NAS395-1-3		NUT -----	2	
			*-----		
- 4	0411030-5		RETAINER-ASH RECEIVER -----	1	
	1200084-22	□	RETAINER-CABIN AIR VENT RH WEU 1200231-2 -----	1	A
	1200231-2	□	RETAINER-CABIN AIR VENT RH -----	1	B
	1200084-21	□	RETAINER-CABIN AIR VENT LH WEU 1200231-1 -----	1	A
	1200231-1	□	RETAINER-CABIN AIR VENT LH -----	1	B
			ATTACHING PARTS		
- 5	S102124-4		SCREW -----	2	
- 6			DELETED, NOT PROCURABLE -----		
			*-----		
CONTINUED ON NEXT PAGE					

Upholstery (Cont)

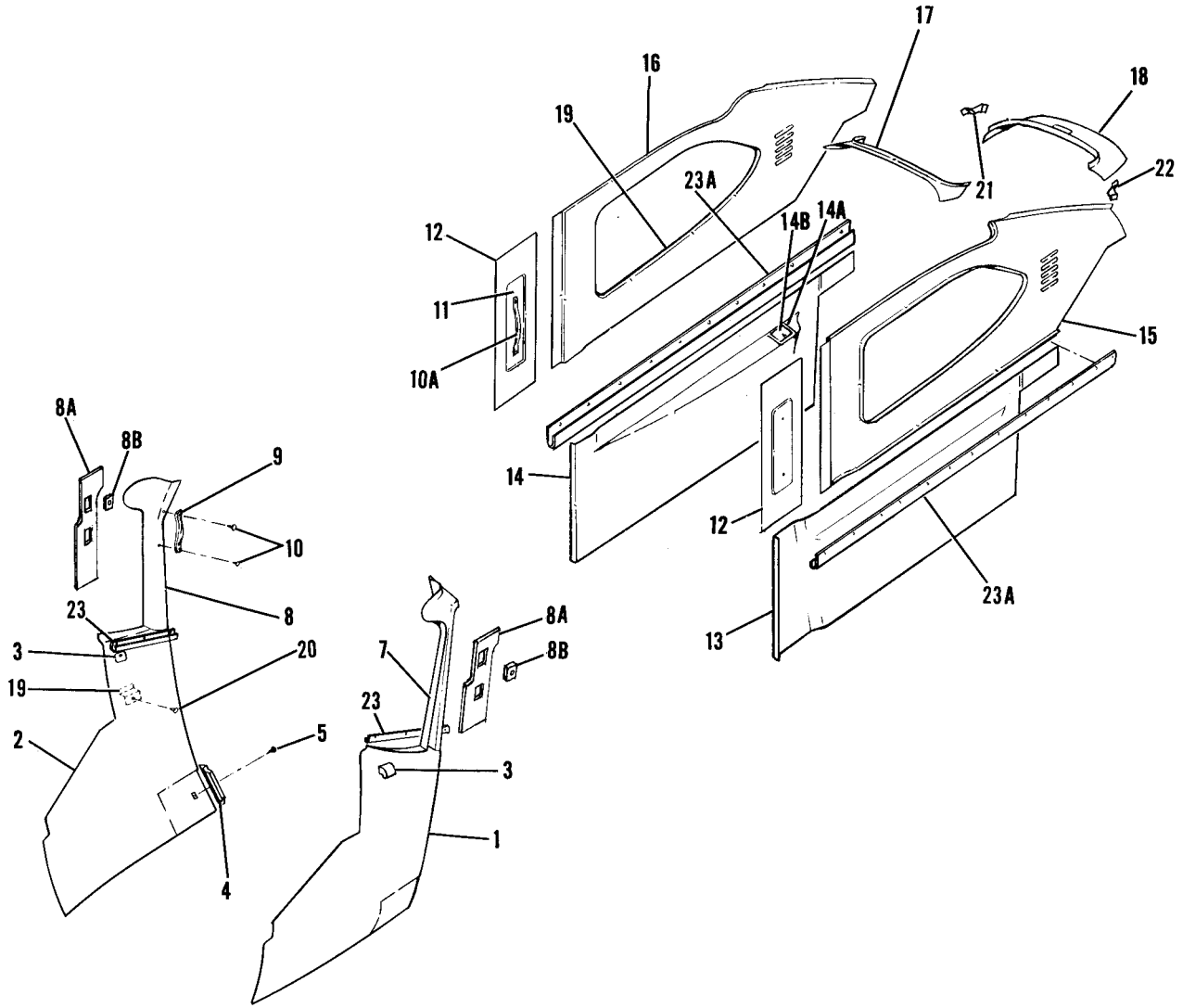


Figure 50. Cabin Side Panels Upholstery Installation

FIGURE AND INDEX NO.	PART NUMBER		DESCRIPTION							UNITS PER ASSY	USABLE ON CODE
			1	2	3	4	5	6	7		
50 - 7	1215045-1	#	SHIELD-DOORPOST LH	WEU 1215045-27						1	A
	1215045-27	#	SHIELD-DOORPOST LH							1	K
	1215045-37	#	SHIELD-DOORPOST LH							1	H
- 8	1215045-2	#	SHIELD-DOORPOST RH							1	J
	1215045-38	#	SHIELD-DOORPOST RH							1	H
- 8A	0513425-1		PAD-DOORPOST COVER							2	B
- 8B	1215039-22		SPACER BLOCK							4	C
- 9	S1362-12		HANDLE ASSEMBLY							2	E
			ATTACHING PARTS								
-10	AN507-1032R22		SCREW							2	
			---*---								
-10A	S1362-12		HANDLE ASSEMBLY							2	E
			ATTACHING PARTS								
	AN507-1032R12		SCREW							2	
			---*---								
	1215045-33	#	SHIELD ASSY-DOORPOST							2	
-11	1215045-32	#	INSERT							2	
-12	1215045-47	#	SHIELD-DOORPOST							2	
-13	1215041-9	#	PANEL ASSEMBLY-AFT WALL LH							1	A
	1215050-9	#	PANEL ASSEMBLY-AFT WALL LH							1	C
	1215057-5	#	PANEL ASSEMBLY-AFT WALL LH							1	F
	1215064-5	#	PANEL ASSEMBLY-AFT WALL LH							1	G
	1215067-5	#	PANEL ASSEMBLY-AFT WALL LH							1	H
-14	1215041-10	#	PANEL ASSEMBLY-AFT WALL RH							1	A
	1215050-10	#	PANEL ASSEMBLY-AFT WALL RH							1	C
	1215057-6	#	PANEL ASSEMBLY-AFT WALL RH							1	F
	1215064-6	#	PANEL ASSEMBLY-AFT WALL RH							1	G
	1215067-6	#	PANEL ASSEMBLY-AFT WALL RH							1	H
-14A	1215059-1		RETAINER ASSEMBLY							1	D
			ATTACHING PARTS								
	AN960-8L		WASHER							2	
	MS21044N08		NUT							2	
			---*---								
-14B	S1957-2		ASH RECEIVER							2	D
-15	1215045-13	#	MOULDING-WINDOW LH							1	A
	1215045-29	#	MOULDING-WINDOW LH							1	K
	1215045-45	#	MOULDING-WINDOW LH							1	H
-16	1215045-14	#	MOULDING-WINDOW RH							1	J
	1215045-46	#	MOULDING-WINDOW RH							1	H
-17	1215045-16	#	MOULDING-WINDOW UPPER REAR							1	
-18	1215045-18	#	MOULDING-WINDOW LOWER REAR							1	
-19	1200696-1		BRACKET-SIDE PANEL SUPPRT							1	
-20	1215091-1		RETAINER							2	
-21	1215080-2		SUPPORT-RH							1	
-22	1215080-1		SUPPORT-LH							1	
-23	S1029-1		J-SECTION * IN LG BKI S1029-1-*							AR	H
-23A	1215091-5		RETAINER-LH							1	H
	1215091-6		RETAINER-RH							1	H
			ATTACHING PARTS								
	S10224-6		SCREW							AR	H
			---*---								

NOTE. #THIS PART NUMBER MUST HAVE A SECOND DASH NUMBER ADDED TO DENOTE COLOR. REFER TO HOW TO ORDER INTERIOR PARTS-PAGE VI.

NOTE. #THIS PART NUMBER MUST HAVE A SECOND DASH NUMBER ADDED TO DENOTE COLOR. REFER TO HOW TO ORDER UPHOLSTERED PARTS-PAGE VII.

A---210 & T210 SERIAL 21059200 THRU 21059351
 B---210 & T210 SERIAL 21059352 & ON
 C---210 & T210 SERIAL 21059352 THRU 21059502
 D---210 & T210 SERIAL 21059503 & ON
 E---210 & T210 SERIAL 21059200 THRU 21059502
 F---210 & T210 SERIAL 21059503 THRU 21059719
 G---210 & T210 SERIAL 21059720 THRU 21060089
 H---210 & T210 SERIAL 21060090 & ON
 J---210 & T210 SERIAL 21059200 THRU 21060089
 K---210 & T210 SERIAL 21059352 THRU 21060089

Upholstery (Cont)

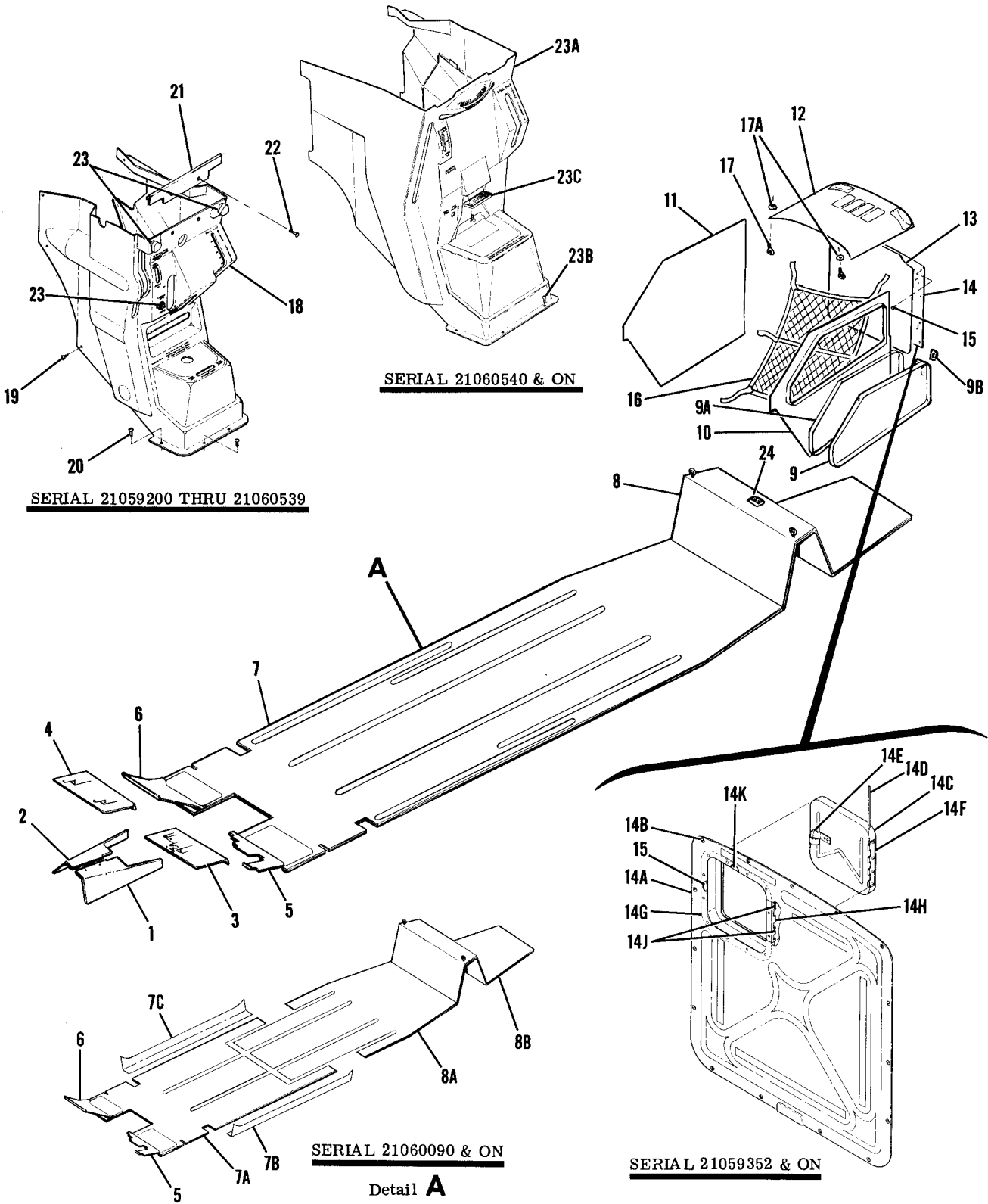


Figure 51. Floorboard & Baggage Compartment Upholstery

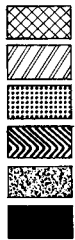
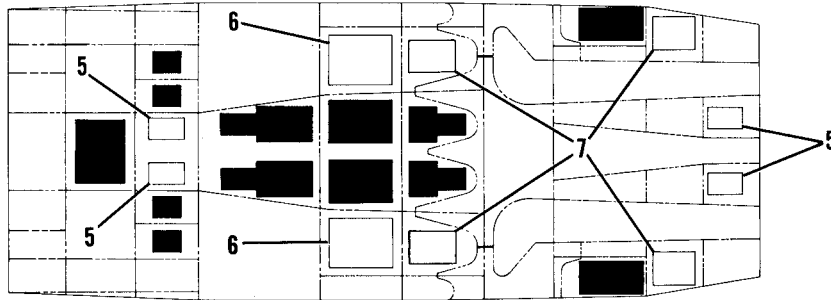
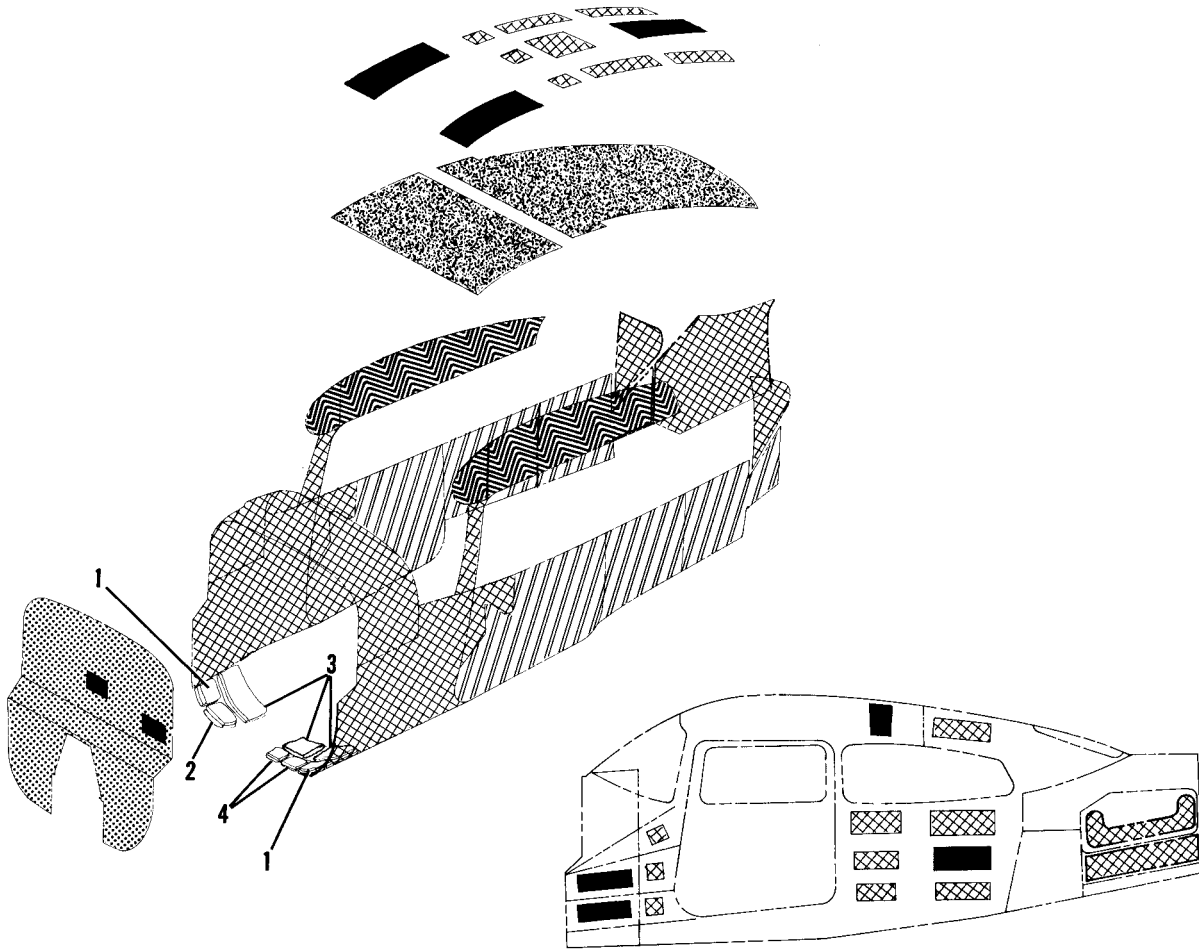
FIGURE AND INDEX NO.	PART NUMBER		DESCRIPTION	UNITS PER ASSY	USABLE ON CODE
			1 2 3 4 5 6 7		
51 -			FLOORBOARD & BAGGAGE COMPARTMENT UPHOLSTERY INSTALLATION -----	NP	
- 1	1215083-1	#	CARPET ASSEMBLY-TUNNEL FWD LH -----	1	
- 2	1215083-2	#	CARPET ASSEMBLY-TUNNEL FWD RH -----	1	
- 3	1215083-3	#	CARPET ASSEMBLY-RUDDER BAR LH SINGLE CONTROLS -----	1	
- 4	1215083-8	#	CARPET ASSEMBLY-RUDDER BAR RH DUAL CONTROLS -----	1	
	1200647-2	#	CARPET ASSEMBLY-RUDDER BAR RH SINGLE CONTROLS -----	1	
	S102128-10		ATTACHING PARTS		
	NAS446-4-3		SCREW -----	4	
			NUT -----	4	
			-----*		
- 5	1213473-1		SHIELD-RUDDER BAR LH -----	1	
- 6	1213473-2		SHIELD-RUDDER BAR RH DUAL CONTROLS -----	1	
	1200646-1		COVER-RUDDER BAR RH SINGLE CONTROLS -----	1	
- 7	1215039-12	#	CARPET ASSEMBLY-FORWARD -----	1	H
- 7A	1215077-4	#	CARPET ASSEMBLY-FORWARD -----	1	J
- 7B	1215077-5	#	CARPET ASSEMBLY-LH -----	1	J
- 7C	1215077-1	#	CARPET ASSEMBLY-RH -----	1	J
- 8	1215077-8	#	CARPET ASSEMBLY-AFT -----	1	H
- 8A	1215077-2	#	CARPET ASSEMBLY-CENTER -----	1	J
- 8B	1215077-3	#	CARPET ASSEMBLY-AFT -----	1	J
- 9	1215045-17	#	PANEL-BAGGAGE DOOR -----	1	J
- 9A	1215049-1	#	TRIM -----	1	
- 9B	1215079-1	#	ESCUTCHEON -----	1	
			ATTACHING PARTS		
	S1021A4-6		SCREW -----	2	
			-----*		
-10	1215045-15	#	MOLDING-BAGGAGE DOOR -----	1	
-11	1215081-3	#	PANEL-BAGGAGE WALL RH -----	1	
-12	1215045-19	#	PANEL-BAGGAGE COMPARTMENT UPPER -----	1	
-13	1215081-1	#	PANEL-REAR BAGGAGE WALL -----	1	
	S2092-4		FABRIC FASTENER-PILE BKI -----	AR	
-14	1211287-1		BAGGAGE WALL-AFT -----	1	C
			ATTACHING PARTS		
	AN525-10R6		SCREW -----	2	
			-----*		
-14A	1211845-1		BAGGAGE WALL ASSY-AFT -----	1	D
-14B	S1115-1		STUD -----	15	
	S1115-9		RING -----	15	
-14C	1211847-1		DOOR ASSY-EMERGENCY LOCATOR TRANSMITTER -----	1	
			ATTACHING PARTS		
-14D	MS20253P2-439		PIN-HINGE -----	1	
			-----*		
-14E	1211847-3		CLIP-DOOR -----	1	
-14F	1211848-2		HINGE-HALF -----	1	
-14G	1211846-1		PAN ASSY -----	1	
-14H	1211848-1		HINGE-HALF -----	1	
-14J	1552010-1		SPRING -----	2	
-14K	S2108-1		SEAL 5.75 IN LG BKI REF S2108-1-5.75 -----	2	
-15	S2108-1		SEAL 6.75 IN LG BKI REF S2108-1-6.75 -----	2	
-16	1215042-1		NET-BAGGAGE RETAINING -----	1	
-17	1211203-2		EYEBOLT-BAGGAGE RETAINER -----	4	
-17A	AN960-10		WASHER -----	4	
-18	1213180-2	#	COVER ASSEMBLY-PEDESTAL -----	1	A
	1213180-4	#	COVER ASSEMBLY-PEDESTAL -----	1	B
	1213196-6	#	COVER ASSEMBLY-PEDESTAL -----	1	F
	1213196-14	#	COVER ASSY-PEDESTAL -----	1	K
	1213196-16	#	COVER ASSY-PEDESTAL -----	1	L
			ATTACHING PARTS		
-19	NAS220-8		SCREW -----	2	E
-20	S1021A8-8		SCREW -----	8	E
	S1021A8-8		SCREW -----	6	F
	S1021A8-8		SCREW -----	4	G
-21	1215035-1		RETAINER -----	1	E
-22	S1021A4-6		SCREW -----	2	E
			-----*		
-23	SEE FIG 60		LIGHT ASSY-TAB MOUNT -----	3	E
			LENS ASSY-PEDESTAL LIGHT SEE POST LIGHTED INSTRUMENT --	1	M
			PANEL & PEDESTAL LIGHTS INSTALLATION		

CONTINUED ON NEXT PAGE

FIGURE AND INDEX NO.	PART NUMBER	DESCRIPTION	UNITS PER ASSY	USABLE ON CODE
51 -23A	1213746-1	COVER ASSY-PEDESTAL ----- ATTACHING PARTS -----	1	N
-23B	S1021A8-8	SCREW ----- -----*	4	
-23C		LENS ASSY-PEDESTAL LIGHT SEE POST LIGHTED INSTRUMENT -- PANEL & PEDESTAL LIGHTS INSTALLATION -----	1	
-24	1214067-6	STRIKER-SEAT LATCH ----- ATTACHING PARTS -----	1	
	AN509-10R14	SCREW ----- -----*	2	
<p>NOTE. #THIS PART NUMBER MUST HAVE A SECOND DASH NUMBER ADDED TO DENOTE COLOR. REFER TO HOW TO ORDER INTERIOR PARTS. PAGE VI.</p>				
<p>NOTE. #THIS PART NUMBER MUST HAVE A SECOND DASH NUMBER ADDED TO DENOTE COLOR. REFER TO HOW TO ORDER UPHOLSTERED PARTS. PAGE VII.</p>				
<p>A---210 & T210 SERIAL 21059200 THRU 21059333 B---210 & T210 SERIAL 21059334 THRU 21059502 C---210 & T210 SERIAL 21059200 THRU 21059351 D---210 & T210 SERIAL 21059352 & ON E---210 & T210 SERIAL 21059200 THRU 21059502 F---210 & T210 SERIAL 21059503 THRU 21059719 G---210 & T210 SERIAL 21059720 THRU 21060539 H---210 & T210 SERIAL 21059200 THRU 21060089 J---210 & T210 SERIAL 21060090 & ON K---210 & T210 SERIAL 21059720 THRU 21060089 L---210 & T210 SERIAL 21060090 THRU 21060539 M---210 & T210 SERIAL 21059503 THRU 21060539 N---210 & T210 SERIAL 21060540 & ON</p>				

This page intentionally left blank.

Soundproofing

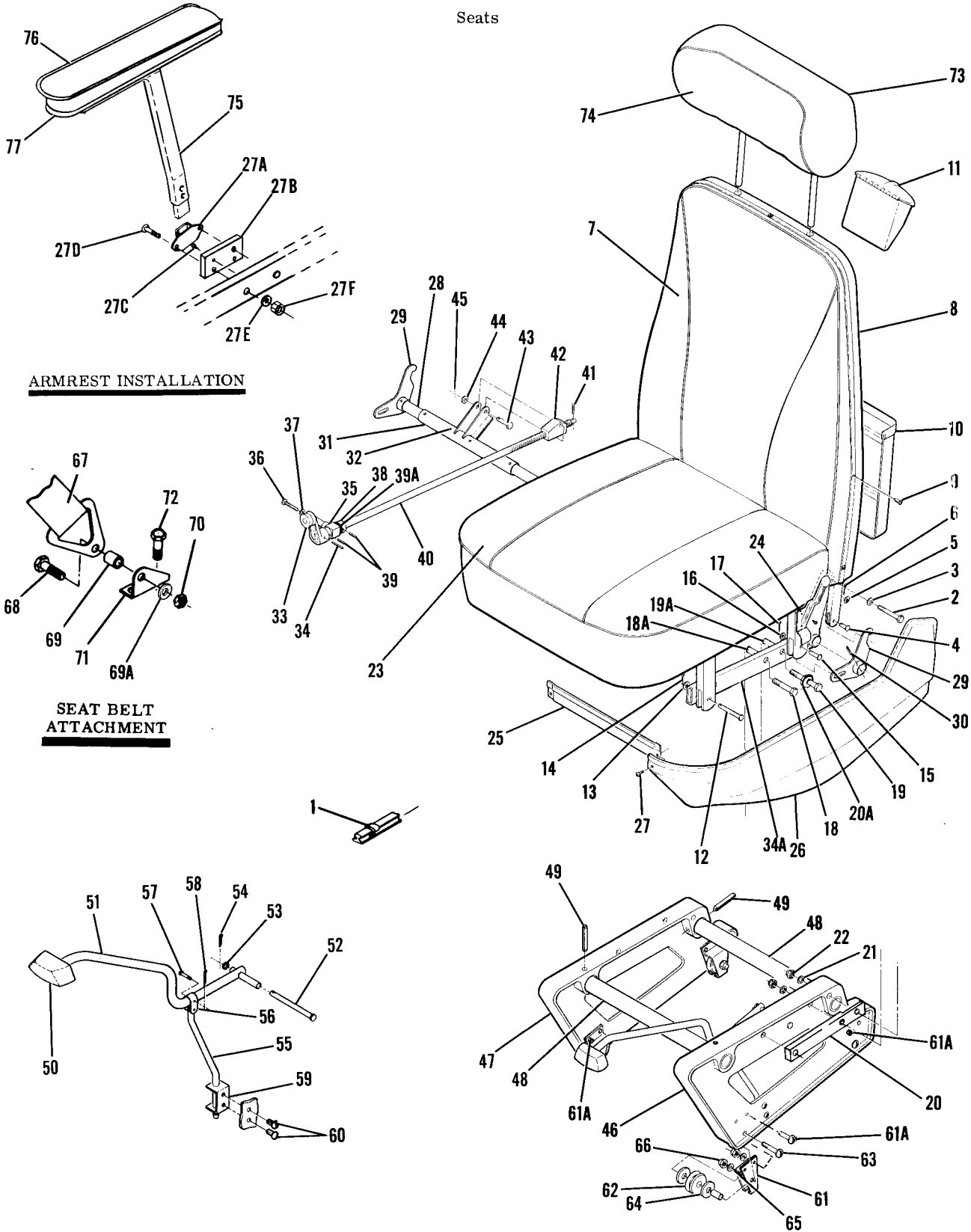


- CES 1109 CLASS 1A Soundproofing - Fiberglass (See Parts Listings)
- CES 1109 CLASS 1C Soundproofing - Fiberglass (See Parts Listings)
- CES 1109 CLASS 1G Soundproofing - Fiberglass (See Parts Listings)
- CES 1109 CLASS 1H Soundproofing - Fiberglass (See Parts Listings)
- CES 1109 CLASS 1K Soundproofing - Fiberglass (See Parts Listings)
- CES 1109 CLASS IV Dampening Compound (See Parts Listings)

Figure 52. Cabin Soundproofing Installation

FIGURE AND INDEX NO.	PART NUMBER	DESCRIPTION	UNITS PER ASSY	USABLE ON CODE
		1 2 3 4 5 6 7		
52 -		SOUNDPROOFING INSTALLATION-CABIN -----	NP	
- 1	1200217-30	BAG-SOUNDPROOFING -----	4	
- 2	1200217-29	BAG-SOUNDPROOFING -----	2	
- 3	1200217-28	BAG-SOUNDPROOFING -----	5	
- 4	1200217-27	BAG-SOUNDPROOFING -----	4	
- 5	1200217-3	BAG-SOUNDPROOFING -----	4	
- 6	1200217-2	BAG-SOUNDPROOFING -----	2	
- 7	1200217-10	BAG-SOUNDPROOFING -----	4	
	CES1109CLASS1A *	SOUNDPROOFING-FIBERGLASS MAT 1 IN. THICK BULK ITEM --	AR	
	CES1109CLASS1C *	SOUNDPROOFING-FIBERGLASS MAT 1/2 IN. THICK BULK ITEM--	AR	
	CES1109CLASS1G *	SOUNDPROOFING-FIBERGLASS MAT 1 IN. THICK BULK ITEM --	AR	
	CES1109CLASS1H *	SOUNDPROOFING-FIBERGLASS MAT 1 IN. THICK BULK ITEM --	AR	
	CES1109CLASS1K *	SOUNDPROOFING-FIBERGLASS MAT 1 IN. THICK BULK ITEM --	AR	
	CES1109CLASS1V *	DAMPING COMPOUND BULK ITEM -----	AR	
		NOTE. *GIVE DIMENSIONS WHEN ORDERING.		

Seats



210 & T210 SERIAL 21059200 THRU 21059719

Figure 53. Articulating Recline Co-pilot Seat Installation



FIGURE AND INDEX NO.	PART NUMBER		DESCRIPTION	UNITS PER ASSY	USABLE ON CODE
53 -			ARTICULATING RECLINE CO-PILOT SEAT INSTALLATION -----	NP	F
	1515013-1	#	SEAT ASSEMBLY-ARTICULATING RECLINE -----	1	A
	1515013-12	#	SEAT ASSEMBLY-ARTICULATING RECLINE -----	1	B
	1214075-3	#	SEAT ASSEMBLY-ARTICULATING RECLINE -----	1	E
			ATTACHING PARTS		
- 1	0713074-1		STOP-SEAT -----	2	
	MS20392-1-21		CLEVIS PIN -----	2	
	MS24665-151		COTTER PIN -----	2	
			-----*		
	1515013-200	#	BACK ASSEMBLY-UPHOLSTERED SEAT -----	1	A
	1515013-204	#	BACK ASSEMBLY-UPHOLSTERED SEAT -----	1	B
		#	BACK ASSEMBLY-UPHOLSTERED SEAT -----	1	E
			ATTACHING PARTS		
- 2	AN3-17A		BOLT -----	2	
- 3	AN960-10L		WASHER -----	4	
	0514029-2		SPACER -----	2	
	MS21044N3		NUT -----	2	
- 4	MS20392-2C11		CLEVIS PIN -----	2	
- 5	AN960-10L		WASHER -----	2	
- 6	MS24665-132		COTTER PIN -----	2	
			-----*		
- 7	1515013-3	#	COVER ASSEMBLY-SEAT BACK -----	1	A
	0515001-41	#	COVER ASSEMBLY-SEAT BACK -----	1	B
	1514232-4	#	COVER ASSEMBLY-SEAT BACK -----	1	E
- 8	0514018-1	II	TRIM ASSEMBLY-SEAT BACK -----	1	A
	0514018-15	II	TRIM ASSEMBLY-SEAT BACK -----	1	B
	0514076-2	II	TRIM ASSEMBLY-SEAT BACK -----	1	E
			ATTACHING PARTS		
- 9	S1021A4-6		SCREW -----	5	
			-----*		
-10	0514018-3	II	POCKET ASSEMBLY-MAGAZINE -----	1	G
	1214062-5	II	POCKET ASSEMBLY-MAGAZINE -----	1	E
			ATTACHING PARTS		
	S1021A4-6		SCREW -----	2	E
			-----*		
-11	S1957-2		ASH RECEIVER ASSEMBLY -----	1	G
	1515013-201	#	BOTTOM ASSEMBLY-UPHOLSTERED SEAT -----	1	A
	1515013-205	#	BOTTOM ASSEMBLY-UPHOLSTERED SEAT -----	1	B
		#	BOTTOM ASSEMBLY-UPHOLSTERED SEAT -----	1	E
			ATTACHING PARTS		
-12	MS20392-3C57		PIN-INBOARD -----	1	
	MS20392-3C47		PIN-OUTBOARD -----	1	
-13	AN960-416L		WASHER -----	2	
-14	MS24665-132		COTTER PIN -----	2	
-15	MS20392-2C17		PIN -----	2	
	0514029-1		SPACER -----	2	
-16	AN960-10L		WASHER -----	2	
-17	MS24665-134		COTTER PIN -----	2	
-18	AN4-16A		BOLT -----	4	
-18A	1514102-2		SPACER -----	4	
-19	AN4-25A		BOLT -----	2	
-19A	1514102-5		SPACER -----	2	
-20	1514086-1		SPACER -----	2	G
	1514086-5		SPACER -----	2	E
-20A	S1074-1		WASHER -----	6	
-21	AN960-416L		WASHER -----	6	
-22	MS21042L4		NUT -----	6	
			-----*		
-23	1515013-4	#	COVER ASSEMBLY-SEAT BOTTOM -----	1	A
	0515001-37	#	COVER ASSEMBLY-SEAT BOTTOM -----	1	B
	1514232-5	#	COVER ASSEMBLY-SEAT BOTTOM -----	1	E
-24	0514101-3		STIFFENER-SEAT TRIM LH -----	1	
	0514101-4		STIFFENER-SEAT TRIM RH -----	1	
			ATTACHING PARTS		
	S1021A4-6		SCREW -----	2	
			-----*		
-25	0514017-3	II	TRIM-FORWARD -----	1	
-26	0514017-1	II	TRIM-LH -----	1	G
	0514077-7	II	TRIM-LH -----	1	E
	0514017-2	II	TRIM-RH -----	1	G
	0514077-4	II	TRIM-RH -----	1	E
			ATTACHING PARTS		
-27	S1021A4-6		SCREW -----	3	
			-----*		

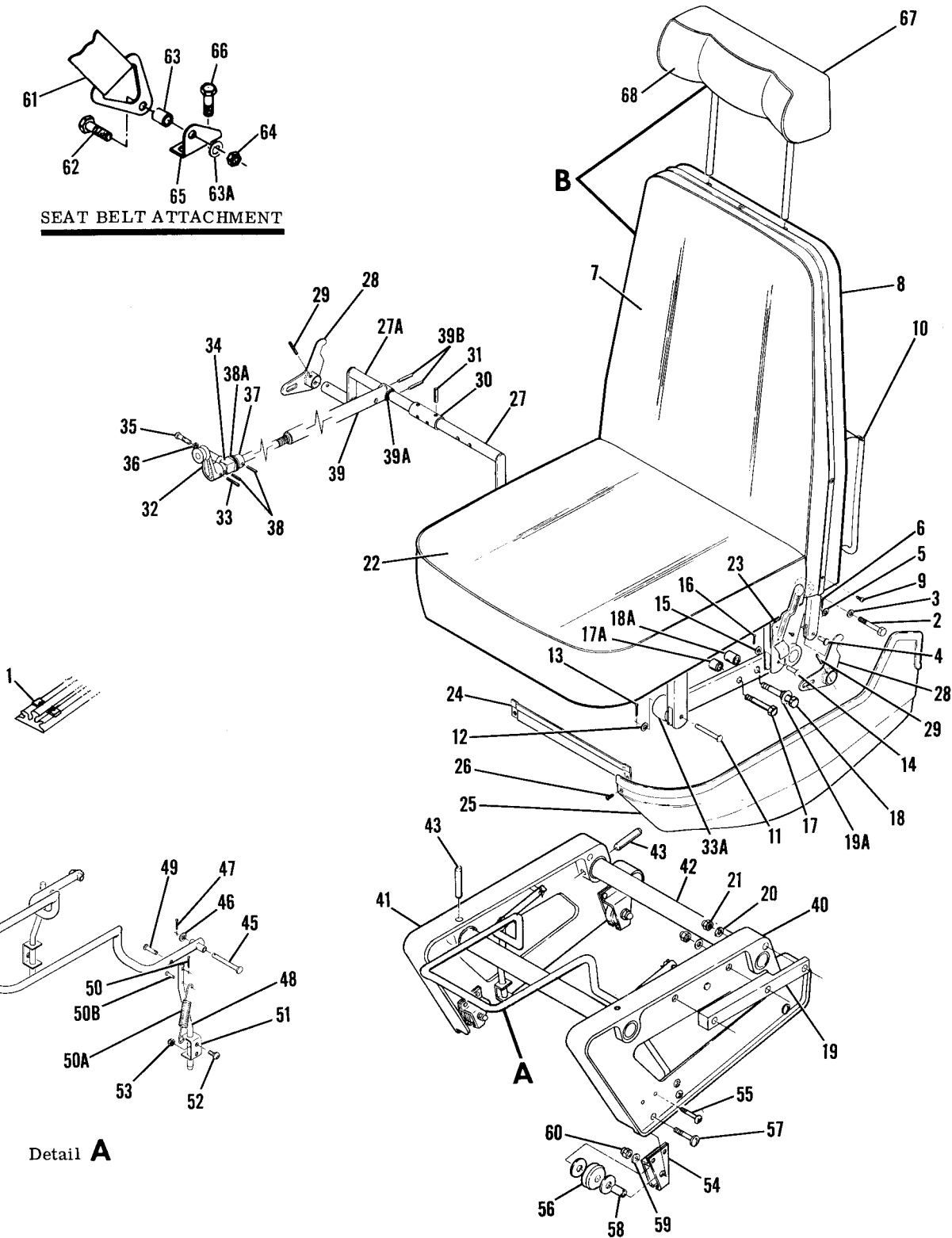
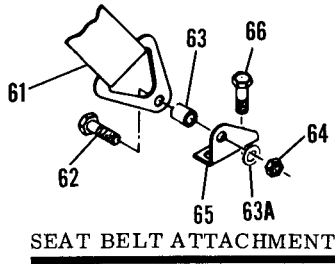
CONTINUED ON NEXT PAGE

FIGURE AND INDEX NO.	PART NUMBER	DESCRIPTION							UNITS PER ASSY	USABLE ON CODE
		1	2	3	4	5	6	7		
53 -27A	1200448-1	SOCKET ASSEMBLY-ARM REST -----							1	
		ATTACHING PARTS								
-27B	0514038-1	SPACER -----							1	
-27C	S1022A4-10	SCREW -----							2	
-27D	AN23-16A	BOLT -----							2	
-27E	AN960-10L	WASHER -----							2	
-27F	S1914-8	NUT -----							2	
		---*---								
-28	0514026-11	TUBE-TORQUE -----							1	
-29	0514030-4	BELLCRANK ASSEMBLY-SEAT BACK ADJUST -----							2	
		ATTACHING PARTS								
-30	NAS561P4-12	PIN -----							2	
		---*---								
-31	0514028-10	BELLCRANK ASSEMBLY-SEAT ADJUST -----							1	G
	0514028-16	BELLCRANK ASSEMBLY-SEAT ADJUST -----							1	E
		ATTACHING PARTS								
-32	NAS561P6-12	PIN -----							5	
		---*---								
-33	0514036-1	HANDLE ASSEMBLY-SEAT BACK ADJUST -----							1	
		ATTACHING PARTS								
-34	NAS561P4-12	PIN -----							1	
		---*---								
-34A	0514060-3	BRACKET-PIVOT LH -----							1	
	0514060-4	BRACKET-PIVOT RH -----							1	
-35	0514033-1	BEARING BLOCK -----							1	
		ATTACHING PARTS								
-36	AN520-10R8	SCREW -----							1	
-37	AN960-10L	WASHER -----							1	
		---*---								
-38	1200138-2	COLLAR -----							2	
		ATTACHING PARTS								
-39	NAS561P4-12	PIN -----							1	
		---*---								
-39A	S2013-2	BEARING -----							1	D
	S2014-2	RACE-BEARING -----							2	D
-40	0514027-2	SCREW ASSEMBLY WEU 0514027-6 -----							1	C
	0514027-6	SCREW ASSEMBLY -----							1	H
	0514027-9	SCREW ASSEMBLY -----							1	E
	NAS561P4-10	PIN -----							1	
-41	1200139-1	NUT-SEAT ADJUST -----							1	
		ATTACHING PARTS								
-43	MS20392-2C37	PIN -----							1	
-44	AN960-10	WASHER -----							1	
-45	MS24665-132	COTTER PIN -----							1	
		---*---								
-46	1514084-1	PEDESTAL ASSEMBLY-SEAT -----							1	
	0514035-9	PEDESTAL-LH -----							1	
-47	0514035-10	PEDESTAL-RH -----							1	
-48	1514085-1	CROSS TUBE -----							2	
		ATTACHING PARTS								
-49	NAS561P8-28	PIN -----							2	
		---*---								
-50	0700113-1	KNOB-SEAT ADJUST -----							1	
		ATTACHING PARTS								
	S1021Z6-8	SCREW -----							1	
		---*---								
-51	0514047-1	ARM ASSEMBLY-SEAT ADJUST -----							1	
		ATTACHING PARTS								
-52	MS20392-2C83	PIN -----							1	
-53	AN960-10L	WASHER -----							1	
-54	MS24665-132	COTTER PIN -----							1	
		---*---								
-55	1714067-2	PIN-SEAT ADJUST -----							1	
		ATTACHING PARTS								
-56	1414104-56	CLAMP -----							1	
-57	MS20392-1C15	PIN -----							2	
-58	MS24665-132	COTTER PIN -----							2	
		---*---								
-59	1714061-1	GUIDE-SEAT ADJUST PIN -----							1	
		ATTACHING PARTS								
-60	AN515-8R6	SCREW -----							2	
	MS21044N08	NUT -----							2	
		---*---								

CONTINUED ON NEXT PAGE

FIGURE AND INDEX NO.	PART NUMBER	DESCRIPTION	UNITS PER ASSY	USABLE ON CODE
53 -61	1714000-33	HOUSING ASSEMBLY-ROLLER ----- ATTACHING PARTS -----	4	
-61A	NAS220-11 AN960-8 MS21044N08	SCREW ----- WASHER ----- NUT ----- -----*	2 2 2	
-62	1714000K200	ROLLER KIT-SEAT ----- ATTACHING PARTS -----	4	
-63	AN23-20A	BOLT -----	1	
-64	1414104-54	BUSHING -----	1	
-65	AN960-10L	WASHER -----	1	
-66	MS21044N08	NUT ----- -----*	1	
-67	S1746Y2 S1746V2 S1746T2 S1746W2 S1746B2 S2070W103 S2070H103 S2070F103 S2070G103 S2070B103 S2070W103 S2070L103 S2070A103 S2070C103 S2070B103	BELT ASSEMBLY-SEAT BLUE ----- BELT ASSEMBLY-SEAT OLIVE ----- BELT ASSEMBLY-SEAT MARIGOLD ----- BELT ASSEMBLY-SEAT BROWN ----- BELT ASSEMBLY-SEAT BLACK ----- BELT ASSEMBLY-FRONT SEAT BROWN ----- BELT ASSEMBLY-FRONT SEAT BLUE ----- BELT ASSEMBLY-FRONT SEAT RED ----- BELT ASSEMBLY-FRONT SEAT GREEN ----- BELT ASSEMBLY-FRONT SEAT BLACK ----- BELT ASSEMBLY-FRONT SEAT BROWN ----- BELT ASSEMBLY-FRONT SEAT BLUE ----- BELT ASSEMBLY-FRONT SEAT RED ----- BELT ASSEMBLY-FRONT SEAT GREEN ----- BELT ASSEMBLY-FRONT SEAT BLACK ----- ATTACHING PARTS -----	1 1 1 1 1 2 2 2 2 2 2 2 2 2 2 2	A A A A A B B B B E E E E E
-68	AN4-5A	BOLT -----	2	
-69	NAS43HT4-12	SPACER -----	2	
-70	MS21042L4	NUT ----- -----*	2	
-71	0510205-5 0510205-6	FITTING-SEAT BELT OUTBOARD LH & INBD RH ----- FITTING-SEAT BELT INBOARD LH & OUTBD RH ----- ATTACHING PARTS -----	1 1	
-72	AN3-4A	BOLT ----- -----*	2	
-73	0514048-3 0514048-14	# HEADREST ASSEMBLY ----- # HEADREST ASSEMBLY -----	1 1	G E
-74	0514048-11 0514048-15	# COVER ASSEMBLY-HEADREST ----- # COVER ASSEMBLY-HEADREST -----	1 1	E
-75	1200453-9 1200453-10	# ARMREST ASSEMBLY RH ----- # ARMREST ASSEMBLY RH -----	1 1	
-76	1200453-5	# COVER-ARMREST -----	1	
-77	0812929-1 0812929-2	COVER-TRIM LH ----- COVER-TRIM RH ----- ATTACHING PARTS -----	1 1	
	AN509-8R7	SCREW ----- -----*	4	
<p>NOTE. #THIS PART NUMBER MUST HAVE A SECOND DASH NUMBER ADDED TO DENOTE COLOR. REFER TO HOW TO ORDER INTERIOR PARTS-PAGE VI.</p> <p>NOTE. #THIS PART NUMBER MUST HAVE A SECOND DASH NUMBER ADDED TO DENOTE COLOR. REFER TO HOW TO ORDER UPHOLSTERED PARTS-PAGE VII.</p> <p>NOTE. **SEE FIGURE 62A FOR SHOULDER HARNESS INSTALLATION.</p> <p>NOTE. ***WHEN INITIALLY ORDERING THIS PART FOR AIRPLANES PRIOR TO SERIAL 21059440, ALSO ORDER S2013-2 BEARING & 2 S2014-2 RACES.</p> <p>NOTE. %WHEN ORDERING SEAT BELT FOR AUSTRALIAN AIRCRAFT ADD VH TO PART NUMBER. EXAMPLE-S2070W103VH.</p> <p>A---210 & T210 SERIAL 21059200 THRU 21059351 B---210 & T210 SERIAL 21059352 THRU 21059502 C---210 & T210 SERIAL 21059200 THRU 21059439 D---210 & T210 SERIAL 21059440 THRU 21059719 E---210 & T210 SERIAL 21059503 THRU 21059719 F---210 & T210 SERIAL 21059200 THRU 21059719 G---210 & T210 SERIAL 21059200 THRU 21059502 H---210 & T210 SERIAL 21059440 THRU 21059502</p>				

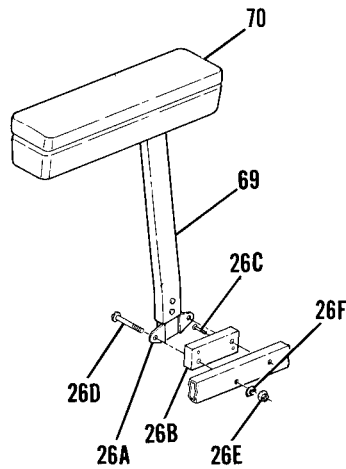
Seats (Cont)



210 & T210 SERIAL 21059720 & ON

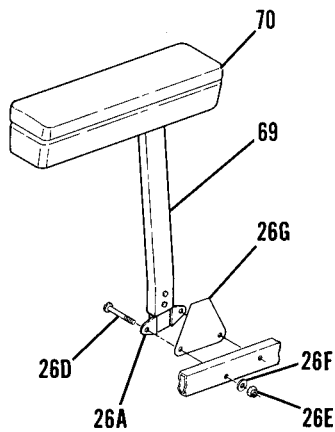
Figure 53A. Articulating Recline Copilot Seat Installation (Sheet 1 of 2)

Seats (Cont)



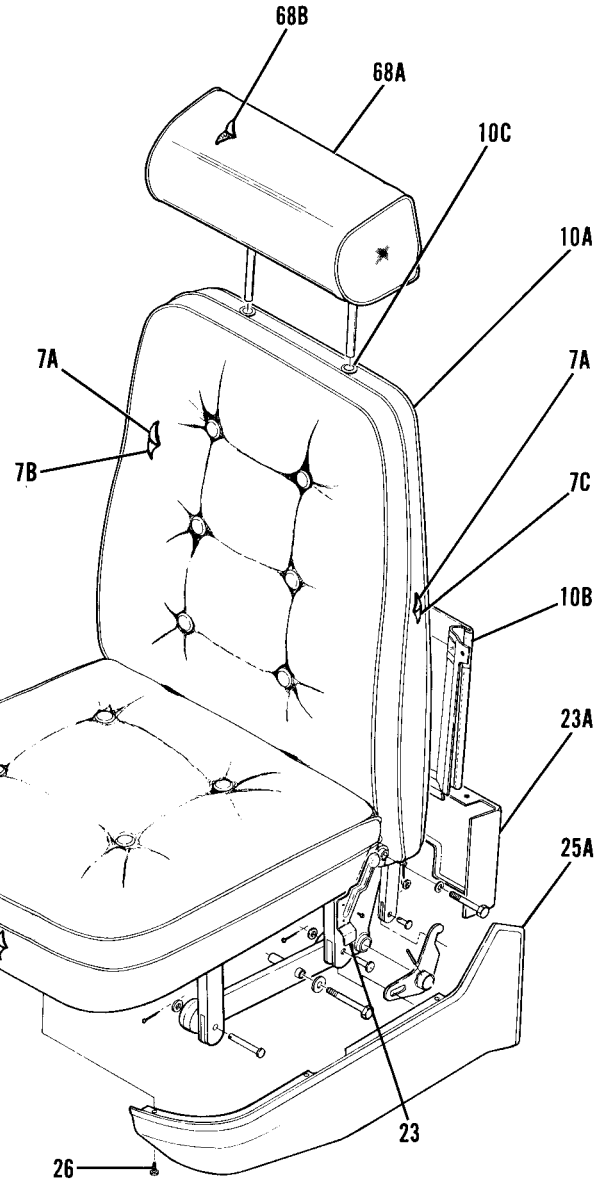
SERIAL 21059720 THRU 21060089

ARMREST INSTALLATION



SERIAL 21060090 & ON

ARMREST INSTALLATION



SERIAL 21060090 & ON

Detail **B**

210 & T210 SERIAL 21059720 & ON

Figure 53A. Articulating Recline Copilot Seat Installation (Sheet 2 of 2)

FIGURE AND INDEX NO.	PART NUMBER	DESCRIPTION	UNITS PER ASSY	USABLE ON CODE
53A-		1 2 3 4 5 6 7 ARTICULATING RECLINE CG-PILOT SEAT INSTALLATION -----	NP	A
	1214077-3 #	SEAT ASSEMBLY-ARTICULATING RECLINE -----	1	D
	1214085-3 #	SEAT ASSEMBLY-ARTICULATING RECLINE -----	1	F
	1214102-3 #	SEAT ASSEMBLY-ARTICULATING RECLINE -----	1	G
		ATTACHING PARTS		
- 1	0713074-1	STOP-SEAT -----	2	
	MS20392-1-21	CLEVIS PIN -----	2	
	MS24665-151	COTTER PIN -----	2	
		---*---		
		BACK ASSEMBLY-UPHOLSTERED SEAT -----	1	D
		BACK ASSEMBLY-UPHOLSTERED SEAT -----	1	F
	1214102-4 #	BACK ASSEMBLY-UPHOLSTERED SEAT -----	1	G
		ATTACHING PARTS		
- 2	AN3-17A	BOLT -----	2	
- 3	AN960-10L	WASHER -----	4	
	0514029-2	SPACER -----	2	
	MS21044N3	NUT -----	2	
- 4	MS20392-2C11	CLEVIS PIN -----	2	
- 5	AN960-10L	WASHER -----	2	
- 6	MS24665-132	PIN-COTTER -----	2	
		---*---		
- 7	1214077-5 #	COVER ASSEMBLY-SEAT BACK -----	1	D
- 7A	1514301-6 #	COVER ASSEMBLY-SEAT BACK -----	1	F
	1214102-10 #	COVER ASSEMBLY-SEAT BACK -----	1	G
	1214102-7	CUSHION ASSEMBLY-SEAT BACK -----	1	
- 7B	1214085-8	PILLOW-SEAT BACK -----	1	E
- 7C	1214085-6	CUSHION ASSY-SEAT BACK -----	1	E
- 8	0514083-1 #	TRIM ASSEMBLY-SEAT BACK -----	1	D
		ATTACHING PARTS		
- 9	S1021A4-6	SCREW -----	3	D
		---*---		
	S1498-1	TRIM-EXTRUSION BKI SEE FIG 1 -----	1	D
-10	1214062-5 #	POCKET ASSY-MAGAZINE -----	1	D
		ATTACHING PARTS		
	S1021A4-6	SCREW -----	2	
		---*---		
-10A	1214085-11 #	BACK COVER ASSY-SEAT -----	1	E
		ATTACHING PARTS		
	S1021A4-6	SCREW -----	4	
		---*---		
	S1898-1	FASTENER -----	3	
-10B	1514301-9 #	POCKET ASSY-MAGAZINE -----	1	E
		ATTACHING PARTS		
	S1021A4-6	SCREW -----	2	
		---*---		
-10C	0514110-1	RETAINER-HEADREST -----	2	F
	0514110-2	RETAINER-HEADREST -----	2	G
		# BOTTOM ASSY-UPHOLSTERED -----	1	D
		# BOTTOM ASSY-UPHOLSTERED -----	1	F
	1214102-6 #	BOTTOM ASSY-UPHOLSTERED -----	1	G
		ATTACHING PARTS		
-11	MS20392-3C49	PIN FRONT ATTACH -----	2	
-12	AN960-416L	WASHER -----	2	
-13	MS24665-134	PIN-COTTER -----	2	
-14	MS20392-3C17	PIN -----	2	
-15	AN960-416L	WASHER -----	2	
-16	MS24665-134	PIN-COTTER -----	2	
-17	AN4-16A	BOLT -----	4	
-17A	1514102-2	SPACER -----	4	
-18	AN4-25A	BOLT -----	2	
-18A	1514102-5	SPACER -----	2	
-19	1514086-9	SPACER -----	2	
-19A	S1450-4-12-028	WASHER -----	6	
-20	AN960-416L	WASHER -----	6	
-21	MS21042L4	NUT -----	6	
		---*---		
-22	1214077-4 #	COVER ASSEMBLY-SEAT BOTTOM -----	1	D
-22A	1514301-7 #	COVER ASSY-SEAT BOTTOM -----	1	F
	1214102-9 #	COVER ASSY-SEAT BOTTOM -----	1	G
	1214102-8	CUSHION ASSY-SEAT BOTTOM -----	1	E
-22B	1214085-7	PILLOW-SEAT BOTTOM -----	1	E
-22C	1214085-5	CUSHION ASSY-SEAT BOTTOM -----	1	E

CONTINUED ON NEXT PAGE

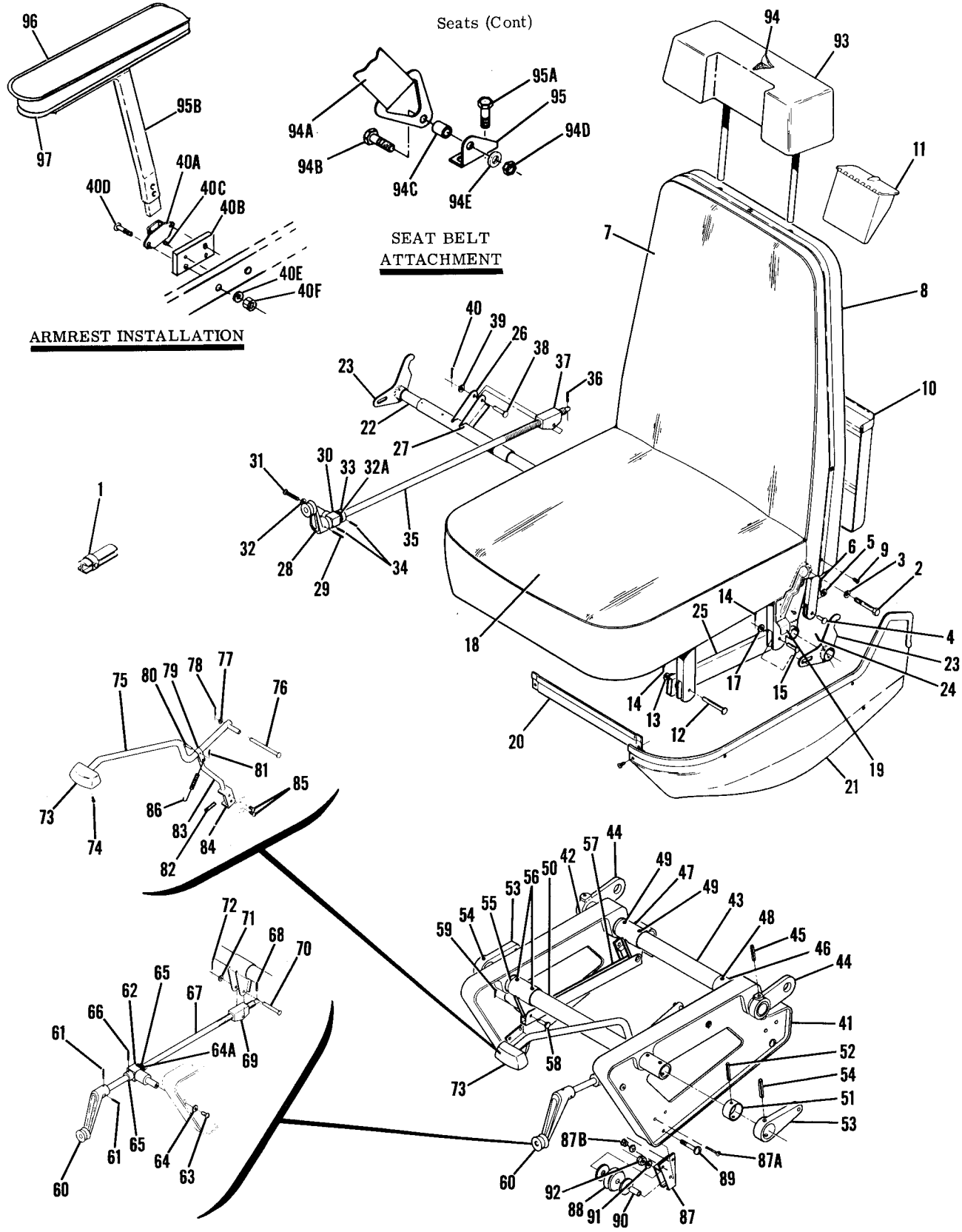
FIGURE AND INDEX NO.	PART NUMBER	DESCRIPTION							UNITS PER ASSY	USABLE ON CODE
		1	2	3	4	5	6	7		
53A-23	0514101-3								1	
	0514101-4								1	
	S1021A4-6								2	
-23A	1214098-1	⌘							1	E
-24	0514017-3	⌘							1	D
	S1021A4-6								1	
-25	0714010-1	⌘							1	D
	0714010-2	⌘							1	H
-25A	1214099-1	⌘							1	H
	1214099-2	⌘							1	J
	0514117-1	⌘							1	J
	0514117-2	⌘							1	
-26	S1021A4-6								3	
-26A	1200448-1								1	
-26B	0514038-1								1	D
-26C	S1022A4-10								2	D
-26D	AN23-16A								2	
-26E	S1914-8								2	
-26F	AN960-416								2	
-26G	1514304-2								1	E
-27	1714074-13								1	
-27A	1714074-14								1	
-28	0514030-4								2	
-29	NAS561P4-12								2	
-30	1714074-6								1	
-31	NAS561P6-12								2	
-32	0514036-1								1	
-33	NAS561P4-12								1	
-33A	0514060-3								1	
	0514060-4								1	
-34	0514033-1								1	
-35	AN520-10R8								1	
-36	AN960-10L								1	
-37	1200138-2								2	
-38	NAS561P4-12								1	
-38A	S2013-2								1	
	S2014-2								2	
-39	0514089-1								1	
-39A	10N12D								1	
-39B	NAS561P4-15								2	
-40	1214080-2								1	
	0514035-21								1	
-41	0514035-22								1	
-42	1514085-1								2	
-43	NAS561P8-26								2	
-44	0514050-1								1	
-45	MS20392-2C61								2	
-46	AN960-10L								2	
-47	MS24665-132								2	

CONTINUED ON NEXT PAGE

FIGURE AND INDEX NO.	PART NUMBER	DESCRIPTION							UNITS PER ASSY	USABLE ON CODE	
		1	2	3	4	5	6	7			
53A-48	1714067-5	PIN-SEAT ADJUST -----							2		
		ATTACHING PARTS -----									
-49	MS20392-1C21	PIN -----							2		
-50	MS24665-132	COTTER PIN -----							2		
		---*---									
-50A	1414116-1	SPRING -----							1		
		ATTACHING PARTS -----									
-50B	MS20392-1C11	PIN LH SIDE ONLY -----							1		
		---*---									
-51	1714061-1	GUIDE-SEAT ADJUST PIN -----							1		
		ATTACHING PARTS -----									
-52	AN515-8R6	SCREW -----							2		
-53	MS21044N08	NUT -----							2		
		---*---									
-54	1714000-33	HOUSING ASSEMBLY-ROLLER -----							4		
		ATTACHING PARTS -----									
-55	NAS220-11	SCREW -----							2		
	AN960-8	WASHER -----							2		
	MS21044N08	NUT -----							2		
		---*---									
-56	1714000K200	ROLLER KIT-SEAT -----							4		
		ATTACHING PARTS -----									
-57	AN23-20A	BOLT -----							1		
-58	1414104-54	BUSHING -----							1		
-59	AN960-10L	WASHER -----							1		
-60	61914-8	NUT -----							1		
		---*---									
-61	S2070W103	***	BELT ASSEMBLY-FRONT SEAT					GOLD	2	D	
	S2070U103	***	BELT ASSEMBLY-FRONT SEAT					BLUE	2	D	
	S2070AA103	***	BELT ASSEMBLY-FRONT SEAT					OLIVE	2	D	
	S2070Z103	***	BELT ASSEMBLY-FRONT SEAT					RED	2	D	
	S2070B103	***	BELT ASSEMBLY-FRONT SEAT					BLACK	2	D	
	S2070CC103	***	BELT ASSEMBLY-FRONT SEAT					BROWN	2	E	
	S2070BB103	***	BELT ASSEMBLY-FRONT SEAT					BLUE	2	E	
	S2070AA103	***	BELT ASSEMBLY-FRONT SEAT					GREEN	2	E	
	S2070T103	***	BELT ASSEMBLY-FRONT SEAT					RED	2	E	
	S2070DD103	***	BELT ASSEMBLY-FRONT SEAT					GOLD	2	E	
	S2070B103	***	BELT ASSEMBLY-FRONT SEAT					BLACK	2	E	
			ATTACHING PARTS -----								
-62	AN4-5A	BOLT -----							2		
-63	NAS43HT4-12	SPACER -----							2		
-63A	AN960-416L	WASHER -----							2		
-64	MS21042L4	NUT -----							2		
		---*---									
	SEE FIG 62B	INERTIA REEL SEAT BELT & SHOULDER HARNESS INSTALLATION -----							1		
-65	0510205-5	FITTING-SEAT BELT					OUTBD LH & INBD RH	2	D		
	0510205-6	FITTING-SEAT BELT					INBD LH & OUTBD RH	2	D		
	0510205-7	FITTING-SEAT BELT					OUTBD LH & INBD RH	2	E		
	0510205-8	FITTING-SEAT BELT					INBD LH & OUTBD RH	2	E		
		ATTACHING PARTS -----									
-66	AN3-5A	BOLT					INBD LH & OUTBD RH	2	D		
	AN3-4A	BOLT					OUTBD LH & INBD RH	2	D		
	AN4-5A	BOLT -----							2	F	
	AN4-5A	BOLT					USE ON ALL FITTINGS EXCEPT OUTBD RH	2	G		
	AN4-4A	BOLT					USE ON OUTBD RH FITTING	2	G		
		---*---									
-67	0514048-14	#	HEADREST ASSEMBLY					1	D		
-68	0514048-15	#	COVER ASSEMBLY					1	D		
-68A	1215073-1	#	HEADREST ASSY					1	E		
-68B	1215073-10	#	COVER ASSY					1	E		
-69	1214111-5	#	ARMREST ASSEMBLY					RH	1		
-70	1214109-1	#	PAD-ARMREST					1			
		---*---									
<p>NOTE. #THIS PART NUMBER MUST HAVE A SECOND DASH NUMBER ADDED TO DENOTE COLOR. REFER TO HOW TO ORDER INTERIOR PARTS-PAGE VI.</p>											
<p>CONTINUED ON NEXT PAGE</p>											

FIGURE AND INDEX NO.	PART NUMBER	DESCRIPTION	UNITS PER ASSY	USABLE ON CODE
53A-		<p style="text-align: center;">1 2 3 4 5 6 7</p> <p>NOTE. #THIS PART NUMBER MUST HAVE A SECOND DASH NUMBER ADDED TO DENOTE COLOR. REFER TO HOW TO ORDER UPHOLSTERED PARTS-PAGE VII.</p> <p>NOTE. **SEE FIGURE 62A FOR SHOULDER HARNESS INSTALLATION.</p> <p>NOTE. %WHEN ORDERING SEAT BELTS FOR AUSTRALIAN AIRCRAFT ADD VH TO PART NUMBER. EXAMPLE-S2070W103VH.</p> <p>A---210 & T210 SERIAL 21059720 & ON B---210 & T210 SERIAL 21059720 THRU 21059898 C---210 & T210 SERIAL 21059899 & ON D---210 & T210 SERIAL 21059720 THRU 21060089 E---210 & T210 SERIAL 21060090 & ON F---210 & T210 SERIAL 21060090 THRU 21060539 G---210 & T210 SERIAL 21060540 & ON H---210 & T210 SERIAL 21060090 THRU 21060429 J---210 & T210 SERIAL 21060430 & ON</p>		

Seats (Cont)



210 & T210 SERIAL 21059200 THRU 21059719

Figure 54. Infinitely Adjustable Pilot & Co-pilot Seat Installation

FIGURE AND INDEX NO.	PART NUMBER		DESCRIPTION	UNITS PER ASSY	USABLE ON CODE
54 -			1 2 3 4 5 6 7		
			INFINITELY ADJUSTABLE PILOT & COPILOT SEAT INSTALLATION -----	NP	G
	0515001-3	#	FRONT SEAT ASSEMBLY-INFINITE ADJUST COPILOT -----	1	A
	0515001-32	#	FRONT SEAT ASSEMBLY-INFINITE ADJUST CO-PILOT -----	1	E
	1214075-2	#	FRONT SEAT ASSEMBLY-INFINITE ADJUST CO-PILOT -----	1	F
	0515001-22	#	FRONT SEAT ASSEMBLY-INFINITE ADJUST PILOT -----	1	A
	0515001-31	#	FRONT SEAT ASSEMBLY-INFINITE ADJUST PILOT -----	1	E
	1214075-1	#	FRONT SEAT ASSEMBLY-INFINITE ADJUST PILOT -----	1	F
			ATTACHING PARTS		
- 1	0713074-1		STOP-SEAT -----	2	
	MS20392-1-21		PIN-SEAT STOP -----	2	
	MS24665-151		PIN-COTTER -----	2	
			---*---		
	0515001-204	#	BACK ASSEMBLY-UPHOLSTERED SEAT -----	1	A
	0515001-216	#	BACK ASSEMBLY-UPHOLSTERED SEAT -----	1	E
			BACK ASSEMBLY-UPHOLSTERED SEAT -----	1	F
			ATTACHING PARTS		
- 2	AN3-17A		BOLT -----	2	
- 3	AN960-10L		WASHER -----	4	
	0514029-2		SPACER -----	2	
	MS21044N3		NUT -----	2	
- 4	MS20392-2C11		PIN -----	2	
- 5	AN960-10L		WASHER -----	2	
- 6	MS24655-132		COTTER PIN -----	2	
			---*---		
- 7	0515001-9	#	COVER ASSEMBLY-SEAT BACK -----	1	A
	0515001-41	#	COVER ASSEMBLY-SEAT BACK -----	1	E
	1514232-4	#	COVER ASSEMBLY-SEAT BACK -----	1	F
- 8	0514018-1	#	TRIM ASSEMBLY-SEAT BACK -----	1	A
	0514018-15	#	TRIM ASSEMBLY-SEAT BACK -----	1	E
	0514076-2	#	TRIM ASSEMBLY-SEAT BACK -----	1	F
			ATTACHING PARTS		
- 9	S1021A4-6		SCREW -----	3	H
	S1021A4-6		SCREW -----	5	F
			---*---		
-10	0514018-3	#	POCKET ASSEMBLY-MAGAZINE -----	1	H
	1214062-5	#	POCKET ASSEMBLY-MAGAZINE -----	1	F
			ATTACHING PARTS		
	S1021A4-6		SCREW -----	2	F
			---*---		
-11	S1957-2		ASH RECEIVER ASSEMBLY -----	1	
	0515001-205	#	BOTTOM ASSEMBLY-UPHOLSTERED SEAT CO-PILOT -----	1	A
	0515001-217	#	BOTTOM ASSEMBLY-UPHOLSTERED SEAT CO-PILOT -----	1	E
			BOTTOM ASSEMBLY-UPHOLSTERED CO-PILOT -----	1	F
	0515001-208	#	BOTTOM ASSEMBLY-UPHOLSTERED SEAT PILOT -----	1	A
	0515001-218	#	BOTTOM ASSEMBLY-UPHOLSTERED SEAT PILOT -----	1	E
			BOTTOM ASSEMBLY-UPHOLSTERED SEAT PILOT -----	1	F
			ATTACHING PARTS		
-12	MS20392-3C49		PIN -----	2	
-13	AN960-416L		WASHER -----	2	
-14	MS24665-134		COTTER PIN -----	4	
-15	MS20392-3C17		PIN -----	2	
-16			DELETED, NEVER USED -----		
-17	AN960-416L		WASHER -----	2	
			---*---		
-18	0515001-12	#	COVER ASSEMBLY-SEAT BOTTOM -----	1	A
	0515001-37	#	COVER ASSEMBLY-SEAT BOTTOM -----	1	E
	1514232-5	#	COVER ASSEMBLY-SEAT BOTTOM -----	1	F
-19	0514101-3		STIFFENER-SEAT TRIM LH -----	1	
	0514101-4		STIFFENER-SEAT TRIM RH -----	1	
			ATTACHING PARTS		
	S1021A4-6		SCREW -----	2	
			---*---		
-20	0514017-3	#	TRIM -----	1	
-21	0514017-1	#	TRIM-LH -----	1	H
	0714010-1	#	TRIM-LH -----	1	F
	0514017-2	#	TRIM-RH -----	1	H
	0714010-2	#	TRIM-RH -----	1	F
			ATTACHING PARTS		
	S1021A4-6		SCREW -----	4	
			---*---		
-22	0514026-11		TUBE-TORQUE -----	1	
-23	0514030-4		BELLCRANK ASSEMBLY-SEAT BACK ADJUST -----	2	
-24	NAS561P4-12		PIN -----	4	
-25	0514023-1		BRACKET ASSEMBLY WEU 0514060-5 -----	2	A
	0514060-5		BRACKET-SEAT PIVOT -----	2	B

CONTINUED ON NEXT PAGE

FIGURE AND INDEX NO.	PART NUMBER	DESCRIPTION							UNITS PER ASSY	USABLE ON CODE
		1	2	3	4	5	6	7		
54 -26	0514028-10	BELLCRANK ASSEMBLY-SEAT ADJUST -----							1	H
	0514028-15	BELLCRANK ASSEMBLY-SEAT ADJUST PILOT -----							1	F
	0514028-16	BELLCRANK ASSEMBLY-SEAT ADJUST CO-PILOT -----							1	F
		ATTACHING PARTS -----								
-27	NAS561P6-12	PIN -----							5	
		---*---								
-28	0514036-1	HANDLE ASSEMBLY-SEAT BACK ADJUST -----							1	
		ATTACHING PARTS -----								
-29	NAS561P4-12	PIN -----							1	
		---*---								
-30	0514033-1	BEARING BLOCK -----							1	
		ATTACHING PARTS -----								
-31	AN520-10RB	SCREW -----							1	
-32	AN960-10L	WASHER -----							1	
		---*---								
-32A	S2013-2	BEARING -----							1	C
	S2014-2	RACE -----							2	C
-33	I200138-2	COLLAR -----							2	
		ATTACHING PARTS -----								
-34	NAS561P4-12	PIN -----							1	
		---*---								
-35	0514027-2	SCREW ASSEMBLY WEU 0514027-6 -----							1	D
	0514027-6	SCREW ASSEMBLY -----							1	J
	0514027-9	SCREW ASSEMBLY -----							1	F
-36	NAS561P4-10	PIN -----							1	
-37	I200139-1	NUT-SEAT ADJUST -----							1	
		ATTACHING PARTS -----								
-38	MS20392-2C37	PIN -----							1	
-39	AN960-10	WASHER -----							1	
-40	MS24665-132	COTTER PIN -----							1	
		---*---								
-40A	I200448-1	SOCKET ASSEMBLY -----							1	
		ATTACHING PARTS -----								
-40B	0514038-1	SPACER -----							1	
-40C	S1022A4-10	SCREW -----							2	
-40D	AN23-16A	BOLT -----							2	
-40E	AN960-10L	WASHER -----							2	
-40F	S1914-8	NUT -----							2	
		---*---								
	0514024-1	PEDESTAL ASSEMBLY-CO-PILOT SEAT -----							1	
	0514024-2	PEDESTAL ASSEMBLY-PILOT SEAT -----							1	
-41	0514035-1	PEDESTAL-LH -----							1	
-42	0514035-2	PEDESTAL-RH -----							1	
-43	0514026-2	TORQUE TUBE-REAR -----							1	
-44	0514034-1	BELLCRANK-VERTICAL ADJUSTMENT REAR -----							2	
		ATTACHING PARTS -----								
-45	NAS561P6-28	PIN -----							1	
		---*---								
-46	0514028-6	BELLCRANK ASSEMBLY-REAR TORQUE TUBE -----							1	
-47	0514028-5	BELLCRANK ASSEMBLY-REAR TORQUE TUBE -----							1	
		ATTACHING PARTS -----								
-48	NAS561P8-18	PIN LH BELLCRANK -----							2	
-49	NAS561P6-18	PIN RH BELLCRANK -----							2	
		---*---								
-50	0514026-4	TORQUE TUBE-FORWARD -----							1	
-51	I200136-1	COLLAR-FRONT TORQUE TUBE -----							3	
		ATTACHING PARTS -----								
-52	NAS561P6-18	PIN -----							1	
		---*---								
-53	0700633-5	BELLCRANK ASSEMBLY-VERTICAL ADJUSTMENT FRONT -----							2	
		ATTACHING PARTS -----								
-54	NAS561P6-22	PIN -----							1	
		---*---								
-55	0514028-5	BELLCRANK ASSEMBLY-FRONT TORQUE TUBE -----							1	
		ATTACHING PARTS -----								
-56	NAS561P8-18	PIN -----							2	
		---*---								
-57	0514032-1	CHANNEL-TORQUE TUBE INTERCONNECT -----							1	
		ATTACHING PARTS -----								
-58	MS20392-2C37	PIN -----							2	
-59	MS24665-132	COTTER PIN -----							2	
		---*---								

CONTINUED ON NEXT PAGE

FIGURE AND INDEX NO.	PART NUMBER	DESCRIPTION							UNITS PER ASSY	USABLE ON CODE
		1	2	3	4	5	6	7		
54 -60	1200159-3	HANDLE ASSEMBLY-VERTICAL ADJUST -----							1	
		ATTACHING PARTS -----								
-61	NAS561P4-12	PIN -----							2	
		-----*								
-62	0514033-1	BEARING BLOCK -----							1	
		ATTACHING PARTS -----								
-63	AN520-10R8	SCREW -----							1	
-64	AN960-10L	WASHER -----							1	
		-----*								
-64A	S2013-2	BEARING -----							1	C
	S2014-2	RACE -----							2	C
-65	1200138-1	COLLAR -----							2	
		ATTACHING PARTS -----								
-66	NAS561P4-10	PIN -----							1	
		-----*								
-67	0514027-1	SCREW ASSEMBLY-VERTICAL ADJUST WEU 0514027-5 -----							1	D
	0514027-5	SCREW ASSEMBLY-VERTICAL ADJUST -----							1	C
-68	NAS561P4-10	PIN -----							1	
-69	0514037-1	NUT-SEAT ADJUST -----							1	
		ATTACHING PARTS -----								
-70	MS20392-2C37	PIN -----							1	
-71	AN960-10	WASHER -----							1	
-72	MS24665-132	COTTER PIN -----							1	
		-----*								
-73	0700113-1	KNDB-SEAT ADJUST -----							1	
		ATTACHING PARTS -----								
-74	S102126-8	SCREW -----							1	
		-----*								
-75	0514047-1	ARM ASSEMBLY-CO-PILOT SEAT ADJUST -----							1	
	0514047-9	ARM ASSEMBLY-PILOT SEAT ADJUST -----							1	
		ATTACHING PARTS -----								
-76	MS20392-2C83	PIN CO-PILOT -----							1	
	MS20392-2C45	PIN PILOT -----							1	
-77	AN960-10L	WASHER -----							1	
-78	MS24665-135	COTTER PIN -----							1	
		-----*								
-79	1414104-56	CLAMP CO-PILOT SEAT ADJUST -----							1	
		ATTACHING PARTS -----								
-80	MS20392-1C15	PIN -----							2	
-81	MS24665-132	COTTER PIN CO-PILOT SEAT ADJUST -----							1	
		-----*								
-82	NAS561-3-16	PIN -----							1	
-83	1714067-2	PIN-CO-PILOT SEAT ADJUST -----							1	
	1714067-4	PIN-PILOT SEAT ADJUST -----							1	
-84	1714061-1	GUIDE -----							1	
		ATTACHING PARTS -----								
-85	AN515-8R6	SCREW -----							2	
	MS21044N08	NUT -----							2	
		-----*								
-86	1414116-1	SPRING -----							1	
-87	1714000-33	HOUSING ASSEMBLY-ROLLER -----							4	
		ATTACHING PARTS -----								
-87A	NAS220-11	SCREW -----							2	
	AN960-8	WASHER -----							2	
-87B	MS21044N08	NUT -----							2	
		-----*								
-88	1714000K200	ROLLER KIT-SEAT -----							4	
		ATTACHING PARTS -----								
-89	AN23-20A	SCREW -----							1	
-90	1414104-54	BUSHING -----							1	
-91	AN960-10L	WASHER -----							1	
-92	S1914-8	NUT -----							1	
		-----*								
-93	0514048-3	# HEADREST ASSEMBLY -----							2	H
	0514048-14	# HEADREST ASSEMBLY -----							2	F
-94	0514048-11	# COVER-HEADREST -----							1	H
	0514048-15	# COVER-HEADREST -----							1	F
-94A	S1746Y2	BELT ASSEMBLY-FRONT SEAT BLUE -----							2	A
	S1746V2	BELT ASSEMBLY-FRONT SEAT OLIVE -----							2	A
	S1746T2	BELT ASSEMBLY-FRONT SEAT MARIGOLD -----							2	A
	S1746W2	BELT ASSEMBLY-FRONT SEAT BROWN -----							2	A
	S1746B2	BELT ASSEMBLY-FRONT SEAT BLACK -----							2	A

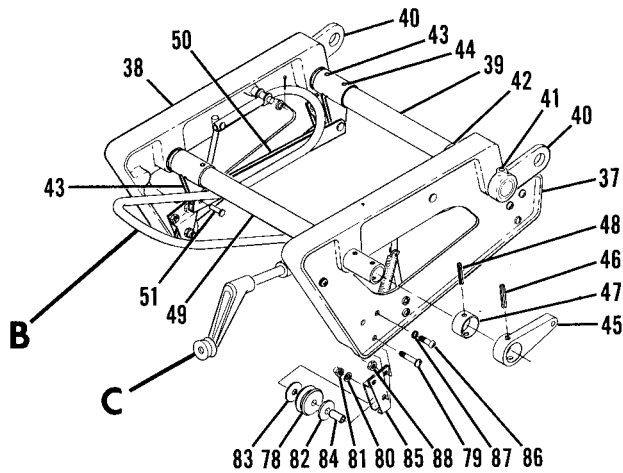
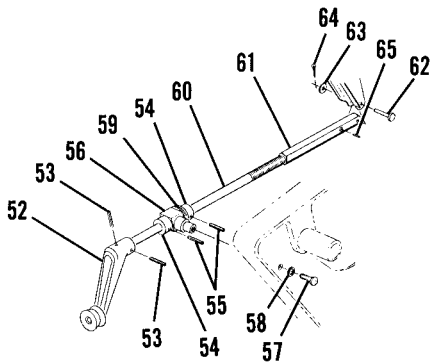
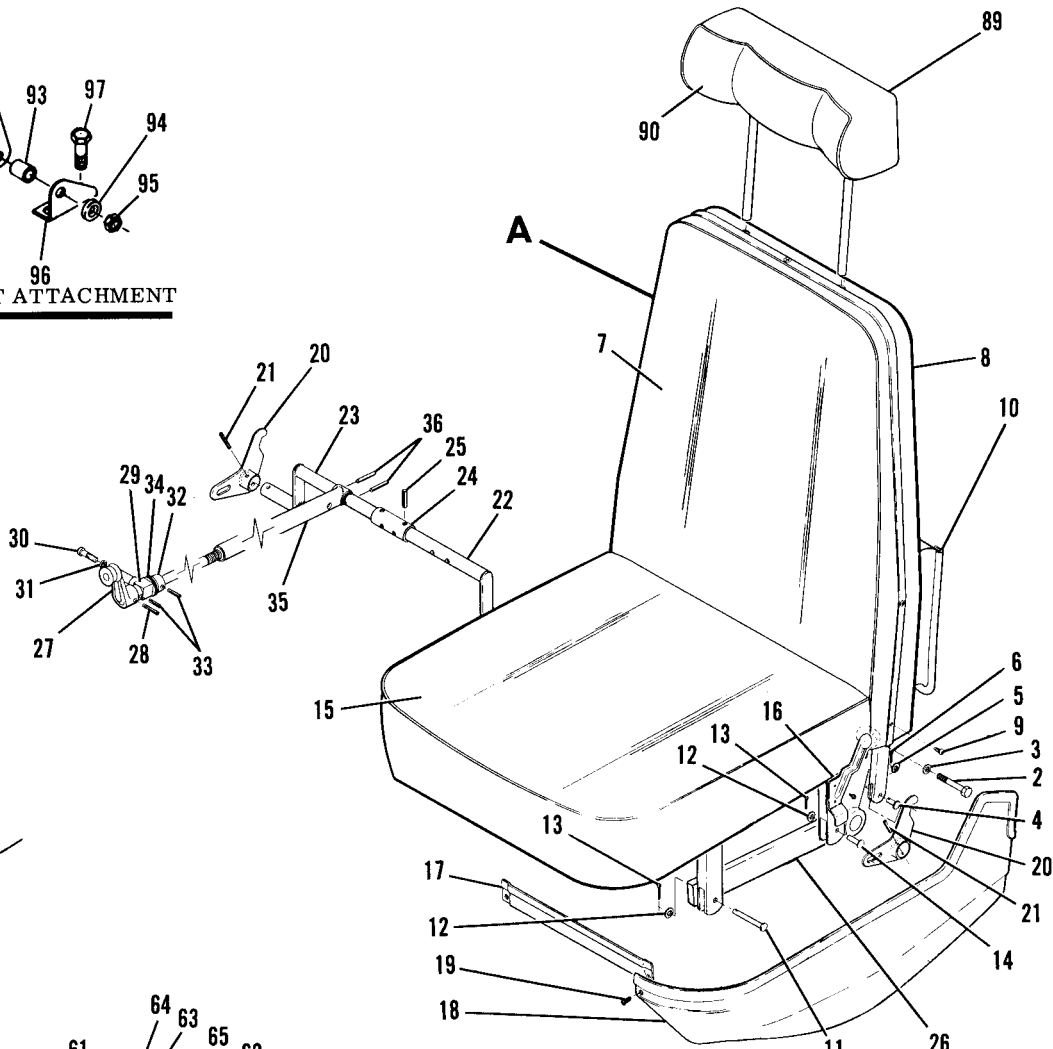
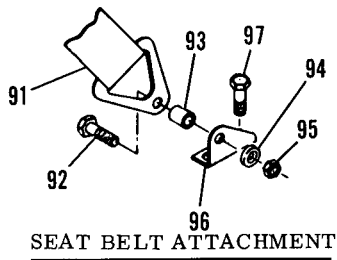
CONTINUED ON NEXT PAGE

FIGURE AND INDEX NO.	PART NUMBER	DESCRIPTION							UNITS PER ASSY	USABLE ON CODE	
		1	2	3	4	5	6	7			
54 -	S2070W103	%*	BELT ASSEMBLY-FRONT SEAT	BROWN	-----				2	E	
	S2070H103	%*	BELT ASSEMBLY-FRONT SEAT	BLUE	-----				2	E	
	S2070F103	%*	BELT ASSEMBLY-FRONT SEAT	RED	-----				2	E	
	S2070G103	%*	BELT ASSEMBLY-FRONT SEAT	GREEN	-----				2	E	
	S2070B103	%*	BELT ASSEMBLY-FRONT SEAT	BLACK	-----				2	E	
	S2070W103	%*	BELT ASSEMBLY-FRONT SEAT	BROWN	-----				2	F	
	S2070L103	%*	BELT ASSEMBLY-FRONT SEAT	BLUE	-----				2	F	
	S2070A103	%*	BELT ASSEMBLY-FRONT SEAT	RED	-----				2	F	
	S2070C103	%*	BELT ASSEMBLY-FRONT SEAT	GREEN	-----				2	F	
	S2070B103	%*	BELT ASSEMBLY-FRONT SEAT	BLACK	-----				2	F	
				ATTACHING PARTS							
-94B	AN4-5A		BOLT	-----					2		
-94C	NAS43HT4-12		SPACER	-----					2		
-94D	MS21042L4		NUT	-----					2		
-94E	AN960-416L		WASHER	-----					2		
			---*---								
-95	0510205-5		FITTING-SEAT BELT	OUTBOARD LH & INBOARD RH	-----				2		
	0510205-6		FITTING-SEAT BELT	INBOARD LH & OUTBOARD RH	-----				2		
			ATTACHING PARTS								
-95A	AN3-4A		BOLT	-----					2		
			---*---								
-95B	1200453-9	#	ARMREST ASSEMBLY	COPILOT SEAT	-----				1		
	1200453-10	#	ARMREST ASSEMBLY	PILOT SEAT	-----				1		
-96	1200453-5	#	COVER	-----					1		
-97	0812929-1		COVER-TRIM LH	-----					1		
	0812929-2		COVER-TRIM RH	-----					1		
			ATTACHING PARTS								
	AN509-8R7		SCREW	-----					4		
			---*---								
			NOTE. #THIS PART NUMBER MUST HAVE A SECOND DASH NUMBER ADDED TO DENOTE COLOR. REFER TO HOW TO ORDER UPHOLSTERED PARTS-PAGE VII								
			NOTE. #THIS PART NUMBER MUST HAVE A SECOND DASH NUMBER ADDED TO DENOTE COLOR. REFER TO HOW TO ORDER INTERIOR PARTS-PAGE VI.								
			NOTE. *SEE FIGURE 62A FOR SHOULDER HARNESS INSTALLATION.								
			NOTE. **WHEN INITIALLY ORDERING THIS PART FOR AIRPLANES PRIOR TO SERIAL 21059440, ALSO ORDER S2013-2 BEARING & 2 S2014-2 RACE.								
			NOTE. %WHEN ORDERING SEAT BELTS FOR AUSTRALIAN AIRCRAFT ADD VH TO PART NUMBER. EXAMPLE-S2070W103VH.								
			A---210 & T210 SERIAL 21059200 THRU 21059351								
			B---210 & T210 SERIAL 21059352 THRU 21059719								
			C---210 & T210 SERIAL 21059440 THRU 21059719								
			D---210 & T210 SERIAL 21059200 THRU 21059439								
			E---210 & T210 SERIAL 21059352 THRU 21059502								
			F---210 & T210 SERIAL 21059503 THRU 21059719								
			G---210 & T210 SERIAL 21059200 THRU 21059719								
			H---210 & T210 SERIAL 21059200 THRU 21059502								
			J---210 & T210 SERIAL 21059440 THRU 21059502								

FIGURE AND INDEX NO.	PART NUMBER	DESCRIPTION	UNITS PER ASSY	USABLE ON CODE
		1 2 3 4 5 6 7		
55 -		FRONT SEAT INSTALLATION-INFINITE ADJUST -----	NP	A
	1214077-2 #	FRONT SEAT ASSEMBLY-INFINITE ADJUST COPILOT -----	1	D
	1214077-1 #	FRONT SEAT ASSEMBLY-INFINITE ADJUST PILOT -----	1	D
	1214085-2 #	FRONT SEAT ASSEMBLY-INFINITE ADJUST COPILOT -----	1	F
	1214085-1 #	FRONT SEAT ASSEMBLY-INFINITE ADJUST PILOT -----	1	F
	1214102-2 #	FRONT SEAT ASSEMBLY-INFINITE ADJUST COPILOT -----	1	G
	1214102-1 #	FRONT SEAT ASSEMBLY-INFINITE ADJUST PILOT -----	1	G
		ATTACHING PARTS		
- 1	0713074-1	STOP SEAT -----	1	
	MS20392-1C21	PIN -----	1	
	MS24665-151	COTTER PIN -----	1	
		-----*		
		BACK ASSEMBLY-UPHOLSTERED SEAT -----	NP	D
		BACK ASSEMBLY-UPHOLSTERED SEAT -----	NP	F
	1214102-4 #	BACK ASSEMBLY-UPHOLSTERED SEAT -----	1	G
		ATTACHING PARTS		
- 2	AN3-17A	BOLT -----	2	
- 3	AN960-10L	WASHER -----	4	
	0514029-2	SPACER -----	2	
	MS21044N3	NUT -----	2	
- 4	MS20392-2C11	PIN -----	2	
- 5	AN960-10L	WASHER -----	2	
- 6	MS24665-132	COTTER PIN -----	2	
		-----*		
- 7	1214077-5 #	COVER ASSEMBLY-SEATBACK -----	1	D
	0514019-1 #	CUSHION ASSEMBLY-SEATBACK -----	1	D
- 7A	1514301-6 #	COVER ASSEMBLY-SEAT BACK -----	1	F
	1214102-10 #	COVER ASSY-SEAT BACK -----	1	G
	1214102-7 #	CUSHION ASSY-SEAT BACK -----	1	E
- 7B	1214085-8	PILLOW -----	1	E
- 7C	1214085-6	CUSHION ASSY -----	1	E
- 8	0514083-1 #	TRIM ASSEMBLY -----	1	D
		ATTACHING PARTS		
- 9	S1021A4-6	SCREW -----	5	
		-----*		
	S1498-1	TRIM-EXTRUSION BKI SEE FIG 1 -----	1	D
-10	1214062-5 #	POCKET ASSEMBLY-MAGAZINE -----	1	D
-10A	1214085-11 #	BACK COVER ASSY -----	1	E
		ATTACHING PARTS		
	S1021A4-6	SCREW -----	4	
		-----*		
	S1898-1	FASTENER -----	3	E
-10B	0514110-1	RETAINER-HEADREST -----	2	F
	0514110-2	RETAINER-HEADREST -----	2	G
-10C	1514301-9 #	POCKET ASSY-MAGAZINE -----	1	E
		ATTACHING PARTS		
	S1021A4-6	SCREW -----	2	E
		-----*		
		BOTTOM ASSY-UPHOLSTERED SEAT -----	NP	D
		BOTTOM ASSY-UPHOLSTERED SEAT -----	NP	F
	1214102-5 #	BOTTOM ASSY-UPHOLSTERED SEAT PILOT -----	1	G
	1214102-6 #	BOTTOM ASSY-UPHOLSTERED SEAT COPILOT -----	1	G
		ATTACHING PARTS		
-11	MS20392-3C49	PIN -----	2	
-12	AN960-416L	WASHER -----	4	
-13	MS24665-134	COTTER PIN -----	4	
-14	MS20392-3C17	PIN -----	2	
		-----*		
-15	1214077-4 #	COVER ASSEMBLY-SEAT BOTTOM -----	1	D
	1514232-6 #	CUSHION ASSEMBLY-SEAT BOTTOM -----	1	D
-15A	1514301-7 #	COVER ASSY-SEAT BOTTOM -----	1	F
	1214102-9 #	COVER ASSY-SEAT BOTTOM -----	1	G
	1214102-8 #	CUSHION ASSY-SEAT BOTTOM -----	1	E
-15B	1214085-7	PILLOW -----	1	E
-15C	1214085-5	CUSHION ASSY -----	1	E
-16	0514101-3	STIFFENER-SEAT TRIM LH -----	1	
	0514101-4	STIFFENER-SEAT TRIM RH -----	1	
		ATTACHING PARTS		
	S1021A4-6	SCREW -----	2	
		-----*		

CONTINUED ON NEXT PAGE

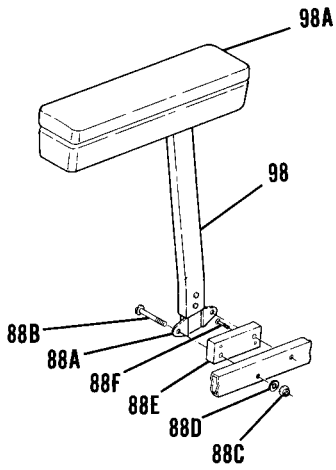
Seats (Cont)



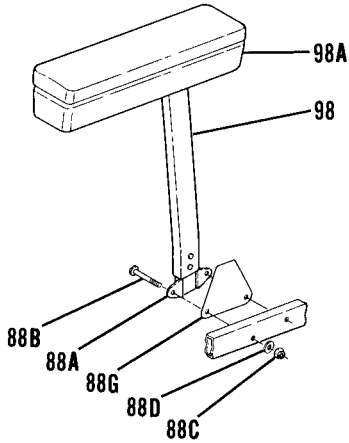
210 & T210 SERIAL 21059720 & ON

Figure 55. Infinitely Adjustable Pilot & Co-Pilot Seat Installation (Sheet 1 of 2)

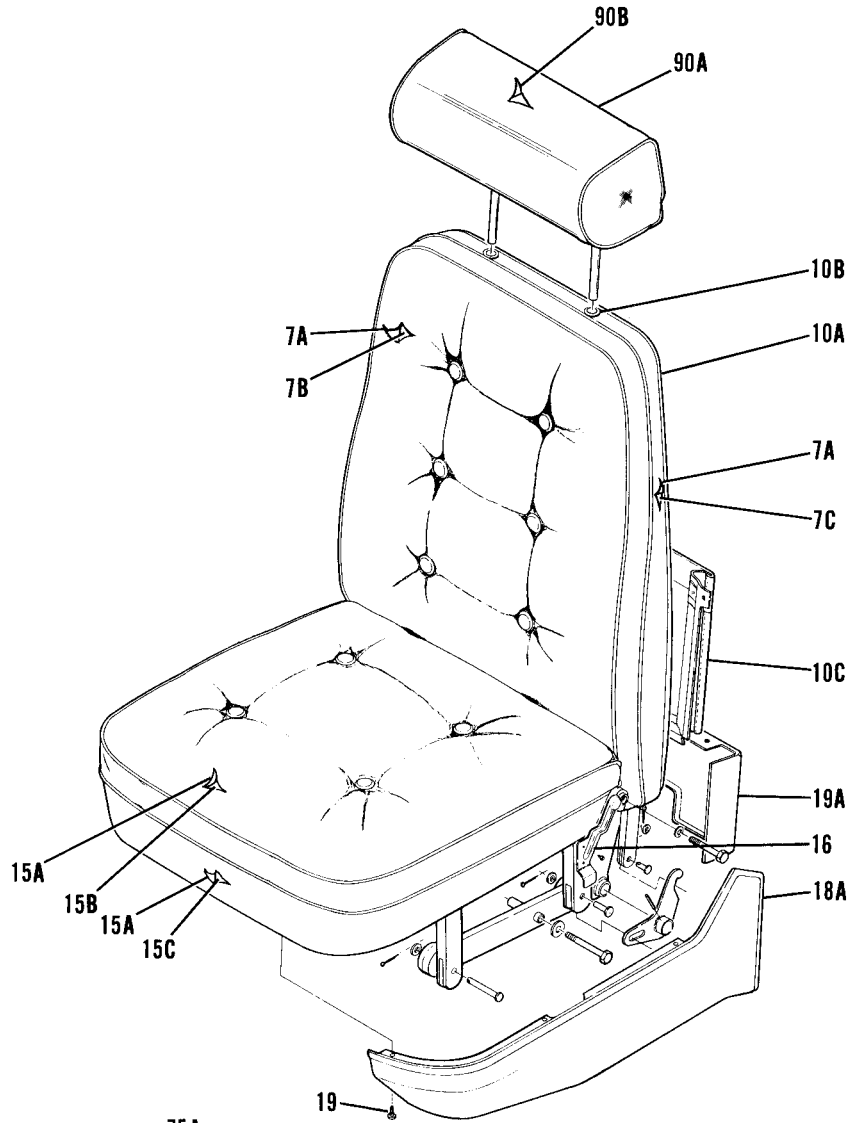
Seats (Cont)



SERIAL 21059720 THRU 21060089

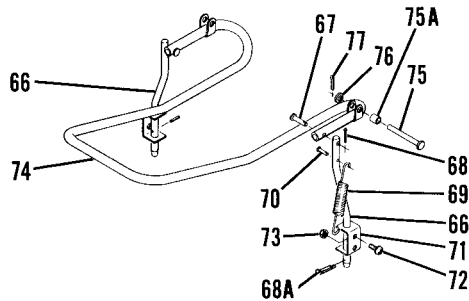


SERIAL 21060090 & ON
ARMREST INSTALLATION



SERIAL 21060090 & ON

Detail **A**



Detail **B**

210 & T210 SERIAL 21059720 & ON

Figure 55. Infinitely Adjustable Pilot & Co-Pilot Seat Installation (Sheet 2 of 2)

FIGURE AND INDEX NO.	PART NUMBER	DESCRIPTION	UNITS PER ASSY	USABLE ON CODE
55 -17	0514017-3	TRIM-SEAT BOTTOM FWD ----- ATTACHING PARTS	1	D
	S1021A4-6	SCREW ----- ---*---	1	
-18	0714010-1	TRIM-SEAT BOTTOM LH -----	1	D
	0714010-2	TRIM-SEAT BOTTOM RH -----	1	D
-18A	1214099-1	TRIM-SEAT BOTTOM LH -----	1	H
	1214099-2	TRIM-SEAT BOTTOM RH -----	1	H
	0514117-1	TRIM-SEAT BOTTOM LH -----	1	J
	0514117-2	TRIM-SEAT BOTTOM RH ----- ATTACHING PARTS	1	J
-19	S1021A4-6	SCREW ----- ---*---	3	
-19A	1214098-1	TRIM-SEAT BOTTOM AFT -----	1	E
-20	0514030-4	BELLCRANK ASSEMBLY-SEATBACK ADJUST ----- ATTACHING PARTS	2	
-21	NAS561P4-12	PIN ----- ---*---	2	
-22	1714074-13	CRANK-WELD ASSEMBLY-LH -----	1	
-23	1714074-14	CRANK-WELD ASSEMBLY-RH -----	1	
-24	1714074-6	SPLICE ----- ATTACHING PARTS	1	
-25	NAS561P6-12	PIN ----- ---*---	4	
-26	0514060-5	BRACKET SEAT PIVOT -----	2	
-27	0514036-1	HANDLE ASSEMBLY-SEATBACK ADJUST ----- ATTACHING PARTS	1	
-28	NAS561P4-12	PIN ----- ---*---	1	
-29	0514033-1	BEARING BLOCK ----- ATTACHING PARTS	1	
-30	AN520-10R8	SCREW -----	1	
-31	AN960-10L	WASHER ----- ---*---	1	
-32	1200138-2	COLLAR ----- ATTACHING PARTS	2	
-33	NAS561P4-12	PIN ----- ---*---	1	
-34	S2013-2	BEARING -----	1	
	S2014-2	RACE-BEARING -----	2	
-35	0514089-1	JACK SCREW ASSEMBLY ----- ATTACHING PARTS	1	
-36	NAS561P4-15	PIN ----- ---*---	2	
	0514051-2	PEDESTAL ASSEMBLY-COPILOT SEAT -----	1	
	0514051-1	PEDESTAL ASSEMBLY-PILOT SEAT -----	1	
-37	0514035-17	PEDESTAL LH -----	1	
-38	0514035-18	PEDESTAL RH -----	1	
-39	0514026-2	TORQUE TUBE REAR -----	1	
-40	0514034-1	BELLCRANK-REAR TORQUE TUBE ----- ATTACHING PARTS	2	
-41	NAS561P6-28	PIN ----- ---*---	1	
-42	0514028-6	BELLCRANK ASSEMBLY-REAR TORQUE TUBE INBD ----- ATTACHING PARTS	1	
	NAS561P8-18	PIN ----- ---*---	2	
-43	0514028-5	BELLCRANK ASSEMBLY-REAR TORQUE TUBE OUTBD ----- ATTACHING PARTS	1	
-44	NAS561P8-18	PIN ----- ---*---	2	
-45	0700633-5	BELLCRANK-FWD TORQUE TUBE ----- ATTACHING PARTS	2	
-46	NAS561P6-22	PIN ----- ---*---	2	
-47	1200136-1	COLLAR ----- ATTACHING PARTS	3	
-48	NAS561P6-18	PIN ----- ---*---	1	
-49	0514026-4	TORQUE TUBE-FWD -----	1	

CONTINUED ON NEXT PAGE

FIGURE AND INDEX NO.	PART NUMBER	DESCRIPTION	UNITS PER ASSY	USABLE ON CODE
55 -50	0514032-1	CHANNEL-TORQUE TUBE INTERCONNECT ----- ATTACHING PARTS -----	1	
-51	MS20392-2C17 AN960-10L MS24665-132	PIN ----- WASHER ----- COTTER PIN ----- -----*	2 2 2	
-52	1200159-3	HANDLE ASSEMBLY-VERTICAL ADJUST ----- ATTACHING PARTS -----	1	
-53	NAS561P4-12	PIN ----- -----*	2	
-54	1200138-2	COLLAR ----- ATTACHING PARTS -----	2	
-55	NAS561P4-12	PIN ----- -----*	2	
-56	0514033-2	BEARING BLOCK ----- ATTACHING PARTS -----	1	
-57	AN520-10RB	SCREW -----	1	
-58	AN960-10L	WASHER ----- -----*	1	
-59	S2013-2 S2014-2	BEARING ----- RACE-BEARING -----	1 2	
-60	0514027-21	SCREW ASSEMBLY-VERTICAL ADJUST -----	1	
-61	1514119-3	NUT-VERTICAL ADJUST ----- ATTACHING PARTS -----	1	
-62	MS20392-2C37	PIN -----	1	
-63	AN960-10	WASHER -----	1	
-64	MS24665-132	COTTER PIN -----	1	
-65	NAS561P4-8	PIN ----- -----*	1	
-66	1714067-5	PIN-SEAT ADJUST ----- ATTACHING PARTS -----	2	
-67	MS20392-1C21	PIN -----	1	
-68	MS24665-132	COTTER PIN -----	1	
-68A	NAS561-3-16	PIN ----- -----*	1	
-69	1414116-1	SPRING LH SIDE ONLY ----- ATTACHING -----	1	
-70	MS20392-1C11	PIN ----- -----*	1	
-71	1714061-1	GUIDE-PIN ----- ATTACHING -----	2	
-72	AN515-8R6	SCREW -----	2	
-73	MS21044N08	NUT ----- -----*	2	
-74	0514090-4	HANDLE-SEAT ADJUST ----- ATTACHING PARTS -----	1	
-75	MS20392-2C55	PIN -----	2	
-75A	NAS43003-18	SPACER -----	2	
-76	AN960-10L	WASHER -----	2	
-77	MS24665-132	COTTER PIN ----- -----*	2	
-78	S1704-1	ROLLER-SEAT ----- ATTACHING PARTS -----	4	
-79	AN23-20A	BOLT -----	1	
-80	AN960-10L	WASHER -----	1	
-81	S1914-8	NUT -----	1	
-82	1714000-22	WASHER -----	1	
-83	1714000-41	WASHER -----	1	
-84	1414104-54	BUSHING ----- -----*	1	
-85	1714000-33	HOUSING-SEAT ROLLER ----- ATTACHING -----	4	
-86	NAS220-11	SCREW -----	2	
-87	AN960-8	WASHER -----	2	
-88	NAS979A08	NUT ----- -----*	2	
-88A	1200448-1	SOCKET ASSY-ARMREST ----- ATTACHING PARTS -----	1	
-88B	AN23-16A	BOLT -----	2	
-88C	S1914-8	NUT -----	2	
-88D	AN960-416L	WASHER ----- -----*	2	

CONTINUED ON NEXT PAGE

FIGURE AND INDEX NO.	PART NUMBER	DESCRIPTION	UNITS PER ASSY	USABLE ON CODE
55 -88E	0514038-1	SPACER ----- ATTACHING PARTS -----	1	D
-88F	S1022A4-10	SCREW ----- -----*	2	D
-88G	1514304-1	SCUFF PLATE-ARMREST PILOT SEAT -----	1	E
	1514304-2	SCUFF PLATE-ARMREST COPILOT SEAT -----	1	E
-89	0514048-14	HEADREST ASSEMBLY -----	2	D
-90	0514048-15	COVER ASSEMBLY -----	1	D
-90A	1215073-1	HEADREST ASSY -----	1	E
-90B	1215073-10	COVER ASSY -----	1	E
-91	S2070W103	BELT ASSEMBLY-FRONT SEAT GOLD -----	2	D
	S2070U103	BELT ASSEMBLY-FRONT SEAT BLUE -----	2	D
	S2070AA103	BELT ASSEMBLY-FRONT SEAT OLIVE -----	2	D
	S2070Z103	BELT ASSEMBLY-FRONT SEAT RED -----	2	D
	S2070B103	BELT ASSEMBLY-FRONT SEAT BLACK -----	2	D
	S2070CC103	BELT ASSEMBLY-FRONT SEAT BROWN -----	2	E
	S2070BB103	BELT ASSEMBLY-FRONT SEAT BLUE -----	2	E
	S2070AA103	BELT ASSEMBLY-FRONT SEAT GREEN -----	2	E
	S2070T103	BELT ASSEMBLY-FRONT SEAT RED -----	2	E
	S2070DD103	BELT ASSEMBLY-FRONT SEAT GOLD -----	2	E
	S2070B103	BELT ASSEMBLY-FRONT SEAT BLACK -----	2	E
		ATTACHING PARTS -----		
-92	AN4-5A	BOLT -----	2	
-93	NAS43HT4-12	SPACER -----	2	
-94	AN960-416L	WASHER -----	2	
-95	MS21042L4	NUT ----- -----*	2	
-96	SEE FIG 62B	INERTIA REEL SEAT BELT & SHOULDER HARNESS INSTALLATION -----	1	
	0510205-5	FITTING-SEAT BELT INBD LH & OUTBD RH -----	2	D
	0510205-6	FITTING-SEAT BELT OUTBD LH & INBD RH -----	2	E
	0510205-7	FITTING-SEAT BELT INBD LH & OUTBD RH -----	2	E
	0510205-8	FITTING-SEAT BELT OUTBD LH & INBD RH -----	2	E
		ATTACHING PARTS -----		
-97	AN3-5A	BOLT INBD LH & OUTBD RH -----	2	D
	AN3-4A	BOLT INBD RH & OUTBD LH -----	2	D
	AN4-5A	BOLT -----	2	F
	AN4-5A	BOLT USE ON ALL FITTINGS EXCEPT OUTBD RH -----	2	G
	AN4-5A	BOLT USE ON OUTBD RH FITTING ONLY -----	2	G
		-----*		
-98	1214111-5	ARMREST ASSY LH -----	1	
	1214111-6	ARMREST ASSY RH -----	1	
-98A	1214109-1	PAD-ARMREST -----	1	

NOTE. #THIS PART NUMBER MUST HAVE SECOND DASH NUMBER ADDED TO DENOTE COLOR. REFER TO HOW TO ORDER UPHOLSTERED PARTS-PAGE VII.

NOTE #THIS PART NUMBER MUST HAVE SECOND DASH NUMBER ADDED TO DENOTE COLOR. REFER TO HOW TO ORDER INTERIOR PARTS-PAGE VI.

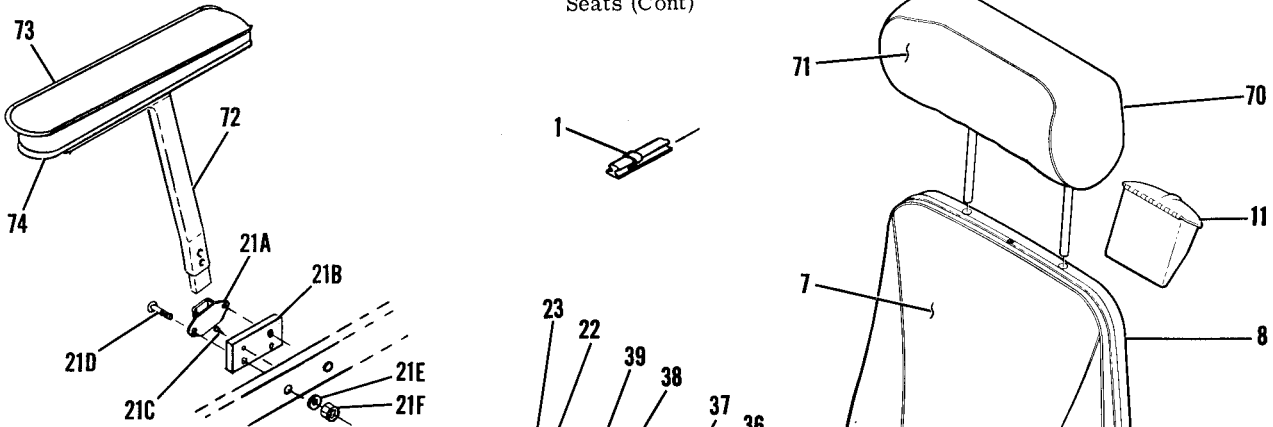
NOTE *SEE FIGURE 62A FOR SHOULDER HARNESS INSTALLATION.

NOTE. %WHEN ORDERING SEAT BELTS FOR AUSTRALIAN AIRCRAFT ADD VH TO PART NUMBER. EXAMPLE S2070W103VH.

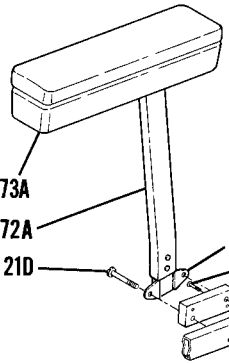
- A---210 & T210 SERIAL 21059720 & ON
- B---210 & T210 SERIAL 21059720 THRU 21059898
- C---210 & T210 SERIAL 21059899 & ON
- D---210 & T210 SERIAL 21059720 THRU 21060089
- E---210 & T210 SERIAL 21060090 & ON
- F---210 & T210 SERIAL 21060090 THRU 21060539
- G---210 & T210 SERIAL 21060540 & ON
- H---210 & T210 SERIAL 21060090 THRU 21060429
- J---210 & T210 SERIAL 21060430 & ON

This page intentionally left blank.

Seats (Cont)

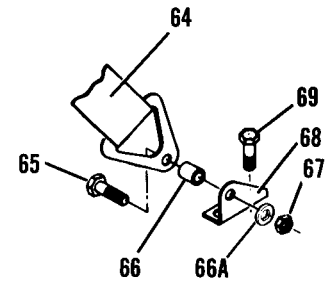
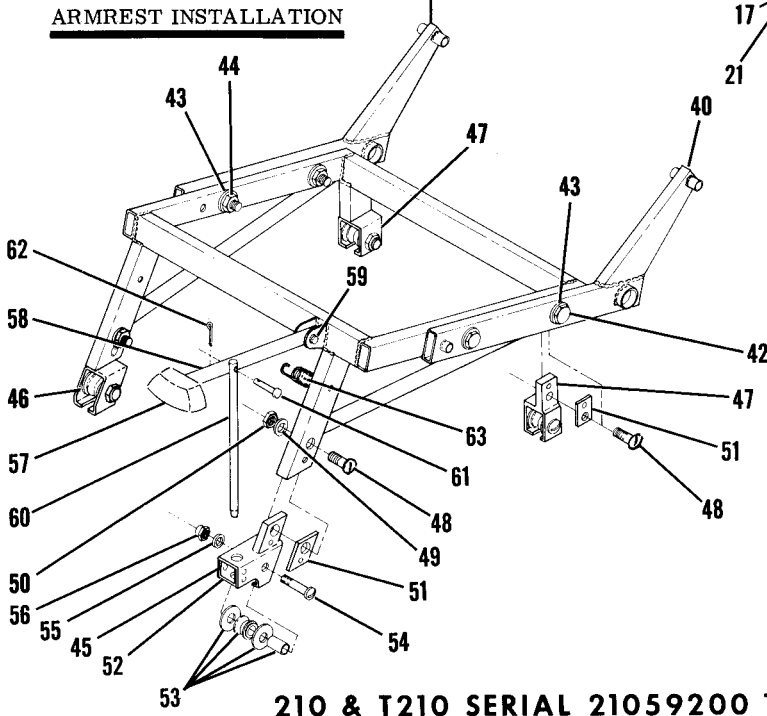


SERIAL 21059200 THRU 21059719



SERIAL 21059720 & ON

ARMREST INSTALLATION



SEAT BELT
INSTALLATION

210 & T210 SERIAL 21059200 THRU 21060089

Figure 56. Articulating Recline Middle Seats Installation

FIGURE AND INDEX NO.	PART NUMBER		DESCRIPTION	UNITS PER ASSY	USABLE ON CODE
56 -			1 2 3 4 5 6 7 ARTICULATING RECLINE MIDDLE SEATS INSTALLATION -----	NP	N
	1214037-1	#	SEAT ASSEMBLY-MIDDLE ARTICULATING RECLINE LH -----	1	C
	1214037-13	#	SEAT ASSEMBLY-MIDDLE ARTICULATING RECLINE LH -----	1	G
	1214076-1	#	SEAT ASSEMBLY-MIDDLE ARTICULATING RECLINE LH -----	1	H
	1214078-1	#	SEAT ASSEMBLY-MIDDLE ARTICULATING RECLINE LH -----	1	J
	1214037-2	#	SEAT ASSEMBLY-MIDDLE ARTICULATING RECLINE RH -----	1	C
	1214037-12	#	SEAT ASSEMBLY-MIDDLE ARTICULATING RECLINE RH -----	1	G
	1214076-2	#	SEAT ASSEMBLY-MIDDLE ARTICULATING RECLINE RH -----	1	H
	1214078-2	#	SEAT ASSEMBLY-MIDDLE ARTICULATING RECLINE RH -----	1	J
			ATTACHING PARTS		
- 1	0713074-1		STOP-SEAT -----	2	
	MS20392-1-21		PIN -----	2	
	MS24665-151		COTTER PIN -----	2	
			-----*		
	1214037-201	#	BACK ASSEMBLY-UPHOLSTERED SEAT LH -----	1	C
	1214037-205	#	BACK ASSEMBLY-UPHOLSTERED SEAT LH -----	1	G
		#	BACK ASSEMBLY-UPHOLSTERED SEAT LH -----	1	H
		#	BACK ASSEMBLY-UPHOLSTERED SEAT LH -----	1	J
	1214037-200	#	BACK ASSEMBLY-UPHOLSTERED SEAT RH -----	1	C
	1214037-204	#	BACK ASSEMBLY-UPHOLSTERED SEAT RH -----	1	G
		#	BACK ASSEMBLY-UPHOLSTERED SEAT RH -----	1	H
		#	BACK ASSEMBLY-UPHOLSTERED SEAT RH -----	1	J
			ATTACHING PARTS		
- 2	AN3-17A		BOLT -----	2	
- 3	AN960-10L		WASHER -----	4	
	0514029-2		SPACER -----	2	
	MS21044N3		NUT -----	2	
- 4	MS20392-2C11		PIN -----	2	
- 5	AN960-10L		WASHER -----	2	
- 6	MS24665-132		COTTER PIN -----	2	
			-----*		
- 7	1214037-3	#	COVER ASSEMBLY-SEAT BACK -----	1	C
	1515014-18	#	COVER ASSEMBLY-SEAT BACK -----	1	G
	1514233-3	#	COVER ASSEMBLY-SEAT BACK -----	1	H
	1214078-5	#	COVER ASSEMBLY-SEAT BACK -----	1	J
- 8	0514018-16	□	TRIM ASSEMBLY-SEAT BACK RH -----	1	L
	1214071-2	□	TRIM ASSEMBLY-SEAT BACK RH -----	1	K
	0514018-17	□	TRIM ASSEMBLY-SEAT BACK LH -----	1	L
	1214071-1	□	TRIM ASSEMBLY-SEAT BACK LH -----	1	K
			ATTACHING PARTS		
- 9	S1021A4-6		SCREW -----	5	
			-----*		
-10	0514018-9	□	POCKET ASSEMBLY-MAGAZINE -----	1	L
	1514233-10	□	POCKET ASSY-MAGAZINE -----	1	K
			ATTACHING PARTS		
	S1021A4-6		SCREW -----	2	K
			-----*		
-11	S1957-2		ASH RECEIVER ASSEMBLY -----	1	L
	1214037-203	#	BOTTOM ASSEMBLY-UPHOLSTERED SEAT LH -----	1	C
	1214037-207	#	BOTTOM ASSEMBLY-UPHOLSTERED SEAT LH -----	1	G
		#	BOTTOM ASSEMBLY-UPHOLSTERED SEAT LH -----	1	H
		#	BOTTOM ASSY-UPHOLSTERED SEAT LH -----	1	J
	1214037-202	#	BOTTOM ASSEMBLY-JPHOLSTERED SEAT RH -----	1	C
	1214037-206	#	BOTTOM ASSEMBLY-UPHOLSTERED SEAT RH -----	1	G
		#	BOTTOM ASSEMBLY-UPHOLSTERED SEAT RH -----	1	H
		#	BOTTOM ASSY-UPHOLSTERED SEAT RH -----	1	J
			ATTACHING PARTS		
-12	MS20392-3C17		PIN -----	2	
-13	AN960-416L		WASHER -----	2	
-14	MS24665-132		COTTER PIN -----	2	
-15	MS20392-3C55		PIN -----	2	
-16	AN960-416L		WASHER -----	2	
	1514230-2		SPACER -----	2	
-17	MS24665-132		COTTER PIN -----	2	
			-----*		
-18	1214037-4	#	COVER ASSEMBLY-SEAT BOTTOM -----	1	C
	1515014-17	#	COVER ASSEMBLY-SEAT BOTTOM -----	1	G
	1514233-4	#	COVER ASSEMBLY-SEAT BOTTOM -----	1	H
	1214078-4	#	COVER ASSEMBLY-SEAT BOTTOM -----	1	J
-19	0514017-3	□	TRIM-FORWARD -----	1	
			ATTACHING PARTS		
	S1021A4-6		SCREW -----	1	
			-----*		

CONTINUED ON NEXT PAGE

FIGURE AND INDEX NO.	PART NUMBER	DESCRIPTION							UNITS PER ASSY	USABLE ON CODE
		1	2	3	4	5	6	7		
56 -20	0514017-5	π	TRIM-LH OUTBOARD	-----	-----	-----	-----	-----	1	L
	0714010-3	π	TRIM-LH OUTBOARD	-----	-----	-----	-----	-----	1	K
	0514017-1	π	TRIM-LH INBOARD	-----	-----	-----	-----	-----	1	L
	0714010-2	π	TRIM-LH INBOARD	-----	-----	-----	-----	-----	1	K
	0514017-2	π	TRIM-RH INBOARD	-----	-----	-----	-----	-----	1	L
	0714010-1	π	TRIM-RH INBOARD	-----	-----	-----	-----	-----	1	K
	0514017-4	π	TRIM-RH OUTBOARD	-----	-----	-----	-----	-----	1	L
	0714010-4	π	TRIM-RH OUTBOARD	-----	-----	-----	-----	-----	1	K
				ATTACHING PARTS	-----	-----	-----	-----	-----	
-21	S1021A4-6		SCREW	-----	-----	-----	-----	-----	3	
			----*----	-----	-----	-----	-----	-----		
-21A	1200448-1		SOCKET ASSEMBLY	-----	-----	-----	-----	-----	1	
			ATTACHING PARTS	-----	-----	-----	-----	-----		
-21B	0514038-1		SPACER	-----	-----	-----	-----	-----	1	
-21C	S1022A4-10		SCREW	-----	-----	-----	-----	-----	2	
-21D	AN23-16A		BOLT	-----	-----	-----	-----	-----	2	
-21E	AN960-416L		WASHER	-----	-----	-----	-----	-----	2	
-21F	S1914-8		NUT	-----	-----	-----	-----	-----	2	
			----*----	-----	-----	-----	-----	-----		
-22	0514026-13		TUBE-TORQUE	-----	-----	-----	-----	-----	1	
-23	0514030-4		BELLCRANK ASSEMBLY-SEAT BACK ADJUST	-----	-----	-----	-----	-----	2	
			ATTACHING PARTS	-----	-----	-----	-----	-----		
-24	NAS561P4-12		PIN	-----	-----	-----	-----	-----	2	
			----*----	-----	-----	-----	-----	-----		
-25	0514028-12		BELLCRANK ASSEMBLY-SEAT ADJUST	-----	-----	-----	-----	-----	1	L
	0514028-14		BELLCRANK ASSEMBLY-SEAT ADJUST	-----	-----	-----	-----	-----	1	K
			ATTACHING PARTS	-----	-----	-----	-----	-----		
-26	NAS561P6-12		PIN	-----	-----	-----	-----	-----	5	
			----*----	-----	-----	-----	-----	-----		
-27	0514036-1		HANDLE ASSEMBLY-SEAT BACK ADJUST	-----	-----	-----	-----	-----	1	
			ATTACHING PARTS	-----	-----	-----	-----	-----		
-28	NAS561P4-12		PIN	-----	-----	-----	-----	-----	1	
			----*----	-----	-----	-----	-----	-----		
-29	0514033-1		BEARING BLOCK	-----	-----	-----	-----	-----	1	
			ATTACHING PARTS	-----	-----	-----	-----	-----		
-30	AN520-10R8		SCREW	-----	-----	-----	-----	-----	1	
-31	AN960-10L		WASHER	-----	-----	-----	-----	-----	1	
			----*----	-----	-----	-----	-----	-----		
-31A	S2013-2		BEARING	-----	-----	-----	-----	-----	1	E
	S2014-2		RACE	-----	-----	-----	-----	-----	2	E
-32	1200138-2		COLLAR	-----	-----	-----	-----	-----	2	
			ATTACHING PARTS	-----	-----	-----	-----	-----		
-33	NAS561P4-12		PIN	-----	-----	-----	-----	-----	1	
			----*----	-----	-----	-----	-----	-----		
-34	0514027-2		SCREW ASSEMBLY	WEU 0514027-6	-----	-----	-----	-----	1	F
	0514027-6	***	SCREW ASSEMBLY	-----	-----	-----	-----	-----	1	M
	0514027-9	***	SCREW ASSEMBLY	-----	-----	-----	-----	-----	1	K
-35	NAS561P4-10		PIN	-----	-----	-----	-----	-----	1	
-36	1200139-1		NUT-SEAT ADJUST	-----	-----	-----	-----	-----	1	
			ATTACHING PARTS	-----	-----	-----	-----	-----		
-37	MS20392-2C37		PIN	-----	-----	-----	-----	-----	1	
-38	AN960-10L		WASHER	-----	-----	-----	-----	-----	1	
-39	MS24665-132		COTTER PIN	-----	-----	-----	-----	-----	1	
			----*----	-----	-----	-----	-----	-----		
-40	0514023-13		BRACKET ASSEMBLY-SEAT BACK SUPPORT LH	WEU 0514060-1	-----	-----	-----	-----	1	A
	0514060-1		BRACKET-SEAT PIVOT LH	-----	-----	-----	-----	-----	1	B
-41	0514023-12		BRACKET ASSY-SEAT BACK SUPPORT RH	WEU 0514060-2	-----	-----	-----	-----	1	A
	0514060-2		BRACKET-SEAT PIVOT RH	-----	-----	-----	-----	-----	1	B
			ATTACHING PARTS	-----	-----	-----	-----	-----		
-42	AN4-12A		BOLT	-----	-----	-----	-----	-----	2	
	1214031-2		BUSHING	-----	-----	-----	-----	-----	2	
-43	S1074-1		WASHER	-----	-----	-----	-----	-----	4	
-44	MS21042L4		NUT	-----	-----	-----	-----	-----	2	
			----*----	-----	-----	-----	-----	-----		

CONTINUED ON NEXT PAGE



FIGURE AND INDEX NO.	PART NUMBER	DESCRIPTION							UNITS PER ASSY	USABLE ON CODE
		1	2	3	4	5	6	7		
56 -	1214036-3	BASE ASSEMBLY-SEAT BOTTOM LH -----							1	
	1214036-4	BASE ASSEMBLY-SEAT BOTTOM RH -----							1	
-45	1414104-25	HOUSING-ROLLER FWD LH -----							1	
-46	1414104-26	HOUSING-ROLLER FWD RH -----							1	
-47	1414104-22	HOUSING-ROLLER AFT -----							2	
		ATTACHING PARTS								
-48	AN509-416R13	SCREW -----							1	
-49	AN960-416	WASHER -----							1	
-50	MS21042L4	NUT -----							1	
-51	1414104-36	SHIM -----							1	
		---*---								
-52	1414104-8	GUIDE-SEAT ADJUSTMENT PIN -----							1	
-53	1414100-212	KIT-SEAT ROLLER -----							4	
		ATTACHING PARTS								
-54	AN23-19A	BOLT -----							1	
-55	AN960-10L	WASHER -----							1	
-56	S1914-8	NUT -----							1	
		---*---								
-57	0700113-1	KNOB-HANDLE SEAT ADJUST -----							1	
		ATTACHING PARTS								
	S1021Z6-8	SCREW -----							1	
		---*---								
-58	1214032-1	HANDLE-SEAT ADJUST -----							1	
		ATTACHING PARTS								
-59	MS20392-1C17	PIN -----							1	
	AN960-4	WASHER -----							1	
	MS24665-132	COTTER PIN -----							1	
		---*---								
-60	1214033-1	PIN-SEAT ADJUSTMENT -----							1	
		ATTACHING PARTS								
-61	MS20392-1-21	PIN -----							1	
-62	MS24665-132	COTTER PIN -----							1	
		---*---								
-63	1414116-1	SPRING -----							1	
-64	S1746Y25	BELT ASSEMBLY-SEAT BLUE -----							2	C
	S1746V25	BELT ASSEMBLY-SEAT OLIVE -----							2	C
	S1746T25	BELT ASSEMBLY-SEAT MARIGOLD -----							2	C
	S1746W25	BELT ASSEMBLY-SEAT BROWN -----							2	C
	S1746B25	BELT ASSEMBLY-SEAT BLACK -----							2	C
	S1746W25	BELT ASSEMBLY-SEAT BROWN -----							2	G
	S1746H25	BELT ASSEMBLY-SEAT BLUE -----							2	G
	S1746F25	BELT ASSEMBLY-SEAT RED -----							2	G
	S1746G25	BELT ASSEMBLY-SEAT GREEN -----							2	G
	S1746B25	BELT ASSEMBLY-SEAT BLACK -----							2	G
	S2070W105	BELT ASSEMBLY-SEAT BROWN -----							2	G
	S2070H105	BELT ASSEMBLY-SEAT BLUE -----							2	G
	S2070F105	BELT ASSEMBLY-SEAT RED -----							2	G
	S2070G105	BELT ASSEMBLY-SEAT GREEN -----							2	G
	S2070B105	BELT ASSEMBLY-SEAT BLACK -----							2	G
	S1746W25	BELT ASSEMBLY-SEAT BROWN -----							2	H
	S1746L25	BELT ASSEMBLY-SEAT BLUE -----							2	H
	S1746A25	BELT ASSEMBLY-SEAT RED -----							2	H
	S1746C25	BELT ASSEMBLY-SEAT GREEN -----							2	H
	S1746B25	BELT ASSEMBLY-SEAT BLACK -----							2	H
	S2070W105	BELT ASSEMBLY-SEAT BROWN -----							2	H
	S2070L105	BELT ASSEMBLY-SEAT BLUE -----							2	H
	S2070A105	BELT ASSEMBLY-SEAT RED -----							2	H
	S2070C105	BELT ASSEMBLY-SEAT GREEN -----							2	H
	S2070B105	BELT ASSEMBLY-SEAT BLACK -----							2	H
	S1746W25	BELT ASSEMBLY-SEAT GOLD -----							1	J
	S1746J25	BELT ASSEMBLY-SEAT BLUE -----							1	J
	S1746AA25	BELT ASSEMBLY-SEAT OLIVE -----							1	J
	S1746Z25	BELT ASSEMBLY-SEAT RED -----							1	J
	S1746B25	BELT ASSEMBLY-SEAT BLACK -----							1	J
	S2070W105	BELT ASSEMBLY-SEAT GOLD -----							1	J
	S2070U105	BELT ASSEMBLY-SEAT BLUE -----							1	J
	S2070AA105	BELT ASSEMBLY-SEAT OLIVE -----							1	J
	S2070Z105	BELT ASSEMBLY-SEAT RED -----							1	J
	S2070B105	BELT ASSEMBLY-SEAT BLACK -----							1	J
		ATTACHING PARTS								
-65	AN4-4A	BOLT -----							2	
-66	NAS43HT4-9	SPACER -----							2	
-66A	AN960-416L	WASHER -----							2	
-67	MS21042L4	NUT -----							2	
		---*---								

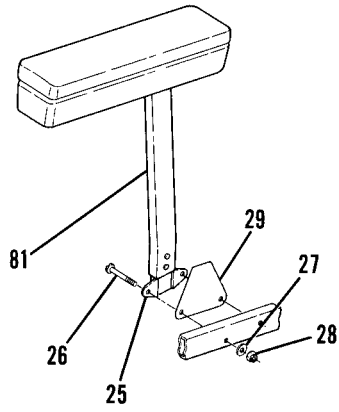
CONTINUED ON NEXT PAGE

FIGURE AND INDEX NO.	PART NUMBER	DESCRIPTION							UNITS PER ASSY	USABLE ON CODE
		1	2	3	4	5	6	7		
56 -68	0510205-5	FITTING-SEAT BELT							1	
	0510205-6	FITTING-SEAT BELT							1	
	2011028-3	FITTING-SEAT BELT							1	
	2011028-4	FITTING-SEAT BELT							1	
			ATTACHING PARTS							
-69	AN3-4A	BOLT							2	
-70	0514048-3	# HEADREST ASSEMBLY							2	L
	0514048-14	# HEADREST ASSEMBLY							2	K
-71	0514048-11	# COVER-HEADREST							1	L
	0514048-15	# COVER-HEADREST							1	K
-72	1200453-9	# ARMREST ASSEMBLY-LH							1	D
	1200453-10	# ARMREST ASSEMBLY-RH							1	D
-72A	1214111-5	# ARMREST ASSEMBLY-LH							1	J
	1214111-6	# ARMREST ASSEMBLY-RH							1	J
-73	1200453-5	# COVER							1	D
-73A	1214109-1	# PAD-ARMREST							1	J
-74	0812929-1	COVER-TRIM LH							1	N
	0812929-2	COVER-TRIM RH							1	D
		ATTACHING PARTS								
	AN509-8R7	SCREW							4	D
		---*---								
		NOTE. #THIS PART NUMBER MUST HAVE A SECOND DASH NUMBER ADDED TO DENOTE COLOR. REFER TO HOW TO ORDER INTERIOR PARTS-PAGE VI.								
		NOTE. #THIS PART NUMBER MUST HAVE A SECOND DASH NUMBER ADDED TO DENOTE COLOR. REFER TO HOW TO ORDER UPHOLSTERED PARTS-PAGE VII.								
		NOTE. *THESE SAFETY BELTS ARE USED ONLY ON AIRPLANES NOT EQUIPPED WITH SHOULDER HARNESS.								
		NOTE. **THESE SAFETY BELTS ARE USED ON AIRPLANES EQUIPPED WITH SHOULDER HARNESS. SEE FIGURE 62A FOR SHOULDER HARNESS INSTALLATION.								
		NOTE. ***WHEN INITIALLY ORDERING THIS PART FOR AIRPLANES PRIOR TO 21059440, ALSO ORDER S2013-2 BEARING & 2 S2014-2 RACES.								
		NOTE. %WHEN ORDERING SAFETY BELTS FOR FOR AUSTRALIAN AIRCRAFT ADD VH TO PART NUMBER. EXAMPLE-S2070W105VH.								
		A---210 & T210 SERIAL 21059200 THRU 21059333								
		B---210 & T210 SERIAL 21059334 THRU 21060089								
		C---210 & T210 SERIAL 21059200 THRU 21059351								
		D---210 & T210 SERIAL 21059200 THRU 21059719								
		E---210 & T210 SERIAL 21059440 THRU 21060089								
		F---210 & T210 SERIAL 21059200 THRU 21059439								
		G---210 & T210 SERIAL 21059352 THRU 21059502								
		H---210 & T210 SERIAL 21059503 THRU 21059719								
		J---210 & T210 SERIAL 21059720 THRU 21060089								
		K---210 & T210 SERIAL 21059503 THRU 21060089								
		L---210 & T210 SERIAL 21059200 THRU 21059502								
		M---210 & T210 SERIAL 21059440 THRU 21059502								
		N---210 & T210 SERIAL 21059200 THRU 21060089								

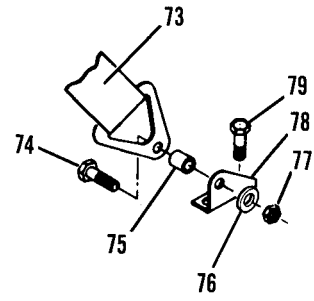
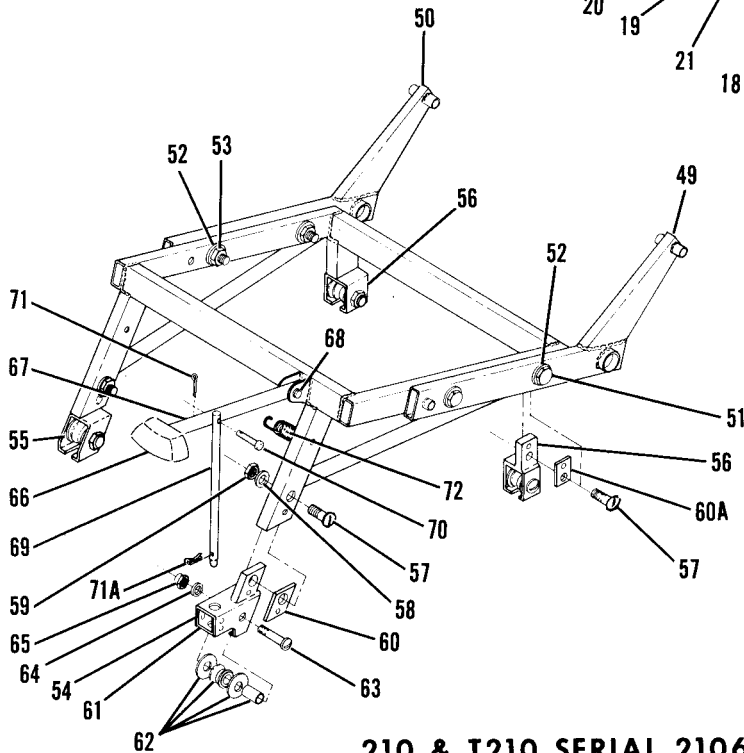
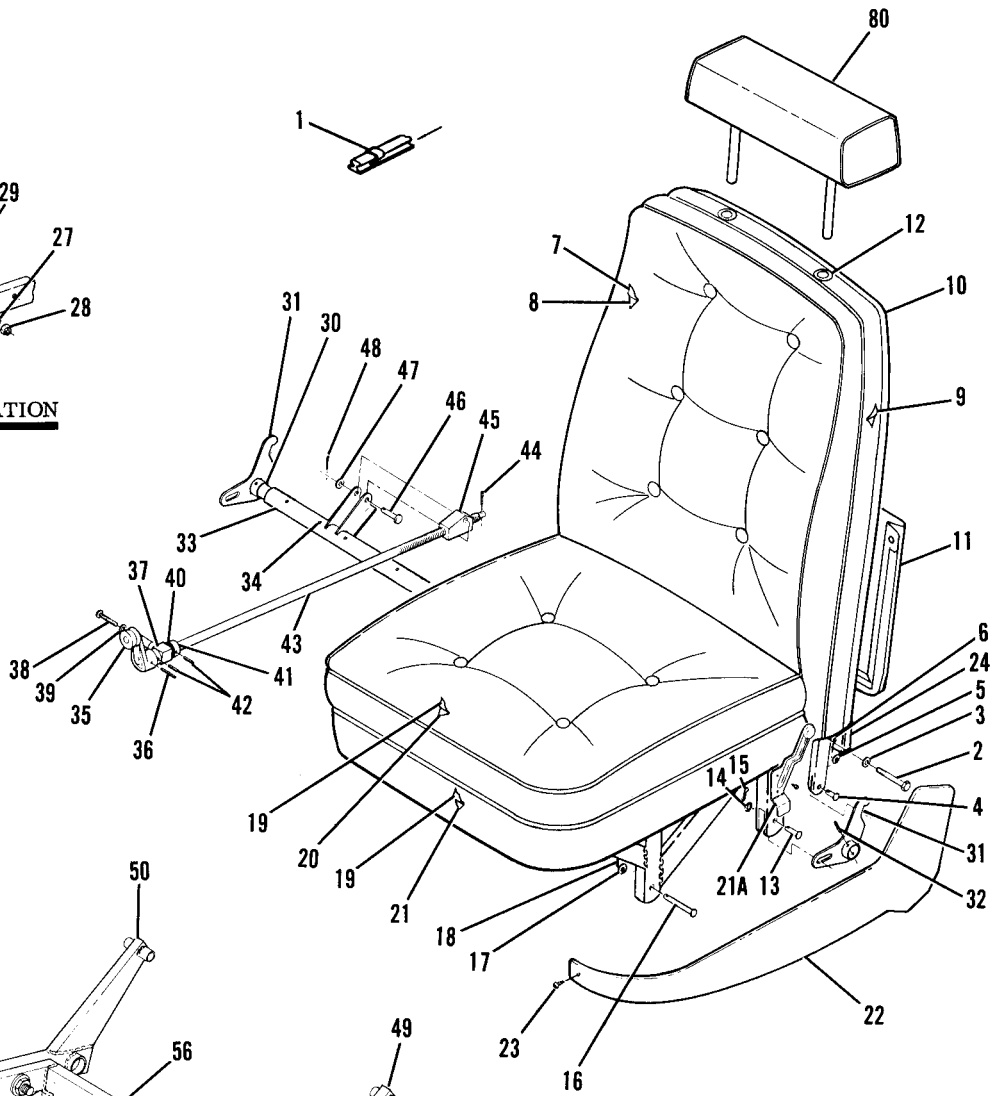
FIGURE AND INDEX NO.	PART NUMBER	DESCRIPTION	UNITS PER ASSY	USABLE ON CODE
		1 2 3 4 5 6 7		
56A-		ARTICULATING RECLINE MIDDLE SEATS INSTALLATION -----	NP	A
	1214087-1 #	SEAT ASSY-MIDDLE ARTICULATING RECLINE LH -----	1	D
	1214087-2 #	SEAT ASSY-MIDDLE ARTICULATING RECLINE RH -----	1	D
	1214104-1 #	SEAT ASSY-MIDDLE ARTICULATING RECLINE LH -----	1	E
	1214104-2 #	SEAT ASSY-MIDDLE ARTICULATING RECLINE RH -----	1	E
		ATTACHING PARTS		
- 1	0713074-1	STOP-SEAT -----	2	
	MS20392-1-21	PIN -----	2	
	MS24665-151	COTTER PIN -----	2	
		-----*		
	#	BACK ASSY-UPHOLSTERED SEAT LH -----	1	D
	#	BACK ASSY-UPHOLSTERED SEAT RH -----	1	D
	1214104-3 #	BACK ASSY-UPHOLSTERED SEAT LH -----	1	E
	1214104-4 #	BACK ASSY-UPHOLSTERED SEAT RH -----	1	E
		ATTACHING PARTS		
- 2	AN3-17A	BOLT -----	2	
- 3	AN960-10L	WASHER -----	4	
	0514029-2	SPACER -----	2	
	MS21044N3	NUT -----	2	
- 4	MS20392-2C11	PIN -----	2	
- 5	AN960-10L	WASHER -----	2	
- 6	MS24665-132	COTTER PIN -----	2	
		-----*		
- 7	1214087-6 #	COVER ASSY-SEAT BACK -----	1	D
	1214087-9 #	COVER ASSY-SEAT BACK -----	1	E
	1214104-7 #	CUSHION ASSY-SEAT BACK -----	1	
- 8	1214087-10	PILLOW-SEAT BACK -----	1	
- 9	1214087-8	CUSHION ASSY-SEAT BACK -----	1	
-10	1214087-12 #	BACK COVER ASSY-LH -----	1	
	1214087-15 #	BACK COVER ASSY-RH -----	1	
		ATTACHING PARTS		
	S1021A4-6	SCREW -----	4	
		-----*		
	S1898-1	FASTENER -----	3	
-11	1214087-14 #	POCKET ASSY-MAGAZINE -----	1	
		ATTACHING PARTS		
	S1021A4-6	SCREW -----	2	
		-----*		
-12	0514110-1	RETAINER-HEADREST -----	2	
	#	BOTTOM ASSY-UPHOLSTERED SEAT LH -----	1	D
	#	BOTTOM ASSY-UPHOLSTERED SEAT RH -----	1	D
	1214104-5 #	BOTTOM ASSY-UPHOLSTERED SEAT LH -----	1	E
	1214104-6 #	BOTTOM ASSY-UPHOLSTERED SEAT RH -----	1	E
		ATTACHING PARTS		
-13	MS20392-3C17	PIN -----	2	
-14	AN960-416L	WASHER -----	2	
-15	MS24665-132	COTTER PIN -----	2	
-16	MS20392-3C55	PIN -----	2	
-17	AN960-416L	WASHER -----	2	
	1514230-2	SPACER -----	2	
-18	MS24665-132	COTTER PIN -----	2	
		-----*		
-19	1214087-5 #	COVER ASSY-SEAT BOTTOM -----	1	D
	1214104-8 #	COVER ASSY-SEAT BOTTOM -----	1	E
	1214104-10	CUSHION ASSY-SEAT BOTTOM -----	1	
	1214087-9	PILLOW-SEAT BOTTOM -----	1	
-20	1214087-7	CUSHION ASSY-SEAT BOTTOM -----	1	
-21A	0514101-3	STIFFENER-SEAT TRIM LH INBOARD ONLY -----	1	
	0514101-4	STIFFENER-SEAT TRIM RH INBOARD ONLY -----	1	
		ATTACHING PARTS		
	S1021A4-6	SCREW -----	2	
		-----*		
-22	1214099-1	TRIM ASSY-SIDE LH -----	1	F
	1214099-2	TRIM ASSY-SIDE RH -----	1	F
	0514117-1	TRIM ASSY-SIDE LH -----	1	G
	0514117-2	TRIM ASSY-SIDE RH -----	1	G
		ATTACHING PARTS		
-23	S1021A4-6	SCREW -----	3	
		-----*		
-24	1214101-1	TRIM-REAR LH -----	1	
	1214101-2	TRIM-REAR RH -----	1	

CONTINUED ON NEXT PAGE

Seats (Cont)



ARMREST INSTALLATION



**SEAT BELT
INSTALLATION**

210 & T210 SERIAL 21060090 & ON
Figure 56A. Articulating Recline Middle Seats Installation

FIGURE AND INDEX NO.	PART NUMBER		DESCRIPTION	UNITS PER ASSY	USABLE ON CODE
		1 2 3 4 5 6 7			
56A-25	1200448-1		SOCKET ASSY-ARMREST ----- ATTACHING PARTS -----	1	
-26	AN23-16A		BOLT -----	2	
-27	AN960-416L		WASHER -----	2	
-28	S1914-8		NUT ----- ---*---	2	
-29	1514304-1	H	SCUFF PLATE-ARMREST LH SEAT -----	1	
	1514304-2	H	SCUFF PLATE-ARMREST RH SEAT -----	1	
-30	0514026-13		TUBE-TORQUE -----	1	
-31	0514030-4		BELLCRANK ASSY-SEAT BACK ADJUST -----	2	
-32	NAS561P4-12		PIN -----	4	
-33	0514028-14		BELLCRANK ASSY-SEAT ADJUST ----- ATTACHING PARTS -----	1	
-34	NAS561P6-12		PIN ----- ---*---	5	
-35	0514036-1		HANDLE ASSY-SEAT BACK ADJUST ----- ATTACHING PARTS -----	1	
-36	NAS561P4-12		PIN ----- ---*---	1	
-37	0514033-1		BEARING BLOCK ----- ATTACHING PARTS -----	1	
-38	AN520-10R8		SCREW -----	1	
-39	AN960-10L		WASHER ----- ---*---	1	
-40	S2013-2		BEARING -----	1	
	S2014-2		RACE -----	2	
-41	1200138-2		COLLAR ----- ATTACHING PARTS -----	2	
-42	NAS561P4-12		PIN ----- ---*---	1	
-43	0514027-9		SCREW ASSY -----	1	
-44	NAS561P4-10		PIN -----	1	
-45	1200139-1		NUT-SEAT ADJUST ----- ATTACHING PARTS -----	1	
-46	MS20392-2C37		PIN -----	1	
-47	AN960-10L		WASHER -----	1	
-48	MS24665-132		COTTER PIN ----- ---*---	1	
-49	0514060-1		BRACKET-SEAT PIVOT LH -----	1	
-50	0514060-2		BRACKET-SEAT PIVOT RH ----- ATTACHING PARTS -----	1	
-51	AN4-12A		BOLT -----	2	
	1214031-2		BUSHING -----	2	
-52	S1074-1		WASHER -----	4	
-53	MS21042L4		NUT ----- ---*---	2	
	1214036-3		BASE ASSY-SEAT BOTTOM LH -----	1	
	1214036-4		BASE ASSY-SEAT BOTTOM RH -----	1	
-54	1414104-25		HOUSING-ROLLER FWD LH -----	1	
-55	1414104-26		HOUSING-ROLLER FWD RH -----	1	
-56	1414104-22		HOUSING-ROLLER AFT ----- ATTACHING PARTS -----	2	
-57	AN509-416R13		SCREW -----	1	
-58	AN960-416		WASHER -----	1	
-59	MS21042L4		NUT -----	1	
-60	1414104-36		SHIM FWD -----	1	
-60A	1414104-44		SHIM AFT ----- ---*---	1	
-61	1414104-8		GUIDE-SEAT ADJUSTMENT PIN -----	1	
-62	1414100-212		KIT-SEAT ROLLER ----- ATTACHING PARTS -----	4	
-63	AN23-19A		BOLT -----	1	
-64	AN960-10L		WASHER -----	1	
-65	S1914-8		NUT ----- ---*---	1	
-66	0700113-1		KNOB-SEAT ADJUST HANDLE ----- ATTACHING PARTS -----	1	
	S1021Z6-8		SCREW ----- ---*---	1	
-67	1214032-1		HANDLE-SEAT ADJUST ----- ATTACHING PARTS -----	1	
-68	MS20392-1C17		PIN -----	1	
	AN960-4		WASHER -----	1	
	MS24665-132		COTTER PIN ----- ---*---	1	

CONTINUED ON NEXT PAGE

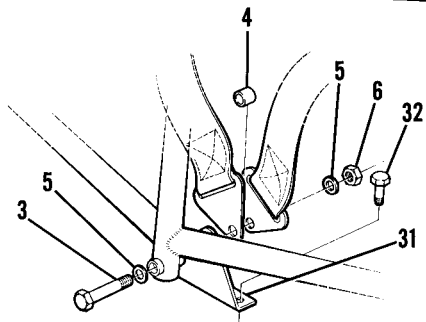
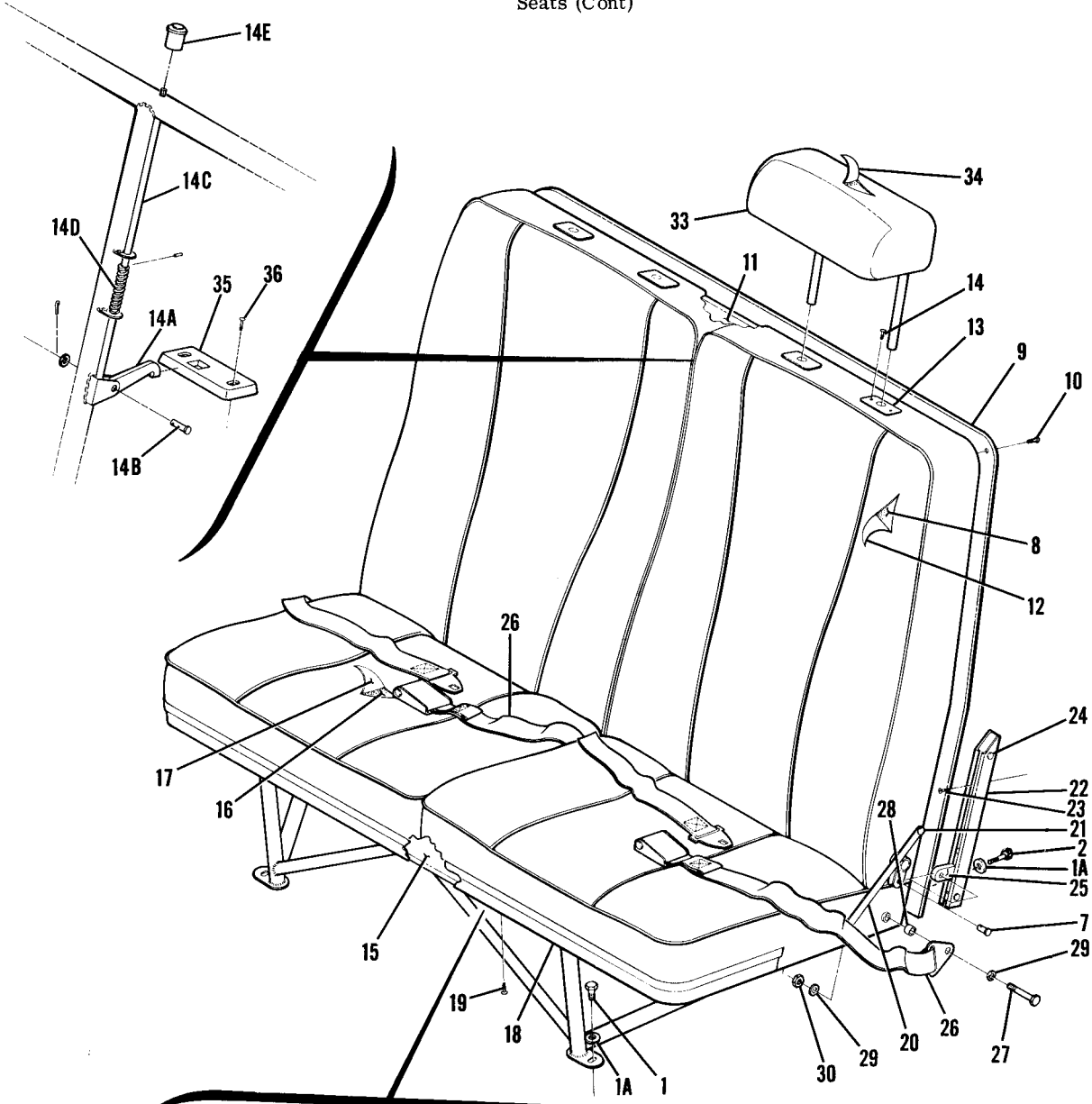


FIGURE AND INDEX NO.	PART NUMBER	DESCRIPTION							UNITS PER ASSY	USABLE ON CODE	
		1	2	3	4	5	6	7			
56A-69	1214033-1	PIN-SEAT ADJUSTMENT -----							1		
		ATTACHING PARTS									
-70	MS20392-1-21	PIN -----							1		
-71	MS24665-132	COTTER PIN -----							1		
-71A	NAS561P3-8	PIN -----							1		
		---*---									
-72	1414116-1	SPRING -----							1		
-73	S1746CC25	*	BELT ASSY-SEAT	BROWN	-----			1			
	S1746BB25	*	BELT ASSY-SEAT	BLUE	-----			1			
	S1746AA25	*	BELT ASSY-SEAT	GREEN	-----			1			
	S1746T25	*	BELT ASSY-SEAT	RED	-----			1			
	S1746DD25	*	BELT ASSY-SEAT	GOLD	-----			1			
	S1746B25	*	BELT ASSY-SEAT	BLACK	-----			1			
	S2070CC105	%**	BELT ASSY-SEAT	BROWN	-----			1			
	S2070BB105	%**	BELT ASSY-SEAT	BLUE	-----			1			
	S2070AA105	%**	BELT ASSY-SEAT	GREEN	-----			1			
	S2070T105	%**	BELT ASSY-SEAT	RED	-----			1			
	S2070DD105	%**	BELT ASSY-SEAT	GOLD	-----			1			
	S2070B105	%**	BELT ASSY-SEAT	BLACK	-----			1			
		ATTACHING PARTS									
-74	AN4-4A	BOLT -----							2		
-75	NAS43HT4-9	SPACER -----							2		
-76	AN960-416L	WASHER -----							2		
-77	MS21042L4	NUT -----							2		
		---*---									
-78	0510205-5		FITTING-SEAT BELT	RH INBOARD	-----			1	B		
	0510205-7		FITTING-SEAT BELT	RH INBOARD	-----			1	C		
	0510205-6		FITTING-SEAT BELT	LH INBOARD	-----			1	B		
	0510205-8		FITTING-SEAT BELT	LH INBOARD	-----			1	C		
	2011028-3		FITTING-SEAT BELT	LH OUTBOARD	-----			1	B		
	2011028-5		FITTING-SEAT BELT	LH OUTBOARD	-----			1	C		
	2011028-4		FITTING-SEAT BELT	RH OUTBOARD	-----			1	B		
	2011028-6		FITTING-SEAT BELT	RH OUTBOARD	-----			1	C		
		ATTACHING PARTS									
-79	AN3-4A	BOLT -----							2	B	
	AN4-5A	BOLT OUTBD FWD -----							1	C	
	AN4-6A	BOLT OUTBD AFT -----							1	C	
	AN4-4A	BOLT INBD -----							2	C	
		---*---									
-80	1215073-1	#	HEADREST ASSY -----							1	
	1215073-10	#	COVER ASSY-HEADREST -----							1	
-81	1214111-5	#	ARMREST ASSY-LH -----							1	
	1214111-6	#	ARMREST ASSY-RH -----							1	
	1214109-1	#	PAD-ARMREST -----							1	
		NOTE. #THIS PART NUMBER MUST HAVE A SECOND DASH NUMBER ADDED TO DENOTE COLOR. REFER TO HOW TO ORDER INTERIOR PARTS-PAGE VI.									
		NOTE. #THIS PART NUMBER MUST HAVE A SECOND DASH NUMBER ADDED TO DENOTE COLOR. REFER TO HOW TO ORDER UPHOLSTERED PARTS-PAGE VII.									
		NOTE. *THESE SAFETY BELTS ARE USED ONLY ON AIRPLANES NOT EQUIPPED WITH SHOULDER HARNESS.									
		NOTE. **THESE SAFETY BELTS ARE USED ON AIRPLANES EQUIPPED WITH SHOULDER HARNESS. SEE FIG 62A. FOR SHOULDER HARNESS INSTALLATION.									
		NOTE. %WHEN ORDERING SEAT BELTS FOR AUSTRALIAN AIRCRAFT ADD VH TO PART NUMBER. EXAMPLE-S2070CC105VH									
		A---210 & T210 SERIAL 21060090 & ON									
		B---210 & T210 SERIAL 21060090 THRU 21060305 21060307 THRU 21060328 21060330 THRU 21060332 21060334, 21060335 & 21060338									
		C---210 & T210 SERIAL 21060306, 21060329, 21060333, 21060336, 21060337 & 21060339 & ON									
		D---210 & T210 SERIAL 21060090 THRU 21060539									
		E---210 & T210 SERIAL 21060540 & ON									
		F---210 & T210 SERIAL 21060090 THRU 21060429									
		G---210 & T210 SERIAL 21060430 & ON									

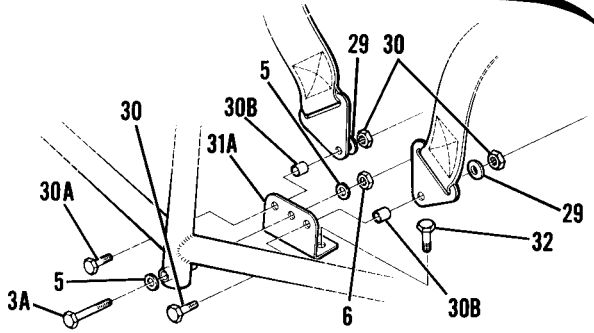
FIGURE AND INDEX NO.	PART NUMBER	DESCRIPTION	UNITS PER ASSY	USABLE ON CODE
		1 2 3 4 5 6 7		
57 -		BENCH SEAT INSTALLATION-5TH & 6TH PLACE -----	NP	K
	1214046-2 #	SEAT ASSEMBLY -----	1	E
	1214073-2 #	SEAT ASSEMBLY -----	1	F
	1214079-1 #	SEAT ASSEMBLY -----	1	G
		ATTACHING PARTS		
- 1	AN4-3A	BOLT -----	2	
	AN960-416	WASHER -----	6	
- 2	AN4-4A	BOLT -----	4	
- 3	AN4-16A	BOLT -----	1	A
- 3A	AN4-13A	BOLT -----	1	B
- 4	NAS43HT4-22	SPACER -----	1	A
- 5	AN960-416	WASHER -----	2	
- 6	MS21042L4	NUT -----	1	
		---*---		
	1214046-200 #	BACK ASSEMBLY-UPHOLSTERED SEAT -----	1	E
	#	BACK ASSEMBLY-UPHOLSTERED SEAT -----	1	F
	#	BACK ASSEMBLY-UPHOLSTERED SEAT -----	1	G
		ATTACHING PARTS		
- 7	MS20392-3C19	PIN -----	2	
	AN960-416L	WASHER -----	2	
	MS24665-132	COTTER PIN -----	2	
		---*---		
- 8	1214046-9	CUSHION-BACK LH -----	1	E
	1214073-7	CUSHION-BACK LH -----	1	H
	1214046-10	CUSHION-BACK RH -----	1	E
	1214073-8	CUSHION-BACK RH -----	1	H
- 9	1214046-4 #	CARPET ASSEMBLY-BACK -----	1	
		ATTACHING PARTS		
-10	S1021A4-6	SCREW -----	22	E
	S1021A4-6	SCREW -----	18	H
		---*---		
-11	1214046-7	DIAPHRAGM-BACK -----	1	
-12	1214046-5 #	COVER ASSEMBLY-BACK LH -----	1	E
	1214073-3 #	COVER ASSEMBLY-BACK LH -----	1	F
	1214079-5 #	COVER ASSEMBLY-BACK LH -----	1	G
	1214046-12 #	COVER ASSEMBLY-BACK RH -----	1	E
	1214073-4 #	COVER ASSEMBLY-BACK RH -----	1	F
	1214079-6 #	COVER ASSEMBLY-BACK RH -----	1	G
-13	1214034-1	ESCUTCHEON -----	4	
		ATTACHING PARTS		
-14	S1021A4-6	SCREW -----	2	
		---*---		
-14A	1214067-1	LATCH -----	1	
		ATTACHING PARTS		
-14B	MS20392-2C15	PIN -----	1	
	AN960-10L	WASHER -----	1	
	MS24665-132	PIN-COTTER -----	1	
		---*---		
-14C	1214067-2	PIN-SEAT RELEASE -----	1	
		ATTACHING PARTS		
	NAS561-2-8	PIN -----	1	
		---*---		
-14D	1214067-5	SPRING -----	1	
-14E	S1981-1	KNOB-SEAT LATCH -----	1	
	1214046-201 #	BOTTOM ASSEMBLY-SEAT -----	1	E
	#	BOTTOM ASSEMBLY-SEAT -----	1	F
	#	BOTTOM ASSEMBLY-SEAT -----	1	G
		DIAPHRAGM-BOTTOM -----	1	
-15	1214046-13	CUSHION ASSEMBLY-BOTTOM RH -----	1	E
-16	1214046-8	CUSHION ASSEMBLY-BOTTOM RH -----	1	H
	1214073-12	CUSHION ASSEMBLY-BOTTOM RH -----	1	H
	1214046-3	CUSHION ASSEMBLY-BOTTOM LH -----	1	E
	1214073-11	CUSHION ASSEMBLY-BOTTOM LH -----	1	H
-17	1214046-6 #	COVER ASSEMBLY-BOTTOM RH -----	1	E
	1214073-6 #	COVER ASSEMBLY-BOTTOM RH -----	1	F
	1214079-4 #	COVER ASSEMBLY-BOTTOM RH -----	1	G
	1214046-11 #	COVER ASSEMBLY-BOTTOM LH -----	1	E
	1214073-5 #	COVER ASSEMBLY-BOTTOM LH -----	1	F
	1214079-3 #	COVER ASSEMBLY-BOTTOM LH -----	1	G

CONTINUED ON NEXT PAGE

Seats (Cont)



21059200 THRU 21059311



21059312 & ON

210 & T210 SERIAL 21059200 THRU 21060089

Figure 57. Bench Seat Installation - 5th & 6th Place

FIGURE AND INDEX NO.	PART NUMBER		DESCRIPTION							UNITS PER ASSY	USABLE ON CODE
			1	2	3	4	5	6	7		
57 -18	1715037-1	□	TRIM-SEAT BOTTOM -----							1	
			ATTACHING PARTS -----								
-19	S1021A4-6		SCREW -----							9	
			-----*								
-20	1214065-1		ARM-PIVOT -----							2	
			ATTACHING PARTS -----								
-21	MS20392-3C29		PIN -----							2	
	AN960-416L		WASHER -----							2	
	MS24665-132		PIN-COTTER -----							2	
			-----*								
-22	1214049-1		TRACK -----							2	
			ATTACHING PARTS -----								
-23	AN509-8R8		SCREW -----							3	
-24	MS20392-2C23		PIN -----							2	
	AN960-10L		WASHER -----							2	
	MS24665-132		PIN-COTTER -----							2	
			-----*								
-25	1214047-1		GUIDE -----							2	
-26	S1746Y17		BELT ASSEMBLY-SEAT -----							2	C
	S1746V17		BELT ASSEMBLY-SEAT OLIVE -----							2	C
	S1746T17		BELT ASSEMBLY-SEAT MARIGOLD -----							2	C
	S1746W17		BELT ASSEMBLY-SEAT BROWN -----							2	C
	S1746B17		BELT ASSEMBLY-SEAT BLACK -----							2	C
	S1746W17	%	BELT ASSEMBLY-SEAT BROWN -----							2	J
	S1746H17	%	BELT ASSEMBLY-SEAT BLUE -----							2	J
	S1746F17	%	BELT ASSEMBLY-SEAT RED -----							2	J
	S1746G17	%	BELT ASSEMBLY-SEAT GREEN -----							2	J
	S1746B17	%	BELT ASSEMBLY-SEAT BLACK -----							2	J
	S2070W106	**	BELT ASSEMBLY-SEAT BROWN -----							2	J
	S2070H106	**	BELT ASSEMBLY-SEAT BLUE -----							2	J
	S2070F106	**	BELT ASSEMBLY-SEAT RED -----							2	J
	S2070G106	**	BELT ASSEMBLY-SEAT GREEN -----							2	J
	S2070B106	**	BELT ASSEMBLY-SEAT BLACK -----							2	J
	S1746W17	%	BELT ASSEMBLY-SEAT BROWN -----							2	F
	S1746L17	%	BELT ASSEMBLY-SEAT BLUE -----							2	F
	S1746A17	%	BELT ASSEMBLY-SEAT RED -----							2	F
	S1746C17	%	BELT ASSEMBLY-SEAT GREEN -----							2	F
	S1746B17	%	BELT ASSEMBLY-SEAT BLACK -----							2	F
	S2070W106	**	BELT ASSEMBLY-SEAT BROWN -----							2	F
	S2070L106	**	BELT ASSEMBLY-SEAT BLUE -----							2	F
	S2070A106	**	BELT ASSEMBLY-SEAT RED -----							2	F
	S2070C106	**	BELT ASSEMBLY-SEAT GREEN -----							2	F
	S2070B106	**	BELT ASSEMBLY-SEAT BLACK -----							2	F
	S1746W17	%	BELT ASSEMBLY-SEAT GOLD -----							2	G
	S1746U17	%	BELT ASSEMBLY-SEAT BLUE -----							2	G
	S1746AA17	%	BELT ASSEMBLY-SEAT OLIVE -----							2	G
	S1746Z17	%	BELT ASSEMBLY-SEAT RED -----							2	G
	S1746B17	%	BELT ASSEMBLY-SEAT BLACK -----							2	G
	S2070W106	**	BELT ASSEMBLY-SEAT GOLD -----							2	G
	S2070U106	**	BELT ASSEMBLY-SEAT BLUE -----							2	G
	S2070AA106	**	BELT ASSEMBLY-SEAT OLIVE -----							2	G
	S2070Z106	**	BELT ASSEMBLY-SEAT RED -----							2	G
	S2070B106	**	BELT ASSEMBLY-SEAT BLACK -----							2	G
			ATTACHING PARTS -----								
-27	AN4-14A		BOLT -----							1	
-28	NAS43HT4-10		SPACER -----							1	
-29	AN960-416		WASHER -----							3	
-30	MS21042L4		NUT -----							1	A
	MS21042L4		NUT -----							2	B
-30A	NAS464-4A5		BOLT -----							1	B
-30B	NAS43HT4-20		SPACER -----							1	B
			-----*								
-31	1214060-1		FITTING-BELT ATTACH & LEG SUPPORT WEU 1214048-1 -----							1	A
-31A	1214048-1		FITTING-BELT ATTACH & LEG SUPPORT -----							1	B
			ATTACHING PARTS -----								
-32	AN4-4A		BOLT -----							2	
			-----*								
-33	0514048-3	#	HEADREST ASSEMBLY -----							2	E
	0514048-14	#	HEADREST ASSEMBLY -----							2	H
-34	0514048-11	#	COVER ASSEMBLY -----							1	E
	0514048-15	#	COVER ASSEMBLY -----							1	H
-35	1214067-6		STRIKER -----							1	
			ATTACHING PARTS -----								
-36	AN509-10R14		SCREW -----							2	
			-----*								

CONTINUED ON NEXT PAGE

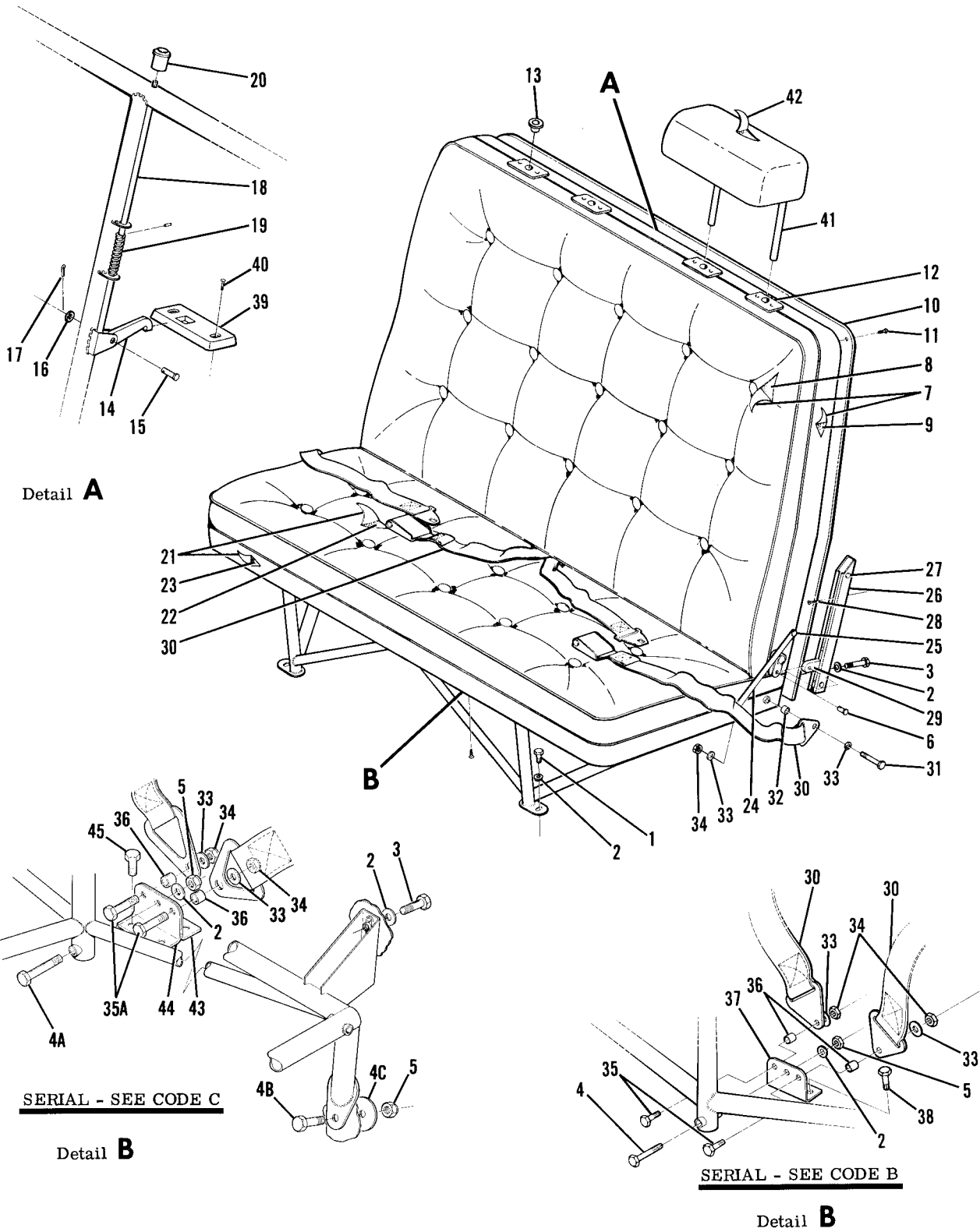
FIGURE AND INDEX NO.	PART NUMBER	DESCRIPTION 1 2 3 4 5 6 7	UNITS PER ASSY	USABLE ON CODE
57 -		<p>NOTE. #THIS PART NUMBER MUST HAVE A SECOND DASH NUMBER ADDED TO DENOTE COLOR. REFER TO HOW TO ORDER UPHOLSTERED PARTS-PAGE VII</p> <p>NOTE. #THIS PART NUMBER MUST HAVE A SECOND DASH NUMBER ADDED TO DENOTE COLOR. REFER TO HOW TO ORDER INTERIOR PARTS-PAGE VI.</p> <p>NOTE. %THESE SAFETY BELTS ARE USED ONLY ON AIRPLANES NOT EQUIPPED WITH SHOULDER HARNESS.</p> <p>NOTE. **THESE SAFETY BELTS ARE USED ON AIRPLANES EQUIPPED WITH SHOULDER HARNESS. SEE FIGURE 62A FOR SHOULDER HARNESS INSTALLATION. WHEN ORDERING SEAT BELTS FOR AUSTRALIAN AIRCRAFT ADD VH TO PART NUMBER. EXAMPLE-S2070W106VH.</p> <p>A---210 & T210 SERIAL 21059200 THRU 21059311 B---210 & T210 SERIAL 21059312 THRU 21060089 C---210 & T210 SERIAL 21059200 THRU 21059351 D---210 & T210 SERIAL 21059352 THRU 21060089 E---210 & T210 SERIAL 21059200 THRU 21059502 F---210 & T210 SERIAL 21059503 THRU 21059719 G---210 & T210 SERIAL 21059720 THRU 21060089 H---210 & T210 SERIAL 21059503 THRU 21060089 J---210 & T210 SERIAL 21059352 THRU 21059502 K---210 & T210 SERIAL 21059200 THRU 21060089</p>		



FIGURE AND INDEX NO.	PART NUMBER		DESCRIPTION							UNITS PER ASSY	USABLE ON CODE
			1	2	3	4	5	6	7		
57A-			BENCH SEAT INSTALLATION-5TH & 6TH PLACE -----							NP	A
	1214088-1	#	SEAT ASSY -----							1	B
	1214088-2	#	SEAT ASSY -----							1	F
	1214103-1	#	SEAT ASSY -----							1	H
			ATTACHING PARTS								
- 1	AN4-3A		BOLT -----							2	
- 2	AN960-416		WASHER -----							7	B
	AN960-416		WASHER -----							9	C
- 3	AN4-4A		BOLT -----							4	
- 4	AN4-13A		BOLT -----							1	B
- 4A	AN4-15A		BOLT -----							1	C
- 4B	AN4-6A		BOLT -----							2	C
- 4C	AN970-4		WASHER -----							2	C
- 5	MS21042L4		NUT -----							1	B
	MS21042L4		NUT -----							2	C
			---*---								
- 6	MS20392-3C19		PIN -----							2	
	AN960-416L		WASHER -----							2	
	MS24665-132		COTTER PIN -----							2	
	1214088-12	#	BACK ASSY-UPHOLSTERED SEAT -----							1	G
	1214103-3	#	BACK ASSY-UPHOLSTERED SEAT -----							1	H
- 7	1214088-3	#	COVER ASSY-SEAT BACK -----							1	G
	1214103-4	#	COVER ASSY-SEAT BACK -----							1	H
	1214103-7		CUSHION ASSY-SEAT BACK -----							1	
- 8	1214088-6		PILLOW-SEAT BACK -----							1	
- 9	1214088-5		CUSHION ASSY-SEAT BACK -----							1	
-10	1214046-4	#	CARPET ASSY-SEAT BACK -----							1	
			ATTACHING PARTS								
-11	S1021A4-6		SCREW -----							8	
			---*---								
-12	1214034-1		RETAINER-HEADREST -----							4	D
	0514110-1		RETAINER-HEADREST -----							4	E
			ATTACHING PARTS								
	S1021A4-6		SCREW -----							2	D
			---*---								
-13			DELETED-NOT USED -----								
-14	1214067-1		LATCH -----							1	
			ATTACHING PARTS								
-15	MS20392-2C15		PIN -----							1	
-16	AN960-10L		WASHER -----							1	
-17	MS24665-132		COTTER PIN -----							1	
			---*---								
-18	1214067-2		PIN-SEAT RELEASE -----							1	
			ATTACHING PARTS								
	NAS561-2-8		PIN -----							1	
			---*---								
-19	1214067-5		SPRING -----							1	
-20	S1981-1		KNOB-SEAT LATCH -----							1	
	1214088-9	#	BOTTOM ASSY-UPHOLSTERED SEAT -----							1	B
	1214088-11	#	BOTTOM ASSY-UPHOLSTERED SEAT -----							1	F
	1214103-2	#	BOTTOM ASSY-UPHOLSTERED SEAT -----							1	H
-21	1214088-4	#	COVER ASSY-SEAT BOTTOM -----							1	
	1214103-5		CUSHION ASSY-SEAT BOTTOM -----							1	
-22	1214088-8		PILLOW-SEAT BOTTOM -----							1	
-23	1214088-7		CUSHION ASSY-SEAT BOTTOM -----							1	
-24	1214065-1		ARM-PIVOT -----							2	
			ATTACHING PARTS								
-25	MS20392-3C29		PIN -----							2	
	AN960-416L		WASHER -----							2	
	MS24665-132		COTTER PIN -----							2	
			---*---								
-26	1214049-1		TRACK -----							2	
			ATTACHING PARTS								
-27	MS20392-2C23		PIN -----							2	
	AN960-10L		WASHER -----							2	
	MS24665-132		COTTER PIN -----							2	
-28	AN5098R8		SCREW -----							3	
			---*---								

CONTINUED ON NEXT PAGE

Seats (Cont)

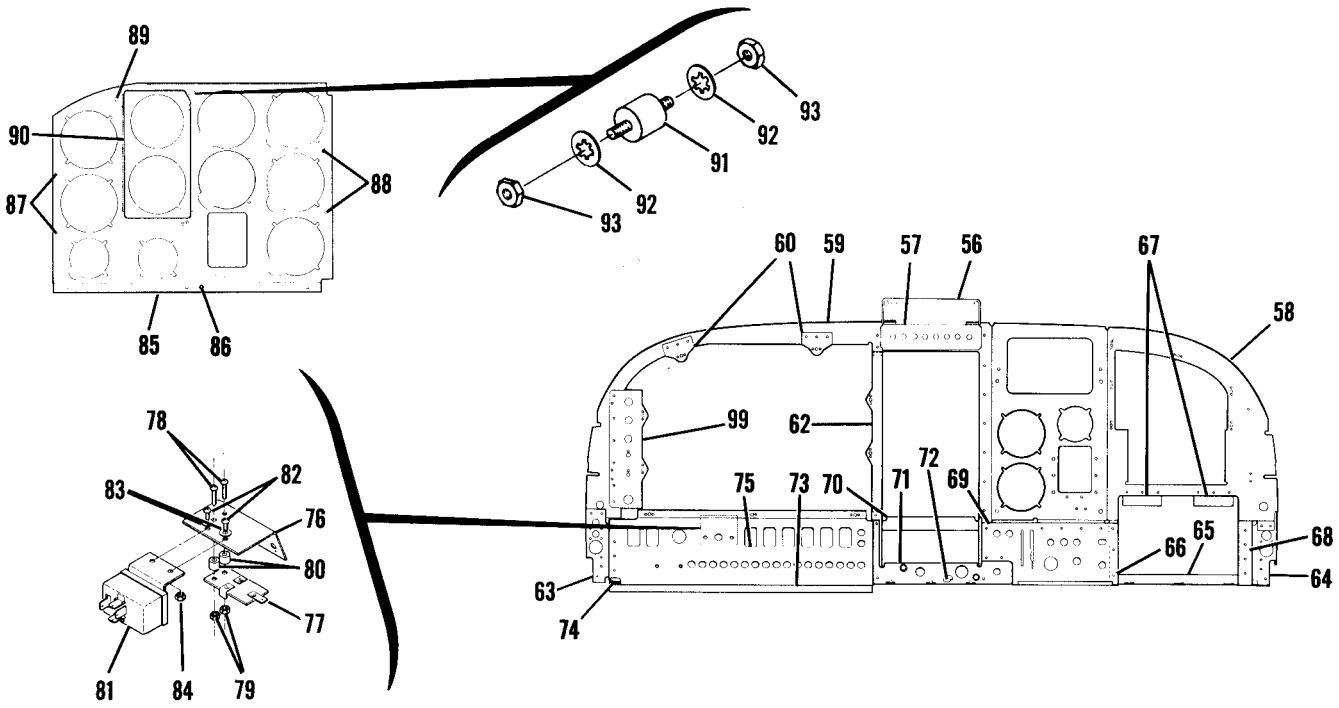
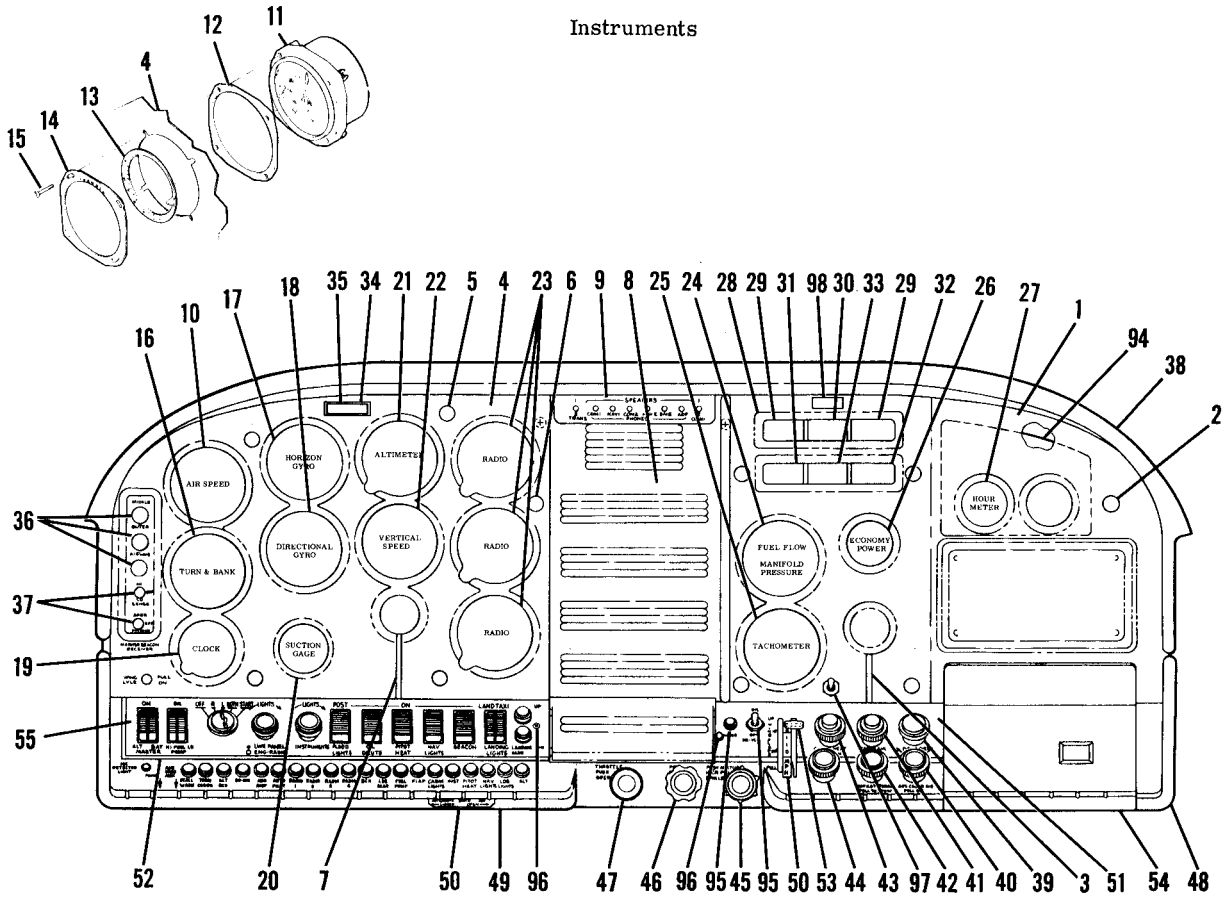


210 & T210 SERIAL 21060090 & ON
Figure 57A. Bench Seat Installation - 5th & 6th Place



FIGURE AND INDEX NO.	PART NUMBER		DESCRIPTION							UNITS PER ASSY	USABLE ON CODE
			1	2	3	4	5	6	7		
57A-29	1214047-1		GUIDE -----							2	
-30	S1746CC17	*	BELT ASSY-SEAT BROWN -----							2	
	S1746BB17	*	BELT ASSY-SEAT BLUE -----							2	
	S1746AA17	*	BELT ASSY-SEAT GREEN -----							2	
	S1746T17	*	BELT ASSY-SEAT RED -----							2	
	S1746D017	*	BELT ASSY-SEAT GOLD -----							2	
	S1746B17	*	BELT ASSY-SEAT BLACK -----							2	
	S2070CC106	%	BELT ASSY-SEAT BROWN -----							2	
	S2070BB106	%	BELT ASSY-SEAT BLUE -----							2	
	S2070AA106	%	BELT ASSY-SEAT GREEN -----							2	
	S2070T106	%	BELT ASSY-SEAT RED -----							2	
	S2070DD106	%	BELT ASSY-SEAT GOLD -----							2	
	S2070B106	%	BELT ASSY-SEAT BLACK -----							2	
			ATTACHING PARTS								
-31	AN4-14A		BOLT -----							1	
-32	NAS43HT4-10		SPACER -----							1	
-33	AN960-416		WASHER -----							3	
-34	MS21042L4		NUT -----							3	
-35	NAS464-4A6		BOLT -----							1	B
-35A	NAS464P48A		BOLT -----							1	C
-36	NAS43HT4-20		SPACER -----							1	
			---*---								
-37	1214048-1		FITTING-BELT ATTACH & LEG SUPPORT -----							1	B
			ATTACHING PARTS								
-38	AN4-4A		BOLT -----							2	B
			---*---								
-39	1214067-6		STRIKER -----							1	
			ATTACHING PARTS								
-40	AN509-10R14		SCREW -----							2	
			---*---								
-41	1215073-1	#	HEADREST ASSY -----							2	
-42	1215073-10	#	COVER ASSY-HEADREST -----							1	
-43	1214048-2		FITTING-BELT ATTACH & LEG SUPPORT -----							1	C
-44	1214096-1		FITTING-BELT ATTACH & LEG SUPPORT -----							1	C
			ATTACHING PARTS								
-45	AN4-5A		BOLT -----							2	C
			---*---								
<p>NOTE. #THIS PART NUMBER MUST HAVE A SECOND DASH NUMBER ADDED TO DENOTE COLOR. REFER TO HOW TO ORDER UPHOLSTERED PARTS-PAGE VII.</p> <p>NOTE. *THESE SEAT BELTS ARE USED ON AIRPLANES THAT ARE NOT EQUIPPED WITH SHOULDER HARNESS.</p> <p>NOTE. %THESE SEAT BELTS ARE USED ON AIRPLANES THAT ARE EQUIPPED WITH SHOULDER HARNESS. SEE FIG 62A FOR SHOULDER HARNESS INSTALLATION. WHEN ORDERING SEAT BELTS FOR AUSTRALIAN AIRCRAFT ADD VH TO PART NUMBER. EXAMPLE-S2070CC106VH.</p> <p>A---210 & T210 SERIAL 21060090 & ON B---210 & T210 SERIAL 21060090 THRU 21060305 21060307 THRU 21060328 21060330 THRU 21060332 21060334, 21060335 & 21060338 C---210 & T210 SERIAL 21060306, 21060329 21060333, 21060336, 21060337 & 21060339 & ON D---210 & T210 SERIAL 21060090 THRU 21060150 E---210 & T210 SERIAL 21060151 & ON F---210 & T210 SERIAL 21060306, 21060329 21060333, 21060336 21060337, 21060339 THRU 21060539 G---210 & T210 SERIAL 21060090 THRU 21060539 H---210 & T210 SERIAL 21060540 & ON</p>											

Instruments



210 & T210 SERIAL 21059200 THRU 21059351

Figure 58. Instrument Panel Equipment Installation



FIGURE AND INDEX NO.	PART NUMBER		DESCRIPTION							UNITS PER ASSY	USABLE ON CODE
			1	2	3	4	5	6	7		
58 -			INSTRUMENT PANEL EQUIPMENT INSTALLATION -----							NP	C
- 1	1213138-11	**	COVER ASSEMBLY-STATIONARY PANEL RH -----							1	
			ATTACHING PARTS -----								
- 2	S1898-3		FASTENER GRAY -----							5	
	S1898-1		FASTENER BLACK -----							5	
	NAS43DD4-16		SPACER -----							5	
			-----*								
- 3	1213163-2		LAP SEAL GRAY -----							1	
	1213163-1		LAP SEAL BLACK -----							1	
- 4	1213096-10	**	COVER ASSEMBLY-STATIONARY PANEL LH -----							1	
	1213096-23	**	COVER ASSEMBLY-STATIONARY PANEL LH -----							1	
			ATTACHING PARTS -----								
- 5	S1898-3		FASTENER GRAY -----							4	
	S1898-1		FASTENER BLACK -----							4	
	NAS43DD4-16		SPACER -----							4	
- 6	0513351-2		SCREW POST-INSTRUMENT PANEL COVER RETAINER GRAY -----							1	
	0513351-1		SCREW POST-INSTRUMENT PANEL COVER RETAINER BLACK -----							1	
			-----*								
- 7	1213163-2		LAP SEAL GRAY -----							1	
	1213163-1		LAP SEAL BLACK -----							1	
- 8	1213116-2	**	COVER-CENTER PANEL -----							1	
			ATTACHING PARTS -----								
	S1022A6-6C		SCREW -----							4	
			-----*								
- 9	1213005-2	**	COVER-SWITCH MOUNTING BRACKET -----							1	
			ATTACHING PARTS -----								
	AN507B632R7		SCREW -----							4	
			-----*								
-10	C661010-0608		INDICATOR-AIRSPPEED -----							1	
			ATTACHING PARTS -----								
	AN515B6R12		SCREW -----							4	
			-----*								
			TRUE AIRSPPEED INSTALLATION -----							NP	
-11	C661010-0215		INDICATOR-AIRSPPEED -----							1	
-12	0700162-6		SPACER .071 THICKNESS -----							AR	
	0700162-4		SPACER .063 THICKNESS -----							AR	
	0700162-3		SPACER .051 THICKNESS -----							AR	
	0700162-7		SPACER .040 THICKNESS -----							AR	
-13	0700189-2		RING ASSEMBLY TRUE AIRSPPEED -----							1	
-14	0700162-1		RETAINER ASSEMBLY TRUE AIRSPPEED -----							1	
			ATTACHING PARTS -----								
-15	AN515B6R16		SCREW -----							4	
			-----*								
-16	C661003-0501		INDICATOR-TURN & BANK STANDARD WEU C661003-0504 -----							1	
	C661003-0504		INDICATOR-TURN & BANK -----							1	
	S1413N1		INDICATOR-TURN & BANK WEU S1413N2 -----							1	
	S1413N1		INDICATOR-TURN & BANK -----							1	
	35060-0114		INDICATOR-TURN & BANK USED WITH NAV 300 ARC -----							1	
			ATTACHING PARTS -----								
	AN515B6R12		SCREW -----							4	
			-----*								
	C661003-0106		INDICATOR-TURN COORDINATOR USED WITH WING LEVELER -----							1	
			ATTACHING PARTS -----								
	AN515B6R16		SCREW -----							3	
	AN340B6		NUT -----							3	
			-----*								
-17	C661001-0501	**	INDICATOR-HORIZONTAL GYRO WEU C661001-0505 -----							1	
	C661001-0505	**	INDICATOR-HORIZONTAL GYRO WEU C661076-0104 -----							1	
	C661076-0104	**	INDICATOR-HORIZONTAL GYRO -----							1	
	C661001-0502	**	INDICATOR-HORIZONTAL GYRO WEU C661076-0101 -----							1	
	C661076-0101	**	INDICATOR-HORIZONTAL GYRO -----							1	
	C661001-0503	**	INDICATOR-HORIZONTAL GYRO WEU C661076-0102 -----							1	
	C661076-0102	**	INDICATOR-HORIZONTAL GYRO -----							1	
	C661001-0504	**	INDICATOR-HORIZONTAL GYRO WEU C661076-0103 -----							1	
	C661076-0103	**	INDICATOR-HORIZONTAL GYRO -----							1	
	37570-0001	**	INDICATOR-HORIZONTAL GYRO USED WITH NAV 400 -----							1	
			WEU 37570-0105 -----							1	
	37570-0105		INDICATOR-HORIZONTAL GYRO USED WITH NAV 400 -----							1	
			ATTACHING PARTS -----								
	AN520-6R10		SCREW -----							4	
			-----*								

CONTINUED ON NEXT PAGE

FIGURE AND INDEX NO.	PART NUMBER	DESCRIPTION						UNITS PER ASSY	USABLE ON CODE
		1	2	3	4	5	6		
58 -18	C661002-0501 ***	INDICATOR-DIRECTIONAL	GYRO	WEU C661002-0505	-----			1	
	C661002-0505 ***	INDICATOR-DIRECTIONAL	GYRO	WEU C661075-0102	-----			1	
	C661075-0102 ***	INDICATOR-DIRECTIONAL	GYRO	-----	-----			1	
	C661002-0503 ***	INDICATOR-DIRECTIONAL	GYRO	WEU C661002-0506	-----			1	
	C661002-0506 ***	INDICATOR-DIRECTIONAL	GYRO	WEU C661075-0103	-----			1	
	C661075-0103 ***	INDICATOR-DIRECTIONAL	GYRO	-----	-----			1	
	C661002-0504 ***	INDICATOR-DIRECTIONAL	GYRO	WEU C661075-0101	-----			1	
	C661075-0101 ***	INDICATOR-DIRECTIONAL	GYRO	-----	-----			1	
	C661002-0301 ***	INDICATOR-DIRECTIONAL	GYRO	WEU C661075-0104	-----			1	
	C661075-0104 ***	INDICATOR-DIRECTIONAL	GYRO	-----	-----			1	
	30370-0100	INDICATOR-DIRECTIONAL	GYRO	USED WITH NAV 300 & 400	-----			1	
		WEU 30370-0102	-----	-----	-----				
	30370-0102	INDICATOR-DIRECTIONAL	GYRO	USED WITH NAV 300 & 400	-----			1	
		ATTACHING PARTS	-----	-----	-----				
	AN520-6R10	SCREW	-----	-----			3		
	-----*	-----	-----	-----					
-19	S1317N2	CLOCK-ELECTRIC		WEU C664508-0101	-----			1	
	C664508-0101	CLOCK-ELECTRIC	-----	-----			1		
		ATTACHING PARTS	-----	-----					
	AN51586R12	SCREW	-----	-----			3		
	-----*	-----	-----	-----					
-20	S1414N1	GAGE-SUCTION		WEU C668540-0101	-----			1	
	C668540-0101	GAGE-SUCTION	-----	-----			1		
		ATTACHING PARTS	-----	-----					
	AN51586R12	SCREW	-----	-----			4		
	-----*	-----	-----	-----					
-21	C661011-0105	ALTIMETER	20000 FT	FT & INCHES-WEU C661071-0101	-----			1	A
	C661071-0101	ALTIMETER	20000 FT	FT & INCHES	-----			1	A
	C661011-0201	ALTIMETER	35000 FT	FT & INCHES-WEU C661071-0201	-----			1	B
	C661071-0201	ALTIMETER	35000 FT	FT & INCHES	-----			1	B
	C661011-0106	ALTIMETER	20000 FT	FT & MILLIBARS-WEU C661071-0102	---			1	A
	C661071-0102	ALTIMETER	20000 FT	FT & MILLIBARS	-----			1	A
	C661011-0202	ALTIMETER	35000 FT	FT & MILLIBARS-WEU C661071-0202	--			1	B
	C661071-0202	ALTIMETER	35000 FT	FT & MILLIBARS	-----			1	B
		ATTACHING PARTS	-----	-----	-----				
		AN51586R16	SCREW	-----	-----			4	
	-----*	-----	-----	-----					
-22	S1392N2	INDICATOR-VERTICAL SPEED		WEU C661080-0101	-----			1	
	C661080-0101	INDICATOR-VERTICAL SPEED	-----	-----			1		
		ATTACHING PARTS	-----	-----					
	AN51586R12	SCREW	-----	-----			3		
	-----*	-----	-----	-----					
-23		RADIO INSTALLATION		SEE ELECTRONICS MANUAL	-----			NP	
-24	C662037-0202	INDICATOR-DUAL-FUEL FLOW & MANIFOLD PRESSURE	-----	-----			1	B	
	C662037-0201	INDICATOR-DUAL-FUEL FLOW & MANIFOLD PRESSURE	-----	-----			1	A	
		ATTACHING PARTS	-----	-----					
	AN51586R12	SCREW	-----	-----			4		
	-----*	-----	-----	-----					
-25	S1305-10	TACHOMETER		WEU C668020-0106	-----			1	B
	C668020-0106	TACHOMETER	-----	-----			1	B	
	S1305-11	TACHOMETER		WEU C668020-0107	-----			1	A
	C668020-0107	TACHOMETER	-----	-----			1	A	
		ATTACHING PARTS	-----	-----					
	AN51586R12	SCREW	-----	-----			4		
	-----*	-----	-----	-----					
-26	C668501-0207	INDICATOR-POWER ECONOMY		WEU C668501-0211	-----			1	
	C668501-0211	INDICATOR-POWER ECONOMY	-----	-----			1		
	C668501-0203	LEAD-POWER ECONOMY	-----	-----			1		
		ATTACHING PARTS	-----	-----					
		AN5078632R12	SCREW	-----	-----			4	
	MS20365B632C	NUT	-----	-----			4		
	C7000-632-67	NUT	TIN	-----			4		
	-----*	-----	-----	-----					
-27	C664501-0101	INDICATOR-HOURLY METER	-----	-----			1		
		ATTACHING PARTS	-----	-----					
	AN5078632-6	SCREW	-----	-----			4		
	-----*	-----	-----	-----					
-28	C669502-0301	INSTRUMENT CLUSTER ASSEMBLY	-----	-----			1		
		ATTACHING PARTS	-----	-----					
		AN340B8	NUT	-----	-----			2	
		NAS43HT3-64	SPACER	-----	-----			2	
	AN5078832R24	SCREW	-----	-----			2		
	-----*	-----	-----	-----					

CONTINUED ON NEXT PAGE

FIGURE AND INDEX NO.	PART NUMBER	DESCRIPTION							UNITS PER ASSY	USABLE ON CODE
		1	2	3	4	5	6	7		
58	C669502-0303	GAGE-FUEL							2	
-29	G440437	GAGE-AMMETER SW							1	
-30	G442702	GAGE-CYLINDER HEAD TEMPERATURE SW							1	
-31	811542	POTENTIOMETER ASSEMBLY SW							1	
-32	G444627	GAGE-OIL PRESSURE SW							1	
-33	G442786-63	GAGE-OIL TEMPERATURE SW							1	
	8118827	LENS ASSEMBLY-INSTRUMENT CLUSTER							1	
	SEE FIG 73 & 74	SENDING UNIT-CYLINDER HEAD TEMPERATURE							1	
	1270479-1	LIGHT ASSEMBLY-INSTRUMENT CLUSTER							1	
	S1894-3	BULB-INSTRUMENT CLUSTER LIGHT							4	
-34	1213004-1	RETAINER-CALL LETTER							1	
		ATTACHING PARTS								
	S1022Z6-8B	SCREW							2	
	NAS446-2-1	NUT							2	
		---*---								
-35	1205009-1	PLACARD-CALL LETTER							1	
-36	CM2692-15H1B	PLUG BUTTON							3	
-37	CM2692-8H1B	PLUG BUTTON							2	
-38	1213173-1	GLARE SHIELD ASSEMBLY							1	
		ATTACHING PARTS								
	1206001-5	RETAINER							1	
	S1021A6-6B	SCREW							10	
	AN530-6R8	SCREW							7	
		---*---								
	1213173-2	COVER-BROW							1	
	SEE FIG 137	INSTRUMENT PANEL GLARE SHIELD LIGHTS INSTALLATION							1	
-39	S1268-14	CONTROL ASSEMBLY-DEFROST							1	
-40	S1241-35	CONTROL ASSEMBLY-AUX. CABIN AIR							1	
-41	S1241-33	CONTROL ASSEMBLY-CABIN AIR							1	
-42	1260458-7	CONTROL ASSEMBLY-STOWABLE COPILOT PEDALS							1	
-43	S1241-34	CONTROL ASSEMBLY-CABIN HEAT							1	
-44	0513039-7	LIGHTER ASSEMBLY-CIGAR CUND							1	
	L4858-1	PLUG-HEATING CUND							1	
	S1982-1	KNOB ASSEMBLY-LIGHTER							1	
	60232-1	CIRCUIT BREAKER-LIGHTER ASSEMBLY CUND							1	
-45	C299507-0101	CONTROL ASSEMBLY-MIXTURE							1	
	NAS43DD12-64	SPACER MIXTURE CONTROL							1	
	1213646-1	WASHER MIXTURE CONTROL							1	
-46	C299506-0101	CONTROL ASSEMBLY-PROPELLER							1	
	NAS43DD12-64	SPACER PROPELLER CONTROL							1	
	1213646-1	WASHER PROPELLER CONTROL							1	
-47	C299505-0101	CONTROL ASSEMBLY-THROTTLE							1	
	1213646-2	WASHER THROTTLE CONTROL							1	
-48	1213189-1	COVER-INSTRUMENT PANEL LOWER RH							1	
		ATTACHING PARTS								
	S1021A6-6B	SCREW							1	
		---*---								
-49	1213174-23	COVER-INSTRUMENT PANEL LOWER							1	
		ATTACHING PARTS								
	S1221A6-6B	SCREW							8	
		---*---								
-50	SEE FIG 2	PLACARD-MPH							1	
-51	1213192-16	PANEL ASSEMBLY-ELECTROLUMINESCENT RH							1	
	1213192-17	PANEL ASSEMBLY-ELECTROLUMINESCENT RH USED WITH DE-ICE SYS							1	
-52	1213307-7	PANEL ASSEMBLY-ELECTROLUMINESCENT LH							1	
-53	SEE FIG 104	CONTROLS DETAIL INSTALLATION-FLAP							1	
-54	SEE FIG 61	MAP COMPARTMENT INSTALLATION							1	
-55	SEE FIG 59	SWITCH PANEL INSTALLATION							1	
	1213165-202	STATIONARY INSTRUMENT PANEL ASSEMBLY							1	
-56	1213295-1	STIFFENER ASSEMBLY							1	
	NAS697A06L	NUTPLATE							4	
-57	1213064-1	BRACKET ASSEMBLY-SWITCH MOUNTING							1	
-58	1213141-10	PANEL ASSEMBLY-RH							1	
	NAS697A06L	NUTPLATE							6	
-59	1213167-1	BULKHEAD ASSEMBLY							1	
-60	1213169-2	SUPPORT ASSEMBLY WEU 1213169-12							2	
	NAS697A3K	NUTPLATE							1	
	1213169-12	SUPPORT ASSEMBLY							2	
	NAS698A3	NUTPLATE							1	
-61		DELETED-NOT USED								

CONTINUED ON NEXT PAGE

FIGURE AND INDEX NO.	PART NUMBER	DESCRIPTION	UNITS PER ASSY	USABLE ON CODE		
					1	2
58 -62	1213169-1	SUPPORT ASSEMBLY LH PANEL WEU 1213169-11 -----	1			
	NAS697A3K	NUTPLATE -----	2			
	1213169-11	SUPPORT ASSEMBLY LH PANEL -----	1			
	NAS684A3	NUTPLATE -----	2			
-63	1213632-1	BRACKET-LH -----	1			
-64	1213143-1	BRACKET-RH -----	1			
-65	0713779-4	ANGLE ASSEMBLY-DOOR MOUNTING -----	1			
	MS21044N08	NUTPLATE -----	3			
-66	1213145-1	BRACKET-GLOVE BOX MOUNTING -----	1			
-67	0713776-1	DOOR STOP -----	2			
-68	0713809-1	CLIP -----	2			
-69	1213141-11	PANEL-LOWER RH -----	1			
-70	1213650-1	SUPPORT -----	1			
		ATTACHING PARTS				
	S1021Z8-8	SCREW -----	2			
	NAS446-4-3	NUT -----	2			
		---*---				
-71	1213059-3	PANEL ASSEMBLY-LOWER CENTER -----	1			
	1213162-1	SPACER -----	1			
	NAS697A08	NUTPLATE -----	3			
-72	0713775-2	REINFORCEMENT -----	1			
-73	1213063-1	SUPPORT-PARKING BRAKE -----	1			
-74	1213062-1	SUPPORT -----	1			
-75	1213193-10	PANEL-SWITCH -----	1			
	NAS697A3	NUTPLATE -----	1			
		BRACKET ASSEMBLY-RELAY MOUNTING-SPLIT BUS BAR -----	NP			
-76	0713856-6	BRACKET-RELAY -----	1			
-77	1570043-1	DIODE BOARD ASSEMBLY -----	1			
		ATTACHING PARTS				
-78	AN515-8R6	SCREW -----	2			
-79	MS21045-08	NUT -----	2			
-80	NAS43DD3-16	SPACER -----	2			
		---*---				
-81	S1668-1	RELAY-POWER -----	1			
		ATTACHING PARTS				
-82	AN515-8R6	SCREW -----	2			
-83	AN960-8	WASHER -----	2			
-84	MS21045-08	NUT -----	2			
		---*---				
-85	1213168-3	INSTRUMENT PANEL ASSEMBLY-REMOVABLE -----	1			
		ATTACHING PARTS				
-86	AN509-10R6	SCREW -----	3			
-87	NAS221-6	SCREW -----	2			
-88	NAS221-13	SCREW -----	2			
	NAS42HT6-23	SPACER -----	2			
-89	NAS221-12	SCREW -----	2			
	NAS42HT6-19	SPACER -----	2			
		---*---				
	AN507-832R5	SCREW -----	1			
	AN340B8	NUT -----	1			
-90	1213170-1	SHOCK PANEL-CYRD -----	1			
		ATTACHING PARTS				
-91	1213645-1	SHOCK MOUNT -----	4			
-92	AN936A8	WASHER -----	8			
-93	AN340B8	NUT -----	8			
		---*---				
-94	1213294-1	COVER-INSTRUMENT PANEL ACCESS HOLE -----	1			
		ATTACHING PARTS				
	NAS601-5	SCREW -----	6			
		---*---				
-95	3D1772	TIMER & CONTROL SWITCH-WING DE-ICE GD -----	1			
	MS25041-3	LIGHT-WING DE-ICE -----	1			
	MS25237-330	BULB-WING DE-ICE -----	1			
-96	S102274-8	SCREW -----	2			
-97	SEE FIG 133	SWITCH & AMMETER PROPELLER DE-ICE -----	1			
-98	SEE FIG 2	PLACARD-MASTER SWITCH -----	1			
-99	1213169-3	SUPPORT ASSEMBLY LH -----	1			
	NAS697A3	NUTPLATE -----	2			
	1213169-7	SUPPORT ASSEMBLY LH -----	1			
	NAS697A3	NUTPLATE -----	2			

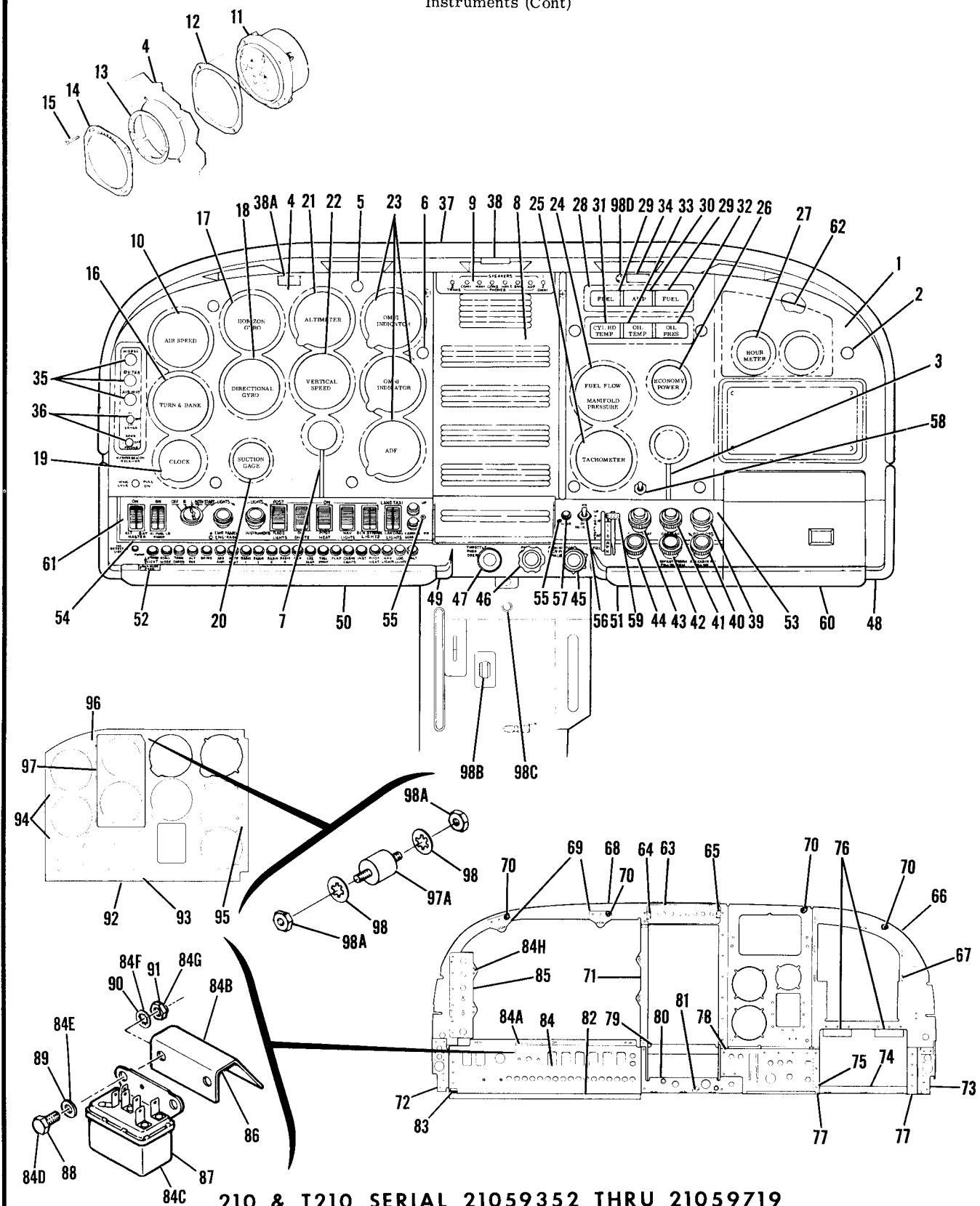
CONTINUED ON NEXT PAGE

FIGURE AND INDEX NO.	PART NUMBER	DESCRIPTION	UNITS PER ASSY	USABLE ON CODE
58 -		<p style="text-align: center;">1 2 3 4 5 6 7</p> <p>NOTE. #THIS PART NUMBER MUST HAVE A SECOND DASH NUMBER ADDED TO DENOTE COLOR. REFER TO HOW TO ORDER INTERIOR PARTS-PAGE VI.</p> <p>NOTE. *THESE PARTS ARE NOT APPLICABLE TO AIRPLANES EQUIPPED WITH POST LIGHTING. FOR REQUIRED PARTS SEE FIGURE 60.</p> <p>NOTE. **THESE PARTS ARE PHYSICALLY & FUNCTIONALLY INTERCHANGEABLE</p> <p>NOTE. ***THESE PARTS ARE PHYSICALLY & FUNCTIONALLY INTERCHANGEABLE</p> <p>NOTE. %THESE PARTS USED ONLY ON AIRPLANES EQUIPPED WITH NARCO MK12B WITH VOA-50M RADIO INSTALLATION</p> <p>A---210 SERIAL 21059200 THRU 21059351 B---T210 SERIAL 21059200 THRU 21059351 C---210 & T210 SERIAL 21059200 THRU 21059351</p>		

This page intentionally left blank.

FIGURE AND INDEX NO.	PART NUMBER		DESCRIPTION	UNITS PER ASSY	USABLE ON CODE
			1 2 3 4 5 6 7		
58A-			INSTRUMENT PANEL EQUIPMENT INSTALLATION -----	NP	A
- 1	1213138-11	*H	COVER ASSEMBLY-STATIONARY PANEL RH -----	1	D
	1213334-1	*H	COVER ASSEMBLY-STATIONARY PANEL RH -----	1	E
			ATTACHING PARTS		
- 2	S1898-3		FASTENER GRAY -----	5	D
	S1898-1		FASTENER BLACK -----	5	D
	NAS430D4-16		SPACER -----	5	D
			-----*		
- 3	1213163-2		LAP SEAL GRAY -----	1	
	1213163-1		LAP SEAL BLACK -----	1	
- 4	1213096-27	*H	COVER ASSEMBLY-STATIONARY PANEL LH -----	1	D
	1213333-1	*H	COVER ASSEMBLY-STATIONARY PANEL LH -----	1	E
	1213096-41	*H	COVER ASSEMBLY-STATIONARY PANEL LH -----	1	D
			ATTACHING PARTS		
- 5	S1898-3		FASTENER GRAY -----	4	D
	S1898-1		FASTENER BLACK -----	4	D
	NAS430D4-16		SPACER -----	4	D
- 6	0513351-2		SCREW POST-INSTRUMENT PANEL COVER RETAINER GRAY -----	1	D
	0513351-1		SCREW POST-INSTRUMENT PANEL COVER RETAINER BLACK -----	1	D
			-----*		
- 7	1213163-2		LAP SEAL GRAY -----	1	D
	1213335-1		LAP SEAL GRAY -----	1	E
	1213163-1		LAP SEAL BLACK -----	1	D
	1213335-2		LAP SEAL BLACK -----	1	E
- 8	1213116-2	H	COVER-CENTER PANEL -----	1	D
	1213338-1	H	COVER-CENTER PANEL -----	1	E
			ATTACHING PARTS		
	S1022A6-6C		SCREW -----	4	D
	S1021A4-6		SCREW -----	4	E
			-----*		
- 9	1213005-2	H	COVER-SWITCH MOUNTING BRACKET -----	1	D
	1213338-4	H	COVER -----	1	E
			ATTACHING PARTS		
	AN507B632R7		SCREW -----	4	D
	S1021A4-6		SCREW -----	2	E
			-----*		
-10	C661010-0608		INDICATOR-AIRSPPEED -----	1	D
	C661060-0206		INDICATOR-AIRSPPEED -----	1	E
			ATTACHING PARTS		
	AN515B6R12		SCREW -----	4	
			-----*		
			TRUE AIRSPEED INSTALLATION -----	NP	
-11	C661010-0215		INDICATOR-AIRSPPEED -----	1	D
	C661061-0205		INDICATOR-AIRSPPEED -----	1	E
-12	0700162-6		SPACER .071 THICKNESS -----	AR	
	0700162-4		SPACER .063 THICKNESS -----	AR	
	0700162-3		SPACER .051 THICKNESS -----	AR	
	0700162-7		SPACER .040 THICKNESS -----	AR	
-13	0700189-2		RING ASSEMBLY TRUE AIRSPEED -----	1	D
	0700189-9		RING ASSEMBLY TRUE AIRSPEED -----	1	E
-14	0700162-1		RETAINER ASSEMBLY TRUE AIRSPEED -----	1	
			ATTACHING PARTS		
-15	AN515B6R16		SCREW -----	4	
			-----*		
-16	C661003-0501		INDICATOR-TURN & BANK STANDARD WEU C661003-0504 -----	1	D
	C661003-0504		INDICATOR-TURN COORDINATOR -----	1	D
	C661003-0505		INDICATOR-TURN COORDINATOR -----	1	E
	S1413N1		INDICATOR-TURN & BANK WEU S1413N2 -----	1	D
	S1413N2		INDICATOR-TURN & BANK -----	1	D
	S1303N2		INDICATOR-TURN & BANK -----	1	E
	35060-0114		INDICATOR-TURN & BANK USED WITH NAV 300 ARC -----	1	B
			12 VOLT SYSTEM		
	35060-0128		INDICATOR-TURN & BANK USED WITH NAV 300 ARC -----	1	E
			24 VOLT SYSTEM		
			ATTACHING PARTS		
	AN515B6R12		SCREW -----	4	
			-----*		
	C661003-0601		INDICATOR-TURN COORDINATOR USED WITH WING LEVELER -----	1	D
			12 VOLT SYSTEM		
	C661003-0602		INDICATOR-TURN COORDINATOR USED WITH WING LEVELER -----	1	E
			24 VOLT SYSTEM		
			ATTACHING PARTS		
	AN515B6R16		SCREW -----	3	
	AN340B6		NUT -----	3	
			-----*		
			CONTINUED ON NEXT PAGE		

Instruments (Cont)



210 & T210 SERIAL 21059352 THRU 21059719

Figure 58A. Instrument Panel Equipment Installation

FIGURE AND INDEX NO.	PART NUMBER	DESCRIPTION							UNITS PER ASSY	USABLE ON CODE
		1	2	3	4	5	6	7		
58A-17	C661076-0104 **	INDICATOR-HORIZONTAL GYRO -----							1	
	C661076-0101 **	INDICATOR-HORIZONTAL GYRO -----							1	
	C661076-0102 **	INDICATOR-HORIZONTAL GYRO -----							1	
	C661076-0103 **	INDICATOR-HORIZONTAL GYRO -----							1	
	37570-0105	INDICATOR-HORIZONTAL GYRO USED WITH NAV 400 -----							1	
	AN515-6R6	ATTACHING PARTS SCREW -----							4	
-18	C661075-0102 ***	INDICATOR-DIRECTIONAL GYRO -----							1	
	C661075-0103 ***	INDICATOR-DIRECTIONAL GYRO -----							1	
	C661075-0101 ***	INDICATOR-DIRECTIONAL GYRO -----							1	
	C661075-0104 ***	INDICATOR-DIRECTIONAL GYRO -----							1	
	C661075-0105 ***	INDICATOR-DIRECTIONAL GYRO HEADING BUG -----							1	E
	30370-0102	INDICATOR-DIRECTIONAL GYRO USED WITH NAV 300 & 400 -----							1	
	AN515-6R6	ATTACHING PARTS SCREW -----							3	
-19	S1317N2	CLOCK-ELECTRIC C664508-0101 -----							1	D
	C664508-0101	CLOCK-ELECTRIC -----							1	F
	AN515B6R12	ATTACHING PARTS SCREW -----							3	
-20	S1414N1	GAGE-SUCTION WEU C668540-0101 -----							1	D
	C668540-0101	GAGE-SUCTION -----							1	E
	AN515B6R12	ATTACHING PARTS SCREW -----							4	
-21	C661011-0105	ALTIMETER 20000 FT FT & IN.-WEU C661071-0101 -----							1	B
	C661071-0101	ALTIMETER 20000 FT FT & IN. -----							1	F
	C661011-0201	ALTIMETER 35000 FT FT & IN.-WEU C661071-0201 -----							1	C
	C661071-0201	ALTIMETER 35000 FT FT & IN. -----							1	G
	C661011-0106	ALTIMETER 20000 FT FT & MILL.-WEU C661071-0102 -----							1	B
	C661071-0102	ALTIMETER 20000 FT FT & MILL. -----							1	F
	C661011-0202	ALTIMETER 35000 FT FT & MILL.-WEU C661071-0202 -----							1	C
	C661071-0202	ALTIMETER 35000 FT FT & MILL. -----							1	G
	AN515B6R16	ATTACHING PARTS SCREW -----							4	
	-22	S1392N2	INDICATOR-VERTICAL SPEED WEU C661080-0101 -----							1
C661080-0101		INDICATOR-VERTICAL SPEED -----							1	E
AN515B6R12		ATTACHING PARTS SCREW -----							3	
-23		RADIO INSTALLATION SEE ELECTRONICS MANUAL -----							NP	
-24	C662001-0301	INDICATOR-DUAL-FUEL FLOW & MANIFOLD PRESSURE WEU C662037-0201 -----							1	B
	C662037-0201	INDICATOR-DUAL FUEL FLOW & MANIFOLD PRESSURE -----							1	F
	C662001-0302	INDICATOR-DUAL-FUEL FLOW & MANIFOLD PRESSURE WEU C662037-0202 -----							1	C
	C662037-0202	INDICATOR-DUAL FUEL FLOW & MANIFOLD PRESSURE -----							1	G
	AN515B6R12	ATTACHING PARTS SCREW -----							4	
-25	S1305N10	TACHOMETER WEU C668020-0106 -----							1	C
	C668020-0106	TACHOMETER -----							1	G
	S1305N11	TACHOMETER WEU C668020-0107 -----							1	B
	C668020-0107	TACHOMETER -----							1	F
	AN515B6R12	ATTACHING PARTS SCREW -----							4	
-26	C668501-0207	INDICATOR-POWER ECONOMY WEU C668501-0211 -----							1	D
	C668501-0211	INDICATOR-POWER ECONOMY -----							1	E
	C668501-0203	LEAD-POWER ECONOMY -----							1	
	AN507B632R12	ATTACHING PARTS SCREW -----							4	
	MS20365B632C	NUT -----							4	
C7000-632-67	NUT TIN -----							4		
-27	C664501-0101	INDICATOR-HOURLY WEU C664501-0103 -----							1	D
	C664501-0103	INDICATOR-HOURLY -----							1	E
	AN507B632-6	ATTACHING PARTS SCREW -----							4	

CONTINUED ON NEXT PAGE

FIGURE AND INDEX NO.	PART NUMBER	DESCRIPTION	UNITS PER ASSY	USABLE ON CODE
58A-28	C669502-0304	INSTRUMENT CLUSTER ASSEMBLY ----- ATTACHING PARTS	1	
	AN340B8	NUT -----	2	
	NAS43HT3-64	SPACER -----	2	
	AN507B832R24	SCREW -----	2	
		-----*-----		
-29	C669502-0305	GAGE-FUEL -----	2	
-30	G440437	GAGE-AMMETER SW -----	1	
-31	G442702	GAGE-CYLINDER HEAD TEMPERATURE SW -----	1	
	811542	POTENTIOMETER SW -----	1	
-32	G444627	GAGE-OIL PRESSURE SW -----	1	
-33	G442786-63	GAGE-OIL TEMPERATURE SW -----	1	
	G818827	LENS ASSEMBLY-INSTRUMENT CLUSTER -----	1	
	SEE FIG 73 & 74	SENDING UNIT-CYLINDER HEAD TEMPERATURE -----	1	
	1270479-1	LIGHT ASSEMBLY-INSTRUMENT CLUSTER -----	1	D
	1270479-4	LIGHT ASSEMBLY-INSTRUMENT CLUSTER -----	1	E
	S1894-3	BULB-INSTRUMENT CLUSTER LIGHT -----	4	D
	S1894-2	BULB-INSTRUMENT CLUSTER LIGHT -----	4	E
-34	SEE FIG 2	PLACARD-MASTER SWITCH -----	1	
-35	CM2692-15H1B	PLUG BUTTON -----	3	
-36	CM2692-8H1B	PLUG BUTTON -----	2	
-37	1213320-1	GLARE SHIELD ASSEMBLY -----	1	D
	1213330-1	GLARE SHIELD ASSEMBLY -----	1	E
		ATTACHING PARTS		
	S1023A8-6	SCREW -----	6	D
	S1023A6-12B	SCREW -----	2	E
	S1023A6-16B	SCREW -----	8	E
	S106781	WASHER -----	10	E
	NAS43DD1-10	SPACER -----	2	E
	NAS43DD1-16	SPACER -----	2	E
	NAS43DD1-21	SPACER -----	6	E
		-----*-----		
-38	SEE FIG 2	PLACARD-CALL LETTER -----	1	D
	SEE FIG 137	GLARE SHIELD LIGHTS INSTALLATION-INSTRUMENT PANEL -----	1	
-38A	1213004-2	RETAINER -----	1	E
		ATTACHING PARTS		
	S102276-8B	SCREW -----	2	
	NAS446-2-1	NUT -----	2	
		-----*-----		
-39	S1268-14	CONTROL ASSEMBLY-DEFROST -----	1	
-40	S1241-35	CONTROL ASSEMBLY-AUX. CABIN AIR -----	1	
-41	S1241-33	CONTROL ASSEMBLY-CABIN AIR -----	1	
-42	1260458-7	CONTROL ASSEMBLY-STOWABLE COPILOT PEDALS -----	1	
-43	S1241-34	CONTROL ASSEMBLY-CABIN HEAT -----	1	
-44	0513039-7	LIGHTER ASSEMBLY-CIGAR CUND -----	1	
	L4858-1	PLUG-HEATING CUND -----	1	
	S1982-1	KNOB ASSEMBLY-LIGHTER -----	1	
	60232-1	CIRCUIT BREAKER-LIGHTER ASSEMBLY CUND -----	1	
-45	C299507-0101	CONTROL ASSEMBLY-MIXTURE -----	1	
	NAS43DD12-64	SPACER MIXTURE CONTROL -----	1	
	1213646-1	WASHER MIXTURE CONTROL -----	1	
-46	C299506-0101	CONTROL ASSEMBLY-PROPELLER -----	1	
	NAS43DD12-64	SPACER PROPELLER CONTROL -----	1	
	1213646-1	WASHER PROPELLER CONTROL -----	1	
-47	C299505-0101	CONTROL ASSEMBLY-THROTTLE -----	1	
	1213646-2	WASHER THROTTLE CONTROL -----	1	
-48	1213189-3	COVER-INSTRUMENT PANEL LOWER RH -----	1	
		ATTACHING PARTS		
	S1021A6-6B	SCREW -----	1	
		-----*-----		
-49	1213317-14	COVER ASSEMBLY-INSTRUMENT PANEL LOWER -----	1	
		ATTACHING PARTS		
	S1221A6-6B	SCREW -----	8	
		-----*-----		
-50	1213317-8	KNEE BUMPER-LH -----	1	
-51	1213317-7	KNEE BUMPER-RH INBOARD -----	1	
-52	SEE FIG 2	PLACARD AUX. MIKE JACK -----	1	

CONTINUED ON NEXT PAGE

FIGURE AND INDEX NO.	PART NUMBER	DESCRIPTION	UNITS PER ASSY	USABLE ON CODE
58A-53	1213192-16	PANEL ASSEMBLY-ELECTROLUMINESCENT RH -----	1	D
	1213192-20	PANEL ASSEMBLY-ELECTROLUMINESCENT RH -----	1	H
	1213363-8	PANEL ASSEMBLY-ELECTROLUMINESCENT RH -----	1	J
	1213192-17	PANEL ASSY-ELECTROLUMINESCENT RH USED WITH DE-ICE SYSTEM-----	1	D
	1213192-21	PANEL ASSY-ELECTROLUMINESCENT RH USED WITH DE-ICE SYSTEM-----	1	H
	1213363-9	PANEL ASSY-ELECTROLUMINESCENT RH USED WITH DE-ICE SYSTEM-----	1	J
-54	1213314-7	PANEL ASSEMBLY-ELECTROLUMINESCENT LH -----	1	L
	1213364-1	PANEL ASSEMBLY-ELECTROLUMINESCENT LH -----	1	J
-55	S102274-8	SCREW -----	2	
-56	3D1772	TIMER & CONTROL SWITCH-WING DE-ICE CD -----	1	D
	3D1748-2	TIMER & CONTROL SWITCH-WING DE-ICE CD -----	1	E
-57	MS25041-3	INDICATOR LIGHT-PRESS TO TEST WING DE-ICE -----	1	
	MS25237-330	BULB-WING DE-ICE -----	1	D
	MS25237-327	BULB-WING DE-ICE -----	1	E
-58	SEE FIG 133	SWITCH & AMMETER PROPELLER DE-ICE -----	1	
-59	SEE FIG 104	FLAP CONTROLS DETAIL INSTALLATION -----	1	
-60	SEE FIG 61	MAP COMPARTMENT INSTALLATION -----	1	
-61	SEE FIG 59	SWITCH PANEL INSTALLATION -----	1	
-62	1213294-1	COVER-INSTRUMENT PANEL ACCESS HOLE -----	1	D
	1213294-2	COVER ASSEMBLY-INSTRUMENT PANEL -----	1	E
		ATTACHING PARTS		
	NAS601-5	SCREW -----	6	
	1213165-205	STATIONARY INSTRUMENT PANEL ASSEMBLY -----	1	D
	1213264-1	STATIONARY INSTRUMENT PANEL ASSEMBLY -----	1	E
-63	1213064-1	BRACKET ASSEMBLY-SWITCH MOUNTING -----	1	D
		ATTACHING PARTS		
	AN515-6-8	SCREW -----	4	
		---*---		
-64	1213065-1	BRACKET ASSEMBLY-RADIO SWITCH LH -----	1	D
-65	1213065-2	BRACKET ASSEMBLY-RADIO SWITCH RH -----	1	D
	NAS697A06L	NUTPLATE -----	2	
-66	1213141-13	PANEL ASSEMBLY-RH -----	1	
-67	NAS697A06L	NUTPLATE -----	6	
-68	1213167-3	BULKHEAD ASSEMBLY -----	1	
-69	1213169-12	SUPPORT ASSEMBLY -----	2	
	NAS697A3K	NUTPLATE -----	1	
-70	NAS557-4A	GROMMET -----	4	
-71	1213169-11	SUPPORT ASSEMBLY -----	1	
	NAS684A3	NUT -----	2	
-72	1213632-1	BRACKET-LH -----	1	
-73	1213143-1	BRACKET-RH -----	1	
-74	0713779-4	ANGLE ASSEMBLY-DOOR MOUNTING -----	1	
	MS21044N08	NUTPLATE -----	3	
-75	1213145-1	BRACKET-GLOVE BOX MOUNTING -----	1	
-76	0713776-1	DOOR STOP -----	2	
-77	0713809-1	CLIP -----	2	
-78	1213141-11	PANEL-LOWER RH -----	1	
-79	1213650-1	SUPPORT -----	1	
		ATTACHING PARTS		
	S102128-8	SCREW -----	2	
	NAS446-4-3	NUT -----	2	
		---*---		
-80	1213059-3	PANEL ASSEMBLY-LOWER CENTER -----	1	
	NAS697A08	NUTPLATE -----	3	
-81	0713775-2	REINFORCEMENT -----	1	
-82	1213063-3	SUPPORT-PARKING BRAKE -----	1	
-83	1213063-6	SUPPORT -----	1	
-84	1213193-10	PANEL-SWITCH -----	1	
-84A	1270707-1	BRACKET ASSEMBLY-RELAY -----	1	
-84B	1270707-2	BRACKET -----	1	
-84C	S1917-1	RELAY -----	1	
		ATTACHING PARTS		
-84D	AN4-5A	BOLT -----	2	
-84E	AN960-416L	WASHER -----	2	
-84F	AN936A416	WASHER -----	2	
-84G	MS21042L4	NUT -----	2	
		---*---		
-84H	1213169-15	SUPPORT ASSEMBLY -----	1	E
	NAS697A3	NUTPLATE -----	2	
-85	1213169-15	SUPPORT ASSEMBLY -----	1	D
	1213169-13	SUPPORT ASSEMBLY -----	1	D
	NAS697A3	NUTPLATE -----	2	

CONTINUED ON NEXT PAGE

FIGURE AND INDEX NO.	PART NUMBER	DESCRIPTION	UNITS PER ASSY	USABLE ON CODE
		1 2 3 4 5 6 7		
58A-	1270707-1	BRACKET ASSEMBLY-RELAY -----	1	D
-86	1270707-2	BRACKET -----	1	
-87	S1917-1	RELAY -----	1	
		ATTACHING PARTS		
-88	AN4-5A	BOLT -----	2	
-89	AN960-416L	WASHER -----	2	
-90	AN936A416	WASHER -----	2	
-91	MS21042L4	NUT -----	2	
		---*---		
-92	1213168-3	INSTRUMENT PANEL ASSEMBLY-REMOVABLE -----	1	D
	1213168-4	INSTRUMENT PANEL ASSEMBLY-REMOVABLE -----	1	E
		ATTACHING PARTS		
-93	AN509-10R6	SCREW -----	3	
-94	NAS221-6	SCREW -----	2	
-95	NAS221-13	SCREW -----	2	
	NAS42HT6-23	SPACER -----	2	
-96	NAS221-12	SCREW -----	2	
	NAS42HT6-19	SPACER -----	2	
		---*---		
	AN507-832R5	SCREW -----	1	D
	AN340B8	NUT -----	1	D
-97	1213170-1	SHOCK PANEL-GYRO -----	1	
		ATTACHING PARTS		
-97A	1213645-1	SHOCK MOUNT -----	4	
-98	AN936A8	WASHER -----	8	
-98A	AN340B8	NUT -----	8	
		---*---		
-98B	1240001-1	KNOB ASSY-HYDRAULIC POWER PACK -----	1	K
		ATTACHING PARTS		
	S1216-4	NUT -----	2	K
		---*---		
	8859K44	SWITCH-HYDRAULIC POWER PACK CUT -----	1	K
-98C	S1232-30	CIRCUIT BREAKER 30 AMP HYDRAULIC FUEL PUMP -----	1	K
-98D	C593003-0101	OVERVOLTAGE UNIT -----	1	
		ATTACHING PARTS		
	AN515-6R8	SCREW -----	2	
		---*---		
	S2135-2	BULB-OVERVOLTAGE UNIT -----	1	
		NOTE. THIS PART NUMBER MUST HAVE A SECOND DASH NUMBER ADDED TO DENOTE COLOR. REFER TO HOW TO ORDER INTERIOR PARTS-PAGE VI.		
		NOTE. *THESE PARTS ARE NOT APPLICABLE TO AIRPLANES EQUIPPED WITH POST LIGHTING. FOR REQUIRED PARTS SEE FIGURE 60 & 60A		
		NOTE. **THESE PARTS ARE PHYSICALLY & FUNCTIONALLY INTERCHANGEABLE.		
		NOTE. ***THESE PARTS ARE PHYSICALLY & FUNCTIONALLY INTERCHANGEABLE.		
		NOTE. %THESE PARTS USED ONLY ON AIRPLANES EQUIPPED WITH NARCO MK12B WITH VDA-50M RADIO INSTALLATIONS.		
		A---210 & T210 SERIAL 21059352 THRU 21059719		
		B---210 SERIAL 21059352 THRU 21059502		
		C---T210 SERIAL 21059352 THRU 21059502		
		D---210 & T210 SERIAL 21059352 THRU 21059502		
		E---210 & T210 SERIAL 21059503 THRU 21059719		
		F---210 SERIAL 21059503 THRU 21059719		
		G---T210 SERIAL 21059503 THRU 21059719		
		H---210 & T210 SERIAL 21059503 THRU 21059564		
		J---210 & T210 SERIAL 21059565 THRU 21059719		
		K---210 & T210 SERIAL 21059352 THRU 21059719		
		L---210 & T210 SERIAL 21059352 THRU 21059564		

FIGURE AND INDEX NO.	PART NUMBER	DESCRIPTION						UNITS PER ASSY	USABLE ON CODE
		1	2	3	4	5	6		
58B-		INSTRUMENT PANEL EQUIPMENT INSTALLATION -----						NP	A
- 1	1213380-1	z	STATIONARY INSTRUMENT PANEL ASSY -----				1		
	1213059-3		PANEL ASSY - LWR CENTER -----				1		
	1213162-1		SPACER -----				1		
	NAS697A08		NUTPLATE -----				3		
- 2	0713775-2		REINFORCEMENT -----				1		
- 3	1213376-1		STDP-FLAP CONTROL -----				1		
	1262001-3		BRACKET-FLAP CONTROL MOUNTING -----				1		
- 4	1213375-1		PANEL-LWR RH -----				1		
- 5	0713809-1		CLIP -----				2		
- 6	0713779-4		ANGLE ASSY-LWR RH -----				1		
	MS21044N08		NUTPLATE -----				3		
- 7	1213145-1		BRACKET-MOUNTING -----				1		
- 8	0713776-1		STDP-DOOR -----				2		
- 9	1213143-1		BRACKET-RH LWR -----				1		
-10	1213387-1		PANEL ASSY-RH REMOVABLE -----				1		
			ATTACHING PARTS -----						
	NAS601-5		SCREW -----				6		
			-----*						
-11	1213370-1		PANEL ASSY-RH -----				1		
-12	NAS697A06L		NUTPLATE -----				6		
-13	NAS697A08		NUTPLATE -----				4		
-14	1213374-4		SUPPORT ASSY-RH CENTER -----				1		
-15	1213374-1		SUPPORT ASSY-LH CENTER -----				1		
	NAS697A06L		NUTPLATE LH & RH -----				1		
	NAS684A3		NUTPLATE RH ONLY -----				2		
-16	1213650-1		SUPPORT -----				1		
			ATTACHING PARTS -----						
	AN515-6R8		SCREW -----				2		
			-----*						
-17	1213372-1		BULKHEAD ASSY-LH -----				1		
	NAS697A08		NUTPLATE -----				4		
-18	1213169-2		SUPPORT ASSY -----				2		
-19	NAS697A3		NUTPLATE -----				1		
-20	1213378-1		SUPPORT ASSY-LH INSTRUMENT PANEL -----				1		
-21	NAS697A3		NUTPLATE -----				2		
-22	1213632-1		BRACKET-LH -----				1		
-23	1213373-3		PANEL ASSY-SWITCH -----				1		
-24	NAS697A3		NUTPLATE -----				3		
-25	1270707-1		BRACKET ASSY-RELAY -----				1		
-26	1270707-2		BRACKET -----				1		
-27	S1917-1		RELAY -----				1		
			ATTACHING PARTS -----						
-28	AN4-5A		BOLT -----				2		
-29	AN960-416L		WASHER -----				2		
-30	AN936A416		WASHER -----				2		
-31	MS21042L4		NUT -----				2		
			-----*						
-32	1213062-8		SUPPORT ASSY-PARKING BRAKE -----				1		
	NAS397A3K		NUTPLATE -----				1		
-33	1213063-3		SUPPORT-PARKING BRAKE -----				1		
-34	1213371-3		INSTRUMENT PANEL ASSY-REMOVABLE LH -----				1		
			ATTACHING PARTS -----						
-35	NAS221-12		SCREW -----				2		
	NAS42HT6-19		SPACER -----				2		
-36	NAS221-13		SCREW -----				2		
	NAS42HT6-23		SPACER -----				2		
-37	NAS221-6		SCREW -----				5		
			-----*						
-38	1213170-2		PANEL-SHOCK -----				1		
			ATTACHING PARTS -----						
-39	1213645-1		MOUNT-SHOCK -----				4		
-40	AN936A8		WASHER -----				8		
-41	AN34088		NUT -----				8		
			-----*						
-41A	1213387-3		PANEL ASSY-RH REMOVABLE USED WITH DUAL ALTIMETERS -----				1	C	
-42	1213369-11	**H	COVER ASSY-LH INSTRUMENT PANEL -----				1		
-43	1213335-1		LAP SEAL -----				1		
-44	SEE FIG 59A		SWITCH PANEL INSTALLATION -----				1		

CONTINUED ON NEXT PAGE

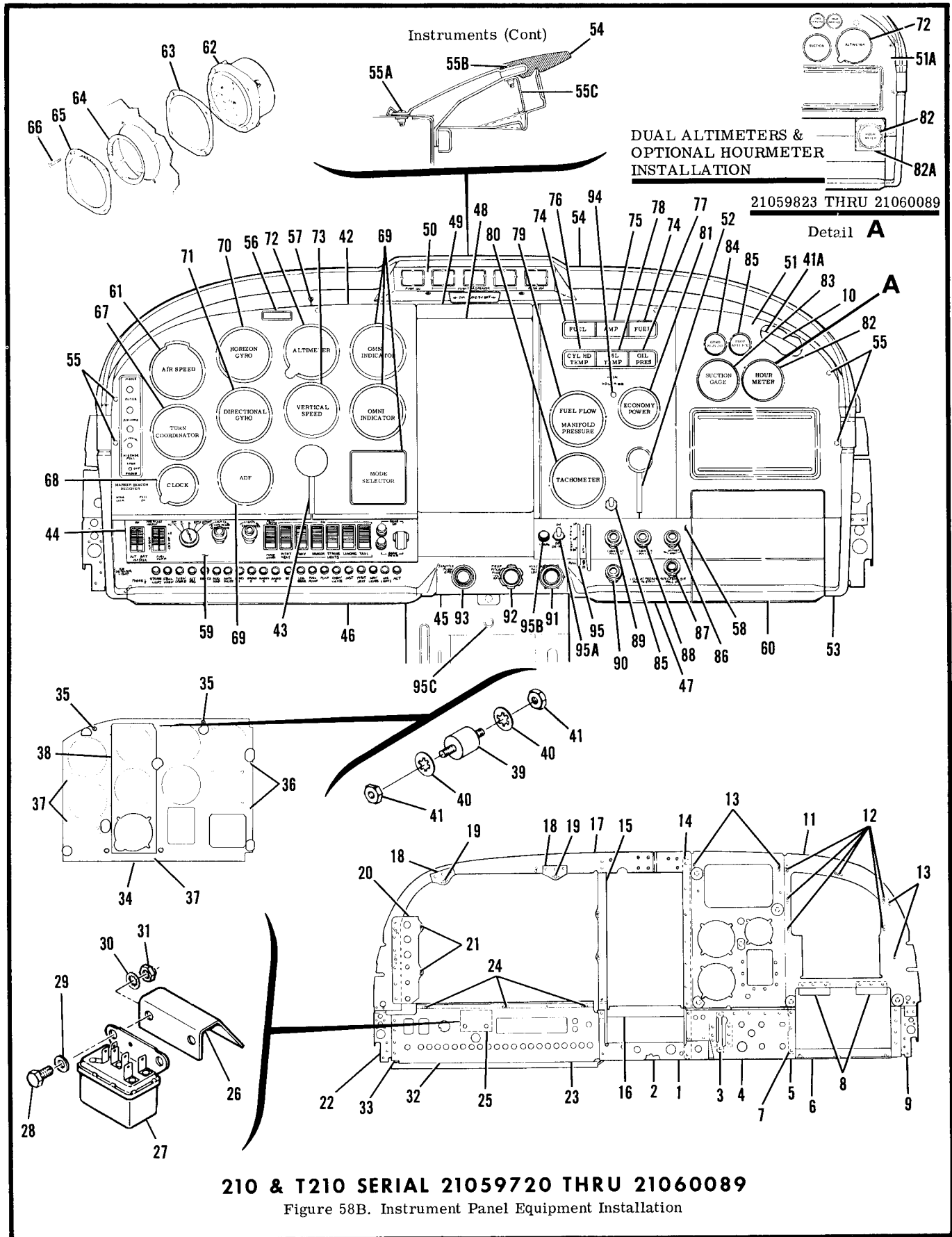


FIGURE AND INDEX NO.	PART NUMBER		DESCRIPTION							UNITS PER ASSY	USABLE ON CODE
			1	2	3	4	5	6	7		
58B-45	1213317-19	π	COVER ASSY-INSTRUMENT PANEL LWR -----							1	
	S1021A6-6		ATTACHING PARTS -----								
			SCREW -----							9	
			-----*-----								
-46	1213317-8		KNEE BUMPER-LH -----							1	
-47	1213317-7		KNEE BUMPER-RH -----							1	
-48	1213381-1	π	COVER-CENTER PANEL -----							1	
			ATTACHING PARTS -----								
	S1021A4-6		SCREW -----							4	
			-----*-----								
-49	1213377-1	π	COVER-CENTER INSTRUMENT PANEL UPR -----							1	
			ATTACHING PARTS -----								
	AN525-832R10		SCREW -----							3	
			-----*-----								
-50	1213366-1	π	COVER-SWITCH MOUNTING BRACKET -----							1	
			ATTACHING PARTS -----								
	S1021Z6-6B		SCREW -----							4	
			-----*-----								
-51	1213368-6	**π	COVER ASSY-RH INSTRUMENT PANEL -----							1	
-51A	1213368-10	**π	COVER ASSY-RH INSTRUMENT PANEL USED WITH -----							1	C
			DUAL ALTIMETERS -----								
			LAP SEAL -----							1	
-52	1213163-2		COVER-RH LWR -----							1	
-53	1213382-1	π	GLARSHIELD ASSY-INSTRUMENT PANEL -----							1	
-54	1213367-1		ATTACHING PARTS -----								
			SCREW -----							6	
-55A	AN515B8R8		SCREW -----							6	
	S1450-3A8-032		WASHER -----							6	
-55B	AN515B8R12		SCREW -----							2	
			-----*-----								
-55C	1213365-1		BRACKET ASSY-GLARESHIELD -----							1	
	NAS697A08		NUTPLATE -----							2	
-56	1213004-2		RETAINER-PLACARD -----							1	
			ATTACHING PARTS -----								
	S1022Z6-8B		SCREW -----							2	
	NAS446-2-1		NUT -----							2	
			-----*-----								
-57	S1695-1		SWITCH-MAP LIGHT -----							1	
-58	1213363-8		PANEL ASSY-ELECTROLUMINESCENT RH -----							1	
	1213363-9		PANEL ASSY-ELECTROLUMINESCENT RH USED WITH DE-ICE SYSTEM- -----							1	
			ATTACHING PARTS -----								
	S1022Z4-4		SCREW -----							1	
			-----*-----								
-59	1213342-1		PANEL ASSY-ELECTROLUMINESCENT LH -----							1	
-60	SEE FIG 61		GLOVE BOX INSTALLATION -----							1	
-61	C661060-0206		INDICATOR-AIRSPPEED -----							1	
			ATTACHING PARTS -----								
	AN515B6R16		SCREW -----							4	
			-----*-----								
-62	C661061-0205		TRUE AIRSPEED INSTALLATION -----							NP	
-63	0700162-6		INDICATOR-AIRSPPEED -----							1	
	0700162-4		SPACER .071 THICKNESS -----							AR	
	0700162-3		SPACER .063 THICKNESS -----							AR	
	0700162-7		SPACER .051 THICKNESS -----							AR	
-64	0700189-9		SPACER .040 THICKNESS -----							AR	
-65	0700162-1		RING ASSY TRUE AIRSPEED -----							1	
			RETAINER ASSY TRUE AIRSPEED -----							1	
			ATTACHING PARTS -----								
-66	AN515B6R16		SCREW -----							4	
			-----*-----								
-67	C661003-0505		INDICATOR-TURN COORDINATOR -----							1	
	S1303N2		INDICATOR-TURN & BANK -----							1	
	35060-0128		INDICATOR-TURN COORDINATOR USED WITH NAV 300 ARC -----							1	
			ATTACHING PARTS -----								
	AN515B6R12		SCREW -----							4	
			-----*-----								
	C661003-0602		INDICATOR-TURN COORDINATOR USED WITH WING LEVELER -----							1	
			ATTACHING PARTS -----								
	AN515B6R16		SCREW -----							3	
	AN340B6		NUT -----							3	
			-----*-----								
-68	C664508-0101		CLOCK-ELECTRIC -----							1	
			ATTACHING PARTS -----								
	AN515B6R12		SCREW -----							3	
			-----*-----								

CONTINUED ON NEXT PAGE



FIGURE AND INDEX NO.	PART NUMBER	DESCRIPTION					UNITS PER ASSY	USABLE ON CODE
		1	2	3	4	5		
588-69		RADIO INSTALLATION SEE ELECTRONICS MANUAL -----					NP	
-70	C661076-0103	INDICATOR-HORIZONTAL GYRO -----					1	
	37570-0105	INDICATOR-HORIZONTAL GYRO USED WITH NAV 400 -----					1	
	41100-0000	INDICATOR-HORIZONTAL GYRO USED-300 &-400 IFC -----					1	
	AN515-6R6	ATTACHING PARTS						
		SCREW -----					4	
		---*---						
-71	C661075-0101 *	INDICATOR-DIRECTIONAL GYRO -----					1	
	C661075-0105 *	INDICATOR-DIRECTIONAL GYRO HEADING BUG -----					1	
	40760-0104	INDICATOR-DIRECTIONAL GYRO USED WITH NAV 300 & 400 -----					1	
	40840-0104	INDICATOR-DIRECTIONAL GYRO USED WITH NAV 400 &-300 IFC --					1	
	40840-0204	INDICATOR-DIRECTIONAL GYRO USED WITH -400 IFC -----					1	
	AN515-6R10	ATTACHING PARTS						
		SCREW -----					3	
		---*---						
-72	C661071-0101	ALTIMETER	20000 FT	FT & IN.	210	-----	1	
	C661071-0201	ALTIMETER	35000 FT	FT & IN.	T210	-----	1	
	C661071-0102	ALTIMETER	20000 FT	FT & MILL.	210	-----	1	
	C661071-0102 %%	ALTIMETER	20000 FT	FT & MILL.	210	-----	2	C
		USED FOR DUAL ALTIMETERS						
	C661071-0202	ALTIMETER	35000 FT	FT & MILL.	T210	-----	1	
	C661071-0202 %%	ALTIMETER	35000 FT	FT & MILL.	T210	-----	2	
		USED FOR DUAL ALTIMETERS						
	C661025-0102	ALTIMETER	35000 FT	MILL.	20 FT. INCREMENTS	-----	1	B
	AN515B6R16	ATTACHING PARTS						
		SCREW -----					3	
		---*---						
-73	C661080-0101	INDICATOR-VERTICAL SPEED -----					1	
	AN515B6R12	ATTACHING PARTS						
		SCREW -----					3	
		---*---						
	C669502-0304	INSTRUMENT CLUSTER ASSEMBLY -----					1	
	AN515B8R24	ATTACHING PARTS						
	NAS43HT3-64	SCREW -----					2	
	AN340B8	SPACER -----					2	
		NUT -----					2	
		---*---						
-74	C669502-0305	GAGE-FUEL -----					2	
-75	G440437	GAGE-AMMETER SW -----					1	
-76	G442702	GAGE-CYLINDER HEAD TEMPERATURE SW -----					1	
	811542	POTENTIOMETER SW -----					1	
-77	G444627	GAGE-OIL PRESSURE SW -----					1	
-78	G442786-63	GAGE-OIL TEMPERATURE SW -----					1	
	G818827	LENS ASSY-INSTRUMENT CLUSTER SW -----					1	
	SEE FIG 73 & 74	SENDING UNIT-CYLINDER HEAD TEMPERATURE -----					1	
	1270479-4	LIGHT ASSY-INSTRUMENT CLUSTER -----					1	
	S1894-2	BULB-INSTRUMENT CLUSTER LIGHT -----					4	
-79	C662037-0201	INDICATOR-DUAL FUEL FLOW & MANIFOLD PRESSURE 210 -----					1	
	C662037-0202	INDICATOR-DUAL FUEL FLOW & MANIFOLD PRESSURE T210 -----					1	
	AN515B6R12	ATTACHING PARTS						
		SCREW -----					4	
		---*---						
-80	C668020-0107	TACHOMETER 210 -----					1	
	C668020-0106	TACHOMETER T210 -----					1	
	AN515B6R12	ATTACHING PARTS						
		SCREW -----					4	
		---*---						
-81	C668501-0207	INDICATOR-POWER ECONOMY -----					1	
	AN507B632R12	ATTACHING PARTS						
	MS203658632C	SCREW -----					4	
	C7000-632-67	NUT -----					4	
		NUT -----					4	
		---*---						
	C668501-0203	LEAD-POWER ECONOMY -----					1	
	C668501-0204	PROBE-POWER ECONOMY -----					1	
-82	C664501-0103	INDICATOR-HOURMETER -----					1	
	AN507B632-6	ATTACHING PARTS						
		SCREW -----					4	
		---*---						
-82A	1200749-1 ***	BRACKET-HOURMETER ATTACH -----					1	C
-83	C668540-0101	GAGE-SUCTION -----					1	
	AN515-6R12	ATTACHING PARTS						
		SCREW -----					4	
		---*---						

CONTINUED ON NEXT PAGE



FIGURE AND INDEX NO.	PART NUMBER	DESCRIPTION	UNITS PER ASSY	USABLE ON CODE
588-84	40910-0000	INDICATOR-GYRO SLAVING -----	1	
-85	SEE FIG 133	SWITCH & AMMETER PROPELLER DE-ICE -----	1	
-86	S1268-14	CONTROL ASSY-DEFROST -----	1	
-87	S1241-35	CONTROL ASSY-AUX. CABIN AIR -----	1	
-88	S1241-33	CONTROL ASSY-CABIN AIR -----	1	
-89	S1241-34	CONTROL ASSY-CABIN HEAT -----	1	
-90	0513039-7	LIGHTER ASSY-CIGAR CUND -----	1	
	L4858-1	PLUG-HEATING CUND -----	1	
	S1982-1	KNDB ASSY-LIGHTER -----	1	
	60232-1	CIRCUIT BREAKER-LIGHTER ASSY CUND -----	1	
-91	C299507-0101	CONTROL ASSY-MIXTURE -----	1	
	NAS430D12-64	SPACER MIXTURE CONTROL -----	1	
	1213646-1	WASHER MIXTURE CONTROL -----	1	
-92	C299506-0101	CONTROL ASSY-PROPELLER -----	1	
	NAS430D12-64	SPACER PROPELLER CONTROL -----	1	
	1213646-1	WASHER PROPELLER CONTROL -----	1	
-93	C299505-0101	CONTROL ASSY-THROTTLE -----	1	
	1213646-2	WASHER THROTTLE CONTROL -----	1	
-94	C593003-0101	OVER VOLTAGE UNIT -----	1	
		ATTACHING PARTS		
	AN515-6R8	SCREW -----	2	
		*-----		
	S2135-2	BULB-OVERVOLTAGE -----	1	
-95	SEE FIG 104	FLAP CONTROLS DETAIL INSTALLATION -----	1	
-95A	3D1748-2	TIMER & CONTROL SWITCH-WING DE-ICE CD -----	1	
-95B	MS25041-3	INDICATOR LIGHT-PRESS TO TEST WING DE-ICE -----	1	
	MS25237-327	BULB-WING DE-ICE -----	1	
-95C	S1232-30	CIRCUIT BREAKER 30 AMP HYDRAULIC FUEL PUMP -----	1	
<p>NOTE. #THIS PART NUMBER MUST HAVE A SECOND DASH NUMBER ADDED TO DENOTE COLOR. REFER TO HOW TO ORDER INTERIOR PARTS-PAGE VI.</p> <p>NOTE. *THESE PARTS ARE PHYSICALLY & FUNCTIONALLY INTERCHANGEABLE.</p> <p>NOTE. **THESE PARTS ARE NOT APPLICABLE TO AIRPLANES EQUIPPED WITH POST LIGHTING. FOR REQUIRED PARTS SEE FIGURE 60B.</p> <p>NOTE. %WHEN ORDERING THIS ASSY FOR AIRPLANES EQUIPPED WITH DUAL ALTIMETERS, ALSO ORDER 1213387-3 PANEL ASSY.</p> <p>NOTE. %%FOR DUAL ALTIMETER INSTALLATION, SEE FIG 10B.</p> <p>NOTE. ***THIS PART IS USED ONLY WHEN A COMBINATION OF DUAL ALTIMETERS & HOURMETER IS INSTALLED.</p> <p>A---210 & T210 SERIAL 21059720 THRU 21060089 B---210 & T210 SERIAL 21059897 THRU 21060089 C---210 & T210 SERIAL 21059823 THRU 21060089</p>				

Instruments (Cont)

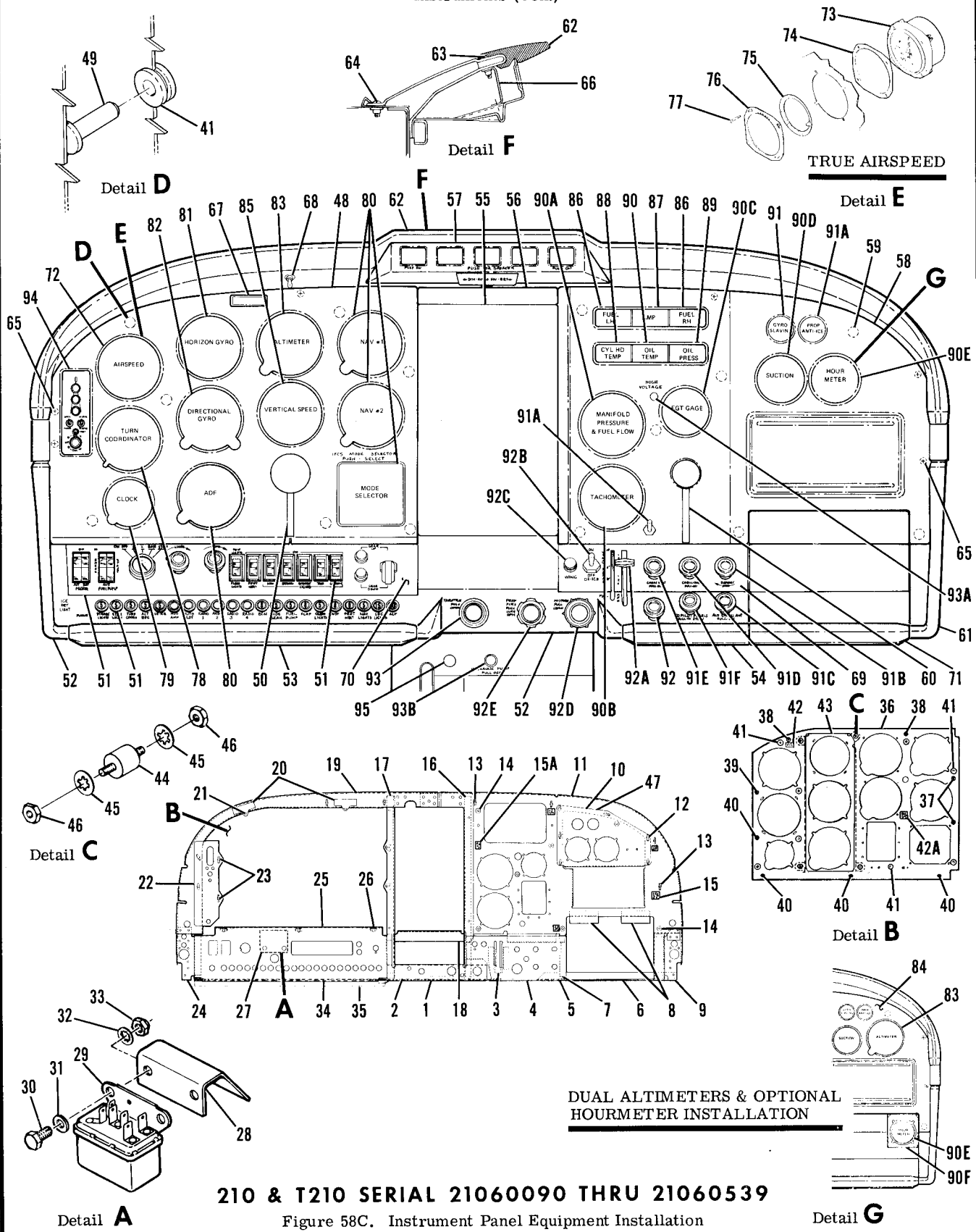


FIGURE AND INDEX NO.	PART NUMBER	DESCRIPTION	UNITS PER ASSY	USABLE ON CODE
		1 2 3 4 5 6 7		
58C-		INSTRUMENT PANEL EQUIPMENT INSTALLATION -----	NP	A
- 1	1213691-1	STATIONARY INSTRUMENT PANEL ASSY -----	1	
	1213059-3	PANEL ASSY-LWR CENTER -----	1	
	1213162-1	SPACER -----	1	
	NAS697A08	NUTPLATE -----	3	
- 2	0713775-2	REINFORCEMENT -----	1	
- 3	1213376-1	STOP-FLAP CONTROL -----	1	
	1262001-3	BRACKET-FLAP CONTROL MOUNTING -----	1	
- 4	1213375-1	PANEL-LWR RH -----	1	
- 5	0713809-1	CLIP -----	2	
- 6	0713779-4	ANGLE ASSY-LWR RH -----	1	
	NAS697A08	NUTPLATE -----	3	
- 7	1213145-1	BRACKET-MOUNTING -----	1	
- 8	0713776-1	STOP-DOOR -----	2	
- 9	1213143-1	BRACKET-RH LWR -----	1	
-10	1213387-5	PANEL ASSY-RH REMOVABLE -----	1	
	NAS601-5	ATTACHING PARTS		
		SCREW -----	6	
		---*---		
	MS35489-4	GROMMET -----	1	
-11	1213689-1	PANEL ASSY-RH -----	1	
-12	NAS697A06L	NUTPLATE -----	6	
-13	NAS697A08	NUTPLATE -----	4	
-14	MS35489-4	GROMMET -----	6	
-15	S2092-4	FABRIC FASTENER-HOOK BKI SEE FIG 1 -----	4	
	1213327-9	SHIM -----	4	
-15A	S2092-4	FABRIC FASTENER-HOOK BKI SEE FIG 1 -----	1	
	1213327-14	SHIM -----	1	
-16	1213374-4	SUPPORT ASSY-RH CENTER -----	1	
-17	1213374-1	SUPPORT ASSY-LH CENTER -----	1	
	NAS697A06L	NUTPLATE LH & RH -----	1	
	NAS684A3	NUTPLATE LH ONLY -----	2	
-18	1213650-1	SUPPORT -----	1	
		ATTACHING PARTS		
	AN515-6R8	SCREW -----	2	
		---*---		
-19	1213372-1	BULKHEAD ASSY-LH -----	1	
	NAS697A08	NUTPLATE -----	4	
-20	1213169-2	SUPPORT ASSY -----	2	
-21	NAS697A3	NUTPLATE -----	1	
-22	1213394-1	BRACKET ASSY-LH INSTRUMENT PANEL SUPPORT -----	1	
-23	NAS697A3	NUTPLATE -----	2	
-24	1213632-1	BRACKET-LH -----	1	
-25	1213373-3	PANEL ASSY-SWITCH -----	1	
-26	NAS697A3	NUTPLATE -----	3	
-27	1270707-1	BRACKET ASSY-RELAY -----	1	
-28	1270707-2	BRACKET-RELAY -----	1	
-29	S1917-1	RELAY -----	1	
-30	AN4-5A	BOLT -----	2	
-31	AN960-416L	WASHER -----	2	
-32	AN936A416	WASHER -----	2	
-33	MS21042L4	NUT -----	2	
-34	1213062-8	SUPPORT ASSY-PARKING BRAKE -----	1	
	NAS680A3	NUTPLATE -----	1	
-35	1213063-3	SUPPORT-PARKING BRAKE -----	1	
-36	1213690-3	INSTRUMENT PANEL ASSY-LH REMOVABLE -----	1	
		ATTACHING PARTS		
-37	NAS221-13	SCREW -----	2	
	NAS42HT6-23	SPACER -----	2	
-38	NAS221-12	SCREW -----	2	
	NAS42HT6-19	SPACER -----	2	
-39	NAS514P1032-10	SCREW -----	1	
-40	NAS221-6	SCREW -----	4	
		---*---		
-41	MS35489-4	GROMMET -----	8	
-42	S2092-4	FABRIC FASTENER-HOOK BKI -----	1	
	1213327-9	SHIM -----	1	
-42A	S2092-4	FABRIC FASTENER-HOOK BKI -----	1	
	1213327-14	SHIM -----	1	
-43	1213170-2	PANEL-SHOCK MOUNTED -----	1	
		ATTACHING PARTS		
-44	1213645-1	MOUNT-SHOCK -----	4	
-45	AN936A8	WASHER -----	8	
-46	AN340B8	NUT -----	8	
		---*---		
CONTINUED ON NEXT PAGE				

FIGURE AND INDEX NO.	PART NUMBER	DESCRIPTION						UNITS PER ASSY	USABLE ON CODE
		1	2	3	4	5	6		
58C-47	1213387-7	PANEL ASSY-RH REMOVABLE USED WITH DUAL ALTIMETERS -----						1	
	NAS601-5	ATTACHING PARTS -----						6	
		SCREW -----							
		-----*							
	MS35489-4	GROMMET -----						1	
-48	1213692-7	**II	COVER ASSY-LH INSTRUMENT PANEL -----				1		
-49	1513839-3		GUIDE-COVER ATTACH 1.00 INCH LENGTH -----				6		
	1513839-5		GUIDE-COVER ATTACH .45 INCH LENGTH -----				2		
	S2092-3		FABRIC FASTENER-PILE 8KI -----				2		
-50	1213335-1		SEAL-LAP -----				1		
-51	SEE FIG 59A		SWITCH PANEL INSTALLATION -----				1		
-52	121350-2		COVER ASSY-INSTRUMENT PANEL LOWER -----				1		
-53	1213317-8		KNEE BUMPER-LH -----				1		
-54	1213317-7		KNEE BUMPER-RH -----				1		
-55	1213381-1	II	COVER ASSY-RADIO CUTOUT -----				1		
			ATTACHING PARTS -----						
	S1021A4-6		SCREW -----				4		
			-----*						
-56	1213377-1	II	COVER-CENTER INSTRUMENT PANEL UPPER -----				1		
			ATTACHING PARTS -----						
	AN525-832R10		SCREW -----				3		
			-----*						
-57	1213366-1	II	COVER-SWITCH MOUNTING BRACKET -----				1		
			ATTACHING PARTS -----						
	S1021Z6-6B		SCREW -----				4		
			-----*						
-58	1213693-6	**II	COVER ASSY-RH INSTRUMENT PANEL -----				1		
-59	1513839-3		GUIDE-COVER ATTACH -----				7		
	S2092-3		FABRIC FASTENER-PILE 8KI -----				5		
-60	1213163-2		SEAL-LAP -----				1		
-61	121349-2		COVER-LWR RH -----				1		
-62	1213367-1		GLARESHIELD ASSY-INSTRUMENT PANEL -----				1		
			ATTACHING PARTS -----						
-63	AN515B8R12		SCREW -----				2		
-64	AN515B8R8		SCREW -----				6		
	S1450-3A8-032		WASHER -----				6		
-65	AN525-832R8		SCREW -----				6		
			-----*						
-66	1213365-1		BRACKET ASSY-GLARESHIELD -----				1		
	NAS697A08		NUTPLATE -----				2		
-67	1213004-2		RETAINER-AIRCRAFT IDENTIFICATION PLACARD -----				1		
			ATTACHING PARTS -----						
	S1022Z6-8B		SCREW -----				2		
	NAS446-2-1		NUT -----				2		
			-----*						
-68	S1695-2		SWITCH-MAPLIGHT -----				1		
-69	1213363-8		PANEL ASSY-ELECTROLUMINESCENT RH -----				1		
	1213363-9		PANEL ASSY-ELECTROLUMINESCENT RH USED WITH DE-ICE SYSTEM -----				1		
			ATTACHING PARTS -----						
	S1022Z4-8		SCREW -----				1		
			-----*						
-70	1213342-4		PANEL ASSY-ELECTROLUMINESCENT LH -----				1		
-71	SEE FIG 61		GLOVE BOX INSTALLATION -----				1		
-72	C661060-0206		INDICATOR-AIRSPEED -----				1		
			ATTACHING PARTS -----						
	AN515B6R16		SCREW -----				4		
			-----*						
-73	C661061-0205		TRUE AIRSPEED INSTALLATION -----				NP		
-74	0700162-6		INDICATOR-AIRSPEED -----				1		
	0700162-4		SPACER .071 THICKNESS -----				AR		
	0700162-3		SPACER .063 THICKNESS -----				AR		
	0700162-7		SPACER .051 THICKNESS -----				AR		
	0700189-9		SPACER .040 THICKNESS -----				AR		
-75	0700189-9		RING ASSY TRUE AIRSPEED -----				1		
-76	0700162-1		RETAINER ASSY TRUE AIRSPEED -----				1		
			ATTACHING PARTS -----						
-77	AN515B6R16		SCREW -----				4		
			-----*						
-78	C661003-0505		INDICATOR-TURN COORDINATOR -----				1		
	S1303N2		INDICATOR-TURN & BANK -----				1		
	35060-0128		INDICATOR-TURN COORDINATOR USED WITH NAV 300 ARC -----				1		
			ATTACHING PARTS -----						
	AN515-B6R12		SCREW -----				4		
			-----*						

CONTINUED ON NEXT PAGE

FIGURE AND INDEX NO.	PART NUMBER	DESCRIPTION	UNITS PER ASSY	USABLE ON CODE
		1 2 3 4 5 6 7		
58C-79	C664508-0101	CLOCK-ELECTRIC -----	1	
	AN515B6R12	ATTACHING PARTS -----		
		SCREW -----	3	
		-----*		
-80		RADIO INSTALLATION SEE ELECTRONICS MANJAL -----	NP	
-81	C661076-0103	INDICATOR-HORIZONTAL GYRO -----	1	
	C661076-0105	INDICATOR-HORIZONTAL GYRO -----	1	
	37570-0105	INDICATOR-HORIZONTAL GYRO USED WITH NAV 400 -----	1	
	41100-0010	INDICATOR-HORIZONTAL GYRO USED WITH 300 & 400 IFCS -----	1	
		ATTACHING PARTS -----		
	AN515-6R6	SCREW -----	4	
		-----*		
-82	C661075-0101 *	INDICATOR-DIRECTIONAL GYRO -----	1	
	C661075-0106 *	INDICATOR-DIRECTIONAL GYRO -----	1	
	C661075-105 *	INDICATOR-DIRECTIONAL GYRO HEADING BUG -----	1	
	40760-0104	INDICATOR-DIRECTIONAL GYRO USED WITH NAV 300 & 400 -----	1	
	40840-0104	INDICATOR-DIRECTIONAL GYRO USED WITH NAV 400 & 300 IFCS -----	1	
	40840-0204	INDICATOR-DIRECTIONAL GYRO USED WITH 400 IFCS -----	1	
		ATTACHING PARTS -----		
	AN515-6R10	SCREW -----	3	
		-----*		
-83	C661071-0101	ALTIMETER 20000 FT FT. & IN. 210 ONLY -----	1	
	C661071-0201	ALTIMETER 35000 FT FT. & IN. T210 ONLY -----	1	
	C661071-0102	ALTIMETER 20000 FT FT. & MILL. 210 ONLY -----	1	
	C661071-0102 ZZ	ALTIMETER 20000 FT FT. & MILL. 210 ONLY -----	2	
		USED WHEN DUAL ALTIMETERS ARE INSTALLED		
	C661071-0202	ALTIMETER 35000 FT FT. & MILL. T210 ONLY -----	1	
	C661071-0202 ZZ	ALTIMETER 35000 FT FT. & MILL. T210 ONLY -----	2	
		USED WHEN DUAL ALTIMETERS ARE INSTALLED		
	C661025-0102	ALTIMETER 35000 FT MILL. 20 FT. INCREMENTS -----	1	
		ATTACHING PARTS -----		
	AN515B6R16	SCREW -----	3	
		-----*		
	42540-2128 ZZ	ENCODING ALTIMETER FT & IN ARC -----	1	B
	42540-2228 ZZ	ENCODING ALTIMETER FT & MILL ARC -----	1	B
		ATTACHING PARTS -----		
	AN515B6R7	SCREW -----	3	
	AN936A416B	WASHER -----	3	
		-----*		
-84	1213693-10 **H	COVER ASSY-RH INSTRUMENT PANEL USED WITH DUAL & -----	1	
		ENCODING ALTIMETERS		
	S2092-3	FABRIC FASTENER-PILE BKI SEE FIG 1 -----	5	
-85	C661080-0101	INDICATOR-VERTICAL SPEED -----	1	
		ATTACHING PARTS -----		
	AN515B6R12	SCREW -----	3	
		-----*		
	C669502-0304	INSTRUMENT CLUSTER ASSY -----	1	
		ATTACHING PARTS -----		
	AN515B8R24	SCREW -----	2	
	NAS43HT3-64	SPACER -----	2	
	AN340B8	NUT -----	2	
		-----*		
-86	C669502-0305	GAGE-FUEL -----	2	
-87	G440437	GAGE-AMMETER SW -----	1	
-88	G442702	GAGE-CYLINDER HEAD TEMP SW -----	1	
	811542	POTENTIOMETER SW -----	1	
-89	G444627	GAGE-OIL PRESSURE SW -----	1	
-90	G442786-63	GAGE-OIL TEMPERATURE SW -----	1	
	G818827	LENS ASSY-INSTRUMENT CLUSTER SW -----	1	
	SEE FIG 73&74	SENDING UNIT-CYLINDER HEAD TEMPERATURE -----	1	
	1270479-4	LIGHT ASSY-INSTRUMENT CLUSTER -----	1	
	S1894-2	BULB-INSTRUMENT CLUSTER LIGHT -----	4	
-90A	C662037-0201	INDICATOR-DUAL FUEL FLOW & MANIFOLD PRESSURE 210 ONLY -----	1	
	C662037-0202	INDICATOR-DUAL FUEL FLOW & MANIFOLD PRESSURE T210 ONLY -----	1	
		ATTACHING PARTS -----		
	AN515B6R12	SCREW -----	4	
		-----*		
-90B	C668020-0107	TACHOMETER 210 ONLY -----	1	
	C668020-0106	TACHOMETER T210 ONLY -----	1	
		ATTACHING PARTS -----		
	AN515B6R12	SCREW -----	4	
		-----*		

CONTINUED ON NEXT PAGE



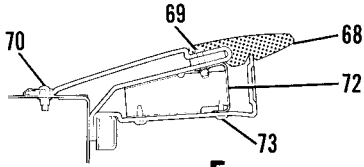
FIGURE AND INDEX NO.	PART NUMBER	DESCRIPTION	UNITS PER ASSY	USABLE ON CODE
58C-90C	C668501-0207	INDICATOR-POWER ECONOMY ----- ATTACHING PARTS	1	
	AN5078632R12	SCREW -----	4	
	MS203658632C	NUT -----	4	
	C7000-632-67	NUT -----	4	
		---*---		
	C668501-0203	LEAD-POWER ECONOMY -----	1	
	C668501-0204	PROBE-POWER ECONOMY -----	1	
-90D	C668540-0101	GAGE-SUCTION ----- ATTACHING PARTS	1	
	AN515-6R12	SCREW -----	4	
		---*---		
-90E	C664501-0103	INDICATOR-HOUR METER ----- ATTACHING PARTS	1	
	AN507-632R6	SCREW -----	4	
		---*---		
-90F	1200749-1	BRACKET-HOURMETER ATTACH -----	1	
-91	40910-0000	INDICATOR-GYRO SLAVING -----	1	
-91A	SEE FIG 133	SWITCH & AMMETER PROPELLER DE-ICE -----	1	
-91B	S1268-14	CONTROL ASSY-DEFROST -----	1	
-91C	S1241-35	CONTROL ASSY-AUX CABIN AIR -----	1	
-91D	S1241-33	CONTROL ASSY-CABIN AIR -----	1	
-91E	S1241-34	CONTROL ASSY-CABIN HEAT -----	1	
-91F	1260458-7	CONTROL ASSY-STOWABLE COPILOT PEDALS -----	1	
-92	0513039-7	LIGHTER ASSY-CIGAR -----	1	
	L4858-1	PLUG-HEATING CUNO -----	1	
	S1982-1	KNOB ASSY-LIGHTER -----	1	
	60232-1	CIRCUIT BREAKER-LIGHTER ASSY CUNO -----	1	
-92A	SEE FIG 104	FLAP CONTROL DETAILS INSTALLATION -----	1	
-92B	3D1748-2	TIMER & CONTROL SWITCH WING DE-ICE CO -----	1	
-92C	MS25041-3	INDICATOR LIGHT-PRESS TO TEST WING DE-ICE -----	1	
	MS25237-327	BULB-WING DE-ICE -----	1	
-92D	C299507-0101	CONTROL ASSY-MIXTURE -----	1	
	NAS430012-64	SPACER MIXTURE CONTROL -----	1	
	1213646-1	WASHER MIXTURE CONTROL -----	1	
-92E	C299506-0101	CONTROL ASSY-PROPELLER -----	1	
	NAS430012-64	SPACER PROPELLER CONTROL -----	1	
	1213646-1	WASHER PROPELLER CONTROL -----	1	
-93	C299505-0101	CONTROL ASSY-THROTTLE -----	1	
	1213646-2	WASHER THROTTLE CONTROL -----	1	
-93A	C593001-0101	OVER VOLTAGE UNIT ----- ATTACHING PARTS	1	
	AN515-6R8	SCREW -----	2	
		---*---		
	S2135-2	BULB-OVERVOLTAGE -----	1	
-93B	S1232-30	CIRCUIT BREAKER 30 AMP HYDRAULIC FUEL PUMP -----	1	
-94	0705035-1	PLACARD-MARKER BEACON -----	1	
-95	7271-8-3	CIRCUIT BREAKER MTCC ELECTRIC TRIM -----	1	
	7277-2-3	CIRCUIT BREAKER MTCC ALT FOR 7271-8-3 -----	1	
<p>NOTE. #THIS PART MUST HAVE A SECOND DASH NUMBER ADDED TO DENOTE COLOR. REFER TO HOW TO ORDER INTERIOR PARTS-PAGE VI.</p> <p>NOTE. *THESE PARTS ARE PHYSICALLY & FUNCTIONALLY INTERCHANGEABLE.</p> <p>NOTE. **THESE PARTS ARE NOT APPLICABLE TO AIRPLANES EQUIPPED WITH POST LIGHTING. FOR REQUIRED PARTS SEE FIG 60C.</p> <p>NOTE. ZWHEN ORDERING THIS ASSY FOR AIRPLANES EQUIPPED WITH DUAL OR ENCODING ALTIMETERS, ALSO ORDER 1213387-7 RH PANEL ASSY.</p> <p>NOTE. ZZFOR DUAL ALTIMETER INSTALLATION SEE FIG 108. FOR ENCODING ALTIMETER INSTALLATION SEE FIG 108A.</p> <p>NOTE. ***THIS PART IS USED ONLY WHEN A COMBINATION OF DUAL OR ENCODING ALTIMETERS & HOURMETER IS INSTALLED</p> <p>A---210 & T210 SERIAL 21060090 THRU 21060539 B---210 & T210 SERIAL 21060540 & ON</p>				



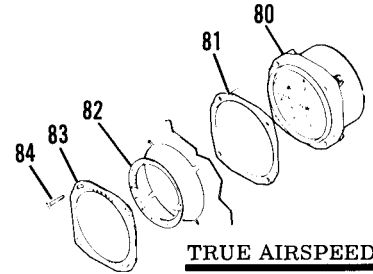
FIGURE AND INDEX NO.	PART NUMBER	DESCRIPTION	UNITS PER ASSY	USABLE ON CODE
		1 2 3 4 5 6 7		
58D-		INSTRUMENT PANEL EQUIPMENT INSTALLATION -----	NP	A
		STATIONARY INSTRUMENT PANEL ASSY -----	1	
- 1	1213728-1	PANEL ASSY-ENGINE CONTROL -----	1	
- 2	1213726-4	NUTPLATE -----	2	
- 3	NAS697A08	REINFORCEMENT ASSY -----	1	
- 4	0713775-6	NUTPLATE -----	2	
- 5	NAS698A04L	BRACKET -----	1	
- 6	1270670-3	SUPPORT-PARKING BRAKE -----	1	
- 7	1213063-4	SUPPORT ASSY-PARKING BRAKE -----	1	
	1213062-13	NUTPLATE -----	1	
	NAS680A3	PANEL ASSY-SWITCH -----	1	
- 8	1213373-3	NUTPLATE -----	3	
- 9	NAS697A3	BRACKET ASSY-RELAY -----	1	
-10	1270707-1	BRACKET-RELAY -----	1	
-11	1270707-2	RELAY -----	1	
-12	S1917-1	ATTACHING PARTS -----		
		BOLT -----	2	
-13	AN4-5A	WASHER -----	2	
-14	AN960-416L	WASHER -----	2	
-15	AN936A416	NUT -----	2	
-16	MS21042L4	-----*	2	
		BRACKET-LH -----	1	
-17	1213632-1	BRACKET ASSY-LH INSTRUMENT PANEL SUPPORT -----	1	
-18	1213724-1	NUTPLATE -----	2	
-19	NAS1067A3	BULKHEAD ASSY -----	1	
-20	1213372-1	NUTPLATE -----	4	
-21	NAS697A08	SUPPORT ASSY -----	2	
-22	1213169-2	NUTPLATE -----	1	
-23	NAS697A3	SUPPORT ASSY-INSTRUMENT PANEL LH -----	1	
-24	1213374-9	SUPPORT ASSY-INSTRUMENT PANEL RH -----	1	
-25	1213374-10	NUTPLATE LH SUPPORT ONLY -----	2	
-26	NAS483A3	NUTPLATE LH & RH SUPPORT -----	1	
-27	NAS697A06L	SUPPORT -----	1	
-28	1213650-1	ATTACHING PARTS -----		
		SCREW -----	2	
		-----*		
-29	AN515-6R8	PANEL ASSY-RH -----	1	
		GROMMET -----	6	
-30	1213709-1	NUTPLATE -----	4	
-31	MS35489-4	FABRIC FASTENER-HOOK BKI SEE FIG 1 -----	2	
-32	NAS697A08	STOP-GLOVE BOX DOOR -----	2	
-33	S2092-4	BRACKET-RH -----	1	
-34	0713776-2	ANGLE ASSY -----	1	
-35	1213143-1	NUTPLATE -----	3	
-36	0713779-4	CLIP -----	2	
-37	NAS697A08	BRACKET-MOUNTING -----	1	
-38	0713809-1	PANEL-LWR RH -----	1	
-39	1213145-1	STOP-FLAP CONTROL -----	1	
-40	1213375-2	BRACKET-FLAP CONTROL MOUNTING -----	1	
-41	1213376-1	PANEL ASSY-LH REMOVABLE -----	1	
-42	1262001-3	PANEL ASSY-LH REMOVABLE USED WITH DUAL ADF -----	1	
	1213730-1	ATTACHING PARTS -----		
	1213730-3	SCREW -----	3	
-43	NAS221-6	SCREW -----	2	
-44	NAS514P1032-10	SPACER -----	2	
	NAS42HT6-19	SCREW -----	2	
-45	NAS221-12	SPACER -----	2	
	NAS42HT6-19	SCREW -----	2	
-46	NAS221-13	SPACER -----	2	
	NAS42HT6-23	SCREW -----	2	
		-----*		
-47	MS35489-4	GROMMET -----	7	
-48	S2092-4	FABRIC FASTENER-HOOK BKI SEE FIG 1 -----	3	

CONTINUED ON NEXT PAGE

Instruments (Cont)

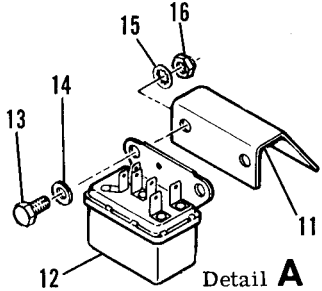
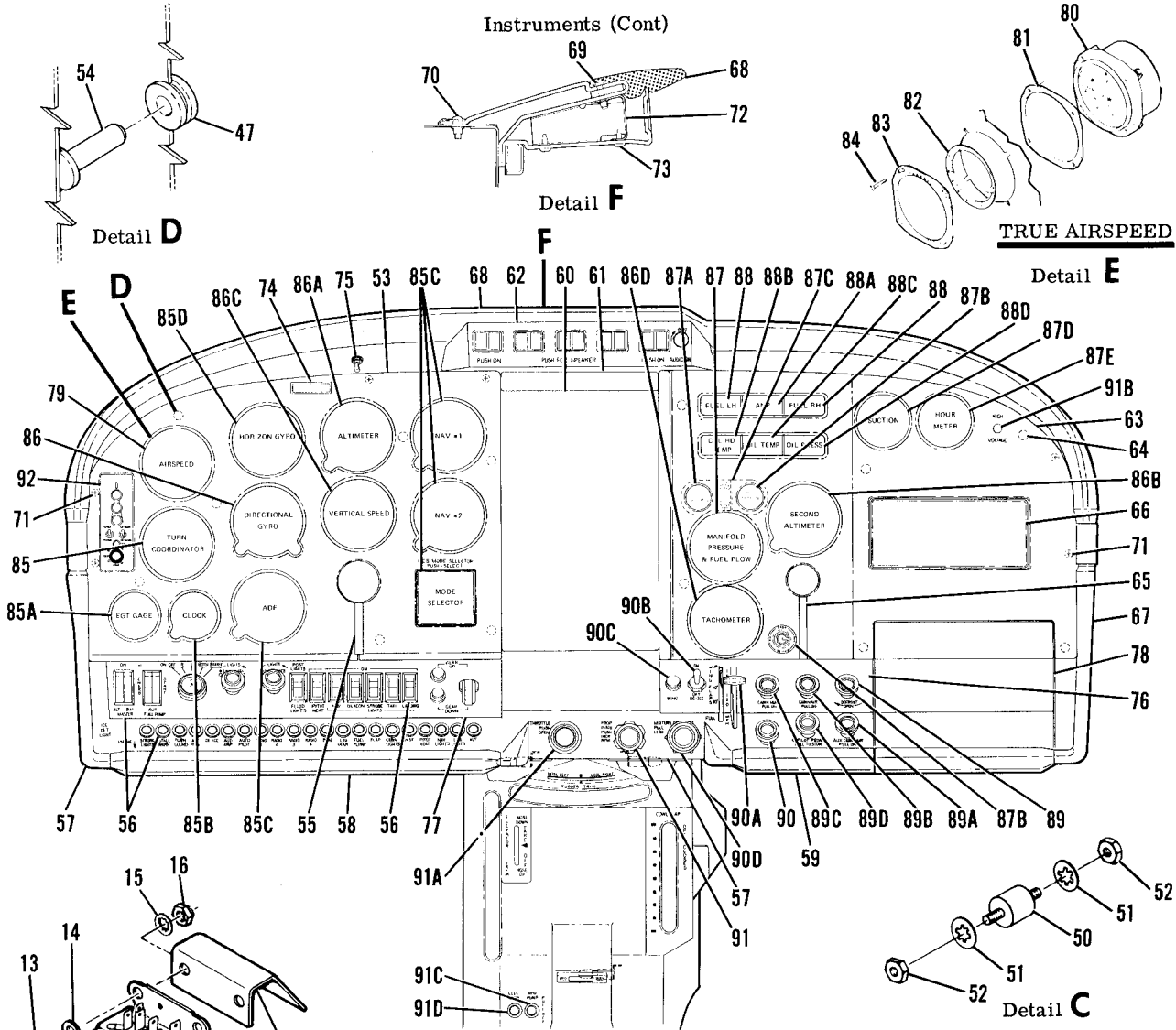


Detail F

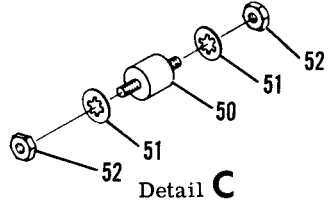


TRUE AIRSPEED

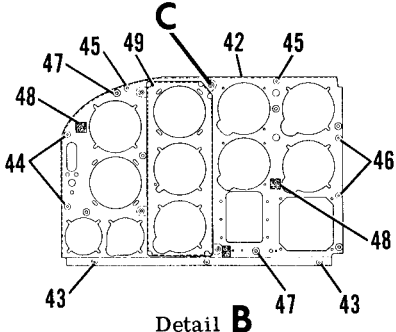
Detail E



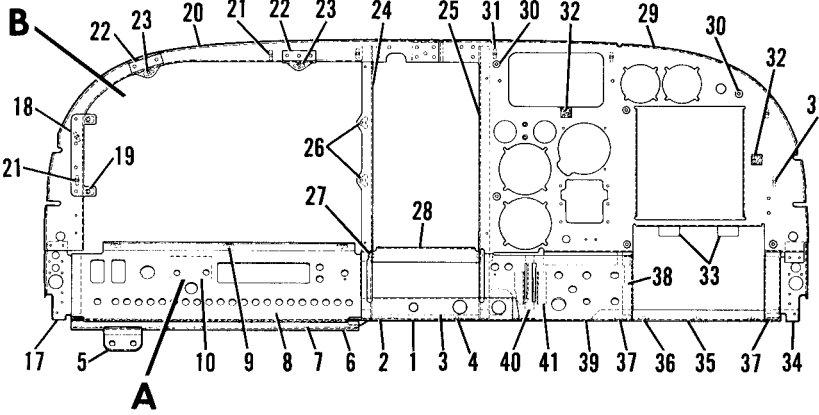
Detail A



Detail C



Detail B



Detail A

210 & T210 SERIAL 21060540 & ON

Figure 58D. Instrument Panel Equipment Installation

FIGURE AND INDEX NO.	PART NUMBER	DESCRIPTION	UNITS PER ASSY	USABLE ON CODE
		1 2 3 4 5 6 7		
58D-49	1213725-1	PANEL-SHOCK MOUNTED ATTACHING PARTS	1	
-50	1213645-1	MOUNT-SHOCK	4	
-51	AN936A8	WASHER	8	
-52	AN340B8	NUT	8	
		---*---		
-53	1213743-1	COVER ASSY-LH INSTRUMENT PANEL	1	
	1213743-5	COVER ASSY-LH INSTRUMENT PANEL USED WITH DUAL ADF	1	
-54	1513839-3	GUIDE-COVER ATTACH 1.00 INCH LENGTH	5	
	1513839-5	GUIDE-COVER ATTACH .45 INCH LENGTH	2	
	S2092-3	FABRIC FASTENER-PILE BKI SEE FIG 1	3	
-55	1213335-1	SEAL-LAP	1	
-56	SEE FIG 59A	SWITCH PANEL INSTALLATION	1	
-57	1213317-30	COVER ASSY-INSTRUMENT PANEL LOWER	1	
-58	1213317-8	KNEE BUMPER-LH	1	
-59	1213317-7	KNEE BUMPER-RH	1	
-60	1213381-1	COVER ASSY-RADIO CUTOUT ATTACHING PARTS	1	
	S1021A4-6	SCREW	4	
		---*---		
-61	1213377-1	COVER-CENTER INSTRUMENT PANEL UPPER	1	
-62	1213399-1	COVER-SWITCH MOUNTING BRACKET ATTACHING PARTS	1	
	AN525-832R10	SCREW	3	
		---*---		
-63	1213742-1	COVER ASSY-RH INSTRUMENT PANEL	1	
-64	1513839-3	GUIDE-COVER ATTACH	6	
	S2092-3	FABRIC FASTENER-PILE BKI SEE FIG 1	2	
-65	1213163-2	SEAL-LAP	1	
-66	1513377-4	COVER USED WITHOUT ADF	1	
-67	1213382-5	COVER-LWR RH	1	
-68	1213396-1	GLARESHIELD ASSY-INSTRUMENT PANEL ATTACHING PARTS	1	
-69	AN515B8R10	SCREW	2	
-70	AN515B8R8	SCREW	6	
	S1450-3A8-032	WASHER	6	
-71	AN525-832R8	SCREW	6	
		---*---		
-72	1213398-1	BRACKET ASSY-SWITCH MOUNTING ATTACHING PARTS	1	
-73	S1021Z6-6	SCREW	4	
		---*---		
	NAS697A08	NUTPLATE	2	
-74	1213004-2	RETAINER-AIRCRAFT IDENTIFICATION NUMBER ATTACHING PARTS	1	
	S1022Z6-8	SCREW	2	
	NAS446-2-1	NUT	2	
		---*---		
-75	S1695-2	SWITCH-MAPLIGHT	1	
-76	1213722-1	PANEL ASSY-ELECTROLUMINESCENT RH	1	
	1213722-2	PANEL ASSY-ELECTROLUMINESCENT RH USED WITH DE-ICE SYSTEM	1	
		ATTACHING PARTS		
	S1021Z4-8	SCREW	1	
		---*---		
-77	1213723-1	PANEL ASSY-ELECTROLUMINESCENT LH	1	
-78	SEE FIG 61	GLOVE BOX INSTALLATION	1	
-79	C661060-0206	INDICATOR-AIRSPD	1	
		ATTACHING PARTS		
	AN515B6R12	SCREW	4	
		---*---		

CONTINUED ON NEXT PAGE

FIGURE AND INDEX NO.	PART NUMBER	DESCRIPTION	UNITS PER ASSY	USABLE ON CODE		
					1	2
58D-		TRUE AIRSPEED INSTALLATION -----	NP			
-80	C661061-0205	INDICATOR-AIRSPEED -----	1			
-81	0700162-6	SPACER .071 THICKNESS -----	AR			
	0700162-4	SPACER .063 THICKNESS -----	AR			
	0700162-3	SPACER .051 THICKNESS -----	AR			
	0700162-7	SPACER .040 THICKNESS -----	AR			
-82	0700189-9	RING ASSY-TRUE AIRSPEED -----	1			
-83	0700162-1	RETAINER ASSY-TRUE AIRSPEED -----	1			
		ATTACHING PARTS -----				
-84	AN51586R16	SCREW -----	4			
		-----*-----				
-85	C661003-0505	INDICATOR-TURN COORDINATOR -----	1			
	S1303N2	INDICATOR-TURN & BANK -----	1			
	35060-0128	INDICATOR-TURN COORDINATOR USED WITH NAV-O-MATIC -----	1			
		200A & 300A ARC -----				
		ATTACHING PARTS -----				
	AN515-6R12	SCREW -----	4			
		-----*-----				
-85A	C668501-0207	INDICATOR-POWER ECONOMY -----	1			
		ATTACHING PARTS -----				
	AN5078632R12	SCREW -----	4			
	MS203658632C	NUT -----	4			
	C7000-632-67	NUT -----	4			
		-----*-----				
	C668501-0203	LEAD-POWER ECONOMY -----	1			
	C668501-0204	PROBE-POWER ECONOMY -----	1			
	1513190-4	COVER USED WHEN POWER ECONOMY INDICATOR IS NOT INSTALLED- -----	1			
-85B	C664508-0101	CLOCK-ELECTRIC -----	1			
		ATTACHING PARTS -----				
	AN51586R12	SCREW -----	3			
		-----*-----				
-85C		RADIO INSTALLATION SEE ELECTRONICS MANUAL -----	NP			
	1513190-13	COVER USED WHEN RADIO INSTRUMENTS ARE NOT INSTALLED -----	3			
-85D	C661076-0103	INDICATOR-HORIZONTAL GYRO -----	1			
	C661076-0105	INDICATOR-HORIZONTAL GYRO -----	1			
	37570-0105	INDICATOR-HORIZONTAL GYRO USED WITH NAV 400 -----	1			
	41100-0010	INDICATOR-HORIZONTAL GYRO USED WITH 300 & 400 IFCS -----	1			
		ATTACHING PARTS -----				
	AN515-6R6	SCREW -----	4			
		-----*-----				
	1513190-7	COVER USED WHEN HORIZONTAL GYRO IS NOT INSTALLED -----	1			
-86	C661075-0101 ***	INDICATOR-DIRECTIONAL GYRO -----	1			
	C661075-0106 ***	INDICATOR-DIRECTIONAL GYRO -----	1			
	C661075-0105 ***	INDICATOR-DIRECTIONAL GYRO HEADING BUG -----	1			
	C661075-0107 ***	INDICATOR-DIRECTIONAL GYRO HEADING BUG -----	1			
	40760-0104	INDICATOR-DIRECTIONAL GYRO USED WITH NAV 300 & 400 -----	1			
	40840-0104	INDICATOR-DIRECTIONAL GYRO USED WITH NAV 400 & 300 IFCS -----	1			
	40840-0204	INDICATOR-DIRECTIONAL GYRO USED WITH 400 IFCS -----	1			
		ATTACHING PARTS -----				
	AN515-6R10	SCREW -----	3			
		-----*-----				
	1513190-12	COVER USED WHEN DIRECTIONAL GYRO IS NOT INSTALLED -----	1			
-86A	C661071-0101	ALTIMETER 20000 FT FT & IN 210 ONLY -----	1			
	C661071-0201	ALTIMETER 35000 FT FT & IN T210 ONLY -----	1			
	C661071-0102	ALTIMETER 20000 FT FT & MILL 210 ONLY -----	1			
	C661071-0202	ALTIMETER 35000 FT FT & MILL T210 ONLY -----	1			
	C661025-0102	ALTIMETER 35000 FT MILL 20 FT INCREMENTS -----	1			
		ATTACHING PARTS -----				
	AN51586R16	SCREW -----	3			
		-----*-----				
	42540-2128	ALTIMETER-ENCODING FT & IN ARC -----	1			
	42540-2228	ALTIMETER-ENCODING FT & MILL ARC -----	1			
		ATTACHING PARTS -----				
	AN51586R7	SCREW -----	3			
	AN936A4168	WASHER -----	3			
		-----*-----				

CONTINUED ON NEXT PAGE

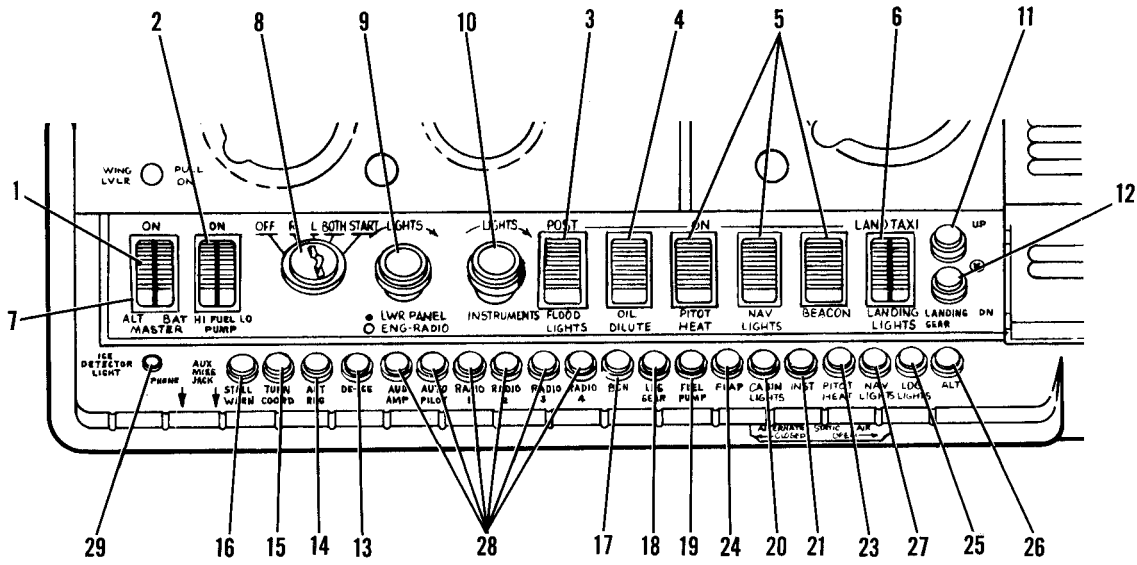
FIGURE AND INDEX NO.	PART NUMBER	DESCRIPTION	UNITS PER ASSY	USABLE ON CODE
		1 2 3 4 5 6 7		
58D-86B	C661071-0101	ALTIMETER 20000 FT FT & IN 210 ONLY ----- USED WITH ENCODING ALTIMETER	1	
	C661071-0201	ALTIMETER 35000 FT FT & IN T210 ONLY ----- USED WITH ENCODING ALTIMETER	1	
	C661071-0102	ALTIMETER 20000 FT FT & MILL 210 ONLY ----- USED WITH ENCODING & DUAL ALTIMETER	1	
	C661071-0202	ALTIMETER 35000 FT FT & MILL T210 ONLY ----- USED WITH ENCODING & DUAL ALTIMETER	1	
	AN51586R7	ATTACHING PARTS SCREW ----- ---*---	3	
	1513190-13	CAP USED WHEN ENCODING OR DUAL ALTIMETER IS NOT INSTALLED -----	1	
-86C	C661080-0101	INDICATOR-VERTICAL SPEED ----- ATTACHING PARTS	1	
	AN51586R12	SCREW ----- ---*---	3	
-86D	C668020-0107	TACHOMETER 210 ONLY -----	1	
	C668020-0106	TACHOMETER T210 ONLY ----- ATTACHING PARTS	1	
	AN51586R12	SCREW ----- ---*---	4	
-87	C662037-0201	INDICATOR-DUAL FUEL FLOW & MANIFOLD PRESSURE 210 ONLY ---	1	
	C662037-0202	INDICATOR-DUAL FUEL FLOW & MANIFOLD PRESSURE T210 ONLY --	1	
	AN51586R12	ATTACHING PARTS SCREW ----- ---*---	4	
-87A	40910-0000	INDICATOR-GYRD SLAVING -----	1	
	1513190-14	COVER USED WHEN SLAVING GYRD IS NOT INSTALLED -----	1	
-87B	SEE FIG 133	SWITCH & AMMETER PROPELLER DE-ICE -----	1	
	1513190-14	COVER USED WHEN AMMETER GAGE IS NOT INSTALLED -----	1	
-87C	1213729-1	BRACKET ASSY-GYRD SLAVING & AMMETER ATTACH ----- ATTACHING PARTS	1	
	AN507-832R6	SCREW ----- ---*---	2	
	NAS698A08	NUTPLATE -----	2	
-87D	C668540-0101	GAGE-SUCTION ----- ATTACHING PARTS	1	
	AN515-6R12	SCREW ----- ---*---	4	
	1513190-4	COVER USED WHEN SUCTION GAGE IS NOT INSTALLED -----	1	
-87E	C664501-0103	INDICATOR-HOURMETER ----- ATTACHING PARTS	1	
	AN507B632R6	SCREW ----- ---*---	4	
	1513190-4	COVER USED WHEN HOURMETER IS NOT INSTALLED -----	1	
	C669502-0304	INSTRUMENT CLUSTER ASSY ----- ATTACHING PARTS	1	
	AN51588R24	SCREW -----	2	
	NAS43HT3-64	SPACER -----	2	
	AN340B8	NUT ----- ---*---	2	
-88	C669502-0305	GAGE-FUEL -----	2	
-88A	G440437	GAGE-AMMETER SW -----	1	
-88B	G442702	GAGE-CYLINDER HEAD TEMP SW -----	1	
	811542	POTENTIOMETER SW -----	1	
-88C	G442786-63	GAGE-OIL TEMPERATURE SW -----	1	
-88D	G444627	GAGE-OIL PRESSURE SW -----	1	
	G818827	LENS ASSY-INSTRUMENT CLUSTER SW -----	1	
	SEE FIG 73674	SENDING UNIT-CYLINDER HEAD TEMPERATURE -----	1	
	1270479-4	LIGHT ASSY-INSTRUMENT CLUSTER -----	1	
	S1894-2	BULB-INSTRUMENT CLUSTER LIGHT -----	4	
-89	S1268-14	CONTROL ASSY-DEFROST -----	1	
-89A	S1241-35	CONTROL ASSY-AUX CABIN AIR -----	1	
-89B	S1241-33	CONTROL ASSY-CABIN AIR -----	1	
-89C	S1241-34	CONTROL ASSY-CABIN HEAT -----	1	
-89D	1260458-7	CONTROL ASSY-STOWABLE CO-PILOT PEDALS -----	1	

CONTINUED ON NEXT PAGE

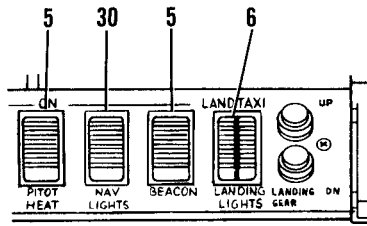
FIGURE AND INDEX NO.	PART NUMBER	DESCRIPTION	UNITS PER ASSY	USABLE ON CODE
58D-90	0513039-7	LIGHTER ASSY-CIGAR -----	1	
	14858-1	PLUG-HEATING CUND -----	1	
	S1982-1	KNOB ASSY-LIGHTER -----	1	
	60232-1	CIRCUIT BREAKER-LIGHTER ASSY CUND -----	1	
-90A	SEE FIG 104	FLAP CONTROL DETAILS INSTALLATION -----	1	
-90B	3D1748-2	TIMER & CONTROL SWITCH-WING DE-ICE CD -----	1	
-90C	MS25041-3	INDICATOR LIGHT-PRESS TO TEST WING DE-ICE -----	1	
	MS25237-327	BULB-WING DE-ICE -----	1	
-90D	C299507-0101	CONTROL ASSY-MIXTURE -----	1	
	NAS43D012-64	SPACER -----	1	
	1213646-1	WASHER -----	1	
-91	C299506-0101	CONTROL ASSY-PROPELLER -----	1	
	NAS43D012-64	SPACER -----	1	
	1213646-1	WASHER -----	1	
-91A	C299505-0101	CONTROL ASSY-THROTTLE -----	1	
	1213646-2	WASHER -----	1	
-91B	C593003-0101	OVER VOLTAGE UNIT -----	1	
	AN515-6R8	ATTACHING PARTS SCREW -----	2	
	S2135-2	BULB-OVERVOLTAGE -----	1	
-91C	S1232-30	CIRCUIT BREAKER 30 AMP HYDRAULIC FUEL PUMP -----	1	
-91D	S1360-5L	CIRCUIT BREAKER 5 AMP ELECTRIC TRIM -----	1	
	S2122-1	NUT-CIRCUIT BREAKER ATTACH -----	1	
-92	0705035-1	PLACARD-MARKER BEACON -----	1	
<p>NOTE. WHEN ORDERING THIS PART FOR AIRCRAFT EQUIPPED WITH DUAL ADF, ALSO ORDER I213730-3 PANEL ASSY.</p> <p>NOTE. **THESE PARTS ARE NOT APPLICABLE TO AIRPLANES EQUIPPED WITH POST LIGHTING. FOR REQUIRED PARTS SEE FIG 60D.</p> <p>NOTE. #THIS PART MUST HAVE A SECOND DASH NUMBER ADDED TO DENOTE COLOR. REFER TO HOW TO ORDER INTERIOR PARTS-PAGE VI.</p> <p>NOTE. *THESE PARTS ARE PHYSICALLY & FUNCTIONALLY INTERCHANGEABLE.</p> <p>NOTE. ***THESE PARTS ARE PHYSICALLY & FUNCTIONALLY INTERCHANGEABLE.</p> <p>A---210 & T210 SERIAL 21060540 & DN</p>				

FIGURE AND INDEX NO.	PART NUMBER	DESCRIPTION	UNITS PER ASSY	USABLE ON CODE
		1 2 3 4 5 6 7		
59 -		SWITCH PANEL INSTALLATION -----	NP	H
- 1	S1994-1-1	SWITCH MASTER -----	1	
	0770719-2	DIODE ASSEMBLY MOUNTED ON BACK OF MASTER SWITCH -----	1	
- 2	S1846-1-2	SWITCH FUEL PUMP -----	1	E
	S2055-1-1	SWITCH FUEL PUMP -----	1	C
- 3	S1847-2-2	SWITCH POST LIGHTS -----	1	
- 4	S1845-2-2	SWITCH OIL DILUTE -----	1	
- 5	S1845-1-2	SWITCH -----	3	K
	S1845-1-2	SWITCH -----	2	D
	S1845-1-2	SWITCH -----	1	C
- 6	S1846-1-3	SWITCH LANDING LIGHTS -----	1	
- 7	S1843-2	BEZEL-SWITCH MOUNTING -----	8	
- 8	C292501-0104 *	SWITCH & LOCK KIT-IGNITION -----	1	
CONTINUED ON NEXT PAGE				

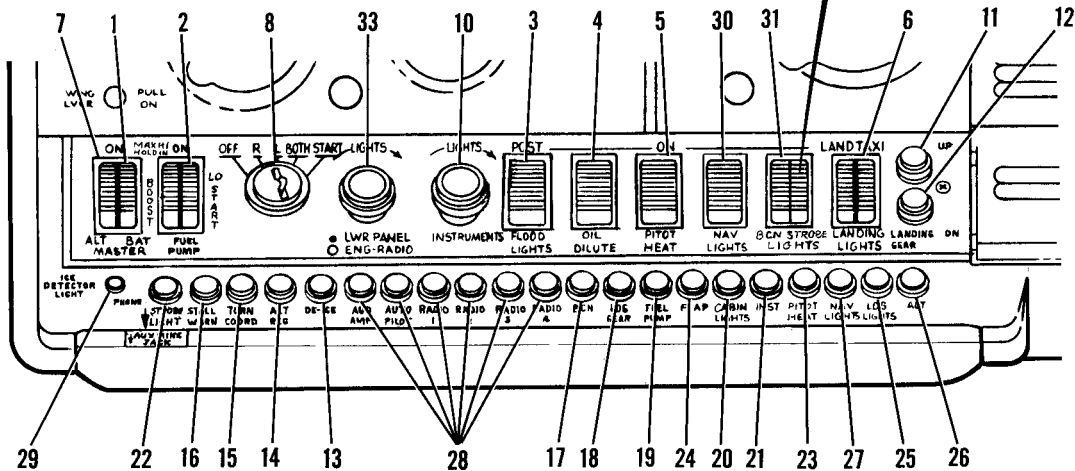
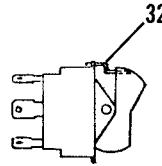
Instruments (Cont)



SERIAL 21059200 THRU 21059351



SERIAL 21059297 THRU 21059351



SERIAL 21059352 THRU 21059719

210 & T210 SERIAL 21059200 THRU 21059719

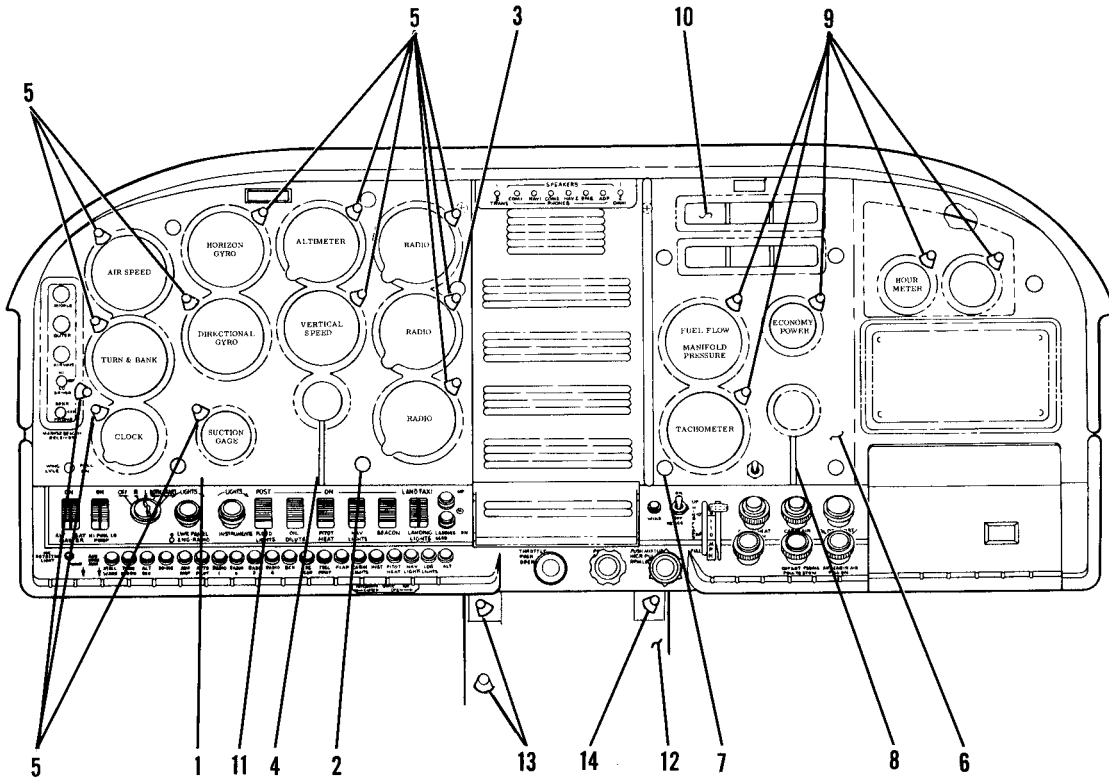
Figure 59. Switch Panel Installation

FIGURE AND INDEX NO.	PART NUMBER	DESCRIPTION	UNITS PER ASSY	USABLE ON CODE
1 2 3 4 5 6 7				
59 - 9	S2008-1 VAL5-6000 S1995-1 AN565B2H3	RHEOSTAT ----- RESISTOR ATTACHES TO RHEOSTAT ----- KNOB-RHEOSTAT ----- ATTACHING PARTS SET SCREW ----- ---*---	1 1 1 1	E J
-10	S1904-3 S1980-1 AN565D8H2 270HM1/2W 5.6K2W	RHEOSTAT ----- KNOB-RHEOSTAT ----- SET SCREW ----- RESISTOR ONE ON EA RHEOSTAT ----- RESISTOR ON LH RHEOSTAT ONLY -----	1 1 1 1 1	
-11	VM911M4A 10850M4 330	LIGHT ASSEMBLY MDAQ ----- LENS-AMBER MDAQ ----- LAMP -----	1 1 1	
-12	VM920M3 10850M3 330	LIGHT ASSEMBLY MDAQ ----- LENS-AMBER MDAQ ----- LAMP -----	1 1 1	
-13	S1360-5	CIRCUIT BREAKER 5 AMP DE-ICE -----	1	
-14	S1360-5	CIRCUIT BREAKER 5 AMP ALT REG -----	1	
-15	S1360-5	CIRCUIT BREAKER 5 AMP TURN COORD. -----	1	
-16	S1360-5	CIRCUIT BREAKER 5 AMP STALL WARNING -----	1	
-17	S1596-10 S1360-8L S2122-1 S2122-2 1270704-2 1270704-3 1270704-1	CIRCUIT BREAKER 10 AMP BCN ----- CIRCUIT BREAKER 8 AMP BCN ----- NUT ATTACH CIRCUIT BREAKER BLACK ----- NUT ATTACH CIRCUIT BREAKER BRIGHT ----- BUS BAR-PRIMARY 1 RH ----- BUS BAR-PRIMARY 2 LH ----- BUS BAR-ELECTRONIC CENTER -----	1 1 AR AR 1 1 1	F G
-18	S1360-10L S1360-5L	CIRCUIT BREAKER 10 AMP LDG GEAR ----- CIRCUIT BREAKER 5 AMP LDG GEAR -----	1 1	F G
-19	S1360-10L S1360-5L	CIRCUIT BREAKER 10 AMP FUEL PUMP ----- CIRCUIT BREAKER 5 AMP FUEL PUMP -----	1 1	F G
-20	S1360-10L S1360-5L	CIRCUIT BREAKER 10 AMP CABIN LIGHTS ----- CIRCUIT BREAKER 5 AMP CABIN LIGHTS -----	1 1	F G
-21	S1360-10L S1360-8L	CIRCUIT BREAKER 10 AMP INST LIGHTS ----- CIRCUIT BREAKER 8 AMP INST LIGHTS -----	1 1	F G
-22	S1360-10L S1360-5L	CIRCUIT BREAKER 10 AMP STROBE LIGHTS ----- CIRCUIT BREAKER 5 AMP STROBE LIGHTS -----	1 1	F G
-23	S1360-15L S1360-8L S2122-1 S2122-2	CIRCUIT BREAKER 15 AMP PITOT HEAT ----- CIRCUIT BREAKER 8 AMP PITOT HEAT ----- NUT ATTACH CIRCUIT BREAKER BLACK ----- NUT ATTACH CIRCUIT BREAKER BRIGHT -----	1 1 AR AR	F G
-24	S1360-15L S1360-8L	CIRCUIT BREAKER 15 AMP FLAP ----- CIRCUIT BREAKER 8 AMP FLAP -----	1 1	F G
-25	S1360-20L S1360-15L	CIRCUIT BREAKER 20 AMP LDG LIGHTS ----- CIRCUIT BREAKER 15 AMP LDG LIGHTS -----	1 1	F G
-26	S1596-60L	CIRCUIT BREAKER 60 AMP ALTERNATOR -----	1	
-27	S1360-10L S1360-5L	CIRCUIT BREAKER 10 AMP NAV LIGHTS ----- CIRCUIT BREAKER 5 AMP NAV LIGHTS -----	1 1	F G
-28		RADIO INSTALLATION SEE ELECTRONICS MANUAL -----	NP	
-29	S1284-1 AN960D816	SWITCH-ICE DETECTOR LIGHT ----- WASHER REQUIRED ON ICE DETECTOR SWITCH -----	1 2	
-30	S1844-1-2	SWITCH NAVIGATION LIGHTS -----	1	B
-31	S1846-2-3	SWITCH BEACON & STROBE LIGHT -----	1	C
-32	1270695-1 1270695-2	CLIP RH-LOCKING ----- CLIP LH-LOCKING -----	1 1	C C
-33	S2091-1 S2091-3 S1995-4 AN565B2H3 AN565B2-3	RESISTOR ----- RESISTOR ----- KNOB ASSEMBLY-RESISTOR ----- ATTACHING PARTS SCREW ----- SCREW ALTERNATE ----- ---*---	1 1 1 1 1 1	A G C
NOTE. *THIS KIT ALSO INCLUDES TWO DOOR LOCKS & TWO KEYS.				
<p>A---210 & T210 SERIAL 21059352 THRU 21059502 B---210 & T210 SERIAL 21059297 THRU 21059719 C---210 & T210 SERIAL 21059352 THRU 21059719 D---210 & T210 SERIAL 21059297 THRU 21059351 E---210 & T210 SERIAL 21059200 THRU 21059351 F---210 & T210 SERIAL 21059200 THRU 21059502 G---210 & T210 SERIAL 21059503 THRU 21059719 H---210 & T210 SERIAL 21059200 THRU 21059719 J---210 & T210 SERIAL 21059297 THRU 21059502 K---210 & T210 SERIAL 21059200 THRU 21059296</p>				



FIGURE AND INDEX NO.	PART NUMBER	DESCRIPTION	UNITS PER ASSY	USABLE ON CODE		
					1	2
59A-		SWITCH PANEL INSTALLATION -----	NP	A		
- 1	S1994-1-1 0770719-2	SWITCH MASTER ----- DIODE ASSY MOUNTED ON BACK OF MASTER SWITCH -----	1 1			
- 2	S2055-1 S1846-3-2	SWITCH FUEL PUMP ----- SWITCH FUEL PUMP -----	1 1	C D		
- 3	S2160-2 S2161-1	SWITCH POST LIGHTS ----- COVER-SWITCH CUTOUT USED WITHOUT POST LIGHTS -----	1 1			
- 4	S2160-1 S2161-1	SWITCH PITOT HEAT ----- COVER-SWITCH CUTOUT USED WITHOUT PITOT HEAT -----	1 1			
- 5	S2160-1	SWITCH NAVIGATION LIGHTS -----	1			
- 6	S2160-1 S2161-1	SWITCH BEACON LIGHTS ----- COVER-SWITCH CUTOUT USED WITHOUT BEACON LIGHTS -----	1 1			
- 7	S2160-1	SWITCH STROBE LIGHTS -----	1			
- 8	S2160-1	COVER-SWITCH CUTOUT USED WITHOUT STROBE LIGHTS -----	1			
- 9	S2160-1	SWITCH LANDING LIGHTS -----	1			
- 10	1270082-1 VM911M4A 10850M4 327	DIODE ASSY LANDING LIGHT SWITCH ----- LIGHT ASSY MDAQ ----- LENS-AMBER MDAQ ----- LAMP -----	1 1 1 1	B		
- 11	VM920M3 10850M3 327	LIGHT ASSY MDAQ ----- LENS-AMBER MDAQ ----- LAMP -----	1 1 1			
- 12	1240001-5 S1216-4 8859K44	KNOB ASSY-HYDRAULIC POWER PACK ----- NUT ----- SWITCH HYDRAULIC POWER PACK CUT -----	1 1 1			
- 13	C292501-0104 *	SWITCH & LOCK KIT-IGNITION -----	1			
- 14	S2091-3 S1995-4	RHEOSTAT ----- KNOB ASSY-RHEOSTAT -----	1 1			
	AN565B2H3	ATTACHING PARTS SCREW ----- -----*	1			
- 15	S1904-3 S1904-2 S1980-1	RHEOSTAT ----- RHEOSTAT ----- KNOB ASSY-RHEOSTAT -----	1 1 1	C D		
	AN565D8HZ	ATTACHING PARTS SCREW ----- -----*	1			
- 16	S1596-60L	CIRCUIT BREAKER 60 AMP ALTERNATOR -----	1			
- 17	S1360-15L	CIRCUIT BREAKER 15 AMP LANDING LIGHTS -----	1			
- 18	S1360-5L	CIRCUIT BREAKER 5 AMP NAVIGATION LIGHTS -----	1			
- 19	S1360-8L	CIRCUIT BREAKER 8 AMP PITOT HEAT -----	1			
- 20	S1360-8L	CIRCUIT BREAKER 8 AMP INSTRUMENT LIGHTS -----	1			
- 21	S1360-5L	CIRCUIT BREAKER 5 AMP CABIN LIGHTS -----	1			
- 22	S1360-8L	CIRCUIT BREAKER 8 AMP FLAP -----	1			
- 23	S1360-5L	CIRCUIT BREAKER 5 AMP FUEL PUMP -----	1			
- 24	S1360-5L	CIRCUIT BREAKER 5 AMP LANDING GEAR -----	1			
- 25	S1360-8L	CIRCUIT BREAKER 8 AMP BEACON LIGHTS -----	1			
- 26	1270704-2 S1360-5L	BUS BAR-PRIMARY 1 ----- CIRCUIT BREAKER 5 AMP DE-ICE -----	1 1			
- 26A		CIRCUIT BREAKER SEE ELECTRONICS MANUAL -----	1			
- 27	S1360-5L	CIRCUIT BREAKER 5 AMP ALT REG -----	1			
- 28	S1360-5L	CIRCUIT BREAKER 5 AMP TURN COORDINATOR -----	1			
- 29	S1360-5L	CIRCUIT BREAKER 5 AMP STALL WARNING -----	1			
- 30	S1360-5L 1270704-3 S2122-1 1213716-1	CIRCUIT BREAKER 5 AMP STROBE LIGHT ----- BUS BAR-PRIMARY 2 ----- NUT-CIRCUIT BREAKER ATTACH BLACK -----	1 1 AR			
	CM2692-16-2S	PLUG BUTTON ASSY USED WHEN OPTIONAL CIRCUIT BREAKERS ARE NOT INSTALLED PLUG BUTTON ASSY USED WHEN OPTIONAL CIRCUIT BREAKERS ARE NOT INSTALLED	AR AR	E F		
<p>NOTE. *THIS KIT ALSO INCLUDES TWO DOOR LOCKS & TWO KEYS</p> <p>A---210 & T210 SERIAL 21059720 & ON B---210 & T210 SERIAL 21059852 & ON C---210 & T210 SERIAL 21059720 THRU 21060089 D---210 & T210 SERIAL 21060090 & ON E---210 & T210 SERIAL 21060090 THRU 21060539 F---210 & T210 SERIAL 21060540 & ON</p>						

Instruments (Cont)

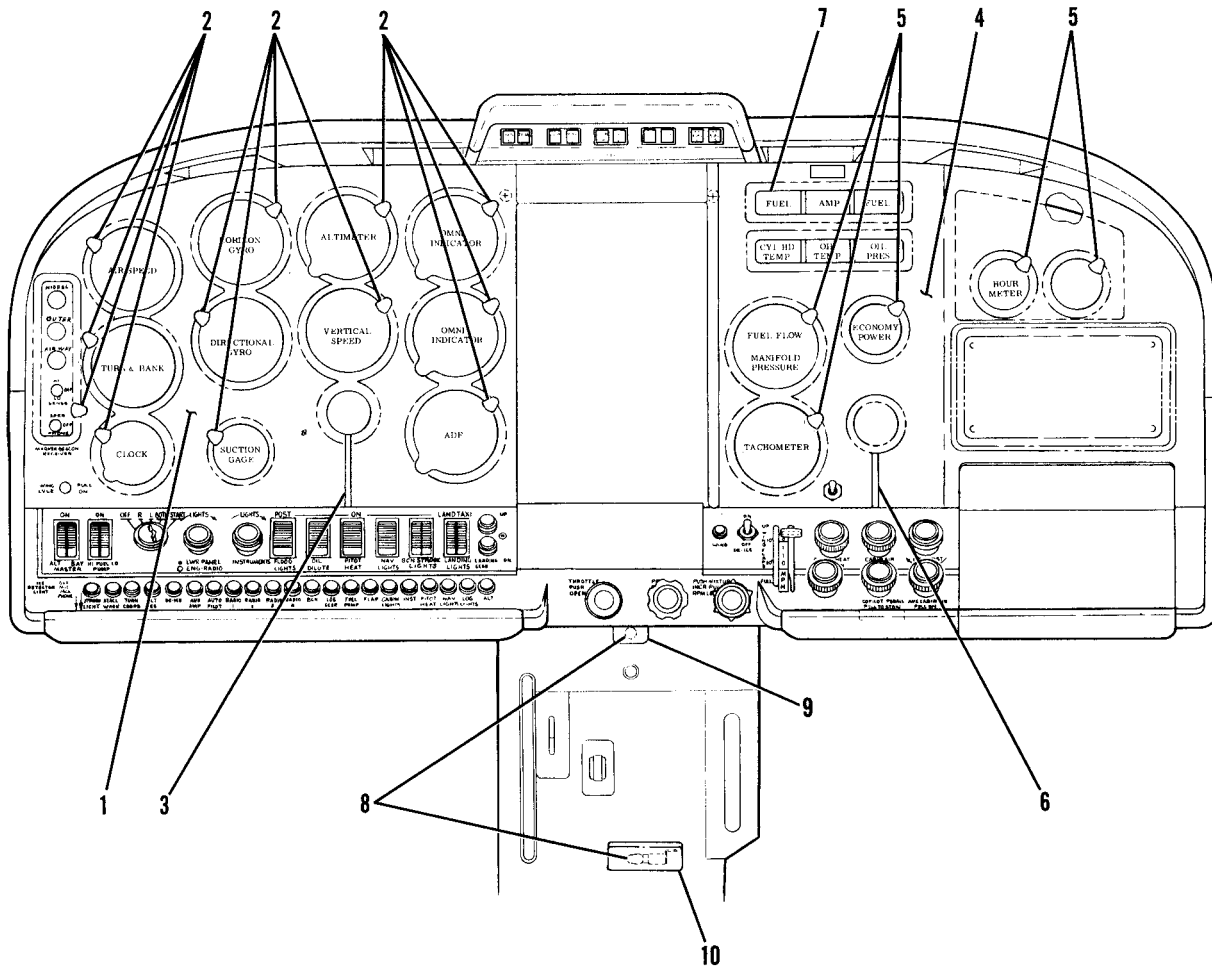


210 & T210 SERIAL 21059200 THRU 21059502
 Figure 60. Post Lighted Instrument Panel & Pedestal Lights Installation



FIGURE AND INDEX NO.	PART NUMBER	DESCRIPTION	UNITS PER ASSY	USABLE ON CODE
60 -		1 2 3 4 5 6 7		
- 1	1213096-14	POST LIGHTED INSTRUMENT PANEL & PEDESTAL LIGHTS INSTALLATION --	NP	E
	1213096-31	COVER ASSEMBLY-POST LIGHTED INSTRUMENT PANEL LH -----	1	C
	1213096-24	COVER ASSEMBLY-POST LIGHTED INSTRUMENT PANEL LH -----	1	D
	1213096-43	COVER ASSEMBLY-POST LIGHTED INSTRUMENT PANEL LH GRAY ----	1	C
		COVER ASSEMBLY-POST LIGHTED INSTRUMENT PANEL LH -----	1	D
		ATTACHING PARTS		
- 2	S1898-3	FASTENER GRAY -----	4	
	S1898-1	FASTENER BLACK -----	4	
	NAS43DD4-16	SPACER -----	4	
- 3	0513351-2	SCREW POST-INSTRUMENT PANEL COVER RETAINER GRAY -----	1	
	0513351-1	SCREW POST-INSTRUMENT PANEL COVER RETAINER BLACK -----	1	
		-----*		
- 4	1213163-2	SEAL-LAP GRAY -----	1	
	1213163-1	SEAL-LAP BLACK -----	1	
- 5	S1899-1G	LIGHT ASSEMBLY-TAB MOUNT GRAY -----	12	
	S1899-1	LIGHT ASSEMBLY-TAB MOUNT BLACK -----	12	
	C65-2CW12	CAP & PRISM ASSEMBLY GBN -----	1	
	MS25237-330	LAMP -----	1	
- 6	1213138-12	COVER ASSEMBLY-POST LIGHTED INSTRUMENT PANEL RH GRAY ----	1	
	1213138-8	COVER ASSEMBLY-POST LIGHTED INSTRUMENT PANEL RH BLACK ---	1	
		ATTACHING PARTS		
- 7	S1898-3	FASTENER GRAY -----	5	
	S1898-1	FASTENER BLACK -----	5	
	NAS43DD4-16	SPACER -----	5	
		-----*		
- 8	1213163-2	LAP SEAL GRAY -----	1	
	1213163-1	LAP SEAL BLACK -----	1	
- 9	S1899-1G	LIGHT ASSEMBLY-TAB MOUNT GRAY -----	5	
	S1899-1	LIGHT ASSEMBLY-TAB MOUNT BLACK -----	5	
	C65-2CW12	CAP & PRISM ASSEMBLY GBN -----	1	
	MS25237-330	LAMP -----	1	
-10	181372CW1	JACKET-BULB BLUE APMH -----	4	
	336	BULB-CLEAR GE -----	4	
-11	S1847-2-2	SWITCH -----	1	
		ATTACHING PARTS		
	S1843-1	MOUNTING BEZEL-ROCKER SWITCH -----	1	
		-----*		
-12	SEE FIG 51	COVER ASSEMBLY-POST LIGHTED PEDESTAL -----	1	
	SEE FIG 51	COVER ASSEMBLY-POST LIGHTED PEDESTAL ELECTRIC TRIM -----	1	
-13	S1899-2	PANEL LIGHT-TAB MOUNT GBN -----	1	A
	S1899-2	PANEL LIGHT-TAB MOUNT GBN -----	2	B
	C65-2CW12	CAP & PRISM ASSEMBLY GBN -----	1	
	330	LAMP GE -----	1	
-14	S1899-1	PANEL LIGHT-TAB MOUNT GBN -----	1	
	C65-2CW12	CAP & PRISM ASSEMBLY GBN -----	1	
	330	LAMP GE -----	1	
		NOTE. #THIS PART MUST HAVE A SECOND DASH NUMBER ADDED TO DENOTE COLOR. REFER TO HOW TO ORDER INTERIOR PARTS-PAGE VI.		
		NOTE. %THESE PARTS ARE USED ONLY ON AIRPLANES EQUIPPED WITH NARCO MK128 WITH VOA-50M RADIO INSTALLATION.		
		A---210 & T210 SERIAL 21059200 THRU 21059333		
		B---210 & T210 SERIAL 21059334 THRU 21059502		
		C---210 & T210 SERIAL 21059200 THRU 21059351		
		D---210 & T210 SERIAL 21059352 THRU 21059502		
		E---210 & T210 SERIAL 21059200 THRU 21059502		

Instruments (Cont)

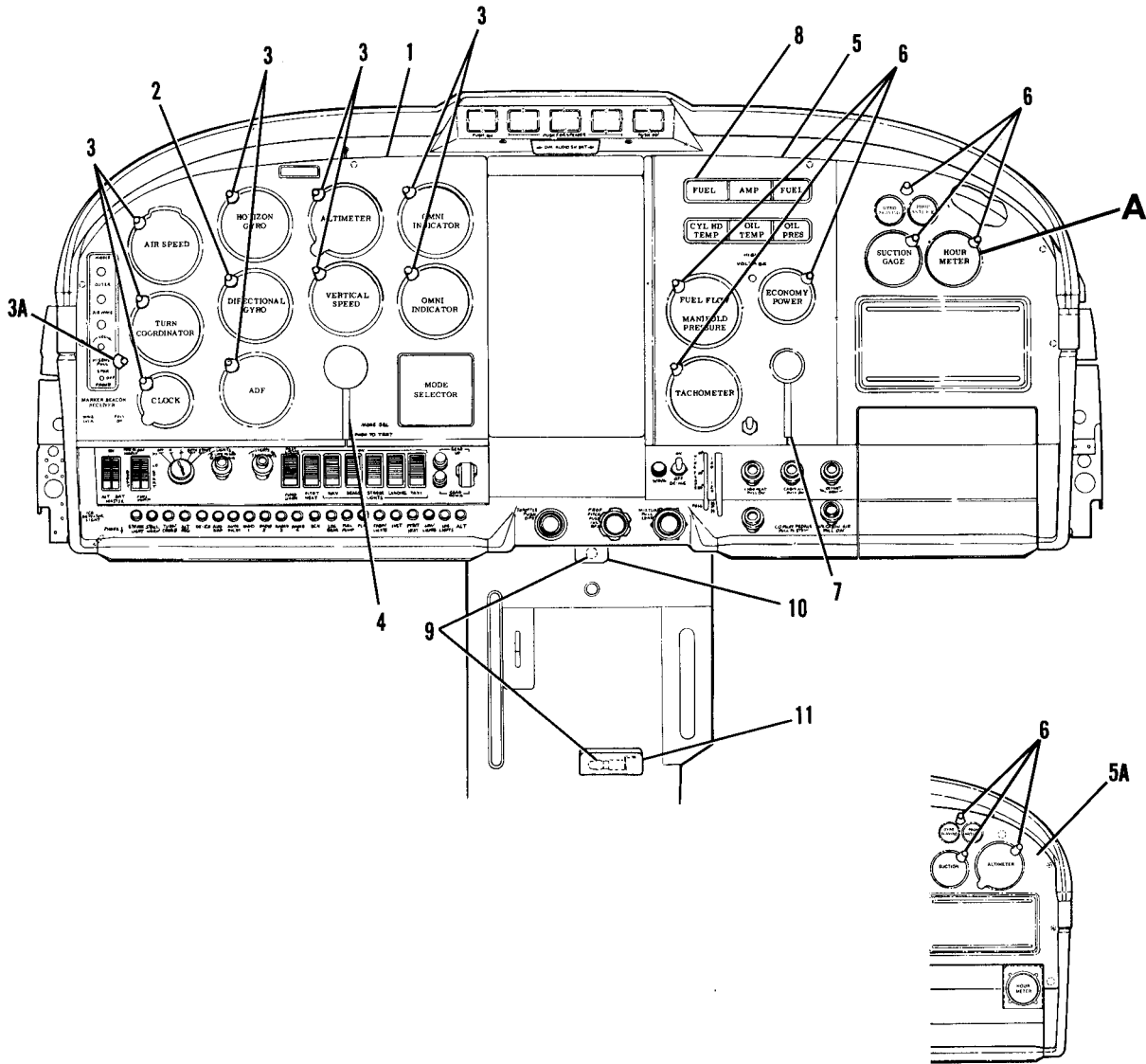


210 & T210 SERIAL 21059503 THRU 21059719

Figure 60A. Post Lighted Instrument Panel & Pedestal Lights Installation

FIGURE AND INDEX NO.	PART NUMBER	DESCRIPTION	UNITS PER ASSY	USABLE ON CODE
		1 2 3 4 5 6 7		
60A-		POST LIGHTED INSTRUMENT PANEL & PEDESTAL LIGHTS INSTALLATION --	NP	A
- 1	1213333-2	COVER ASSEMBLY-POST LIGHTED INSTRUMENT PANEL LH -----	1	
- 2	S1899-3G	LIGHT ASSEMBLY-TAB MOUNT GRAY -----	12	
	S1899-3	LIGHT ASSEMBLY-TAB MOUNT BLACK -----	12	
	C65-2CW28	CAP & PRISM ASSEMBLY GBN -----	1	
	MS25237-337	LAMP -----	1	
- 3	1213335-1	LAP SEAL GRAY -----	1	
	1213335-2	LAP SEAL BLACK -----	1	
- 4	1213334-2	COVER ASSEMBLY-POST LIGHTED INSTRUMENT PANEL RH -----	1	
- 5	S1899-3G	LIGHT ASSEMBLY-TAB MOUNT GRAY -----	5	
	S1899-3	LIGHT ASSEMBLY-TAB MOUNT BLACK -----	5	
	C65-2CW28	CAP & PRISM ASSEMBLY GBN -----	1	
	MS25237-337	LAMP -----	1	
- 6	1213163-2	LAP SEAL GRAY -----	1	
	1213163-1	LAP SEAL BLACK -----	1	
- 7	1270479-5	LIGHT ASSEMBLY-INSTRUMENT CLUSTER CLEAR -----	1	
	S1894-4	LAMP CLEAR -----	4	
	1270479-3	LAMP HOLDER ASSEMBLY -----	1	
- 8	MS25231-1829	LAMP-PEDESTAL -----	2	
- 9	1213196-10	LENS ASSY-PEDESTAL LIGHT -----	1	
-10	1213196-8	LENS ASSY-PEDESTAL LIGHT -----	1	
		ATTACHING PARTS		
	AN507-632R8	SCREW -----	2	
	NAS1329A06K120	NUT -----	2	
		----*----		
		NOTE. #THIS PART MUST HAVE A SECOND DASH NUMBER ADDED TO DENOTE COLOR. REFER TO HOW TO ORDER INTERIOR PARTS-PAGE VI.		
		A---210 & T210 SERIAL 21059503 THRU 21059719		

Instruments (Cont)



SERIAL 21059823 THRU 21060089
USED WITH DUAL ALTIMETERS

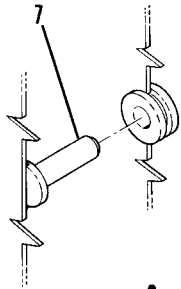
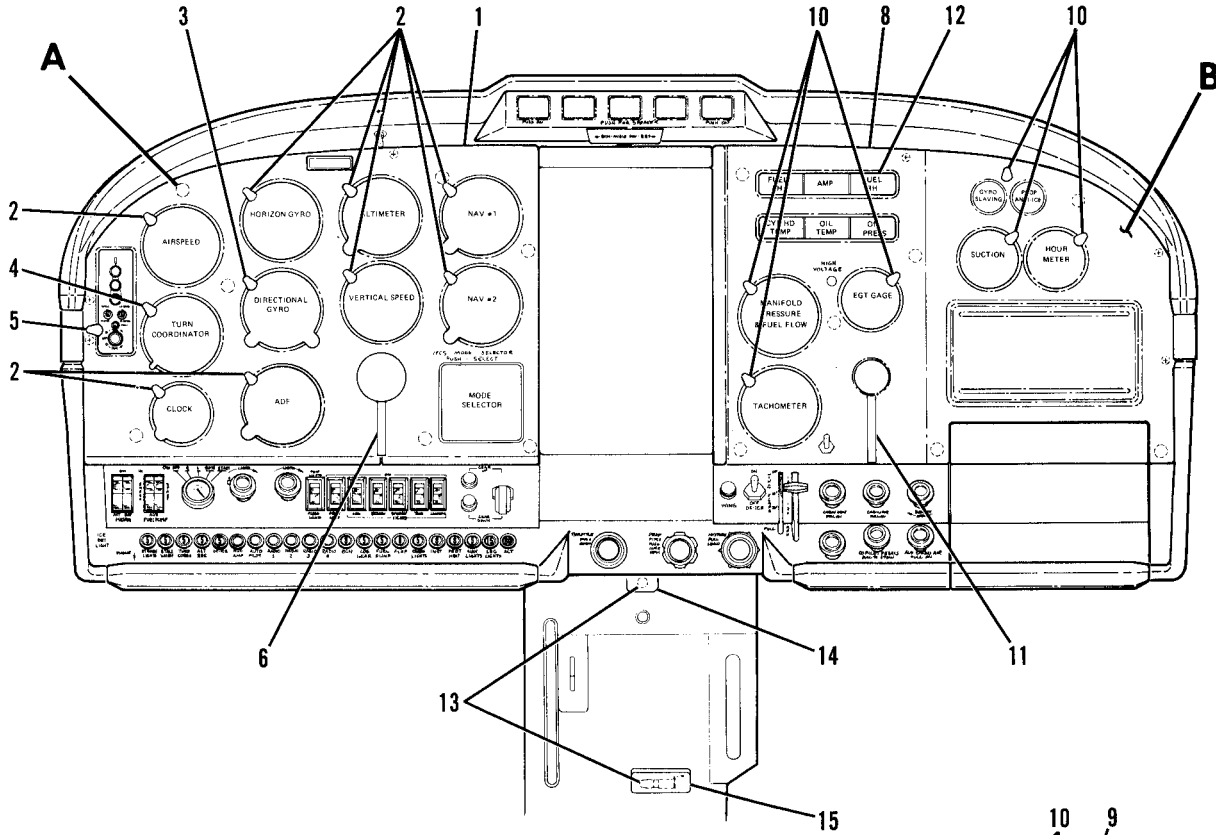
Detail **A**

210 & T210 SERIAL 21059720 THRU 21060089
 Figure 60B. Post Lighted Instrument Panel & Pedestal Lights Installation

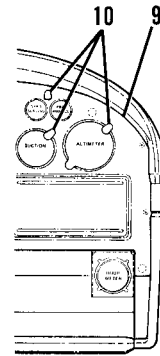


FIGURE AND INDEX NO.	PART NUMBER	DESCRIPTION	UNITS PER ASSY	USABLE ON CODE
608-		1 2 3 4 5 6 7 POST LIGHTED INSTRUMENT PANEL & PEDESTAL LIGHTS INSTALLATION --	NP	A
- 1	1213369-12	COVER ASSY-POST LIGHTED INSTRUMENT PANEL LH -----	1	
- 2	1513837-2	LIGHT ASSY-TAB MOUNT -----	1	
- 3	1513837-4	LIGHT ASSY-TAB MOUNT -----	9	
- 3A	1513837-8	LIGHT ASSY-TAB MOUNT -----	1	
	MS25237-327	LAMP -----	1	
- 4	1213335-1	LAP SEAL -----	1	
- 5	1213368-7	COVER ASSY-POST LIGHTED INSTRUMENT PANEL RH -----	1	
- 5A	1213368-11	COVER ASSY-POST LIGHTED INSTRUMENT PANEL RH USED -----	1	B
		WITH DUAL OR ENCODING ALTIMETERS		
- 6	1513837-4	LIGHT ASSY-TAB MOUNT -----	6	
	MS25237-327	LAMP -----	1	
- 7	1213163-2	LAP SEAL -----	1	
- 8	1270479-5	LIGHT ASSY-INSTRUMENT CLUSTER CLEAR -----	1	
	S1894-4	LAMP CLEAR -----	4	
	1270479-3	LAMP HOLDER ASSY -----	1	
- 9	MS25231-1829	LAMP-PEDESTAL -----	2	
-10	1213196-10	LENS ASSY-PEDESTAL LIGHT -----	1	
-11	1213196-8	LENS ASSY-PEDESTAL LIGHT -----	1	
		ATTACHING PARTS		
	AN507-632R8	SCREW -----	2	
	NAS1329A06K120	SCREW -----	2	
		-----*-----		
		NOTE. THIS PART MUST HAVE A SECOND DASH NUMBER ADDED TO DENOTE COLOR. REFER TO HOW TO ORDER INTERIOR PARTS-PAGE VI.		
		A---210 & T210 SERIAL 21059720 THRU 21060089		
		B---210 & T210 SERIAL 21059823 THRU 21060089		

Instruments (Cont)



Detail A



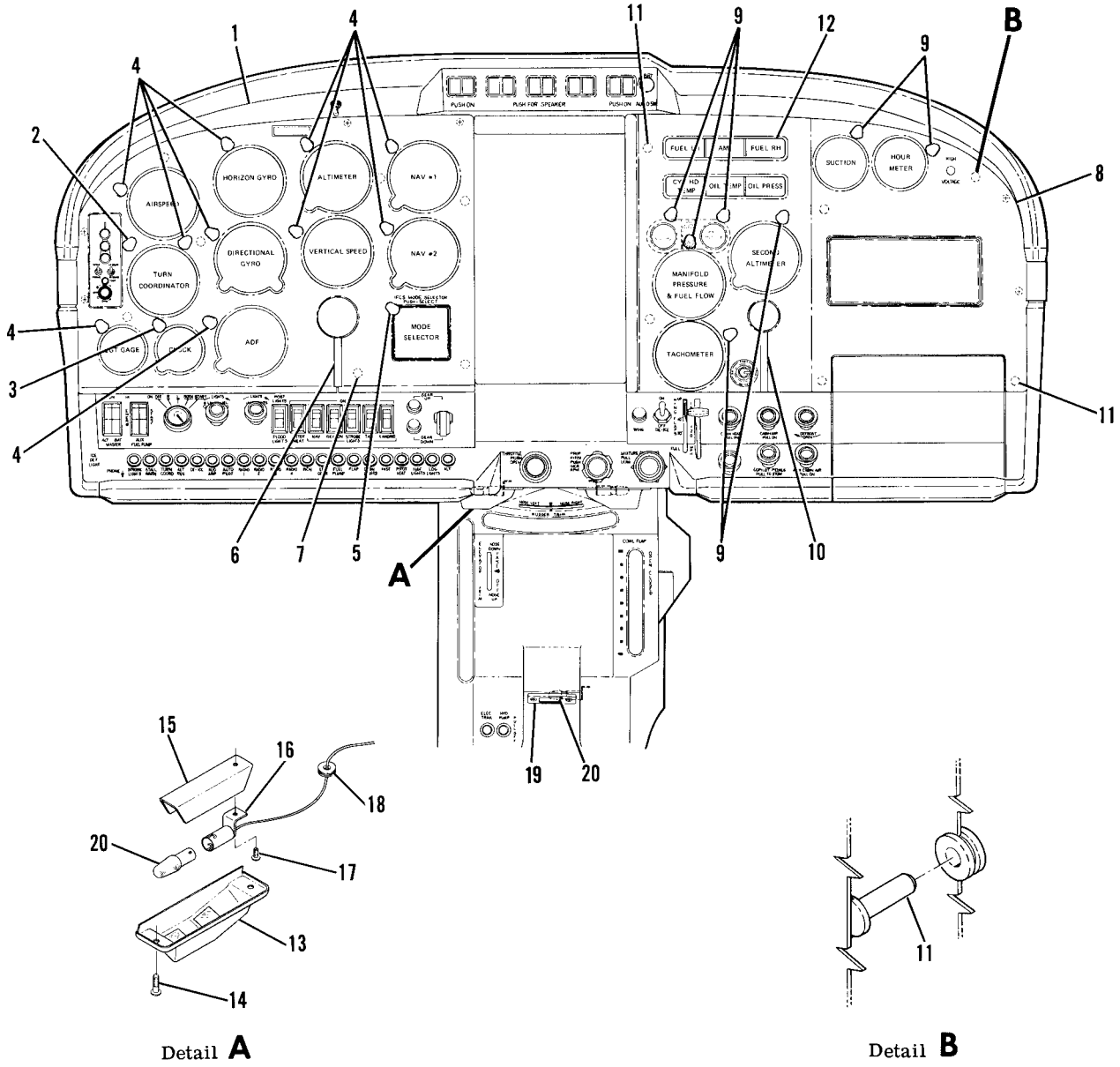
USED WITH DUAL ALTIMETER INSTL

Detail B

210 & T210 SERIAL 21060090 THRU 21060539
Figure 60C. Post Lighted Instrument Panel & Pedestal Lights Installation

FIGURE AND INDEX NO.	PART NUMBER	DESCRIPTION	UNITS PER ASSY	USABLE ON CODE
		1 2 3 4 5 6 7		
60C-		POST LIGHTED INSTRUMENT PANEL & PEDESTAL LIGHTS INSTALLATION --	NP	A
- 1	1213692-8	COVER ASSY-POST LIGHTED INSTRUMENT PANEL LH -----	1	
- 2	1513837-4	LIGHT ASSY-TAB MOUNT -----	8	
- 3	1513837-2	LIGHT ASSY-TAB MOUNT -----	1	
- 4	1513837-3	LIGHT ASSY-TAB MOUNT -----	1	
- 5	1513837-8	LIGHT ASSY-TAB MOUNT -----	1	
	M25237-327	BULB -----	1	
- 6	1213335-1	SEAL-LAP -----	1	
- 7	1513839-3	GUIDE-PANEL ATTACH 1.00 IN LENGTH -----	6	
	1513839-5	GUIDE-PANEL ATTACH .45 IN LENGTH -----	2	
	S2092-3	FABRIC FASTENER-PILE BKI -----	2	
- 8	1213693-7	COVER ASSY-POST LIGHTED INSTRUMENT PANEL RH -----	1	
- 9	1213693-11	COVER ASSY-POST LIGHTED INSTRUMENT PANEL RH -----	1	
		USED WITH DUAL OR ENCODING ALTIMETERS		
-10	1513837-4	LIGHT ASSY-TAB MOUNT -----	6	
	M25237-327	BULB -----	1	
-11	1213163-2	SEAL-LAP -----	1	
	1513839-3	GUIDE-PANEL ATTACH 1.00 IN LENGTH -----	7	
	S2092-3	FABRIC FASTENER-PILE BKI -----	5	
-12	1270479-5	LIGHT ASSY-INSTRUMENT CLUSTER -----	1	
	S1894-4	LAMP CLEAR -----	4	
	1270479-3	LAMP HOLDER ASSY -----	1	
-13	MS25231-1829	LAMP-PEDESTAL -----	2	
-14	1213196-10	LENS ASSY-PEDESTAL LIGHT -----	1	
-15	1213196-8	LENS ASSY-PEDESTAL LIGHT -----	1	
		ATTACHING PARTS		
	AN507-632R8	SCREW -----	2	
	NAS1329A06K120	SCREW -----	2	
		---*---		
<p>NOTE. #THIS PART MUST HAVE A SECOND DASH NUMBER ADDED TO DENOTE COLOR. REFER TO HOW TO ORDER INTERIOR PARTS-PAGE VI.</p> <p>A---210 & T210 SERIAL 21060090 THRU 21060539</p>				

Instruments (Cont)



210 & T210 SERIAL 21060540 & ON
 Figure 60D. Post Lighted Instrument Panel & Pedestal Lights Installation

FIGURE AND INDEX NO.	PART NUMBER	DESCRIPTION	UNITS PER ASSY	USABLE ON CODE
		1 2 3 4 5 6 7		
60D-		POST LIGHTED INSTRUMENT PANEL & PEDESTAL LIGHTS INSTALLATION --	NP	A
- 1	1213743-3	COVER ASSY-POST LIGHTED INSTRUMENT PANEL LH -----	1	
	1213743-7	COVER ASSY-POST LIGHTED INSTRUMENT PANEL LH USED -----	1	
		WITH DUAL ADF -----		
- 2	1513837-6	LIGHT ASSY-TAB MOUNT -----	1	
- 3	1513837-3	LIGHT ASSY-TAB MOUNT -----	1	
- 4	1513837-4	LIGHT ASSY-TAB MOUNT -----	10	
- 5	1513837-4	LIGHT ASSY-TAB MOUNT USED WITH DUAL ADF -----	1	
	MS25237-327	BULB -----	1	
- 6	1213335-1	SEAL-LAP -----	1	
- 7	1513839-3	GUIDE-COVER ATTACH 1.00 IN LENGTH -----	5	
	1513839-5	GUIDE-COVER ATTACH .45 IN LENGTH -----	2	
	S2092-3	FABRIC FASTENER-PILE BKI SEE FIG 1 -----	3	
- 8	1213742-3	COVER ASSY-POST LIGHTED INSTRUMENT PANEL RH -----	1	
- 9	1513837-4	LIGHT ASSY-TAB MOUNT -----	7	
	MS25237-327	BULB -----	1	
-10	1213163-2	SEAL-LAP -----	1	
-11	1513839-3	GUIDE-COVER ATTACH -----	6	
	S2092-3	FABRIC FASTENER-PILE BKI SEE FIG 1 -----	2	
-12	1270479-5	LIGHT ASSY-INSTRUMENT CLUSTER -----	1	
	S1894-4	LAMP CLEAR -----	4	
	1270479-3	LAMP HOLDER ASSY -----	1	
-13	1213748-1	LENS ASSY-PEDESTAL COVER LH -----	1	
	1213748-2	LENS ASSY-PEDESTAL COVER RH -----	1	
		ATTACHING PARTS -----		
-14	S1021A6-8	SCREW -----	2	
		---*---		
-15	1213748-6	SHIELD-HEAT -----	2	
-16	4165-308	HOLDER-LAMP DMC -----	2	
		ATTACHING PARTS -----		
-17	AN515-4R6	SCREW -----	1	
		---*---		
-18	MS35489-33	GROMMET -----	1	
-19	1213746-4	LENS ASSY-PEDESTAL LIGHT -----	1	
		ATTACHING PARTS -----		
	AN507-632R8	SCREW -----	2	
		---*---		
-20	MS25231-1829	LAMP -----	3	
		NOTE. THIS PART MUST HAVE A SECOND DASH NUMBER ADDED TO DENOTE COLOR. REFER TO HOW TO ORDER INTERIOR PARTS-PAGE VI.		
		A---210 & T210 SERIAL 21060540 & ON		

Instruments (Cont)

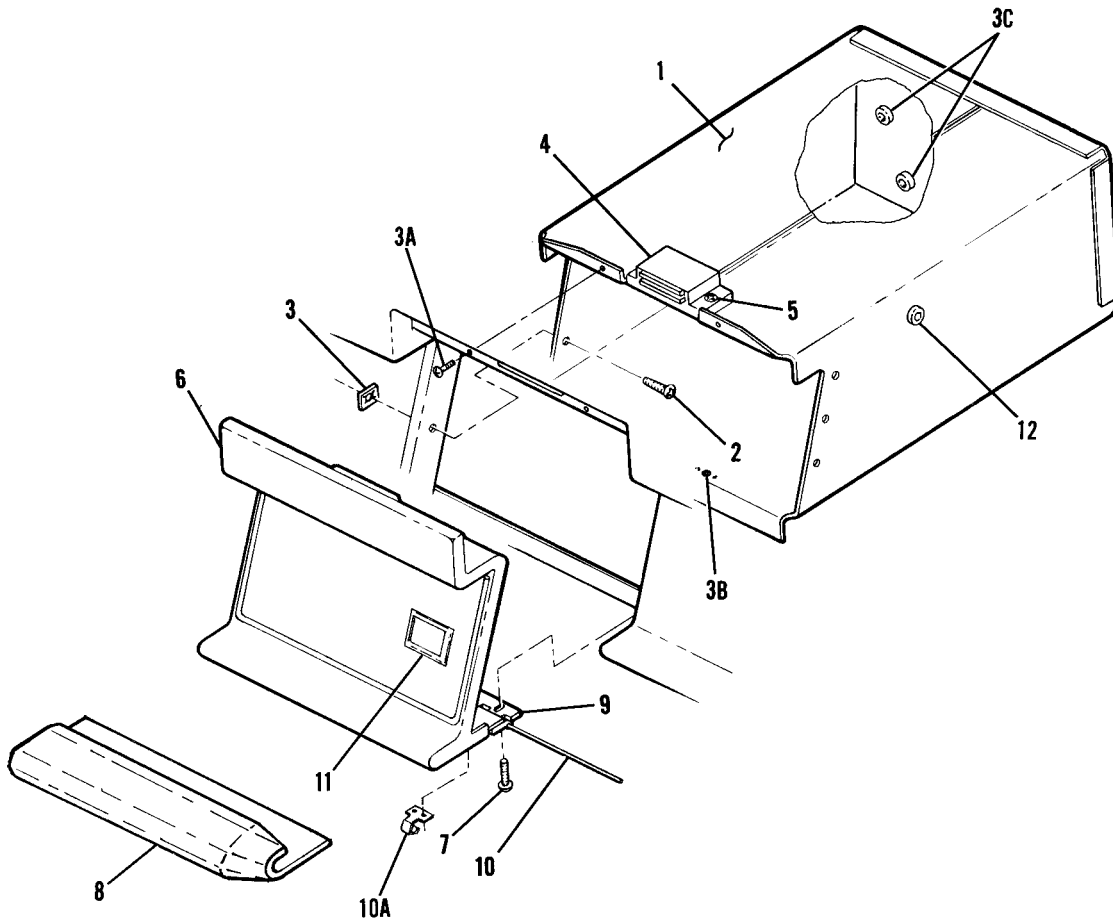


Figure 61. Glove Box Installation

FIGURE AND INDEX NO.	PART NUMBER	DESCRIPTION	UNITS PER ASSY	USABLE ON CODE
1 2 3 4 5 6 7				
61 -		GLOVE BOX INSTALLATION -----	NP	
- 1	0713778-4	BOX ASSEMBLY-GLOVE -----	1	C
	0713778-7	BOX ASSEMBLY-GLOVE -----	1	F
	0713778-9	BOX ASSEMBLY-GLOVE -----	1	B
		ATTACHING PARTS -----		
- 2	S1021Z6-6	SCREW -----	6	
- 3	NAS446-2-3	NUT -----	6	
- 3A	S1021A4-6	SCREW -----	2	
		---*---		
- 3B	NAS697A3K	NUTPLATE -----	1	D
- 3C	NAS557-3A	GROMMET -----	4	B
- 4	S1895-1	CATCH-MAGNA TITE -----	1	
		ATTACHING PARTS -----		
- 5	S1021Z6-6	SCREW -----	2	
	NAS446-2-3	NUT -----	2	
		---*---		
- 6	0713881-3	DOOR ASSEMBLY-GLOVE BOX -----	1	A
	0713881-10	DOOR ASSEMBLY-GLOVE BOX -----	1	E
	0713881-11	DOOR ASSEMBLY-GLOVE BOX -----	1	F
	0713881-13	DOOR ASSEMBLY-GLOVE BOX -----	1	G
	0713881-15	DOOR ASSEMBLY-GLOVE BOX -----	1	H
	0713881-16	DOOR ASSEMBLY-GLOVE BOX -----	1	J
		ATTACHING PARTS -----		
- 7	AN515-8R7	SCREW -----	3	
		---*---		
- 8	1213317-9	BUMPER-KNEE -----	1	B
- 9	0713785-1	HINGE ASSEMBLY -----	1	C
	0713785-4	HINGE ASSEMBLY -----	1	D
-10	MS20253-2-646	PIN-HINGE -----	1	
-10A	1213140-1	SPRING -----	1	D
-11	0700756-1	BASE-GLOVE BOX PLACARD -----	1	C
		ATTACHING PARTS -----		
	S1874-1C	NUT -----	2	
		---*---		
-12	NAS557-6A	GROMMET -----	1	K
<p>NOTE. #THIS PART NUMBER MUST HAVE A SECOND DASH NUMBER ADDED TO DENOTE COLOR. REFER TO HOW TO ORDER INTERIOR PARTS-PAGE VI.</p> <p>NOTE. *THIS PART IS USED ONLY WHEN A COMBINATION OF DUAL OR ENCODING ALTIMETERS & HOURMETER IS INSTALLED.</p> <p>A---210 & T210 SERIAL 21059200 THRU 21059351 B---210 & T210 SERIAL 21059720 & ON C---210 & T210 SERIAL 21059200 THRU 21059502 D---210 & T210 SERIAL 21059503 & ON E---210 & T210 SERIAL 21059352 THRU 21059502 F---210 & T210 SERIAL 21059503 THRU 21059719 G---210 & T210 SERIAL 21059720 THRU 21060089 H---210 & T210 SERIAL 21060090 THRU 21060539 J---210 & T210 SERIAL 21060540 & ON K---210 & T210 SERIAL 21059823 THRU 21060539</p>				

Fuselage Equipment

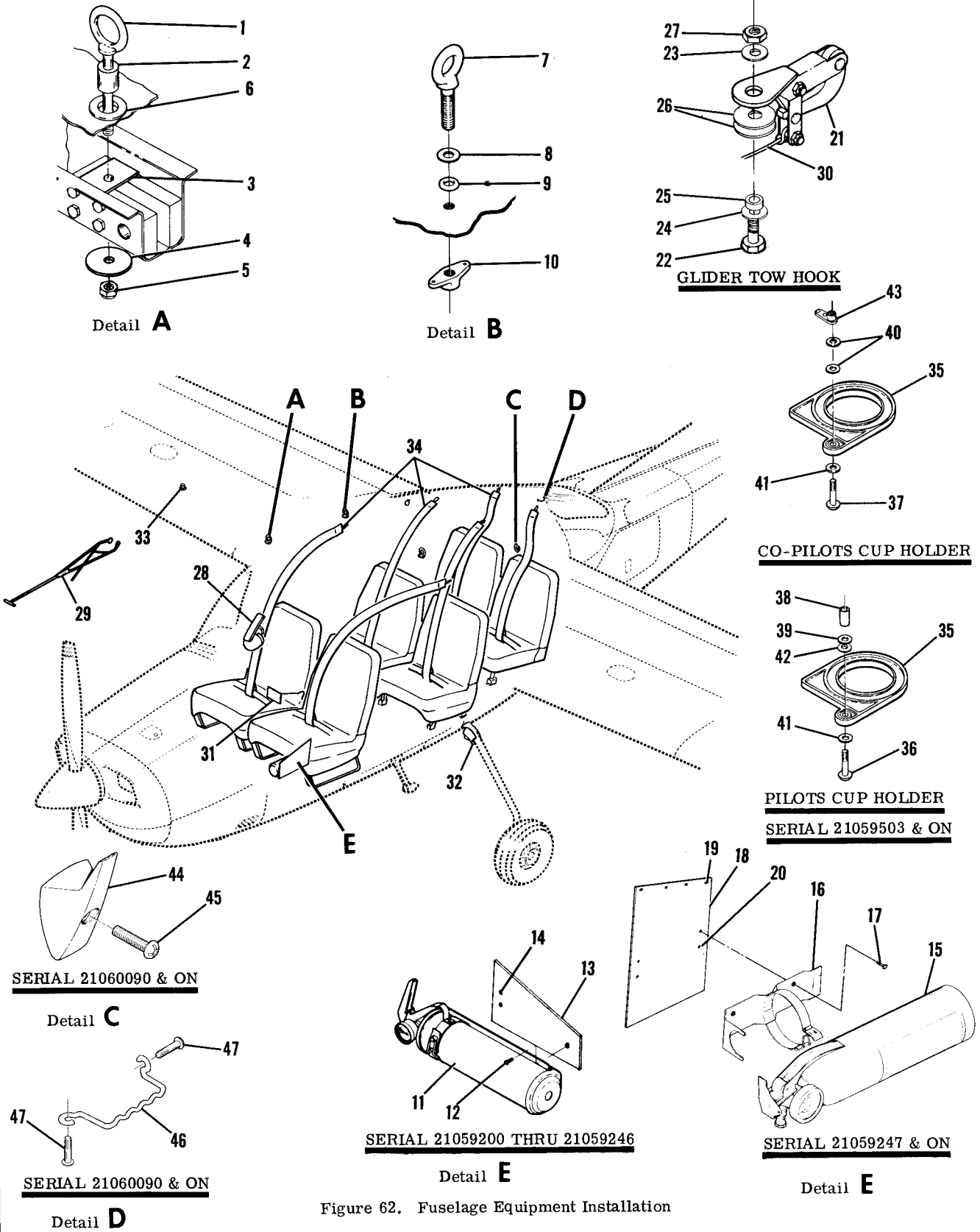


Figure 62. Fuselage Equipment Installation



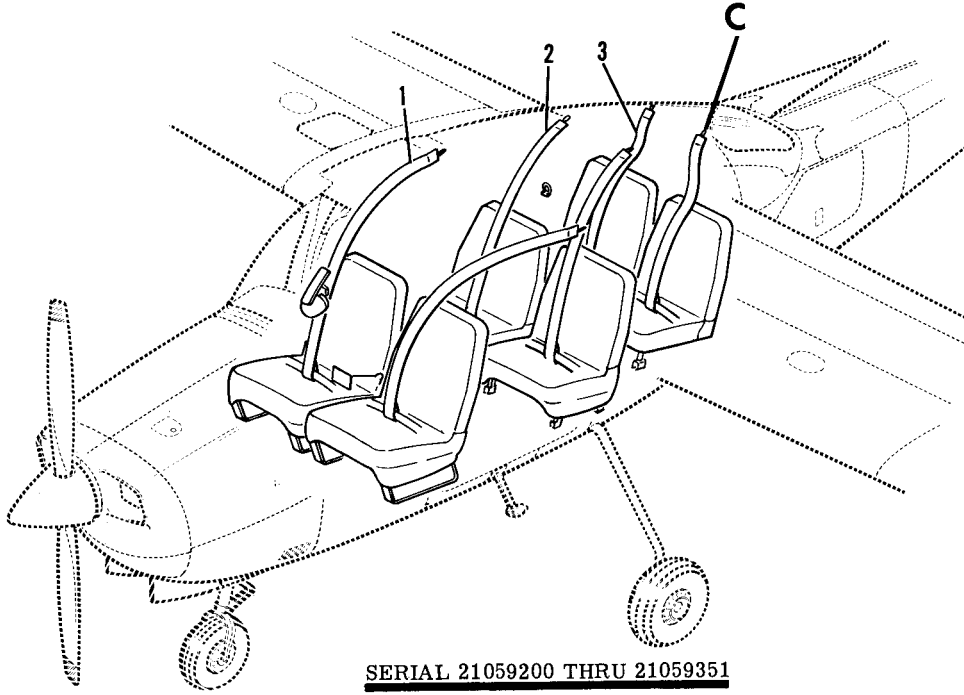
FIGURE AND INDEX NO.	PART NUMBER	DESCRIPTION	UNITS PER ASSY	USABLE ON CODE
62 -		FUSELAGE EQUIPMENT INSTALLATION -----	NP	
- 1	1200190-5	EYEBOLT-HOISTING FWD ----- ATTACHING PARTS -----	2	
- 2	1200190-3	SPACER -----	1	
- 3	0541115-4	PLATE -----	1	
- 4	AN970-5	WASHER -----	1	
- 5	MS21042L5	NUT ----- -----*	1	
- 6	MS35489-46	GROMMET -----	2	
- 7	1200190-4	EYEBOLT-HOSITING AFT ----- ATTACHING PARTS -----	2	
- 8	AN960C416L	WASHER -----	1	
- 9	AN6227B5	GASKET -----	1	
-10	NAS680A4	NUTPLATE ----- -----*	1	
-11	0800111-2	FIRE EXTINGUISHER KIT ----- ATTACHING PARTS -----	1	A
-12	AN520-10R10	SCREW ----- -----*	3	
-13	1200521-2	BRACKET ASSEMBLY-FIRE EXTINGUISHER -----	1	A
-14	MS21044N3	NUTPLATE -----	3	
-15	C421001-0101	FIRE EXTINGUISHER -----	1	B
-16	C421001-0102	BRACKET ASSEMBLY-FIRE EXTINGUISHER ----- ATTACHING PARTS -----	1	B
-17	AN520-10R8	SCREW ----- -----*	4	
-18	1211351-1	BRACKET ASSEMBLY-FIRE EXTINGUISHER ----- ATTACHING PARTS -----	1	B
-19	CR763-4-4	RIVET-CY ----- -----*	8	
-20	NAS680A3	NUTPLATE -----	4	
-21	0500228-2	TOW HOOK-GLIDER ----- ATTACHING PARTS -----	1	
-22	AN5-7A	BOLT -----	1	
-23	AN960-516L	WASHER -----	1	
-24	S1450-5-14-063	WASHER -----	1	
-25	0500228-5	BUSHING -----	1	
-26	AN970-5	WASHER -----	2	
-27	MS21042L5	NUT ----- -----*	1	
-28	SEE FIG 64	COMPASS & REAR VIEW MIRROR INSTALLATION -----	1	
-29	0501019-1	TOW BAR ASSEMBLY -----	1	
-30	0500228-3	CORD-GLIDER RELEASE -----	1	
-31	1211203-1	EYEBOLT-GLIDER CORD -----	1	
	1260463-1	LOCK-CONTROL -----	1	C
	1260144-3	LOCK-CONTROL -----	1	D
-32	1200031-1	JACK POINT ASSEMBLY -----	1	E
-33	SEE FIG 8	FUEL DRAIN VALVE & SAMPLER CUP -----	AR	
-34	SEE FIG 62A	SHOULDER HARNESS INSTALLATION -----	1	
-35	SEE FIG 62B	INERTIA REEL SEAT BELT & SHOULDER HARNESS INSTALLATION ----- HOLDER-CUP PILOT & CO-PILOT ----- ATTACHING PARTS -----	2	F
-36	AN525-10R20	SCREW PILOT -----	1	G
	AN525-10R18	SCREW PILOT -----	1	H
-37	AN525-10R12	SCREW CO-PILOT -----	1	F
-38	NAS430D3-32	SPACER PILOT -----	1	F
-39	AN960-10	WASHER PILOT -----	1	F
-40	AN960-10	WASHER CO-PILOT -----	2	F
-41	S1357-3	WASHER -----	1	F
-42	AN960-10L	WASHER ----- -----*	1	H
-43	NAS682A3K	NUTPLATE -----	1	J
-44	0715038-1	HANGER-COAT ----- ATTACHING PARTS -----	2	K
-45	AN520-10R12	SCREW ----- -----*	1	K
-46	1215076-1	HANGER-COAT ----- ATTACHING PARTS -----	1	K
-47	AN525-10R12	SCREW ----- -----*	2	K

CONTINUED ON NEXT PAGE

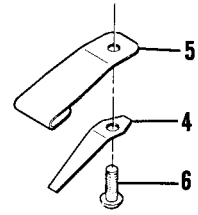
FIGURE AND INDEX NO.	PART NUMBER	DESCRIPTION	UNITS PER ASSY	USABLE ON CODE
62 -		<p style="text-align: center;">1 2 3 4 5 6 7</p> <p style="text-align: center;">NOTE. *THIS PART IS USED ONLY WHEN A COMBINATION OF DUAL OR ENCODING ALTIMETERS & HOURMETER ARE INSTALLED.</p> <p>A---210 & T210 SERIAL 21059200 THRU 21059246 B---210 & T210 SERIAL 21059247 & ON C---210 & T210 SERIAL 21059200 THRU 21059351 D---210 & T210 SERIAL 21059352 & ON E---210 & T210 SERIAL 21059200 THRU 21059502 F---210 & T210 SERIAL 21059503 & ON G---210 & T210 SERIAL 21059503 THRU 21059920 H---210 & T210 SERIAL 21059921 & ON J---210 & T210 SERIAL 21059823 THRU 21060539 K---210 & T210 SERIAL 21060090 & ON</p>		

This page intentionally left blank.

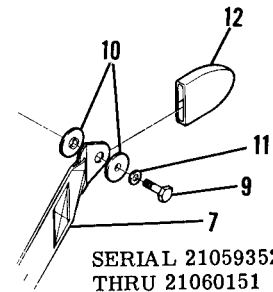
Fuselage Equipment (Cont)



SERIAL 21059200 THRU 21059351

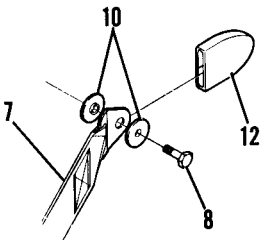


Detail C



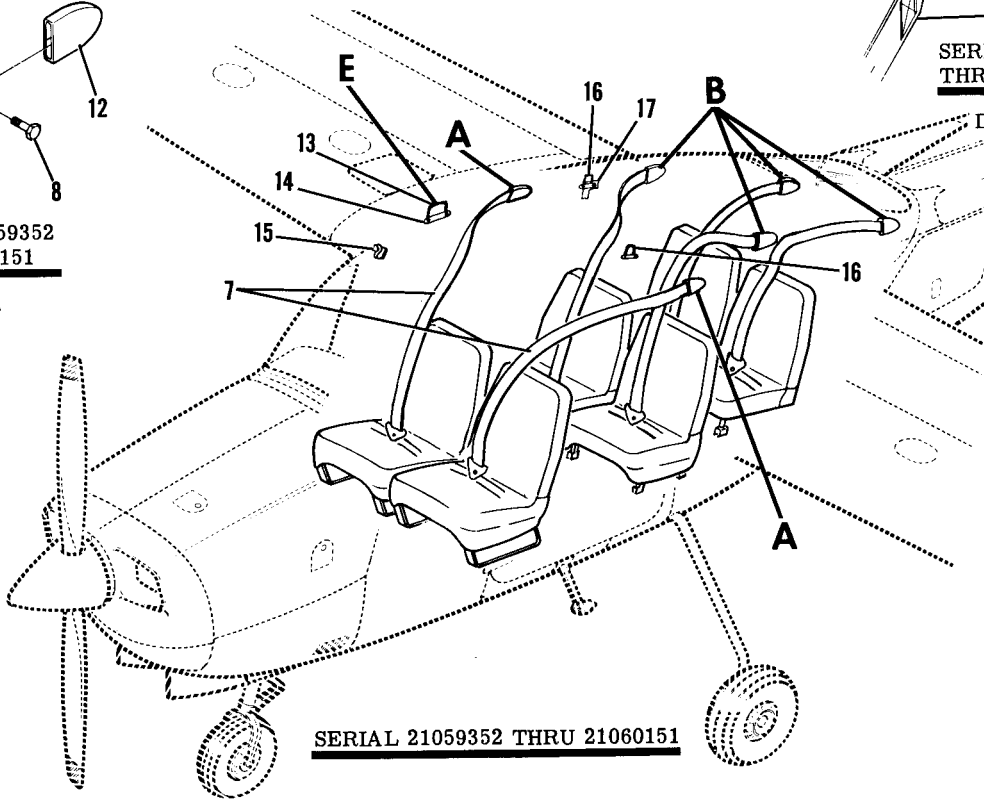
SERIAL 21059352 THRU 21060151

Detail B



SERIAL 21059352 THRU 21060151

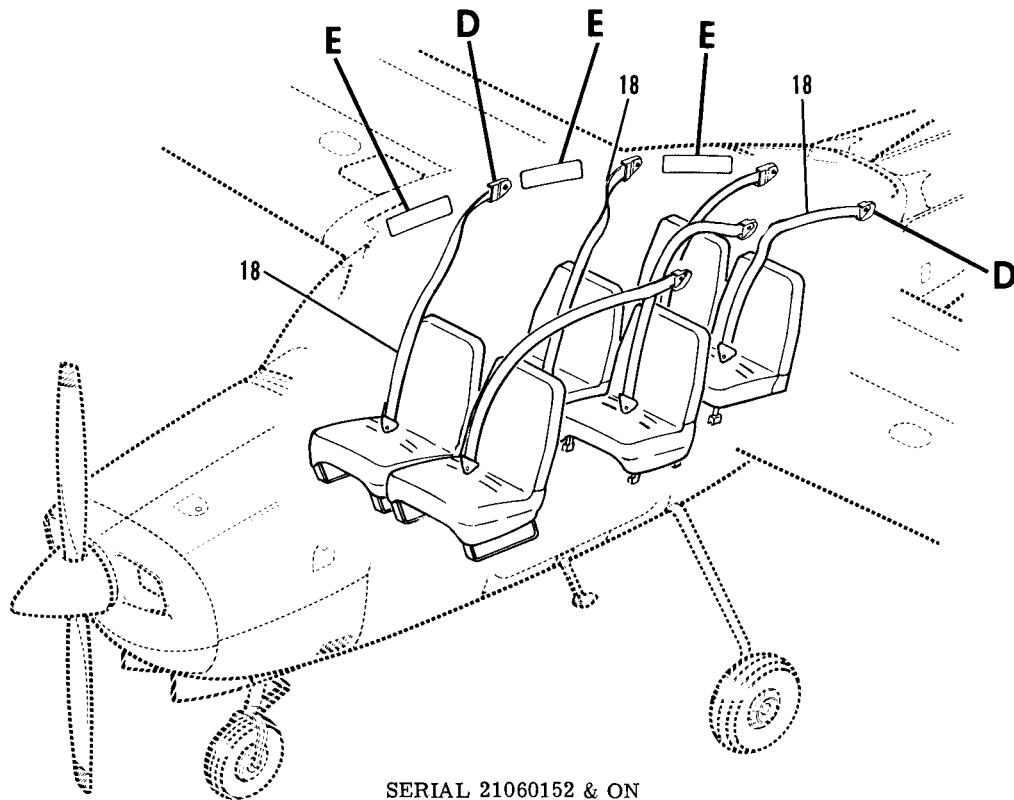
Detail A



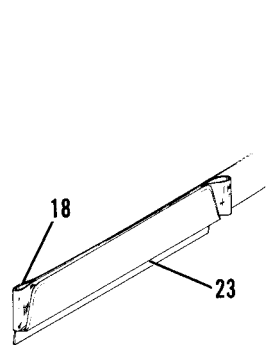
SERIAL 21059352 THRU 21060151

Figure 62A. Shoulder Harness Installation (Sheet 1 of 2)

Fuselage Equipment (Cont)

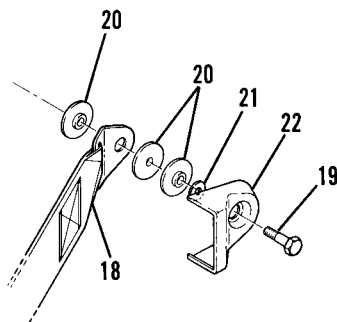


SERIAL 21060152 & ON



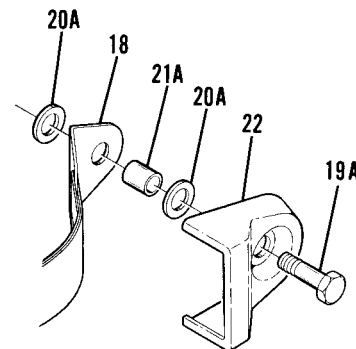
SERIAL 21060090 & ON

Detail **E**



SERIAL 21060152 THRU 21060339

Detail **D**



SERIAL 21060340 & ON

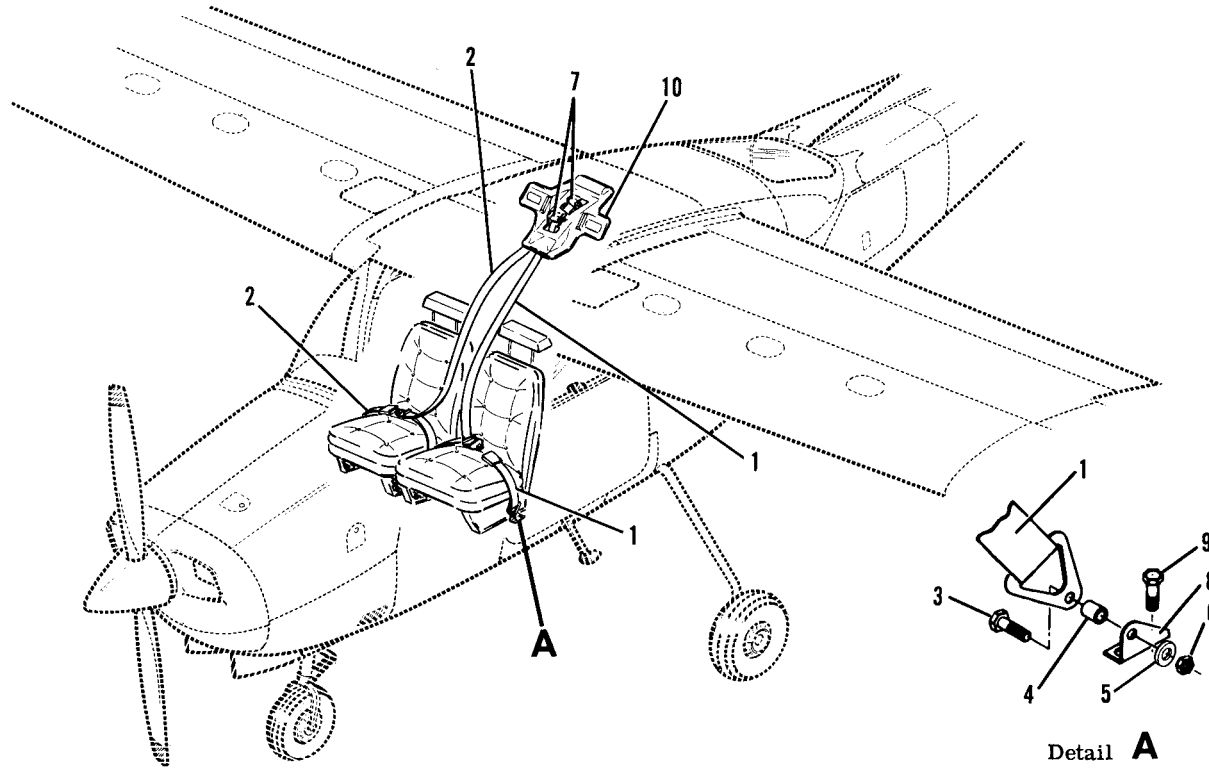
Figure 62A. Shoulder Harness Installation (Sheet 2 of 2)

FIGURE AND INDEX NO.	PART NUMBER	DESCRIPTION							UNITS PER ASSY	USABLE ON CODE	
		1	2	3	4	5	6	7			
62A-		SHOULDER HARNESS INSTALLATION -----							NP	A	
- 1	S2029-1	HARNESS ASSEMBLY-SHOULDER FRONT SEATS -----							2		
- 2	S2029-5	HARNESS ASSEMBLY-SHOULDER CENTER SEATS -----							2		
- 3	S2029-7	HARNESS ASSEMBLY-SHOULDER REAR SEATS -----							2		
- 4	1414025-2	SPRING-HOOK -----							6		
- 5	1414025-1	HOOK-SHOULDER HARNESS -----							6		
		ATTACHING PARTS									
- 6	NAS221-10	SCREW FRONT -----							2		
	NAS221-8	SCREW CENTER -----							2		
	NAS221-12	SCREW REAR -----							2		
		---*---									
- 7	S2070W201	*	SHOULDER HARNESS INSTALLATION -----						NP	B	
	S2070H201	*	HARNESS ASSEMBLY-SHOULDER BROWN -----						6	E	
	S2070F201	*	HARNESS ASSEMBLY-SHOULDER BLUE -----						6	E	
	S2070G201	*	HARNESS ASSEMBLY-SHOULDER RED -----						6	E	
	S2070B201	*	HARNESS ASSEMBLY-SHOULDER GREEN -----						6	E	
	S2070W201	*	HARNESS ASSEMBLY-SHOULDER BLACK -----						6	E	
	S2070L201	*	HARNESS ASSEMBLY-SHOULDER BROWN -----						6	F	
	S2070A201	*	HARNESS ASSEMBLY-SHOULDER BLUE -----						6	F	
	S2070C201	*	HARNESS ASSEMBLY-SHOULDER RED -----						6	F	
	S2070B201	*	HARNESS ASSEMBLY-SHOULDER GREEN -----						6	F	
	S2070W201	*	HARNESS ASSEMBLY-SHOULDER BLACK -----						6	F	
	S2070U201	*	HARNESS ASSEMBLY-SHOULDER GOLD -----						6	H	
	S2070AA201	*	HARNESS ASSEMBLY-SHOULDER BLUE -----						6	H	
	S2070Z201	*	HARNESS ASSEMBLY-SHOULDER OLIVE -----						6	H	
	S2070B201	*	HARNESS ASSEMBLY-SHOULDER RED -----						6	H	
			HARNESS ASSEMBLY-SHOULDER BLACK -----						6	H	
			ATTACHING PARTS								
- 8	NAS464P4A6	BOLT -----							1	J	
- 9	NAS464-4-8	BOLT -----							1	J	
-10	S2074-1	SPACER -----							2	J	
-11	AN960-416L	WASHER -----							1	J	
-12	S2076-1	COVER -----							1	J	
		---*---									
-13	S2081-1	CLIP -----							2	J	
		ATTACHING PARTS									
	S1023A6-8C	SCREW -----							2		
-14	S2081-2	COVER -----							1		
		---*---									
-15	S2080-1	HOOK-BELT RETAINER -----							2	C	
	S2081-5	HOOK-BELT RETAINER -----							2	D	
		ATTACHING PARTS									
	S1021Z4-6C	SCREW -----							2		
	NAS446-1-3	NUT -----							2		
		---*---									
	S2081-4	COVER-HOOK -----							2	D	
-16	S2081-1	CLIP-BELT RETAINER -----							4	J	
		ATTACHING PARTS									
	S1023A6-8C	SCREW -----							2		
	S2081-2	COVER -----							1		
		---*---									
-17	1200233-1	PLATE-ATTACH -----							2	J	
-18	S2070CC201	*	HARNESS ASSY-SHOULDER BROWN -----						6	K	
	S2070BB201	*	HARNESS ASSY-SHOULDER BLUE -----						6	K	
	S2070AA201	*	HARNESS ASSY-SHOULDER GREEN -----						6	K	
	S2070T201	*	HARNESS ASSY-SHOULDER RED -----						6	K	
	S2070DD201	*	HARNESS ASSY-SHOULDER GOLD -----						6	K	
	S2070B201	*	HARNESS ASSY-SHOULDER BLACK -----						6	K	
			ATTACHING PARTS								
-19	NAS464P4A6	BOLT FWD SHOULDER HARNESS -----							1	L	
	NAS464-4-8	BOLT CENTER & AFT SHOULDER HARNESS -----							1	L	
-19A	NAS464P4A10	BOLT -----							1	M	
-20	S2074-1	SPACER -----							3	L	
-20A	AN960-616	WASHER -----							2	M	
-21	AN960-416L	WASHER -----							1	L	
-21A	NAS43HT4-30	SPACER -----							1	M	
-22	0415010-1	COVER -----							1	G	
		---*---									
-23	0515010-5	□	TRAY ASSY-SHOULDER HARNESS FWD SHOULDER HARNESS -----						2	K	
	0515010-6	□	TRAY ASSY-SHOULDER HARNESS CENTER & AFT SHOULDER HARNESS -----						4	K	
			ATTACHING PARTS								
	S1021A4-6	SCREW -----							2		
		---*---									
	SEE FIG 62B	INERTIA REEL SEAT BELT & SHOULDER HARNESS INSTALLATION -----							1		

CONTINUED ON NEXT PAGE

FIGURE AND INDEX NO.	PART NUMBER	DESCRIPTION	UNITS PER ASSY	USABLE ON CODE
62A-		<p style="text-align: center;">1 2 3 4 5 6 7</p> <p>NOTE. *WHEN ORDERING SHOULDER HARNESS FOR AUSTRALIAN AIRCRAFT ADD VH TO PART NUMBER. EXAMPLE-S2070W201VH.</p> <p>NOTE. †THIS PARTS MUST HAVE A SECOND DASH NUMBER ADDED TO DENOTE COLOR. REFER TO HOW TO ORDER INTERIOR PARTS-PAGE VI.</p> <p>A---210 & T210 SERIAL 21059200 THRU 21059351 B---210 & T210 SERIAL 21059352 & ON C---210 & T210 SERIAL 21059200 THRU 21059719 D---210 & T210 SERIAL 21059720 THRU 21060151 E---210 & T210 SERIAL 21059352 THRU 21059502 F---210 & T210 SERIAL 21059503 THRU 21059719 G---210 & T210 SERIAL 21060152 & ON H---210 & T210 SERIAL 21059720 THRU 21060089 J---210 & T210 SERIAL 21059352 THRU 21060151 K---210 & T210 SERIAL 21060090 & ON L---210 & T210 SERIAL 21060152 THRU 21060339 M---210 & T210 SERIAL 21060340 & ON</p>		

Fuselage Equipment (Cont)



210 & T210 SERIAL 21060090 & ON

Figure 62B. Inertia Reel Seat Belt & Shoulder Harness Installation

FIGURE AND INDEX NO.	PART NUMBER	DESCRIPTION	UNITS PER ASSY	USABLE ON CODE
62B-		1 2 3 4 5 6 7 INERTIA REEL SEAT BELT & SHOULDER HARNESS INSTALLATION -----	NP	A
- 1	S2199-3	BELT ASSY-INERTIA REEL LH BLACK ONLY -----	1	
- 2	S2199-4	BELT ASSY-INERTIA REEL RH BLACK ONLY -----	1	
		ATTACHING PARTS		
	NAS222-9	SCREW -----	2	
- 3	AN4-5A	BOLT -----	2	
- 4	NAS43HT4-12	SPACER -----	2	
- 5	AN960-416L	WASHER -----	2	
- 6	MS21042L4	NUT -----	2	
		---*---		
- 7	0107366-03	REEL-INERTIA PFEC -----	1	
- 8	0510205-5	FITTING-SEAT BELT INBD LH & OUTBD RH -----	2	
	0510205-6	FITTING-SEAT BELT OUTBD LH & INBD RH -----	2	
		ATTACHING PARTS		
- 9	AN4-5A	BOLT -----	2	B
	AN4-5A	BOLT USE ON ALL FITTINGS EXCEPT OUTBD RH -----	2	C
	AN4-4A	BOLT USE ON OUTBD RH FITTING ONLY -----	2	C
		---*---		
-10	1200239-3	ESCUTCHEON-CENTER USED WITHOUT OXYGEN -----	1	
	1200239-4	ESCUTCHEON-CENTER USED WITH OXYGEN -----	1	
	1215090-1	FILLER-INERTIA REEL -----	2	
		A---210 & T210 SERIAL 21060090 & ON		
		B---210 & T210 SERIAL 21060090 THRU 21060539		
		C---210 & T210 SERIAL 21060540 & ON		

Fuselage Equipment (Cont)

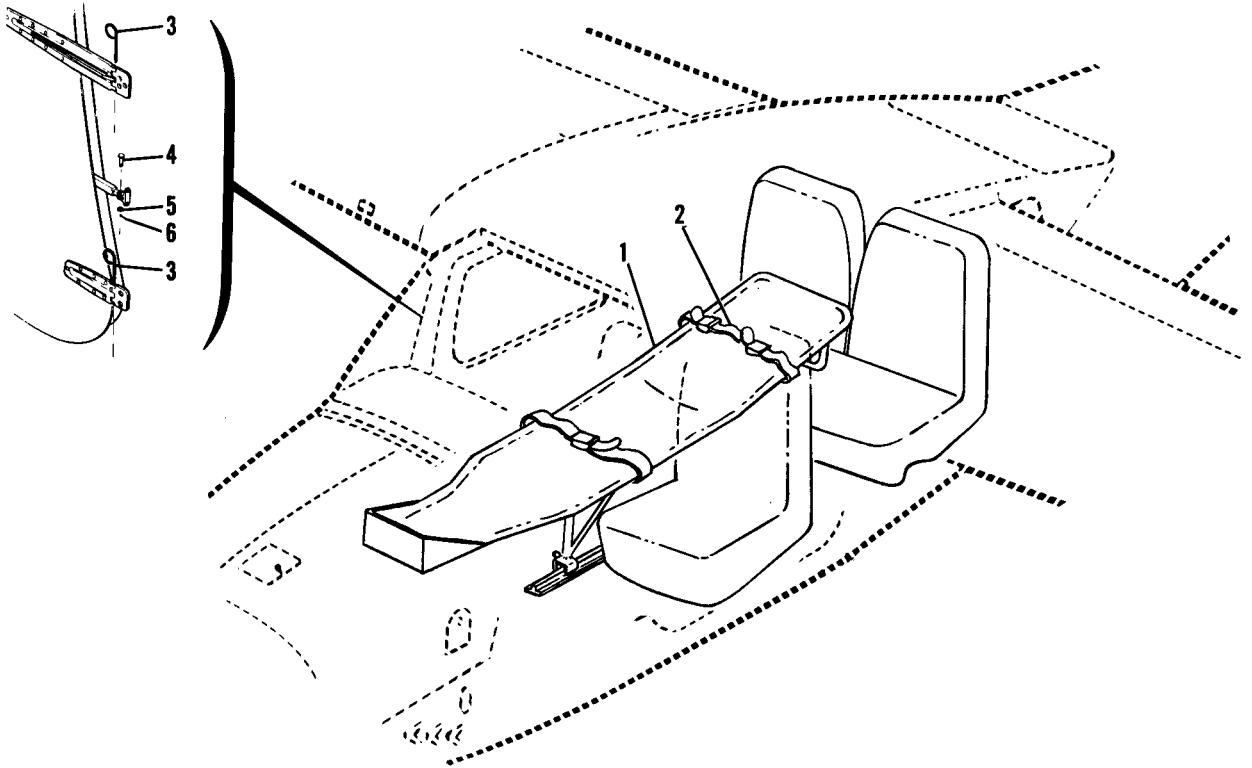
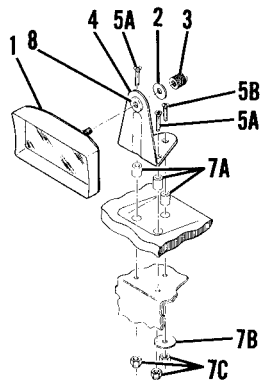


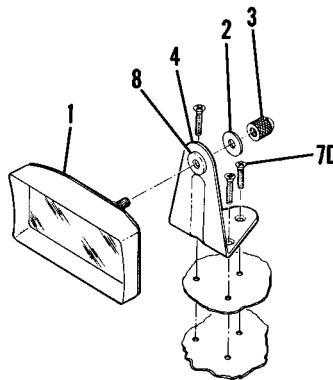
Figure 63. Portable Stretcher Installation

FIGURE AND INDEX NO.	PART NUMBER	DESCRIPTION	UNITS PER ASSY	USABLE ON CODE
63 -		1 2 3 4 5 6 7 PORTABLE STRETCHER INSTALLATION -----	NP	
- 1	0700164-9	STRETCHER ASSEMBLY-PORTABLE -----	1	
- 2	S1809-2	EXTENSION-BELT -----	1	
- 3	S1426-1	PIN-HINGE -----	2	
- 4	MS20392-1C17	PIN-FLATHEAD -----	1	
- 5	AN960-4	WASHER -----	1	
- 6	MS24665-132	PIN-COTTER -----	1	

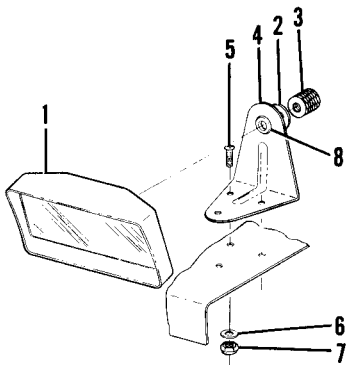
Fuselage Equipment (Cont)



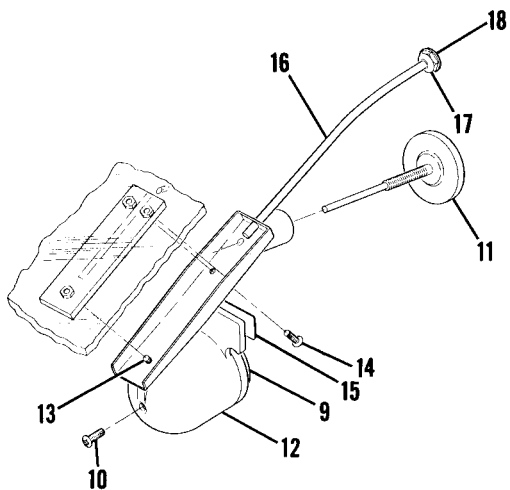
SERIAL 21059352 THRU 21059719



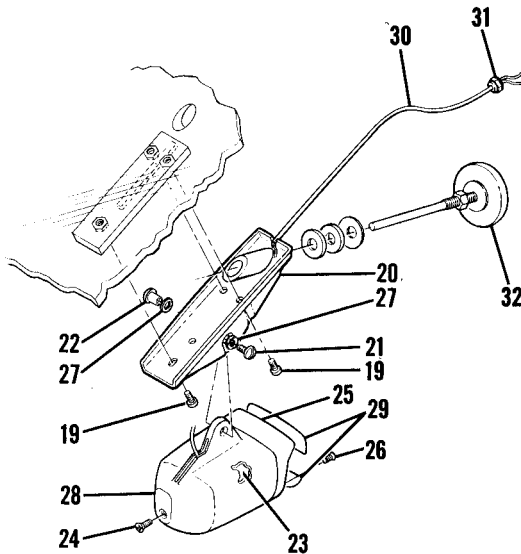
SERIAL 21059720 & ON



SERIAL 21059200 THRU 21059351



SERIAL 21059200 THRU 21059719

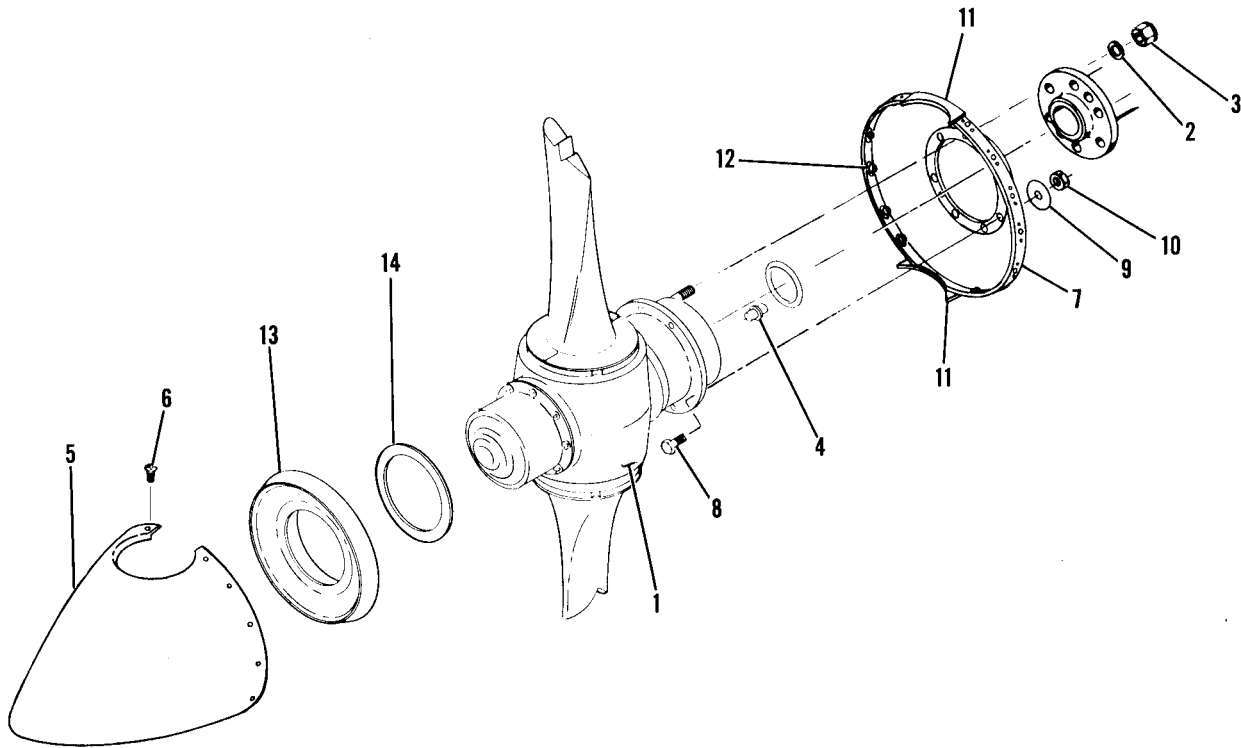


SERIAL 21059720 & ON

Figure 64. Compass & Rear View Mirror Installation

FIGURE AND INDEX NO.	PART NUMBER	DESCRIPTION	UNITS PER ASSY	USABLE ON CODE
		1 2 3 4 5 6 7		
64 -		REAR VIEW MIRROR INSTALLATION -----	NP	
- 1	0500312-2	MIRROR & COVER ASSEMBLY -----	1	
		ATTACHING PARTS -----		
- 2	S1450-4A11-063	WASHER -----	1	
- 3	0500313-1	NUT -----	1	
		-----*		
- 4	I213293-1	BRACKET ASSEMBLY -----	1	
		ATTACHING PARTS -----		
- 5	AN5078832R8	SCREW -----	3	A
- 5A	AN5078832R16	SCREW -----	2	B
- 5B	AN5078832R14	SCREW -----	1	B
- 6	AN960PD10	WASHER -----	2	A
- 7	MS21044N08	NUT -----	3	A
- 7A	NAS43DD3-28	SPACER -----	3	B
- 7B	S1450-3A14-050	WASHER -----	1	B
- 7C	MS203658832C	NUT -----	3	B
- 7D	AN5078832R8	SCREW -----	3	F
		-----*		
- 8	MS35489-6	GROMMET -----	1	
		COMPASS & OUTSIDE AIR TEMPERATURE INSTALLATION -----	NP	
- 9	C660501-0101	COMPASS 12 VOLT SYSTEM -----	1	E
	C660501-0102	COMPASS 24 VOLT SYSTEM -----	1	D
		ATTACHING PARTS -----		
-10	S1571-8-10	SCREW -----	1	
		-----*		
	330	BULB GE 12 VOLT SYSTEM -----	1	C
	337	BULB GE 24 VOLT SYSTEM -----	1	D
-11	C668507-0101	OUTSIDE AIR TEMP GAGE -----	1	
	C668507-0102	OUTSIDE AIR TEMP GAGE ALTERNATE -----	1	
-12	I213537-6	MOUNTING ASSEMBLY -----	1	
		ATTACHING PARTS -----		
-13	S1570-8-12	SCREW -----	1	
	AN960D8	WASHER -----	2	
-14	S1571-8-6	SCREW -----	2	
		-----*		
-15	0400210-1	PLACARD-COMPASS CORRECTION -----	1	
-16	0713817-7	TUBE ASSEMBLY -----	1	
		ATTACHING PARTS -----		
-17	S1216-3	NUT -----	1	
-18	AN936A416	WASHER -----	1	
		-----*		
		COMPASS & OUTSIDE AIR TEMPERATURE INSTALLATION -----	NP	F
	0413517-8	COMPASS ASSY -----	1	
		ATTACHING PARTS -----		
-19	AN500B8-6	SCREW -----	3	
		-----*		
-20	0413517-10	BASE-COMPASS & OUTSIDE TEMPERATURE -----	1	
-21	D366	SCREW STM -----	1	
-22	D4023X.375	POST STM -----	1	
-23	C660501-0102	COMPASS -----	1	
		ATTACHING PARTS -----		
-24	AN5078832R14	SCREW -----	1	
		-----*		
-25	0413517-15	BEZEL -----	1	
		ATTACHING PARTS -----		
-26	AN510B4R8	SCREW -----	2	
		-----*		
-27	AN960D10	WASHER -----	2	
-28	0413517-5	CUP-COMPASS -----	1	
-29	0400213-6	PLACARD SET-COMPASS CORRECTION -----	1	
-30	0713817-7	TUBE ASSY -----	1	
		ATTACHING PARTS -----		
-31	S1216-3	NUT -----	1	
	AN936A416	WASHER -----	1	
		-----*		
-32	C668507-0101	GAGE-OUTSIDE AIR TEMPERATURE -----	1	
		NOTE. THIS PART NUMBER MUST HAVE A SECOND DASH NUMBER ADDED TO DENOTE COLOR. REFER TO HOW TO ORDER INTERIOR PARTS-PAGE VI.		
		A---210 & T210 SERIAL 21059200 THRU 21059351		
		B---210 & T210 SERIAL 21059352 THRU 21059719		
		C---210 & T210 SERIAL 21059200 THRU 21059502		
		D---210 & T210 SERIAL 21059503 THRU 21059719		
		E---210 & T210 SERIAL 21059200 THRU 21059719		
		F---210 & T210 SERIAL 21059720 & ON		

Propeller



210 & T210 SERIAL 21059200 THRU 21060539

Figure 65. Two Bladed Propeller Installation

FIGURE AND INDEX NO.	PART NUMBER	DESCRIPTION	UNITS PER ASSY	USABLE ON CODE
65 -		1 2 3 4 5 6 7		
- 1	SEE FIG 67	TWO BLADED PROPELLER INSTALLATION MCCAULEY -----	NP	A
- 2	A1638-2	PROPELLER ASSEMBLY -----	1	
- 3	A1639-2	ATTACHING PARTS -----		
- 4	A3047	WASHER MCL -----	6	
- 5	1250415-2 *	NUT MCL -----	6	
- 6	NAS221-8	DOWEL-HUB ALIGNMENT MCL -----	2	
- 7	1250414-1	-----*-----		
- 8	AN3-6A	SPINNER DOME ASSEMBLY -----	1	
- 9	AN970-3	ATTACHING PARTS -----		
-10	MS20364-1032C	SCREW -----	14	
-11	1250414-4	-----*-----		
-12	NAS680A3	BULKHEAD ASSEMBLY-PROPELLER SPINNER -----	1	
-13	1250412-1	ATTACHING PARTS -----		
-14	0752620-1	BOLT -----	8	
		WASHER -----	8	
		NUT -----	8	
		-----*-----		
		FILLET -----	2	
		NUTPLATE -----	14	
		SUPPORT-SPINNER -----	1	
		SPACER -----	AR	
		<p>NOTE. *FOR AIRPLANES EQUIPPED WITH PROPELLER DE-ICE SYSTEM, REFER TO FIG 133 FOR CORRECT SPINNER NUMBER.</p> <p>A---210 & T210 SERIAL 21059200 THRU 21060539</p>		

Propeller (Cont)

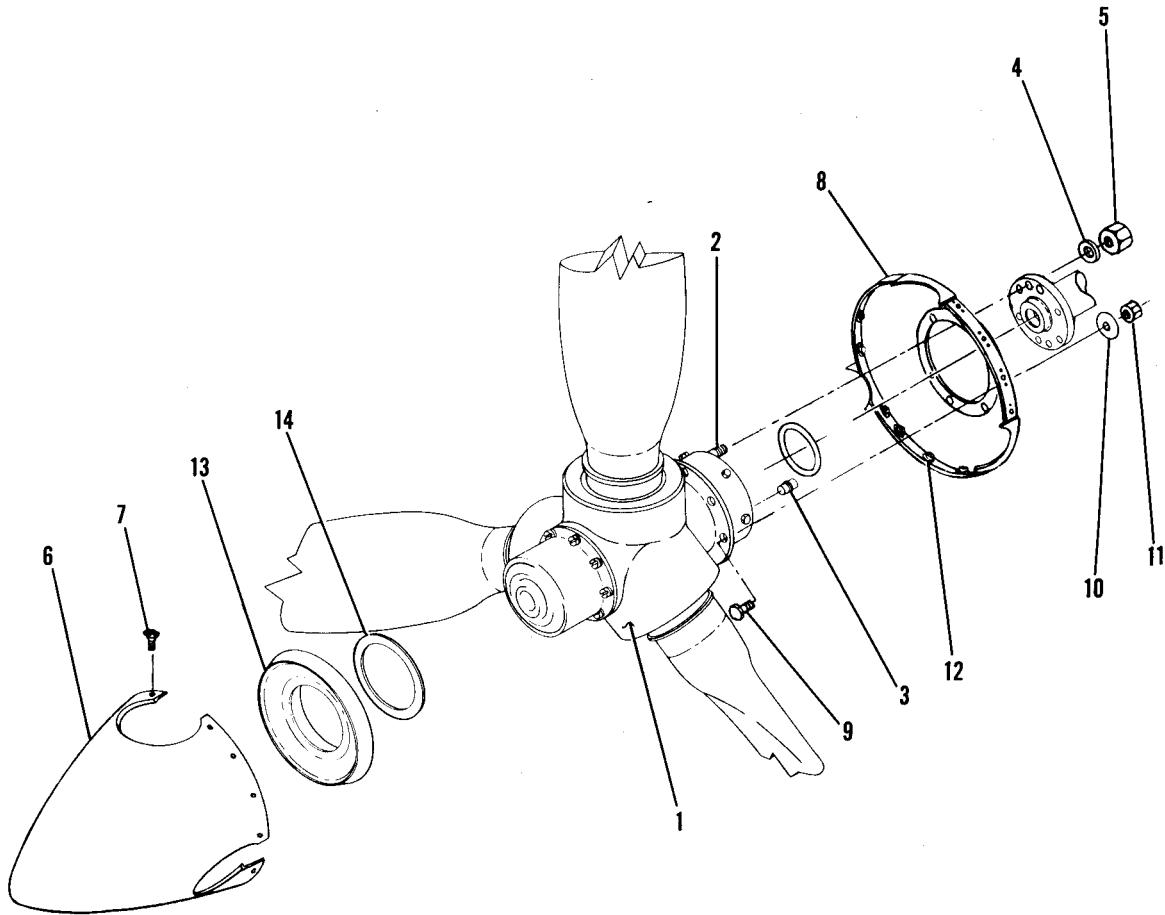
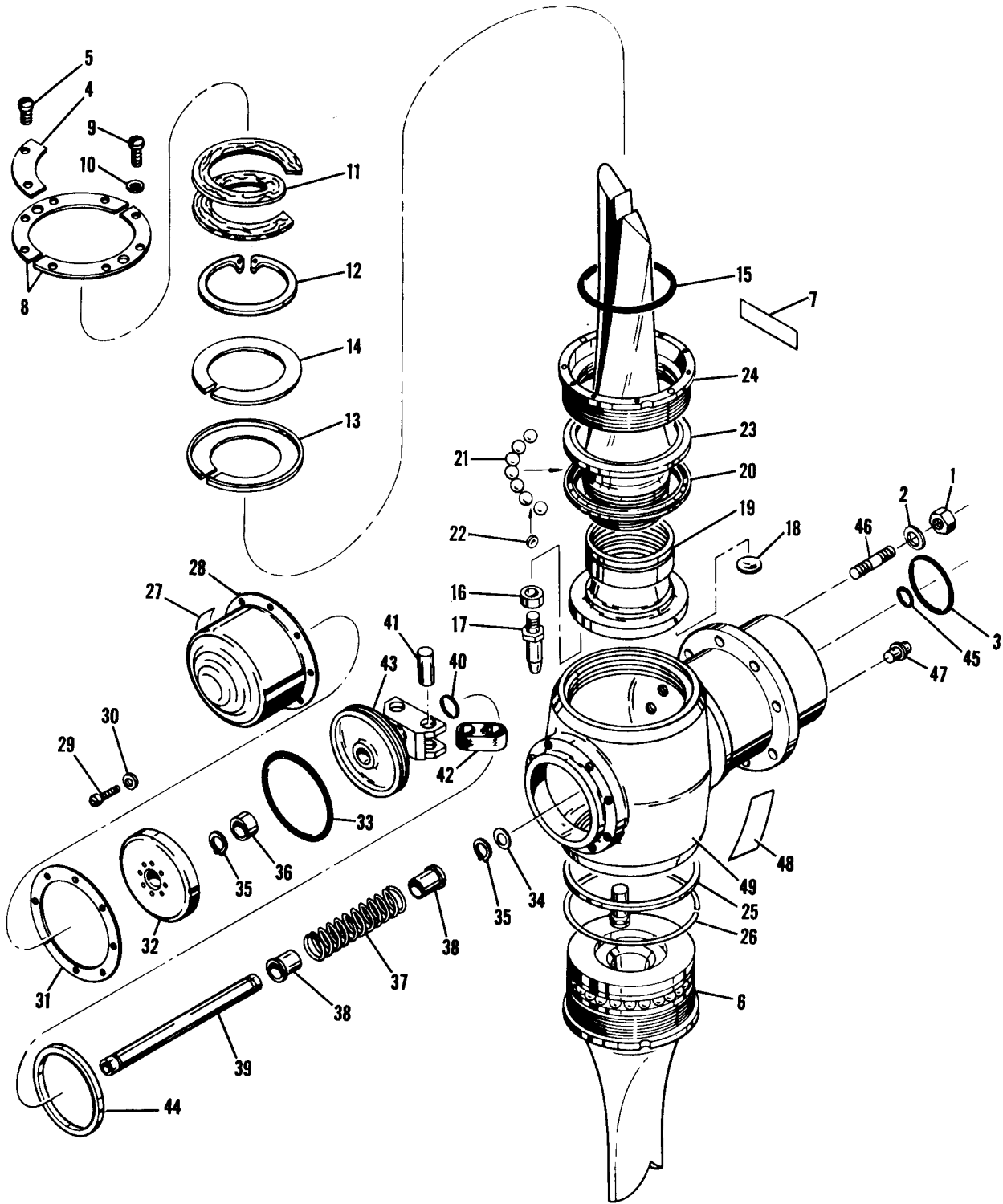


Figure 66. Three Bladed Propeller Installation

FIGURE AND INDEX NO.	PART NUMBER	DESCRIPTION	UNITS PER ASSY	USABLE ON CODE
		1 2 3 4 5 6 7		
66 -		THREE BLADED PROPELLER INSTALLATION -----	NP	
- 1	SEE FIG 68	PROPELLER ASSEMBLY -----	1	
		ATTACHING PARTS -----		
- 2	B3099	STUD-HUB MOUNTING MCL -----	6	
- 3	A3047	DOWL-HUB ALIGNMENT MCL -----	2	
- 4	A1638-2	WASHER MCL -----	6	
- 5	A1639-2	NUT MCL -----	6	
		-----*		
- 6	1250419-2	SPINNER DOME ASSEMBLY -----	1	
		ATTACHING PARTS -----		
- 7	NAS221-8	SCREW -----	12	
		-----*		
- 8	1250414-6	BULKHEAD ASSEMBLY-PROPELLER SPINNER -----	1	
		ATTACHING PARTS -----		
- 9	A3-6A	BOLT -----	8	
-10	AN970-3	WASHER -----	8	
-11	MS20364-1032C	NUT -----	8	
		-----*		
-12	NAS680A3	NUTPLATE -----	12	
-13	1250412-1	SUPPORT-SPINNER -----	1	
-14	0752620-1	SPACER -----	1	
		NOTE. *FOR AIRPLANES EQUIPPED WITH PROPELLER DE-ICE SYSTEM REFER TO FIGURE 133 FOR CORRECT SPINNER PART NUMBER.		

Propeller (Cont)



210 & T210 SERIAL 21059200 THRU 21060539

Figure 67. Two Bladed Propeller Assembly



FIGURE AND INDEX NO.	PART NUMBER	DESCRIPTION						UNITS PER ASSY	USABLE ON CODE
		1	2	3	4	5	6		
67 -	C161005-0101	TWO BLADED PROPELLER ASSEMBLY MCCAULEY -----						1	A
		E2A34C73/90AT-8 82 IN DIA -----							
	C161005-0102	TWO BLADED PROPELLER ASSEMBLY MCCAULEY -----						1	B
		E2A34C70/90AT-8 82 IN DIA -----							
		ATTACHING PARTS -----							
- 1	A1639-2	NUT MCL -----						6	
- 2	A1638-2	WASHER MCL -----						6	
- 3	A1633-3	PACKING-O RING MCL -----						1	
		---*---							
- 4	A2423	WEIGHT-BALANCE MCL -----						AR	
		ATTACHING PARTS -----							
- 5	A1635-16	SCREW-ATTACH ONE WEIGHT MCL -----						2	
	A1635-17	SCREW-ATTACH TWO WEIGHT MCL -----						2	
	A1635-18	SCREW-ATTACH THREE WEIGHT MCL -----						2	
	A1635-19	SCREW-ATTACH FOUR WEIGHT MCL -----						2	
	A1635-20	SCREW-ATTACH FIVE WEIGHT MCL -----						2	
	A1635-21	SCREW-ATTACH SIX WEIGHT MCL -----						2	
		---*---							
- 6	D3223/90AT8	BLADE ASSEMBLY MCL -----						2	A
	D3546/90AT8	BLADE ASSEMBLY MCL -----						2	B
- 7	A1958	DECAL MCL -----						1	
- 8	B2417	PLATE-SPLIT COVER MCL -----						2	
		ATTACHING PARTS -----							
- 9	A1635-27	SCREW MCL -----						4	
-10	A1638-5	WASHER-FIBER MCL -----						4	
		---*---							
-11	B2422-1	PACKING-FELT MCL -----						1	
-12	A1636-6	RING-EXTERNAL RETAINING MCL -----						1	
-13	B2420-4	SHIM-0.004 IN MCL -----						AR	
	B2420-6	SHIM-0.006 IN MCL -----						AR	
-14	B2421-8	SHIM-0.008 IN MCL -----						AR	
	B2421-10	SHIM-0.010 IN MCL -----						AR	
	B2421-12	SHIM-0.012 IN MCL -----						AR	
	B2421-14	SHIM-0.014 IN MCL -----						AR	
	B2421-16	SHIM-0.016 IN MCL -----						AR	
	B2421-18	SHIM-0.018 IN MCL -----						AR	
	B2421-20	SHIM-0.020 IN MCL -----						AR	
-15	A1633-13	PACKING-O RING MCL -----						1	
-16	A3100	WASHER-ACTUATING PIN MCL -----						1	
-17	A3149	PIN-BLADE ACTUATING MCL -----						1	
-18	A1580	PLUG-FERRULE STAKING MCL -----						1	
-19	C3054	FERRULE-BLADE RETENTION MCL -----						1	
	C2987	BEARING-BLADE RETENTION MCL -----						1	
-20	C2987-1	RACE-INNER MCL -----						1	
-21	A1634-5	BALL-BEARING MCL -----						30	
-22	A3110	SEPARATOR-BALL MCL -----						30	
-23	C2987-2	RACE-OUTER MCL -----						1	
-24	C3092	NUT-BLADE RETENTION MCL -----						1	
-25	B3216	RING-RETENTION NUT LOCK MCL -----						2	
-26	A3217	SHIM-BALANCING MCL -----						2	
-27	A2356	DECAL MCL -----						1	
-28	C1904	CYLINDER MCL -----						1	
		ATTACHING PARTS -----							
-29	A1635-43	SCREW -----						8	
-30	A1638-9	WASHER-BRASS -----						8	
-31	A1938	GASKET-CYLINDER -----						1	
		---*---							
-32	B1965	SUPPORT-SPACER MCL -----						1	A
	B3526	SUPPORT-SPACER MCL -----						1	B
-33	A1633-12	PACKING-O RING MCL -----						1	
-34	A2351	WASHER-FIBER MCL -----						1	

CONTINUED ON NEXT PAGE

FIGURE AND INDEX NO.	PART NUMBER	DESCRIPTION							UNITS PER ASSY	USABLE ON CODE
		1	2	3	4	5	6	7		
67 -35	A1636-7								2	
-36	A2108	*							AR	
-37	A3125								1	
-38	A3124								2	
-39	B2345								1	
-40	A1633-9								1	
	A1934								1	A
	A3547								1	B
-41	A1936								2	
-42	A1935								2	A
	A3549								2	B
-43	C1939								1	A
	C3548								1	B
-44	A1937	*							AR	
-45	A1633-9								1	
	D3522								1	
-46	B3099								6	
-47	A3047								2	
	A3047-30								AR	
	A3047-45								AR	
-48	A2230								1	
-49	D3521								1	

NOTE. *FURNISHED IN 3-1/2 IN STOCK LENGTHS. PROPER THICKNESS TO BE DETERMINED & CUT AT REASSEMBLY.

A---210 SERIAL 21059200 THRU 21060539
 B---T210 SERIAL 21059200 THRU 21060539

This page intentionally left blank.

Propeller (Cont)

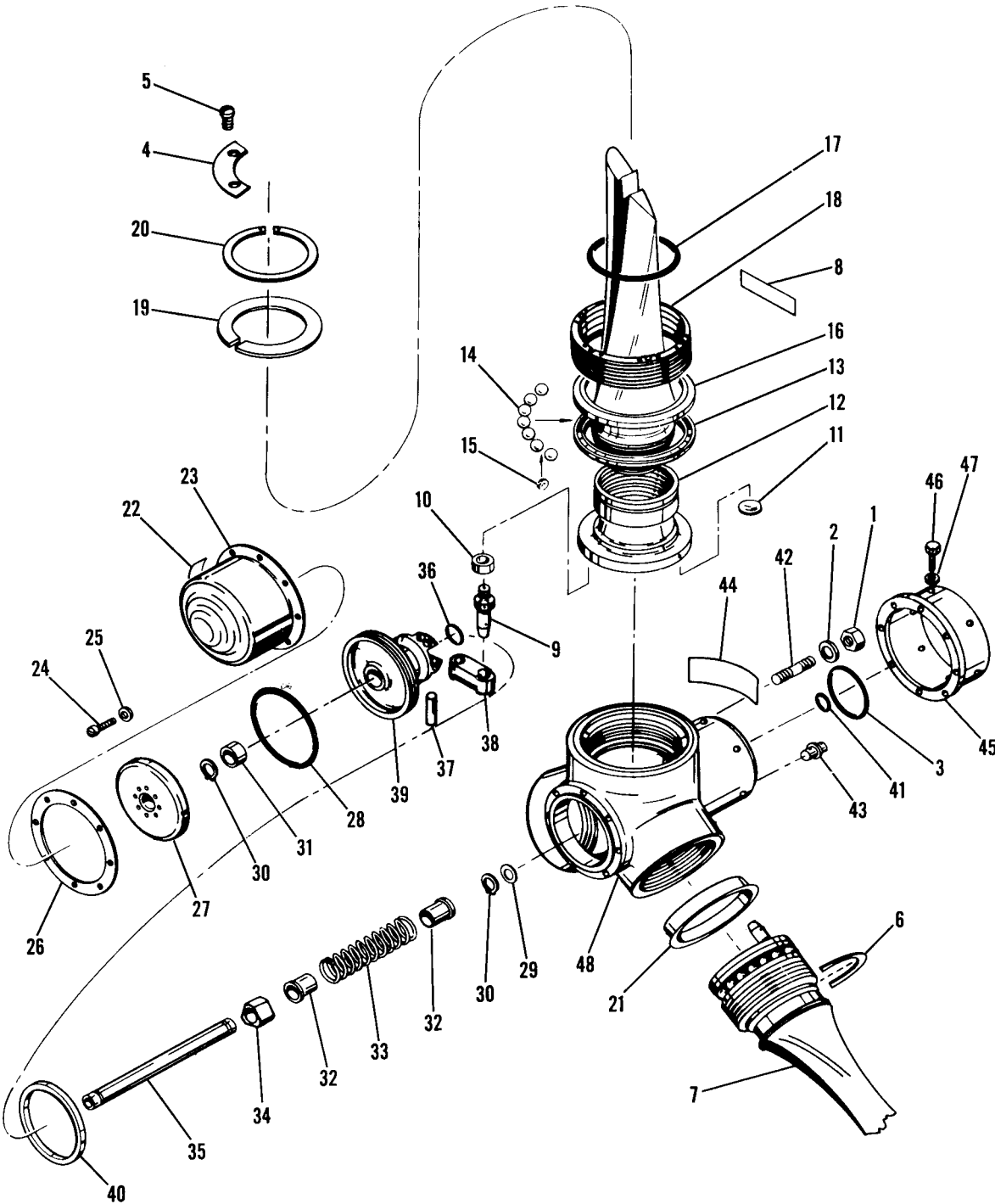
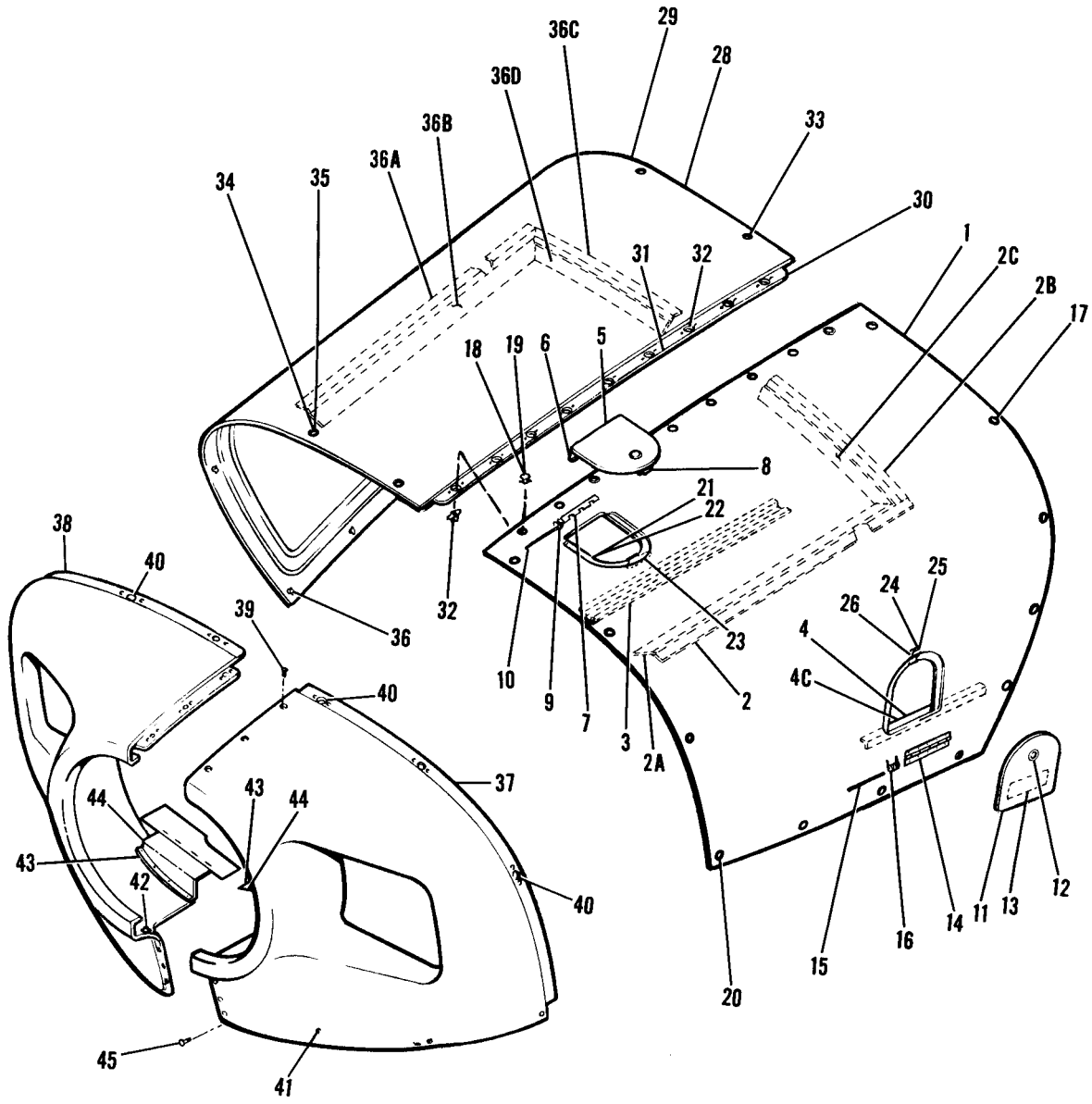


Figure 68. Three Bladed Propeller Assembly

FIGURE AND INDEX NO.	PART NUMBER	DESCRIPTION	UNITS PER ASSY	USABLE ON CODE
		1 2 3 4 5 6 7		
68 -	C161006-0105	THREE BLADED PROPELLER ASSEMBLY MCCAULEY -----	1	A
	C161006-0103	D3A32C88/82NC-2 80 IN DIA THREE BLADED PROPELLER ASSEMBLY MCCAULEY -----	1	B
		D3A32C88/82NC-2 ATTACHING PARTS		
- 1	A1639-2	NUT MCL -----	6	
- 2	A1638-2	WASHER-PLAIN MCL -----	6	
- 3	A1633-3	PACKING-O RING MCL -----	1	
		---*---		
- 4	A3530	WEIGHT-BALANCE MCL -----	AR	
		ATTACHING PARTS		
- 5	A1635-36	SCREW-ATTACH ONE WEIGHT MCL -----	2	
	A1635-40	SCREW-ATTACH TWO OR THREE WEIGHTS MCL -----	2	
	A1635-56	SCREW-ATTACH FOUR DR FIVE WEIGHTS MCL -----	2	
	A1635-58	SCREW-ATTACH SIX WEIGHTS MCL -----	2	
		---*---		
- 6	B3503	RING HALF-SPACER MCL -----	6	
- 7	D3663/82NC2	BLADE ASSEMBLY MCL -----	3	
- 8	A1958	DECAL MCL -----	1	
- 9	B3491	PIN-BLADE ACTUATING MCL -----	1	
-10	A3543	WASHER-SPACER MCL -----	1	
-11	A1580	PLUG-FERRULE STAKING MCL -----	1	
-12	C3111	FERRULE-BLADE RETENTION MCL -----	1	
	C2987	BEARING-BLADE RETENTION MCL -----	1	
-13	C2987-1	RACE-INNER MCL -----	1	
-14	A1634-5	BALL-BEARING MCL -----	30	
-15	A3110	SEPARATOR-BALL MCL -----	30	
-16	C2987-2	RACE-OUTER MCL -----	1	
-17	A1633-30	PACKING-O RING MCL -----	1	
-18	C3493	NUT-BLADE RETENTION MCL -----	1	
-19	B3470-2	SHIM MCL -----	AR	
-20	B3478	RING-RETAINING MCL -----	1	
-21	B3551	RETAINER-GREASE MCL -----	3	
-22	A2356	DECAL-SPRING KIT INSTALLATION MCL -----	1	
-23	C1904	CYLINDER MCL -----	1	
		ATTACHING PARTS		
-24	A1635-43	SCREW MCL -----	8	
-25	A1638-9	WASHER MCL -----	8	
		---*---		
-26	A1938	GASKET-CYLINDER MCL -----	1	
-27	B3526	SUPPORT-SPACER MCL -----	1	
-28	A1633-12	PACKING-O RING MCL -----	1	
-29	A2351	WASHER-FIBER MCL -----	1	
-30	A1636-7	RING-EXTERNAL RETAINING MCL -----	2	
-31	A2108	SPACER STOCK-LOW PITCH STOP MCL -----	AR	
-32	A3124	GUIDE-SPRING MCL -----	2	
-33	A3125	SPRING-LOW PITCH RETURN BOOST MCL -----	1	
-34	A3556	SPACER-SPRING GUIDE MCL -----	1	
-35	B2345	TUBE-PISTON ROD MCL -----	1	
-36	A1633-9	PACKING-O RING MCL -----	1	
	B3531	PISTON ASSEMBLY MCL -----	1	
-37	B3557	PIN-PISTON MCL -----	3	
-38	B3529	LINK-BLADE ACTUATING MCL -----	3	
-39	D3496	PISTON-BLADE ACTUATING MCL -----	1	
-40	A1937	SPACER STOCK-HIGH PITCH STOP MCL -----	AR	
-41	A1633-9	PACKING-O RING MCL -----	1	
	D3541	HUB ASSEMBLY MCL -----	1	
-42	B3099	STUD-HUB MOUNTING MCL -----	6	
-43	A3047	DOWEL-HUB ALIGNMENT MCL -----	2	
	A3047-30	DOWEL-HUB ALIGNMENT MCL -----	AR	
	A3047-47	DOWEL-HUB ALIGNMENT MCL -----	AR	
-44	A2230	DECAL-PROP INSTALLATION INSTRUCTIONS MCL -----	1	
-45	C3498	ADAPTER-HUB SLEEVE MCL -----	1	
		ATTACHING PARTS		
-46	AN75A5	BOLT -----	6	
-47	AN960-416L	WASHER -----	6	
		---*---		
-48	E3497	HUB-PROPELLER MCL -----	1	
		NOTE. *FURNISHED IN 3 1/2 IN STOCK LENGTHS. PROPER THICKNESS TO BE DETERMINED & CUT AT REASSEMBLY.		
		A---210 SERIAL 21059200 & ON B---T210 SERIAL 21059200 & ON		

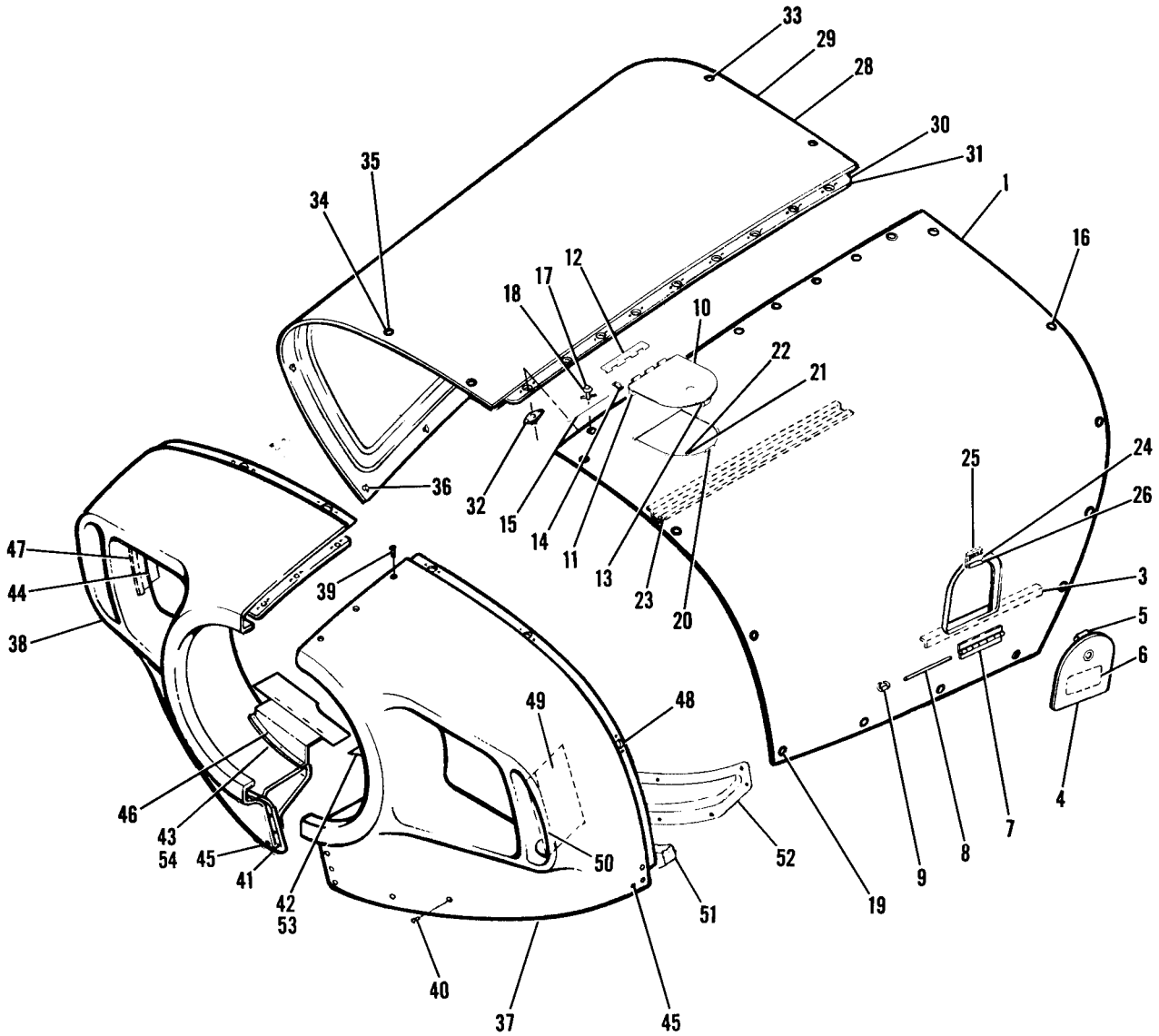
Cowl



210 SERIAL 21059200 & ON
Figure 69. Upper Cowl & Nose Cap Installation

FIGURE AND INDEX NO.	PART NUMBER	DESCRIPTION	UNITS PER ASSY	USABLE ON CODE
		1 2 3 4 5 6 7		
69 -		UPPER COWL & NOSE CAP INSTALLATION -----	NP	A
- 1	1252400-33	COWL HALF ASSY-LH -----	1	B
	1252400-57	COWL HALF ASSY-LH -----	1	C
- 2	1252400-59	BAFFLE ASSY-LH -----	1	C
- 2A	1252400-63	SEAL-BAFFLE -----	1	C
- 2B	1252400-67	BAFFLE ASSY-LH -----	1	C
- 2C	1252400-71	SEAL-BAFFLE -----	1	C
- 3	1252000-11	STIFFENER -----	1	
- 4	1252400-16	ANGLE -----	1	
- 5	1250823-1	DOOR ASSEMBLY -----	1	
- 6	1552004-24	RETAINER ASSEMBLY -----	1	
- 7	1552004-22	HINGE HALF -----	1	
- 8	KM610-.064	LATCH CLC -----	1	
- 9	1552010-1	SPRING -----	1	
-10	1552004-17	PIN-HINGE -----	1	
-11	1250841-1	DOOR ASSEMBLY-OIL CHECK -----	1	
-12	KM610-.064	LATCH CLC -----	1	
-13	SEE FIG 2	PLACARD -----	1	
-14	1452225-44	HINGE ASSEMBLY -----	1	
-15	MS20253-2-4.04	PIN-HINGE -----	1	
-16	1552010-1	SPRING -----	1	
-17	CM2791-1	SNAP RING -----	20	
-18	4002G	GROMMET CLC -----	20	
-19	40S5-3	STUD CLC -----	19	
-20	40S5-5	STUD CLC -----	1	
-21	1250842-1	DOUBLER -----	1	
-22	1250842-2	SPACER -----	1	
-23	1552004-25	STRIKER -----	1	
-24	0752635-1	STRIKER -----	1	
-25	0752635-2	SPACER -----	1	
		ATTACHING PARTS		
-26	AN507-632R6	SCREW -----	2	
	MS21045L06	NUT -----	2	
		---*---		
-27		DELETED-NOT USED -----		
-28	1252400-18	COWL HALF ASSY-RH -----	1	B
	1252400-58	COWL HALF ASSY-RH -----	1	C
-29	1252400-20	SKIN ASSEMBLY-UPPER COWL RH -----	1	
-30	1252001-1	STRIP ASSEMBLY-REMOVABLE COWL -----	1	
-31	1252001-2	STRIP -----	1	
-32	4002-244-16	RECEPTACLE CLC -----	9	
-33	CM2791-1	SNAP RING -----	11	
-34	4002G	GROMMET CLC -----	11	
-35	40S5-3	STUD CLC -----	10	
-36	40S5-5	STUD CLC -----	1	
-36A	1252400-60	BAFFLE ASSY-RH -----	1	C
-36B	1252400-64	SEAL-BAFFLE -----	1	C
-36C	1252400-70	BAFFLE ASSY-RH AFT -----	1	C
-36D	1252400-74	SEAL-BAFFLE -----	1	C
		NOSE CAP ASSEMBLY-UPPER	NP	
-37	1252413-38	PANEL ASSEMBLY-NOSE CAP LH -----	1	B
	1252413-41	PANEL ASSEMBLY-NOSE CAP LH -----	1	C
-38	1252413-34	PANEL ASSEMBLY-NOSE CAP RH -----	1	B
	1252413-42	PANEL ASSEMBLY-NOSE CAP RH -----	1	C
		ATTACHING PARTS		
-39	AN509-10R10	SCREW -----	6	
		---*---		
-40	4002-244-16	RECEPTACLE -----	3	
-41	S1589-3	EYELETS -----	6	
-42	NAS680A3	NUTPLATE-RH ONLY -----	6	
-43	1250822-1	SEAL-LH -----	1	
	1250822-2	SEAL-RH -----	1	
-44	1250934-1	SEAL-LH -----	1	
	1250934-2	SEAL-RH -----	1	
-45	AN509-10R9	SCREW -----	12	
		NOTE. *USE ON AIRPLANES EQUIPPED WITH PROPELLER DE-ICE SYSTEM.		
		NOTE. %WHEN ORDERING THIS ASSEMBLY FOR AIRPLANES EQUIPPED WITH PROPELLER DE-ICE SYSTEM ALSO ORDER PARTS MARKED *.		
		A---210 SERIAL 21059200 & ON		
		B---210 SERIAL 21059200 THRU 21060089		
		C---210 SERIAL 21060090 & ON		

Cowl (Cont)

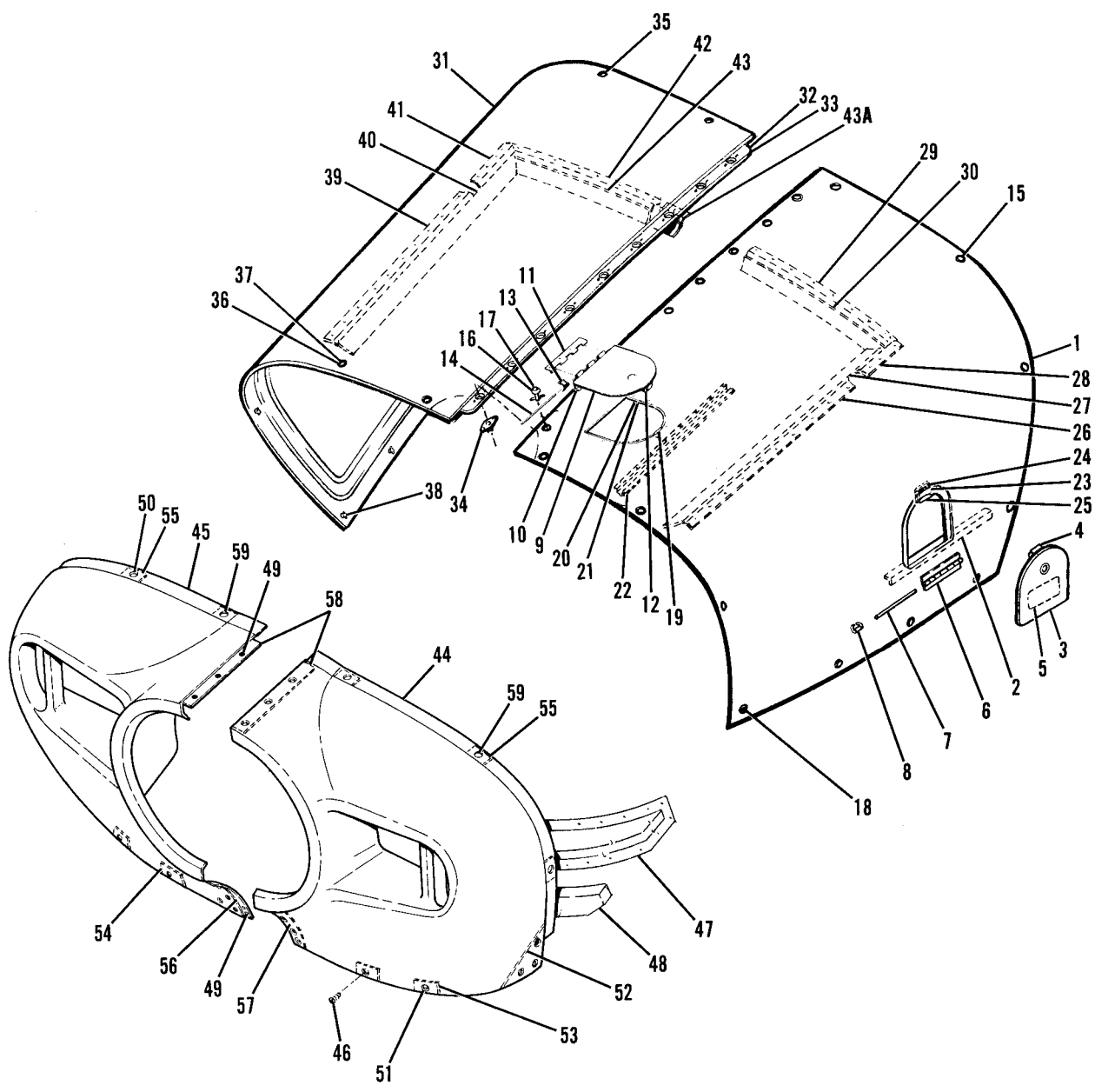


T210 SERIAL 21059200 THRU 21060089

Figure 70. Upper Cowl & Nose Cap Installation

FIGURE AND INDEX NO.	PART NUMBER	DESCRIPTION	UNITS PER ASSY	USABLE ON CODE
70 -		1 2 3 4 5 6 7 UPPER COWL & NOSE CAP INSTALLATION -----	NP	A
- 1	1252400-25	COWL HALF ASSY-LH -----	1	
- 2		DELETED-NOT USED -----		
- 3	1252400-16	ANGLE -----	1	
- 4	1250841-1	DOOR ASSEMBLY-OIL CHECK ACCESS -----	1	
- 5	KM610-.064	LATCH CLC -----	1	
- 6	SEE FIG 2	PLACARD -----	1	
- 7	1452225-44	HINGE ASSEMBLY -----	1	
- 8	MS20253-2-4.04	PIN-HINGE -----	1	
- 9	1552010-1	SPRING -----	1	
-10	1250823-1	DOOR ASSEMBLY-OIL FILLER ACCESS -----	1	
-11	1552004-24	RETAINER ASSEMBLY -----	1	
-12	1552004-22	HINGE HALF -----	1	
-13	KM610-.064	LATCH CLC -----	1	
-14	1552010-1	SPRING -----	1	
-15	1552004-17	PIN-HINGE -----	1	
-16	CM2791-1	SNAP RING -----	20	
-17	4002G	GROMMET CLC -----	20	
-18	40S5-3	STUD CLC -----	19	
-19	40S5-5	STUD CLC -----	1	
-20	1552004-25	STRIKER -----	1	
-21	1250842-1	DOUBLER -----	1	
-22	1250842-2	SPACER -----	1	
-23	1252000-11	STIFFENER -----	1	
-24	0752635-1	STRIKER -----	1	
-25	0752635-2	SPACER -----	1	
		ATTACHING PARTS		
-26	AN507-632	SCREW -----	2	
	MS21045L06	NUT -----	2	
		---*---		
-27		DELETED-NOT USED -----		
-28	1252400-26	COWL HALF ASSY-RH -----	1	
-29	1252400-32	SKIN ASSEMBLY-UPPER COWL-RH -----	1	
-30	1252001-1	STRIP ASSEMBLY-REMOVABLE COWL -----	1	
-31	1252001-2	STRIP -----	1	
-32	4002-244-16	RECEPTACLE CLC -----	9	
-33	CM2791-1	SNAP RING -----	11	
-34	4002G	GROMMET CLC -----	11	
-35	40S5-3	STUD CLC -----	10	
-36	40S5-5	STUD CLC -----	1	
-37	1250821-33	% NOSE CAP ASSEMBLY-LH -----	1	
-38	1250821-32	% NOSE CAP ASSEMBLY-RH -----	1	
		ATTACHING PARTS		
-39	AN509-10R10	SCREW -----	2	
-40	AN509-10R7	SCREW-LH ONLY -----	4	
	AN509-10R7	SCREW-RH ONLY -----	10	
		---*---		
-41	NAS680A3	NUTPLATE -----	3	
-42	1250822-1	SEAL ASSEMBLY-LH -----	1	
-43	1250822-2	SEAL ASSEMBLY-RH -----	1	
-44	1250893-1	SEAL-RH ONLY -----	1	
-45	S1589-3	EYELET-LH -----	12	
	S1589-3	EYELET-RH -----	16	
-46	AN960PD2	WASHER -----	5	
-47	1250893-2	RETAINER-RH -----	1	
-48	4002-244-16	RECEPTACLE CLC -----	3	
-49	1250902-1	SEAL LH -----	1	
-50	1250902-2	RETAINER LH -----	1	
-51	1250821-27	PAD INSULATION LH ONLY -----	1	
	1250821-26	PAD INSULATION RH ONLY -----	1	
-52	1250821-31	SKIN-INSULATION PAD LH ONLY -----	1	
	1250821-30	SKIN-INSULATION PAD RH ONLY -----	1	
	AN960PD3L	WASHER BETWEEN SKIN & RIVET HEADS -----	6	
-53	1250934-1	SEAL ASSEMBLY-LH -----	1	
-54	1250934-2	SEAL ASSEMBLY-RH -----	1	
		NOTE. *USED ON AIRPLANES EQUIPPED WITH PROPELLER DE-ICE SYSTEM.		
		NOTE. %WHEN ORDERING THIS ASSEMBLY FOR AIRPLANES EQUIPPED WITH PROPELLER DE-ICE SYSTEM ALSO ORDER PARTS MARKED *.		
		A---T210 SERIAL 21059200 THRU 21060089		

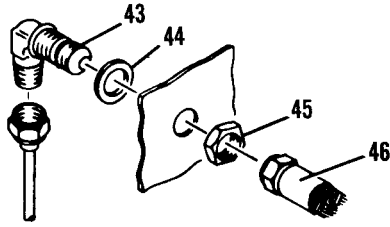
Cowl (Cont)



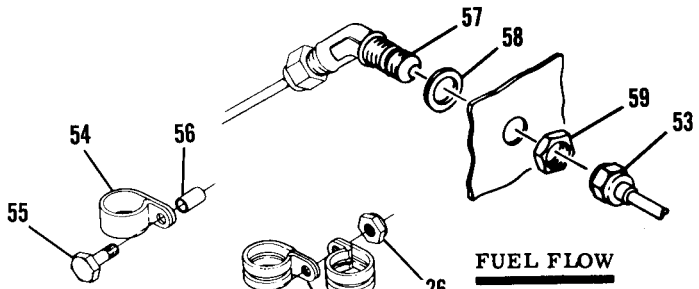
T210 SERIAL 21060090 & ON
Figure 70A. Upper Cowl & Nose Cap Installation

FIGURE AND INDEX NO.	PART NUMBER	DESCRIPTION	UNITS PER ASSY	USABLE ON CODE
		1 2 3 4 5 6 7		
70A-		UPPER COWL & NOSE CAP INSTALLATION -----	NP	A
- 1	1252604-1	COWL HALF ASSY-LH -----	1	
- 2	1252400-16	ANGLE-LH COWL -----	1	
- 3	1250841-1	DOOR ASSY-OIL CHECK ACCESS -----	1	
- 4	KM610-.064	LATCH CLC -----	1	
- 5	SEE FIG 2	PLACARD -----	1	
- 6	1452225-44	HINGE ASSY -----	1	
- 7	MS20253-2-4.04	PIN-HINGE -----	1	
- 8	1552010-1	SPRING-HINGE -----	1	
- 9	1250823-1	DOOR ASSY-OIL FILLER ACCESS -----	1	
-10	1552004-24	RETAINER ASSY -----	1	
-11	1552004-22	HINGE HALF -----	1	
-12	KM610-.064	LATCH CLC -----	1	
-13	1552010-1	SPRING -----	1	
-14	1552004-17	PIN-HINGE -----	1	
-15	CM2791-1	SNAP RING -----	20	
-16	4002G	GROMMET CLC -----	20	
-17	4055-4	STUD CLC -----	19	
-18	4055-5	STUD CLC -----	1	
-19	1552004-25	STRIKER -----	1	
-20	1250842-1	DOUBLER -----	1	
-21	1250842-2	SPACER -----	1	
-22	1252604-27	STIFFENER -----	1	
-23	0752635-1	STRIKER -----	1	
-24	0752635-2	SPACER -----	1	
		ATTACHING PARTS		
-25	AN507-632	SCREW -----	2	
	MS21045L06	NUT -----	2	
		-----*		
-26	1252604-13	BAFFLE-LH -----	1	
-27	1252604-15	SEAL-BAFFLE -----	1	
-28	1252604-19	BAFFLE-LH AFT -----	1	
-29	1252604-5	BAFFLE-LH AFT -----	1	
-30	1252604-7	SEAL-BAFFLE -----	1	
-31	1252604-2	COWL HALF ASSY-RH -----	1	
-32	1252001-3	STRIP ASSY-REMOVABLE COWL -----	1	
-33	1252001-2	STRIP -----	1	
-34	4002-244-16	RECEPTACLE CLC -----	9	
-35	CM2791-1	SNAP RING -----	11	
-36	4002G	GROMMET CLC -----	11	
-37	4055-4	STUD CLC -----	10	
-38	4055-5	STUD CLC -----	1	
-39	1252604-14	BAFFLE-RH AFT -----	1	
-40	1252604-16	SEAL-BAFFLE -----	1	
-41	1252604-20	BAFFLE-AFT RH -----	1	
-42	1252604-6	BAFFLE-RH AFT -----	1	
-43	1252604-8	SEAL-BAFFLE -----	1	
-43A	1252604-9	SUPPORT-SEAL -----	1	
	244-16	RECEPTACLE CLC -----	1	
-44	1250956-1	NOSE CAP ASSY-LH -----	1	
-45	1250956-2	NOSE CAP ASSY-RH -----	1	
		ATTACHING PARTS		
-46	AN509-10R7	SCREW -----	15	
	AN509-10R8	SCREW -----	4	
		-----*		
-47	1250956-9	HEAT SHIELD-LH -----	1	
	1250956-10	HEAT SHIELD-RH -----	1	
		ATTACHING PARTS		
	AN960PD3L	WASHER LH -----	10	
	AN960PD3L	WASHER RH -----	14	
		-----*		
-48	1250956-11	PAD-INSULATION LH -----	1	
	1250956-12	PAD-INSULATION RH -----	1	
-49	NAS680A3	NUTPLATE RH ONLY -----	6	
-50	S1589-3	EYELET RH -----	6	
-51	S1589-3	EYELET LH -----	12	
-52	1252413-9	REINFORCEMENT -----	1	
-53	1252413-18	STRIP-LH -----	2	
-54	1252413-18	STRIP-RH -----	3	
-55	1252413-19	STRIP -----	3	
-56	1252413-20	STRIP-RH -----	1	
-57	1252413-22	STRIP-LH -----	1	
-58	1252413-21	STRIP -----	1	
-59	244-16	RECEPTACLE CLC -----	3	
		A---T210, SERIAL 21060090 & ON		

Engine

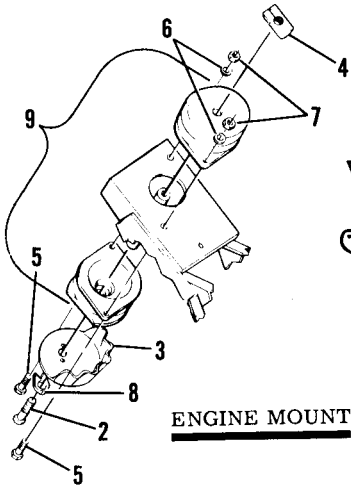
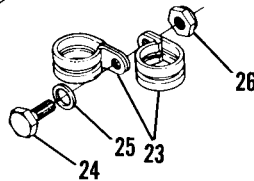


MANIFOLD PRESSURE

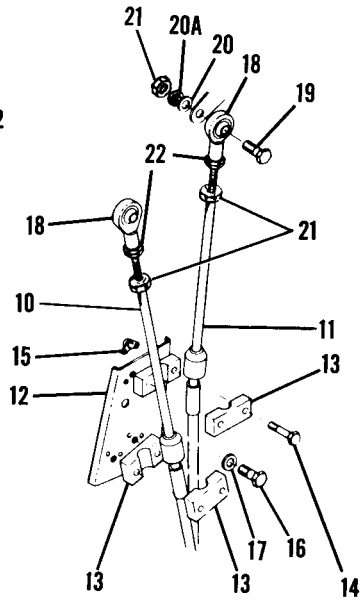
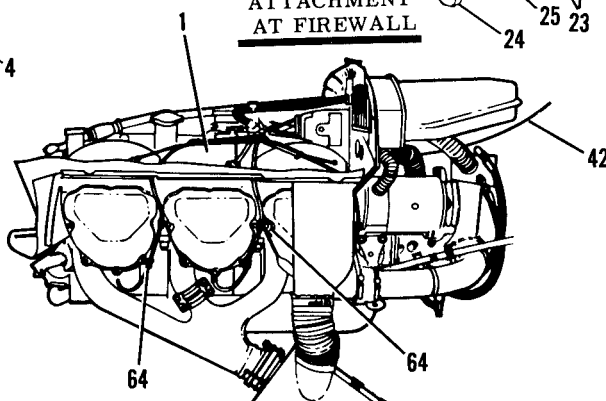


FUEL FLOW

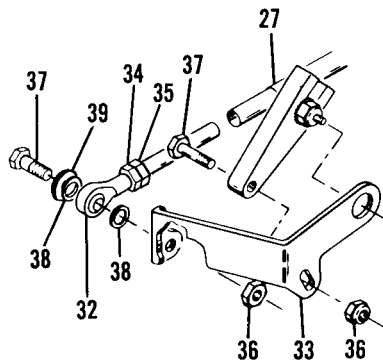
CONTROLS ATTACHMENT AT FIREWALL



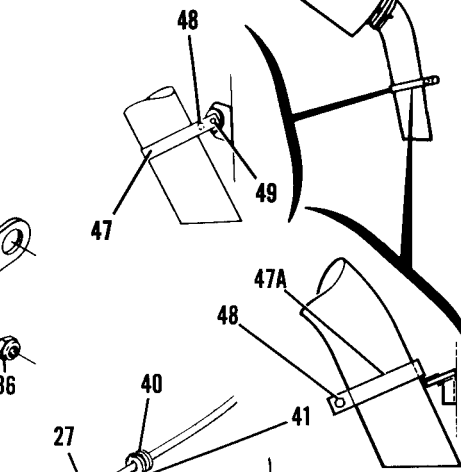
ENGINE MOUNT



THROTTLE AND MIXTURE CONTROLS

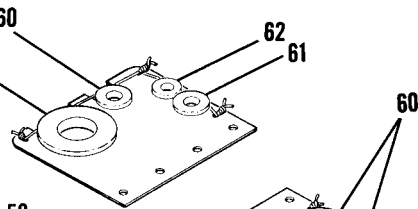


GOVERNOR CONTROL

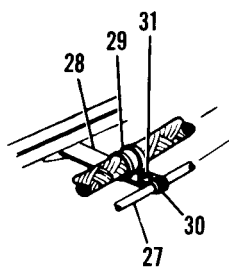


OIL PRESSURE

GROUND STRAP



KEEL AREA DETAILS



210 SERIAL 21059200 & ON

Figure 71. Engine Installation

FIGURE AND INDEX NO.	PART NUMBER	DESCRIPTION	UNITS PER ASSY	USABLE ON CODE
71 -		ENGINE INSTALLATION -----	NP	A
- 1	SEE FIG 73	ENGINE ASSEMBLY-CONTINENTAL -----	1	
		ATTACHING PARTS		
- 2	AN7-40A	BOLT -----	4	
	AN960-716	WASHER -----	AR	
	AN960-716L	WASHER -----	AR	
- 3	1250878-1	DEFLECTOR -----	4	
- 4	539911	NUT-BARREL CM -----	4	
- 5	AN4-7A	BOLT -----	8	
- 6	AN960-416	WASHER -----	8	
- 7	NAS679A4	NUT -----	8	
- 8	0851559-1	LOCKWASHER -----	4	
- 9	J12453-2	SHOCK MOUNT ASSEMBLY-FORWARD LO -----	2	
	J12453-1	SHOCK MOUNT ASSEMBLY-REAR LO -----	2	
		-----*		
-10		CONTROL-MIXTURE SEE INSTRUMENT PANEL -----	1	
-11		CONTROL-THROTTLE SEE INSTRUMENT PANEL -----	1	
		ATTACHING PARTS		
	1250401-1	CLAMP ASSEMBLY WEU 1250317-1 -----	1	F
	1250317-1	CLAMP ASSEMBLY -----	1	G
-12	1250401-2	BRACKET -----	1	F
	1250317-2	BRACKET -----	1	G
-13	1250401-3	CLAMP HALF -----	4	
-14	AN3-7A	BOLT -----	4	
-15	NAS698A3	NUTPLATE -----	4	F
	NAS697A3	NUTPLATE -----	4	G
-16	MS20074-03-02	BOLT ATTACH 1250401-1 TO ENGINE -----	2	
-17	AN960-10L	WASHER ATTACH 1250401-1 TO ENGINE -----	2	
-18	S1104-3	ROD END -----	1	
-19	AN3-6A	BOLT -----	1	
-20	AN960-10L	WASHER -----	1	
-20A	S1450-3-10-032	WASHER -----	2	
-21	MS20364-1032C	NUT -----	3	
-22	AN315-3R	NUT -----	2	
-23	MS21919G5	CLAMP ATTACH MIXTURE & THROTTLE CONTROL TOGETHER -----	2	
-24	AN3-4A	BOLT -----	1	
-25	AN960-10L	WASHER -----	1	
-26	MS20364-1032C	NUT -----	1	
		-----*		
-27	S1223-4	CONTROL-GOVERNOR -----	1	
		ATTACHING PARTS		
-28	0550100-9	BRACKET -----	1	
-29	MS21919DG8	CLAMP -----	1	
-30	S1486DG8U	CLAMP -----	1	
-31	S1021Z8-8	SCREW -----	1	
-32	S1104-3	ROD END -----	1	
-33	0750138	ARM -----	1	
-34	AN315-3R	NUT -----	1	
-35	AN356-1032	NUT -----	1	
-36	MS20364-1032	NUT -----	2	
-37	AN3-7A	BOLT -----	2	
-38	AN960D10	WASHER ONE EACH SIDE OF ROD END -----	2	
-39	S1450-3-10-032	WASHER -----	1	
-40	MS21919DG5	CLAMP -----	1	
-41	S1021Z8-8	SCREW -----	1	
	NAS446-4-3	NUT -----	1	
-41A	S1485D36L	CLAMP -----	1	
		-----*		
-42	S1605-8	SHAFT-TACHOMETER -----	1	
-43	AN833-2D	ELBOW -----	1	B
	1550024-1	ELBOW -----	1	C
-44	AN960D516	WASHER -----	1	B
	AN960D616	WASHER -----	1	C
-45	AN924-2D	NUT -----	1	B
	AN924-3D	NUT -----	1	C
-46	S1168-2-13	HOSE ASSEMBLY-MANIFOLD PRESSURE FIREWALL TO PANEL -----	1	
	AN816-2D	NIPPLE ATTACH MANIFOLD PRESSURE HOSE AT PANEL -----	1	
		CONTINUED ON NEXT PAGE		

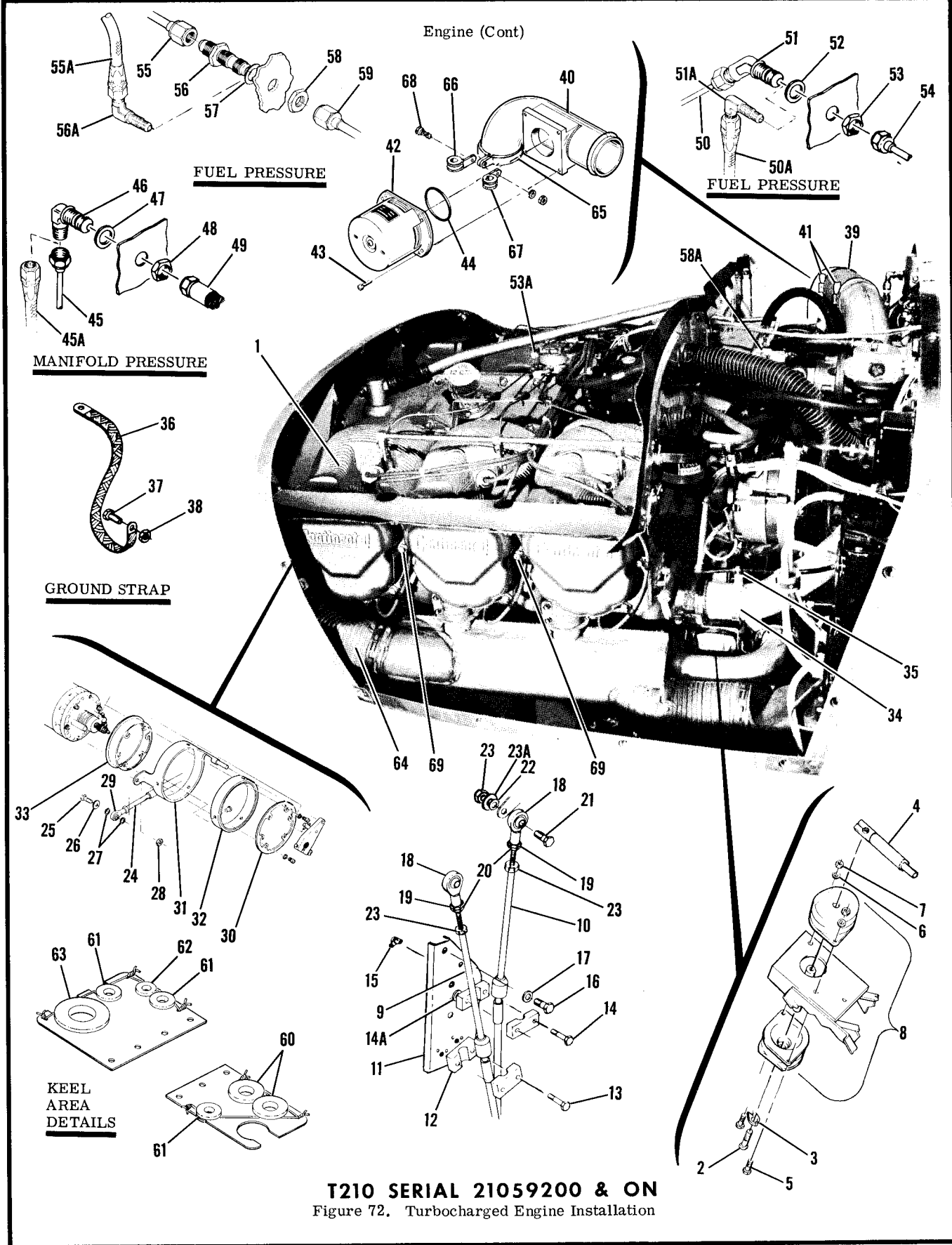
FIGURE AND INDEX NO.	PART NUMBER	DESCRIPTION	UNITS PER ASSY	USABLE ON CODE		
					1	2
71 -47	1250259-1	CLAMP ASSEMBLY-EXHAUST -----	1	D		
-47A	1250259-2	CLAMP ASSEMBLY-EXHAUST ----- ATTACHING PARTS	1	E		
-48	AN3-5A	BOLT -----	1			
	AN960-10L	WASHER -----	1			
	MS20364-1032C	NUT -----	1			
-49	AN3-6A	BOLT -----	2	D		
	AN960-10L	WASHER -----	2	D		
	MS20364-1032C	NUT -----	2	D		
-50	0412007-8	GROUND STRAP ----- ATTACHING PARTS	1			
-51	AN4-4A	BOLT -----	1			
-52	MS21042L4	NUT -----	1			
-53	1200106-193	LINE ASSEMBLY-FUEL PRESSURE FIREWALL TO PANEL -----	1			
-54	AN742D4	CLAMP ATTACH INDUCTION AIR CONTROL TO FIREWALL ----- ATTACHING PARTS	1			
-55	AN3-7A	BOLT -----	1			
-56	NAS43D032	SPACER -----	1			
-57	1250890-1	ELBOW ATTACH FUEL PRESSURE LINE AT FIREWALL -----	1	B		
	1550024-1	ELBOW ATTACH FUEL PRESSURE LINE AT FIREWALL -----	1	C		
-58	AN960D516	WASHER -----	1	B		
	AN960D616	WASHER -----	1	C		
-59	AN924-2D	NUT -----	1	B		
	AN924-3D	NUT -----	1	C		
-60	MS35849-11	GROMMET -----	3			
-61	MS35849-6	GROMMET -----	2			
-62	MS35849-4	GROMMET -----	1			
-63	MS35849-20	GROMMET -----	1			
-64	AN520-10R8	SCREW MAG LEAD ATTACH AT AFT BAFFLE SUPPORT LH & RH -	2	H		
	AN960-10	WASHER MAG LEAD ATTACH AT AFT BAFFLE SUPPORT LH & RH-	2	H		
	MS20365-1032C	NUT MAG LEAD ATTACH AT AFT BAFFLE SUPPORT LH & RH ---	2	H		
	MS21919DG4	CLAMP MAG LEAD ATTACH AT NO. 1,2,3,4,5 & 6 CYLINDERS --- ON BAFFLES	7	H		
	AN520-10R8	SCREW MAG LEAD ATTACH AT NO. 1,2,3,4,5, & 6 CYLINDERS --- ON BAFFLES	6	H		
	AN960-10	WASHER MAG LEAD ATTACH AT NO. 1,2,3,4,5 & 6 CYLINDERS --- ON BAFFLES	6	H		
	MS20365-1032C	NUT MAG LEAD ATTACH AT NO. 1,2,3,4,5 & 6 CYLINDERS ----- ON BAFFLES	6	H		
	AN743-12	BRACKET MAG LEAD ATTACH AT NO. 4 & 5 CYLINDER ON BAFFLE -	2	H		
	MS21919DG4	CLAMP MAG LEAD ATTACH AT NO. 4 & 5 CYLINDER ON BAFFLE ---	2	H		
	AN960-10	WASHER MAG LEAD ATTACH AT NO. 4 & 5 CYLINDER ON BAFFLE --	4	H		
	AN520-10R8	SCREW MAG LEAD ATTACH AT NO. 4 & 5 CYLINDER ON BAFFLE ---	4	H		
	MS20365-1032C	NUT MAG LEAD ATTACH AT NO. 4 & 5 CYLINDER ON BAFFLE -----	4	H		
	AN743-12	BRACKET MAG LEAD ATTACH AT NO. 5 & 6 CYLINDER ON BAFFLE -	2	H		
	AN520-10R8	SCREW MAG LEAD ATTACH AT NO. 5 & 6 CYLINDER ON BAFFLE ---	4	H		
	AN960-10	WASHER MAG LEAD ATTACH AT NO. 5 & 6 CYLINDER ON BAFFLE --	4	H		
	MS20365-1032C	NUT MAG LEAD ATTACH AT NO. 5 & 6 CYLINDER ON BAFFLE -----	4	H		
	S1693-2	STA-STRAP MAG LEAD ATTACH -----	4	H		
	NAS398-50	CLAMP CABIN HEAT DUCT ATTACH -----	1	H		
	MS21919DG48	CLAMP CABIN HEAT DUCT ATTACH -----	1	H		
	AN520-10R8	SCREW CABINHEAT DUCT ATTACH -----	1	H		
	AN960-10	WASHER CABIN HEAT DUCT ATTACH -----	1	H		
	MS20365-1032C	NUT CABIN HEAT DUCT ATTACH -----	1	H		
	1250014-1	BRACKET MAG LEAD ATTACH AT NO. 2 CYLINDER LWR BAFFLE ----	1	H		
	AN520-10R8	SCREW MAG LEAD ATTACH AT NO. 2 CYLINDER LWR BAFFLE -----	1	H		
	AN960-10	WASHER MAG LEAD ATTACH AT NO. 2 CYLINDER LWR BAFFLE -----	1	H		
	MS20365-1032C	NUT MAG LEAD ATTACH AT NO. 2 CYLINDER LWR BAFFLE -----	1	H		

A---210 SERIAL 21059200 & ON
 B---210 SERIAL 21059200 THRU 21059222
 C---210 SERIAL 21059223 & ON
 D---210 SERIAL 21059200 THRU 21059351
 E---210 SERIAL 21059352 & ON
 F---210 SERIAL 21059200 THRU 21059549
 G---210 SERIAL 21059550 & ON
 H---210 SERIAL 21060090 & ON

FIGURE AND INDEX NO.	PART NUMBER	DESCRIPTION	UNITS PER ASSY	USABLE ON CODE
		1 2 3 4 5 6 7		
72 -		TURBOCHARGED ENGINE INSTALLATION -----	NP	A
- 1	SEE FIG 74	ENGINE ASSEMBLY-TURBOCHARGED -----	1	
		ATTACHING PARTS -----		
- 2	AN7-40A	BOLT -----	4	
- 3	0851559-1	LOCK WASHER -----	4	
- 4	1250897-1	SHAFT ASSEMBLY LH SIDE -----	2	
	539911	NUT BARREL RH SIDE CM -----	2	
- 5	AN4-7A	BOLT -----	8	
- 6	AN960-416	WASHER -----	8	
- 7	MS21042L4	NUT -----	8	
- 8	J12453-1	SHOCK MOUNT KIT-REAR LO -----	1	
	J12453-2	SHOCK MOUNT KIT-FRONT RH LO -----	1	
	1250800K200	SHOCK MOUNT KIT-FRONT LH -----	1	
		-----*		
- 9		CONTROL-MIXTURE SEE INSTRUMENT PANEL -----	1	
-10		CONTROL-THROTTLE SEE INSTRUMENT PANEL -----	1	
		ATTACHING PARTS -----		
-11	1250807-1	CLAMP ASSEMBLY WEU 1250318-1 -----	1	E
	1250318-1	CLAMP ASSEMBLY -----	1	F
-12	1250401-3	CLAMP HALF -----	4	
-13	AN3-7A	BOLT -----	2	
-14	AN3-10A	BOLT -----	2	
-14A	AN960-10	WASHER -----	4	E
	AN960-10	WASHER -----	2	F
	AN960-10L	WASHER -----	2	F
-15	NAS698A3	NUTPLATE -----	4	
-16	MS20074-03-3	BOLT -----	3	
-17	AN960-10L	WASHER -----	3	
-18	S1104-3	ROD END -----	2	
-19	AN315-3R	NUT-CHECK -----	2	
-20	AN356-1032	NUT -----	2	
-21	AN3-6A	BOLT -----	2	
-22	AN960-10L	WASHER -----	2	
-23	MS20364-1032C	NUT -----	4	
-23A	S1450-3-10-032	WASHER -----	2	
	MS21919DG5	CLAMP ATTACH CONTROLS TOGETHER -----	2	
	AN3-4A	BOLT -----	2	
	AN960-10L	WASHER -----	2	
	MS20364-1032C	NUT -----	2	
		-----*		
-24	C299506-0101	CONTROL-GOVERNOR -----	1	
		ATTACHING PARTS -----		
-25	AN3-7A	BOLT -----	1	
-26	S1450-3-10-032	WASHER -----	1	
-27	AN960D10	WASHER -----	2	
-28	MS20364-1032C	NUT -----	1	
-29	S1104-3	ROD END -----	1	
	AN315-3R	NUT -----	1	
	AN356-1032	NUT -----	1	
-30	1250838-2	RETAINER -----	1	
	1250837-1	ARM & BEARING ASSEMBLY-GOVERNOR CONTROL -----	1	H
-31	1250837-7	ARM-GOVERNOR CONTROL -----	1	H
-32	1250837-3	BEARING -----	1	
-33	1250838-1	RACE-CONTROL ARM ASSEMBLY -----	1	H
-34	S1485D36L	CLAMP -----	1	
-35	MS21919DG5	CLAMP -----	1	
	S1021Z10-8	SCREW -----	1	
		-----*		
-36	0412007-8	STRAP-GROUND -----	1	
		ATTACHING PARTS -----		
-37	AN4-4A	BOLT -----	1	
-38	MS21042L4	NUT -----	1	
		-----*		
-39	1250929-5	COUPLER-COMPRESSOR DUCT -----	2	
-40	1250928-2	DUCT ASSEMBLY-COMPRESSOR TO THROTTLE BODY -----	1	
		ATTACHING PARTS -----		
-41	AN737TW91	CLAMP -----	4	
		-----*		
-42	C482002-0101	VALVE ASSEMBLY-ABSOLUTE PRESSURE RELIEF -----	1	
		ATTACHING PARTS -----		
-43	AN500A10-10	SCREW -----	4	
		-----*		
-44	MS29513-138	PACKING -----	1	
-45	1200106-175	LINE ASSEMBLY-MANIFOLD PRESSURE -----	1	B

CONTINUED ON NEXT PAGE

Engine (Cont)



T210 SERIAL 21059200 & ON
Figure 72. Turbocharged Engine Installation

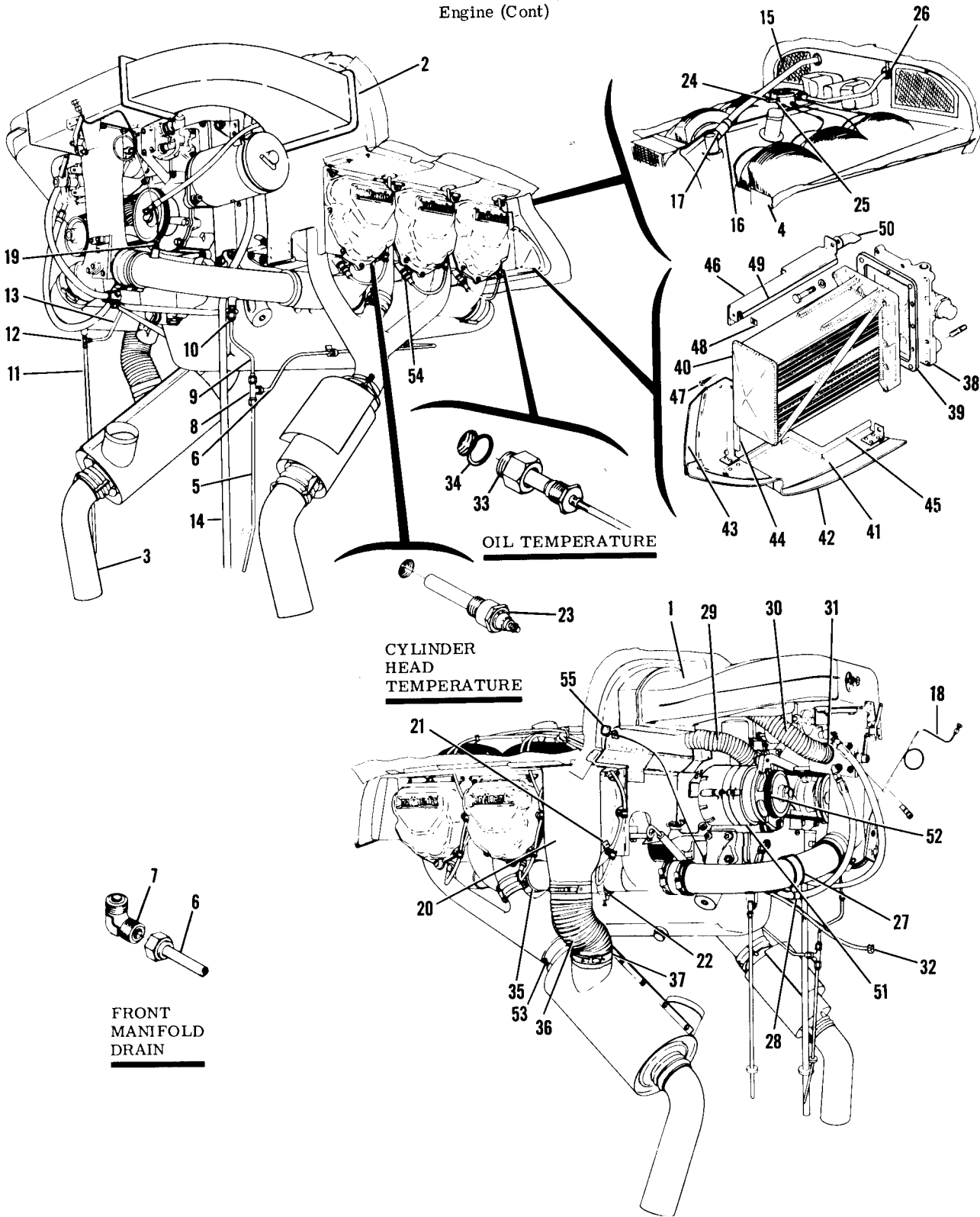
FIGURE AND INDEX NO.	PART NUMBER	DESCRIPTION	UNITS PER ASSY	USABLE ON CODE
		1 2 3 4 5 6 7		
72 -45A	S1236C-3-0090	HOSE ASSEMBLY-MANIFOLD PRESSURE -----	1	C
		ATTACHING PARTS		
	AN816-2D	NIPPLE ATTACHS TO INTAKE MANIFOLD -----	1	B
	AN816-3D	NIPPLE ATTACHS TO INTAKE MANIFOLD -----	1	C
-46	AN833-2D	ELBOW -----	1	B
	1550024-1	ELBOW -----	1	C
-47	AN960D516	WASHER -----	1	B
	AN960D616	WASHER -----	1	C
-48	AN924-2D	NUT -----	1	B
	AN924-3D	NUT -----	1	C
		---*---		
-49	S1168-2-13	HOSE ASSEMBLY FIREWALL TO GAGE -----	1	
-50	1200106-192	LINE ASSEMBLY-FUEL PRESSURE DISTRIBUTOR VALVE TO FIREWALL-----	1	B
-50A	S1236C3-0350	HOSE ASSEMBLY-FUEL PRESSURE DISTRIBUTOR VALVE TO FIREWALL-----	1	C
		ATTACHING PARTS		
-51	1250890-1	ELBOW ATTACH AT FIREWALL -----	1	B
-51A	1550024-1	ELBOW ATTACH AT FIREWALL -----	1	C
-52	AN960D516	WASHER -----	1	B
	AN960D616	WASHER -----	1	C
-53	AN924-2D	NUT -----	1	B
	AN924-3D	NUT -----	1	C
-53A	MS20822-2D	ELBOW ATTACH TO DISTRIBUTOR VALVE -----	1	B
	0756003-1	ELBOW ATTACH TO DISTRIBUTOR VALVE -----	1	C
		---*---		
-54	1200106-36	LINE ASSY-FUEL PRESSURE FIREWALL TO FUEL PORT ON GAGE ---	1	
-55	1200106-176	LINE ASSY-FUEL PRESSURE AIR MANIFOLD TO FIREWALL -----	1	B
-55A	S1236C3-0184	HOSE ASSEMBLY AIR MANIFOLD TO FIREWALL -----	1	C
		ATTACHING PARTS		
-56	AN832-2D	UNION ATTACH AT FIREWALL -----	1	B
-56A	1550024-1	ELBOW ATTACH AT FIREWALL -----	1	C
-57	AN960D516	WASHER -----	1	B
	AN960D616	WASHER -----	1	C
-58	AN924-2D	NUT -----	1	B
	AN924-3D	NUT -----	1	C
-58A	AN816-2D	NIPPLE ATTACH AT AIR MANIFOLD -----	1	B
	0756003-1	ELBOW ASSEMBLY ATTACH AT AIR MANIFOLD -----	1	C
		---*---		
-59	1200106-36	LINE ASSY-FUEL PRESSURE FIREWALL TO VENT PORT ON GAGE ---	1	
-60	MS35489-11	GROMMET -----	2	
-61	MS35489-6	GROMMET -----	3	
-62	MS35489-4	GROMMET -----	1	
-63	MS35489-20	GROMMET -----	1	
-64	SEE FIG 91	CABIN HEAT & DEFROST INSTALLATION -----	NP	
-65	AN735D40	CLAMP -----	1	D
-66	MS21919DG10	CLAMP -----	1	D
-67	MS21919DG7	CLAMP -----	1	D
		ATTACHING PARTS		
-68	AN520-10R10	SCREW -----	1	D
	AN960-10L	WASHER -----	1	D
	MS20364-1032C	NUT -----	1	D
		---*---		
	S1605-8	SHAFT-TACHOMETER -----	1	
-69	AN520-10R8	SCREW MAG LEAD ATTACH AT NO. 3 & 4 CYLINDER ON BAFFLE ---	2	G
	AN960-10	WASHER MAG LEAD ATTACH AT NO. 3 & 4 CYLINDER ON BAFFLE --	2	G
	MS20365-1032C	NUT MAG LEAD ATTACH AT NO. 3 & 4 CYLINDER ON BAFFLE -----	2	G
	AN743-12	BRACKET MAG LEAD ATTACH AT NO. 4 & 5 CYLINDER ON BAFFLE -	2	G
	MS21919DG4	CLAMP MAG LEAD ATTACH AT NO. 4 & 5 CYLINDER ON BAFFLE ---	2	G
	AN520-10R8	SCREW MAG LEAD ATTACH AT NO. 4 & 5 CYLINDER ON BAFFLE ---	4	G
	AN960-10	WASHER MAG LEAD ATTACH AT NO. 4 & 5 CYLINDER ON BAFFLE --	4	G
	MS20365-1032C	NUT MAG LEAD ATTACH AT NO. 4 & 5 CYLINDER ON BAFFLE -----	4	G
	MS21919DG4	CLAMP MAG LEAD ATTACH AT NO. 1,2,3,4,5 & 6 CYLINDER ON ---	6	G
		BAFFLE		
	AN520-10R8	SCREW MAG LEAD ATTACH AT NO. 1,2,3,4,5 & 6 CYLINDER ON --	6	G
		BAFFLE		
	AN960-10	WASHER MAG LEAD ATTACH AT NO. 1,2,3,4,5 & 6 CYLINDER ON -	6	G
		BAFFLE		
	MS20365-1032C	NUT MAG LEAD ATTACH AT NO. 1,2,3,4,5 & 6 CYLINDER ON ----	6	G
		BAFFLE		
	AN743-12	BRACKET MAG LEAD ATTACH AT NO. 5 & 6 CYLINDER ON BAFFLE -	2	G
	AN520-10R8	SCREW MAG LEAD ATTACH AT NO. 5 & 6 CYLINDER ON BAFFLE ---	4	G

CONTINUED ON NEXT PAGE

FIGURE AND INDEX NO.	PART NUMBER	DESCRIPTION	UNITS PER ASSY	USABLE ON CODE
72 -	AN960-10 MS20365-1032C S1693-2	<p style="text-align: center;">1 2 3 4 5 6 7</p> <p>WASHER MAG LEAD ATTACH AT NO. 5 & 6 CYLINDER ON BAFFLE -- NUT MAG LEAD ATTACH AT NO. 5 & 6 CYLINDER ON BAFFLE ----- STA-STRAP MAG LEAD ATTACH -----</p> <p>A---T210 SERIAL 21059200 & ON B---T210 SERIAL 21059200 THRU 21059222 C---T210 SERIAL 21059223 & ON D---T210 SERIAL 2105200 THRU 21059502 E---T210 SERIAL 21059200 THRU 21059549 F---T210 SERIAL 21059550 & ON G---T210 SERIAL 21060090 & ON H---T210 SERIAL 21059200 THRU 21060058</p>	4 4 3	G G G

This page intentionally left blank.

Engine (Cont)



210 SERIAL 21059200 & ON
Figure 73. Engine Assembly

FIGURE AND INDEX NO.	PART NUMBER	DESCRIPTION	UNITS PER ASSY	USABLE ON CODE
		1 2 3 4 5 6 7		
73 -		ENGINE ASSEMBLY -----	NP	A
	SEE FIG 75	ENGINE COMPONENTS & ASSOCIATED ACCESSORIES -----	1	
	I0520L *	ENGINE-CONTINENTAL SPEC 1 -----	1	H
	I0520L *	ENGINE-CONTINENTAL SPEC 4 -----	1	J
	I0520L **	ENGINE-CONTINENTAL SPEC 3 -----	1	J
- 1	SEE FIG 77	BOX INSTALLATION-INDUCTION AIR -----	1	
- 2	SEE FIG 85 & 85A	BAFFLES INSTALLATION-ENGINE -----	1	
- 3	SEE FIG 83	EXHAUST STACK ASSEMBLIES -----	1	
- 4	SEE FIG 81	GOVERNOR-PROPELLER -----	1	
- 5	1200106-7	LINE ASSEMBLY-MANIFOLD DRAIN LOWER RH -----	1	
- 6	1200106-6	LINE ASSEMBLY-MANIFOLD DRAIN FORWARD -----	1	
		ATTACHING PARTS		
- 7	MS20822-40	ELBOW -----	1	
- 8	AN824-40	TEE -----	1	
	1250402-1	SUPPORT-MANIFOLD DRAIN -----	1	
	S14860G4L	CLAMP -----	1	
	S102128-8	SCREW -----	1	
		-----*		
- 9	1200106-50	LINE ASSEMBLY-MANIFOLD DRAIN UPPER RH -----	1	
		ATTACHING PARTS		
-10	AN816-40	NIPPLE -----	1	
		-----*		
-11	1200106-49	LINE ASSEMBLY-MANIFOLD DRAIN LH -----	1	
		ATTACHING PARTS		
-12	MS20826-40	TEE -----	1	
		-----*		
-13	1200106-84	LINE ASSEMBLY-ENGINE PUMP -----	1	
-14	1200106-113	TUBE-BREATH AFT -----	1	
-15	1200106-108	TUBE-BREATH AFT -----	1	
		ATTACHING PARTS		
-16	S51-12	HOSE-3.0 IN LG BULK ITEM REF S51-12-12 -----	2	
-17	NAS397-18	CLAMP -----	4	
		-----*		
-18	1200106-194	LINE ASSEMBLY-MANIFOLD PRESSURE -----	1	B
	S1236C3-0112	HOSE ASSEMBLY-MANIFOLD PRESSURE -----	1	C
		ATTACHING PARTS		
-19	AN816-20	UNION -----	1	B
	AN816-30	NIPPLE -----	1	C
		-----*		
-20	1250123-1	INLET ASSEMBLY-AIR -----	1	
		ATTACHING PARTS		
	S102126-6	SCREW -----	6	
	NAS446-2-3	NUT -----	6	
		-----*		
-21	1250123-3	BRACKET-AIR INLET -----	1	
-22	0750121-1	DEFLECTOR-EXHAUST HEAT -----	6	
-23	S1372-1	SENDING UNIT-CYLINDER HEAD TEMPERATURE -----	1	
	AN900-6	GASKET USED WITH SENDING UNIT ABOVE -----	1	
	I10691	WIRE-CYLINDER HEAD TEMP GAGE TO SENDING UNIT -----	1	
		66.0 IN LG BULK ITEM		
-24	1200106-192	LINE ASSEMBLY FUEL PRESSURE -----	1	B
	S1236C3-0350	HOSE ASSEMBLY FUEL PRESSURE -----	1	C
-25	MS20822-20	ELBOW ATTACH FUEL PRESSURE LINE AT DISTRIBUTOR -----	1	B
	0756003-1	ELBOW ASSEMBLY ATTACH FUEL PRESSURE LINE AT DISTRIBUTOR -----	1	C
-26	MS21919DG8	CLAMP -----	1	
	AN515-8R8	SCREW -----	1	
	AN960-8L	WASHER -----	1	
	MS21045L08	NUT -----	1	
-27	S1485036L	CLAMP -----	1	
-28	MS21919DG8	CLAMP -----	1	
	S1021210	SCREW -----	1	
-29	S1053E12T	DUCT 16.5 IN LG BULK ITEM REF S1053E12T16.5 -----	1	
-30	S1053E12T	DUCT 19.0 IN LG BULK ITEM REF S1053E12T19.0 -----	1	
		ATTACHING PARTS		
-31	NAS397-28	CLAMP -----	2	
		-----*		
-32	SEE FIG 113	HOSE ASSEMBLY-OIL PRESSURE -----	1	
-33	0750139	ADAPTOR-OIL TEMPERATURE -----	1	

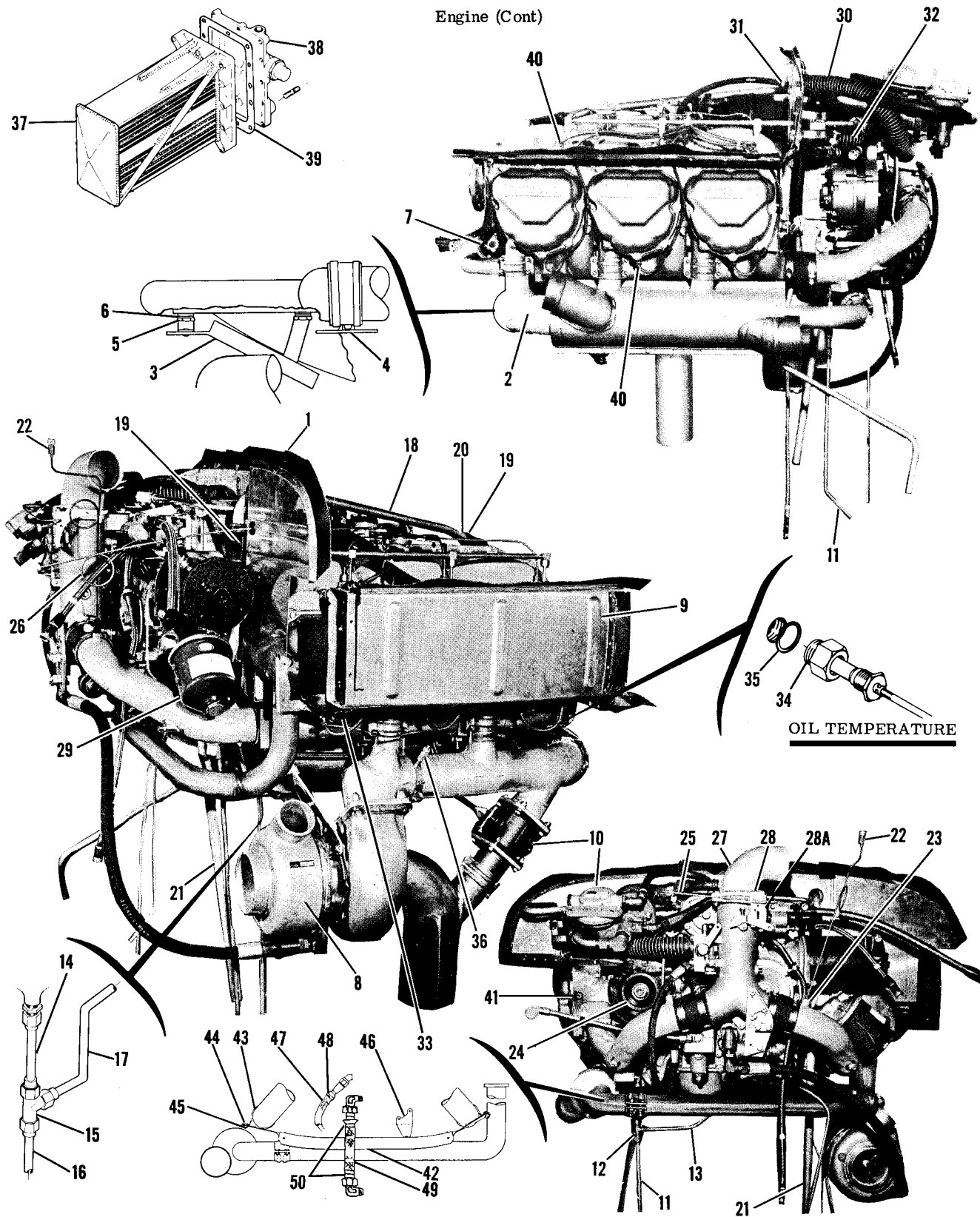
CONTINUED ON NEXT PAGE

FIGURE AND INDEX NO.	PART NUMBER	DESCRIPTION	UNITS PER ASSY	USABLE ON CODE
73 -34	AN900-10	GASKET -----	1	
-35	0450191-1	CLAMP -----	1	
	AN3-12A	BOLT -----	1	
	AN936B10	WASHER -----	1	
	AN741-18P	CLAMP -----	1	
	MS20364-1032C	NUT -----	1	
-36	S1053K24T	DUCT 9.5 IN LG BULK ITEM S1053K24T9.5 -----	1	
		ATTACHING PARTS -----		
-37	NAS398-50	CLAMP -----	2	
		---*---		
		COOLER INSTALLATION OIL-NON CONGEALING -----	NP	
-38	626332	PLATE-OIL COOLER CM -----	1	
-39	626342	GASKET-OIL COOLER TO PLATE CM -----	1	
	626341	GASKET-PLATE TO CRANKCASE CM -----	1	
-40	639151	COOLER-ENGINE OIL CM -----	1	D
	639171	COOLER-ENGINE OIL CM -----	1	E
	625966	GASKET-PLUG CM -----	1	
		BAFFLE INSTALLATION-NONCONGEALING OIL COOLER -----	NP	K
-41	SEE FIG 85A	BAFFLE INSTALLATION-NON CONGEALING OIL COOLER -----	1	L
	1200614-2	BAFFLE ASSEMBLY -----	1	D
	1200614-7	BAFFLE ASSEMBLY -----	1	F
	1200614-10	BAFFLE ASSEMBLY -----	1	G
-42	0700318-8	SEAL -----	1	
-43	0700318-7	SEAL -----	1	
-44	S202RB	MOULDING 5.0 IN LG BULK ITEM REF S202R500B -----	1	D
	S202RB	MOULDING 7.50 IN LG BULK ITEM REF S202R750B -----	1	F
	S202RB	MOULDING 5.80 IN LG BULK ITEM REF S202R580B -----	1	G
-45	S202RB	MOULDING 11.50 IN LG BULK ITEM REF S202R1150B -----	1	
-46	1200614-4	BAFFLE ASSEMBLY -----	1	D
	0700123-8	BAFFLE ASSEMBLY -----	1	F
	0755002-1	BAFFLE ASSEMBLY -----	1	G
		ATTACHING PARTS -----		
-47	S102126-6	SCREW -----	1	
-48	NAS446-2-3	NUT -----	1	
		---*---		
-49	S202RB	MOULDING 8.50 IN LG BULK ITEM REF S202R850B -----	1	
-50	0750152-3	BAFFLE -----	1	K
-51	SEE FIG 138	ALTERNATOR INSTALLATION -----	1	
-52	S1597-1-30.8	DRIVE BELT-ALTERNATOR -----	1	
-53	C668501-0204	PROBE ASSEMBLY-ECONOMY POWER INDICATOR -----	1	
-54	SEE FIG 75	SPARK PLUGS -----	1	
-55	SEE FIG 110	STRAINER DRAIN CONTROL INSTALLATION -----	1	
<p>NOTE. *THIS ENGINE IS EQUIPPED WITH STANDARD OIL COOLER. WHEN ORDERING IT IS NECESSARY TO SPECIFY SPEC NO.</p> <p>NOTE. **THIS ENGINE EQUIPPED WITH NON-CONGEALING OIL COOLER, WHEN ORDERING IT IS NECESSARY TO SPECIFY SPEC NO.</p> <p>A---210 SERIAL 21059200 & ON B---210 SERIAL 21059200 THRU 21059222 C---210 SERIAL 21059223 & ON D---210 SERIAL 21059200 THRU 21059426 E---210 SERIAL 21059427 & ON F---210 SERIAL 2105427 THRU 21059480 G---210 SERIAL 21059481 THRU 21060089 H---210 SERIAL 21059200 THRU 21059502 J---210 SERIAL 21059503 & ON K---210 SERIAL 21059200 THRU 21060089 L---210 SERIAL 21060090 & ON</p>				



FIGURE AND INDEX NO.	PART NUMBER	DESCRIPTION	UNITS PER ASSY	USABLE ON
				CODE
		1 2 3 4 5 6 7		
74 -		ENGINE-CONTINENTAL SPEC 1 -----	NP	D
	SEE FIG 76	ENGINE COMPONENTS & ASSOCIATED ACCESSORIES -----	1	
	TS10520H	ENGINE-CONTINENTAL -----	1	
	TS10520H	ENGINE-CONTINENTAL SPEC 4 -----	1	E
- 1	SEE FIG 86	BAFFLES INSTALLATION -----	1	
- 2	SEE FIG 84	EXHAUST SYSTEM COMPONENTS -----	1	
- 3	1250930-11	SHIELD ASSEMBLY-DEFLECTOR-FRONT -----	1	
- 4	0750121	DEFLECTOR -----	7	
- 5	AN960D516L	WASHER UNDER BOLT HEAD -----	4	
- 6	AN960D516	WASHER UNDER SHIELD -----	3	
- 7	SEE FIG 81	GOVERNOR-PROPELLER WOODWARD -----	1	
	SEE FIG 82	GOVERNOR-PROPELLER MCCAULEY ALTERNATE -----	1	
- 8	SEE FIG 79	TURBOCHARGER INSTALLATION -----	1	
- 9	SEE FIG 78	AIR INLET INSTALLATION -----	1	
-10	SEE FIG 80	EXHAUST VALVE & CONTROLLER INSTALLATION -----	1	
-11	1200106-134	LINE ASSEMBLY-MANIFOLD DRAIN LH -----	1	
-12	1200106-135	LINE ASSEMBLY-MANIFOLD DRAIN LH -----	1	
		ATTACHING PARTS		
	MS20822-4D	ELBOW -----	1	
	AN924-4D	TEE -----	1	
		---*---		
-13	1200106-133	LINE ASSEMBLY-PUMP DRAIN -----	1	
-14	1200106-139	LINE ASSEMBLY-MANIFOLD DRAIN RH -----	1	
-15	AN824-4D	TEE -----	1	
-16	1200106-140	LINE ASSEMBLY-MANIFOLD DRAIN RH -----	1	
-17	1200106-141	LINE ASSEMBLY-FWD MANIFOLD DRAIN -----	1	
		ATTACHING PARTS		
	1250402-1	SUPPORT-ATTACH TO ENGINE -----	1	
	NAS43504	CLAMP -----	1	
	S1021Z8-8	SCREW -----	1	
	AN816-4D	NIPPLE ATTACH TO FWD END OF MANIFOLD -----	1	
		---*---		
-18	1200106-108	TUBE-BREATHER FORWARD -----	1	
-19	S51-12-12	HOSE 3 IN LG BULK ITEM REF S51-12-12 -----	2	
		ATTACHING PARTS		
-20	NAS397-18	CLAMP -----	2	
		---*---		
-21	1200106-113	TUBE-BREATHER AFT -----	1	
-22	1200106-175	LINE ASSEMBLY-MANIFOLD PRESSURE -----	1	
		ATTACHING PARTS		
-23	AN816-2D	NIPPLE -----	1	
		---*---		

CONTINUED ON NEXT PAGE



T210 SERIAL 21059200 & ON
 Figure 74. Turbocharged Engine Assembly

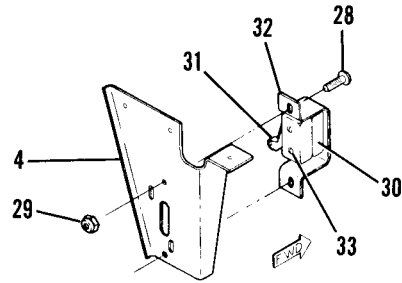


FIGURE AND INDEX NO.	PART NUMBER	DESCRIPTION	UNITS PER ASSY	USABLE ON CODE
74 -24	S1597-1-30.8	BELT-ALTERNATOR DRIVE -----	1	
-25	1200106-119	LINE ASSEMBLY-FUEL PRESSURE ----- ATTACHING PARTS	1	
	AN816-2D	NIPPLE -----	1	
	AN742D2	CLAMP -----	1	
	AN515-8R6	SCREW -----	1	
		---*---		
-26	1200106-192	LINE ASSEMBLY-FUEL PRESSURE -----	1	
-27	1250817-1	ADAPTER ASSEMBLY-THROTTLE BODY ----- ATTACHING PARTS	1	
-28	AN4-11A	BOLT -----	4	
	MS21042L4	NUT -----	4	
	AN960PD10	WASHER -----	4	
		---*---		
-28A	1250805-6	SUPPORT ASSEMBLY-SWITCH -----	1	
-29	SEE FIG 113	OIL FILTER INSTALLATION -----	1	
-30	S1053E12T	DUCT 19.0 IN LG BULK ITEM REF S1053E12T19.0 ----- ATTACHING PARTS	1	
	NAS397-28	CLAMP -----	2	
		---*---		
-31	MS21919DG8	CLAMP -----	2	
		ATTACHING PARTS		
	AN515-8R8	SCREW -----	1	
	AN960-8L	WASHER -----	1	
	MS21045L08	NUT -----	1	
		---*---		
-32	S1053E12T	DUCT 16.5 IN LG BULK ITEM REF S1053E12T16.5 ----- ATTACHING PARTS	1	
	NAS397-28	CLAMP -----	2	
		---*---		
-33	S1372-1	SENDING UNIT-CYLINDER HEAD TEMPERATURE -----	1	
	AN900-6	GASKET -----	1	
	110691	WIRE-CYLINDER HEAD TEMP GAGE TO SENDING UNIT ----- 86 IN LG BULK ITEM	1	
-34	0750139	ADAPTER-OIL TEMPERATURE -----	1	
-35	AN900-10	GASKET -----	1	
-36	C668501-0204	PROBE-ECONOMY POWER INDICATOR -----	1	
		OIL COOLER INSTALLATION-NON CONGEALING -----		
-37	633187	OIL COOLER CM -----	1	B
	639171	OIL COOLER CM -----	1	C
-38	626332	PLATE-OIL COOLER CM -----	1	
-39	626342	GASKET-OIL COOLER TO PLATE CM -----	1	
	626341	GASKET-PLATE TO CRANKCASE CM -----	1	
-40	SEE FIG 76	SPARK PLUG -----	12	
-41	SEE FIG 110	CONTROL-STRAINER DRAIN -----	1	
-42	1250007-1	SHROUD ASSEMBLY-CROSSOVER EXHAUST ----- ATTACHING PARTS	1	
-43	MS21919DG36	CLAMP -----	2	
-44	AN3-4A	BOLT -----	2	
	AN960-10L	WASHER -----	2	
-45	MS20361-1032C	NUT -----	2	
		---*---		
-46	1250009-1	SUPPORT -----	1	
-47	S1127-6-10	SLEEVE -----	1	
		ATTACHING PARTS		
-48	NAS397-12	CLAMP -----	1	
		---*---		
-49	S1127-8-6	SLEEVE -----	1	
		ATTACHING PARTS		
-50	NAS397-16	CLAMP -----	2	
		---*---		
<p>A---T210 SERIAL 21059200 & ON B---T210 SERIAL 21059200 THRU 21059503 C---T210 SERIAL 21059504 & ON D---T210 SERIAL 21059200 THRU 21059502 E---T210 SERIAL 21059503 & ON</p>				

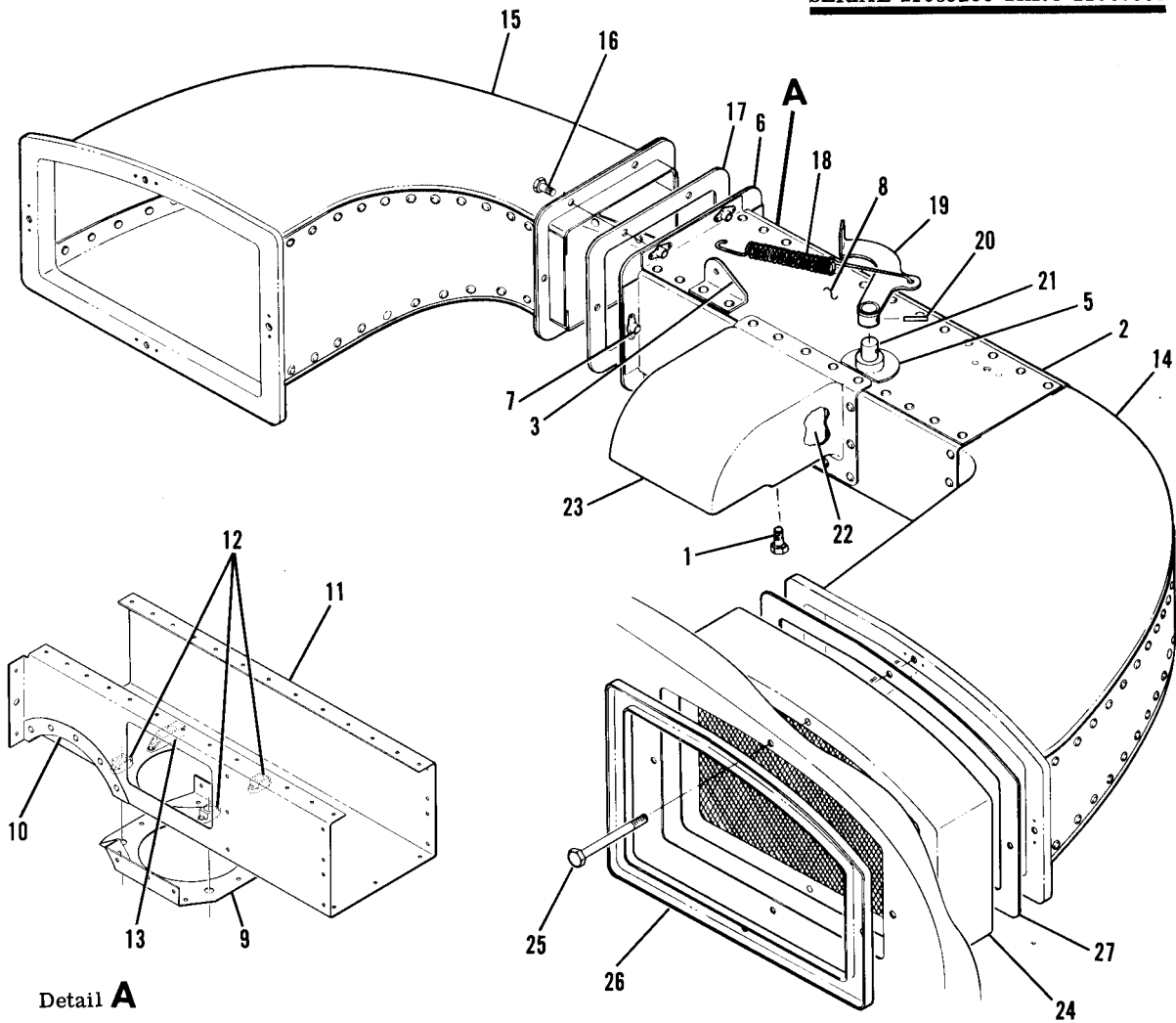
FIGURE AND INDEX NO.	PART NUMBER	DESCRIPTION							UNITS PER ASSY	USABLE ON CODE	
		1	2	3	4	5	6	7			
75 -		*	ENGINE COMPONENTS & ASSOCIATED ACCESSORIES IO520L ENGINE -----							NP	A
- 1	625765		MAGNETO-SLICK CM SLICK NO 622 -----							2	
- 2	534750		GASKET-MANGETO TO ENGINE CM -----							2	
- 3	629076		MAGNETO DRIVE GEAR CM -----							2	
- 4	531179		MAGNETO DRIVE COUPLING-RUBBER BUSHING CM -----							4	
- 5	531178		MAGNETO DRIVE COUPLING-RETAINER CM -----							2	
- 6	633311	#	IGNITION HARNESS-SLICK CM SLICK NO M-1480 -----							1	
- 7	633004	#	IGNITION HARNESS-BENDIX CM BENDIX 10-320330-2 -----							1	
- 8	626189		OIL COOLER-HARRISON CM HARRISON 62272A -----							1	
	635993		OIL COOLER CM NONCONGEALING -----							1	B
	639171		OIL COOLER CM NONCONGEALING -----							1	C
- 9	537282		GASKET-COOLER TO PLATE -----							1	
	626342		GASKET-COOLER TO PLATE CM USED ON NONCONGEALING -----							1	
			COOLER -----								
-10	625303		GASKET-COOLER TO ENGINE -----							1	
	626341		GASKET-PLATE TO CRANKCASE CM USED ON NONCONGEALING -----							1	
			COOLER -----								
-11	SEE FIG 138		ALTERNATOR-60 AMP -----							1	
-12	S1597-1-30.8		ALTERNATOR DRIVE BELT USED WITH 60 AMP ALTERNATOR -----							1	
-13	C61101-0101		VOLTAGE REGULATOR USED WITH ALTERNATOR -----							1	
-14	538076		GEAR-GOVERNOR BEVEL DRIVE CM -----							1	
-15	634592		STARTER-HEAVY DUTY CM PRESTOLITE NO. MCL6501 -----							1	D
			12 VOLT SYSTEM -----								
	634433		STARTER-HEAVY DUTY CM 24 VOLT SYSTEM -----							1	E
-16	MS9021-038		O RING-STARTER -----							1	
-17	SL350		SPARK PLUG 3/4-20-3A THREADS -----							12	
-18	1250704-3		AIR FILTER-LH -----							1	
	1250704-5		AIR FILTER-RH -----							1	F
	1250704-4		AIR FILTER-RH -----							1	G
-19	124756-06		FELTER-AIR FILTER AMA -----							1	
-20	632062-16		DIP STICK-EXTENDED HANDLE CM -----							1	
-21	629397A1		AIR THROTTLE ASSEMBLY CM -----							1	
-22	629703-2A2		METERING UNIT CM -----							1	
-23	630947-1A1		FUEL PUMP CM -----							1	
-24	631351-A10		MANIFOLD VALVE CM -----							1	
-25	627335-13		NOZZLE CM ADD LETTER B OR C TO P/N -----							1	AR
			HIGHER LETTERS DESIGNATES GREATER FLOW -----								
-26	SEE FIG 81		GOVERNOR-PROPELLER -----							1	
-27	635158-10.00		HOSE-FUEL RETURN CM CONTROL UNIT TO FUEL PUMP -----							1	
-28	532432		PLUG-OIL PAN DRAIN CM -----							2	
-29	AN900-10		GASKET-OIL PAN PLUG DRAIN -----							2	
-30	538727		OIL SCREEN FILTER CM -----							1	
-31	AN900-28		GASKET-OIL SCREEN FILTER -----							1	
-32	635158-32.00		HOSE CM METERING UNIT TO MANIFOLD VALVE -----							1	
<p>NOTE. #THIS LISTING IS COMPILED TO PROVIDE PART NUMBERS OF COMMONLY USED ENGINE COMPONENTS AND ASSOCIATED ACCESSORIES. RELATIONSHIP OF THESE PARTS TO ENGINE OR AIRCRAFT ASSEMBLIES IS NOT INDICATED BY INDENTION. THIS FIGURE IS NOT ILLUSTRATED. INDEX NUMBERS ARE PROVIDED FOR LOCATION OF LINE ON WHICH PART NUMBER APPEARS.</p>											
<p>NOTE. #IGNITION HARNESS CAN BE EITHER 633311 OR 633004. 633311 IS HARNESS NORMALLY SUPPLIED. WHEN UNAVAILABLE 633004 MAY BE SUBSTITUTED.</p>											
<p>A---210 SERIAL 21059200 & ON B---210 SERIAL 21059200 THRU 21059426 C---210 SERIAL 21059427 & ON D---210 SERIAL 21059200 THRU 21059502 E---210 SERIAL 21059503 & ON F---210 SERIAL 21059200 THRU 21060305 G---210 SERIAL 21060306 & ON</p>											

FIGURE AND INDEX NO.	PART NUMBER	DESCRIPTION	UNITS PER ASSY	USABLE ON CODE
		1 2 3 4 5 6 7		
76 -		* ENGINE COMPONENTS & ASSOCIATED ACCESSORIES TS10520H ENGINE ----	NP	A
- 1	625765	MAGNETO-SLICK CM SLICK NO 622 -----	2	
- 2	534750	GASKET-MAGNETO TO ENGINE CM -----	2	
- 3	629076	MAGNETO DRIVE GEAR CM -----	2	
- 4	531179	MAGNETO DRIVE COUPLING-RUBBER BUSHING CM -----	4	
- 5	531178	MAGNETO DRIVE COUPLING-RETAINER CM -----	2	
- 6	633311	IGNITION HARNESS-SLICK CM SLICK M-1480 -----	1	
- 7	633187	OIL COOLER-NON CONGEALING-MODINE CM MODINE IE-1501D -	1	B
	639171	OIL COOLER-NON CONGEALING CM -----	1	C
- 8	626342	GASKET-COOLER TO PLATE -----	1	
- 9	626341	GASKET-COOLER TO ENGINE -----	1	
-10	SEE FIG 79	TURBO CHARGER -----	1	
-11	SEE FIG 80	CONTROLLER -----	1	
-12	SEE FIG 138	ALTERNATOR-60 AMP -----	1	
-13	S1597-1-30.8	ALTERNATOR DRIVE BELT -----	1	
-14	C611001-0101	VOLTAGE REGULATOR -----	1	
-15	538076	GEAR-GOVERNOR BEVEL DRIVE CM -----	1	
-16	634592	STARTER-HEAVY DUTY CM PRESTOLITE NO. MCL6501 -----	1	D
		12 VOLT SYSTEM		
	634433	STARTER-HEAVY DUTY CM 24 VOLT SYSTEM -----	1	E
-17	MS9021-038	O RING-STARTER -----	1	
-18	SL350C	SPARK PLUG 3/4-20-3A THREADS -----	12	
-19	SEE FIG 78	FILTER-AIR INTAKE -----	1	
-20	632062-16	DIP STICK-EXTENDED HANDLE CM -----	1	
-21	632480A1	AIR THROTTLE ASSEMBLY CM -----	1	
-22	629703-8A1	METERING ASSEMBLY CM -----	1	
-23	630751-3A1	FUEL PUMP CM -----	1	
-24	631351-4A3	MANIFOLD VALVE CM -----	1	
-25	632748-15	NOZZLE CM ADD LETTER B,C, OR D TO P/N -----	AR	
		HIGHER LETTER DESIGNATES GREATER		
-26	SEE FIG 81	GOVERNOR-PROPELLER -----	1	
	SEE FIG 82	GOVERNOR-PROPELLER ALTERNATE -----	1	
-27	635158-10.00	HOSE-FUEL RETURN CONTROL UNIT TO FUEL PUMP -----	1	
-28	532432	PLUG-OIL PAN DRAIN CM -----	2	
-29	AN900-10	GASKET-OIL PAN PLUG DRAIN -----	2	
-30	635158-32.00	HOSE-METERING UNIT TO MANIFOLD VALVE -----	1	
<p>NOTE. *THIS LISTING IS COMPILED TO PROVIDE PART NUMBERS OF COMMONLY USED ENGINE COMPONENTS AND ASSOCIATED ACCESSORIES. RELATIONSHIP OF THESE PARTS TO ENGINE OR AIRCRAFT ASSEMBLIES IS NOT INDICATED BY INDENTATION. THIS FIGURE IS NOT ILLUSTRATED. INDEX NUMBERS ARE PROVIDED FOR LOCATION OF LINE ON WHICH PART NUMBER APPEARS.</p> <p style="margin-left: 40px;">A---T210 SERIAL 21059200 & ON B---T210 SERIAL 21059200 THRU 21059503 C---T210 SERIAL 21059504 & ON D---T210 SERIAL 21059200 THRU 21059502 E---T210 SERIAL 21059503 & ON</p>				

Engine (Cont)



**THROTTLE LIMIT SWITCH
SERIAL 21059200 THRU 21060558**

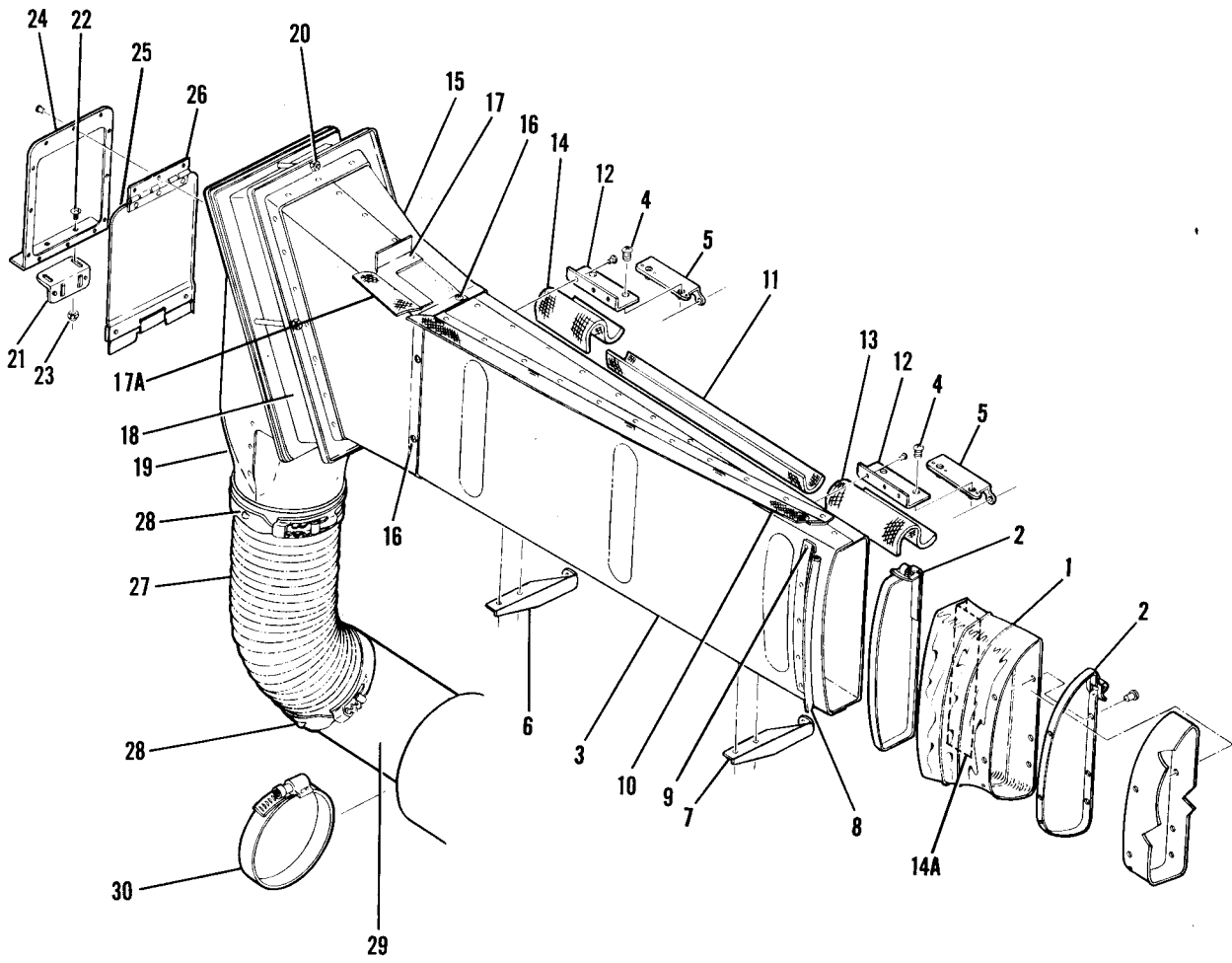


210 SERIAL 21059200 & ON
Figure 77. Induction Air Box Installation



FIGURE AND INDEX NO.	PART NUMBER	DESCRIPTION	UNITS PER ASSY	USABLE ON CODE
77 -		INDUCTION AIR BOX INSTALLATION -----	NP	A
	1250717-4	AIRBOX ASSY -----	1	
		ATTACHING PARTS -----		
- 1	AN4-6A	BOLT -----	4	
		-----*		
- 2	1250707-4	DUCT ASSY-INBOARD -----	1	
- 3	1250711-1	BRACKET -----	1	
- 4	1250712-2	SUPPORT-SWITCH -----	1	
- 5	1250309-1	BUSHING ASSY -----	2	
- 6	1250714-2	COLLAR -----	1	
- 7	NAS697A3	NUTPLATE -----	5	
	NAS696A3	NUTPLATE LOWER FWD -----	1	
- 8	1250709-1	COVER -----	1	
- 9	1250720-1	DOUBLER -----	1	
-10	1250721-1	CUP -----	1	
-11	1250708-2	DUCT -----	1	
-12	NAS1068A4	NUTPLATE -----	3	
-13	NAS687A4	NUTPLATE -----	1	
-14	1250705-1	DUCT ASSY-OUTBOARD LH -----	1	
	NAS697A3	NUTPLATE -----	4	
-15	1250716-10	DUCT ASSY-OUTBOARD RH -----	1	
		ATTACHING PARTS -----		
-16	AN3-4A	BOLT -----	6	
-17	1250715-1	GASKET -----	1	
		-----*		
	NAS697A3	NUTPLATE -----	4	
-18	1250310-1	SPRING -----	1	
-19	0850500-30	ARM ASSY -----	1	
		ATTACHING PARTS -----		
-20	NAS561P3-10	PIN -----	1	
		-----*		
-21	1250311-1	SHAFT -----	1	
-22	1250306-6	DOOR ASSY -----	1	
		ATTACHING PARTS -----		
	AN515-6R10	SCREW -----	2	
	MS21045L06	NUT -----	2	
		-----*		
-23	1250713-2	ADAPTOR -----	1	
-24	1250704-3	AIR FILTER-LH -----	1	
	1250704-5	AIR FILTER-RH -----	1	B
	1250704-4	AIR FILTER-RH -----	1	C
		ATTACHING PARTS -----		
-25	AN3-23A	BOLT -----	4	
-26	1250132-1	RETAINER-LH ONLY -----	1	
		-----*		
-27	124756.06	GASKET-FELT AMA -----	1	
	1250706-1	LIMIT SWITCH ASSY-THROTTLE -----	1	D
		ATTACHING PARTS -----		
-28	AN515-8R6	SCREW -----	2	
-29	MS21045L06	NUT -----	2	
		-----*		
-30	USM5B	SWITCH UMX -----	2	
-31	AAM20	ACTUATOR UMX -----	2	
-32	1250706-2	BRACKET-SWITCH MOUNTING -----	1	
-33	AN515-2R12	SCREW -----	2	
	AN936A2	WASHER -----	2	
	AN340-2	NUT -----	2	
	SEE FIG 135A	SWITCH INSTALLATION-GEAR WARNING & FUEL PUMP -----	1	E
		A---210 SERIAL 21059200 & ON		
		B---210 SERIAL 21059200 THRU 21060305		
		C---210 SERIAL 21060306 & ON		
		D---210 SERIAL 21059200 THRU 21060558		
		E---210 SERIAL 21060559 & ON		

Engine (Cont)



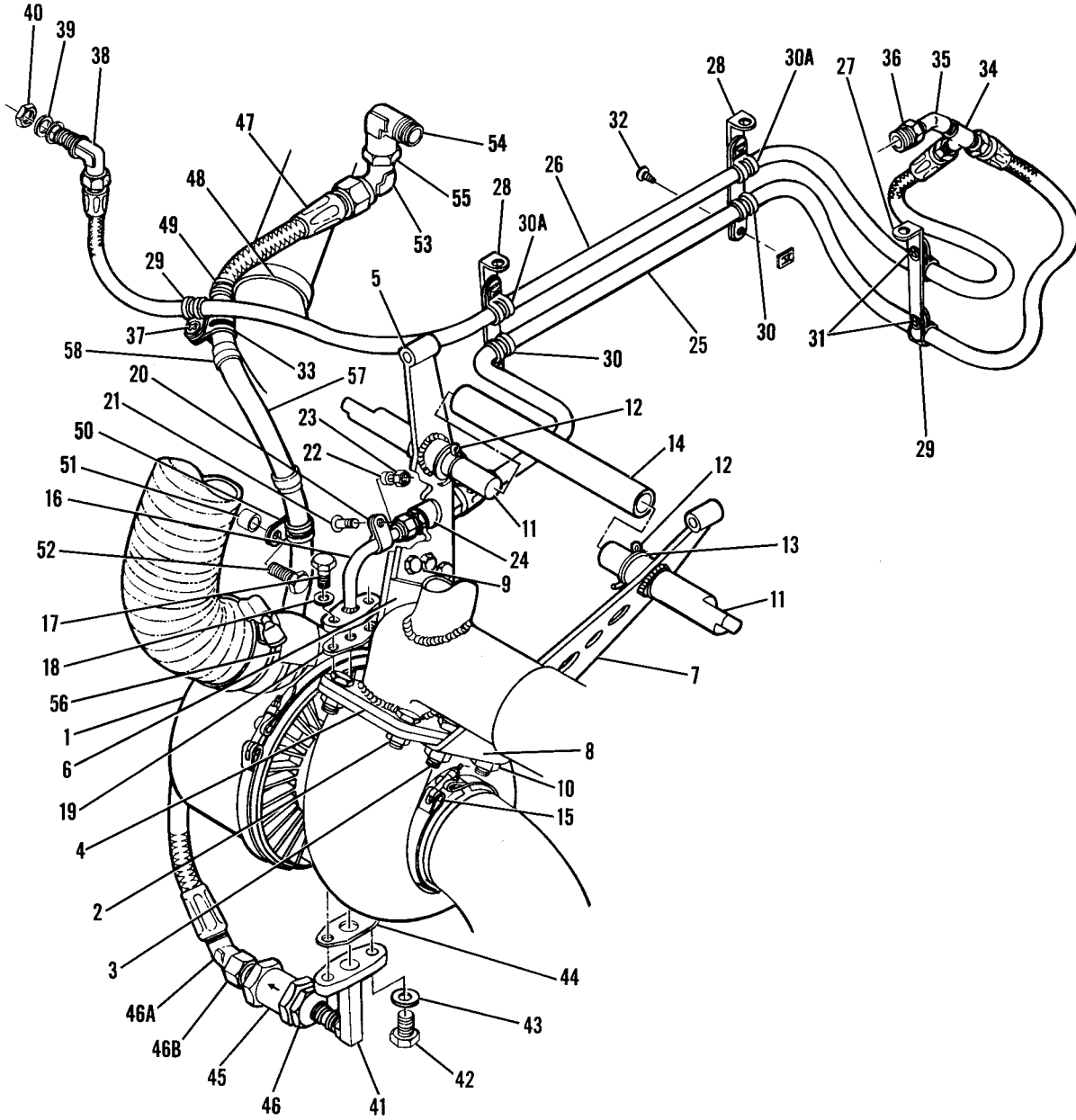
T210 SERIAL 21059200 & ON
Figure 78. Turbocharger Air Inlet Installation



FIGURE AND INDEX NO.	PART NUMBER	DESCRIPTION	UNITS PER ASSY	USABLE ON CODE
78 -		TURBO CHARGER AIR INLET INSTALLATION -----	NP	A
- 1	1250879-1	DUCT-FLEXIBLE -----	1	B
	1250955-1	DUCT-FLEXIBLE -----	1	C
		ATTACHING PARTS		
- 2	S10268G	CLAMP 20.0 IN LG BULK ITEM REF S10268G20.0 -----	2	
		---*---		
- 3	1250830-5	DUCT ASSEMBLY-FORWARD -----	1	B
	1250830-29	DUCT ASSEMBLY-FORWARD -----	1	C
		ATTACHING PARTS		
- 4	AN520-10R6	SCREW -----	4	
- 5	1250830-26	BRACKET ASSEMBLY -----	2	
	NAS697A3	NUTPLATE -----	2	
		---*---		
- 6	1250916-3	BRACKET-AFT -----	1	
- 7	1250916-4	BRACKET-FORWARD -----	1	
- 8	1250830-27	SEAL-AIR DUCT FORWARD -----	1	B
- 9	AN960D2L	WASHER -----	5	B
-10	1250847-1	BAFFLE ASSEMBLY -----	1	B
	1250847-2	BAFFLE-AIR DUCT -----	1	
	1250847-3	SEAL-BAFFLE -----	1	
-11	1250830-16	SEAL -----	1	B
-12	1250830-28	BRACKET -----	2	
-13	1250830-20	SEAL-FORWARD -----	1	B
-14	1250830-21	SEAL-AFT -----	1	B
-14A	1250974-1	STIFFENER-AIR INLET -----	1	C
-15	1250830-10	DUCT ASSEMBLY-CENTER -----	1	D
	1250830-35	DUCT ASSEMBLY-CENTER -----	1	E
		ATTACHING PARTS		
-16	S102128-8	SCREW -----	4	
		---*---		
-17	1250875-1	BAFFLE ASSY-AIR DUCT REAR -----	1	D
-17A	1250875-3	SEAL-BAFFLE -----	1	
	1250830-36	SUPPRT-AIR DUCT -----	1	E
-18	1250846-1	FILTER-AIR INTAKE -----	1	
-19	1250839-1	DUCT ASSEMBLY-AFT -----	1	
		ATTACHING PARTS		
-20	AN3-27A	BOLT -----	4	
	AN960D10	WASHER -----	4	
	MS21044N3	NUT -----	4	
		---*---		
-21	1250938-1	CATCH-MAGNETIC -----	1	
		ATTACHING PARTS		
-22	AN515-6R7	SCREW -----	2	
-23	MS21045L06	NUT -----	2	
		---*---		
-24	1250839-4	DOUBLER -----	1	
-25	1250839-17	DOOR ASSEMBLY-ALTERNATE AIR -----	1	
-26	1250839-12	HINGE ASSEMBLY -----	1	
-27	S1053E32T	DUCT 6.0 IN LG BULK ITEM REF S1053E32T6.0 -----	1	
		ATTACHING PARTS		
-28	NAS398-66	CLAMP -----	2	
		---*---		
-29	1250831-6	ELBOW -----	1	
		ATTACHING PARTS		
-30	S1891-64	CLAMP -----	1	
		---*---		

A---T210 SERIAL 21059200 & ON
 B---T210 SERIAL 21059200 THRU 21060089
 C---T210 SERIAL 21060090 & ON
 D---T210 SERIAL 21059200 THRU 21059502
 E---T210 SERIAL 21059503 & ON

Engine (Cont)



T210 SERIAL 21059200 & ON

Figure 79. Turbocharger Installation

FIGURE AND INDEX NO.	PART NUMBER	DESCRIPTION	UNITS PER ASSY	USABLE ON CODE
79 -		1 2 3 4 5 6 7 TURBOCHARGER INSTALLATION -----		
- 1	C295001-0101	TURBOCHARGER -----	NP 1	A
		ATTACHING PARTS		
- 2	MS20036-5	BOLT -----	3	
	AN960616L	WASHER -----	4	
	S1604-6	NUT -----	4	
- 3	MS20036-7	BOLT -----	1	
- 4	632884	GASKET CM -----	1	
- 5	1250818-14	SUPPORT ASSEMBLY-REAR UPPER -----	1	
- 6	1250818-200	SUPPORT-REAR LOWER -----	1	
- 7	1250818-16	SUPPORT ASSEMBLY-FORWARD UPPER -----	1	
- 8	1250818-201	SUPPORT-FORWARD LOWER -----	1	
- 9	NAS464P6A6	BOLT -----	6	
	AN960C616L	WASHER -----	6	
	MS20364-624C	NUT -----	6	
-10	1250824-1	BOLT -----	1	
	AN960C616L	WASHER -----	1	
	MS21043-6	NUT -----	1	
-11	1250897-1	SHAFT ASSEMBLY -----	2	
-12	MS24665-214	COTTER PIN -----	2	
-13	AN960C1216	WASHER -----	2	
-14	1250897-3	TUBE -----	1	
		---*---		
-15	U4211-3.75M	CLAMP NUCA -----	1	
	4404-3.75M	CLAMP ALT MDAQ -----	1	
-16	1250815-1	ADAPTER ASSEMBLY-OIL INLET WEU 1250895-1 -----	1	B
	1250895-1	ADAPTER ASSEMBLY-OIL INLET -----	1	C
		ATTACHING PARTS		
-17	MS20074-06-7	BOLT -----	2	
-18	AN960C616	WASHER -----	2	
-19	1250816-3	GASKET-OIL INLET -----	1	
-20	AN742D4	CLAMP -----	1	
-21	AN520-10R12	SCREW -----	1	
-22	NAS43DD3-14	SPACER -----	1	
-23	MS20364-1032C	NUT -----	1	
	AN960C10L	WASHER -----	1	
		---*---		
-24	5046-2	CHECK VALVE -----	1	
-25	S1236-4-0310	HOSE ASSEMBLY-OIL PRESSURE TO TURBINE -----	1	
-26	S1236-4-0415	HOSE ASSEMBLY-OIL PRESSURE TO GAGE -----	1	F
	S1236-4-0290	HOSE ASSEMBLY-OIL PRESSURE TO TRANSDUCER -----	1	G
-27	1250402-1	STRAP -----	1	
-28	1250402-2	SUPPORT -----	2	
-29	MS21919DG7	CLAMP -----	3	
-30	S1486DG7U	CLAMP -----	2	
-30A	S1486DG7U	CLAMP -----	2	F
-31	NAS446-4-3	NUT -----	2	
-32	S1021Z8-8	SCREW -----	6	F
	S1021Z8-8	SCREW -----	4	G
-33	S1486DG13U	CLAMP -----	1	
-34	1250908-1	TEE -----	1	
-35	AN915-1	ELBOW -----	1	
-36	AN912-3	BUSHING -----	1	
-37	S1021Z10-10	SCREW -----	1	
-38	AN833-4D	ELBOW -----	1	F
-39	AN960D716	WASHER -----	1	F
-40	AN924-4D	NUT -----	1	F
-41	1250913-1	ADAPTOR ASSEMBLY-OIL OUTLET -----	1	
		ATTACHING PARTS		
-42	AN76A7	BOLT -----	2	
-43	AN960C616	WASHER -----	2	
-44	1250816-2	GASKET-OIL OUTLET -----	1	
		---*---		
-45	3142-00-5	VALVE-CHECK DUKA -----	1	
-46	AN924-8D	NUT -----	1	
	MS28778-8	GASKET -----	1	D
	MS28778-8	GASKET -----	3	E
-46A	AN941D8	ELBOW -----	1	E
-46B	AN815-8D	UNION -----	1	E

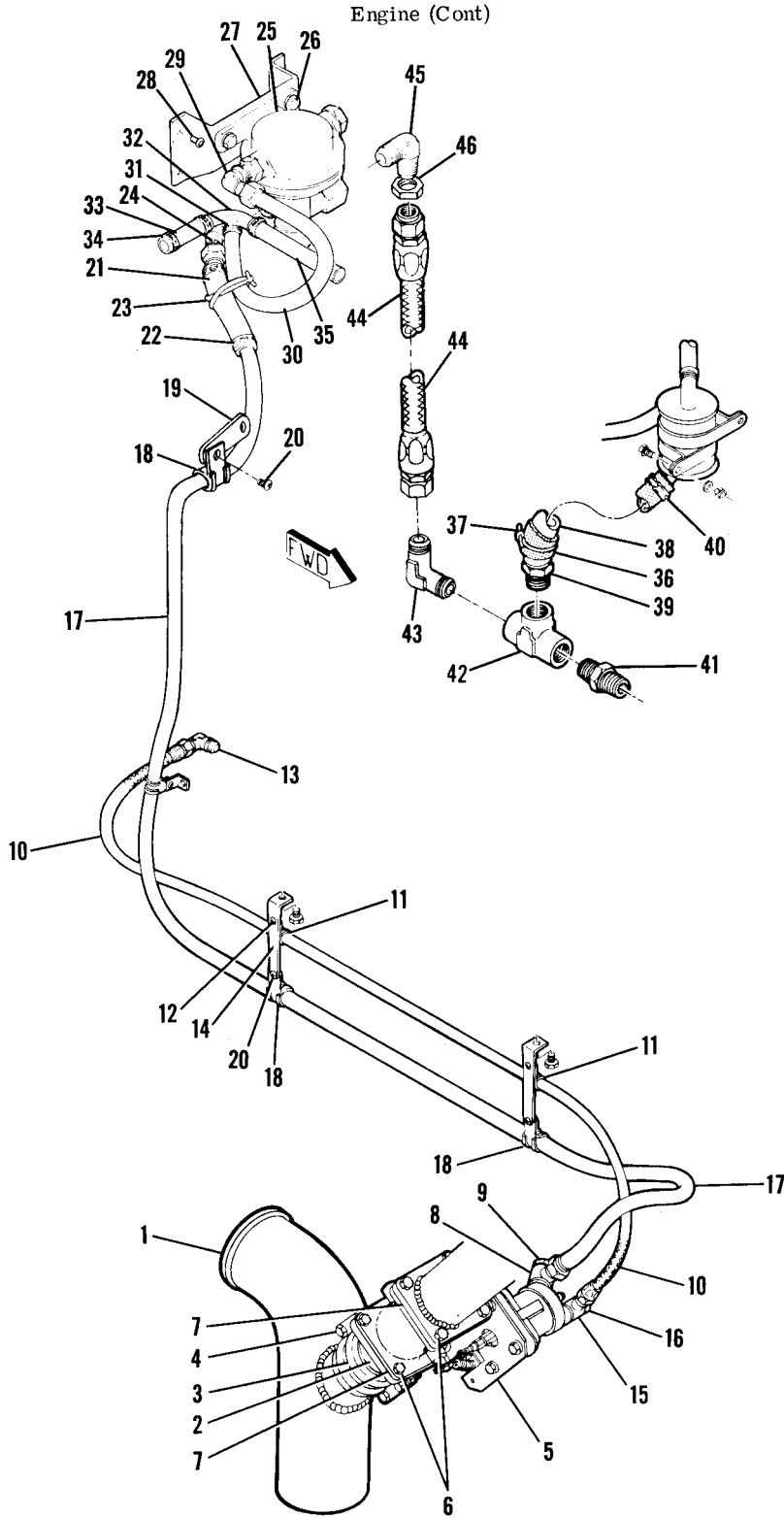
CONTINUED ON NEXT PAGE

FIGURE AND INDEX NO.	PART NUMBER	DESCRIPTION	UNITS PER ASSY	USABLE ON CODE
79 -47	S1167C8-0290	HOSE ASSEMBLY -----	1	D
	S1167-8-0240 %	HOSE ASSEMBLY -----	1	E
		ATTACHING PARTS		
-48	AN742D36	CLAMP -----	1	
-49	S1486DG13U	CLAMP -----	1	
	S1021Z10-10	SCREW -----	1	
-50	MS21919DG13	CLAMP -----	1	
-51	NAS430D3-32	SPACER -----	1	
-52	AN3-20	BOLT -----	1	
		---*---		
-53	MS20822-8D	ELBOW -----	1	
-54	AN914-4D	ELBOW -----	1	
-55	AN912-4D	BUSHING -----	1	
-56	1550174-1	SHIELD ASSY-COUPLER -----	1	
-57	S1127-8 %%	SLEEVEING 7.00 IN LG BKI REF S1127-8-7.00 -----	1	J
		ATTACHING PARTS		
-58	NAS397-14 %%	CLAMP -----	2	
		---*---		
<p>NOTE. *WHEN INITIALLY ORDERING THIS PART FOR AIRPLANES PRIOR TO SERIAL 21059380, ALSO ORDER HE646-2 CHECK VALVE.</p> <p>NOTE. **WHEN INITIALLY ORDERING THIS PART FOR AIRPLANES PRIOR TO SERIAL 21059380, ALSO ORDER 1250895-1 ADAPTER ASSEMBLY.</p> <p>NOTE. %%WHEN INITIALLY ORDERING THIS PART FOR AIRPLANES PRIOR TO 21060316 ALSO ORDER PARTS MARKED %%.</p> <p>A---T210 SERIAL 21059200 & ON B---T210 SERIAL 21059200 THRU 21059383 C---T210 SERIAL 21059384 & ON D---T210 SERIAL 21059200 THRU 21059647 E---T210 SERIAL 21059648 & ON F---T210 SERIAL 21059200 THRU 21060539 G---T210 SERIAL 21060540 & ON H---T210 SERIAL 21059200 THRU 21060315 J---T210 SERIAL 21060316 & ON</p>				



FIGURE AND INDEX NO.	PART NUMBER	DESCRIPTION	UNITS PER ASSY	USABLE ON CODE
		1 2 3 4 5 6 7		
80 -		EXHAUST VALVE & CONTROLLER INSTALLATION -----	NP	A
- 1	1250860-97	TAILPIPE ASSEMBLY-EXHAUST WEU 1250860-110 -----	1	
	1250860-110	TAILPIPE ASSEMBLY-EXHAUST -----	1	
- 2	1250860-78	ADAPTER ASSEMBLY -----	1	
		ATTACHING PARTS		
- 3	1250860-28	CLAMP HALF -----	2	
- 4	AN3-4A	BOLT -----	4	
	MS20364-1032C	NUT -----	4	
		---*---		
- 5	C165006-0101	VALVE ASSEMBLY-EXHAUST BY-PASS WEU C165006-0105 -----	1	B
	C165006-0101R	VALVE ASSEMBLY-EXHAUST BY-PASS REMANUFACTURED -----	1	B
		WEU C165006-0105		
	C165006-0105	VALVE ASSEMBLY-EXHAUST BY-PASS -----	1	C
		ATTACHING PARTS		
- 6	AN4-10A	BOLT -----	8	B
	AN4-11A	BOLT -----	8	C
	AN960C416L	WASHER -----	8	
	S1604-4	NUT -----	8	
- 7	1250850-3	PACKING -----	2	B
	1550148-1	GASKET -----	1	C
		---*---		
- 8	1250858-3	ELBOW-OUTLET -----	1	
- 9	1250858-4	BOLT-OUTLET -----	1	
	AN901-6A	GASKET -----	2	
	MS28778-6	PACKING -----	1	
-10	S1236-4-0310	HOSE ASSEMBLY -----	1	
		ATTACHING PARTS		
-11	S1486DG7U	CLAMP -----	2	
-12	S1021Z10-6	SCREW -----	2	
		---*---		

CONTINUED ON NEXT PAGE



T210 SERIAL 21059200 & ON
 Figure 80. Exhaust Valve & Controller Installation



FIGURE AND INDEX NO.	PART NUMBER	DESCRIPTION	UNITS PER ASSY	USABLE ON CODE
80 -13	MS20822-4	ELBOW -----	1	
-14	1250402-1	SUPPORT -----	2	
-15	1250858-1	ELBOW-INLET -----	1	
-16	1250858-2	BOLT-INLET -----	1	
	AN901-4A	GASKET -----	2	
	MS28778-4	PACKING -----	1	
-17	S1236-6-0550	HOSE ASSEMBLY -----	1	
		ATTACHING PARTS		
-18	S14860G11U	CLAMP -----	3	
-19	0550100-9	BRACKET ATTACH TO ENGINE ACCESSORY CASE -----	3	
-20	S1021210-8	SCREW -----	3	
		-----*		
-21	S1127-6	SLEEVE-FIRE 7.00 IN LG BULK ITEM REF S1127-6-7.00-	1	
-22	NAS397-14	CLAMP -----	2	
-23	S1614-1	LACING BULK ITEM -----	AR	
-24	AN837-6D	ELBOW -----	1	
	AN924-6D	NUT -----	1	
	MS28778-4	PACKING -----	1	
-25	C165004-0501	CONTROLLER ASSEMBLY-EXHAUST VALVE -----	1	
	C165004-0501R	CONTROLLER ASSEMBLY-EXHAUST VALVE REMFD -----	1	
		ATTACHING PARTS		
-26	AN5-6A	BOLT -----	2	
	MS21042L5	NUT -----	2	
	AN960-516	WASHER -----	2	
		-----*		
-27	1250865-1	BRACKET-CONTROLLER -----	1	
		ATTACHING PARTS		
-28	AN515-8R6	SCREW -----	4	
		-----*		
-29	AN833-6D	ELBOW -----	1	
	AN924-6D	NUT -----	1	
	MS28778-6	PACKING -----	1	
-30	S1495-6	HOSE 14 IN LG BULK ITEM REF S1499-6-14.00 -----	1	
	S1497-6	FITTING-SOCKETLESS -----	1	
-31	NAS397-10	CLAMP -----	2	
-32	1250889-1	ELBOW -----	1	
-33	S1495-8	HOSE 2.50 IN LG BULK ITEM REF S1495-8-2.50 -----	1	
-34	NAS397-12	CLAMP -----	3	
-35	S1495-8	HOSE 3.75 IN LG BULK ITEM REF S1495-8-3.75 -----	1	
-36	S1127-8	SLEEVE-FIRE 5.00 IN LG BULK ITEM REF S1127-8-5.00-	1	
-37	S1614-1	LACING BULK ITEM -----	AR	
-38	S1495-8	HOSE 12.25 IN LG BULK ITEM REF S1499-8E12.25 -----	1	
-39	S1496-8	FITTING-SOCKETLESS -----	1	
-40	NAS397-2	CLAMP -----	1	
-41	AN911-3	NIPPLE USED WITH VACUUM SYSTEM -----	1	
-42	AN917-3	TEE USED WITH VACUUM SYSTEM -----	1	
-43	MS20822-6-6	ELBOW USED WITH VACUUM SYSTEM -----	1	
	MS20823-6D	ELBOW USED WITHOUT VACUUM SYSTEM -----	1	
	AN912-2D	REDUCER USED WITHOUT VACUUM SYSTEM -----	1	
-44	S1236-6-094	HOSE ASSEMBLY USED WITH VACUUM SYSTEM -----	1	
	S1236-6-0120	HOSE ASSEMBLY USED WITHOUT VACUUM SYSTEM -----	1	
		ATTACHING PARTS		
-45	AN921-6D	ELBOW -----	1	
-46	AN924-6D	NUT -----	1	
	AN6290-6	PACKING -----	1	
		-----*		

NOTE. %WHEN INITIALLY ORDERING THIS PART FOR AIRCRAFT PRIOR TO SERIAL 21059551 ALSO ORDER PARTS MARKED %.

A---T210 SERIAL 21059200 & ON
 B---T210 SERIAL 21059200 THRU 21059550
 C---T210 SERIAL 21059551 & ON

Engine (Cont)

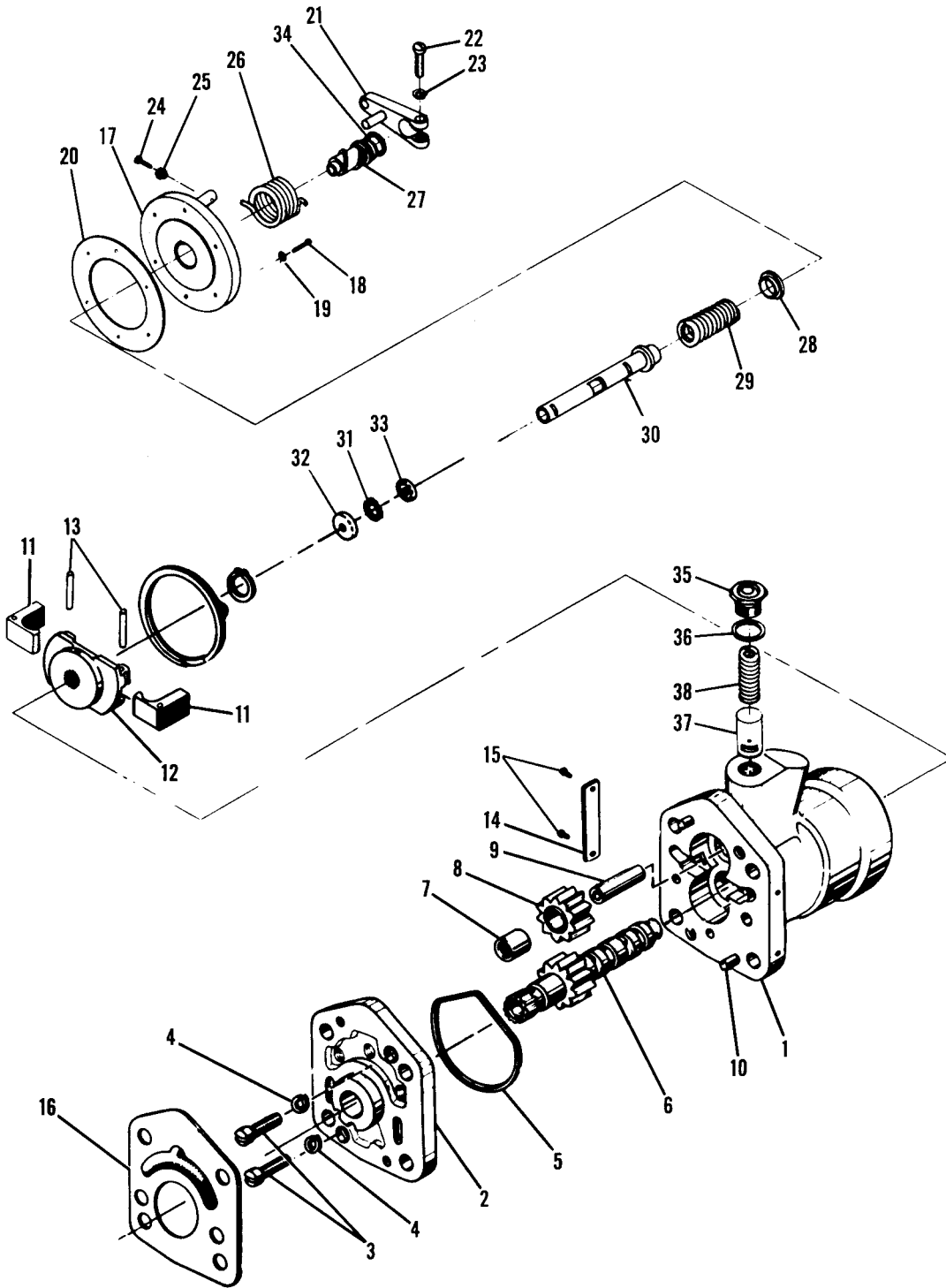


Figure 81. Propeller Governor Assembly-Woodward



FIGURE AND INDEX NO.	PART NUMBER	DESCRIPTION	UNITS PER ASSY	USABLE ON CODE
81 -	C161040-0108 *	PROPELLER GOVERNOR ASSEMBLY-WOODWARD D210452 -----	1	A
	C161040-0106 *	PROPELLER GOVERNOR ASSEMBLY-WOODWARD G210452 -----	1	B
- 1	210253	BODY-GOVERNOR WGV -----	1	
- 2	213214	BASE-GOVERNOR WGV -----	1	
		ATTACHING PARTS		
- 3	189744	SCREW WGV -----	2	
- 4	218547	WASHER WGV -----	2	
- 5	206336	GASKET-BASE WGV -----	1	
		-----*		
- 6	210396	GEAR-PUMP DRIVE WGV -----	1	
- 7	210036	BEARING-NEEDLE WGV -----	1	
- 8	204864	GEAR-PUMP IDLER WGV -----	1	
- 9	210031	STUD-IDLER GEAR WGV -----	1	
-10	210261	PIN-DOWEL WGV -----	2	
	210382	HEAD ASSEMBLY-FLYWEIGHT WGV -----	1	
-11	196195	FLYWEIGHT -----	2	
-12	210393	HEAD-FLYWEIGHT -----	1	
	210394	KEEPER -----	1	
-13	214202	PIN-FLYWEIGHT -----	2	
-14	193385	NAMEPLATE WGV -----	1	
		ATTACHING PARTS		
-15	189574	SCREW -----	2	
		-----*		
-16	MS100009	GASKET-MOUNTING -----	1	
-17	210399	COVER-GOVERNOR WGV -----	1	
		ATTACHING PARTS		
-18	189482	SCREW WGV -----	6	
-19	189739	WASHER WGV -----	6	
-20	206337	GASKET-COVER WGV -----	1	
		-----*		
-21	210039	LEVER ASSEMBLY-SPEED ADJUSTMENT WGV -----	1	
		ATTACHING PARTS		
-22	188434	SCREW WGV -----	1	
-23	188141	WASHER WGV -----	1	
		-----*		
-24	218537	SCREW-STOP WGV -----	1	
-25	188302	NUT WGV -----	1	
-26	191869	SPRING-LEVER RETURN MGW -----	1	
-27	213232	SEAT-SPEED ADJUSTMENT MGW -----	1	
-28	210326	SEAT-SPEEDER SPRING MGW -----	1	
-29	192709	SPRING-SPEEDER MGW -----	1	
	192707	SPRING-SPEEDER MGW -----	1	
-30	210398	PLUNGER ASSEMBLY-PILOT VALVE MGW -----	1	
-31	180231	BEARING-PILOT VALVE WGV -----	1	
-32	213200	RACE-PILOT VALVE BEARING LOWER WGV -----	1	
-33	210216	RACE-PILOT VALVE BEARING UPPER WGV -----	1	
-34	182747	O-RING WGV -----	1	
-35	218446	PLUG-RELIEF VALVE WGV -----	1	
-36	186320	GASKET WGV -----	1	
-37	210257	PLUNGER-RELIEF VALVE WGV -----	1	
-38	192558	SPRING-RELIEF VALVE WGV -----	1	

NOTE. *SEE FIGURE 82 FOR ALTERNATE GOVERNORS

A---210 SERIAL 21059200 & ON
 B---T210 SERIAL 21059200 & ON

Engine (Cont)

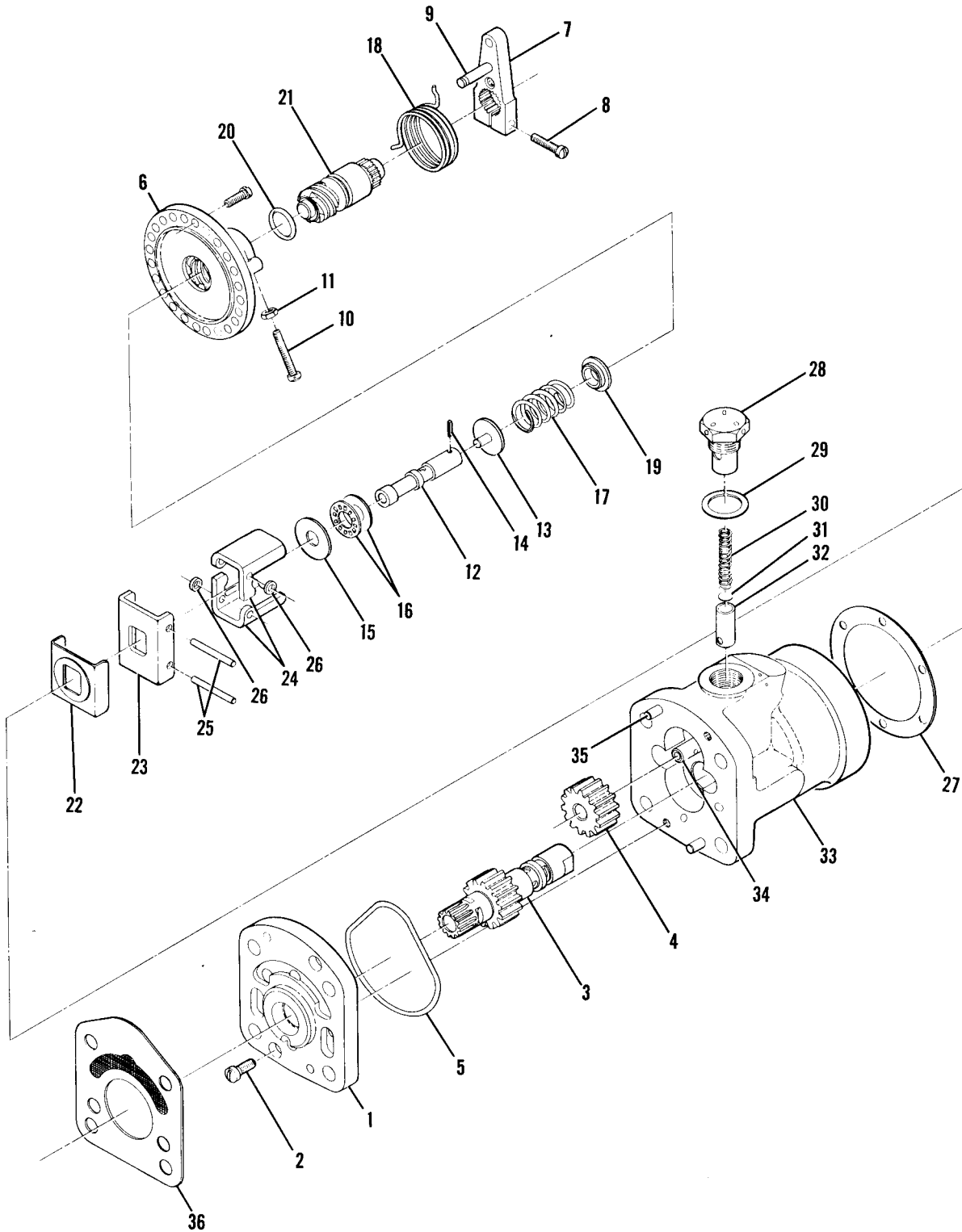
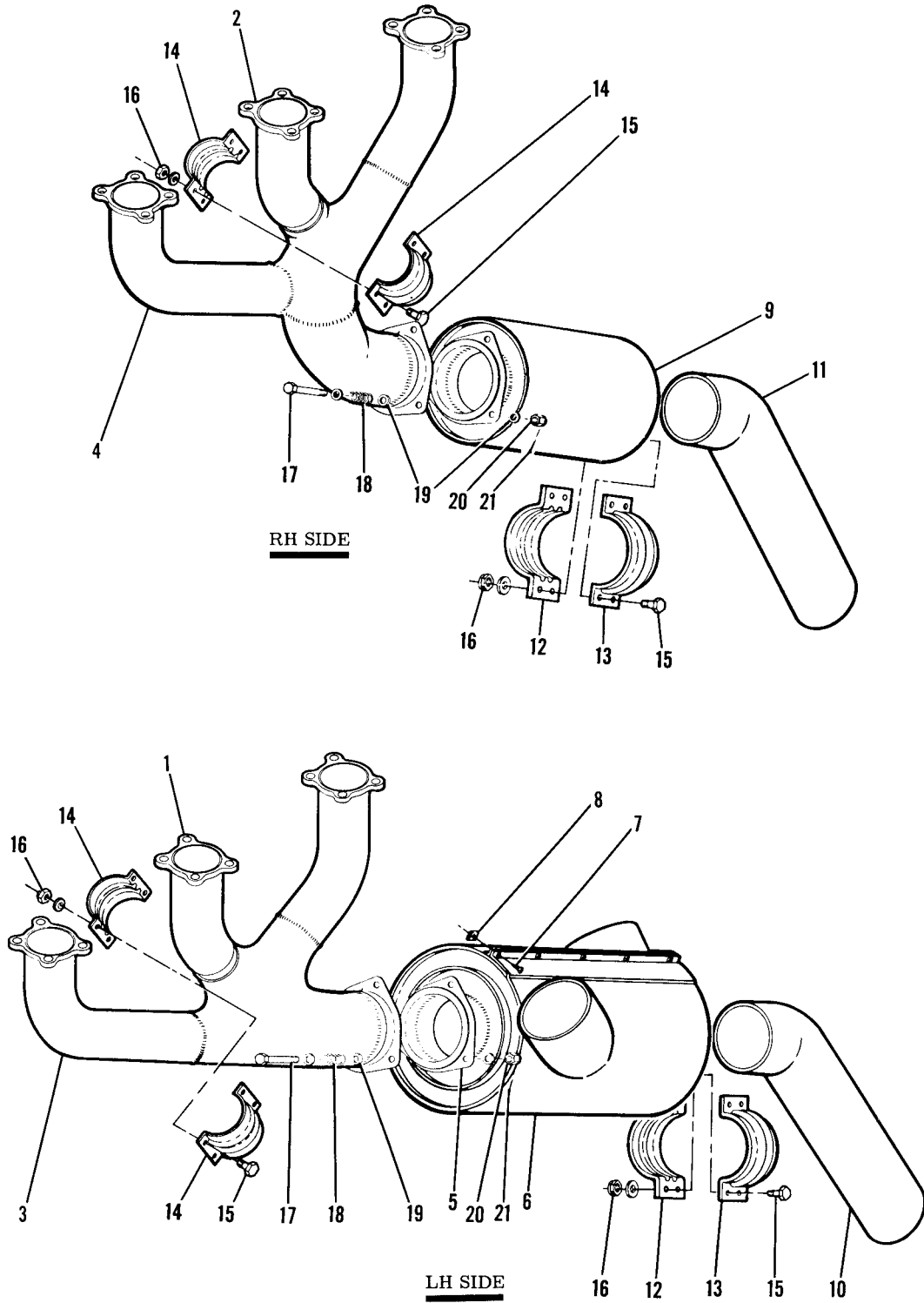


Figure 82. Propeller Governor Assembly-McCauley (Alternate)

FIGURE AND INDEX NO.	PART NUMBER	DESCRIPTION	UNITS PER ASSY	USABLE ON CODE
		1 2 3 4 5 6 7		
82 -	C161030-0104	PROPELLER GOVERNOR ASSEMBLY MCCAULEY ALTERNATE -----	1	A
	C161032-0102 *	WEU C161032-0102 PROPELLER GOVERNOR ASSEMBLY MCCAULEY ALTERNATE -----	1	C
	C161030-0103	PROPELLER GOVERNOR ASSEMBLY MCCAULEY ALTERNATE -----	1	B
	C161032-0101 *	WEU C161032-0101 PROPELLER GOVERNOR ASSEMBLY MCCAULEY ALTERNATE -----	1	D
- 1	C20057	COVER-PUMP HOUSING -----	1	
		ATTACHING PARTS -----		
- 2	AN500A10-8	SCREW -----	2	
		-----*		
- 3	C20073	GEAR-DRIVE -----	1	
- 4	B20074	GEAR-IDLER -----	1	
- 5	A1633-36	O-RING -----	1	
	B20085-2	HEAD ASSEMBLY-CONTROL -----	1	
		ATTACHING PARTS -----		
	AN503-8-8	SCREW -----	6	
		-----*		
- 6	B20055	HOUSING ASSEMBLY-COVER -----	1	
- 7	A20039	LEVER ASSEMBLY-CONTROL -----	1	
		ATTACHING PARTS -----		
- 8	AN503-8-12	SCREW -----	1	
		-----*		
- 9	A20034	PIN-TORSION SPRING -----	1	
-10	AN503-8-16	SCREW -----	2	
-11	AN340-8	NUT -----	2	
	A20083	PILOT SPOOL & END FITTING ASSEMBLY -----	1	
-12	B20066	SPOOL-PILOT -----	1	
-13	A20067	END FITTING-SPOOL -----	1	
		ATTACHING PARTS -----		
-14	A20037	ROLL PIN -----	1	
		-----*		
-15	A20071	RACE-BEARING -----	1	
-16	A20086	BEARING-THRUST -----	1	
-17	A20069-1	SPRING-SPEEDER -----	1	B
	A20069-2	SPRING-SPEEDER MGVS -----	1	A
-18	B20040	SPRING-TORSIONAL -----	1	
-19	A20068	SEAT-SPRING -----	1	
-20	MS28775-113	O-RING -----	1	
-21	C20075	SHAFT-CONTROL -----	1	
	A20084B	DRIVE DISC & FLYWEIGHT ASSEMBLY -----	1	
-22	B20060	CAP-DRIVE DISC -----	1	
-23	A20063A	DISC-DRIVE -----	1	
-24	A20064	FLYWEIGHT -----	2	
		ATTACHING PARTS -----		
-25	A20070A	PIN-FLYWEIGHT -----	2	
-26	A20072A	SPACER-FLYWEIGHT -----	2	
		-----*		
-27	A20022	GASKET-COVER -----	1	
-28	A20076	PLUG-RELIEF VALVE -----	1	
-29	A20078	WASHER -----	1	
-30	A20079	SPRING-PRESSURE RELIEF -----	1	
-31	A20081	SHIM-PRESSURE RELIEF -----	1	AR
-32	B20077	PISTON -----	1	
-33	B20082	BODY ASSEMBLY-GOVERNOR -----	1	
-34	A20026	STUD-IDLER GEAR -----	1	
-35	A20027	PIN-DOWEL -----	2	
-36	MS100009	GASKET-MOUNTING -----	1	
NOTE. *FOR DETAIL PARTS OF THIS GOVERNOR ASSY-SEE APPLICABLE MCCAULEY MANUAL.				
A---210 SERIAL 21059200 THRU 21060059				
B---T210 SERIAL 21059200 THRU 21060059				
C---210 SERIAL 21060060 & ON				
D---T210 SERIAL 21060060 & ON				

Engine (Cont)

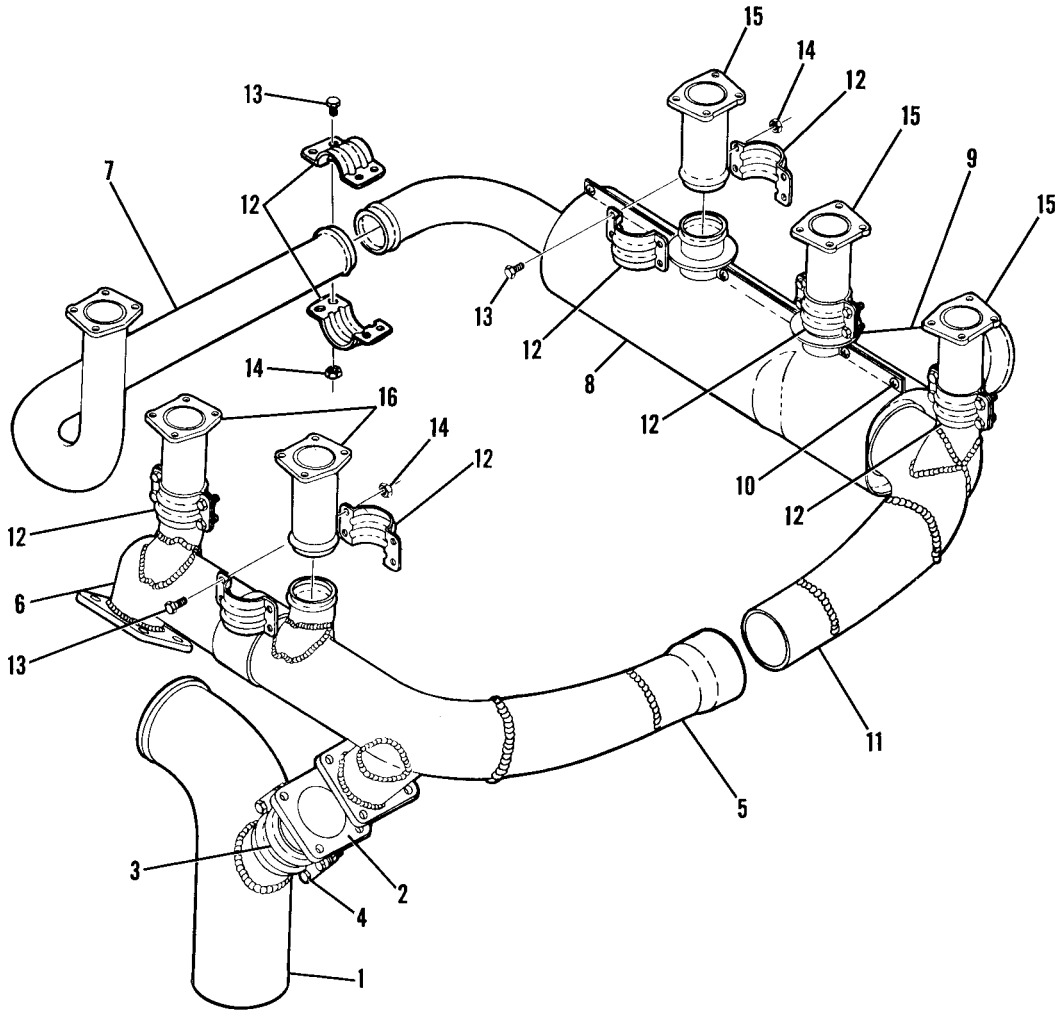


210 SERIAL 21059200 & ON

Figure 83. Exhaust Stack Assembly

FIGURE AND INDEX NO.	PART NUMBER	DESCRIPTION	UNITS PER ASSY	USABLE ON CODE
		1 2 3 4 5 6 7		
83 -	1250256-1	EXHAUST STACK ASSEMBLY-LH -----	1	A
	1250257-9	EXHAUST STACK ASSEMBLY-RH -----	1	A
- 1	1250250-7	STACK ASSEMBLY-CENTER UPPER LH -----	1	
- 2	1250251-9	STACK ASSEMBLY-CENTER UPPER RH -----	1	
- 3	1250256-3	COLLECTOR ASSEMBLY-LH -----	1	
- 4	1250257-3	COLLECTOR ASSEMBLY-RH -----	1	
	1250250-2	MUFFLER ASSEMBLY-LH -----	1	
- 5	1250250-5	CORE ASSEMBLY-MUFFLER LH -----	1	
- 6	1250250-6	SHROUD ASSEMBLY-MUFFLER LH -----	1	
		ATTACHING PARTS		
- 7	AN515-8-8	SCREW -----	5	
- 8	A6052-832-3	NUT TIN -----	5	
		---*---		
- 9	1250251-16	MUFFLER-RH -----	1	
-10	1250256-7	TAILPIPE ASSEMBLY-LH -----	1	
-11	1250257-7	TAILPIPE ASSEMBLY-RH -----	1	
-12	1250201-8	CLAMP -----	2	
-13	1250201-14	CLAMP -----	2	
-14	1250201-12	CLAMP -----	4	
		ATTACHING PARTS		
-15	AN3-4A	BOLT -----	2	
-16	MS20364-1032C	NUT -----	2	
		---*---		
-17	AN3-15	BOLT -----	6	
-18	1250250-30	SPRING -----	6	
-19	AN960-10	WASHER -----	18	
-20	AN310-3	NUT -----	6	
-21	MS24665-134	PIN-COTTER -----	6	
A---210 SERIAL 21059200 & ON				

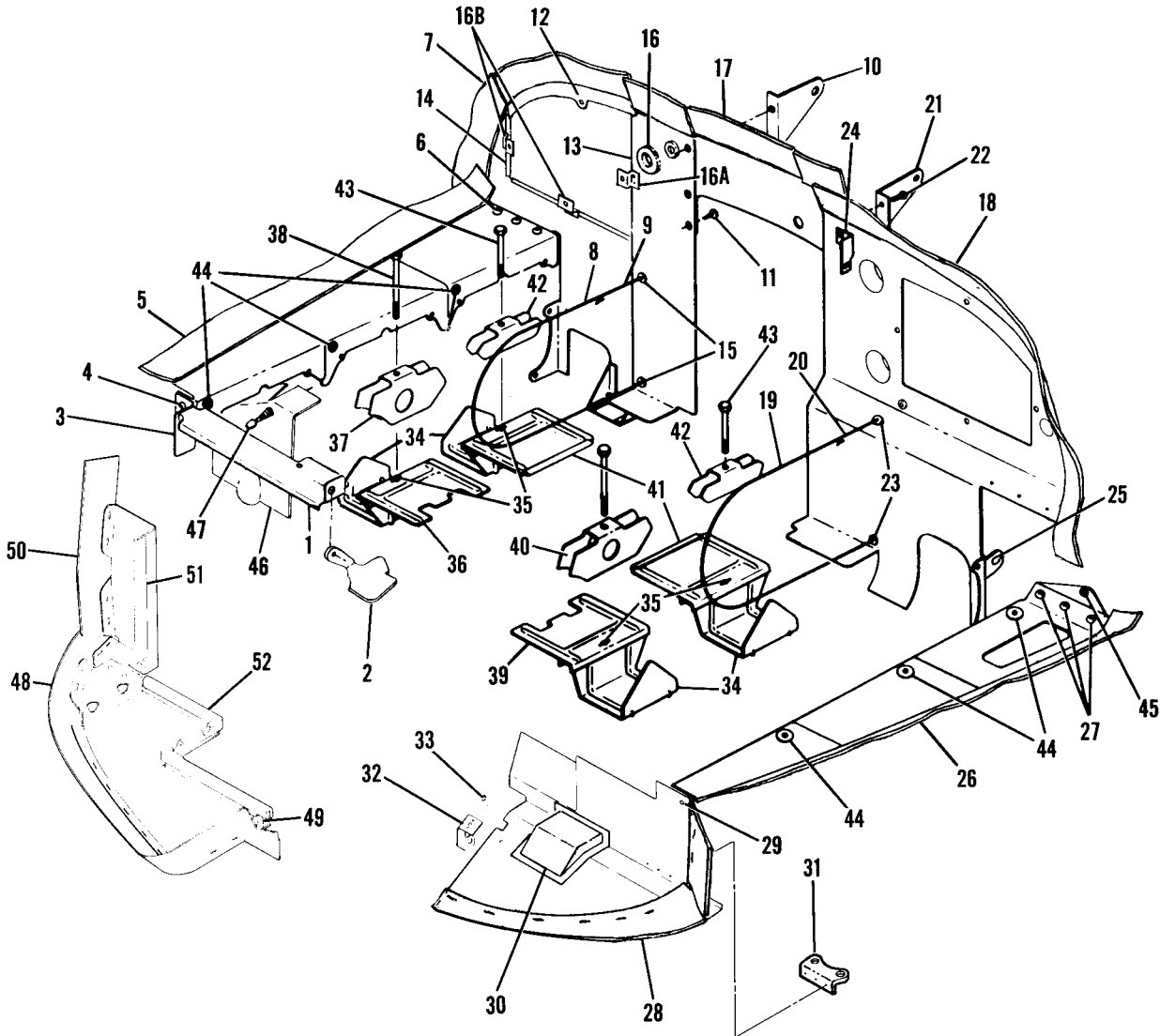
Engine (Cont)



T210 SERIAL 21059200 & ON
Figure 84. Exhaust System Components

FIGURE AND INDEX NO.	PART NUMBER	DESCRIPTION	UNITS PER ASSY	USABLE ON CODE
		1 2 3 4 5 6 7		
84 -		EXHAUST SYSTEM COMPONENTS -----	NP	A
- 1	1250860-97	TAILPIPE ASSEMBLY WEU 1250860-110 -----	1	
	1250860-110	TAILPIPE ASSEMBLY -----	1	
- 2	1250860-78	ADAPTER ASSEMBLY-BY PASS -----	1	
- 3	1250860-28	CLAMP HALF -----	2	
		ATTACHING PARTS		
- 4	AN3-4A	BOLT -----	4	
	MS20364-1032C	NUT -----	4	
		-----*		
- 5	1250860-104 *	EXHAUST STACK ASSEMBLY-FRONT RIGHT -----	1	
- 6	1250860-105 *	EXHAUST STACK ASSEMBLY-TURBO INLET -----	1	
- 7	1250860-90	EXHAUST STACK ASSEMBLY-NO. 1 CYLINDER -----	1	
- 8	1250860-64	SHROUD ASSEMBLY-INBOARD -----	1	
- 9	1250860-65	SHROUD ASSEMBLY-OUTBOARD -----	1	
		ATTACHING PARTS		
-10	AN515-8-8	SCREW -----	12	
	A6052-832-3	NUT TIN -----	12	
		-----*		
-11	1250860-203	EXHAUST STACK ASSEMBLY-LEFT SIDE -----	1	
-12	1250860-29	CLAMP HALF -----	12	
		ATTACHING PARTS		
-13	AN3-4A	BOLT -----	4	
-14	MS20364-1032C	NUT -----	4	
		-----*		
-15	1250860-100	RISER ASSEMBLY -----	3	
-16	1250860-100 *	RISER ASSEMBLY -----	2	
<p>NOTE. WHEN ORDERING PARTS MARKED * ALSO ORDER 1250818-200 & 1250818-201 SUPPORTS FROM FIGURE 79. REFER TO SERVICE MANUAL FOR INSTALLATION.</p> <p>A---T210 SERIAL 21059200 & ON</p>				

Engine (Cont)



210 SERIAL 21059200 THRU 21060089

Figure 85. Engine Baffles Installation

FIGURE AND INDEX NO.	PART NUMBER	DESCRIPTION	UNITS PER ASSY	USABLE ON CODE
		1 2 3 4 5 6 7		
85 -		ENGINE BAFFLES INSTALLATION -----	NP	A
- 1	0700309-2	BAFFLE ASSEMBLY -----	1	
- 2	0750152-4	BAFFLE-OIL COOLER INBD -----	1	
- 3	0700309-3	BRACKET -----	1	
		ATTACHING PARTS		
- 4	S102126-6	SCREW -----	1	
		---*---		
- 5	1250100-8	BAFFLE ASSEMBLY-RH -----	1	
		ATTACHING PARTS		
- 6	S102126-6	SCREW -----	3	
	NAS446-2-3	NUT -----	3	
		---*---		
- 7	1250100-42	BAFFLE ASSEMBLY-REAR RH -----	1	
		ATTACHING PARTS		
- 8	0450277-9	FASTENER -----	1	
- 9	0450277-3	FASTENER -----	1	
-10	1250105-2	SUPPORT-BAFFLE RH -----	1	
-11	S102126-6	SCREW -----	4	
	NAS446-2-3	NUT -----	4	
		---*---		
-12	1250719-4	STRAP ASSEMBLY-AIR FILTER -----	1	
		ATTACHING PARTS		
	S102126-6	SCREW -----	2	
	NAS446-2-3	NUT -----	2	
		---*---		
-13	S1055-1	CHANNEL 5.50 IN LG BULK ITEM REF S1055-1-5.50 -----	1	
-14	S1055-1	CHANNEL 13.0 IN LG BULK ITEM REF S1055-1-13.0 -----	1	
-15	MS20230820	GROMMET -----	2	
-16	MS35489-11	GROMMET -----	1	
-16A	1250133-7	CLIP -----	1	
-16B	1250133-8	CLIP -----	2	
-17	1250100-12	BAFFLE ASSEMBLY-REAR CENTER -----	1	
-18	1250100-41	BAFFLE ASSEMBLY-REAR LH -----	1	
		ATTACHING PARTS		
-19	0450277-9	FASTENER -----	1	
-20	0450277-6	FASTENER -----	1	
-21	1250105-1	SUPPORT-BAFFLE LH -----	1	
-22	S102126-6	SCREW -----	4	
	NAS446-2-3	NUT -----	4	
		---*---		
-23	MS20230820	GROMMET -----	2	
-24	1250106-1	CLIP -----	1	
-25	1250138-1	BRACKET-FUEL DRAIN -----	1	
-26	1250100-15	BAFFLE ASSEMBLY-LH -----	1	
		ATTACHING PARTS		
-27	S102126-6	SCREW -----	3	
	NAS446-2-3	NUT -----	3	
		---*---		
-28	1250137-4	BAFFLE ASSEMBLY-FORWARD LH -----	1	
		ATTACHING PARTS		
-29	S102126-6	SCREW -----	2	
	NAS446-2-3	NUT -----	2	
		---*---		
	1250137-2	SEAL-LOWER -----	1	
	1250137-3	SEAL-SIDE -----	1	
-30	1250866-1	CUP -----	1	
-31	1250903-2	BRACKET-BAFFLE SUPPORT -----	1	
-32	1250135-1	BRACKET ASSEMBLY -----	1	
		ATTACHING PARTS		
-33	AN515-8R8	SCREW -----	1	
		---*---		
	NAS697A08	NUTPLATE -----	1	
-34	0750135-1	BAFFLE ASSEMBLY-INTER CYLINDER -----	4	
-35	NAS686A3	NUTPLATE -----	1	
-36	0750135-3	BAFFLE-FORWARD RH INTER CYLINDER -----	1	
		ATTACHING PARTS		
-37	0851700-96	SUPPORT -----	1	
-38	AN3-71A	BOLT -----	1	
		---*---		
-39	0750135-3	BAFFLE-FORWARD LH INTER CYLINDER -----	1	
		ATTACHING PARTS		
-40	0851700-96	SUPPORT -----	1	
	AN3-71A	BOLT -----	1	
		---*---		

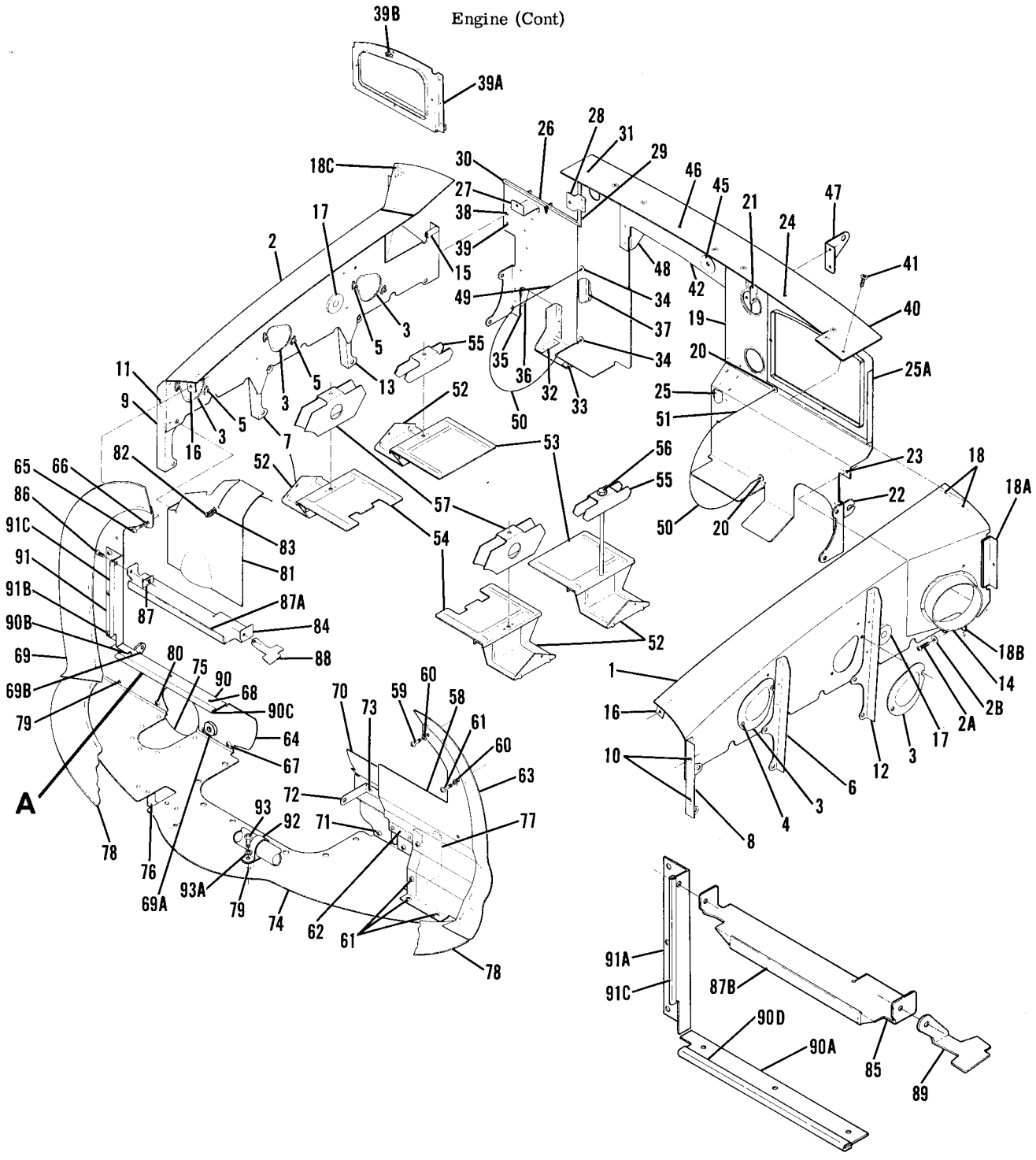
CONTINUED ON NEXT PAGE

FIGURE AND INDEX NO.	PART NUMBER	DESCRIPTION	UNITS PER ASSY	USABLE ON CODE
85 -41	0750135-4	BAFFLE-REAR INTER CYLINDER ----- ATTACHING PARTS	2	
-42	0750117-31	SUPPORT -----	1	
-43	AN3-62A	BOLT ----- -----*	1	
-44	MS35489-12	GROMMET -----	6	
-45	MS35489-6	GROMMET -----	1	
-46	1250134-1	BAFFLE-NO. 5 CYLINDER -----	1	
-47	0450277-10	FASTENER-BAFFLE -----	1	
	1255000-1	BAFFLE ASSEMBLY-OIL COOLER -----	1	
-48	1255000-2	SEAL-BAFFLE -----	1	
-49	0851700-98	TAB -----	1	
-50	0700318-7	SEAL-BAFFLE -----	1	
-51	S202R	CHANNEL 5.00 IN LG BULK ITEM REF S202R05.00B -----	1	
-52	S202R	CHANNEL 11.80 IN LG BULK ITEM REF S202R11.80B -----	1	
A---210 SERIAL 21059200 THRU 21060089				

FIGURE AND INDEX NO.	PART NUMBER	DESCRIPTION	UNITS PER ASSY	USABLE ON CODE
		1 2 3 4 5 6 7		
85A-		ENGINE BAFFLES INSTALLATION -----	NP	A
- 1		BAFFLE ASSY-SIDE VERTICAL LH FSD 1255007-14 -----	1	B
	1255007-14	BAFFLE ASSY-SIDE VERTICAL LH -----	1	C
- 2		BAFFLE ASSY-SIDE VERTICAL RH FSD 1255007-16 -----	1	B
	1255007-16	BAFFLE ASSY-SIDE VERTICAL RH -----	1	C
		ATTACHING PARTS		
- 2A	AN520-10RB	SCREW -----	1	
- 2B	AN960-10	WASHER -----	1	
		---*---		
- 3		CUP-LH -----	2	
	1250961-5	CUP-RH -----	3	
	1250961-5	ATTACHING PARTS		
- 4	AN525-832R8	SCREW -----	2	
- 5	NAS680A08	NUTPLATE -----	2	
		---*---		
- 6	1250969-5	SUPPORT-LH -----	1	
- 7	1250969-6	SUPPORT-RH -----	1	
- 8	1255007-7	BRACKET ASSY-LH -----	1	
- 9	1255007-8	BRACKET ASSY-RH -----	1	
-10	NAS682A3	NUTPLATE-LH BRACKET -----	2	
-11	NAS680A3	NUTPLATE-RH BRACKET -----	1	
-12	1250969-11	SUPPORT-LH -----	1	
-13	1250969-12	SUPPORT-RH -----	1	
-14	0713019-33	UNION-LH ONLY -----	1	
-15	S1055-1	SEAL 1.00 IN LG BKI REF S1055-1-1.00 RH ---	1	B
		ONLY		
-16	1255027-1	BRACKET-ANGLE -----	1	
-17	MS35489-15	GROMMET -----	1	
-18	NAS680A08	NUTPLATE -----	1	
-18A	1255007-19	BRACKET-LH -----	1	
-18B	1255007-18	ANGLE-LH -----	1	
-18C	1255007-10	CLIP -----	1	B
		BAFFLE ASSY-REAR VERTICAL LH FSD 1255008-11 -----	1	B
	1255008-11	BAFFLE ASSY-REAR VERTICAL LH -----	1	C
-20	MS20230B20	GROMMET -----	2	
-21	1250106-1	CLIP -----	1	
-22	1250138-1	BRACKET -----	1	
-23	NAS682A3	NUTPLATE -----	1	
-24	NAS681A08	NUTPLATE -----	3	
-25	1250101-10	DOUBLER -----	1	B
	1250101-42	DOUBLER -----	1	C

CONTINUED ON NEXT PAGE

Engine (Cont)



USED WITH NON CONGEALING OIL COOLER

Detail **A**

210 SERIAL 21060090 & ON

Figure 85A. Engine Baffles Installation

FIGURE AND INDEX NO.	PART NUMBER	DESCRIPTION	UNITS PER ASSY						USABLE ON CODE	
			1	2	3	4	5	6		7
85A-25A	1252606-1	DOUBLER-AIR FILTER LH AFT -----							1	C
-26		BAFFLE ASSY-REAR VERTICAL RH FSD 1255008-14 -----							1	B
	1255008-14	BAFFLE ASSY-REAR VERTICAL RH -----							1	C
-27	1250133-8	CLIP -----							1	B
-28	1250133-7	CLIP -----							1	B
-29	S202RB	CHANNEL 5.50 IN LG BKI REF S202R550B -----							1	B
-30	S202RB	CHANNEL 6.12 IN LG BKI REF S202R612B -----							1	B
-31	NAS681A08	NUTPLATE -----							2	
-32	1250973-1	BRACKET -----							1	
-33	1250973-2	BRACKET -----							1	
-34	MS20230820	GROMMET -----							2	
-35	1250219-3	DOUBLER -----							1	
-36	1250217-2	DOUBLER -----							1	
-37	1250218-1	REINFORCEMENT -----							1	
-38	NAS682A3	NUTPLATE -----							1	
-39	NAS680A3	NUTPLATE -----							1	
-39A	1250016-1	DOUBLER-AIR FILTER RH AFT -----							1	C
-39B	1250017-1	CLIP -----							1	C
-40	1255011-6	PLATE -----							1	
		ATTACHING PARTS								
-41	AN507-832R8	SCREW -----							10	
		-----*								
-42	1255008-12	BAFFLE ASSY-AFT VERTICAL CENTER -----							1	
		ATTACHING PARTS								
	S102126-6	SCREW -----							1	
	NAS446-2-3	NUT -----							1	
		-----*								
-43		DELETED-NOT USED -----								
-44		DELETED-NOT USED -----								
-45	MS35489-7	GROMMET -----							1	
-46	NAS681A08	NUTPLATE -----							3	
-47	1250971-1	BRACKET-LH -----							1	
-48	1250971-2	BRACKET-RH -----							1	
		ATTACHING PARTS								
	S102126-6	SCREW -----							2	
	NAS446-2-3	NUT -----							2	
		-----*								
-49	0450277-3	FASTENER -----							1	
	0450277-11	SPRING -----							1	
-50	0450277-9	FASTENER -----							2	
	0450277-11	SPRING -----							2	
-51	0450277-6	FASTENER -----							1	
	0450277-11	SPRING -----							1	
-52	0750135-1	BAFFLE ASSY -----							4	
	NAS686A3	NUTPLATE -----							1	
-53	0750135-4	BAFFLE -----							2	
-54	0750135-3	BAFFLE -----							2	
-55	0750117-31	SUPPORT -----							2	
		ATTACHING PARTS								
-56	AN3-62A	BOLT -----							1	
	WASHER	WASHER -----							1	
		-----*								
-57	0851700-96	SUPPORT -----							2	
		ATTACHING PARTS								
	AN3-71A	BOLT -----							1	
	AN960-10	WASHER -----							1	
		-----*								
-58	1255009-8	BAFFLE ASSY-FORWARD LWR LH -----							1	
		ATTACHING PARTS								
-59	S102128-8	SCREW -----							1	
-60	AN960-10	WASHER -----							7	
-61	AN520-10R8	SCREW -----							6	
		-----*								
-62	1250967-14	BAFFLE -----							1	
-63	1255009-3	SEAL-BAFFLE -----							1	
-64		BAFFLE ASSY-FORWARD LWR RH FSD 1255010-8 -----							1	B
	1255010-8	BAFFLE ASSY-FORWARD LWR RH -----							1	C
		ATTACHING PARTS								
-65	S102128-8	SCREW -----							1	
-66	AN960-10	WASHER -----							6	
-67	AN520-10R8	SCREW -----							5	
		-----*								
-68	NAS680A3	NUTPLATE -----							3	
-69	1255010-3	SEAL-BAFFLE -----							1	
-69A	MS35489-7	GROMMET -----							1	C
-69B	1255029-1	BRACKET-SUPPORT -----							1	C

CONTINUED ON NEXT PAGE

FIGURE AND INDEX NO.	PART NUMBER	DESCRIPTION							UNITS PER ASSY	USABLE ON CODE	
		1	2	3	4	5	6	7			
85A-70	1250966-1	BAFFLE ASSY-FORWARD LWR LH -----							1		
		ATTACHING PARTS									
-71	AN520-10R8	SCREW -----							2		
	AN960-10	WASHER -----							2		
		-----*-----									
-72	1250966-3	BRACKET -----							1		
-73	AN520-10R6	SCREW -----							2		
	NAS680A3	NUTPLATE -----							2		
-74	1255006-4	BAFFLE ASSY-FORWARD LWR HORIZONTAL -----							1		
-75	1250958-5	CUP-SHIELD -----							1		
-76	1250958-6	SUPPORT -----							1		
-77	1250958-4	BAFFLE -----							1		
-78	1255006-5	SEAL-BAFFLE -----							1		
-79	NAS680A3	NUTPLATE -----							6		
-80	NAS682A3	NUTPLATE -----							4		
-81	1250134-1	BAFFLE -----							1		
		ATTACHING PARTS									
	S1021Z6-6	SCREW -----							2		
	AN960-416	WASHER -----							2		
	NAS446-2-3	NUT -----							2		
		-----*-----									
-82	0450277-10	FASTENER -----							1		
-83	0450277-11	SPRING -----							1		
-84	1255019-4	*	BAFFLE ASSY-OIL COOLER -----						1		
-85	1255025-1	%	BAFFLE ASSY-OIL COOLER -----						1		
			ATTACHING PARTS								
-86	S1021Z10-8		SCREW -----						1		
-87	NAS446-5-3		NUT -----						1		
			-----*-----								
-87A	S202RB	*	CHANNEL	7.70 IN LG	BKI	REF S202R0770B	-----	1			
-87B	S202RB	%	CHANNEL	5.85 IN LG	BKI	REF S202R0585B	-----	1			
-88	0750152-4	*	BAFFLE -----						1		
-89	0750152-3	%	BAFFLE -----						1		
-90	1255026-1	*	BAFFLE ASSY-LWR -----						1		
-90A	1255026-3	%	BAFFLE ASSY-LWR -----						1		
			ATTACHING PARTS								
-90B	AN520-10R8		SCREW -----						3		
	AN960-10		WASHER -----						3		
			-----*-----								
-90C	S202RB	*	CHANNEL	7.95 IN LG	BKI	REF S202R0795B	-----	1			
-90D	S202RB	%	CHANNEL	7.45 IN LG	BKI	REF S202R0745B	-----	1			
-91	1255020-5	*	BAFFLE ASSY-OIL COOLER END FSD 1255020-5 -----						1	D	
-91A	1255020-1	%	BAFFLE ASSY-OIL COOLER END -----						1	E	
			ATTACHING PARTS								
-91B	S1021Z10-8		SCREW -----						3		
	NAS446-5-3		NUT -----						3		
			-----*-----								
-91C	S202RB	%	CHANNEL	5.21 IN LG	BKI	REF S202RB0521B	-----	1			
	S202RB	*	CHANNEL	5.21 IN LG	BKI	REF S202RB0521B	-----	1	D		
	S202RB	*	CHANNEL	3.68 IN LG	BKI	REF S202RB0368B	-----	1	E		
-92	AN742-22		CLAMP -----						2		
			ATTACHING PARTS								
-93	AN520-10R8		SCREW -----						1		
-93A	AN960-10		WASHER -----						1		
			-----*-----								

NOTE. *THESE PARTS ARE USED ON AIRCRAFT EQUIPPED WITH STANDARD OIL COOLER.

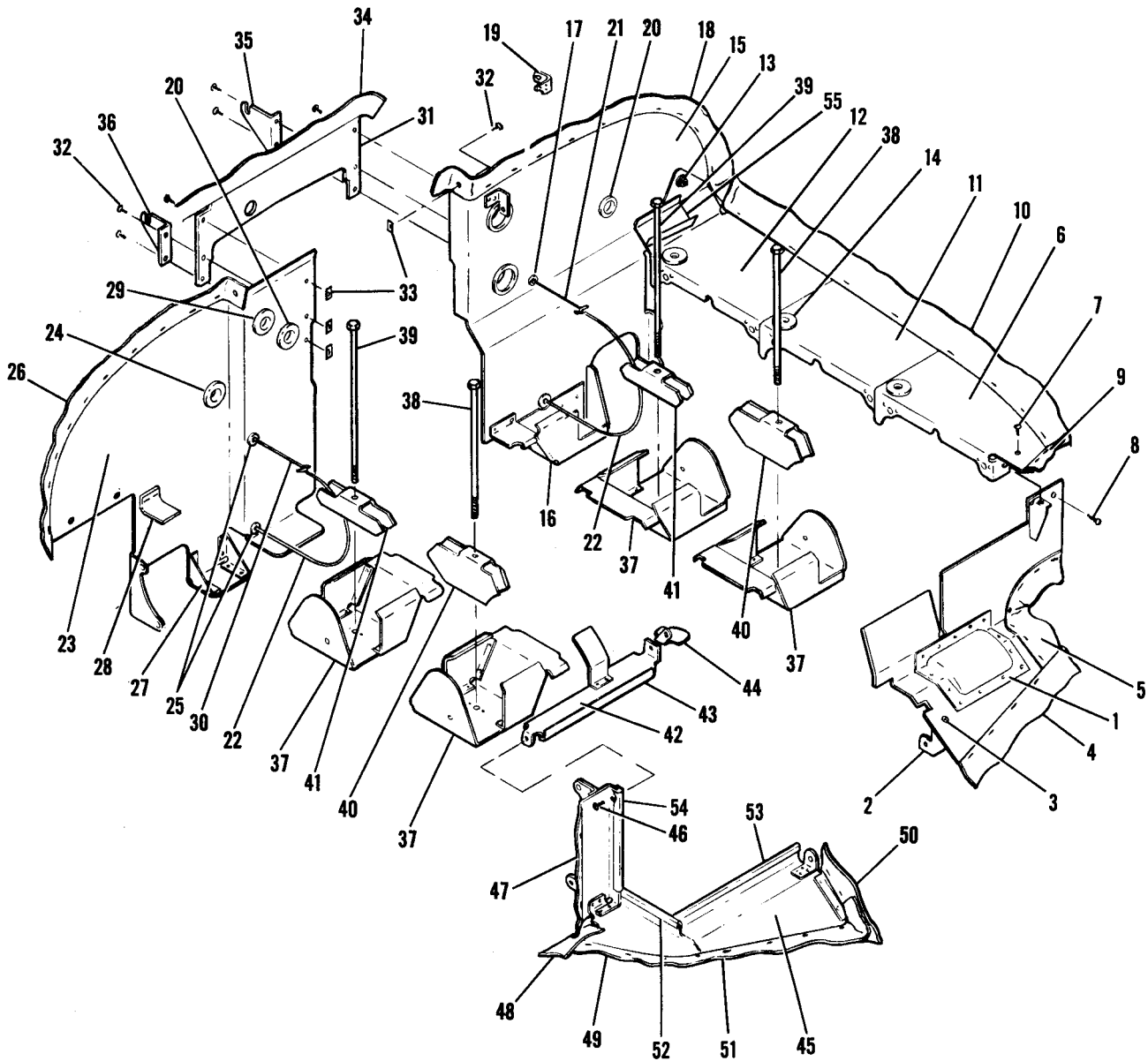
NOTE. %THESE PARTS ARE USED ON AIRCRAFT EQUIPPED WITH NON CONGEALING OIL COOLER.

A---210 SERIAL 21060090 & ON
 B---210 SERIAL 21060090 THRU 21060305
 C---210 SERIAL 21060306 & ON
 D---210 SERIAL 21060090 THRU 21060460
 E---210 SERIAL 21060461 & ON



FIGURE AND INDEX NO.	PART NUMBER	DESCRIPTION	UNITS PER ASSY	USABLE ON CODE
86 -		1 2 3 4 5 6 7 ENGINE BAFFLES INSTALLATION -----	NP	A
- 1	1250868-1	BAFFLE ASSEMBLY-LH FRONT -----	1	
- 2	1250135-3	BRACKET ASSEMBLY -----	1	
- 3	AN515-8R8	ATTACHING PARTS -----		
- 4	NAS697A08	SCREW -----	1	
- 5	1250868-2	-----*-----		
- 5	1250868-3	NUTPLATE -----	1	
- 5	1250829-6	SEAL -----	1	
- 5	1250829-6	SEAL -----	1	
- 5	1250829-6	BAFFLE ASSEMBLY-LH -----	1	
CONTINUED ON NEXT PAGE				

Engine (Cont)

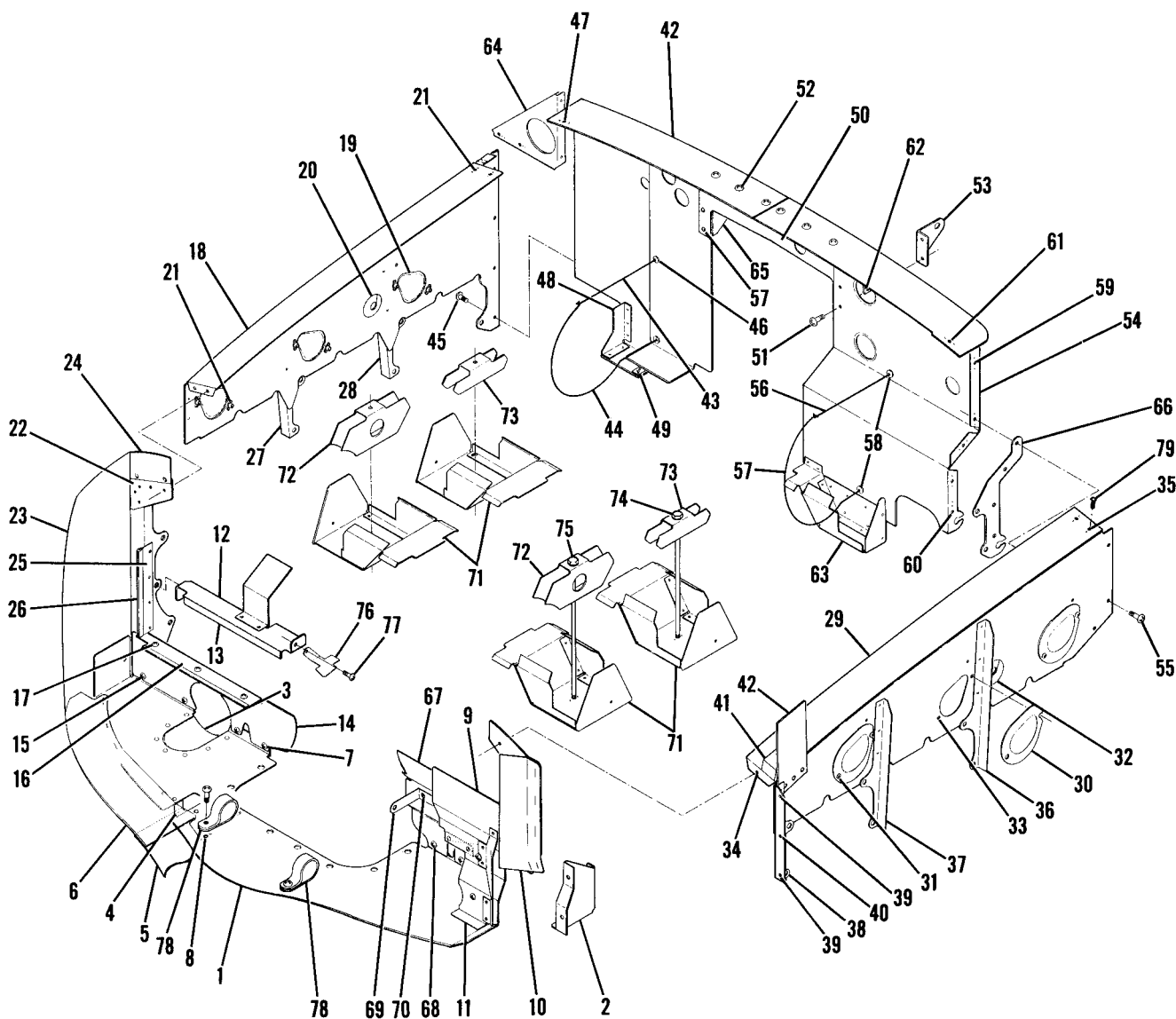


T210 SERIAL 21059200 THRU 21060089

Figure 86. Engine Baffles Installation

FIGURE AND INDEX NO.	PART NUMBER	DESCRIPTION	UNITS PER ASSY	USABLE ON CODE
		1 2 3 4 5 6 7		
86 - 6	1250869-1	BAFFLE-HORIZONTAL FORWARD ----- ATTACHING PARTS -----	1	
- 7	AN520-8R5	SCREW -----	1	
- 8	S1021Z6-6	SCREW -----	1	
	NAS446-2-3	NUT -----	1	
		---*---		
- 9	1250829-8	SEAL -----	1	
-10	1250829-7	SEAL -----	1	
-11	1250870-1	BAFFLE ASSEMBLY-HORIZONTAL CENTER -----	1	
-12	1250871-1	BAFFLE ASSEMBLY-HORIZONTAL AFT ----- ATTACHING PARTS -----	1	
-13	AN3-5A	BOLT -----	1	
	NAS43DD3-12	SPACER -----	1	
	AN960-10L	WASHER -----	1	
	MS20364-1032C	NUT -----	1	
		---*---		
-14	MS35489-12	GROMMET -----	3	
-15	1250829-15	BAFFLE ASSEMBLY-LH REAR VERTICAL -----	1	
-16	1250827-1	BAFFLE ASSEMBLY-REAR CYLINDER -----	1	
-17	MS20230820	GROMMET -----	2	
-18	1250100-5	SEAL -----	1	
-19	1250138-1	BRACKET-STRAINER DRAIN CONTROL -----	1	
-20	MS35489-12	GROMMET -----	2	
-21	0450277-6	FASTENER -----	1	
-22	0450277-9	FASTENER -----	2	
-23	1250829-12	BAFFLE ASSEMBLY-RH REAR VERTICAL -----	1	
-24	MS35489-5	GROMMET -----	1	
-25	MS20230820	GROMMET -----	2	
-26	1250100-3	SEAL -----	1	
-27	0750128-11	BRACKET -----	1	
-28	1250829-9	SEAL-BAFFLE -----	1	
-29	MS35489-20	GROMMET -----	1	
-30	0450277-3	FASTENER -----	1	
-31	1250829-11	BAFFLE-REAR CENTER ----- ATTACHING PARTS -----	1	
-32	S1021Z6-6	SCREW -----	8	
-33	NAS446-2-3	NUT -----	8	
		---*---		
-34	1250100-4	SEAL -----	1	
-35	1250105-1	SUPPORT-BAFFLE LH -----	1	
-36	1250105-2	SUPPORT-BAFFLE RH -----	1	
-37	1250828	BAFFLE-INTER CYLINDER ----- ATTACHING PARTS -----	4	
-38	1250825-1	BOLT FORWARD -----	2	
-39	AN3-77A	BOLT AFT -----	2	
-40	0851700-96	SUPPORT FORWARD -----	2	
-41	0750117-31	SUPPORT AFT -----	2	
		---*---		
-42	1250888-1	BAFFLE ASSEMBLY WEU 1255005-1 -----	1	B
	1255005-1	BAFFLE ASSEMBLY -----	1	C
-43	S202RB	MOULDING 7.30 IN LG BULK ITEM REF S202R0730B --	1	B
	S202RB	MOULDING 6.00 IN LG BULK ITEM REF S202R0600B --	1	C
-44	0750152-3	BAFFLE -----	1	
-45	1250881-7	BAFFLE ASSEMBLY-OIL COOLER ----- ATTACHING PARTS -----	1	
-46	S1021Z6-6	SCREW -----	1	
	NAS446-2-3	NUT -----	1	
		---*---		
-47	1250881-4	SEAL -----	1	
-48	1250881-3	SEAL -----	1	
-49	1250881-2	SEAL -----	1	
-50	1250881-5	SEAL -----	1	
-51	1280881-8	SEAL -----	1	
-52	S202RB	MOULDING 3.52 IN LG BULK ITEM REF S202R0350B -----	1	
-53	S202RB	MOULDING 7.87 IN LG BULK ITEM REF S202R0787B -----	1	
-54	S202RB	MOULDING 5.65 IN LG BULK ITEM REF S202R0565B -----	1	
-55	1250946-1	DRIP SHIELD-OIL SEPARATOR -----	1	D
		A---T210 SERIAL 21059200 THRU 21060089		
		B---T210 SERIAL 21059200 THRU 21059503		
		C---T210 SERIAL 21059504 THRU 21060089		
		D---T210 SERIAL 21059200 THRU 21059809		
		21059811 THRU 21059818		

Engine (Cont)



T210 SERIAL 21060090 & ON
Figure 86A. Engine Baffles Installation

FIGURE AND INDEX NO.	PART NUMBER	DESCRIPTION	UNITS PER ASSY	USABLE ON CODE
		1 2 3 4 5 6 7		
86A-		ENGINE BAFFLES INSTALLATION -----	NP	A
- 1	1250958-11	BAFFLE ASSEMBLY-FORWARD LOWER HORIZONTAL -----	1	
- 2	1250958-3	BAFFLE ASSEMBLY -----	1	
	NAS680A3	NUTPLATE -----	2	
- 3	1250958-5	CUP-SHIELD -----	1	
- 4	1250958-6	SUPPORT-BAFFLE RH -----	1	
- 5	1250958-9	SEAL-BAFFLE LH -----	1	
- 6	1250958-8	SEAL-BAFFLE RH -----	1	
- 7	NAS680A3	NUTPLATE -----	4	
- 8	NAS682A3	NUTPLATE -----	5	
- 9	1250967-12	BAFFLE ASSEMBLY-FORWARD LH -----	1	
-10	1250967-5	SEAL -----	1	
-11	1250967-8	BAFFLE -----	1	
	1250967-9	SEAL -----	1	
	1250967-10	SEAL -----	1	
	1250967-11	SEAL -----	1	
-12	1250959-1	BAFFLE ASSEMBLY-OIL COOLER UPPER AFT -----	1	
	NAS684A3	NUTPLATE -----	1	
-13	S202R	CHANNEL 7.00 IN LG BULK ITEM REF S202R0700E ---	1	
-14	1250964-1	BAFFLE ASSEMBLY-FORWARD LOWER RH -----	1	
		ATTACHING PARTS		
-15	AN520-10R7	SCREW -----	5	
		---*---		
	NAS680A3	NUTPLATE -----	3	
-16	1250965-1	BAFFLE ASSEMBLY-FORWARD LOWER -----	1	
		ATTACHING PARTS		
-17	AN520-10R7	SCREW -----	3	
		---*---		
-18	1250961-2	BAFFLE ASSEMBLY-RH SIDE -----	1	
-19	1250961-5	CUP -----	3	
		ATTACHING PARTS		
	AN525-832R8	SCREW -----	2	
		---*---		
-20	MS35489-15S	GROMMET -----	1	
-21	NAS680A08	NUTPLATE -----	7	
-22	1250963-1	SUPPORT ASSEMBLY -----	1	
-23	1250963-6	SEAL -----	1	
-24	1250963-7	SEAL -----	1	
	NAS680A3	NUTPLATE -----	1	
	NAS684A3	NUTPLATE -----	1	
	AN960-4	WASHER -----	8	
-25	1250963-3	BAFFLE ASSEMBLY -----	1	
-26	S202R	CHANNEL 5.50 IN LG BULK ITEM REF -----	1	
		S202R0550B		
-27	1250969-2	SUPPORT -----	1	
-28	1250969-4	SUPPORT -----	1	
-29	1250961-1	BAFFLE ASSEMBLY-LH SIDE -----	1	
-30	1250961-5	CUP -----	3	
		ATTACHING PARTS		
-31	AN525-832R8	SCREW -----	2	
		---*---		
-32	MS354P9-15S	GROMMET -----	1	
-33	NAS680A08	NUTPLATE -----	6	
-34	NAS682A08	NUTPLATE -----	1	
-35	NAS698A08	NUTPLATE -----	1	
-36	1250969-1	SUPPORT -----	1	
-37	1250969-3	SUPPORT -----	1	
-38	1250968-1	SUPPORT ASSEMBLY -----	1	
-39	NAS682A3K	NUTPLATE -----	2	
-40	NAS680A3K	NUTPLATE -----	1	
-41	1250961-9	SEAL-SPONGE RUBBER -----	1	
-42	1250961-8	SEAL -----	1	
	AN960-4	WASHER -----	3	

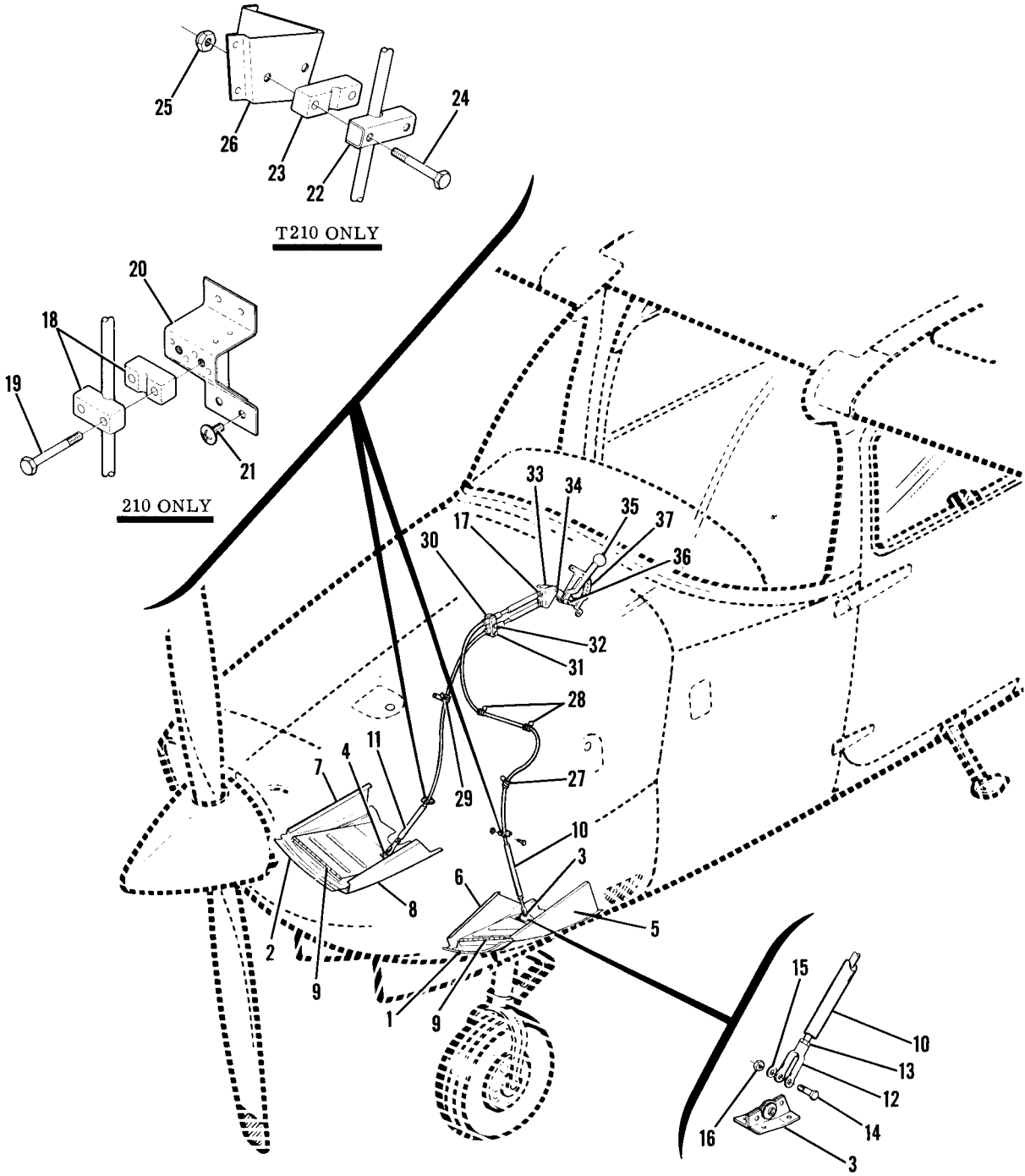
CONTINUED ON NEXT PAGE

FIGURE AND INDEX NO.	PART NUMBER	DESCRIPTION	UNITS PER ASSY	USABLE ON CODE		
					1	2
86A-	1250962-2	BAFFLE ASSEMBLY-REAR VERTICAL RH ----- ATTACHING PARTS	1			
-43	0450277-19	FASTENER -----	1			
-44	0450277-10	FASTENER -----	1			
	0450277-11	SPRING -----	2			
-45	AN520-10R7	SCREW ----- ---*---	4			
-46	MS20230820	GROMMET -----	2			
	NAS680A3	NUTPLATE -----	4			
-47	NAS681A08	NUTPLATE -----	1			
-48	1250973-1	BRACKET -----	1			
-49	1250973-2	BRACKET -----	1			
-50	1250962-5	BAFFLE ASSEMBLY ----- ATTACHING PARTS	1			
-51	S1021Z8-8	SCREW -----	6			
	NAS446-4-3	NUT -----	6			
-52	AN507-832R7	SCREW ----- ---*---	6			
	NAS681A08	NUTPLATE -----	2			
	NAS683A08	NUTPLATE -----	4			
-53	1250971-1	BRACKET -----	1			
-54	1250962-1	BAFFLE ASSEMBLY-REAR VERTICAL LH ----- ATTACHING PARTS	1			
-55	AN520-10R7	SCREW -----	5			
-56	0450277-18	FASTENER -----	1			
-57	0450277-10	FASTENER -----	1			
	0450277-11	SPRING ----- ---*---	2			
-58	MS20230820	GROMMET -----	2			
-59	NAS680A3	NUTPLATE -----	4			
-60	NAS682A3	NUTPLATE -----	1			
-61	NAS681A08	NUTPLATE -----	1			
-62	1250106-1	CLIP -----	1			
-63	1250827-1	BAFFLE ASSEMBLY -----	1			
-64	1250970-1	BAFFLE ASSEMBLY ----- NUTPLATE -----	1			
	NAS682A3	NUTPLATE -----	2			
-65	1250971-4	BRACKET -----	1			
-66	1250972-1	SUPPORT -----	1			
-67	1250966-1	BAFFLE ASSEMBLY-FORWARD LOWER LH ----- ATTACHING PARTS	1			
-68	AN520-10R7	SCREW ----- ---*---	2			
	NAS680A3	NUTPLATE -----	2			
-69	1250966-3	BRACKET -----	1			
-70	AN520-10R6	SCREW -----	2			
-71	1250828-1	BAFFLE ASSEMBLY ----- NUTPLATE -----	4			
	NAS697A3	NUTPLATE -----	1			
-72	0851700-96	SUPPORT -----	2			
-73	0750117-31	SUPPORT -----	2			
-74	AN3-77A	BOLT -----	2			
-75	1250825-1	BOLT -----	2			
-76	0750152-3	BAFFLE ----- ATTACHING PART	1			
-77	AN520-10R7	SCREW ----- ---*---	1			
-78	AN742-22	CLAMP -----	2			
	AN520-10R8	SCREW -----	2			
-79	AN507-832R7	SCREW -----	2			

A---T210 SERIAL 21060090 & ON

This page intentionally left blank.

Engine (Cont)



T210 ONLY

210 ONLY

Figure 87. Cowl Flaps System Installation

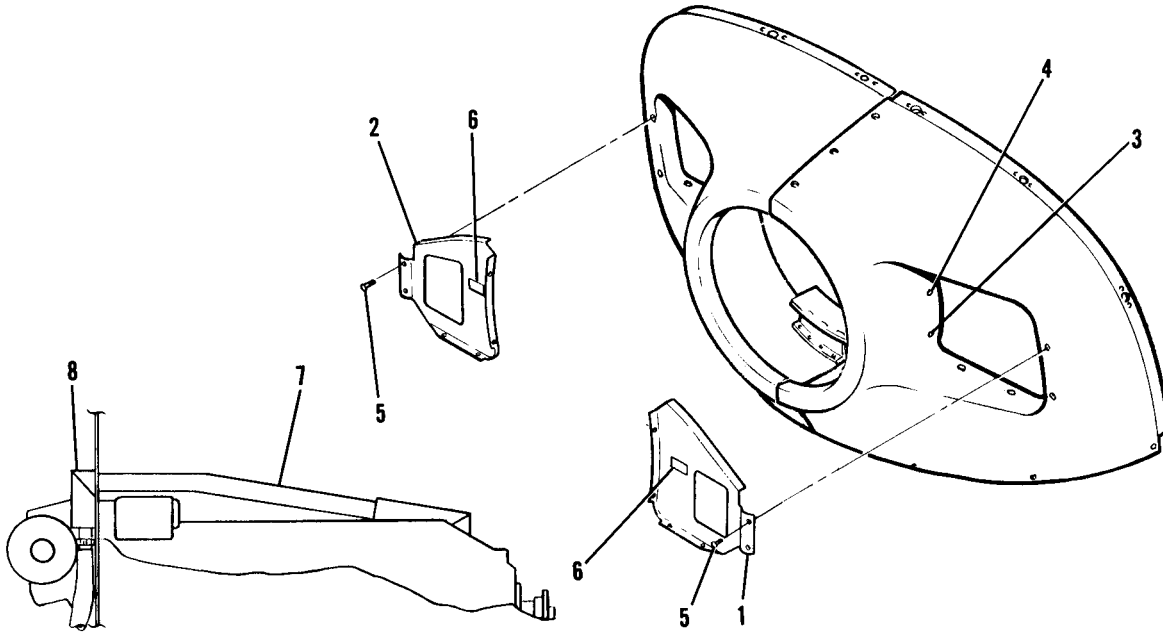
FIGURE AND INDEX NO.	PART NUMBER	DESCRIPTION	UNITS PER ASSY	USABLE ON CODE
87 -		COWL FLAPS SYSTEM INSTALLATION -----	NP	
- 1	1213261-201	DOOR ASSEMBLY-COWL FLAP LH -----	1	B
	1213261-203	DOOR ASSEMBLY-COWL FLAP LH -----	1	A
- 2	1213261-202	DOOR ASSEMBLY-COWL FLAP RH -----	1	B
	1213261-204	DOOR ASSEMBLY-COWL FLAP RH -----	1	A
- 3	1213518-1	BRACKET ASSEMBLY-CONTROL LH -----	1	A
	1250874-1	BRACKET ASSEMBLY-CONTROL LH -----	1	B
- 4	1213518-2	BRACKET ASSEMBLY-CONTROL RH -----	1	A
	1250874-2	BRACKET ASSEMBLY-CONTROL RH -----	1	B
- 5	1213516-3	BAFFLE-OUTBOARD LH -----	1	
- 6	1213470-5	BAFFLE-INBOARD LH -----	1	
- 7	1213516-4	BAFFLE-OUTBOARD RH -----	1	
- 8	1213470-6	BAFFLE-INBOARD RH -----	1	
- 9	1213261-200	HINGE ASSEMBLY-COWL FLAP -----	1	
	1213472-1	PIN-HINGE -----	1	
-10	S1244-5	CONTROL-COWL FLAP LH -----	1	E
	S1244-28	CONTROL-COWL FLAP LH -----	1	F
-11	S1244-27	CONTROL-COWL FLAP RH -----	1	
		ATTACHING PARTS		
-12	1213079-1	CLEVIS -----	1	
-13	AN316-4R	NUT -----	1	
-14	AN3-10A	BOLT -----	1	
-15	AN960-10	WASHER -----	2	
-16	MS20364-1032C	NUT -----	1	
-17	AN316-4R	NUT -----	2	
	AN936A416	WASHER -----	2	
		-----*		
-18	0713307-2	CLAMP-BLOCK -----	4	A
-19	AN3-14A	BOLT -----	4	A
-20	1213519-1	BRACKET ASSEMBLY-CLAMP -----	2	E
	NAS697A3	NUTPLATE -----	2	E
-21	AN525-10R6	SCREW -----	4	A
-22	1213527-1	CLAMP ASSEMBLY-BLOCK -----	2	B
-23	0713307-6	CLAMP BLOCK -----	2	B
-24	AN3-13A	BOLT -----	4	B
-25	MS20364-1032C	NUT -----	4	B
-26	1213528-1	BRACKET-CLAMP LH -----	1	B
	1213528-2	BRACKET-CLAMP RH -----	1	B
-27	AN742D5	CLAMP LH CONTROL ONLY -----	1	E
-28	MS21919DG5	CLAMP LH CONTROL ONLY -----	2	F
		ATTACHING PARTS		
	NAS220-7	SCREW -----	1	F
		-----*		
-29	MS21919DG5	CLAMP RH CONTROL ONLY -----	2	B
		ATTACHING PARTS		
	1213658-1	BRACKET-CLAMP -----	1	B
	NAS220-7	SCREW -----	1	B
	MS21045L08	NUT -----	1	B
		-----*		
-30	1213686-6	CLAMP ASSEMBLY -----	1	
-31	1213686-1	CLAMP ASSEMBLY -----	1	
		ATTACHING PARTS		
-32	AN-13A	BOLT -----	3	
	MS20364-1032C	NUT -----	3	
		-----*		
-33	0713701-1	CLEVIS -----	1	
-34	MS20392-3C11	PIN -----	1	
	AN960-10L	WASHER -----	2	
	MS24665-132	COTTER PIN -----	1	

CONTINUED ON NEXT PAGE

FIGURE AND INDEX NO.	PART NUMBER	DESCRIPTION							UNITS PER ASSY	USABLE ON CODE
		1	2	3	4	5	6	7		
87 -35	1261645-8	LEVER ASSEMBLY -----							1	C
	1213315-5	LEVER ASSEMBLY-COWL FLAP ----- ATTACHING PARTS							1	D
-36	1261441-3	STUD -----							1	C
	AN960-10L	WASHER -----							1	
	NAS76A3-017	SPACER -----							1	
	MS20364-1032C	NUT -----							1	
		---*---								
	1213531-2	KNOB-LEVER -----							1	C
	1213531-3	KNOB-LEVER -----							1	D
	NAS514P1032-12	SCREW ATTACHES KNOB -----							1	
-37	1261647-1	BRACKET ASSEMBLY-LEVER POSITION -----							1	
	1213316-1	DETENT & GUARD ASSEMBLY-COWL FLAP LEVER -----							1	D
		A---210 SERIAL 21059200 & ON B---T210 SERIAL 21059200 & ON C---210 & T210 SERIAL 21059200 THRU 21059333 D---210 & T210 SERIAL 21059334 & ON E---210 SERIAL 21059200 THRU 21059240 F---210 SERIAL 21059241 & ON T210 SERIAL 21059200 & ON								

This page intentionally left blank.

Engine (Cont)



ENGINE SIDE VIEW

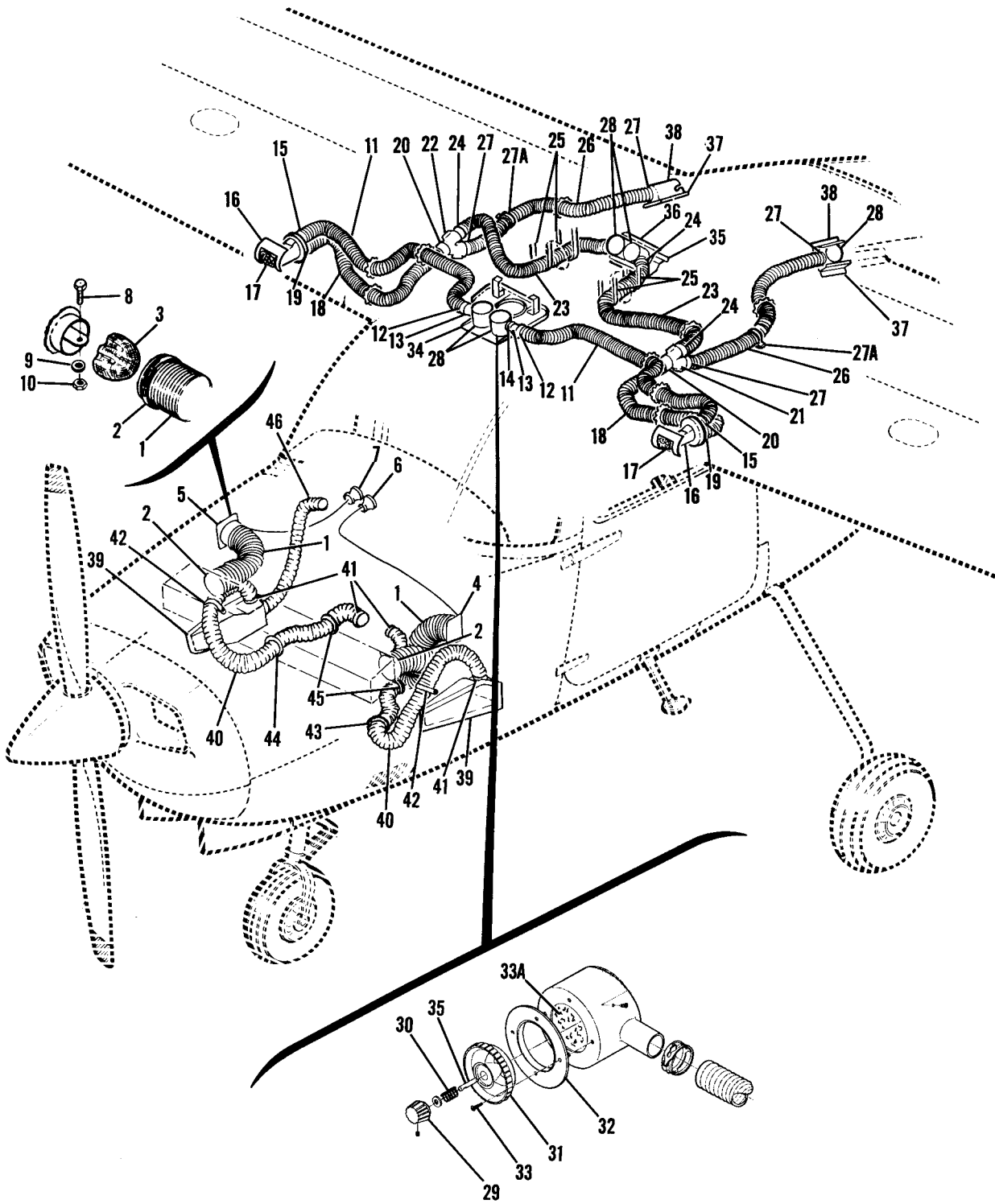
210 SERIAL 21059200 & ON

Figure 88. Winterization Equipment Installation

FIGURE AND INDEX NO.	PART NUMBER	DESCRIPTION	UNITS PER ASSY	USABLE ON CODE
88 -		1 2 3 4 5 6 7 WINTERIZATION EQUIPMENT INSTALLATION -----	NP	A
- 1	1200702-5	COVER-WINTERIZATION LH -----	1	B
	1200702-1	COVER-WINTERIZATION LH -----	1	C
- 2	1200702-4	COVER-WINTERIZATION RH -----	1	B
	1200702-8	COVER-WINTERIZATION RH -----	1	C
		ATTACHING PARTS		
- 3	NAS697A3	NUTPLATE -----	5	
- 4	NAS698A3	NUTPLATE -----	1	
- 5	AN520-10R6	SCREW -----	6	
		-----*		
- 6	SEE FIG 2	PLACARD-WINTERIZATION -----	2	
- 7	1200191-200	TUBE ASSEMBLY -----	1	
- 8	1200191-201	TUBE ASSEMBLY -----	1	
		A---210 SERIAL 21059200 & ON		
		B---210 SERIAL 21059200 THRU 21060089		
		C---210 SERIAL 21060090 & ON		

FIGURE AND INDEX NO.	PART NUMBER	DESCRIPTION	UNITS PER ASSY	USABLE ON CODE
89 -		1 2 3 4 5 6 7		
- 1	S1053E20T	CABIN VENTILATION SYSTEM INSTALLATION ----- HOSE-15.0 IN LG BULK ITEM REF S1053E20T15.0 ----- ATTACHING PARTS	NP 2	D
- 2	NAS398-42	CLAMP ----- ---*---	2	
- 3	1213345-1	SCREEN-COLD AIR INLET -----	2	
- 4	SEE FIG 16	INLET ASSEMBLY-COLD AIR LH -----	1	
- 5	SEE FIG 16	INLET ASSEMBLY-COLD AIR RH -----	1	
- 6		CONTROL-CABIN AIR LH SEE INSTRUMENT PANEL -----	1	
- 7		CONTROL-CABIN AIR RH SEE INSTRUMENT PANEL ----- ATTACHING PARTS	1	
- 8	0450311-5	CLAMP-CONTROL CABLE -----	1	
- 9	AN960-10	WASHER -----	1	
-10	MS20364-1032C	NUT ----- ---*---	1	
-11	S1053E12T	HOSE-* IN LG BULK ITEM REF S1053E12T-* ----- ATTACHING PARTS	2	
-12	NAS397-28	CLAMP -----	1	
-13	1221028-1	CONNECTOR -----	1	
-14	NAS397-18	CLAMP -----	1	
-15	S1891-20	CLAMP ----- ---*---	1	
CONTINUED ON NEXT PAGE				

Ventilation System



210 & T210 SERIAL 21059200 THRU 21060089

Figure 89. Cabin Ventilation System Installation



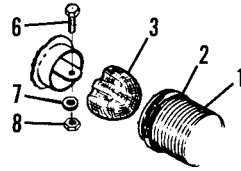
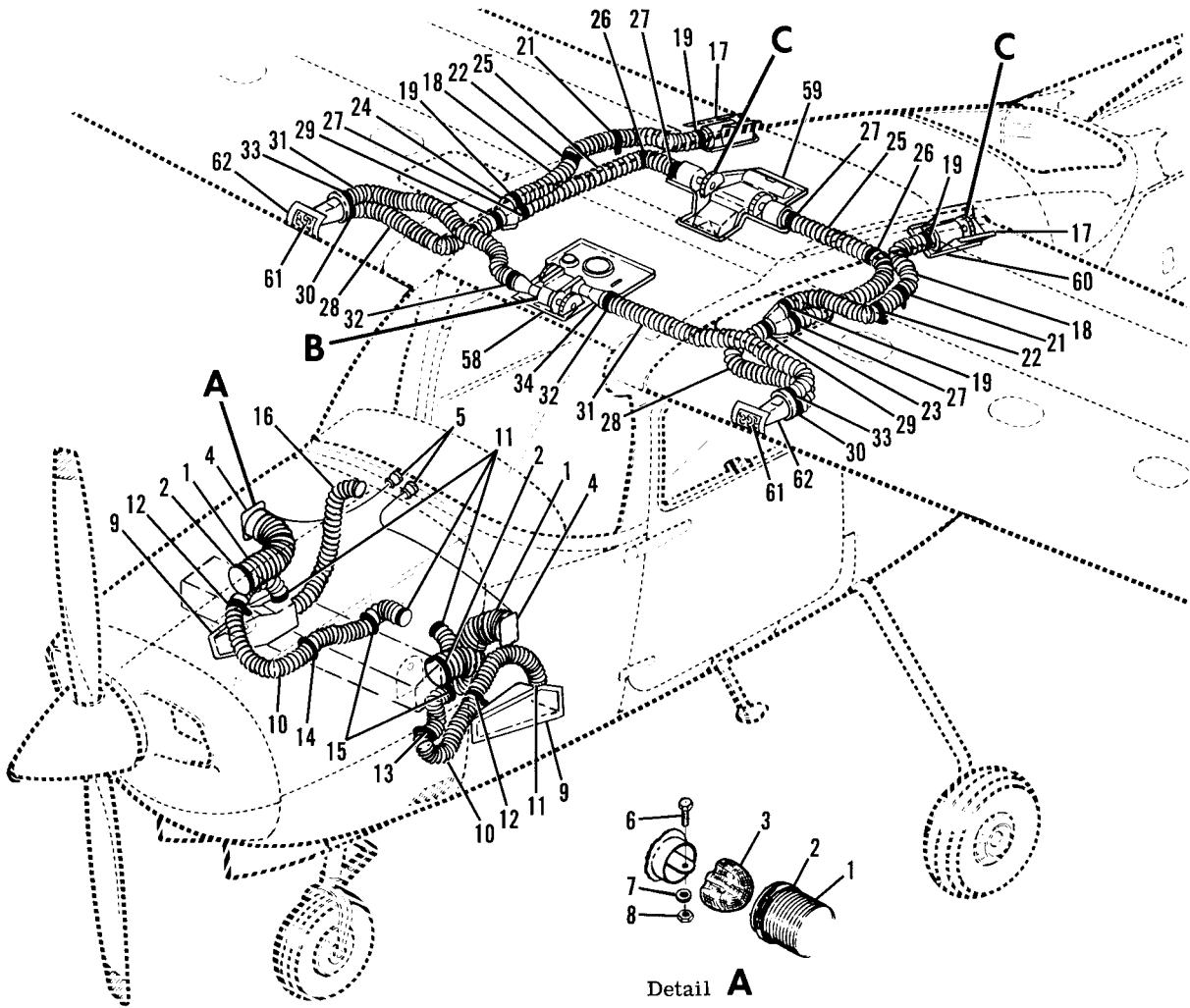
FIGURE AND INDEX NO.	PART NUMBER	DESCRIPTION							UNITS PER ASSY	USABLE ON CODE
		1	2	3	4	5	6	7		
89 -16	SEE FIG 5	SCOOP-FRESH AIR -----							2	
-17	1200018-1	ELEMENT-FILTER -----							2	
-18	S1053E10T	HOSE-* IN LG BULK ITEM REF S1053E10T-* -----							2	
		ATTACHING PARTS								
-19	S1891-20	CLAMP -----							1	
-20	NAS397-22	CLAMP -----							1	
		*-----								
-21	1200638-3	FITTING ASSEMBLY-REAR SEAT VENTS LH -----							1	
-22	1200638-4	FITTING ASSEMBLY-REAR SEAT VENTS RH -----							1	
-23	S1053E8T	HOSE-* IN LG BULK ITEM REF S1053E8T-* -----							2	
		ATTACHING PARTS								
-24	NAS397-18	CLAMP -----							2	
-25	S1693-3	STA STRAP -----							2	
		*-----								
-26	S1053E8T	HOSE-* IN LG BULK ITEM REF S1053E8T-* -----							2	
		ATTACHING PARTS								
-27	NAS397-18	CLAMP -----							2	
-27A	S1485D16U	CLAMP -----							1	
	S1021Z10-8	SCREW -----							1	
		*-----								
-28	0710013-4	SILENCER ASSEMBLY-FRESH AIR -----							6	
-29	S1728-1	KNOB -----							1	
-30	0710015-13	SPRING -----							1	
-31	0713250-1	KNOB -----							1	
-32	0710014-8	ESCUTCHEON -----							1	
		ATTACHING PARTS								
-33	S1023A6-6C	SCREW -----							4	
		*-----								
-33A	0710015-6	INSULATOR -----							1	
-34	SEE FIG 136	OVERHEAD CONSOLE INSTL -----							1	
-35	1200216-2	¤	ESCUTCHEON-CENTER VENTS					USED WITH OXYGEN INSTL.	1	B
	1200234-2	¤	ESCUTCHEON-CENTER VENTS					USED WITH OXYGEN INSTL.	1	C
	1200216-1	¤	ESCUTCHEON-CENTER VENTS						1	B
	1200234-1	¤	ESCUTCHEON-CENTER VENTS						1	C
		ATTACHING PARTS								
	AN507-832R7	SCREW -----							AR	
		*-----								
	1706015-2	LENS-DOME LIGHT -----							1	C
-36	1200206-3	BRACKET ASSEMBLY-CENTER VENTS -----							1	
	NAS680A08K	NUTPLATE -----							2	
-37	1200218-1	¤	COVER-REAR SEAT CONSOLE						2	
	1200218-2	¤	COVER-REAR SEAT CONSOLE					USED WITH OXYGEN INSTL	2	
		ATTACHING PARTS								
	AN507-832R7	SCREW -----							4	
		*-----								
-38	SEE FIG 25	SUPPORT ASSEMBLY -----							2	
-39	SEE FIG 16	AIR SCOOP ASSEMBLY -----							2	A
-40	S1053E8T	DUCT * IN LG BULK ITEM REF S1053E8T* -----							2	A
		ATTACHING PARTS								
-41	S1693-2	STA-STRAP -----							2	
-42	MS21919D18	CLAMP -----							1	
	S1021Z8-8	SCREW -----							1	
-43	CM3505-2	GROMMET 5.40 IN LG BULK ITEM REF CM3505-2-5.40 LH ONLY-							1	
-44	CM3505-2	GROMMET 3.80 IN LG BULK ITEM REF CM3505-2-3.80-RH ONLY-							1	
-45	CM3505-2	GROMMET 3.64 IN LG BULK ITEM REF CM3505-2-3.64 -----							1	
		*-----								
-46		DUCT-RADIO COOLING SEE ELECTRONICS MANUAL -----							NP	A

NOTE. ¤THIS PART NUMBER MUST HAVE A SECOND DASH NUMBER ADDED TO DENOTE COLOR. REFER TO HOW TO ORDER INTERIOR PARTS-PAGE VI.

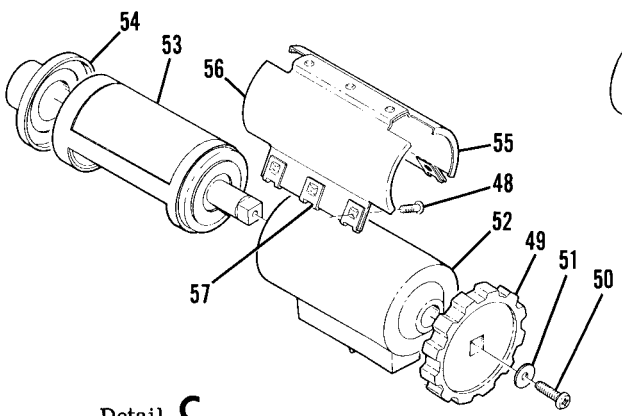
NOTE. *LENGTH TO BE ADDED LATER.

A---210 & T210 SERIAL 21059352 THRU 21060089
 B---210 & T210 SERIAL 21059200 THRU 21059502
 C---210 & T210 SERIAL 21059503 THRU 21060089
 D---210 & T210 SERIAL 21059200 THRU 21060089

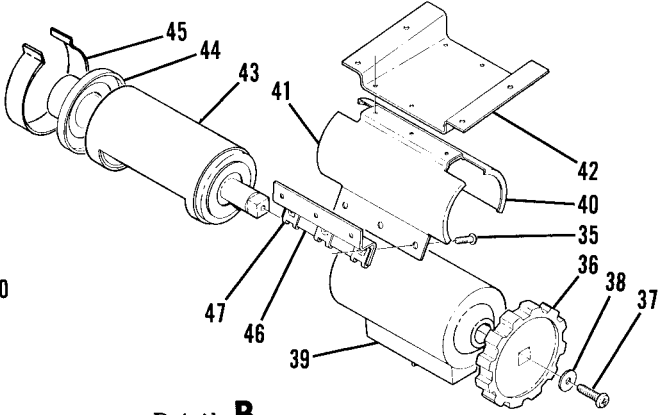
Ventilation System (Cont)



Detail A



Detail C



Detail B

210 & T210 SERIAL 21060090 & ON
Figure 89A. Cabin Ventilation System Installation

FIGURE AND INDEX NO.	PART NUMBER	DESCRIPTION	UNITS PER ASSY	USABLE ON CODE
1 2 3 4 5 6 7				
89A--		CABIN VENTILATION SYSTEM INSTALLATION -----	NP	A
- 1	S1053E20T	HOSE 15.00 IN LG BKI REF S1053E20T15.00 -----	2	
		ATTACHING PARTS -----		
- 2	NAS398-42	CLAMP -----	2	
		-----*		
- 3	1213345-1	SCREEN-COLD AIR INLET -----	2	
- 4	SEE FIG 16	INLET ASSY-COLD AIR -----	2	
- 5		CONTROL-CABIN AIR SEE INSTRUMENT PANEL -----	2	
		ATTACHING PARTS -----		
- 6	O450311-5	CLAMP-CONTROL CABLE -----	1	
- 7	AN960-10	WASHER -----	1	
- 8	MS20364-1032C	NUT -----	1	
		-----*		
- 9	SEE FIG 16	AIR SCOOP ASSY -----	2	
-10	S1053E8T	DUCT * IN LG BKI REF S1053E8T* -----	2	
		ATTACHING PARTS -----		
-11	S1693-2	STA-STRAP -----	2	
-12	MS21919D18	CLAMP -----	1	
	S1021Z8-8	SCREW -----	1	
-13	CM3505-2	GROMMET 5.40 IN LG BKI REF CM3505-2-5.40 LH -	1	
		ONLY -----		
-14	CM3505-2	GROMMET 3.80 IN LG BKI REF CM3505-2-3.80 RH -	1	
		ONLY -----		
-15	CM3505-2	GROMMET 3.64 IN LG BKI REF CM3505-2-3.64 -----	1	
		-----*		
-16		DUCT-RADIO COOLING SEE ELECTRONICS MANUAL -----	NP	
-17	SEE FIG 25	SUPPORT ASSY -----	2	
-18	S1053E8T	HOSE 40.50 IN LG BKI REF S1053E8T40.50 -----	2	
		ATTACHING PARTS -----		
-19	S1693-4	STA-STRAP -----	2	
-20		DELETED-NEVER USED -----		
-21	S1693-4	STA-STRAP -----	1	
	S2034-1	MOUNT -----	1	
	AN960-4	WASHER -----	1	
-22	S1485D16U	CLAMP -----	1	
	S1021Z10-8	SCREW -----	1	
		-----*		
-23	1200638-3	FITTING ASSY-LH -----	1	
-24	1200638-4	FITTING ASSY-RH -----	1	
-25	S1053E8T	HOSE 34.00 IN LG BKI REF S1053E8T34.00 -----	2	
		ATTACHING PARTS -----		
-26	S1050-3	GROMMET 3.93 IN LG BKI REF S1050-3-3.93 -----	1	
-27	S1693-4	STA-STRAP -----	2	
		-----*		
-28	S1053E10T	HOSE 25.00 IN LG BKI REF S1053E10T25.00 -----	2	
		ATTACHING PARTS -----		
-29	S1693-2	STA-STRAP -----	1	
-30	S1891-20	CLAMP -----	1	
		-----*		
-31	S1053E12T	HOSE 36.70 IN LG BKI REF S1053E12T36.70 -----	2	
		ATTACHING PARTS -----		
-32	S1693-2	STA-STRAP -----	1	
-33	S1891-20	CLAMP -----	1	
		-----*		
-34	S2195-1	TRIM 2.00 IN LG BKI REF S2195-1-2.00 -----	2	
	1221028-1	CONNECTOR -----	2	
	1211856-1	VALVE ASSY-DUAL FRESH AIR -----	1	
		ATTACHING PARTS -----		
-35	S1022Z8-7	SCREW -----	6	
		-----*		
-36	1210112-4	WHEEL-FRESH AIR VALVE -----	2	B
	1210112-24	WHEEL-FRESH AIR VALVE -----	2	C
		ATTACHING PARTS -----		
-37	S1021A6-8	SCREW -----	1	
-38	S1450-1A8-032	WASHER -----	1	
		-----*		
-39	1210112-2	TUBE ASSY-OUTER -----	2	B
	1210112-22	TUBE ASSY-OUTER -----	2	C
-40	1210112-18	RETAINER HALF -----	2	
-41	1210112-16	RETAINER HALF -----	2	
-42	1211856-2	BRACKET-MOUNTING -----	1	
-43	1210112-12	TUBE ASSY-INNER -----	2	B
	1210112-23	TUBE ASSY-INNER -----	2	C
-44	1210112-13	CONNECTOR ASSY -----	2	
-45	1211859-1	CLAMP -----	2	

CONTINUED ON NEXT PAGE

FIGURE AND INDEX NO.	PART NUMBER	DESCRIPTION							UNITS PER ASSY	USABLE ON CODE
		1	2	3	4	5	6	7		
89A-46	1211857-1	BRACKET ASSY-MOUNTING -----							1	
		ATTACHING PARTS -----								
	CR163-4-4	RIVET CR -----							3	
-47	NAS395-16-3	NUT -----							3	
	1210112-1	VALVE ASSY-FRESH AIR -----							4	B
	1210112-20	VALVE ASSY-FRESH AIR -----							4	C
		ATTACHING PARTS -----								
-48	S102278-7	SCREW -----							6	
		-----*								
-49	1210112-4	WHEEL-FRESH AIR VALVE -----							1	B
	1210112-24	WHEEL-FRESH AIR VALVE -----							1	C
		ATTACHING PARTS -----								
-50	S1021A6-8	SCREW -----							1	
-51	S1450-1A8-032	WASHER -----							1	
		-----*								
-52	1210112-2	TUBE ASSY-OUTER -----							1	B
	1210112-22	TUBE ASSY-OUTER -----							1	C
-53	1210112-12	TUBE ASSY-INNER -----							1	B
	1210112-23	TUBE ASSY-INNER -----							1	C
-54	1210112-13	CONNECTOR ASSY -----							1	
-55	1210112-15	RETAINER HALF -----							1	
-56	1210112-16	RETAINER HALF -----							1	
-57	NAS395-16-3	NUT -----							24	
-58	SEE FIG 136	OVERHEAD CONSOLE INSTALLATION -----							1	
-59	1200239-1	▣	ESCUTCHEON-CENTER VENTS USED WITHOUT OXYGEN -----						1	
	1200239-2	▣	ESCUTCHEON-CENTER VENTS USED WITH OXYGEN -----						1	
	1200239-3	▣	ESCUTCHEON-CENTER VENTS INERTIA REEL-WITHOUT OXYGEN -----						1	
	1200239-4	▣	ESCUTCHEON-CENTER VENTS INERTIA REEL-WITH OXYGEN -----						1	
		ATTACHING PARTS -----								
	AN515-8R6	SCREW -----							8	
		-----*								
-60	1200241-1	▣	ESCUTCHEON-REAR AIR VENT USED WITHOUT OXYGEN -----						2	
	1200241-2	▣	ESCUTCHEON-REAR AIR VENT USED WITH OXYGEN -----						2	
		ATTACHING PARTS -----								
	S102278-7	SCREW -----							2	
		-----*								
-61	1200018-1	ELEMENT-FILTER -----							2	
-62	SEE FIG 5	SCOOP-FRESH AIR -----							2	
<p>NOTE. ▣THIS PART NUMBER MUST HAVE A SECOND DASH NUMBER ADDED TO DENOTE COLOR. REFER TO HOW TO ORDER INTERIOR PARTS-PAGE VI.</p> <p>NOTE. *LENTH TO BE DETERMINED LATER.</p> <p>A---210 & T210 SERIAL 21060090 & ON B---210 & T210 SERIAL 21060090 THRU 21060487 C---210 & T210 SERIAL 21060488 & ON</p>										

This page intentionally left blank.

Ventilation System (Cont)

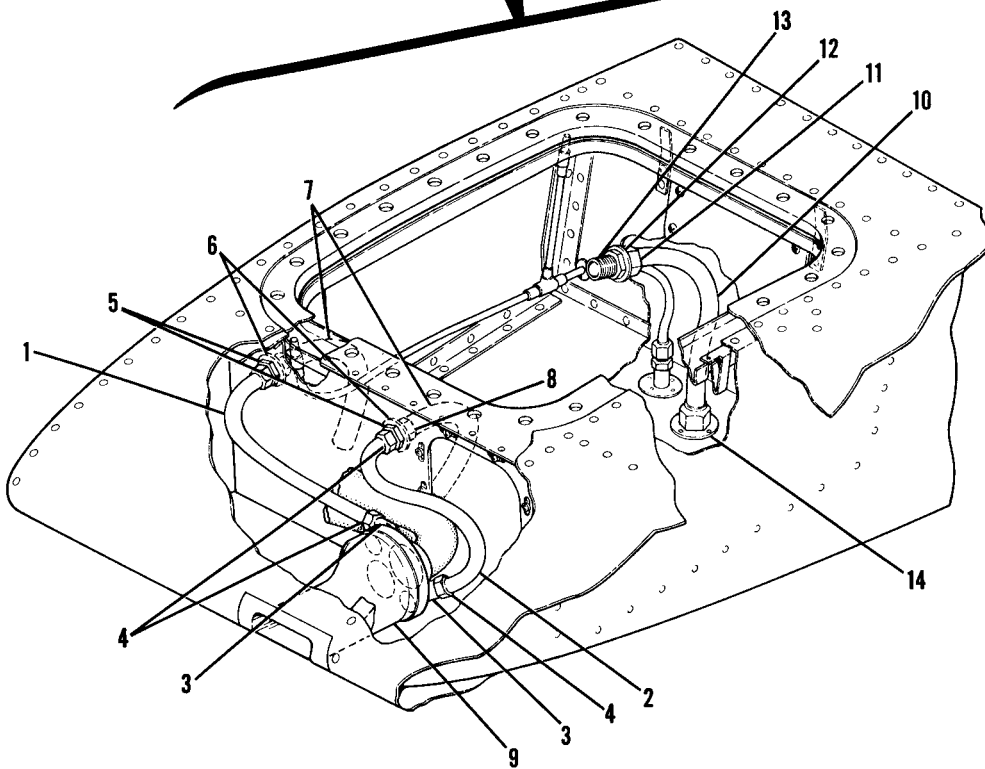
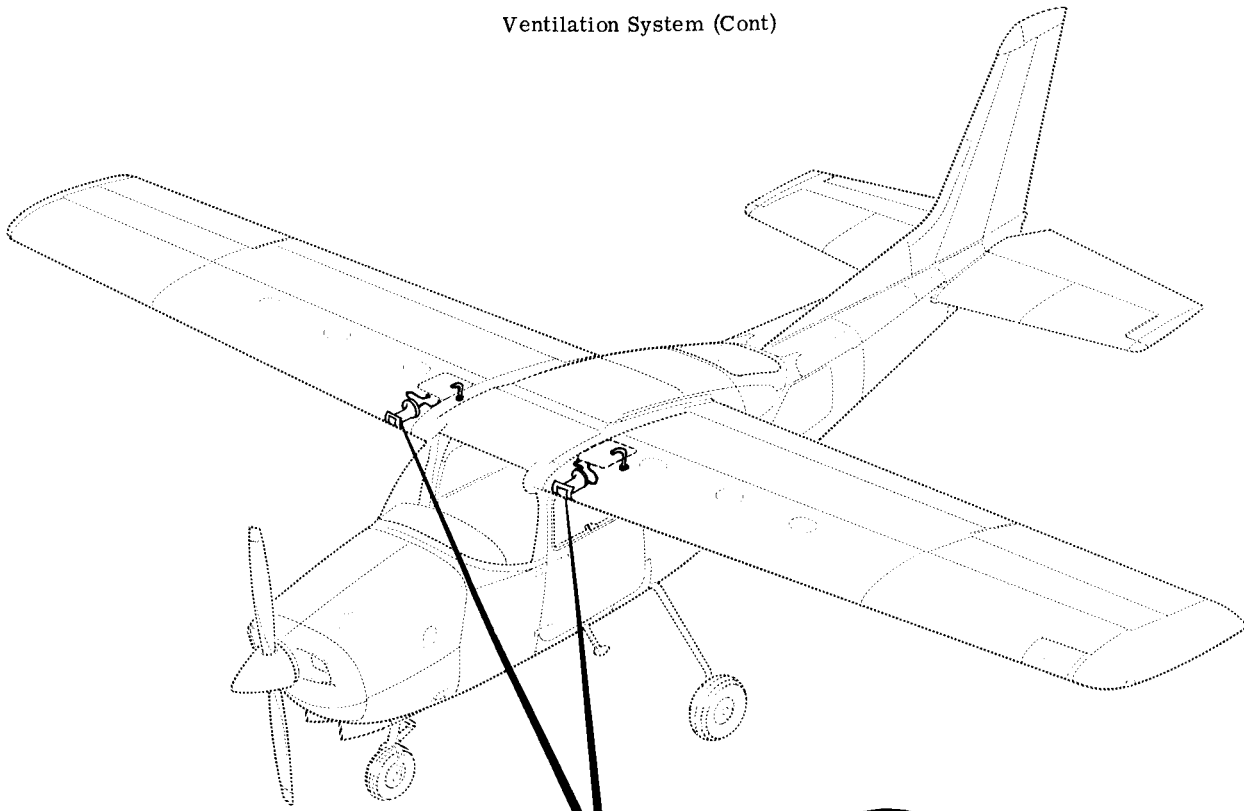
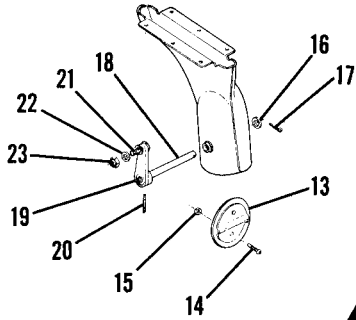


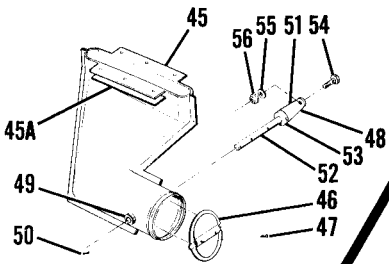
Figure 89B. Wing Radio Compartment Ventilation System Installation

FIGURE AND INDEX NO.	PART NUMBER	DESCRIPTION	UNITS PER ASSY	USABLE ON CODE
		1 2 3 4 5 6 7		
898-		WING RADIO COMPARTMENT VENTILATION SYSTEM INSTALLATION -----	NP	
- 1	S1071-4	TUBE * IN LG BKI REF S1071-4-* -----	1	
- 2	S1071-4	TUBE * IN LG BKI REF S1071-4-* -----	1	
- 3	S1135-6	ELBOW -----	2	
- 4	S1130-4	NUT -----	4	
	S1131-4	INSERT -----	4	
- 5	S1134-4	UNION -----	2	
- 6	NAS549H1216	WASHER -----	2	
- 7	1200406-152	TUBE ASSY -----	2	
- 8	S1130-4	NUT -----	1	
- 9	SEE FIG 5	SCOOP ASSY -----	1	
-10	1200406-151	TUBE ASSY-LH WING ONLY -----	1	
	1200406-154	TUBE ASSY-RH WING ONLY -----	1	
		ATTACHING PARTS		
-11	S1130-4	NUT -----	1	
-12	NAS549H1216	WASHER -----	1	
-13	S1134-4	UNION -----	1	
-14	1221251-1	FITTING -----	1	
		----*----		
		NOTE. *LENGTH TO BE ADDED LATER.		

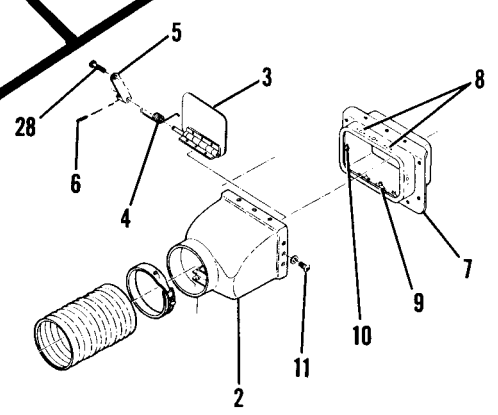
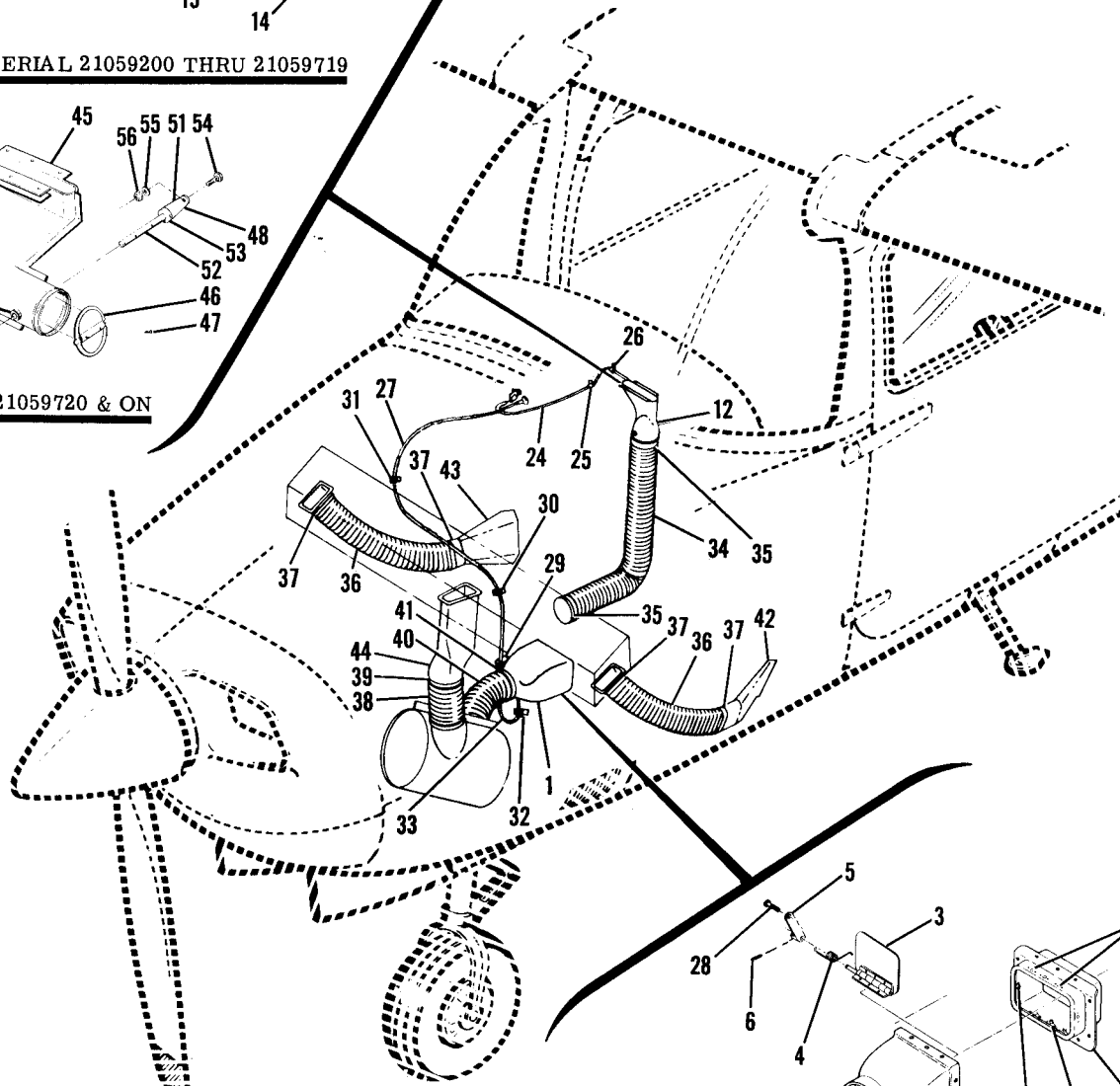
Heating System



SERIAL 21059200 THRU 21059719



SERIAL 21059720 & ON



210 SERIAL 21059200 & ON

Figure 90. Heater & Defroster Installation

FIGURE AND INDEX NO.	PART NUMBER	DESCRIPTION	UNITS PER ASSY	USABLE ON CODE
		1 2 3 4 5 6 7		
90 -		HEATER & DEFROSTER INSTALLATION -----	NP	A
- 1	1253045-5	VALVE ASSEMBLY-CABIN HEATER WEU 1253045-10 -----	1	D
	1253045-10	VALVE ASSEMBLY-CABIN HEATER -----	1	E
- 2	1253044-3	VALVE BODY ASSEMBLY-CABIN HEATER -----	1	
- 3	1253034-1	VALVE PLATE ASSEMBLY -----	1	D
	1253063-1	VALVE PLATE ASSEMBLY -----	1	E
- 4	1253041-1	SPRING-WARM AIR VALVE -----	1	
- 5	1253037-6	ARM ASSEMBLY-CONTROL -----	1	
		ATTACHING PARTS -----		
- 6	NAS561C2-8	ROLL PIN -----	1	
		-----*		
- 7	1253035-5	SEAT ASSEMBLY-VALVE -----	1	
- 8	NAS696A08	NUTPLATE -----	4	
- 9	NAS697A08	NUTPLATE -----	2	
-10	NAS698A08	NUTPLATE -----	2	
-11	AN515-8R6	SCREW -----	8	
	AN960-8L	WASHER -----	5	
-12	1250502-1	NOZZLE ASSEMBLY-DEFROST WEU 0713952-1 -----	1	B
	0713952-1	NOZZLE ASSEMBLY-DEFROST -----	1	C
-13	1250116-1	VALVE ASSEMBLY -----	1	F
		ATTACHING PARTS -----		
-14	AN515-6R10	SCREW -----	2	F
-15	MS21045L06	NUT -----	2	F
		-----*		
	1250115-3	LEVER ASSEMBLY -----	1	F
		ATTACHING PARTS -----		
-16	AN960-416L	WASHER -----	1	F
-17	MS24665-132	PIN-COTTER -----	1	F
		-----*		
-18	1250115-4	SHAFT -----	1	F
-19	0713019-24	ARM ASSEMBLY -----	1	F
-20	MS16562-16	ROLL PIN EN -----	1	F
-21	0450311-5	CLAMP -----	1	F
-22	AN960-10L	WASHER -----	1	F
-23	MS20364-1032C	NUT -----	1	F
-24		CONTROL ASSEMBLY-DEFROST SEE INSTRUMENT PANEL -----	1	
		ATTACHING PARTS -----		
-25	AN742D3	CLAMP -----	1	
	S1485D3U	CLAMP -----	1	
	S1021Z8-8	SCREW -----	1	
-26	AN742D3	CLAMP -----	1	
	S1022Z8-8	SCREW -----	1	
	AN960D516	WASHER -----	1	
		-----*		
-27		CONTROL ASSEMBLY-CABIN HEAT SEE INSTRUMENT PANEL -----	1	
		ATTACHING PARTS -----		
-28	0450311-5	CLAMP -----	1	
	AN960-10L	WASHER -----	1	
	MS20364-1032C	NUT -----	1	
-29	0713307-2	CLAMP -----	2	
	AN523-10R22	SCREW -----	2	
	AN960-10L	WASHER -----	2	
-30	MS21919DG4	CLAMP -----	1	
	NAS43D03-32	SPACER -----	1	
	AN520-10R10	SCREW -----	1	
-31	MS21919DG4	CLAMP -----	1	
	S1021Z8-6	SCREW -----	1	
-32	MS21919DG3	CLAMP -----	1	
	S1021Z8-6	SCREW -----	1	
-33	S1399-1	SLEEVE -----	1	AR
		-----*		
-34	S1053E16T-*	HOSE-DEFROST * IN LG BULK ITEM REF S1053E16T* -----	1	
		ATTACHING PARTS -----		
-35	NAS397-32	CLAMP -----	2	
		-----*		

CONTINUED ON NEXT PAGE

FIGURE AND INDEX NO.	PART NUMBER	DESCRIPTION							UNITS PER ASSY	USABLE ON CODE
		1	2	3	4	5	6	7		
90 -36	S1110ET19.5	DUCT-HEATER -----							2	
		ATTACHING PARTS -----								
-37	S1026BG10.90X	CLAMP -----							2	
		-----*-----								
-38	S1053K24T-*	HOSE * IN LG BULK ITEM REF S1053K24T* -----							1	
		ATTACHING PARTS -----								
-39	NAS398-50	CLAMP -----							2	
		-----*-----								
-40	S1053K24T-*	HOSE * IN LG BULK ITEM REF S1053K24T* -----							1	
		ATTACHING PARTS -----								
-41	NAS398-50	CLAMP -----							2	
		-----*-----								
-42	1250503-1	DUCT-LH -----							1	
-43	1250503-2	DUCT-RH -----							1	
-44	SEE FIG 73	AIR INLET ASSEMBLY -----							1	
	1213385-1	VALVE & NOZZLE ASSY-DEFROSTER -----							1	G
-45	1213385-2	NOZZLE ASSY-DEFROSTER -----							1	G
-45A	1213385-5	PLATE-RIVET BACKING -----							1	G
-46	1250116-4	VALVE ASSY-DEFROSTER -----							1	G
		ATTACHING PARTS -----								
-47	NAS221-7	SCREW -----							2	G
		-----*-----								
	NAS696A06LK	NUTPLATE -----							2	G
-48	1213386-1	LEVER ASSY-DEFROSTER NOZZLE -----							1	G
		ATTACHING PARTS -----								
-49	AN960-416L	WASHER -----							1	G
-50	MS24665-132	PIN-COTTER -----							1	G
		-----*-----								
-51	1213386-2	ARM ASSY-LEVER -----							1	G
-52	1250115-2	SHAFT -----							1	G
-53	MS16562-16	PIN -----							1	G
-54	0450311-5	CLAMP -----							1	G
-55	AN960-10L	WASHER -----							1	G
-56	MS21044N3	NUT -----							1	G

NOTE. *LENGTHS TO BE ADDED LATER.

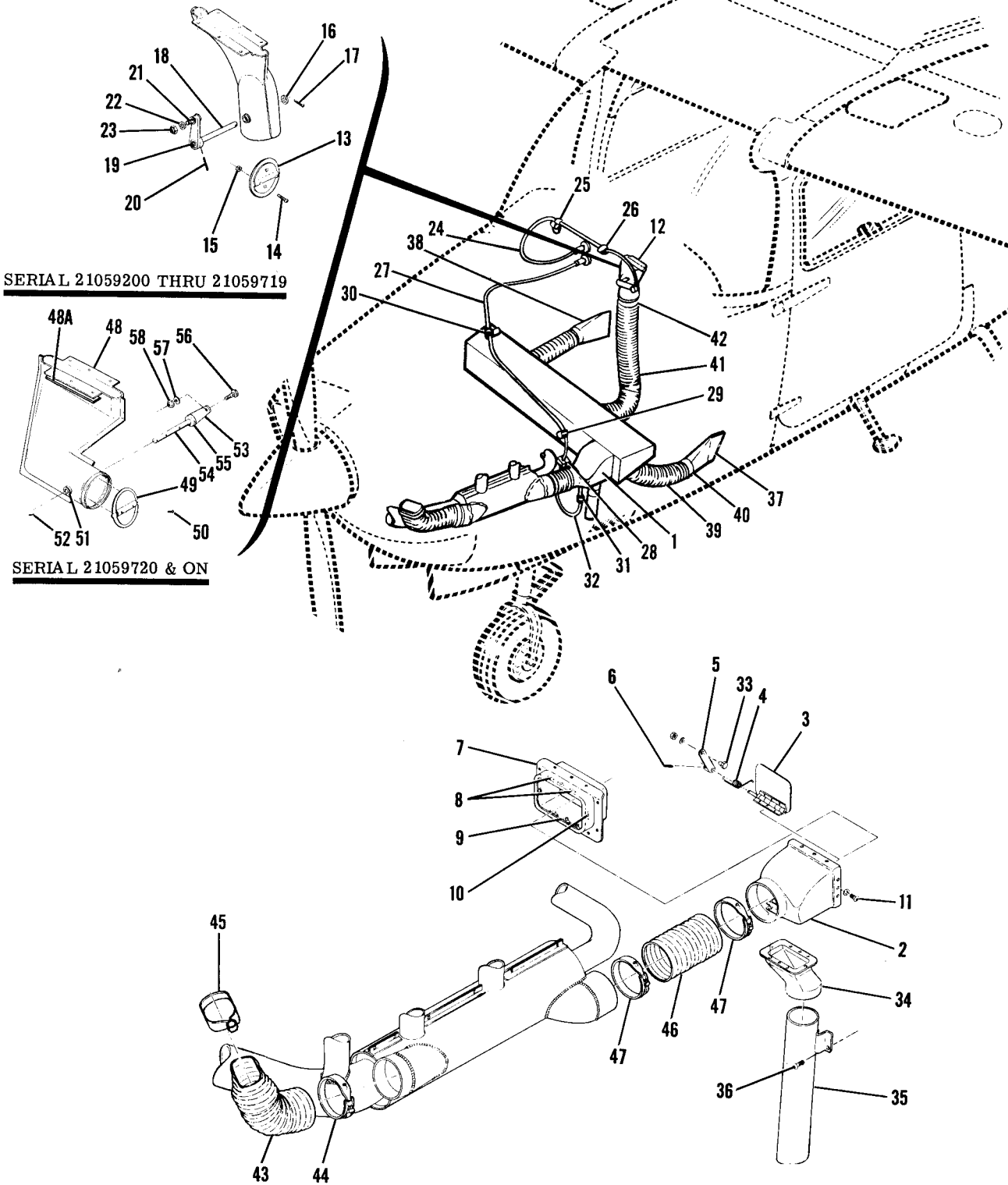
A---210 SERIAL 21059200 & ON
 B---210 SERIAL 21059200 THRU 21059351
 C---210 SERIAL 21059352 THRU 21059719
 D---210 SERIAL 21059200 THRU 21059456
 E---210 SERIAL 21059457 & ON
 F---210 SERIAL 21059200 THRU 21059719
 G---210 SERIAL 21059720 & ON



FIGURE AND INDEX NO.	PART NUMBER	DESCRIPTION	UNITS PER ASSY	USABLE ON CODE
		1 2 3 4 5 6 7		
91 -		HEATER & DEFROSTER INSTALLATION -----	NP	A
- 1	1253045-5	VALVE ASSEMBLY-CABIN HEATER WEU 1253045-10 -----	1	D
	1253045-10	VALVE ASSEMBLY-CABIN HEATER -----	1	E
- 2	1253044-3	VALVE BODY ASSEMBLY-CABIN HEATER -----	1	
- 3	1253034-1	VALVE PLATE ASSEMBLY -----	1	D
	1253063-1	VALVE PLATE ASSEMBLY -----	1	E
- 4	1253041-1	SPRING-WARM AIR VALVE -----	1	
- 5	1253037-6	ARM ASSEMBLY-CONTROL -----	1	
		ATTACHING PARTS		
- 6	NAS61C2-8	ROLL PIN -----	1	
		---*---		
- 7	1253035-5	VALVE SEAT ASSEMBLY -----	1	
- 8	NAS696A08	NUTPLATE -----	4	
- 9	NAS697A08	NUTPLATE -----	2	
-10	NAS698A08	NUTPLATE -----	2	
-11	AN515-8R6	SCREW -----	8	
	AN960-8L	WASHER -----	5	
-12	1250502-1	NOZZLE ASSY-DEFROST WEU 0713952-1 -----	1	B
	0713952-1	NOZZLE ASSY-DEFROST -----	1	C
-13	1250116-1	VALVE ASSEMBLY -----	1	F
		ATTACHING PARTS		
-14	AN515-6R10	SCREW -----	2	F
-15	MS21045L06	NUT -----	2	F
		---*---		
	1250115-3	LEVER ASSEMBLY -----	1	F
		ATTACHING PARTS		
-16	AN960-416L	WASHER -----	1	F
-17	MS24665-132	PIN-COTTER -----	1	F
		---*---		
-18	1250115-4	SHAFT -----	1	F
-19	0713019-24	ARM ASSEMBLY -----	1	F
-20	MS16562-16	ROLL PIN EN -----	1	F
-21	0450311-5	CLAMP -----	1	F
-22	AN960-10L	WASHER -----	1	F
-23	MS20364-1032C	NUT -----	1	F
-24		CONTROL ASSEMBLY-DEFROST SEE INSTRUMENT PANEL -----	1	
		ATTACHING PARTS		
-25	AN742D3	CLAMP -----	1	
	S1485D3U	CLAMP -----	1	
	S1021Z8-8	SCREW -----	1	
-26	AN742D3	CLAMP -----	1	
	S1022Z8-8	SCREW -----	1	
	AN960D516	WASHER -----	1	
		---*---		

CONTINUED ON NEXT PAGE

Heating System (Cont)



SERIAL 21059200 THRU 21059719

SERIAL 21059720 & ON

T210 SERIAL 21059200 & ON

Figure 91. Heater & Defroster Installation

FIGURE AND INDEX NO.	PART NUMBER	DESCRIPTION	UNITS PER ASSY	USABLE ON CODE
		1 2 3 4 5 6 7		
91 -27		CONTROL ASSEMBLY-CABIN HEAT SEE INSTRUMENT PANEL -----	1	
		ATTACHING PARTS -----		
-28	0713307-2	CLAMP -----	2	
	AN523-10R22	SCREW -----	2	
	AN960-10L	WASHER -----	2	
-29	MS21919DG4	CLAMP -----	1	
	NAS43DD3-32	SPACER -----	1	
	AN520-10R10	SCREW -----	1	
-30	MS21919DG4	CLAMP -----	1	
	S1021Z8-6	SCREW -----	1	
-31	MS21919DG3	CLAMP -----	1	
	S1021Z8-6	SCREW -----	1	
-32	S1399-1	SLEEVE -----	AR	
-33	0450311-5	CLAMP -----	1	
	MS20364-1032C	NUT -----	1	
	AN960-10L	WASHER -----	1	
		---*---		
-34	1250843-2	ADAPTOR -----	1	
-35	1250849-6	TUBE ASSEMBLY -----	1	
		ATTACHING PARTS -----		
-36	AN515-8R7	SCREW -----	2	
	NAS696A08	NUTPLATE -----	2	
		---*---		
-37	1250503-1	DUCT-LH -----	1	
-38	1250503-2	DUCT-RH -----	1	
-39	S1110ET19.5	DUCT -----	2	
		ATTACHING PARTS -----		
-40	S1026BG10.90X	CLAMP -----	4	
		---*---		
-41	S1053E16T-*	HOSE * IN LG BULK ITEM REF S1053E16T* -----	1	
		ATTACHING PARTS -----		
-42	NAS397-32	CLAMP -----	2	
		---*---		
-43	S1053K24T-*	HOSE * IN LG BULK ITEM REF S1053K24T* -----	1	
		ATTACHING PARTS -----		
-44	NAS398-50	CLAMP -----	1	
-45	S1026BG13.00X	CLAMP -----	1	
		---*---		
-46	S1053K24T-*	HOSE * IN LG BULK ITEM REF S1053K24T* -----	1	
		ATTACHING PARTS -----		
-47	NAS398-50	CLAMP -----	2	
		---*---		
	1213385-1	VALVE & NOZZLE ASSY-DEFROSTER -----	1	G
-48	1213385-2	NOZZLE ASSY-DEFROSTER -----	1	G
-48A	1213385-5	PLATE-RIVET BACKING -----	1	G
-49	1250116-4	VALVE ASSY-DEFROSTER -----	1	G
		ATTACHING PARTS -----		
-50	NAS221-7	SCREW -----	2	G
		---*---		
	1213386-1	LEVER ASSY-DEFROSTER VALVE -----	1	G
		ATTACHING PARTS -----		
-51	AN960-416L	WASHER -----	1	G
-52	MS24665-132	PIN-COTTER -----	1	G
		---*---		
-53	1213386-2	ARM ASSY -----	1	G
-54	1250115-2	SHAFT -----	1	G
-55	MS16562-16	PIN -----	1	G
-56	0450311-5	CLAMP -----	1	G
-57	AN960-10L	WASHER -----	1	G
-58	MS21044N3	NUT -----	1	G

NOTE. *LENGTHS TO BE ADDED LATER				
A---T210 SERIAL 21059200 & ON				
B---T210 SERIAL 21059200 THRU 21059351				
C---T210 SERIAL 21059352 THRU 21059719				
D---T210 SERIAL 21059200 THRU 21059456				
E---T210 SERIAL 21059457 & ON				
F---T210 SERIAL 21059200 THRU 21059719				
G---T210 SERIAL 21059720 & ON				

Brake System

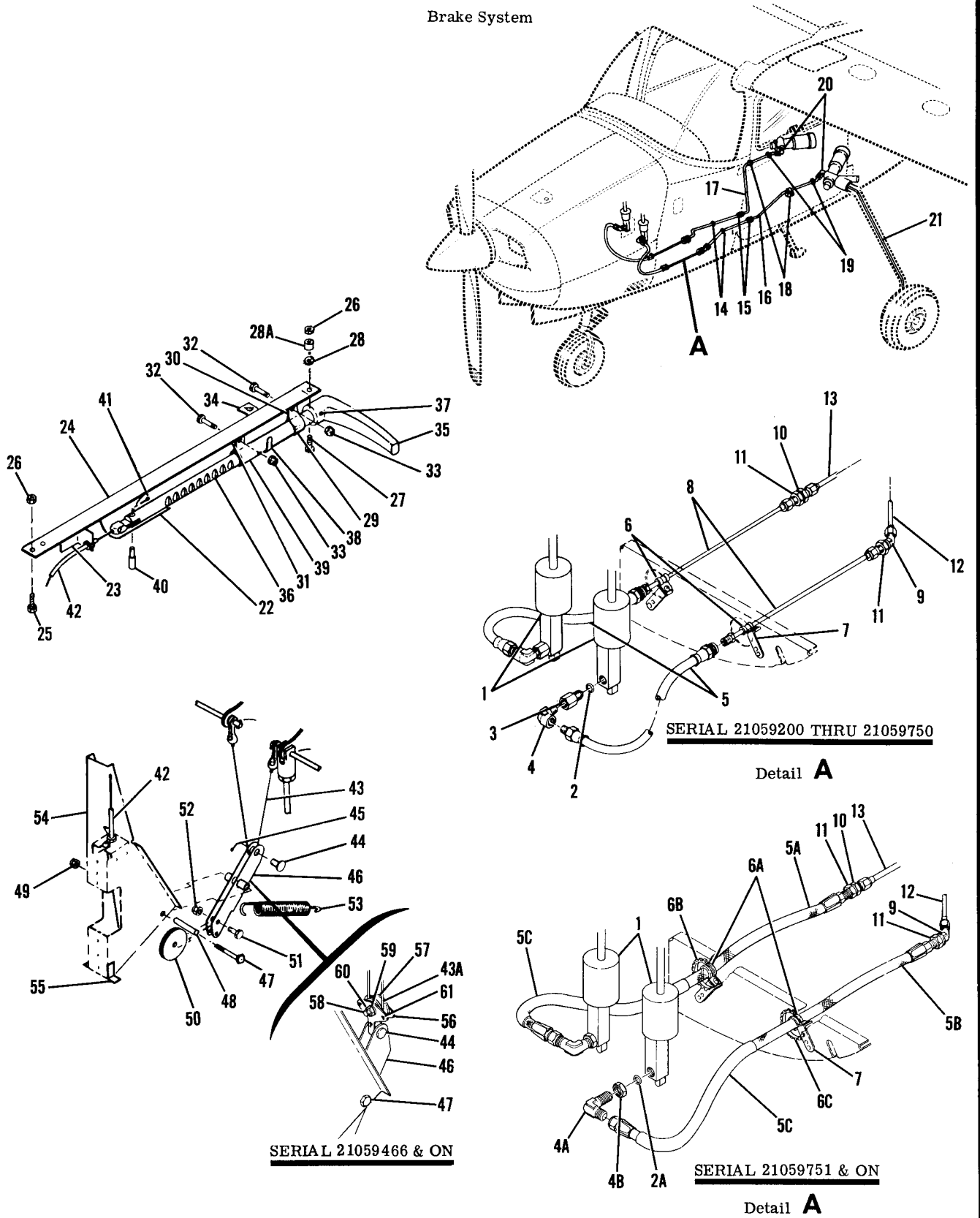


Figure 92. Brake System Installation

FIGURE AND INDEX NO.	PART NUMBER	DESCRIPTION	UNITS	USABLE
			PER ASSY	ON CODE
92 -		1 2 3 4 5 6 7 BRAKE SYSTEM INSTALLATION -----	NP	
- 1	SEE FIG 94	CYLINDER ASSEMBLY-MASTER BRAKE -----	2	
- 2	MS28774-4	O RING -----	2	F
- 2A	MS28774-3	O RING -----	2	G
- 3	S1743-2	CONNECTOR -----	2	F
- 4	AN914-1D	ELBOW -----	2	F
- 4A	AN921-3D	ELBOW -----	2	G
- 4B	AN924-3D	NUT -----	2	G
- 5	S1810-1000	HOSE ASSEMBLY -----	2	F
- 5A	S2178-3-0170	HOSE ASSEMBLY -----	1	G
- 5B	S2178-3-0174	HOSE ASSEMBLY -----	1	G
- 5C	S292-15	SLEEVING 6.00 IN LG BKI REF S292-15-6.00 -----	2	G
- 6	MS21919DG3	CLAMP -----	2	F
		ATTACHING PARTS		
	S1021Z8-6	SCREW -----	1	F
	NAS446-4-3	NUT -----	1	F
		---*---		
- 6A	MS21919DG5	CLAMP -----	2	G
		ATTACHING PARTS		
	S1021Z8-6	SCREW -----	1	G
	NAS446-4-3	NUT -----	1	G
		---*---		
- 6B	S1050-1	GROMMET 4.30 IN LG BKI REF S1050-1-4.30 -----	1	G
- 6C	S1050-1	GROMMET 5.80 IN LG BKI REF S1050-1-5.80 -----	1	G
- 7	0713272-1	BRACKET -----	2	
- 8	1280506-148	LINE ASSEMBLY-BRAKE -----	2	F
- 9	AN837-3D	ELBOW -----	1	
- 10	AN832-3D	UNION -----	1	
- 11	AN924-3D	NUT -----	2	
	AN960PD616	WASHER -----	2	
- 12	1280506-105	LINE ASSEMBLY-BRAKE LH -----	1	
- 13	1280506-106	LINE ASSEMBLY-BRAKE RH -----	1	
- 14	MS35489-5	GROMMET -----	2	
- 15	AN832-3D	UNION -----	2	
	AN924-3D	NUT -----	2	
	AN960-716	WASHER -----	2	
- 16	1280509-31	LINE ASSEMBLY-BRAKE LH -----	1	
- 17	1280509-32	LINE ASSEMBLY-BRAKE RH -----	1	
- 18	MS21919DG3	CLAMP -----	2	
	MS21919DG4	CLAMP -----	2	
		ATTACHING PARTS		
	AN520-10R6	SCREW -----	1	
	MS21044N3	NUT -----	1	
		---*---		
- 19	MS35489-34	GROMMET -----	2	
- 20	1280111-1	SWIVEL ASSEMBLY -----	2	
	MS28778-3	O RING -----	2	
- 21	SEE FIG 37	LINE ASSEMBLY-FUSELAGE TO BRAKE -----	2	
- 22	0713070-4	RACK -----	1	
- 23	0713070-5	ANGLE -----	1	
- 24	1260436-1	ANGLE -----	1	
		ATTACHING PARTS		
- 25	AN3-3A	BOLT -----	2	
- 26	MS21044N3	NUT -----	2	
- 27	AN3-7A	BOLT -----	1	
- 28	AN960PD10	WASHER -----	1	AR
- 28A	NAS43DD3-20	SPACER -----	1	A
		---*---		
	0813150-55	HANDLE ASSEMBLY-PARKING BRAKE -----	1	
		ATTACHING PARTS		
- 29	0713070-25	CLAMP-PARKING BRAKE -----	1	
- 30	0713070-32	SPACER-PARKING BRAKE -----	1	
- 31	0713070-15	SPACER-PARKING BRAKE -----	1	
- 32	AN3-6A	BOLT -----	2	
- 33	MS21044N3	NUT -----	2	
- 34	S1154-1	BRACKET -----	1	
		---*---		
- 35	0811490-75	HANDLE-PARKING BRAKE -----	1	
- 36	0813150-54	TUBE-PARKING BRAKE -----	1	
- 37	NAS561-5-12	ROLL PIN -----	1	

CONTINUED ON NEXT PAGE



FIGURE AND INDEX NO.	PART NUMBER	DESCRIPTION	UNITS PER ASSY	USABLE ON CODE
92 -38	0713070-24	CATCH-PARKING BRAKE ----- ATTACHING PARTS -----	1	
	AN960-6	WASHER ----- ---*---	1	
-39	0813156-4	HOUSING ASSEMBLY -----	1	
-40	0713070-6	PIN-POSITIONING ----- ATTACHING PARTS -----	1	
-41	MS24665-132	PIN-COTTER ----- ---*---	1	
-42	1260417-1	CABLE & TUBE ASSEMBLY-PARKING BRAKE -----	1	B
	1260417-6	CABLE & TUBE ASSEMBLY-PARKING BRAKE -----	1	C
	1260417-2	CABLE & TUBE ASSEMBLY STAINLESS STEEL CABLE ----- PARKING BRAKE -----	1	B
	1260417-7	CABLE & TUBE ASSEMBLY STAINLESS STEEL CABLE ----- PARKING BRAKE -----	1	C
-43	1260505-1	CABLE ASSEMBLY -----	1	D
	1260505-101	CABLE ASSEMBLY STAINLESS STEEL -----	1	D
-43A	1260505-97	CABLE ASSEMBLY -----	1	E
	1260505-971	CABLE ASSEMBLY STAINLESS STEEL -----	1	E
-44	MS20392-4C13	PIN -----	1	
-45	MS24665-281	PIN-COTTER -----	1	
-46	0713070-35	BELLCRANK ASSEMBLY ----- ATTACHING PARTS -----	1	
-47	AN3-13A	BOLT -----	1	
-48	0713070-19	SPACER -----	1	
-49	MS21044N3	NUT ----- ---*---	1	
-50	S378-1	PULLEY ----- ATTACHING PARTS -----	1	
-51	AN23-9A	BOLT -----	1	
-52	MS21044N3	NUT ----- ---*---	1	
-53	0713625-1	SPRING -----	1	
-54	1242003-1	BRACKET ASSEMBLY -----	1	
-55	1261422-1	ANGLE-LH -----	1	
	1261422-2	ANGLE-RH -----	1	
-56	0713959-1	BRACKET ASSY-PULLEY -----	1	E
-57	S1710-1	PULLEY-PARKING BRAKE ----- ATTACHING PARTS -----	1	E
-58	AN3-6A	BOLT -----	1	E
-59	AN960-10L	WASHER -----	1	E
	0411783	BUSHING -----	1	E
-60	MS21044N3	NUT ----- ---*---	1	E
-61	MS24665-134	PIN-COTTER -----	3	E

A---210 & T210 SERIAL 21059352 & ON
 B---210 & T210 SERIAL 21059200 THRU 21059555
 C---210 & T210 SERIAL 21059556 & ON
 D---210 & T210 SERIAL 21059200 THRU 21059465
 E---210 & T210 SERIAL 21059466 & ON
 F---210 & T210 SERIAL 21059200 THRU 21059750
 G---210 & T210 SERIAL 21059751 & ON

FIGURE AND INDEX NO.	PART NUMBER	DESCRIPTION	UNITS PER ASSY	USABLE ON CODE
93 -		1 2 3 4 5 6 7 BRAKE & RUDDER PEDALS INSTALLATION -----		
- 1	1460320-1	PEDAL -----	NP 4	
		ATTACHING PARTS		
- 2	1460501-21	SHAFT-LH -----	1	
- 3	1460501-36	SHAFT-RH -----	1	
- 4	1260459-8	PIN ON RH PEDALS ONLY -----	1	
- 5	MS24665-285	PIN-COTTER -----	2	
		---*---		
- 6	0760682-1	SPRING-ANTI RATTLE -----	4	
- 7	0411307	ARM ASSEMBLY-RUDDER PEDAL -----	4	
		ATTACHING PARTS		
- 8	AN3-11A	BOLT -----	1	
	MS21044N3	NUT -----	1	
		---*---		
- 9	0411564	LINK-DUAL BRAKES -----	3	
CONTINUED ON NEXT PAGE				

Brake System (Cont)

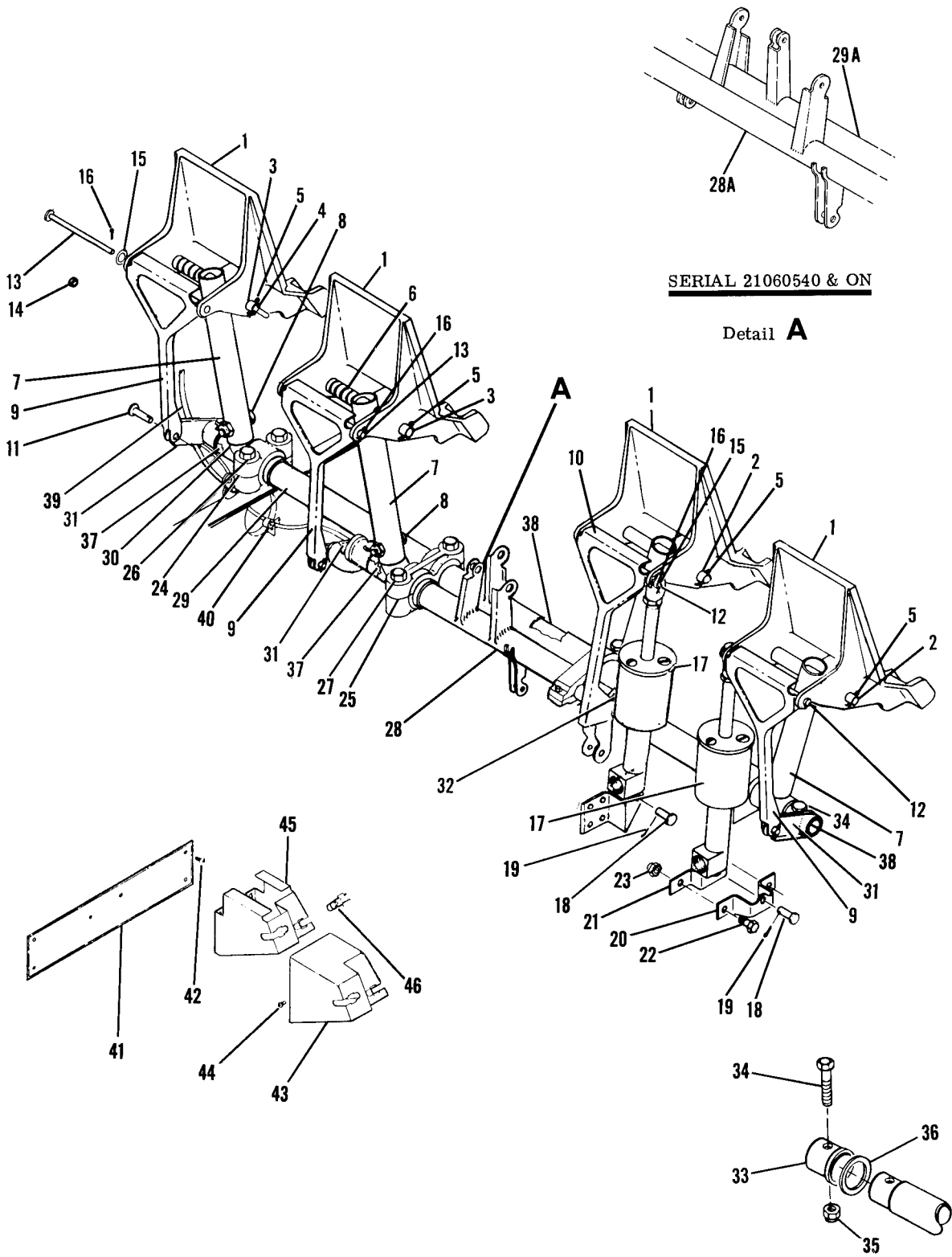


Figure 93. Brake & Rudder Pedals Installation

FIGURE AND INDEX NO.	PART NUMBER	DESCRIPTION	UNITS PER ASSY	USABLE ON CODE
		1 2 3 4 5 6 7		
93 -10	0411564	LINK-DUAL BRAKES ----- ATTACHING PARTS -----	1	
-11	MS20392-2C15 NAS43HT3-12 MS24665-132	PIN ----- SPACER ----- PIN-COTTER -----	1 1 1	
-12	0411778-2 0411778-3	SHAFT LH PEDALS ONLY ----- SHAFT LH PEDALS ONLY -----	1 1	A B
-13	0411778-4	SHAFT RH PEDALS ONLY -----	1	
-14	NAS42HT6-8	SPACER RH PEDALS ONLY -----	1	
-15	S1438-2	WASHER -----	AR 1	
-16	MS24665-132	PIN-COTTER ----- ---*---	1	
-17	SEE FIG 94	CYLINDER ASSEMBLY-MASTER BRAKE ----- ATTACHING PARTS -----	2 1	
-18	MS20392-2C15	PIN -----	1	
-19	MS24665-132	PIN-COTTER ----- ---*---	1	
-20	0411549	BRACKET-BRAKE CYLINDER OUTSIDE -----	1	
-21	0411550	BRACKET-BRAKE CYLINDER INSIDE ----- ATTACHING PARTS -----	1	
-22	AN3-3A	BOLT -----	2	
-23	MS21044N3	NUT ----- ---*---	2	
-24	S1674-1	BEARING HALF-OUTBOARD -----	4	
-25	S1675-1	BEARING HALF-INBOARD ----- ATTACHING PARTS -----	4	
-26	AN3-13A MS21044N3	BOLT OUTBOARD BEARING ----- NUT OUTBOARD BEARING -----	2 2	
-27	AN3-15A	BOLT INBOARD BEARING ----- ---*---	2	
-28	1260456-1	RUDDER BAR ASSEMBLY-LH -----	1	C
-28A	1260456-5	RUDDER BAR ASSEMBLY-LH -----	1	D
-29	1260456-2	RUDDER BAR ASSEMBLY-RH -----	1	C
-29A	1260456-6	RUDDER BAR ASSEMBLY-RH -----	1	D
-30	1260460-2	STUB ASSEMBLY-RH -----	1	
-31	1260021-1	BELLCRANK ASSEMBLY DUAL CONTROLS -----	3	
-32	0411573-1	BELLCRANK ASSEMBLY DUAL CONTROLS -----	1	
-33	0411562	HUB SINGLE CONTROLS ----- ATTACHING PARTS -----	4	
-34	AN3-10A	BOLT -----	1	
-35	MS21044N3	NUT -----	1	
-36	1260459-3 1260459-13	WASHER 1/16 THICK SINGLE CONTROLS ONLY ----- WASHER 1/32 THICK SINGLE CONTROLS ONLY ----- ---*---	AR AR	
-37	S1003-43A	BEARING -----	4	
-38	1260419-1	TUBE-DUAL BRAKES -----	2	
-39	1260458-7	CONTROL ASSEMBLY-DISENGAGING RUDDER PEDALS ----- ATTACHING PARTS -----	1	
-40	AN742D5 S1153-1 S1021Z8-6	CLAMP ----- BRACKET ----- SCREW ----- ---*---	1 1 2	
-41	1260459-11	SCUFF PLATE ----- ATTACHING PARTS -----	1	
-42	NAS221-5 NAS680A3	SCREW ----- NUTPLATE ----- ---*---	8 8	
-43	1260461-2	COVER-DISENGAGING RUDDER PEDALS ----- ATTACHING PARTS -----	1	
-44	S1021A8-8	SCREW ----- ---*---	2	
-45	1260462-4	BRACKET ASSEMBLY -----	1	
-46	S1213-1	CATCH -----	2	

NOTE. #THIS PART MUST HAVE A SECOND DASH NUMBER ADDED TO DENOTE COLOR. REFER TO HOW TO ORDER INTERIOR PARTS-PAGE VI.

A---210 & T210 SERIAL 21059200 THRU 21059465
 B---210 & T210 SERIAL 21059466 & ON
 C---210 & T210 SERIAL 21059200 THRU 21060539
 D---210 & T210 SERIAL 21060540 & ON

Brake System (Cont)

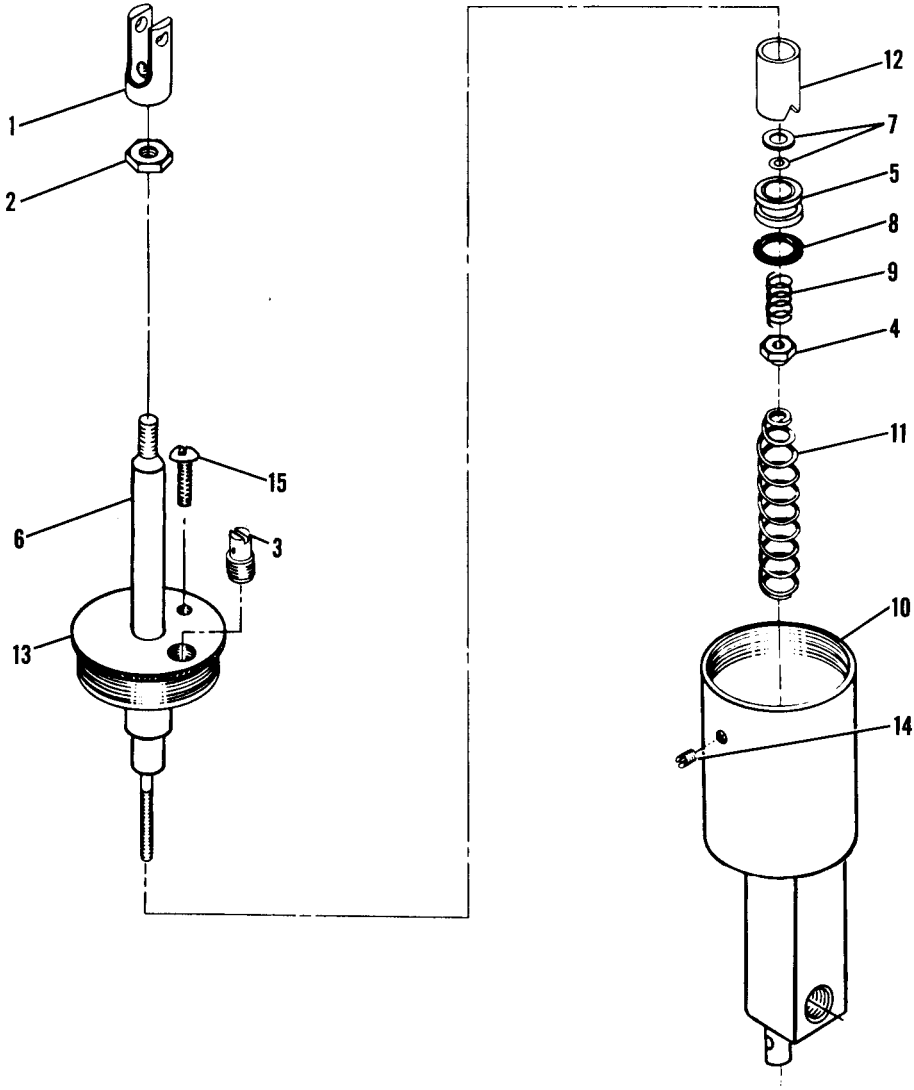


Figure 94. Brake Master Cylinder Assembly

FIGURE AND INDEX NO.	PART NUMBER	DESCRIPTION	UNITS PER ASSY	USABLE ON CODE
		1 2 3 4 5 6 7		
94 -	0541138-3	BRAKE MASTER CYLINDER ASSEMBLY -----	2	A
	0541138-22	BRAKE MASTER CYLINDER ASSEMBLY -----	2	B
- 1	0541140	CLEVIS -----	1	
- 2	AN316-4R	NUT-CHECK -----	1	
- 3	0541139	PLUG -----	1	
	0541138-5	PISTON ASSEMBLY-MASTER CYLINDER -----	1	
- 4	22FH632	NUT SPS -----	1	
- 5	0541143	PISTON -----	1	
- 6	0541144	ROD-PISTON -----	1	
- 7	800-001-6	LOCK-O-SEAL PKSC -----	1	
- 8	MS28775-110	O RING -----	1	
- 9	0541148-1	SPRING-PISTON -----	1	
-10	0541184-1	BODY-MASTER CYLINDER -----	1	A
	0541184-2	BODY-MASTER CYLINDER -----	1	B
-11	0541148	SPRING -----	1	
-12	0541149	SLEEVE -----	1	
-13	0541151	COVER -----	1	
-14	AN565D6-3	SET SCREW -----	1	
-15	AN515-10R8	SCREW -----	1	
		A---210 & T210 SERIAL 21059200 THRU 21059750 B---210 & T210 SERIAL 21059751 & ON		

Flight Controls

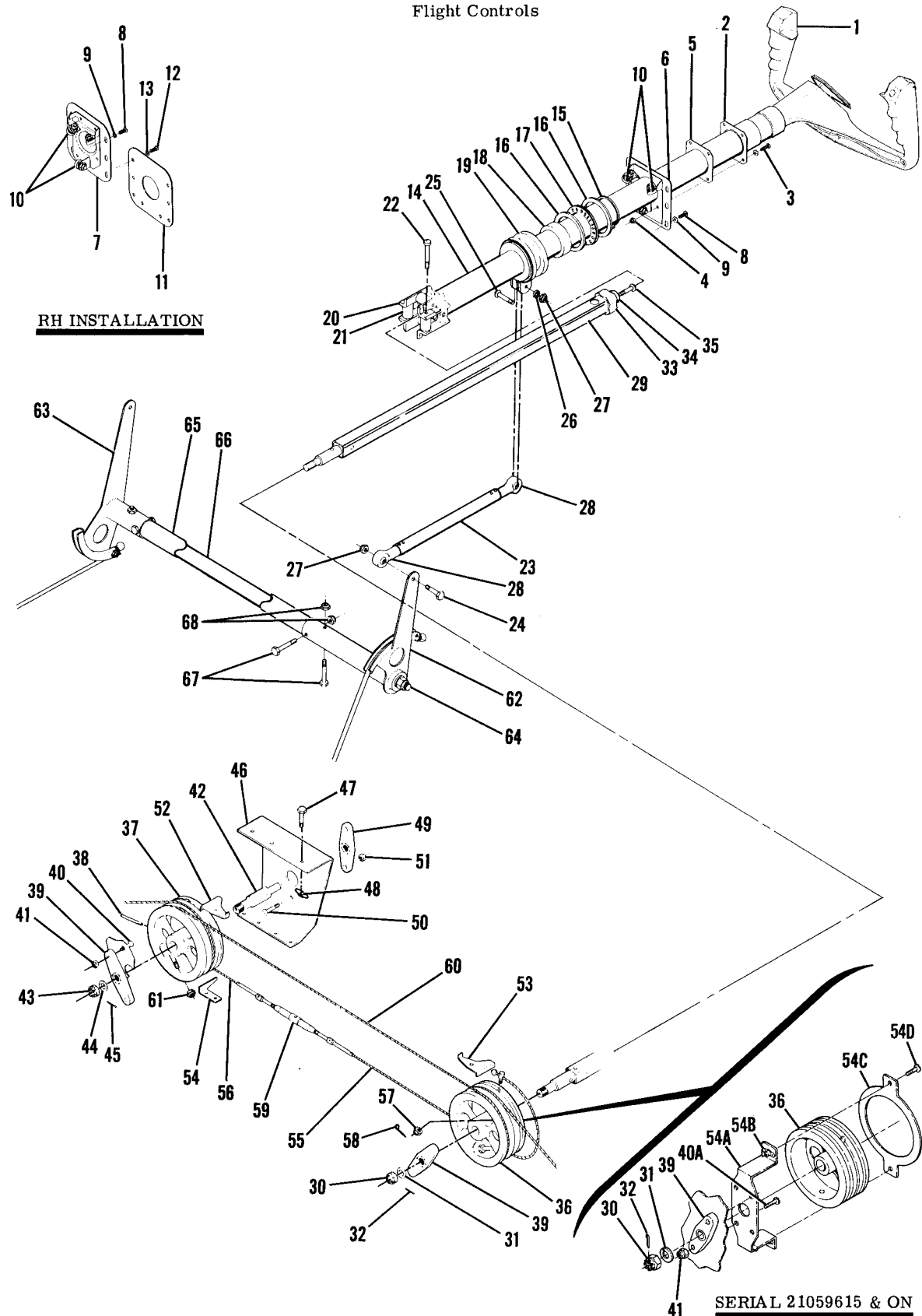


Figure 95. Control Column Installation

SERIAL 21059615 & ON

FIGURE AND INDEX NO.	PART NUMBER	DESCRIPTION	UNITS PER ASSY	USABLE ON CODE
95 -		CONTROL COLUMN INSTALLATION -----	NP	
- 1	SEE FIG 96 & 96A	CONTROL WHEEL & SWITCHES INSTALLATION -----	1	
- 2	0760118-1	COLLAR ASSEMBLY-CONTROL LOCK LH ONLY -----	1	A
	0760118-4	COLLAR ASSEMBLY-CONTROL LOCK LH ONLY -----	1	E
	1260668-2	COLLAR ASSEMBLY-CONTROL LOCK LH ONLY -----	1	D
		ATTACHING PARTS		
- 3	AN515-6R8	SCREW -----	4	C
	NAS514-632R10	SCREW -----	4	D
- 4	MS21044N06	NUT -----	4	
		-----*		
- 5	0760642-2	SPACER-CONTROL LOCK LH ONLY -----	1	C
- 6	1213932-1	COVER ASSEMBLY-LH -----	1	C
	1213932-3	COVER ASSEMBLY-LH -----	1	D
- 7	1213932-2	COVER ASSEMBLY-RH DUAL CONTROLS -----	1	H
	1213932-4	COVER ASSEMBLY-RH DUAL CONTROLS -----	1	J
		ATTACHING PARTS		
- 8	AN515-8R8	SCREW -----	6	
- 9	AN960-8	WASHER -----	6	
		-----*		
-10	S2010-3	BEARING -----	3	
		ATTACHING PARTS		
	AN315-3R	NUT -----	1	
	AN936A10	WASHER -----	1	
		-----*		
-11	1213050-1	PLATE-COVER RH SINGLE CONTROLS -----	1	H
	1213740-1	PLATE-COVER RH SINGLE CONTROLS -----	1	J
		ATTACHING PARTS		
-12	AN515-8R8	SCREW -----	6	
-13	AN960-8	WASHER -----	6	
		-----*		
-14	1260098-3	TUBE & BEARING ASSEMBLY-AILERON & ELEVATOR CONTROL LH -----	1	A
	1260140-5	TUBE & BEARING ASSEMBLY-AILERON & ELEVATOR CONTROL LH -----	1	E
	1260140-8	TUBE & BEARING ASSEMBLY-AILERON & ELEVATOR CONTROL LH -----	1	D
	1260009-9	TUBE & BEARING ASSEMBLY-AILERON & ELEVATOR CONTROL RH -----	1	A
	1260143-2	TUBE & BEARING ASSEMBLY-AILERON & ELEVATOR CONTROL RH -----	1	E
	1260143-11	TUBE & BEARING ASSEMBLY-AILERON & ELEVATOR CONTROL RH -----	1	D
-15	MS16624-137	RING-RETAINER -----	1	
-16	TRA2233	RACE-BEARING TOR -----	4	
-17	NTA2233	BEARING TOR -----	2	
-18	B228	BEARING TOR -----	1	
-19	0760643-5	SLEEVE WELD ASSEMBLY -----	1	
	S1358-1	WASHER -----	AR	
-20	0760646-2	RETAINER ASSEMBLY -----	1	
-21	1260664-1	ROLLER KIT -----	4	
		ATTACHING PARTS		
-22	0760644-1	SCREW-MACHINE -----	1	
		-----*		
-23	0760634-3	PUSH ROD ASSEMBLY-ELEVATOR CONTROL -----	2	
		ATTACHING PARTS		
-24	NAS222-16	SCREW -----	1	
-25	0760674-1	SCREW -----	1	
-26	AN960-416	WASHER -----	2	
-27	MS21042L4	NUT -----	2	
		-----*		
-28	F44-14S	ROD END HEC -----	2	
-29	1260099-1	TUBE ASSEMBLY-AILERON CONTROL LH -----	1	A
	1260141-5	TUBE ASSEMBLY-AILERON CONTROL LH -----	1	B
	1260008-1	TUBE ASSEMBLY-AILERON CONTROL RH -----	1	A
	1260141-9	TUBE ASSEMBLY-AILERON CONTROL RH -----	1	B
		ATTACHING PARTS		
-30	AN310-5	NUT -----	1	
-31	AN960-516L	WASHER -----	1	
-32	MS24665-136	PIN-COTTER -----	1	
		-----*		

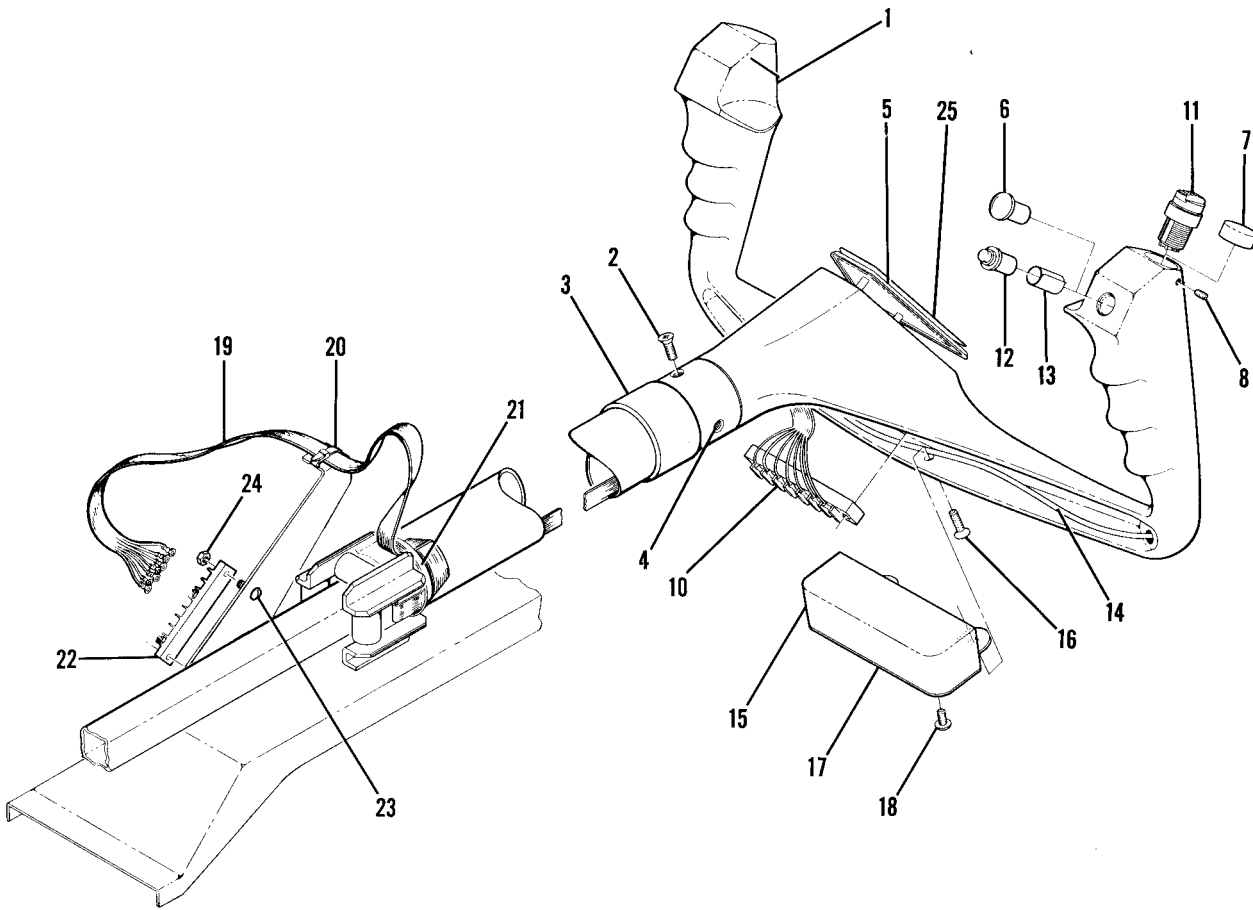
CONTINUED ON NEXT PAGE

FIGURE AND INDEX NO.	PART NUMBER	DESCRIPTION							UNITS PER ASSY	USABLE ON CODE
		1	2	3	4	5	6	7		
95 -33	0760121-1	GLIDE-AILERON CONTROL	USED ON	1260099-1	&	1260145-5	---	1		
	0760104-1	GLIDE-AILERON CONTROL	USED ON	1260008-1	-----			1	A	
	0760651-2	GLIDE-AILERON CONTROL	USED ON	1260141-9	-----			1	B	
		ATTACHING PARTS								
-34	0760104-2	PLUG-ADJUSTABLE GLIDE	-----					1		
-35	NAS220-14	SCREW	-----					1		
		---*---								
-36	1260033-3	QUADRANT-AILERON CONTROL LH	WEU	1260112-1	-----			1	F	
	1260112-1	QUADRANT-AILERON CONTROL LH	-----					1	G	
-37	1260033-4	QUADRANT-AILERON CONTROL RH	WEU	1260112-2	-----			1	F	
	1260112-2	QUADRANT-AILERON CONTROL RH	-----					1	G	
		ATTACHING PARTS								
-38	NAS561-6-18	PIN-ROLL	-----					1		
		---*---								
-39	0760633-1	BLOCK ASSEMBLY-BEARING	-----					2		
		ATTACHING PARTS								
-40	AN515-8R10	SCREW	-----					2	F	
-40A	AN515-8R11	SCREW	-----					2	G	
-41	MS21044N08	NUT	-----					2		
		---*---								
-42	0760649-3	SHAFT SINGLE CONTROLS	-----					1		
		ATTACHING PARTS								
-43	AN310-5	NUT	-----					1		
-44	AN960-516L	WASHER	-----					1		
-45	MS24665-136	PIN-COTTER	-----					1		
		---*---								
-46	1260137-2	BRACKET-SUPPORT SINGLE CONTROLS	-----					1		
		ATTACHING PARTS								
-47	AN3-6A	BOLT	-----					3		
-48	NAS680A3	NUTPLATE	-----					3		
		---*---								
-49	0760633-1	BLOCK ASSEMBLY-BEARING SINGLE CONTROLS	-----					1		
		ATTACHING PARTS								
-50	AN515-8R10	BOLT	-----					2		
-51	MS21044N08	NUT	-----					2		
		---*---								
-52	1260136-1	GUARD-CABLE UPPER RH	-----					1	F	
-53	1260136-2	GUARD-CABLE UPPER LH	-----					1	F	
		ATTACHING PARTS								
	AN3-6A	BOLT	-----					1	F	
		---*---								
-54	1260135-1	GUARD-CABLE LOWER RH	SINGLE CONTROLS	-----				1	F	
	1260006-4	GUARD-CABLE LOWER RH	DUAL CONTROLS	-----				1	F	
	1260006-5	GUARD-CABLE LOWER LH	-----					1	F	
		ATTACHING PARTS								
	AN515-6R4	SCREW	-----					1	F	
		---*---								
-54A	1260111-1	GUARD ASSY-CABLE LH & RH	-----					2	G	
-54B	MS21044N08	NUTPLATE	-----					2	G	
-54C	1260111-3	STRAP-COVER LH & RH	-----					2	G	
		ATTACHING PARTS								
-54D	AN515-8R6	SCREW	-----					2	G	
		---*---								
-55	1260078-7	CABLE ASSEMBLY-CONTROL WHEEL INTERCONNECT	-----					1		
	1260078-107	CABLE ASSEMBLY-CONTROL WHEEL INTERCONNECT	-----					1		
		STAINLESS STEEL								
-56	1260078-8	CABLE ASSEMBLY-CONTROL WHEEL INTERCONNECT	-----					1		
	1260078-108	CABLE ASSEMBLY-CONTROL WHEEL INTERCONNECT	-----					1		
		STAINLESS STEEL								
		ATTACHING PARTS								
-57	AN310-3	NUT	-----					1		
-58	MS24665-71	PIN-COTTER	-----					1		
		---*---								

CONTINUED ON NEXT PAGE

FIGURE AND INDEX NO.	PART NUMBER	DESCRIPTION	UNITS PER ASSY	USABLE ON CODE
		1 2 3 4 5 6 7		
95 -59	AN155-32S	BARREL -----	1	
-60	1260078-5	CABLE ASSEMBLY -----	1	
	1260078-105	CABLE ASSEMBLY -----	1	
		ATTACHING PARTS		
-61	MS21044N3	NUT -----	2	
		---*---		
-62	1260430-1	ARM ASSEMBLY-LH -----	1	
-63	1260425-1	ARM ASSEMBLY-RH -----	1	
		ATTACHING PARTS		
-64	NAS222-14	SCREW -----	1	
	MS21042L4	NUT -----	1	
		---*---		
-65	1260438-1	TUBE-RUB PROTECTION -----	1	
-66	1260429-1	TUBE-TORQUE -----	1	
		ATTACHING PARTS		
-67	NAS220-22	SCREW -----	4	
-68	MS21044N08	NUT -----	4	
		---*---		
		A---210 & T210 SERIAL 21059200 THRU 21059351		
		B---210 & T210 SERIAL 21059352 & ON		
		C---210 & T210 SERIAL 21059200 THRU 21059502		
		D---210 & T210 SERIAL 21059503 & ON		
		E---210 & T210 SERIAL 21059352 THRU 21059502		
		F---210 & T210 SERIAL 21059200 THRU 21059614		
		G---210 & T210 SERIAL 21059615 & ON		
		H---210 & T210 SERIAL 21059200 THRU 21060539		
		J---210 & T210 SERIAL 21060540 & ON		

Flight Controls (Cont)

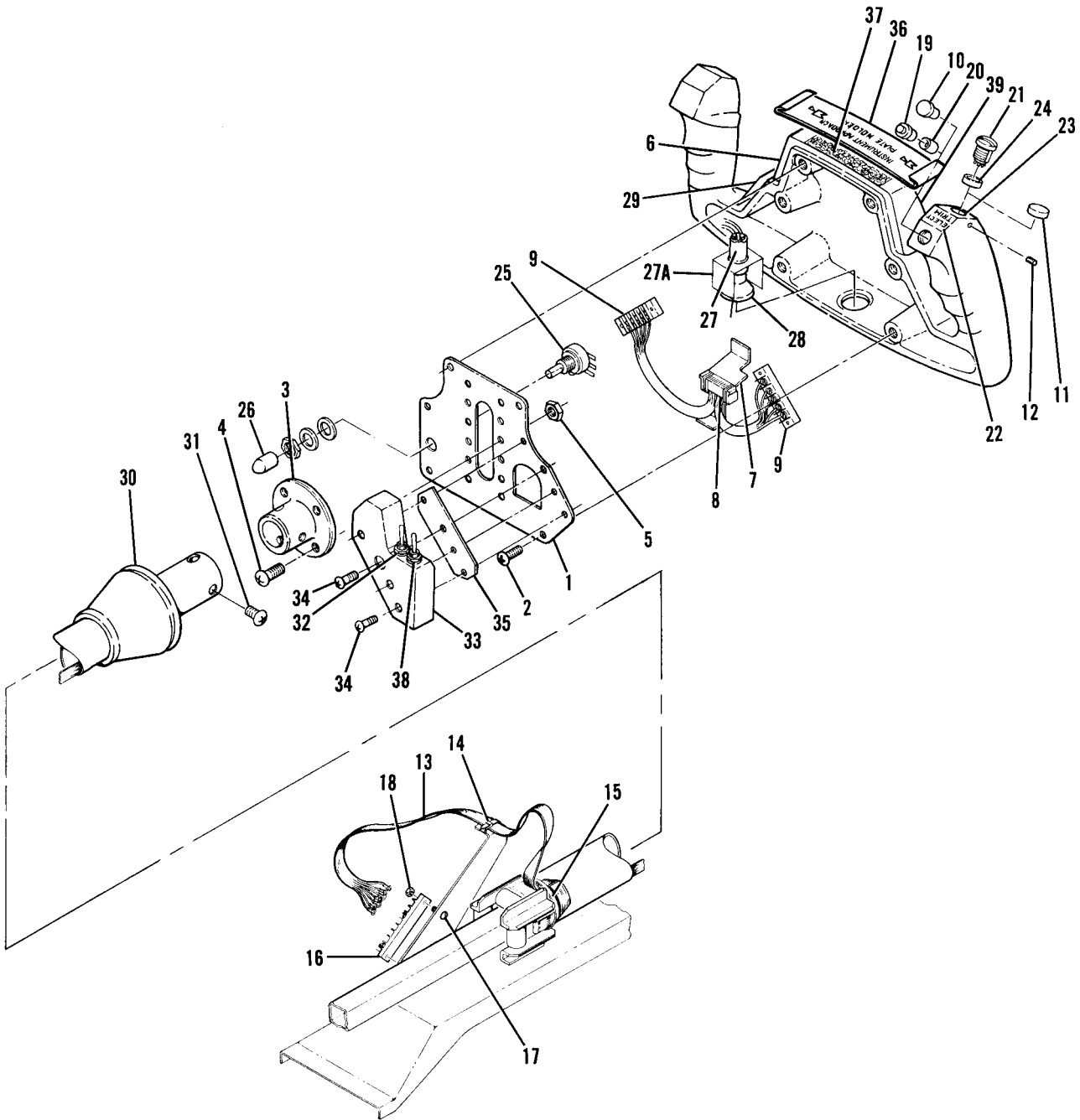


210 & T210 SERIAL 21059200 THRU 21059502

Figure 96. Control Wheel & Switches Installation

FIGURE AND INDEX NO.	PART NUMBER	DESCRIPTION	UNITS PER ASSY	USABLE ON CODE
96 -		1 2 3 4 5 6 7		
- 1	1270681-4 1260476-3	CONTROL WHEEL & SWITCHES INSTALLATION ----- CONTROL WHEEL ASSEMBLY-LH ----- CONTROL WHEEL ASSEMBLY-RH ----- ATTACHING PARTS	NP 1 1	C
- 2	AN507-1032R6	SCREW -----	3	
- 3	1560319-1 1560319-2	COLLAR ----- COLLAR ----- *-----	1 1	A B
- 4	MS21209F1-10	INSERT -----	3	
- 5	1260477-2	BASE PLATE -----	1	
- 6	1270682-1	PLUG MIKE SWITCH LH ONLY -----	1	
- 7	1560110-3	PLUG TRIM SWITCH LH ONLY ----- ATTACHING PARTS	1	
- 8	AN56584-2	SCREW ALSO ATTACHES TRIM SWITCH ----- *-----	1	
- 9		DELETED NEVER USED -----		
-10	1270658-1	TERMINAL BLOCK LH ONLY -----	1	A
	255-10-30-190	CONNECTOR LH ONLY -----	1	B
-11	305-4304	SWITCH-TRIM ANGLE -----	1	
	1560110-1	ADAPTER-TRIM SWITCH -----	1	
-12	S1985-1	SWITCH-MIKE -----	1	
-13		INSULATION USE MYLAR ELECTRICAL TAPE -----	NP	
-14	8445	CABLE BDN TERMINAL BLOCK TO ELECTRIC TRIM & MIKE SWITCH -----	1	
-15	1270686-1	MAPLIGHT ASSEMBLY ----- ATTACHING PARTS	1	
-16	AN507-832R7	SCREW ----- *-----	2	
-17	1270687-2	COVER-MAPLIGHT ----- ATTACHING PARTS	1	
-18	AN515-6R6	SCREW ----- *-----	2	
	S1894-1	LAMP-MAPLIGHT -----	2	
-19	SF1030-268X	CABLE SWC -----	1	A
	1270060-1	CABLE ASSEMBLY -----	1	B
-20	S1693-1	STA-STRAP -----	1	
-21	S1693-2	STA-STRAP -----	1	
-22	8-171	TERMINAL BLOCK CIN -----	1	A
	582384-9	SOCKET ----- ATTACHING PARTS	1	B
-23	AN515-4R6	SCREW -----	2	A
	AN515-6R8	SCREW -----	2	B
	AN936A4	WASHER -----	2	A
-24	AN340-4	NUT -----	2	A
	MS21044N06	NUT ----- *-----	2	B
-25	SEE FIG 2	NAMEPLATE-CONTROL WHEEL -----	AR	
		A---210 & T210 SERIAL 21059200 THRU 21059351		
		B---210 & T210 SERIAL 21059352 THRU 21059502		
		C---210 & T210 SERIAL 21059200 THRU 21059502		

Flight Controls (Cont)

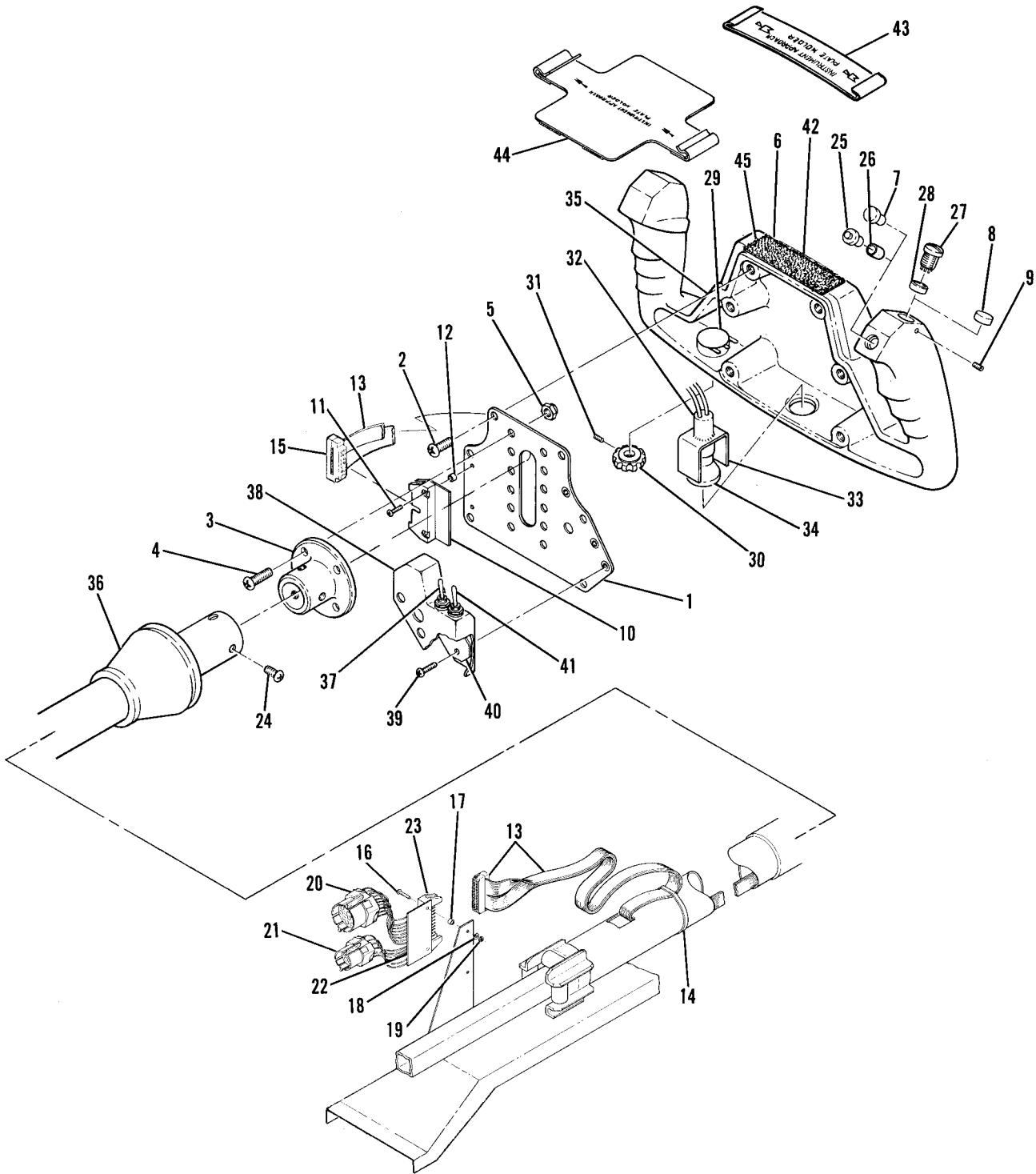


210 & T210 SERIAL 21059503 THRU 21060318

Figure 96A. Control Wheel & Switches Installation

FIGURE AND INDEX NO.	PART NUMBER		DESCRIPTION	UNITS PER ASSY	USABLE ON CODE
		1 2 3 4 5 6 7			
96A-			CONTROL WHEEL & SWITCHES INSTALLATION -----	NP	A
	0760019-3	*	CONTROL WHEEL ASSEMBLY-LH HAS MAPLIGHT & MIKE ----- SWITCH PROVISIONS -----	1	
	0760019-1	*	CONTROL WHEEL ASSEMBLY-RH UNDRILLED -----	1	
- 1	0760016-1		PLATE ----- ATTACHING PARTS -----	1	
- 2	NAS221-9		SCREW ----- ---*---	6	
- 3	0760017-2		ADAPTOR ASSEMBLY ----- ATTACHING PARTS -----	1	
- 4	NAS221-11		SCREW -----	4	
- 5	MS21044N3		NUT ----- ---*---	4	
- 6	0760018-1		PAD-CONTROL WHEEL -----	1	
- 7	0760022-1	z	BRACKET LH ONLY -----	1	
- 8	255-10-30-190	z	CONNECTOR LH ONLY -----	1	
- 9	351-11-05-001	z	TERMINAL BLOCK LH ONLY -----	2	
-10	1270682-1	z	PLUG LH ONLY -----	1	
-11	1560110-3	z	PLUG LH ONLY -----	1	
-12	AN56584-2	z	SCREW LH ONLY ALSO ATTACHES TRIM SWITCH -----	1	
-13	1270060-1		CABLE ASSEMBLY -----	1	
	1270060-3		CABLE ASSEMBLY USED WITH FLIGHT DIRECTOR -----	1	F
	1270060-5		CABLE ASSEMBLY -----	1	G
	1270061-2		CIRCUIT BOARD -----	1	G
-14	S1693-1		STA-STRAP -----	1	
-15	S1693-2		STA-STRAP -----	1	
-16	582384-9		SOCKET ----- ATTACHING PARTS -----	1	
-17	AN515-6R8		SCREW -----	2	
-18	MS21044N06		NUT ----- ---*---	2	
-19	S1985-1		SWITCH-MIKE -----	1	
-20			INSULATION USE MYLAR ELECTRICAL TAPE -----	AR	
-21	S2030-1		SWITCH-ELECTRIC TRIM -----	1	
-22	SEE FIG 2		PLACARD-ELECTRIC TRIM DN -----	1	
-23	SEE FIG 2		PLACARD-ELECTRIC TRIM UP -----	1	
-24	1560110-1		ADAPTOR -----	1	
-25	3859A281-152A		RHEOSTAT -----	1	C
	3859A282-152A		RHEOSTAT -----	1	D
-26	S2093-1		COVER-RHEOSTAT -----	1	
-27	4157-001		SOCKET-MAP LIGHT DMC -----	1	
-27A	0760023-1		BRACKET-MOUNTING -----	1	E
-28	24RB		LAMP-MAP LIGHT -----	1	
-29	SEE FIG 2		PLACARD-MAP LIGHT -----	1	
-30	0760021-1		COVER-CONTROL WHEEL -----	1	
-31	NAS221-6		SCREW ATTACH CONTROL WHEEL -----	3	
-32	S1695-2		SWITCH-TRIM DISENGAGE -----	1	D
	C10RED		COVER-SWITCH AELM -----	1	D
-33	1560337-1		HOUSING-TRIM DISENGAGE SWITCH ONLY -----	1	D
	1560337-2		HOUSING-TRIM & AUTOPILOT DISENGAGE SWITCH ----- ATTACHING PARTS -----	1	D
-34	AN515-6R7		SCREW ----- ---*---	3	
-35	1560337-3		SUPPORT-HOUSING -----	1	D
-36	0715046-4	h	HOLDER ASSY-APPROACH PLATE -----	1	B
	S2092-3		FABRIC FASTENER-HOOK BKI SEE FIG 1 -----	2	
-37	S2092-10		FABRIC FASTENER-PILE BKI SEE FIG 1 -----	1	B
-38	7108SYZ		SWITCH-AUTOPILOT DISENGAGE -----	1	D
	C10RED		COVER-SWITCH AELM -----	1	D
-39	SEE FIG 2		NAMEPLATE-CONTROL WHEEL -----	2	
NOTE. *FOR INTEGRATED FLIGHT CONTROL SYSTEM CONTROL WHEEL-SEE ELECTRONICS MANUAL.					
NOTE. zTHESE PARTS ARE USED ON AIRCRAFT EQUIPPED WITH MIKE SWITCH & MAPLIGHT PROVISIONED CONTROL WHEEL					
A---210 & T210 SERIAL 21059503 THRU 21060318					
B---210 & T210 SERIAL 21060090 THRU 21060318					
C---210 & T210 SERIAL 21059503 THRU 21059719					
D---210 & T210 SERIAL 21059720 THRU 21060318					
E---210 & T210 SERIAL 21059568 THRU 21060318					
F---210 & T210 SERIAL 21059503 THRU 21060125					
G---210 & T210 SERIAL 21060126 THRU 21060318					
H---210 & T210 SERIAL 21057720 THRU 21060125					

Flight Controls (Cont)



210 & T210 SERIAL 21060319 & ON

Figure 96B. Control Wheel & Switches Installation

FIGURE AND INDEX NO.	PART NUMBER		DESCRIPTION	UNITS PER ASSY	USABLE ON CODE
			1 2 3 4 5 6 7		
96B-			CONTROL WHEEL & SWITCHES INSTALLATION -----	NP	A
	0760019-10	*	CONTROL WHEEL ASSY HAS MAPLIGHT & MIKE SWITCH PROVISIONS-----	1	B
	0760019-15	*	CONTROL WHEEL ASSY HAS MAPLIGHT & MIKE SWITCH PROVISIONS-----	1	C
	0760019-1	*	CONTROL WHEEL ASSY UNDRILLED -----	1	B
	0760019-12	*	CONTROL WHEEL ASSY UNDRILLED -----	1	C
- 1	0760016-3	%	PLATE -----	1	
	0760016-4	ZZ	PLATE ASSY -----	1	
			ATTACHING PARTS -----		
- 2	NAS221-9		SCREW -----	6	
			-----*-----		
- 3	0760017-2		ADAPTOR ASSY -----	1	
			ATTACHING PARTS -----		
- 4	NAS221-11		SCREW -----	4	
- 5	MS21044N3		NUT -----	4	
			-----*-----		
- 6	0760018-1		PAD-CONTROL WHEEL -----	1	B
	0760029-1		PAD-CONTROL WHEEL -----	1	C
- 7	1270682-1	ZZ	PLUG USED WHEN MIKE SWITCH IS NOT INSTALLED -----	1	
- 8	1560110-3	ZZ	PLUG USED WHEN TRIM SWITCH IS NOT INSTALLED -----	1	
- 9	AN56584-2	ZZ	SCREW ALSO ATTACHES TRIM SWITCH -----	1	
-10	1570307-1	ZZ	CONNECTOR ASSY -----	1	
			ATTACHING PARTS -----		
-11	AN520-3R8		SCREW -----	2	
-12	NAS43000-8A		SPACER -----	2	
			-----*-----		
-13	1570308-1		CABLE ASSY -----	1	
-14	S2209-2		STA-STRAP -----	1	
-15	3421-0000		CONNECTOR MINN -----	1	
	1570307-2		CABLE ASSY -----	1	
			ATTACHING PARTS -----		
-16	AN520-3R10		SCREW -----	2	
-17	NAS43000-8A		SPACER -----	2	
-18	AN936A3		WASHER -----	2	
-19	AN340-3		NUT -----	2	
			-----*-----		
-20	S1962-1-0		HOUSING -----	1	
-21	S1960-1-0		HOUSING -----	1	
-22	1570306-1		CIRCUIT BOARD -----	1	
-23	3428-1002		HEADER MINN -----	1	
-24	NAS221-6		SCREW CONTROL WHEEL ATTACH -----	3	
-25	S1985-1		SWITCH-MIKE -----	1	
-26			INSULATION USE MYLAR ELECTRICAL TAPE -----	AR	
-27	S2030-1		SWITCH-ELECTRIC TRIM -----	1	
-28	1560110-1		ADAPTER -----	1	
	SEE FIG 2		PLACARD-ELECTRIC TRIM -----	2	
-29	3859A161-152A		RHEOSTAT -----	1	
-30	1270483-2		KNDB-RHOESTAT -----	1	
			ATTACHING PARTS -----		
-31	AN56582H3		SET SCREW -----	1	
			-----*-----		
-32	4157-001		SOCKET-MAP LIGHT DMC -----	1	
-33	0760023-1		BRACKET-MOUNTING -----	1	
-34	24RB		LAMP-MAP LIGHT -----	1	
-35	SEE FIG 2		PLACARD-MAP LIGHT -----	1	
-36	0760021-1		COVER-CONTROL WHEEL -----	1	
-37	S1695-2		SWITCH-TRIM DISENGAGE -----	1	
	CLORED		COVER-SWITCH -----	1	
-38	1560337-1		HOUSING-TRIM DISENGAGE SWITCH ONLY -----	1	
	1560337-2		HOUSING-TRIM & AUTOPILOT DISENGAGE SWITCH -----	1	
			ATTACHING PARTS -----		
-39	AN515-6R7		SCREW -----	3	
			-----*-----		

CONTINUED ON NEXT PAGE

FIGURE AND INDEX NO.	PART NUMBER	DESCRIPTION	UNITS PER ASSY	USABLE ON CODE
96B-40	1560337-3	SUPPORT-HOUSING -----	1	
-41	7108SYZ	SWITCH-AUTOPILOT DISENGAGE -----	1	
	CLORED	COVER-SWITCH -----	1	
-42	SEE FIG 2	NAMEPLATE-CONTROL WHEEL -----	1	
-43	0715046-4	HOLDER ASSY-APPROACH PLATE -----	1	
-44	0715046-8	HOLDER ASSY-APPROACH PLATE -----	1	D
	S2092-3	FABRIC FASTENER-HOOK BKI SEE FIG 1 -----	2	
-45	S2092-10	FABRIC FASTENER-PILE BKI SEE FIG 1 -----		
<p>NOTE. *FOR INTEGRATED FLIGHT CONTROL SYSTEM CONTROL WHEEL-SEE ELECTRONICS MANUAL.</p>				
<p>NOTE. %THESE PARTS ARE USED ON AIRCRAFT NOT EQUIPPED WITH MAP LIGHT OR MIKE SWITCH PROVISIONS.</p>				
<p>NOTE. %%THESE PARTS ARE USED ON AIRCRAFT EQUIPPED WITH MAP LIGHT AND MIKE SWITCH PROVISIONS.</p>				
<p>NOTE. #THESE PARTS MUST HAVE A SECOND DASH NUMBER ADDED TO DENOTE COLOR. REFER TO HOW TO ORDER INTERIOR PARTS-PAGE VI.</p>				
<p>A---210 & T210 SERIAL 21060319 & ON B---210 & T210 SERIAL 21060319 THRU 21060539 C---210 & T210 SERIAL 21060540 & ON D---210 & T210 SERIAL 21060439 & ON</p>				

This page intentionally left blank.

Flight Controls (Cont)

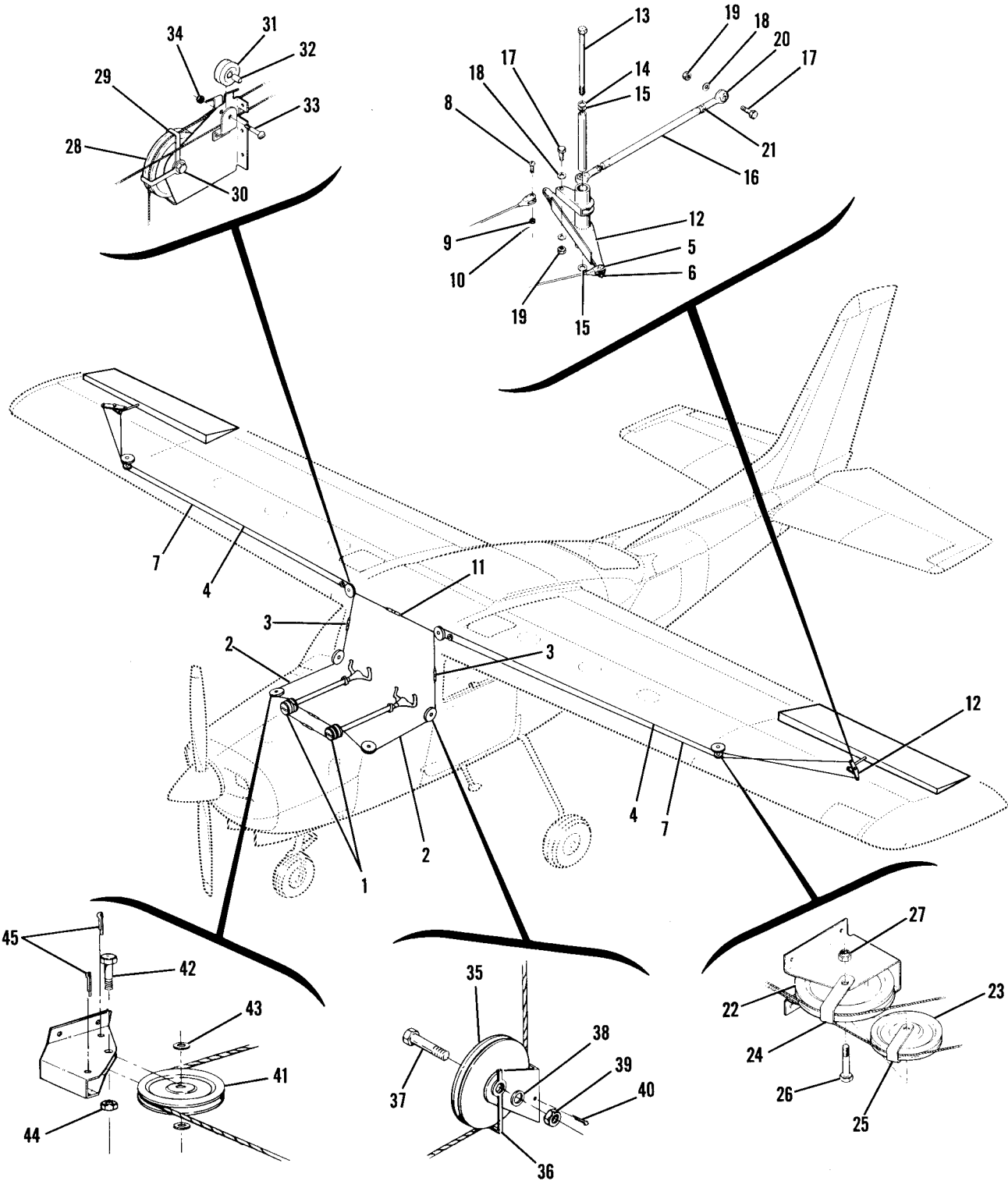
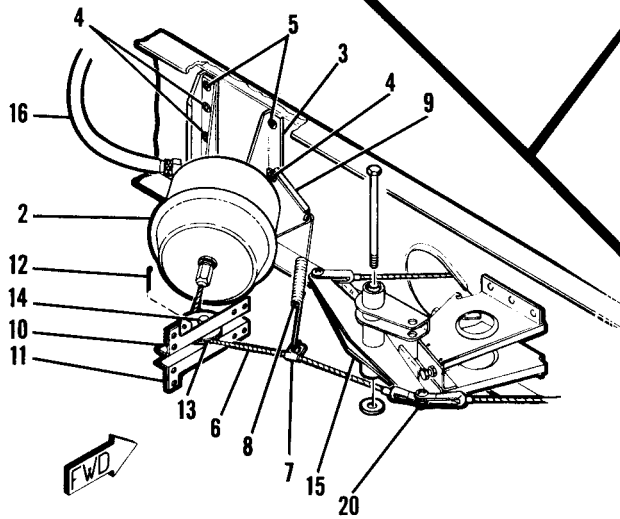
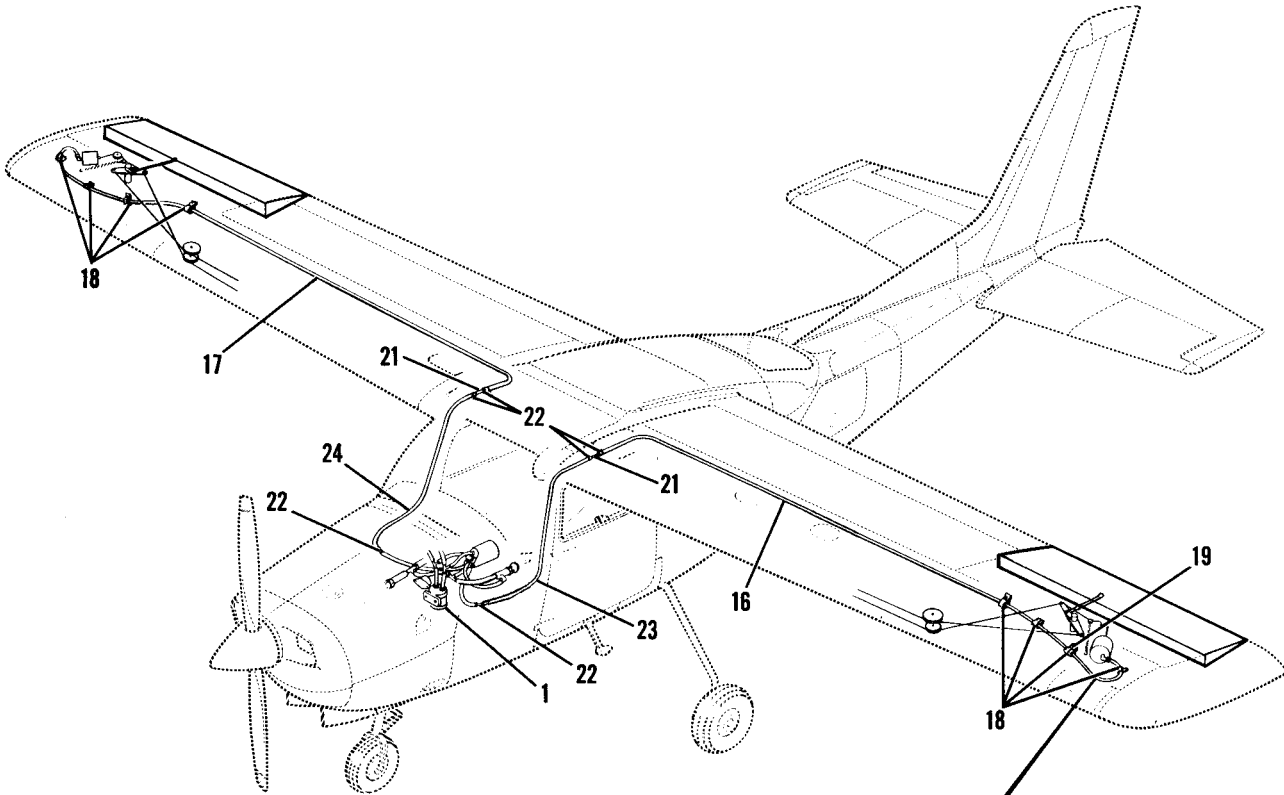


Figure 97. Aileron Control System Installation

FIGURE AND INDEX NO.	PART NUMBER	DESCRIPTION	UNITS PER ASSY	USABLE ON CODE
97 -		1 2 3 4 5 6 7 AILERON CONTROL SYSTEM INSTALLATION -----	NP	
- 1	SEE FIG 95	CONTROL COLUMN INSTALLATION -----	1	
- 2	1260078-9	CABLE ASSEMBLY-AILERON DIRECT -----	2	
	1260078-109	CABLE ASSEMBLY-AILERON DIRECT STAINLESS STEEL -----	2	
		ATTACHING PARTS -----		
	AN310-3	NUT -----	1	
	MS24665-71	PIN-COTTER -----	1	
		---*---		
- 3	AN155-32S	BARREL -----	2	
- 4	1260505-40	CABLE ASSEMBLY-AILERON DIRECT -----	2	
	1260505-140	CABLE ASSEMBLY-AILERON DIRECT STAINLESS STEEL -----	2	
		ATTACHING PARTS -----		
- 5	AN23-11	BOLT -----	1	
- 6	AN310-3	NUT -----	1	
	MS24665-134	PIN-COTTER -----	1	
		---*---		
- 7	1260505-38	CABLE ASSEMBLY-AILERON RETURN LH -----	1	
	1260505-138	CABLE ASSEMBLY-AILERON RETURN LH STAINLESS STEEL -----	1	
	1260505-39	CABLE ASSEMBLY-AILERON RETURN RH -----	1	
	1260505-139	CABLE ASSEMBLY-AILERON RETURN RH STAINLESS STEEL -----	1	
		ATTACHING PARTS -----		
- 8	AN23-11	BOLT -----	1	
- 9	AN310-3	NUT -----	1	
-10	MS24665-134	PIN-COTTER -----	1	
		---*---		
-11	AN155-32S	BARREL -----	1	
-12	1221087-1	BELLCRANK ASSEMBLY-AILERON LH -----	1	
	1221087-2	BELLCRANK ASSEMBLY-AILERON RH -----	1	
		ATTACHING PARTS -----		
-13	AN4-40A	BOLT -----	1	
-14	AN960-416	WASHER -----	1	
-15	0522629	WASHER -----	2	
		---*---		
-16	1221113-4	RDD ASSEMBLY -----	2	
		ATTACHING PARTS -----		
-17	AN4-7A	BOLT -----	2	
-18	AN960-416	WASHER -----	2	
-19	MS21042L4	NUT -----	2	
		---*---		
-20	S1819-4	RDD END -----	1	
-21	AN316-4R	NUT -----	1	
-22	MS20220-3	PULLEY-AILERON DIRECT -----	2	
-23	MS20220-2	PULLEY-AILERON RETURN -----	2	
-24	1221086-3	GUARD-CABLE AILERON DIRECT -----	2	
-25	1221086-2	GUARD-CABLE AILERON RETURN -----	2	
		ATTACHING PARTS -----		
-26	AN5-17A	BOLT -----	1	
-27	MS21042L5	NUT -----	1	
		---*---		
-28	MS20220-2	PULLEY-AILERON DIRECT -----	2	
-29	0760610-1	GUARD-CABLE -----	4	
		ATTACHING PARTS -----		
-30	AN5-13A	BOLT -----	1	
	AN960-516	WASHER -----	1	
	MS21042L5	NUT -----	1	
		---*---		
-31	S394	PULLEY -----	2	
		ATTACHING PARTS -----		
-32	0411783	BUSHING -----	1	
-33	AN23-14	BOLT -----	1	
-34	AN310-3	NUT -----	1	
	MS24665-132	PIN-COTTER -----	1	
		---*---		
-35	MS20220-2	PULLEY -----	2	
		ATTACHING PARTS -----		
-36	0760610-3	GUARD-CABLE -----	1	
-37	AN5-12A	BOLT -----	1	
-38	AN960-516L	WASHER -----	1	
-39	MS21042L5	NUT -----	1	
		---*---		
-40	MS24665-285	PIN-COTTER -----	2	
-41	S378-4	PULLEY -----	2	
		ATTACHING PARTS -----		
-42	AN4-10A	BOLT -----	1	
-43	AN960-416	WASHER -----	2	
-44	MS21042L4	NUT -----	1	
		---*---		
-45	MS24665-285	PIN-COTTER -----	4	

Flight Controls (Cont)

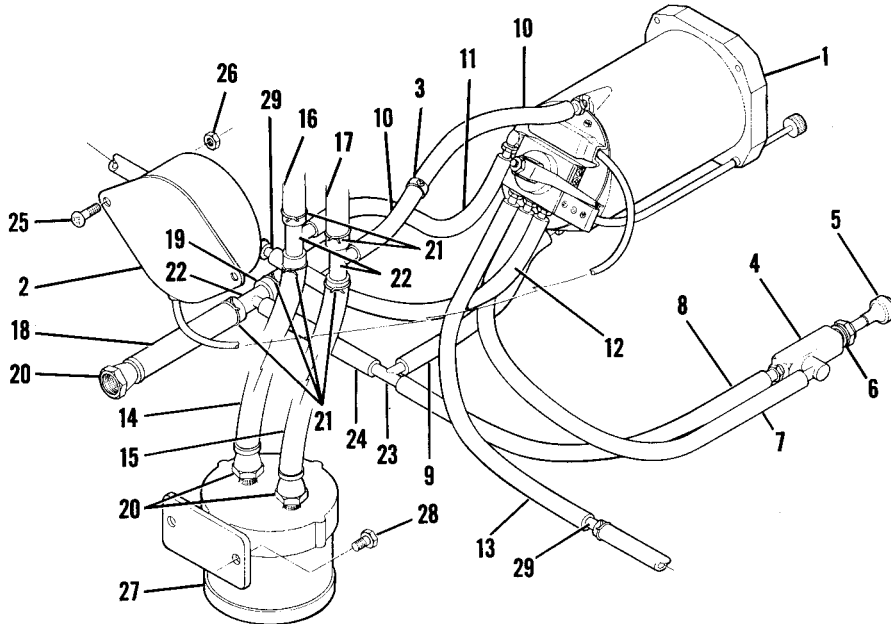


210 & T210 SERIAL 21059200 THRU 21060539

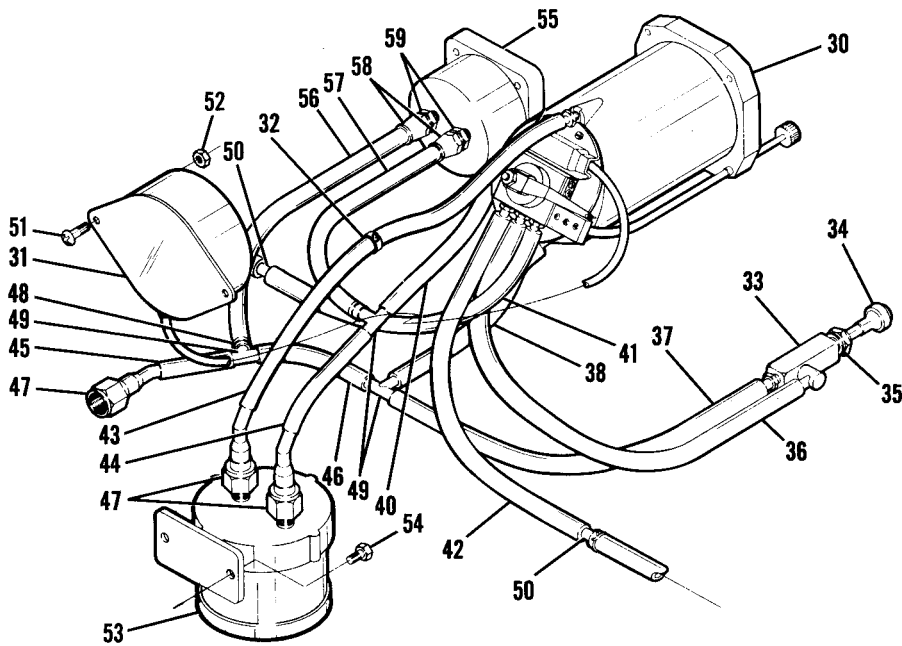
Figure 98. Wing Leveler Installation

FIGURE AND INDEX NO.	PART NUMBER	DESCRIPTION	UNITS PER ASSY	USABLE ON CODE
98 -		1 2 3 4 5 6 7		
- 1	SEE FIG 99 SEE FIG 99A SEE FIG 114 SEE FIG 114A	WING LEVELER INSTALLATION ----- WING LEVELER COMPONENTS ----- WING LEVELER COMPONENTS ----- GYROS INSTALLATION ----- GYROS INSTALLATION -----	NP 1 1 1	A B C B C
- 2	20415-1-0 MS21042L5 S1450-5A15-050	SERVO ASSEMBLY ----- ATTACHING PARTS ----- NUT ----- WASHER ----- *-----	1 2 1 2	
- 3	1222011-1 1222011-2	BRACKET-AILERON SERVO LH WING ----- BRACKET-AILERON SERVO RH WING ----- ATTACHING PARTS -----	1 1	
- 4	NAS220-7	SCREW -----	4	
- 5	NAS220-9	SCREW ----- *-----	4	
- 6	0422358-2	CABLE ASSEMBLY -----	2	
- 7	1222015-1 MS21044N04 AN515-4R5	CLAMP ----- NUT ----- SCREW -----	1 1 1	
- 8	1222016-1	SPRING ----- ATTACHING PARTS -----	2	
- 9	1222014-1 1222014-2	BRACKET-LH WING ----- BRACKET-RH WING ----- *-----	1 1	
-10	1222010-1	BRACKET-AILERON PULLEY -----	2	
-11	1222010-2	BRACKET-AILERON PULLEY -----	2	
-12	MS24665-134	PIN-COTTER -----	4	
-13	S378-1L	PULLEY ----- ATTACHING PARTS -----	2	
-14	AN3-5A AN960-10L MS21044N3	BOLT ----- WASHER ----- NUT ----- *-----	1 2 1	
-15	SEE FIG 97 SEE FIG 97	BELLCRANK ASSEMBLY-LH WING ----- BELLCRANK ASSEMBLY-RH WING -----	1 1	
-16	S1071R3	HOSE-POLYETHYLENE 180.00 IN LG BKI REF ----- S1071R3-180.00	1	
-17	S1071G3	HOSE-POLYETHYLENE 180.00 IN LG BKI REF ----- S1071G3-180.00	1	
-18	S1592-2A	BAND ----- ATTACHING PARTS -----	8	
-19	S1021A6-8	SCREW ----- *-----	8	
-20	AN23-11 AN310-3 MS24665-134	BOLT ----- NUT ----- PIN-COTTER -----	1 1 1	
-21	S1794-1	UNION -----	2	
-22	S1494-6	CLAMP -----	6	
-23	S1071R3	HOSE-POLYETHYLENE 30.00 IN LG BKI REF ----- S1071R3-30.00	1	
-24	S1071G3	HOSE-POLYETHYLENE 60.00 IN LG BKI REF ----- S1071G3-30.00	1	
NOTE. *LENGTH TO BE DETERMINED LATER				
A---210 & T210 SERIAL 21059200 THRU 21060539				
B---210 & T210 SERIAL 21059200 THRU 21059719				
C---210 & T210 SERIAL 21059720 THRU 21060539				

Flight Controls (Cont)



USED WITH GYROS



USED WITHOUT GYROS

210 & T210 SERIAL 21059200 THRU 21059719

Figure 99. Wing Leveler Components

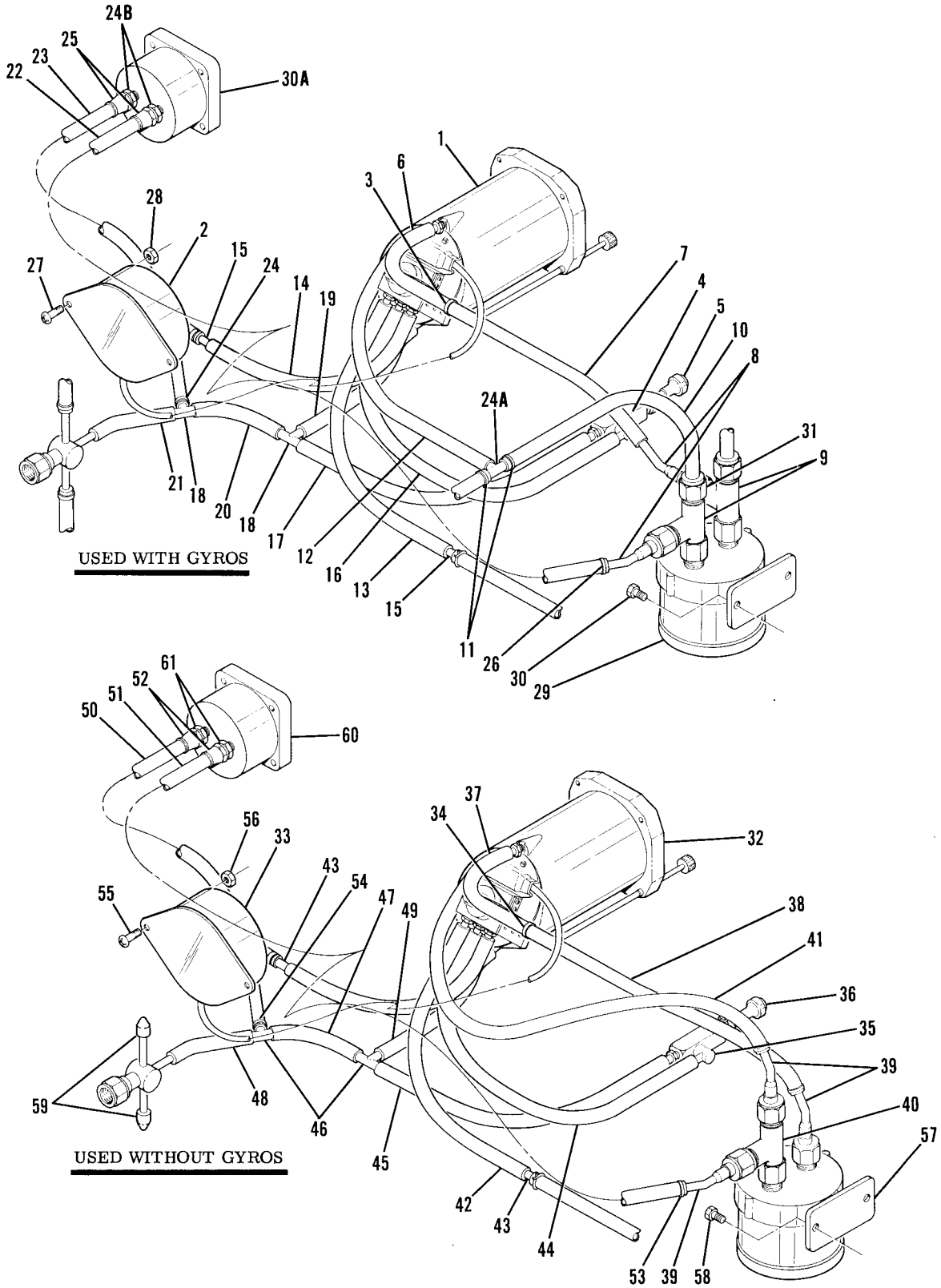
FIGURE AND INDEX NO.	PART NUMBER	DESCRIPTION	UNITS PER ASSY	USABLE ON CODE
		1 2 3 4 5 6 7		
99 -		WING LEVELER COMPONENTS USED WITH GYROS -----	NP	C
- 1	C661003-0601 **	TURN COORDINATOR 12 VOLT SYSTEM -----	1	A
	C661003-0602 **	TURN COORDINATOR 24 VOLT SYSTEM -----	1	B
	AN51586R16	ATTACHING PARTS		
	AN340B6	SCREW -----	3	
		NUT -----	3	
		-----*		
- 2	**	INVERTER -----	NP	
- 3	**	RESTRICTOR VALVE -----	NP	
	MS3106A10SL3S	CONNECTOR TURN COORDINATOR POWER -----	1	
	TVA1315	CAPACITOR SPR ACROSS TURN COORDINATOR POWER -----	1	
- 4	S1791-1	VALVE ASSEMBLY-ON-OFF -----	1	
- 5	S1760-1	KNOB-VALVE ASSEMBLY -----	1	
- 6	AN960PD616	WASHER -----	AR	
- 7	S1800-1	HOSE 11.00 IN LG BKI REF S1800-1-11.00 -----	1	
- 8	S1800-1	HOSE 9.00 IN LG BKI REF S1800-1-9.00 -----	1	
- 9	S1800-1	HOSE 3.00 IN LG BKI REF S1800-1-3.00 -----	1	
-10	S1800-1	HOSE 4.00 IN LG BKI REF S1800-1-4.00 -----	2	
-11	S1800-1	HOSE 8.00 IN LG BKI REF S1800-1-8.00 -----	1	
-12	S1800-1	HOSE 10.00 IN LG BKI REF S1800-1-10.00 -----	1	
-13	S1800-1	HOSE 10.00 IN LG BKI REF S1800-1-10.00 -----	1	
-14	S1495-6	HOSE* IN LENGTH BULK ITEM REF S1499-6L-* -----	1	
-15	S1495-6	HOSE* IN LENGTH BULK ITEM REF S1499-6L-* -----	1	
-16	S1495-6	HOSE* IN LENGTH BULK ITEM REF S1499-6L-* -----	1	
-17	S1495-6	HOSE* IN LENGTH BULK ITEM REF S1499-6L-* -----	1	
-18	S1495-6	HOSE* IN LENGTH BULK ITEM REF S1499-6L-* -----	1	
-19	S1495-6	HOSE* IN LENGTH BULK ITEM REF S1499-6L-* -----	1	
-20	S1497-6	FITTING-SOCKETLESS -----	6	
-21	S1494-9	CLAMP -----	6	
-22	S1793-2	TEE -----	3	
-23	S1793-1	TEE -----	1	
-24	S1800-1	HOSE 10.00 IN LG BKI REF S1800-1-10.00 -----	1	
-25	AN515-8R6	SCREW -----	2	
-26	MS21044N08	NUT -----	2	
-27	C294501-0101	FILTER ASSEMBLY -----	1	
		ATTACHING PARTS		
-28	AN3-3A	BOLT -----	2	
		-----*		
-29	S1794-1	UNION -----	2	
		WING LEVELER COMPONENTS USED WITHOUT GYROS -----	NP	C
-30	C661003-0601 **	TURN COORDINATOR 12 VOLT SYSTEM -----	1	A
	C661003-0602 **	TURN COORDINATOR 24 VOLT SYSTEM -----	1	B
	AN51586R16	ATTACHING PARTS		
	AN340B6	SCREW -----	3	
		NUT -----	3	
		-----*		
-31	**	INVERTER -----	NP	
-32	**	RESTRICTOR VALVE -----	NP	
	MS3106A10SL3S	CONNECTOR TURN COORDINATOR POWER -----	1	
	TVA1315	CAPACITOR SPR ACROSS TURN COORDINATOR POWER -----	1	
-33	S1791-1	VALVE ASSEMBLY-ON-OFF -----	1	
-34	S1760-1	KNOB-VALVE ASSEMBLY -----	1	
-35	AN960PD616	WASHER -----	AR	
-36	S1800-1	HOSE 11.00 IN LG BKI REF S1800-1-11.00 -----	1	
-37	S1800-1	HOSE 9.00 IN LG BKI REF S1800-1-9.00 -----	1	
-38	S1800-1	HOSE 3.00 IN LG BKI REF S1800-1-3.00 -----	1	
-39	S1800-1	DELETED-NOT USED -----		
-40	S1800-1	HOSE 4.00 IN LG BKI REF S1800-1-4.00 -----	1	
-41	S1800-1	HOSE 10.00 IN LG BKI REF S1800-1-10.00 -----	1	
-42	S1800-1	HOSE 10.00 IN LG BKI REF S1800-1-10.00 -----	1	
-43	S1800-1	HOSE 4.00 IN LG BKI REF S1800-1-4.00 -----	1	
-44	S1800-1	HOSE 2.00 IN LG BKI REF S1800-1-2.00 -----	1	
-45	S1800-1	HOSE 4.00 IN LG BKI REF S1800-1-4.00 -----	1	
-46	S1800-1	HOSE 5.00 IN LG BKI REF S1800-1-5.00 -----	1	
-47	1713039-1	ELBOW ASSEMBLY -----	3	
-48	S1693-2	CLAMP -----	2	
-49	S1793-1	TEE -----	3	
-50	S1794-1	UNION -----	2	

CONTINUED ON NEXT PAGE

FIGURE AND INDEX NO.	PART NUMBER	DESCRIPTION	UNITS PER ASSY	USABLE ON CODE
				1 2 3 4 5 6 7
99 -51	AN515-8R6	SCREW -----	2	
-52	MS21044N08	NUT -----	2	
-53	C294501-0101	FILTER ASSEMBLY ----- ATTACHING PARTS	1	
-54	AN3-3A	BOLT ----- ---*---	2	
-55	S1414N1 C668540-0101	GAGE-SUCTION WEU C668540-0101 ----- GAGE-SUCTION ----- ATTACHING PARTS	1 1	A B
	AN515B6R12	SCREW ----- ---*---	4	
-56	S1495-4	HOSE 8.00 IN LG BKI REF S1495-4-8.00 -----	1	
-57	S1495-4	HOSE 8.00 IN LG BKI REF S1495-4-8.00 -----	1	
-58	S1497-4	FITTING-SOCKETLESS -----	2	
-59	AN816-4D	NIPPLE -----	2	
<p>NOTE. *LENGTH TO BE DETERMINED LATER</p> <p>NOTE. **TURN COORDINATOR, INVERTER & RESTRICTOR VALVE MUST BE ORDERED AS MATCHED SET.</p> <p>A---210 & T210 SERIAL 21059200 THRU 21059502 B---210 & T210 SERIAL 21059503 THRU 21059719 C---210 & T210 SERIAL 21059200 THRU 21059719</p>				

FIGURE AND INDEX NO.	PART NUMBER	DESCRIPTION	UNITS PER ASSY	USABLE ON CODE
99A-		1 2 3 4 5 6 7		
- 1	C661003-0602 *	WING LEVELER COMPONENTS USED WITH GYROS -----	NP	A
		TURN COORDINATOR -----	1	
		ATTACHING PARTS -----		
	AN515B6R16	SCREW -----	3	
	AN340B6	NUT -----	3	
		-----*		
- 2		INVERTER -----	NP	
- 3		RESTRICTOR VALVE -----	NP	
	MS3106A10SL3S	CONNECTOR TURN COORDINATOR POWER -----	1	
	TVA1315	CAPACITOR SPR ACROSS TURN COORDINATOR POWER -----	1	
- 4	S1791-1	VALVE ASSY-ON-OFF -----	1	
- 5	S1760-1	KNOB ASSY-VALVE -----	1	
	AN960PD616	WASHER -----	AR	
- 6	S1800-1	HOSE 4.00 IN LG BKI REF S1800-1-4.00 -----	1	
- 7	S1800-1	HOSE 4.00 IN LG BKI REF S1800-1-4.00 -----	1	
- 8	1713039-1	ELBOW ASSY -----	2	
- 9	S2175-6	TEE ASSY -----	2	
-10	S1495-6	HOSE 5.00 IN LG BKI REF S1495-6-5.00 -----	1	
-11	S1494-9	CLAMP -----	2	
-12	S1800-1	HOSE 8.00 IN LG BKI REF S1800-1-8.00 -----	1	
CONTINUED ON NEXT PAGE				

Flight Controls (Cont)



210 & T210 SERIAL 21059720 THRU 21060539

Figure 99A. Wing Leveler Components

FIGURE AND INDEX NO.	PART NUMBER	DESCRIPTION						UNITS PER ASSY	USABLE ON CODE
		1	2	3	4	5	6		
99A-13	S1800-1	HOSE	10.00	IN LG	BKI	REF S1800-1-10.00	----	1	
-14	S1800-1	HOSE	10.00	IN LG	BKI	REF S1800-1-10.00	----	1	
-15	S1794-1	UNION	----	----	----	----	----	2	
-16	S1800-1	HOSE	11.00	IN LG	BKI	REF S1800-1-11.00	----	1	
-17	S1800-1	HOSE	9.00	IN LG	BKI	REF S1800-1-9.00	----	1	
-18	S1793-1	TEE	----	----	----	----	----	2	
-19	S1800-1	HOSE	3.00	IN LG	BKI	REF S1800-1-3.00	----	1	
-20	S1800-1	HOSE	5.00	IN LG	BKI	REF S1800-1-5.00	----	1	
-21	S1800-1	HOSE	4.00	IN LG	BKI	REF S1800-1-4.00	----	1	
-22	S1495-4	HOSE	40.00	IN LG	BKI	REF S1495-4-40.00	----	1	
-23	S1495-4	HOSE	44.50	IN LG	BKI	REF S1495-4-44.50	----	1	
-24	S1693-2	CLAMP	----	----	----	----	----	1	
-24A	S1793-2	TEE	----	----	----	----	----	1	
-24B	AN816-4D	NIPPLE	----	----	----	----	----	2	
-25	S1497-4	FITTING-SOCKETLESS	----	----	----	----	----	2	
-26	NAS397-8	CLAMP	----	----	----	----	----	1	
-27	AN515-8R6	SCREW	----	----	----	----	----	2	
-28	MS21044N08	NUT	----	----	----	----	----	2	
-29	C294501-0101	FILTER ASSY	----	----	----	----	----	1	
		ATTACHING PARTS	----	----	----	----	----		
-30	AN3-3A	BOLT	----	----	----	----	----	2	
		----	----	----	----	----	----		
-30A	C668540-0101	GAGE-SUCTION	----	----	----	----	----	1	
		ATTACHING PARTS	----	----	----	----	----		
	AN51586R12	SCREW	----	----	----	----	----	4	
		----	----	----	----	----	----		
-31	S1497-6	FITTING-SOCKETLESS	----	----	----	----	----	1	
		WING LEVELER COMPONENTS	----	----	USED WITHOUT GYROS	----	----	NP	A
-32	C661003-0602	* TURN COORDINATOR	----	----	----	----	----	1	
		ATTACHING PARTS	----	----	----	----	----		
	AN51586R16	SCREW	----	----	----	----	----	3	
	AN340B6	NUT	----	----	----	----	----	3	
		----	----	----	----	----	----		
-33		* INVERTER	----	----	----	----	----	1	
-34		* RESTRICTOR VALVE	----	----	----	----	----	1	
	MS3106A10SL3S	CONNECTOR	----	TURN COORDINATOR POWER	----	----	----	1	
	TYA1315	CAPACITOR	----	SPR	ACROSS TURN COORDINATOR POWER	----	----	1	
-35	S1791-1	VALVE ASSY-ON-OFF	----	----	----	----	----	1	
-36	S1760-1	KNDB ASSY-VALVE	----	----	----	----	----	1	
	AN960PD616	WASHER	----	----	----	----	----	AR	
-37	S1800-1	HOSE	4.00	IN LG	BKI	REF S1800-1-4.00	----	1	
-38	S1800-1	HOSE	5.00	IN LG	BKI	REF S1800-1-5.00	----	1	
-39	1713039-1	ELBOW ASSY	----	----	----	----	----	3	
-40	S2175-6	TEE ASSY	----	----	----	----	----	1	
-41	S1800-1	HOSE	10.00	IN LG	BKI	REF S1800-1-10.00	----	1	
-42	S1800-1	HOSE	10.00	IN LG	BKI	REF S1800-1-10.00	----	1	
-43	S1794-1	UNION	----	----	----	----	----	2	
-44	S1800-1	HOSE	11.00	IN LG	BKI	REF S1800-1-11.00	----	1	
-45	S1800-1	HOSE	9.00	IN LG	BKI	REF S1800-1-9.00	----	1	
-46	S1793-1	TEE	----	----	----	----	----	2	
-47	S1800-1	HOSE	5.00	IN LG	BKI	REF S1800-1-5.00	----	1	
-48	S1800-1	HOSE	4.00	IN LG	BKI	REF S1800-1-4.00	----	1	
-49	S1800-1	HOSE	3.00	IN LG	BKI	REF S1800-1-3.00	----	1	
-50	S1495-4	HOSE	40.00	IN LG	BKI	REF S1495-4-40.00	----	1	
-51	S1495-4	HOSE	44.50	IN LG	BKI	REF S1495-4-44.50	----	1	
-52	S1497-4	FITTING-SOCKETLESS	----	----	----	----	----	2	
-53	NAS397-8	CLAMP	----	----	----	----	----	1	
-54	S1693-2	CLAMP	----	----	----	----	----	1	
-55	AN515-8R6	SCREW	----	----	----	----	----	2	
-56	MS21044N08	NUT	----	----	----	----	----	2	
-57	C294501-0101	FILTER ASSY	----	----	----	----	----	1	
		ATTACHING PARTS	----	----	----	----	----		
-58	AN3-3A	BOLT	----	----	----	----	----	2	
		----	----	----	----	----	----		
-59	S2093-3	COVER-SHAFT	----	----	----	----	----	2	
-60	C668540-0101	GAGE-SUCTION	----	----	----	----	----	1	
		ATTACHING PARTS	----	----	----	----	----		
	AN51586R12	SCREW	----	----	----	----	----	4	
		----	----	----	----	----	----		
-61	AN816-4D	NIPPLE	----	----	----	----	----	2	

NOTE. *TURN COORDINATOR, INVERTER & RESTRICTOR VALVE MUST BE ORDERED AS MATCHED SET.

A---210 & T210 SERIAL 21059720 THRU 21060539

This page intentionally left blank.

FIGURE AND INDEX NO.	PART NUMBER	DESCRIPTION	UNITS PER ASSY	USABLE ON CODE
		1 2 3 4 5 6 7		
100 -		ELEVATOR CONTROL SYSTEM INSTALLATION -----	NP	
- 1	SEE FIG 95	CONTROL COLUMN INSTALLATION -----	1	
- 2	1260475-7	CABLE ASSEMBLY-ELEVATOR UP -----	1	
	1260475-107	CABLE ASSEMBLY-ELEVATOR UP STAINLESS STEEL -----	1	
- 3	1260475-8	CABLE ASSEMBLY-ELEVATOR DOWN -----	1	
	1260475-108	CABLE ASSEMBLY-ELEVATOR DOWN STAINLESS STEEL -----	1	
		ATTACHING PARTS		
- 4	AN21-10	BOLT -----	1	
- 5	AN320-1	NUT -----	1	
- 6	MS24665-24	PIN-COTTER -----	1	
		-----*-----		
- 7	S378-4	PULLEY -----	2	
		ATTACHING PARTS		
- 8	AN4-10A	BOLT -----	1	
- 9	MS21042L4	NUT -----	1	
		-----*-----		
-10	MS24665-283	PIN-COTTER -----	4	
-11	S378-4	PULLEY -----	2	
		ATTACHING PARTS		
-12	AN4-10A	BOLT -----	1	
		-----*-----		
-13	NAS427K-9	PIN-PULLEY GUARD -----	4	
-14	1260473-1	WEIGHT HALF-ELEVATOR CONTROL BALANCE -----	2	
		ATTACHING PARTS		
	AN3-10A	BOLT -----	2	
	AN3-24A	BOLT -----	2	
	AN960-10L	WASHER -----	8	
	MS21044N3	NUT -----	4	
		-----*-----		
-15	S378-4	PULLEY -----	2	
		ATTACHING PARTS		
-16	AN4-10A	BOLT -----	1	
-17	MS21042L4	NUT -----	1	
		-----*-----		
-18	S378-4	PULLEY -----	2	
		ATTACHING PARTS		
-19	AN4-20A	BOLT -----	1	
-20	NAS43HT4-41	SPACER -----	1	
-21	MS21042L4	NUT -----	1	
		-----*-----		
-22	MS24665-143	PIN-COTTER -----	2	
-23	S338-9	FAIRLEAD HALF -----	4	
	S339-3	CLIP ATTACH FAIRLEAD HALVES -----	2	
-24	S378-4	PULLEY -----	2	
		ATTACHING PARTS		
-25	AN4-37A	BOLT -----	1	
-26	NAS43HT4-31	SPACER -----	2	
-27	NAS43HT4-36	SPACER -----	1	
-28	NAS679A4	NUT -----	1	
		-----*-----		

CONTINUED ON NEXT PAGE

Flight Controls (Cont)

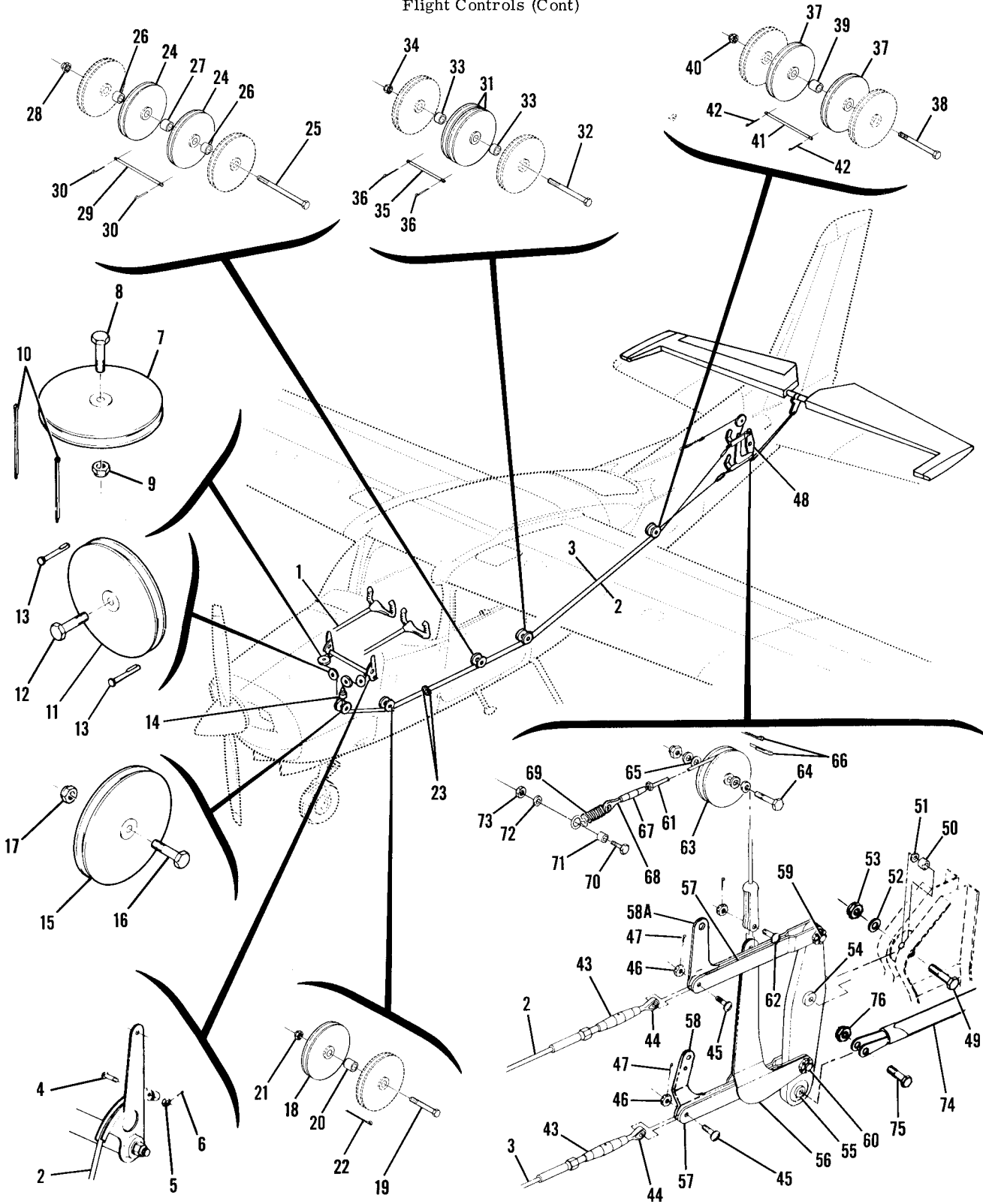


FIGURE AND INDEX NO.	PART NUMBER	DESCRIPTION	UNITS PER ASSY	USABLE ON CODE
100 -29	1200017-3	PIN-CABLE GUARD -----	1	
-30	MS24665-132	PIN-COTTER -----	2	
-31	S378-4	PULLEY -----	2	
		ATTACHING PARTS		
-32	AN4-27A	BOLT -----	1	
-33	NAS43HT4-18	SPACER -----	2	
-34	MS21042L4	NUT -----	1	
		---*---		
-35	1200017-4	PIN-CABLE GUARD -----	1	
-36	MS24665-132	PIN-COTTER -----	2	
-37	S378-4	PULLEY -----	2	
		ATTACHING PARTS		
-38	AN4-27A	BOLT -----	1	
-39	NAS43HT4-34	SPACER -----	1	
-40	MS21042L4	NUT -----	1	
		---*---		
-41	1200017-2	PIN-CABLE GUARD -----	1	
-42	MS24665-132	PIN-COTTER -----	2	
-43	AN155-32S	BARREL -----	2	
-44	AN165-22RS	EYE -----	2	
-45	AN23-10	BOLT -----	2	
-46	AN310-3	NUT -----	2	
-47	MS24665-134	PIN-COTTER -----	2	
-48	1260440-3	BELLCRANK ASSEMBLY -----	1	
		ATTACHING PARTS		
-49	AN4-16A	BOLT -----	1	
-50	NAS43DD4-30	SPACER -----	1	
-51	AN960D416L	WASHER -----	1	
-52	AN960-416	WASHER -----	1	
-53	MS21042L4	NUT -----	1	
		---*---		
-54	NAS506-4	BEARING -----	1	
-55	AN200KP4	BEARING -----	1	
-56	1260741-1	LINK ASSEMBLY -----	1	
-57	1260442-3	LINK -----	2	
-58	1260649-1	LINK -----	1	
-58A	1261122-1	LINK -----	1	
		ATTACHING PARTS		
-59	AN24-14	BOLT -----	1	
-60	AN24-15	BOLT -----	1	
	AN960D416L	WASHER LOWER LINKS ONLY -----	2	
	AN320-4	NUT -----	1	
	MS24665-134	PIN-COTTER -----	1	
		---*---		
-61	1260505-96	CABLE ASSEMBLY -----	1	
		ATTACHING PARTS		
-62	AN23-10	BOLT -----	1	
	AN310-3	NUT -----	1	
	MS24665-134	PIN -----	1	
		---*---		
-63	S378-2	PULLEY -----	1	
		ATTACHING PARTS		
-64	AN3-12A	BOLT -----	1	
	AN960D10	WASHER -----	3	
-65	NAS42DD6-24A	SPACER -----	1	
	MS21044N3	NUT -----	1	
		---*---		
-66	MS24665-138	PIN-COTTER -----	2	
-67	AN155-16S	BARREL -----	1	
-68	AN165-16RS	EYE -----	1	
-69	1260449-1	SPRING -----	1	
		ATTACHING PARTS		
-70	AN23-10	BOLT -----	1	
-71	NAS43HT3-10	SPACER -----	1	
-72	AN960-10L	WASHER -----	1	
-73	AN310-3	NUT -----	1	
	MS24665-134	PIN-COTTER -----	1	
		---*---		
-74	0510111-13	TUBE ASSEMBLY-PUSH PULL -----	1	
		ATTACHING PARTS		
-75	AN4-10A	BOLT -----	1	
-76	MS21042L4	NUT -----	1	
		---*---		

Flight Controls (Cont)

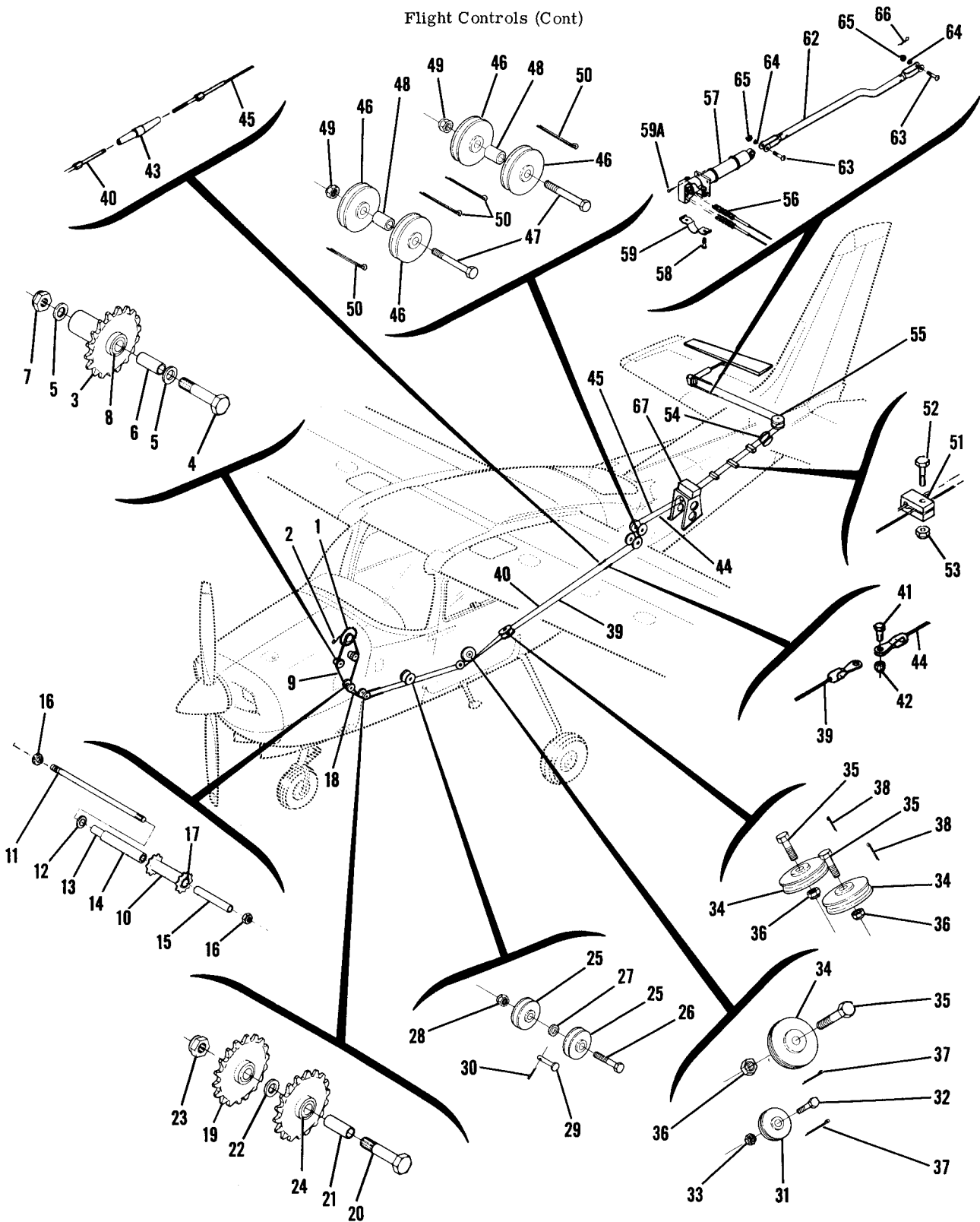


Figure 101. Elevator Trim Control System Installation

FIGURE AND INDEX NO.	PART NUMBER	DESCRIPTION	UNITS PER ASSY	USABLE ON CODE
101 -		ELEVATOR TRIM CONTROL SYSTEM INSTALLATION -----	NP	
- 1	1260422-1	WHEEL ASSEMBLY-TRIM -----	1	
	NAS697A3	ATTACHING PARTS -----		
		NUT -----	1	
		-----*-----		
	S1003-69A	BUSHING -----	2	
- 2	1260604-1	INDICATOR-ELEVATOR TRIM -----	1	A
	1260616-1	INDICATOR-ELEVATOR TRIM -----	1	B
		ATTACHING PARTS -----		
	AN960-516L	WASHER -----	1	
	AN960-10L	WASHER -----	1	
	MS21044N3	NUT -----	1	
	AN3-11A	BOLT -----	1	B
	NAS43HT3-50	SPACER -----	1	B
	AN960-516L	WASHER -----	1	B
	AN960-516	WASHER -----	1	B
		-----*-----		
- 3	1260420-1	SPROCKET ASSEMBLY-IDLER -----	2	
		ATTACHING PARTS -----		
- 4	AN3-16A	BOLT -----	1	
- 5	AN960-10L	WASHER -----	2	
- 6	NAS75-3-107	BUSHING -----	1	
- 7	MS21044N3	NUT -----	1	
		-----*-----		
- 8	S1003-69A	BUSHING -----	2	
- 9	0432138-14	CHAIN-ELEVATOR TAB -----	1	
-10	1260421-1	SPROCKET ASSEMBLY-DRIVE -----	1	
		ATTACHING PARTS -----		
-11	1261457-1	SHAFT -----	1	E
-12	AN960-516	WASHER -----	1	E
-13	NAS75-3-230	BUSHING -----	1	E
-14	NAS43HTS147	SPACER -----	1	E
-15	NAS75-3-130	BUSHING -----	1	E
-16	MS21044N3	NUT -----	2	E
	MS21044N3	NUT -----	1	F
		-----*-----		
-17	S1003-69A	BUSHING -----	2	
-18	0432138-17	CHAIN-ELEVATOR TAB -----	1	
-19	0761210-4	SPROCKET ASSEMBLY -----	2	
		ATTACHING PARTS -----		
-20	AN3-11A	BOLT -----	1	
-21	0411491-1	BUSHING -----	1	
-22	AN960-416	WASHER -----	1	
-23	MS21042L4	NUT -----	1	
		-----*-----		
-24	S1003-10B	BEARING -----	1	
-25	S378-1L	PULLEY -----	2	
		ATTACHING PARTS -----		
-26	AN3-11A	BOLT -----	1	
-27	NAS43HT3-6	SPACER -----	1	
-28	MS21044N3	NUT -----	1	
		-----*-----		
-29	MS20392-1C25	PIN CABLE GUARD -----	1	
-30	MS24665-132	PIN-COTTER -----	1	
-31	S378-1	PULLEY -----	1	
		ATTACHING PARTS -----		
-32	AN3-5A	BOLT -----	1	
-33	MS21044N3	NUT -----	1	
		-----*-----		
-34	S378-3	PULLEY -----	3	
		ATTACHING PARTS -----		
-35	AN4-7A	BOLT -----	1	
-36	MS21042L4	NUT -----	1	
		-----*-----		
-37	MS24665-132	PIN-COTTER -----	2	
-38	MS24665-134	PIN-COTTER -----	2	
-39	1260475-1	CABLE ASSEMBLY-ELEVATOR TRIM FWD LH -----	1	
	1260475-101	CABLE ASSEMBLY-ELEVATOR TRIM FWD LH STAINLESS STEEL -----	1	
-40	1260475-2	CABLE ASSEMBLY-ELEVATOR TRIM FWD RH -----	1	
	1260475-102	CABLE ASSEMBLY-ELEVATOR TRIM FWD RH STAINLESS STEEL -----	1	
		ATTACHING PARTS -----		
-41	AN3-3A	BOLT LH ONLY -----	1	
-42	MS21044N3	NUT LH ONLY -----	1	
-43	AN155-8S	BARREL RH ONLY -----	1	
		-----*-----		

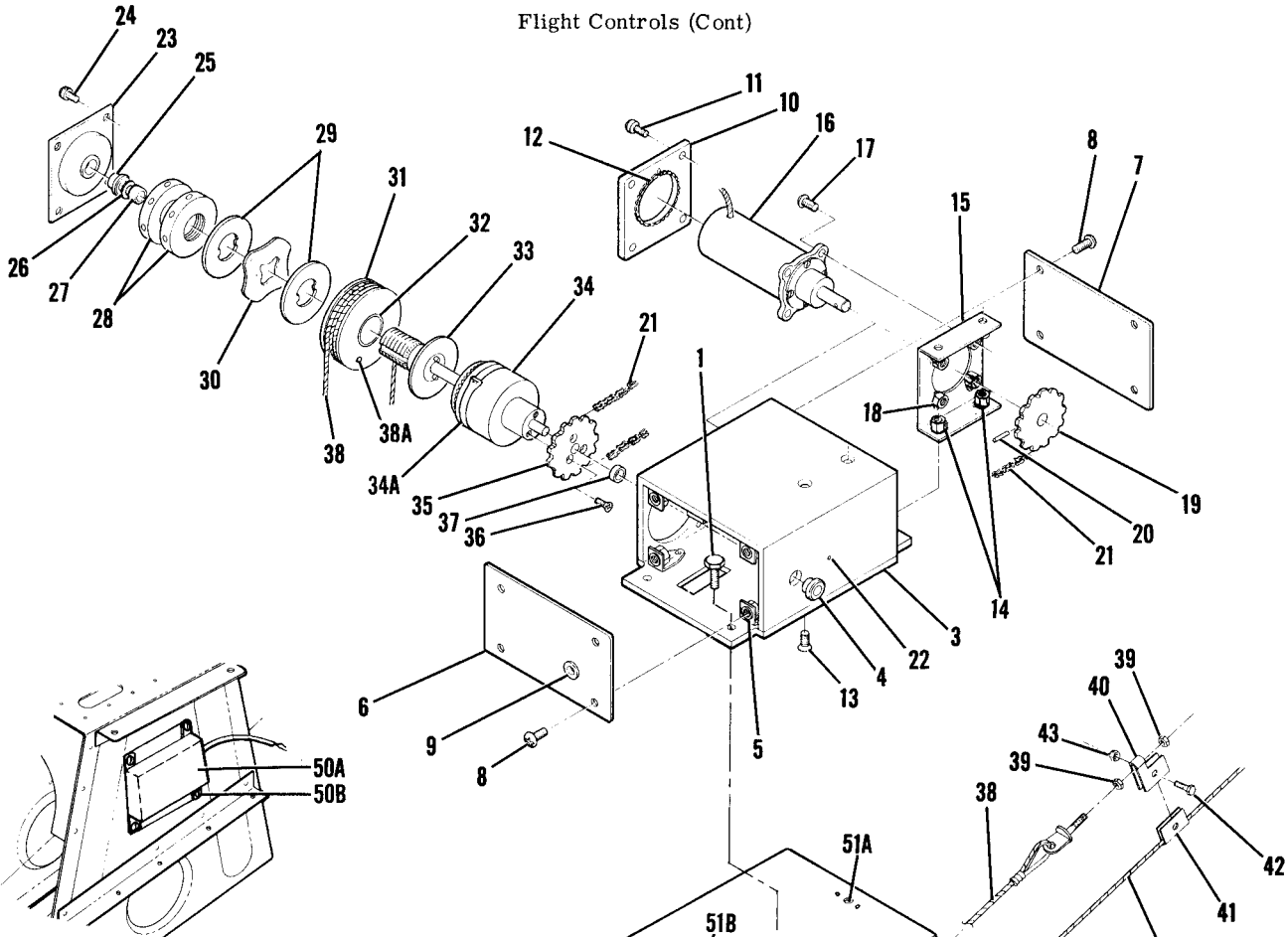
CONTINUED ON NEXT PAGE

FIGURE AND INDEX NO.	PART NUMBER	DESCRIPTION	UNITS PER ASSY	USABLE ON CODE
101 -44	1260475-9	CABLE ASSEMBLY-ELEVATOR TRIM AFT LH -----	1	
	1260475-109	CABLE ASSEMBLY-ELEVATOR TRIM AFT LH STAINLESS STEEL -----	1	
-45	1260475-10	CABLE ASSEMBLY-ELEVATOR TRIM AFT RH -----	1	
	1260475-110	CABLE ASSEMBLY-ELEVATOR TRIM AFT RH STAINLESS STEEL -----	1	
-46	S378-3	PULLEY -----	4	
		ATTACHING PARTS		
-47	AN4-21A	BOLT -----	1	
-48	NAS43HT4-48	SPACER -----	1	
-49	MS21042L4	NUT -----	1	
		---*---		
-50	MS24665-143	PIN-COTTER -----	4	
-51	1260466-2	BLOCK-ELEVATOR TAB STOP -----	3	
		ATTACHING PARTS		
-52	AN3-6A	BOLT -----	1	
-53	MS21044N3	NUT -----	1	
		---*---		
-54	S378-1L	PULLEY -----	2	
		ATTACHING PARTS		
	AN3-10A	BOLT -----	1	
	MS21044N3	NUT -----	1	
		---*---		
-55	S378-1	PULLEY -----	2	
		ATTACHING PARTS		
	AN3-10A	BOLT -----	1	
	MS21044N3	NUT -----	1	
		---*---		
-56	MS24665-136	PIN-COTTER CABLE GUARD -----	2	
	0432138-16	CHAIN-ELEVATOR TRIM -----	1	
-57	SEE FIG 102B	ACTUATOR ASSEMBLY -----	1	C
	SEE FIG 102C	ACTUATOR ASSEMBLY -----	1	D
		ATTACHING PARTS		
-58	AN520-10R8	SCREW -----	4	C
-59	0432126	CLAMP -----	2	C
-59A	AN3-3A	BOLT -----	4	D
		---*---		
-60		DELETED-NOT USED -----		
-61		DELETED-NOT USED -----		
-62	1260065-8	TUBE ASSEMBLY -----	1	
		ATTACHING PARTS		
-63	NAS464P3-9	BOLT -----	2	
-64	AN960-10	WASHER -----	2	
-65	AN320C3	NUT -----	2	
-66	MS24665-134	PIN-COTTER -----	2	
		---*---		
-67	SEE FIG 102	ELEVATOR ELECTRIC TRIM COMPONENTS INSTALLATION -----	1	C
	SEE FIG 102A	ELEVATOR ELECTRIC TRIM COMPONENTS INSTALLATION -----	1	D
		A---210 & T210 SERIAL 21059200 THRU 21059502		
		B---210 & T210 SERIAL 21059503 & ON		
		C---210 & T210 SERIAL 21059200 THRU 21060089		
		D---210 & T210 SERIAL 21060090 & ON		
		E---210 & T210 SERIAL 21059200 THRU 21060539		
		F---210 & T210 SERIAL 21060540 & ON		

FIGURE AND INDEX NO.	PART NUMBER	DESCRIPTION	UNITS PER ASSY	USABLE ON CODE
		1 2 3 4 5 6 7		
102 -		ELEVATOR ELECTRIC TRIM COMPONENTS INSTALLATION -----	NP	E
	1560322-49	DRIVE ASSEMBLY-ELECTRIC TRIM 12 VOLT SYSTEM -----	1	A
	1560322-60	DRIVE ASSEMBLY-ELECTRIC TRIM 12 VOLT SYSTEM -----	1	B
	1260110-1	DRIVE ASSEMBLY-ELECTRIC TRIM 24 VOLT SYSTEM -----	1	C
		ATTACHING PARTS -----		
- 1	AN3-4A	BOLT -----	4	
- 2		DELETED NEVER USED -----		
		---*---		
- 3	1560322-50	HOUSING ASSEMBLY-ELECTRIC TRIM -----	1	
- 4	S1004-44A	BEARING -----	1	
- 5	AN256F8	NUTPLATE -----	8	
- 6	1560322-45	COVER-HOUSING -----	1	
- 7	1560322-46	COVER-HOUSING -----	1	
		ATTACHING PARTS -----		
- 8	AN515-8R7	SCREW -----	4	
		---*---		
- 9	MS35489-4	GROMMET -----	1	
-10	1560322-18	COVER ASSEMBLY-MOTOR -----	1	
		ATTACHING PARTS -----		
-11	AN500A8-6	SCREW -----	4	
		---*---		
-12	S1050-3-4.05	GROMMET -----	1	
	1560322-32	MOTOR ASSEMBLY-ELECTRIC TRIM -----	1	
		ATTACHING PARTS -----		
-13	AN509-8R6	SCREW -----	4	
-14	MS21044N08	NUT -----	4	
		---*---		
-15	1560322-9	SUPPORT-MOTOR -----	1	
-16	C610502-0101	GEAR MOTOR-DC -----	1	
		ATTACHING PARTS -----		
-17	AN5008-7	SCREW -----	4	
-18	MS21044N08	NUT -----	4	
		---*---		
-19	1560322-13	SPROCKET -----	1	
		ATTACHING PARTS -----		
-20	NAS561P4-8	PIN -----	1	
		---*---		
-21	1560322-15	CHAIN ASSEMBLY -----	1	
-22	1560322-17	GUARD-CABLE -----	1	

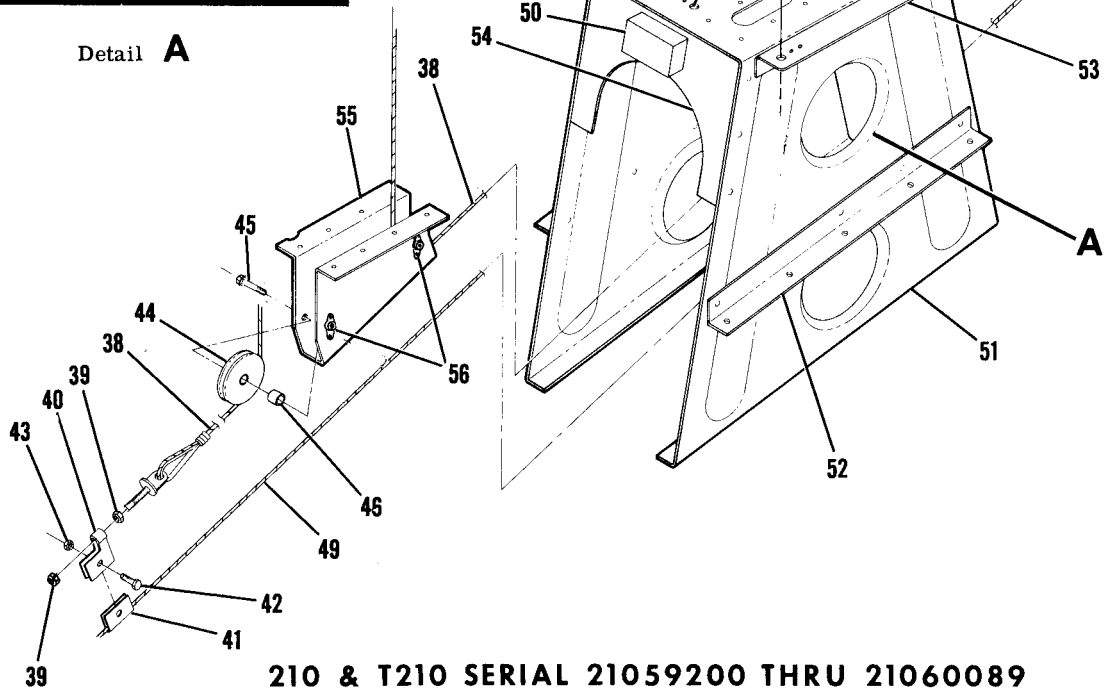
CONTINUED ON NEXT PAGE

Flight Controls (Cont)



SERIAL 21059503 THRU 21060089

Detail A

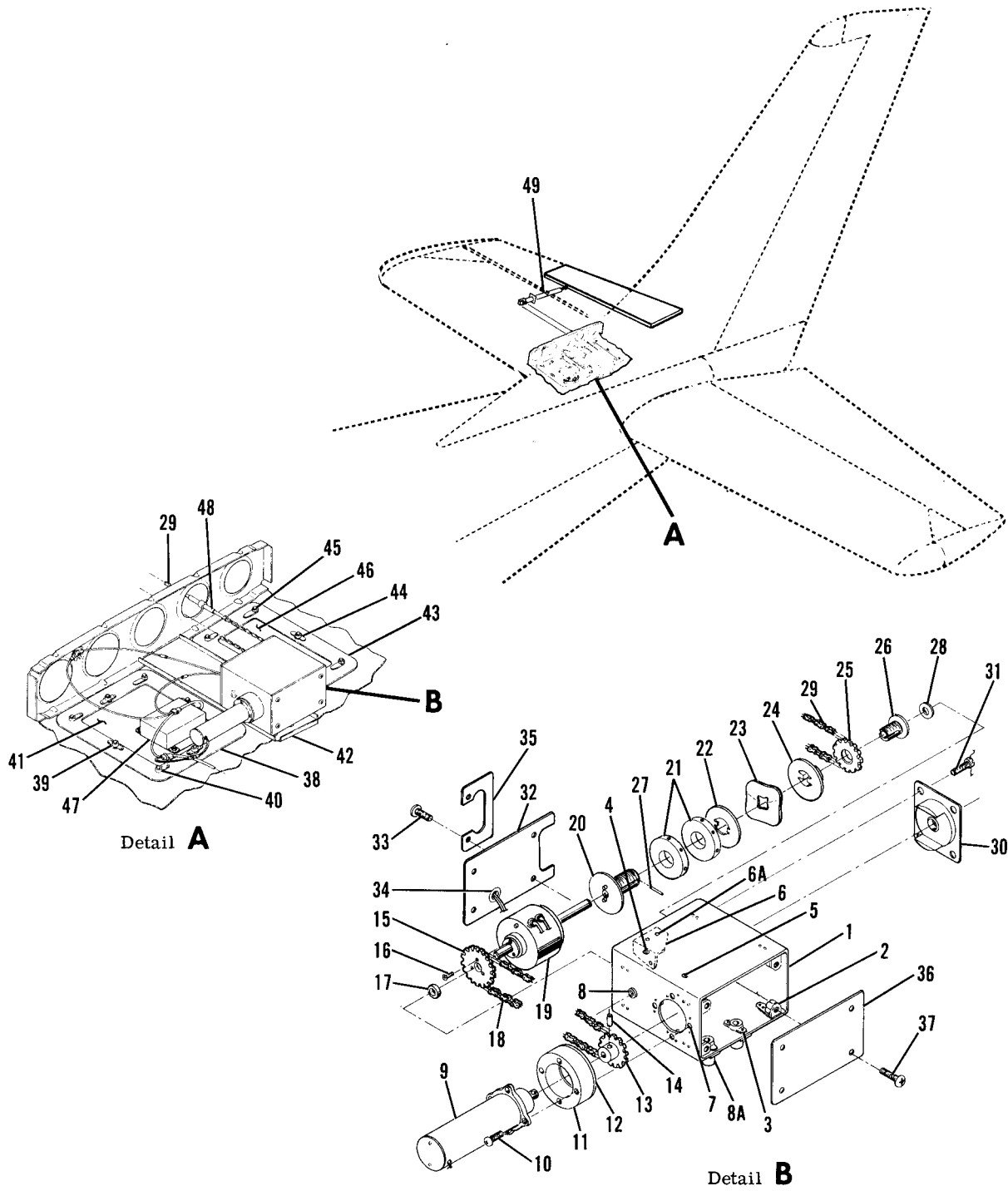


210 & T210 SERIAL 21059200 THRU 21060089

Figure 102. Elevator Electric Trim Components Installation

FIGURE AND INDEX NO.	PART NUMBER	DESCRIPTION	UNITS PER ASSY	USABLE ON CODE
		1 2 3 4 5 6 7		
102 -23	1560322-5	COVER ASSEMBLY-CLUTCH -----	1	
		ATTACHING PARTS -----		
-24	A500A8-4	SCREW -----	4	
		-----*-----		
-25	S1004-44A	BEARING -----	1	
-26	AN960-416L	WASHER -----	AR	
-27	NAS76A4-009	BUSHING -----	1	
	1560321-13	CLUTCH ASSEMBLY-ELECTRIC TRIM WHEN EXHAUSTED -----	1	A
		ORDER INDIVIDUAL PARTS -----		
-28	1560321-10	NUT -----	2	
-29	1560321-4	WASHER -----	2	
-30	1560321-9	SPRING -----	1	
-31	1260203-3	* DRUM ASSEMBLY -----	1	
-32	S1003-84	BEARING -----	1	
-33	1560321-2	SHAFT ASSEMBLY -----	1	
-34	FTC-750J	CLUTCH ANPI 12 VOLT SYSTEM -----	1	D
	TCS20B	CLUTCH ANPI 24 VOLT SYSTEM -----	1	C
-34A	S1693-3	STA-STRAP -----	1	C
-35	1560321-6	SPROCKET -----	1	
		ATTACHING PARTS -----		
-36	AN507-440R6	SCREW -----	3	
		-----*-----		
-37	NAS76A4-004	BUSHING -----	1	
-38	1260660-3	* CABLE ASSEMBLY-ELEVATOR TRIM STAINLESS STEEL -----	1	
		ATTACHING PARTS -----		
-38A	NAS561-4-7	PIN -----	1	
		-----*-----		
-39	MS21044N3	NUT -----	4	
-40	1260659-1	CLAMP -----	2	
-41	1260662-2	KEEPER -----	2	
		ATTACHING PARTS -----		
-42	AN3-3A	BOLT -----	1	
-43	MS21044N3	NUT -----	1	
		-----*-----		
-44	S378-1L	PULLEY -----	2	
		ATTACHING PARTS -----		
-45	AN3-7A	BOLT -----	1	
-46	NAS43HT3-17	SPACER -----	1	
-47		DELETED NEVER USED -----		
-48		DELETED NEVER USED -----		
		-----*-----		
-49	SEE FIG 101	CABLE ASSEMBLY-ELEVATOR TRIM AFT LH -----	1	
-50	1409	VOLTAGE REGULATOR-ELECTRIC TRIM MOTOR 12 VOLT SYSTEM -----	1	D
-50A	C611003-0101	VOLTAGE REGULATOR-ELECTRIC TRIM MOTOR 24 VOLT SYSTEM -----	1	C
		ATTACHING PARTS -----		
-50B	AN515-6R7	SCREW -----	4	C
	MS21044N06	NUT -----	4	C
		-----*-----		
-51	1260655-1	MOUNT ASSEMBLY-ELECTRIC TRIM -----	1	
-51A	NAS680A3	NUTPLATE -----	1	
-51B	NAS682A3	NUTPLATE -----	1	
-52	1260656-1	ANGLE -----	2	
-53	1260657-2	ANGLE ASSEMBLY -----	1	
	NAS682A2	NUTPLATE -----	2	
-54	1260655-3	STIFFENER -----	1	
-55	1260658-2	BRACKET ASSEMBLY-PULLEY -----	1	
-56	NAS680A3	NUTPLATE -----	2	
	SEE FIG 96	SWITCH-ELECTRIC TRIM -----	1	
	MS24510-3	CIRCUIT BREAKER-ELECTRIC TRIM -----	1	
<p>NOTE. *WHEN INITIALLY ORDERING THIS PART FOR AIRPLANES PRIOR TO SERIAL 21059324 IT IS NECESSARY TO ORDER THE OTHER PART MARKED * & 1 NAS561-4-7 PIN.</p> <p>A---210 & T210 SERIAL 21059200 THRU 21059323 B---210 & T210 SERIAL 21059324 THRU 21059502 C---210 & T210 SERIAL 21059503 THRU 21060089 D---210 & T210 SERIAL 21059200 THRU 21059502 E---210 & T210 SERIAL 21059200 THRU 21060089</p>				

Flight Controls (Cont)



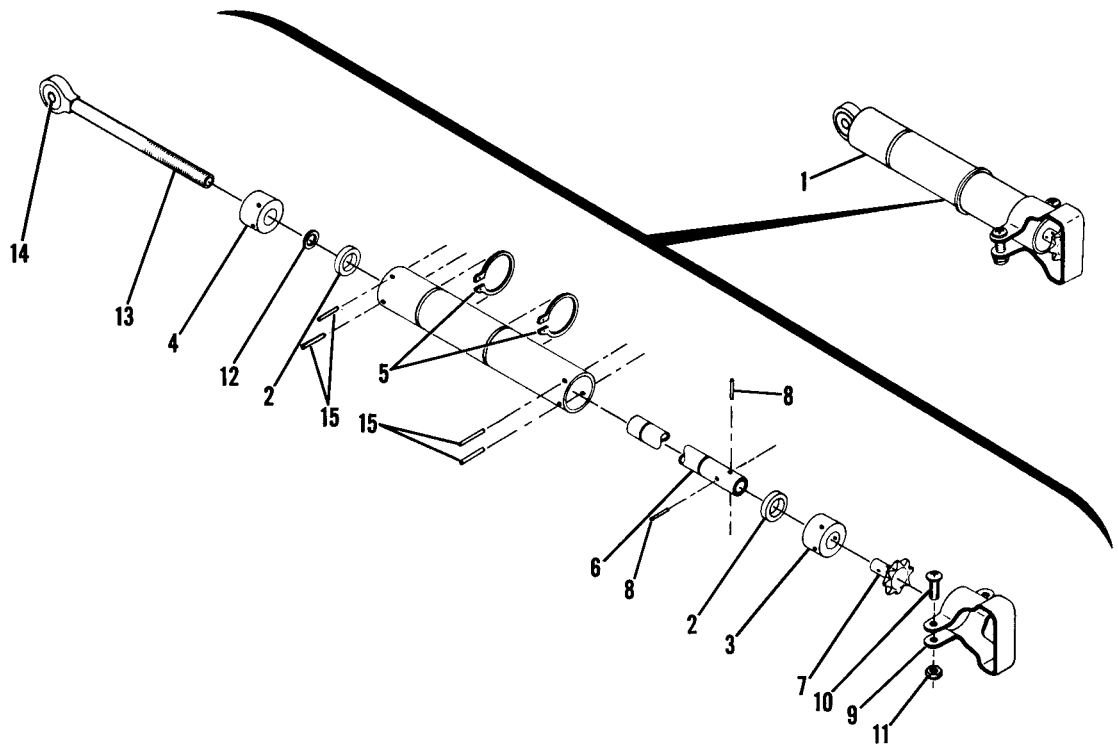
210 & T210 SERIAL 21060090 & ON
Figure 102A. Elevator Electric Trim Components Installation

FIGURE AND INDEX NO.	PART NUMBER	DESCRIPTION	UNITS PER ASSY	USABLE ON CODE
		1 2 3 4 5 6 7		
102A-		ELEVATOR ELECTRIC TRIM COMPONENTS INSTALLATION -----	NP	A
	1260153-1	DRIVE ASSY-ELECTRIC TRIM -----	1	
	AN3-7A	ATTACHING PARTS -----		
		BOLT -----	4	
		---*---		
- 1	1260158-1	HOUSING ASSY-ELECTRIC TRIM -----	1	
- 2	AN256F8	NUTPLATE -----	8	
- 3	NAS680A3	NUTPLATE -----	4	
- 4	NAS420D4-17	SPACER -----	2	
- 5	NAS420D4-28	SPACER -----	2	
- 6	1260158-5	STOP ASSY -----	1	
		ATTACHING PARTS -----		
- 6A	AN507-632R6	SCREW -----	2	
		---*---		
	NAS698A06L	NUTPLATE -----	2	
- 7	NAS1068A08	NUTPLATE -----	4	
- 8	S1004-44A	BEARING -----	1	
- 8A	1260158-3	PLATE-MOUNTING -----	4	
- 9	C610502-0101	MOTOR-ELECTRIC TRIM GEAR -----	1	
		ATTACHING PARTS -----		
-10	AN515-8R20	SCREW -----	4	
	AN935-8L	WASHER -----	4	
-11	1260155-4	PLATE-MOUNTING -----	1	
-12	1260155-5	SHIM -----	1	
		---*---		
-13	1260154-1	SPROCKET -----	1	
		ATTACHING PARTS -----		
-14	NAS561P4-8	PIN -----	1	
		---*---		
-15	1560321-14	SPROCKET -----	1	
		ATTACHING PARTS -----		
-16	NAS514P440-6	SCREW -----	3	
		---*---		
-17	NAS76A4-006	BUSHING -----	1	
-18	1260153-2	CHAIN -----	1	
-19	TCS20B	CLUTCH -----	1	
	S1693-3	STA-STRAP -----	1	
	1260156-1	SPROCKET CLUTCH ASSY-ELECTRIC TRIM -----	1	
-20	1260156-4	SHAFT ASSY-CLUTCH SPROCKET -----	1	
-21	1560321-10	NUT -----	2	
-22	1560321-4	WASHER -----	1	
-23	1560321-9	WASHER-SPRING -----	1	
-24	1260156-6	WASHER ASSY -----	1	
-25	1260156-2	SPROCKET -----	1	
-26	1260156-3	SHAFT -----	1	
-27	1/16x.375TYPE3	PIN-GROOV GVP -----	2	
-28	AN960-416L	WASHER -----	AR	
-29	1260159-1	CHAIN ASSY -----	1	
-30	1260155-1	PLATE ASSY-MOUNTING -----	1	
		ATTACHING PARTS -----		
-31	AN500A8-5	SCREW -----	4	
		---*---		
-32	1260157-1	COVER ASSY -----	1	
		ATTACHING PARTS -----		
-33	AN515-8R7	SCREW -----	4	
		---*---		
-34	MS35489-4	GROMMET -----	1	
-35	1260157-3	RUB STRIP -----	1	
-36	1260157-4	COVER -----	1	
		ATTACHING PARTS -----		
-37	AN515-8R7	SCREW -----	4	
		---*---		
-38	1232016-1	DOUBLER ASSY -----	1	
-39	NAS680A3K	NUTPLATE -----	4	
-40	NAS682A3K	NUTPLATE -----	4	
-41	1232016-3	COVER -----	1	
		ATTACHING PARTS -----		
	AN515-10R6	SCREW -----	8	
		---*---		
-42	1232015-1	SUPPORT -----	1	
-43	1232016-4	DOUBLER ASSY -----	1	
-44	NAS680A3K	NUTPLATE -----	2	
-45	NAS682A3K	NUTPLATE -----	4	

CONTINUED ON NEXT PAGE

FIGURE AND INDEX NO.	PART NUMBER	DESCRIPTION	UNITS PER ASSY	USABLE ON CODE
		1 2 3 4 5 6 7		
102A-46	1232016-6	COVER -----	1	
	AN515-10R6	ATTACHING PARTS -----		
		SCREW -----	6	
		-----*-----		
-47	C611003-0101	VOLTAGE REGULATOR -----	1	
		ATTACHING PARTS -----		
	AN515-6R6	SCREW -----	4	
	AN960-6L	WASHER -----	4	
	MS21044N06	NUT -----	4	
		-----*-----		
-48	AN155-16S	BARREL -----	1	
-49	SEE FIG 102B	ACTUATOR ASSY-ELECTRIC TRIM -----	1	
		A---210 & T210 SERIAL 21060090 & ON		

Flight Controls (Cont)

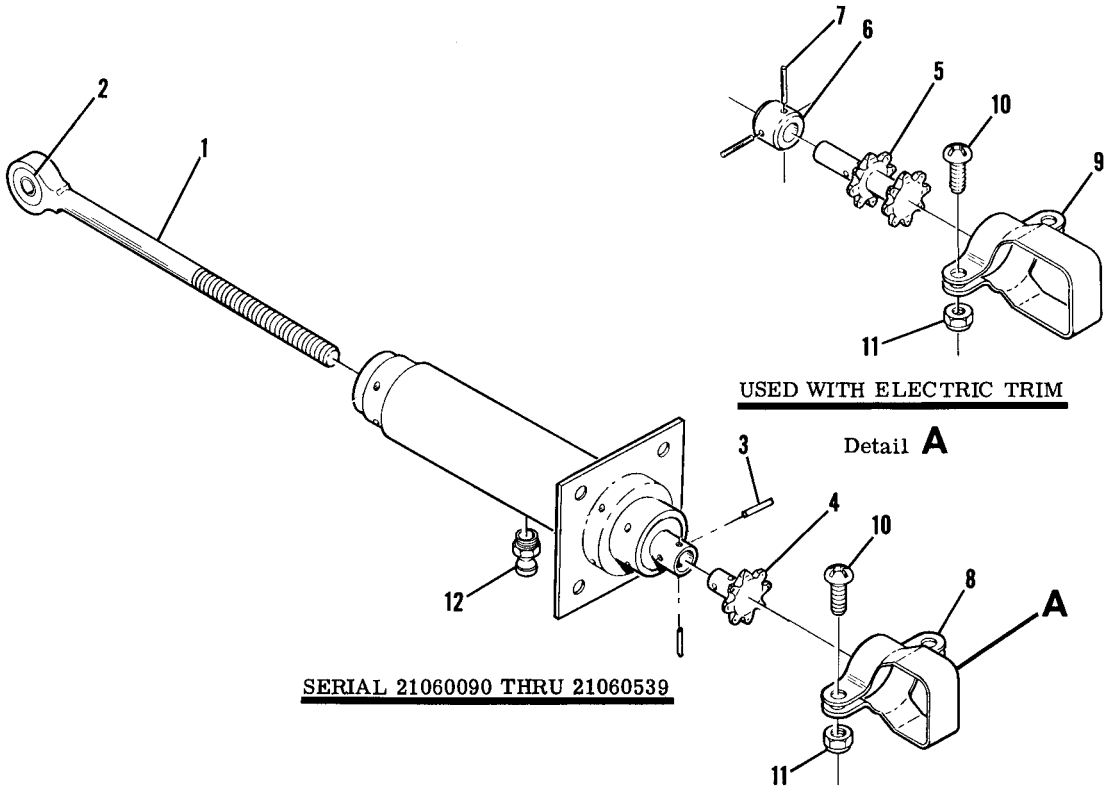
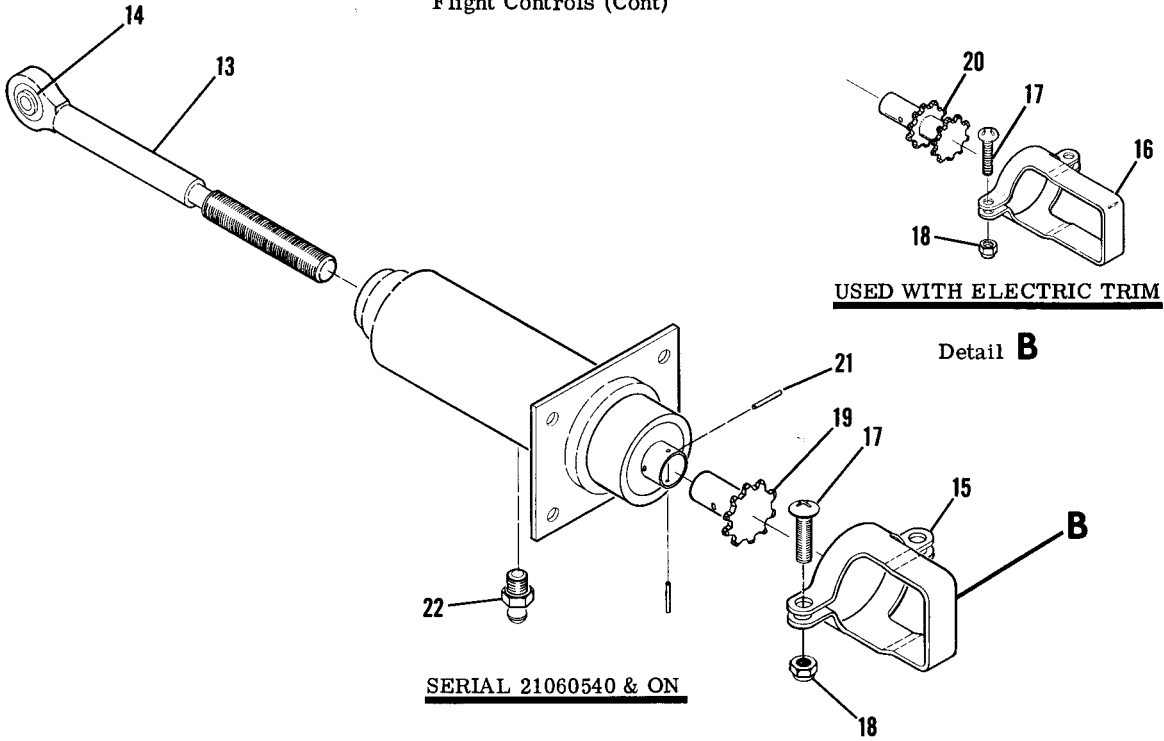


210 & T210 SERIAL 21059200 THRU 21060089

Figure 102B. Elevator Trim Tab Actuator Assembly

FIGURE AND INDEX NO.	PART NUMBER	DESCRIPTION	UNITS PER ASSY	USABLE ON CODE
		1 2 3 4 5 6 7		
1028- 1	1260074-1	ELEVATOR TRIM TAB ACTUATOR ASSEMBLY -----	1	A
- 2	0310295	COLLAR-ACTUATOR -----	2	
- 3	0310297-1	BEARING-ACTUATOR -----	1	
- 4	0310298-1	BEARING-ACTUATOR -----	1	
- 5	MS16624-81	RING-RETAINER OUTSIDE -----	2	
- 6	1260049-1	SCREW-INTERNAL THREADS -----	1	
- 7	0310332	SPROCKET-ROLL CHAIN -----	1	
- 8	3/32X.38TYPE3	ATTACHING PARTS GROOV-PIN GVP -----	2	
- 9	0310422-1	GUARD-ROLL CHAIN ----- ATTACHING PARTS	1	
-10	AN515-8R8	SCREW -----	2	
-11	MS21044N08	NUT -----	2	
-12	AN6227-5	PACKING-ACTUATOR -----	1	
-13	0310362-5	SCREW ASSEMBLY-ACTUATOR -----	1	
-14	PN3A	BEARING TOR -----	1	
-15	1/16X.62TYPE3	GROOV-PIN GVP -----	4	
A---210 & T210 SERIAL 21059200 THRU 21060089				

Flight Controls (Cont)



210 & T210 SERIAL 21060090 & ON

Figure 102C. Elevator Trim Tab Actuator Assembly



FIGURE AND INDEX NO.	PART NUMBER	DESCRIPTION	UNITS PER ASSY	USABLE ON CODE		
					1	2
102C-	1260149-1	ELEVATOR TRIM TAB ACTUATOR ASSY -----	1	A		
	1260149-2	ELEVATOR TRIM TAB ACTUATOR ASSY USED WITH ELECTRIC TRIM ----	1	A		
- 1	0310362-5	SCREW ASSY -----	1			
- 2	PN3A	BEARING TOR -----	1			
- 3	3/32X.375TYPE3	PIN-GROOV GVP -----	2			
- 4	0310332	SPROCKET -----	1			
- 5	1260113-1	SPROCKET USED WITH ELECTRIC TRIM -----	1			
- 6	1260113-2	COLLAR USED WITH ELECTRIC TRIM -----	1			
- 7	3/32X.500TYPE3	PIN-GROOV GVP USED WITH ELECTRIC TRIM -----	2			
- 8	1260152-1	GUARD-CHAIN -----	1			
- 9	1260152-2	GUARD-CHAIN USED WITH ELECTRIC TRIM -----	1			
		ATTACHING PARTS				
-10	AN515-8R8	SCREW -----	2			
-11	MS21044N8	NUT -----	2			
		---*---				
-12	MS15002-1	FITTING-LUBE -----	1			
	1260238-1	ELEVATOR TRIM TAB ACTUATOR ASSY -----	1	B		
	1260238-2	ELEVATOR TRIM TAB ACTUATOR ASSY USED WITH ELECTRIC TRIM ----	1	B		
-13	1260232-1	SCREW ASSY -----	1			
-14	PN-3A	BEARING TOR -----	1			
-15	1260231-1	GUARD-CHAIN -----	1			
-16	1260231-2	GUARD-CHAIN USED WITH ELECTRIC TRIM -----	1			
		ATTACHING PARTS				
-17	AN515-8R8	SCREW -----	2			
-18	MS21044N8	NUT -----	2			
		---*---				
-19	1260235-2	SPROCKET -----	1			
-20	1260235-1	SPROCKET USED WITH ELECTRIC TRIM -----	1			
		ATTACHING PARTS				
-21	3132X.625TYPE3	PIN-GROOV GVP -----	1			
		---*---				
-22	MS15002-1	FITTING-GREASE -----	1			
		A---210&T210 SERIAL 21060090 THRU 21060539				
		B---210&T210 SERIAL 21060540 & ON				

Flight Controls (Cont)

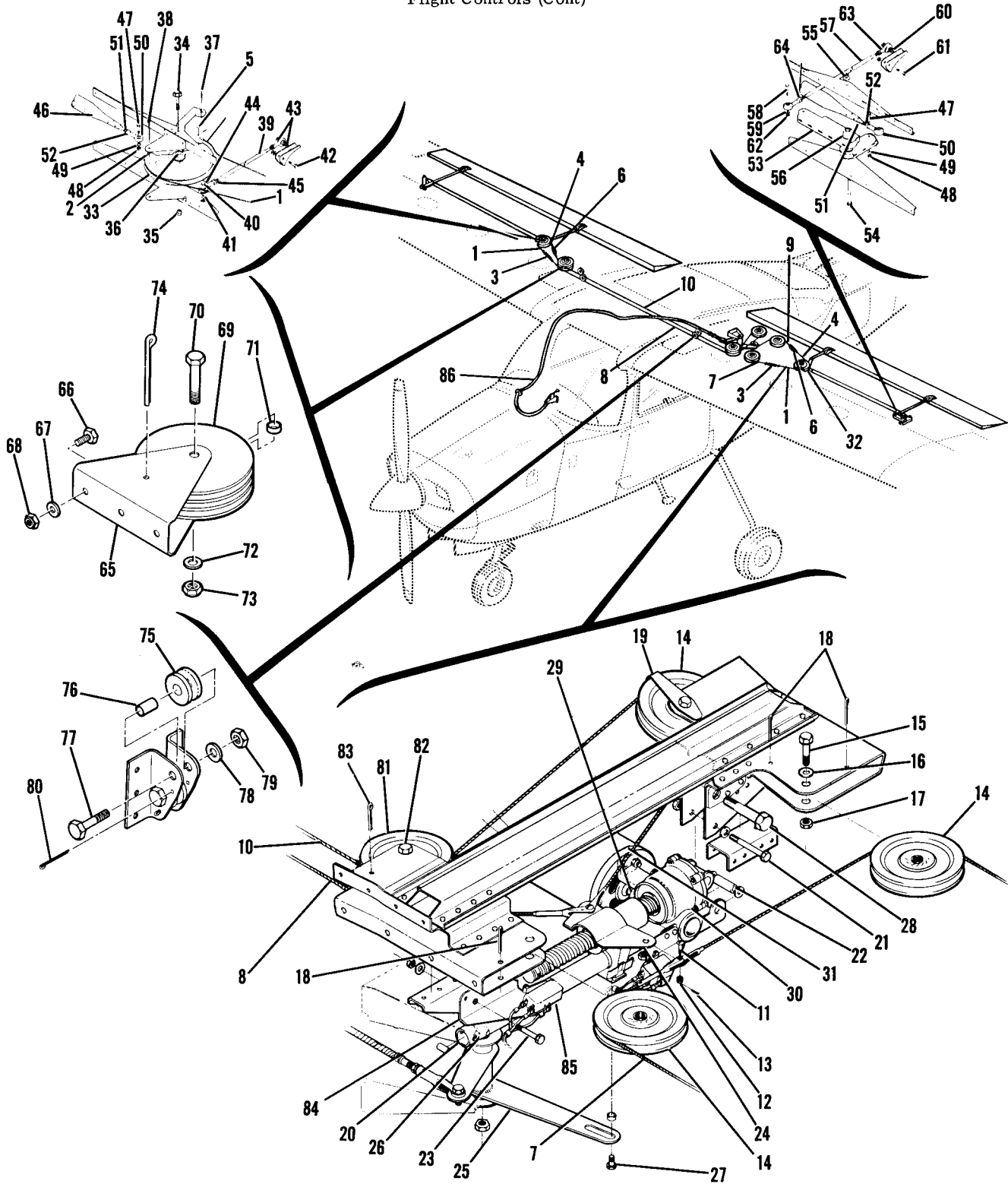


Figure 103. Electric Flap System Installation



FIGURE AND INDEX NO.	PART NUMBER	DESCRIPTION	UNITS PER ASSY	USABLE ON CODE
103 -		ELECTRIC FLAP SYSTEM INSTALLATION -----	NP	
- 1	1260505-47	CABLE ASSEMBLY-FLAP DOWN BELLCRANK TO TURNBUCKLE -----	2	
	1260505-147	CABLE ASSEMBLY-FLAP DOWN BELLCRANK TO TURNBUCKLE -----	2	
		STAINLESS STEEL		
		ATTACHING PARTS		
- 2	MS20392-1C11	PIN -----	1	
	MS24665-134	PIN-COTTER -----	1	
- 3	AN155-32S	BARREL-TURNBUCKLE -----	1	
		-----*		
- 4	1260505-48	CABLE ASSEMBLY-FLAP UP BELLCRANK TO TURNBUCKLE -----	2	
	1260505-148	CABLE ASSEMBLY-FLAP UP BELLCRANK TO TURNBUCKLE -----	2	
		STAINLESS STEEL		
		ATTACHING PARTS		
- 5	MS20392-1C11	PIN -----	1	
	MS24665-134	PIN-COTTER -----	1	
- 6	AN155-16S	BARREL-TURNBUCKLE -----	1	
		-----*		
- 7	1260505-73	CABLE ASSEMBLY-FLAP DOWN LH TURNBUCKLE TO ACTUATOR -----	1	
	1260505-173	CABLE ASSEMBLY-FLAP DOWN LH TURNBUCKLE TO ACTUATOR -----	1	
		STAINLESS STEEL		
- 8	1260505-71	CABLE ASSEMBLY-FLAP DOWN RH TURNBUCKLE TO ACTUATOR -----	1	
	1260505-171	CABLE ASSEMBLY-FLAP DOWN RH TURNBUCKLE TO ACTUATOR -----	1	
		STAINLESS STEEL		
- 9	1260505-70	CABLE ASSEMBLY-FLAP UP LH TURNBUCKLE TO ACTUATOR -----	1	
	1260505-170	CABLE ASSEMBLY-FLAP UP LH TURNBUCKLE TO ACTUATOR -----	1	
		STAINLESS STEEL		
-10	1260505-72	CABLE ASSEMBLY-FLAP UP RH TURNBUCKLE TO ACTUATOR -----	1	
	1260505-172	CABLE ASSEMBLY-FLAP UP RH TURNBUCKLE TO ACTUATOR -----	1	
		STAINLESS STEEL		
-11	AN23-11	BOLT -----	2	
-12	AN310-3	NUT -----	2	
-13	MS24665-132	PIN-COTTER -----	2	
-14	MS20220-2	PULLEY -----	3	
		ATTACHING PARTS		
-15	AN5-12A	BOLT -----	1	
-16	AN960-516	WASHER -----	1	
-17	MS21042L5	NUT -----	1	
		-----*		
-18	MS24665-355	PIN-COTTER -----	5	
-19	1462027-1	GUARD-CABLE -----	1	
-20	1262024-1	SUPPORT ASSEMBLY-LOWER -----	1	
		ATTACHING PARTS		
-21	AN3-14A	BOLT -----	1	
	AN960-516	WASHER -----	4	
	MS21044N3	NUT -----	1	
-22	1412280-23	BUSHING -----	1	
-23	AN3-11A	BOLT -----	1	
	AN960-10	WASHER -----	1	
	MS21044N3	NUT -----	1	
	NAS43HT3-40	SPACER -----	1	
		-----*		
-24	1262028-5	DRIVE ASSEMBLY-CABLE -----	1	
		ATTACHING PARTS		
	AN56508H3	SCREW-SET -----	1	F
	AN565B428H4	SCREW-SET -----	1	G
		-----*		
-25	1262027-1	BELLCRANK ASSEMBLY -----	1	
		ATTACHING PARTS		
-26	AN4-27A	BOLT -----	1	
	1262008-1	WASHER -----	2	
	NAS75-4-216	BUSHING -----	1	
	AN960-416	WASHER -----	1	
	MS21042L4	NUT -----	1	
-27	AN3-4A	BOLT -----	1	
	NAS43HT3-10	SPACER -----	1	
	S1450-3-10-032	WASHER -----	1	
	MS21044N3	NUT -----	1	
		-----*		

CONTINUED ON NEXT PAGE

FIGURE AND INDEX NO.	PART NUMBER	DESCRIPTION	UNITS PER ASSY	USABLE ON CODE		
					1	2
103 -	SK210-68	MODIFICATION KIT-FLAP ACTUATOR ASSY -----	1	A		
	C301002-0201	ACTUATOR & MOTOR ASSY-FLAP -----	1	B		
	C301002-0202	ACTUATOR & MOTOR ASSY-FLAP -----	1	C		
		ATTACHING PARTS				
-28	AN6-16A	BOLT -----	1			
	AN960-616	WASHER -----	1			
	AN310-6	NUT -----	1			
	MS24665-283	PIN-COTTER -----	1			
		---*---				
-29	C301001-0211	COUPLING -----	1			
-30	C301002-0203	ACTUATOR ASSEMBLY-FLAP -----	1			
-31	C301002-0103	MOTOR FILTERED 12 VOLT SYSTEM -----	1	B		
	C301002-0104	MOTOR FILTERED 24 VOLT SYSTEM -----	1	C		
	S1638-2	HOUSING-CAP -----	1			
	S1635-2	PIN -----	2			
-32	I262029-1	BELLCRANK ASSEMBLY-LH -----	1			
-33	I262029-2	BELLCRANK ASSEMBLY-RH -----	1			
		ATTACHING PARTS				
-34	AN4-30A	BOLT -----	1			
-35	MS21042L4	NUT -----	1			
	0522629	WASHER INSTALL BETWEEN BELLCRANK & BRACKET LWR SIDE -----	1			
		---*---				
-36	B610	BEARING TOR -----	2			
	I462012-2	BUSHING -----	2			
-37	MS20392-2C93	PIN -----	1			
	MS24665-132	PIN-COTTER -----	1			
-38	MS24665-292	PIN-COTTER -----	2			
-39	I260128-4	PUSH ROD ASSEMBLY-FLAP INBOARD -----	2			
		ATTACHING PARTS				
-40	AN3-6A	BOLT -----	1			
-41	AN960-10L	WASHER -----	1			
	MS21044N3	NUT -----	1			
-42	AN3-11A	BOLT -----	1			
-43	AN960-10	WASHER -----	5			
	MS21044N3	NUT -----	1			
		---*---				
-44	S1819-3	BEARING-ROD END -----	2			
-45	AN316-4R	NUT -----	2			
-46	I260653-5	ROD ASSEMBLY-ACTUATOR CONNECT OUTBOARD FLAP -----	2			
		ATTACHING PARTS				
-47	AN3-6A	BOLT -----	2			
-48	MS21044N3	NUT -----	2			
-49	AN960-10L	WASHER -----	2			
		---*---				
-50	S1106-3	BEARING-ROD END -----	2			
-51	I260650-1	ROD END ADAPTOR -----	2			
-52	AN316-4R	CHECKNUT -----	2			
-53	I262038-1	BELLCRANK ASSEMBLY-LH -----	1			
	I262038-2	BELLCRANK ASSEMBLY-RH -----	1			
		ATTACHING PARTS				
-54	AN4-30A	BOLT -----	1			
-55	AN960-416	WASHER -----	1			
	MS21042L4	NUT -----	1			
		---*---				
-56	B610	BEARING TOR -----	2			
-57	I260128-5	PUSH ROD ASSEMBLY-FLAP OUTBOARD -----	2			
		ATTACHING PARTS				
-58	AN3-6A	BOLT -----	1			
-59	AN960-10L	WASHER -----	1			
-60	AN960-10	WASHER -----	5			
-61	AN3-11A	BOLT -----	1			
-62	MS21044N3	NUT -----	2			
		---*---				
-63	S1819-3	BEARING-ROD END -----	2			
-64	AN316-4R	NUT -----	2			
-65	I222027-1	BRACKET-PULLEY -----	1			
		ATTACHING PARTS				
-66	AN3-3A	BOLT -----	3			
-67	AN960-10L	WASHER -----	3			
-68	MS21044N3	NUT -----	3			
		---*---				

CONTINUED ON NEXT PAGE



FIGURE AND INDEX NO.	PART NUMBER	DESCRIPTION	UNITS PER ASSY	USABLE ON CODE
103 -69	S378-4	PULLEY ----- ATTACHING PARTS -----	2	
-70	AN4-14A	BOLT -----	1	
-71	NAS43HT4-10	SPACER -----	1	
-72	AN960-416L	WASHER -----	1	
-73	MS21042L4	NUT ----- -----*	1	
-74	MS24665-360	PIN-COTTER -----	1	
-75	S1710-1	PULLEY ----- ATTACHING PARTS -----	4	
-76	O411783	BUSHING -----	1	
-77	AN3-7A	BOLT -----	1	
-78	AN960-10L	WASHER -----	1	
-79	MS21044N3	NUT ----- -----*	1	
-80	MS24665-134	PIN-COTTER -----	4	
-81	MS20220-2	PULLEY ----- ATTACHING PARTS -----	2	
-82	AN5-14A AN960-516 MS21042L5	BOLT ----- WASHER ----- NUT ----- -----*	1 1 1	
-83	MS24665-360	PIN-COTTER -----	2	
-84	1262016-2	BRACKET-FLAP CONTROL SWITCH -----	1	
-85	S1906-1 S1906-2	SWITCH ----- SWITCH -----	2 2	D E
-86	1670019-1 SEE FIG 104	INSULATOR-SWITCH ----- FLAP CONTROL DETAILS INSTALLATION -----	2 1	
<p>A---210 & T210 SERIAL 21059200 THRU 21059470 B---210 & T210 SERIAL 21059471 THRU 21059502 & ALL AIRPLANES MODIFIED PER SK210-68 C---210 & T210 SERIAL 21059503 & ON D---210 & T210 SERIAL 21059200 THRU 21060089 E---210 & T210 SERIAL 21060090 & ON F---210 & T210 SERIAL 21059200 THRU 21060101 G---210 & T210 SERIAL 21060102 & ON</p>				

Flight Controls (Cont)

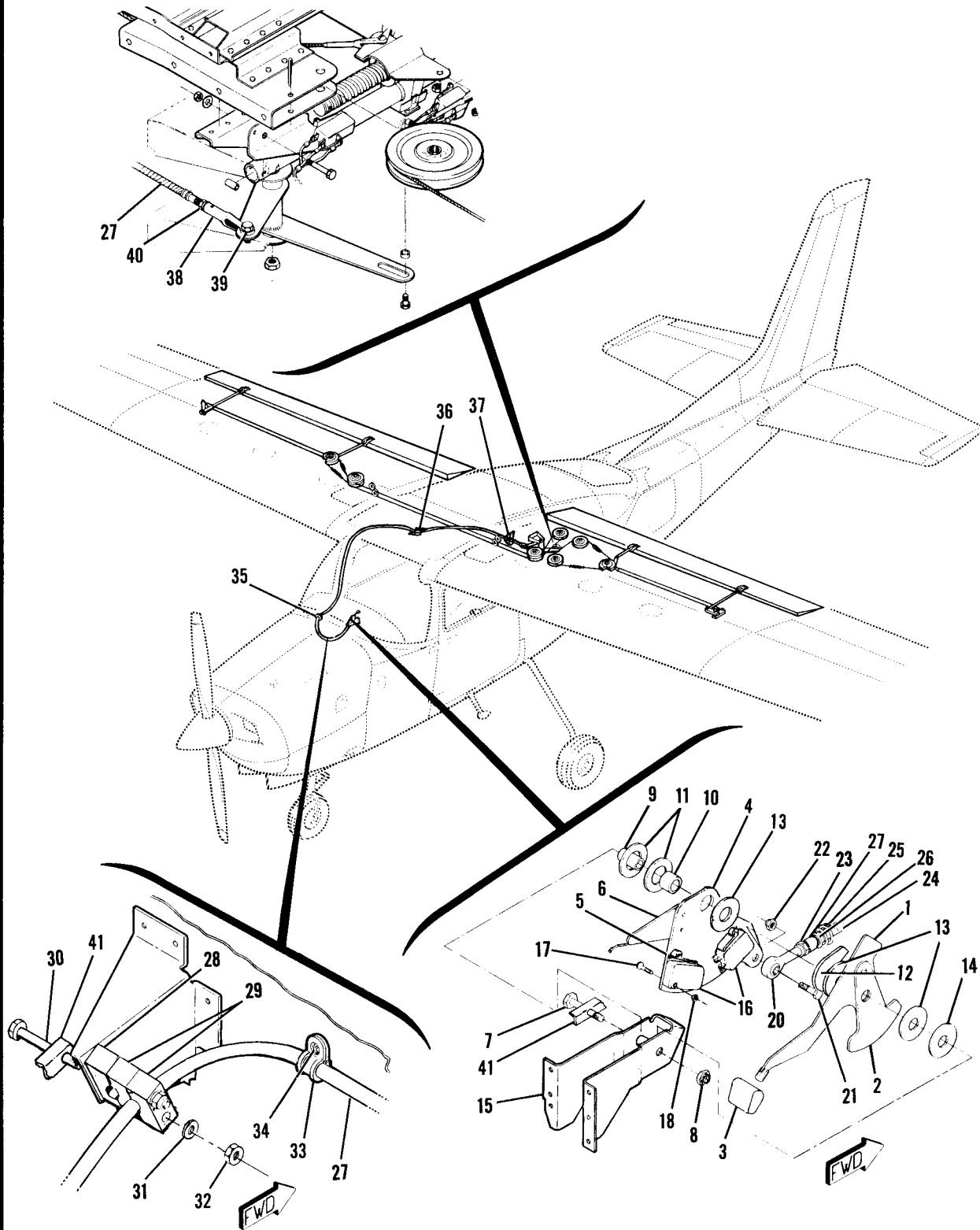


Figure 104. Flap Control Details Installation



FIGURE AND INDEX NO.	PART NUMBER	DESCRIPTION	UNITS PER ASSY	USABLE ON CODE		
					1	2
104 -		FLAP CONTROL DETAILS INSTALLATION -----	NP			
- 1	1512280-13	LEVER ASSEMBLY-FLAP -----	1			
- 2	1452530-6	CAM -----	1			
- 3	S1771-1	KNOB-FLAP LEVER -----	1			
- 4	1562033-12	ARM ASSEMBLY-FLAP -----	1			
- 5	1760025-2	ARM -----	1			
- 6	1562033-4	INDICATOR ASSEMBLY -----	1			
- 7	AN3-10A	BOLT -----	1			
- 8	MS21044N3	NUT -----	1			
- 9	NAS75-3-016	BUSHING -----	1			
-10	1512280-24	BUSHING -----	1			
-11	1452533-4	WASHER -----	2			
-12	0762049-1	BRACKET -----	1			
-13	1512280-25	WASHER -----	3			
-14	1452533-2	WASHER -----	1			
-15	1262001-3	BRACKET -----	1			
-16	S1906-1	SWITCH -----	2			
	1670019-1	INSULATOR -----	2			
		ATTACHING PARTS				
-17	AN515-4R12	SCREW -----	2			
-18	AN340-4	NUT -----	2			
	NAS620-4	WASHER -----	2			
		---*---				
-20	S1106-3	ROD END -----	1			
		ATTACHING PARTS				
-21	AN3-6A	BOLT -----	1			
-22	MS21044N3	NUT -----	1			
-23	AN316-4R	NUT -----	1			
		---*---				
-24	NAS430D6-132	SPACER -----	1			
-25	AN960C616	WASHER -----	1			
-26	1452537-1	SPRING -----	1			
-27	S2095-2	CONTROL-PUSH PULL -----	1			
-28	0713307-1	MOUNT -----	1			
-29	0713307-4	CLAMP -----	2			
		ATTACHING PARTS				
-30	AN3-21A	BOLT -----	2			
-31	AN960-10	WASHER -----	2			
-32	MS21044N3	NUT -----	2			
		---*---				
-33	MS21919DG6	CLAMP -----	1			
		ATTACHING PARTS				
-34	AN515-8R7	SCREW -----	1			
		---*---				
-35	NAS557-8A	GROMMET -----	1			
-36	1210037-1	BRACKET -----	1			
	AN742D5	CLAMP -----	1			
		ATTACHING PARTS				
	S1021Z8-8	SCREW -----	1			
	NAS395-11-3	NUT -----	1			
		---*---				
-37	0713307-4	CLAMP -----	2			
		ATTACHING PARTS				
	AN3-12A	BOLT -----	2			
	AN960-10	WASHER -----	2			
	MS21044N3	NUT -----	2			
		---*---				
-38	AN486-4	CLEVIS -----	1			
		ATTACHING PARTS				
-39	MS20392-2C11	PIN -----	1			
	AN960-10L	WASHER -----	1			
	MS24665-132	PIN-COTTER -----	1			
-40	AN316-4R	NUT -----	1			
		---*---				
-41	1262022-1	STIFFENER -----	1			

Flight Controls (Cont)

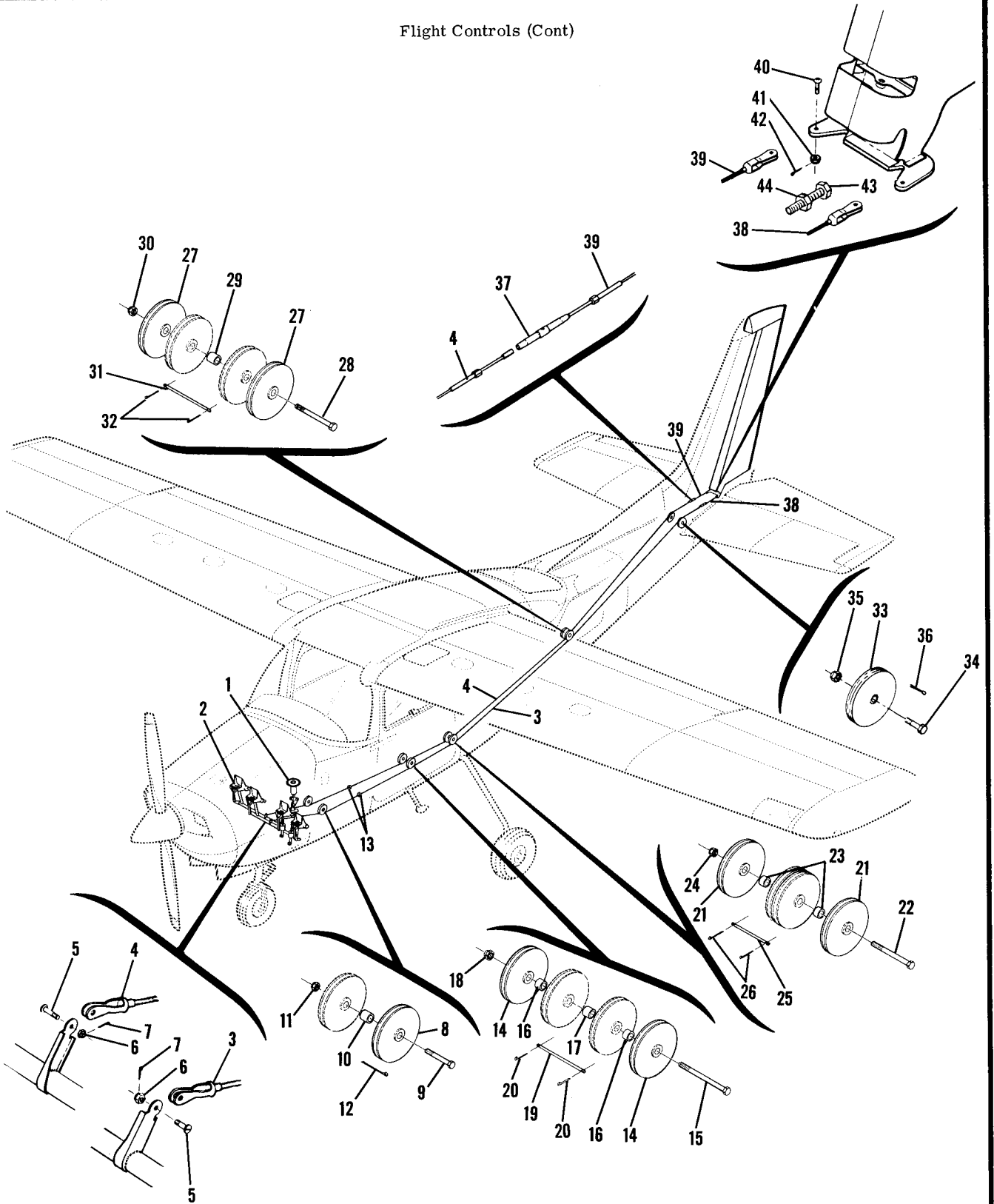


Figure 105. Rudder Control System Installation

FIGURE AND INDEX NO.	PART NUMBER	DESCRIPTION							UNITS PER ASSY	USABLE ON CODE
		1	2	3	4	5	6	7		
105 -		RUDDER CONTROL SYSTEM INSTALLATION -----							NP	
- 1	SEE FIG 107&107A	RUDDER TRIM INSTALLATION -----							1	
- 2	SEE FIG 93	RUDDER PEDALS INSTALLATION -----							1	
- 3	1260475-5	CABLE ASSEMBLY-RUDDER FORWARD LH -----							1	
	1260475-105	CABLE ASSEMBLY-RUDDER FORWARD LH STAINLESS STEEL -----							1	
- 4	1260475-6	CABLE ASSEMBLY-RUDDER FORWARD RH -----							1	
	1260475-106	CABLE ASSEMBLY-RUDDER FORWARD RH STAINLESS STEEL -----							1	
		ATTACHING PARTS								
- 5	AN23-12	BOLT -----							1	
- 6	AN310-3	NUT -----							1	
- 7	MS24665-134	PIN-COTTER -----							1	
		---*---								
- 8	S378-4	PULLEY-CABLE -----							2	
		ATTACHING PARTS								
- 9	AN4-20A	BOLT -----							1	
-10	NAS43HT4-41	SPACER -----							1	
-11	MS21042L4	NUT -----							1	
		---*---								
-12	MS24665-143	PIN-COTTER -----							2	
-13	S338-9	FAIRLEAD HALF-CABLE -----							4	
	S339-3	CLIP ATTACH FAIRLEAD HALVES -----							2	
-14	S378-4	PULLEY-CABLE -----							2	
		ATTACHING PARTS								
-15	AN4-37A	BOLT -----							1	
-16	NAS43HT4-31	SPACER -----							2	
-17	NAS43HT4-36	SPACER -----							1	
-18	MS21042L4	NUT -----							1	
		---*---								
-19	1200017-3	PIN-CABLE GUARD -----							1	
-20	MS24665-132	PIN-COTTER -----							2	
-21	S378-4	PULLEY-CABLE -----							2	
		ATTACHING PARTS								
-22	AN4-27A	BOLT -----							1	
-23	NAS43HT4-18	SPACER -----							2	
-24	MS21042L4	NUT -----							1	
		---*---								
-25	1200017-4	PIN-CABLE GUARD -----							1	
-26	MS24665-132	PIN-COTTER -----							2	
-27	S378-4	PULLEY-CABLE -----							2	
		ATTACHING PARTS								
-28	AN4-27A	BOLT -----							1	
-29	NAS43HT4-34	SPACER -----							1	
-30	MS21042L4	NUT -----							1	
		---*---								
-31	1200017-2	PIN-CABLE GUARD -----							1	
-32	MS24665-132	PIN-COTTER -----							2	
-33	S378-4	PULLEY-CABLE -----							2	
		ATTACHING PARTS								
-34	AN4-10A	BOLT -----							1	
-35	MS21042L4	NUT -----							1	
		---*---								
-36	MS24665-134	PIN-COTTER -----							2	
-37	AN155 32S	BARREL -----							2	
-38	1260505-13	CABLE ASSEMBLY-RUDDER AFT LH -----							1	
	1260505-113	CABLE ASSEMBLY-RUDDER AFT LH STAINLESS STEEL -----							1	
-39	1260505-12	CABLE ASSEMBLY-RUDDER AFT RH -----							1	
	1260505-112	CABLE ASSEMBLY-RUDDER AFT RH STAINLESS STEEL -----							1	
		ATTACHING PARTS								
-40	AN23-10	BOLT -----							1	
-41	AN310-3	NUT -----							1	
-42	MS24665-134	PIN-COTTER -----							1	
		---*---								
-43	NAS428-3-7	BOLT RUDDER STOP -----							2	
-44	AN315-3R	NUT RUDDER STOP -----							2	

Flight Controls (Cont)

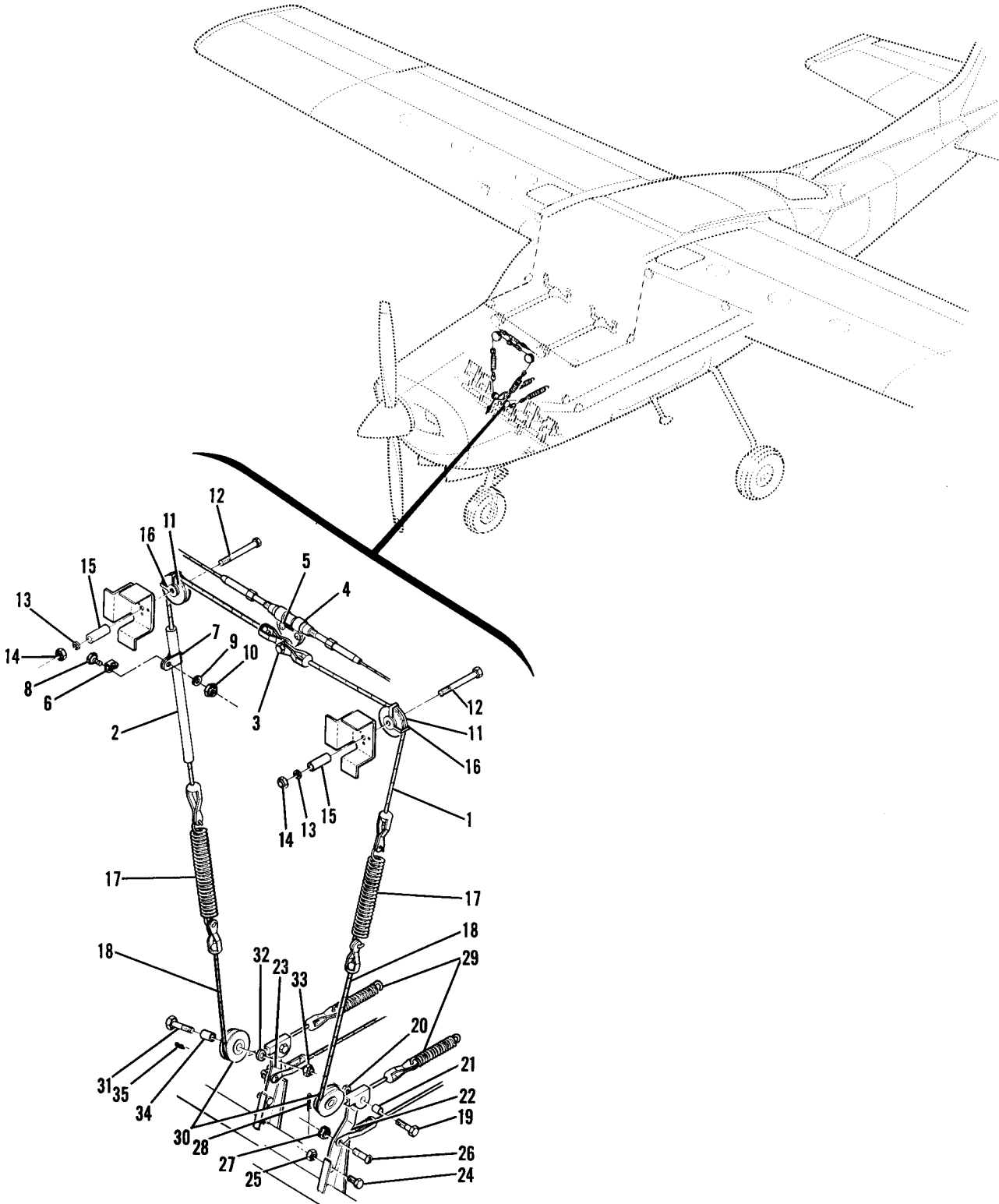
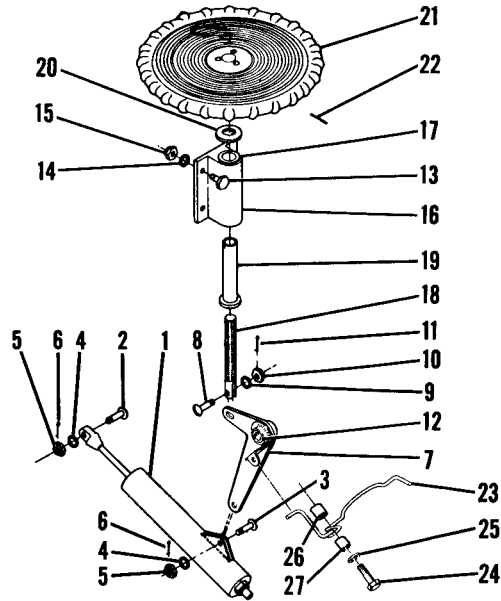


Figure 106. Aileron, Rudder Interconnect System

FIGURE AND INDEX NO.	PART NUMBER	DESCRIPTION	UNITS PER ASSY	USABLE ON CODE
106 -		1 2 3 4 5 6 7		
- 1	1260505-174	AILERON, RUDDER INTERCONNECT SYSTEM -----	NP	
- 2	1260505-187	CABLE ASSEMBLY-LH -----	1	
		CABLE ASSEMBLY-RH -----	1	
		ATTACHING PARTS -----		
- 3	AN3-3A	BOLT -----	1	
	MS21044N3	NUT -----	1	
		-----*		
- 4	1260211-1	CLAMP -----	1	
		ATTACHING PARTS -----		
- 5	AN515-6R6	SCREW -----	2	
	MS21044N06	NUT -----	2	
		-----*		
- 6	1260217-1	BRACKET -----	1	
- 7	AN742D3	CLAMP -----	1	
		ATTACHING PARTS -----		
- 8	S1021Z8-8	SCREW -----	1	
- 9	AN960-10L	WASHER -----	AR	
-10	NAS446-4	NUT -----	1	
		-----*		
-11	S378-1	PULLEY -----	2	
		ATTACHING PARTS -----		
-12	AN3-16A	BOLT -----	1	
-13	AN960-10L	WASHER -----	1	
-14	MS21044N3	NUT -----	1	
-15	NAS43DD3-60	SPACER -----	1	
		-----*		
-16	1260205-1	GUARD-CABLE -----	4	
-17	1260216-1	SPRING-INTERCONNECT -----	2	
-18	1260208-1	CABLE ASSEMBLY -----	2	
		ATTACHING PARTS -----		
-19	AN3-6A	BOLT -----	1	
-20	MS21044N3	NUT -----	1	
-21	1260207-1	BUSHING -----	1	
		-----*		
-22	1260412-1	STRAP-LH -----	1	
-23	1260412-2	STRAP-LH -----	1	
		ATTACHING PARTS -----		
-24	AN3-3A	BOLT -----	1	
-25	MS21044N3	NUT -----	1	
-26	AN23-12	BOLT -----	1	
-27	AN310-3	NUT -----	1	
-28	MS24665-134	PIN-COTTER -----	1	
		-----*		
-29	0413416-4	SPRING -----	2	
-30	S378-1	PULLEY -----	2	
		ATTACHING PARTS -----		
-31	AN3-6A	BOLT -----	1	
-32	AN960-10L	WASHER -----	1	
-33	MS21044N3	NUT -----	1	
-34	NAS43DD3-14	SPACER -----	1	
		-----*		
-35	MS24665-285	PIN-COTTER -----	2	

Flight Controls (Cont)



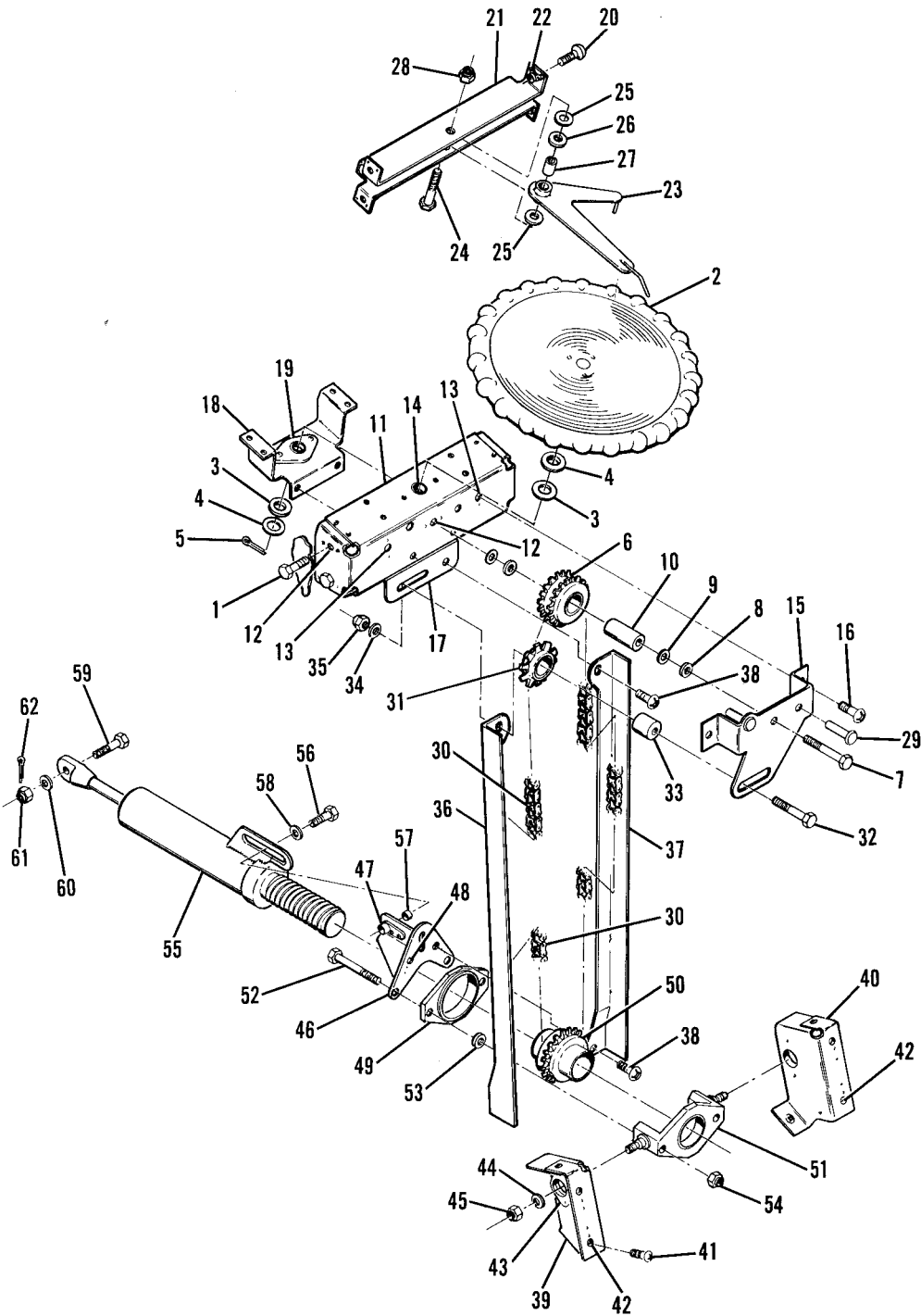
210 & T210 SERIAL 21059200 THRU 21060539

Figure 107. Rudder Trim Installation

FIGURE AND INDEX NO.	PART NUMBER	DESCRIPTION	UNITS PER ASSY	USABLE ON CODE
107 -		1 2 3 4 5 6 7		
- 1	1261432-5	RUDDER TRIM INSTALLATION -----	NP	A
- 2	AN23-11	BUNGEE ASSEMBLY-RUDDER -----	1	
- 3	AN23-12	ATTACHING PARTS -----		
- 4	AN960-10L	BOLT -----	1	
- 5	AN320-3	BOLT -----	1	
- 6	MS24665-132	WASHER -----	2	
- 7	1260104-5	NUT -----	2	
- 8	1260104-5	PIN-COTTER -----	2	
- 9	1260104-5	-----		
- 10	1260104-5	BELLCRANK ASSEMBLY-RUDDER -----	1	
- 11	1260104-5	ATTACHING PARTS -----		
- 12	AN23-11	BOLT -----	1	
- 13	AN960-10L	WASHER -----	1	
- 14	AN320-3	NUT -----	1	
- 15	MS24665-132	PIN-COTTER -----	1	
- 16	B59	-----		
- 17	1261438-1	BEARING-NEEDLE TOR -----	1	
- 18	AN3-5A	SCREW JACK ASSEMBLY-RUDDER -----	1	
- 19	AN960-10L	BOLT -----	4	
- 20	MS21044N3	WASHER -----	4	
- 21	1261112-3	NUT -----	4	
- 22	S1004-41A	HOUSING ASSEMBLY-RUDDER -----	1	
- 23	1261103-2	BEARING-FLANGED -----	2	
- 24	1261107-2	SCREW JACK SCREW-RUDDER BUNGEE -----	1	
- 25	S1450-9-12-006	SCREW JACK SHAFT-RUDDER BUNGEE -----	1	
- 26	1260428-1	WASHER -----	AR	
- 27	NAS561-4-12	WHEEL ASSEMBLY-RUDDER -----	1	
- 28	1260101-1	ROLL PIN -----	1	
- 29	AN3-5A	INDICATOR-RUDDER TRIM -----	1	
- 30	S1450-3A8-032	BOLT -----	1	
- 31	1260219-1	WASHER -----	1	
- 32	1260219-2	BUSHING -----	1	
- 33	1260219-2	SPACER -----	1	
A---210 & T210 SERIAL 21059200 THRU 21060539				

This page intentionally left blank.

Flight Controls (Cont)



210 & T210 SERIAL 21060540 & ON

Figure 107A. Rudder Trim Installation

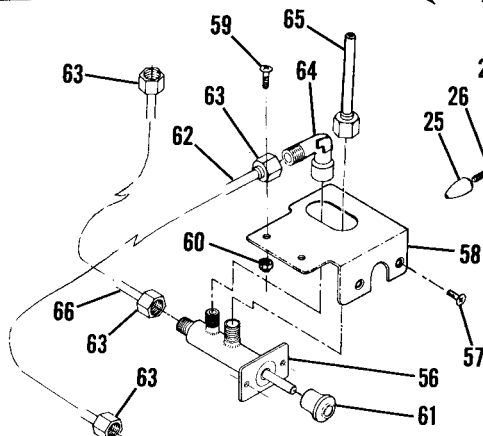
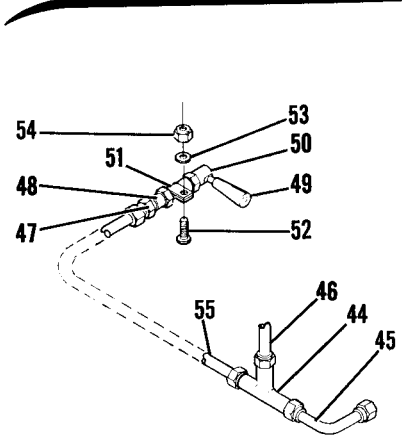
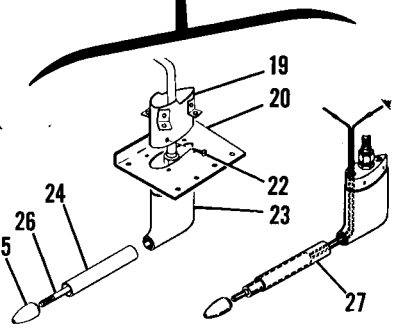
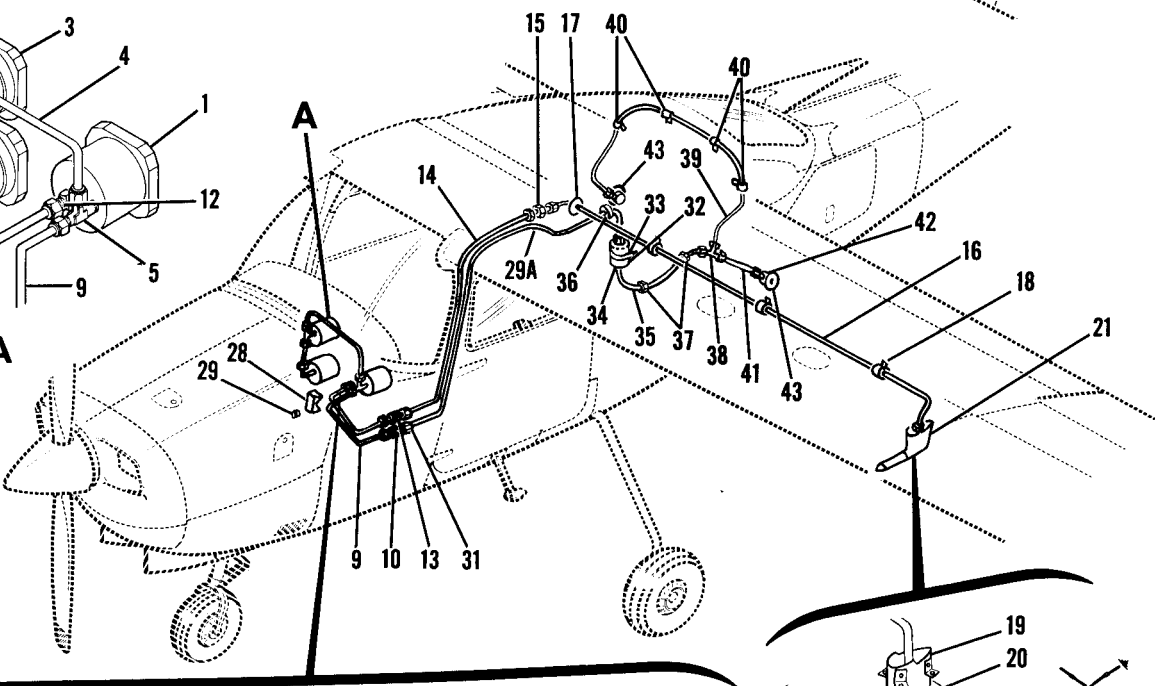
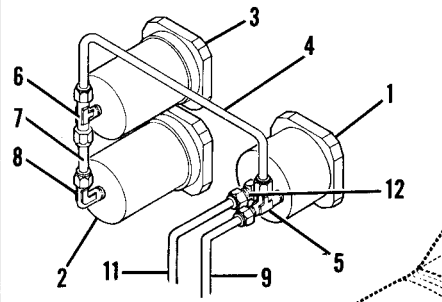
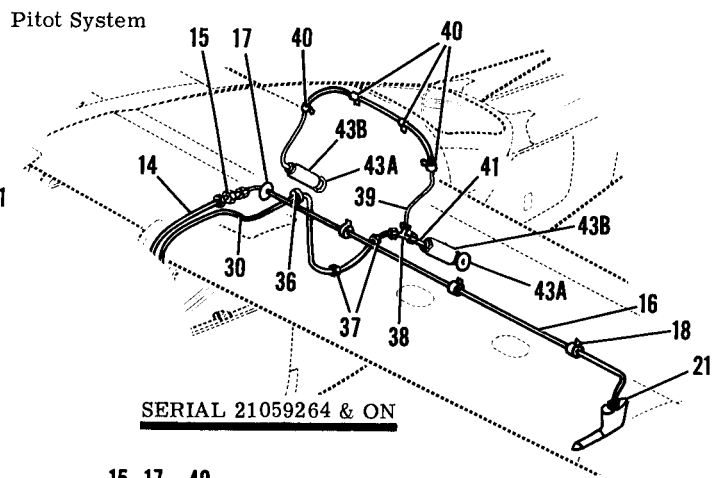
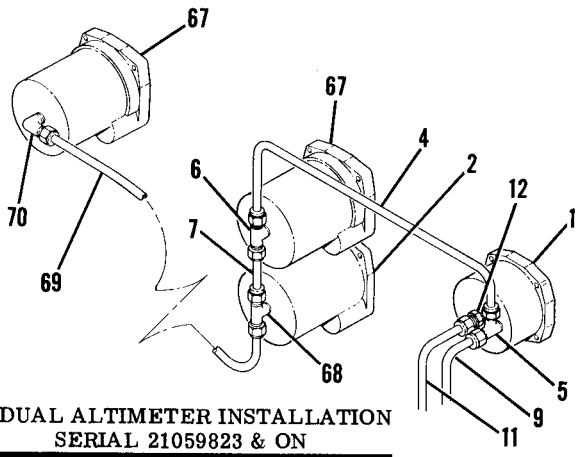
FIGURE AND INDEX NO.	PART NUMBER	DESCRIPTION	UNITS PER ASSY	USABLE ON CODE
107A-		1 2 3 4 5 6 7 RUDDER TRIM INSTALLATION -----	NP	A
	1261466-1	WHEEL & GEAR BOX ASSY-RUDDER TRIM -----	1	
		ATTACHING PARTS -----		
- 1	AN3-3A	BOLT -----	4	
		---*---		
- 2	1261471-1	WHEEL ASSY-RUDDER TRIM -----	1	
		ATTACHING PARTS -----		
- 3	AN960-416	WASHER -----	AR	
- 4	AN960-416L	WASHER -----	AR	
	AN960PD416L	WASHER -----	AR	
- 5	MS24665-281	PIN -----	1	
		---*---		
- 6	1261472-1	SPROCKET ASSY-DUAL -----	1	
		ATTACHING PARTS -----		
- 7	AN3-11A	BOLT -----	1	
- 8	AN960-516L	WASHER -----	AR	
- 9	AN960PD516L	WASHER -----	AR	
-10	1261466-2	SPACER -----	1	
		---*---		
-11	1261467-1	GEAR BOX ASSY-RUDDER TRIM WHEEL -----	1	
-12	NAS680A3	NUTPLATE -----	5	
-13	NAS680A08	NUTPLATE -----	2	
-14	S1004-53A	BEARING -----	1	
	0713647-3	MOUNT -----	1	
-15	1261470-1	SUPPORT-RUDDER TRIM IDLER SPROCKET -----	1	
		ATTACHING PARTS -----		
-16	NAS220-8	SCREW -----	2	
		---*---		
-17	1261469-1	SUPPORT ANGLE ASSY-RUDDER TRIM IDLER SPROCKET -----	1	
	NAS697A08	NUTPLATE -----	1	
-18	1261468-1	SUPPORT ASSY-RUDDER TRIM WHEEL -----	1	
-19	0713647-3	MOUNT -----	1	
	S1004-53A	BEARING -----	1	
	1261475-1	INDICATOR ASSY-RUDDER TRIM -----	1	
		ATTACHING PARTS -----		
-20	NAS220-7	SCREW -----	4	
		---*---		
-21	1261475-2	BRACKET ASSY-MOUNTING -----	1	
-22	NAS698A08	NUTPLATE -----	4	
-23	1261475-4	ARM ASSY-INDICATOR -----	1	
		ATTACHING PARTS -----		
-24	AN3-10A	BOLT -----	1	
-25	AN960-516	WASHER -----	2	
-26	AN960-516L	WASHER -----	1	
-27	NAS75-3-018	BUSHING -----	1	
-28	MS21044N3	NUT -----	1	
		---*---		
-29	NAS427K14	PIN -----	2	
-30	1260230-2	CHAIN-RUDDER TRIM -----	1	
-31	1261473-1	SPROCKET ASSY-IDLER -----	1	
		ATTACHING PARTS -----		
-32	AN3-12A	BOLT -----	1	
-33	NAS75-3-023	BUSHING -----	1	
-34	AN960-10	WASHER -----	1	
-35	MS21044N3	NUT -----	1	
		---*---		
-36	1261474-1	CHAIN GUARD-LH -----	1	
-37	1261474-2	CHAIN GUARD-RH -----	1	
		ATTACHING PARTS -----		
-38	NAS220-7	SCREW LH -----	1	
	NAS220-7	SCREW RH -----	2	
		---*---		

CONTINUED ON NEXT PAGE

FIGURE AND INDEX NO.	PART NUMBER	DESCRIPTION	UNITS	USABLE
			PER ASSY	ON CODE
		1 2 3 4 5 6 7		
107A-39	1261463-1	BRACKET ASSY-LH -----	1	
-40	1261463-2	BRACKET ASSY-RH -----	1	
		ATTACHING PARTS -----		
-41	NAS220-7	SCREW -----	3	
		---*---		
-42	NAS682A08	NUTPLATE -----	2	
-43	0713647-3	MOUNT -----	1	
	S1004-53A	BEARING -----	1	
	1261458-1	GIMBAL ASSY-RUDDER TRIM BUNGEE -----	1	
		ATTACHING PARTS -----		
-44	AN960-10	WASHER -----	2	
-45	MS21044N3	NUT -----	2	
		---*---		
-46	1261461-1	BRACKET ASSY-RUDDER TRIM STOP -----	1	
-47	NAS682A3	NUTPLATE -----	1	
-48	NAS696A08	NUTPLATE -----	2	
-49	1261465-1	COVER PLATE ASSY-GIMBAL -----	1	
-50	1261460-1	SPROCKET DRIVE NUT-RUDDER TRIM BUNGEE -----	1	
-51	1261459-1	GIMBAL HALF ASSY-RUDDER TRIM BUNGEE -----	1	
		ATTACHING PARTS -----		
-52	AN3-15A	BOLT -----	2	
-53	1261458-2	SHIM -----	2	
-54	MS21044N3	NUT -----	2	
		---*---		
-55	1261462-1	BUNGEE ASSY-RUDDER TRIM -----	1	
		ATTACHING PARTS -----		
-56	AN3-4A	BOLT -----	1	
-57	NAS75-3-005	BUSHING -----	1	
-58	S1450-3-10-032	WASHER -----	1	
-59	AN23-12	BOLT -----	1	
-60	AN960-10L	WASHER -----	1	
-61	AN320-3	NUT -----	1	
-62	MS24665-132	COTTER PIN -----	1	
		---*---		
A---210 & T210 SERIAL 21060540 & ON				

FIGURE AND INDEX NO.	PART NUMBER	DESCRIPTION	UNITS PER ASSY	USABLE ON CODE
		1 2 3 4 5 6 7		
108 -		PITOT SYSTEM INSTALLATION -----	NP	
- 1		INDICATOR-AIRSPEED SEE INSTRUMENT PANEL -----	1	
- 2		INDICATOR-VERTICAL SPEED SEE INSTRUMENT PANEL -----	1	
- 3		INDICATOR-ALTIMETER SEE INSTRUMENT PANEL -----	1	
- 4		LINE ASSEMBLY-AIRSPEED TO ALTIMETER -----	NP	
		ATTACHING PARTS -----		
- 5	S1139-1	TEE-NYLON -----	1	
- 6	S1138-1	TEE-NYLON -----	1	
		-----*		
	S1071-1	TUBE-POLYETHYLENE 10.0 IN LG BKI REF S1071-1-10.0 -	1	
	S1130-1	NUT-NYLON -----	2	
	S1131-1	INSERT-NYLON -----	2	
- 7		LINE ASSEMBLY-ALTIMETER TO VERTICAL SPEED -----	NP	
		ATTACHING PARTS -----		
- 8	S1135-1	ELBOW -----	1	
		-----*		
	S1071-1	TUBE-POLYETHYLENE 3.30 IN LG BKI REF S1071-1-3.30 -	1	
	S1130-1	NUT -----	2	
	S1131-1	INSERT -----	2	
- 9		LINE ASSEMBLY -----	NP	
		ATTACHING PARTS -----		
-10	S1134-1	FITTING-NYLON -----	1	
		-----*		
	S1071-1	TUBE-POLYETHYLENE 16.0 IN LG BKI REF S1071-1-16.0 -	1	
	S1130-1	NUT-NYLON -----	2	
	S1131-1	INSERT-NYLON -----	2	
-11		LINE ASSEMBLY -----	NP	
		ATTACHING PARTS -----		
-12	S1133-1	CONNECTOR-NYLON -----	1	
-13	S1134-1	FITTING-NYLON -----	1	
		-----*		
	S1071-1	TUBE-POLYETHYLENE 16.0 IN LG BKI REF S1071-1-16.0 -	1	
	S1130-1	NUT-NYLON -----	2	
	S1131-1	INSERT-NYLON -----	2	
-14		LINE ASSEMBLY BULK ITEM TO WING ROOT -----	NP	
		ATTACHING PARTS -----		
-15	S1132-1	UNION -----	1	
		-----*		
	S1071-1	TUBE-POLYETHYLENE 149.00 IN LG BULK ITEM -----	1	
		REF S1071-1-149.0 -----		
	S1130-1	NUT-NYLON -----	2	
	S1131-1	INSERT-NYLON -----	2	
-16		LINE ASSEMBLY-WING ROOT TO PITOT TUBE -----	NP	
		ATTACHING PARTS -----		
-17	MS35489-7	GROMMET -----	1	
-18	S1592-1A	BAND-HARNESS -----	3	
	S102176-6	SCREW -----	3	
		-----*		
	S1071-1	TUBE-POLYETHYLENE * IN LG BKI REF S1071-1-* -----	1	
	S1130-1	NUT-NYLON -----	2	
	S1131-1	INSERT-NYLON -----	2	
-19	1221098-2	CONNECTOR ASSEMBLY-PITOT TUBE -----	1	
-20	1221098-3	DOUBLER -----	1	
-21	0721105-14	TUBE ASSEMBLY-L SHAPED PITOT -----	1	
	0721105-15	TUBE ASSEMBLY-L SHAPED PITOT HEATED 12 VOLT SYSTEM --	1	E
	0721105-18	TUBE ASSEMBLY-L SHAPED PITOT HEATED 24 VOLT SYSTEM --	1	F
		ATTACHING PARTS -----		
-22	AN507-640R4	SCREW -----	4	
		-----*		
-23	0721105-13	BODY-PITOT -----	1	
	S1133-2	CONNECTOR-NYLON -----	1	

CONTINUED ON NEXT PAGE



ALTERNATE STATIC SOURCE

Figure 108. Pitot System Installation



FIGURE AND INDEX NO.	PART NUMBER	DESCRIPTION							UNITS PER ASSY	USABLE ON CODE
		1	2	3	4	5	6	7		
108 -24	0721105-3	TUBE -----							1	
-25	0721105-4	FITTING-PITOT TUBE NOSE -----							1	
-26	0721105-8	STEM-PITOT TUBE -----							1	
-27	0721105-5	HEATER ASSEMBLY-PITOT 12 VOLT SYSTEM -----							1	E
	0721105-9	HEATER ASSEMBLY-PITOT 24 VOLT SYSTEM -----							1	F
-28		SWITCH-PITOT HEAT SEE SWITCH PANEL -----							1	
-29		CIRCUIT BREAKER SEE SWITCH PANEL -----							1	
-29A		LINE ASSEMBLY BULKHEAD TO SUMP -----							NP	A
-30		LINE ASSEMBLY BULKHEAD TO STATIC SOURCE TEE -----							NP	B
	S1071-1	*	TUBE-POLYETHYLENE * IN LG BKI REF S1071-1-* -----					1	A	
	S1071-1	*	TUBE-POLYETHYLENE * IN LG BKI REF S1071-1-* -----					1	B	
-31	S1130-1		NUT-NYLON -----					2		
	S1131-1		INSERT-NYLON -----					2		
-32	S1258-1		SUMP-STATIC SOURCE -----					1	A	
			ATTACHING PARTS							
-33	S1486DG26U		CLAMP -----					1		
	S1022Z10-10		SCREW -----					1		
			---*---							
-34	S1481-1		CONNECTOR -----					1	A	
-35			LINE ASSEMBLY SUMP TO TEE -----					NP	A	
	S1071-1	*	TUBE-POLYETHYLENE * IN LG BKI REF S1071-1-* -----					1		
	S1130-1		NUT-NYLON -----					2		
	S1131-1		INSERT-NYLON -----					2		
-36	S1050-3		GROMMET 2.83 IN LG BULK ITEM REF S1050-3-2.83 ---					1		
-37	MS35489-6		GROMMET -----					2		
-38	S1137-1		TEE -----					1		
-39			LINE ASSEMBLY -----					NP		
			ATTACHING PARTS							
-40	S1155-4		CLAMP -----					4		
	S1021Z6-6		SCREW -----					4		
	NAS446-2		NUT -----					4		
			---*---							
	S1071-1	*	TUBE-POLYETHYLENE * IN LG BKI REF S1071-1-* -----					1		
	S1130-1		NUT-NYLON -----					2		
	S1131-1		INSERT-NYLON -----					2		
-41			LINE ASSEMBLY -----					NP		
	S1071-1	*	TUBE-POLYETHYLENE * IN LG BKI REF S1071-1-* -----					1	A	
	S1071-1	*	TUBE-POLYETHYLENE * IN LG BKI REF S1071-1-* -----					1	B	
			REF S1071-1-*							
	S1130-1		NUT-NYLON -----					2		
	S1131-1		INSERT-NYLON -----					2		
-42	S1133-1		CONNECTOR -----					2	A	
-43	1200746-2		BUTTON-STATIC SOURCE WEU 1200746-3 -----					2	A	
-43A	1200746-3		BUTTON-STATIC SOURCE -----					2	B	
-43B	S2043-1		SUMP ASSEMBLY -----					2	B	
			STATIC SOURCE INSTALLATION-ALTERNATE -----					NP	C	
-44	S1137-1		TEE-NYLON -----					1		
-45	S1071-1		TUBE-POLYETHYLENE 2.0 IN LG BKI REF S1071-1-2.0 ---					1		
	S1131-1		INSERT-NYLON -----					2		
	S1130-1		NUT -----					2		
-46	S1071-1		TUBE-POLYETHYLENE 16.0 IN LG BKI REF S1071-1-16.0 -					1		
	S1131-1		INSERT-NYLON -----					1		
	S1130-1		NUT-NYLON -----					1		
-47	S1133-1		CONNECTOR -----					1		
-48	AN910-10		COUPLING -----					1		
-49	S430-1		KNOB -----					1		
-50	0511199-20		VALVE -----					1		
			ATTACHING PARTS							
-51	AN742D9		CLAMP -----					1		
-52	AN520-10R14		SCREW -----					1		
-53	AN960D10		WASHER -----					1		
-54	MS21044N3		NUT -----					1		
			---*---							

CONTINUED ON NEXT PAGE

FIGURE AND INDEX NO.	PART NUMBER	DESCRIPTION							UNITS PER ASSY	USABLE ON CODE
		1	2	3	4	5	6	7		
108 -55	S1071-1	TUBE-POLYETHYLENE 20.0 IN LG	BKI	REF S1071-1-20.0				1		
	S1131-1	INSERT-NYLON						2		
	S1130-1	NUT-NYLON						2		
-56	2013142-1	STATIC SOURCE INSTALLATION-ALTERNATE						NP	D	
		VALVE ASSEMBLY						1		
		ATTACHING PARTS								
-57	AN509-8R7	SCREW						2		
	MS21044N08	NUT						2		
		---*---								
-58	0701028-2	BRACKET-VALVE						1		
		ATTACHING PARTS								
-59	AN515-8R6	SCREW						2		
-60	MS21044N08	NUT						2		
		---*---								
-61	S1981-5	KNOB ASSEMBLY						1		
	AN565D8H2	SET SCREW						1		
-62	S1071-1	TUBE-POLYETHYLENE * IN LG	BKI	REF S1071-1-*				1		
-63	S1130-1	NUT-NYLON						5		
	S1131-1	INSERT-NYLON						5		
-64	S2071-1	ELBOW						1		
-65	S1071-1	TUBE-POLYETHYLENE 6.0 IN LG	BKI	REF S1071-1-6.0				1		
-66	S1071-1	TUBE-POLYETHYLENE * IN LG	BKI	REF S1071-1-*				1		
		DUAL ALTIMETER INSTALLATION						NP	G	
-67		INDICATOR-ALTIMETER	SEE INSTRUMENT PANEL					2		
-68	S1138-1	TEE						1		
-69		LINE ASSY						1		
	S1071-1	TUBE-POLYETHYLENE * IN LG	BKI	REF S1071-1-*				1		
	S1130-1	NUT						2		
	S1131-1	INSERT						2		
-70	S1135-1	ELBOW						1		
NOTE. *LENGTH TO BE ADDED LATER.										
A---210 & T210 SERIAL 21059200 THRU 21059263										
B---210 & T210 SERIAL 21059264 & ON										
C---210 & T210 SERIAL 21059200 THRU 21059351										
D---210 & T210 SERIAL 21059352 & ON										
E---210 & T210 SERIAL 21059200 THRU 21059502										
F---210 & T210 SERIAL 21059503 & ON										
G---210 & T210 SERIAL 21059823 & ON										

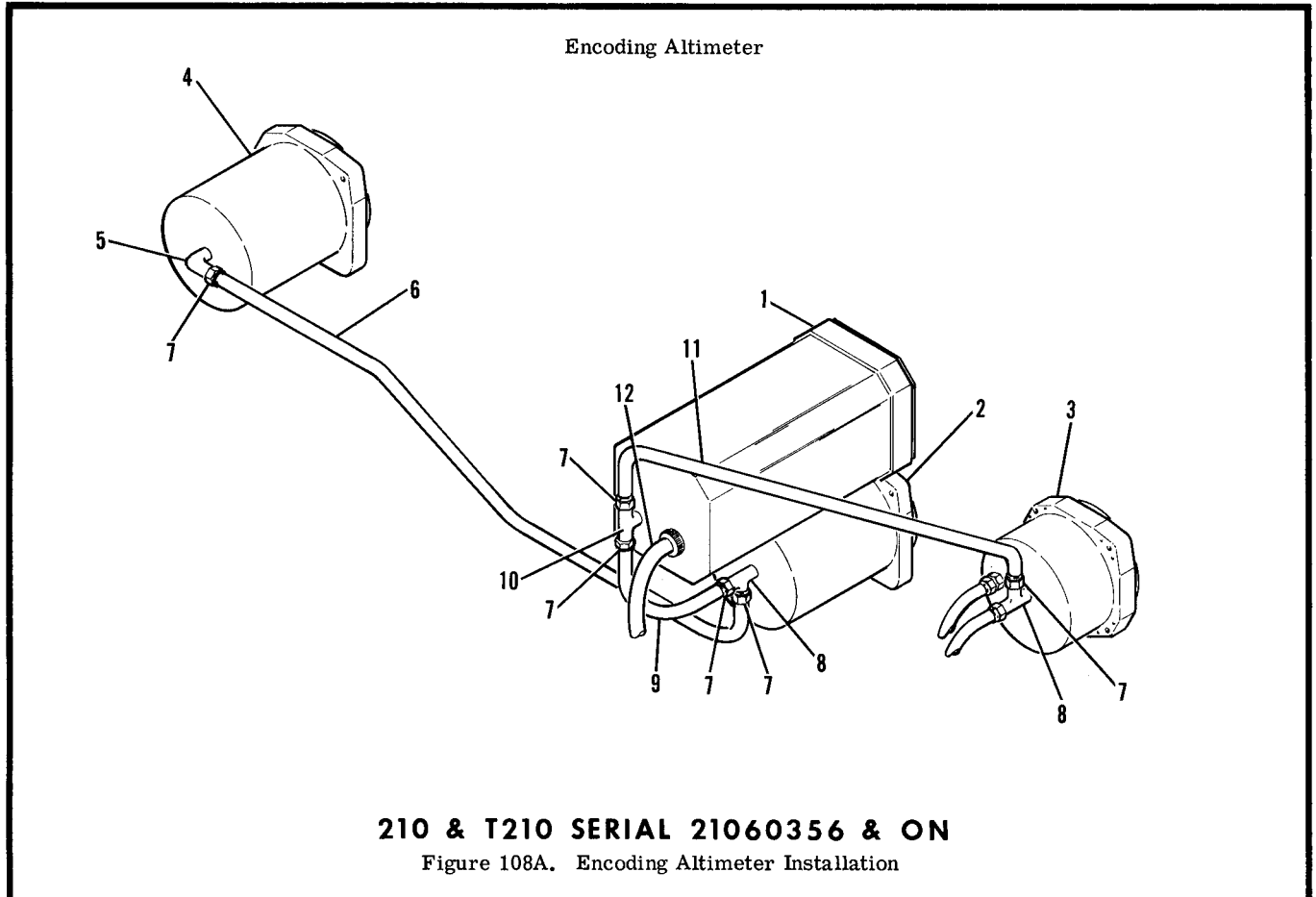


FIGURE AND INDEX NO.	PART NUMBER	DESCRIPTION	UNITS PER ASSY	USABLE ON CODE
		1 2 3 4 5 6 7		
108A-		ENCODING ALTIMETER INSTALLATION -----	NP	A
- 1		ALTIMETER-ENCODING SEE INSTRUMENT PANEL -----	1	
- 2		INDICATOR-VERTICAL SPEED SEE INSTRUMENT PANEL -----	1	
- 3		INDICATOR-AIRSPED SEE INSTRUMENT PANEL -----	1	
- 4		ALTIMETER SEE INSTRUMENT PANEL -----	1	
- 5	S1135-1	ELBOW -----	1	
- 6	S1071-1	TUBE-POLYETHYLENE 40.00 IN LG BKI REF S1071-1-40.00 -	1	B
	S1071-1	TUBE-POLYETHYLENE 35.00 IN LG BKI REF S1071-1-35.00 -	1	C
- 7	S1130-1	NUT -----	6	
	S1131-1	INSERT -----	6	
- 8	S1139-1	TEE -----	2	
- 9	S1071-1	TUBE-POLYETHYLENE 6.00 IN LG BKI REF S1071-1-6.00 ---	1	
- 10	S1138-1	TEE -----	1	
- 11	S1071-1	TUBE-POLYETHYLENE 10.00 IN LG BKI REF S1071-1-10.00 -	1	
- 12		CABLE ASSY SEE ELECTRONICS MANUAL -----	1	
A---210 & T210 SERIAL 21060356 & ON B---210 & T210 SERIAL 21060356 THRU 21060539 C---210 & T210 SERIAL 21060540 & ON				

Fuel System

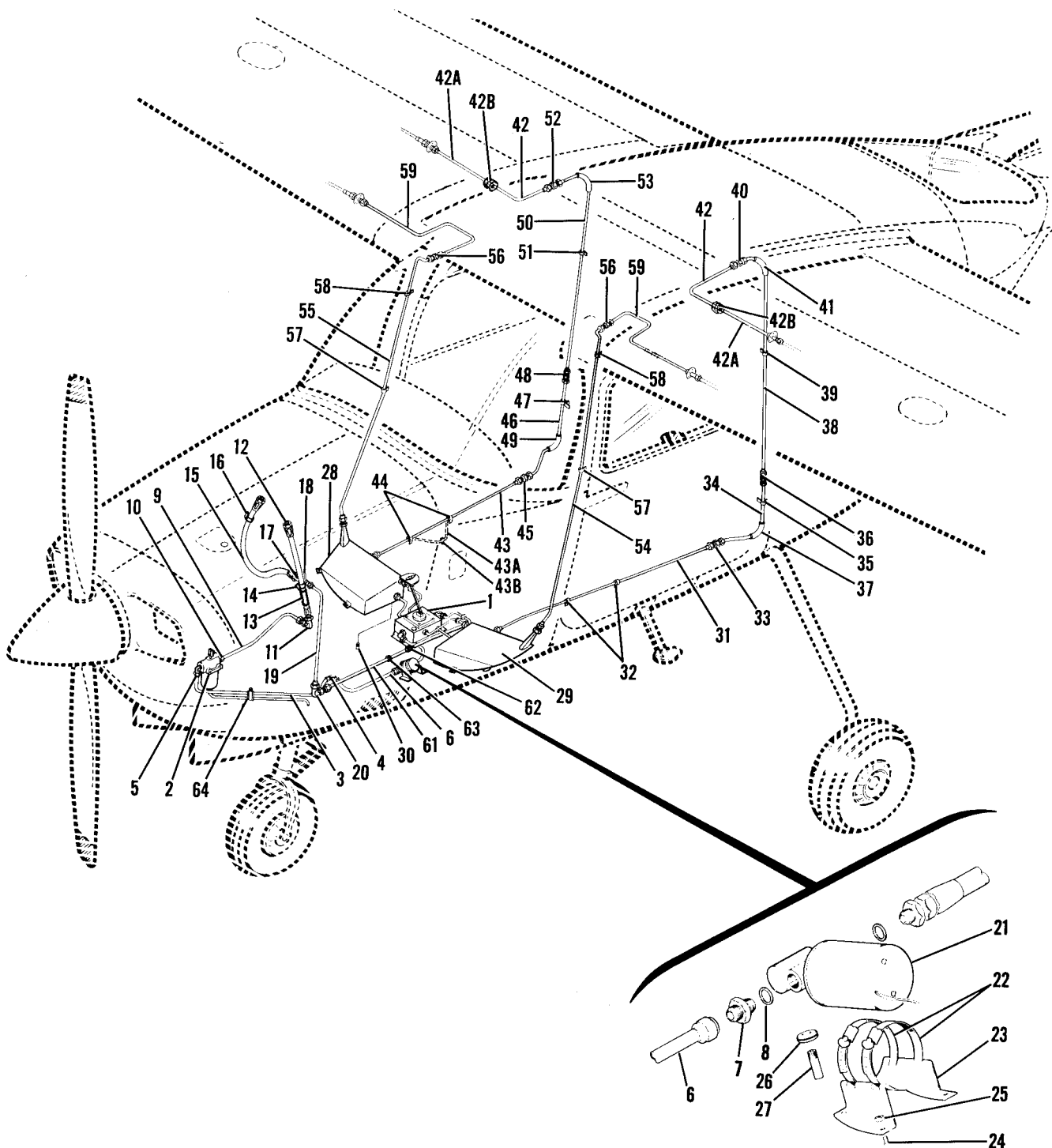


Figure 109. Fuel System Installation



FIGURE AND INDEX NO.	PART NUMBER	DESCRIPTION	UNITS PER ASSY	USABLE ON CODE
109 -		FUEL SYSTEM INSTALLATION -----	NP	
- 1	SEE FIG 111	FUEL SELECTOR VALVE INSTALLATION -----	1	
- 2	SEE FIG 110	FUEL STRAINER AND DRAIN INSTALLATION -----	1	
- 3	1200406-100	LINE ASSEMBLY-FUEL -----	1	
		ATTACHING PARTS		
- 4	AN833-8D	ELBOW -----	1	
	AN960D1216L	WASHER -----	2	
	AN924-8D	NUT -----	1	
- 5	MS20823-8D	ELBOW -----	1	
		-----*		
- 6	1200406-96	LINE ASSEMBLY-FUEL VENT -----	1	
		ATTACHING PARTS		
- 7	AN919-12D	REDUCER -----	1	
- 8	MS29512-8	GASKET -----	1	
		-----*		
- 9	1200406-99	LINE ASSEMBLY-FUEL -----	1	
		ATTACHING PARTS		
-10	AN816-8D	NIPPLE -----	1	
-11	AN833-8D	ELBOW -----	1	
	AN960D1216L	WASHER -----	2	
	AN924-8D	NUT -----	1	
		-----*		
-12	S1167-8	HOSE ASSEMBLY-FUEL -----	1	
-13	S1127-8-6.00	SLEEVE -----	1	
-14	NAS397-16	CLAMP -----	AR	
-15	S1236-4-29.00	HOSE ASSEMBLY-FUEL -----	1	
		ATTACHING PARTS		
-16	MS21919D7	CLAMP -----	2	
	AN515-8R8	SCREW -----	2	
	MS21044N08	NUT -----	2	
	0550100-9	BRACKET -----	2	
		-----*		
-17	366-00	CHECK VALVE-FUEL DUKA -----	1	
	1111-517700	CHECK VALVE-FUEL PA ALTERNATE -----	1	
	360000	CHECK VALVE-FUEL CATP ALTERNATE -----	1	
		ATTACHING PARTS		
-18	AN742D17	CLAMP -----	1	
	AN3-10A	BOLT -----	1	
	NAS430D3-32	SPACER -----	1	
		-----*		
-19	S1236C4-15.0	HOSE ASSEMBLY-FUEL -----	1	
		ATTACHING PARTS		
-20	AN833-4D	ELBOW -----	1	
	AN924-4D	NUT -----	1	
	AN960D716L	WASHER -----	1	
		-----*		
-21	4140-00-17	PUMP-AUXILIARY FUEL DUKA 12 VOLT SYSTEM -----	1	C
	C291504-0201	PUMP-AUXILIARY FUEL 24 VOLT SYSTEM -----	1	D
		ATTACHING PARTS		
-22	AN737TW91	CLAMP -----	2	
		-----*		
-23	1256006-1	BRACKET-FUEL PUMP -----	1	
		ATTACHING PARTS		
-24	AN525-10R8	SCREW -----	4	
-25	MS21044N3	NUT -----	4	
		-----*		
-26	MS35489-9	GROMMET -----	1	
-27	1216018-1	LINE ASSEMBLY-PUMP DRAIN -----	1	
-28	1216407-20	RESERVOIR ASSEMBLY-FUEL RH -----	1	
-29	1216407-19	RESERVOIR ASSEMBLY-FUEL LH -----	1	
-30	905B8	PLUG -----	1	
	S2020-1	VALVE-DRAIN -----	1	E
	MS29513-111	PACKING -----	1	F
	SEE FIG 8	FUEL DRAIN VALVE & SAMPLER CUP KIT -----	1	E
-31	1200406-149	LINE ASSEMBLY-FUEL RESERVOIR TO UNION -----	1	
		ATTACHING PARTS		
-32	S1592-3A	CLAMP -----	2	
	S1021A6-8	SCREW -----	2	
-33	AN815-6D	UNION -----	1	
		-----*		

CONTINUED ON NEXT PAGE



FIGURE AND INDEX NO.	PART NUMBER	DESCRIPTION	UNITS PER ASSY	USABLE ON CODE
109 -34	1200406-147	LINE ASSEMBLY-FUEL ----- ATTACHING PARTS	1	
-35	1216413-1	BRACKET-FUEL LINE -----	1	
	MS21919DG6	CLAMP -----	1	
	AN520-10R8	BOLT -----	1	
	AN960-D10	WASHER -----	1	
	MS21044N3	NUT -----	1	
-36	AN815-6D	UNION ----- -----*	1	
-37	S292-13	SLEEVE 3.00 IN LG BULK ITEM REF S292-13-3.00 -----	1	
-38	1200406-145	LINE ASSEMBLY-FUEL LH -----	1	A
	1200406-155	LINE ASSEMBLY-FUEL LH -----	1	B
		ATTACHING PARTS		
-39	MS21919DG6	CLAMP -----	1	
	AN520-10R8	BOLT -----	1	
	AN960D10	WASHER -----	1	
	MS21044N3	NUT -----	1	
-40	AN815-6D	UNION ----- -----*	1	
-41	S292-12	SLEEVE 5.00 IN LG BULK ITEM REF S292-12-5.00 -----	1	
-42	1200406-79	LINE ASSEMBLY-FUEL LH -----	1	A
	1200406-157	LINE ASSEMBLY-FUEL LH -----	1	B
	1200406-80	LINE ASSEMBLY-FUEL RH -----	1	A
	1200406-158	LINE ASSEMBLY-FUEL RH -----	1	B
-42A	1200406-87	LINE ASSEMBLY-FUEL LH -----	1	A
	1200406-159	LINE ASSEMBLY-FUEL LH -----	1	B
	1200406-88	LINE ASSEMBLY-FUEL RH -----	1	A
	1200406-160	LINE ASSEMBLY-FUEL RH -----	1	B
		ATTACHING PARTS		
-42B	AN815-6D	UNION -----	1	
		-----*		
-43	1200406-150	LINE ASSEMBLY-FUEL RESERVOIR TO UNION -----	1	E
-43A	1200406-167	LINE ASSEMBLY-FUEL RESERVOIR TO UNION -----	1	F
		ATTACHING PARTS		
-44	S1592-3A	CLAMP -----	2	
	S1021A6-8	SCREW -----	2	
-44A	S1592-2A	CLAMP -----	1	F
	S1021A6-8	SCREW -----	1	F
-45	AN815-6D	UNION ----- -----*	1	
-46	1200406-148	LINE ASSEMBLY-FUEL ----- ATTACHING PARTS	1	
-47	1216413-2	BRACKET-FUEL LINE -----	1	
	MS21919DG6	CLAMP -----	1	
	AN520-10R8	BOLT -----	1	
	AN960D10	WASHER -----	1	
	MS21044N3	NUT -----	1	
-48	AN815-6D	UNION ----- -----*	1	
-49	S292-13	SLEEVE 3.00 IN LG BULK ITEM REF S292-13-3.00 -----	1	
-50	1200406-146	LINE ASSEMBLY-FUEL RH -----	1	A
	1200406-156	LINE ASSEMBLY-FUEL RH -----	1	B
		ATTACHING PARTS		
-51	MS21919DG6	CLAMP -----	1	
	AN3-4A	BOLT -----	1	
	AN960D10	WASHER -----	1	
	MS21044N3	NUT -----	1	
-52	AN815-6D	UNION ----- -----*	1	
-53	S292-12	SLEEVE 5.00 IN LG BULK ITEM REF S292-12-5.00 -----	1	
-54	1200406-91	LINE ASSEMBLY-FUEL LH -----	1	
-55	1200406-92	LINE ASSEMBLY-FUEL RH -----	1	
		ATTACHING PARTS		
-56	AN815-6D	UNION -----	2	
-57	AN742D6	CLAMP -----	2	
-58	MS21919DG6	CLAMP -----	2	
	AN515-8R6	SCREW ----- -----*	2	
	S292-12	SLEEVE * IN LG BKI REF S292-12-* -----	1	

CONTINUED ON NEXT PAGE

FIGURE AND INDEX NO.	PART NUMBER	DESCRIPTION	UNITS PER ASSY	USABLE ON CODE
		1 2 3 4 5 6 7		
109 -59	1200406-131	LINE ASSEMBLY-FUEL -----	2	
-60		DELETED NOT PROCURABLE -----		
-61	1200406-12	LINE ASSEMBLY-FUEL -----	1	
		ATTACHING PARTS		
-62	AN832-40	UNION -----	1	
	AN924-40	NUT -----	1	
	AN960D716L	WASHER -----	1	
		---*---		
-63	MS35489-36S	GRUMMET -----	1	
-64	MS21919-3	CLAMP -----	1	
	MS21919-8	CLAMP -----	1	
	MS21044N3	NUT -----	1	
	AN960-10	WASHER -----	1	
	AN520-10R8	SCREW -----	1	
		NOTE. *LENGTH TO BE DETERMINED LATER		
		A---210 & T210 SERIAL 21059200 THRU 21059235		
		B---210 & T210 SERIAL 21059236 & ON		
		C---210 & T210 SERIAL 21059200 THRU 21059502		
		D---210 & T210 SERIAL 21059503 & ON		
		E---210 & T210 SERIAL 21059200 THRU 21060539		
		F---210 & T210 SERIAL 21060540 & ON		

Fuel System (Cont)

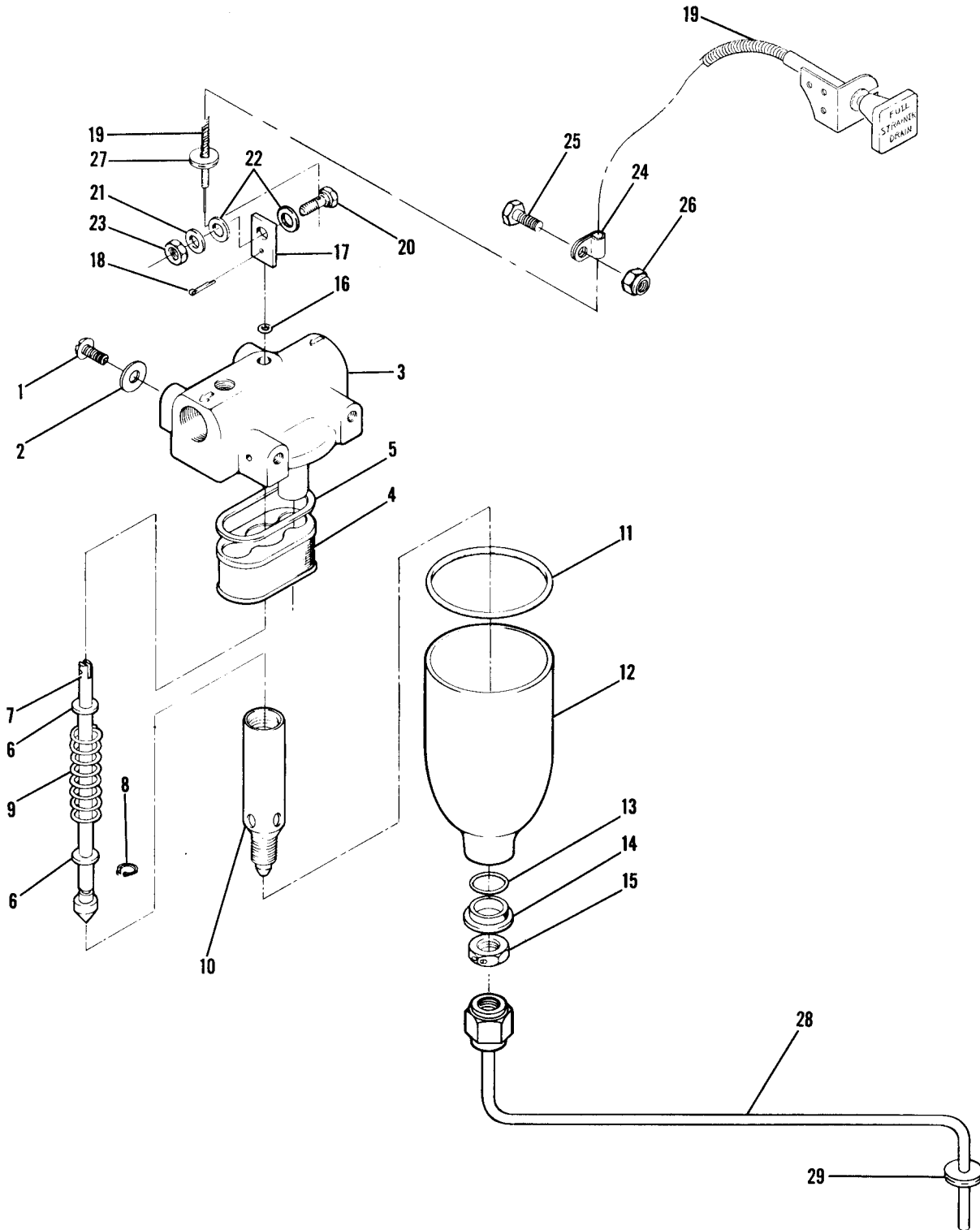


Figure 110. Fuel Strainer & Drain Installation

FIGURE AND INDEX NO.	PART NUMBER	DESCRIPTION	UNITS PER ASSY	USABLE ON CODE
110 -	0756005-3	FUEL STRAINER AND DRAIN INSTALLATION ----- STRAINER ASSEMBLY-FUEL ----- ATTACHING PARTS	NP 1	
- 1	MS20074-03-3	BOLT -----	2	
- 2	AN936A10	WASHER ----- ---*---	2	
- 3	0756005-2	TOP ASSEMBLY-FUEL STRAINER -----	1	
- 4	0756009-7	FILTER ASSEMBLY-FUEL STRAINER -----	1	
- 5	0756009-8	GASKET -----	1	
- 6	0756014-2	WASHER -----	2	
- 7	0756010-1	PLUNGER ASSEMBLY-FUEL STRAINER -----	1	
- 8	MS16624-1025	SNAP RING -----	1	
- 9	0756012-1	SPRING -----	1	
-10	0756011-1	STANDPIPE -----	1	
-11	MS29513-138	O-RING -----	1	
-12	0756008-1	BOWL -----	1	
-13	MS29513-111	O-RING -----	1	
-14	0756015-1	WASHER -----	1	
-15	S1573-3	NUT -----	1	
-16	MS29513-10	O-RING -----	1	
-17	0756014-1	PLATE ----- ATTACHING PARTS	1	
-18	MS24665-132	COTTER PIN ----- ---*---	1	
-19	S1517-10	CONTROL-STRAINER DRAIN ----- ATTACHING PARTS	1	
-20	0450311-3	CLAMP -----	1	
-21	AN960-416	WASHER -----	1	
-22	AN960-416L	WASHER -----	1	
-23	MS21042L4	NUT -----	1	
-24	AN742D3	CLAMP -----	1	
-25	AN3-5A	BOLT -----	1	
-26	MS20364-1032C S1043-1	NUT ----- STRAP-TIE ----- ---*---	1 1	
-27	MS35489-134	GROMMET -----	1	
-28	1200406-127	LINE ASSEMBLY-STRAINER DRAIN -----	1	
-29	MS35489-135	GROMMET -----	1	

Fuel System (Cont)

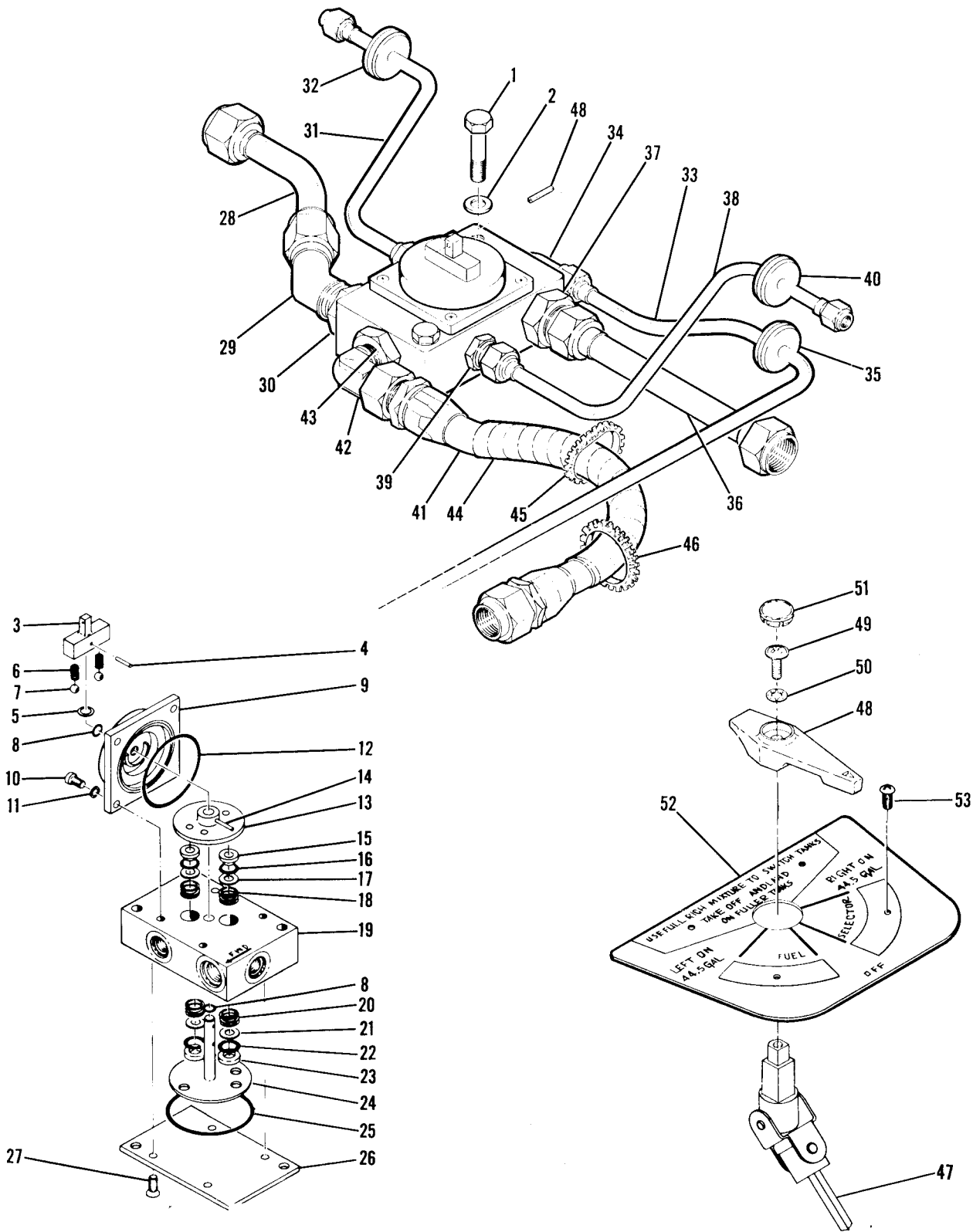


Figure 111. Fuel Selector Valve Installation

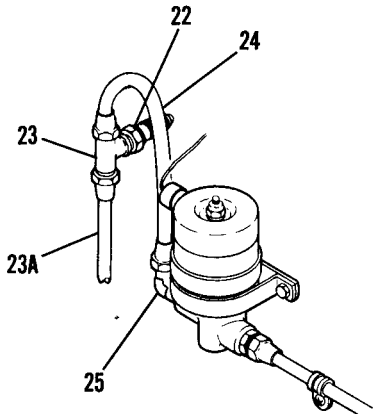
FIGURE AND INDEX NO.	PART NUMBER	DESCRIPTION	UNITS PER ASSY	USABLE ON CODE
111 -	C291503-0101	FUEL SELECTOR VALVE INSTALLATION ----- VALVE ASSEMBLY-FUEL SELECTOR ----- ATTACHING PARTS -----	NP 1	
- 1	AN4-16A	BOLT -----	2	
- 2	AN960D416	WASHER ----- -----*	2	
- 3	HE1328 *	YOKE HEAC ----- ATTACHING PARTS -----	1	
- 4	NAS561P3-6	PIN ----- -----*	1	
- 5	HE194 *	WASHER HEAC -----	1	
- 6	HE189 *	SPRING HEAC -----	2	
- 7		STEEL BALL 1/4 IN DIA HEAC -----	NP	
- 8	MS29513-10	O-RING -----	2	
- 9		COVER HEAC ----- ATTACHING PARTS -----	NP	
-10	AN500-8-6	SCREW -----	4	
-11	AN935-8	LOCKWASHER ----- -----*	4	
-12	MS29513-130	O-RING -----	1	
-13		ROTOR HEAC ----- ATTACHING PARTS -----	NP	
-14	NAS516P3-11	PIN ----- -----*	1	
-15	HE1331 *	SEAL HEAC -----	2	
-16	MS29513-11	O-RING -----	2	
-17	HE1332 *	WASHER HEAC -----	2	
-18	HE191 *	SPRING HEAC -----	2	
-19		BODY HEAC -----	NP	
-20	HE1251 *	SPRING -----	2	
-21	HE1285 *	WASHER -----	2	
-22	MS29513-14	O-RING -----	2	
-23	HE1286 *	SEAL HEAC -----	2	
-24		ROTOR HEAC -----	NP	
-25	MS29513-133	O-RING -----	1	
-26		PLATE-SUMP HEAC ----- ATTACHING PARTS -----	NP	
-27	AN507-832R6	SCREW ----- -----*	4	
-28	1200406-95	LINE ASSEMBLY-FUEL ----- ATTACHING PARTS -----	1	
-29	AN837-8D	ELBOW -----	1	
	MS29512-8	GASKET -----	1	
-30	AN924-8D	NUT ----- -----*	1	
-31	1200406-94	LINE ASSEMBLY-FUEL VENT ----- ATTACHING PARTS -----	1	
	AN815-8D	UNION -----	1	
	MS29512-4	GASKET ----- -----*	1	
-32	MS35489-36	GROMMET -----	1	
-33	1200406-97	LINE ASSEMBLY-FUEL ----- ATTACHING PARTS -----	1	
-34	AN921-4D	ELBOW -----	1	
	MS29512-4	GASKET -----	1	
	AN924-4D	NUT ----- -----*	1	
-35	MS35489-36	GROMMET -----	1	
-36	1200406-98	LINE ASSEMBLY-FUEL ----- ATTACHING PARTS -----	1	
-37	AN815-8D	UNION -----	1	
	MS29512-8	GASKET ----- -----*	1	
-38	1200406-93	LINE ASSEMBLY-FUEL VENT ----- ATTACHING PARTS -----	1	
-39	AN815-4D	UNION -----	1	
	MS29512-4	GASKET ----- -----*	1	
-40	MS35489-36	GROMMET -----	1	

CONTINUED ON NEXT PAGE

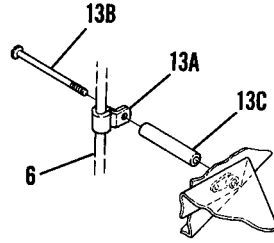
FIGURE AND INDEX NO.	PART NUMBER	DESCRIPTION	UNITS PER ASSY	USABLE ON CODE
111 -41	S1236-8-0110	HOSE ASSEMBLY-FUEL ATTACHING PARTS	1	
-42	AN921-8D	ELBOW	1	
	MS29512-8	GASKET	1	
-43	AN924-8D	NUT	1	
		---*---		
-44	S292-15	SLEEVE 7.0 IN LG BULK ITEM REF S292-15-7.0	1	
-45	S1050-2	GROMMET 3.96 IN LG BULK ITEM REF S1050-2-3.96	1	
-46	S1050-1	GROMMET 3.50 IN LG BULK ITEM REF S1050-1-3.50	1	
-47	1216016-200	SHAFT ASSEMBLY-FUEL SELECTOR	1	
-48	0716623-2	HANDLE-FUEL SELECTOR ATTACHING PARTS	1	
-49	AN525-8R6	SCREW	1	
-50	AN936A8	WASHER	1	
		---*---		
-51	0716624-1	CAP	1	
-52	SEE FIG 2	PLACARD ASSEMBLY-FUEL SELECTOR VALVE ATTACHING PARTS	1	
-53	S1021Z4-6	SCREW	4	
		---*---		
		NOTE. *WHEN CURRENT SUPPLY OF THESE PARTS ARE EXHAUSTED, COMPLETE FUEL VALVE ASSY MUST BE ORDERED.		

FIGURE AND INDEX NO.	PART NUMBER	DESCRIPTION	UNITS PER ASSY	USABLE ON CODE
		1 2 3 4 5 6 7		
112 -		ENGINE PRIMER SYSTEM INSTALLATION -----	NP	
- 1	C291502-0103	PRIMER ASSEMBLY -----	1	
- 2	S1974-1	KNOB-PRIMER -----	1	
	S2119-1	NUT -----	1	
- 3	1216613-7	BRACKET ASSEMBLY -----	1	E
- 4	1200106-188	LINE ASSEMBLY -----	1	E
	1200106-205	LINE ASSEMBLY -----	1	H
	1200106-207	LINE ASSEMBLY -----	1	J
		ATTACHING PARTS		
	S1155-3	CLAMP -----	1	F
	S1021A6-6	SCREW -----	1	F
		*-----		
- 5	AN919-1D	REDUCER -----	1	
- 6	1200106-158	LINE ASSEMBLY -----	1	
- 7	1200106-157	LINE ASSEMBLY -----	1	E
	1200106-204	LINE ASSEMBLY -----	1	H
	1200106-206	LINE ASSEMBLY -----	1	J
- 8	AN834-2D	TEE -----	1	C
		ATTACHING PARTS		
	AN924-2D	NUT -----	1	C
		*-----		
- 9	AN837-4D	ELBOW -----	1	
	AN924-4D	NUT -----	1	
	AN960P0716	WASHER -----	2	
-10	1216612-4	ANGLE ATTACH TO PEDESTAL -----	1	E
		ATTACHING PARTS		
-11	AN515-6R7	SCREW -----	2	E
	NAS430D1-9	SPACER -----	2	E
	MS21044N06	NUT -----	2	E
		*-----		
-12	AN742D2	CLAMP -----	1	E
		ATTACHING PARTS		
	AN520-10R8	SCREW -----	1	E
	MS21044N3	NUT -----	1	E
		*-----		
CONTINUED ON NEXT PAGE				

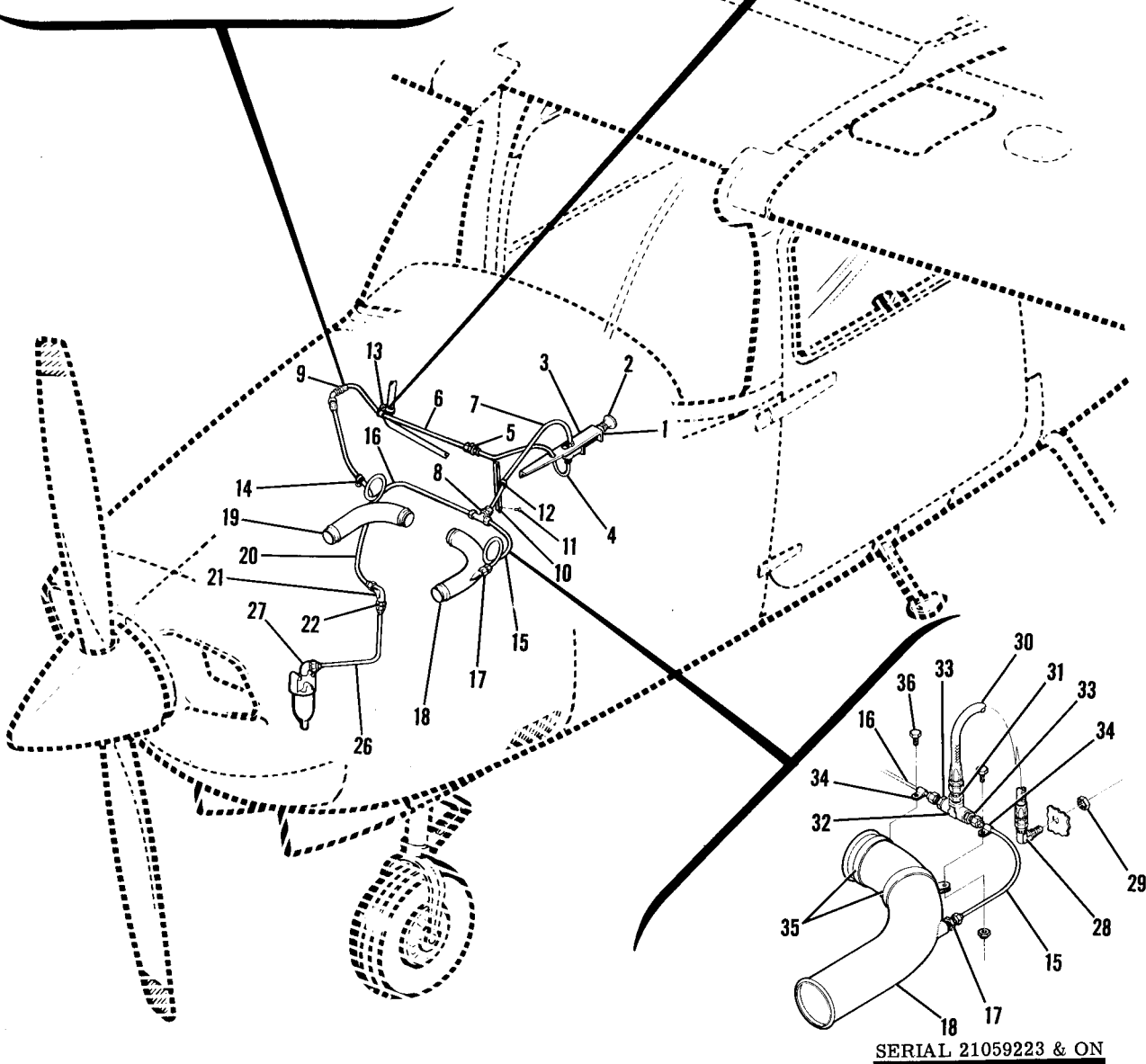
Fuel System (Cont)



SERIAL 21059200 THRU 21059719
PRIMER SYSTEM WITH OIL DILUTION



SERIAL 21059503 & ON



SERIAL 21059223 & ON

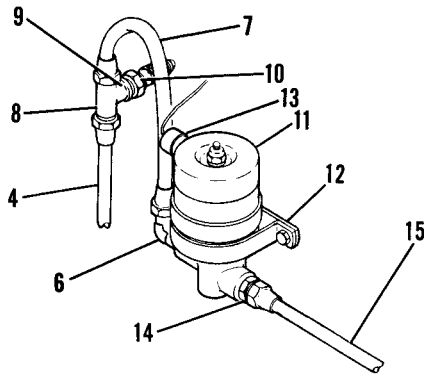
Figure 112. Engine Primer System Installation

FIGURE AND INDEX NO.	PART NUMBER	DESCRIPTION	UNITS PER ASSY	USABLE ON CODE
		1 2 3 4 5 6 7		
112 -13	MS21919DG5	CLAMP -----	1	E
	MS21919DG8	CLAMP -----	1	E
	AN525-10R8	ATTACHING PARTS		
	MS21044N3	SCREW -----	1	E
		NUT -----	1	E
		---*---		
-13A	MS21919DG4	CLAMP -----	1	F
		ATTACHING PARTS		
-13B	AN515-8R32	SCREW -----	1	F
-13C	NAS43DD3-96	SPACER -----	1	F
		---*---		
-14	MS21919DG7	CLAMP -----	1	
		ATTACHING PARTS		
	AN515-8R6	SCREW -----	1	
		---*---		
-15	1200106-173	LINE ASSEMBLY LH -----	1	C
	1200106-199	LINE ASSEMBLY LH -----	1	D
-16	1200106-174	LINE ASSEMBLY RH -----	1	C
	1200106-200	LINE ASSEMBLY RH -----	1	K
	1200106-200	LINE ASSEMBLY RH -----	1	L
	1200106-196	LINE ASSEMBLY RH -----	1	M
		ATTACHING PARTS		
-17	AN4022-1	NIPPLE -----	1	
		---*---		
-18	1250653-1	MANIFOLD INTAKE LH -----	1	A
	1250655-1	MANIFOLD INTAKE LH -----	1	B
-19	1250654-1	MANIFOLD INTAKE RH -----	1	A
	1250655-2	MANIFOLD INTAKE RH -----	1	B
-20	S1236-4-0280	HOSE ASSEMBLY -----	1	
-21	AN833-4D	ELBOW -----	1	
-22	AN924-4D	NUT -----	1	
	AN960PD716	WASHER -----	2	
-23	AN834D4	TEE -----	1	G
-23A	S1236-4-0234	HOSE ASSY -----	1	G
-24	S1236-4-0100	HOSE ASSY -----	1	G
		ATTACHING PARTS		
-25	MS20822-4D	ELBOW -----	1	G
		---*---		
-26	1200106-156	LINE ASSEMBLY -----	1	
		ATTACHING PARTS		
-27	MS20822-4D	ELBOW -----	1	
		---*---		
-28	1550024-1	ELBOW -----	1	D
		ATTACHING PARTS		
-29	AN924-3D	NUT -----	1	
	AN960PD616	WASHER -----	2	F
		---*---		
-30	S1236C3-0080	HOSE ASSEMBLY -----	1	D
		ATTACHING PARTS		
-31	AN816-3D	NIPPLE -----	1	
		---*---		
-32	AN917-1D	TEE -----	1	D
-33	AN816-2D	NIPPLE -----	2	D
-34	AN742D2	CLAMP -----	2	D
-35	AN735D36	CLAMP -----	2	D
-36	AN3-3A	BOLT -----	2	D
	MS20365-1032C	NUT -----	2	D

NOTE. %USED ONLY ON AIRPLANES THAT ARE
EQUIPPED WITH OIL DILUTION SYSTEM.

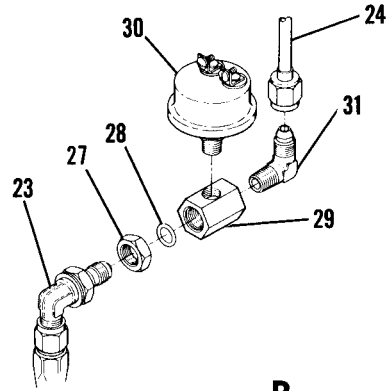
A---210 SERIAL 21059200 & ON
 B---T210 SERIAL 21059200 & ON
 C---210 & T210 SERIAL 21059200 THRU 21059222
 D---210 & T210 SERIAL 21059223 & ON
 E---210 & T210 SERIAL 21059200 THRU 21059502
 F---210 & T210 SERIAL 21059503 & ON
 G---210 & T210 SERIAL 21059200 THRU 21059719
 H---210 & T210 SERIAL 21059503 THRU 21060539
 J---210 & T210 SERIAL 21060540 & ON
 K---210 & T210 SERIAL 21059223 THRU 21059502
 L---210 SERIAL 21059503 & ON
 M---T210 SERIAL 21059503 & ON

Oil System

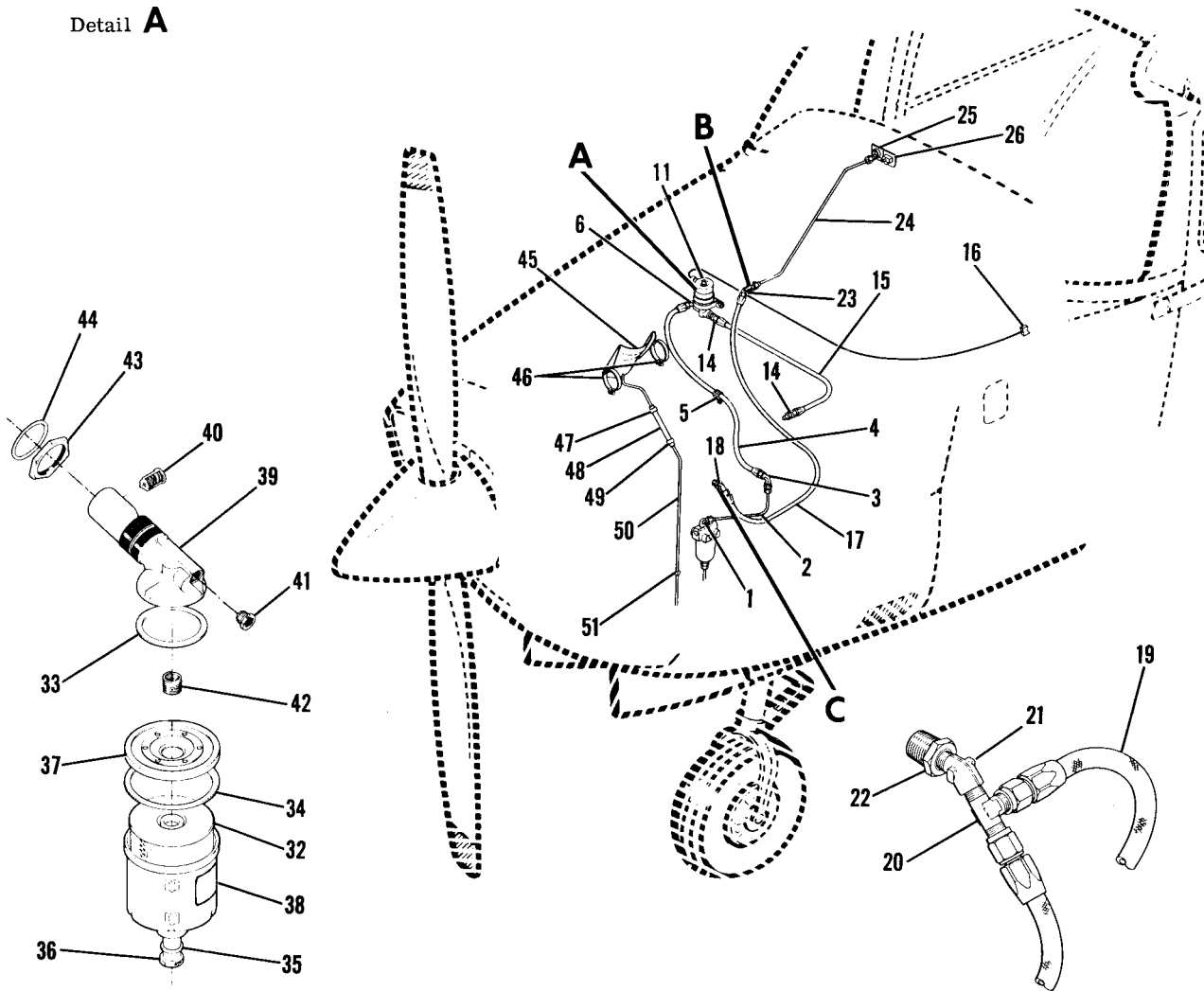


OIL DILUTION WITH
ENGINE PRIMER
SERIAL 21059200 THRU 21059719

Detail A



Detail B



T210 ONLY

Detail C

Figure 113. Oil System Installation



FIGURE AND INDEX NO.	PART NUMBER	DESCRIPTION	UNITS PER ASSY	USABLE ON CODE
113 -		OIL SYSTEM INSTALLATION -----	NP	
		DILUTION SYSTEM-OIL -----	NP	C
- 1	MS20822-4D	ELBOW -----	1	
- 2	1200106-156	LINE ASSEMBLY -----	1	
- 3	AN833-4D	ELBOW -----	1	
	AN924-4D	NUT -----	1	
	AN960PD716L	WASHER -----	1	
- 4	S1236-4-0234	HOSE ASSEMBLY USED WITH PRIMER INSTALLATION ONLY -----	1	
	S1236-4-0280	HOSE ASSEMBLY USED WHEN PRIMER IS NOT INSTALLED -----	1	
- 5	MS21919DG7	CLAMP -----	1	
		ATTACHING PARTS		
	AN515-8R6	SCREW -----	1	
	NAS680A08K	NUTPLATE -----	1	
		---*---		
- 6	MS20822-4D	ELBOW -----	1	
- 7	S1236-4-0100	HOSE ASSEMBLY USED WITH PRIMER INSTALLATION ONLY -----	1	
- 8	AN834D4	TEE USED WITH PRIMER INSTALLATION ONLY -----	1	
- 9	AN960PD716	WASHER USED WITH PRIMER INSTALLATION ONLY -----	1	
-10	AN924-4D	NUT USED WITH PRIMER INSTALLATION ONLY -----	1	
-11	AN4078-1	VALVE ASSEMBLY-OIL DILUTION -----	1	
		ATTACHING PARTS		
-12	AN742D32	CLAMP -----	2	
	AN3-5A	BOLT -----	2	
	AN960D10L	WASHER -----	2	
	NAS680A3	NUTPLATE -----	2	
		---*---		
-13	MS3057-4A	CLAMP -----	1	
-14	AN816-4D	NIPPLE -----	2	
-15	S1236-4-0234	HOSE ASSEMBLY -----	1	
-16	SEE FIG 59	SWITCH-OIL DILUTION -----	1	
-17	S1236-4-0380	HOSE ASSEMBLY-OIL PRESSURE -----	1	
-18	0752037-1	ELBOW ASSEMBLY -----	1	A
	AN912-3	BUSHING -----	1	A
-19	S1236-4-0415	HOSE ASSEMBLY-OIL PRESSURE -----	1	
-20	1250908-1	TEE -----	1	B
-21	AN915-1	ELBOW -----	1	B
-22	AN912-3	BUSHING -----	1	B
-23	AN837-4D	ELBOW -----	1	
	AN833-4D	ELBOW -----	1	
	AN960D716	WASHER -----	2	
	AN924-4D	NUT -----	1	
-24	1200106-127	LINE ASSEMBLY-OIL PRESSURE -----	1	
	1200106-138	LINE ASSEMBLY-OIL PRESSURE USED WITH HOURMETER ONLY -----	1	
-25		GAGE-OIL PRESSURE SEE INSTRUMENT PANEL -----	1	
-26		GAGE-OIL TEMPERATURE SEE INSTRUMENT PANEL -----	1	
-27	AN924-4	NUT USED WITH HOURMETER ONLY -----	1	
-28	MS28778-4	O RING USED WITH HOURMETER ONLY -----	1	
-29	1213158-1	ADAPTER USED WITH HOURMETER ONLY -----	1	
-30	S1711-1	SWITCH-OIL PRESSURE USED WITH HOURMETER ONLY -----	1	
-31	MS20822-4D	ELBOW USED WITH HOURMETER ONLY -----	1	
		OIL FILTER INSTALLATION-FULL FLOW -----	NP	
		OIL FILTER ASSEMBLY -----	1	
-32	C294505-0101	FILTER ELEMENT KIT -----	1	
-33	6436635	GASKET AC -----	1	
-34	6436637	GASKET AC -----	1	
-35	5579654	METAL GASKET AC -----	1	
-36	6436916	STUD-CENTER AC -----	1	
-37	6436989	LID-OIL FILTER AC -----	1	
-38	1250410-3	PLACARD-OIL FILTER -----	1	
	1250922-1	ADAPTER ASSEMBLY-OIL FILTER -----	1	
-39	1250921-2	ADAPTER -----	1	
-40	0756022-1	VALVE-BY PASS -----	1	
-41	AN932C4	PLUG-PIPE -----	1	
-42	MS124663	INSERT -----	1	
-43	1250405-1	NUT-ADAPTER -----	1	
-44	AN123883	PACKING-ADAPTER NUT -----	1	
	SE709	WRENCH-OIL FILTER ADAPTER -----	1	

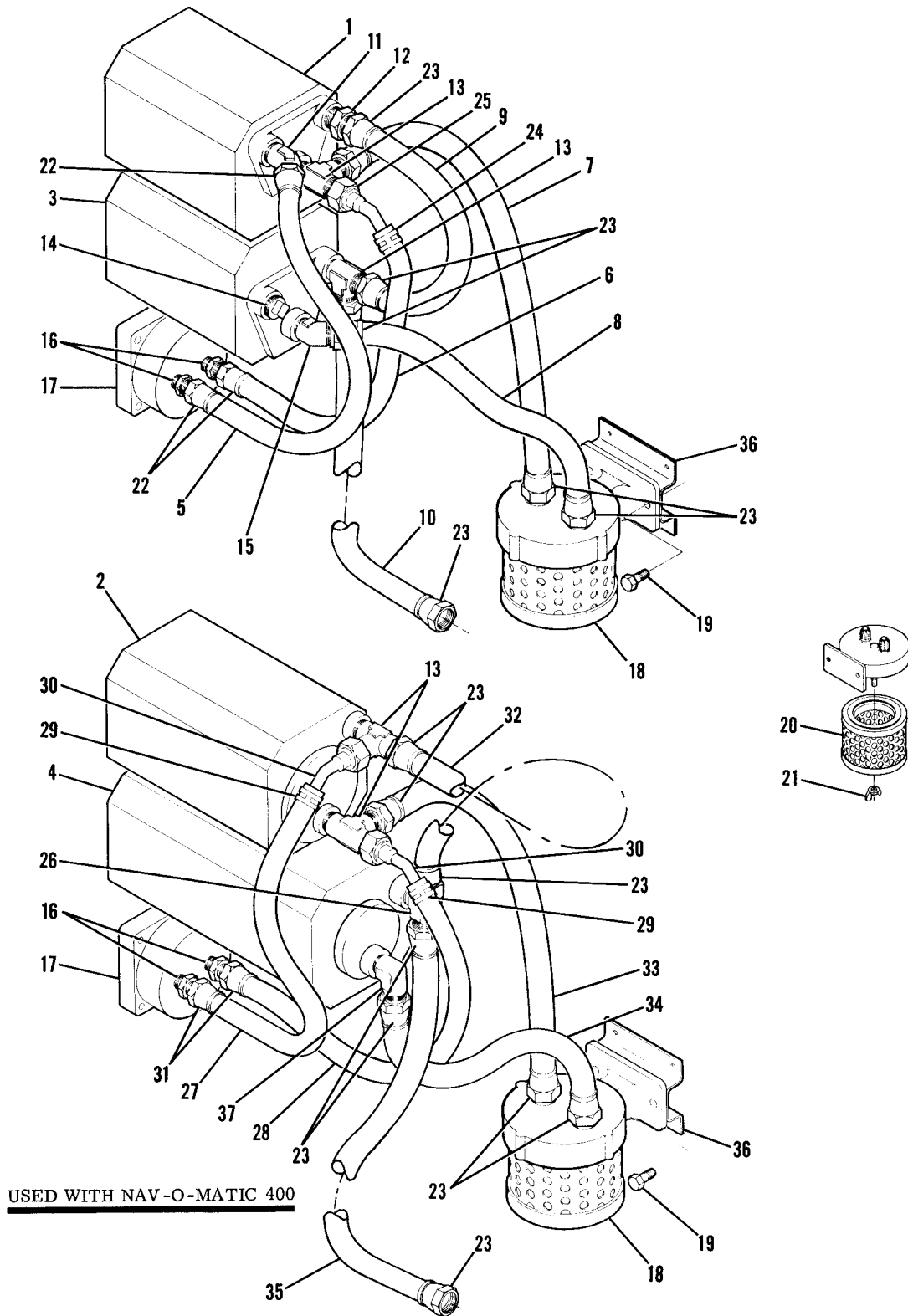
CONTINUED ON NEXT PAGE

FIGURE AND INDEX NO.	PART NUMBER	DESCRIPTION	UNITS PER ASSY	USABLE ON CODE
113 -45	1250931-1	DEFLECTOR ASSEMBLY-OIL FILTER ----- ATTACHING PARTS -----	1	B
-46	AN735D36	CLAMP -----	2	B
	AN525-10R8	SCREW -----	2	B
	AN960-10L	WASHER -----	2	B
	MS20364-1032C	NUT -----	2	B
		---*---		
-47	NAS397-8	CLAMP -----	1	B
-48	S1495-4	HOSE-6.00 IN LG BULK ITEM REF S1495-4-6.00 -----	1	B
-49	NAS397-8	CLAMP -----	1	B
-50	1200106-137	TUBE-DRAIN -----	1	B
-51	MS35489-6	GROMMET -----	1	B

A---210 SERIAL 21059200 & ON
 B---T210 SERIAL 21059200 & ON
 C---210 & T210 SERIAL 21059200 THRU 21059719

This page intentionally left blank.

Vacuum System



210 & T210 SERIAL 21059200 THRU 21059719

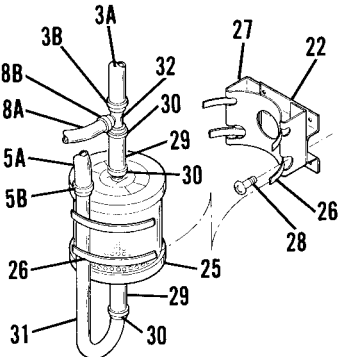
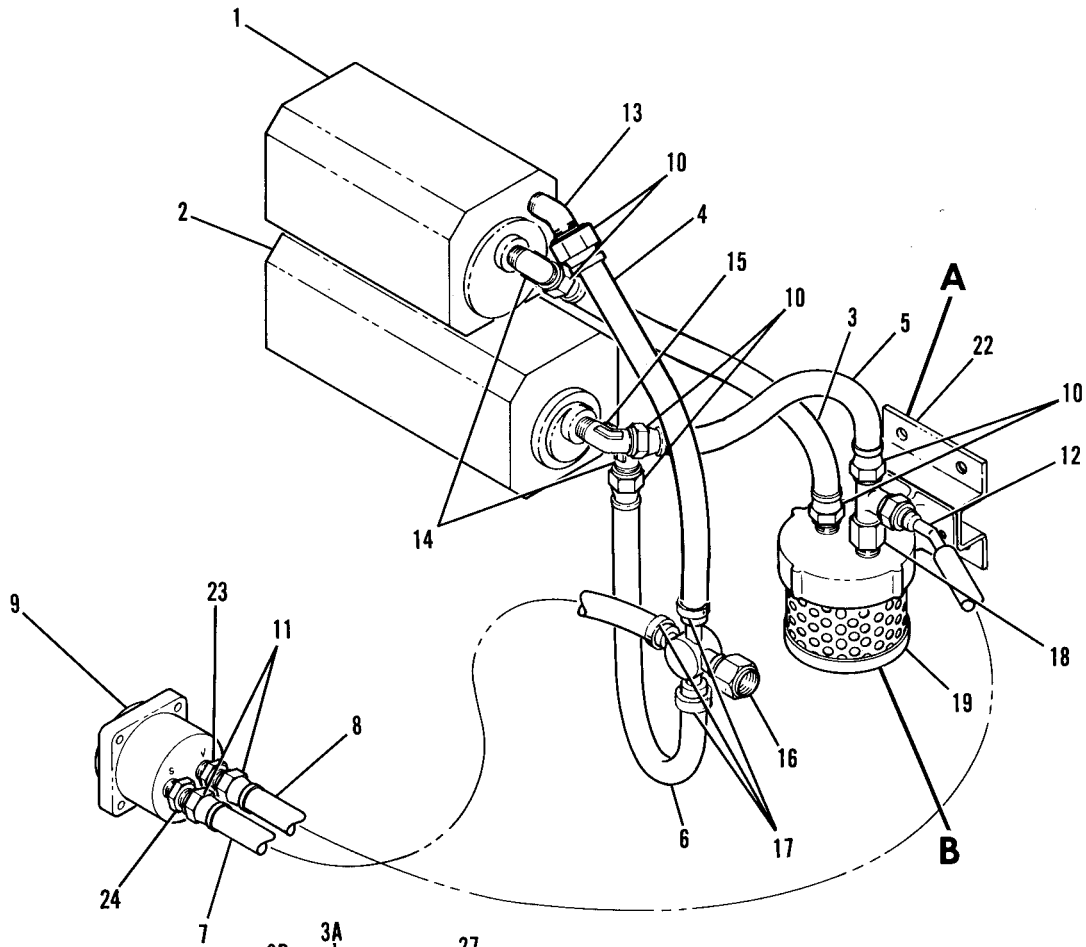
Figure 114. Gyros Installation - Engine Driven



FIGURE AND INDEX NO.	PART NUMBER	DESCRIPTION	UNITS PER ASSY	USABLE ON
				CODE
114 -		GYROS INSTALLATION-ENGINE DRIVEN -----	NP	A
- 1		GYRO-HORIZON SEE INSTRUMENT PANEL -----	1	
- 2		GYRO-HORIZON NAV 400 SEE INSTRUMENT PANEL -----	1	
- 3		GYRO-DIRECTIONAL SEE INSTRUMENT PANEL -----	1	
- 4		GYRO-DIRECTIONAL SEE INSTRUMENT PANEL -----	1	
- 5	S1495-4	HOSE 16.00 IN LG BULK ITEM REF S1499-4JJ-16.00 ----- SUCTION GAGE PORT IN HORIZON GYRO	1	
- 6	S1495-4	HOSE 15.25 IN LG BULK ITEM REF S1691-1-L-15.25 -----	1	
- 7	S1495-6	HOSE 14.75 IN LG BULK ITEM REF S1499-6LL-14.75 -----	1	
- 8	S1495-6	HOSE 12.50 IN LG BULK ITEM REF S1499-6LL-12.50 ----- FILTER TO AIR INLET PORT IN DIRECTIONAL GYRO	1	
- 9	S1495-6	HOSE 10.00 IN LG BULK ITEM REF S1499-6LL-10.00 ----- TEE TO VACUUM PORT IN HORIZON GYRO	1	
-10	S1495-6	HOSE 10.00 IN LG BULK ITEM REF S1499-6LL-10.00 -----	1	
-11	MS20823-4D	ELBOW -----	1	
-12	AN816-6D	NIPPLE -----	1	
-13	MS20826-6D	TEE -----	3	
-14	MS20913-10	PLUG -----	1	
	MS20913-2D	PLUG USED ON C661001-0502 ONLY -----	1	
-15	MS20823-6D	ELBOW -----	1	
-16	AN816-4D	NIPPLE -----	2	
-17		GAGE-SUCTION SEE INSTRUMENT PANEL -----	1	C
-18	C294501-0101	FILTER ASSEMBLY ----- ATTACHING PARTS	1	
-19	AN3-3A	BOLT ----- -----*	2	
	C294501-0102	BRACKET -----	1	
-20	C294501-0103	FILTER -----	1	
-21	P2274	NUT-WING DCI -----	1	
-22	S1497-4	FITTING-SOCKETLESS -----	3	
-23	S1497-6	FITTING-SOCKETLESS -----	8	
-24	NAS397-8	CLAMP -----	1	
-25	I713039-1	ELBOW -----	1	
-26	MS20825-6D	TEE USE WITH NAVOMATIC 300 & 400 -----	1	
-27	S1495-4	HOSE 16.25 IN LG BULK ITEM REF S1691-1-L-16.25 -----	1	
-28	S1495-4	HOSE 14.75 IN LG BULK ITEM REF S1691-1-L-14.75 -----	1	
-29	NAS397-8	CLAMP -----	2	
-30	I713039-1	ELBOW -----	2	
-31	S1497-4	FITTING-SOCKETLESS -----	2	
-32	S1495-6	HOSE 11.65 IN LG BULK ITEM REF S1499-6LL-11.65 -----	1	
-33	S1495-6	HOSE 14.75 IN LG BULK ITEM REF S1499-6LL-14.75 -----	1	
-34	S1495-6	HOSE 9.50 IN LG BULK ITEM REF S1499-6LL-9.50 -----	1	
-35	S1495-6	HOSE 10.00 IN LG BULK ITEM REF S1499-6LL-10.00 -----	1	
-36	I213718-1	BRACKET ASSEMBLY -----	1	
	NAS686A3	NUTPLATE -----	2	
-37	MS20822-6D	ELBOW USE WITH NAVOMATIC 300 & 400 -----	1	

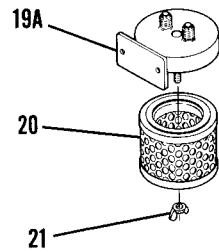
A---210 & T210 SERIAL 21059200 THRU 21059719

Vacuum System (Cont)



SERIAL 21060162 & ON

Detail **A**



SERIAL 21059720 THRU 21060161

Detail **B**

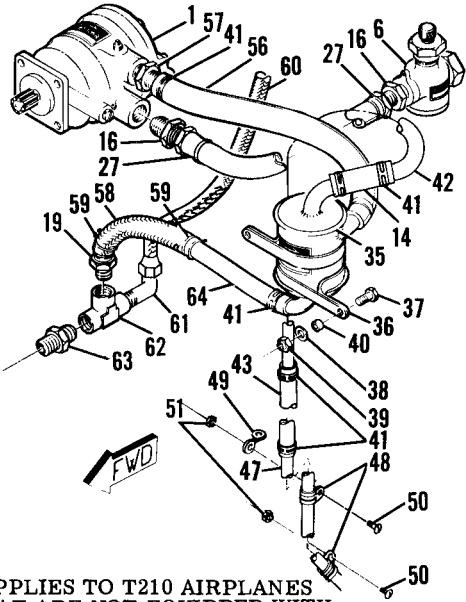
210 & T210 SERIAL 21059720 & ON

Figure 114A. Gyro Installation - Engine Driven

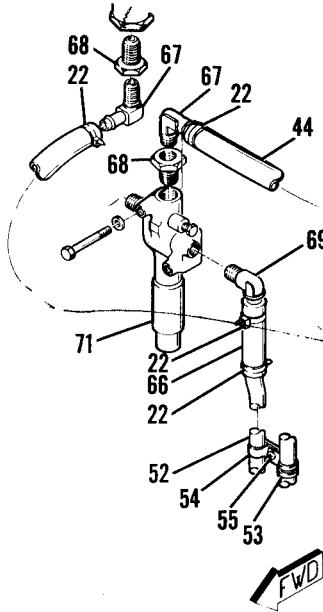
FIGURE AND INDEX NO.	PART NUMBER	DESCRIPTION	UNITS PER ASSY	USABLE ON CODE
		1 2 3 4 5 6 7		
114A-		GYROS INSTALLATION-ENGINE DRIVEN -----	NP	A
- 1		GYRO-HORIZON SEE INSTRUMENT PANEL -----	1	
- 2		GYRO-DIRECTIONAL SEE INSTRUMENT PANEL -----		
- 3	S1495-6	HOSE 12.75 IN LG BKI REF S1499-6LL-12.75 ----- HORIZON GYRO TO AIR FILTER	1	B
- 3A	S1495-6	HOSE 10.50 IN LG BKI REF S1499-6L-10.50 ----- HORIZON GYRO TO AIR FILTER	1	C
		ATTACHING PARTS		
- 3B	S1693-2	STA STRAP -----	1	C
		-----*		
- 4	S1495-6	HOSE 10.50 IN LG BKI REF S1499-6L-10.50 ----- HORIZON GYRO TO CROSS ASSY	1	
	S1495-6	HOSE 7.25 IN LG BKI REF S1499-6L-7.25 HORIZON GYRO - TO CROSS ASSY USE WITH INTEGRATED FLIGHT CONTROL	1	
- 5	S1495-6	HOSE 12.75 IN LG BKI REF S1499-6LL-12.75 -----	1	B
		DIRECTIONAL GYRO TO AIR FILTER		
- 5A	S1495-6	HOSE 10.50 IN LG BKI REF S1499-6L-10.50 -----	1	C
		DIRECTIONAL GYRO TO AIR FILTER		
		ATTACHING PARTS		
- 5B	S1693-2	STA STRAP -----	1	C
		-----*		
- 6	S1495-6	HOSE 16.00 IN LG BKI REF S1499-6L-16.00 -----	1	
		DIRECTIONAL GYRO TO CROSS ASSY		
- 7	S1495-4	HOSE 40.00 IN LG BKI REF S1499-4J-40.00 -----	1	
		CROSS ASSY TO S SIDE OF SUCTION GAGE		
- 8	S1495-4	HOSE 44.50 IN LG BKI REF S1691-1-44.50 -----	1	B
		FILTER TEE TO V SIDE OF SUCTION GAGE		
- 8A	S1495-4	HOSE 44.50 IN LG BKI REF S1499-4J-44.50 -----	1	C
		FILTER TEE TO V SIDE OF SUCTION GAGE		
		ATTACHING PARTS		
- 8B	S1693-1	STA STRAP -----	1	C
		-----*		
- 9		GAGE-SUCTION SEE INSTRUMENT PANEL -----	1	
-10	S1497-6	FITTING-SOCKETLESS -----	6	B
	S1497-6	FITTING-SOCKETLESS -----	4	C
-11	S1497-4	FITTING-SOCKETLESS -----	2	
-12	1713039-1	ELBOW ASSY -----	1	B
	NAS397-8	CLAMP -----	1	B
-13	MS20823-6D	ELBOW -----	1	
-14	MS20822-6D	ELBOW -----	2	
-15	MS20823-6D	ELBOW -----	1	
-16	1201051-1	CROSS ASSY -----	1	
-17	S1693-1	STA STRAP -----	3	
-18	S2175-6	TEE ASSY -----	1	B
-19	C294501-0101	FILTER ASSY -----	1	B
		ATTACHING PARTS		
	AN3-3A	BOLT -----	2	B
		-----*		
-19A	C294501-0102	BRACKET -----	1	B
-20	C294501-0103	FILTER -----	1	B
-21	P2274	NUT-WING DCI -----	1	B
-22	1213718-1	BRACKET ASSY-AIR FILTER -----	1	
	NAS686A3	NUTPLATE -----	2	
-23	AN816-4D	NIPPLE -----	1	
-24	1201053-1	DAMPENER ASSY -----	1	
-25	C294502-0101	FILTER ASSY -----	1	C
		ATTACHING PARTS		
-26	S1693-3	STA STRAP -----	2	C
		-----*		
-27	0513448-1	BRACKET -----	1	C
		ATTACHING PARTS		
-28	AN520-10R6	SCREW -----	2	C
		-----*		
-29	S1495-6	HOSE 2.00 IN LG BKI REF S1495-6-2.00 -----	2	C
		ATTACHING PARTS		
-30	S1693-2	STA STRAP -----	2	C
		-----*		
-31	0713533-1	TUBE -----	1	C
-32	S1793-2	TEE -----	1	C

A---210 & T210 SERIAL 21059720 & ON
 B---210 & T210 SERIAL 21059720 THRU 21060161
 C---210 & T210 SERIAL 21060162 & ON

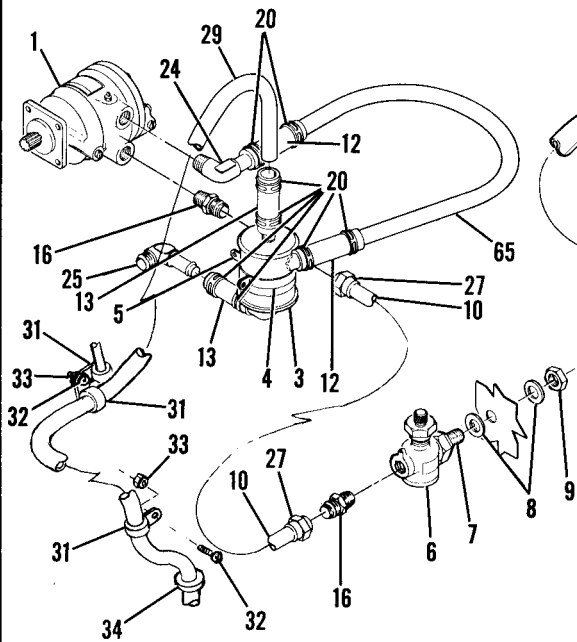
Vacuum System (Cont)



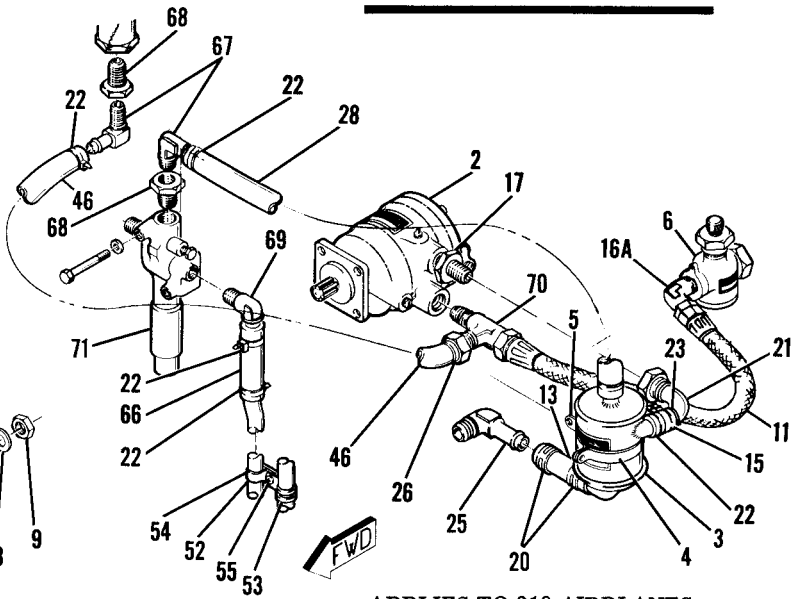
APPLIES TO T210 AIRPLANES THAT ARE NOT EQUIPPED WITH DE-ICE SYSTEM.



APPLIES TO T210 AIRPLANES THAT ARE EQUIPPED WITH DE-ICE SYSTEM.



APPLIES TO 210 AIRPLANES THAT ARE NOT EQUIPPED WITH DE-ICE SYSTEM.



APPLIES TO 210 AIRPLANES THAT ARE EQUIPPED WITH DE-ICE SYSTEM.

210 & T210 SERIAL 21059811 THRU 21059818
210 & T210 SERIAL 21059200 THRU 21059809

Figure 115. Vacuum System Installation - Engine Driven

FIGURE AND INDEX NO.	PART NUMBER	DESCRIPTION							UNITS PER ASSY	USABLE ON CODE
		1	2	3	4	5	6	7		
115 -		VACUUM SYSTEM INSTALLATION-ENGINE DRIVEN -----							NP	J
- 1	C431001-0101 **	PUMP-VACUUM -----							1	
- 2	A505-CDD %	PUMP-VACUUM ARD -----							1	
- 3	C165001-0101	SEPARATOR-OIL -----							1	A
		ATTACHING PARTS								
- 4	AN735D36	CLAMP -----							1	A
	AN520-10R8	SCREW -----							1	G
	AN3-6A	BOLT -----							1	H
	MS20364-1032C	NUT -----							1	A
		---*---								
- 5	1250002-1	BRACKET -----							1	A
- 6	C482001-0101	VALVE-AIR PUMP -----							1	A
	C482001-0102	VALVE-AIR PUMP -----							1	B
		ATTACHING PARTS								
- 7	S1988-1	FITTING-BULKHEAD -----							1	E
	S1988-2	FITTING-BULKHEAD -----							1	F
- 8	AN960D916	WASHER -----							2	
- 9	AN924-6D	NUT -----							1	
		---*---								
-10	S1495-6 **	HOSE 9.00 IN LG	BULK ITEM	REF S1499-6LL-9	-----			1		
-11	S1236-8-0160 %	HOSE ASSEMBLY -----							1	
-12	S1495-8 **	HOSE 3.00 IN LG	BULK ITEM	REF S1495-8-3.00	-----			2	A	
-13	S1495-8	HOSE 2.75 IN LG	BULK ITEM	REF S1495-8-2.75	-----			1	A	
-14	S1495-8 **	HOSE 2.75 IN LG	BULK ITEM	REF S1495-8-2.75	-----			1	B	
-15	S1495-8 %	HOSE 1.75 IN LG	BULK ITEM	REF S1495-8-0.175	-----			1	A	
-16	AN816-6-6	NIPPLE -----							2	
-16A	MS20822-8D %	ELBOW -----							1	
-17	S1854-1 %	NIPPLE -----							1	A
-18	S1496-8A %	FITTING-SOCKETLESS -----							1	B
-19	S1496-8	FITTING-SOCKETLESS -----							1	B
-20	NAS397-16	CLAMP -----							AR	G
	NAS397-12	CLAMP -----							1	H
-21	1280506-143	TUBE ASSEMBLY -----							1	A
-22	S1693-2 %	STRAP-STA -----							AR	
-23	S1891-8	CLAMP -----							1	A
-24	AN842-8	ELBOW -----							1	A
-25	1250003-1	ELBOW -----							1	A
-26	S1497-8	FITTING-SOCKETLESS -----							1	
-27	S1497-6 **	FITTING-SOCKETLESS -----							2	
-28	S1495-8 %	HOSE * IN LENGTH	BULK ITEM	REF S1495-8-*	-----			1	A	
-29	1200106-41 **	TUBE-VENT -----							1	C
	1200106-202 **	TUBE-VENT -----							1	D
		ATTACHING PARTS								
-30		DELETED NOT PROCURABLE -----								
-31	MS21919DGB **	CLAMP -----							3	D
-32	AN520-10R8 **	SCREW -----							2	D
-33	MS20364-1032C **	NUT -----							2	D
-34	MS35489-14 **	GROMMET -----							1	A
		---*---								
-35	C165001-0102	SEPARATOR-OIL -----							1	B
		ATTACHING PARTS								
-36	AN742D36	CLAMP -----							2	B
-37	AN3-6A	BOLT -----							2	B
-38	AN960-10L	WASHER -----							2	B
-39	MS20364-1032C	NUT -----							2	B
-40	NAS43HT3-12	SPACER -----							2	B
		---*---								
-41	NAS397-12	CLAMP -----							AR	B
-42	1200106-124 **	TUBE-VENT -----							1	B
-43	S1495-8 **	HOSE 11.00 IN LG	BULK ITEM	REF S1495-8-11.00	-----			1	B	
-44	S1495-8 %	HOSE 32.50 IN LG	BULK ITEM	REF S1495-8-32.50	-----			1	B	
-45	S1495-8 %	HOSE 29.25 IN LG	BULK ITEM	REF S1495-8-29.25	-----			1	B	
-46	S1495-8 %	HOSE 26.50 IN LG	BULK ITEM	REF S1495-8-26.50	-----			1	A	
-47	1200106-126 **	TUBE-VENT -----							1	B
		ATTACHING PARTS								
-48	MS21919DGB **	CLAMP -----							2	B
-49	0550100-6 **	BRACKET -----							1	B
-50	AN520-10R8 **	SCREW -----							2	B
-51	MS20364-1032C **	NUT -----							2	B
		---*---								

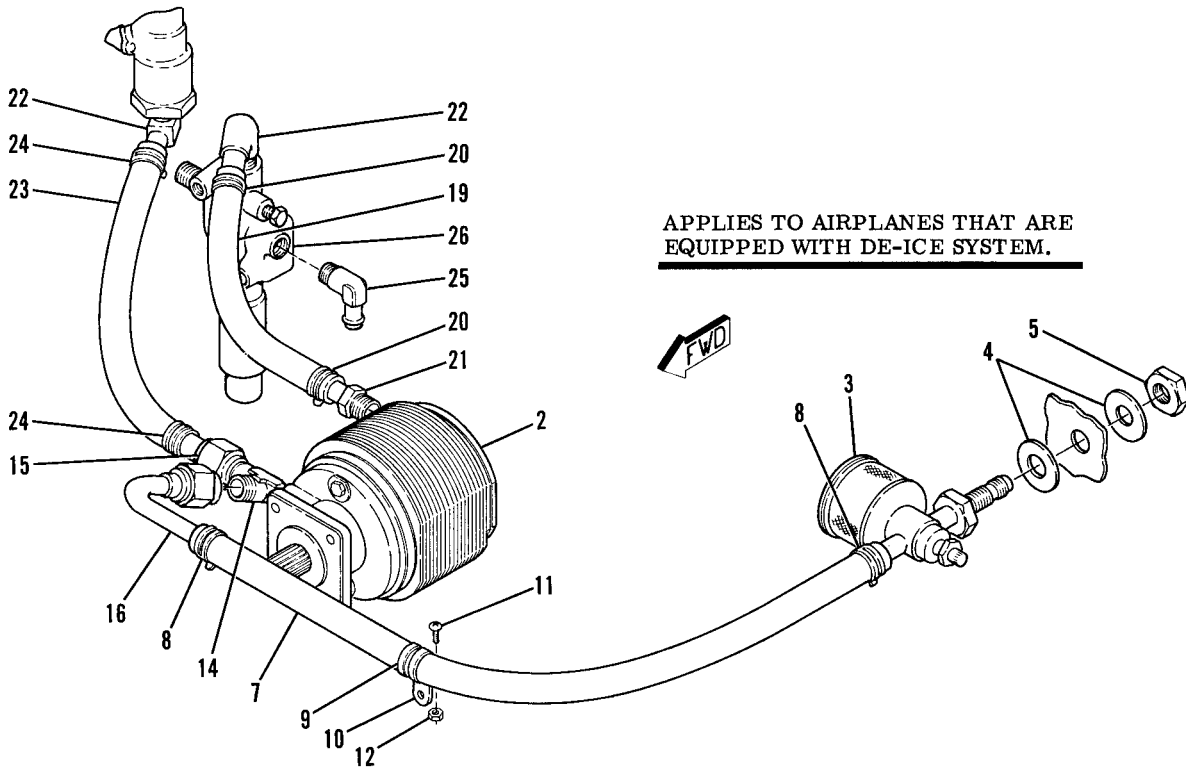
CONTINUED ON NEXT PAGE



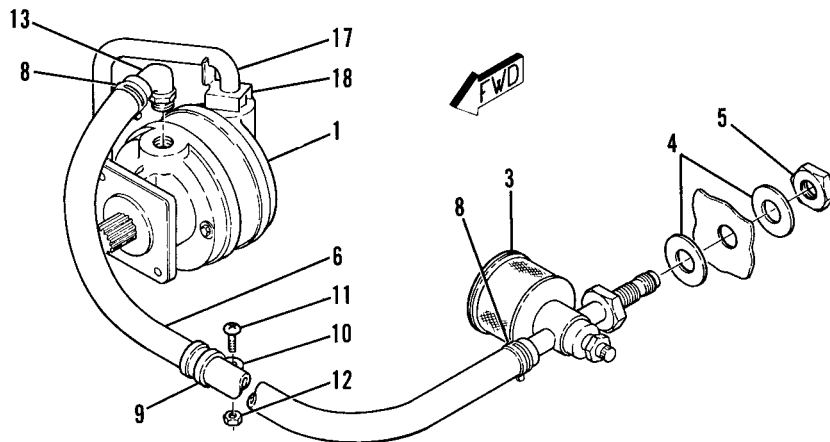
FIGURE AND INDEX NO.	PART NUMBER		DESCRIPTION	UNITS PER ASSY	USABLE ON CODE
115 -52	1280506-141	%	TUBE-DRAIN ----- ATTACHING PARTS -----	1	
-53	AN742D12	%	CLAMP -----	1	
-54	S1485D10L	%	CLAMP -----	1	
-55	S1021Z8-8C	%	SCREW ----- ---*---	1	
-56	S1495-8		HOSE 11.50 IN LG BULK ITEM REF S1495-8-11.50 -----	1	B
-57	AN840-8	**	ADAPTER -----	1	B
-58	S1127-8		SLEEVE 5.00 IN LG BULK ITEM REF S1127-8-5.00 -----	1	B
-59	S1614-1		LACING BULK ITEM -----	AR	B
-60	S1236-6-0094		HOSE ASSEMBLY -----	1	B
-61	MS20822-6-6		ELBOW -----	1	B
-62	AN917-3		TEE -----	1	B
-63	AN911-3		NIPPLE -----	1	B
-64	S1495-8		HOSE 12.25 IN LG BULK ITEM REF S1499-8E12.25 -----	1	B
-65	1200106-136	**	TUBE -----	1	A
-66	S1495-8	%	HOSE 3.00 IN LG BULK ITEM REF S1495-8-3.00 -----	1	
-67	AN842-8D		ELBOW -----	2	
-68	AN912-4D	%	BUSHING -----	3	
-69	AN842-10D	%	ELBOW -----	1	
-70	MS20826-8D	%	TEE -----	1	
-71	SEE FIG 132		VALVE-CONTROL -----	1	
<p>NOTE. %THESE PARTS ARE USED ON AIRPLANES EQUIPPED WITH WING & STABILIZER DE-ICE SYSTEM ONLY</p> <p>NOTE. *LENGTH TO BE DETERMINED LATER</p> <p>NOTE. **THESE PARTS ARE USED ON AIRPLANES THAT ARE NOT EQUIPPED WITH WING & STABILIZER DE-ICE SYSTEM.</p> <p>A---210 SERIAL 21059200 THRU 21059809 21059811 THRU 21059818</p> <p>B---T210 SERIAL 21059200 THRU 21059809 21059811 THRU 21059818</p> <p>C---210 SERIAL 21059200 THRU 21059225</p> <p>D---210 SERIAL 21059226 THRU 21059809 21059811 THRU 21059818</p> <p>E---210 & T210 SERIAL 21059200 THRU 21059719</p> <p>F---210 & T210 SERIAL 21059720 THRU 21059809 21059811 THRU 21059818</p> <p>G---210 SERIAL 21059200 THRU 21059719</p> <p>H---210 SERIAL 21059720 THRU 21059809 21059811 THRU 21059818</p> <p>J---210 & T210 SERIAL 21059200 THRU 21059809 21059811 THRU 21059818</p>					

This page intentionally left blank.

Vacuum System (Cont)



APPLIES TO AIRPLANES THAT ARE EQUIPPED WITH DE-ICE SYSTEM.



APPLIES TO AIRPLANES THAT ARE NOT EQUIPPED WITH DE-ICE SYSTEM.

210 & T210 SERIAL 21059810, 21059819 & ON

Figure 115A. Vacuum System Installation - Engine Driven

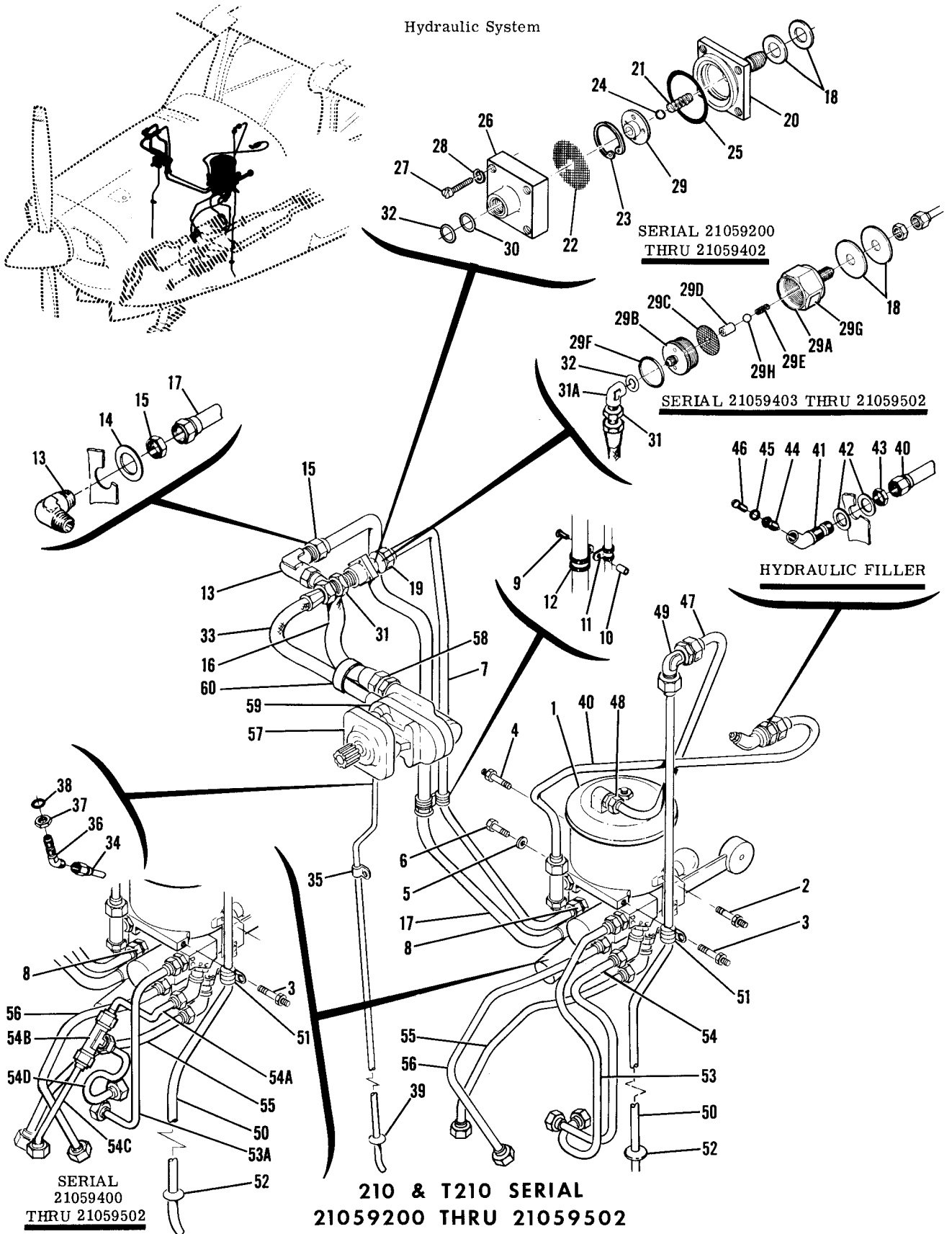
FIGURE AND INDEX NO.	PART NUMBER		DESCRIPTION	UNITS PER ASSY	USABLE ON CODE
115A-			VACUUM SYSTEM INSTALLATION-ENGINE DRIVEN -----	NP	A
- 1	C431003-0102	*	PUMP-VACUUM -----	1	
- 2	C431004-0102	%	PUMP-VACUUM -----	1	
- 3	C482001-0501		VALVE-RELIEF -----	1	
			ATTACHING PARTS		
- 4	AN960PD1216L		WASHER -----	2	
- 5	AN924-8D		NUT -----	1	
			---*---		
- 6	S1495-10	*	HOSE 20.50 IN LG BKI REF S1495-10-20.50 -----	1	
- 7	S1495-10	%	HOSE 23.00 IN LG BKI REF S1495-10-23.00 -----	1	
			ATTACHING PARTS		
- 8	NAS397-16		CLAMP -----	2	
			---*---		
- 9	MS21919DG15		CLAMP -----	1	
-10	0550100-13		BRACKET -----	1	
-11	AN520-10R6		SCREW -----	1	
-12	MS20364-1032C		NUT -----	1	
-13	1K1-6-10	*	FITTING AIRB -----	1	
-14	MS20826-100	%	TEE -----	1	
-15	S1497-10	%	FITTING -----	1	
-16	0706004-3	%	TUBE ASSY -----	1	
-17	1K66-1	*	TUBE ASSY ABNE -----	1	
-18	1250319-1	*	LOCATOR -----	1	
-19	S1495-10	%	HOSE 8.00 IN LG BKI REF S1495-10-8.00 -----	1	
			ATTACHING PARTS		
-20	NAS397-16	%	CLAMP -----	2	
			---*---		
-21	AN840-10D	%	ADAPTER -----	1	
-22	AN842-10D	%	ELBOW -----	2	
-23	S1495-10	%	HOSE 12.00 IN LG BKI REF S1495-10-12.00 -----	1	
			ATTACHING PARTS		
-24	NAS397-16	%	CLAMP -----	2	
			---*---		
-25	AN842-10D	%	ELBOW -----	1	
-26	SEE FIG 132		VALVE-CONTROL -----	1	
<p>NOTE. *THESE PARTS ARE USED ON AIRPLANES THAT ARE NOT EQUIPPED WITH WING & STABILIZER DE-ICE SYSTEM.</p> <p>NOTE. %THESE PARTS ARE USED ON AIRPLANES THAT ARE EQUIPPED WITH WING & STABILIZER DE-ICE SYSTEM.</p> <p>A---210 & T210 SERIAL 21059810, 21059819 & ON</p>					

This page intentionally left blank.

FIGURE AND INDEX NO.	PART NUMBER	DESCRIPTION	UNITS PER ASSY	USABLE ON CODE
116 -		HYDRAULIC POWER PACK INSTALLATION -----	NP	C
- 1	SEE FIG 117	UNIT ASSEMBLY-HYDRAULIC POWERPACK -----	1	
		ATTACHING PARTS -----		
- 2	1261441-2	STUD -----	1	
- 3	1261441-1	STUD -----	1	
- 4	1261441-3	STUD -----	1	
- 5	AN960-416L	WASHER -----	1	
- 6	AN4-4A	BOLT -----	1	
		---*---		
- 7	1280506-107	LINE ASSEMBLY-PUMP SUCTION -----	1	
		ATTACHING PARTS -----		
- 8	AN815-8D	NIPPLE -----	1	
	MS28778-8	GASKET -----	1	
- 9	AN515-8R16	SCREW -----	1	
-10	NAS433DD3-32	SPACER -----	1	
-11	MS21919DG8	CLAMP AP -----	1	
-12	MS21919DG8	CLAMP AP -----	1	
		---*---		
-13	AN837-8D	ELBOW -----	1	
-14	AN960PD1216	WASHER -----	1	
-15	AN924-8D	NUT -----	1	
-16	S1236-8-0174	HOSE ASSEMBLY -----	1	
-17	S1167-4-0324	HOSE ASSEMBLY-PUMP PRESSURE -----	1	
-18	AN970-7	WASHER -----	2	
-19	AN924-4D	NUT -----	1	
		-----*		
-20		FILTER ASSEMBLY FSD 1280516-1 -----	1	A
		BODY -----	1	
-21		SPRING -----	1	
-22		FILTER DISC -----	1	
-23	MS16625-106	SNAP RING -----	1	
-24	1/4 DIA.	BALL-STEEL -----	1	
-25	AN6227824	O-RING -----	1	
-26		END FITTING -----	1	
-27	AN501-10-14	SCREW -----	4	
-28	AN935-10	LOCK WASHER -----	4	
-29		SPIDER -----	1	
		-----*		
-29A	1280516-1	FILTER ASSEMBLY -----	1	B
-29B	1280516-2	BODY-FILTER -----	1	
-29C	1280516-3	GLAND-END -----	1	
	1280516-4	SCREEN -----	1	

CONTINUED ON NEXT PAGE

Hydraulic System



SERIAL
21059400
THRU 21059502

210 & T210 SERIAL
21059200 THRU 21059502

Figure 116. Hydraulic Power Pack Installation

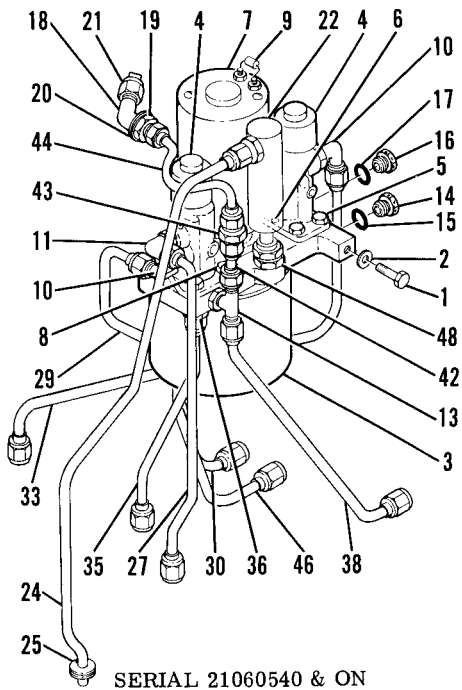
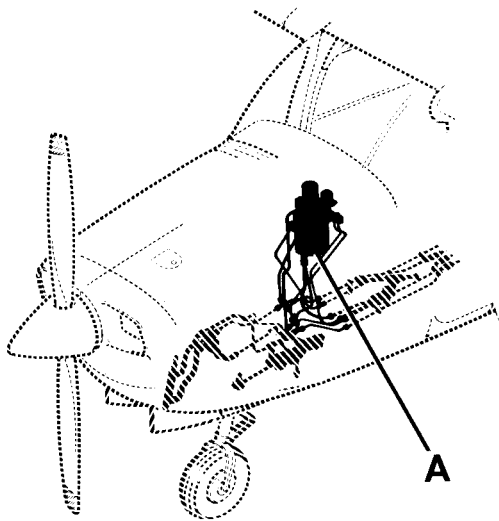
FIGURE AND INDEX NO.	PART NUMBER	DESCRIPTION	UNITS PER ASSY	USABLE ON CODE
		1 2 3 4 5 6 7		
116 -29D	1280516-5	RETAINER -----	1	
-29E	LC024C5	SPRING LSCI -----	1	
-29F	MS28775-127	PACKING -----	1	
-29G	S2019-6	NAMEPLATE -----	1	
-29H	S272-8	BALL -----	1	
-30	MS28778-4	GASKET -----	1	
-31	AN815-4D	UNION -----	1	
-31A	AN93904	ELBOW -----	1	D
-32	MS28778-4	GASKET -----	1	A
-33	S1236-4-0150	HOSE ASSEMBLY -----	1	E
-34	1280506-76	LINE ASSEMBLY-PUMP DRAIN -----	1	
		ATTACHING PARTS		
-35	MS9025-02	CLAMP -----	1	
-36	AN837-3D	ELBOW -----	1	
-37	AN924-3D	NUT -----	1	
-38	MS28778-3	GASKET -----	1	
-39	MS35489-134	GROMMET -----	1	
		---*---		
-40	1280506-115	LINE ASSEMBLY-FILLER -----	1	
	1280506-142	LINE ASSEMBLY-FILLER USED WITH AIRPLANE EQUIPPED WITH ---	1	
		DE-ICE SYSTEM ONLY		
		ATTACHING PARTS		
-41	1280607-1	FITTING-HYDRAULIC FILLER -----	1	
-42	AN960PD916	WASHER -----	2	
-43	AN924-6D	NUT -----	1	
-44	AN620481	VALVE -----	1	
-45	AN960-10L	WASHER -----	1	
-46	AN520-10R6	SCREW -----	1	
		---*---		
-47	1280506-92	LINE ASSEMBLY-PACK VENT -----	1	
		ATTACHING PARTS		
-48	AN815-6D	UNION -----	1	
	MS28778-6	GASKET -----	1	
-49	AN833-6D	ELBOW -----	1	
	AN960PD916	WASHER -----	2	
	AN924-6D	NUT -----	1	
	MS35489-12	GROMMET -----	1	
		---*---		
-50	1280509-37	LINE ASSEMBLY-PACK VENT -----	1	
		ATTACHING PARTS		
-51	MS21919-6	CLAMP -----	1	
	AN520-8R6	SCREW -----	1	
-52	MS35489-11	GROMMET -----	1	
		---*---		
-53	1280509-22	LINE ASSEMBLY-DOOR CLOSE -----	1	
-53A	1280509-46	LINE ASSEMBLY-DOOR CLOSE -----	1	A
-54	1280509-15	LINE ASSEMBLY-DOOR OPEN -----	1	B
-54A	1280509-48	LINE ASSEMBLY-DOOR OPEN -----	1	B
-54B	AN824-4D	TEE -----	1	B
-54C	1280509-50	LINE ASSEMBLY-DOOR OPEN -----	1	B
-54D	1280509-49	LINE ASSEMBLY-DOOR OPEN -----	1	B
-55	1280506-39	LINE ASSEMBLY-GEAR DOWN -----	1	
-56	1280506-151	LINE ASSEMBLY-GEAR UP -----	1	
-57	SEE FIG 121	PUMP ASSEMBLY-HYDRAULIC -----	1	
-58	AN815-8D	UNION -----	1	
	MS28778-8	GASKET -----	1	
-59	AN837-4D	ELBOW -----	1	
	AN6289-4D	NUT -----	1	
	MS9058-04	BACKUP RING -----	1	
	MS28778-4	GASKET -----	1	
-60	S1590-4A	BAND-HARNES -----	1	

NOTE. *WHEN INITIALLY ORDERING THIS PART FOR AIRPLANES PRIOR TO SERIAL 21059400, ALSO ORDER 1 AN93904 ELBOW & 1 MS28778-4 GASKET.

NOTE. %THESE PARTS ARE NO LONGER AVAILABLE. COMPLETE FILTER ASSY MUST BE ORDERED- PART NUMBER 1280516-1.

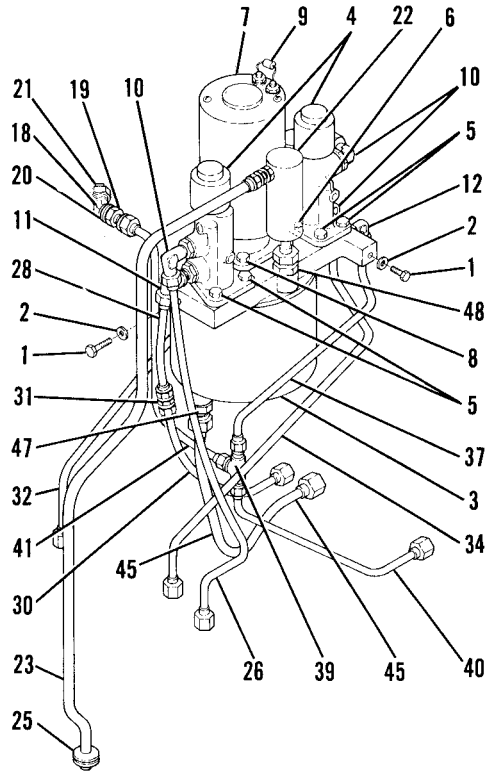
A---210 & T210 SERIAL 21059200 THRU 21059399
 B---210 & T210 SERIAL 21059400 THRU 21059502
 C---210 & T210 SERIAL 21059200 THRU 21059502
 D---210 & T210 SERIAL 21059200 THRU 21059402
 E---210 & T210 SERIAL 21059403 THRU 21059502

Hydraulic System



SERIAL 21060540 & ON

Detail **A**



SERIAL 21059503 THRU 21060539

Detail **A**

210 & T210 SERIAL 21059503 & ON

Figure 116A. Hydraulic Power Pack Installation



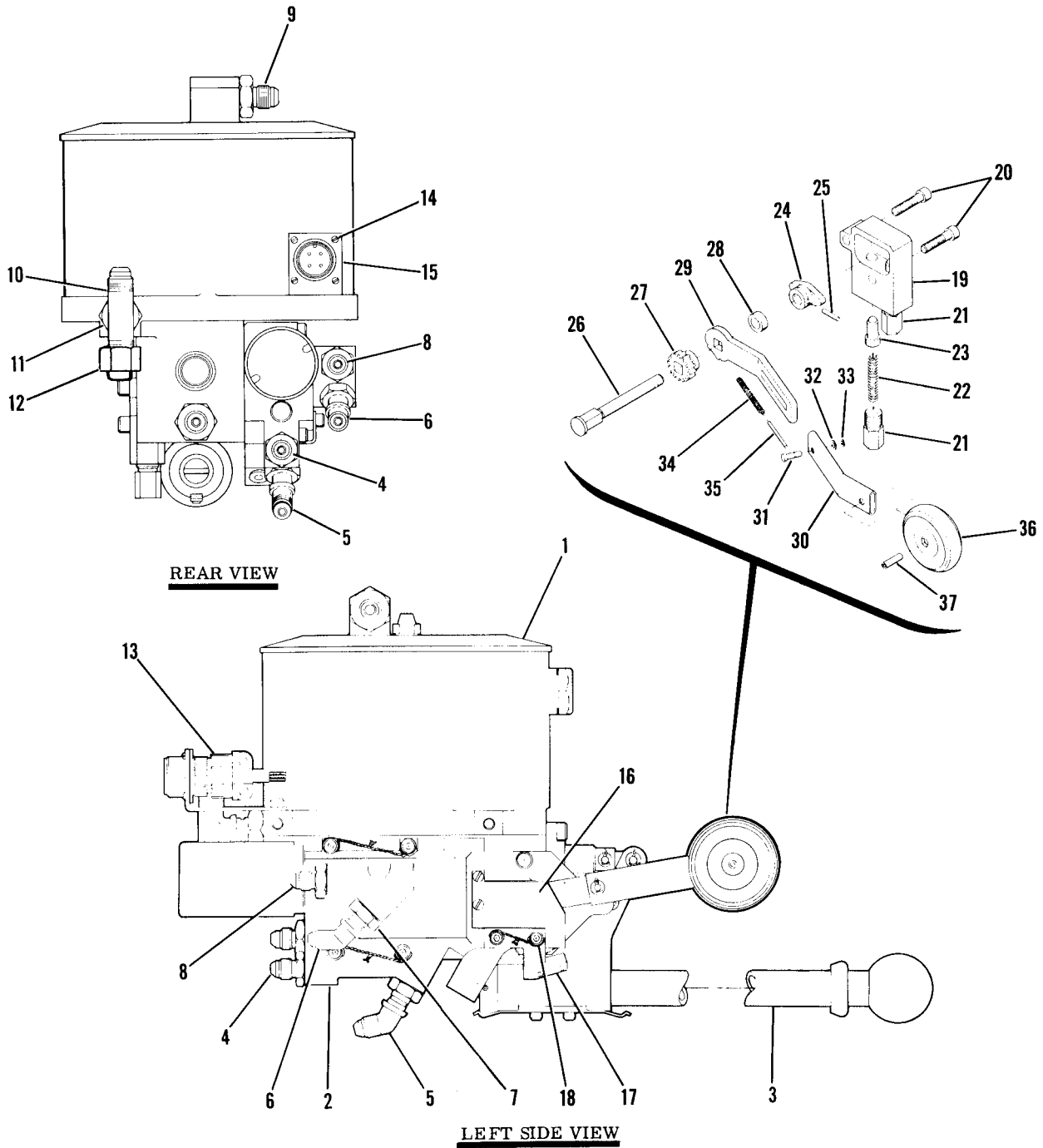
FIGURE AND INDEX NO.	PART NUMBER	DESCRIPTION							UNITS PER ASSY	USABLE ON CODE	
		1	2	3	4	5	6	7			
116A-		HYDRAULIC POWER PACK INSTALLATION -----							NP	A	
	1280845-1	*	POWER PACK ASSY -----							1	
			ATTACHING PARTS -----								
- 1	AN4-3A		BOLT -----							3	
- 2	AN960-416		WASHER -----							3	
			---*---								
- 3	SEE FIG 118A		POWER PACK BODY & RESERVOIR ASSY -----							1	
- 4	SEE FIG 119A		POWER PACK MANIFOLD ASSEMBLIES -----							1	
			ATTACHING PARTS -----								
- 5	AN3-5A		BOLT -----							7	
	AN960-10		WASHER -----							7	
- 6	MS24678-11		SCREW -----							2	
	NAS620-10		WASHER -----							2	
			---*---								
- 7	1280811-1		MOTOR ASSY -----							1	
			ATTACHING PARTS -----								
- 8	AN3-6A		BOLT -----							4	
	AN960-10		WASHER -----							4	
			---*---								
- 9	1270717-1		DIODE ASSY -----							1	
-10	AN921-4D		ELBOW -----							3	B
	AN924-4D		NUT -----							3	B
	MS28778-4		PACKING -----							3	B
	AN921-4D		ELBOW -----							2	C
	AN924-4D		NUT -----							2	C
	MS28778-4		PACKING -----							2	C
-11	AN833-4D		ELBOW -----							1	
	AN924-4D		NUT -----							1	
	MS28778-4		PACKING -----							1	
-12	AN921-3D		ELBOW -----							1	B
	AN924-3D		NUT -----							1	B
	MS28778-3		PACKING -----							1	B
-13	AN923-3D		TEE -----							1	C
	AN924-3D		NUT -----							1	C
	MS28778-3		PACKING -----							1	C
-14	AN814-3D	**	PLUG -----							1	C
-15	MS28778-3	**	PACKING -----							1	C
-16	AN814-4D	**	PLUG -----							1	C
-17	MS28778-4	**	PACKING -----							1	C
-18	AN837-4D		ELBOW -----							1	
-19	AN924-4D		NUT -----							1	
-20	AN960P0716		WASHER -----							2	
-21	AN929-4		CAP -----							1	
-22	1280123-1	%	RESERVOIR ASSY -----							1	D
-23	1280509-74	%	LINE ASSY-VENT -----							1	B
-24	1280509-84		LINE ASSY-VENT -----							1	C
-25	MS35489-11		GROMMET -----							1	
-26	1280509-52		LINE ASSY-GEAR DOWN -----							1	B
-27	1280509-81		LINE ASSY-GEAR DOWN -----							1	C
-28	1280509-51		LINE ASSY-GEAR UP -----							1	B
-29	1280509-80		LINE ASSY-GEAR UP -----							1	C
-30	1280506-150		LINE ASSY-GEAR UP -----							1	
-31	AN815-4D		UNION -----							1	
-32	1280509-57		LINE ASSY-DOOR OPEN -----							1	B
-33	1280509-82		LINE ASSY-DOOR OPEN -----							1	C
-34	1280509-58		LINE ASSY-DOOR CLOSE -----							1	B
-35	1280509-83		LINE ASSY-DOOR CLOSE -----							1	C
-36	AN815-4D		UNION -----							1	C
	MS28778-4		PACKING -----							1	C
-37	1280509-66		LINE ASSY-HAND PUMP PRESSURE -----							1	B
-38	1280509-86		LINE ASSY-HAND PUMP PRESSURE -----							1	C
-39	AN783D3		TEE -----							1	B
	AN919-2D		REDUCER -----							1	B
	MS28778-3		PACKING -----							1	B
-40	1280509-62		LINE ASSY-HAND PUMP PRESSURE -----							1	B
-41	1280509-67		LINE ASSY-HAND PUMP PRESSURE -----							1	B
-42	1280509-87		LINE ASSY-HAND PUMP PRESSURE -----							1	C
-43	AN919-2D		REDUCER -----							1	C
-44	1280509-88		LINE ASSY-HAND PUMP PRESSURE -----							1	C
-45	1280509-63		LINE ASSY-HAND PUMP SUCTION -----							1	B

CONTINUED ON NEXT PAGE

FIGURE AND INDEX NO.	PART NUMBER	DESCRIPTION							UNITS PER ASSY	USABLE ON CODE
		1	2	3	4	5	6	7		
116A-46	1280509-85	LINE ASSY-HAND PUMP SUCTION -----							1	C
-47	AN815-5D	UNION -----							1	
	MS28778-5	PACKING -----							1	
-48	AN815-6D	UNION -----							1	
	MS28778-6	PACKING -----							1	
		<p>NOTE. *WHEN INITIALLY ORDERING THIS PART FOR AIRPLANES PRIOR TO 21060540 ALSO ORDER PARTS MARKED **.</p> <p>NOTE. %WHEN INITIALLY ORDERING THIS PART FOR AIRPLANES PRIOR TO 21059539 ALSO ORDER PARTS MARKED %.</p> <p>A---210 & T210 SERIAL 21059503 & ON B---210 & T210 SERIAL 21059503 THRU 21060539 C---210 & T210 SERIAL 21060540 & ON D---210 & T210 SERIAL 21059539 & ON</p>								

This page intentionally left blank.

Hydraulic System (Cont)

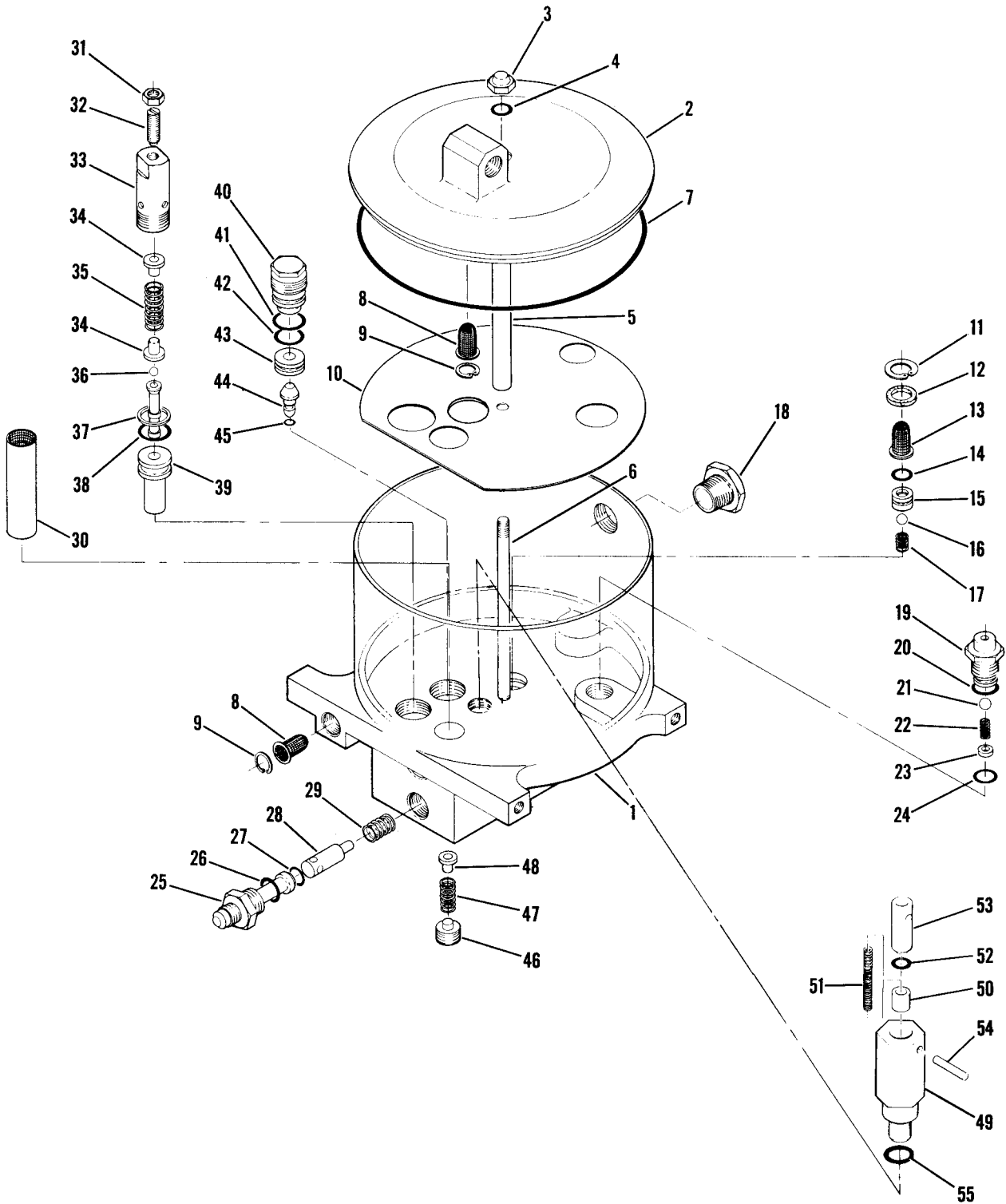


210 & T210 SERIAL 21059200 THRU 21059502

Figure 117. Hydraulic Power Pack Unit Assembly

FIGURE AND INDEX NO.	PART NUMBER	DESCRIPTION	UNITS PER ASSY	USABLE ON CODE
		1 2 3 4 5 6 7		
117 -	1280510-3	HYDRAULIC POWER PACK UNIT ASSEMBLY -----	1	A
	1280510-4	HYDRAULIC POWER PACK UNIT ASSEMBLY REMANUFACTURED -----	1	
- 1	SEE FIG 118	BODY ASSEMBLY-POWER PACK -----	1	
- 2	SEE FIG 119	MANIFOLD ASSEMBLY-POWER PACK -----	1	
- 3	SEE FIG 120	HAND PUMP-EMERGENCY -----	1	
- 4	AN815-4D	UNION -----	1	
- 5	AN837-4D	ELBOW -----	1	
	MS28778-4	PACKING -----	1	
- 6	AN837-4D	ELBOW -----	1	
- 7	AN9289-4D	NUT -----	2	
	MS28778-4	PACKING -----	2	
	MS28777-4	BACK-UP -----	1	
- 8	AN815-4D	UNION -----	1	
	MS28778-4	PACKING -----	1	
- 9	AN815-6D	UNION -----	1	
	MS28778-6	PACKING -----	1	
-10	AN834-6D	TEE -----	1	
-11	AN6289D6	NUT -----	1	
-12	AN929-6	CAP -----	1	
	MS28778-6	PACKING -----	1	
	MS28777-6	BACK-UP -----	1	
-13	MS3100A14S2P	CONNECTOR -----	1	
	MS3057-6A	CABLE CLAMP -----	1	
-14	NAS609-448-4	SCREW -----	4	
-15	294074-1	PLATE-MOUNTING DAC -----	1	
		ATTACHING PARTS -----		
	NAS608C3H6	SCREW -----	2	
		---*---		
-16	294082-1	COVER DAC -----	1	
		ATTACHING PARTS -----		
	AN500AD6-3	SCREW -----	2	
	MS122028	WASHER -----	2	
		---*---		
-17	16-4042	SWITCH-LIMIT LITW -----	1	
	76-1200	ACTUATOR-SWITCH LITW -----	1	
	294069-1	BRACKET-LIMIT SWITCH DAC -----	1	
		ATTACHING PARTS -----		
-18	NAS608C3H6	SCREW -----	2	
		---*---		
-19	294005-1	HOUSING DAC -----	1	
		ATTACHING PARTS -----		
-20	NAS608C4H16	SCREW -----	2	
		---*---		
-21	294008-1	PLUG ASSEMBLY DAC -----	2	
-22	294017-1	SPRING DAC -----	2	
-23	294006-1	PLUNGER DAC -----	2	
-24	294009-1	CAM DAC -----	1	
		ATTACHING PARTS -----		
-25	MS171528	PIN-SPRING -----	1	
		---*---		
-26	294067-1	SHAFT DAC -----	1	
-27	294063-1	GEAR DAC -----	1	
-28	294068-1	SPACER DAC -----	1	
-29	294024-1	HANDLE DAC -----	1	
-30	294027-1	SLEEVE-HANDLE DAC -----	1	
		ATTACHING PARTS -----		
-31	294054-1	PIN DAC -----	1	
-32	S1450-3S5-016	WASHER -----	1	
-33	CS18	SNAP RING -----	1	
-34	294026-1	SPRING DAC -----	1	
-35	MS9105-41	PIN -----	1	
		---*---		
-36	S1768-2	KNOB-HANDLE -----	1	
		ATTACHING PARTS -----		
-37	MS171586	PIN-SPRING -----	1	
		---*---		
A---210 & T210 SERIAL 21059200 THRU 21059502				

Hydraulic System (Cont)



210 & T210 SERIAL 21059200 THRU 21059502

Figure 118. Hydraulic Power Pack Body Assembly

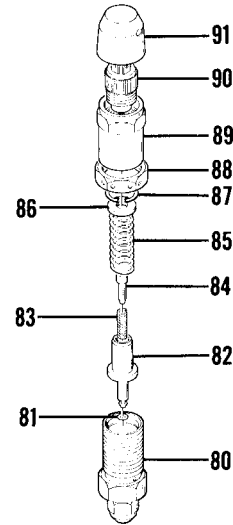
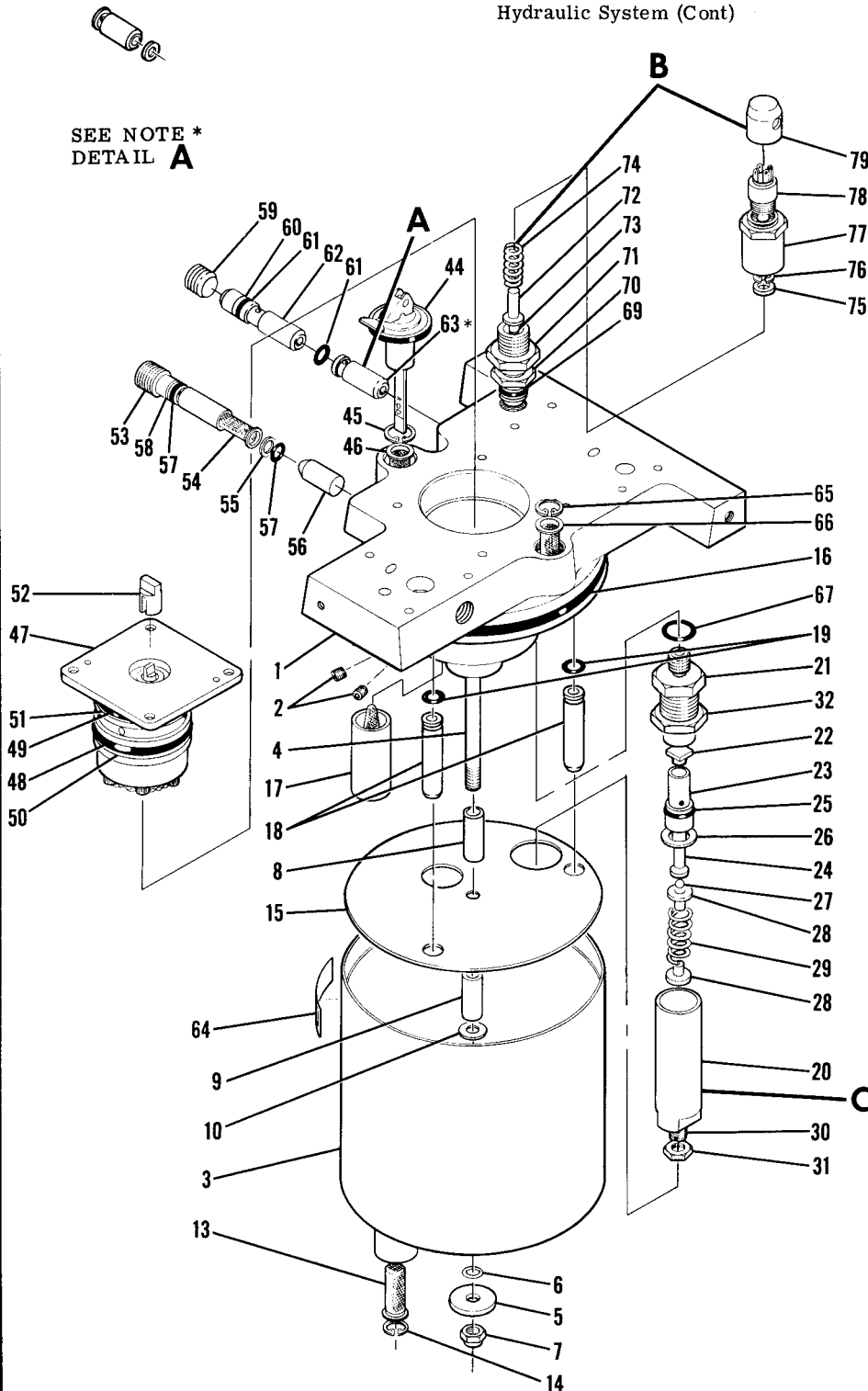
FIGURE AND INDEX NO.	PART NUMBER	DESCRIPTION	UNITS PER ASSY	USABLE ON CODE
118 -		1 2 3 4 5 6 7 HYDRAULIC POWER PACK BODY ASSEMBLY -----	NP	A
- 1	294095-1	RESERVOIR ASSEMBLY OAC -----	1	
- 2	294003-1	COVER-RESERVOIR OAC -----	1	
		ATTACHING PARTS -----		
- 3	NAS509-4C	NUT -----	1	
- 4	MS28775-010	PACKING -----	1	
- 5	294044-1	SPACER OAC -----	1	
- 6	294046-1	ROD OAC -----	1	
- 7	MS28775-257	PACKING -----	1	
		-----*		
- 8	294061-1	FILTER ASSEMBLY OAC -----	2	
		ATTACHING PARTS -----		
- 9	CR50	SNAP RING -----	1	
		-----*		
-10	294042-1	BAFFLE OAC -----	1	
-11	CR62	SNAP RING -----	1	
-12	294062-1	SPACER -----	1	
-13	294061-1	FILTER ASSEMBLY OAC -----	1	
-14	MS28775-011	PACKING -----	1	
-15	294051-1	SEAT OAC -----	1	
-16	MS150457	BALL -----	1	
-17	294018-1	SPRING OAC -----	1	
-18	4040	GAUGE-OIL -----	1	
-19	294020-1	RETAINER-TIME DELAY VALVE OAC -----	1	
-20	MS28775-016	PACKING -----	1	
-21	MS134356	BALL -----	1	
-22	294018-1	SPRING OAC -----	1	
-23	294019-1	SPACER OAC -----	1	
-24	MS28775-012	PACKING -----	1	
-25	294066-1	FITTING-CHECK VALVE OAC -----	1	
-26	MS28778-6	PACKING -----	1	
-27	MS28775-011	PACKING -----	1	
-28	294065-1	PLUNGER-CHECK VALVE OAC -----	1	
-29	LC022D7SS	SPRING LSCI -----	1	
-30	294031-1	FILTER ASSEMBLY OAC -----	1	
-31	NAS509-4	NUT-CHECK -----	1	
-32	294032-1	SCREW OAC -----	1	
-33	294033-1	RETAINER-PRIMARY RELIEF VALVE OAC -----	1	
-34	1280834-4	BUTTON -----	2	
-35	294035-1	SPRING OAC -----	1	
-36	MS134354	BALL -----	1	
-37	MS28774-15	BACK-UP -----	1	
-38	MS28775-015	PACKING -----	1	
-39	294007-1	SEAT & POPPET ASSEMBLY-PRIMARY RELIEF VALVE OAC -----	1	
-40	1298015-1	RETAINER ASSEMBLY-PRIORITY VALVE -----	1	
-41	MS28775-015	PACKING -----	1	
-42	MS28775-014	PACKING -----	1	
-43	294037-1	SEAT-PRIORITY VALVE OAC -----	1	
-44	294038-1	POPPET-PRIORITY VALVE OAC -----	1	
-45	MS28775-006	PACKING -----	1	
-46	294041-1	RETAINER ASSEMBLY-PRIORITY VALVE OAC -----	1	
-47	1298119-2	SPRING -----	1	
-48	1298014-1	BUTTON -----	1	
	DAS2925-1	VALVE ASSEMBLY-VENT OAC -----	1	
-49		* BODY -----	1	
-50		* POPPET -----	1	
-51		* SPRING -----	1	
-52	MS28775-009	PACKING -----	1	
-53		* RETAINER -----	1	
		ATTACHING PARTS -----		
-54	MS171527	PIN -----	1	
		-----*		
-55	MS28778-3	PACKING -----	1	

NOTE. *THESE PARTS ARE NO LONGER AVAILABLE FOR SPARES. COMPLETE VALVE ASSY, PART NUMBER DAS2925-1, MUST BE ORDERED.

A---210 & T210 SERIAL 21059200 THRU 21059502

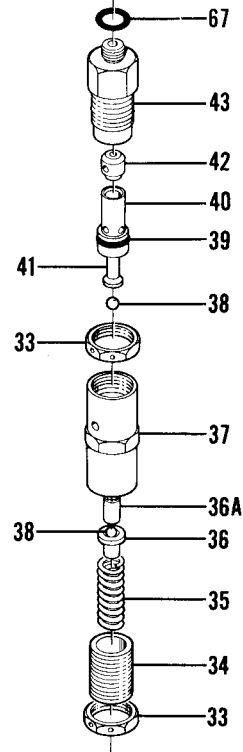
Hydraulic System (Cont)

SEE NOTE *
DETAIL A



SERIAL 21060090 & ON

Detail B



210 SERIAL - SEE CODE E

Detail C

210 & T210 SERIAL 21059503 & ON
Figure 118A. Hydraulic Power Pack Body & Reservoir Assembly



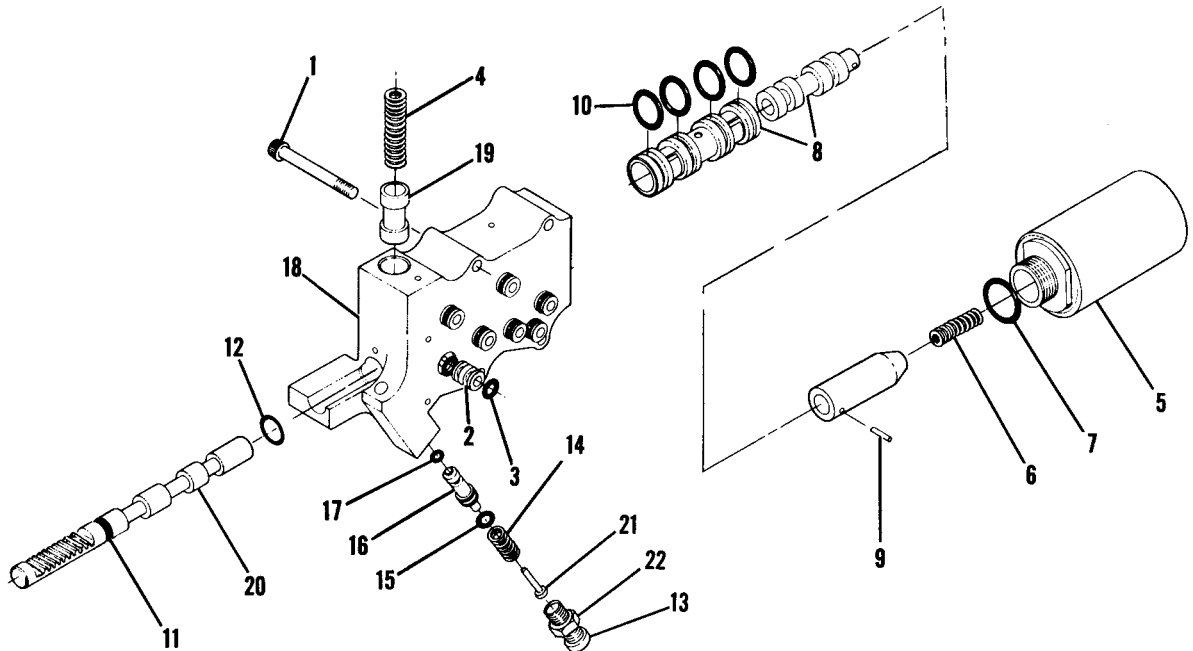
FIGURE AND INDEX NO.	PART NUMBER		DESCRIPTION							UNITS PER ASSY	USABLE ON CODE
			1	2	3	4	5	6	7		
118A-			HYDRAULIC POWER PACK BODY & RESERVOIR ASSY -----							NP	A
- 1	1280846-1	**	BODY ASSY-POWER PACK -----							1	
- 2	S2121-5		PLUG-PRESSURE SEAL -----							4	
- 3	1280806-1		RESERVOIR ASSY-POWER PACK -----							1	
			ATTACHING PARTS -----								
- 4	1280820-1		STUD-RESERVOIR -----							1	
- 5	1280818-1		WASHER-RESERVOIR -----							1	
- 6	MS28778-2		PACKING -----							1	
- 7	MS21042L4		NUT -----							1	
- 8	NAS43DD4-56		SPACER -----							1	
- 9	NAS43DD4-60		SPACER -----							1	
-10	AN960-416		WASHER -----							1	
			---*---								
-11			DELETED-NOT USED -----								
-12			DELETED-NOT USED -----								
-13	1280809-5		SCREEN ASSY -----							1	
-14	MS16625-1043		RING-RETAINER -----							1	
-15	1280815-1		BAFFLE WEU 1280815-2 -----							1	D
	1280815-2		BAFFLE -----							1	E
-16	MS28775-247		PACKING -----							1	
-17	1280809-1		SCREEN ASSY -----							1	
-18	1280819-2		TUBE-RETURN -----							2	
-19	MS28775-010		PACKING -----							2	
	1280805-1		VALVE ASSY-RELIEF WEU 1280835-1 -----							1	D
-20	1280805-2		HOUSING -----							1	
-21	1280805-3		ADAPTER -----							1	
-22	1280805-4		ORFICE -----							1	
-23	1280837-1		POPPET ASSY -----							1	
-24	1280837-3		POPPET -----							1	
-25	MS28775-012		PACKING -----							1	
-26	1280805-9		SPACER -----							1	
-27	S272-5		BALL -----							1	
-28	1280805-8		GUIDE-SPRING -----							2	
-29	1280808-1		SPRING -----							1	
-30	AN565F42H12		SCREW-SET -----							1	
-31	NAS509-4		NUT -----							1	
-32	1280825-2		NUT -----							1	
	1280835-1	%	VALVE ASSY-RELIEF -----							1	E
-33	1280825-2		NUT -----							2	
-34	1280836-1		SCREW-ADJUSTMENT -----							1	
-35	1280808-2		SPRING -----							1	
-36	1280834-4		GUIDE-SPRING -----							1	
-36A	1280834-3		PISTON -----							1	
-37	1280833-1		HOUSING-RELIEF VALVE -----							1	
-38	S272-5		BALL -----							2	
-39	MS28775-012		PACKING -----							1	
-40	1280837-1		POPPET ASSY -----							1	
-41	1280837-3		POPPET -----							1	
-42	1280831-1		ORFICE -----							1	
-43	1280832-1		ADATER -----							1	
-44	1280813-1		DIPSTICK -----							1	
-45	MS16625-1050		RING-RETAINER -----							1	
-46	1280809-4		SCREEN ASSY -----							1	
-47	1280823-1		PUMP ASSY WEU 1280823-2 -----							1	B
	1280823-2		PUMP ASSY -----							1	C
-48	MS28775-129		PACKING -----							1	
-49	MS28775-130		PACKING -----							1	
-50	S1628-129		RING-BACK UP -----							1	
-51	S1628-130		RING-BACK UP -----							1	
-52	1280824-1		COUPLING-PUMP -----							1	
-53	1280817-1		RETAINER -----							1	
-54	1280812-1		FILTER ASSY -----							1	
-55	1280817-4		SPACER -----							1	K
-56	S2059-3		VALVE-CHECK -----							1	
-57	MS28775-012		PACKING -----							2	
-58	S1628-012		BACK UP -----							1	
-59	1280817-5		RETAINER -----							1	
-60	S1628-012		BACK UP -----							1	
-61	MS28775-012		PACKING -----							2	
-62	1280826-1		VALVE ASSY-THERMAL RELIEF -----							1	
-63	1280828-1	*	SPACER -----							1	K
-64	S2019-23		NAMEPLATE -----							1	H
	S2019-32		NAMEPLATE -----							1	J
	S2019-34		NAMEPLATE -----							1	L
	S2019-42		NAMEPLATE -----							1	M

CONTINUED ON NEXT PAGE



FIGURE AND INDEX NO.	PART NUMBER	DESCRIPTION	UNITS PER ASSY	USABLE ON CODE		
					1	2
118A-65	MS16625-1050	RING-RETAINER -----	1			
-66	1280809-5	SCREEN ASSY -----	1			
-67	MS28778-3	PACKING -----	1			
-68		DELETED-NOT USED -----				
-69	MS28778-4	PACKING -----	1			
	1280822-9	SWITCH ASSY-PRESSURE WEU 1280840-1 -----	1	F		
-70	1280822-3	FITTING -----	1			
-71	AN924-6D	NUT -----	1			
-72	1280822-4	PISTON -----	1			
-73	MS28778-004	PACKING -----	1			
-74	1280829-1	SPRING -----	1			
-75	1280822-7	SPACER -----	1			
-76	MS16625-1037	RING-RETAINING -----	1			
-77	1280822-2	HOUSING -----	1			
-78	C2006C-N-EC	SWITCH CSDC -----	1			
-79	1280844-1	CAP -----	1			
	1280840-1	SWITCH ASSY-PRESSURE -----	1	G		
-80	1280842-1	FITTING -----	1			
-81	MS28778-003	PACKING -----	1			
-82	1280841-1	PISTON -----	1			
-83	LC032886MW	SPRING LSCI -----	1			
-84	1280515-7	GUIDE -----	1			
-85	1280838-2	SPRING -----	1			
-86	1280843-1	SPACER -----	1			
-87	MS16625-1050	RING-RETAINER -----	1			
-88	1280825-1	NUT -----	1			
	1280825-2	NUT ALT -----	1			
-89	1280839-1	HOUSING -----	1			
-90	C2006C-N-EC	SWITCH CSDC -----	1			
-91	1280844-1	CAP -----	1			
<p>NOTE. *ON AIRPLANES SERIAL 21059503 THRU 21059612, THIS SPACER REPLACES THE TWO EXISTING SPACERS. SEE DETAIL A ON ILLUSTRATION.</p> <p>NOTE. %WHEN INITIALLY ORDERING THIS PART FOR AIRCRAFT PERTAINING TO CODE D ALSO ORDER 1280815-2 BAFFLE.</p> <p>NOTE. **WHEN INITIALLY ORDERING THIS PART FOR AIRPLANES PRIOR TO 21060539 ALSO ORDER AN814-3D, AN814-4D, MS28778-3 & MS28778-4 SHOWN ON FIG 116A.</p> <p>A---210 & T210 SERIAL 21059503 & ON</p> <p>B---210 & T210 SERIAL 21059503 THRU 21059713 21059719 & 21059720</p> <p>C---210 & T210 SERIAL 21059714 THRU 21059718 21059721 & ON</p> <p>D---210 & T210 SERIAL 21059503 THRU 21060010 21060031 THRU 21060057 21060059 THRU 21060070 21060072 THRU 21060090</p> <p>E---210 & T210 SERIAL 21060011 THRU 21060030 21060058, 21060071 & 21060091 & ON</p> <p>F---210 & T210 SERIAL 21059503 THRU 21060089</p> <p>G---210 & T210 SERIAL 21060090 & ON</p> <p>H---210 & T210 SERIAL 21059503 THRU 21059505 21059507 THRU 21059510 21059512, 21059513, 21059517, 21059519, 21059520, 21059522, 21059524 THRU 21059526 21059530 THRU 21059533 21059535, 21059536</p> <p>J---210 & T210 SERIAL 21059506, 21059511, 21059514 THRU 21059516 21059518, 21059521, 21059529, 21059527 THRU 21059529 21059534 & 21059537 THRU 21059644</p> <p>K---210 & T210 SERIAL 21059503 THRU 21060539</p> <p>L---210 & T210 SERIAL 21059645 THRU 21060539</p> <p>M---210 & T210 SERIAL 21060540 & ON</p>						

Hydraulic System (Cont)

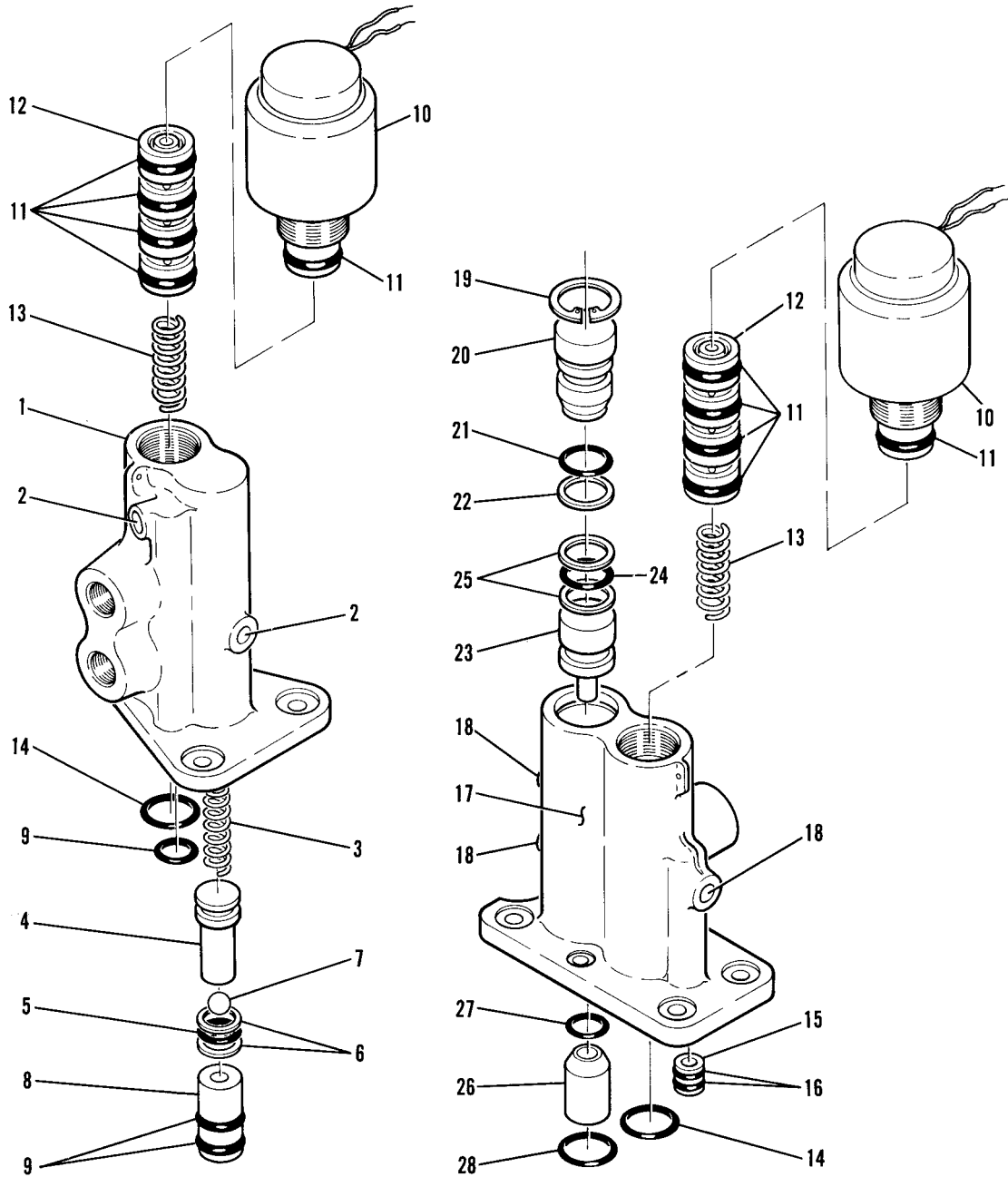


210 & T210 SERIAL 21059200 THRU 21059502

Figure 119. Power Pack Manifold Assembly

FIGURE AND INDEX NO.	PART NUMBER	DESCRIPTION	UNITS PER ASSY	USABLE ON CODE
119 -		POWERPACK MANIFOLD ASSEMBLY -----	NP	A
		ATTACHING PARTS -----		
- 1	NAS608C3H24	SCREW -----	4	
- 2	294076-1	TRANSFER TUBE DAC -----	7	
- 3	MS28775-011	PACKING -----	14	
		---*---		
- 4	294017-1	SPRING-TIME DELAY DAC -----	1	
- 5	1298000-1	SOLENOID -----	1	
- 6	LC042C8MW	SPRING LSCI -----	1	
- 7	MS28775-018	PACKING -----	1	
- 8	1298011-1	SLEEVE & SPOOL -----	1	
		ATTACHING PARTS -----		
- 9	MS16555-621	PIN -----	1	
		---*---		
-10	MS28775-016	PACKING -----	4	
-11	MS28775-011	PACKING -----	1	
-12	MS28775-013	PACKING -----	1	
-13	294089-1	RETAINER ASSEMBLY DAC -----	1	
-14	294087-1	SPRING DAC -----	1	
-15	MS28775-008	PACKING -----	1	
-16	294028-1	POPPET DAC -----	1	
-17	MS28775-006	PACKING -----	1	
-18	294002-3	MANIFOLD HOUSING ASSEMBLY DAC -----	1	
-19		PLUNGER DAC -----	NP	
-20		SPOOL DAC -----	NP	
-21	294088-1	GUIDE DAC -----	1	
-22	NAS509-7	NUT -----	1	
A---210 & T210 SERIAL 21059200 THRU 21059502				

Hydraulic System (Cont)

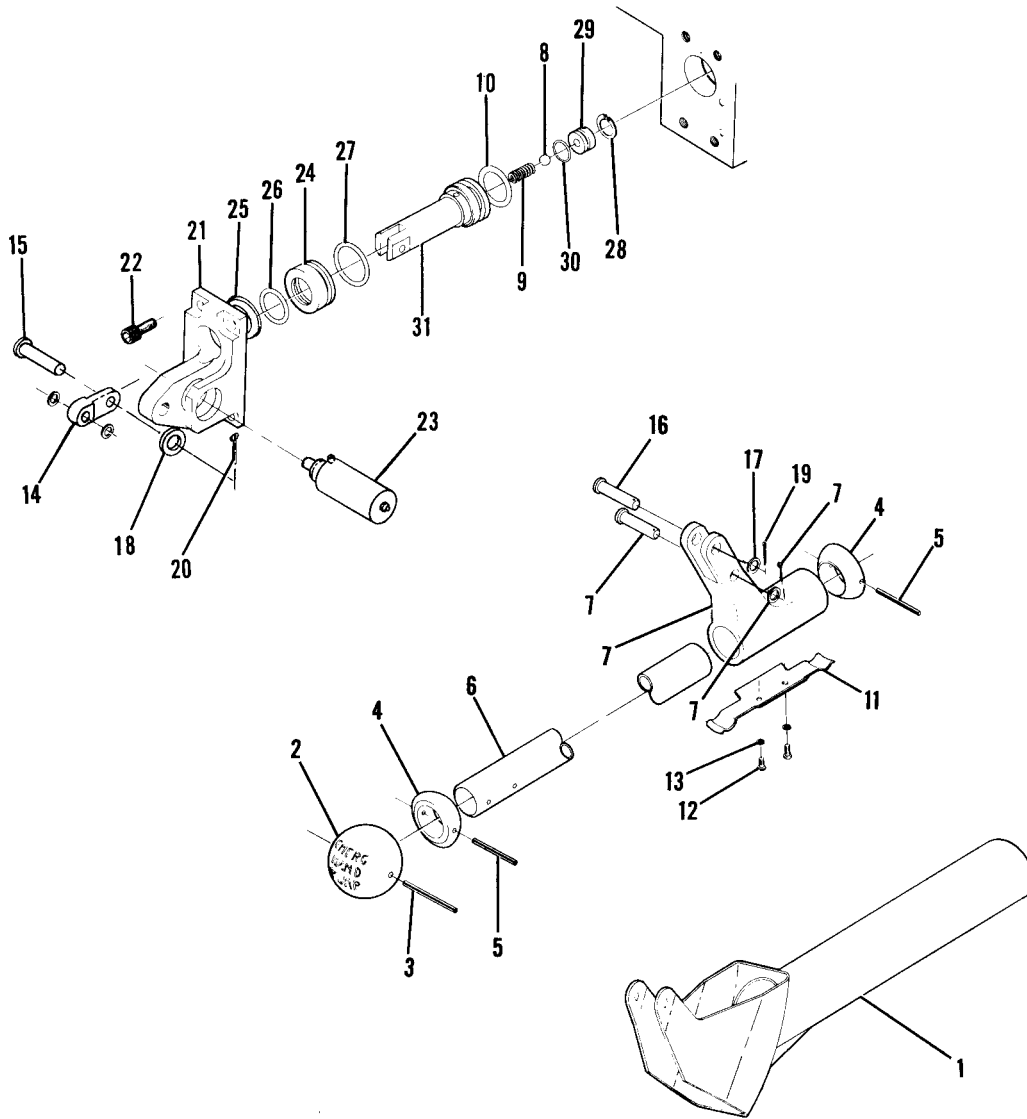


210 & T210 SERIAL 21059503 & ON

Figure 119A. Power Pack Manifold Assemblies

FIGURE AND INDEX NO.	PART NUMBER	DESCRIPTION	UNITS PER ASSY	USABLE ON CODE
		1 2 3 4 5 6 7		
119A-		POWER PACK MANIFOLD ASSEMBLIES -----	1	A
- 1	1280802-1	MANIFOLD ASSEMBLY-GEAR -----	1	
- 2	S2121-5	PLUG -----	2	
- 3	LC-0450-17MW	SPRING LSCI -----	1	
- 4	1280807-4	POPPET -----	1	
- 5	MS28775-011	PACKING -----	1	
- 6	S1628-011	RING-BACK UP -----	2	
- 7	S272-8	BALL -----	1	
- 8	1280807-2	SEAT -----	1	
- 9	MS28775-012	PACKING -----	3	
-10	1280830-1	SOLENOID -----	2	
-11	MS28775-014	PACKING -----	10	
-12	1280804-1	VALVE ASSEMBLY-SELECTOR -----	2	
-13	LC-0400-13MW	SPRING LSCI -----	2	
-14	MS28775-113	PACKING -----	2	
-15	1280821-1	TUBE-TRANSFER -----	1	
-16	MS28775-010	PACKING -----	2	
-17	1280803-1	MANIFOLD ASSEMBLY-GEAR DOORS -----	1	
-18	S2121-5	PLUG -----	3	
-19	MS16625-1068	RING-RETAINING -----	1	
-20	1280816-2	GLAND-END -----	1	
-21	MS28775-014	PACKING -----	1	
-22	S1628-014	RING-BACK UP -----	1	
-23	1280816-1	PISTON -----	1	
-24	MS28775-111	PACKING -----	1	
-25	S1628-111	RING-BACK UP -----	2	
-26	S2059-3	CHECK VALVE -----	1	
-27	MS28775-012	PACKING -----	1	
-28	MS28775-113	PACKING -----	1	
A---210 & T210 SERIAL 21059503 & ON				

Hydraulic System (Cont)



210 & T210 SERIAL 21059200 THRU 21059502

Figure 120. Emergency Hand Pump Installation

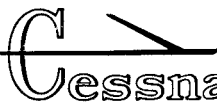
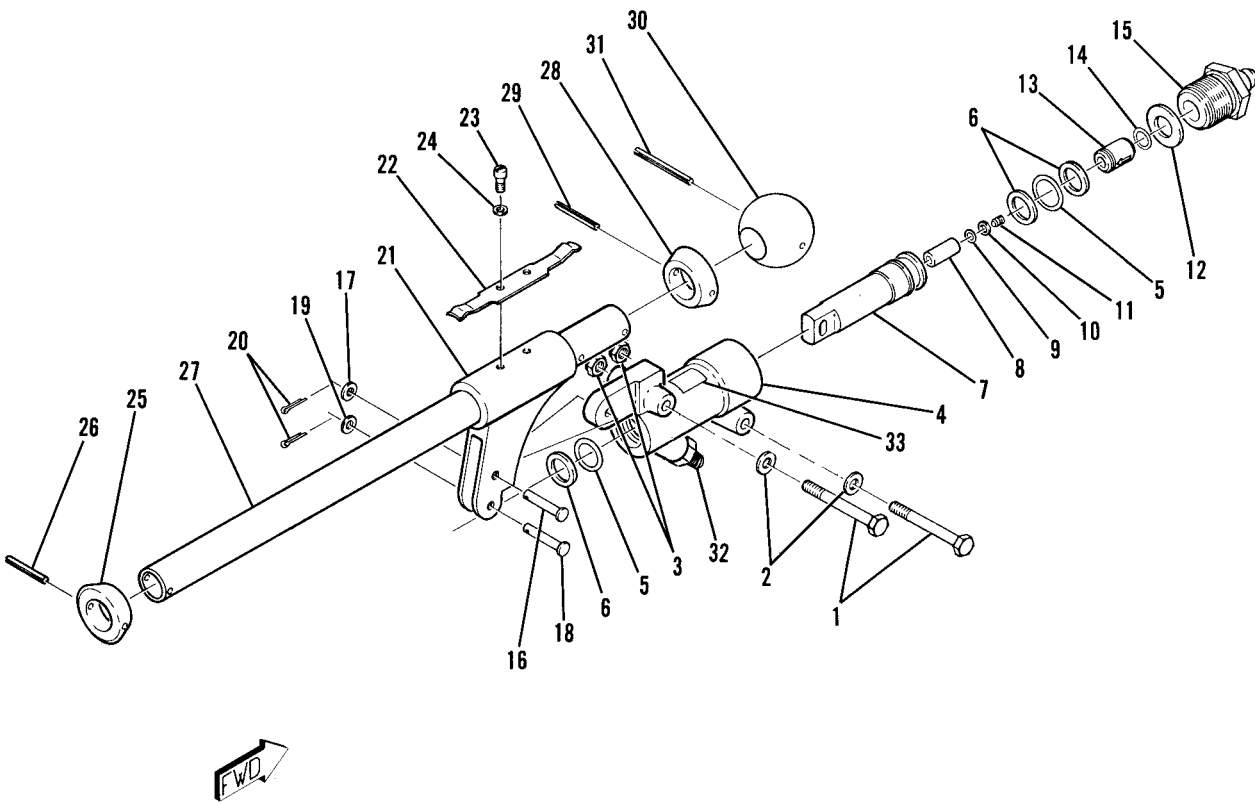


FIGURE AND INDEX NO.	PART NUMBER	DESCRIPTION	UNITS PER ASSY	USABLE ON CODE
120 -		EMERGENCY HAND PUMP INSTALLATION -----	NP	A
- 1	1280619-1	GUARD ASSY-HANDLE -----	1	
		ATTACHING PARTS -----		
	AN520-10R8	SCREW -----	1	
	AN960-10L	WASHER -----	1	
	AN735D22	CLAMP -----	1	
		---*---		
- 2	S2060-2	GRIP-HANDLE -----	1	
		ATTACHING PARTS -----		
- 3	MS171534	PIN-SPRING -----	1	
		---*---		
- 4	2080010-4	STOP-HANDLE -----	2	
		ATTACHING PARTS -----		
- 5	MS171534	PIN-SPRING -----	1	
		---*---		
- 6	1280010-6	HANDLE -----	1	
- 7	2080007-201	LEVER ASSY -----	1	
- 8	MS134356	BALL -----	1	
- 9	294018-1	SPRING OAC -----	1	
-10	MS28775-115	PACKING -----	1	
-11	2013069-1	SPRING-HANDLE LATCH -----	1	
		ATTACHING PARTS -----		
-12	AN500AD6-3	SCREW -----	2	
-13	MS122028	WASHER -----	2	
		---*---		
-14	1298012-4	LINK -----	1	
		ATTACHING PARTS -----		
-15	MS20392-2C15	PIN -----	1	
-16	MS20392-2C23	PIN -----	1	
-17	AN960-10L	WASHER -----	1	
-18	S1450-355-016	WASHER -----	1	
-19	MS24665-151	COTTER PIN -----	1	
-20	MS24665-132	COTTER PIN -----	1	
		---*---		
-21	294004-1	BRACKET ASSY-HAND PUMP OAC -----	1	
		ATTACHING PARTS -----		
-22	NAS680C4-8	SCREW -----	4	
		---*---		
-23	1298013-1	SOLENOID -----	1	
-24	294050-1	GLAND-HAND PUMP OAC -----	1	
-25	MS28776-3	SCRAPER -----	1	
-26	MS28775-114	PACKING -----	1	
-27	MS28775-021	PACKING -----	1	
-28	CR43	SNAP RING -----	1	
-29	294051-1	SEAT OAC -----	1	
-30	MS28775-011	PACKING -----	1	
-31	1298012-1	PISTON ASSY-HAND PUMP -----	1	
A---210 & T210 SERIAL 21059200 THRU 21059502				

Hydraulic System (Cont)

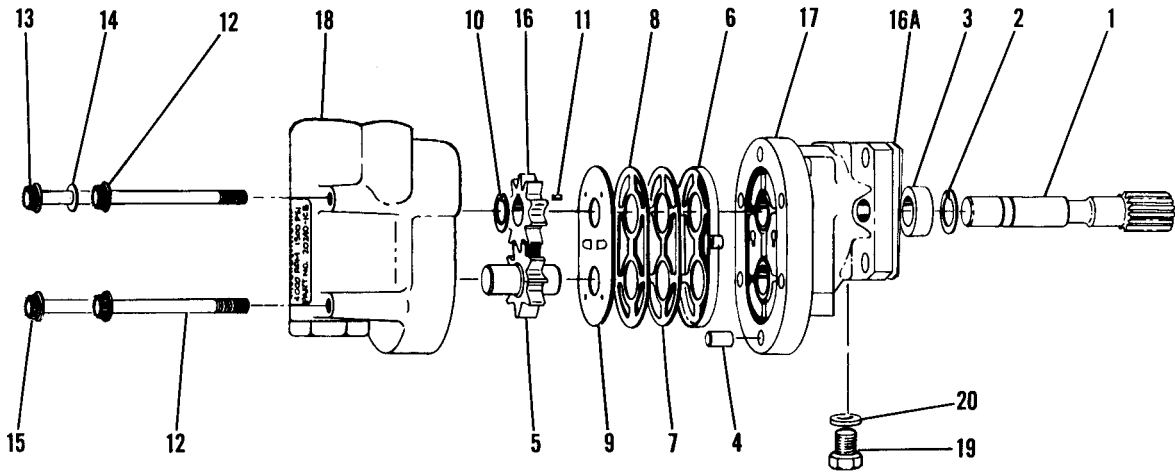


210 & T210 SERIAL 21059503 & ON

Figure 120A. Emergency Hand Pump Assembly

FIGURE AND INDEX NO.	PART NUMBER	DESCRIPTION	UNITS PER ASSY	USABLE ON CODE
		1 2 3 4 5 6 7		
120A-	1280114-1	PUMP ASSEMBLY-EMERGENCY HAND ----- ATTACHING PARTS -----	1	A
- 1	AN4-16A	BOLT -----	2	
- 2	AN960-416L	WASHER -----	2	
- 3	MS21042L4	NUT -----	2	
		---*---		
	2080006-1	BODY ASSEMBLY-HAND PUMP -----	1	
- 4	2080006-2	BODY-HAND PUMP -----	1	
- 5	MS28775-114	PACKING -----	2	
- 6	S1628-114	RING -----	3	
- 7	2080018-1	PISTON -----	1	
- 8	1458	* VALVE -----	1	
- 9	MS28775-008	PACKING -----	1	
-10	2080008-2	SPACER -----	1	
-11	2080019-1	** SCREW-SET -----	1	
-12	2080009-2	WASHER -----	1	
-13	2080030-1	VALVE -----	1	
-14	MS28775-012	PACKING -----	1	
-15	2080009-1	END FITTING -----	1	
	2080007-1	FORK ASSEMBLY-HAND PUMP ----- ATTACHING PARTS -----	1	
-16	MS20392-2C27	PIN -----	1	
-17	AN960-10L	WASHER -----	1	
-18	MS20392-3C27	PIN -----	1	
-19	AN960-416L	WASHER -----	1	
-20	MS24665-132	COTTER PIN -----	2	
		---*---		
-21	2080007-2	FORK -----	1	
-22	2013069-1	SPRING -----	1	
		ATTACHING PARTS -----		
-23	AN500D6-3	SCREW -----	2	
-24	MS122028	WASHER -----	2	
		---*---		
-25	2080010-4	STOP -----	1	
		ATTACHING PARTS -----		
-26	NAS561P4-18	PIN -----	1	
		---*---		
	2080010-1	HANDLE ASSEMBLY-HAND PUMP -----	1	
-27	2080010-2	HANDLE -----	1	
-28	2080010-4	STOP -----	1	
		ATTACHING PARTS -----		
-29	NAS561P4-18	PIN -----	1	
		---*---		
-30	S2060-2	KNOB -----	1	
		ATTACHING PARTS -----		
-31	NAS561P4-22	PIN -----	1	
		---*---		
-32	AN815-3D	UNION -----	1	
-33	S2019-25	NAMEPLATE -----	1	
<p>NOTE. *WHEN INITIALLY ORDERING THIS PART FOR AIRPLANES PRIOR TO SERIAL 21059503 ALSO ORDER PART MARKED **.</p> <p>A---210 & T210 SERIAL 21059503 & ON</p>				

Hydraulic System (Cont)

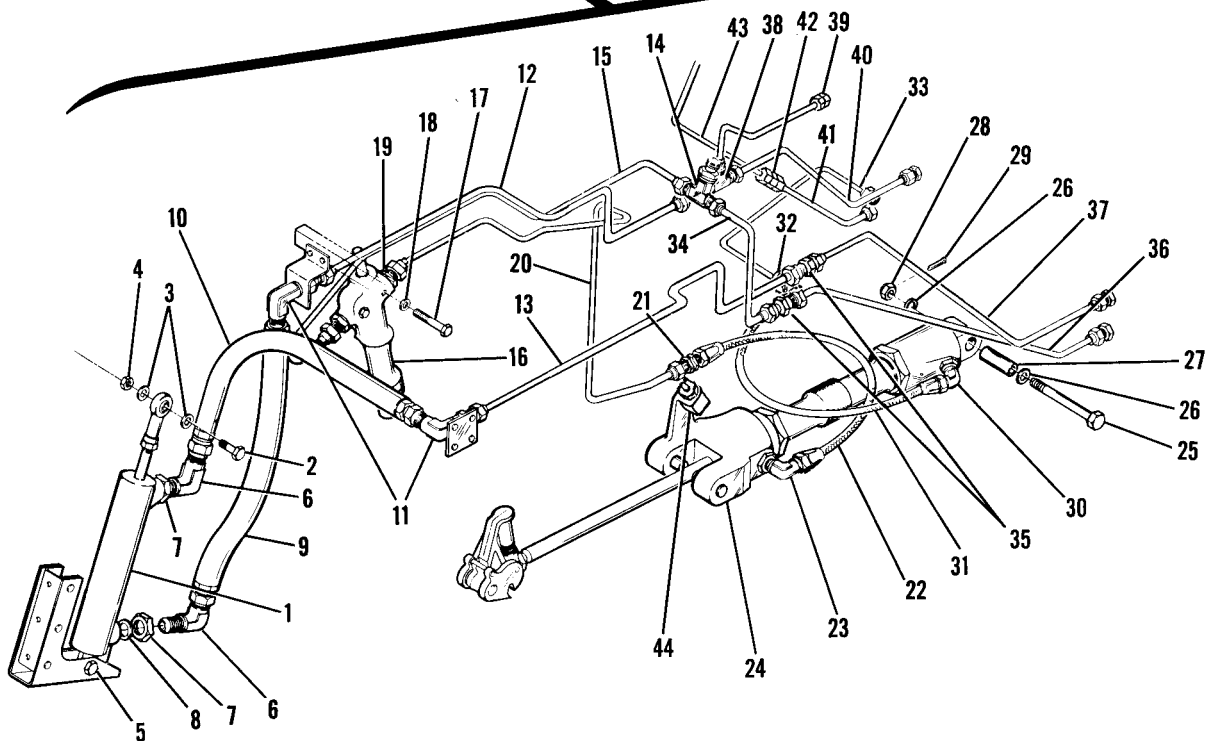
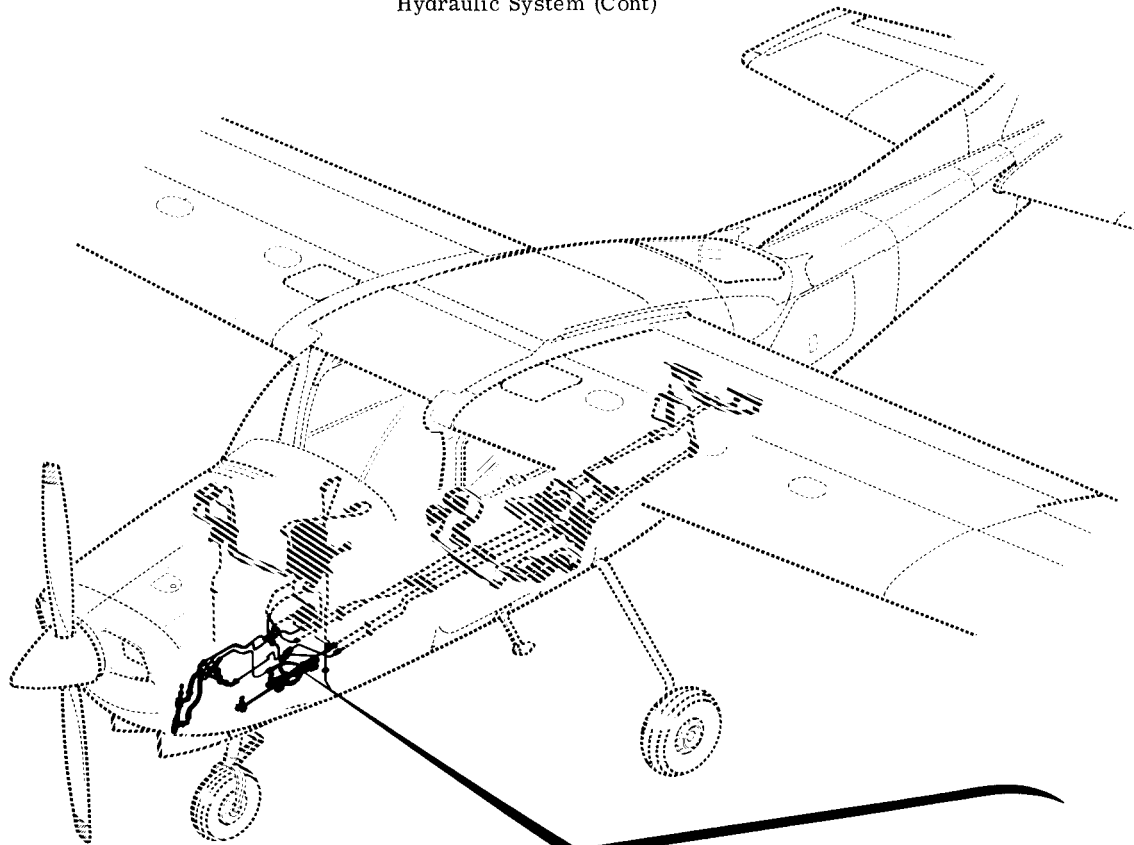


210 & T210 SERIAL 21059200 THRU 21059502

Figure 121. Hydraulic Pump Assembly

FIGURE AND INDEX NO.	PART NUMBER	DESCRIPTION	UNITS PER ASSY	USABLE ON CODE
121 -	1280103-8	HYDRAULIC PUMP ASSEMBLY 20240-1CF -----	1	A
- 1	20240-18	DRIVE SHAFT CESH -----	1	
- 2	16077-14	* SNAP RING CESH -----	1	
- 3	16233-7	* SEAL-SHAFT CESH -----	1	
- 4	16028-0404	PIN-DOWEL CESH -----	2	
- 5	20246-5	GEAR ASSEMBLY-IDLER CESH -----	1	
	20246-4	SHAFT-IDLER CESH -----	1	
	20246-3	GEAR CESH -----	1	
	20240-9	* SNAP RING CESH -----	1	
	20246-7	KEY CESH -----	1	
- 6	20240-14	* SEAL-DIAPHRAGM CESH -----	1	
- 7	20240-15	* GASKET-PROTECTOR CESH -----	1	
- 8	20240-16	* GASKET-BACK UP CESH -----	1	
- 9	20240-17	* DIAPHRAGM CESH -----	1	
-10	20240-9	SNAP RING CESH -----	2	
-11	20240-25	* KEY CESH -----	1	
-12	16119-422	SCREW-CAP CESH -----	2	
-13	16119-416	SCREW-CAP CESH -----	1	
-14	20240-22	* WASHER CESH -----	1	
-15	16119-410	SCREW-CAP CESH -----	1	
-16	20246-3	GEAR CESH -----	1	
-16A	20240-21	* MOUNTING PAD GASKET CESH -----	1	
-17	20240-53	FRONT PLATE ASSEMBLY CESH -----	1	
-18	20240-76	REAR HOUSING ASSEMBLY CESH -----	1	
	20240-77	KIT-MAJOR SEAL REPAIR CESH CONSISTS OF ALL PARTS -----	1	
		MARKED*.		
-19	MS2191303	PLUG -----	1	
-20	MS28775-010	O RING -----	1	
<p>NOTE. *THESE PARTS CAN BE ORDERED AS A MAJOR SEAL REPAIR KIT-PART NUMBER 20240-77.</p> <p>A---210 & T210 SERIAL 21059200 THRU 21059502</p>				

Hydraulic System (Cont)



210 & T210 SERIAL 21059200 THRU 21059502

Figure 122. Nose Gear & Nose Gear Doors Hydraulic System Installation



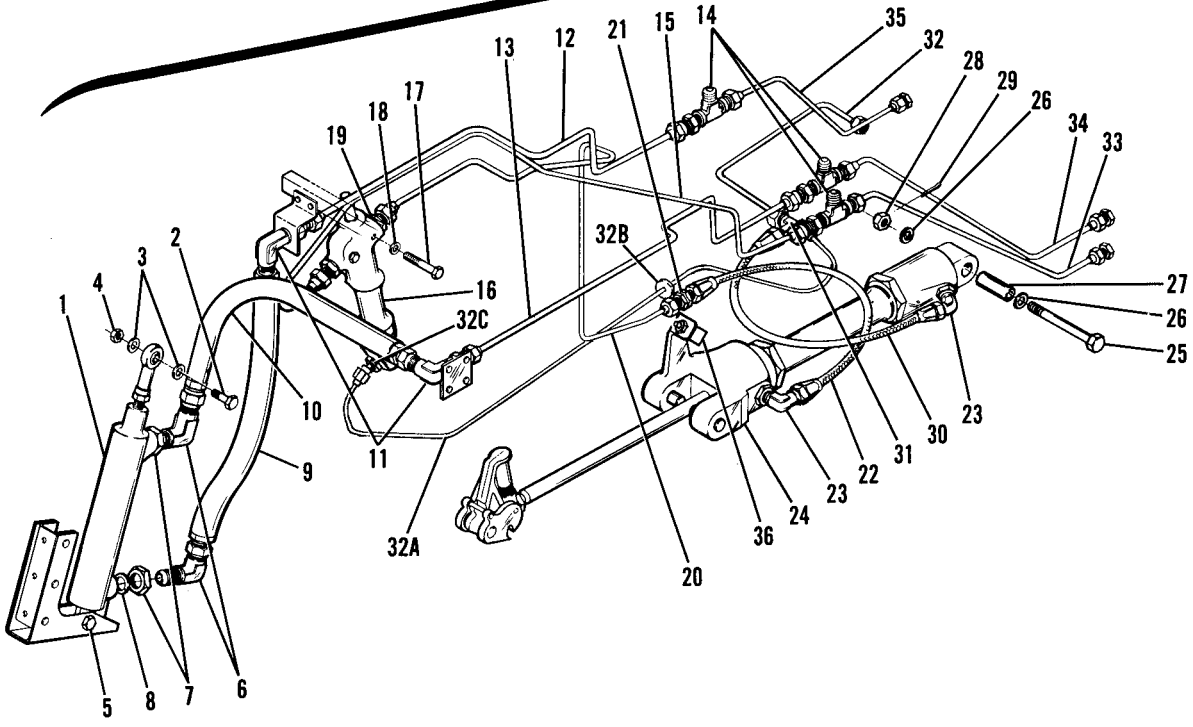
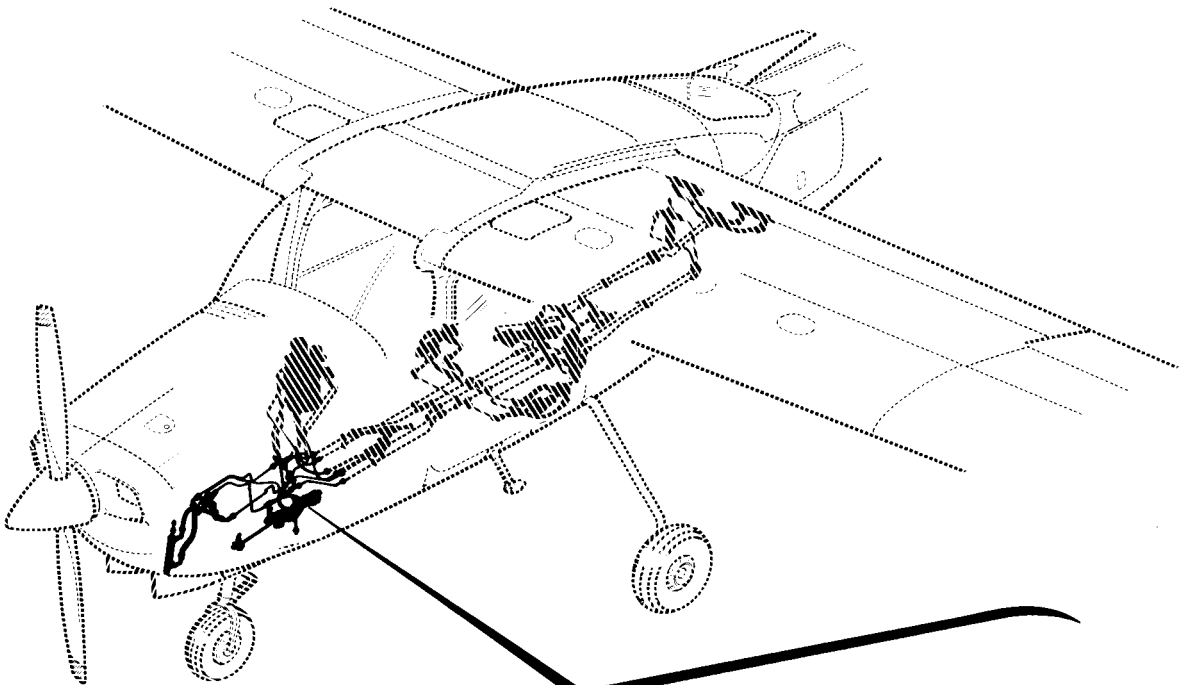
FIGURE AND INDEX NO.	PART NUMBER	DESCRIPTION	UNITS PER ASSY	USABLE ON CODE
122 -		NOSE GEAR & NOSE GEAR DOORS HYDRAULIC SYSTEM INSTALLATION -----	NP	C
- 1	SEE FIG 128	ACTUATOR-NOSE GEAR DOORS -----	1	
		ATTACHING PARTS		
- 2	AN3-7A	BOLT -----	1	
- 3	AN960-10	WASHER -----	AR	
- 4	MS21044N3	NUT -----	1	
- 5	AN3-13A	BOLT -----	1	
	AN960-10L	WASHER -----	2	
	NAS43HT3-19	SPACER -----	1	
	MS21044N3	NUT -----	1	
		---*---		
- 6	AN833-4D	ELBOW -----	2	
- 7	AN924-4D	NUT -----	2	
- 8	MS28778-1	GASKET -----	2	
- 9	S1167C4-0095	HOSE ASSEMBLY-DOOR OPEN -----	1	
-10	S1167C4-0122	HOSE ASSEMBLY-DOOR CLOSE -----	1	
-11	AN833-4D	ELBOW -----	2	
	AN960PD716	WASHER -----	4	
	AN924-4D	NUT -----	2	
-12	1280506-126	LINE ASSEMBLY-DOOR OPEN -----	1	
-13	1280506-125	LINE ASSEMBLY-DOOR CLOSE -----	1	
-14	AN834-4D	TEE -----	1	
	AN960PD716	WASHER -----	2	
	AN924-4D	NUT -----	1	
-15	1280509-41	LINE ASSEMBLY-GEAR DOWN -----	1	
-16	SEE FIG 131	ACTUATOR ASSEMBLY-UNLOCK -----	1	
		ATTACHING PARTS		
-17	AN4-14A	BOLT -----	2	
-18	AN960-416	WASHER -----	2	
	1243631-1	SHIM -----	AR	
	MS21042L4	NUT -----	2	
		---*---		
-19	AN919-2D	REDUCER -----	1	
	MS28778-4	O RING -----	1	
-20	1280506-128	LINE ASSEMBLY-GEAR DOWN -----	1	
-21	AN832-3D	UNION -----	1	
	AN924-3D	NUT -----	1	
	AN960PD616	WASHER -----	1	
-22	S1167-3-*	HOSE ASSEMBLY-GEAR DOWN -----	1	
-23	AN833-3D	ELBOW -----	1	
	AN924-3D	NUT -----	1	
	MS28778-3	GASKET -----	1	
-24	SEE FIG 126	ACTUATOR ASSEMBLY-NOSE GEAR -----	1	
	SEE FIG 126A	ACTUATOR ASSEMBLY-NOSE GEAR -----	1	D E
		ATTACHING PARTS		
-25	NAS464P5-42	BOLT -----	1	
-26	AN960-516L	WASHER -----	2	
-27	1243632-1	BUSHING-ACTUATOR -----	1	
-28	AN320-5	NUT -----	1	
-29	MS24665-136	PIN-COTTER -----	1	
		---*---		
-30	AN833-3D	ELBOW -----	1	
	AN6289D3	NUT -----	1	
	MS28778-3	O RING -----	1	
-31	S1167-3-*	HOSE ASSEMBLY-GEAR UP -----	1	
-32	AN833-3D	ELBOW -----	1	
	AN924-3D	NUT -----	1	
	AN960PD616	WASHER -----	2	
-33	1280506-54	LINE ASSEMBLY-GEAR UP -----	1	
-34	1280509-40	LINE ASSEMBLY-GEAR DOWN -----	1	
-35	AN832-4D	UNION -----	2	
	AN924-4D	NUT -----	2	
	AN960-716	WASHER -----	4	

CONTINUED ON NEXT PAGE

FIGURE AND INDEX NO.	PART NUMBER	DESCRIPTION	UNITS PER ASSY	USABLE ON
				CODE
122 -36	1280506-135	LINE ASSEMBLY-GEAR DOWN -----	1	
-37	1280506-138	LINE ASSEMBLY-DOOR CLOSE -----	1	
-38	AN804D4	TEE -----	1	
	AN924-4D	NUT -----	1	
	AN960PD716	WASHER -----	2	
-39	1280509-16	LINE ASSEMBLY-DOOR OPEN -----	1	A
	SEE FIG 116	LINE ASSEMBLY-DOOR OPEN -----	1	B
-40	1280506-139	LINE ASSEMBLY-DOOR OPEN -----	1	
-41	1280506-150	LINE ASSEMBLY-GEAR UP -----	1	
-42	AN815-4D	UNION -----	1	
-43	1280506-151	LINE ASSEMBLY-GEAR UP -----	1	
-44	S1377-1	SWITCH-DOWNLOCK -----	1	
NOTE. *LENGTH TO BE DETERMINED LATER				
A---210 & T210 SERIAL 21059200 THRU 21059399				
B---210 & T210 SERIAL 21059400 THRU 21059502				
C---210 & T210 SERIAL 21059200 THRU 21059502				
D---210 & T210 SERIAL 21059200 THRU 21059407				
E---210 & T210 SERIAL 21059408 THRU 21059502				

FIGURE AND INDEX NO.	PART NUMBER	DESCRIPTION	UNITS PER ASSY	USABLE ON CODE
		1 2 3 4 5 6 7		
122A-		NOSE GEAR & NOSE GEAR DOORS HYDRAULIC SYSTEM INSTALLATION -----	NP	A
- 1	SEE FIG 128	ACTUATOR-NOSE GEAR DOORS -----	1	
		ATTACHING PARTS		
- 2	AN3-7A	BOLT -----	1	
- 3	AN960-10	WASHER -----	AR	
- 4	MS21044N3	NUT -----	1	
- 5	AN3-13A	BOLT -----	1	
	AN960-10L	WASHER -----	2	
	NAS43HT3-19	SPACER -----	1	
	MS21044N3	NUT -----	1	
		-----*		
		CONTINUED ON NEXT PAGE		

Hydraulic System (Cont)

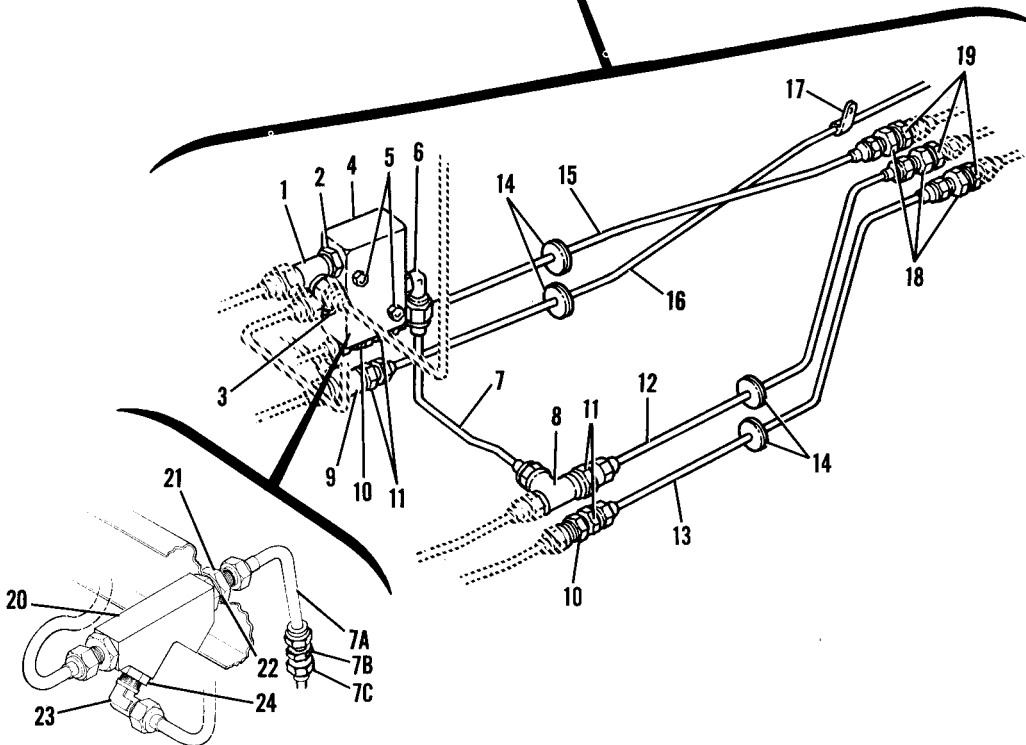
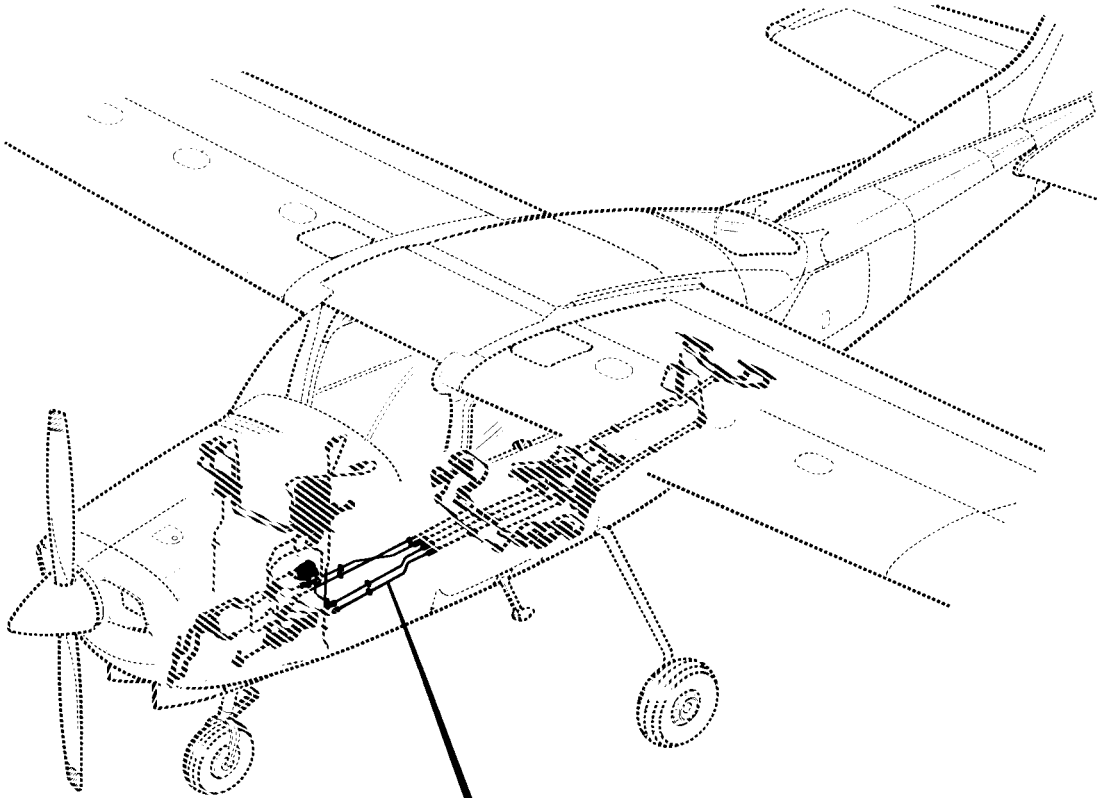


210 & T210 SERIAL 21059503 & ON

Figure 122A. Nose Gear & Nose Gear Doors Hydraulic System Installation

FIGURE AND INDEX NO.	PART NUMBER	DESCRIPTION	UNITS PER ASSY	USABLE ON CODE
		1 2 3 4 5 6 7		
122A- 6	AN833-4D	ELBOW -----	2	
- 7	AN924-4D	NUT -----	2	
- 8	MS28778-4	PACKING -----	2	
- 9	S2178-4-0095	HOSE ASSEMBLY-DOOR OPEN -----	1	
-10	S2178-4-0126	HOSE ASSEMBLY-DOOR CLOSE -----	1	
-11	AN833-4D	ELBOW -----	2	
	AN960PD716	WASHER -----	4	
	AN924-4D	NUT -----	2	
-12	1280506-126	LINE ASSEMBLY-DOOR OPEN -----	1	
-13	1280506-125	LINE ASSEMBLY-DOOR CLOSE -----	1	
-14	AN804-4D	TEE -----	3	
	AN960PD716	WASHER -----	6	
	AN924-4D	NUT -----	3	
-15	1280509-53	LINE ASSEMBLY-GEAR DOWN -----	1	
-16	SEE FIG 131A	ACTUATOR ASSEMBLY-UNLOCK -----	1	
		ATTACHING PARTS		
-17	AN4-14A	BOLT -----	2	
-18	AN960-416	WASHER -----	2	
	MS21042L4	NUT -----	2	
		-----*		
-19	AN919-2D	REDUCER -----	1	
	MS28778-4	O RING -----	1	
-20	1280506-128	LINE ASSEMBLY-GEAR DOWN -----	1	
-21	AN832-3D	UNION -----	1	
	AN924-3D	NUT -----	1	
	AN960PD616	WASHER -----	1	
-22	S2178-3-0144	HOSE ASSEMBLY-GEAR DOWN -----	1	
-23	AN833-3D	ELBOW -----	2	
	AN924-3D	NUT -----	2	
	MS28778-3	GASKET -----	2	
-24	SEE FIG 126A	ACTUATOR ASSEMBLY-NOSE GEAR -----	1	
		ATTACHING PARTS		
-25	NAS464P5-42	BOLT -----	1	
-26	AN960-516L	WASHER -----	2	
-27	1243632-1	BUSHING-ACTUATOR -----	1	
-28	AN320-5	NUT -----	1	
-29	MS24665-136	PIN-COTTER -----	1	
		-----*		
-30	S2178-3-0122	HOSE ASSEMBLY-GEAR UP -----	1	
-31	AN804D3	TEE -----	1	
	AN924-3D	NUT -----	1	
	AN960PD616	WASHER -----	2	
-32	1280506-54	LINE ASSEMBLY-GEAR UP -----	1	
-32A	1280509-75	LINE ASSEMBLY-GEAR UP -----	1	
-32B	MS35489-5	GROMMET -----	1	
-32C	AN919-2D	REDUCER -----	1	
	MS28778-4	PACKING -----	1	
-33	1280509-54	LINE ASSEMBLY-GEAR DOWN -----	1	
-34	1280506-138	LINE ASSEMBLY-DOOR CLOSE -----	1	
-35	1280506-139	LINE ASSEMBLY-DOOR OPEN -----	1	
-36	S1377-1	SWITCH-DOWNLOCK -----	1	
A---210 & T210 SERIAL 21059503 & ON				

Hydraulic System (Cont)



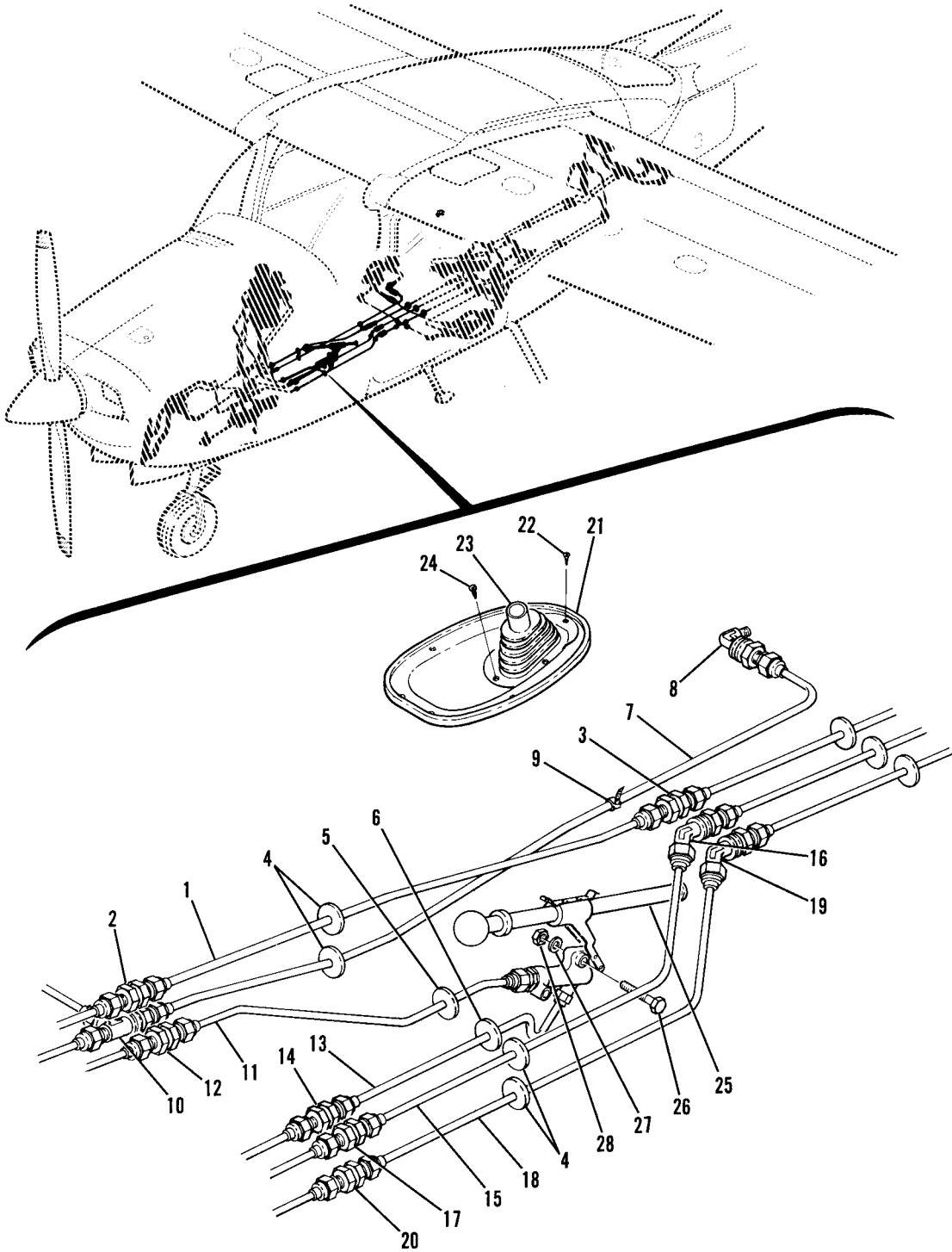
SERIAL 21059400
THRU 21059502

210 & T210 SERIAL 21059200 THRU 21059502

Figure 123. Hydraulic System Installation - Lock Out Valve to Sta. 44.00

FIGURE AND INDEX NO.	PART NUMBER	DESCRIPTION	UNITS PER ASSY	USABLE ON CODE
123 -		HYDRAULIC SYSTEM INSTALLATION-LOCK OUT VALVE TO STA 44.00 -----	NP	C
- 1	AN804-4D	TEE -----	1	A
- 2	AN924-4D	NUT -----	1	A
	MS28778-4	O RING -----	1	A
- 3	AN815-4D	UNION -----	1	A
	MS28778-4	O RING -----	1	A
- 4		VALVE-LOCKOUT DAC FSD SK210-67 -----	1	A
		ATTACHING PARTS		
- 5	AN4-15A	BOLT -----	2	A
	AN960PD416	WASHER -----	4	A
	MS21042L5	NUT -----	2	A
		---*---		
- 6	AN921-4D	ELBOW -----	1	A
	AN924-4D	NUT -----	1	A
	MS28778-4	O RING -----	1	A
- 7	1280509-23	LINE ASSEMBLY-DOOR CLOSE -----	1	A
- 7A	1280509-47	LINE ASSEMBLY-DOOR CLOSE -----	1	B
- 7B	AN815-4D	UNION -----	1	B
- 7C	1280509-23	LINE ASSEMBLY-DOOR CLOSE -----	1	B
- 8	AN804D4	TEE -----	1	
- 9	AN783D4	TEE-INTERNAL THREAD ON SIDE -----	1	
	AN919-2D	REDUCER -----	1	
	MS28778-4	GASKET -----	1	
-10	AN832-4D	UNION -----	2	
-11	AN924-4D	NUT -----	4	
	AN960PD716	WASHER -----	8	
-12	1280509-24	LINE ASSEMBLY-DOOR CLOSE -----	1	
-13	1280509-6	LINE ASSEMBLY-GEAR DOWN -----	1	
-14	MS35489-7	GROMMET -----	4	
-15	1280509-17	LINE ASSEMBLY-DOOR OPEN -----	1	
-16	1280509-29	LINE ASSEMBLY-GEAR UP -----	1	
-17	MS21919DG4	CLAMP -----	1	D
		ATTACHING PARTS		
	AN520-10R6	SCREW -----	1	D
	MS21044N3	NUT -----	1	D
		---*---		
	S1693-1	STA-STRAP -----	1	E
-18	AN832-4D	UNION -----	3	
-19	AN924-4D	NUT -----	3	
	AN960-716	WASHER -----	3	
-20	SEE FIG 130C	VALVE ASSEMBLY-DOOR CLOSE LOCK -----	1	B
		ATTACHING PARTS		
-21	AN924-4D	NUT -----	1	
-22	AN960PD716	WASHER -----	2	
		---*---		
-23	AN833-4D	ELBOW -----	1	B
-24	AN924-4D	NUT -----	1	B
	MS28775-4	O RING -----	1	B
<p>A---210 & T210 SERIAL 21059200 THRU 21059399 B---210 & T210 SERIAL 21059400 THRU 21059502 C---210 & T210 SERIAL 21059200 THRU 21059502 D---210 & T210 SERIAL 21059200 THRU 21059351 E---210 & T210 SERIAL 21059352 THRU 21059502</p>				

Hydraulic System (Cont)



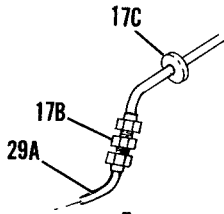
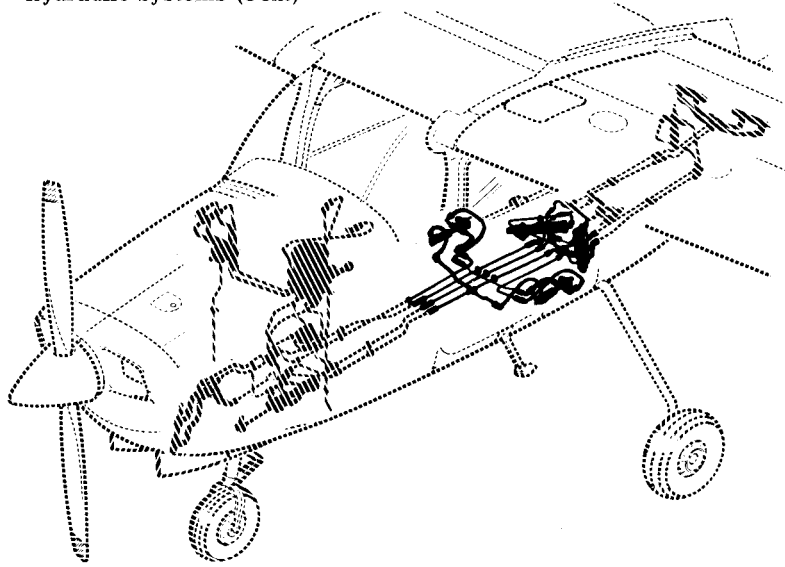
210 & T210 SERIAL 21059503 & ON

Figure 123A. Hydraulic System Installation - Sta 18.00 to 44.00

FIGURE AND INDEX NO.	PART NUMBER	DESCRIPTION	UNITS PER ASSY	USABLE ON CODE
123A-		HYDRAULIC SYSTEM INSTALLATION—STA 18.0 TO STA 44.0 -----	NP	A
- 1	1280509-17	LINE ASSEMBLY—DOOR OPEN ----- ATTACHING PARTS -----	1	
- 2	AN832-4D AN960PD716 AN924-4D	UNION ----- WASHER ----- NUT -----	1 2 1	
- 3	AN832-4D AN924-4D AN960PD716	UNION ----- NUT ----- WASHER -----	1 1 2	
- 4	MS35489-7	*----- GROMMET -----	4	
- 5	MS35489-10	GROMMET -----	1	
- 6	MS35489-5	GROMMET -----	1	
- 7	1280509-29	LINE ASSEMBLY—GEAR UP ----- ATTACHING PARTS -----	1	
- 8	AN833-4D AN924-4D AN960PD716	ELBOW ----- NUT ----- WASHER -----	1 2 4	
- 9	SI1693-1	STA—STRAP -----	1	
-10	AN783-4 AN960PD716 AN924-4D	TEE ----- WASHER ----- NUT -----	1 2 1	
-11	1280509-64	*----- LINE ASSEMBLY—SUCTION ----- ATTACHING PARTS -----	1	
-12	AN832-5D AN960PD816 AN924-5D	UNION ----- WASHER ----- NUT -----	1 2 1	
-13	1280509-61	*----- LINE ASSEMBLY—PRESSURE ----- ATTACHING PARTS -----	1	
-14	AN832-3D AN960PD616 AN924-3D	UNION ----- WASHER ----- NUT -----	1 2 1	
-15	1280509-59	*----- LINE ASSEMBLY—DOOR CLOSE ----- ATTACHING PARTS -----	1	
-16	AN837-4D AN924-4D AN960PD716	ELBOW ----- NUT ----- WASHER -----	1 1 2	
-17	AN832-4D AN960PD716 AN924-4D	UNION ----- WASHER ----- NUT -----	1 2 1	
-18	1280509-55	*----- LINE ASSEMBLY—GEAR DOWN ----- ATTACHING PARTS -----	1	
-19	AN837-4D AN924-4D AN960PD716	ELBOW ----- NUT ----- WASHER -----	1 1 2	
-20	AN832-4D AN960PD716 AN924-4D	UNION ----- WASHER ----- NUT -----	1 2 1	
-21	1280121-1	*----- PAN—HAND PUMP ----- ATTACHING PARTS -----	1	
-22	AN509-10R8	SCREW ----- *-----	5	
-23	1280119-1	*----- BOOT ASSEMBLY ----- ATTACHING PARTS -----	1	
-24	AN509-10R6	SCREW ----- *-----	3	
-25	SEE FIG 120A	*----- HAND PUMP ASSEMBLY—EMERGENCY ----- ATTACHING PARTS -----	1	
-26	AN4-16A	BOLT -----	2	
-27	AN960-416L	WASHER -----	2	
-28	MS21042L4	NUT ----- *-----	2	

A---210 & T210 SERIAL 21059503 & ON

Hydraulic Systems (Cont)



Detail **A**
SERIAL 21059503 & ON

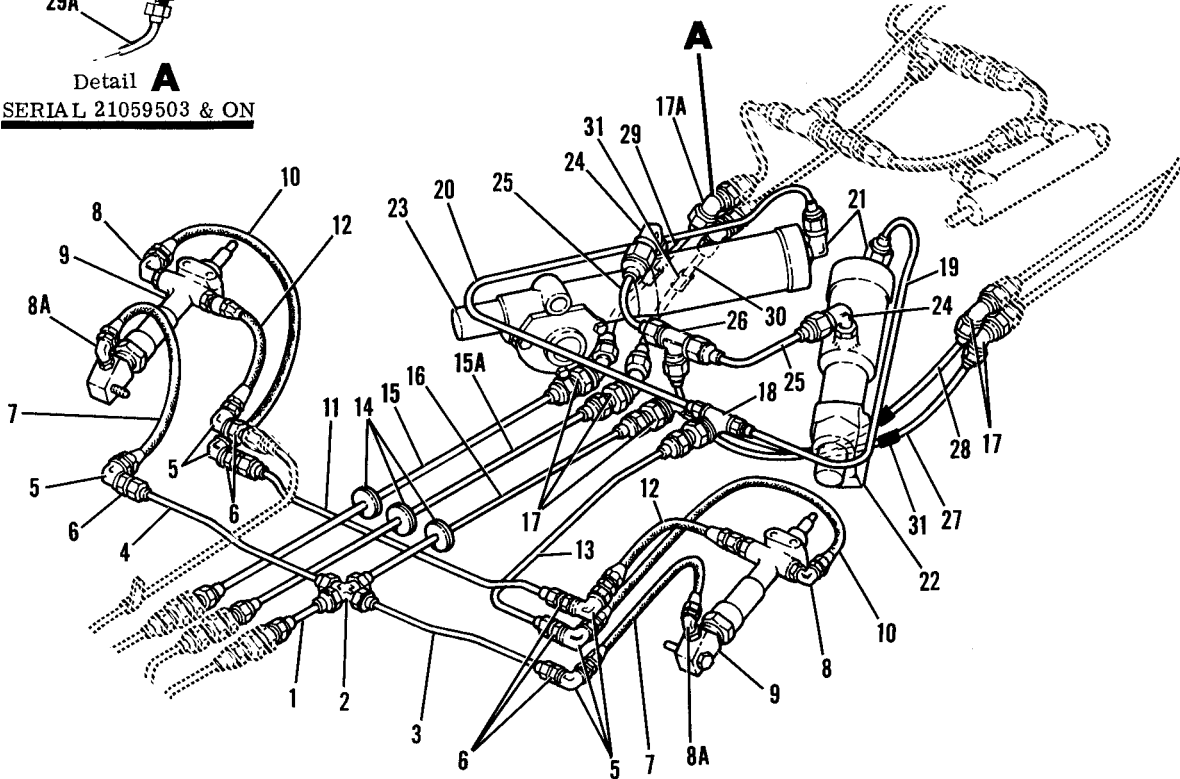
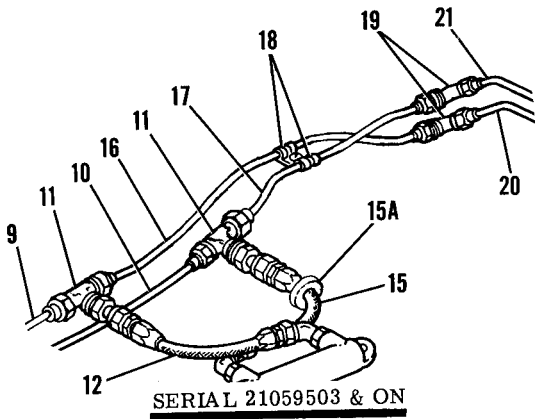


Figure 124. Hydraulic System Installation - Sta 44.00 To 77.00

FIGURE AND INDEX NO.	PART NUMBER	DESCRIPTION	UNITS PER ASSY	USABLE ON CODE
		1 2 3 4 5 6 7		
124 -		HYDRAULIC SYSTEM INSTALLATION-STA 44.00 TO 77.00 -----	NP	
- 1	1280509-33	LINE ASSEMBLY-GEAR DOWN -----	1	
- 2	AN827-4D	CROSS -----	1	
- 3	1280509-35	LINE ASSEMBLY-GEAR DOWN LH SIDE -----	1	
- 4	1280509-36	LINE ASSEMBLY-GEAR DOWN RH SIDE -----	1	
- 5	AN833-4D	ELBOW -----	6	
- 6	AN924-4D	NUT -----	6	
	AN960PD716	WASHER -----	6	
- 7	S1236-4-0150	HOSE ASSEMBLY -----	2	C
	S2178-4-0082	HOSE ASSEMBLY -----	2	D
- 8	AN921-4D	ELBOW -----	2	
	AN924-4D	NUT -----	2	
	MS28778-4	O RING -----	2	
- 8A	AN921-4D	ELBOW -----	2	C
	AN833-4D	ELBOW -----	2	D
	AN924-4D	NUT -----	2	
	MS28778-4	PACKING -----	2	
- 9	SEE FIG 130	ACTUATOR ASSEMBLY-DOWN LOCK -----	2	A
	SEE FIG 130A & B	ACTUATOR ASSEMBLY-DOWN LOCK -----	2	B
		ATTACHING PARTS		
	AN4-15A	BOLT -----	1	
	1541028-1	BUSHING -----	1	
	AN960-616L	WASHER -----	2	
	MS21042L4	NUT -----	1	
		-----*		
-10	S1236-4-0140	HOSE ASSEMBLY -----	2	C
	S2178-4-0140	HOSE ASSEMBLY -----	2	D
-11	1280509-30	LINE ASSEMBLY-GEAR UP -----	1	
-12	S1236C4-0067	HOSE ASSEMBLY -----	2	C
	S2178-4-0067	HOSE ASSEMBLY -----	2	D
-13	1280509-3	LINE ASSEMBLY-GEAR UP -----	1	
-14	MS35489-7	GROMMET -----	3	
-15	1280509-7	LINE ASSEMBLY-DOOR OPEN -----	1	
-15A	1280509-38	LINE ASSEMBLY-DOOR CLOSE -----	1	C
	1280509-60	LINE ASSEMBLY-DOOR CLOSE -----	1	D
-16	1280509-56	LINE ASSEMBLY-GEAR DOWN -----	1	
-17	AN837-4D	ELBOW -----	7	
	AN924-4D	NUT -----	7	
	AN960PD716	WASHER -----	14	
-17A	AN837-4D	ELBOW -----	1	A
	AN924-4D	NUT -----	1	A
	AN960PD716L	WASHER -----	1	A
-17B	AN815-4D	UNION -----	1	B
-17C	MS35489-7	GROMMET -----	1	B
-18	AN834-4D	TEE -----	1	
	AN924-4D	NUT -----	1	
	AN960PD716L	WASHER -----	2	
-19	1280509-5	LINE ASSEMBLY-GEAR UP LH SIDE -----	1	
-20	1280509-4	LINE ASSEMBLY-GEAR UP RH SIDE -----	1	
-21	S1999-1	FITTING -----	2	
	AN924-3D	NUT -----	2	
	MS28778-3	O RING -----	2	
-22	SEE FIG 127	ACTUATOR ASSEMBLY-MAIN GEAR ROTARY LH -----	1	
-23	SEE FIG 127	ACTUATOR ASSEMBLY-MAIN GEAR ROTARY RH -----	1	
-24	AN921-4D	ELBOW -----	2	
	AN924-4D	NUT -----	2	
	MS28778-4	O RING -----	2	
-25	1280509-14	LINE ASSEMBLY-GEAR DOWN -----	2	
-26	AN824-4D	TEE -----	1	
-27	1280509-13	LINE ASSEMBLY-GEAR DOWN -----	1	
-28	1280509-8	LINE ASSEMBLY-GEAR DOWN -----	1	
-29	1280509-18	LINE ASSEMBLY-DOOR OPEN -----	1	A
-29A	1280509-73	LINE ASSEMBLY-DOOR OPEN -----	1	B
-30	1280509-25	LINE ASSEMBLY-DOOR CLOSE -----	1	
-31	0441119	HOSE -----	4	

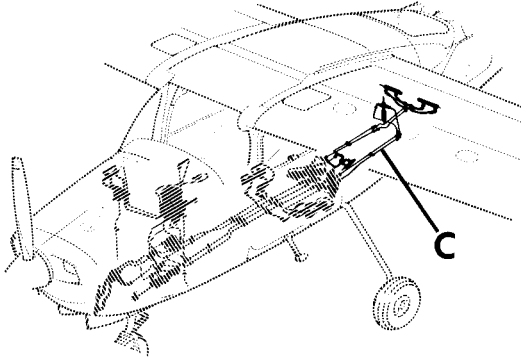
A---210 & T210 SERIAL 21059200 THRU 21059351
 B---210 & T210 SERIAL 21059352 & ON
 C---210 & T210 SERIAL 21059200 THRU 21059502
 D---210 & T210 SERIAL 21059503 & ON

Hydraulic System (Cont)



SERIAL 21059503 & ON

Detail A



SERIAL 21060090 & ON

Detail B

Figure 125. Hydraulic System Installation - Sta. 77.00 to 124.60

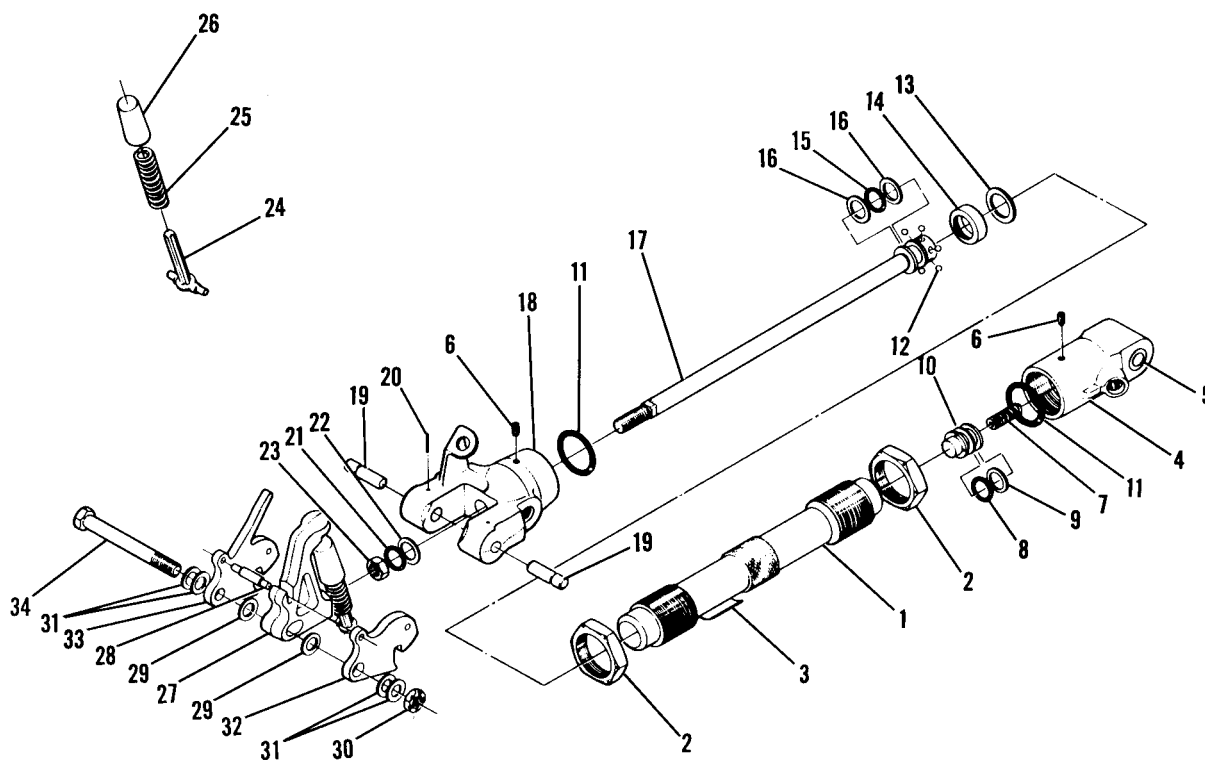
FIGURE AND INDEX NO.	PART NUMBER	DESCRIPTION	UNITS PER ASSY	USABLE ON CODE
		1 2 3 4 5 6 7		
125 -		HYDRAULIC SYSTEM INSTALLATION-STA 77.00 TO 124.60 -----	NP	
- 1	1280509-9	LINE ASSEMBLY-GEAR DOWN -----	1	
- 2	1280509-12	LINE ASSEMBLY-GEAR DOWN -----	1	
- 3	MS21919DG4	CLAMP -----	2	
		ATTACHING PARTS		
	AN520-10R48	SCREW -----	1	
	NAS43003-160	SPACER -----	1	
	MS21044N3	NUT -----	1	
		---*---		
- 4	AN837-4D	ELBOW -----	2	
	AN924-4D	NUT -----	2	
	AN960PD716	WASHER -----	4	
- 5	1280509-10	LINE ASSEMBLY-GEAR DOWN -----	1	
- 6	1280509-11	LINE ASSEMBLY-GEAR DOWN -----	1	
- 7	AN921-4D	ELBOW -----	1	
	AN924-4D	NUT -----	1	
	MS28778-4	O RING -----	1	
- 8	SEE FIG 131	ACTUATOR ASSEMBLY-UNLOCK -----	1	
		ATTACHING PARTS		
	AN4-15A	BOLT -----	2	
	AN960-416L	WASHER -----	2	
		---*---		
- 9	1280509-19	LINE ASSEMBLY-DOOR OPEN -----	1	A
	1280509-68	LINE ASSEMBLY-DOOR OPEN -----	1	B
-10	1280509-26	LINE ASSEMBLY-DOOR CLOSE -----	1	A
	1280509-70	LINE ASSEMBLY-DOOR CLOSE -----	1	B
-11	AN804D4	TEE -----	2	
	AN924-4D	NUT -----	2	
	AN960PD716	WASHER -----	2	
-12	S1236C4-0074	HOSE ASSEMBLY -----	1	A
	S2178-4-0074	HOSE ASSEMBLY -----	1	B
-13	AN921-4D	ELBOW -----	2	
	AN924-4D	NUT -----	2	
	MS28778-4	O RING -----	2	
-14	SEE FIG 129	ACTUATOR ASSEMBLY-MAIN GEAR SPRING DOOR -----	1	
		ATTACHING PARTS		
-14A	AN3-12A	BOLT -----	1	
	NAS75-3-024	BUSHING -----	1	
-14B	AN960-10L	WASHER -----	1	
-14C	MS21044N3	NUT -----	1	
		---*---		
-14D	MS20392-2C27	PIN-FLAT HEAD -----	1	
	AN960-10L	WASHER -----	1	
	MS24665-132	PIN-COTTER -----	1	
-15	S1278-4-0067	HOSE ASSEMBLY -----	1	
-15A	MS35489-45	GROMMET -----	1	B
-16	1280509-20	LINE ASSEMBLY-DOOR OPEN -----	1	A
	1280509-69	LINE ASSEMBLY-DOOR OPEN -----	1	B
-17	1280509-27	LINE ASSEMBLY-DOOR CLOSE -----	1	A
	1280509-71	LINE ASSEMBLY-DOOR CLOSE -----	1	B
-18	MS21919DG4	CLAMP -----	2	
		ATTACHING PARTS		
	AN520-10R6	SCREW -----	1	
	MS21044N3	NUT -----	1	
		---*---		
-19	AN837-4D	ELBOW -----	2	
	AN924-4D	NUT -----	2	
	AN960PD716	WASHER -----	4	
-20	1280509-79	LINE ASSEMBLY-DOOR OPEN -----	1	
-21	1280509-28	LINE ASSEMBLY-DOOR CLOSE -----	1	C
-21A	1280509-76	LINE ASSY-DOOR CLOSE -----	1	D
-21B	AN824-4D	TEE -----	1	D
-21C	1280509-78	LINE ASSY-DOOR CLOSE -----	1	D
-21D	AN815-4D	UNION -----	1	D
	MS28778-4	PACKING -----	1	D
-21E	1280509-77	LINE ASSY-DOOR CLOSE -----	1	D
-22	AN834-4D	TEE -----	2	
	AN924-4D	NUT -----	2	
	AN960PD716	WASHER -----	4	
-23	S1236-4-0042	HOSE ASSEMBLY -----	2	A
	S2178-4-0130	HOSE ASSEMBLY -----	2	B
-24	AN837-4D	ELBOW -----	2	A
	AN921-4D	ELBOW -----	2	B
	AN924-4D	NUT -----	2	

CONTINUED ON NEXT PAGE

FIGURE AND INDEX NO.	PART NUMBER	DESCRIPTION	UNITS PER ASSY	USABLE ON CODE
125 -	MS28778-4	O RING -----	2	
-24A	1280239-1	CLAMP-SAFETY -----	2	
-25	S1236-4-0110	HOSE ASSEMBLY -----	2	A
	S2178-4-0120	HOSE ASSEMBLY -----	2	B
-26	AN921-4D	ELBOW -----	2	A
	AN837-4D	ELBOW -----	2	B
	AN924-4D	NUT -----	2	
	MS28778-4	GASKET -----	2	
-26A	1280239-1	CLAMP-SAFETY -----	2	
-27	SEE FIG 128	ACTUATOR ASSEMBLY-MAIN GEAR DOOR -----	2	
		ATTACHING PARTS		
-28	AN3-13A	BOLT -----	1	
-29	AN960-10L	WASHER -----	1	
-30	MS21044N3	NUT -----	1	
		---*---		
-31	SEE FIG 131B	ACCUMULATOR ASSY-DOOR CLOSE -----	1	D
		ATTACHING PARTS		
-32	MS21919DG20	CLAMP -----	1	
	AN520-10R6	SCREW -----	1	
	MS21044N3	NUT -----	1	
-33	AN3-12A	BOLT -----	1	
-34	NAS43DD4-36	SPACER -----	1	
-35	AN960-10	WASHER -----	1	
-36	MS21044N3	NUT -----	1	
		---*---		
<p>A---210 & T210 SERIAL 21059200 THRU 21059502 B---210 & T210 SERIAL 21059503 & ON C---210 & T210 SERIAL 21059200 THRU 21060089 D---210 & T210 SERIAL 21060090 & ON</p>				

This page intentionally left blank.

Hydraulic System (Cont)

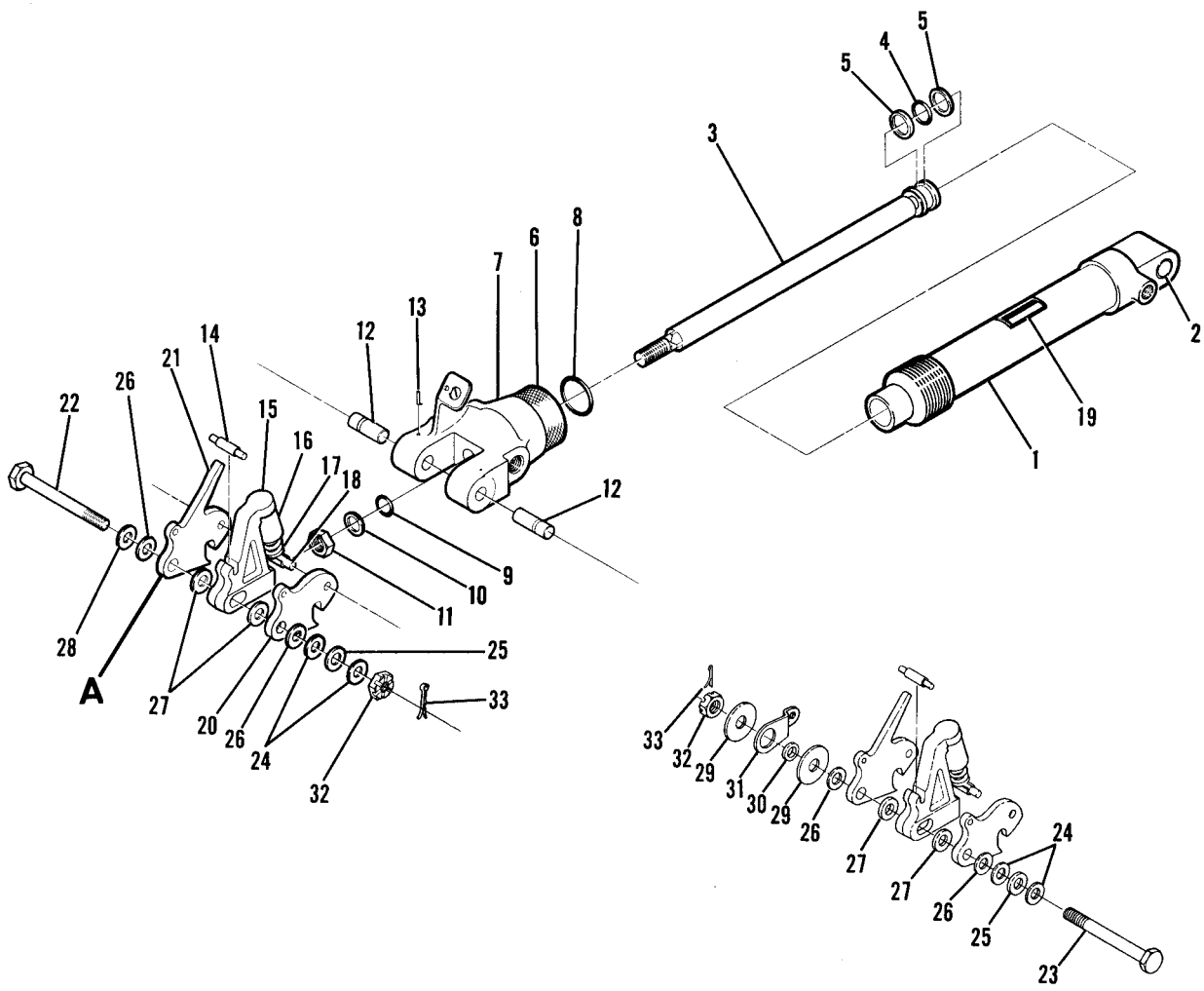


210 & T210 SERIAL 21059200 THRU 21059407
Figure 126. Nose Gear Retraction & Drag Strut Actuator Assembly



FIGURE AND INDEX NO.	PART NUMBER	DESCRIPTION	UNITS PER ASSY	USABLE ON CODE
126 -	*	NOSE GEAR RETRACTION & DRAG STRUT ACTUATOR ASSEMBLY ----- FSO 1280514-1	1	A
- 1	%	BARREL -----	NP	
- 2		NUT -----	2	
- 3	1280211-2	NAMEPLATE OAS -----	1	
- 4	OAS200-1	HEAD -----	1	
- 5	%	BUSHING -----	1	
- 6	1280241-4	SETSCREW -----	2	
- 7	M75FS1024-5CR	SPRING OAS -----	1	
- 8	294715-1	PACKING -----	1	
- 9	AN6227810	PACKING-BACKUP -----	1	
- 10	MS28774-112	PLUNGER -----	1	
- 11	%	PACKING -----	2	
- 12	AN6227819	BALL -----	6	
- 13	MS150455	WASHER-STOP -----	1	
- 14	%	RACE -----	1	
- 15	AN6227811	PACKING -----	1	
- 16	MS28774-113	PACKING-BACKUP -----	2	
- 17	%	PISTON & ROD -----	1	
- 18	1280600-2	BEARING END -----	1	
- 19	1280209-1	PIN -----	2	
- 20	MS16562-18	ROLL PIN -----	2	
- 21	AN622789	PACKING -----	1	
- 22	MS28774-111	PACKING-BACK UP -----	1	
- 23	1280612-1	NUT -----	1	
- 24	1280206-1	GUIDE-SPRING -----	1	
- 25	1280231-1	SPRING -----	1	
- 26	1280207-1	SHIELD -----	1	
- 27	1280234-2	ROD END -----	1	
- 28	1280210-1	CROSS BAR -----	1	
- 29	AN960-616	WASHER -----	3	
- 30	AN320-6	NUT -----	1	
- 31	AN960-616L	WASHER -----	5	
- 32	1280514-200	KIT-MATCHED HOOK REPLACEMENT -----	1	
- 33		HOOK-LH -----	NP	
- 34	NAS464P6-44	HOOK-RH -----	NP	
		BOLT -----	1	
<p>NOTE. *SEE FIGURE 126A FOR BREAKDOWN OF 1280514-1.</p> <p>NOTE. %THESE PARTS ARE NO LONGER AVAILABLE FOR SPARES. COMPLETE ACTUATOR ASSY, PART NUMBER 1280514-1 MUST BE ORDERED.</p> <p>A---210 & T210 SERIAL 21059200 THRU 21059407</p>				

Hydraulic System (Cont)



SERIAL 21060540 & ON

Detail **A**

210 & T210 SERIAL 21059408 & ON

Figure 126A. Nose Gear Retraction & Drag Strut Actuator Assembly

FIGURE AND INDEX NO.	PART NUMBER	DESCRIPTION	UNITS PER ASSY	USABLE ON CODE
		1 2 3 4 5 6 7		
126A-	1280514-1	NOSE GEAR RETRACTION & DRAG STRUT ACTUATOR ASSY -----	1	A
	1280514-7	NOSE GEAR RETRACTION & DRAG STRUT ACTUATOR ASSY -----	1	B
- 1	1280240-1	CYLINDER -----	1	
- 2	1280241-4	BUSHING -----	1	
- 3	1280241-1	PISTON -----	1	
- 4	MS28775-114	PACKING -----	1	
- 5	S1628-114	RING-BACK UP -----	1	
- 6	1280241-3	NUT -----	1	
- 7	1280600-5	BEARING END -----	1	
- 8	MS28775-022	PACKING -----	1	
- 9	MS28775-112	PACKING -----	1	
-10	S1628-112	RING-BACK UP -----	1	
-11	1280241-5	NUT -----	1	
-12	1280209-1	PIN -----	2	
-13	MS16562-18	PIN-ROLL -----	2	
-14	1280210-1	CROSS BAR -----	1	
-15	1280234-3	ROD END -----	1	
-16	1280207-1	SHIELD -----	1	
-17	1280231-1	SPRING -----	1	
-18	1280206-1	GUIDE-SPRING -----	1	
-19	S2019-7	NAMEPLATE -----	1	A
	S2019-41	NAMEPLATE -----	1	B
	1280514-200	KIT-MATCHED HOOK REPLACEMENT ACTUATOR -----	1	
-20		HOOK-LH -----	NP	
-21		HOOK-RH -----	NP	
-22	1280514-3	BOLT -----	1	A
-23	1280514-8	BOLT -----	1	B
-24	AN960-616L	WASHER -----	2	
-25	AN960-616	WASHER -----	1	
-26	1280514-5	WASHER -----	2	
-27	1280514-6	WASHER -----	2	
-28	AN960-616L	WASHER -----	1	A
-29	S1450-6-18-063	WASHER -----	2	B
-30	NAS43HT6-6	SPACER -----	1	B
-31	1280242-1	SPRING CLIP -----	1	B
-32	AN320-6	NUT -----	1	B
-33	MS24665-283	COTTER PIN -----	1	
		A---210 & T210 SERIAL 21059408 THRU 21060539 B---210 & T210 SERIAL 21060540 & ON		

Hydraulic System (Cont)

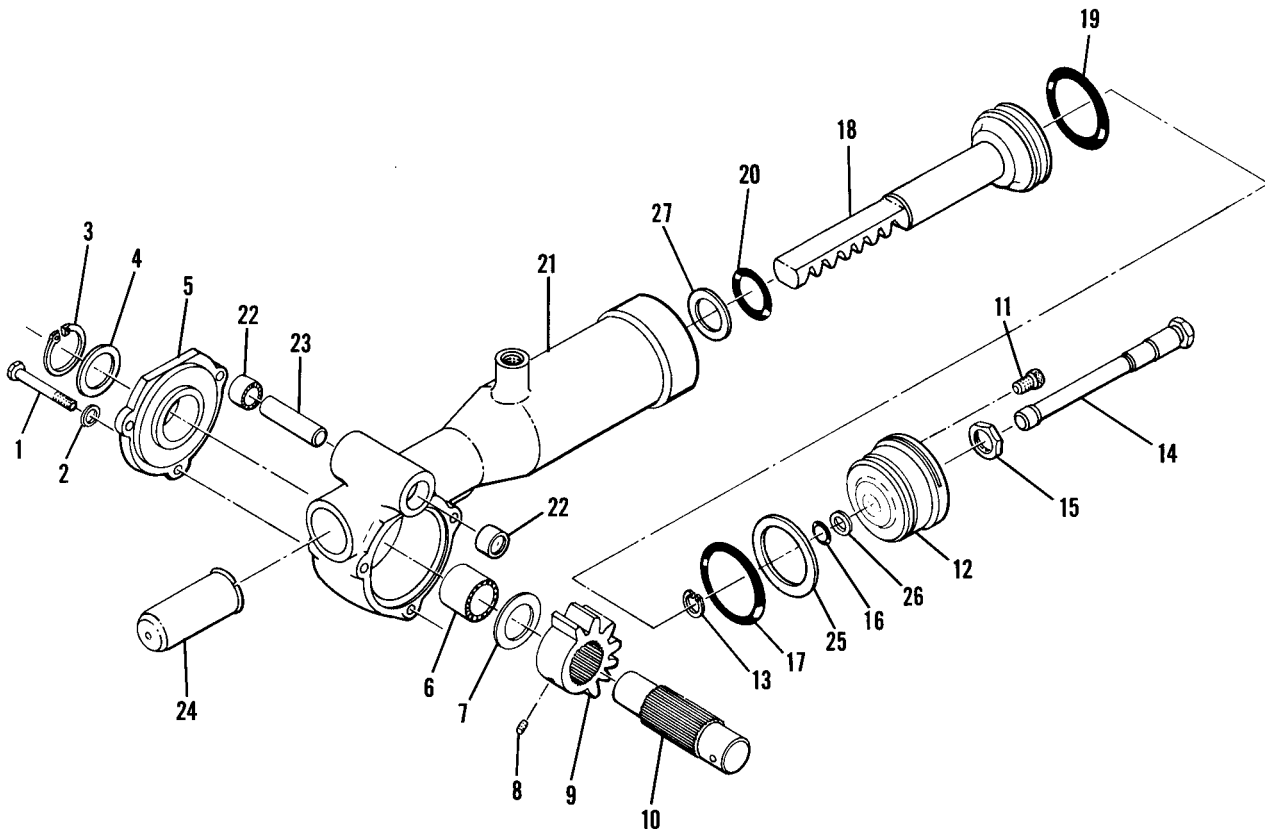


Figure 127. Main Gear Rotary Actuator Assembly

FIGURE AND INDEX NO.	PART NUMBER	DESCRIPTION	UNITS PER ASSY	USABLE ON CODE
		1 2 3 4 5 6 7		
127 -	1281006-1	MAIN GEAR ROTARY ACTUATOR ASSY-LH FSO 1281000-1 -----	1	A
	1281006-2	MAIN GEAR ROTARY ACTUATOR ASSY-RH FSO 1281000-2 -----	1	A
	1281000-1	MAIN GEAR ROTARY ACTUATOR ASSY-LH -----	1	B
	1281000-2	MAIN GEAR ROTARY ACTUATOR ASSY-RH -----	1	B
- 1	NAS464P4A29	BOLT -----	3	
- 2	AN960-416L	WASHER -----	3	
- 3	MS16624-3075	RING-RETAINING -----	1	
- 4	AN960-1216L	WASHER -----	1	
- 5	1281018-1	CAP-SHAFT -----	1	
- 6	S1997-12-8	BEARING -----	1	
- 7	S1450-12-24-017	WASHER -----	1	
- 8	MS18065-30	SET SCREW -----	1	
- 9	1281012-1	SECTOR USE WITH 1281006-1 & 1281006-2 -----	1	A
	1281004-1	SECTOR USE WITH 1281000-1 & 1281000-2 -----	1	B
-10	1281013-1	SHAFT -----	1	
-11	AN565D1032H5	SCREW -----	1	
-12	1281016-3	GLAND-END USE WITH 1281006-1 & 1281006-2 -----	1	A
	1281003-1	GLAND-END USE WITH 1281000-1 & 1281000-2 -----	1	B
-13	MS16632-1040	RING-RETAINING -----	1	
-14	1281017-2	PIN-METERING -----	1	
-15	NAS1423-9	NUT -----	1	
-16	MS28775-013	O-RING -----	1	
-17	MS28775-135	O-RING USE WITH 1281006-1 & 1281006-2 -----	1	A
	MS28775-137	O-RING USE WITH 1281000-1 & 1281000-2 -----	1	B
-18	1281011-1	PISTON ASSY USE WITH 1281006-1 & 1281006-2 -----	1	A
	1281002-1	PISTON ASSY USE WITH 1281000-1 & 1281000-2 -----	1	B
-19	MS28775-327	O-RING USE WITH 1281006-1 & 1281006-2 -----	1	A
	MS28775-328	O-RING USE WITH 1281000-1 & 1281000-2 -----	1	B
-20	MS28775-213	O-RING USE WITH 1281006-1 & 1281006-2 -----	1	A
	MS28775-214	O-RING USE WITH 1281000-1 & 1281000-2 -----	1	B
-21	1241619-2	BODY-ROTARY ACTUATOR USE WITH 1281006-1 & 1281006-2 -----	1	A
	1281001-1	BODY-ROTARY ACTUATOR USE WITH 1281000-1 & 1281000-2 -----	1	B
-22	S1997C7-8	BEARING -----	2	
-23	1281019-1	ROLLER -----	1	
-24	1281021-1	CAP-END USE WITH 1281006-1 & 1281006-2 -----	1	A
	1281021-3	CAP-END USE WITH 1281000-1 & 1281000-2 -----	1	B
-25	S1628-137	RING USE WITH 1281000-1 & 1281000-2 -----	1	B
-26	S1628-013	RING USE WITH 1281000-1 & 1281000-2 -----	1	B
-27	S1628-214	RING USE WITH 1281000-1 & 1281000-2 -----	1	B

A---210 & T210 SERIAL 21059200 THRU 21059550
 B---210 & T210 SERIAL 21059551 & ON

Hydraulic System (Cont)

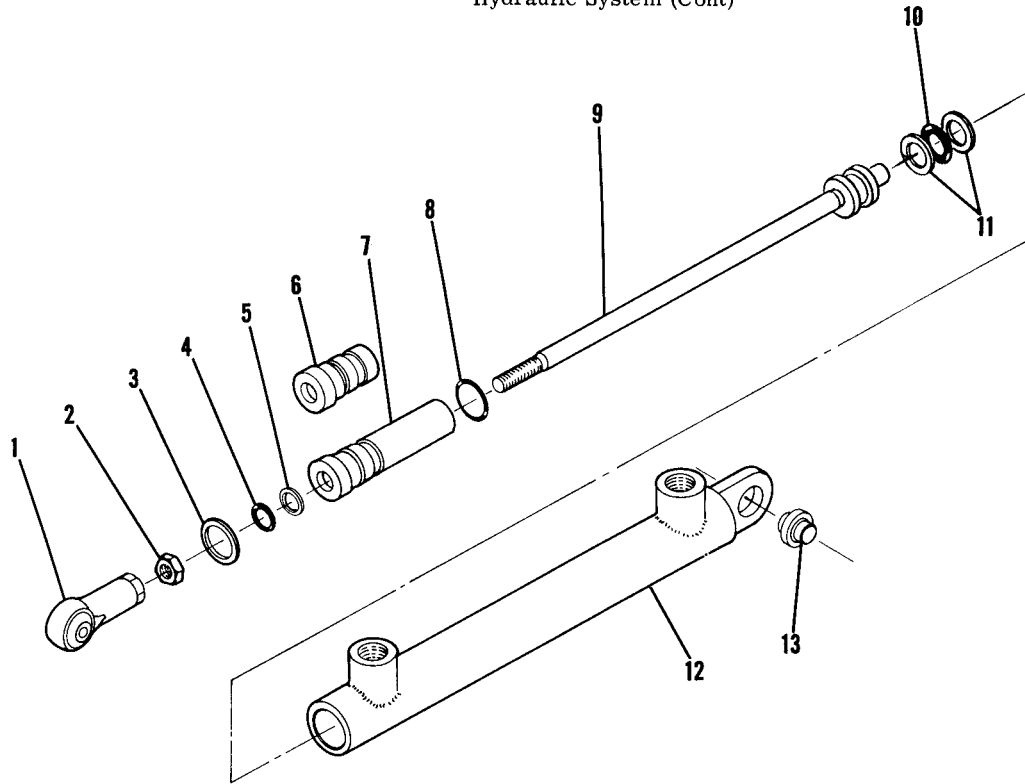


Figure 128. Main Gear Doors & Nose Gear Doors Actuator Assembly

FIGURE AND INDEX NO.	PART NUMBER	DESCRIPTION	UNITS PER ASSY	USABLE ON CODE
128 -	1281028-1	MAIN GEAR DOOR ACTUATOR ASSEMBLY -----	1	
	1281028-2	NOSE GEAR DOOR ACTUATOR ASSEMBLY -----	1	
- 1	S1819-3	ROD END -----	1	
- 2	AN316-4R	NUT -----	1	
- 3	MS16625-1065	RING-RETAINING -----	1	
- 4	S1628-011	RING-BACK UP -----	1	
- 5	MS28775-011	O RING -----	1	
- 6	1281022-1	GLAND-MAIN GEAR ACTUATOR USED ON 1281028-1 ONLY -----	1	
- 7	1281022-2	GLAND-NOSE GEAR ACTUATOR USED ON 1281028-2 ONLY -----	1	
- 8	MS28775-014	O RING -----	1	
- 9	1281031-1	PISTON & ROD-MAIN GEAR ACTUATOR USED ON 1281028-1 ONLY --	1	
	1281031-2	PISTON & ROD-NOSE GEAR ACTUATOR USED ON 1281028-2 ONLY --	1	
-10	MS28775-111	O RING -----	1	
-11	S1628-111	RING-BACK UP -----	2	
-12	1281010-1	CYLINDER-MAIN GEAR ACTUATOR USED ON 1281028-1 ONLY -----	1	
	1283010-1	CYLINDER-NOSE GEAR ACTUATOR USED ON 1281028-2 ONLY -----	1	
-13	S2009-3	BEARING -----	1	

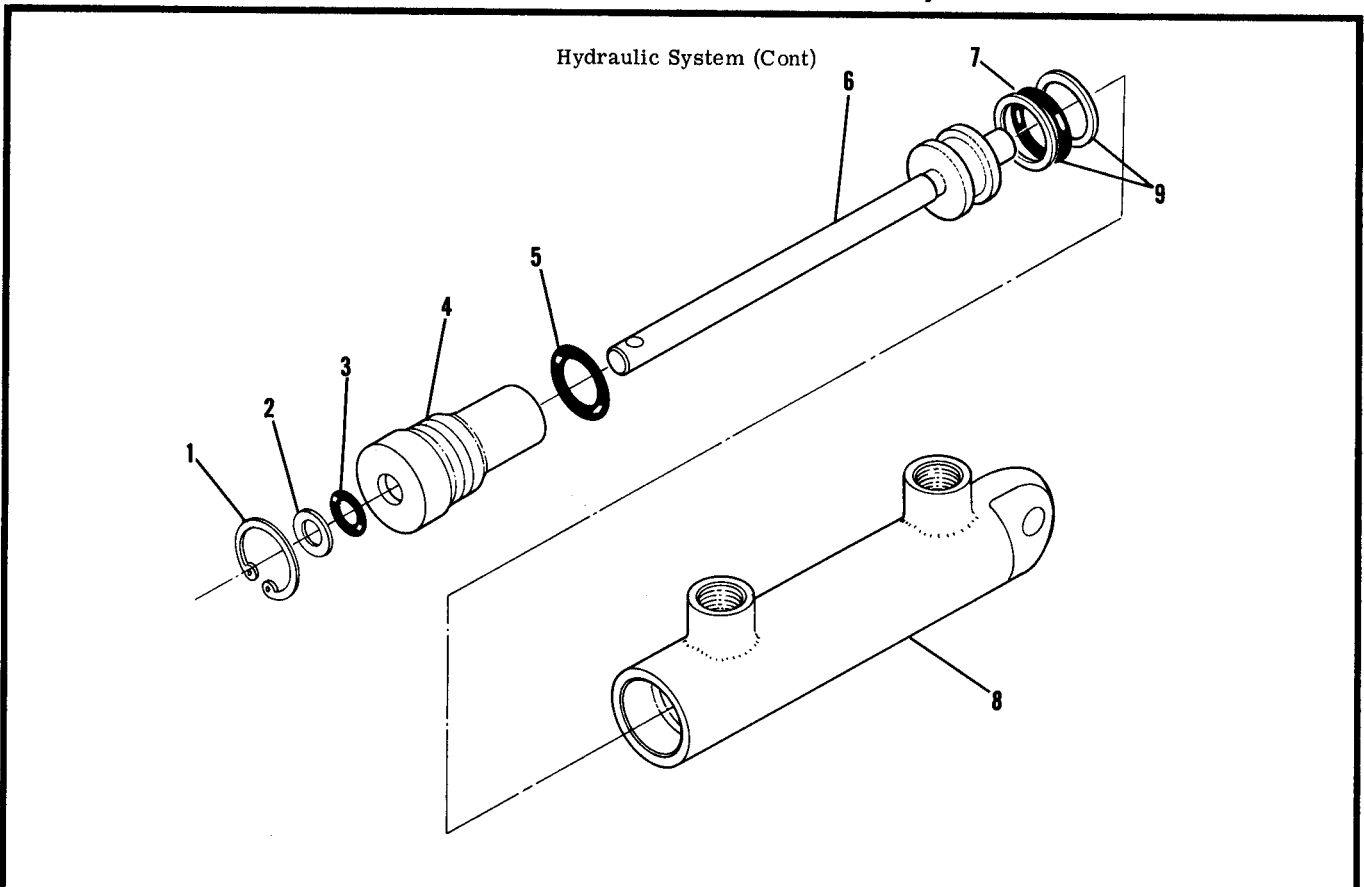
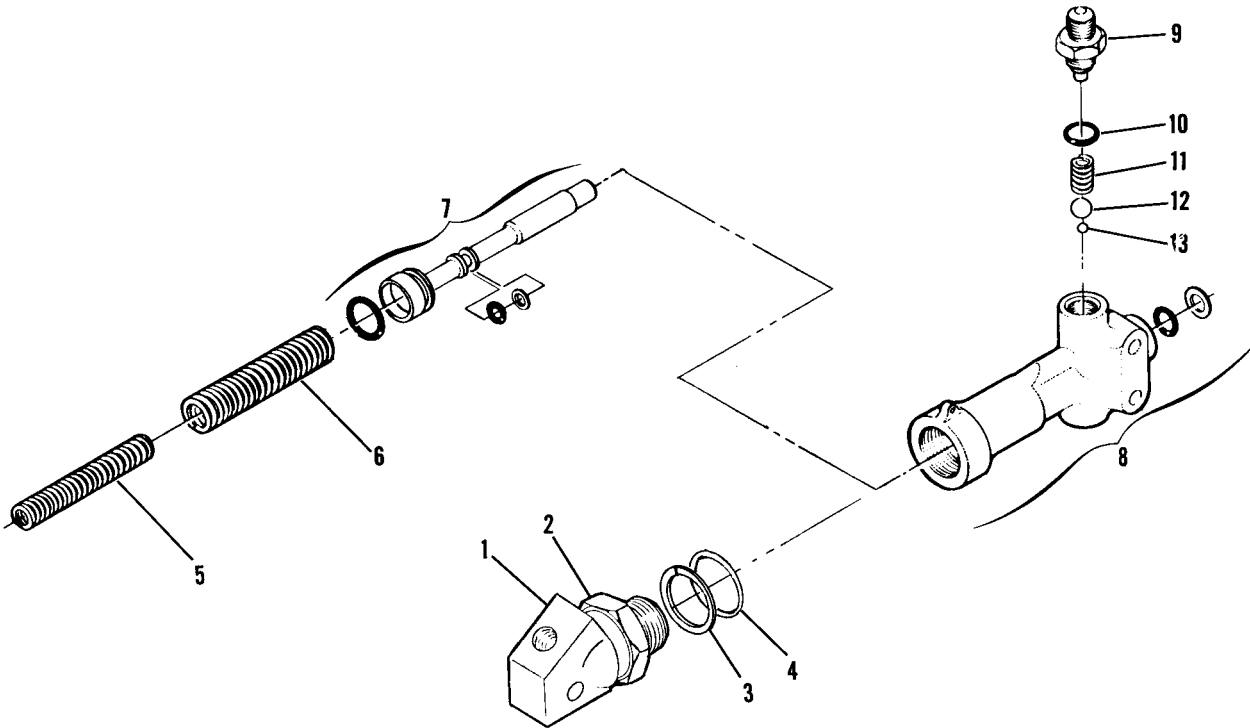


Figure 129. Main Gear Spring Door Actuator Assembly

FIGURE AND INDEX NO.	PART NUMBER	DESCRIPTION	UNITS PER ASSY	USABLE ON CODE
		1 2 3 4 5 6 7		
129 -	1281029-1	MAIN GEAR SPRING DOOR ACTUATOR ASSEMBLY -----	1	
- 1	MS16625-1100	RING-RETAINING -----	1	
- 2	S1628-110	RING-BACK UP -----	1	
- 3	MS28775-110	O RING -----	1	
- 4	1281026-1	GLAND -----	1	
- 5	MS28775-019	O RING -----	1	
- 6	1281032-1	PISTON & ROD -----	1	
- 7	MS28775-116	O RING -----	1	
- 8	1281015-1	CYLINDER -----	1	
- 9	S1628-116	RING-BACK UP -----	2	

Hydraulic System (Cont)

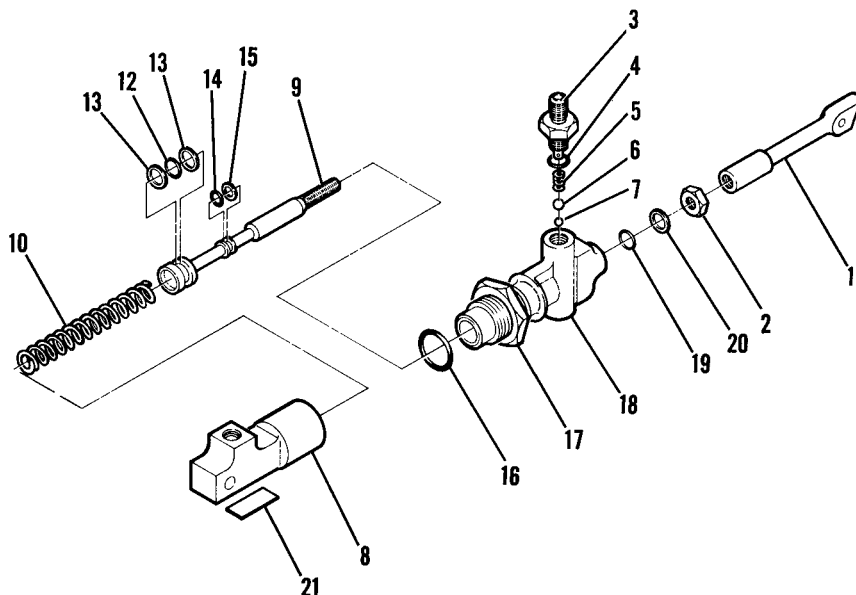


210 & T210 SERIAL 21059200 THRU 21059351

Figure 130. Downlock Actuator Assembly

FIGURE AND INDEX NO.	PART NUMBER	DESCRIPTION	UNITS PER ASSY	USABLE ON CODE
130 -	*	1 2 3 4 5 6 7 DOWNLOCK ACTUATOR ASSY -----	1	A
- 1	1580011-1	FITTING-END -----	1	
- 2	AN6289D10	NUT -----	1	
- 3	MS28778-10	RING-BACK UP -----	1	
	MS9058-10	RING-BACK UP ALT -----	1	
- 4	MS28778-10	GASKET -----	1	
- 5	1280222-3	SPRING-INNER -----	1	
- 6	1280222-1	SPRING-OUTER -----	1	
- 7	1280504-201	PISTON & ROD ASSY -----	1	
- 8	1280504-200	BARREL & VALVE BODY ASSY -----	1	
- 9	1280223-1	FITTING ASSY -----	1	
-10	MS28778-4	O-RING -----	1	
-11	1280822-2	SPRING -----	1	
-12	S272-9	BALL -----	1	
-13	S272-5	BALL -----	1	
<p>NOTE. *THE EXISTING DOWNLOCK ACTUATOR ASSY FOR SERIAL 21059200 THRU 21059351 MUST BE REPLACED IN PAIRS. ORDER SK210-66 KIT WHICH CONSISTS OF ALL NECESSARY PARTS & INSTRUCTIONS.</p> <p>A---210 & T210 SERIAL 21059200 THRU 21059351</p>				

Hydraulic System (Cont)

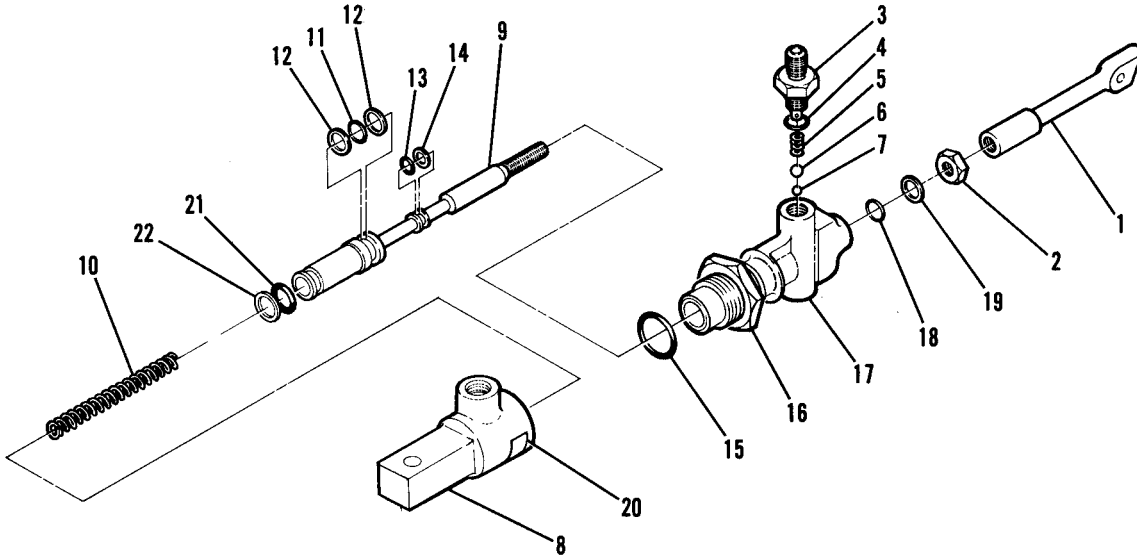


210 & T210 SERIAL 21059352 THRU 21059502

Figure 130A. Downlock Actuator Assembly

FIGURE AND INDEX NO.	PART NUMBER	DESCRIPTION	UNITS PER ASSY	USABLE ON CODE
		1 2 3 4 5 6 7		
130A-	*	DOWNLOCK ACTUATOR ASSEMBLY -----	1	A
- 1	1280244-2	ROD END -----	1	
- 2	AN316-6R	NUT -----	1	
- 3	1280223-1	FITTING ASSEMBLY -----	1	
- 4	MS28778-4	PACKING -----	1	
- 5	1280222-2	SPRING -----	1	
- 6	S272-9	BALL -----	1	
- 7	S272-5	BALL -----	1	
- 8		⌘ FITTING-END -----	1	
- 9		⌘ PISTON -----	1	
-10	1281007-2	SPRING-OUTER -----	1	
-12	MS28775-113	PACKING -----	1	
-13	S1628-113	RING-BACK UP -----	2	
-14	MS28775-011	PACKING -----	1	
-15	S1628-011	RING-BACK UP -----	1	
-16	MS28775-021	PACKING -----	1	
-17	1280246-1	NUT -----	1	
-18	1280243-1	VALVE BODY-DOWNLOCK ACTUATOR -----	1	
-19	MS28775-111	PACKING -----	1	
-20	S1628-111	RING -----	1	
-21	S2019-19	NAMEPLATE -----	1	
<p>NOTE. *THE EXISTING DOWNLOCK ACTUATOR ASSEMBLY FOR SERIAL 21059352 THRU 21059502 MUST BE REPLACED IN PAIRS. ORDER SK210-66 KIT WHICH CONSISTS OF ALL NECESSARY PARTS & INSTRUCTIONS.</p> <p>NOTE. ⌘THESE PARTS ARE NOT AVAILABLE FOR SPARES. COMPLETE ACTUATOR ASSY, PART NO 1280120-1 MUST BE ORDERED IN PAIRS.</p> <p>A---210 & T210 SERIAL 21059352 THRU 21059502, DOWNLOCK ACTUATOR ASSEMBLY NOT AVAILABLE SEE NOTE ABOVE.</p>				

Hydraulic System (Cont)

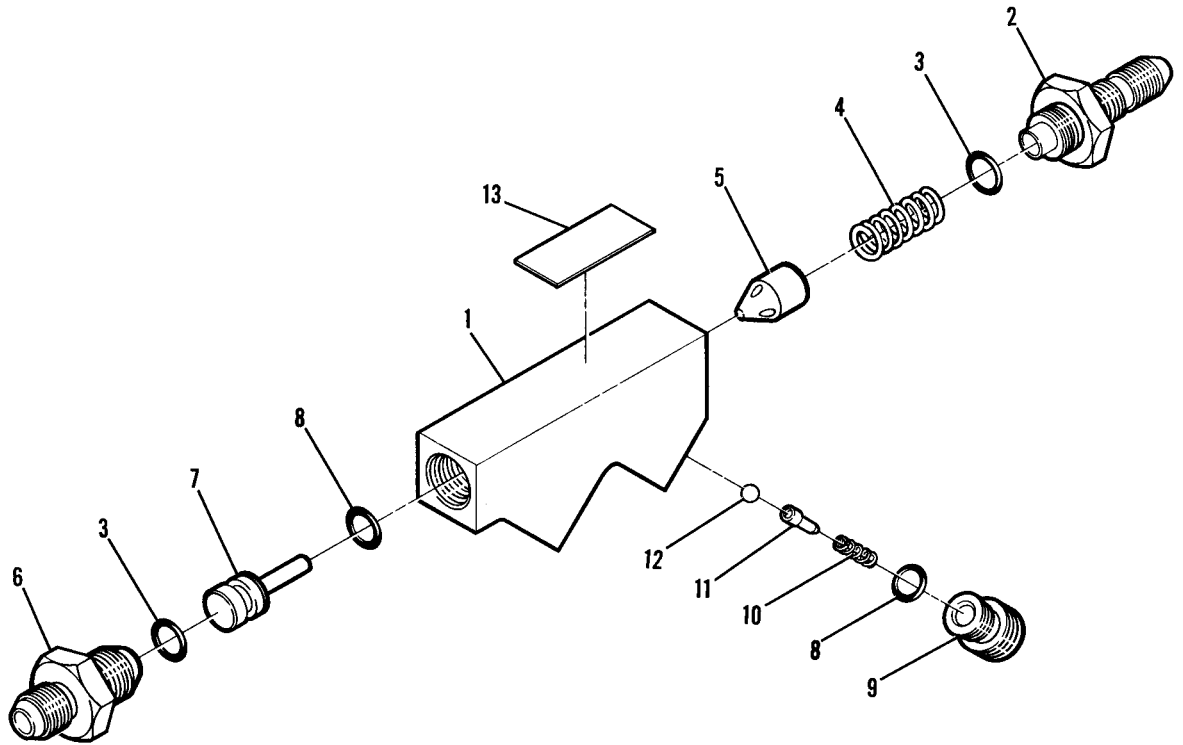


210 & T210 SERIAL 21059503 & ON

Figure 130B. Downlock Actuator Assembly

FIGURE AND INDEX NO.	PART NUMBER	DESCRIPTION	UNITS PER ASSY	USABLE ON CODE
1308-	1280120-1	DOWNLOCK ACTUATOR ASSEMBLY -----	1	A
- 1	1280244-2	ROD END -----	1	
- 2	AN316-6R	NUT -----	1	
- 3	1280223-1	FITTING -----	1	
- 4	MS28778-4	PACKING -----	1	
- 5	1280222-2	SPRING -----	1	
- 6	S272-9	BALL -----	1	
- 7	S272-5	BALL -----	1	
- 8	1280120-2	FITTING-END -----	1	
- 9	1280120-3	PISTON -----	1	
-10	1280122-1	SPRING -----	1	
-11	MS28775-113	PACKING -----	1	
-12	S1628-113	RING-BACK UP -----	2	
-13	MS28775-011	PACKING -----	1	
-14	S1628-011	RING-BACK UP -----	1	
-15	MS28775-021	PACKING -----	1	
-16	1280246-1	NUT -----	1	
-17	1280243-2	VALVE BODY-DOWNLOCK ACTUATOR -----	1	
-18	MS28775-111	PACKING -----	1	
-19	S1628-111	RING-BACK UP -----	1	
-20	S2019-26	NAMEPLATE -----	1	
-21	MS28775-112	PACKING -----	1	
-22	S1628-112	RING-BACK UP -----	1	
A---210 & T210 SERIAL 21059503 & ON				

Hydraulic System (Cont)

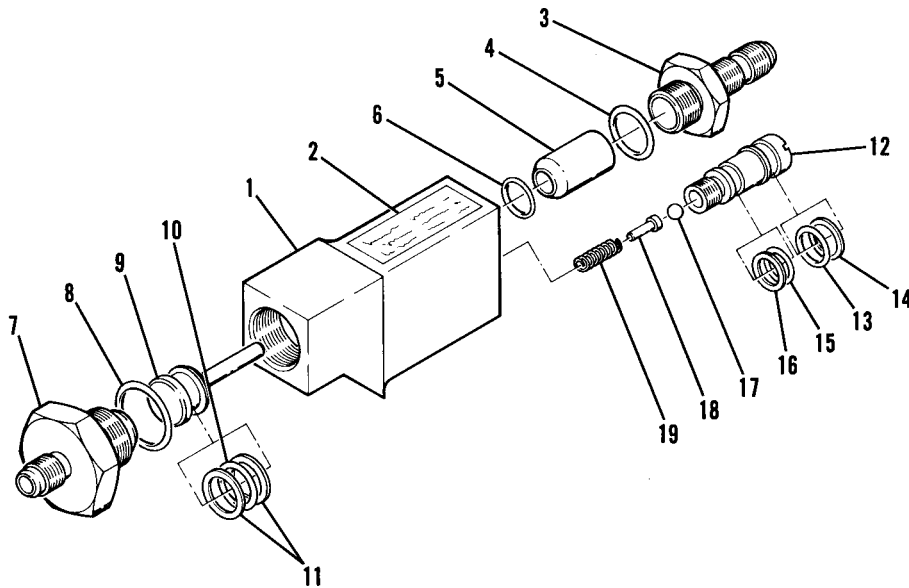


210 & T210 SERIAL 21059400 THRU 21059458

Figure 130C. Valve Assembly-Door Close Lock

FIGURE AND INDEX NO.	PART NUMBER	DESCRIPTION	UNITS PER ASSY	USABLE ON CODE
		1 2 3 4 5 6 7		
130C-		* VALVE ASSEMBLY-DOOR CLOSE LOCK FSD 1280520-1 -----	1	A
- 1		% HOUSING -----	1	
- 2		% FITTING-END -----	1	
- 3	MS28778-5	% PACKING -----	2	
- 4	1280517-1	% SPRING -----	1	
- 5		% POPPET -----	1	
- 6	AN919-3D	% FITTING-END -----	1	
- 7		% PISTON -----	1	
- 8	MS28775-011	% PACKING -----	2	
- 9		% RETAINER -----	1	
-10	LC03286MW	% SPRING LSCI -----	1	
-11	1280515-7	% GUIDE -----	1	
-12	S272-5	% BALL -----	1	
-13	S2019-17	% NAMEPLATE -----	1	
<p>NOTE. *SEE FIGURE 130D FOR BREAKDOWN OF 1280520-1 VALVE ASSEMBLY.</p> <p>NOTE %THESE PARTS ARE NO LONGER AVAILABLE FOR SPARES. COMPLETE VALVE ASSY, PART NUMBER 1280520-1, MUST BE ORDERED.</p> <p>A---210 & T210 SERIAL 21059400 THRU 21059458</p>				

Hydraulic System (Cont)

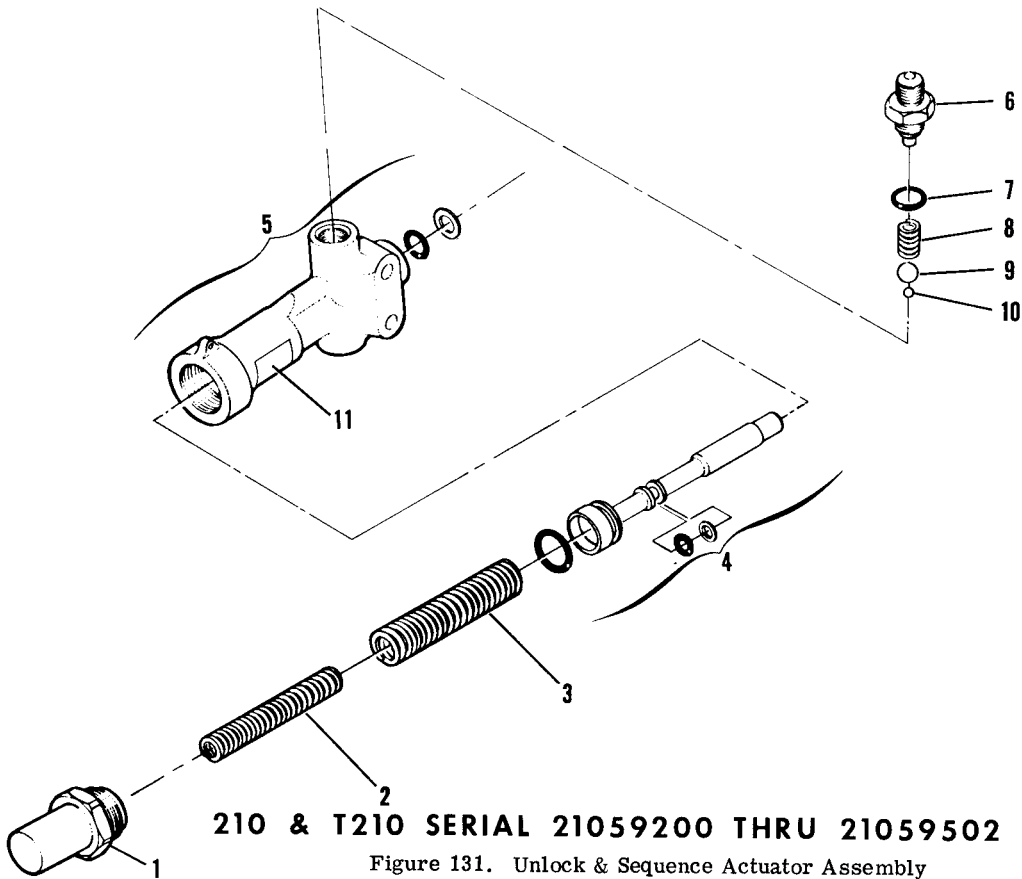


210 & T210 SERIAL 21059459 THRU 21059502

Figure 130D. Door Close Lock Valve Assembly

FIGURE AND INDEX NO.	PART NUMBER	DESCRIPTION	UNITS PER ASSY	USABLE ON CODE
		1 2 3 4 5 6 7		
130D-	1280520-1	VALVE ASSEMBLY-DOOR CLOSE LOCK -----	1	A
- 1	1280518-1	HOUSING -----	1	
- 2	S2019-29	NAMEPLATE -----	1	
- 3	1280522-1	FITTING -----	1	
- 4	MS28778-6	PACKING -----	1	
- 5	S2059-3	VALVE-CHECK -----	1	
- 6	MS28775-012	PACKING -----	1	
- 7	AN919-10D	FITTING -----	1	
- 8	MS28778-8	PACKING -----	1	
- 9	1280519-1	PISTON -----	1	
-10	MS28775-111	PACKING -----	1	
-11	S1628-111	RING-BACK UP -----	2	
-12	1280521-1	SEAT -----	1	
-13	MS28775-012	PACKING -----	1	
-14	S1628-012	RING-BACK UP -----	1	
-15	MS28775-011	PACKING -----	1	
-16	S1628-011	RING-BACK UP -----	1	
-17	S272-5	BALL -----	1	
-18	1280515-7	GUIDE -----	1	
-19	LC-032B-6MW	SPRING -----	1	
		A---210 & T210 SERIAL 21059459 THRU 21059502		

Hydraulic System (Cont)

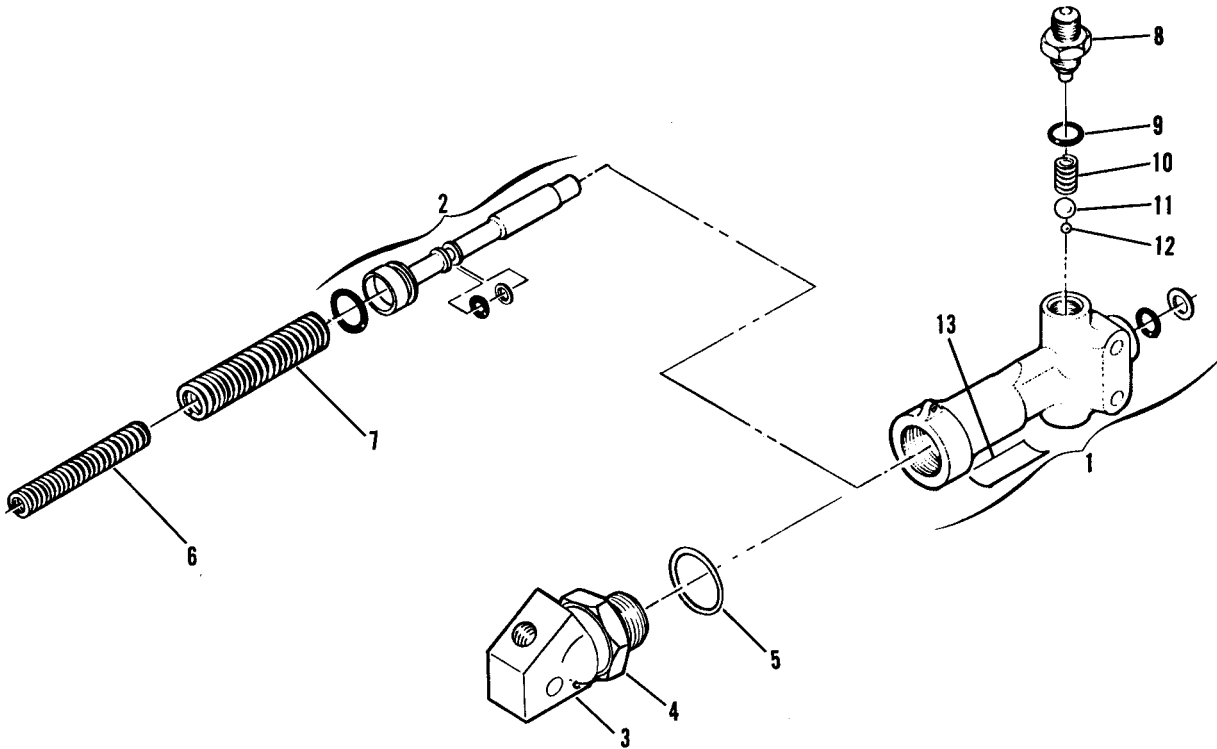


210 & T210 SERIAL 21059200 THRU 21059502

Figure 131. Unlock & Sequence Actuator Assembly

FIGURE AND INDEX NO.	PART NUMBER	DESCRIPTION	UNITS PER ASSY	USABLE ON CODE
131 -		1 2 3 4 5 6 7 UNLOCK & SEQUENCE ACTUATOR ASSY FSO 1280504-2 -----	NP	A
- 1	1280504-2	UNLOCK & SEQUENCE ACTUATOR ASSY -----	2	B
- 2	1280611-2	PLUG -----	1	
- 3	1280222-3	SPRING-INNER -----	1	
- 4	1280222-1	SPRING-OUTER -----	1	
- 5	1280504-201	PISTON & ROD ASSY -----	1	
- 6	1280504-200	BARREL & VALVE BODY ASSY -----	1	
- 7	1280223-1	FITTING ASSY -----	1	
- 8	MS28778-4	O-RING -----	1	
- 9	1280222-2	SPRING -----	1	
- 10	S272-9	BALL -----	1	
- 11	S272-5	BALL -----	1	
	S2019-9	NAMEPLATE -----	1	B
		A---210 & T210 SERIAL 21059200 THRU 21059419		
		B---210 & T210 SERIAL 21059420 & ON FOR MAIN GEAR ONLY		
		210 & T210 SERIAL 21059420 THRU 21059502 FOR 62A		
		NOSE GEAR ONLY		

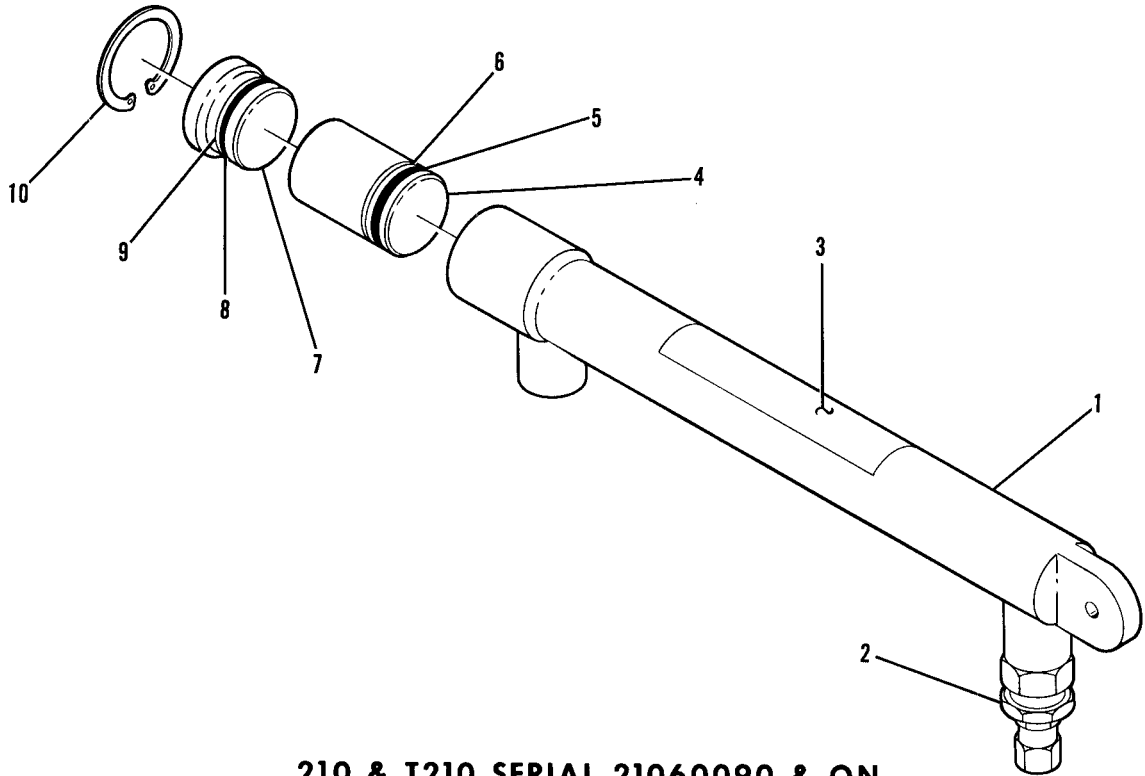
Hydraulic System (Cont)



210 & T210 SERIAL 21059503 & ON
 Figure 131A. Nose Gear Unlock & Sequence Actuator Assembly

FIGURE AND INDEX NO.	PART NUMBER	DESCRIPTION	UNITS PER ASSY	USABLE ON CODE
131A-	1280504-3	UNLOCK & SEQUENCE ACTUATOR ASSY-NOSE GEAR	1	A
- 1	1280504-200	BARREL & VALVE BODY ASSY	1	
- 2	1280504-201	PISTON & ROD ASSY	1	
- 3	1580011-1	END FITTING	1	
- 4	AN924-10D	NUT	1	
- 5	MS28778-10	PACKING	1	
- 6	1280222-3	SPRING-INNER	1	
- 7	1280222-1	SPRING-OUTER	1	
- 8	1280223-1	FITTING ASSY	1	
- 9	MS28778-4	PACKING	1	
-10	1280222-2	SPRING	1	
-11	S272-9	BALL	1	
-12	S272-5	BALL	1	
-13	S2019-10	NAMEPLATE	1	
A---210 & T210 SERIAL 21059503 & ON				

Hydraulic System (Cont)



210 & T210 SERIAL 21060090 & ON

Figure 131B. Accumulator Assembly - Door Close

FIGURE AND INDEX NO.	PART NUMBER	DESCRIPTION	UNITS PER ASSY	USABLE ON CODE
		1 2 3 4 5 6 7		
131B-	1281033-1	ACCUMULATOR ASSY-DOOR CLOSE -----	1	A
- 1	1281034-1	CYLINDER-ACCUMULATOR -----	1	
- 2	MS28889-1	VALVE-AIR ACCUMULATOR -----	1	
- 3	SEE FIG 2	PLACARD-LANDING GEAR WARNING -----	1	
- 4	1281035-1	PISTON -----	1	
- 5	MS28775-210	PACKING -----	1	
- 6	S1628-210	BACK UP -----	2	
- 7	1281036-1	GLAND -----	1	
- 8	MS28775-020	PACKING -----	1	
- 9	S1628-020	BACK UP -----	1	
-10	MS16625-1106	RING-RETAINER -----	1	
A---210 & T210 SERIAL 21060090 & ON				

De-Ice System

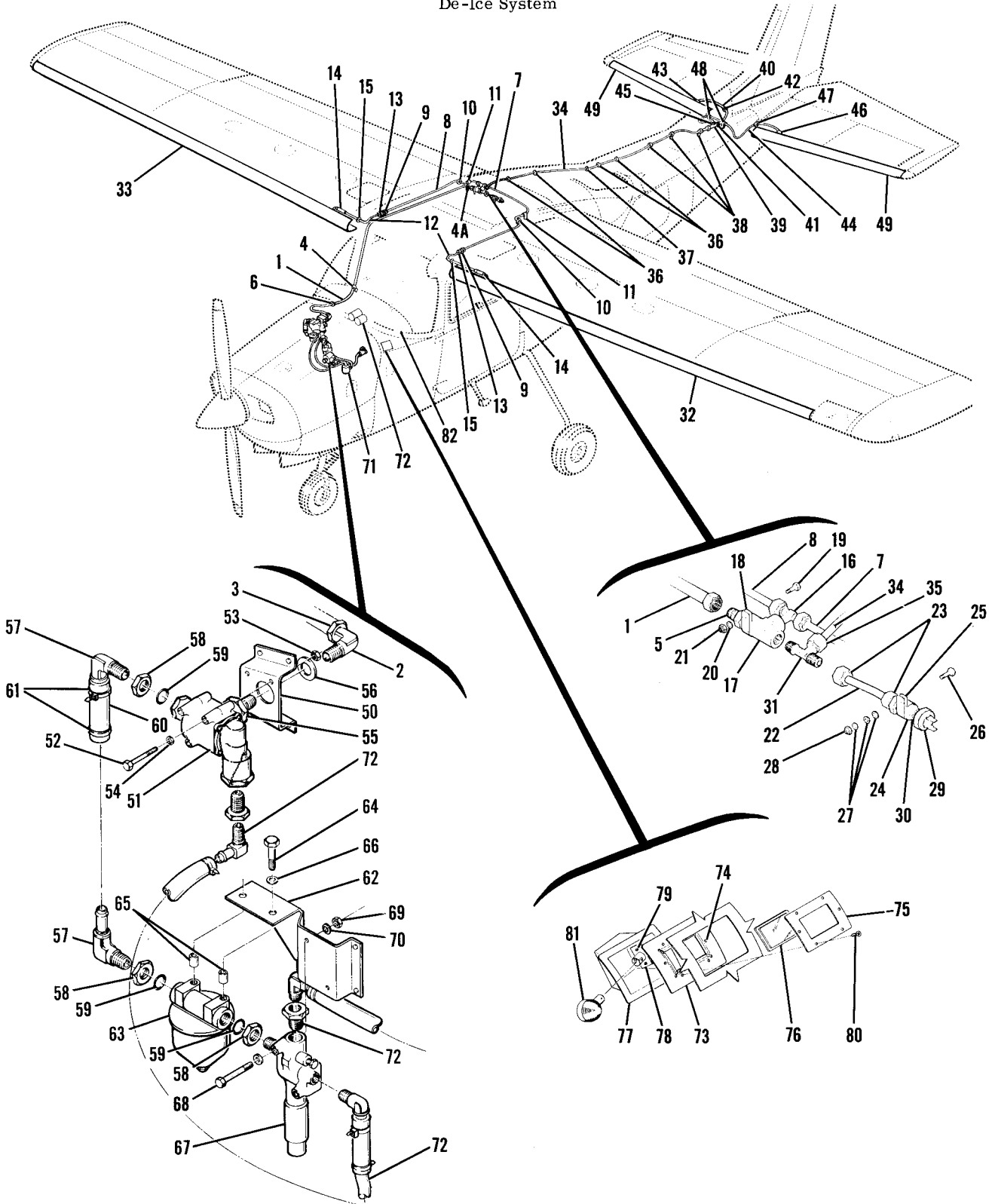


Figure 132. De-Ice System-Wing & Stabilizer



FIGURE AND INDEX NO.	PART NUMBER	DESCRIPTION	UNITS PER ASSY	USABLE ON CODE
		1 2 3 4 5 6 7		
132 -		DE-ICE SYSTEM INSTALLATION-WING & STABILIZER -----	NP	
- 1	S1071-4	TUBE 107.0 IN LG BKI REF S1071-4-107.0 -----	1	
		ATTACHING PARTS -----		
- 2	S2071-2	ELBOW -----	1	
- 3	S1130-4	NUT -----	2	
	S1131-4	INSERT -----	2	
- 4	AN74208	CLAMP -----	1	
- 4A	MS2191908	CLAMP -----	1	
- 5	S1133-6	CONNECTOR -----	1	
- 6	S1291-9	GROMMET -----	1	
		---*---		
- 7	S1071-3	TUBE LH 30.0 IN LG BKI REF S1071-3-30.0 -----	1	
- 8	S1071-3	TUBE RH 20.0 IN LG BKI REF S1071-3-20.0 -----	1	
		ATTACHING PARTS -----		
- 9	S1132-3	UNION -----	1	
	S1131-3	INSERT -----	2	
	S1130-3	NUT -----	2	
-10	MS35489-98S	GROMMET -----	1	
-11	S14860G6U	CLAMP -----	1	
	S102128-10	SCREW -----	1	
		---*---		
-12	S1071-3	TUBE 61.0 IN LG BKI REF S2071-3-61.0 -----	2	
		ATTACHING PARTS -----		
-13	S1130-3	NUT -----	1	
	S1131-3	INSERT -----	1	
-14	332154	COUPLING APC -----	1	
	332280	INSERT-PLASTIC TUBE APC -----	1	
	332281	INSERT-ALUMINUM TUBE APC -----	1	
-15	MS35489-11S	GROMMET -----	1	
		---*---		
-16	S1138-5	TEE -----	1	
-17	AN917-30	TEE -----	1	
		ATTACHING PARTS -----		
-18	AN742D14	CLAMP -----	1	
-19	AN3-4A	BOLT -----	1	
-20	AN960-10	WASHER -----	1	
-21	MS21044N3	NUT -----	1	
		---*---		
-22	S1071-3	TUBE 2.0 IN LG BKI REF S1071-3-2.0 -----	1	
		ATTACHING PARTS -----		
-23	S1130-3	NUT -----	2	
	S1131-3	INSERT -----	2	
		---*---		
-24	S1481-3	COUPLING -----	1	
		ATTACHING PARTS -----		
-25	AN742D14	CLAMP -----	1	
-26	AN3-5A	BOLT -----	1	
-27	AN960-10	WASHER -----	3	
-28	MS21044N3	NUT -----	1	
		---*---		
-29	ID1194-1	SWITCH -----	1	
-30	AN912-1D	BUSHING -----	1	
-31	S1139-5	TEE -----	1	
-32	23S2038-5-1	BOOT-DE-ICER LH GD -----	1	A
	23S2038-6-1	BOOT-DE-ICER LH GD -----	1	B
-33	23S2038-5-2	BOOT-DE-ICER RH GD -----	1	
-34	S1071-3	TUBE 134.0 IN LG BKI REF S1071-3-134.0 -----	1	
		ATTACHING PARTS -----		
-35	S1130-3	NUT -----	2	
	S1131-3	INSERT -----	2	
-36	NAS557-8A	GROMMET -----	4	
-37	NAS557-10A	GROMMET -----	1	
-38	S1155-6	CLAMP -----	3	
	S1153-1	BRACKET -----	3	
	S1021A8-6	SCREW -----	6	
		---*---		
-39	S1137-3	TEE -----	1	
-40	S1071-3	TUBE 24.0 IN LG BKI REF S1071-3-24.0 -----	1	
		ATTACHING PARTS -----		
-41	S1130-3	NUT -----	1	
	S1131-3	INSERT -----	1	

CONTINUED ON NEXT PAGE

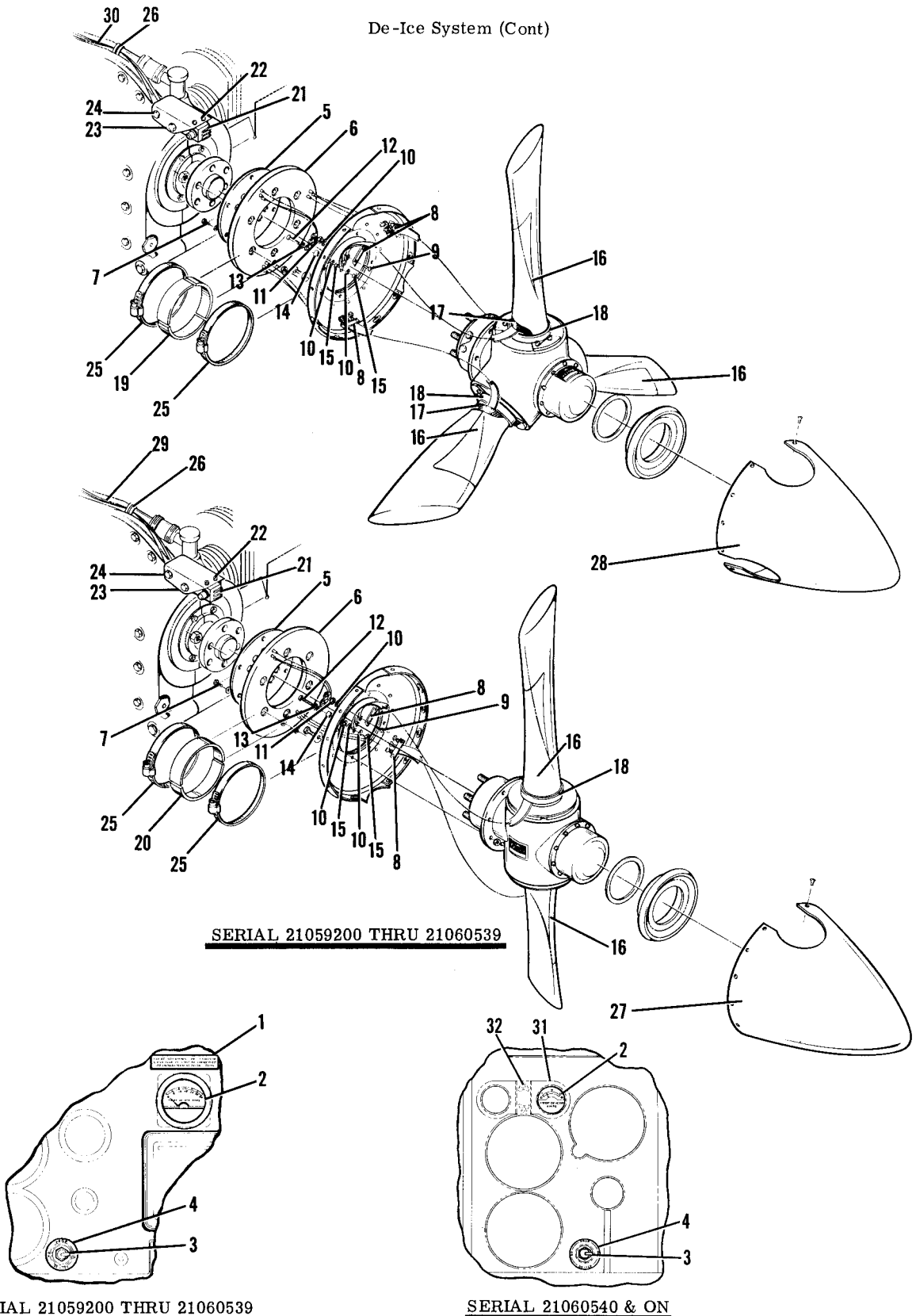
FIGURE AND INDEX NO.	PART NUMBER	DESCRIPTION							UNITS PER ASSY	USABLE ON CODE
		1	2	3	4	5	6	7		
132 -42	MS35489-11	GROMMET							1	
-43	332154	COUPLING							1	
	332280	INSERT	PLASTIC TUBE	APC					1	
	332281	INSERT	ALUMINUM TUBE	APC					1	
		-----*								
-44	S1071-3	TUBE 36.0 IN LG	BKI	REF S1071-3-36.0					1	
		ATTACHING PARTS								
-45	S1130-3	NUT							1	
	S1131-3	INSERT							1	
-46	332154	COUPLING							1	
	332280	INSERT	PLASTIC TUBE	APC					1	
	332281	INSERT	ALUMINUM TUBE	APC					1	
-47	MS35489-11	GROMMET							1	
-48	S1155-6	CLAMP							2	
	S102128-8	SCREW							2	
	NAS446-4-3	NUT							2	
		-----*								
-49	23S2038-3-1	BOOT-DEICER	GD						2	
-50	1253048-1	BRACKET-SUPPORT							1	
-51	3D1549-02A-3	VALVE-SHUTTLE	GD						1	
		ATTACHING PARTS								
-52	AN3-21A	BOLT							3	
-53	MS21044N3	NUT							3	
-54	AN960-10L	WASHER							3	
		-----*								
-55	S1855-1	NIPPLE							1	
-56	S354-3	GROMMET							1	
-57	AN838-10D	ELBOW							2	
-58	AN924-10D	NUT							3	
-59	MS28778-10	O RING							3	
-60	S1495-8	HOSE 3.00 IN LG	BULK ITEM	S1495-8-3.00					1	
-61	S1693-2	STRAP-ST							2	
-62	1253047-1	SUPPORT							1	
-63	3D1541	FILTER	GD						1	
		ATTACHING PARTS								
-64	AN4H10A	BOLT							2	
-65	NAS43D04-32	SPACER							2	
-66	AN960-416L	WASHER							2	
		-----*								
-67	3D1726	VALVE-CONTROL	GD						1	A
	3D1542-03	VALVE-CONTROL	GD						1	B
		ATTACHING PARTS								
-68	AN3-20A	BOLT							2	
-69	MS21044N3	NUT							2	
-70	AN960-10L	WASHER							2	
		-----*								
-71	SEE FIG 115	VACUUM SYSTEM INSTALLATION							1	C
	SEE FIG 115A	VACUUM SYSTEM INSTALLATION							1	D
-72		PANEL EQUIPMENT-DE-ICE	SEE INSTRUMENT PANEL						1	
-73	1201111-1	DOUBLER ASSEMBLY LENS							1	
-74	NAS680A06	NUTPLATE							6	
-75	1201112-1	COVER ASSEMBLY							1	
-76	1201113-1	LENS							1	
-77	1201114-1	BRACKET ASSEMBLY							1	
-78	1201115-1	LAMP SOCKET							1	
		ATTACHING PARTS								
-79	AN515-6R6	SCREW							2	
	AN960-6L	WASHER							2	
	MS21044N06	NUT							2	
		-----*								
-80	AN507-632R7	SCREW							6	
-81	S1926-1	LAMP	12 VOLT SYSTEM						1	A
	MS25338-7079	LAMP	24 VOLT SYSTEM						1	B
-82	SEE FIG 59	SWITCH-ICE DETECTOR LIGHT							1	

NOTE. *LENGTH TO BE DETERMINED LATER.

A---210 & T210 SERIAL 21059200 THRU 21059502
 B---210 & T210 SERIAL 21059503 & ON
 C---210 & T210 SERIAL 21059200 THRU 21059809
 21059811 THRU 21059818
 D---210 & T210 SERIAL 21059810, 21059819 & ON

FIGURE AND INDEX NO.	PART NUMBER	DESCRIPTION	UNITS PER ASSY	USABLE ON CODE
		1 2 3 4 5 6 7		
133 -		PROPELLER DE-ICE SYSTEM INSTALLATION -----	NP	
- 1	SEE FIG 2	PLACARD -----	1	
- 2	3E1219-6	AMMETER USED ON TWO BLADE INSTALLATION GDA -----	1	A
	3E1219-1	12 VOLT SYSTEM		
	C662503-0104	AMMETER USED ON TWO BLADE INSTALLATION GDA -----	1	C
	3E1219-7	24 VOLT SYSTEM		
	3E1219-4	AMMETER USED ON TWO BLADE INSTALLATION -----	1	F
	C662503-0103	AMMETER USED ON THREE BLADE INSTALLATION GDA -----	1	A
	3E1219-4	12 VOLT SYSTEM		
	C662503-0103	AMMETER USED ON THREE BLADE INSTALLATION G9A -----	1	C
	3E1219-4	24 VOLT SYSTEM		
- 3	1E1140	AMMETER USED ON THREE BLADE INSTALLATION -----	1	D
	1E1193	SWITCH USED ON TWO BLADE INSTALLATION GDA -----	1	A
	1E1324	SWITCH USED ON TWO BLADE INSTALLATION GDA -----	1	G
	1E1110-1	SWITCH USED ON THREE BLADE INSTALLATION GDA -----	1	A
	3E1540-1	SWITCH USED ON THREE BLADE INSTALLATION -----	1	B
	3E1555-1	SWITCH USED ON THREE BLADE INSTALLATION -----	1	B
	NAS43D03-48	TIMER GDA MOUNTED ON TORQUE TUBE SUPPORT -----	1	A
	MS21044N3	12 VOLT SYSTEM		
	AN520-10R16	TIMER MOUNTED ON TORQUE TUBE SUPPORT -----	1	B
		24 VOLT SYSTEM		
		ATTACHING PARTS		
		SPACER -----	4	
		NUT -----	4	
		SCREW -----	4	
		-----*		
CONTINUED ON NEXT PAGE				

De-Ice System (Cont)



SERIAL 21059200 THRU 21060539

SERIAL 21059200 THRU 21060539

SERIAL 21060540 & ON

Figure 133. Propeller De-Ice System Installation

FIGURE AND INDEX NO.	PART NUMBER	DESCRIPTION	UNITS PER ASSY	USABLE ON CODE
		1 2 3 4 5 6 7		
133 - 4	1213188-1	CUP -----	1	
- 5	4E1645	MOUNTING PLATE GDA -----	1	
- 6	4E1708	RING ASSEMBLY-SLIP GDA TWO BLADE -----	1	H
	4E1706	RING ASSEMBLY-SLIP GDA THREE BLADE -----	1	
		ATTACHING PARTS -----		
- 7	AN4-7A	BOLT -----	6	
	AN960C416L	WASHER -----	12	
	H10-4	NUT -----	6	
		-----*		
- 8	3E1271-2	CLIP ASSEMBLY-LEAD USED ON THREE BLADE INSTALLATION GDA -	3	
	3E1271-2	CLIP ASSEMBLY-LEAD USED ON TWO BLADE INSTALLATION GDA ---	2	H
		ATTACHING PARTS -----		
- 9	AN526C632R8	SCREW -----	2	
-10	AN960C6	WASHER -----	2	
-11	MS20365-632C	NUT -----	2	
		-----*		
-12	632X.75	SCREW-BRASS USED ON TWO BLADE INSTALLATION -----	6	H
	632X.75	SCREW-BRASS USED ON THREE BLADE INSTALLATION -----	9	
-13	AN936A6	WASHER USED ON TWO BLADE INSTALLATION -----	18	H
	AN936A6	WASHER USED ON THREE BLADE INSTALLATION -----	27	
-14	2E1260	BUSHING USED ON TWO BLADE INSTALLATION -----	12	H
	2E1260	BUSHING USED ON THREE BLADE INSTALLATION -----	18	
-15	AN34086	NUT USED ON TWO BLADE INSTALLATION -----	12	H
	AN34086	NUT USED ON THREE BLADE INSTALLATION -----	18	
-16	4E1214-3	DE-ICER-PROP USED ON TWO BLADE INSTALLATION GDA -----	2	A
		12 VOLT SYSTEM -----		
	4E1188-2	DE-ICER-PROP USED ON TWO BLADE INSTALLATION GDA -----	1	G
		24 VOLT SYSTEM -----		
	4E1214-3	DE-ICER-PROP USED ON THREE BLADE INSTALLATION GDA ---	3	A
		12 VOLT SYSTEM -----		
	4E1188-2	DE-ICER-PROP USED ON THREE BLADE INSTALLATION GDA ---	1	B
		24 VOLT SYSTEM -----		
-17	2E1290	RESTRAINER-STRAP USED ON THREE BLADE INSTALLATION GDA ---	3	
-18	2E1291	RESTRAINER-STRAP USED ON TWO BLADE INSTALLATION GDA -----	2	H
	2E1291	RESTRAINER-STRAP USED ON THREE BLADE INSTALLATION GDA ---	3	
-19	2E1301	SPACER-RUBBER USED ON THREE BLADE INSTALLATION GDA ---	3	
-20	2E1303	SPACER-RUBBER USED ON TWO BLADE INSTALLATION GDA -----	2	H
-21	4E1387-4	BRUSH BLOCK ASSEMBLY GDA -----	1	
		ATTACHING PARTS -----		
-22	AN526C832R28	SCREW -----	2	
	AN960C8	WASHER -----	4	
	1E1157	SHIM GDA -----	1	
	1250935-1	SPACER -----	1	
	MS21044N08	NUT -----	2	
		-----*		
-23	3E1531	MOUNTING BRACKET GDA -----	1	
		ATTACHING PARTS -----		
-24	AN5-26A	BOLT -----	2	
	1E1297	SPACER GDA -----	4	
		-----*		
-25	QS200M80S	CLAMP -----	2	
-26	S1486DC5U	CLAMP -----	2	
	MS21919DG12	CLAMP -----	2	
		ATTACHING PARTS -----		
	S102128-8	SCREW -----	1	
		-----*		
	MS21919DG6	CLAMP LOCATED BETWEEN FIREWALL & AFT BAFFLE -----	1	
-27	1250415-8	SPINNER DOME ASSY-TWO BLADED -----	1	H
-28	1250419-6	SPINNER DOME ASSY-THREE BLADED -----	1	
-29	1201013-5	CABLE ASSEMBLY USED ON TWO BLADED PROP -----	1	H
-30	1201013-6	CABLE ASSEMBLY USED ON THREE BLADED PROP -----	1	
	MS3106A20-15S	PLUG-CABLE -----	1	
	MS3057-12A	CLAMP-CABLE PLUG -----	1	
-31	1213729-1	BRACKET ASSY-GYRO SLAVING & AMMETER ATTACH -----	1	E
		ATTACHING PARTS -----		
	AN507-832R6	SCREW -----	2	
		-----*		
-32	NAS698A08	NUTPLATE -----	2	
		-----*		
		A---210 & T210 SERIAL 21059200 THRU 21059502		
		B---210 & T210 SERIAL 21059503 & ON		
		C---210 & T210 SERIAL 21059503 THRU 21059719		
		D---210 & T210 SERIAL 21059720 & ON		
		E---210 & T210 SERIAL 21060540 & ON		
		F---210 & T210 SERIAL 21059720 THRU 21060539		
		G---210 & T210 SERIAL 21059503 THRU 21060539		
		H---210 & T210 SERIAL 21059200 THRU 21060539		

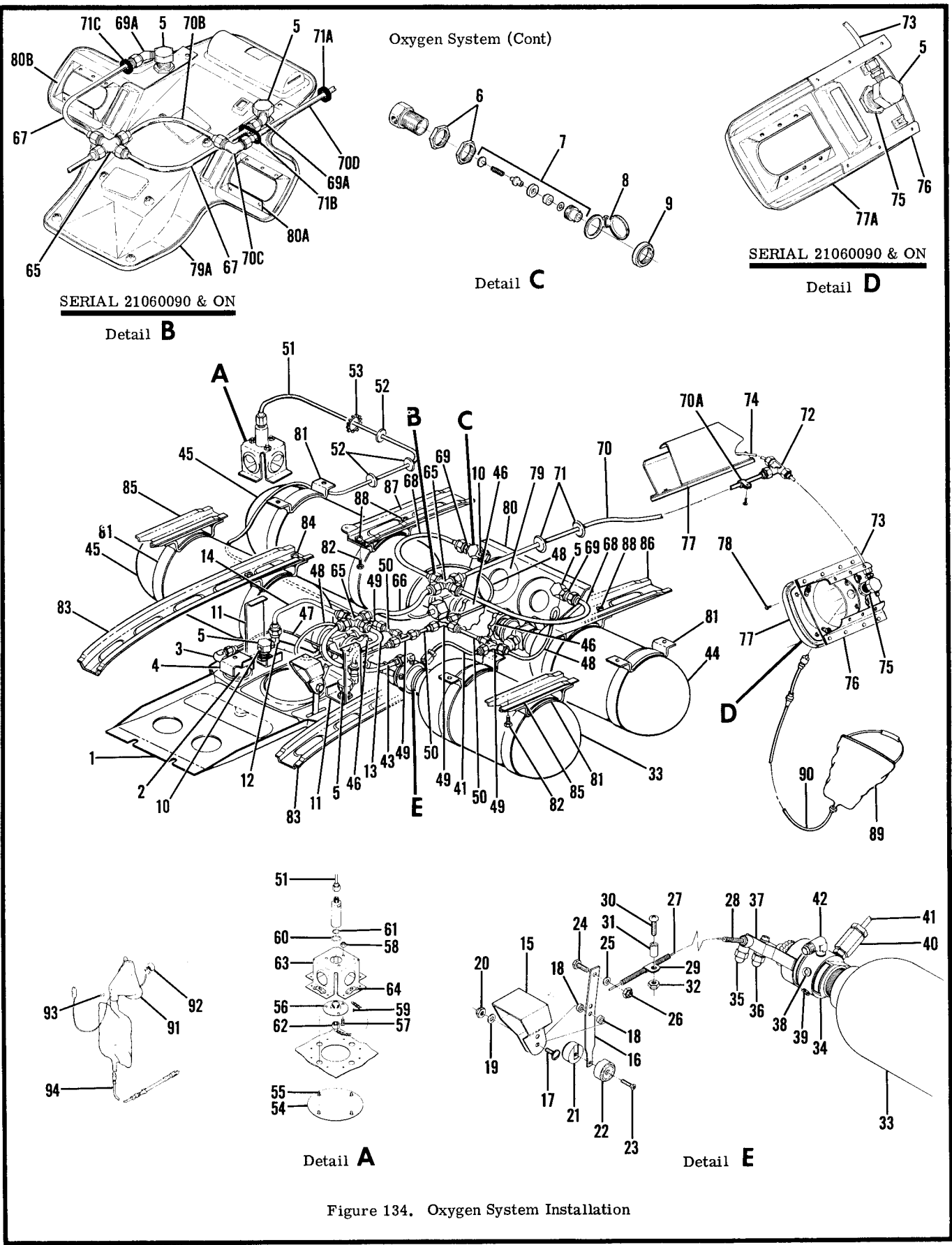


Figure 134. Oxygen System Installation

FIGURE AND INDEX NO.	PART NUMBER	DESCRIPTION	UNITS PER ASSY	USABLE ON CODE
134 -		OXYGEN SYSTEM INSTALLATION -----	NP	
- 1	SEE FIG 136	OXYGEN CONSOLE INSTALLATION -----	1	
- 2	C166010-0101	GAGE ASSEMBLY-OXYGEN PRESSURE -----	1	
	AN515-6R5	ATTACHING PARTS		
		SCREW -----	1	
		-----*-----		
	C166010-0102	GAGE -----	1	
	C166010-0103	BEZEL -----	1	
- 3	S1529-1	ELBOW -----	1	
- 4	1200244-1	SUPPORT-GAGE -----	1	
- 5	C166006-0109	VALVE ASSEMBLY-OXYGEN OUTLET -----	6	
- 6	Z651-13	NUT ZEPA -----	2	
- 7	C166006-0108	KIT-VALVE REPAIR -----	1	
- 8	Z651-1	COVER ASSEMBLY ZEPA -----	1	
- 9	Z651-3	LOCK RING ZEPA -----	1	
-10	AN932-C2	PLUG -----	6	
-11	SEE FIG 24A	BRACKET-OXYGEN PORT -----	2	
-12	MS20822-48	ELBOW -----	2	
-13	1200417-73	LINE ASSEMBLY -----	1	
-14	1200417-74	LINE ASSEMBLY -----	1	
-15	1201106-1	BRACKET-OXYGEN CONTROL LEVER -----	1	
-16	1201104-1	LEVER-OXYGEN CONTROL -----	1	
		ATTACHING PARTS		
-17	AN525-10R9	SCREW -----	1	
-18	NAS43DD3-7	SPACER -----	2	
-19	AN960-10L	WASHER -----	1	
-20	MS21044N3	NUT -----	1	
		-----*-----		
-21	S1953-1	KNOB ASSEMBLY -----	1	
-22	S1953-3	KNOB -----	1	
		ATTACHING PARTS		
-23	AN507DD4408R8	SCREW -----	1	
		-----*-----		
-24	0450311-5	CLAMP -----	1	
-25	AN960-10	WASHER -----	1	
-26	MS21044N3	NUT -----	1	
-27	S1398-1	WIRE 10.00 IN LG BKI REF S1398-1-10.00 -----	1	
-28	S1398-2	CASING-WIRE 7.00 IN LG BKI REF S1398-2-7.00 -----	1	
-29	AN742D3	CLAMP -----	1	
		ATTACHING PARTS		
-30	AN515-8R10	SCREW -----	1	
	AN515-8R13	SCREW -----	1	
-31	NAS43DD3-32	SPACER -----	1	
-32	MS21044N08	NUT -----	1	
		-----*-----		
-33	C166001-0605	CYLINDER & REGULATOR ASSEMBLY-OXYGEN -----	1	
-34	C166002-0401	REGULATOR ASSEMBLY -----	1	
-35	10-8001C	NUT ZEPA -----	1	
	16-8500C	SET SCREW ZEPA -----	1	
-36	10-8001C	NUT ZEPA -----	1	
	16-8375C	SET SCREW ZEPA -----	1	
-37	91-8000AC	CLAMP ZEPA -----	1	
		ATTACHING PARTS		
	16-2000C	BOLT ZEPA -----	1	
	97NT3-048	NUT ZEPA -----	1	
		-----*-----		
-38	12-4862	PLUG-SAFETY ZEPA -----	1	
-39	AN932C2	PLUG -----	3	
-40	ZF604	ADAPTOR ASSEMBLY ZEPA -----	1	
-41	S1723-5	LINE ASSEMBLY -----	1	
-42	MS20822-48	ELBOW -----	1	
-43	1200417-72	LINE ASSEMBLY -----	1	
-44	C166003-0103	CYLINDER & ON OFF VALVE ASSEMBLY-OXYGEN -----	1	
-45	C166003-0102	CYLINDER & ON OFF VALVE ASSEMBLY-OXYGEN -----	2	
-46	C166004-0101	VALVE ASSEMBLY-ON OFF -----	1	
-47	S1722-15	LINE ASSEMBLY-PRESSURE GAGE -----	1	
-48	S1544-1	LINE ASSEMBLY -----	3	
-49	S1724-1	TEE -----	4	
-50	S1721-3	LINE ASSEMBLY -----	3	
-51	S1721-55	LINE ASSEMBLY -----	1	
-52	MS35489-5	GROMMET -----	3	
-53	S1050-1	GROMMET 3.93 IN LG BKI REF S1050-1-3.93 -----	1	
-54	1200226-1	COVER ASSEMBLY -----	1	
-55	S1115-1	STUD -----	4	
	S1115-9	RING -----	4	
		CONTINUED ON NEXT PAGE		

FIGURE AND INDEX NO.	PART NUMBER	DESCRIPTION	UNITS PER ASSY	USABLE ON CODE		
					1	2
134 -56	C166008-0101	VALVE ASSEMBLY-OXYGEN FILLER -----	1			
		ATTACHING PARTS -----				
-57	AN515-8R8	SCREW -----	3			
-58	MS21044N08	NUT -----	3			
-59	S1021Z4-6	SCREW -----	1			
		---*---				
-60	2-15	O RING PKSC -----	1			
-61	2-11	O RING PKSC -----	1			
-62	S1520-1	CAP & CHAIN ASSY -----	1			
-63	1200225-1	BRACKET ASSEMBLY-FILLER VALVE -----	1			
-64	S1115-19	RECEPTACLE -----	4			
-65	AN827-4D	CROSS -----	2			
-66	1200417-75	LINE ASSEMBLY -----	1	C		
	1200417-90	LINE ASSEMBLY -----	1	D		
-67	1200417-91	LINE ASSEMBLY -----	2	D		
-68	1200417-77	LINE ASSEMBLY -----	2	C		
-69	AN816-4B	NIPPLE -----	2	C		
-69A	MS20823-4B	ELBOW -----	2	D		
-70	1200417-81	LINE ASSEMBLY -----	1	C		
		ATTACHING PARTS -----				
-70A	S1155-4	CLAMP -----	2			
	S1021Z6-6	SCREW -----	1			
		---*---				
-70B	1200417-93	LINE ASSY -----	1	D		
-70C	AN821-4D	ELBOW -----	1	D		
-70D	1200417-92	LINE ASSY -----	1	D		
		ATTACHING PARTS -----				
	S1155-4	CLAMP -----	2			
	S1021Z6-6	SCREW -----	2			
		---*---				
-71	MS35489-7	GROMMET -----	2	C		
-71A	MS35489-7	GROMMET -----	1	D		
-71B	S1050-2	GROMMET 2.96 IN LG BKI REF S1050-2-2.96 -----	1	D		
-71C	NAS557-10B	GROMMET -----	1	D		
-72	AN824-4D	TEE -----	1			
-73	1200417-82	LINE ASSEMBLY -----	1			
-74	1200417-83	LINE ASSEMBLY -----	1			
-75	AN816-4B	NIPPLE -----	2			
-76	SEE FIG 25	SUPPORT ASSEMBLY -----	1			
-77	1200218-2	ESCUTCHEON-REAR SEAT OXYGEN CONSOLE -----	2	C		
-77A	1200241-2	ESCUTCHEON-REAR SEAT OXYGEN CONSOLE -----	2	D		
		ATTACHING PARTS -----				
-78	AN507-832R7	SCREW -----	4	C		
	S1022Z8-7	SCREW -----	2	D		
		---*---				
-79	1200216-2	ESCUTCHEON-CENTER OXYGEN PORTS -----	1	L		
	1200234-2	ESCUTCHEON-CENTER OXYGEN PORTS -----	1	M		
-79A	1200239-2	ESCUTCHEON-CENTER OXYGEN PORTS -----	1	D		
	1200239-4	ESCUTCHEON-CENTER OXYGEN PORTS USED WITH INERTIA REEL -----	1	D		
		ATTACHING PARTS -----				
	AN507-832R7	SCREW -----	4	L		
	AN507-832R7	SCREW -----	6	M		
	AN515-8R6	SCREW -----	8	D		
		---*---				
-80	1200206-3	BRACKET ASSEMBLY-CENTER OXYGEN PORTS -----	1	C		
	NAS680A08K	NUTPLATE -----	2	C		
-80A	1211858-1	SUPPORT-CENTER OXYGEN PORT LH -----	1	D		
-80B	1211858-2	SUPPORT-CENTER OXYGEN PORT RH -----	1	D		
-81	C166007-0101	BRACKET-OXYGEN CYLINDER MOUNTING -----	8			
		ATTACHING PARTS -----				
-82	AN4-4A	BOLT -----	2	C		
	AN4-3A	BOLT -----	2	D		
		---*---				
-83	1200208-1	STRINGER ASSEMBLY -----	2			
-84	NAS682A4	NUTPLATE -----	2			
-85	1200209-1	STRINGER ASSEMBLY -----	2			
	NAS682A4	NUTPLATE -----	2			
-86	1200211-1	STRINGER ASSEMBLY -----	1			
-87	1200212-1	STRINGER ASSEMBLY -----	1			
-88	NAS697A4	NUTPLATE -----	2			

CONTINUED ON NEXT PAGE

FIGURE AND INDEX NO.	PART NUMBER	DESCRIPTION	UNITS PER ASSY	USABLE ON CODE
		1 2 3 4 5 6 7		
134 -	C166005-0204	MASK & LINE ASSEMBLY-PASSENGER -----	5	A
	C166005-0202	MASK & LINE ASSEMBLY-PASSENGER -----	5	B
-89	C166005-0205	MASK ASSEMBLY -----	1	
-90	C166005-0504	LINE & FITTING ASSY-PASSENGER 8,000-14,000 FT -----	1	A
	C166005-0505	LINE & FITTING ASSY-PASSENGER 14,000-22,000 FT -----	1	B
	C166005-0402	MASK & LINE ASSY-PILOT WITH MIC WEU C166005-0707 ----	1	E
	C166005-0707	MASK & LINE ASSY-PILOT WITH MIC -----	1	F
	C166005-0401	MASK & LINE ASSY-PILOT WITH MIC WEU C166005-0708 ----	1	G
	C166005-0708	MASK & LINE ASSY-PILOT WITH MIC -----	1	H
-91	C166009-0401	MASK ASSY -----	1	J
	C166009-0703	MASK ASSY -----	1	K
-92	ANB-MC1	MICROPHONE -----	1	J
	64881-00	MICROPHONE -----	1	K
-93	Z736	NUT ZEPA -----	1	
-94	C166005-0505	LINE & FITTING ASSY-PILOT 14,000-22,000 FT -----	1	E
	C166005-0705	LINE & FITTING ASSY-PILOT 14,000-22,000 FT -----	1	F
	C166005-0506	LINE & FITTING ASSY-PILOT 22,000-33,000 FT -----	1	G
	C166005-0706	LINE & FITTING ASSY-PILOT 22,000-33,000 FT -----	1	H
<p>NOTE. #THIS PART NUMBER MUST HAVE A SECOND DASH NUMBER ADDED TO DENOTE COLOR. REFER TO HOW TO ORDER INTERIOR PARTS-PAGE VI.</p> <p>A---210 SERIAL 21059200 & ON B---T210 SERIAL 21059200 & ON C---210 & T210 SERIAL 21059200 THRU 21060089 D---210 & T210 SERIAL 21060090 & ON E---210 SERIAL 21059200 THRU 21059772 F---210 SERIAL 21059773 & ON G---T210 SERIAL 21059200 THRU 21059772 H---T210 SERIAL 21059773 & ON J---210 & T210 SERIAL 21059200 THRU 21059772 K---210 & T210 SERIAL 21059773 & ON L---210 & T210 SERIAL 21059200 THRU 21059502 M---210 & T210 SERIAL 21059503 THRU 21060089</p>				

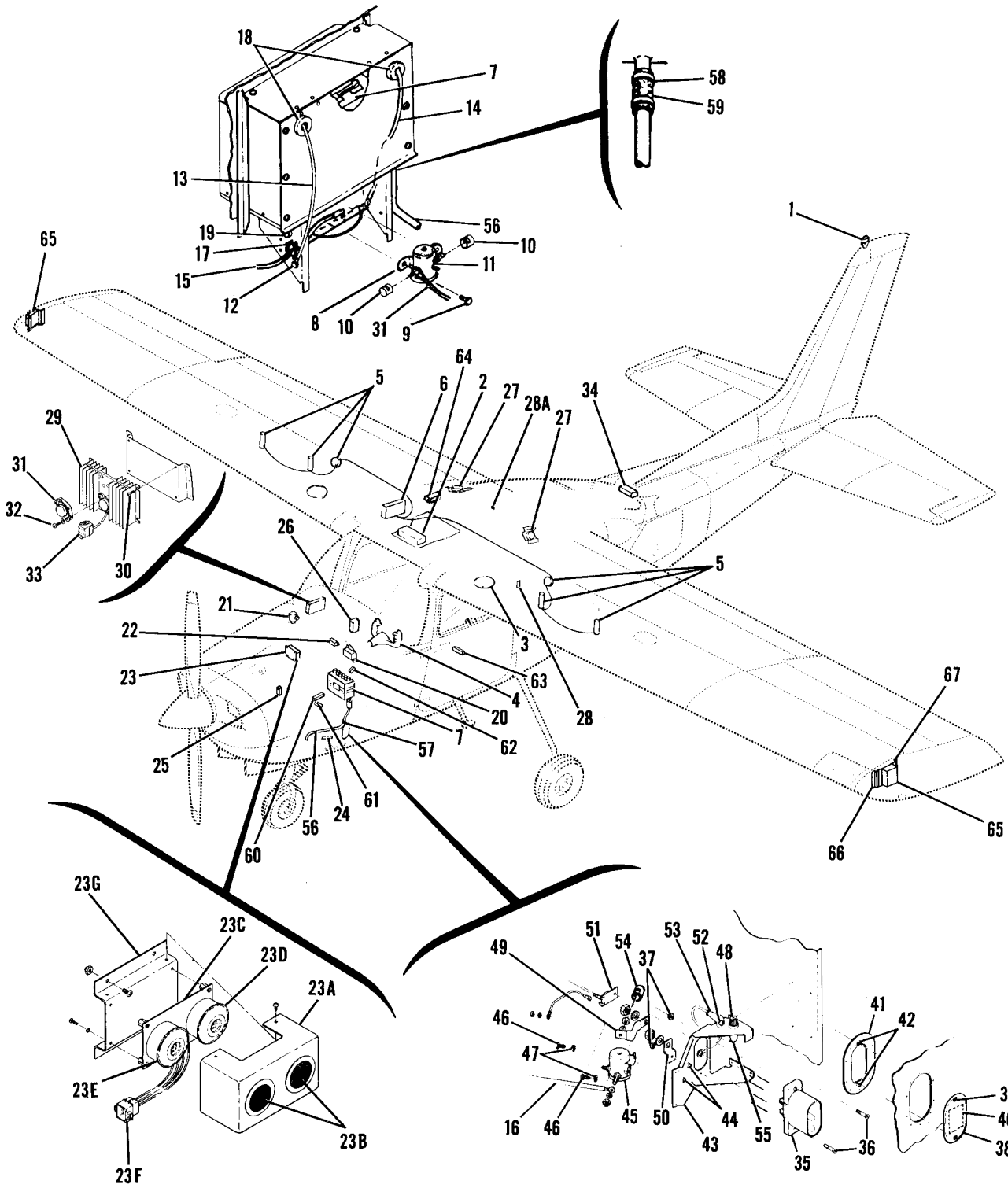
This page intentionally left blank.



FIGURE AND INDEX NO.	PART NUMBER	DESCRIPTION	UNITS PER ASSY	USABLE ON CODE
135 -		ELECTRICAL EQUIPMENT INSTALLATION -----	NP	
- 1	SEE FIG 140	FLASHING BEACON INSTALLATION -----	1	
- 2	SEE FIG 136	INSTRUMENT PANEL LIGHTS & OVERHEAD CONSOLE -----	1	
- 3	SEE FIG 139	COURTESY LIGHT INSTALLATION -----	1	
	SEE FIG 138	ALTERNATOR INSTALLATION -----	1	
	SEE FIG 59 & 59A	SWITCH PANEL SWITCHES & CIRCUIT BREAKERS -----	1	
		INSTRUMENT PANEL POST LIGHTS SEE POST LIGHTS INSTL -----	1	
	SEE FIG 103	FLAP MOTOR -----	1	
- 4	SEE FIG 96 & 96A	CONTROL WHEEL MAP LIGHT & SWITCHES -----	1	
- 5	SEE FIG 6	SENSOR-FUEL BAY -----	1	
- 6	C668004-0101	CONTROL MONITOR-FUEL 12 VOLT SYSTEM -----	1	C
	C668004-0104	CONTROL MONITOR-FUEL 24 VOLT SYSTEM -----	1	F
		ATTACHING PARTS		
	NAS221-5	SCREW -----	4	
	AN960-10	WASHER -----	4	
		-----*		
- 7	0712605-201 *	BATTERY KIT 12 VOLT SYSTEM -----	1	C
	0870060-201 *	BATTERY KIT 24 VOLT SYSTEM -----	1	B
- 8	S1579-2	CONTACTOR ASSEMBLY-BATTERY 12 VOLT SYSTEM -----	1	C
	S1580-1	CONTACTOR ASSEMBLY-BATTERY 24 VOLT SYSTEM -----	1	B
		ATTACHING PARTS		
- 9	AN3-4A	BOLT -----	2	
		-----*		
-10	S1807-2	COVER-TERMINAL -----	2	
		ATTACHING PARTS		
	S1693-2	STA-STRAP -----	1	
		-----*		
-11	0770728-1	DIODE ASSEMBLY -----	1	
-12	AN4-4A	BOLT -----	1	
-13	1270701PA1	CABLE-BATTERY GROUND -----	1	
-14	1270701PA16	CABLE-BATTERY TO CONTACTOR -----	1	
-15	1270701PA15	CABLE-CONTACTOR TO CONTACTOR -----	1	
-16	1270701PA18	CABLE-CONTACTOR TO GROUND SERVICE CONTACTOR -----	1	
	1270701PA12	CABLE-STARTER CONTACTOR TO STARTER -----	1	
-17	S1050-1-3.10	GROMMET -----	1	
-18	MS35489-135	GROMMET -----	2	
-19	S1090-22	FUSEHOLDER -----	1	
	S1090-23	CAP-1 AMP -----	1	
	S1091-1	FUSE-CLOCK -----	1	
-20	C611001-0101	REGULATOR-VOLTAGE 12 VOLT SYSTEM -----	1	C
	C611002-0105	REGULATOR-VOLTAGE 24 VOLT SYSTEM -----	1	B
		ATTACHING PARTS		
	AN520-416R8	SCREW -----	2	
		-----*		
-21	C6AB-10A730A	PLUG-VOLTAGE REGULATOR ECWS -----	1	
	S1991-1	CONTACTOR-STARTER 12 VOLT SYSTEM -----	1	C
	S1577-1	CONTACTOR-STARTER 24 VOLT SYSTEM -----	1	B
		ATTACHING PARTS		
	AN3-4A	BOLT -----	2	
	MS20365-1032C	NUT -----	2	
		-----*		
	S1807-2	COVER-TERMINAL BATTERY SIDE -----	1	
	S1807-1	COVER-TERMINAL STARTER SIDE -----	1	
		ATTACHING PARTS		
	S1693-2	STA-STRAP -----	1	
		-----*		
-22	0770038-2	FILTER-NOISE -----	1	
		ATTACHING PARTS		
	AN515-8R8	SCREW -----	2	
		-----*		

CONTINUED ON NEXT PAGE

Electrical Equipment



SERIAL 21059503 & ON

Figure 135. Electrical Equipment Installation



FIGURE AND INDEX NO.	PART NUMBER	DESCRIPTION	UNITS PER ASSY	USABLE ON CODE		
					1	2
135 -23	1213242-1	WARNING UNIT-DUAL STALL ----- ATTACHING PARTS	1	C		
	AN515-8R6	SCREW ----- -----*	4	C		
	2070005-15	WARNING UNIT ASSY-STALL & GEAR ----- ATTACHING PARTS	1	B		
	AN515-8R6	SCREW ----- -----*	4	B		
-23A	2070005-16	COVER ASSY-DUAL WARNING UNIT ----- ATTACHING PARTS	1	B		
	AN530-6-4	SCREW ----- -----*	4	B		
-23B	XS51162-12	PLUG BUTTON -----	2	B		
-23C	1570263-1	CIRCUIT BOARD ASSY ----- ATTACHING PARTS	1	B		
	AN515-4-6	SCREW -----	4	B		
	AN935-4	WASHER ----- -----*	4	B		
-23D	S2077-6	HORN -----	1	B		
-23E	S2077-7	HORN ----- ATTACHING PARTS	1	B		
	AN515-8R6	SCREW -----	2	B		
	MS122029	WASHER ----- -----*	2	B		
-23F	S1640-6	HOUSING -----	1	B		
-23G	2070005-2	BASE-DUAL WARNING UNIT -----	1	B		
-24	MOR-20-2	RESISTOR TRAT ----- ATTACHING PARTS	1			
	AN515-4R7	SCREW ----- -----*	2			
-25	1250706-1	LIMIT SWITCH-THROTTLE MOUNTED ON AIRBOX ----- ATTACHING PARTS	1	G		
	AN515-6R8	SCREW -----	2			
	MS21044N06	NUT ----- -----*	2			
	USM5B	SWITCH UMX -----	1			
	AAM20	ACTUATOR UMX -----	1			
-26	SEE FIG 135A	SWITCH INSTALLATION-GEAR WARNING & FUEL PUMP -----	1	H		
	C613001-0201	POWER SUPPLY-ELECTROLUMINESCENT PANEL 12 VOLT SYSTEM -----	1	C		
	C613001-0101	POWER SUPPLY-ELECTROLUMINESCENT PANEL 24 VOLT SYSTEM ----- ATTACHING PARTS	1	B		
	AN520-832R8	SCREW -----	2			
	S1450-2-10-032	WASHER -----	2			
	MS21044N08	NUT ----- -----*	2			
-27	C22002-0101	LIGHT ASSEMBLY-DOME -----	2	C		
	90	BULB-DOME LIGHT GE -----	1	C		
	0700629-1	RETAINER-HEADLINER UCTE ----- ATTACHING PARTS	2	C		
	S1022A4-6	SCREW ----- -----*	4	C		
-28	S1831-1	SWITCH-DOME LIGHT ----- ATTACHING PARTS	1	C		
	S1021Z6-8	SCREW -----	2	C		
	NAS446-2-3	NUT ----- -----*	2	C		
-28A	S1831-1	SWITCH-DOME LIGHT ----- ATTACHING PARTS	1	B		
	AN515-4R4	SCREW ----- -----*	2			
	MS25231-313	BULB-DOME LIGHT -----	1	B		
	S1893-1	BASE-DOME LIGHT -----	1	B		
	1706015-2	LENS-DOME LIGHT -----	1	B		
-29	1570166-1	DIMMING ASSEMBLY-TRANSISTORIZED LIGHT ----- ATTACHING PARTS	1			
-30	AN520-10R6	SCREW -----	4			
	AN960-10L	WASHER ----- -----*	4			
-31	2N3055	TRANSISTOR RCA ----- ATTACHING PARTS	2			
-32	S1021Z6-8	SCREW -----	2			
	AN960-10L	WASHER ----- -----*	2			

CONTINUED ON NEXT PAGE

FIGURE AND INDEX NO.	PART NUMBER	DESCRIPTION	UNITS PER ASSY	USABLE ON CODE
135 -33	S1641-6	HOUSING-SOCKET -----	1	
-34	1215054-1	COVER-BAGGAGE COMPARTMENT LIGHT -----	1	
	1211346-1	LENS-BAGGAGE COMPARTMENT LIGHT -----	1	
		ATTACHING PARTS		
	S102124-8	SCREW -----	2	
	NAS395-1-3	NUTPLATE -----	2	
		---*---		
	1876-1	LAMP-BAGGAGE COMPARTMENT LIGHT GE 12 VOLT SYSTEM ----	1	C
	MS25231-313	LAMP-BAGGAGE COMPARTMENT LIGHT 24 VOLT SYSTEM ----	1	B
	0413138	SOCKET -----	1	
	0413140-5	REFLECTOR -----	1	
		ATTACHING PARTS		
	S102124-4	SCREW -----	2	
	NAS395-1-3	NUTPLATE -----	2	
		---*---		
	MS35489-4	GROMMET -----	1	
	S292-1	SLEEVING 1.25 IN LG BKI REF S292-1-1.25 -----	1	
		RECEPTACLE INSTALLATION-GROUND SERVICE PLUG -----	NP	
-35	AN2552-3A	RECEPTACLE -----	1	
		ATTACHING PARTS		
-36	AN509-10R14	SCREW -----	2	
-37	MS21044N3	NUT -----	2	
		---*---		
-38	0752611-1	DOOR ASSEMBLY -----	1	
-39	S1115-10	STUD -----	2	
	S1115-9	RING -----	2	
-40	SEE FIG 2	PLACARD -----	1	
-41	0752610-1	DOUBLER ASSEMBLY -----	1	
-42	S1115-9	RECEPTACLE -----	2	
-43	1270656-2	SUPPORT ASSEMBLY-RECEPTACLE -----	1	
-44	NAS697A4	NUTPLATE -----	2	
-45	S1660-1	CONTACTOR 12 VOLT SYSTEM -----	1	C
	S1577-1	CONTACTOR 24 VOLT SYSTEM -----	1	B
		ATTACHING PARTS		
-46	AN520-416R8	SCREW -----	2	
-47	AN960-416L	WASHER -----	2	
		---*---		
-48	S1090-2	FUSEHOLDER ASSEMBLY -----	1	
	S1090-11	CAP -----	1	
	S1091-5	FUSE -----	1	
-49	1270653-1	STRAP-BUS BAR -----	1	
-50	0312155-10	STRAP-GROUND -----	1	
-51	1570043-3	DIODE BOARD ASSEMBLY -----	1	
-52	20H3P	DIODE SATA -----	1	
-53	S1488-1	NIPPLE -----	1	
-54	S1807-1	COVER-TERMINAL -----	2	
		ATTACHING PARTS		
	S1693-2	STA-STRAP -----	1	
		---*---		
-55	X26263	RESISTOR TRTA -----	1	
-56	1200106-132	LINE ASSEMBLY-BATTERY DRAIN -----	1	C
	1200106-203	LINE ASSEMBLY-BATTERY DRAIN -----	1	B
		ATTACHING PARTS		
-57	MS21919DG6	CLAMP -----	2	
	S102128-6	SCREW -----	2	
-58	S1693-2	STA-STRAP -----	2	
		---*---		
-59	S1495-6	HOSE-2.00 IN LG BULK ITEM REF S1495-6-2.00 --	1	
-60	MS2712-1-6	TERMINAL BLOCK -----	1	
	397-6	TERMINAL COVER HEGE -----	1	
		ATTACHING PARTS		
	AN515-4R6	SCREW -----	2	
		---*---		
-61	MX-0020-031AV	RESISTOR TRTA 12 VOLT SYSTEM -----	1	C
	AMR020-10	RESISTOR TRTA 24 VOLT SYSTEM -----	1	B
		ATTACHING PARTS		
	NAS42HT4-16	SPACER -----	1	
	AN515-4R12	SCREW -----	2	
	AN515-4R8	SCREW -----	1	
	AN936B4	WASHER -----	3	
	NAS679A04	NUT -----	3	
		---*---		

CONTINUED ON NEXT PAGE

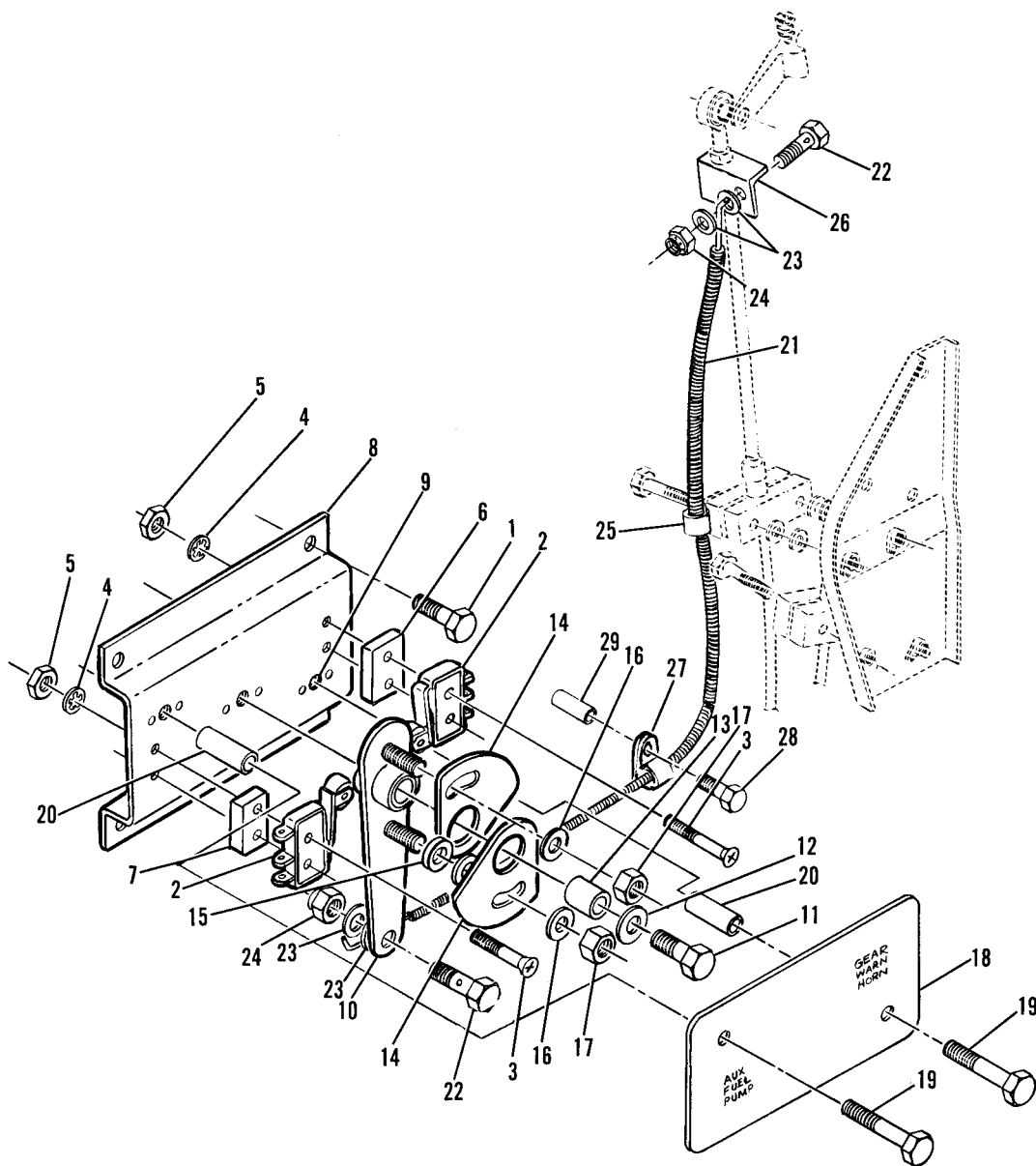
FIGURE AND INDEX NO.	PART NUMBER	DESCRIPTION	UNITS PER ASSY	USABLE ON CODE
135 -62	34002-55	TERMINAL BLOCK MOUNTED ON LH ELEVATOR CONTROL TORQUE TUBE SUPPORT INSTRUMENT LIGHTING ETNC	1	
	AN507-632R8	SCREW	2	
	AN936A6 MS21044N06	WASHER NUT	2 2	
-63	MS27212-2-3	TERMINAL BLOCK STA. 55.62 MOUNTED ON LOWER CENTER BULKHEAD	1	
	397-3	COVER-TERMINAL BLOCK HEGE	1	
	AN515-4R6 NAS679A04	ATTACHING PARTS SCREW NUT	2 2	
-64	C622004-0103 C622004-0104	POWER SUPPLY-STROBE LIGHT 12 VOLT SYSTEM POWER SUPPLY-STROBE LIGHT 24 VOLT SYSTEM	1 1	A D
	AN3-3A	ATTACHING PARTS	4	
	AN960-10L MS21044N3	BOLT WASHER NUT	4 4 4	
	AN960-10	WASHER INSTALL BETWEEN POWER SUPPLY & RIB	4	
-65	C622007-0103	POWER SUPPLY-STROBE LIGHT	2	E
	AN520-10R7	ATTACHING PARTS SCREW	4	
-66	1201127-1	BRACKET ASSY-POWER SUPPLY	2	E
	AN520-10R7 MS21044N3	ATTACHING PARTS SCREW NUT	2 2	
	NAS686A3	NUTPLATE	2	
-67	1620075-3 NAS686A3K	BRACKET ASSY-POWER SUPPLY NUTPLATE	2 2	E

NOTE. *THIS KIT INCLUDES DRY BATTERY & ELECTROLYTE

NOTE. *THIS PART NUMBER MUST HAVE A SECOND DASH NUMBER ADDED TO DENOTE COLOR. REFER TO HOW TO ORDER INTERIOR PARTS-PAGE VI.

- A---210 & T210 SERIAL 21059352 THRU 21059502
- B---210 & T210 SERIAL 21059503 & ON
- C---210 & T210 SERIAL 21059200 THRU 21059502
- D---210 & T210 SERIAL 21059503 THRU 21059719
- E---210 & T210 SERIAL 21059720 & ON
- F---210 & T210 SERIAL 21059503 THRU 21060539
- G---210 & T210 SERIAL 21059200 THRU 21060558
- H---210 & T210 SERIAL 21060559 & ON

Electrical Equipment (Cont)

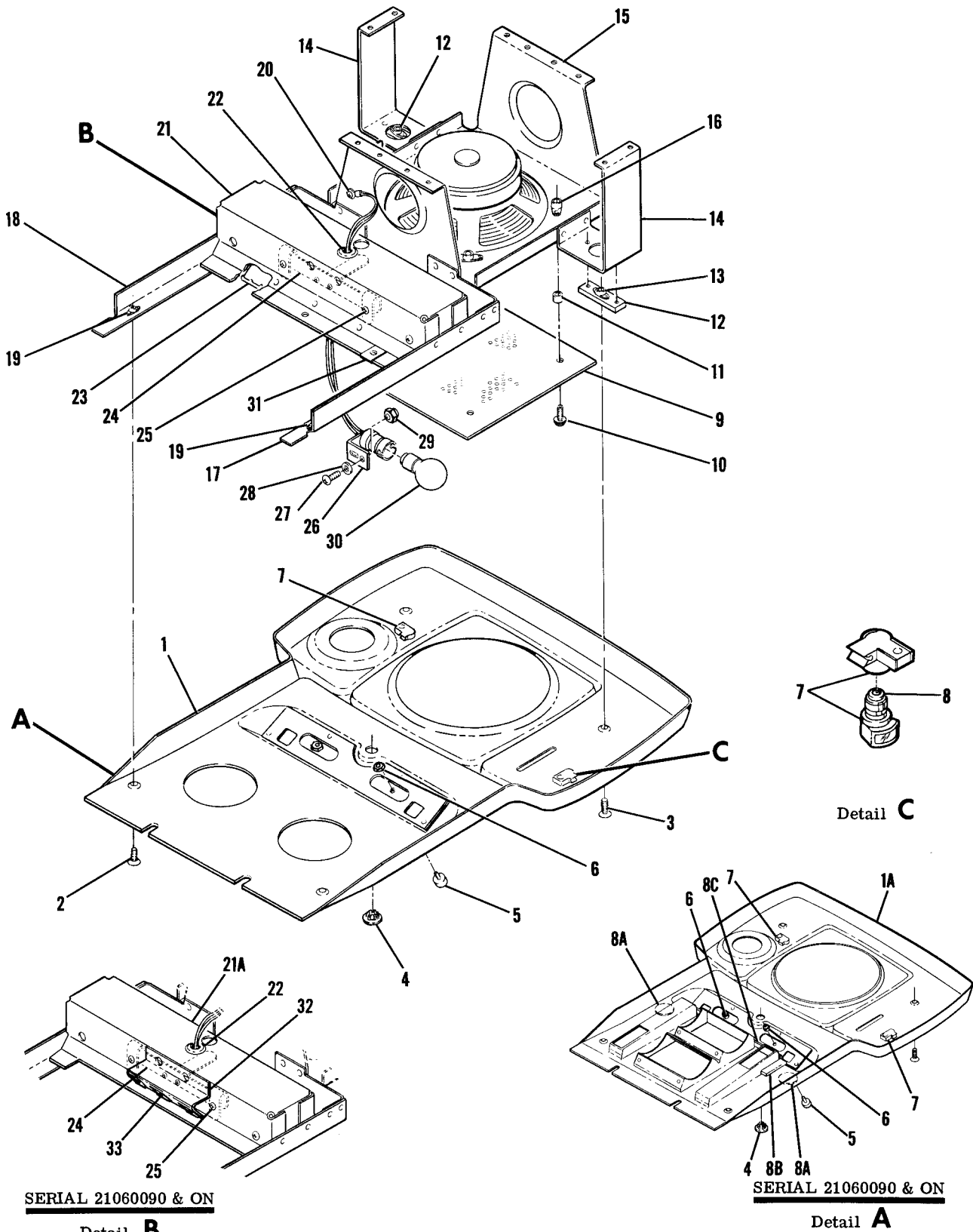


210 & T210 SERIAL 21060559 & ON

Figure 135A. Switch Installation - Gear Warning & Fuel Pump

FIGURE AND INDEX NO.	PART NUMBER	DESCRIPTION	UNITS PER ASSY	USABLE ON CODE
135A-		1 2 3 4 5 6 7		
	1270727-1	SWITCH INSTALLATION-GEAR WARNING & FUEL PUMP -----	NP	A
		SWITCH ASSY-GEAR WARNING & FUEL PUMP -----	1	
		ATTACHING PARTS -----		
- 1	AN3-3A	BOLT -----	4	
		---*---		
- 2	S1856-1	SWITCH -----	2	
		ATTACHING PARTS -----		
- 3	AN515-2R12	SCREW -----	2	
- 4	AN936A2	WASHER -----	2	
- 5	AN340-2	NUT -----	2	
		---*---		
- 6	1270727-3	SPACER-SWITCH -----	1	
- 7	1270727-4	SPACER-SWITCH -----	1	
- 8	1270727-2	BRACKET-SWITCH MOUNTING -----	1	
- 9	NAS697A3	NUTPLATE -----	3	
-10	1270727-6	ARM ASSY -----	1	
		ATTACHING PARTS -----		
-11	AN3-7A	BOLT -----	1	
-12	AN960-10	WASHER -----	1	
-13	NAS75-3-016	BUSHING -----	1	
		---*---		
-14	1270727-5	CAM -----	2	
		ATTACHING PARTS -----		
-15	AN960D10L	WASHER LOWER CAM -----	2	
-16	AN960D10	WASHER -----	1	
-17	MS21045L3	NUT -----	1	
		---*---		
-18	1270727-9	COVER-SWITCH -----	1	
		ATTACHING PARTS -----		
-19	AN3-15A	BOLT -----	2	
-20	NAS430D3-53	SPACER -----	2	
		---*---		
-21	S1603-1-21-26	CONTROL ASSY -----	1	
		ATTACHING PARTS -----		
-22	0450311-10	CLAMP -----	2	
-23	AN960D10	WASHER -----	4	
-24	MS21045L3	NUT -----	2	
-25	AN742D3	CLAMP -----	1	
-26	I250221-1	MOUNT-CABLE CLAMP -----	1	
-27	AN742D3	CLAMP -----	1	
-28	AN3-7A	BOLT -----	1	
-29	NAS430D3-32	SPACER -----	1	
		---*---		
A---210 & T210 SERIAL 21060559 & ON				

Electrical Equipment (Cont)



SERIAL 21060090 & ON

Detail B

SERIAL 21060090 & ON

Detail A

Figure 136. Instrument Panel Lights & Overhead Console Installation

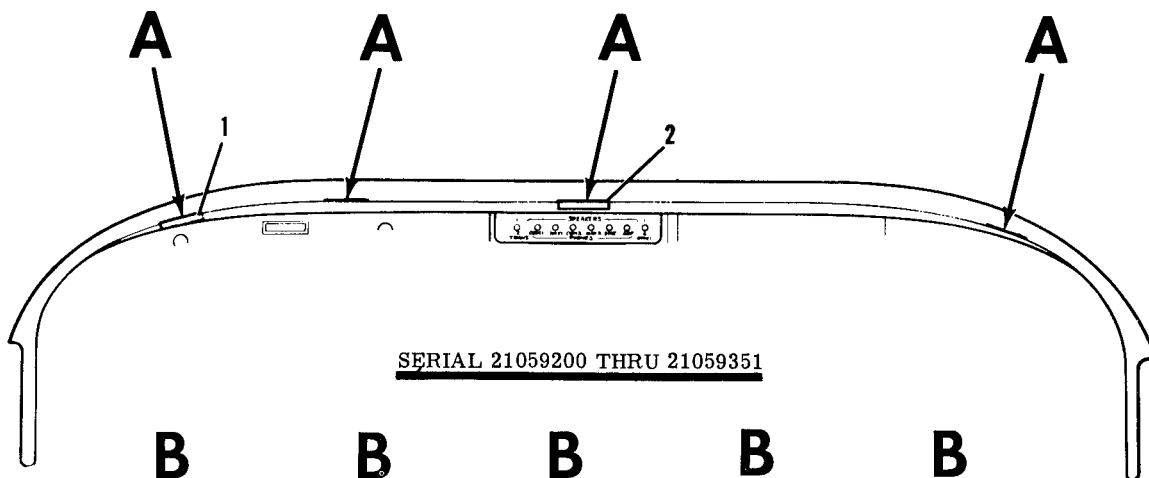
FIGURE AND INDEX NO.	PART NUMBER	DESCRIPTION	UNITS PER ASSY	USABLE ON CODE
136 -		1 2 3 4 5 6 7		
- 1	1200214-1	INSTRUMENT PANEL LIGHTS & OVERHEAD CONSOLE INSTALLATION ----- COVER ASSEMBLY-OVERHEAD CONSOLE WITHOUT OXYGEN CUTOUTS --	NP 1	E
	WEU 1200214-9	COVER ASSEMBLY-OVERHEAD CONSOLE WITHOUT OXYGEN CUTOUTS --	1	D
	1200214-2	COVER ASSEMBLY-OVERHEAD CONSOLE WITH OXYGEN CUTOUTS -----	1	A
	1200214-8	COVER ASSEMBLY-OVERHEAD CONSOLE WITH OXYGEN CUTOUTS ----- WEU 1200214-11	1	C
	1200214-11	COVER ASSEMBLY-OVERHEAD CONSOLE WITH OXYGEN CUTOUTS -----	1	D
- 1A	1200243-1	COVER ASSY-OVERHEAD CONSOLE WITHOUT OXYGEN CUTOUTS -----	1	F
	1200243-2	COVER ASSY-OVERHEAD CONSOLE WITH OXYGEN CUTOUTS -----	1	F
		ATTACHING PARTS		
- 2	AN507-832R8	SCREW -----	2	
- 3	AN507-832R8	SCREW NOT USED WITH OXYGEN INSTL -----	2	
		-----*		
- 4	CM2692-15-1S	PLUG BUTTON -----	1	
- 5	0700628-5	SLIDE -----	2	
- 6	AN340-4	NUT -----	2	
- 7	S1899-6G	LIGHT ASSEMBLY-TAB MOUNT -----	2	A
	S1899-8G	LIGHT ASSEMBLY-TAB MOUNT -----	2	B
- 8	MS25237-330	LAMP -----	1	A
	MS25237-327	LAMP -----	1	B
- 8A	S2092-7	FASTENER-HOOK BKI SEE FIG 1 SUNVISOR ATTACH ---	2	F
- 8B	S2108-1	SEAL-VINYL FOAM 1.50 IN LG BKI REF S2108-1-1.50-	2	F
- 8C	S2108-1	SEAL-VINYL FOAM 6.58 IN LG BKI REF S2108-1-6.58-	1	F
- 9	1200224-1	GRILL-SPEAKER -----	1	
		ATTACHING PARTS		
-10	AN525-832R10	SCREW -----	4	
-11	NAS43DD3-12	SPACER -----	4	
		-----*		
-12	1200227-1	ADAPTOR ASSEMBLY NOT USED WITH OXYGEN INSTL -----	2	
-13	NAS697A08	NUTPLATE -----	1	
-14	1200205-1	BRACKET-OXYGEN PORT -----	2	
-15	1200204-1	BRACKET ASSEMBLY-RADIO SPEAKER -----	1	
-16	NAS680A08K	NUTPLATE -----	4	
-17	1200215-1	BRACKET ASSEMBLY-OVERHEAD CONSOLE LH -----	1	
-18	1200215-2	BRACKET ASSEMBLY-OVERHEAD CONSOLE RH -----	1	
-19	NAS697A08	NUTPLATE -----	1	
-20	S1021Z6-6	SCREW -----	1	
	AN960-6L	WASHER -----	1	
	NAS446-2	NUT -----	1	
-21	0711777-1	HOUSING ASSEMBLY-INSTRUMENT PANEL LIGHT -----	1	A
	0711777-3	HOUSING ASSEMBLY-INSTRUMENT PANEL LIGHT -----	1	G
-21A	0711777-5	HOUSING ASSEMBLY-INSTRUMENT PANEL LIGHT WEU 0711777-7 ---	1	L
	0711777-7	HOUSING ASSEMBLY-INSTRUMENT PANEL LIGHT -----	1	K
-22	MS35489-6	GROMMET -----	1	
-23	0700661-3	RETAINER-HEADLINER FORWARD -----	1	H
	0700661-4	RETAINER-HEADLINER AFT -----	1	H
-24	0711780-3	BRACKET ASSEMBLY-PANEL LIGHT -----	1	
		ATTACHING PARTS		
-25	S1021Z8-6	SCREW -----	2	
	AN960-8L	WASHER -----	2	
	NAS446-4	NUT -----	2	
		-----*		
	AN515-8R24	SCREW-LIGHT ADJUSTMENT -----	1	
	AN960-8L	WASHER-LIGHT ADJUSTMENT -----	1	
-26	MS21044N08	NUT-LIGHT ADJUSTMENT -----	1	
	0513208-3	SOCKET ASSEMBLY-LAMP -----	2	
		ATTACHING PARTS		
-27	NAS1352-06-6	SCREW -----	2	
-28	AN960-6L	WASHER -----	2	
-29	MS21044N06	NUT -----	2	
		-----*		

CONTINUED ON NEXT PAGE

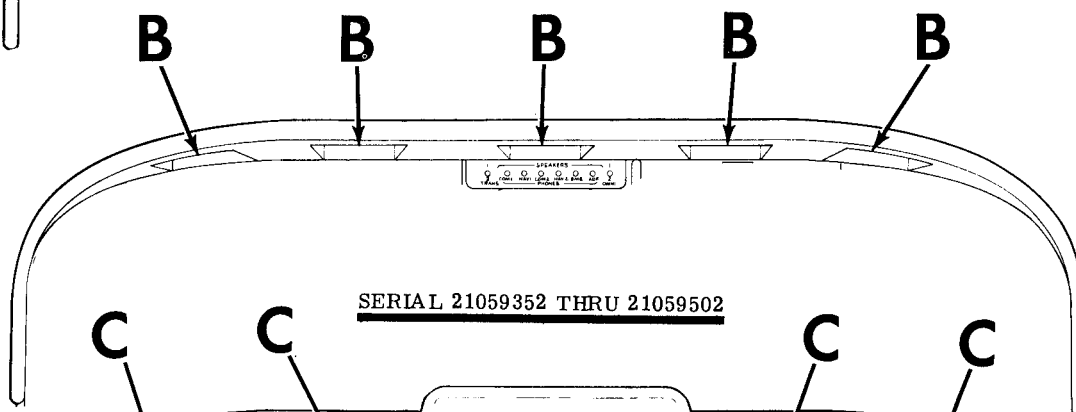
FIGURE AND INDEX NO.	PART NUMBER	DESCRIPTION							UNITS PER ASSY	USABLE ON CODE
		1	2	3	4	5	6	7		
136 -30	94	LAMP	GE	12	VOLT	SYSTEM	-----	2	A	
	MS15584-8	LAMP	24	VOLT	SYSTEM	-----	-----	2	J	
	MS15584-16	LAMP	24	VOLT	SYSTEM	-----	-----	2	K	
-31	NAS396-4-3	NUT	-----	-----	-----	-----	-----	2	H	
-32	0711777-6	BRACKET-MOUNTING	-----	-----	-----	-----	-----	1	F	
-33	NAS395-16-3	NUT	-----	-----	-----	-----	-----	3	F	
<p>NOTE. THIS PART NUMBER MUST HAVE A SECOND DASH NUMBER ADDED TO DENOTE COLOR. REFER TO HOW TO ORDER INTERIOR PARTS-PAGE VI.</p> <p>A---210 & T210 SERIAL 21059200 THRU 21059502 B---210 & T210 SERIAL 21059503 & ON C---210 & T210 SERIAL 21059503 THRU 21059719 D---210 & T210 SERIAL 21059720 THRU 21060089 E---210 & T210 SERIAL 21059200 THRU 21059719 F---210 & T210 SERIAL 21060090 & ON G---210 & T210 SERIAL 21059503 THRU 21060089 H---210 & T210 SERIAL 21059200 THRU 21060089 J---210 & T210 SERIAL 21059503 THRU 21060539 K---210 & T210 SERIAL 21060540 & ON L---210 & T210 SERIAL 21060090 THRU 21060540</p>										

This page intentionally left blank.

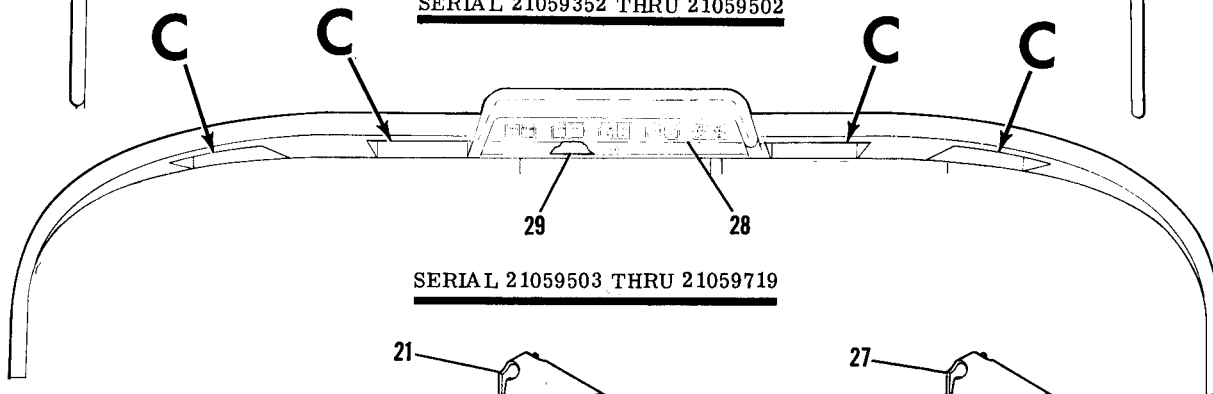
Electrical Equipment (Cont)



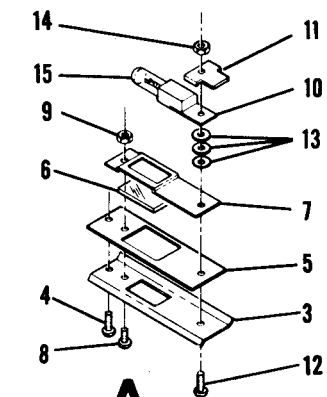
SERIAL 21059200 THRU 21059351



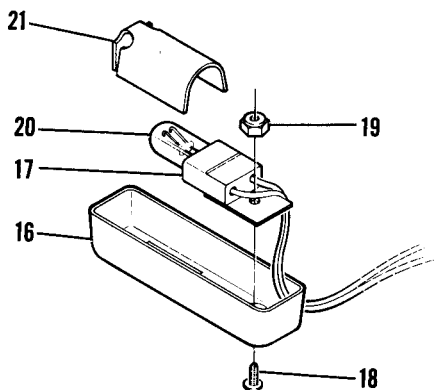
SERIAL 21059352 THRU 21059502



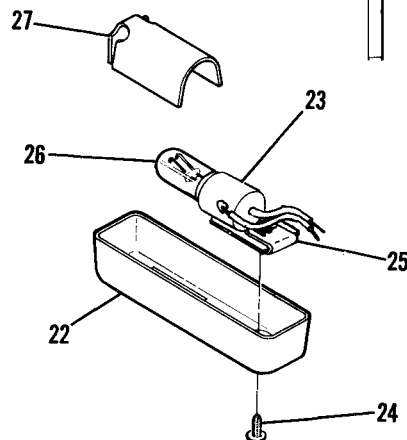
SERIAL 21059503 THRU 21059719



DETAIL A



DETAIL B



DETAIL C

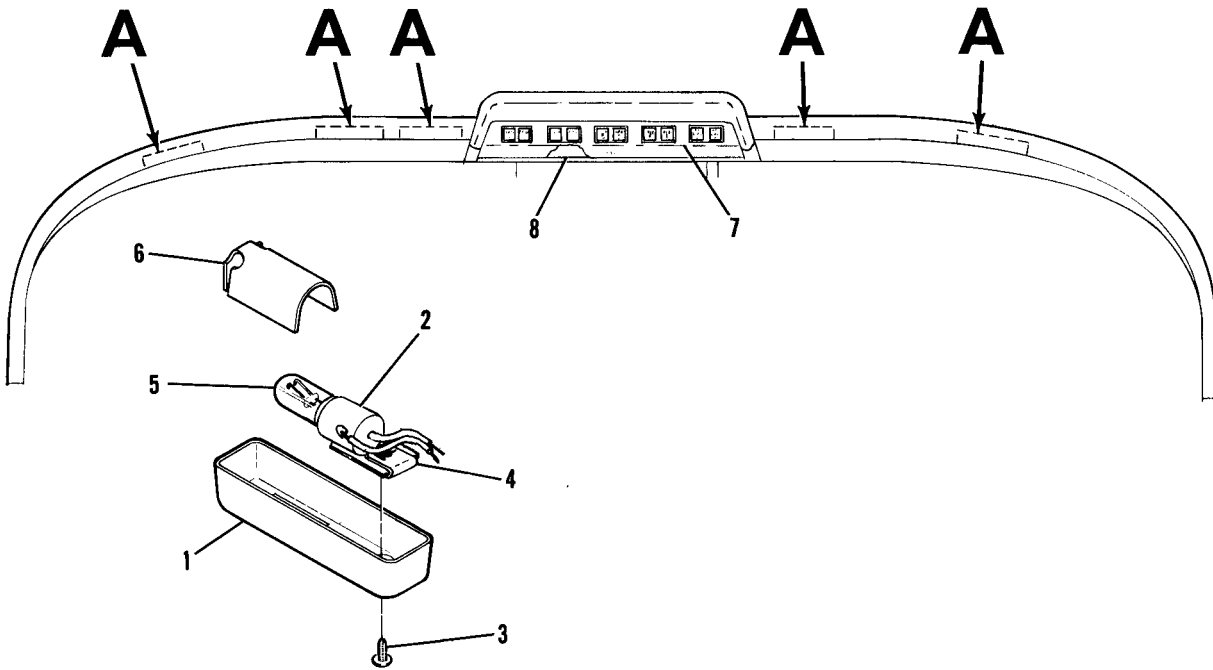
210 & T210 SERIAL 21059200 THRU 21059719

Figure 137. Instrument Panel Brow Lights Installation



FIGURE AND INDEX NO.	PART NUMBER	DESCRIPTION	UNITS PER ASSY	USABLE ON CODE
137 -		INSTRUMENT PANEL BROW LIGHTS INSTALLATION -----	NP	A
- 1	1213717-1	LIGHT FITTING ASSEMBLY -----	3	
- 2	1213717-2	LIGHT FITTING ASSEMBLY-CENTER -----	1	
	S1021Z4-4C	ATTACHING PARTS		
		SCREW -----	3	
		---*---		
	NAS697A04L	NUTPLATE -----	1	
	NAS395-1-3	NUT -----	3	
- 3	1713083-1	COVER -----	4	
		ATTACHING PARTS		
- 4	AN515-4R6	SCREW -----	3	
	NAS696A04L	NUTPLATE -----	1	
	S1972-2	RIVET -----	2	
		---*---		
- 5	1713080-3	GASKET -----	4	
- 6	1713084-1	LENS RED -----	4	
	1713084-3	LENS BLUE -----	1	
- 7	1713082-1	BRACKET -----	4	
		ATTACHING PARTS		
- 8	AN515-4R4	SCREW -----	1	
- 9	AN340-4	NUT -----	1	
		---*---		
-10	S1910-2	LIGHT ASSEMBLY -----	4	
		ATTACHING PARTS		
-11	1713085-1	RETAINER -----	1	
-12	AN515-4R6	SCREW -----	1	
-13	AN960PD4	WASHER -----	3	
-14	AN340-4	NUT -----	1	
		---*---		
-15	S1901-1	BULB -----	4	
		INSTRUMENT PANEL GLARESHIELD LIGHTS INSTALLATION -----	NP	B
-16	1213319-7	HOUSING ASSEMBLY-LIGHT RED LENS -----	5	
	1213319-8	HOUSING ASSEMBLY-LIGHT BLUE LENS RADIO SWITCHES -----	5	
-17	S1910-2	LIGHT ASSEMBLY -----	5	
		ATTACHING PARTS		
-18	AN515-4R6	SCREW -----	1	
-19	AN340-4	NUT -----	1	
		---*---		
-20	S1901-1	BULB -----	5	
	S1901	LAMP-CLEAR RADIO SWITCHES -----	1	
-21	1213321-2	REFLECTOR -----	5	
		INSTRUMENT PANEL GLARE SHIELD LIGHTS INSTALLATION -----	NP	C
	1213319-9	LIGHT ASSEMBLY RED LENS -----	4	
	1213319-10	LIGHT ASSEMBLY BLUE LENS -----	4	
-22	1213319-5	HOUSING ASSEMBLY RED LENS -----	1	
	1213319-11	HOUSING ASSEMBLY BLUE LENS -----	1	
-23	4155-308	LAMP HOLDER -----	1	
		ATTACHING PARTS		
-24	S1021Z4-6B	SCREW -----	1	
-25	NAS395-1-3	NUT -----	1	
		---*---		
-26	1820	BULB -----	1	
-27	1213321-2	REFLECTOR -----	1	
-28	1213329-1	COVER-SELECTOR SWITCH -----	1	
		ATTACHING PARTS		
	S1021A6-6	SCREW -----	AR	
		---*---		
-29	1213328-1	BRACKET-SELECTOR SWITCH -----	1	
		ATTACHING PARTS		
	S1021Z8-8	SCREW -----	4	
		---*---		
<p>NOTE. *USED WITH 1213717-2 LIGHT FITTING ASSEMBLY ONLY, WHEN POST LIGHTING IS INSTALLED.</p> <p>NOTE. ZUSED ONLY WHEN POST LIGHTING IS INSTALLED</p> <p>NOTE. #THIS PART NUMBER MUST HAVE A SECOND DASH NUMBER ADDED TO DENOTE COLOR. REFER TO HOW TO ORDER INTERIOR PARTS-PAGE VI.</p> <p>A---210 & T210 SERIAL 21059200 THRU 21059351 B---210 & T210 SERIAL 21059352 THRU 21059502 C---210 & T210 SERIAL 21059503 THRU 21059719</p>				

Electrical Equipment (Cont)



Detail **A**

210 & T210 SERIAL 21059720 & ON

Figure 137A. Instrument Panel Brow Lights Installation

FIGURE AND INDEX NO.	PART NUMBER	DESCRIPTION	UNITS PER ASSY	USABLE ON CODE
		1 2 3 4 5 6 7		
137A-		INSTRUMENT PANEL BROW LIGHTS INSTALLATION -----	NP	A
	1213319-9	LIGHT ASSEMBLY RED LENS -----	4	
	1213319-13	LIGHT ASSEMBLY WHITE LENS -----	1	
- 1	1213319-5	HOUSING ASSEMBLY RED LENS -----	1	
	1213319-12	HOUSING ASSEMBLY WHITE LENS -----	1	
- 2	4155-308	LAMP HOLDER -----	1	
		ATTACHING PARTS -----		
- 3	S102124-68	SCREW -----	1	
- 4	NAS395-1-3	NUT -----	1	
		---*---		
- 5	1820	BULB -----	1	
- 6	1213321-2	REFLECTOR -----	1	
- 7		COVER-SELECTOR SWITCH SEE INSTRUMENT PANEL -----	1	
- 8	1213365-1	BRACKET ASSEMBLY -----	1	
		ATTACHING PARTS -----		
	AN51588R12	SCREW -----	2	
		---*---		
		NOTE. *THIS PART NUMBER MUST HAVE A SECOND DASH NUMBER ADDED TO DENOTE COLOR. REFER TO HOW TO ORDER INTERIOR PARTS-PAGE VI.		
		A---210 & T210 SERIAL 21059720 & ON		

Electrical Equipment (Cont)

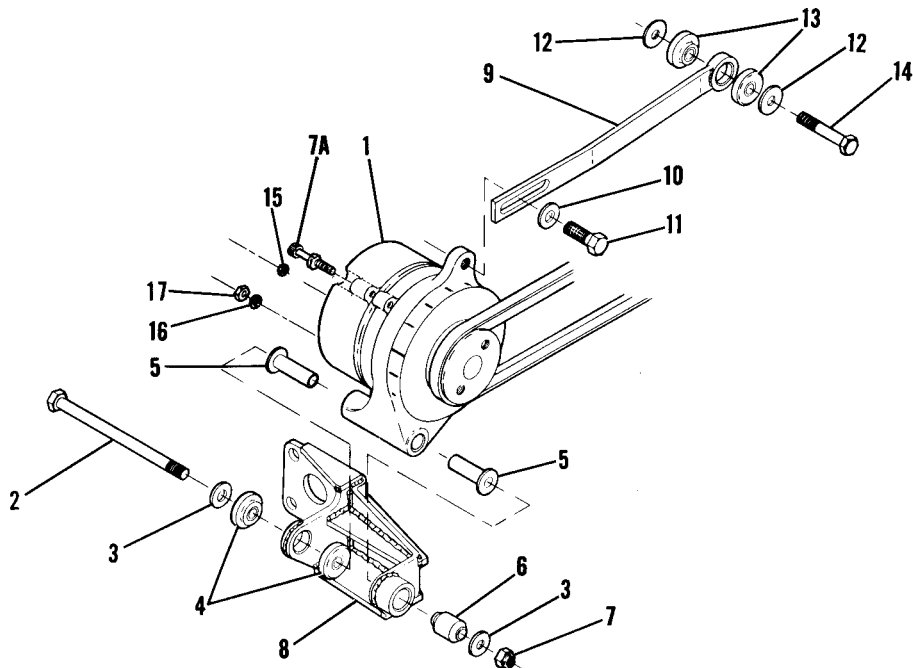


Figure 138. Shock Mounted Alternator Installation

FIGURE AND INDEX NO.	PART NUMBER	DESCRIPTION	UNITS PER ASSY	USABLE ON CODE
138 -		1 2 3 4 5 6 7		
- 1	1570213-5 1570213-6 C611503-0102	SHOCK MOUNTED ALTERNATOR INSTALLATION ----- ALTERNATOR ASSEMBLY 12 VOLT SYSTEM ----- ALTERNATOR ASSEMBLY 12 VOLT SYSTEM ----- ALTERNATOR ASSEMBLY 24 VOLT SYSTEM ----- ATTACHING PARTS -----	NP 1 1 1	A B C
- 2	AN5-52A	BOLT -----	1	
- 3	S1450-5H14-063	WASHER -----	2	
- 4	J9534-20	BUSHING-RUBBER LD -----	2	
- 5	1250214-1	BUSHING -----	2	
- 6	J2005-2	BUSHING-BONDED LD -----	1	
- 7	MS21042L5	NUT -----	1	
- 7A	NAS1352-4-36 AN936A416	SCREW ----- WASHER -----	3 3	
- 8	1250213-15	SUPPORT ASSEMBLY -----	1	
- 9	1250215-1	ARM ASSEMBLY-ADJUSTING ----- ATTACHING PARTS -----	1	
-10	S1450-6-14-080	WASHER -----	1	
-11	0750220-1	BOLT -----	1	
-12	S1450-5H14-040	WASHER -----	2	
-13	J9534-20	BUSHING-RUBBER LD -----	2	
-14	MS20074-05-14	BOLT -----	1	
-15	AN316C4R	NUT-CONNECT BATTERY -----	1	
-16	AN935-10	WASHER -----	1	
-17	S1505-3	NUT -----	1	
		A---210 & T210 SERIAL 21059200 THRU 21059291 B---210 & T210 SERIAL 21059292 THRU 21059502 C---210 & T210 SERIAL 21059503 & ON		

Electrical Equipment (Cont)

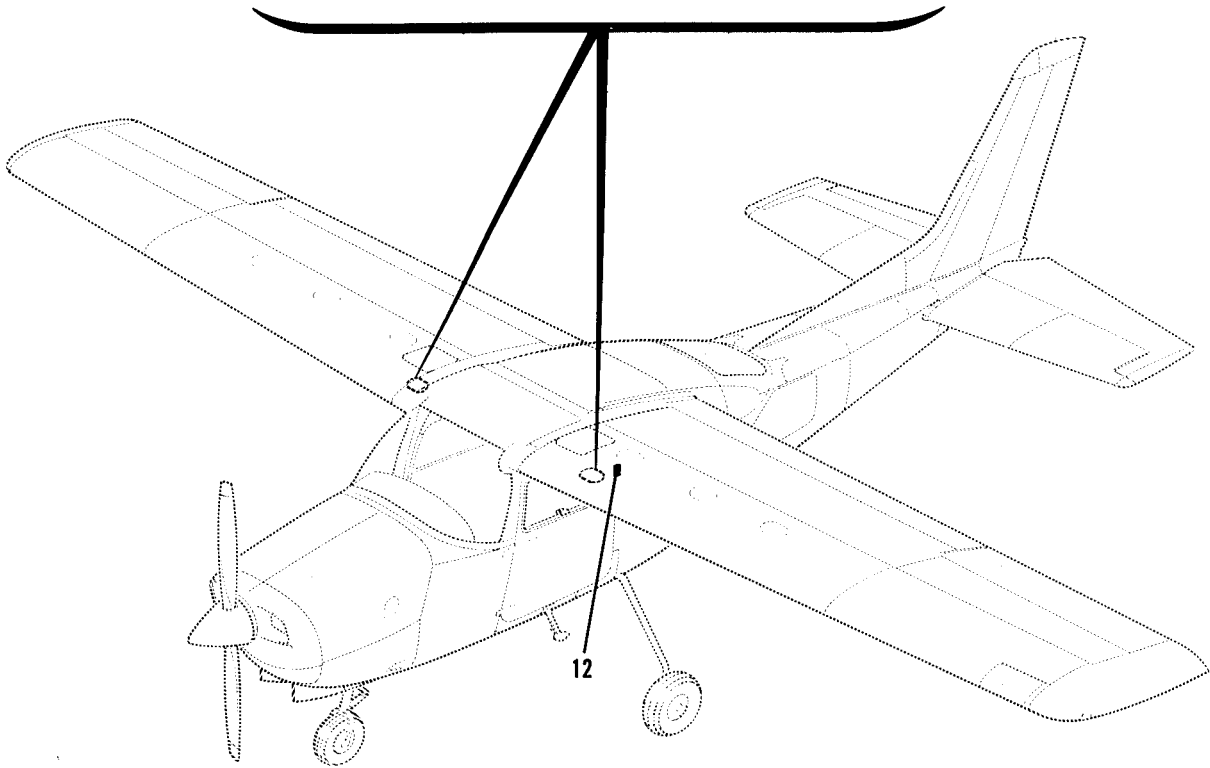
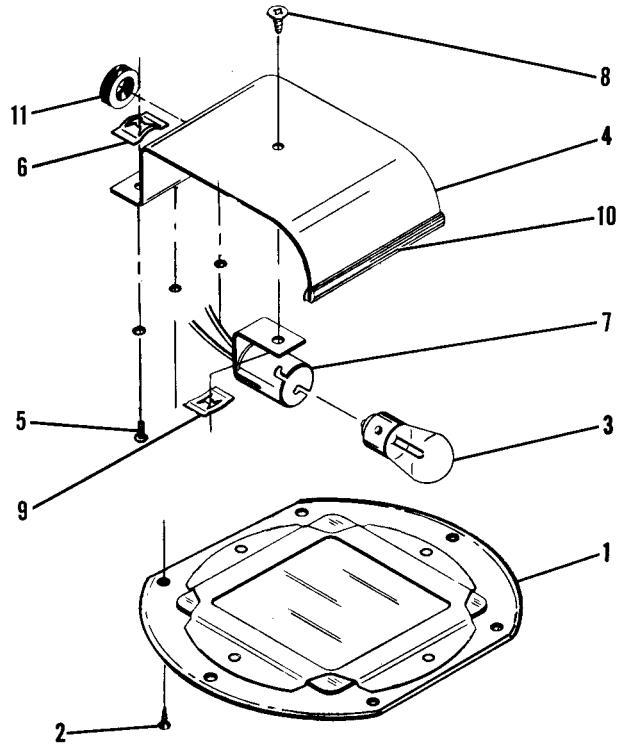
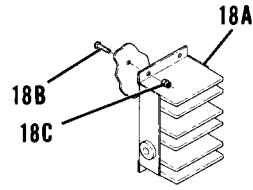
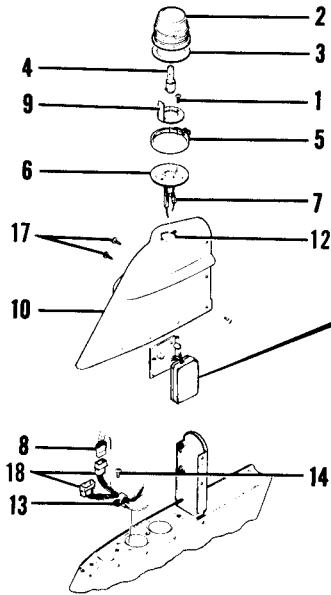


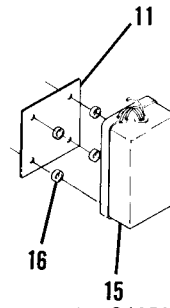
Figure 139. Courtesy Light Installation

FIGURE AND INDEX NO.	PART NUMBER	DESCRIPTION	UNITS PER ASSY	USABLE ON CODE
		1 2 3 4 5 6 7		
139 -		COURTESY LIGHT INSTALLATION -----	NP	
- 1	1222128-1	COVER ASSEMBLY -----	2	
		ATTACHING PARTS -----		
- 2	S102178-8	SCREW -----	6	
		-----*		
- 3	MS15584-2	LAMP 12 VOLT SYSTEM -----	2	A
	MS15584-8	LAMP 24 VOLT SYSTEM -----	2	B
- 4	0700616-1	SHIELD ASSEMBLY-COURTESY LIGHT -----	2	
		ATTACHING PARTS -----		
- 5	S102176-8	SCREW -----	2	
- 6	NAS446-2-3	NUT -----	2	
		-----*		
- 7	0513208-1	SOCKET-COURTESY LIGHT -----	1	
		ATTACHING PARTS -----		
- 8	S102176-6	SCREW -----	1	
- 9	NAS446-2-3	NUT -----	1	
		-----*		
-10	S1055-1	CHANNEL-2.25 IN LG BULK ITEM REF S1055-1-2.25 -----	1	
-11	MS35489-134	GROMMET -----	1	
-12	S1931-1	SWITCH-COURTESY LIGHT -----	1	B
		ATTACHING PARTS -----		
	AN515-4R6	SCREW -----	2	B
		-----*		
		A---210 & T210 SERIAL 21059200 THRU 21059502		
		B---210 & T210 SERIAL 21059503 & ON		

Electrical Equipment (Cont)



SERIAL 21059720 & ON



SERIAL 21059200 THRU 21059719

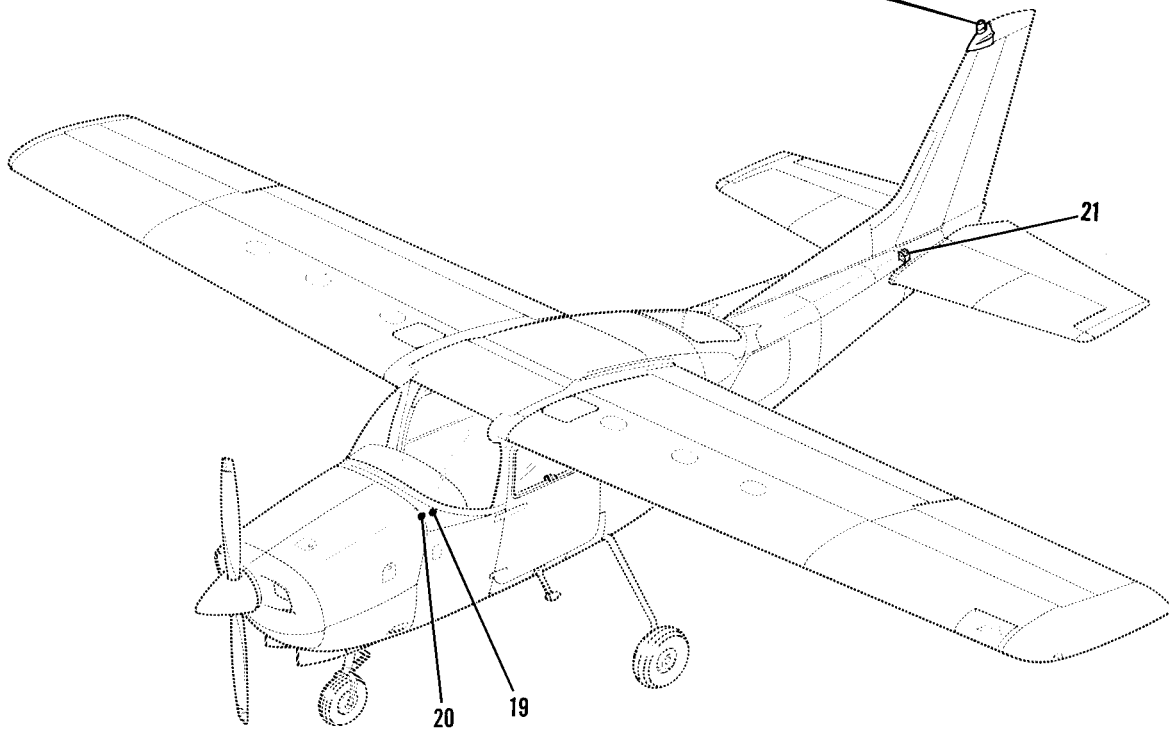


Figure 140. Flashing Beacon Installation



FIGURE AND INDEX NO.	PART NUMBER	DESCRIPTION	UNITS PER ASSY	USABLE ON CODE		
					1	2
140 -		FLASHING BEACON INSTALLATION -----	NP			
	C621001-0103	LIGHT ASSEMBLY-FLASHING BEACON 12 VOLT SYSTEM -----	1	B		
	C621001-0102	LIGHT ASSEMBLY-FLASHING BEACON 24 VOLT SYSTEM -----	1	C		
		ATTACHING PARTS -----				
- 1	AN515-8R8	SCREW -----	2			
		-----*				
- 2	C17325	DOME AEFC -----	1			
- 3	C17330	GASKET AEFC -----	1			
- 4	C17312-3	LAMP AEFC 12 VOLT SYSTEM -----	1	B		
	C17312-1	LAMP AEFC 24 VOLT SYSTEM -----	1	C		
- 5	C17326	CLAMP ASSEMBLY AEFC -----	1			
- 6	C17331-3	PLATE-MOUNTING AEFC 12 VOLT SYSTEM -----	1	B		
	C17331-1	PLATE-MOUNTING AEFC 24 VOLT SYSTEM -----	1	C		
- 7	C17313	SOCKET ASSEMBLY AEFC -----	1			
- 8	S1638-1	HOUSING-PLUG -----	1			
- 9	O731607-1	BAFFLE -----	1			
-10	O731606-3-791	TIP ASSEMBLY-FLASHING BEACON FIN -----	1	D		
	I231059-1-791	TIP ASSEMBLY-FLASHING BEACON FIN -----	1	E		
-11	O713606-8	PLATE-FIN TIP -----	1	D		
-12	O413017-2	PLATE ASSY-FIN TIP -----	1			
	NAS680A08	NUTPLATE -----	1			
-13	AN742D4	CLAMP -----	1			
-14	AN515-6R8	SCREW -----	1	D		
	AN515-6R7	SCREW -----	1	E		
-15	C594501-0203	FLASHER ASSEMBLY-BEACON LIGHT 12 VOLT SYSTEM -----	1	B		
	C594501-0204	FLASHER ASSEMBLY-BEACON LIGHT 24 VOLT SYSTEM -----	1	F		
		ATTACHING PARTS -----				
-16	NAS43DD3-8	SPACER -----	4	D		
-17	AN515-8R10	SCREW -----	4	D		
		-----*				
-18	S1638-2	HOUSING-CAP -----	2			
-18A	C594502-0101	FLASHER ASSY-BEACON LIGHT 24 VOLT SYSTEM -----	1	E		
		ATTACHING PARTS -----				
-18B	AN525-832R7	SCREW -----	4	E		
-18C	MS21044N08	NUT -----	4	E		
		-----*				
	S1638-2	HOUSING CAP -----	1			
-19		SWITCH ASSEMBLY-FLASHING BEACON SEE SWITCH PANEL -----	1			
-20		CIRCUIT BREAKER-FLASHING BEACON SEE SWITCH PANEL -----	1			
-21	ZR075-11.5	RESISTOR MEMI -----	1	A		
		A---210 & T210 SERIAL 21059321 THRU 21059502				
		B---210 & T210 SERIAL 21059200 THRU 21059502				
		C---210 & T210 SERIAL 21059503 & ON				
		D---210 & T210 SERIAL 21059200 THRU 21059719				
		E---210 & T210 SERIAL 21059720 & ON				
		F---210 & T210 SERIAL 21059503 THRU 21059719				

This page intentionally left blank.

 **NUMERICAL INDEX**

PART NUMBER	FIGURE AND INDEX NO.
AAM20	77 -31
AAM20	135 -25
AMR020-10	135 -61
AN-13A	87 -32
AN-47A	3 - 1
ANB-MC1	134 -92
AN123883	113 -44
AN155 32S	105 -37
AN155-16S	100 -67
AN155-16S	102A-48
AN155-16S	103 - 6
AN155-32S	95 -59
AN155-32S	97 - 3
AN155-32S	97 -11
AN155-32S	100 -43
AN155-32S	103 - 3
AN155-8S	43A-36
AN155-8S	101 -43
AN161-8LS	43A-38
AN165-16RS	100 -68
AN165-22RS	100 -44
AN176-21A	32 - 2
AN200KP4	100 -55
AN21-10	100 - 4
AN227-13B	48 - 3
AN23-10	100 -45
AN23-10	100 -62
AN23-10	100 -70
AN23-10	105 -40
AN23-11	97 - 5
AN23-11	97 - 8
AN23-11	98 -20
AN23-11	103 -11
AN23-11	107 - 2
AN23-11	107 - 8
AN23-12	105 - 5
AN23-12	106 -26
AN23-12	107 - 3
AN23-12	107A-59
AN23-14	97 -33
AN23-16A	53 -27D
AN23-16A	53A-26D
AN23-16A	54 -40D
AN23-16A	55 -888
AN23-16A	56 -21D
AN23-16A	56A-26
AN23-19A	56 -54
AN23-19A	56A-63
AN23-20A	53 -63
AN23-20A	53A-57
AN23-20A	54 -89
AN23-20A	55 -79
AN23-9A	92 -51
AN24-14	100 -59
AN24-15	100 -60
AN2552-3A	135 -35
AN256F10	20 -32
AN256F8	102 - 5
AN256F8	102A- 2
AN3-10A	10 - 7
AN3-10A	39 -22
AN3-10A	72 -14
AN3-10A	87 -14
AN3-10A	93 -34
AN3-10A	100 -14
AN3-10A	101 -54
AN3-10A	101 -55
AN3-10A	104 - 7
AN3-10A	107A-24
AN3-10A	109 -18
AN3-11A	4 -37
AN3-11A	7 -48
AN3-11A	7 -52
AN3-11A	10 - 5

PART NUMBER	FIGURE AND INDEX NO.
AN3-11A	40 -31
AN3-11A	40 -44
AN3-11A	93 - 8
AN3-11A	101 - 2
AN3-11A	101 -20
AN3-11A	101 -26
AN3-11A	103 -23
AN3-11A	103 -42
AN3-11A	103 -61
AN3-11A	107A- 7
AN3-12A	73 -35
AN3-12A	100 -64
AN3-12A	104 -37
AN3-12A	107A-32
AN3-12A	125 -14A
AN3-12A	125 -33
AN3-13A	87 -24
AN3-13A	92 -47
AN3-13A	93 -26
AN3-13A	122 - 5
AN3-13A	122A- 5
AN3-13A	125 -28
AN3-14A	87 -19
AN3-14A	103 -21
AN3-15	83 -17
AN3-15A	14 -61
AN3-15A	93 -27
AN3-15A	107A-52
AN3-15A	135A-19
AN3-16A	101 - 4
AN3-16A	106 -12
AN3-17A	53 - 2
AN3-17A	53A- 2
AN3-17A	54 - 2
AN3-17A	55 - 2
AN3-17A	56 - 2
AN3-17A	56A- 2
AN3-20	79 -52
AN3-20A	18 - 4
AN3-20A	132 -68
AN3-21A	104 -30
AN3-21A	132 -52
AN3-23A	77 -25
AN3-24A	100 -14
AN3-27A	78 -20
AN3-3A	4 -85
AN3-3A	5 -60
AN3-3A	16 -11
AN3-3A	17 -82A
AN3-3A	17A-85C
AN3-3A	20 - 1
AN3-3A	20 - 7
AN3-3A	20 -13
AN3-3A	20 -13A
AN3-3A	20 -34
AN3-3A	20A-19
AN3-3A	21 -74A
AN3-3A	30 -15
AN3-3A	92 -25
AN3-3A	93 -22
AN3-3A	99 -28
AN3-3A	99 -54
AN3-3A	99A-30
AN3-3A	99A-58
AN3-3A	101 -41
AN3-3A	101 -59A
AN3-3A	102 -42
AN3-3A	103 -66
AN3-3A	106 - 3
AN3-3A	106 -24
AN3-3A	107A- 1
AN3-3A	112 -36
AN3-3A	113 -53
AN3-3A	114 -19

PART NUMBER	FIGURE AND INDEX NO.
AN3-3A	114A-19
AN3-3A	135 -64
AN3-3A	135A- 1
AN3-4A	17 -41
AN3-4A	17A-42
AN3-4A	20 - 1
AN3-4A	20 -17
AN3-4A	30 -15
AN3-4A	30 -30
AN3-4A	32 -24
AN3-4A	32 -28
AN3-4A	41 -17
AN3-4A	53 -72
AN3-4A	53A-66
AN3-4A	54 -95A
AN3-4A	55 -97
AN3-4A	56 -69
AN3-4A	56A-79
AN3-4A	71 -24
AN3-4A	72 -23A
AN3-4A	74 -44
AN3-4A	77 -16
AN3-4A	80 - 4
AN3-4A	83 -15
AN3-4A	84 - 4
AN3-4A	84 -13
AN3-4A	102 - 1
AN3-4A	103 -27
AN3-4A	107A-56
AN3-4A	109 -51
AN3-4A	132 -19
AN3-4A	135 - 9
AN3-4A	135 -21
AN3-5	39 - 7
AN3-5A	4 -32
AN3-5A	4 -33
AN3-5A	17 -40
AN3-5A	17A-41
AN3-5A	25 - 2
AN3-5A	30 -30
AN3-5A	41 -20
AN3-5A	47 -16
AN3-5A	53A-66
AN3-5A	55 -97
AN3-5A	71 -48
AN3-5A	86 -13
AN3-5A	98 -14
AN3-5A	101 -32
AN3-5A	107 -13
AN3-5A	107 -24
AN3-5A	110 -25
AN3-5A	113 -12
AN3-5A	116A- 5
AN3-5A	132 -26
AN3-6A	16 -36
AN3-6A	23 -14
AN3-6A	39 -18
AN3-6A	65 - 8
AN3-6A	71 -19
AN3-6A	71 -49
AN3-6A	72 -21
AN3-6A	92 -32
AN3-6A	92 -58
AN3-6A	95 -47
AN3-6A	95 -53
AN3-6A	101 -52
AN3-6A	103 -40
AN3-6A	103 -47
AN3-6A	103 -58
AN3-6A	104 -21
AN3-6A	106 -19
AN3-6A	106 -31
AN3-6A	115 - 4
AN3-6A	115 -37

PART NUMBER	FIGURE AND INDEX NO.	PART NUMBER	FIGURE AND INDEX NO.	PART NUMBER	FIGURE AND INDEX NO.
AN3-6A	116A- 8	AN316-6R	1308- 2	AN4-15A	42 - 2
AN3-62A	85 -43	AN316C4R	13R -15	AN4-15A	43 - 2
AN3-62A	85A-56	AN320-1	100 - 5	AN4-15A	57A- 4A
AN3-7A	4 -39	AN320-3	39 - 9	AN4-15A	123 - 5
AN3-7A	23 -10	AN320-3	107 - 5	AN4-15A	124 - 9
AN3-7A	39 -37	AN320-3	107 -10	AN4-15A	125 - 8
AN3-7A	40 -10C	AN320-3	107A-61	AN4-16A	30 -17
AN3-7A	43A-40	AN320-4	100 -60	AN4-16A	53 -18
AN3-7A	71 -14	AN320-5	122 -28	AN4-16A	53A-17
AN3-7A	71 -37	AN320-5	122A-28	AN4-16A	57 - 3
AN3-7A	71 -55	AN320-6	126 -30	AN4-16A	100 -49
AN3-7A	72 -13	AN320-6	126A-32	AN4-16A	111 - 1
AN3-7A	72 -25	AN320C3	101 -65	AN4-16A	120A- 1
AN3-7A	92 -27	AN340-2	77 -33	AN4-16A	123A-26
AN3-7A	102 -45	AN340-2	135A- 5	AN4-17A	30 -22
AN3-7A	102A-	AN340-3	96B-19	AN4-20A	42 -10
AN3-7A	103 -77	AN340-4	96 -24	AN4-20A	100 -19
AN3-7A	122 - 2	AN340-4	104 -18	AN4-20A	105 - 9
AN3-7A	122A- 2	AN340-4	136 - 6	AN4-21A	101 -47
AN3-7A	135A-11	AN340-4	137 - 9	AN4-22A	35 - 5
AN3-7A	135A-28	AN340-4	137 -14	AN4-23A	34 -70
AN3-71A	85 -38	AN340-4	137 -19	AN4-24A	35A-11
AN3-71A	85 -40	AN340-8	82 -11	AN4-25A	53 -19
AN3-71A	85A-57	AN340B6	58 -16	AN4-25A	53A-18
AN3-77A	86 -39	AN340B6	58A-16	AN4-27A	40 -35
AN3-77A	86A-74	AN340B6	58B-67	AN4-27A	100 -32
AN3H3A	34 -31	AN340B6	99 - 1	AN4-27A	100 -38
AN310-3	34 -62	AN340B6	99 -30	AN4-27A	103 -26
AN310-3	39 -12	AN340B6	99A- 1	AN4-27A	105 -22
AN310-3	83 -20	AN340B6	99A-32	AN4-27A	105 -28
AN310-3	95 -57	AN340B6	133 -15	AN4-3A	16 -59
AN310-3	97 - 2	AN340B6	133 -15	AN4-3A	57 - 1
AN310-3	97 - 6	AN340B8	58 -28	AN4-3A	57A- 1
AN310-3	97 - 9	AN340B8	58 -89	AN4-3A	116A- 1
AN310-3	97 -34	AN340B8	58 -93	AN4-3A	134 -82
AN310-3	98 -20	AN340B8	58A-28	AN4-30A	103 -34
AN310-3	100 -46	AN340B8	58A-96	AN4-30A	103 -54
AN310-3	100 -62	AN340B8	58A-98A	AN4-31	34 -50
AN310-3	100 -73	AN340B8	58B-41	AN4-31	34 -55
AN310-3	103 -12	AN340B8	58B-73	AN4-37A	100 -25
AN310-3	105 - 6	AN340B8	58C-46	AN4-37A	105 -15
AN310-3	105 -41	AN340B8	58C-85	AN4-4A	53A-66
AN310-3	106 -27	AN340B8	58D-52	AN4-4A	56 -65
AN310-4	34 -51	AN340B8	58D-87E	AN4-4A	56A-74
AN310-4	34 -58	AN345-10	7 -33	AN4-4A	56A-79
AN310-5	32 -13	AN356-1032	71 -35	AN4-4A	57 - 2
AN310-5	95 -30	AN356-1032	72 -20	AN4-4A	57 -32
AN310-5	95 -43	AN356-1032	72 -29	AN4-4A	57A- 3
AN310-6	103 -28	AN4-10A	23 - 9	AN4-4A	57A-38
AN315-3R	47 -17	AN4-10A	80 - 6	AN4-4A	62B- 9
AN315-3R	47 -22	AN4-10A	97 -42	AN4-4A	71 -51
AN315-3R	71 -22	AN4-10A	100 - 8	AN4-4A	72 -37
AN315-3R	71 -34	AN4-10A	100 -12	AN4-4A	116 - 6
AN315-3R	72 -19	AN4-10A	100 -16	AN4-4A	134 -82
AN315-3R	72 -29	AN4-10A	100 -75	AN4-4A	135 -12
AN315-3R	95 -10	AN4-10A	105 -34	AN4-40A	97 -13
AN315-3R	105 -44	AN4-11A	9 - 1	AN4-5A	23 - 7
AN316-4R	33 -21	AN4-11A	12 - 1	AN4-5A	23 -20
AN316-4R	39 -39	AN4-11A	13 - 1	AN4-5A	42 -37
AN316-4R	40 -41	AN4-11A	14 - 1	AN4-5A	53 -68
AN316-4R	42 -22	AN4-11A	23 -18	AN4-5A	53A-62
AN316-4R	43 -26	AN4-11A	74 -28	AN4-5A	53A-66
AN316-4R	87 -13	AN4-11A	80 - 6	AN4-5A	53A-66
AN316-4R	87 -17	AN4-12A	56 -42	AN4-5A	54 -94B
AN316-4R	94 - 2	AN4-12A	56A-51	AN4-5A	55 -92
AN316-4R	97 -21	AN4-13A	57 - 3A	AN4-5A	55 -97
AN316-4R	103 -45	AN4-13A	57A- 4	AN4-5A	55 -97
AN316-4R	103 -52	AN4-14A	42 -30	AN4-5A	55 -97
AN316-4R	103 -64	AN4-14A	57 -27	AN4-5A	56A-79
AN316-4R	104 -23	AN4-14A	57A-31	AN4-5A	57A-45
AN316-4R	104 -40	AN4-14A	103 -70	AN4-5A	58A-84D
AN316-4R	128 - 2	AN4-14A	122 -17	AN4-5A	58A-88
AN316-6	43 -11	AN4-14A	122A-17	AN4-5A	58B-28
AN316-6R	130A- 2	AN4-15A	32 -19	AN4-5A	58C-30

PART NUMBER	FIGURE AND INDEX NO.
AN4-5A	58D-13
AN4-5A	62B- 3
AN4-5A	62B- 9
AN4-5A	62B- 9
AN4-6A	11 - 7A
AN4-6A	11A- 1
AN4-6A	23 - 8
AN4-6A	23 -21
AN4-6A	56A-79
AN4-6A	57A- 4B
AN4-6A	77 - 1
AN4-7A	14 -85
AN4-7A	34 -76
AN4-7A	40 -42
AN4-7A	71 - 5
AN4-7A	72 - 5
AN4-7A	97 -17
AN4-7A	101 -35
AN4-7A	133 - 7
AN4H10A	132 -64
AN4H5A	32 -21
AN4022-1	112 -17
AN4078-1	113 -11
AN415-2	26 -31D
AN428-10	39 -11
AN43B4A	43 -31
AN486-3	42 -18
AN486-4	42 -23
AN486-4	104 -38
AN5-12A	23 -19
AN5-12A	97 -37
AN5-12A	103 -15
AN5-13A	97 -30
AN5-14A	103 -82
AN5-17A	97 -26
AN5-20A	37 -13
AN5-23A	37 -10
AN5-26A	133 -24
AN5-32A	34 -22
AN5-35A	38 - 4
AN5-47	32 - 8
AN5-52A	138 - 2
AN5-55A	41 - 2
AN5-6A	11 - 1
AN5-6A	11 - 7G
AN5-6A	11A- 2
AN5-6A	80 -26
AN5-7A	11 - 7B
AN5-7A	11A- 2
AN5-7A	62 -22
AN500-8-6	111 -10
AN500AD6-3	117 -16
AN500AD6-3	120 -12
AN500A10-10	72 -43
AN500A10-8	82 - 2
AN500A4-4	26 -44
AN500A8-5	102A-31
AN500A8-6	102 -11
AN50088-6	64 -19
AN500D6-3	120A-23
AN5008-7	102 -17
AN501-10-14	116 -27
AN503-8-12	82 - 8
AN503-8-16	82 -10
AN503-8-8	82 - 5
AN507-1032R10	49 -30
AN507-1032R12	50 -10A
AN507-1032R22	50 -10
AN507-1032R6	96 - 2
AN507-1032R7	3 -16
AN507-1032R7	3 -17
AN507-1032R7	3 -18
AN507-1032R7	3 -21
AN507-1032R7	5 -41

PART NUMBER	FIGURE AND INDEX NO.
AN507-1032R7	5 -43
AN507-1032R8	3 -15
AN507-1032R8	24 -44
AN507-440R6	102 -36
AN507-6R6	28 - 7
AN507-6R6	28 - 7
AN507-632	70 -26
AN507-632	70A-25
AN507-632R12	3 -35
AN507-632R12	3 -35E
AN507-632R12	46A- 6
AN507-632R6	39 -15
AN507-632R6	46 - 6
AN507-632R6	58C-90E
AN507-632R6	69 -26
AN507-632R6	102A- 6A
AN507-632R7	132 -80
AN507-632R8	3 -14
AN507-632R8	3 -35D
AN507-632R8	60A-10
AN507-632R8	608-11
AN507-632R8	60C-15
AN507-632R8	60D-19
AN507-632R8	135 -62
AN507-640R4	10R -22
AN507-83R6	17A-93M
AN507-832R5	58 -89
AN507-832R5	58A-96
AN507-832R6	16 -40
AN507-832R6	17 -99R
AN507-832R6	20 - 6
AN507-832R6	20 -14
AN507-832R6	44A-26
AN507-832R6	58D-87C
AN507-832R6	111 -27
AN507-832R6	133 -31
AN507-832R7	11A-41
AN507-832R7	39 - 4
AN507-832R7	86A-52
AN507-832R7	86A-79
AN507-832R7	89 -35
AN507-832R7	89 -37
AN507-832R7	96 -16
AN507-832R7	134 -78
AN507-832R7	134 -79A
AN507-832R7	134 -79A
AN507-832R8	3 -19
AN507-832R8	24 -38
AN507-832R8	40 -47
AN507-832R8	43 -43
AN507-832R8	85A-41
AN507-832R8	136 - 2
AN507-832R8	136 - 3
AN507B632-6	58 -27
AN507B632-6	58A-27
AN507B632-6	58B-82
AN507B632R12	58 -26
AN507B632R12	58A-26
AN507B632R12	58B-81
AN507B632R12	58C-90C
AN507B632R12	58D-85A
AN507B632R6	58D-87E
AN507B632R7	58 - 9
AN507B632R7	58A- 9
AN507B832R14	64 - 5B
AN507B832R14	64 -24
AN507B832R16	64 - 5A
AN507B832R24	58 -28
AN507B832R24	58A-28
AN507B832R8	64 - 5
AN507B832R8	64 - 7D
AN507DD440888	134 -23
AN509-10R10	3 -56
AN509-10R10	15 -10

PART NUMBER	FIGURE AND INDEX NO.
AN509-10R10	69 -39
AN509-10R10	70 -39
AN509-10R14	44 - 1
AN509-10R14	44A- 1
AN509-10R14	45 - 1
AN509-10R14	45A- 1
AN509-10R14	51 -24
AN509-10R14	57 -36
AN509-10R14	57A-40
AN509-10R14	135 -36
AN509-10R16	15 -14
AN509-10R16	44 - 2
AN509-10R16	44A- 2
AN509-10R16	45 - 2
AN509-10R16	45A- 2
AN509-10R31	12 -23
AN509-10R34	14 -61
AN509-10R6	58 -86
AN509-10R6	58A-93
AN509-10R6	123A-24
AN509-10R7	70 -40
AN509-10R7	70 -40
AN509-10R7	70A-46
AN509-10R8	3 -54
AN509-10R8	3 -58
AN509-10R8	15 -20
AN509-10R8	17A-90D
AN509-10R8	25 -34B
AN509-10R8	43A- 2
AN509-10R8	44 -14
AN509-10R8	44 -14A
AN509-10R8	44A-16
AN509-10R8	45 -12
AN509-10R8	45 -12A
AN509-10R8	45A-13
AN509-10R8	70A-46
AN509-10R8	123A-22
AN509-10R9	69 -45
AN509-416R13	13 -55
AN509-416R13	56 -48
AN509-416R13	56A-57
AN509-8R6	102 -13
AN509-8R7	53 -77
AN509-8R7	54 -97
AN509-8R7	56 -74
AN509-8R7	108 -57
AN509-8R8	57 -23
AN5098R8	57A-28
AN51084R8	64 -26
AN515-86R12	58C-78
AN515-10R6	102A-41
AN515-10R6	102A-46
AN515-10R8	94 -15
AN515-2R12	77 -33
AN515-2R12	135A- 3
AN515-4-6	135 -23C
AN515-4R12	104 -17
AN515-4R12	135 -61
AN515-4R4	135 -28A
AN515-4R4	137 - 8
AN515-4R5	98 - 7
AN515-4R6	60D-17
AN515-4R6	96 -23
AN515-4R6	135 -60
AN515-4R6	135 -63
AN515-4R6	137 - 4
AN515-4R6	137 -12
AN515-4R6	137 -18
AN515-4R6	139 -12
AN515-4R7	135 -24
AN515-4R8	135 -61
AN515-6-8	58A-63
AN515-6R10	3 -69
AN515-6R10	3 -70

PART NUMBER	FIGURE AND INDEX NO.
AN515-6R10	12 -30
AN515-6R10	12 -31
AN515-6R10	58B-71
AN515-6R10	58C-82
AN515-6R10	58D-86
AN515-6R10	77 -22
AN515-6R10	90 -14
AN515-6R10	91 -14
AN515-6R12	58B-83
AN515-6R12	58C-90D
AN515-6R12	58D-85
AN515-6R12	58D-87D
AN515-6R4	16 - 8
AN515-6R4	95 -54
AN515-6R5	17 -57
AN515-6R5	17A-60
AN515-6R5	134 - 2
AN515-6R6	14 -83
AN515-6R6	58A-17
AN515-6R6	58A-18
AN515-6R6	58B-70
AN515-6R6	58C-81
AN515-6R6	58D-85D
AN515-6R6	96 -18
AN515-6R6	102A-47
AN515-6R6	106 - 5
AN515-6R6	132 -79
AN515-6R7	78 -22
AN515-6R7	96A-34
AN515-6R7	96B-39
AN515-6R7	102 -50B
AN515-6R7	112 -11
AN515-6R7	140 -14
AN515-6R8	3 -68
AN515-6R8	12 -29
AN515-6R8	20A- 1A
AN515-6R8	58A-98D
AN515-6R8	58B-16
AN515-6R8	58B-94
AN515-6R8	58C-18
AN515-6R8	58C-93A
AN515-6R8	58D-28
AN515-6R8	58D-91B
AN515-6R8	95 - 3
AN515-6R8	96 -23
AN515-6R8	96A-17
AN515-6R8	135 -25
AN515-6R8	140 -14
AN515-8-8	83 - 7
AN515-8-8	84 -10
AN515-8R10	9 -44
AN515-8R10	47 -28
AN515-8R10	95 -40
AN515-8R10	95 -50
AN515-8R10	134 -30
AN515-8R10	140 -17
AN515-8R11	95 -40A
AN515-8R12	44A- 9
AN515-8R12	45A- 9
AN515-8R13	134 -30
AN515-8R16	116 - 9
AN515-8R20	102A-10
AN515-8R24	3 -23
AN515-8R24	136 -25
AN515-8R32	112 -13B
AN515-8R4	32 -16
AN515-8R4	37 - 2
AN515-8R6	3 -45
AN515-8R6	3 -72
AN515-8R6	14 -93B
AN515-8R6	29 -29
AN515-8R6	29 -29A
AN515-8R6	33 - 3
AN515-8R6	53 -60

PART NUMBER	FIGURE AND INDEX NO.
AN515-8R6	53A-52
AN515-8R6	54 -85
AN515-8R6	55 -72
AN515-8R6	58 -78
AN515-8R6	58 -82
AN515-8R6	74 -25
AN515-8R6	77 -28
AN515-8R6	80 -28
AN515-8R6	89A-59
AN515-8R6	90 -11
AN515-8R6	91 -11
AN515-8R6	95 -54D
AN515-8R6	99 -25
AN515-8R6	99 -51
AN515-8R6	99A-27
AN515-8R6	99A-55
AN515-8R6	108 -59
AN515-8R6	109 -58
AN515-8R6	112 -14
AN515-8R6	113 - 5
AN515-8R6	134 -79A
AN515-8R6	135 -23
AN515-8R6	135 -23
AN515-8R6	135 -23E
AN515-8R7	14 - 6
AN515-8R7	40 -21
AN515-8R7	43A-24
AN515-8R7	61 - 7
AN515-8R7	91 -36
AN515-8R7	102 - 9
AN515-8R7	102A-33
AN515-8R7	102A-37
AN515-8R7	104 -34
AN515-8R8	3 -13
AN515-8R8	3 -27
AN515-8R8	5 -27
AN515-8R8	5 -30
AN515-8R8	5 -33
AN515-8R8	5 -36
AN515-8R8	9 - 8
AN515-8R8	16 -40
AN515-8R8	17 -99H
AN515-8R8	17A-93F
AN515-8R8	24 -17
AN515-8R8	24 -27
AN515-8R8	24 -29
AN515-8R8	24 -32
AN515-8R8	24 -92
AN515-8R8	73 -26
AN515-8R8	74 -31
AN515-8R8	85 -33
AN515-8R8	86 - 3
AN515-8R8	95 - 8
AN515-8R8	95 -12
AN515-8R8	102B-10
AN515-8R8	102C-18
AN515-8R8	102C-25
AN515-8R8	109 -16
AN515-8R8	134 -57
AN515-8R8	135 -22
AN515-8R8	140 - 1
AN51586R12	58 -10
AN51586R12	58 -16
AN51586R12	58 -19
AN51586R12	58 -20
AN51586R12	58 -22
AN51586R12	58 -24
AN51586R12	58 -25
AN51586R12	58A-10
AN51586R12	58A-16
AN51586R12	58A-19
AN51586R12	58A-20
AN51586R12	58A-22
AN51586R12	58A-24

PART NUMBER	FIGURE AND INDEX NO.
AN51586R12	58A-25
AN51586R12	58B-67
AN51586R12	58B-68
AN51586R12	58B-73
AN51586R12	58B-79
AN51586R12	58B-80
AN51586R12	58C-79
AN51586R12	58C-85
AN51586R12	58C-90A
AN51586R12	58C-90B
AN51586R12	58D-79
AN51586R12	58D-85B
AN51586R12	58D-86C
AN51586R12	58D-86D
AN51586R12	58D-87
AN51586R12	99 -55
AN51586R12	99A-30A
AN51586R12	99A-60
AN51586R16	58 -15
AN51586R16	58 -16
AN51586R16	58 -21
AN51586R16	58A-15
AN51586R16	58A-16
AN51586R16	58A-21
AN51586R16	58B-61
AN51586R16	58B-66
AN51586R16	58B-67
AN51586R16	58B-72
AN51586R16	58C-72
AN51586R16	58C-77
AN51586R16	58C-83
AN51586R16	58D-84
AN51586R16	58D-86A
AN51586R16	99 - 1
AN51586R16	99 -30
AN51586R16	99A- 1
AN51586R16	99A-32
AN51586R7	58C-83
AN51586R7	58D-86A
AN51586R7	58D-86B
AN51588R10	58D-69
AN51588R12	58B-55B
AN51588R12	58C-63
AN51588R12	137A- 8
AN51588R24	58B-73
AN51588R24	58C-85
AN51588R24	58D-87E
AN51588R8	58B-55A
AN51588R8	58C-64
AN51588R8	58D-70
AN5158R8	24 -88
AN520-10R10	62 -12
AN520-10R10	72 -68
AN520-10R10	90 -30
AN520-10R10	91 -29
AN520-10R12	3 -38
AN520-10R12	20 -21
AN520-10R12	62 -45
AN520-10R12	79 -21
AN520-10R14	108 -52
AN520-10R16	133 - 3
AN520-10R48	125 - 3
AN520-10R6	78 - 4
AN520-10R6	85A-73
AN520-10R6	86A-70
AN520-10R6	88 - 5
AN520-10R6	92 -18
AN520-10R6	114A-28
AN520-10R6	115A-11
AN520-10R6	116 -46
AN520-10R6	123 -17
AN520-10R6	125 -18
AN520-10R6	125 -32
AN520-10R6	135 -30

PART NUMBER	FIGURE AND INDEX NO.
AN520-10R7	24 -58
AN520-10R7	24 -58A
AN520-10R7	24 -67
AN520-10R7	86A-15
AN520-10R7	86A-17
AN520-10R7	86A-45
AN520-10R7	86A-55
AN520-10R7	86A-68
AN520-10R7	86A-77
AN520-10R7	135 -65
AN520-10R7	135 -66
AN520-10R8	24 -58A
AN520-10R8	24 -68
AN520-10R8	37 -25C
AN520-10R8	53 -36
AN520-10R8	53A-35
AN520-10R8	54 -31
AN520-10R8	54 -63
AN520-10R8	55 -30
AN520-10R8	55 -57
AN520-10R8	56 -30
AN520-10R8	56A-38
AN520-10R8	62 -17
AN520-10R8	71 -64
AN520-10R8	71 -64
AN520-10R8	71 -64
AN520-10R8	71 -64
AN520-10R8	71 -64
AN520-10R8	71 -64
AN520-10R8	71 -64
AN520-10R8	72 -69
AN520-10R8	72 -69
AN520-10R8	72 -69
AN520-10R8	72 -69
AN520-10R8	85A- 2A
AN520-10R8	85A-61
AN520-10R8	85A-67
AN520-10R8	85A-71
AN520-10R8	85A-90B
AN520-10R8	85A-93
AN520-10R8	86A-78
AN520-10R8	101 -58
AN520-10R8	109 -35
AN520-10R8	109 -39
AN520-10R8	109 -47
AN520-10R8	109 -64
AN520-10R8	112 -12
AN520-10R8	115 - 4
AN520-10R8	120 - 1
AN520-10R8	115 -32
AN520-10R8	115 -50
AN520-10R9	46 -27
AN520-3R10	96B-16
AN520-3R8	96B-11
AN520-416R8	135 -20
AN520-416R8	135 -46
AN520-6R10	58 -17
AN520-6R10	58 -18
AN520-8R5	86 - 7
AN520-8R6	116 -51
AN520-832R8	135 -26
AN523-10R22	90 -29
AN523-10R22	91 -28
AN525-10R12	21A-39
AN525-10R12	21B-48
AN525-10R12	62 -37
AN525-10R12	62 -47
AN525-10R16	48 -10
AN525-10R18	46 -13
AN525-10R18	46A-13
AN525-10R18	62 -36
AN525-10R20	48 -10A
AN525-10R20	62 -36
AN525-10R6	24 -46
AN525-10R6	51 -14

PART NUMBER	FIGURE AND INDEX NO.
AN525-10R6	87 -21
AN525-10R8	18 -23
AN525-10R8	44 -45
AN525-10R8	44A-43
AN525-10R8	109 -24
AN525-10R8	112 -13
AN525-10R8	113 -46
AN525-10R9	134 -17
AN525-8R6	111 -49
AN525-8R8	5 -64
AN525-832R10	588-49
AN525-832R10	58C-56
AN525-832R10	58D-62
AN525-832R10	136 -10
AN525-832R6	11A-35
AN525-832R6	11A-41
AN525-832R6	11A-43
AN525-832R6	15 -12
AN525-832R6	26 -27
AN525-832R7	11 -43
AN525-832R7	11A-45
AN525-832R7	44 -22
AN525-832R7	44A-24
AN525-832R7	45 -20
AN525-832R7	45A-21
AN525-832R7	140 -18B
AN525-832R8	588-55
AN525-832R8	58C-65
AN525-832R8	58D-71
AN525-832R8	85A- 4
AN525-832R8	86A-19
AN525-832R8	86A-31
AN526C632R8	133 - 9
AN526C832R28	133 -22
AN530-6-4	135 -23A
AN530-6R8	58 -38
AN535-2-3	9 -46
AN535-2-3	21B-53
AN565B2-3	59 -33
AN565B2H3	59 - 9
AN565B2H3	59 -33
AN565B2H3	59A-14
AN565B2H3	96B-31
AN565B4-2	96 - 8
AN565B4-2	96A-12
AN565B4-2	96B- 9
AN565B428H4	103 -24
AN565D1032H5	37 -33
AN565D1032H5	127 -11
AN565D6-3	94 -14
AN565D8HZ	59A-15
AN565D8H2	59 -10
AN565D8H2	108 -61
AN565D8H3	103 -24
AN565E428H10	43 -26
AN565F42H12	118A-30
AN6-13A	24A-28
AN6-16A	103 -28
AN6-7A	11 - 2
AN620481	116 -44
AN6227-5	102B-12
AN6227-5	102C- 5
AN6227B10	36 - 5
AN6227B10	36 - 5
AN6227B10	126 - 8
AN6227B11	126 -15
AN6227B19	126 -11
AN6227B22	36 - 7
AN6227B22	36 - 7
AN6227B24	116 -25
AN6227B26	34 - 7
AN6227B27	38 -18
AN6227B3	36 -14
AN6227B32	34 -45

PART NUMBER	FIGURE AND INDEX NO.
AN6227B5	34 - 8
AN6227B5	62 - 9
AN6227B9	126 -21
AN6230B3	34 -23
AN6230B6	34 -48
AN6289-4D	116 -59
AN6289D10	130 - 2
AN6289D3	122 -30
AN6289D6	117 -11
AN6290-6	80 -46
AN7-40A	71 - 2
AN7-40A	72 - 2
AN735D22	120 - 1
AN735D36	112 -35
AN735D36	113 -46
AN735D36	115 - 4
AN735D40	72 -65
AN737TW91	72 -41
AN737TW91	109 -22
AN741-18P	73 -35
AN742-22	85A-92
AN742-22	86A-78
AN742D12	115 -53
AN742D14	132 -18
AN742D14	132 -25
AN742D17	109 -18
AN742D2	74 -25
AN742D2	112 -12
AN742D2	112 -34
AN742D3	90 -25
AN742D3	90 -26
AN742D3	91 -25
AN742D3	91 -26
AN742D3	106 - 7
AN742D3	110 -24
AN742D3	134 -29
AN742D3	135A-25
AN742D3	135A-27
AN742D32	113 -12
AN742D36	79 -48
AN742D36	115 -36
AN742D4	71 -54
AN742D4	79 -20
AN742D4	140 -13
AN742D5	87 -27
AN742D5	93 -40
AN742D5	104 -36
AN742D6	3 -45
AN742D6	109 -57
AN742D8	132 - 4
AN742D9	108 -51
AN743-12	71 -64
AN743-12	71 -64
AN743-12	72 -69
AN743-12	72 -69
AN743-13	42 -35
AN743P13	21B-60
AN75A5	68 -46
AN76A7	79 -42
AN783-4	123A-10
AN783D3	116A-39
AN783D4	123 - 9
AN8-23A	3 - 7
AN804-4D	122A-14
AN804-4D	123 - 1
AN804D3	122A-31
AN804D4	122 -38
AN804D4	123 - 8
AN804D4	125 -11
AN814-3D	116A-14
AN814-4D	116A-16
AN815-3D	37 -24
AN815-3D	37 -52
AN815-3D	120A-32

PART NUMBER	FIGURE AND INDEX NO.
AN815-4D	111 -39
AN815-4D	116 -31
AN815-4D	116A-31
AN815-4D	116A-36
AN815-4D	117 - 4
AN815-4D	117 - 8
AN815-4D	122 -42
AN815-4D	123 - 3
AN815-4D	123 - 7B
AN815-4D	124 -17B
AN815-4D	125 -21D
AN815-5D	116A-47
AN815-6D	3 -40
AN815-6D	109 -33
AN815-6D	109 -36
AN815-6D	109 -40
AN815-6D	109 -42B
AN815-6D	109 -45
AN815-6D	109 -48
AN815-6D	109 -52
AN815-6D	109 -56
AN815-6D	116 -48
AN815-6D	116A-48
AN815-6D	117 - 9
AN815-8D	79 -46B
AN815-8D	111 -31
AN815-8D	111 -37
AN815-8D	116 - 8
AN815-8D	116 -58
AN816-2D	71 -46
AN816-2D	72 -45A
AN816-2D	72 -58A
AN816-2D	73 -19
AN816-2D	74 -23
AN816-2D	74 -25
AN816-2D	112 -33
AN816-3D	72 -45A
AN816-3D	73 -19
AN816-3D	112 -31
AN816-4B	134 -69
AN816-4B	134 -75
AN816-4D	73 -10
AN816-4D	74 -17
AN816-4D	99 -59
AN816-4D	99A-24B
AN816-4D	99A-61
AN816-4D	113 -14
AN816-4D	114 -16
AN816-4D	114A-23
AN816-6-6	115 -16
AN816-6D	114 -12
AN816-8D	109 -10
AN821-4D	134 -70C
AN824-4D	73 - 8
AN824-4D	74 -12
AN824-4D	74 -15
AN824-4D	116 -54B
AN824-4D	124 -26
AN824-4D	125 -21B
AN824-4D	134 -72
AN827-4D	124 - 2
AN827-4D	134 -65
AN832-2D	72 -56
AN832-3D	92 -10
AN832-3D	92 -15
AN832-3D	122 -21
AN832-3D	122A-21
AN832-3D	123A-14
AN832-4D	122 -35
AN832-4D	123 -10
AN832-4D	123 -18
AN832-4D	123A- 2
AN832-4D	123A- 3
AN832-4D	123A-17

PART NUMBER	FIGURE AND INDEX NO.
AN832-4D	123A-20
AN832-4D	109 -62
AN832-5D	123A-12
AN833-2D	71 -43
AN833-2D	72 -46
AN833-3D	122 -23
AN833-3D	122 -30
AN833-3D	122 -32
AN833-3D	122A-23
AN833-4D	79 -38
AN833-4D	109 -20
AN833-4D	112 -21
AN833-4D	113 - 3
AN833-4D	113 -23
AN833-4D	116A-11
AN833-4D	122 - 6
AN833-4D	122 -11
AN833-4D	122A- 6
AN833-4D	122A-11
AN833-4D	123 -23
AN833-4D	123A- 8
AN833-4D	124 - 5
AN833-4D	124 - 8A
AN833-6D	80 -29
AN833-6D	116 -49
AN833-8D	109 - 4
AN833-8D	109 -11
AN834-2D	112 - 8
AN834-4D	122 -14
AN834-4D	124 -18
AN834-4D	125 -22
AN834-6D	117 -10
AN834D4	113 - 8
AN834D4	112 -23
AN837-3D	92 - 9
AN837-3D	116 -36
AN837-4D	112 - 9
AN837-4D	113 -23
AN837-4D	116 -59
AN837-4D	116A-18
AN837-4D	117 - 5
AN837-4D	117 - 6
AN837-4D	123A-16
AN837-4D	123A-19
AN837-4D	124 -17
AN837-4D	124 -17A
AN837-4D	125 - 4
AN837-4D	125 -19
AN837-4D	125 -24
AN837-4D	125 -26
AN837-6D	80 -24
AN837-8D	111 -29
AN837-8D	116 -13
AN838-10D	132 -57
AN840-10D	115A-21
AN840-8	115 -57
AN842-10D	115 -69
AN842-10D	115A-22
AN842-10D	115A-25
AN842-8	115 -24
AN842-8D	115 -67
AN900-10	73 -34
AN900-10	74 -35
AN900-10	75 -29
AN900-10	76 -29
AN900-28	75 -31
AN900-6	73 -23
AN900-6	74 -33
AN901-4A	80 -16
AN901-6A	80 - 9
AN910-1D	108 -48
AN911-3	80 -41
AN911-3	115 -63
AN912-1D	132 -30

PART NUMBER	FIGURE AND INDEX NO.
AN912-2D	80 -43
AN912-3	79 -36
AN912-3	113 -18
AN912-3	113 -22
AN912-4D	79 -55
AN912-4D	115 -68
AN914-10	92 - 4
AN914-4D	79 -54
AN915-1	79 -35
AN915-1	113 -21
AN916-416L	33 -18
AN917-10	112 -32
AN917-3	80 -42
AN917-3	115 -62
AN917-3D	132 -17
AN919-1D	112 - 5
AN919-10D	130D- 7
AN919-12D	109 - 7
AN919-2D	113 -59
AN919-2D	116A-39
AN919-2D	116A-43
AN919-2D	122 -19
AN919-2D	122A-19
AN919-2D	122A-32C
AN919-2D	123 - 9
AN919-3D	130C- 6
AN921-3D	92 - 4A
AN921-3D	116A-12
AN921-3D	38A-36
AN921-4D	111 -34
AN921-4D	116A-10
AN921-4D	116A-10
AN921-4D	123 - 6
AN921-4D	124 - 8
AN921-4D	124 - 8A
AN921-4D	124 -24
AN921-4D	125 - 7
AN921-4D	125 -13
AN921-4D	125 -24
AN921-4D	125 -26
AN921-6D	80 -45
AN921-8D	111 -42
AN923-3D	116A-13
AN924-10D	131A- 4
AN924-10D	132 -58
AN924-2D	71 -45
AN924-2D	71 -59
AN924-2D	72 -48
AN924-2D	72 -53
AN924-2D	72 -58
AN924-2D	112 - 8
AN924-3D	71 -45
AN924-3D	71 -59
AN924-3D	72 -48
AN924-3D	72 -53
AN924-3D	72 -58
AN924-3D	92 - 4B
AN924-3D	92 -11
AN924-3D	92 -15
AN924-3D	112 -29
AN924-3D	116 -37
AN924-3D	116A-12
AN924-3D	116A-13
AN924-3D	122 -21
AN924-3D	122 -23
AN924-3D	122 -32
AN924-3D	122A-21
AN924-3D	122A-23
AN924-3D	122A-31
AN924-3D	123A-14
AN924-3D	124 -21
AN924-3D	38A-37
AN924-4	113 -27
AN924-4D	79 -40

PART NUMBER	FIGURE AND INDEX NO.
AN924-4D	109 -20
AN924-4D	111 -34
AN924-4D	112 - 9
AN924-4D	112 -22
AN924-4D	113 - 3
AN924-4D	113 -10
AN924-4D	113 -23
AN924-4D	113 -55
AN924-4D	116 -19
AN924-4D	116A-10
AN924-4D	116A-10
AN924-4D	116A-11
AN924-4D	116A-19
AN924-4D	122 - 7
AN924-4D	122 -11
AN924-4D	122 -14
AN924-4D	122 -35
AN924-4D	122 -38
AN924-4D	122A- 7
AN924-4D	122A-11
AN924-4D	122A-14
AN924-4D	123 - 2
AN924-4D	123 - 6
AN924-4D	123 -11
AN924-4D	123 -19
AN924-4D	123 -21
AN924-4D	123 -24
AN924-4D	123A- 2
AN924-4D	123A- 3
AN924-4D	123A- 8
AN924-4D	123A-10
AN924-4D	123A-16
AN924-4D	123A-17
AN924-4D	123A-19
AN924-4D	123A-20
AN924-4D	124 - 6
AN924-4D	124 - 8
AN924-4D	124 - 8A
AN924-4D	124 -17
AN924-4D	124 -17A
AN924-4D	124 -18
AN924-4D	124 -24
AN924-4D	125 - 4
AN924-4D	125 - 7
AN924-4D	125 -11
AN924-4D	125 -13
AN924-4D	125 -19
AN924-4D	125 -22
AN924-4D	125 -24
AN924-4D	125 -26
AN924-4D	109 -62
AN924-5D	123A-12
AN924-6D	80 -24
AN924-6D	80 -29
AN924-6D	80 -46
AN924-6D	115 - 9
AN924-6D	116 -43
AN924-6D	116 -49
AN924-6D	118A-71
AN924-8D	79 -46
AN924-8D	109 - 4
AN924-8D	109 -11
AN924-8D	111 -30
AN924-8D	111 -43
AN924-8D	115A- 5
AN924-8D	116 -15
AN9289-4D	117 - 7
AN929-4	116A-21
AN929-6	117 -12
AN932-C2	134 -10
AN932C2	134 -39
AN932C4	113 -41
AN935-10	116 -28
AN935-10	138 -16

PART NUMBER	FIGURE AND INDEX NO.
AN935-4	135 -23C
AN935-416	39 -34
AN935-8	111 -11
AN935-8L	102A-10
AN936A10	95 -10
AN936A10	110 - 2
AN936A2	77 -33
AN936A2	135A- 4
AN936A3	96B-18
AN936A4	96 -23
AN936A416	32 -25
AN936A416	32 -32
AN936A416	58A-84F
AN936A416	58A-90
AN936A416	58B-30
AN936A416	58C-32
AN936A416	58D-15
AN936A416	64 -18
AN936A416	64 -31
AN936A416	87 -17
AN936A416	138 - 7A
AN936A416B	58C-83
AN936A416B	58D-86A
AN936A516	43 -37A
AN936A6	3 -68
AN936A6	3 -69
AN936A6	3 -70
AN936A6	12 -29
AN936A6	133 -13
AN936A6	133 -13
AN936A6	135 -62
AN936A8	58 -92
AN936A8	58A-98
AN936A8	58B-40
AN936A8	58C-45
AN936A8	58D-51
AN936A8	111 -50
AN936B10	73 -35
AN936B4	135 -61
AN936B416	42 -39
AN936B8	32 -17
AN936B8	37 - 3
AN936D6	12 -30
AN936D6	12 -31
AN93904	116 -31A
AN941D8	79 -46A
AN944-101A	34 -53
AN944-101A	34 -65
AN960-C616	24A-29
AN960-C616L	24A-29
AN960-D10	109 -35
AN960-D1216	47 -12
AN960-D3L	16 -52
AN960-10	12 -24
AN960-10	13 -58B
AN960-10	18 - 5
AN960-10	21A-41
AN960-10	21B-50
AN960-10	23 - 8
AN960-10	23 -10
AN960-10	23 -14
AN960-10	24 -46
AN960-10	24 -56
AN960-10	25 - 3
AN960-10	30 -30
AN960-10	34 -38
AN960-10	39 - 8
AN960-10	39 -20
AN960-10	39 -36
AN960-10	41 -10
AN960-10	43 - 8
AN960-10	43 -24
AN960-10	51 -17A
AN960-10	53 -44

PART NUMBER	FIGURE AND INDEX NO.
AN960-10	54 -39
AN960-10	54 -71
AN960-10	55 -63
AN960-10	62 -39
AN960-10	62 -40
AN960-10	71 -64
AN960-10	71 -64
AN960-10	71 -64
AN960-10	71 -64
AN960-10	71 -64
AN960-10	71 -64
AN960-10	72 -14A
AN960-10	72 -14A
AN960-10	72 -69
AN960-10	72 -69
AN960-10	72 -69
AN960-10	72 -69
AN960-10	83 -19
AN960-10	85A- 28
AN960-10	85A-57
AN960-10	85A-60
AN960-10	85A-66
AN960-10	85A-71
AN960-10	85A-90B
AN960-10	85A-93A
AN960-10	87 -15
AN960-10	89 - 9
AN960-10	89A- 7
AN960-10	101 -64
AN960-10	103 -23
AN960-10	103 -43
AN960-10	103 -60
AN960-10	104 -31
AN960-10	104 -37
AN960-10	107A-34
AN960-10	107A-44
AN960-10	109 -64
AN960-10	116A- 5
AN960-10	116A- 8
AN960-10	122 - 3
AN960-10	122A- 3
AN960-10	125 -35
AN960-10	132 -20
AN960-10	132 -27
AN960-10	132 -25
AN960-10	134 - 6
AN960-10	135 - 6
AN960-10	135 -64
AN960-10	135A-12
AN960-10L	3 -49
AN960-10L	4 -32
AN960-10L	4 -33
AN960-10L	4 -37
AN960-10L	4 -39
AN960-10L	6 -29
AN960-10L	7 -49
AN960-10L	7 -52
AN960-10L	14 -61
AN960-10L	17 -42
AN960-10L	17 -82A
AN960-10L	17A-43
AN960-10L	17A-85C
AN960-10L	20 - 8
AN960-10L	20 -13A
AN960-10L	20 -13B
AN960-10L	20 -35
AN960-10L	20A-20
AN960-10L	21A-39
AN960-10L	21B-48
AN960-10L	32 -25
AN960-10L	32 -29
AN960-10L	33 -11
AN960-10L	33 -19
AN960-10L	34 -37
AN960-10L	34 -61

PART NUMBER	FIGURE AND INDEX NO.
AN960-10L	39 -23
AN960-10L	40 -32
AN960-10L	41 -11
AN960-10L	41 -18
AN960-10L	42 -20
AN960-10L	42 -26
AN960-10L	43A- 4
AN960-10L	43A-14
AN960-10L	43A-41
AN960-10L	44 - 3
AN960-10L	44A- 3
AN960-10L	45 - 3
AN960-10L	45A- 3
AN960-10L	47 -18
AN960-10L	47 -23
AN960-10L	48 -11
AN960-10L	53 - 3
AN960-10L	53 - 5
AN960-10L	53 -16
AN960-10L	53 -27E
AN960-10L	53 -37
AN960-10L	53 -53
AN960-10L	53 -65
AN960-10L	53A- 3
AN960-10L	53A- 5
AN960-10L	53A-36
AN960-10L	53A-46
AN960-10L	53A-59
AN960-10L	54 - 3
AN960-10L	54 - 5
AN960-10L	54 -32
AN960-10L	54 -40E
AN960-10L	54 -64
AN960-10L	54 -77
AN960-10L	54 -91
AN960-10L	55 - 3
AN960-10L	55 - 5
AN960-10L	55 -31
AN960-10L	55 -51
AN960-10L	55 -58
AN960-10L	55 -76
AN960-10L	55 -80
AN960-10L	56 - 3
AN960-10L	56 - 5
AN960-10L	56 -31
AN960-10L	56 -38
AN960-10L	56 -55
AN960-10L	56A- 3
AN960-10L	56A- 5
AN960-10L	56A-39
AN960-10L	56A-47
AN960-10L	56A-64
AN960-10L	57 -14B
AN960-10L	57 -24
AN960-10L	57A-16
AN960-10L	57A-27
AN960-10L	62 -42
AN960-10L	71 -17
AN960-10L	71 -20
AN960-10L	71 -25
AN960-10L	71 -48
AN960-10L	71 -49
AN960-10L	72 -14A
AN960-10L	72 -17
AN960-10L	72 -22
AN960-10L	72 -23A
AN960-10L	72 -68
AN960-10L	74 -44
AN960-10L	86 -13
AN960-10L	87 -34
AN960-10L	87 -36
AN960-10L	90 -22
AN960-10L	90 -28
AN960-10L	90 -29

PART NUMBER	FIGURE AND INDEX NO.
AN960-10L	90 -55
AN960-10L	91 -22
AN960-10L	91 -28
AN960-10L	91 -33
AN960-10L	91 -57
AN960-10L	92 -59
AN960-10L	98 -14
AN960-10L	100 -14
AN960-10L	100 -72
AN960-10L	101 - 2
AN960-10L	101 - 5
AN960-10L	103 -41
AN960-10L	103 -49
AN960-10L	103 -59
AN960-10L	103 -67
AN960-10L	103 -78
AN960-10L	104 -39
AN960-10L	106 - 9
AN960-10L	106 -13
AN960-10L	106 -32
AN960-10L	107 - 4
AN960-10L	107 - 9
AN960-10L	107 -14
AN960-10L	107A-60
AN960-10L	113 -46
AN960-10L	113 -54
AN960-10L	115 -38
AN960-10L	116 -45
AN960-10L	120 - 1
AN960-10L	120 -17
AN960-10L	120A-17
AN960-10L	122 - 5
AN960-10L	122A- 5
AN960-10L	125 -14B
AN960-10L	125 -14D
AN960-10L	125 -29
AN960-10L	132 -54
AN960-10L	132 -70
AN960-10L	134 -19
AN960-10L	135 -30
AN960-10L	135 -32
AN960-10L	135 -64
AN960-1216L	127 - 4
AN960-4	3 -51
AN960-4	41 -14
AN960-4	42 - 5
AN960-4	43A-21
AN960-4	43A-28
AN960-4	43A-33
AN960-4	56 -59
AN960-4	56A-68
AN960-4	63 - 5
AN960-4	86A-24
AN960-4	86A-42
AN960-4	89A-21
AN960-4L	16 -48
AN960-4L	42 - 6
AN960-4L	42 -16
AN960-416	3 - 5
AN960-416	9 - 2
AN960-416	11 - 7C
AN960-416	11A- 3
AN960-416	12 - 2
AN960-416	13 - 2
AN960-416	13 -56
AN960-416	14 - 2
AN960-416	14 -85
AN960-416	23 - 7
AN960-416	23 - 9
AN960-416	23 -18
AN960-416	23 -20
AN960-416	23 -21
AN960-416	30 -18
AN960-416	30 -23

PART NUMBER	FIGURE AND INDEX NO.
AN960-416	35 - 6
AN960-416	42 -38
AN960-416	43A-47
AN960-416	53A-26F
AN960-416	56 -49
AN960-416	56A-58
AN960-416	57 - 1
AN960-416	57 - 5
AN960-416	57 -29
AN960-416	57A- 2
AN960-416	57A- 2
AN960-416	57A-33
AN960-416	71 - 6
AN960-416	72 - 6
AN960-416	85A-81
AN960-416	95 -26
AN960-416	97 -14
AN960-416	97 -18
AN960-416	97 -43
AN960-416	100 -52
AN960-416	101 -22
AN960-416	103 -26
AN960-416	103 -55
AN960-416	107A- 3
AN960-416	110 -21
AN960-416	115A- 2
AN960-416	118A-10
AN960-416	122 -18
AN960-416	122A-18
AN960-416L	33 -15
AN960-416L	34 - 5
AN960-416L	34 -20
AN960-416L	34 -51
AN960-416L	34 -57
AN960-416L	34 -71
AN960-416L	34 -77
AN960-416L	35A-12
AN960-416L	38 -25
AN960-416L	42 - 3
AN960-416L	42 -14
AN960-416L	42 -33
AN960-416L	43 -33
AN960-416L	53 -13
AN960-416L	53 -21
AN960-416L	53A-12
AN960-416L	53A-15
AN960-416L	53A-20
AN960-416L	53A-63A
AN960-416L	54 -13
AN960-416L	54 -17
AN960-416L	54 -94E
AN960-416L	55 -12
AN960-416L	55 -88D
AN960-416L	55 -94
AN960-416L	56 -13
AN960-416L	56 -16
AN960-416L	56 -21E
AN960-416L	56 -66A
AN960-416L	56A-14
AN960-416L	56A-17
AN960-416L	56A-27
AN960-416L	56A-76
AN960-416L	57 - 7
AN960-416L	57 -21
AN960-416L	57A- 6
AN960-416L	57A-25
AN960-416L	58A-84E
AN960-416L	58A-89
AN960-416L	58B-29
AN960-416L	58C-31
AN960-416L	58D-14
AN960-416L	62A-11
AN960-416L	62A-21
AN960-416L	62B- 5

PART NUMBER	FIGURE AND INDEX NO.
AN960-416L	69 -47
AN960-416L	90 -16
AN960-416L	90 -49
AN960-416L	91 -16
AN960-416L	91 -51
AN960-416L	102 -26
AN960-416L	102A-28
AN960-416L	103 -72
AN960-416L	107A- 4
AN960-416L	110 -22
AN960-416L	116 - 5
AN960-416L	120A- 2
AN960-416L	120A-19
AN960-416L	123A-27
AN960-416L	125 - 8
AN960-416L	127 - 2
AN960-416L	132 -66
AN960-416L	135 -47
AN960-516	11 - 3
AN960-516	11 - 7D
AN960-516	11A- 4
AN960-516	23 -19
AN960-516	37 -11
AN960-516	37 -46
AN960-516	38 - 5
AN960-516	43 -15
AN960-516	43 -21
AN960-516	43 -37
AN960-516	43 -45
AN960-516	80 -26
AN960-516	97 -30
AN960-516	101 - 2
AN960-516	101 -12
AN960-516	103 -16
AN960-516	103 -21
AN960-516	103 -82
AN960-516	107A-25
AN960-516L	30 -34
AN960-516L	32 -12
AN960-516L	34 - 2
AN960-516L	34 -22
AN960-516L	41 - 6
AN960-516L	62 -23
AN960-516L	95 -31
AN960-516L	95 -44
AN960-516L	97 -38
AN960-516L	101 - 2
AN960-516L	101 - 2
AN960-516L	107A- 8
AN960-516L	107A-26
AN960-516L	122 -26
AN960-516L	122A-26
AN960-6	14 -83
AN960-6	92 -38
AN960-6L	15 -24
AN960-6L	16 -48
AN960-6L	39 -15
AN960-6L	102A-47
AN960-6L	132 -79
AN960-6L	136 -20
AN960-6L	136 -28
AN960-616	11 - 4
AN960-616	32 - 5
AN960-616	37 -15
AN960-616	37 -31
AN960-616	42 -11
AN960-616	42 -31
AN960-616	43 -39
AN960-616	62A-20A
AN960-616	103 -28
AN960-616	126 -29
AN960-616	126A-25
AN960-616L	32 - 3
AN960-616L	32 - 5

PART NUMBER	FIGURE AND INDEX NO.
AN960-616L	32 -21
AN960-616L	43 - 4
AN960-616L	124 - 9
AN960-616L	126 -31
AN960-616L	126A-24
AN960-616L	126A-28
AN960-716	71 - 2
AN960-716	92 -15
AN960-716	122 -35
AN960-716	123 -19
AN960-716L	41 - 4
AN960-716L	71 - 2
AN960-8	39 - 5
AN960-8	53 -61A
AN960-8	53A-55
AN960-8	54 -87A
AN960-8	55 -87
AN960-8	58 -83
AN960-8	95 - 9
AN960-8	95 -13
AN960-8L	25 -87
AN960-8L	33 - 4
AN960-8L	49 - 3
AN960-8L	50 -14A
AN960-8L	73 -26
AN960-8L	74 -31
AN960-8L	90 -11
AN960-8L	91 -11
AN960-8L	136 -25
AN960-8L	136 -25
AN960-816	3 - 8
AN960-816	37 -21
AN960-816	42 -13
AN960C10L	79 -23
AN960C1216	79 -13
AN960C416L	62 - 8
AN960C416L	80 - 6
AN960C616	133 - 7
AN960C616	133 -10
AN960C616	79 -18
AN960C616	79 -43
AN960C616	104 -25
AN960C616L	79 - 9
AN960C616L	79 -10
AN960C8	133 -22
AN960D10	64 -27
AN960D10	71 -38
AN960D10	72 -27
AN960D10	78 -20
AN960D10	100 -64
AN960D10	108 -53
AN960D10	109 -39
AN960D10	109 -47
AN960D10	109 -51
AN960D10	135A-16
AN960D10	135A-23
AN960D10L	46 - 9
AN960D10L	46A-10
AN960D10L	113 -12
AN960D10L	135A-15
AN960D1216L	109 - 4
AN960D1216L	109 -11
AN960D2L	78 - 9
AN960D416	111 - 2
AN960D416L	100 -51
AN960D416L	100 -60
AN960D516	71 -44
AN960D516	71 -58
AN960D516	72 -47
AN960D516	72 -52
AN960D516	72 -57
AN960D516	74 - 6
AN960D516	90 -26
AN960D516	91 -26

PART NUMBER	FIGURE AND INDEX NO.
AN960D516L	74 - 5
AN960D616	71 -44
AN960D616	71 -58
AN960D616	72 -47
AN960D616	72 -52
AN960D616	72 -57
AN960D716	79 -39
AN960D716	113 -23
AN960D716L	109 -20
AN960D716L	109 -62
AN960D8	64 -13
AN960D816	59 -29
AN960D916	115 - 8
AN960PD10	64 - 6
AN960PD10	74 -28
AN960PD10	92 -28
AN960PD10L	20 -21
AN960PD1216	116 -14
AN960PD1216L	115A- 4
AN960PD2	16 -15
AN960PD2	70 -46
AN960PD21	14 -54
AN960PD3	12 -32
AN960PD3L	44 -27A
AN960PD3L	44A-30
AN960PD3L	45 -23A
AN960PD3L	45A-25
AN960PD3L	70 -52
AN960PD3L	70A-47
AN960PD3L	70A-47
AN960PD4	137 -13
AN960PD416	123 - 5
AN960PD416L	107A- 4
AN960PD516L	107A- 9
AN960PD616	40 -36
AN960PD616	92 -11
AN960PD616	99 - 6
AN960PD616	99 -35
AN960PD616	99A- 5
AN960PD616	99A-36
AN960PD616	112 -29
AN960PD616	122 -21
AN960PD616	122 -32
AN960PD616	122A-21
AN960PD616	122A-31
AN960PD616	123A-14
AN960PD716	112 - 9
AN960PD716	112 -22
AN960PD716	113 - 9
AN960PD716	116A-20
AN960PD716	122 -11
AN960PD716	122 -14
AN960PD716	122 -38
AN960PD716	122A-11
AN960PD716	122A-14
AN960PD716	123 -11
AN960PD716	123 -22
AN960PD716	123A- 2
AN960PD716	123A- 3
AN960PD716	123A- 8
AN960PD716	123A-10
AN960PD716	123A-16
AN960PD716	123A-17
AN960PD716	123A-19
AN960PD716	123A-20
AN960PD716	124 - 6
AN960PD716	124 -17
AN960PD716	125 - 4
AN960PD716	125 -11
AN960PD716	125 -19
AN960PD716	125 -22
AN960PD716L	113 - 3
AN960PD716L	124 -17A
AN960PD716L	124 -18

PART NUMBER	FIGURE AND INDEX NO.
AN960PD816	123A-12
AN960PD916	116 -42
AN960PD916	116 -49
AN960616L	79 - 2
AN970-3	65 - 9
AN970-3	66 -10
AN970-4	57A- 4C
AN970-5	62 - 4
AN970-5	62 -26
AN970-7	116 -18
A1257A	3 -32
A1280-2	3 -33
A1280-3	3 -33
A1580	67 -18
A1580	68 -11
A1633-12	67 -33
A1633-12	68 -28
A1633-13	67 -15
A1633-3	67 - 3
A1633-3	68 - 3
A1633-30	68 -17
A1633-36	82 - 5
A1633-47	38A-32
A1633-48	38A-26
A1633-9	67 -40
A1633-9	67 -45
A1633-9	68 -36
A1633-9	68 -41
A1634-5	67 -21
A1634-5	68 -14
A1635-16	67 - 5
A1635-17	67 - 5
A1635-18	67 - 5
A1635-19	67 - 5
A1635-20	67 - 5
A1635-21	67 - 5
A1635-27	67 - 9
A1635-36	68 - 5
A1635-40	68 - 5
A1635-43	67 -29
A1635-43	68 -24
A1635-56	68 - 5
A1635-58	68 - 5
A1635-79	38A-16
A1636-23	35A-10
A1636-24	38A-14
A1636-6	67 -12
A1636-7	67 -35
A1636-7	68 -30
A1638-1	38A-17
A1638-15	38A-21
A1638-15	38A-24
A1638-2	65 - 2
A1638-2	66 - 4
A1638-2	67 - 2
A1638-2	68 - 2
A1638-29	35A-12
A1638-5	67 -10
A1638-9	67 -30
A1638-9	68 -25
A1639-2	65 - 3
A1639-2	66 - 5
A1639-2	67 - 1
A1639-2	68 - 1
A1639-24	35A-13
A1639-26	38A-22
A1934	67 -40
A1935	67 -42
A1936	67 -41
A1937	67 -44
A1937	68 -40
A1938	67 -31
A1938	68 -26
A1958	67 - 7

PART NUMBER	FIGURE AND INDEX NO.
A1958	68 - 8
A20022	82 -27
A20026	82 -34
A20027	82 -35
A20034	82 - 9
A20037	82 -14
A20039	82 - 7
A20063A	82 -23
A20064	82 -24
A20067	82 -13
A20068	82 -19
A20069-1	82 -17
A20069-2	82 -17
A20070A	82 -25
A20071	82 -15
A20072A	82 -26
A20076	82 -28
A20078	82 -29
A20079	82 -30
A20081	82 -31
A20083	82 -11
A20084B	82 -21
A20086	82 -16
A2108	67 -36
A2108	68 -31
A2109-3	31 - 8
A2230	67 -48
A2230	68 -44
A2351	67 -34
A2351	68 -29
A2356	67 -27
A2356	68 -22
A2423	67 - 4
A2513-49	38A-23
A2513-66	35A-11
A3-6A	66 - 9
A30010	38A - 9
A30011	38A-12
A30013	38A-13
A30014	38A-11
A30015	38A-10
A30023	38A-20
A30040	38A-35
A30047	35A - 9
A30048	35A - 8
A30078-1	35A - 4
A30078-2	35A - 7
A30079-1	38A - 4
A30079-2	38A - 8
A30085	38A-34
A30087	38A-29
A30087	38A-31
A30169	38A-33
A3047	65 - 4
A3047	66 - 3
A3047	67 -47
A3047	68 -43
A3047-30	67 -47
A3047-30	68 -43
A3047-45	67 -47
A3047-47	68 -43
A3100	67 -16
A3110	67 -22
A3110	68 -15
A3124	67 -38
A3124	68 -32
A3125	67 -37
A3125	68 -33
A3149	67 -17
A3217	67 -26
A3530	68 - 4
A3543	68 -10
A3547	67 -40
A3549	67 -42

PART NUMBER	FIGURE AND INDEX NO.
A3556	68 -34
A39070	38 -13
A4513-1	31 - 6
A500A8-4	102 -24
A505-CDD	115 - 2
A6052-832-3	83 - 8
A6052-832-3	84 -10
A6162-821	3 -57
A6162-823	4 -77
A6162-823	5 -54
A6163-823	4 -76
A6191-621	17 -77
A6191-621	17 -88
A6191-621	17A-82
A6191-621	17A-86D
A6191-623	30 -25
A6194-823	4 -14
A6195-10Z-1	24 - 6
A6195-8Z-3	24 - 3
A6195-8Z1	3 -57
A6195-8Z3	11 -31
A6195-8Z3	11A-32
A6195-8Z3	13 - 9
A6196-10Z-1	24 - 6
A6196-823	11 -31
A6196-823	11A-32
A6196-823	13 -10
A7512-12	3 -31
BRA 6	34 -12
B1965	67 -32
B20040	82 -18
B20055	82 - 6
B20060	82 -22
B20066	82 -12
B20074	82 - 4
B20077	82 -32
B20082	82 -33
B20085-2	82 - 5
B228	95 -18
B2345	67 -39
B2345	68 -35
B2417	67 - 8
B2420-4	67 -13
B2420-6	67 -13
B2421-10	67 -14
B2421-12	67 -14
B2421-14	67 -14
B2421-16	67 -14
B2421-18	67 -14
B2421-20	67 -14
B2421-8	67 -14
B2422-1	67 -11
B30026	38A-29
B30026	38A-31
B30027	38A-30
B30076	38A - 5
B30077	35A - 5
B30107-1	38A-27
B30107-2	38A-27
B30113	38A-28
B30161	38A-25
B3099	66 - 2
B3099	67 -46
B3099	68 -42
B3216	67 -25
B3470-2	68 -19
B3478	68 -20
B3491	68 - 9
B3503	68 - 6
B3526	67 -32
B3526	68 -27
B3529	68 -38
B3531	68 -36
B3551	68 -21



PART NUMBER	FIGURE AND INDEX NO.
B3557	68 -37
B59	107 -12
B610	40 -37
B610	103 -36
B610	103 -56
CES1109CLASSIV	52 - 7
CES1109CLASSIA	52 - 7
CES1109CLASSIC	52 - 7
CES1109CLASSIG	52 - 7
CES1109CLASSIH	52 - 7
CES1109CLASSIK	52 - 7
CM2692-10-1S	26 -30
CM2692-12-3S	26 -30A
CM2692-14-1S	26 -16A
CM2692-15-1S	136 - 4
CM2692-15H1B	58 -36
CM2692-15H1B	58A-35
CM2692-16-2S	59A-30
CM2692-28-1S	13 -22B
CM2692-36-1S	17 -97C
CM2692-36-1S	17A-89C
CM2692-8H1B	58 -37
CM2692-8H1B	58A-36
CM2791-1	69 -17
CM2791-1	69 -33
CM2791-1	70 -16
CM2791-1	70 -33
CM2791-1	70A-15
CM2791-1	70A-35
CM2978-1	45 -43
CM2978-1	25 -72
CM3505-2	89 -43
CM3505-2	89 -44
CM3505-2	89 -45
CM3505-2	89A-13
CM3505-2	89A-14
CM3505-2	89A-15
CR162-4	22 -55
CR163-3-4	44 -56
CR163-3-4	45 -46
CR163-4	21 -94
CR163-4	22 -55
CR163-4	44 -59
CR163-4	45 -47
UR163-4-2	45 -38
CR163-4-4	44 -41
UR163-4-4	44 -49
CR163-4-4	44A-45
CR163-4-4	44A-62
UR163-4-4	89A-46
CR163C-4	24 -46
CR163C-4	24 -74
CR43	120 -28
CR50	118 - 9
CR62	118 -11
CR763-4-2	10 -42
CR763-4-4	62 -19
CR763C4-4	13 -14
CS18	117 -33
CIC2	1 - 1
CLORED	96A-32
CLORED	96A-38
CLORED	96B-37
CLORED	96B-41
C156001-0102	5 -44
C156001-0104	5 -47
C156001-0105	5 -44
C161005-0101	67 -
C161005-0102	67 -
C161006-0103	68 -
C161006-0105	68 -
C161030-0103	82 -
C161030-0104	82 -
C161032-0101	82 -

PART NUMBER	FIGURE AND INDEX NO.
C161032-0102	82 -
C161040-0106	81 -
C161040-0108	81 -
C163001-0301	38 - 1
C163002-0201	35A- 2
C163003-0201	35A- 2
C163004-0102	38A- 2
C163030-0303	38 -15
C163032-0205	38A-18
C163032-0206	38A-18
C165001-0101	115 - 3
C165001-0102	115 -35
C165004-0501	80 -25
C165004-0501P	80 -25
C165006-0101	80 - 5
C165006-0101R	80 - 5
C165006-0105	80 - 5
C166001-0605	134 -33
C166002-0401	134 -34
C166003-0102	134 -45
C166003-0103	134 -44
C166004-0101	134 -46
C166005-0202	134 -88
C166005-0204	134 -88
C166005-0205	134 -89
C166005-0401	134 -90
C166005-0402	134 -90
C166005-0504	134 -90
C166005-0505	134 -90
C166005-0505	134 -94
C166005-0506	134 -94
C166005-0705	134 -94
C166005-0706	134 -94
C166005-0707	134 -90
C166005-0708	134 -90
C166006-0108	134 - 7
C166006-0109	134 - 5
C166007-0101	134 -81
C166008-0101	134 -56
C166009-0401	134 -91
C166009-0703	134 -91
C166010-0101	134 - 2
C166010-0102	134 - 2
C166010-0103	134 - 2
C17312-1	140 - 4
C17312-3	140 - 4
C17313	140 - 7
C17325	140 - 2
C17326	140 - 5
C17330	140 - 3
C17331-1	140 - 6
C17331-3	140 - 6
C1904	67 -28
C1904	68 -23
C1939	67 -43
C20057	82 - 1
C2006C-N-EC	118A-78
C2006C-N-EC	118A-90
C20073	82 - 3
C20075	82 -21
C22002-0101	135 -27
C253001-0101	44 - 9
C253001-0101	44A-10
C253001-0101	47 -10
C262001-0202	35 -12
C262001-0202	35A- 1
C262001-0203	38 - 1
C262001-0203	38A- 1
C262003-0202	35 -12
C262003-0202	35A- 1
C262003-0208	38 - 1
C262003-0208	38A- 1
C262023-0101	35 -12
C262023-0101	35A- 2

PART NUMBER	FIGURE AND INDEX NO.
C262023-0102	38 - 1
C262023-0102	38A- 2
C291502-0103	112 - 1
C291503-0101	111 -
C291504-0201	109 -21
C292501-0104	59 - 8
C292501-0104	59A-13
C294501-0101	99 -27
C294501-0101	99 -53
C294501-0101	99A-29
C294501-0101	99A-57
C294501-0101	114 -18
C294501-0101	114A-19
C294501-0102	114 -19
C294501-0102	114A-19A
C294501-0103	114 -20
C294501-0103	114A-20
C294502-0101	114A-25
C294505-0101	113 -31
C294505-0102	113 -32
C295001-0101	79 - 1
C2987	67 -19
C2987	68 -12
C2987-1	67 -20
C2987-1	68 -13
C2987-2	67 -23
C2987-2	68 -16
C299505-0101	58 -47
C299505-0101	58A-47
C299505-0101	58B-93
C299505-0101	58C-93
C299505-0101	58D-91A
C299506-0101	58 -46
C299506-0101	58A-46
C299506-0101	58B-92
C299506-0101	58C-92E
C299506-0101	58D-91
C299506-0101	72 -24
C299507-0101	58 -45
C299507-0101	58A-45
C299507-0101	58B-91
C299507-0101	58C-92D
C299507-0101	58D-90D
C30057	35A- 3
C301001-0211	103 -29
C301002-0103	103 -31
C301002-0104	103 -31
C301002-0201	103 -27
C301002-0202	103 -27
C301002-0203	103 -30
C30172	35A- 6B
C30172-1	35A- 6A
C30398	38A-15
C3054	67 -19
C3092	67 -24
C3111	68 -12
C3493	68 -18
C3498	68 -45
C3548	67 -43
C421001-0101	62 -15
C421001-0102	62 -16
C431001-0101	115 - 1
C431003-0102	115A- 1
C431004-0102	115A- 2
C482001-0101	115 - 6
C482001-0102	115 - 6
C482001-0501	115A- 3
C482002-0101	72 -42
C592001-0101	3 -67
C592001-0101	12 -28
C592001-0101	14 -83
C592001-0103	3 -69
C592001-0103	12 -30
C592001-0103	14 -83A

PART NUMBER	FIGURE AND INDEX NO.
C592001-0201	3 -70
C592001-0201	12 -31
C592001-0201	14 -83A
C593001-0101	58C-93A
C593003-0101	58A-98D
C593003-0101	58B-94
C593003-0101	58D-91B
C594501-0203	140 -15
C594501-0204	140 -15
C594502-0101	140 -18A
C648-10A730A	135 -20
C610502-0101	102 -16
C610502-0101	102A- 9
C611001-0101	76 -14
C611001-0101	135 -20
C611002-0105	135 -20
C611003-0101	102 -50A
C611003-0101	102A-47
C61101-0101	75 -13
C611503-0102	138 - 1
C613001-0101	135 -26
C613001-0201	135 -26
C621001-0102	140 -
C621001-0103	140 -
C622001-0102	31 - 3
C622001-0104	31 - 7
C622001-0201	3 -29A
C622001-0202	3 -29
C622003-0101	3 -35A
C622003-0102	3 -35B
C622003-0103	2 -42
C622003-0105	2 -42
C622004-0103	135 -64
C622004-0104	135 -64
C622006-0102	3 -35A
C622006-0103	3 -35B
C622006-0105	3 -35B
C622007-0103	135 -65
C65-2CW12	60 - 5
C65-2CW12	60 - 9
C65-2CW12	60 -13
C65-2CW12	60 -14
C65-2CW28	60A- 2
C65-2CW28	60A- 5
C660501-0101	64 - 9
C660501-0102	64 - 9
C660501-0102	64 -23
C661001-0501	58 -17
C661001-0502	58 -17
C661001-0503	58 -17
C661001-0504	58 -17
C661001-0505	58 -17
C661002-0301	58 -18
C661002-0501	58 -18
C661002-0503	58 -18
C661002-0504	58 -18
C661002-0505	58 -18
C661002-0506	58 -18
C661003-0106	58 -16
C661003-0501	58 -16
C661003-0501	58A-16
C661003-0504	58 -16
C661003-0504	58A-16
C661003-0505	58A-16
C661003-0505	58B-67
C661003-0505	58C-78
C661003-0505	58D-85
C661003-0601	58A-16
C661003-0601	99 - 1
C661003-0601	99 -30
C661003-0602	58A-16
C661003-0602	58B-67
C661003-0602	99A- 1
C661003-0602	99A-32

PART NUMBER	FIGURE AND INDEX NO.
C661003-0602	99 - 1
C661003-0602	99 -30
C661010-0215	58 -11
C661010-0215	58A-11
C661010-0608	58 -10
C661010-0608	58A-10
C661011-0105	58 -21
C661011-0105	58A-21
C661011-0106	58 -21
C661011-0106	58A-21
C661011-0201	58 -21
C661011-0201	58A-21
C661011-0202	58 -21
C661011-0202	58A-21
C661025-0102	58B-72
C661025-0102	58C-83
C661025-0102	58D-86A
C661060-0206	58A-10
C661060-0206	58B-61
C661060-0206	58C-72
C661060-0206	58D-79
C661061-0205	58A-11
C661061-0205	58B-62
C661061-0205	58C-73
C661061-0205	58D-80
C661071-0101	58 -21
C661071-0101	58A-21
C661071-0101	58B-72
C661071-0101	58C-83
C661071-0101	58D-86A
C661071-0101	58D-86B
C661071-0102	58 -21
C661071-0102	58A-21
C661071-0102	58B-72
C661071-0102	58C-83
C661071-0102	58D-86A
C661071-0102	58D-86B
C661071-0102	58B-72
C661071-0102	58C-83
C661071-0201	58 -21
C661071-0201	58A-21
C661071-0201	58B-72
C661071-0201	58C-83
C661071-0201	58D-86A
C661071-0201	58D-86B
C661071-0202	58 -21
C661071-0202	58A-21
C661071-0202	58B-72
C661071-0202	58C-83
C661071-0202	58D-86A
C661071-0202	58D-86B
C661071-0202	58B-72
C661071-0202	58C-83
C661075-0101	58B-71
C661075-0101	58C-82
C661075-0101	58 -18
C661075-0101	58A-18
C661075-0101	58D-86
C661075-0102	58 -18
C661075-0102	58A-18
C661075-0103	58 -18
C661075-0103	58A-18
C661075-0104	58 -18
C661075-0104	58A-18
C661075-0105	58B-71
C661075-0105	58A-18
C661075-0105	58D-86
C661075-0106	58C-82
C661075-0106	58D-86
C661075-0107	58D-86
C661075-105	58C-82
C661076-0101	58 -17
C661076-0101	58A-17
C661076-0102	58 -17

PART NUMBER	FIGURE AND INDEX NO.
C661076-0102	58A-17
C661076-0103	58B-70
C661076-0103	58C-81
C661076-0103	58D-85D
C661076-0103	58 -17
C661076-0103	58A-17
C661076-0104	58 -17
C661076-0104	58A-17
C661076-0105	58C-81
C661076-0105	58D-85D
C661080-0101	58 -22
C661080-0101	58A-22
C661080-0101	58B-73
C661080-0101	58C-85
C661080-0101	58D-86C
C662001-0301	58A-24
C662001-0302	58A-24
C662037-0201	58 -24
C662037-0201	58A-24
C662037-0201	58B-79
C662037-0201	58C-90A
C662037-0201	58D-87
C662037-0202	58 -24
C662037-0202	58A-24
C662037-0202	58B-79
C662037-0202	58C-90A
C662037-0202	58D-87
C662503-0103	133 - 2
C662503-0104	133 - 2
C664501-0101	58 -27
C664501-0101	58A-27
C664501-0103	58A-27
C664501-0103	58B-82
C664501-0103	58C-90E
C664501-0103	58D-87E
C664508-0101	58 -19
C664508-0101	58A-19
C664508-0101	58B-68
C664508-0101	58C-79
C664508-0101	58D-85B
C668003-0101	6 -32
C668003-0102	6 -31
C668004-0101	135 - 6
C668004-0104	135 - 6
C668005-0101	6 -27
C668020-0106	58 -25
C668020-0106	58A-25
C668020-0106	58B-80
C668020-0106	58C-90B
C668020-0106	58D-86D
C668020-0107	58 -25
C668020-0107	58A-25
C668020-0107	58B-80
C668020-0107	58C-90B
C668020-0107	58D-86D
C668501-0203	58 -26
C668501-0203	58A-26
C668501-0203	58B-81
C668501-0203	58C-90C
C668501-0203	58D-85A
C668501-0204	58B-81
C668501-0204	58C-90C
C668501-0204	58D-85A
C668501-0204	73 -53
C668501-0204	74 -36
C668501-0207	58 -26
C668501-0207	58A-26
C668501-0207	58B-81
C668501-0207	58C-90C
C668501-0211	58D-85A
C668501-0211	58 -26
C668507-0101	58A-26
C668507-0101	64 -11
C668507-0101	64 -32

PART NUMBER	FIGURE AND INDEX NO.
C668507-0102	64 -11
C668540-0101	58 -20
C668540-0101	58A-20
C668540-0101	58B-83
C668540-0101	58C-90D
C668540-0101	58D-87D
C668540-0101	99 -55
C668540-0101	99A-30A
C668540-0101	99A-60
C669502-0301	58 -28
C669502-0303	58 -29
C669502-0304	58A-28
C669502-0304	58B-73
C669502-0304	58C-85
C669502-0305	58A-29
C669502-0305	58B-74
C669502-0305	58C-86
C669520-0102	58D-87E
C669520-0103	73 -23
C669520-0103	74 -33
C669520-0104	113 -52
C669520-0105	73 -33
C669520-0105	74 -34
C669520-0106	6 -27
C7000-632-67	58 -26
C7000-632-67	58A-26
C7000-632-67	58B-81
C7000-632-67	58C-90C
C7000-632-67	58D-85A
D30058	35A- 6
D30119	38A-19
D30210	38A- 7
D30222-1	38A- 6
D30259	38A- 3
D3223/90AT8	67 - 6
D3496	68 -39
D3521	67 -49
D3522	67 -45
D3541	68 -41
D3546/90AT8	67 - 6
D366	64 -21
D3663/82NC2	68 - 7
D4023X.375	64 -22
EC1239AB	1 -10
EC1675A-8	1 -14A
EC2216B/A	1 -14D
EC776	1 -12
EC880	1 - 2
E3497	68 -48
FC6446	38 -26
FTC-750J	102 -34
F44-145	95 -28
G440437	58 -30
G440437	58A-30
G440437	58B-75
G440437	58C-87
G442702	58 -31
G442702	58A-31
G442702	58B-76
G442702	58C-88
G442786-63	58 -33
G442786-63	58A-33
G442786-63	58B-78
G442786-63	58C-90
G444627	58 -32
G444627	58A-32
G444627	58B-77
G444627	58C-89
G818827	58 -33
G818827	58A-33
G818827	58B-78
G818827	58C-90
HE1251	111 -20
HE1285	111 -21

PART NUMBER	FIGURE AND INDEX NO.
HE1286	111 -23
HE1328	111 - 3
HE1331	111 -15
HE1332	111 -17
HE199	111 - 6
HE191	111 -18
HE194	111 - 5
HE646-1	79 -24
HE646-2	79 -24
HI0-4	133 - 7
ID1194-1	132 -29
I0520L	73 -
I0520L	73 -
I0520L	73 -
J12453-1	71 - 9
J12453-1	72 - 8
J12453-2	71 - 9
J12453-2	72 - 8
J2005-2	138 - 6
J9534-20	138 - 4
J9534-20	138 -13
KM610-.064	69 - 8
KM610-.064	69 -12
KM610-.064	70 - 5
KM610-.064	70 -13
KM610-.064	70A- 4
KM610-.064	70A-12
LC-032B-6MW	130D-19
LC-040D-13MW	119A-13
LC-045D-17MW	119A- 3
LC02207SS	118 -29
LC024C5	116 -29E
LC032B6MW	130C-10
LC032886MW	118A-83
LC042C8MW	119 - 6
LE-049D14MW	42 -17
LE-055D-8	40 - 8
LOCTITE5381	1 -14C
LOCTITE8721	1 -14E
LP4-20AM	38 -28
L4858-1	58 -44
L4858-1	58A-44
L4858-1	58B-90
L4858-1	58C-92
L4858-1	58D-90
MIL-P-8585	1 -14
MOR-20-2	135 -24
MS100009	81 -16
MS100009	82 -36
MS1022N08	33 - 6
MS122028	117 -16
MS122028	120 -13
MS122028	120A-24
MS122029	135 -23E
MS124663	113 -42
MS134354	118 -36
MS134356	118 -21
MS134356	120 - 8
MS15001-1	23 -11
MS15001-1	23 -21
MS15002-1	102C-20
MS15002-1	102C-40
MS150455	126 -12
MS150457	118 -16
MS15584-16	136 -30
MS15584-2	139 - 3
MS15584-8	136 -30
MS15584-8	139 - 3
MS16555-56	34 -16
MS16555-621	119 - 9
MS16562-16	90 -20
MS16562-16	90 -53
MS16562-16	91 -20
MS16562-16	91 -55

PART NUMBER	FIGURE AND INDEX NO.
MS16562-18	126 -20
MS16562-18	126A-13
MS16624-1025	110 - 8
MS16624-137	95 -15
MS16624-3075	127 - 3
MS16624-81	102B- 5
MS16625-1037	118A-76
MS16625-1043	118A-14
MS16625-1050	118A-45
MS16625-1050	118A-65
MS16625-1050	118A-87
MS16625-106	116 -23
MS16625-1065	128 - 3
MS16625-1068	119A-19
MS16625-1100	129 - 1
MS16625-1106	131B-10
MS16625-143	36 - 8
MS16632-1040	127 -13
MS171527	118 -54
MS171528	117 -25
MS171534	120 - 3
MS171534	120 - 5
MS171586	117 -37
MS172208	37 -35
MS172243	37 -36
MS19065-30	127 - 8
MS20036-5	79 - 2
MS20036-7	79 - 3
MS20074-03-02	71 -16
MS20074-03-04	6 -28
MS20074-03-05	6 -28
MS20074-03-3	72 -16
MS20074-03-3	110 - 1
MS20074-05-14	138 -14
MS20074-06-7	79 -17
MS20200KP4	14 -86
MS20220-2	97 -23
MS20220-2	97 -28
MS20220-2	97 -35
MS20220-2	103 -14
MS20220-2	103 -81
MS20220-3	97 -22
MS20230820	85 -15
MS20230820	85 -23
MS20230820	85A-20
MS20230820	85A-34
MS20230820	86 -17
MS20230820	86 -25
MS20230820	86A-46
MS20230820	86A-58
MS20253-2-206	16 -48
MS20253-2-4.04	69 -15
MS20253-2-4.04	70 - 8
MS20253-2-4.04	70A- 7
MS20253-2-502	40 - 7
MS20253-2-646	61 -10
MS20253P2-439	51 -14D
MS20361-1032C	74 -45
MS20364-1032	71 -36
MS20364-1032C	44A-56
MS20364-1032C	45A-46
MS20364-1032C	65 -10
MS20364-1032C	66 -11
MS20364-1032C	71 -21
MS20364-1032C	71 -26
MS20364-1032C	71 -48
MS20364-1032C	71 -49
MS20364-1032C	72 -23
MS20364-1032C	72 -23A
MS20364-1032C	72 -28
MS20364-1032C	72 -68
MS20364-1032C	73 -35
MS20364-1032C	79 -23
MS20364-1032C	80 - 4

PART NUMBER	FIGURE AND INDEX NO.
MS20364-1032C	83 -16
MS20364-1032C	84 - 4
MS20364-1032C	84 -14
MS20364-1032C	86 -13
MS20364-1032C	87 -16
MS20364-1032C	87 -25
MS20364-1032C	87 -32
MS20364-1032C	87 -36
MS20364-1032C	89 -10
MS20364-1032C	89A- 8
MS20364-1032C	90 -23
MS20364-1032C	90 -28
MS20364-1032C	91 -23
MS20364-1032C	91 -33
MS20364-1032C	110 -26
MS20364-1032C	113 -46
MS20364-1032C	115 - 4
MS20364-1032C	115 -39
MS20364-1032C	115A-12
MS20364-1032C	115 -33
MS20364-1032C	115 -51
MS20364-624C	79 - 9
MS20364-820C	37 -22
MS20365-1032C	39 -28
MS20365-1032C	71 -64
MS20365-1032C	71 -64
MS20365-1032C	71 -64
MS20365-1032C	71 -64
MS20365-1032C	71 -64
MS20365-1032C	71 -64
MS20365-1032C	71 -64
MS20365-1032C	72 -69
MS20365-1032C	72 -69
MS20365-1032C	72 -69
MS20365-1032C	72 -69
MS20365-1032C	112 -36
MS20365-1032C	135 -21
MS20365-428A	35A-13
MS20365-632C	133 -11
MS20365-820C	3 - 9
MS203658632C	58 -26
MS203658632C	58A-26
MS203658632C	58B-81
MS203658632C	58C-90C
MS203658632C	58D-85A
MS203658832C	64 - 7C
MS20392-1-21	53 - 1
MS20392-1-21	53A- 1
MS20392-1-21	54 - 1
MS20392-1-21	56 - 1
MS20392-1-21	56 -61
MS20392-1-21	56A- 1
MS20392-1-21	56A-70
MS20392-1C11	42 -16
MS20392-1C11	43A-19
MS20392-1C11	53A-50B
MS20392-1C11	55 -70
MS20392-1C11	103 - 2
MS20392-1C11	103 - 5
MS20392-1C15	43A-27
MS20392-1C15	43A-32
MS20392-1C15	44A-47
MS20392-1C15	45A-37
MS20392-1C15	53 -57
MS20392-1C15	54 -80
MS20392-1C17	41 -13
MS20392-1C17	43A-18
MS20392-1C17	56 -59
MS20392-1C17	56A-68
MS20392-1C17	63 - 4
MS20392-1C21	53A-49
MS20392-1C21	55 - 1
MS20392-1C21	55 -67
MS20392-1C23	42 - 4
MS20392-1C25	101 -29

PART NUMBER	FIGURE AND INDEX NO.
MS20392-1C33	46 - 2
MS20392-1C33	46A- 2
MS20392-1C39	3 -51
MS20392-1C7	16 -48
MS20392-1C9	44A-49
MS20392-1C9	45A-38
MS20392-107	46 -23
MS20392-2C11	43A-37
MS20392-2C11	53 - 4
MS20392-2C11	53A- 4
MS20392-2C11	54 - 4
MS20392-2C11	55 - 4
MS20392-2C11	56 - 4
MS20392-2C11	56A- 4
MS20392-2C11	104 -39
MS20392-2C13	42 -19
MS20392-2C15	43A-13
MS20392-2C15	57 -14B
MS20392-2C15	57A-15
MS20392-2C15	93 -11
MS20392-2C15	93 -18
MS20392-2C15	120 -15
MS20392-2C17	41 - 9
MS20392-2C17	53 -15
MS20392-2C17	55 -51
MS20392-2C19	42 -25
MS20392-2C23	43 - 7
MS20392-2C23	43 -23
MS20392-2C23	57 -24
MS20392-2C23	57A-27
MS20392-2C23	120 -16
MS20392-2C27	120A-16
MS20392-2C27	125 -14D
MS20392-2C37	53 -43
MS20392-2C37	54 -38
MS20392-2C37	54 -58
MS20392-2C37	54 -70
MS20392-2C37	55 -62
MS20392-2C37	56 -37
MS20392-2C37	56A-46
MS20392-2C39	3 -48
MS20392-2C45	46 - 7
MS20392-2C45	46A- 7
MS20392-2C45	54 -76
MS20392-2C55	55 -75
MS20392-2C61	53A-45
MS20392-2C83	53 -52
MS20392-2C83	54 -76
MS20392-2C93	103 -37
MS20392-3C11	87 -34
MS20392-3C17	53A-14
MS20392-3C17	54 -15
MS20392-3C17	55 -14
MS20392-3C17	56 -12
MS20392-3C17	56A-13
MS20392-3C19	57 - 7
MS20392-3C19	57A- 6
MS20392-3C27	120A-18
MS20392-3C29	57 -21
MS20392-3C29	57A-25
MS20392-3C47	53 -12
MS20392-3C49	53A-11
MS20392-3C49	54 -12
MS20392-3C49	55 -11
MS20392-3C55	56 -15
MS20392-3C55	56A-16
MS20392-3C57	53 -12
MS20392-4C13	92 -44
MS20392-4C33	43 -20
MS20392-4C39	37 -44
MS20392-4C39	43 -44
MS20615-4M10	44 -16
MS20615-4M10	44A-18
MS20615-4M10	45 -14

PART NUMBER	FIGURE AND INDEX NO.
MS20615-4M10	45A-15
MS20665-132	46A- 3
MS20822-2D	72 -53A
MS20822-2D	73 -25
MS20822-3D	37 - 7
MS20822-4	80 -13
MS20822-4B	134 -12
MS20822-4B	134 -42
MS20822-4D	73 - 7
MS20822-4D	74 -12
MS20822-4D	112 -27
MS20822-4D	113 - 1
MS20822-4D	113 - 6
MS20822-4D	113 -31
MS20822-4D	112 -25
MS20822-6-6	80 -43
MS20822-6-6	115 -61
MS20822-6D	114 -37
MS20822-6D	114A-14
MS20822-8D	79 -53
MS20822-8D	115 -16A
MS20823-4B	134 -69A
MS20823-4D	38 -27
MS20823-4D	114 -11
MS20823-6D	80 -43
MS20823-6D	114 -15
MS20823-6D	114A-13
MS20823-6D	114A-15
MS20823-8D	109 - 5
MS20825-6D	114 -26
MS20826-10D	115A-14
MS20826-4D	73 -12
MS20826-6D	114 -13
MS20826-8D	115 -70
MS20913-1	113 -61
MS20913-1D	114 -14
MS20913-2D	114 -14
MS21042L4	3 - 4
MS21042L4	11 - 7E
MS21042L4	11A- 5
MS21042L4	12 - 3
MS21042L4	13 - 3
MS21042L4	13 -57
MS21042L4	23 - 9
MS21042L4	23 -18
MS21042L4	23 -21
MS21042L4	30 -19
MS21042L4	30 -24
MS21042L4	33 -16
MS21042L4	33 -18
MS21042L4	34 - 6
MS21042L4	34 -20
MS21042L4	34 -74
MS21042L4	35 - 7
MS21042L4	38 -24
MS21042L4	40 -43
MS21042L4	42 -14
MS21042L4	42 -34
MS21042L4	43 - 5
MS21042L4	43 -34
MS21042L4	43A-48
MS21042L4	53 -22
MS21042L4	53 -70
MS21042L4	53A-21
MS21042L4	53A-64
MS21042L4	54 -94D
MS21042L4	55 -95
MS21042L4	56 -44
MS21042L4	56 -50
MS21042L4	56 -67
MS21042L4	56A-53
MS21042L4	56A-59
MS21042L4	56A-77
MS21042L4	57 - 6



PART NUMBER	FIGURE AND INDEX NO.
MS21042L4	57 -30
MS21042L4	57 -30
MS21042L4	57A- 5
MS21042L4	57A- 5
MS21042L4	57A-34
MS21042L4	58A-84G
MS21042L4	58A-91
MS21042L4	588-31
MS21042L4	58C-33
MS21042L4	58D-16
MS21042L4	62B- 6
MS21042L4	71 -52
MS21042L4	72 - 7
MS21042L4	72 -38
MS21042L4	74 -28
MS21042L4	95 -27
MS21042L4	95 -64
MS21042L4	97 -19
MS21042L4	97 -44
MS21042L4	100 - 9
MS21042L4	100 -17
MS21042L4	100 -21
MS21042L4	100 -34
MS21042L4	100 -40
MS21042L4	100 -53
MS21042L4	100 -76
MS21042L4	101 -23
MS21042L4	101 -36
MS21042L4	101 -49
MS21042L4	103 -26
MS21042L4	103 -35
MS21042L4	103 -55
MS21042L4	103 -73
MS21042L4	105 -11
MS21042L4	105 -18
MS21042L4	105 -24
MS21042L4	105 -30
MS21042L4	105 -35
MS21042L4	110 -23
MS21042L4	118A- 7
MS21042L4	120A- 3
MS21042L4	122 -18
MS21042L4	122A-18
MS21042L4	123A-28
MS21042L4	124 - 9
MS21042L5	11 - 5
MS21042L5	11 - 7F
MS21042L5	11A- 6
MS21042L5	23 -19
MS21042L5	30 -35
MS21042L5	34 - 2
MS21042L5	34 -22
MS21042L5	37 -12
MS21042L5	38 - 6
MS21042L5	41 - 7
MS21042L5	43 -14
MS21042L5	62 - 5
MS21042L5	62 -27
MS21042L5	80 -26
MS21042L5	97 -27
MS21042L5	97 -30
MS21042L5	97 -39
MS21042L5	98 - 2
MS21042L5	103 -17
MS21042L5	103 -82
MS21042L5	123 - 5
MS21042L5	138 - 7
MS21042L6	11 - 6
MS21042L6	14 - 3
MS21042L6	14 -85
MS21042L6	24A-29
MS21042L6	32 - 4
MS21042L6	32 - 6
MS21042L6	37 -16

PART NUMBER	FIGURE AND INDEX NO.
MS21042L6	37 -32
MS21042L6	43 -38
MS21043-6	79 -10
MS21044N04	98 - 7
MS21044N06	14 -83
MS21044N06	28 - 7
MS21044N06	28 - 7
MS21044N06	39 -15
MS21044N06	95 - 4
MS21044N06	96 -24
MS21044N06	96A-18
MS21044N06	102 -50B
MS21044N06	102A-47
MS21044N06	106 - 5
MS21044N06	112 -11
MS21044N06	132 -79
MS21044N06	135 -25
MS21044N06	135 -62
MS21044N06	136 -29
MS21044N08	3 -28
MS21044N08	3 -72
MS21044N08	13 - 7A
MS21044N08	14 -83B
MS21044N08	16 -40
MS21044N08	17 -27
MS21044N08	21A-15
MS21044N08	24 -41A
MS21044N08	24 -42A
MS21044N08	25 -87
MS21044N08	26 -42
MS21044N08	26 -42
MS21044N08	39 - 6
MS21044N08	40 -22
MS21044N08	44 -19
MS21044N08	44A-21
MS21044N08	45 -17
MS21044N08	45A-11
MS21044N08	45A-18
MS21044N08	49 - 3
MS21044N08	50 -14A
MS21044N08	53 -60
MS21044N08	53 -61A
MS21044N08	53 -66
MS21044N08	53A-53
MS21044N08	53A-55
MS21044N08	54 -85
MS21044N08	54 -87B
MS21044N08	55 -73
MS21044N08	58 -65
MS21044N08	58A-74
MS21044N08	58B- 6
MS21044N08	64 - 7
MS21044N08	95 -41
MS21044N08	95 -51
MS21044N08	95 -54B
MS21044N08	95 -68
MS21044N08	99 -26
MS21044N08	99 -52
MS21044N08	99A-28
MS21044N08	99A-56
MS21044N08	102 -14
MS21044N08	102 -18
MS21044N08	102B-11
MS21044N08	102C-19
MS21044N08	108 -57
MS21044N08	108 -60
MS21044N08	109 -16
MS21044N08	133 -22
MS21044N08	134 -32
MS21044N08	134 -58
MS21044N08	135 -26
MS21044N08	136 -25
MS21044N08	140 -18C
MS21044N3	4 -32

PART NUMBER	FIGURE AND INDEX NO.
MS21044N3	4 -33
MS21044N3	4 -37
MS21044N3	4 -39
MS21044N3	4 -85
MS21044N3	7 -50
MS21044N3	7 -52
MS21044N3	10 - 4
MS21044N3	12 -25
MS21044N3	13 -58C
MS21044N3	13 -58F
MS21044N3	15 -15
MS21044N3	16 -36
MS21044N3	17 -43
MS21044N3	17 -82A
MS21044N3	17A-44
MS21044N3	17A-85C
MS21044N3	18 - 6
MS21044N3	20 - 1
MS21044N3	20 -17
MS21044N3	21A-39
MS21044N3	21A-41
MS21044N3	21B-48
MS21044N3	21B-50
MS21044N3	23 -10
MS21044N3	23 -14
MS21044N3	24 -44
MS21044N3	24 -46
MS21044N3	24 -56
MS21044N3	25 - 4
MS21044N3	30 -15
MS21044N3	32 -20
MS21044N3	32 -26
MS21044N3	32 -30
MS21044N3	33 -12
MS21044N3	33 -19
MS21044N3	34 -39
MS21044N3	37 -25C
MS21044N3	39 -21
MS21044N3	39 -37
MS21044N3	40 -10C
MS21044N3	40 -33
MS21044N3	41 -19
MS21044N3	43A- 5
MS21044N3	43A-42
MS21044N3	44 - 4
MS21044N3	44A- 4
MS21044N3	45 - 4
MS21044N3	45A- 4
MS21044N3	47 -19
MS21044N3	47 -24
MS21044N3	53 - 3
MS21044N3	53A- 3
MS21044N3	54 - 3
MS21044N3	55 - 3
MS21044N3	56 - 3
MS21044N3	56A- 3
MS21044N3	62 -14
MS21044N3	78 -20
MS21044N3	90 -56
MS21044N3	91 -58
MS21044N3	92 -18
MS21044N3	92 -26
MS21044N3	92 -33
MS21044N3	92 -49
MS21044N3	92 -52
MS21044N3	92 -60
MS21044N3	93 - 8
MS21044N3	93 -23
MS21044N3	93 -26
MS21044N3	93 -35
MS21044N3	95 -61
MS21044N3	96A- 5
MS21044N3	96B- 5
MS21044N3	98 -14

PART NUMBER	FIGURE AND INDEX NO.
MS21044N3	100 -14
MS21044N3	100 -65
MS21044N3	101 - 2
MS21044N3	101 - 7
MS21044N3	101 -16
MS21044N3	101 -16
MS21044N3	101 -28
MS21044N3	101 -33
MS21044N3	101 -42
MS21044N3	101 -53
MS21044N3	101 -54
MS21044N3	101 -55
MS21044N3	102 -39
MS21044N3	102 -43
MS21044N3	103 -21
MS21044N3	103 -23
MS21044N3	103 -27
MS21044N3	103 -41
MS21044N3	103 -43
MS21044N3	103 -48
MS21044N3	103 -62
MS21044N3	103 -68
MS21044N3	103 -79
MS21044N3	104 - 8
MS21044N3	104 -22
MS21044N3	104 -32
MS21044N3	104 -37
MS21044N3	106 - 3
MS21044N3	106 -14
MS21044N3	106 -20
MS21044N3	106 -25
MS21044N3	106 -33
MS21044N3	107 -15
MS21044N3	107A-28
MS21044N3	107A-35
MS21044N3	107A-45
MS21044N3	107A-54
MS21044N3	108 -54
MS21044N3	109 -25
MS21044N3	109 -35
MS21044N3	109 -39
MS21044N3	109 -47
MS21044N3	109 -51
MS21044N3	109 -64
MS21044N3	112 -12
MS21044N3	112 -13
MS21044N3	122 - 4
MS21044N3	122 - 5
MS21044N3	122A- 4
MS21044N3	122A- 5
MS21044N3	123 -17
MS21044N3	125 - 3
MS21044N3	125 -14C
MS21044N3	125 -18
MS21044N3	125 -30
MS21044N3	125 -32
MS21044N3	125 -36
MS21044N3	132 -21
MS21044N3	132 -28
MS21044N3	132 -53
MS21044N3	132 -69
MS21044N3	133 - 3
MS21044N3	134 -20
MS21044N3	134 -26
MS21044N3	135 -37
MS21044N3	135 -64
MS21044N3	135 -66
MS21044N8	102C-26
MS21045-08	58 -79
MS21045-08	58 -84
MS21045L06	69 -26
MS21045L06	70 -26
MS21045L06	70A-25
MS21045L06	77 -22

PART NUMBER	FIGURE AND INDEX NO.
MS21045L05	77 -29
MS21045L06	78 -23
MS21045L06	90 -15
MS21045L06	91 -15
MS21045L08	73 -26
MS21045L08	74 -31
MS21045L08	87 -29
MS21045L3	135A-17
MS21045L3	135A-24
MS21209F1-10	96 - 4
MS21209F1-20	43 -16
MS21209F4-15	23 -12
MS21209F4-20	36 - 2
MS21913D3	121 -19
MS21919-3	109 -64
MS21919-6	116 -51
MS21919-8	109 -64
MS21919DG10	72 -66
MS21919DG12	133 -26
MS21919DG13	79 -50
MS21919DG15	115A- 9
MS21919DG20	125 -32
MS21919DG3	37 -25B
MS21919DG3	90 -32
MS21919DG3	91 -31
MS21919DG3	92 - 6
MS21919DG3	92 -18
MS21919DG36	74 -43
MS21919DG4	71 -64
MS21919DG4	71 -64
MS21919DG4	72 -69
MS21919DG4	72 -69
MS21919DG4	90 -30
MS21919DG4	90 -31
MS21919DG4	91 -29
MS21919DG4	91 -30
MS21919DG4	92 -18
MS21919DG4	112 -13A
MS21919DG4	123 -17
MS21919DG4	125 - 3
MS21919DG4	125 -18
MS21919DG48	71 -64
MS21919DG5	71 -40
MS21919DG5	72 -23A
MS21919DG5	72 -35
MS21919DG5	87 -28
MS21919DG5	87 -29
MS21919DG5	92 - 6A
MS21919DG5	112 -13
MS21919DG6	104 -33
MS21919DG6	109 -35
MS21919DG6	109 -39
MS21919DG6	109 -47
MS21919DG6	109 -51
MS21919DG6	109 -58
MS21919DG6	133 -26
MS21919DG6	135 -57
MS21919DG7	72 -67
MS21919DG7	79 -29
MS21919DG7	112 -14
MS21919DG7	113 - 5
MS21919DG8	71 -29
MS21919DG8	73 -26
MS21919DG8	73 -28
MS21919DG8	74 -31
MS21919DG8	112 -13
MS21919DG8	116 -11
MS21919DG8	116 -12
MS21919DG8	115 -31
MS21919DG8	115 -48
MS21919D18	89 -42
MS21919D18	89A-12
MS21919D7	109 -16
MS21919D8	132 - 4A

PART NUMBER	FIGURE AND INDEX NO.
MS21919G5	71 -23
MS24462-4	4 -48
MS24462-4	4 -52
MS24462-4	4 -57
MS24462-4	14 -87
MS24510-3	102 -56
MS24665-132	54 - 6
MS24665-132	3 -50
MS24665-132	3 -51
MS24665-132	16 -48
MS24665-132	39 -10
MS24665-132	41 -12
MS24665-132	41 -15
MS24665-132	42 - 7
MS24665-132	42 -16
MS24665-132	42 -20A
MS24665-132	42 -27
MS24665-132	43 - 9
MS24665-132	43 -25
MS24665-132	43A-15
MS24665-132	43A-22
MS24665-132	43A-29
MS24665-132	43A-34
MS24665-132	43A-37
MS24665-132	44A-48
MS24665-132	45A-39
MS24665-132	46 - 3
MS24665-132	46 - 8
MS24665-132	46 -24
MS24665-132	46A-11
MS24665-132	53 - 6
MS24665-132	53 -14
MS24665-132	53 -45
MS24665-132	53 -54
MS24665-132	53 -58
MS24665-132	53A- 6
MS24665-132	53A-47
MS24665-132	53A-50
MS24665-132	54 -60
MS24665-132	54 -59
MS24665-132	54 -72
MS24665-132	54 -81
MS24665-132	55 - 6
MS24665-132	55 -51
MS24665-132	55 -64
MS24665-132	55 -68
MS24665-132	55 -77
MS24665-132	56 - 6
MS24665-132	56 -14
MS24665-132	56 -17
MS24665-132	56 -39
MS24665-132	56 -59
MS24665-132	56 -62
MS24665-132	56A- 6
MS24665-132	56A-15
MS24665-132	56A-18
MS24665-132	56A-48
MS24665-132	56A-68
MS24665-132	56A-71
MS24665-132	57 - 7
MS24665-132	57 -14B
MS24665-132	57 -21
MS24665-132	57 -24
MS24665-132	57A- 6
MS24665-132	57A-17
MS24665-132	57A-25
MS24665-132	57A-27
MS24665-132	63 - 6
MS24665-132	87 -34
MS24665-132	90 -17
MS24665-132	90 -50
MS24665-132	91 -17
MS24665-132	91 -52
MS24665-132	92 -41

PART NUMBER	FIGURE AND INDEX NO.
MS24665-132	93 -11
MS24665-132	93 -16
MS24665-132	93 -19
MS24665-132	97 -34
MS24665-132	100 -30
MS24665-132	100 -36
MS24665-132	100 -42
MS24665-132	101 -30
MS24665-132	101 -37
MS24665-132	103 -13
MS24665-132	103 -37
MS24665-132	104 -39
MS24665-132	105 -20
MS24665-132	105 -26
MS24665-132	105 -32
MS24665-132	107 - 6
MS24665-132	107 -11
MS24665-132	107A-62
MS24665-132	110 -18
MS24665-132	120 -20
MS24665-132	120A-20
MS24665-132	125 -140
MS24665-134	34 -51
MS24665-134	34 -59
MS24665-134	34 -63
MS24665-134	43A-16
MS24665-134	43A-43
MS24665-134	53 -17
MS24665-134	53A-13
MS24665-134	53A-16
MS24665-134	54 -14
MS24665-134	55 -13
MS24665-134	83 -21
MS24665-134	92 -61
MS24665-134	97 - 6
MS24665-134	97 -10
MS24665-134	98 -12
MS24665-134	98 -20
MS24665-134	100 -47
MS24665-134	100 -60
MS24665-134	100 -62
MS24665-134	100 -73
MS24665-134	101 -38
MS24665-134	101 -66
MS24665-134	103 - 2
MS24665-134	103 - 5
MS24665-134	103 -80
MS24665-134	105 - 7
MS24665-134	105 -36
MS24665-134	105 -42
MS24665-134	106 -28
MS24665-135	54 -78
MS24665-136	32 -14
MS24665-136	95 -32
MS24665-136	95 -45
MS24665-136	101 -55
MS24665-136	122 -29
MS24665-136	122A-29
MS24665-138	100 -66
MS24665-143	22 -46
MS24665-143	100 -22
MS24665-143	101 -50
MS24665-143	105 -12
MS24665-151	53 - 1
MS24665-151	53A- 1
MS24665-151	54 - 1
MS24665-151	55 - 1
MS24665-151	56 - 1
MS24665-151	56A- 1
MS24665-151	120 -19
MS24665-214	79 -12
MS24665-22	40 - 4
MS24665-22	47 -14G
MS24665-22	47 -14L

PART NUMBER	FIGURE AND INDEX NO.
MS24665-24	100 - 6
MS24665-281	92 -45
MS24665-281	107A- 5
MS24665-283	37 -47
MS24665-283	43 -22
MS24665-283	43 -45
MS24665-283	100 -10
MS24665-283	103 -28
MS24665-283	126A-33
MS24665-285	32 - 6
MS24665-285	93 - 5
MS24665-285	97 -40
MS24665-285	97 -45
MS24665-285	106 -35
MS24665-285	103 -38
MS24665-351	37 - 6
MS24665-355	103 -18
MS24665-360	103 -74
MS24665-360	103 -83
MS24665-71	95 -58
MS24665-71	97 - 2
MS24678-11	116A- 6
MS25041-3	58 -95
MS25041-3	58A-57
MS25041-3	58B-95B
MS25041-3	58C-92C
MS25041-3	58D-90C
MS25231-1829	60A- 8
MS25231-1829	60B- 9
MS25231-1829	60C-13
MS25231-1829	60D-20
MS25231-313	135 -28A
MS25231-313	135 -34
MS25237-327	58A-57
MS25237-327	58B-95B
MS25237-327	58C-92C
MS25237-327	58D-90C
MS25237-327	60B- 3A
MS25237-327	60B- 6
MS25237-327	60D- 5
MS25237-327	60D- 9
MS25237-327	136 - 8
MS25237-330	58 -95
MS25237-330	58A-57
MS25237-330	60 - 5
MS25237-330	60 - 9
MS25237-330	136 - 8
MS25237-337	60A- 2
MS25237-337	60A- 5
MS25309-7512	3 -31
MS25338-7079	132 -81
MS2712-1-6	135 -60
MS27212-2-3	135 -63
MS28774-111	126 -22
MS28774-112	126 - 9
MS28774-113	126 -16
MS28774-15	118 -37
MS28774-3	92 - 2A
MS28774-4	92 - 2
MS28775-006	118 -45
MS28775-006	119 -17
MS28775-008	119 -15
MS28775-008	120A- 9
MS28775-009	118 -52
MS28775-010	118 - 4
MS28775-010	118A-19
MS28775-010	119A-16
MS28775-010	121 -20
MS28775-011	118 -14
MS28775-011	118 -27
MS28775-011	119 - 3
MS28775-011	119 -11
MS28775-011	119A- 5
MS28775-011	120 -30

PART NUMBER	FIGURE AND INDEX NO.
MS28775-011	128 - 5
MS28775-011	130A-14
MS28775-011	130B-13
MS28775-011	130C- 8
MS28775-011	130D-15
MS28775-012	102C-35
MS28775-012	118 -24
MS28775-012	118A-25
MS28775-012	118A-39
MS28775-012	118A-57
MS28775-012	118A-61
MS28775-012	119A- 9
MS28775-012	119A-27
MS28775-012	120A-14
MS28775-012	130D- 6
MS28775-012	130D-13
MS28775-013	119 -12
MS28775-013	127 -16
MS28775-014	118 -42
MS28775-014	119A-11
MS28775-014	119A-21
MS28775-014	128 - 8
MS28775-015	118 -38
MS28775-015	118 -41
MS28775-016	118 -20
MS28775-016	119 -10
MS28775-017	37 -27
MS28775-018	119 - 7
MS28775-019	37 -28
MS28775-019	37 -41
MS28775-019	129 - 5
MS28775-020	131B- 8
MS28775-021	120 -27
MS28775-021	130A-16
MS28775-021	130B-15
MS28775-022	126A- 8
MS28775-027	36 - 7A
MS28775-110	94 - 8
MS28775-110	129 - 3
MS28775-111	119A-24
MS28775-111	128 -10
MS28775-111	130A-19
MS28775-111	130B-18
MS28775-111	130D-10
MS28775-112	126A- 9
MS28775-112	130B-21
MS28775-112	36 - 5A
MS28775-113	82 -20
MS28775-113	119A-14
MS28775-113	119A-28
MS28775-113	130A-12
MS28775-113	130B-11
MS28775-114	120 -26
MS28775-114	120A- 5
MS28775-114	126A- 4
MS28775-115	120 -10
MS28775-116	129 - 7
MS28775-127	116 -29F
MS28775-129	118A-48
MS28775-130	118A-49
MS28775-135	127 -17
MS28775-137	127 -17
MS28775-210	131B- 5
MS28775-213	127 -20
MS28775-214	127 -20
MS28775-247	118A-16
MS28775-257	118 - 7
MS28775-327	127 -19
MS28775-328	127 -19
MS28775-4	123 -24
MS28776-3	120 -25
MS28777-4	117 - 7
MS28777-6	117 -12
MS28778-003	118A-81

PART NUMBER	FIGURE AND INDEX NO.
MS28778-004	118A-73
MS28778-1	122 - 8
MS28778-10	130 - 3
MS28778-10	130 - 4
MS28778-10	131A- 5
MS28778-10	132 -59
MS28778-2	118A- 6
MS28778-3	37 -25
MS28778-3	92 -20
MS28778-3	113 -58
MS28778-3	116 -38
MS28778-3	116A-12
MS28778-3	116A-13
MS28778-3	116A-39
MS28778-3	118 -55
MS28778-3	118A-67
MS28778-3	122 -23
MS28778-3	122 -30
MS28778-3	122A-23
MS28778-3	124 -21
MS28778-3	38A-38
MS28778-3	116A-15
MS28778-4	80 -16
MS28778-4	80 -24
MS28778-4	113 -28
MS28778-4	113 -56
MS28778-4	116 -30
MS28778-4	116 -32
MS28778-4	116 -59
MS28778-4	116A-10
MS28778-4	116A-10
MS28778-4	116A-11
MS28778-4	116A-36
MS28778-4	117 - 5
MS28778-4	117 - 7
MS28778-4	117 - 8
MS28778-4	118A-69
MS28778-4	122 -19
MS28778-4	122A- 8
MS28778-4	122A-19
MS28778-4	122A-32C
MS28778-4	123 - 2
MS28778-4	123 - 3
MS28778-4	123 - 6
MS28778-4	123 - 9
MS28778-4	124 - 8
MS28778-4	124 - 8A
MS28778-4	124 -24
MS28778-4	125 - 7
MS28778-4	125 -13
MS28778-4	125 -21D
MS28778-4	125 -24
MS28778-4	125 -26
MS28778-4	130 -10
MS28778-4	130A- 4
MS28778-4	130B- 4
MS28778-4	131 - 7
MS28778-4	131A- 9
MS28778-4	116A-17
MS28778-5	116A-47
MS28778-5	130C- 3
MS28778-6	80 - 9
MS28778-6	80 -29
MS28778-6	116 -48
MS28778-6	116A-48
MS28778-6	117 - 9
MS28778-6	117 -12
MS28778-6	118 -26
MS28778-6	130D- 4
MS28778-8	79 -46
MS28778-8	79 -46
MS28778-8	116 - 8
MS28778-8	116 -58
MS28778-8	130D- 8

PART NUMBER	FIGURE AND INDEX NO.
MS28782-22	36 - 9
MS28889-1	131B- 2
MS29512-4	111 -31
MS29512-4	111 -34
MS29512-4	111 -39
MS29512-8	109 - 8
MS29512-8	111 -29
MS29512-8	111 -37
MS29512-8	111 -42
MS29513-10	110 -16
MS29513-10	111 - 8
MS29513-11	111 -16
MS29513-111	5 -49
MS29513-111	109 -30
MS29513-111	110 -13
MS29513-130	111 -12
MS29513-133	111 -25
MS29513-138	72 -44
MS29513-138	110 -11
MS29513-14	111 -22
MS3057-12A	133 -30
MS3057-4A	113 -13
MS3057-6A	117 -13
MS3100A14S2P	117 -13
MS3106A10SL3S	99 - 3
MS3106A10SL3S	99 -32
MS3106A10SL3S	99A- 3
MS3106A10SL3S	99A-34
MS3106A20-15S	133 -30
MS35489-15S	86A-32
MS35478-307	31 - 9
MS35489-10	123A- 5
MS35489-11	72 -60
MS35489-11	85 -16
MS35489-11	116 -52
MS35489-11	116A-25
MS35489-11	132 -42
MS35489-11	132 -47
MS35489-11S	132 -15
MS35489-11S	27 -11
MS35489-118	27 - 7
MS35489-118S	24A- 6
MS35489-12	85 -44
MS35489-12	86 -14
MS35489-12	86 -20
MS35489-12	116 -49
MS35489-12S	3 -42
MS35489-12S	3 -41
MS35489-12S	3 -42
MS35489-134	110 -27
MS35489-134	116 -39
MS35489-134	139 -11
MS35489-135	110 -29
MS35489-135	135 -18
MS35489-14	115 -34
MS35489-15	26 -31E
MS35489-15	85A-17
MS35489-15S	86A-20
MS35489-20	72 -63
MS35489-20	86 -29
MS35489-33	60D-18
MS35489-34	92 -19
MS35489-36	111 -32
MS35489-36	111 -35
MS35489-36	111 -40
MS35489-36S	109 -63
MS35489-4	58C-10
MS35489-4	58C-14
MS35489-4	58C-41
MS35489-4	58C-47
MS35489-4	58D-30
MS35489-4	58D-47
MS35489-4	72 -62
MS35489-4	102 - 9

PART NUMBER	FIGURE AND INDEX NO.
MS35489-4	102A-34
MS35489-4	135 -34
MS35489-45	125 -15A
MS35489-46	62 - 6
MS35489-5	86 -24
MS35489-5	92 -14
MS35489-5	122A-32B
MS35489-5	123A- 6
MS35489-5	134 -52
MS35489-6	64 - 8
MS35489-6	72 -61
MS35489-6	85 -45
MS35489-6	108 -37
MS35489-6	113 -51
MS35489-6	136 -22
MS35489-6S	29 -34A
MS35489-7	85A-45
MS35489-7	85A-69A
MS35489-7	108 -17
MS35489-7	123 -14
MS35489-7	123A- 4
MS35489-7	124 -14
MS35489-7	124 -17C
MS35489-7	134 -71
MS35489-7	134 -71A
MS35489-9	43A-35
MS35489-9	109 -26
MS35489-98S	132 -10
MS35849-11	71 -60
MS35849-20	71 -63
MS35849-4	71 -62
MS35849-6	71 -61
MS9021-038	75 -16
MS9021-038	76 -17
MS9025-02	116 -35
MS9058-04	116 -59
MS9058-10	130 - 3
MS9105-41	117 -35
MX-0020-031AV	135 -61
M25237-327	60C- 5
M25237-327	60C-10
M75FS1024-5CR	126 - 6
NAS1054-10-28	7 -14
NAS1054-10-33	7 -13
NAS1054-10-39	7 -12
NAS1054-10-44	7 -11
NAS1054-10-50	7 -10
NAS1054-10-51	7 - 9
NAS1054-6	23 -16
NAS1054-6-3	18 -37
NAS1054-6-4	18 -38
NAS1067A08	21A-15
NAS1067A3	17A-91
NAS1067A3	58D-19
NAS1068A08	102A- 7
NAS1068A4	77 -12
NAS1306-24H	37 -14
NAS1329A06K120	60A-10
NAS1329A06K120	60B-11
NAS1329A06K120	60C-15
NAS1329A06K75	3 -68
NAS1329A06K75	12 -29
NAS1352-06-6	136 -27
NAS1352-4-36	138 - 7A
NAS1395-C4L	23 -12
NAS1395-C4L	23 -21
NAS1395C4L	42 -41
NAS1423-9	127 -15
NAS145-57	43A- 7
NAS179-10	7 -14
NAS179-6	18 -37
NAS179-6	18 -38
NAS220-11	53 -61A
NAS220-11	53A-55

PART NUMBER	FIGURE AND INDEX NO.
NAS220-11	54 -87A
NAS220-11	55 -86
NAS220-14	95 -35
NAS220-15	24 -41A
NAS220-15	24 -42A
NAS220-16	44 -18
NAS220-16	44A-19
NAS220-16	45 -16
NAS220-16	45A-16
NAS220-22	95 -67
NAS220-5	25 -93D
NAS220-5	26 -24
NAS220-5	26 -45
NAS220-5	43 -42
NAS220-5	44 -12
NAS220-5	44 -12
NAS220-5	44A-14
NAS220-5	44A-50
NAS220-5	44A-66B
NAS220-5	45 -10
NAS220-5	45 -10
NAS220-5	45A-11
NAS220-5	45A-40
NAS220-5	45A-57
NAS220-6	11 -39A
NAS220-6	11 -41
NAS220-6	11A-35
NAS220-6	12 -27
NAS220-6	26 -27
NAS220-6	26 -42
NAS220-6	26 -54
NAS220-7	7 -35
NAS220-7	25 -86
NAS220-7	25 -95B
NAS220-7	87 -28
NAS220-7	87 -29
NAS220-7	98 - 4
NAS220-7	107A-20
NAS220-7	107A-38
NAS220-7	107A-38
NAS220-7	107A-41
NAS220-8	11 - 7
NAS220-8	12 - 9
NAS220-8	12 -27
NAS220-8	20 - 1
NAS220-8	20 - 3
NAS220-8	20 - 4
NAS220-8	20 - 8A
NAS220-8	20 -14A
NAS220-8	20A- 1
NAS220-8	20A-15
NAS220-8	20A-17
NAS220-8	20A-27
NAS220-8	20A-30
NAS220-8	20A-35
NAS220-8	51 -19
NAS220-8	107A-16
NAS220-9	7 -36
NAS220-9	20 - 5
NAS220-9	98 - 5
NAS221-10	62A- 6
NAS221-11	21A-41
NAS221-11	21B-50
NAS221-11	24 -46
NAS221-11	24 -53
NAS221-11	24 -56
NAS221-11	96A- 4
NAS221-11	96B- 4
NAS221-12	24 -55
NAS221-12	58 -89
NAS221-12	58A-96
NAS221-12	58B-35
NAS221-12	58C-38
NAS221-12	58D-45

PART NUMBER	FIGURE AND INDEX NO.
NAS221-12	62A- 6
NAS221-13	13 -58A
NAS221-13	13 -58E
NAS221-13	24 -56
NAS221-13	58 -88
NAS221-13	58A-95
NAS221-13	58B-36
NAS221-13	58C-37
NAS221-13	58D-46
NAS221-15	19 -23
NAS221-15	44A-54
NAS221-15	45A-44
NAS221-5	19 -26
NAS221-5	93 -42
NAS221-5	135 - 6
NAS221-6	16 -59
NAS221-6	25 -18
NAS221-6	26 -47
NAS221-6	43A-45
NAS221-6	58 -87
NAS221-6	58A-94
NAS221-6	58B-37
NAS221-6	58C-40
NAS221-6	58D-43
NAS221-6	96A-31
NAS221-6	96B-24
NAS221-7	19 -21
NAS221-7	24 -50B
NAS221-7	90 -47
NAS221-7	91 -50
NAS221-8	10 -14
NAS221-8	24 -52
NAS221-8	25 -18
NAS221-8	26 -46B
NAS221-8	62A- 6
NAS221-8	65 - 6
NAS221-8	66 - 7
NAS221-9	24 -58A
NAS221-9	43A- 3
NAS221-9	96A- 2
NAS221-9	96B- 2
NAS222-12	24 -46
NAS222-13	21A-40
NAS222-14	21B-49
NAS222-14	95 -64
NAS222-16	95 -24
NAS222-9	62B- 2
NAS295-7	41 - 5
NAS354-4-200	42 -21
NAS354-4-520	40 -38
NAS388-10-7P	44A- 6
NAS388-10-7P	45A- 6
NAS395-1-3	50 - 3
NAS395-1-3	135 -34
NAS395-1-3	135 -34
NAS395-1-3	137 - 2
NAS395-1-3	137 -25
NAS395-1-3	137A- 4
NAS395-11-3	104 -36
NAS395-12-3	13 -64
NAS395-14-3	9 -38
NAS395-14-3	10 -12
NAS395-14-3	13 -12
NAS395-14-3	24 - 7
NAS395-14-3	31 - 3
NAS395-16-3	25 -43
NAS395-16-3	25 -44
NAS395-16-3	89A-47
NAS395-16-3	89A-57
NAS395-16-3	136 -33
NAS395-17-3	3 -36
NAS396-4-3	136 -31
NAS397-10	80 -31
NAS397-12	33 - 5

PART NUMBER	FIGURE AND INDEX NO.
NAS397-12	74 -48
NAS397-12	80 -34
NAS397-12	115 -20
NAS397-12	115 -41
NAS397-14	80 -22
NAS397-14	79 -58
NAS397-16	74 -50
NAS397-16	109 -14
NAS397-16	115 -20
NAS397-16	115A- 8
NAS397-16	115A-20
NAS397-16	115A-24
NAS397-18	73 -17
NAS397-18	74 -20
NAS397-18	89 -14
NAS397-18	89 -24
NAS397-18	89 -27
NAS397-2	80 -40
NAS397-22	89 -20
NAS397-28	73 -31
NAS397-28	74 -30
NAS397-28	74 -32
NAS397-28	89 -12
NAS397-32	90 -35
NAS397-32	91 -42
NAS397-8	99A-26
NAS397-8	99A-53
NAS397-8	113 -47
NAS397-8	113 -49
NAS397-8	114 -24
NAS397-8	114 -29
NAS397-8	114A-12
NAS397A3K	58B-32
NAS398-42	89 - 2
NAS398-42	89A- 2
NAS398-50	71 -64
NAS398-50	73 -37
NAS398-50	90 -39
NAS398-50	90 -41
NAS398-50	91 -44
NAS398-50	91 -47
NAS398-66	78 -28
NAS42DD4-17	102A- 4
NAS42DD4-28	102A- 5
NAS42DD6-24A	100 -65
NAS42HT4-16	135 -61
NAS42HT6-19	58 -89
NAS42HT6-19	58A-96
NAS42HT6-19	58B-35
NAS42HT6-19	58C-38
NAS42HT6-19	58D-44
NAS42HT6-19	58D-45
NAS42HT6-23	58 -88
NAS42HT6-23	58A-95
NAS42HT6-23	58B-36
NAS42HT6-23	58C-37
NAS42HT6-23	58D-46
NAS42HT6-8	93 -14
NAS427K-9	100 -13
NAS427K14	107A-29
NAS428-3-10	7 -33
NAS428-3-7	7 -32
NAS428-3-7	105 -43
NAS428-4-5	43A-46
NAS428H3-6	43 -17
NAS43-4-10	43 -32
NAS43DD0-8A	96B-12
NAS43DD0-8A	96B-17
NAS43DD1-10	58A-37
NAS43DD1-16	58A-37
NAS43DD1-21	58A-37
NAS43DD1-9	112 -11
NAS43DD12-64	58 -45
NAS43DD12-64	58 -46

PART NUMBER	FIGURE AND INDEX NO.
NAS43DD12-64	58A-45
NAS43DD12-64	58A-46
NAS43DD12-64	58B-91
NAS43DD12-64	58B-92
NAS43DD12-64	58C-92D
NAS43DD12-64	58C-92E
NAS43DD12-64	58D-90D
NAS43DD12-64	58D-91
NAS43DD3-12	46 -10
NAS43DD3-12	46A- 9
NAS43DD3-12	48 -13B
NAS43DD3-12	86 -13
NAS43DD3-12	136 -11
NAS43DD3-14	48 -13
NAS43DD3-14	79 -22
NAS43DD3-14	106 -34
NAS43DD3-16	48 -13A
NAS43DD3-16	58 -80
NAS43DD3-160	125 - 3
NAS43DD3-18	55 -75A
NAS43DD3-20	92 -28A
NAS43DD3-28	64 - 7A
NAS43DD3-32	62 -38
NAS43DD3-32	79 -51
NAS43DD3-32	90 -30
NAS43DD3-32	91 -29
NAS43DD3-32	109 -18
NAS43DD3-32	134 -31
NAS43DD3-32	135A-29
NAS43DD3-48	133 - 3
NAS43DD3-53	135A-20
NAS43DD3-60	106 -15
NAS43DD3-7	134 -18
NAS43DD3-8	140 -16
NAS43DD3-96	112 -13C
NAS43DD32	71 -56
NAS43DD4-16	58 - 2
NAS43DD4-16	58 - 5
NAS43DD4-16	58A- 2
NAS43DD4-16	58A- 5
NAS43DD4-16	60 - 2
NAS43DD4-16	60 - 7
NAS43DD4-30	100 -50
NAS43DD4-32	132 -65
NAS43DD4-36	125 -34
NAS43DD4-56	118A- 8
NAS43DD4-60	118A- 9
NAS43DD6-132	104 -24
NAS43HT S147	101 -14
NAS43HT 3-10	100 -71
NAS43HT 3-10	103 -27
NAS43HT 3-12	93 -11
NAS43HT 3-12	115 -40
NAS43HT 3-17	102 -46
NAS43HT 3-19	122 - 5
NAS43HT 3-19	43 -17
NAS43HT 3-20	44 -51
NAS43HT 3-34	44A-64
NAS43HT 3-34	40 -10C
NAS43HT 3-40	103 -23
NAS43HT 3-45	44A-55
NAS43HT 3-45	45A-45
NAS43HT 3-50	101 - 2
NAS43HT 3-6	101 -27
NAS43HT 3-64	58 -28
NAS43HT 3-64	58A-28
NAS43HT 3-64	58B-73
NAS43HT 3-64	58C-85
NAS43HT 3-64	58D-87E
NAS43HT 4-10	57 -28
NAS43HT 4-10	57A-32
NAS43HT 4-10	103 -71
NAS43HT 4-12	53 -69

PART NUMBER	FIGURE AND INDEX NO.
NAS43HT4-12	53A-63
NAS43HT4-12	54 -94C
NAS43HT4-12	55 -93
NAS43HT4-12	62B- 4
NAS43HT4-18	100 -33
NAS43HT4-18	105 -23
NAS43HT4-20	57 -30B
NAS43HT4-20	57A-36
NAS43HT4-22	57 - 4
NAS43HT4-30	62A-21A
NAS43HT4-31	100 -26
NAS43HT4-31	105 -16
NAS43HT4-34	100 -39
NAS43HT4-34	105 -29
NAS43HT4-36	100 -27
NAS43HT4-36	105 -17
NAS43HT4-41	100 -20
NAS43HT4-41	105 -10
NAS43HT4-48	101 -48
NAS43HT4-9	56 -66
NAS43HT4-9	56A-75
NAS43HT6-6	126A-30
NAS43HT8-3	43 -16
NAS43DD3-32	116 -10
NAS435D4	74 -17
NAS446-1-3	62A-15
NAS446-2	108 -40
NAS446-2	136 -20
NAS446-2-1	58 -34
NAS446-2-1	58A-38A
NAS446-2-1	58B-56
NAS446-2-1	58C-67
NAS446-2-1	58D-74
NAS446-2-3	61 - 3
NAS446-2-3	61 - 5
NAS446-2-3	73 -20
NAS446-2-3	73 -48
NAS446-2-3	85 - 6
NAS446-2-3	85 -11
NAS446-2-3	85 -12
NAS446-2-3	85 -22
NAS446-2-3	85 -27
NAS446-2-3	85 -29
NAS446-2-3	85A-42
NAS446-2-3	85A-48
NAS446-2-3	85A-81
NAS446-2-3	86 - 8
NAS446-2-3	86 -33
NAS446-2-3	86 -46
NAS446-2-3	135 -28
NAS446-2-3	139 - 6
NAS446-2-3	139 - 9
NAS446-3	7 -18
NAS446-4	3 -66
NAS446-4	106 -10
NAS446-4	136 -25
NAS446-4-3	51 - 4
NAS446-4-3	58 -70
NAS446-4-3	58A-79
NAS446-4-3	71 -41
NAS446-4-3	79 -31
NAS446-4-3	86A-51
NAS446-4-3	92 - 6
NAS446-4-3	92 - 6A
NAS446-4-3	132 -48
NAS446-5	7 -18
NAS446-5-3	85A-87
NAS446-5-3	85A-91B
NAS464-3A32	34 -36
NAS464-4-8	62A- 9
NAS464-4-8	62A-19
NAS464-4A5	57 -30A
NAS464-4A6	57A-35
NAS464-5A48	34 - 2

PART NUMBER	FIGURE AND INDEX NO.
NAS464PA20	33 -14
NAS464P3-22	34 -60
NAS464P3-9	101 -63
NAS464P3A10	33 -19
NAS464P3A32C	32 -19
NAS464P3A7	33 - 9
NAS464P3A9	33 -10
NAS464P3A9	34 -40
NAS464P4A10	34 -20
NAS464P4A10	62A-19A
NAS464P4A16	33 -18
NAS464P4A29	127 - 1
NAS464P4A6	62A- 8
NAS464P4A6	62A-19
NAS464P4A8	57A-35A
NAS464P5-42	122 -25
NAS464P5-42	122A-25
NAS464P6-44	32 - 5
NAS464P6-44	126 -34
NAS464P6A6	79 - 9
NAS464P6LA32	37 -30
NAS483A3	58D-26
NAS488-1-3	17 -99J
NAS488-1-3	17A-93G
NAS488-5-3	31 - 5
NAS506-4	100 -54
NAS509-4	118 -31
NAS509-4	118A-31
NAS509-4C	118 - 3
NAS509-7	119 -22
NAS514-632R10	95 - 3
NAS514P1032-10	39 -28
NAS514P1032-10	58C-39
NAS514P1032-10	58D-44
NAS514P1032-12	87 -36
NAS514P1032-14	44 -51
NAS514P1032-14	44A-64
NAS514P440-6	102A-16
NAS516P3-11	111 -14
NAS549H1216	89B- 6
NAS549H1216	89B-12
NAS557-10A	132 -37
NAS557-10B	134 -71C
NAS557-16A	7 -29
NAS557-3A	61 - 3C
NAS557-4A	58A-70
NAS557-6A	27 - 3
NAS557-6A	27 -15
NAS557-6A	61 -12
NAS557-8A	104 -35
NAS557-8A	132 -36
NAS561-2-8	57 -14C
NAS561-2-8	57A-18
NAS561-3-16	54 -82
NAS561-3-16	55 -68A
NAS561-4-12	107 -22
NAS561-4-7	102 -38A
NAS561-5-12	92 -37
NAS561-6-18	95 -38
NAS561C2-8	90 - 6
NAS561C3-8	47 - 8B
NAS561P3-10	77 -20
NAS561P3-6	111 - 4
NAS561P3-8	44 -53
NAS561P3-8	44A-66
NAS561P3-8	56A-71A
NAS561P4-10	43 - 6
NAS561P4-10	53 -41
NAS561P4-10	54 -36
NAS561P4-10	54 -66
NAS561P4-10	54 -68
NAS561P4-10	56 -35
NAS561P4-10	56A-44
NAS561P4-12	53 -30

PART NUMBER	FIGURE AND INDEX NO.
NAS561P4-12	53 -34
NAS561P4-12	53 -39
NAS561P4-12	53A-29
NAS561P4-12	53A-33
NAS561P4-12	53A-38
NAS561P4-12	54 -24
NAS561P4-12	54 -29
NAS561P4-12	54 -34
NAS561P4-12	54 -61
NAS561P4-12	55 -21
NAS561P4-12	55 -28
NAS561P4-12	55 -33
NAS561P4-12	55 -53
NAS561P4-12	55 -55
NAS561P4-12	56 -24
NAS561P4-12	56 -28
NAS561P4-12	56 -33
NAS561P4-12	56A-32
NAS561P4-12	56A-36
NAS561P4-12	56A-42
NAS561P4-15	46 -19
NAS561P4-15	53A-39B
NAS561P4-15	55 -36
NAS561P4-16	46A-19
NAS561P4-18	36 -12
NAS561P4-18	120A-26
NAS561P4-18	120A-29
NAS561P4-22	120A-31
NAS561P4-6	46 -22
NAS561P4-8	55 -65
NAS561P4-8	102 -20
NAS561P4-8	102A-14
NAS561P6-12	53 -32
NAS561P6-12	53A-31
NAS561P6-12	54 -27
NAS561P6-12	55 -25
NAS561P6-12	56 -26
NAS561P6-12	56A-34
NAS561P6-18	54 -49
NAS561P6-18	54 -52
NAS561P6-18	55 -48
NAS561P6-22	54 -54
NAS561P6-22	55 -46
NAS561P6-28	54 -45
NAS561P6-28	55 -41
NAS561P7-16	34 -34
NAS561P8-18	54 -48
NAS561P8-18	54 -56
NAS561P8-18	55 -42
NAS561P8-18	55 -44
NAS561P8-26	53A-43
NAS561P8-28	53 -49
NAS561P8-32	34 -17
NAS563-11	36 - 4
NAS564-29	39 -33
NAS565-33	43 -36
NAS601-5	58 -94
NAS601-5	58A-62
NAS601-5	58B-10
NAS601-5	58C-10
NAS601-5	58C-47
NAS608C3H24	119 - 1
NAS608C3H6	117 -15
NAS608C3H6	117 -18
NAS608C4H16	117 -20
NAS609-44B-4	117 -14
NAS61C2-8	91 - 6
NAS620-10	116A- 6
NAS620-4	104 -18
NAS620-5	47 -14F
NAS620-5	47 -14K
NAS679A04	135 -61
NAS679A04	135 -63
NAS679A4	71 - 7

PART NUMBER	FIGURE AND INDEX NO.
NAS679A4	100 -28
NAS680A04K	26 -44
NAS680A06	11 -11
NAS680A06	11A-14
NAS680A06	16 -10
NAS680A06	132 -74
NAS680A08	3 -73
NAS680A08	5 -10
NAS680A08	5 -17
NAS680A08	5 -18
NAS680A08	5 -18
NAS680A08	5 -19
NAS680A08	5 -66
NAS680A08	5 -69
NAS680A08	5 -74
NAS680A08	12 - 7
NAS680A08	16 -50
NAS680A08	16 -53
NAS680A08	19 -12A
NAS680A08	19 -14
NAS680A08	20 -240
NAS680A08	20A- 5
NAS680A08	21 - 3
NAS680A08	21 -12
NAS680A08	21 -74
NAS680A08	21A- 8
NAS680A08	21B- 8
NAS680A08	24 -22
NAS680A08	24 -86
NAS680A08	25 -43
NAS680A08	25 -44
NAS680A08	25 -94D
NAS680A08	25 -94J
NAS680A08	26 -27
NAS680A08	85A- 5
NAS680A08	85A-18
NAS680A08	86A-21
NAS680A08	86A-33
NAS680A08	107A-13
NAS680A08	140 -12
NAS680A08K	12 - 7
NAS680A08K	24A-31
NAS680A08K	26 -24
NAS680A08K	26 -25
NAS680A08K	26 -25A
NAS680A08K	26 -42
NAS680A08K	26 -45
NAS680A08K	26 -46
NAS680A08K	89 -36
NAS680A08K	113 - 5
NAS680A08K	134 -80
NAS680A08K	136 -16
NAS680A3	5 -53
NAS680A3	7 -31
NAS680A3	10 -31
NAS680A3	10 -32
NAS680A3	10 -36
NAS680A3	13 -22B
NAS680A3	14 -56
NAS680A3	18 -12
NAS680A3	18 -15
NAS680A3	18 -27
NAS680A3	19 - 6
NAS680A3	19 - 9
NAS680A3	19 -11
NAS680A3	19 -11
NAS680A3	19 -21A
NAS680A3	19 -28C
NAS680A3	20 -19
NAS680A3	20 -32A
NAS680A3	20A- 6
NAS680A3	21 -77
NAS680A3	21A-13B
NAS680A3	21A-15

PART NUMBER	FIGURE AND INDEX NO.
NAS680A3	21A-15C
NAS680A3	23 - 3
NAS680A3	23 - 5
NAS680A3	23 -23A
NAS680A3	24 -24B
NAS680A3	24 -48
NAS680A3	24A- 3
NAS680A3	24A- 8
NAS680A3	25 - 9
NAS680A3	25 -17
NAS680A3	25 -28
NAS680A3	25 -34
NAS680A3	25 -45B
NAS680A3	26 - 2
NAS680A3	26 -46A
NAS680A3	44 -29
NAS680A3	58C-34
NAS680A3	580- 7
NAS680A3	62 -20
NAS680A3	65 -12
NAS680A3	66 -12
NAS680A3	69 -42
NAS680A3	70 -41
NAS680A3	70A-49
NAS680A3	85A-11
NAS680A3	85A-39
NAS680A3	85A-68
NAS680A3	85A-73
NAS680A3	85A-79
NAS680A3	86A- 2
NAS680A3	86A- 7
NAS680A3	86A-15
NAS680A3	86A-24
NAS680A3	86A-46
NAS680A3	86A-59
NAS680A3	86A-68
NAS680A3	93 -42
NAS680A3	95 -48
NAS680A3	102 -51A
NAS680A3	102 -56
NAS680A3	102A- 3
NAS680A3	107A-12
NAS680A3	113 -12
NAS680A3K	26 -23
NAS680A3K	26 -23A
NAS680A3K	26 -47
NAS680A3K	26 -48
NAS680A3K	30 -30
NAS680A3K	86A-40
NAS680A3K	102A-39
NAS680A3K	102A-44
NAS680A4	4 -63
NAS680A4	19 - 9
NAS680A4	19 -28B
NAS680A4	20 -26
NAS680A4	20 -27
NAS680A4	20A-11
NAS680A4	21 -39
NAS680A4	21 -39A
NAS680A4	21A-13G
NAS680A4	21A-15F
NAS680A4	21B-17
NAS680A4	21B-23
NAS680A4	25 -17
NAS680A4	25 -34B
NAS680A4	62 -10
NAS680A4K	21 -12
NAS680A4K	26 -22
NAS680A4K	26 -25A
NAS680C4-8	120 -22
NAS681A08	85A-24
NAS681A08	85A-31
NAS681A08	85A-46
NAS681A08	86A-47

PART NUMBER	FIGURE AND INDEX NO.	PART NUMBER	FIGURE AND INDEX NO.	PART NUMBER	FIGURE AND INDEX NO.
NAS681A08	86A-52	NAS686A08K	9 -10	NAS696A3	24A-24
NAS681A08	86A-61	NAS686A08K	11A-33C	NAS696A3	25 - 7
NAS681A3	4 -65	NAS686A3	5 -14	NAS696A3	30 - 48
NAS681A3	4 -66	NAS686A3	18 - 8	NAS696A3	30 - 5
NAS681A3	5 -55	NAS686A3	22 -22	NAS696A3	77 - 7
NAS681A3K	4 -64	NAS686A3	22 -23	NAS696A4	19 -29
NAS682A06	5 -38	NAS686A3	23 - 1	NAS696A4	20 -14H
NAS682AC6	5 -51	NAS686A3	25A-10	NAS696A4	20A-21
NAS682A08	5 -18	NAS686A3	85 -35	NAS696A4	21A-13H
NAS682A08	5 -18	NAS686A3	85A-52	NAS696A4	21A-15H
NAS682A08	5 -74	NAS686A3	114 -36	NAS696A4	21B-18
NAS682A08	21 - 3	NAS686A3	114A-22	NAS696A4	21B-25
NAS682A08	21A-18	NAS686A3	135 -66	NAS696A4	23 -23
NAS682A08	21B-29	NAS686A3K	135 -67	NAS697A0K	11A-10
NAS682AC8	25 -94	NAS686A4	23 - 1	NAS697A04L	17 -33
NAS682A08	25 -94C	NAS687A08	5 -75C	NAS697A04L	17A-34
NAS682AC8	25 -94H	NAS687A4	77 -13	NAS697A04L	137 - 2
NAS682A08	25 -95C	NAS696A04L	137 - 4	NAS697A06L	17 -57
NAS682A08	44 -33	NAS696A04LK	25 -88	NAS697A06L	17A-60
NAS682A08	44A-33	NAS696A06LK	90 -47	NAS697A06L	18 -12
NAS682A08	45 -27	NAS696A08	5 -72	NAS697A06L	18 -28A
NAS682A08	45A-28	NAS696A08	16 -20	NAS697A06L	20 -24C
NAS682A08	86A-34	NAS696A08	16 -22	NAS697A06L	20A - 7
NAS682A08	107A-42	NAS696A08	16 -28	NAS697A06L	58 -56
NAS682A08K	26 -26	NAS696A08	20 -10	NAS697A06L	58 -58
NAS682AC8K	47 -26	NAS696A08	20 -14B	NAS697A06L	58A-65
NAS682A2	102 -53	NAS696A08	20 -16	NAS697A06L	58A-67
NAS682A3	5 -58	NAS696A08	20 -18	NAS697A06L	58B-12
NAS682A3	16 -62	NAS696A08	20 -29	NAS697A06L	58B-15
NAS682A3	19 - 7	NAS696A08	20 -31	NAS697A06L	58C-12
NAS682A3	24 -50	NAS696A08	20 -35	NAS697A06L	58C-17
NAS682A3	25 - 9	NAS696A08	20A-28	NAS697A06L	58D-27
NAS682A3	46 -14	NAS696A08	20A-35	NAS697A08	3 -13
NAS682A3	46A-15	NAS696A08	21 -74	NAS697A08	11A-21
NAS682A3	85A-10	NAS696A08	24 - 4	NAS697A08	11A-37
NAS682A3	85A-23	NAS696A08	24 -23	NAS697A08	12 - 7
NAS682A3	85A-38	NAS696A08	26 -58	NAS697A08	14 - 7
NAS682A3	85A-80	NAS696A08	30 -26B	NAS697A08	16 -10
NAS682A3	86A- 8	NAS696A08	44 -12	NAS697A08	16 -20
NAS682A3	86A-60	NAS696A08	44 -31	NAS697A08	16 -22
NAS682A3	86A-64	NAS696A08	44 -32	NAS697A08	17 -44
NAS682A3	102 -51B	NAS696A08	44A-32	NAS697A08	17 -47
NAS682A3	107A-47	NAS696A08	45 -10	NAS697A08	17 -55A
NAS682A3K	26 -16B	NAS696A08	45 -25	NAS697A08	17 -60A
NAS682A3K	26 -28	NAS696A08	45 -26	NAS697A08	17 -99L
NAS682A3K	26 -50	NAS696A08	45A-27	NAS697A08	17 -99M
NAS682A3K	86A-39	NAS696A08	90 - 8	NAS697A08	17 -99N
NAS682A3K	102A-40	NAS696A08	91 - 8	NAS697A08	17A-18
NAS682A3K	102A-45	NAS696A08	91 -36	NAS697A08	17A-27
NAS682A3K	62 -43	NAS696A08	107A-48	NAS697A08	17A-45
NAS682A4	9 -26	NAS696A08K	11 -10	NAS697A08	17A-48
NAS682A4	9 -29	NAS696A08K	11A-11	NAS697A08	17A-57
NAS682A4	9 -32	NAS696A08K	12 - 8	NAS697A08	17A-64
NAS682A4	9 -35	NAS696A08K	21A-33	NAS697A08	17A-93J
NAS682A4	134 -84	NAS696A08K	21B-43	NAS697A08	18 -28
NAS682A4	134 -85	NAS696A08K	44A-59	NAS697A08	20 -11
NAS683A08	86A-52	NAS696A3	5 -13	NAS697A08	20 -14D
NAS684A3	58 -62	NAS696A3	13 -21	NAS697A08	20 -35
NAS684A3	58A-71	NAS696A3	16 -20	NAS697A08	20A-31
NAS684A3	58B-15	NAS696A3	16 -22	NAS697A08	21 -31
NAS684A3	58C-17	NAS696A3	17A-91A	NAS697A08	21B-56
NAS684A3	86A-12	NAS696A3	17A-92P	NAS697A08	24 - 5
NAS684A3	86A-24	NAS696A3	17A-92R	NAS697A08	24 -13
NAS686A08	4 - 5	NAS696A3	17A-92U	NAS697A08	24 -18
NAS686A08	4 - 7	NAS696A3	19 - 5	NAS697A08	24 -24
NAS686A08	4 -58	NAS696A3	19 -29	NAS697A08	25 -37
NAS686A08	5 - 3	NAS696A3	20 -14C	NAS697A08	25 -93G
NAS686A08	5 -11	NAS696A3	20 -20	NAS697A08	26 - 2
NAS686A08	5 -75B	NAS696A3	20 -32	NAS697A08	26 -27
NAS686A08	7 -35	NAS696A3	20 -35	NAS697A08	26 -29
NAS686A08	7 -36	NAS696A3	20A-24	NAS697A08	29 -26
NAS686A08	7 -37	NAS696A3	21A-13A	NAS697A08	29 -27A
NAS686A08	11A-21	NAS696A3	21A-15B	NAS697A08	30 -26A
NAS686A08	25A-13	NAS696A3	23 -23	NAS697A08	44 -12

PART NUMBER	FIGURE AND INDEX NO.
NAS697A09	44 -32
NAS697A08	44A-14
NAS697A08	44A-39
NAS697A08	44A-40
NAS697A08	44A-66B
NAS697A08	45 -10
NAS697A08	45 -26
NAS697A08	45A-29
NAS697A08	45A-30
NAS697A08	45A-57
NAS697A08	58 -71
NAS697A08	58A-80
NAS697A08	58B- 1
NAS697A08	58B-13
NAS697A08	58B-17
NAS697A08	58B-55C
NAS697A08	58C- 1
NAS697A08	58C- 6
NAS697A08	58C-13
NAS697A08	58C-19
NAS697A08	58C-66
NAS697A08	58D- 2
NAS697A08	58D-21
NAS697A08	58D-31
NAS697A08	58D-36
NAS697A08	58D-73
NAS697A08	85 -33
NAS697A08	86 - 3
NAS697A08	90 - 9
NAS697A08	91 - 9
NAS697A08	107A-17
NAS697A08	136 -13
NAS697A08	136 -19
NAS697A08K	5 -75
NAS697A08K	11 -10
NAS697A08K	12 - 8
NAS697A08K	16 -53
NAS697A08K	21A-26
NAS697A08K	22 -46
NAS697A08K	25A-12
NAS697A08K	29 -34
NAS697A3	4 - 6
NAS697A3	5 - 3
NAS697A3	5 -12
NAS697A3	13 -22
NAS697A3	15 -22
NAS697A3	16 -10
NAS697A3	16 -12
NAS697A3	16 -20
NAS697A3	16 -22
NAS697A3	17 -21
NAS697A3	17 -57
NAS697A3	17A-21
NAS697A3	17A-60
NAS697A3	17A-91B
NAS697A3	17A-92E
NAS697A3	17A-92K
NAS697A3	17A-92T
NAS697A3	18 - 9
NAS697A3	19 - 5
NAS697A3	19 -13
NAS697A3	19 -14
NAS697A3	20 -14E
NAS697A3	20 -35
NAS697A3	20A-25
NAS697A3	24 -50A
NAS697A3	24A- 5
NAS697A3	25 - 7
NAS697A3	25 -24
NAS697A3	26 - 2
NAS697A3	43A-11
NAS697A3	44A-66D
NAS697A3	45A-48A
NAS697A3	58 -75

PART NUMBER	FIGURE AND INDEX NO.
NAS697A3	58 -99
NAS697A3	58 -99
NAS697A3	58A-84H
NAS697A3	58A-85
NAS697A3	58B-19
NAS697A3	58B-21
NAS697A3	58B-24
NAS697A3	58C-21
NAS697A3	58C-23
NAS697A3	58C-26
NAS697A3	58D- 9
NAS697A3	58D-23
NAS697A3	71 -15
NAS697A3	77 - 7
NAS697A3	77 -14
NAS697A3	77 -17
NAS697A3	78 - 5
NAS697A3	86A-71
NAS697A3	87 -20
NAS697A3	88 - 3
NAS697A3	101 - 1
NAS697A3	135A- 9
NAS697A3K	21B-26
NAS697A3K	58 -60
NAS697A3K	58 -62
NAS697A3K	58A-69
NAS697A3K	61 - 3B
NAS697A4	17 -67
NAS697A4	17A-72
NAS697A4	20 -24B
NAS697A4	20A- 8
NAS697A4	20A-36
NAS697A4	30 - 8A
NAS697A4	30 -26
NAS697A4	34 -78
NAS697A4	134 -88
NAS697A4	135 -44
NAS698A04L	58D- 4
NAS698A06L	102A- 6A
NAS698A08	20A-17
NAS698A08	29 -27
NAS698A08	46A-23
NAS698A08	58D-87C
NAS698A08	86A-35
NAS698A08	90 -10
NAS698A08	91 -10
NAS698A08	107A-22
NAS698A08	133 -32
NAS698A08K	11 -11
NAS698A08K	11A-13
NAS698A08K	12 - 8
NAS698A08K	46 -31
NAS698A3	15 -17
NAS698A3	17A-92M
NAS698A3	18 -16
NAS698A3	19 - 3
NAS698A3	46 -15
NAS698A3	46A-14
NAS698A3	58 -60
NAS698A3	71 -15
NAS698A3	72 -15
NAS698A3	88 - 4
NAS698A3	14 -67
NAS74-5-0210	43A-10
NAS74A-3E004P	39 -19
NAS75-3-005	107A-57
NAS75-3-016	104 - 9
NAS75-3-016	135A-13
NAS75-3-018	107A-27
NAS75-3-023	107A-33
NAS75-3-024	125 -14A
NAS75-3-107	101 - 6
NAS75-3-130	101 -15
NAS75-3-230	101 -13

PART NUMBER	FIGURE AND INDEX NO.
NAS75-4-006	23 -12
NAS75-4-216	103 -26
NAS76A3-017	87 -36
NAS76A4-004	102 -37
NAS76A4-006	32 -21
NAS76A4-006	102A-17
NAS76A4-009	102 -27
NAS76A4-021	42 -32
NAS76A4-105	42 -12
NAS77-3-23	34 -53
NAS77-6-88	34 -52
NAS77-6-88	34 -64
NAS979A08	55 -88
NTA2233	95 -17
OAS2925-1	118 -48
PN-3A	102C-22
PN3A	102B-14
PN3A	102C- 2
PRO890	1 -148
P2274	114 -21
P2274	114A-21
QS200M80S	133 -25
REF4TH8	33 -20
R561	38 -30
SE709	113 -44
SF1030-26BX	96 -19
SK210-40	34 - 1
SK210-68	103 -27
SL350	75 -17
SL350C	76 -18
S1003-10B	101 -24
S1003-43A	93 -37
S1003-69A	101 - 1
S1003-69A	101 - 8
S1003-69A	101 -17
S1003-84	102 -32
S1004-41A	107 -17
S1004-44A	102 - 4
S1004-44A	102 -25
S1004-44A	102A- 8
S1004-45A	34 -15
S1004-46A	34 -13
S1004-53A	107A-14
S1004-53A	107A-19
S1004-53A	107A-43
S1021A4-6	25 -17B
S1021A4-6	25 -17C
S1021A4-6	45A-49
S1021A4-6	49 -29
S1021A4-6	49 -29
S1021A4-6	51 - 9B
S1021A4-6	51 -22
S1021A4-6	53 - 9
S1021A4-6	53 -10
S1021A4-6	53 -24
S1021A4-6	53 -27
S1021A4-6	53A- 9
S1021A4-6	53A-10
S1021A4-6	53A-10A
S1021A4-6	53A-10B
S1021A4-6	53A-23
S1021A4-6	53A-24
S1021A4-6	53A-26
S1021A4-6	54 - 9
S1021A4-6	54 - 9
S1021A4-6	54 -10
S1021A4-6	54 -19
S1021A4-6	54 -21
S1021A4-6	55 - 9
S1021A4-6	55 -10A
S1021A4-6	55 -10C
S1021A4-6	55 -16
S1021A4-6	55 -17
S1021A4-6	55 -19

PART NUMBER	FIGURE AND INDEX NO.
S1021A4-6	56 - 9
S1021A4-6	56 -10
S1021A4-6	56 -19
S1021A4-6	56 -21
S1021A4-6	56A-10
S1021A4-6	56A-11
S1021A4-6	56A-21A
S1021A4-6	56A-23
S1021A4-6	57 -10
S1021A4-6	57 -10
S1021A4-6	57 -14
S1021A4-6	57 -19
S1021A4-6	57A-11
S1021A4-6	57A-12
S1021A4-6	58A- 8
S1021A4-6	58A- 9
S1021A4-6	58B-48
S1021A4-6	58C-55
S1021A4-6	58D-60
S1021A4-6	61 - 3A
S1021A4-6	62A-23
S1021A4-8	25 -80
S1021A4-8	25 -81
S1021A4-8	25 -82
S1021A4-8	25 -84
S1021A4-6	25 -66
S1021A6-6	58B-45
S1021A6-6	112 - 4
S1021A6-6	137 -28
S1021A6-6B	58 -38
S1021A6-6B	58 -48
S1021A6-6B	58A-48
S1021A6-8	60D-14
S1021A6-8	89A-37
S1021A6-8	89A-50
S1021A6-8	98 -19
S1021A6-8	109 -32
S1021A6-8	109 -44
S1021A6-8	109 -44A
S1021A8-6	132 -38
S1021A8-8	51 -20
S1021A8-8	51 -20
S1021A8-8	51 -20
S1021A8-8	51 -23B
S1021A8-8	93 -44
S1021Z10	73 -28
S1021Z10-10	3 -55
S1021Z10-10	79 -37
S1021Z10-10	79 -49
S1021Z10-6	80 -12
S1021Z10-8	7 -18
S1021Z10-8	24 -12
S1021Z10-8	72 -35
S1021Z10-8	80 -20
S1021Z10-8	85A-86
S1021Z10-8	85A-91B
S1021Z10-8	89 -27A
S1021Z10-8	89A-22
S1021Z4-4	50 - 5
S1021Z4-4	135 -34
S1021Z4-4C	137 - 2
S1021Z4-5	24A-38
S1021Z4-6	2 -18
S1021Z4-6	15 -24
S1021Z4-6	45 -42
S1021Z4-6	45A-52
S1021Z4-6	45A-53
S1021Z4-6	111 -53
S1021Z4-6	134 -59
S1021Z4-6B	48 - 7
S1021Z4-6B	137 -24
S1021Z4-6B	137A- 3
S1021Z4-6C	62A-15
S1021Z4-8	50 - 3

PART NUMBER	FIGURE AND INDEX NO.
S1021Z4-8	58D-76
S1021Z4-8	135 -34
S1021Z6-10	31 - 4
S1021Z6-10	44A- 9A
S1021Z6-10	45A- 9A
S1021Z6-6	7 -18
S1021Z6-6	16 -63
S1021Z6-6	17 -99C
S1021Z6-6	17A-93A
S1021Z6-6	58D-73
S1021Z6-6	61 - 2
S1021Z6-6	61 - 5
S1021Z6-6	73 -20
S1021Z6-6	73 -47
S1021Z6-6	85 - 4
S1021Z6-6	85 - 6
S1021Z6-6	85 -11
S1021Z6-6	85 -12
S1021Z6-6	85 -22
S1021Z6-6	85 -27
S1021Z6-6	85 -29
S1021Z6-6	85A-42
S1021Z6-6	85A-48
S1021Z6-6	85A-81
S1021Z6-6	86 - 8
S1021Z6-6	86 -32
S1021Z6-6	86 -46
S1021Z6-6	108 -18
S1021Z6-6	108 -40
S1021Z6-6	134 -70A
S1021Z6-6	134 -70D
S1021Z6-6	136 -20
S1021Z6-6	137A- 7
S1021Z6-6	139 - 8
S1021Z6-6B	58B-50
S1021Z6-6B	58C-57
S1021Z6-8	17 -99F
S1021Z6-8	17 -99F
S1021Z6-8	17A-93D
S1021Z6-8	49 -15
S1021Z6-8	49 -17
S1021Z6-8	49 -19
S1021Z6-8	53 -50
S1021Z6-8	54 -74
S1021Z6-8	56 -57
S1021Z6-8	56A-66
S1021Z6-8	135 -28
S1021Z6-8	135 -32
S1021Z6-8	139 - 5
S1021Z6-8	3 -41
S1021Z6-8	3 -41
S1021Z6R6	47 -14
S1021Z8-10	51 - 4
S1021Z8-10	132 -11
S1021Z8-6	3 -30
S1021Z8-6	3 -36
S1021Z8-6	3 -65
S1021Z8-6	9 -39
S1021Z8-6	13 -62
S1021Z8-6	16 -66
S1021Z8-6	90 -31
S1021Z8-6	90 -32
S1021Z8-6	91 -30
S1021Z8-6	91 -31
S1021Z8-6	92 - 6
S1021Z8-6	92 - 6A
S1021Z8-6	93 -40
S1021Z8-6	135 -57
S1021Z8-6	136 -25
S1021Z8-8	3 -66
S1021Z8-8	10 -13
S1021Z8-8	13 -13
S1021Z8-8	13 -64
S1021Z8-8	13 -67

PART NUMBER	FIGURE AND INDEX NO.
S1021Z8-8	24 -61
S1021Z8-8	24 -65
S1021Z8-8	24 -71
S1021Z8-8	27 - 2
S1021Z8-8	27 - 5
S1021Z8-8	27 - 9
S1021Z8-8	27 -13
S1021Z8-8	31 - 2
S1021Z8-8	48 - 2
S1021Z8-8	58 -70
S1021Z8-8	58A-79
S1021Z8-8	71 -31
S1021Z8-8	71 -41
S1021Z8-8	73 - 8
S1021Z8-8	74 -17
S1021Z8-8	78 -16
S1021Z8-8	79 -32
S1021Z8-8	79 -32
S1021Z8-8	85A-59
S1021Z8-8	85A-65
S1021Z8-8	86A-51
S1021Z8-8	89 -42
S1021Z8-8	89A-12
S1021Z8-8	90 -25
S1021Z8-8	91 -25
S1021Z8-8	104 -36
S1021Z8-8	106 - 8
S1021Z8-8	132 -48
S1021Z8-8	133 -26
S1021Z8-8	137 -29
S1021Z8-8	139 - 2
S1021Z8-8	3 -42
S1021Z8-8C	115 -55
S1022A4-10	53 -27C
S1022A4-10	53A-26C
S1022A4-10	54 -40C
S1022A4-10	55 -88F
S1022A4-10	56 -21C
S1022A4-6	49 - 2C
S1022A4-6	135 -27
S1022A6-6C	58 - 8
S1022A6-6C	58A- 8
S1022Z10-10	108 -33
S1022Z4-4	58B-58
S1022Z4-6	49 -24
S1022Z4-6	50 -23A
S1022Z4-8	58 -96
S1022Z4-8	58A-55
S1022Z4-8	58C-69
S1022Z6-8	3 -35D
S1022Z6-8	58D-74
S1022Z6-8B	58 -34
S1022Z6-8B	58A-38A
S1022Z6-8B	58B-56
S1022Z6-8B	58C-67
S1022Z8-6	3 -20
S1022Z8-6	3 -60
S1022Z8-6	3 -61
S1022Z8-7	89A-35
S1022Z8-7	89A-48
S1022Z8-7	89A-60
S1022Z8-7	134 -78
S1022Z8-8	3 -53
S1022Z8-8	3 -57
S1022Z8-8	3 -59
S1022Z8-8	3 -75
S1022Z8-8	24 -12B
S1022Z8-8	24 -15
S1022Z8-8	44 -26
S1022Z8-8	90 -26
S1022Z8-8	91 -26
S1023A6-12B	58A-37
S1023A6-16B	58A-37
S1023A6-6C	89 -33

PART NUMBER	FIGURE AND INDEX NO.
S1023A6-8C	62A-13
S1023A6-8C	62A-16
S1023A8-6	58A-37
S10268G	1 -18
S10268G	78 - 2
S10268G10.90X	90 -37
S10268G10.90X	91 -40
S10268G13.00X	91 -45
S1029-1	1 -52
S1029-1	50 -23
S1042-1	15 -23
S1042-1	15 -24
S1042-1	15 -24
S1042-1	15 -24
S1043-1	110 -26
S1047-1	1 -20
S1047-2	1 -20
S1050-1	1 -48
S1050-1	15 -21
S1050-1	21 -74
S1050-1	21 -74
S1050-1	24A- 4
S1050-1	24A- 7
S1050-1	24A-19
S1050-1	24A-20
S1050-1	26 - 4A
S1050-1	92 - 68
S1050-1	92 - 6C
S1050-1	111 -46
S1050-1	134 -53
S1050-1-3.10	135 -17
S1050-2	1 -48
S1050-2	5 - 8
S1050-2	5 - 9
S1050-2	5 - 9
S1050-2	111 -45
S1050-2	134 -71B
S1050-3	1 -48
S1050-3	89A-26
S1050-3	108 -36
S1050-3-4.05	102 -12
S1053E10T	1 -19
S1053E10T	89 -18
S1053E10T	89A-28
S1053E12T	1 -19
S1053E12T	73 -29
S1053E12T	73 -30
S1053E12T	74 -30
S1053E12T	74 -32
S1053E12T	89 -11
S1053E12T	89A-31
S1053E16T-*	90 -34
S1053E16T-*	91 -41
S1053E20T	1 -19
S1053E20T	89 - 1
S1053E20T	89A- 1
S1053E24T	1 -19
S1053E28T	1 -19
S1053E32T	1 -19
S1053E32T	78 -27
S1053E7T	1 -19
S1053E8T	1 -19
S1053E8T	89 -23
S1053E8T	89 -26
S1053E8T	89 -40
S1053E8T	89A-10
S1053E8T	89A-18
S1053E8T	89A-25
S1053K10T	1 -19
S1053K12T	1 -19
S1053K20T	1 -19
S1053K24T	1 -19
S1053K24T	73 -36
S1053K24T-*	90 -38

PART NUMBER	FIGURE AND INDEX NO.
S1053K24T-*	90 -40
S1053K24T-*	91 -43
S1053K24T-*	91 -46
S1053K24W	1 -19
S1053K28W	1 -19
S1053K32T	1 -19
S1055-1	1 -21
S1055-1	85 -13
S1055-1	85 -14
S1055-1	85A-15
S1055-1	139 -10
S106781	58A-37
S1071-1	1 -22
S1071-1	5 -55H
S1071-1	5 -55J
S1071-1	5 -55K
S1071-1	108 - 6
S1071-1	108 - 8
S1071-1	108 -10
S1071-1	108 -13
S1071-1	108 -15
S1071-1	108 -45
S1071-1	108 -46
S1071-1	108 -55
S1071-1	108 -65
S1071-1	108 -69
S1071-1	108A- 6
S1071-1	108A- 6
S1071-1	108A- 9
S1071-1	108A-11
S1071-1	108 -18
S1071-1	108 -30
S1071-1	108 -30
S1071-1	108 -35
S1071-1	108 -40
S1071-1	108 -41
S1071-1	108 -41
S1071-1	108 -42
S1071-1	108 -66
S1071-3	1 -22
S1071-3	132 - 7
S1071-3	132 - 8
S1071-3	132 -12
S1071-3	132 -22
S1071-3	132 -34
S1071-3	132 -40
S1071-3	132 -44
S1071-4	1 -22
S1071-4	89B- 1
S1071-4	89B- 2
S1071-4	132 - 1
S1071-5	1 -22
S1071G3	98 -17
S1071G3	98 -24
S1071R3	98 -16
S1071R3	98 -23
S1074-1	53 -20A
S1074-1	56 -43
S1074-1	56A-52
S1078-1	1 - 7
S1078-2	1 - 8
S1078-3	1 - 9
S1084-1	1 -23
S1090-11	135 -48
S1090-2	135 -48
S1090-22	135 -19
S1090-23	135 -19
S1091-1	135 -19
S1091-5	135 -48
S1093-1	9 -47
S1095-3	27 - 1
S1104-3	71 -18
S1104-3	71 -32
S1104-3	72 -18

PART NUMBER	FIGURE AND INDEX NO.
S1104-3	72 -29
S1106-3	39 -38
S1106-3	40 -40
S1106-3	103 -50
S1106-3	104 -20
S1106-4	40 -39
S11065-21	34 -43
S1110ET	1 -24
S1110ET19.5	90 -36
S1110ET19.5	91 -39
S1115-1	51 -14B
S1115-1	134 -55
S1115-10	26 -31A
S1115-10	26 -32A
S1115-10	135 -39
S1115-19	22 -22
S1115-19	22 -23
S1115-19	25A-10
S1115-19	26 - 5A
S1115-19	26 - 7A
S1115-19	26 - 8A
S1115-19	134 -64
S1115-30	26 -31A
S1115-32	26 -32A
S1115-9	26 -31A
S1115-9	26 -31A
S1115-9	26 -32A
S1115-9	51 -14B
S1115-9	134 -55
S1115-9	135 -39
S1115-9	135 -42
S1116	1 -43
S1116-1	44 -34
S1116-1	44 -34
S1116-1	44 -34C
S1116-1	44A-67
S1116-1	45 -30B
S1116-1	45 -30C
S1116-1	45 -30C
S1116-1	45A-58
S1116-1	47 -14C
S1117-24	37 - 5
S1127-6	80 -21
S1127-6-10	74 -47
S1127-8	80 -36
S1127-8	115 -58
S1127-8	79 -57
S1127-8-6	74 -49
S1127-8-6.00	109 -13
S1130-1	5 -55E
S1130-1	108 - 6
S1130-1	108 - 8
S1130-1	108 -10
S1130-1	108 -13
S1130-1	108 -15
S1130-1	108 -18
S1130-1	108 -31
S1130-1	108 -35
S1130-1	108 -40
S1130-1	108 -41
S1130-1	108 -45
S1130-1	108 -46
S1130-1	108 -55
S1130-1	108 -63
S1130-1	108 -69
S1130-1	108A- 7
S1130-3	132 - 9
S1130-3	132 -13
S1130-3	132 -23
S1130-3	132 -35
S1130-3	132 -41
S1130-3	132 -45
S1130-4	89B- 4
S1130-4	89B- 8

PART NUMBER	FIGURE AND INDEX NO.
S1130-4	89B-11
S1130-4	132 - 3
S1131-1	5 -55E
S1131-1	108 - 6
S1131-1	108 - 8
S1131-1	108 -10
S1131-1	108 -13
S1131-1	108 -15
S1131-1	108 -18
S1131-1	108 -31
S1131-1	108 -35
S1131-1	108 -40
S1131-1	108 -41
S1131-1	108 -45
S1131-1	108 -46
S1131-1	108 -55
S1131-1	108 -63
S1131-1	108 -69
S1131-1	108A- 7
S1131-3	132 - 9
S1131-3	132 -13
S1131-3	132 -23
S1131-3	132 -35
S1131-3	132 -41
S1131-3	132 -45
S1131-4	89B- 4
S1131-4	132 - 3
S1132-1	108 -15
S1132-3	132 - 9
S1133-1	5 -55F
S1133-1	108 -12
S1133-1	108 -42
S1133-1	108 -47
S1133-2	108 -23
S1133-6	132 - 5
S1134-1	108 -10
S1134-1	108 -13
S1134-4	89B- 5
S1134-4	89B-13
S1135-1	108 - 8
S1135-1	108 -70
S1135-1	108A- 5
S1135-6	89B- 3
S1137-1	108 -38
S1137-1	108 -44
S1137-3	132 -39
S1138-1	108 - 6
S1138-1	108 -68
S1138-1	108A-10
S1138-5	132 -16
S1139-1	108 - 5
S1139-1	108A- 8
S1139-5	132 -31
S1153-1	93 -40
S1153-1	132 -38
S1154-1	3 -63
S1154-1	16 -34
S1154-1	20 -37
S1154-1	20A- 9
S1154-1	29 - 3
S1154-1	29 - 5
S1154-1	29 - 8
S1154-1	92 -34
S1155-3	112 - 4
S1155-4	3 -64
S1155-4	108 -40
S1155-4	134 -70A
S1155-4	134 -70D
S1155-6	132 -38
S1155-6	132 -48
S1166-1	25 -69
S1167-3-*	122 -22
S1167-3-*	122 -31
S1167-4-0324	116 -17

PART NUMBER	FIGURE AND INDEX NO.
S1167-8	109 -12
S1167-8-0240	79 -47
S1167C4-0095	122 - 9
S1167C4-0122	122 -10
S1167C8-0290	79 -47
S1168-2-13	71 -46
S1168-2-13	72 -49
S1193-1	10 -11
S1213-1	93 -46
S1216-3	64 -17
S1216-3	64 -31
S1216-4	58A-98B
S1216-4	59A-12
S1221A6-68	58 -49
S1221A6-68	58A-49
S1223-4	71 -27
S1232-30	58A-98C
S1232-30	58B-95C
S1232-30	58C-93B
S1232-30	58D-91C
S1236-4-0042	125 -23
S1236-4-0100	113 - 7
S1236-4-0100	112 -24
S1236-4-0110	125 -25
S1236-4-0140	124 -10
S1236-4-0150	116 -33
S1236-4-0150	124 - 7
S1236-4-0234	113 - 4
S1236-4-0234	113 -15
S1236-4-0234	112 -23A
S1236-4-0280	112 -20
S1236-4-0280	113 - 4
S1236-4-0290	79 -26
S1236-4-0290	113 -60
S1236-4-0310	79 -25
S1236-4-0310	80 -10
S1236-4-0380	113 -17
S1236-4-0415	79 -26
S1236-4-0415	113 -19
S1236-4-29.00	109 -15
S1236-6-0094	115 -60
S1236-6-0120	80 -44
S1236-6-0550	80 -17
S1236-6-094	80 -44
S1236-8-0110	111 -41
S1236-8-0160	115 -11
S1236-8-0174	116 -16
S1236C-3-0090	72 -45A
S1236C3-0080	112 -30
S1236C3-0112	73 -18
S1236C3-0184	72 -55A
S1236C3-0350	72 -50A
S1236C3-0350	73 -24
S1236C4-0067	124 -12
S1236C4-0074	125 -12
S1236C4-15.0	109 -19
S1241-33	58 -41
S1241-33	58A-41
S1241-33	58B-88
S1241-33	58C-91D
S1241-33	58D-89B
S1241-34	58 -43
S1241-34	58A-43
S1241-34	58B-89
S1241-34	58C-91E
S1241-34	58D-89C
S1241-35	58 -40
S1241-35	58A-40
S1241-35	58B-87
S1241-35	58C-91C
S1241-35	58D-89A
S1244-27	87 -11
S1244-28	87 -10
S1244-5	87 -10

PART NUMBER	FIGURE AND INDEX NO.
S1258-1	108 -32
S1268-14	58 -39
S1268-14	58A-39
S1268-14	58B-86
S1268-14	58C-31A
S1268-14	58D-89
S1278-4-0067	125 -15
S1284-1	59 -29
S1291-16	6 - 9
S1291-16	6 -11
S1291-16	6 -13
S1291-16	6 -15
S1291-16	6 -17
S1291-9	132 - 6
S1303N2	58A-16
S1303N2	58B-67
S1303N2	58C-78
S1303N2	58D-85
S1305-10	58 -25
S1305-11	58 -25
S1305N10	58A-25
S1305N11	58A-25
S1317N2	58 -19
S1317N2	58A-19
S1346-1	1 -25
S1356	1 -44
S1357-3	62 -41
S1358-1	95 -19
S1359-8	47 - 5
S1359-9	47 - 5A
S1360-10L	59 -18
S1360-10L	59 -19
S1360-10L	59 -20
S1360-10L	59 -21
S1360-10L	59 -22
S1360-10L	59 -27
S1360-15L	59 -23
S1360-15L	59 -24
S1360-15L	59 -25
S1360-15L	59A-17
S1360-20L	59 -25
S1360-5	59 -13
S1360-5	59 -14
S1360-5	59 -15
S1360-5	59 -16
S1360-5L	58D-91D
S1360-5L	59 -18
S1360-5L	59 -19
S1360-5L	59 -20
S1360-5L	59 -22
S1360-5L	59 -27
S1360-5L	59A-18
S1360-5L	59A-21
S1360-5L	59A-23
S1360-5L	59A-24
S1360-5L	59A-26
S1360-5L	59A-27
S1360-5L	59A-28
S1360-5L	59A-29
S1360-5L	59A-30
S1360-8L	59 -17
S1360-8L	59 -21
S1360-8L	59 -23
S1360-8L	59 -24
S1360-8L	59A-19
S1360-8L	59A-20
S1360-8L	59A-22
S1360-8L	59A-25
S1362-12	50 - 9
S1362-12	50 -10A
S1362-25	49 -30
S1366-1	1 -26
S1366-2	1 -26
S1366-3	1 -26

PART NUMBER	FIGURE AND INDEX NO.
S1372-1	73 -23
S1372-1	74 -33
S1377-1	41 -22
S1377-1	42 -42
S1377-1	43 -27
S1377-1	122 -44
S1377-1	122A-36
S1378-1	1 -27
S1378-2	1 -27
S1389-1	1 -28
S1389-1	25 -50
S1389-2	1 -28
S1389-2	28 - 2
S1389-3	1 -28
S1389-3	28 - 3
S1389-4	1 -28
S1389-5	1 -28
S1389-6	1 -28
S1389-7	1 -28
S1389-7	28 - 4
S1392N2	58 -22
S1392N2	58A-22
S1397-4	2 - 1
S1398-1	1 -29
S1398-1	134 -27
S1398-2	1 -30
S1398-2	134 -28
S1399-1	90 -33
S1399-1	91 -32
S1413N1	58 -16
S1413N1	58 -16
S1413N1	58A-16
S1413N2	58A-16
S1414N1	58 -20
S1414N1	58A-20
S1414N1	99 -55
S1415-1	1 -31
S1426-1	63 - 3
S1438-2	44A-65
S1438-2	93 -15
S1441-1	1 -32
S1441-2	1 -32
S1441-2	44 -34A
S1441-2	44 -34B
S1441-2	44A-68
S1441-2	45 -30
S1441-2	45 -30A
S1441-2	45A-59
S1441-3	1 -32
S1450-1A8-032	89A-38
S1450-1A8-032	89A-51
S1450-12-24-017	127 - 7
S1450-2-10-032	135 -26
S1450-3-10-032	71 -20A
S1450-3-10-032	71 -39
S1450-3-10-032	72 -23A
S1450-3-10-032	72 -26
S1450-3-10-032	103 -27
S1450-3-10-032	107A-58
S1450-3-8-0190	49 -30
S1450-3A14-050	64 - 7B
S1450-3A8-032	58B-55A
S1450-3A8-032	58C-64
S1450-3A8-032	58D-70
S1450-3A8-032	107 -25
S1450-355-016	117 -32
S1450-355-016	120 -18
S1450-4-12-028	53A-19A
S1450-4A11-063	64 - 2
S1450-5-14-063	62 -24
S1450-5A15-050	98 - 2
S1450-5H14-040	138 -12
S1450-5H14-063	138 - 3
S1450-6-14-080	138 -10

PART NUMBER	FIGURE AND INDEX NO.
S1450-6-18-063	126A-29
S1450-9-12-006	107 -20
S1481-1	108 -34
S1481-3	132 -24
S1483-2	44 -52
S1485D10L	115 -54
S1485D16U	89 -27A
S1485D16U	89A-22
S1485D3U	90 -25
S1485D3U	91 -25
S1485D36L	71 -41A
S1485D36L	72 -34
S1485D36L	73 -27
S1486DG11U	80 -18
S1486DG13U	79 -33
S1486DG13U	79 -49
S1486DG26U	108 -33
S1486DG4L	73 - 8
S1486DG5U	133 -26
S1486DG6U	132 -11
S1486DG7U	79 -30
S1486DG7U	79 -30A
S1486DG7U	80 -11
S1486DG8U	71 -30
S1488-1	135 -53
S1494-6	98 -22
S1494-9	99 -21
S1494-9	99A-11
S1495-10	1 -33
S1495-10	115A- 6
S1495-10	115A- 7
S1495-10	115A-19
S1495-10	115A-23
S1495-4	1 -33
S1495-4	99 -56
S1495-4	99 -57
S1495-4	99A-22
S1495-4	99A-23
S1495-4	99A-50
S1495-4	99A-51
S1495-4	113 -48
S1495-4	114 - 5
S1495-4	114 - 6
S1495-4	114 -27
S1495-4	114 -28
S1495-4	114A- 7
S1495-4	114A- 8
S1495-4	114A- 8A
S1495-6	1 -33
S1495-6	80 -30
S1495-6	99 -14
S1495-6	99 -15
S1495-6	99 -16
S1495-6	99 -17
S1495-6	99 -18
S1495-6	99 -19
S1495-6	99A-10
S1495-6	114 - 7
S1495-6	114 - 8
S1495-6	114 - 9
S1495-6	114 -10
S1495-6	114 -32
S1495-6	114 -33
S1495-6	114 -34
S1495-6	114 -35
S1495-6	114A- 3
S1495-6	114A- 3A
S1495-6	114A- 4
S1495-6	114A- 4
S1495-6	114A- 5
S1495-6	114A- 5A
S1495-6	114A- 6
S1495-6	114A-29
S1495-6	135 -59

PART NUMBER	FIGURE AND INDEX NO.
S1495-6	115 -10
S1495-8	1 -33
S1495-8	80 -33
S1495-8	80 -35
S1495-8	80 -38
S1495-8	115 -13
S1495-8	115 -56
S1495-8	115 -64
S1495-8	132 -60
S1495-8	115 -15
S1495-8	115 -28
S1495-8	115 -44
S1495-8	115 -45
S1495-8	115 -46
S1495-8	115 -66
S1495-8	115 -12
S1495-8	115 -14
S1495-8	115 -43
S1496-8	80 -39
S1496-8	115 -19
S1496-8A	115 -18
S1497-10	115A-15
S1497-4	99 -58
S1497-4	99A-25
S1497-4	99A-52
S1497-4	114 -22
S1497-4	114 -31
S1497-4	114A-11
S1497-6	80 -30
S1497-6	99 -20
S1497-6	99A-31
S1497-6	114 -23
S1497-6	114A-10
S1497-6	114A-10
S1497-6	115 -27
S1497-8	115 -26
S1498-1	53A- 9
S1498-1	55 - 9
S1505-3	138 -17
S1517-10	110 -19
S1520-1	134 -62
S1529-1	134 - 3
S1544-1	134 -48
S1551-1	40 -10B
S1570-8-12	64 -13
S1571-8-10	64 -10
S1571-8-6	64 -14
S1573-3	110 -15
S1577-1	135 -21
S1577-1	135 -45
S1579-2	135 - 8
S1580-1	135 - 8
S1588-1	6 -30
S1588-2	6 -26
S1588-2	6 -30
S1589-3	69 -41
S1589-3	70 -45
S1589-3	70 -45
S1589-3	70A-50
S1589-3	70A-51
S1590-2	7 -18
S1590-3A	7 -18
S1590-4A	16 -60
S1590-4A	116 -60
S1592-1A	108 -18
S1592-2A	98 -18
S1592-2A	109 -44A
S1592-2A	3 -41
S1592-2A	3 -41
S1592-3A	16 -63
S1592-3A	109 -32
S1592-3A	109 -44
S1596-10	59 -17
S1596-60L	59 -26

PART NUMBER	FIGURE AND INDEX NO.
S1596-60L	59A-16
S1597-1-30.8	73 -52
S1597-1-30.8	74 -24
S1597-1-30.8	75 -12
S1597-1-30.8	76 -13
S1603-1-21-26	135A-21
S1604-4	80 - 6
S1604-6	79 - 2
S1605-8	71 -42
S1605-8	72 -68
S1611-1	1 -34
S1613-3-75	44 -57
S1614	1 -45
S1614-1	80 -23
S1614-1	80 -37
S1614-1	115 -59
S1628-011	119A- 6
S1628-011	128 - 4
S1628-011	130A-15
S1628-011	130B-14
S1628-011	130D-16
S1628-012	118A-58
S1628-012	118A-60
S1628-012	130D-14
S1628-013	127 -26
S1628-014	119A-22
S1628-020	131B- 9
S1628-110	129 - 2
S1628-111	119A-25
S1628-111	128 -11
S1628-111	130A-20
S1628-111	130B-19
S1628-111	130D-11
S1628-112	126A-10
S1628-112	130B-22
S1628-112	36 - 5B
S1628-112	36 - 7B
S1628-113	130A-13
S1628-113	130B-12
S1628-114	120A- 6
S1628-114	126A- 5
S1628-116	129 - 9
S1628-129	118A-50
S1628-130	118A-51
S1628-137	127 -25
S1628-210	131B- 6
S1628-214	127 -27
S1628-329	34 -44
S1635-1	1 -35
S1635-2	1 -35
S1635-2	103 -31
S1635-3	1 -35
S1636-1	1 -36
S1636-2	1 -36
S1636-3	1 -36
S1637-1	1 -37
S1637-2	1 -38
S1638-1	1 -39
S1638-1	140 - 8
S1638-2	1 -40
S1638-2	103 -31
S1638-2	140 -18
S1638-2	140 -18C
S1640-12	1 -41
S1640-15	1 -41
S1640-6	1 -41
S1640-6	135 -23F
S1640-9	1 -41
S1641-12	1 -42
S1641-15	1 -42
S1641-6	1 -42
S1641-6	135 -33
S1641-9	1 -42
S1648-0K75	12 -30

PART NUMBER	FIGURE AND INDEX NO.
S1648-06K75	3 -69
S1648-06K75	3 -70
S1648-06K75	12 -31
S1660-1	135 -45
S1668-1	58 -81
S1672-1	3 -36
S1672-2	3 -36
S1672-3	3 -36
S1674-1	93 -24
S1675-1	93 -25
S1693-1	43 -48
S1693-1	96 -20
S1693-1	96A-14
S1693-1	114A- 8B
S1693-1	114A-17
S1693-1	123 -17
S1693-1	123A- 9
S1693-2	6 -
S1693-2	40 -48
S1693-2	71 -64
S1693-2	72 -69
S1693-2	89 -41
S1693-2	89A-11
S1693-2	89A-29
S1693-2	89A-32
S1693-2	96 -21
S1693-2	96A-15
S1693-2	99 -48
S1693-2	99A-24
S1693-2	99A-54
S1693-2	114A- 3B
S1693-2	114A- 5B
S1693-2	114A-30
S1693-2	132 -61
S1693-2	135 -10
S1693-2	135 -21
S1693-2	135 -54
S1693-2	135 -58
S1693-2	115 -22
S1693-3	89 -25
S1693-3	102 -34A
S1693-3	102A-19
S1693-3	114A-26
S1693-4	89A-19
S1693-4	89A-21
S1693-4	89A-27
S1695-1	58B-57
S1695-2	58C-68
S1695-2	58D-75
S1695-2	96A-32
S1695-2	96B-37
S1704-1	55 -78
S1710-1	43A-39
S1710-1	92 -57
S1710-1	103 -75
S1711-1	113 -30
S1713-1	2 -38
S1714-1	2 -37
S1721-3	134 -50
S1721-55	134 -51
S1722-15	134 -47
S1723-5	134 -41
S1724-1	134 -49
S1728-1	89 -29
S1741-1	16 -53
S1741-3	16 -60
S1743-2	92 - 3
S1746AA17	57A-30
S1746AA17	57 -26
S1746AA25	56 -64
S1746AA25	56A-73
S1746A17	57 -26
S1746A25	56 -64
S1746B817	57A-30

PART NUMBER	FIGURE AND INDEX NO.
S1746B825	56A-73
S1746B17	57 -26
S1746B17	57A-30
S1746B17	57 -26
S1746B17	57 -26
S1746B17	57 -26
S1746B2	53 -67
S1746B2	54 -94A
S1746B25	56 -64
S1746B25	56 -64
S1746B25	56 -64
S1746B25	56 -64
S1746B25	56A-73
S1746CC17	57A-30
S1746CC25	56A-73
S1746C17	57 -26
S1746C25	56 -64
S1746DD17	57A-30
S1746DD25	56A-73
S1746F17	57 -26
S1746F25	56 -64
S1746G17	57 -26
S1746G25	56 -64
S1746H17	57 -26
S1746H25	56 -64
S1746L17	57 -26
S1746L25	56 -64
S1746T17	57 -26
S1746T17	57A-30
S1746T2	53 -67
S1746T2	54 -94A
S1746T25	56 -64
S1746T25	56A-73
S1746U17	57 -26
S1746U25	56 -64
S1746V17	57 -26
S1746V2	53 -67
S1746V2	54 -94A
S1746V25	56 -64
S1746W17	57 -26
S1746W17	57 -26
S1746W17	57 -26
S1746W2	53 -67
S1746W2	54 -94A
S1746W25	56 -64
S1746W25	56 -64
S1746W25	56 -64
S1746Y17	57 -26
S1746Y2	53 -67
S1746Y2	54 -94A
S1746Y25	56 -64
S1746Z17	57 -26
S1746Z25	56 -64
S1760-1	99 - 5
S1760-1	99 - 34
S1760-1	99A- 5
S1760-1	99A-36
S1762-1	50 - 3
S1768-2	117 -36
S1771-1	104 - 3
S1776-6	5 -55G
S1791-1	99 - 4
S1791-1	99 -33
S1791-1	99A- 4
S1791-1	99A-35
S1793-1	99 -23
S1793-1	99 -49
S1793-1	99A-18
S1793-1	99A-46
S1793-2	99 -22
S1793-2	99A-24A
S1793-2	114A-32

PART NUMBER	FIGURE AND INDEX NO.
S1794-1	98 -21
S1794-1	99 -29
S1794-1	99 -50
S1794-1	99A-15
S1794-1	99A-43
S1800-1	99 - 7
S1800-1	99 - 8
S1800-1	99 - 9
S1800-1	99 -10
S1800-1	99 -11
S1800-1	99 -12
S1800-1	99 -13
S1800-1	99 -24
S1800-1	99 -36
S1800-1	99 -37
S1800-1	99 -38
S1800-1	99 -39
S1800-1	99 -40
S1800-1	99 -41
S1800-1	99 -42
S1800-1	99 -43
S1800-1	99 -44
S1800-1	99 -45
S1800-1	99 -46
S1800-1	99A- 6
S1800-1	99A- 7
S1800-1	99A-12
S1800-1	99A-13
S1800-1	99A-14
S1800-1	99A-16
S1800-1	99A-17
S1800-1	99A-19
S1800-1	99A-20
S1800-1	99A-21
S1800-1	99A-37
S1800-1	99A-38
S1800-1	99A-41
S1800-1	99A-42
S1800-1	99A-44
S1800-1	99A-45
S1800-1	99A-47
S1800-1	99A-48
S1800-1	99A-49
S1803-1	5 -55C
S1807-1	135 -21
S1807-1	135 -54
S1807-2	135 -10
S1807-2	135 -21
S1809-2	63 - 2
S1810-1000	92 - 5
S1819-3	103 -44
S1819-3	103 -63
S1819-3	128 - 1
S1819-4	97 -20
S1825-1	5 -55C
S1825-1	5 -55D
S1826-1	5 -55D
S1827-1	34 -24
S1831-1	135 -28
S1831-1	135 -28A
S1831-1	139 -12
S1843-1	60 -11
S1843-2	59 - 7
S1844-1-2	59 -30
S1845-1-2	59 - 5
S1845-1-2	59 - 5
S1845-1-2	59 - 5
S1845-2-2	59 - 4
S1846-1-2	59 - 2
S1846-1-3	59 - 6
S1846-2-3	59 -31
S1846-3-2	59A- 2
S1847-2-2	59 - 3
S1847-2-2	60 -11

PART NUMBER	FIGURE AND INDEX NO.
S1854-1	115 -17
S1855-1	132 -55
S1856-1	135A- 2
S1860-2A	5 -75C
S1862-1	47 -14B
S1862-2	21A- 8A
S1862-2	21B- 9
S1862-2A	24 -75
S1862-2A	26 -21
S1862-5A	44 -28
S1863-2	18 -12
S1863-2	20 -14F
S1863-2	20A-22
S1863-2	30 -25
S1863-2	47 -14
S1863-2	47 -14A
S1863-3	3 -13
S1863-3	3 -13
S1863-3	5 -11
S1863-3	17 -99A
S1863-3	17A-90C
S1863-3	24 -49
S1863-3	24 -79
S1863-3	26 -49
S1863-3A	24 - 2
S1863-3A	24 -76
S1863-3A	29 -21
S1863-3A	29 -35
S1867-1	32 -31
S1874-1C	61 -11
S1891-20	89 -15
S1891-20	89 -19
S1891-20	89A-30
S1891-20	89A-33
S1891-64	78 -30
S1891-8	115 -23
S1893-1	135 -28A
S1894-1	96 -18
S1894-2	59A-33
S1894-2	58B-78
S1894-2	58C-90
S1894-2	58D-88D
S1894-3	58 -33
S1894-3	58A-33
S1894-4	60A- 7
S1894-4	60B- 8
S1894-4	60C-12
S1894-4	60D-12
S1895-1	61 - 4
S1898-1	53A-10A
S1898-1	55 -10A
S1898-1	56A-10
S1898-1	58 - 2
S1898-1	58 - 5
S1898-1	58A- 2
S1898-1	59A- 5
S1898-1	60 - 2
S1898-1	60 - 7
S1898-3	58 - 2
S1898-3	58 - 5
S1898-3	58A- 2
S1898-3	58A- 5
S1898-3	60 - 2
S1898-3	60 - 7
S1899-1	60 - 5
S1899-1	60 - 9
S1899-1	60 -14
S1899-1G	60 - 5
S1899-1G	60 - 9
S1899-2	60 -13
S1899-2	60 -13
S1899-3	60A- 2
S1899-3	60A- 5
S1899-3G	60A- 2

PART NUMBER	FIGURE AND INDEX NO.
S1899-3G	60A- 5
S1899-6G	136 - 7
S1899-8G	136 - 7
S1901	137 -20
S1901-1	137 -15
S1901-1	137 -20
S1904-2	59A-15
S1904-3	59 -10
S1904-3	59A-15
S1906-1	103 -85
S1906-1	104 -16
S1906-2	103 -85
S1910-2	137 -10
S1910-2	137 -17
S1914-8	53 -27F
S1914-8	53A-26E
S1914-8	53A-60
S1914-8	54 -40F
S1914-8	54 -92
S1914-8	55 -81
S1914-8	55 -88C
S1914-8	56 -21F
S1914-8	56 -56
S1914-8	56A-28
S1914-8	56A-65
S1917-1	58A-84C
S1917-1	58A-87
S1917-1	58B-27
S1917-1	58C-29
S1917-1	58D-12
S1926-1	132 -81
S1929-1	17 -80
S1929-1	17A-85
S1931-8	47 - 7
S1933-1	49 - 2C
S1933-1	49 - 2C
S1933-1	49 - 2C
S1938-1	13 -68
S1938-3	13 -68
S1948-2-1	1 -51
S1948-2-10	1 -51
S1948-2-11	1 -51
S1948-2-12	1 -51
S1948-2-13	1 -51
S1948-2-14	1 -51
S1948-2-15	1 -51
S1948-2-16	1 -51
S1948-2-17	1 -51
S1948-2-18	1 -51
S1948-2-19	1 -51
S1948-2-2	1 -51
S1948-2-20	1 -51
S1948-2-3	1 -51
S1948-2-4	1 -51
S1948-2-5	1 -51
S1948-2-6	1 -51
S1948-2-7	1 -51
S1948-2-8	1 -51
S1948-2-9	1 -51
S1953-1	134 -21
S1953-3	134 -22
S1956-3	23 -11
S1957-2	49 - 4
S1957-2	50 -14B
S1957-2	53 -11
S1957-2	54 -11
S1957-2	56 -11
S1960-1-0	96B-21
S1962-1-0	96B-20
S1972-2	137 - 4
S1974-1	112 - 2
S1978-4	18 -28
S1980-1	59 -10
S1980-1	59A-15



PART NUMBER	FIGURE AND INDEX NO.
S1981-1	57 -14E
S1981-1	57A-20
S1981-5	108 -61
S1982-1	58 -44
S1982-1	58A-44
S1982-1	58B-90
S1982-1	58C-92
S1982-1	58D-90
S1985-1	96 -12
S1985-1	96A-19
S1985-1	96B-25
S1988-1	115 - 7
S1988-2	115 - 7
S1991-1	135 -21
S1994-1-1	59 - 1
S1994-1-1	59A- 1
S1995-1	59 - 9
S1995-4	59 -33
S1995-4	59A-14
S1997-12-8	127 - 6
S1997C7-8	127 -22
S1999-1	124 -21
S2007-1	6 -34
S2008-1	59 - 9
S2009-3	128 -13
S2010-3	95 -10
S2011-1	37 -37
S2012-1	37 -43
S2012-2	37 -49
S2013-1	37 -42
S2013-2	43A- 9
S2013-2	53 -39A
S2013-2	53A-38A
S2013-2	54 -32A
S2013-2	54 -64A
S2013-2	55 -34
S2013-2	55 -59
S2013-2	56 -31A
S2013-2	56A-40
S2013-2	102C-32
S2014-1	37 -50
S2014-2	43A- 8
S2014-2	53 -39A
S2014-2	53A-38A
S2014-2	54 -32A
S2014-2	54 -64A
S2014-2	55 -34
S2014-2	55 -59
S2014-2	56 -31A
S2014-2	56A-40
S2014-2	102C-33
S2016-2	49 -11A
S2018-2	21 -39
S2019-10	131A-13
S2019-17	130C-13
S2019-19	130A-21
S2019-23	118A-64
S2019-25	120A-33
S2019-26	130B-20
S2019-29	130D- 2
S2019-32	118A-64
S2019-34	118A-64
S2019-41	126A-19
S2019-42	118A-64
S2019-6	116 -29G
S2019-7	126A-19
S2019-9	131 -11
S202R	85 -51
S202R	85 -52
S202R	86A-13
S202R	86A-26
S202RB	1 -16
S202RB	73 -44
S202RB	73 -44

PART NUMBER	FIGURE AND INDEX NO.
S202RB	73 -44
S202RB	73 -45
S202RB	73 -49
S202RB	85A-29
S202RB	85A-30
S202RB	86 -43
S202RB	86 -43
S202RB	86 -52
S202RB	86 -53
S202RB	86 -54
S202RB	85A-87A
S202RB	85A-90C
S202RB	85A-91C
S202RB	85A-91C
S202RB	85A-87B
S202RB	85A-90D
S202RB	85A-91C
S202VW	1 -16
S2020-1	5 -49
S2020-1	109 -30
S2020-1	8 - 1
S2029-1	62A- 1
S2029-5	62A- 2
S2029-7	62A- 3
S2030-1	96A-21
S2030-1	96B-27
S2031-3	19 - 5
S2031-3	21 -44
S2034-1	6 -
S2034-1	21A-11
S2034-1	21B-12
S2034-1	89A-21
S2043-1	108 -43B
S2055-1	59A- 2
S2055-1-1	59 - 2
S2059-3	118A-56
S2059-3	119A-26
S2059-3	130D- 5
S2060-2	120 - 2
S2060-2	120A-30
S2070AA103	55 -91
S2070AA103	55 -91
S2070AA103	53A-61
S2070AA103	53A-61
S2070AA105	56 -64
S2070AA105	56A-73
S2070AA106	57A-30
S2070AA106	57 -26
S2070AA201	62A- 7
S2070AA201	62A-18
S2070A103	54 -94A
S2070A103	53 -67
S2070A105	56 -64
S2070A106	57 -26
S2070A201	62A- 7
S2070B103	55 -91
S2070B103	53A-61
S2070B103	53A-61
S2070B105	56 -64
S2070B105	56 -64
S2070B105	56 -64
S2070B105	56A-73
S2070B106	57A-30
S2070B106	57 -26

PART NUMBER	FIGURE AND INDEX NO.
S2070B106	57 -26
S2070B106	57 -26
S2070B201	62A- 7
S2070B201	62A- 7
S2070B201	62A- 7
S2070B201	62A-18
S2070CC103	55 -91
S2070CC103	53A-61
S2070CC105	56A-73
S2070CC106	57A-30
S2070CC201	62A-18
S2070C103	54 -94A
S2070C103	53 -67
S2070C105	56 -64
S2070C106	57 -26
S2070C201	62A- 7
S2070DD103	55 -91
S2070DD103	53A-61
S2070DD105	56A-73
S2070DD106	57A-30
S2070DD201	62A-18
S2070F103	54 -94A
S2070F103	53 -67
S2070F105	56 -64
S2070F106	57 -26
S2070F201	62A- 7
S2070G103	54 -94A
S2070G103	53 -67
S2070G105	56 -64
S2070G106	57 -26
S2070G201	62A- 7
S2070H103	54 -94A
S2070H103	53 -67
S2070H105	56 -64
S2070H106	57 -26
S2070H201	62A- 7
S2070L103	54 -94A
S2070L103	53 -67
S2070L103	56 -64
S2070L105	57 -26
S2070L106	57 -26
S2070L201	62A- 7
S2070T103	55 -91
S2070T103	53A-61
S2070T105	56A-73
S2070T106	57A-30
S2070T201	62A-18
S2070U103	55 -91
S2070U103	53A-61
S2070U105	56 -64
S2070U106	57 -26
S2070U201	62A- 7
S2070W103	54 -94A
S2070W103	54 -94A
S2070W103	55 -91
S2070W103	53 -67
S2070W103	53 -67
S2070W103	53A-61
S2070W105	56 -64
S2070W105	56 -64
S2070W105	56 -64
S2070W106	57 -26
S2070W106	57 -26
S2070W201	62A- 7
S2070W201	62A- 7
S2070Z103	55 -91
S2070Z103	53A-61
S2070Z105	56 -64
S2070Z106	57 -26
S2070Z201	62A- 7
S2071-1	108 -64
S2071-2	132 - 2
S2074-1	62A-10



PART NUMBER	FIGURE AND INDEX NO.
S2074-1	62A-20
S2076-1	62A-12
S2077-6	135 -23D
S2077-7	135 -23E
S2080-1	62A-15
S2081-1	62A-13
S2081-1	62A-16
S2081-2	62A-14
S2081-2	62A-16
S2081-4	62A-15
S2081-5	62A-15
S2087-1	26 -56
S2091-1	59 -33
S2091-3	59 -33
S2091-3	59A-14
S2092-10	1 -50
S2092-10C	96A-37
S2092-10	96B-45
S2092-3	1 -49
S2092-3	58C-49
S2092-3	58C-59
S2092-3	58C-84
S2092-3	58D-54
S2092-3	58D-64
S2092-3	60C- 7
S2092-3	60C-11
S2092-3	60D- 7
S2092-3	60D-11
S2092-3	96A-36
S2092-3	96B-44
S2092-4	1 -50
S2092-4	51 -13
S2092-4	58C-15
S2092-4	58C-15A
S2092-4	58C-42
S2092-4	58C-42A
S2092-4	58D-32
S2092-4	58D-48
S2092-7	1 -49
S2092-7	136 - 8A
S2092-8	1 -50
S2092-8	48 -13C
S2093-1	96A-26
S2093-3	99A-59
S2095-2	104 -27
S2104-1	47 -21
S2107-1	8 - 2
S2108-1	1 -53
S2108-1	44 -46
S2108-1	45 -30D
S2108-1	51 -14K
S2108-1	51 -15
S2108-1	136 - 8B
S2108-1	136 - 8C
S2108-2	1 -53
S2108-3	1 -53
S2108-4	1 -53
S2108-4	44A-69
S2119-1	112 - 2
S2121-5	118A- 2
S2121-5	119A- 2
S2121-5	119A-18
S2122-1	580-91D
S2122-1	59 -17
S2122-1	59 -23
S2122-1	59A-30
S2122-2	59 -17
S2122-2	59 -23
S2135-2	58A-98D
S2135-2	58B-94
S2135-2	58C-93A
S2135-2	58D-91B
S2160-1	59A- 4
S2160-1	59A- 5

PART NUMBER	FIGURE AND INDEX NO.
S2160-1	59A- 6
S2160-1	59A- 7
S2160-1	59A- 8
S2160-1	59A- 9
S2160-2	59A- 3
S2161-1	59A- 3
S2161-1	59A- 4
S2161-1	59A- 6
S2161-1	59A- 7
S2175-6	99A- 9
S2175-6	99A-40
S2175-6	114A-18
S2178-3-0122	122A-30
S2178-3-0144	122A-22
S2178-3-0170	92 - 5A
S2178-3-0174	92 - 5B
S2178-4-0067	124 -12
S2178-4-0074	125 -12
S2178-4-0082	124 - 7
S2178-4-0095	122A- 9
S2178-4-0120	125 -25
S2178-4-0126	122A-10
S2178-4-0130	125 -23
S2178-4-0140	124 -10
S2191-8-4	32 -16
S2195-1	1 -54
S2195-1	89A-33
S2195-2	1 -54
S2199-3	62B- 1
S2199-4	62B- 2
S2202-3	43A-20
S2209-2	96B-14
S225-3	10 -13
S225-4	3 -20
S225-4F	3 -61
S225-5	24 -63
S225-6	24 -14
S225-7	24 -90
S225-8	9 -39
S226-5F	4 -76
S226-5F	5 -54
S237-4	10 -12
S237-6	9 -38
S272-5	118A-27
S272-5	118A-38
S272-5	130 -13
S272-5	130A- 7
S272-5	130B- 7
S272-5	130C-12
S272-5	130D-17
S272-5	131 -10
S272-5	131A-12
S272-8	116 -29H
S272-8	119A- 7
S272-9	130 -12
S272-9	130A- 6
S272-9	130B- 6
S272-9	131 - 9
S272-9	131A-11
S290-1032	3 -54
S290-1032	3 -58
S290-1032	15 -20
S290-832	3 -59
S292-1	1 -17
S292-1	135 -34
S292-11	1 -17
S292-12	1 -17
S292-12	109 -41
S292-12	109 -53
S292-12	109 -58
S292-13	109 -37
S292-13	109 -49
S292-14	1 -17
S292-15	92 - 5C

PART NUMBER	FIGURE AND INDEX NO.
S292-15	111 -44
S292-16	1 -17
S292-2	1 -17
S292-28	1 -17
S292-3	1 -17
S292-4	1 -17
S292-5	1 -17
S292-6	1 -17
S292-8	1 -17
S329	24 -25
S329	24 -25
S338-9	100 -23
S338-9	105 -13
S339-3	100 -23
S339-3	105 -13
S350	6 -30
S352	27 - 4
S352	27 - 8
S353-6	27 -12
S354-1	27 - 6
S354-1	27 -10
S354-1	27 -14
S354-3	132 -56
S378-1	43A-12
S378-1	92 -50
S378-1	101 -31
S378-1	101 -55
S378-1	106 -11
S378-1	106 -30
S378-1L	98 -13
S378-1L	101 -25
S378-1L	101 -54
S378-1L	102 -44
S378-2	100 -63
S378-3	101 -34
S378-3	101 -46
S378-4	97 -41
S378-4	100 - 7
S378-4	100 -11
S378-4	100 -15
S378-4	100 -18
S378-4	100 -24
S378-4	100 -31
S378-4	100 -37
S378-4	103 -69
S378-4	105 - 8
S378-4	105 -14
S378-4	105 -21
S378-4	105 -27
S378-4	105 -33
S394	97 -31
S430-1	108 -49
S51-10	1 -15
S51-12	1 -15
S51-12	73 -16
S51-12-12	74 -19
S51-16	1 -15
S51-32	1 -15
S51-4	1 -15
S51-6	1 -15
S51-8	1 -15
TCS208	102 -34
TCS208	102A-19
TRA2233	95 -16
TSI0520H	74 -
TSI0520H	74 -
TVA1315	99 - 3
TVA1315	99 -32
TVA1315	99A- 3
TVA1315	99A-34
USM58	77 -30
USM58	135 -25
U4211-3.75M	79 -15
VAL5-6000	59 - 9

PART NUMBER	FIGURE AND INDEX NO.
VM911M4A	59 -11
VM911M4A	59A-10
VM920M3	59 -12
VM920M3	59A-11
WASHER	85A-56
X551162-12	135 -23B
X26263	135 -55
Y16X.625TYPE3	102C-38
ZF604	134 -40
ZR075-11.5	140 -21
Z651-1	134 - 8
Z651-13	134 - 6
Z651-3	134 - 9
Z736	134 -93
OAS200-1	126 - 3
0107366-03	62B- 7
0310295	102B- 2
0310295	102C- 4
0310297-1	102B- 3
0310297-1	102C- 9
0310298-1	102B- 4
0310298-1	102C- 3
0310332	102B- 7
0310332	102C-10
0310362-5	102B-13
0310362-5	102C- 1
0310422-1	102B- 9
0312155-10	135 -50
0400210-1	64 -15
0400213-6	64 -29
0405015-2	2 -56
0405020-1	2 -57
0405027-10	2 -76
0405027-7	2 -73
0405027-8	2 -74
0405027-9	2 -75
0405028-3	2 -67
0411030-5	50 - 3
0411185-11	44A-44
0411185-7	44 -40
0411307	93 - 7
0411491-1	101 -21
0411549	93 -20
0411550	93 -21
0411562	93 -33
0411564	93 - 9
0411564	93 -10
0411573-1	93 -32
0411680	25 -84
0411680	25 -84
0411778-2	93 -12
0411778-3	93 -12
0411778-4	93 -13
0411783	43A-42
0411783	92 -59
0411783	97 -32
0411783	103 -76
0411851	44 -11
0411851	44A-12
0412007-8	71 -50
0412007-8	72 -36
0412167-1	26 - 8B
0412167-1	26 -31A
0412496	18 - 7
0413017-2	140 -12
0413138	135 -34
0413140-5	135 -34
0413195-5	46 -28
0413307-13	26 -31B
0413317	44 - 8
0413317-1	45 - 8
0413416-4	106 -29
0413517-10	64 -20
0413517-15	64 -25

PART NUMBER	FIGURE AND INDEX NO.
0413517-5	64 -28
0413517-8	64 -18
0415010-1	62A-22
0422344	30 -33
0422358-2	98 - 6
0432126	101 -59
0432138-14	101 - 9
0432138-16	101 -56
0432138-17	101 -18
0441119	124 -31
0450191-1	73 -35
0450277-10	85 -47
0450277-10	85A-82
0450277-10	86A-44
0450277-10	86A-57
0450277-11	85A-49
0450277-11	85A-50
0450277-11	85A-51
0450277-11	85A-83
0450277-11	86A-44
0450277-11	86A-57
0450277-18	86A-56
0450277-19	86A-43
0450277-3	85 - 9
0450277-3	85A-49
0450277-3	86 -30
0450277-6	85 -20
0450277-6	85A-51
0450277-6	86 -21
0450277-9	85 - 8
0450277-9	85 -19
0450277-9	85A-50
0450277-9	86 -22
0450286-1	16 -49
0450311-10	135A-22
0450311-3	110 -20
0450311-5	89 - 8
0450311-5	89A- 6
0450311-5	90 -21
0450311-5	90 -28
0450311-5	90 -54
0450311-5	91 -21
0450311-5	91 -33
0450311-5	91 -56
0450311-5	134 -24
0500228-2	62 -21
0500228-3	62 -30
0500228-5	62 -25
0500312-2	64 - 1
0500313-1	64 - 3
0501019-1	62 -29
0501022-1	62 -35
0505005-2	2 -36
0505009-2	2 -12
0505009-3	2 -12
0505020-2	2 -11
0505020-3	2 -11
0505052-14	2 -84
0505052-15	2 -85
0505052-16	2 -86
0505052-17	2 -87
0510111-13	100 -74
0510205-5	53 -71
0510205-5	53A-65
0510205-5	54 -95
0510205-5	55 -96
0510205-5	56 -68
0510205-5	56A-78
0510205-5	62B- 8
0510205-6	53 -71
0510205-6	53A-65
0510205-6	54 -95
0510205-6	55 -96
0510205-6	56 -68

PART NUMBER	FIGURE AND INDEX NO.
0510205-6	56A-78
0510205-6	62B- 8
0510205-7	53A-65
0510205-7	55 -96
0510205-7	56A-78
0510205-8	53A-65
0510205-8	55 -96
0510205-8	56A-78
0511176	19 -12B
0511176	19 -12B
0511176	25 -25
0511189-1	44 - 7
0511189-1	45 - 7
0511199-20	108 -50
0512000-66	25 -83
0513039-7	58 -44
0513039-7	58A-44
0513039-7	58B-90
0513039-7	58C-92
0513039-7	58D-90
0513208-1	139 - 7
0513208-3	136 -26
0513351-1	58 - 6
0513351-1	58A- 6
0513351-1	60 - 3
0513351-2	58 - 6
0513351-2	58A- 6
0513351-2	60 - 3
0513425-1	50 - 8A
0513448-1	114A-27
0514017-1	53 -26
0514017-1	54 -21
0514017-1	56 -20
0514017-2	53 -26
0514017-2	54 -21
0514017-2	56 -20
0514017-3	53 -25
0514017-3	53A-24
0514017-3	54 -20
0514017-3	54 -21
0514017-3	55 -17
0514017-3	56 -19
0514017-5	56 -20
0514018-1	53 - 8
0514018-1	54 - 8
0514018-15	53 - 8
0514018-15	54 - 8
0514018-16	56 - 8
0514018-17	56 - 8
0514018-3	53 -10
0514018-3	54 -10
0514018-9	56 -10
0514019-1	55 - 7
0514023-1	54 -25
0514023-12	56 -41
0514023-13	56 -40
0514024-1	54 -40F
0514024-2	54 -40F
0514026-11	53 -28
0514026-11	54 -22
0514026-13	56 -22
0514026-13	56A-30
0514026-2	54 -43
0514026-2	55 -39
0514026-4	54 -50
0514026-4	55 -49
0514027-1	54 -67
0514027-2	53 -40
0514027-2	54 -35
0514027-2	56 -34
0514027-21	55 -60
0514027-5	54 -67
0514027-6	54 -35
0514027-6	53 -40
0514027-6	56 -34

PART NUMBER	FIGURE AND INDEX NO.
0514027-9	56A-43
0514027-9	54 -35
0514027-9	53 -40
0514027-9	56 -34
0514028-10	53 -31
0514028-10	54 -26
0514028-12	56 -25
0514028-14	54 -25
0514028-14	56A-33
0514028-15	54 -26
0514029-16	53 -31
0514028-16	54 -26
0514028-5	54 -47
0514028-5	54 -55
0514028-5	55 -43
0514028-6	54 -46
0514028-6	55 -42
0514029-1	53 -15
0514029-2	53 - 3
0514029-2	53A- 3
0514029-2	54 - 3
0514029-2	55 - 3
0514029-2	56 - 3
0514029-2	56A- 3
0514030-4	53 -29
0514030-4	53A-28
0514030-4	54 -23
0514030-4	55 -20
0514030-4	56 -23
0514030-4	56A-31
0514032-1	54 -57
0514032-1	55 -50
0514033-1	53 -35
0514033-1	53A-34
0514033-1	54 -30
0514033-1	54 -62
0514033-1	55 -29
0514033-1	56 -29
0514033-1	56A-37
0514033-2	55 -56
0514034-1	54 -44
0514034-1	55 -40
0514035-1	54 -41
0514035-10	53 -47
0514035-17	55 -37
0514035-18	55 -38
0514035-2	54 -42
0514035-21	53A-40
0514035-22	53A-41
0514035-9	53 -46
0514036-1	53 -33
0514036-1	53A-32
0514036-1	54 -28
0514036-1	55 -27
0514036-1	56 -27
0514036-1	56A-35
0514037-1	54 -69
0514038-1	53 -27B
0514038-1	53A-26B
0514038-1	54 -40B
0514038-1	55 -88E
0514038-1	56 -21B
0514047-1	53 -51
0514047-1	54 -75
0514047-9	54 -75
0514048-11	# 53 -74
0514048-11	# 54 -94
0514048-11	# 56 -71
0514048-11	# 57 -34
0514048-14	# 53 -73
0514048-14	# 53A-67
0514048-14	# 54 -93
0514048-14	# 55 -89
0514048-14	# 56 -70

PART NUMBER	FIGURE AND INDEX NO.
0514048-14	# 57 -33
0514048-15	# 53 -74
0514048-15	# 53A-68
0514048-15	# 54 -94
0514048-15	# 55 -90
0514048-15	# 56 -71
0514048-15	# 57 -34
0514048-3	# 53 -73
0514048-3	# 54 -93
0514048-3	# 56 -70
0514048-3	# 57 -33
0514050-1	53A-44
0514051-1	55 -36
0514051-2	55 -36
0514060-1	56 -40
0514060-1	56A-49
0514060-2	56 -41
0514060-2	56A-50
0514060-3	53 -34A
0514060-3	53A-33A
0514060-4	53 -34A
0514060-4	53A-33A
0514060-5	54 -25
0514060-5	55 -26
0514076-2	53 - 8
0514076-2	54 - 8
0514077-4	53 -26
0514077-7	53 -26
0514083-1	53A- 8
0514083-1	55 - 8
0514089-1	53A-39
0514089-1	55 -35
0514090-4	55 -74
0514101-3	53 -24
0514101-3	53A-23
0514101-3	54 -19
0514101-3	55 -16
0514101-3	56A-21A
0514101-4	53 -24
0514101-4	53A-23
0514101-4	54 -19
0514101-4	55 -16
0514101-4	56A-21A
05141017-4	56 -20
0514110-1	53A-10C
0514110-1	55 -10B
0514110-1	56A-12
0514110-1	57A-12
0514110-2	53A-10C
0514110-2	55 -10B
0514117-1	53A-25A
0514117-1	55 -18A
0514117-1	56A-22
0514117-2	53A-25A
0514117-2	55 -18A
0514117-2	56A-22
0515001-12	# 54 -18
0515001-204	# 54 - 1
0515001-205	# 54 -11
0515001-208	# 54 -11
0515001-216	# 54 - 1
0515001-217	# 54 -11
0515001-218	# 54 -11
0515001-22	# 54 -
0515001-3	# 54 -
0515001-31	# 54 -
0515001-32	# 54 -
0515001-37	# 53 -23
0515001-37	# 54 -18
0515001-41	# 53 - 7
0515001-41	# 54 - 7
0515001-9	# 54 - 7
0515010-5	62A-23
0515010-6	62A-23

PART NUMBER	FIGURE AND INDEX NO.
0517003-2	46 - 1
0517003-2	46A- 1
0517006-2	44 - 5A
0517006-2	45 - 5A
0522629	97 -15
0522629	103 -35
0523118-1	3 -26
0523615-1	3 -46
0523616-1	3 -47
0523918	10 -14
0523919	10 - 1
0523920	10 - 2
0523921	10 - 6
0541115-4	62 - 3
0541138-22	94 -
0541138-3	94 -
0541138-5	94 - 3
0541139	94 - 3
0541140	94 - 1
0541143	94 - 5
0541144	94 - 6
0541148	94 -11
0541148-1	94 - 9
0541149	94 -12
0541151	94 -13
0541184-1	94 -10
0541184-2	94 -10
0543001	32 - 9
0543003	32 -11
0543029	34 -27
0543035-7	34 -49
0543037-1	32 -10
0543047-1	34 -51
0543047-1	34 -56
0543047-2	34 -56
0543048-1	34 -56
0550100-13	115A-10
0550100-6	37 -25A
0550100-6	115 -49
0550100-9	71 -28
0550100-9	80 -19
0550100-9	109 -16
0700113-1	53 -50
0700113-1	54 -73
0700113-1	56 -57
0700113-1	56A-66
0700123-8	73 -46
0700162-1	59 -14
0700162-1	58A-14
0700162-1	58B-65
0700162-1	58C-76
0700162-1	58D-83
0700162-3	58 -12
0700162-3	58A-12
0700162-3	58B-63
0700162-3	58C-74
0700162-3	58D-81
0700162-4	58 -12
0700162-4	58A-12
0700162-4	58B-63
0700162-4	58C-74
0700162-4	58D-81
0700162-6	58 -12
0700162-6	58A-12
0700162-6	58B-63
0700162-6	58C-74
0700162-6	58D-81
0700162-7	58 -12
0700162-7	58A-12
0700162-7	58B-63
0700162-7	58C-74
0700162-7	58D-81
0700164-9	63 - 1
0700189-2	58 -13

PART NUMBER	FIGURE AND INDEX NO.
0700189-2	58A-13
0700189-9	58A-13
0700189-9	58B-64
0700189-9	58C-75
0700189-9	58D-82
0700309-2	85 - 1
0700309-3	85 - 3
0700318-7	73 -43
0700318-7	85 -50
0700318-8	73 -42
0700616-1	139 - 4
0700628-5	136 - 5
0700629-1	135 -27
0700633-5	54 -53
0700633-5	55 -45
0700661-3	136 -23
0700661-4	136 -23
0700668-13	49 -21
0700668-14	49 -22
0700685-1	44 -25
0700685-3	44A-25
0700704-1	18 -29
0700756-1	2 -32
0700756-1	61 -11
0701028-2	108 -58
0705021-2	2 -46
0705028-1	2 -47
0705035-1	58C-94
0705035-1	58D-92
0705048-10	2 -18
0705048-11	2 -18
0706004-3	115A-16
0710013-4	89 -28
0710014-8	89 -32
0710015-13	89 -30
0710015-6	89 -33A
0710602-21	24A-15
0710602-22	24A-15
0710638-1	44 -58
0710638-1	45 -47
0711021-1	44 -42
0711021-1	44A-58
0711021-4	44 -44
0711021-4	44A-42
0711021-9	44 -43
0711021-9	44A-41
0711033-1	44 -10
0711033-1	44A-11
0711034-1	44 -27B
0711034-1	44A-31
0711034-1	45 -24
0711034-1	45A-26
0711037-14	45 -31
0711037-14	45A-31
0711037-15	44 -35
0711037-15	44A-34
0711037-16	45 -32
0711037-16	45A-32
0711037-17	44 -36
0711037-17	44A-35
0711037-18	45 -33
0711037-18	45A-33
0711037-19	44 -37
0711037-19	44A-36
0711037-20	45 -34
0711037-20	45A-34
0711037-21	44 -38
0711037-21	44A-37
0711038-1	44 -39
0711038-1	44A-37A
0711038-1	45 -35
0711038-1	45A-35
0711050-15	44 -49
0711050-15	44A-62

PART NUMBER	FIGURE AND INDEX NO.
0711050-18	44 -47
0711050-18	44A-60
0711050-27	44 -46
0711050-27	44A-59
0711051-9	44 -48
0711051-9	44A-61
0711063-6	46 -25
0711064-5	44 -31
0711064-5	44A-32
0711064-5	45 -25
0711064-5	45A-27
0711065-1	44 -32
0711065-1	45 -26
0711111-1	47 -11
0711694-11	19 -27
0711694-12	19 -27
0711694-15	19 -27
0711694-16	19 -27
0711695-10	19 -24
0711695-7	19 -25
0711695-8	19 -25
0711695-9	19 -22
0711705-1	47 - 6
0711709-1	47 - 8
0711777-1	136 -21
0711777-3	136 -21
0711777-5	136 -21A
0711777-6	136 -32
0711777-7	136 -21A
0711780-3	136 -24
0711788-1	46 - 4
0711788-1	46A- 4
0712528-1	30 - 4A
0712605-201	135 - 7
0712616-3	30 - 3
0712616-5	30 - 4
0712629-3	30 -31
0712629-4	30 -31
0713019-24	90 -19
0713019-24	91 -19
0713019-33	85A-14
0713046	48 - 6
0713047	2 - 5
0713070-15	92 -31
0713070-19	92 -48
0713070-24	92 -38
0713070-25	92 -29
0713070-32	92 -30
0713070-35	92 -46
0713070-4	92 -22
0713070-5	92 -23
0713070-6	92 -40
0713074-1	53 - 1
0713074-1	53A- 1
0713074-1	54 - 1
0713074-1	55 - 1
0713074-1	56 - 1
0713074-1	56A- 1
0713107-1	16 -42
0713124-1	3 -22
0713134-1	16 -48
0713250-1	89 -31
0713253-1	48 - 5
0713254-5	2 -31
0713272-1	17 - 5
0713272-1	17A- 5
0713272-1	92 - 7
0713307-1	104 -28
0713307-2	87 -18
0713307-2	90 -29
0713307-2	91 -28
0713307-4	104 -29
0713307-4	104 -37
0713307-6	87 -23

PART NUMBER	FIGURE AND INDEX NO.
0713533-1	114A-31
0713606-8	140 -11
0713625-1	92 -53
0713633-3	19 -22
0713633-4	18 -22
0713647-3	107A-14
0713647-3	107A-19
0713647-3	107A-43
0713701-1	87 -33
0713750-12	2 - 6
0713750-16	2 - 6
0713750-18	2 - 6A
0713775-2	58 -72
0713775-2	58A-81
0713775-2	58B- 2
0713775-2	58C- 2
0713775-6	58D- 3
0713776-1	58 -67
0713776-1	58A-76
0713776-1	58B- 8
0713776-1	58C- 8
0713776-2	58D-33
0713778-4	61 - 1
0713778-7	61 - 1
0713778-9	61 - 1
0713779-4	58 -65
0713779-4	58A-74
0713779-4	58B- 6
0713779-4	58C- 6
0713779-4	58D-35
0713785-1	61 - 9
0713785-4	61 - 9
0713809-1	58 -68
0713809-1	58A-77
0713809-1	58B- 5
0713809-1	58C- 5
0713809-1	58D-37
0713817-7	64 -16
0713817-7	64 -30
0713847-11	16 -51
0713856-6	58 -76
0713881-10	61 - 6
0713881-11	61 - 6
0713881-13	61 - 6
0713881-15	61 - 6
0713881-16	61 - 6
0713881-3	61 - 6
0713952-1	16 -55
0713952-1	90 -12
0713952-1	91 -12
0713959-1	92 -56
0714010-1	53A-25
0714010-1	54 -21
0714010-1	55 -18
0714010-2	56 -20
0714010-2	53A-25
0714010-2	54 -21
0714010-2	55 -18
0714010-2	56 -20
0714010-3	56 -20
0714010-4	56 -20
0715038-1	62 -44
0715046-4	96A-36
0715046-4	96B-43
0715046-8	96B-44
0715060-1	45A-53
0715061-1	45A-55
0715061-2	45A-54
0716623-2	111 -48
0716624-1	111 -51
0717010-16	45 -36
0717010-16	45A-50
0717010-22	44 -30
0717010-22	44A-38

PART NUMBER	FIGURE AND INDEX NO.
0717010-23	44 -33
0717010-23	44A-33
0717010-24	45 -27
0717010-24	45A-28
0717010-27	45 -37
0717010-27	45A-51
0717010-28	44 -28
0717012-17	44A-39
0717012-18	45A-29
0721105-13	108 -23
0721105-14	108 -21
0721105-15	108 -21
0721105-18	108 -21
0721105-3	108 -24
0721105-4	108 -25
0721105-5	108 -27
0721105-8	108 -26
0721105-9	108 -27
0731602-1	11 -18
0731602-2	11 -19
0731604-5	11 -30
0731604-6	11 -31
0731604-7	11 -30
0731604-7	11A-31
0731604-8	11 -31
0731604-8	11A-32
0731606-1-791	11 -39
0731606-1-791	11A-34
0731606-3-791	11 -40
0731606-3-791	140 -10
0731606-6-791	12 -27
0731607-1	140 - 9
0732100-7	13 -53
0732600-3	13 - 8
0732610-5	13 -39
0732610-6	13 -38
0732611-1	13 -29
0732611-2	13 -28
0732611-3	13 -27
0732611-4	13 -26
0733103	12 -15D
0733103-1	12 -15E
0733113-1	12 -15C
0741048-8	37 - 1
0741623-1	43A- 1
0743622-1	36 - 1
0743623-3	36 -15
0743623-4	36 -13
0743623-6	36 -16
0743623-8	36 -10
0743624-2	36 -
0743627-3	32 -15
0743627-4	32 -15
0743627-5	32 -15
0743627-6	32 -15
0750117-31	85 -42
0750117-31	85A-55
0750117-31	86 -41
0750117-31	86A-73
0750121	74 - 4
0750121-1	73 -22
0750128-11	86 -27
0750135-1	85 -34
0750135-1	85A-52
0750135-3	85 -36
0750135-3	85 -39
0750135-3	85A-54
0750135-4	85 -41
0750135-4	85A-53
0750138	71 -33
0750139	73 -33
0750139	74 -34
0750152-3	73 -50
0750152-3	86 -44

PART NUMBER	FIGURE AND INDEX NO.
0750152-3	86A-76
0750152-3	85A-89
0750152-4	85 - 2
0750152-4	85A-88
0750220-1	138 -11
0752037-1	113 -18
0752610-1	135 -41
0752611-1	135 -38
0752620-1	65 -14
0752620-1	66 -14
0752635-1	69 -24
0752635-1	70 -24
0752635-1	70A-23
0752635-2	69 -25
0752635-2	70 -25
0752635-2	70A-24
0752644-1	17 -99E
0752644-1	17A-93C
0752644-2	17 -99E
0752644-2	17A-93C
0752644-5	17 -99G
0752644-5	17A-93E
0752644-6	17 -99G
0752644-6	17A-93E
0752645-1	17 -99N
0752645-1	17A-93J
0752645-2	17 -99N
0752645-2	17A-93J
0752646-1	17 -99P
0752646-1	17A-93K
0755002-1	73 -46
0756003-1	72 -53A
0756003-1	72 -58A
0756003-1	73 -25
0756005-2	110 - 3
0756005-3	110 -
0756008-1	110 -12
0756009-7	110 - 4
0756009-8	110 - 5
0756010-1	110 - 7
0756011-1	110 -10
0756012-1	110 - 9
0756014-1	110 -17
0756014-2	110 - 6
0756015-1	110 -14
0756022-1	113 -40
0760016-1	96A- 1
0760016-3	96B- 1
0760016-4	96B- 1
0760017-2	96A- 3
0760017-2	96B- 3
0760018-1	96A- 6
0760018-1	96B- 6
0760019-1	96A-
0760019-10	96B-
0760019-12	96B-
0760019-15	96B-
0760019-3	96A-
0760021-1	96A-30
0760021-1	96B-36
0760022-1	96A- 7
0760023-1	96A-27A
0760023-1	96B-33
0760029-1	96B- 6
0760104-1	95 -33
0760104-2	95 -34
0760118-1	95 - 2
0760118-4	95 - 2
0760121-1	95 -33
0760602-1	18 -23
0760602-2	18 -23
0760610-1	97 -29
0760610-3	97 -36

PART NUMBER	FIGURE AND INDEX NO.
0760621-1	30 -14
0760621-2	30 -15
0760633-1	95 -39
0760633-1	95 -49
0760634-3	95 -23
0760642-2	95 - 5
0760643-5	95 -19
0760644-1	95 -22
0760646-2	95 -20
0760649-3	95 -42
0760651-2	95 -33
0760674-1	95 -25
0760682-1	93 - 6
0761210-4	101 -19
0762049-1	104 -12
0770038-2	135 -22
0770719-2	59 - 1
0770719-2	59A- 1
0770728-1	135 -11
0800111-2	62 -11
0800189-1	2 -52
0811490-75	92 -35
08125	35 - 8
0812929-1	53 -77
0812929-1	54 -97
0812929-1	56 -74
0812929-2	53 -77
0812929-2	54 -97
0812929-2	56 -74
0813150-54	92 -36
0813150-55	92 -28A
0813156-4	92 -39
08231	35 - 2
08231	35 - 4
0841200-15	34 -42
0841200-19	34 -25
0841200-25	34 -41
0841200-31	34 -47
0841200-54	34 - 3
0850500-30	77 -19
0851559-1	71 - 8
0851559-1	72 - 3
0851700-96	85 -37
0851700-96	85 -40
0851700-96	85A-57
0851700-96	86 -40
0851700-96	86A-72
0851700-98	85 -49
0870060-201	135 - 7
1/16X.375TYPE3	102A-27
1/16X.500TYPE3	102C-31
1/16X.62TYPE3	102B-15
1/16X.625TYPE3	102C- 6
1/16X1.00TYPE3	102C-13
1/4 DIA.	116 -24
1E1110-1	133 - 3
1E1140	133 - 3
1E1157	133 -22
1E1193	133 - 3
1E1297	133 -24
1E1324	133 - 3
1K1-6-10	115A-13
1K66-1	115A-17
10-20-002	58D-88
10-21-002	58D-88A
10-22-002	58D-88B
10-23-002	58D-88C
10-24-002	58D-88D
10-8001C	134 -35
10-8001C	134 -36
10N12D	53A-39A
1007	1 - 4
1024A-B	1 - 3
10850M3	59 -12

PART NUMBER	FIGURE AND INDEX NO.	PART NUMBER	FIGURE AND INDEX NO.	PART NUMBER	FIGURE AND INDEX NO.
10850M3	59A-11	1200138-2	53 -38	1200244-1	134 - 4
10850M4	59 -11	1200138-2	53A-37	1200406-100	109 - 3
10850M4	59A-10	1200138-2	54 -33	1200406-12	109 -61
110691	1 -47	1200138-2	55 -32	1200406-127	110 -28
110691	73 -23	1200138-2	55 -54	1200406-131	109 -59
110691	74 -33	1200138-2	56 -32	1200406-145	109 -38
1111-517700	109 -17	1200138-2	56A-41	1200406-146	109 -50
12-4862	134 -38	1200139-1	53 -42	1200406-147	109 -34
1200017-2	100 -41	1200139-1	54 -37	1200406-148	109 -46
1200017-2	105 -31	1200139-1	56 -36	1200406-149	109 -31
1200017-3	100 -29	1200139-1	56A-45	1200406-150	109 -43
1200017-3	105 -19	1200159-3	54 -60	1200406-151	898-10
1200017-4	100 -35	1200159-3	55 -52	1200406-152	898-7
1200017-4	105 -25	1200190-3	62 - 2	1200406-154	898-10
1200018-1	89 -17	1200190-4	62 - 7	1200406-155	109 -38
1200018-1	89A-61	1200190-5	62 - 1	1200406-156	109 -50
1200028-1	3 -38	1200191-200	88 - 7	1200406-157	109 -42
1200031-1	62 -32	1200191-201	88 - 8	1200406-158	109 -42
1200084-21	50 - 4	1200204-1	24A-31	1200406-159	109 -42A
1200084-22	50 - 4	1200204-1	136 -15	1200406-160	109 -42A
1200106-108	73 -15	1200205-1	24A-37	1200406-167	109 -43A
1200106-108	74 -18	1200205-1	136 -14	1200406-79	109 -42
1200106-113	73 -14	1200206-3	89 -36	1200406-80	109 -42
1200106-113	74 -21	1200206-3	134 -80	1200406-83	3 -39
1200106-119	74 -25	1200208-1	134 -83	1200406-84	3 -39
1200106-124	115 -42	1200209-1	134 -85	1200406-85	3 -44
1200106-126	115 -47	1200211-1	134 -86	1200406-87	109 -42A
1200106-127	113 -24	1200212-1	134 -87	1200406-88	109 -54
1200106-132	135 -56	1200214-1	136 - 1	1200406-91	109 -54
1200106-133	74 -13	1200214-11	136 - 1	1200406-92	109 -55
1200106-134	74 -11	1200214-2	136 - 1	1200406-93	111 -38
1200106-135	74 -12	1200214-8	136 - 1	1200406-94	111 -31
1200106-136	115 -65	1200214-9	136 - 1	1200406-95	111 -28
1200106-137	113 -50	1200215-1	136 -17	1200406-96	109 - 6
1200106-138	113 -24	1200215-2	136 -18	1200406-97	111 -33
1200106-139	74 -14	1200216-1	89 -35	1200406-98	111 -36
1200106-140	74 -16	1200216-2	89 -35	1200406-99	109 - 9
1200106-141	74 -17	1200216-2	134 -79	1200417-72	134 -43
1200106-156	112 -26	1200217-10	52 - 7	1200417-73	134 -13
1200106-156	113 - 2	1200217-2	52 - 6	1200417-74	134 -14
1200106-157	112 - 7	1200217-27	52 - 4	1200417-75	134 -66
1200106-158	112 - 6	1200217-28	52 - 3	1200417-77	134 -68
1200106-173	112 -15	1200217-29	52 - 2	1200417-81	134 -70
1200106-174	112 -16	1200217-3	52 - 5	1200417-82	134 -73
1200106-175	72 -45	1200217-30	52 - 1	1200417-83	134 -74
1200106-175	74 -22	1200218-1	89 -37	1200417-90	134 -66
1200106-176	72 -55	1200218-2	89 -37	1200417-91	134 -67
1200106-188	112 - 4	1200218-2	134 -77	1200417-92	134 -70D
1200106-192	72 -50	1200219-1	25 -43	1200417-93	134 -70B
1200106-192	73 -24	1200219-2	25 -44	1200448-1	53 -27A
1200106-192	74 -26	1200221-1	5 -14C	1200448-1	53A-26A
1200106-193	71 -53	1200224-1	136 - 9	1200448-1	54 -40A
1200106-194	73 -18	1200225-1	134 -63	1200448-1	55 -88A
1200106-196	112 -16	1200226-1	134 -54	1200448-1	56 -21A
1200106-199	112 -15	1200227-1	136 -12	1200448-1	56A-25
1200106-200	112 -16	1200231-1	50 - 4	1200453-10	53 -75
1200106-200	112 -16	1200231-2	50 - 4	1200453-10	#
1200106-202	115 -29	1200233-1	62A-17	1200453-10	#
1200106-203	135 -56	1200234-1	89 -35	1200453-5	#
1200106-204	112 - 7	1200234-2	89 -35	1200453-5	#
1200106-205	112 - 4	1200234-2	134 -79	1200453-5	#
1200106-206	112 - 7	1200239-1	89A-59	1200453-9	#
1200106-207	112 - 4	1200239-2	89A-59	1200453-9	#
1200106-36	72 -54	1200239-2	134 -79A	1200453-9	#
1200106-36	72 -59	1200239-3	62B-10	1200454-36	#
1200106-41	115 -29	1200239-3	89A-59	1200454-82	16 -58
1200106-49	73 -11	1200239-4	62B-10	1200454-83	16 -58
1200106-50	73 - 9	1200239-4	89A-59	1200506-3	49 -18
1200106-6	73 - 6	1200239-4	134 -79A	1200507-1	49 -14
1200106-7	73 - 5	1200241-1	89A-60	1200507-2	49 -14
1200106-84	73 -13	1200241-2	89A-60	1200507-3	49 -16
1200136-1	54 -51	1200241-2	134 -77A	1200507-4	49 -16
1200136-1	55 -47	1200243-1	136 - 1A	1200521-2	62 -13
1200138-1	54 -65	1200243-2	136 - 1A	1200542-10	25 -79



PART NUMBER	FIGURE AND INDEX NO.
1200542-11	25 -80
1200542-12	25 -82
1200542-7	25 -81
1200542-9	24A-38
1200544-1	44 -29
1200544-2	45 -28
1200544-3	44 -29
1200544-4	45 -29
1200563-1	24 -50B
1200564-1	24 -50A
1200614-10	73 -41
1200614-2	73 -41
1200614-4	73 -46
1200614-7	73 -41
1200638-3	89 -21
1200638-3	89A-23
1200638-4	89 -22
1200638-4	89A-24
1200646-1	51 - 6
1200647-2	51 - 4
1200696-1	50 -19
1200702-1	88 - 1
1200702-4	88 - 2
1200702-5	88 - 1
1200702-8	88 - 2
1200745-1	2 - 4
1200746-2	108 -43
1200746-3	108 -43A
1200749-1	58B-82A
1200749-1	58C-90F
1201013-5	133 -29
1201013-6	133 -30
1201051-1	114A-16
1201053-1	114A-24
1201104-1	134 -16
1201106-1	134 -15
1201111-1	132 -73
1201112-1	132 -75
1201113-1	132 -76
1201114-1	132 -77
1201115-1	132 -78
1201127-1	135 -66
1205001-140	2 -13C
1205001-49	2 -13
1205001-81	2 -13A
1205001-82	2 -13B
1205003-4	2 -49
1205009-1	58 -35
1205016-2	2 -14
1205018-1	2 -15
1205024-1	2 -16
1205024-2	2 -16A
1205026-1	2 - 9
1205027-3	2 - 8
1205027-4	2 -17
1205032-3	2 -63
1205032-4	2 -64
1205035-1	2 -30
1205035-2	2 -30
1205036-1	2 - 3
1205041-1	2 -33
1205043-1	2 -10
1205045-1	2 -20
1205046-1	2 -21
1205046-3	2 -21
1205047-1	2 -22
1205052-4	2 -23
1205052-5	2 -24
1205054-1	2 -34
1205054-2	2 -35
1205055-1	2 -28
1205056-1	2 -29
1205056-2	2 -29
1205059-1	2 - 8A

PART NUMBER	FIGURE AND INDEX NO.
1205059-2	2 -17A
1205059-4	2 -17B
1205059-5	2 -17C
1205059-6	2 -17D
1205059-7	2 - 88
1205061-3	2 -23A
1205061-4	2 -24A
1205062-1	2 -43
1205062-4	2 -44
1205074-1	2 -53
1205076-4	2 -23B
1205076-5	2 -24B
1205079-1	2 -54
1205079-2	2 -55
1205082-1	2 -48
1205082-2	2 -60
1205084-4	2 -19
1205085-1	2 -58
1205088-10	2 -24F
1205088-7	2 -24C
1205088-8	2 -24D
1205088-9	2 -24E
1205093-1	2 -59
1205094-1	2 -53A
1205094-2	2 -53B
1205094-3	2 -53C
1205094-4	2 -53D
1205095-1	2 -55A
1205096-1	2 -66
1205096-2	2 -65
1205099-1	2 -68
1205099-2	2 -68
1205099-3	2 -72
1205099-4	2 -71
1205099-5	2 -70
1205099-6	2 -69
1205101-1	2 -79
1205101-10	2 -80
1205101-2	2 -79
1205101-3	2 -83
1205101-4	2 -83
1205101-5	2 -82
1205101-6	2 -82
1205101-7	2 -81
1205101-8	2 -81
1205101-9	2 -80
1205102-1	2 -78
1205102-2	2 -78
1205210-3	2 -77
1205211-3	2 -77
1206001-5	58 -38
1210037-1	24A-32
1210037-1	104 -36
1210102-10	7 - 5
1210102-11	7 - 8
1210102-12	7 - 6
1210102-9	7 - 7
1210112-1	89A-47
1210112-12	89A-43
1210112-12	89A-53
1210112-13	89A-44
1210112-13	89A-54
1210112-15	89A-55
1210112-16	89A-41
1210112-16	89A-56
1210112-18	89A-40
1210112-2	89A-39
1210112-2	89A-52
1210112-20	89A-47
1210112-22	89A-39
1210112-22	89A-52
1210112-23	89A-43
1210112-23	89A-53
1210112-24	89A-36

PART NUMBER	FIGURE AND INDEX NO.
1210112-24	89A-49
1210112-4	89A-36
1210112-4	89A-49
1210402-27	21A-22
1210402-27	21B-33
1210402-28	21A-23
1210402-28	21B-34
1210402-31	21A-24
1210402-32	21A-25
1210402-37	21A-24
1210402-37	21B-35
1210402-38	21A-25
1210402-38	21B-36
1210409-2	21A-32
1210409-2	21B-42
1210409-3	21A-32
1210410-1	21A- 4
1210410-1	21B- 4
1210410-2	21A- 5
1210410-2	21B- 5
1210412-17	21A-10
1210412-21	21A-15
1210412-22	21A-14
1210412-23	21A- 9
1210412-25	21A-15
1210412-28	21A-14
1210412-29	21A- 9A
1210412-29	21B-10
1210412-31	21A-15D
1210412-31	21B-21
1210412-32	21A-15D
1210412-42	21A-10A
1210412-42	21B-11
1210412-5	21A-12
1210412-5	21B-13
1210418-2	21A-29
1210418-2	21B-39
1210420-1	24 -64
1210420-2	24 -14
1210421-1	24 -11
1210426-1	21A-13E
1210426-1	21A-15G
1210426-1	21B-14
1210426-1	21B-24
1210427-1	21A-15E
1210427-1	21B-22
1210427-2	21A-15E
1210427-5	21A-13F
1210427-5	21B-15
1210427-6	21A-13F
1210427-6	21B-16
1210500-15	21A-36
1210500-3	21A-37
1210500-4	21A-36
1210501-3	21B-47
1210501-5	21B-46
1210504-10	29 -33
1210504-11	29 -32
1210504-12	29 -33
1210504-2	22 -48
1210504-3	22 -47
1210504-4	29 -31
1210504-5	29 -30
1210504-6	25A-11
1210504-9	29 -32
1210505-10	25 -51
1210505-11	21 -84
1210505-12	25 -54
1210505-13	25 -53
1210505-17	25 -91
1210505-18	25 -92
1210505-19	25 -51A
1210505-2	21 -88
1210505-20	21 -86

PART NUMBER	FIGURE AND INDEX NO.
1210505-3	21 -87
1210505-4	25 -74
1210505-5	25 -73
1210505-6	21 -86
1210505-7	21 -85
1210505-8	25 -56
1210505-9	25 -55
1210520-1	24 -34
1210520-10	24 -44
1210520-11	24 -34
1210520-12	24 -44
1210520-2	24 -35
1210520-3	24 -36
1210520-4	24 -37
1210520-5	24 -39
1210520-6	24 -40
1210520-7	24 -41
1210520-8	24 -42
1210520-9	24 -43
1210525-1	24 -83
1210525-2	24 -84
1210526-1	29 -42
1210526-2	29 -43
1210527-1	29 -40
1210527-2	29 -41
1210528-1	25 -59
1210528-2	25 -60
1210529-1	25 -57
1210529-2	25 -58
1210530-1	25 -61
1210530-2	25 -62
1210531-1	25 -63
1210531-2	25 -64
1210532-1	25 -67
1210532-2	25 -68
1210533-1	25 -70
1210533-2	25 -71
1210702-11	24A-27
1210704-1	3 - 2
1210704-2	3 - 3
1210708-19	24A- 1
1210708-20	24A- 2
1210708-21	24A- 5
1210708-23	24A- 1
1210708-24	24A- 2
1210708-3	24A-10
1210708-4	24A-10
1210708-5	24A- 8
1210708-6	24A- 9
1210708-7	24A-11
1210709-1	24A-14
1210709-11	24A-11
1210709-12	24A-11
1210709-2	24A-14
1210709-5	24A-13
1210709-6	24A-13
1210709-7	24A-12
1210709-8	24A-12
1210717-1	25 -89
1210717-2	25 -90
1211009-1	24 -93
1211009-2	24 -94
1211061-46	45 -40
1211061-50	45A-48
1211061-54	45 -39
1211061-54	45A-47
1211061-60	45 -41
1211061-61	45 -42
1211061-61	45A-52
1211061-67	25 -65
1211075-1	24 -95
1211093-1	25 -12
1211093-2	25 -13
1211095-1	21 - 4

PART NUMBER	FIGURE AND INDEX NO.
1211095-2	21 - 5
1211096-1	21 - 6
1211097-1	21 -81
1211098-1	21 -38
1211142-1	47 -20
1211144-1	47 -18A
1211148-1	47 -15
1211167-1	21A-21
1211167-1	21B-32
1211167-2	21A-21
1211167-2	21B-32
1211199-1	21 -39A
1211200-1	21 -44A
1211200-2	21 -44A
1211201-1	19 -28A
1211201-2	19 -28A
1211201-3	19 -28A
1211201-4	19 -28A
1211203-1	62 -30
1211203-2	51 -17
1211228-1	19 -29
1211228-2	19 -29
1211228-5	19 -29
1211228-6	19 -29
1211234-1	21 -12A
1211250-6	44 - 5
1211250-6	45 - 5
1211250-7	44 - 5
1211250-7	45 - 5
1211251-1	44 - 5B
1211251-1	45 - 5B
1211251-2	44 - 5B
1211251-2	45 - 5B
1211253-1	19 -28
1211254-1	21 -29
1211254-10	21 -29
1211254-11	21 -32
1211254-12	21 -33
1211254-13	21 -31
1211254-14	21 -31
1211254-2	21 -29
1211254-3	21 -30
1211254-4	21 -30
1211254-7	21 -32
1211254-8	21 -33
1211254-9	21 -29
1211255-1	25 -36
1211256-1	25 -30
1211256-2	25 -31
1211257-1	25 -45
1211257-2	25 -48
1211257-3	25 -46
1211257-4	25 -47
1211258-1	25 -18
1211259-1	25 -19
1211260-1	25 -20
1211260-2	25 -21
1211261-1	25 -23
1211261-2	25 -22
1211262-1	25 -24
1211263-1	25 -25
1211263-2	25 -26
1211263-3	25 -27
1211263-4	25 -27
1211264-1	25 -78
1211264-2	25 -78
1211267-1	21 -13
1211267-2	21 -13
1211268-1	21 -22
1211268-2	21 -22
1211269-1	21 -74
1211269-3	21 -74
1211270-1	21 -16
1211270-2	21 -17

PART NUMBER	FIGURE AND INDEX NO.
1211271-1	21 -14
1211271-2	21 -15
1211272-1	21 -21
1211272-4	21 -21
1211273-1	21 -23
1211273-2	21 -24
1211274-1	21 -25
1211274-2	21 -26
1211275-1	21 -34
1211275-2	21 -35
1211275-5	21 -35
1211275-6	21 -35
1211276-1	21 -42
1211276-2	21 -43
1211276-7	21 -42
1211276-8	21 -43
1211277-1	21 -43
1211277-1	23 -27
1211277-2	21 -43
1211277-2	23 -27
1211278-1	21 -22
1211278-2	21 -27
1211279-1	21 -28
1211279-2	21 -29
1211279-3	21 -19
1211279-4	21 -20
1211280-5	22 - 1
1211281-6	21 - 2
1211281-7	21 - 2
1211282-2	21 -77
1211283-1	22 -53
1211284-1	25 -42
1211285-1	22 -37
1211285-2	22 -38
1211286-2	22 -16
1211286-3	22 -17
1211286-4	25A- 9
1211286-6	22 -16
1211286-7	22 -17
1211286-8	25A- 9
1211287-1	51 -14
1211288-1	22 -50
1211289-1	22 -55
1211290-1	22 - 2
1211290-2	22 - 3
1211290-3	22 -40
1211290-4	22 -40
1211290-5	22 -41
1211290-6	22 -41
1211290-7	22 -18
1211292-1	22 -52
1211292-2	22 -51
1211293-1	22 -15
1211293-2	22 -14
1211293-3	22 -13
1211293-4	22 -11
1211293-5	22 -12
1211295-1	25 -52
1211296-1	22 -10
1211297-2	24 -85
1211298-1	21 -54
1211298-2	21 -55
1211299-1	22 - 4
1211299-2	22 - 5
1211300-5	22 - 6
1211300-6	22 - 7
1211302-1	21 - 7
1211302-2	21 - 8
1211302-3	21 - 9
1211302-4	21 -10
1211302-5	21 -11
1211304-2	21A-17
1211304-2	21B-28
1211305-1	21A-19



PART NUMBER	FIGURE AND INDEX NO.
1211305-1	218-30
1211305-2	21A-20
1211307-1	19 -18
1211307-2	19 -17
1211307-3	21A-16
1211307-3	21B-27
1211307-4	21A-16
1211309-1	21A- 2
1211308-1	21B- 2
1211308-2	21A- 3
1211308-2	21B- 3
1211309-1	21A- 6
1211309-1	21B- 6
1211309-2	21A- 6
1211309-2	21B- 6
1211310-1	24 -19
1211310-4	24 -19
1211310-6	24 -19
1211311-1	24 -20
1211311-2	24 -21
1211312-1	21A-34
1211312-1	21B-44
1211312-10	21A-33
1211312-2	21A-34
1211312-2	21B-44
1211312-3	21A-30
1211312-3	21B-40
1211312-4	21A-31
1211312-4	21B-41
1211312-7	21A-33
1211312-8	21A-33
1211312-9	21A-33
1211312-9	21B-43
1211313-1	22 -19
1211313-2	22 -19
1211314-1	23 -28
1211314-2	23 -28
1211315-1	21 -75
1211315-2	21 -76
1211316-1	21 -61
1211316-2	21 -62
1211317-1	21 -60
1211317-2	25 -75
1211317-3	25 -16
1211318-1	25 -39
1211318-2	25 -40
1211319-1	25 -15
1211319-2	25 -15
1211320-1	25 -17
1211320-2	25 -17
1211321-1	25 -18
1211321-2	25 -18
1211322-1	21 -58
1211322-2	21 -59
1211323-1	25 -35
1211324-1	21 -53
1211325-2	23 - 1
1211325-4	23 - 1
1211325-6	23 - 1
1211326-1	23 - 2
1211327-1	23 -24
1211327-2	23 -25
1211327-5	21 -79
1211327-6	21 -78
1211327-7	23 -26
1211327-8	21 -80
1211327-9	21 -80
1211328-4	23 -22
1211328-6	23 -22
1211328-8	23 -22
1211329-1	21A-35
1211329-1	21B-45
1211330-1	23 -29
1211331-1	23 -30

PART NUMBER	FIGURE AND INDEX NO.
1211332-1	23 - 4
1211333-1	23 -13
1211333-2	23 -13
1211338-4	21 - 3
1211339-1	21 -93
1211339-2	21 -94
1211340-1	25 -41
1211341-2	22 - 8
1211342-1	23 -16
1211342-2	23 -16
1211343-1	21A- 7
1211343-1	21B- 7
1211343-2	21A- 7
1211343-2	21B- 7
1211344-1	22 -20
1211344-2	22 -21
1211344-5	22 -20
1211344-6	22 -21
1211345-1	25 -88
1211346-1	135 -34
1211347-3	23 -31
1211347-4	23 -32
1211349-1	25 -49
1211350-1	25 -85
1211350-2	25 -85
1211351-1	62 -18
1211353-1	40 -46
1211354-1	43 -47
1211354-2	43 -47
1211356-1	25 -17
1211356-2	25 -17
1211357-3	43 -47A
1211357-4	43 -47A
1211358-1	40 -45
1211359-1	24 -24A
1211359-2	24 -24B
1211406-1	24 -24C
1211431-27	25A- 4
1211431-28	25A- 5
1211431-31	25A- 6
1211431-32	25A- 6
1211431-33	25A- 7
1211431-34	25A- 7
1211431-35	25A- 8
1211431-36	25A- 8
1211440-5	25 -14
1211446-1	40 -14
1211448-8	47 - 9
1211457-2	40 -35A
1211501-4	21B-53
1211502-5	17A-92G
1211502-6	17A-92G
1211504-1	43A-31
1211504-3	43A-26
1211506-4	21B-26
1211507-1	17A-17
1211508-2	43A- 6
1211510-1	21B-54
1211511-1	21B-55
1211512-2	21B-56
1211513-2	21B-57
1211514-1	24 -43
1211514-1	24 -44
1211515-2	21B-58
1211516-2	21B-31
1211517-2	43A-44
1211519-2	21B-59
1211520-2	43A-30
1211521-1	43A-25
1211522-1	17A-92H
1211523-1	21B-53
1211523-2	21B-53
1211524-1	43A-17
1211525-1	43A-23

PART NUMBER	FIGURE AND INDEX NO.
1211525-2	43A-24
1211607-8	21 -18
1211607-9	21 -18
1211628-10	21A-13
1211628-10	21A-15A
1211628-11	21A-13J
1211628-11	21B-19
1211628-12	21A-13K
1211628-12	21B-20
1211628-3	21A-13C
1211628-4	21A-13D
1211659-3	21 -12B
1211659-4	21 -12B
1211710-8	25 -29
1211747-7	24A-16
1211747-8	24A-16
1211747-9	24A-23
1211747-9	24A-26
1211762-1	18 -24
1211762-2	18 -25
1211764-3	18 -21
1211764-4	18 -21
1211765-3	16 -38
1211765-4	16 -38
1211766-1	18 -19
1211766-2	18 -19
1211767-1	18 -20
1211767-2	18 -20
1211768-1	18 -26
1211768-2	18 -27
1211769-1	18 -30
1211769-2	18 -30
1211770-1	25 -32
1211770-2	25 -33
1211771-1	25 -11
1211772-1	25 -10
1211773-1	25 - 8
1211773-2	25 - 9
1211773-5	25 - 8
1211773-6	25 - 9
1211774-1	18 - 1
1211774-2	18 - 2
1211775-1	24A-33
1211777-1	24A-34
1211778-1	24A-30
1211778-2	24A-36
1211790-1	21 -35
1211790-2	21 -36
1211790-3	21 -36
1211790-4	21 -40
1211790-5	21 -41
1211790-6	21 -37
1211790-7	21 -35
1211790-8	21 -36
1211790-9	21 -36
1211791-1	21 -51
1211791-2	21 -52
1211792-1	19 -16
1211792-2	19 -16
1211793-1	24A-25
1211793-2	24A-25
1211794-1	24A-21
1211794-2	24A-22
1211795-3	24A-40
1211795-4	24A-40
1211796-1	19 -14
1211796-3	19 -14
1211797-1	19 -12
1211797-3	19 -12
1211798-1	25 - 6
1211798-2	25 - 6
1211799-3	24A-17
1211799-4	24A-18
1211800-1	25 -43

PART NUMBER	FIGURE AND INDEX NO.	PART NUMBER	FIGURE AND INDEX NO.	PART NUMBER	FIGURE AND INDEX NO.
1211819-1	19 -15	1212030-3	24 -78	1212224-1	21 -49
1211819-2	19 -15	1212030-4	24 -78	1212224-2	21 -49
1211831-1	21 -82	1212031-1	24 -28	1212225-1	21 -50
1211831-2	21 -82	1212031-1	24 -87	1212225-2	21 -50
1211831-3	21A-42	1212031-13	24 -70	1212226-1	21 -45
1211831-3	21B-51	1212031-16	24 -57	1212226-2	21 -45
1211831-4	21A-43	1212031-2	24 -60	1212227-10	21 -13
1211831-4	21B-52	1212031-4	24 -69	1212227-11	21 -13
1211831-5	21 -66	1212031-6	24 -31	1212228-1	21 -48
1211831-6	21 -67	1212032-1	24 -30	1212228-2	21 -48
1211831-7	21 -83	1212032-1	24 -89	1212401-10	30 -
1211832-1	21 -63	1212032-2	24 -62	1212401-7	30 -32
1211832-2	21 -64	1212032-4	24 -72	1212402-2	30 -11
1211832-3	21 -65	1212032-5	24 -33	1212402-6	30 - 6
1211832-4	40 - 3	1212032-6	24 -26	1212402-7	30 - 7
1211834-1	24A-30	1212032-7	24 -91	1212403-1	30 -10
1211836-1	44 - 6A	1212032-9	24 -59	1212406-1	30 -36
1211836-1	45 - 5C	1212034-1	29 - 7	1212406-2	30 -36
1211837-1	24A-26A	1212036-1	15 -11	1212407-1	30 -27
1211839-1	25 -34A	1212037-7	21 -57	1212407-2	30 -28
1211845-1	51 -14A	1212037-8	21 -57	1212407-3	30 -27
1211846-1	51 -14G	1212038-1	24 -57A	1212407-4	30 -28
1211847-1	51 -14C	1212039-1	24 -45	1212408-3	30 -30
1211847-3	51 -14E	1212039-3	24 -45	1212408-6	30 -29
1211848-1	51 -14H	1212108-1	47 -13	1212408-8	30 -30
1211848-2	51 -14F	1212110-3	47 - 1	1212409-10	30 - 1
1211850-1	25 -93C	1212111-1	22 -54	1212409-3	30 - 2
1211850-3	25 -93E	1212113-1	47 -27	1212409-9	30 -
1211850-4	25 -93F	1212114-1	47 -26	1212410-2	30 - 5
1211851-1	25 -94A	1212115-1	47 - 3	1212413-10	29 - 6
1211851-2	25 -94B	1212118-1	47 - 58	1212413-11	29 - 6
1211852-1	25 -94E	1212121-1	22 -54	1212413-8	29 - 6
1211852-2	25 -94F	1212122-1	47 - 2	1212413-9	29 - 6
1211853-1	25 -95	1212123-1	47 - 4	1212414-10	29 - 2
1211853-2	25 -94G	1212124-1	47 -29	1212414-11	29 - 2
1211854-1	25 -95A	1212124-2	47 -29	1212414-12	29 - 2
1211855-1	25 -43	1212126-1	30 -11	1212414-5	29 - 3
1211855-2	25 -44	1212127-1	30 - 8A	1212414-9	29 - 2
1211856-1	89A-34	1212127-3	30 - 8	1212415-10	29 - 4
1211856-2	89A-42	1212128-1	30 -31	1212415-11	29 - 4
1211857-1	89A-46	1212128-2	30 -31	1212415-8	29 - 4
1211858-1	25 -93	1212130-1	30 -	1212415-9	29 - 4
1211858-1	134 -80A	1212130-2	30 - 1A	1212420-5	29 -25
1211858-2	25 -93A	1212131-1	30 - 6	1212421-1	29 -28
1211858-2	134 -80B	1212131-2	30 - 7	1212422-1	29 -37
1211859-1	89A-45	1212132-1	30 -10	1212424-8	30 -13
1212003-1	30 - 8	1212133-1	30 -29	1212424-9	30 -12
1212010-14-791	31 - 1	1212134-1	30 -	1212426-1	13 -60
1212010-7-791	31 - 1	1212134-2	30 -32	1212426-2	13 -61
1212010-9-791	31 - 1	1212141-1	13 -13	1212426-3	13 -63
1212013-1	13 -65	1212201-1	19 -10	1212426-4	13 -64
1212013-2	13 -66	1212201-2	19 -10	1212426-7	13 -63
1212019-1	22 -49	1212201-5	19 -10	1212426-8	13 -64
1212019-2	22 -49	1212202-1	19 - 8	1212427-2	29 -36
1212019-5	21 -89	1212202-2	19 - 8	1212430-1	29 -39
1212019-6	21 -89	1212203-1	19 - 2	1212431-1	22 -24
1212020-1	24 -73	1212203-2	19 - 2	1212431-2	22 -25
1212020-3	24 -73	1212204-1	19 - 4	1212432-1	29 -46
1212021-7	24 -45	1212204-2	19 - 4	1212432-2	29 -46
1212022-1	24 -80	1212205-1	21 -91	1212433-1	29 -44
1212022-2	24 -81	1212205-2	21 -91	1212433-2	29 -45
1212022-4	24 -81	1212206-1	49 -25	1212434-1	22 -39
1212023-2	24 -66	1212206-2	49 -27	1212435-1	22 -43
1212024-1	24 -51	1212206-3	49 -26	1212436-1	29 -47
1212025-5	29 -38	1212206-4	49 -28	1212436-2	29 -48
1212026-1	24 -77	1212207-3	19 -19	1212438-1	29 -25A
1212027-1	21 -70	1212207-4	19 -20	1212439-1	29 -28A
1212027-2	21 -71	1212207-7	19 -19	1212709-1	29 - 9
1212027-3	21 -72	1212207-8	19 -20	1212709-10	25A- 3
1212027-4	21 -73	1212208-1	19 - 5	1212709-11	29 -16
1212028-2	24 -54	1212208-2	19 - 5	1212709-12	29 -17
1212029-1	24 -82	1212223-1	21 -46	1212709-13	25A- 1
1212030-1	24 -78	1212223-2	21 -47	1212709-14	29 -11
1212030-2	24 -78	1212223-5	21 -47	1212709-15	29 -18

PART NUMBER	FIGURE AND INDEX NO.
1212709-16	29 -19
1212709-17	29 -20
1212709-18	29 -21
1212709-2	29 -10
1212709-3	22 -26
1212709-4	22 -27
1212709-5	29 -12
1212709-6	29 -13
1212709-9	25A- 2
1212710-1	29 -14
1212710-10	22 -32
1212710-11	22 -33
1212710-12	22 -34
1212710-13	29 -14
1212710-14	29 -15
1212710-2	29 -15
1212710-3	22 -28
1212710-4	22 -31
1212710-5	22 -35
1212710-6	22 -36
1212710-7	29 -24
1212710-8	22 -30
1212710-9	22 -29
1212809-10	29 -23
1212809-9	29 -22
1212818-1	30 -37
1212818-2	30 -38
1212818-3	30 -37
1212818-4	30 -38
1212859-1	30 - 6
1213001-10	28 - 5
1213001-11	28 - 6
1213001-12	17 -71
1213001-13	17 -71
1213001-14	17 -64
1213001-15	28 - 9
1213001-51	16 -45
1213001-52	16 -46
1213001-57	16 -50
1213001-72	28 - 6
1213004-1	58 -34
1213004-2	58A-38A
1213004-2	58B-56
1213004-2	58C-67
1213004-2	58D-74
1213005-2	58 - 9
1213005-2	58A- 9
1213050-1	95 -11
1213051-4	16 -12
1213059-3	58 -71
1213059-3	58A-80
1213059-3	58B- 1
1213059-3	58C- 1
1213062-1	58 -74
1213062-13	58D- 7
1213062-8	58B-32
1213062-8	58C-34
1213063-1	58 -73
1213063-3	58A-82
1213063-3	58B-33
1213063-3	58C-35
1213063-4	58D- 6
1213063-6	58A-83
1213064-1	58 -57
1213064-1	58A-63
1213065-1	58A-64
1213065-2	58A-65
1213079-1	87 -12
1213090-1	48 - 5
1213091-2	16 - 9
1213096-10	58 - 4
1213096-14	60 - 1
1213096-23	58 - 4
1213096-24	60 - 1

PART NUMBER	FIGURE AND INDEX NO.
1213096-27	58A- 4
1213096-31	60 - 1
1213096-41	58A- 4
1213096-43	60 - 1
1213115-1	18 -17
1213115-2	18 -17
1213116-2	58 - 8
1213116-2	58A- 8
1213138-11	58 - 1
1213138-11	58A- 1
1213138-12	60 - 6
1213138-8	60 - 6
1213140-1	61 -10A
1213141-10	58 -58
1213141-11	58 -69
1213141-11	58A-78
1213141-13	58A-66
1213143-1	58 -64
1213143-1	58A-73
1213143-1	58B- 9
1213143-1	58C- 9
1213143-1	58D-34
1213145-1	58 -66
1213145-1	58A-75
1213145-1	58B- 7
1213145-1	58C- 7
1213145-1	58D-38
1213149-1	16 -23
1213158-1	113 -29
1213162-1	58 -71
1213162-1	58B- 1
1213162-1	58C- 1
1213163-1	58 - 3
1213163-1	58 - 7
1213163-1	58A- 3
1213163-1	58A- 7
1213163-1	60 - 4
1213163-1	60 - 8
1213163-1	60A- 6
1213163-2	58 - 3
1213163-2	58 - 7
1213163-2	58A- 3
1213163-2	58A- 7
1213163-2	58B-52
1213163-2	58C-60
1213163-2	58D-65
1213163-2	60 - 4
1213163-2	60 - 8
1213163-2	60A- 6
1213163-2	60B- 7
1213163-2	60C-11
1213163-2	60D-10
1213165-202	58 -55
1213165-205	58A-62
1213167-1	58 -59
1213167-3	58A-68
1213168-3	58 -85
1213168-3	58A-92
1213168-4	58A-92
1213169-1	58 -62
1213169-11	58 -62
1213169-11	58A-71
1213169-12	58 -60
1213169-12	58A-69
1213169-13	58A-85
1213169-15	58A-84H
1213169-2	58 -60
1213169-2	58B-18
1213169-2	58C-20
1213169-2	58D-22
1213169-3	58 -99
1213169-7	58 -99
1213170-1	58 -90

PART NUMBER	FIGURE AND INDEX NO.
1213170-1	58A-97
1213170-2	58B-38
1213170-2	58C-43
1213173-1	58 -38
1213173-2	58 -38
1213174-23	58 -49
1213176-1	17 -99
1213176-1	17A-90B
1213179-3	17 -99A
1213179-5	17 -99A
1213179-5	17A-90C
1213180-2	51 -18
1213180-4	51 -18
1213181-2	17 -35
1213181-2	17A-36
1213181-5	17 -32
1213181-5	17A-33
1213183-1	17 -19
1213183-2	17 -19
1213183-3	17 -19
1213183-3	17A-19
1213183-4	17 -19
1213183-4	17A-19
1213184-1	17 -28
1213184-1	17A-28
1213184-2	17 -28
1213184-2	17A-28
1213185-1	17 -97A
1213185-1	17A-89A
1213185-2	17 -97A
1213185-2	17A-89A
1213185-3	17 -97A
1213185-3	17A-89A
1213186-1	17 -76
1213186-1	17A-81
1213186-2	17 -77
1213186-2	17A-82
1213187-1	17 -90
1213187-1	17A-87A
1213187-2	17 -90
1213187-2	17A-87A
1213188-1	133 - 4
1213189-1	58 -48
1213189-3	58A-48
1213192-16	58 -51
1213192-16	58A-53
1213192-17	58 -51
1213192-17	58A-53
1213192-20	58A-53
1213192-21	58A-53
1213193-10	58 -75
1213193-10	58A-84
1213194-1	17 - 2
1213194-10	17A- 3
1213194-2	17 - 3
1213194-3	17 - 2
1213194-4	17 - 3
1213194-7	17 - 2
1213194-7	17A- 2
1213194-8	17 - 3
1213194-8	17A- 3
1213195-1	17 -91
1213195-1	17A-87B
1213195-2	17 -91
1213195-2	17A-87B
1213196-10	60A- 9
1213196-10	60B-10
1213196-10	60C-14
1213196-14	51 -18
1213196-16	51 -18
1213196-6	51 -18
1213196-8	60A-10
1213196-8	60B-11
1213196-8	60C-15

PART NUMBER	FIGURE AND INDEX NO.	PART NUMBER	FIGURE AND INDEX NO.	PART NUMBER	FIGURE AND INDEX NO.
1213197-14	17 -57	1213319-9	137 -21	1213374-4	58B-14
1213197-14	17A-59	1213319-9	137A-	1213374-4	58C-16
1213197-18	17A-59	1213320-1	58A-37	1213374-9	58D-24
1213197-5	17 -57	1213321-2	137 -21	1213375-1	58B- 4
1213197-9	17 -57	1213321-2	137 -27	1213375-1	58C- 4
1213231-1	48 - 2	1213321-2	137A- 6	1213375-2	58D-39
1213231-2	48 - 2	1213327-14	58C-15A	1213376-1	58B- 3
1213231-3	48 - 2	1213327-14	58C-42A	1213376-1	58C- 3
1213242-1	135 -23	1213327-9	58C-15	1213376-1	58D-40
1213261-200	17 -82	1213327-9	58C-42	1213377-1	58B-49
1213261-200	17A-85B	1213328-1	137 -29	1213377-1	58C-56
1213261-200	17A-91K	1213329-1	137 -28	1213377-1	58D-61
1213261-200	87 - 9	1213330-1	58A-37	1213378-1	58B-20
1213261-201	87 - 1	1213331-1	58A- 4	1213380-1	58B-
1213261-202	17A-91K	1213333-2	60A- 1	1213381-1	58B-48
1213261-202	87 - 2	1213334-1	58A- 1	1213381-1	58C-55
1213261-203	87 - 1	1213334-2	60A- 4	1213381-1	58D-60
1213261-204	87 - 2	1213335-1	58A- 7	1213382-1	58B-53
1213263-1	17 -61	1213335-1	58B-43	1213382-5	58D-67
1213263-1	17A-66	1213335-1	58C-50	1213385-1	16 -55
1213263-2	17 -61	1213335-1	58D-55	1213385-1	90 -44
1213263-2	17A-66	1213335-1	60A- 3	1213385-1	91 -47
1213263-2	17A-91J	1213335-1	60B- 4	1213385-2	90 -45
1213264-1	58A-62	1213335-1	60C- 6	1213385-2	91 -48
1213292-2	39 -31	1213335-1	60D- 6	1213385-5	90 -45A
1213293-1	64 - 4	1213335-2	58A- 7	1213385-5	91 -48A
1213294-1	58 -94	1213335-2	60A- 3	1213386-1	90 -48
1213294-1	58A-62	1213338-1	58A- 8	1213386-1	91 -50
1213294-2	58A-62	1213338-4	58A- 9	1213386-2	90 -51
1213295-1	58 -56	1213342-1	58B-59	1213386-2	91 -53
1213296-1	17 -98B	1213342-4	58C-70	1213387-1	58B-10
1213296-1	17A-90A	1213343-1	17 -28A	1213387-3	58B-41A
1213297-1	20 -25	1213343-1	17A-29	1213387-5	58C-10
1213297-1	20A- 4	1213345-1	89 - 3	1213387-7	58C-47
1213297-2	20 -25	1213345-1	89A- 3	1213388-1	28 - 1
1213297-2	20A- 4	1213361-1	16 -64	1213389-1	17 -71
1213299-1	16 -53	1213361-2	16 -64	1213389-1	17A-76
1213299-2	16 -53	1213361-5	17 - 2A	1213389-2	17 -71
1213302-1	24 -12A	1213361-5	17 - 3	1213389-2	17A-76
1213307-7	58 -52	1213361-5	17A- 2	1213390-1	16 -44
1213309-1	17 -69	1213361-5	17A- 3	1213391-1	16 -58
1213309-1	17A-75	1213362-1	16 -65	1213391-2	16 -58
1213309-2	17 -70	1213363-8	58A-53	1213391-5	16 -58
1213309-2	17A-75	1213363-8	58B-58	1213391-6	16 -58
1213309-2	17A-91L	1213363-8	58C-69	1213392-1	28 - 6
1213310-1	17 -69	1213363-9	58A-53	1213394-1	58C-22
1213310-1	17A-74	1213363-9	58B-58	1213396-1	58D-68
1213310-2	17 -69	1213363-9	58C-69	1213398-1	58D-72
1213310-2	17A-74	1213364-1	58A-54	1213399-1	58D-62
1213310-2	17A-92	1213365-1	58B-55C	1213401-12	17 -69
1213314-7	58A-54	1213365-1	58C-66	1213401-17	17A-90C
1213315-5	87 -35	1213365-1	137A- 8	1213401-20	17A-91E
1213316-1	87 -37	1213366-1	58B-50	1213401-24	17A-92F
1213317-10	2 -39	1213366-1	58C-57	1213401-25	17A-75
1213317-14	58A-49	1213366-1	137A- 7	1213401-3	16 -45A
1213317-19	58B-45	1213367-1	58B-54	1213401-4	16 -46
1213317-30	58D-57	1213367-1	58C-62	1213401-5	16 -50
1213317-7	58A-51	1213368-10	58B-51A	1213401-6	17 -64
1213317-7	58B-47	1213368-11	60B- 5A	1213401-6	17A-69
1213317-7	58C-54	1213368-6	58B-51	1213401-7	17 -68
1213317-7	58D-59	1213368-7	60B- 5	1213401-7	17A-73
1213317-8	58A-50	1213369-11	58B-42	1213401-8	17 -69
1213317-8	58B-46	1213369-12	60B- 1	1213401-8	17A-74
1213317-8	58C-53	1213370-1	58B-11	1213402-1	16 -32
1213317-8	58D-58	1213371-3	58B-34	1213402-2	16 -32
1213317-9	61 - 8	1213372-1	58B-17	1213403-3	17 - 9
1213319-10	137 -21	1213372-1	58C-19	1213403-3	17A- 9
1213319-11	137 -22	1213372-1	58D-20	1213403-4	17 -10
1213319-12	137A- 1	1213373-3	58B-23	1213403-4	17A-10
1213319-13	137A-	1213373-3	58C-25	1213404-1	17 -54
1213319-5	137 -22	1213373-3	58D- 8	1213404-1	17A-55
1213319-5	137A- 1	1213374-1	58B-15	1213404-2	17 -54
1213319-7	137 -16	1213374-1	58C-17	1213404-2	17A-55
1213319-8	137 -16	1213374-10	58D-25	1213405-1	17 -67

PART NUMBER	FIGURE AND INDEX NO.
1213405-1	17A-72
1213407-8	18 -31
1213408-2	18 -34
1213409-4	18 -32
1213409-9	18 -32
1213411-11	16 -34
1213411-12	16 -34
1213412-17	17 -17
1213412-23	16 -30
1213412-24	16 -31
1213412-25	17 -16
1213412-25	17A-16
1213412-26	17 -16
1213412-26	17A-16
1213412-27	17 -18
1213412-27	17A-18
1213412-28	17 -17
1213412-28	17A-17
1213412-29	17 -17
1213412-29	17A-17
1213412-30	17 -14
1213412-30	17A-14
1213412-31	17 -14
1213412-31	17A-14
1213412-32	17 -15
1213412-32	17A-15
1213412-34	17 -14
1213412-34	17A-14
1213412-47	17 -13
1213412-47	17A-13
1213414-5	16 -33
1213414-6	16 -33
1213415-11	24 - 8
1213415-12	24 - 9
1213415-15	24 - 1
1213416-1	16 -35
1213416-2	16 -35
1213417-10	17 -21
1213417-10	17A-21
1213417-9	17 -20
1213417-9	17A-20
1213420-21	17 -27
1213420-25	17 -23
1213420-27	17 -23
1213420-29	17A-23
1213420-31	17A-27
1213420-6	17 -26
1213420-6	17A-26
1213421-1	17 -39
1213421-1	17A-40
1213422-1	17 - 4
1213422-1	17A- 4
1213422-4	17 - 6
1213422-6	17 - 5
1213422-6	17A- 5
1213423-1	17 -38
1213423-1	17A-39
1213424-1	17 -52
1213424-1	17A-53
1213425-2	17 -53
1213425-2	17A-54
1213426-1	17 -49
1213426-1	17A-50
1213426-2	17 -49
1213426-2	17A-50
1213429-1	17 -63
1213429-1	17A-68
1213431-1	39 - 3
1213431-2	39 - 3
1213431-3	17 -65
1213431-3	17A-70
1213431-4	39 -13
1213432-1	17 -48
1213432-1	17A-49

PART NUMBER	FIGURE AND INDEX NO.
1213433-10	17 -84
1213433-10	17A-86
1213433-16	17 -75
1213433-16	17A-80
1213433-17	17 -88
1213433-17	17A-86D
1213433-2	17 -73
1213433-2	17A-78
1213433-3	17 -74
1213433-3	17A-79
1213433-31	17 -87
1213433-31	17A-86C
1213433-32	17 -86
1213433-32	17A-86B
1213433-33	17 -73
1213433-33	17A-78
1213433-34	17 -17
1213433-34	17A-77
1213433-35	17 -72
1213433-35	17A-77
1213433-36	17 -82
1213433-36	17A-85B
1213433-37	17 -82
1213433-37	17A-85B
1213433-4	17 -74
1213433-4	17A-79
1213433-8	17 -85
1213433-8	17A-86A
1213433-9	17 -83
1213433-9	17A-85D
1213440-2	17 -55
1213440-2	17A-56
1213440-3	17 -55
1213440-3	17A-56
1213440-3	17 -94
1213446-3	17A-88A
1213446-3	17 -94
1213446-4	17A-88A
1213450-3	17 -62
1213450-3	17A-67
1213450-4	17 -62
1213450-4	17A-67
1213450-4	17A-91F
1213453-1	16 -43
1213453-2	16 -43
1213453-6	16 -43
1213454-1	18 -39
1213455-1	18 -40
1213456-1	17 -51
1213456-1	17A-52
1213456-2	17 -51
1213456-2	17A-52
1213457-1	17 -50
1213458-1	17A-51
1213458-1	17 -72
1213458-1	17A-77
1213458-2	17 -72
1213458-2	17A-77
1213459-3	16 -37
1213459-4	16 -37
1213460-1	16 -33
1213461-1	17 -66
1213461-1	17A-71
1213462-1	17 -79
1213462-1	17A-84
1213467-7	39 - 1
1213467-8	39 - 2
1213470-5	87 - 6
1213470-6	87 - 8
1213472-1	17A-91K
1213472-1	87 - 9
1213473-1	51 - 5
1213473-2	51 - 6
1213475-3	16 -47

PART NUMBER	FIGURE AND INDEX NO.
1213475-4	16 -48
1213478-1	16 -48
1213482-2	16 -48
1213483-1	16 -48
121349-2	58C-61
1213494-1	24 - 6
1213495-6	24 -10
1213496-5	17 -62
1213496-5	17A-67
1213496-5	17A-67
1213496-5	17A-91G
1213496-6	17 -62
1213496-6	17A-67
1213496-6	17A-67
1213496-6	17A-91H
121350-2	58C-52
1213502-1	18 -33
1213508-1	16 -56
1213512-1	24 -16
1213513-3	24 -13
1213513-4	24 -13
1213514-1	17 -11
1213514-1	17A-11
1213514-2	17 -11
1213514-2	17A-11
1213514-3	17 -12
1213514-3	17A-12
1213516-3	87 - 5
1213516-4	87 - 7
1213517-1	17 - 7
1213517-1	17A- 7
1213518-1	87 - 3
1213518-2	87 - 4
1213519-1	87 -20
1213527-1	87 -22
1213528-1	17 -95
1213528-1	17A-88B
1213528-1	87 -26
1213528-2	17 -95
1213528-2	17A-88B
1213528-2	87 -26
1213529-1	17 -98A
1213529-1	17A-90
1213529-2	17 -98A
1213529-2	17A-90
1213530-1	17 -98
1213530-1	17A-89D
1213530-2	17 -98
1213530-2	17A-89D
1213531-2	87 -36
1213531-3	87 -36
1213537-6	64 -12
1213538-1	17 -69
1213538-1	17A-92A
1213539-1	17 - 6
1213539-1	17A- 6
1213600-7	16 -57
1213600-8	28 - 8
1213621-1	17 -79
1213621-1	17A-84
1213632-1	58 -63
1213632-1	58A-72
1213632-1	58B-22
1213632-1	58C-24
1213632-1	58D-17
1213637-1	16 -41
1213637-2	16 -41
1213645-1	58 -91
1213645-1	58A-97A
1213645-1	58B-39
1213645-1	58C-44
1213645-1	58D-50
1213646-1	58 -45
1213646-1	58 -46

PART NUMBER	FIGURE AND INDEX NO.
1213646-1	58A-45
1213646-1	58A-46
1213646-1	58B-91
1213646-1	58B-92
1213646-1	58C-92D
1213646-1	58C-92E
1213646-1	58D-90D
1213646-1	58D-91
1213646-2	58 -47
1213646-2	58A-47
1213646-2	58B-93
1213646-2	58C-93
1213646-2	58D-91A
1213650-1	58 -70
1213650-1	58A-79
1213650-1	58B-16
1213650-1	58C-18
1213650-1	58D-28
1213657-3	17 -89
1213657-3	17A-87
1213657-4	17 -89
1213657-4	17A-87
1213658-1	87 -29
1213675-1	16 -62
1213677-1	16 -66
1213686-1	87 -31
1213686-6	87 -30
1213669-1	58C-11
1213690-3	58C-36
1213691-1	58C-
1213692-7	58C-48
1213692-8	60C- 1
1213693-10	58C-84
1213693-11	60C- 9
1213693-6	58C-58
1213693-7	60C- 8
1213701-11	18 - 9
1213701-12	18 - 9
1213701-7	18 -10
1213701-8	18 -11
1213701-9	18 -
1213703-1	18 -18
1213703-2	18 -18
1213705-3	18 -35
1213705-4	18 -36
1213708-1	18 - 3
1213709-1	58D-29
1213710-19	3 -57
1213710-20	3 -57
1213710-23	3 -52
1213710-24	3 -52
1213711-1	24A-39
1213711-1	28 -10
1213713-5	18 -13
1213713-6	18 -14
1213716-1	59A-30
1213717-1	137 - 1
1213717-2	137 - 2
1213718-1	114 -36
1213718-1	114A-22
1213719-1	17A-92J
1213720-1	17A-92L
1213721-1	17A-92N
1213721-3	17A-91C
1213721-6	17A-92Q
1213722-1	58D-76
1213722-2	58D-76
1213723-1	58D-77
1213724-1	58D-18
1213725-1	58D-49
1213726-4	58D- 1
1213728-1	58D-
1213729-1	58D-87C
1213729-1	133 -31

PART NUMBER	FIGURE AND INDEX NO.
1213730-1	58D-42
1213730-3	58D-42
1213734-1	17A-92B
1213734-2	17A-92D
1213735-1	17A-92S
1213736-1	16 -35
1213737-2	17A-92V
1213738-1	17A-92W
1213740-1	95 -11
1213742-1	58D-63
1213742-3	60D- 8
1213743-1	58D-53
1213743-3	60D- 1
1213743-5	58D-53
1213743-7	60D- 1
1213746-1	51 -23A
1213746-4	60D-19
1213748-1	60D-13
1213748-2	60D-13
1213748-6	60D-15
1213754-1	17 -78
1213754-1	17A-83
1213754-2	17 -78
1213754-2	17A-83
1213755-1	113 -57
1213801-1	17 -34
1213801-1	17A-35
1213801-2	17 -34
1213801-2	17A-35
1213862-1	17 -97B
1213862-1	17A-89B
1213862-2	17 -97B
1213862-2	17A-89B
1213863-1	15 - 9
1213863-2	15 - 9
1213929-1	16 -54
1213931-1	16 -22
1213931-2	16 -21
1213932-1	95 - 6
1213932-2	95 - 7
1213932-3	95 - 6
1213932-4	95 - 7
1213935-1	16 -17
1213936-1	16 -13
1213936-2	16 -14
1213936-5	16 -13
1213937-1	16 -19
1213937-2	16 -20
1213938-2	16 -20
1213938-3	16 -20
1213938-6	16 -18
1213938-7	16 -18
1213942-1	44 -13A
1213942-1	44A-15
1213942-2	45 -11A
1213942-2	45A-12
1214031-2	56 -42
1214031-2	56A-51
1214032-1	56 -58
1214032-1	56A-67
1214033-1	56 -60
1214033-1	56A-69
1214034-1	57 -13
1214034-1	57A-12
1214036-3	56 -44
1214036-3	56A-53
1214036-4	56 -44
1214036-4	56A-53
1214037-1	56 -
1214037-12	56 -
1214037-13	56 -
1214037-2	56 -
1214037-200	56 - 1
1214037-201	56 - 1

PART NUMBER	FIGURE AND INDEX NO.
1214037-202	# 56 -11
1214037-203	# 56 -11
1214037-204	# 56 - 1
1214037-205	# 56 - 1
1214037-206	# 56 -11
1214037-207	# 56 -11
1214037-3	# 56 - 7
1214037-4	# 56 -18
1214046-10	57 - 8
1214046-11	# 57 -17
1214046-12	# 57 -12
1214046-13	57 -15
1214046-2	# 57 -
1214046-200	# 57 - 6
1214046-201	# 57 -14E
1214046-3	57 -16
1214046-4	# 57 - 9
1214046-4	# 57A-10
1214046-5	# 57 -12
1214046-6	# 57 -17
1214046-7	57 -11
1214046-8	57 -16
1214046-9	57 - 8
1214047-1	57 -25
1214047-1	57A-29
1214048-1	57 -31A
1214048-1	57A-37
1214048-2	57A-43
1214049-1	57 -22
1214049-1	57A-26
1214060-1	57 -31
1214062-5	53 -10
1214062-5	53A-10
1214062-5	54 -10
1214062-5	55 -10
1214065-1	57 -20
1214065-1	57A-24
1214067-1	57 -14A
1214067-1	57A-14
1214067-2	57 -14C
1214067-2	57A-18
1214067-5	57 -14D
1214067-5	57A-19
1214067-6	51 -24
1214067-6	57 -35
1214067-6	57A-39
1214071-1	56 - 8
1214071-2	56 - 8
1214073-11	57 -16
1214073-12	57 -16
1214073-2	# 57 -
1214073-3	# 57 -12
1214073-4	# 57 -12
1214073-5	# 57 -17
1214073-6	# 57 -17
1214073-7	57 - 8
1214073-8	57 - 8
1214075-1	# 54 -
1214075-2	# 54 -
1214075-3	# 53 -
1214076-1	# 56 -
1214076-2	# 56 -
1214077-1	# 55 -
1214077-2	# 55 -
1214077-3	# 53A-
1214077-4	# 53A-22
1214077-4	# 55 -15
1214077-5	# 53A- 7
1214077-5	# 55 - 7
1214078-1	# 56 -
1214078-2	# 56 -
1214078-4	# 56 -18
1214078-5	# 56 - 7
1214079-1	# 57 -

PART NUMBER	FIGURE AND INDEX NO.	PART NUMBER	FIGURE AND INDEX NO.	PART NUMBER	FIGURE AND INDEX NO.
1214079-3	# 57 -17	1214104-1	# 56A-	1215050-5	# 49 - 1
1214079-4	# 57 -17	1214104-10	# 56A-19	1215050-6	# 49 - 2
1214079-5	# 57 -12	1214104-2	# 56A-	1215050-9	# 50 -13
1214079-6	# 57 -12	1214104-3	# 56A- 1	1215054-1	135 -34
1214080-2	53A-39B	1214104-4	# 56A- 1	1215057-1	# 50 - 1
1214085-1	# 55 -	1214104-5	# 56A-12	1215057-2	# 50 - 2
1214085-11	# 53A-10A	1214104-6	# 56A-12	1215057-3	# 49 - 1
1214085-11	# 55 -10A	1214104-7	# 56A- 7	1215057-4	# 49 - 2
1214085-2	# 55 -	1214104-8	# 56A-19	1215057-5	# 50 -13
1214085-3	# 53A-	1214109-1	# 53A-70	1215057-6	# 50 -14
1214085-5	53A-22C	1214109-1	# 55 -98A	1215059-1	49 - 3
1214085-5	55 -15C	1214109-1	# 56 -73A	1215059-1	50 -14A
1214085-6	53A- 7C	1214109-1	# 56A-81	1215064-1	# 50 - 1
1214085-6	55 - 7C	1214111-5	# 53A-69	1215064-2	# 50 - 2
1214085-7	53A-22B	1214111-5	# 55 -98	1215064-3	# 49 - 1
1214085-7	55 -15B	1214111-5	# 56 -72A	1215064-4	# 49 - 2
1214085-8	53A- 7B	1214111-5	# 56A-81	1215064-5	# 50 -13
1214085-8	55 - 7B	1214111-6	# 55 -98	1215064-6	# 50 -14
1214087-1	# 56A-	1214111-6	# 56 -72A	1215066-1	48 - 8
1214087-10	56A- 8	1214111-6	# 56A-81	1215067-1	# 50 - 1
1214087-12	56A-10	1215012-4	24A-35	1215067-2	# 50 - 2
1214087-14	56A-11	1215035-1	51 -21	1215067-3	# 49 - 1
1214087-15	56A-10	1215039-12	# 51 - 7	1215067-4	# 49 - 2
1214087-2	# 56A-	1215039-22	50 - 8B	1215067-5	# 50 -13
1214087-5	# 56A-19	1215041-1	# 50 - 1	1215067-6	# 50 -14
1214087-6	# 56A- 7	1215041-10	# 50 -14	1215073-1	# 53A-68A
1214087-7	56A-21	1215041-2	# 50 - 2	1215073-1	# 55 -90A
1214087-8	56A- 9	1215041-5	# 49 - 1	1215073-1	# 56A-80
1214087-9	56A-20	1215041-6	# 49 - 2	1215073-1	# 57A-41
1214087-9	# 56A- 7	1215041-9	# 50 -13	1215073-10	# 53A-68B
1214088-1	# 57A-	1215042-1	51 -16	1215073-10	# 55 -90B
1214088-11	# 57A-20	1215045-1	50 - 7	1215073-10	# 56A-80
1214088-12	# 57A- 6	1215045-13	50 -15	1215073-10	# 57A-42
1214088-2	# 57A-	1215045-14	50 -16	1215076-1	62 -46
1214088-3	# 57A- 7	1215045-15	51 -10	1215077-1	# 51 - 7C
1214088-4	# 57A-21	1215045-16	50 -17	1215077-2	# 51 - 8A
1214088-5	57A- 9	1215045-17	51 - 9	1215077-3	# 51 - 8B
1214088-6	57A- 8	1215045-18	50 -18	1215077-4	# 51 - 7A
1214088-7	57A-23	1215045-19	51 -12	1215077-5	# 51 - 7B
1214088-8	57A-22	1215045-2	50 - 8	1215077-8	# 51 - 8
1214088-9	# 57A-20	1215045-21	49 -11A	1215078-1	# 48 -15
1214096-1	57A-44	1215045-23	49 -10	1215078-10	48 -22
1214098-1	53A-23A	1215045-24	49 -11	1215078-11	48 -23
1214098-1	55 -19A	1215045-27	50 - 7	1215078-3	48 -16
1214099-1	53A-25A	1215045-29	50 -15	1215078-4	48 -17
1214099-1	55 -18A	1215045-3	49 - 6	1215078-6	48 -21
1214099-1	56A-22	1215045-30	49 -13	1215078-7	48 -18
1214099-2	53A-25A	1215045-31	49 -12	1215078-8	48 -19
1214099-2	55 -18A	1215045-32	50 -11	1215078-9	48 -20
1214099-2	56A-22	1215045-33	50 -10A	1215079-1	51 - 9B
1214101-1	56A-24	1215045-35	49 -12	1215080-1	50 -22
1214101-2	56A-24	1215045-36	49 -13	1215080-2	50 -21
1214102-1	# 55 -	1215045-37	50 - 7	1215081-1	51 -13
1214102-10	# 53A- 7A	1215045-38	50 - 8	1215081-3	51 -11
1214102-10	# 55 - 7A	1215045-39	49 - 6	1215082-1	25 -45A
1214102-2	# 55 -	1215045-4	49 - 7	1215083-1	# 51 - 1
1214102-3	# 53A-	1215045-40	49 - 7	1215083-10	48 - 4
1214102-4	# 53A- 1	1215045-43	49 -10	1215083-2	# 51 - 2
1214102-4	# 55 - 1	1215045-44	49 -11	1215083-3	# 51 - 3
1214102-5	# 55 -10C	1215045-45	50 -15	1215083-4	# 48 - 1
1214102-6	# 53A-10C	1215045-46	50 -16	1215083-8	# 51 - 4
1214102-6	# 55 -10C	1215045-47	50 -12	1215084-1	44A- 7
1214102-7	53A- 7A	1215045-49	49 -12	1215084-2	45A- 7
1214102-7	55 - 7A	1215045-5	49 - 8	1215085-1	# 44A- 8
1214102-8	53A-22A	1215045-50	49 -13	1215085-2	# 45A- 8
1214102-8	55 -15A	1215045-6	49 - 9	1215089-1	25 -93B
1214102-9	53A-22A	1215047-1	24A-41	1215090-1	62B-10
1214102-9	# 55 -15A	1215047-2	25 -77	1215091-1	50 -20
1214103-1	# 57A-	1215047-3	25 -77	1215091-3	49 -23
1214103-2	# 57A-20	1215047-4	25 -77	1215091-4	49 -23
1214103-3	# 57A- 6	1215049-1	51 - 9A	1215091-5	50 -23A
1214103-4	# 57A- 7	1215050-1	# 50 - 1	1215091-6	50 -23A
1214103-5	57A-21	1215050-10	# 50 -14	1215093-1	25 -17A
1214103-7	57A- 7	1215050-2	# 50 - 2	1215093-2	25 -17B

PART NUMBER	FIGURE AND INDEX NO.
1215093-3	25 -17C
1215094-1	25 -17
1215096-1	16 -58
1215096-2	16 -58
1216016-200	111 -47
1216018-1	109 -27
1216407-19	109 -29
1216407-20	109 -28
1216412-1	6 -33
1216412-2	6 -33
1216413-1	109 -35
1216413-2	109 -47
1216612-4	112 -10
1216613-7	112 - 3
1216615-1	17 -93
1216615-1	17A-87D
1216616-1	17 -95A
1216616-1	17A-88C
1217004-15	44 -27
1217004-16	45 -23
1217004-200	45 -22
1217004-201	44 -26
1217008-1	44 -13
1217008-1	45 -11
1217009-7	39 -16
1217009-8	39 -17
1217011-1	39 -24
1217011-2	39 -25
1217012-1	39 -26
1217012-2	39 -27
1217013-1	39 -29
1217013-2	39 -30
1217014-1	39 -14
1217017-1	39 -35
1217019-1	17 -29
1217019-1	17A-30
1217025-1	39 -32
1217026-1	17 -31
1217026-1	17A-31
1217026-2	17 -30
1217026-2	17A-32
1217035-1	44 -27A
1217035-1	44A-30
1217035-1	45 -23A
1217035-1	45A-25
1217036-1	44 -56
1217036-2	45 -46
1217036-6	44A-66C
1217037-10	45 -23
1217037-200	45 -22
1217037-201	44 -26
1217037-9	44 -27
1217039-1	47 -14M
1217040-1	47 -14E
1217041-1	47 -14D
1217043-1	47 - 8A
1217045-200	45A-21
1217045-201	44A-26
1217045-7	44A-29
1217045-8	45A-24
1217046-3	44A-49
1217046-4	45A-39
1217046-5	44A-51
1217046-5	45A-41
1217046-6	44A-53
1217046-6	45A-43
1217047-7	44A-46
1217047-7	45A-36
1217048-1	44A-40
1217048-2	45A-30
1217049-1	46A-
1217049-2	46A-
1217049-3	46A-22
1217049-4	46A-22

PART NUMBER	FIGURE AND INDEX NO.
1217049-7	46A-
1217049-8	46A-
1217050-3	44A-52
1217050-4	45A-42
1217052-3	45A-49
1217052-5	45A-48A
1217053-2	44A- 5
1217053-2	45A- 5
1217054-1	47 -14H
1217055-1	47 -14J
1217056-1	44A-57
1217057-1	47 -12A
1217058-1	44A-66A
1217058-1	45A-56
1217060-1	47 - 2A
1220114-1	10 - 3
1220120-7	15 -18
1220120-8	15 -19
1221006-1	9 -
1221006-11	9 - 7
1221006-15	9 - 6
1221006-16	9 - 6
1221006-18	9 - 3
1221006-19	9 - 3
1221006-2	9 -
1221006-20	9 - 4
1221006-21	9 - 4
1221006-7	9 - 5
1221006-8	9 - 7
1221007-10	10 - 8
1221007-11	10 -
1221007-12	10 -
1221007-13	10 - 9
1221007-14	10 - 9
1221007-17	10 -10
1221007-18	10 -10
1221007-19	10 -41
1221007-20	10 -41
1221007-21	10 -15
1221007-22	10 -15
1221025-1	5 -14A
1221027-1	5 -14B
1221028-1	89 -13
1221028-1	89A-34
1221030-2	5 -39
1221031-1	7 -19
1221031-2	7 -19
1221034-1	7 -17
1221034-2	7 -17
1221035-1	7 -16
1221040-86	4 - 3
1221040-87	4 - 3
1221041-15	6 - 7
1221041-16	6 - 7
1221041-45	6 - 1
1221041-46	6 - 1
1221042-1	6 - 2
1221042-10	6 - 6
1221042-100	5 -56
1221042-101	5 -56
1221042-111	5 -75A
1221042-2	6 - 2
1221042-3	6 - 3
1221042-4	6 - 3
1221042-5	6 - 4
1221042-59	5 -75
1221042-6	6 - 4
1221042-7	6 - 5
1221042-8	6 - 5
1221042-9	6 - 6
1221042-94	5 -63
1221042-95	5 -63
1221042-96	5 -62
1221042-97	5 -62

PART NUMBER	FIGURE AND INDEX NO.
1221042-98	5 -61
1221042-99	5 -61
1221043-1	6 -21
1221043-2	6 -21
1221047-1	4 -16
1221047-1	4 -16
1221047-1	4 -16
1221047-3	4 -17
1221047-3	4 -17
1221047-5	4 -18
1221048-2	5 -40
1221049-2	6 -22
1221050-3	3 -15
1221050-3	3 -16
1221050-8	5 -52
1221051-1	5 -57
1221051-3	5 -58
1221053-7	5 -48
1221054-4	5 -58
1221055-101	4 -24
1221055-102	4 -24
1221055-103	4 -26
1221055-104	4 -26
1221055-105	4 -28
1221055-106	4 -29
1221055-11	7 -34
1221055-159	5 -78
1221055-160	5 -78
1221055-162	5 -76
1221055-164	5 -77
1221055-192	5 -76
1221055-193	5 -76
1221055-194	5 -77
1221055-195	5 -77
1221055-196	5 -80
1221055-197	5 -80
1221055-41	6 -19
1221055-42	6 -20
1221055-43	6 -19
1221055-44	6 -20
1221055-51	6 -18
1221055-52	6 -18
1221055-55	5 -81
1221055-56	5 -81
1221055-58	5 -78
1221055-59	5 -19
1221055-60	5 -79
1221055-63	4 -19
1221055-64	4 -19
1221055-65	4 -20
1221055-66	4 -20
1221055-67	4 -21
1221055-68	4 -21
1221055-69	4 -22
1221055-70	4 -22
1221055-81	4 -23
1221055-82	4 -23
1221055-87	4 -25
1221055-88	4 -25
1221055-89	4 -27
1221055-90	4 -27
1221057-1	7 -23
1221057-11	7 -25
1221057-12	7 -41
1221057-13	7 -51
1221057-3	7 -24
1221057-9	7 -22
1221059-1	3 -21
1221059-2	3 -24
1221059-3	3 -25
1221060-1	5 -82
1221061-10	4 -35
1221061-11	4 -36
1221061-12	4 -36



PART NUMBER	FIGURE AND INDEX NO.
1221061-25	4 -31
1221061-26	4 -31
1221061-7	4 -33
1221061-8	4 -33
1221061-9	4 -35
1221062-1	4 -60
1221062-11	4 -59
1221062-2	4 -60
1221062-3	4 -61
1221062-4	4 -61
1221062-6	4 -59
1221063-6	5 -14
1221063-7	5 -14
1221064-19	4 -40
1221064-20	4 -43
1221064-21	4 -38
1221064-23	4 -41
1221064-23	4 -44
1221064-31	4 -37
1221064-32	4 -37
1221064-37	4 -39
1221064-38	4 -39
1221064-7	4 -42
1221064-8	4 -42
1221065-1	9 -13
1221065-2	9 -13
1221065-5	9 -12
1221065-6	9 -12
1221066-1	9 -26
1221066-11	9 -35
1221066-12	9 -35
1221066-13	9 -32
1221066-14	9 -32
1221066-15	9 -31
1221066-16	9 -31
1221066-2	9 -26
1221066-5	9 -27
1221066-6	9 -28
1221066-7	9 -33
1221066-8	9 -34
1221067-1	9 -29
1221067-2	9 -29
1221067-3	9 -30
1221067-4	9 -30
1221067-6	9 -37
1221068-1	9 -17
1221068-2	9 -18
1221068-4	9 -20
1221068-5	9 -21
1221068-6	9 -22
1221068-7	9 -23
1221068-8	9 -24
1221068-9	9 -19
1221069-1	9 -14
1221069-2	9 -14
1221070-1	9 -15
1221070-2	9 -15
1221071-1	9 -16
1221071-2	9 -16
1221072-1	9 -25
1221072-2	9 -25
1221072-3	9 -36
1221072-4	9 -36
1221074-3	9 -11
1221074-4	9 -11
1221075-7	9 - 9
1221075-8	9 - 9
1221076-5	10 -16
1221076-6	10 -16
1221076-7	10 -17
1221076-8	10 -17
1221077-10	10 -31
1221077-7	10 -21
1221077-8	10 -31

PART NUMBER	FIGURE AND INDEX NO.
1221077-9	10 -30
1221078-10	10 -35
1221078-10	10 -39
1221078-11	10 -34
1221078-12	10 -35
1221078-8	10 -24
1221078-9	10 -35
1221079-10	10 -39
1221079-8	10 -27
1221079-8	10 -39
1221079-9	10 -38
1221080-5	10 -22
1221080-6	10 -23
1221080-7	10 -25
1221080-8	10 -26
1221081-10	10 -36
1221081-5	10 -37
1221081-6	10 -33
1221081-9	10 -32
1221082-3	10 -29
1221082-4	10 -29
1221083-3	10 -28
1221083-4	10 -28
1221084-10	10 -19
1221084-11	10 -20
1221084-12	10 -20
1221084-7	10 -18
1221084-8	10 -18
1221084-9	10 -19
1221085-1	7 -42
1221085-11	7 -30
1221085-12	7 -30
1221085-14	7 -43
1221085-15	7 -45
1221085-16	7 -26
1221085-2	7 -44
1221085-3	7 -46
1221085-5	7 -27
1221085-6	7 -38
1221086-1	5 -59
1221086-2	97 -25
1221086-3	97 -24
1221087-1	97 -12
1221087-2	97 -12
1221088-7	7 -31
1221088-8	7 -31
1221089-1	4 -45
1221089-19	4 -46
1221089-19	4 -50
1221089-19	4 -54
1221089-2	4 -45
1221089-39	4 -55
1221089-40	4 -53
1221089-41	4 -53
1221089-7	4 -49
1221089-8	4 -49
1221090-1	4 -62
1221090-2	4 -62
1221090-3	4 -63
1221090-4	4 -63
1221091-1	4 -64
1221091-3	3 -21
1221092-3	4 -34
1221092-4	4 -34
1221092-5	4 -34
1221092-6	4 -34
1221093-1	4 -65
1221093-1	4 -65
1221093-3	3 -18
1221093-3	3 -18
1221093-3	3 -18
1221096-1	5 -37
1221096-1	5 -51
1221096-1	5 -84

PART NUMBER	FIGURE AND INDEX NO.
1221096-3	3 -14
1221097-1	5 -15
1221097-2	5 -15
1221098-2	108 -19
1221098-3	108 -20
1221104-1	7 -39
1221104-3	7 -40
1221104-5	7 -39
1221105-15	3 -59
1221105-16	3 -59
1221105-17	3 -58
1221105-18	3 -58
1221105-5	3 -58
1221105-6	3 -58
1221111-200	3 -13
1221111-201	3 -13
1221111-202	3 -13
1221111-203	3 -13
1221111-7	3 -13
1221111-8	3 -13
1221112-3	3 -34
1221112-4	3 -34
1221113-4	97 -16
1221116-1	4 -66
1221116-3	3 -17
1221116-3	3 -18
1221116-8	4 -66
1221117-1	9 -40
1221117-2	9 -40
1221117-3	9 -41
1221117-4	9 -41
1221117-5	9 -42
1221117-6	9 -42
1221117-7	9 -43
1221117-8	9 -43
1221119-1	3 -75
1221119-4	3 -75
1221120-6	4 -82
1221120-6	4 -84
1221120-7	4 -82
1221120-7	4 -84
1221121-1	9 -43
1221121-2	9 -45
1221121-3	9 -46
1221121-4	9 -46
1221123-1	10 -40
1221124-1	5 -71
1221125-1	5 -67
1221126-1	5 -70
1221127-5	5 -66
1221128-5	5 -73
1221129-2	5 -63
1221130-1	5 -65
1221131-1	5 -72
1221132-1	5 -68
1221134-1	4 -78
1221134-2	4 -79
1221134-3	4 -80
1221138-11	4 -30
1221138-12	4 -30
1221138-7	4 -32
1221138-8	4 -32
1221144-2	4 -35
1221147-1	3 -35C
1221147-2	3 -35C
1221147-3	3 -35C
1221147-4	3 -35C
1221201-3	3 -62
1221201-4	3 -62
1221201-6	19 -10
1221202-1	4 - 8
1221202-2	4 - 8
1221221-10	4 -73
1221221-11	4 -

PART NUMBER	FIGURE AND INDEX NO.
1221221-12	4 -
1221221-2	4 -67
1221221-3	4 -74
1221221-4	4 -68
1221221-5	4 -69
1221221-6	4 -70
1221221-7	4 -71
1221221-8	4 -72
1221221-9	4 -75
1221222-10	4 -75
1221222-11	4 -
1221222-12	4 -74
1221222-13	4 -
1221222-2	4 -67
1221222-3	4 -74
1221222-4	4 -68
1221222-5	4 -69
1221222-6	4 -70
1221222-7	4 -71
1221222-8	4 -72
1221223-10	5 -83
1221223-2	5 - 1
1221223-5	5 -83
1221223-7	5 -60
1221223-9	5 -60
1221224-3	5 - 1
1221224-5	5 -83
1221224-7	5 -60
1221226-1	6 - 8
1221226-2	6 - 8
1221227-1	6 -10
1221227-2	6 -10
1221228-1	6 -12
1221228-2	6 -12
1221229-1	6 -14
1221229-2	6 -14
1221230-1	6 -16
1221230-2	6 -16
1221231-1	4 -15
1221231-2	4 -15
1221232-1	7 -47
1221232-2	7 -47
1221235-1	7 -
1221235-10	7 -28
1221235-11	7 -15
1221235-12	7 -15
1221235-13	7 - 4
1221235-15	7 - 4
1221235-2	7 -
1221235-3	7 - 1
1221235-4	7 - 1
1221235-5	7 - 2
1221235-6	7 - 2
1221235-9	7 -28
1221236-1	3 -73
1221236-2	3 -73
1221236-8	3 -73
1221236-9	3 -73
1221237-5	5 -19
1221237-6	5 -19
1221237-7	5 -16
1221237-8	5 -16
1221238-1	5 -20
1221238-2	5 -20
1221239-1	5 -21
1221239-2	5 -22
1221240-3	5 -18
1221240-4	5 -18
1221241-1	5 -25
1221241-2	5 -25
1221242-1	5 - 6
1221242-4	5 - 6
1221243-3	5 - 7
1221243-4	5 - 7

PART NUMBER	FIGURE AND INDEX NO.
1221244-1	5 - 4
1221244-2	5 - 5
1221245-1	5 -31
1221246-1	5 -28
1221246-2	5 -28
1221247-1	5 -23
1221248-10	5 -26
1221248-11	5 -34
1221251-1	89B-14
1221252-1	5 -32
1221252-2	5 -32
1221253-1	5 -29
1221253-2	5 -26
1221253-3	5 -35
1221254-1	5 -55A
1221254-2	5 -55A
1221255-2	5 -55B
1221256-1	3 -45
1221256-2	3 -45
1222009-1	6 -23
1222010-1	98 -10
1222010-2	98 -11
1222011-1	98 - 3
1222011-2	98 - 3
1222012-1	3 -60
1222013-1	4 -77
1222014-1	98 - 9
1222014-2	98 - 9
1222015-1	98 - 7
1222016-1	98 - 8
1222018-1	6 -24
1222019-1	6 -25
1222019-2	6 -25
1222027-1	103 -65
1222028-1	4 -82
1222028-2	4 -82
1222031-3	7 - 3
1222031-4	7 - 3
1222035-1	7 -20
1222035-2	7 -20
1222035-3	7 -20
1222035-4	7 -20
1222122-5	5 - 2
1222122-6	5 - 2
1222123-3	5 - 3
1222123-4	5 - 3
1222125-1	3 -19
1222126-1	5 -24
1222126-2	5 -24
1222128-1	139 - 1
1222129-1	4 - 4
1222129-2	4 - 4
1222130-1	5 -12
1222130-2	5 -12
1222131-1	5 -13
1222131-2	5 -13
1222131-3	4 - 7
1222131-4	4 - 7
1222133-1	5 -55
1222133-2	5 -55
1231000-15	11 -36
1231000-16	11 -37
1231000-17	11 -35
1231000-18	11 -32
1231000-18	11A-33
1231000-4	11 -33
1231000-7	11 -34
1231001-10	12 -
1231001-3	12 -26
1231001-8	12 -
1231002-1	11 - 8
1231002-2	11 - 9
1231002-2	11A- 8
1231002-3	11 - 8

PART NUMBER	FIGURE AND INDEX NO.
1231002-3	11A- 7
1231005-2	11 -14
1231005-3	11 -14
1231005-3	11A-17
1231006-1	11 -13
1231006-1	11A-16
1231007-1	11 -12
1231007-1	11A-15
1231008-1	11 -11
1231009-1	11 -16
1231009-3	11 -17
1231010-3	11 -10
1231010-3	11A- 9
1231012-2	11 -27
1231013-2	11 -25
1231014-2	11 -28
1231014-2	11A-29
1231014-3	11 -29
1231014-4	11 -29
1231014-4	11A-30
1231015-1	12 - 4
1231015-2	12 - 5
1231015-3	12 - 6
1231015-7	12 - 4
1231015-9	12 - 6
1231016-1	12 -11
1231017-1	12 -10
1231021-1	12 -14
1231021-2	12 -15
1231021-3	12 -15
1231021-7	12 -15A
1231021-8	12 -15B
1231021-9	12 -14A
1231022-1	12 -12
1231022-3	12 -12
1231023-1	11 -24
1231023-1	11A-26
1231023-16	12 -16
1231023-17	12 -18
1231023-18	12 -20
1231023-19	12 -17
1231023-2	11 -23
1231023-2	11A-25
1231023-20	12 -19
1231023-21	12 -21
1231023-3	11 -22
1231023-3	11A-24
1231026-1	12 -13
1231026-2	12 -13
1231029-1	12 - 8
1231029-2	12 - 8
1231030-1	12 - 7
1231031-1	12 - 7
1231032-1	12 - 8
1231033-1	12 - 6
1231045-1	12 -22
1231048-2	11 -38
1231048-3	11 -
1231049-1	11 -15
1231049-1	11A-18
1231049-2	11 -20
1231049-2	11A-22
1231049-3	11 -21
1231049-3	11A-23
1231050-1	11 -42
1231050-1	11A-44
1231052-1	25A-13
1231054-1	11 -26
1231054-2	11 -27
1231056-1	11 -27A
1231056-1	11A-28
1231057-1	11 -
1231057-10	11 -38
1231057-10	11A-39

PART NUMBER	FIGURE AND INDEX NO.	PART NUMBER	FIGURE AND INDEX NO.	PART NUMBER	FIGURE AND INDEX NO.
1231057-11	11A-33A	1232622-6	13 -45	1234648-2	14 -75
1231057-12	11A-33B	1232623-1	13 -50	1234648-5	14 -77
1231057-15	11A-	1232623-3	13 -50	1234648-6	14 -69
1231057-2	11A-	1234008-1	14 -66	1234648-7	14 -70
1231057-3	11 -36	1234008-2	14 -65	1234648-8	14 -74
1231057-4	11 -37	1234009-6	14 -11	1234648-9	14 -78
1231057-5	11A-36	1234014-1	14 -48	1234649-1	14 -31
1231057-6	11A-36	1234014-2	14 -57	1234649-2	14 -31
1231057-9	11A-38	1234017-1	14 -46	1234650-1	14 -82A
1231058-1	11 -25A	1234019-2	14 -82C	1234650-2	14 -82B
1231058-1	11A-27	1234022-1	14 -44	1240001-1	58A-98B
1231059-1-791	11 -40	1234022-2	14 -45	1240001-5	59A-12
1231059-1-791	11A-42	1234023-1	13 -58	1241029-3	41 -21
1231059-1-791	140 -10	1234024-5	14 - 5	1241068-1	40 -49
1231060-1	11A-19	1234035-1	14 -47	1241069-1	40 -50
1231060-3	11A-20	1234036-1	14 -49	1241070-6	40 -34
1231061-1	11A-21	1234036-2	14 -50	1241071-3	21 -68
1231062-5	11A-12	1234037-1	14 -58	1241073-3	37 -18
1231063-1	11A-21	1234037-2	14 -59	1241073-4	37 -18
1232007-2	13 -31	1234605-7	14 -60	1241074-1	42 -15
1232008-2	13 -33	1234605-8	14 -61	1241075-1	42 -36
1232011-1	13 -32	1234620-16	14 -22	1241076-1	42 -40
1232012-1-791	13 -14	1234620-19	14 -23	1241077-1	42 - 8
1232013-1	13 -59	1234620-20	14 -24	1241077-2	42 - 9
1232014-1	13 -19	1234620-21	14 -24	1241078-5	42 -28
1232014-2	13 -19	1234623-1	14 -42	1241078-6	42 -29
1232015-1	102A-42	1234623-2	14 -43	1241079-1	42 -24
1232016-1	102A-38	1234625-1	14 -64	1241102-1	37 -19
1232016-3	102A-41	1234626-1	13 -52	1241102-2	37 -19
1232016-4	102A-43	1234627-1	14 -36	1241102-3	37 -19A
1232016-6	102A-46	1234628-1	14 - 4	1241102-4	37 -19A
1232104	13 -37	1234628-5	14 -13	1241103-1	37 -45
1232105-1	13 -36	1234633-10	14 -30	1241103-1	43 -45
1232106-3	13 -35	1234633-15	14 -16	1241104-1	40 -11
1232107-2	13 -34	1234633-16	14 -26	1241106-1	40 -10
1232108-1	13 -37	1234633-17	14 -25	1241107-1	37 -48
1232139-1	13 -20	1234633-2	14 -	1241108-1	37 -22A
1232140-1	13 -23	1234633-3	14 -	1241111-200	43 -19
1232142-1	13 -11	1234633-4	14 -19	1241142-1	40 -15
1232142-2	13 -11	1234633-7	14 -27	1241142-2	40 -15
1232145-1	13 -58D	1234633-8	14 -28	1241144-1	40 -16
1232146-1	13 -22A	1234633-9	14 -29	1241144-2	40 -17
1232146-3	13 -22A	1234634-1	14 -32	1241145-7	40 - 5
1232400-1	13 -54	1234634-2	14 -33	1241145-8	40 - 6
1232400-2	13 -54	1234635-1	14 -36	1241148-1	40 -27
1232600-10	13 - 6	1234635-2	14 -37	1241148-2	40 -28
1232600-11	13 - 5	1234636-1	14 -51	1241148-3	40 -25
1232600-16	13 - 4	1234636-2	14 -52	1241148-4	40 -26
1232600-18	13 -	1234637-1	14 -52	1241150-201	21 -56
1232600-19	13 - 7	1234637-2	14 -54	1241150-201	40 -23
1232600-25	13 -	1234637-3	14 -53	1241150-202	21 -56
1232600-28	13 - 6	1234637-4	14 -54	1241150-202	40 -24
1232600-29	13 -	1234638-1	14 -62	1241150-203	40 -18
1232600-5	13 - 7	1234638-2	14 -63	1241150-204	40 -19
1232603-1	13 -40	1234638-3	14 -34	1241152-3	21 -56
1232603-3	13 -30	1234638-4	14 -35	1241152-3	40 -24A
1232606-3	13 -18	1234638-5	14 -63	1241152-4	21 -56
1232606-4	13 -17	1234639-1	14 -56	1241152-4	40 -24B
1232612-1	13 -51	1234639-3	14 -55	1241153-1	40 -29
1232613-1	13 -16	1234640-1-791	14 -14	1241155-1	40 -30
1232613-2	13 -15	1234640-2-791	14 -15	1241156-12	35 -
1232619-1	13 -24	1234641-1	14 -38	1241158-1	40 - 1
1232619-2	13 -25	1234641-2	14 -39	1241158-2	40 - 2
1232621-1	13 -45	1234642-1	14 -40	1241159-1	40 - 9
1232621-2	13 -46	1234642-2	14 -41	1241159-1	40 -12
1232621-3	13 -47	1234646-1	14 -80	1241159-2	40 -13
1232621-4	13 -48	1234646-2	14 -81	1241424-1	41 - 8
1232621-5	13 -49	1234647-1	14 -82	1241606-7	37 -29
1232621-6	13 -45	1234648-1	14 -76	1241606-8	37 -29
1232622-13	13 -40	1234648-10	14 -68	1241607-1	23 - 6
1232622-14	13 -41	1234648-11	14 -71	1241607-2	23 - 6
1232622-15	13 -43	1234648-12	14 -73	1241608-1	37 -40
1232622-16	13 -42	1234648-13	14 -79	1241609-1	37 -34
1232622-5	13 -44	1234648-15	14 -72	1241610-4	37 -39

PART NUMBER	FIGURE AND INDEX NO.	PART NUMBER	FIGURE AND INDEX NO.	PART NUMBER	FIGURE AND INDEX NO.
1241611-1	37 -20	1243625-5	34 -32	1250250-7	83 - 1
1241612-1	37 -38	1243626-1	34 -46	1250251-16	83 - 9
1241613-1	37 -26	1243631-1	122 -18	1250251-9	83 - 2
1241614-2	43 -40	1243632-1	122 -27	1250255-5	26 -57
1241614-4	43 -16	1243632-1	122A-27	1250256-1	83 -
1241615-1	23 -17	1243811-1	34 -28	1250256-3	83 - 3
1241615-2	23 -17	1243811-6	34 -28	1250256-7	83 -10
1241618-1	43 -35	124756.06	75 -19	1250257-3	83 - 4
1241618-2	43 -35	124756.06	77 -27	1250257-7	83 -11
1241618-5	43 -35	1250002-1	115 - 5	1250257-9	83 -
1241618-6	43 -35	1250003-1	115 -25	1250258-1	26 -55
1241619-2	127 -21	1250007-1	74 -42	1250259-1	71 -47
1241629-1	43 -46	1250009-1	74 -46	1250259-2	71 -47A
1241629-2	43 -46	1250014-1	71 -64	1250306-6	77 -22
1241629-3	43 -46	1250016-1	85A-39A	1250309-1	77 - 5
1241629-4	43 -46	1250017-1	85A-39B	1250310-1	77 -18
1241630-1	43 -41	1250100-12	85 -17	1250311-1	77 -21
1241630-2	43 -41	1250100-15	85 -26	1250317-1	71 -11
1241630-7	43 -41	1250100-3	86 -26	1250317-2	71 -12
1241630-8	43 -41	1250100-4	86 -34	1250318-1	72 -11
1241635-1	43 -13	1250100-41	85 -18	1250319-1	115A-18
1241636-1	43 -18	1250100-42	85 - 7	1250401-1	71 -11
1241636-2	43 -18	1250100-5	86 -18	1250401-2	71 -12
1241657-1	40 -10D	1250100-8	85 - 5	1250401-3	71 -13
1241658-1	40 -10A	1250101-10	85A-25	1250401-3	72 -12
1242003-1	92 -54	1250101-42	85A-25	1250402-1	73 - 8
1242008-5	26 -51	1250105-1	85 -21	1250402-1	74 -17
1242008-6	26 -52	1250105-1	86 -35	1250402-1	79 -27
1243001-4	2 -25	1250105-2	85 -10	1250402-1	80 -14
1243008-3	34 -18	1250105-2	86 -36	1250402-2	79 -28
1243008-4	34 -19	1250106-1	85 -24	1250405-1	113 -43
1243009-2	34 - 9	1250106-1	85A-21	1250410-3	2 - 7
1243009-200	34 -	1250106-1	86A-62	1250410-3	113 -38
1243009-201	34 - 1	1250115-2	90 -52	1250412-1	65 -13
1243009-202	34 -	1250115-2	91 -54	1250412-1	66 -13
1243009-203	34 -	1250115-3	90 -15	1250414-1	65 - 7
1243009-5	34 -21	1250115-3	91 -15	1250414-4	65 -11
1243009-7	34 - 9	1250115-4	90 -18	1250414-6	66 - 8
1243018-1	34 -35	1250115-4	91 -18	1250415-2	65 - 5
1243019-2	32 -23	1250116-1	90 -13	1250415-8	133 -27
1243021-1	34 -26	1250116-1	91 -13	1250419-2	66 - 6
1243025-3	41 - 1	1250116-4	90 -46	1250419-6	133 -28
1243025-6	41 - 3	1250116-4	91 -49	1250422-1	26 - 2A
1243027-1	41 -16	1250123-1	73 -20	1250422-1	26 - 2C
1243027-2	17 -96	1250123-3	73 -21	1250502-1	90 -12
1243027-2	17A-88D	1250132-1	77 -26	1250502-1	91 -12
1243027-3	17 -97	1250133-7	85 -16A	1250503-1	90 -42
1243027-3	17A-89	1250133-7	85A-28	1250503-1	91 -37
1243030-5	34 -29	1250133-8	85 -16B	1250503-2	90 -43
1243030-6	34 -29	1250133-8	85A-27	1250503-2	91 -38
1243030-7	34 -29	1250134-1	85 -46	1250653-1	112 -18
1243031-1	34 -69	1250134-1	85A-81	1250654-1	112 -19
1243031-6	34 -69	1250135-1	85 -32	1250655-1	112 -18
1243034-1	34 - 4	1250135-3	86 - 2	1250655-2	112 -19
1243038-1	34 -66	1250137-2	85 -29	1250704-3	75 -18
1243039-3	32 -27	1250137-3	85 -29	1250704-3	77 -24
1243040-1	41 -23	1250137-4	85 -28	1250704-4	75 -18
1243040-1	42 -43	1250138-1	85 -25	1250704-4	77 -24
1243404-1	34 -28	1250138-1	85A-22	1250704-5	75 -18
1243406-1	33 -17	1250138-1	86 -19	1250704-5	77 -24
1243411-1	33 -13	1250201-12	83 -14	1250705-1	77 -14
1243412-1	33 - 7	1250201-14	83 -13	1250706-1	77 -27
1243412-2	33 - 8	1250201-8	83 -12	1250706-1	135 -25
1243419-1	33 - 2	1250213-15	138 - 8	1250706-2	77 -32
1243420-1	33 - 1	1250214-1	138 - 5	1250707-4	77 - 2
1243421-1	34 -72	1250215-1	138 - 9	1250708-2	77 -11
1243421-2	34 -73	1250217-2	85A-36	1250709-1	77 - 8
1243422-1	34 -67	1250218-1	85A-37	1250711-1	77 - 3
1243425-1	34 -75	1250219-3	85A-35	1250712-2	77 - 4
1243426-2	34 -54	1250221-1	135A-26	1250713-2	77 -23
1243617-1	34 -30	1250250-2	83 - 4	1250714-2	77 - 6
1243618-2	34 -68	1250250-30	83 -18	1250715-1	77 -17
1243618-3	34 -68	1250250-5	83 - 5	1250716-10	77 -15
1243619-1	34 -31	1250250-6	83 - 6	1250717-4	77 -

PART NUMBER	FIGURE AND INDEX NO.
1250719-4	85 -12
1250720-1	77 - 9
1250721-1	77 -10
1250800K200	72 - 8
1250805-6	74 -28A
1250807-1	72 -11
1250815-1	79 -16
1250816-2	79 -44
1250816-3	79 -19
1250817-1	74 -27
1250818-14	79 - 5
1250818-16	79 - 7
1250818-200	79 - 6
1250818-201	79 - 8
1250821-26	70 -51
1250821-27	70 -51
1250821-30	70 -52
1250821-31	70 -52
1250821-32	70 -38
1250821-33	70 -37
1250822-1	69 -43
1250822-1	70 -42
1250822-2	69 -43
1250822-2	70 -43
1250823-1	69 - 5
1250823-1	70 -10
1250823-1	70A- 9
1250824-1	79 -10
1250825-1	86 -38
1250825-1	86A-75
1250827-1	86 -16
1250827-1	86A-63
1250828	86 -37
1250828-1	86A-71
1250829-11	86 -31
1250829-12	86 -23
1250829-15	86 -15
1250829-6	86 - 5
1250829-7	86 -10
1250829-8	86 - 9
1250829-9	86 -28
1250830-10	78 -15
1250830-16	78 -11
1250830-20	78 -13
1250830-21	78 -14
1250830-26	78 - 5
1250830-27	78 - 8
1250830-28	78 -12
1250830-29	78 - 3
1250830-35	78 -15
1250830-36	78 -17A
1250830-5	78 - 3
1250831-6	78 -29
1250837-1	72 -30
1250837-3	72 -32
1250837-7	72 -31
1250838-1	72 -33
1250838-2	72 -30
1250839-1	78 -19
1250839-12	78 -26
1250839-17	78 -25
1250839-4	78 -24
1250841-1	69 -11
1250841-1	70 - 4
1250841-1	70A- 3
1250842-1	69 -21
1250842-1	70 -21
1250842-1	70A-20
1250842-2	69 -22
1250842-2	70 -22
1250842-2	70A-21
1250843-2	91 -34
1250844-7	17 -81
1250844-7	17A-85A

PART NUMBER	FIGURE AND INDEX NO.
1250844-8	17 -81
1250844-8	17A-85A
1250846-1	78 -18
1250847-1	78 -10
1250847-2	78 -10
1250847-3	78 -10
1250849-6	91 -35
1250850-3	80 - 7
1250858-1	80 -15
1250858-2	80 -16
1250858-3	80 - 8
1250858-4	80 - 9
1250860-100	84 -15
1250860-100	84 -16
1250860-104	84 - 5
1250860-105	84 - 6
1250860-110	80 - 1
1250860-110	84 - 1
1250860-203	84 -11
1250860-28	80 - 3
1250860-28	84 - 3
1250860-29	84 -12
1250860-64	84 - 8
1250860-65	84 - 9
1250860-78	80 - 2
1250860-78	84 - 2
1250860-90	84 - 7
1250860-97	80 - 1
1250860-97	84 - 1
1250861-1	17 -92
1250861-1	17A-87C
1250861-2	17 -92
1250861-2	17A-87C
1250865-1	80 -27
1250866-1	85 -30
1250868-1	86 - 1
1250868-2	86 - 4
1250868-3	86 - 5
1250869-1	86 - 6
1250870-1	86 -11
1250871-1	86 -12
1250874-1	87 - 3
1250874-2	87 - 4
1250875-1	78 -17
1250875-3	78 -17A
1250876-27	26 - 28
1250876-34	26 - 2
1250876-35	26 - 1
1250876-38	26 -
1250878-1	71 - 3
1250879-1	78 - 1
1250881-2	86 -49
1250881-3	86 -48
1250881-4	86 -47
1250881-5	86 -50
1250881-7	86 -45
1250888-1	86 -42
1250889-1	80 -32
1250890-1	71 -57
1250890-1	72 -51
1250893-1	70 -44
1250893-2	70 -47
1250895-1	79 -16
1250897-1	72 - 4
1250897-1	79 -11
1250897-3	79 -14
1250902-1	70 -49
1250902-2	70 -50
1250903-2	85 -31
1250908-1	79 -34
1250908-1	113 -20
1250913-1	79 -41
1250916-3	78 - 6
1250916-4	78 - 7

PART NUMBER	FIGURE AND INDEX NO.
1250918-2	17 -99B
1250918-2	17A-93
1250921-2	113 -39
1250922-1	113 -38
1250928-2	72 -40
1250929-5	72 -39
1250930-11	74 - 3
1250931-1	113 -45
1250934-1	69 -44
1250934-1	70 -53
1250934-2	69 -44
1250934-2	70 -54
1250935-1	133 -22
1250938-1	78 -21
1250940-3	26 - 1
1250940-4	26 -
1250940-5	26 -
1250940-7	26 - 2
1250941-1	26 - 6A
1250942-1	26 - 8A
1250943-1	26 - 5A
1250944-1	26 -15A
1250946-1	86 -55
1250947-1	26 -14A
1250948-1	26 -12A
1250948-2	26 -11A
1250948-3	26 -12B
1250949-1	26 - 3A
1250949-2	26 - 4A
1250950-1	26 -10A
1250951-1	26 -31A
1250951-3	26 -31C
1250952-1	26 -32A
1250953-1	26 - 7A
1250954-1	26 - 9A
1250955-1	78 - 1
1250956-1	70A-44
1250956-10	70A-47
1250956-11	70A-48
1250956-12	70A-48
1250956-2	70A-45
1250956-9	70A-47
1250958-11	86A- 1
1250958-3	86A- 2
1250958-4	85A-77
1250958-5	85A-75
1250958-5	86A- 3
1250958-6	85A-76
1250958-6	86A- 4
1250958-8	86A- 6
1250958-9	86A- 5
1250959-1	86A-12
1250961-1	86A-29
1250961-2	86A-18
1250961-5	85A- 3
1250961-5	85A- 3
1250961-5	86A-19
1250961-5	86A-30
1250961-8	86A-42
1250961-9	86A-41
1250962-1	86A-54
1250962-2	86A-42
1250962-5	86A-50
1250963-1	86A-22
1250963-3	86A-25
1250963-6	86A-23
1250963-7	86A-24
1250964-1	86A-14
1250965-1	86A-16
1250966-1	85A-70
1250966-1	86A-67
1250966-3	85A-72
1250966-3	86A-69
1250967-10	86A-11

PART NUMBER	FIGURE AND INDEX NO.
1250967-11	86A-11
1250967-12	86A-9
1250967-14	85A-62
1250967-5	86A-10
1250967-8	86A-11
1250967-9	86A-11
1250968-1	86A-38
1250969-1	86A-36
1250969-11	85A-12
1250969-12	85A-13
1250969-2	86A-27
1250969-3	86A-37
1250969-4	86A-28
1250969-5	85A-6
1250969-6	85A-7
1250970-1	86A-64
1250971-1	85A-47
1250971-1	86A-53
1250971-2	85A-48
1250971-4	86A-65
1250972-1	86A-66
1250973-1	85A-32
1250973-1	86A-48
1250973-2	85A-33
1250973-2	86A-49
1250974-1	78-14A
1252000-11	69-3
1252000-11	70-23
1252001-1	69-30
1252001-1	70-30
1252001-2	69-31
1252001-2	70-31
1252001-2	70A-33
1252001-3	70A-32
1252014-1	17-99K
1252014-11	17-99L
1252014-2	17-99K
1252014-25	17-99K
1252014-26	17-99K
1252014-33	17-99K
1252014-33	17A-93H
1252014-34	17-99K
1252014-34	17A-93H
1252014-35	17-99D
1252014-35	17A-93B
1252014-36	17-99D
1252014-36	17A-93B
1252014-5	17-99L
1252014-7	17-99M
1252014-8	17-99M
1252015-1	17-99E
1252015-2	17-99E
1252015-4	17-99G
1252015-5	17-99G
1252016-1	17-60A
1252016-1	17A-64
1252016-2	17-60A
1252016-2	17A-64
1252016-5	17-60B
1252016-5	17A-65
1252016-6	17-60B
1252016-6	17A-65
1252016-7	17-99D
1252016-7	17A-93B
1252016-8	17-99D
1252016-8	17A-93B
1252017-2	17-57
1252017-2	17A-60
1252018-1	17-99L
1252018-10	17-99M
1252018-2	17-99L
1252018-9	17-99M
1252400-16	69-4
1252400-16	70-3

PART NUMBER	FIGURE AND INDEX NO.
1252400-16	70A-2
1252400-18	69-28
1252400-20	69-29
1252400-25	70-1
1252400-26	70-28
1252400-32	70-29
1252400-33	69-1
1252400-57	69-1
1252400-58	69-28
1252400-59	69-2
1252400-60	69-36A
1252400-63	69-2A
1252400-64	69-36B
1252400-67	69-2B
1252400-70	69-36C
1252400-71	69-2C
1252400-74	69-36D
1252410-33	17-58
1252410-33	17A-61
1252410-34	17-58
1252410-34	17A-61
1252410-35	17-60
1252410-37	17-56
1252410-38	17-59
1252410-41	17-59
1252410-41	17A-62
1252410-42	17-60
1252410-42	17A-63
1252410-45	17-56
1252410-45	17A-58
1252410-47	17A-58
1252410-49	17A-63
1252410-50	17A-62
1252413-18	70A-53
1252413-18	70A-54
1252413-19	70A-55
1252413-20	70A-56
1252413-21	70A-58
1252413-22	70A-57
1252413-34	69-38
1252413-38	69-37
1252413-41	69-37
1252413-42	69-38
1252413-9	70A-52
1252604-1	70A-1
1252604-13	70A-26
1252604-14	70A-39
1252604-15	70A-27
1252604-16	70A-40
1252604-19	70A-28
1252604-2	70A-31
1252604-20	70A-41
1252604-27	70A-22
1252604-5	70A-29
1252604-6	70A-42
1252604-7	70A-30
1252604-8	70A-43
1252604-9	70A-43A
1252606-1	85A-25A
1253026-1	26-43
1253031-10	16-59
1253031-17	16-59
1253034-1	90-3
1253034-1	91-3
1253035-5	90-7
1253035-5	91-7
1253037-6	90-5
1253037-6	91-5
1253041-1	90-4
1253041-1	91-4
1253044-3	90-2
1253044-3	91-2
1253045-10	90-1
1253045-10	91-1

PART NUMBER	FIGURE AND INDEX NO.
1253045-5	90-1
1253045-5	91-1
1253046-1	26-19
1253047-1	132-62
1253048-1	132-50
1253062-1	17-46
1253062-1	17A-47
1253063-1	90-3
1253063-1	91-3
1253401-1	26-6
1253402-1	26-5
1253403-1	26-3
1253403-2	26-4
1253404-5	26-7
1253404-6	26-8
1253405-1	26-9
1253408-1	26-12
1253408-2	26-13
1253409-5	26-39
1253409-6	26-39
1253411-11	17-22
1253411-11	17A-22
1253411-2	17-22
1253411-2	17A-22
1253411-26	17-45
1253411-26	17A-46
1253411-28	17-44
1253411-29	17-44
1253411-29	17A-45
1253412-1	26-10
1253415-3	26-15
1253416-1	26-14
1253418-1	26-16
1253418-2	26-16
1253419-1	26-17
1253425-1	26-18
1253428-1	26-31
1253428-3	26-32
1253429-1	26-11
1253430-1	26-34
1253431-1	26-40
1253431-2	26-41
1253432-1	26-53
1253435-1	26-34
1253435-2	26-34
1253435-3	26-35
1253435-4	26-38
1253435-5	26-36
1253435-6	26-37
1253435-7	26-34
1255000-1	85-47
1255000-2	85-48
1255005-1	86-42
1255006-4	85A-74
1255006-5	85A-78
1255007-10	85A-18C
1255007-14	85A-1
1255007-16	85A-2
1255007-18	85A-18B
1255007-19	85A-18A
1255007-7	85A-8
1255007-8	85A-9
1255008-11	85A-19
1255008-12	85A-42
1255008-14	85A-26
1255009-3	85A-63
1255009-8	85A-58
1255010-3	85A-69
1255010-8	85A-64
1255011-6	85A-40
1255019-4	85A-84
1255020-1	85A-91A
1255020-5	85A-91
1255025-1	85A-85

PART NUMBER	FIGURE AND INDEX NO.
1255026-1	85A-90
1255026-3	85A-90A
1255027-1	85A-16
1255029-1	85A-698
1256006-1	109 -23
1260006-4	95 -54
1260006-5	95 -54
1260008-1	95 -29
1260009-9	95 -14
1260021-1	93 -31
1260033-3	95 -36
1260033-4	95 -37
1260049-1	102B- 6
1260049-2	102C- 7
1260065-8	101 -62
1260074-1	102B- 1
1260078-105	95 -60
1260078-107	95 -55
1260078-108	95 -56
1260078-109	97 - 2
1260078-5	95 -60
1260078-7	95 -55
1260078-8	95 -56
1260078-9	97 - 2
1260085-1	30 -20
1260088-1	30 - 9
1260089-1	30 -16
1260089-2	30 -21
1260098-3	95 -14
1260099-1	95 -29
1260101-1	107 -23
1260103-1	20 -19
1260104-5	107 - 7
1260110-1	102 -
1260111-1	95 -54A
1260111-3	95 -54C
1260112-1	95 -36
1260112-2	95 -37
1260113-1	102C-11
1260113-2	102C-14
1260123-1	16 -40
1260123-2	16 -40
1260124-10	4 -81
1260124-7	4 -81
1260124-8	4 -81
1260124-9	4 -81
1260126-1	4 -83
1260126-2	4 -83
1260126-3	4 -83
1260126-4	4 -83
1260128-4	103 -39
1260128-5	103 -57
1260133-1	14 -84
1260134-10	16 -40
1260134-9	16 -40
1260135-1	95 -54
1260136-1	95 -52
1260136-2	95 -53
1260137-2	95 -46
1260138-3	16 -39
1260138-4	16 -39
1260138-5	16 -39
1260138-6	16 -39
1260140-5	95 -14
1260140-8	95 -14
1260141-5	95 -29
1260141-9	95 -29
1260143-11	95 -14
1260143-2	95 -14
1260144-3	62 -31
1260149-1	102C-
1260149-2	102C-
1260151-1	102C-12
1260152-1	102C-16

PART NUMBER	FIGURE AND INDEX NO.
1260152-2	102C-17
1260153-1	102A-
1260153-2	102A-18
1260154-1	102A-13
1260155-1	102A-30
1260155-4	102A-11
1260155-5	102A-12
1260156-1	102A-19
1260156-2	102A-25
1260156-3	102A-26
1260156-4	102A-20
1260156-6	102A-24
1260157-1	102A-32
1260157-3	102A-35
1260157-4	102A-36
1260158-1	102A- 1
1260158-3	102A- 8A
1260158-5	102A- 6
1260159-1	102A-29
1260202-1	4 -84
1260202-10	4 -90
1260202-11	4 -91
1260202-12	4 -92
1260202-13	4 -88
1260202-2	4 -86
1260202-3	4 -87
1260202-7	4 -89
1260202-8	4 -89
1260203-3	102 -31
1260205-1	106 -16
1260207-1	106 -21
1260208-1	106 -18
1260209-2	26 -33A
1260209-3	26 -33A
1260210-1	26 -33
1260211-1	106 - 4
1260212-1	26 -20
1260212-2	20 -26
1260212-2	20 -26A
1260213-1	20A-10
1260213-2	17 -23A
1260213-2	17A-23A
1260214-1	17 -25
1260214-1	17A-25
1260214-2	17 -24
1260214-2	17A-24
1260216-1	106 -17
1260217-1	106 - 6
1260219-1	107 -26
1260219-2	107 -27
1260230-2	107A-30
1260231-1	102C-23
1260231-2	102C-24
1260232-1	102C-21
1260233-1	102C-37
1260234-1	102C-39
1260235-1	102C-28
1260235-2	102C-27
1260236-1	102C-34
1260237-1	102C-30
1260237-2	102C-36
1260238-1	102C-20
1260238-2	102C-20
1260412-1	106 -22
1260412-2	106 -23
1260417-1	92 -42
1260417-2	92 -42
1260417-6	92 -42
1260417-7	92 -42
1260419-1	93 -38
1260420-1	101 - 3
1260421-1	101 -10

PART NUMBER	FIGURE AND INDEX NO.
1260422-1	101 - 1
1260425-1	95 -63
1260427-1	20 -28
1260427-2	20 -29
1260427-3	20 -28
1260427-4	20 -29
1260428-1	107 -21
1260429-1	95 -66
1260430-1	95 -62
1260436-1	92 -24
1260438-1	95 -65
1260440-3	100 -48
1260442-3	100 -57
1260449-1	100 -69
1260456-1	93 -28
1260456-2	93 -29
1260456-5	93 -28A
1260456-6	93 -29A
1260458-7	58 -42
1260458-7	58A-42
1260458-7	58C-91F
1260458-7	58D-89D
1260458-7	93 -39
1260459-11	93 -41
1260459-13	93 -36
1260459-3	93 -36
1260459-8	93 - 4
1260460-2	93 -30
1260461-2	93 -43
1260462-4	93 -45
1260463-1	62 -31
1260465-1	22 -44
1260465-2	22 -44
1260466-2	101 -51
1260467-1	22 -45
1260467-2	22 -45
1260468-1	22 -46
1260469-3	23 -15
1260469-4	23 -15
1260470-1	21 -90
1260470-2	21 -90
1260471-1	21A-27
1260471-1	21B-37
1260471-2	21A-28
1260471-2	21B-38
1260472-2	23 -33
1260473-1	100 -14
1260474-1	22 -49A
1260475-1	101 -39
1260475-10	101 -45
1260475-101	101 -39
1260475-102	101 -40
1260475-105	105 - 3
1260475-106	105 - 4
1260475-107	100 - 2
1260475-108	100 - 3
1260475-109	101 -44
1260475-110	101 -45
1260475-2	101 -40
1260475-5	105 - 3
1260475-6	105 - 4
1260475-7	100 - 2
1260475-8	100 - 3
1260475-9	101 -44
1260476-3	96 - 1
1260477-2	96 - 5
1260505-1	92 -43
1260505-101	92 -43
1260505-112	105 -39
1260505-113	105 -38
1260505-12	105 -39
1260505-13	105 -38
1260505-138	97 - 7
1260505-139	97 - 7

PART NUMBER	FIGURE AND INDEX NO.
1260505-140	97 - 4
1260505-147	103 - 1
1260505-148	103 - 4
1260505-170	103 - 9
1260505-171	103 - 8
1260505-172	103 -10
1260505-173	103 - 7
1260505-174	106 - 1
1260505-187	106 - 2
1260505-38	97 - 7
1260505-39	97 - 7
1260505-40	97 - 4
1260505-47	103 - 1
1260505-48	103 - 4
1260505-70	103 - 9
1260505-71	103 - 8
1260505-72	103 -10
1260505-73	103 - 7
1260505-96	100 -61
1260505-97	92 -43A
1260505-971	92 -43A
1260604-1	101 - 2
1260616-1	101 - 2
1260649-1	100 -58
1260650-1	103 -51
1260653-5	103 -46
1260655-1	102 -51
1260655-3	102 -54
1260656-1	102 -52
1260657-2	102 -53
1260658-2	102 -55
1260659-1	102 -40
1260660-3	102 -38
1260662-2	102 -41
1260664-1	95 -21
1260668-2	95 - 2
1260741-1	100 -56
1261103-2	107 -18
1261107-2	107 -19
1261112-3	107 -16
1261122-1	100 -58A
1261415-2	17 - 8
1261415-2	17A- 8
1261415-3	17 - 8
1261415-3	17A- 8
1261416-1	17 -36
1261416-1	17A-37
1261416-3	17 -37
1261416-3	17A-38
1261418-1	16 -27
1261418-2	16 -28
1261420-5	16 -15
1261421-13	16 - 8
1261421-7	16 - 9
1261422-1	92 -55
1261422-2	92 -55
1261424-1	16 -24
1261424-2	16 -25
1261425-1	20 -26A
1261425-1	20A-11
1261425-2	20 -27
1261426-1	20 -28
1261426-1	20A-12
1261432-5	107 - 1
1261436-1	16 -26
1261438-1	107 -12
1261441-1	116 - 3
1261441-2	20 -38
1261441-2	20A-37
1261441-2	116 - 2
1261441-3	20 -38
1261441-3	20A-37
1261441-3	87 -36
1261441-3	116 - 4

PART NUMBER	FIGURE AND INDEX NO.
1261444-2	20 -18
1261444-4	20 -17
1261445-3	20 - 3
1261445-4	20 - 9
1261446-1	20 -19
1261446-2	20 -20
1261446-3	20 -20
1261446-4	20 -21
1261446-5	20 -21
1261447-1	20 -29
1261447-2	20 -30
1261448-1	20 -14H
1261448-1	20A-34
1261448-2	20 -15
1261451-1	20 -22
1261455-1	20 -39
1261455-1	20A-32
1261457-1	101 -11
1261458-1	107A-43
1261458-2	107A-53
1261459-1	107A-51
1261460-1	107A-50
1261461-1	107A-46
1261462-1	107A-55
1261463-1	107A-39
1261463-2	107A-40
1261464-1	20A-29
1261465-1	107A-49
1261466-1	107A-
1261466-2	107A-10
1261467-1	107A-11
1261468-1	107A-18
1261469-1	107A-17
1261470-1	107A-15
1261471-1	107A- 2
1261472-1	107A- 6
1261473-1	107A-31
1261474-1	107A-36
1261474-2	107A-37
1261475-1	107A-19
1261475-2	107A-21
1261475-4	107A-23
1261477-1	20A- 2
1261477-2	20A- 3
1261478-1	20A-13
1261479-1	20A-16
1261480-1	20A-18
1261481-1	20A-26
1261482-1	20A-36
1261483-1	20A-38
1261604-1	20A-33
1261630-1	20 -12
1261631-204	20 -
1261632-13	20 -23
1261632-17	20 -24
1261633-1	20 - 2
1261633-4	20A-14
1261635-3	20 -12
1261636-3	20 -33
1261640-11	20 -23A
1261640-12	20 -24A
1261640-2	20 -36
1261640-200	20 -
1261640-201	20 -
1261640-3	20 -23A
1261640-4	20 -24A
1261640-7	20 -29
1261640-8	20 -30
1261641-1	20 -12A
1261645-8	87 -35
1261646-2	20 -40
1261647-1	87 -37
1261648-1	20 -14H
1261648-1	20A-21

PART NUMBER	FIGURE AND INDEX NO.
1262001-3	58B- 3
1262001-3	58C- 3
1262001-3	58D-41
1262001-3	104 -15
1262008-1	103 -26
1262016-2	103 -84
1262018-1	4 - 9
1262018-2	4 - 9
1262022-1	104 -41
1262024-1	103 -20
1262027-1	103 -25
1262028-5	103 -24
1262029-1	103 -32
1262029-2	103 -33
1262034-5	4 -10
1262034-6	4 -10
1262034-7	4 -11
1262034-8	4 -11
1262036-1	4 -59
1262036-2	4 -59
1262038-1	103 -53
1262038-2	103 -53
1264437-1	17 - 8
1264437-1	17A- 8
1270034-1	32 -33
1270034-4	32 -33
1270060-1	96 -19
1270060-1	96A-13
1270060-3	96A-13
1270060-5	96A-13
1270061-2	96A-13
1270066-1	18 -28A
1270082-1	59A- 9
1270087-6	5 -85
1270479-1	58 -33
1270479-1	58A-33
1270479-3	60A- 7
1270479-3	60B- 8
1270479-3	60C-12
1270479-3	60D-12
1270479-4	58A-33
1270479-4	58B-78
1270479-4	58C-90
1270479-4	58D-88D
1270479-5	60A- 7
1270479-5	60B- 8
1270479-5	60C-12
1270479-5	60D-12
1270480-1	21 -74A
1270480-2	21 -74A
1270481-1	16 -16
1270483-2	96B-30
1270653-1	135 -49
1270656-2	135 -43
1270658-1	96 -10
1270670-3	58D- 5
1270681-4	96 - 1
1270682-1	96 - 6
1270682-1	96A-10
1270682-1	96B- 7
1270686-1	96 -15
1270687-2	96 -17
1270695-1	59 -32
1270695-2	59 -32
1270701PA1	135 -13
1270701PA12	135 -16
1270701PA15	135 -15
1270701PA16	135 -14
1270701PA18	135 -16
1270704-1	59 -17
1270704-2	59 -17
1270704-2	59A-25
1270704-3	59 -17
1270704-3	59A-30

PART NUMBER	FIGURE AND INDEX NO.
1270707-1	58A-84A
1270707-1	58A-85
1270707-1	58B-25
1270707-1	58C-27
1270707-1	58D-10
1270707-2	58A-84B
1270707-2	58A-86
1270707-2	58B-26
1270707-2	58C-28
1270707-2	58D-11
1270717-1	116A-9
1270718-1	11A-40
1270718-14	11A-40
1270727-1	135A-
1270727-2	135A-8
1270727-3	135A-6
1270727-4	135A-7
1270727-5	135A-14
1270727-6	135A-10
1270727-9	135A-18
1270811-1	16-16
1280007-1	2-2
1280010-6	120-6
1280103-8	121-
1280111-1	92-20
1280114-1	120A-
1280119-1	123A-23
1280120-1	130B-
1280120-2	130B-8
1280120-3	130B-9
1280121-1	123A-21
1280122-1	130B-10
1280123-1	116A-22
1280206-1	126-24
1280206-1	126A-18
1280207-1	126-26
1280207-1	126A-16
1280209-1	126-19
1280209-1	126A-12
1280210-1	126-28
1280210-1	126A-14
1280211-2	126-2
1280222-1	130-6
1280222-1	131-3
1280222-1	131A-7
1280222-2	130A-5
1280222-2	130B-5
1280222-2	131-8
1280222-2	131A-10
1280222-3	130-5
1280222-3	131-2
1280222-3	131A-6
1280223-1	130-9
1280223-1	130A-3
1280223-1	130B-3
1280223-1	131-6
1280223-1	131A-8
1280231-1	126-25
1280231-1	126A-17
1280234-2	126-27
1280234-3	126A-15
1280239-1	125-24A
1280239-1	125-26A
1280240-1	126A-1
1280241-1	126A-3
1280241-3	126A-6
1280241-4	126-5
1280241-4	126A-2
1280241-5	126A-11
1280242-1	126A-31
1280243-1	130A-18
1280243-2	130B-17
1280244-2	130A-1
1280244-2	130B-1

PART NUMBER	FIGURE AND INDEX NO.
1280246-1	130A-17
1280246-1	130B-16
1280504-2	131-
1280504-200	130-8
1280504-200	131-5
1280504-200	131A-1
1280504-201	130-7
1280504-201	131-4
1280504-201	131A-2
1280504-3	131A-
1280506-105	92-12
1280506-106	92-13
1280506-107	116-7
1280506-115	116-40
1280506-125	122-13
1280506-125	122A-13
1280506-126	122-12
1280506-126	122A-12
1280506-128	122-20
1280506-128	122A-20
1280506-135	122-36
1280506-138	122-37
1280506-138	122A-34
1280506-139	122-40
1280506-139	122A-35
1280506-141	115-52
1280506-142	116-40
1280506-143	115-21
1280506-148	92-8
1280506-150	116A-30
1280506-150	122-41
1280506-151	116-56
1280506-151	122-43
1280506-39	116-55
1280506-54	122-33
1280506-54	122A-32
1280506-76	116-34
1280506-92	116-47
1280509-10	125-5
1280509-11	125-6
1280509-12	125-2
1280509-13	124-27
1280509-14	124-25
1280509-15	116-54
1280509-16	122-39
1280509-17	123-15
1280509-17	123A-1
1280509-18	124-29
1280509-19	125-9
1280509-20	125-16
1280509-22	116-53
1280509-23	123-7
1280509-23	123-7C
1280509-24	123-12
1280509-25	124-30
1280509-26	125-10
1280509-27	125-17
1280509-28	125-21
1280509-29	123-16
1280509-29	123A-7
1280509-3	124-13
1280509-30	124-11
1280509-31	92-16
1280509-32	92-17
1280509-33	124-1
1280509-35	124-3
1280509-36	124-4
1280509-37	116-50
1280509-38	124-15A
1280509-40	122-34
1280509-41	122-15
1280509-42	37-23
1280509-43	37-23

PART NUMBER	FIGURE AND INDEX NO.
1280509-44	37-51
1280509-45	37-51
1280509-46	116-53A
1280509-47	123-7A
1280509-48	116-54A
1280509-49	116-54D
1280509-5	124-19
1280509-50	116-54C
1280509-51	116A-28
1280509-52	116A-26
1280509-53	122A-15
1280509-54	122A-33
1280509-55	123A-18
1280509-56	124-16
1280509-57	116A-32
1280509-58	116A-34
1280509-59	123A-15
1280509-6	123-13
1280509-60	124-15A
1280509-61	123A-13
1280509-62	116A-40
1280509-63	116A-45
1280509-64	123A-11
1280509-66	116A-37
1280509-67	116A-41
1280509-68	125-9
1280509-69	125-16
1280509-7	124-15
1280509-70	125-10
1280509-71	125-17
1280509-73	124-29A
1280509-74	116A-23
1280509-75	122A-32A
1280509-76	125-21E
1280509-77	125-21E
1280509-78	125-21C
1280509-79	125-20
1280509-8	124-28
1280509-80	116A-29
1280509-81	116A-27
1280509-82	116A-33
1280509-83	116A-35
1280509-84	116A-24
1280509-85	116A-46
1280509-86	116A-38
1280509-87	116A-42
1280509-88	116A-44
1280509-9	125-1
1280510-3	117-
1280510-4	117-
1280514-1	126A-
1280514-200	126-31
1280514-200	126A-19
1280514-3	126A-22
1280514-5	126A-26
1280514-6	126A-27
1280514-7	126A-
1280514-8	126A-23
1280515-7	118A-84
1280515-7	130C-11
1280515-7	130D-18
1280516-1	116-29
1280516-2	116-29A
1280516-3	116-29B
1280516-4	116-29C
1280516-5	116-29D
1280517-1	130C-4
1280518-1	130D-1
1280519-1	130D-9
1280520-1	130D-
1280521-1	130D-12
1280522-1	130D-3
1280600-2	126-18
1280600-5	126A-7

PART NUMBER	FIGURE AND INDEX NO.
1280607-1	116 -41
1280611-2	131 - 1
1280612-1	126 -23
1280619-1	120 - 1
1280802-1	119A- 1
1280803-1	119A-17
1280804-1	119A-12
1280805-1	118A-19
1280805-2	118A-20
1280805-3	118A-21
1280805-4	118A-22
1280805-8	118A-28
1280805-9	118A-26
1280806-1	118A- 3
1280807-2	119A- 8
1280807-4	119A- 4
1280808-1	118A-29
1280808-2	118A-35
1280809-1	118A-17
1280809-4	118A-46
1280809-5	118A-13
1280809-5	118A-66
1280811-1	116A- 7
1280812-1	118A-54
1280813-1	118A-44
1280815-1	118A-15
1280815-2	118A-15
1280816-1	119A-23
1280816-2	119A-20
1280817-1	118A-53
1280817-4	118A-55
1280817-5	118A-59
1280818-1	118A- 5
1280819-2	118A-18
1280820-1	118A- 4
1280821-1	119A-15
1280822-2	118A-77
1280822-2	130 -11
1280822-3	118A-70
1280822-4	118A-72
1280822-7	118A-75
1280822-9	118A-69
1280823-1	119A-47
1280823-2	118A-47
1280824-1	118A-52
1280825-1	118A-88
1280825-2	118A-32
1280825-2	118A-33
1280825-2	118A-88
1280826-1	118A-62
1280828-1	118A-63
1280829-1	118A-74
1280830-1	119A-10
1280831-1	118A-42
1280832-1	118A-43
1280833-1	118A-37
1280834-3	118A-36A
1280834-4	118 -34
1280834-4	118A-36
1280835-1	118A-32
1280836-1	118A-34
1280837-1	118A-23
1280837-1	118A-40
1280837-3	118A-24
1280837-3	118A-41
1280838-2	118A-85
1280839-1	118A-89
1280840-1	118A-79
1280841-1	118A-82
1280842-1	118A-80
1280843-1	118A-86
1280844-1	118A-79
1280844-1	118A-91
1280845-1	116A-

PART NUMBER	FIGURE AND INDEX NO.
1280846-1	118A- 1
1280881-8	86 -51
1281000-1	127 -
1281000-2	127 -
1281001-1	127 -21
1281002-1	127 -18
1281003-1	127 -12
1281004-1	127 - 9
1281006-1	127 -
1281006-2	127 -
1281007-2	130A-10
1281010-1	128 -12
1281011-1	127 -18
1281012-1	127 - 9
1281013-1	127 -10
1281015-1	129 - 8
1281016-3	127 -12
1281017-2	127 -14
1281018-1	127 - 5
1281019-1	127 -23
1281021-1	127 -24
1281021-3	127 -24
1281022-1	128 - 6
1281022-2	128 - 7
1281026-1	129 - 4
1281028-1	128 -
1281028-2	128 -
1281029-1	129 -
1281031-1	128 - 9
1281031-2	128 - 9
1281032-1	129 - 6
1281033-1	131B-
1281034-1	131B- 1
1281035-1	131B- 4
1281036-1	131B- 7
1283010-1	128 -12
1291150-1	19 -
1291150-2	23 -
1291210-1	29 -
1291210-2	25A-
1291210-3	22 -
1291210-4	22 -
1291210-5	25A-
1291350-1	16 -
1291350-2	17 -
1291350-4	17 -
1291350-5	16 -
1291350-6	17 -
1298000-1	119 - 5
1298011-1	119 - 8
1298012-1	120 -31
1298012-4	120 -14
1298013-1	120 -23
1298014-1	118 -48
1298015-1	118 -40
1298119-2	118 -47
13836	38 - 7
13889	38 - 9
1400019-56	2 -61
1400019-57	2 -62
1409	102 -50
1411202-201	44 -50
1411202-201	44A-63
1411206-1	44 -17
1411206-1	44A-20
1411206-1	45 -15
1411206-1	45A-17
1411206-4	44 -24
1411206-4	44 -55
1411206-4	44A-28
1411206-4	45 -21
1411206-4	45 -44
1411206-4	45A-22
1411206-5	44 -23

PART NUMBER	FIGURE AND INDEX NO.
1411206-5	44 -54
1411206-5	44A-27
1411206-5	45 -22
1411206-5	45 -45
1411206-5	45A-23
1411206-7	44 -15
1411206-7	44A-17
1411206-7	45 -13
1411206-7	45A-14
1411207-1	44 -20
1411207-1	44A-23
1411207-1	45 -18
1411207-1	45A-20
1411207-2	44 -21
1411207-2	44A-22
1411207-2	45 -19
1411207-2	45A-19
1412280-7	103 -22
1412280-7	4 -93
1414025-1	62A- 5
1414025-2	62A- 4
1414087-10	48 - 9
1414087-18	48 - 9A
1414087-5	48 -12
1414100-212	56 -53
1414100-212	56A-62
1414104-22	56 -47
1414104-22	56A-56
1414104-25	56 -45
1414104-25	56A-54
1414104-26	56 -46
1414104-26	56A-55
1414104-36	56 -51
1414104-36	56A-60
1414104-44	56A-60A
1414104-54	53 -64
1414104-54	53A-58
1414104-54	54 -90
1414104-54	55 -84
1414104-56	53 -56
1414104-56	54 -79
1414104-8	56 -52
1414104-8	56A-61
1414116-1	53A-50A
1414116-1	54 -86
1414116-1	55 -69
1414116-1	56 -63
1414116-1	56A-72
1422051-1	3 -43
1422654-1	4 -47
1422654-1	4 -51
1422654-1	4 -56
1441003-1	37 - 9
1442113-8	36 -11
1442113-9	36 - 6A
145-10	38 -30
1452225-44	69 -14
1452225-44	70 - 7
1452225-44	70A- 6
1452530-6	104 - 2
1452533-2	104 -14
1452533-4	104 -11
1452537-1	104 -26
1458	120A- 8
1460320-1	93 - 1
1460501-21	93 - 2
1460501-36	93 - 3
1462012-2	103 -36
1462027-1	103 -19
1500066-8	2 -41
1500066-9	2 -41
1505003-2	2 -51
1505003-3	2 -50
1505015-23	2 -26

PART NUMBER	FIGURE AND INDEX NO.
1505015-24	2 -27
1505015-36	2 -26
1505022-1	2 -45
1510040-5	15 -16
1510041-1	15 -13
1510041-2	15 -13
1511205-16	46 -
1511205-17	46 -
1511206-11	46 -16
1511206-11	46A-16
1511206-13	46 -17
1511206-14	46 -17
1511206-20	46 -12
1511206-20	46A-12
1511206-21	46A-17
1511206-22	46A-17
1511206-25	46A-17A
1511206-26	46 -20
1511206-4	46A-20
1511207-1	46 -18
1511207-1	46A-18
1511208-12	46 -30
1511208-13	46 -30
1511208-16	46 -32
1511208-16	46A-24
1511208-17	46 -33
1511208-17	46A-25
1511209-1	46 -29
1511209-1	46A-21
1511209-10	46 -21
1511209-11	46 -21
1511209-12	46 - 5
1511209-12	46A- 5
1511209-8	46 -11
1511209-8	46A- 8
1511212-5	46 -26
1511212-6	46 -26
1512280-13	104 - 1
1512280-24	104 -10
1512280-25	104 -13
1512360-2	22 - 9
1513190-12	58D-86
1513190-13	58D-85C
1513190-13	58D-86B
1513190-14	58D-87A
1513190-14	58D-87B
1513190-4	58D-85A
1513190-4	58D-87D
1513190-4	58D-87E
1513190-7	58D-85D
1513377-4	58D-66
1513837-2	60B- 2
1513837-2	60C- 3
1513837-3	60C- 4
1513837-3	60D- 3
1513837-4	60B- 3
1513837-4	60B- 6
1513837-4	60C- 2
1513837-4	60C-10
1513837-4	60D- 4
1513837-4	60D- 5
1513837-4	60D- 9
1513837-6	60D- 2
1513837-8	60B- 3A
1513837-8	60C- 5
1513839-3	58C-49
1513839-3	58C-59
1513839-3	58D-54
1513839-3	58D-64
1513839-3	60C- 7
1513839-3	60C-11
1513839-3	60D- 7
1513839-3	60D-11

PART NUMBER	FIGURE AND INDEX NO.
1513839-5	58C-49
1513839-5	58D-54
1513839-5	60C- 7
1513839-5	60D- 7
1514012-2	49 - 2B
1514012-3	49 - 2A
1514084-1	53 -45
1514085-1	53 -48
1514085-1	53A-42
1514086-1	53 -20
1514086-5	53 -20
1514086-9	53A-19
1514102-2	53 -18A
1514102-2	53A-17A
1514102-5	53 -19A
1514102-5	53A-18A
1514119-3	55 -61
1514230-2	56 -16
1514230-2	56A-17
1514232-4	# 53 - 7
1514232-4	# 54 - 7
1514232-5	# 53 -23
1514232-5	# 54 -18
1514232-6	# 55 -15
1514233-10	# 56 -10
1514233-3	# 56 - 7
1514233-4	# 56 -18
1514301-6	# 53A- 7A
1514301-6	# 55 - 7A
1514301-7	# 53A-22A
1514301-7	# 55 -15A
1514301-9	# 53A-10B
1514301-9	# 55 -10C
1514304-1	# 55 -88G
1514304-1	56A-29
1514304-2	53A-26G
1514304-2	55 -88G
1514304-2	56A-29
1515013-1	# 53 -
1515013-12	# 53 -
1515013-200	# 53 - 1
1515013-201	# 53 -11
1515013-204	# 53 - 1
1515013-205	# 53 -11
1515013-3	# 53 - 7
1515013-4	# 53 -23
1515014-17	# 56 -18
1515014-18	# 56 - 7
153-15	38 -14
153-8	35 - 9
154-13	38 -15
154-6	35 -10
1541028-1	43 - 3
1541028-1	124 - 9
155-2	35 -11
1550024-1	71 -43
1550024-1	71 -57
1550024-1	72 -46
1550024-1	72 -51A
1550024-1	72 -56A
1550024-1	112 -28
1550148-1	80 - 7
1550174-1	79 -56
1552004-17	69 -10
1552004-17	70 -15
1552004-17	70A-14
1552004-22	69 - 7
1552004-22	70 -12
1552004-22	70A-11
1552004-24	69 - 6
1552004-24	70 -11
1552004-24	70A-10
1552004-25	69 -23
1552004-25	70 -20

PART NUMBER	FIGURE AND INDEX NO.
1552004-25	70A-19
1552010-1	51 -14J
1552010-1	69 - 9
1552010-1	69 -16
1552010-1	70 - 9
1552010-1	70 -14
1552010-1	70A- 8
1552010-1	70A-13
1560110-1	96 -11
1560110-1	96A-24
1560110-1	96B-28
1560110-3	96 - 7
1560110-3	96A-11
1560110-3	96B- 8
1560319-1	96 - 3
1560319-2	96 - 3
1560321-10	102 -28
1560321-10	102A-21
1560321-13	102 -27
1560321-14	102A-15
1560321-2	102 -33
1560321-4	102 -29
1560321-4	102A-22
1560321-6	102 -35
1560321-9	102 -30
1560321-9	102A-23
1560322-13	102 -19
1560322-15	102 -21
1560322-17	102 -22
1560322-18	102 -10
1560322-32	102 -12
1560322-45	102 - 6
1560322-46	102 - 7
1560322-49	102 -
1560322-5	102 -23
1560322-50	102 - 3
1560322-60	102 -
1560322-9	102 -15
1560337-1	96A-33
1560337-1	96B-38
1560337-2	96A-33
1560337-2	96B-38
1560337-3	96A-35
1560337-3	96B-40
1562033-12	104 - 4
1562033-4	104 - 6
1570043-1	58 -77
1570043-3	135 -51
1570102-1	3 -72
1570102-1	14 -83B
1570102-10	3 -71
1570102-12	12 -33
1570102-8	12 -32
1570166-1	135 -29
1570213-5	138 - 1
1570213-6	138 - 1
1570263-1	135 -23C
1570306-1	96B-22
1570307-1	96B-10
1570307-2	96B-15
1570308-1	96B-13
1580011-1	130 - 1
1580011-1	131A- 3
16-2000C	134 -37
16-4042	117 -17
16-8375C	134 -36
16-8500C	134 -35
1601-0410	10 -40
16028-0404	121 - 4
16077-14	121 - 2
161-30	38 - 2
161-31	35 - 1
16119-410	121 -15
16119-416	121 -13

PART NUMBER	FIGURE AND INDEX NO.	PART NUMBER	FIGURE AND INDEX NO.	PART NUMBER	FIGURE AND INDEX NO.
16119-422	121 -12	188434	81 -22	210036	81 - 7
162-27	38 - 3	189482	81 -18	210039	81 -21
162-28	35 - 3	189574	81 -15	210216	81 -33
1620075-3	135 -67	189739	81 -19	210253	81 - 1
16233-7	121 - 3	189744	81 - 3	210257	81 -37
164-15A	38 - 8	191869	81 -26	210261	81 -10
1670019-1	103 -85	1922005-11	7 -21	210326	81 -28
1670019-1	104 -16	192558	81 -38	210382	81 -10
1705015-1	44 - 6	192707	81 -29	210393	81 -12
1705015-2	45 - 6	192709	81 -29	210394	81 -12
1706015-2	89 -35	193385	81 -14	210396	81 - 6
1706015-2	135 -28A	196195	81 -11	210398	81 -30
1713039-1	99 -47	2-11	134 -61	210399	81 -17
1713039-1	99A- 8	2-15	134 -60	213200	81 -32
1713039-1	99A-39	2E1260	133 -14	213214	81 - 2
1713039-1	114 -25	2E1260	133 -14	213232	81 -27
1713039-1	114 -30	2E1290	133 -17	214202	81 -13
1713039-1	114A-12	2E1291	133 -18	217-1	35 - 4
1713080-3	137 - 5	2E1291	133 -18	218446	81 -35
1713082-1	137 - 7	2E1301	133 -19	218537	81 -24
1713083-1	137 - 3	2E1303	133 -20	218547	81 - 4
1713084-1	137 - 6	2N3055	135 -31	22FH632	94 - 4
1713084-3	137 - 6	2OH3P	135 -52	22NA1K02	24 -47
1713085-1	137 -11	2011028-3	56 -68	23S2038-3-1	132 -49
1713259-1	3 - 6	2011028-3	56A-78	23S2038-5-1	132 -32
1714000-22	55 -82	2011028-4	56 -68	23S2038-5-2	132 -33
1714000-33	53 -61	2011028-4	56A-78	23S2038-6-1	132 -32
1714000-33	53A-54	2011028-5	56A-78	24RB	96A-28
1714000-33	54 -87	2011028-6	56A-78	24RB	96B-34
1714000-33	55 -85	2013069-1	120 -11	244-16	17A-91D
1714000-41	55 -83	2013069-1	120A-22	244-16	17A-92C
1714000K200	53 -62	2013142-1	108 -56	244-16	70A-43A
1714000K200	53A-56	20240-14	121 - 6	244-16	70A-59
1714000K200	54 -88	20240-15	121 - 7	255-10-30-190	96 -10
1714061-1	53 -59	20240-16	121 - 8	255-10-30-190	96A- 8
1714061-1	53A-51	20240-17	121 - 9	270HM1/2W	59 -10
1714061-1	54 -84	20240-18	121 - 1	294002-3	119 -18
1714061-1	55 -71	20240-21	121 -16A	294003-1	118 - 2
1714067-2	53 -55	20240-22	121 -14	294004-1	120 -21
1714067-2	54 -83	20240-25	121 -11	294005-1	117 -19
1714067-4	54 -83	20240-53	121 -17	294006-1	117 -23
1714067-5	53A-48	20240-76	121 -18	294007-1	118 -39
1714067-5	55 -66	20240-77	121 -18	294008-1	117 -21
1714074-13	53A-27	20240-9	121 -10	294009-1	117 -24
1714074-13	55 -22	20240-9	121 - 5	294017-1	117 -22
1714074-14	53A-27A	20246-3	121 - 5	294017-1	119 - 4
1714074-14	55 -23	20246-3	121 -16	294018-1	118 -17
1714074-6	53A-30	20246-4	121 - 5	294018-1	118 -22
1714074-6	55 -24	20246-5	121 - 5	294018-1	120 - 9
1715037-1	57 -18	20246-7	121 - 5	294019-1	118 -23
1715047-1	49 - 2B	20415-1-0	98 - 2	294020-1	118 -19
1715047-2	49 - 2A	204864	81 - 8	294024-1	117 -29
1716008-1	6 -26	206336	81 - 5	294026-1	117 -34
1720102-1	5 -14B	206337	81 -20	294027-1	117 -30
1722087-1	3 -42	2070005-15	135 -23	294028-1	119 -16
1726041-7	5 -42	2070005-16	135 -23A	294031-1	118 -30
1726045-6	6 -35	2070005-2	135 -23G	294032-1	118 -32
1726045-8	6 -36	2080006-1	120A- 3	294033-1	118 -33
1726048-1	5 -49	2080006-2	120A- 4	294035-1	118 -35
1726049-1	5 -49	2080007-1	120A-15	294037-1	118 -43
1726049-1	17 -93A	2080007-2	120A-21	294038-1	118 -44
1726049-1	17A-88	2080007-201	120 - 7	294041-1	118 -46
1760025-2	104 - 5	2080008-2	120A-10	294042-1	118 -10
1777	31 - 9	2080009-1	120A-15	294044-1	118 - 5
180231	81 -31	2080009-2	120A-12	294046-1	118 - 6
1813/2CW1	60 -10	2080010-1	120A-26	294050-1	120 -24
1820	137 -26	2080010-2	120A-27	294051-1	118 -15
1820	137A- 5	2080010-4	120 - 4	294051-1	120 -29
182747	81 -34	2080010-4	120A-25	294054-1	117 -31
183-1	38 -26	2080010-4	120A-28	294061-1	118 - 8
186320	81 -36	2080018-1	120A- 7	294061-1	118 -13
1876-1	135 -34	2080019-1	120A-11	294062-1	118 -12
188141	81 -23	2080030-1	120A-13	294063-1	117 -27
188302	81 -25	210031	81 - 9	294065-1	118 -28

PART NUMBER	FIGURE AND INDEX NO.
294066-1	118 -25
294067-1	117 -26
294068-1	117 -28
294069-1	117 -17
294074-1	117 -15
294076-1	119 - 2
294082-1	117 -16
294087-1	119 -14
294088-1	119 -21
294089-1	119 -13
294095-1	118 - 1
294715-1	126 - 7
3/32X.375TYPE3	102C- 8
3/32X.38TYPE3	102B- 8
3/32X.500TYPE3	102C-15
301541	132 -63
301542-C3	132 -67
301549-02A-3	132 -51
301726	132 -67
301748-2	58A-56
301748-2	58B-95A
301748-2	58C-92B
301748-2	58D-90B
301772	58 -95
301772	58A-56
3E1219-1	133 - 2
3E1219-4	133 - 2
3E1219-6	133 - 2
3E1219-7	133 - 2
3E1271-2	133 - 8
3E1271-2	133 - 8
3E1531	133 -23
3E1540-1	133 - 3
3E1555-1	133 - 3
3021	38 -11
3022	38 -10
3023	38 -12
30370-0100	58 -18
30370-0102	58 -18
30370-0102	58A-18
305-4304	96 -11
3132X.625TYPE3	102C-29
3142-00-5	79 -45
327	59A-10
327	59A-11
330	59 -11
330	59 -12
330	60 -13
330	60 -14
330	64 -10
332154	132 -14
332154	132 -43
332154	132 -46
332280	132 -14
332280	132 -43
332280	132 -46
332281	132 -14
332281	132 -43
332281	132 -46
336	60 -10
337	64 -10
340000	109 -17
34002-55	135 -62
3421-00C0	96B-15
3428-1002	96B-23
35060-0114	58 -16
35060-0114	58A-16
35060-0128	58A-16
35060-0128	58B-67
35060-0128	58C-78
35060-0128	58D-85
351-11-C5-001	96A- 9
366-00	109 -17
3690-1/2	1 -46

PART NUMBER	FIGURE AND INDEX NO.
3690-1/4	1 -46
3690-1/8	1 -46
37-206	38 -26
37570-0001	58 -17
37570-0105	58 -17
37570-0105	58A-17
37570-0105	58B-70
37570-0105	58C-81
37570-0105	58D-85D
3859A161-152A	96B-29
3859A281-152A	96A-25
3859A282-152A	96A-25
397-3	135 -63
397-6	135 -60
4E1188-2	133 -16
4E1188-2	133 -16
4E1214-3	133 -16
4E1214-3	133 -16
4E1387-4	133 -21
4E1645	133 - 5
4E1706	133 - 6
4E1708	133 - 6
459-2	3 -74
4055-3	69 -19
4055-3	69 -35
4055-3	70 -18
4055-3	70 -35
4055-4	70A-17
4055-4	70A-37
4055-5	69 -20
4055-5	69 -36
4055-5	70 -19
4055-5	70 -36
4055-5	70A-18
4055-5	70A-38
4002-244-16	16 -43
4002-244-16	16 -44
4002-244-16	17 -21
4002-244-16	17A-21
4002-244-16	69 -32
4002-244-16	69 -40
4002-244-16	70 -32
4002-244-16	70 -48
4002-244-16	70A-34
4002G	69 -18
4002G	69 -34
4002G	70 -17
4002G	70 -34
4002G	70A-16
4002G	70A-36
4040	118 -18
40760-0104	58B-71
40760-0104	58C-82
40760-0104	58D-86
40840-0104	58B-71
40840-0104	58C-82
40840-0104	58D-86
40840-0204	58B-71
40840-0204	58C-82
40840-0204	58D-86
40910-0000	58B-84
40910-0000	58C-91
40910-0000	58D-87A
41100-0000	58B-70
41100-0010	58C-81
41100-0010	58D-85D
4140-00-17	109 -21
4155-308	20 -14G
4155-308	20A-23
4155-308	137 -23
4155-308	137A- 2
4157-001	96A-27
4157-001	96B-32
4165-308	60D-16

PART NUMBER	FIGURE AND INDEX NO.
4189	5 -46
4196	5 -45
4197	5 -46
4199	5 -46
42540-2128	58D-86A
42540-2128	58C-83
42540-2228	58D-86A
42540-2228	58C-83
4404-3.75M	79 -15
4591	17 -990
4591	17A-93L
4600-2	6 -22
4600-2	6 -23
5.6K2W	59 -10
531178	75 - 5
531178	76 - 5
531179	75 - 4
531179	76 - 4
532432	75 -28
532432	76 -28
534750	75 - 2
534750	76 - 2
537282	75 - 9
538076	75 -14
538076	76 -15
538727	75 -30
539911	71 - 4
539911	72 - 4
550	1 -13
5579654	113 -35
561	38 -20
561	38 -22
576.1	1 - 5
579.6	1 - 6
582384-9	96 -22
582384-9	96A-16
600-015-10-05	36 - 3
60232-1	58 -44
60232-1	58A-44
60232-1	58B-90
60232-1	58C-92
60232-1	58D-90
61-18	38 -16
62-15	38 -17
6241B	32 -34
6241M	32 -34
625303	75 -10
625765	75 - 1
625765	76 - 1
625966	73 -40
626189	75 - 8
626332	73 -38
626332	74 -38
626341	73 -39
626341	74 -39
626341	75 -10
626341	76 - 9
626342	73 -39
626342	74 -39
626342	75 - 9
626342	76 - 8
627335-13	75 -25
629076	75 - 3
629076	76 - 3
629397A1	75 -21
629703-2A2	75 -22
629703-8A1	76 -22
630751-3A1	76 -23
630947-1A1	75 -23
631351-A10	75 -24
631351-4A3	76 -24
632X.75	133 -12
632X.75	133 -12
632062-16	75 -20

This page intentionally left blank.