



**AIRCRAFT COMPANY**

COMMERCIAL AIRCRAFT DIVISION

Wichita, Kansas

**WHERE THIS CATALOG REFERS TO A  
SPECIFIC MODEL IT IS NOTED AS FOLLOWS:  
150 FOR THE MODEL 150.  
F150 FOR THE FRENCH MANUFACTURED 150.**

**THIS CATALOG PROVIDES COVERAGE FOR  
MODEL 150 SERIAL 17001 THRU 15071128 &  
MODEL F150 SERIAL F150-0001 THRU F150-0529**

**THIS SUPERSEDES ALL PREVIOUS  
1963 THRU 1969 MODEL 150 PARTS CATALOGS**

**15 JANUARY 1970**

INSERT LATEST CHANGED PAGES. DESTROY SUPERSEDED PAGES.

**LIST OF EFFECTIVE PAGES**

Dates of issue for original and changed pages are:

Original . . . . . 0 . . . . 15 Jan 1970

TOTAL NUMBER OF PAGES IN THIS PUBLICATION IS 484 CONSISTING OF THE FOLLOWING:

Page No.	Change No.	Page No.	Change No.
TITLE . . . . .	0	215 thru 228 . . . .	0
A . . . . .	0	229 Blank . . . . .	0
i thru vi . . . . .	0	230 thru 233 . . . .	0
vii Blank . . . . .	0	234 Blank . . . . .	0
viii thru x . . . . .	0	235 thru 260 . . . .	0
x-a . . . . .	0	261 Blank . . . . .	0
x-b . . . . .	0	262 thru 272 . . . .	0
xi thru xl . . . . .	0	273 Blank . . . . .	0
1 thru 8 . . . . .	0	274 thru 316 . . . .	0
9 Blank . . . . .	0	317 Blank . . . . .	0
10 thru 16 . . . . .	0	318 thru 324 . . . .	0
17 Blank . . . . .	0	325 Blank . . . . .	0
18 thru 29 . . . . .	0	326 thru 328 . . . .	0
30 Blank . . . . .	0	329 Blank . . . . .	0
31 thru 38 . . . . .	0	330 thru 336 . . . .	0
39 Blank . . . . .	0	337 Blank . . . . .	0
40 thru 47 . . . . .	0	338 thru 350 . . . .	0
48 Blank . . . . .	0	351 Blank . . . . .	0
49 thru 52 . . . . .	0	352 thru 360 . . . .	0
53 Blank . . . . .	0	361 Blank . . . . .	0
54 thru 56 . . . . .	0	362 thru 369 . . . .	0
57 Blank . . . . .	0	370 Blank . . . . .	0
58 thru 90 . . . . .	0	371 thru 380 . . . .	0
91 Blank . . . . .	0	381 Blank . . . . .	0
92 thru 104 . . . . .	0	382 thru 384 . . . .	0
105 Blank . . . . .	0	385 Blank . . . . .	0
106 thru 107 . . . . .	0	386 thru 388 . . . .	0
108 Blank . . . . .	0	389 Blank . . . . .	0
109 thru 148 . . . . .	0	390 thru 391 . . . .	0
149 Blank . . . . .	0	391A . . . . .	0
150 thru 182 . . . . .	0	391B . . . . .	0
183 Blank . . . . .	0	392 thru 394 . . . .	0
184 thru 210 . . . . .	0	395 Blank . . . . .	0
211 Blank . . . . .	0	396 thru 397 . . . .	0
212 thru 213 . . . . .	0	398 Blank . . . . .	0
214 Blank . . . . .	0	399 thru 438 . . . .	0

Upon receipt of the second and subsequent changes to this book, personnel responsible for maintaining this publication in current status should ascertain that all previous changes have been received and incorporated.

\* The asterisk indicates pages changed, added, or deleted by the current change.





# PARTS CATALOG REVISIONS

REFERENCE CATALOG NUMBER: P438-12

DATE: 10-15-70

CATALOG TITLE: Model #150

TO: All Distributors and Dealers

FROM: Service Parts Center

TO ELIMINATE SHIPMENTS OF INCORRECT PARTS, PLEASE  
CORRECT YOUR CATALOG IMMEDIATELY AS SHOWN BELOW.

CAT.	PAGE	FIG.	INDEX	CHANGE		REMARKS
				FROM	TO	
150	263	33B	10	0453007-1	Note:	Order 0453006-1 for any and/or all replacements
			11	0453007-2		
			12	0453007-4		
			13	1706002-3		
			14	1253034-8		
379	51C	6	3021	154-13	11-20-70	
379	51C	8	154-13	3021		
247	30	6	0456004-2	Add: Add:	5-20-71 Usable on Code "R" Code "R" 150-67199 & on F150-0220 & on 6-20-71	
187	23	1	0413301-11-156	0413301-11-279		
189	23	45	0413301-2-156	0413301-2-279		
215	24	5	0413301-8-156	0413301-8-279		
177	22B	6	S1365-1	S1356-1	10-1-71	

This page intentionally left blank.

## INTRODUCTION.

This illustrated parts catalog has been prepared to aid you in easily and quickly identifying parts of the models covered herein.

This catalog features an index system consisting of:

1. An alphabetical index located in the front of the catalog.
2. A numerical index located in the back of the catalog, which lists all parts and figures in which they appear.

## STANDARD PARTS.

Many parts having standard usage have been incorporated into the Cessna Standard System. Parts in this group are designated with the part number prefix "S-".

For standard hardware items such as Timmerman nuts, clamps, etc., "AN" and "NAS" numbers have been used.

**USABLE ON CODES.** . . . Serial listings in this catalog are noted by a letter code located in the usable on code column which is the extreme right hand column of the parts list page. Usable on codes are applicable only to the figure on which they appear. The code letters and the serials to which they apply are listed at the end of the figure.

If no usable on code appears opposite a first column listing of the figure, the usage is applicable to all models and serials covered by this catalog. If no usable on code appears opposite any indented listing, the usage is applicable to all models and serials covered by the figure on which it appears.

**Bold face type serials** appearing on certain figures are for quick reference to large blocks of airplanes manufactured in the United States of America.

**FRENCH 150 serial usage** is listed together with the United States serial usage immediately following the parts listing on each individual figure where applicable.

**NON-INTERCHANGEABLE PARTS.** . . . When parts are not interchangeable with earlier models, all parts applicable to the particular usage are listed. The letter code for the individual part usage is listed in the usable on column opposite each part. Care should be exercised in determining proper serial when ordering to insure receipt of correct part.

**INTERCHANGEABLE PARTS.** . . . When a later design part is completely interchangeable with the part it replaces, both parts will be serialized and the notation "when exhausted use \_\_\_\_\_" will be entered following the listing of the earlier design part. This means that the earlier design part should be used on airplanes to which they apply until the supply of these parts is exhausted---after which time the later design part must be used. This is done to simplify stocking of parts by our distributors and dealers. The earlier part is as good, physically and functionally, as the

later design part---the difference being the later design part can be used on more than one block of airplane serials.

## SYMBOLS & PART NUMBER TERMS.

**NP** - The symbol "NP" appearing in the units per assembly column denotes that the item it appears opposite is not procurable.

**AR** - The symbol "AR" appearing in the units per assembly column denotes "As Required" and is used to indicate bulk quantity where an indefinite amount is used.

**ALT** - The symbol "ALT" following the nomenclature of an item is used to denote an alternate part.

**LH & RH** - The symbols either LH or RH are used following the part nomenclature to denote either left hand or right hand parts.

Other key letter symbols spaced apart from and following the part nomenclature are for cataloging and manufacturing purposes only and are not to be considered by the customer.

A blank entry in the part number column appears before an unprocurable part or installation which is also denoted in the "Units Per Assembly" column by the use of the symbol NP.

## GROUP ASSEMBLY PARTS LIST ARRANGEMENT.

This section lists all replaceable items in the airplane and these items are detailed on illustrations throughout the section. The index numbers on the illustration are keyed to each accompanying parts list. The purpose of the index numbers is to provide complete and positive identification of the article, but should not be used for procurement purposes.

- a. The figure and index number column of the parts list shows the figure number once at the beginning of the list. The figure number is followed by a dash and the indexed number. The remaining index numbers are preceded by dash only.
- b. The part number column identifies the item by part number.
- c. In the description column, relationship of items covered is shown by the degree of indention of each item, for example: The wing assembly (Figure 1) is listed in column (1) of the description column. The wing structure, is the next lower assembly and is therefore listed in column (2).
- d. If two or more assemblies contain a majority of identical parts or the assemblies are left or right hand, the assemblies are listed together and the next lower assemblies or detail parts are listed as common for both assemblies, with the differing parts coded for usage on the correct major assembly.



- e. Attaching parts are listed immediately beneath the item to be attached and preceding any detail parts of the item. They are listed in the same column as the item they attach and are preceded by the caption "Attaching Parts." The end of the attaching parts listing is followed by a separating symbol ---\*---
- f. The quantity listed in the "Units Per Assembly" column for attaching parts denotes the quantity necessary to attach only one part. Total quantity necessary to attach more than one part is obtained by multiplying the attaching parts quantity by the number of parts attached.
- g. Component parts of the complete airplane which are not included in any assembly, but which are used in conjunction with, or attach to certain assemblies, are listed either preceding the first detail or following the last detail of the assembly or installation, and in the same column as the major assembly or installation.
- h. The quantities listed in the "Units Per Assembly" column are the quantity used per figure.

**ACCESSORY KITS.**

For accessory kit listings, refer to separate Accessory Kit Catalog.

**BULK ITEMS.**

Certain items such as flexible air hose, rubber mouldings and channels, windshield sealing strips etc., are noted in the catalog listings as bulk items. These listings also note the cut length of these materials for one installation. When an item is listed as a bulk item, it will be supplied to the dealer in the most convenient bulk length or quantity. Reference to the cut length or quantity per installation provides for the most satisfactory disbursement to the customer.

**HOW TO ORDER.**

**USE YOUR CATALOG TO ORDER PARTS.** Use parts and Accessories Order Form, which will be supplied by Cessna on request. Give complete information on addresses and make sure the part number and part name are as shown in the catalog. Be sure to specify quantities. Specify how the order is to be shipped, otherwise it will be sent out in the manner that seems best to the shipper.

**SERIAL, COLOR, & CORROSION PROOFING.**

Be sure to indicate model and serial number of the airplane. Serial number is very important to properly identify parts used on each airplane. When color is involved refer to "Upholstery & Interior Trim" section for example. If corrosion proofing is desired add the letters "CP" following the part number.

**DISTRIBUTOR ORDERS.**

Distributors will send all orders to the factory with instructions as to the shipping destination. The factory prefers not to make C. O. D. shipments for the distributor and all billing will be made to the distributor in the case of direct shipments.

**DEALER ORDERS.**

Dealers will place all of their parts order requirements with their distributor. The factory will not honor orders received directly from a dealer. It will be necessary for us to forward it to the distributor for his action. Therefore, dealer orders sent direct to the distributor will result in much faster delivery on any parts that are required.

**RETAIL ORDERS.**

Retail orders will not be honored by the factory. They are to be placed with the dealer or distributor in the owner's territory and when received directly by the factory will be forwarded to the distributor from whose territory it was received. Considerable saving in time will result to the owner if his orders are placed with his dealer or distributor.



Cessna Aircraft Company reserves the right to cancel, add or change the parts and assemblies described in this catalog without notice.



"All aircraft, regardless of manufacturer, are certificated under model number designations. However, popular names are often used for marketing purposes. To provide a consistent method of referring to the various aircraft, model numbers will be used in this publication unless names are required to differentiate between versions of the same basic model. The following table provides a cross reference listing of popular name vs. model numbers."

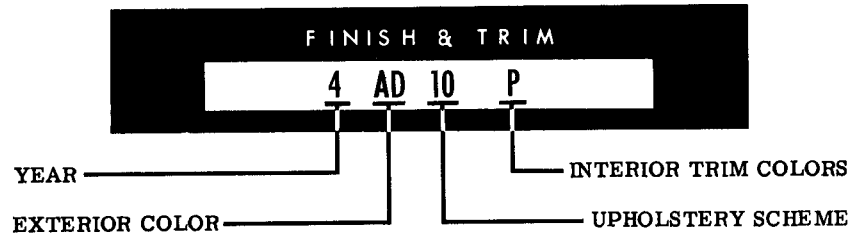
NAME	MODEL YEAR	MODEL	SERIALS	
			BEGINNING	ENDING
150 STANDARD 150 TRAINER, OR 150 INTER-CITY COMMUTER	1959	150	17001	17683
	1960	150	17684	17899 and
			59001	59018
	1961	150A	15059019	15059350
	1962	150B	15059351	15059700
	1963	150C	15059701	15060087
	1964	150D	15060088	15060772
	1965	150E	15060773	15061532
	1966	150F	15061533	15064532
	1967	150G	15064533	15067198
	1968	150H	15067199	15069308
	1969	150J	15069309	15071128
FRENCH 150 STANDARD, FRENCH 150 TRAINER, OR FRENCH 150 INTER-CITY COMMUTER	1966	F150F	F150-0001	F150-0067
FRENCH 150	1967	F150G	F150-0068	F150-0219
	1968	F150H	F150-0220	F150-0389
	1969	F150J	F150-0390	F150-0529

## FINISH & TRIM PLATE

The "FINISH AND TRIM" plate is located on the left front door post directly below the M. A. A. name plate.

This plate indicates the model year, exterior paint color, upholstery scheme and interior trim colors.

The following diagram is an example showing the sequence and definition of each code symbol on the "FINISH AND TRIM" plate.



FINISH & TRIM NUMBER (4-AD-10-P)

- "4" = 1964 Model
- "AD" = Emerald Green Met. & Mint Green
- "10" = Cork Tan
- "P" = Black (semi-gloss), Sand & Fawn

### 1959 THRU 1965

SEE PAGE VIII FOR 1966 & ON

<b>CODE CHART</b>							
<b>PAINT &amp; UPHOLSTERY COMBINATIONS</b>							
<b>Model 150</b>							
YEAR	EXTERIOR PAINT		UPHOLSTERY		INTERIOR TRIM		
	CODE	CODE	COLOR	CODE	COLOR	CODE	COLOR
1959	9	E	FOREST GREEN CES-1054-227 27H-16388	2	RED	P	BLACK (SEMI-GLOSS) CES-1054-156 5546
		G	DAMASK RED CES-1054-229 27H-12450	3	BLUE	Q	IVORY CES-1054-200 27-14208
		H	COLONIAL BLUE CES-1054-230 27H-16390	1	SPECIAL UPHOLSTERY	SP	SPECIAL COLORS
		SP	SPECIAL COLORS				

 <b>CODE CHART</b> <b>PAINT &amp; UPHOLSTERY COMBINATIONS</b> <b>Model 150</b> 							
YEAR	EXTERIOR PAINT		UPHOLSTERY		INTERIOR TRIM		
	CODE	CODE	CODE	CODE	CODE	CODE	
1960	0	A	CHERRY RED CES-1054-229	3	FERN GREEN	P	BLACK CES-1054-156
		B	EMERALD GREEN CES-1054-264				
		C	VERMILION CES-1054-166	2	FURY RED	Q	NATURAL CES-1054-259
		V	HIGH VISIBILITY CES-1054-250				
		SP	SPECIAL COLORS	1	SPECIAL UPHOLSTERY	SP	SPECIAL COLORS
1961	1	O	CLASSIC IVORY CES-1054-325	2	ANTELOPE (TAN)	Z	BLACK (SEMI-GLOSS) CES-1054-156
		P	STARGLO YELLOW CES-1054-326				
		Q	RANGOON RED CES-1054-327				
		R	NOCTURNAL GREEN CES-1054-328	3	NUGGET (GOLD)		NATURAL CES-1054-259
		X	WINCHESTER GRAY CES-1054-335				
		Y	COPPERTONE BROWN CES-1054-336				
		SP	SPECIAL COLORS	1	SPECIAL UPHOLSTERY	SP	SPECIAL COLORS
1962	2	A	MUTED BEIGE CES-1054-439	2	FEATHER BLUE	Q	BLACK (SEMI-GLOSS) CES-1054-156
		B	VESTAL WHITE CES-1054-398				
		C	JONQUIL YELLOW CES-1054-402				
		D	MINT GREEN CES-1054-238				
		E	TURQUOISE TINGE CES-1054-406				
		F	VALOR RED CES-1054-409				
		G	CHEVRON RED CES-1054-401				
		H	GINGER CES-1054-403	3	SOL TAN		NATURAL CES-1054-259
		J	REGAL GREEN MET. CES-1054-404				
		K	TAHOE BLUE MET. CES-1054-407				
		L	HERMOSA TURQUOISE CES-1054-408				
		M	DEEP MAHOGANY CES-1054-413				
		N	EXECUTIVE GREY MET. CES-1054-411				
		SP	SPECIAL COLORS				

<b>CODE CHART</b> <b>PAINT &amp; UPHOLSTERY COMBINATIONS</b> <b>Model 150</b>								Serial Listing
YEAR	EXTERIOR PAINT			UPHOLSTERY		INTERIOR TRIM		
	CODE	CODE	COLOR	CODE	COLOR	CODE	COLOR	
1 9 6 3	3	A	ADOBE BEIGE CES-1054-446 or *-458	2	GOLDEN FLECK BROWN	Q	BLACK SEMI-GLOSS CES-1054-156	
		B	VESTAL WHITE CES-1054-398 or *-170					
		C	GOLDENROD CES-1054-448					
		D	MINT GREEN CES-1054-238 or *-412	3	GOLDEN FLECK TAN			
		F	VALOR RED CES-1054-409 or *-417					
		H	CORK BROWN CES-1054-463	4	SILVER FLECK GREEN			
		J	IVY GREEN METALLIC CES-1054-405					
		K	TAHOE BLUE METALLIC CES-1054-407					
		R	COCOA BROWN CES-1054-459	5	BLUE			
		U	EMERALD CES-1054-350					
SP	SPECIAL COLORS	1	SPECIAL UPHOLSTERY	SP	SPECIAL COLORS	15059701 THRU 15060087		
1 9 6 4	4	A	EMERALD GREEN MET CES-1054-350	7	CEDAR RED	P	BLACK SEMI-GLOSS CES-1054-156	
		B	GOLDENROD CES-1054-448					
		C	VESTAL WHITE CES-1054-398 or -170*					
		D	MINT GREEN CES-1054-238 or -412*	8	MIST BLUE			
		E	CORK BROWN CES-1054-463					
		G	MUTED BEIGE CES-1054-439 or -399*					
		J	ITALIAN GOLD CES-1054-265	9	PALM GREEN			
		K	VELVET BLACK CES-1054-151					
		L	SUN GLOW RED CES-1054-493					
		T	HAWAIIAN RED CES-1054-509	10	CORK TAN			
		X	SKY BLUE CES-1054-513 or -512*					
		Z	ARISTO BLUE MET CES-1054-487					
		SP	SPECIAL COLORS	1	SPECIAL UPHOLSTERY		SP	SPECIAL COLORS

**NOTE: WHEN ORDERING PAINT SPECIFY CES-1054 DASH NUMBER. EXAMPLE CES-1054-350.**  
**\*DENOTES VINYL PAINT.**  
**VINYL IS USED AS BASE COLOR ON OVER-ALL PAINTED AIRPLANES.**  
**ALL OTHER COLORS ARE LACQUER.**

<p align="center"><b>CODE CHART</b>  <b>PAINT &amp; UPHOLSTERY COMBINATIONS</b>                      Model 150</p>							<p align="center">Serial Listing</p>	
YEAR	EXTERIOR PAINT		UPHOLSTERY		INTERIOR TRIM			
CODE	CODE	COLOR	CODE	COLOR	CODE	COLOR		
<p align="center">1 9 6 5</p>	<p align="center">5</p>	A	EMERALD GREEN CES-1054-350	<p align="center">2</p>	<p align="center">TAWNY MIST</p>	<p align="center">P</p>	<p align="center">BLACK SEMI-GLOSS CES-1054-156</p>	
		B	GOLDENROD CES-1054-448					
		C	VESTAL WHITE CES-1054-398 or -170*					
		D	ICE BLUE CES-1054-564 or -546*	<p align="center">3</p>	<p align="center">STRATO BLUE</p>			
		F	YUMA YELLOW CES-1054-542					
		H	PLATINUM CES-1054-550 or -565*					
		J	SUNSHINE YELLOW CES-1054-561 or -547*					
		K	VELVET BLACK CES-1054-151	<p align="center">4</p>	<p align="center">HORIZON GREEN</p>			<p align="center">CLOUD GRAY CES-1054-531</p>
		L	SUN GLOW RED CES-1054-493					
		M	VENICE BLUE MET CES-1054-572					
		N	AUTUMN RUSSET MET CES-1054-571	<p align="center">5</p>	<p align="center">SABLE TAN</p>			
		R	ARISTO BLUE MET CES-1054-487					
		T	HAWAIIAN RED CES-1054-509					
		SP	SPECIAL COLORS	<p align="center">1</p>	<p align="center">SPECIAL UPHOLSTERY</p>			

**15060773  
THRU  
15061532**

NOTE: WHEN ORDERING PAINT SPECIFY CES-1054 DASH NUMBER. EXAMPLE CES-1054-350.

\*DENOTES VINYL PAINT.  
VINYL IS USED AS BASE COLOR ON OVER-ALL PAINTED AIRPLANES.  
ALL OTHER COLORS ARE LACQUER.



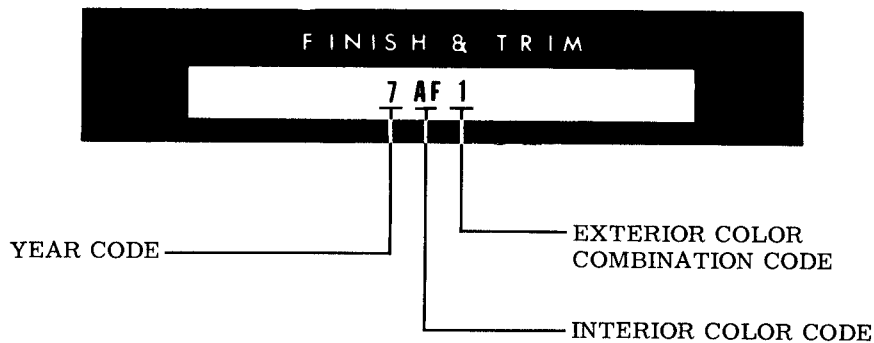
This page intentionally left blank.

## FINISH & TRIM PLATE

The "FINISH AND TRIM" plate is located on the left side of the airplane on the lower door jamb directly below the M. A. A. name plate.

This plate indicates the model year, interior color scheme and the exterior paint combination.

The following diagram is an example showing the sequence and definition of each code symbol on the "FINISH AND TRIM" plate.



### FINISH & TRIM NUMBER (7AF1)

- 7 = 1967 Model Year
- AF = Bronze Fabric Interior Scheme
- 1 = Vestal White & Goldenrod Exterior

## 1966 & ON

SEE PAGE III FOR 1959 THRU 1965

MODEL 150			PAINT CODE CHART					MODEL 150					
YEAR	INTERIOR COLOR		INTERIOR PAINT					SERIAL LISTING	EXTERIOR PAINT				
	CODE	CODE	INTERIOR COLOR CODE						CODE	COLOR COMBINATIONS			
		COLOR	B	C	D	H	E						
1 9 6 6	6	B GOLD & GREEN	BLACK (SEMI-GLOSS) CES1054-156	BLACK (SEMI-GLOSS) CES1054-156	BLACK (SEMI-GLOSS) CES1054-156	BLACK (SEMI-GLOSS) CES1054-156	15061533 THRU 15064532	1	VESTAL WHITE CES1054-398 or 170* CES1054-802 (ACRYLIC)	GOLDEN ROD CES1054-448 CES1054-803 (ACRYLIC)			
		1S 1A											
		C BLUE	LIGHT GRAY (VINYL) CES1054-533	LIGHT GRAY (VINYL) CES1054-533	LIGHT GRAY (VINYL) CES1054-533	LIGHT GRAY (VINYL) CES1054-533		F150-0001 THRU F150-0067	2	VESTAL WHITE CES1054-398 or 170* CES1054-802 (ACRYLIC)	SAN REMO TURQUOISE MET CES1054-705 CES1054-804 (ACRYLIC)		
		2S 2A											
		D BRONZE & SABLE TAN	LIGHT GRAY (LACQUER) CES1054-531	LIGHT GRAY (LACQUER) CES1054-531	LIGHT GRAY (LACQUER) CES1054-531	LIGHT GRAY (LACQUER) CES1054-531			3	VESTAL WHITE CES1054-398 or 170* CES1054-802 (ACRYLIC)	RACING GREEN CES1054-692 CES1054-805 (ACRYLIC)		
		3S 3A											
H TAN SERIAL 15061533 THRU 15062084	LIGHT GRAY (LACQUER) CES1054-531	LIGHT GRAY (LACQUER) CES1054-531	LIGHT GRAY (LACQUER) CES1054-531	LIGHT GRAY (LACQUER) CES1054-531	4	VESTAL WHITE CES1054-398 or 170* CES1054-802 (ACRYLIC)	VALOR RED CES1054-409 CES1054-806 (ACRYLIC)						
4S 4A													
E RED SERIAL 15062085 & ON	LIGHT GRAY (LACQUER) CES1054-531	LIGHT GRAY (LACQUER) CES1054-531	LIGHT GRAY (LACQUER) CES1054-531	LIGHT GRAY (LACQUER) CES1054-531	5	VESTAL WHITE CES1054-398 or 170* CES1054-802 (ACRYLIC)	VELVET BLACK CES1054-151 CES1054-807 (ACRYLIC)						
5S 5A													

**NOTE: WHEN ORDERING PAINT SPECIFY CES-1054 DASH NUMBER. EXAMPLE: CES1054-439**  
 \*On all over painted airplanes, base color will be vinyl except when acrylic is used or lacquer painted French aircraft.  
 All other colors will be lacquer except when acrylic is used.

ALL DOMESTIC AIRPLANES EXCEPT THOSE LISTED IN TABLES BELOW WERE PAINTED WITH ACRYLIC.

VINYL - LACQUER	
15061533 thru 15062332	15062374
15062334	15062675
15062336	15062679
15062337	15062697 thru 15062701
15062341 thru 15062343	15062703 thru 15062707
15062351	15062709 thru 15063019
15062357	15063021 thru 15063029
15062359	15063031 thru 15063051
15062361	15063053 thru 15063109
15062368	15063111
15062371	15063112

ALL FRENCH AIRPLANES WERE PAINTED WITH LACQUER.

MODEL 150		<b>P A I N T   C O D E   C H A R T</b>						MODEL 150			
YEAR	INTERIOR COLOR		INTERIOR PAINT				SERIAL LISTING	EXTERIOR PAINT			
	CODE	CODE	AF	INTERIOR COLOR CODE		BV		CODE	COLOR COMBINATIONS		
		COLOR		AV	BF						
1 9 6 7	7	<b>AF</b> Bronze Fabric	BLACK (SEMI-GLOSS) CES1054-156	BLACK (SEMI-GLOSS) CES1054-156	BLACK (SEMI-GLOSS) CES1054-156	BLACK (SEMI-GLOSS) CES1054-156	15064533 THRU 15067198  F150-0068 THRU F150-0219	1 201 301	VESTAL WHITE CES1054-802 (ACRYLIC) CES1054-398*	GOLDEN ROD CES1054-803 (ACRYLIC) CES1054-448*	
		<b>AV</b> Bronze Vinyl	LIGHT GRAY (VINYL) CES1054-533	LIGHT GRAY (VINYL) CES1054-533	LIGHT GRAY (VINYL) CES1054-533	LIGHT GRAY (VINYL) CES1054-533		2 202 302	VESTAL WHITE CES1054-802 (ACRYLIC) CES1054-398*	VALOR RED CES1054-806 (ACRYLIC) CES1054-409*	
		<b>BF</b> Blue Fabric	LIGHT GRAY (LACQUER) CES1054-531	LIGHT GRAY (LACQUER) CES1054-531	LIGHT GRAY (LACQUER) CES1054-531	LIGHT GRAY (LACQUER) CES1054-531		3 203 303	VESTAL WHITE CES1054-802 (ACRYLIC) CES1054-398*	IMPERIAL BURGUNDY MET (ACRYLIC) CES1054-767 CES1054-847*	
		<b>BV</b> Blue Vinyl						4 204 304	VESTAL WHITE CES1054-802 (ACRYLIC) CES1054-398*	VELVET BLACK CES1054-807 (ACRYLIC) CES1054-151*	
		<b>CV</b> Avocado Vinyl						<b>CV</b>	<b>DF</b>	<b>DV</b>	5 205 305
		<b>DF</b> Red Fabric	BLACK (SEMI-GLOSS) CES1054-156	BLACK (SEMI-GLOSS) CES1054-156	BLACK (SEMI-GLOSS) CES1054-156			6 206 306	VESTAL WHITE CES1054-802 (ACRYLIC) CES1054-398*	EMPRESS BLUE CES1054-832 (ACRYLIC) CES1054-604*	
		<b>DV</b> Red Vinyl	LIGHT GRAY (VINYL) CES1054-533	LIGHT GRAY (VINYL) CES1054-533	LIGHT GRAY (VINYL) CES1054-533			7 207 307	VESTAL WHITE CES1054-802 (ACRYLIC) CES1054-398*	VENICE BLUE MET CES1054-833 (ACRYLIC) CES1054-572*	
		LIGHT GRAY (LACQUER) CES1054-531	LIGHT GRAY (LACQUER) CES1054-531	LIGHT GRAY (LACQUER) CES1054-531		8 208 308	VESTAL WHITE CES1054-802 (ACRYLIC) CES1054-398*	RACING GREEN CES1054-805 (ACRYLIC) CES1054-692*			

NOTE: WHEN ORDERING PAINT SPECIFY CES-1054 DASH NUMBER. EXAMPLE: CES1054-156  
 \*Lacquer paint, used on French aircraft only.

MODEL 150			PAINT CODE CHART				MODEL 150				
YEAR	INTERIOR COLOR		INTERIOR PAINT				SERIAL LISTING	EXTERIOR PAINT			
	CODE	CODE	INTERIOR COLOR CODE					CODE	COLOR COMBINATIONS		
		COLOR	AF	AV	BF	BV					
1 9 6 8	8	AF Bronze Fabric	BLACK (SEMI-GLOSS) CES1054-156	BLACK (SEMI-GLOSS) CES1054-156	BLACK (SEMI-GLOSS) CES1054-156	BLACK (SEMI-GLOSS) CES1054-156	15067199 THRU 15069308  F150-0220 THRU F150-0389	10 210 310	VESTAL WHITE CES1054-802 (ACRYLIC) CES1054-398*	TROPICAL ORANGE CES1054-774 (ACRYLIC) CES1054-849*	
		AV Bronze Vinyl	LIGHT GRAY (VINYL) CES1054-533	LIGHT GRAY (VINYL) CES1054-533	LIGHT GRAY (VINYL) CES1054-533	LIGHT GRAY (VINYL) CES1054-533		11 211 311	VESTAL WHITE CES1054-802 (ACRYLIC) CES1054-398*	VALOR RED CES1054-806 (ACRYLIC) CES1054-409*	
		BF Rainbow Blue Fabric	LIGHT GRAY (LACQUER) CES1054-531	LIGHT GRAY (LACQUER) CES1054-531	LIGHT GRAY (LACQUER) CES1054-531	LIGHT GRAY (LACQUER) CES1054-531		12 212 312	VESTAL WHITE CES1054-802 (ACRYLIC) CES1054-398*	CRANBERRY CES1054-875 (ACRYLIC) CES1054-881*	
		BV Rainbow Blue Vinyl						13 213 313	VESTAL WHITE CES1054-802 (ACRYLIC) CES1054-398*	EMPRESS BLUE CES1054-832 (ACRYLIC) CES1054-604*	
		CV Avocado Vinyl	BLACK (SEMI-GLOSS) CES1054-156	BLACK (SEMI-GLOSS) CES1054-156	BLACK (SEMI-GLOSS) CES1054-156			14 214 314	VESTAL WHITE CES1054-802 (ACRYLIC) CES1054-398*	VENICE BLUE MET CES1054-833 (ACRYLIC) CES1054-572*	
		DF Splendor Red Fabric	LIGHT GRAY (VINYL) CES1054-533	LIGHT GRAY (VINYL) CES1054-533	LIGHT GRAY (VINYL) CES1054-533			15 215 315	VESTAL WHITE CES1054-802 (ACRYLIC) CES1054-398*	VELVET BLACK CES1054-807 (ACRYLIC) CES1054-151*	
		DV Splendor Red Vinyl	LIGHT GRAY (LACQUER) CES1054-531	LIGHT GRAY (LACQUER) CES1054-531	LIGHT GRAY (LACQUER) CES1054-531			16 216 316	VESTAL WHITE CES1054-802 (ACRYLIC) CES1054-398*	RACING GREEN CES1054-805 (ACRYLIC) CES1054-692*	
									17 217 317	VESTAL WHITE CES1054-802 (ACRYLIC) CES1054-398*	GOLDEN ROD CES1054-803 (ACRYLIC) CES1054-448*

NOTE: WHEN ORDERING PAINT SPECIFY CES-1054 DASH NUMBER. EXAMPLE: CES1054-156

\*Lacquer paint, used on French Aircraft only.


Cessna Illustrated parts catalog



MODEL 150			PAINT CODE CHART				MODEL 150				
YEAR	INTERIOR COLOR		INTERIOR PAINT				SERIAL LISTING	EXTERIOR PAINT			
	CODE	COLOR	AF	AV	BF	BV		CODE	COLOR COMBINATIONS		
1 9 6 9	AF	Bronze & Tan Fabric	BLACK SEMI-GLOSS (LACQUER) CES1054-156	BLACK SEMI-GLOSS (LACQUER) CES1054-156	BLACK SEMI-GLOSS (LACQUER) CES1054-156	BLACK SEMI-GLOSS (LACQUER) CES1054-156	15069309 & ON  F150-0390 & ON	901 VESTAL WHITE	VALOR RED		
			2901 CES1054-802 (ACRYLIC)	VALOR RED	VALOR RED						
			3901 CES1054-398*	VALOR RED	VALOR RED						
			902 VESTAL WHITE	BAROQUE GOLD MET							
	AV	Bronze Vinyl	DULL BLACK (LACQUER) CES1054-193	DULL BLACK (LACQUER) CES1054-193	DULL BLACK (LACQUER) CES1054-193	DULL BLACK (LACQUER) CES1054-193		2902 CES1054-802 (ACRYLIC)	BAROQUE GOLD MET		
			3902 CES1054-398*	BAROQUE GOLD MET							
			903 VESTAL WHITE	GOLDENROD							
			2903 CES1054-802 (ACRYLIC)	GOLDENROD							
	BF	Royal Blue Fabric	LIGHT GRAY (LACQUER) CES1054-531	LIGHT GRAY (LACQUER) CES1054-531	LIGHT GRAY (LACQUER) CES1054-531	LIGHT GRAY (LACQUER) CES1054-531		3903 CES1054-398*	GOLDENROD		
			904 VESTAL WHITE	BELFAST BROWN							
			2904 CES1054-802 (ACRYLIC)	BELFAST BROWN							
			3904 CES1054-398*	BELFAST BROWN							
BV	Royal Blue Vinyl	LIGHT GRAY (VINYL) CES1054-533	LIGHT GRAY (VINYL) CES1054-533	LIGHT GRAY (VINYL) CES1054-533	LIGHT GRAY (VINYL) CES1054-533	905 VESTAL WHITE	NORDIC BLUE MET				
		2905 CES1054-802 (ACRYLIC)	NORDIC BLUE MET								
		3905 CES1054-398*	NORDIC BLUE MET								
		906 VESTAL WHITE	CATALINA BLUE MET								
DF	Dragon Red Fabric	BLACK SEMI-GLOSS (LACQUER) CES1054-156	BLACK SEMI-GLOSS (LACQUER) CES1054-156	BLACK SEMI-GLOSS (LACQUER) CES1054-156	BLACK SEMI-GLOSS (LACQUER) CES1054-156	2906 CES1054-802 (ACRYLIC)	CATALINA BLUE MET				
		3906 CES1054-398*	CATALINA BLUE MET								
		907 VESTAL WHITE	IMPERIAL BURGUNDY MET								
		2907 CES1054-802 (ACRYLIC)	IMPERIAL BURGUNDY MET								
DV	Dragon Red Vinyl	DULL BLACK (LACQUER) CES1054-193	DULL BLACK (LACQUER) CES1054-193	DULL BLACK (LACQUER) CES1054-193	DULL BLACK (LACQUER) CES1054-193	3907 CES1054-398*	IMPERIAL BURGUNDY MET				
		908 VESTAL WHITE	EMERALD GREEN MET								
		2908 CES1054-802 (ACRYLIC)	EMERALD GREEN MET								
		3908 CES1054-398*	EMERALD GREEN MET								
HV	Veilt Gold Vinyl	LIGHT GRAY (VINYL) CES1054-533	LIGHT GRAY (VINYL) CES1054-533	LIGHT GRAY (VINYL) CES1054-533	LIGHT GRAY (VINYL) CES1054-533	950 VESTAL WHITE	EMERALD GREEN MET				
		3950 CES1054-802 (ACRYLIC)	EMERALD GREEN MET								
		951 VESTAL WHITE	VALOR RED								
		3951 CES1054-398*	VALOR RED								
			DF	DV	HV		952 TANGIER BEIGE	VALOR RED			
			DF	DV	HV		3952 CES1054-916 (ACRYLIC)	VALOR RED			
			DF	DV	HV		953 VESTAL WHITE	IMPERIAL BURGUNDY MET			
			DF	DV	HV		3953 CES1054-802 (ACRYLIC)	IMPERIAL BURGUNDY MET			
			DF	DV	HV		954 TANGIER BEIGE	IMPERIAL BURGUNDY MET			
			DF	DV	HV		3954 CES1054-916 (ACRYLIC)	IMPERIAL BURGUNDY MET			
			DF	DV	HV		955 POLARIS BLUE	CATALINA BLUE MET			
			DF	DV	HV		3955 CES1054-917 (ACRYLIC)	CATALINA BLUE MET			
			DF	DV	HV		956 VESTAL WHITE	CATALINA BLUE MET			
			DF	DV	HV		3956 CES1054-802 (ACRYLIC)	CATALINA BLUE MET			
			DF	DV	HV		957 POLARIS BLUE	NORDIC BLUE MET			
			DF	DV	HV		3957 CES1054-917 (ACRYLIC)	NORDIC BLUE MET			
			DF	DV	HV		958 VESTAL WHITE	NORDIC BLUE MET			
			DF	DV	HV		3958 CES1054-802 (ACRYLIC)	NORDIC BLUE MET			
			DF	DV	HV		959 SUN YELLOW	GOLDENROD			
			DF	DV	HV		3959 CES1054-918 (ACRYLIC)	GOLDENROD			
			DF	DV	HV		960 SUN YELLOW	BAROQUE GOLD MET			
			DF	DV	HV		3960 CES1054-918 (ACRYLIC)	BAROQUE GOLD MET			
			DF	DV	HV		961 SUN YELLOW	BELFAST BROWN			
			DF	DV	HV		3961 CES1054-918 (ACRYLIC)	BELFAST BROWN			
			DF	DV	HV		962 VESTAL WHITE	GOLDENROD			
			DF	DV	HV		3962 CES1054-802 (ACRYLIC)	GOLDENROD			
			DF	DV	HV		963 VESTAL WHITE	KINGSTON GREEN MET			
			DF	DV	HV		3963 CES1054-802 (ACRYLIC)	KINGSTON GREEN MET			

NOTE: WHEN ORDERING PAINT SPECIFY CES1054 DASH NUMBER. EXAMPLE: CES1054-156

\*Lacquer paint, used on French Aircraft only.

UPHOLSTERY  
&  
INTERIOR TRIM 

# UPHOLSTERED PARTS - HOW TO ORDER

## 1959 THRU 1965 MODELS

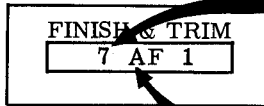
SERIAL NUMBER OF AIRCRAFT MUST BE GIVEN WITH PARTS ORDER

## 1966 MODEL & ON

PARTS MARKED WITH A # FOLLOWING PART NUMBER REQUIRE A SECOND DASH NUMBER FOR COLOR & MATERIAL

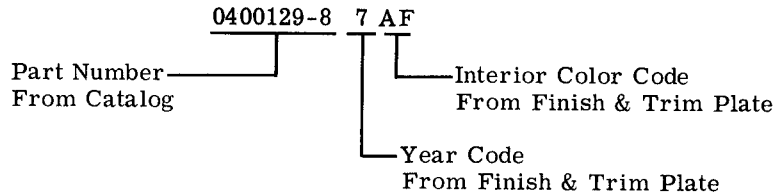
### HOW TO DETERMINE 2nd DASH NUMBER

1. Find part number of desired part in catalog.
2. Refer to "FINISH & TRIM" plate, in the airplane, for your "Year Code" and "Interior Color Code."



3. Add the "Year Code" and "Interior Color Code," to the part number from catalog.

### EXAMPLE OF COMPLETE NUMBER





## INTERIOR PAINTED OR PLASTIC PARTS HOW TO ORDER

### 1959 thru 1964 MODELS

No special handling is required when ordering parts for 1959 thru 1964 aircraft. In this group, the second dash number appears, when required, as a part of the part number.

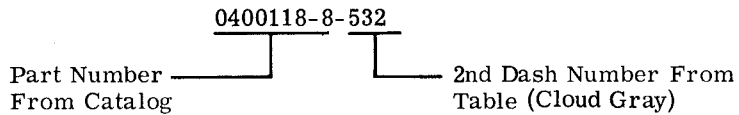
### 1965 MODEL

**PARTS MARKED WITH A = FOLLOWING PART NUMBER REQUIRE A SECOND DASH NUMBER FOR PROPER COLOR**

To obtain second dash number use table "1965 MODEL YEAR."

To use table, "1965 MODEL YEAR," first find number from catalog then find same number in table and add number of color required.

#### EXAMPLE OF COMPLETE NUMBER



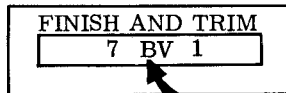
### 1966 MODEL & ON

**PARTS MARKED WITH A = FOLLOWING PART NUMBER REQUIRE A SECOND DASH NUMBER FOR PROPER COLOR.**

To obtain second dash number use of correct table, for your model year, is required.

To use table,

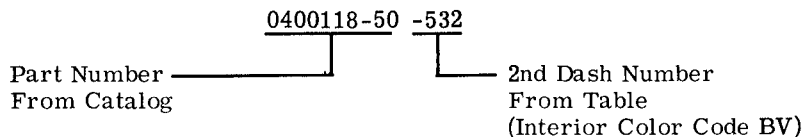
1. Find part number of desired part in catalog.
2. Refer to the "Finish and Trim" plate, in the airplane, for your "Interior Color Code."



3. Locate part number from catalog in table.
4. Add dash number for color that appears under your "Interior Color Code."

INTERIOR PAINTED OR PLASTIC PARTS 1967 MODEL YEAR ONLY <small>15064533 &amp; ON F150-0008 &amp; ON</small>		INTERIOR COLOR CODE <small>(From Finish and Trim Plate)</small>							
PART NAME	PART NAME	AF	AV	BF	BV	DF	CV	DV	
0400118-44	COVER - CENTER STRIP	532	532	532	532	532	532	532	
0400118-50	TRIM COVER - REAR WINDOW	532	532	532	532	532	532	532	
0400125-4	PANEL - DOOR UPHOLSTERY LH	532	532	532	532	532	532	532	
0400125-4	PANEL - DOOR UPHOLSTERY RH	532	532	532	532	532	532	532	
0400129-57	PANEL - BAGGAGE COMPARTMENT LOWER AFT	532	532	532	532	532	532	532	
0400129-58	PANEL ASSEMBLY - BAGGAGE COMPARTMENT UPPER AFT	532	532	532	532	532	532	532	
0400129-66	PANEL - COWL RH	532	532	532	532	532	532	532	

#### EXAMPLES OF COMPLETE NUMBER



INTERIOR PAINTED OR PLASTIC PARTS  
1965 MODEL YEAR ONLY

15060773 THRU 15061532

BLACK

DULL BLACK

CLOUD GRAY

PART NUMBER	PART NAME			
0400118-8	PANEL - RH UPHOLSTERY			532
0400118-19	PANEL - LH UPHOLSTERY			532
0400118-20	PANEL - RH UPHOLSTERY			532
0400118-25	PANEL - LH UPHOLSTERY			532
0400118-40	PANEL - LH (USED WITH RECLINING SEAT)			532
0400118-41	PANEL - RH UPHOLSTERY			532
0400118-44	COVER - CENTER STRIP			532
0400118-49	PANEL - HAT SHELF			532
0400118-50	TRIM COVER - REAR WINDOW			532
0400118-51	WALL - BAGGAGE COMPARTMENT			532
0400118-60	PANEL ASSEMBLY - REAR DOORPOST RH			532
0400118-61	PANEL ASSEMBLY - REAR DOORPOST LH			532
0400126-3	PANEL - DOOR			532
0400126-4	PANEL - DOOR			532
0411294-5	SHIELD - CONTROL TEE			532
0411893	TRIM - DOORPOST LH			532
0411893-1	TRIM - DOORPOST RH			532
0411937-5	COVER - DOOR PANEL			532
0411937-6	COVER - DOOR PANEL			532
0411974-1	SHIELD ASSEMBLY - LH			532
0411974-2	SHIELD ASSEMBLY - RH			532
0411975-1	COVER - WINDOW HOLDER			532
0411975-2	COVER - WINDOW HOLDER			532
0411975-3	COVER - WINDOW HOLDER			532
0413375-15	COVER - SHOCK PANEL			532
0413375-20	DOOR ASSEMBLY - MAP CASE			532
0413375-21	COVER - STATIONARY PANEL			532
0511482-1	COVER ASSEMBLY - LIGHT CONSOLE			532
0511482-4	SHIELD - INSTRUMENT LIGHT CONSOLE			532
0513319-14	COVER - INSTRUMENT PANEL RADIO CUTOUT			532
			573	
				279
				279
				279



Illustrated parts catalog

INTERIOR PAINTED OR PLASTIC PARTS


1966 MODEL YEAR

15061533 THRU 15064532  
F150-0001 THRU F150-0067

INTERIOR COLOR  
CODE

(From Finish and  
Trim Plate)

PART NUMBER	PART NAME	INTERIOR COLOR CODE				
		B	C	D	H	E
0400118-44	COVER - CENTER STRIP . . . . .	532	532	532	532	532
0400118-50	TRIM COVER - REAR WINDOW . . . . .	532	532	532	532	532
0400128-3	PANEL - DOOR . . . . .	532	532	532	532	532
0400128-4	PANEL - DOOR . . . . .	532	532	532	532	532
0400129-2	PANEL - UPHOLSTERY RH . . . . .	532	532	532	532	532
0400129-3	PANEL - UPHOLSTERY LH . . . . .	532	532	532	532	532
0400129-4	PANEL - REAR DOORPOST RH . . . . .	532	532	532	532	532
0400129-5	PANEL - REAR DOORPOST LH . . . . .	532	532	532	532	532
0400129-12	PANEL - BAGGAGE COMPARTMENT RH . . . . .	532	532	532	532	532
0400129-13	PANEL - BAGGAGE COMPARTMENT LH . . . . .	532	532	532	532	532
0400129-15	PANEL - LOWER AFT BAGGAGE . . . . .	532	532	532	532	532
0400129-19	PANEL - UPPER AFT BAGGAGE . . . . .	532	532	532	532	532
0400134-2	SUPPORT ASSEMBLY - BACKREST . . . . .	533	533	533	533	533
0400134-5	EXPOSED SEAT FRAME . . . . .	533	533	533	533	533
0410134-1	PAN ASSEMBLY - SEAT . . . . .	531	531	531	531	531
0411004-1	CONSOLE ASSEMBLY . . . . .	279	279	279	279	279
0411102-1	EXPOSED SEAT FRAME LH (RECLINING) . . . . .	533	533	533	533	533
0411102-2	EXPOSED SEAT FRAME RH (RECLINING) . . . . .	533	533	533	533	533
0411204-1	EXPOSED SEAT FRAME LH . . . . .	533	533	533	533	533
0411204-2	EXPOSED SEAT FRAME RH . . . . .	533	533	533	533	533
0411480-50	STRIP - WINDSHIELD LOWER . . . . .	156	156	156	156	156
0411481	STRIP - WINDSHIELD UPPER . . . . .	531	531	531	531	531
0411599-5	SHIELD - RUDDER BAR LH . . . . .	156	156	156	156	156
0411836-3	SHIELD - RUDDER BAR RH . . . . .	156	156	156	156	156
0411870	STRIP - WINDSHIELD SIDE . . . . .	531	531	531	531	531
0411893	TRIM - DOORPOST LH . . . . .	532	532	532	532	532
0411893-1	TRIM - DOORPOST RH . . . . .	532	532	532	532	532
0411971-1	SHIELD - RUDDER BAR RH . . . . .	156	156	156	156	156
0411974-5	SHIELD - LH . . . . .	532	532	532	532	532
0411974-6	SHIELD - RH . . . . .	532	532	532	532	532
0413204-1	COMPASS BRACKET . . . . .	156	156	156	156	156
0413375-24	COVER - STATIONARY PANEL . . . . .	279	279	279	279	279
0413375-28	MAP CASE DOOR ASSEMBLY . . . . .	279	279	279	279	279
0413375-30	COVER - SHOCK PANEL . . . . .	279	279	279	279	279
0413375-32	COVER - SHOCK PANEL . . . . .	279	279	279	279	279
0413390-1	EXPOSED DOOR ASSEMBLY LH . . . . .	531	531	531	531	531
0413390-2	EXPOSED DOOR ASSEMBLY RH . . . . .	531	531	531	531	531
0413417-2	MARKER - FLAP INDICATOR . . . . .	597	597	597	597	597
0413417-3	COVER - FLAP INDICATOR . . . . .	532	532	532	532	532
0500310-1	BRACKET ASSEMBLY - REAR VIEW MIRROR . . . . .	156	156	156	156	156
0500312-2	MIRROR & COVER ASSEMBLY . . . . .	279	279	279	279	279
0511482-6	COVER ASSEMBLY - LIGHT CONSOLE . . . . .	532	532	532	532	532
0511482-8	SHIELD - INSTRUMENT LIGHT CONSOLE . . . . .	532	532	532	532	532


  
 Cessna  
 Illustrated parts catalog

Model 150

**INTERIOR PAINTED OR PLASTIC PARTS  
1967 MODEL YEAR ONLY**

15064533 THRU 15067198  
F150-0068 THRU F150-0219

**INTERIOR COLOR CODE**  
(From Finish and Trim Plate)

PART NUMBER	PART NAME	INTERIOR COLOR CODE						
		AF	AV	BF	BV	CV	DF	DV
0400118-44	COVER - CENTER STRIP . . . . .	532	532	532	532	532	532	532
0400118-50	TRIM COVER - REAR WINDOW . . . . .	532	532	532	532	532	532	532
0400128-3	PANEL - DOOR UPHOLSTERY LH . . . . .	532	532	532	532	532	532	532
0400128-4	PANEL - DOOR UPHOLSTERY RH . . . . .	532	532	532	532	532	532	532
0400129-57	PANEL - BAGGAGE COMPARTMENT LOWER AFT . . . . .	532	532	532	532	532	532	532
0400129-58	PANEL ASSEMBLY - BAGGAGE COMPARTMENT UPPER AFT . . . . .	532	532	532	532	532	532	532
0400129-72	PANEL - COWL RH . . . . .	532	532	532	532	532	532	532
0400129-68	PANEL ASSEMBLY - COWL LH . . . . .	532	532	532	532	532	532	532
0400134-5	EXPOSED SEAT FRAME . . . . .	533	533	533	533	533	533	533
0400138-1	SUPPORT ASSEMBLY - BACKREST LH. . . . .	533	533	533	533	533	533	533
0400138-2	SUPPORT ASSEMBLY - BACKREST RH. . . . .	533	533	533	533	533	533	533
0400139-1	PANEL - CABIN SIDE LH . . . . .	532	532	532	532	532	532	532
0400139-2	PANEL - CABIN SIDE RH . . . . .	532	532	532	532	532	532	532
0410134-1	PAN ASSEMBLY - SEAT . . . . .	531	531	531	531	531	531	531
0411004-1	COVER - CONSOLE . . . . .	279	279	279	279	279	279	279
0411102-1	WELD ASSEMBLY - SEAT BOTTOM LH . . . . .	533	533	533	533	533	533	533
0411102-2	WELD ASSEMBLY - SEAT BOTTOM RH . . . . .	533	533	533	533	533	533	533
0411204-1	FRAME ASSEMBLY - SEAT BOTTOM LH . . . . .	533	533	533	533	533	533	533
0411204-2	FRAME ASSEMBLY - SEAT BOTTOM RH . . . . .	533	533	533	533	533	533	533
0411599-5	SHIELD - RUDDER BAR LH . . . . .	156	156	156	156	156	156	156
0411836-3	SHIELD - RUDDER BAR RH . . . . .	156	156	156	156	156	156	156
0411870	STRIP - WINDSHIELD SIDE . . . . .	531	531	531	531	531	531	531
0411893	TRIM - DOORPOST LH . . . . .	532	532	532	532	532	532	532
0411893-1	TRIM - DOORPOST RH . . . . .	532	532	532	532	532	532	532
0411971-1	SHIELD - RUDDER BAR RH . . . . .	156	156	156	156	156	156	156
0411974-5	SHIELD - LH . . . . .	532	532	532	532	532	532	532
0411974-6	SHIELD - RH . . . . .	532	532	532	532	532	532	532
0413032-1	EYEBROW - INSTRUMENT PANEL . . . . .	824	824	823	823	841	822	822
0413033-1	DOOR ASSEMBLY - CABIN LH. . . . .	531	531	531	531	531	531	531
0413033-203	DOOR ASSEMBLY - CABIN LH. . . . .	531	531	531	531	531	531	531
0413033-2	DOOR ASSEMBLY - CABIN RH. . . . .	531	531	531	531	531	531	531
0413033-202	DOOR ASSEMBLY - CABIN RH. . . . .	531	531	531	531	531	531	531
0413034-4	COVER - SHOCK PANEL . . . . .	279	279	279	279	279	279	279
0413034-5	COVER - STATIONARY PANEL . . . . .	279	279	279	279	279	279	279
0413034-6	COVER - STATIONARY PANEL . . . . .	279	279	279	279	279	279	279
0413034-9	DOOR ASSEMBLY - GLOVE BOX . . . . .	279	279	279	279	279	279	279
0413034-19	COVER - SHOCK PANEL . . . . .	279	279	279	279	279	279	279
0413034-20	COVER - STATIONARY PANEL . . . . .	279	279	279	279	279	279	279
0413034-21	COVER - STATIONARY PANEL . . . . .	279	279	279	279	279	279	279
0413204-1	BRACKET - COMPASS . . . . .	156	156	156	156	156	156	156
0413417-2	MARKER - FLAP INDICATOR . . . . .	597	597	597	597	597	597	597
0413417-3	COVER - FLAP INDICATOR . . . . .	532	532	532	532	532	532	532
0411480-50	STRIP - WINDSHIELD LOWER . . . . .	156	156	156	156	156	156	156
0411481	STRIP - WINDSHIELD ATTACH . . . . .	156	156	156	156	156	156	156
0500310-1	BRACKET ASSEMBLY - REAR VIEW MIRROR . . . . .	156	156	156	156	156	156	156
0500312-2	MIRROR & COVER ASSEMBLY. . . . .	279	279	279	279	279	279	279
0511482-9	COVER ASSEMBLY - LIGHT CONSOLE . . . . .	532	532	532	532	532	532	532
0511482-8	SHIELD - INSTRUMENT LIGHT CONSOLE . . . . .	532	532	532	532	532	532	532
0513319-19	COVER - RADIO CUTOUT . . . . .	279	279	279	279	279	279	279

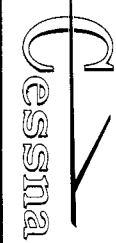


**INTERIOR PAINTED OR PLASTIC PARTS  
1968 MODEL YEAR ONLY**

15067199 THRU 15069308  
F150-0220 THRU F150-0389

**INTERIOR COLOR CODE**  
(From Finish and Trim Plate)

PART NUMBER	PART NAME	AF	AV	BF	BV	CV	DF	DV
0400118-44	COVER - CENTER STRIP . . . . .	532	532	532	532	532	532	532
0400118-50	TRIM COVER - REAR WINDOW . . . . .	532	532	532	532	532	532	532
0400128-3	PANEL - DOOR UPHOLSTERY LH . . . . .	532	532	532	532	532	532	532
0400128-4	PANEL - DOOR UPHOLSTERY RH . . . . .	532	532	532	532	532	532	532
0400129-57	PANEL - BAGGAGE COMPARTMENT LOWER AFT . . . . .	532	532	532	532	532	532	532
0400129-58	PANEL ASSEMBLY - BAGGAGE COMPARTMENT UPPER AFT . . . . .	532	532	532	532	532	532	532
0400129-68	PANEL ASSEMBLY - COWL LH . . . . .	532	532	532	532	532	532	532
0400129-72	PANEL - COWL RH . . . . .	532	532	532	532	532	532	532
0400134-5	EXPOSED SEAT FRAME . . . . .	533	533	533	533	533	533	533
0400138-1	SUPPORT ASSEMBLY - BACKREST LH . . . . .	531	531	531	531	531	531	531
0400138-2	SUPPORT ASSEMBLY - BACKREST RH . . . . .	531	531	531	531	531	531	531
0400139-1	PANEL - CABIN SIDE LH . . . . .	532	532	532	532	532	532	532
0400139-2	PANEL - CABIN SIDE RH . . . . .	532	532	532	532	532	532	532
0410134-1	PAN ASSEMBLY - SEAT . . . . .	531	531	531	531	531	531	531
0411204-1	FRAME ASSEMBLY - SEAT BOTTOM LH . . . . .	533	533	533	533	533	533	533
0411204-2	FRAME ASSEMBLY - SEAT BOTTOM RH . . . . .	533	533	533	533	533	533	533
0411481	STRIP - WINDSHIELD ATTACH . . . . .	531	531	531	531	531	531	531
0411599-5	SHIELD - RUDDER BAR LH . . . . .	156	156	156	156	156	156	156
0411863-3	SHIELD - RUDDER BAR RH . . . . .	156	156	156	156	156	156	156
0411870	STRIP - WINDSHIELD SIDE . . . . .	531	531	531	531	531	531	531
0411893-1	TRIM - DOORPOST RH . . . . .	531	531	531	531	531	531	531
0411971-1	SHIELD - RUDDER BAR RH . . . . .	156	156	156	156	156	156	156
0411974-6	SHIELD - RH . . . . .	532	532	532	532	532	532	532
0413032-3	EYEBROW - INSTRUMENT PANEL . . . . .	710	710	710	710	710	710	710
0413033-21	DOOR ASSEMBLY - CABIN LH . . . . .	531	531	531	531	531	531	531
0413033-205	DOOR ASSEMBLY - CABIN LH . . . . .	531	531	531	531	531	531	531
0413033-22	DOOR ASSEMBLY - CABIN RH . . . . .	531	531	531	531	531	531	531
0413033-204	DOOR ASSEMBLY - CABIN RH . . . . .	531	531	531	531	531	531	531
0413103-1	COVER - CONSOLE . . . . .	721	721	794	794	793	720	720
0413434-1	COVER - SHOCK PANEL . . . . .	279	279	279	279	279	279	279
0413442-1	DOOR ASSEMBLY - GLOVE BOX . . . . .	721	721	794	794	793	720	720
0413443-1	COVER - STATIONARY PANEL . . . . .	721	721	794	794	793	720	720
0413444-1	SHIELD - LH . . . . .	532	532	532	532	532	532	532
0413446-1	MARKER - FLAP INDICATOR . . . . .	597	597	597	597	597	597	597
0413451-1	COVER - STATIONARY PANEL . . . . .	279	279	279	279	279	279	279
0414222-1	WELD ASSEMBLY - SEAT BOTTOM LH . . . . .	533	533	533	533	533	533	533
0414222-2	WELD ASSEMBLY - SEAT BOTTOM RH . . . . .	533	533	533	533	533	533	533
0500310-1	BRACKET ASSEMBLY - REAR VIEW MIRROR . . . . .	156	156	156	156	156	156	156
0500312-2	MIRROR & COVER ASSEMBLY . . . . .	279	279	279	279	279	279	279
0511482-8	SHIELD - INSTRUMENT LIGHT CONSOLE . . . . .	532	532	532	532	532	532	532
0511482-9	COVER ASSEMBLY - LIGHT CONSOLE . . . . .	532	532	532	532	532	532	532
0513319-19	COVER - RADIO CUTOUT . . . . .	279	279	279	279	279	279	279



Illustrated parts catalog

Model 150

**INTERIOR PAINTED OR PLASTIC PARTS  
1969 MODEL YEAR ONLY**

15069309 & ON  
F150.0390 & ON

**INTERIOR COLOR CODE**  
(From Finish and Trim Plate)

PART NUMBER	PART NAME	INTERIOR COLOR CODE						
		AF	AV	BF	BV	DF	DV	HV
0400118-44	COVER - CENTER STRIP . . . . .	532	532	532	532	532	532	532
0400118-50	TRIM COVER - REAR WINDOW . . . . .	532	532	532	532	532	532	532
0400129-57	PANEL - BAGGAGE COMPARTMENT LOWER AFT . . . . .	532	532	532	532	532	532	532
0400129-58	PANEL ASSEMBLY - BAGGAGE COMPARTMENT UPPER AFT . . . . .	532	532	532	532	532	532	532
0400129-68	PANEL ASSEMBLY - COWL LH . . . . .	532	532	532	532	532	532	532
0400129-72	PANEL - COWL RH . . . . .	532	532	532	532	532	532	532
0400134-5	EXPOSED SEAT FRAME . . . . .	533	533	533	533	533	533	533
0400138-1	SUPPORT ASSEMBLY - BACKREST LH . . . . .	531	531	531	531	531	531	531
0400138-2	SUPPORT ASSEMBLY - BACKREST RH . . . . .	531	531	531	531	531	531	531
0410134-1	PAN ASSEMBLY - SEAT . . . . .	531	531	531	531	531	531	531
0411204-1	FRAME ASSEMBLY - SEAT BOTTOM LH . . . . .	533	533	533	533	533	533	533
0411204-2	FRAME ASSEMBLY - SEAT BOTTOM RH . . . . .	533	533	533	533	533	533	533
0411481	STRIP - WINDSHIELD ATTACH . . . . .	531	531	531	531	531	531	531
0411599-5	SHIELD - RUDDER BAR LH . . . . .	156	156	156	156	156	156	156
0411863-3	SHIELD - RUDDER BAR RH . . . . .	156	156	156	156	156	156	156
0411870	STRIP - WINDSHIELD SIDE . . . . .	531	531	531	531	531	531	531
0411893-1	TRIM - DOORPOST RH . . . . .	531	531	531	531	531	531	531
0411971-1	SHIELD - RUDDER BAR RH . . . . .	156	156	156	156	156	156	156
0411974-6	SHIELD - RH . . . . .	532	532	532	532	532	532	532
0413033-25	DOOR ASSEMBLY - CABIN LH . . . . .	531	531	531	531	531	531	531
0413033-207	DOOR ASSEMBLY - CABIN LH . . . . .	531	531	531	531	531	531	531
0413033-26	DOOR ASSEMBLY - CABIN RH . . . . .	531	531	531	531	531	531	531
0413033-206	DOOR ASSEMBLY - CABIN RH . . . . .	531	531	531	531	531	531	531
0413446-1	MARKER - FLAP INDICATOR . . . . .	597	597	597	597	597	597	597
0413454-1	COLLAR ASSEMBLY - CONTROL LOCK . . . . .	156	156	156	156	156	156	156
0413458-1	DOOR ASSEMBLY - GLOVE BOX . . . . .	721	721	902	902	901	901	903
0413461-1	COVER - SHOCK PANEL . . . . .	279	279	279	279	279	279	279
0413461-2	COVER - ENGINE INSTRUMENT . . . . .	279	279	279	279	279	279	279
0413461-3	PLATE - SPLICE . . . . .	279	279	279	279	279	279	279
0413461-4	COVER - SHOCK PANEL . . . . .	279	279	279	279	279	279	279
0413462-2	SWITCH PANEL . . . . .	721	721	902	902	901	901	903
0413463-1	COVER - CONSOLE . . . . .	721	721	902	902	901	901	903
0413467-2	EYEBROW - INSTRUMENT PANEL . . . . .	710	710	710	710	710	710	710
0413467-3	COVER - RADIO CUTOUT . . . . .	279	279	279	279	279	279	279
0413467-4	TRIM PANEL . . . . .	721	721	902	902	901	901	903
0413467-5	COVER - STATIONARY PANEL . . . . .	721	721	902	902	901	901	903
0413475-1	COVER - COMPASS MOUNT SUPPORT . . . . .	532	532	532	532	532	532	532
0413478-1	COVER - COMPASS MOUNT SUPPORT LOWER . . . . .	531	531	531	531	531	531	531
0413484-1	SHIELD ASSEMBLY - LH . . . . .	532	532	532	532	532	532	532
0414001-1	PANEL - DOOR UPHOLSTERY LH . . . . .	532	532	532	532	532	532	532
0414001-2	PANEL - DOOR UPHOLSTERY RH . . . . .	532	532	532	532	532	532	532
0414002-1	PANEL - CABIN SIDE LH . . . . .	532	532	532	532	532	532	532
0414002-2	PANEL - CABIN SIDE RH . . . . .	532	532	532	532	532	532	532
0414222-1	WELD ASSEMBLY - SEAT BOTTOM LH . . . . .	533	533	533	533	533	533	533
0414222-2	WELD ASSEMBLY - SEAT BOTTOM RH . . . . .	533	533	533	533	533	533	533
0500310-1	BRACKET ASSEMBLY - REAR VIEW MIRROR . . . . .	156	156	156	156	156	156	156
0500312-2	MIRROR & COVER ASSEMBLY . . . . .	279	279	279	279	279	279	279
0511482-8	SHIELD - INSTRUMENT LIGHT CONSOLE . . . . .	532	532	532	532	532	532	532
0511482-18	COVER ASSEMBLY - LIGHT CONSOLE . . . . .	532	532	532	532	532	532	532
1414087-15	CLAMP - SUN VISOR . . . . .	531	531	531	531	531	531	531

**ALPHABETICAL  
INDEX**



# ALPHABETICAL INDEX

NOMENCLATURE	FIGURE	NOMENCLATURE	FIGURE
<b>A</b>		<b>A (cont)</b>	
ABRASION BOOT INSTALLATION, . . . . .	8	ARM ASSEMBLY-WINDOW HOLDER, . . . . .	22C
ACCESSORY KITS-SEE ACC KITS CATALOG . . . . .		ARM-RUDDER BAR, . . . . .	34
ACTUATOR ASSEMBLY-ELEVATOR TAB, . . . . .	8	ARM-RUDDER PEDAL, . . . . .	34
ACTUATOR ASSEMBLY-ELEVATOR TAB, . . . . .	40	ASH RECEIVER, . . . . .	13
ACTUATOR ASSEMBLY-ELEVATOR TAB, . . . . .	40A	ASH RECEIVER, . . . . .	21
ACTUATOR ASSEMBLY-ELEVATOR TAB, . . . . .	40B	ASH RECEIVER, . . . . .	22
ADAPTER ASSEMBLY-DEFROSTER, . . . . .	33A	ASH RECEIVER, . . . . .	22B
ADAPTER ASSEMBLY-FUEL TANK, . . . . .	4	ASH RECEIVER, . . . . .	22C
ADAPTER ASSEMBLY-FUEL TANK, . . . . .	4A	ASSIST STRAP, . . . . .	20
ADAPTER-OIL PRESSURE LINE, . . . . .	30	ASSIST STRAP, . . . . .	20A
ADAPTER-OIL TEMPERATURE, . . . . .	30	ASSIST STRAP, . . . . .	20B
AFT TAILCONE COMPONENTS, . . . . .	14C	ASSIST STRAP, . . . . .	20C
AILERON ASSEMBLY, . . . . .	5	AUX SEAT BACKREST, . . . . .	19C
AILERON BALANCE WEIGHT, . . . . .	5	AUX SEAT FLOOR HINGE FITTING, . . . . .	19C
AILERON BELLCRANK, . . . . .	5	AUX SEAT FLOOR HINGE FITTING, . . . . .	19D
AILERON CARRY THRU BAR, . . . . .	37	AUX WINDOW-GLASS, . . . . .	22A
AILERON CHAIN ASSEMBLY, . . . . .	37	AUXILIARY SEAT INSTALLATION, . . . . .	19C
AILERON CONTROL CABLE, . . . . .	37	AUXILIARY SEAT INSTALLATION, . . . . .	19D
AILERON CONTROL SYSTEM, . . . . .	37	AUXILIARY SPAR ASSEMBLY, . . . . .	2
AILERON HINGE, . . . . .	5	AXLE-MAIN LANDING GEAR, . . . . .	18
AILERON INSTALLATION, . . . . .	5	AXLE-MAIN LANDING GEAR, . . . . .	18A
AILERON PULLEY, . . . . .	37	AXLE-MAIN LANDING GEAR, . . . . .	18B
AILERON PULLEY BRACKET, . . . . .	2		
AILERON PULLEY BRACKET, . . . . .	2A	<b>B</b>	
AILERON PULLEY BRACKET, . . . . .	14	BACK ASSEMBLY-CHILDS SEAT, . . . . .	19A
AILERON PULLEY BRACKET, . . . . .	14B	BACKREST ASSEMBLY-AUX SEAT, . . . . .	19C
AILERON PUSH PULL ROD, . . . . .	5	BACKREST ASSEMBLY-AUX SEAT, . . . . .	19D
AILERON RIB, . . . . .	5	BAFFLE ASSEMBLY-ENGINE-WINTERIZATION, . . . . .	27A
AILERON SKIN, . . . . .	5	BAFFLE ASSEMBLY-LEFT CYLINDER, . . . . .	32
AILERON SPAR, . . . . .	5	BAFFLE ASSEMBLY-RIGHT CYLINDER, . . . . .	32
AIR BOX-CARBURETOR, . . . . .	30A	BAFFLE ASSEMBLY-VERTICAL REAR, . . . . .	32
AIR FILTER-CARBURETOR, . . . . .	30A	BAFFLE INSTALLATION-ENGINE, . . . . .	30
AIR INTAKE HOSE, . . . . .	5	BAFFLE INSTALLATION-ENGINE, . . . . .	32
AIR INTAKE HOSE, . . . . .	30	BAFFLE SEAL, . . . . .	32
AIR OUTLET ASSY, . . . . .	33	BAFFLE-INTER CYLINDER, . . . . .	32
AIR OUTLET ASSY, . . . . .	33A	BAGGAGE COMPARTMENT FLOORCOVERING, . . . . .	20
AIR OUTLET ASSY, . . . . .	33B	BAGGAGE COMPARTMENT FLOORCOVERING, . . . . .	20A
AIR OUTLET CAP, . . . . .	33	BAGGAGE COMPARTMENT FLOORCOVERING, . . . . .	20B
AIR OUTLET CAP, . . . . .	33A	BAGGAGE COMPARTMENT FLOORCOVERING, . . . . .	20D
AIR OUTLET CAP, . . . . .	33B	BAGGAGE COMPARTMENT WALL, . . . . .	20
AIR OUTLET CAP, . . . . .	33B	BAGGAGE COMPARTMENT WALL, . . . . .	20B
AIRSPPEED INDICATOR, . . . . .	23	BAGGAGE COMPARTMENT WALL, . . . . .	20D
AIRSPPEED INDICATOR, . . . . .	23A	BAGGAGE NET, . . . . .	20B
AIRSPPEED INDICATOR, . . . . .	23B	BAGGAGE NET, . . . . .	20D
AIRSPPEED INDICATOR, . . . . .	23C	BAGGAGE SHELF, . . . . .	14A
AIRSPPEED INDICATOR, . . . . .	23D	BAGGAGE SHELF, . . . . .	20C
AIRSPPEED INDICATOR, . . . . .	23E	BANK & TURN INDICATOR, . . . . .	23
AIRSPPEED INDICATOR, . . . . .	41	BANK & TURN INDICATOR, . . . . .	23A
AIRSPPEED INDICATOR, . . . . .	23B	BANK & TURN INDICATOR, . . . . .	23B
AIRSPPEED INSTALLATION-TRUE . . . . .	23C	BANK & TURN INDICATOR, . . . . .	23C
AIRSPPEED INSTALLATION-TRUE . . . . .	23D	BANK & TURN INDICATOR, . . . . .	23D
AIRSPPEED INSTALLATION-TRUE . . . . .	23E	BANK & TURN INDICATOR, . . . . .	23E
ALTERNATOR, . . . . .	30A	BAR ASSEMBLY-AILERON CARRY THRU, . . . . .	37
ALTERNATOR, . . . . .	46C	BARREL-SHIMMY DAMPENR, . . . . .	53
ALTERNATOR INSTALLATION, . . . . .	46C	BARREL-SHIMMY DAMPENR, . . . . .	53A
ALTIMETER, . . . . .	23	BATTERY BOX, . . . . .	10A
ALTIMETER, . . . . .	23A	BATTERY BOX, . . . . .	14
ALTIMETER, . . . . .	23B	BATTERY BOX, . . . . .	10B
ALTIMETER, . . . . .	23C	BATTERY BOX LID, . . . . .	10A
ALTIMETER, . . . . .	23D	BATTERY BOX LID, . . . . .	10B
ALTIMETER, . . . . .	23E	BATTERY BOX LID, . . . . .	14
ALTIMETER, . . . . .	41	BATTERY CABLE, . . . . .	46
AMMETER, . . . . .	23A	BATTERY CABLE, . . . . .	46A
AMMETER, . . . . .	23B	BATTERY GROUND STRAP, . . . . .	46
AMMETER, . . . . .	23C	BATTERY GROUND STRAP, . . . . .	46A
AMMETER, . . . . .	23D	BATTERY-AIRCRAFT, . . . . .	46
AMMETER, . . . . .	23E	BATTERY-AIRCRAFT, . . . . .	46A
ARM ASSEMBLY-STEERING, . . . . .	16	BEACON-INSTALLATION-FLASHING, . . . . .	48A
ARM ASSEMBLY-STEERING, . . . . .	16A		
ARM ASSEMBLY-STEERING, . . . . .	16B		
ARM ASSEMBLY-WINDOW HOLDER, . . . . .	22A		
ARM ASSEMBLY-WINDOW HOLDER, . . . . .	22B		



# ALPHABETICAL INDEX

NOMENCLATURE	FIGURE	NOMENCLATURE	FIGURE
<b>B</b> (cont)		<b>B</b> (cont)	
BEACON LIGHT FLASHER ASSEMBLY, . . . . .	48A	BRACKET-FLAP BELLCRANK SUPPORT LWR . . . . .	2
BEACON-ROTATING, . . . . .	23	BRACKET-FLAP BELLCRANK SUPPORT LWR . . . . .	2A
BEACON-ROTATING, . . . . .	48	BRACKET-FLAP BELLCRANK SUPPORT UPR . . . . .	2
BEARING-RUDDER PEDAL, . . . . .	34	BRACKET-FLAP BELLCRANK SUPPORT UPR . . . . .	2A
BELLCRANK ASSEMBLY-AILERON, . . . . .	5	BRACKET-FLAP CONTROL, . . . . .	6
BELLCRANK ASSEMBLY-ELEVATOR, . . . . .	8	BRACKET-FLAP PULLEY, . . . . .	2
BELLCRANK ASSEMBLY-ELEVATOR, . . . . .	11	BRACKET-FLAP PULLEY, . . . . .	2A
BELLCRANK ASSEMBLY-ELEVATOR, . . . . .	11A	BRACKET-FUEL STRAINER, . . . . .	12
BELLCRANK ASSEMBLY-ELEVATOR, . . . . .	35A	BRACKET-FUEL STRAINER, . . . . .	12A
BELLCRANK ASSEMBLY-ELEVATOR, . . . . .	35B	BRACKET-FUEL STRAINER, . . . . .	12B
BELLCRANK ASSEMBLY-ELEVATOR, . . . . .	39	BRACKET-FUEL STRAINER, . . . . .	12C
BELLCRANK ASSEMBLY-FLAP, . . . . .	6	BRACKET-MOORING EYE BOLT, . . . . .	14C
BELLCRANK ASSEMBLY-FLAP, . . . . .	38	BRACKET-PULLEY, . . . . .	13
BELLCRANK ASSEMBLY-RUDDER, . . . . .	9	BRACKET-RUDDER CABLE PULLEY, . . . . .	11
BELLCRANK & BRACKET ASSY-ELEVATOR, . . . . .	11	BRACKET-RUDDER CABLE PULLEY, . . . . .	14C
BELLCRANK & BRACKET ASSY-ELEVATOR, . . . . .	11A	BRACKET-RUDDER CONTROL, . . . . .	9
BELT ASSEMBLY-SAFETY, . . . . .	19A	BRACKET-RUDDER SERVO, . . . . .	37B
BELT ASSEMBLY-SAFETY, . . . . .	19C	BRACKET-SAFETY BELT ATTACHMENT, . . . . .	11
BELT ASSEMBLY-SAFETY, . . . . .	25	BRACKET-SAFETY BELT ATTACHMENT, . . . . .	11A
BELT ASSEMBLY-SAFETY, . . . . .	25A	BRACKET-SEAT BACK PIVOT, . . . . .	11
BELT ASSEMBLY-SAFETY-AUX SEAT, . . . . .	19C	BRACKET-TAB CONTROL PULLEY, . . . . .	11
BELT ASSEMBLY-SAFETY-AUX SEAT, . . . . .	19D	BRACKET-TAB CONTROL PULLEY, . . . . .	11A
BEVERAGE CONTAINER, . . . . .	25	BRAKE ASSEMBLY-MAIN LANDING GEAR, . . . . .	51
BEVERAGE CONTAINER, . . . . .	25A	BRAKE ASSEMBLY-MAIN LANDING GEAR, . . . . .	51A
BLAST HOSE, . . . . .	30	BRAKE ASSEMBLY-MAIN LANDING GEAR, . . . . .	51B
BLAST TUBE, . . . . .	32	BRAKE ASSEMBLY-MAIN LANDING GEAR, . . . . .	51C
BLEEDER SCREW, . . . . .	51A	BRAKE CYLINDER BRACKET, . . . . .	34
BLEEDER SCREW, . . . . .	51C	BRAKE CYLINDERS, . . . . .	34
BLOCK-BEARING, . . . . .	13	BRAKE CYLINDERS, . . . . .	42
BLOCK-BEARING, . . . . .	13A	BRAKE CYLINDERS, . . . . .	42A
BLOCK-ELEVATOR TAB STOP, . . . . .	40	BRAKE CYLINDERS, . . . . .	51B
BLOCK-ELEVATOR TAB STOP, . . . . .	40A	BRAKE CYLINDERS, . . . . .	51C
BLOCK-ELEVATOR TAB STOP, . . . . .	40B	BRAKE CYLINDERS, . . . . .	54
BLOCK-FUSELAGE SPAR, . . . . .	14	BRAKE DISC ASSEMBLY, . . . . .	51A
BLOCK-FUSELAGE SPAR, . . . . .	14A	BRAKE DISC ASSEMBLY, . . . . .	51B
BLOCK-FUSELAGE SPAR, . . . . .	14B	BRAKE DISC ASSEMBLY, . . . . .	51C
BODY ASSEMBLY-FUEL STRAINER, . . . . .	43	BRAKE DISC, . . . . .	51
BODY ASSEMBLY-FUEL STRAINER, . . . . .	43B	BRAKE DISC, . . . . .	51B
BODY-MASTER CYLINDER, . . . . .	54	BRAKE DISC, . . . . .	51C
BOLT-THUMB LATCH, . . . . .	22	BRAKE HOSE, . . . . .	42
BOLT-THUMB LATCH, . . . . .	22A	BRAKE HOSE, . . . . .	42A
BOOT-ABRASION, . . . . .	8	BRAKE LINE, . . . . .	18
BOTTOM ASSEMBLY-CHILDS SEAT, . . . . .	19A	BRAKE LINE, . . . . .	18A
BOWL-FUEL STRAINER, . . . . .	43	BRAKE LINE, . . . . .	18B
BOX ASSEMBLY-BATTERY, . . . . .	14	BRAKE LINE, . . . . .	42
BOX ASSEMBLY-GLOVE, . . . . .	24	BRAKE LINE, . . . . .	42A
BOX ASSEMBLY-GLOVE, . . . . .	24A	BRAKE LINING, . . . . .	51
BOX ASSEMBLY-GLOVE, . . . . .	24B	BRAKE LINING, . . . . .	51B
BOX ASSEMBLY-GLOVE, . . . . .	24C	BRAKE LINING, . . . . .	51C
BRACE-EXHAUST STACK, . . . . .	30	BRAKE PEDAL INSTALLATION, . . . . .	34
BRACKET ASSEMBLY-SEAT BACK, . . . . .	14B	BRAKE PEDAL, . . . . .	34
BRACKET-AILERON PULLEY, . . . . .	2	BRAKE PRESSURE PLATE ASSEMBLY, . . . . .	51A
BRACKET-AILERON PULLEY, . . . . .	2A	BRAKE PRESSURE PLATE ASSEMBLY, . . . . .	51B
BRACKET-AILERON PULLEY, . . . . .	14	BRAKE PRESSURE PLATE ASSEMBLY, . . . . .	51C
BRACKET-AILERON PULLEY, . . . . .	14A	BRAKE & RUDDER RETURN SPRING, . . . . .	34
BRACKET-AILERON PULLEY, . . . . .	14B	BRAKE SYSTEM INSTALLATION, . . . . .	42
BRACKET-AILERON SERVO, . . . . .	37B	BRAKE SYSTEM INSTALLATION, . . . . .	42A
BRACKET-BRAKE CYLINDER, . . . . .	34	BREATHER LINE, . . . . .	30
BRACKET-COMPASS, . . . . .	12	BULB-CHARGE INDICATOR, . . . . .	23
BRACKET-COMPASS, . . . . .	12A	BULB-CHARGE INDICATOR, . . . . .	23A
BRACKET-COMPASS, . . . . .	12B	BULB-COURTESY LIGHT, . . . . .	49
BRACKET-COMPASS, . . . . .	25	BULB-DOME LIGHT, . . . . .	46
BRACKET-COMPASS, . . . . .	25A	BULB-DOME LIGHT, . . . . .	46B
BRACKET-ELEVATOR, . . . . .	14	BULB-FLASHING BEACON, . . . . .	48A
BRACKET-ELEVATOR, . . . . .	14B	BULB-INSTRUMENT LIGHT, . . . . .	46
BRACKET-ELEVATOR TAB CONTROL, . . . . .	14	BULB-INSTRUMENT LIGHT, . . . . .	46B
BRACKET-ELEVATOR TAB CONTROL, . . . . .	14C	BULB-LANDING LIGHT, . . . . .	47
BRACKET-ENGINE MOUNT, . . . . .	12	BULB-ROTATING BEACON, . . . . .	48
BRACKET-ENGINE MOUNT, . . . . .	12A	BULB-TAIL LIGHT, . . . . .	9
BRACKET-ENGINE MOUNT, . . . . .	12B	BULB-TAIL LIGHT, . . . . .	9B
BRACKET-ENGINE MOUNT, . . . . .	12C	BULK ITEMS, . . . . .	1



# ALPHABETICAL INDEX

NOMENCLATURE	FIGURE	NOMENCLATURE	FIGURE
<b>C</b> (cont)		<b>C</b> (cont)	
CHARGE INDICATOR LIGHT, . . . . .	23A	COMPASS-GYRO, . . . . .	45
CHILDS SEAT BACK, . . . . .	19A	COMPASS-GYRO, . . . . .	45A
CHILDS SEAT INSTALLATION, . . . . .	19A	COMPASS-GYRO, . . . . .	45B
CIGAR LIGHTER, . . . . .	23	COMPASS-GYRO, . . . . .	45D
CIGAR LIGHTER, . . . . .	23A	COMPASS-GYRO, . . . . .	45E
CIGAR LIGHTER, . . . . .	23B	COMPASS-MOUNT, . . . . .	25B
CIGAR LIGHTER, . . . . .	23C	COMPASS-MOUNT, . . . . .	25C
CIGAR LIGHTER, . . . . .	23D	CONSOLE COVER, . . . . .	20B
CIGAR LIGHTER, . . . . .	23E	CONSOLE COVER, . . . . .	20D
CIGAR LIGHTER KNOB, . . . . .	23	CONTACTOR ASSEMBLY-MASTER SOLENOID, . . . . .	46
CIGAR LIGHTER KNOB, . . . . .	23A	CONTACTOR ASSEMBLY-MASTER SOLENOID, . . . . .	46A
CIGAR LIGHTER KNOB, . . . . .	23B	CONTACTOR-STARTER, . . . . .	46A
CIGAR LIGHTER KNOB, . . . . .	23C	CONTROL CABLES-SEE IND LISTINGS . . . . .	
CIGAR LIGHTER KNOB, . . . . .	23D	CONTROL LOCK, . . . . .	25
CIGAR LIGHTER KNOB, . . . . .	23E	CONTROL LOCK, . . . . .	25A
CIRCUIT BOARD-MAP LIGHT, . . . . .	50	CONTROL LOCK COLLAR, . . . . .	23A
CIRCUIT BREAKER, . . . . .	23	CONTROL LOCK COLLAR, . . . . .	23B
CIRCUIT BREAKER, . . . . .	23A	CONTROL LOCK COLLAR, . . . . .	23C
CIRCUIT BREAKER, . . . . .	23B	CONTROL LOCK COLLAR, . . . . .	23D
CIRCUIT BREAKER, . . . . .	23C	CONTROL LOCK COLLAR, . . . . .	23E
CIRCUIT BREAKER, . . . . .	23D	CONTROL SYSTEMS-SEE IND SYSTEM . . . . .	
CIRCUIT BREAKER, . . . . .	23E	CONTROL TEE, . . . . .	35
CIRCUIT BREAKER, . . . . .	41	CONTROL TEE BULKHEAD, . . . . .	12
CIRCUIT BREAKER, . . . . .	48	CONTROL TEE INSTALLATION, . . . . .	35
CIRCUIT BREAKER ASSY-ROTATING BCN, . . . . .	23A	CONTROL TEE SHIELD, . . . . .	20
CIRCUIT BREAKER ASSY-ROTATING BCN, . . . . .	23B	CONTROL TUBE, . . . . .	35
CLIP-SAFETY BELT, . . . . .	19A	CONTROL WHEEL ASSEMBLY, . . . . .	35
CLOCK, . . . . .	23	CONTROL WHEEL ASSEMBLY, . . . . .	35A
CLOCK, . . . . .	23A	CONTROL WHEEL ASSEMBLY, . . . . .	35B
CLOCK-ELECTRIC, . . . . .	23A	CONTROL WHEEL MAP LIGHT INSTL, . . . . .	50
CLOCK-ELECTRIC, . . . . .	23B	CONTROL WHEEL NAMEPLATE, . . . . .	35
CLOCK-ELECTRIC, . . . . .	23C	CONTROL WHEEL NAMEPLATE, . . . . .	35A
CLOCK-ELECTRIC, . . . . .	23D	CONTROL Y ASSEMBLY, . . . . .	35A
CLOCK-ELECTRIC, . . . . .	23E	CONTROL Y ASSEMBLY, . . . . .	35B
CLUSTER-INSTRUMENT, . . . . .	23	CONTROL Y CHAIN, . . . . .	35A
CLUSTER-INSTRUMENT, . . . . .	23A	CONTROL Y CHAIN, . . . . .	35B
CLUSTER-INSTRUMENT, . . . . .	23B	CONTROL Y INSTALLATION, . . . . .	35A
CLUSTER-INSTRUMENT, . . . . .	23C	CONTROL Y INSTALLATION, . . . . .	35B
CLUSTER-INSTRUMENT, . . . . .	23D	CONTROL-CABIN HEAT, . . . . .	23
CLUSTER-INSTRUMENT, . . . . .	23E	CONTROL-CABIN HEAT, . . . . .	23A
COLLAR-CONTROL LOCK, . . . . .	23A	CONTROL-CABIN HEAT, . . . . .	23B
COLLAR-CONTROL LOCK, . . . . .	23B	CONTROL-CABIN HEAT, . . . . .	23C
COLLAR-CONTROL LOCK, . . . . .	23C	CONTROL-CABIN HEAT, . . . . .	23D
COLLAR-CONTROL LOCK, . . . . .	23D	CONTROL-CABIN HEAT, . . . . .	23E
COLLAR-CONTROL LOCK, . . . . .	23E	CONTROL-CABIN HEAT, . . . . .	33
COLLAR-MAIN LANDING GEAR, . . . . .	18	CONTROL-CABIN HEAT, . . . . .	33A
COLOR COMBINATIONS . . . . .	PAGE III	CONTROL-CABIN HEAT, . . . . .	33B
COMPASS, . . . . .	25	CONTROL-CARBURETOR HEAT, . . . . .	23
COMPASS, . . . . .	25A	CONTROL-CARBURETOR HEAT, . . . . .	23A
COMPASS, . . . . .	25B	CONTROL-CARBURETOR HEAT, . . . . .	23B
COMPASS, . . . . .	25C	CONTROL-CARBURETOR HEAT, . . . . .	23C
COMPASS BRACKET, . . . . .	12	CONTROL-CARBURETOR HEAT, . . . . .	23D
COMPASS BRACKET, . . . . .	12A	CONTROL-CARBURETOR HEAT, . . . . .	23E
COMPASS BRACKET, . . . . .	12B	CONTROL-CARBURETOR HEAT, . . . . .	29
COMPASS BRACKET, . . . . .	25	CONTROL-MIXTURE, . . . . .	23
COMPASS BRACKET, . . . . .	25A	CONTROL-MIXTURE, . . . . .	23A
COMPASS CARD RETAINER, . . . . .	23	CONTROL-MIXTURE, . . . . .	23B
COMPASS CARD RETAINER, . . . . .	23A	CONTROL-MIXTURE, . . . . .	23C
COMPASS CARD RETAINER, . . . . .	23B	CONTROL-MIXTURE, . . . . .	23D
COMPASS CORRECTION CARD, . . . . .	25	CONTROL-MIXTURE, . . . . .	23E
COMPASS CORRECTION CARD, . . . . .	25A	CONTROL-MIXTURE, . . . . .	29
COMPASS CORRECTION CARD, . . . . .	25B	CONTROL-PARKING BRAKE, . . . . .	23
COMPASS CORRECTION CARD, . . . . .	25C	CONTROL-PARKING BRAKE, . . . . .	23A
COMPASS CORRECTION CARD, . . . . .	25D	CONTROL-PARKING BRAKE, . . . . .	23B
COMPASS CORRECTION CARD, . . . . .	25E	CONTROL-PARKING BRAKE, . . . . .	23C
COMPASS-GYRO, . . . . .	23	CONTROL-PARKING BRAKE, . . . . .	23D
COMPASS-GYRO, . . . . .	23A	CONTROL-PARKING BRAKE, . . . . .	23E
COMPASS-GYRO, . . . . .	23B	CONTROL-PARKING BRAKE, . . . . .	42
COMPASS-GYRO, . . . . .	23C	CONTROL-PARKING BRAKE, . . . . .	42A
COMPASS-GYRO, . . . . .	23D	CONTROL-STARTER, . . . . .	23
COMPASS-GYRO, . . . . .	23E	CONTROL-STARTER, . . . . .	23A

# ALPHABETICAL INDEX

NOMENCLATURE	FIGURE	NOMENCLATURE	FIGURE
<b>C (cont)</b>		<b>C (cont)</b>	
CONTROL-STARTER, . . . . .	23B	CYLINDER ASSEMBLY-BRAKE, . . . . .	34
CONTROL-STARTER, . . . . .	23C	CYLINDER ASSEMBLY-BRAKE, . . . . .	42
CONTROL-STARTER, . . . . .	23D	CYLINDER ASSEMBLY-BRAKE, . . . . .	42A
CONTROL-STARTER, . . . . .	29	CYLINDER ASSEMBLY-MASTER BRAKE, . . . . .	54
CONTROL-STRAINER DRAIN, . . . . .	29		
CONTROL-THROTTLE, . . . . .	23	<b>D</b>	
CONTROL-THROTTLE, . . . . .	23A	DAMPENER ASSEMBLY-SHIMMY, . . . . .	17
CONTROL-THROTTLE, . . . . .	23B	DAMPENER ASSEMBLY-SHIMMY, . . . . .	17A
CONTROL-THROTTLE, . . . . .	23C	DAMPENER ASSEMBLY-SHIMMY, . . . . .	17B
CONTROL-THROTTLE, . . . . .	23D	DAMPENER ASSEMBLY-SHIMMY, . . . . .	53
CONTROL-THROTTLE, . . . . .	23E	DAMPENER ASSEMBLY-SHIMMY, . . . . .	53A
CONTROL-THROTTLE, . . . . .	29	DECAL-SERVICE INFORMATION, . . . . .	24
CORRECTION CARD-COMPASS, . . . . .	23C	DECAL-TAB POSITION INDICATOR, . . . . .	40
CORRECTION CARD-COMPASS, . . . . .	25	DECALS, . . . . .	1A
CORRECTION CARD-COMPASS, . . . . .	25B	DECALS, . . . . .	1B
CORRECTION CARD-COMPASS, . . . . .	25C	DEFLECTOR-CABIN HEATER, . . . . .	33
COURTESY LIGHT INSTALLATION, . . . . .	1C	DEFLECTOR-CABIN HEATER, . . . . .	33A
COURTESY LIGHT INSTALLATION, . . . . .	1D	DEFLECTOR-CABIN HEATER, . . . . .	33B
COURTESY LIGHT INSTALLATION, . . . . .	49	DEFROSTER ADAPTER ASSEMBLY, . . . . .	12B
COURTESY LIGHT LENS, . . . . .	49	DEFROSTER ADAPTER ASSEMBLY, . . . . .	12C
COVER ASSEMBLY-FUEL TANK, . . . . .	1C	DEFROSTER ADAPTER ASSEMBLY, . . . . .	33A
COVER ASSEMBLY-FUEL TANK, . . . . .	1D	DEFROSTER NOZZLE ASSEMBLY, . . . . .	33B
COVER ASSEMBLY-SEAT BACK UPHOL, . . . . .	19	DETECTOR-POSITION LIGHT, . . . . .	1C
COVER ASSEMBLY-SEAT BOTTOM, . . . . .	19	DETECTOR-POSITION LIGHT, . . . . .	1D
COVER ASSEMBLY-SEAT BOTTOM RECLN, . . . . .	19B	DIODE ASSY, . . . . .	46
COVER ASSEMBLY-SHOCK PANEL, . . . . .	23	DIODE ASSY, . . . . .	46A
COVER ASSEMBLY-TAB CONTROL, . . . . .	11	DIODE-EXTERNAL POWER, . . . . .	46A
COVER ASSEMBLY-TAB CONTROL, . . . . .	40	DIRECTIONAL GYRO, . . . . .	23
COVER CONSOLE, . . . . .	20B	DIRECTIONAL GYRO, . . . . .	23A
COVER CONSOLE, . . . . .	20D	DIRECTIONAL GYRO, . . . . .	23B
COVER-COMPASS MOUNT, . . . . .	25C	DIRECTIONAL GYRO, . . . . .	23C
COVER-FUEL GAUGE ACCESS, . . . . .	1C	DIRECTIONAL GYRO, . . . . .	23D
COVER-FUEL GAUGE ACCESS, . . . . .	1D	DIRECTIONAL GYRO, . . . . .	23E
COVER-LANDING LIGHT CAP, . . . . .	1C	DIRECTIONAL GYRO, . . . . .	45
COVER-LANDING LIGHT CAP, . . . . .	1D	DIRECTIONAL GYRO, . . . . .	45A
COVER-MASTER CYLINDER, . . . . .	54	DIRECTIONAL GYRO, . . . . .	45B
COVER-SHOCK PANEL, . . . . .	23A	DIRECTIONAL GYRO, . . . . .	45D
COVER-SHOCK PANEL, . . . . .	23B	DIRECTIONAL GYRO, . . . . .	45E
COVER-SHOCK PANEL, . . . . .	23C	DISC-BRAKE, . . . . .	51
COVER-SHOCK PANEL, . . . . .	23D	DISC-BRAKE, . . . . .	51A
COVER-SHOCK PANEL, . . . . .	23E	DISC-BRAKE, . . . . .	51C
COVER-STATIONARY PANEL, . . . . .	23	DISTRIBUTOR ASSEMBLY-HEATER, . . . . .	33A
COVER-STATIONARY PANEL, . . . . .	23A	DISTRIBUTOR ASSEMBLY-HEATER, . . . . .	33B
COVER-STATIONARY PANEL, . . . . .	23B	DOME LIGHT BULB, . . . . .	46
COVER-STATIONARY PANEL, . . . . .	23C	DOME LIGHT BULB, . . . . .	46B
COVER-STATIONARY PANEL, . . . . .	23D	DOME LIGHT, . . . . .	46
COVER-STATIONARY PANEL, . . . . .	23E	DOME LIGHT, . . . . .	46B
COVER-TAB CONTROL WHEEL, . . . . .	40	DOME-FLASHING BEACON, . . . . .	48A
COVER-UPHOL-PATROLLER CABIN DOOR, . . . . .	22A	DOME-SPINNER, . . . . .	26
COWL ASSEMBLY-ENGINE, . . . . .	28	DOOR ASSEMBLY-CABIN AIR, . . . . .	12B
COWL ASSEMBLY-ENGINE, . . . . .	28A	DOOR ASSEMBLY-CABIN AIR, . . . . .	12C
COWL ASSEMBLY-LOWER, . . . . .	28	DOOR ASSEMBLY-CABIN AIR, . . . . .	33A
COWL ASSEMBLY-LOWER, . . . . .	28A	DOOR ASSEMBLY-CABIN AIR, . . . . .	33B
COWL ASSEMBLY-UPPER, . . . . .	28	DOOR ASSEMBLY-GLOVE BOX, . . . . .	24
COWL ASSEMBLY-UPPER, . . . . .	28A	DOOR ASSEMBLY-GLOVE BOX, . . . . .	24B
COWL DECK EYEBROW, . . . . .	23C	DOOR ASSEMBLY-GLOVE BOX, . . . . .	24C
COWL DOOR HINGE, . . . . .	28	DOOR ASSEMBLY-MAP CASE, . . . . .	24A
COWL DOOR HINGE, . . . . .	28A	DOOR ASSEMBLY-UPPER COWL, . . . . .	28
COWL DOOR-UPPER, . . . . .	28	DOOR ASSEMBLY-UPPER COWL, . . . . .	28A
COWL DOOR-UPPER, . . . . .	28A	DOOR HANDLE, . . . . .	21
COWL FASTENER, . . . . .	28	DOOR HANDLE, . . . . .	22
COWL FASTENER, . . . . .	28A	DOOR HANDLE, . . . . .	22A
COWL-COVER, . . . . .	27	DOOR HANDLE, . . . . .	22B
COWL SHOCK MOUNT ASSEMBLY, . . . . .	12B	DOOR HANDLE, . . . . .	22C
COWL SHOCK MOUNT ASSEMBLY, . . . . .	12C	DOOR HANDLE, . . . . .	22D
COWL SKIN, . . . . .	28	DOOR HANDLE ESCUTCHEON, . . . . .	21
COWL SKIN, . . . . .	28A	DOOR HANDLE ESCUTCHEON, . . . . .	22
CUP-FUEL SAMPLER, . . . . .	4B	DOOR HANDLE ESCUTCHEON, . . . . .	22A
CUSHION ASSEMBLY-AUX SEAT, . . . . .	19C		
CUSHION ASSEMBLY-SEAT BACK, . . . . .	19		
CUSHION ASSEMBLY-SEAT BOTTOM, . . . . .	19		

# ALPHABETICAL INDEX

NOMENCLATURE	FIGURE	NOMENCLATURE	FIGURE
<b>D (Cont)</b>		<b>D (cont)</b>	
DOOR HINGE, . . . . .	21	DRIVE SHAFT-TACHOMETER, . . . . .	23A
DOOR HINGE, . . . . .	22A	DRIVE SHAFT-TACHOMETER, . . . . .	23B
DOOR HINGE, . . . . .	22B	DRIVE SHAFT-TACHOMETER, . . . . .	23C
DOOR HINGE, . . . . .	22C	DRIVE SHAFT-TACHOMETER, . . . . .	23D
DOOR JAMB, . . . . .	11	DRIVE SHAFT-TACHOMETER, . . . . .	23E
DOOR JAMB, . . . . .	11A	DROP TUBE, . . . . .	15A
DOOR LATCH ASSEMBLY, . . . . .	21	<b>E</b>	
DOOR LATCH ASSEMBLY, . . . . .	22	ELBOW-CABIN AIR VENT, . . . . .	3
DOOR LATCH ASSEMBLY, . . . . .	22A	ELBOW-CABIN AIR VENT, . . . . .	33
DOOR LATCH ASSEMBLY, . . . . .	22B	ELBOW-CABIN AIR VENT, . . . . .	33A
DOOR LATCH ASSEMBLY, . . . . .	22C	ELBOW-CABIN AIR VENT, . . . . .	33B
DOOR LATCH ASSEMBLY, . . . . .	22D	ELECTRIC CLOCK, . . . . .	23A
DOOR LATCH HANDLE, . . . . .	21	ELECTRIC CLOCK, . . . . .	23B
DOOR LATCH HANDLE, . . . . .	22	ELECTRIC CLOCK, . . . . .	23C
DOOR LATCH HANDLE, . . . . .	22A	ELECTRIC CLOCK, . . . . .	23D
DOOR LATCH HANDLE, . . . . .	22B	ELECTRIC CLOCK, . . . . .	23E
DOOR LATCH HANDLE, . . . . .	22C	ELECTRIC FLAP SYSTEM, . . . . .	38B
DOOR LATCH HANDLE, . . . . .	22D	ELECTRICAL EQUIPMENT, . . . . .	46
DOOR LATCH SHAFT ASSY, . . . . .	22	ELECTRICAL EQUIPMENT, . . . . .	46A
DOOR LATCH SHAFT ASSY, . . . . .	22A	ELEVATOR ASSEMBLY, . . . . .	8
DOOR LATCH STRIKE PLATE, . . . . .	11	ELEVATOR BELLCRANK, . . . . .	8
DOOR LATCH-PULL BAR, . . . . .	21	ELEVATOR BELLCRANK, . . . . .	11
DOOR LATCH-PULL BAR, . . . . .	22	ELEVATOR BELLCRANK, . . . . .	11A
DOOR LATCH-PULL BAR, . . . . .	22A	ELEVATOR BELLCRANK, . . . . .	35A
DOOR LATCH-PULL BAR, . . . . .	22B	ELEVATOR BELLCRANK, . . . . .	35B
DOOR LATCH-PULL BAR, . . . . .	22C	ELEVATOR BELLCRANK, . . . . .	39
DOOR PANEL ASSEMBLY-UPHOLSTERY, . . . . .	21	ELEVATOR BELLCRANK & BRACKET, . . . . .	11
DOOR PANEL ASSEMBLY-UPHOLSTERY, . . . . .	22	ELEVATOR BELLCRANK & BRACKET, . . . . .	11A
DOOR PANEL ASSEMBLY-UPHOLSTERY, . . . . .	22A	ELEVATOR BRACKET, . . . . .	14
DOOR PANEL ASSEMBLY-UPHOLSTERY, . . . . .	22B	ELEVATOR BRACKET, . . . . .	14B
DOOR PANEL ASSEMBLY-UPHOLSTERY, . . . . .	22C	ELEVATOR CONTROL CABLE, . . . . .	39
DOOR POST ASSEMBLY, . . . . .	13	ELEVATOR CONTROL LINK, . . . . .	35A
DOOR POST ASSEMBLY, . . . . .	13A	ELEVATOR CONTROL LINK, . . . . .	35B
DOOR POST TRIM, . . . . .	20	ELEVATOR CONTROL SYSTEM, . . . . .	39
DOOR POST TRIM, . . . . .	20A	ELEVATOR HINGE HALF, . . . . .	8
DOOR POST TRIM, . . . . .	20B	ELEVATOR PULLEY, . . . . .	39
DOOR POST TRIM, . . . . .	20C	ELEVATOR RIB ASSEMBLY, . . . . .	8
DOOR-ROTARY CLUTCH PLATE, . . . . .	11A	ELEVATOR SPAR, . . . . .	8
DOOR-ROTARY CLUTCH PLATE, . . . . .	14B	ELEVATOR TAB, . . . . .	8
DOOR SILL, . . . . .	11	ELEVATOR TAB ACTUATOR, . . . . .	8
DOOR SILL, . . . . .	11A	ELEVATOR TAB ACTUATOR, . . . . .	40
DOOR STRUCTURE, . . . . .	21	ELEVATOR TAB ACTUATOR, . . . . .	40A
DOOR STRUCTURE, . . . . .	22	ELEVATOR TAB CONTROL BRACKET, . . . . .	14
DOOR STRUCTURE, . . . . .	22A	ELEVATOR TAB CONTROL BRACKET, . . . . .	14B
DOOR STRUCTURE, . . . . .	22B	ELEVATOR TAB CONTROL WHEEL, . . . . .	40
DOOR STRUCTURE, . . . . .	22C	ELEVATOR TAB CONTROL WHEEL, . . . . .	40A
DOOR WEATHERSTRIP, . . . . .	21	ELEVATOR TAB CONTROL WHEEL, . . . . .	40B
DOOR WEATHERSTRIP, . . . . .	22	ELEVATOR TAB STOP BLOCK, . . . . .	40A
DOOR WEATHERSTRIP, . . . . .	22A	ELEVATOR TAB STOP BLOCK, . . . . .	40B
DOOR WEATHERSTRIP, . . . . .	22B	ELEVATOR TIP, . . . . .	8
DOOR WEATHERSTRIP, . . . . .	22C	ELEVATOR TORQUE TUBE, . . . . .	8
DOOR-CABIN, . . . . .	22B	ELEVATOR TRIM CONTROL SYSTEM, . . . . .	40
DOOR-CABIN, . . . . .	22C	ELEVATOR TRIM CONTROL SYSTEM, . . . . .	40A
DOOR-CABIN LH, . . . . .	21	ELEVATOR TRIM CONTROL SYSTEM, . . . . .	40B
DOOR-CABIN RH, . . . . .	22	EMPENNAGE ATTACHING BULKHEAD, . . . . .	14
DOOR-GROUND SERVICE PLUG, . . . . .	46A	END-ROD, . . . . .	5
DOOR-PATROLLER, . . . . .	22A	END-ROD, . . . . .	6
DOOR-WINDOW GLASS, . . . . .	21	ENGINE ASSEMBLY, . . . . .	29
DOOR-WINDOW GLASS, . . . . .	22	ENGINE ASSEMBLY, . . . . .	30
DOOR-WINDOW GLASS, . . . . .	22A	ENGINE COMPONENTS & ACCESSORIES, . . . . .	30A
DOOR-WINDOW GLASS, . . . . .	22B	ENGINE COWL, . . . . .	28
DOOR-WINDOW GLASS, . . . . .	22C	ENGINE COWL, . . . . .	28A
DOORPOST ASSEMBLY-REAR, . . . . .	14	ENGINE INSTALLATION, . . . . .	29
DOOR POST ASSEMBLY-REAR, . . . . .	14B	ENGINE MOUNT, . . . . .	30
DORSAL, FIN & RUDDER INSTALLATION, . . . . .	9	ENGINE MOUNT BRACKET, . . . . .	12
DORSAL-VERTICAL FIN, . . . . .	9	ENGINE MOUNT BRACKET, . . . . .	12A
DORSAL-VERTICAL FIN, . . . . .	9A		
DRAIN VALVE-FUEL TANK, . . . . .	4B		
DRAIN VALVE-FUEL, . . . . .	43		
DRIVE PULLEY-ELECTRIC FLAP, . . . . .	38B		
DRIVE SHAFT-TACHOMETER, . . . . .	23		

# ALPHABETICAL INDEX

NOMENCLATURE	FIGURE	NOMENCLATURE	FIGURE
<b>E (cont)</b>		<b>F (cont)</b>	
ENGINE MOUNT BRACKET, . . . . .	12B	FIN TIP, . . . . .	9
ENGINE MOUNT BRACKET, . . . . .	12C	FIN TIP, . . . . .	9A
ENGINE MOUNT STRINGER, . . . . .	12	FIN, RUDDER & DORSAL INSTL-VERT, . . . . .	9
ENGINE MOUNT STRINGER, . . . . .	12A	FINISH & TRIM PLACARD, . . . . .	10B
ENGINE MOUNT STRINGER, . . . . .	12B	FINISH & TRIM PLACARD, . . . . .	50
ENGINE MOUNT STRINGER, . . . . .	12C	FIRE EXTINGUISHER & BRACKET, . . . . .	25
ENGINE PRIMER, . . . . .	23	FIRE EXTINGUISHER & BRACKET, . . . . .	25A
ENGINE PRIMER, . . . . .	23A	FIREWALL ASSEMBLY, . . . . .	12
ENGINE PRIMER, . . . . .	23B	FIREWALL ASSEMBLY, . . . . .	12A
ENGINE PRIMER, . . . . .	23C	FIREWALL ASSEMBLY, . . . . .	12B
ENGINE PRIMER, . . . . .	23D	FIREWALL ASSEMBLY, . . . . .	12C
ENGINE PRIMER, . . . . .	23E	FIREWALL SHEET, . . . . .	12
ENGINE PRIMER, . . . . .	43	FIREWALL SHEET, . . . . .	12A
EQUIPMENT INSTALLATION-ELECTRICAL, . . . . .	46	FIREWALL SHEET, . . . . .	12B
EQUIPMENT INSTALLATION-ELECTRICAL, . . . . .	46A	FIREWALL SHEET, . . . . .	12C
EQUIPMENT-INSTRUMENT PANEL, . . . . .	23	FITTING LUBRICATOR, . . . . .	17
EQUIPMENT-INSTRUMENT PANEL, . . . . .	23A	FITTING-STRUT ATTACHMENT, . . . . .	2
EQUIPMENT-INSTRUMENT PANEL, . . . . .	23B	FITTING-STRUT ATTACHMENT, . . . . .	2A
EQUIPMENT-INSTRUMENT PANEL, . . . . .	23C	FITTING-STRUT LOWER END, . . . . .	7
EQUIPMENT-INSTRUMENT PANEL, . . . . .	23D	FITTING-STRUT LOWER END, . . . . .	7A
EQUIPMENT-INSTRUMENT PANEL, . . . . .	23E	FITTING-STRUT UPPER END, . . . . .	7
ESCUTCHEON-DOOR HANDLE, . . . . .	21	FITTING-STRUT UPPER END, . . . . .	7A
ESCUTCHEON-DOOR HANDLE, . . . . .	22	FLAP ASSEMBLY-WING, . . . . .	6
ESCUTCHEON-DOOR HANDLE, . . . . .	22A	FLAP BELLCRANK, . . . . .	6
ESCUTCHEON-PATROLLER DOOR HANDLE, . . . . .	22A	FLAP BELLCRANK, . . . . .	38
EXHAUST STACK ASSEMBLY, . . . . .	30	FLAP BELLCRANK SUPPORT BRACKET UPR . . . . .	2
EXHAUST STACK ASSEMBLY, . . . . .	31	FLAP BELLCRANK SUPPORT BRACKET UPR . . . . .	2A
EXHAUST STACK BRACE, . . . . .	30	FLAP BELLCRANK SUPPORT BRACKET LWR . . . . .	2
EXHAUST STACK SUB-ASSEMBLY, . . . . .	31	FLAP BELLCRANK SUPPORT BRACKET LWR . . . . .	2A
EXPANDER ASSEMBLY-TUBELESS TIRE, . . . . .	25	FLAP CONTROL BRACKET, . . . . .	6
EXTENSION-STARTER ARM, . . . . .	29	FLAP CONTROL SYSTEM, . . . . .	38
EXTENSION-STARTER ARM, . . . . .	30	FLAP EXTEND CABLE, . . . . .	38
EXTERIOR MARKINGS, . . . . .	1A	FLAP EXTEND CABLE-FORWARD, . . . . .	38
EXTERIOR MARKINGS, . . . . .	1B	FLAP EXTENSION, . . . . .	6
EYEBOLT-MOORING, . . . . .	14	FLAP INSTALLATION, . . . . .	1C
EYEBROW-COWL DECK, . . . . .	23C	FLAP INSTALLATION, . . . . .	1D
EYEBROW-COWL DECK, . . . . .	23D	FLAP INSTALLATION, . . . . .	6
EYEBROW-COWL DECK, . . . . .	23E	FLAP LEVER, . . . . .	38
<b>F</b>		FLAP LIMIT SWITCH, . . . . .	38B
FAIRING ASSEMBLY-NOSE GEAR, . . . . .	16	FLAP PULLEY, . . . . .	38
FAIRING ASSEMBLY-NOSE GEAR, . . . . .	16A	FLAP PULLEY, . . . . .	38B
FAIRING ASSEMBLY-NOSE GEAR, . . . . .	16B	FLAP PULLEY BRACKET, . . . . .	2
FAIRING ASSEMBLY-WING REAR LOWER, . . . . .	1C	FLAP PULLEY BRACKET, . . . . .	2A
FAIRING ASSEMBLY-WING REAR LOWER, . . . . .	1D	FLAP PUSH PULL ROD, . . . . .	6
FAIRING-DORSAL FIN TIP, . . . . .	9A	FLAP POSITION INDICATOR, . . . . .	38B
FAIRING-MAIN LANDING GEAR WHEEL, . . . . .	18	FLAP POSITION INDICATOR, . . . . .	38C
FAIRING-MAIN LANDING GEAR WHEEL, . . . . .	18A	FLAP POSITION INDICATOR INSTALLATION, . . . . .	38C
FAIRING-MAIN LANDING GEAR WHEEL, . . . . .	18B	FLAP RELEASE BUTTON, . . . . .	38
FAIRING-WING, . . . . .	1C	FLAP RETRACT CABLE, . . . . .	38
FAIRING-WING, . . . . .	1D	FLAP RETRACT CABLE, . . . . .	38B
FAIRING-WING, . . . . .	7A	FLAP RETRACT CABLE FORWARD, . . . . .	38
FAIRING-WING STRUT, . . . . .	32	FLAP RIB, . . . . .	6
FASTENER-INTER CYLINDER BAFFLE, . . . . .	32	FLAP SPAR, . . . . .	6
FASTENER-REAR BAFFLE, . . . . .	32	FLAP SYSTEM-ELECTRIC, . . . . .	38B
FILLER NECK-FUEL TANK, . . . . .	4	FLAP TRACK RIB, . . . . .	2
FILLER NECK-FUEL TANK, . . . . .	4A	FLAP TRACK RIB, . . . . .	2A
FILTER-CARBURETOR AIR, . . . . .	30A	FLAP TRANSMISSION & MOTOR ASSEMBLY, . . . . .	38B
FILTER-OIL, . . . . .	44	FLASHER ASSEMBLY-BEACON LIGHT, . . . . .	48A
FILTER ADAPTER, . . . . .	44	FLASHING BEACON BULB, . . . . .	48A
FILTER ADAPTER WRENCH, . . . . .	44	FLASHING BEACON DOME, . . . . .	48A
FILTER-NOISE, . . . . .	46A	FLASHING BEACON INSTALLATION, . . . . .	48A
FIN ASSEMBLY-VERTICAL, . . . . .	9	FLASHING BEACON SHIELD, . . . . .	48A
FIN ASSEMBLY-VERTICAL, . . . . .	9A	FLOATPLANE OIL COOLER INSTALLATION, . . . . .	56
FIN HINGE HALF, . . . . .	9	FLOATPLANE COMPONENTS INSTALLATION, . . . . .	55
FIN HINGE HALF, . . . . .	9A	FLOORBOARD, . . . . .	11
FIN MOUNT-ROTATING BEACON ONLY, . . . . .	9	FLOORBOARD, . . . . .	11A
FIN RIB, . . . . .	9	FLOORBOARD, . . . . .	14
FIN RIB, . . . . .	9A	FLOORBOARD, . . . . .	14B
		FLOORBOARD ASSEMBLY-LANDING GEAR, . . . . .	11
		FLOORBOARD ASSEMBLY-LANDING GEAR, . . . . .	11A
		FLOORBOARD ASSEMBLY-FORWARD, . . . . .	12

# ALPHABETICAL INDEX

NOMENCLATURE	FIGURE	NOMENCLATURE	FIGURE
<b>F (cont)</b>		<b>F (cont)</b>	
FLOORBOARD ASSEMBLY-FORWARD, . . . . .	12A	FUEL STRAINER ASSEMBLY, . . . . .	43A
FLOORBOARD ASSEMBLY-FORWARD, . . . . .	12B	FUEL STRAINER ASSEMBLY, . . . . .	43B
FLOORBOARD ASSEMBLY-FORWARD, . . . . .	12C	FUEL STRAINER BODY, . . . . .	43
FLOORBOARD BULKHEAD, . . . . .	12	FUEL STRAINER BODY, . . . . .	43B
FLOORBOARD BULKHEAD, . . . . .	12A	FUEL STRAINER BRACKET, . . . . .	12
FLOORBOARD BULKHEAD, . . . . .	12B	FUEL STRAINER BRACKET, . . . . .	12A
FLOORBOARD BULKHEAD, . . . . .	12C	FUEL STRAINER BRACKET, . . . . .	12B
FLOOR COVERING-BAGGAGE, . . . . .	20	FUEL STRAINER BRACKET, . . . . .	12C
FLOOR COVERING-BAGGAGE, . . . . .	20B	FUEL STRAINER GLASS BOWL, . . . . .	43
FLOOR COVERING-BAGGAGE, . . . . .	20D	FUEL STRAINER GLASS BOWL, . . . . .	43B
FORK-NOSE GEAR REPLACEMENT KIT, . . . . .	17	FUEL SYSTEM, . . . . .	43
FORK-NOSE GEAR REPLACEMENT KIT, . . . . .	17A	FUEL SYSTEM, . . . . .	43A
FRAME ASSEMBLY-AUXILIARY SEAT, . . . . .	19C	FUEL TANK, . . . . .	4
FRAM ASSEMBLY-SEAT BOTTOM, . . . . .	19	FUEL TANK, . . . . .	4A
FRAME-WINDOW, . . . . .	14	FUEL TANK ADAPTER ASSEMBLY, . . . . .	4
FRAME-WINDOW, . . . . .	14B	FUEL TANK ADAPTER ASSEMBLY, . . . . .	4A
FRONT & CENTER SECTION-FUSELAGE, . . . . .	10	FUEL TANK COVER, . . . . .	1C
FRONT & CENTER SECTION-FUSELAGE, . . . . .	10A	FUEL TANK COVER, . . . . .	1D
FRONT & CENTER SECTION-FUSELAGE, . . . . .	10B	FUEL TANK DRAIN VALVE, . . . . .	4B
FRONT & CENTER SECTION-FUSELAGE, . . . . .	11	FUEL TANK FILLER NECK, . . . . .	4
FRONT & CENTER SECTION-FUSELAGE, . . . . .	11A	FUEL TANK FILLER NECK, . . . . .	4A
FRONT DOORPOST ASSEMBLY, . . . . .	13	FUEL TANK INSTALLATION-PATROLLER, . . . . .	4A
FRONT DOORPOST ASSEMBLY, . . . . .	13A	FUEL TANK INSTALLATION, . . . . .	1C
FRONT DOORPOST BULKHEAD, . . . . .	12	FUEL TANK INSTALLATION, . . . . .	1D
FRONT DOORPOST BULKHEAD, . . . . .	12A	FUEL TANK INSTALLATION, . . . . .	4
FRONT DOORPOST BULKHEAD, . . . . .	12B	FUEL TANK STRAP, . . . . .	2
FRONT DOORPOST BULKHEAD, . . . . .	12C	FUEL TANK STRAP, . . . . .	2A
FRONT DOORPOST BULKHEAD, . . . . .	13	FUEL TANK STRAP, . . . . .	4
FRONT DOORPOST BULKHEAD, . . . . .	13A	FUEL TANK STRAP, . . . . .	4A
FRONT SECTION ASSEMBLY, . . . . .	11	FUEL TANK STRAP, . . . . .	4A
FRONT SECTION ASSEMBLY, . . . . .	11A	FUEL VENT VALVE, . . . . .	4
FRONT SECTION ASSEMBLY, . . . . .	12	FUEL VENT VALVE, . . . . .	4A
FRONT SECTION ASSEMBLY, . . . . .	12A	FUSE, . . . . .	23
FRONT SECTION ASSEMBLY, . . . . .	12B	FUSE, . . . . .	23A
FRONT SECTION ASSEMBLY, . . . . .	12C	FUSE, . . . . .	23B
FRONT SECTION-SKIN, . . . . .	12A	FUSE, . . . . .	23C
FRONT SECTION-SKIN, . . . . .	12B	FUSE, . . . . .	23D
FRONT SECTION-SKIN, . . . . .	12C	FUSE, . . . . .	23F
FRONT SPAR, . . . . .	13	FUSE, . . . . .	46
FRONT SPAR, . . . . .	13A	FUSEHOLDER ELECTRIC CLOCK, . . . . .	46
FUEL CAP, . . . . .	4	FUSEHOLDER ELECTRIC CLOCK, . . . . .	46A
FUEL CAP, . . . . .	4A	FUSELAGE ASSEMBLY, . . . . .	10
FUEL CELL RIB, . . . . .	2	FUSELAGE ASSEMBLY, . . . . .	10B
FUEL CELL RIB, . . . . .	2A	FUSELAGE ASSEMBLY, . . . . .	10A
FUEL CUP, . . . . .	4B	FUSELAGE CENTER SECTION RIB, . . . . .	11
FUEL DRAIN VALVE, . . . . .	4B	FUSELAGE CENTER SECTION RIB, . . . . .	11A
FUEL DRAIN VALVE, . . . . .	43	FUSELAGE EQUIPMENT INSTALLATION, . . . . .	25
FUEL DRAIN VALVE, . . . . .	43A	FUSELAGE EQUIPMENT INSTALLATION, . . . . .	25A
FUEL GAGE, . . . . .	23	FUSELAGE FRONT & CENTER SECTION, . . . . .	10
FUEL GAGE, . . . . .	23A	FUSELAGE FRONT & CENTER SECTION, . . . . .	10A
FUEL GAGE, . . . . .	23B	FUSELAGE FRONT & CENTER SECTION, . . . . .	10B
FUEL GAGE, . . . . .	23C	FUSELAGE FRONT & CENTER SECTION, . . . . .	11
FUEL GAGE, . . . . .	23D	FUSELAGE FRONT & CENTER SECTION, . . . . .	11A
FUEL GAGE, . . . . .	23E	FUSELAGE FRONT SECTION, . . . . .	11
FUEL GAGE ACCESS COVER, . . . . .	1C	FUSELAGE FRONT SECTION, . . . . .	11A
FUEL GAGE ACCESS COVER, . . . . .	1D	FUSELAGE FRONT SECTION, . . . . .	12
FUEL GAGE TRANSMITTER, . . . . .	4	FUSELAGE FRONT SECTION, . . . . .	12A
FUEL GAGE TRANSMITTER, . . . . .	4A	FUSELAGE FRONT SECTION, . . . . .	12B
FUEL HOSE, . . . . .	30	FUSELAGE FRONT SECTION, . . . . .	12C
FUEL HOSE, . . . . .	43	FUSELAGE SPAR BLOCK, . . . . .	14
FUEL HOSE, . . . . .	43A	FUSELAGE SPAR BLOCK, . . . . .	14B
FUEL INDICATOR PLATE, . . . . .	43	FUSELAGE SPLICE PLATE, . . . . .	14
FUEL LINE, . . . . .	43	FUSELAGE TAILCONE, . . . . .	10
FUEL LINE, . . . . .	43A	FUSELAGE TAILCONE, . . . . .	10A
FUEL SAMPLER CUP, . . . . .	4B	FUSELAGE TAILCONE, . . . . .	10B
FUEL SHUT OFF VALVE, . . . . .	43	FUSELAGE TAILCONE, . . . . .	14
FUEL SHUT OFF VALVE, . . . . .	43A	FUSFLAGE TAILCONE, . . . . .	14A
FUEL STRAINER, . . . . .	43	FUSFLAGE TAILCONE, . . . . .	14B
FUEL STRAINER, . . . . .	43A		
FUEL STRAINER, . . . . .	43B		
FUEL STRAINER ASSEMBLY, . . . . .	43		

# ALPHABETICAL INDEX

NOMENCLATURE	FIGURE	NOMENCLATURE	FIGURE
<b>G</b>		<b>G (cont)</b>	
GAGE-FUEL, . . . . .	23	GLOVE BOX DOOR KNOB, . . . . .	23
GAGE-FUEL, . . . . .	23A	GLOVE BOX DOOR KNOB, . . . . .	24
GAGE-FUEL, . . . . .	23B	GROUND SERVICE PLUG INSTL, . . . . .	46A
GAGE-FUEL, . . . . .	23C	GROUND STRAP, . . . . .	23
GAGE-FUEL, . . . . .	23D	GROUND STRAP, . . . . .	23A
GAGE-FUEL, . . . . .	23E	GROUND STRAP, . . . . .	23B
GAGE-OIL PRESSURE, . . . . .	23	GROUND STRAP, . . . . .	23C
GAGE-OIL PRESSURE, . . . . .	23A	GROUND STRAP, . . . . .	23D
GAGE-OIL PRESSURE, . . . . .	23B	GROUND STRAP, . . . . .	23E
GAGE-OIL PRESSURE, . . . . .	23C	GROUND STRAP, . . . . .	30
GAGE-OIL PRESSURE, . . . . .	23D	GYRO HOSE, . . . . .	45
GAGE-OIL PRESSURE, . . . . .	23E	GYRO HOSE, . . . . .	45A
GAGE-OIL TEMPERATURE, . . . . .	23	GYRO HOSE, . . . . .	45B
GAGE-OIL TEMPERATURE, . . . . .	23A	GYRO HOSE, . . . . .	45D
GAGE-OIL TEMPERATURE, . . . . .	23B	GYRO HOSE, . . . . .	45E
GAGE-OIL TEMPERATURE, . . . . .	23C	GYRO INSTALLATION-VACUUM, . . . . .	45
GAGE-OIL TEMPERATURE, . . . . .	23D	GYRO INSTALLATION-VACUUM, . . . . .	45A
GAGE-OIL TEMPERATURE, . . . . .	23E	GYRO INSTALLATION-VACUUM, . . . . .	45B
GAGE-OUTSIDE AIR TEMPERATURE, . . . . .	25	GYRO INSTALLATION-VACUUM, . . . . .	45D
GAGE-OUTSIDE AIR TEMPERATURE, . . . . .	25A	GYRO INSTALLATION-VACUUM, . . . . .	45E
GAGE-SUCTION, . . . . .	23	GYRO-DIRECTIONAL, . . . . .	23
GAGE-SUCTION, . . . . .	23A	GYRO-DIRECTIONAL, . . . . .	23A
GAGE-SUCTION, . . . . .	23B	GYRO-DIRECTIONAL, . . . . .	23B
GAGE-SUCTION, . . . . .	23C	GYRO-DIRECTIONAL, . . . . .	23C
GAGE-SUCTION, . . . . .	23D	GYRO-DIRECTIONAL, . . . . .	23D
GAGE-SUCTION, . . . . .	23E	GYRO-DIRECTIONAL, . . . . .	23E
GAGE-SUCTION, . . . . .	37C	GYRO-DIRECTIONAL, . . . . .	45
GAGE-SUCTION, . . . . .	37D	GYRO-DIRECTIONAL, . . . . .	45A
GAGE-SUCTION, . . . . .	45	GYRO-DIRECTIONAL, . . . . .	45B
GAGE-SUCTION, . . . . .	45A	GYRO-DIRECTIONAL, . . . . .	45D
GAGE-SUCTION, . . . . .	45B	GYRO-DIRECTIONAL, . . . . .	45E
GAGE-SUCTION, . . . . .	45D	GYRO-HORIZON, . . . . .	23
GAGE-SUCTION, . . . . .	45E	GYRO-HORIZON, . . . . .	23A
GAS CAP, . . . . .	4	GYRO-HORIZON, . . . . .	23B
GAS CAP, . . . . .	4A	GYRO-HORIZON, . . . . .	23C
GAS GAGE, . . . . .	23	GYRO-HORIZON, . . . . .	23D
GAS GAGE, . . . . .	23A	GYRO-HORIZON, . . . . .	23E
GAS GAGE, . . . . .	23B	GYRO-HORIZON, . . . . .	45
GAS GAGE, . . . . .	23C	GYRO-HORIZON, . . . . .	45A
GAS GAGE, . . . . .	23D	GYRO-HORIZON, . . . . .	45B
GAS GAGE, . . . . .	23E	GYRO-HORIZON, . . . . .	45D
GAS TANK, . . . . .	4	GYRO-HORIZON, . . . . .	45E
GAS TANK, . . . . .	4A	<b>H</b>	
GAS TANK INSTALLATION, . . . . .	1C	HANDLE ASSEMBLY-RECLINING SEAT, . . . . .	19B
GAS TANK INSTALLATION, . . . . .	1D	HANDLE-DOOR LATCH, . . . . .	21
GAS TANK INSTALLATION, . . . . .	4	HANDLE-DOOR LATCH, . . . . .	22
GENERATOR-20 AMP, . . . . .	30A	HANDLE-DOOR LATCH, . . . . .	22A
GENERATOR-35 AMP, . . . . .	30A	HANDLE-DOOR LATCH, . . . . .	22B
GENERATOR-35 AMP, . . . . .	46	HANDLE-DOOR LATCH, . . . . .	22C
GLASS BOWL-FUEL STRAINER, . . . . .	43	HANDLE-DOOR LATCH, . . . . .	22D
GLASS BOWL-FUEL STRAINER, . . . . .	43B	HANDLE-DOOR, . . . . .	21
GLASS-AUXILIARY WINDOW, . . . . .	22A	HANDLE-DOOR, . . . . .	22
GLASS-DOOR WINDOW, . . . . .	21	HANDLE-DOOR, . . . . .	22A
GLASS-DOOR WINDOW, . . . . .	22	HANDLE-DOOR, . . . . .	22B
GLASS-DOOR WINDOW, . . . . .	22A	HANDLE-DOOR, . . . . .	22C
GLASS-DOOR WINDOW, . . . . .	22B	HANDLE-DOOR, . . . . .	22A
GLASS-DOOR WINDOW, . . . . .	22C	HANDLE-DOOR, . . . . .	22B
GLOVE BOX, . . . . .	24	HANDLE-DOOR, . . . . .	22C
GLOVE BOX & DOOR INSTALLATION, . . . . .	23	HANDLE-PATROLLER DOOR, . . . . .	22A
GLOVE BOX & DOOR INSTALLATION, . . . . .	24	HANDLE-WINDOW LATCH, . . . . .	21
GLOVE BOX & DOOR INSTALLATION, . . . . .	24B	HANDLE-WINDOW LATCH, . . . . .	22
GLOVE BOX & DOOR INSTALLATION, . . . . .	24C	HANDLE-WINDOW LATCH, . . . . .	22A
GLOVE BOX DOOR, . . . . .	23	HANDLE-WINDOW LATCH, . . . . .	22B
GLOVE BOX DOOR, . . . . .	24	HANDLE-WINDOW LATCH, . . . . .	22C
GLOVE BOX DOOR, . . . . .	24B	HARNESS IGNITION, . . . . .	30A
GLOVE BOX DOOR, . . . . .	24C	HARNESS-SHOULDER, . . . . .	25
GLOVE BOX DOOR HINGE, . . . . .	23	HEADLINER-ZIPPER, . . . . .	20B
GLOVE BOX DOOR HINGE, . . . . .	24	HEADLINER-ZIPPER, . . . . .	20C
GLOVE BOX DOOR HINGE, . . . . .	24B	HEADLINER-RETAINER, . . . . .	11A
GLOVE BOX DOOR HINGE, . . . . .	24C	HEADLINING ASSEMBLY, . . . . .	20



# ALPHABETICAL INDEX

NOMENCLATURE	FIGURE	NOMENCLATURE	FIGURE
<b>H</b> (cont)		<b>I</b>	
HEADLINING ASSEMBLY, . . . . .	20A	IGNITION HARNESS, . . . . .	30A
HEADLINING ASSEMBLY, . . . . .	20B	IGNITION SWITCH, . . . . .	23
HEADLINING ASSEMBLY, . . . . .	20C	IGNITION SWITCH, . . . . .	23A
HEATED PITOT SYSTEM INSTALLATION, . . . . .	41	IGNITION SWITCH, . . . . .	23B
HEATED PITOT TUBE, . . . . .	41	IGNITION SWITCH, . . . . .	23C
HEATER ASSEMBLY, . . . . .	33A	IGNITION SWITCH, . . . . .	23D
HEATER ASSEMBLY, . . . . .	33B	IGNITION SWITCH, . . . . .	23F
HEATER DISTRIBUTOR ASSEMBLY, . . . . .	33A	INDEX NUMERICAL, . . . . .	PAGE 115
HEATER DISTRIBUTOR ASSEMBLY, . . . . .	33B	INDICATOR LIGHT-GENERATOR CHARGING, . . . . .	23
HEATER HOSE, . . . . .	29	INDICATOR LIGHT-GENERATOR CHARGING, . . . . .	23A
HEATER HOSE, . . . . .	33	INDICATOR LIGHT-GENERATOR CHARGING, . . . . .	23B
HEATING SYSTEM, . . . . .	33	INDICATOR-AIR SPEED, . . . . .	23
HEATING SYSTEM, . . . . .	33A	INDICATOR-AIR SPEED, . . . . .	23A
HEATING SYSTEM, . . . . .	33B	INDICATOR-AIR SPEED, . . . . .	23B
HINGE ASSEMBLY-AILERON, . . . . .	5	INDICATOR-AIR SPEED, . . . . .	23C
HINGE ASSEMBLY-COWL DOOR, . . . . .	28	INDICATOR-AIR SPEED, . . . . .	23D
HINGE ASSEMBLY-GLOVE BOX DOOR, . . . . .	23	INDICATOR-AIR SPEED, . . . . .	23F
HINGE ASSEMBLY-GLOVE BOX DOOR, . . . . .	24	INDICATOR-AIR SPEED, . . . . .	41
HINGE ASSEMBLY-HALF ELEVATOR, . . . . .	8	INDICATOR-FLAP POSITION, . . . . .	38B
HINGE ASSEMBLY-MAP BOX DOOR, . . . . .	24A	INDICATOR-FLAP POSITION, . . . . .	38C
HINGE ASSEMBLY-STABILIZER, . . . . .	8	INDICATOR-TURN & BANK, . . . . .	23
HINGE HALF ASSEMBLY-FIN, . . . . .	9	INDICATOR-TURN & BANK, . . . . .	23A
HINGE HALF ASSEMBLY-FIN, . . . . .	9A	INDICATOR-TURN & BANK, . . . . .	23B
HINGE HALF-TAB, . . . . .	8	INDICATOR-TURN & BANK, . . . . .	23C
HINGE-DOOR, . . . . .	21	INDICATOR-TURN & BANK, . . . . .	23D
HINGE-DOOR, . . . . .	22A	INDICATOR-TURN & BANK, . . . . .	23F
HINGE-DOOR, . . . . .	22B	INDICATOR-TURN COORDINATOR, . . . . .	23D
HINGE-DOOR, . . . . .	22C	INDICATOR-TURN COORDINATOR, . . . . .	23E
HINGE-DOOR WINDOW, . . . . .	21	INDICATOR-TURN COORDINATOR, . . . . .	37C
HINGE-DOOR WINDOW, . . . . .	22	INDICATOR-TURN COORDINATOR, . . . . .	37D
HINGE-DOOR WINDOW, . . . . .	22A	INDICATOR-VERTICAL SPEED, . . . . .	23
HINGE-DOOR WINDOW, . . . . .	22B	INDICATOR-VERTICAL SPEED, . . . . .	23A
HINGE-DOOR WINDOW, . . . . .	22C	INDICATOR-VERTICAL SPEED, . . . . .	23B
HINGE-FLOOR FITTING AUX SEAT, . . . . .	19C	INDICATOR-VERTICAL SPEED, . . . . .	23C
HOOK-SHOULDER HARNESS, . . . . .	25	INDICATOR-VERTICAL SPEED, . . . . .	23D
HOOK-SHOULDER HARNESS, . . . . .	25A	INDICATOR-VERTICAL SPEED, . . . . .	23E
HOOK-TOW, . . . . .	25	INDICATOR-VERTICAL SPEED, . . . . .	41
HOOK-TOW, . . . . .	25A	INSTRUMENT CLUSTER, . . . . .	23
HORIZON GYRO, . . . . .	23	INSTRUMENT CLUSTER, . . . . .	23A
HORIZON GYRO, . . . . .	23A	INSTRUMENT CLUSTER, . . . . .	23B
HORIZON GYRO, . . . . .	23B	INSTRUMENT CLUSTER, . . . . .	23C
HORIZON GYRO, . . . . .	23C	INSTRUMENT CLUSTER, . . . . .	23D
HORIZON GYRO, . . . . .	23D	INSTRUMENT CLUSTER, . . . . .	23E
HORIZON GYRO, . . . . .	23E	INSTRUMENT LIGHT BULB, . . . . .	46
HORIZON GYRO, . . . . .	45	INSTRUMENT LIGHT BULB, . . . . .	46B
HORIZON GYRO, . . . . .	45A	INSTRUMENT LIGHT LENS, . . . . .	46
HORIZON GYRO, . . . . .	45B	INSTRUMENT LIGHT LENS, . . . . .	46B
HORIZON GYRO, . . . . .	45D	INSTRUMENT PANEL COVER-SHOCK, . . . . .	23
HORIZON GYRO, . . . . .	45E	INSTRUMENT PANEL COVER-SHOCK, . . . . .	23A
HORN ASSEMBLY-RUDDER, . . . . .	9B	INSTRUMENT PANEL COVER-SHOCK, . . . . .	23B
HORN ASSEMBLY-STALL WARNING, . . . . .	23	INSTRUMENT PANEL COVER-SHOCK, . . . . .	23C
HORN ASSEMBLY-STALL WARNING, . . . . .	23A	INSTRUMENT PANEL COVER-SHOCK, . . . . .	23D
HORN ASSEMBLY-STALL WARNING, . . . . .	23B	INSTRUMENT PANEL COVER-SHOCK, . . . . .	23E
HORN ASSEMBLY-STALL WARNING, . . . . .	41A	INSTRUMENT PANEL COVER-STATIONARY, . . . . .	23
HOSE ASSEMBLY-BRAKE, . . . . .	42	INSTRUMENT PANEL COVER-STATIONARY, . . . . .	23A
HOSE ASSEMBLY-BRAKE, . . . . .	42A	INSTRUMENT PANEL COVER-STATIONARY, . . . . .	23B
HOSE ASSEMBLY-FUEL, . . . . .	30	INSTRUMENT PANEL COVER-STATIONARY, . . . . .	23C
HOSE-AIR INTAKE, . . . . .	30	INSTRUMENT PANEL COVER-STATIONARY, . . . . .	23D
HOSE-BLAST, . . . . .	30	INSTRUMENT PANEL COVER-STATIONARY, . . . . .	23E
HOSE-CABIN HEATER VALVE TO SHROUD, . . . . .	29	INSTRUMENT PANEL EQUIPMENT INSTL . . . . .	23
HOSE-HEATER VALVE TO SHROUD, . . . . .	33	INSTRUMENT PANEL EQUIPMENT INSTL . . . . .	23A
HOSE-HEATER VALVE TO SHROUD, . . . . .	33A	INSTRUMENT PANEL EQUIPMENT INSTL . . . . .	23B
HOSE-HEATER VALVE TO SHROUD, . . . . .	33B	INSTRUMENT PANEL EQUIPMENT INSTL . . . . .	23C
HOURLY METER, . . . . .	23D	INSTRUMENT PANEL EQUIPMENT INSTL . . . . .	23D
HOURLY METER, . . . . .	23E	INSTRUMENT PANEL EQUIPMENT INSTL . . . . .	23E
HOURLY METER SWITCH, . . . . .	44	INSTRUMENT PANEL FLOOD LIGHT, . . . . .	46
HOW TO ORDER PARTS, . . . . .	PAGE II	INSTRUMENT PANEL FLOOD LIGHT, . . . . .	46B
HOW TO USE CATALOG, . . . . .	PAGE I	INSTRUMENT PANEL-SHOCK MOUNT, . . . . .	23
		INSTRUMENT PANEL-SHOCK MOUNT, . . . . .	23A



# ALPHABETICAL INDEX

NOMENCLATURE	FIGURE	NOMENCLATURE	FIGURE
<b>I (cont)</b>		<b>L</b>	
INSTRUMENT PANEL-SHOCK MOUNT, . . . . .	23B	LAMP-COURTESY LIGHT, . . . . .	49
INSTRUMENT PANEL-SHOCK MOUNT, . . . . .	23C	LAMPS-SEE BULBS AND LIGHT BULBS . . . . .	
INSTRUMENT PANEL-SHOCK MOUNT, . . . . .	23D	LAMP-TAIL, . . . . .	9
INSTRUMENT PANEL-SHOCK MOUNT, . . . . .	23E	LAMP-TAIL, . . . . .	9B
INSTRUMENT PANEL-SHOCK MOUNTED, . . . . .	23	LAMP-WING POSITION, . . . . .	1C
INSTRUMENT PANEL-SHOCK MOUNTED, . . . . .	23A	LAMP-WING POSITION, . . . . .	1D
INSTRUMENT PANEL-SHOCK MOUNTED, . . . . .	23B	LANDING GEAR BULKHEAD, . . . . .	11
INSTRUMENT PANEL-SHOCK MOUNTED, . . . . .	23C	LANDING GEAR BULKHEAD, . . . . .	11A
INSTRUMENT PANEL-SHOCK MOUNTED, . . . . .	23D	LANDING GEAR BULKHEAD, . . . . .	11B
INSTRUMENT PANEL-SHOCK MOUNTED, . . . . .	23E	LANDING GEAR SEAL, . . . . .	18
INSTRUMENT-SEE INDIVIDUAL LISTINGS . . . . .		LANDING GEAR SEAL, . . . . .	18A
INSULATOR-BATTERY BOX, . . . . .	14	LANDING GEAR SEAL, . . . . .	18B
INTER CYLINDER, . . . . .	32	LANDING GEAR SEAL, . . . . .	18B
<b>J</b>		LANDING GEAR SPRING, . . . . .	18
JACK POINT, . . . . .	25	LANDING GEAR SPRING, . . . . .	18A
JACK POINT, . . . . .	25A	LANDING GEAR SPRING, . . . . .	18B
JAMB ASSEMBLY-DOOR, . . . . .	11	LANDING GEAR SPRING, . . . . .	18B
JAMB ASSEMBLY-DOOR, . . . . .	11A	LANDING GEAR WEDGE, . . . . .	18
<b>K</b>		LANDING GEAR WEDGE, . . . . .	18A
KIT-NOSE GEAR FORK REPLACEMENT, . . . . .	17	LANDING GEAR WEDGE, . . . . .	18B
KIT-NOSE GEAR FORK REPLACEMENT, . . . . .	17A	LANDING GEAR WHEEL & BRAKE, . . . . .	18
KITS-SEE ACCESSORY KITS CATALOG . . . . .		LANDING GEAR WHEEL & BRAKE, . . . . .	18A
KNOB-CIGAR LIGHTER, . . . . .	23	LANDING GEAR WHEEL & BRAKE, . . . . .	18B
KNOB-CIGAR LIGHTER, . . . . .	23A	LANDING GEAR WHEEL & BRAKE, . . . . .	51
KNOB-CIGAR LIGHTER, . . . . .	23B	LANDING GEAR WHEEL & BRAKE, . . . . .	51A
KNOB-CIGAR LIGHTER, . . . . .	23C	LANDING GEAR WHEEL & BRAKE-H/D, . . . . .	51B
KNOB-CIGAR LIGHTER, . . . . .	23D	LANDING GEAR-MAIN, . . . . .	18
KNOB-CIGAR LIGHTER, . . . . .	23E	LANDING GEAR-MAIN, . . . . .	18A
KNOB-GLOVE BOX DOOR, . . . . .	24	LANDING GEAR-MAIN, . . . . .	18B
KNOB-GLOVE BOX DOOR, . . . . .	24B	LANDING LIGHT COVER, . . . . .	1C
KNOB-HANDLE, . . . . .	19B	LANDING LIGHT COVER, . . . . .	1D
KNOB-LANDING LIGHT SWITCH, . . . . .	23	LANDING LIGHT INSTALLATION, . . . . .	1C
KNOB-LANDING LIGHT SWITCH, . . . . .	23A	LANDING LIGHT INSTALLATION, . . . . .	1D
KNOB-LANDING LIGHT SWITCH, . . . . .	23B	LANDING LIGHT INSTALLATION, . . . . .	47
KNOB-LANDING LIGHT SWITCH, . . . . .	23C	LANDING LIGHT SWITCH, . . . . .	23
KNOB-LANDING LIGHT SWITCH, . . . . .	23D	LANDING LIGHT SWITCH, . . . . .	23A
KNOB-LANDING LIGHT SWITCH, . . . . .	23E	LANDING LIGHT SWITCH, . . . . .	23B
KNOB-LANDING LIGHT SWITCH, . . . . .	23F	LANDING LIGHT SWITCH, . . . . .	23C
KNOB-MAP BOX DOOR, . . . . .	24A	LANDING LIGHT SWITCH, . . . . .	23D
KNOB-MASTER SWITCH, . . . . .	23	LANDING LIGHT SWITCH, . . . . .	23F
KNOB-MASTER SWITCH, . . . . .	23A	LANDING LIGHT WINDOW, . . . . .	47
KNOB-MASTER SWITCH, . . . . .	23B	LARGE SPINNER, . . . . .	26
KNOB-MASTER SWITCH, . . . . .	23C	LATCH ASSEMBLY-DOOR, . . . . .	21
KNOB-MASTER SWITCH, . . . . .	23D	LATCH ASSEMBLY-DOOR, . . . . .	22
KNOB-MASTER SWITCH, . . . . .	23E	LATCH ASSEMBLY-DOOR, . . . . .	22A
KNOB-MASTER SWITCH, . . . . .	23F	LATCH ASSEMBLY-DOOR, . . . . .	22B
KNOB-NAVIGATION LIGHT SWITCH, . . . . .	23	LATCH ASSEMBLY-DOOR, . . . . .	22C
KNOB-NAVIGATION LIGHT SWITCH, . . . . .	23A	LATCH ASSEMBLY-DOOR, . . . . .	22D
KNOB-NAVIGATION LIGHT SWITCH, . . . . .	23B	LATCH ASSEMBLY-WINDOW, . . . . .	21
KNOB-NAVIGATION LIGHT SWITCH, . . . . .	23C	LATCH ASSEMBLY-WINDOW, . . . . .	22
KNOB-NAVIGATION LIGHT SWITCH, . . . . .	23D	LATCH ASSEMBLY-WINDOW, . . . . .	22A
KNOB-NAVIGATION LIGHT SWITCH, . . . . .	23E	LATCH ASSEMBLY-WINDOW, . . . . .	22B
KNOB-NAVIGATION LIGHT SWITCH, . . . . .	23F	LATCH ASSEMBLY-WINDOW, . . . . .	22C
KNOB-PRIMER, . . . . .	23	LEADING EDGE ASSEMBLY-INBOARD, . . . . .	3
KNOB-PRIMER, . . . . .	23A	LEADING EDGE ASSEMBLY-CENTER, . . . . .	3
KNOB-PRIMER, . . . . .	23B	LEADING EDGE ASSEMBLY-OUTBOARD, . . . . .	3
KNOB-PRIMER, . . . . .	23C	LEADING EDGE ASSEMBLY-WING, . . . . .	2
KNOB-PRIMER, . . . . .	23D	LEADING EDGE ASSEMBLY-WING, . . . . .	2A
KNOB-PRIMER, . . . . .	23E	LEADING EDGE ASSEMBLY-WING, . . . . .	3
KNOB-PRIMER, . . . . .	43	LENS-CLEAR TAIL LIGHT, . . . . .	9
		LENS-CLEAR TAIL LIGHT, . . . . .	9B
		LENS-COURTESY LIGHT, . . . . .	49
		LENS-INSTRUMENT FLOOD LIGHT, . . . . .	46
		LENS-INSTRUMENT FLOOD LIGHT, . . . . .	46B
		LENS-ROTATING BEACON, . . . . .	48
		LENS-WING POSITION LIGHT, . . . . .	1C
		LENS-WING POSITION LIGHT, . . . . .	1D
		LEVELER-WING, . . . . .	37B
		LEVER ASSEMBLY FLAP, . . . . .	38
		LID ASSEMBLY-BATTERY BOX, . . . . .	14
		LIGHT ASSEMBLY-DOME, . . . . .	46
		LIGHT ASSEMBLY-DOME, . . . . .	46B
		LIGHT ASSEMBLY-INSTRUMENT PANEL, . . . . .	46
		LIGHT ASSEMBLY-INSTRUMENT PANEL, . . . . .	46B

## ALPHABETICAL INDEX

NOMENCLATURE	FIGURE	NOMENCLATURE	FIGURE
<b>L (Cont)</b>		<b>L (cont)</b>	
LIGHT ASSEMBLY-FLASHING BEACON, . . . . .	48A	LOWER SHOCK STRUT, . . . . .	178
LIGHT BULB-COURTESY LIGHT, . . . . .	49	LUBRICATOR FITTING, . . . . .	17
LIGHT BULB-DOME, . . . . .	46	LUBRICATOR FITTING, . . . . .	17A
LIGHT BULB-DOME, . . . . .	46B	LUBRICATOR FITTING, . . . . .	17B
LIGHT BULB-INSTRUMENT, . . . . .	46	LUG-SAFETY BELT, . . . . .	19A
LIGHT BULB-INSTRUMENT, . . . . .	46B		
LIGHT-CHARGE INDICATOR, . . . . .	23	<b>M</b>	
LIGHT-CHARGE INDICATOR, . . . . .	23A	MAGNETO, . . . . .	30A
LIGHT-CHARGE INDICATOR, . . . . .	23B	MAIN GEAR AXLE, . . . . .	18
LIGHT-CONTROL WHEEL MAP, . . . . .	50	MAIN GEAR AXLE, . . . . .	18A
LIGHT-LANDING, . . . . .	1C	MAIN GEAR AXLE, . . . . .	18B
LIGHT-LANDING, . . . . .	1D	MAIN GEAR BULKHEAD ASSEMBLY, . . . . .	11
LIGHT-LANDING, . . . . .	47	MAIN GEAR BULKHEAD ASSEMBLY, . . . . .	11A
LIGHT-TAIL, . . . . .	9	MAIN GEAR BULKHEAD ASSEMBLY, . . . . .	11B
LIGHT-TAIL, . . . . .	9B	MAIN GEAR FAIRING, . . . . .	18
LIGHTER KNOB, . . . . .	23	MAIN GEAR FAIRING, . . . . .	18A
LIGHTER KNOB, . . . . .	23A	MAIN GEAR FAIRING, . . . . .	18B
LIGHTER KNOB, . . . . .	23B	MAIN GEAR WHEEL & BRAKE, . . . . .	18
LIGHTER KNOB, . . . . .	23C	MAIN GEAR WHEEL & BRAKE, . . . . .	18A
LIGHTER KNOB, . . . . .	23D	MAIN GEAR WHEEL & BRAKE, . . . . .	18B
LIGHTER KNOB, . . . . .	23E	MAIN GEAR WHEEL & BRAKE, . . . . .	51
LIGHTER-CIGAR, . . . . .	23	MAIN GEAR WHEEL & BRAKE, . . . . .	51A
LIGHTER-CIGAR, . . . . .	23A	MAIN GEAR WHEEL & BRAKE, . . . . .	51C
LIGHTER-CIGAR, . . . . .	23B	MAIN GEAR WHEEL & BRAKE-HEAVY DUTY, . . . . .	51B
LIGHTER-CIGAR, . . . . .	23C	MAIN LANDING GEAR INSTALLATION, . . . . .	18
LIGHTER-CIGAR, . . . . .	23D	MAIN LANDING GEAR INSTALLATION, . . . . .	18A
LIGHTER-CIGAR, . . . . .	23E	MAIN LANDING GEAR INSTALLATION, . . . . .	18B
LIMIT SWITCH-FLAP, . . . . .	38B	MAP BOX DOOR HINGE, . . . . .	24A
LINE ASSEMBLY-AIRSPEED TO VERT SPD, . . . . .	41	MAP BOX DOOR KNOB, . . . . .	24A
LINE ASSEMBLY-AIRSPEED TO ALTIMETER, . . . . .	41	MAP CASE & DOOR INSTALLATION, . . . . .	23A
LINE ASSEMBLY-BRAKE, . . . . .	42	MAP CASE & DOOR INSTALLATION, . . . . .	23B
LINE ASSEMBLY-BRAKE, . . . . .	42A	MAP CASE & DOOR INSTALLATION, . . . . .	23C
LINE ASSEMBLY-FUEL, . . . . .	43	MAP CASE & DOOR INSTALLATION, . . . . .	23D
LINE ASSEMBLY-HEATED PITOT, . . . . .	43	MAP CASE & DOOR INSTALLATION, . . . . .	23E
LINE ASSEMBLY-OIL PRESSURE, . . . . .	30	MAP CASE & DOOR INSTALLATION, . . . . .	24A
LINE ASSEMBLY-OIL PRESSURE, . . . . .	44	MAP CASE ASSEMBLY, . . . . .	24A
LINE ASSEMBLY-PITOT, . . . . .	41	MAP CASE DOOR, . . . . .	24A
LINE ASSEMBLY-PRIMER, . . . . .	29	MAP LIGHT-CONTROL WHEEL, . . . . .	50
LINE ASSEMBLY-STATIC, . . . . .	41	MASTER BRAKE CYLINDER, . . . . .	54
LINE ASSEMBLY-VENT, . . . . .	43	MASTER CONTACTOR DIODE ASSY, . . . . .	46
LINE ASSEMBLY-VENT, . . . . .	43A	MASTER CONTACTOR DIODE ASSY, . . . . .	46A
LINE ASSEMBLY-VENT PATROLLER, . . . . .	43	MASTER CYLINDER BODY, . . . . .	54
LINE ASSEMBLY-VENT PATROLLER, . . . . .	43A	MASTER CYLINDER PISTON, . . . . .	54
LINE-BRAKE, . . . . .	18	MASTER SOLENOID, . . . . .	46
LINE-BRAKE, . . . . .	18A	MASTER SOLENOID, . . . . .	46A
LINE-BRAKE, . . . . .	18B	MASTER SWITCH, . . . . .	23
LINE-BREATHER, . . . . .	30	MASTER SWITCH, . . . . .	23A
LINING-BRAKE, . . . . .	51	MASTER SWITCH, . . . . .	23B
LINING-BRAKE, . . . . .	51A	MASTER SWITCH, . . . . .	23C
LINING-BRAKE, . . . . .	51B	MASTER SWITCH, . . . . .	23D
LINING-BRAKE, . . . . .	51C	MASTER SWITCH, . . . . .	23F
LINK ASSEMBLY-TORQUE, . . . . .	17	MASTER SWITCH KNOB, . . . . .	23
LINK ASSEMBLY-TORQUE, . . . . .	17A	MASTER SWITCH KNOB, . . . . .	23A
LINK ASSEMBLY-TORQUE, . . . . .	17B	MASTER SWITCH KNOB, . . . . .	23B
LINK-DUAL BRAKES, . . . . .	34	MASTER SWITCH KNOB, . . . . .	23C
LINK-ELEVATOR CONTROL, . . . . .	35A	MASTER SWITCH KNOB, . . . . .	23D
LINK-ELEVATOR CONTROL, . . . . .	35B	MASTER SWITCH KNOB, . . . . .	23F
LOCK-CABIN DOOR, . . . . .	21	MCCAULEY-PROPELLER, . . . . .	26
LOCK-CABIN DOOR, . . . . .	22A	MESSAGE DROP TUBE INSTALLATION, . . . . .	15A
LOCK-CABIN DOOR, . . . . .	22B	MICROPHONE-SEE CESSNA ELEC MANUAL, . . . . .	
LOCK-CABIN DOOR, . . . . .	22C	MIRROR-REAR VIEW, . . . . .	25
LOCK-CONTROL, . . . . .	25	MIRROR-REAR VIEW, . . . . .	25A
LOCK-CONTROL, . . . . .	25A	MIXTURE CONTROL, . . . . .	23
LOCK-MIXTURE CONTROL, . . . . .	23	MIXTURE CONTROL, . . . . .	23A
LOCK-MIXTURE CONTROL, . . . . .	23A	MIXTURE CONTROL, . . . . .	23B
LOCK-MIXTURE CONTROL, . . . . .	23B	MIXTURE CONTROL, . . . . .	23C
LOCK-MIXTURE CONTROL, . . . . .	23C	MIXTURE CONTROL, . . . . .	23D
LOWER COWL, . . . . .	28	MIXTURE CONTROL, . . . . .	23E
LOWER COWL, . . . . .	28A		
LOWER SHOCK STRUT, . . . . .	17		
LOWER SHOCK STRUT, . . . . .	17A		

# ALPHABETICAL INDEX

NOMENCLATURE	FIGURE	NOMENCLATURE	FIGURE
<b>M</b> (cont)		<b>O</b>	
MIXTURE CONTROL, . . . . .	29	OIL COOLER-FLOATPLANE, . . . . .	56
MIXTURE CONTROL LOCK, . . . . .	23	OIL FILTER, . . . . .	44
MIXTURE CONTROL LOCK, . . . . .	23A	OIL FILTER INSTALLATION, . . . . .	44
MIXTURE CONTROL LOCK, . . . . .	23B	OIL PRESSURE GAGE, . . . . .	23
MIXTURE CONTROL LOCK, . . . . .	23C	OIL PRESSURE GAGE, . . . . .	23A
MOORING EYEBOLT, . . . . .	14	OIL PRESSURE GAGE, . . . . .	23B
MOORING EYEBOLT, . . . . .	14C	OIL PRESSURE GAGE, . . . . .	23C
MOORING EYEBOLT BRACKET, . . . . .	14C	OIL PRESSURE GAGE, . . . . .	23D
MOORING RING, . . . . .	7	OIL PRESSURE GAGE, . . . . .	23F
MOTOR & TRANSMISSION ASSEMBLY, . . . . .	38B	OIL PRESSURE LINE ADAPTER, . . . . .	30
MOUNT ASSEMBLY-COWL, . . . . .	12B	OIL PRESSURE LINE, . . . . .	30
MOUNT ASSEMBLY-ENGINE, . . . . .	30	OIL PRESSURE LINE, . . . . .	44
MOUNT-COMPASS, . . . . .	25B	OIL SEPARATOR ASSEMBLY, . . . . .	45
MOUNT-COMPASS, . . . . .	25C	OIL SEPARATOR ASSEMBLY, . . . . .	45A
MOUNT-FLASHING BEACON, . . . . .	48A	OIL SEPARATOR ASSEMBLY, . . . . .	45B
MOUNT-ROTATING BEACON, . . . . .	48	OIL SEPARATOR ASSEMBLY, . . . . .	45D
		OIL SYSTEM INSTALLATION, . . . . .	44
		OIL TEMP GAGE, . . . . .	23
		OIL TEMP GAGE, . . . . .	23A
		OIL TEMP GAGE, . . . . .	23B
		OIL TEMP GAGE, . . . . .	23C
		OIL TEMP GAGE, . . . . .	23D
		OIL TEMP GAGE, . . . . .	23E
		OIL TEMPERATURE ADAPTER, . . . . .	30
		ORIFICE-PISTON SUPPORT ASSEMBLY, . . . . .	17
		ORIFICE-PISTON SUPPORT ASSEMBLY, . . . . .	17A
		ORIFICE-PISTON SUPPORT ASSEMBLY, . . . . .	17B
		OUTLET ASSEMBLY-AIR, . . . . .	33
		OUTLET ASSEMBLY-AIR, . . . . .	33A
		OUTLET ASSEMBLY-AIR, . . . . .	33B
		OUTSIDE AIR TEMP GAGE, . . . . .	25
		OUTSIDE AIR TEMP GAGE, . . . . .	25A
<b>N</b>		<b>P</b>	
NAMEPLATES, . . . . .	1A	PAD ASSEMBLY-SEAT BACK, . . . . .	19A
NAMEPLATES, . . . . .	1B	PAD ASSEMBLY-SEAT BOTTOM, . . . . .	19A
NAV LIGHT DETECTOR, . . . . .	1C	PAD-REAR WINDOW, . . . . .	14B
NAV LIGHT DETECTOR, . . . . .	1D	PAINT CHARTS, . . . . .	PAGE III
NAV LIGHT LENS, . . . . .	1C	PAN ASSEMBLY-SEAT, . . . . .	11
NAV LIGHT LENS, . . . . .	1D	PAN ASSEMBLY-SEAT, . . . . .	11A
NAV LIGHT SWITCH, . . . . .	23	PANEL ASSEMBLY-STATIONARY, . . . . .	23
NAV LIGHT SWITCH, . . . . .	23A	PANEL ASSEMBLY-STATIONARY, . . . . .	23A
NAV LIGHT SWITCH, . . . . .	23B	PANEL ASSEMBLY-STATIONARY, . . . . .	23B
NAV LIGHT SWITCH, . . . . .	23C	PANEL ASSEMBLY-STATIONARY, . . . . .	23C
NAV LIGHT SWITCH, . . . . .	23D	PANEL ASSEMBLY-STATIONARY, . . . . .	23D
NAV LIGHT SWITCH, . . . . .	23F	PANEL ASSEMBLY-STATIONARY, . . . . .	23E
NAV LIGHTS, . . . . .	1C	PANEL-BAGGAGE COMPARTMENT, . . . . .	20
NAV LIGHTS, . . . . .	1D	PANEL-BAGGAGE COMPARTMENT, . . . . .	20A
NET-BAGGAGE, . . . . .	20B	PANEL-BAGGAGE COMPARTMENT, . . . . .	20B
NET-BAGGAGE, . . . . .	20D	PANEL-BAGGAGE COMPARTMENT, . . . . .	20D
NOSE CAP ASSEMBLY-LOWER, . . . . .	28	PANEL-REAR DOORPOST, . . . . .	20
NOSE CAP ASSEMBLY-LOWER, . . . . .	28A	PANEL-REAR DOORPOST, . . . . .	20A
NOSE GEAR FORK-REPLACEMENT KIT, . . . . .	17	PANEL-REAR DOORPOST, . . . . .	20B
NOSE GEAR FORK-REPLACEMENT KIT, . . . . .	17A	PANEL-REAR DOORPOST, . . . . .	20D
NOSE GEAR INSTALLATION, . . . . .	16	PARKING BRAKE CONTROL, . . . . .	23
NOSE GEAR INSTALLATION, . . . . .	16A	PARKING BRAKE CONTROL, . . . . .	23A
NOSE GEAR INSTALLATION-HEAVY DUTY, . . . . .	16B	PARKING BRAKE CONTROL, . . . . .	23B
NOSE GEAR SHOCK STRUT PLACARD, . . . . .	17	PARKING BRAKE CONTROL, . . . . .	23C
NOSE GEAR SHOCK STRUT PLACARD, . . . . .	17A	PARKING BRAKE CONTROL, . . . . .	23D
NOSE GEAR SHOCK STRUT PLACARD, . . . . .	17B	PARKING BRAKE CONTROL, . . . . .	23E
NOSE GEAR SPEED FAIRING, . . . . .	16	PARKING BRAKE CONTROL, . . . . .	42
NOSE GEAR SPEED FAIRING, . . . . .	16A	PARKING BRAKE CONTROL, . . . . .	42A
NOSE GEAR SPEED FAIRING, . . . . .	16B	PATROLLER DOOR ASSEMBLY, . . . . .	22A
NOSE GEAR STEERING TUBE, . . . . .	16	PATROLLER DOOR SKIN ASSEMBLY, . . . . .	22A
NOSE GEAR STEERING TUBE, . . . . .	16A	PATROLLER FUEL TANK INSTL, . . . . .	4A
NOSE GEAR STEERING TUBE, . . . . .	16B	PATROLLER WINDOW, . . . . .	22A
NOSE GEAR STRUT, . . . . .	16	PATROLLER WING ASSEMBLY, . . . . .	1D
NOSE GEAR STRUT, . . . . .	16A		
NOSE GEAR STRUT, . . . . .	17		
NOSE GEAR STRUT, . . . . .	17A		
NOSE GEAR STRUT-HEAVY DUTY, . . . . .	16B		
NOSE GEAR STRUT-HEAVY DUTY, . . . . .	17B		
NOSE RIB WING, . . . . .	3		
NOSE WHEEL ASSEMBLY, . . . . .	16		
NOSE WHEEL ASSEMBLY, . . . . .	52		
NOSE WHEEL ASSEMBLY, . . . . .	52A		
NOSE WHEEL ASSEMBLY-HEAVY DUTY, . . . . .	16B		
NOSE WHEEL ASSEMBLY-HEAVY DUTY, . . . . .	52B		
NOSECAP-UPPER COWL, . . . . .	28		
NOSECAP-UPPER COWL, . . . . .	28A		
NOISE FILTER, . . . . .	46A		
NUMERICAL INDEX, . . . . .	PAGE 397		
NUT-WHEEL FAIRING SUPPORT, . . . . .	18		
NUT-WHEEL FAIRING SUPPORT, . . . . .	18A		
NUT-WHEEL FAIRING SUPPORT, . . . . .	18B		

# ALPHABETICAL INDEX

NOMENCLATURE	FIGURE	NOMENCLATURE	FIGURE
<b>P</b> (cont)		<b>P</b> (cont)	
PEDAL INSTALLATION-RUDDER & BRAKE, . . . . .	34	PULLEY BRACKET-TAB CONTROL, . . . . .	11
PEDAL-BRAKE & RUDDER, . . . . .	34	PULLEY BRACKET-TAB CONTROL, . . . . .	11A
PISTON & ROD ASSY-SHIMMY DAMPENER, . . . . .	53	PULLEY-AILERON, . . . . .	37
PISTON & ROD ASSY-SHIMMY DAMPENER, . . . . .	53A	PULLEY-ELEVATOR, . . . . .	39
PISTON ASSEMBLY-MASTER CYLINDER, . . . . .	54	PULLEY-FLAP, . . . . .	38
PITOT LINE WING ROOT TO UNION, . . . . .	3	PULLEY-FLAP, . . . . .	38B
PITOT LINE, . . . . .	41	PULLEY-RUDDER, . . . . .	36
PITOT SYSTEM INSTALLATION, . . . . .	41	PULLEY-RUDDER, . . . . .	36A
PITOT TUBE, . . . . .	3	PULLEY-TAB, . . . . .	40
PITOT TUBE, . . . . .	41	PULLEY-TAB, . . . . .	40A
PITOT TUBE-HEATED, . . . . .	41	PULLEY-TAB, . . . . .	40A
PITOT-HEATED INSTALLATION, . . . . .	41	PUMP-VACUUM, . . . . .	45
PLACARDS & NAMEPLATES INSTALLATION, . . . . .	1A	PUMP-VACUUM, . . . . .	45A
PLACARDS & NAMEPLATES INSTALLATION, . . . . .	1B	PUMP-VACUUM, . . . . .	45B
PLATE-CABIN HEATER OUTLET, . . . . .	33	PUMP-VACUUM, . . . . .	45D
PLATE FINISH & TRIM, . . . . .	10B	PUMP-VACUUM, . . . . .	45E
PLATE-FLOOR BOARD, . . . . .	20	PUSH PULL ROD AILERON, . . . . .	5
PLATE-FUEL INDICATOR, . . . . .	43	PUSH PULL ROD FLAP, . . . . .	6
PLATE-LANDING GEAR FILLET, . . . . .	18		
PLATE-LANDING GEAR FILLET, . . . . .	18A	<b>R</b>	
PLATE-LANDING GEAR FILLET, . . . . .	18B	RADIO INSTL SEE CESSNA ELEC MANUAL . . . . .	
PLATE-WINDOW LATCH STRIKER, . . . . .	21	RATE OF CLIMB INDICATOR, . . . . .	23
PLATE-WINDOW LATCH STRIKER, . . . . .	22	RATE OF CLIMB INDICATOR, . . . . .	23A
PLATE-WINDOW LATCH STRIKER, . . . . .	22B	RATE OF CLIMB INDICATOR, . . . . .	23B
PLATE-WINDOW LATCH STRIKER, . . . . .	22C	RATE OF CLIMB INDICATOR, . . . . .	23C
PLATE-WING STRUT FILLET, . . . . .	11	RATE OF CLIMB INDICATOR, . . . . .	23D
PLATE-WING STRUT FILLET, . . . . .	11A	RATE OF CLIMB INDICATOR, . . . . .	23E
PLUG-GROUND SERVICE, . . . . .	46A	RATE OF CLIMB INDICATOR, . . . . .	41
PLUG-SPARK, . . . . .	30A	REAR DOORPOST SPAR, . . . . .	14
PLUG-VOLTAGE REGULATOR, . . . . .	46A	REAR DOORPOST SPAR, . . . . .	14B
POSITION LIGHT DETECTOR, . . . . .	1C	REAR DOORPOST, . . . . .	11A
POSITION LIGHT DETECTOR, . . . . .	1D	REAR DOORPOST, . . . . .	14
POSITION LIGHT LENS, . . . . .	1C	REAR WINDOW, . . . . .	14A
POSITION LIGHT LENS, . . . . .	1D	REAR WINDOW, . . . . .	14B
POSITION INDICATOR-FLAP, . . . . .	38B	REAR WINDOW RETAINER, . . . . .	14B
POSITION INDICATOR-FLAP, . . . . .	38C	RECEIVER-ASH, . . . . .	13
PRESSURE PLATE BRAKE, . . . . .	51A	RECEIVER-ASH, . . . . .	21
PRESSURE PLATE BRAKE, . . . . .	51B	RECEIVER-ASH, . . . . .	22
PRESSURE PLATE BRAKE, . . . . .	51C	RECEPTACLE-GROUND SERVICE PLUG, . . . . .	46A
PRIMER ASSEMBLY-ENGINE, . . . . .	23	RECLINING SEAT, . . . . .	19B
PRIMER ASSEMBLY-ENGINE, . . . . .	23A	RECLINING SEAT-WELD ASSY, . . . . .	19B
PRIMER ASSEMBLY-ENGINE, . . . . .	23B	RECORDING TACHOMETER, . . . . .	23
PRIMER ASSEMBLY-ENGINE, . . . . .	23C	RECORDING TACHOMETER, . . . . .	23A
PRIMER ASSEMBLY-ENGINE, . . . . .	23D	RECORDING TACHOMETER, . . . . .	23B
PRIMER ASSEMBLY-ENGINE, . . . . .	23E	RECORDING TACHOMETER, . . . . .	23C
PRIMER ASSEMBLY-ENGINE, . . . . .	43	RECORDING TACHOMETER, . . . . .	23D
PRIMER KNOB, . . . . .	23	RECORDING TACHOMETER, . . . . .	23E
PRIMER KNOB, . . . . .	23A	REGULATOR-VOLTAGE, . . . . .	30A
PRIMER KNOB, . . . . .	23B	REGULATOR-VOLTAGE, . . . . .	46
PRIMER KNOB, . . . . .	23C	REGULATOR-VOLTAGE, . . . . .	46A
PRIMER KNOB, . . . . .	23D	RELIEF VALVE, . . . . .	45
PRIMER KNOB, . . . . .	23E	RETAINER-COMPASS CARD, . . . . .	23
PRIMER KNOB, . . . . .	43	RETAINER-COMPASS CARD, . . . . .	23A
PRIMER LINE, . . . . .	29	RETAINER-COMPASS CARD, . . . . .	23B
PRIMER LINE, . . . . .	43	RETAINER-HEADLINER, . . . . .	11A
PRIMER LINE, . . . . .	43A	RETAINER-REAR WINDOW, . . . . .	14B
PROPELLER & SPINNER INSTALLATION, . . . . .	26	RHEOSTAT-INSTRUMENT LIGHTS, . . . . .	23
PROPELLER SPINNER, . . . . .	26	RHEOSTAT-INSTRUMENT LIGHTS, . . . . .	23A
PROPELLER-METAL MCCAULEY, . . . . .	26	RHEOSTAT-INSTRUMENT LIGHTS, . . . . .	23B
PROPELLER-METAL SENSENICH, . . . . .	26	RHEOSTAT-INSTRUMENT LIGHTS, . . . . .	46B
PULL BAR-DOOR LATCH, . . . . .	21	RIB ASSEMBLY-FLAP TRACK, . . . . .	2
PULL BAR-DOOR LATCH, . . . . .	22	RIB ASSEMBLY-FLAP TRACK, . . . . .	2A
PULL BAR-DOOR LATCH, . . . . .	22A	RIB ASSEMBLY-FUSELAGE CTR SECTION, . . . . .	11
PULL BAR-DOOR LATCH, . . . . .	22B	RIB ASSEMBLY-FUSELAGE CTR SECTION, . . . . .	11A
PULL BAR-DOOR LATCH, . . . . .	22C	RIB ASSEMBLY-LEFT FUEL CELL, . . . . .	2
PULLEY BRACKET, . . . . .	13	RIB ASSEMBLY-LEFT FUEL CELL, . . . . .	2A
PULLEY BRACKET, . . . . .	13A	RIB ASSEMBLY-NOSE, . . . . .	3
PULLEY BRACKET, . . . . .	14	RIB ASSEMBLY-RIGHT FUEL CELL, . . . . .	2
PULLEY BRACKET, . . . . .	14B		
PULLEY BRACKET-RUDDER, . . . . .	11		
PULLEY BRACKET-RUDDER, . . . . .	11A		



# ALPHABETICAL INDEX

NOMENCLATURE	FIGURE	NOMENCLATURE	FIGURE
<b>R (cont)</b>		<b>S (cont)</b>	
RIB ASSEMBLY-RIGHT FUEL CELL, . . . . .	2A	SAFETY BELT CLIP, . . . . .	19A
RIB ASSEMBLY-RUDDER, . . . . .	9	SAMPLER CUP-FUEL, . . . . .	4B
RIB ASSEMBLY-RUDDER, . . . . .	9B	SAMPLER VALVE-FUEL, . . . . .	4B
RIB ASSEMBLY-WING TRAILING EDGE, . . . . .	2	SCOPP-CABIN AIR VENT, . . . . .	3
RIB-AILERON, . . . . .	5	SCRAPER, . . . . .	16
RIB-ELEVATOR, . . . . .	8	SCRAPER, . . . . .	16A
RIB-FIN, . . . . .	9	SCRAPER, . . . . .	16B
RIB-FIN, . . . . .	9A	SCREW-BLEEDER, . . . . .	51A
RIB-FLAP, . . . . .	6	SCREW-BLEEDER, . . . . .	51C
RIB-STABILIZER, . . . . .	8	SEAL ASSEMBLY-STEERING LINK, . . . . .	12
RIB-TAB, . . . . .	8	SEAL ASSEMBLY-STEERING LINK, . . . . .	12A
RIB-WING, . . . . .	2	SEAL ASSEMBLY-STEERING LINK, . . . . .	12B
RIB-WING, . . . . .	2A	SEAL ASSEMBLY-STEERING LINK, . . . . .	12C
RING-MOORING, . . . . .	7	SEAL-Baffle, . . . . .	32
RING-MOORING, . . . . .	14	SEAL-LANDING GEAR, . . . . .	18
RING-MOORING, . . . . .	14C	SEAL-LANDING GEAR, . . . . .	18A
RISER ASSEMBLY, . . . . .	31	SEAL-WING STRUT, . . . . .	11
ROD ASSEMBLY-AILERON PUSH-PULL, . . . . .	5	SEAL-WING STRUT, . . . . .	11A
ROD ASSEMBLY-FLAP PUSH PULL, . . . . .	6	SEAT ASSEMBLY-RECLINING, . . . . .	19B
ROD END, . . . . .	5	SEAT BACK ASSEMBLY, . . . . .	19
ROD END, . . . . .	6	SEAT BACK BRACKET ASSEMBLY, . . . . .	14B
ROTARY CLUTCH PLATE-DOOR, . . . . .	11A	SEAT BACK CATCH, . . . . .	10
ROTARY CLUTCH PLATE-DOOR, . . . . .	14B	SEAT BACK CATCH, . . . . .	10A
ROTATING BEACON BULB, . . . . .	48	SEAT BELT, . . . . .	19A
ROTATING BEACON INSTALLATION, . . . . .	23	SEAT BELT, . . . . .	19C
ROTATING BEACON INSTALLATION, . . . . .	48	SEAT BELT, . . . . .	25
ROTATING BEACON LENS ASSEMBLY, . . . . .	48	SEAT BELT, . . . . .	25A
ROTATING BEACON MOUNT, . . . . .	48	SEAT BELT, . . . . .	19A
ROTATING BEACON-FIN MOUNT, . . . . .	9	SEAT BOTTOM-CHILDS, . . . . .	
RUDDER ASSEMBLY-VERTICAL, . . . . .	9	SEAT COVERINGS-SEE COVER ASSY . . . . .	
RUDDER ASSEMBLY-VERTICAL, . . . . .	9B	SEAT CUSHIONS-SEE CUSHION ASSY . . . . .	
RUDDER BAR ARM, . . . . .	34	SEAT INSTALLATION-CHILD, . . . . .	19A
RUDDER BAR SHIELD, . . . . .	20	SEAT INSTALLATION, . . . . .	19
RUDDER BAR SHIELD, . . . . .	20A	SEAT LATCH, . . . . .	19
RUDDER BAR SHIELD, . . . . .	20B	SEAT PAN ASSY, . . . . .	11
RUDDER BAR SHIELD, . . . . .	20D	SEAT PAN ASSEMBLY, . . . . .	11A
RUDDER BELLCRANK, . . . . .	9	SEAT RAIL, . . . . .	11
RUDDER CABLE FAIRLEAD, . . . . .	36	SEAT RAIL, . . . . .	11A
RUDDER CABLE FAIRLEAD, . . . . .	36A	SEAT RAIL, . . . . .	19B
RUDDER CONTROL BRACKET, . . . . .	9	SEAT STOP, . . . . .	19B
RUDDER CONTROL CABLE, . . . . .	36	SEAT-AUXILIARY, . . . . .	19C
RUDDER CONTROL CABLE, . . . . .	36A	SEAT-AUXILIARY, . . . . .	19D
RUDDER CONTROL SYSTEM, . . . . .	36	SENENICH PROPELLER, . . . . .	26
RUDDER CONTROL SYSTEM, . . . . .	36A	SERVO-WING LEVELER, . . . . .	37B
RUDDER HINGE ASSEMBLY-HALF, . . . . .	9	SHAFT ASSEMBLY-DOOR LATCH, . . . . .	22
RUDDER HORN, . . . . .	9B	SHAFT ASSEMBLY-DOOR LATCH, . . . . .	22A
RUDDER PEDAL BEARING ASSEMBLY, . . . . .	34	SHAFT ASSEMBLY-RECLINING SEAT, . . . . .	19B
RUDDER PEDAL BELLCRANK ASSEMBLY, . . . . .	34	SHAFT-TACHOMETER DRIVE, . . . . .	23
RUDDER PEDAL INSTALLATION, . . . . .	34	SHAFT-TACHOMETER DRIVE, . . . . .	23A
RUDDER PEDAL, . . . . .	34	SHAFT-TACHOMETER DRIVE, . . . . .	23B
RUDDER PULLEY, . . . . .	36	SHAFT-TACHOMETER DRIVE, . . . . .	23C
RUDDER PULLEY, . . . . .	36A	SHAFT-TACHOMETER DRIVE, . . . . .	23D
RUDDER PULLEY BRACKET, . . . . .	11	SHAFT-TACHOMETER DRIVE, . . . . .	23E
RUDDER PULLEY BRACKET, . . . . .	11A	SHEET-FIREWALL, . . . . .	12
RUDDER RIB, . . . . .	9	SHEET-FIREWALL, . . . . .	12A
RUDDER RIB, . . . . .	9B	SHELF-BAGGAGE, . . . . .	14A
RUDDER SPAR, . . . . .	9	SHELF-BAGGAGE, . . . . .	20
RUDDER TIP, . . . . .	9	SHELF-UTILITY, . . . . .	20C
RUDDER TIP, . . . . .	9B	SHIELD-CONTROL TEE, . . . . .	20
RUDDER, FIN & DORSAL INSTALLATION, . . . . .	9	SHIELD-CONTROL TEE, . . . . .	20A
		SHIELD-DOOR POST COVER, . . . . .	20B
		SHIELD-DOOR POST COVER, . . . . .	20C
		SHIELD-FIREWALL, . . . . .	46
		SHIELD-FIREWALL, . . . . .	46A
		SHIELD-FLASHING BEACON, . . . . .	48A
		SHIELD-OIL TEMP LINE, . . . . .	12
		SHIELD-OIL TEMP LINE, . . . . .	12A
		SHIELD-OIL TEMP LINE, . . . . .	12B
		SHIELD-OIL TEMP LINE, . . . . .	12C
		SHIELD-RUDDER BAR, . . . . .	20
		SHIELD-RUDDER BAR, . . . . .	20A
		SHIELD-RUDDER BAR, . . . . .	20B
<b>S</b>			
SAFETY BELT, . . . . .	19A		
SAFETY BELT, . . . . .	19C		
SAFETY BELT, . . . . .	25		
SAFETY BELT, . . . . .	25A		
SAFETY BELT ATTACHMENT BRACKET, . . . . .	11		
SAFETY BELT ATTACHMENT BRACKET, . . . . .	11A		

# ALPHABETICAL INDEX

NOMENCLATURE	FIGURE	NOMENCLATURE	FIGURE
<b>S (cont)</b>		<b>S (cont)</b>	
SHIELD-RUDDER BAR, . . . . .	20D	SKIN-FLAP, . . . . .	6
SHIELD-TACHOMETER SHAFT, . . . . .	12	SKIN-FRONT SECTION, . . . . .	12A
SHIELD-TACHOMETER SHAFT, . . . . .	12A	SKIN-FRONT SECTION, . . . . .	12B
SHIELD-TACHOMETER SHAFT, . . . . .	12B	SKIN-FRONT SECTION, . . . . .	12C
SHIELD-TACHOMETER SHAFT, . . . . .	12C	SKIN-FUSELAGE, . . . . .	11
SHIELD-THROTTLE CONTROL, . . . . .	12	SKIN-FUSELAGE, . . . . .	11A
SHIELD-WIRING HARNESS, . . . . .	12	SKIN-LEADING EDGE, . . . . .	3
SHIELD-WIRING HARNESS, . . . . .	12A	SKIN-STABILIZER, . . . . .	8
SHIELD-WIRING HARNESS, . . . . .	12B	SKIN-TAB, . . . . .	8
SHIELD-WIRING HARNESS, . . . . .	12C	SKIN-VERTICAL FIN, . . . . .	9
SHIM- 1/2 DEGREE CORRECTION, . . . . .	18	SKIN-VERTICAL FIN, . . . . .	9A
SHIM- 1/2 DEGREE CORRECTION, . . . . .	18A	SPEED FAIRING-NOSE GEAR, . . . . .	16A
SHIM- 1/2 DEGREE CORRECTION, . . . . .	18B	SPEED FAIRING-NOSE GEAR, . . . . .	16
SHIM- 2 DEGREE CORRECTION, . . . . .	18	SPEED FAIRING-NOSE GEAR, . . . . .	16B
SHIM- 2 DEGREE CORRECTION, . . . . .	18A	SOLENOID-MASTER, . . . . .	46
SHIM- 2 DEGREE CORRECTION, . . . . .	18B	SOLENOID-MASTER, . . . . .	46A
SHIMMY DAMPENER, . . . . .	17	SOUNDPROOFING, . . . . .	20
SHIMMY DAMPENER, . . . . .	17A	SOUNDPROOFING, . . . . .	20A
SHIMMY DAMPENER, . . . . .	17B	SOUNDPROOFING, . . . . .	20B
SHIMMY DAMPENER, . . . . .	53	SOUNDPROOFING, . . . . .	20C
SHIMMY DAMPENER, . . . . .	53A	SOUNDPROOFING, . . . . .	20D
SHIMMY DAMPENER BARREL, . . . . .	53	SOUNDPROOFING-CABIN TOP, . . . . .	20
SHIMMY DAMPENER BARREL, . . . . .	53A	SOUNDPROOFING-CABIN TOP, . . . . .	20A
SHIMMY DAMPENER PISTON & ROD, . . . . .	53	SOUNDPROOFING-CABIN TOP, . . . . .	20B
SHIMMY DAMPENER PISTON & ROD, . . . . .	53A	SOUNDPROOFING-CABIN TOP, . . . . .	20C
SHOCK MOUNT ASSEMBLY-COWL, . . . . .	12B	SPAR ASSEMBLY-AILERON AUXILIARY, . . . . .	2A
SHOCK MOUNT ASSEMBLY-COWL, . . . . .	12C	SPAR ASSEMBLY-AILERON AUXILIARY, . . . . .	5
SHOCK MOUNT-INSTRUMENT PANEL, . . . . .	23	SPAR ASSEMBLY-VERTICAL FIN, . . . . .	9
SHOCK MOUNT-INSTRUMENT PANEL, . . . . .	23A	SPAR ASSEMBLY-WING FRONT, . . . . .	2
SHOCK MOUNT-INSTRUMENT PANEL, . . . . .	23B	SPAR ASSEMBLY-WING FRONT, . . . . .	2A
SHOCK MOUNT-INSTRUMENT PANEL, . . . . .	23C	SPAR ASSEMBLY-WING REAR, . . . . .	2
SHOCK MOUNT-INSTRUMENT PANEL, . . . . .	23D	SPAR ASSEMBLY-WING REAR, . . . . .	2A
SHOCK MOUNT-INSTRUMENT PANEL, . . . . .	23E	SPAR BEARING BLOCK, . . . . .	13
SHOCK PANEL COVER, . . . . .	23	SPARK PLUG, . . . . .	30A
SHOCK PANEL COVER, . . . . .	23A	SPAR-AUXILIARY, . . . . .	2
SHOCK PANEL COVER, . . . . .	23B	SPAR-ELEVATOR, . . . . .	8
SHOCK PANEL COVER, . . . . .	23C	SPAR-FLAP, . . . . .	6
SHOCK PANEL COVER, . . . . .	23D	SPAR-REAR DOORPOST, . . . . .	14
SHOCK PANEL COVER, . . . . .	23E	SPAR-REAR DOOR POST, . . . . .	14B
SHOCK PANEL-INSTRUMENT, . . . . .	23	SPAR-RUDDER, . . . . .	9
SHOCK PANEL-INSTRUMENT, . . . . .	23A	SPAR-STABILIZER, . . . . .	8
SHOCK PANEL-INSTRUMENT, . . . . .	23B	SPEED FAIRING ASSEMBLY-NOSE GEAR, . . . . .	16
SHOCK PANEL-INSTRUMENT, . . . . .	23C	SPEED FAIRING ASSEMBLY-NOSE GEAR, . . . . .	16A
SHOCK PANEL-INSTRUMENT, . . . . .	23D	SPEED FAIRING ASSEMBLY-NOSE GEAR, . . . . .	16B
SHOCK PANEL-INSTRUMENT, . . . . .	23E	SPEED FAIRING ASSEMBLY, . . . . .	18
SHOCK STRUT ASSEMBLY, . . . . .	17	SPEED FAIRING ASSEMBLY, . . . . .	18A
SHOCK STRUT ASSEMBLY, . . . . .	17A	SPEED FAIRING ASSEMBLY, . . . . .	18B
SHOCK STRUT ASSEMBLY-HEAVY DUTY, . . . . .	17B	SPEED FAIRING INSTALLATION, . . . . .	16
SHOCK STRUT PLACARD, . . . . .	17	SPEED FAIRING INSTALLATION, . . . . .	16A
SHOCK STRUT PLACARD, . . . . .	17A	SPEED FAIRING INSTALLATION, . . . . .	16B
SHOCK STRUT PLACARD, . . . . .	17B	SPEED FAIRING INSTALLATION, . . . . .	18
SHOCK STRUT TUBE, . . . . .	17	SPEED FAIRING INSTALLATION, . . . . .	18A
SHOCK STRUT TUBE, . . . . .	17A	SPEED FAIRING INSTALLATION, . . . . .	18B
SHOCK STRUT TUBE-HEAVY DUTY, . . . . .	17B	SPEED FAIRINGS, . . . . .	16
SHOE-STABILIZER, . . . . .	8	SPEED FAIRINGS, . . . . .	16A
SHOULDER HARNESS, . . . . .	25	SPEED FAIRINGS, . . . . .	16B
SHOULDER HARNESS, . . . . .	25A	SPEED FAIRINGS, . . . . .	18
SHOULDER HARNESS HOOK, . . . . .	25	SPEED FAIRINGS, . . . . .	18A
SHOULDER HARNESS HOOK, . . . . .	25A	SPEED FAIRINGS, . . . . .	18B
SILL ASSEMBLY-DOOR, . . . . .	11	SPINNER & PROP INSTALLATION, . . . . .	26
SILL ASSEMBLY-DOOR, . . . . .	11A	SPINNER DOME, . . . . .	26
SKIN ASSEMBLY-AFT SECTION, . . . . .	14	SPINNER INSTALLATION-LARGE, . . . . .	26
SKIN ASSEMBLY-AFT SECTION, . . . . .	14B	SPINNER-PROPELLER, . . . . .	26
SKIN-AILERON, . . . . .	5	SPlice PLATE-FUSELAGE, . . . . .	14
SKIN-CABIN TOP, . . . . .	11	SPOTWELD ASSEMBLY-LOWER COWL, . . . . .	28
SKIN-CABIN TOP, . . . . .	11A	SPOTWELD ASSEMBLY-UPPER COWL, . . . . .	28
SKIN-CABIN, . . . . .	13	SPRING ASSEMBLY-LANDING GEAR, . . . . .	18
SKIN-CABIN, . . . . .	13A	SPRING ASSEMBLY-LANDING GEAR, . . . . .	18A
SKIN-COWL, . . . . .	28	SPRING ASSEMBLY-LANDING GEAR, . . . . .	18B
SKIN-COWL, . . . . .	28A	SPRING-BRAKE & RUDDER RETURN, . . . . .	34
SKIN-ELEVATOR, . . . . .	8	SPRING-PARKING BRAKE, . . . . .	54

# ALPHABETICAL INDEX

NOMENCLATURE	FIGURE	NOMENCLATURE	FIGURE
<b>S (cont)</b>		<b>S (cont)</b>	
SPRING-RECLINING SEAT, . . . . .	19B	STRAINER ASSEMBLY-FUEL, . . . . .	43A
SPRING-RETURN BRAKE, . . . . .	42	STRAINER ASSEMBLY-FUEL, . . . . .	43B
SPRING-RETURN BRAKE, . . . . .	42A	STRAINER BRACKET-FUEL, . . . . .	12
SPRING-SEAT ADJUSTMENT, . . . . .	19B	STRAINER DRAIN-CONTROL, . . . . .	29
SPROCKET-CONTROL TEE, . . . . .	35	STRAINER-FUEL, . . . . .	43
SPROCKET-CONTROL Y, . . . . .	35A	STRAINER-FUEL, . . . . .	43A
SPROCKET-CONTROL Y, . . . . .	35B	STRAINER-FUEL, . . . . .	43B
SPROCKET-TAB CONTROL, . . . . .	40	STRAP ASSEMBLY-FUEL TANK, . . . . .	2
SPROCKET-TAB CONTROL, . . . . .	40A	STRAP ASSEMBLY-FUEL TANK, . . . . .	2A
SPROCKET-TAB CONTROL, . . . . .	40B	STRAP ASSEMBLY-FUEL TANK, . . . . .	4
STABILIZER & ELEVATOR INSTALLATION, . . . . .	8	STRAP ASSEMBLY-FUEL TANK, . . . . .	4A
STABILIZER ASSEMBLY, . . . . .	8	STRAP-ASSIST, . . . . .	20
STABILIZER HINGE, . . . . .	8	STRAP-ASSIST, . . . . .	20A
STABILIZER RIB ASSEMBLY, . . . . .	8	STRAP-ASSIST, . . . . .	20B
STABILIZER SPAR, . . . . .	8	STRAP-ASSIST, . . . . .	20C
STABILIZER TIP, . . . . .	8	STRAP-BATTERY GROUND, . . . . .	46
STACKS-EXHAUST, . . . . .	30	STRAP-BATTERY GROUND, . . . . .	46A
STACKS-EXHAUST, . . . . .	31	STRAP-BRAKE LINE, . . . . .	18
STAINLESS STEEL CABLES-SEE CABLES . . . . .		STRAP-BRAKE LINE, . . . . .	18A
STALL WARNING HORN, . . . . .	23	STRAP-BRAKE LINE, . . . . .	18B
STALL WARNING HORN, . . . . .	23A	STRAP-GROUND, . . . . .	23
STALL WARNING HORN, . . . . .	23B	STRAP-GROUND, . . . . .	23A
STALL WARNING HORN, . . . . .	41A	STRAP-GROUND, . . . . .	23B
STALL WARNING UNIT-WING, . . . . .	1C	STRAP-GROUND, . . . . .	23C
STALL WARNING UNIT-WING, . . . . .	1D	STRAP-GROUND, . . . . .	23D
STALL WARNING UNIT-WING-HEATED, . . . . .	1C	STRAP-GROUND, . . . . .	23E
STALL WARNING UNIT-WING-HEATED, . . . . .	1D	STRAP-GROUND, . . . . .	30
STARTER, . . . . .	30A	STRIKE PLATE-DOOR LATCH, . . . . .	11
STARTER ARM EXTENSION, . . . . .	29	STRIKER PLATE-WINDOW LATCH, . . . . .	21
STARTER ARM EXTENSION, . . . . .	30	STRIKER PLATE-WINDOW LATCH, . . . . .	22
STARTER CONTACTOR, . . . . .	46A	STRIKER PLATE-WINDOW LATCH, . . . . .	22A
STARTER CONTROL, . . . . .	23	STRIKER PLATE-WINDOW LATCH, . . . . .	22B
STARTER CONTROL, . . . . .	23A	STRIKER PLATE-WINDOW LATCH, . . . . .	22C
STARTER CONTROL, . . . . .	23B	STRINGER-ENGINE MOUNT, . . . . .	12
STARTER CONTROL, . . . . .	23C	STRINGER-ENGINE MOUNT, . . . . .	12A
STARTER CONTROL, . . . . .	23D	STRINGER-ENGINE MOUNT, . . . . .	12B
STARTER CONTROL, . . . . .	29	STRINGER-ENGINE MOUNT, . . . . .	12C
STATIC LINE, . . . . .	41	STRINGER-WING, . . . . .	2
STATIONARY INSTRUMENT PANEL, . . . . .	12	STRIP-WINDSHIELD, . . . . .	15
STATIONARY INSTRUMENT PANEL, . . . . .	12A	STRUCTURE ASSEMBLY-CABIN DOOR LH, . . . . .	21
STATIONARY INSTRUMENT PANEL, . . . . .	12B	STRUCTURE ASSEMBLY-CABIN DOOR RH, . . . . .	22
STATIONARY INSTRUMENT PANEL, . . . . .	12C	STRUCTURE ASSY-CABIN DOOR PATROLLER . . . . .	22A
STATIONARY INSTRUMENT PANEL, . . . . .	23	STRUCTURE ASSEMBLY-CABIN DOOR, . . . . .	22B
STATIONARY INSTRUMENT PANEL, . . . . .	23A	STRUCTURE ASSEMBLY-CABIN DOOR, . . . . .	22C
STATIONARY INSTRUMENT PANEL, . . . . .	23B	STRUCTURE ASSEMBLY-LEFT WING, . . . . .	2
STATIONARY INSTRUMENT PANEL, . . . . .	23C	STRUCTURE ASSEMBLY-PATROLLER WING, . . . . .	2A
STATIONARY INSTRUMENT PANEL, . . . . .	23D	STRUCTURE ASSEMBLY-RIGHT WING, . . . . .	2
STATIONARY INSTRUMENT PANEL, . . . . .	23E	STRUT ASSEMBLY-NOSE GEAR, . . . . .	16
STATIONARY PANEL COVER, . . . . .	23	STRUT ASSEMBLY-NOSE GEAR, . . . . .	16A
STATIONARY PANEL COVER, . . . . .	23A	STRUT ASSEMBLY-NOSE GEAR, . . . . .	17
STATIONARY PANEL COVER, . . . . .	23B	STRUT ASSEMBLY-NOSE GEAR, . . . . .	17A
STATIONARY PANEL COVER, . . . . .	23C	STRUT ASSEMBLY-NOSE GEAR-HEAVY DUTY, . . . . .	16B
STATIONARY PANEL COVER, . . . . .	23D	STRUT ASSEMBLY-NOSE GEAR-HEAVY DUTY . . . . .	17B
STATIONARY PANEL COVER, . . . . .	23E	STRUT ASSEMBLY-WING, . . . . .	7
STEERING ARM-NOSE GEAR, . . . . .	17	STRUT ASSEMBLY-WING, . . . . .	7A
STEERING ARM-NOSE GEAR, . . . . .	17A	STRUT FAIRING-WING, . . . . .	7A
STEERING ARM-NOSE GEAR, . . . . .	17B	STRUT FITTING, . . . . .	2
STEERING LINK SEAL, . . . . .	12	STRUT FITTING, . . . . .	2A
STEERING LINK SEAL, . . . . .	12A	STRUT FITTING LOWER, . . . . .	7
STEERING LINK SEAL, . . . . .	12B	STRUT FITTING LOWER, . . . . .	7A
STEERING LINK SEAL, . . . . .	12C	STRUT FITTING UPPER, . . . . .	7
STEERING TUBE-NOSE GEAR, . . . . .	16	STRUT FITTING UPPER, . . . . .	7A
STEERING TUBE-NOSE GEAR, . . . . .	16A	STRUT INSTALLATION-WING, . . . . .	7A
STEERING TUBE-NOSE GEAR, . . . . .	16B	STRUT-LOWER SHOCK, . . . . .	17
STEP ASSEMBLY-CABIN, . . . . .	18	STRUT-LOWER SHOCK, . . . . .	17A
STEP ASSEMBLY-CABIN, . . . . .	18A	STRUT-LOWER SHOCK-HEAVY DUTY, . . . . .	17B
STEP ASSEMBLY-CABIN, . . . . .	18B	SUCTION GAGE, . . . . .	23
STEP BRACKET, . . . . .	18	SUCTION GAGE, . . . . .	23A
STEP BRACKET, . . . . .	18A	SUCTION GAGE, . . . . .	23B
STEP BRACKET, . . . . .	18B	SUCTION GAGE, . . . . .	23C
STRAINER ASSEMBLY-FUEL, . . . . .	43	SUCTION GAGE, . . . . .	23D





# ALPHABETICAL INDEX

NOMENCLATURE	FIGURE	NOMENCLATURE	FIGURE
<b>T (cont)</b>		<b>U (cont)</b>	
TOP ASSEMBLY-CABIN, . . . . .	11A	UPHOLSTERY-HOW TO ORDER, . . . . .	PAGE XII
TORQUE LINK-NOSE GEAR, . . . . .	17	UPPER COWL, . . . . .	28
TORQUE LINK-NOSE GEAR, . . . . .	17A	UPPER COWL, . . . . .	28A
TORQUE LINK-NOSE GEAR-HEAVY DUTY, . . . . .	17B	UTILITY-SHELF, . . . . .	20C
TORQUE TUBE-ELEVATOR, . . . . .	8		
TOW BAR-NOSE WHEEL, . . . . .	25	<b>V</b>	
TOW BAR-NOSE WHEEL, . . . . .	25A	VACUUM GYRO INSTALLATION, . . . . .	45
TOW HOOK, . . . . .	25	VACUUM GYRO INSTALLATION, . . . . .	45A
TOW HOOK, . . . . .	25A	VACUUM GYRO INSTALLATION, . . . . .	45B
TRAILING EDGE RIB-WING, . . . . .	2	VACUUM GYRO INSTALLATION, . . . . .	450
TRANSMITTER-FUEL GAUGE, . . . . .	4	VACUUM GYRO INSTALLATION, . . . . .	45E
TRANSMISSION & MOTOR ASSEMBLY, . . . . .	38B	VACUUM PUMP, . . . . .	45
TRANSMITTER-FUEL GAUGE, . . . . .	4A	VACUUM PUMP, . . . . .	45A
TRIM-DOOR POST, . . . . .	20	VACUUM PUMP, . . . . .	45B
TRIM-DOOR POST, . . . . .	20A	VACUUM PUMP, . . . . .	450
TRIM-DOOR POST, . . . . .	20B	VACUUM PUMP, . . . . .	45E
TRIM-DOOR POST, . . . . .	20C	VACUUM SEPARATOR, . . . . .	45
TRUE AIRSPEED INSTALLATION, . . . . .	23B	VACUUM SEPARATOR, . . . . .	45A
TRUE AIRSPEED INSTALLATION, . . . . .	23C	VACUUM SEPARATOR, . . . . .	45B
TRUE AIRSPEED INSTALLATION, . . . . .	23D	VACUUM SEPARATOR, . . . . .	45D
TRUE AIRSPEED INSTALLATION, . . . . .	23E	VALVE ASSEMBLY-CABIN HEATER, . . . . .	12A
TUBE ASSEMBLY-DROP, . . . . .	15A	VALVE ASSEMBLY-CABIN HEATER, . . . . .	12B
TUBE ASSEMBLY-NOSE GEAR STEERING, . . . . .	16	VALVE ASSEMBLY-CABIN HEATER, . . . . .	12C
TUBE ASSEMBLY-NOSE GEAR STEERING, . . . . .	16A	VALVE ASSEMBLY-CABIN HEATER, . . . . .	33
TUBE ASSEMBLY-NOSE GEAR STEERING, . . . . .	16B	VALVE ASSEMBLY-CABIN HEATER, . . . . .	33A
TUBE ASSEMBLY-TAB ACTUATOR, . . . . .	8	VALVE ASSEMBLY-CABIN HEATER, . . . . .	33B
TUBE ASSEMBLY-TORQUE ELEVATOR, . . . . .	8	VALVE ASSEMBLY-FUEL VENT, . . . . .	4
TUBE CONTROL, . . . . .	35	VALVE ASSEMBLY-FUEL VENT, . . . . .	4A
TUBF-AXLE, . . . . .	16	VALVE ASSEMBLY-SHOCK STRUT, . . . . .	17
TUBE-AXLE, . . . . .	16A	VALVE ASSEMBLY-SHOCK STRUT, . . . . .	17A
TUBE-AXLE-HEAVY DUTY, . . . . .	16B	VALVE ASSEMBLY-SHOCK STRUT, . . . . .	17B
TUBE-BLAST, . . . . .	32	VALVE-AIR, . . . . .	12
TUBE-PITOT, . . . . .	3	VALVE-AIR, . . . . .	12A
TUBE-PITOT, . . . . .	41	VALVE-AIR, . . . . .	12B
TUBF-POLYETHYLENE, . . . . .	41	VALVE-AIR, . . . . .	12C
TUBE-SHOCK STRUT, . . . . .	17	VALVE-FUEL DRAIN, . . . . .	4
TUBE-SHOCK STRUT, . . . . .	17A	VALVE-FUEL DRAIN, . . . . .	43
TUBE-SHOCK STRUT-HEAVY DUTY, . . . . .	17B	VALVE-FUEL SHUTOFF, . . . . .	43
TUBELESS TIRE EXPANDER, . . . . .	25	VALVE-FUEL SHUTOFF, . . . . .	43A
TURN & BANK INDICATOR, . . . . .	23	VALVE-INFLATION, . . . . .	25
TURN & BANK INDICATOR, . . . . .	23A	VALVE-RELIEF, . . . . .	45
TURN & BANK INDICATOR, . . . . .	23B	VALVE-RELIEF, . . . . .	45A
TURN & BANK INDICATOR, . . . . .	23C	VALVE-RELIEF, . . . . .	45B
TURN & BANK INDICATOR, . . . . .	23D	VALVE-RELIEF, . . . . .	450
TURN & BANK INDICATOR, . . . . .	23E	VALVE-RELIEF, . . . . .	45E
TURN COORDINATOR, . . . . .	23D	VALVE-WING LEVELER, . . . . .	23D
TURN COORDINATOR, . . . . .	23E	VALVE-WING LEVELER, . . . . .	23E
TURN COORDINATOR, . . . . .	37C	VALVE-WING LEVELER, . . . . .	37C
TURN COORDINATOR, . . . . .	37D	VALVE-WING LEVELER, . . . . .	37D
		VENT LINE, . . . . .	43
<b>U</b>		VENT LINE, . . . . .	43A
U-BOLT-MAIN LANDING GEAR, . . . . .	18	VENT LINE-PATROLLER, . . . . .	43
UNIVERSAL JOINT DUAL CONTROLS, . . . . .	35A	VENT LINE-PATROLLER, . . . . .	43A
UNIVERSAL JOINT DUAL CONTROLS, . . . . .	35B	VENT VALVE FUEL, . . . . .	4
UPHOLSTERY INSTALLATION, . . . . .	20	VENT VALVE FUEL, . . . . .	4A
UPHOLSTERY INSTALLATION, . . . . .	20A	VENTILATING SYSTEM, . . . . .	33
UPHOLSTERY INSTALLATION, . . . . .	20B	VENTILATING SYSTEM, . . . . .	33A
UPHOLSTERY INSTALLATION, . . . . .	20C	VENTILATING SYSTEM, . . . . .	33B
UPHOLSTERY INSTALLATION, . . . . .	20D	VERTICAL FIN, . . . . .	9
UPHOLSTERY PANEL, . . . . .	20	VERTICAL FIN, . . . . .	9A
UPHOLSTERY PANEL, . . . . .	20A	VERTICAL FIN SPAR, . . . . .	9
UPHOLSTERY PANEL, . . . . .	20B	VERTICAL FIN-DORSAL, . . . . .	9
UPHOLSTERY PANEL, . . . . .	20D	VERTICAL FIN-DORSAL, . . . . .	9A
UPHOLSTERY-DOOR PANEL, . . . . .	21	VERTICAL SPEED INDICATOR, . . . . .	23
UPHOLSTERY-DOOR PANEL, . . . . .	22	VERTICAL SPEED INDICATOR, . . . . .	23A
UPHOLSTERY-DOOR PANEL, . . . . .	22A	VERTICAL SPEED INDICATOR, . . . . .	23B
UPHOLSTERY-DOOR PANEL, . . . . .	22B	VERTICAL SPEED INDICATOR, . . . . .	23C
UPHOLSTERY-DOOR PANEL, . . . . .	22C	VERTICAL SPEED INDICATOR, . . . . .	23D



# ALPHABETICAL INDEX

NOMENCLATURE	FIGURE	NOMENCLATURE	FIGURE
<b>W</b> (Cont)			
WING STRUT, . . . . .	7		
WING STRUT, . . . . .	7A		
WING STRUT FAIRING, . . . . .	7A		
WING STRUT INSTALLATION, . . . . .	7A		
WING STRUT SEAL, . . . . .	11		
WING STRUT SEAL, . . . . .	11A		
WING TIP, . . . . .	2		
WING TIP, . . . . .	2A		
WING UNIT-STALL WARNING, . . . . .	1C		
WING UNIT-STALL WARNING, . . . . .	10		
WING UNIT-STALL WARNING, . . . . .	41A		
WING UNIT-STALL WARNING-HEATED, . . . . .	1C		
WING UNIT-STALL WARNING-HEATED, . . . . .	1D		
WING-PATROLLER, . . . . .	1D		
WINTERIZATION EQUIPMENT INSTL, . . . . .	27		
WINTERIZATION EQUIPMENT INSTL, . . . . .	27A		
WIRE-HEADLINING, . . . . .	20		
WIRE-HEADLINING, . . . . .	20A		
WIRE-HEADLINING, . . . . .	20B		
WIRE-HEADLINING, . . . . .	20C		
WRENCH-FILTER ADAPTER, . . . . .	44		

**PARTS  
LISTING** 

FIGURE AND INDEX NO.	PART NUMBER	DESCRIPTION							UNITS PER ASSY	USABLE ON CODE
		1	2	3	4	5	6	7		
1 -		MISCELLANEOUS BULK ITEMS -----							AR	
- 1	C1C2	CONLEY-WELD			CEMENTING -----					
		EPOXY BASE ADHESIVE.			PLASTIC TO PLASTIC					
					PLASTIC TO METAL					
					FIBERGLASS TO FIBERGLASS					
					FIBERGLASS TO METAL					
					METAL TO METAL					
- 2	EC880	ADHESIVE-SYNTHETIC RUBBER BASE OIL RESISTANT			CEMENTING -----					
					RUBBER TO METAL					
					SCUNDPROOFING TO METAL					
					UPHOLSTERY TO METAL					
- 3	1024A-B	CEMENT PARTS A & B			CEMENTING DE-ICER -----					
					AND ABRASION BOOTS					
					TO WING AND STABILIZER LEADING EDGES.					
- 4	1C07	PRIMER			USED ONLY FOR PRIMING -----					
					AREAS WHERE DE-ICER					
					AND ABRASION BOOTS ARE					
					TO BE INSTALLED WITH					
					1024A-B.					
- 5	576.1	SEALANT-EXTRUDED PERMAGUM			WEATHER SEALING -----					
					OF WINDSHIELD OR CABIN.					
- 6	579.6	SEALANT-EXTRUDED ZINC CHROMATE			WEATHER SEALING -----					
					OF WINDSHIELD OR CABIN.					
- 7	S1078-1	SEALANT-SYNTHETIC RUBBER-FABRIC REINFORCED .06 THICK .50 WIDE			WINDSHIELD SEALING -----					
- 8	S1078-2	SEALANT-SYNTHETIC RUBBER-FABRIC REINFORCED .12 THICK .50 WIDE			WINDSHIELD SEALING -----					
- 9	S1078-3	SEALANT-SYNTHETIC RUBBER-FABRIC REINFORCED 2 MIL MYLAR TAPE BACKING. .06 THICK 1.50 WIDE			WINDSHIELD SEALING -----					
-10	EC1239AB	SEALANT-CATALYTIC			GENERAL PURPOSE-----					
					FOR FAYING SURFACES-					
					FILLET & RIVET SEALS-					
					FUEL SEALING AND AREAS					
					WHERE SKYDROL IS PRESENT					
-11	700	SEALANT-FIREWALL			SEALING FIREWALL JOINTS -----					
					AND OPENINGS.					
					WITHSTANDS 2000 DEGREE TEMP					
					FOR 5 MINUTES.					
-12	EC776	ADHESIVE-GASKET FUEL RESISTANT SYNTHETIC RUBBER BASE.			CEMENTING GASKETS -----					
-13	550	SOUND DEADENER-LIQUID VIBRATION DAMPENER			VIBRATION DAMPENING -----					
					CAN BE BRUSHED					
					OR SPRAYED.					
-14	MIL-P-8585	PRIMER-ZINC CHROMATE-GREEN			CORROSION PROOFING -----					
-14A	EC1675A-B	SEALANT-CATALYTIC			HOPPER ADAPTER TO -----					
					HOPPER-CANTILEVER					
					WING FUEL BAY					
-14B	PR0890	SEALANT-CATALYTIC ALTERNATE FCR EC/675A-B			HOPPER ADAPTER TO -----					
					HOPPER-CANTILEVER					
					WING FUEL BAY					



FIGURE AND INDEX NO.	PART NUMBER	DESCRIPTION						UNITS PER ASSY	USABLE ON CODE
		1	2	3	4	5	6		
1 -15	S51-4	HOSE-FUEL & OIL-1/4 ID	AVAILABLE BY THE FOOT	-----				AR	
	S51-6	HOSE-FUEL & OIL-3/8 ID	AVAILABLE BY THE FOOT	-----				AR	
	S51-8	HOSE-FUEL & OIL-1/2 ID	AVAILABLE BY THE FOOT	-----				AR	
	S51-10	HOSE-FUEL & OIL-5/8 ID	AVAILABLE BY THE FOOT	-----				AR	
	S51-12	HOSE-FUEL & OIL-3/4 ID	AVAILABLE BY THE FOOT	-----				AR	
	S51-16	HOSE-FUEL & OIL-1.00 ID	AVAILABLE BY THE FOOT	-----				AR	
	S51-32	HOSE-FUEL & OIL-2.00 ID	AVAILABLE BY THE FOOT	-----				AR	
	-16	S202RB	CHANNEL-EXTRUDED BLACK	AVAILABLE BY THE FOOT	-----				AR
		S202VW	CHANNEL-EXTRUDED WHITE	AVAILABLE BY THE FOOT	-----				AR
	-17	S292-1	INSULATION SLEEVING-ELEC-.118 ID	AVAILABLE BY THE FOOT	--				AR
		S292-2	INSULATION SLEEVING-ELEC-.133 ID	AVAILABLE BY THE FOOT	--				AR
		S292-3	INSULATION SLEEVING-ELEC-.148 ID	AVAILABLE BY THE FOOT	--				AR
		S292-4	INSULATION SLEEVING-ELEC-.166 ID	AVAILABLE BY THE FOOT	--				AR
		S292-5	INSULATION SLEEVING-ELEC-.186 ID	AVAILABLE BY THE FOOT	--				AR
		S292-6	INSULATION SLEEVING-ELEC-.208 ID	AVAILABLE BY THE FOOT	--				AR
S292-8		INSULATION SLEEVING-ELEC-.263 ID	AVAILABLE BY THE FOOT	--				AR	
S292-11		INSULATION SLEEVING-ELEC-5/16 ID	AVAILABLE BY THE FOOT	--				AR	
S292-12		INSULATION SLEEVING-ELEC-3/8 ID	AVAILABLE BY THE FOOT	---				AR	
S292-14		INSULATION SLEEVING-ELEC-1/2 ID	AVAILABLE BY THE FOOT	---				AR	
S292-16		INSULATION SLEEVING-ELEC-3/4 ID	AVAILABLE BY THE FOOT	---				AR	
S292-28		INSULATION SLEEVING-ELEC-2-1/2 ID	AVAILABLE BY THE FOOT	--				AR	
-18		S10268G	CLAMP-WRAP TYPE	AVAILABLE IN 100 FOOT ROLL	-----				AR
-19	S1053E7T	DUCT-FLEXIBLE-NEOPRENE IMPREGNATED	7/8 DIA	-----				AR	
	S1053E8T	DUCT-FLEXIBLE-NEOPRENE IMPREGNATED	1.00 DIA	-----				AR	
S1053E10T	DUCT-FLEXIBLE-NEOPRENE IMPREGNATED	1-1/4 DIA	-----				AR		
S1053K10T	DUCT-FLEXIBLE-SILICONE IMPREGNATED	1-1/4 DIA	-----				AR		
S1053E12T	DUCT-FLEXIBLE-NEOPRENE IMPREGNATED	1-1 1/2 DIA	-----				AR		
S1053K12T	DUCT-FLEXIBLE-SILICONE IMPREGNATED	1-1/2 DIA	-----				AR		
S1053E20T	DUCT-FLEXIBLE-NEOPRENE IMPREGNATED	2-1/2 DIA	-----				AR		
S1053K20T	DUCT-FLEXIBLE-SILICONE IMPREGNATED	2-1/2 DIA	-----				AR		
S1053E24T	DUCT-FLEXIBLE-NEOPRENE IMPREGNATED	3.00 DIA	-----				AR		
S1053K24T	DUCT-FLEXIBLE-SILICONE IMPREGNATED	3.00 DIA	-----				AR		
S1053K24W	DUCT-FLEXIBLE-SILICONE IMPREGNATED	2 PLY 3.00 DIA	---				AR		
S1053E28T	DUCT-FLEXIBLE-NEOPRENE IMPREGNATED	3-1/2 DIA	-----				AR		
S1053K28W	DUCT-FLEXIBLE-SILICONE IMPREGNATED	2 PLY 3-1/2 DIA	---				AR		
S1053E32T	DUCT-FLEXIBLE-NEOPRENE IMPREGNATED	4.00 DIA	-----				AR		
S1053K32T	DUCT-FLEXIBLE-SILICONE IMPREGNATED	4.00 DIA	-----				AR		
-20	S1047-1	SEAL-SPONGE RUBBER-1/4 THICK	AVAILABLE BY THE FOOT	-----				AR	
	S1047-2	SEAL-SPONGE RUBBER-5/16 THICK	AVAILABLE BY THE FOOT	-----				AR	
-21	S1055-1	CHANNEL-EXTRUDED RUBBER	AVAILABLE BY THE FOOT	-----				AR	
-22	S1071-1	TUBE-POLYETHYLENE-1/4 DIA	AVAILABLE BY THE FOOT	-----				AR	
	S1071-3	TUBE-POLYETHYLENE-3/8 DIA	AVAILABLE BY THE FOOT	-----				AR	
	S1071-4	TUBE-POLYETHYLENE-1/2 DIA	AVAILABLE BY THE FOOT	-----				AR	
	S1071-5	TUBE-POLYETHYLENE-5/8 DIA	AVAILABLE BY THE FOOT	-----				AR	

CONTINUED ON NEXT PAGE

Bulk Items (Cont)

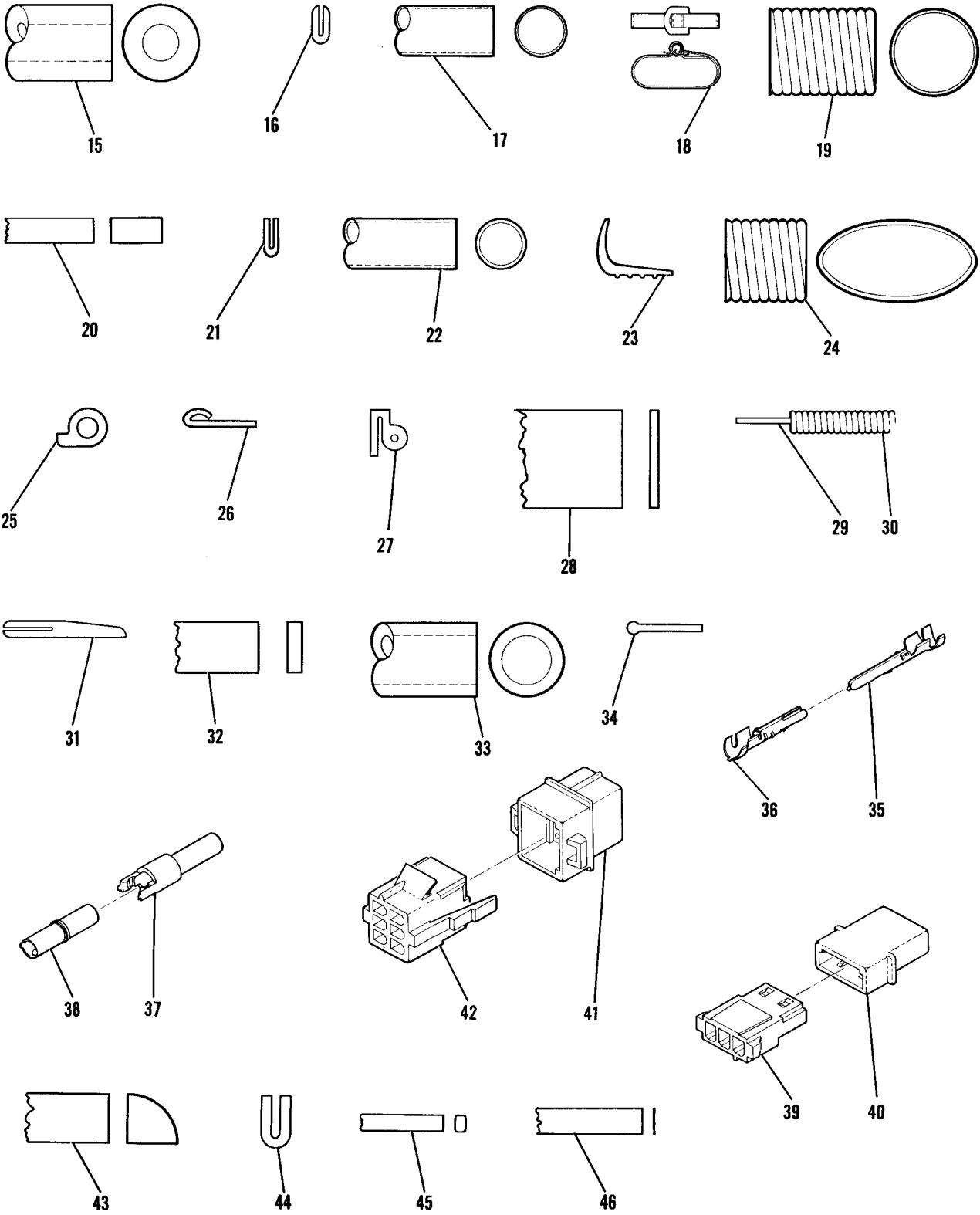
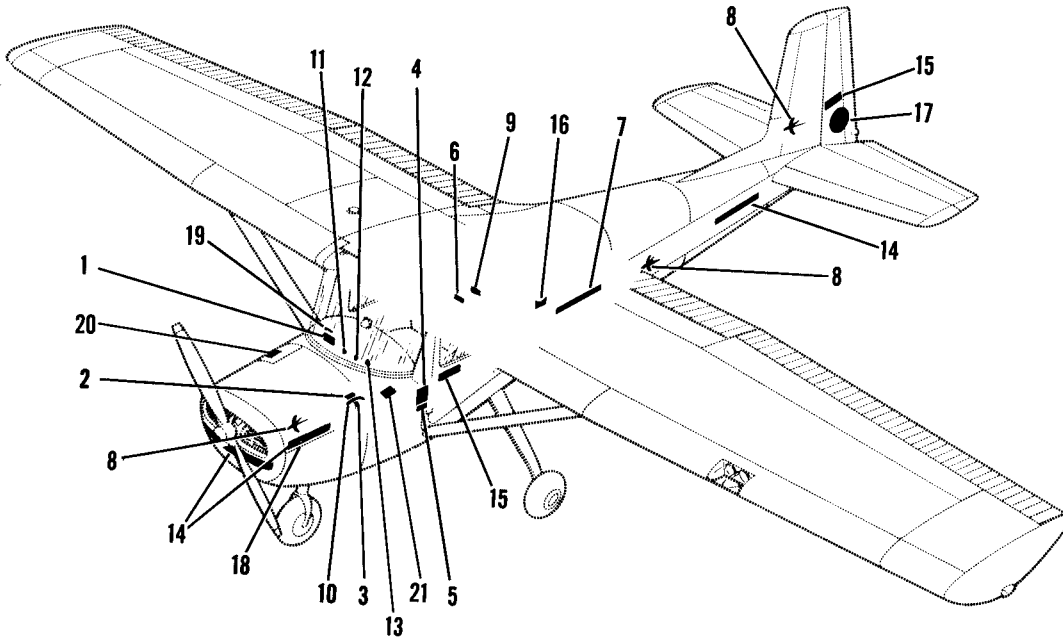


Figure 1. Miscellaneous Bulk Items

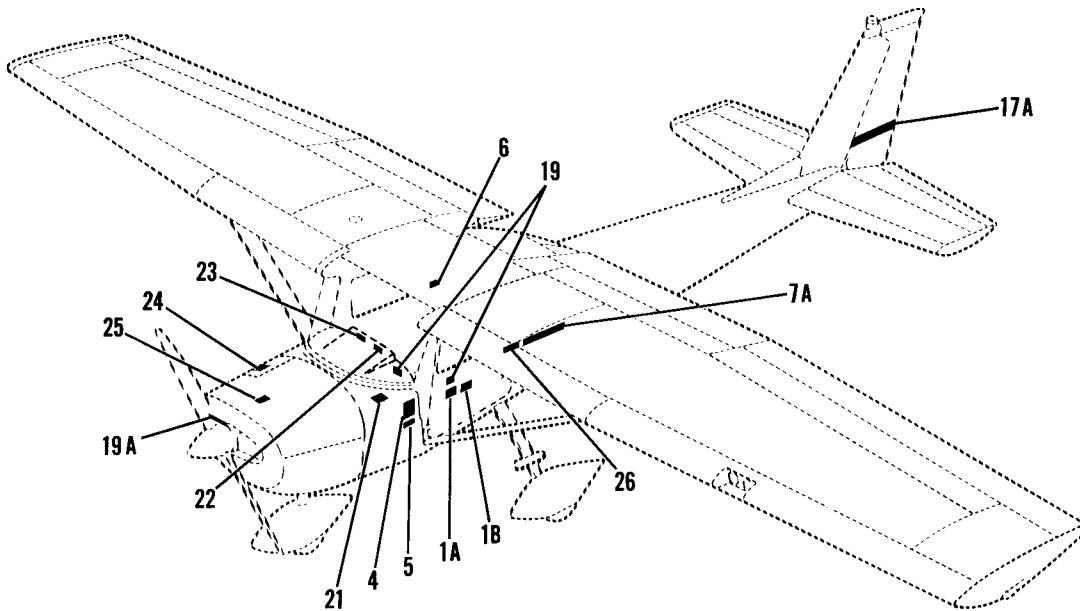


FIGURE AND INDEX NO.	PART NUMBER	DESCRIPTION	UNITS PER ASSY	USABLE ON CODE
		<b>1 2 3 4 5 6 7</b>		
1 -23	S1084-1	SEAL-EXTRUDED RUBBER AVAILABLE BY THE FOOT -----	AR	
-24	S1110ET	DUCT-OVAL-FLEXIBLE-NEOPRENE IMPREGNATED ----- AVAILABLE IN 10 FOOT LENGTHS ONLY	AR	
-25	S1346-1	SEAL-SPONGE RUBBER AVAILABLE IN 12 FT LENGTHS ONLY -----	AR	
-26	S1366-1	MOULDING-EXTRUDED PLASTIC-SAND AVAILABLE BY THE FOOT ----	AR	
	S1366-2	MOULDING-EXTRUDED PLASTIC-FAWN AVAILABLE BY THE FOOT ----	AR	
	S1366-3	MOULDING-EXTRUDED PLASTIC-BLACK AVAILABLE BY THE FOOT ---	AR	
-27	S1378-1	SEAL-SPONGE RUBBER-BEIGE AVAILABLE IN 7 FT LENGTHS ONLY -	AR	
	S1378-2	SEAL-SPONGE RUBBER-CLOUD GRAY ----- AVAILABLE IN 7 FT LENGTHS ONLY	AR	
-28	S1389-1	SEALER STRIP-FELT-1.00 WIDE AVAILABLE BY THE FOOT -----	AR	
	S1389-2	SEALER STRIP-FELT-1-1/2 WIDE AVAILABLE BY THE FOOT -----	AR	
	S1389-3	SEALER STRIP-FELT-2.00 WIDE AVAILABLE BY THE FOOT -----	AR	
	S1389-4	SEALER STRIP-FELT-1-3/4 WIDE AVAILABLE BY THE FOOT -----	AR	
	S1389-5	SEALER STRIP-FELT-1-1/4 WIDE AVAILABLE BY THE FOOT -----	AR	
	S1389-6	SEALER STRIP-FELT-2-1/4 WIDE AVAILABLE BY THE FOOT -----	AR	
	S1389-7	SEALER STRIP-FELT-1-3/8 WIDE AVAILABLE BY THE FOOT -----	AR	
-29	S1398-1	CONTROL-PUSH PULL-WIRE AVAILABLE BY THE FOOT -----	AR	
-30	S1398-2	CONTROL-PUSH PULL-CASING AVAILABLE BY THE FOOT -----	AR	
-31	S1415-1	MOULDING-EXTRUDED VINYL -----	AR	
-32	S1441-1	SEAL-SPONGE RUBBER-3/8 WIDE AVAILABLE BY THE FOOT -----	AR	
	S1441-2	SEAL-SPONGE RUBBER-1/4 WIDE AVAILABLE BY THE FOOT -----	AR	
	S1441-3	SEAL-SPONGE RUBBER-1/2 WIDE AVAILABLE BY THE FOOT -----	AR	
-33	S1495-4	HOSE-RUBBER-1/4 ID AVAILABLE BY THE FOOT -----	AR	
	S1495-6	HOSE-RUBBER-3/8 ID AVAILABLE BY THE FOOT -----	AR	
	S1495-8	HOSE-RUBBER-1/2 ID AVAILABLE BY THE FOOT -----	AR	
	S1495-10	HOSE-RUBBER-5/8 ID AVAILABLE BY THE FOOT -----	AR	
-34	S1611-1	SEAL-EXTRUDED VINYL AVAILABLE BY THE FOOT -----	AR	
-35	S1635-1	ELECTRICAL PIN WIRE SIZE 22-18 -----	AR	
	S1635-2	ELECTRICAL PIN WIRE SIZE 18-14 -----	AR	
	S1635-3	ELECTRICAL PIN WIRE SIZE 18 GA-2 WIRE -----	AR	
-36	S1636-1	ELECTRICAL SOCKET WIRE SIZE 22-18 -----	AR	
	S1636-2	ELECTRICAL SOCKET WIRE SIZE 18-14 -----	AR	
	S1636-3	ELECTRICAL SOCKET WIRE SIZE 18 GA-2 WIRE -----	AR	
-37	S1637-1	HOUSING-ELECTRICAL PIN -----	AR	
-38	S1637-2	HOUSING-ELECTRICAL SOCKET -----	AR	
-39	S1638-1	HOUSING-ELECTRICAL SOCKET-3 CIRCUIT -----	AR	
-40	S1638-2	HOUSING-ELECTRICAL PIN-3 CIRCUIT -----	AR	
-41	S1640-6	HOUSING-ELECTRICAL PIN-6 CAVITY -----	AR	
	S1640-9	HOUSING-ELECTRICAL PIN-9 CAVITY -----	AR	
	S1640-12	HOUSING-ELECTRICAL PIN-12 CAVITY -----	AR	
	S1640-15	HOUSING-ELECTRICAL PIN-15 CAVITY -----	AR	
-42	S1641-6	HOUSING-ELECTRICAL SOCKET-6 CAVITY -----	AR	
	S1641-9	HOUSING-ELECTRICAL SOCKET-9 CAVITY -----	AR	
	S1641-12	HOUSING-ELECTRICAL SOCKET-12 CAVITY -----	AR	
	S1641-15	HOUSING-ELECTRICAL SOCKET-15 CAVITY -----	AR	
-43	S1116	SEAL-NEOPRENE AVAILABLE IN 12 FOOT LENGTHS ONLY -----	AR	
-44	S1356	SEAL-EXTRUDED RUBBER AVAILABLE BY THE FOOT -----	AR	
-45	S1614	LACING-KOROSEAL AVAILABLE BY THE FOOT -----	AR	
-46	3690-1/8	FILM-BLACK VINYL-1/8 IN WIDE AVAILABLE BY THE ROLL -----	AR	
	3690-1/4	FILM-BLACK VINYL-1/4 IN WIDE AVAILABLE BY THE ROLL -----	AR	
	3690-1/2	FILM-BLACK VINYL-1/2 IN WIDE AVAILABLE BY THE ROLL -----	AR	

Placards



SERIAL 17001 THRU 15064532



SERIAL 15064533 THRU 15069308

**SERIAL 17001 THRU 15069308**

Figure 1A. Placards & Nameplates Installation



FIGURE AND INDEX NO.	PART NUMBER	DESCRIPTION	UNITS PER ASSY	USABLE ON CODE		
					1	2
1A-		PLACARDS & NAMEPLATES INSTALLATION -----	NP	AB		
- 1	0411962-1	PLACARD-OPERATIONAL LIMITATIONS -----	1	J		
	0412034-2	PLACARD-OPERATIONAL LIMITATIONS -----	1	T		
	0412034-3	PLACARD-OPERATIONAL LIMITATIONS F150 ONLY -----	1	U		
- 1A	S1656-3	PLACARD-OPERATIONAL LIMITATIONS -----	1	V		
	S1656-5	PLACARD-OPERATIONAL LIMITATIONS F150 ONLY -----	1	W		
- 1B	S1656-24	PLACARD-OPERATIONAL LIMITATIONS FLOATPLANE ONLY -----	1	X		
- 2	0510191	PLACARD-FLAP LEVER -----	1	E		
	0510194-1	PLACARD-FLAP LEVER -----	1	F		
	0460194-1	PLACARD-FLAP LEVER -----	1	H		
- 3	0413179	PLACARD-TAKE OFF RANGE -----	1	L		
- 4		NAMEPLATE-M.A.A. -----	NP			
- 5	0713047	PLACARD-FINISH & TRIM -----	1			
- 6	0411732-1	PLACARD-BAGGAGE COMPARTMENT -----	1	C		
	0512166-4	PLACARD ASSEMBLY-BAGGAGE COMPARTMENT -----	1	D		
	0512166-2	PLACARD-BAGGAGE COMPARTMENT -----	1	N		
	0512166-1	PLACARD-BAGGAGE & OR AUXILIARY SEAT -----	1	P		
- 7	0500027-11	NAMEPLATE-150 NOT AVAILABLE -----	NP	B		
	0400137-1	NAMEPLATE ONE FIFTY -----	2	R		
	0700748-1	PLACARD-CESSNA INSIGNIA -----	2	R		
	0500125-1	PLATE-CESSNA INSIGNIA -----	2	R		
- 7A	0400202-1	PLACARD-EXTERIOR IDENTIFICATION -----	1	Z		
	1205013-1	PLACARD ONE FIFTY -----	1	AA		
- 8	0400018-1	NAMEPLATE-CESSNA INSIGNIA LH -----	AR	J		
	0400018-2	NAMEPLATE-CESSNA INSIGNIA RH -----	AR	J		
- 9	0413344-1	PLACARD-CHILD SEAT CAPACITY -----	1	C		
-10	0411422	PLACARD-TAB POSITION INDICATOR -----	1	L		
-11	0410117-2	PLACARD-35 AMP GENERATOR -----	1	L		
-12	0513163-8	PLACARD-HEATED PITOT -----	1	B		
-13	0513163-4	PLACARD-ROTATING BEACON -----	1	B		
-14	0500085-1	NAMEPLATE-CESSNA -----	AR	A		
	0500085-2	PLACARD-STAR -----	AR	A		
-15	0500091-2	PLACARD-EXTERIOR NUMBER -----	2	A		
-16	0400032-1	EMBLEM -----	2	G		
	0400038-1	EMBLEM -----	2	K		
-17	1400014-1	NAMEPLATE CESSNA -----	2	G		
	0500248-1	NAMEPLATE CESSNA -----	2	K		
	0400135-1	NAMEPLATE CESSNA -----	2	R		
-17A	0500248-1	NAMEPLATE CESSNA -----	1	Z		
	1205010-1	NAMEPLATE-LH CESSNA -----	1	AA		
	1205010-2	NAMEPLATE-RH CESSNA -----	1	AA		
-18	0400033-1	LETTERING ONE FIFTY -----	2	G		
	0400037-1	LETTERING ONE FIFTY -----	2	K		
-19	0700319-13	PLACARD-WINTERIZATION -----	1			
-19A	0552110-1	PLACARD-WINTERIZATION COVER -----	1			
-20	S1397-2	PLACARD-ENGINE OIL CHANGE -----	1	Q		
-21	0410218-1	PLATE ASSEMBLY-FUEL INDICATOR -----	1	M		
	0410218-6	PLATE ASSEMBLY-FUEL INDICATOR FLOATPLANE -----	1	X		
	0410218-2	PLATE ASSEMBLY-FUEL INDICATOR LONG RANGE -----	1	M		
	0410218-7	PLATE ASSEMBLY-FUEL INDICATOR LONG RANGE FLOATPLANE -----	1	X		
-22	0400210-1	PLACARD-COMPASS CORRECTION -----	1	Z		
-23	0400211-2	PLACARD ASSEMBLY-AIRPLANE IDENTIFICATION -----	1	S		
-24	S1397-5	PLACARD-ENGINE OIL CHANGE -----	1	S		

CONTINUED ON NEXT PAGE



FIGURE AND INDEX NO.	PART NUMBER	DESCRIPTION	UNITS PER ASSY	USABLE ON CODE
1A-25 -26	1213535-1 0405001-1	<b>1 2 3 4 5 6 7</b> PLACARD-BATTERY BOX ----- PLACARD COMMUTER -----	1 1	Y
		A---150 SERIAL 15059019 THRU 15060087 B---150 SERIAL 17001 THRU 59018 C---150 SERIAL 17001 THRU 15059350 D---150 SERIAL 15059351 THRU 15059720 E---150 SERIAL 17001 THRU 15059700 F---150 SERIAL 15059701 THRU 15060087 G---150 SERIAL 15060088 THRU 15060772 H---150 SERIAL 15060088 THRU 15061532 J---150 SERIAL 17001 THRU 15060087 K---150 SERIAL 15060773 THRU 15061532 L---150 SERIAL 17001 THRU 15061532 M---150 SERIAL 15061533 THRU 15069308 F150 SERIAL F150-0001 THRU F150-0389 N---150 SERIAL 15059721 THRU 15060087 P---150 SERIAL 15060088 THRU 15069308 F150 SERIAL F150-0001 THRU F150-0389 Q---150 SERIAL 15059701 THRU 15064532 F150 SERIAL F150-0001 THRU F150-0067 R---150 SERIAL 15061533 THRU 15064532 F150 SERIAL F150-0001 THRU F150-0067 S---150 SERIAL 15064533 THRU 15069308 F150 SERIAL F150-0068 THRU F150-0389 T---150 SERIAL 15060088 THRU 15064532 U---F150 SERIAL F150-0001 THRU F150-0067 V---150 SERIAL 15064533 THRU 15069308 W---F150 SERIAL F150-0068 THRU F150-0389 X---150 SERIAL 15065955 THRU 15069308 FLOATPLANE F150 SERIAL F150-0191 THRU F150-0389 FLOATPLANE Y---150 SERIAL 15067199 THRU 15069308 Z---150 SERIAL 15064533 THRU 15067198 F150 SERIAL F150-0068 THRU F150-0219 AA---150 SERIAL 15067199 THRU 15069308 F150 SERIAL F150-0220 THRU F150-0389 AB---150 SERIAL 17001 THRU 15069308		

This page intentionally left blank.

Placards (Cont)

***ABCDEFGHIJKLMN  
OPQRSTUVWXYZ  
-1234567890***

**ABCDEFGHIJKLMN  
OPQRSTUVWXYZ  
-1234567890**

**ABCDEFGHIJKLMN  
OPQRSTUVWXYZ  
-1234567890**

Figure 1B. (Sheet 1 of 3) Placards, Nameplates & Exterior Markings

Placards (Cont)

## S1500 TYPE STENCILS \* FOR SLANT GOTHIC LETTERS & NUMERALS

LETTERS AND NUMERALS ARE AVAILABLE IN 10 INCH AND 12 INCH HEIGHTS IN EITHER LEFT HAND OR RIGHT HAND SLANT.

LETTERS AVAILABLE ARE A THRU Z.  
NUMERALS AVAILABLE ARE 0 THRU 9.

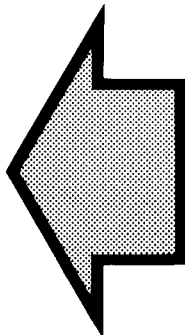
### TO ORDER:

EACH LETTER OR NUMERAL WANTED MUST BE ORDERED BY GIVING BASIC PART NUMBER, FOLLOWED BY HEIGHT DESIRED, FOLLOWED BY SPECIFIC LETTER OR NUMERAL AND THE DESIGNATOR L OR R TO INDICATE LEFT OR RIGHT HAND SLANT.

### EXAMPLE:

S1500 - 10 - M L

BASIC PART NO. | HEIGHT WANTED | DIRECTION OF SLANT LETTER WANTED



## S1600 TYPE STENCILS \* FOR VERTICAL GOTHIC LETTERS & NUMERALS

LETTERS AND NUMERALS ARE AVAILABLE IN 6 INCH, 12 INCH AND 20 INCH HEIGHTS. LETTERS AVAILABLE ARE A THRU Z. NUMERALS AVAILABLE ARE 0 THRU 9.

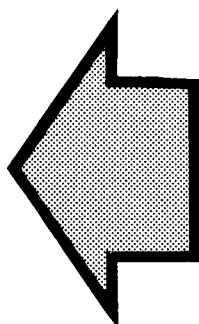
### TO ORDER:

EACH LETTER OR NUMERAL WANTED MUST BE ORDERED BY GIVING BASIC PART NUMBER, FOLLOWED BY HEIGHT DESIRED, FOLLOWED BY SPECIFIC LETTER OR NUMERAL WANTED.

### EXAMPLE:

S1600 - 20 - N

BASIC PART NO. | HEIGHT WANTED | LETTER WANTED



\* EACH STENCIL PROVIDES FOR EITHER  
BACKGROUND OR CENTER MASK.

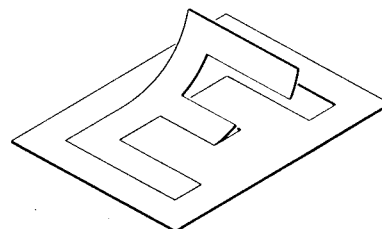
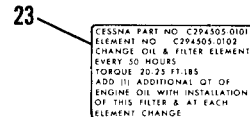
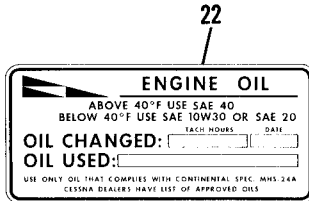
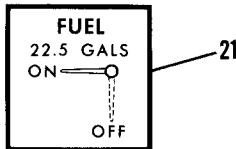
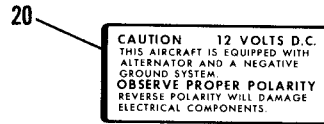
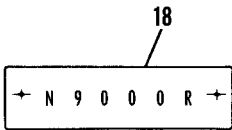
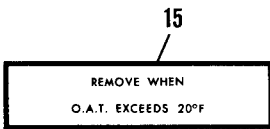
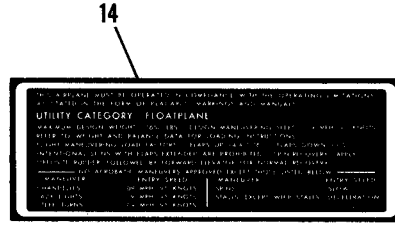
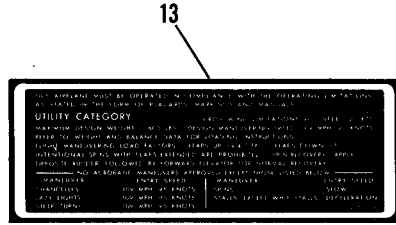
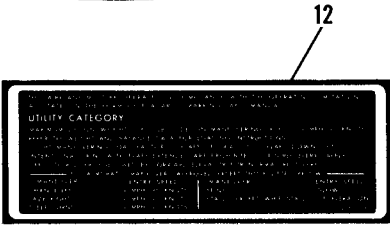
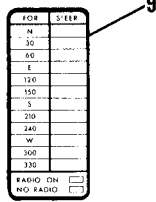
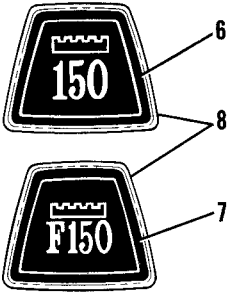


Figure 1B. (Sheet 2 of 3) Placards, Nameplates & Exterior Markings

Placards (Cont)



SERIAL 15069309 & ON

Figure 1B. (Sheet 3 of 3) Placards, Nameplates & Exterior Markings



FIGURE AND INDEX NO.	PART NUMBER	DESCRIPTION	UNITS PER ASSY	USABLE ON CODE
		<b>1 2 3 4 5 6 7</b>		
1B-		PLACARDS, NAMEPLATES, & EXTERIOR MARKINGS -----	NP	A
- 1	1205013-1	NAMEPLATE ONE FIFTY -----	2	
- 2	0405001-1	PLACARD COMMUTER -----	2	B
- 3	0505012-1	PLACARD -----	2	
- 4	1205010-3	NAMEPLATE-LH CESSNA -----	1	B
	1205010-4	NAMEPLATE-RH CESSNA -----	1	B
- 5		DELETED, NEVER USED -----		
- 6	0505008-5	PLACARD-CONTROL WHEEL -----	1	B
- 7	0505008-6	PLACARD-CONTROL WHEEL F150 -----	1	C
- 8	0505017-1	PLATE-CONTROL WHEEL INSIGNIA -----	1	
- 9	0713819-1	PLACARD-COMPASS CORRECTION -----	1	
-10	S1713-1	PLACARD-HANDS OF FRIENDSHIP -----	1	B
-11	S1714-1	PLACARD-ALLIANCE FOR PROGRESS -----	1	B
-12	1205001-8	PLACARD-OPERATIONAL LIMITATIONS -----	1	B
-13	1205001-9	PLACARD-OPERATIONAL LIMITATIONS F150 ONLY -----	1	C
-14	1205001-11	PLACARD-OPERATIONAL LIMITATIONS FLOATPLANE ONLY -----	1	D
-15	0552110-1	PLACARD-WINTERIZATION COVER -----	1	
-16	0505009-2	PLACARD-WINTERIZATION -----	1	
-17	0713047	PLACARD-FINISH & TRIM -----	1	
-18	0400211-6	PLACARD ASSEMBLY-AIRPLANE IDENTIFICATION -----	1	
-19	0505007-1	PLACARD-BAGGAGE & OR AUXILIARY SEAT -----	1	
-20	1205024-1	PLACARD-BATTERY BOX -----	1	
-21	0410218-1	PLATE ASSEMBLY-FUEL INDICATOR 22.5 GALS -----	1	
	0410218-6	PLATE ASSEMBLY-FUEL INDICATOR FLOATPLANE 21.5 GALS --	1	D
	0410218-2	PLATE ASSEMBLY-FUEL INDICATOR LONG RANGE 35.0 GALS --	1	
	0410218-7	PLATE ASSY-FUEL IND. LONG RANGE FLOATPLANE 33.5 GALS	1	D
-22	S1397-5	PLACARD-ENGINE OIL CHANGE -----	1	
-23	1250410-3	PLACARD-OIL FILTER -----	1	
		A---150 SERIAL 15069309 & ON F150 SERIAL F150-0390 & ON B---150 SERIAL 15069309 & ON C---F150 SERIAL F150-0390 & ON D---150 SERIAL 15069309 & ON FLOATPLANE F150 SERIAL F150-0390 & ON FLOATPLANE		

Wing

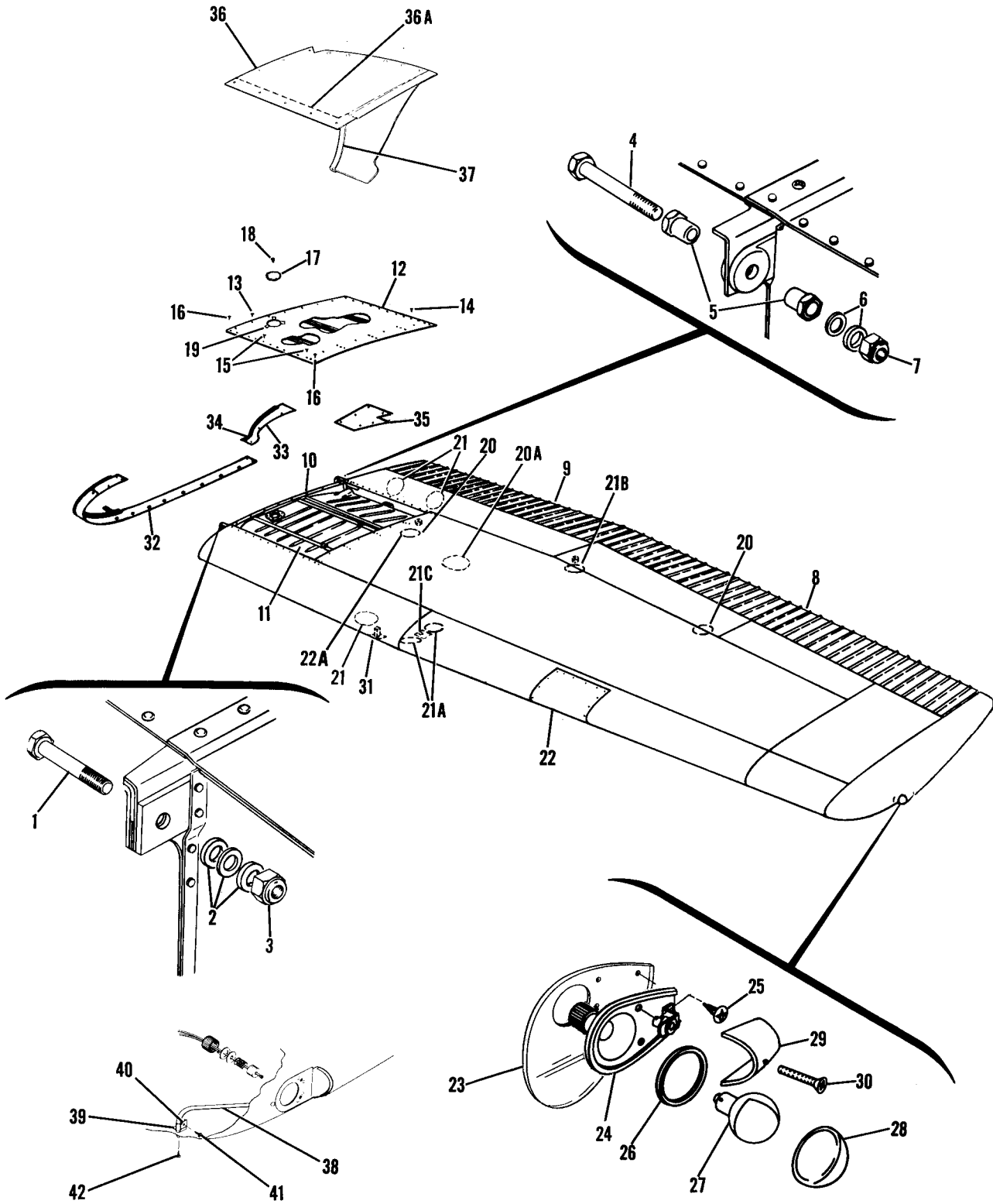


Figure 1C. Wing Assembly Complete

FIGURE AND INDEX NO.	PART NUMBER	DESCRIPTION	UNITS PER ASSY	USABLE ON CODE
		<b>1 2 3 4 5 6 7</b>		
1C-		WING ASSEMBLY-COMplete LH -----	NP	
		WING ASSEMBLY-COMplete RH -----	NP	
		ATTACHING PARTS -----		
- 1	AN8-24A	BOLT -----	1	
- 2	AN960-816	WASHER -----	5	
- 3	MS20365-820C	NUT -----	1	
- 4	AN7-24A	BOLT -----	1	
- 5	0512123	BUSHING -----	2	
- 6	AN960-716	WASHER -----	3	
- 7	MS20365-720C	NUT -----	1	
		---*---		
- 8		AILERON INSTALLATION SEE FIGURE 5 -----	1	
- 9		FLAP INSTALLATION SEE FIGURE 6 -----	1	
-10		STRUCTURE ASSEMBLY-LEFT WING SEE FIGURE 2 -----	1	
		STRUCTURE ASSEMBLY-RIGHT WING SEE FIGURE 2 -----	1	
-11		TANK INSTALLATION-FUEL SEE FIGURE 4 -----	1	
-12	0426511-6	COVER ASSEMBLY-FUEL TANK LH -----	1	
	0426511-7	COVER ASSEMBLY-FUEL TANK RH -----	1	
		ATTACHING PARTS -----		
-13	NAS220-7	SCREW -----	7	
-14	NAS220-8	SCREW -----	25	
-15	NAS220-9	SCREW -----	7	
-16	NAS220-12	SCREW -----	3	
		---*---		
-17	0523558-1	COVER-FUEL GAUGE ACCESS -----	1	
		ATTACHING PARTS -----		
-18	S1021Z8-8	SCREW CESSNA STANDARD -----	3	
-19	NAS395-14-3	NUT -----	1	
		---*---		
-20	S329	PLATE-INSPECTION CESSNA STANDARD -----	2	
		ATTACHING PARTS -----		
	S1021Z8-6	SCREW CESSNA STANDARD -----	4	
		---*---		
-20A	S225-7	PLATE-INSPECTION -----	1	H
		ATTACHING PARTS -----		
	AN515-8R6	SCREW -----	6	H
		---*---		
-21	S225-1	PLATE-INSPECTION -----	3	
-21A	S225-1	PLATE-INSPECTION -----	2	K
	S225-2	PLATE-INSPECTION -----	2	L
-21B	S225-1	PLATE-INSPECTION -----	1	K
	S329	PLATE-ACCESS -----	1	L
		ATTACHING PARTS -----		
	S1021Z8-8	SCREW -----	3	
		---*---		
-21C	0522101-1	COVERPLATE -----	1	D
		ATTACHING PARTS -----		
	S1021Z8-8	SCREW -----	2	D
		---*---		
-22	0523115-2	COVER-LANDING LIGHT CAP LH ONLY -----	1	
		ATTACHING PARTS -----		
	S1021Z8-6	SCREW CESSNA STANDARD -----	18	
		---*---		
-22A		LANDING LIGHT INSTALLATION-LH ONLY SEE FIGURE 47 -----	1	
-23	0523119	COURTESY LIGHT INSTALLATION SEE FIGURE 49 -----	1	C
		DETECTOR -----	1	A
-24	C622001-0201	BASE ASSEMBLY-WING POSITION LIGHT -----	1	B
	C622001-0202	BASE ASSEMBLY-WING POSITION LIGHT -----	1	C
		ATTACHING PARTS -----		
-25	S1021Z6-6	SCREW -----	3	B
	S1021Z8-6	SCREW -----	2	C
	NAS446-4-3	NUT -----	2	H
		---*---		
-26	A1257A	GASKET GMC -----	1	
-27	A7512-12	LAMP GMC -----	1	
-28	A1280-2	LENS-LH RED GMC -----	1	
	A1280-3	LENS-RH GREEN GMC -----	1	

CONTINUED ON NEXT PAGE

FIGURE AND INDEX NO.	PART NUMBER	DESCRIPTION	UNITS PER ASSY	USABLE ON CODE
1C-29	A1104 0423007-1	FAIRING-WING LIGHT GMC ----- SHIELD-WING LIGHT ----- ATTACHING PARTS -----	1 1	B C
-30	AN507-632R12	SCREW ----- *-----	1	
-31	0511062-4 0511062-5	WING UNIT-STALL WARNING LH ONLY ----- WING UNIT-STALL WARNING LH ONLY HEATED ----- ATTACHING PARTS -----	1 1	J J
	S1021Z8-6 NAS395-17-3	SCREW CESSNA STANDARD ----- NUT ----- *-----	4 4	J J
-32	0426003-18 0426003-19	FAIRING-WING LH ----- FAIRING-WING RH ----- ATTACHING PARTS -----	1 1	
	S290D832 S1022Z8-8 S1021Z8-8	WASHER CESSNA STANDARD ----- SCREW CESSNA STANDARD ----- SCREW CESSNA STANDARD ----- *-----	6 6 3	
-33	0520008 0520008-1	FAIRING ASSEMBLY-WING REAR LOWER LH ----- FAIRING ASSEMBLY-WING REAR LOWER RH ----- ATTACHING PARTS -----	1 1	E E
	S1021Z8-8	SCREW CESSNA STANDARD ----- *-----	8	E
-34	S202R8	CHANNEL-10.50 IN LG BULK ITEM REF S-202R10.50B -----	1	E
-35	0426007-11 0426007-12	PLATE-WING INSPECTION LH ----- PLATE-WING INSPECTION RH ----- ATTACHING PARTS -----	1 1	E E
	S1021Z8-6 AN515-8R8	SCREW CESSNA STANDARD ----- SCREW ----- *-----	5 1	E E
-36	0412032-1 0412032-2	FAIRING ASSEMBLY-WING TO FUSELAGE LH ----- FAIRING ASSEMBLY-WING TO FUSELAGE RH ----- ATTACHING PARTS -----	1 1	F F
	S1021Z8-8	SCREW ----- *-----	12	F
-36A	S1078-1	SEAL-* IN LG BULK ITEM REF S1078-1-* -----	1	F
-37	S202VW	CHANNEL-12.75 IN LG BULK ITEM REF S-202V12.75W -----	1	F
-38	0523702-3 0523702-4	DETECTOR-NAVIGATION LIGHT LH ----- DETECTOR-NAVIGATION LIGHT RH ----- ATTACHING PARTS -----	1 1	G G
-39	S1153-1	BRACKET -----	1	G
-40	MS21919DG4	CLAMP TIN -----	1	G
-41	S1021Z8-8	SCREW -----	1	G
-42	S1021Z8-6	SCREW ----- *-----	1	G

NOTE. \*LENGTH TO BE DETERMINED LATER

A---150 SERIAL 17011 THRU 15059350  
 B---150 SERIAL 17001 THRU 15059350  
 C---150 SERIAL 15059351 & ON  
     F150 SERIAL F150-0001 & ON  
 D---150 SERIAL 15060154 THRU 15067198  
     F150 SERIAL F150-0001 THRU F150-0219  
 E---150 SERIAL 17001 THRU 15060087  
 F---150 SERIAL 15060088 & ON  
     F150 SERIAL F150-0001 & ON  
 G---150 SERIAL 15060088 THRU 15061532  
 H---150 SERIAL 15061533 & ON  
     F150 SERIAL F150-0001 & ON  
 J---150 SERIAL 17001 THRU 15061532  
 K---150 SERIAL 17001 THRU 15067198  
     F150 SERIAL F150-0001 THRU F150-0219  
 L---150 SERIAL 15067199 & ON  
     F150 SERIAL F150-0220 & ON

This page intentionally left blank.

Wing (Cont)

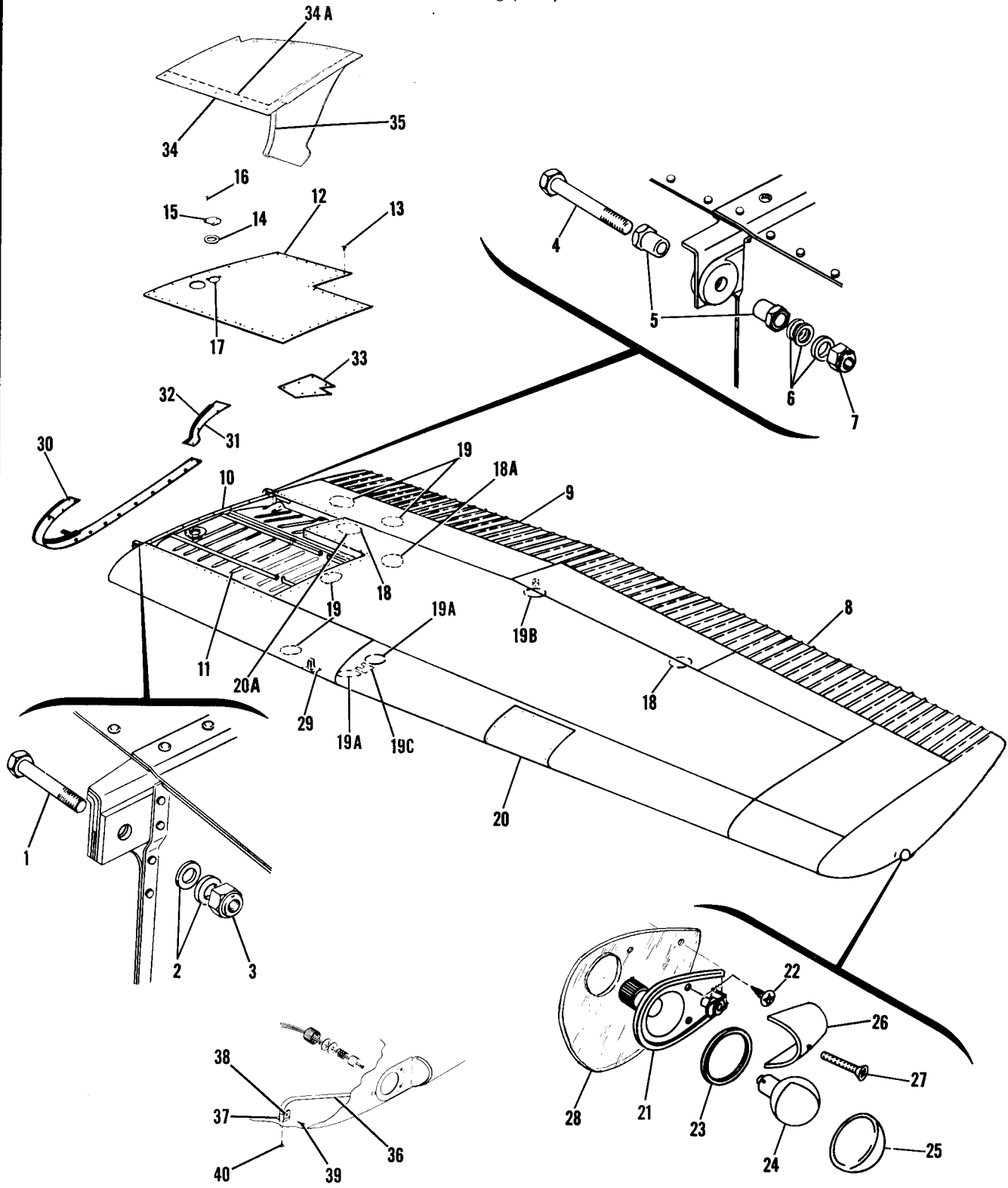


Figure 1D. Patroller Wing Assembly Complete

FIGURE AND INDEX NO.	PART NUMBER	DESCRIPTION	UNITS PER ASSY	USABLE ON CODE
		<b>1 2 3 4 5 6 7</b>		
10-		PATROLLER WING ASSEMBLY-COMplete LH -----	NP	
		PATROLLER WING ASSEMBLY-COMplete RH -----	NP	
		ATTACHING PARTS -----		
- 1	AN8-24A	BOLT -----	1	
- 2	AN960-816	WASHER -----	5	
- 3	MS20365-820C	NUT -----	1	
- 4	AN7-24A	BOLT -----	1	
- 5	0512123	BUSHING -----	2	
- 6	AN960-716	WASHER -----	3	
- 7	MS20365-720C	NUT -----	1	
		*-----		
- 8		AILERON INSTALLATION SEE FIGURE 5 -----	1	
- 9		FLAP INSTALLATION SEE FIGURE 6 -----	1	
-10		STRUCTURE ASSEMBLY-LEFT WING SEE FIGURE 2A -----	1	
		STRUCTURE ASSEMBLY-RIGHT WING SEE FIGURE 2A -----	1	
-11		TANK INSTALLATION-FUEL SEE FIGURE 4A -----	1	
-12	0426516-1	COVER ASSEMBLY-FUEL TANK LH -----	1	
	0426516-2	COVER ASSEMBLY-FUEL TANK RH -----	1	
		ATTACHING PARTS -----		
-13	NAS220-8	SCREW -----	51	
		*-----		
-14	0523619-1	GASKET-FUEL GAGE ACCESS -----	1	
-15	0523558-1	COVER-FUEL GAGE ACCESS -----	1	
		ATTACHING PARTS -----		
-16	S1021Z8-8	SCREW -----	3	
-17	NAS395-14-3	NUT -----	3	
		*-----		
-18	S329	PLATE-INSPECTION -----	2	
		ATTACHING PARTS -----		
	S1021Z8-6	SCREW -----	4	
		*-----		
-18A	S225-7	PLATE-INSPECTION -----	1	G
		ATTACHING PARTS -----		
	AN515-8R6	SCREW -----	6	G
		*-----		
-19	S225-1	PLATE-INSPECTION -----	4	
-19A	S225-1	PLATE-INSPECTION -----	2	J
	S225-2	PLATE-INSPECTION -----	2	K
-19B	S225-1	PLATE-INSPECTION -----	1	J
	S329	PLATE-ACCESS -----	1	K
		ATTACHING PARTS -----		
	S1021Z8-8	SCREW -----	3	
		*-----		
-19C	0522101-1	COVERPLATE -----	1	C
		ATTACHING PARTS -----		
	S1021Z8-8	SCREW -----	2	C
		*-----		
-20	0523115-2	COVER-LANDING LIGHT CAP LH ONLY -----	1	
		ATTACHING PARTS -----		
	S1021Z8-6	SCREW -----	18	
		*-----		
-20A		LANDING LIGHT INSTALLATION-LH ONLY SEE FIGURE 47 -----	1	
		COURTESY LIGHT INSTALLATION SEE FIGURE 49 -----	1	
-21	C622001-0201	BASE ASSEMBLY-WING POSITION LIGHT -----	1	A
	C622001-0202	BASE ASSEMBLY-WING POSITION LIGHT -----	1	B
		ATTACHING PARTS -----		
-22	S1021Z6-6	SCREW -----	3	A
	S1021Z8-6	SCREW -----	2	B
	NAS446-4-3	NUT -----	2	G
		*-----		
-23	A1257A	GASKET GMC -----	1	
-24	A7512-12	LAMP GMC -----	1	
-25	A1280-2	LENS-LH RED GMC -----	1	
	A1280-3	LENS-RH GREEN GMC -----	1	
-26	A1104	FAIRING-WING LIGHT GMC -----	1	A
	0423007-1	SHIELD-WING LIGHT -----	1	B
		ATTACHING PARTS -----		
-27	AN507-632R12	SCREW -----	1	
		*-----		
-28	0523119	DETECTOR -----	1	A

CONTINUED ON NEXT PAGE



FIGURE AND INDEX NO.	PART NUMBER	DESCRIPTION							UNITS PER ASSY	USABLE ON CODE
		1	2	3	4	5	6	7		
10-29	0511062-4	WING UNIT-STALL WARNING	LH ONLY	-----					1	H
	0511062-5	WING UNIT-STALL WARNING	LH ONLY	HEATED	-----				1	H
	S1021Z8-6	ATTACHING PARTS								
	NAS395-17-3	SCREW	-----						4	H
		NUT	-----						4	H
		*-----								
-30	0426003-18	FAIRING-WING LH	-----						1	
	0426003-19	FAIRING-WING RH	-----						1	
	S290D832	ATTACHING PARTS								
	S1022Z8-8	WASHER	-----						6	
	S1021Z8-8	SCREW	-----						6	
	S1021Z8-8	SCREW	-----						3	
		*-----								
-31	0520008	FAIRING ASSEMBLY-WING REAR LOWER LH	-----						1	D
	0520008-1	FAIRING ASSEMBLY-WING REAR LOWER RH	-----						1	D
	S1021Z8-8	ATTACHING PARTS								
		SCREW	-----						8	D
		*-----								
-32	S202R8	CHANNEL-10.50 IN LG	BULK ITEM	REF S-202R10.50B	-----				1	D
-33	0426007-11	PLATE-WING INSPECTION LH	-----						1	D
	0426007-12	PLATE-WING INSPECTION RH	-----						1	D
		ATTACHING PARTS								
	S1021Z8-6	SCREW	CESSNA STANDARD	-----				5	D	
		*-----								
-34	0412032-1	FAIRING ASSEMBLY-WING TO FUSELAGE LH	-----						1	E
	0412032-2	FAIRING ASSEMBLY-WING TO FUSELAGE RH	-----						1	E
		ATTACHING PARTS								
	S1021Z8-8	SCREW	-----						12	E
		*-----								
-34A	S1078-1	SEAL-* IN LG	BULK ITEM	REF S1078-1-*	-----				1	E
-35	S202VW	CHANNEL-12.75 IN LG	BULK ITEM	REF S202V12.75W	-----				1	E
-36	0523702-3	DETECTOR-NAVIGATION LIGHT LH	-----						1	F
	0523702-4	DETECTOR-NAVIGATION LIGHT RH	-----						1	F
		ATTACHING PARTS								
-37	S1153-1	BRACKET	-----						1	F
-38	MS21919DG4	CLAMP	-----						1	F
-39	S1021Z8-8	SCREW	-----						1	F
-40	S1021Z8-6	SCREW	-----						1	F
		*-----								

NOTE. \*LENGTH TO BE DETERMINED LATER

- A---150 SERIAL 17001 THRU 15059350
- B---150 SERIAL 15059351 & ON  
F150 SERIAL F150-0001 & ON
- C---150 SERIAL 15060154 THRU 15067198  
F150 SERIAL F150-0001 THRU F150-0219
- D---150 SERIAL 17001 THRU 15060087
- E---150 SERIAL 15060088 & ON  
F150 SERIAL F150-0001 & ON
- F---150 SERIAL 15060088 THRU 15061532
- G---150 SERIAL 15061532 & ON  
F150 SERIAL F150-0001 & ON
- H---150 SERIAL 17001 THRU 15061532
- J---150 SERIAL 17001 THRU 15067198  
F150 SERIAL F150-0001 THRU F150-0219
- K---150 SERIAL 15067199 & ON  
F150 SERIAL F150-0220 & ON



5

FIGURE AND INDEX NO.	PART NUMBER	DESCRIPTION	UNITS PER ASSY	USABLE ON CODE
		<b>1 2 3 4 5 6 7</b>		
2 -	0426005 *	STRUCTURE ASSEMBLY-LEFT WING WHEN ----- EXHAUSTED USE 0426005-17 -----	1	A
	0426005-1 *	STRUCTURE ASSEMBLY-RIGHT WING WHEN ----- EXHAUSTED USE 0426005-16 -----	1	A
	0426005-16	STRUCTURE ASSEMBLY-RH WING WHEN EXHAUSTED USE 0426005-200 -	1	C
	0426005-17	STRUCTURE ASSEMBLY-LH WING WHEN EXHAUSTED USE 0426005-201 -	1	C
	0426005-200	STRUCTURE ASSEMBLY-RH WING WHEN EXHAUSTED USE 0426005-204 -	1	G
	0426005-201	STRUCTURE ASSEMBLY-LH WING -----	1	G
	0426005-204	STRUCTURE ASSEMBLY-RH WING WHEN EXHAUSTED USE 0426005-212 -	1	R
	0426005-205 #	STRUCTURE ASSEMBLY-LH WING WHEN EXHAUSTED USE 0426005-213 -	1	R
	0426005-212 #	STRUCTURE ASSEMBLY-RH WING -----	1	T
	0426005-213 #	STRUCTURE ASSEMBLY-LH WING -----	1	T
		LEADING EDGE ASSEMBLY-WING SEE FIGURE 3 -----	1	
- 1	0426300	SPAR ASSEMBLY-WING FRONT LH -----	1	
	0426300-1	SPAR ASSEMBLY-WING FRONT RH -----	1	
- 2	0426300-2	CHANNEL ASSEMBLY-SPAR INBOARD LH -----	1	
	0426300-3	CHANNEL ASSEMBLY-SPAR INBOARD RH -----	1	
- 3	0523317	CHANNEL ASSEMBLY-SPAR OUTBOARD LH -----	1	
	0523317-1	CHANNEL ASSEMBLY-SPAR OUTBOARD RH -----	1	
- 4	NAS680A08	NUTPLATE -----	10	
- 5	0523524	SPACER-FUEL TANK -----	1	
		ATTACHING PARTS -----		
- 6	S1021A10-10	SCREW CESSNA STANDARD -----	2	
		-----*-----		
- 7	0523306	FITTING-STRUT ATTACHMENT -----	1	
		ATTACHING PARTS -----		
- 8	AN5-7A	BOLT -----	3	
	AN960-516	WASHER -----	3	
	NAS679A5	NUT -----	3	
		-----*-----		
- 9	0426400-8	SPAR ASSEMBLY-WING REAR LH -----	1	
	0426400-9	SPAR ASSEMBLY-WING REAR RH -----	1	
-10	0523406	CHANNEL-SPAR OUTBD LH WHEN EXHAUSTED USE 0523406-3 ----	1	U
	0523406-3	CHANNEL-SPAR OUTBD LH -----	1	V
	0523406-1	CHANNEL-SPAR OUTBD RH WHEN EXHAUSTED USE 0523406-2 ----	1	U
	0523406-2	CHANNEL-SPAR OUTBD RH -----	1	V
-11	0426400-18	CHANNEL ASSEMBLY-SPAR INBOARD LH -----	1	
	0426400-17	CHANNEL ASSEMBLY-SPAR INBOARD RH -----	1	
-12	0422229-11	FITTING-WING SPAR REINFORCEMENT -----	2	
-13	0523524	SPACER-FUEL TANK -----	1	
		ATTACHING PARTS -----		
	S1021A10-10	SCREW -----	2	
		-----*-----		
-14	0426400-12	ANGLE-SPAR REINFORCEMENT LH -----	1	
	0426400-13	ANGLE-SPAR REINFORCEMENT RH -----	1	
-15	NAS680A08	NUTPLATE -----	8	
-16		DELETED, NOT AVAILABLE -----		
	0523005-50	AUXILIARY SPAR ASSEMBLY-LH -----	1	
	0523005-51	AUXILIARY SPAR ASSEMBLY-RH -----	1	
-17	0523813-3	FILLER-TRAILING EDGE -----	1	
-18	0523813-2	FILLER-TRAILING EDGE -----	1	
-19	0523813-4	FILLER-TRAILING EDGE -----	1	
-20	0523813-5	FILLER-TRAILING EDGE -----	1	
-21	0523215	REINFORCEMENT-TRAILING EDGE LH -----	1	
	0523215-1	REINFORCEMENT-TRAILING EDGE RH -----	1	
-22	0523216	REINFORCEMENT-TRAILING EDGE -----	2	
-23	0426507	RIB ASSEMBLY-WING ROOT LH STA 22.125 -----	1	
	0426507-1	RIB ASSEMBLY-WING ROOT RH STA 22.125 -----	1	
	S1860-2A	NUTPLATE -----	6	
-23A	0516006-1	STRAP-FUEL TRANSMITTER GROUND -----	1	J
-24	0426506	HAT SECTION-FUEL TANK LOWER -----	4	
-25	0426514	PAD-HAT SECTION -----	4	
-26	0426512	STRAP ASSEMBLY-FUEL TANK -----	4	
-27	0523508-8	RIB ASSEMBLY-LEFT FUEL CELL STA 44.125 -----	1	
	0523508-5	RIB ASSEMBLY-RIGHT FUEL CELL STA 44.125 -----	1	
-28	NAS680A08	NUTPLATE -----	11	
-29	0523509-2	RIB-WING CENTER SECTION STA 69.625 -----	1	
-30	0523509-1	RIB-WING CENTER SECTION STA 56.875 -----	1	
-31	0523517-4	SPACER-RIB FORWARD STA 56.875 -----	1	
-32	0523517-3	SPACER-RIB AFT STA 56.875 -----	1	
-33	0523510-7	RIB-WING CENTER SECTION STA 84 LH -----	1	
	0523510-6	RIB-WING CENTER SECTION STA 84 RH -----	1	
-34	0523511-3	RIB-WING CENTER SECTION STA 102 -----	1	
-35	0523512-3	RIB-WING CENTER SECTION STA 120 -----	1	
-36	0523513-3	RIB-WING CENTER SECTION LH STA 138 -----	1	
	0523513-6	RIB-WING CENTER SECTION RH STA 138 -----	1	

CONTINUED ON NEXT PAGE

Wing (Cont)

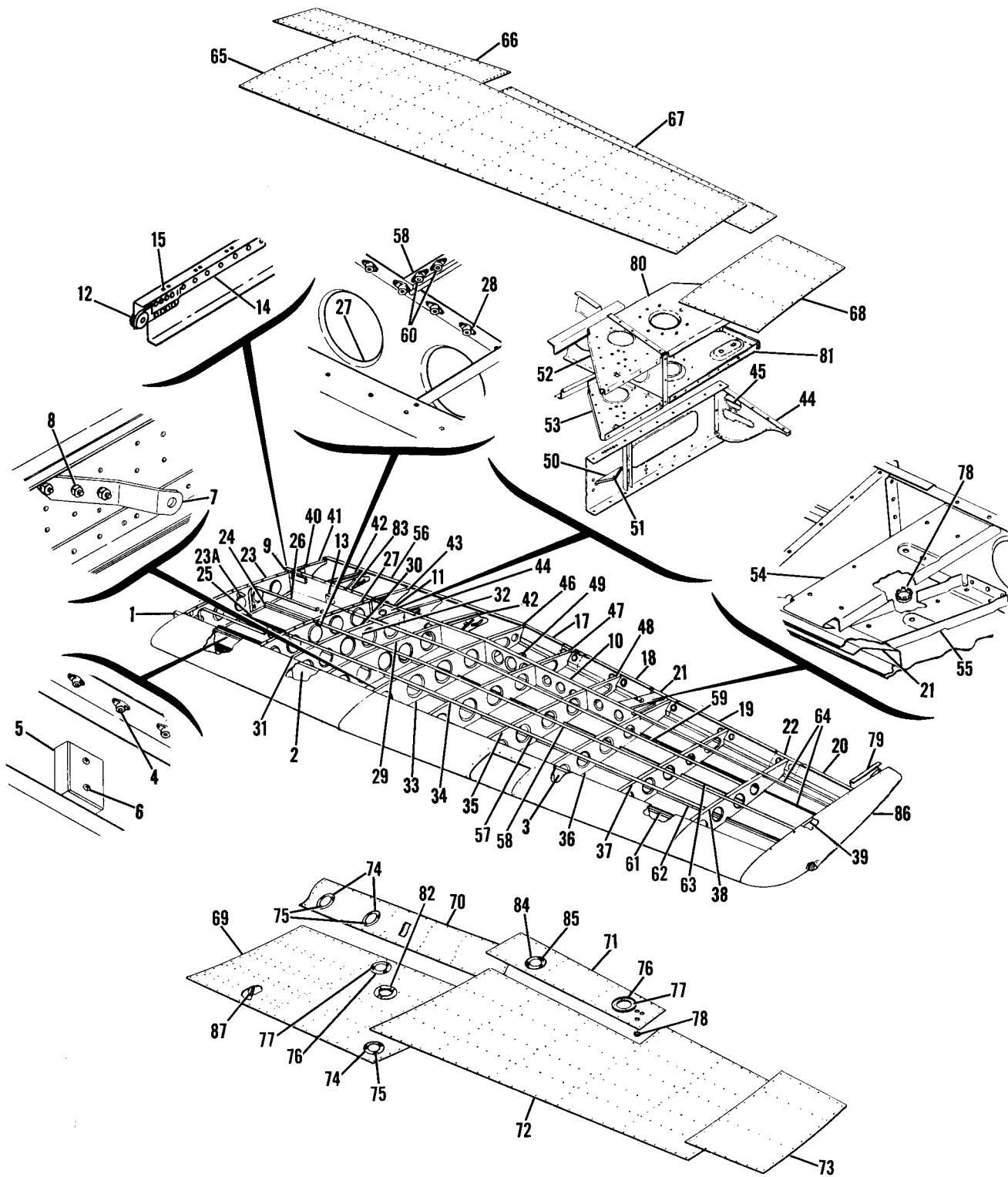


Figure 2. Wing Structure Assembly

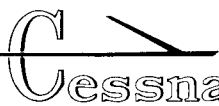


FIGURE AND INDEX NO.	PART NUMBER	DESCRIPTION	UNITS PER ASSY	USABLE ON CODE
2 -37	0523514-3	RIB-WING CENTER SECTION STA 156 -----	1	
-38	0523515-3	RIB-WING CENTER SECTION STA 174 -----	1	
-39	0523516-5	RIB-WING CENTER SECTION STA 192 WHEN -----	1	A
		EXHAUSTED USE 0720608-7 -----		
	0720608-7	RIB-WING CENTER SECTION STA 192 -----	1	
	S1863-3A	NUTPLATE -----	10	
-40	NAS395-14-3	NUT -----	4	
-41	0523232	RIB-WING ROOT TRAILING EDGE STA 22.125 -----	1	M
	0523232-2	RIB-WING ROOT TRAILING EDGE STA 22.125 -----	1	N
-42	0523231	RIB ASSEMBLY-FLAP TRACK STA 31.750 & 69.875 -----	2	
	0523231-5	BRACKET -----	2	
-43	0523233-9	RIB ASSEMBLY-WING TRAILING EDGE STA 44.125 -----	1	
	0523233-8	RUB STRIP -----	1	
-44	0523233-4	RIB ASSEMBLY-WING TRAILING EDGE STA 56.875 -----	1	
-45	0523233-3	RUB-STRIP -----	1	
-46	0523230	RIB ASSEMBLY-WING TRAILING EDGE STA 84 LH -----	1	
	0523230-1	RIB ASSEMBLY-WING TRAILING EDGE STA 84 RH -----	1	
	0523230-4	ANGLE LH ONLY -----	1	
	0523230-5	ANGLE RH ONLY -----	1	
-47	0523511-4	RIB-WING TRAILING EDGE STA 102 -----	1	
-48	0523512-4	RIB-WING TRAILING EDGE STA 120 -----	1	
-49	0523408	BRACKET-AILERON PULLEY -----	1	
-50	0523407	BRACKET-FLAP PULLEY -----	1	
-51	0523407-1	BRACKET-FLAP PULLEY -----	1	
-52	0426515-2	BRACKET-FLAP BELLCRANK SUPPORT UPPER LH -----	1	
	0426515-3	BRACKET-FLAP BELLCRANK SUPPORT UPPER RH -----	1	
-53	0426515-4	BRACKET-FLAP BELLCRANK SUPPORT LOWER LH -----	1	
	0426515-5	BRACKET-FLAP BELLCRANK SUPPORT LOWER RH -----	1	
-54	0523219-2	CHANNEL-AILERON BELLCRANK SUPPORT UPPER LH -----	1	
	0523219-3	CHANNEL-AILERON BELLCRANK SUPPORT UPPER RH -----	1	
-55	0523219-4	CHANNEL-AILERON BELLCRANK SUPPORT LOWER LH -----	1	
	0523219-5	CHANNEL-AILERON BELLCRANK SUPPORT LOWER RH -----	1	
-56	0720005-2	STIFFENER-TRAILING EDGE -----	1	
-57	0423541-13	STRINGER-WING LH UPPER FORWARD -----	1	
	0423541-14	STRINGER-WING RH UPPER FORWARD -----	1	
-58	0423541-15	STRINGER-WING LH UPPER CENTER -----	1	
	0423541-16	STRINGER-WING RH UPPER CENTER -----	1	
-59	0423541-17	STRINGER-WING LH UPPER AFT WHEN EXHAUSTED -----	1	P
		USE 0423541-15 -----		
	0423541-15	STRINGER-WING LH UPPER AFT -----	1	Q
	0423541-18	STRINGER-WING RH UPPER AFT WHEN EXHAUSTED -----	1	P
		USE 0423541-16 -----		
	0423541-16	STRINGER-WING RH UPPER AFT -----	1	Q
-60	NAS680A08	NUTPLATE -----	2	
-61	0423541-7	STRINGER-WING LH LOWER FORWARD -----	1	
	0423541-8	STRINGER-WING RH LOWER FORWARD -----	1	
-62	0423541-9	STRINGER-WING LH LOWER CENTER -----	1	
	0423541-10	STRINGER-WING RH LOWER CENTER -----	1	
-63	0423541-11	STRINGER-WING LH LOWER AFT WHEN EXHAUSTED -----	1	P
		USE 0423541-9 -----		
	0423541-9	STRINGER-WING LH LOWER AFT -----	1	Q
	0423541-12	STRINGER-WING RH LOWER AFT WHEN EXHAUSTED -----	1	P
		USE 0423541-10 -----		
	0423541-10	STRINGER-WING RH LOWER AFT -----	1	Q
-64	0523003-40	STRINGER-AFT OUTBOARD -----	2	
-65	0523007-14	SKIN-UPPER CENTER SECTION STA 44.125 TO 174 LH -----	1	
	0523007-14	SKIN-UPPER CENTER SECTION STA 44.125 TO 174 RH -----	1	H
	0426005-26	SKIN-UPPER CENTER SECTION STA 44.125 TO 174 RH -----	1	F
-66	0523007-16	SKIN-UPPER TRAILING EDGE STA 21.375 TO 84 -----	1	
-67	0523003-80	SKIN-UPPER TRAILING EDGE STA 84 TO 174 -----	1	
-68	0523003-81	SKIN-UPPER CENTER SECTION STA 174 TO 192 -----	1	
-69	0426005-14	SKIN-LOWER CENTER SECTION STA 22.125 TO 84 LH -----	1	
	0426005-14	SKIN-LOWER CENTER SECTION STA 22.125 TO 84 RH -----	1	H
	0426005-27	SKIN-LOWER CENTER SECTION STA 22.125 TO 84 RH -----	1	F
-70	0523007-19	SKIN-LOWER TRAILING EDGE STA 21.375 TO 84 RH -----	1	
	0523007-20	SKIN-LOWER TRAILING EDGE STA 21.375 TO 84 LH -----	1	
-71	0523003-79	SKIN-LOWER TRAILING EDGE STA 84 TO 138 -----	1	S
	0523003-62	SKIN-LOWER TRAILING EDGE STA 84 TO 138 -----	1	T
-72	0523003-74	SKIN-LOWER CENTER SECTION STA 84 TO 174 -----	1	
-73	0523003-83	SKIN-LOWER CENTER SECTION STA 174 TO 192 -----	1	
-74	S237-2	DOUBLER-INSPECTION OPENING -----	3	
-75	NAS395-14-3	NUT -----	2	
-76	S330-2	DOUBLER-INSPECTION OPENING -----	3	
-77	NAS395-14-3	NUT -----	4	
-78	CM2692-28-1S	PLUG BUTTON -----	1	

CONTINUED ON NEXT PAGE

FIGURE AND INDEX NO.	PART NUMBER	DESCRIPTION	UNITS PER ASSY	USABLE ON CODE
2 -79	0721107-1	FAIRING-LH -----	1	B
	0721107-2	FAIRING-RH -----	1	B
-80	0420015-1	BRACKET-FLAP ACTUATOR MOUNT UPPER RH -----	1	F
-81	0420015-2	BRACKET-FLAP ACTUATOR MOUNT LOWER RH -----	1	F
-82	S1209-1	DOUBLER ASSEMBLY-INSPECTION OPENING RH WING -----	1	F
	NAS680A08K	NUTPLATE -----	6	F
-83	0422293-1	BRACKET-LOWER LH -----	1	D
	0422293-2	BRACKET-LOWER RH -----	1	D
	0422293-3	BRACKET-UPPER LH -----	1	D
	0422293-4	BRACKET-UPPER RH -----	1	D
-84	S237-2	DOUBLER-INSPECTION OPENING -----	1	S
	S330-2	DOUBLER-ACCESS HOLE -----	1	T
-85	NAS395-14-3	NUT -----	3	S
	NAS395-14-3	NUT -----	4	T
-86	0523700	TIP ASSEMBLY-WING -----	2	A
	0523701-4	TIP ASSEMBLY-WING -----	2	E
	0423008-3-791	TIP-WING -----	2	F
		ATTACHING PARTS		
	S102128-8	SCREW -----	10	
	0423008-4	STIFFENER USE ON UPPER SIDE LH TIP & LOWER RH TIP -----	1	F
	0423008-5	STIFFENER USE ON UPPER SIDE RH TIP & LOWER LH TIP -----	1	F
		-----*		
-87	S1862-2	NUTPLATE -----	2	E
	0426513-3	STUD ASSEMBLY-DCOR CATCH -----	1	K
	0426209-1	DOOR CATCH ASSEMBLY -----	1	L
		ATTACHING PARTS		
	AN515-6R6	SCREW -----	1	L
		-----*		
		NOTE. *THIS ASSEMBLY INCLUDES THE 0523700 METAL WING TIP		
		NOTE. #WHEN THIS ASSEMBLY IS USED ON AIRPLANES PRIOR TO 150 SERIAL 15064533 OR FRENCH SERIAL F150-0068 THAT DO NOT USE HEATED PITOT TUBE, ALSO ORDER ONE 0521003-1 PITOT, TUBE ASSEMBLY & ITEMS 18A, 18B, 18C & 19A FROM FIGURE 3.		
		A---150 SERIAL 17001 THRU 15059350		
		B---150 SERIAL 15059351 & ON F150 SERIAL F150-0001 & ON		
		C---150 SERIAL 17001 THRU 15060087		
		D---150 SERIAL 15060088 & ON F150 SERIAL F150-0001 & ON		
		E---150 SERIAL 15059351 THRU 15061532		
		F---150 SERIAL 15061533 & ON F150 SERIAL F150-0001 & ON		
		G---150 SERIAL 15060088 THRU 15061532		
		H---150 SERIAL 17001 THRU 15061532		
		J---150 SERIAL 15063441 & ON F150 SERIAL F150-0053 & ON		
		K---150 SERIAL 17001 THRU 15064532 F150 SERIAL F150-0001 THRU F150-0067		
		L---150 SERIAL 15064533 & ON F150 SERIAL F150-0068 & ON		
		M---150 SERIAL 17001 THRU 15067044 F150 SERIAL F150-0001 THRU F150-0207		
		N---150 SERIAL 15067045 & ON F150 SERIAL F150-0208 & ON		
		P---150 SERIAL 17001 THRU 15066769 F150 SERIAL F150-0001 THRU F150-0219		
		Q---150 SERIAL 15066770 & ON F150 SERIAL F150-0220 & ON		
		R---150 SERIAL 15061533 THRU 15067198 F150 SERIAL F150-0001 THRU F150-0219		
		S---150 SERIAL 17001 THRU 15067198 F150 SERIAL F150-0001 THRU F150-0219		
		T---150 SERIAL 15067199 & ON F150 SERIAL F150-0220 & ON		
		U---150 SERIAL 17001 THRU 15068163 F150 SERIAL F150-0001 THRU F150-0359		
		V---150 SERIAL 15068164 & ON F150 SERIAL F150-0360 & ON		

FIGURE AND INDEX NO.	PART NUMBER	DESCRIPTION	UNITS PER ASSY	USABLE ON CODE
		<b>1 2 3 4 5 6 7</b>		
2A-	0426005-9	* STRUCTURE ASSEMBLY-PATROLLER WING-LEFT ----- WHEN EXHAUSTED USE 0426005-19 -----	1	A
	0426005-8	* STRUCTURE ASSEMBLY-PATROLLER WING-RIGHT ----- WHEN EXHAUSTED USE 0426005-18 -----	1	A
	0426005-19	STRUCTURE ASSEMBLY-PATROLLER WING LH WHEN EXHAUSTED ----- USE 0426005-203 -----	1	C
	0426005-18	STRUCTURE ASSEMBLY-PATROLLER WING RH WHEN EXHAUSTED ----- USE 0426005-202 -----	1	C
	0426005-202	STRUCTURE ASSEMBLY-PATROLLER WING RH WHEN EXHAUSTED ----- USE 0426005-206 -----	1	E
	0426005-203	STRUCTURE ASSEMBLY-PATROLLER WING LH -----	1	E
	0426005-206	STRUCTURE ASSEMBLY-PATROLLER WING RH WHEN EXHAUSTED ----- USE 0426005-214 -----	1	R
	0426005-207	# STRUCTURE ASSEMBLY-PATROLLER WING LH WHEN EXHAUSTED ----- USE 0426005-215 -----	1	R
	0426005-214	STRUCTURE ASSEMBLY-PATROLLER WING RH -----	1	T
	0426005-215	# STRUCTURE ASSEMBLY-PATROLLER WING LH ----- LEADING EDGE ASSEMBLY-WING SEE FIGURE 3 -----	1	T
- 1	0426300-7	SPAR ASSEMBLY-WING FRONT LH -----	1	
	0426300-6	SPAR ASSEMBLY-WING FRONT RH -----	1	
- 2	0426300-2	CHANNEL ASSEMBLY-SPAR INBOARD LH -----	1	
	0426300-3	CHANNEL ASSEMBLY-SPAR INBOARD RH -----	1	
- 3	0523317	CHANNEL ASSEMBLY-SPAR OUTBOARD LH -----	1	
	0523317-1	CHANNEL ASSEMBLY-SPAR OUTBOARD RH -----	1	
- 4	NAS680A08	NUTPLATE -----	15	
- 5	0523524	SPACER-FUEL TANK ----- ATTACHING PARTS -----	2	
- 6	S1021A10-10	SCREW CESSNA STANDARD ----- -----*	2	
- 7	0523306	FITTING-STRUT ATTACHMENT ----- ATTACHING PARTS -----	1	
- 8	AN5-7A	BOLT -----	3	
	AN960-516	WASHER -----	3	
	NAS679A5	NUT ----- -----*	3	
- 9	0426400-15	SPAR ASSEMBLY-WING REAR LH -----	1	
	0426400-16	SPAR ASSEMBLY-WING REAR RH -----	1	
-10	0523406	CHANNEL-SPAR OUTBD LH WHEN EXHAUSTED USE 0523406-3 -----	1	U
	0523406-3	CHANNEL-SPAR OUTBD LH -----	1	V
	0523406-1	CHANNEL-SPAR OUTBD RH WHEN EXHAUSTED USE 0523406-2 -----	1	U
	0523406-2	CHANNEL-SPAR OUTBD RH -----	1	V
-11	0426400-18	CHANNEL ASSEMBLY-SPAR INBOARD LH -----	1	
	0426400-17	CHANNEL ASSEMBLY-SPAR INBOARD RH -----	1	
-12	0422229-11	FITTING-WING SPAR REINFORCEMENT -----	2	
-13	0523524	SPACER-FUEL TANK -----	1	
	0426400-14	SPACER-PHENOLIC ----- ATTACHING PARTS -----	1	
	S1021Z10-10	SCREW ----- -----*	2	
-14	0426400-12	ANGLE-SPAR REINFORCEMENT -----	1	
	0426400-13	ANGLE-SPAR REINFORCEMENT -----	1	
-15	NAS680A08	NUTPLATE -----	8	
-16		DELETED, NOT AVAILABLE -----		
	0523005-50	SPAR ASSEMBLY-AILERON AUXILIARY LH -----	1	
	0523005-51	SPAR ASSEMBLY-AILERON AUXILIARY RH -----	1	
-17	0523813-3	FILLER-TRAILING EDGE -----	1	
-18	0523813-2	FILLER-TRAILING EDGE -----	1	
-19	0523813-4	FILLER-TRAILING EDGE -----	1	
-20	0523813-5	FILLER-TRAILING EDGE -----	1	
-21	0523215	REINFORCEMENT-TRAILING EDGE LH -----	1	
	0523215-1	REINFORCEMENT-TRAILING EDGE RH -----	1	
-22	0523216	REINFORCEMENT-TRAILING EDGE -----	2	

CONTINUED ON NEXT PAGE

Wing (Cont)

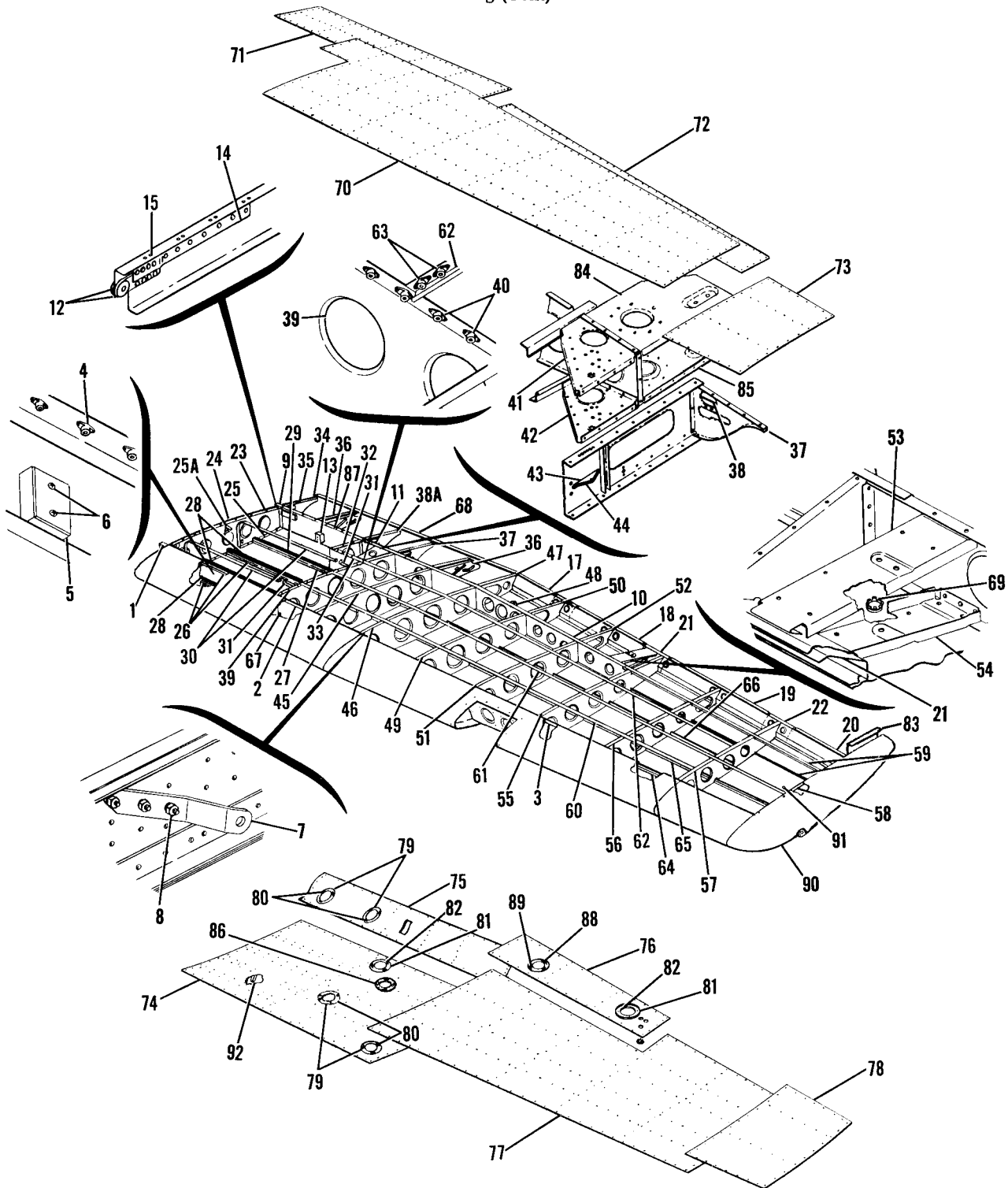


Figure 2A. Patroller Wing Structure Assembly

FIGURE AND INDEX NO.	PART NUMBER	DESCRIPTION	UNITS PER ASSY	USABLE ON CODE
2A-23	0426507	RIB ASSEMBLY-WING ROOT LH STA. 22.125 -----	1	
	0426507-1	RIB ASSEMBLY-WING ROOT RH STA. 22.125 -----	1	
-24	NAS680A08	NUTPLATE -----	7	
-25	S1860-2A	NUTPLATE -----	6	
-25A	0516006-1	STRAP-FUEL TRANSMITTER GROUND -----	1	J
-26	0426506-1	HAT SECTION-FUEL TANK LOWER -----	3	
-27	0426506	HAT SECTION-FUEL TANK LOWER -----	1	
-28	0426514-1	PAD-HAT SECTION -----	3	
-29	0426514	PAD-HAT SECTION -----	1	
-30	0426512-6	STRAP ASSEMBLY-FUEL TANK -----	2	
-31	0523522-1	STRAP ASSEMBLY-FUEL TANK -----	2	
-32	0721111-9	RIB ASSEMBLY-STUB STA. 44.125 LH -----	1	
	0721111-10	RIB ASSEMBLY-STUB STA. 44.125 RH -----	1	
	NAS680A08	NUTPLATE -----	2	
-33	0523505-1	BULKHEAD ASSEMBLY-TANK WELL LH -----	1	
	0523505-2	BULKHEAD ASSEMBLY-TANK WELL RH -----	1	
	NAS680A08	NUTPLATE -----	4	
-34	0523232	RIB-WING ROOT TRAILING EDGE STA. 22.125 -----	1	P
	0523232-2	RIB-WING ROOT TRAILING EDGE STA. 22.125 -----	1	Q
-35	NAS395-14-3	NUT -----	4	
-36	0523231	RIB ASSEMBLY-FLAP TRACK STA. 31.750 & 69.875 -----	2	
	0523231-5	BRACKET -----	1	
-37	0523233-4	RIB ASSEMBLY-WING TRAILING EDGE STA. 56.875 -----	1	
-38	0523233-5	RUB STRIP -----	1	
-38A	0523233-9	RIB ASSEMBLY-WING TRAILING EDGE STA. 44.125 -----	1	
	0523233-8	RUB STRIP -----	1	
-39	0523508-12	RIB ASSEMBLY-LEFT FUEL CELL STA. 58 -----	1	
	0523508-13	RIB ASSEMBLY-RIGHT FUEL CELL STA. 58 -----	1	
-40	NAS680A08	NUTPLATE -----	9	
-41	0523539-7	BRACKET-FLAP BELLCRANK SUPPORT UPPER LH -----	1	
	0523539-8	BRACKET-FLAP BELLCRANK SUPPORT UPPER RH -----	1	
-42	0523539-9	BRACKET-FLAP BELLCRANK SUPPORT LOWER LH -----	1	
	0523539-10	BRACKET-FLAP BELLCRANK SUPPORT LOWER RH -----	1	
-43	0523407	BRACKET-FLAP PULLEY -----	1	
-44	0523407-1	BRACKET-FLAP PULLEY -----	1	
-45	0523508-2	RIB-WING CENTER SECTION STA. 69.625 -----	1	
-46	0523510-7	RIB-WING CENTER SECTION STA. 84 LH -----	1	
	0523510-6	RIB-WING CENTER SECTION STA. 84 RH -----	1	
-47	0523230	RIB-WING TRAILING EDGE STA. 84 LH -----	1	
	0523230-1	RIB-WING TRAILING EDGE STA. 84 RH -----	1	
-48	0523408	BRACKET-AILERON PULLEY -----	1	
-49	0523511-3	RIB-WING CENTER SECTION STA. 102 -----	1	
-50	0523511-4	RIB-WING TRAILING EDGE STA. 102 -----	1	
-51	0523512-3	RIB-WING CENTER SECTION STA. 120 -----	1	
-52	0523512-4	RIB-WING TRAILING EDGE STA. 120 -----	1	
-53	0523219-2	CHANNEL-AILERON BELLCRANK SUPPORT UPPER LH -----	1	
	0523219-3	CHANNEL-AILERON BELLCRANK SUPPORT UPPER RH -----	1	
-54	0523219-4	CHANNEL-AILERON BELLCRANK SUPPORT LOWER LH -----	1	
	0523219-5	CHANNEL-AILERON BELLCRANK SUPPORT LOWER RH -----	1	
-55	0523513-3	RIB-WING CENTER SECTION STA. 138 LH -----	1	
	0523513-6	RIB-WING CENTER SECTION STA. 138 RH -----	1	
-56	0523514-3	RIB-WING CENTER SECTION STA. 156 -----	1	
-57	0523515-3	RIB-WING CENTER SECTION STA. 174 -----	1	
-58	0523516-5	RIB-WING CENTER SECTION STA. 192 WHEN -----	1	A
	0720608-7	EXHAUSTED USE 0720608-7 -----		
-59	0720608-7	RIB-WING CENTER SECTION STA. 192 -----	1	
-59	0523003-40	STRINGER-AFT OUTBOARD -----	2	
-60	0423541-19	STRINGER-UPPER FORWARD LH -----	1	
	0423541-20	STRINGER-UPPER FORWARD RH -----	1	
-61	0423541-21	STRINGER-UPPER CENTER LH -----	1	
	0423541-22	STRINGER-UPPER CENTER RH -----	1	
-62	0423541-23	STRINGER-UPPER AFT LH WHEN EXHAUSTED USE 0423541-21 -----	1	M
	0423541-21	STRINGER-UPPER AFT LH -----	1	N
	0423541-24	STRINGER-UPPER AFT RH WHEN EXHAUSTED USE 0423541-22 -----	1	M
	0423541-22	STRINGER-UPPER AFT RH -----	1	N
-63	NAS680A08	NUTPLATE -----	2	

CONTINUED ON NEXT PAGE

FIGURE AND INDEX NO.	PART NUMBER	DESCRIPTION	UNITS PER ASSY	USABLE ON CODE
				1 2 3 4 5 6 7
2A-64	0423541-31	STRINGER-LOWER FORWARD LH -----	1	
	0423541-32	STRINGER-LOWER FORWARD RH -----	1	
-65	0423541-33	STRINGER-LOWER CENTER LH -----	1	
	0423541-34	STRINGER-LOWER CENTER RH -----	1	
-66	0423541-35	STRINGER-LOWER AFT LH WHEN EXHAUSTED USE 0423541-33 -----	1	M
	0423541-33	STRINGER-LOWER AFT LH -----	1	N
	0423541-36	STRINGER-LOWER AFT RH WHEN EXHAUSTED USE 0423541-34 -----	1	M
	0423541-34	STRINGER-LOWER AFT RH -----	1	N
-67	0523517-4	SPACER-RIB FORWARD STA. 58 -----	1	
-68	0720005-2	STIFFENER-TRAILING EDGE -----	1	
-69	CM2692-28-1S	PLUG BUTTON -----	1	
-70	0523007-24	SKIN-UPPER CENTER SECTION STA 44.125 TO 174 LH -----	1	
	0523007-24	SKIN-UPPER CENTER SECTION STA 44.125 TO 174 RH -----	1	G
	0426005-31	SKIN-UPPER CENTER SECTION STA 44.125 TO 174 RH -----	1	F
-71	0523007-16	SKIN-UPPER TRAILING EDGE STA. 21.375 TO 84 -----	1	
-72	0523003-80	SKIN-UPPER TRAILING EDGE STA. 84 TO 174 -----	1	
-73	0523003-81	SKIN-UPPER CENTER SECTION STA. 174 TO 192 -----	1	
-74	0426005-14	SKIN-LOWER CENTER SECTION STA 22.125 TO 84 LH -----	1	
	0426005-14	SKIN-LOWER CENTER SECTION STA 22.125 TO 84 RH -----	1	G
	0426005-32	SKIN-LOWER CENTER SECTION STA 22.125 TO 84 RH -----	1	F
-75	0523007-19	SKIN-LOWER TRAILING EDGE STA. 21.375 TO 84 RH -----	1	
	0523007-20	SKIN-LOWER TRAILING EDGE STA. 21.375 TO 84 LH -----	1	
-76	0523003-79	SKIN-LOWER TRAILING EDGE STA. 84 TO 138 -----	1	S
	0523003-62	SKIN-LOWER TRAILING EDGE STA. 84 TO 138 -----	1	T
-77	0523003-74	SKIN-LOWER CENTER SECTION STA. 84 TO 174 -----	1	
-78	0523003-83	SKIN-LOWER CENTER SECTION STA. 174 TO 192 -----	1	
-79	S237-2	DOUBLER-INSPECTION OPENING LH WING -----	4	
	S237-2	DOUBLER-INSPECTION OPENING RH WING -----	3	
-80	NAS395-14-3	NUTPLATE -----	3	
-81	S330-2	DOUBLER-INSPECTION OPENING -----	2	
-82	NAS395-14-3	NUTPLATE -----	4	
-83	0721107-1	FAIRING-LH -----	1	B
	0721107-2	FAIRING-RH -----	1	B
-84	0420015-1	BRACKET-FLAP ACTUATOR MOUNT UPPER RH -----	1	F
-85	0420015-2	BRACKET-FLAP ACTUATOR MOUNT LOWER RH -----	1	F
-86	S1209-1	DOUBLER ASSEMBLY-INSPECTION OPENING RH WING -----	1	F
	NAS680A08K	NUTPLATE -----	6	F
-87	0422293-1	BRACKET-LOWER LH -----	1	D
	0422293-2	BRACKET-LOWER RH -----	1	D
	0422293-3	BRACKET-UPPER LH -----	1	D
	0422293-4	BRACKET-UPPER RH -----	1	D
-88	S237-2	DOUBLER-INSPECTION OPENING -----	1	S
	S330-2	DOUBLER-ACCESS HOLE -----	1	T
-89	NAS395-14-3	NUT -----	3	S
	NAS395-14-3	NUT -----	4	T
-90	0523700	TIP ASSEMBLY-WING -----	2	A
	0523701-4	TIP ASSEMBLY-WING -----	2	H
	0423008-3-791	TIP-WING -----	2	F
		ATTACHING PARTS		
-91	S102128-8	SCREW -----	10	
	0423008-4	STIFFENER USE ON UPPER SIDE LH TIP & LOWER SIDE RH TIP -----	1	F
	0423008-5	STIFFENER USE ON UPPER SIDE RH TIP & LOWER SIDE LH TIP -----	1	F
		-----*		
	S1862-1	NUTPLATE -----	2	H

CONTINUED ON NEXT PAGE



FIGURE AND INDEX NO.	PART NUMBER	DESCRIPTION	UNITS PER ASSY	USABLE ON CODE
2A-92	0426513-3	STUD ASSEMBLY-DOOR CATCH -----	1	K
	0426209-1	DOOR CATCH ASSEMBLY -----	1	L
	AN515-6R6	ATTACHING PARTS SCREW ----- -----*	1	L
<p>NOTE. *THIS ASSEMBLY INCLUDES THE 0523700 METAL WING TIP</p> <p>NOTE. #WHEN THIS ASSEMBLY IS USED ON AIRPLANES PRIOR TO 150 SERIAL 15064533 OR FRENCH SERIAL F150-0068 THAT DO NOT USE HEATED PITOT TUBE, ALSO ORDER ONE 0521003-1 PITOT TUBE ASSEMBLY &amp; ITEMS 18A,18B, 18C &amp; 19A FROM FIGURE 3.</p> <p>A---150 SERIAL 17001 THRU 15059350 B---150 SERIAL 15059351 &amp; ON F150 SERIAL F150-0001 &amp; ON C---150 SERIAL 17001 THRU 15060087 D---150 SERIAL 15060088 &amp; ON F150 SERIAL F150-0001 &amp; ON E---150 SERIAL 15060088 THRU 15061532 F---150 SERIAL 15061533 &amp; ON F150 SERIAL F150-0001 &amp; ON G---150 SERIAL 17001 THRU 15061532 H---150 SERIAL 15059351 THRU 15061532 J---150 SERIAL 15063441 &amp; ON F150 SERIAL F150-0053 &amp; ON K---150 SERIAL 17001 THRU 15064532 F150 SERIAL F150-0001 THRU F150-0067 L---150 SERIAL 15064533 &amp; ON F150 SERIAL F150-0068 &amp; ON M---150 SERIAL 17001 THRU 15066769 F150 SERIAL F150-0001 THRU F150-0219 N---150 SERIAL 15066770 &amp; ON F150 SERIAL F150-0220 &amp; ON P---150 SERIAL 17001 THRU 15067044 F150 SERIAL F150-0001 THRU F150-0207 Q---150 SERIAL 15067045 &amp; ON F150 SERIAL F150-0208 &amp; ON R---150 SERIAL 15061533 THRU 15067198 F150 SERIAL F150-0001 THRU F150-0219 S---150 SERIAL 17001 THRU 15067198 F150 SERIAL F150-0001 THRU F150-0219 T---150 SERIAL 15067199 &amp; ON F150 SERIAL F150-0220 &amp; ON U---150 SERIAL 17001 THRU 15068163 F150 SERIAL F150-0001 THRU F150-0359 V---150 SERIAL 15068164 &amp; ON F150 SERIAL F150-0360 &amp; ON</p>				

This page intentionally left blank.

FIGURE AND INDEX NO.	PART NUMBER	DESCRIPTION	UNITS PER ASSY	USABLE ON CODE
3 -		LEADING EDGE ASSEMBLY-WING -----	NP	
	0426005-60	LEADING EDGE ASSEMBLY-INBOARD LH STA. 22.125 TO 84 -----	1	D
	0426005-209	LEADING EDGE ASSEMBLY-INBD LH STA. 22.125 TO 84 -----	1	E
	0426005-211	LEADING EDGE ASSEMBLY-INBD LH STA. 22.125 TO 84 -----	1	F
	0426005-61	LEADING EDGE ASSEMBLY-INBD RH STA. 22.125 TO 84 -----	1	
- 1	0523007-12	SKIN-LEADING EDGE STA. 22.125 TO 84 LH -----	1	D
	0426005-35	SKIN-LEADING EDGE STA. 22.125 TO 84 LH -----	1	E
	0426005-37	SKIN-LEADING EDGE STA. 22.125 TO 84 LH -----	1	F
	0523007-11	SKIN-LEADING EDGE STA. 22.125 TO 84 RH -----	1	
- 2	0523107-2	RIB ASSEMBLY-NOSE STA. 22.125 LH -----	1	
	0523107	RIB ASSEMBLY-NOSE STA. 22.125 RH -----	1	
- 3	0422291	BRACKET LH ONLY -----	1	
- 4	S1863-3A	NUTPLATE LH ONLY -----	2	
- 5	MS20230-A2	GROMMET -----	1	
- 6	0523108	RIB ASSEMBLY-NOSE STA. 33.125 & 69.625 LH -----	2	
	0523108	RIB ASSEMBLY-NOSE RH -----	4	
	MS20230-A2	GROMMET -----	1	
- 7	0523108-3	RIB ASSEMBLY-NOSE STA. 44.125 LH -----	1	
- 8	0422292	BRACKET -----	1	
	MS20230-A2	GROMMET -----	1	
- 9	0523108-4	RIB ASSEMBLY-NOSE STA. 56.875 LH -----	1	
-10	0422291	BRACKET -----	1	
	MS20230-A2	GROMMET -----	1	
-11	S237-2	DOUBLER ASSEMBLY-INSPECTION OPENING -----	2	
-12	NAS395-4-3	NUTPLATE -----	3	
-13	MS35489-6	GROMMET LH ONLY -----	1	G
-13A	S1863-3A	NUTPLATE LH ONLY -----	2	
-14	0413233	ELBOW-CABIN AIR VENT -----	2	
-15	NAS446-4-3	NUTPLATE -----	2	
-16	0413157	SCOOP-CABIN AIR VENT -----	2	
		ATTACHING PARTS -----		
-17	S1021Z8-8	SCREW CESSNA STANDARD -----	1	
		---*---		

CONTINUED ON NEXT PAGE

Wing (Cont)

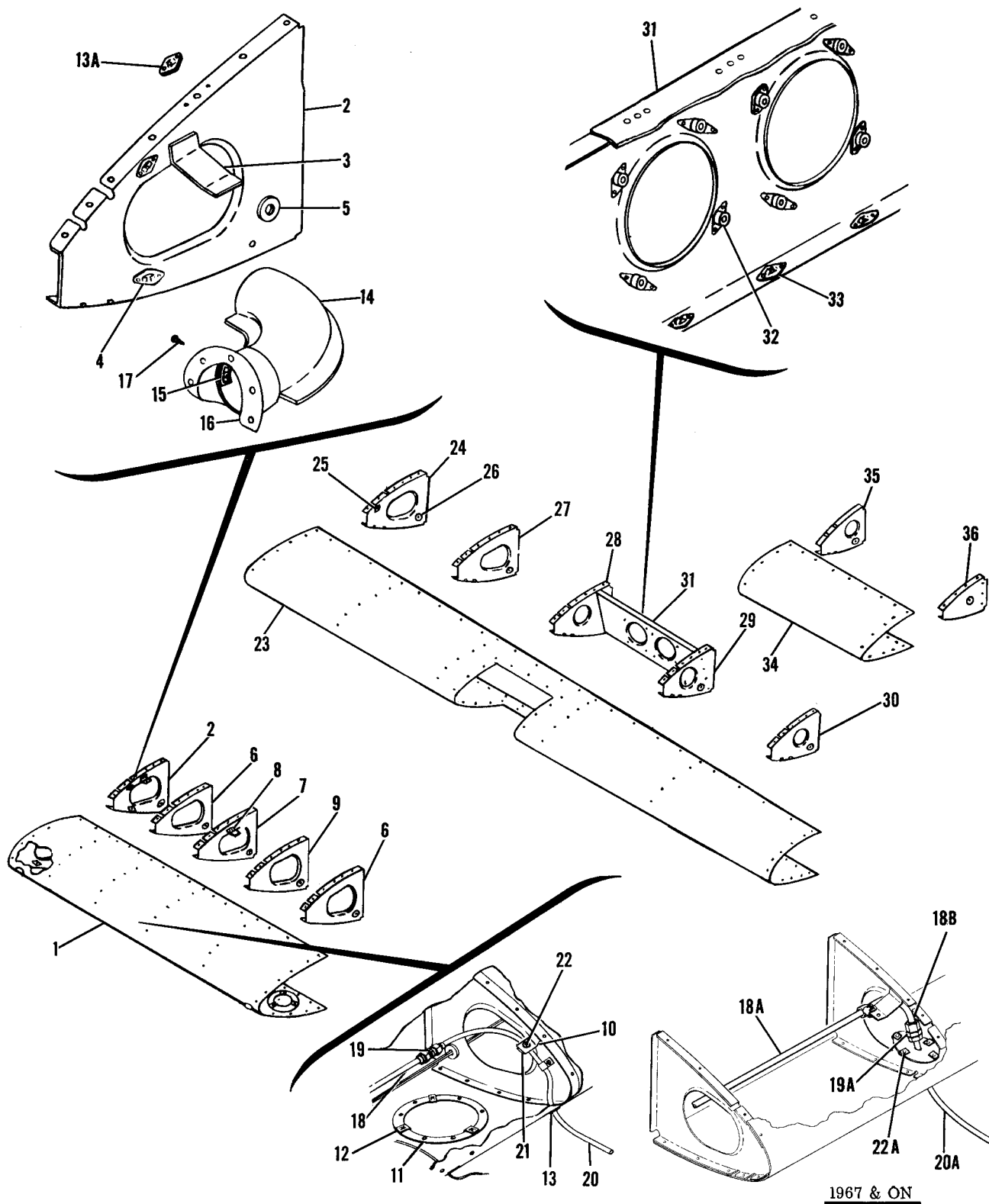


Figure 3. Wing Leading Edge Assembly

FIGURE AND INDEX NO.	PART NUMBER	DESCRIPTION	UNITS PER ASSY	USABLE ON CODE
		<b>1 2 3 4 5 6 7</b>		
3 -18	0400311-12	PITOT LINE-WING ROOT TO UNION LH ONLY -----	1	A
	0400311-40	PITOT LINE-WING ROOT TO UNION LH ONLY -----	1	B
-18A	S1071-1	TUBE-POLYETHELENE-PITOT 44.0 IN LG BULK ITEM -----	1	H
		REF S1071-1-44.0 -----		
	S1071-1	TUBE-POLYETHELENE-PITOT 80.0 IN LG BULK ITEM -----	1	J
		REF S1071-1-80.0 -----		
		ATTACHING PARTS -----		
	AN74204	CLAMP -----	2	
	S1021Z8-8	SCREW -----	2	
	NAS395-12-13	NUT -----	2	
		-----*		
-18B	S1130-1	NUT -----	2	F
	S1131-1	INSERT -----	2	F
-19	AN815-4D	UNION -----	1	G
-19A	S1132-1	UNION -----	1	F
-20	0400311-11	TUBE-PITOT LH ONLY -----	1	G
-20A	0521103-1	PITOT TUBE ASSEMBLY LH ONLY WHEN -----	1	F
		EXHAUSTED USE 0521103-2 -----		
		ATTACHING PARTS -----		
-21	AN74204	CLAMP TIN -----	1	G
-22	AN515-632R8	SCREW -----	1	G
	NAS679A06	NUT -----	1	G
-22A	S1021Z8-8	SCREW -----	4	F
		-----*		
	NAS395-14-3	NUT -----	4	F
	0523005-56	LEADING EDGE ASSEMBLY-CENTER LH STA. 84 TO 174 -----	1	
	0523005-57	LEADING EDGE ASSEMBLY-CENTER RH STA. 84 TO 174 -----	1	
-23	0523003-10	SKIN-LEADING EDGE STA. 84 TO 174 LH -----	1	
	0523003-11	SKIN-LEADING EDGE STA. 84 TO 174 RH -----	1	
-24	0523109	RIB ASSEMBLY-NOSE STA. 84 LH -----	1	
	0523109-1	RIB ASSEMBLY-NOSE STA. 84 RH -----	1	
-25	S1863-2	NUTPLATE -----	1	
-26	MS20230-A2	GROMMET -----	1	
-27	0523511-5	RIB ASSEMBLY-NOSE STA. 102 -----	1	
	MS20230-A2	GROMMET -----	1	
-28	0523512-5	RIB ASSEMBLY-NOSE STA. 120 -----	1	
	MS20230-A2	GROMMET -----	1	
-29	0523513-4	RIB ASSEMBLY-NOSE STA. 138 -----	1	
	MS20230-A2	GROMMET -----	1	
-30	0523514-4	RIB ASSEMBLY-NOSE STA. 156 -----	1	
	MS20230-A2	GROMMET -----	1	
-31	0523106	BRACKET ASSEMBLY-LANDING LIGHT LH ONLY -----	1	
-32	NAS680A08	NUTPLATE -----	8	
-33	S1863-3A	NUTPLATE LH ONLY -----	18	
	0426005-219	LEADING EDGE ASSEMBLY-CUTBOARD LH STA. 174 TO 192 -----	1	
	0426005-218	LEADING EDGE ASSEMBLY-CUTBOARD RH STA. 174 TO 192 -----	1	
-34	0523003-56	SKIN-LEADING EDGE STA. 174 TO 192 LH -----	1	
	0523003-57	SKIN-LEADING EDGE STA. 174 TO 192 RH -----	1	
-35	0523515-4	RIB ASSEMBLY-NOSE STA. 174 -----	1	
	MS20230-A2	GROMMET -----	1	
-36	0523516-4	RIB ASSEMBLY-NOSE STA. 192 WHEN -----	1	C
		EXHAUSTED USE 0720608-2 -----		
	0720608-2	RIB ASSEMBLY-NOSE STA. 192 WHEN -----	1	
		EXHAUSTED USE 0720608-26 -----		
	0720608-26	RIB ASSEMBLY-NOSE STA. 192 -----	1	
	MS20230-A2	GROMMET -----	1	
<p>A---150 SERIAL 17001 THRU 59018</p> <p>B---150 SERIAL 15059019 THRU 15064532</p> <p style="padding-left: 20px;">F150 SERIAL F150-0001 THRU F150-0067</p> <p>C---150 SERIAL 17001 THRU 15059350</p> <p>D---150 SERIAL 17001 THRU 15061532</p> <p>E---150 SERIAL 15061533 THRU 15064532</p> <p style="padding-left: 20px;">F150 SERIAL F150-0001 THRU F150-0067</p> <p>F---150 SERIAL 15064533 &amp; ON</p> <p style="padding-left: 20px;">F150 SERIAL F150-0068 &amp; ON</p> <p>G---150 SERIAL 17001 THRU 15064532</p> <p style="padding-left: 20px;">F150 SERIAL F150-0001 THRU F150-0067</p> <p>H---150 SERIAL 15064533 THRU 15068510</p> <p style="padding-left: 20px;">F150 SERIAL F150-0068 THRU F150-0389</p> <p>J---150 SERIAL 15068511 &amp; ON</p> <p style="padding-left: 20px;">F150 SERIAL F150-0390 &amp; ON</p>				

Wing (Cont)

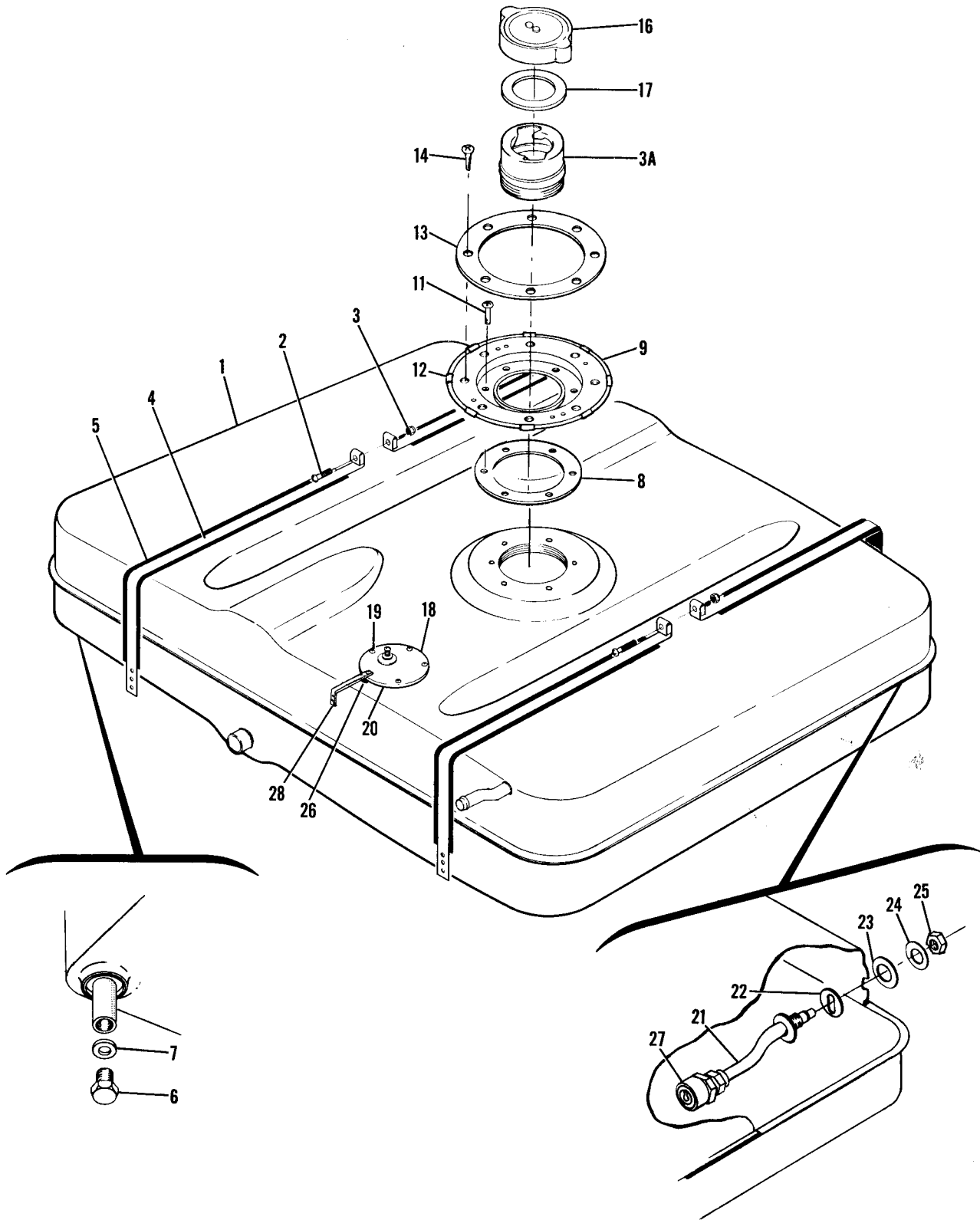


Figure 4. Fuel Tank Installation

FIGURE AND INDEX NO.	PART NUMBER	DESCRIPTION	UNITS PER ASSY	USABLE ON CODE
		<b>1 2 3 4 5 6 7</b>		
4 -		TANK INSTALLATION-FUEL LH -----	NP	
		TANK INSTALLATION-FUEL RH -----	NP	
- 1	0426508-9	TANK ASSEMBLY-FUEL LH -----	1	
	0426508-10	TANK ASSEMBLY-FUEL RH -----	1	
		ATTACHING PARTS		
- 2	AN520-10R36	SCREW -----	2	
- 3	NAS679A3	NUT -----	2	
		*-----		
- 3A	0311240-17	FILLER NECK-FUEL TANK -----	1	
- 4	0426512	STRAP ASSEMBLY-FUEL TANK -----	4	
- 5	0426512-5	PAD-NEOPRENE -----	4	
- 6	0523520-9	PLUG-DRAIN OUTLET -----	1	
		VALVE-FUEL DRAIN USED WITH SAMPLER CUP SEE FIG 4B ----	1	
- 7	MS28778-4	GASKET-DRAIN PLUG -----	1	
- 8	0523532	GASKET-FUEL TANK ADAPTER -----	2	
- 9	0523529-1	ADAPTER ASSEMBLY-FUEL TANK -----	1	
		ATTACHING PARTS		
-10		DELETED, NEVER USED -----		
-11	AN520-10R10	SCREW -----	6	
		*-----		
-12	NAS488-7-3	NUT TIN -----	8	
-13	0523531	SEAL-ADAPTER -----	1	
-14	S1021Z8-10	SCREW CESSNA STANDARD -----	8	
-15		DELETED, SEE INDEX 3A -----		
-16	0311360-4	CAP ASSEMBLY-FUEL TANK -----	1	
-17	0311360-5	GASKET-CAP -----	1	
-18	0426517-1	TRANSMITTER-FUEL GAUGE -----	1	
		ATTACHING PARTS		
-19	AN520-10R8	SCREW -----	5	
	S350	WASHER CESSNA STANDARD -----	5	
	AN960D10L	WASHER -----	5	
		*-----		
-20	S1588-1	GASKET-TRANSMITTER -----	1	
-21	0523552-2	WELD ASSEMBLY-FUEL CELL VENT LH TANK ONLY -----	1	
		ATTACHING PARTS		
-22	0523554-1	GASKET LH TANK ONLY -----	1	
-23	0523554-2	GASKET LH TANK ONLY -----	1	
-24	0523556-1	WASHER LH TANK ONLY -----	1	
-25	AN924-6D	NUT LH TANK ONLY -----	1	
		*-----		
-26	0413247	GROUND-STRAP -----	1	
-27	0716124-5	VALVE ASSEMBLY-FUEL VENT WHEN EXHAUSTED USE 0716124-6 ----	1	A
		LH TANK ONLY		
	0716124-2	VALVE ASSEMBLY-FUEL VENT ALTERNATE LH TANK ONLY -----	1	A
	0716124-6	VALVE ASSEMBLY-FUEL VENT LH TANK ONLY -----	1	B
-28	0516006-1	STRAP-FUEL TRANSMITTER GROUND -----	1	C
		NOTE. *WHEN REPLACING THIS PART ON AIRPLANES PRIOR TO SERIAL 15059351 ALSO ORDER PARTS MARKED * ON FIGURE 43.		
		A---150 SERIAL 17001 THRU 15060699		
		B---150 SERIAL 15060700 & ON F150 SERIAL F150-0001 & ON		
		C---150 SERIAL 15063441 & ON F150 SERIAL F150-0053 & ON		

Wing (Cont)

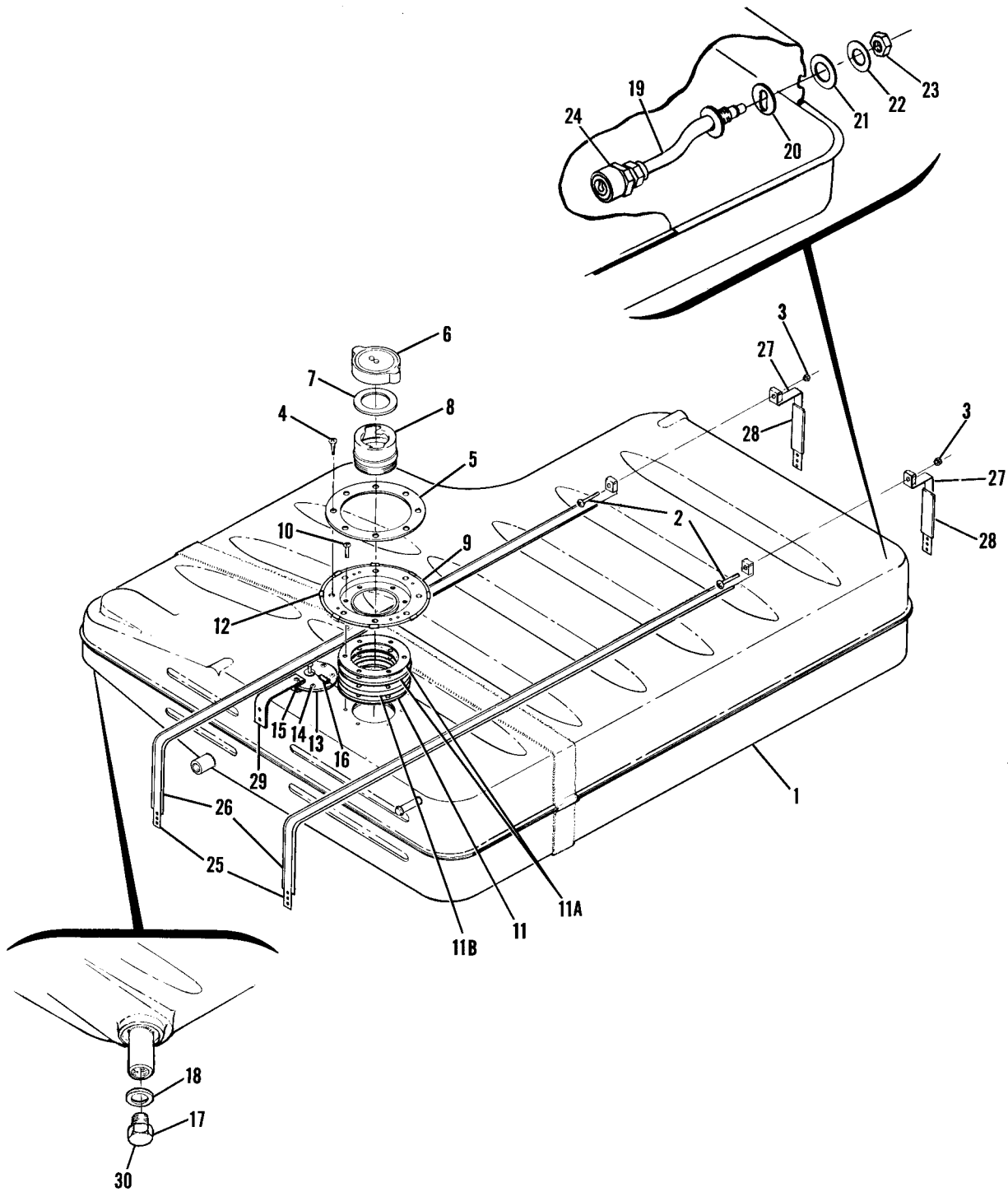


Figure 4A. Patroller Wing Fuel Tank Installation



FIGURE AND INDEX NO.	PART NUMBER	DESCRIPTION	UNITS PER ASSY	USABLE ON CODE
		<b>1 2 3 4 5 6 7</b>		
4A-		FUEL TANK INSTALLATION-PATROLLER WING LH -----	NP	
- 1	0426519-1	FUEL TANK INSTALLATION-PATROLLER WING RH -----	NP	
	0426519-2	TANK ASSEMBLY-FUEL LH -----	1	
		TANK ASSEMBLY-FUEL RH -----	1	
		ATTACHING PARTS		
- 2	AN520-10R6	SCREW -----	2	
- 3	NAS679A3	NUT -----	2	
- 4	S1021Z8-10	SCREW -----	8	
- 5	0523531	SEAL -----	1	
		*-----*		
- 6	0311360-4	CAP ASSEMBLY-FUEL TANK -----	1	
- 7	0311360-5	GASKET-CAP -----	1	
- 8	0311240-17	FILLER NECK -----	1	
- 9	0523529-1	ADAPTER ASSEMBLY-FUEL TANK -----	1	
		ATTACHING PARTS		
-10	AN520-10R10	SCREW -----	6	B
	AN520-10R14	SCREW -----	6	C
-11	0523532	GASKET-FUEL TANK ADAPTER -----	2	
-11A	0523532	GASKET -----	2	C
-11B	0426208-1	SPACER -----	1	C
		*-----*		
-12	C9876-8-1	NUT TIN -----	8	
-13	0426517-2	TRANSMITTER-FUEL GAGE -----	1	
		ATTACHING PARTS		
-14	AN520-10R10	SCREW -----	5	
	S350	WASHER -----	5	
	S1588-1	GASKET -----	1	
-15	0413427	STRAP-GROUND -----	1	
		*-----*		
-16	20 OHM,5W	RESISTOR-BROWN DEVIL OM -----	1	
-17	0523520-9	PLUG-DRAIN -----	1	
-18	MS28778-4	GASKET-DRAIN -----	1	
-19	0523552-2	WELD ASSEMBLY-FUEL CELL VENT LH TANK ONLY -----	1	
		ATTACHING PARTS		
-20	0523554-1	GASKET LH TANK ONLY -----	1	
-21	0523554-2	GASKET LH TANK ONLY -----	1	
-22	0523556-1	WASHER LH TANK ONLY -----	1	
-23	AN926-6D	NUT LH TANK ONLY -----	1	
		*-----*		
-24	0716124-6	VALVE ASSEMBLY-FUEL VENT LH TANK ONLY -----	1	
-25	0426512-6	STRAP ASSEMBLY-FUEL TANK INBOARD -----	2	
-26	0426512-8	PAD-NEOPRENE -----	1	
-27	0523522-1	STRAP ASSEMBLY-FUEL TANK OUTBOARD -----	2	
-28	0523522-7	PAD-NEOPRENE -----	1	
-29	0516006-1	STRAP-FUEL TRANSMITTER GROUND -----	1	A
-30		VALVE-FUEL DRAIN USED WITH SAMPLER CUP SEE FIG 48 -----	1	
		NOTE. #WHEN REPLACING THIS PART ON AIRPLANES PRIOR TO SERIAL 15059351 ALSO ORDER PARTS MARKED # ON FIGURE 43.		
		A---150 SERIAL 15063441 & ON F150 SERIAL F150-0053 & ON		
		B---150 SERIAL 17001 THRU 15069454 F150 SERIAL F150-0001 THRU F150-0489		
		C---150 SERIAL 15069455 & ON F150 SERIAL F150-0490 & ON		

Wing (Cont)

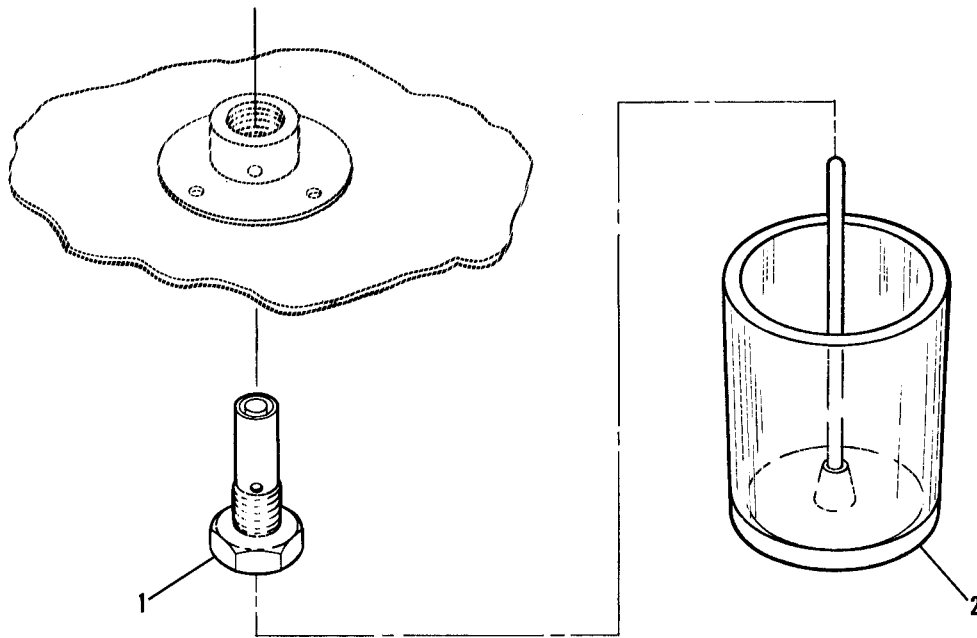


Figure 4B. Fuel Tank Drain Valve Installation

FIGURE AND INDEX NO.	PART NUMBER	DESCRIPTION	UNITS PER ASSY	USABLE ON CODE
4B- - 1 - 2	0526001-2 0526001-1	<p><b>1 2 3 4 5 6 7</b></p> <p>FUEL TANK DRAIN VALVE INSTALLATION -----                      DRAIN VALVE -----                      CUP-FUEL SAMPLER -----</p>	1 2 1	
<p>NOTE. *THESE PARTS &amp; INSTALLATION INSTRUCTIONS ARE AVAILABLE AS A KIT &amp; MAY BE ORDERED UNDER P/N AK150-82</p>				

This page intentionally left blank.

Wing (Cont)

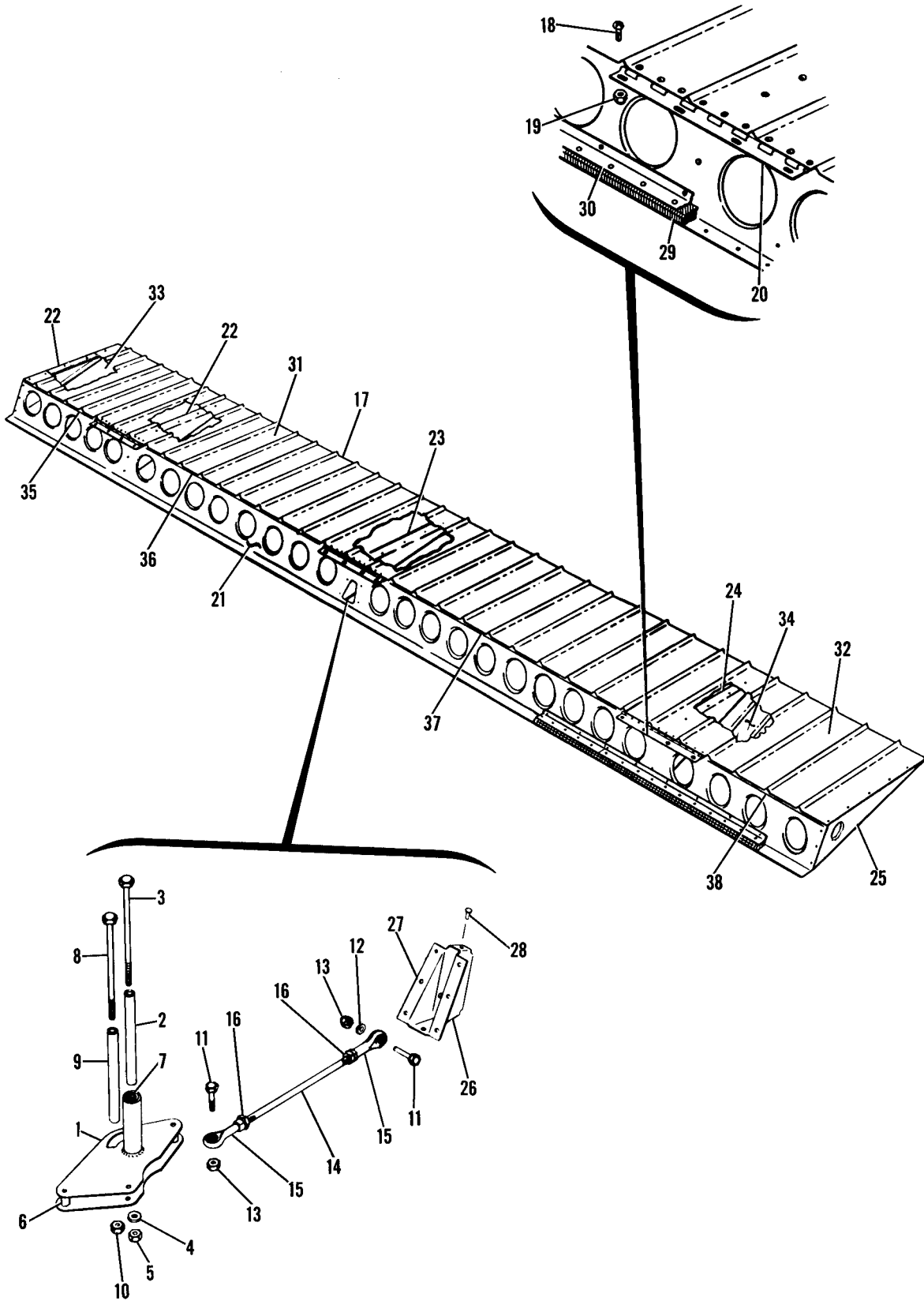


Figure 5. Aileron Installation

FIGURE AND INDEX NO.	PART NUMBER	DESCRIPTION	UNITS PER ASSY	USABLE ON CODE
5 -		<b>1 2 3 4 5 6 7</b> AILERON INSTALLATION -----	NP	
- 1	0523223 0523223-1	BELLCRANK ASSEMBLY-AILERON LH ----- BELLCRANK ASSEMBLY-AILERON RH ----- ATTACHING PARTS	1 1	
- 2	0523221	BUSHING -----	1	
- 3	AN4-42A	BOLT -----	1	
- 4	0522629	WASHER -----	1	
- 5	NAS679A4	NUT ----- ---*---	1	
- 6	0422280	BUSHING -----	2	
- 7	B610	BEARING TOR -----	2	
- 8	AN4-42A	BOLT -----	1	
- 9	0523222	BUSHING-BELLCRANK STOP -----	1	
-10	NAS679A4 0523218	NUT ----- ROD ASSEMBLY-AILERON PUSH-PULL ----- ATTACHING PARTS	1 2	
-11	AN3-7A	BOLT -----	2	
-12	AN960-10	WASHER -----	1	
-13	NAS679A3	NUT ----- ---*---	2	
-14	0523218-2	ROD-AILERON PUSH-PULL -----	1	
-15	S1819-3	END-ROD -----	2	
-16	AN316-4R	NUT-CHECK -----	2	
-17	0523800 0523800-1	AILERON ASSEMBLY-LH ----- AILERON ASSEMBLY-RH ----- ATTACHING PARTS	1 1	
-18	NAS221-8	BOLT -----	12	
-19	NAS679A3	NUT ----- ---*---	12	
-20	0523807	HINGE ASSEMBLY-AILERON -----	3	
-21	0523806 0523806-1	SPAR-AILERON LH ----- SPAR-AILERON RH -----	1 1	
-22	0523808 0523808-2	RIB NO. 1-AILERON LH ----- RIB NO. 1-AILERON RH -----	2 2	
-23	0523809 0523809-1	RIB NO. 2-AILERON LH ----- RIB NO. 2-AILERON RH -----	1 1	
-24	0523810	RIB NO. 3-AILERON -----	1	
-25	0523811-1 0523811	RIB NO. 4-AILERON LH ----- RIB NO. 4-AILERON RH -----	1 1	
-26	0523812-2	BRACKET HALF-CONTROL LH WHEN EXHAUSTED USE 0760011-2 --	1	A
-27	0523812-3 0760011-2	BRACKET HALF-CONTROL RH WHEN EXHAUSTED USE 0760011-2 -- BRACKET-AILERON CONTROL ----- ATTACHING PARTS	1 1	A B
-28	CR163-4-8	RIVET CY ----- ---*---	1	
-29	0721109	WEIGHT-AILERON BALANCE ----- ATTACHING PARTS	3	
-30	0523814-3	BRACKET ----- ---*---	1	
-31	0523800-6 0523800-7	SKIN-UPPER INBOARD LH ----- SKIN-UPPER INBOARD RH -----	1 1	
-32	0523800-8 0523800-9	SKIN-UPPER OUTBOARD LH ----- SKIN-UPPER OUTBOARD RH -----	1 1	
-33	0523800-10 0523800-11	SKIN-LOWER INBOARD LH ----- SKIN-LOWER INBOARD RH -----	1 1	
-34	0523800-12 0523800-13	SKIN-LOWER OUTBOARD LH ----- SKIN-LOWER OUTBOARD RH -----	1 1	
-35	0523813-1	SPACER -----	1	
-36	0523813-8	SPACER -----	1	
-37	0523813-6	SPACER -----	1	
-38	0523813-7	SPACER -----	1	
A---150 SERIAL 17001 THRU 15070418 F150 SERIAL F150-0001 & ON B---150 SERIAL 15070419 & ON				

Wing (Cont)

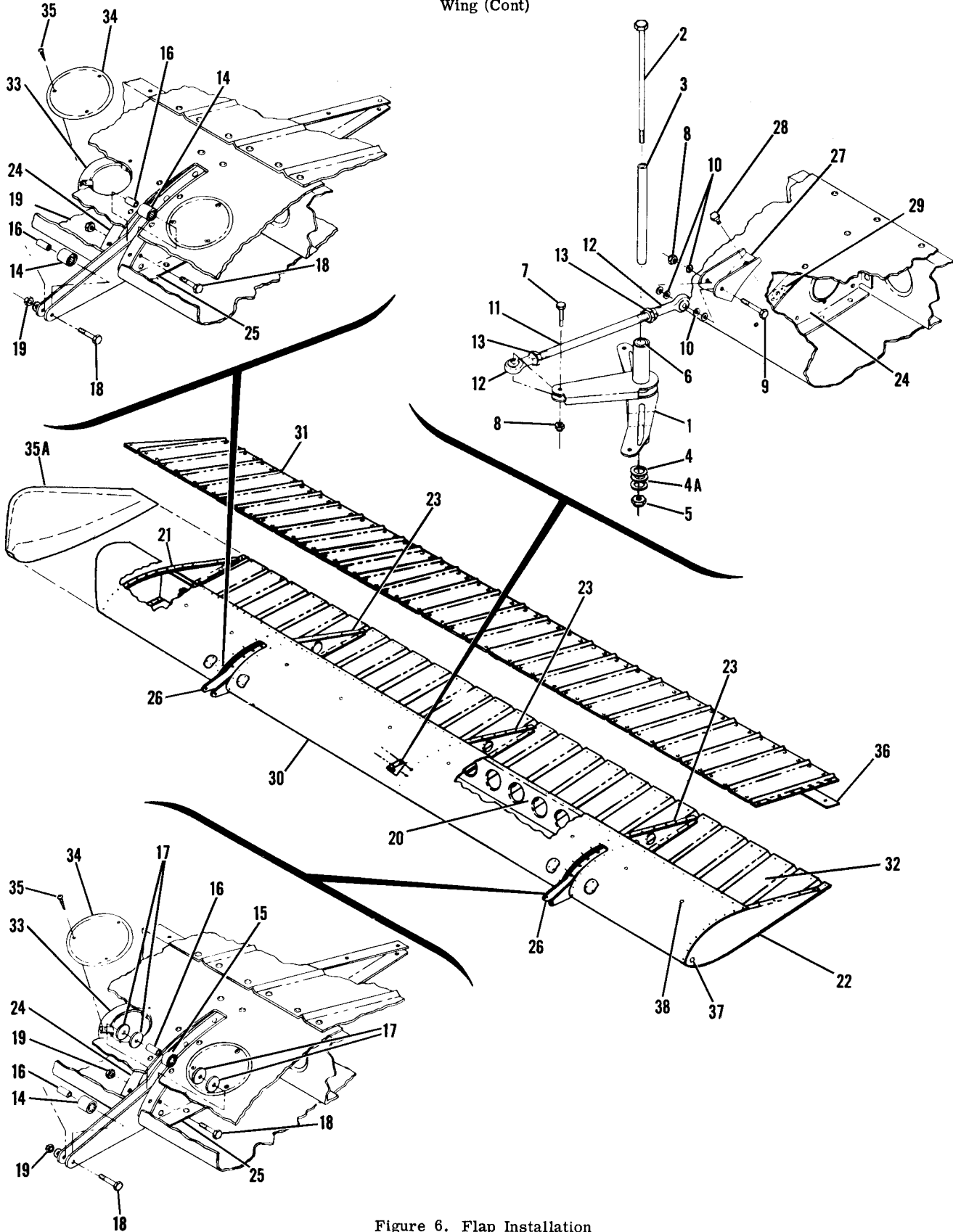


Figure 6. Flap Installation

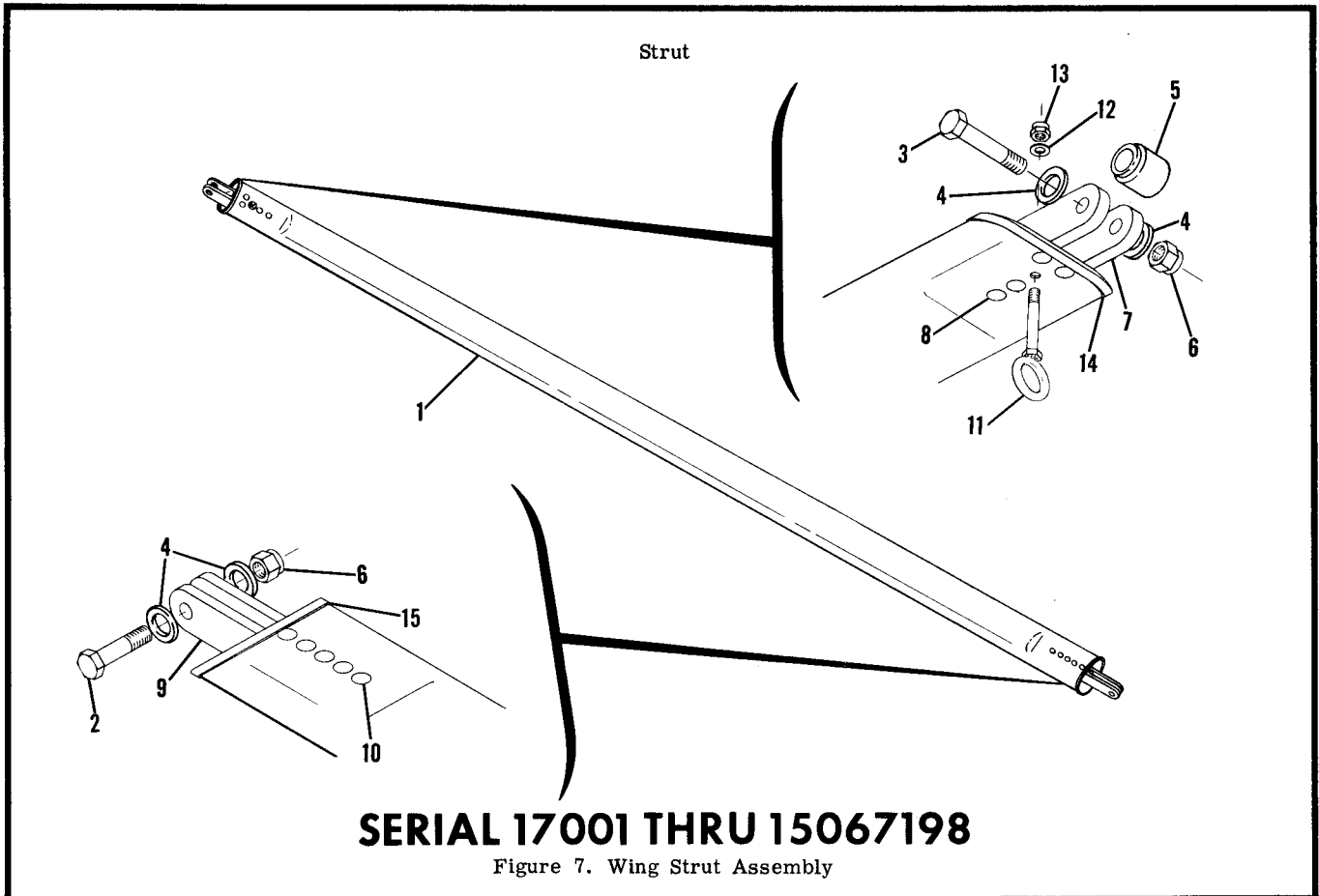
FIGURE AND INDEX NO.	PART NUMBER	DESCRIPTION	UNITS PER ASSY	USABLE ON CODE
		<b>1 2 3 4 5 6 7</b>		
6 -		FLAP INSTALLATION -----	NP	
- 1	0523535-7	BELLCRANK ASSEMBLY-LEFT FLAP -----	1	A
	0523535	BELLCRANK ASSEMBLY-LEFT FLAP -----	1	B
	0760612-7	DRIVE PULLEY-LEFT FLAP SEE FIGURE 38B -----	1	A
	0523535-8	BELLCRANK ASSEMBLY-RIGHT FLAP -----	1	B
	0523535-1	BELLCRANK ASSEMBLY-RIGHT FLAP -----	1	E
	0760612-1	DRIVE PULLEY-RIGHT FLAP SEE FIGURE 38B -----	1	
		ATTACHING PARTS		
- 2	AN4-60A	BOLT -----	1	
- 3	0523536	BUSHING -----	1	
- 4	0522629	WASHER -----	1	
- 4A	AN960D416	WASHER -----	2	
- 5	NAS679A4	NUT -----	1	
		-----*		
- 6	B610	BEARING TOR -----	2	
	0523537	ROD ASSEMBLY-FLAP PUSH PULL -----	2	
		ATTACHING PARTS		
- 7	AN3-7A	BOLT -----	1	
- 8	NAS679A3	NUT -----	2	
- 9	AN3-11A	BOLT -----	1	
-10	AN960-10	WASHER -----	5	
		-----*		
-11	0523537-2	ROD-FLAP PUSH PULL -----	1	
-12	S1106-3	ROD END -----	2	
	S1819-3	ROD END ALTERNATE -----	2	
-13	AN316-4R	NUT-CHECK -----	2	
	0426901	FLAP ASSEMBLY-LEFT WING -----	1	C
	0426901-9	FLAP ASSEMBLY-LEFT WING WHEN EXHAUSTED USE 0426901-15 -----	1	F
	0426901-15	FLAP ASSEMBLY-LEFT WING -----	1	G
	0426901-1	FLAP ASSEMBLY-RIGHT WING -----	1	C
	0426901-8	FLAP ASSEMBLY-RIGHT WING WHEN EXHAUSTED USE 0426901-16 -----	1	F
	0426901-16	FLAP ASSEMBLY-RIGHT WING -----	1	G
		ATTACHING PARTS		
-14	0523921	ROLLER ASSEMBLY -----	3	
-15	0523920	ROLLER ASSEMBLY -----	1	
-16	0523919	BUSHING-ROLLER -----	4	
-17	0523922	SPACER-ROLLER OUTBOARD ONLY -----	AR	
-18	AN3-11A	BOLT -----	4	
-19	NAS679A3	NUT -----	4	
		-----*		
-20	0426908	SPAR-FLAP LH ONLY -----	1	
	0426908-1	SPAR-FLAP RH ONLY -----	1	
-21	0523912	RIB-FLAP INBOARD -----	1	
-22	0523912-1	RIB-FLAP OUTBOARD -----	1	
-23	0523923	RIB-FLAP TRAILING EDGE -----	3	
-24	0523914	RIB-FLAP SUPPORT ARM RIGHT -----	1	
-25	0523901-8	RIB ASSEMBLY-FLAP SUPPORT ARM LEFT -----	2	
-26	0523901-9	RIB ASSEMBLY-FLAP SUPPORT ARM RIGHT -----	2	
-27	0523918	BRACKET-FLAP CONTROL -----	1	
		ATTACHING PARTS		
-28	AN3-4A	BOLT -----	2	
-29	MS20365F1032C	NUTPLATE -----	2	
		-----*		
-30	0426901-2	SKIN-FLAP LEADING EDGE LH ONLY -----	1	C
	0426901-13	SKIN-FLAP LEADING EDGE LH ONLY -----	1	D
	0426901-3	SKIN-FLAP LEADING EDGE RH ONLY -----	1	C
	0426901-12	SKIN-FLAP LEADING EDGE RH ONLY -----	1	D
-31	0426901-4	SKIN-FLAP-UPPER LH ONLY -----	1	C
	0426901-11	SKIN-FLAP UPPER LH ONLY -----	1	D
	0426901-5	SKIN-FLAP UPPER RH ONLY -----	1	C
	0426901-10	SKIN-FLAP UPPER RH ONLY -----	1	D
-32	0426901-6	SKIN-FLAP LOWER LH ONLY -----	1	
	0426901-7	SKIN-FLAP LOWER RH ONLY -----	1	
-33	S237-4	DOUBLER-ACCESS HOLE -----	4	

CONTINUED ON NEXT PAGE



FIGURE AND INDEX NO.	PART NUMBER	DESCRIPTION							UNITS PER ASSY	USABLE ON CODE
		1	2	3	4	5	6	7		
6 -34	S225-3								4	
-35	S1021Z8-8								3	
-35A	0425142-1								1	D
	0425142-2								1	D
-36	0426901-14								1	G
-37	CM2692-20-1S								1	
-38	S1093-1 **								11	
<p>NOTE. *WHEN ORDERING THESE PARTS ALSO ORDER PARTS MARKED **.</p> <p>A---150 SERIAL 17001 THRU 17438            B---150 SERIAL 17439 THRU 15061532            C---150 SERIAL 17001 THRU 15060087            D---150 SERIAL 15060088 &amp; ON                F150 SERIAL F150-0001 &amp; ON            E---150 SERIAL 15061533 &amp; ON                F150 SERIAL F150-0001 &amp; ON            F---150 SERIAL 15060088 THRU 15065347                F150 SERIAL F150-0001 THRU F150-0167            G---150 SERIAL 15065348 &amp; ON                F150 SERIAL F150-0168 &amp; ON</p>										



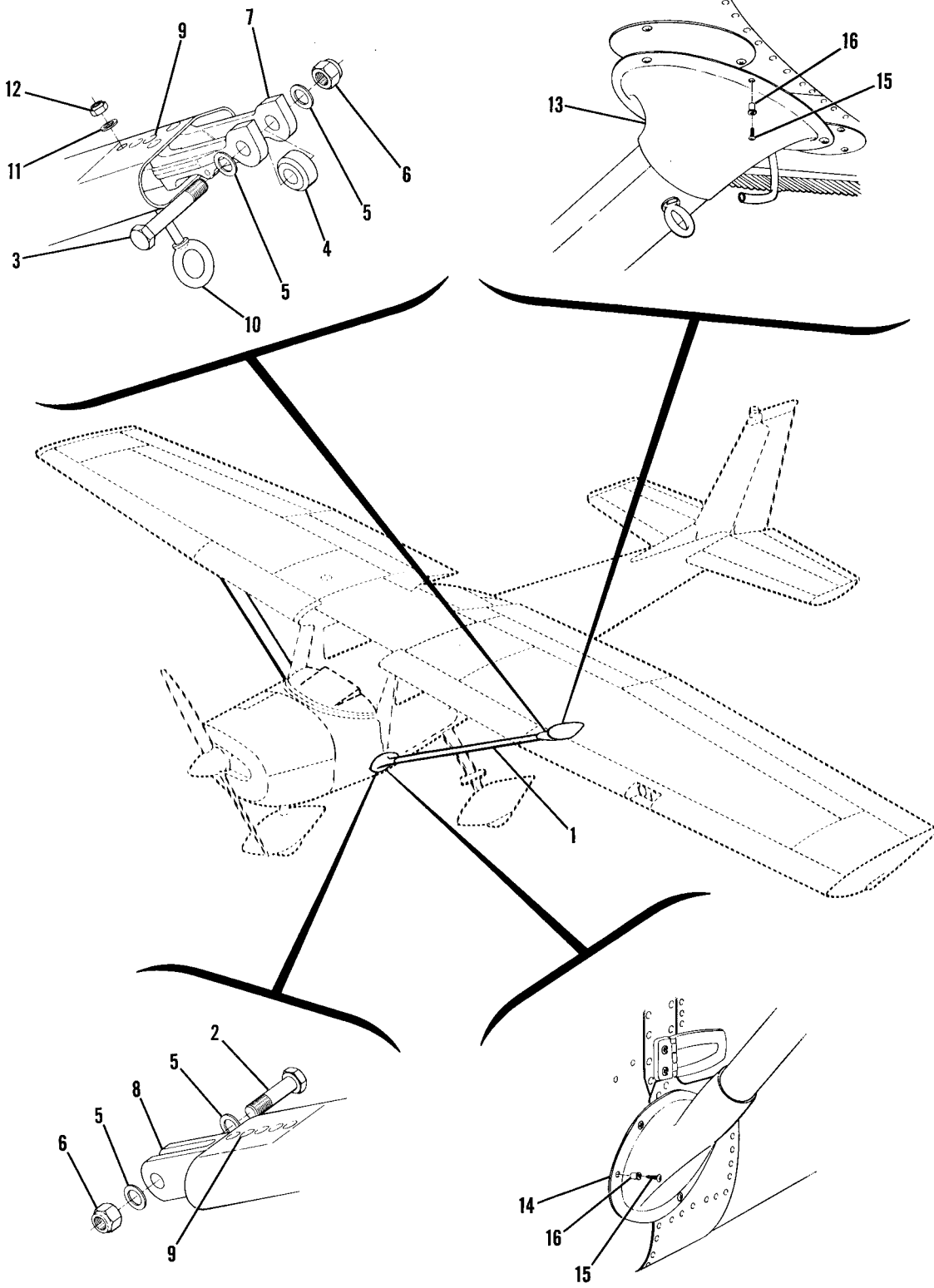


**SERIAL 17001 THRU 15067198**

Figure 7. Wing Strut Assembly

FIGURE AND INDEX NO.	PART NUMBER	DESCRIPTION	UNITS PER ASSY	USABLE ON CODE
7 - 1	0426606 0426606-1	STRUT ASSEMBLY-LEFT WING ----- STRUT ASSEMBLY-RIGHT WING -----	1 1	A A
		ATTACHING PARTS		
- 2	AN8-17A	BOLT -----	1	
- 3	AN8-25A	BOLT -----	1	
- 4	AN960-816	WASHER -----	5	
- 5	0523307	SPACER -----	1	
- 6	MS20365-820C	NUT -----	2	
		-----*		
- 7	0523614-1	FITTING-STRUT UPPER END ----- ATTACHING PARTS	1	
- 8	0723600-6	RIVET -----	4	
		-----*		
- 9	0523608-2	FITTING-STRUT LOWER END ----- ATTACHING PARTS	1	
-10	0723600-6 MS20470AD10-28	RIVET ----- RIVET -----	4 1	
		-----*		
-11	0523613-1	RING-MOORING ----- ATTACHING PARTS	1	
-12	AN960-516	WASHER -----	1	
-13	NAS679A5	NUT -----	1	
		-----*		
-14	0426606-5	SEAL-UPPER -----	1	
-15	0426606-4	SEAL-LOWER -----	1	
		A---150 SERIAL 17001 THRU 15067198 F150 SERIAL F150-0001 THRU F150-0219		

Strut (Cont)



**SERIAL 15067199 & ON**

Figure 7A. Wing Strut Installation

FIGURE AND INDEX NO.	PART NUMBER	DESCRIPTION	UNITS PER ASSY	USABLE ON CODE
		<b>1 2 3 4 5 6 7</b>		
7A-		WING STRUT INSTALLATION -----	NP	A
- 1	0421000-1	STRUT ASSEMBLY-WING LH -----	1	
	0421000-2	STRUT ASSEMBLY-WING RH -----	1	
		ATTACHING PARTS -----		
- 2	AN8-17A	BOLT -----	1	
- 3	AN8-25A	BOLT -----	1	
- 4	0523307	SPACER -----	1	
- 5	AN960-816	WASHER -----	4	
- 6	MS20365-820C	NUT -----	2	
		---*---		
- 7	0523614-1	FITTING-STRUT UPPER -----	1	
- 8	0421001-1	FITTING-STRUT LOWER -----	1	
		ATTACHING PARTS -----		
- 9	MS20470AD10-28	RIVET -----	5	
		---*---		
-10	0523613-1	EYEBOLT-MOORING -----	1	
-11	AN960-516	WASHER -----	1	
-12	NAS679A5	NUT -----	1	
-13	0522150-3-791	FAIRING-STRUT UPPER LH -----	1	
	0522150-4-791	FAIRING-STRUT UPPER RH -----	1	
-14	0421002-1-791	FAIRING-STRUT LOWER LH -----	1	
	0421002-2-791	FAIRING-STRUT LOWER RH -----	1	
		ATTACHING PARTS -----		
-15	AN515-8RB	SCREW -----	3	
-16	NAS1329A08-75	RIVNUT -----	3	
		---*---		
		A---150 SERIAL 15067199 & ON		
		F150 SERIAL F150-0220 & ON		

This page intentionally left blank.

FIGURE AND INDEX NO.	PART NUMBER	DESCRIPTION	UNITS PER ASSY	USABLE ON CODE
		<b>1 2 3 4 5 6 7</b>		
8 -		STABILIZER & ELEVATOR INSTALLATION -----	NP	
	0432001-2	STABILIZER ASSEMBLY -----	1	E
	0432001-50	STABILIZER ASSEMBLY -----	1	G
	0432001-59	STABILIZER ASSEMBLY -----	1	H
		ATTACHING PARTS		
- 1	AN4-4A	BOLT -----	2	
- 2	AN960D416	WASHER -----	2	G
- 3	AN4-5A	BOLT -----	2	G
- 3A	AN4-7A	BOLT -----	2	H
	AN960-416L	WASHER -----	2	
	NAS679A4	NUT -----	2	H
		---*---		
- 4	0432001-14	SPAR-STABILIZER -----	2	E
	0432001-56	SPAR-STABILIZER -----	2	F
- 5	0432001-15	REINFORCEMENT -----	1	
- 6	0432164-1	BRACKET ASSEMBLY -----	1	G
	0432004-1	BRACKET ASSEMBLY -----	1	H
	NAS686A4	NUTPLATE -----	2	G
	NAS1068A4	NUTPLATE -----	8	H
- 7	NAS428-3-7	BOLT-ELEVATOR STOP -----	2	H
	AN315-3R	NUT-ELEVATOR STOP -----	2	
- 8	0432001-8	RIB-RH -----	1	
- 9	0432001-9	RIB-LH -----	1	
-10	0432001-19	BRACKET-UPPER HALF -----	1	
	0432001-20	BRACKET-LOWER HALF -----	1	
-11	0432001-6	RIB ASSEMBLY-LEADING EDGE RH -----	1	
	0432001-46	RIB ASSEMBLY-LEADING EDGE LH -----	1	
-12	NAS680A4	NUTPLATE -----	1	
-13	0432001-37	ANGLE -----	2	
-14	0432001-11	RIB-LH -----	1	
-15	0432001-10	RIB ASSEMBLY-RH -----	1	
-16	NAS680A06K	NUTPLATE RH ONLY -----	2	
-17	0310293-2	ACTUATOR ASSEMBLY-ELEVATOR TAB WHEN EXHAUSTED -----	1	G
	0310293-12	USE 1260074-1 -----		
	0310293-14	ACTUATOR ASSEMBLY-ELEVATOR TAB ALT FOR 0310293-2 -----	1	G
		ACTUATOR ASSEMBLY-ELEVATOR TAB WHEN EXHAUSTED -----	1	K
		USE 1260074-1 -----		
	1260074-1	ACTUATOR ASSEMBLY-ELEVATOR TAB -----	1	L
		ATTACHING PARTS		
-18	AN742D13	CLAMP TIN -----	2	
-19	AN520-10R12	SCREW -----	2	
-19A	NAS43HT3-7	SPACER -----	2	
		---*---		
-20	0432005-1	FITTING-LH -----	1	H
	0432005-2	FITTING-RH -----	1	H
		ATTACHING PARTS		
-21	AN509-416R12	SCREW -----	2	H
		---*---		
-22		DELETED, NOT AVAILABLE -----		
-23		DELETED, NOT AVAILABLE -----		
-24		DELETED, NOT AVAILABLE -----		
-25		DELETED, NOT AVAILABLE -----		
-26	0432001-12	RIB -----	2	
-27	0432001-13	RIB -----	2	E
	0432001-53	RIB -----	2	F
-28	S1863-2A	NUTPLATE -----	12	E
	S1863-3A	NUTPLATE -----	4	F
-29	S1862-1A	NUTPLATE -----	4	E
	S1862-2A	NUTPLATE -----	8	F
-30	0432001-17	SKIN-STABILIZER LH -----	1	E
	0432001-55	SKIN-STABILIZER LH -----	1	F
-31	0432001-18	SKIN-STABILIZER RH -----	1	E
	0432001-54	SKIN-STABILIZER RH -----	1	F
-32	S237-2	DOUBLER RH ONLY CESSNA STANDARD -----	2	
-33	0432001-16	SKIN-LEADING EDGE -----	2	
-34	0432165-1	HINGE ASSEMBLY -----	2	
-35	0432003-1	BUSHING -----	1	

CONTINUED ON NEXT PAGE

Empennage

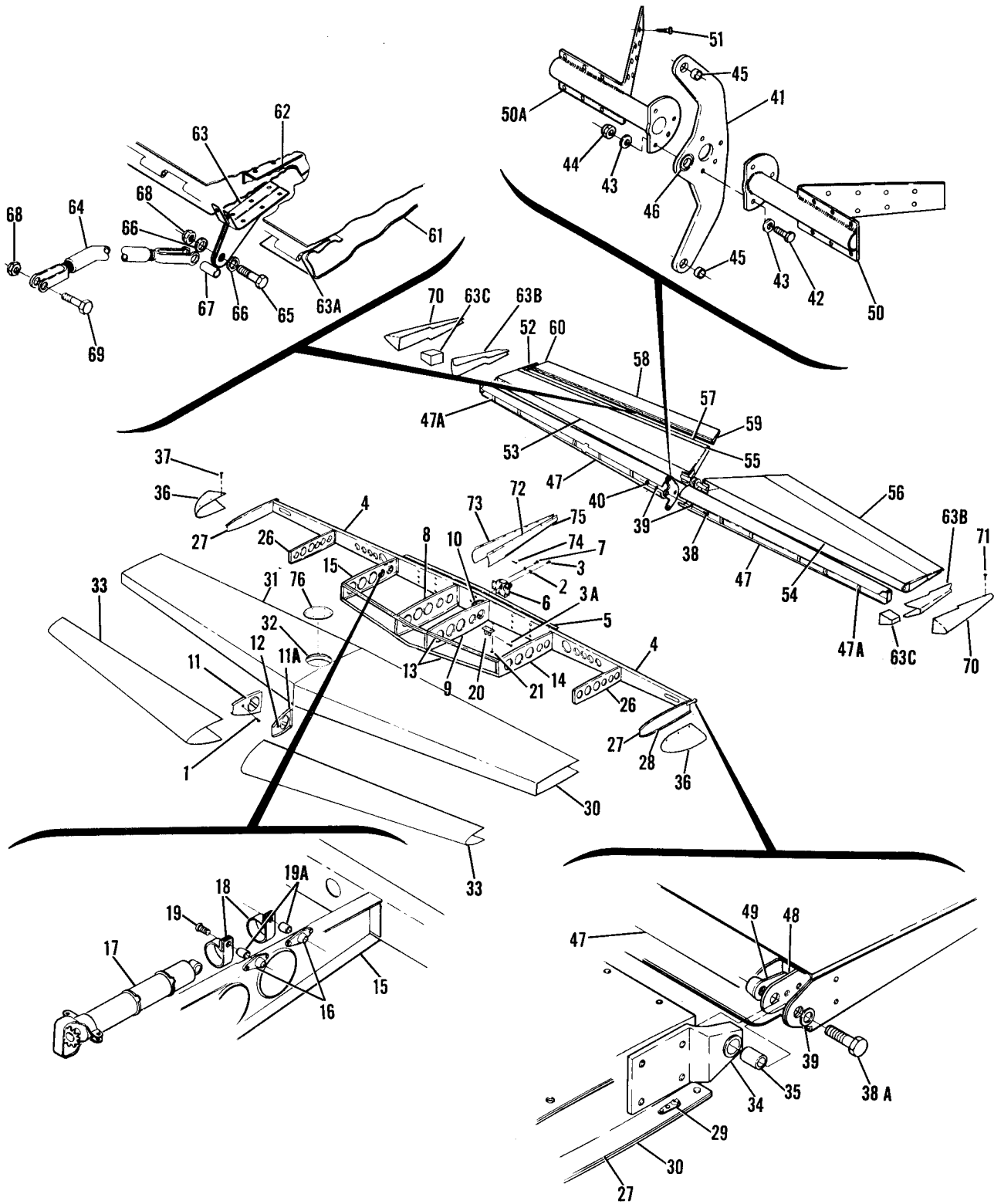


Figure 8. Stabilizer and Elevator Installation

FIGURE AND INDEX NO.	PART NUMBER	DESCRIPTION	UNITS PER ASSY	USABLE ON CODE
		1 2 3 4 5 6 7		
8 -36	0430004-6-791 0430004-11-791	TIP-STABILIZER ----- TIP-STABILIZER ----- ATTACHING PARTS -----	2 2	E F
-37	S1021Z6-4 S1021Z8-6	SCREW ----- SCREW ----- *-----	8 6	E F
-38	AN3-6A	ELEVATOR ASSEMBLY-COMPLETE ----- ATTACHING PARTS -----	NP	
-38A	AN3-7A	BOLT -----	1	
-39	AN960-10	BOLT -----	2	
-40	NAS679A3	WASHER ----- NUT -----	4 1	
-41	0432162-1 0432166-1	*----- BELLCRANK ASSEMBLY-ELEVATOR ----- BELLCRANK ASSEMBLY-ELEVATOR WHEN EXHAUSTED ----- USE 0432166-3 -----	1 1	G N
	0432166-3	BELLCRANK ASSEMBLY-ELEVATOR ----- ATTACHING PARTS -----	1	P
-42	AN3-5A	BOLT -----	3	
-43	AN960-10	WASHER -----	6	
-44	NAS679A3	NUT -----	3	
-45	0432162-3	*----- BUSHING -----	2	G
-46	S1866-3	BEARING -----	1	
	0432001-3	ELEVATOR ASSEMBLY-LH -----	1	E
	0432001-51	ELEVATOR ASSEMBLY-LH -----	1	F
	0432001-4	ELEVATOR ASSEMBLY-RH -----	1	E
	0432001-52	ELEVATOR ASSEMBLY-RH -----	1	F
-47	0432001-21	SPAR-ELEVATOR -----	1	
-47A	0534126-1	CLIP -----	5	
-48	0432001-24	HINGE ASSEMBLY-HALF -----	1	
-49	NAS682A3	NUTPLATE -----	1	
-50	0434116-1 0434155-1	TUBE ASSEMBLY-TORQUE WHEN EXHAUSTED USE 0434155-1 ----- TUBE ASSEMBLY-TORQUE LH -----	1 1	M P
-50A	0434116-1 0434155-2	TUBE ASSEMBLY-TORQUE WHEN EXHAUSTED USE 0434155-2 ----- TUBE ASSEMBLY-TORQUE RH ----- ATTACHING PARTS -----	1 1	M P
-51	AN520-10R7	SCREW -----	5	
-52	0432001-31 0432001-57 S1863-2A S1863-3A	RIB ASSEMBLY-RH ----- RIB ASSEMBLY-RH ----- NUT ----- NUT -----	1 1 2 2	E F E F
-53	0432001-22	SKIN-ELEVATOR RH -----	1	
-54	0432001-23 NAS680A3K 0432001-42	SKIN-ELEVATOR LH ----- NUTPLATE ----- DOUBLER RH ONLY -----	1 5 1	
-55	0432001-33	STRIP-TAB HINGE REINFORCEMENT -----	1	
-56	0432001-34	SKIN-LH ELEVATOR TRAILING EDGE -----	1	
-57	0432001-28	HINGE HALF-TAB RH ONLY ----- ATTACHING PARTS -----	1	
	MS20253-2-44.13	PIN -----	1	
-58	0432001-5	*----- TAB ASSEMBLY-ELEVATOR -----	1	
-59	0432001-35	RIB-TAB -----	1	
-60	0432001-36	RIB-TAB -----	1	
-61	0432001-26	SKIN-TAB -----	1	
-62	0432001-30	RIB-HORN REINFORCEMENT -----	1	
-63	0432001-38	HORN ASSEMBLY-TAB WHEN EXHAUSTED USE 0432168-5 ----- HORN ASSEMBLY-TAB -----	1 1	Q R
-63A	0432001-27	HINGE HALF -----	1	
-63B	0431001-30	CHANNEL -----	1	
-63C	0433134-3 0433134-6	WEIGHT-ELEVATOR BALANCE LH ----- WEIGHT-ELEVATOR BALANCE RH ----- ATTACHING PARTS -----	1 1	F F
	AN525-8R8	SCREW -----	2	F
		*-----		

CONTINUED ON NEXT PAGE

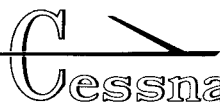


FIGURE AND INDEX NO.	PART NUMBER	DESCRIPTION	UNITS PER ASSY	USABLE ON CODE
8 -64	0432163-1 0432163-3	TUBE ASSEMBLY-TAB ACTUATOR ----- TUBE ASSEMBLY-TAB ACTUATOR ----- ATTACHING PARTS	1 1	A B
-65	AN3-5A	BOLT -----	1	
-66	AN960-10L	WASHER -----	2	Q
-67	0432002-1 NAS74A3-004	SPACER ----- BUSHING -----	1 1	Q R
-68	NAS679A3	NUT -----	2	
-69	AN3-6A	BOLT ----- *-----	1	
-70	043C004-5-791 043C004-10-791	TIP-ELEVATOR ----- TIP-ELEVATOR ----- ATTACHING PARTS	2 2	E F
-71	S1021Z6-4 S1021Z8-6	SCREW ----- SCREW ----- *-----	6 8	E F
-72	043C005-201 0412029-201 0431015-5	FAIRING ASSEMBLY-LH ----- FAIRING ASSEMBLY-LH ----- FAIRING ASSEMBLY-LH -----	1 1 1	E J H
-73	043C005-202 0412029-202 0431015-6	FAIRING ASSEMBLY-RH ----- FAIRING ASSEMBLY-RH ----- FAIRING ASSEMBLY-RH ----- ATTACHING PARTS	1 1 1 1	E J H
-74	S1021Z6-6 S1021Z6-6	SCREW ----- SCREW ----- *-----	6 11	J H
-75	0411875-41 S202VW	MOULDING ----- CHANNEL-21.25 IN LG BULK ITEM REF S202V21.25W -----	2 2	C D
-76	S225-1  S1021Z8-8	PLATE-INSPECTION CESSNA STANDARD ----- ATTACHING PARTS SCREW CESSNA STANDARD ----- *-----	2  6	

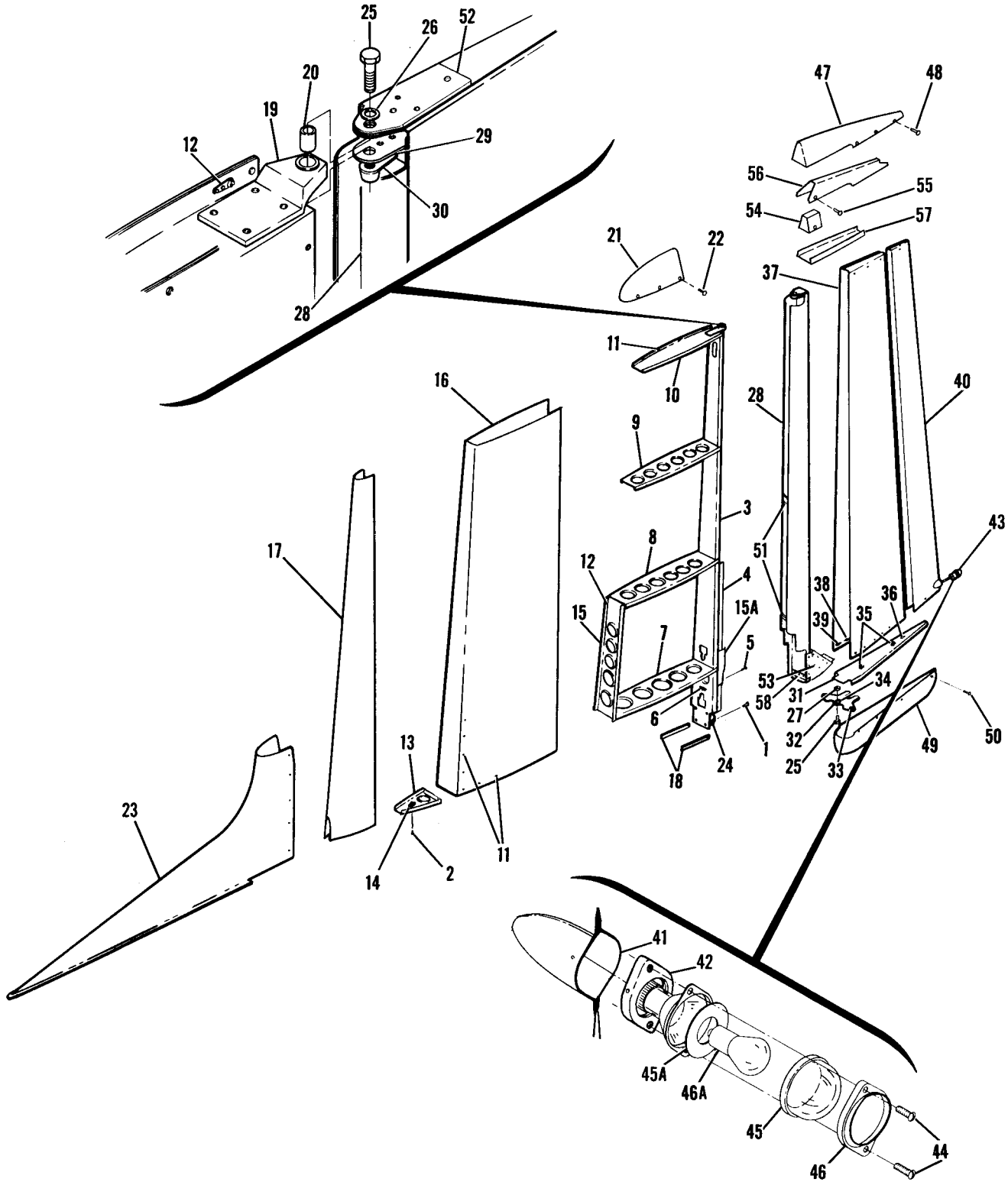
NOTE. \*WHEN ORDERING THIS PART FOR AIRCRAFT PRIOR TO SERIALS 15070125 & F15000530 ALSO ORDER ONE NAS74A3-004 BUSHING.

- A---150 SERIAL 17001 THRU 17315
- B---150 SERIAL 17316 & ON  
F150 SERIAL F150-0001 & ON
- C---150 SERIAL 17001 THRU 15059700
- D---150 SERIAL 15059701 THRU 15064532  
F150 SERIAL F150-0001 THRU F150-0067
- E---150 SERIAL 17001 THRU 15060087
- F---150 SERIAL 15060088 & ON  
F150 SERIAL F150-0001 & ON
- G---150 SERIAL 17001 THRU 15061532
- H---150 SERIAL 15061533 & ON  
F150 SERIAL F150-0001 & ON
- J---150 SERIAL 15060088 THRU 15061532
- K---150 SERIAL 15061533 THRU 15062941  
F150 SERIAL F150-0001 THRU F150-0023
- L---150 SERIAL 15062942 & ON  
F150 SERIAL F150-0024 & ON
- M---150 SERIAL 15060088 THRU 15069336  
F150 SERIAL F150-0001 THRU F150-0489
- N---150 SERIAL 15061533 THRU 15069336  
F150 SERIAL F150-0001 THRU F150-0489
- P---150 SERIAL 15069337 & ON  
F150 SERIAL F150-0490 & ON
- Q---150 SERIAL 17001 THRU 15070124  
F150 SERIAL F150-0001 & ON
- R---150 SERIAL 15070125 & ON



This page intentionally left blank.

Empennage (Cont)



**SERIAL 17001 THRU 15061532**

Figure 9. Vertical Fin, Rudder and Dorsal Installation

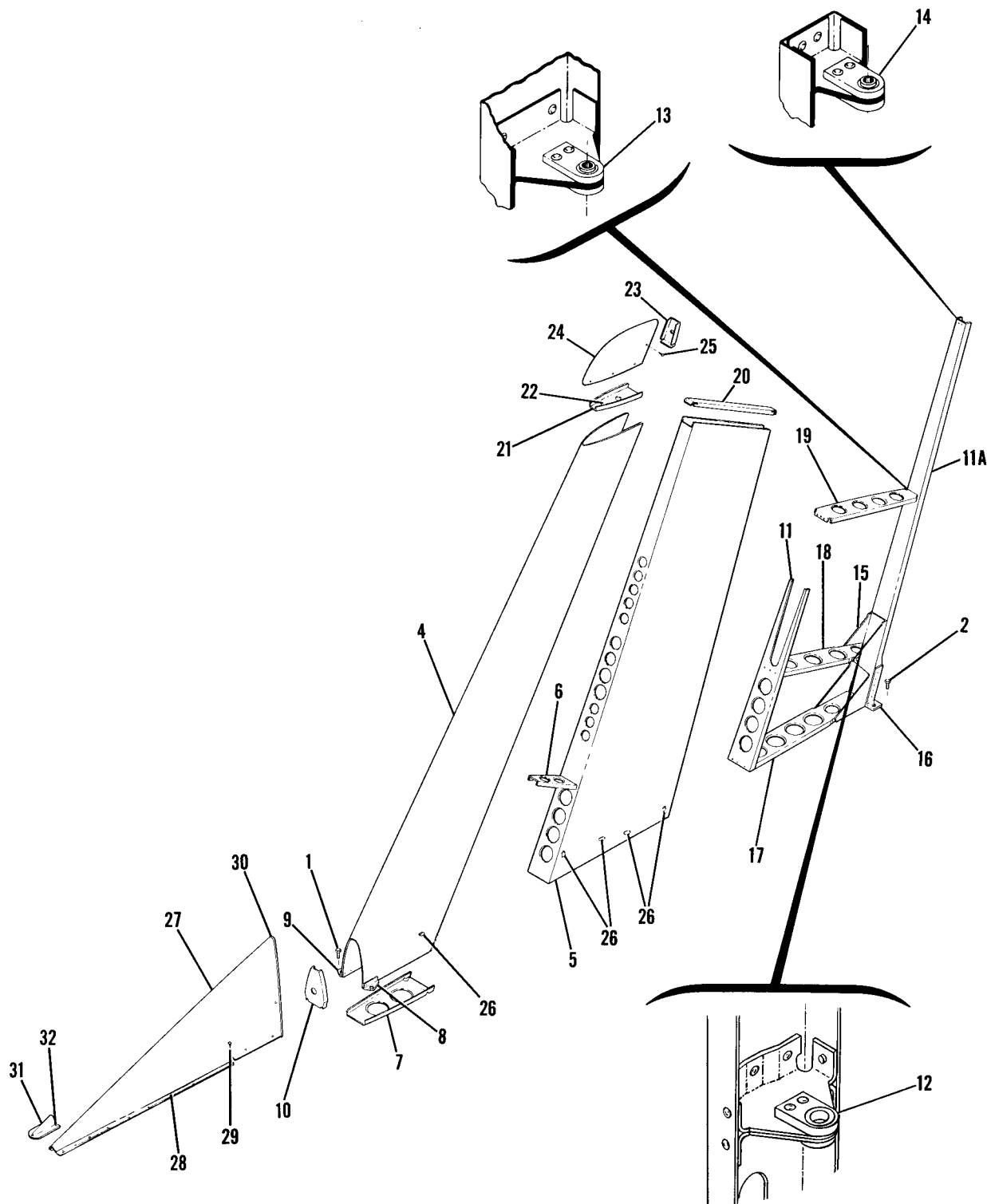
FIGURE AND INDEX NO.	PART NUMBER	DESCRIPTION	UNITS PER ASSY	USABLE ON CODE
9 -	0431001-1 0431001-28	FIN, RUDDER & DORSAL INSTALLATION-VERTICAL ----- FIN ASSEMBLY-VERTICAL ----- FIN ASSEMBLY-VERTICAL -----	NP 1 1	C A B
		<b>SERIAL 17001</b>		
		<b>THRU 15061532</b>		
- 1	AN3-5A	ATTACHING PARTS -----	4	
- 2	AN4-4A	BOLT ----- BOLT ----- *-----	1	
- 3	0431001-4 0431001-35	SPAR ASSEMBLY-VERTICAL FIN ----- SPAR ASSEMBLY-VERTICAL FIN -----	1 1	A B
- 4	0431001-6	REINFORCEMENT-SPAR -----	1	
- 5	NAS428H3-6	BOLT-ELEVATOR BELLCRANK STOP -----	2	
- 6	NAS680A3	NUTPLATE -----	2	
- 7	0431001-7	RIB -----	1	
- 8	0431001-8	RIB -----	1	
- 9	0431001-9	RIB -----	1	
-10	0431001-10	RIB -----	1	
-11	S1863-2A	NUTPLATE -----	16	
-12	NAS445-2	NUTPLATE TIN A6196-6Z-3 -----	4	
-13	0431001-11	RIB ASSEMBLY-LEADING EDGE -----	1	
-14	NAS680A4	NUTPLATE -----	1	
-15	0431001-22 NAS445-2	REINFORCEMENT ASSEMBLY ----- NUT PLATE TIN A6196-6Z-3 -----	1 2	
-15A	0431001-25 0431001-26	ANGLE-FIN REINFORCEMENT LH ----- ANGLE-FIN REINFORCEMENT RH ----- ATTACHING PARTS -----	1 1	
	AN515-8R8 NAS679A08	SCREW ----- NUT ----- *-----	2 2	
-16	0431001-14 0431001-33	SKIN-VERTICAL FIN ----- SKIN-VERTICAL FIN -----	1 1	A B
-17	0431001-15	SKIN-LEADING EDGE -----	1	
-18	S202RB	MOLDING-VERTICAL FIN -----	AR	
-19	0432165-1	HINGE HALF ASSEMBLY -----	1	
-20	0432003-1 S1003-65A	BUSHING ----- BEARING CESSNA STANDARD -----	1 1	
-21	0430004-6-791 0430004-9-791 0400301-2 *	TIP-VERTICAL FIN ----- TIP-VERTICAL FIN ----- MOUNT ROTATING BEACON ONLY ----- ATTACHING PARTS -----	1 1 1	A B
-22	S1021Z6-4	SCREW CESSNA STANDARD ----- *-----	8	
-23	0430004-4-791 0430004-7-791	DORSAL-VERTICAL FIN ----- DORSAL-VERTICAL FIN -----	1 1	A B
-24	0431002-1 0431001-2 0431001-29	BRACKET-RUDDER CONTROL ----- RUDDER ASSEMBLY-VERTICAL ----- RUDDER ASSEMBLY-VERTICAL ----- ATTACHING PARTS -----	1 1 1	A B
-25	AN3-7A	BOLT -----	2	
-26	AN960D10	WASHER -----	1	
-27	NAS679A3	NUT ----- *-----	1	
-28	0431001-16	SPAR-RUDDER -----	1	
-29	0431001-19	HINGE ASSEMBLY-HALF -----	1	
-30	NAS682A3	NUTPLATE -----	1	
-31	0431001-17	RIB ASSEMBLY-RUDDER -----	1	
-32	0431003-1	BELLCRANK ASSEMBLY-RUDDER -----	1	
-33	0432162-3	BUSHING -----	2	
-34	S1866-3	BEARING -----	1	
-35	A3493-012-3	CLIP TIN -----	2	
-36	M335489-4	GROMMET -----	1	
-37	0431001-21	SKIN-RUDDER -----	1	
-38	NAS445-2	NUTPLATE TIN A6195-6Z-3 -----	10	
-39	NAS446-2-3	NUTPLATE TIN A6196-6Z-3 -----	4	
-40	0431001-3	SKIN-RUDDER TRAILING EDGE -----	1	
-41	0531001-32	SUPPORT-TAIL LIGHT -----	2	
-42	0433007	MOUNT-TAIL LIGHT -----	1	
-43	0433006-7 C622001-0102	LIGHT ASSEMBLY-TAIL ----- LIGHT ASSEMBLY-TAIL ----- ATTACHING PARTS -----	1 1	
-44	AN515-4R6	SCREW ----- *-----	2	
-45	A4513-1	LENS-CLEAR GMC -----	1	
-45A	A2109-3	GASKET GMC -----	1	
-46	C622001-0104	LENS RETAINER GMC -----	1	
-46A	1777	LAMP-TAIL INCLUDED IN 0433006-7 ASSY -----	1	

CONTINUED ON NEXT PAGE

FIGURE AND INDEX NO.	PART NUMBER	DESCRIPTION	UNITS PER ASSY	USABLE ON CODE
9 -47	0430004-2-791 0430004-8-791	TIP-RUDDER ----- TIP-RUDDER ----- ATTACHING PARTS	1 1	A B
-48	S1021Z6-4	SCREW CESSNA STANDARD ----- *-----	6	
-49	0430004-1-791	BUTT-RUDDER ----- ATTACHING PARTS	1	
-50	S1021Z6-4	SCREW CESSNA STANDARD ----- *-----	1	
-51	0534126-1	CLIP -----	2	
-52	0431001-23	DOUBLER -----	1	
-53	0431001-27	STIFFENER-RUDDER SPAR -----	1	
-54	0433134-1	WEIGHT ASSEMBLY-BALANCE ----- ATTACHING PARTS	1	B
-55	AN525-8R8	SCREW ----- *-----	1	B
-56	0431001-30	CHANNEL -----	1	B
-57	0431001-31	RIB -----	1	B
-58	0431001-36	ANGLE -----	1	
<p>NOTE. *FOR ROTATING BEACON INSTALLATION SEE FIGURE 48</p> <p>A---150 SERIAL 17001 THRU 15060087                      B---150 SERIAL 15060088 THRU 15061532                      C---150 SERIAL 17001 THRU 15061532</p>				

This page intentionally left blank.

Empennage (Cont)

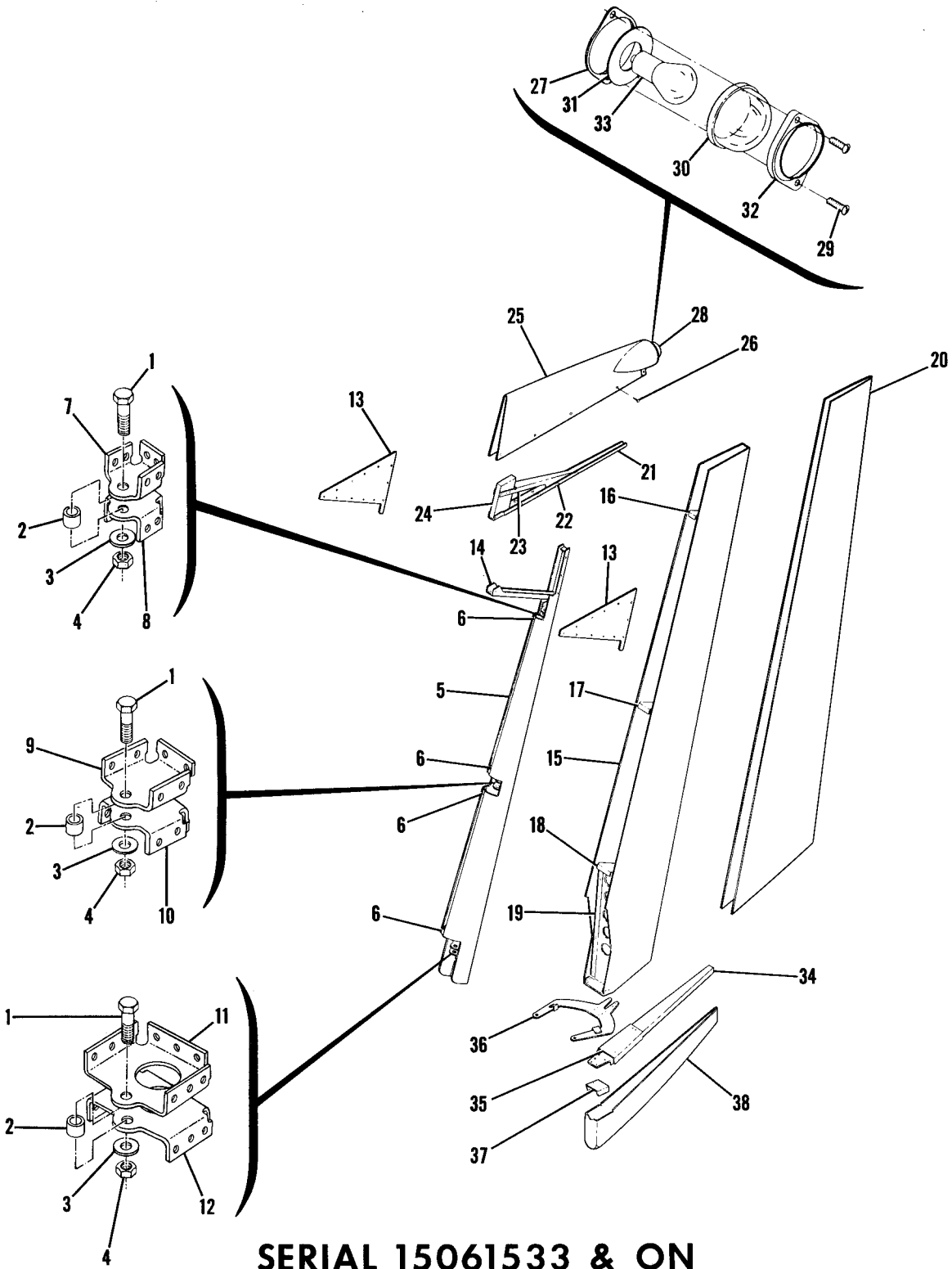


**SERIAL 15061533 & ON**

Figure 9A. Fin Installation

FIGURE AND INDEX NO.	PART NUMBER	DESCRIPTION	UNITS PER ASSY	USABLE ON CODE
9A-	0431004-2	FIN INSTALLATION ----- FIN ASSEMBLY ----- ATTACHING PARTS <b>SERIAL 15061533 &amp; ON</b>	NP 1	A
- 1	AN4-4A	BOLT -----	2	
- 2	AN4-6A	BOLT -----	4	
- 3		DELETED, NEVER USED ----- -----*		
- 4	0431004-4	SKIN -----	1	
- 5	0431004-5	SKIN -----	1	
- 6	0431004-11	RIB -----	1	
- 7	0431004-10	RIB -----	1	
- 8	0431008-1	FITTING-LH -----	1	
- 9	0431008-2	FITTING-RH -----	1	
-10	0431004-9	RIB -----	1	
-11	0431004-18	REINFORCEMENT-VERTICAL FIN -----	1	
-11A	0431004-19	SPAR ASSEMBLY-VERTICAL FIN -----	1	
-12	0431010-1	HINGE HALF ASSEMBLY-LOWER -----	1	
-13	0431010-7	HINGE HALF ASSEMBLY-MIDDLE -----	1	
-14	0431010-2	HINGE HALF ASSEMBLY-UPPER -----	1	
-15	0431004-20	CHANNEL -----	1	
-16	0431009-1	FITTING -----	2	
-17	0431004-12	RIB -----	1	
-18	0431004-13	RIB -----	1	
-19	0431004-14	RIB -----	1	
-20	0431004-15	RIB -----	1	
-21	0431004-16	RIB ASSEMBLY -----	1	
-22	NAS680A06	NUTPLATE -----	1	
-23	0431004-35	RIB -----	1	
-24	0431013-3-791	TIP-VERTICAL FIN ----- ATTACHING PARTS	1	
-25	S1862-1	NUTPLATE -----	6	
	S1021Z6-4	SCREW ----- -----*	6	
-26	S1863-2	NUTPLATE -----	10	
-27	0431014-1	DORSAL ASSEMBLY ----- ATTACHING PARTS	1	
-28	CR163-4-4	RIVET -----	18	
-29	S1021Z6-4	SCREW ----- -----*	8	
-30	S1611-1	SEAL-20.0 IN LG BULK ITEM REF S1611-1-20.0 -----	1	
-31	0731605-2	FAIRING-DORSAL FIN TIP ----- ATTACHING PARTS	1	
-32	CR163-4-4	RIVET ----- -----*	3	
A---150 SERIAL 15061533 & ON F150 SERIAL F150-0001 & ON				

Empennage (Cont)



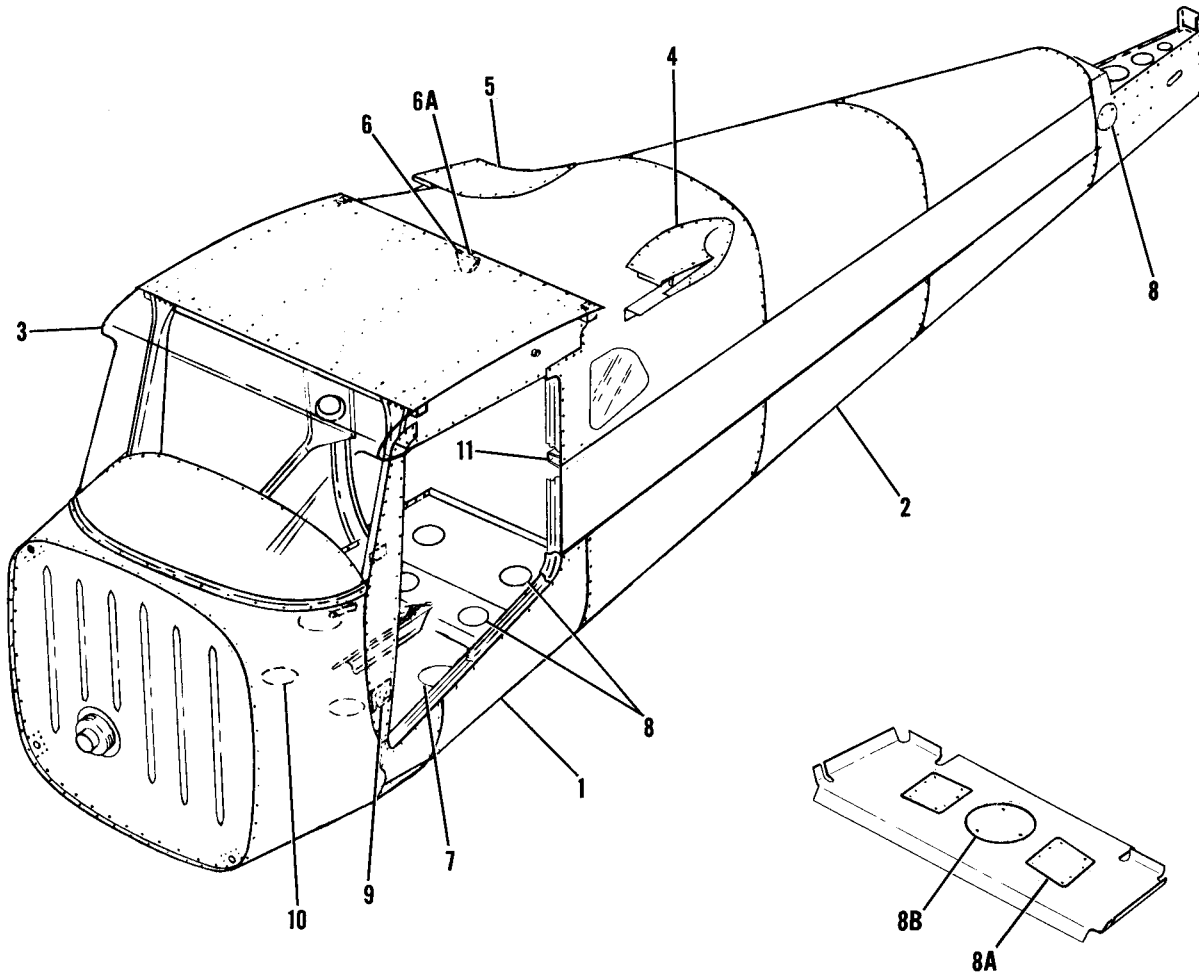
**SERIAL 15061533 & ON**

Figure 9B. Rudder Installation



FIGURE AND INDEX NO.	PART NUMBER	DESCRIPTION	UNITS PER ASSY	USABLE ON CODE
9B-	0431004-3	RUDDER ASSEMBLY ----- ATTACHING PARTS -----	1	A
- 1	AN4-11A	BOLT -----	3	
- 2	0532104	BUSHING -----	3	
- 3	AN960-416L	WASHER -----	3	
- 4	NAS679A4	NUT -----	3	
		*----- <b>SERIAL 15061533 &amp; ON</b> *-----		
- 5	0431004-6	SKIN -----	1	
- 6	0534126-5	CLIP -----	4	
- 7	0431011-3	BRACKET-UPPER -----	1	
- 8	0431011-4	BRACKET-UPPER -----	1	
- 9	0431011-5	BRACKET-CENTER -----	1	
-10	0431011-6	BRACKET-CENTER -----	1	
-11	0431011-1	BRACKET-LOWER -----	1	
-12	0431011-2	BRACKET-LOWER -----	1	
-13	0431004-17	SKIN -----	2	
-14	0431004-36	RIB -----	1	
-15	0431004-7	SKIN -----	1	
-16	0431004-26	RIB -----	1	
-17	0431004-37	RIB -----	1	
-18	0431004-25	RIB -----	1	
-19	0431004-24	RIB -----	1	
-20	0431004-8	SKIN -----	1	
-21	0431004-27	RIB ASSEMBLY -----	1	
-22	NAS680A06	NUTPLATE -----	1	
-23	0431004-34	RIB -----	1	
-24	0433135-1	WEIGHT ASSEMBLY -----	1	
-25	0431013-1-791	TIP -----	1	
		ATTACHING PARTS -----		
-26	S1021Z6-4	SCREW -----	8	
	S1862-1	NUTPLATE -----	8	
		*-----		
-27	0433007	MOUNT -----	1	
	AN960PD2	WASHER -----	4	
-28	0433006-7	LIGHT ASSEMBLY-TAIL WHEN EXHAUSTED USE C622001-0102 -----	1	D
	C622001-0102	LIGHT ASSEMBLY-TAIL -----	1	E
		ATTACHING PARTS -----		
-29	AN515-4R6	SCREW -----	2	
		*-----		
-30	A4513-1	LENS-CLEAR GMC -----	1	
-31	A2109-3	GASKET GMC -----	1	
-32	C622001-0104	LENS-RETAINER GMC -----	1	
-33	A7512-12	LAMP-TAIL INCLUDED IN 0433006-7 ASSY -----	1	
-34	0431004-23	RIB -----	1	
-35	0431004-22	CHANNEL -----	1	
-36	0431007-1	HORN ASSEMBLY WHEN EXHAUSTED USE 0431007-4 -----	1	B
	0431007-4	HORN ASSEMBLY -----	1	C
	S1004-15B	BEARING -----	2	C
-37	0431004-21	CHANNEL -----	1	
-38	0431005-1	BUTT-RUDDER -----	1	
		A---150 SERIAL 15061533 & ON F150 SERIAL F150-0001 & ON B---150 SERIAL 15061533 THRU 15068823 F150 SERIAL F150-0001 THRU F150-0449 C---150 SERIAL 150608824 & ON F150 SERIAL F150-0450 & ON D---150 SERIAL 15061533 THRU 15068230 F150 SERIAL F150-0001 THRU F150-0359 E---150 SERIAL 15068231 & ON F150 SERIAL F150-0360 & ON		

Fuselage

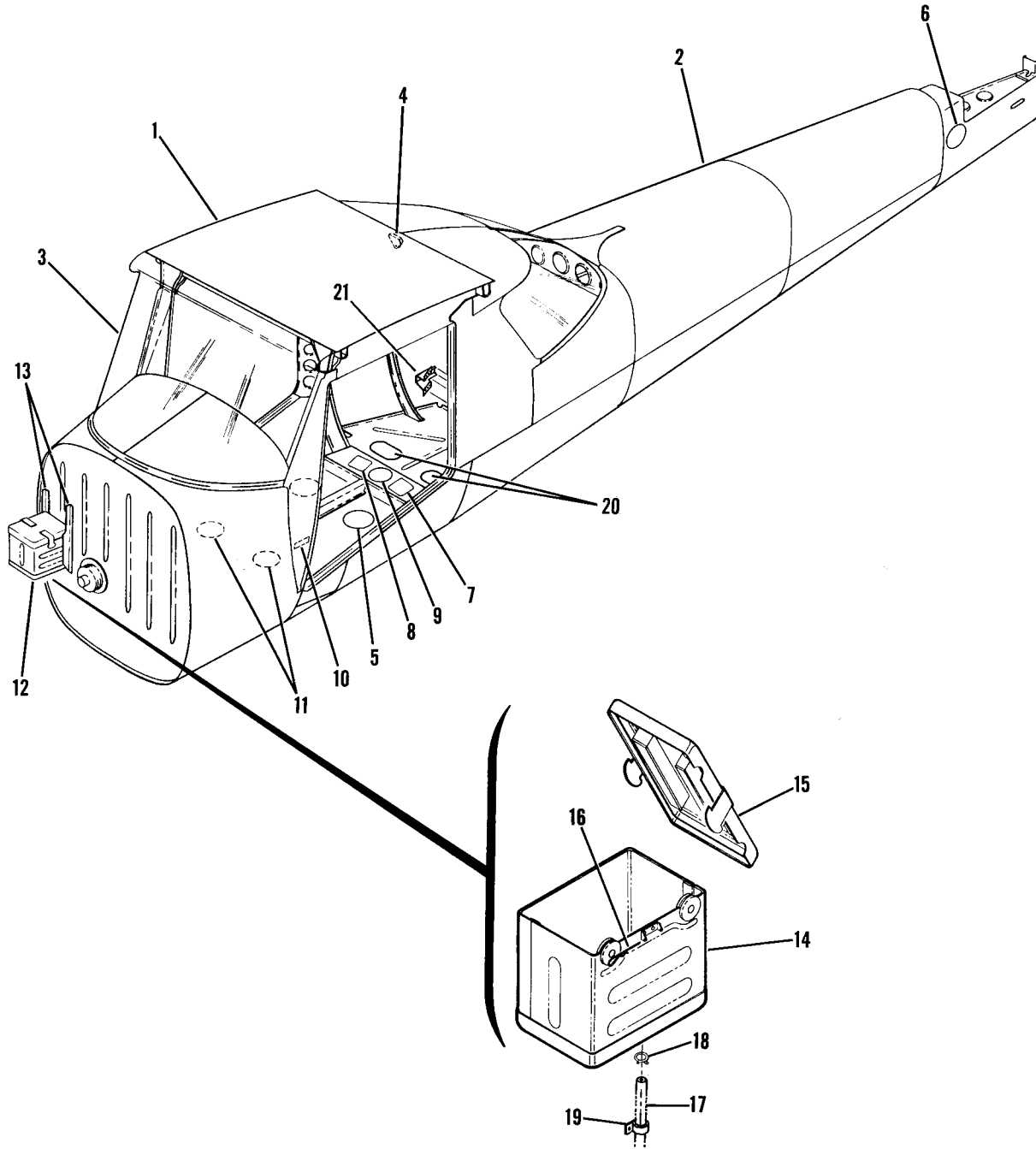


**SERIAL 17001 THRU 15060087**

Figure 10. Fuselage Assembly

FIGURE AND INDEX NO.	PART NUMBER	DESCRIPTION	UNITS PER ASSY	USABLE ON CODE
		<b>1 2 3 4 5 6 7</b>		
10 -		FUSELAGE ASSEMBLY -----	NP	E
- 1		FRONT & CENTER SECTION-FUSELAGE SEE FIGURE 11 -----	1	
- 2	0412002-1	TAILCONE ASSEMBLY-FUSELAGE SEE FIGURE 14 -----	1	
- 3		WINDSHIELD INSTALLATION SEE FIGURE 15 -----	1	
- 4	0426007-3	FILLET ASSEMBLY-LH -----	1	
- 5	0426007-4	FILLET ASSEMBLY-RH -----	1	
- 6	0411635-3	BRACKET -----	1	
- 6A	0411805-1	SPACER -----	1	D
- 7	0411371	COVER-SEAT PAN INSPECTION -----	2	
		ATTACHING PARTS		
	S1021Z8-8	SCREW CESSNA STANDARD -----	3	
		*-----		
- 8	S225-1	PLATE-INSPECTION CESSNA STANDARD -----	6	B
	S225-1	PLATE-INSPECTION CESSNA STANDARD -----	4	C
		ATTACHING PARTS		
	S1021Z8-8	SCREW CESSNA STANDARD -----	3	
		*-----		
- 8A	0713173-5	PLATE-ACCESS LH -----	1	C
	0713173-6	PLATE-ACCESS RH -----	1	C
		ATTACHING PARTS		
	S1021Z8-8	SCREW CESSNA STANDARD -----	6	C
		*-----		
- 8B	S225-4	PLATE-INSPECTION CESSNA STANDARD -----	1	C
		ATTACHING PARTS		
	S1021Z8-8	SCREW CESSNA STANDARD -----	3	C
		*-----		
- 9		NAME PLATE-M.A.A. -----	NP	
- 10	0411530	PLATE-FLOORBOARD INSPECTION -----	2	
		ATTACHING PARTS		
	S1021Z10-8	SCREW CESSNA STANDARD -----	6	
		*-----		
- 11	0411457-3	CATCH-SEAT BACK LH -----	1	A
	0411457-4	CATCH-SEAT BACK RH -----	1	A
		ATTACHING PARTS		
	AN520-10R8	SCREW -----	6	
		*-----		
		A---150 SERIAL 17227 THRU 15060087		
		B---150 SERIAL 17001 THRU 15059379		
		C---150 SERIAL 15059380 THRU 15060087		
		D---150 SERIAL 15059577 THRU 15060087		
		E---150 SERIAL 17001 THRU 15060087		

Fuselage (Cont)

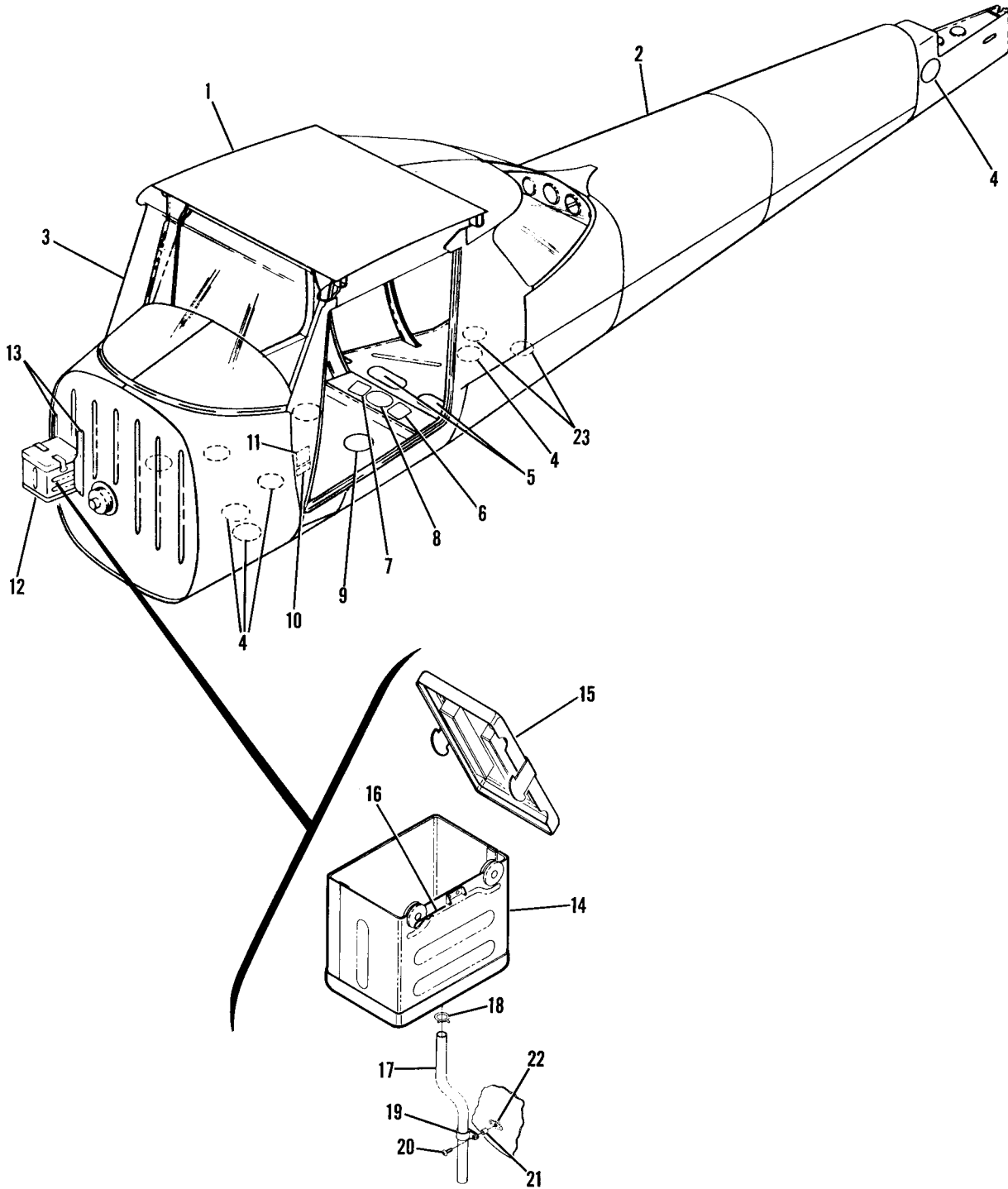


**SERIAL 15060088 THRU 15061532**

Figure 10A. Fuselage Assembly

FIGURE AND INDEX NO.	PART NUMBER	DESCRIPTION	UNITS PER ASSY	USABLE ON CODE
		<b>1 2 3 4 5 6 7</b>		
10A-		FUSELAGE ASSEMBLY -----	NP	A
- 1		FRONT & CENTER SECTION-FUSELAGE SEE FIGURE 11 -----	1	
- 2	0412020-1	TAILCONE ASSEMBLY-FUSELAGE SEE FIGURE 14A -----	1	
- 3		WINDSHIELD INSTALLATION SEE FIGURE 15 -----	1	
- 4	0411635-3	BRACKET -----	1	B
	0411805-1	SPACER -----	1	B
- 5	0411371	COVER-SEAT PAN INSPECTION -----	2	
		ATTACHING PARTS -----		
	S1021Z8-8	SCREW -----	3	
		*-----		
- 6	S225-1	PLATE-INSPECTION -----	2	
		ATTACHING PARTS -----		
	S1021Z8-8	SCREW -----	3	
		*-----		
- 7	0713173-5	PLATE-ACCESS LH -----	1	
- 8	0713173-6	PLATE-ACCESS RH -----	1	
		ATTACHING PARTS -----		
	S1021Z8-8	SCREW -----	6	
		*-----		
- 9	S225-1	PLATE-INSPECTION -----	1	
		ATTACHING PARTS -----		
	S1021Z8-8	SCREW -----	3	
		*-----		
-10		NAMEPLATE-M.A.A. -----	NP	
-11	0411530	PLATE-FLOORBOARD INSPECTION -----	2	
		ATTACHING PARTS -----		
	S1021Z10-8	SCREW -----	6	
		*-----		
-12		BATTERY BOX INSTALLATION -----	NP	
-13	0413401-1	BRACKET -----	2	
		ATTACHING PARTS -----		
	AN520-10R7	SCREW -----	1	
	NAS679A3	NUT -----	1	
		*-----		
	0413402-1	BOX ASSEMBLY-BATTERY -----	1	
-14	0413402-6	BOTTOM ASSEMBLY-BATTERY BOX -----	1	
-15	0413402-2	LID ASSEMBLY-BATTERY BOX -----	1	
		ATTACHING PARTS -----		
-16	AN415-2	PIN -----	2	
		*-----		
	1205024-1	PLACARD -----	1	
-17	S1071-4	DRAIN TUBE-12.0 IN LG BULK ITEM REF S1071-4-12.0 --	1	
		ATTACHING PARTS -----		
-18	S1494-8	CLAMP -----	1	
	AN742D8	CLAMP -----	1	
-19	S1021Z8-6	SCREW -----	1	
	A6195-8Z3	NUTPLATE TIN -----	1	
		*-----		
-20	0412061-1	PLATE-INSPECTION -----	2	
		ATTACHING PARTS -----		
	S1021Z8-8	SCREW -----	6	
		*-----		
-21	0411457-3	CATCH-SEAT BACK LH -----	1	
	0411457-4	CATCH-SEAT BACK RH -----	1	
		ATTACHING PARTS -----		
	AN520-10R8	SCREW -----	6	
		*-----		
		A---150 SERIAL 15060088 THRU 15061532		
		B---150 SERIAL 15060088 THRU 15061083		

Fuselage (Cont)

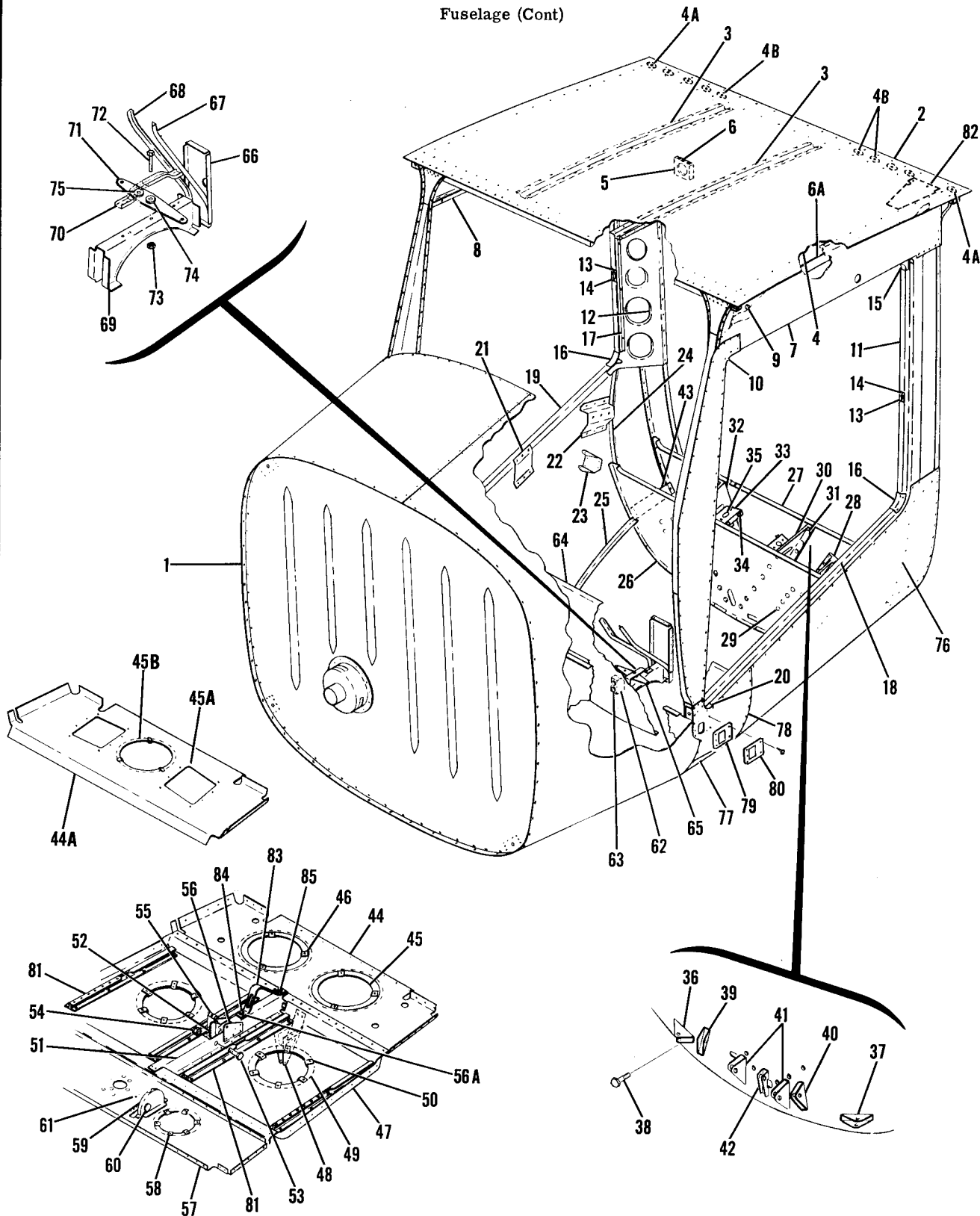


**SERIAL 15061533 & ON**

Figure 10B. Fuselage Assembly

FIGURE AND INDEX NO.	PART NUMBER	DESCRIPTION	UNITS PER ASSY	USABLE ON CODE
		<b>1 2 3 4 5 6 7</b>		
10B-		FUSELAGE ASSEMBLY -----	NP	A
- 1		FRONT & CENTER SECTION-FUSELAGE SEE FIGURE 11A -----	1	
- 2	0412020-14	TAILCONE ASSEMBLY-FUSELAGE SEE FIGURE 14B -----	1	B
	0412020-20	TAILCONE ASSEMBLY-FUSELAGE SEE FIGURE 14B -----	1	C
- 3		WINDSHIELD INSTALLATION SEE FIGURE 15 -----	1	
- 4	S225-1	PLATE-INSPECTION -----	8	
	S1021Z8-8	ATTACHING PARTS -----		
		SCREW ----- <b>SERIAL 15061533 &amp; ON</b>	3	
- 5	0412061-1	PLATE-INSPECTION -----	2	
	S1021Z8-8	ATTACHING PARTS -----		
		SCREW -----	6	
- 6	0713173-5	PLATE-ACCESS LH -----	1	
- 7	0713173-6	PLATE-ACCESS RH -----	1	
	S1021Z8-8	ATTACHING PARTS -----		
		SCREW -----	6	
- 8	S225-1	PLATE-INSPECTION -----	1	D
	0410229-1	PLATE-INSPECTION -----	1	E
	S1021Z8-8	ATTACHING PARTS -----		
	S1021Z8-8	SCREW -----	3	D
		SCREW -----	6	E
- 9	0411371	COVER-SEAT PAN INSPECTION -----	2	
	S1021Z8-8	ATTACHING PARTS -----		
		SCREW -----	6	
-10	0713047	PLATE-FINISH & TRIM -----	1	
	AN535-2-3	ATTACHING PARTS -----		
		SCREW -----	2	
-11		NAMEPLATE-M.A.A. -----	NP	
-12		BATTERY BOX INSTALLATION -----	NP	
-13	0413401-1	BRACKET -----	2	
	AN520-10R7	ATTACHING PARTS -----		
	NAS679A3	SCREW -----	1	
		NUT -----	1	
-14	0413402-1	BOX ASSEMBLY-BATTERY -----	1	
-15	0413402-6	BOTTOM ASSEMBLY-BATTERY BOX -----	1	
-15	0413402-2	LID ASSEMBLY-BATTERY BOX -----	1	
-16	AN415-2	ATTACHING PARTS -----		
		PIN -----	2	
-17	1205024-1	PLACARD -----	1	
-17	S1071-4	DRAIN TUBE-12.0 IN LG BULK ITEM REF S1071-4-12.0 -----	1	
-18	S1494-8	ATTACHING PARTS -----		
-19	AN742D8	CLAMP -----	1	
-20	S1021Z8-6	CLAMP -----	1	
-21	NAS43DD3-4	SCREW -----	1	
-22	S1863-3A	SPACER -----	1	
-23	S225-9	NUTPLATE -----	1	
	S1021Z8-8	PLATE-INSPECTION -----	2	
		ATTACHING PARTS -----		
		SCREW -----	3	
		-----*		
		A---150 SERIAL 15061533 & ON		
		F150 SERIAL F150-0001 & ON		
		B---150 SERIAL 15061533 THRU 15064532		
		F150 SERIAL F150-0001 THRU F150-0067		
		C---150 SERIAL 15064533 & ON		
		F150 SERIAL F150-0068 & ON		
		D---150 SERIAL 15061533 THRU 15067402		
		F150 SERIAL F150-0001 THRU F150-0319		
		E---150 SERIAL 15067403 & ON		
		F150 SERIAL F150-0320 & ON		

Fuselage (Cont)



**SERIAL 17001 THRU 15061532**

Figure 11. Fuselage Front and Center Section Assembly



FIGURE AND INDEX NO.	PART NUMBER	DESCRIPTION	UNITS PER ASSY	USABLE ON CODE
		<b>1 2 3 4 5 6 7</b>		
11 -		FRONT & CENTER SECTION ASSEMBLY-FUSELAGE -----	NP	N
- 1	0413300-1	FRONT SECTION ASSEMBLY SEE FIGURE 12 -----	1	G
	0413300-3	FRONT SECTION ASSEMBLY SEE FIGURE 12 -----	1	H
- 2	0411372-15	TOP ASSEMBLY-CABIN -----	1	A
	0410125-200	TOP ASSEMBLY-CABIN -----	1	M
- 3	0411718-4	STIFFENER ASSEMBLY-CABIN TOP -----	2	
	0411680	HANGER-UPHOLSTERY -----	1	
- 4	0411123-4	SKIN-CABIN TOP -----	1	A
	0410125-2	SKIN-CABIN TOP -----	1	M
- 4A	S1862-2A	NUTPLATE -----	2	M
- 4B	S1863-3	NUTPLATE -----	8	M
- 5	0511483-1	BRACKET ASSEMBLY-LIGHT COVER SUPPORT -----	1	K
	0511484-1	BRACKET-LIGHT COVER SUPPORT -----	1	K
	0410115-1	BRACKET ASSEMBLY-LIGHT COVER SUPPORT -----	1	G
	0410200-1	BRACKET ASSEMBLY-LIGHT COVER SUPPORT -----	1	J
- 6	NAS395-6-3	NUT -----	3	
- 6A	0511153-4	RETAINER ASSEMBLY-HEADLINER -----	2	
- 7	0413327-6	RIB-FUSELAGE CENTER SECTION LH -----	1	
- 8	0413327-7	RIB-FUSELAGE CENTER SECTION RH -----	1	
- 9	MS35489-11	GROMMET -----	2	
-10	0411622	FILLET-DOOR JAMB UPPER FORWARD -----	2	
	0410120-3	FILLER-DOOR JAMB UPPER FORWARD -----	2	
	0410120-2	FILLER-DOOR JAMB UPPER AFT -----	2	
-11	0411618-16	JAMB ASSEMBLY-DOOR LH -----	1	
	0411618-17	JAMB ASSEMBLY-DOOR RH -----	1	
	0411121-3	JAMB-DOOR LH -----	1	
-12	0411121-4	JAMB-DOOR RH -----	1	
-13	0411582	STRIKE PLATE-DOOR LATCH -----	1	
		ATTACHING PARTS -----		
-14	NAS445-5	NUTPLATE TIN A6196-8Z-3 -----	2	
	S102128-6	SCREW CESSNA STANDARD -----	2	
		-----*		
-15	0411413	FILLET-UPPER -----	1	
-16	0411146	FILLET-LOWER -----	1	
-17	0411689-1	CHANNEL-UPHOLSTERY RETAINER -----	1	
	0410120-1	FILLER-DOOR JAMB LOWER AFT -----	2	
	0410120-4	FILLER-DOOR JAMB UPPER AFT -----	2	
-18	0411620	SILL ASSEMBLY-DOOR LH -----	1	
	0411620-1	SILL ASSEMBLY-DOOR RH -----	1	
	0411122	SILL-DOOR LH -----	1	
-19	0411122-1	SILL-DOOR RH -----	1	
-20	0411147	FILLET-DOOR FRAME LOWER FORWARD -----	1	
-21	0411345	SUPPORT-DOOR SILL -----	1	
-22	0411315-1	BRACKET-SEAT BACK PIVOT RH -----	1	
	0411315	BRACKET-SEAT BACK PIVOT LH -----	1	
-23	0411528-1	BRACKET-SAFETY BELT ATTACHMENT RH -----	1	
	0411528	BRACKET-SAFETY BELT ATTACHMENT LH -----	1	
-24	0411952-2	STIFFENER-RH -----	1	
	0411952-1	STIFFENER-LH -----	1	
-25	0411953-3	STIFFENER-RH -----	1	
	0411953-4	STIFFENER-LH -----	1	
		BULKHEAD ASSEMBLY-MAIN GEAR SEE FIGURE 11B -----	1	F
		BULKHEAD ASSEMBLY-MAIN GEAR USE 0411951-4 -----	1	E
		SEE FIGURE 11B -----		
-26		BULKHEAD-MAIN GEAR STA 49.69 ORDER SK150-7 -----	NP	E
-27		BULKHEAD-MAIN GEAR STA 56.69 ORDER SK150-7 -----	NP	E
-28	0441160-2	SUPPORT -----	2	
		ATTACHING PARTS -----		
-29	NAS178-6-6	PIN-HI SHEAR -----	16	
	NAS179-6	COLLAR -----	16	
		-----*		
		STIFFENER-LH ORDER SK150-6 -----	NP	E
		STIFFENER-RH ORDER SK150-6 -----	NP	E
-30	0441172-1	BULKHEAD ASSEMBLY-LANDING GEAR INBOARD -----	2	E
		ATTACHING PARTS -----		
-31	NAS178-8-6	PIN-HI SHEAR -----	12	
	NAS179-8	COLLAR -----	12	
		-----*		
-32	0441170-1	BULKHEAD -----	1	E
-33	0441171-1	ANGLE -----	1	E
		ATTACHING PARTS -----		
-34	AN4-21A	BOLT -----	2	
	AN960-416	WASHER -----	2	
	NAS679A4	NUT -----	2	
		-----*		

SERIAL 17001  
THRU 15061532

★  
★  
★  
★  
★

CONTINUED ON NEXT PAGE

8



FIGURE AND INDEX NO.	PART NUMBER	DESCRIPTION							UNITS PER ASSY	USABLE ON CODE
		1	2	3	4	5	6	7		
11 -35	NAS680A6	NUTPLATE -----							1	E
-36	0411452	BRACKET-RUDDER CABLE PULLEY LH -----							1	E
-37	0411451	BRACKET-RUDDER CABLE PULLEY RH -----							1	E
		ATTACHING PARTS								
-38	AN520-10R7	SCREW -----							1	
	NAS679A3	NUT -----							1	
		---*---								
-39	0411449	BRACKET-PULLEY LH -----							1	E
		ATTACHING PARTS								
	AN520-10R7	SCREW -----							1	
	NAS679A3	NUT -----							1	
		---*---								
-40	0411671	BRACKET-PULLEY RH -----							1	E
		ATTACHING PARTS								
	AN520-10R7	SCREW -----							1	
	NAS679A3	NUT -----							1	
		---*---								
-41	0411447	BRACKET-PULLEY -----							2	E
		ATTACHING PARTS								
	AN520-10R7	SCREW -----							1	
	NAS679A3	NUT -----							1	
		---*---								
-42	0411924	BRACKET-PULLEY -----							1	E
-43	0411961-2	STIFFENER ORDER SK150-6 -----							NP	E
-44	0411955-1	FLOORBOARD ASSEMBLY-LANDING GEAR -----							1	E
-44A	0411955-3	FLOORBOARD ASSEMBLY-LANDING GEAR -----							1	F
-45	S226-3	DOUBLER -----							1	F
-45A	0713173-1	DOUBLER ASSEMBLY-LH -----							1	F
	0713173-2	DOUBLER ASSEMBLY-RH -----							1	F
-45B	S237-1	DOUBLER -----							1	F
-46	NAS395-14-3	NUT -----							1	E
-47	0411846-1	#	PAN ASSEMBLY-SEAT -----						1	
	0411847-2		PAN -----						1	
-48	0411473		BRACKET-TAB CONTROL PULLEY -----						1	G
	0411939-1	*	BRACKET-TAB CONTROL PULLEY -----						1	H
-49	0411370		DOUBLER -----						2	
-50	NAS395-17-3		NUT TIN A1348-8Z-3 -----						1	
-51	0411922		CHANNEL ASSEMBLY-SEAT PAN -----						1	G
	0411704-1	*	CHANNEL ASSEMBLY-SEAT PAN -----						1	H
-52	0411919		RATCHET -----						1	
			ATTACHING PARTS							
-53	AN4-12A		BOLT -----						1	
-54	NAS679A4		NUT -----						1	
-55	NAS43HT4-20		SPACER -----						2	
			---*---							
-56	0411920		MCUNT -----						2	G
	0411825-1	*	MCUNT -----						2	H
-56A	22NA1-02		NUTPLATE EN -----						1	
	0411923		CHANNEL -----						1	
	0411705-1	*	CHANNEL -----						1	H
-57	0411511-14		FLOORBOARD ASSEMBLY -----						1	
	0411662		FLOORBOARD -----						1	
-58	NAS395-24-3		NUT TIN -----						12	
-59	0411418		COVER ASSEMBLY-TAB CONTROL -----						1	
-60	M451		BEARING TOR -----						1	
	M4510H		BEARING TOR ALTERNATE -----						1	
-61	S1863-3A		NUTPLATE -----						3	
	MS35489-13		GROMMET -----						1	
-62	0411918		BRACKET -----						1	A
	0412045-1		BRACKET -----						1	M
	0412045-2		STIFFENER -----						1	M
			ATTACHING PARTS							
-63	AN3-3A		BOLT -----						2	A
	AN3-4A		BOLT -----						2	M
	NAS679A3		NUT -----						2	
			---*---							
-64	0411284-1		BULKHEAD-CANTED STA 27.921 -----						1	
-65	0411958-1		SUPPORT & BELLCRANK ASSEMBLY -----						1	C
	0411958-3		SUPPORT & BELLCRANK ASSEMBLY -----						1	L
	0411958-4		SUPPORT & BELLCRANK ASSEMBLY -----						1	M

CONTINUED ON NEXT PAGE

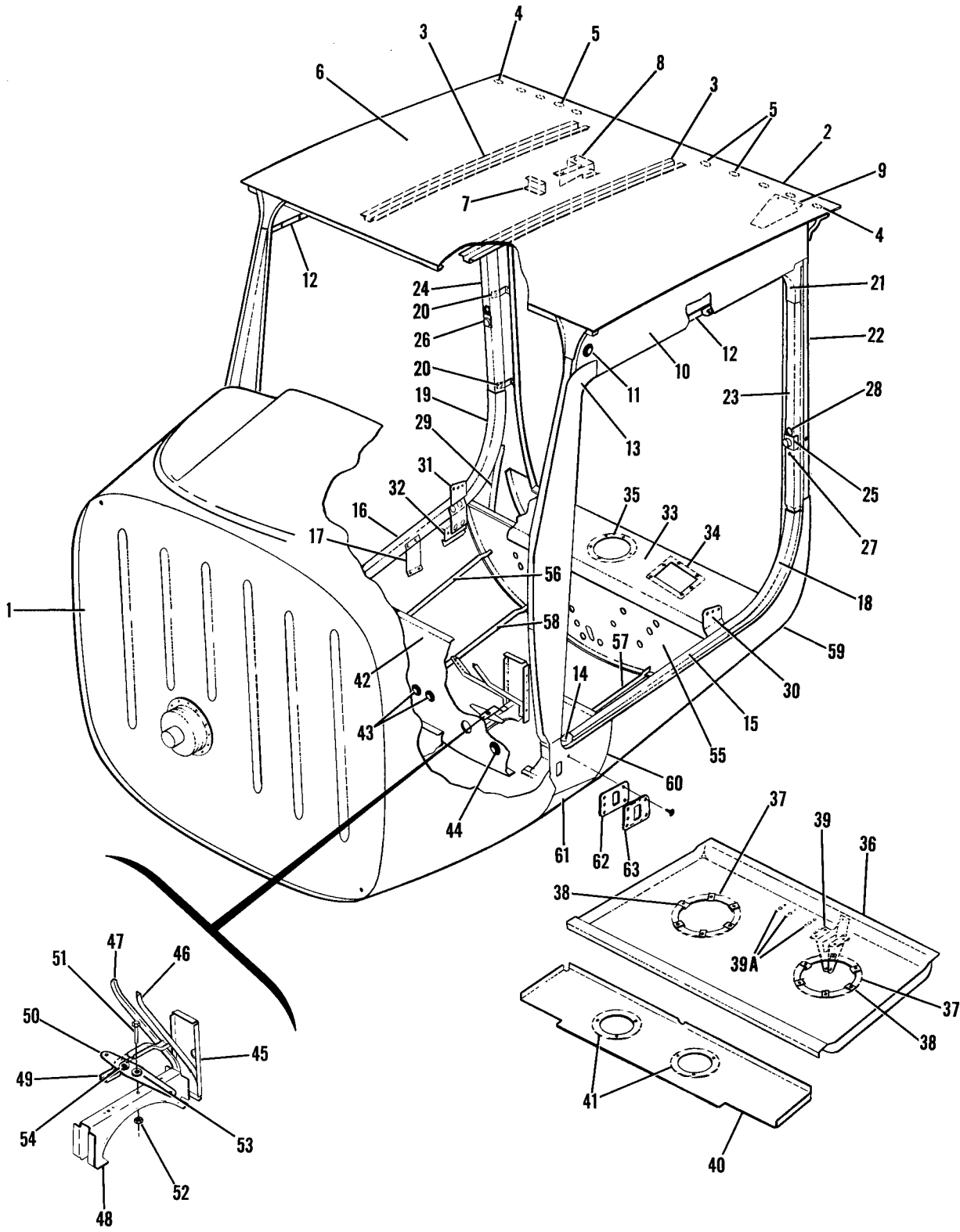
FIGURE AND INDEX NO.	PART NUMBER	DESCRIPTION	UNITS PER ASSY	USABLE ON CODE	
11 -66  -67 -68  -69 -70 -71  -72 -73  -74 -75 -76  -77 -78  -79 -80       -81 -82 -83  -84 -85	0411925	SUPPORT -----	1	C L M	
	0411605-1	SUPPORT -----	1		
	0410202-1	SUPPORT -----	1		
	0411569	ANGLE-LH -----	1		
	0411569-1	ANGLE-RH -----	1		
	0411288	BELLCRANK & BRACKET ASSEMBLY-ELEVATOR -----	1		
	0411289	BRACKET -----	1		
	0411290	BRACKET -----	1		
	0411258	BELLCRANK ASSEMBLY ----- ATTACHING PARTS	1		
	AN4-10A	BOLT -----	1		
	NAS679A4	NUT -----	1		
		*-----			
	MS24462-4	BEARING -----	1		
	MS27261KSP4	BEARING -----	1		
	0411126-1	SKIN -----	1		E F
	0411126-3	SKIN -----	1		
	0411127-4	SKIN -----	1		
	0411959-3	SKIN-LH -----	1		
	0411959-4	SKIN-RH -----	1		
	0411966-2	SEAL-WING STRUT -----	2		
	0411965-3	PLATE-WING STRUT FILLET LH -----	1		
	0411965-4	PLATE-WING STRUT FILLET RH ----- ATTACHING PARTS	1		
	S1021Z8-8	SCREW -----	6		
	NAS446-3-3	NUT -----	6		
		*-----			
		SEAT RAILS SEE FIGURE 19B -----	AR	B	
	1210032-3	DAMPENER WHEN EXHAUSTED USE 1210032-4 -----	1		
	0425132-3	BRACKET-SEAT BELT ----- ATTACHING PARTS	1		
	AN3-5A	BOLT -----	1		
	AN4-7A	BOLT -----	1		
	0411957-1	SPACER -----	1		
	AN960-416L	WASHER -----	1		
	NAS679A4	NUT -----	1		
		*-----			

NOTE. \*IF PART MARKED # HAS BEEN INSTALLED ORDER PARTS CODED H.

A---150 SERIAL 17001 THRU 15060087  
 B---150 SERIAL 15060698 THRU 15061532  
 C---150 SERIAL 17001 THRU 17970  
 D---150 SERIAL 15017971 THRU 15061532  
 E---150 SERIAL 17001 THRU 15059379  
 F---150 SERIAL 15059380 THRU 15061532  
 G---150 SERIAL 17001 THRU 59018  
 H---150 SERIAL 15059019 THRU 15061532  
 J---150 SERIAL 15059019 THRU 15059700  
 K---150 SERIAL 15059701 THRU 15061532  
 L---150 SERIAL 15017971 THRU 15060087  
 M---150 SERIAL 15060088 THRU 15061532  
 N---150 SERIAL 17001 THRU 15061532

NOTE ★ FOR AIRPLANES SERIAL 17001 THRU 15059379 REQUIRING REPLACEMENT OF THESE PARTS, ORDER THE COMPLETE BULKHEAD ASSEMBLY 0411951-4 SHOWN ON FIGURE 11B. ALSO ORDER PARTS LISTED IN NOTE \* ON FIGURE 11B.

Fuselage (Cont)



**SERIAL 15061533 & ON**

Figure 11A. Front & Center Section - Fuselage

FIGURE AND INDEX NO.	PART NUMBER	DESCRIPTION	UNITS PER ASSY	USABLE ON CODE
11A-		FRONT & CENTER SECTION ASSEMBLY-FUSELAGE -----	NP	A
- 1	0413002-1	FRONT SECTION ASSEMBLY-FUSELAGE SEE FIGURE 12A -----	1	B
	0413003-1	FRONT SECTION ASSEMBLY-FUSELAGE SEE FIGURE 12B -----	1	E
	0413003-12	FRONT SECTION ASSEMBLY-FUSELAGE SEE FIGURE 12B -----	1	F
	0413004-1	FRONT SECTION ASSEMBLY-FUSELAGE SEE FIGURE 12C -----	1	L
- 2	0410125-200	TOP ASSEMBLY-CABIN -----	1	
- 3	0411718-4	STIFFENER ASSEMBLY-CABIN TOP -----	2	
	0411680	HANGER-UPHOLSTERY -----	1	
- 4	S1862-2	NUTPLATE -----	2	
- 5	S1863-3	NUTPLATE -----	8	
- 6	0410125-2	SKIN-CABIN TOP -----	1	
- 7	0511484-1	BRACKET-INSTRUMENT LIGHT CONSOLE -----	1	
- 8	0511483-1	BRACKET ASSEMBLY-INSTRUMENT LIGHT CONSOLE -----	1	
- 9	1210032-3	DAMPENER WHEN EXHAUSTED USE 1210032-4 -----	1	
	1210032-4	DAMPENER-ANTENNA VIBRATION -----	1	
-10	0413327-8	RIB-FUSELAGE CENTER SECTION LH -----	1	K
	0413327-12	RIB-FUSELAGE CENTER SECTION LH -----	1	L
	0413327-9	RIB-FUSELAGE CENTER SECTION RH -----	1	
-11	MS35489-11	GROMMET -----	2	
-12	0511153-4	RETAINER ASSEMBLY-HEADLINER -----	2	
-13	0410204-1	FILLET-DOOR JAMB UPPER FORWARD -----	2	
-14	0410126-1	FILLET-DOOR JAMB LOWER FORWARD -----	2	
	0410120-2	FILLER-DOOR JAMB LOWER FORWARD -----	2	
-15	0410132-1	SILL-DOOR LOWER LH -----	1	
-16	0410132-2	SILL-DOOR LOWER RH -----	1	
-17	0410128-2	SUPPORT-DOOR SILL LOWER RH -----	1	
	0410128-1	SUPPORT-DOOR SILL LOWER LH -----	1	
-18	0410135-1	FILLET-DOOR SILL LOWER REAR LH -----	1	
-19	0410135-2	FILLET-DOOR SILL LOWER REAR RH -----	1	
-20	0410133-1	STRAP-REAR DOOR JAMB STABILIZER -----	6	B
	0410133-2	STRAP-REAR DOOR JAMB STABILIZER -----	6	C
-21	0410131-1	GUSSET-DOOR SILL UPPER REAR -----	2	
	0410205-1	FILLER-DOOR SILL UPPER REAR -----	2	
-22	0411956-5	REAR DOORPOST ASSEMBLY SEE FIGURE 14A -----	1	
-23	0410138-1	JAMB-DOOR REAR LH -----	1	B
	0410137-1	JAMB-DOOR REAR LH -----	1	C
-24	0410138-2	JAMB-DOOR REAR RH -----	1	B
	0410137-2	JAMB-DOOR REAR RH -----	1	C
-25	0412066-1	CLUTCH ASSEMBLY-ROTARY LH -----	1	
-26	0412066-2	CLUTCH ASSEMBLY-ROTARY RH -----	1	
		ATTACHING PARTS		
-27	AN525-10R6	SCREW -----	2	
		---*---		
-28	0412066-6	GUIDE-DOOR LATCH -----	2	
		ATTACHING PARTS		
	NAS43DD3-9	SPACER -----	1	
	AN525-10R9	SCREW -----	1	
		---*---		
-29	0410127-2	STIFFENER-BULKHEAD RH -----	1	
	0410127-1	STIFFENER-BULKHEAD LH -----	1	
-30	0410130-1	BRACKET-SEAT BACK LH -----	1	
-31	0410130-2	BRACKET-SEAT BACK RH -----	1	
		ATTACHING PARTS		
	AN520-10R6	SCREW -----	4	
	NAS1068A3	NUTPLATE -----	4	
		---*---		
-32	0410129-4	BRACKET ASSEMBLY-SEAT BELT RH -----	1	
	0410129-3	BRACKET ASSEMBLY-SEAT BELT LH -----	1	
	NAS1068A4	NUTPLATE -----	1	
-33	0411955-5	FLOORBOARD ASSEMBLY-LANDING GEAR WHEN EXHAUSTED USE 0411955-7 -----	1	G
	0411955-7	FLOORBOARD ASSEMBLY-LANDING GEAR -----	1	H
-34	0713173-1	DOUBLER ASSEMBLY-LH -----	1	
	0713173-2	DOUBLER ASSEMBLY-RH -----	1	
-35	S237-1	DOUBLER ASSEMBLY -----	1	G
	NAS395-14-3	NUT -----	3	G
	0410229-2	DOUBLER -----	1	H
	NAS395-14-3	NUT -----	6	H
	0410134-1	PAN ASSEMBLY-SEAT -----	1	
-36	0410134-2	PAN-SEAT -----	1	
-37	0411370	DOUBLER -----	2	
-38	NAS395-17-3	NUT -----	12	
-39	0411939-1	BRACKET-TAB CONTROL PULLEY -----	1	
-39A	NAS681A3	NUTPLATE -----	4	D

CONTINUED ON NEXT PAGE

FIGURE AND INDEX NO.	PART NUMBER	DESCRIPTION	UNITS PER ASSY	USABLE ON CODE
11A-40	0413410-1	FLOORBOARD ASSEMBLY-CENTER -----	1	
-41	S237-2P	DOUBLER ASSEMBLY -----	2	
	NAS395-14-3	NUT -----	3	
-42	0410203-2	BULKHEAD-CANTED STA 27.92 -----	1	
-43	MS35489-7	GROMMET -----	2	
-44	MS35489-20	GROMMET -----	1	
	0411958-4	SUPPORT & BELLCRANK ASSEMBLY -----	1	
-45	0410202-1	SUPPORT -----	1	
-46	0411569	ANGLE-LH -----	1	
-47	0411569-1	ANGLE-RH -----	1	
	0411288	BELLCRANK & BRACKET ASSEMBLY-ELEVATOR -----	1	
-48	0411289	BRACKET -----	1	
-49	0411290	BRACKET -----	1	
-50	0411258	BELLCRANK ASSEMBLY -----	1	
		ATTACHING PARTS		
-51	AN4-10A	BOLT -----	1	
-52	NAS679A4	NUT -----	1	
		-----*		
-53	MS24462-4	BEARING -----	1	
-54	MS27261KSP4	BEARING -----	1	
-55	0411951-7	BULKHEAD ASSEMBLY-MAIN GEAR SEE FIGURE 11B -----	1	
-56	0411953-3	STIFFENER-BELLY SKIN OUTBD RH -----	1	
	0411953-4	STIFFENER-BELLY SKIN OUTBD LH -----	1	
-57	0411953-6	STIFFENER-BELLY SKIN INBD LH -----	1	
-58	0411953-5	STIFFENER-BELLY SKIN INBD RH -----	1	
-59	0411126-4	SKIN-FUSELAGE STA 27.92 TO 56.69 -----	1	
-60	0411959-5	SKIN-FUSELAGE LH -----	1	
	0411959-6	SKIN-FUSELAGE RH -----	1	
-61	0411127-4	SKIN-FUSELAGE -----	1	
-62	0411966-2	SEAL-WING STRUT -----	2	J
-63	0411965-3	PLATE-WING STRUT FILLET LH -----	1	J
	0411965-4	PLATE-WING STRUT FILLET RH -----	1	J
		ATTACHING PARTS		
	S102126-8	SCREW -----	6	J
		-----*		
		SEAT RAILS SEE FIGURE 19B -----	AR	

NOTE. THIS PART NUMBER MUST HAVE A SECOND DASH NUMBER ADDED TO DENOTE COLOR. REFER TO HOW TO ORDER INTERIOR PARTS-PAGE XIII.

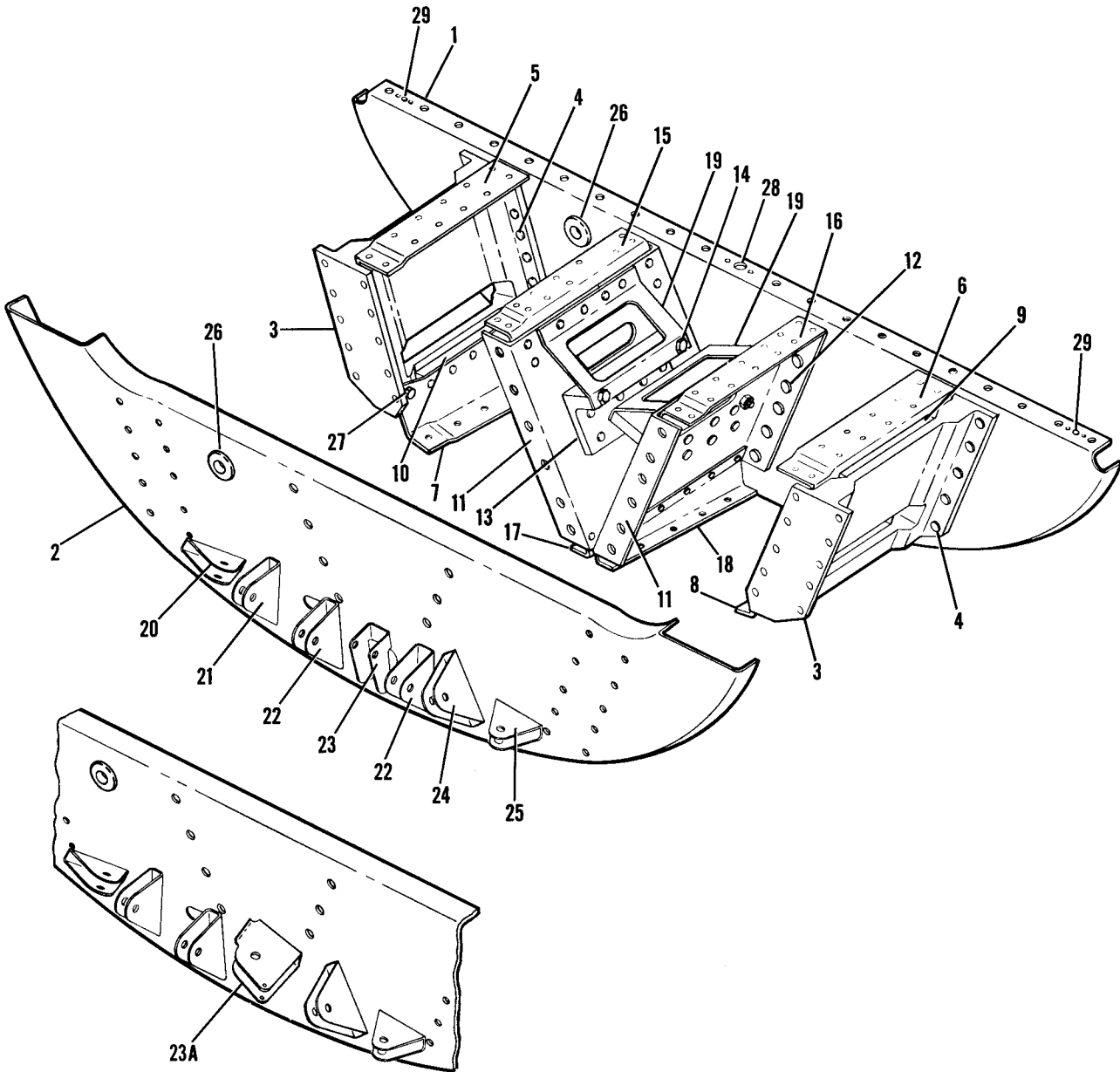
- A---150 SERIAL 15061533 & ON  
F150 SERIAL F150-0001 & ON
- B---150 SERIAL 15061533 THRU 15064532  
F150 SERIAL F150-0001 THRU F150-0067
- C---150 SERIAL 15064533 & ON  
F150 SERIAL F150-0068 & ON
- D---150 SERIAL 15063060 THRU 15063735  
F150 SERIAL F150-0030 THRU F150-0067
- E---150 SERIAL 15064533 THRU 15067198  
F150 SERIAL F150-0068 THRU F150-0219
- F---150 SERIAL 15067199 THRU 15069308  
F150 SERIAL F150-0220 THRU F150-0389
- G---150 SERIAL 15061533 THRU 15067402  
F150 SERIAL F150-0001 THRU F150-0319
- H---150 SERIAL 15067403 & ON  
F150 SERIAL F150-0320 & ON
- J---150 SERIAL 15061533 THRU 15067198  
F150 SERIAL F150-0001 THRU F150-0219
- K---150 SERIAL 15061533 THRU 15069308  
F150 SERIAL F150-0001 THRU F150-0389
- L---150 SERIAL 15069309 & ON  
F150 SERIAL F150-0390 & ON



FIGURE AND INDEX NO.	PART NUMBER	DESCRIPTION	UNITS PER ASSY	USABLE ON CODE
		<b>1 2 3 4 5 6 7</b>		
118-	0411951-4 *	BULKHEAD ASSEMBLY-MAIN LANDING GEAR -----	1	B
	0411951-7	BULKHEAD ASSEMBLY-MAIN LANDING GEAR -----	1	C
- 1	0411951-5 #	BULKHEAD-STA 49.69 -----	1	
- 2	0411951-6 #	BULKHEAD-LOWER STA 56.69 -----	2	
- 3	0411899-1	STIFFENER ASSEMBLY-LANDING GEAR BULKHEAD -----	2	
		ATTACHING PARTS		
- 4	NAS178-6-6	PIN-HI SHEAR -----	19	
	NAS179-6	COLLAR ----- <b>SERIAL 15059380 &amp; ON-</b>	19	
		-----*		
- 5	0411900-1	ANGLE-UPPER OUTBOARD LH -----	1	
- 6	0411900-2	ANGLE-UPPER OUTBOARD RH -----	1	
- 7	0411903-1	ANGLE-LOWER OUTBOARD LH -----	1	
- 8	0411903-2	ANGLE-LOWER OUTBOARD RH -----	1	
- 9	0411304-1	SPACER-UPPER ANGLE -----	2	
-10	0411305-1	SPACER-LOWER ANGLE -----	2	
-11	0441172-1	BULKHEAD ASSEMBLY-LANDING GEAR INBOARD -----	2	
		ATTACHING PARTS		
-12	NAS178-8-4	PIN-HI SHEAR -----	12	B
	NAS178-8-4	PIN-HI SHEAR AFT SIDE RH -----	11	C
	NAS178-8-4	PIN-HI SHEAR AFT SIDE LH -----	12	C
	NAS178-8-4	PIN-HI SHEAR FORWARD SIDE -----	12	C
	NAS179-8	COLLAR -----	12	B
	NAS179-8	COLLAR-AFT SIDE RH -----	11	C
	NAS179-8	COLLAR-AFT SIDE LH -----	12	C
	NAS179-8	COLLAR-FORWARD SIDE -----	12	C
	AN509-416R13	SCREW -----	1	C
	AN960-416	WASHER -----	1	C
	NAS679A4	NUT -----	1	C
		-----*		
-13	0441171-1	ANGLE -----	1	
		ATTACHING PARTS		
-14	AN4-21A	BOLT -----	2	
	AN960-416	WASHER -----	2	
	NAS679A4	NUT -----	2	
		-----*		
	0441170-1	BULKHEAD-LANDING GEAR INBOARD -----	1	

CONTINUED ON NEXT PAGE

Fuselage (Cont)



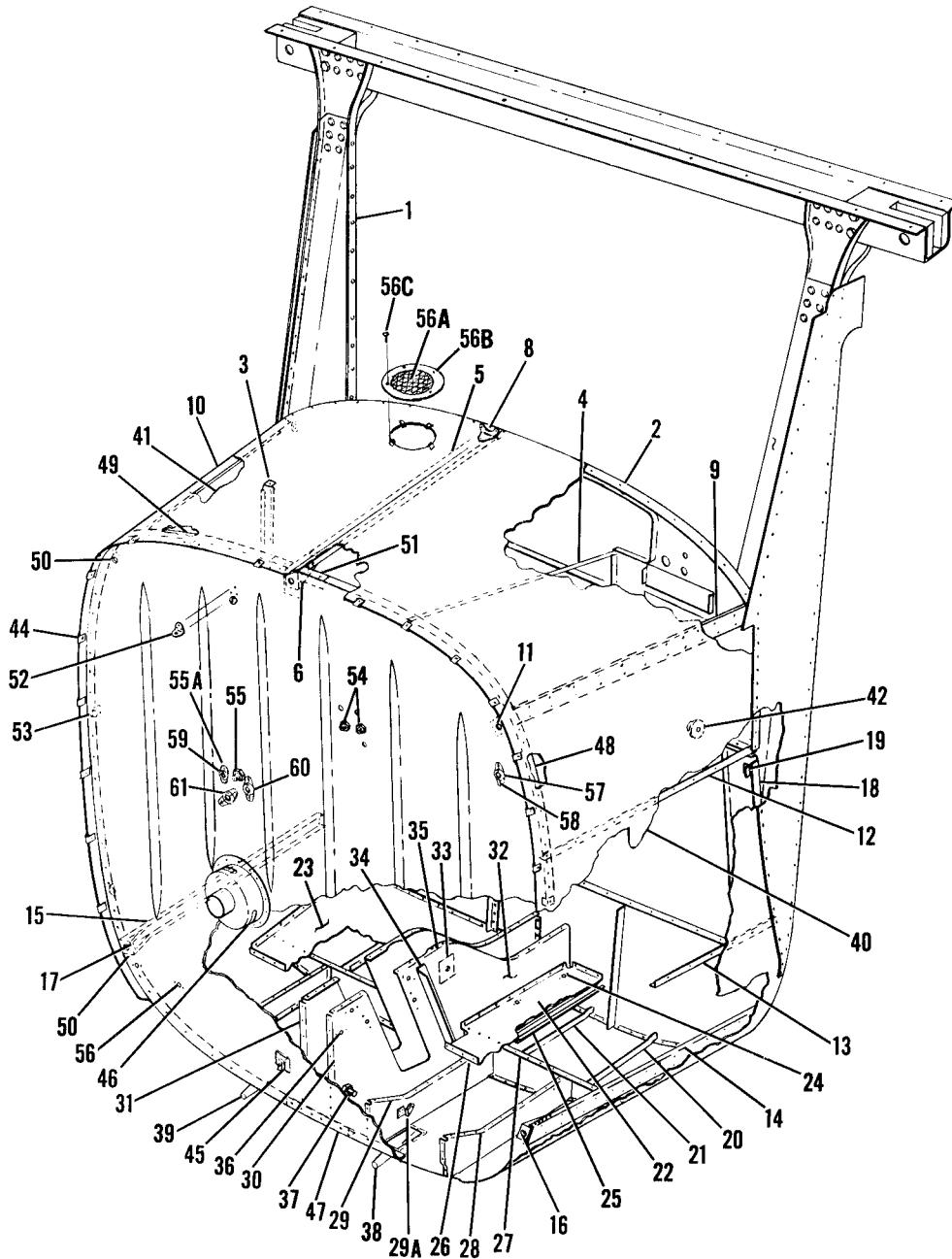
**SERIAL 15059380 & ON**

Figure IIB. Landing Gear Bulkhead Assembly



FIGURE AND INDEX NO.	PART NUMBER	DESCRIPTION	UNITS PER ASSY	USABLE ON CODE
		<b>1 2 3 4 5 6 7</b>		
11B-15	0411905-1	ANGLE-UPPER INNER LH -----	1	
-16	0411905-2	ANGLE-UPPER INNER RH -----	1	
-17	0411904-1	ANGLE-LOWER INNER LH -----	1	
-18	0411904-2	ANGLE-LOWER INNER RH -----	1	
-19	0441155-1	BRACKET-INBOARD BULKHEAD -----	2	
-20	0411452	BRACKET -----	1	
		ATTACHING PARTS		
	NAS1303-5	BOLT -----	1	
	NAS679A3	NUT -----	1	
		---*---		
-21	0411449	BRACKET -----	1	
		ATTACHING PARTS		
	AN520-10R7	SCREW -----	1	
	NAS679A3	NUT -----	1	
		---*---		
-22	0411447	BRACKET -----	2	B
		ATTACHING PARTS		
	AN520-10R7	SCREW -----	1	B
	NAS679A3	NUT -----	1	B
		---*---		
-23	0411924	BRACKET -----	1	B
-23A	0412048-1	BRACKET -----	1	C
		ATTACHING PARTS		
	AN520-10R12	SCREW -----	1	C
	NAS679A3	NUT -----	1	C
		---*---		
-24	0411671	BRACKET -----	1	
		ATTACHING PARTS		
	AN520-10R7	SCREW -----	2	
	NAS679A3	NUT -----	2	
		---*---		
-25	0411451	BRACKET -----	1	
		ATTACHING PARTS		
	AN520-10R7	SCREW -----	1	
	NAS679A3	NUT -----	1	
		---*---		
-26	MS35489-43	GROMMET -----	2	A
-27	AN3-10A	BOLT -----	2	
	AN960-10	WASHER -----	2	
	NAS679A3	NUT -----	2	
-28	NAS698A4	NUTPLATE -----	1	C
-29	NAS697A3	NUTPLATE -----	2	D
<p>NOTE. *WHEN ORDERING THIS PART FOR AIRPLANES PRIOR TO SERIAL 15059380 ALSO ORDER PARTS CODED H ON FIGURE 18. ALSO ORDER ONE, 0411955-3 FLOORBOARD, 0713173-5 COVER, 0713173-6 COVER, S-225-4 COVER &amp; 0411126-3 SKIN.</p> <p>NOTE. #THESE PARTS ARE NOT TO BE ORDERED FOR AIRPLANES PRIOR TO SERIAL 15059380 UNLESS 0411951-4 BULKHEAD WAS PREVIOUSLY INSTALLED.</p> <p>A---150 SERIAL 15059380 THRU 15061532            B---150 SERIAL 15059380 THRU 15060087            C---150 SERIAL 15060088 &amp; ON                  F150 SERIAL F150-0001 &amp; ON            D---150 SERIAL 15061533 &amp; ON                  F150 SERIAL F150-0001 &amp; ON</p>				

Fuselage (Cont)



**SERIAL 17001 THRU 15061532**

Figure 12. Fuselage Front Section Assembly

FIGURE AND INDEX NO.	PART NUMBER	DESCRIPTION	UNITS PER ASSY							USABLE ON CODE
			1	2	3	4	5	6	7	
12 -	0413300-1	* FRONT SECTION ASSEMBLY-FUSELAGE -----	1							A
	0413300-3	* FRONT SECTION ASSEMBLY-FUSELAGE -----	1							B
- 1	0413329-4	BULKHEAD ASSEMBLY-FRONT DOORPOST SEE FIGURE 13 -----	1							A
- 2	0413301-15	STATIONARY INSTRUMENT PANEL SEE FIGURE 23 -----	1							E
	0413375-5	STATIONARY INSTRUMENT PANEL WHEN EXHAUSTED USE ----- 0413375-22 SEE FIGURE 23A -----	1							F
- 3	0413375-22	STATIONARY INSTRUMENT PANEL SEE FIGURE 23B -----	1							B
- 4	0413385-1	BRACE-MAP CASE SEE FIGURE 24A -----	1							A
	0413212-1	STIFFENER-STATIONARY INSTRUMENT PANEL -----	2							B
	0413212-1	STIFFENER-STATIONARY INSTRUMENT PANEL LH -----	1							
- 5	0411173	STRINGER ASSEMBLY-ENGINE MOUNT CENTER -----	1							
- 6	0411281-3	BRACKET-ENGINE MOUNT ATTACHING -----	1							
- 7		DELETED, NEVER USED -----								
- 8	0413204-1	BRACKET-COMPASS -----	1							
- 9	0411282	STRINGER-ENGINE MOUNT UPPER LH -----	1							
-10	0411282-1	STRINGER-ENGINE MOUNT UPPER RH -----	1							
-11	0411281-4	BRACKET-ENGINE MOUNT LH -----	1							
	0411281-5	BRACKET-ENGINE MOUNT RH -----	1							
-12	0413305-1	STIFFENER-FRONT SECTION LH -----	1							
	0413305-2	STIFFENER-FRONT SECTION RH -----	1							
-13	0413305-3	STIFFENER-FRONT SECTION LH -----	1							
	0413305-4	STIFFENER-FRONT SECTION RH -----	1							
-14	0411283	STRINGER-ENGINE MOUNT LOWER LH -----	1							
-15	0411283-1	STRINGER-ENGINE MOUNT LOWER RH -----	1							
-16	0411281-5	BRACKET-ENGINE MOUNT LH -----	1							
-17	0411281-4	BRACKET-ENGINE MOUNT RH -----	1							
-18	0411864-2	STIFFENER ASSEMBLY LH -----	1							
	0411864-3	STIFFENER ASSEMBLY RH -----	1							
-19	0411688	ANGLE-UPHOLSTERY RETAINING -----	2							
	S1863-3	NUT LH ONLY -----	2							
-20	0411630-3	STIFFENER -----	2							
-21	0411630-2	STIFFENER -----	2							
-22	0411280-4	FLOORBOARD ASSEMBLY-FORWARD LH -----	1							
-23	0411280-3	FLOORBOARD ASSEMBLY-FORWARD RH -----	1							
-24	S1863-3	NUT -----	6							
-25	0411275	SUPPORT -----	1							
-26	0411285	ANGLE-LH -----	1							
	0411285-1	ANGLE-RH -----	1							
-27	0411139	BULKHEAD-FLOORBOARD STA 11.00 LH -----	1							
	0411139-1	BULKHEAD-FLOORBOARD STA 11.00 RH -----	1							
-28	0411138	BULKHEAD-OUTBOARD LH -----	1							
	0411138-1	BULKHEAD-OUTBOARD RH -----	1							
-29	0411349-2	BULKHEAD ASSEMBLY-INBOARD LH -----	1							
	0411349-3	BULKHEAD ASSEMBLY-INBOARD RH -----	1							
	S1863-3A	NUT -----	1							
-29A	0713624-1	ANCHOR-BRAKE CYLINDER LH ONLY -----	1							
-30	0411291	BULKHEAD ASSEMBLY-CONTROL TEE LH -----	1							
-31	0411291-1	BULKHEAD ASSEMBLY-CONTROL TEE RH -----	1							
-32	0411161	BULKHEAD -----	1							
	0411161-1	BULKHEAD -----	1							
-33	0411342	PLATE-REINFORCEMENT -----	1							
-34	0411287	ANGLE-REINFORCEMENT LH -----	1							
	0411287-1	ANGLE-REINFORCEMENT RH -----	1							
-35	S1863-3A	NUT -----	1							
-36	NAS680A3	NUTPLATE -----	5							
-37	AN832-4D	UNION LH ONLY -----	1							
-38	0413304-1	SEAL ASSEMBLY-STEERING LINK LH -----	1							
-39	0413304-2	SEAL ASSEMBLY-STEERING LINK RH -----	1							
-40	0411130-52	SKIN-LH -----	1							
-41	0411130-51	SKIN-RH -----	1							
-42	S347-1	FLANGE CESSNA STANDARD -----	1							
	S1141-4	WASHER -----	1							
-43		DELETED, NEVER USED -----								
-44	NAS395-18-3	NUT -----	19							H
	S1863-3A	NUT -----	19							J
-45	0450111	BRACKET-FUEL STRAINER -----	1							G
	0753020-1	ANGLE-STRAINER DRAIN -----	1							F
	0453001-1	FIREWALL ASSEMBLY -----	1							
-46	0450247	VALVE ASSEMBLY SEE FIGURE 33 -----	1							
-47	0453115-1	ANGLE -----	1							
-48	0453107	ANGLE-LH -----	1							
-49	0453107-1	ANGLE-RH -----	1							

CONTINUED ON NEXT PAGE

FIGURE AND INDEX NO.	PART NUMBER	DESCRIPTION	UNITS PER ASSY	USABLE ON CODE
12 -50	0453110	PLATE -----	4	
-51	0453109	PLATE -----	1	
-52	0450284	BRACKET ASSEMBLY -----	1	
-53	0411685	CLIP -----	4	
-54	AN832-2D	UNION -----	2	
	AN924-2D	NUT -----	2	
-55	AN833-2D	ELBOW -----	2	
	AN924-2D	NUT -----	1	
-55A	S1485D4U	CLAMP -----	1	L
		ATTACHING PARTS		
	S1022Z8-8	SCREW -----	1	L
	S290-832	WASHER -----	1	L
		---*---		
-56	S1863-3A	NUT -----	11	
	0453114-1	SHEET-FIREWALL -----	1	
-56A	0513172-2	SCREEN-VENT -----	1	
-56B	0513172-1	RETAINER-VENT SCREEN -----	1	
		ATTACHING PARTS		
-56C	S1021Z8-8B	SCREW CESSNA STANDARD -----	4	
	NAS395-16-3	NUT -----	4	
		---*---		
		BATTERY BOX INSTALLATION SEE FIGURE 10A -----	1	B
-57	S353-3	SHIELD-WIRING HARNESS CESSNA STANDARD -----	2	C
	S1095-6	SHIELD HALF-WIRING HARNESS CESSNA STANDARD -----	2	D
		ATTACHING PARTS		
-58	S1021Z8-6	SCREW CESSNA STANDARD -----	2	
	NAS446-4-3	NUT TIN A1778-8Z-3 -----	2	
		---*---		
	MS35489-16	GROMMET -----	1	C
	S354-3	GROMMET-ASBESTOS CESSNA STANDARD -----	1	C
	NAS557-12A	GROMMET-SPLIT PLASTIC -----	1	D
-59	S352	SHIELD-THROTTLE CONTROL CESSNA STANDARD -----	1	K
		ATTACHING PARTS		
	S1021Z8-6	SCREW CESSNA STANDARD -----	2	K
	NAS446-4-3	NUT TIN A1778-8Z-3 -----	2	K
		---*---		
	S354-1	GROMMET-ASBESTOS CESSNA STANDARD -----	1	K
	MS35489-11	GROMMET -----	1	K
-60	S353-4	SHIELD-TACHOMETER SHAFT CESSNA STANDARD -----	2	C
	S1095-3	SHIELD HALF-TACHOMETER SHAFT CESSNA STANDARD -----	2	D
		ATTACHING PARTS		
	S1021Z8-6	SCREW CESSNA STANDARD -----	2	
	NAS446-4-3	NUT TIN A1778-8Z-3 -----	2	
		---*---		
	MS35489-7	GROMMET -----	1	C
	NAS557-6A	GROMMET-SPLIT PLASTIC -----	1	D
	S354-5	GROMMET-ASBESTOS CESSNA STANDARD -----	1	C
-61	S352-2	SHIELD-OIL TEMP LINE CESSNA STANDARD -----	2	C
	S1095-1	SHIELD HALF-OIL TEMP LINE CESSNA STANDARD -----	2	D
		ATTACHING PARTS		
	S1021Z8-6	SCREW CESSNA STANDARD -----	2	
	NAS446-4-3	NUT TIN A1778-8Z-3 -----	2	
		---*---		
	MS35489-5	GROMMET -----	1	C
	NAS557-3A	GROMMET-SPLIT PLASTIC -----	1	D
	S354-5	GROMMET-ASBESTOS CESSNA STANDARD -----	1	C

NOTE. \*WHEN ORDERING PARTS MARKED \*  
FOR AIRCRAFT PRIOR TO SERIAL 15059389  
ALSO ORDER PARTS MARKED #.

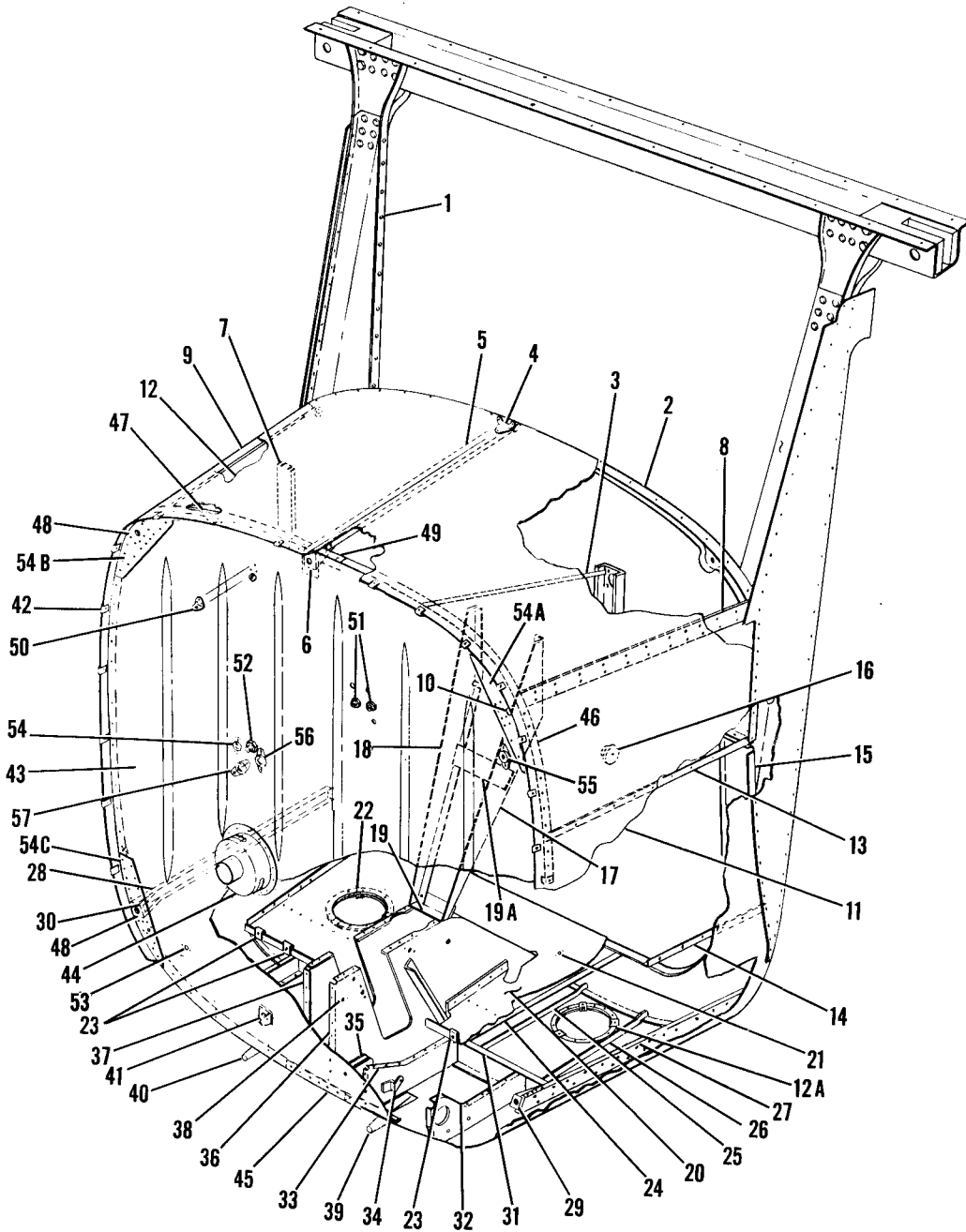
A---150 SERIAL 17001 THRU 59018  
B---150 SERIAL 15059019 THRU 15061532  
C---150 SERIAL 17001 THRU 15059350  
D---150 SERIAL 1505935U THRU 15061532  
E---150 SERIAL 15059019 THRU 15060772  
F---150 SERIAL 15060773 THRU 15061532  
G---150 SERIAL 17001 THRU 15060772  
H---150 SERIAL 17001 THRU 15061199  
J---150 SERIAL 15061200 THRU 15061532  
K---150 SERIAL 17001 THRU 17960  
L---150 SERIAL 17961 THRU 15061532

FIGURE AND INDEX NO.	PART NUMBER	DESCRIPTION	UNITS PER ASSY	USABLE ON CODE
		<b>1 2 3 4 5 6 7</b>		
12A-	0413002-1	FRONT SECTION ASSEMBLY-FUSELAGE -----	1	A
- 1	0413329-5	BULKHEAD ASSEMBLY-FRONT DOORPOST SEE FIGURE 13 -----	1	
- 2	0413375-26	STATIONARY INSTRUMENT PANEL ASSEMBLY SEE FIGURE 23B -----	1	
- 3	0413346-1	STIFFENER-STATIONARY INSTRUMENT PANEL -----	1	
- 4	0413204-1	BRACKET-COMPASS MOUNT -----	1	
- 5	0411173	BRACKET ASSEMBLY-ENGINE MOUNT CENTER -----	1	
- 6	0411281-3	BRACKET-ENGINE MOUNT -----	1	
- 7	0413385-1	BRACE-MAP CASE SEE FIGURE 24A -----	1	
- 8	0411282	BRACKET ASSEMBLY-ENGINE MOUNT UPPER LH -----	1	
- 9	0411282-1	BRACKET ASSEMBLY-ENGINE MOUNT UPPER RH -----	1	
-10	0411281-4	BRACKET-ENGINE MOUNT LH -----	1	
	0411281-5	BRACKET-ENGINE MOUNT RH -----	1	
-11	0413002-3	SKIN-LH -----	1	
-12	0413002-2	SKIN-RH -----	1	
-12A	S237-2	DOUBLER ASSEMBLY -----	1	
	NAS395-14-3	NUT -----	3	
-13	0413305-1	STIFFENER-FRONT SECTION LH -----	1	
	0413305-2	STIFFENER-FRONT SECTION RH -----	1	
-14	0413305-3	STIFFENER-FRONT SECTION LH -----	1	
	0413305-4	STIFFENER-FRONT SECTION RH -----	1	
-15	0411863-2	STIFFENER ASSEMBLY-LH -----	1	
	0411863-3	STIFFENER ASSEMBLY-RH -----	1	
	S1863-3	NUTPLATE LH ONLY -----	2	
-16	S347-1	FLANGE -----	1	
	S1141-4	WASHER -----	1	
-17	0413398-1	RETAINER ASSEMBLY-ELEVATOR TRIM LH -----	1	
	M451	BEARING TOR -----	1	
-18	0413398-2	RETAINER ASSEMBLY-ELEVATOR TRIM RH -----	1	
	B45	BEARING TOR -----	1	
-19	0413405-1	CLIP-RETAINER -----	1	
-19A	0413421-1	BRACE-ELEVATOR TRIM -----	1	
-20	0413409-3	FLOORBOARD ASSEMBLY-FRONT -----	1	
-21	S1863-3	NUTPLATE -----	15	
-22	S237-2P	DOUBLER ASSEMBLY -----	2	
	NAS395-14-3	NUT -----	3	
-23	NAS395-23-3	NUT -----	6	
-24	0413392-1	STIFFENER-FLOORBOARD -----	4	
-25	0413391-1	STIFFENER-FUSELAGE INBD STA 8.37 TO 20.5 -----	2	
-26	0413391-2	STIFFENER-FUSELAGE OUTBD STA 8.37 TO 20.5 -----	2	
-27	0411283	BRACKET ASSEMBLY-ENGINE MOUNT LOWER LH -----	1	
-28	0411283-1	BRACKET ASSEMBLY-ENGINE MOUNT LOWER RH -----	1	
-29	0411281-5	BRACKET-ENGINE MOUNT LH -----	1	
-30	0411281-4	BRACKET-ENGINE MOUNT RH -----	1	

SERIAL 15061533  
THRU 15064532

CONTINUED ON NEXT PAGE

Fuselage (Cont)



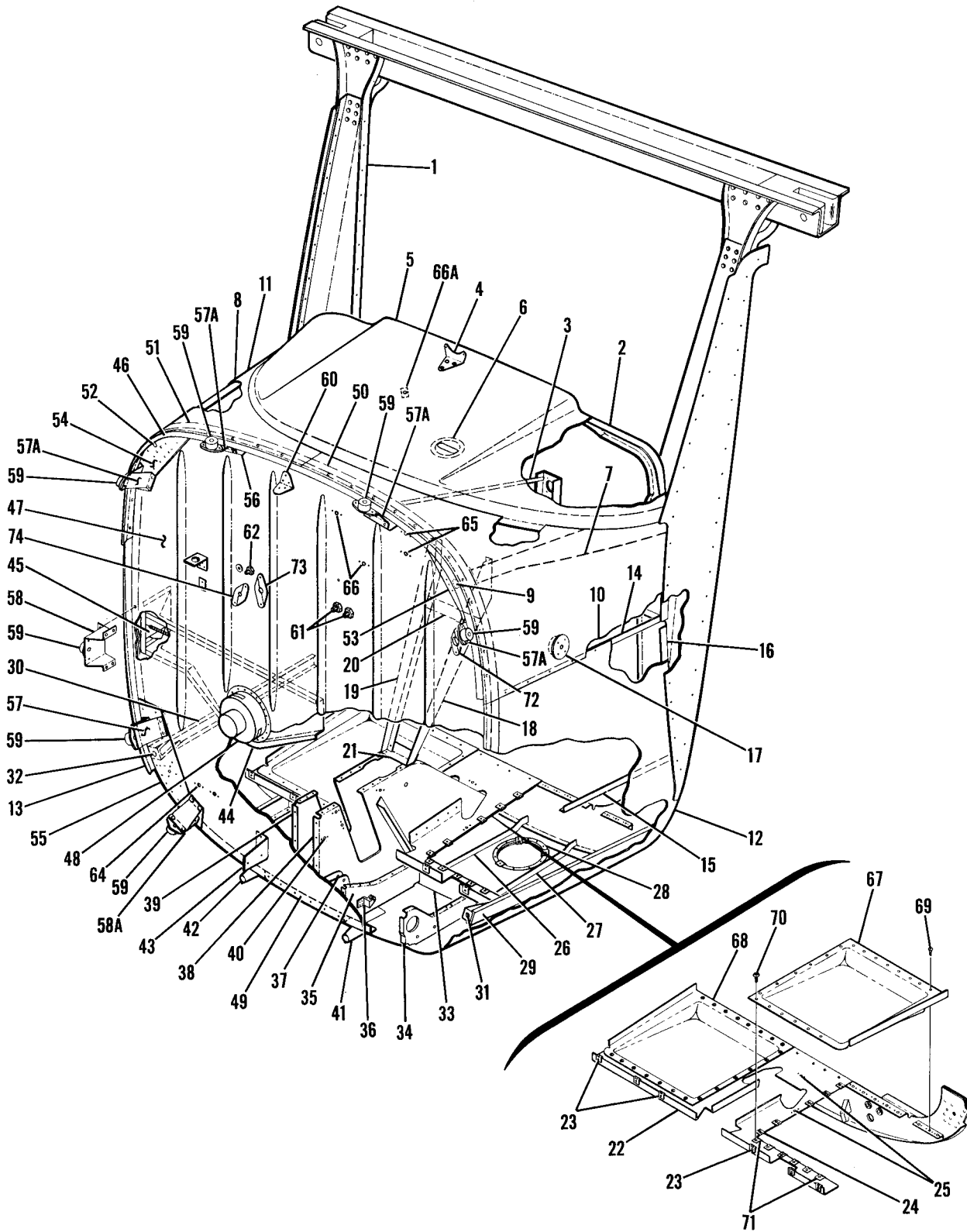
**SERIAL 15061533 THRU 15064532**

Figure 12A. Fuselage Front Section Assembly



FIGURE AND INDEX NO.	PART NUMBER	DESCRIPTION	UNITS PER ASSY	USABLE ON CODE
12A-31	0413397-1	BULKHEAD-FLOORBOARD STA 8.37 LH -----	1	
	0413397-2	BULKHEAD-FLOORBOARD STA 8.37 RH -----	1	
-32	0413396-1	BULKHEAD-FRONT FLOORBOARD OUTBD LH -----	1	
	0413396-2	BULKHEAD-FRONT FLOORBOARD OUTBD RH -----	1	
-33	0413395-1	BULKHEAD ASSEMBLY-FRONT FLOORBOARD INBD LH -----	1	
	0413395-2	BULKHEAD-FRONT FLOORBOARD INBD RH -----	1	
-34	0713624-2	ANCHOR-BRAKE CYLINDER LH ONLY -----	1	
-35	0413413-1	BRACKET-PULLEY SUPPORT -----	1	
		ATTACHING PARTS		
	AN520-10R6	SCREW -----	1	
	NAS679A3	NUT -----	1	
		-----*		
-36	0413394-1	BULKHEAD ASSEMBLY-CONTROL TEE LH -----	1	
-37	0413394-2	BULKHEAD ASSEMBLY-CONTROL TEE RH -----	1	
-38	NAS680A3	NUTPLATE LH BULKHEAD ONLY -----	5	
	NAS680A3	NUTPLATE RH BULKHEAD ONLY -----	6	
-39	0413304-1	SEAL ASSEMBLY-STEERING LINK LH -----	1	
-40	0413304-2	SEAL ASSEMBLY-STEERING LINK RH -----	1	
-41	0753020-1	ANGLE-FUEL STRAINER -----	1	
-42	S1863-3A	NUT -----	19	
	0453001-1	FIREWALL ASSEMBLY -----	1	
-43	0453114-1	SHEET-FIREWALL -----	1	
-44	045C247	VALVE ASSEMBLY-CABIN HEAT SEE FIGURE 33 -----	1	
-45	0453115-1	ANGLE -----	1	
-46	0453107	ANGLE-LH -----	1	
-47	0453107-1	ANGLE-RH -----	1	
-48	0453110	PLATE -----	4	
-49	0453109	PLATE -----	1	
-50	0450284	BRACKET ASSEMBLY -----	1	
-51	AN832-2D	UNION -----	2	
	AN924-2D	NUT -----	2	
-52	AN833-2D	ELBOW -----	1	
	AN924-2D	NUT -----	1	
-53	S1863-3A	NUTPLATE -----	11	
-54	S1485D4U	CLAMP -----	1	
		ATTACHING PARTS		
	S1022Z8-8	SCREW -----	1	
	S290-832	WASHER -----	1	
		-----*		
-54A	0453116-1	DOUBLER-UPPER ENGINE MOUNT LH -----	1	B
-54B	0453116-2	DOUBLER-UPPER ENGINE MOUNT RH -----	1	B
-54C	0453116-4	DOUBLER-LOWER ENGINE MOUNT RH -----	1	B
	0453116-3	DOUBLER-LOWER ENGINE MOUNT LH -----	1	B
		BATTERY BOX INSTALLATION SEE FIGURE 10B -----	1	
-55	NAS557-12A	GROMMET-SPLIT PLASTIC -----	1	
	S1095-6	SHIELD HALF-WIRING HARNESS -----	2	
		ATTACHING PARTS		
	S1021Z8-6	SCREW -----	2	
	NAS446-4-3	NUT -----	2	
		-----*		
-56	NAS557-6A	GROMMET-SPLIT PLASTIC -----	1	
	S1095-3	SHIELD HALF-TACHOMETER SHAFT -----	2	
		ATTACHING PARTS		
	S1021Z8-6	SCREW -----	2	
	NAS446-4-3	NUT -----	2	
		-----*		
-57	NAS557-3A	GROMMET-SPLIT PLASTIC -----	1	
	S1095-1	SHIELD HALF-OIL TEMP LINE -----	2	
		ATTACHING PARTS		
	S1021Z8-6	SCREW -----	2	
	NAS446-4-3	NUT -----	2	
		-----*		
		A---150 SERIAL 15061533 THRU 15064532		
		F150 SERIAL F150-0001 THRU F150-0067		
		B---150 SERIAL 15061640 THRU 15064532		
		F150 SERIAL F150-0001 THRU F150-0067		

Fuselage (Cont)



**SERIAL 15064533 THRU 15069308**

Figure 12B. Fuselage Front Section Assembly





FIGURE AND INDEX NO.	PART NUMBER	DESCRIPTION	UNITS PER ASSY	USABLE ON CODE
12B-	0413003-1	FRONT SECTION ASSEMBLY-FUSELAGE -----	1	A
	0413003-12	FRONT SECTION ASSEMBLY-FUSELAGE -----	1	E
- 1	0413424-1	BULKHEAD ASSEMBLY-FRONT DOORPOST SEE FIGURE 13A -----	1	
- 2	0413034-16	STATIONARY INSTRUMENT PANEL ASSEMBLY SEE FIGURE 23C -----	1	A
	0413034-22	STATIONARY INSTRUMENT PANEL ASSEMBLY SEE FIGURE 23D -----	1	E
- 3	0413346-1	STIFFENER-STATIONARY INSTRUMENT PANEL -----	1	
- 4	0413204-1	BRACKET-COMPASS MOUNT -----	1	A
		ATTACHING PARTS		
	AN515B6R8	SCREW -----	3	A
	NAS680A06	NUTPLATE -----	1	A
	NAS698A06L	NUTPLATE -----	2	A
		-----*-----		
		<b>SERIAL 15064533</b>		
		<b>THRU 15069308</b>		
- 5	0413003-7	SKIN-DECK -----	1	A
	0413003-11	SKIN-DECK -----	1	E
- 6	0413037-1	ACAPTER ASSEMBLY-DEFROSTER -----	1	A
	0413452-1	NOZZLE ASSEMBLY-DEFROSTER -----	1	E
- 7	0413423-1	STRINGER ASSEMBLY-ENGINE MOUNT UPPER LH -----	1	
- 8	0413423-2	STRINGER ASSEMBLY-ENGINE MOUNT UPPER RH -----	1	
- 9	0411281-4	BRACKET-ENGINE MOUNT LH -----	1	
	0411281-5	BRACKET-ENGINE MOUNT RH -----	1	
-10	0413003-5	SKIN-UPPER LH -----	1	
-11	0413003-4	SKIN-UPPER RH -----	1	
-12	0413003-3	SKIN-LOWER LH -----	1	
-13	0413003-2	SKIN-LOWER RH -----	1	
-14	0413305-1	STIFFENER-FRONT SECTION LH -----	1	
	0413305-2	STIFFENER-FRONT SECTION RH -----	1	
-15	0413305-3	STIFFENER-FRONT SECTION LH -----	1	
	0413305-4	STIFFENER-FRONT SECTION RH -----	1	
-16	0413425-1	STIFFENER-FORWARD DOOR POST LH -----	1	
	0413425-2	STIFFENER-FORWARD DOOR POST RH -----	1	
-17	S1141-4	WASHER-PITOT STATIC LINE -----	1	C
	S347-1	FLANGE-PITOT STATIC LINE -----	1	C
	S1776-1	BUTTON-PITOT STATIC LINE -----	1	D
-18	0413398-1	RETAINER ASSEMBLY-ELEVATOR TRIM LH -----	1	
	M451	BEARING TOR -----	1	
-19	0413398-2	RETAINER ASSEMBLY-ELEVATOR TRIM RH -----	1	
	B45	BEARING TOR -----	1	
-20	0413421-1	BRACE-ELEVATOR TRIM -----	1	A
	0460119-2	PLATE-UPPER -----	1	E
-21	0413405-1	CLIP-RETAINER -----	1	A
	0460119-1	PLATE-LOWER -----	1	E
-22	0413430-1	FLOORBOARD ASSEMBLY-FRONT -----	1	
-23	A1793-6Z3	NUT TIN -----	6	
-24	NAS395-12-3	NUT -----	10	
-25	S1863-3	NUTPLATE -----	3	
-26	0413391-1	STIFFENER-FUSELAGE INBD STA. 8.37 TO 20.5 -----	2	
-27	0413391-2	STIFFENER-FUSELAGE OUTBD STA. 8.37 TO 20.5 -----	2	
-28	S237-2	DOUBLER ASSEMBLY -----	1	
	NAS395-14-3	NUT -----	3	
-29	0411283	BRACKET ASSEMBLY-ENGINE MOUNT LOWER LH -----	1	
-30	0411283-1	BRACKET ASSEMBLY-ENGINE MOUNT LOWER RH -----	1	
-31	0411281-5	BRACKET-ENGINE MOUNT LH -----	1	
-32	0411281-4	BRACKET-ENGINE MOUNT RH -----	1	
-33	0413397-1	BULKHEAD-FLOORBOARD STA. 8.37 LH -----	1	A
	0413397-3	BULKHEAD ASSEMBLY-FLOORBOARD STA. 8.37 LH -----	1	E
	0413397-2	BULKHEAD-FLOORBOARD STA. 8.37 RH -----	1	
-34	0413396-1	BULKHEAD-FRONT FLOORBOARD OUTBD LH -----	1	
	0413396-2	BULKHEAD-FRONT FLOORBOARD OUTBD RH -----	1	
-35	0413395-1	BULKHEAD ASSEMBLY-FRONT FLOORBOARD INBD LH -----	1	
	0413395-2	BULKHEAD-FRONT FLOORBOARD INBD RH -----	1	
-36	0713624-2	ANCHOR-BRAKE CYLINDER LH ONLY -----	1	
-37	0413413-1	BRACKET-PULLEY SUPPORT -----	1	
		ATTACHING PARTS		
	AN520-10R6	SCREW -----	1	
	NAS679A3	NUT -----	1	
		-----*-----		
-38	0413394-1	BULKHEAD ASSEMBLY-CONTROL TEE LH -----	1	
-39	0413394-2	BULKHEAD ASSEMBLY-CONTROL TEE RH -----	1	
-40	NAS680A3	NUTPLATE LH BULKHEAD ONLY -----	5	
	NAS680A3	NUTPLATE RH BULKHEAD ONLY -----	6	

CONTINUED ON NEXT PAGE

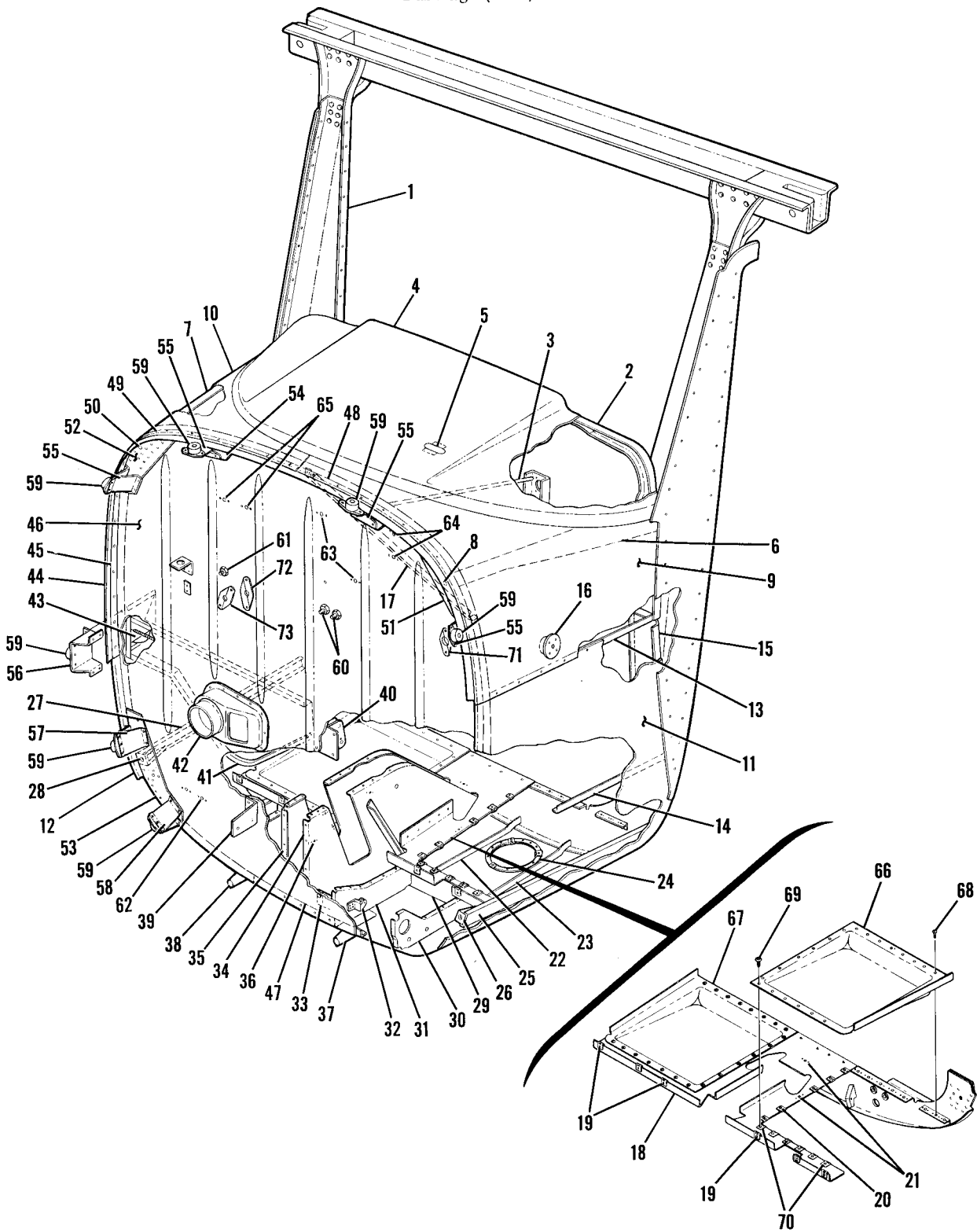
9

FIGURE AND INDEX NO.	PART NUMBER	DESCRIPTION	UNITS PER ASSY	USABLE ON CODE		
					1	2
128-41	0413304-1	SEAL ASSEMBLY-STEERING LINK LH -----	1			
-42	0413304-2	SEAL ASSEMBLY-STEERING LINK RH -----	1			
-43	0753020-1	ANGLE-FUEL STRAINER -----	1			
-44		HEATER ASSEMBLY SEE FIGURE 33A -----	1			
-45	0453002-7	DOOR ASSEMBLY-OUTSIDE AIR SEE FIGURE 33A -----	1			
	0453002-10	SEAL-HEATER SEE FIGURE 33A -----	1			
	0453002-6	DOUBLER-HEATER SEE FIGURE 33A -----	1			
-46	0413003-9	GUARD-FIRE -----	1			
	0453001-2	FIREWALL ASSEMBLY -----	1			
-47	0453114-2	SHEET-FIREWALL -----	1			
-48	0450247-2	VALVE ASSEMBLY-CABIN HEAT SEE FIGURE 33A -----	1			
-49	0453115-1	ANGLE -----	1			
-50	0453107-3	ANGLE-LH -----	1			
-51	0453107-2	ANGLE-RH -----	1			
-52	0453110	PLATE -----	4			
-53	0453116-5	DOUBLER-UPPER ENGINE MOUNT LH -----	1			
-54	0453116-6	DOUBLER-UPPER ENGINE MOUNT RH -----	1			
-55	0453116-9	DOUBLER-LOWER ENGINE MOUNT RH -----	1			
	0453116-8	DOUBLER-LOWER ENGINE MOUNT LH -----	1			
-56	0453116-7	DOUBLER-SHOCKMOUNT -----	3			
-57	0453003-1	SHOCKMOUNT ASSEMBLY-COWL -----	3			
-57A	0453003-8	SHOCKMOUNT ASSEMBLY-COWL -----	4			
-58	0453003-4	SHOCKMOUNT ASSEMBLY-COWL -----	1			
-58A	0453003-6	SHOCKMOUNT ASSEMBLY-COWL -----	2			
-59	S1115-29	SHOCKMOUNT -----	1			
-60	0450284	BRACKET ASSEMBLY WHEN EXHAUSTED USE 045348-1 -----	1	A		
	0450348-1	BRACKET ASSEMBLY -----	1	E		
-61	AN832-2D	UNION -----	2			
	AN924-2D	NUT -----	2			
-62	AN833-2D	ELBOW -----	1			
	AN924-2D	NUT -----	1			
-63		DELETED, NEVER USED -----				
-64	S1863-3A	NUTPLATE -----	11			
-65	NAS697A08K	NUTPLATE -----	2			
-66	NAS697A4K	NUTPLATE -----	2			
		BATTERY BOX INSTALLATION SEE FIGURE 10B -----	1			
	0460113-1	INDICATOR ASSEMBLY-ELEVATOR TRIM SEE FIGURE 40A -----	1	A		
	0460111-1	INDICATOR ASSEMBLY-ELEVATOR TRIM SEE FIGURE 40A -----	1	E		
-66A	F1201	MAGNET ISP -----	1	B		
		ATTACHING PARTS				
	AN515B8R10	SCREW -----	1	B		
	AN936A8	WASHER -----	1	B		
	AN340B8	NUT -----	1	B		
		---*---				
-67	0413429-1	FEET PAN-FRONT FLOORBOARD LH -----	1			
-68	0413429-2	FEET PAN-FRONT FLOORBOARD RH -----	1			
		ATTACHING PARTS				
-69	AN515-8R8	SCREW -----	8			
-70	S1021Z8-8	SCREW -----	11			
-71	NAS395-17-3	NUTPLATE -----	6			
		---*---				
-72	NAS557-10A	GROMMET-SPLIT PLASTIC -----	1			
	S1095-5	SHIELD HALF-WIRING HARNESS -----	2			
		ATTACHING PARTS				
	S1021Z8-6	SCREW -----	2			
	NAS446-4-3	NUT -----	2			
		---*---				

CONTINUED ON NEXT PAGE

FIGURE AND INDEX NO.	PART NUMBER	DESCRIPTION	UNITS PER ASSY	USABLE ON CODE
		<b>1 2 3 4 5 6 7</b>		
12B-73	NAS557-6A	GROMMET-SPLIT PLASTIC -----	1	
	S1095-3	SHIELD HALF-TACHOMETER SHAFT -----	2	
		ATTACHING PARTS -----		
	S1021Z8-6	SCREW -----	2	
	NAS446-4-3	NUT -----	2	
		---*---		
-74	NAS557-3A	GROMMET-SPLIT PLASTIC -----	1	
	S1095-1	SHIELD HALF-OIL TEMP LINE -----	2	
		ATTACHING PARTS -----		
	S1021Z8-6	SCREW -----	2	
	NAS446-4-3	NUT -----	2	
		---*---		
<p>NOTE. *WHEN ORDERING THIS PART FOR AIRCRAFT            PRIOR TO SERIALS 15066574 &amp; F150-0260            ALSO ORDER S1776-1 BUTTON.</p> <p>A---150 SERIAL 15064533 THRU 15067198                  F150 SERIAL F150-0068 THRU F150-0219            B---150 SERIAL 15064858 THRU 15067198                  F150 SERIAL F150-0128 THRU F150-0219            C---150 SERIAL 15064533 THRU 15066573                  F150 SERIAL F150-0068 THRU F150-0259            D---150 SERIAL 15066574 THRU 15069308                  F150 SERIAL F150-0260 THRU F150-0389            E---150 SERIAL 15067199 THRU 15069308                  F150 SERIAL F150-0220 THRU F150-0389</p>				

Fuselage (Cont)



**SERIAL 15069309 & ON**

Figure 12C. Fuselage Front Section Assembly

FIGURE AND INDEX NO.	PART NUMBER	DESCRIPTION	UNITS PER ASSY	USABLE ON CODE
		<b>1 2 3 4 5 6 7</b>		
12C-	0413004-1	FRONT SECTION ASSEMBLY-FUSELAGE -----	1	A
- 1	0413424-1	BULKHEAD ASSEMBLY-FRONT DOORPOST SEE FIGURE 13A -----	1	
- 2	0413457-1	STATIONARY INSTRUMENT PANEL ASSEMBLY SEE FIGURE 23E -----	1	
- 3	0413346-1	STIFFENER-STATIONARY INSTRUMENT PANEL -----	1	
- 4	0413004-6	SKIN-DECK -----	1	
- 5	0413452-1	NOZZLE ASSEMBLY-DEFROSTER -----	1	
- 6	0413423-1	STRINGER ASSEMBLY-ENGINE MOUNT LH -----	1	
- 7	0413423-2	STRINGER ASSEMBLY-ENGINE MOUNT RH -----	1	
- 8	0411281-4	BRACKET-ENGINE MOUNT LH -----	1	
	0411281-5	BRACKET-ENGINE MOUNT RH -----	1	
- 9	0413004-5	SKIN-UPPER LH WHEN EXHAUSTED USE 0413004-9 -----	1	B
	0413004-9	SKIN-UPPER LH -----	1	C
-10	0413004-4	SKIN-UPPER RH -----	1	
-11	0413004-3	SKIN-LOWER LH -----	1	
-12	0413004-2	SKIN-LOWER RH -----	1	
-13	0413305-1	STIFFENER-FRONT SECTION LH -----	1	
	0413305-2	STIFFENER-FRONT SECTION RH -----	1	
-14	0413305-3	STIFFENER-FRONT SECTION LH -----	1	
	0413305-4	STIFFENER-FRONT SECTION RH -----	1	
-15	0413425-1	STIFFENER-FORWARD DOOR POST LH -----	1	
-16	S1776-1	BUTTON-PITOT STATIC LINE -----	1	
-17	0413471-2	STIFFENER-LOWER INSTRUMENT PANEL -----	1	
-18	0413430-1	FLOORBOARD ASSEMBLY-FRONT -----	1	
-19	A1793-6Z3	NUT TIN -----	6	
-20	NAS395-12-3	NUT -----	10	
-21	S1863-3	NUTPLATE -----	3	
-22	0413391-1	STIFFENER-FUSELAGE INBD STA. 8.37 TO 20.5 -----	2	
-23	0413391-2	STIFFENER-FUSELAGE OUTBD STA. 8.37 TO 20.5 -----	2	
-24	S237-2	DOUBLER ASSEMBLY -----	1	
	NAS395-14-3	NUT -----	3	
-25	0411283	BRACKET ASSEMBLY-ENGINE MOUNT LOWER LH -----	1	
-26	0411281-5	BRACKET-ENGINE MOUNT LH -----	1	
-27	0411283-1	BRACKET ASSEMBLY-ENGINE MOUNT LOWER RH -----	1	
-28	0411281-4	BRACKET-ENGINE MOUNT RH -----	1	
-29	0413397-3	BULKHEAD ASSEMBLY-FLOORBOARD STA. 8.37 LH -----	1	
	0413397-2	BULKHEAD-FLOORBOARD STA. 8.37 RH -----	1	
-30	0413396-1	BULKHEAD-FRONT FLOORBOARD OUTBD LH -----	1	
	0413396-2	BULKHEAD-FRONT FLOORBOARD OUTBD RH -----	1	
-31	0413395-1	BULKHEAD ASSEMBLY-FRONT FLOORBOARD INBD LH -----	1	
	0413395-2	BULKHEAD-FRONT FLOORBOARD INBD RH -----	1	
-32	0713624-2	ANCHOR-BRAKE CYLINDER LH ONLY -----	1	
-33	0460126-4	BRACKET-TRIM CONTROL -----	1	
		ATTACHING PARTS		
	AN520-10R6	SCREW -----	1	
	NAS679A3	NUT -----	1	
		---*---		
-34	0413394-1	BULKHEAD ASSEMBLY-CONTROL TEE LH -----	1	
-35	0413394-2	BULKHEAD ASSEMBLY-CONTROL TEE RH -----	1	
-36	NAS680A3	NUTPLATE LH BULKHEAD ONLY -----	5	
	NAS680A3	NUTPLATE RH BULKHEAD ONLY -----	6	
-37	0413304-1	SEAL ASSEMBLY-STEERING LINK LH -----	1	
-38	0413304-2	SEAL ASSEMBLY-STEERING LINK RH -----	1	
-39	0753020-1	ANGLE-FUEL STRAINER -----	1	
	0460199-1	BRACKET-FUEL STRAINER -----	1	
-40	0460126-1	BRACKET ASSEMBLY-TRIM CONTROL -----	1	D
-41		HEATER ASSEMBLY-OUTSIDE AIR SEE FIGURE 33B -----	1	E
-42	0453006-1	VALVE ASSEMBLY-CABIN HEATER SEE FIGURE 33B -----	1	
-43	0453002-7	DOOR ASSEMBLY-OUTSIDE AIR SEE FIGURE 33B -----	1	
	0453002-6	DOUBLER-HEATER SEE FIGURE 33B -----	1	
	0453002-10	SEAL-HEATER SEE FIGURE 33B -----	1	
-44	0413469-1	GUARD-DECK SKIN -----	1	
-45	0413468-1	STIFFENER-DECK SKIN GUARD -----	4	
	0453001-4	FIREWALL ASSEMBLY -----	1	
-46	0453114-3	SHEET-FIREWALL -----	1	
-47	0453115-1	ANGLE -----	1	
-48	0453107-3	ANGLE-LH -----	1	
-49	0453107-2	ANGLE-RH -----	1	
-50	0453110	PLATE-FIREWALL LOCATED ON AFT SIDE OF FIREWALL -----	4	
-51	0453116-5	DOUBLER-UPPER ENGINE MOUNT LH -----	1	
-52	0453116-6	DOUBLER-UPPER ENGINE MOUNT RH -----	1	

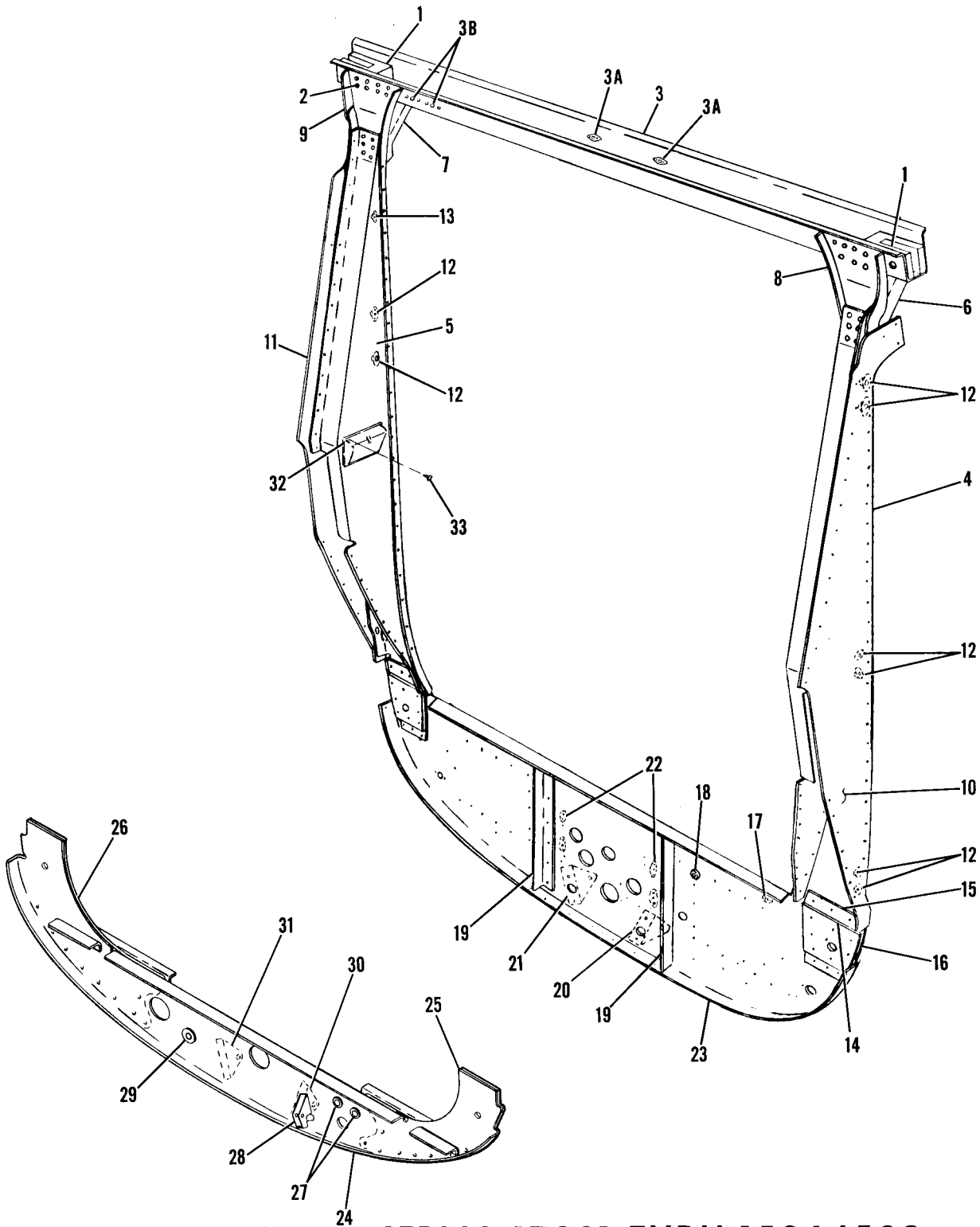
CONTINUED ON NEXT PAGE



FIGURE AND INDEX NO.	PART NUMBER	DESCRIPTION	1 2 3 4 5 6 7							UNITS PER ASSY	USABLE ON CODE
12C-53	0453116-9	DOUBLER-LOWER ENGINE MOUNT RH -----								1	
	0453116-8	DOUBLER-LOWER ENGINE MOUNT LH -----								1	
-54	0453116-7	DOUBLER-SHOCKMOUNT -----								3	
-55	0453003-8	SHOCKMOUNT ASSEMBLY-COWL -----								4	
-56	0453003-4	SHOCKMOUNT ASSEMBLY-COWL -----								1	
-57	0453003-1	SHOCKMOUNT ASSEMBLY-COWL -----								3	
-58	0453003-6	SHOCKMOUNT ASSEMBLY-COWL -----								2	
-59	S1115-29	SHOCKMOUNT -----								1	
-60	AN832-2D	UNION -----								2	
	AN924-2D	NUT -----								2	
-61	AN833-2D	ELBOW -----								1	
	AN924-2D	NUT -----								1	
	AN960-516	WASHER -----								2	
-62	S1863-3A	NUTPLATE -----								11	
-63	NAS697A4K	NUTPLATE -----								2	
-64	NAS697A08K	NUTPLATE -----								2	
-65	NAS680A3K	NUTPLATE -----								2	
		BATTERY BOX INSTALLATION SEE FIGURE 10B -----								1	
-66	0413429-1	FEET PAN-FRONT FLOORBOARD LH -----								1	
-67	0413429-2	FEET PAN-FRONT FLOORBOARD RH -----								1	
		ATTACHING PARTS									
-68	AN515-8R8	SCREW -----								8	
-69	S1021Z8-8	SCREW -----								11	
-70	NAS395-17-3	NUTPLATE -----								6	
		---*---									
-71	NAS557-10A	GROMMET-SPLIT PLASTIC -----								1	
	S1095-5	SHIELD HALF-WIRING HARNESS -----								2	
		ATTACHING PARTS									
	S1021Z8-6	SCREW -----								2	
	NAS446-4-3	NUT -----								2	
		---*---									
-72	NAS557-6A	GROMMET-SPLIT PLASTIC -----								1	
	S1095-3	SHIELD HALF-TACHOMETER SHAFT -----								2	
		ATTACHING PARTS									
	S1021Z8-6	SCREW -----								2	
	NAS446-4-3	NUT -----								2	
		---*---									
-73	NAS557-3A	GROMMET-SPLIT PLASTIC -----								1	
	S1095-1	SHIELD HALF-OIL TEMP LINE -----								2	
		ATTACHING PARTS									
	S1021Z8-6	SCREW -----								2	
	NAS446-4-3	NUT -----								2	
		---*---									
		A---150 SERIAL 15069309 & ON F150 SERIAL F150-0390 & ON									
		B---150 SERIAL 150690309 THRU 15070671 F150 SERIAL F150-390 & ON									
		C---150 SERIAL 15070672 & ON									
		D---150 SERIAL 15069309 THRU 15070839 F150 SERIAL F150-0390 & ON									
		E---150 SERIAL 15070840 & ON									

This page intentionally left blank.

Fuselage (Cont)



**SERIAL 15061533 THRU 15064532**

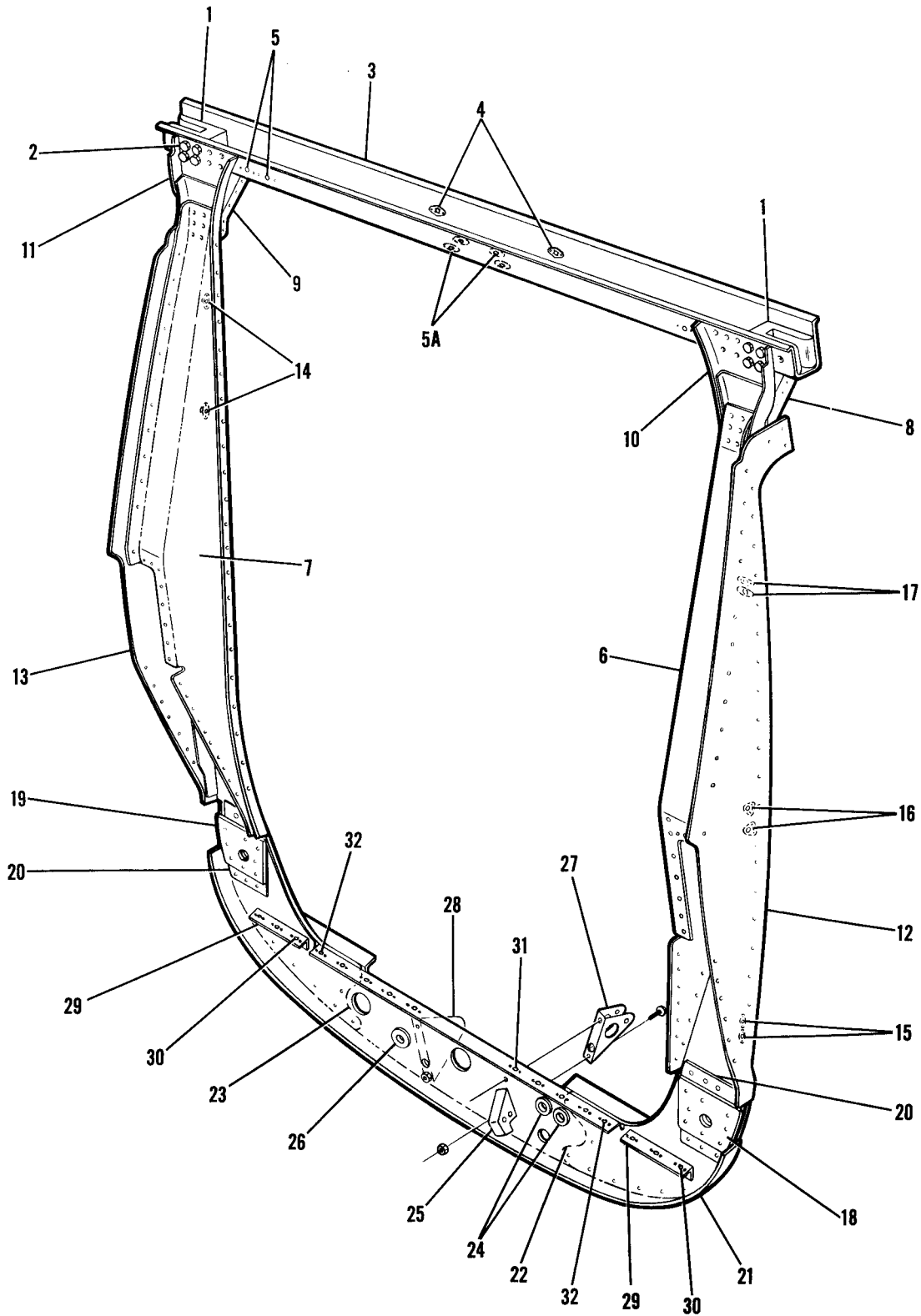
**SERIAL 17001 THRU 15064532**

Figure 13. Front Doorpost Bulkhead Assembly



FIGURE AND INDEX NO.	PART NUMBER	DESCRIPTION	UNITS PER ASSY	USABLE ON CODE
		<b>1 2 3 4 5 6 7</b>		
13 -	0413329-4	BULKHEAD ASSEMBLY-FRONT DOORPOST STA 20.5 -----	1	A
- 1	0413329-5	BULKHEAD ASSEMBLY-FRONT DOORPOST STA 20.5 -----	1	B
	0411129	BLOCK-BEARING -----	2	
		ATTACHING PARTS		
- 2	AN3-21A	BOLT -----	4	
	AN960-10L	WASHER -----	4	
	NAS679A3	NUT -----	4	
		*-----		
- 3	0411131-4	FRONT SPAR ASSEMBLY -----	1	
- 3A	S1863-3A	NUTPLATE -----	2	
- 3B	NAS680A3	NUTPLATE -----	4	
- 4	0413329-201	DOORPOST ASSEMBLY-FRONT LH -----	1	
- 5	0413329-200	DOORPOST ASSEMBLY-FRONT RH -----	1	
- 6	0411132	BRACE-LH -----	1	
- 7	0411132-1	BRACE-RH -----	1	
- 8	0413325	CHANNEL-UPPER SIDE LH -----	1	
- 9	0413325-1	CHANNEL-UPPER SIDE RH -----	1	
-10	0411868-3	SKIN-CABIN LH -----	1	
-11	0411868-2	SKIN-CABIN RH -----	1	
-12	NAS680A3	NUTPLATE -----	8	
-13	NAS682A3	NUTPLATE -----	1	
-14	0411276-2	PLATE -----	2	A
	0411276	PLATE-LH -----	1	B
	0411276-1	PLATE-RH -----	1	B
-15	0411141	DOUBLER -----	2	
-16	0413345-1	DOUBLER -----	2	A
-17	S1863-3	NUTPLATE -----	1	A
-18	MS35489-16	GROMMET -----	1	A
-19	0411114	ANGLE -----	2	A
-20	0411907	BRACKET-PULLEY LH -----	1	A
-21	0411907-1	BRACKET-PULLEY RH -----	1	A
		ATTACHING PARTS		
	AN520-10R8	SCREW -----	1	A
	NAS679A3	NUT -----	1	A
		*-----		
-22	S1863-3A	NUTPLATE -----	4	A
-23	0411120-1	BULKHEAD-LOWER SECTION CANTED STA 20.5 -----	1	A
-24	0413386-1	BULKHEAD ASSEMBLY-LOWER SECTION CANTED STA 20.5 -----	1	B
-25	0413412-1	DOUBLER-LH -----	1	B
-26	0413412-2	DOUBLER-RH -----	1	B
-27	MS35489-7	GROMMET -----	2	B
-28	0412467	BRACKET-ELEVATOR TAB CONTROL PULLEY -----	1	B
-29	MS35489-14	GROMMET -----	1	B
-30	0411907	BRACKET-PULLEY LH -----	1	B
-31	0411907-1	BRACKET-PULLEY RH -----	1	B
		ATTACHING PARTS		
	AN520-10R8	SCREW -----	1	
	NAS679A3	NUT -----	1	
		*-----		
-32	C6861	ASH RECEIVER GDR -----	1	C
	C6861	ASH RECEIVER GDR PATROLLER DOOR ONLY -----	1	D
		ATTACHING PARTS		
-33	S102128-8	SCREW -----	4	
		*-----		
<p>A---150 SERIAL 17001 THRU 15061532</p> <p>B---150 SERIAL 15061533 THRU 15064532</p> <p style="padding-left: 40px;">F150 SERIAL F150-0001 THRU F150-0067</p> <p>C---150 SERIAL 17001 THRU 59018</p> <p>D---150 SERIAL 15059019 THRU 15061532</p>				

Fuselage (Cont)



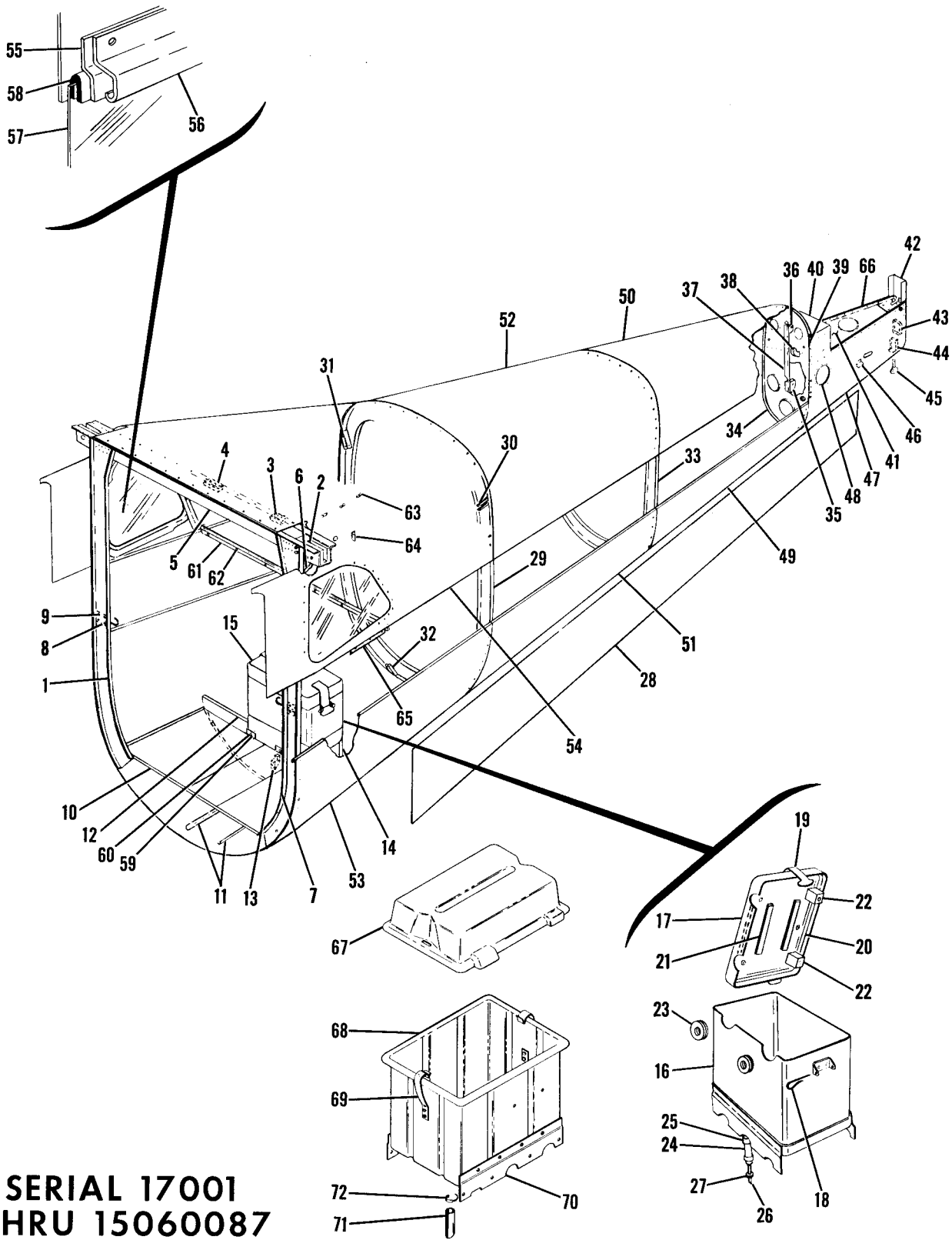
**SERIAL 15064533 & ON**

Figure 13A. Front Doorpost Bulkhead Assembly



FIGURE AND INDEX NO.	PART NUMBER	DESCRIPTION	UNITS PER ASSY	USABLE ON CODE
13A-	0413424-1	BULKHEAD ASSEMBLY-FRONT DOORPOST STA 20.5 -----	1	A
- 1	0411129	BLOCK-BEARING -----	2	
		ATTACHING PARTS -----		
- 2	AN3-21A	BOLT -----	4	
	AN960-10L	WASHER -----	4	
	NAS679A3	NUT -----	4	
		<b>SERIAL 15064533 &amp; ON</b> -----		
		-----*		
- 3	0411131-4	FRONT SPAR ASSEMBLY WHEN EXHAUSTED USE 0411131-6 -----	1	B
	0411131-6	FRONT SPAR ASSEMBLY -----	1	C
- 4	S1863-3A	NUTPLATE -----	2	
- 5	NAS680A3	NUTPLATE -----	4	
- 5A	NAS680A3	NUTPLATE -----	6	C
- 6	0413424-201	DOORPOST ASSEMBLY-FRONT LH -----	1	
- 7	0413424-200	DOORPOST ASSEMBLY-FRONT RH -----	1	
- 8	0411132	BRACE-LH -----	1	
- 9	0411132-1	BRACE-RH -----	1	
-10	0413325-3	CHANNEL-UPPER SIDE LH -----	1	
-11	0413325-2	CHANNEL-UPPER SIDE RH -----	1	
-12	0411868-5	SKIN-CABIN LH -----	1	
-13	0411868-4	SKIN-CABIN RH -----	1	
-14	NAS682A06	NUTPLATE -----	2	
-15	NAS680A3	NUTPLATE -----	2	
-16	NAS698A3	NUTPLATE -----	2	
-17	NAS680A06	NUTPLATE -----	2	
-18	0411276	PLATE-LH -----	1	
-19	0411276-1	PLATE-RH -----	1	
-20	0411141	DOUBLER -----	2	
-21	0413386-1	BULKHEAD ASSEMBLY-LOWER SECTION CANTED STA 20.5 -----	1	
-22	0413412-1	DOUBLER-LH -----	1	
-23	0413412-2	DOUBLER-RH -----	1	
-24	MS35489-7	GROMMET -----	2	
-25	0412467	BRACKET-ELEVATOR TAB CONTROL PULLEY -----	1	
-26	MS35489-14	GROMMET -----	1	
-27	0411907	BRACKET-PULLEY LH -----	1	
-28	0411907-1	BRACKET-PULLEY RH -----	1	
		ATTACHING PARTS -----		
	AN520-10R8	SCREW -----	1	
	NAS679A3	NUT -----	1	
		-----*		
-29	0413411-3	ANGLE-FLOORBOARD SUPPORT -----	2	
-30	NAS697A08	NUTPLATE -----	3	
-31	NAS697A08	NUTPLATE -----	8	
-32	NAS696A08	NUTPLATE -----	2	
		A---150 SERIAL 15064533 & ON F150 SERIAL F150-0068 & ON		
		B---150 SERIAL 15064533 THRU 15069308 F150 SERIAL F150-0068 THRU F150-0389		
		C---150 SERIAL 15069309 & ON F150 SERIAL F150-0390 & ON		

Fuselage (Cont)



**SERIAL 17001  
THRU 15060087**

Figure 14. Fuselage Tailcone Assembly



FIGURE AND INDEX NO.	PART NUMBER	DESCRIPTION	UNITS PER ASSY	USABLE ON CODE
14 -	0412002-1	TAILCONE ASSEMBLY-FUSELAGE -----	1	C D A B
	0412002-2	TAILCONE ASSEMBLY-FUSELAGE -----	1	
- 1	0411956-1	DOORPOST ASSEMBLY-REAR -----	1	A A A A E
	0411956-4	DOORPOST ASSEMBLY-REAR -----	1	
- 2	0512122	BLOCK-FUSELAGE SPAR -----	2	
		ATTACHING PARTS -----		
	AN3-20A	BOLT -----	4	
	NAS679A3	NUT -----	4	
		-----*		
- 3	0411932	PULLEY BRACKET-LH -----	1	
	0411932-1	PULLEY BRACKET-RH -----	1	
		ATTACHING PARTS -----		
	NAS221-7	SCREW -----	2	
	NAS680A3	NUTPLATE -----	2	
		-----*		
- 4	0411931	PULLEY BRACKET-CENTER -----	1	
		ATTACHING PARTS -----		
	NAS221-7	SCREW -----	2	
	NAS680A3	NUTPLATE -----	2	
		-----*		
	NAS680A4	NUTPLATE -----	4	
- 5	0411108-4	SPAR-REAR DOORPOST -----	1	
- 6	0411277	BRACE-LH -----	1	
	0411277-1	BRACE-RH -----	1	
- 7	0411956-3	CHANNEL-BULKHEAD LH -----	1	
	0411956-2	CHANNEL-BULKHEAD RH -----	1	
	0411934-1	BRACKET ASSEMBLY LH -----	1	
- 8	0411934-2	BRACKET ASSEMBLY RH -----	1	
		ATTACHING PARTS -----		
	AN520-10R8	SCREW -----	4	
- 9	NAS679A3	NUT -----	4	
		-----*		
-10	0412172-1	FLOORBOARD ASSEMBLY -----	1	
	S226-3	DOUBLER CESSNA STANDARD -----	2	
-11	0412171-1	ANGLE -----	2	
-12	0411411-16	BULKHEAD ASSEMBLY-STA 70.69 -----	1	
-13	0412467	BRACKET -----	1	
	MS35489-14	GROMMET -----	1	
-14	0411210-3	BULKHEAD-STA 76.44 -----	1	
-15	0413298	BOX ASSEMBLY-BATTERY WHEN EXHAUSTED USE -----	1	
		0512167-1 SEE UNDER ITEM 66 -----		
-16	0413307-18	BOX ASSEMBLY LESS LID -----	1	
-17	0413307-21	LID ASSEMBLY-BATTERY BOX -----	1	
		ATTACHING PARTS -----		
-18	AN415-2	PIN -----	2	
		-----*		
-19	0413307-17	FASTENER-LID -----	1	
-20	S1441-1	SEAL-REAR 20.0 IN LG BULK ITEM REF S1441-1-20.0 -----	1	
	S1441-1	SEAL-FORWARD 5.19 IN LG BULK ITEM REF S1441-1-5.19 -----	1	
-21	0413307-5	SPACER-BATTERY BOX -----	2	
	0413307-6	INSULATOR-BATTERY BOX -----	2	
-22	0413307-7	INSULATOR-BATTERY BOX -----	2	
		ATTACHING PARTS -----		
	AN545-8R6	SCREW -----	1	
		-----*		
-23	MS35489-12	GROMMET -----	2	
-24	AN884-6-9	TUBE -----	1	
		ATTACHING PARTS -----		
-25	NAS397-12	CLAMP TIN A3122-12-1 -----	2	
		-----*		
-26	0413298-2	TUBE -----	1	
-27	MS35489-13	GROMMET -----	1	
-28	0412119	SPLICE PLATE-FUSELAGE -----	2	
-29	0412162-2	BULKHEAD ASSEMBLY-STA 95.00 -----	1	
-30	0411534-1	BRACKET-AILERON PULLEY LH -----	1	
-31	0411534-1	BRACKET-AILERON PULLEY RH -----	1	
		ATTACHING PARTS -----		
	NAS229-9	BOLT -----	1	
	NAS679A4	NUT -----	1	
		-----*		
-32	0411553	BRACKET-AILERON PULLEY LH -----	1	
	0411533-1	BRACKET-AILERON RH -----	1	
		ATTACHING PARTS -----		
	NAS222-9	BOLT -----	1	
	NAS679A4	NUT -----	1	
		-----*		

CONTINUED ON NEXT PAGE

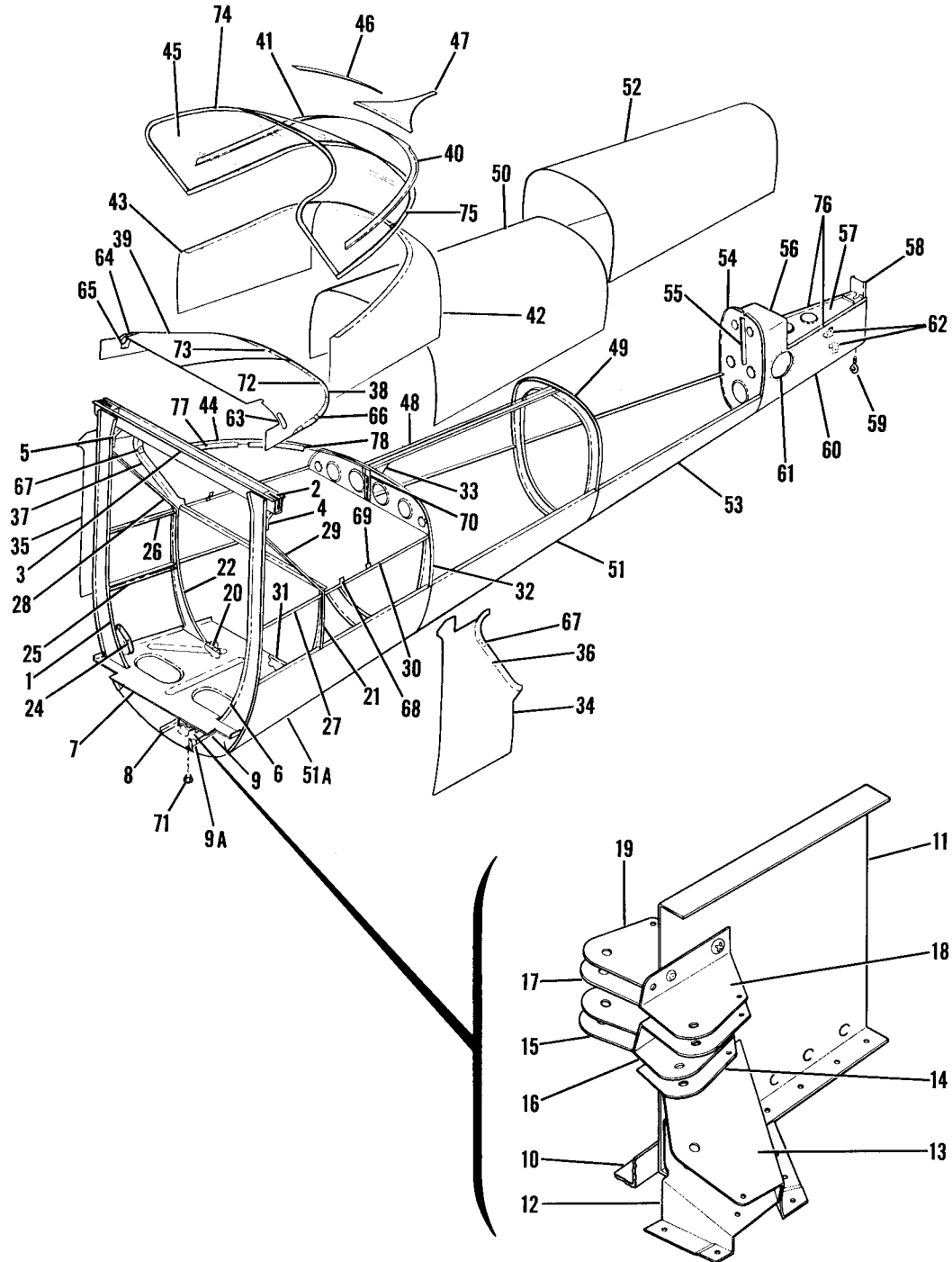
FIGURE AND INDEX NO.	PART NUMBER	DESCRIPTION	UNITS PER ASSY	USABLE ON CODE		
					1	2
14 -33	0412109	BULKHEAD-STA 133.312 -----	1			
-34	0412173-1	BULKHEAD ASSEMBLY-STA 173.41 -----	1			
-35	0411458	BRACKET-ELEVATOR LOWER LH -----	1			
-36	0411458-1	BRACKET-ELEVATOR UPPER RH -----	1			
	AN520-10R7	ATTACHING PARTS -----				
	NAS679A3	SCREW -----	1			
		NUT -----	1			
		---*---				
-37	0412132	ANGLE -----	1			
-38	0412467	BRACKET-ELEVATOR TAB CONTROL -----	1			
-39	NAS445-1	NUT TIN A6194-6Z-3 -----	2			
	S1863-2	NUT -----	2			
-40	0412177-1	BULKHEAD-EMPENNAGE ATTACHING -----	1			
-41	0412174-1	BULKHEAD ASSEMBLY -----	1			
-42	0412175-1	BULKHEAD ASSEMBLY-STA 200.375 -----	1			
-43	0412181-1	REINFORCEMENT-BULKHEAD STA 200.375 -----	1			
	NAS680A3	NUTPLATE -----	2			
	NAS682A3	NUTPLATE -----	2			
-44	0412184-1	BRACKET ASSEMBLY-TAIL SKID -----	1			
	NAS680A5	NUTPLATE -----	1			
-45	0523613-1	EYEBOLT-MOORING -----	1			
-46	0412520-1	BRACKET -----	2			
-47	0412176-1	SKIN -----	1			
-48	S237-2	DOUBLER CESSNA STANDARD -----	2			
	NAS395-14-3	NUT TIN A1274-8Z-3 -----	6			
-49	0412121-3	SKIN-LOWER -----	1			
-50	0412117	SKIN-UPPER -----	1			
-51	0412121-2	SKIN-LOWER -----	1			
-52	0412116	SKIN-UPPER -----	1			
-53	0411134	SKIN-LOWER -----	1			
-54	0411124-50	SKIN ASSEMBLY-AFT SECTION UPPER -----	1			
	0412522-1	SKIN ASSEMBLY-AFT SECTION UPPER -----	1	C		
	0412144-3	FRAME-WINDOW LH -----	1	D		
	0412522-3	FRAME-WINDOW LH -----	1	C		
-55	0412144-4	FRAME-WINDOW RH -----	1	C		
	0412522-4	FRAME-WINDOW RH -----	1	C		
	0411692	RETAINER-LH -----	1	D		
	0412522-5	RETAINER-LH -----	1	C		
-56	0411692-1	RETAINER-RH -----	1	D		
	0412522-6	RETAINER-RH -----	1	C		
-57	0412145	WINDOW -----	2	C		
	0412522-7	WINDOW -----	2	D		
-58	S1055-1	MOULDING-45.0 IN LG BULK ITEM REF S1055-1-45.0 -----	1			
-59	0412504-1	ANGLE ASSEMBLY-UPHOLSTERY -----	4			
-60	AN227-13B	STUD -----	2			
	AN227-14B	EYELET -----	2			
-61	0411683	SUPPORT ASSEMBLY-INTERIOR TRIM -----	1	C		
	S102128-8	ATTACHING PARTS -----				
	NAS446-4-3	SCREW CESSNA STANDARD -----	4			
		NUT TIN A1778-8Z-3 -----	4			
		---*---				
-62	AN227-13B	STUD -----	7			
	AN227-14B	EYELET -----	7			
-63	S1863-3	NUT -----	6			
-64	0412519-1	ANGLE-FAIRING ATTACHMENT -----	2			
-65	0412502-1	STIFFENER ASSEMBLY -----	2	D		
-66	S202VW	CHANNEL-20.50 IN LG BULK ITEM REF S-202V2050W -----	1			
	0512167-1	BOX ASSEMBLY-BATTERY WHEN EXHAUSTED USE 0512167-18 -----	1	F		
	0512167-18	BOX ASSEMBLY-BATTERY -----	1			
-67	0512167-8	COVER -----	1			
-68	0512167-7	BOX ASSEMBLY-BATTERY -----	1			
-69	0512117-10	LATCH SPRING -----	2			
-70	0413298-3	BRACKET -----	2	F		
-71	S1071-4	TUBE-DRAIN 6.50 IN LG BULK ITEM REF S1071-4-6.50 -----	1	F		
-72	NAS397-8	CLAMP -----	1	F		

A---150 SERIAL 17001 THRU 17221  
 B---150 SERIAL 17222 THRU 15060087  
 C---150 SERIAL 17001 THRU 59018  
 D---150 SERIAL 15059019 THRU 15060087  
 E---150 SERIAL 17001 THRU 15059550  
 F---150 SERIAL 15059551 THRU 15060087

FIGURE AND INDEX NO.	PART NUMBER	DESCRIPTION	UNITS PER ASSY	USABLE ON CODE
		<b>1 2 3 4 5 6 7</b>		
14A-	0412020-1	TAIL CONE ASSEMBLY-FUSELAGE -----	1	A
- 1	0411956-5	DOOR POST ASSEMBLY-REAR -----	1	
- 2	0512122	BLOCK-FUSELAGE SPAR -----	2	
		ATTACHING PARTS		
	AN3-20A	BOLT -----	4	
	AN960-10L	WASHER -----	4	
	NAS679A3	NUT -----	4	
		*-----		
	NAS680A4	NUTPLATE -----	2	
- 3	0411108-4	SPAR-REAR DOORPOST -----	1	
- 4	0411525-1	BRACE-LH -----	1	
- 5	0411525-2	BRACE RH -----	1	
- 6	0411956-3	CHANNEL-BULKHEAD LH -----	1	
	0411956-2	CHANNEL-BULK HEAD RH -----	1	
- 7	0412030-2	FLOORBOARD ASSEMBLY -----	1	
	0412060-1	ANGLE -----	1	
	S1863-3	NUTPLATE -----	12	
- 8	0412171-1	ANGLE -----	1	
- 9	0412055-1	STIFFENER-TAILCONE SKIN -----	1	
	0412054-1	CLIP-TAILCONE SKIN STIFFENER -----	1	
	0412047-1	BRACKET ASSEMBLY-PULLEY -----	1	
-10	0412171-1	ANGLE -----	1	
-11	0412049-1	BULKHEAD -----	1	
-12	0412050-1	BRACKET-AILERON CONTROL LOWER -----	1	
-13	0412050-2	BRACKET-AILERON CONTROL UPPER -----	1	
-14	0412051-3	BRACKET-LOWER LH -----	1	
-15	0412051-4	BRACKET-LOWER RH -----	1	
-16	0412051-1	BRACKET-LH -----	1	
-17	0412051-2	BRACKET-RH -----	1	
-18	0412051-5	BRACKET-UPPER LH -----	1	
-19	0412051-6	BRACKET-UPPER RH -----	1	
		ATTACHING PARTS		
	AN515-8R7	SCREW -----	1	
	AN520-10R7	SCREW -----	2	
	NAS679A08	NUT -----	1	
	NAS679A3	NUT -----	2	
		*-----		
-20	0412024-2	BULKHEAD ASSEMBLY-STA. 70.69 -----	1	
-21	0411209	BULKHEAD-LOWER -----	1	
-22	0412027-3	BULKHEAD ASSEMBLY-UPPER LH -----	1	
-22	0412027-4	BULKHEAD ASSEMBLY-UPPER RH -----	1	
	0412467	BRACKET-ELEVATOR TAB CONTROL PULLEY -----	1	
-23	0413202-11	LUG -----	2	
		ATTACHING PARTS		
	AN3-3A	BOLT -----	2	
	NAS679A3	NUT -----	2	
		*-----		
-24	MS35489-14	GROMMET -----	1	
	0412043-4	BRACKET ASSEMBLY-PULLEY RH -----	1	
	0412043-3	BRACKET ASSEMBLY-PULLEY LH -----	1	
-25	0412033-6	ANGLE-RH -----	1	
	0412033-5	ANGLE-LH -----	1	
-26	0412033-4	ANGLE-RH -----	1	
-27	0412033-3	ANGLE-LH -----	1	
-28	0412028-4	BULKHEAD ASSEMBLY-CANTED STA 70.69 -----	1	
-29	0412028-3	BULKHEAD ASSEMBLY-CANTED STA 70.69 -----	1	
-30	0412035-1	SHELF-BAGGAGE -----	1	
-31	0411210-3	BULKHEAD-STA 76.44 -----	1	
-32	0412025-1	BULKHEAD ASSEMBLY-STA. 95.00 -----	1	
	0412469	STRIP -----	1	
-33	0412057-1	GUSSET -----	1	
-34	0412020-3	SKIN-FORWARD WINDOW LH -----	1	
-35	0412020-4	SKIN-FORWARD WINDOW RH -----	1	
-36	0412039-3	RETAINER-REAR WINDOW LH -----	1	
-37	0412039-4	RETAINER-REAR WINDOW RH -----	1	
-38	0412020-2	SKIN-CABIN TOP LH -----	1	
-39	0412020-11	SKIN-CABIN TOP RH -----	1	

CONTINUED ON NEXT PAGE

Fuselage (Cont)



**SERIAL 15060088 THRU 15061532**

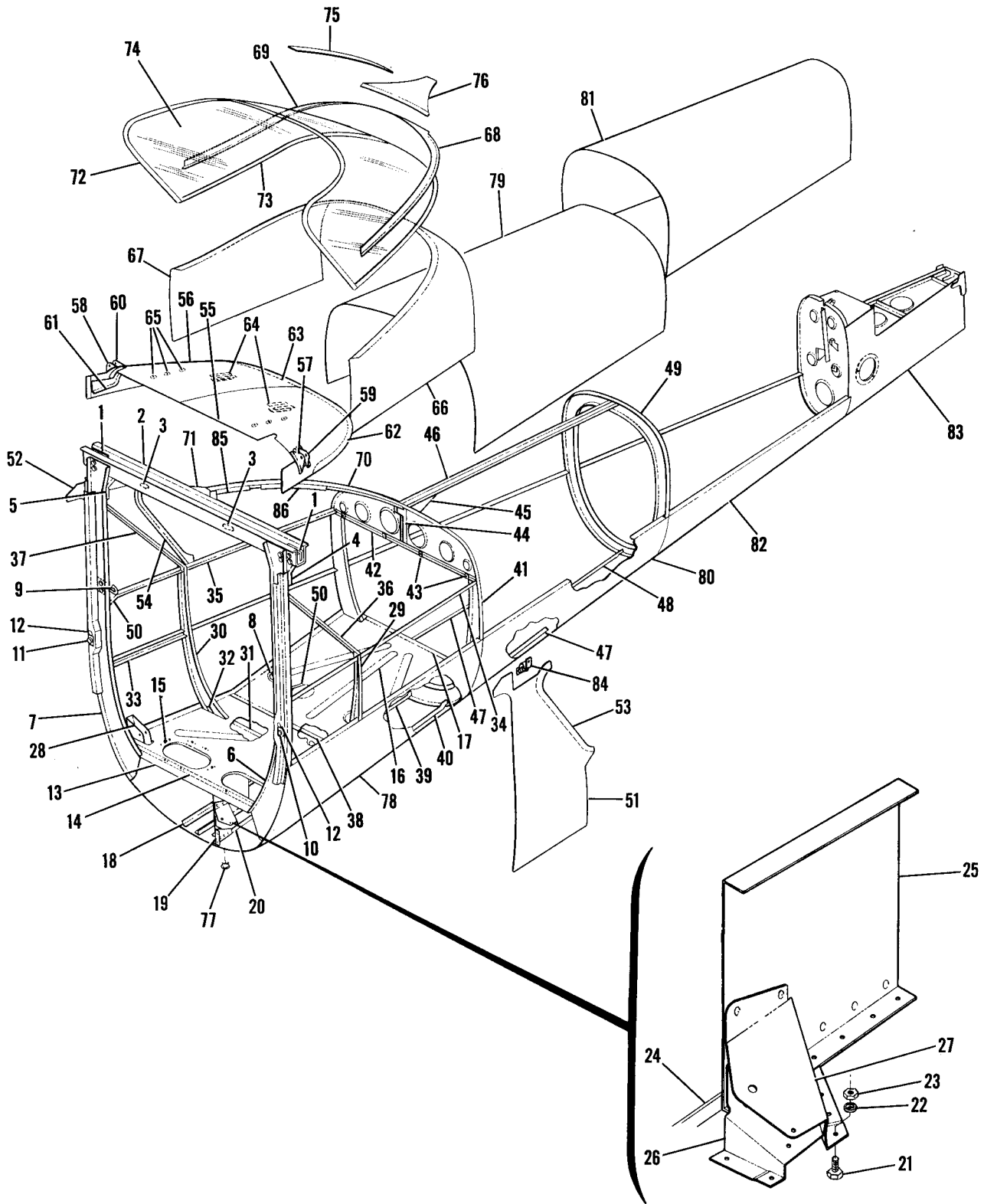
Figure 14A. Fuselage Tailcone Assembly



FIGURE AND INDEX NO.	PART NUMBER	DESCRIPTION	UNITS PER ASSY	USABLE ON CODE
14A-40	0412039-1	RETAINER-WINDOW LOWER OUTER LH -----	1	
-41	0412039-6	RETAINER-WINDOW LOWER OUTER RH -----	1	
-42	0412020-5	SKIN-LOWER WINDOW LH -----	1	
-43	0412020-6	SKIN-LOWER WINDOW RH -----	1	
-44	0412040-2	CHANNEL-REAR WINDOW -----	1	
	0412037-1	CLIP-REAR WINDOW RETAINER -----	1	
	0412020-13	SUPPORT-FAIRLEAD-AILERON CARRY THRU -----	1	B
-45	0412020-10	WINDOW-REAR -----	1	
		ATTACHING PARTS		
-46	0412042-1	RETAINER-REAR WINDOW -----	1	
	S1389-1	PAD-FELT 19.50 IN LG BULK ITEM REF S1389-1-19.50 -----	2	
	AN525-10R10	SCREW TWO CENTER SCREWS -----	2	
	AN525-10R12	SCREW TWO END SCREWS -----	2	
	AN960-10L	WASHER -----	4	
	NAS679A3	NUT -----	4	
		*-----		
-47	0412041-1	DOUBLER -----	1	
-48	0412023-1	STRINGER -----	1	
-49	0412026-1	BULKHEAD ASSEMBLY--STA. 133.31 -----	1	
	0412468	STRIP -----	1	
-50	0412020-8	SKIN-UPPER STA 95.00 TO 133.31 -----	1	
-51	0412020-12	SKIN-LOWER STA 95.00 TO 133.31 -----	1	
-51A	0412020-7	SKIN-LOWER REAR SPAR BULKHEAD TO STA 95.0 -----	1	
-52	0412020-9	SKIN-UPPER AFT STA 133.31 TO 173.41 -----	1	
-53	0412121-3	SKIN-LOWER AFT STA 133.31 TO 173.41 -----	1	
-54	0412173-1	BULKHEAD ASSEMBLY -----	1	
	0411458	BRACKET-ELEVATOR LOWER LH -----	1	
	0411458-1	BRACKET-ELEVATOR UPPER RH -----	1	
		ATTACHING PARTS		
	AN520-10R7	SCREW -----	1	
	NAS679A3	NUT -----	1	
		*-----		
-55	0412132	ANGLE -----	1	
	0412467	BRACKET-ELEVATOR TAB CONTROL -----	1	
-56	0412177-1	BULKHEAD-EMPENNAGE ATTACHING -----	1	
	0412521-3	STIFFENER ASSEMBLY WHEN EXHAUSTED USE 0432167-1 -----	1	
	0432167-1	STIFFENER ASSEMBLY -----	1	
	S1863-2A	NUT -----	2	
-57	0412174-1	BULKHEAD ASSEMBLY -----	1	
-58	0412175-1	BULKHEAD ASSEMBLY STA. 200.37 -----	1	
	0412181-1	REINFORCEMENT-BULKHEAD STA. 200.37 -----	1	
	NAS680A3	NUTPLATE -----	2	
	NAS682A3	NUTPLATE -----	2	
	0412184-1	BRACKET ASSEMBLY-MOORING RING -----	1	
	NAS680A5	NUTPLATE -----	1	
-59	0523613-1	EYEBOLT-MOORING -----	1	
-60	0412176-1	SKIN -----	1	
-61	S237-2	DOUBLER ASSEMBLY -----	2	
	NAS395-14-3	NUTPLATE -----	3	
-62	0412520-1	BRACKET -----	2	
-63	0412044-1	BRACKET-LH FORWARD -----	1	
	0412044-3	BRACKET-LH REAR -----	1	
-64	0412044-2	BRACKET-RH FORWARD -----	1	
	0412044-4	BRACKET-RH REAR -----	1	
-65	0412052-2	STIFFENER-PULLEY RH -----	1	
	0412052-1	STIFFENER-PULLEY LH -----	1	
-66	0412059-1	CLIP -----	8	
-67	0412062-3	CLIP -----	2	
-68	0412062-1	CLIP -----	2	
-69	0412062-2	CLIP -----	2	
-70	0412058-1	STIFFENER-BULKHEAD -----	1	
-71	CM2692-32-1S	PLUG BUTTON UC -----	1	
-72	0412039-2	RETAINER-WINDOW UPPER INNER LH -----	1	
	0412509-1	RETAINER ASSEMBLY-UPHOLSTERY LH -----	1	
-73	0412039-5	RETAINER-WINDOW UPPER INNER RH -----	1	
	0412509-2	RETAINER ASSEMBLY-UPHOLSTERY RH -----	1	
-74	S1389-5	PAD-FELT 55.50 IN LG BULK ITEM REF S1389-5-55.50 -----	1	
-75	S1389-2	PAD-FELT 61.50 IN LG BULK ITEM REF S1389-2-61.50 -----	1	
-76	S202VW	CHANNEL-20.50 IN LG BULK ITEM REF S202V2050W -----	1	
-77	S202VW	CHANNEL-7.00 IN LG BULK ITEM REF S202V0700W -----	2	
-78	S202VW	CHANNEL-7.62 IN LG BULK ITEM REF S202V0762W -----	2	

A---150 SERIAL 15060088 THRU 15061532  
 B---150 SERIAL 15061084 THRU 15061532

Fuselage (Cont)



**SERIAL 15061533 & ON**

Figure 14B. Fuselage Tailcone Assembly



FIGURE AND INDEX NO.	PART NUMBER	DESCRIPTION	UNITS PER ASSY	USABLE ON CODE
148-	0412020-14	TAILCONE ASSEMBLY-FUSELAGE -----	1	A
	0412020-20	TAILCONE ASSEMBLY-FUSELAGE -----	1	B
	0412020-200	TAILCONE ASSEMBLY-FUSELAGE WITH TINTED WINDOW -----	1	B
	0411956-6	DOORPOST ASSEMBLY-REAR -----	1	A
	0411956-7	DOORPOST ASSEMBLY-REAR -----	1	B
- 1	0512122	BLOCK-FUSELAGE SPAR -----	2	
		<b>SERIAL 15061533 &amp; ON</b>		
		ATTACHING PARTS -----		
	AN3-20A	BOLT -----	4	
	AN960-10L	WASHER -----	4	
	NAS679A3	NUT -----	4	
		-----*		
- 2	0411108-4	SPAR-REAR DOORPOST -----	1	
- 3	NAS680A4	NUTPLATE -----	2	
- 4	0411525-1	BRACE-LH -----	1	
- 5	0411525-2	BRACE-RH -----	1	
- 6	0411956-3	CHANNEL-BULKHEAD LH -----	1	A
	0411956-9	CHANNEL-BULKHEAD LH -----	1	B
- 7	0411956-2	CHANNEL-BULKHEAD RH -----	1	A
	0411956-8	CHANNEL-BULKHEAD RH -----	1	B
- 8	0411934-1	BRACKET ASSEMBLY-SEAT BACK LH -----	1	
- 9	0411934-2	BRACKET ASSEMBLY-SEAT BACK RH -----	1	
		ATTACHING PARTS -----		
	AN520-10R8	BOLT -----	4	
	NAS679A3	NUT -----	4	
		-----*		
-10	0412066-1	CLUTCH ASSEMBLY-ROTARY DOOR LATCH LH -----	1	
-11	0412066-2	CLUTCH ASSEMBLY-ROTARY DOOR LATCH RH -----	1	
		ATTACHING PARTS -----		
	AN525-10R6	SCREW -----	2	
		-----*		
-12	0412066-6	GUIDE-DOOR LATCH -----	2	
		ATTACHING PARTS -----		
	NAS43DD3-9	SPACER -----	1	
	AN525-10R9	SCREW -----	1	
		-----*		
-13	0412030-3	FLOORBOARD ASSEMBLY-STA 56.69 TO 76.44 -----	1	
-14	0412060-1	ANGLE -----	1	
-15	S1863-3	NUTPLATE -----	12	
-16	0412067-2	FLOORBOARD-STA. 76.44 TO 95.0 -----	1	
-17	0412067-3	ANGLE -----	1	
	0412067-4	RETAINER-FAIRLEAD ELEVATOR CABLE -----	1	
-18	0412171-1	ANGLE -----	1	
-19	0412054-1	CLIP-TAILCONE SKIN STIFFENER -----	1	
-20	0412055-1	STIFFENER-TAILCONE SKIN -----	1	
	0412047-2	BRACKET ASSEMBLY-PULLEY -----	1	
		ATTACHING PARTS -----		
-21	AN515-8R8	SCREW -----	2	
-22	AN960-8	WASHER -----	2	
-23	NAS679A08	NUT -----	2	
		-----*		
-24	0412171-1	ANGLE -----	1	
-25	0412049-1	BULKHEAD -----	1	
-26	0412050-1	BRACKET-AILERON CONTROL LOWER -----	1	
-27	0412050-2	BRACKET-AILERON CONTROL UPPER -----	1	
-28	0412043-4	BRACKET ASSEMBLY-PULLEY RH -----	1	
	0412043-3	BRACKET ASSEMBLY-PULLEY LH -----	1	
	0412024-2	BULKHEAD ASSEMBLY-STA 70.69 -----	1	
-29	0412027-3	BULKHEAD ASSEMBLY-UPPER LH -----	1	
-30	0412027-4	BULKHEAD ASSEMBLY-UPPER RH -----	1	
	NAS680A3K	NUTPLATE -----	2	
	NAS697A3	NUTPLATE -----	1	
-31	0411209	BULKHEAD-LOWER -----	1	
	0412467	BRACKET-ELEVATOR TAB CONTROL PULLEY -----	1	
	MS35489-14	GROMMET -----	1	
-32	0413202-11	LUG-SAFETY BELT -----	2	
		ATTACHING PARTS -----		
	AN3-3A	BOLT -----	2	
	NAS679A3	NUT -----	2	
		-----*		
-33	0412033-6	ANGLE-RH -----	1	
-34	0412033-5	ANGLE-LH -----	1	
-35	0412033-7	ANGLE ASSEMBLY-LH WHEN EXHAUSTED USE 0412020-3 -----	1	
	0412033-8	ANGLE ASSEMBLY-RH WHEN EXHAUSTED USE 0412020-4 -----	1	
	1089	STUD DIGR -----	1	

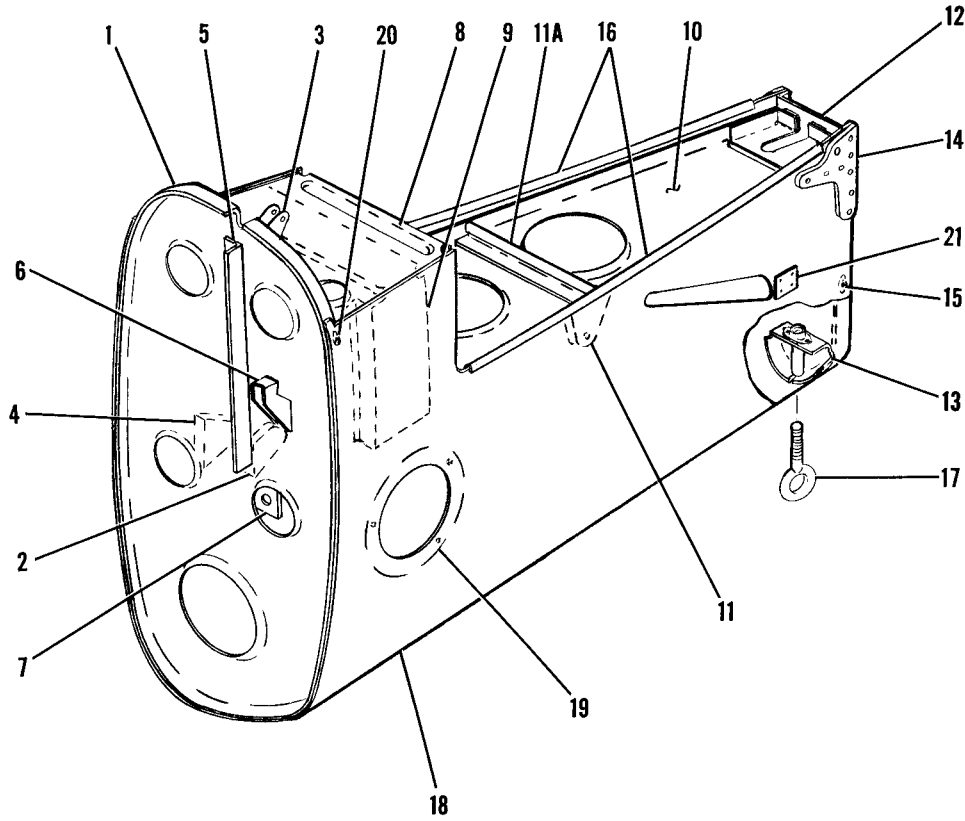
CONTINUED ON NEXT PAGE

FIGURE AND INDEX NO.	PART NUMBER	DESCRIPTION	UNITS PER ASSY	USABLE ON CODE		
					1	2
14B-36	0412028-3	BULKHEAD ASSEMBLY-CANTED STA 70.69	1			
-37	0412028-4	BULKHEAD ASSEMBLY-CANTED STA 70.69	1			
	NAS680A3K	NUTPLATE	1			
-38	0411210-3	BULKHEAD-STA 76.44	1			
-39	0412033-1	STRINGER-FWD	3			
-40		DELETED, NEVER USED				
-41	0412025-4	BULKHEAD ASSEMBLY-STA 95.00	1			
-42	0412025-3	ANGLE	1			
-43	0412068-2	CLIP	4			
	0412469	STRIP-RUB	1			
-44	0412058-1	STIFFENER-BULKHEAD	1			
-45	0412057-1	GUSSET-TAILCONE	1			
-46	0412023-1	STRINGER-TOP CENTER LINE STA 95.00 TO 133.31	1			
-47	0412065-1	STRINGER	2			
-48	0412033-2	STRINGER-AFT	1			
-49	0412026-1	BULKHEAD ASSEMBLY-STA 133.31	1			
	0412468	STRIP-RUB	1			
-50	0412064-1	BRACKET-BULKHEAD	2			
-51	0412020-15	SKIN-FORWARD WINDOW LH	1	A		
	0412020-19	SKIN-FORWARD WINDOW LH	1	B		
-52	0412020-16	SKIN-FORWARD WINDOW RH	1	A		
	0412020-18	SKIN-FORWARD WINDOW RH	1	B		
-53	0412039-3	RETAINER-REAR WINDOW LH	1			
-54	0412039-4	RETAINER-REAR WINDOW RH	1			
-55	0412020-2	SKIN-CABIN TOP LH	1			
-56	0412020-11	SKIN-CABIN TOP RH	1			
-57	0412044-1	BRACKET-PULLEY FWD LH	1			
-58	0412044-2	BRACKET-PULLEY FWD RH	1			
-59	0412044-3	BRACKET-PULLEY REAR LH	1			
-60	0412044-4	BRACKET-PULLEY REAR RH	1			
-61	0412052-2	STIFFENER-PULLEY RH	1			
	0412052-1	STIFFENER-PULLEY LH	1			
-62	0412039-2	RETAINER-WINDOW UPPER INNER LH	1			
	0412509-1	RETAINER-ASSEMBLY-UPHOLSTERY LH	1			
-63	0412039-5	RETAINER-WINDOW UPPER INNER RH	1			
	0412509-2	RETAINER ASSEMBLY-UPHOLSTERY RH	1			
-64	0512000-66	BRACKET ASSEMBLY	2			
-65	S1863-3	NUTPLATE	6			
-66	0412020-5	SKIN-LOWER WINDOW LH	1			
-67	0412020-6	SKIN-LOWER WINDOW RH	1			
-68	0412039-1	RETAINER-WINDOW LOWER CUTER LH	1			
-69	0412039-6	RETAINER-WINDOW LOWER CUTER RH	1			
-70	0412040-2	CHANNEL-REAR WINDOW	1			
-71	0412037-1	CLIP	1			
	0412020-13	SUPPORT-FAIRLEAD AILERON CARRY THRU	1			
-72	S1389-5	PAD-FELT 55.50 IN LG BULK ITEM REF S1389-5-55.50	1			
-73	S1389-2	PAD-FELT 61.50 IN LG BULK ITEM REF S1389-2-61.50	1			
-74	0412020-10	WINDOW-REAR CLEAR	1			
	0412020-21	WINDOW-REAR TINTED	1	B		
		ATTACHING PARTS				
-75	0412042-1	RETAINER-REAR WINDOW	1			
	S1389-1	PAD-FELT 19.50 IN LG BULK ITEM REF S1389-1-19.50	2			
	AN525-10R10	SCREW TWO CENTER SCREWS	2			
	AN525-10R12	SCREW TWO END SCREWS	2			
	AN960-10L	WASHER	4			
	NAS679A3	NUT	4			
		---*---				
-76	0412041-1	DOUBLER	1			
-77	CM2692-32-15	PLUG BUTTON UC	1			
-78	0412020-7	SKIN-LOWER REAR SPAR BULKHEAD TO STA 95.00	1			
-79	0412020-8	SKIN-UPPER STA 95.00 TO 133.31	1			
-80	0412020-12	SKIN-LOWER STA 95.00 TO 133.31	1			
-81	0412020-9	SKIN-UPPER STA 133.31 TO 173.41	1			
-82	0412121-3	SKIN-LOWER STA 133.31 TO 173.41	1			
-83	0412020-202	TAILCONE ASSEMBLY-AFT SEE FIGURE 14C	1			
-84	C400209-2	CLIP ASSEMBLY-COAT HANGER	2	B		
-85	S202VW	CHANNEL-7.00 IN LG BULK ITEM REF S202V0700W	2			
-86	S202VW	CHANNEL-7.62 IN LG BULK ITEM REF S202V0726W	2			

A---150 SERIAL 15061533 THRU 15064532  
 F150 SERIAL F150-0001 THRU F150-0067  
 B---150 SERIAL 15064533 & ON  
 F150 SERIAL F150-0068 & ON

This page intentionally left blank.

Fuselage (Cont)



**SERIAL 15061533 & ON**

Figure 14C. Aft Tailcone Assembly

FIGURE AND INDEX NO.	PART NUMBER	DESCRIPTION	UNITS PER ASSY	USABLE ON CODE
		<b>1 2 3 4 5 6 7</b>		
14C-	0412020-202	TAILCONE ASSEMBLY-AFT -----	1	A
- 1	0412173-2	BULKHEAD ASSEMBLY-STA 173.41 -----	1	
- 2	0411458	BRACKET-ELEVATOR PULLEY LOWER LH -----	1	
- 3	0411458-1	BRACKET-ELEVATOR PULLEY UPPER RH -----	1	
- 4	0411447	BRACKET-RUDDER PULLEY -----	1	
		ATTACHING PARTS		
	AN520-10R7	SCREW -----	1	
	NAS679A3	NUT -----	1	
		*-----		
		<b>SERIAL 15061533 &amp; ON</b>		
- 5	0412132	ANGLE -----	1	
- 6	0412467	BRACKET-ELEVATOR TAB CONTROL -----	1	
- 7	0433133-1	FAIRLEAD -----	1	
- 8	0412177-1	BULKHEAD-STABILIZER ATTACHMENT -----	1	
- 9	0412521-3	STIFFENER ASSEMBLY WHEN EXHAUSTED USE 0432167-1 -----	1	B
	0432167-1	STIFFENER ASSEMBLY -----	1	C
	S1863-2A	NUTPLATE -----	2	
-10	0412174-2	BULKHEAD ASSEMBLY-HORIZONTAL -----	1	
-11	0411447	BRACKET-RUDDER PULLEY -----	2	
		ATTACHING PARTS		
	AN520-10R7	SCREW -----	1	
	NAS679A3	NUT -----	1	
		*-----		
-11A	S202RB	CHANNEL-6.00 IN LG BULK ITEM REF S202R600B -----	1	
-12	0412008-1	BULKHEAD ASSEMBLY STA 200.375 -----	1	
-13	0412184-1	BRACKET ASSEMBLY-MOORING RING -----	1	
	NAS680A5	NUTPLATE -----	1	
-14	0412010-1	PLATE -----	2	
-15	NAS603-8	SCREW -----	2	
	NAS697A3K	NUTPLATE -----	2	
-16	S202VW	CHANNEL-20.50 IN LG BULK ITEM REF S202V2050W -----	2	
-17	0523613-1	EYEBOLT-MOORING -----	1	
-18	0412176-2	SKIN -----	1	
-19	S237-2	DOUBLER ASSEMBLY -----	2	
	NAS395-14-3	NUTPLATE -----	3	
-20	S1862-1	NUTPLATE -----	2	
-21	0412020-17	STRIP-RUB -----	2	
<p>A---150 SERIAL 15061533 &amp; ON  F150 SERIAL F150-0001 &amp; ON</p> <p>B---150 SERIAL 15061533 THRU 15069190  F150 SERIAL F150-0001 THRU F150-0416</p> <p>C---150 SERIAL 15069191 &amp; ON  F150 SERIAL F150-0417 &amp; ON</p>				

This page intentionally left blank.



Fuselage (Cont)

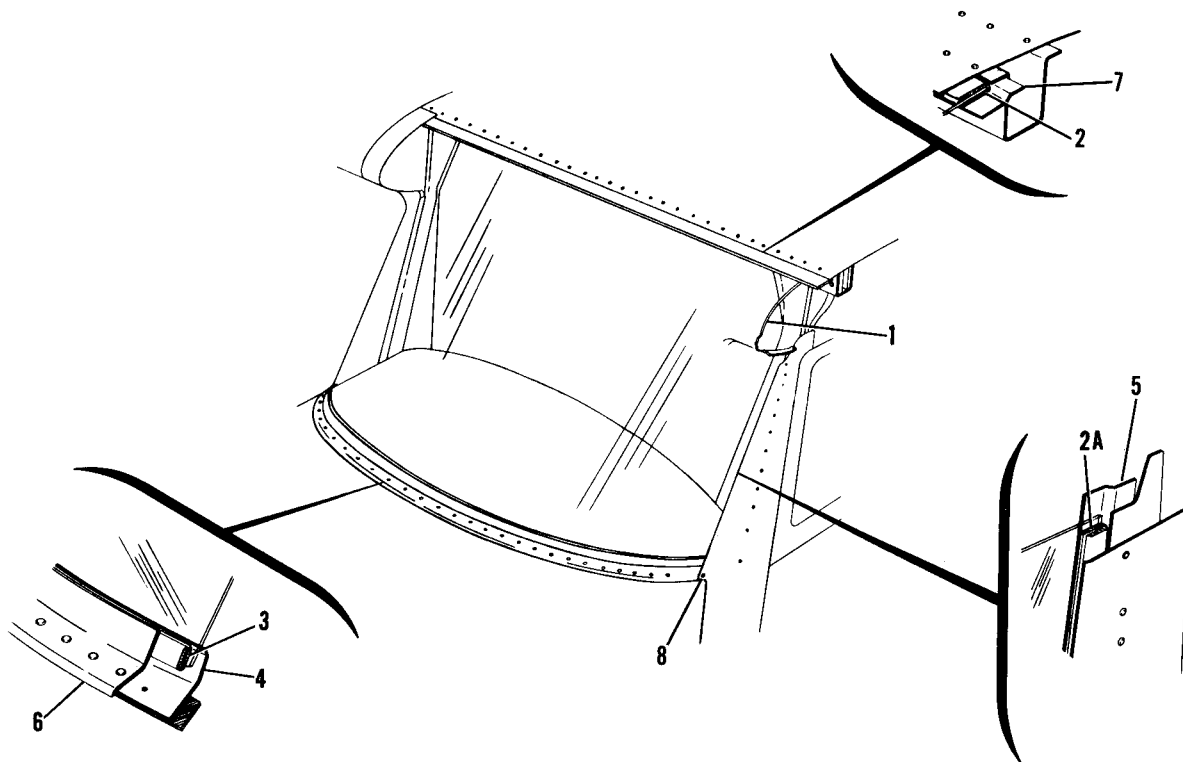
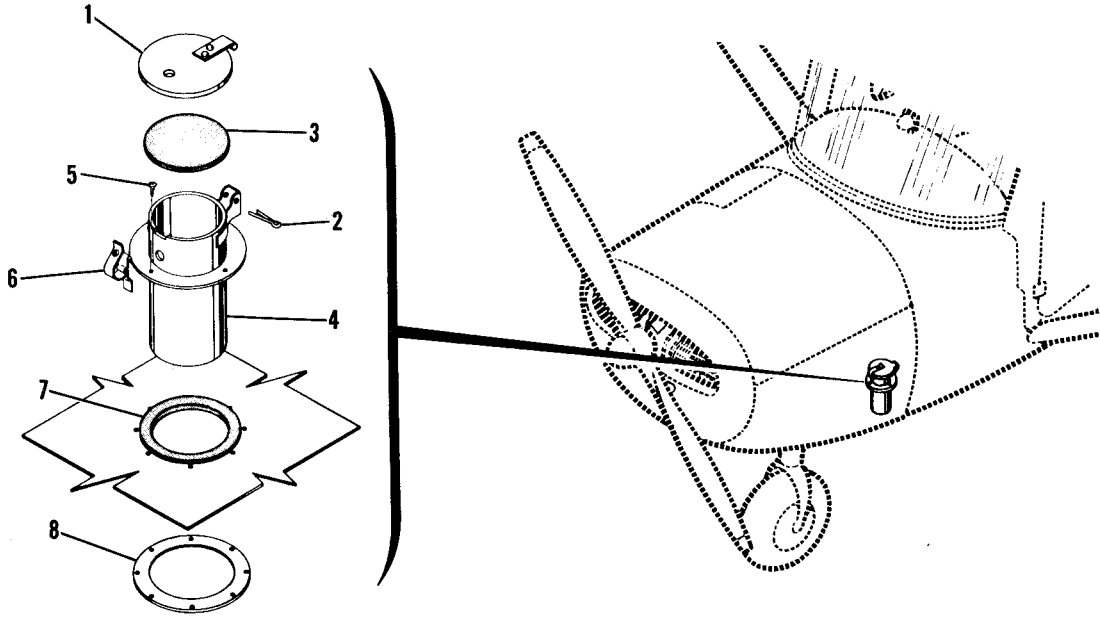


Figure 15. Windshield Installation

FIGURE AND INDEX NO.	PART NUMBER	DESCRIPTION	UNITS PER ASSY	USABLE ON CODE
<b>1 2 3 4 5 6 7</b>				
15 -		WINDSHIELD INSTALLATION -----	NP	
- 1	0413339-10	WINDSHIELD ASSEMBLY-CLEAR -----	1	D
	0413419-201	WINDSHIELD ASSEMBLY-CLEAR -----	1	E
	0413419-200	WINDSHIELD ASSEMBLY-TINTED -----	1	C
	0413419-202	WINDSHIELD ASSEMBLY-TINTED -----	1	E
- 2	S1389-5	PAD-FELT 54.0 IN LG BULK ITEM -----	1	
		REF S1389-5-54.00 -----		
- 2A	S1389-5	PAD-FELT 18.00 IN LG BULK ITEM -----	2	
		REF S1389-5-18.00 -----		
- 3	S1389-2	PAD-FELT 78.0 IN LG BULK ITEM -----	1	
		REF S1389-2-78.00 -----		
- 4	0411480-50	STRIP-WINDSHIELD LOWER INNER -----	1	B
- 5	0411870	STRIP-WINDSHIELD SIDE -----	2	
- 6	0411479-50	STRIP-WINDSHIELD LOWER OUTER -----	1	
- 7	0411481	STRIP-WINDSHIELD ATTACHMENT -----	1	
- 8	AN525-832R8	SCREW -----	2	A
	AN960-8L	WASHER -----	4	A
	NAS679A08	NUT -----	2	A
<p>NOTE. ■THIS PART NUMBER MUST HAVE A SECOND DASH NUMBER ADDED TO DENOTE COLOR. REFER TO HOW TO ORDER INTERIOR PARTS-PAGE XIII.</p> <p>A---150 SERIAL 15060213 &amp; ON F150 SERIAL F150-0001 &amp; ON</p> <p>B---150 SERIAL 17001 THRU 15064532 F150 SERIAL F150-0001 THRU F150-0067</p> <p>C---150 SERIAL 15064533 THRU 15067198, 15069309 &amp; ON F150 SERIAL F150-0068 THRU F150-0219, F150-0390 &amp; ON</p> <p>D---150 SERIAL 17001 THRU 15067198, 15069309 &amp; ON F150 SERIAL F150-0001 THRU F150-0219, F150-0390 &amp; ON</p> <p>E---150 SERIAL 15067199 THRU 15069308 F150 SERIAL F150-0220 THRU F150-0389</p>				

Fuselage (Cont)



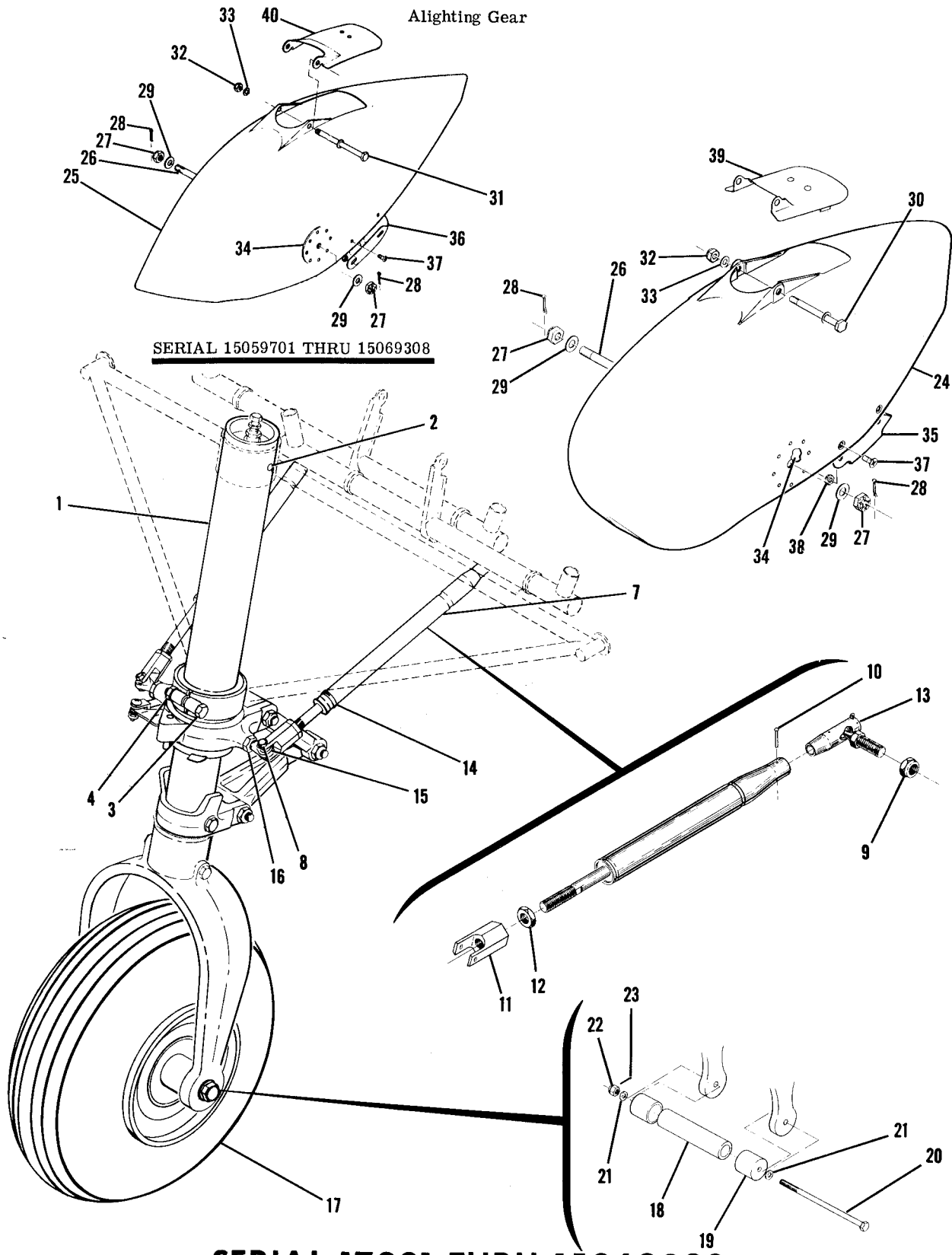
**SERIAL 17001 THRU 15059350**

Figure 15A. Message Drop Tube Installation

FIGURE AND INDEX NO.	PART NUMBER	DESCRIPTION	UNITS PER ASSY	USABLE ON CODE
		<b>1 2 3 4 5 6 7</b>		
15A-		MESSAGE DROP TUBE INSTALLATION -----	NP	A
- 1	0411915-2	CAP ASSEMBLY-DROP TUBE -----	1	
		ATTACHING PARTS -----		
- 2	MS24665-287	PIN-COTTER -----	1	
		-----*		
- 3	0411915-5	GASKET-CAP -----	1	
- 4	0411915-6	TUBE ASSEMBLY-DROP -----	1	
		ATTACHING PARTS -----		
- 5	S1021Z8-8	SCREW CESSNA STANDARD -----	1	
	NAS395-12-3	NUTPLATE -----	4	
		-----*		
- 6	NAS438-6	CLIP-LATCH TIN A5929A -----	1	
	NAS438-3	CLIP RETAINER -----	1	
- 7	S202RB	CHANNEL 8 IN LG BULK ITEM REF S-202R0800B -----	1	
		CESSNA STANDARD -----		
- 8	0411915-10	DOUBLER-REINFORCEMENT -----	1	
		A---150 SERIAL 17001 THRU 15059350		

FIGURE AND INDEX NO.	PART NUMBER	DESCRIPTION	UNITS PER ASSY	USABLE ON CODE
16 -		<b>1 2 3 4 5 6 7</b>		
- 1	0442501-3	NOSE GEAR INSTALLATION -----	NP	S
		STRUT ASSEMBLY-NOSE GEAR WHEN EXHAUSTED -----	1	D
		USE 0442501-203 SEE FIGURE 17 -----		
	0442501-203 #	STRUT ASSEMBLY-NOSE GEAR SEE FIGURE 17 -----	1	D
	0442501-4	STRUT ASSEMBLY-NOSE GEAR WHEN EXHAUSTED -----	1	E
		USE 0442501-204 SEE FIGURE 17 -----		
	0442501-204 #	STRUT ASSEMBLY-NOSE GEAR SEE FIGURE 17 -----	1	E
	0442501-200	STRUT ASSEMBLY-NOSE GEAR WHEN EXHAUSTED -----	1	L
		USE 0442501-208 SEE FIGURE 17 -----		
	0442501-208 #	STRUT ASSEMBLY-NOSE GEAR WHEN EXHAUSTED -----	1	P
		USE 0442501-9 SEE FIGURE 17 -----		
	0442501-9 #	STRUT ASSEMBLY-NOSE GEAR SEE FIGURE 17 -----	1	Q
	0442504-3	STRUT ASSEMBLY-NOSE GEAR SEE FIGURE 17A -----	1	R
		ATTACHING PARTS -----		
- 2	NAS561P10-44	ROLL PIN EN -----	1	G
	NAS561P12-48	ROLL PIN EN -----	1	F
- 3	AN5-24A	BOLT -----	1	
- 4	NAS679A5	NUT -----	1	
	AN960-516	WASHER -----	2	
		*-----		
- 5		DELETED SEE FIGURES 17 & 17A -----		
- 6		DELETED SEE FIGURES 17 & 17A -----		
- 7	0543022-3	TUBE ASSEMBLY-NOSE GEAR STEERING LH -----	1	
	0543022-4	TUBE ASSEMBLY-NOSE GEAR STEERING RH -----	1	
		ATTACHING PARTS -----		
- 8	AN3-10A	BOLT -----	1	
	NAS679A3	NUT -----	1	
- 9	NAS679A6	NUT -----	1	
	NAS43HT6-29	BUSHING -----	1	
		*-----		
-10	MS20435M4-14	RIVET -----	1	
-11	0543023	CLEVIS -----	1	
-12	AN316-6R	NUT -----	1	
-13	C109	BALL JOINT TOK -----	1	
-14	NAS397-16	CLAMP -----	2	
-15	S1107-3	BEARING-ROD END -----	2	
-16	AN316-6R	NUT -----	2	
-17		WHEEL ASSEMBLY-NOSE SEE FIGURE 52 -----	1	B
		WHEEL ASSEMBLY-NOSE SEE FIGURE 52A -----	1	C
		ATTACHING PARTS -----		
-18	0442142-1	TUBE-AXLE -----	1	
-19	0442143-1	FERRULE -----	2	
-20	AN5-74	BOLT -----	1	
-21	AN960C516	WASHER -----	2	
-22	AN310-5	NUT -----	1	
-23	MS24665-134	PIN-COTTER -----	1	
		*-----		
-24	0742410-201 *	SPEED FAIRING ASSEMBLY-NOSE GEAR BLUNT NOSE -----	1	A
	0742410-25 *	SPEED FAIRING ASSEMBLY-NOSE GEAR BLUNT NOSE -----	1	A

CONTINUED ON NEXT PAGE

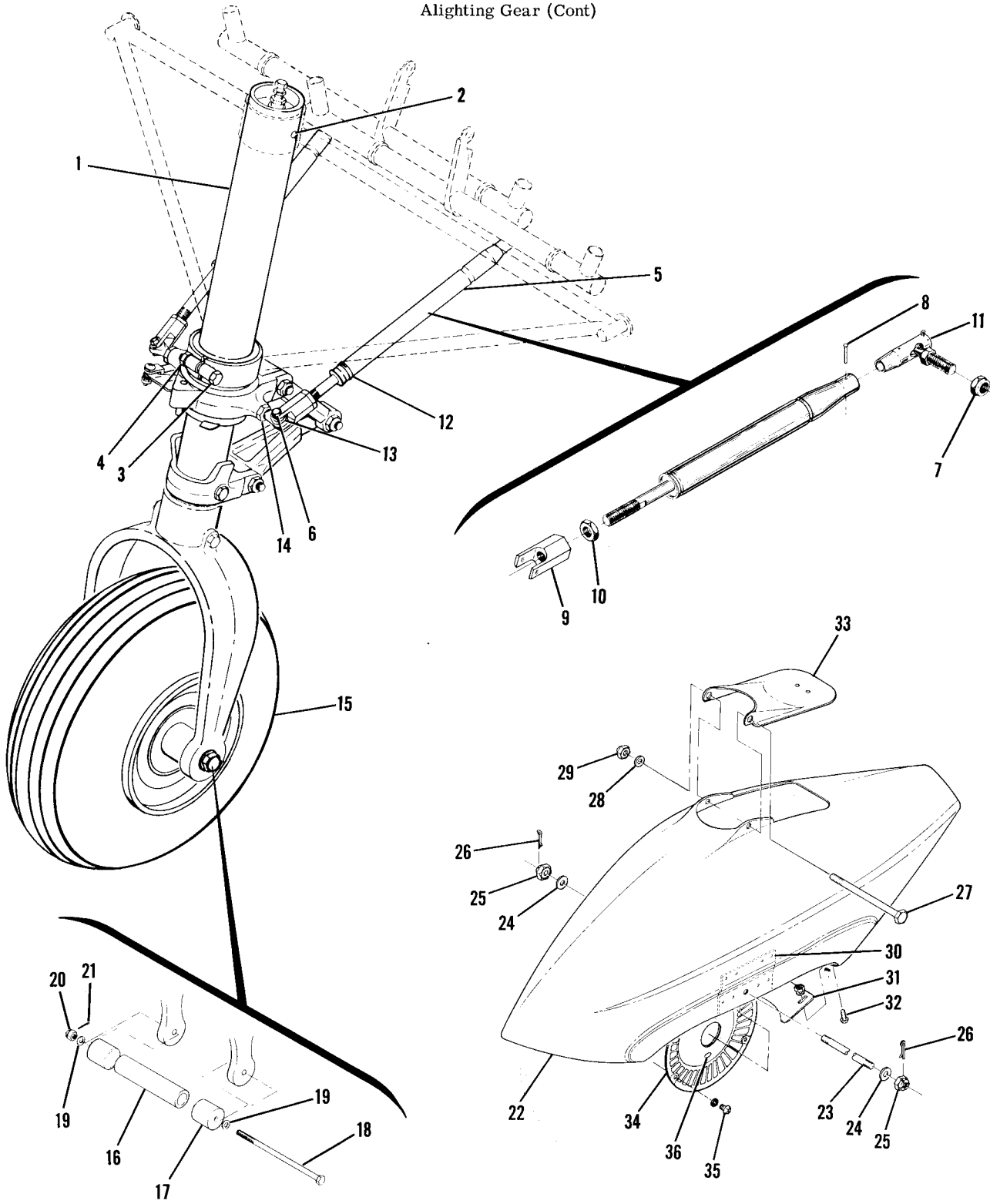


**SERIAL 17001 THRU 15069308**

Figure 16. Nose Gear Installation

FIGURE AND INDEX NO.	PART NUMBER	DESCRIPTION	UNITS PER ASSY	USABLE ON CODE
16 -25	0743609-201 0743609-8	SPEED FAIRING ASSEMBLY-NOSE GEAR SHARP NOSE ----- SPEED FAIRING ASSEMBLY-NOSE GEAR SHARP NOSE ----- ATTACHING PARTS	1 1	H N
-26	0742410-15	STUD -----	1	
-27	AN310-5	NUT -----	2	
-28	MS24665-136	PIN-COTTER -----	2	
-29	AN960D516	WASHER -----	AR	
-30	AN5-34A	BOLT FOR FAIRING WITH 2.90 DIM BETWEEN MOUNTING FLANGES -	1	A
-31	AN5-37A	BOLT FOR FAIRING WITH 3.24 DIM BETWEEN MOUNTING FLANGES -	1	
-32	NAS679A5	NUT -----	1	
-33	AN960D516	WASHER USED WITH 0742410-201 & 0743609-201 ONLY ----- ---*---	AR	
-34	0742410-14	DOUBLER -----	2	
-35	0742410-9	SCRAPER -----	1	A
-36	0743609-6	SCRAPER ----- ATTACHING PARTS	1	M
-37	NAS221-7	SCREW -----	4	
-38	NAS679A3	NUT ----- ---*---	4	
-39	0542117-1	COVER PLATE ASSEMBLY FOR FAIRINGS WITH 2.90 DIM ----- BETWEEN MOUNTING FLANGES	1	A
-40	0743609-10	COVER PLATE ASSEMBLY FOR FAIRINGS WITH 3.24 DIM ----- BETWEEN MOUNTING FLANGES	1	K
<p>NOTE. *0742410-201 FAIRING IS FOR USE ON SERIAL 17001 THRU SERIAL 15059700 THAT HAVE THE ORIGINAL NOSE GEAR FORK, FORGING NO. 0543012-497. WHEN ORDERING 0742410-201 FAIRING ALSO ORDER SIX AN960D516 WASHER, ONE AN5-37A BOLT AND 0743609-10 COVER PLATE.</p> <p>0742410-25 FAIRING IS FOR USE ON AIRPLANES THRU SERIAL 15059700 THAT HAVE BEEN EQUIPPED WITH THE REDESIGNED NOSE GEAR FORK, FORGING NO. 0442503-497.</p> <p>NOTE. #WHEN ORDERING THIS PART FOR AIRPLANES EQUIPPED WITH NOSE WHEEL FAIRINGS ON THE FOLLOWING SERIALS. SERIAL 17001 THRU 15059700-ORDER 0742410-25 FAIRING, 0743609-10 COVER AND ONE AN5-37A BOLT IF OLD FAIRING HAS 2.90 IN. DIMENSION BETWEEN MOUNTING FLANGES.</p> <p>A---150 SERIAL 17001 THRU 15059700 B---150 SERIAL 17001 THRU 59018 C---150 SERIAL 15059019 THRU 15069308 F150 SERIAL F150-0001 THRU F150-0389 D---150 SERIAL 17001 THRU 17263 E---150 SERIAL 17264 THRU 15059215 F---150 SERIAL 15059216 THRU 15069308 F150 SERIAL F150-0001 THRU F150-0389 G---150 SERIAL 17001 THRU 15059215 H---150 SERIAL 15059701 THRU 15059730 K---150 SERIAL 15059701 THRU 15069308, &amp; ALL AIRPLANES THAT HAVE BEEN EQUIPPED WITH NOSE WHEEL FAIRINGS HAVING 3.24 DIM. BETWEEN MOUNTING FLANGES. F150 SERIAL F150-0001 THRU F150-0389 L---150 SERIAL 15059216 THRU 15059730 M---150 SERIAL 15059701 THRU 15069308 F150 SERIAL F150-0001 THRU F150-0389 N---150 SERIAL 15059731 THRU 15069308 F150 SERIAL F150-0001 THRU F150-0389 P---150 SERIAL 15059731 THRU 15061783 Q---150 SERIAL 15061784 THRU 15064532 F150 SERIAL F150-0001 THRU F150-0067 R---150 SERIAL 15064533 THRU 15069308 F150 SERIAL F150-0068 THRU F150-0389 S---150 SERIAL 17001 THRU 15069308 F150 SERIAL F150-0001 THRU F150-0389</p>				

Alighting Gear (Cont)

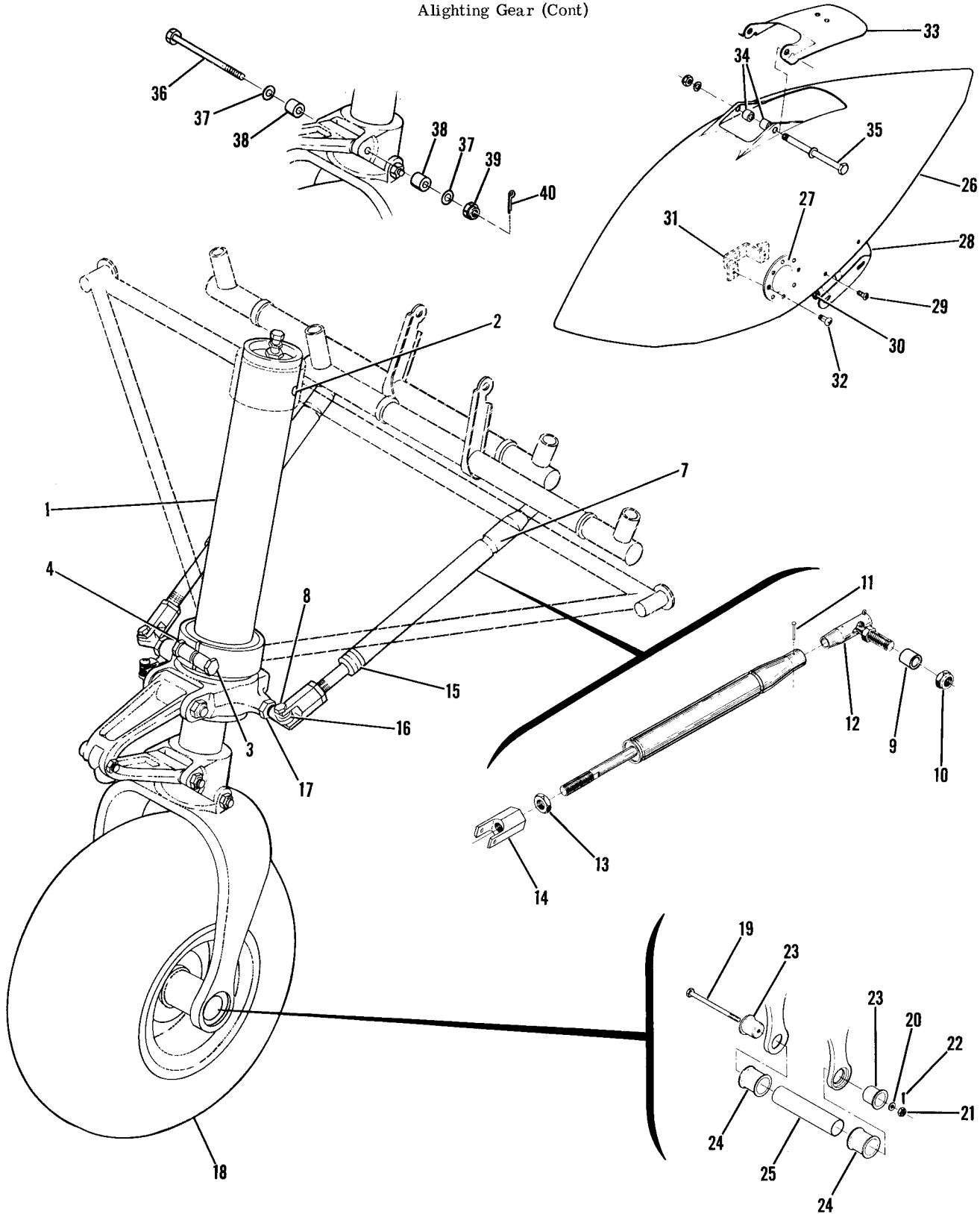


**SERIAL 15069309 & ON**

Figure 16A. Nose Gear Installation

FIGURE AND INDEX NO.	PART NUMBER	DESCRIPTION	UNITS PER ASSY	USABLE ON CODE
16A-		<b>1 2 3 4 5 6 7</b>		
- 1	0442504-3	NOSE GEAR INSTALLATION STRUT ASSEMBLY-NOSE GEAR SEE FIGURE 17A	NP 1	A
- 2	NAS561P12-48	ATTACHING PARTS		
- 3	AN5-24A	ROLL PIN EN	1	
- 4	NAS679A5	BOLT	1	
	AN960-516	NUT	1	
		WASHER	2	
		<b>SERIAL 15069309 &amp; ON</b>		
- 5	0543022-3 0543022-4	TUBE ASSEMBLY-NOSE GEAR STEERING LH TUBE ASSEMBLY-NOSE GEAR STEERING RH	1 1	
- 6	AN3-10A	ATTACHING PARTS		
	NAS679A3	BOLT	1	
- 7	NAS679A6	NUT	1	
	NAS43HT6-29	NUT	1	
		BUSHING	1	
- 8	MS20435M4-14	RIVET	1	
- 9	0543023	CLEVIS	1	
-10	AN316-6R	NUT	1	
-11	C109	BALL JOINT TOK	1	
-12	NAS397-16	CLAMP	2	
-13	S1823-3	BEARING-ROD END	2	
-14	AN316-6R	NUT	2	
-15		WHEEL ASSEMBLY-NOSE SEE FIGURE 52A	1	
		ATTACHING PARTS		
-16	0442142-1	TUBE-AXLE	1	
-17	0442143-1	FERRULE	2	
-18	AN5-74	BOLT	1	
-19	AN960C516	WASHER	2	
-20	AN310-5	NUT	1	
-21	MS24665-134	PIN-COTTER	1	
-22	0743625-3	SPEED FAIRING ASSEMBLY-NOSE GEAR WHEN	1	B
		EXHAUSTED USE 0743625-14		
	0743625-14	SPEED FAIRING ASSEMBLY-NOSE GEAR	1	C
		ATTACHING PARTS		
-23	0742410-15	STUD	1	
-24	AN960D516	WASHER	6	
-25	AN310-5	NUT	2	
-26	MS24665-136	COTTER PIN	2	
-27	AN5-37A	BOLT	1	
-28	AN960-516	WASHER	AR 1	
-29	NAS679A5	NUT	1	
-30	0743625-9	DOUBLER	2	
-31	0743625-11	SCRAPER	1	
		ATTACHING PARTS		
-32	AN520-10R10	SCREW	3	
	AN960-10	WASHER	3	
	NAS679A3	NUT	3	
-33	0743625-7	COVER PLATE ASSEMBLY	1	
-34	0743627-3	CAP-NOSE WHEEL HUB VALVE STEM SIDE	1	
	0743627-4	CAP-NOSE WHEEL HUB	1	
		ATTACHING PARTS		
-35	AN515-8R4	SCREW	3	
	AN936A8	WASHER	3	
-36	6241M 3680C	EXTENSION-VALVE DL EXTENSION-VALVE ALTERNATE SV	1 1	
		A---150 SERIAL 15069309 & ON F150 SERIAL F150-0390 & ON B---150 SERIAL 15069309 THRU 15070024 F150 SERIAL F150-0390 & ON C---150 SERIAL 15070025 & ON		

Aligning Gear (Cont)



**SERIAL 15060477 THRU 15063457**

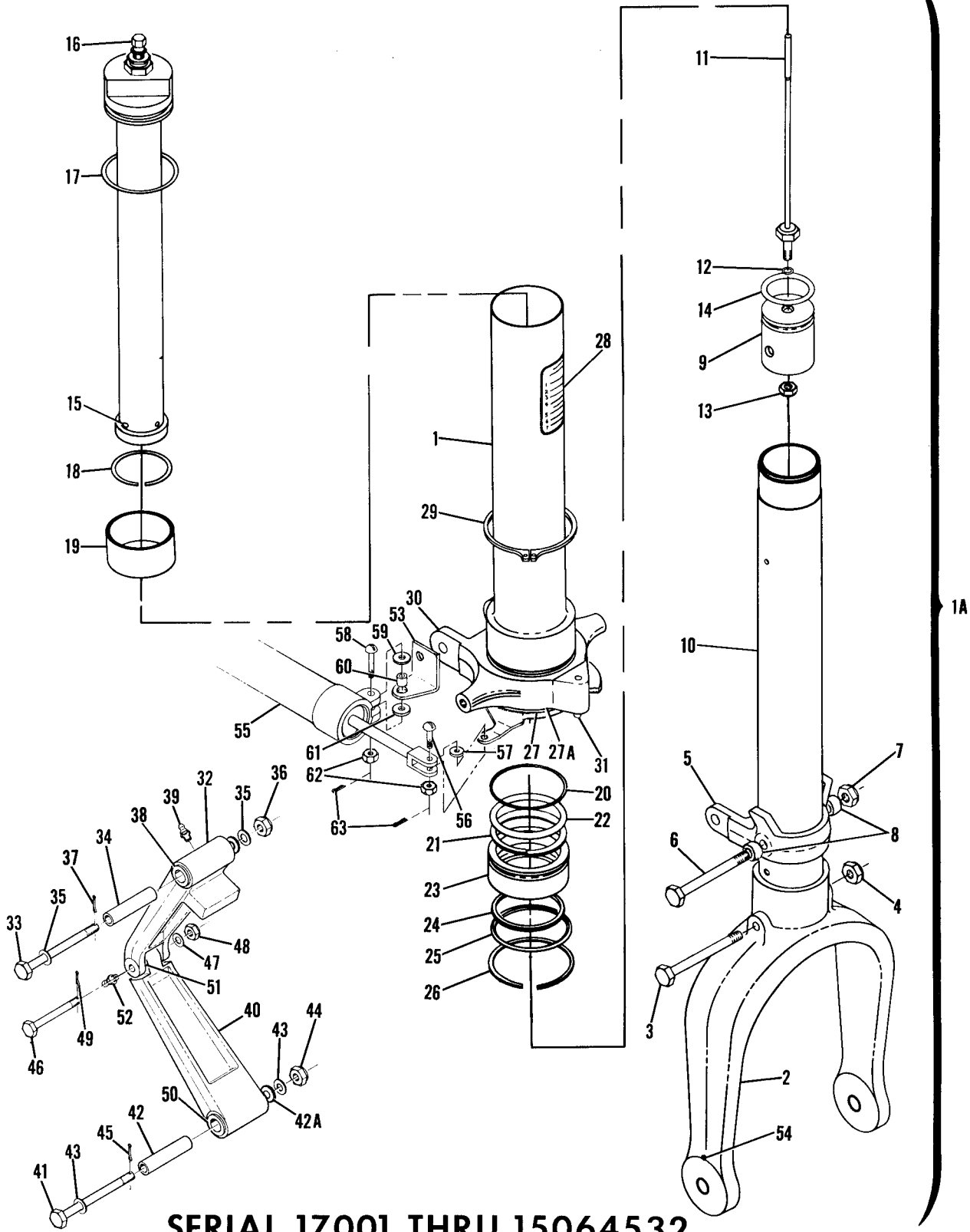
Figure 16B. Nose Gear Installation-Heavy Duty



FIGURE AND INDEX NO.	PART NUMBER	DESCRIPTION	UNITS PER ASSY	USABLE ON CODE
168-		NOSE GEAR INSTALLATION-HEAVY DUTY	NP	A
- 1		STRUT ASSEMBLY-HEAVY DUTY SEE FIGURE 17B	1	
		ATTACHING PARTS		
- 2	NAS561P12-48	ROLL PIN EN	1	
- 3	AN5-24A	BOLT	1	
- 4	NAS679A5	NUT	1	
	AN960-516	WASHER	2	
		*-----*		
- 5		DELETED SEE FIGURE 17B		
- 6		DELETED SEE FIGURE 17B		
- 7	0543022-3	TUBE ASSEMBLY-NOSE GEAR STEERING LH	1	
	0543022-4	TUBE ASSEMBLY-NOSE GEAR STEERING RH	1	
		ATTACHING PARTS		
- 8	AN3-10A	BOLT	1	
	NAS679A3	NUT	1	
- 9	NAS43HT6-29	BUSHING	1	
-10	NAS679A6	NUT	1	
		*-----*		
-11	MS20435M4-14	RIVET	1	
-12	C109	BALL JOINT TOK	1	
-13	AN316-6R	NUT	1	
-14	0543023	CLEVIS	1	
-15	NAS397-16	CLAMP	2	
-16	S1107-3	BEARING-ROD END	2	
-17	AN316-6R	NUT	2	
-18		WHEEL ASSEMBLY-15X6.00X6 HEAVY DUTY SEE FIGURE 52B	1	
		ATTACHING PARTS		
-19	AN5-55	BOLT	1	
	AN5-57	BOLT USE WITH SPEED FAIRING ONLY	1	B
-20	AN960-516L	WASHER	1	
-21	AN310-5	NUT	1	
-22	MS24665-136	PIN-COTTER	1	
-23	1442001-2	BUCKET-AXLE BOLT	2	
-24	1442002-1	SPACER-AXLE	2	
-25	1442001-1	TUBE-AXLE	1	
		*-----*		
		SPEED FAIRING INSTALLATION-NOSE GEAR	NP	B
-26	1442200-2	FAIRING ASSEMBLY-NOSE GEAR	1	
-27	1442200-9	DOUBLER	2	
-28	1442200-10	SCRAPER	1	
		ATTACHING PARTS		
-29	AN520-10R10	SCREW	4	
-30	NAS679A3	NUT	4	
		*-----*		
-31	1442200-4	SUPPORT ASSEMBLY	1	
		ATTACHING PARTS		
-32	AN520-10R10	SCREW	4	
		*-----*		
-33	NAS1068A3	NUTPLATE	2	
	1442200-6	COVER ASSEMBLY	1	
	1442200-8	SPRING	1	
-34	1442200-11	SPACER	2	
-35	AN5-47A	BOLT	1	
-36	AN174-42	BOLT	1	
-37	AN960-416L	WASHER	2	
-38	1442108-1	SPACER-TOW BAR ATTACH	2	
-39	NAS679A4	NUT	1	
-40	MS24665-134	PIN-COTTER	1	
		*-----*		
		A---150 SERIAL 15060477 THRU 15063457 F150 SERIAL F150-0001 THRU F150-0055		
		B---150 SERIAL 15061533 THRU 15063457 F150 SERIAL F150-0001 THRU F150-0055		

11

Aligning Gear (Cont)



**SERIAL 17001 THRU 15064532**

Figure 17. Nose Gear Strut Assembly

FIGURE AND INDEX NO.	PART NUMBER	DESCRIPTION							UNITS PER ASSY	USABLE ON CODE	
		1	2	3	4	5	6	7			
17 -	0442501-3	STRUT ASSEMBLY-NOSE GEAR WHEN EXHAUSTED -----							1	A	
	0442501-203	#	USE 0442501-203 -----							1	A
	0442501-4		STRUT ASSEMBLY-NOSE GEAR WHEN EXHAUSTED -----							1	F
	0442501-204	#	USE 0442501-204 -----							1	F
	0442501-200		STRUT ASSEMBLY-NOSE GEAR WHEN EXHAUSTED -----							1	J
	0442501-208	#	USE 0442501-208 -----							1	K
	0442501-9	#	STRUT ASSEMBLY-NOSE GEAR -----							1	M
- 1	0543008-3		TUBE-SHOCK STRUT -----							1	A
	0543008-4		TUBE-SHOCK STRUT -----							1	F
	0543008-5		TUBE-SHOCK STRUT -----							1	G
- 1A	0594300-13		SHOCK STRUT ASSEMBLY-LCWER WHEN EXHAUSTED -----							1	L
	0594300-213	#	USE 0594300-213 -----							1	K
	0594300-214	#	SHOCK STRUT ASSEMBLY-LCWER -----							1	M
- 2	SK150-11	#	FORK-NOSE GEAR REPLACEMENT KIT -----							1	
			ATTACHING PARTS -----								
- 3	AN5-30A		BOLT FOR USE WITH ORIGINAL FORK -----							1	
	AN5-33A		BOLT FOR USE WITH REDESIGNED FORK -----							1	
- 4	NAS679A5		NUT -----							1	
- 5			FITTING -----							NP	
			ATTACHING PARTS -----								
- 6	AN5-43A		BOLT -----							1	
- 7	NAS679A5		NUT -----							1	
- 8	0743009-1		SPACER -----							2	
- 9	0841200-7		PLUG-PIN BASE -----							1	K
	0442015-1		PLUG-INNER SHOCK STRUT -----							1	M
-10			TUBE-INNER -----							NP	
-11	0442016-1		PIN-METERING -----							1	K
			ATTACHING PARTS -----								
-12	AN6227B5		O RING -----							1	K
-13	NAS679A4		NUT -----							1	K
-14	AN6227B26		O RING -----							1	
	0543000-6		ORIFICE-PISTON SUPPORT ASSEMBLY -----							1	H
	0543000-27		ORIFICE-PISTON SUPPORT ASSEMBLY -----							1	N
	0543000-28		ORIFICE-PISTON SUPPORT ASSEMBLY -----							1	M
-15	AN5COA6-8		SCREW -----							4	
-16	AN6287-1		VALVE ASSEMBLY WHEN EXHAUSTED USE 0543036-1 -----							1	D
	47A1562		O RING USAF -----							1	
	AN6227B4		O RING -----							1	
	0543036-1		VALVE ASSEMBLY -----							1	E
	AN901-5A		GASKET -----							1	E
-17	AN6230B3		O RING -----							1	
-18	0841200-19		LOCK RING -----							1	
-19	0841200-18		BEARING WHEN EXHAUSTED USE 1243021-1 -----							1	
	1243021-1		BEARING -----							1	
-20	AN6230B6		O RING -----							1	
-21	S1628-329		RING-BACK UP -----							2	
-22	AN6227B32		O RING -----							1	
-23	1243626-1		RING-PACK SUPPORT -----							1	
-24	S11065-21		SCRAPER SHWS -----							1	
-25	0841200-15		RING-PACK RETAINER -----							1	
-26	0841200-25		LOCK RING -----							1	
-27	0543029		WASHER -----							1	
-27A	1243030-5		SHIM .006 THICK -----							AR	
	1243030-6		SHIM .012 THICK -----							AR	
	1243030-7		SHIM .020 THICK -----							AR	
-28	0442145-1		PLACARD-NOSE GEAR SHOCK STRUT -----							1	
-29	MS16624-275		RING-RETAINER -----							1	
-30	0543011-9		ARM ASSEMBLY-STEERING -----							1	A
	0442502-1		ARM ASSEMBLY-STEERING -----							1	B
	B4416		BEARING TOR -----							1	
-31	NAS561P10-20		ROLL PIN EN -----							1	A

CONTINUED ON NEXT PAGE

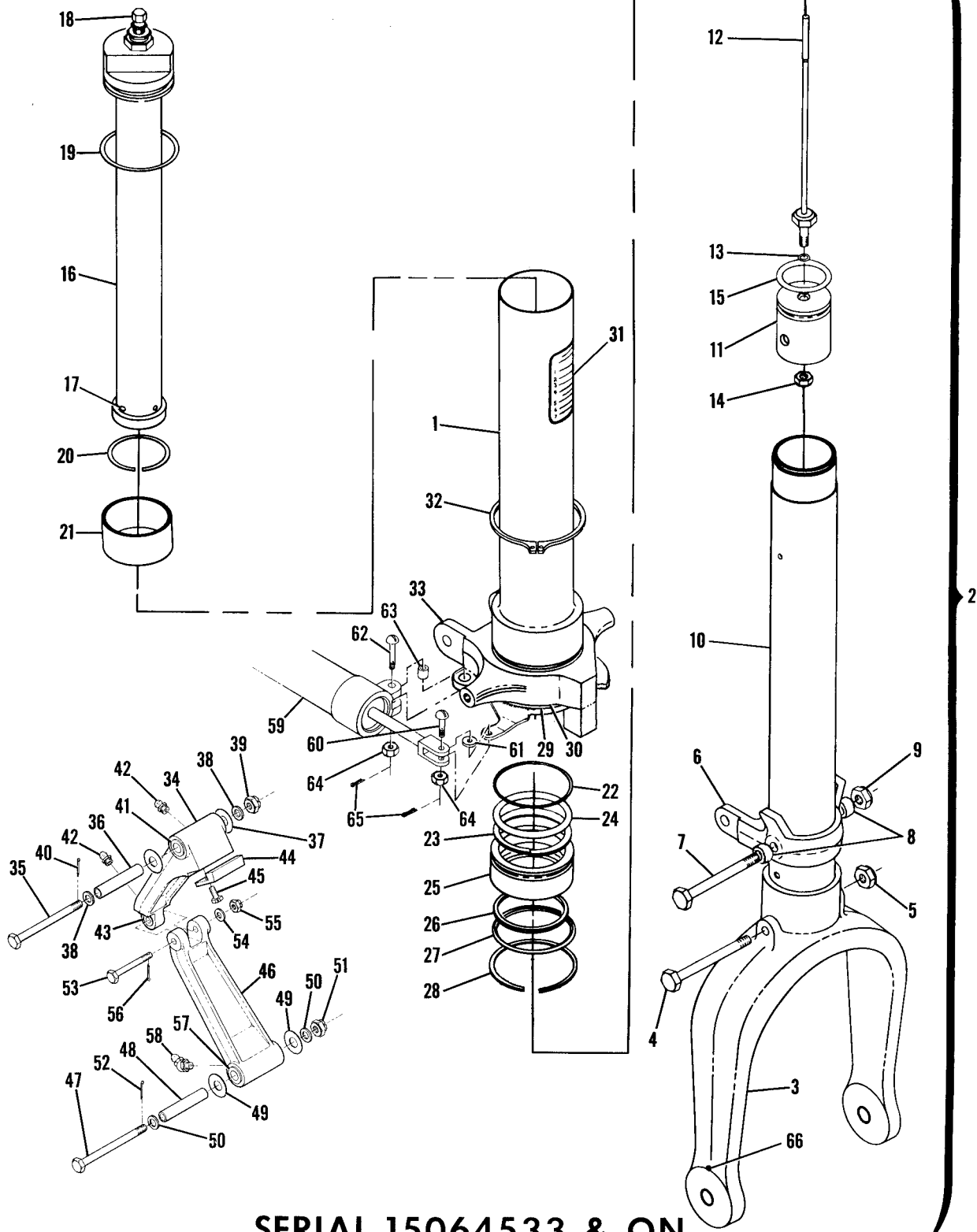
FIGURE AND INDEX NO.	PART NUMBER	DESCRIPTION	UNITS PER ASSY	USABLE ON CODE
17 -32	0543035-14	LINK ASSEMBLY-TORQUE UPPER ----- ATTACHING PARTS	1	
-33	AN4-31	BOLT -----	1	
-34	0543047-1	SPACER -----	1	
-34A	0543048-1	SHIM -----	AR	
-35	AN960-416L	WASHER -----	2	
-36	AN310-4	NUT -----	1	
-37	MS24665-134	PIN-COTTER ----- *-----	1	
-38	NAS77-6-88	BUSHING -----	2	
-39	AN944-101A	FITTING-LUBRICATOR -----	1	
-40	0543035-2	LINK ASSEMBLY-TORQUE LOWER ----- ATTACHING PARTS	1	
-41	AN4-31	BOLT -----	1	
-42	0543047-1	SPACER -----	1	
-42A	0543048-1	SHIM -----	AR	
-43	AN960-416L	WASHER -----	2	
-44	AN310-4	NUT -----	1	
-45	MS24665-134	PIN-COTTER -----	1	
-46	NAS464-3-22	BOLT -----	1	
-47	AN960-10L	WASHER -----	1	
-48	AN310-3	NUT -----	1	
-49	MS24665-132	PIN-COTTER ----- *-----	1	
-50	NAS77-6-88	BUSHING -----	2	
-51	NAS77-3-23	BUSHING -----	2	
-52	AN944-101A	FITTING-LUBRICATOR -----	2	
-53	0442147-1	SUPPORT-SHIMMY DAMPENER -----	1	
-54	NAS561P4-10	ROLL PIN -----	2	C
-55		DAMPENER ASSEMBLY-SHIMMY SEE FIGURE 53 ----- ATTACHING PARTS	1	
-56	AN23-12	BOLT -----	1	
-57	AN960-10L	WASHER -----	1	
-58	AN23-17	BOLT -----	1	
-59	AN960-516L	WASHER -----	AR	
-60	NAS75-3-009	BUSHING -----	1	
-61	AN960-516	WASHER -----	AR	
-62	AN320-3	NUT -----	2	
-63	MS24665-132	PIN-COTTER ----- *-----	2	
<p>NOTE. #ON AIRCRAFT EQUIPPED WITH NOSE WHEEL FAIRINGS ON THE FOLLOWING SERIALS, SERIAL 17001 THRU 15059700 ORDER 0742410-25 FAIRINGS, 0743609-10 COVER &amp; ONE AN5-37A BOLT IF OLD FAIRING HAS 2.90 IN DIMENSIONS BETWEEN FLANGES.</p> <p>A---150 SERIAL 17001 THRU 17263                      B---150 SERIAL 17264 THRU 15064532                      F150 SERIAL F150-0001 THRU F150-0067                      C---150 SERIAL 17119, 17197, 17250, 17279, 17283, 17286, 17288, 17291, 17296, 17298, 17304, 17305, 17306, 17308, 17309, 17313, 17314, 17315, 17316, &amp; 17318 THRU 15064532                      F150 SERIAL F150-0001 THRU F150-0067                      D---150 SERIAL 17001 THRU 17054                      E---150 SERIAL 17055 THRU 15064532                      F150 SERIAL F150-0001 THRU F150-0067                      F---150 SERIAL 17264 THRU 15059215                      G---150 SERIAL 15059216 THRU 15064532                      F150 SERIAL F150-0001 THRU F150-0067                      H---150 SERIAL 17001 THRU 15059215                      J---150 SERIAL 15059216 THRU 15059730                      K---150 SERIAL 15059731 THRU 15061783                      L---150 SERIAL 17001 THRU 15059730                      M---150 SERIAL 15061784 THRU 15064532                      F150 SERIAL F150-0001 THRU F150-0067                      N---150 SERIAL 15059216 THRU 15061783</p>				



FIGURE AND INDEX NO.	PART NUMBER	DESCRIPTION	UNITS PER ASSY	USABLE ON CODE
		<b>1 2 3 4 5 6 7</b>		
17A-	0442504-3	STRUT ASSEMBLY-NOSE GEAR -----	1	A
- 1	0543008-6	TUBE-SHOCK STRUT -----	1	
- 2	0442504-200	SHOCK STRUT ASSEMBLY-LOWER -----	1	
- 3	SK150-11	FORK-NOSE GEAR REPLACEMENT KIT -----	1	
		ATTACHING PARTS		
- 4	AN5-33A	BOLT -----	1	
- 5	NAS679A5	NUT -----	1	
		-----*		
- 6		FITTING -----	NP	
		ATTACHING PARTS		
- 7	AN5-43A	BOLT -----	1	
- 8	0743009-1	SPACER -----	2	
- 9	NAS679A5	NUT -----	1	
		-----*		
-10		TUBE-INNER -----	NP	
-11	0743612-1	PLUG-PIN BASE -----	1	
-12	0442017-1	PIN-METERING -----	1	
		ATTACHING PARTS		
-13	AN6227B5	O RING -----	1	
-14	NAS679A4	NUT -----	1	
		-----*		
-15	AN6227B26	O RING -----	1	
CONTINUED ON NEXT PAGE				



Aligning Gear (Cont)



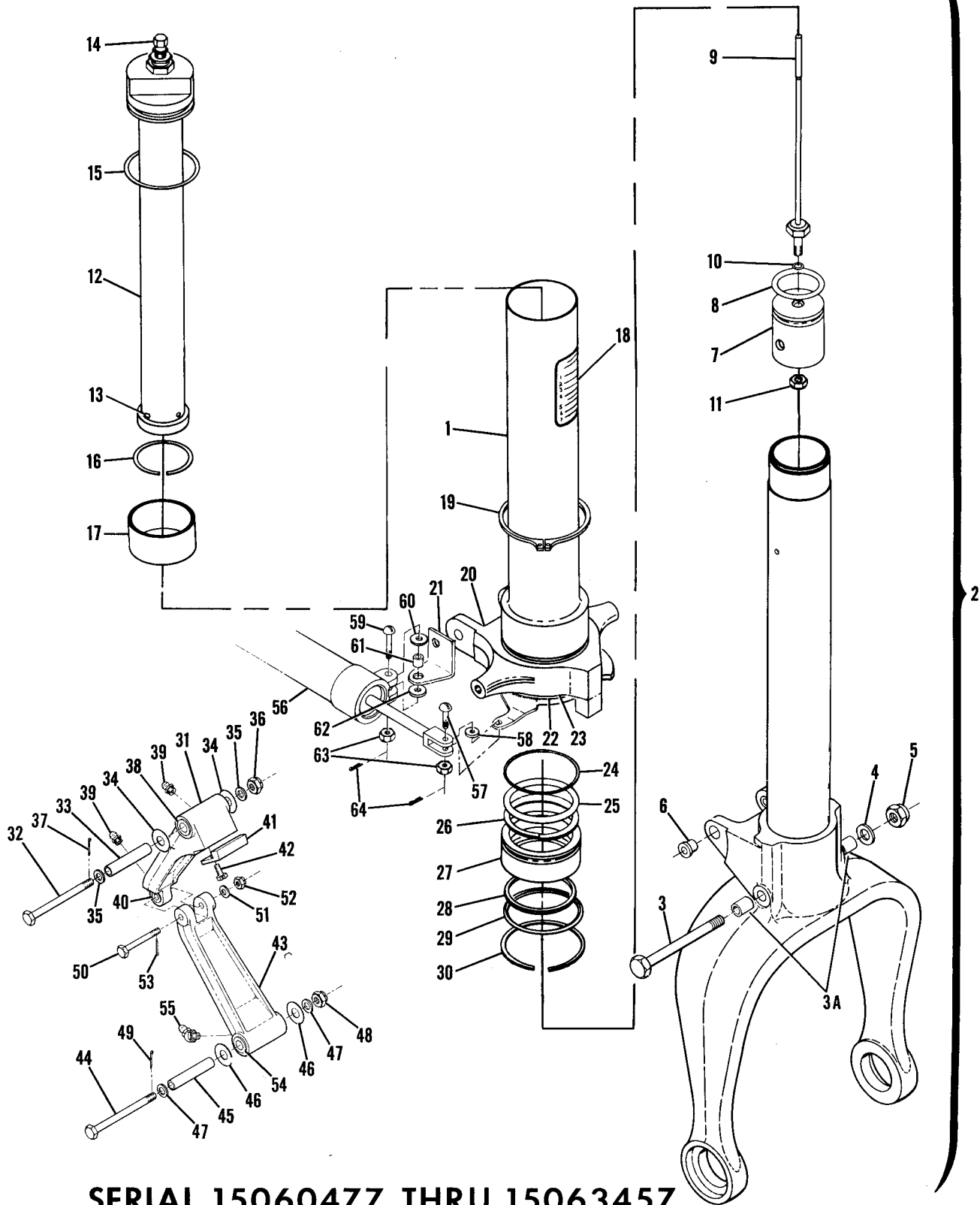
**SERIAL 15064533 & ON**

Figure 17A. Nose Gear Strut Assembly



FIGURE AND INDEX NO.	PART NUMBER	DESCRIPTION	UNITS PER ASSY	USABLE ON
				CODE
		<b>1 2 3 4 5 6 7</b>		
17A-16	0543000-27	ORIFICE-PISTON SUPPORT ASSEMBLY -----	1	
-17	AN500A6-8	SCREW -----	4	
-18	0543036-1	VALVE ASSEMBLY -----	1	
	AN901-5A	GASKET -----	1	
-19	AN6230B3	O RING -----	1	
-20	0841200-19	LOCK RING -----	1	
-21	0841200-18	BEARING WHEN EXHAUSTED USE 1243021-1 -----	1	B
	1243021-1	BEARING -----	1	C
-22	AN6230B6	O RING -----	1	
-23	S1628-329	RING-BACK UP -----	2	
-24	AN6227B32	O RING -----	1	
-25	1243626-1	RING-PACK SUPPORT -----	1	
-26	S11065-21	SCRAPER SHWS -----	1	
-27	0841200-15	RING-PACK RETAINER -----	1	
-28	0841200-25	LOCK RING -----	1	
-29	0543029	WASHER -----	1	
-30	1243030-5	SHIM .006 THICK -----	AR	
	1243030-6	SHIM .012 THICK -----	AR	
	1243030-7	SHIM .020 THICK -----	AR	
-31	0442145-1	PLACARD-NOSE GEAR SHOCK STRUT -----	1	
-32	MS16624-1275	RING-RETAINER -----	1	
-33	0743011-1	ARM ASSEMBLY-STEERING -----	1	
	B4416D	BEARING TOR -----	1	
-34	0442506-1	LINK ASSEMBLY-TORQUE UPPER -----	1	
		ATTACHING PARTS		
-35	AN4-31	BOLT -----	1	
-36	0543047-1	SPACER -----	1	
-37	0543048-1	SHIM -----	AR	
-38	AN960-416L	WASHER -----	2	
-39	AN310-4	NUT -----	1	
-40	MS24665-134	PIN-COTTER -----	1	
		-----*		
-41	NAS77-6-88	BUSHING -----	2	
-42	AN944-101A	FITTING-LUBRICATOR -----	2	
-43	NAS77-3-23	BUSHING -----	2	
-44	0442506-8	STOP LUG -----	1	
		ATTACHING PARTS		
-45	AN3-3A	BOLT -----	2	
	0442506-9	LUG-SAFETY -----	1	
		-----*		
-46	0442506-2	LINK ASSEMBLY-TORQUE LGWER -----	1	
		ATTACHING PARTS		
-47	AN4-31	BOLT -----	1	
-48	0543047-1	SPACER -----	1	
-49	0543048-1	SHIM -----	AR	
-50	AN960-416L	WASHER -----	AR	
-51	AN310-4	NUT -----	1	
-52	MS24665-134	PIN-COTTER -----	1	
-53	NAS464-3-22	BOLT -----	1	
-54	AN960-10L	WASHER -----	1	
-55	AN310-3	NUT -----	1	
-56	MS24665-132	PIN-COTTER -----	1	
		-----*		
-57	NAS77-6-88	BUSHING -----	2	
-58	MS15002-3	FITTING-LUBRICATOR -----	1	
-59		DAMPENER ASSEMBLY SEE FIGURE 53A -----	1	
		ATTACHING PARTS		
-60	AN23-11	BOLT -----	1	
-61	AN960-10L	WASHER -----	AR	
-62	AN23-17	BOLT -----	1	
-63	NAS75-3-009	SPACER -----	1	
-64	AN320-3	NUT -----	2	
-65	MS24665-132	PIN-COTTER -----	2	
		-----*		
-66	NAS561P4-10	PIN-ROLL -----	2	
		A---150 SERIAL 15064533 & ON F150 SERIAL F150-0068 & ON B---150 SERIAL 15064533 THRU 15070459 F150 SERIAL F150-0068 & ON C---150 SERIAL 15070460 & ON		

Aligning Gear (Cont)



**SERIAL 15060477 THRU 15063457**

Figure 17B. Heavy Duty Nose Gear Strut Assembly





FIGURE AND INDEX NO.	PART NUMBER	DESCRIPTION	UNITS PER ASSY	USABLE ON CODE
		<b>1 2 3 4 5 6 7</b>		
17B-		STRUT ASSEMBLY-HEAVY DUTY NOSE GEAR -----	NP	A
- 1	0543008-5	TUBE-SHOCK STRUT -----	1	
- 2	0442013-201	SHOCK STRUT ASSEMBLY-LOWER -----	1	
- 3	AN5-52A	BOLT -----	1	
- 3A	C743009-1	SPACER -----	2	
- 4	AN960-516L	WASHER -----	1	
- 5	NAS679A5	NUT -----	1	
- 6	NAS77-4-28	BUSHING USED WITH FORKS HAVING 3/8 DIA HOLE -----	2	
- 7	0841200-7	PLUG-PIN BASE -----	1	
- 8	AN6227826	O RING -----	1	
- 9	049C001-1	PIN-METERING -----	1	
		<b>SERIAL 15060477</b>		
		<b>THRU 15063457</b>		
		ATTACHING PARTS		
-10	AN622785	O RING -----	1	
-11	NAS679A4	NUT -----	1	
		-----*		
-12	0543000-27	ORIFICE PISTON SUPPORT ASSEMBLY -----	1	
-13	AN500A6-8	SCREW -----	4	
-14	0543036-1	VALVE ASSEMBLY -----	1	
	AN901-5A	GASKET -----	1	
-15	AN6230B3	O RING -----	1	
-16	0841200-19	LOCK RING -----	1	
-17	0841200-18	BEARING WHEN EXHAUSTED USE 1243021-1 -----	1	
-18	0442145-1	PLACARD-NOSE GEAR SHOCK STRUT -----	1	
-19	MS16624-275	RING-RETAINER -----	1	
-20	0442502-1	ARM ASSEMBLY-STEERING -----	1	
	B4416	BEARING TOR -----	1	
-21	0442147-1	SUPPORT-SHIMMY DAMPENER -----	1	
-22	0543029	WASHER -----	1	
-23	1243030-5	SHIM .006 THICK -----	AR	
	1243030-6	SHIM .012 THICK -----	AR	
	1243030-7	SHIM .020 THICK -----	AR	
-24	AN6230B6	O RING -----	1	
-25	AN6227832	O RING -----	1	
-26	S1628-329	RING-BACK UP -----	2	
-27	1243626-1	RING-PACK SUPPORT -----	1	
-28	S11065-21	SCRAPER SHWS -----	1	
-29	0841200-15	RING-PACK RETAINER -----	1	
-30	0841200-25	LOCK RING -----	1	
-31	0442506-1	LINK ASSEMBLY-TORQUE UPPER -----	1	
		ATTACHING PARTS		
-32	AN4-31	BOLT -----	1	
-33	0543047-1	SPACER -----	1	
-34	0543048-1	SHIM -----	AR	
-35	AN960-416L	WASHER -----	2	
-36	AN310-4	NUT -----	1	
-37	MS24665-134	PIN-COTTER -----	1	
		-----*		
-38	NAS77-6-88	BUSHING -----	2	
-39	AN944-101A	FITTING-LUBRICATOR -----	2	
-40	NAS77-3-23	BUSHING -----	2	
-41	0442506-8	STOP LUG -----	1	
		ATTACHING PARTS		
-42	AN3-3A	BOLT -----	2	
	0442506-9	LUG-SAFETY -----	1	
		-----*		

CONTINUED ON NEXT PAGE

FIGURE AND INDEX NO.	PART NUMBER	DESCRIPTION	UNITS PER ASSY	USABLE ON CODE
17B-43	0442506-2 *	LINK ASSEMBLY-TORQUE LOWER ----- ATTACHING PARTS -----	1	
-44	AN4-31	BOLT -----	1	
-45	0543047-1	SPACER -----	1	
-46	0543048-1	SHIM -----	AR	
-47	AN960-416L	WASHER -----	AR	
-48	AN310-4	NUT -----	1	
-49	MS24665-134	PIN-COTTER -----	1	
-50	NAS464-3-22	BOLT -----	1	
-51	AN960-10L	WASHER -----	1	
-52	AN310-3	NUT -----	1	
-53	MS24665-132	PIN-COTTER ----- -----*	1	
-54	NAS77-6-88	BUSHING -----	2	
-55	MS15002-3	FITTING-LUBRICATOR -----	1	
-56		DAMPENER ASSEMBLY-SHIMMY SEE FIGURE 53 ----- ATTACHING PARTS -----	1	
-57	AN23-12	BOLT -----	1	
-58	AN960-10L	WASHER -----	1	
-59	AN23-17	BOLT -----	1	
-60	AN960-516L	WASHER -----	AR	
-61	NAS75-3-009	BUSHING -----	1	
-62	AN960-516	WASHER -----	AR	
-63	AN320-3	NUT -----	2	
-64	MS24665-132	PIN-COTTER ----- -----*	2	
<p>NOTE. *WHEN INITIALLY ORDERING THIS PART ALSO ORDER OTHER PART MARKED *.</p> <p>A---150 SERIAL 15060477 THRU 15063457 F150 SERIAL F150-0001 THRU F150-0055</p>				

FIGURE AND INDEX NO.	PART NUMBER	DESCRIPTION	UNITS PER ASSY	USABLE ON CODE
		<b>1 2 3 4 5 6 7</b>		
18 -		MAIN LANDING GEAR INSTALLATION -----	NP	P
- 1	0441166-1	SEAL-LANDING GEAR FILLET -----	2	G
	0441025-1	SEAL -----	2	H
- 2	0441167-3	PLATE-LANDING GEAR FILLET LH -----	1	G
	0441024-1	PLATE-LANDING GEAR FILLET LH -----	1	H
	0441167-4	PLATE-LANDING GEAR FILLET RH -----	1	G
	0441024-2	PLATE-LANDING GEAR FILLET RH -----	1	H
		<b>ATTACHING PARTS</b>		
- 3	S1021Z8-8	SCREW -----	6	
		*-----		
		MAIN LANDING GEAR ASSEMBLY LH -----	NP	
		MAIN LANDING GEAR ASSEMBLY RH -----	NP	
		<b>ATTACHING PARTS</b>		
- 4	AN6-16A	BOLT -----	1	
- 5	AN960-616	WASHER -----	AR	
- 5A	0541105	SHIM -----	AR	
- 6	0441161-1	U-BOLT-MAIN LANDING GEAR -----	1	G
- 7	NAS679A6	NUT -----	2	G
- 8	0441023-1	WEDGE .160 -----	2	H
	0441023-2	WEDGE .100 ALTERNATE FOR 0441023-1 -----	2	H
	NAS564-45	BOLT -----	1	H
		*-----		
- 9	0441163-5	SPRING ASSEMBLY-LANDING GEAR LH -----	1	C
	0441163-9	SPRING ASSEMBLY-LANDING GEAR LH -----	1	D
	0441163-6	SPRING ASSEMBLY-LANDING GEAR RH -----	1	C
	0441163-10	SPRING ASSEMBLY-LANDING GEAR RH -----	1	D
	0441169-1	STEP BRACKET RH -----	1	
	0441169-2	STEP BRACKET RH -----	1	
- 10	0400311-10	LINE-BRAKE LH -----	1	C
	0400311-50	LINE-BRAKE LH USED ONLY ON 6.00 X 6 INSTAL. -----	1	K
	0400311-42	LINE-BRAKE LH -----	1	D
	0400311-9	LINE-BRAKE RH -----	1	C
	0400311-51	LINE-BRAKE RH USED ONLY ON 6.00 X 6 INSTAL. -----	1	K
	0400311-41	LINE-BRAKE RH -----	1	D
		<b>ATTACHING PARTS</b>		
- 11	S1486DG4U	CLAMP TIN -----	1	
- 12	S1021Z8-6	SCREW CESSNA STANDARD -----	1	
- 13	AN837-4D	ELBOW -----	1	F
- 14	AN924-4D	NUT -----	1	F
- 15	MS28778-4	GASKET -----	1	F
	MS20823-4D	ELBOW -----	1	E
- 16	0741000-7	BRACKET -----	1	
- 17	0441119	HOSE -----	1	
		*-----		
- 18	0441164-1	AXLE-MAIN LANDING GEAR -----	1	
	0441158-1	AXLE-MAIN LANDING GEAR 6.00 X 6 INSTAL. ONLY -----	1	K
		<b>ATTACHING PARTS</b>		
- 19	AN4-20A	BOLT -----	4	F
	AN4-16A	BOLT USED ON 6.00 X 6 INSTAL. ONLY -----	2	K
	AN4-17A	BOLT -----	4	E
	NAS144-30	BOLT LOWER HOLES USED ON 6.00 X 6 ONLY -----	2	K
- 20	AN960-416L	WASHER -----	AR	
- 21	NAS679A4	NUT -----	4	
- 22	0441157-1	SHIM-1/2 DEGREE CORRECTION -----	AR	
	0441157-2	SHIM-2 DEGREE CORRECTION -----	AR	
	0441157-3	SHIM-1 DEGREE CORRECTION -----	AR	
		*-----		
- 23	0441165-1	COLLAR-MAIN LANDING GEAR STD GEAR ONLY -----	2	
- 24	S1117-20	NUT -----	1	
	S1117-24	NUT USED ON 6.00 X 6 INSTAL. ONLY -----	1	K
- 25	MS24665-351	PIN-COTTER -----	1	
- 26	0541154-1	STEP -----	1	
		<b>ATTACHING PARTS</b>		
- 27	AN507-1032R10	SCREW -----	1	
- 28	NAS221-9	SCREW -----	2	
- 29	NAS696A3	NUT -----	3	
		*-----		
- 30	0541156-1	STRAP-BRAKE LINE LH -----	1	

SERIAL 17001  
THRU 15061532

CONTINUED ON NEXT PAGE



FIGURE AND INDEX NO.	PART NUMBER	DESCRIPTION	UNITS PER ASSY	USABLE ON CODE
		<b>1 2 3 4 5 6 7</b>		
18 -	0541156-2	STRAP-BRAKE LINE RH -----	1	
-31	0441168-1	FAIRING-MAIN LANDING GEAR WHEEL -----	1	A
	0441177-1	FAIRING-MAIN LANDING GEAR WHEEL -----	1	B
	0441183-1	FAIRING-MAIN LANDING GEAR WHEEL -----	1	M
	0441185-1	FAIRING-MAIN LANDING GEAR WHEEL USE WITH 1241156-13 ---	1	N
	1241063-2	WHEEL ASSEMBLY ONLY FAIRING-MAIN LANDING GEAR WHEEL USE WITH 1241156-14 --- WHEEL ASSEMBLY ONLY	1	N
	AN515-10R6	ATTACHING PARTS SCREW -----	1	M
	AN515-8R4	SCREW -----	3	N
	AN936A8	WASHER -----	3	N
		-----*		
		WHEEL & BRAKE ASSEMBLY-MAIN LANDING GEAR -----	1	
		SEE FIGURE 51 & 51A		
		SPEED FAIRING INSTALLATION -----	NP	
-32	0441176-7	PLATE ASSEMBLY-LH -----	1	F
	0441180-1	PLATE ASSEMBLY-LH -----	1	J
	0441184-5	PLATE ASSEMBLY-LH -----	1	K
	0441176-8	PLATE ASSEMBLY-RH -----	1	F
	0441180-2	PLATE ASSEMBLY-RH -----	1	J
	0441184-6	PLATE ASSEMBLY-RH -----	1	K
		ATTACHING PARTS		
	AN4-21A	BOLT -----	4	F
	AN4-20A	BOLT -----	4	E
		-----*		
-33	NAS686A3	NUT-ANCHOR -----	6	L
-34	NAS686A3	NUT-ANCHOR -----	4	K
-35	NAS687A3	NUT-ANCHOR -----	2	K
-36	0441175-1	NUT-WHEEL FAIRING SUPPORT -----	2	
-37	0441176-3	FAIRING ASSEMBLY-LH -----	1	F
	0441176-13	FAIRING ASSEMBLY-LH -----	1	J
	0441184-3	FAIRING ASSEMBLY-LH -----	1	K
	0441176-4	FAIRING ASSEMBLY-RH -----	1	F
	0441176-14	FAIRING ASSEMBLY-RH -----	1	J
	0441184-4	FAIRING ASSEMBLY-RH -----	1	K
		ATTACHING PARTS		
-38	AN520-10R10	SCREW -----	6	L
	AN520-10R8	SCREW -----	6	K
-39	AN6-6A	BOLT -----	1	
-40	AN936B616	WASHER -----	1	
-41	AN960-616L	WASHER -----	1	
		-----*		
-42	0441176-9	DOUBLER -----	1	F
	0441181-1	DOUBLER -----	1	J
-43	0742410-12	DOUBLER -----	1	
-44	0742410-9	SCRAPER -----	1	F
	0441182-1	SCRAPER -----	1	J
	0441184-12	SCRAPER -----	1	K
		ATTACHING PARTS		
-45	AN520-10R10	SCREW -----	1	L
	AN520-10R6	SCREW -----	4	K
	NAS679A3	NUT -----	4	
		-----*		
	0441176-5	FAIRING-LH -----	1	F
	0441176-15	FAIRING-LH -----	1	J
	0441176-6	FAIRING-RH -----	1	F
	0441176-6	FAIRING-RH -----	1	J
		A---150 SERIAL 17001 THRU 17683		
		B---150 SERIAL 17684 THRU 15059118		
		C---150 SERIAL 17001 THRU 59018		
		D---150 SERIAL 15059019 THRU 15061532		
		E---150 SERIAL 15059119 THRU 15061532		
		F---150 SERIAL 17001 THRU 15059118		
		G---150 SERIAL 17001 THRU 15059379		
		H---150 SERIAL 15059380 THRU 15061532		
		J---150 SERIAL 15059119 THRU 15059700		
		K---150 SERIAL 15059701 THRU 15061532		
		L---150 SERIAL 17001 THRU 15059700		
		M---150 SERIAL 15059119 THRU 15060087		
		N---150 SERIAL 15060088 THRU 15061532		
		P---150 SERIAL 17001 THRU 15061532		



FIGURE AND INDEX NO.	PART NUMBER	DESCRIPTION							UNITS PER ASSY	USABLE ON CODE
		1	2	3	4	5	6	7		
18A-		MAIN LANDING GEAR INSTALLATION -----							NP	A
- 1	0441025-1	SEAL -----							2	
- 2	0441024-1	PLATE-LANDING GEAR FILLET LH -----							1	
	0441024-2	PLATE-LANDING GEAR FILLET RH -----							1	
		ATTACHING PARTS								
- 3	S102128-8	SCREW -----							6	
		*-----								
		MAIN LANDING GEAR ASSEMBLY LH -----							NP	
		MAIN LANDING GEAR ASSEMBLY RH -----							NP	
		ATTACHING PARTS								
- 4	AN6-16A	BOLT -----							1	
- 5	0541105	SHIM -----							AR	
- 6	0441023-2	WEDGE .100 -----							2	
	0741022-1	SHIM -----							AR	
	NAS564-45	BOLT -----							2	
		*-----								
- 7	0441186-1	SPRING ASSEMBLY-LANDING GEAR LH -----							1	
	0441186-2	SPRING ASSEMBLY-LANDING GEAR RH -----							1	
	0441169-1	STEP BRACKET LH -----							1	
	0441169-2	STEP BRACKET RH -----							1	
- 7A	1441001-3	CLIP-BRAKE LINE -----							1	E
- 8	0400311-69	LINE-BRAKE LH -----							1	B
	0400311-70	LINE-BRAKE RH -----							1	B
	0400311-72	LINE-BRAKE LH & RH -----							1	C
	0400311-85	LINE-BRAKE LH & RH WHEN EXHAUSTED USE 0400311-99 -----							1	E
	0400311-99	LINE-BRAKE LH & RH -----							1	E
		ATTACHING PARTS								
- 9	MS21919DG5	CLAMP -----							1	D
	MS21919DG3	CLAMP -----							1	E
-10	NAS220-6	SCREW -----							1	
	NAS679A08	NUT -----							1	
-11	AN816-4D	UNION -----							1	D
	AN914-1D	ELBOW -----							1	E
-12	AN833-4D	ELBOW -----							1	D
	AN833-3D	ELBOW -----							1	E
-13	0741000-7	BRACKET -----							1	D
-14	0441119	HOSE -----							1	
		*-----								
-14A	AN815-4D	UNION -----							1	C
-14B	S1167-4-0100	HOSE ASSEMBLY -----							1	C
	S1810-1075	HOSE ASSEMBLY -----							1	E
-15	0541124	AXLE-MAIN LANDING GEAR -----							1	
		ATTACHING PARTS								
-16	AN5-21A	BOLT -----							2	
	AN5-22A	BOLT ALTERNATE -----							2	
	AN6-22A	BOLT -----							2	
	AN6-23A	BOLT ALTERNATE -----							2	
-17	AN960-516L	WASHER -----							AR	
	AN960-616L	WASHER -----							AR	
-18	NAS679A5	NUT -----							2	
	NAS679A6	NUT -----							2	
-19	0441139-5	SHIM-1 DEGREE CORRECTION -----							AR	
	0441139-6	SHIM-2 DEGREE CORRECTION -----							AR	
	0541111-2	SHIM -----							AR	
	0541157-1	SHIM -----							AR	
	0541157-2	SHIM -----							AR	
	0541157-3	SHIM -----							AR	
	1241061-1	SHIM -----							AR	
		*-----								
-20	S1117-24	NUT -----							1	
-21	MS24665-351	PIN-COTTER -----							1	
-22	0541154-1	STEP -----							1	
		ATTACHING PARTS								
-23	AN507-1032R10	SCREW -----							1	
-24	NAS221-9	SCREW -----							2	
-25	NAS696A3	NUT -----							3	
		*-----								

CONTINUED ON NEXT PAGE

FIGURE AND INDEX NO.	PART NUMBER	DESCRIPTION							UNITS PER ASSY	USABLE ON CODE
		1	2	3	4	5	6	7		
18A-26	0541156-1	STRAP-BRAKE LINE LH -----							1	
	0541156-2	STRAP-BRAKE LINE RH -----							1	
-27	1241063-2	FAIRING-MAIN LANDING GEAR WHEEL -----							1	D
	0741048-8	CAP-WHEEL -----							1	E
		ATTACHING PARTS								
	AN515-10R4	SCREW -----							3	D
	AN515-8R4	SCREW -----							3	E
	AN936A8	WASHER -----							3	
		*-----								
	6241M	EXTENSION-VALVE DL -----							1	E
	3680C	EXTENSION-VALVE ALTERNATE SV -----							1	E
		WHEEL & BRAKE ASSEMBLY-MAIN GEAR SEE FIGURE 51C -----							1	
		SPEED FAIRING INSTALLATION -----							NP	
-28	0441187-1	PLATE ASSEMBLY-LH -----							1	
	0441187-2	PLATE ASSEMBLY-RH -----							1	
-29	NAS686A3	NUTPLATE -----							4	
-30	NAS680A3K	NUTPLATE -----							3	
-31	0441130-2	NUT-WHEEL FAIRING SUPPORT -----							2	
-32	0541185-5	FAIRING ASSEMBLY-LH -----							1	
	0541185-6	FAIRING ASSEMBLY-RH -----							1	
		ATTACHING PARTS								
-33	AN520-10R5	SCREW -----							3	
	AN520-10R8	SCREW -----							4	
-34	AN6-6A	BOLT -----							1	
-35	AN936B616	WASHER -----							1	
-36	AN960-616L	WASHER -----							1	
		*-----								
-37	1441010-28	DOUBLER -----							1	
	0541180-1	DOUBLER -----							1	
-38	0741610-13	SCRAPER -----							1	
		ATTACHING PARTS								
-39	AN520-10R5	SCREW -----							2	
	NAS679A3	NUT -----							2	
		A---150 SERIAL 15061533 THRU 15069308 F150 SERIAL F150-0001 THRU F150-0389								
		B---150 SERIAL 15061533 THRU 15062291								
		C---150 SERIAL 15062292 THRU 15067198 F150 SERIAL F150-0001 THRU F150-0259								
		D---150 SERIAL 15061533 THRU 15067198 F150 SERIAL F150-0001 THRU F150-0259								
		E---150 SERIAL 15067199 THRU 15069308 F150 SERIAL F150-0260 THRU F150-0389								



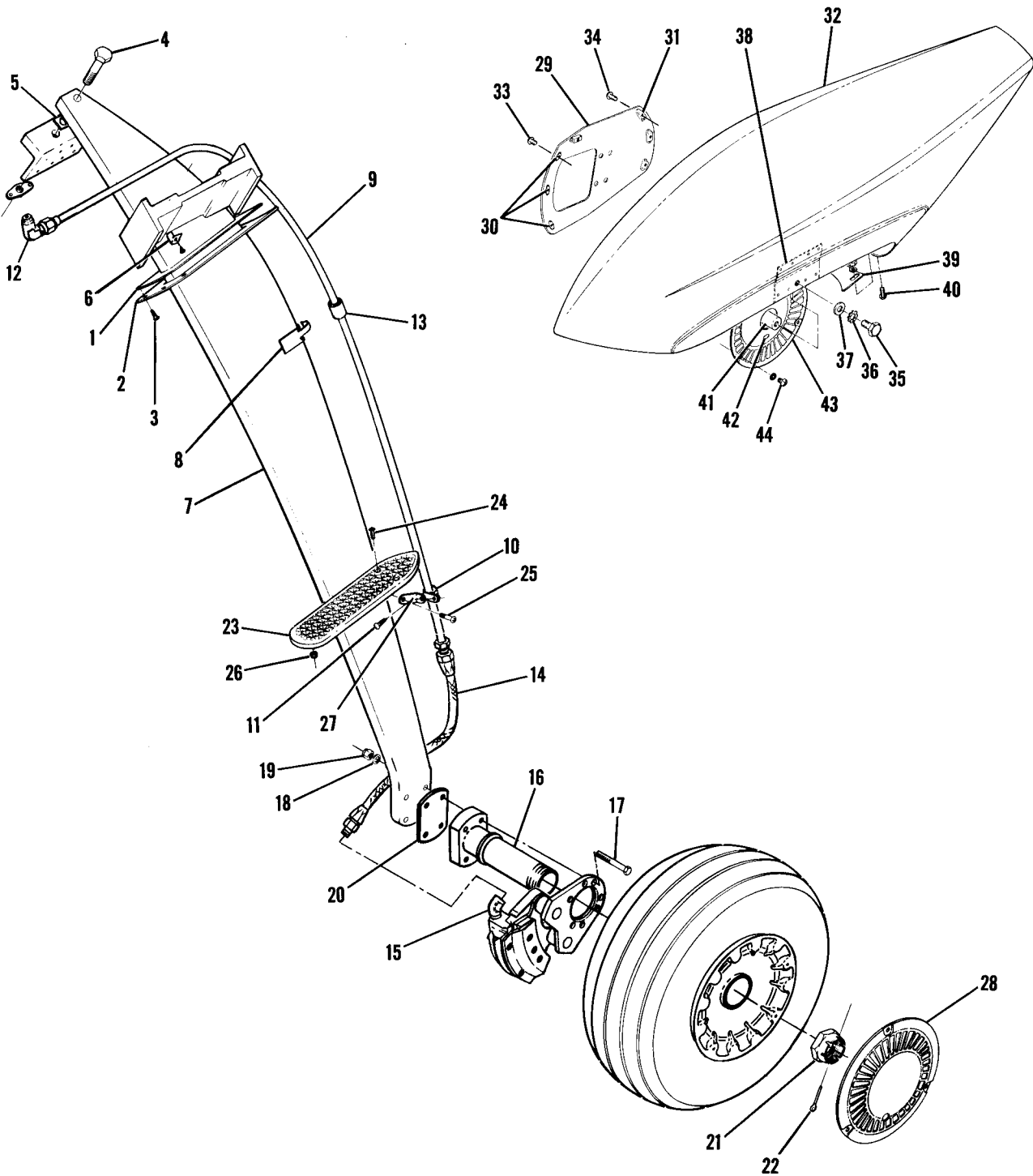


FIGURE AND INDEX NO.	PART NUMBER	DESCRIPTION	UNITS PER ASSY	USABLE ON CODE
188-		MAIN LANDING GEAR INSTALLATION -----	NP	A
- 1	0441025-1	SEAL -----	2	
- 2	0441024-1	PLATE-LANDING GEAR FILLET LH -----	1	
	0441024-2	PLATE-LANDING GEAR FILLET RH -----	1	
		ATTACHING PARTS		
- 3	S102128-8	SCREW ----- <b>SERIAL 15069309 &amp; ON</b>	6	
		-----*		
		MAIN LANDING GEAR ASSEMBLY-LH -----	NP	
		MAIN LANDING GEAR ASSEMBLY-RH -----	NP	
		ATTACHING PARTS		
- 4	AN6-16A	BOLT -----	1	
- 5	0541105	SHIM -----	AR	
- 6	0410023-2	WEDGE .100 -----	2	
	0741022-1	SHIM -----	AR	
	NAS564-45	BOLT -----	2	
		-----*		
- 7	0441186-1	SPRING ASSEMBLY-LANDING GEAR LH -----	1	
	0441186-2	SPRING ASSEMBLY-LANDING GEAR RH -----	1	
	0441169-1	STEP BRACKET LH -----	1	
	0441169-2	STEP BRACKET RH -----	1	
- 8	0441001-3	CLIP-BRAKE LINE -----	1	
- 9	0400311-85	LINE-BRAKE LH & RH WHEN EXHAUSTED USE 0400311-92 -----	1	B
	0400311-92	LINE-BRAKE LH & RH WHEN EXHAUSTED USE 0400311-99 -----	1	C
	0400311-99	LINE-BRAKE LH & RH -----	1	D
		ATTACHING PARTS		
-10	MS21919DG3	CLAMP -----	1	
-11	NAS220-6	SCREW -----	1	
	NAS679A08	NUT -----	1	
-12	AN833-3D	ELBOW -----	1	
-13	0441119	HOSE -----	1	
		-----*		
-14	S1810-1075	HOSE ASSEMBLY -----	1	
-15	AN914-1D	ELBOW -----	1	

CONTINUED ON NEXT PAGE

12

Alighting Gear (Cont)



**SERIAL 15069309 & ON**

Figure 18B. Main Landing Gear Installation

FIGURE AND INDEX NO.	PART NUMBER	DESCRIPTION	UNITS PER ASSY	USABLE ON CODE
188-16	0541124	AXLE-MAIN LANDING GEAR ----- ATTACHING PARTS -----	1	
-17	AN5-21A	BOLT -----	2	
	AN5-22A	BOLT ALTERNATE -----	2	
	AN6-22A	BOLT -----	2	
	AN6-23A	BOLT ALTERNATE -----	2	
-18	AN960-516L	WASHER -----	AR	
	AN960-616L	WASHER -----	AR	
-19	NAS679A5	NUT -----	2	
	NAS679A6	NUT -----	2	
-20	0441139-5	SHIM-1 DEGREE CORRECTION -----	AR	
	0441139-6	SHIM-2 DEGREE CORRECTION -----	AR	
	0541111-2	SHIM -----	AR	
	0541157-1	SHIM -----	AR	
	0541157-2	SHIM -----	AR	
	0541157-3	SHIM -----	AR	
	1241061-1	SHIM -----	AR	
		---*---		
-21	S1117-24	NUT -----	1	
-22	MS24665-351	PIN-COTTER -----	1	
-23	0541154-1	STEP -----	1	
		ATTACHING PARTS -----		
-24	AN507-1032R10	SCREW -----	1	
-25	NAS221-9	SCREW -----	2	
-26	NAS679A3	NUT -----	3	
		---*---		
-27	0541156-1	STRAP-BRAKE LINE LH -----	1	
	0541156-2	STRAP-BRAKE LINE RH -----	1	
-28	0741048-8	CAP-WHEEL -----	1	
		ATTACHING PART -----		
	AN515-8R4	SCREW -----	3	
	AN936A8	WASHER -----	3	
		---*---		
	6241M	EXTENSION-VALVE DL -----	1	
	3680C	EXTENSION-VALVE ALTERNATE SV -----	1	
		WHEEL & BRAKE ASSEMBLY-MAIN GEAR SEE FIGURE 51C -----	1	
		SPEED FAIRING INSTALLATION -----	NP	
-29	0441201-1	PLATE ASSEMBLY-LH -----	1	
	0441201-2	PLATE ASSEMBLY-RH -----	1	
-30	NAS680A3K	NUTPLATE -----	3	
-31	NAS686A3	NUTPLATE -----	4	
-32	0741046-203	FAIRING ASSEMBLY-LH -----	1	
	0741046-202	FAIRING ASSEMBLY-RH -----	1	
		ATTACHING PARTS -----		
-33	AN520-10R5	SCREW -----	3	
-34	AN520-10R8	SCREW -----	4	
-35	AN6-6A	BOLT -----	1	
-36	AN936B616	WASHER -----	1	
-37	AN960-616L	WASHER -----	1	
		---*---		
-38	0741046-11	DOUBLER -----	1	
-39	0741047-14	SCRAPER-FAIRING -----	1	
		ATTACHING PARTS -----		
-40	AN520-10R10	SCREW -----	3	
	AN960-10	WASHER -----	3	
	NAS679A3	NUT -----	3	
		---*---		
-41	0741047-1	NUT -----	1	
	MS24665-362	PIN-COTTER -----	1	
-42	6241M	EXTENSION-VALVE DL -----	1	
	3680C	EXTENSION-VALVE ALTERNATE SV -----	1	
-43	0741048-7	CAP-WHEEL -----	1	
		ATTACHING PARTS -----		
-44	AN515-8R4	SCREW -----	3	
	AN936A8	WASHER -----	3	
		---*---		
		A---150 SERIAL 15069309 & ON F150 SERIAL F150-0390 & ON		
		B---150 SERIAL 15069309 THRU 15069873 F150 SERIAL F150-0390 & ON		
		C---150 SERIAL 15069874 THRU 15070702		
		D---150 SERIAL 15070703 & ON		

Seat

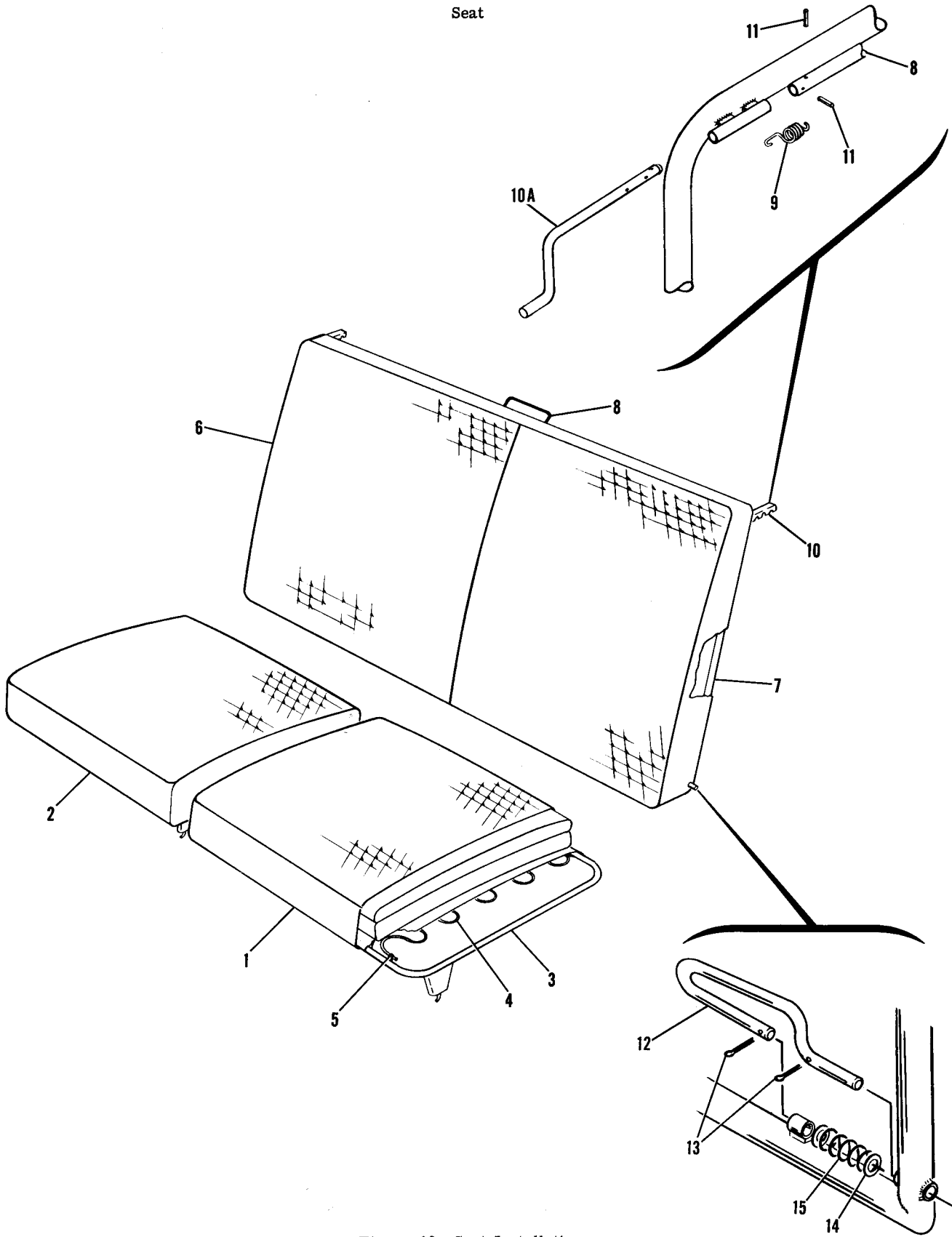
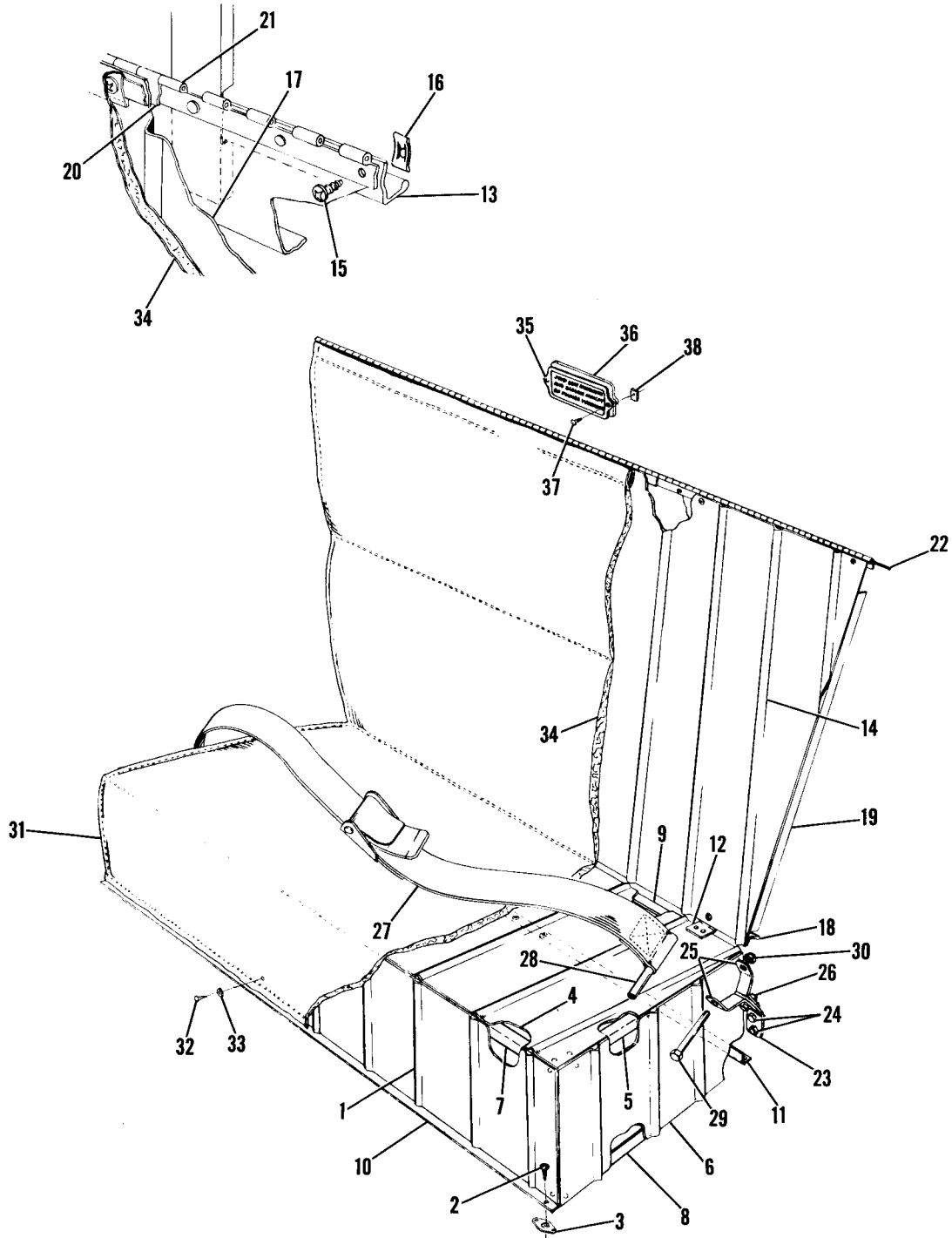


Figure 19. Seat Installation

FIGURE AND INDEX NO.	PART NUMBER	#	1	2	3	4	5	6	7	DESCRIPTION	UNITS PER ASSY	USABLE ON CODE	
19 -			<b>1 2 3 4 5 6 7</b>								SEAT INSTALLATION -----	NP	
- 1	0411205-1	#								CUSHION ASSEMBLY-SEAT BOTTOM LH -----	1		
- 2	0411205-2	#								CUSHION ASSEMBLY-SEAT BOTTOM RH -----	1		
- 3	0411204-1									FRAME ASSEMBLY-SEAT BOTTOM LH -----	1	C	
	0411204-1	□								FRAME ASSEMBLY-SEAT BOTTOM LH -----	1	D	
	0411204-2									FRAME ASSEMBLY-SEAT BOTTOM RH -----	1	C	
	0411204-2	□								FRAME ASSEMBLY-SEAT BOTTOM RH -----	1	D	
- 4	0411794-7									SPRING -----	3		
- 5	S1146-1									CLIP CESSNA STANDARD -----	6		
	0411205-200	#								COVER ASSEMBLY-SEAT BOTTOM UPHOLSTERY RH -----	1		
	0411205-201	#								COVER ASSEMBLY-SEAT BOTTOM UPHOLSTERY LH -----	1		
- 6	0400119-1	#								CUSHION ASSEMBLY-SEAT BACK -----	1		
- 7	0411203-1									SEAT BACK ASSEMBLY -----	1	A	
	0411203-8									SEAT BACK ASSEMBLY -----	1	B	
	0411203-13									SEAT BACK ASSEMBLY -----	1	D	
- 8	0411623									LATCH -----	1		
- 9	0511049									SPRING-LATCH LH -----	1		
	0511049-1									SPRING-LATCH RH -----	1		
-10	0411935-1									LATCH ASSEMBLY-LH -----	1	E	
	0411935-2									LATCH ASSEMBLY-RH -----	1	E	
-10A	0411629									LATCH ASSEMBLY -----	2	B	
-11	NAS561P3-7									ATTACHING PARTS ROLL PIN EN -----	2		
-12	0411938-1									PIN -----	1		
-13	MS24665-132									ATTACHING PARTS PIN-COTTER -----	2		
-14	AN960-416L									WASHER -----	2		
-15	0411818									SPRING -----	1		
	0400119-2	#								COVER ASSEMBLY-SEAT BACK UPHOLSTERY -----	1		
<p>NOTE. #THIS PART NUMBER MUST HAVE A SECOND DASH NUMBER ADDED TO DENOTE COLOR. REFER TO HOW TO ORDER UPHOLSTERED PARTS-PAGE XII.</p> <p>NOTE. □THIS PART NUMBER MUST HAVE A SECOND DASH NUMBER ADDED TO DENOTE COLOR. REFER TO HOW TO ORDER INTERIOR PARTS-PAGE XIII.</p> <p>A---150 SERIAL 17001 THRU 17226            B---150 SERIAL 17227 THRU 15061532            C---150 SERIAL 17001 THRU 15061532            D---150 SERIAL 15061533 &amp; ON                F150 SERIAL F150-0001 &amp; ON            E---150 SERIAL 17001 THRU 17226 &amp; 15061533 &amp; ON                F150 SERIAL F150-0001 &amp; ON</p>													

Seat (Cont)

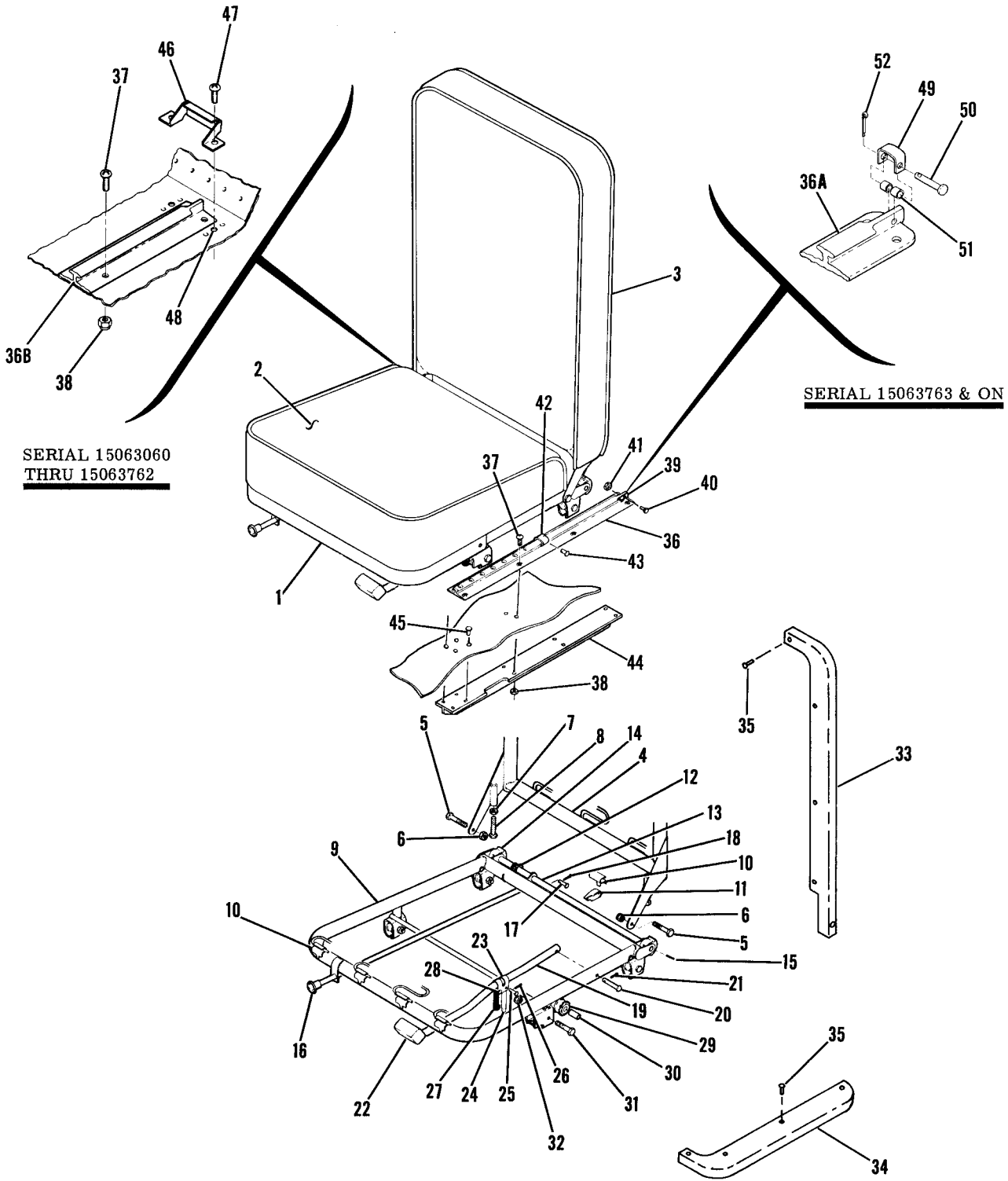


**SERIAL 17001 THRU 15059350**

Figure 19A. Child Seat Installation

FIGURE AND INDEX NO.	PART NUMBER	DESCRIPTION	UNITS PER ASSY	USABLE ON CODE
		<b>1 2 3 4 5 6 7</b>		
19A-		SEAT INSTALLATION-CHILD -----	NP	A
- 1	0413202-27	BOTTOM ASSEMBLY-SEAT -----	1	
		ATTACHING PARTS -----		
- 2	S1021Z8-6	SCREW CESSNA STANDARD -----	6	
- 3	NAS445-5	NUTPLATE -----	6	
		*-----		
- 4	0413202-3	BOTTOM-SEAT -----	1	
- 5	0413202-5	ANGLE-UPPER LH -----	1	
	0413202-20	ANGLE-UPPER RH -----	1	
- 6	0413202-28	SIDES-SEAT -----	1	
- 7	0413202-23	ANGLE-FRONT UPPER -----	1	
- 8	0413202-6	ANGLE-LOWER LH -----	1	
	0413202-21	ANGLE-LOWER RH -----	1	
- 9	0413202-8	ANGLE-REAR UPPER -----	1	
-10	0413202-9	ANGLE-FRONT LOWER -----	1	
-11	0413202-22	ANGLE-REAR LOWER -----	1	
-12	0413202-7	ANGLE-STOP -----	2	
-13	0413202-14	ANGLE-SUPPORT -----	1	
-14	0413202-16	BACK ASSEMBLY-SEAT -----	1	
		ATTACHING PARTS -----		
-15	S1021Z8-8	SCREW CESSNA STANDARD -----	5	
-16	NAS446-4-3	NUTPLATE -----	5	
		*-----		
-17	0413202-2	BACK-SEAT -----	1	
-18	0413202-17	ANGLE-BACK STIFFENER -----	1	
-19	0413202-18	ANGLE-BACK LH -----	1	
	0413202-19	ANGLE-BACK RH -----	1	
-20	0413202-25	HINGE-FORWARD HALF -----	1	
-21	0413202-24	HINGE-REAR HALF -----	1	
-22	0413202-26	PIN-HINGE -----	1	
-23	0413202-11	LUG-SAFETY BELT -----	2	
		ATTACHING PARTS -----		
-24	AN3-3A	BOLT -----	2	
	NAS679A3	NUT -----	2	
		*-----		
-25	0413202-10	CLIP-SAFETY BELT -----	4	
		ATTACHING PARTS -----		
-26	AN4-5A	BOLT -----	1	
	NAS679A4	NUT -----	1	
		*-----		
-27	S1060-6	BELT ASSEMBLY-SAFETY CESSNA STANDARD -----	1	B
	S1060-17	BELT ASSEMBLY-SAFETY CESSNA STANDARD -----	1	C
		ATTACHING PARTS -----		
-28	0411667	BUSHING -----	2	
-29	AN3-25A	BOLT -----	2	
-30	NAS679A3	NUT -----	2	
		*-----		
-31	0413343-2	PAD ASSEMBLY-SEAT BOTTOM -----	1	
		ATTACHING PARTS -----		
-32	S1023A4-6	SCREW CESSNA STANDARD -----	4	
-33	S1066C1	WASHER-CHROME FINISHING CESSNA STANDARD -----	4	
		*-----		
-34	0413343-1	PAD ASSEMBLY-SEAT BACK -----	1	
-35	0413344-1	PLACARD -----	1	
-36	0413282	PLATE -----	1	
		ATTACHING PARTS -----		
-37	S1021Z8-6	SCREW CESSNA STANDARD -----	2	
-38	NAS446-4-3	NUTPLATE -----	2	
		*-----		
A---150 SERIAL 17001 THRU 15059350 B---150 SERIAL 17001 THRU 15059283 C---150 SERIAL 15059284 THRU 15059350				

Seat (Cont)



SERIAL 15063060  
THRU 15063762

SERIAL 15063763 & ON

**SERIAL 15059019 & ON**

Figure 19B. Reclining Seat Installation





FIGURE AND INDEX NO.	PART NUMBER	DESCRIPTION							UNITS PER ASSY	USABLE ON CODE
		1	2	3	4	5	6	7		
198-	0400118-35								1	A
	0400118-65	#							1	B
	0400118-87	#							1	P
	0400118-85	#					ALL VINYL		1	M
	0400118-89	#					ALL VINYL		1	P
	0400118-36								1	A
	0400118-66	#							1	B
	0400118-88	#							1	P
	0400118-86	#					ALL VINYL		1	M
	0400118-90	#					ALL VINYL		1	P
- 1	1414217-9						RETAINER USED WITH ALL VINYL SEAT ONLY		1	L
							ATTACHING PARTS			
	SDE44BS						POP RIVET UNSE		4	L
							<b>SERIAL 15059019</b>			
- 2	0400118-37	#					COVER ASSEMBLY-SEAT BOTTOM LH		1	
	0400118-38	#					COVER ASSEMBLY-SEAT BOTTOM RH		1	
- 3	0400118-39	#					COVER ASSEMBLY-SEAT BACK		1	
- 4	0411103-1						WELD ASSEMBLY-SEAT BACK LH & RH WHEN EXHAUSTED		1	N
							USE 0414225-1 FOR LH SEAT & 0414225-2 FOR RH SEAT			
	0414225-1						WELD ASSEMBLY-SEAT BACK LH		1	P
	0414225-2						WELD ASSEMBLY-SEAT BACK RH		1	P
							ATTACHING PARTS			
- 5	AN3-13A						BOLT		2	
- 6	NAS679A3						NUT		2	
	AN960-10						WASHER		2	
							ATTACHING PARTS			
- 7	AN315-4R						NUT-SEAT ADJUSTMENT		2	
- 8	NAS428H4-12						BOLT-SEAT ADJUSTMENT		2	
- 9	0411102-1						WELD ASSEMBLY-SEAT BOTTOM LH WHEN EXHAUSTED USE 0414222-1		1	C
	0411102-1	□					WELD ASSEMBLY-SEAT BOTTOM LH WHEN EXHAUSTED USE 0414222-1		1	D
	0414222-1	□					WELD ASSEMBLY-SEAT BOTTOM LH		1	P
	0411102-2						WELD ASSEMBLY-SEAT BOTTOM RH WHEN EXHAUSTED USE 0414222-2		1	C
	0411102-2	□					WELD ASSEMBLY-SEAT BOTTOM RH WHEN EXHAUSTED USE 0414222-2		1	D
	0414222-2	□					WELD ASSEMBLY-SEAT BOTTOM RH		1	P
-10	S1146-1						CLIP-SEAT UPHOLSTERY		14	
-11	0411536-1						CLIP-SEAT UPHOLSTERY		4	
-12	0411266-1						SPRING-RECLINING SEAT		1	
-13	0411105-1						SHAFT ASSEMBLY-RECLINING SEAT LH		1	
	0411105-4						SHAFT ASSEMBLY-RECLINING SEAT RH		1	
-14	0411267-1						CAM		2	
							ATTACHING PARTS			
-15	NAS561CF3-14						COILED PIN		1	
	NAS561C3-14						COILED PIN ALT		1	
-16	0411268-1						HANDLE ASSEMBLY-RECLINING SEAT		1	
							ATTACHING PARTS			
-17	MS20392-1C11						PIN		1	
-18	MS24665-132						COTTER PIN		1	
-19	0411104-3						HANDLE ASSEMBLY-SEAT ADJUSTMENT LH		1	N
	0411104-4						HANDLE ASSEMBLY-SEAT ADJUSTMENT RH		1	N
	0414229-1						HANDLE ASSEMBLY-SEAT ADJUSTMENT LH & RH		1	P
							ATTACHING PARTS			
-20	MS20392-2C37						PIN		1	N
	MS20392-2C59						PIN		1	P
-21	MS24665-132						COTTER PIN		1	
-22	0700106-2						KNOB-HANDLE		1	
							ATTACHING PARTS			
	S102128-8						SCREW CESSNA STANDARD		1	
-23	0311644						CLEVIS-SEAT ADJUSTMENT		1	
							ATTACHING PARTS			
	MS24665-283						COTTER PIN		1	P
-24	0411262-1						PIN-SEAT ADJUSTMENT		1	
							ATTACHING PARTS			
-25	MS20392-1C15						PIN		1	
-26	MS24665-132						COTTER PIN		1	

CONTINUED ON NEXT PAGE

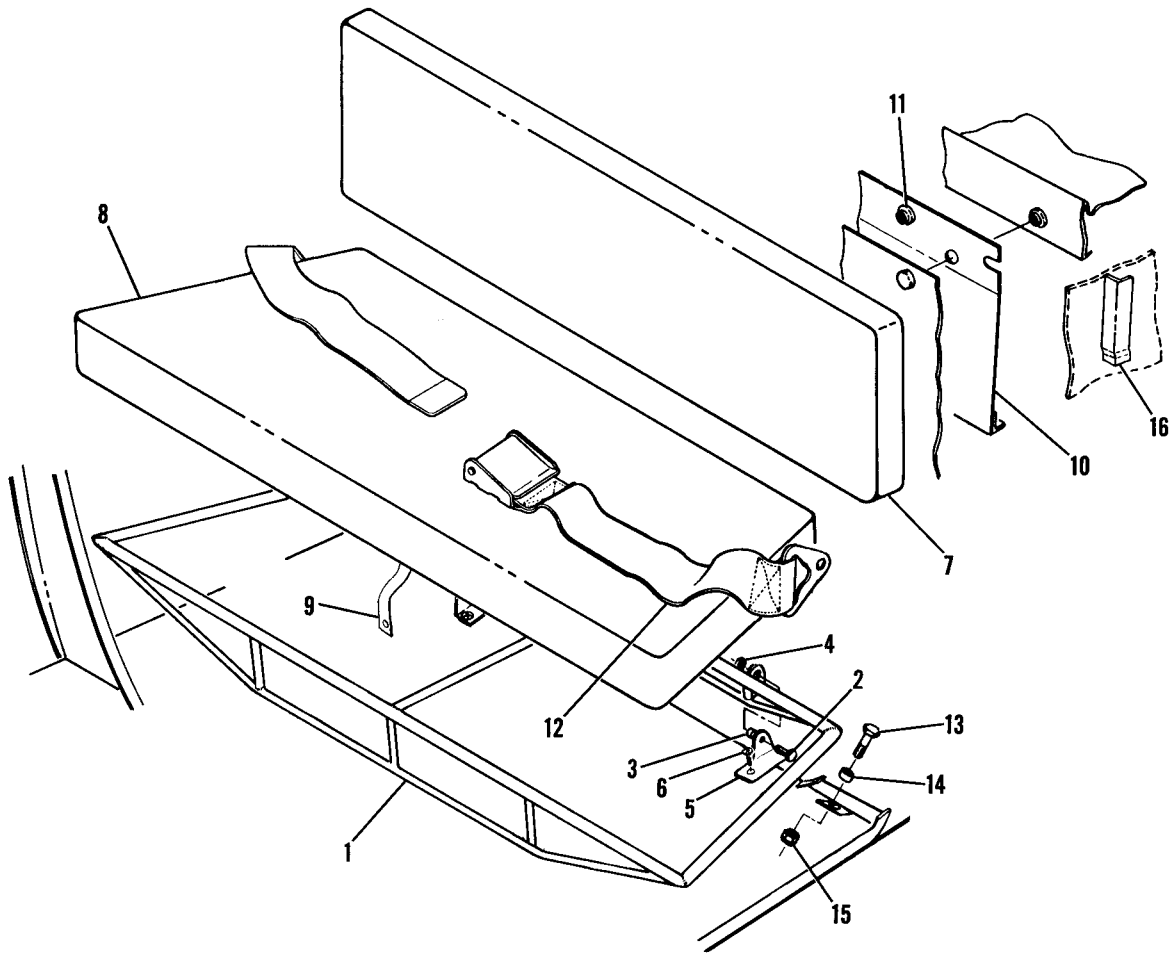


FIGURE AND INDEX NO.	PART NUMBER	DESCRIPTION	UNITS PER ASSY	USABLE ON CODE
19B-27	0411265-1	SPRING-SEAT ADJUSTMENT ----- ATTACHING PARTS -----	1	
-28	MS20392-1C15 MS24665-132	PIN ----- COTTER PIN -----	1 1	
-29	0311310	ROLLER ----- ATTACHING PARTS -----	4	
-30	0311586	BUSHING -----	1	
-31	AN3-11A	BOLT -----	1	
-32	NAS679A3	NUT -----	1	
-33	0411005-5	EXPANDER ASSEMBLY-SEAT BACK LH -----	1	B
	0411005-6	EXPANDER ASSEMBLY-SEAT BACK RH -----	1	B
-34	0411005-3	EXPANDER-SEAT BOTTOM LF -----	1	B
	0411005-4	EXPANDER-SEAT BOTTOM RH -----	1	B
-35	S102124-8	SCREW -----	9	B
-36	0411983-1	SEAT RAIL-OUTBOARD -----	2	E
	0411545-1	* SEAT RAIL-OUTBOARD ----- WHEN EXHAUSTED USE 0411545-1 -----	2	F
	0411545-3	SEAT RAIL-OUTBOARD -----	2	G
-36A	0410219-1	SEAT RAIL-OUTBOARD -----	2	K
	0411983-2	SEAT RAIL-INBOARD -----	2	E
	0411545-2	* SEAT RAIL-INBOARD ----- WHEN EXHAUSTED USE 0411545-2 -----	2	F
-36B	0411545-4	SEAT RAIL-INBOARD -----	2	G
	0410219-2	SEAT RAIL-INBOARD -----	2	K
		ATTACHING PARTS -----		
-37	NAS221-8	SCREW -----	8	
-38	NAS679A3	NUT -----	8	
-39	0411505-1	SEAT STOP ----- ATTACHING PARTS -----	4	H
-40	NAS221-8	SCREW -----	1	H
-41	NAS679A3	NUT -----	1	H
-42	0713074-1	** SEAT STOP ----- ATTACHING PARTS -----	2	J
-43	MS20392-1C21	** PIN -----	1	J
	MS24665-132	** COTTER PIN -----	1	J
-44	0411546-1	STIFFENER ----- ATTACHING PARTS -----	3	
-45	NAS221-8	SCREW -----	2	
	NAS679A3	NUT -----	2	
-46	0411002-2	STOP ASSEMBLY-SEAT ----- ATTACHING PARTS -----	2	G
-47	NAS221-8	SCREW -----	2	G
-48	NAS681A3	NUTPLATE -----	2	G

CONTINUED ON NEXT PAGE

FIGURE AND INDEX NO.	PART NUMBER	DESCRIPTION	UNITS PER ASSY	USABLE ON CODE
198-49	0713074-1	STOP-SEAT ----- ATTACHING PARTS ----- PIN ----- SPACER ----- PIN-COTTER ----- ---*---	4	K
-50	MS20392-1C21	PIN -----	1	K
-51	NAS43DD1-9	SPACER -----	2	K
-52	MS24665-132	PIN-COTTER -----	1	K
<p>NOTE. *WHEN ORDERING THIS PART FOR AIRCRAFT SERIAL 15059019 THRU 15061272 ALSO ORDER PARTS MARKED **.</p> <p>NOTE. #THIS PART NUMBER MUST HAVE A SECOND DASH NUMBER ADDED TO DENOTE COLOR. REFER TO HOW TO ORDER UPHOLSTERY PARTS-PAGE XII.</p> <p>NOTE. □THIS PART NUMBER MUST HAVE A SECOND DASH NUMBER ADDED TO DENOTE COLOR. REFER TO HOW TO ORDER INTERIOR PARTS-PAGE XIII.</p> <p>A---150 SERIAL 15059019 THRU 15060772            B---150 SERIAL 15060773 THRU 15067198                  F150 SERIAL F150-0001 THRU F150-0219            C---150 SERIAL 15059019 THRU 15061532            D---150 SERIAL 15061533 THRU 15067198                  F150 SERIAL F150-0001 THRU F150-0219            E---150 SERIAL 15059019 THRU 15061272            F---150 SERIAL 15061273 THRU 15063059                  F150 SERIAL F150-0001 THRU F150-0029            G---150 SERIAL 15063060 THRU 15063735                  F150 SERIAL F150-0030 THRU F150-0067            H---150 SERIAL 15059019 THRU 15063059                  F150 SERIAL F150-0001 THRU F150-0029            J---150 SERIAL 15061273 &amp; ON                  F150 SERIAL F150-0001 &amp; ON            K---150 SERIAL 15063736 &amp; ON                  F150 SERIAL F150-0068 &amp; ON            L---150 SERIAL 15064533 &amp; ON                  F150 SERIAL F150-0068 &amp; ON            M---150 SERIAL 15064533 THRU 15067198                  F150 SERIAL F150-0068 THRU F150-0219            N---150 SERIAL 15059019 THRU 15067198                  F150 SERIAL F150-0001 THRU F150-0219            P---150 SERIAL 15067199 &amp; ON                  F150 SERIAL F150-0220 &amp; ON</p>				

Seat (Cont)



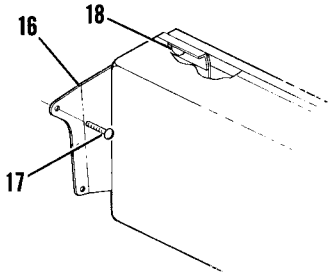
**SERIAL 15059351 THRU 15060087**

Figure 19C. Auxiliary Seat Installation

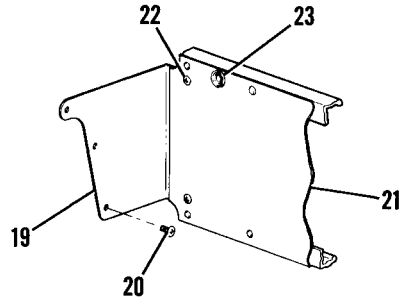


FIGURE AND INDEX NO.	PART NUMBER	DESCRIPTION	UNITS PER ASSY	USABLE ON CODE
		<b>1 2 3 4 5 6 7</b>		
19C-		AUXILIARY SEAT INSTALLATION -----	NP	A
- 1	0711097-2	FRAME ASSEMBLY -----	1	
		ATTACHING PARTS -----		
- 2	AN3-4A	BOLT -----	2	
- 3	NAS43HT3-6	SPACER -----	2	
- 4	NAS679A3	NUT -----	2	
		-----*		
- 5	0711098-3	HINGE-FLOOR FITTING LH -----	1	
	0711098-4	HINGE-FLOOR FITTING RH -----	1	
		ATTACHING PARTS -----		
- 6	AN515-8R8	SCREW -----	2	
	NAS679A08	NUT -----	2	
		-----*		
- 7	0711080-1	BACKREST ASSEMBLY -----	1	
	AN227-7	SOCKET -----	5	
	AN227-6	BUTTON -----	5	
- 8	0711097-4	CUSHION ASSEMBLY -----	1	
- 9	0711097-21	STRAP ASSEMBLY -----	1	
-10	0412505-2	BACK PLATE ASSEMBLY -----	1	
-11	AN227-9	EYELET -----	5	
	AN227-8	STUD -----	5	
-12	S1062-2	BELT ASSEMBLY-SAFETY CESSNA STANDARD -----	1	B
	S1060-14	BELT ASSEMBLY-SAFETY CESSNA STANDARD -----	1	C
		ATTACHING PARTS -----		
-13	AN4-6A	BOLT -----	2	
-14	NAS43HT4-20	SPACER -----	2	
-15	NAS679A4	NUT -----	2	
		-----*		
-16	0412505-5	ANGLE LH -----	1	
	0412505-6	ANGLE RH -----	1	
		 A---150 SERIAL 15059351 THRU 15060087 B---150 SERIAL 15059351 THRU 15059700 C---150 SERIAL 15059701 THRU 15060087		

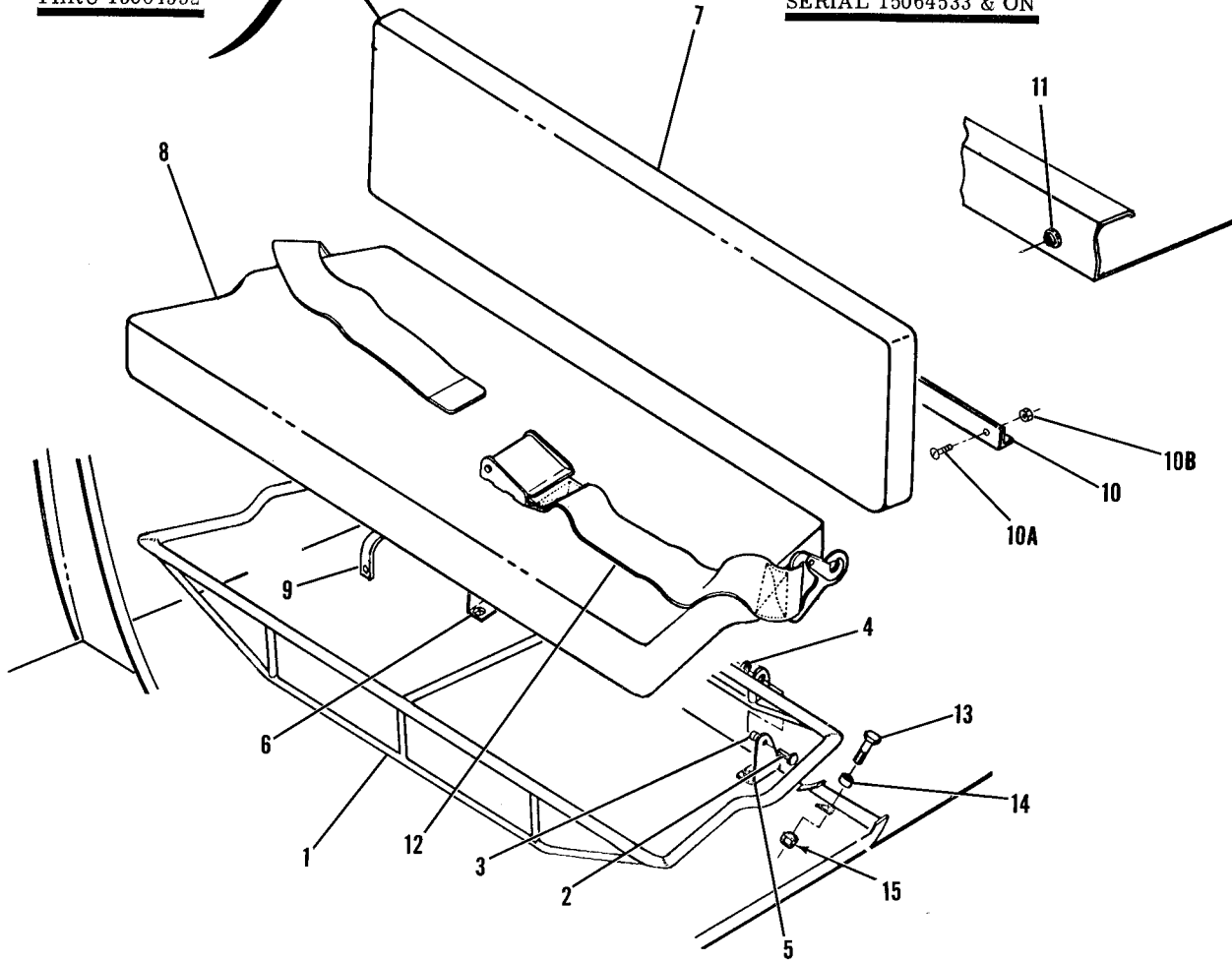
Seat (Cont)



**SERIAL 15061533  
THRU 15064532**



**SERIAL 15064533 & ON**



**SERIAL 15060088 & ON**

Figure 19D. Auxiliary Seat Installation



FIGURE AND INDEX NO.	PART NUMBER	DESCRIPTION							UNITS PER ASSY	USABLE ON CODE
		1	2	3	4	5	6	7		
190-		<b>AUXILIARY SEAT INSTALLATION</b> -----							NP	A
- 1	0400036-2	FRAME ASSEMBLY -----							1	D
	0400134-5	FRAME ASSEMBLY -----							1	E
		ATTACHING PARTS								
- 2	AN3-4A	BOLT -----							2	
- 3	NAS43HT3-6	SPACER -----							2	
- 4	NAS679A3	NUT -----							2	
		<b>SERIAL 15060088 &amp; ON</b> -----								
		-----*								
- 5	0711098-6	HINGE-FLOOR FITTING LH -----							1	D
	0711098-7	HINGE-FLOOR FITTING LH -----							1	E
	0711098-5	HINGE-FLOOR FITTING RH -----							1	D
	0711098-8	HINGE-FLOOR FITTING RH -----							1	E
		ATTACHING PARTS								
- 6	AN515-8R8	SCREW -----							2	
	NAS679A08	NUT -----							2	
	AN960-8	WASHER -----							2	
		-----*								
- 7	0711080-1	BACKREST ASSEMBLY -----							1	
	AN227-7	SOCKET -----							5	
	AN227-6	BUTTON -----							5	
- 8	0400036-3	CUSHION ASSEMBLY -----							1	D
	0400136-1	CUSHION ASSEMBLY -----							1	H
	0400136-6	CUSHION ASSEMBLY -----							1	J
- 9	0400036-16	STRAP ASSEMBLY -----							1	D
-10	0400036-13	BRACE -----							1	D
		ATTACHING PARTS								
-10A	AN515-8R6	SCREW -----							2	D
-10B	NAS679A08	NUT -----							2	D
		-----*								
-11	AN227-9	EYELET -----							6	D
	AN227-8	STUD -----							6	B
-12	S1060-14	BELT ASSEMBLY-SAFETY -----							1	C
	S1060-1	BELT ASSEMBLY-SAFETY -----							1	C
	S1618B3	BELT ASSEMBLY-SEAT BLACK -----							1	F
	S1539B4	BELT ASSEMBLY-SEAT BLACK -----							1	G
	S1746B2	BELT ASSEMBLY-SEAT BLACK -----							1	L
	S1618D3	BELT ASSEMBLY-SEAT TAN -----							1	K
	S1746D2	BELT ASSEMBLY-SEAT TAN -----							1	N
	S1618M3	BELT ASSEMBLY-SEAT BLUE -----							1	K
	S1746M2	BELT ASSEMBLY-SEAT BLUE -----							1	M
	S1746P2	BELT ASSEMBLY-SEAT ROYAL BLUE -----							1	P
	S1618J3	BELT ASSEMBLY-SEAT RED -----							1	K
	S1746J2	BELT ASSEMBLY-SEAT RED -----							1	M
	S1746R2	BELT ASSEMBLY-SEAT DRAGON RED -----							1	P
	S1618K3	BELT ASSEMBLY-SEAT AVOCADO -----							1	K
	S1746K2	BELT ASSEMBLY-SEAT AVOCADO -----							1	M
	S1746S2	BELT ASSEMBLY-SEAT VELT GOLD -----							1	P
		ATTACHING PARTS								
-13	AN4-4A	BOLT -----							2	D
	AN4-6A	BOLT -----							2	E
-14	NAS43HT4-12	SPACER -----							2	D
	NAS43HT4-20	SPACER -----							2	E
-15	NAS679A4	NUT -----							2	
		-----*								
-16	0400134-2	SUPPORT ASSEMBLY-BACKREST -----							1	H
		ATTACHING PARTS								
-17	AN520-10R8	SCREW -----							6	H
		-----*								
-18	AN227-9	EYELET -----							5	H
	AN227-8	STUD -----							5	H

CONTINUED ON NEXT PAGE

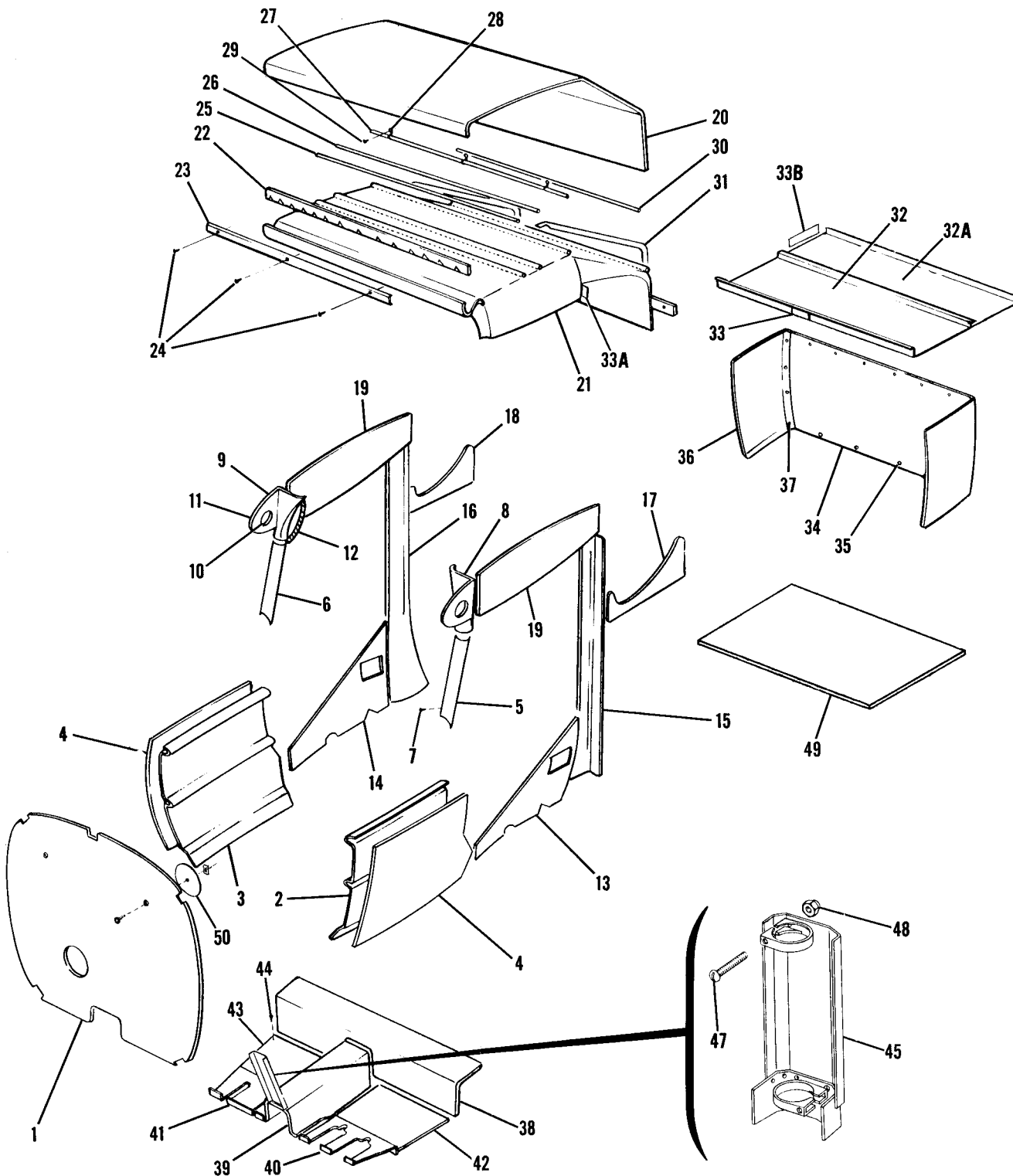


FIGURE AND INDEX NO.	PART NUMBER	DESCRIPTION	UNITS PER ASSY	USABLE ON CODE
19D-19	0400138-1	SUPPORT ASSEMBLY-BACKREST LH -----	1	J
	0400138-2	SUPPORT ASSEMBLY-BACKREST RH -----	1	J
-20	NAS388-104	ATTACHING PARTS SCREW -----	3	J
	NAS682A3K	NUTPLATE -----	2	J
-21	0400131-1	SEAT BACK SUPPORT ASSEMBLY -----	1	J
		ATTACHING PARTS SCREW -----	4	J
-22	AN520-10R5	STUD -----	5	J
-23	AN227-8	EYELET -----	5	J
	AN227-9			
<p>NOTE. #THIS PART NUMBER MUST HAVE A SECOND DASH NUMBER ADDED TO DENOTE COLOR. REFER TO HOW TO ORDER UPHOLSTERED PARTS-PAGE XII.</p> <p>NOTE. □THIS PART NUMBER MUST HAVE A SECOND DASH NUMBER ADDED TO DENOTE COLOR. REFER TO HOW TO ORDER INTERIOR PARTS-PAGE XIII.</p> <p>A---150 SERIAL 15060088 &amp; ON F150 SERIAL F150-0001 &amp; ON</p> <p>B---150 SERIAL 15060088 THRU 15060772</p> <p>C---150 SERIAL 15060773 THRU 15061532</p> <p>D---150 SERIAL 15060088 THRU 15061532</p> <p>E---150 SERIAL 15061533 &amp; ON F150 SERIAL F150-0001 &amp; ON</p> <p>F---150 SERIAL 15061533 THRU 15067198, 15067573 &amp; ON</p> <p>G---F150 SERIAL F150-0001 THRU F150-0219</p> <p>H---150 SERIAL 15061533 THRU 15064532 F150 SERIAL F150-0001 THRU F150-0067</p> <p>J---150 SERIAL 15064533 &amp; ON F150 SERIAL F150-0068 &amp; ON</p> <p>K---150 SERIAL 15064533 THRU 15067198, 15067573 &amp; ON</p> <p>L---150 SERIAL 15067199 THRU 15067572 F150 SERIAL F150-0220 &amp; ON</p> <p>M---150 SERIAL 15067199 THRU 15067572</p> <p>N---150 SERIAL 15067199 THRU 15067572 F150 SERIAL F150-0390 &amp; ON</p> <p>P---F150 SERIAL F150-0390 &amp; ON</p>				



This page intentionally left blank.

## Upholstery



**SERIAL 17001 THRU 15060087**

Figure 20. Upholstery Installation

FIGURE AND INDEX NO.	PART NUMBER	DESCRIPTION	UNITS PER ASSY	USABLE ON CODE
		<b>1 2 3 4 5 6 7</b>		
20 -		UPHOLSTERY INSTALLATION -----	NP	M
- 1	0400118-3	PANEL ASSEMBLY-FIREWALL -----	1	
- 2	0400118-25	PANEL ASSEMBLY-LH -----	1	
- 3	0400118-8	PANEL ASSEMBLY-RH -----	1	
- 4	0400118-11	SOUNDPROOFING -----	2	
- 5	0411893	TRIM-DOOR POST LH -----	1	
- 6	0411893-1	TRIM-DOOR POST -----	1	
		ATTACHING PARTS -----		
- 7	S1021Z6-4	SCREW CESSNA STANDARD -----	2	
		-----*		
- 8	0411974-1	SHIELD ASSEMBLY-LEFT -----	1	
- 9	0411974-2	SHIELD ASSEMBLY-RIGHT -----	1	
		ATTACHING PARTS -----		
	S1021Z4-4	SCREW CESSNA STANDARD -----	2	
		-----*		
-10	0413235	GROMMET -----	1	
-11	S202RB	MOULDING -----	AR	
-12	0511229-2	STRAP-ASSIST WHEN EXHAUSTED USE S-1362-5 -----	2	H
	S1362-1	HANDLE ASSEMBLY-ASSIST WHEN EXHAUSTED USE S-1365-2 -----	2	K
	S1362-5	HANDLE ASSEMBLY-ASSIST -----	2	L
		ATTACHING PARTS -----		
	T- 5/8	SCREW AUV -----	2	H
	AN509-10R10	SCREW -----	2	J
		-----*		
-13	0400118-19	PANEL LH -----	1	
	0400118-40	PANEL LH USE WITH RECLINING SEAT -----	1	
-14	0400118-20	PANEL RH -----	1	
	0400118-41	PANEL RH USE WITH RECLINING SEAT -----	1	
		ATTACHING PARTS -----		
	S1021Z6-6	SCREW CESSNA STANDARD -----	2	
		-----*		
-15	0400118-15	PANEL-REAR DOORPOST LH -----	1	
-16	0400118-16	PANEL-REAR DOORPOST RH -----	1	
-17	0400118-17	PANEL-LH -----	1	C
	0400118-33	PANEL LH -----	1	D
-18	0400118-18	PANEL-RH -----	1	C
	0400118-34	PANEL RH -----	1	D
-19		SOUNDPROOFING PART OF 0400118-30 -----	NP	
-20	0400118-30	SOUNDPROOFING-CABIN TOP -----	1	
-21	0400118-4	HEADLINING ASSEMBLY -----	1	C
	0400118-29	HEADLINING ASSEMBLY -----	1	D
-22	0412496	STRIP-HEADLINING -----	1	
		ATTACHING PARTS -----		
	S1021Z4-4	SCREW CESSNA STANDARD -----	4	
		-----*		
-23	0412495-1	STRIP-COVER -----	1	
		ATTACHING PARTS -----		
-24	49265	STUD UC -----	3	
		-----*		
-25	0400118-24	WIRE-HEADLINING -----	1	
-26	0400118-27	WIRE-HEADLINING -----	1	
-27	0400118-26	WIRE-HEADLINING -----	1	
		ATTACHING PARTS -----		
-28	0811406-1	CLIP -----	3	
-29	S1021Z6-6	SCREW CESSNA STANDARD -----	3	
		-----*		
-30	0400118-23	WIRE-HEADLINING -----	1	C
	0400118-42	WIRE-HEADLINING -----	1	D
-31	0411695-1	CHANNEL ASSEMBLY -----	2	C
	0412503-1	CHANNEL ASSEMBLY -----	2	D
		ATTACHING PARTS -----		
	S1021Z4-6	SCREW CESSNA STANDARD -----	3	
		-----*		
-32	0411677-1	SHELF-BAGGAGE -----	1	A
	0411677	SHELF-BAGGAGE -----	1	B
		ATTACHING PARTS -----		
	S1021Z4-4	SCREW -----	13	
		-----*		
-32A	0412500-1	SHELF-BAGGAGE -----	1	D
		ATTACHING PARTS -----		
	S1021Z6-8	SCREW CESSNA STANDARD -----	5	D
	S1021Z8-8	SCREW CESSNA STANDARD -----	4	D
		-----*		

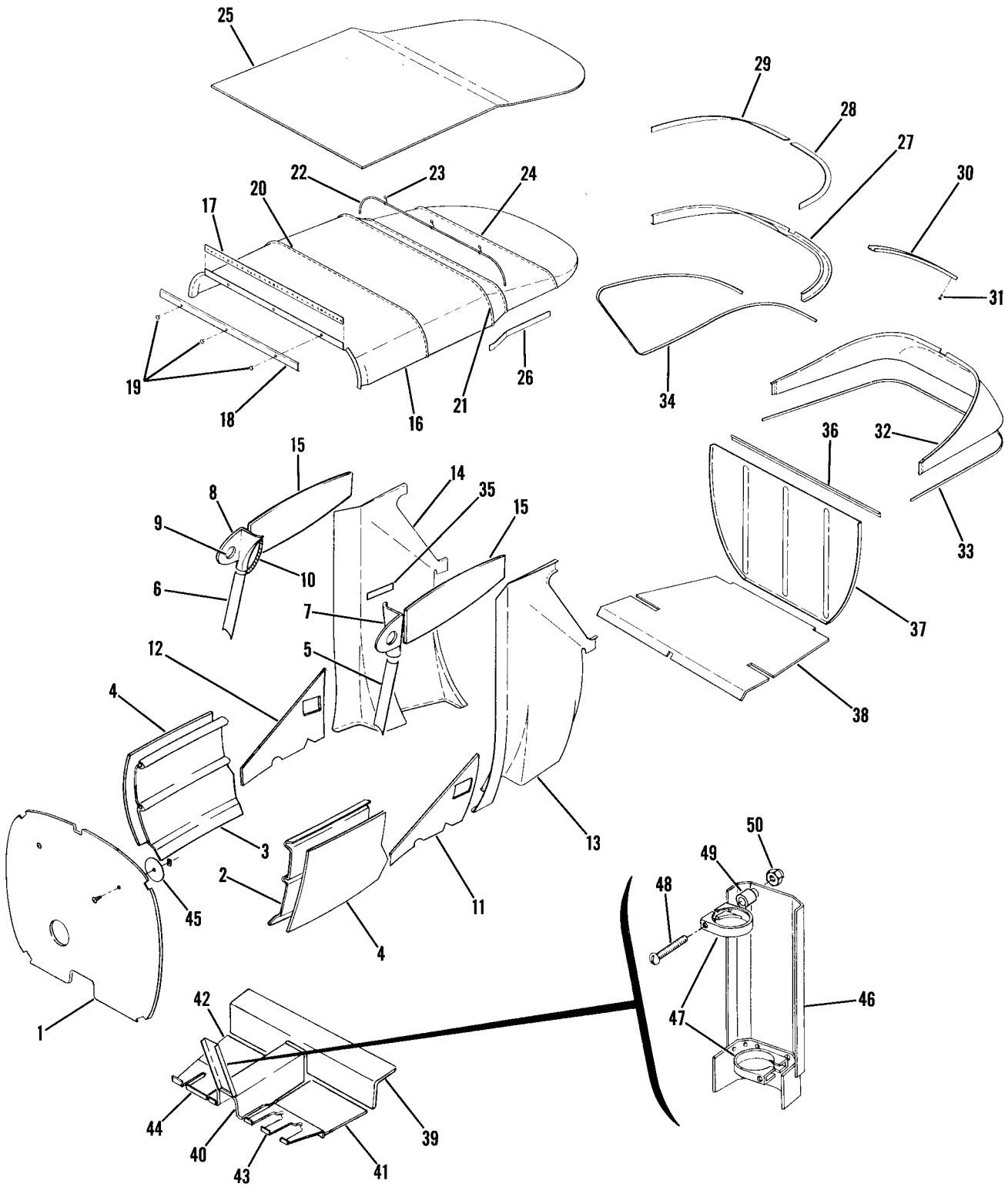
CONTINUED ON NEXT PAGE

FIGURE AND INDEX NO.	PART NUMBER	DESCRIPTION	UNITS PER ASSY	USABLE ON CODE
20 -33 -33A	0411732-1	PLACARD-BAGGAGE LOAD LIMIT -----	1	F
	0512166-4 0710032-2	PLACARD ASSEMBLY-BAGGAGE LOAD LIMIT ----- PLATE-BACKING -----	1 1	G G
		ATTACHING PARTS		
	S1021Z8-6	SCREW CESSNA STANDARD -----	2	G
	NAS446-4-3	NUT -----	2	G
		-----*		
-33B	0512166-2	PLACARD-BAGGAGE LOAD LIMIT -----	1	P
-34	0400118-5	WALL ASSEMBLY-BAGGAGE COMPARTMENT -----	1	
-35	AN227-118	BUTTON -----	11	
	AN227-12B	SOCKET -----	11	
-36	0400118-6	PANEL-BAGGAGE COMPARTMENT RH -----	1	
-37	AN227-118	BUTTON -----	5	
	AN227-12B	SOCKET -----	5	
	AN227-13B	STUD -----	5	
	AN227-14B	EYELET -----	5	
-38	0400118-9	CARPET -----	1	
-39	0400118-22	CARPET -----	1	
	0411854	SHIELD ASSEMBLY-FLOORBOARD CENTER -----	1	
-40	0411599-3	SHIELD-RUDDER BAR LH -----	1	
-41	0411971-1	SHIELD-RUDDER BAR RH -----	1	
	0411836-3	SHIELD-RUDDER BAR RH USE WITH RH CONTROLS ONLY -----	1	
		ATTACHING PARTS		
	S1021Z8-6	SCREW CESSNA STANDARD -----	9	
		-----*		
-42	0413270-3	PLATE-FLOOR BOARD LH -----	1	
-43	0413270-4	PLATE FLOOR BOARD RH -----	1	
		ATTACHING PARTS		
-44	S1021Z8-8	SCREW CESSNA STANDARD -----	4	
		-----*		
-45	0411293-4	SHIELD-CONTROL TEE -----	1	C
	0411293-5	SHIELD-CONTROL TEE -----	1	D
-46	0411840	CLAMP-SHIELD -----	2	
		ATTACHING PARTS		
-47	AN520-10R40	SCREW UPPER CLAMP ONLY -----	1	
	AN520-10R36	SCREW LOWER CLAMP ONLY -----	1	
-48	NAS679A3	NUT -----	1	
	NAS43HT3-32	SPACER UPPER CLAMP ONLY -----	1	D
		-----*		
-49	0400118-21	FLOOR COVERING-BAGGAGE -----	1	
-50	0400123-1	DISC -----	1	
		ATTACHING PARTS		
	NAS446-5-3	NUT -----	1	
	S1021Z10-10	SCREW CESSNA STANDARD -----	1	
		-----*		
<p>A---150 SERIAL 17001 THRU 17221                      B---150 SERIAL 17222 THRU 15060087                      C---150 SERIAL 17001 THRU 59018                      D---150 SERIAL 15059019 THRU 15060087                      F---150 SERIAL 17001 THRU 15059350                      G---150 SERIAL 15059351 THRU 15059720                      H---150 SERIAL 17001 THRU 15059700                      J---150 SERIAL 15059701 THRU 15060087                      K---150 SERIAL 15059701 THRU 15060002                      L---150 SERIAL 15060003 THRU 15060087                      M---150 SERIAL 17001 THRU 15060087                      N---150 SERIAL 17829 THRU 15060087                      P---150 SERIAL 15059721 THRU 15060087</p>				

FIGURE AND INDEX NO.	PART NUMBER	DESCRIPTION	UNITS PER ASSY	USABLE ON CODE
		<b>1 2 3 4 5 6 7</b>		
20A-		UPHOLSTERY INSTALLATION -----	NP	A
- 1	0400118-3	PANEL ASSEMBLY-FIREWALL -----	1	
- 2	0400118-25	PANEL ASSEMBLY-LH -----	1	
- 3	0400118-8	PANEL ASSEMBLY-RH -----	1	
- 4	0400118-11	SOUNDPROOFING -----	2	
- 5	0411893	TRIM-DOORPOST LH -----	1	
- 6	0411893-1	TRIM-DOORPOST RH -----	1	
		ATTACHING PARTS -----		
	S1021Z6-4	SCREW -----	2	
		-----*		
- 7	0411974-1	SHIELD ASSEMBLY-LH -----	1	
- 8	0411974-2	SHIELD ASSEMBLY-RH -----	1	
		ATTACHING PARTS -----		
	S1021Z4-4	SCREW -----	2	
		-----*		
- 9	0413235	GROMMET -----	1	
-10	S1362-5	HANDLE ASSEMBLY-ASSIST -----	2	
		ATTACHING PARTS -----		
	AN509-10R10	SCREW -----	2	
		-----*		
-11	0400118-19	PANEL-LH -----	1	
	0400118-40	PANEL-LH USE WITH RECLINING SEAT -----	1	
-12	0400118-20	PANEL-RH -----	1	
	0400118-41	PANEL-RH USE WITH RECLINING SEAT -----	1	
		ATTACHING PARTS -----		
	S1021Z6-6	SCREW -----	2	
		-----*		
-13	0400118-47	PANEL-REAR DOORPOST LH -----	1	B
	0400118-61	PANEL ASSEMBLY-REAR DOORPOST LH -----	1	C
-14	0400118-48	PANEL-REAR DOORPOST RH -----	1	B
	0400118-60	PANEL ASSEMBLY-REAR DOORPOST RH -----	1	C
-15		SOUNDPROOFING PART OF 0400118-30 -----	NP	
-16	0400118-54	HEADLINING ASSEMBLY -----	1	E
	0400118-67	HEADLINING ASSEMBLY -----	1	F
-17	0412496	STRIP-FABRIC ATTACHMENT -----	1	
		ATTACHING PARTS -----		
	S1021Z4-4	SCREW -----	4	
		-----*		
-18	0412495	STRIP-FABRIC COVER -----	1	
		ATTACHING PARTS -----		
-19	49265	STUD UC -----	3	
		-----*		
-20	0400118-24	WIRE-HEADLINING -----	1	
-21	0400118-59	WIRE-HEADLINING -----	1	
		ATTACHING PARTS -----		
	S1021Z4-4	SCREW -----	2	
		-----*		
-22	0400118-26	WIRE-HEADLINING -----	1	D
		ATTACHING PARTS -----		
-23	0811406-1	CLIP -----	3	D
	S1021Z6-6	SCREW -----	3	D
		-----*		
-24	0400118-53	WIRE-HEADLINING -----	1	
-25	0400118-30	SOUNDPROOFING-CABIN TOP -----	1	
-26	0412022-1	RETAINER ASSEMBLY-HEADLINER LH -----	1	
	0412022-2	RETAINER ASSEMBLY-HEADLINER RH -----	1	
-27	0400118-50	TRIM COVER-REAR WINDOW -----	1	
		ATTACHING PARTS -----		
	S1021Z4-4	SCREW -----	8	
		-----*		
-28	0412509-1	RETAINER ASSEMBLY-HEADLINER-LH -----	1	
-29	0412509-2	RETAINER ASSEMBLY-HEADLINER-RH -----	1	
-30	0400118-44	COVER-CENTER STRIP -----	1	
		ATTACHING PARTS -----		
	S1021Z4-4	SCREW -----	4	
-31	S1021Z4-6	SCREW -----	1	
		-----*		

CONTINUED ON NEXT PAGE

Upholstery (Cont)



**SERIAL 15060088 THRU 15061532**

Figure 20A. Upholstery Installation

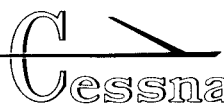
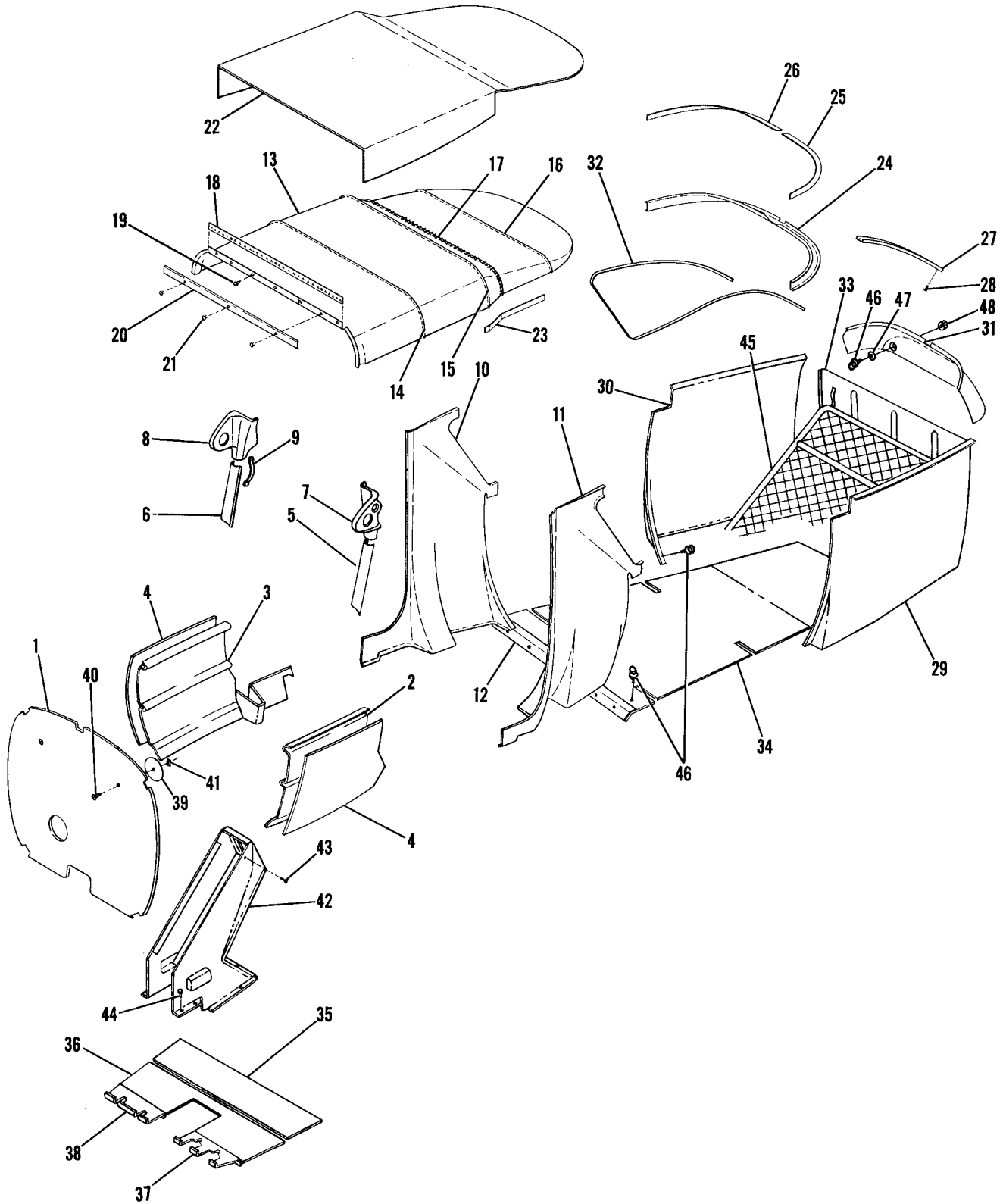


FIGURE AND INDEX NO.	PART NUMBER	DESCRIPTION							UNITS PER ASSY	USABLE ON CODE	
		1	2	3	4	5	6	7			
20A-32	0400118-49	□	PANEL-HAT SHELF -----							1	
			ATTACHING PARTS -----								
	S102124-4		SCREW -----							8	
			-----*								
-33	S1247-1W		SEAL-72.0 IN. LG.	BULK ITEM	REF S-1247-1W72	-----		1			
-34	S1247-1W		SEAL-67.0 IN. LG.	BULK ITEM	REF S-1247-1W67	-----		2			
-35	0512166-1		PLACARD-BAGGAGE LOAD LIMIT -----							1	
-36	0400118-55		RETAINER-UPHOLSTERY -----							1	
-37	0400118-51	□	WALL-BAGGAGE COMPARTMENT AFT -----							1	
			ATTACHING PARTS -----								
	S102124-6		SCREW -----							14	
			-----*								
-38	0400118-56		FLOOR COVERING-BAGGAGE -----							1	
-39	0400118-9		CARPET -----							1	
-40	0400118-22		CARPET -----							1	
	0411854		SHIELD ASSEMBLY-FLOORBOARD CENTER -----							1	
-41	0413270-3		PLATE-FLOORBOARD LH -----							1	
-42	0413270-4		PLATE-FLOORBOARD RH -----							1	
			ATTACHING PARTS -----								
	S102128-8		SCREW -----							4	
			-----*								
-43	0411599-3		SHIELD-RUDDER BAR LH -----							1	
-44	0411971-1		SHIELD-RUDDER BAR RH -----							1	
	0411836-3		SHIELD-RUDDER BAR RH	USE WITH RH CONTROLS ONLY	-----			1			
			ATTACHING PARTS -----								
	S102128-6		SCREW -----							9	
			-----*								
-45	0400123-1		DISC -----							1	
			ATTACHING PARTS -----								
	S1021210-10		SCREW -----							1	
	NAS446-5-3		NUT -----							1	
			-----*								
-46	0411293-5		SHIELD-CONTROL TEE -----							1	
-47	0411840		CLAMP-SHIELD -----							2	
			ATTACHING PARTS -----								
-48	AN520-10R40		SCREW	UPPER CLAMP ONLY	-----			1			
	AN520-10R36		SCREW	LOWER CLAMP ONLY	-----			1			
-49	NAS43HT3-32		SPACER	UPPER CLAMP ONLY	-----			1			
-50	NAS679A3		NUT -----							1	
			-----*								
<p>NOTE. □THIS PART NUMBER MUST HAVE A SECOND DASH NUMBER ADDED TO DENOTE COLOR. REFER TO HOW TO ORDER INTERIOR PARTS-PAGE XIII.</p>											
<p>A---150 SERIAL 15060088 THRU 15061532            B---150 SERIAL 15060088 THRU 15060772            C---150 SERIAL 15060773 THRU 15061532            D---150 SERIAL 15060088 THRU 15061260            E---150 SERIAL 15060088 THRU 15060844            F---150 SERIAL 15060845 THRU 15061532</p>											

Upholstery (Cont)



**SERIAL 15061533 THRU 15064532**

Figure 20B. Upholstery Installation





FIGURE AND INDEX NO.	PART NUMBER		DESCRIPTION	UNITS PER ASSY	USABLE ON CODE
20B-			UPHOLSTERY INSTALLATION	NP	A
- 1	0400118-3	#	PANEL ASSEMBLY-FIREWALL	1	
- 2	0400129-3	□	PANEL ASSEMBLY-LH	1	
- 3	0400129-2	□	PANEL ASSEMBLY-RH	1	
- 4	0400118-11		SOUNDPROOFING	2	
- 5	0411893	□	TRIM-DOORPOST LH	1	
- 6	0411893-1	□	TRIM-DOORPOST RH	1	
	S1021Z6-4		ATTACHING PARTS		
			SCREW	2	
			-----*		
- 7	0411974-5	□	SHIELD-LH	1	
- 8	0411974-6	□	SHIELD-RH	1	
	S1021Z4-4		ATTACHING PARTS		
			SCREW	4	
			-----*		
- 9	S1362-6		HANDLE ASSEMBLY-ASSIST	2	
	AN509-10R12		ATTACHING PARTS		
			SCREW	2	
			-----*		
-10	0400129-5	□	PANEL-REAR DOORPOST LH	1	
-11	0400129-4	□	PANEL-REAR DOORPOST RH	1	
-12	0400129-20		RETAINER-FLOOR COVERING	1	
	S1021Z6-6		ATTACHING PARTS		
			SCREW	5	
			-----*		
-13	0400129-8	#	HEADLINING ASSEMBLY	1	
-14	0400118-24		WIRE-HEADLINING	1	
-15	0400118-59		WIRE-HEADLINING	1	
-16	0400118-53		WIRE-HEADLINING	1	
-17	0511001-150		ZIPPER	1	
-18	0412496		STRIP-FABRIC ATTACHMENT	1	
	S1021Z4-4		ATTACHING PARTS		
			SCREW	4	
			-----*		
-20	0412495-1		STRIP-FABRIC COVER	1	
			ATTACHING PARTS		
-21	49265		PLUG BUTTON UC	3	
			-----*		
-22	0400118-30		SOUNDPROOFING-HEADLINER	1	
-23	0412022-1		RETAINER ASSEMBLY-HEADLINER LH	1	
	0412022-2		RETAINER ASSEMBLY-HEADLINER RH	1	
-24	0400118-50	□	TRIM COVER-REAR WINDOW	1	
	S1021Z4-4		ATTACHING PARTS		
			SCREW	8	
			-----*		
-25	0412509-1		RETAINER ASSEMBLY-HEADLINER LH	1	
-26	0412509-2		RETAINER ASSEMBLY-HEADLINER RH	1	
-27	0400118-44	□	COVER-CENTER STRIP	1	
	S1021Z4-6		ATTACHING PARTS		
			SCREW	1	
	S1021Z4-4		SCREW	4	
			-----*		
-29	0400129-13	□	PANEL-BAGGAGE COMPARTMENT LH	1	
-30	0400129-12	□	PANEL-BAGGAGE COMPARTMENT RH	1	
-31	0400129-19	□	PANEL ASSEMBLY-BAGGAGE SHELF	1	
-32	S1948-2		SEAL-67.0 IN LG BULK ITEM REF S1948-2-67.0	2	
-33	0400129-15	□	PANEL-BAGGAGE COMPARTMENT AFT	1	
-34	0400129-16	#	FLOOR COVERING BAGGAGE	1	
-35	0400129-6	#	CARPET	1	
-36	0413026-4		PLATE-SCUFFBOARD	1	
	S1021Z8-10		ATTACHING PARTS		
			SCREW	15	
			-----*		
-37	0411599-5	□	SHIELD-RUDDER BAR LH	1	
-38	0411971-1	□	SHIELD-RUDDER BAR RH	1	
	0411836-3	□	SHIELD-RUDDER BAR USE WITH RH CONTROLS ONLY	1	
	S1021Z8-6		ATTACHING PARTS		
			SCREW	9	
			-----*		

SERIAL 15061533  
THRU 15064532

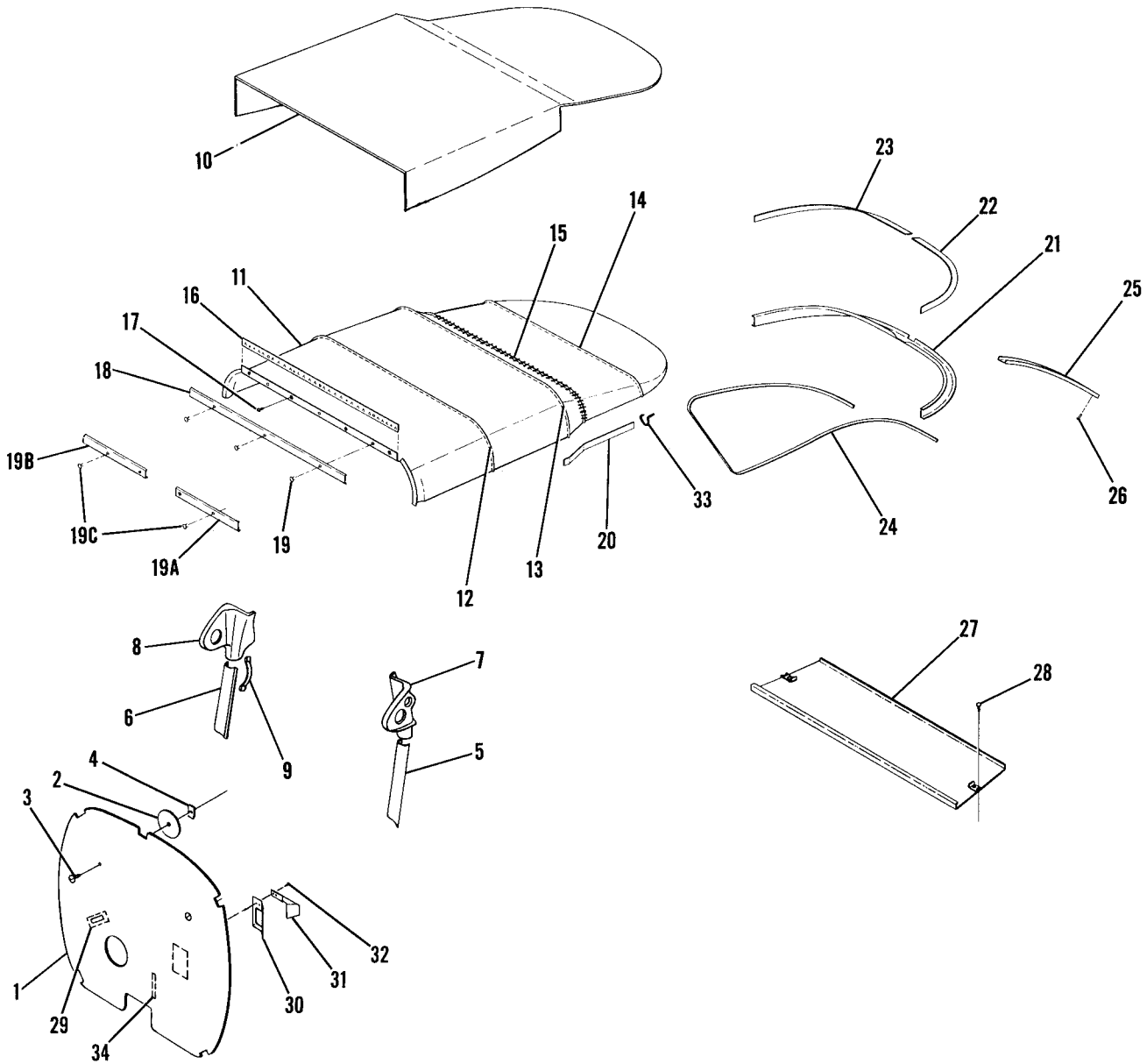
CONTINUED ON NEXT PAGE



FIGURE AND INDEX NO.	PART NUMBER	DESCRIPTION							UNITS PER ASSY	USABLE ON CODE
		1	2	3	4	5	6	7		
20B-39	0400123-1	DISC -----							2	
-40	S1021Z10-10	ATTACHING PARTS -----							1	
-41	NAS446-5-3	SCREW -----							1	
		NUT -----							1	
		-----*								
-42	0411004-1	CONSOLE ASSEMBLY -----							1	
		ATTACHING PARTS -----								
-43	S1021A6-6	SCREW -----							2	
-44	S1021Z8-6	SCREW -----							7	
		-----*								
-45	0500236-3	NET-BAGGAGE -----							1	
		ATTACHING PARTS -----								
-46	1211203-1	EYE BOLT -----							4	
-47	AN970-3	WASHER -----							2	
-48	NAS679A3	NUT -----							2	
		-----*								
<p>NOTE. #THIS PART NUMBER MUST HAVE A SECOND DASH NUMBER ADDED TO DENOTE COLOR. REFER TO HOW TO ORDER INTERIOR PARTS-PAGE XIII.</p> <p>NOTE. #THIS PART NUMBER MUST HAVE A SECOND DASH NUMBER ADDED TO DENOTE COLOR. REFER TO HOW TO ORDER UPHOLSTERED PARTS-PAGE XII.</p> <p>A---150 SERIAL 15061533 THRU 15064532 F150 SERIAL F150-0001 THRU F150-0067</p>										

FIGURE AND INDEX NO.	PART NUMBER		DESCRIPTION	UNITS PER ASSY	USABLE ON CODE
			<b>1 2 3 4 5 6 7</b>		
20C-			UPHOLSTERY INSTALLATION-CABIN TOP & FIREWALL -----	NP	A
- 1	0400118-3	#	PANEL ASSY-FIREWALL -----	1	
- 2	0400123-1		DISC -----	2	
			ATTACHING PARTS		
- 3	S1021Z10-10		SCREW -----	1	
- 4	NAS446-5-3		NUT -----	1	
			<b>SERIAL 15064533 &amp; ON</b>		
			*-----		
- 5	0411893	□	TRIM-DOORPOST LH -----	1	D
	0413449-1		TRIM-DOORPOST LH -----	1	E
- 6	0411893-1	□	TRIM-DOORPOST RH -----	1	
			ATTACHING PARTS		
	S1021Z6-4		SCREW -----	2	
			*-----		
- 7	0411974-5	□	SHIELD-LH -----	1	D
	0413484-1	□	SHIELD ASSEMBLY-LH -----	1	E
- 8	0411974-6	□	SHIELD-RH -----	1	
			ATTACHING PARTS		
	S1021Z4-4		SCREW -----	4	
			*-----		
- 9	S1685-1		HANDLE ASSEMBLY-ASSIST -----	2	B
	S1685-3		HANDLE ASSEMBLY-ASSIST -----	2	G
			ATTACHING PARTS		
	AN515-6R12		SCREW -----	2	
			*-----		
-10	0400118-30		SOUNDPROOFING-HEADLINER -----	1	
-11	0400129-8	#	HEADLINING ASSEMBLY -----	1	
-12	0400118-24		WIRE-HEADLINING -----	1	
-13	0400118-59		WIRE-HEADLINING -----	1	
-14	0400118-53		WIRE-HEADLINING -----	1	
-15	0511001-150		ZIPPER -----	1	
			CONTINUED ON NEXT PAGE		

Upholstery (Cont)

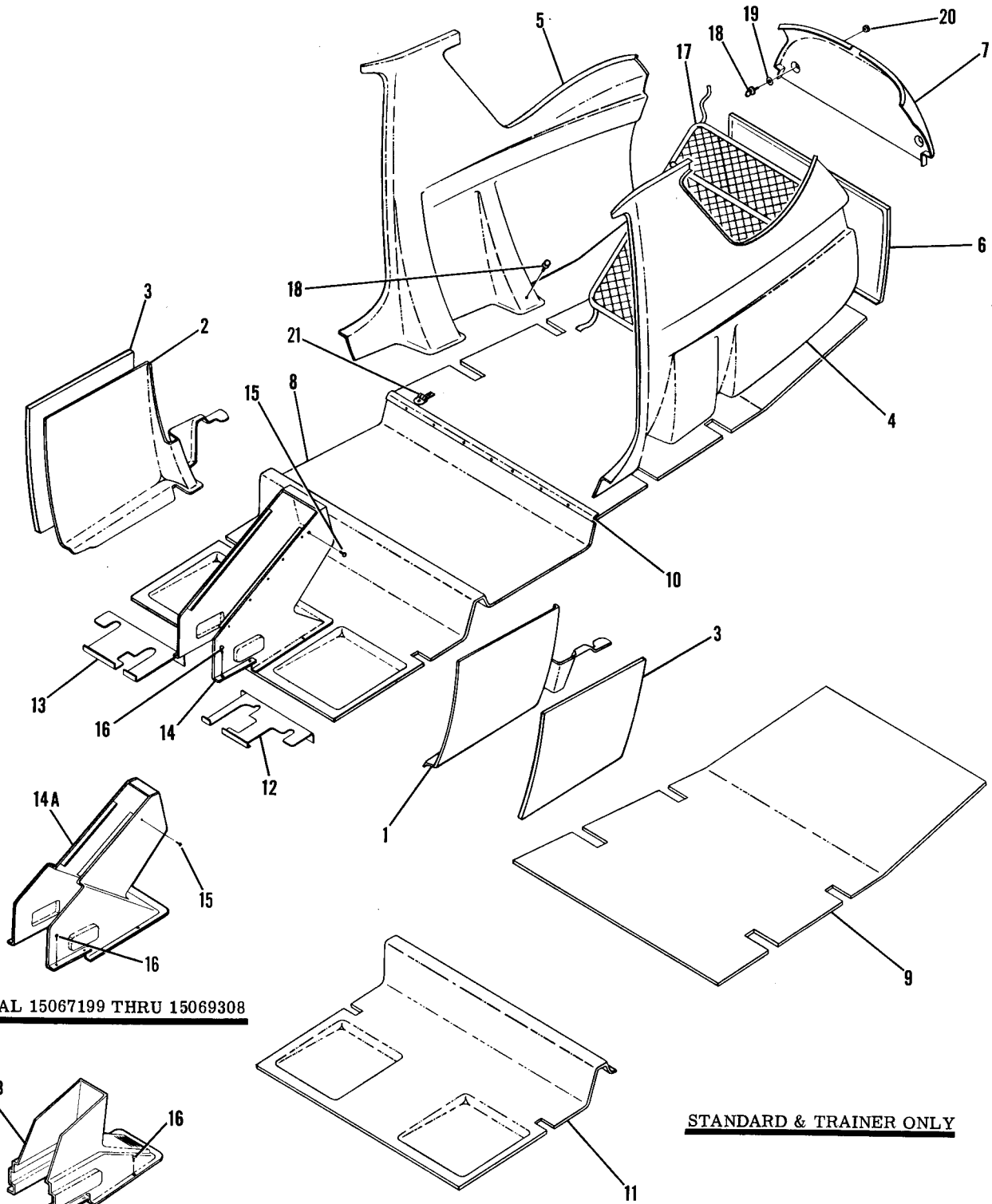


**SERIAL 15064533 & ON**

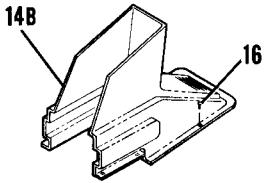
Figure 20C. Cabin Top And Firewall Upholstery Installation

FIGURE AND INDEX NO.	PART NUMBER	DESCRIPTION	UNITS PER ASSY	USABLE ON CODE
		<b>1 2 3 4 5 6 7</b>		
20C-16	0412496 0412496-1	STRIP-FABRIC ATTACHMENT ----- STRIP-FABRIC ATTACHMENT -----	1 1	B G
-17	S1021Z4-4	ATTACHING PARTS ----- SCREW ----- -----*	4	
-18	0412495-1 0413440-1	STRIP-FABRIC COVER ----- STRIP-FABRIC COVER -----	1 1	D F
		ATTACHING PARTS -----		
-19	49265	PLUG BUTTON UC ----- -----*	3	
-19A	0413476-1	STRIP-FABRIC COVER LH -----	1	G
-19B	0413476-2	STRIP-FABRIC COVER RH -----	1	G
		ATTACHING PARTS -----		
-19C	49265K2220	PLUG BUTTON UC ----- -----*	1	G
-20	0412022-1 0412022-2	RETAINER ASSEMBLY-HEADLINER LH ----- RETAINER ASSEMBLY-HEADLINER RH -----	1 1	
-21	0400118-50	TRIM COVER-REAR WINDOW ----- ATTACHING PARTS -----	1	
	S1021Z4-4	SCREW ----- -----*	8	
-22	0412509-1	RETAINER ASSEMBLY-HEADLINER LH -----	1	
-23	0412509-2	RETAINER ASSEMBLY-HEADLINER RH -----	1	
-24	S1948-2	SEAL-67.0 IN LG BULK ITEM REF S1948-2-67.0 -----	2	
-25	0400118-44	COVER-CENTER STRIP ----- ATTACHING PARTS -----	1	
-26	S1021Z4-6 S1021Z4-4	SCREW ----- SCREW ----- -----*	1 4	
-27	0412070-2 0412070-5	SHELF ASSEMBLY-UTILITY WHEN EXHAUSTED USE 0412070-5 ----- SHELF ASSEMBLY-UTILITY -----	1 1	B G
		ATTACHING PARTS -----		
-28	1089	STUD DIGR ----- -----*	2	
-29	0400207-2	RETAINER-FIREWALL UPHOLSTERY ----- ATTACHING PARTS -----	1	
	S1021A6-6C	SCREW ----- -----*	4	
-30	0400207-1	RETAINER-FIREWALL UPHOLSTERY -----	1	
-31	0400329-1	DEFLECTOR-HEATER ----- ATTACHING PARTS -----	1	C
-32	S1021A6-6C	SCREW ----- -----*	3	
-33	S1430-4	HOOK-COAT HANGER -----	2	
-34	0400141-1	RETAINER-FIREWALL UPHOLSTERY ----- ATTACHING PARTS -----	1	E
	S1021Z8-8	SCREW -----	2	E
	NAS446-4-3	NUT ----- -----*	2	E
<p>NOTE. #THIS PART NUMBER MUST HAVE A SECOND DASH NUMBER ADDED TO DENOTE COLOR. REFER TO HOW TO ORDER UPHOLSTERED PARTS-PAGE XII.</p> <p>NOTE. □THIS PART NUMBER MUST HAVE A SECOND DASH NUMBER ADDED TO DENOTE COLOR. REFER TO HOW TO ORDER INTERIOR PARTS-PAGE XIII.</p> <p>A---150 SERIAL 15064533 &amp; ON F150 SERIAL F150-0068 &amp; ON</p> <p>B---150 SERIAL 15064533 THRU 15069308 F150 SERIAL F150-0068 THRU F150-0389</p> <p>C---150 SERIAL 15066633 &amp; ON F150 SERIAL F150-0260 &amp; ON</p> <p>D---150 SERIAL 15064533 THRU 15067198 F150 SERIAL F150-0068 THRU F150-0219</p> <p>E---150 SERIAL 15067199 &amp; ON F150 SERIAL F150-0220 &amp; ON</p> <p>F---150 SERIAL 15067194 THRU 15069308 F150 SERIAL F150-0220 THRU F150-0389</p> <p>G---150 SERIAL 15069309 &amp; ON F150 SERIAL F150-0390 &amp; ON</p>				

Upholstery (Cont)



SERIAL 15067199 THRU 15069308



SERIAL 15069309 & ON

STANDARD & TRAINER ONLY

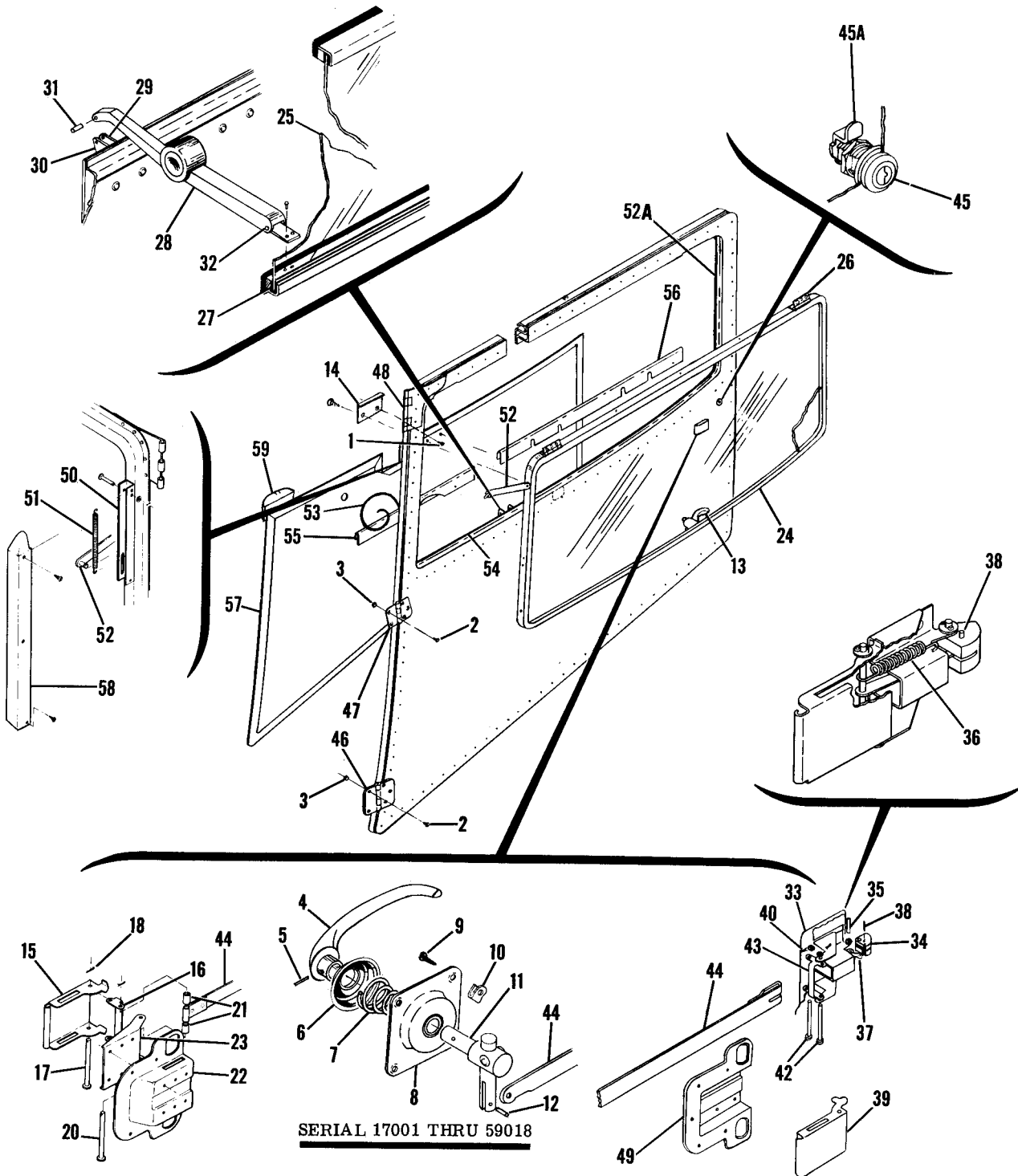
**SERIAL 15064533 & ON**

Figure 20D. Cabin Side Panels & Floorboard Upholstery Installation



FIGURE AND INDEX NO.	PART NUMBER		DESCRIPTION							UNITS PER ASSY	USABLE ON CODE
			1	2	3	4	5	6	7		
200-			UPHOLSTERY INSTALLATION-CABIN SIDE PANELS & FLOORBOARD -----							NP	A
- 1	0400129-68	□	PANEL ASSEMBLY-COWL LH -----							1	
	0400129-62	#	PANEL ASSEMBLY-COWL LH CARPETED -----							1	B
- 2	0400129-72	□	PANEL-COWL RH -----							1	
	0400129-60	#	PANEL ASSEMBLY-COWL RH CARPETED -----							1	B
- 3	0400118-11		SOUNDPROOFING-COWL PANELS -----							2	
- 4	0400139-1	□	PANEL-CABIN SIDE LH -----							1	E
	0414002-1	□	PANEL-CABIN SIDE LH -----							1	G
- 5	0400139-2	□	PANEL-CABIN SIDE RH -----							1	E
	0414002-2	□	PANEL-CABIN SIDE RH -----							1	G
- 6	0400129-57	□	PANEL-BAGGAGE COMPARTMENT LOWER AFT -----							1	
- 7	0400129-58	□	PANEL ASSEMBLY-BAGGAGE COMPARTMENT UPPER AFT -----							1	
- 8	0400129-56	#	CARPET ASSEMBLY-FULL LENGTH COMMUTER ONLY -----							1	
- 9	0400129-16	#	FLOOR COVERING-BAGGAGE STANDARD & TRAINER ONLY -----							1	
-10	0400129-20		RETAINER-FLOOR COVERING -----							1	
			ATTACHING PARTS								
	S102176-6		SCREW -----							5	
			-----*								
-11	0400129-65	#	CARPET ASSEMBLY-FORWARD STANDARD & TRAINER ONLY -----							1	
-12	0411599-5	□	SHIELD-RUDDER BAR LH -----							1	
-13	0411971-1	□	SHIELD-RUDDER BAR RH -----							1	
	0411836-3	□	SHIELD-RUDDER BAR USE WITH RH CONTROLS ONLY -----							1	
			ATTACHING PARTS								
	S102178-6		SCREW -----							9	
			-----*								
-14	0411004-1	□	CONSOLE ASSEMBLY -----							1	C
-14A	0413103-1	□	CONSOLE ASSEMBLY -----							1	F
-14B	0413463-1	□	CONSOLE -----							1	G
			ATTACHING PARTS								
-15	S102176-6		SCREW -----							2	E
-16	S102178-6		SCREW -----							7	
			-----*								
-17	0500236-3		NET-BAGGAGE -----							1	
			ATTACHING PARTS								
-18	1211203-1		EYEBOLT -----							4	
-19	AN970-3		WASHER -----							2	
-20	NAS679A3		NUT -----							2	
-21	0711083-1		LATCH ASSEMBLY -----							2	
	NAS221-10		SCREW -----							2	
	AN960-10		WASHER -----							2	
			-----*								
<p>NOTE. #THIS PART NUMBER MUST HAVE A SECOND DASH NUMBER ADDED TO DENOTE COLOR. REFER TO HOW TO ORDER UPHOLSTERED PARTS-PAGE XII.</p> <p>NOTE. □THIS PART NUMBER MUST HAVE A SECOND DASH NUMBER ADDED TO DENOTE COLOR. REFER TO HOW TO ORDER INTERIOR PARTS-PAGE XIII.</p> <p>A---150 SERIAL 15064533 &amp; ON F150 SERIAL F150-0068 &amp; ON</p> <p>B---150 SERIAL 15064533 &amp; ON</p> <p>C---150 SERIAL 15064533 THRU 15067198 F150 SERIAL F150-0068 THRU F150-0219</p> <p>D---150 SERIAL 15067199 &amp; ON F150 SERIAL F150-0220 &amp; ON</p> <p>E---150 SERIAL 15064533 THRU 15069308 F150 SERIAL F150-0068 THRU F150-0389</p> <p>F---150 SERIAL 15067199 THRU 15069308 F150 SERIAL F150-0220 THRU F150-0389</p> <p>G---150 SERIAL 15069309 &amp; ON F150 SERIAL F150-0390 &amp; ON</p>											

Door and Window



SERIAL 15059019 & ON

SERIAL 17001 THRU 59018

**SERIAL 17001 THRU 15061532**

Figure 21. Left Cabin Door Assembly



FIGURE AND INDEX NO.	PART NUMBER	DESCRIPTION	UNITS PER ASSY	USABLE ON CODE
21 -		CABIN DOOR ASSEMBLY-LH ----- ATTACHING PARTS	NP	N
- 1	AN520-10R7	SCREW -- SERIAL 17001 THRU 15061532 --	2	
- 2	AN520-10R9	SCREW --	4	
- 3	NAS679A3	NUT -----	4	
- 4	0413198	HANDLE ----- ATTACHING PARTS	1	C
- 5	0411541	PIN -----	1	C
- 6	0413197	ESCUTCHEON -----	1	C
- 7	0413317	SPRING -----	1	C
- 8	0413195	BEARING PLATE ----- ATTACHING PARTS	1	C
- 9	S1022Z6-6	SCREW CESSNA STANDARD -----	4	C
-10	NAS396-1	NUT -----	4	C
-11	0413196	SHAFT ASSEMBLY -----	1	C
-12	NAS561P3-4	ROLL PIN -----	1	C
-13	S1483-2	LATCH ASSEMBLY-WINDOW LH ----- ATTACHING PARTS	1	D
	NAS561P3-8	ROLLPIN -----	1	D
-14	0711021-7	PLATE-WINDOW LATCH STRIKER ----- ATTACHING PARTS	1	D
	S1021Z8-8	SCREW CESSNA STANDARD -----	2	D
	0411178-9	STRUCTURE ASSEMBLY-CABIN DOOR LH -----	1	C
	0411178-10	STRUCTURE ASSEMBLY-CABIN DOOR LH -----	1	D
-15	0411557-1	HANDLE -----	1	D
-16	0411559	SPACER ----- ATTACHING PARTS	1	D
-17	MS20392-1C55	PIN-FLAT HEAD -----	1	D
-18	MS24665-132	PIN-COTTER -----	2	D
-19		DELETED, NEVER USED -----		
-20	MS20392-1C53	PIN-FLAT HEAD -----	1	D
-21	NAS42DD4-24	SPACER -----	2	D
-22	0411435-15	PAN ASSEMBLY-DOOR LATCH -----	1	D
-23	0411982-1	BRACKET -----	1	D
-24	0411181-3	WINDOW ASSEMBLY-CABIN DOOR -----	1	C
	0411181-5	WINDOW ASSEMBLY-CABIN DOOR -----	1	D
-25	0411182	GLASS-DOOR WINDOW -----	1	
-26	0411185	HINGE-DOOR WINDOW -----	2	
-27	S1055-1	CHANNEL-DOOR WINDOW 71.00 IN LG BULK ITEM ----- REF S1055-1-71.00	1	
	0411979-1	BRACKET ASSEMBLY -----	1	D
	0411978-1	SPACER -----	1	D
-28	0413362-4	LATCH ASSEMBLY-WINDOW -----	1	A
	0413362-6	LATCH ASSEMBLY-WINDOW -----	1	B
-29	0413366	BRACKET-WINDOW LATCH LH -----	1	
-30	0413366-1	BRACKET-WINDOW LATCH RH -----	1	
-31	0413148	RIVET-WINDOW LATCH -----	1	
-32	0452120	PIN-WINDOW LATCH -----	1	
	0413359-1	GRIP -----	1	A
	0413359-2	GRIP -----	1	B
	S1021Z4-5	ATTACHING PARTS SCREW CESSNA STANDARD -----	1	
	0413311-7	LATCH ASSEMBLY-DOOR -----	1	C
	0413311-11	LATCH ASSEMBLY-DOOR -----	1	D
-33	0413357	HOUSING ASSEMBLY -----	1	
-34	0411552	CATCH WHEN EXHAUSTED USE 0411552-2 -----	1	J
	0411552-2 *	CATCH -----	1	K
-35	MS20392-1C33	ATTACHING PARTS PIN -----	1	
	MS24665-132	COTTER PIN -----	1	
-36	0411567-2 *	SPRING -----	1	

CONTINUED ON NEXT PAGE

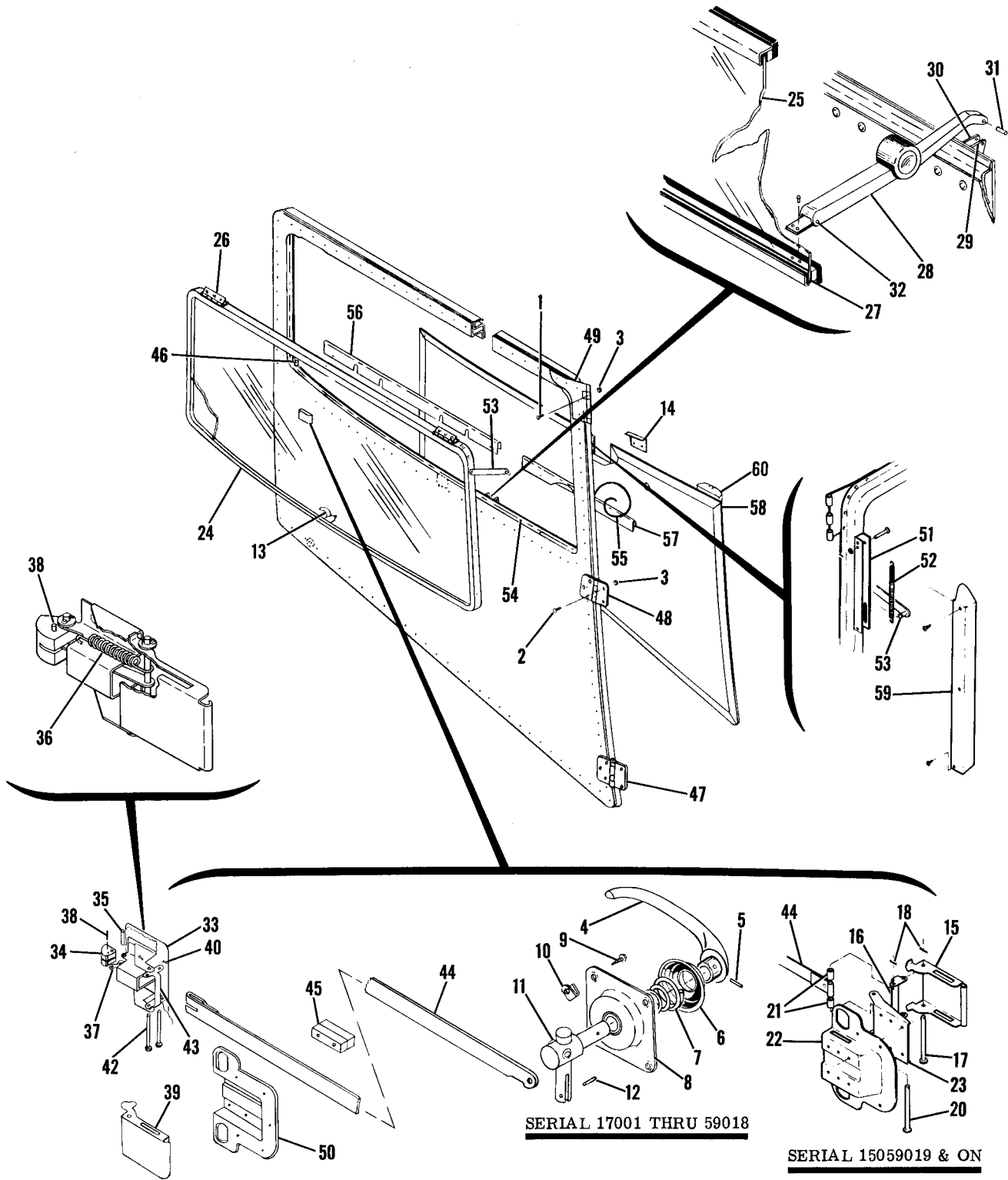
14

FIGURE AND INDEX NO.	PART NUMBER	DESCRIPTION							UNITS PER ASSY	USABLE ON CODE
		1	2	3	4	5	6	7		
21 -37	0411555	PULL BAR -----							1	
		ATTACHING PARTS -----								
-38	MS20253-2-75	PIN-HINGE -----							1	
		---*---								
-39	0411557	HANDLE -----							1	
		ATTACHING PARTS -----								
-40	MS24665-132	PIN COTTER -----							2	
-41		DELETED, NOT USED -----								
-42	MS20392-1C53	PIN -----							2	
-43	0411559	SPACER -----							1	
		---*---								
-44	0411575-9	STRAP -----							1	C
	0411980-1	STRAP -----							1	D
-45	0413323	LOCK ASSEMBLY-DOOR WHEN EXHAUSTED USE -----							1	
		C253001-0101 LOCK & 0413322 CAM -----								
	C253001-0101	LOCK ASSEMBLY-DOOR -----							1	
-45A	0413322	CAM-DOOR LOCK -----							1	
-46	0411579	HINGE-LOWER -----							1	
-47	0411579-9	HINGE-MIDDLE -----							1	
-48	0411597	HINGE-UPPER -----							1	C
	0411602-1	HINGE-UPPER -----							1	D
-49	0411576	PAN-DOOR LATCH -----							1	
	0411702-1	CHANNEL-INTERIOR TRIM -----							1	D
	0411729-6	CHANNEL-UPHOLSTERY RETAINER -----							1	D
	0411703-1	STRAP -----							1	D
-50	0411976-1	TRACK LH -----							1	D
-51	0711021-5	SPRING -----							1	E
	0711021-9	SPRING -----							1	F
		ATTACHING PARTS -----								
	MS20392-1C19	PIN -----							1	E
	AN960C4	WASHER -----							1	E
	MS24665-132	PIN-COTTER -----							1	E
		---*---								
-52	0411977-1	ARM -----							1	D
		ATTACHING PARTS -----								
	MS20392-1C13	PIN -----							1	D
	AN960C4	WASHER -----							1	D
	MS24665-132	PIN -----							1	D
		---*---								
-52A	S1441-1	WEATHERSTRIP-77.0 IN LG BULK ITEM REF S1441-1-77.0 -----							1	
-53	S1047-1	WEATHERSTRIP 114.00 IN LG BULK ITEM REF -----							1	
		S-1047-1-114.00 CESSNA STANDARD -----								
-54	0411639-3	WEATHERSTRIP -----							1	
-55	0411731-6	CHANNEL-UPHOLSTERY RETAINER -----							1	C
-56	0411229-6	CHANNEL-UPHOLSTERY RETAINER -----							1	C
-57	0400118-13	PANEL ASSEMBLY-UPHOLSTERY -----							1	C
	0400126-1	PANEL-UPHOLSTERY -----							1	L
	0400126-3	PANEL ASSEMBLY-UPHOLSTERY -----							1	M
		ATTACHING PARTS -----								
	S1021Z4-4	SCREW -----							16	
		---*---								

CONTINUED ON NEXT PAGE

FIGURE AND INDEX NO.	PART NUMBER	DESCRIPTION	UNITS PER ASSY	USABLE ON CODE
21 -58	0411975-1 □	COVER-WINDOW TRACK ----- ATTACHING PARTS	1	D
	S1021Z8-4	SCREW CESSNA STANDARD -----	2	
	S1021Z4-4	SCREW CESSNA STANDARD -----	1	
-59	S1957-2	ASH RECEIVER -----  NOTE. *WHEN REPLACING THIS PART FOR AIRCRAFT SERIAL 17001 THRU SERIAL 15060372 ORDER SK172-16.  NOTE. □THIS PART NUMBER MUST HAVE A SECOND DASH NUMBER ADDED TO DENOTE COLOR. REFER TO HOW TO ORDER INTERIOR PARTS-PAGE XIII.  A---150 SERIAL 17001 THRU 17683 B---150 SERIAL 17684 THRU 59018 C---150 SERIAL 17001 THRU 59018 D---150 SERIAL 15059019 THRU 15061532 E---150 SERIAL 15059019 THRU 15059200 F---150 SERIAL 1509201 THRU 15061532 G---150 SERIAL 15059019 THRU 15060277 H---150 SERIAL 15060278 THRU 15061532 J---150 SERIAL 17001 THRU 15060372 K---150 SERIAL 15060373 THRU 15061532 L---150 SERIAL 15059019 THRU 15060772 M---150 SERIAL 15060773 THRU 15061532 N---150 SERIAL 17001 THRU 15061532	1	D

Door and Window (Cont)



SERIAL 17001 THRU 59018

SERIAL 15059019 & ON

**SERIAL 17001 THRU 15061532**

Figure 22. Right Cabin Door Assembly



FIGURE AND INDEX NO.	PART NUMBER	DESCRIPTION	UNITS PER ASSY	USABLE ON CODE
22 -		CABIN DOOR ASSEMBLY-RH ----- ATTACHING PARTS -----	NP	N
- 1	AN520-10R7	SCREW -- SERIAL 17001 THRU 15061532 --	2	
- 2	AN520-10R9	SCREW --	2	
- 3	NAS679A3	NUT -----	4	
- 4	0413198	HANDLE ----- ATTACHING PARTS -----	1	C
- 5	0411541	PIN -----	1	C
- 6	0413197	ESCUTCHEON -----	1	C
- 7	0413317	SPRING -----	1	C
- 8	0413195	BEARING PLATE ----- ATTACHING PARTS -----	1	C
- 9	S102226-6	SCREW CESSNA STANDARD -----	4	C
-10	NAS396-1	NUT -----	4	C
-11	0413196	SHAFT ASSEMBLY -----	1	C
-12	NAS561P3-4	ROLL PIN -----	1	C
-13	S1483-1	LATCH ASSEMBLY-WINDOW RH ----- ATTACHING PARTS -----	1	D
	NAS561P3-8	ROLLPIN -----	1	D
-14	0711021-7	PLATE-WINDOW LATCH STRIKER ----- ATTACHING PARTS -----	1	D
	S102128-8	SCREW CESSNA STANDARD -----	2	D
	0411610-10	STRUCTURE ASSEMBLY-CABIN DOOR RH -----	1	C
	0411610-11	STRUCTURE ASSEMBLY-CABIN DOOR RH -----	1	D
-15	0411557-1	HANDLE -----	1	D
-16	0411559	SPACER ----- ATTACHING PARTS -----	1	D
-17	MS20392-1C55	PIN-FLAT HEAD -----	1	D
-18	MS24665-132	PIN-COTTER -----	2	D
-19		DELETED, NEVER USED -----		
-20	MS20392-1C53	PIN-FLAT HEAD -----	1	D
-21	NAS420D4-24	SPACER -----	2	D
-22	0411435-15	PAN ASSEMBLY-DOOR LATCH -----	1	D
-23	0411982-1	BRACKET -----	1	D
-24	0411181-1	WINDOW ASSEMBLY -----	1	C
	0411181-6	WINDOW ASSEMBLY -----	1	D
-25	0411182	GLASS-DOOR WINDOW -----	1	
-26	0411185	HINGE-DOOR WINDOW -----	2	
-27	S1055-1	CHANNEL-DOOR WINDOW 71.00 IN LG BULK ITEM ----- REF S1055-1-71.00	1	
	0411979-1	BRACKET ASSEMBLY-WINDOW LATCH -----	1	D
	0411978-1	SPACER ASSEMBLY-WINDOW LATCH -----	1	D
-28	0413362-4	LATCH ASSEMBLY-WINDOW -----	1	A
	0413362-6	LATCH ASSEMBLY-WINDOW -----	1	B
-29	0413366	BRACKET-WINDOW LATCH LH -----	1	
-30	0413366-1	BRACKET-WINDOW LATCH RH -----	1	
-31	0413148	RIVET-WINDOW LATCH -----	1	
-32	0452120	PIN-WINDOW LATCH -----	1	
	0413359-1	GRIP -----	1	A
	0413359-2	GRIP -----	1	B
	0413311-8	LATCH ASSEMBLY-DOOR -----	1	C
	0413311-12	LATCH ASSEMBLY-DOOR -----	1	D
-33	0413357-1	HOUSING ASSEMBLY -----	1	
-34	0411552	CATCH WHEN EXHAUSTED USE 0411552-2 -----	1	J
	0411552-2 *	CATCH ----- ATTACHING PARTS -----	1	K
-35	MS20392-1C33	PIN -----	1	
	MS24665-134	PIN-COTTER -----	1	
-36	0411567-2 *	SPRING -----	1	

CONTINUED ON NEXT PAGE



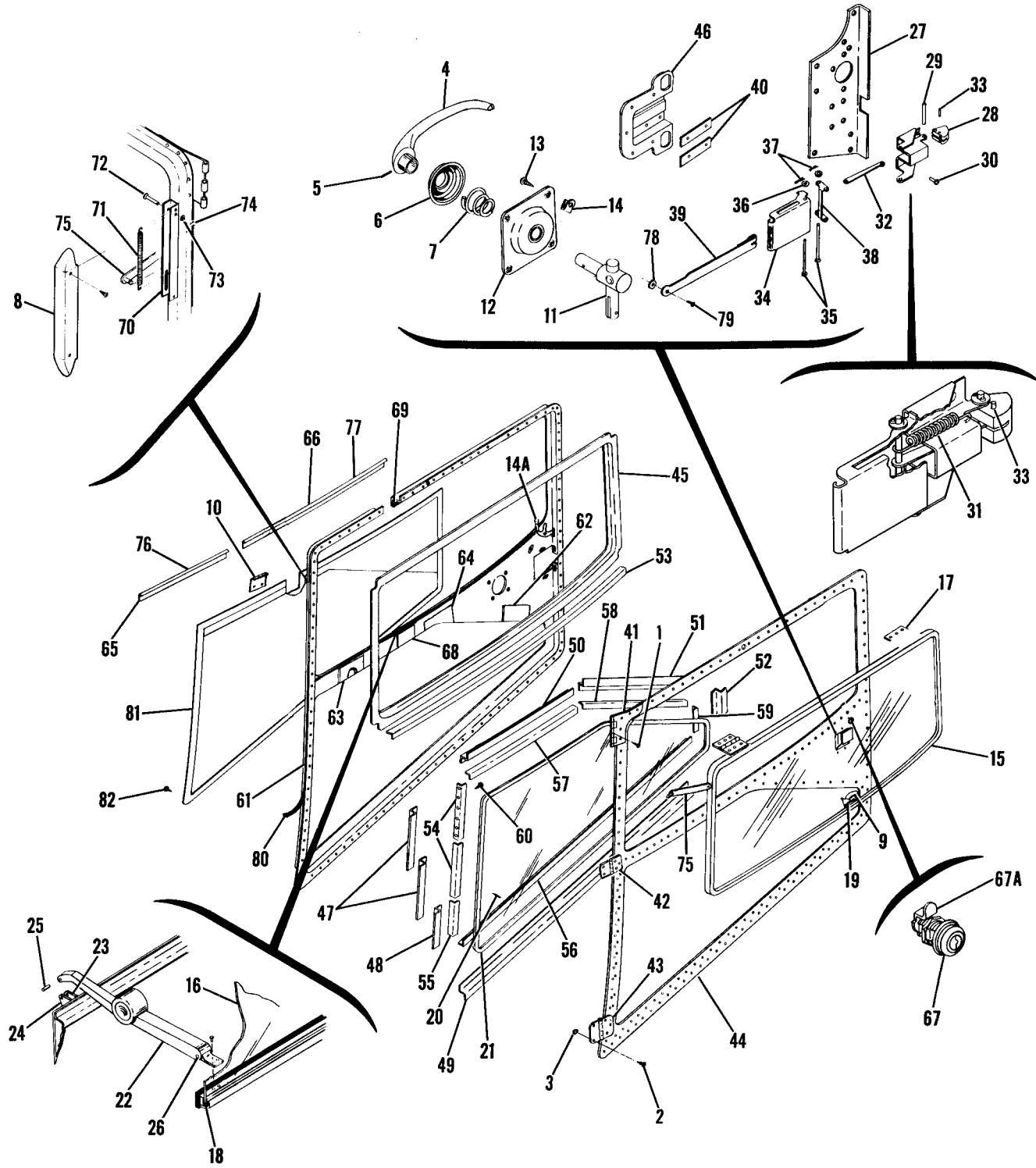
FIGURE AND INDEX NO.	PART NUMBER	DESCRIPTION	UNITS PER ASSY	USABLE ON CODE
22 -37	0411555	PULL BAR ----- ATTACHING PARTS	1	
-38	MS20253-2-75	PIN-HINGE ----- ---*---	1	
-39	0411557	HANDLE ----- ATTACHING PARTS	1	
-40	MS24665-132	PIN-COTTER -----	2	
-41		DELETED, NOT USED -----		
-42	MS20392-1C55	PIN -----	2	
-43	0411559	SPACER ----- ---*---	1	
-44	0411575-10	STRAP -----	1	C
	0411980-1	STRAP -----	1	D
-45	0411886	SPACER -----	1	
-46	0413133-5	BOLT-THUMB LATCH -----	1	
-47	0411579	HINGE-LOWER -----	1	
-48	0411579-9	HINGE-MIDDLE -----	1	
-49	0411597-1	HINGE-UPPER -----	1	C
	0411602-2	HINGE-UPPER -----	1	D
-50	0411576	PAN-DOOR LATCH -----	1	
	0411702-1	CHANNEL-INTERIOR TRIM -----	1	D
	0411729-7	CHANNEL-UPHOLSTERY RETAINER -----	1	D
	0411703-1	STRAP -----	1	D
-51	0411976-2	TRACK RH -----	1	D
-52	0711021-5	SPRING -----	1	E
	0711021-9	SPRING -----	1	F
		ATTACHING PARTS		
	MS20392-1C19	PIN -----	1	E
	AN960C4	WASHER -----	1	E
	MS24665-132	PIN-COTTER ----- ---*---	1	E
-53	0411977-1	ARM ----- ATTACHING PARTS	1	D
	MS20392-1C13	PIN -----	1	D
	AN960C4	WASHER -----	1	D
	MS24665-132	PIN ----- ---*---	1	D
-54	S1441-1	WEATHERSTRIP-77.0 IN LG BULK ITEM REF S1441-1-77.0	1	
-55	S1047-1	WEATHERSTRIP 114.00 IN LONG BULK ITEM REF S-1047-1-114.00 CESSNA STANDARD	1	
-56	0411729-6	CHANNEL-UPHOLSTERY RETAINER -----	1	C
-57	0411731-7	CHANNEL-UPHOLSTERY RETAINER -----	1	C
-58	0400118-14	PANEL ASSEMBLY-UPHOLSTERY -----	1	C
	0400126-2	PANEL ASSEMBLY-UPHOLSTERY -----	1	L
	0400126-4	PANEL ASSEMBLY-UPHOLSTERY -----	1	M
		ATTACHING PARTS		
	S102124-4	SCREW ----- ---*---	16	

CONTINUED ON NEXT PAGE

FIGURE AND INDEX NO.	PART NUMBER	DESCRIPTION	UNITS PER ASSY	USABLE ON CODE
22 -59	0411975-2 □	COVER-WINDOW TRACK ----- ATTACHING PARTS	1	D
	S1021Z8-4 S1021Z4-4	SCREW CESSNA STANDARD ----- SCREW CESSNA STANDARD ----- -----*	2 1	D D
-60	S1957-2	ASH RECEIVER -----  NOTE. *WHEN REPLACING THIS PART FOR AIRCRAFT SERIAL 17001 THRU SERIAL 15060372 ORDER SK172-16.  NOTE. □THIS PART NUMBER MUST HAVE A SECOND DASH NUMBER ADDED TO DENOTE COLOR. REFER TO HOW TO ORDER INTERIOR PARTS-PAGE XIII.  A---150 SERIAL 17001 THRU 17683 B---150 SERIAL 17684 THRU 59018 C---150 SERIAL 17001 THUR 59018 D---150 SERIAL 15059019 THRU 15061532 E---150 SERIAL 15059019 THRU 15059200 F---150 SERIAL 15059201 THRU 15061532 G---150 SERIAL 15059019 THRU 15060277 H---150 SERIAL 15060278 THRU 15061532 J---150 SERIAL 17001 THRU 15060372 K---150 SERIAL 15060373 THRU 15061532 L---150 SERIAL 15059019 THRU 15060772 M---150 SERIAL 15060773 THRU 15061532 N---150 SERIAL 17001 THRU 15061532	1	D



Door and Window (Cont)



**SERIAL 17001 THRU 15061532**

Figure 22A. Patroller Door Assembly



FIGURE AND INDEX NO.	PART NUMBER	DESCRIPTION	UNITS PER ASSY	USABLE ON CODE
		<b>1 2 3 4 5 6 7</b>		
22A-		PATROLLER DOOR ASSEMBLY-LH ----- PATROLLER DOOR ASSEMBLY-RH ----- ATTACHING PARTS	NP NP	J
- 1	AN520-10R7	SCREW -----	2	
- 2	AN520-10R9	SCREW -----	4	
- 3	NAS679A3	NUT -----	4	
- 4	0413198	HANDLE ----- ATTACHING PARTS	1	
- 5	0411541	PIN -----	1	
- 6	0413197	ESCUTCHEON -----	1	
- 7	0413317	SPRING -----	1	
- 8	0411975-3	COVER-WINDOW HOLDER ----- ATTACHING PARTS	1	B
	S1021Z8-4	SCREW CESSNA STANDARD -----	3	B
- 9	S1483-2	LATCH ASSEMBLY-WINDOW LH -----	1	B
	S1483-1	LATCH ASSEMBLY-WINDOW RH ----- ATTACHING PARTS	1	B
	NAS561P3-8	ROLLPIN -----	1	B
-10	0711021-7	PLATE-WINDOW LATCH ----- ATTACHING PARTS	1	B
	S1021Z8-8	SCREW CESSNA STANDARD -----	2	B
	0411914-37	STRUCTURE ASSEMBLY-CABIN DOOR LH -----	1	A
	0411914-55	STRUCTURE ASSEMBLY-CABIN DOOR LH -----	1	B
	0411914-38	STRUCTURE ASSEMBLY-CABIN DOOR RH -----	1	A
	0411914-56	STRUCTURE ASSEMBLY-CABIN DOOR RH -----	1	B
-11	0413196	SHAFT ASSEMBLY -----	1	
-12	0413195	BEARING PLATE ----- ATTACHING PARTS	1	
-13	S1022Z6-6	SCREW CESSNA STANDARD -----	4	
-14	NAS396-1	NUT -----	4	
-14A	0413133-6	BOLT-THUMB LATCH RH ONLY -----	1	
-15	0411181-3	WINDOW ASSEMBLY-CABIN DOOR LH -----	1	A
	0411181-5	WINDOW ASSEMBLY-CABIN DOOR LH -----	1	B
	0411181-1	WINDOW ASSEMBLY-CABIN DOOR RH -----	1	A
	0411181-6	WINDOW ASSEMBLY-CABIN DOOR RH -----	1	B
-16	0411182	GLASS-DOOR WINDOW -----	1	
-17	0411185	HINGE-DOOR WINDOW -----	1	
-18	S1055-1	CHANNEL-DOOR WINDOW 71.00 IN LG BULK ITEM ----- REF S1055-1-71.00	1	
-19	0411979-1	BRACKET ASSEMBLY -----	1	B
	0411978-1	SPACER -----	1	B
	0411914-45	WINDOW ASSEMBLY-AUXILIARY -----	1	
-20	0411914-2	GLASS-AUXILIARY WINDOW -----	1	
-21	S202RB	CHANNEL-66.0 IN LG BULK ITEM REF S202R6600B -----	1	
-22	0413362-6	LATCH ASSEMBLY-WINDOW -----	1	A
-23	0413366	BRACKET-WINDOW LATCH LH -----	1	A
-24	0413366-1	BRACKET-WINDOW LATCH RH -----	1	A
-25	0413148	PIN-WINDOW LATCH -----	1	A
-26	0452120	PIN-WINDOW LATCH -----	1	A
	0413311-9	LATCH ASSEMBLY-LH DOOR -----	1	
	0413311-10	LATCH ASSEMBLY-RH DOOR -----	1	
-27	0413357	HOUSING ASSEMBLY-LH -----	1	
	0413357-1	HOUSING ASSEMBLY-RH -----	1	
-28	0411552	CATCH WHEN EXHAUSTED USE 0411552-2 -----	1	G
	0411552-2	CATCH ----- ATTACHING PARTS	1	H
-29	MS20392-1C33	PIN -----	1	
-30	MS24665-132	PIN-COTTER -----	1	
-31	0411567-2	SPRING -----	1	

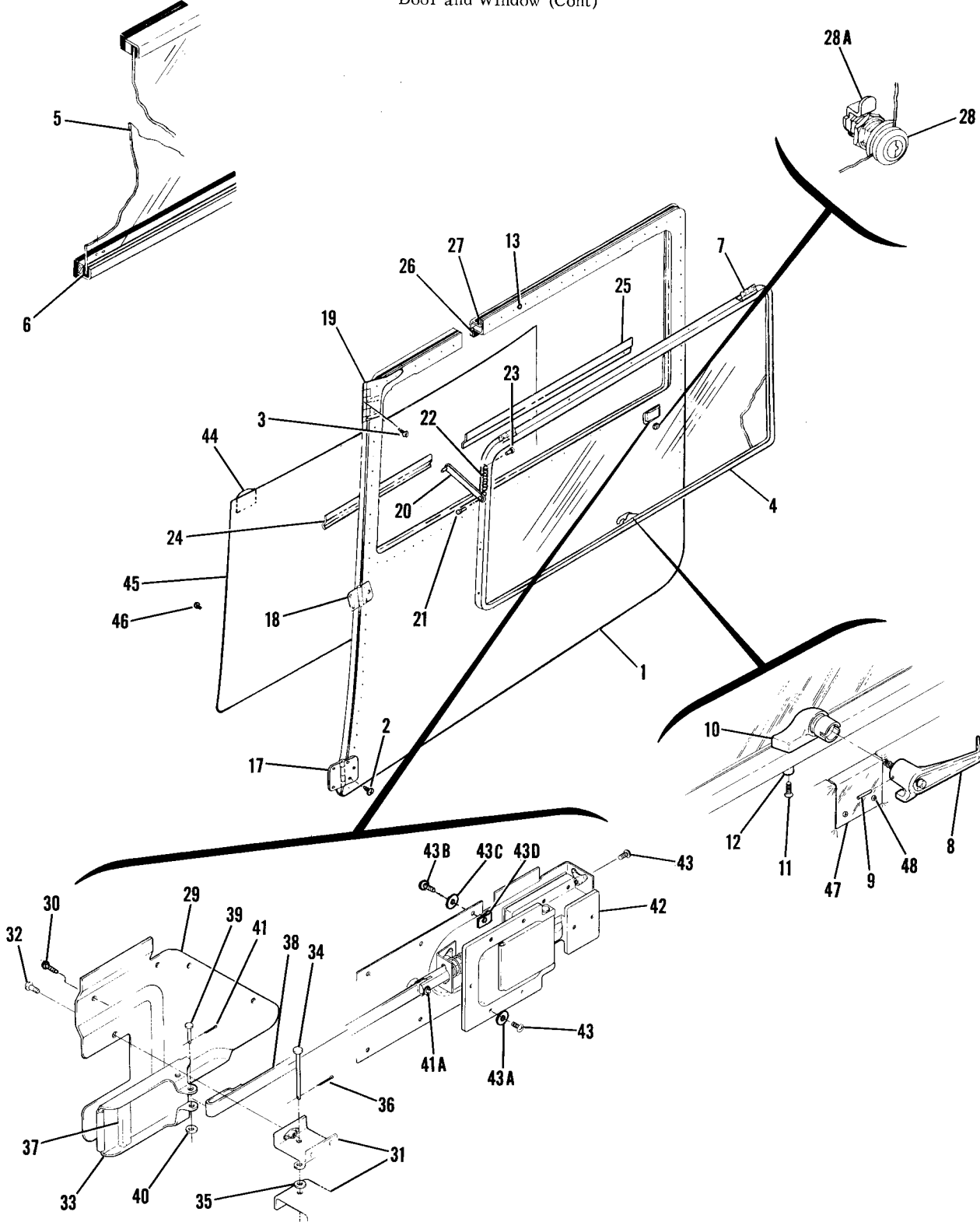
CONTINUED ON NEXT PAGE

FIGURE AND INDEX NO.	PART NUMBER	DESCRIPTION	UNITS PER ASSY							USABLE ON CODE	
			1	2	3	4	5	6	7		
22A-32	0411555	PULL BAR -----								1	
		ATTACHING PARTS									
-33	MS20253-2-75	PIN-HINGE -----								1	
		*-----									
-34	0411557	HANDLE -----								1	
		ATTACHING PARTS									
-35	MS20392-1C53	PIN -----								2	
-36	AN960-4	WASHER -----								3	
-37	MS24665-132	PIN-COTTER -----								2	
-38	0411559	SPACER -----								1	
		*-----									
-39	0411575-4	STRAP -----								1	
-40	0411886	SPACER -----								1	
-41	0411597	HINGE-UPPER LH DOOR -----								1	A
	0411602-1	HINGE-UPPER LH DOOR -----								1	B
	0411597-1	HINGE-UPPER RH DOOR -----								1	A
	0411602-2	HINGE-UPPER RH DOOR -----								1	B
-42	0411579-9	HINGE-MIDDLE -----								1	
-43	0411579	HINGE-LOWER -----								1	
-44	0411914-41	SKIN ASSEMBLY-OUTER LH -----								1	
	0411914-42	SKIN ASSEMBLY-OUTER RH -----								1	
-45	0411179	PAN-LH WINDOW -----								1	
	0411179-3	PAN-RH WINDOW -----								1	
-46	0411576-3	PAN-LH LATCH -----								1	
	0411576-4	PAN-RH LATCH -----								1	
-47	0411914-11	STIFFENER -----								2	
-48	0411914-46	STIFFENER-LH -----								1	
	0411914-12	STIFFENER-RH -----								1	
-49	0411914-13	STIFFENER -----								1	
-50	0411914-14	STIFFENER -----								1	
-51	0411914-15	STIFFENER -----								1	
-52	0411914-16	STIFFENER -----								1	
-53	0411914-28	ANGLE-LH -----								1	
	0411914-17	ANGLE-RH -----								1	
-54	0411914-5	RETAINER-AUXILIARY WINDOW -----								2	
-55	0411914-6	RETAINER-AUXILIARY WINDOW -----								1	
-56	0411914-7	RETAINER-AUXILIARY WINDOW -----								1	
-57	0411914-8	RETAINER-AUXILIARY WINDOW -----								1	
-58	0411914-9	RETAINER-AUXILIARY WINDOW -----								1	
-59	0411914-10	RETAINER-AUXILIARY WINDOW -----								1	
		ATTACHING PARTS									
-60	S102174-5	SCREW CESSNA STANDARD -----								35	
		*-----									
-61	0411914-49	SKIN ASSEMBLY-INNER LH -----								1	A
	0411914-53	SKIN ASSEMBLY-INNER LH -----								1	B
	0411914-44	SKIN ASSEMBLY-INNER RH -----								1	A
	0411914-54	SKIN ASSEMBLY-INNER RH -----								1	B
-62	0411914-47	PLATE -----								1	
-63	0411914-48	PLATE -----								1	
-64	0411914-50	PLATE -----								1	
-65	0411566-1	CHANNEL-INTERIOR TRIM LH -----								1	B
	0411566-2	CHANNEL-INTERIOR TRIM RH -----								1	B
-66	0411729-6	CHANNEL-INTERIOR TRIM LH -----								1	B
	0411729-7	CHANNEL-INTERIOR TRIM RH -----								1	B
-67	0413323	LOCK ASSEMBLY-DOOR LH ONLY WHEN EXHAUSTED -----								1	
		USE C253001-0101 LOCK & 0413322 CAM									
-67A	C253001-0101	LOCK ASSEMBLY-DOOR LH ONLY -----								1	
	0413322	CAM-DOOR LOCK LH ONLY -----								1	
-68	0413363-1	PLATE -----								1	A
-69	S1441-1	SEAL-77.0 IN LG BULK ITEM REF S1441-1-77.0 -----								1	
-70	0411976-1	TRACK-WINDOW HOLDER LH -----								1	B
	0411976-2	TRACK-WINDOW HOLDER RH -----								1	B

CONTINUED ON NEXT PAGE

FIGURE AND INDEX NO.	PART NUMBER	DESCRIPTION	UNITS PER ASSY	USABLE ON CODE
		<b>1 2 3 4 5 6 7</b>		
22A-71	0711021-5 0711021-9	SPRING ----- SPRING ----- ATTACHING PARTS	1 1	C D
-72	MS20392-1C19	PIN -----	1	C
-73	AN960C4	WASHER -----	1	C
-74	MS24665-132	PIN-COTTER ----- -----*	1	C
-75	0411977-1	ARM ASSEMBLY-WINDOW HOLDER ----- ATTACHING PARTS	1	B
	MS20392-1C13	PIN -----	1	B
	AN960C4	WASHER -----	1	B
	MS24665-132	PIN-COTTER ----- -----*	1	B
-76	0411731-6	CHANNEL-INTERIOR TRIM LH -----	1	A
	0411731-7	CHANNEL-INTERIOR TRIM RH -----	1	A
-77	0411729-7	CHANNEL-INTERIOR TRIM LH -----	1	A
	0411729-6	CHANNEL-INTERIOR TRIM RH -----	1	A
-78	AN960-416L	WASHER -----	1	
-79	NAS561P3-4	ROLL PIN -----	1	
-80	S1047-1	SEAL 114 IN LONG BULK ITEM REF S-1047-1-114.00 --	AR	
-81	0411937-5	COVER-UPHOLSTERY LH -----	1	
	0411937-6	COVER-UPHOLSTERY RH ----- ATTACHING PARTS	1	
-82	S1021Z4-6	SCREW CESSNA STANDARD ----- -----*	12	
<p>NOTE. *WHEN ORDERING THIS PART FOR AIRCRAFT SERIAL 17001 THRU SERIAL 15060372 ORDER SK172-16.</p> <p>NOTE. □THIS PART NUMBER MUST HAVE A SECOND DASH NUMBER ADDED TO DENOTE COLOR. REFER TO HOW TO ORDER INTERIOR PARTS-PAGE XIII.</p> <p>A---150 SERIAL 17001 THRU 59018            B---150 SERIAL 1509019 THRU 15061532            C---150 SERIAL 15059019 THRU 15059200            D---150 SERIAL 15059201 THRU 15061532            E---150 SERIAL 15059019 THRU 15060087            F---150 SERIAL 15060088 THRU 15061532            G---150 SERIAL 17001 THRU 15060372            H---150 SERIAL 15060373 THRU 15061532            J---150 SERIAL 17001 THRU 15061532</p>				

Door and Window (Cont)



**SERIAL 15061533 THRU 15064532**

Figure 22B. Cabin Door Installation



FIGURE AND INDEX NO.	PART NUMBER	DESCRIPTION	UNITS PER ASSY	USABLE ON CODE
22B-		<b>1 2 3 4 5 6 7</b>		
- 1	0413390-1 □ 0413390-2 □	CABIN DOOR INSTALLATION ----- CABIN DOOR ASSEMBLY-LH ----- CABIN DOOR ASSEMBLY-RH ----- ATTACHING PARTS -----	NP 1 1	A
- 2	AN520-10R9	SCREW -----	8	
- 3	AN520-10R7	SCREW -----	4	
- 4	0413390-17	WINDOW ASSEMBLY-CABIN DOOR LH WHEN EXHAUSTED ----- USE 0413420-1 -----	1	B
	0413420-1	WINDOW ASSEMBLY-CABIN DOOR LH -----	1	C
	0413390-18	WINDOW ASSEMBLY-CABIN DOOR RH WHEN EXHAUSTED ----- USE 0413420-2 -----	1	B
	0413420-2	WINDOW ASSEMBLY-CABIN DOOR RH -----	1	C
- 5	0413390-20	GLASS ASSEMBLY -----	1	
- 6	S1356-1	SEAL-82.00 IN LG BULK ITEM REF 0413390-22 -----	1	
- 7	0411185-7	HINGE-DOOR WINDOW -----	2	
- 8	S1483-2 S1483-1	HANDLE ASSEMBLY-WINDOW LH ----- HANDLE ASSEMBLY-WINDOW RH ----- ATTACHING PARTS -----	1 1	
- 9	NAS561P3-8	PIN -----	1	
-10	1411202-201	BRACKET ASSEMBLY-WINDOW LATCH ----- ATTACHING PARTS -----	1	
-11	NAS514P1032-14	SCREW -----	2	
-12	NAS43HT3-34	SPACER -----	2	
-13	A1663-017-1	NUTPLATE-DOOR STOP TIN -----	1	
-14		DELETED, NEVER USED -----		
-15		DELETED, NEVER USED -----		
-16		DELETED, NEVER USED -----		
-17	0413390-19	HINGE-LOWER -----	1	
-18	0411579-9	HINGE-MIDDLE -----	1	
-19	0411602-1	HINGE-UPPER LH -----	1	
	0411602-2	HINGE-UPPER RH -----	1	
-20	0413390-23	ARM ASSEMBLY ----- ATTACHING PARTS -----	1	
-21	MS20392-1C7 MS24665-132 AN960-4L	PIN ----- COTTER PIN ----- WASHER -----	1 1 1	
-22	0711021-5	SPRING ----- ATTACHING PARTS -----	1	
-23	MS20392-1C21 AN960C4 MS24665-132	PIN ----- WASHER ----- COTTER PIN -----	1 1 1	
-24	0413390-32	RETAINER-UPHOLSTERY -----	1	
-25	0413390-34	RETAINER-UPHOLSTERY -----	1	
-26	S1378-1	SEAL-* IN LG BULK ITEM REF S1378-1-* -----	1	
-27	S1346-1	SEAL-* IN LG BULK ITEM REF S1346-1-* -----	1	
-28	0413323-9	LOCK ASSEMBLY-DOOR LH ONLY WHEN EXHAUSTED ----- USE C253001-0101 LOCK & 0511263-1 CAM -----	1	
-28A	C253001-0101 0511263-1	LOCK ASSEMBLY-DOOR LH ONLY ----- CAM-DOOR LOCK LH ONLY -----	1 1	
-29	0413388-3 0413388-4	HANDLE PLATE-LH ----- HANDLE PLATE-RH ----- ATTACHING PARTS -----	1 1	
-30	AN515-6R6 NAS680A06K	SCREW ----- NUTPLATE -----	4 4	
-31	0413406-6	BRACKET ASSEMBLY ----- ATTACHING PARTS -----	2	
-32	AN525-832R8	SCREW -----	1	
-33	0413389-1 0413389-4	HANDLE ASSEMBLY WHEN EXHAUSTED USE 0413389-4 ----- HANDLE ASSEMBLY ----- ATTACHING PARTS -----	1 1	
-34	MS20392-2C53	PIN -----	1	
-35	AN960-10L	WASHER -----	2	
-36	MS24665-132	COTTER PIN -----	1	
-37	S1441-2	SEAL-1.37 IN LG BULK ITEM REF S1441-2-1.37 -----	1	

**SERIAL 15061533  
THRU 15064532**

CONTINUED ON NEXT PAGE

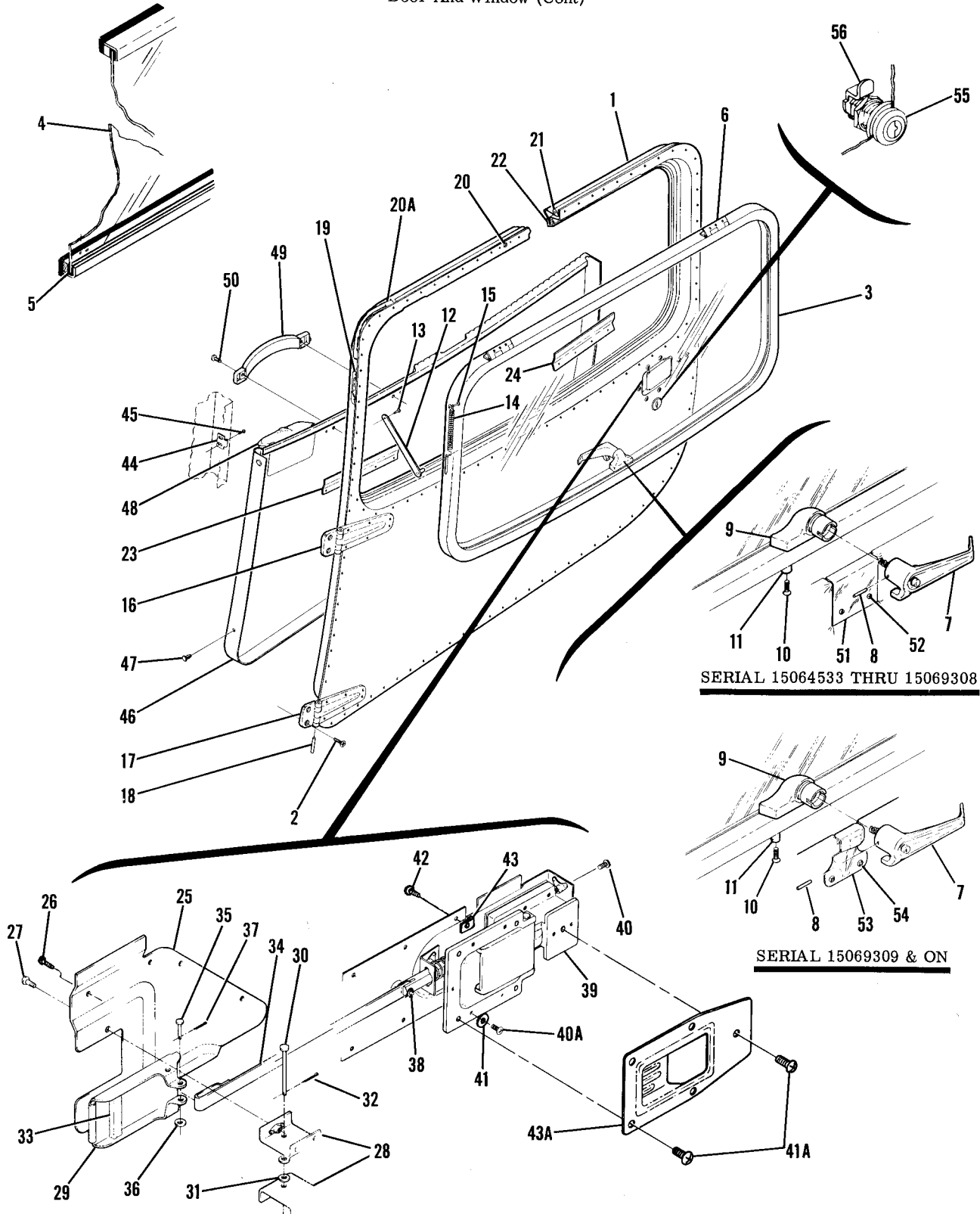


FIGURE AND INDEX NO.	PART NUMBER	DESCRIPTION							UNITS PER ASSY	USABLE ON CODE
		1	2	3	4	5	6	7		
22B-38	0413406-3 0413406-8	DRAWBAR ASSEMBLY WHEN EXHAUSTED USE 0413406-8 ----- DRAWBAR ASSEMBLY ----- ATTACHING PARTS -----							1 1	
-39	MS20392-1C17	PIN -----							1	
-40	AN960-4L	WASHER -----							1	
-41	MS24665-132	COTTER PIN -----							1	
-41A	MS20392-1C13	PIN -----							1	
	AN960-4	WASHER -----							1	
	MS24665-132	COTTER PIN -----							1	
		---*---								
-42	0413387-1 0413387-2	LATCH ASSEMBLY-LH SEE FIGURE 22D ----- LATCH ASSEMBLY-RH SEE FIGURE 22D ----- ATTACHING PARTS -----							1 1	
-43	AN525-832R6	SCREW -----							11	
-43A	AN936A8	WASHER -----							7	
-43B	S1021Z6-6	SCREW -----							9	
-43C	AN936B6	WASHER -----							9	
-43D	NAS395-5-3 A6195-6Z1	NUT ----- NUTPLATE TIN -----							7 2	
		---*---								
-44	S1957-2	ASH RECEIVER -----							2	
-45	0400128-3 0400128-4	□	PANEL-LH UPHOLSTERY -----						1	
		□	PANEL-RH UPHOLSTERY -----						1	
		ATTACHING PARTS -----								
-46	XH99608F1099	STUD UC -----							8	
		---*---								
-47	0413025-2	STRIKER PLATE -----							2	
		ATTACHING PARTS -----								
-48	S1021Z8-8 S1863-3A	SCREW -----							2	
		NUTPLATE -----							2	
		---*---								
NOTE. *LENGTH TO BE DETERMINED LATER										
NOTE. □THIS PART NUMBER MUST HAVE A SECOND DASH NUMBER ADDED TO DENOTE COLOR. REFER TO HOW TO ORDER INTERIOR PARTS-PAGE XIII.										
A---150 SERIAL 15061533 THRU 15064532 F150 SERIAL F150-0001 THRU F150-0067										
B---150 SERIAL 15061583 THRU 15062540 F150 SERIAL 150-0001 THRU F150-0008										
C---150 SERIAL 15062541 THRU 15064532 F150 SERIAL F150-0009 THRU F150-0067										

FIGURE AND INDEX NO.	PART NUMBER	DESCRIPTION	UNITS PER ASSY	USABLE ON CODE
22C-		<b>1 2 3 4 5 6 7</b>		
- 1	0413033-1 □	CABIN DOOR INSTALLATION -----	NP	A
	C413033-203 □	DOOR ASSEMBLY-CABIN LH WITH CLEAR WINDOW -----	1	B
	0413033-21 □	DOOR ASSEMBLY-CABIN LH WITH TINTED WINDOW -----	1	B
		DOOR ASSEMBLY-CABIN LH WITH CLEAR WINDOW WHEN -----	1	E
	0413033-205 □	EXHAUSTED USE 0413033-25		
		DOOR ASSEMBLY-CABIN LH WITH TINTED WINDOW WHEN -----	1	E
		EXHAUSTED USE 0413033-207		
	0413033-25 ☒	DOOR ASSEMBLY-CABIN LH WITH CLEAR WINDOW -----	1	F
	0413033-207 ☒	DOOR ASSEMBLY-CABIN LH WITH TINTED WINDOW -----	1	F
	0413033-2 □	DOOR ASSEMBLY-CABIN RH WITH CLEAR WINDOW -----	1	B
	0413033-202 □	DOOR ASSEMBLY-CABIN RH WITH TINTED WINDOW -----	1	B
	0413033-22 □	DOOR ASSEMBLY-CABIN RH WITH CLEAR WINDOW WHEN -----	1	E
		EXHAUSTED USE 0413033-26		
	0413033-204 □	DOOR ASSEMBLY-CABIN RH WITH TINTED WINDOW WHEN -----	1	E
		EXHAUSTED USE 0413033-206		
	0413033-26 ☒	DOOR ASSEMBLY-CABIN RH WITH CLEAR WINDOW -----	1	F
	0413033-206 ☒	DOOR ASSEMBLY-CABIN RH WITH TINTED WINDOW -----	1	F
		ATTACHING PARTS		
- 2	AN507-1032R10	SCREW ----- <b>SERIAL 15064533 &amp; ON</b>	4	
- 3	0413033-15	WINDOW ASSEMBLY-CABIN DOOR LH CLEAR -----	1	
	0413033-201	WINDOW ASSEMBLY-CABIN DOOR LH TINTED -----	1	
	0413033-16	WINDOW ASSEMBLY-CABIN DOOR RH CLEAR -----	1	
	0413033-200	WINDOW ASSEMBLY-CABIN DOOR RH TINTED -----	1	
- 4	0413033-13	GLASS-WINDOW LH CLEAR -----	1	
	0413033-19	GLASS-WINDOW LH TINTED -----	1	
	0413033-14	GLASS-WINDOW RH CLEAR -----	1	
	0413033-18	GLASS-WINDOW RH TINTED -----	1	
- 5	S1356-1	SEAL-* IN LG BULK ITEM REF S1356-1-* -----	1	
- 6	0411185-7	HINGE ASSEMBLY-DOOR WINDOW -----	2	
- 7	S1483-2	HANDLE ASSEMBLY-WINDOW LATCH LH -----	1	
	S1483-1	HANDLE ASSEMBLY-WINDOW LATCH RH -----	1	
		ATTACHING PARTS		
- 8	NAS561P3-8	PIN-ROLL -----	1	
- 9	1411202-201	BRACKET ASSEMBLY-WINDOW LATCH -----	1	
		ATTACHING PARTS		
-10	AN509-10R15	SCREW -----	2	
-11	NAS43HT3-39	SPACER -----	2	
-12	0413390-23	ARM ASSEMBLY -----	1	
		ATTACHING PARTS		
-13	MS20392-1C7	PIN -----	1	
	AN960-4L	WASHER -----	1	
	MS24665-132	COTTER PIN -----	1	
-14	0711021-9	SPRING -----	1	
		ATTACHING PARTS		
-15	MS20392-1C23	PIN -----	1	
	AN960C4	WASHER -----	1	
	MS24665-132	COTTER PIN -----	1	
-16	0413426-3	HINGE ASSEMBLY-LH UPPER & RH LOWER -----	1	
-17	0413426-4	HINGE ASSEMBLY-LH LOWER & RH UPPER -----	1	
-18	0711038-1	PIN-HINGE -----	2	

CONTINUED ON NEXT PAGE

Door And Window (Cont)



SERIAL 15064533 THRU 15069308

SERIAL 15069309 & ON

**SERIAL 15064533 & ON**

Figure 22C. Cabin Door Installation



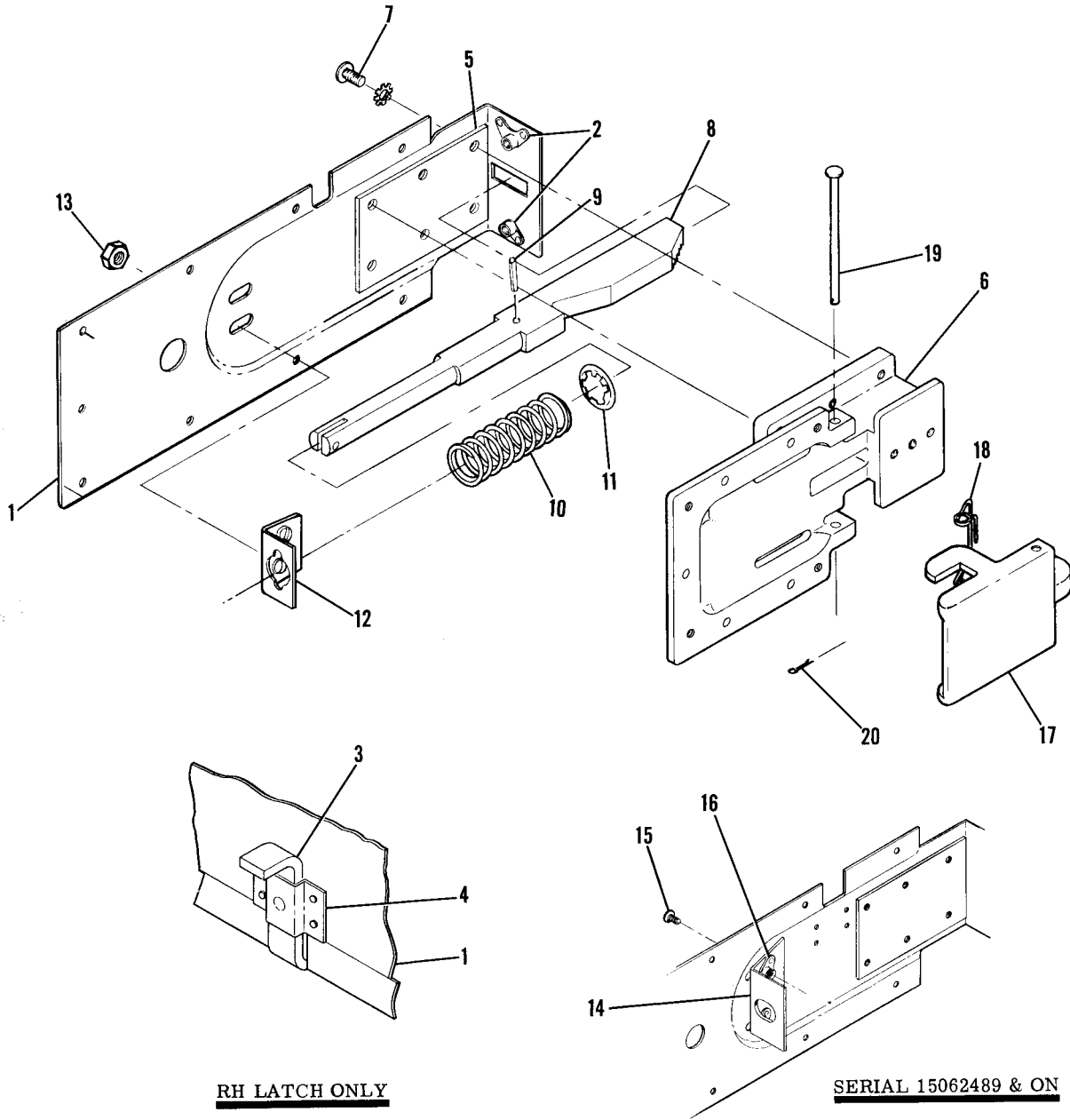
FIGURE AND INDEX NO.	PART NUMBER	DESCRIPTION	UNITS PER ASSY	USABLE ON CODE
		<b>1 2 3 4 5 6 7</b>		
22C-19	0710638-1	WEDGE-CABIN DOOR -----	1	
-20	A1663-017-1	NUTPLATE TIN -----	1	
-20A	0417007-1	RETAINER-CABIN DOOR SEAL -----	1	F
-21	S1264-1	SEAL-120 IN LG BULK ITEM REF S1264-1-120 -----	1	D
	S1833-1	SEAL-* IN LG BULK ITEM REF S1833-1-* -----	1	F
-22	S1378-2	SEAL-* IN LG BULK ITEM REF S1378-2-* -----	1	
-23	0413390-32	RETAINER-UPHOLSTERY -----	1	
-24	0413390-34	RETAINER-UPHOLSTERY -----	1	
-25	0413388-3	HANDLE PLATE-LH -----	1	
	0413388-4	HANDLE PLATE-RH -----	1	
		ATTACHING PARTS -----		
-26	AN515-6R6	SCREW -----	4	
	NAS682A06K	NUTPLATE -----	1	D
	NAS682A06K	NUTPLATE -----	2	F
	NAS680A06K	NUTPLATE -----	3	D
	NAS680A06K	NUTPLATE -----	2	F
-27	AN507-832R8	SCREW -----	2	
		---*---		
-28	0413406-6	BRACKET ASSEMBLY -----	2	
	NAS681A08K	NUTPLATE -----	1	
-29	0413389-1	HANDLE ASSEMBLY WHEN EXHAUSTED USE 0413389-4 -----	1	G
	0413389-4	HANDLE ASSEMBLY -----	1	H
		ATTACHING PARTS -----		
-30	MS20392-2C53	PIN -----	1	
-31	AN960-10L	WASHER -----	2	
-32	MS24665-132	COTTER PIN -----	1	
		---*---		
-33	S1441-2	SEAL-1.37 IN LG BULK ITEM REF S1441-2-1.37 -----	1	
-34	0413406-3	DRAWBAR ASSEMBLY WHEN EXHAUSTED USE 0413406-8 -----	1	G
	0413406-8	DRAWBAR ASSEMBLY -----	1	H
		ATTACHING PARTS -----		
-35	MS20392-1C17	PIN -----	1	
-36	AN960-4L	WASHER -----	1	
-37	MS24665-132	COTTER PIN -----	1	
-38	MS20392-1C13	PIN -----	1	
	AN960-4	WASHER -----	1	
	MS24665-132	COTTER PIN -----	1	
		---*---		
-39	0413387-1	LATCH ASSEMBLY-LH SEE FIGURE 22D -----	1	B
	0413387-3	LATCH ASSEMBLY-LH SEE FIGURE 22D -----	1	C
	0413387-2	LATCH ASSEMBLY-RH SEE FIGURE 22D -----	1	B
	0413387-4	LATCH ASSEMBLY-RH SEE FIGURE 22D -----	1	C
		ATTACHING PARTS -----		
-40	AN525-832R6	SCREW -----	4	
-40A	AN525-832R6	SCREW -----	7	B
-41	AN936A8	WASHER -----	7	B
-41A	S1021A6-6	SCREW -----	5	C
-42	S1021Z6-6	SCREW -----	9	
-43	NAS395-5-3	NUT -----	7	
	A6195-6Z1	NUTPLATE TIN -----	2	
		---*---		
-43A	0413450-1-294	COVER-DOOR LATCH HOUSING -----	1	C
-44	0413428-1	WEDGE-DOOR -----	2	
	0413428-2	SHIM -----	AR	
		ATTACHING PARTS -----		
-45	AN515-6R6	SCREW -----	2	
		---*---		
-46	X 0400128-3	PANEL-DOOR UPHOLSTERY LH -----	1	D
	0414001-1	PANEL-DOOR UPHOLSTERY LH -----	1	F
	X 0400128-4	PANEL-DOOR UPHOLSTERY RH -----	1	D
	0414001-2	PANEL-DOOR UPHOLSTERY RH -----	1	F
		ATTACHING PARTS -----		
-47	XH99608F1099	STUD UC -----	8	
		---*---		
-48	S1957-2	ASH RECEIVER -----	2	
-49	S1685-1	HANDLE ASSEMBLY-ASSIST -----	2	D
	S1685-3	HANDLE ASSEMBLY-ASSIST -----	2	F
		ATTACHING PARTS -----		
-50	AN515-6RB	SCREW -----	2	
	NAS682A06K	NUTPLATE FORWARD MOUNTING HOLE -----	1	
	NAS680A06K	NUTPLATE AFT MOUNTING HOLE -----	1	D
	NAS682A06K	NUTPLATE AFT MOUNTING HOLE -----	1	F
		---*---		

CONTINUED ON NEXT PAGE

FIGURE AND INDEX NO.	PART NUMBER	DESCRIPTION	UNITS PER ASSY	USABLE ON CODE
22C-51	0413025-2	1 2 3 4 5 6 7 PLATE-STRIKER ----- ATTACHING PARTS -----	2	D
-52	S1021Z8-8 S1863-3A	SCREW ----- NUTPLATE ----- ---*---	2 2	D D
-53	0517002-1	PLATE-STRIKER ----- ATTACHING PARTS -----	2	F
-54	S1021Z8-8 C663-832-1	SCREW ----- NUTPLATE-TWIN      TIN ----- ---*---	2 1	F F
-55	C253001-0101	LOCK ASSEMBLY      LH DOOR ONLY -----	1	
-56	0511263-1	CAM-DOOR LOCK      LH DOOR ONLY -----	1	
NOTE. *LENGTH TO BE DETERMINED LATER				
NOTE. #THIS PART NUMBER MUST HAVE A SECOND DASH NUMBER ADDED TO DENOTE COLOR. REFER TO HOW TO ORDER INTERIOR PARTS-SEE PAGE XIII.				
NOTE. %WHEN INITIALLY ORDERING THIS PART FOR AIRCRAFT PRIOR TO SERIALS 15069309 & F150-0390 ALSO ORDER ONE 0517002-1 STRIKER PLATE.				
A---150 SERIAL 15064533 & ON F150 SERIAL F150-0068 & ON				
B---150 SERIAL 15064533 THRU 15067198 F150 SERIAL F150-0068 THRU F150-0219				
C---150 SERIAL 15067199 & ON F150 SERIAL F150-0220 & ON				
D---150 SERIAL 15064533 THRU 15069308 F150 SERIAL F150-0068 THRU F150-0389				
E---150 SERIAL 15067199 THRU 15069308 F150 SERIAL F150-0220 THRU F150-0389				
F---150 SERIAL 15069309 & ON F150 SERIAL F150-0390 & ON				
G---150 SERIAL 15064533 THRU 15070533 F150 SERIAL F150-0068 & ON				
H---150 SERIAL 15070534 & ON				

This page intentionally left blank.

Door & Window (Cont)



RH LATCH ONLY

SERIAL 15062489 & ON

**SERIAL 15061533 & ON**

Figure 22D. Cabin Door Latch Assembly



FIGURE AND INDEX NO.	PART NUMBER	DESCRIPTION	UNITS PER ASSY	USABLE ON CODE
22D-	0413387-1	LATCH ASSEMBLY-LH DOOR -----	1	A
	0413387-3	LATCH ASSEMBLY-LH DOOR -----	1	D
	0413387-2	LATCH ASSEMBLY-RH DOOR -----	1	A
	0413387-4	LATCH ASSEMBLY-RH DOOR -----	1	D
- 1	0413388-1 *	MOUNTING PLATE ASSEMBLY -----	1	
- 2	NAS698A08	NUTPLATE -----	2	
- 3	0413414-2	LOCK BRACKET RH ONLY -----	1	
- 4	0413414-1	GUIDE-LOCK RH ONLY -----	1	
- 5	0511264-1	SPACER -----	1	
- 6	0511258-1	HOUSING -----	1	A
	0511258-2	HOUSING -----	1	D
		ATTACHING PARTS		
- 7	AN515-832R6	SCREW -----	4	
	AN936B8	WASHER -----	4	
		-----*		
- 8	0511260-1	BOLT-LH -----	1	
	0511260-2	BOLT-RH -----	1	
- 9	NAS561-3-8	ROLL PIN -----	1	
-10	0511261-3	SPRING -----	1	
-11	S1631-7	RING-RETAINER -----	1	
-12	0511265-1	SUPPORT ASSEMBLY-BOLT -----	1	B
		ATTACHING PARTS		
-13	NAS679A08	NUT -----	2	B
		-----*		
-14	0511266-1 **	SUPPORT ASSEMBLY-BOLT -----	1	C
		ATTACHING PARTS		
-15	AN525-832R7 **	SCREW -----	2	C
		-----*		
-16	NAS698A08	NUTPLATE -----	2	C
-17	0511259-1	HANDLE WHEN EXHAUSTED USE 0417010-2 -----	1	A
	0417010-2	HANDLE -----	1	D
		ATTACHING PARTS		
-18	0511261-4	SPRING -----	1	
	0511261-5	SPRING -----	1	
-19	MS20392-1C97	PIN -----	1	
-20	MS24665-132	COTTER PIN -----	1	
		-----*		
<p>NOTE. *WHEN ORDERING THIS PART FOR AIRCRAFT            PRIOR TO SERIALS 15062489 &amp; F150-0008            ALSO ORDER PARTS MARKED **.</p> <p>A---150 SERIAL 15061533 THRU 15067198            F150 SERIAL F150-0001 THRU F150-0219            B---150 SERIAL 15061533 THRU 15062488            F150 SERIAL F150-0001 THRU F150-0007            C---150 SERIAL 15062489 &amp; ON            F150 SERIAL F150-0008 &amp; ON            D---150 SERIAL 15067199 &amp; ON            F150 SERIAL F150-0220 &amp; ON</p>				



FIGURE AND INDEX NO.	PART NUMBER	DESCRIPTION	UNITS PER ASSY	USABLE ON CODE
		<b>1 2 3 4 5 6 7</b>		
23 -		INSTRUMENT PANEL EQUIPMENT INSTALLATION -----	NP	G
- 1	0413301-11-279	COVER ASSEMBLY-SHOCK PANEL -----	1	
		ATTACHING PARTS		
- 2	49265F52	FASTENER UC -----	5	
		*-----		
- 3	0713064-2	RETAINER-COMPASS CARD -----	1	
		ATTACHING PARTS		
	A109-14-1	NUT TIN -----	2	
		*-----		
- 4	0413301-10	SHOCK PANEL-INSTRUMENT -----	1	
		ATTACHING PARTS		
- 5	AN340B8	NUT -----	8	
- 6	AN936B8	WASHER -----	8	
- 6A	AN960-10	WASHER -----	3	
- 7	0411059-1	SHOCK MOUNT -----	4	
- 8	0413247	GROUND STRAP -----	2	
		*-----		
- 9	0411087-31	TACHOMETER -----	1	A
	0511035-2	TACHOMETER WHEN EXHAUSTED USE S-1305N2 -----	1	B
	S1305N2	TACHOMETER-RECORDING CESSNA STANDARD -----	1	B
	0411087-31	TACHOMETER ALTERNATE FOR 0511035-2 -----	1	B
		ATTACHING PARTS		
	AN340B6	NUT -----	4	
	AN936A6B	WASHER -----	4	
	AN515B6R12	SCREW -----	4	
		*-----		
	0450017-11	SHAFT-TACHOMETER DRIVE -----	1	A
	0450017-20	SHAFT-TACHOMETER DRIVE -----	1	B
-10	0311058-5 **	GYRO-HORIZON REMANUFACTURED WHEN -----	1	
		EXHAUSTED USE S-1309N1		
	S1309N1 **	GYRO-HORIZON WHEN EXHAUSTED USE C661001-0101 -----	1	
	C661001-0101 **	GYRO-HORIZON -----	1	
		ATTACHING PARTS		
	AN520B10R14	SCREW -----	3	
		*-----		
-11	0311058-4 **	GYRO-DIRECTIONAL REMANUFACTURED WHEN -----	1	
		EXHAUSTED USE S-1316N1		
	S1316N1 **	GYRO-DIRECTIONAL WHEN EXHAUSTED USE C661002-0101 -----	1	
	C661002-0101 **	GYRO-DIRECTIONAL -----	1	
		ATTACHING PARTS		
	AN520B10R14	SCREW -----	3	
		*-----		
-12	0411086-19	INDICATOR-AIRSPEED WHEN EXHAUSTED USE S-1323N2 -----	1	
	0411086-24	INDICATOR-AIRSPEED ALT WHEN -----	1	
		EXHAUSTED USE S-1323N2		
	S1323N2	INDICATOR-AIRSPEED REMANUFACTURED WHEN -----	1	
		EXHAUSTED USE S1470N8		
	S1470N8	INDICATOR-AIRSPEED -----	1	
		ATTACHING PARTS		
	AN340B6	NUT -----	4	
	AN936A6B	WASHER -----	4	
	AN515B6R14	SCREW -----	4	
		*-----		
-13	0411007-7	ALTIMETER FOR VFR APPLICATIONS ONLY WHEN -----	1	
		EXHAUSTED USE C661011-0105		
	0411007-8	ALTIMETER-SENSITIVE FOR VFR APPLICATIONS ONLY -----	1	
		WHEN EXHAUSTED USE C661011-0105		
	S1314N1	ALTIMETER-20,000 FT FOR VFR APPLICATIONS ONLY -----	1	
		WHEN EXHAUSTED USE C661011-0105		
	S1313N1	ALTIMETER-35,000 FT SENSITIVE FOR VFR APPLICATIONS --	1	
		ONLY WHEN EXHAUSTED USE C661011-0105		
	C661011-0105	ALTIMETER-20,000 FT SENSITIVE -----	1	
		ATTACHING PARTS		
	AN340B6	NUT -----	4	
	AN936A6B	WASHER -----	4	
	AN515B6R14	SCREW -----	4	
		*-----		
-14	0411009-6	INDICATOR-TURN & BANK WHEN EXHAUSTED USE S-1302N1 -----	1	
	S1302N1	INDICATOR-TURN & BANK REMANUFACTURED CESSNA STANDARD -----	1	
		ATTACHING PARTS		
	AN340B6	NUT -----	4	
	AN936A6B	WASHER -----	4	
	AN515B6R12	SCREW -----	4	
		*-----		

CONTINUED ON NEXT PAGE



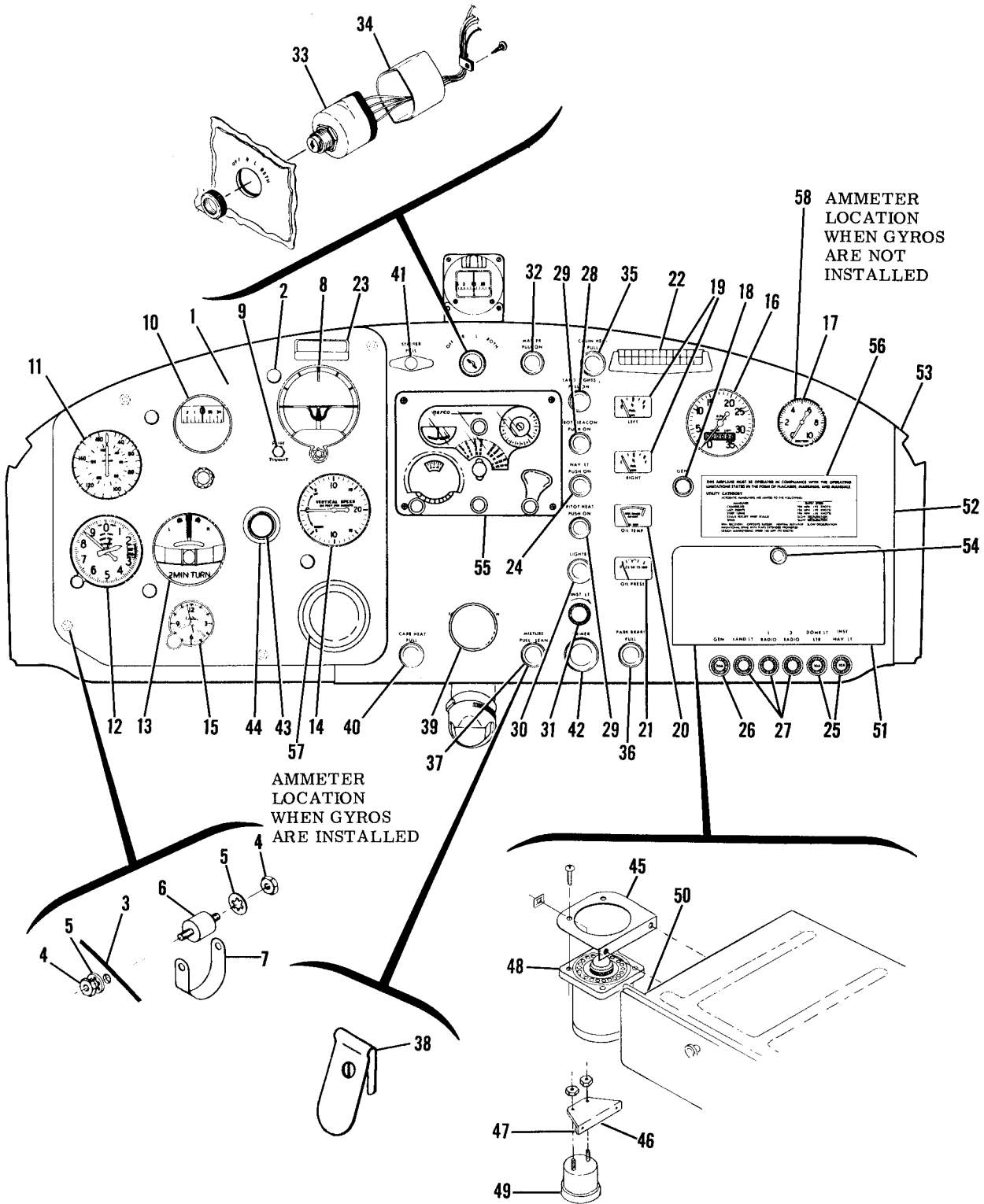
FIGURE AND INDEX NO.	PART NUMBER	DESCRIPTION	UNITS PER ASSY	USABLE ON CODE		
					1	2
23 -15	0411069-3	INDICATOR-VERTICAL SPEED	1			
	S1304N1	WHEN EXHAUSTED USE S-1304N1 ----- INDICATOR-VERTICAL SPEED REMANUFACTURED -----	1			
	AN340B6	ATTACHING PARTS				
	AN936A6B	NUT -----	4			
-16	0411010-1	WASHER -----	4			
	AN515B6R14	SCREW -----	4			
	AN340B6	-----*-----				
	AN936A6B	CLOCK -----	1			
-17	0311057-1	ATTACHING PARTS				
	S1300N1	SCREW -----	2			
	AN515B6R12	NUT -----	2			
	AN936A6B	WASHER -----	2			
-18	0513144-6	-----*-----				
	AN340B6	PANEL ASSEMBLY -----	1			
	AN936A6B	ATTACHING PARTS				
	AN515B6R10	NUT -----	2			
-19	0513144-4	WASHER -----	2			
	0713062-6	SCREW -----	2			
-20	0513144-7	CASE ASSEMBLY -----	1			
-21	0513144-8	GAGE-FUEL -----	1			
-22	0411091-34	GAGE-OIL TEMPERATURE -----	1			
-23	0411090-22	GAGE-OIL PRESSURE -----	1			
	0713302-5	CONTROL-THROTTLE -----	1			
-24	0411090-29	CONTROL-CARBURETOR HEAT REF 0411090-32 -----	1	C		
	S1239-4	CONTROL-CARBURETOR HEAT REF 0513159-14 -----	1	D		
-25	S1239-4	CONTROL-PARKING BRAKE REF 0411090-36 -----	1	C		
	0411090-22	CONTROL-PARKING BRAKE REF 0513159-15 -----	1	E		
-26	0713302-5	CONTROL-PARKING BRAKE REF 0513159-22 -----	1	F		
	0411090-22	CONTROL-MIXTURE REF 0411090-32 -----	1	C		
-27	0713302-5	CONTROL-MIXTURE REF 0513159-14 -----	1	D		
	0513173-1	DELETED, REPLACED BY 0513173-1 -----				
-28	0411090-22	DELETED, REPLACED BY 0513173-1 -----				
-29	0713302-5	LOCK-CONTROL -----	1			
	0411023-1	CONTROL-CABIN HEAT REF 0411090-31 -----	1	C		
-30	S1091-10	CONTROL-CABIN HEAT REF 0513159-13 -----	1	D		
	S1091-14	RETAINER-FUSE -----	5			
-31	0411023-1	FUSE-10 AMP -----	3			
-32	0411023-1	FUSE-20 AMP -----	2			
-33	0513039-7	ROTATING BEACON INSTALLATION SEE FIGURE 48 -----	NP			
-34	L4858-1	LIGHTER ASSEMBLY-CIGAR REF 0513052-3 -----	1			
	0412480-3	PLUG-HEATING CUNC -----	1			
-35	0713026-4	KNOB -----	1			
	0411092-1	SWITCH-NAVIGATION LIGHT -----	1			
-36	0713303-2	KNOB-NAVIGATION LIGHT SWITCH -----	1	C		
	0311538-8	KNOB-NAVIGATION LIGHT SWITCH -----	1	D		
-37	0311538-10	PRIMER ASSEMBLY-ENGINE WHEN EXHAUSTED USE C291502-0101 --	1	C		
	0413017-1	PRIMER ASSEMBLY-ENGINE WHEN EXHAUSTED USE C291502-0101 --	1	D		
-38	C291502-0101	KNOB-PRIMER WHEN EXHAUSTED USE S-1240-5 -----	1	C		
	S1752-1	PRIMER ASSEMBLY-ENGINE -----	1			
-39	0513142-7	KNOB-PRIMER -----	1	D		
	0513142-14	CONTRGL-STARTER -----	1	C		
-40	0713035	CONTROL-STARTER -----	1	D		
	0411092-1	SWITCH-LANDING LIGHT -----	1			
-41	0713303-2	KNOB-LANDING LIGHT SWITCH -----	1	C		
	0413126-7	KNOB-LANDING LIGHT SWITCH -----	1	D		
-42	0713026-5	RHEOSTAT-INSTRUMENT LIGHTS -----	1			
	0411092-1	SWITCH-MASTER -----	1			
-43	0713303-2	KNOB-MASTER SWITCH -----	1	C		
	0713303-2	KNOB-MASTER SWITCH -----	1	D		

CONTINUED ON NEXT PAGE



FIGURE AND INDEX NO.	PART NUMBER	DESCRIPTION	UNITS PER ASSY	USABLE ON CODE
		<b>1 2 3 4 5 6 7</b>		
23 -41	0513051-8	LIGHT-CHARGE INDICATOR -----	1	
	S1876-1	BULB -----	1	
	0713072-1	WASHER -----	1	
-42	0311038-2	SWITCH-IGNITION WHEN EXHAUSTED USE C292501-0202 -----	1	
	C292501-0202 *	KIT-IGNITION SWITCH -----	1	
-43	0311777	SHIELD ASSEMBLY-IGNITION SWITCH -----	1	
-44	0513056-4	GROMMET -----	2	
-45	0413301-2-279	COVER-STATIONARY -----	1	
-46	0413301-15	PANEL ASSEMBLY-STATIONARY -----	1	
-47	0413301-16	STIFFENER -----	1	
-48	A1663-012-3	CATCH TIN -----	1	
-49		GLOVE BOX & DOOR INSTALLATION SEE FIGURE 24 -----	NP	
-50	0411962-1	PLACARD-OPERATIONAL LIMITATIONS -----	1	
	0511062-10	HORN ASSEMBLY-STALL WARNING -----	1	
		ATTACHING PARTS		
	AN515B6R12	SCREW -----	4	
		---*---		
	0313313-3	BRACKET-HORN -----	1	
		ATTACHING PARTS		
	S1021Z8-6	SCREW CESSNA STANDARD -----	2	
	NAS446-4-3	NUT TIN A1778-8Z-3 -----	2	
		---*---		
	CA2	CIRCUIT BREAKER SPT -----	1	
		ATTACHING PARTS		
	AN515B6R12	SCREW -----	2	
		---*---		
-51	0700319-13	PLACARD-WINTERIZATION -----	1	
		NOTE. *THIS KIT ALSO INCLUDES DOOR LOCK & KEYS		
		NOTE. **WHEN STOCKS OF THESE GYROS ARE EXHAUSTED ORDER AK172-116 KIT, WHICH INCLUDES 1 DIRECTIONAL GYRO, 1 GYRO HORIZON, FILTER & NECESSARY FITTINGS FOR INSTALLATION.		
		A---150 SERIAL 17001 THRU 17822		
		B---150 SERIAL 17823 THRU 59018		
		C---150 SERIAL 17001 THRU 17683		
		D---150 SERIAL 17684 THRU 59018		
		E---150 SERIAL 17684 THRU 17930		
		F---150 SERIAL 17931 THRU 59018		
		G---150 SERIAL 17001 THRU 59018		

Instruments (Cont)



**SERIAL 15059019 THRU 15060772**

Figure 23A. Instrument Panel Equipment Installation



FIGURE AND INDEX NO.	PART NUMBER	DESCRIPTION	UNITS PER ASSY	USABLE ON CODE
23A-		INSTRUMENT PANEL AND EQUIPMENT INSTALLATION -----	NP	A
- 1	0413375-4-279	COVER-SHOCK PANEL -----	1	D
	0413375-30-418	COVER-SHOCK PANEL -----	1	E
	0413375-16-418	COVER-SHOCK PANEL USE WITH PICTORIAL GYROS ONLY -----	1	E
- 2	49265K2215	ATTACHING PARTS -----		
		FASTENER UC ----- <b>SERIAL 15059019</b> -----	5	
- 3	0413375-3	SHOCK PANEL-INSTRUMENT ----- <b>THRU 15060772</b> -----	1	
		ATTACHING PARTS -----		
- 4	AN340B8	NUT -----	8	
- 5	AN936B8	WASHER -----	8	
- 6	1213645-1	SHOCK MOUNT -----	4	
- 7	0413247	GROUND STRAP -----	2	
- 8	0311058-5	INDICATOR-GYRO HORIZON WHEN EXHAUSTED USE S-1309N1 -----	1	B
	S1309N1	INDICATOR-GYRO HORIZON WHEN EXHAUSTED USE C661001-0101 --	1	P
	S1472N1	INDICATOR-GYRO HORIZON ALTERNATE WHEN EXHAUSTED -----	1	P
		USE C661001-0101 -----		
	S1473N1	INDICATOR-GYRO HORIZON ALTERNATE WHEN EXHAUSTED -----	1	P
		USE C661001-0101 -----		
	C661001-0101	INDICATOR-GYRO HORIZON -----	1	
	S1326N1	INDICATOR-GYRO HORIZON-PICTORIAL TYPE 34B WITH -----	1	E
		VACUUM WARNING LIGHTS -----		
		ATTACHING PARTS -----		
	AN520B10R14	SCREW -----	3	
	AN520B10R16	SCREW -----	1	
- 9	330R	BULB GE PICTORIAL GYRO ONLY -----	2	E
	S1284-1	SWITCH CESSNA STANDARD -----	1	
	S1365-1	SWITCH-VACUUM BEHIND PANEL CESSNA STANDARD -----	1	
	AN912-1D	REDUCER -----	1	
-10	0311056-4	INDICATOR-DIRECTIONAL GYRO WHEN EXHAUSTED USE S-1316N1 --	1	B
	S1316N1	INDICATOR-DIRECTIONAL GYRO WHEN EXHAUSTED -----	1	P
		USE C661002-0101 -----		
	S1476N1	INDICATOR-DIRECTIONAL GYRO ALTERNATE WHEN -----	1	P
		EXHAUSTED USE C661002-0101 -----		
	C661002-0101	INDICATOR-DIRECTIONAL GYRO -----	1	
	S1327N1	INDICATOR-DIRECTIONAL GYRO-PICTORIAL TYPE 34B USED --	1	E
		WITH VACUUM LIGHTS -----		
		ATTACHING PARTS -----		
	AN520B10R14	SCREW -----	3	
	AN520B10R16	SCREW -----	1	
	AN520B10A22	SCREW PICTORIAL GYRO ONLY -----	4	
-11	0411086-19	INDICATOR-AIRSPPEED WHEN EXHAUSTED USE S-1323N2 -----	1	B
	0411086-24	INDICATOR-AIRSPPEED ALT WHEN EXHAUSTED USE S-1323N2 --	1	J
	S1323N2	INDICATOR-AIRSPPEED WHEN EXHAUSTED USE S1470N8 -----	1	Q
	S1470N8	INDICATOR-AIRSPPEED -----	1	Q
	S1323N4	INDICATOR-AIRSPPEED WHEN EXHAUSTED USE S1470N10 -----	1	K
	S1470N10	INDICATOR-AIRSPPEED -----	1	K
	S1386N2	INDICATOR-AIRSPPEED KILOMETERS/HR & MPH -----	1	J
		ATTACHING PARTS -----		
	AN515B6R10	SCREW -----	4	
-12	0411007-7	ALTIMETER FOR VFR APPLICATIONS ONLY WHEN -----	1	B
		EXHAUSTED USE C661011-0105 -----		
	S1314N1	ALTIMETER-20,000 FT FOR VFR APPLICATIONS ONLY -----	1	P
		WHEN EXHAUSTED USE C661011-0105 -----		
	0411007-8	ALTIMETER-SENSITIVE FOR VFR APPLICATIONS ONLY -----	1	B
		WHEN EXHAUSTED USE C661011-0105 -----		
	S1313N1	ALTIMETER-35,000 FT SENSITIVE FOR VFR APPLICATIONS --	1	P
		ONLY WHEN EXHAUSTED USE C661011-0105 -----		
	C661011-0105	ALTIMETER-20,000 FT SENSITIVE -----	1	
	S1432N1	ALTIMETER-35,000 FT FEET/MILLIBARS FOR VFR -----	1	P
		APPLICATIONS ONLY WHEN EXHAUSTED USE C661011-0202 -----		
	C661011-0202	ALTIMETER-35,000 FT FEET/MILLIBARS -----	1	
	S1384N1	ALTIMETER-METERS/MILLIBARS FOR VFR APPLICATIONS ONLY ----	1	J
		ATTACHING PARTS -----		
	AN515B6R10	SCREW -----	4	
	AN936A6B	WASHER -----	4	
	AN340B6	NUT -----	4	

CONTINUED ON NEXT PAGE

FIGURE AND INDEX NO.	PART NUMBER	DESCRIPTION	UNITS PER ASSY							USABLE ON CODE
			1	2	3	4	5	6	7	
23A-13	0411009-7	INDICATOR-TURN & BANK WHEN EXHAUSTED USE S-1302N1 -----							1	B
	S1302N1	INDICATOR-TURN & BANK CESSNA STANDARD -----							1	P
	S1413N1	INDICATOR-TURN & BANK ALT CESSNA STANDARD -----							1	
	AN515B6R16	ATTACHING PARTS								
	AN936A6B	SCREW -----							4	
	AN340B6	WASHER -----							4	
		NUT -----							4	
		-----*								
-14	0411069-3	INDICATOR-VERTICAL SPEED WHEN EXHAUSTED USE S-1304N1 -----							1	B
	S1304N1	INDICATOR-VERTICAL SPEED CESSNA STANDARD -----							1	P
	S1304N2	INDICATOR-VERTICAL SPEED ALTERNATE -----							1	
	S1392N1	INDICATOR-VERTICAL SPEED ALTERNATE -----							1	
	CM2647N1	INDICATOR-VERTICAL SPEED 10 METERS/MIN -----							1	J
	AN515B6R16	ATTACHING PARTS								
	AN936A6B	SCREW -----							4	
	AN340B6	WASHER -----							4	
		NUT -----							4	
		-----*								
-15	0713131-1	CLOCK-ELECTRIC WHEN EXHAUSTED USE S-1317N1 -----							1	B
	S1317N1	CLOCK-ELECTRIC CESSNA STANDARD -----							1	C
	CM2629N1	CLOCK -----							1	H
	AN515B6R12	ATTACHING PARTS								
		SCREW -----							2	
		-----*								
-16	0511035-2	TACHOMETER WHEN EXHAUSTED USE S-1305N2 -----							1	B
	S1305N2	TACHOMETER-RECORDING CESSNA STANDARD -----							1	R
	S1305N7	TACHOMETER-RECORDING CESSNA STANDARD -----							1	E
	AN515B6R14	ATTACHING PARTS								
	AN936A6B	SCREW -----							4	
	AN340B6	WASHER -----							4	
		NUT -----							8	
		-----*								
-17	S1605-3	SHAFT-TACHOMETER DRIVE CESSNA STANDARD -----							1	
	0311057-1	GAGE-SUCTION WHEN EXHAUSTED USE S-1300N1 -----							1	B
	S1300N1	GAGE-SUCTION CESSNA STANDARD -----							1	Q
	S1414N1	GAGE-SUCTION -----							1	K
	AN515B6R12	ATTACHING PARTS								
		SCREW -----							4	
		-----*								
-18	0513051-8	CHARGE INDICATOR -----							1	
	S1876-1	BULB -----							1	
	0713072-1	WASHER -----							1	
	0413378-1	PANEL ASSEMBLY -----							1	
	AN515B6R14	ATTACHING PARTS								
	AN936A6B	SCREW -----							2	
		NUT -----							4	
		-----*								
-19	0413378-3	GAGE-FUEL -----							2	
-20	0413378-4	GAGE-OIL TEMPERATURE -----							1	
-21	0413378-5	GAGE-OIL PRESSURE -----							1	
	0413378-2	CASE ASSEMBLY -----							1	
-22	0713064-2	RETAINER-COMPASS CARD -----							1	D
	A109-014-3	ATTACHING PARTS								
		NUT TIN -----							2	
		-----*								
-23	0813569-1	RETAINER ASSEMBLY-COMPASS CARD -----							1	E
	S102174-8	ATTACHING PARTS								
	NAS446-1-3	SCREW CESSNA STANDARD -----							2	
		NUT -----							2	
		-----*								
-24	0713026-4	SWITCH NAV LIGHT -----							1	
	0713303-2	KNOB -----							1	
-25	S1090-3	FUSE HOLDER-10 AMP -----							2	
	S1090-12	CAP CESSNA STANDARD -----							1	
	S1091-10	FUSE-10AMP CESSNA STANDARD -----							2	
-26	S1090-5	FUSE HOLDER-20AMP CESSNA STANDARD -----							1	
	S1090-14	CAP CESSNA STANDARD -----							1	
	S1091-20	FUSE-20 AMP CESSNA STANDARD -----							1	
-27	S1090-1	FUSE HOLDER CESSNA STANDARD -----							3	
	S1090-10	CAP CESSNA STANDARD -----							1	
-28	0713035	SWITCH-LANDING LIGHT -----							1	
	0713303-2	KNOB -----							1	
-29	S1232-10	CIRCUIT BREAKER ASSEMBLY ROTATING BEACON, PITOT HEAT -----							2	

CONTINUED ON NEXT PAGE

FIGURE AND INDEX NO.	PART NUMBER	DESCRIPTION	UNITS PER ASSY	USABLE ON CODE
		1 2 3 4 5 6 7		
23A-30	0513039-7	CIGAR LIGHTER REF 0513052-3 -----	1	
	L4858-1	PLUG-HEATING CUNC -----	1	
	S1240-6	KNOB-CIGAR LIGHTER CESSNA STANDARD -----	1	
-31	0413126-7	RHEOSTAT ASSEMBLY INST LIGHTS -----	1	
	0413126-3	KNOB -----	1	
-32	0713026-5	SWITCH-MASTER -----	1	
	S1416-1	KNOB CESSNA STANDARD -----	1	
	0513357-1	INSULATOR-MASTER SWITCH -----	1	S
-33	0311038-2	SWITCH-IGNITION WHEN EXHAUSTED USE C292501-0202 -----	1	
	C292501-0202 #	KIT-IGNITION SWITCH -----	1	
-34	0311777	SHIELD ASSEMBLY-IGNITION SWITCH -----	1	
-35	0713302-5	CONTROL-CABIN HEAT REF 0513159-23 WHEN EXHAUSTED USE S-1239-11 -----	1	D
	S1239-11	CONTROL-CABIN HEAT CESSNA STANDARD -----	1	E
-36	S1239-4	CONTROL-PARKING BRAKE REF 0513159-17 WHEN EXHAUSTED USE S-1239-2 -----	1	D
	S1239-2	CONTROL-PARKING BRAKE CESSNA STANDARD -----	1	E
-37	0713302-5	CONTROL-MIXTURE REF 0513159-14 WHEN EXHAUSTED USE S-1231-1 -----	1	D
	S1231-1	CONTROL-MIXTURE CESSNA STANDARD -----	1	E
-38	0513173-1	LOCK-MIXTURE CONTROL -----	1	
-39	S1222-5	CONTROL-THROTTLE WHEN EXHAUSTED USE S-1222-11 -----	1	M
	S1222-11	CONTROL-THROTTLE -----	1	N
	1213646-2	WASHER -----	1	
-40	0713302-5	CONTROL-CARBURETOR HEAT REF 0513159-14 WHEN EXHAUSTED USE S-1230-1 -----	1	D
	S1230-1	CONTROL-CARBURETOR HEAT CESSNA STANDARD -----	1	E
-41	0513142-14	CONTROL-STARTER REF 0513142-15 -----	1	
-42	0311538-10	PRIMER ASSEMBLY WHEN EXHAUSTED USE C291502-0101 -----	1	
	S1240-5	KNOB-PRIMER -----	1	
	C291502-0101	PRIMER ASSEMBLY -----	1	
	S1752-1	KNOB-PRIMER -----	1	
-43	0513056-3	GROMMET LH CONTROL WHEEL OPENING -----	2	
	0513056-4	GROMMET RH CONTROL WHEEL OPENING -----	2	
-44	0413377-4	COLLAR-CONTROL LOCK -----	1	
	S102126-8	ATTACHING PARTS		
	NAS446-2-3	SCREW CESSNA STANDARD -----	4	
		NUT -----	4	
		-----*-----		
-45	0313313-3	BRACKET-STALL WARNING HORN -----	1	F
-46	0713738-3 **	BRACKET ASSEMBLY-STALL WARNING HORN -----	1	G
		ATTACHING PARTS		
	S102128-6	SCREW CESSNA STANDARDS -----	2	
	NAS446-4-3	NUT -----	2	F
		-----*-----		
		NUT -----	2	
-47	NAS395-12-3	HORN ASSEMBLY-STALL WARNING WHEN EXHAUSTED USE S-1407-6 -----	1	F
-48	0511062-10	HORN ASSEMBLY-STALL WARNING -----	1	G
-49	S1407-6 *	ATTACHING PARTS		
	AN51586R12	SCREW -----	4	F
		-----*-----		
	S1527-1	WASHER-INSULATING -----	2	G
-50	CA2	CIRCUIT BREAKER SPTD -----	1	
		ATTACHING PARTS		
	AN51586R12	SCREW -----	2	
		-----*-----		
-51		MAP CASE & DOOR INSTALLATION SEE FIGURE 24A -----	1	
-52	0413375-2-279	COVER-STATIONARY PANEL -----	1	D
	0413375-14-418	COVER-STATIONARY PANEL -----	1	E
		ATTACHING PARTS		
	XH99608F1099	STUD -----	1	
	XH99608F1099	STUD -----	2	L
		-----*-----		

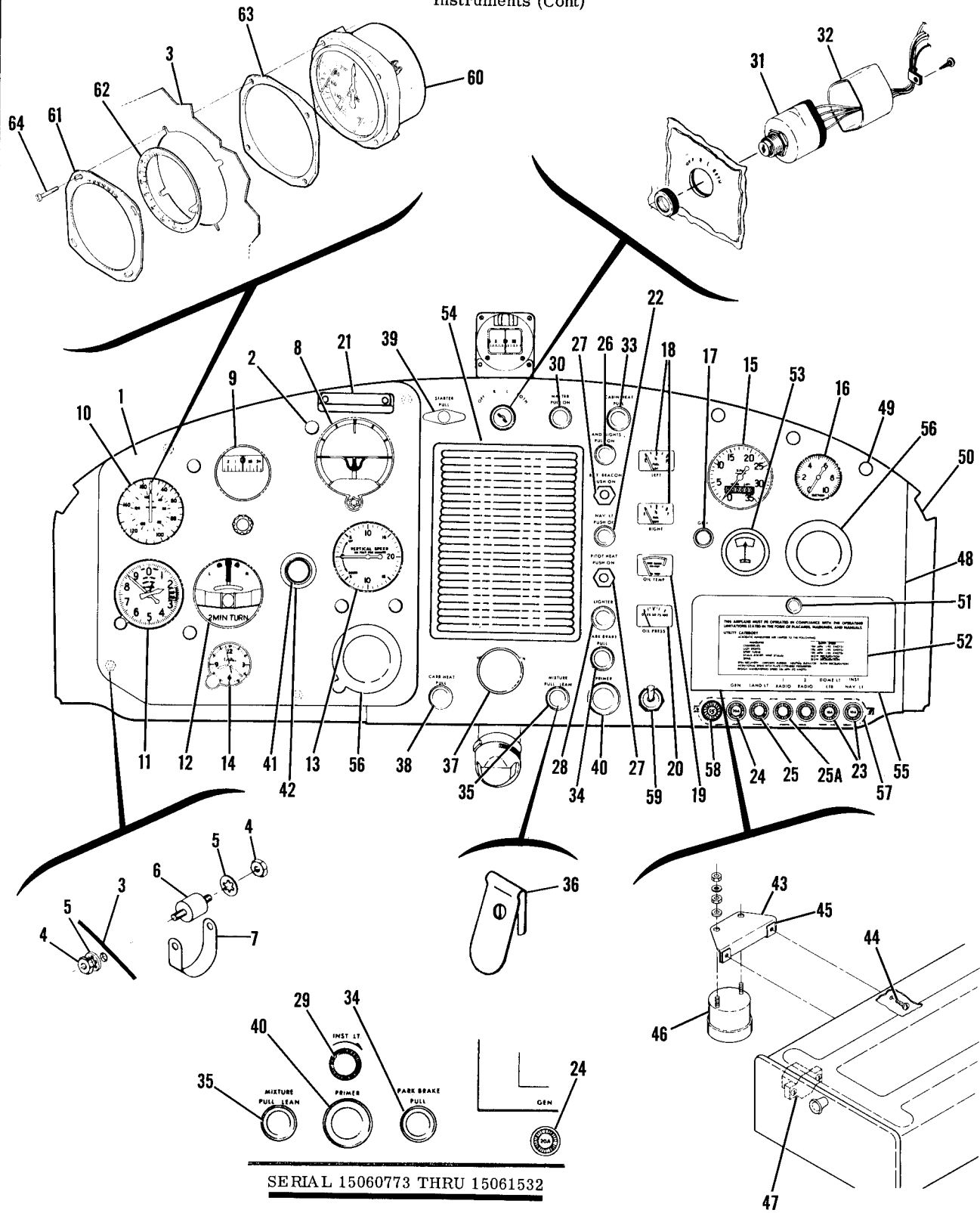
CONTINUED ON NEXT PAGE

FIGURE AND INDEX NO.	PART NUMBER	DESCRIPTION	UNITS PER ASSY	USABLE ON CODE
		<b>1 2 3 4 5 6 7</b>		
23A-53	0413375-5	PANEL ASSEMBLY-STATIONARY	1	
	0413375-22	PANEL ASSEMBLY-STATIONARY WHEN EXHAUSTED USE 0413375-22 -	1	
-54	A1663-012-3	CATCH-SPRING TIN -----	1	
-55		RADIO INSTALLATION SEE CESSNA ELECTRONICS MANUAL -----	NP	
-56	0411962-1	PLACARD-OPERATIONAL LIMITATIONS -----	1	J
	0412034-2	PLACARD-OPERATIONAL LIMITATIONS -----	1	K
-57	0411020-1	AMMETER LOCATION WHEN GYROS ARE INSTALLED WHEN -----	1	B
		EXHAUSTED USE S-1319-1		
	0700036-2	ADAPTER PLATE -----	1	
		ATTACHING PARTS		
	AN515B6R8	SCREW -----	4	
	AN936A6B	WASHER -----	4	
	AN34086	NUT -----	4	
-58	0411020-1	AMMETER LOCATION FOR ALL AIRPLANES WITHOUT GYROS -----	1	B
		WHEN EXHAUSTED USE S-1319-1		
	S1319-1	AMMETER-30 AMP CESSNA STANDARD -----	1	P
<p>NOTE. *WHEN ORDERING THIS PART ALSO ORDER PART MARKED **</p> <p>NOTE. #THIS KIT ALSO INCLUDES DOOR LOCK &amp; KEYS</p> <p>NOTE. %WHEN STOCKS OF THESE GYROS ARE EXHAUSTED ORDER AK172-116 KIT, WHICH INCLUDES 1 DIRECTIONAL GYRO, 1 GYRO HORIZON, FILTER &amp; NECESSARY FITTINGS FOR INSTALLATION.</p> <p>A---150 SERIAL 15059019 THRU 15060772                      B---150 SERIAL 15059019 THRU 15059350                      C---150 SERIAL 15059351 THRU 15059700,                      15059770 THRU 15060772                      D---150 SERIAL 15059019 THRU 15059700                      E---150 SERIAL 15059701 THRU 15060772                      F---150 SERIAL 15059019 THRU 15059774                      G---150 SERIAL 15059775 THRU 15060772                      H---150 SERIAL 15059701 THRU 15059769                      J---150 SERIAL 15059019 THRU 15060087                      K---150 SERIAL 15060088 THRU 15060772                      L---150 SERIAL 15060081 THRU 15060772                      M---150 SERIAL 15059019 THRU 15060587                      N---150 SERIAL 15060588 THRU 15060772                      P---150 SERIAL 15059351 THRU 15060772                      Q---150 SERIAL 15059351 THRU 15060087                      R---150 SERIAL 15059351 THRU 15059700                      S---150 SERIAL 15060620 THRU 15060772</p>				

FIGURE AND INDEX NO.	PART NUMBER		DESCRIPTION						UNITS PER ASSY	USABLE ON CODE
			1	2	3	4	5	6		
23B-			INSTRUMENT PANEL AND EQUIPMENT INSTALLATION -----						NP	A
- 1	0413375-30	□	COVER-SHOCK PANEL -----						1	H
	0413375-32	□	COVER-SHOCK PANEL -----						1	J
			<b>SERIAL 15060773</b>							
			<b>THRU 15064532</b>							
- 2	49265K2215		ATTACHING PARTS -----						5	
			FASTENER UC -----							
			-----*							
- 3	0413375-3		SHOCK PANEL-INSTRUMENT -----						1	H
	0413375-31		SHOCK PANEL-INSTRUMENT -----						1	J
			ATTACHING PARTS -----							
- 4	AN340B8		NUT -----						8	
- 5	AN936B8		WASHER -----						8	
- 6	1213645-1		SHOCK MOUNT -----						4	
- 7	0413247		GROUND STRAP -----						2	
			-----*							
- 8	S1472N1	**	INDICATOR-GYRO HORIZON WHEN EXHAUSTED USE C661001-0101 --						1	H
	C661001-0101	**	INDICATOR-GYRO HORIZON -----						1	H
	C661001-0201		INDICATOR-GYRO HORIZON -----						1	J
	C661001-0201R		INDICATOR-GYRO HORIZON RECONDITIONED -----						1	J
			ATTACHING PARTS -----							
	AN520B10R14		SCREW -----						4	
			-----*							
- 9	S1476N1	**	INDICATOR-DIRECTIONAL GYRO WHEN EXHAUSTED -----						1	H
			USE C661002-0101 -----							
	C661002-0101	**	INDICATOR-DIRECTIONAL GYRO -----						1	H
	C661002-0201		INDICATOR-DIRECTIONAL GYRO -----						1	J
	C661002-0201R		INDICATOR-DIRECTIONAL GYRO RECONDITIONED -----						1	J
			ATTACHING PARTS -----							
	AN520B10R14		SCREW -----						4	
			-----*							
-10	S1470N10		INDICATOR-AIRSPEED -----						1	
	S1323N4		INDICATOR-AIRSPEED ALTERNATE -----						1	
			ATTACHING PARTS -----							
	AN515B6R10		SCREW -----						4	
			-----*							
-11	S1314N1		ALTIMETER-20,000 FT FOR VFR APPLICATIONS ONLY -----						1	
			WHEN EXHAUSTED USE C661011-0105 -----							
	S1313N1		ALTIMETER-35,000 FT SENSITIVE FOR VFR APPLICATIONS --						1	F
			ONLY WHEN EXHAUSTED USE C661011-0105 -----							
	C661011-0105		ALTIMETER-20,000 FT SENSITIVE -----						1	G
	S1432N1		ALTIMETER-35,000 FT FEET/MILLIBARS FOR VFR -----						1	F
			APPLICATIONS ONLY WHEN EXHAUSTED USE C661011-0202 -----							
	C661011-0202		ALTIMETER-35,000 FT FEET/MILLIBARS -----						1	G
-12	S1302N1		INDICATOR-TURN & BANK -----						1	
	S1413N1		INDICATOR-TURN & BANK ALTERNATE -----						1	
			ATTACHING PARTS -----							
	AN515B6R16		SCREW -----						4	
			-----*							
-13	S1304N1		INDICATOR-VERTICAL SPEED -----						1	
	S1304N2		INDICATOR-VERTICAL SPEED ALTERNATE -----						1	
	S1392N1		INDICATOR-VERTICAL SPEED ALTERNATE -----						1	
			ATTACHING PARTS -----							
	AN515B6R16		SCREW -----						4	
			-----*							
-14	S1317N1		CLOCK-ELECTRIC -----						1	
			ATTACHING PARTS -----							
	AN515B6R12		SCREW -----						2	
			-----*							
-15	S1305N7		TACHOMETER-RECORDING -----						1	
			ATTACHING PARTS -----							
	AN515B6R14		SCREW -----						4	
	AN936A6B		WASHER -----						4	
	AN340B6		NUT -----						8	
			-----*							
	S1605-3		SHAFT-TACHOMETER DRIVE -----						1	
-16	S1414N1		GAGE-SUCTION -----						1	
			ATTACHING PARTS -----							
	AN515B6R12		SCREW -----						4	
			-----*							
-17	0513051-8		CHARGE INDICATOR -----						1	
	S1876-1		BULB -----						1	
	0713072-1		WASHER -----						1	

CONTINUED ON NEXT PAGE

Instruments (Cont)



SERIAL 15060773 THRU 15061532

**SERIAL 15060773 THRU 15064532**

Figure 23B. Instrument Panel Equipment Installation





FIGURE AND INDEX NO.	PART NUMBER	DESCRIPTION	UNITS PER ASSY	USABLE ON CODE
23B-	0413378-1	PANEL ASSEMBLY -----	1	
		ATTACHING PARTS -----		
	AN515B6R14	SCREW -----	2	
	AN936A6B	NUT -----	4	
		---*---		
-18	0413378-3	GAGE-FUEL -----	2	
-19	0413378-4	GAGE-OIL TEMPERATURE -----	1	
-20	0413378-5	GAGE-OIL PRESSURE -----	1	
	0413378-2	CASE ASSEMBLY -----	1	
-21	0813569-1	RETAINER ASSEMBLY-COMPASS CARD -----	1	
		ATTACHING PARTS -----		
	S1021Z4-8	SCREW -----	2	
	NAS446-1-3	NUT -----	2	
		---*---		
-22	0713026-4	SWITCH-NAV LIGHT -----	1	
	0713303-2	KNOB -----	1	
-23	S1090-3	FUSE HOLDER-10 AMP -----	2	
	S1090-12	CAP -----	1	
	S1091-10	FUSE-10 AMP -----	2	
-24	S1090-5	FUSE HOLDER-20 AMP -----	1	
	S1090-14	CAP -----	1	
	S1091-20	FUSE-20 AMP -----	1	
-25	S1090-1	FUSE HOLDER -----	1	B
	S1090-5	FUSE HOLDER -----	1	C
	S1090-10	CAP -----	1	B
	S1090-4	CAP -----	1	C
	S1091-20	FUSE-20 AMP -----	1	C
-25A	S1090-1	FUSE HOLDER -----	1	B
	S1090-4	FUSE HOLDER -----	1	C
	S1090-10	CAP -----	1	B
	S1090-13	CAP -----	1	C
	S1091-15	FUSE-15 AMP -----	1	C
-26	0713035	SWITCH-LANDING LIGHT -----	1	
	0713303-2	KNOB -----	1	
-27	S1232-10	CIRCUIT BREAKER ASSEMBLY ROTATING BEACON, PITOT HEAT -----	2	
-28	0513039-7	CIGAR LIGHTER REF 0513052-3 -----	1	
	L4858-1	PLUG-HEATING CUNC -----	1	
	S1240-6	KNOB-CIGAR LIGHTER -----	1	
-29	0413126-7	RHEOSTAT ASSEMBLY INST LIGHTS -----	1	B
	0413126-3	KNOB -----	1	B
-30	0713026-5	SWITCH-MASTER -----	1	
	S1416-1	KNOB -----	1	
	0513357-1	INSULATOR-MASTER SWITCH -----	1	
-31	0311038-2	SWITCH-IGNITION WHEN EXHAUSTED USE C292501-0202 -----	1	
	C292501-0202	* KIT-IGNITION SWITCH -----	1	
-32	0311777	SHIELD ASSEMBLY-IGNITION SWITCH -----	1	
-33	S1239-11	CONTROL-CABIN HEAT -----	1	
-34	S1239-2	CONTROL-PARKING BRAKE -----	1	
-35	S1231-1	CONTROL-MIXTURE -----	1	
-36	0513173-1	LOCK-MIXTURE CONTROL -----	1	
-37	S1222-11	CONTROL-THROTTLE -----	1	
	1213646-2	WASHER -----	1	
-38	S1230-1	CONTROL-CARBURETOR HEAT -----	1	
-39	0513142-14	CONTROL-STARTER REF 0513142-15 -----	1	
-40	C291502-0101	PRIMER ASSEMBLY -----	1	
	S1752-1	KNOB-PRIMER -----	1	
-41	0513056-3	GROMMET LH CONTROL WHEEL OPENING -----	2	
	0513056-4	GROMMET RH CONTROL WHEEL OPENING -----	2	
-42	0413454-1	* COLLAR ASSEMBLY-CONTROL LOCK -----	1	
	0413454-3	PLATE -----	1	
		ATTACHING PARTS -----		
	S1021Z6-8	SCREW -----	3	
	NAS446-2-3	NUT -----	3	
	AN515-6R7	SCREW -----	1	
	AN960-6L	WASHER -----	1	
	NAS679A06	NUT -----	1	
		---*---		
-43	0713738-3	BRACKET ASSEMBLY-STALL WARNING HORN -----	1	B
		ATTACHING PARTS -----		
-44	S1021Z8-6	SCREW -----	2	B
		---*---		
-45	NAS395-12-3	NUT -----	2	B

CONTINUED ON NEXT PAGE

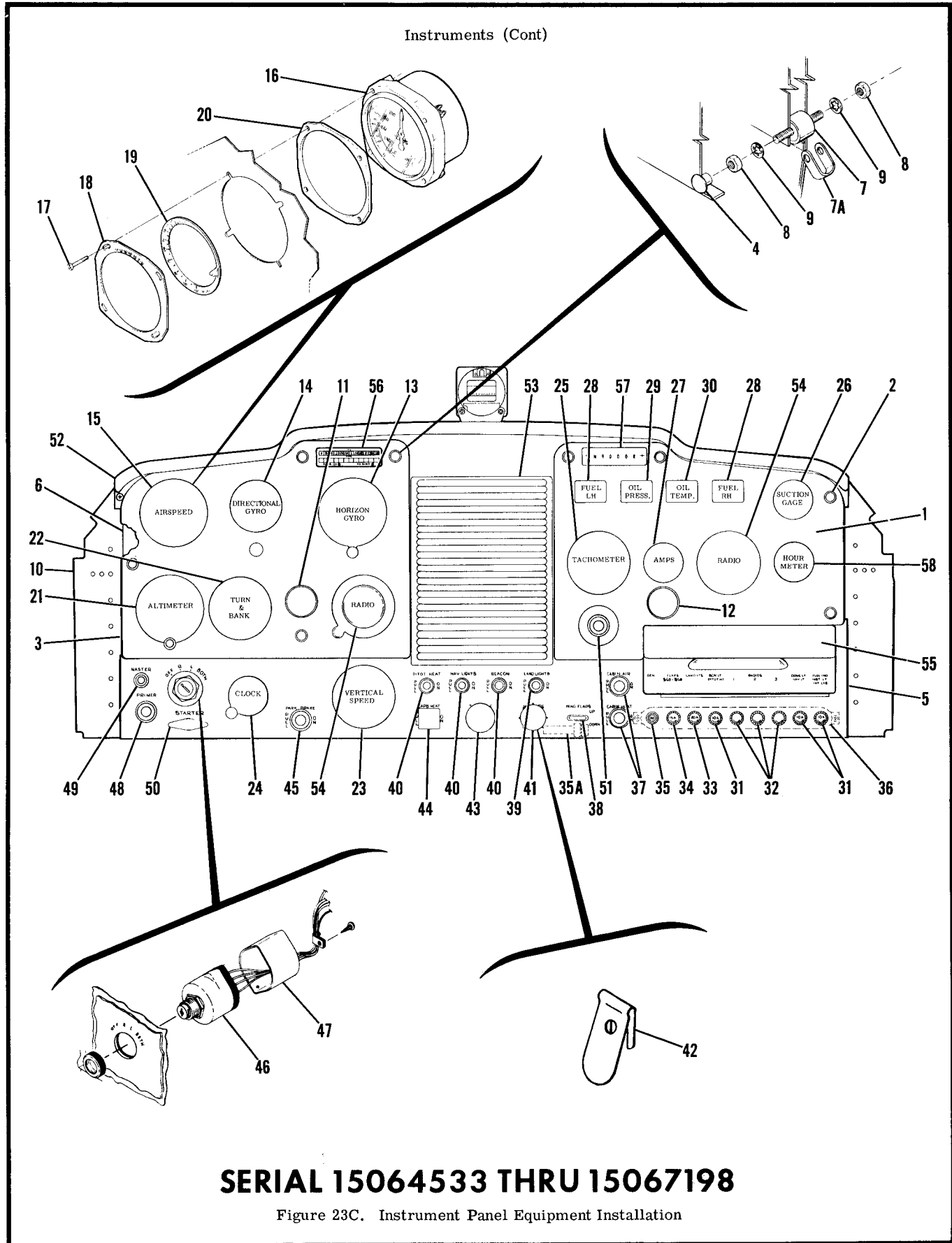
16

FIGURE AND INDEX NO.	PART NUMBER	DESCRIPTION	UNITS PER ASSY	USABLE ON CODE
23B-46 -47	S1407-6 CA2  AN515B6R12	HORN ASSEMBLY-STALL WARNING ----- CIRCUIT BREAKER SPTD ----- ATTACHING PARTS SCREW ----- -----*	1 1  2	B
-48	0413375-21 □ 0413375-24 □	COVER-STATIONARY PANEL ----- COVER-STATIONARY PANEL ----- ATTACHING PARTS	1 1	B C
-49	XH99608F1099	STUD ----- -----*	3	
-50	0413375-22 0413375-26	PANEL ASSEMBLY-STATIONARY ----- PANEL ASSEMBLY-STATIONARY -----	1 1	B C
-51	S1213-1	CATCH-SPRING -----	1	
-52	0412034-2 0412034-3	PLACARD-OPERATIONAL LIMITATIONS ----- PLACARD-OPERATIONAL LIMITATIONS F150 ONLY -----	1 1	K L
-53	S1319-1	AMMETER-30 AMP -----	1	
-54	0513319-14	COVER-RADIO CUTOFF -----	1	
-55		MAP CASE & DOOR INSTALLATION SEE FIGURE 24A -----	1	
-56		RADIO INSTALLATION SEE CESSNA ELECTRONICS MANUAL -----	1	
-57	0413102-1  S102176-8B NAS446-2-3	RETAINER-FUSE HOLDER ----- ATTACHING PARTS SCREW ----- NUT ----- -----*	1  2 2	C  C C
-58	S1090-4 S1090-13 S1627-15	FUSE HOLDER ----- CAP ----- FUSE-15 AMP -----	1 1 1	C C C
-59	HM25S73 S1661-1 0813526-6 S1216-4	SWITCH-FLAP CELI ----- SWITCH-FLAP ----- KNOB-FLAP SWITCH ----- NUT-FLAP SWITCH-DECORATIVE ----- TRUE AIRSPEED INSTALLATION -----	1 1 1 1 NP	D E E C C
-60	C661010-0101	INDICATOR-AIRSPEED -----	1	C
-61	0700162-1	RETAINER ASSEMBLY -----	1	C
-62	0700189-4	RING ASSEMBLY -----	1	C
-63	0700162-7  AN515B6R16	SPACER ----- ATTACHING PARTS SCREW ----- -----*	2  4	C  C
<p>NOTE. □THIS PART NUMBER MUST HAVE A SECOND DASH NUMBER ADDED TO DENOTE COLOR. REFER TO HOW TO ORDER INTERIOR PARTS-PAGE XIII.</p> <p>NOTE. *THIS KIT ALSO INCLUDES DOOR LOCK &amp; KEYS.</p> <p>NOTE. **WHEN STOCKS OF THESE GYROS ARE EXHAUSTED ORDER AK172-116 KIT, WHICH INCLUDES 1 DIRECTIONAL GYRO, 1 GYRO HORIZON, FILTER &amp; NECESSARY FITTINGS FOR INSTALLATION.</p> <p>NOTE. †WHEN INITIALLY ORDERING THIS PART ALSO ORDER ONE 0413454-3 PLATE.</p> <p>A---150 SERIAL 15060773 THRU 15064532 F150 SERIAL F150-0001 THRU F150-0067</p> <p>B---150 SERIAL 15060773 THRU 15061532</p> <p>C---150 SERIAL 15061533 THRU 15064532 F150 SERIAL F150-0001 THRU F150-0067</p> <p>D---150 SERIAL 15061533 THRU 15063135 F150 SERIAL F150-0001 THRU F150-0034</p> <p>E---150 SERIAL 15063136 THRU 15064532 F150 SERIAL F150-0035 THRU F150-0068</p> <p>F---150 SERIAL 15060773 THRU 15064321 F150 SERIAL F150-0001 THRU F150-0067</p> <p>G---150 SERIAL 15064322 THRU 15064532</p> <p>H---150 SERIAL 15060733 THRU 15064532 EXCEPT AIRPLANES LISTED IN TABLE ON FIGURE 45C. F150 SERIAL F150-0001 THRU F150-0067</p> <p>J---150 SERIAL AIRPLANES LISTED IN TABLE ON FIGURE 45C.</p> <p>K---150 SERIAL 15060773 THRU 15064532</p> <p>L---F150 SERIAL F150-0001 THRU F150-0067</p>				

FIGURE AND INDEX NO.	PART NUMBER		DESCRIPTION	UNITS PER ASSY	USABLE ON CODE
			<b>1 2 3 4 5 6 7</b>		
23C-			INSTRUMENT PANEL AND EQUIPMENT INSTALLATION -----	NP	A
- 1	0413034-5	□	COVER-STATIONARY PANEL ----- <b>SERIAL 15064533</b> -----	1	
			ATTACHING PARTS -----		
- 2	0513351-1		SCREW POST -----	4	
	AN515B8R12		SCREW ----- <b>THRU 15067198</b> -----	4	
	AN340B8		NUT -----	4	
	AN936A8B		WASHER -----	4	
			-----*		
- 3	0413034-4	□	COVER-SHOCK PANEL WHEN EXHAUSTED USE 0413034-19 -----	1	E
	0413034-19	□	COVER-SHOCK PANEL -----	1	F
			ATTACHING PARTS -----		
- 4	0513351-1		SCREW POST -----	4	
			-----*		
- 5	0413034-6	□	COVER-STATIONARY PANEL WHEN EXHAUSTED USE 0413034-20 -----	1	E
	0413034-20	□	COVER-STATIONARY PANEL -----	1	G
	0413034-21	□	COVER-STATIONARY PANEL -----	1	H
- 6	0413034-3		PANEL-SHOCK MOUNTED INSTRUMENT -----	1	
			ATTACHING PARTS -----		
- 7	0411059-3		SHOCKMOUNT -----	4	
- 7A	0413247		GROUND STRAP -----	2	
- 8	AN340B8		NUT -----	8	
- 9	AN936B8		WASHER -----	8	
			-----*		
-10	0413034-16		PANEL ASSEMBLY-STATIONARY -----	1	
-11	0413454-1	✕	COLLAR ASSEMBLY-CONTROL LOCK -----	1	
	0413454-3		PLATE -----	1	
			ATTACHING PARTS -----		
	S1021Z6-8		SCREW -----	3	
	AN515-6R7		SCREW -----	1	
	AN960-6L		WASHER -----	1	
	NAS446-2-3		NUT -----	3	
	NAS679A06		NUT -----	1	
			-----*		
	0513056-4		GROMMET-INSTRUMENT PANEL-LH -----	2	
-12	0513056-4		GROMMET-INSTRUMENT PANEL-RH -----	2	
-13	C661001-0201		INDICATOR-GYRO HORIZON -----	1	
	C661001-0201R		INDICATOR-GYRO HORIZON RECONDITIONED -----	1	
			ATTACHING PARTS -----		
	AN520B10R6		SCREW -----	4	
			-----*		
-14	C661002-0201		INDICATOR-DIRECTIONAL GYRO -----	1	
	C661002-0201R		INDICATOR-DIRECTIONAL GYRO RECONDITIONED -----	1	
			ATTACHING PARTS -----		
	AN520B10R6		SCREW -----	4	
			-----*		
-15	S1470N10		INDICATOR-AIRSPPEED -----	1	
	S1323N4		INDICATOR-AIRSPPEED ALTERNATE -----	1	
			ATTACHING PARTS -----		
	AN515B6R10		SCREW -----	4	
			-----*		
-16	C661010-0101		TRUE AIRSPEED INSTALLATION -----	NP	B
			INDICATOR-AIRSPPEED -----	1	
			ATTACHING PARTS -----		
-17	AN515B6R16		SCREW -----	4	
-18	0700162-1		RETAINER ASSEMBLY -----	1	
-19	0700189-4		RING ASSEMBLY -----	1	
-20	0700162-7		SPACER -----	2	
			-----*		
-21	S1314N1		ALTIMETER-20,000 FT FOR VFR APPLICATIONS ONLY -----	1	B
			WHEN EXHAUSTED USE C661011-0105 -----		
	C661011-0105		ALTIMETER-20,000 FT SENSITIVE -----	1	B
	C661011-0106		ALTIMETER-20,000 FT FEET/MILIBAR -----	1	
			ATTACHING PARTS -----		
	AN515B6R10		SCREW -----	4	
			-----*		

CONTINUED ON NEXT PAGE

Instruments (Cont)



**SERIAL 15064533 THRU 15067198**

Figure 23C. Instrument Panel Equipment Installation



FIGURE AND INDEX NO.	PART NUMBER	DESCRIPTION	UNITS PER ASSY	USABLE ON CODE		
					1	2
23C-22	S1302N1	INDICATOR-TURN AND BANK	1			
	S1413N1	INDICATOR-TURN AND BANK ALTERNATE	1			
	AN515B6R16	ATTACHING PARTS SCREW	4			
-23	S1392N2	INDICATOR-VERTICAL SPEED	1			
	AN507B632R12	ATTACHING PARTS SCREW	3			
	S1066B1	WASHER	3			
-24	S1317N2	CLOCK-ELECTRIC	1			
	AN515B6R12	ATTACHING PARTS SCREW	2			
	S1066B1	WASHER	2			
-25	S1305-7	TACHOMETER-RECORDING	1			
	AN515B8R10	ATTACHING PARTS SCREW	4			
	NAS43DD3-22	SPACER	4			
	AN340B8	NUT	4			
-26	S1605-3	SHAFT-TACHOMETER	1			
	S1414N1	GAGE-SUCTION	1			
	S1414-1	GAGE-SUCTION ALTERNATE	1			
	AN515B6R12	ATTACHING PARTS SCREW	4			
-27	NAS395-6-3	NUT USED WITH S1414-1	4			
	S1320-2	AMMETER-60 AMP	1			
	0413427-2	SPACER-AMMETER	1			
	0413035-1	PANEL ASSEMBLY-ENGINE INSTRUMENT	1			
-28	AN515B6R10	ATTACHING PARTS SCREW	2			
	0513329-5	RETAINER	2			
	NAS43DD1-21	SPACER	2			
	AN936A6B	WASHER	4			
	AN340B6	NUT	2			
-29	818554	CASE ASSEMBLY SW	1			
	G441341	GAGE-FUEL SW	2			
-30	G444640	GAGE-OIL PRESSURE SW	1			
	G442782	GAGE-OIL TEMPERATURE SW	1			
-31	G442782P51	GAGE-OIL TEMPERATURE SW USED WITH	1			
		FULL FLOW OIL FILTER ONLY				
-32	S1090-3	FUSEHOLDER-10 AMP	3			
	S1090-12	CAP	1			
-33	S1091-10	FUSE-10 AMP	3			
	S1090-1	FUSEHOLDER-RADIO	3			
-34	S1090-10	CAP	1			
	S1090-5	FUSEHOLDER-20 AMP	1			
-35	S1090-14	CAP	1			
	S1091-20	FUSE-20 AMP	1			
-36	S1090-4	FUSEHOLDER-15 AMP	1			
	S1090-13	CAP	1			
-37	S1627-15	FUSE-15 AMP SLO-BLO	1			
	S1596-60	CIRCUIT BREAKER-60 AMP	1			
-38	S1707-60	CIRCUIT BREAKER-60 AMP	1			
	0470102-1	BUSHING USED WITH S1707-60 BREAKER	1			
-35A	AN960-816	WASHER USED WITH S1707-60 BREAKER	1			
	HRH	FUSEHOLDER ASSEMBLY-9 AMP IN LINE BUS	1			
-36	SFE9	FUSE-9 AMP BUS	1			
	0413102-3	RETAINER-FUSEHOLDER	1			
-37	AN515-8R6	ATTACHING PARTS SCREW	2			
	AN936B6	WASHER	2			
	AN340B8	NUT	2			
-38	0470019-1	SHIELD-BUS BAR	1	J		
	S1239-11	CONTROL-CABIN HEAT, CABIN AIR	2			
-38	S1661-1	SWITCH-FLAP	1			
	S1214-4	ATTACHING PARTS NUT	1			
	0813526-6	KNOB-FLAP SWITCH	1			

CONTINUED ON NEXT PAGE

FIGURE AND INDEX NO.	PART NUMBER	DESCRIPTION	UNITS PER ASSY	USABLE ON CODE
23C-39	0713035	SWITCH-LANDING LIGHT -----	1	
	0713303-2	KNOB-LANDING LIGHT SWITCH -----	1	
-40	0713026-4	SWITCH-FLASHING BEACON, NAVIGATION LIGHTS & PITOT HEAT -----	3	
	0713303-2	KNOB -----	3	
-41	S1231-1	CONTROL-MIXTURE -----	1	
-42	0513173-1	LOCK-MIXTURE CONTROL -----	1	
-43	S1222-14	CONTROL-THROTTLE -----	1	
	S1199-1	KNOB-THROTTLE -----	1	
	1213646-2	WASHER BETWEEN PANEL COVER & CONTROL -----	1	
-44	S1230-1	CONTROL-CARBURETOR HEAT -----	1	
-45	S1239-26	CONTROL-PARKING BRAKE -----	1	
-46	C292501-0202	* KIT-IGNITION SWITCH -----	1	
-47	0311777	SHIELD ASSEMBLY-IGNITION SWITCH -----	1	
-48	0311538-12	PRIMER ASSEMBLY WHEN EXHAUSTED USE C291502-0101 -----	1	
	S1240-5	KNOB-PRIMER -----	1	
-49	0713026-5	SWITCH-MASTER -----	1	
	S1416-1	KNOB-MASTER SWITCH -----	1	
	0513357-1	INSULATOR-MASTER SWITCH -----	1	
-50	0513142-14	CONTROL-STARTER REF 0513142-10 -----	1	
-51	0513039-7	CIGAR LIGHTER REF 0513052-3 -----	1	
	L4858-1	PLUG-HEATING CUE -----	1	
	S1240-6	KNOB-CIGAR LIGHTER -----	1	
	6C232-1	CIRCUIT BREAKER-CIGAR LIGHTER CUE -----	1	
	CM692-28-2H	PLUG BUTTON USED WHEN LIGHTER IS NOT INSTALLED -----	1	
-52	0413032-1	□ EYEBROW-INSTRUMENT PANEL -----	1	
		ATTACHING PARTS		
	0413032-2	RETAINER -----	1	
	S1023A6-12B	SCREW -----	6	
	S106781	WASHER -----	6	
	NAS446-2-3	NUT -----	1	
		---*---		
-53	0513319-19	□ COVER-RADIO CUTOUT -----	1	
-54		RADIO INSTALLATION SEE CESSNA ELECTRONICS MANUAL -----	1	
-55		MAP CASE AND DOOR INSTALLATION SEE FIGURE 24B -----	1	
-56	C400210-1	PLACARD-COMPASS CORRECTION -----	1	
-57	C400211-2	PLACARD ASSEMBLY-AIRPLANE IDENTIFICATION -----	1	
-58	C664501-0101	HOURLY METER -----	1	L
		ATTACHING PARTS		
	AN515-6R6	SCREW -----	4	L
	NAS43DD1-8	SPACER -----	4	L
	NAS679A06	NUT -----	4	L
		---*---		
<p>NOTE. □ THIS PART NUMBER MUST HAVE A SECOND DASH NUMBER ADDED TO DENOTE COLOR. REFER TO HOW TO ORDER INTERIOR PARTS-PAGE XIII.</p> <p>NOTE. * THIS KIT ALSO INCLUDES 1 DOOR LOCK AND KEY.</p> <p>NOTE. † WHEN INITIALLY ORDERING THIS PART ALSO ORDER ONE 0413454-3 PLATE.</p> <p>A---150 SERIAL 15064533 THRU 15067198  F150 SERIAL F150-0068 THRU F150-0219  B---150 SERIAL 15064533 THRU 15067198  C---150 SERIAL 15064533 THRU 15065198  F150 SERIAL F150-0068 THRU F150-0167  D---150 SERIAL 15065199 THRU 15067198  F150 SERIAL F150-0168 THRU F150-0219  E---150 SERIAL 15064533 THRU 15066144  F150 SERIAL F150-0068 THRU F150-0207  F---150 SERIAL 15066145 THRU 15067198  F150 SERIAL F150-0208 THRU F150-0219  G---150 SERIAL 15066145 THRU 15066224  H---150 SERIAL 15066225 THRU 15067198  F150 SERIAL F150-0208 THRU F150-0219  J---150 SERIAL 15065563 THRU 15067198  F150 SERIAL F150-0168 THRU F150-0219  K---150 SERIAL 15065825 THRU 15067198  F150 SERIAL F150-0068 THRU F150-0219  L---150 SERIAL 15066960 THRU 15067198</p>				

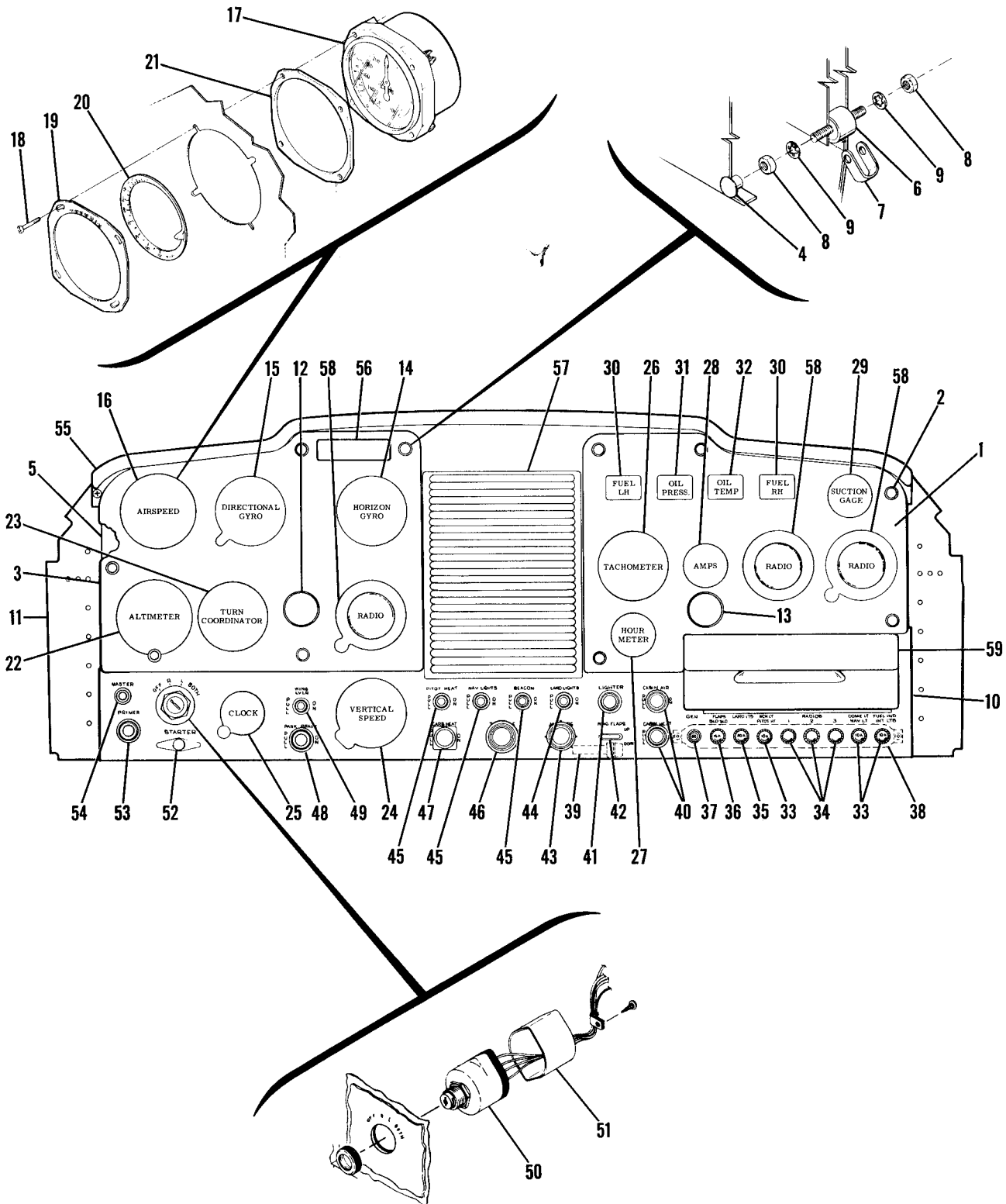


FIGURE AND INDEX NO.	PART NUMBER	DESCRIPTION	UNITS PER ASSY	USABLE ON CODE
23D-		INSTRUMENT PANEL & EQUIPMENT INSTALLATION -----	NP	A
- 1	0413451-1 □	COVER-STATIONARY PANEL UPPER RH -----	1	
		ATTACHING PARTS -----		
- 2	0513351-1	SCREW POST -----	5	
	AN515B8R12	SCREW -----	5	
	AN340B8	NUT -----	5	
	AN936A8B	WASHER -----	5	
		-----*		
- 3	0413434-1 □	COVER-SHOCK PANEL -----	1	
		ATTACHING PARTS -----		
- 4	0513351-1	SCREW POST -----	4	
		-----*		
- 5	0413433-1	PANEL-SHOCK MOUNTED INSTRUMENT -----	1	
		ATTACHING PARTS -----		
- 6	0411059-3	SHOCKMOUNT -----	4	
- 7	0413247	GROUND STRAP -----	2	
- 8	AN340B8	NUT -----	8	
- 9	AN936B8	WASHER -----	8	
		-----*		
-10	0413443-1 □	COVER-STATIONARY PANEL -----	1	
-11	0413034-22	PANEL ASSEMBLY-STATIONARY -----	1	
-12	0413454-1 %	COLLAR ASSEMBLY-CONTROL LOCK -----	1	
	0413454-3	PLATE -----	1	
		ATTACHING PARTS -----		
	S1021Z6-8	SCREW -----	3	
	AN515-6R7	SCREW -----	1	
	AN960-6L	WASHER -----	1	
	NAS446-2-3	NUT -----	3	
	NAS679A06	NUT -----	1	
		-----*		
-13	0513056-4	GROMMET-INSTRUMENT PANEL LH -----	2	
-14	0513056-4	GROMMET-INSTRUMENT PANEL RH -----	2	
	C661001-0502	INDICATOR-GYRO HORIZON -----	1	
	C661001-0501	INDICATOR-GYRO HORIZON ALTERNATE -----	1	
	C661001-0503	INDICATOR-GYRO HORIZON ALTERNATE -----	1	
		ATTACHING PARTS -----		
	AN520B10R6	SCREW -----	4	
		-----*		
-15	C661002-0301	INDICATOR-DIRECTIONAL GYRO -----	1	
	C661002-0501	INDICATOR-DIRECTIONAL GYRO ALTERNATE -----	1	
	C661002-0503	INDICATOR-DIRECTIONAL GYRO ALTERNATE -----	1	
		ATTACHING PARTS -----		
	AN520B10R6	SCREW -----	4	
		-----*		
-16	S1470N10	INDICATOR-AIRSPPEED -----	1	
	S1323N4	INDICATOR-AIRSPPEED ALTERNATE -----	1	
		ATTACHING PARTS -----		
	AN515B6R10	SCREW -----	4	
		-----*		
-17	C661010-0101	TRUE AIRSPEED INSTALLATION -----	NP	
		INDICATOR-AIRSPPEED -----	1	
		ATTACHING PARTS -----		
		SCREW -----	4	
-18	AN515B6R16	RETAINER ASSEMBLY -----	1	
-19	0700162-1	RING ASSEMBLY -----	1	
-20	0700189-4	SPACER -----	2	
-21	0700162-7	-----*		
-22	S1314N1	ALTIMETER-20,000 FT FOR VFR APPLICATIONS ONLY -----	1	B
	C661012-0101	ALTIMETER-18,000 FT ALT FOR VFR APPLICATIONS ONLY -----	1	B
	C661011-0105	ALTIMETER-20,000 FT SENSITIVE -----	1	B
	C661011-0106	ALTIMETER-20,000 FT FEET/MILIBAR -----	1	
		ATTACHING PARTS -----		
	AN515B6R10	SCREW -----	4	
		-----*		

**SERIAL 15067199  
THRU 15069308**

CONTINUED ON NEXT PAGE

Instruments (Cont)



**SERIAL 15067199 THRU 15069308**

23D. Instrument Panel Equipment Installation



FIGURE AND INDEX NO.	PART NUMBER	DESCRIPTION	UNITS PER ASSY	USABLE ON CODE		
					1	2
23D-23	C661003-0201	INDICATOR-TURN COORDINATOR WHEN EXHAUSTED ----- USE C661003-0501	1			
	C661003-0501	INDICATOR-TURN COORDINATOR -----	1			
	2409-1	INDICATOR-TURN COORDINATOR BTID USED WITH WING ----- LEVELER INSTL ONLY	1			
	TVA-1315	CAPACITOR INSTALLED ACROSS POWER PLUG -----	1			
	S1302N1	INDICATOR-TURN & BANK -----	1			
	S1413N1	INDICATOR-TURN & BANK ALTERNATE FOR S1302N1 ----- ATTACHING PARTS	1			
	AN515B6R16	SCREW -----	4			
	AN936A6B	WASHER -----	4			
	AN340B6	NUT -----	4			
	----	----	----			
-24	S1392N2	INDICATOR-VERTICAL SPEED ----- ATTACHING PARTS	1			
	AN507B632R12	SCREW -----	3			
	S1066B1	WASHER -----	3			
----	----	----				
-25	S1317N2	CLOCK-ELECTRIC ----- ATTACHING PARTS	1			
	AN515B6R12	SCREW -----	2			
	S1066B1	WASHER -----	2			
----	----	----				
-26	S1305-7	TACHOMETER-RECORDING ----- ATTACHING PARTS	1			
	AN515B8R10	SCREW -----	4			
	NAS43DD3-22	SPACER -----	4			
	AN340B8	NUT -----	4			
----	----	----				
-27	S1605-3	SHAFT-TACHOMETER -----	1			
	C664501-0101	HOURLY-METER ----- ATTACHING PARTS	1			
	AN515-6R6	SCREW -----	4			
	NAS43DD1-8	SPACER -----	4			
AN515-6R6	NUT -----	4				
----	----	----				
-28	S1320-2	AMMETER-60 AMP -----	1			
	0413427-2	SPACER-AMMETER -----	1			
-29	S1414N1	GAGE-SUCTION -----	1			
	S1414-1	GAGE-SUCTION ALTERNATE ----- ATTACHING PARTS	1			
	AN515B6R12	SCREW -----	4			
	AN936A6B	WASHER -----	4			
	AN340B6	NUT -----	4			
	----	----	----			
	0413035-1	PANEL ASSEMBLY-ENGINE INSTRUMENT ----- ATTACHING PARTS	1			
	AN515B6R10	SCREW -----	2			
	0513250-1	RETAINER -----	2			
	NAS43DD1-21	SPACER -----	2			
	AN936A6B	WASHER -----	4			
	AN340B6	NUT -----	2			
	----	----	----			
-30	818554	CASE ASSEMBLY SW -----	1			
	G441341	GAGE-FUEL SW -----	2			
-31	G444640	GAGE-OIL PRESSURE SW -----	1			
-32	G442782	GAGE-OIL TEMPERATURE SW -----	1			
-33	S1090-3	FUSEHOLDER-10 AMP -----	3			
	S1090-12	CAP -----	1			
-34	S1091-10	FUSE-10 AMP -----	3			
	S1090-1	FUSEHOLDER-RADIO -----	3			
	S1090-10	CAP -----	1			
-35	S1090-5	FUSEHOLDER-20 AMP -----	1			
	S1090-14	CAP -----	1			
-36	S1091-20	FUSE-20 AMP -----	1			
	S1090-4	FUSEHOLDER-15 AMP -----	1			
-37	S1090-13	CAP -----	1			
	S1627-15	FUSE-15 AMP SLO-BLO -----	1			
	S1707-60	CIRCUIT BREAKER-60 AMP -----	1			
	G470102-1	BUSHING -----	1			
AN960-816	WASHER -----	1				

CONTINUED ON NEXT PAGE

FIGURE AND INDEX NO.	PART NUMBER	DESCRIPTION	UNITS PER ASSY	USABLE ON CODE		
					1	2
23D-38	0413102-3	RETAINER-FUSEHOLDER ----- ATTACHING PARTS -----	1			
	AN515-8R6	SCREW -----	2			
	AN936B6	WASHER -----	2			
	AN340B8	NUT ----- ---*---	2			
	047C019-1	SHIELD-BUSS BAR -----	1			
-39	HRH	FUSEHOLDER ASSEMBLY-9 AMP IN LINE BUS -----	1			
	SFE9	FUSE-9 AMP BUS -----	1			
-40	S1239-31	CONTROL-CABIN HEAT, CABIN AIR -----	2			
-41	C513039-7	CIGAR LIGHTER -----	1			
	L4858-1	PLUG-HEATING CUE -----	1			
	S1752-2	KNOB-CIGAR LIGHTER -----	1			
	60232-1	CIRCUIT BREAKER-CIGAR LIGHTER CUE -----	1			
	CM692-28-2H	PLUG BUTTON USED WHEN LIGHTER IS NOT INSTALLED -----	1			
-42	S1661-2	SWITCH-FLAP ----- ATTACHING PARTS -----	1			
	S1214-4	NUT ----- ---*---	1			
	S1771-1	KNOB-FLAP SWITCH -----	1			
-43	S1777-1	CONTROL-MIXTURE -----	1			
-44	C713035	SWITCH-LANDING LIGHT -----	1			
	S1760-1	KNOB -----	1			
-45	0713026-4	SWITCH-FLASHING BEACON, NAV LIGHTS & PITOT HEAT -----	3			
	S1760-1	KNOB -----	3			
-46	S1222-17	CONTROL-THROTTLE -----	1			
	S1748-1	KNOB-THROTTLE -----	1			
	1213646-2	WASHER BETWEEN PANEL COVER & CONTROL -----	1			
-47	S1230-19	CONTROL-CARBURETOR HEAT -----	1			
-48	S1239-39	CONTROL-PARKING BRAKE REF S1239-32 -----	1			
-49	S1791-1	VALVE-WING LEVELER ----- ATTACHING PARTS -----	1			
	AN960-616	WASHER -----	1			
	0713026-6	NUT ----- ---*---	1			
	S1760-1	KNOB-WING LEVELER VALVE -----	1			
-50	C292501-0202 *	KIT-IGNITION SWITCH -----	1			
-51	0311777	SHIELD ASSEMBLY-IGNITION SWITCH -----	1			
-52	S1779-1	CONTROL-STARTER -----	1			
-53	C291502-0101	PRIMER ASSEMBLY -----	1			
	S1752-1	KNOB-PRIMER -----	1			
-54	0713026-5	SWITCH-MASTER -----	1			
	S1760-3	KNOB-MASTER SWITCH -----	1			
	0513357-1	INSULATOR-MASTER SWITCH -----	1			
-55	0413032-3 □	EYEBROW-INSTRUMENT PANEL ----- ATTACHING PARTS -----	1			
	0413032-2	RETAINER -----	1			
	S1023A6-12B	SCREW -----	6			
	S1067B1	WASHER -----	6			
	NAS446-2-3	NUT ----- ---*---	1			
-56	0400211-2	PLACARD ASSEMBLY-AIRPLANE IDENTIFICATION -----	1			
-57	0513319-19 □	COVER-RADIO CUTOUT -----	1			
-58		RADIO INSTALLATION SEE CESSNA ELECTRONICS MANUAL -----	1			
-59		MAP CASE & DOOR INSTALLATION SEE FIGURE 24B -----	1			

NOTE. □THIS PART NUMBER MUST HAVE A SECOND DASH NUMBER ADDED TO DENOTE COLOR. REFER TO HOW TO ORDER INTERIOR PARTS-PAGE XIII.

NOTE. \*THIS KIT ALSO INCLUDES 1 DOOR LOCK & KEY.

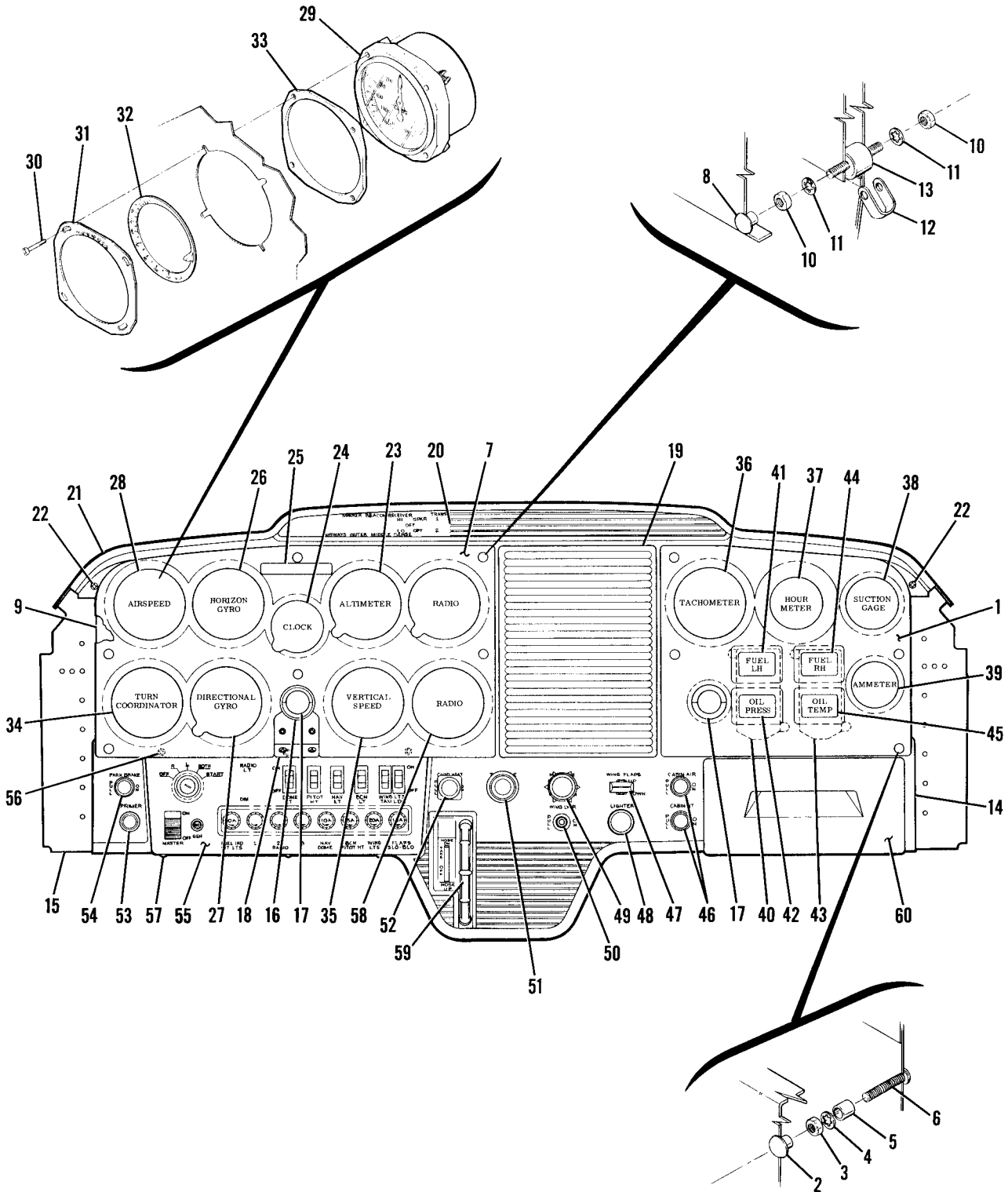
NOTE. †WHEN INITIALLY ORDERING THIS PART FOR FRENCH AIRCRAFT PRIOR TO SERIAL F150-0320 ALSO ORDER ONE 0413454-3 PLATE.

A---150 SERIAL 15067199 THRU 15069308  
F150 SERIAL F150-0220 THRU F150-0389  
B---150 SERIAL 15067199 THRU 15069308

FIGURE AND INDEX NO.	PART NUMBER		DESCRIPTION	UNITS PER ASSY	USABLE ON CODE
23E-			<b>1 2 3 4 5 6 7</b>		
- 1	0413461-2	□	INSTRUMENT PANEL & EQUIPMENT INSTALLATION ----- COVER-ENGINE INSTRUMENT ----- ATTACHING PARTS	NP 1	A
- 2	0513351-1		SCREW POST -----	4	
- 3	AN34088		NUT -----	4	
- 4	AN936A8		WASHER -----	4	
- 5	NAS43DD3-25		SPACER -----	4	
- 6	AN515-8R14		SCREW ----- -----*	4	
- 7	0413461-1	□	COVER-SHOCK PANEL USED WITH C661011-0105 & C661011-0106 -----	1	
	0413461-4	□	COVER-SHOCK PANEL USED WITH S1314N1 & C661012-0101 ----- ATTACHING PARTS	1	
- 8	0513351-1		SCREW POST ----- -----*	6	
- 9	0413459-1		PANEL-SHOCK MOUNTED INSTRUMENT ----- ATTACHING PARTS	1	
-10	AN34088		NUT -----	12	
-11	AN936A8		WASHER -----	12	
-12	0413247		STRAP-GROUND -----	2	
-13	0411059-3		SHOCKMOUNT ----- -----*	6	
-14	0413467-5	□	COVER-STATIONARY PANEL -----	1	
-15	0413457-1		PANEL ASSEMBLY-STATIONARY WHEN EXHAUSTED USE 0413457-8 ---	1	C
	0413457-8		PANEL ASSEMBLY-STATIONARY -----	1	D
	S1863-2		NUTPLATE-DOUBLE LUG ATTACH SWITCH PANEL ASSEMBLY -----	3	
	S1862-1		NUTPLATE-SINGLE LUG ATTACH SWITCH PANEL ASSEMBLY -----	3	
	NAS684A06		NUTPLATE ATTACH GLOVE BOX DOOR -----	4	
	0413487-1		BRACKET-INSTRUMENT PANEL -----	1	D
-16	0413454-1	□	COLLAR ASSEMBLY-CONTROL LOCK ----- ATTACHING PARTS	1	
	AN515-6R10		SCREW -----	4	
	AN960-6L		WASHER -----	4	
	NAS679A06		NUT -----	4	
	0413454-3		PLATE ----- -----*	1	
-17	0513056-3		GROMMET HALF-INSTRUMENT PANEL -----	4	
-18	0413461-3	□	PLATE-SPLICE ----- ATTACHING PARTS	1	
	S1021Z6-8B		SCREW -----	4	
	NAS395-4-3		NUT ----- -----*	4	
-19	0413467-3	□	COVER-RADIO CUTOUT -----	1	
-20	0413467-4	□	TRIM PANEL -----	1	
-21	0413467-2	□	EYEBROW-INSTRUMENT PANEL ----- ATTACHING PARTS	1	
	0413032-2		RETAINER-EYEBROW -----	1	
-22	S1023A6-12B		SCREW -----	7	
	S1067B1		WASHER -----	7	
	NAS446-2-3		NUT ----- -----*	2	
-23	S1314N1		ALTIMETER-20,000 FT FOR VFR APPLICATIONS ONLY -----	1	B
	C661012-0101		ALTIMETER-18,000 FT ALT FOR VFR APPLICATIONS ONLY ---	1	B
	C661011-0105		ALTIMETER-20,000 FT SENSITIVE -----	1	B
	C661011-0106		ALTIMETER-20,000 FT FEET/MILIBAR ----- ATTACHING PARTS	1	
	AN515B6R10		SCREW ----- -----*	3	
-24	S1317N2		CLOCK-ELECTRIC ----- ATTACHING PARTS	1	
	AN515B6R12		SCREW -----	2	
	S1066B1		WASHER ----- -----*	2	
-25	04C0211-6		PLACARD-AIRPLANE IDENTIFICATION -----	1	
-26	C661001-0501	*	INDICATOR-GYRO HORIZON -----	1	
	C661001-0503	*	INDICATOR-GYRO HORIZON -----	1	
	C661001-0502	*	INDICATOR-GYRO HORIZON -----	1	
	C661001-0504	*	INDICATOR-GYRO HORIZON ----- ATTACHING PARTS	1	
	AN515B6R6		SCREW ----- -----*	4	

CONTINUED ON NEXT PAGE

Instruments (Cont)



**SERIAL 15069309 & ON**

Figure 23E. Instrument Panel Equipment Installation

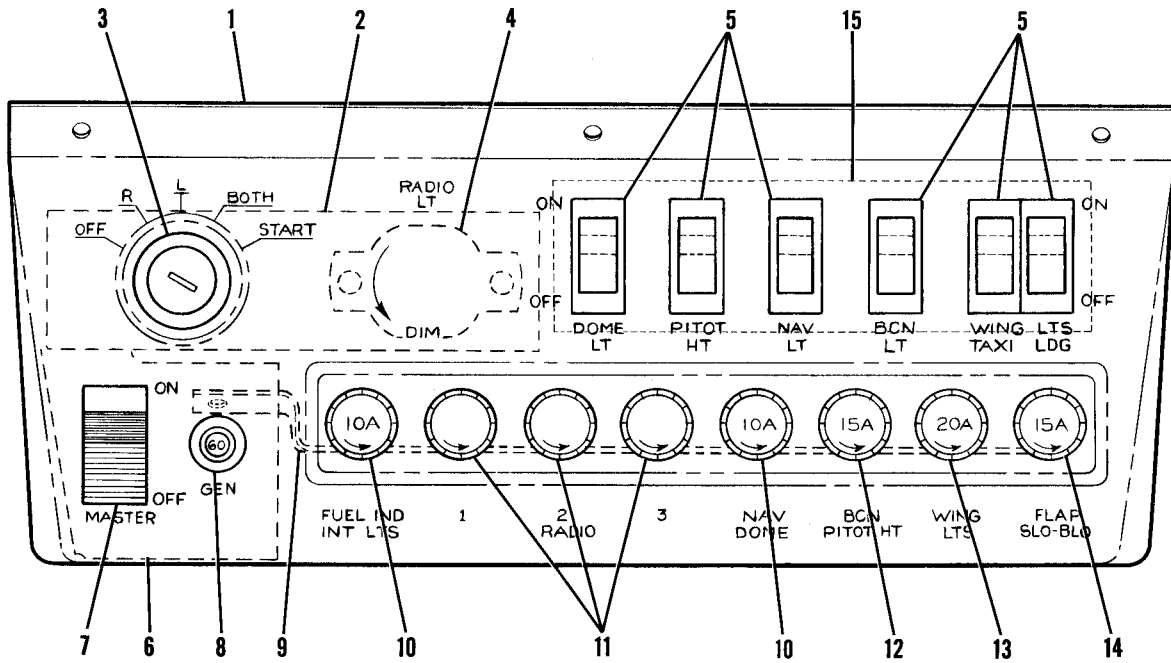
FIGURE AND INDEX NO.	PART NUMBER	DESCRIPTION	UNITS PER ASSY	USABLE ON CODE
		<b>1 2 3 4 5 6 7</b>		
23E-27	C661002-0501	INDICATOR-DIRECTIONAL GYRO -----	1	
	C661002-0503	INDICATOR-DIRECTIONAL GYRO -----	1	
	C661002-0301	INDICATOR-DIRECTIONAL GYRO -----	1	
	C661002-0504	INDICATOR-DIRECTIONAL GYRO -----	1	
	AN515B6R8	ATTACHING PARTS SCREW -----	4	
-28	S1470N10	INDICATOR-AIRSPPEED -----	1	
	S1323N4	INDICATOR-AIRSPPEED ALTERNATE -----	1	
	AN515B6R10	ATTACHING PARTS SCREW -----	4	
		TRUE AIRSPEED INSTALLATION -----	NP	
-29	C661010-0101	INDICATOR-AIRSPPEED -----	1	
		ATTACHING PARTS SCREW -----	4	
-30	AN515B6R16	RETAINER ASSEMBLY -----	1	
-31	0700162-1	RING ASSEMBLY -----	1	
-32	0700189-4	RING ASSEMBLY WHEN EXHAUSTED USE 0700189-6 -----	1	
	0700189-6	RING ASSEMBLY -----	1	
-33	0700162-7	SPACER -----	2	
		-----*		
-34	C661003-0201	INDICATOR-TURN COORDINATOR WHEN EXHAUSTED -----	1	E
		USE C661003-0501 -----		
	C661003-0501	INDICATOR-TURN COORDINATOR -----	1	F
	2409-1	INDICATOR-TURN COORDINATOR BTID USED WITH WING -----	1	
	20351-4	LEVELER INSTALLATION ONLY WHEN EXHAUSTED USE 20351-4 INDICATOR-TURN COORDINATOR BTID USED -----	1	
		WITH WING LEVELER INSTALLATION ONLY -----		
	S1302N1	INDICATOR-TURN & BANK -----	1	
	S1413N1	INDICATOR-TURN & BANK ALTERNATE FOR S1302N1 -----	1	
		ATTACHING PARTS SCREW -----	4	
	AN515B6R16	WASHER -----	4	
	AN936A6B	NUT -----	4	
	AN340B6	-----*		
-35	S1392N2	INDICATOR-VERTICAL SPEED -----	1	
		ATTACHING PARTS SCREW -----	3	
	AN507B632R12	WASHER -----	3	
	S1066B1	-----*		
-36	S1305N7	TACHOMETER -----	1	
		ATTACHING PARTS SCREW -----	4	
	AN515B8R10	SPACER -----	4	
	NAS43DD3-24	WASHER -----	4	
	AN936A8	NUT -----	4	
		-----*		
-37	S1605-3	SHAFT-TACHOMETER -----	1	
	C664501-0101	HOURLMETER -----	1	
		ATTACHING PARTS SCREW -----	4	
	AN515-6R6	SPACER -----	4	
	NAS43DD1-6	WASHER -----	4	
	AN936A6	NUT -----	4	
	AN340B6	-----*		
	0411757-1	COVER-HOURLMETER -----	1	
		ATTACHING PARTS SCREW -----	4	
		AN515B6R6	WASHER -----	4
	AN936A6	NUT -----	4	
	AN340B6	-----*		
-38	S1414N1	GAGE-SUCTION -----	1	
	S1414-1	GAGE-SUCTION ALTERNATE -----	1	
		ATTACHING PARTS SCREW -----	4	
	AN515B6R12	WASHER USED WITH S1414-1 -----	1	
	AN936A6	NUT USED WITH S1414-1 -----	4	
	AN340B6	-----*		
-39	S1320-1	AMMETER-60 AMP -----	1	
	0413427-3	SPACER-AMMETER -----	1	

CONTINUED ON NEXT PAGE

FIGURE AND INDEX NO.	PART NUMBER	DESCRIPTION	1 2 3 4 5 6 7							UNITS PER ASSY	USABLE ON CODE
23E-40	C669504-0102	INSTRUMENT CLUSTER ----- ATTACHING PARTS -----								1	
	AN515-6R14	SCREW -----								2	
	NAS43DD1-32	SPACER -----								2	
	AN936A6	WASHER -----								2	
	AN340B6	NUT -----								2	
		---*---									
-41	441364	GAGE-FUEL SW -----								1	
-42	444652	GAGE-OIL PRESSURE SW -----								1	
-43	C669505-0102	INSTRUMENT CLUSTER ----- ATTACHING PARTS -----								1	
	AN515-6R14	SCREW -----								2	
	NAS43DD1-32	SPACER -----								2	
	AN936A6	WASHER -----								2	
	AN340B6	NUT -----								2	
		---*---									
-44	441365	GAGE-FUEL SW -----								1	
-45	442820-38	GAGE-OIL TEMP SW -----								1	
-46	S1239-31	CONTROL-CABIN HEAT, CABIN AIR -----								2	
-47	S1661-2	SWITCH-FLAP ----- ATTACHING PARTS -----								1	
	S1214-4	NUT -----								1	
		---*---									
-48	0513039-7	CIGAR LIGHTER -----								1	
	L4858-1	PLUG-HEATING CUE -----								1	
	S1752-2	KNOB-CIGAR LIGHTER -----								1	
	60232-1	CIRCUIT BREAKER-CIGAR LIGHTER CUE -----								1	
	CM2692-28-2H	PLUG BUTTON INSTALLED WHEN LIGHTER IS NOT USED -----								1	
-49	S1777-1	CONTROL-MIXTURE -----								1	
-50	S1791-1	VALVE-WING LEVELER ----- ATTACHING PARTS -----								1	
	AN960-616	WASHER -----								1	
	0713026-6	NUT -----								1	
		---*---									
-51	S1760-1	KNOB-WING LEVELER VALVE -----								1	
	S1222-17	CONTROL-THROTTLE -----								1	
	S1748-1	KNOB-THROTTLE -----								1	
	1213646-2	WASHER BETWEEN PANEL COVER & CONTROL -----								1	
-52	S1230-19	CONTROL-CARBURETOR HEAT -----								1	
-53	C291502-0101	PRIMER ASSEMBLY -----								1	
	S1752-1	KNOB-PRIMER -----								1	
-54	S1239-39	CONTROL-PARKING BREAK -----								1	
-55	0413462-1	PANEL ASSEMBLY-SWITCH SEE FIGURE 23F ----- ATTACHING PARTS -----								1	
-56	S102126-8	SCREW -----								3	
-57	S102126-7	SCREW -----								3	
		---*---									
-58		RADIO INSTALLATION SEE CESSNA ELECTRONICS MANUAL -----								1	
-59		ELEVATOR TRIM CONTROL INSTL SEE FIGURE 40B -----								1	
-60		GLOVE BOX & DOOR INSTALLATION SEE FIGURE 24C -----								1	
		NOTE. THIS PART NUMBER MUST HAVE A SECOND DASH NUMBER ADDED TO DENOTE COLOR. REFER TO HOW TO ORDER INTERIOR PARTS-PAGE XIII.									
		NOTE. *C661001-0501, C661001-0502, C661001-0503 & C661001-0504 ARE PHYSICALLY & FUNCTIONALLY INTERCHANGABLE.									
		NOTE. *C661002-0501, C661002-0503, C661002-0301 & C661002-0504 ARE PHYSICALLY & FUNCTIONALLY INTERCHANGABLE.									
		A---150 SERIAL 15069309 & ON F150 SERIAL F150-0390 & ON									
		B---150 SERIAL 15069309 & ON									
		C---150 SERIAL 15069309 THRU 15070341 F150 SERIAL F150-0390 & ON									
		D---150 SERIAL 15070342 & ON									
		E---150 SERIAL 15069309 THRU 15070324 F150 SERIAL F150-390 & ON									
		F---150 SERIAL 15070325 & ON									

This page intentionally left blank.

Instruments (Cont)



**SERIAL 15069309 & ON**

Figure 23F. Switch Panel Assembly



FIGURE AND INDEX NO.	PART NUMBER		DESCRIPTION	UNITS PER ASSY	USABLE ON CODE
			<b>1 2 3 4 5 6 7</b>		
23F-			SWITCH PANEL ASSEMBLY -----	NP	A
- 1	0413462-2	□	PANEL-SWITCH -----	1	
- 2	0413480-1		BRACKET-IGNITION SWITCH -----	1	
- 3	C292501-0102	*	KIT-IGNITION SWITCH -----	1	
	0413462-3		SHIELD-IGNITION SWITCH -----	1	
- 4	CA-2		CIRCUIT BREAKER SPTD -----	1	
			ATTACHING PARTS -----		
	AN507-1032-26		SCREW -----	2	
	NAS43DD3-71		SPACER -----	2	
	MS25082-12		NUT -----	2	
			*----- <b>SERIAL 15069309 &amp; ON</b>		
- 5	S1824-1		SWITCH -----	6	
	S1865-1		SWITCH-DUMMY -----	AR	
- 6	0413479-1		BRACKET-MASTER SWITCH -----	1	
- 7	S1159-1-1		SWITCH-MASTER -----	1	
			ATTACHING PARTS -----		
	AN507-632RS		SCREW -----	2	
			-----*		
- 8	S1596-60		CIRCUIT BREAKER 60 AMP -----	1	
- 9	0470008-1		BAR-BUS -----	1	
-10	S1090-3		FUSEHOLDER-10 AMP -----	2	
	S1090-12		CAP -----	1	
	S1091-10		FUSE-10 AMP -----	2	
-11	S1090-1		FUSEHOLDER-RADIO -----	3	
	S1090-10		CAP -----	1	
-12	S1090-4		FUSEHOLDER-15 AMP -----	1	
	S1090-13		CAP -----	1	
	S1091-15		FUSE-15 AMP -----	1	
-13	S1090-5		FUSEHOLDER-20 AMP -----	1	
	S1090-14		CAP -----	1	
	S1091-20		FUSE-20 AMP -----	1	
-14	S1090-4		FUSEHOLDER-15 AMP -----	1	
	S1090-13		CAP -----	1	
	S1627-15		FUSE-15 AMP SLO-BLD -----	1	
-15	0413462-4		SPACER-SWITCH -----	1	
			NOTE. □THIS PART NUMBER MUST HAVE A SECOND DASH NUMBER ADDED TO DENOTE COLOR. REFER TO HOW TO ORDER INTERIOR PARTS-PAGE XIII.		
			NOTE. *THIS KIT ALSO INCLUDES DOOR LOCK & KEYS		
			A---150 SERIAL 15069309 & ON F150 SERIAL F150-0390 & ON		

17

This page intentionally left blank.

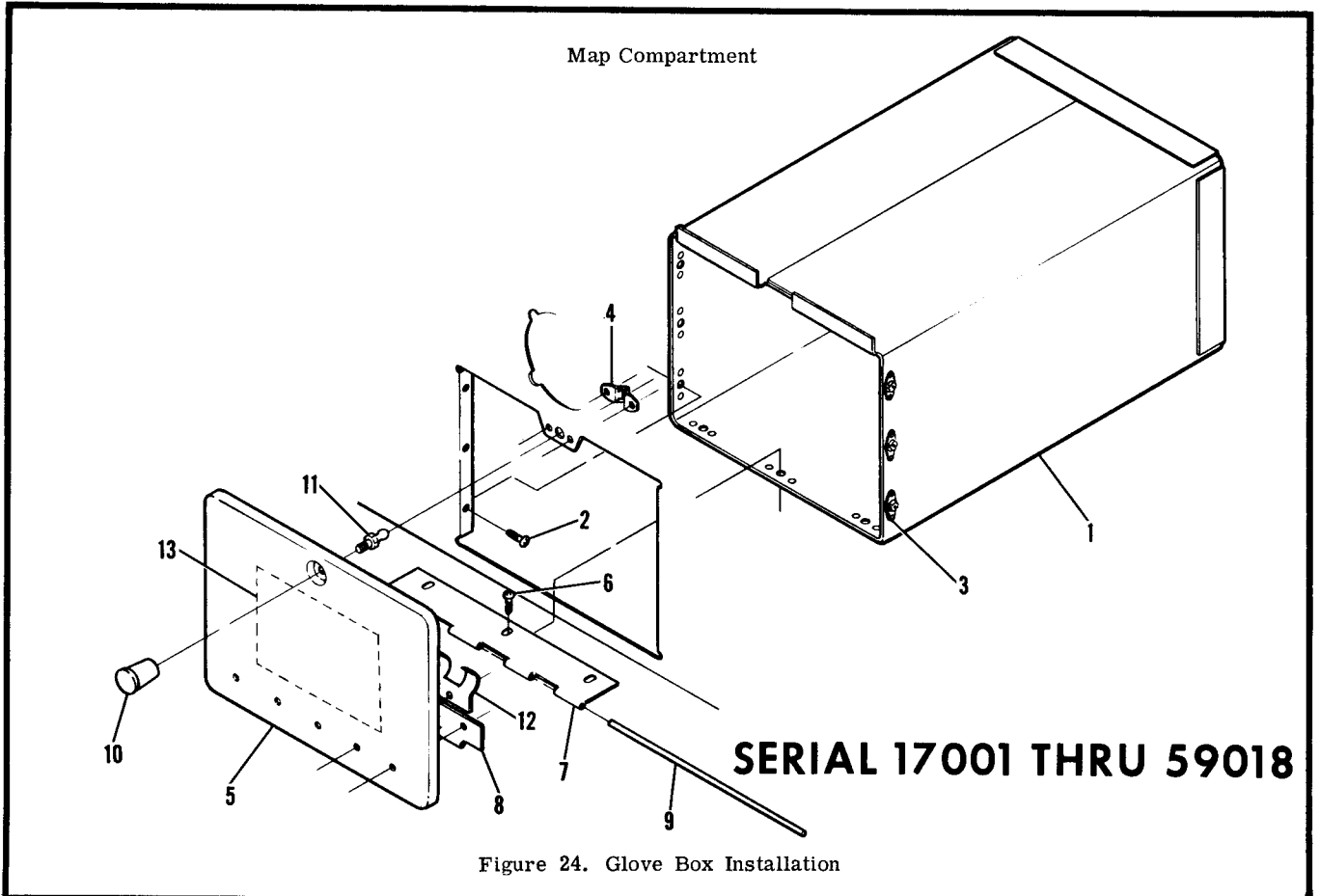
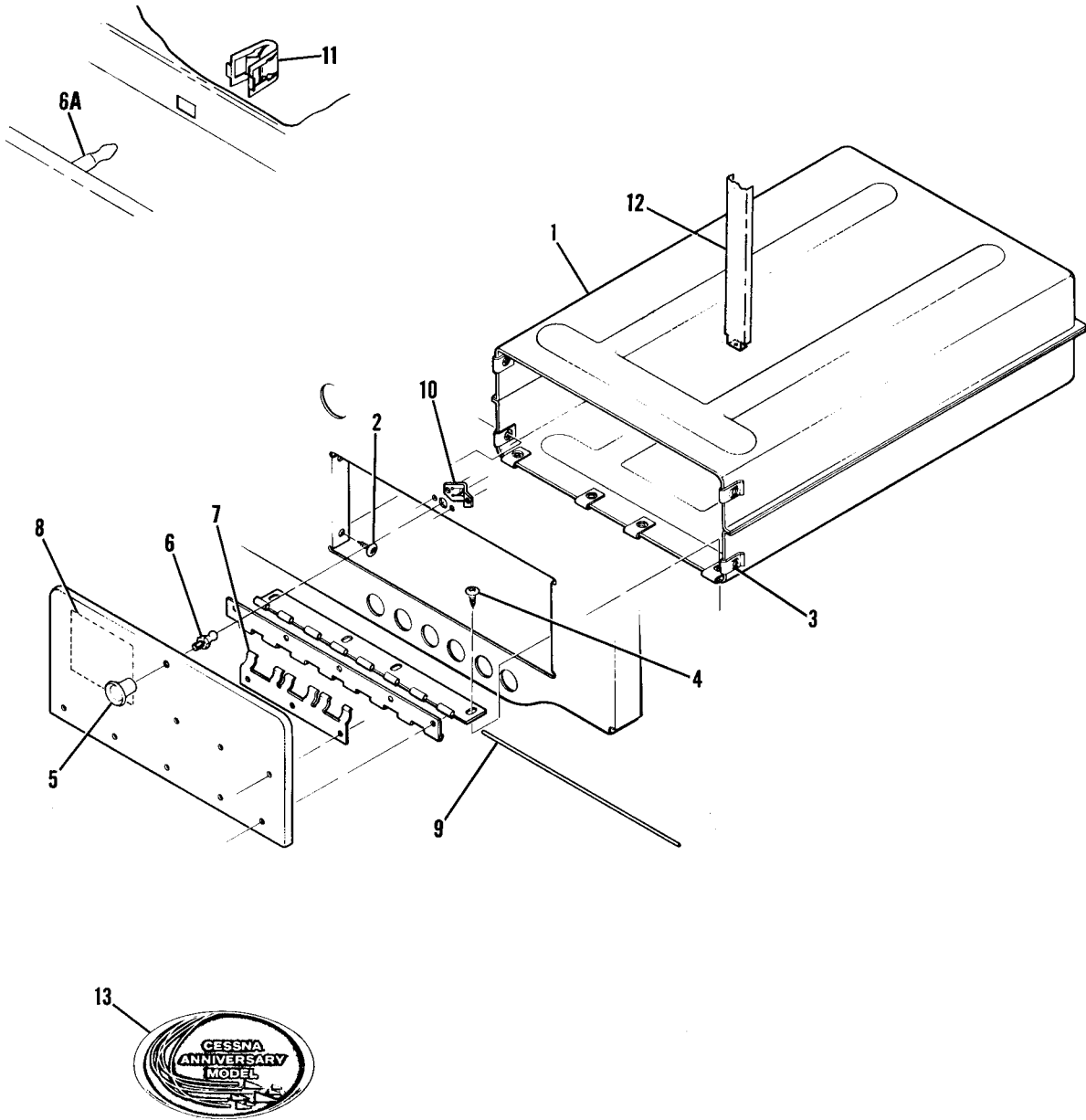


Figure 24. Glove Box Installation

FIGURE AND INDEX NO.	PART NUMBER	DESCRIPTION	UNITS PER ASSY	USABLE ON CODE
24 -		<b>1 2 3 4 5 6 7</b> GLOVE BOX & DOOR INSTALLATION -----	NP	C
- 1	0413301-3	BOX ASSEMBLY-GLOVE -----	1	
		ATTACHING PARTS -----		
- 2	S1021Z8-6	SCREW CESSNA STANDARD -----	6	
		-----*		
- 3	S1863-3A	NUT -----	9	
- 4	A1663-012-3	CATCH-SPRING TIN -----	1	
- 5	0413301-8-279	DOOR ASSEMBLY-GLOVE BOX -----	1	
		ATTACHING PARTS -----		
- 6	S1021Z8-4	SCREW CESSNA STANDARD -----	3	
		-----*		
- 7	0413301-6	HINGE ASSEMBLY -----	1	
- 8	0413301-12	HINGE HALF -----	1	
- 9	0413301-13	HINGE HALF -----	1	
- 10	0413301-14	PIN-HINGE -----	1	
	0411092-4	KNOB-GLOVE BOX DOOR -----	1	A
	0713303-14	KNOB-GLOVE BOX DOOR -----	1	B
		ATTACHING PARTS -----		
-11	P116-499-10-24A	STUD TIN -----	1	
		-----*		
-12	0411099-4	RETAINER-FUSE -----	1	
-13	0413301-18	DECAL-SERVICE INFORMATION -----	1	
		A---150 SERIAL 17001 THRU 17683		
		B---150 SERIAL 17684 THRU 59018		
		C---150 SERIAL 17001 THRU 59018		

Map Compartment (Cont)

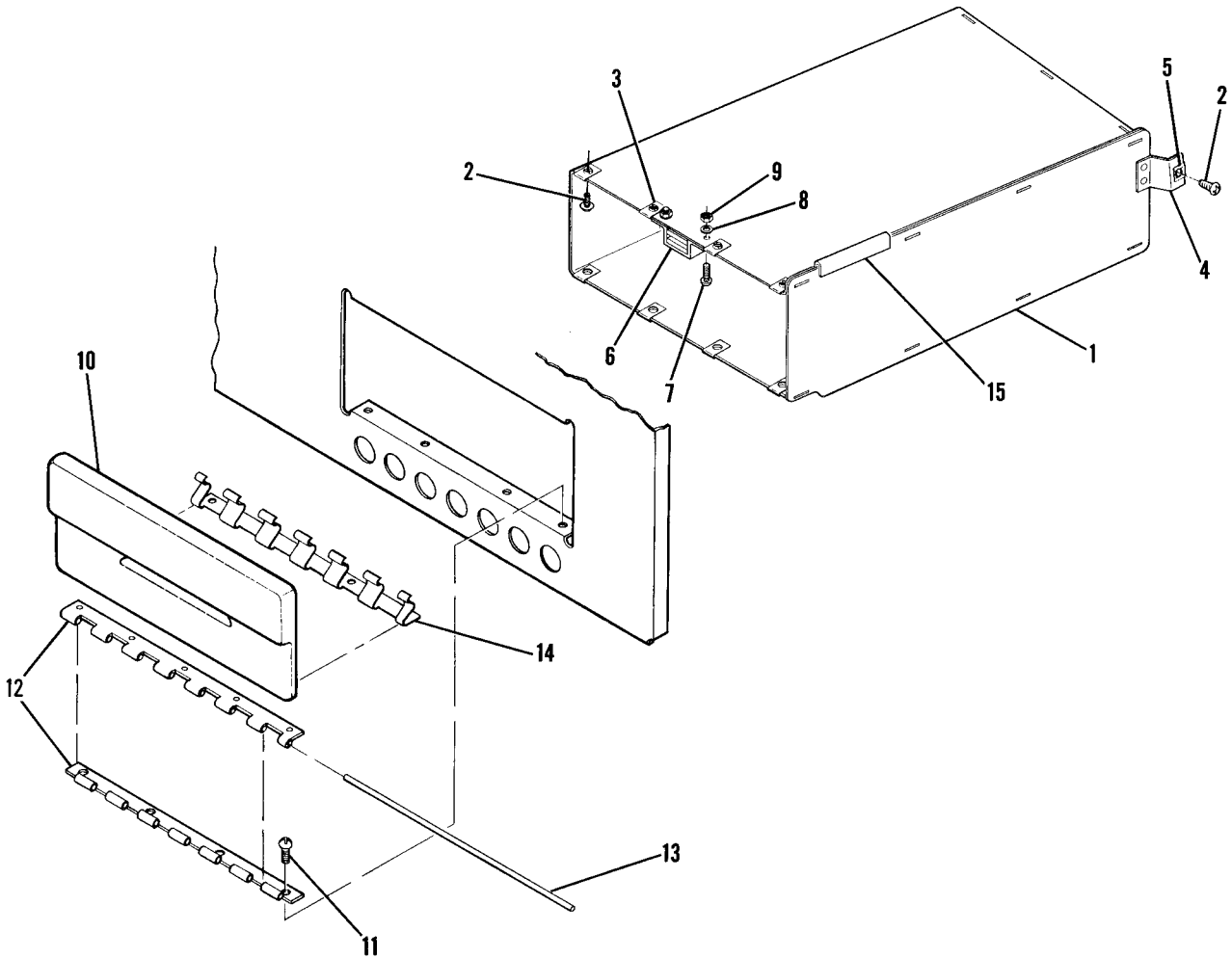


**SERIAL 15059019 THRU 15064532**

Figure 24A. Map Case and Door Installation

FIGURE AND INDEX NO.	PART NUMBER	DESCRIPTION	UNITS PER ASSY	USABLE ON CODE
		<b>1 2 3 4 5 6 7</b>		
24A-		MAP CASE & DOOR INSTALLATION -----	NP	A
- 1	0413375-10	MAP CASE ASSEMBLY WHEN EXHAUSTED USE 0413375-18 -----	1	
	0413375-18	MAP CASE ASSEMBLY -----	1	
		<b>SERIAL 15059019</b>		
		<b>THRU 15064532</b>		
- 2	S102126-6	ATTACHING PARTS SCREW CESSNA STANDARD -----	4	
		*-----		
- 3	NAS395-6-6	NUT -----	8	
	0413375-13-279	DOOR ASSEMBLY WHEN EXHAUSTED USE 0413375-20-279 -----	1	E
	0413375-13-418	DOOR ASSEMBLY WHEN EXHAUSTED USE 0413375-20-418 -----	1	G
	0413375-20-418	DOOR ASSEMBLY-MAP CASE -----	1	H
	0413375-20	DOOR ASSEMBLY-MAP CASE -----	1	J
	0413375-28	DOOR ASSEMBLY-MAP CASE -----	1	K
		ATTACHING PARTS		
- 4	S102126-6	SCREW CESSNA STANDARD -----	4	
		*-----		
- 5	0713303-14	KNOB-MAP BOX DOOR -----	1	B
	0713303-2	KNOB-MAP BOX DOOR -----	1	C
- 6	P116-499-16-24A	STUD-MAP BOX DOOR TIN -----	1	B
	NAS43DD1-12	SPACER -----	1	B
- 6A	S1213-3	STRIKER CESSNA STANDARD -----	1	C
- 7	0411099-4	RETAINER-FUSE -----	1	L
	0411099-4	RETAINER-FUSE -----	2	K
- 8	0413301-18	PLACARD-SERVICE INFORMATION -----	1	E
	0413375-6	HINGE ASSEMBLY -----	1	
- 9	0413375-9	PIN-HINGE -----	1	
-10	A1663-012-3	CATCH-SPRING TIN -----	1	B
-11	S1213-1	CATCH-SPRING CESSNA STANDARD -----	1	C
-12	0413385-1	BRACE-MAP CASE -----	1	D
		ATTACHING PARTS		
	S102126-8	SCREW CESSNA STANDARD -----	1	D
	NAS395-6-3	NUT -----	1	D
		*-----		
-13	0713724-1	MEDALLION-ANNIVERSARY -----	1	F
<p>NOTE. ▣THIS PART NUMBER MUST HAVE A SECOND DASH NUMBER ADDED TO DENOTE COLOR. REFER TO HOW TO ORDER INTERIOR PARTS-PAGE XIII.</p> <p>A---150 SERIAL 15059019 THRU 15064532            F150 SERIAL F150-0001 THRU F150-0067            B---150 SERIAL 15059019 THRU 15059350            C---150 SERIAL 15059351 THRU 15064532            F150 SERIAL F150-0001 THRU F150-0067            D---150 SERIAL 15059100 THRU 15064532            F150 SERIAL F150-0001 THRU F150-0067            E---150 SERIAL 15059019 THRU 15059700            F---150 SERIAL 15059351 THRU 15059700            G---150 SERIAL 15059701 THRU 15060628            H---150 SERIAL 15060629 THRU 15060772            J---150 SERIAL 15060773 THRU 15061532            K---150 SERIAL 15061533 THRU 15064532            F150 SERIAL F150-0001 THRU F150-0067            L---150 SERIAL 15059019 THRU 15061532</p>				

Map Compartment (Cont)

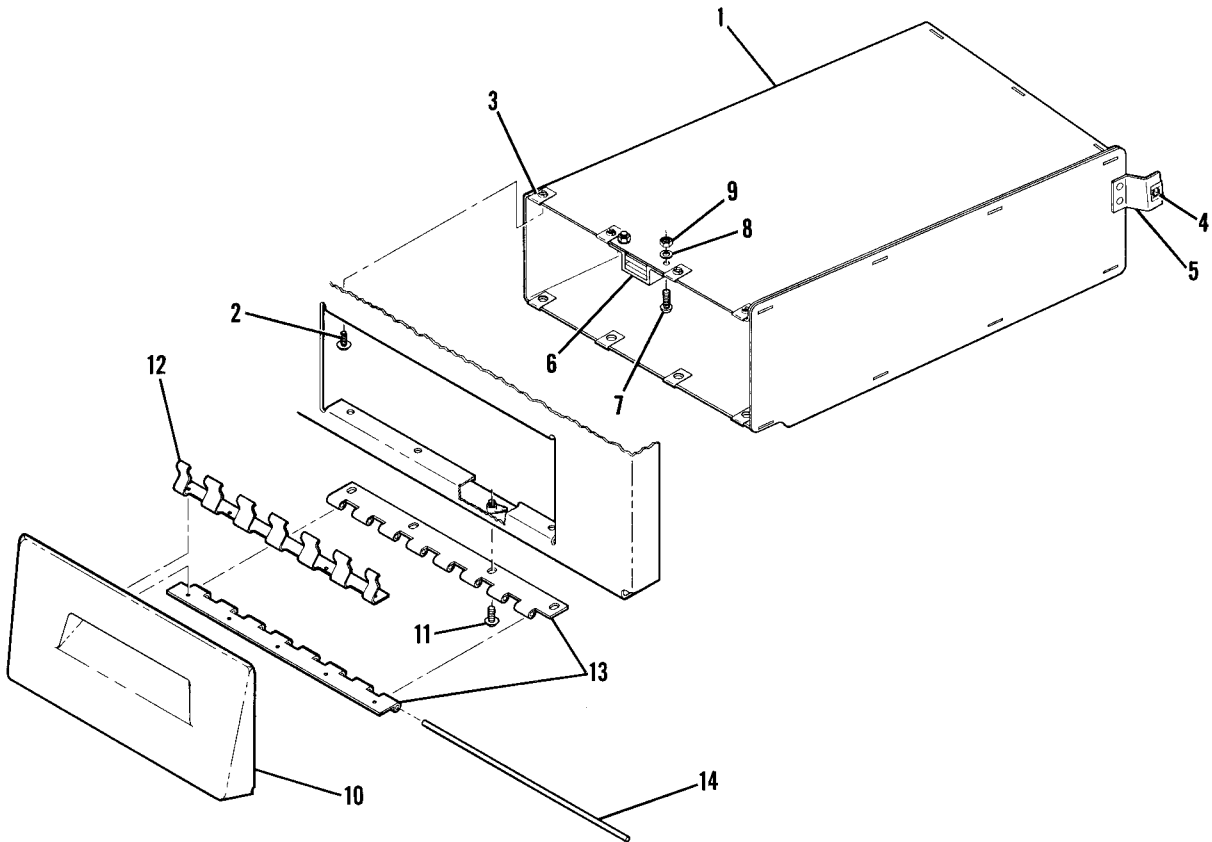


**SERIAL 15064533 THRU 15069308**

Figure 24B. Glove Box Installation

FIGURE AND INDEX NO.	PART NUMBER	DESCRIPTION	UNITS PER ASSY	USABLE ON CODE
		<b>1 2 3 4 5 6 7</b>		
24B-		GLOVE BOX INSTALLATION -----	NP	A
- 1	0413034-200	BOX ASSEMBLY-GLOVE -----	1	
		ATTACHING PARTS		
- 2	S1021Z6-8	SCREW -----	5	
		-----*		
- 3	NAS395-6-3	NUTPLATE -----	8	
- 4	0413482-1	BRACKET ASSEMBLY -----	1	
- 5	NAS395-3-3	NUT -----	1	
- 6	S1895-1	MAGNETIC CATCH -----	1	
		ATTACHING PARTS		
- 7	AN515-6R8	SCREW -----	2	
- 8	AN936B6	WASHER -----	2	
- 9	AN340-6	NUT -----	2	
		-----*		
-10	0413034-9	DOOR ASSEMBLY-GLOVE BOX -----	1	B
	0413442-1	DOOR ASSEMBLY-GLOVE BOX -----	1	C
		ATTACHING PARTS		
-11	S1021Z6-8	SCREW -----	4	
		-----*		
-12	0413034-10	HINGE ASSEMBLY -----	1	
-13	0413375-9	PIN-HINGE -----	1	
-14	0413038-1	RETAINER-FUSE -----	1	
-15	S1055-1	CHANNEL-2.50 IN LG BULK ITEM REF S1055-1-2.50 -----	1	
<p>NOTE. □ THIS PART NUMBER MUST HAVE A SECOND DASH NUMBER ADDED TO DENOTE COLOR. REFER TO HOW TO ORDER INTERIOR PARTS-PAGE XIII.</p> <p>A---150 SERIAL 15064533 THRU 15069308  F150 SERIAL F150-0068 THRU F150-0389</p> <p>B---150 SERIAL 15064533 THRU 15067198  F150 SERIAL F150-0068 THRU F150-0219</p> <p>C---150 SERIAL 15067199 THRU 15069308  F150 SERIAL F150-0220 THRU F150-0389</p>				

Map Compartment (Cont)



**SERIAL 15069309 & ON**

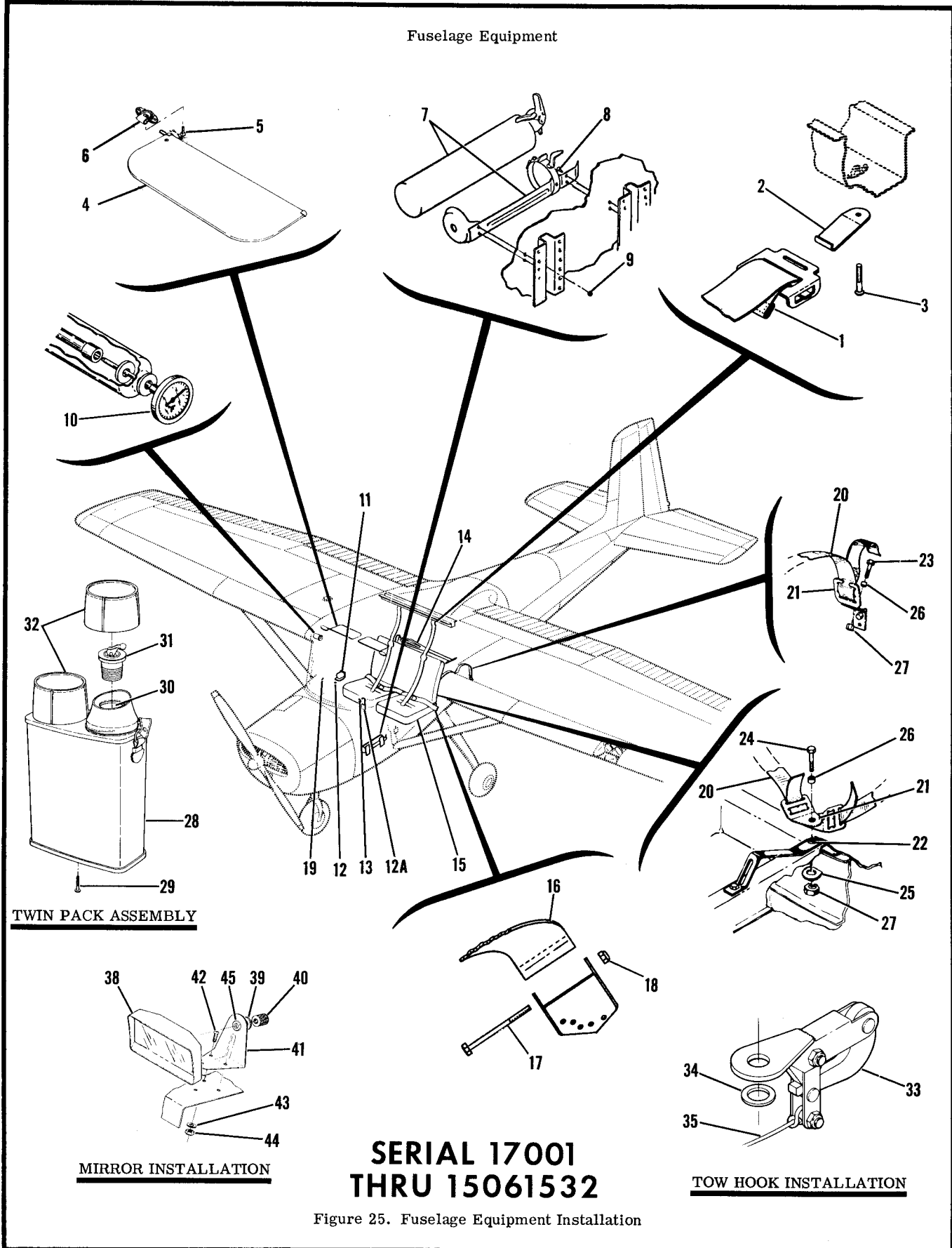
Figure 24C. Glove Box Installation





FIGURE AND INDEX NO.	PART NUMBER	DESCRIPTION	UNITS PER ASSY	USABLE ON CODE
		<b>1 2 3 4 5 6 7</b>		
24C-		GLOVE BOX INSTALLATION -----	NP	A
- 1	0413481-1	BOX ASSEMBLY-GLOVE -----	1	
		ATTACHING PARTS -----		
- 2	S1021Z6-6	SCREW -----	8	
		-----*-----		
		<b>SERIAL 15069309 &amp; ON</b>		
- 3	NAS395-6-3	NUTPLATE -----	8	
- 4	0413482-1	BRACKET ASSEMBLY -----	1	
- 5	NAS395-3-3	NUTPLATE -----	1	
- 6	S1895-1	MAGNETIC CATCH -----	1	
		ATTACHING PARTS -----		
- 7	AN515-6R8	SCREW -----	2	
- 8	AN936B6	WASHER -----	2	
- 9	AN340-6	NUT -----	2	
		-----*-----		
-10	0413458-1	DOOR ASSEMBLY-GLOVE BOX -----	1	
		ATTACHING PARTS -----		
-11	AN515-6R6	SCREW -----	4	
		-----*-----		
-12	0413458-4	FUSEHOLDER -----	1	
-13	0413458-5	HINGE ASSEMBLY -----	1	
-14	0413375-9	PIN-HINGE -----	1	
		NOTE. □THIS PART NUMBER MUST HAVE A SECOND DASH NUMBER ADDED TO DENOTE COLOR. REFER TO HOW TO ORDER INTERIOR PARTS-PAGE XIII.		
		A---150 SERIAL 15069309 & ON F150 SERIAL F150-0390 & ON		

Fuselage Equipment



**TWIN PACK ASSEMBLY**

**MIRROR INSTALLATION**

**SERIAL 17001  
THRU 15061532**

**TOW HOOK INSTALLATION**

Figure 25. Fuselage Equipment Installation

FIGURE AND INDEX NO.	PART NUMBER	DESCRIPTION	UNITS PER ASSY	USABLE ON CODE
25 -		FUSELAGE EQUIPMENT INSTALLATION -----	NP	L
- 1	0511233-7	SHOULDER HARNESS INSTALLATION -----	NP	
- 2	0411936-2	HARNESS-SHOULDER -----	1	
		HOOK-SHOULDER HARNESS -----	1	
- 3	AN4-4A	ATTACHING PARTS -----		
		BOLT -----	1	
		-----*		
- 4	0713011-200	SUN VISOR INSTALLATION -----	NP	
	0700122-1	VISOR ASSEMBLY-SUN -----	2	F
	0700122-13	VISOR ASSEMBLY-SUN LH -----	1	J
	0700122-2	VISOR ASSEMBLY-SUN RH -----	1	K
	0700122-12	VISOR ASSEMBLY-SUN RH -----	1	J
		ATTACHING PARTS -----	1	K
- 5	AN507-1032R14	SCREW -----	2	
		-----*		
- 6	0713011-12	BRACKET-VISOR -----	1	F
	0713011-12	BRACKET-VISOR -----	2	E
- 7	0800111-2	FIRE EXTINGUISHER INSTALLATION -----	NP	
	CP2 3/4	FIRE EXTINGUISHER & BRACKET -----	1	
		FIRE EXTINGUISHER & BRACKET GFET ALTERNATE -----	1	
		ATTACHING PARTS -----		
- 8	AN515-8R8	SCREW -----	4	
- 9	AC8K75	NUT GD -----	4	G
	NAS680A08	NUTPLATE -----	4	H
		-----*		
-10	S1322-1	GAGE-CUTSIDE AIR TEMPERATURE -----	1	
-11	0713068-2	COMPASS -----	1	
		ATTACHING PARTS -----		
	AN515B6R12	SCREW -----	2	
		-----*		
-12	0413204-1	BRACKET-COMPASS MOUNTING -----	1	
	MS35489-4	GROMMET -----	1	
-12A	0460105-1	LOCK ASSEMBLY-CONTROL -----	1	A
	0413377-1	LOCK ASSEMBLY-CONTROL -----	1	B
-13	0460104-1	PLATE-CONTROL LOCK -----	1	
	0460104-2	PLATE-CONTROL LOCK -----	1	
		ATTACHING PARTS -----		
	S1021Z6-8	SCREW CESSNA STANDARD -----	4	
	NAS446-2-3	NUT -----	4	
		-----*		
-14	0700315-2	TOW BAR-NOSE WHEEL -----	1	
	0700315-4	TOW BAR-NOSE WHEEL ALTERNATE -----	1	
-15		SEAT COVERS INSTALLATION-PLASTIC -----	1	
-16	S1060-7	BELT ASSEMBLY-SAFETY -----	2	D
	S1060-17	BELT ASSEMBLY-SAFETY -----	2	C
	S1060-201	BELT ASSEMBLY-SAFETY CESSNA STANDARD -----	2	J
	S1060-7	BELT ASSEMBLY-SAFETY -----	2	K
		ATTACHING PARTS -----		
-17	AN3-24A	BOLT -----	2	
-18	NAS679A3	NUT -----	2	
		-----*		
-19	0541162-1	VALVE-INFLATION -----	1	G
	0713028-8	COMPASS CORRECTION CARD -----	1	
	0713028-3	CORRECTION CARD COVER -----	1	
	10004-98	JACK POINT -----	1	
	10004-101	EXPANDER ASSEMBLY-TUBELESS TIRE -----	1	G
		CUP-FUEL SAMPLER SEE FIGURE 4B -----	1	
		TIE DOWN INSTALLATION-BAGGAGE -----	NP	B
-20	0411845-2	STRAP -----	2	B
-21	0411844-1	LUG -----	4	B
-22	0411957-1	SPACER -----	1	B
-23	AN4-4A	BOLT -----	2	B
-24	AN4-10A	BOLT -----	1	B
-25	AN960-416L	WASHER -----	3	B
-26	NAS43HT4-12	SPACER -----	3	B
-27	NAS679A4	NUT -----	3	B

CONTINUED ON NEXT PAGE

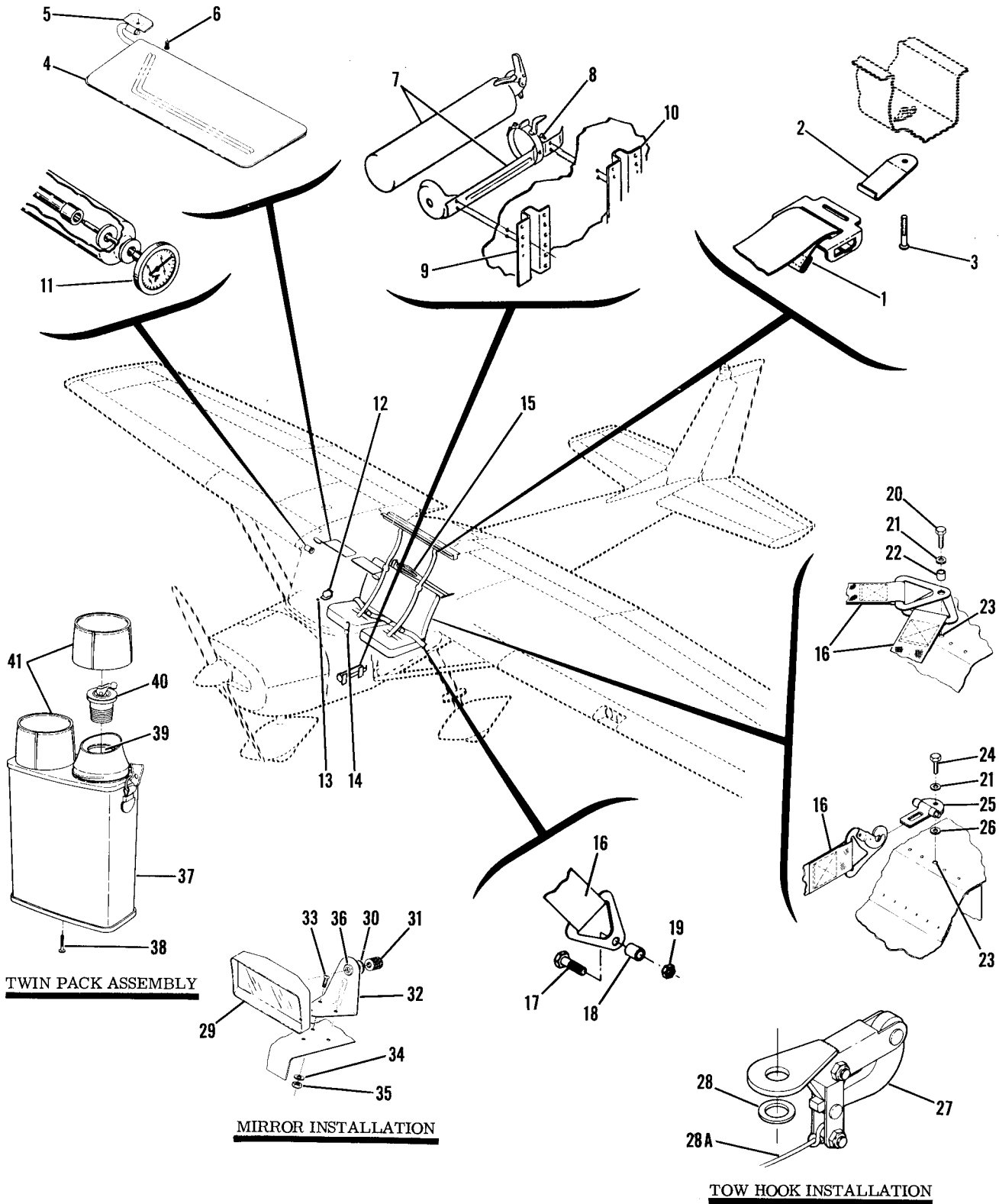


FIGURE AND INDEX NO.	PART NUMBER	DESCRIPTION	UNITS PER ASSY	USABLE ON
				CODE
		<b>1 2 3 4 5 6 7</b>		
25 -28	C733001-0101	TWIN PACK ASSEMBLY-BEVERAGE -----	1	
-29	S1021A10-16	SCREW -----	2	
-30	01	FILLER LFC -----	2	
-31	C733001-0103	STOPPER -----	2	
-32	1195-0061	CAP LFC -----	2	
		TOW HOOK INSTALLATION -----	NP	
-33	0500228-2	TOW HOOK -----	1	
-34	AN960-716	WASHER -----	2	
-35	0500228-3	CORD -----	1	
		MIRROR INSTALLATION-REAR VIEW -----	NP	K
-36		DELETED, NOT AVAILABLE -----		
-37		DELETED, NOT AVAILABLE -----		
-38	0500312-2	MIRROR ASSEMBLY -----	1	
		ATTACHING PARTS -----		
-39	S1450-4A11-063	WASHER -----	1	
-40	0500313-1	NUT -----	1	
		*-----		
-41	0500310-1	BRACKET ASSEMBLY -----	1	
		ATTACHING PARTS -----		
-42	AN507B832R8	SCREW -----	3	
-43	S1450-3A14-050	WASHER -----	4	
-44	MS20365B832C	NUT -----	3	
		*-----		
-45	MS35489-6	GROMMET -----	1	
		A---150 SERIAL 17001 THRU 59018		
		B---150 SERIAL 15059019 THRU 15061532		
		C---150 SERIAL 17001 THRU 15059238 &		
		15059351 THRU 15059700		
		D---150 SERIAL 15059284 THRU 15059350		
		E---150 SERIAL 15059701 THRU 15061532		
		F---150 SERIAL 17001 THRU 15059700		
		G---150 SERIAL 17001 THRU 15060087		
		H---150 SERIAL 15060088 THRU 15061532		
		J---150 SERIAL 15059701 THRU 15060772		
		K---150 SERIAL 15060773 THRU 15061532		
		L---150 SERIAL 17001 THRU 15061532		

FIGURE AND INDEX NO.	PART NUMBER	DESCRIPTION	UNITS PER ASSY	USABLE ON CODE		
					1	2
25A-		FUSELAGE EQUIPMENT INSTALLATION -----	NP	A		
- 1	0511233-7	HARNES-shoulder -----	1	L		
- 2	0411936-2	HOOK-SHOULDER HARNES -----	1	L		
		ATTACHING PARTS -----				
- 3	AN4-4A	BOLT -----	1	L		
		-----*				
		<b>SERIAL 15061533 &amp; ON</b>				
- 4	0700122-13	VISOR ASSEMBLY-SUN LH -----	1	U		
	0700122-12	VISOR ASSEMBLY-SUN RH -----	1	U		
		VISOR INSTALLATION SEE FIGURE 25C -----	1	V		
		ATTACHING PARTS -----				
- 5	0713011-12	BRACKET-VISOR -----	1	U		
- 6	AN507-1032R14	SCREW -----	2	U		
		-----*				
- 7	0800111-2	FIRE EXTINGUISHER & BRACKET -----	1			
	CP2 3/4	FIRE EXTINGUISHER & BRACKET GFET ALTERNATE -----	1			
		ATTACHING PARTS -----				
- 8	AN515-8R8	SCREW -----	4			
		-----*				
- 9	0400028-2	BRACKET ASSEMBLY-FIRE EXTINGUISHER FWD -----	1			
-10	0400028-4	BRACKET ASSEMBLY-FIRE EXTINGUISHER AFT -----	1			
	NAS680A08	NUTPLATE -----	2			
-11	S1322-1	GAGE-OUTSIDE AIR TEMP WHEN EXHAUSTED USE C668507-0101 -----	1	R		
	C668507-0101	GAGE-OUTSIDE AIR TEMP -----	1	S		
	C668507-0102	GAGE-OUTSIDE AIR TEMP ALTERNATE -----	1	S		
-12	0713068-2	COMPASS -----	1	Q		
		COMPASS INSTALLATION SEE FIGURE 25B & 25C -----	NP	N		
		ATTACHING PARTS -----				
	AN515B6R12	SCREW -----	2	Q		
		-----*				
	0413204-1	BRACKET-COMPASS MOUNTING -----	1	Q		
-13	MS35489-4	GROMMET -----	1	Q		
-14	0513385-1	LOCK ASSEMBLY-CONTROL -----	1	B		
	0413036-2	LOCK ASSEMBLY-CONTROL -----	1	C		
	0460134-1	LOCK ASSEMBLY-CONTROL -----	1	V		
-15	0700315-2	TOW BAR-NOSE WHEEL -----	1			
	0700315-4	TOW BAR-NOSE WHEEL ALTERNATE -----	1			
-16	S161881	BELT ASSEMBLY-SAFETY BLACK -----	2	D		
	S153983	BELT ASSEMBLY-SAFETY BLACK -----	2	E		
	S162286	BELT ASSEMBLY-SAFETY BLACK -----	2	F		
	S165182	BELT ASSEMBLY-SAFETY BLACK -----	2	G		
	S1746B15	BELT ASSEMBLY-SAFETY BLACK -----	2	T		
	S1622D6	BELT ASSEMBLY-SAFETY TAN -----	2	M		
	S1746D15	BELT ASSEMBLY-SAFETY TAN -----	2	P		
	S1622M6	BELT ASSEMBLY-SAFETY BLUE -----	2	M		
	S1746M15	BELT ASSEMBLY-SAFETY BLUE -----	2	W		
	S1746P15	BELT ASSEMBLY-SAFETY ROYAL BLUE -----	2	X		
	S1622J6	BELT ASSEMBLY-SAFETY RED -----	2	M		
	S1746J15	BELT ASSEMBLY-SAFETY RED -----	2	W		
	S1746R15	BELT ASSEMBLY-SAFETY DRAGON RED -----	2	X		
	S1622K6	BELT ASSEMBLY-SAFETY AVOCADO -----	2	M		
	S1746K15	BELT ASSEMBLY-SAFETY AVOCADO -----	2	W		
	S1746S15	BELT ASSEMBLY-SAFETY VELT GOLD -----	2	X		
		ATTACHING PARTS -----				
-17	AN525-416R9	BOLT -----	1			
-18	NAS43HT4-12	SPACER -----	1			
-19	NAS1068A4	NUTPLATE -----	1			
-20	AN4-11A	BOLT -----	1	H		
-21	AN960-416L	WASHER -----	1			
-22	NAS43HT4-24	SPACER -----	1	H		
-23	NAS698A4	NUTPLATE -----	1			
-24	AN4-10A	BOLT -----	1	J		

CONTINUED ON NEXT PAGE

Fuselage Equipment (Cont)

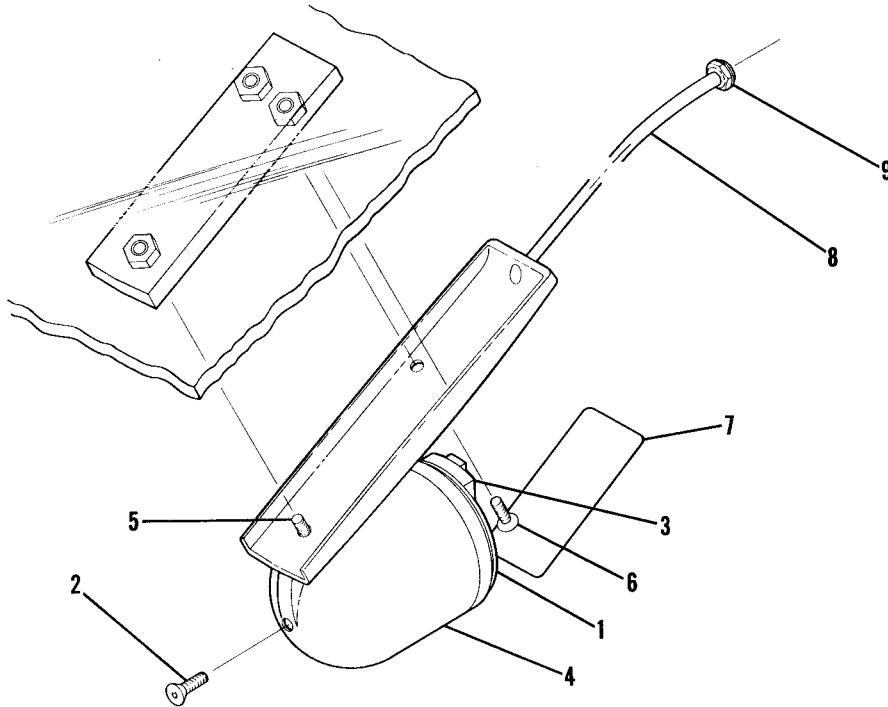


**SERIAL 15061533 & ON**

Figure 25A. Fuselage Equipment Installation

FIGURE AND INDEX NO.	PART NUMBER	DESCRIPTION	UNITS PER ASSY	USABLE ON CODE
25A-25	C711083-1	LATCH ASSEMBLY -----	1	J
-26	AN960-416L	WASHER -----	1	J
		-----*		
		TOW HOOK INSTALLATION -----	NP	L
-27	C500228-2	TOW HOOK -----	1	
-28	AN960-716	WASHER -----	2	
-28A	C500228-3	CORD -----	1	
		MIRROR INSTALLATION-REAR VIEW -----	NP	
-29	C500312-2 □	MIRROR ASSEMBLY -----	1	
		ATTACHING PARTS		
-30	S1450-4A11-063	WASHER -----	1	
-31	C500313-1	NUT -----	1	
		-----*		
-32	C500310-1 □	BRACKET ASSEMBLY -----	1	
		ATTACHING PARTS		
-33	AN507B832R8	SCREW -----	3	
-34	S1450-3A14-050	WASHER -----	4	
-35	MS20365B832C	NUT -----	3	
		-----*		
-36	MS35489-6	GROMMET -----	1	
-37	C733001-0101	TWIN PACK ASSEMBLY-BEVERAGE -----	1	L
-38	S1021A10-16	SCREW -----	2	
-39	01	FILLER LFC -----	2	
-40	C733001-0103	STOPPER -----	2	
-41	1195-0061	CAP LFC -----	2	
	10004-98	JACK POINT NOT ILLUSTRATED -----	1	L
		CUP-FUEL SAMPLER SEE FIGURE 4B -----	1	
<p>NOTE. #THIS PART NUMBER MUST HAVE A SECOND DASH NUMBER ADDED TO DENOTE COLOR. REFER TO HOW TO ORDER UPHOLSTERED PARTS-PAGE XII.</p> <p>NOTE. □THIS PART NUMBER MUST HAVE A SECOND DASH NUMBER ADDED TO DENOTE COLOR. REFER TO HOW TO ORDER INTERIOR PARTS-PAGE XIII.</p>				
<p>A---150 SERIAL 15061533 &amp; ON F150 SERIAL F150-0001 &amp; ON</p> <p>B---150 SERIAL 15061533 THRU 15064532 F150 SERIAL F150-0001 THRU F150-0067</p> <p>C---150 SERIAL 15064533 THRU 15069308 F150 SERIAL F150-0068 THRU F150-0389</p> <p>D---150 SERIAL 15061533 THRU 15062496</p> <p>E---F150 SERIAL F150-0001 THRU F150-0007</p> <p>F---150 SERIAL 15062497 THRU 15067198, 15067573 &amp; ON</p> <p>G---F150 SERIAL F150-0008 THRU F150-0219</p> <p>H---150 SERIAL 15061533 THRU 15062496 F150 SERIAL F150-0001 THRU F150-0007</p> <p>J---150 SERIAL 15062497 &amp; ON F150 SERIAL F150-0008 &amp; ON</p> <p>K---F150 SERIAL F150-0001 &amp; ON</p> <p>L---150 SERIAL 15061533 &amp; ON F150 SERIAL F150-0001 THRU F150-0067</p> <p>M---150 SERIAL 15064533 THRU 15067198, 15067573 &amp; ON</p> <p>N---150 SERIAL 15067199 &amp; ON F150 SERIAL F150-0220 &amp; ON</p> <p>P---150 SERIAL 15067199 THRU 15067572 F150 SERIAL F150-0390 &amp; ON</p> <p>Q---150 SERIAL 15061533 THRU 15067198 F150 SERIAL F150-0001 THRU F150-0219</p> <p>R---150 SERIAL 15061533 THRU 15069327 F150 SERIAL F150-0001 THRU F150-0449</p> <p>S---150 SERIAL 15069328 &amp; ON F150 SERIAL F150-0450 &amp; ON</p> <p>T---150 SERIAL 15067199 THRU 15067572 F150 SERIAL F150-0220 &amp; ON</p> <p>U---150 SERIAL 15061533 THRU 15069308 F150 SERIAL F150-0001 THRU F150-0389</p> <p>V---150 SERIAL 15069309 &amp; ON F150 SERIAL F150-0390 &amp; ON</p> <p>W---150 SERIAL 15067199 THRU 15067572</p> <p>X---F150 SERIAL F150-0390 &amp; ON</p>				

Fuselage Equipment (Cont)



**SERIAL 15067199 THRU 15069308**

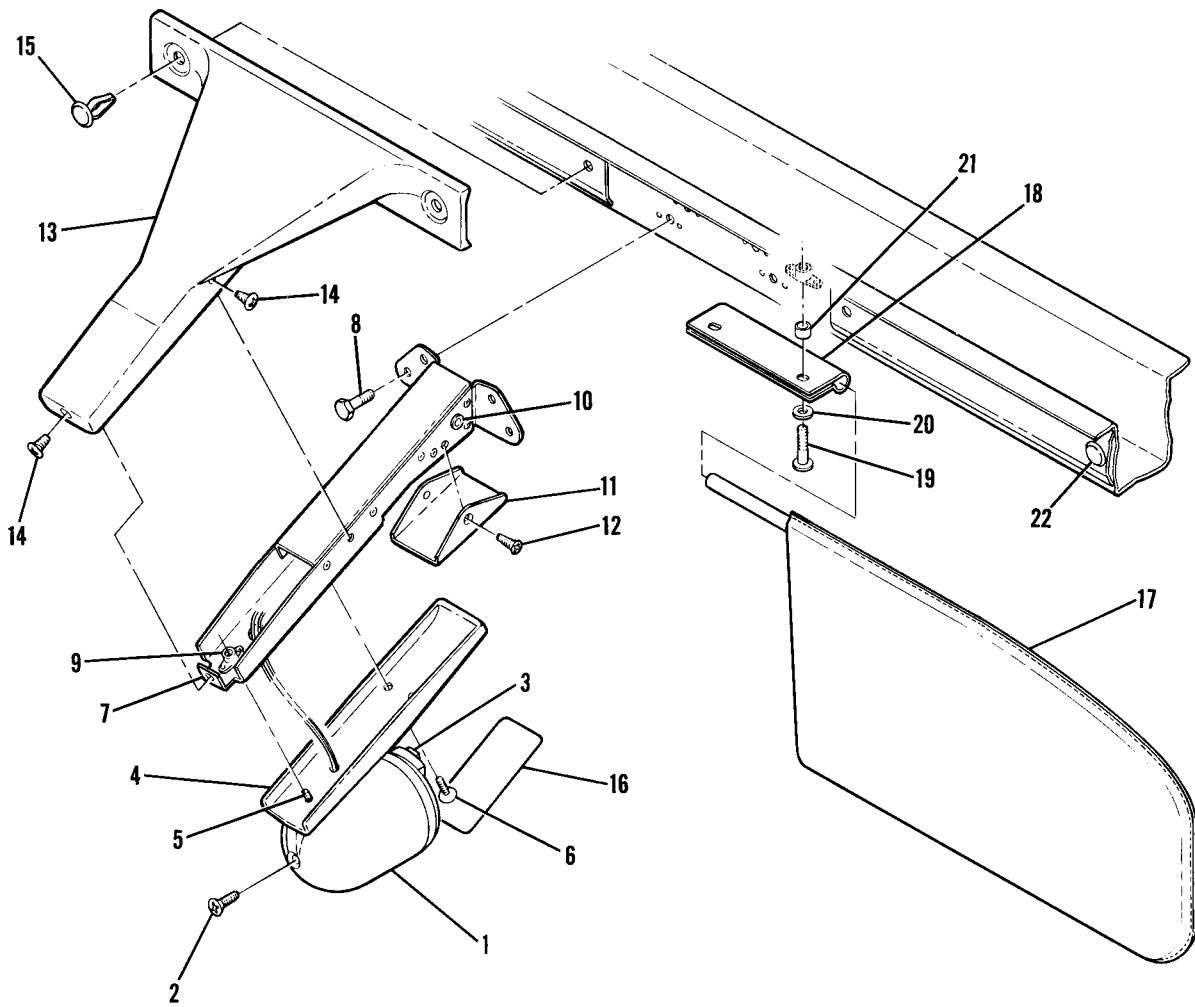
Figure 25B. Compass Installation

FIGURE AND INDEX NO.	PART NUMBER	DESCRIPTION	UNITS PER ASSY	USABLE ON CODE
25B-		<b>1 2 3 4 5 6 7</b>		
- 1	C660501-0101	COMPASS INSTALLATION ----- COMPASS -----	NP 1	A
- 2	S1571-8-10	ATTACHING PARTS SCREW ----- -----*	1	
- 3	330	BULB -----	1	
- 4	0713813-1	MOUNT-COMPASS ----- ATTACHING PARTS	1	
- 5	AN515B8R10	SCREW -----	1	
	AN960D8	WASHER -----	1	
- 6	AN507B832R6	SCREW ----- -----*	2	
- 7	0713819-1	CARD-COMPASS CORRECTION -----	1	
- 8	0413441-1	TUBE ASSEMBLY -----	1	
- 9	S1216-3	ATTACHING PARTS NUT -----	1	
	AN936A416	WASHER -----	1	
	NAS620A416L	WASHER ----- -----*	1	
		A---150 SERIAL 15067199 THRU 15069308 F150 SERIAL F150-0220 THRU F150-0389		



This page intentionally left blank.

Fuselage Equipment (Cont)

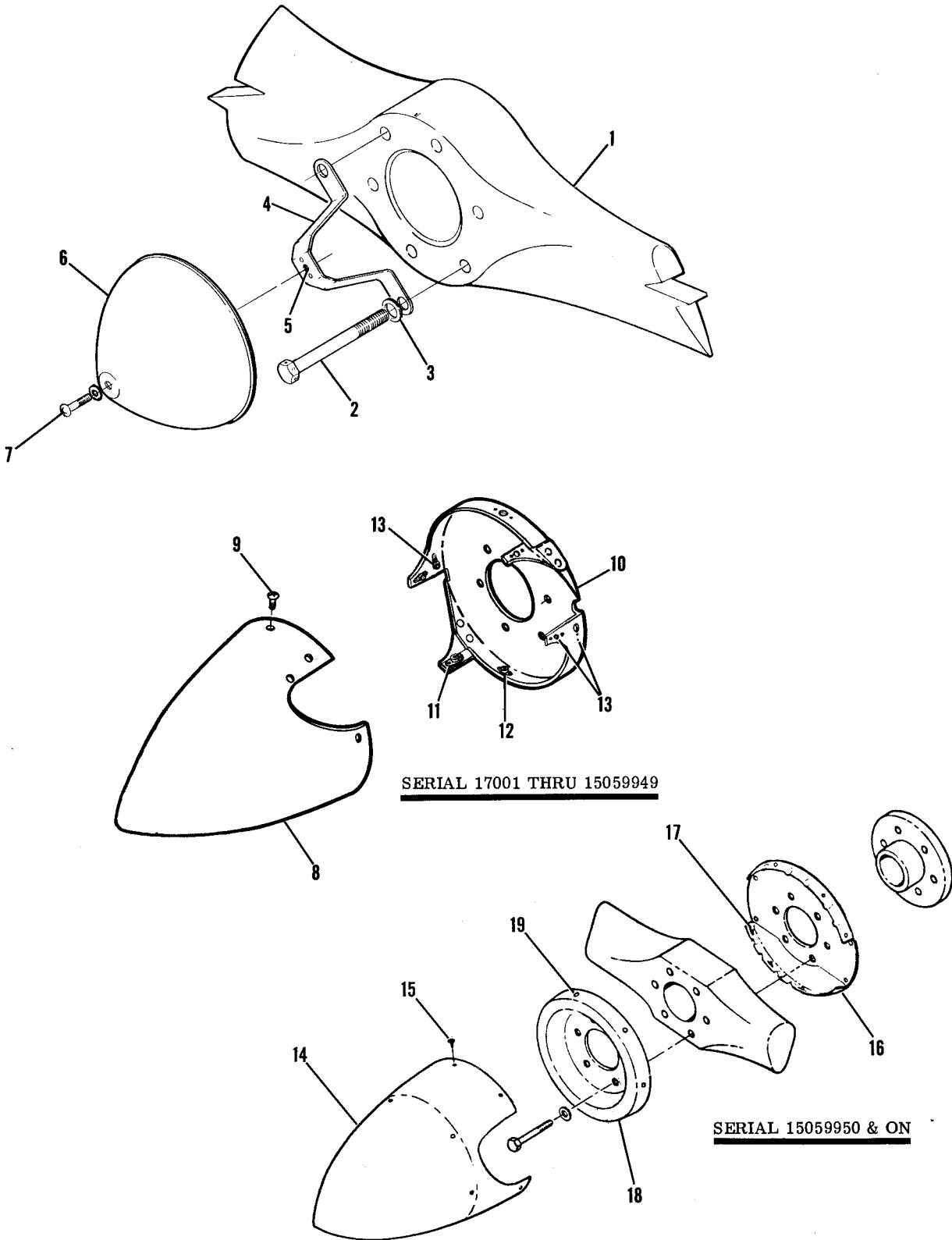


**SERIAL 15069309 & ON**

Figure 25C. Compass & Sun Visor Installation

FIGURE AND INDEX NO.	PART NUMBER	DESCRIPTION	UNITS PER ASSY	USABLE ON CODE
<b>1 2 3 4 5 6 7</b>				
25C-		COMPASS & SUNVISOR INSTALLATION -----	NP	A
- 1	C660501-0101	COMPASS -----	1	
		ATTACHING PARTS -----		
- 2	S1571-8-10	SCREW -----	1	
		-----*		
- 3	330	BULB -----	1	
- 4	C713813-1	MOUNT-COMPASS -----	1	
		ATTACHING PARTS -----		
- 5	AN515B8R12	SCREW -----	1	
	AN960D8	WASHER -----	1	
- 6	AN5C7B832R6	SCREW -----	2	
		-----*		
- 7	0413474-1	SUPPORT ASSEMBLY-COMPASS MOUNT -----	1	
		ATTACHING PARTS -----		
- 8	AN3-3A	BOLT -----	4	
		-----*		
- 9	NAS697A08	NUTPLATE -----	3	
- 10	S1291-2	GROMMET -----	1	
- 11	0413478-1	COVER-COMPASS MOUNT SUPPORT LOWER -----	1	
		ATTACHING PARTS -----		
- 12	S1022Z6-6	SCREW -----	2	
		-----*		
- 13	0413475-1	COVER-COMPASS MOUNT SUPPORT -----	1	
		ATTACHING PARTS -----		
- 14	S1021Z6-6	SCREW -----	3	
- 15	XS49306K1110	PLUG BUTTON UC -----	2	
		-----*		
- 16	0713819-1	CARD-COMPASS CORRECTION -----	1	
- 17	1414087-13	SUNVISOR ASSEMBLY -----	2	
		ATTACHING PARTS -----		
- 18	1414087-15	CLAMP -----	1	
- 19	AN525-10R14	SCREW -----	2	
- 20	AN960-10L	WASHER -----	2	
- 21	NAS43HT3-20	SPACER -----	2	
		-----*		
- 22	49265K2220	PLUG BUTTON UC -----	2	
<p>NOTE. #THIS PART NUMBER MUST HAVE A SECOND DASH NUMBER ADDED TO DENOTE COLOR. REFER TO HOW TO ORDER UPHOLSTERED PARTS-PAGE XII.</p> <p>NOTE. □THIS PART NUMBER MUST HAVE A SECOND DASH NUMBER ADDED TO DENOTE COLOR. REFER TO HOW TO ORDER INTERIOR PARTS-PAGE XIII.</p> <p>A---150 SERIAL 15069309 &amp; ON F150 SERIAL F150-0390 &amp; ON</p>				

PROPELLER



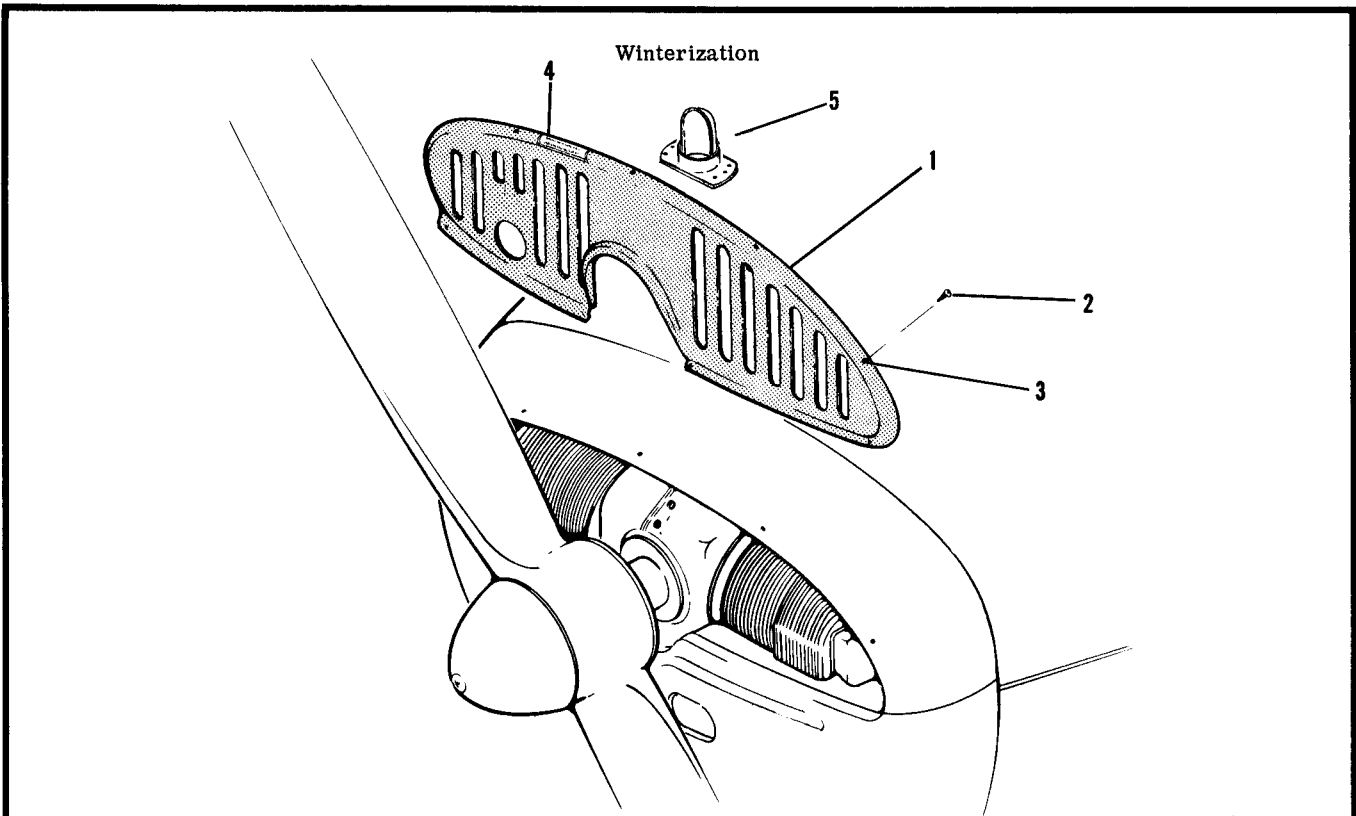
SERIAL 17001 THRU 15059949

SERIAL 15059950 & ON

Figure 26. Propeller and Spinner Installation

FIGURE AND INDEX NO.	PART NUMBER	DESCRIPTION	UNITS PER ASSY	USABLE ON CODE
		<b>1 2 3 4 5 6 7</b>		
26 -		PROPELLER & SPINNER INSTALLATION -----	NP	
- 1	0450511-1	PROPELLER-METAL M69CK-52 SENSENICH WHEN -----	1	A
		EXHAUSTED USE 0450515-1 -----		
	0450515-1	PROPELLER-METAL 1A100/MCM6950 MCCAULEY -----	1	E
	0450515-2	PROPELLER-METAL 1A101/DCM6948 MCCAULEY -----	1	M
	C161001-0201	PROPELLER-FLOATPLANE 1A90/CF7538 MCCAULEY WHEN --	1	L
		EXHAUSTED USE C161001-0203 -----		
	C161001-0203	PROPELLER-FLOATPLANE 1A90/CF7535 MCCAULEY -----	1	N
		ATTACHING PARTS -----		
- 2	AN6H37A	BOLT -----	6	A
	A2513-8	BOLT MCL -----	6	B
- 3	A1638-13	WASHER MCL -----	6	
		-----*		
	S1433-2	DECAL-CESSNA -----	1	
- 4	0450260	BRACKET ASSEMBLY-SPINNER -----	1	K
- 5	NAS680A08	NUTPLATE -----	1	K
- 6	0450510-1	* SPINNER-PROPELLER WHEN EXHAUSTED -----	1	A
		USE 0450516-1 -----		
	0450516-1	SPINNER-PROPELLER -----	1	K
		ATTACHING PARTS -----		
- 7	AN515-8R14	SCREW -----	1	K
	AN960D8	WASHER -----	1	K
		-----*		
		SPINNER INSTALLATION-LARGE WHEN EXHAUSTED -----	NP	G
		USE INSTALLATION CODED H. -----		
- 8	0450024-3	# DOME-SPINNER -----	1	C
	0450024-12	# DOME-SPINNER -----	1	D
	0450021-1	* SPINNER ASSEMBLY -----	1	A
		ATTACHING PARTS -----		
- 9	AN515-8R8	SCREW -----	8	
		-----*		
-10	0450020-1	PLATE ASSEMBLY-SPINNER -----	1	A
	0450024-17	# MOUNT ASSEMBLY -----	1	F
-11	0450020-3	# FILLET -----	2	A
	0450024-10	# FLANGED FILLET -----	2	F
-12	NAS680A08	NUTPLATE -----	6	
-13	NAS682A3	NUTPLATE -----	2	A
	NAS680A08	NUTPLATE -----	4	F
		SPINNER INSTALLATION-LARGE -----	NP	H
		SPINNER INSTALLATION-LARGE -----	NP	J
-14	0450025-10	DOME ASSEMBLY -----	1	H
	0450027-3	DOME ASSEMBLY -----	1	J
		ATTACHING PARTS -----		
-15	AN525-832R7	SCREW -----	14	
		-----*		
-16	0450025-8	BULKHEAD ASSEMBLY -----	1	H
	0450106-1	BULKHEAD ASSEMBLY -----	1	J
-17	NAS680A08	NUTPLATE -----	8	
-18	0450025-3	BULKHEAD ASSEMBLY -----	1	H
	0450027-10	BULKHEAD ASSEMBLY -----	1	J
-19	NAS680A08	NUTPLATE -----	6	
		NOTE.* FOR USE WITH SENSENICH PROPELLER ONLY.		
		NOTE. #WHEN THESE PARTS ARE EXHAUSTED ORDER ALL PARTS NEEDED TO MAKE COMPLETE INSTALLATION CODED H.		
		A---150 SERIAL 17001 THRU 15059286		
		B---150 SERIAL 15059287 & ON		
		F150 SERIAL F150-0001 & ON		
		C---150 SERIAL 15059287 THRU 15059550		
		D---150 SERIAL 15059551 THRU 15059949		
		E---150 SERIAL 17001 THRU 15066354		
		F150 SERIAL F150-0001 THRU F150-0207		
		F---150 SERIAL 15059287 THRU 15059949		
		G---150 SERIAL 17001 THRU 15059949		
		H---150 SERIAL 15059950 THRU 15061532		
		J---150 SERIAL 15061533 & ON		
		F150 SERIAL F150-0001 & ON		
		K---150 SERIAL 17001 & ON		
		F150 SERIAL F150-0001 THRU F150-0067		
		L---150 SERIAL 15065955 THRU 15069394 FLOATPLANE		
		F150 SERIAL F150-0191 THRU F150-0389 FLOATPLANE		
		M---150 SERIAL 15066355 & ON		
		F150 SERIAL F150-0208 & ON		
		N---150 SERIAL 15069395 & ON FLOATPLANE		
		F150 SERIAL F150-0390 & ON FLOATPLANE		

This page intentionally left blank.

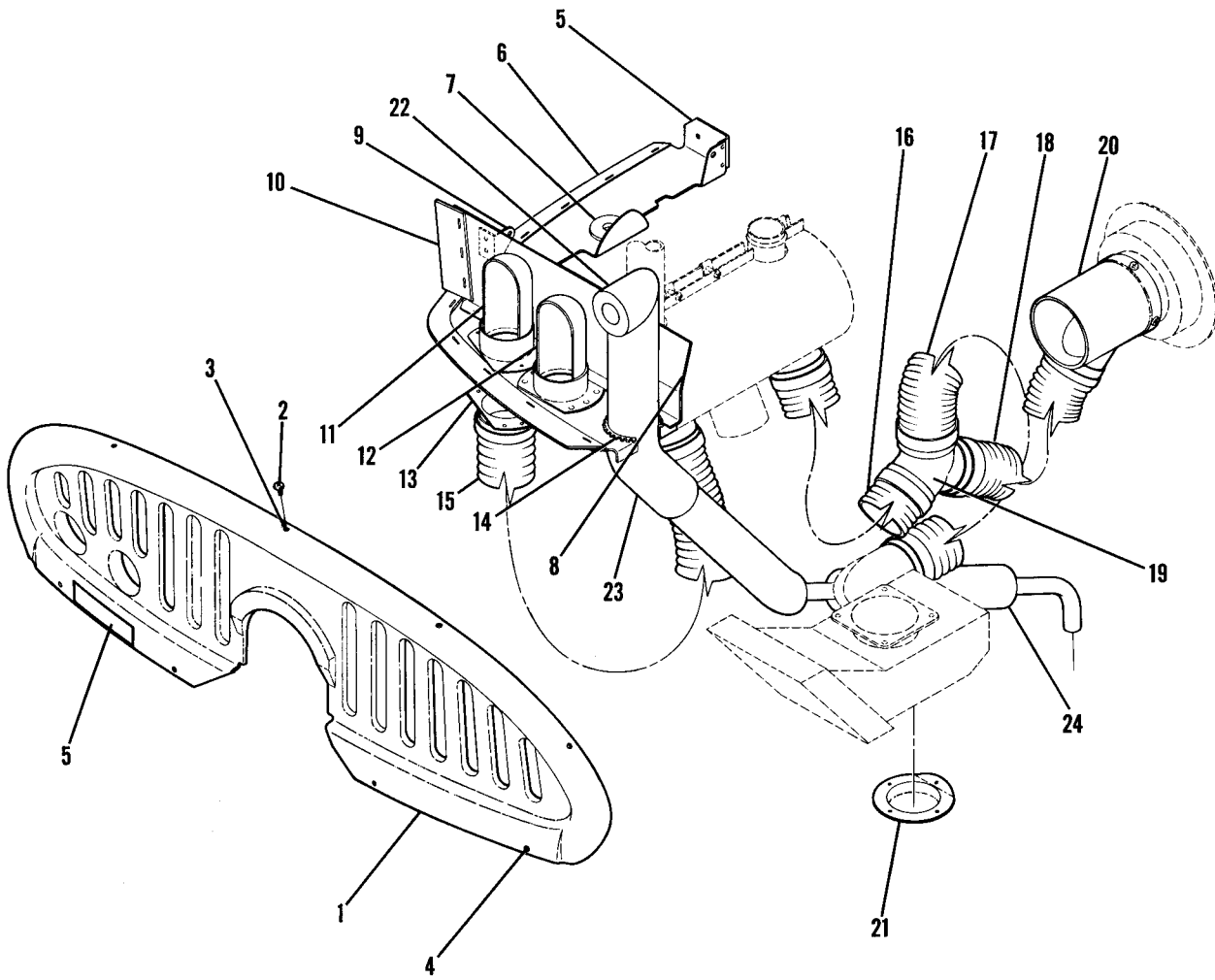


**SERIAL 17001 THRU 15067198**

Figure 27. Engine Winterization Installation

FIGURE AND INDEX NO.	PART NUMBER	DESCRIPTION	UNITS PER ASSY	USABLE ON CODE
27 -		<b>1 2 3 4 5 6 7</b>		
- 1	0450512-1-279 0450512-5-279	WINTERIZATION EQUIPMENT INSTALLATION ----- COWL-COVER ----- COWL-COVER -----	NP 1 1	D A B
- 2	S102128-6	ATTACHING PARTS SCREW CESSNA STANDARD -----	9	
- 3	S1863-3 S1862-2	NUT TOP SURFACE ONLY ----- NUT LOWER SURFACE ONLY -----	5 4	
- 4	0552110-1	PLACARD-WINTERIZATION -----	1	
- 5	0450266-1	SCCOP-AIR INTAKE -----	1	C
		A---150 SERIAL 17001 THRU 15061328 B---150 SERIAL 15061329 THRU 15067198 F150 SERIAL F150-0001 THRU F150-0219 C---150 SERIAL 15061329 THRU 15064532 F150 SERIAL F150-0001 THRU F150-0067 D---150 SERIAL 17001 THRU 15067198 F150 SERIAL F150-0001 THRU F150-0219		

Winterization (Cont)



**SERIAL 15067199 & ON**

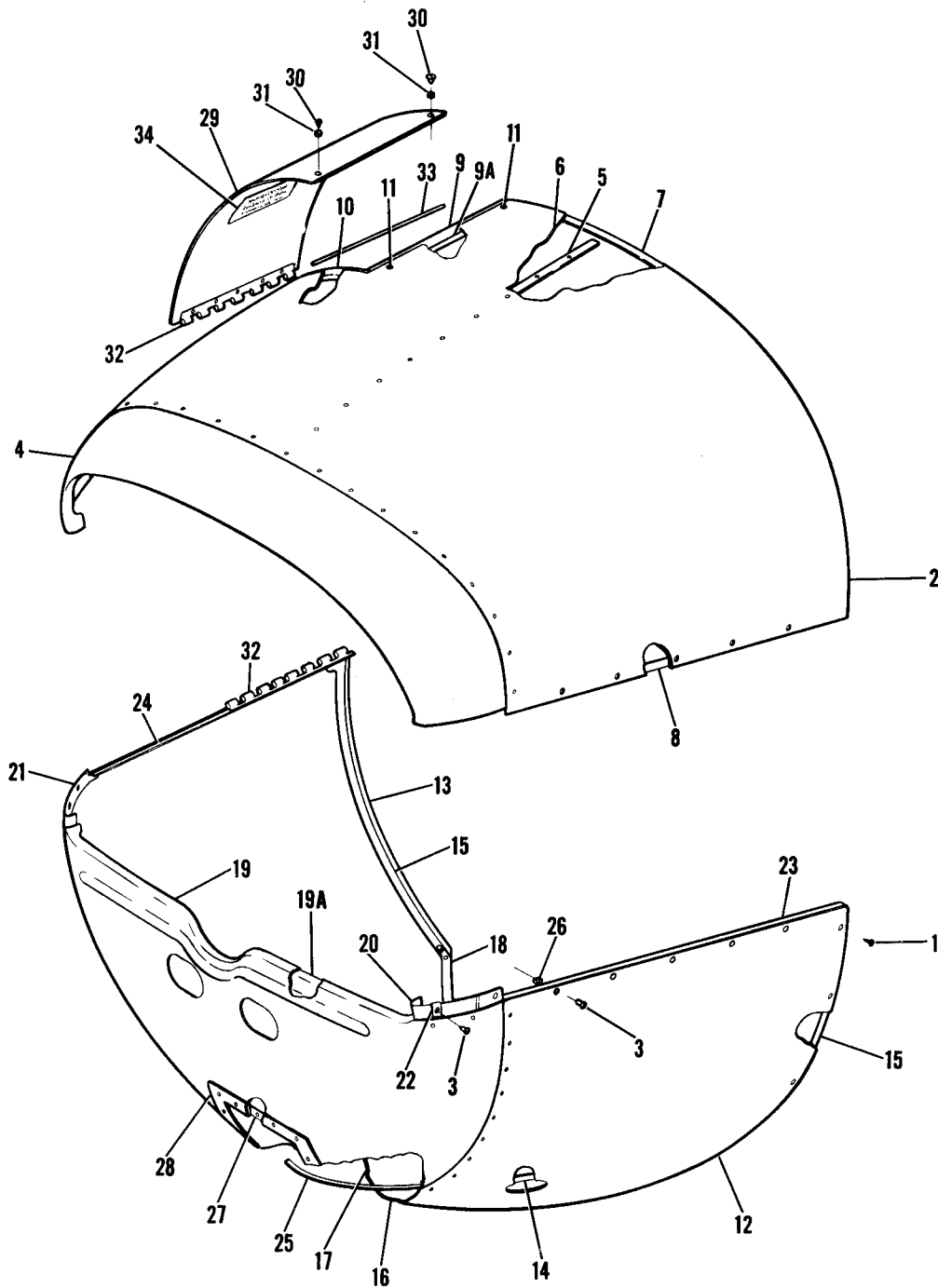
Figure 27A. Winterization Equipment Installation





FIGURE AND INDEX NO.	PART NUMBER	DESCRIPTION	UNITS PER ASSY	USABLE ON CODE
		<b>1 2 3 4 5 6 7</b>		
27A-		WINTERIZATION EQUIPMENT INSTALLATION -----	NP	A
- 1	0452007-2-791	COVER-COWL -----	1	
		ATTACHING PARTS		
		<b>SERIAL 15067199 &amp; ON</b>		
- 2	S102128-6	SCREW -----	9	
- 3	S1863-3	NUTPLATE -----	5	
- 4	S1862-2	NUTPLATE -----	4	
		---*---		
- 5	0552110-1	PLACARD-WINTERIZATION -----	1	
	0450502-39	BAFFLE ASSEMBLY-ENGINE -----	1	
- 6	0450502-13	SEAL -----	1	
- 7	M535489-15	GROMMET -----	1	
- 8	0450302-1	BAFFLE ASSEMBLY-VERTICAL -----	1	
- 9	0450302-3	BRACKET -----	1	
-10	0450302-4	SEAL -----	1	
-11	0455010-1	SCOOP ASSEMBLY -----	1	
-12	0450266-1	SCOOP ASSEMBLY -----	1	
-13	0450262	UNION -----	2	
-14	S1050-1	GROMMET-* IN LG BULK ITEM REF S1050-1-* -----	1	
-15	S1053K16T	HOSE-18.25 IN LG BULK ITEM REF S1053K16T-18.25 -----	1	
-16	S1053K16T	HOSE-10.00 IN LG BULK ITEM REF S1053K16T-10.00 -----	1	
-17	S1053K16T	HOSE-7.50 IN LG BULK ITEM REF S1053K16T-7.50 -----	1	
-18	S1053K16T	HOSE-11.50 IN LG BULK ITEM REF S1053K16T-11.50 -----	1	
		ATTACHING PARTS		
	NAS397-32	CLAMP -----	2	
		---*---		
-19	0450408-1	TUBE ASSEMBLY-DUAL HEATER -----	1	
-20	0453117-1	TEE ASSEMBLY-CABIN HEATER -----	1	
		ATTACHING PARTS		
	S1021A8-6	SCREW -----	4	
		---*---		
-21	0452006-1	CAP-AIRBOX -----	1	
-22	0456004-1	VENT TUBE ASSEMBLY -----	1	
-23	0456004-200	TUBE ASSEMBLY-INSULATING -----	1	
-24	0456004-6	TUBE-INSULATING -----	1	
		NOTE. *LENGTH TO BE DETERMINED LATER		
		A---150 SERIAL 15067199 & ON F150 SERIAL F150-0220 & ON		

Cowling



**SERIAL 17001 THRU 15064532**

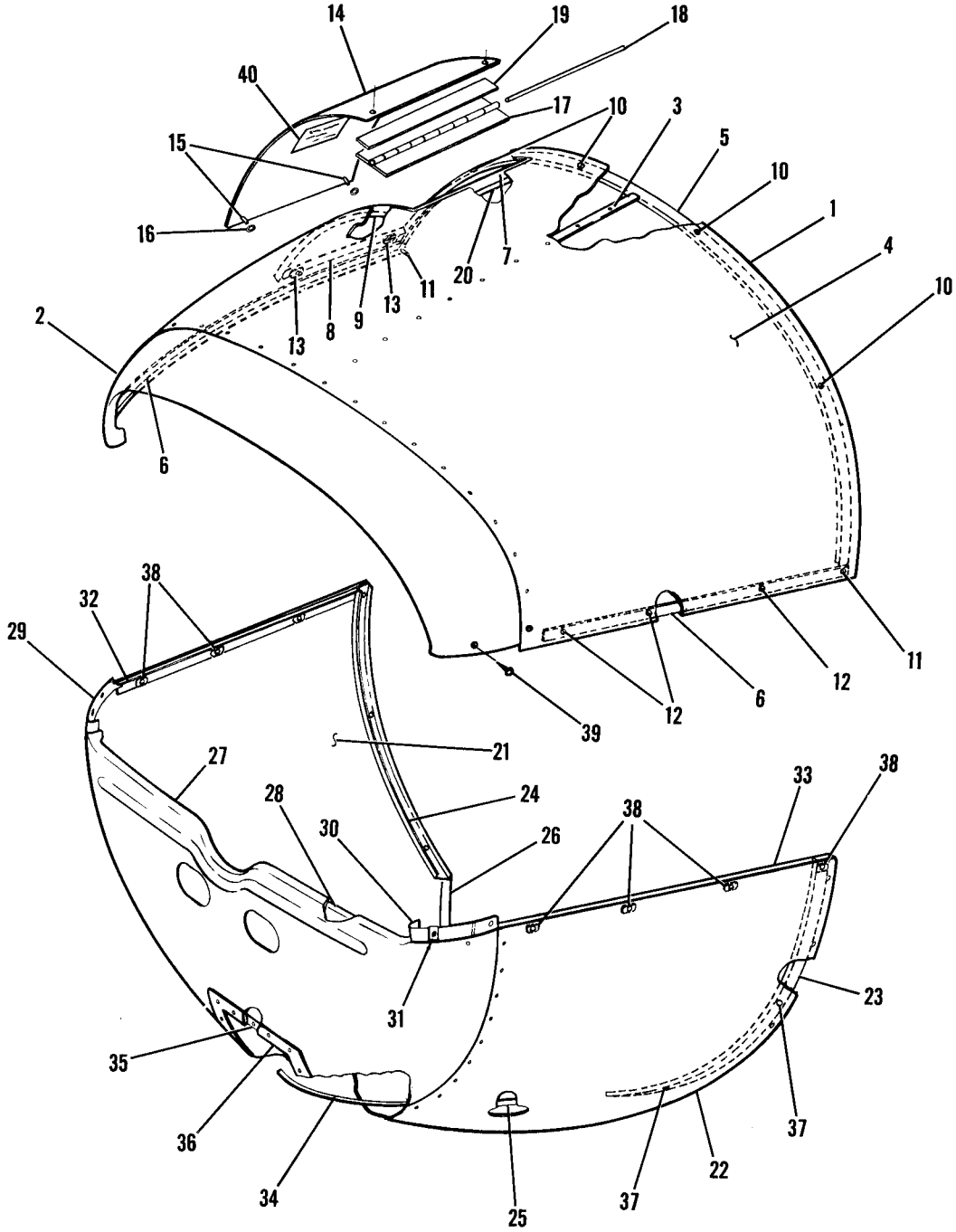
Figure 28. Engine Cowling Assembly

FIGURE AND INDEX NO.	PART NUMBER	DESCRIPTION	UNITS PER ASSY	USABLE ON CODE
28 -		COWL ASSEMBLY-ENGINE -----	NP	A
		COWL ASSEMBLY-ENGINE -----	NP	B
		ATTACHING PARTS		
- 1	S1021Z8-8	SCREW CESSNA STANDARD -----	19	
		-----*		
- 2	0452002-2	COWL ASSEMBLY-UPPER -----	1	
		ATTACHING PARTS		
- 3	S1021Z8-8	SCREW CESSNA STANDARD -----	15	
		-----*		
- 4	0452002-6	NOSECAP-UPPER COWL -----	1	
- 5	0452002-12	ANGLE-UPPER COWL TOP -----	1	
	0452002-27	SPOTWELD ASSEMBLY-UPPER COWL -----	1	
- 6	0452002-4	SKIN-UPPER COWL -----	1	
- 7	0452002-9	DOUBLER-AFT -----	1	
- 8	0452002-19	DOUBLER-UPPER COWL LH -----	1	
	0452002-18	DOUBLER-UPPER COWL RH -----	1	
- 9	0452002-21	DOUBLER-UPPER COWL -----	1	
- 9A	0452002-56	ANGLE -----	1	
-10	0452002-22	DOUBLER-UPPER COWL -----	1	
-11	S4-200	SPRING DZ -----	2	
	0452002-3	COWL ASSEMBLY-LOWER -----	1	A
	0452002-49	COWL ASSEMBLY-LOWER -----	1	B
-12	0452002-35	SPOTWELD ASSEMBLY-LOWER LH -----	1	A
	0452002-54	SKIN ASSEMBLY-LOWER LH -----	1	B
-13	0452002-34	SPOTWELD ASSEMBLY-LOWER RH -----	1	A
	0452002-53	SKIN ASSEMBLY-LOWER RH -----	1	B
-14	0452002-29	DOUBLER-EXHAUST OPENING -----	1	
-15	0452002-8	DOUBLER-AFT -----	1	A
	0452002-55	DOUBLER -----	1	B
-16	0452002-33	SKIN-LOWER LH -----	1	A
	0452002-51	SKIN-LOWER LH -----	1	B
-17	0452002-32	SKIN-LOWER RH -----	1	A
	0452002-50	SKIN-LOWER RH -----	1	B
-18	0452002-44	DOUBLER-AFT LOWER -----	1	A
	0452002-57	DOUBLER-AFT LOWER -----	1	B
-19	0452002-45	NOSE CAP ASSEMBLY-LOWER -----	1	
-19A	0452002-43	DOUBLER-NOSE CAP -----	1	
-20	0452002-17	DOUBLER-NOSE CAP LH -----	1	
-21	0452002-16	DOUBLER-NOSE CAP RH -----	1	
-22	NAS395-18-3	NUT TIN A1787-8Z-3 -----	6	
-23	0452002-11	ANGLE-SIDE LH -----	1	
-24	0452002-10	ANGLE-SIDE RH -----	1	
-25	0452002-42	ANGLE-LOWER -----	1	
-26	S1863-3	NUT -----	9	
-27	0452002-30	DOUBLER-AIR SCOOP -----	1	
-28	0452200-1	FAIRING-AIR SCOOP -----	1	
-29	0452002-26	DOOR ASSEMBLY-UPPER COWL -----	1	
-30	AW4-35	FASTENER DZ -----	2	
-31	GA4-250	GROMMET DZ -----	2	
-32	0452002-39	HINGE ASSEMBLY -----	1	
-33	0452002-25	PIN-HINGE -----	1	
-34	S1397-2	PLACARD-ENGINE OIL CHANGE CESSNA STANDARD -----	1	

SERIAL 17001  
THRU 15064532

A---150 SERIAL 17001 THRU 15060087  
B---150 SERIAL 15060088 THRU 15064532  
F150 SERIAL F150-0001 THRU F150-0067

Cowling (Cont)



**SERIAL 15064533 & ON**

Figure 28A. Engine Cowl Assembly



FIGURE AND INDEX NO.	PART NUMBER	DESCRIPTION	UNITS PER ASSY	USABLE ON CODE
		<b>1 2 3 4 5 6 7</b>		
28A-		ENGINE COWL ASSEMBLY -----	NP	A
- 1	0452003-2	COWL ASSEMBLY-UPPER ----- <b>SERIAL 15064533</b>	1	
- 2	0452002-6	NOSECAP-UPPER COWL -----	1	
- 3	0452003-14	ANGLE-UPPER COWL TOP ----- <b>&amp; ON</b>	1	
- 4	0452003-4	SKIN ASSEMBLY-UPPER COWL -----	1	
- 5	0452003-11	CHANNEL-UPPER COWL -----	1	
- 6	0452003-17	DOUBLER-UPPER COWL LH -----	1	
	0452003-16	DOUBLER-UPPER COWL RH -----	1	
- 7	0452003-25	DOUBLER-UPPER COWL-DOOR OPENING -----	1	
- 8	0452004-1	DOUBLER-DOOR LOWER -----	1	
- 9	0452003-28	DOUBLER-UPPER COWL -----	1	
-10	S1115-12	STUD SLOTTED HEAD -----	4	
	S1115-32	STUD PHILLIPS HEAD -----	4	
-11	S1115-15	STUD SLOTTED HEAD -----	2	
	S1115-35	STUD PHILLIPS HEAD -----	2	
-12	S1115-13	STUD SLOTTED HEAD -----	6	
	S1115-33	STUD PHILLIPS HEAD -----	6	
	S1115-9	RING ATTACH STUD -----	12	
-13	S1115-19	RECEPTACLE -----	2	
-14	0452003-20	DOOR ASSEMBLY-COWL ACCESS -----	1	
-15	S1115-21	STUD -----	2	
-16	S1115-9	RING ATTACH STUD -----	2	
-17	0452003-22	HINGE ASSEMBLY -----	1	
-18	MS20253-2-7.00	PIN-HINGE -----	1	
-19	0452003-27	SPACER BETWEEN HINGE & DOOR -----	1	
-20	0452003-15	ANGLE -----	1	
	0452003-3	COWL ASSEMBLY-LOWER -----	1	
-21	0452003-6	SKIN ASSEMBLY-LOWER COWL RH -----	1	
-22	0452003-7	SKIN ASSEMBLY-LOWER COWL LH -----	1	
-23	0452003-13	CHANNEL-LOWER COWL LH -----	1	
-24	0452003-12	CHANNEL-LOWER COWL RH -----	1	
-25	0452002-29	DOUBLER-EXHAUST OPENING -----	1	
-26	0452003-26	DOUBLER-AFT LOWER -----	1	
-27	0452002-45	NOSE CAP-LOWER -----	1	
-28	0452002-43	DOUBLER-NOSE CAP -----	1	
-29	0452002-16	DOUBLER-NOSE CAP RH -----	1	
-30	0452002-17	DOUBLER-NOSE CAP LH -----	1	
-31	NAS395-18-3	NUT -----	6	
-32	0452003-18	ANGLE-SIDE RH -----	1	
-33	0452003-19	ANGLE-SIDE LH -----	1	
-34	0452002-42	ANGLE-LOWER -----	1	
-35	0452002-30	DOUBLER-AIR SCOOP -----	1	
-36	0452200-1	FAIRING-AIR SCOOP -----	1	
-37	S1115-12	STUD SLOTTED HEAD -----	6	
	S1115-32	STUD PHILLIPS HEAD -----	6	
	S1115-9	RING ATTACH STUD -----	6	
-38	S1115-19	RECEPTACLE -----	8	
-39	S1021Z8-8	SCREW ATTACH UPPER TO LOWER NOSECAP -----	6	
-40	S1397-5	PLACARD-ENGINE OIL CHANGE -----	1	

A---150 SERIAL 15064533 & ON  
 F150 SERIAL F150-0068 & ON

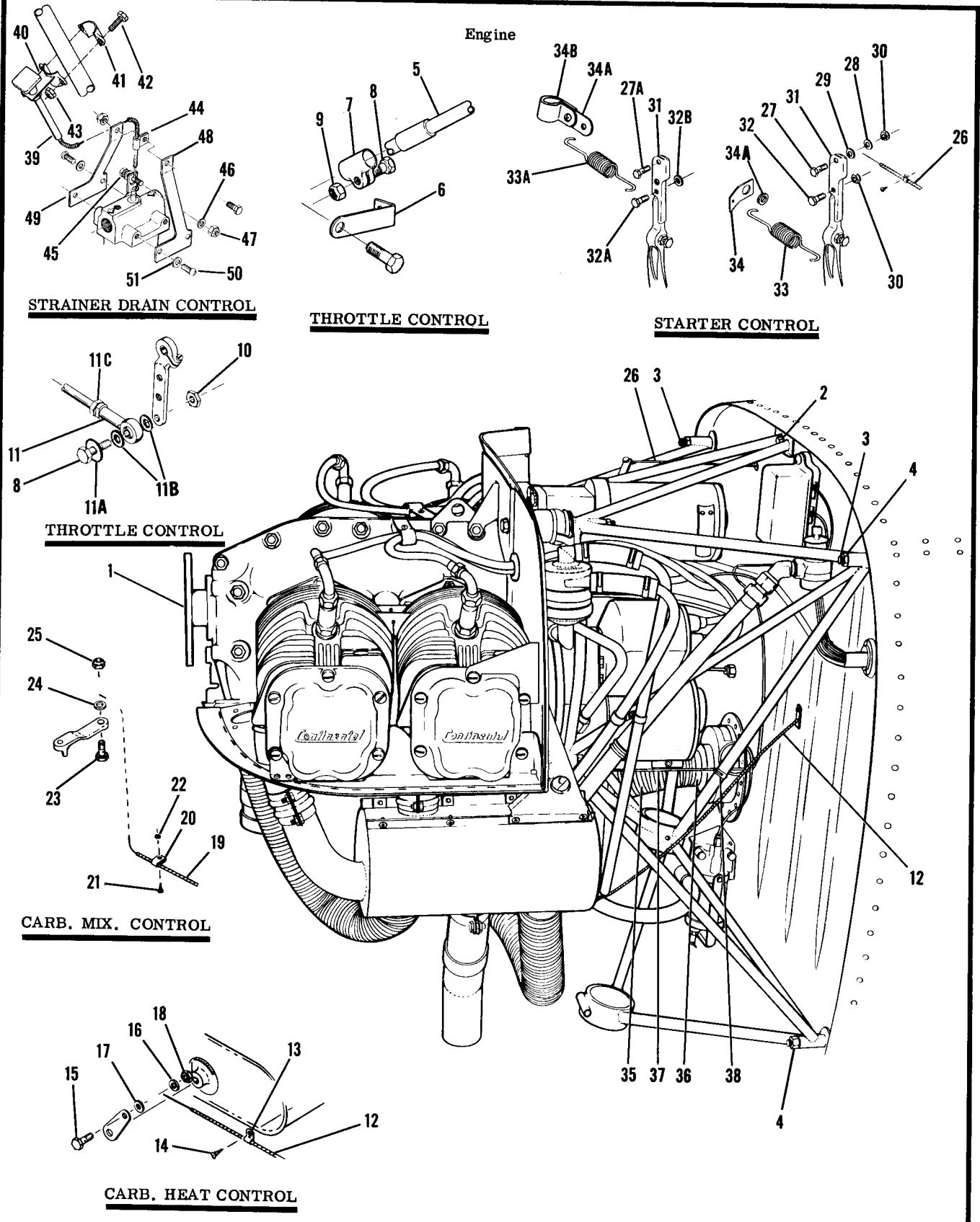


Figure 29. Engine Installation

FIGURE AND INDEX NO.	PART NUMBER	DESCRIPTION	UNITS PER ASSY	USABLE ON CODE
		<b>1 2 3 4 5 6 7</b>		
29 -		ENGINE INSTALLATION -----	NP	
- 1		ENGINE ASSEMBLY SEE FIGURE 30 -----	NP	
		ATTACHING PARTS -----		
- 2	AN5-6A	BOLT -----	1	R
	AN960-516	WASHER -----	2	R
	NAS679A5	NUT -----	1	R
- 3	AN5-22A	BOLT -----	2	
	AN5-20A	BOLT -----	2	
	AN960-516	WASHER -----	8	
	S1450-5-18-063	WASHER -----	4	
- 4	NAS679A5	NUT -----	4	
		-----*		
- 5	0411091-34	CONTROL ASSEMBLY-THROTTLE -----	1	E
	S1222-5	CONTROL ASSEMBLY-THROTTLE WHEN EXHAUSTED USE S-1222-11 --	1	F
	S1222-11	CONTROL ASSEMBLY-THROTTLE -----	1	J
	S1222-14	CONTROL ASSEMBLY-THROTTLE -----	1	W
	S1222-17	CONTROL ASSEMBLY-THROTTLE -----	1	X
		ATTACHING PARTS -----		
- 6	0450343-1	BRACKET -----	1	
- 7	0450191-1	CLAMP -----	1	
- 8	AN3-5A	BOLT -----	2	
- 9	NAS679A3	NUT -----	1	
-10	NAS679A3	NUT -----	1	
-11	S1104-3	ROD END CESSNA STANDARD -----	1	
-11A	AN970-3	WASHER -----	1	
-11B	AN960D10	WASHER -----	2	
-11C	AN356-1032	LOCKNUT -----	1	
	S1399-1	SLEEVE-1.50 IN LG BULK ITEM REF S1399-1-1.50 -----	1	
		-----*		
-12	0411090-22	CONTROL-ASSEMBLY-CARBURETOR HEAT REF 0411090-32 -----	1	A
	0713302-5	CONTROL-CARBURETOR HEAT WHEN EXHAUSTED USE S-1230-1 -----	1	G
	S1230-1	CONTROL-CARBURETOR HEAT -----	1	H
	S1230-19	CONTROL-CARBURETOR HEAT -----	1	X
		ATTACHING PARTS -----		
-13	S1485D3U	CLAMP -----	2	
-14	S1021Z6-8	SCREW -----	1	
-15	0450311	CLAMP -----	1	
-16	AN960-10	WASHER -----	1	
-17	AN960-10L	WASHER -----	1	
-18	NAS679A3	NUT -----	1	
	AN742D2	CLAMP FASTEN CARB HEAT CONTROL TO MOUNT -----	1	
	S1485D8U	CLAMP FASTEN CARB HEAT CONTROL TO MOUNT -----	1	
	S1021Z8-8	SCREW FASTEN CARB HEAT CONTROL TO MOUNT -----	1	
		-----*		
-19	0411090-22	CONTROL-CARBURETOR MIXTURE REF 0411090-32 -----	1	A
	0713302-5	CONTROL-CARBURETOR MIXTURE REF 0513159-14 -----	1	G
		WHEN EXHAUSTED USE S-1231-1 -----		
	S1231-1	CONTROL-CARBURETOR MIXTURE -----	1	H
	S1777-1	CONTROL-CARBURETOR MIXTURE -----	1	X
		ATTACHING PARTS -----		
-20	S1485D3U	CLAMP -----	1	A
	AN742D3	CLAMP -----	1	B
-21	S1021Z8-6	SCREW CESSNA STANDARD -----	1	A
	AN3-3A	BOLT -----	1	B
-22	NAS679A3	NUT -----	1	B
-23	0450311-6	CLAMP -----	1	
-24	AN960-416L	WASHER -----	1	
-25	NAS679A3	NUT -----	1	
	S1485D10U	CLAMP FASTEN MIXTURE CONTROL TO OIL FILLER TUBE -----	1	
	AN735D24	CLAMP FASTEN MIXTURE CONTROL TO OIL FILLER TUBE -----	1	
	S1021Z8-8	SCREW FASTEN MIXTURE CONTROL TO OIL FILLER TUBE -----	1	
		-----*		

CONTINUED ON NEXT PAGE

FIGURE AND INDEX NO.	PART NUMBER	DESCRIPTION							UNITS PER ASSY	USABLE ON CODE
		1	2	3	4	5	6	7		
29 -26	0513142-7 0513142-14 S1779-1	CONTROL ASSEMBLY-STARTER ----- CONTROL ASSEMBLY-STARTER ----- CONTROL ASSEMBLY-STARTER ----- ATTACHING PARTS							1 1 1	A S U
-27	0450311	CLAMP -----							1	T
-27A	0450311-7	CLAMP -----							1	U
-28	AN960-10	WASHER -----							1	V
-29	AN960-10L	WASHER -----							1	V
-30	NAS679A3	NUT -----							2	V
-31	0450283	EXTENSION-STARTER ARM -----							1	V
-32	AN3-4A	BOLT -----							1	T
-32A	AN3-5A	BOLT -----							1	U
-32B	AN960-10L S1283-1	WASHER ----- NUT 1 EACH SIDE OF BRACKET ON FIREWALL -----							1 2	U V
-33	0450342-1	SPRING -----							1	T
-33A	0450347-1	SPRING -----							1	U
-34	0450341-1	CLIP -----							1	T
-34A	AN960-516	WASHER -----							1	T
-34B	0450346-1 MS9025-07	BRACKET ----- CLAMP -----							1 1	U U
	S102128-4 S1487-2	ATTACHING PARTS SCREW ----- NUT -----							1 1	U U
-35	S1053K16T S1053K16T S1053K24T	HOSE-CABIN HEATER VALVE TO RH SHROUD 18.5 IN LG ----- BULK ITEM REF S1053K16T18.5 ----- HOSE-CABIN HEATER VALVE TO LH SHROUD 30 IN LG ----- BULK ITEM REF S1053K16T30 ----- HOSE-CABIN HEATER VALVE TO LH SHROUD 30. IN LG ----- BULK ITEM REF S1053K24T30.0 -----							1 1 1	N P Q
-36	NAS397-34 NAS398-50 S1614-1	ATTACHING PARTS CLAMP ----- CLAMP ----- LACING FASTEN HOSE TO NOSEGEAR -----							2 2 AR	P Q
-37	0400311-49 0400311-103	LINE ASSEMBLY-PRIMER WHEN EXHAUSTED USE 0400311-103 ----- LINE ASSEMBLY-PRIMER -----							1 1	
-38	AN742D2 S1485D12U S102128-6	ATTACHING PARTS CLAMP TIN ----- CLAMP ----- SCREW -----							1 1 1	
-39	S1517-2	CONTROL ASSEMBLY-STRAINER DRAIN REF S1517-1 ----- ATTACHING PARTS							1	K
-40	0456002-1	BRACKET ASSEMBLY -----							1	K
-41	AN741T6P	CLAMP -----							1	K
-42	AN4-6A	BOLT -----							2	K
-43	NAS679A4	NUT -----							2	K
-44	AN742D3 S102128-8 AN515-10R10 NAS446-4-3 NAS679A3	CLAMP ----- SCREW ----- SCREW ----- NUT ----- NUT -----							1 1 1 1 1	K L M L M
-45	0450311-3	CLAMP -----							1	M
-46	AN960-416	WASHER -----							1	K
-47	NAS679A4	NUT -----							AR 1	K K

CONTINUED ON NEXT PAGE



FIGURE AND INDEX NO.	PART NUMBER	DESCRIPTION	UNITS PER ASSY	USABLE ON CODE
		<b>1 2 3 4 5 6 7</b>		
29 -48	05C0315-1	BRACKET-STRAINER DRAIN CONTROL-OUTSIDE -----	1	M
-49	05C0315-2	BRACKET-STRAINER DRAIN CONTROL-INSIDE -----	1	M
-50	AN515-10R10	SCREW 2 ARE COMMON TO STRAINER ATTACH -----	4	M
-51	AN936A10	WASHER 2 ARE COMMON TO STRAINER ATTACH -----	4	M
		-----*		
		A---150 SERIAL 17001 THRU 17683		
		B---150 SERIAL 17684 & ON		
		F150 SERIAL F150-0001 & ON		
		C---150 SERIAL 17001 THRU 15059350		
		D---150 SERIAL 15059351 & ON		
		F150 SERIAL F150-0001 & ON		
		E---150 SERIAL 17001 THRU 59018		
		F---150 SERIAL 15059019 THRU 15060587		
		G---150 SERIAL 17684 THRU 15059700		
		H---150 SERIAL 15059701 THRU 15067198		
		F150 SERIAL F150-0001 THRU F150-0219		
		J---150 SERIAL 15060588 THRU 15064532		
		F150 SERIAL F150-0001 THRU F150-0067		
		K---150 SERIAL 15060773 & ON		
		F150 SERIAL F150-0001 & ON		
		L---150 SERIAL 15060773 THRU 15061152		
		M---150 SERIAL 15061153 & ON		
		F150 SERIAL F150-0001 & ON		
		N---150 SERIAL 17001 THRU 15061328		
		P---150 SERIAL 15061329 THRU 15064532		
		F150 SERIAL F150-0001 THRU F150-0067		
		Q---150 SERIAL 15064533 & ON		
		F150 SERIAL F150-0068 & ON		
		R---150 SERIAL 17001 THRU 15064532		
		F150 SERIAL F150-0001 THRU F150-0067		
		S---150 SERIAL 17684 THRU 15067198		
		F150 SERIAL F150-0001 THRU F150-0219		
		T---150 SERIAL 17001 THRU 15067198		
		F150 SERIAL F150-0001 THRU F150-0219		
		U---150 SERIAL 15067199 THRU 15069308		
		F150 SERIAL F150-0220 THRU F150-0389		
		V---150 SERIAL 17001 THRU 15069308		
		F150 SERIAL F150-0001 THRU F150-0389		
		W---150 SERIAL 15064533 THRU 15067198		
		F150 SERIAL F150-0068 THRU F150-0219		
		X---150 SERIAL 15067199 & ON		
		F150 SERIAL F150-0220 & ON		

19

Engine (Cont)

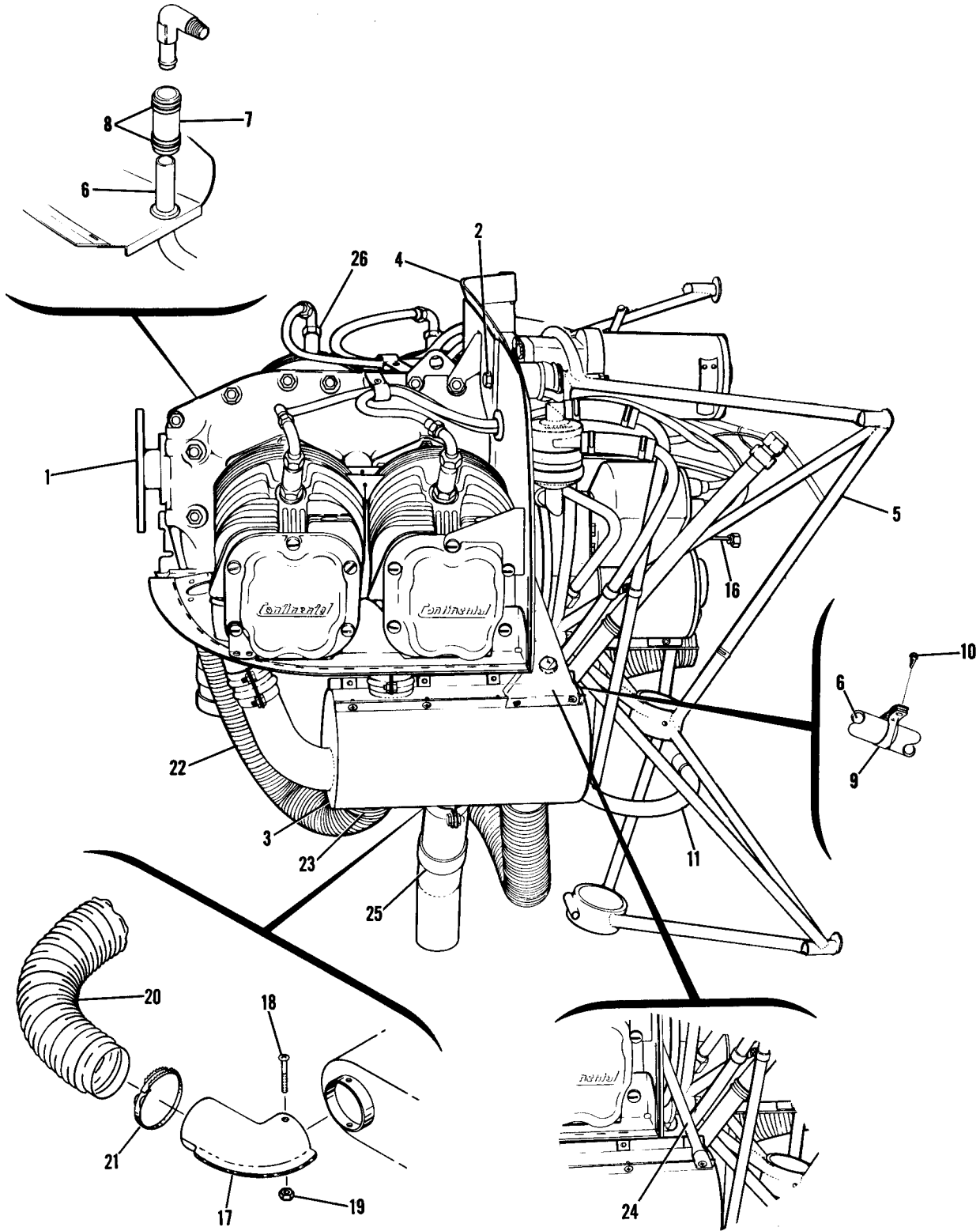


Figure 30. Engine Assembly

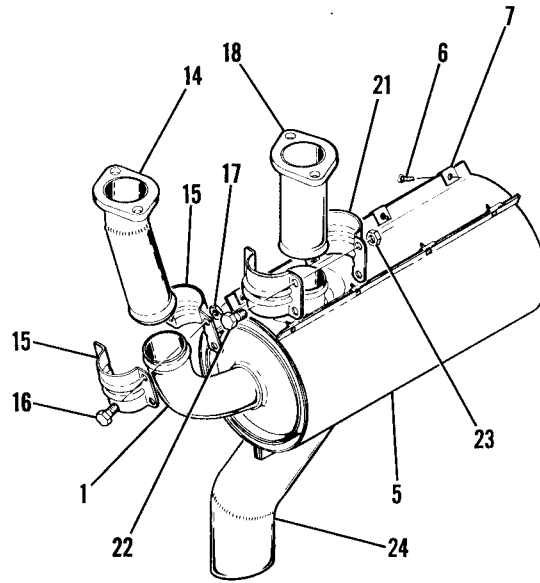
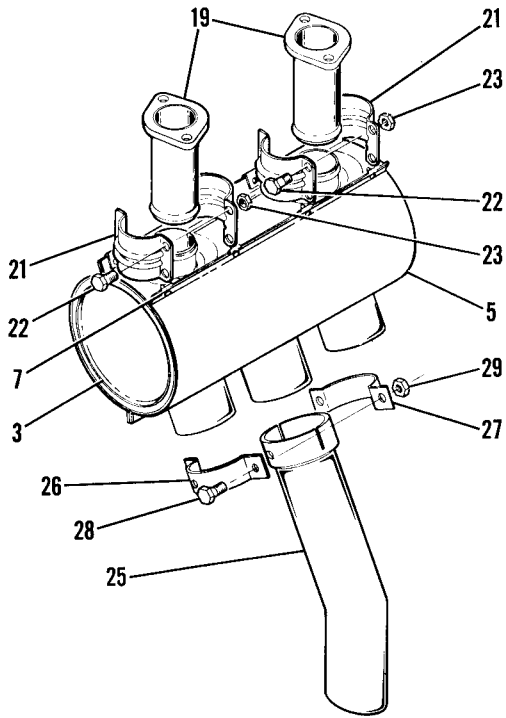
FIGURE AND INDEX NO.	PART NUMBER	DESCRIPTION	UNITS PER ASSY	USABLE ON CODE
		<b>1 2 3 4 5 6 7</b>		
30 -		ENGINE ASSEMBLY-CONTINENTAL -----	NP	
- 1	C-200A	ENGINE CM -----	1	
		ATTACHING PARTS -----		
- 2	AN6-54A	BOLT UPPER MOUNTS ONLY -----	2	
	AN6-43A	BOLT LOWER MOUNTS ONLY -----	2	D
	AN6-43A	BOLT LOWER LH MOUNT ONLY -----	1	E
	AN6-44A	BOLT LOWER RH MOUNT ONLY -----	1	E
	O551012-2	STRAP-GROUND LOWER MOUNTS ONLY -----	2	
	AN960-616	WASHER -----	3	
	NAS679A6	NUT -----	4	
		-----*		
		ENGINE COMPONENTS & ACCESSORIES SEE FIGURE 30A -----	1	
- 3		STACK ASSEMBLY-EXHAUST LH SEE FIGURE 31 -----	1	
		STACK ASSEMBLY-EXHAUST RH SEE FIGURE 31 -----	1	
- 4		BAFFLE INSTALLATION-ENGINE SEE FIGURE 32 -----	1	
- 5	0451114-1	MOUNT ASSEMBLY-ENGINE -----	1	A
	0451114-29	MOUNT ASSEMBLY-ENGINE -----	1	B
	0451114-32	MOUNT ASSEMBLY-ENGINE WHEN EXHAUSTED USE 0451120-1 -----	1	K
	0451114-35	MOUNT ASSEMBLY-ENGINE FLOATPLANE ONLY -----	1	N
	0451114-36	MOUNT ASSEMBLY-ENGINE FLOATPLANE ONLY WHEN -----	1	P
		EXHAUSTED USE 0451120-1 -----		
- 6 #	0400311-30	LINE-VENT -----	1	D
	0400311-54	LINE-VENT -----	1	Q
- 7	S51-10	HOSE-4.75 IN LG BULK ITEM REF S51-10-19 -----	1	
- 8	NAS397-16	CLAMP -----	2	
- 9	S1485D10U	CLAMP -----	1	
-10	S1021Z8-10	SCREW -----	1	
-11	S1167-6-0230	HOSE ASSEMBLY-FUEL CARB TO STRAINER CESSNA STANDARD -----	1	
		ATTACHING PARTS -----		
	AN816-6D	NIPPLE -----	1	
	MS20822-6D	ELBOW -----	1	F
	MS20822-6-6D	ELBOW -----	1	G
		-----*		
-12		DELETED, SEE FIGURE 29 -----		
-13		DELETED, SEE FIGURE 29 -----		
-14		DELETED, SEE FIGURE 29 -----		
-15	S1053E8T	HOSE-BLAST 19.75 IN LG BULK ITEM -----	1	
		REF S1053E8T19.75 -----		
		ATTACHING PARTS -----		
	NAS397-16	CLAMP -----	1	
	NAS397-18	CLAMP -----	1	
		-----*		
-16	0750139	ADAPTER-OIL TEMPERATURE -----	1	
	S1168-2-15	HOSE ASSEMBLY-OIL PRESSURE CESSNA STANDARD -----	1	
	AN816-2B	ADAPTER-OIL PRESSURE LINE -----	1	
-17	0450314	FITTING ASSEMBLY-CARBURETOR HEAT -----	1	
		ATTACHING PARTS -----		
-18	AN515-8R40	SCREW -----	1	
-19	NAS679A08	NUT -----	1	
		-----*		
-20	S1053K16T	HOSE-CARB AIR BOX TO LH SHROUD 23.5 IN LG -----	1	L
		BULK ITEM REF S1053K16T23.5 -----		
	S1053K16T	HOSE-CARB AIR BOX TO RH SHROUD 17.0 IN LG -----	1	M
		BULK ITEM REF S1053K16T17.0 -----		
		ATTACHING PARTS -----		
-21	NAS397-34	CLAMP -----	2	
		-----*		
-22	S1053K16T	HOSE-AIR INTAKE LH 20.0 IN LG BULK ITEM -----	1	D
		REF S-1053K16T20.0 -----		
	S1053K16T	HOSE-AIR INTAKE LH 27.0 IN LG BULK ITEM -----	1	E
		REF S-1053K16T27.0 -----		
	S1053K16T	HOSE-AIR INTAKE RH 19.0 IN LG BULK ITEM -----	1	
		REF S-1053K16T19.0 -----		
		ATTACHING PARTS -----		
-23	NAS397-34	CLAMP -----	2	
	O550100-11	BRACKET ATTACH HOSE AT CARBURETOR -----	1	E
	AN742D34	CLAMP ATTACH HOSE AT CARBURETOR -----	1	E
	AN520-10R8	SCREW ATTACH HOSE AT CARBURETOR -----	1	E
	NAS679A3	NUT ATTACH HOSE AT CARBURETOR -----	1	E
		-----*		
		CONTINUED ON NEXT PAGE		
- 6 #	0456004-2	LINE - VENT ----- 150-67199 & ON, F150-0220 & ON	1	R



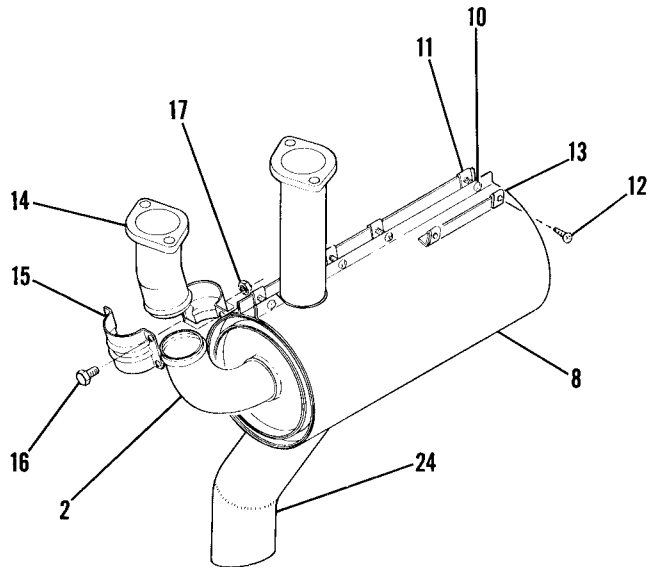
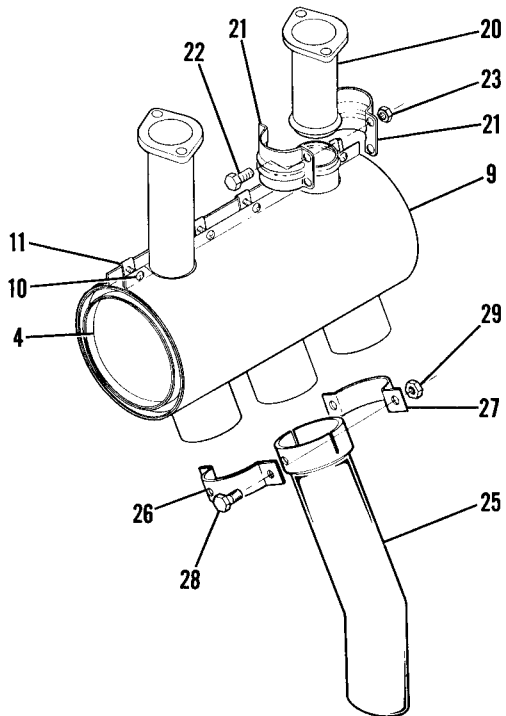
FIGURE AND INDEX NO.	PART NUMBER	DESCRIPTION	UNITS PER ASSY	USABLE ON CODE
30 -24	0450339-1 *	BRACE-EXHAUST STACK ----- ATTACHING PARTS -----	1	C
	AN4-4A NAS679A4	BOLT ----- NUT -----	1 1	
-25	0450340-1	BRACE ASSEMBLY-EXHAUST STACK ----- ATTACHING PARTS -----	1	
	AN741-16P AN4C6A NAS679A4	CLAMP ----- BOLT ----- NUT -----	2 2 2	
-26	0750178-2	CLAMP CLAMP LOWER SPARK PLUG LEAD TO REAR CYLINDER ----- SPARK PLUGS SEE FIGURE 30A -----	2 8	J
<p>NOTE. *SERIAL 15059316 &amp; ON A FLANGED METAL BRACE P/N 0450345 IS USED &amp; IS PART OF 0450502-5 BAFFLE ASSEMBLY. SEE FIGURE 32.</p> <p>NOTE. #WHEN ORDERING THIS PART FOR AIRPLANES SERIAL 15059216 THRU 15061639 ALSO ORDER 4 AN970-5 WASHERS, TO BE USED IN ADDITION TO EXISTING WASHERS BETWEEN MOUNT &amp; FIREWALL.</p> <p>A---150 SERIAL 17001 THRU 15059215            B---150 SERIAL 15059216 THRU 15064532                  F150 SERIAL F150-0001 THRU F150-0067            C---150 SERIAL 17001 THRU 15059315            D---150 SERIAL 17001 THRU 15060087            E---150 SERIAL 15060088 &amp; ON                  F150 SERIAL F150-0001 &amp; ON            F---150 SERIAL 17001 THRU 15061152            G---150 SERIAL 15061153 &amp; ON                  F150 SERIAL F150-0001 &amp; ON            H---150 SERIAL 15061533 &amp; ON                  F150 SERIAL F150-0001 &amp; ON            J---150 SERIAL 15061736 &amp; ON                  F150 SERIAL F150-0001 &amp; ON            K---150 SERIAL 15064533 &amp; ON                  F150 SERIAL F150-0068 &amp; ON            L---150 SERIAL 17001 THRU 15061328            M---150 SERIAL 15061329 &amp; ON                  F150 SERIAL F150-0001 &amp; ON            N---150 SERIAL 15065995 THRU 15066680 FLOATPLANE                  F150 SERIAL F150-0191 THRU F150-0219 FLOATPLANE            P---150 SERIAL 15066681 &amp; ON FLOATPLANE                  F150 SERIAL F150-0220 &amp; ON FLOATPLANE            Q---150 SERIAL 15060C88 THRU 15067198                  F150 SERIAL F150-0001 THRU F150-0219</p>				

FIGURE AND INDEX NO.	PART NUMBER		DESCRIPTION	UNITS PER ASSY	USABLE ON CODE
		<b>1 2 3 4 5 6 7</b>			
30A-		*	ENGINE COMPONENTS & ASSOCIATED ACCESSORIES -----	NP	
- 1	628122		CARBURETOR AIR INTAKE HOUSING ASSEMBLY CM -----	1	
- 2	21323		GASKET-CARBURETOR AIR INTAKE TO CARBURETOR CM -----	1	
- 3	C294510-0201		FILTER-CARBURETOR AIR -----	1	
- 4	35923		GASKET-CARBURETOR AIR FILTER CM -----	1	
- 5	633028		CARBURETOR ASSEMBLY MARVEL 10-1494 CM -----	1	
- 6	21051		GASKET CARBURETOR TO ENGINE CM -----	1	
- 7	50309		STARTER DELCO REMY 1109656 CM -----	1	F
	634464		STARTER CM -----	1	G
	634465		CLUTCH-STARTER CM -----	1	G
- 8	352179		GASKET-STARTER TO ENGINE CM -----	1	
- 9	534111		GENERATOR-12V 20AMP DELCO REMY 1101890 CM -----	1	A
-10	0500037-4		GENERATOR-35 AMP -----	1	A
-11	C611501-0202		ALTERNATOR-60 AMP WITHOUT DRIVE SEE FIGURE 46C -----	1	D
	EQ5820		DRIVE ASSEMBLY-ALTERNATOR CM -----	1	D
-12	35019		GASKET-ALTERNATOR TO ENGINE CM -----	1	D
-13	0413205-12		VOLTAGE REGULATOR 20 AMP -----	1	A
-14	0413205-10		VOLTAGE REGULATOR 35 AMP -----	1	A
-15	C611001-0101		VOLTAGE REGULATOR 60 AMP -----	1	D
-16	50483		MAGNETO SCINTILLA S4LN-21 CM -----	2	B
-17	36066		GEAR-MAGNETO DRIVE CM USED WITH 50483 ABOVE -----	2	B
-18	530061		IGNITION HARNESS ASSY-RH CM -----	1	B
-19	530062		IGNITION HARNESS ASSY-LH CM -----	1	B
-20	535324		GASKET-MAGNETO TO ENGINE CM -----	2	B
-21	633122		MAGNETO SLICK 447 CM -----	2	C
-22	633163		IGNITION HARNESS ASSEMBLY INCLUDES LH & RH HARNESS CM -----	1	C
-23	633401		MAGNETO SLICK 4001 CM -----	2	E
-24	36066		GEAR-MAGNETO DRIVE CM USED WITH 633401 ABOVE -----	2	E
-25	633914		IGNITION HARNESS-RIGHT MAGNETO CM -----	1	E
-26	633915		IGNITION HARNESS-LEFT MAGNETO CM -----	1	E
-27	H15	**	SPARK PLUG FOR USE IN UNSHIELDED SYSTEMS SNAP TOP ---	8	
-28	SH15	**	SPARK PLUG FOR USE IN SHIELDED SYSTEMS WITH 5-8 24-3A --- THREADS	8	
-29	SH20A	**	SPARK PLUG FOR USE IN SHIELDED SYSTEMS WITH 5-8 24-3A --- THREADS	8	
-30	SH200A	**	SPARK PLUG FOR USE IN SHIELDED SYSTEMS WITH 3-4 20-3A --- THREADS	8	
<p>NOTE. *THIS LISTING IS COMPILED TO PROVIDE PART NUMBERS OF COMMONLY USED ENGINE COMPONENTS AND ASSOCIATED ACCESSORIES. RELATIONSHIP OF THESE PARTS TO ENGINE OR AIRCRAFT ASSEMBLIES IS NOT INDICATED BY INDENTATION. THIS FIGURE IS NOT ILLUSTRATED. INDEX NUMBERS ARE PROVIDED FOR LOCATION OF LINE ON WHICH THE PART NUMBER APPEARS.</p> <p>NOTE. **SPARK PLUGS ARE LISTED IN ORDER OF HEAT RANGE, PROGRESSIVELY COLDER FROM TOP LISTING TO BOTTOM.</p> <p>A---150 SERIAL 17001 THRU 15064532 F150 SERIAL F150-0001 THRU F150-0067</p> <p>B---150 SERIAL 17001 THRU 15061735</p> <p>C---150 SERIAL 15061736 THRU 15064532 F150 SERIAL F150-0001 THRU F150-0067, F150-0078 THRU F150-0117</p> <p>D---150 SERIAL 15064533 &amp; ON F150 SERIAL F150-0068 &amp; ON</p> <p>E---150 SERIAL 15064533 &amp; ON F150 SERIAL F150-0068 THRU F150-0077, F150-0118 &amp; ON</p> <p>F---150 SERIAL 17001 THRU 15069308 F150 SERIAL F150-0001 THRU F150-0389</p> <p>G---150 SERIAL 15069309 &amp; ON F150 SERIAL F150-0390 &amp; ON</p>					

Engine (Cont)



SERIAL 17001 THRU 15061328

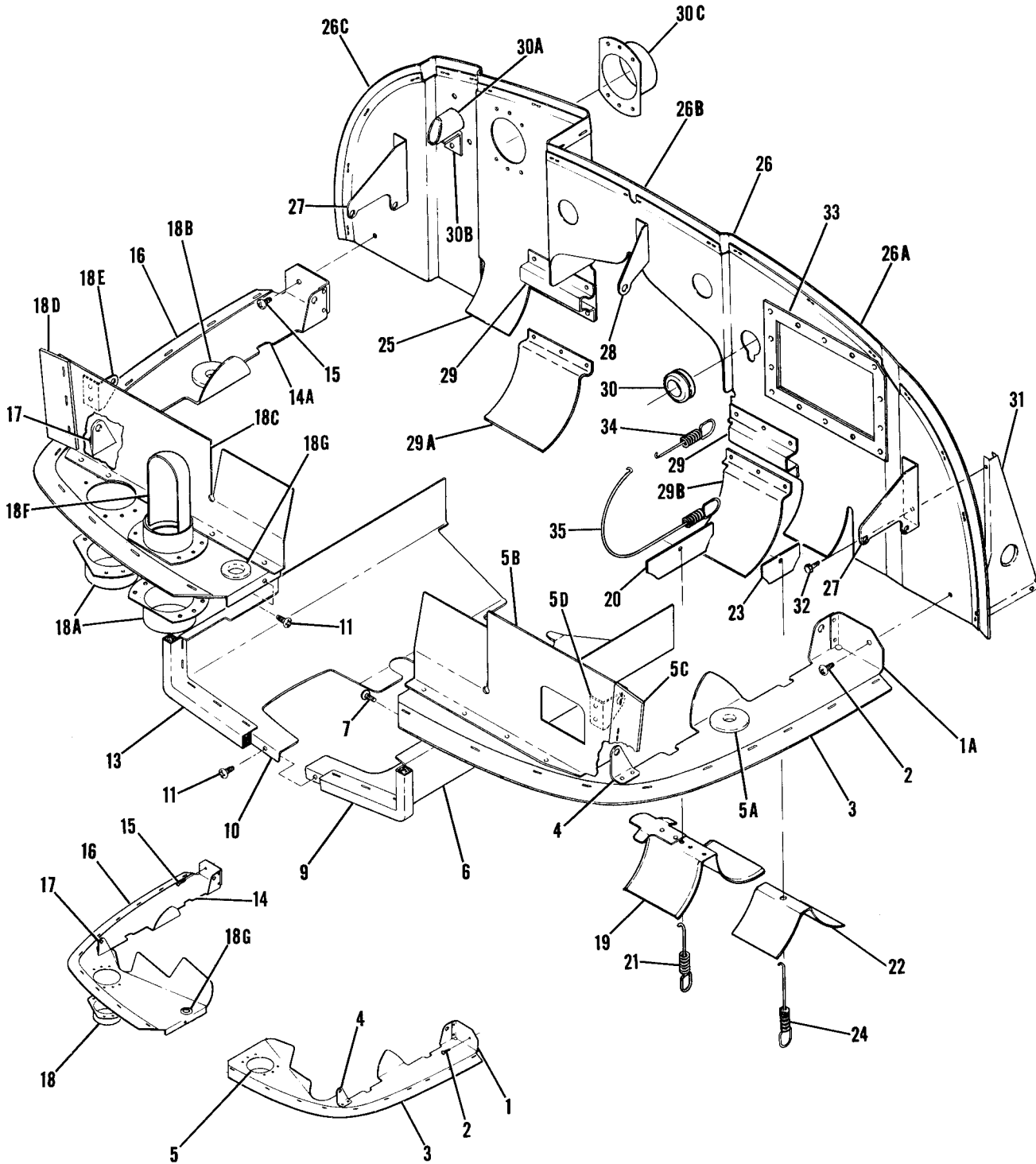


SERIAL 15061329 & ON

Figure 31. Engine Exhaust Stacks Assembly

FIGURE AND INDEX NO.	PART NUMBER	DESCRIPTION	UNITS PER ASSY	USABLE ON CODE
		<b>1 2 3 4 5 6 7</b>		
31 -	0450338-57	EXHAUST STACK ASSEMBLY-LH WHEN EXHAUSTED USE 0450400-1 ----	1	A
	0450400-1	EXHAUST STACK ASSEMBLY-LH -----	1	C
	0450400-21	EXHAUST STACK ASSEMBLY-LH -----	1	D
	0450338-56	EXHAUST STACK ASSEMBLY-RH WHEN EXHAUSTED USE 0450400-2 ----	1	A
	0450400-2	EXHAUST STACK ASSEMBLY-RH -----	1	F
	0450400-25	EXHAUST STACK ASSEMBLY-RH -----	1	G
- 1	0450338-63	MUFFLER WELD ASSEMBLY-LH WHEN EXHAUSTED USE 0450400-3 ---	1	A
- 2	0450400-3	MUFFLER WELD ASSEMBLY-LH -----	1	B
- 3	0450338-62	MUFFLER WELD ASSEMBLY-RH WHEN EXHAUSTED USE 0450400-4 ---	1	A
- 4	0450400-4	MUFFLER WELD ASSEMBLY-RH -----	1	F
	0450400-26	MUFFLER WELD ASSEMBLY-RH -----	1	G
- 5	0450338-3	SHROUD ASSEMBLY -----	1	A
		ATTACHING PARTS		
- 6	S1021Z8-6	SCREW -----	8	A
- 7	NAS395-18-3	NUT -----	8	A
		*-----		
- 8	0450400-5	SHROUD ASSEMBLY-LH -----	1	C
	0450400-17	SHROUD ASSEMBLY-LH WHEN EXHAUSTED USE 0450400-23 ----	1	E
	0450400-23	SHROUD ASSEMBLY-LH -----	1	G
- 9	0450400-6	SHROUD ASSEMBLY-RH -----	1	B
		ATTACHING PARTS		
-10	S1021Z8-20	SCREW -----	4	B
-11	NAS395-14-3	NUT -----	4	B
-12	S1021Z8-6	SCREW LH SHROUD ONLY -----	2	B
-13	NAS395-14-3	NUT LH SHROUD ONLY -----	2	B
		*-----		
-14	0450338-69	RISER ASSEMBLY-LH -----	1	
		ATTACHING PARTS		
-15	0550176-50	CLAMP ASSEMBLY INCLUDES BOTH HALVES -----	1	
-16	AN3-4A	BOLT -----	2	
-17	NAS679A3	NUT -----	2	
		*-----		
-18	0450338-14	STACK ASSEMBLY-LH -----	1	A
-19	0450338-14	STACK ASSEMBLY-RH -----	2	A
-20	0450338-14	STACK ASSEMBLY-RH -----	1	F
	0450338-70	STACK ASSEMBLY-RH -----	1	G
		ATTACHING PARTS		
-21	0550176-50	CLAMP ASSEMBLY INCLUDES BOTH HALVES -----	1	
-22	AN3-4A	SCREW -----	1	
-23	NAS679A3	NUT -----	1	
		*-----		
-24	0450338-67	TAILPIPE ASSEMBLY-LH -----	1	
-25	0450338-66	TAILPIPE ASSEMBLY-RH -----	1	
		ATTACHING PARTS		
-26	0450338-9	CLAMP HALF ASSEMBLY -----	1	
-27	0450338-10	CLAMP HALF -----	1	
-28	AN4-3A	BOLT -----	2	
-29	NAS679A4	NUT -----	2	
		*-----		
<p>NOTE. *WHEN ORDERING THIS PART FOR AIRCRAFT            PRIOR TO SERIAL 15061329 ALSO ORDER            MATCHING SHROUD &amp; ATTACHING PARTS FROM            PARTS MARKED #.</p>				
<p>A---150 SERIAL 17001 THRU 15061328            B---150 SERIAL 15061329 &amp; ON            F150 SERIAL F150-0001 &amp; ON            C---150 SERIAL 15061329 THRU 15064532            F150 SERIAL F150-0001 THRU F150-0087            D---150 SERIAL 15064533 &amp; ON            F150 SERIAL F150-0088 &amp; ON            E---150 SERIAL 15064533 THRU 15067198            F150 SERIAL F150-0088 THRU F150-0219            F---150 SERIAL 15061329 THRU 15067198            F150 SERIAL F150-0001 THRU F150-0219            G---150 SERIAL 15067199 &amp; ON            F150 SERIAL F150-0220 &amp; ON</p>				

Engine (Cont)



SERIAL 17001 THRU 15060087

Figure 32. Engine Baffles Installation





FIGURE AND INDEX NO.	PART NUMBER	DESCRIPTION	UNITS PER ASSY	USABLE ON CODE
32 -		BAFFLES INSTALLATION-ENGINE -----	NP	
- 1	0450502-1	BAFFLE ASSEMBLY-LEFT CYLINDER -----	1	A
- 1A	0450502-19	BAFFLE ASSEMBLY-LEFT CYLINDER -----	1	C
	0450502-31	BAFFLE ASSEMBLY-LEFT CYLINDER -----	1	D
		ATTACHING PARTS -----		
- 2	S1021Z8-6	SCREW CESSNA STANDARD -----	1	
	NAS446-4-3	NUT TIN A1778-8Z-3 -----	1	
		-----*-----		
- 3	0450502-12	SEAL-LEFT CYLINDER BAFFLE -----	1	
- 4	0450507-1	BRACKET-LEFT CYLINDER BAFFLE -----	1	
- 5	0450262	UNION-LEFT CYLINDER BAFFLE -----	1	A
- 5A	MS35489-15	GROMMET -----	1	D
- 5B	0450303-1	BAFFLE ASSEMBLY-LEFT CYLINDER VERTICAL -----	1	B
- 5C	0450303-3	SEAL-VERTICAL BAFFLE -----	1	B
- 5D	0450302-3	BRACKET -----	1	B
- 6	0450502-23	BAFFLE ASSEMBLY-LOWER CASE LH -----	1	
		ATTACHING PARTS -----		
- 7	S1021Z8-6	SCREW CESSNA STANDARD -----	1	
	NAS446-4-3	NUT TIN A1778-8Z-3 -----	1	
		-----*-----		
- 8		DELETED, NOT USED -----		
- 9	0450234-29	RUB STRIP-LEFT LOWER BAFFLE -----	1	
-10	0450502-22	BAFFLE ASSEMBLY-LOWER CASE RH -----	1	
		ATTACHING PARTS -----		
-11	S1021Z8-6	SCREW CESSNA STANDARD -----	2	
	NAS446-4-3	NUT TIN A1778-8Z-3 -----	2	
		-----*-----		
-12		DELETED, NOT USED -----		
-13	0450234-29	RUB STRIP-RIGHT LOWER BAFFLE -----	1	
-14	0450502-2	BAFFLE ASSEMBLY-RIGHT CYLINDER -----	1	A
-14A	0450502-16	BAFFLE ASSEMBLY-RIGHT CYLINDER -----	1	C
	0450502-32	BAFFLE ASSEMBLY-RIGHT CYLINDER -----	1	D
		ATTACHING PARTS -----		
-15	S1021Z8-6	SCREW CESSNA STANDARD -----	1	
	NAS446-4-3	NUT TIN A1778-8Z-3 -----	1	
		-----*-----		
-16	0450502-13	SEAL-RIGHT CYLINDER BAFFLE -----	1	
-17	0450163-1	BRACKET-RIGHT CYLINDER BAFFLE -----	1	
-18	0450262	UNION-RIGHT CYLINDER BAFFLE -----	1	A
-18A	0450262	UNION-RIGHT CYLINDER BAFFLE -----	2	D
-18B	MS35489-15	GROMMET -----	1	D
-18C	0450302-1	BAFFLE ASSEMBLY-RIGHT CYLINDER VERTICAL -----	1	B
-18D	0450302-4	SEAL-VERTICAL BAFFLE -----	1	B
-18E	0450302-3	BRACKET -----	1	B
-18F	0450266-1	SCOOP ASSEMBLY-CABIN HEAT -----	1	B
-18G	MS35489-17	GROMMET -----	1	
-19	0450322	BAFFLE-INTER CYLINDER LH -----	1	
	0450322-1	BAFFLE-INTER CYLINDER RH -----	1	
-20	0450210	SUPPORT-INTER CYLINDER BAFFLE -----	2	
-21	0450211-1	FASTENER-INTER CYLINDER BAFFLE -----	2	
-22	0450171	BAFFLE-INTER HEAD -----	2	A
-23	0450209	SUPPORT-INTER HEAD BAFFLE -----	2	A
-24	0450211-2	FASTENER-INTER HEAD BAFFLE -----	2	A
-25	0450502-5	BAFFLE ASSEMBLY-VERTICAL REAR -----	1	A
	0450502-27	BAFFLE ASSEMBLY-VERTICAL REAR -----	1	E
	0450502-36	BAFFLE ASSEMBLY-VERTICAL REAR -----	1	G
	0450502-38	BAFFLE ASSEMBLY-VERTICAL REAR FLOATPLANE ONLY -----	1	H
-26	0450502-6	SEAL-REAR BAFFLE -----	1	A
-26A	0450502-28	SEAL-REAR BAFFLE LH -----	1	B
-26B	0450502-29	SEAL-REAR BAFFLE CENTER -----	1	B
-26C	0450502-30	SEAL-REAR BAFFLE RH -----	1	B
-27	0450215-1	BRACKET-REAR BAFFLE -----	2	
-28	0450506-1	BRACKET-REAR BAFFLE -----	1	
-29	0450505-1	CHANNEL-REAR BAFFLE -----	2	A
-29A	0450502-24	DEFLECTOR-RH -----	1	B
-29B	0450502-25	DEFLECTOR-LH -----	1	B
-30	MS35489-20	GROMMET-REAR BAFFLE -----	2	

CONTINUED ON NEXT PAGE



FIGURE AND INDEX NO.	PART NUMBER	DESCRIPTION							UNITS PER ASSY	USABLE ON CODE
		1	2	3	4	5	6	7		
32 -30A	0555162-1								1	F
-30B	0450502-15								1	F
-30C	0450262								1	G
-31	0450345-1								1	
-32	AN4-4A NAS679A4								1	
									1	
-33	0450034-1								1	H
-34	0450277-5								2	
-35	0450277-2								2	A
	0450277-8								2	B
	S290-832								4	
		<p>TUBE-BLAST -----</p> <p>BRACKET-BLAST TUBE -----</p> <p>UNION-ALTERNATOR BLAST TUBE -----</p> <p>BRACE-REAR BAFFLE -----</p> <p>ATTACHING PARTS</p> <p>BOLT -----</p> <p>NUT -----</p> <p>-----*</p> <p>DOUBLER-REAR BAFFLE      FLOATPLANE ONLY -----</p> <p>FASTENER-REAR BAFFLE -----</p> <p>FASTENER-REAR BAFFLE -----</p> <p>FASTENER-REAR BAFFLE -----</p> <p>WASHER -----</p> <p>A---150 SERIAL 17001 THRU 15060087</p> <p>B---150 SERIAL 15060088 &amp; ON F150 SERIAL F150-0001 &amp; ON</p> <p>C---150 SERIAL 15060088 THRU 15061532</p> <p>D---150 SERIAL 15061533 &amp; ON F150 SERIAL F150-0001 &amp; ON</p> <p>E---150 SERIAL 15060088 THRU 15064532 F150 SERIAL F150-0001 THRU F150-0067</p> <p>F---150 SERIAL 17001 THRU 15064532 F150 SERIAL F150-0001 THRU F150-0067</p> <p>G---150 SERIAL 15064533 &amp; ON F150 SERIAL F150-0068 &amp; ON</p> <p>H---150 SERIAL 15065955 &amp; ON F150 SERIAL F150-0191 &amp; ON</p>								



FIGURE AND INDEX NO.	PART NUMBER	DESCRIPTION	UNITS PER ASSY	USABLE ON CODE
33 -		CABIN HEATING & VENTILATING SYSTEM -----	NP	G
- 1	0713302-5 S1239-11	CONTROL ASSEMBLY-CABIN HEAT REF 0513159-13 ----- CONTROL ASSEMBLY-CABIN HEAT --- <b>SERIAL 17001</b> ----- ATTACHING PARTS	1 1	C D
- 2	AN742D3	CLAMP -----	1	
- 3	S1021Z8-8	SCREW CESSNA STANDARD -- <b>THRU 15064532</b> --	1	
- 4	NAS446-4-3	NUT TIN A1778-8Z-3 -----	1	
- 5	0450311	CLAMP -----	1	
- 6	AN960-10L	WASHER -----	1	
- 7	AN960-10	WASHER -----	1	
- 8	NAS679A3	NUT -----	1	
- 9	0450247	VALVE ASSEMBLY-CABIN HEATER -----	1	
-10	0450248	HOUSING -----	1	
-11	0450253	PLATE -----	1	
-12	0450250	CYLINDER -----	1	
		ATTACHING PARTS		
-13	AN3-4	BOLT -----	1	
-14	AN970-3	WASHER -----	2	
-15	0450252	BEARING -----	1	
-16	AN320-3	NUT -----	1	
-17	MS24665-132	PIN-COTTER -----	1	
-18	0411804-1	PLATE-CABIN HEATER OUTLET -----	1	
		ATTACHING PARTS		
-19	S1021Z8-8	SCREW CESSNA STANDARD -----	2	
-20	NAS446-4-3	NUT TIN A-1778-8Z-3 -----	2	
-21	0411824	DEFLECTOR-CABIN HEATER -----	1	
		ATTACHING PARTS		
-22	S1021Z8-8	SCREW CESSNA STANDARD -----	2	
-23	NAS446-4-3	NUT TIN A1778-8Z-3 -----	2	
		-----*		
CONTINUED ON NEXT PAGE				

Heating and Ventilating

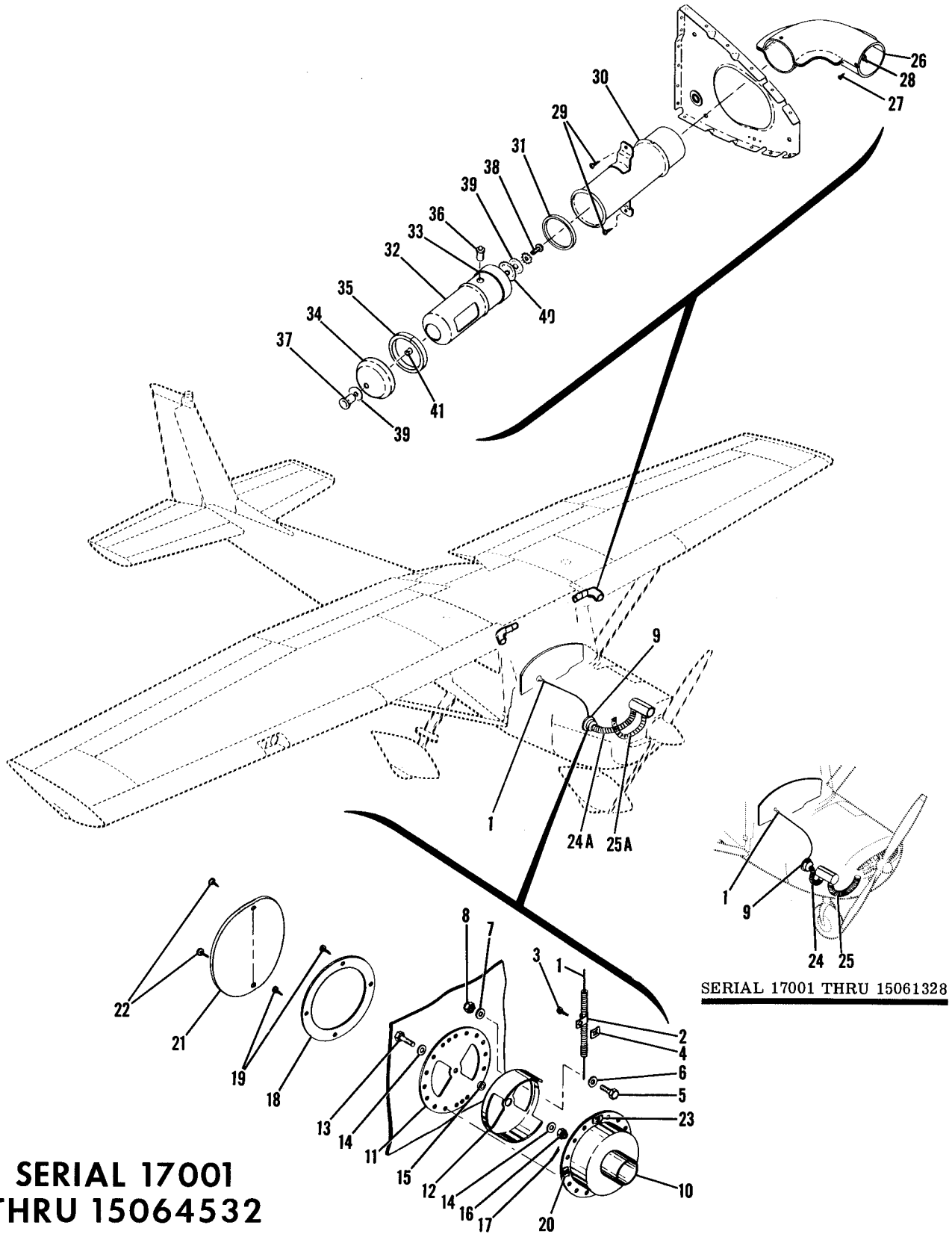
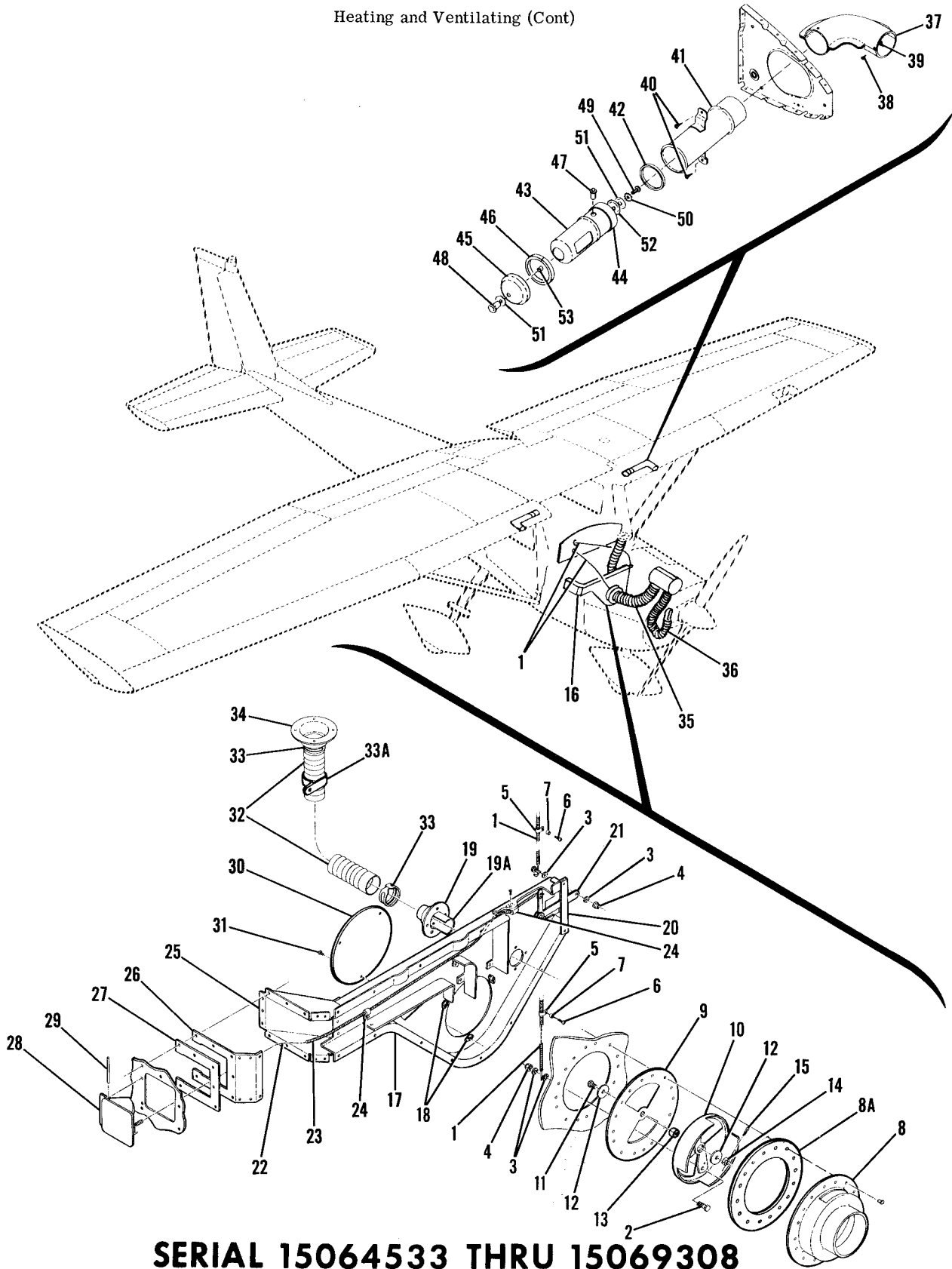


Figure 33. Cabin Heating and Ventilating System Installation

FIGURE AND INDEX NO.	PART NUMBER	DESCRIPTION	UNITS PER ASSY	USABLE ON CODE
		<b>1 2 3 4 5 6 7</b>		
33 -24	S1053K16T	HOSE-HEATER VALVE TO RH SHROUD 18.5 IN LG ----- BULK ITEM REF S1053K16T18.5	1	E
	NAS397-32	ATTACHING PARTS CLAMP TIN A3499-32-1 -----	2	
-24A	S1053K16T	HOSE-HEATER VALVE TO LH SHROUD 30.0 IN LG ----- BULK ITEM REF S1053K16T30.0	1	F
	NAS397-34	ATTACHING PARTS	2	F
	S1614-1	CLAMP ----- LACING FASTEN HOSE TO NOSE GEAR -----	AR	
-25	S1053E16T	HOSE-RH SHROUD TO BAFFLE 19.0 IN LG ----- BULK ITEM REF S1053E16T19.0	1	E
	NAS397-34	ATTACHING PARTS CLAMP -----	2	
-25A	S1053E16T	HOSE-LH SHROUD TO BAFFLE 27.0 IN LG ----- BULK ITEM REF S1053E16T27.0	1	F
	NAS397-34	ATTACHING PARTS	2	F
	0550100-11	CLAMP -----	1	F
	AN742D34	BRACKET -----	1	F
	AN520-10R8	CLAMP -----	1	F
	NAS679A3	SCREW -----	1	F
		NUT -----	1	F
-26	0413233	ELBOW ASSEMBLY-CABIN AIR VENT -----	2	
		ATTACHING PARTS		
-27	S102128-6	SCREW CESSNA STANDARD -----	1	
-28	NAS446-4-3	NUT A1778-8Z-3 -----	1	
	0413163-23	OUTLET ASSEMBLY LH -----	1	
	0413163-24	OUTLET ASSEMBLY LH -----	1	
		ATTACHING PARTS		
-29	S102128-6	SCREW CESSNA STANDARD -----	2	
-30	0413163-8	TUBE ASSEMBLY LH -----	1	
	0413163-9	TUBE ASSEMBLY RH -----	1	
-31	0413163-7	WASHER-FELT -----	1	
-32	0413163-18	OUTLET ASSEMBLY -----	1	
-33	0413163-5	SEAL -----	1	
	0413163-11	CAP ASSEMBLY-AIR OUTLET -----	1	
-34	0413257	CAP -----	1	
-35	S1441-2	SEAL-6.56 IN LG BULK ITEM REF S1441-2-6.56 -----	1	
-36	0413203	CATCH-BULLET -----	2	
-37	0411092-1	KNOB-CAP -----	1	A
	0713303-2	KNOB-CAP -----	1	B
		ATTACHING PARTS		
-38	AN515-8R8	SCREW -----	1	
	AN936A8	WASHER -----	1	
-39	0413228	WASHER -----	2	
-40	0413347-1	WASHER -----	1	
-41	NAS43DD3-5	SPACER -----	1	
		-----*		
<p>NOTE. **WHEN ORDERING THIS PART FOR AIRPLANES PRIOR TO SERIAL 15059467 ALSO ORDER PARTS MARKED*.</p> <p>A---150 SERIAL 17001 THRU 17683            B---150 SERIAL 17684 THRU 15064532                  F150 SERIAL F150-0001 THRU F150-0067            C---150 SERIAL 17001 THRU 59018            D---150 SERIAL 15059019 THRU 15064532                  F150 SERIAL F150-0001 THRU F150-0067            E---150 SERIAL 17001 THRU 15061328            F---150 SERIAL 15061329 THRU 15064532                  F150 SERIAL F150-0001 THRU F150-0067            G---150 SERIAL 17001 THRU 15064532                  F150 SERIAL F150-0001 THRU F150-0067</p>				

Heating and Ventilating (Cont)



**SERIAL 15064533 THRU 15069308**

Figure 33A. Cabin Heating and Ventilating System Installation

FIGURE AND INDEX NO.	PART NUMBER	DESCRIPTION	UNITS PER ASSY	USABLE ON CODE		
					1	2
33A-		CABIN HEATING & VENTILATING SYSTEM INSTALLATION	NP	A		
- 1	S1239-11	CONTROL ASSEMBLY-CABIN HEAT & CABIN AIR	2	B		
	S1239-31	CONTROL ASSEMBLY-CABIN HEAT & CABIN AIR	2	C		
		ATTACHING PARTS				
- 2	0450311	CLAMP	1			
- 3	AN960-10	WASHER	2			
- 4	NAS679A3	NUT	1			
		*-----				
- 5	S1485D3U	CLAMP	2			
		ATTACHING PARTS				
- 6	S1021Z8-8	SCREW	1			
- 7	NAS43DD3-22	SPACER	1			
		*-----				
	0450247-2	VALVE ASSEMBLY-CABIN HEATER	1			
- 8	0450248-1	HOUSING	1			
- 8A	0450304-1	SPACER	1			
- 9	0450253	PLATE	1			
-10	0450250	CYLINDER	1			
		ATTACHING PARTS				
-11	AN3-4	BOLT	1			
-12	AN970-3	WASHER	2			
-13	0450252	BEARING	1			
-14	AN320-3	NUT	1			
-15	MS24665-132	PIN-COTTER	1			
		*-----				
-16	0453002-1	HEATER ASSEMBLY	NP			
-17	0453002-2	DISTRIBUTOR ASSEMBLY-HEATER	1			
-18	S1863-3A	NUTPLATE	3			
-19	0453002-16	SPOUT-DEFROSTER	1			
-19A	0453010-1	INSERT-HEATER SPOUT	1	C		
-20	0453002-4	DEFLECTOR	1			
-21	0453002-11	BELLCRANK	1			
-22	S1398-1	WIRE-21.10 IN LG BULK ITEM REF S1398-1-21.10	1			
-23	S1398-2	CASING-15.60 IN LG BULK ITEM REF S1398-2-15.60	1			
		ATTACHING PARTS				
-24	S1485D3U	CLAMP	2			
	S1021A8-8	SCREW	2			
		*-----				
-25	0453002-5	SCOOP	1			
-26	0453002-6	DOUBLER	1			
-27	0453002-10	SEAL	1			
-28	0453002-7	DOOR ASSEMBLY-CABIN AIR	1			
-29	MS20253P1-164	PIN-HINGE	1			
-30	S225-1	PLATE-INSPECTION	1			
		ATTACHING PARTS				
-31	S1021Z8-8	SCREW	3			
		*-----				
-32	S1053E10T	HOSE-* IN LG BULK ITEM REF S1053E10T-*	1			
		ATTACHING PARTS				
-33	NAS397-22	CLAMP	2			
-33A	S1485D20U	CLAMP	1			
		*-----				
-34	0413037-1	ADAPTER ASSEMBLY-DEFROSTER	1	B		
	0413452-1	NOZZLE ASSEMBLY-DEFROSTER	1	C		
-35	S1053K24T	HOSE-HEATER VALVE TO LH SHROUD 30.0 IN LG BULK ITEM REF S1053K24T30.0	1			
		ATTACHING PARTS				
	NAS398-50	CLAMP	2			
	S1614-1	LACING FASTEN HOSE TO NOSE GEAR	AR			
		*-----				
-36	S1053E16T	HOSE-LH SHROUD TO RH BAFFLE 27.0 IN LG BULK ITEM REF S1053E16T27.0	1			
		ATTACHING PARTS				
	NAS397-34	CLAMP	2			
	0550100-11	BRACKET	1			
	AN742034	CLAMP	1			
	AN520-10R8	SCREW	1			
	NAS679A3	NUT	1			
		*-----				

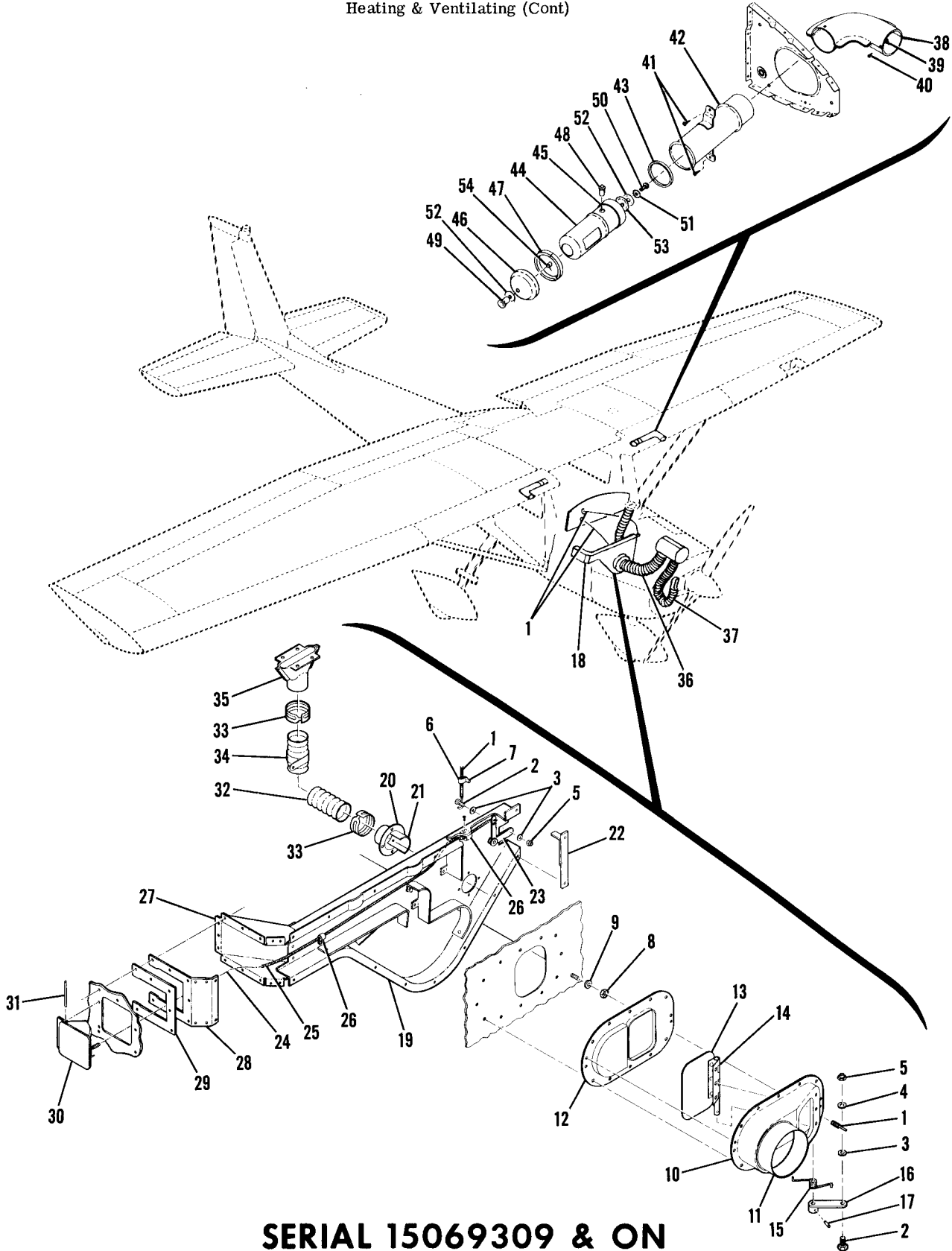
CONTINUED ON NEXT PAGE

FIGURE AND INDEX NO.	PART NUMBER	DESCRIPTION	UNITS PER ASSY	USABLE ON CODE
33A-37	0413233	ELBOW ASSEMBLY-CABIN AIR VENT ----- ATTACHING PARTS -----	2	
-38	S102128-6	SCREW -----	1	
-39	NAS446-4-3	NUT ----- -----*	1	
	0413163-23	OUTLET ASSEMBLY-LH -----	1	
	0413163-24	OUTLET ASSEMBLY-RH ----- ATTACHING PARTS -----	1	
-40	S102128-6	SCREW ----- -----*	2	
-41	0413163-8	TUBE ASSEMBLY-LH -----	1	
	0413163-9	TUBE ASSEMBLY-RH -----	1	
-42	0413163-7	WASHER-FELT -----	1	
-43	0413163-18	OUTLET ASSEMBLY -----	1	
-44	0413163-5	SEAL -----	1	
	0413163-11	CAP ASSEMBLY-AIR OUTLET -----	1	
-45	0413257	CAP -----	1	
-46	S1441-2	SEAL-6.56 IN LG BULK ITEM REF S1441-2-6.56 -----	1	
-47	0413203	CATCH-BULLET WHEN EXHAUSTED USE S2024-1 -----	2	
-48	0713303-2	KNOB-CAP ----- ATTACHING PARTS -----	1	
-49	AN515-8R8	SCREW -----	1	
-50	AN936A8	WASHER -----	1	
-51	0413228	WASHER -----	2	
-52	0413347-1	WASHER -----	1	
-53	NAS430D3-5	SPACER ----- -----*	1	
<p>NOTE. *LENGTH TO BE DETERMINED LATER</p> <p>A---150 SERIAL 15064533 THRU 15069308                      F150 SERIAL F150-0068 THRU F150-0389                      B---150 SERIAL 15064533 THRU 15067198                      F150 SERIAL F150-0068 THRU F150-0219                      C---150 SERIAL 15067199 THRU 15069308                      F150 SERIAL F150-0220 THRU F150-0389</p>				



This page intentionally left blank.

Heating & Ventilating (Cont)



**SERIAL 15069309 & ON**

Figure 33B. Cabin Heating & Ventilating System Installation

FIGURE AND INDEX NO.	PART NUMBER	DESCRIPTION	UNITS PER ASSY	USABLE ON CODE
338-		<b>1 2 3 4 5 6 7</b>		
- 1	S1239-31	CABIN HEATING & VENTILATING SYSTEM INSTALLATION ----- CONTROL ASSEMBLY-CABIN HEAT & CABIN AIR ----- ATTACHING PARTS	NP 2	A
- 2	0450311	CLAMP -----	1	
- 3	AN960-10	WASHER -----	2	
- 4	AN960-10L	WASHER -----	1	
- 5	NAS679A3	NUT -----	1	
		*-----		
- 6	S1485D3U	CLAMP ----- ATTACHING PARTS	1	
- 7	S1021Z8-12 NAS43DD3-22	SCREW ----- SPACER ----- *-----	1 1	
- 8	S1283-1	NUT -----	2	
- 9	AN960-10L	WASHER -----	1	
	0453006-1	VALVE ASSEMBLY-CABIN HEATER -----	1	
-10	0453007-1	HOUSING -----	1	
-11	1706002-3	TUBE -----	1	
-12	0453007-2	PLATE -----	1	
-13	0453007-4	VALVE PLATE ASSEMBLY -----	1	
-14	1253034-8	HINGE ASSEMBLY -----	1	
-15	1253041-1	SPRING -----	1	
-16	1253037-1	ARM ASSEMBLY -----	1	
-17	NAS561C2-8	ROLL PIN -----	1	
-18	0453002-26	HEATER ASSEMBLY -----	NP	
-19	0453002-25	DISTRIBUTOR ASSEMBLY -----	1	
-20	0453002-16	SPOUT-DEFROSTER -----	1	
-21	0453010-1	INSERT-HEATER SPOUT -----	1	
-22	0453002-4	DEFLECTOR -----	1	
-23	0453002-24	BELLCRANK -----	1	
-24	S1398-1	WIRE-21.10 IN LG      BULK ITEM      REF S1398-1-21.10 -----	1	
-25	S1398-2	CASING-15.60 IN LG      BULK ITEM      REF S1398-2-15.60 ----- ATTACHING PARTS	1	
-26	S1485D3U S1021A8-8	CLAMP ----- SCREW ----- *-----	2 2	
-27	0453002-5	SCOOP -----	1	
-28	0453002-6	DOUBLER -----	1	
-29	0453002-10	SEAL -----	1	
-30	0453002-7	DOOR ASSEMBLY-CABIN AIR -----	1	
-31	MS20253P1-164	PIN-HINGE -----	1	
-32	S1053E108	HOSE * IN LG      BULK ITEM      REF S1053E108-* ----- ATTACHING PARTS	1	
-33	NAS397-22	CLAMP -----	2	
-34	S1485D20U	CLAMP ----- *-----	1	
-35	0413452-1	NOZZLE ASSEMBLY-DEFROSTER -----	1	
-36	S1053K24T	HOSE-HEATER VALVE TO LH SHROUD      30.00 IN LG ----- BULK ITEM      REF S1053K24T30.00 ATTACHING PARTS	1	
	NAS398-50 S1614-1	CLAMP ----- LACING      FASTEN HOSE TO NOSE GEAR ----- *-----	2	AR
-37	S1053E16T	HOSE-LH SHROUD TO RH BAFFLE      27.00 IN LG ----- BULK ITEM      REF S1053E16T27.0 ATTACHING PARTS	1	
	NAS397-34 0550100-11 AN942D34 AN520-10R8 NAS679A3	CLAMP ----- BRACKET ----- CLAMP ----- SCREW ----- NUT ----- *-----	2 1 1 1 1	
-38	0413233	ELBOW ASSEMBLY-CABIN AIR VENT ----- ATTACHING PARTS	2	
-39	S1021Z8-6	SCREW -----	1	
-40	NAS446-4-3	NUT ----- *-----	1	

CONTINUED ON NEXT PAGE



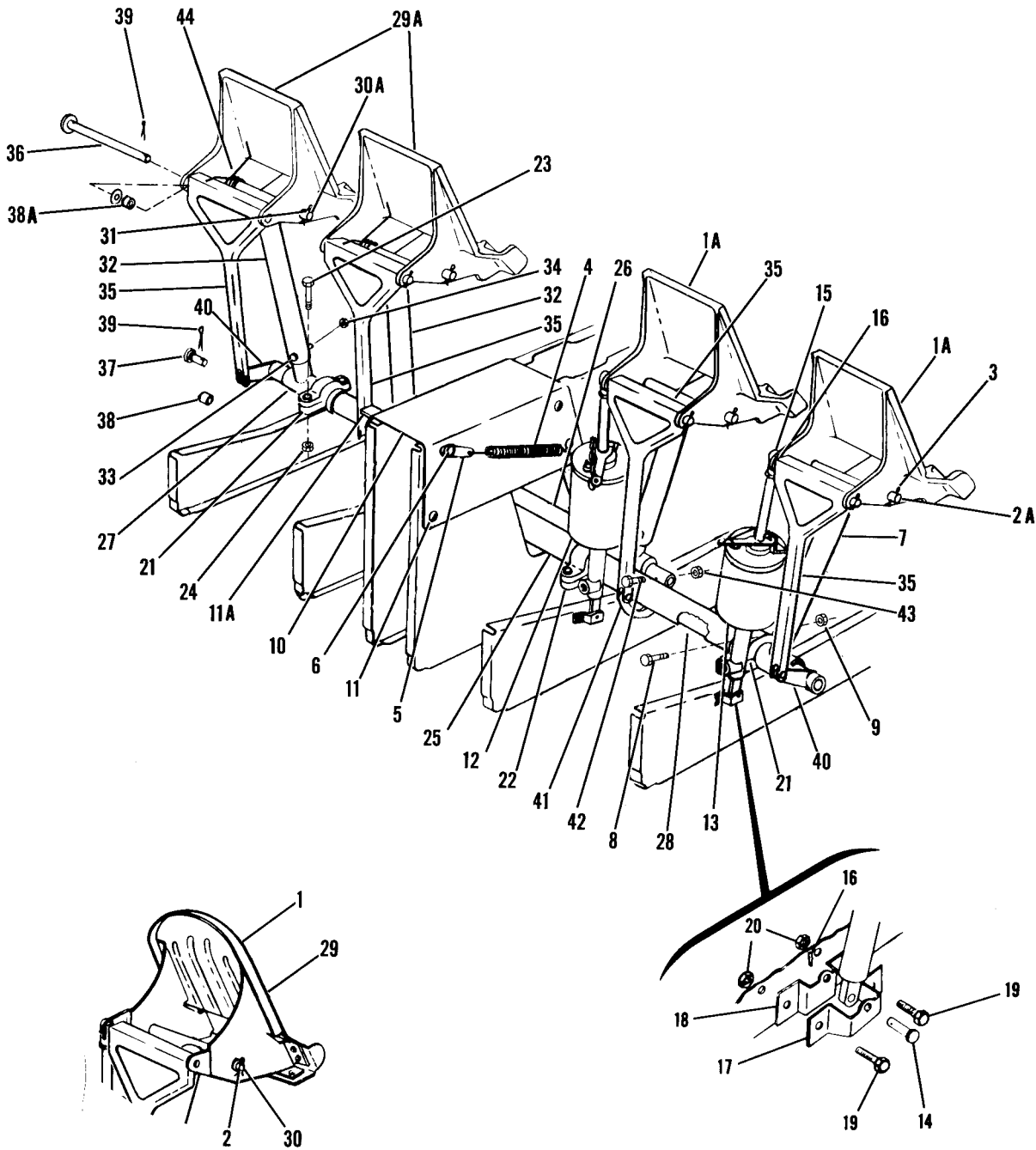
FIGURE AND INDEX NO.	PART NUMBER	DESCRIPTION	UNITS	USABLE
			PER ASSY	ON CODE
		<b>1 2 3 4 5 6 7</b>		
33B-	0413163-23	OUTLET ASSEMBLY-LH -----	1	
	0413163-24	OUTLET ASSEMBLY-RH -----	1	
		ATTACHING PARTS		
-41	S1021Z8-6	SCREW -----	2	
		---*---		
-42	0413163-8	TUBE ASSEMBLY-LH -----	1	
	0413163-9	TUBE ASSEMBLY-RH -----	1	
-43	0413163-7	WASHER-FELT -----	1	
-44	0413163-18	OUTLET ASSEMBLY -----	1	
-45	0413163-5	SEAL -----	1	
	0413163-11	CAP ASSEMBLY-AIR OUTLET -----	1	
-46	0413257	CAP -----	1	
-47	S1441-2	SEAL-6.56 IN LG BULK ITEM REF S1441-2-6.56 -----	1	
-48	0413203	CATCH-BULLET WHEN EXHAUSTED USE S2024-1 -----	2	
-49	0713303-2	KNOB-CAP -----	1	
		ATTACHING PARTS		
-50	AN515-8R8	SCREW -----	1	
-51	AN936A8	WASHER -----	1	
-52	0413228	WASHER -----	2	
-53	0413347-1	WASHER -----	1	
-54	NAS43DD3-5	SPACER -----	1	
		---*---		
NOTE. *LENGTH TO BE DETERMINED LATER				
A---150 SERIAL 15069309 & ON F150 SERIAL F150-0390 & ON				



FIGURE AND INDEX NO.	PART NUMBER	DESCRIPTION	UNITS PER ASSY	USABLE ON CODE
34 -		PEDAL INSTALLATION-RUDDER & BRAKE LH -----	NP	
- 1	0310453	PEDAL-BRAKE & RUDDER -----	2	D
- 1A	1460320-1	PEDAL-BRAKE & RUDDER -----	2	E
		ATTACHING PARTS		
- 2	0411369-2	SHAFT -----	1	D
- 2A	1460501-21	SHAFT -----	1	E
- 3	MS24665-285	PIN-COTTER -----	2	
		-----*		
- 4	0310196-13	SPRING-BRAKE & RUDDER RETURN LH -----	1	F
	0310196-14	SPRING-BRAKE & RUDDER RETURN RH -----	1	F
	0310196-13	SPRING-BRAKE & RUDDER RETURN -----	2	G
		ATTACHING PARTS		
- 5	0441132	CLIP -----	1	
- 6	AN3-3A	BOLT -----	1	F
	AN520-10R10	SCREW -----	1	G
	NAS679A3	NUT -----	1	G
		-----*		
- 7	0411307	ARM-RUDDER PEDAL -----	2	
		ATTACHING PARTS		
- 8	AN3-11A	BOLT -----	1	
- 9	NAS679A3	NUT -----	1	
		-----*		
-10	0411286	STIFFENER-CONTROL TEE BULKHEAD -----	1	
		ATTACHING PARTS		
-11	AN3-3A	BOLT -----	8	
		-----*		
-11A	0400312-1	ANGLE -----	1	
		ATTACHING PARTS		
	AN3-4A	BOLT -----	1	
		-----*		
-12	0541138-12	CYLINDER ASSEMBLY-BRAKE RH WHEN EXHAUSTED USE 0541138-18	1	A
	0541138-18	CYLINDER ASSEMBLY-BRAKE RH SEE FIGURE 54 -----	1	A
-13	0541138-13	CYLINDER ASSEMBLY-BRAKE LH WHEN EXHAUSTED USE 0541138-17	1	A
	0541138-17	CYLINDER ASSEMBLY-BRAKE LH SEE FIGURE 54 -----	1	A
	0541138-20	CYLINDER ASSEMBLY-BRAKE SEE FIGURE 54 -----	2	B
	0541138-19	CYLINDER ASSEMBLY-BRAKE SEE FIGURE 54 -----	2	C
	C163020-0101	CYLINDER ASSEMBLY-BRAKE SEE FIGURE 54A -----	2	K
		ATTACHING PARTS		
-14	MS20392-2C15	PIN -----	1	
-15	MS20392-2C19	PIN -----	1	
-16	MS24665-132	PIN-COTTER -----	2	
		-----*		

CONTINUED ON NEXT PAGE

Flight Controls



SERIAL 17001 THRU 15060087

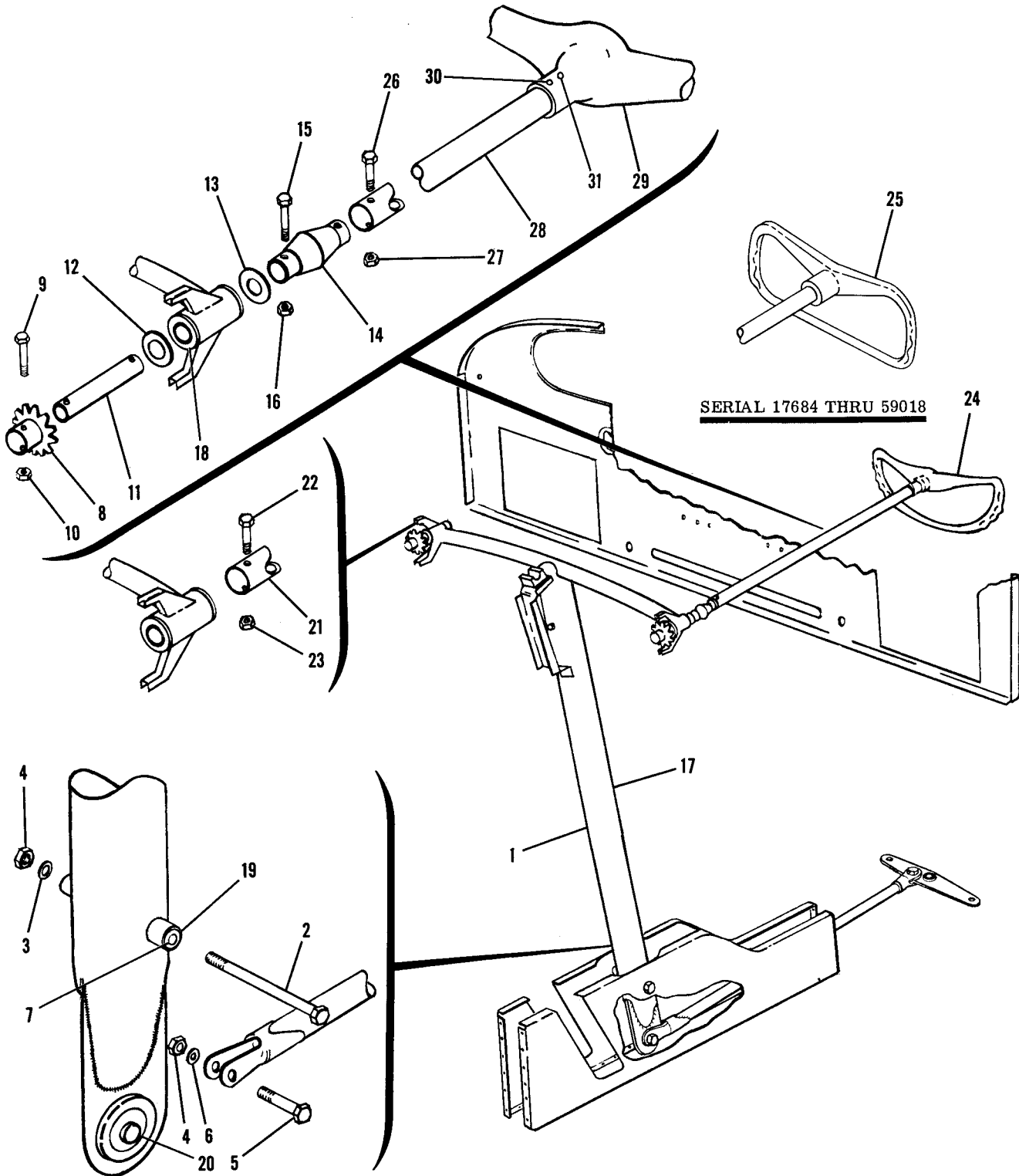
Figure 34. Brake and Rudder Pedal Installation

FIGURE AND INDEX NO.	PART NUMBER	DESCRIPTION	UNITS PER ASSY	USABLE ON CODE
		<b>1 2 3 4 5 6 7</b>		
34 -17	0411550	BRACKET-BRAKE CYLINDER OUTSIDE -----	2	H
	0411550	BRACKET-BRAKE CYLINDER OUTSIDE -----	1	J
-18	0411549	BRACKET-BRAKE CYLINDER INSIDE -----	2	H
	0411549	BRACKET-BRAKE CYLINDER INSIDE -----	1	J
		ATTACHING PARTS		
-19	AN3-3A	BOLT -----	2	
-20	NAS679A3	NUT -----	2	
		---*---		
	0716224-2	ANCHOR ON INBOARD CYLINDER ATTACH -----	1	J
-21	S1674-1	BEARING HALF-OUTBOARD -----	4	
-22	S1675-1	BEARING HALF-INBOARD -----	4	
		ATTACHING PARTS		
-23	AN3-16A	BOLT -----	2	
-24	NAS679A3	NUT -----	2	
		---*---		
-25	0411306-11	WELD ASSEMBLY-RUDDER BAR -----	1	F
	0411526-1	WELD ASSEMBLY-RUDDER BAR -----	1	G
-26	0411306-12	WELD ASSEMBLY-RUDDER BAR -----	1	F
	0411526-2	WELD ASSEMBLY-RUDDER BAR -----	1	G
-27	S1003-43A	BEARING -----	4	
-28	0411565	TUBE-DUAL BRAKE TORQUE -----	2	
		PEDAL INSTALLATION-BRAKE & RUDDER RH -----	NP	
-29	0310453	PEDAL-BRAKE & RUDDER -----	2	D
-29A	1460320-1	PEDAL -----	2	E
		ATTACHING PARTS		
-30	0411369-2	SHAFT -----	1	D
-30A	1460501-21	SHAFT -----	1	E
-31	MS24665-285	PIN-COTTER -----	2	
		---*---		
-32	0411307	ARM-RUDDER BAR -----	2	
		ATTACHING PARTS		
-33	AN3-11A	BOLT -----	1	
-34	NAS679A3	NUT -----	1	
		---*---		
-35	0411564	LINK-DUAL BRAKES -----	4	
		ATTACHING PARTS		
-36	0411778-2	SHAFT -----	1	
-37	MS20392-2C13	PIN -----	1	
-38	NAS43HT3-12	SPACER -----	1	
-38A	NAS42HT6-8	SPACER RH PEDALS ONLY -----	1	
	S1438-2	WASHER -----	1	E
-39	MS24665-132	PIN-COTTER -----	2	
		---*---		
-40	0411563	BELLCRANK ASSEMBLY -----	3	
-41	0411573	BELLCRANK ASSEMBLY -----	1	
		ATTACHING PARTS		
-42	AN3-10A	BOLT -----	1	
-43	NAS679A3	NUT -----	1	
		---*---		
-44	1460505-1	SPRING -----	2	E

NOTE. \*THESE PARTS MUST BE PURCHASED IN PAIRS  
WHEN INITIALLY ORDERING FOR AIRCRAFT SERIALS  
17001 THRU 15065696, 15065719 THRU 15065724,  
15065745 THRU 15065922, F150-0001 THRU F150-0167.

- A---150 SERIAL 17001 THRU 17519
- B---150 SERIAL 17520 THRU 15067198  
F150 SERIAL F150-0001 THRU F150-0219
- C---150 SERIAL 15067199 THRU 15070094  
F150 SERIAL F150-0220 & ON
- D---150 SERIAL 17001 THRU 15060087
- E---150 SERIAL 15060088 & ON  
F150 SERIAL F150-0001 & ON
- F---150 SERIAL 17001 THRU 15061532
- G---150 SERIAL 15061532 & ON  
F150 SERIAL F150-0001 & ON
- H---150 SERIAL 17001 THRU 15060989
- J---150 SERIAL 15060989 & ON  
F150 SERIAL F150-0001 & ON
- K---150 SERIAL 15070095 & ON

Flight Controls (Cont)



SERIAL 17684 THRU 59018

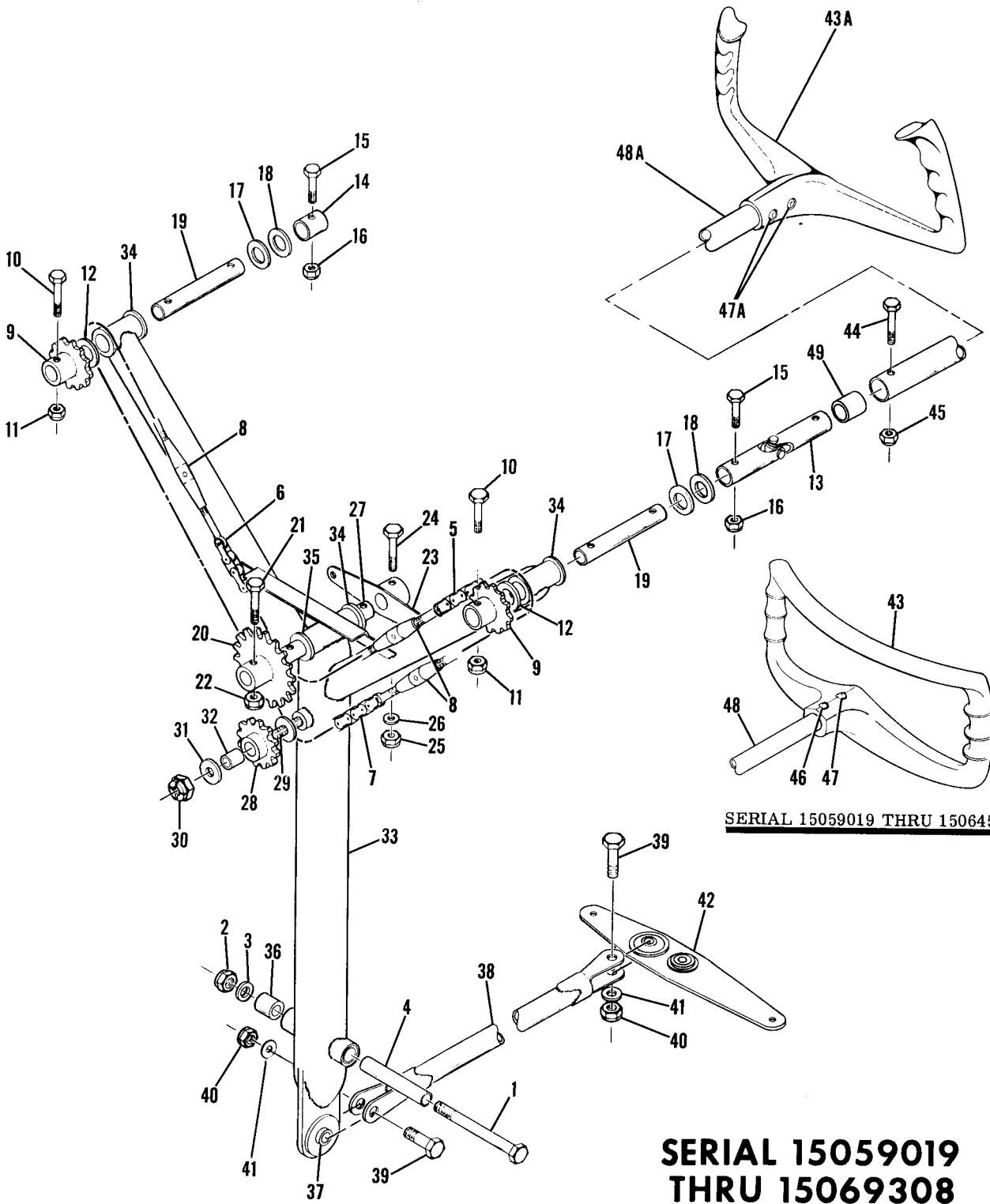
**SERIAL 17001 THRU 59018**

Figure 35. Control Tee Installation



FIGURE AND INDEX NO.	PART NUMBER	DESCRIPTION	UNITS PER ASSY	USABLE ON CODE
35 -		CONTROL TEE INSTALLATION -----	NP	C
- 1	0411221-5	CONTROL TEE ASSEMBLY ----- ATTACHING PARTS	1	
- 2	AN4-31A	BOLT -----	1	
- 3	AN960-416L	WASHER -----	1	
- 4	NAS679A4	NUT -----	2	
- 5	AN4-10A	BOLT -----	1	
- 6	AN960-416	WASHER -----	1	
- 7	S18-30	BUSHING CESSNA STANDARD ----- *-----	1	
- 8	0411047	SPROCKET ----- ATTACHING PARTS	2	
- 9	AN3-11A	BOLT -----	1	
-10	NAS679A3	NUT ----- *-----	1	
-11	0411255	SHAFT -----	2	
-12	AN960-816	WASHER -----	2	
-13	AN960A816L	WASHER -----	AR	
-14	0411257	UNIVERSAL JOINT ----- ATTACHING PARTS	2	
-15	AN3-10A	BOLT -----	1	
-16	NAS679A3	NUT ----- *-----	1	
-17	0411326	MACHINING ASSEMBLY-CONTROL TEE -----	1	
-18	F620	BUSHING AXD -----	4	
-19	B610	BEARING TOR -----	2	
-20	MS20200KP4	BEARING -----	1	
-21	0460101-1	SPACER RH ONLY ----- ATTACHING PARTS	1	
-22	AN3-10A	BOLT -----	1	
-23	NAS679A3	NUT ----- *-----	1	
-24	0413016-8	CONTROL WHEEL ASSEMBLY -----	2	A
-25	0513167-10	CONTROL WHEEL ASSEMBLY ----- ATTACHING PARTS	2	B
-26	AN3-11A	BOLT -----	1	
-27	NAS679A3	NUT ----- *-----	1	
-28	0413213-5	TUBE CONTROL -----	1	
-29	0413016-3	WHEEL -----	1	A
	0513166-1	WHEEL -----	1	B
	0400121-2	NAMEPLATE-CONTROL WHEEL ----- ATTACHING PARTS	1	B
-30	0413216	RIVET -----	1	
-31	0413216-1	RIVET -----	1	A
	0413216-4	RIVET ----- *-----	1	B
A---150 SERIAL 17001 THRU 17683 B---150 SERIAL 17684 THRU 59018 C---150 SERIAL 17001 THRU 59018				

Flight Controls (Cont)



**SERIAL 15059019 THRU 15064532**

**SERIAL 15059019  
THRU 15069308**

Figure 35A. Control Y Installation

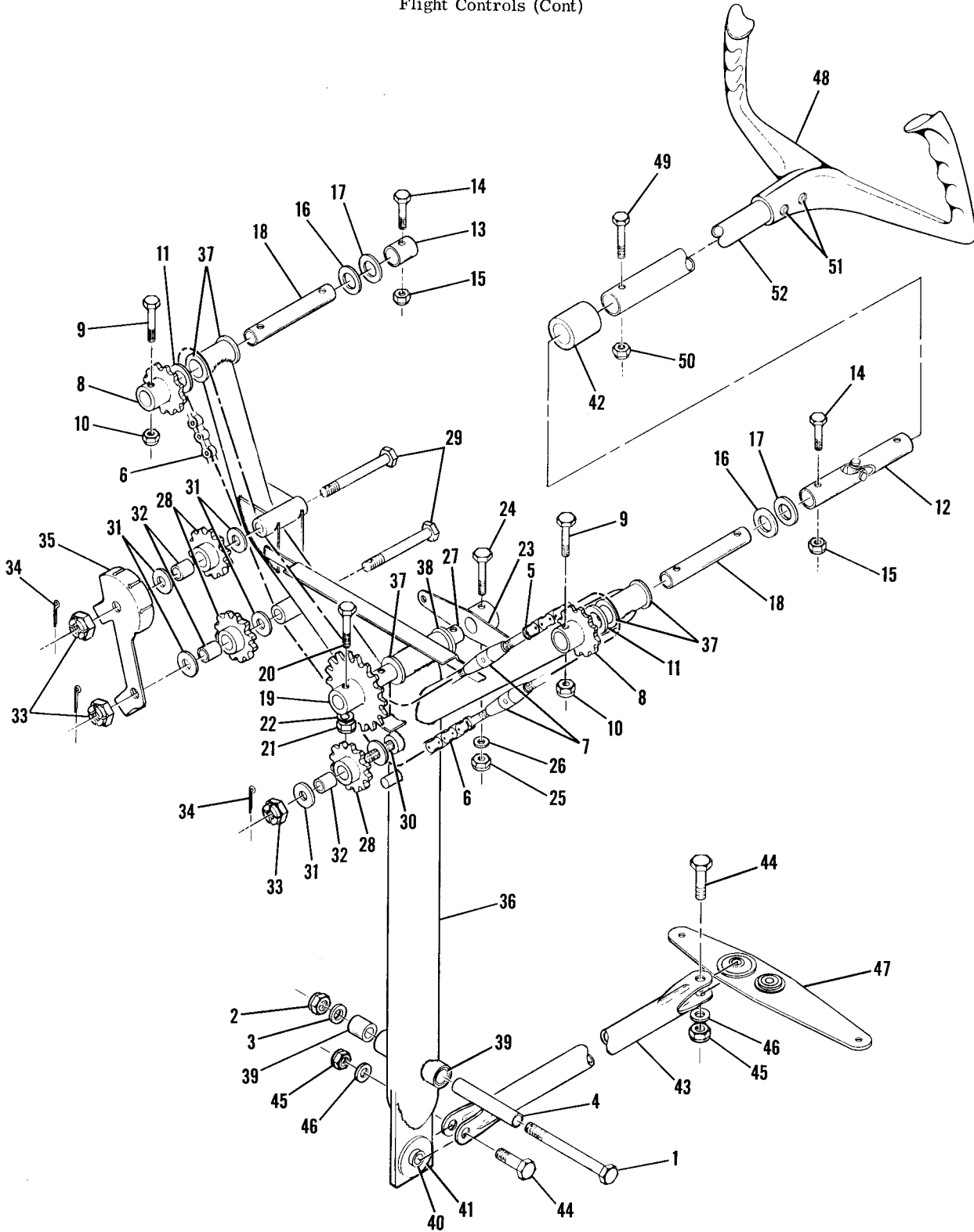
FIGURE AND INDEX NO.	PART NUMBER	DESCRIPTION	UNITS PER ASSY	USABLE ON CODE
		1 2 3 4 5 6 7		
35A-	0413369-2	CONTROL Y INSTALLATION ----- CONTROL Y ASSEMBLY -----	NP	A
		ATTACHING PARTS	1	
		<b>SERIAL 15059019</b>		
		<b>THRU 15069308</b>		
- 1	AN4-31A	BOLT -----	1	
- 2	NAS679A4	NUT -----	1	
- 3	AN960-416L	WASHER -----	1	
- 4	S18-30	BUSHING CESSNA STANDARD -----	1	
		*-----		
- 5	0413372-1	CHAIN ASSEMBLY -----	1	
- 6	0413372-6	CHAIN ASSEMBLY -----	1	
- 7	0413372-2	CHAIN ASSEMBLY -----	1	
- 8	AN155B32S	BARREL -----	3	
- 9	0411047	SPROCKET -----	2	
		ATTACHING PARTS		
-10	AN3-11A	BOLT -----	1	
-11	NAS679A3	NUT -----	1	
-12	AN960-816	WASHER -----	2	
		*-----		
-13	0411257	UNIVERSAL JOINT LH ONLY -----	1	
-14	0460101-1	SPACER RH ONLY -----	1	
	0411257	UNIVERSAL JOINT DUAL CONTROLS -----	2	
		ATTACHING PARTS		
-15	AN3-10A	BOLT -----	1	
-16	NAS679A3	NUT -----	1	
-17	AN960-816	WASHER -----	1	
-18	0411221-2	WASHER -----	AR	
		*-----		
-19	0411255	SHAFT -----	2	
-20	0413374-1	SPROCKET -----	1	
		ATTACHING PARTS		
-21	AN3-11A	BOLT -----	1	
-22	NAS679A3	NUT -----	1	
		*-----		
-23	0413370-1	ARM -----	1	
		ATTACHING PARTS		
-24	AN3-11A	BOLT -----	1	
-25	NAS679A3	NUT -----	1	
-26	AN960-10	WASHER -----	1	
		*-----		
-27	0413379-1	SHAFT -----	1	
-28	0413373-1	SPROCKET -----	1	
		ATTACHING PARTS		
-29	AN4-30A	BOLT -----	1	
-30	AN310-4	NUT -----	1	
-31	NAS70-261-750	WASHER -----	2	
-32	0413380-1	BUSHING -----	1	
		*-----		
-33	0413368-1	CONTROL Y MACHINING -----	1	
-34	S1004-28A	BEARING CESSNA STANDARD -----	5	
-35	S1004-29A	BEARING CESSNA STANDARD -----	1	
-36	B610	BEARING TOR -----	2	
-37	MS27261KSP4	BEARING -----	1	
-38	0411269	LINK-ELEVATOR CONTROL WHEN EXHAUSTED USE 0460116-1 -----	1	J
	0460116-1	LINK-ELEVATOR CONTROL -----	1	K
		ATTACHING PARTS		
-39	AN4-11A	BOLT -----	2	
-40	NAS679A4	NUT -----	2	
-41	AN960-416	WASHER -----	2	
		*-----		

CONTINUED ON NEXT PAGE

FIGURE AND INDEX NO.	PART NUMBER	DESCRIPTION	UNITS PER ASSY	USABLE ON CODE
35A-42	0411258	BELLCRANK-ELEVATOR CONTROL -----	1	
-43	0513182-1	CONTROL WHEEL ASSEMBLY -----	2	B
	0513332-202	CONTROL WHEEL ASSEMBLY -----	2	D
	0513332-203	CONTROL WHEEL ASSEMBLY -----	2	E
-43A	0513240-4	CONTROL WHEEL ASSEMBLY -----	2	L
	0513240-6	CONTROL WHEEL ASSEMBLY WHEN EXHAUSTED USE 0513240-16 -----	2	M
	0513240-16	CONTROL WHEEL ASSEMBLY -----	2	M
		ATTACHING PARTS		
-44	AN3-10A	BOLT -----	1	
-45	NAS679A3	NUT -----	1	
		-----*		
	0513166-1	WHEEL-CONTROL -----	1	B
	0513166-3	WHEEL-CONTROL -----	1	D
	0513166-7	WHEEL-CONTROL -----	1	E
	0513239-1	WHEEL-CONTROL -----	1	L
	0513239-5	WHEEL-CONTROL WHEN EXHAUSTED USE 0513239-9 -----	1	M
	0513239-9	WHEEL-CONTROL -----	1	M
-46	0413216	RIVET -----	1	H
-47	0413216-4	RIVET -----	1	H
-47A	0413216-6	RIVET -----	2	C
-48	0413213-8	TUBE-CONTROL WHEEL -----	1	H
-48A	0413213-13	TUBE-CONTROL WHEEL WHEN EXHAUSTED USE 0413213-16 -----	1	Q
	0413213-16	TUBE-CONTROL WHEEL -----	1	R
	0400124-1	NAMEPLATE-CONTROL WHEEL -----	1	B
	0500125-1	PLATE-CONTROL WHEEL INSIGNIA -----	2	G
	0500125-44	PLATE-CONTROL WHEEL INSIGNIA -----	2	F
	0500125-3	INSIGNIA -----	2	D
	0500252-1	INSIGNIA -----	2	G
	0400133-1	PLACARD-CONTROL WHEEL INSIGNIA -----	2	F
	0400203-1	PLACARD-CONTROL WHEEL INSIGNIA -----	2	L
	0400212-1	PLACARD-CONTROL WHEEL INSIGNIA -----	2	N
	0405002-1	PLACARD-CONTROL WHEEL INSIGNIA FRENCH -----	2	P
-49	S1495-10	HOSE-1.12 IN LG BULK ITEM REF S1495-10-1.12 -----	2	
<p>A---150 SERIAL 15059019 THRU 15069308                      F150 SERIAL F150-0001 THRU F150-0389                      B---150 SERIAL 15059019 THRU 15060087                      C---150 SERIAL 15064533 THRU 15069308                      F150 SERIAL F150-0068 THRU F150-0389                      D---150 SERIAL 15060088 THRU 15060772                      E---150 SERIAL 15060773 THRU 15064532                      F150 SERIAL F150-0001 THRU F150-0067                      F---150 SERIAL 15061533 THRU 15064532                      F150 SERIAL F150-0001 THRU F150-0067                      G---150 SERIAL 15060088 THRU 15061532                      H---150 SERIAL 15059019 THRU 15064532                      F150 SERIAL F150-0001 THRU F150-0067                      J---150 SERIAL 15059019 THRU 15065185                      F150 SERIAL F150-0001 THRU F150-0167                      K---150 SERIAL 15065186 THRU 15069308                      F150 SERIAL F150-0168 THRU F150-0389                      L---150 SERIAL 15064533 THRU 15067198                      F150 SERIAL F150-0068 THRU F150-0219                      M---150 SERIAL 15067199 THRU 15069308                      F150 SERIAL F150-0220 THRU F150-0389                      N---150 SERIAL 15067199 THRU 15069308                      P---150 SERIAL F150-0220 THRU F150-0389                      Q---150 SERIAL 15064533 THRU 15067620                      F150 SERIAL F150-0068 THRU F150-0359                      R---150 SERIAL 15067621 THRU 15069308                      F150 SERIAL F150-0360 THRU F150-0389</p>				

This page intentionally left blank.

Flight Controls (Cont)



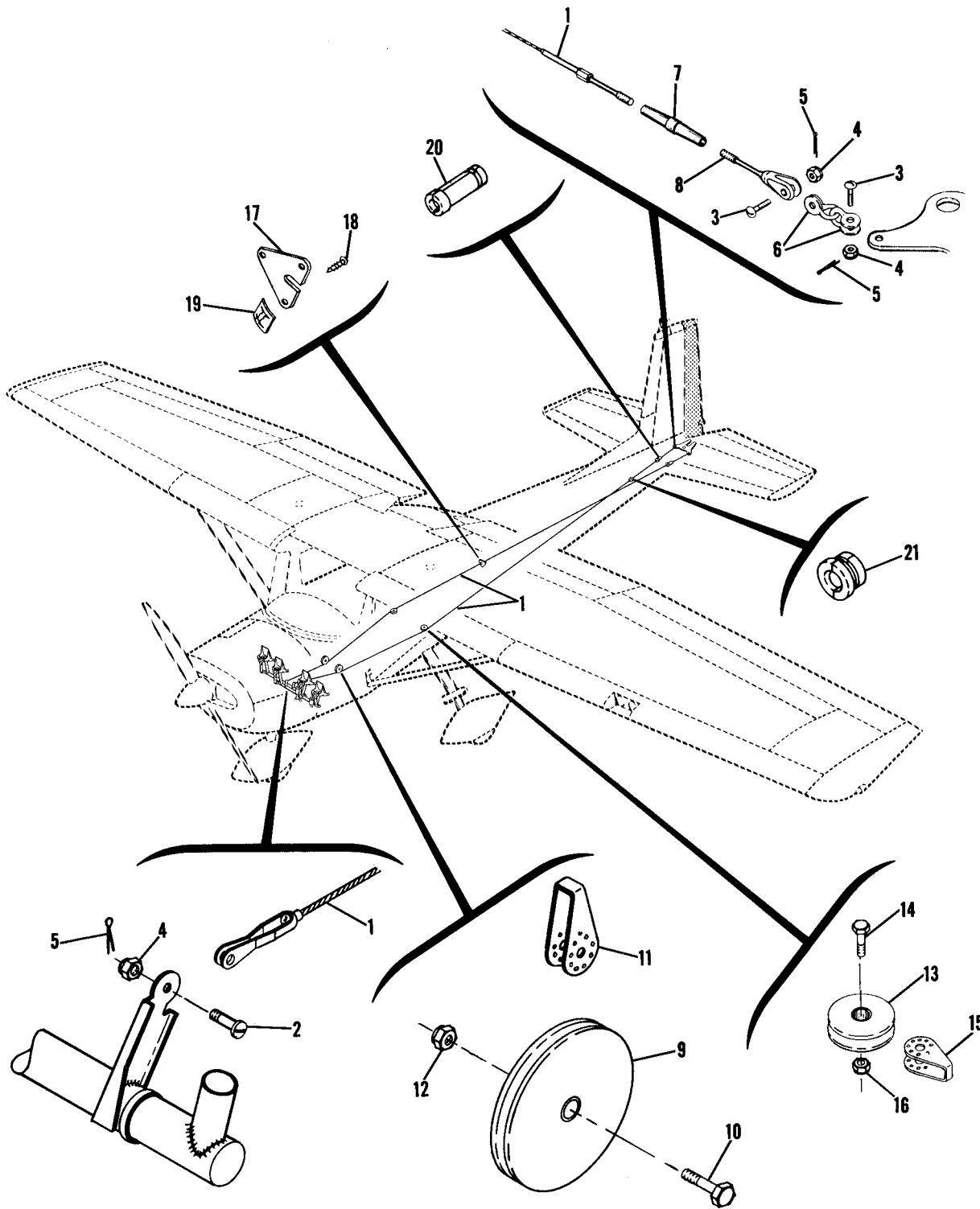
**SERIAL 15069309 & ON**

Figure 35B. Control Y Installation

FIGURE AND INDEX NO.	PART NUMBER	DESCRIPTION	UNITS PER ASSY	USABLE ON CODE
35B-	0460128-1	CONTROL Y INSTALLATION ----- CONTROL Y ASSEMBLY ----- ATTACHING PARTS -----	NP 1	A
- 1	AN4-31A	BOLT -----	1	
- 2	NAS679A4	NUT -----	1	
- 3	AN960-416L	WASHER -----	1	
- 4	S18-30	BUSHING -----	1	
- 5	0413372-1	CHAIN ASSEMBLY -----	1	
- 6	0413372-8	CHAIN ASSEMBLY -----	1	
- 7	AN155B325	BARREL -----	2	
- 8	0411047	SPROCKET -----	2	
- 9	AN3-11A	ATTACHING PARTS -----		
-10	NAS679A3	BOLT -----	1	
-11	AN960-816	NUT -----	1	
-12	0411257	WASHER -----	2	
-13	0460101	UNIVERSAL JOINT LH ONLY -----	1	
	0411257	SPACER RH ONLY -----	1	
		UNIVERSAL JOINT DUAL CONTROLS -----	2	
-14	AN3-10A	ATTACHING PARTS -----		
-15	NAS679A3	BOLT -----	1	
-16	AN960-816	NUT -----	1	
-17	0411221-2	WASHER -----	1	AR
-18	0411255	WASHER -----	1	
-19	0413374-1	SHAFT -----	2	
-20	AN3-11A	SPROCKET -----	1	
-21	NAS679A3	ATTACHING PARTS -----		
-22	AN960-10	BOLT -----	1	
-23	0413370-1	NUT -----	1	
-24	AN3-11A	WASHER -----	1	
-25	NAS679A3	WASHER -----	1	
-26	AN960-10	ARM -----	1	
-27	0413379	ATTACHING PARTS -----		
-28	0413373-1	BOLT -----	1	
-29	AN4-25	NUT -----	1	
-30	AN4-30	WASHER -----	1	
-31	NAS70-261-750	WASHER -----	2	
-32	0413380-1	BUSHING -----	1	
-33	AN310-4	NUT -----	1	
-34	MS24665-132	COTTER PIN -----	1	
-35	0460129-1	GUARD -----	1	
-36	0460128-2	CONTROL Y ASSEMBLY-WELDED -----	1	
-37	S1C04-28A	BEARING -----	5	
-38	S1C04-29A	BEARING -----	1	
-39	B610	BEARING TOR -----	2	
-40	MS27261KSP4	BEARING -----	1	
-41	0411260-1	BUSHING -----	1	
-42	S1495-10	HOSE-1.12 IN LG BULK ITEM REF S1495-10-1.12 -----	2	
-43	0460116-1	LINK-ELEVATOR CONTROL WHEN EXHAUSTED USE 0460116-3 -----	1	
	0460116-3	LINK-ELEVATOR CONTROL -----	1	
-44	AN4-11A	ATTACHING PARTS -----		
-45	NAS679A4	BOLT -----	2	
-46	AN960-416	NUT -----	2	
-47	0411258	WASHER -----	2	
-48	0513240-16	BELLCRANK-ELEVATOR CONTROL -----	1	
-49	AN3-10A	CONTROL WHEEL ASSEMBLY -----	2	
-50	NAS679A3	ATTACHING PARTS -----		
		BOLT -----	1	
		NUT -----	1	
-51	0513239-9	WHEEL-CONTROL -----	1	
-52	0413216-6	RIVET -----	2	
	0413213-16	TUBE -----	1	
		PLACARD-CONTROL WHEEL INSIGNIA SEE FIGURE 1B -----	1	

A---150 SERIAL 15069309 & ON  
F150 SERIAL F150-0390 & ON

Flight Controls (Cont)



**SERIAL 17001 THRU 15061532**

Figure 36. Rudder Control System Installation

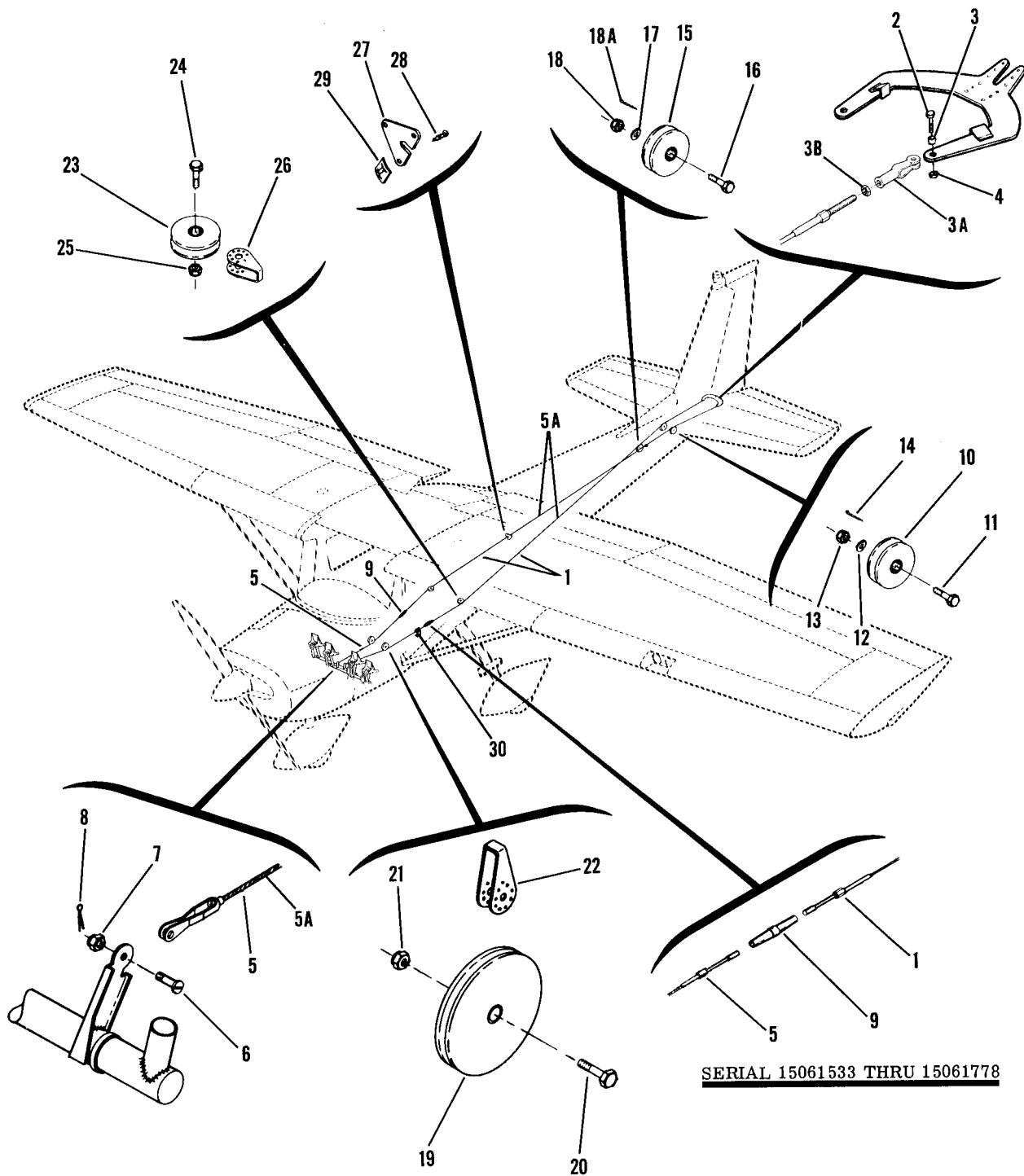




FIGURE AND INDEX NO.	PART NUMBER	DESCRIPTION	UNITS PER ASSY	USABLE ON CODE
		<b>1 2 3 4 5 6 7</b>		
36 -		RUDDER CONTROL SYSTEM INSTALLATION -----	NP	A
- 1	0400107-4	CABLE-RUDDER CONTROL -----	2	
	0400107-104	CABLE-STAINLESS STEEL RUDDER CONTROL -----	2	
		ATTACHING PARTS		
- 2	AN23-10	BOLT ----- <b>SERIAL 17001</b> -----	1	
- 3	AN23-11	BOLT -----	2	
- 4	AN310-3	NUT ----- <b>THRU 15061532</b> -----	3	
- 5	MS24665-132	PIN-COTTER -----	3	
- 6	AN115-21	SHACKLE -----	2	
		---*---		
- 7	AN155B32L	BARREL LH -----	1	
	AN155B32S	BARREL RH -----	1	
- 8	AN165-22RS	EYE-TURNBUCKLE -----	2	
- 9	S378-4	PULLEY CESSNA STANDARD -----	2	
		ATTACHING PARTS		
-10	AN4-10A	BOLT -----	1	
-11	0411421-6	GUARD -----	1	
-12	NAS679A4	NUT -----	1	
		---*---		
-13	S378-3	PULLEY CESSNA STANDARD -----	2	
		ATTACHING PARTS		
-14	AN4-10A	BOLT -----	1	
-15	0411421-2	GUARD -----	1	
-16	NAS679A4	NUT -----	1	
		---*---		
-17	0412168	FAIRLEAD -----	1	
		ATTACHING PARTS		
-18	S1021Z8-6	SCREW CESSNA STANDARD -----	3	
-19	NAS446-4-3	NUT TIN A1778-8Z-3 -----	3	
		---*---		
-20	S338-10	FAIRLEAD HALF -----	4	
	S339P1	CLIP -----	2	
-21	S338-6	FAIRLEAD HALF -----	2	
	S339-2	CLIP -----	1	
		A---150 SERIAL 17001 THRU 15061532		

21

Flight Controls (Cont)



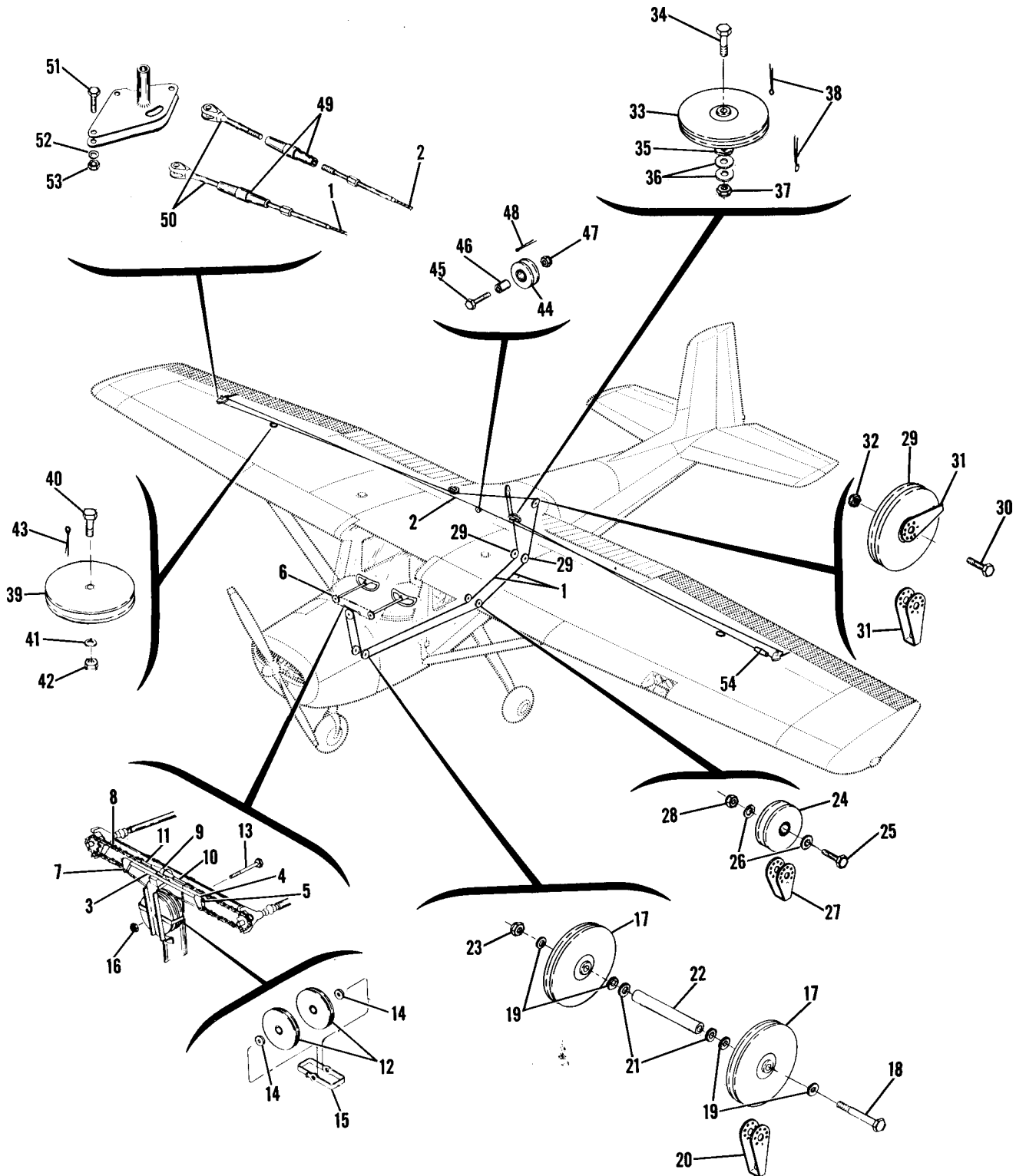
SERIAL 15061533 THRU 15061778

**SERIAL 15061533 & ON**

Figure 36A. Rudder Control System Installation

FIGURE AND INDEX NO.	PART NUMBER	DESCRIPTION	UNITS PER ASSY	USABLE ON CODE
36A-		RUDDER CONTROL SYSTEM INSTALLATION -----	NP	A
- 1	0400107-48	CABLE-RUDDER CONTROL AFT -----	2	B
	0400107-148	CABLE-RUDDER CONTROL STAINLESS STEEL -----	2	B
		ATTACHING PARTS		
- 2	AN3-5A	BOLT -----	1	E
	AN3-7A	BOLT -----	1	G
- 3	NAS43HT3-12	SPACER -----	1	B
	NAS43HT3-9	SPACER -----	1	F
	NAS74A3-004	BUSHING -----	1	G
	NAS74A3-004P	BUSHING ALTERNATE -----	1	G
- 3A	AN486-4	CLEVIS -----	1	F
	AN486-3	CLEVIS -----	1	G
- 3B	AN315-4R	NUT -----	1	C
- 4	NAS679A3	NUT -----	1	
		-----*		
- 5	0400107-47	CABLE-RUDDER CONTROL FWD -----	2	B
	0400107-147	CABLE-RUDDER CONTROL FWD STAINLESS STEEL -----	2	B
- 5A	0400107-49	CABLE-RUDDER CONTROL LH -----	1	C
	0400107-149	CABLE-RUDDER CONTROL LH STAINLESS STEEL -----	1	C
	0400107-50	CABLE-RUDDER CONTROL RH -----	1	C
	0400107-150	CABLE-RUDDER CONTROL RH STAINLESS STEEL -----	1	C
		ATTACHING PARTS		
- 6	AN23-10	BOLT -----	1	
- 7	AN310-3	NUT -----	1	
- 8	MS24665-132	PIN-COTTER -----	1	
		-----*		
- 9	AN155B32S	BARREL-TURNBUCKLE LH -----	1	B
	AN155B32L	BARREL-TURNBUCKLE RH -----	1	B
-10	S378-3	PULLEY -----	2	
		ATTACHING PARTS		
-11	AN4-10A	BOLT -----	1	
-12	AN960-416	WASHER -----	1	
-13	NAS679A4	NUT -----	1	
		-----*		
-14	MS24665-134	PIN-COTTER CABLE GUARD -----	2	
-15	S378-3	PULLEY -----	1	
		ATTACHING PARTS		
-16	AN4-10A	BOLT -----	1	
-17	AN960-416	WASHER -----	1	
-18	NAS679A4	NUT -----	1	
		-----*		
-18A	MS24665-283	PIN-COTTER CABLE GUARD -----	1	
-19	S378-4	PULLEY -----	2	
		ATTACHING PARTS		
-20	AN4-10A	BOLT -----	1	
-21	NAS679A4	NUT -----	1	
-22	0411421-6	GUARD -----	1	
		-----*		
-23	S378-3	PULLEY -----	2	
		ATTACHING PARTS		
-24	AN4-10A	BOLT -----	1	
-25	NAS679A4	NUT -----	1	
-26	0411421-2	GUARD -----	1	
		-----*		
-27	0412168-1	FAIRLEAD -----	1	
		ATTACHING PARTS		
-28	S102178-6	SCREW -----	3	
-29	NAS446-4-3	NUT -----	3	
		-----*		
-30	S338-1	FAIRLEAD-HALF -----	2	D
	S339-1	CLIP -----	1	D
	0460200-1	RETAINER-FAIRLEAD -----	1	D
		A---150 SERIAL 15061533 & ON F150 SERIAL F150-0001 & ON		
		B---150 SERIAL 15061533 THRU 15061778		
		C---150 SERIAL 15061779 & ON F150 SERIAL F150-0001 & ON		
		D---150 SERIAL 15066400 & ON F150 SERIAL F150-0220 & ON		
		E---150 SERIAL 15061533 THRU 15068823 F150 SERIAL F150-0001 THRU F150-0449		
		F---150 SERIAL 15061779 THRU 15068823 F150 SERIAL F150-0001 THRU F150-0449		
		G---150 SERIAL 15068824 & ON F150 SERIAL F150-0450 & ON		

Flight Control (Cont)



**SERIAL 17001 THRU 15060087**

Figure 37. Aileron Control System Installation

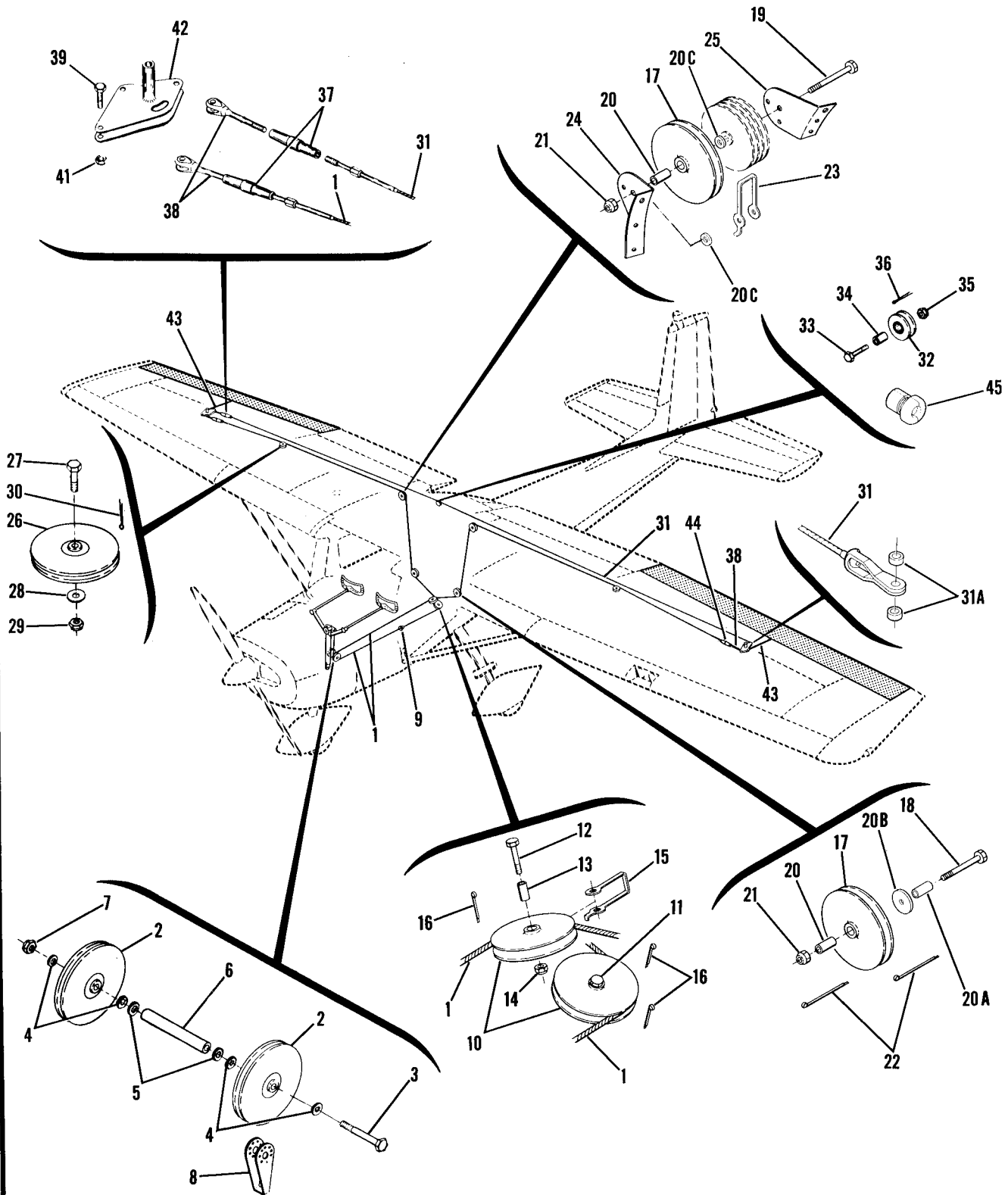
FIGURE AND INDEX NO.	PART NUMBER	DESCRIPTION	UNITS PER ASSY	USABLE ON CODE
		<b>1 2 3 4 5 6 7</b>		
37 -		AILERON CONTROL SYSTEM INSTALLATION -----	NP	C
- 1	0400107-31	CABLE-AILERON CONTROL -----	2	A
	0400107-131	CABLE-STAINLESS STEEL AILERON CONTROL -----	2	A
	0400107-35	CABLE-STAINLESS STEEL AILERON CONTROL -----	2	B
	0400107-135	CABLE-AILERON CONTROL -----	2	B
		ATTACHING PARTS		
	AN23-10	BOLT-CLEVIS -----	1	B
	AN310-3	NUT -----	1	B
	MS24665-132	PIN-COTTER -----	1	B
		*-----		
		<b>SERIAL 17001</b>		
		<b>THRU 15060087</b>		
		*-----		
- 2	0400107-21	CABLE-AILERON CARRY THRU -----	1	
	0400107-121	CABLE-STAINLESS STEEL AILERON CARRY THRU -----	1	
- 3	0411880	BAR ASSEMBLY-AILERON CARRY THRU -----	1	A
- 4	0411881	TUBE ASSEMBLY-AILERON CARRY THRU -----	1	A
		ATTACHING PARTS		
- 5	NAS679A4	NUT -----	1	A
		*-----		
- 6	0411051	CHAIN ASSEMBLY -----	1	A
		ATTACHING PARTS		
- 7	AN21-12	BOLT-CLEVIS -----	2	A
	MS24665-5	PIN-COTTER -----	2	A
	AN320-1	NUT -----	2	A
		*-----		
- 8	0411051-4	CHAIN -----	2	A
- 9	AN155B32S	BARREL-TURNBUCKLE -----	1	A
-10	NAS288-35LH	TERMINAL -----	1	A
-11	NAS288-35RH	TERMINAL -----	1	A
-12	S378-4	PULLEY CESSNA STANDARD -----	2	A
		ATTACHING PARTS		
-13	AN4-33A	BOLT -----	1	A
-14	AN960-416	WASHER -----	2	A
-15	0411232	GUARD-CABLE -----	1	A
-16	NAS679A4	NUT -----	1	A
		*-----		
-17	S378-4	PULLEY CESSNA STANDARD -----	2	
		ATTACHING PARTS		
-18	AN4-43A	BOLT -----	1	
-19	AN960-416L	WASHER -----	4	
-20	0411421-6	GUARD-CABLE -----	2	
-21	AN960-416	WASHER -----	2	
-22	NAS430D4-152	SPACER -----	1	
-23	NAS679A4	NUT -----	1	
		*-----		
-24	S378-3	PULLEY CESSNA STANDARD -----	2	
		ATTACHING PARTS		
-25	AN4-10A	BOLT -----	1	
-26	AN960-416L	WASHER -----	2	
-27	0411421-2	GUARD-CABLE -----	1	
-28	NAS679A4	NUT -----	1	
		*-----		
-29	S378-4	PULLEY CESSNA STANDARD -----	4	
		ATTACHING PARTS		
-30	AN4-10A	BOLT -----	1	
-31	0411421-6	GUARD-CABLE -----	2	
-32	NAS679A4	NUT -----	1	
		*-----		
-33	S378-4	PULLEY CESSNA STANDARD -----	2	
		ATTACHING PARTS		
-34	AN4-10A	BOLT -----	1	
-35	AN960-416L	WASHER -----	1	
-36	AN960-416	WASHER -----	2	
-37	NAS679A4	NUT -----	1	
		*-----		

CONTINUED ON NEXT PAGE

FIGURE AND INDEX NO.	PART NUMBER	DESCRIPTION	UNITS PER ASSY	USABLE ON CODE
37 -38	MS24665-134	PIN-COTTER -----	4	
-39	S378-3	PULLEY CESSNA STANDARD ----- ATTACHING PARTS	2	
-40	AN4-10A	BOLT -----	1	
-41	AN960-10L	WASHER -----	1	
-42	NAS679A4	NUT -----	1	
-43	MS24665-136	PIN-COTTER -----	2	
-44	S394	PULLEY CESSNA STANDARD ----- ATTACHING PARTS	1	
-45	AN3-7A	BOLT -----	1	
-46	0411783	BUSHING -----	1	
-47	NAS679A3	NUT -----	1	
-48	MS24665-134	PIN-COTTER -----	1	
-49	AN155B32L	BARREL-TURNBUCKLE -----	2	
-50	AN161-32LL	FORK ----- ATTACHING PARTS	3	
-51	AN3-10A	BOLT -----	1	
-52	AN960-10L	WASHER -----	1	
-53	NAS679A3	NUT -----	1	
-54	AN155B32S	BARREL-TURNBUCKLE -----	1	
		A---150 SERIAL 17001 THRU 59018 B---150 SERIAL 15059019 THRU 15060087 C---150 SERIAL 17001 THRU 15060087		

FIGURE AND INDEX NO.	PART NUMBER	DESCRIPTION	UNITS PER ASSY	USABLE ON CODE
		<b>1 2 3 4 5 6 7</b>		
37A-		AILERON CONTROL SYSTEM INSTALLATION -----	NP	A
- 1	0400107-36	CABLE ASSEMBLY-AILERON CONTROL -----	2	C
	0400107-136	CABLE ASSEMBLY-STAINLESS STEEL AILERON CONTROL -----	2	C
	0400107-41	CABLE ASSEMBLY-AILERON CONTROL -----	2	D
	0400107-141	CABLE ASSEMBLY-STAINLESS STEEL AILERON CONTROL -----	2	D
		ATTACHING PARTS		
	AN23-10	BOLT-CLEVIS --	1	
	AN310-3	NUT -----	1	
	MS24665-132	PIN-COTTER -----	1	
		-----*		
- 2	S378-4	PULLEY -----	2	
		ATTACHING PARTS		
- 3	AN4-43A	BOLT -----	1	
- 4	AN960-416L	WASHER -----	4	
- 5	AN960-416	WASHER -----	2	
- 6	NAS43DD4-152	SPACER -----	1	
- 7	NAS679A4	NUT -----	1	
		-----*		
- 8	0411421-6	GUARD -----	2	
		CONTINUED ON NEXT PAGE		

Flight Control (Cont)



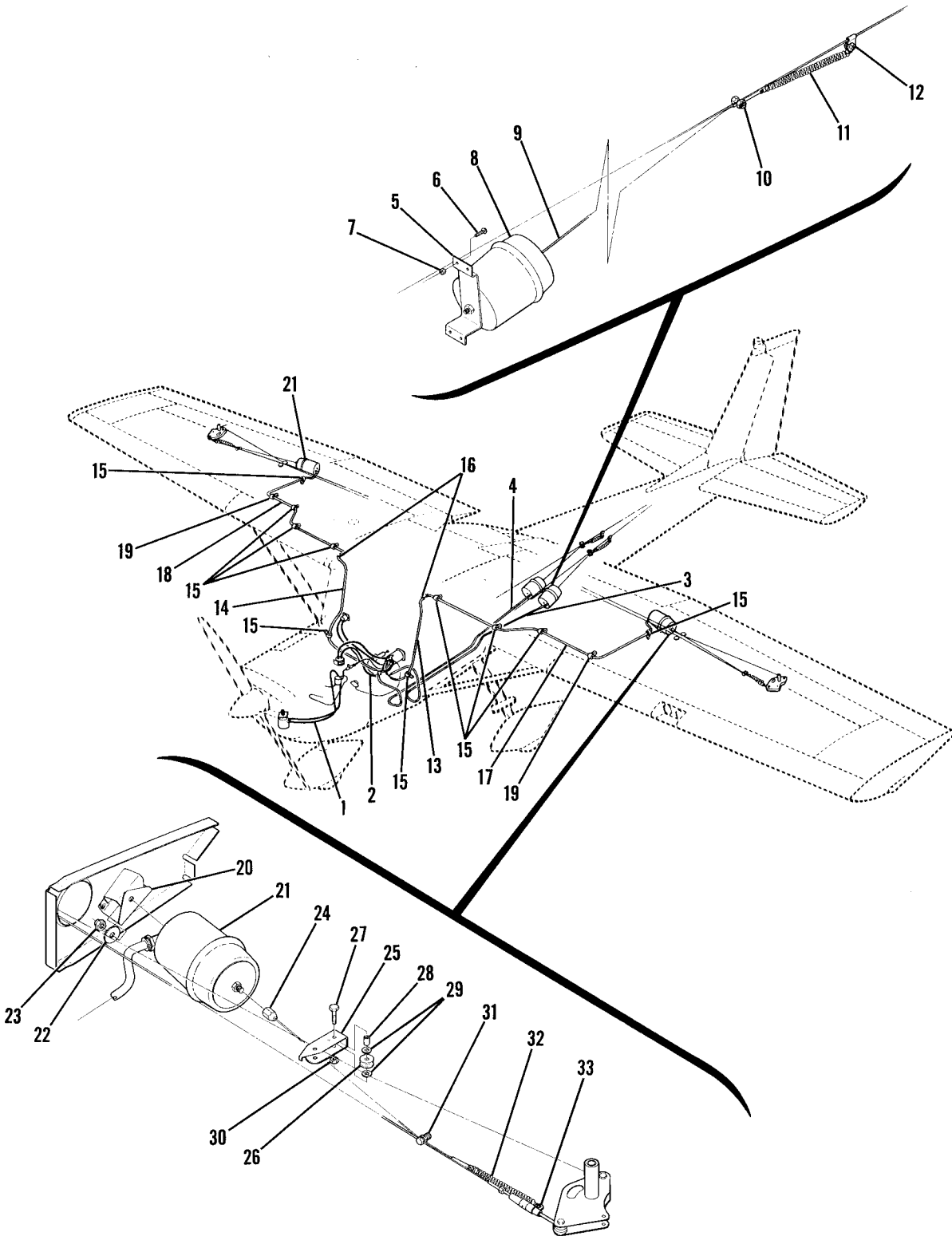
**SERIAL 15060088 & ON**

Figure 37A. Aileron Control System Installation



FIGURE AND INDEX NO.	PART NUMBER	DESCRIPTION	UNITS PER ASSY	USABLE ON CODE
		<b>1 2 3 4 5 6 7</b>		
37A- 9	S338-1	FAIRLEAD HALF -----	2	
	S339-1	ATTACHING PARTS -----	1	
		CLIP -----	1	
		---*---		
-10	MS20220-2	PULLEY -----	2	
		ATTACHING PARTS -----		
-11	AN3-10A	BOLT -----	1	
-12	AN3-11A	BOLT -----	1	
-13	O460109-1	BUSHING -----	1	
-14	NAS679A3	NUT -----	1	
		---*---		
-15	O460108-1	GUARD -----	1	
-16	MS24665-136	PIN-COTTER -----	3	
-17	MS2C220-2	PULLEY -----	4	
		ATTACHING PARTS -----		
-18	AN3-16A	BOLT -----	1	
-19	AN3-17A	BOLT -----	1	
-20	O460109-1	BUSHING -----	1	
-20A	NAS43HT3-44	SPACER -----	1	D
-20B	AN970-3	WASHER -----	1	D
-20C	AN960-10	WASHER -----	2	
-21	NAS679A3	NUT -----	1	
		---*---		
-22	MS24665-143	PIN-COTTER -----	4	
-23	O460108-1	GUARD -----	4	
	O412044-1	BRACKET-PULLEY LH FWD -----	1	
-24	O412044-2	BRACKET-PULLEY RH FWD -----	1	
	O412044-3	BRACKET-PULLEY LH AFT -----	1	
-25	O412044-4	BRACKET-PULLEY RH AFT -----	1	
-26	S378-3	PULLEY -----	2	
		ATTACHING PARTS -----		
-27	AN4-10A	BOLT -----	1	
-28	AN960-10L	WASHER -----	1	
-29	NAS679A4	NUT -----	1	
		---*---		
-30	MS24665-132	PIN-COTTER -----	2	
-31	O4C0107-21	CABLE-AILERON CONTROL -----	1	
	O4C0107-121	CABLE-STAINLESS STEEL AILERON CONTROL -----	1	
		ATTACHING PARTS -----		
	AN3-7A	BOLT ATTACH LH END -----	1	
	NAS679A3	NUT ATTACH LH END -----	1	
-31A	NAS43HT4-10	SPACER ATTACH LH END -----	2	B
		---*---		
-32	S394	PULLEY -----	1	F
		ATTACHING PARTS -----		
-33	AN3-7A	BOLT -----	1	F
-34	O411783	BUSHING -----	1	F
-35	NAS679A3	NUT -----	1	F
		---*---		
-36	MS24665-136	PIN-COTTER -----	1	F
-37	AN155B32L	BARREL-TURNBUCKLE -----	2	
-38	AN161-32LL	FORK -----	3	
		ATTACHING PARTS -----		
-39	AN3-7A	BOLT -----	1	
-40		DELETED, NEVER USED -----		
-41	NAS679A3	NUT -----	1	
		---*---		
-42	O523223	BELLCRANK LH SEE FIGURE 5 -----	1	
	O523223-1	BELLCRANK RH SEE FIGURE 5 -----	1	
-43	O523218	ROD ASSEMBLY SEE FIGURE 5 -----	2	
-44	AN155B32S	BARREL-TURNBUCKLE -----	1	
-45	S338-1	FAIRLEAD HALF -----	2	E
		ATTACHING PARTS -----		
	S339-1	CLIP -----	1	E
		---*---		
		A---150 SERIAL 15060088 & ON F150 SERIAL F150-0001 & ON		
		B---150 SERIAL 15060590 & ON F150 SERIAL F150-0001 & ON		
		C---150 SERIAL 15060088 THRU 15061532		
		D---150 SERIAL 15061533 & ON F150 SERIAL F150-0001 & ON		
		E---150 SERIAL 15061084 & ON F150 SERIAL F150-0001 & ON		
		F---150 SERIAL 15060088 THRU 15061083		

Flight Controls (Cont)

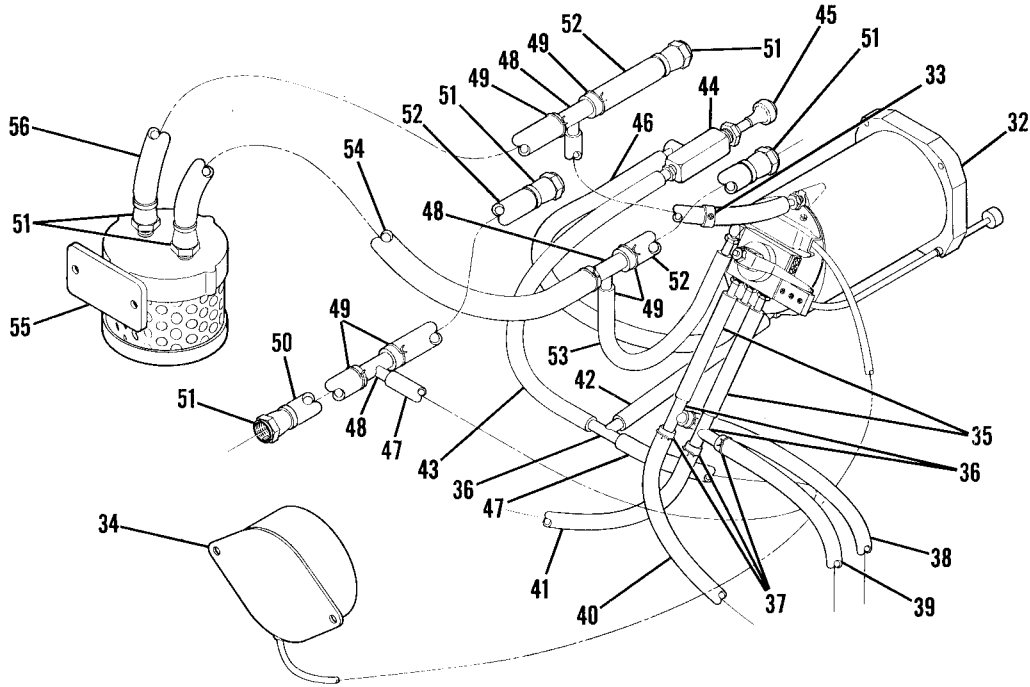


**SERIAL 15067199 & ON**

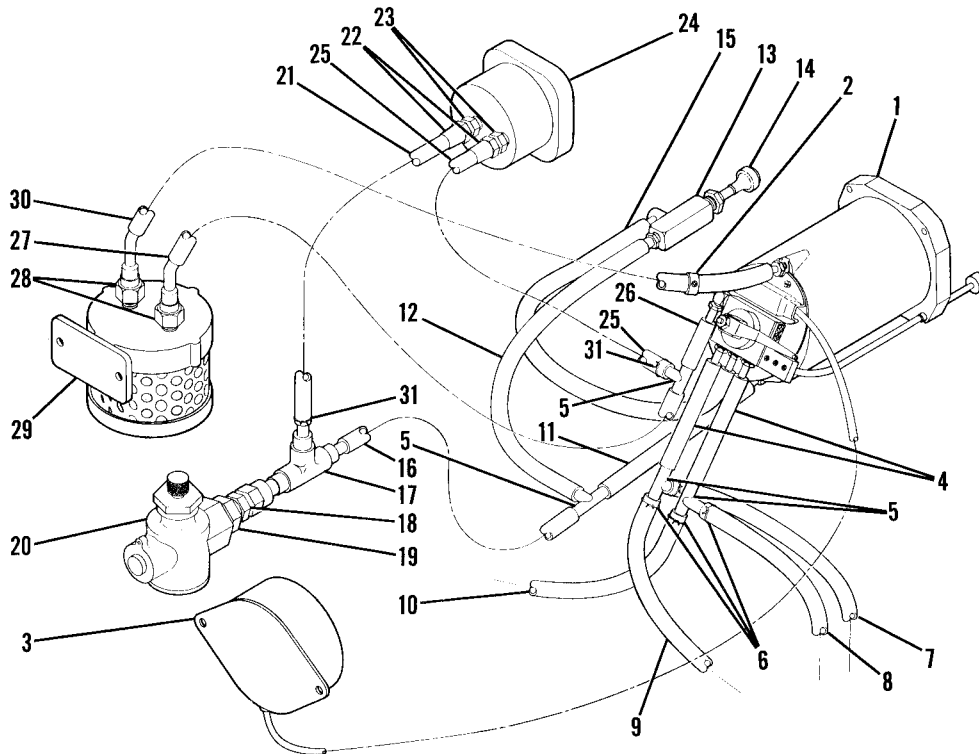
Figure 37B. Wing Leveler Installation

FIGURE AND INDEX NO.	PART NUMBER	DESCRIPTION	UNITS PER ASSY	USABLE ON CODE
		<b>1 2 3 4 5 6 7</b>		
378-		WING LEVELER INSTALLATION -----	NP	A
- 1		VACUUM SYSTEM SEE FIGURE 45D -----	1	B
		VACUUM SYSTEM SEE FIGURE 45E -----	1	C
- 2		WING LEVELER COMPONENTS SEE FIGURE 37C -----	1	B
		WING LEVELER COMPONENTS SEE FIGURE 37D -----	1	C
- 3	S1071R3	TUBE-RED * IN LG BULK ITEM REF S1071R3-* -----	1	
- 4	S1071G3	TUBE-GREEN * IN LG BULK ITEM REF S1071G3-* -----	1	
- 5	0412071-2 0412071-1	BRACKET-RH ----- BRACKET-LH -----	1 1	
		<b>SERIAL 15067199 &amp; ON</b>		
		ATTACHING PARTS -----		
- 6	AN515-8R8	SCREW -----	4	
- 7	NAS679A08	NUT -----	4	
		-----*		
- 8	1005-0-1	SERVO ASSEMBLY-RUDDER BTID -----	2	
		ATTACHING PARTS -----		
	AN970-5	WASHER -----	1	
	NAS679A5	NUT -----	1	
		-----*		
- 9	0422358-1	CABLE ASSEMBLY-RUDDER SERVO -----	2	
-10	S8S	CONNECTOR PEUN -----	2	
-11	0413416-4	SPRING -----	2	
-12	AN742D2	CLAMP -----	2	
		ATTACHING PARTS -----		
	AN525-10R6	SCREW -----	1	
	NAS679A3	NUT -----	1	
		-----*		
-13	S1071R3	TUBE-RED * IN LG BULK ITEM REF S1071R3-* -----	1	
-14	S1071G3	TUBE-GREEN * IN LG BULK ITEM REF S1071G3-* -----	1	
-15	S1592-2A	CLAMP -----	10	
		ATTACHING PARTS -----		
	S1021Z6-8	SCREW -----	1	
		-----*		
-16	S1794-1	FITTING -----	2	
	S1494-6	CLAMP -----	4	
-17	S1071R3	TUBE-RED * IN LG BULK ITEM REF S1071R3-* -----	1	
-18	S1071G3	TUBE-GREEN * IN LG BULK ITEM REF S1071G3-* -----	1	
-19	49165-22	HARNESS BAND UC -----	2	
		ATTACHING PARTS -----		
	S1021Z6-8	SCREW -----	1	
		-----*		
-20	0422356-1	MOUNTING BRACKET ASSEMBLY-SERVO LH -----	1	
	0422356-2	MOUNTING BRACKET ASSEMBLY-SERVO RH -----	1	
		ATTACHING PARTS -----		
	AN515-8R8	SCREW -----	3	
		-----*		
	NAS69808	NUTPLATE -----	3	
-21	1005-1-0	SERVO ASSEMBLY-AILERON BTID -----	2	
		ATTACHING PARTS -----		
-22	AN970-5	WASHER -----	1	
-23	NAS679A5	NUT -----	1	
		-----*		
-24	0422358-1	CABLE ASSEMBLY-AILERON SERVO -----	2	
-25	0422357-1	BRACKET-PULLEY -----	2	
-26	S1710-1	PULLEY -----	2	
		ATTACHING PARTS -----		
-27	AN3-10A	BOLT -----	1	
-28	0411783-1	BUSHING -----	1	
-29	AN960-10	WASHER -----	2	
-30	NAS679A3	NUT -----	1	
		-----*		
-31	S8S	CONNECTOR PEUN -----	2	
-32	0413416-4	SPRING -----	2	
-33	AN742D6	CLAMP -----	2	
		ATTACHING PARTS -----		
	AN515-8R6	SCREW -----	1	
	NAS679A08	NUT -----	1	
		-----*		
NOTE. *LENGTH TO BE DETERMINED LATER				
A---150 SERIAL 15067199 & ON F150 SERIAL F150-0220 & ON				
B---150 SERIAL 15067199 THRU 15069308 F150 SERIAL F150-0220 THRU F150-0389				
C---150 SERIAL 15069309 & ON F150 SERIAL F150-0390 & ON				

Flight Controls (Cont)



USED WITH GYROS



WITHOUT GYROS

**SERIAL 15067199 THRU 15069308**

Figure 37C. Wing Leveler Components

FIGURE AND INDEX NO.	PART NUMBER	DESCRIPTION	UNITS PER ASSY	USABLE ON CODE
		<b>1 2 3 4 5 6 7</b>		
37C-		WING LEVELER COMPONENTS USED WITHOUT GYROS	NP	A
- 1	2904-1	INDICATOR-TURN COORDINATOR BTID	1	
		ATTACHING PARTS		
	AN515B6R12	SCREW	3	
	AN936A6B	WASHER	3	
	AN340B6	NUT	3	
		*-----		
- 2	S1792-1	VALVE-RESTRICTOR	1	
- 3		INVERTER	NP	
		ATTACHING PARTS		
	AN515-8R8	SCREW	2	
	NAS679A08	NUT	2	
		*-----		
- 4	S1800-1	TUBE-3.00 IN LG BULK ITEM REF S1800-1-3.00	2	
- 5	S1793-1	TEE	4	
- 6	S1494-6	CLAMP	4	
- 7	S1071R3	TUBE-RED * IN LG BULK ITEM REF S1071R3-*	1	
- 8	S1071G3	TUBE-GREEN * IN LG BULK ITEM REF S1071G3-*	1	
- 9	S1071R3	TUBE-RED * IN LG BULK ITEM REF S1071R3-*	1	
-10	S1071G3	TUBE-GREEN * IN LG BULK ITEM REF S1071G3-*	1	
-11	S1800-1	TUBE-* IN LG BULK ITEM REF S1800-1-*	1	
-12	S1800-1	TUBE-* IN LG BULK ITEM REF S1800-1-*	1	
-13	S1791-1	VALVE-WING LEVELER	1	
		ATTACHING PARTS		
	AN960-616	WASHER	1	
	0713026-6	NUT	1	
		*-----		
-14	S1760-1	KNOB	1	
-15	S1800-1	TUBE-* IN LG BULK ITEM REF S1800-1-*	1	
-16	S1800-1	TUBE-* IN LG BULK ITEM REF S1800-1-*	1	
-17	S1801-1	TEE	1	
-18	S1802-2	CONNECTOR	1	
-19	AN912-2D	BUSHING	1	
-20	C482001-0101	VALVE-RELIEF	1	
-21	S1495-4	HOSE-* IN LG BULK ITEM REF S1499-4J-*	1	
-22	S1497-4	FITTING-SOCKETLESS	2	
-23	AN816-4D	NIPPLE	2	
-24	S1414-1	GAGE-SUCTION	1	
		ATTACHING PARTS		
	AN515B632R12	SCREW	4	
	AN936A6B	WASHER	4	
	AN340B6	NUT	4	
		*-----		
-25	S1495-4	HOSE-* IN LG BULK ITEM REF S1499-4J-*	1	
-26	S1800-1	TUBE-* IN LG BULK ITEM REF S1800-1-*	1	
-27	S1800-1	TUBE-* IN LG BULK ITEM REF S1800-1-*	1	
-28	1713039-1	FITTING	2	
-29	C294501-0101	FILTER ASSEMBLY-AIR SEE FIGURE 45D	1	
-30	S1800-1	TUBE-* IN LG BULK ITEM REF S1800-1-*	1	
-31	S1494-7	CLAMP	2	
		WING LEVELER COMPONENTS USED WITH GYROS	NP	A
-32	2904-1	INDICATOR-TURN COORDINATOR BTID	1	
		ATTACHING PARTS		
	AN515B6R12	SCREW	3	
	AN936A6B	WASHER	3	
	AN340B6	NUT	3	
		*-----		
-33	S1792-1	VALVE-RESTRICTOR	1	
-34		INVERTER	NP	
		ATTACHING PARTS		
	AN515-8R8	SCREW	2	
	NAS679A08	NUT	2	
		*-----		
-35	S1800-1	TUBE-3.00 IN LG BULK ITEM REF S1800-1-3.00	2	
-36	S1793-1	TEE	3	
-37	S1494-6	CLAMP	4	

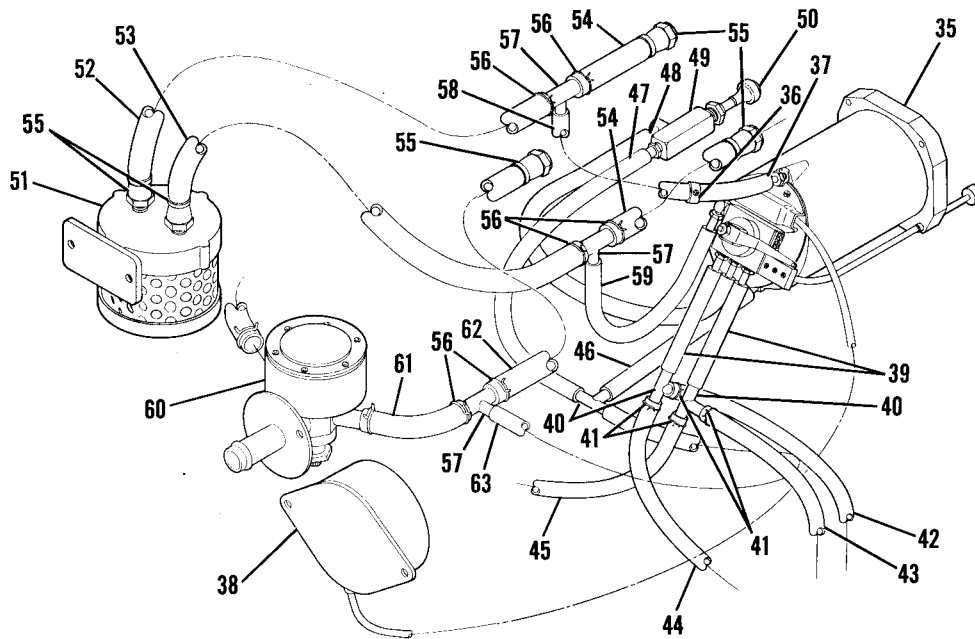
CONTINUED ON NEXT PAGE

FIGURE AND INDEX NO.	PART NUMBER	DESCRIPTION							UNITS PER ASSY	USABLE ON CODE	
		1	2	3	4	5	6	7			
37C-38	S1071R3	TUBE-RED	*	IN LG	BULK ITEM	REF S1071R3-*	-----		1		
-39	S1071G3	TUBE-GREEN	*	IN LG	BULK ITEM	REF S1071G3-*	-----		1		
-40	S1071R3	TUBE-RED	*	IN LG	BULK ITEM	REF S1071R3-*	-----		1		
-41	S1071G3	TUBE-GREEN	*	IN LG	BULK ITEM	REF S1071G3-*	-----		1		
-42	S1800-1	TUBE-* IN LG			BULK ITEM	REF S1800-1-*	-----		1		
-43	S1800-1	TUBE-* IN LG			BULK ITEM	REF S1800-1-*	-----		1		
-44	S1791-1	VALVE-WING LEVELER	-----							1	
		ATTACHING PARTS									
	AN960-616	WASHER	-----							1	
	0713026-6	NUT	-----							1	
		---*---									
-45	S1760-1	KNOB	-----							1	
-46	S1800-1	TUBE-* IN LG			BULK ITEM	REF S1800-1-*	-----		1		
-47	S1800-1	TUBE-* IN LG			BULK ITEM	REF S1800-1-*	-----		1		
-48	S1793-2	TEE	-----							3	
-49	S1494-9	CLAMP	-----							6	
-50	S1495-6	HOSE-* IN LG			BULK ITEM	REF 0413453-1	-----		1		
-51	S1497-6	FITTING-SOCKETLESS	-----							6	
-52	S1495-6	HOSE-3.25 IN LG			BULK ITEM	REF S1499-6L-3.25	-----		3		
-53	S1800-1	TUBE-* IN LG			BULK ITEM	REF S1800-1-*	-----		1		
-54	S1495-6	HOSE-* IN LG			BULK ITEM	REF 0413453-3	-----		1		
-55	C294501-0101	FILTER ASSEMBLY-AIR	SEE FIGURE 45D							1	
-56	S1495-6	HOSE-* IN LG			BULK ITEM	REF 0413453-2	-----		1		
<p>NOTE. *LENGTH TO BE DETERMINED LATER</p> <p>A---150 SERIAL 15067199 THRU 15069308  F150 SERIAL F150-0220 THRU F150-0389</p>											

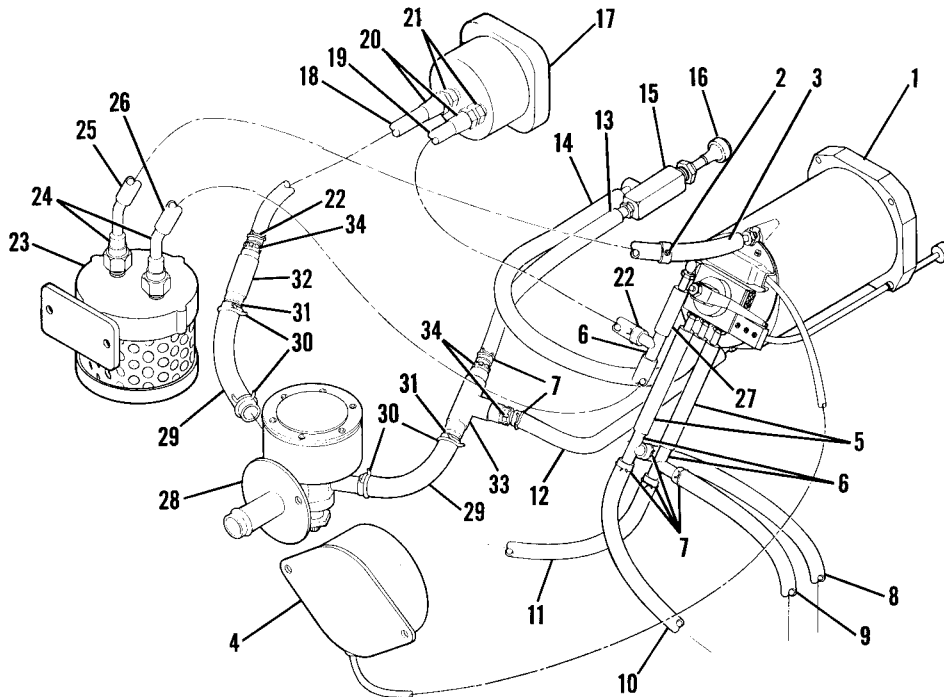
FIGURE AND INDEX NO.	PART NUMBER	DESCRIPTION							UNITS PER ASSY	USABLE ON CODE
		1	2	3	4	5	6	7		
37D-		WING LEVELER COMPONENTS USED WITHOUT GYROS -----							NP	A
- 1	2904-1	INDICATOR-TURN COORDINATOR BTID WHEN -----							1	
	20351-4	EXHAUSTED USE 20351-4 INDICATOR-TURN COORDINATOR BTID -----							1	
	AN515B6R12	ATTACHING PARTS								
	AN936A6B	SCREW -----							3	
	AN340B6	WASHER -----							3	
		NUT -----							3	
		<b>SERIAL 15069309 &amp; ON</b>								
		*-----								
- 2		%	VALVE-RESTRICTOR -----					NP		
- 3	S1800-1		TUBE-* IN LG BULK ITEM REF S1800-1-* -----					1		
- 4		%	INVERTER -----					NP		
			ATTACHING PARTS							
	AN515-8R8		SCREW -----					2		
	NAS679A08		NUT -----					2		
			*-----							
- 5	S1800-1		TUBE-3.00 IN LG BULK ITEM REF S1800-1-3.00 -----					2		
- 6	S1793-1		TEE -----					3		
- 7	S1494-6		CLAMP -----					6		
- 8	S1071R3		TUBE-RED * IN LG BULK ITEM REF S1071R3-* -----					1		
- 9	S1071G3		TUBE-GREEN * IN LG BULK ITEM REF S1071G3-* -----					1		
-10	S1071R3		TUBE-RED * IN LG BULK ITEM REF S1071R3-* -----					1		
-11	S1071G3		TUBE-GREEN * IN LG BULK ITEM REF S1071G3-* -----					1		
-12	S1800-1		TUBE-* IN LG BULK ITEM REF S1800-1-* -----					1		
-13	S1800-1		TUBE-* IN LG BULK ITEM REF S1800-1-* -----					1		
-14	S1800-1		TUBE-* IN LG BULK ITEM REF S1800-1-* -----					1		
-15	S1791-1		VALVE-WING LEVELER -----					1		
			ATTACHING PARTS							
	AN960-616		WASHER -----					1		
	0713026-6		NUT -----					1		
			*-----							
-16	S1760-1		KNOB -----					1		
-17	S1414-1		GAGE-SUCTION -----					1		
			ATTACHING PARTS							
	AN515B6R12		SCREW -----					4		
	AN936A6B		WASHER -----					4		
	AN340B6		NUT -----					4		
			*-----							

CONTINUED ON NEXT PAGE

Flight Controls (Cont)



USED WITH GYROS



WITHOUT GYROS

**SERIAL 15069309 & ON**

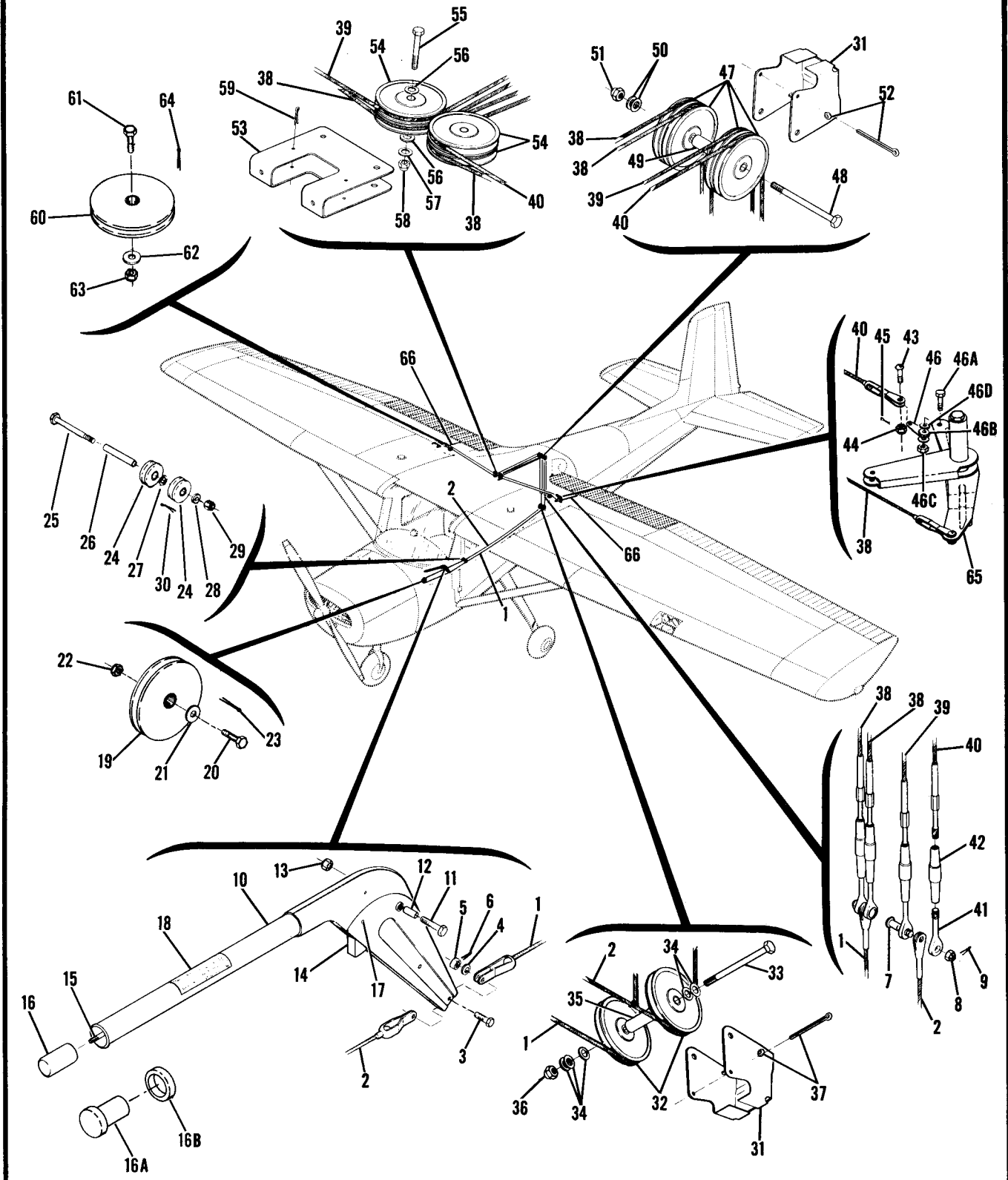
Figure 37D. Wing Leveler Components



FIGURE AND INDEX NO.	PART NUMBER	DESCRIPTION	UNITS PER ASSY	USABLE ON CODE
		<b>1 2 3 4 5 6 7</b>		
37C-18	S1495-4	HOSE-* IN LG BULK ITEM REF S1499-4J-*	1	
-19	S1495-4	HOSE-* IN LG BULK ITEM REF S1499-4J-*	1	
-20	S1497-4	FITTING-SOCKETLESS	2	
-21	AN816-4D	NIPPLE	2	
-22	S1494-7	CLAMP	2	
-23	C294501-0101	FILTER ASSEMBLY-AIR SEE FIG 45E	1	
-24	1713039-1	FITTING	2	
-25	S1800-1	TUBE-* IN LG BULK ITEM REF S1800-1-*	1	
-26	S1800-1	TUBE-* IN LG BULK ITEM REF S1800-1-*	1	
-27	S1800-1	TUBE-* IN LG BULK ITEM REF S1800-1-*	1	
-28	C482001-0301	VALVE-RELIEF	1	
-29	S1495-6	HOSE-4.00 IN LG BULK ITEM REF S1495-6-4.00	2	
-30	S1494-9	CLAMP	4	
-31	S1828-4	ADAPTER	2	
-32	S1803-2	COUPLING	1	
-33	S1826-2	TEE	1	
-34	S1805-1	REDUCER	3	
	S1828-3	ADAPTER	3	
		WING LEVELER COMPONENTS USED WITH GYROS	NP	A
-35	2904-1	INDICATOR-TURN COORDINATOR BTID WHEN	1	
	20351-4	EXHAUSTED USE 20351-4 INDICATOR-TURN COORDINATOR BTID	1	
	AN51586R12	ATTACHING PARTS SCREW	3	
	AN936A68	WASHER	3	
	AN340B6	NUT	3	
		*-----		
-36	S1800-1	VALVE-RESTRICTOR	NP	
-37	S1800-1	TUBE-* IN LG BULK ITEM REF S1800-1-*	1	
-38		INVERTER	NP	
		ATTACHING PARTS		
	AN515-8R8	SCREW	2	
	NAS679A08	NUT	2	
		*-----		
-39	S1800-1	TUBE-3.00 IN LG BULK ITEM REF S1800-1-3.00	2	
-40	S1793-1	TEE	3	
-41	S1494-6	CLAMP	4	
-42	S1071R3	TUBE-RED * IN LG BULK ITEM REF S1071R3-*	1	
-43	S1071G3	TUBE-GREEN * IN LG BULK ITEM REF S1071G3-*	1	
-44	S1071R3	TUBE-RED * IN LG BULK ITEM REF S1071R3-*	1	
-45	S1071G3	TUBE-GREEN * IN LG BULK ITEM REF S1071G3-*	1	
-46	S1800-1	TUBE-* IN LG BULK ITEM REF S1800-1-*	1	
-47	S1800-1	TUBE-* IN LG BULK ITEM REF S1800-1-*	1	
-48	S1800-1	TUBE-* IN LG BULK ITEM REF S1800-1-*	1	
-49	S1791-1	VALVE-WING LEVELER	1	
		ATTACHING PARTS		
	AN960-616	WASHER	1	
	0713026-6	NUT	1	
		*-----		
-50	S1760-1	KNOB	1	
-51	C294501-0101	FILTER ASSEMBLY-AIR SEE FIG 45E	1	
-52	S1495-6	HOSE-* IN LG BULK ITEM REF 0413453-2	1	
		AIR FILTER TO HORIZON GYRO		
-53	S1495-6	HOSE-* IN LG BULK ITEM REF 0413453-3	1	
		AIR FILTER TO DIRECTIONAL GYRO		
-54	S1495-6	HOSE-3.25 IN LG BULK ITEM REF S1499-6L-3.25	2	
-55	S1497-6	FITTING-SOCKETLESS	5	
-56	S1494-9	CLAMP	7	
-57	S1793-2	TEE	3	
-58	S1800-1	TUBE-* IN LG BULK ITEM REF S1800-1-*	1	
-59	S1800-1	TUBE-* IN LG BULK ITEM REF S1800-1-*	1	
-60	C482001-0301	VALVE-RELIEF SEE FIG 45E	1	
-61	S1495-6	HOSE-* IN LG BULK ITEM REF S1495-6-*	1	
-62	S1495-6	HOSE-* IN LG BULK ITEM REF 0413453-4	1	
		RELIEF VALVE TO DIRECTIONAL GYRO		
-63	S1800-1	TUBE-* IN LG BULK ITEM REF S1800-1-*	1	
		NOTE. *LENGTH TO BE DETERMINED LATER		
		NOTE. %INVERTER, RESTRICTOR VALVE & TURN COORDINATOR MUST BE ORDERED AS A MATCHED SET.		
		A---150 SERIAL 15069309 & ON F150 SERIAL F150-0390 & ON		

22

Flight Controls (Cont)



**SERIAL 17001 THRU 15060087**

Figure 38. Flap Control System Installation

FIGURE AND INDEX NO.	PART NUMBER	DESCRIPTION	UNITS PER ASSY	USABLE ON CODE
38 -		FLAP CONTROL SYSTEM INSTALLATION -----	NP	M
- 1	0400107-22	CABLE-FLAP EXTEND FORWARD -----	1	
	0400107-122	CABLE-STAINLESS STEEL FLAP EXTEND -----	1	
- 2	0400107-23	CABLE-FLAP RETRACT FORWARD -----	1	
	0400107-123	CABLE-STAINLESS STEEL FLAP RETRACT -----	1	
		ATTACHING PARTS		
- 3	AN3-11	BOLT -----	1	
- 4	AN960-10L	WASHER -----	1	
- 5	AN320-3	NUT -----	1	
- 6	MS24665-134	PIN-COTTER -----	1	
- 7	AN23-15	BOLT -----	1	
- 8	AN310-3	NUT -----	1	
- 9	MS24665-134	PIN-COTTER -----	1	
		-----*		
-10	0411927	LEVER ASSEMBLY FLAP WHEN EXHAUSTED -----	1	A
		USE 0411927-4 -----		
	0411927-3	LEVER ASSEMBLY-FLAP WHEN EXHAUSTED -----	1	G
		USE 0411927-4 -----		
	0411927-4	LEVER ASSEMBLY-FLAP WHEN EXHAUSTED USE 0411927-5 -----	1	J
	0411927-5	LEVER ASSEMBLY-FLAP -----	1	K
		ATTACHING PARTS		
-11	AN3-12A	BOLT -----	1	
-12	0425133	BUSHING -----	1	
-13	NAS679A3	NUT -----	1	
		-----*		
-14	0510167	LATCH ASSEMBLY-LEVER -----	1	
-15	0510169-2	ROD-LATCH -----	1	F
	0510169-4	ROD-LATCH -----	1	H
	NAS70CL128-313	WASHER -----	1	
-16	0510182	BUTTON-RELEASE WHEN EXHAUSTED USE 0510203-1 -----	1	A
-16A	0510203-1	KNOB ASSEMBLY -----	1	B
-16B	0510193-2	COLLAR -----	1	B
-17	0510177	BUSHING -----	1	
	AN960-4L	WASHER -----	2	
	0510176	SPRING -----	1	
	0411927-2	RUB STRIP -----	2	
-18	0510191	PLACARD-FLAP LEVER -----	1	L
	0510194-1	PLACARD-FLAP LEVER -----	1	K
-19	S378-2	PULLEY CESSNA STANDARD -----	1	
		ATTACHING PARTS		
-20	AN3-7A	BOLT -----	1	
-21	AN960-10	WASHER -----	1	
-22	NAS679A3	NUT -----	1	
		-----*		
-23	MS24665-136	PIN-COTTER -----	2	
-24	S394	PULLEY CESSNA STANDARD -----	2	
		ATTACHING PARTS		
-25	AN3-13A	BOLT -----	1	
-26	0411926	BUSHING -----	1	
-27	AN960-416L	WASHER -----	1	
-28	AN960-10	WASHER -----	1	
-29	NAS679A3	NUT -----	1	
		-----*		
-30	MS24665-140	PIN-COTTER -----	1	
-31	0411930	BRACKET-PULLEY -----	2	
-32	S378-2	PULLEY CESSNA STANDARD -----	2	
		ATTACHING PARTS		
-33	AN3-23A	BOLT -----	1	
-34	AN960-416	WASHER -----	6	
-35	NAS43HT3-65	SPACER -----	1	
-36	NAS679A3	NUT -----	1	
		-----*		
-37	MS24665-500	PIN-COTTER -----	2	
-38	0400107-34	CABLE-FLAP EXTEND FUSELAGE TO BELLCRANK LH -----	2	
	0400107-134	CABLE-FLAP EXTEND STAINLESS STEEL -----	2	
-39	0400107-26	CABLE-FLAP RETRACT FUSELAGE TO BELLCRANK -----	2	C
	0400107-126	CABLE-FLAP RETRACT STAINLESS STEEL -----	2	C
	0400107-26	CABLE-FLAP RETRACT FUSELAGE TO BELLCRANK RH -----	1	D
	0400107-126	CABLE-FLAP RETRACT STAINLESS STEEL RH -----	1	D

CONTINUED ON NEXT PAGE

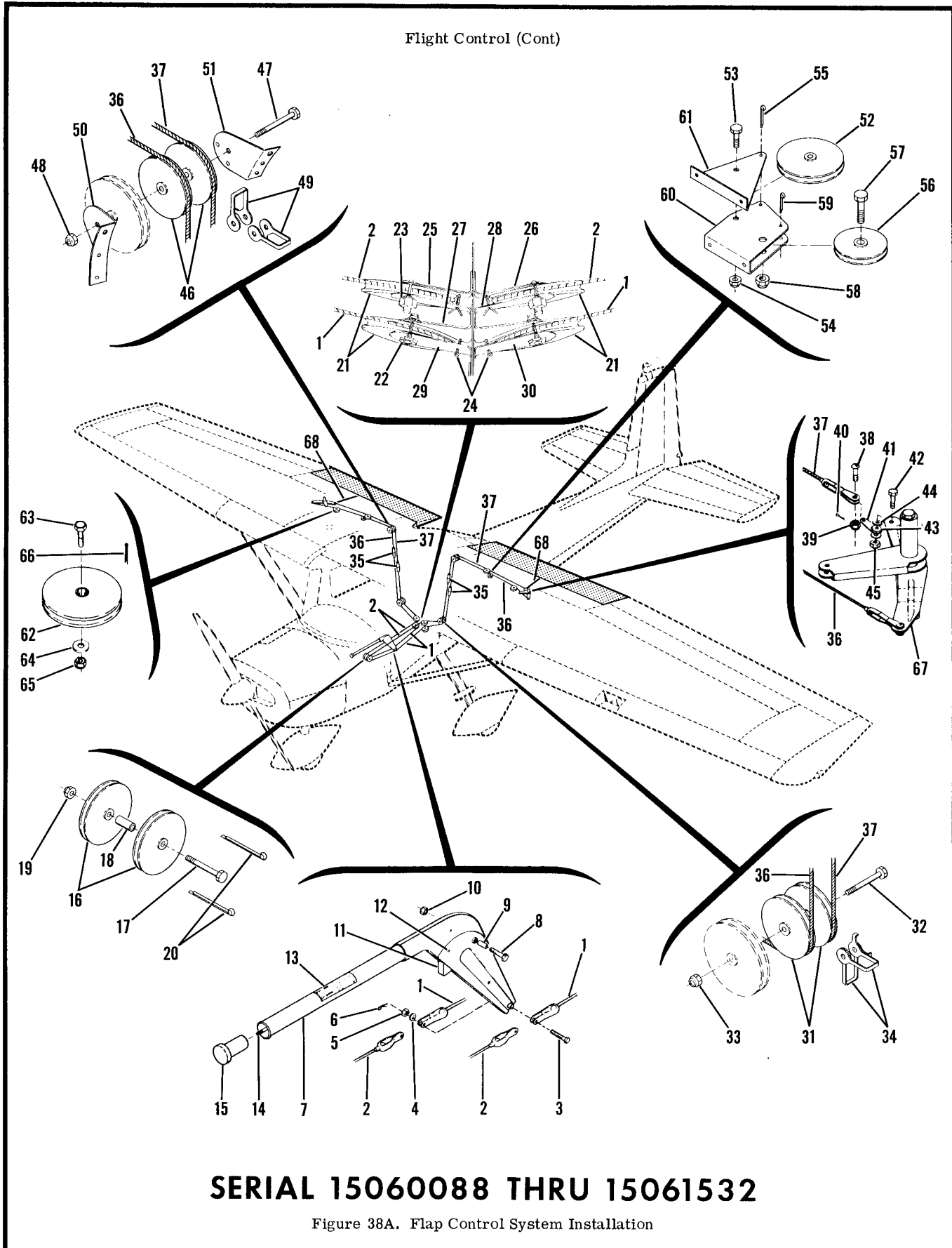
FIGURE AND INDEX NO.	PART NUMBER	DESCRIPTION							UNITS PER ASSY	USABLE ON CODE
		1	2	3	4	5	6	7		
38 -40	0400107-33	CABLE-FLAP RETRACT	FUSELAGE TO BELLCRANK LH	-----					1	D D E E
	0400107-133	CABLE-FLAP RETRACT	STAINLESS STEEL LH	-----					1	
	0400107-33	CABLE-FLAP RETRACT	FUSELAGE TO BELLCRANK	-----					2	
	0400107-133	CABLE-FLAP RETRACT	STAINLESS STEEL	-----					2	
		ATTACHING PARTS								
-41	AN165-16R5	EYE	-----						1	
-42	AN155816S	BARREL-TURN BUCKLE	-----						1	
-43	AN23-9	BOLT	-----						1	
-44	AN310-3	NUT	-----						1	
-45	AN310-2-3	PIN-COTTER	-----						1	
		*-----*								
-46	0460106-1	LINK	LH ONLY	-----					1	D E
	0460106-1	LINK	-----						2	
		ATTACHING PARTS								
-46A	AN3-6A	BOLT	-----						1	
-46B	0460107-1	SPACER	-----						1	
-46C	NAS679A3	NUT	-----						1	
-46D	AN960-10	WASHER	-----						2	
		*-----*								
-47	S378-2	PULLEY	CESSNA STANDARD	-----					4	
		ATTACHING PARTS								
-48	AN3-23A	BOLT	-----						1	
-49	NAS43HT3-40	SPACER	-----						1	
-50	AN960-10	WASHER	-----						2	
-51	NAS679A3	NUT	-----						1	
		*-----*								
-52	MS24665-500	PIN-COTTER	-----						2	
-53	0411931	BRACKET-PULLEY	-----						1	
-54	S378-2	PULLEY	CESSNA STANDARD	-----					4	
		ATTACHING PARTS								
-55	AN3-11A	BOLT	-----						1	
-56	AN960-416L	WASHER	-----						3	
-57	AN960-10	WASHER	-----						1	
-58	NAS679A3	NUT	-----						1	
		*-----*								
-59	MS24665-136	PIN-COTTER	-----						2	
-60	S378-2	PULLEY	CESSNA STANDARD	-----					2	
		ATTACHING PARTS								
-61	AN3-7A	BOLT	-----						1	
-62	AN960-10	WASHER	-----						1	
-63	NAS679A3	NUT	-----						1	
		*-----*								
-64	MS24665-134	PIN-COTTER	-----						2	
-65	0523535	BELLCRANK-LH	SEE FIGURE 6	-----					1	
		BELLCRANK-RH	SEE FIGURE 6	-----					1	
-66	0523535-1	ROD ASSEMBLY	SEE FIGURE 6	-----					1	
		0523537	SEE FIGURE 6	-----					2	
<p>A---150 SERIAL 17001 THRU 17683                      B---150 SERIAL 17684 THRU 15060087                      C---150 SERIAL 17001 THRU 17438                      D---150 SERIAL 17439 THRU 17558                      E---150 SERIAL 17559 THRU 15060087                      F---150 SERIAL 17001 THRU 59018                      G---150 SERIAL 17684 THRU 59018                      H---150 SERIAL 15059019 THRU 15060087                      J---150 SERIAL 15059019 THRU 15059700                      K---150 SERIAL 15059701 THRU 15060087                      L---150 SERIAL 17001 THRU 15059700                      M---150 SERIAL 17001 THRU 15060087</p>										



FIGURE AND INDEX NO.	PART NUMBER	DESCRIPTION	UNITS PER ASSY	USABLE ON CODE
38A-		FLAP CONTROL SYSTEM INSTALLATION -----	NP	A
- 1	0400107-39	CABLE-FLAP EXTEND FORWARD -----	2	
	0400107-139	CABLE-FLAP EXTEND STAINLESS STEEL -----	2	
- 2	0400107-37	CABLE-FLAP RETRACT FORWARD -----	2	
	0400107-137	CABLE-FLAP RETRACT STAINLESS STEEL -----	2	
		ATTACHING PARTS		
- 3	AN3-15A	BOLT -----	1	
- 4	AN960-10	WASHER -----	1	
- 5	AN320-3	NUT -----	1	
- 6	MS24665-132	PIN-COTTER -----	1	
		-----*		
- 7	0411927-6	LEVER ASSEMBLY-FLAP CONTROL -----	1	
		ATTACHING PARTS		
- 8	AN3-12A	BOLT -----	1	
- 9	0425133	BUSHING -----	1	
-10	NAS679A3	NUT -----	1	
		-----*		
-11	0510167	LATCH ASSEMBLY-LEVER -----	1	
-12	0510177	BUSHING -----	1	
	AN960-4L	WASHER -----	2	
	0510176	SPRING -----	1	
-13	0460194-1	PLACARD-FLAP LEVER -----	1	
-14	0510169-4	ROD-LATCH -----	1	
	NAS70CL128-313	WASHER -----	1	
-15	0510203-1	KNOB ASSEMBLY -----	1	
-16	S378-2	PULLEY -----	2	
		ATTACHING PARTS		
-17	AN3-16A	BOLT -----	1	
-18	NAS43HT3-46	SPACER -----	1	
-19	NAS679A3	NUT -----	1	
		-----*		
-20	MS24665-360	PIN-COTTER -----	2	
-21	S378-2	PULLEY -----	4	
		ATTACHING PARTS		
-22	AN3-6A	BOLT -----	1	
-23	NAS679A3	NUT -----	1	
		-----*		
-24	MS24665-134	PIN-COTTER -----	8	
-25	0412051-5	BRACKET-PULLEY UPPER LH -----	1	
-26	0412051-6	BRACKET-PULLEY UPPER RH -----	1	
-27	0412051-1	BRACKET-PULLEY LH -----	1	
-28	0412051-2	BRACKET-PULLEY RH -----	1	
-29	0412051-3	BRACKET-PULLEY LOWER LH -----	1	
-30	0412051-4	BRACKET-PULLEY LOWER RH -----	1	
-31	S378-2	PULLEY -----	2	
		ATTACHING PARTS		
-32	AN3-16A	BOLT -----	1	
-33	NAS679A3	NUT -----	1	
		-----*		
-34	0760610-5	GUARD-CABLE LH -----	2	
	0760610-6	GUARD-CABLE RH -----	2	
-35	AN155816S	BARREL-TURN BUCKLE -----	4	
-36	0400107-40	CABLE-FLAP EXTEND FUSELAGE TO BELLCRANK -----	2	
	0400107-140	CABLE-FLAP EXTEND STAINLESS STEEL -----	2	
-37	0400107-38	CABLE-FLAP RETRACT FUSELAGE TO BELLCRANK -----	2	
	0400107-138	CABLE-FLAP RETRACT STAINLESS STEEL -----	2	
		ATTACHING PARTS		
-38	AN23-9	BOLT -----	1	
-39	AN310-3	NUT -----	1	
-40	MS24665-134	PIN-COTTER -----	1	
-41	0460106-1	LINK -----	2	
-42	AN3-6A	BOLT -----	1	B
	AN3-5A	BOLT -----	1	C
-43	0460107-1	SPACER -----	1	B
	NAS43HT3-8	SPACER -----	1	C
-44	AN960-10	WASHER -----	2	
-45	NAS679A3	NUT -----	1	
		-----*		

CONTINUED ON NEXT PAGE

Flight Control (Cont)

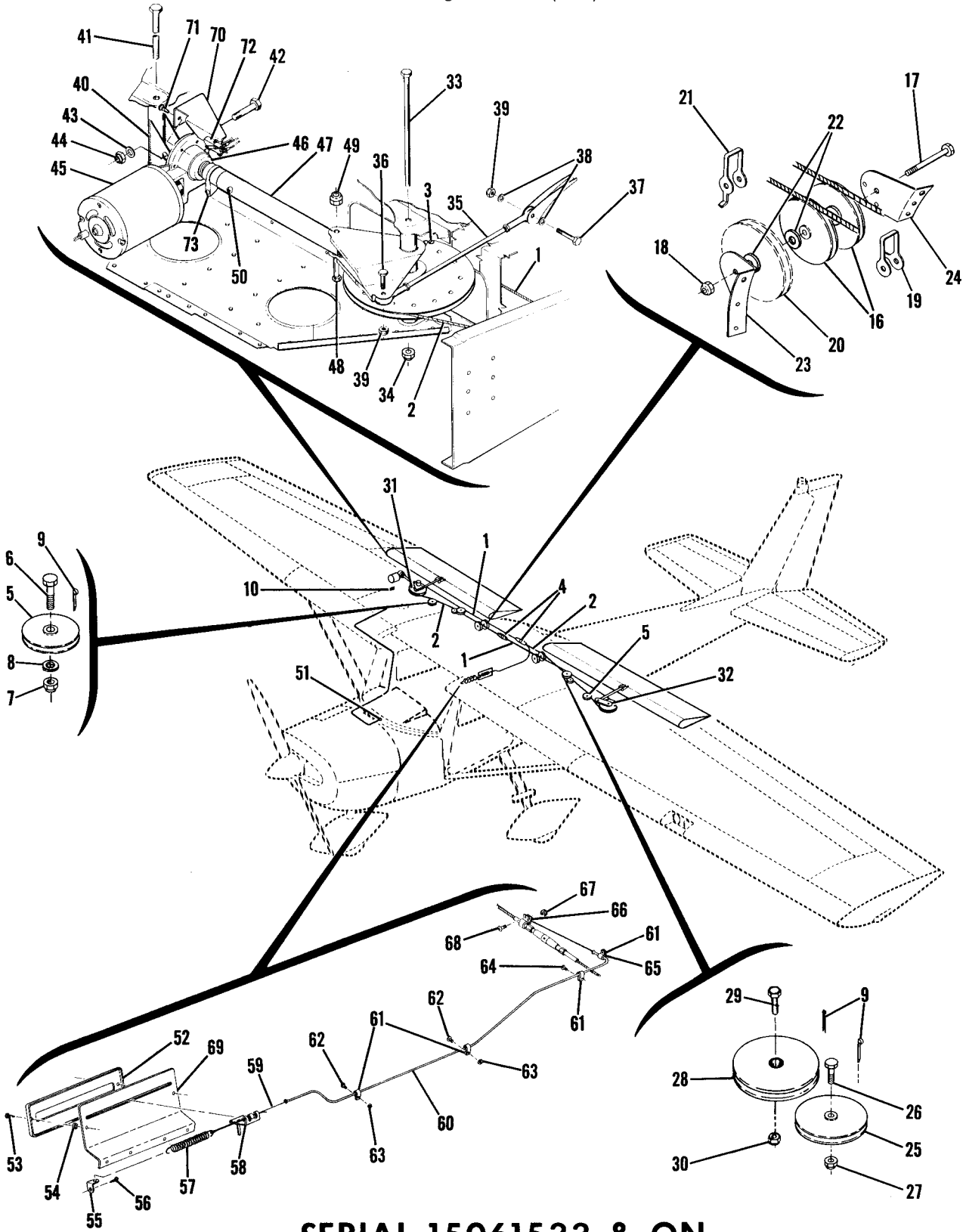


**SERIAL 15060088 THRU 15061532**

Figure 38A. Flap Control System Installation

FIGURE AND INDEX NO.	PART NUMBER	DESCRIPTION	UNITS PER ASSY	USABLE ON CODE
		<b>1 2 3 4 5 6 7</b>		
38A-46	S378-2	PULLEY ----- ATTACHING PARTS -----	1	
-47	AN3-17A	BOLT -----	1	
-48	NAS679A3	NUT ----- -----*	1	
-49	0760610-6	GUARD-CABLE RH -----	2	
	0760610-5	GUARD-CABLE LH -----	2	
	0412044-1	BRACKET-PULLEY LH FWD -----	1	
-50	0412044-2	BRACKET-PULLEY RH FWD -----	1	
	0412044-3	BRACKET-PULLEY LH AFT -----	1	
-51	0412044-4	BRACKET-PULLEY RH AFT ----- ATTACHING PARTS -----	1	
	AN520-10R6	SCREW -----	1	
	AN960-10	WASHER -----	1	
	NAS679A3	NUT ----- -----*	1	
-52	S378-2	PULLEY ----- ATTACHING PARTS -----	2	
-53	AN3-6A	BOLT -----	1	
-54	NAS679A3	NUT ----- -----*	1	
-55	MS24665-134	PIN-COTTER -----	2	
-56	S378-3	PULLEY ----- ATTACHING PARTS -----	2	
-57	AN4-10A	BOLT -----	1	
-58	NAS679A4	NUT ----- -----*	1	
-59	MS24665-136	PIN-COTTER -----	2	
-60	0422293-1	BRACKET-PULLEY LH LOWER -----	1	
	0422293-2	BRACKET-PULLEY RH LOWER -----	1	
-61	0422293-3	BRACKET-PULLEY LH UPPER -----	1	
	0422293-4	BRACKET-PULLEY RH UPPER -----	1	
-62	S378-2	PULLEY ----- ATTACHING PARTS -----	2	
-63	AN3-7A	BOLT -----	1	
-64	AN960-10	WASHER -----	1	
-65	NAS679A3	NUT ----- -----*	1	
-66	MS24665-134	PIN-COTTER -----	2	
-67	0523535	BELLCRANK-LH SEE FIGURE 6 -----	1	
	0523535-1	BELLCRANK-RH SEE FIGURE 6 -----	1	
-68	0523537	ROD ASSEMBLY SEE FIGURE 6 -----	2	
		A---150 SERIAL 15060088 THRU 15061532		
		B---150 SERIAL 15060088 THRU 15060758		
		C---150 SERIAL 15060759 THRU 15061532		

Flight Controls (Cont)



**SERIAL 15061533 & ON**

Figure 38B. Electric Flap System Installation



FIGURE AND INDEX NO.	PART NUMBER	DESCRIPTION	UNITS PER ASSY	USABLE ON CODE
		<b>1 2 3 4 5 6 7</b>		
38B-		FLAP SYSTEM INSTALLATION-ELECTRIC -----	NP	A
- 1	0400107-45	CABLE-FLAP -----	2	
	0400107-145	CABLE-FLAP STAINLESS STEEL -----	2	
- 2	0400107-46	CABLE-FLAP -----	2	
	0400107-146	CABLE-FLAP STAINLESS STEEL -----	2	
		ATTACHING PARTS		
- 3	MS20392-1C9	PIN -----	2	
	MS24665-134	PIN-COTTER -----	2	
- 4	AN155B16S	BARREL -----	1	
		*-----		
- 5	S378-2	PULLEY -----	2	
		ATTACHING PARTS		
- 6	AN3-7A	BOLT -----	1	
- 7	NAS679A3	NUT -----	1	
- 8	AN960-10	WASHER -----	1	
		*-----		
- 9	MS24665-132	PIN-COTTER CABLE GUARD -----	6	
-10	SK150-16	KIT-ELECTRIC FLAP RELAY -----	1	D
	0420017-2	RELAY-ELECTRIC FLAP -----	1	E
-11		DELETED, NEVER USED -----		
-12		DELETED, NEVER USED -----		
-13		DELETED, NEVER USED -----		
-14		DELETED, NEVER USED -----		
-15		DELETED, NEVER USED -----		
-16	S378-2	PULLEY -----	4	
		ATTACHING PARTS		
-17	AN3-17A	BOLT -----	1	
-18	NAS679A3	NUT -----	1	
-19	0760610-6	GUARD RH -----	1	
	0760610-5	GUARD LH -----	1	
-20	MS20220-2	PULLEY USED ON AILERON SYSTEM -----	1	
-21	0460108-1	GUARD USED ON AILERON PULLEY -----	2	
	0460109-1	BUSHING USED WITH AILERON PULLEY -----	1	
-22	AN960-10	WASHER -----	2	
		*-----		
-23	0412044-2	BRACKET-PULLEY RH FWD -----	1	
	0412044-1	BRACKET-PULLEY LH FWD -----	1	
-24	0412044-4	BRACKET-PULLEY RH AFT -----	1	
	0412044-3	BRACKET-PULLEY LH AFT -----	1	
-25	S378-3	PULLEY -----	2	
		ATTACHING PARTS		
-26	AN4-10A	BOLT -----	1	
-27	NAS679A4	NUT -----	1	
		*-----		
-28	S378-2	PULLEY -----	2	
		ATTACHING PARTS		
-29	AN3-6A	BOLT -----	1	
-30	NAS679A3	NUT -----	1	
		*-----		
-31	0760612-1	DRIVE PULLEY ASSEMBLY-RH -----	1	
-32	0760612-7	DRIVE PULLEY ASSEMBLY-LH -----	1	
		ATTACHING PARTS		
-33	AN4-60A	BOLT -----	1	
	0523536	BUSHING -----	1	
	0522629	WASHER -----	2	
	AN960D416	WASHER -----	2	
-34	NAS679A4	NUT -----	1	
		*-----		
-35	B610	BEARING TOR -----	1	
	0523537	ROD ASSEMBLY -----	2	
		ATTACHING PARTS		
-36	AN3-7A	BOLT ATTACH BELLCRANK END -----	1	
-37	AN3-11A	BOLT ATTACH TO FLAP END -----	1	
-38	AN960-10	WASHER ATTACH AT FLAP END -----	5	
-39	NAS679A3	NUT -----	2	
		*-----		
-40	0760619-1	HINGE ASSEMBLY-FLAP MOTOR -----	1	
		ATTACHING PARTS		
-41	AN4-56A	BOLT -----	1	
	0523536	BUSHING -----	1	
	NAS679A4	NUT -----	1	
		*-----		
	B610	BEARING TOR -----	1	

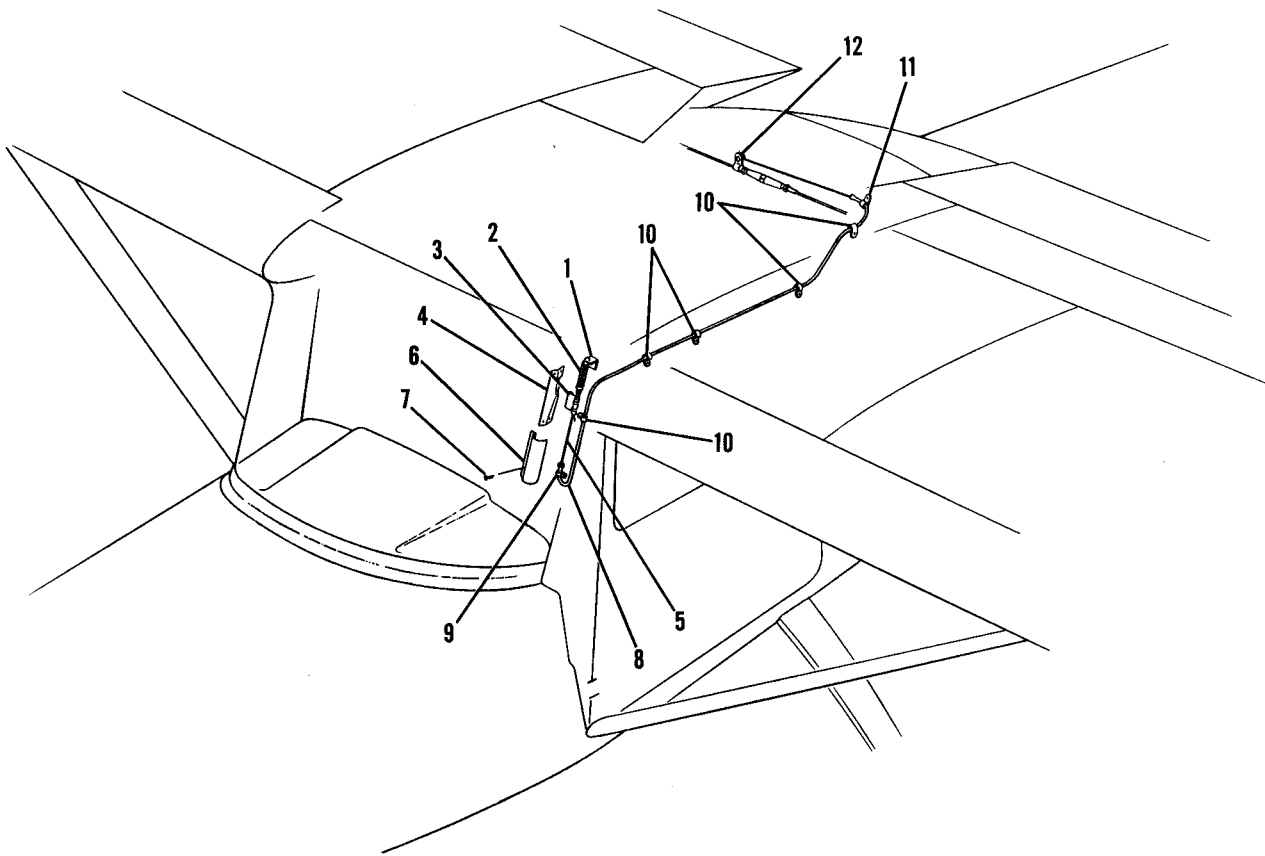
CONTINUED ON NEXT PAGE

FIGURE AND INDEX NO.	PART NUMBER	DESCRIPTION	UNITS PER ASSY	USABLE ON CODE		
					1	2
388-	0760657-6 C301001-0301 C301001-0201	TRANSMISSION & MOTOR ASSEMBLY ----- TRANSMISSION & MOTOR ASSEMBLY ----- TRANSMISSION & MOTOR ASSEMBLY ALTERNATE -----	1 1 1	B C C		
-42	AN6-15A	ATTACHING PARTS BOLT -----	1			
-43	AN960-616	WASHER -----	1			
-44	NAS679A6	NUT -----	1			
-45	M072218A C301001-0210	*----- MOTOR-FLAP ACTUATOR AM -----	1	B		
-46	1016584 C1C0-05	MOTOR-FLAP ACTUATOR ----- TRANSMISSION ASSEMBLY-FLAP ACTUATOR DHDD ----- TRANSMISSION ASSEMBLY-FLAP ACTUATOR CATP ALTERNATE -----	1 1 1	C  C		
	H14-3 AN936B10	ATTACHING PARTS NUT ----- WASHER -----	2 2			
-47	C301001-0211 0760620-1	*----- COUPLING ----- TUBE ASSEMBLY-FLAP -----	1 1			
-48	AN4-15A 0760614-1	ATTACHING PARTS BOLT ----- BUSHING -----	1 1			
-49	NAS679A5	NUT -----	1			
-50	S1003-66A AN565D832H3	*----- BEARING ----- SET SCREW -----	1 1			
-51	HM25573 S1661-1 S1661-2	SWITCH-FLAP CONTROL CELI ----- SWITCH-FLAP CONTROL ----- SWITCH-FLAP CONTROL -----	1 1 1	B H G		
-52	0413417-3	FLAP POSITION INDICATOR INSTALLATION ----- FLAP POSITION INDICATOR INSTL SEE FIGURE 38C ----- COVER -----	1 1 1	F G F		
-53	S1021A4-8C	ATTACHING PARTS SCREW -----	2	F		
-54	NAS43001-6	SPACER -----	2	F		
-55	AN743-12	*----- CLAMP SUPPORT -----	1	F		
-56	S1021A6-6C	ATTACHING PARTS SCREW -----	1	F		
-57	0413416-4	*----- SPRING -----	1	F		
-58	0413417-2	MARKER -----	1	F		
-59	0413416-3 0413416-6	WIRE ----- WIRE -----	1 1	F F		
-60	0413416-2	WHEN EXHAUSTED USE 0413416-6 ----- TUBE -----	1	F		
-61	AN742D2	ATTACHING PARTS CLAMP -----	4	F		
-62	AN515-8R8	SCREW -----	2	F		
-63	NAS679A08	NUT -----	2	F		
-64	S1021A6-6C	SCREW -----	1	F		
-65	S1021Z6-8 NAS446-2-3	SCREW ----- NUT -----	1 1	F F		
-66	AN742D3	*----- CLAMP -----	1	F		
-67	NAS679A08	NUT -----	1	F		
-68	AN515-8R8	SCREW -----	1	F		
-69	0413417-1	SUPPORT-FLAP INDICATOR -----	1	F		

CONTINUED ON NEXT PAGE

FIGURE AND INDEX NO.	PART NUMBER	DESCRIPTION	UNITS PER ASSY	USABLE ON CODE
388-70	C420019-1	SUPPORT-FLAP LIMIT SWITCH ----- ATTACHING PARTS -----	1	G
-71	AN507-1032R12 AN936810	SCREW ----- WASHER ----- -----*	2 2	G G
-72	E33-10K  AN515-4R12 NAS620-4 AN340-4	SWITCH-FLAP LIMIT CRYE ----- ATTACHING PARTS ----- SCREW ----- WASHER ----- NUT ----- -----*	1  2 2 2	G  G G G
-73	S1601-16  AN520-10R24 AN960-10 NAS679A3	CLAMP ----- ATTACHING PARTS ----- SCREW ----- WASHER ----- NUT ----- -----*	1  1 1 1	G  G G G
<p>NOTE. THIS PART NUMBER MUST HAVE A SECOND DASH NUMBER ADDED TO DENOTE COLOR. REFER TO HOW TO ORDER INTERIOR PARTS-PAGE XIII.</p> <p>A---150 SERIAL 15061533 &amp; ON F150 SERIAL F150-0001 &amp; ON</p> <p>B---150 SERIAL 15061533 THRU 15063135 F150 SERIAL F150-0001 THRU F150-0034</p> <p>C---150 SERIAL 15063136 &amp; ON F150 SERIAL F150-0035 &amp; ON</p> <p>D---15061533 THRU 15062290</p> <p>E---150 SERIAL 15062291 THRU 15063135 F150 SERIAL F150-0001 THRU F150-0034</p> <p>F---150 SERIAL 15061533 THRU 15067198 F150 SERIAL F150-0001 THRU F150-0219</p> <p>G---150 SERIAL 15067199 &amp; ON F150 SERIAL F150-0220 &amp; ON</p> <p>H---150 SERIAL 15063136 THRU 15067198 F150 SERIAL F150-0035 THRU F150-0219</p>				

Flight Controls (Cont)



**SERIAL 15067199 & ON**

Figure 38C. Flap Position Indicator Installation



FIGURE AND INDEX NO.	PART NUMBER	DESCRIPTION	UNITS PER ASSY	USABLE ON CODE
<b>1 2 3 4 5 6 7</b>				
38C-		FLAP POSITION INDICATOR INSTALLATION -----	NP	A
- 1	0413447-2	CLAMP SUPPORT -----	1	
	S1021Z6-6	ATTACHING PARTS		
		SCREW -----	1	
		-----*		
		<b>SERIAL 15067199 &amp; ON</b>		
- 2	0413416-4	SPRING -----	1	
- 3	0413446-1	MARKER -----	1	
- 4	0413445-1	SUPPORT-FLAP INDICATOR -----	1	
	S1022Z6-8C	ATTACHING PARTS		
		SCREW -----	2	
		-----*		
- 5	0413416-6	WIRE -----	1	
- 6	0413449-1	TRIM -----	1	
		ATTACHING PARTS		
- 7	S1021Z6-6	SCREW -----	2	
		-----*		
- 8	0413416-8	TUBE -----	1	
		ATTACHING PARTS		
- 9	AN742D3	CLAMP -----	1	
	NAS43DD1-10	SPACER -----	1	
	S1021Z6-10	SCREW -----	1	
-10	AN742D3	CLAMP -----	5	
	S1021Z6-6	SCREW -----	5	
-11	AN742D3	CLAMP -----	1	
	AN515-8R10	SCREW -----	1	
	NAS43DD3-16	SPACER -----	1	
	NAS679A08	NUT -----	1	
		-----*		
-12	AN742D3	CLAMP -----	1	
	AN515-8R8	SCREW -----	1	
	NAS679A08	NUT -----	1	
		NOTE. □THIS PART NUMBER MUST HAVE A SECOND DASH NUMBER ADDED TO DENOTE COLOR. REFER TO HOW TO ORDER INTERIOR PARTS-PAGE XIII.		
		A---150 SERIAL 15067199 & ON F150 SERIAL F150-0220 & ON		

Flight Controls (Cont)

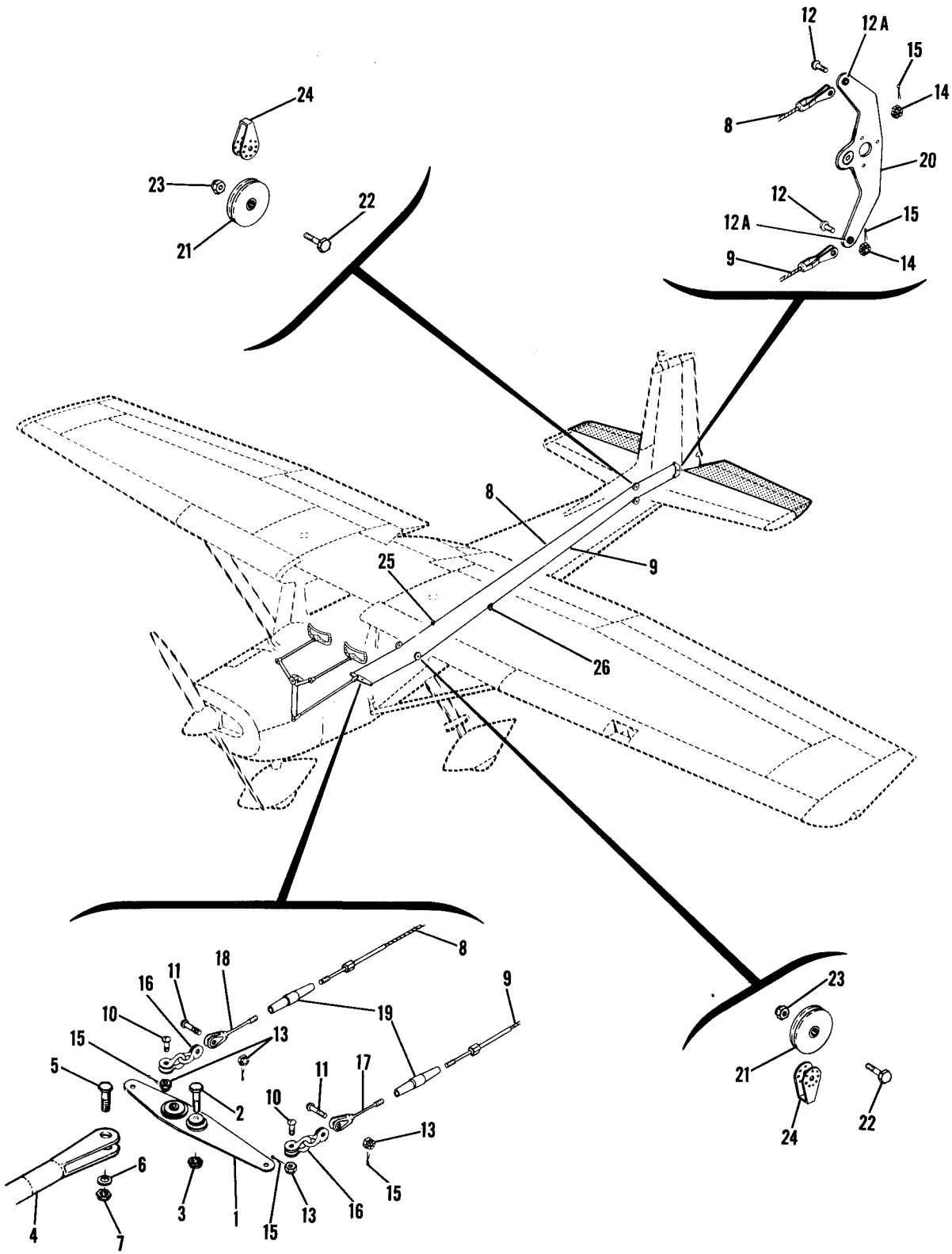
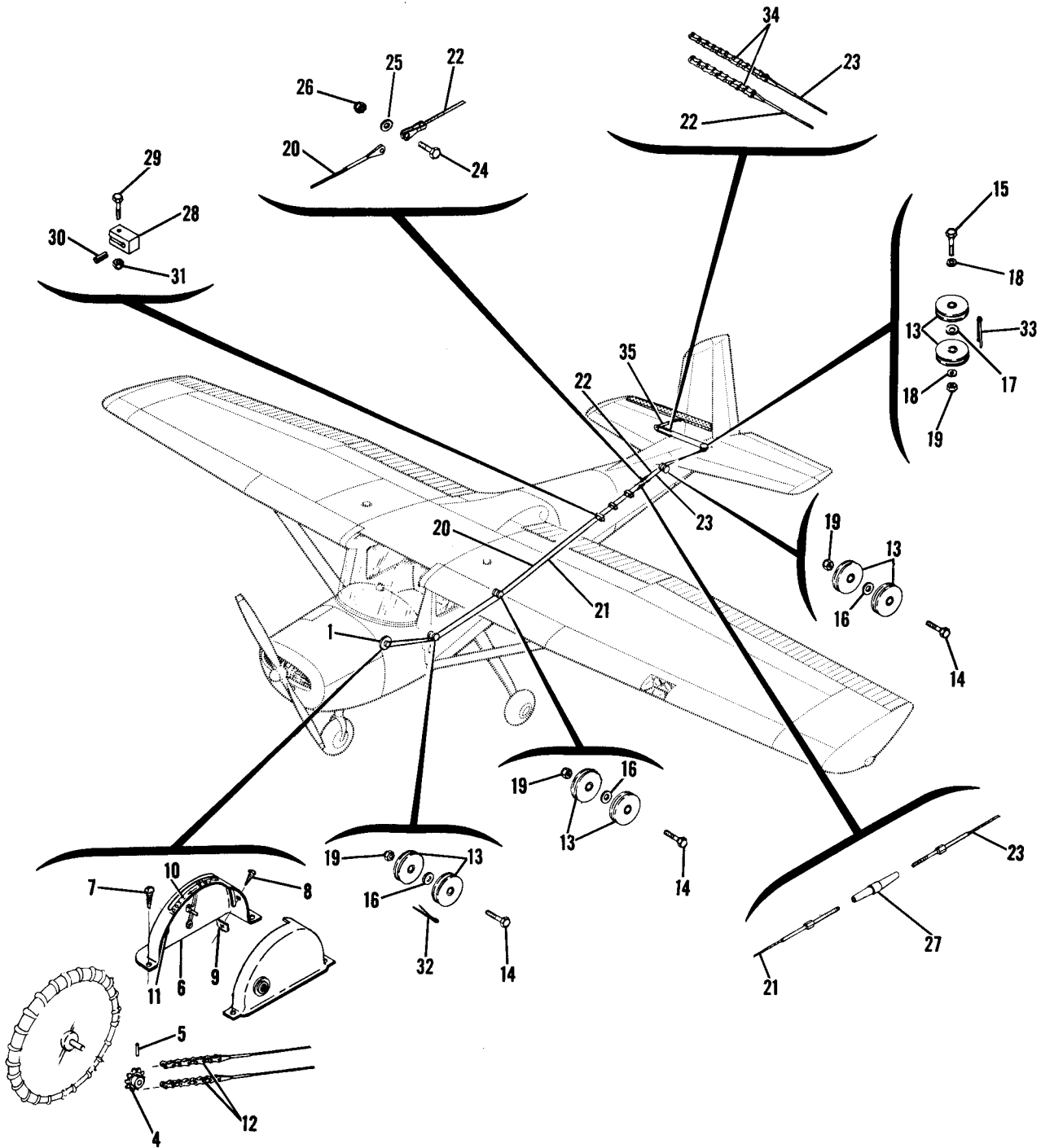


Figure 39. Elevator Control System Installation

FIGURE AND INDEX NO.	PART NUMBER	DESCRIPTION	UNITS PER ASSY	USABLE ON CODE
		<b>1 2 3 4 5 6 7</b>		
39 -		ELEVATOR CONTROL SYSTEM INSTALLATION -----	NP	
- 1	0411258	BELLCRANK-ELEVATOR FORWARD -----	1	
		ATTACHING PARTS -----		
- 2	AN4-10A	BOLT -----	1	
- 3	NAS679A4	NUT -----	1	
		-----*		
- 4	0460116-1	LINK-ELEVATOR CONTROL WHEN EXHAUSTED USE 0460116-3 -----	1	
	0460116-3	LINK-ELEVATOR CONTROL -----	1	
		ATTACHING PARTS -----		
- 5	AN4-11A	BOLT -----	1	
- 6	AN960-416	WASHER -----	1	
- 7	NAS679A4	NUT -----	1	
		-----*		
- 8	0400107-5	CABLE-ELEVATOR CONTROL-UP -----	1	
	0400107-105	CABLE-STAINLESS STEEL ELEVATOR CONTROL-UP -----	1	
- 9	0400107-9	CABLE-ELEVATOR CONTROL-DOWN -----	1	
	0400107-109	CABLE-STAINLESS STEEL ELEVATOR CONTROL-DOWN -----	1	
		ATTACHING PARTS -----		
-10	AN23-10	BOLT -----	1	
-11	AN23-11	BOLT -----	1	
-12	AN23-11	BOLT -----	1	A
	AN3-5A	BOLT -----	1	B
-12A	NAS43HT3-13	SPACER -----	1	B
-13	AN310-3	NUT -----	2	
-14	AN320-3	NUT -----	1	A
	NAS679A3	NUT -----	1	B
-15	MS24665-132	PIN-COTTER -----	3	A
	MS24665-132	PIN-COTTER USED FRONT ATTACH ONLY -----	2	B
-16	AN115-21	SHACKLE -----	2	
		-----*		
-17	AN165-22RL	EYE-TURNBUCKLE LH -----	1	
-18	AN165-22RS	EYE-TURNBUCKLE RH -----	1	
-19	AN155B32S	BARREL-TURNBUCKLE -----	2	
-20	0432162-1	BELLCRANK-ELEVATOR REAR -----	1	A
	0432166-1	BELLCRANK-ELEVATOR REAR -----	1	B
	S1866-3	BEARING -----	1	
-21	S378-3	PULLEY CESSNA STANDARD -----	4	
		ATTACHING PARTS -----		
-22	AN4-10A	BOLT -----	1	
-23	NAS679A4	NUT -----	1	
		-----*		
-24	0411421-2	GUARD -----	4	
-25	S338-1	FAIRLEAD-HALF -----	2	B
		ATTACHING PARTS -----		
	S339-1	CLIP -----	1	B
		-----*		
-26	S338-1	FAIRLEAD-HALF -----	2	C
		ATTACHING PARTS -----		
	S339-1	CLIP -----	1	C
	0460201-1	RETAINER-CABLE GUIDE -----	1	C
		-----*		
A---150 SERIAL 17001 THRU 15061532 B---150 SERIAL 15061533 & ON F150 SERIAL F150-0001 & ON C---150 SERIAL 15066400 & ON F150 SERIAL F150-0220 & ON				

Flight Controls (Cont)



**SERIAL 17001 THRU 15061532**

Figure 40. Elevator Trim Control System Installation

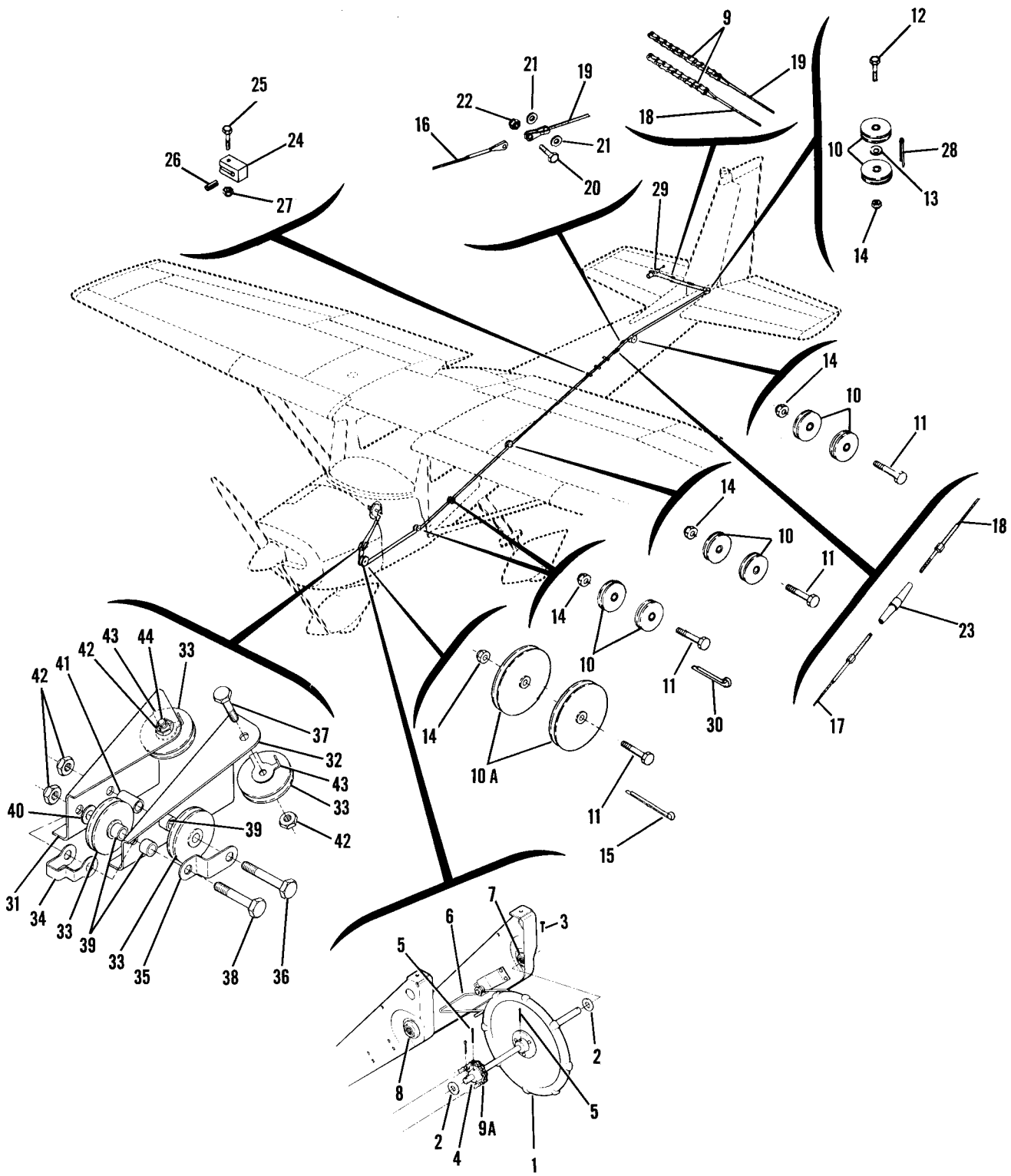


FIGURE AND INDEX NO.	PART NUMBER	DESCRIPTION	UNITS PER ASSY	USABLE ON CODE
		<b>1 2 3 4 5 6 7</b>		
40 -		ELEVATOR TRIM CONTROL SYSTEM INSTALLATION -----	NP	A
- 1	0510127	WHEEL ASSEMBLY-TAB CONTROL -----	1	
- 2		DELETED, NOT PROCURABLE -----		
- 3		DELETED, NOT PROCURABLE -----		
- 4	0432134-1	SPROCKET-TAB CONTROL -----	1	
- 5	NAS561P3-8	ATTACHING PARTS ROLL PIN EN -----	1	
- 6	0411419	COVER-TAB CONTROL WHEEL -----	1	
- 7	AN515-8R6	ATTACHING PARTS SCREW -----	4	
- 8	S1021Z8-6	SCREW CESSNA STANDARD -----	1	
- 9	NAS395-14-3	NUT TIN A1274-8Z-3 -----	1	
-10	0411422	DECAL-TAB POSITION INDICATOR -----	1	
-11	M451	BEARING TOR -----	1	
-12	0432138-8	CHAIN-TAB CONTROL -----	1	
-13	S378-1L	PULLEY CESSNA STANDARD -----	8	
-14	AN3-10A	ATTACHING PARTS BOLT -----	1	
-15	AN3-11A	BOLT -----	1	
-16	AN960-416L	WASHER -----	1	
-17	AN960-416	WASHER -----	1	
-18	AN960-10	WASHER -----	2	
-19	NAS679A3	NUT -----	1	
-20	0400107-11	---*--- CABLE-TAB WHEEL TO DISCONNECT -----	1	
-21	0400107-111	CABLE-STAINLESS STEEL TAB WHEEL -----	1	
-22	0400107-29	CABLE-TAB WHEEL TO TURN BUCKLE -----	1	
-23	0400107-129	CABLE-STAINLESS STEEL TAB WHEEL -----	1	
-24	0400107-28	CABLE-TAB ACTUATOR TO DISCONNECT -----	1	
-25	0400107-128	CABLE-STAINLESS STEEL TAB ACTUATOR -----	1	
-26	0400107-30	CABLE-TAB ACTUATOR TO TURN BUCKLE -----	1	
-27	0400107-130	CABLE-STAINLESS STEEL TAB ACTUATOR -----	1	
-28	AN3-5A	ATTACHING PARTS BOLT -----	1	
-29	AN960-10	WASHER -----	1	
-30	NAS679A3	NUT -----	1	
-31	AN155B8L	---*--- BARREL-TURN BUCKLE -----	1	
-32	0411523	BLOCK-ELEVATOR TAB STOP -----	3	
-33	AN3-6	ATTACHING PARTS BOLT -----	1	
-34	0411524	BUSHING -----	1	
-35	NAS679A3	NUT -----	1	
-36	MS24665-285	---*--- PIN-COTTER -----	1	
-37	MS24665-357	PIN-COTTER -----	1	
-38	0432138-8	CHAIN-CABLE TO TAB ACTUATOR -----	1	
-39	0310293-2	ACTUATOR ASSEMBLY-ELEVATOR TAB WHEN EXHAUSTED -----	1	
-40	0310293-12	USE 0310293-14 SEE FIGURE 8 ACTUATOR ASSEMBLY-ELEVATOR TAB ALTERNATE WHEN EXHAUSTED USE 0310293-14 SEE FIGURE 8 -----	1	

A---150 SERIAL 17001 THRU 15061532

23

Flight Controls (Cont)



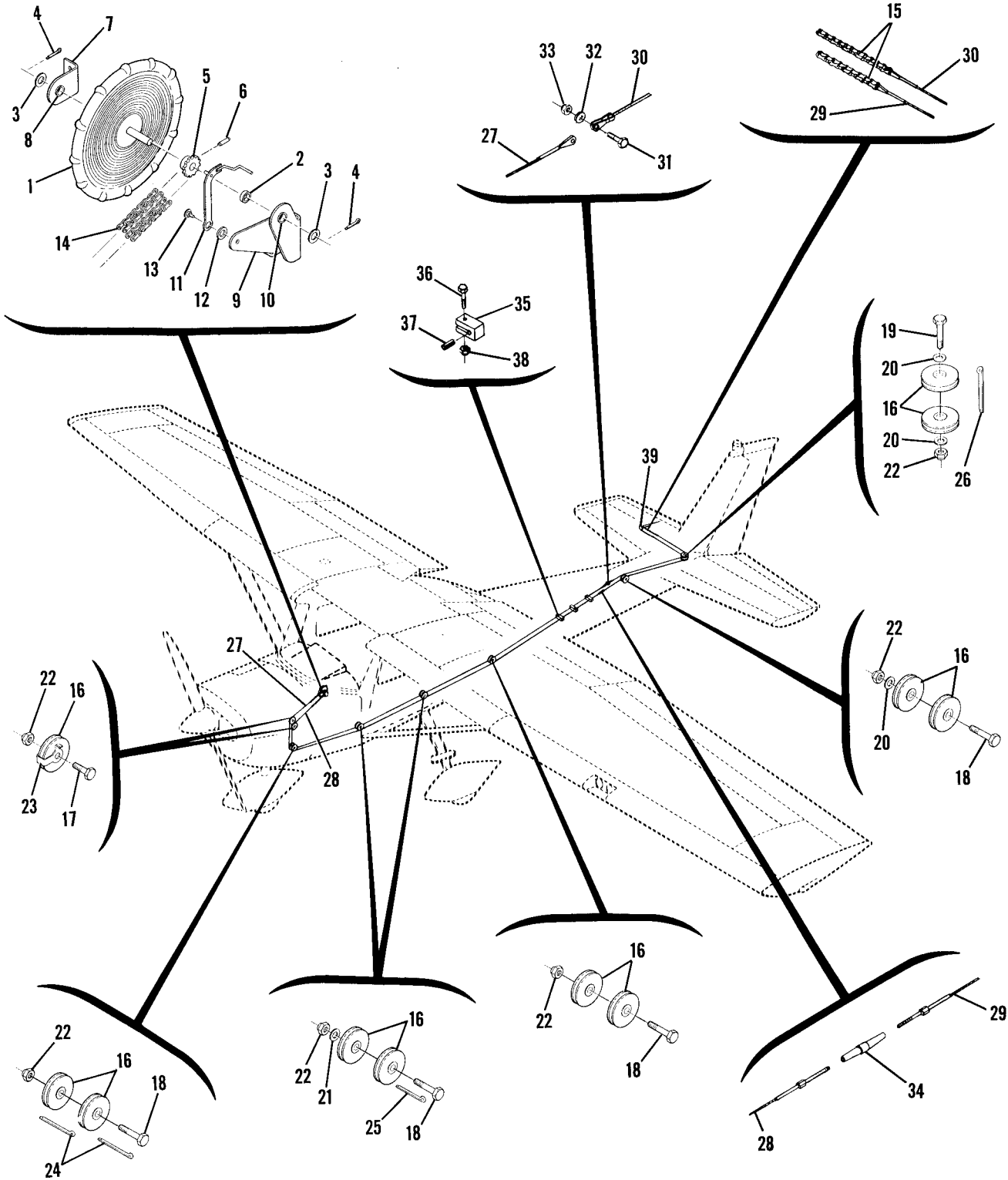
**SERIAL 15061533 THRU 15069308**

Figure 40A. Elevator Trim Control System Installation

FIGURE AND INDEX NO.	PART NUMBER	DESCRIPTION	UNITS PER ASSY							USABLE ON CODE
			1	2	3	4	5	6	7	
40A-		ELEVATOR TRIM CONTROL SYSTEM -----							NP	A
- 1	0460112-1	WHEEL ASSEMBLY-TAB CONTROL -----							1	B
	0460120-1	WHEEL ASSEMBLY-TAB CONTROL -----							1	C
		ATTACHING PARTS -----								
- 2	AN960-416	WASHER -----							2	
- 3	MS24665-281	PIN-COTTER -----							1	
		-----*								
- 4	0432134-1	SPROCKET -----							1	
		ATTACHING PARTS -----								
- 5	NAS561P3-8	ROLL PIN -----							1	
		-----*								
- 6	0460113-1	INDICATOR ASSEMBLY -----							1	B
	0460111-1	INDICATOR ASSEMBLY -----							1	C
- 7	B45	BEARING TOR -----							1	
- 8	M451	BEARING TOR -----							1	
- 9	0432138-8	CHAIN-TAB CONTROL -----							1	
- 9A	0432138-8	CHAIN-TAB CONTROL -----							1	B
	0432138-20	CHAIN-TAB CONTROL -----							1	C
-10	S378-1L	PULLEY -----							10	
-10A	S378-2	PULLEY -----							2	
		ATTACHING PARTS -----								
-11	AN3-10A	BOLT -----							1	
-12	AN3-11A	BOLT -----							1	
-13	AN960-10	WASHER -----							2	
-14	NAS679A3	NUT -----							1	
		-----*								
-15	MS24665-138	PIN-COTTER CABLE GUARD -----							2	
-16	0400107-42	CABLE-ELEVATOR TAB FWD DIRECT -----							1	B
	0400107-52	CABLE-ELEVATOR TAB FWD DIRECT -----							1	C
	0400107-142	CABLE-ELEVATOR TAB FWD DIRECT -----							1	B
	0400107-152	CABLE-ELEVATOR TAB FWD DIRECT STAINLESS STEEL -----							1	C
-17	0400107-43	CABLE-ELEVATOR TAB CARRY THRU -----							1	B
	0400107-53	CABLE-ELEVATOR TAB CARRY THRU -----							1	C
	0400107-143	CABLE-ELEVATOR TAB CARRY THRU -----							1	B
	0400107-153	CABLE-ELEVATOR TAB CARRY THRU STAINLESS STEEL -----							1	C
-18	0400107-30	CABLE-TAB ACTUATOR TO TURNBUCKLE -----							1	
	0400107-130	CABLE-TAB ACTUATOR TO TURNBUCKLE STAINLESS STEEL -----							1	
-19	0400107-28	CABLE-TAB ACTUATOR TO DISCONNECT -----							1	
	0400107-128	CABLE-TAB ACTUATOR TO DISCONNECT STAINLESS STEEL -----							1	
		ATTACHING PARTS -----								
-20	AN3-5A	BOLT -----							1	
-21	AN960-10	WASHER -----							2	
-22	NAS679A3	NUT -----							1	
		-----*								
-23	AN155B8L	BARREL-TURNBUCKLE -----							1	
-24	0411523	BLOCK-ELEVATOR TAB -----							3	
-25	AN3-5A	BOLT -----							1	
-26	0411524	BUSHING -----							1	
-27	NAS679A3	NUT -----							1	
-28	MS24665-357	PIN-COTTER CABLE GUARD -----							1	
-29	1260074-1	ACTUATOR ASSEMBLY-TAB SEE FIGURE 8 -----							1	
-30	MS24665-285	PIN-COTTER CABLE GUARD -----							1	
-31	0460123-1	BRACKET-TRIM CONTROL PULLEY -----							1	C
-32	0460123-2	BRACKET-TRIM CONTROL PULLEY -----							1	C
-33	S378-1L	PULLEY -----							4	C
-34	0460124-2	GUARD-CABLE -----							1	C
-35	0460124-3	GUARD-CABLE -----							1	C
-36	AN3-14A	BOLT -----							1	C
-37	AN3-6A	BOLT -----							1	C
-38	AN3-12A	BOLT -----							1	C
-39	NAS43DD311	SPACER -----							3	C
-40	AN960D10L	WASHER -----							1	C
-41	NAS43DD3-34	SPACER -----							1	C
-42	NAS679A3	NUT -----							4	C
-43	0460124-1	CABLE GUARD -----							2	C
-44	NAS221-12	SCREW -----							1	C

A---150 SERIAL 15061533 THRU 15069308  
 F150 SERIAL F150-0001 THRU F150-0389  
 B---150 SERIAL 15061533 THRU 15067198  
 F150 SERIAL F150-0001 THRU F150-0219  
 C---150 SERIAL 15067199 THRU 15069308  
 F150 SERIAL F150-0220 THRU F150-0389

Flight Controls (Cont)

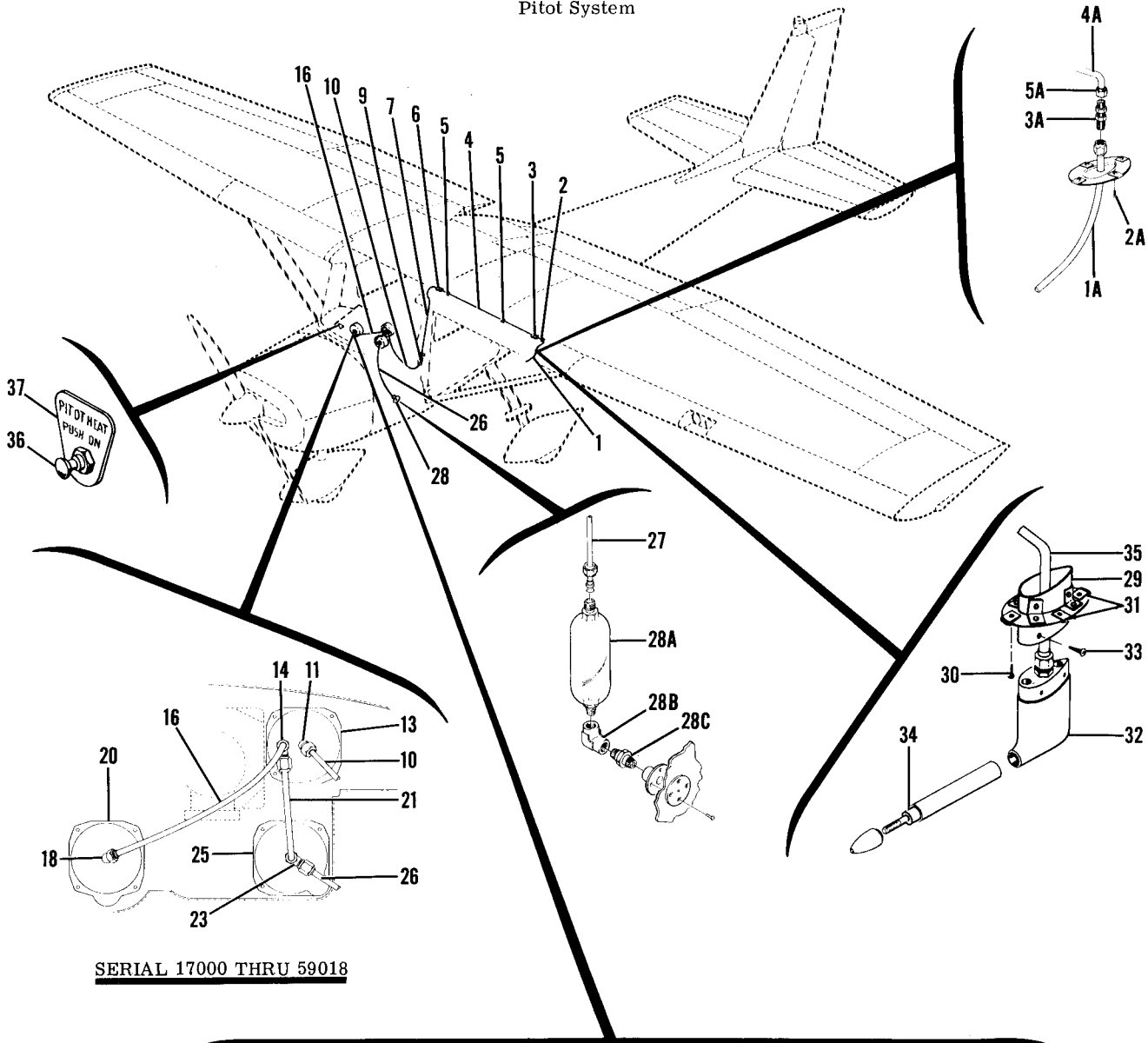


**SERIAL 15069309 & ON**

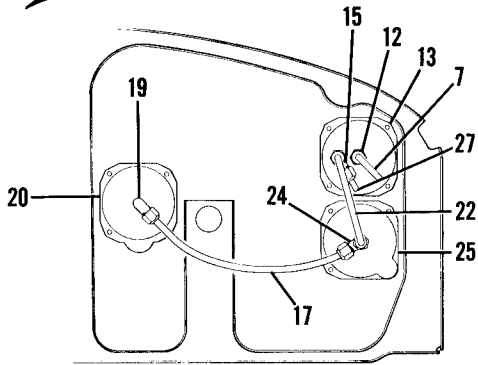
Figure 40B. Elevator Trim Control System Installation

FIGURE AND INDEX NO.	PART NUMBER	DESCRIPTION	UNITS PER ASSY	USABLE ON CODE
40B-		<b>1 2 3 4 5 6 7</b> ELEVATOR TRIM CONTROL SYSTEM INSTALLATION -----	NP	A
- 1	0460127-2	WHEEL ASSEMBLY-TAB CONTROL ----- ATTACHING PARTS -----	1	
- 2	NAS430D4-4	SPACER -----	1	
- 3	AN960-416L	WASHER -----	2	
- 4	MS24665-5	PIN-COTTER ----- <b>SERIAL 15069309 &amp; ON</b>	2	
- 5	0432134-1	SPROCKET ----- ATTACHING PARTS -----	1	
- 6	NAS561P3-8	ROLL PIN ----- -----*	1	
- 7	0460132-1	BRACKET ASSEMBLY -----	1	
- 8	4L1-FF	BEARING -----	1	
- 9	0460133-1	SUPPORT ASSEMBLY WHEN EXHAUSTED USE 0460133-3 -----	1	B
	0460133-3	SUPPORT ASSEMBLY -----	1	C
-10	4L1-FF	BEARING -----	1	
-11	0460131	INDICATOR ARM ASSEMBLY ----- ATTACHING PARTS -----	1	
-12	AN960D10L	WASHER -----	1	
-13	1460315-10	PIN ----- -----*	1	
-14	0432138-20	CHAIN-TAB CONTROL -----	1	D
	0432138-1	CHAIN-TAB CONTROL -----	1	E
-15	0432138-8	CHAIN-TAB CONTROL -----	1	
-16	S378-1L	PULLEY -----	14	
		ATTACHING PARTS -----		
-17	AN3-5A	BOLT -----	1	
-18	AN3-10A	BOLT -----	1	
-19	AN3-11A	BOLT -----	1	
-20	AN960-10	WASHER -----	2	
-21	AN960-10L	WASHER -----	1	
-22	NAS679A3	NUT ----- -----*	1	
-23	0460124-1	GUARD-CABLE -----	2	
-24	MS24665-138	PIN-COTTER CABLE GUARD -----	2	
-25	MS24665-285	PIN-COTTER CABLE GUARD -----	2	
-26	MS24665-355	PIN-COTTER CABLE GUARD -----	1	
-27	0400107-54	CABLE-TAB WHEEL TO DISCONNECT -----	1	D
	0400107-154	CABLE-TAB WHEEL TO DISCONNECT STAINLESS STEEL -----	1	D
	0400107-56	CABLE-TAB WHEEL TO DISCONNECT -----	1	E
	0400107-156	CABLE-TAB WHEEL TO DISCONNECT STAINLESS STEEL -----	1	E
-28	0400107-55	CABLE-TAB WHEEL TO TURNBUCKLE -----	1	
	0400107-155	CABLE-TAB WHEEL TO TURNBUCKLE STAINLESS STEEL -----	1	
-29	0400107-30	CABLE-TAB ACTUATOR TO TURNBUCKLE -----	1	
	0400107-130	CABLE-TAB ACTUATOR TO TURNBUCKLE STAINLESS STEEL -----	1	
-30	0400107-28	CABLE-TAB ACTUATOR TO DISCONNECT -----	1	
	0400107-128	CABLE-TAB ACTUATOR TO DISCONNECT STAINLESS STEEL -----	1	
		ATTACHING PARTS -----		
-31	AN3-4A	BOLT -----	1	
-32	AN960-10	WASHER -----	1	
-33	NAS679A3	NUT ----- -----*	1	
-34	AN1558-8L	BARREL-TURNBUCKLE -----	1	
-35	0411523	BLOCK-ELEVATOR TAB -----	3	
-36	AN3-6	BOLT -----	1	
-37	0411524	BUSHING -----	1	
-38	NAS679A3	NUT -----	1	
-39	126C074-1	ACTUATOR ASSEMBLY-ELEVATOR TAB SEE FIGURE 8 -----	1	
<p>A---150 SERIAL 15069309 &amp; ON  F150 SERIAL F150-0390 &amp; ON  B---150 SERIAL 15069309 THRU 15070341  F150 SERIAL F150-0390 &amp; ON  C---150 SERIAL 15070342 &amp; ON  D---150 SERIAL 15069309 THRU 15070503  F150 SERIAL F150-0390 &amp; ON  E---150 SERIAL 15070504 &amp; ON</p>				

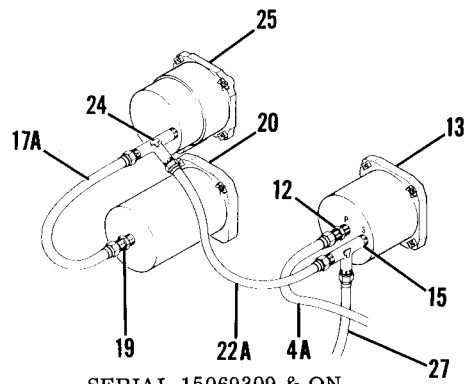
Pitot System



SERIAL 17000 THRU 59018



SERIAL 15059019 THRU 15069308



SERIAL 15069309 & ON

Figure 41. Pitot System Installation

FIGURE AND INDEX NO.	PART NUMBER	DESCRIPTION	UNITS PER ASSY	USABLE ON CODE
		<b>1 2 3 4 5 6 7</b>		
41 -		PITOT SYSTEM INSTALLATION -----	NP	
- 1	C400311-11	TUBE-PITOT -----	1	C
- 1A	0521103-1	TUBE ASSEMBLY-PITOT WHEN EXHAUSTED USE 0521103-2 -----	1	D
		ATTACHING PARTS -----		
- 2	AN742D4	CLAMP -----	1	C
	AN515-632R8	SCREW -----	1	C
	NAS679A06	NUT -----	1	C
- 2A	S1021Z8-8	SCREW -----	4	D
		-----*		
- 3	AN815-4D	UNION -----	1	C
- 3A	S1132-1	UNION-NYLON -----	1	D
- 4	0400311-12	LINE ASSEMBLY-PITOT -----	1	A
	0400311-40	LINE ASSEMBLY-PITOT -----	1	E
- 4A	S1071-1	TUBE-POLYETHYLENE-PITOT TUBE TO UNION -----	1	K
		42 IN LG BULK ITEM REF S1071-1-42.0		
	S1071-1	TUBE-POLYETHYLENE-PITOT TUBE TO AIRSPEED INDICATOR -----	1	M
		80.0 IN LG BULK ITEM REF S1071-1-80.0		
		ATTACHING PARTS -----		
- 5	AN742D4	CLAMP -----	3	
	S1021Z8-8	SCREW -----	3	
	NAS395-12-3	NUT -----	3	
		-----*		
- 5A	S1130-1	NUT -----	2	D
	S1131-1	INSERT -----	2	D
- 6	AN815-4D	UNION -----	1	A
	S1132-1	UNION-NYLON -----	1	L
	S1130-1	NUT-NYLON -----	1	L
	S1131-1	INSERT-NYLON -----	1	L
- 7	0400311-2	LINE ASSEMBLY-PITOT -----	1	A
	S1071-1	TUBE-POLYETHYLENE 36.0 IN LG BULK ITEM -----	1	L
		REF S1071-1-36.0		
- 8		DELETED, NEVER USED -----		
- 9	AN815-4D	UNION -----	1	A
-10	0400311-22	LINE ASSEMBLY-PITOT -----	1	A
-11	MS20823-4D	ELBOW -----	1	A
-12	S1133-1	CONNECTOR-NYLON -----	1	B
	S1130-1	NUT-NYLON -----	1	B
	S1131-1	INSERT-NYLON -----	1	B
-13		INDICATOR-AIRSPEED SEE FIG 23, 23A, 23B, 23C, 23D & 23E -	1	
-14	MS20826-4D	TEE -----	1	A
-15	S1139-1	TEE-NYLON -----	1	B
	S1130-1	NUT-NYLON -----	2	B
	S1131-1	INSERT-NYLON -----	2	B
-16	0400311-19	LINE ASSEMBLY-AIRSPEED TO VERTICAL SPEED -----	1	A
-17	S1071-1	TUBE-POLYETHYLENE VERTICAL SPEED TO ALTIMETER -----	1	N
		11.0 IN LG BULK ITEM REF S1071-1-11.0		
-17A	S1071-1	TUBE-POLYETHYLENE VERTICAL SPEED TO ALTIMETER -----	1	P
		*-IN LG BULK ITEM REF S1071-1-*		
-18	MS20823-4D	ELBOW -----	1	A
-19	S1135-1	ELBOW-NYLON -----	1	B
	S1130-1	NUT-NYLON -----	1	B
	S1131-1	INSERT-NYLON -----	1	B
-20		IND-VERTICAL SPEED SEE FIG 23, 23A, 23B, 23C, 23D & 23E -	1	
-21	0500106-236	LINE ASSEMBLY-AIRSPEED TO ALTIMETER -----	1	A
-22	S1071-1	TUBE-POLYETHYLENE AIRSPEED TO ALTIMETER -----	1	N
		7.5 IN LG BULK ITEM REF S1071-1-7.5		
-22A	S1071-1	TUBE-POLYETHYLENE AIRSPEED TO ALTIMETER -----	1	P
		*-IN LG BULK ITEM REF S1071-1-*		
-23	AN825-4D	TEE -----	1	A
-24	S1139-1	TEE-NYLON USED WHEN VERTICAL SPEED IS INSTALLED -----	1	B
	S1133-1	CONNECTOR USED WHEN VERTICAL SPEED IS NOT INSTALLED -----	1	B
	S1130-1	NUT-NYLON -----	2	B
	S1131-1	INSERT-NYLON -----	2	B
-25		ALTIMETER SEE FIG 23, 23A, 23B, 23C, 23D & 23E -----	1	
-26	0400311-36	LINE ASSEMBLY-STATIC SENSITIVE ALTIMETER ONLY -----	1	A

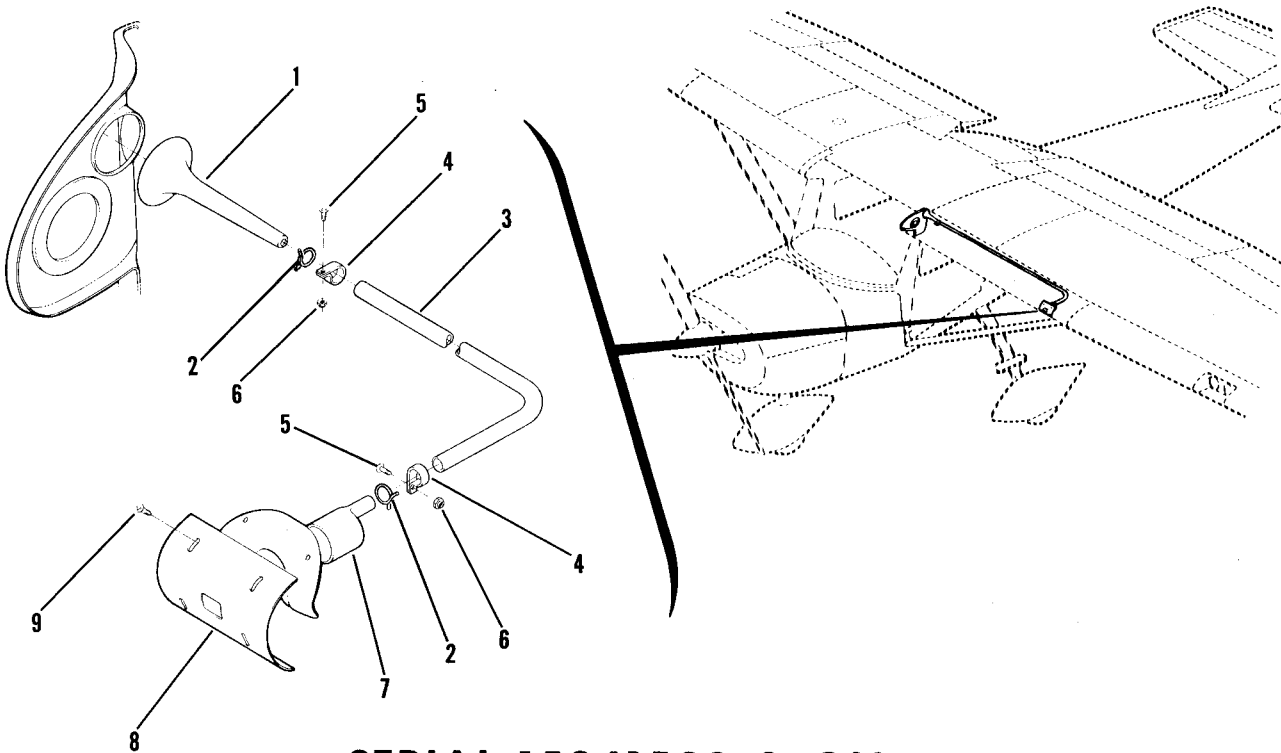
CONTINUED ON NEXT PAGE

FIGURE AND INDEX NO.	PART NUMBER	DESCRIPTION	UNITS PER ASSY	USABLE ON CODE
41 -27	S1071-1	TUBE-POLYETHYLENE 18.0 IN LG BULK ITEM ----- REF S1071-1-18.0	1	B
-28	MS20822-4D	ELBOW -----	1	A
-28A	S1258-1	SUMP -----	1	B
-28B	AN916-1D	ELBOW -----	1	B
-28C	AN911-1D	NIPPLE -----	1	B
		HEATED PITOT SYSTEM INSTALLATION -----	NP	
-29	0721101	CONNECTOR ASSEMBLY WHEN EXHAUSTED 0721101-8 -----	1	H
	0721101-8	CONNECTOR ASSEMBLY ----- ATTACHING PARTS	1	J
-30	S102128-8	SCREW ----- *-----	4	J
-31	NAS395-14-3	NUT -----	4	J
-32	0721105-17	PITOT TUBE ASSEMBLY-HEATED -----	1	C
	0721105-15	PITOT TUBE ASSEMBLY-HEATED ----- ATTACHING PARTS	1	D
-33	AN507-640R4	SCREW ----- *-----	4	
-34	0721105-5	HEATER ASSEMBLY -----	1	
-35	0400311-37	LINE ASSEMBLY-HEATED PITOT -----	1	A
	0400311-44	LINE ASSEMBLY-HEATED PITOT -----	1	F
	0400311-71	LINE ASSEMBLY-HEATED PITOT -----	1	G
-36	S1232-10	CIRCUIT BREAKER -----	1	G
		FUSE & SWITCH-HEATED PITOT SEE FIG 23C, 23D & 23E -----	1	D
-37	0513163-8	PLACARD -----	1	A
<p>NOTE. *LENGTH TO BE DETERMINED LATER</p> <p>A---150 SERIAL 17001 THRU 59018                      B---150 SERIAL 15059019 &amp; ON                      F150 SERIAL F150-0001 &amp; ON                      C---150 SERIAL 17001 THRU 15064532                      F150 SERIAL F150-0001 THRU F150-0067                      D---150 SERIAL 15064533 &amp; ON                      F150 SERIAL F150-0068 &amp; ON                      E---150 SERIAL 15059019 THRU 15064532                      F150 SERIAL F150-0001 THRU F150-0067                      F---150 SERIAL 15059019 THRU 15061532                      G---150 SERIAL 15061533 THRU 15064532                      F150 SERIAL F150-0001 THRU F150-0067                      H---150 SERIAL 17001 THRU 15065216                      F150 SERIAL F150-0001 THRU F150-0167                      J---150 SERIAL 15065217 &amp; ON                      F150 SERIAL F150-0168 &amp; ON                      K---150 SERIAL 15064533 THRU 15068510                      F150 SERIAL F150-0068 THRU F150-0389                      L---150 SERIAL 15059019 THRU 15068510                      F150 SERIAL F150-0001 THRU F150-0389                      M---150 SERIAL 15068511 &amp; ON                      F150 SERIAL F150-0390 &amp; ON                      N---150 SERIAL 15059019 THRU 15069308                      F150 SERIAL F150-0001 THRU F150-0389                      P---150 SERIAL 15069309 &amp; ON                      F150 SERIAL F150-0390 &amp; ON</p>				



This page intentionally left blank.

Stall Warning System



**SERIAL 15061533 & ON**

Figure 41A. Stall Warning Horn Installation

FIGURE AND INDEX NO.	PART NUMBER	DESCRIPTION	UNITS PER ASSY	USABLE ON CODE
		<b>1 2 3 4 5 6 7</b>		
41A-		STALL WARNING HORN INSTALLATION -----	NP	A
- 1	0413483-1	HORN ASSEMBLY -----	1	
- 2	S1494-8	CLAMP -----	2	
- 3	S1071-4	TUBE-53.75 IN LG BULK ITEM REF S1071-4-53.75 -----	1	
		ATTACHING PARTS		
- 4	AN742D8	CLAMP -----	4	
- 5	S1021Z6-6	SCREW -----	4	
- 6	NAS395-5-3	NUT -----	4	
		*-----		
- 7	0413485-1	SCCOOP ASSEMBLY -----	1	
	0413485-2	SCREEN -----	1	
	0413028-5	SEAL-FELT -----	1	
- 8	0413028-4	PLATE-SCCOOP -----	1	
		ATTACHING PARTS		
- 9	S1021Z8-8	SCREW -----	4	
	NAS395-18-1	NUT -----	4	
		*-----		
		A---150 SERIAL 15061533 & ON F150 SERIAL F150-0001 & ON		

FIGURE AND INDEX NO.	PART NUMBER	DESCRIPTION	UNITS PER ASSY	USABLE ON CODE
		<b>1 2 3 4 5 6 7</b>		
42 -		BRAKE SYSTEM INSTALLATION -----	NP	P
- 1	MS20822-4-4D	ELBOW USE WITH MASTER CYLINDERS HAVING PIPE THREADS -----	2	
	AN921-4D	ELBOW USE WITH MASTER CYLINDERS HAVING NF THREADS -----	1	
	MS28778-4	GASKET USE WITH MASTER CYLINDERS HAVING NF THREADS -----	1	
	AN924-4D	NUT USE WITH MASTER CYLINDERS HAVING NF THREADS -----	1	
- 2	S1167-4-0100	HOSE ASSEMBLY-BRAKE CESSNA STANDARD -----	2	
- 3	AN815-4D	UNION -----	1	
- 4	0400311-7	LINE ASSEMBLY-BRAKE -----	1	
		ATTACHING PARTS		
	AN515-6R6	SCREW -----	1	
	NAS679A06	NUT -----	1	
- 5	MS21919DG4	CLAMP TIN -----	1	
- 6	MS35489-7	GROMMET -----	2	
		-----*-----		
- 7	AN832-4D	UNION -----	1	
- 8	0411758	LINE ASSEMBLY-BRAKE -----	1	
		ATTACHING PARTS		
- 9	AN515-6R6	SCREW -----	1	
-10	NAS679A06	NUT -----	1	
-11	MS21919DG4	CLAMP TIN -----	1	
		-----*-----		
-12	AN832-4D	UNION -----	1	
-13	AN924-4D	NUT -----	1	
-14	0400311-8	LINE ASSEMBLY-BRAKE -----	1	
		ATTACHING PARTS		
-15	MS35489-7	GROMMET -----	1	
		-----*-----		
-16	AN833-4D	ELBOW -----	2	
-17	AN924-4D	NUT -----	2	
-18	AN960-716L	WASHER -----	4	
-19	0541138-18	CYLINDER ASSEMBLY-BRAKE RH SEE FIGURE 54 -----	1	A
-20	0541138-17	CYLINDER ASSEMBLY-BRAKE LH SEE FIGURE 54 -----	1	A
	0541138-20	CYLINDER ASSEMBLY-BRAKE SEE FIGURE 54 -----	2	B
-21	0411090-29	CONTROL-PARKING BRAKE REF 0411090-36 -----	1	H
	S1239-4	CONTROL-PARKING BRAKE REF 0513159-15 -----	1	J
	S1239-4	CONTROL-PARKING BRAKE REF 0513159-22 -----	1	K
	S1239-4	CONTROL-PARKING BRAKE REF 0513159-17 -----	1	D
		WHEN EXHAUSTED USE S-1239-2		
	S1239-2	CONTROL-PARKING BRAKE CESSNA STANDARD -----	1	N
		ATTACHING PARTS		
-22	0713037	CLAMP -----	1	F
-23	AN5COA8-5	SCREW -----	1	F
		-----*-----		

CONTINUED ON NEXT PAGE

Brake System

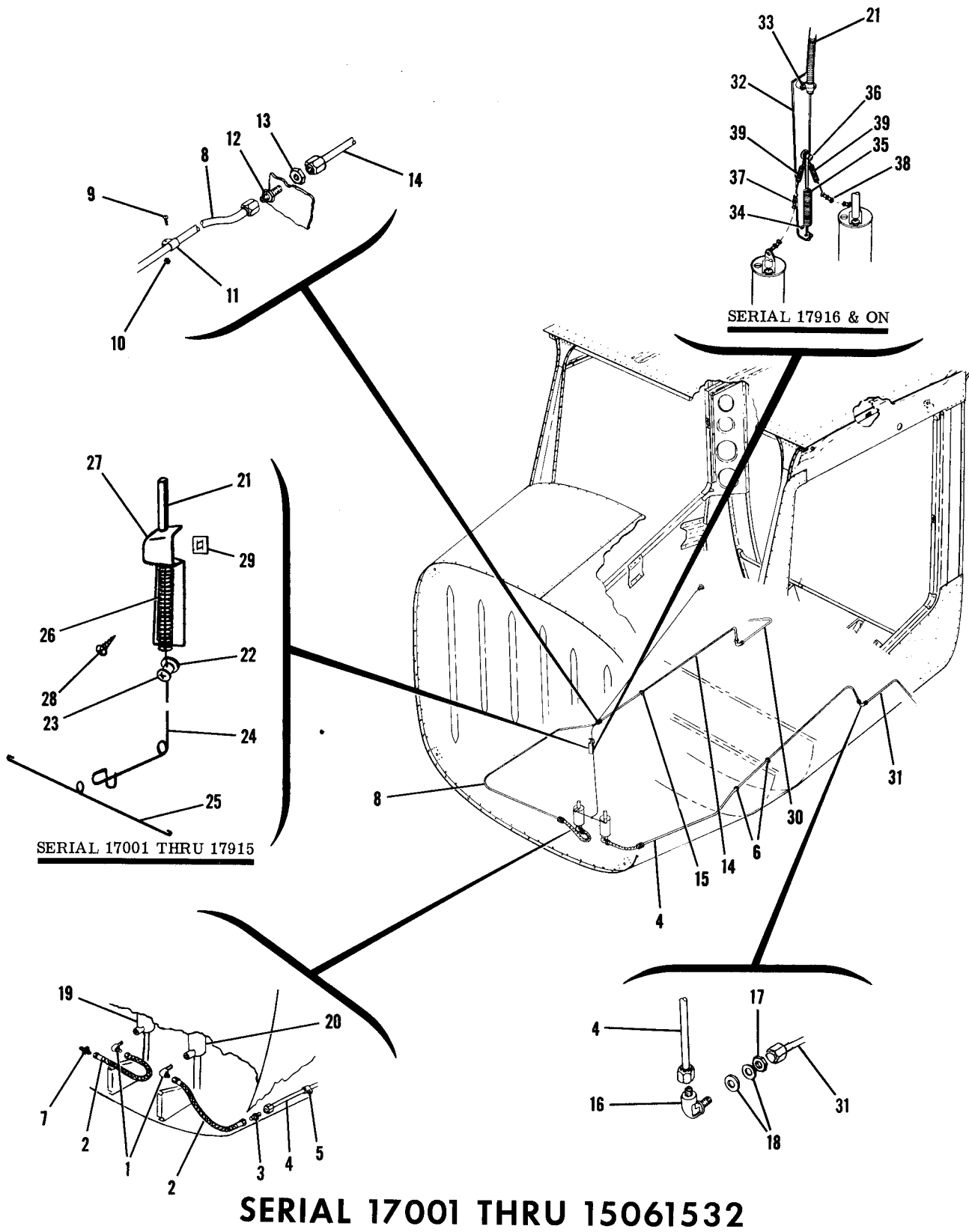
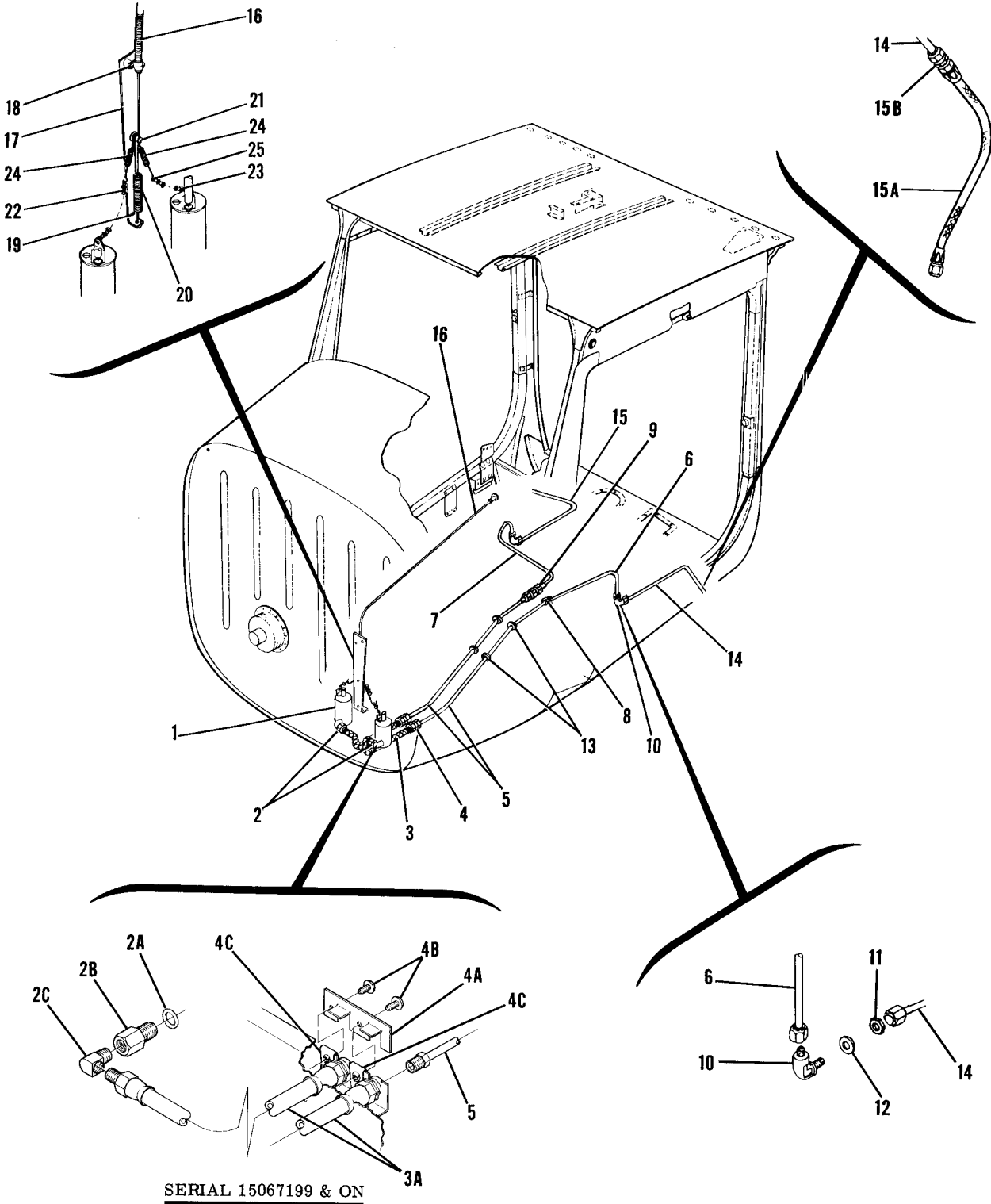


Figure 42. Brake System Installation

FIGURE AND INDEX NO.	PART NUMBER	DESCRIPTION	UNITS PER ASSY	USABLE ON CODE
		<b>1 2 3 4 5 6 7</b>		
42 -24	0713020-1	SPRING-LINKAGE -----	1	F
-25	0713020-2	CROSSARM -----	1	A
	0541170-1	CROSSARM -----	1	E
-26	0441021	SPRING -----	1	F
-27	0413186-3	CLAMP-PARKING BRAKE -----	1	F
		ATTACHING PARTS		
-28	S1021Z8-8	SCREW CESSNA STANDARD -----	1	F
-29	NAS446-4-3	NUT TIN A1778-8Z-3 -----	1	F
		-----*		
-30	0400311-9	LINE ASSEMBLY-BRAKE RH -----	1	C
	0400311-41	LINE ASSEMBLY-BRAKE RH -----	1	D
	0400311-51	LINE ASSEMBLY-BRAKE RH USED WITH -----	1	N
		6.00 X 6 GEAR ONLY		
-31	0400311-10	LINE ASSEMBLY-BRAKE LH -----	1	C
	0400311-42	LINE ASSEMBLY-BRAKE LH -----	1	D
	0400311-50	LINE ASSEMBLY-BRAKE LH USED WITH -----	1	N
		6.00 X 6 GEAR ONLY		
-32	0541174-1	PLATE -----	1	G
		ATTACHING PARTS		
-33	S1021Z8-14	SCREW CESSNA STANDARD -----	2	G
	NAS446-4-3	NUT -----	2	G
	NAS43DD3-23	SPACER -----	2	G
	AN742D3	CLAMP -----	2	G
-34	S1021Z8-8	SCREW CESSNA STANDARD -----	2	G
	NAS446-4-3	NUT -----	2	G
		-----*		
-35	0541172-1	SPRING-RETURN -----	1	G
		ATTACHING PARTS		
-36	0450258	CLAMP -----	1	G
	AN500A8-5	SCREW -----	1	G
		-----*		
-37	S1099-1-4.20	CHAIN-LH CESSNA STANDARD -----	1	G
-38	S1099-1-2.90	CHAIN-RH CESSNA STANDARD -----	1	L
	S1099-1-3.30	CHAIN-RH CESSNA STANDARD -----	1	M
	0541178-1	LINK -----	2	G
-39	0541173-1	SPRING -----	2	G
		A---150 SERIAL 17001 THRU 17519		
		B---150 SERIAL 17520 THRU 15061532		
		C---150 SERIAL 17001 THRU 59018		
		D---150 SERIAL 15059019 THRU 15061532		
		E---150 SERIAL 17520 THRU 17915		
		F---150 SERIAL 17001 THRU 17915		
		G---150 SERIAL 17916 THRU 15061532		
		H---150 SERIAL 17001 THRU 17683		
		J---150 SERIAL 17684 THRU 17930		
		K---150 SERIAL 17931 THRU 59018		
		L---150 SERIAL 17916 THRU 15059211		
		M---150 SERIAL 15059212 THRU 15061532		
		N---150 SERIAL 15059701 THRU 15061532		
		P---150 SERIAL 17001 THRU 15061532		

Brake System (Cont)



SERIAL 15067199 & ON

**SERIAL 15061533 & ON**

Figure 42A. Brake System Installation

FIGURE AND INDEX NO.	PART NUMBER	DESCRIPTION	UNITS PER ASSY	USABLE ON CODE
		<b>1 2 3 4 5 6 7</b>		
42A-		<b>BRAKE SYSTEM INSTALLATION</b>	NP	A
- 1	0541138-20	CYLINDER ASSEMBLY-BRAKE SEE FIGURE 54	2	F
	0541138-19	CYLINDER ASSEMBLY-BRAKE SEE FIGURE 54	2	L
	C163020-0101	CYLINDER ASSEMBLY-BRAKE SEE FIGURE 54A	2	M
- 2	AN921-4D	ELBOW	2	F
	MS28778-4	GASKET	2	F
	AN924-4	NUT	2	F
- 2A	MS28778-4	PACKING	2	L
- 2B	S1743-2	CONNECTOR	2	L
- 2C	AN914-10	ELBOW	2	G
- 3	S1167-4-0114	HOSE ASSEMBLY-BRAKE LH SIDE	1	F
	S1167-4-0080	HOSE ASSEMBLY-BRAKE RH SIDE	1	F
- 3A	S1810-1075	HOSE ASSEMBLY-BRAKE LH & RH	2	G
- 4	AN832-4D	UNION	2	F
	AN924-4D	NUT	2	F
- 4A	0413436-2	BRACKET	1	G
		<b>ATTACHING PARTS</b>		
- 4B	S1021Z10-6	SCREW	2	G
- 4C	NAS395-25-3	NUT	2	G
		*-----*		
- 5	0400311-66	LINE ASSEMBLY-BRAKE	2	F
	0400311-82	LINE ASSEMBLY-BRAKE WHEN EXHAUSTED USE 0400311-89	2	N
	0400311-89	LINE ASSEMBLY-BRAKE WHEN EXHAUSTED USE 0400311-98	2	P
	0400311-98	LINE ASSEMBLY-BRAKE	2	R
- 6	0400311-68	LINE ASSEMBLY-BRAKE LH	1	F
	0400311-84	LINE ASSEMBLY-BRAKE LH WHEN EXHAUSTED USE 0400311-97	1	Q
	0400311-97	LINE ASSEMBLY-BRAKE LH	1	R
- 7	0400311-67	LINE ASSEMBLY-BRAKE RH	1	F
	0400311-83	LINE ASSEMBLY-BRAKE RH WHEN EXHAUSTED USE 0400311-96	1	Q
	0400311-96	LINE ASSEMBLY-BRAKE RH	1	R
- 8	AN815-4D	UNION	1	F
	AN815-3D	UNION	1	G
- 9	AN815-4D	UNION	1	F
	AN815-3D	UNION	1	G
- 10	AN833-4D	ELBOW	2	F
	AN833-3D	ELBOW	2	G
- 11	AN924-4D	NUT	2	F
	AN924-3D	NUT	2	G
- 12	AN960-716L	WASHER	2	G
- 13	MS35489-7	GROMMET	4	
- 14	0400311-69	LINE ASSEMBLY-BRAKE LH FUSELAGE TO BRAKE	1	D
	0400311-72	LINE ASSEMBLY-BRAKE FUSELAGE TO UNION	1	E
	0400311-85	LINE ASSEMBLY-BRAKE FUSELAGE TO HOSE WHEN EXHAUSTED USE 0400311-92	1	N
	0400311-92	LINE ASSEMBLY-BRAKE FUSELAGE TO HOSE WHEN EXHAUSTED USE 0400311-99	1	P
	0400311-99	LINE ASSEMBLY-BRAKE FUSELAGE TO HOSE	1	R
- 15	0400311-70	LINE ASSEMBLY-BRAKE RH FUSELAGE TO BRAKE	1	D
	0400311-72	LINE ASSEMBLY-BRAKE FUSELAGE TO UNION	1	E
	0400311-85	LINE ASSEMBLY-BRAKE FUSELAGE TO HOSE WHEN EXHAUSTED USE 0400311-92	1	N
	0400311-92	LINE ASSEMBLY-BRAKE FUSELAGE TO HOSE WHEN EXHAUSTED USE 0400311-99	1	P
	0400311-99	LINE ASSEMBLY-BRAKE FUSELAGE TO HOSE	1	R
		<b>ATTACHING PARTS</b>		
	MS21919DG5	CLAMP CLAMP LINE AT STEP ON SPRING	1	F
	MS21919DG3	CLAMP CLAMP LINE AT STEP ON SPRING	1	G
	NAS220-6	SCREW	1	
	NAS679A08	NUT	1	
		*-----*		
- 15A	S1167-4-0100	HOSE ASSEMBLY UNION TO BRAKE	2	E
	S1810-1075	HOSE ASSEMBLY LINE ASSEMBLY TO BRAKE	1	G
- 15B	AN815-4D	UNION	2	E
- 16	S1239-2	CONTROL-PARKING BRAKE	1	H
	S1239-26	CONTROL-PARKING BRAKE	1	J
	S1239-39	CONTROL-PARKING BRAKE	1	K
- 17	0541174-1	PLATE-PARKING BRAKE	1	
		<b>ATTACHING PARTS</b>		
- 18	S1021Z8-14	SCREW	2	
	NAS446-4-3	NUT	2	
	NAS43DD3-23	SPACER	2	
	AN742D3	CLAMP	2	
- 19	S1021Z8-8	SCREW	2	
	NAS446-4-3	NUT	2	
		*-----*		

CONTINUED ON NEXT PAGE

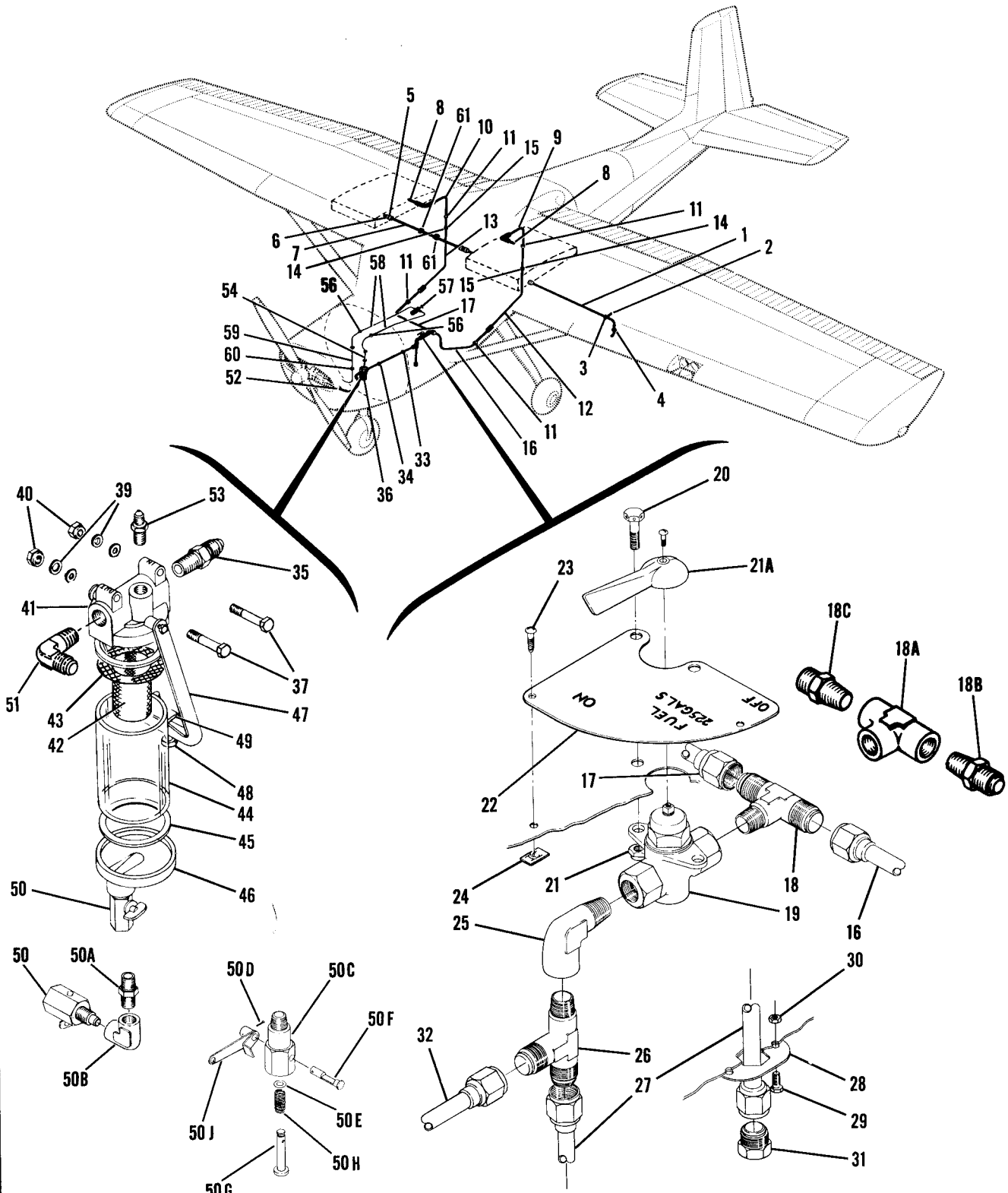


FIGURE AND INDEX NO.	PART NUMBER	DESCRIPTION	UNITS PER ASSY	USABLE ON
				CODE
42A-20	0541172-1	SPRING-RETURN ----- ATTACHING PARTS -----	1	
-21	0450258 AN500A8-5	CLAMP ----- SCREW ----- -----*	1 1	
-22	S1099-1-4.20 S1099-1-4.50	CHAIN-LH ----- CHAIN-LH -----	1 1	B C
-23	S1099-1-3.30 S1099-1-3.60	CHAIN-RH ----- CHAIN-RH -----	1 1	B C
-24	0541178-1 0541173-1	LINK ATTACH CHAIN TO BRAKE CYLINDER ----- SPRING -----	2 2	
-25	0541178-1	LINK RH SIDE ONLY -----	1	M
<p>A---150 SERIAL 15061533 &amp; ON F150 SERIAL F150-0001 &amp; ON</p> <p>B---150 SERIAL 15061533 THRU 15063551 F150 SERIAL F150-0001 THRU F150-0061</p> <p>C---150 SERIAL 15063552 &amp; ON F150 SERIAL F150-0062 &amp; ON</p> <p>D---150 SERIAL 15061533 THRU 15062291</p> <p>E---150 SERIAL 15062292 THRU 15067198 F150 SERIAL F150-0001 THRU F150-0259</p> <p>F---150 SERIAL 15061533 THRU 15067198 F150 SERIAL F150-0001 THRU F150-0259</p> <p>G---150 SERIAL 15067199 &amp; ON F150 SERIAL F150-0260 &amp; ON</p> <p>H---150 SERIAL 15061533 THRU 15064532 F150 SERIAL F150-0001 THRU F150-0067</p> <p>J---150 SERIAL 15064533 THRU 15067198 F150 SERIAL F150-0068 THRU F150-0219</p> <p>K---150 SERIAL 15067199 &amp; ON F150 SERIAL F150-0220 &amp; ON</p> <p>L---150 SERIAL 15067199 THRU 15070094 F150 SERIAL F150-0260 &amp; ON</p> <p>M---150 SERIAL 15070095 &amp; ON</p> <p>N---150 SERIAL 15067199 THRU 15069873 F150 SERIAL F150-0260 &amp; ON</p> <p>P---150 SERIAL 15069874 THRU 15070702</p> <p>Q---150 SERIAL 15067199 THRU 15070702 F150 SERIAL F150-0260 &amp; ON</p> <p>R---150 SERIAL 15070703 &amp; ON</p>				



This page intentionally left blank.

Fuel System



**SERIAL 17001 THRU 15061532**

Figure 43. Fuel System Installation

FIGURE AND INDEX NO.	PART NUMBER	DESCRIPTION	UNITS PER ASSY	USABLE ON CODE
		<b>1 2 3 4 5 6 7</b>		
43 -		FUEL SYSTEM INSTALLATION -----	NP	M
- 1	0400311-20	LINE ASSEMBLY-VENT -----	1	E
	0400311-33	LINE ASSEMBLY-VENT PATROLLER ONLY -----	1	E
	0400311-52 *	LINE ASSEMBLY-VENT -----	1	F
	0400311-53 #	LINE ASSEMBLY-VENT PATROLLER ONLY -----	1	F
		ATTACHING PARTS -----		
- 2	0512006-1	ANGLE -----	1	
- 3	A3047A6-92 *#	CLAMP TIN -----	1	
	S1021Z8-8	SCREW CESSNA STANDARD -----	1	
		-----*-----		
- 4	MS35489-11 *#	GROMMET -----	1	
- 5	S1495-6	HOSE-3.00 IN LG BULK ITEM REF S1495-6-300 -----	2	
		ATTACHING PARTS -----		
- 6	S1891-6	CLAMP -----	4	
		-----*-----		
- 7	0400311-6	LINE ASSEMBLY-VENT -----	1	
- 8	0422130	STRAINER ASSEMBLY -----	2	
- 9	0400311-25	LINE ASSEMBLY-FUEL TANK TO UNION LH -----	1	
-10	0400311-26	LINE ASSEMBLY-FUEL TANK TO UNION RH -----	1	
-11	AN815-6D	UNION -----	4	A
	AN815-6D	UNION -----	3	B
	AN919-12D	REDUCER -----	1	B
-12	0400311-27	LINE ASSEMBLY-FUEL UNION TO UNION LH -----	1	
-13	0400311-28	LINE ASSEMBLY-FUEL UNION TO UNION RH -----	1	
		ATTACHING PARTS -----		
-14	A3047A7-92	CLAMP TIN -----	1	
-15	S1021Z8-10	SCREW CESSNA STANDARD -----	1	
	NAS43DD3-16	SPACER -----	1	
		-----*-----		
-16	0400311-5	LINE ASSEMBLY-FUEL UNION TO SELECTOR VALVE LH -----	1	A
	0400311-38	LINE ASSEMBLY-FUEL UNION TO SELECTOR VALVE LH -----	1	B
-17	0400311-4	LINE ASSEMBLY-FUEL UNION TO SELECTOR VALVE RH -----	1	A
	0400311-39	LINE ASSEMBLY-FUEL UNION TO SELECTOR VALVE RH -----	1	B
-18	AN825-6D	TEE -----	1	A
-18A	AN917-2D	TEE -----	1	B
-18B	AN816-7D	NIPPLE -----	1	B
-18C	AN816-6D	NIPPLE -----	1	B
-19	0411803-2	VALVE-FUEL SHUTOFF -----	1	A
	0411803-5	VALVE-FUEL SHUTOFF -----	1	B
		ATTACHING PARTS -----		
-20	AN3H4A	BOLT -----	2	
-21	NAS679A3	NUT -----	2	
-21A	0411803-3	HANDLE -----	1	
		-----*-----		
-22	0411964-1	PLATE-FUEL INDICATOR -----	1	
	0411964-2	PLATE-FUEL INDICATOR FOR AIRPLANES WITH -----	1	
		PATROLLER WINGS -----		
		ATTACHING PARTS -----		
-23	S1021Z8-8	SCREW CESSNA STANDARD -----	2	
-24	NAS446-4-3	NUT TIN A1778-8Z-3 -----	2	
		-----*-----		
-25	AN914-2D	ELBOW -----	1	
-26	MS20826-6D	TEE -----	1	
-27	0400311-1	LINE ASSEMBLY-FUEL DRAIN -----	1	
-28	0413338	PLATE-LOCK -----	1	
		ATTACHING PARTS -----		
-29	AN3H3A	BOLT -----	1	
-30	NAS679A3	NUT -----	1	
		-----*-----		
-31	0550178-1	FITTING -----	1	
-32	0400311-3	LINE ASSEMBLY-FUEL TEE TO NIPPLE -----	1	
		ATTACHING PARTS -----		
-33	MS35489-14	GROMMET -----	1	
-34	S1486DG6U	CLAMP TIN -----	1	
	S1021Z8-6	SCREW CESSNA STANDARD -----	1	
		-----*-----		
-35	AN816-6D	NIPPLE -----	1	G
	AN816-6-6D	NIPPLE -----	1	H
	0500205-1	SHIELD -----	1	C
	0513186-1	SHIELD -----	1	J
	0750032-1	SHIELD -----	1	H
	S354-2	GROMMET CESSNA STANDARD -----	1	G
	S354-3	GROMMET -----	1	H

CONTINUED ON NEXT PAGE

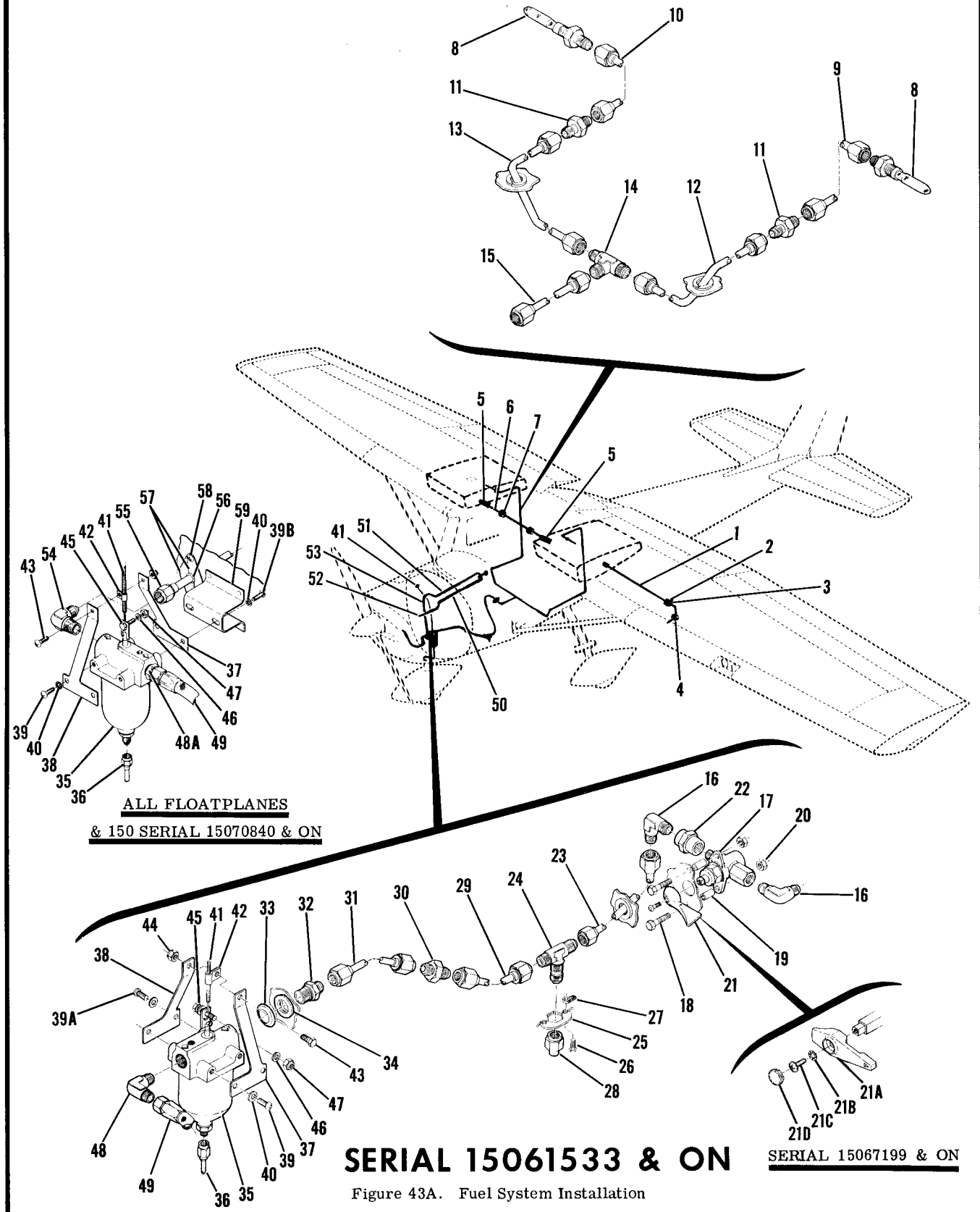
FIGURE AND INDEX NO.	PART NUMBER	DESCRIPTION	UNITS PER ASSY							USABLE ON CODE
			1	2	3	4	5	6	7	
43 -36	0511199-21	STRAINER ASSEMBLY-FUEL 33-199-25B ----- STRAINER ASSEMBLY-FUEL SEE FIGURE 43A ----- ATTACHING PARTS -----	1							G
-37	AN4-14A	BOLT -----	2							G
	AN515-10R10	SCREW -----	2							H
-38		DELETED, NOT PROCURABLE -----								
-39	AN960-416	WASHER -----	4							G
	AN936A10	WASHER -----	2							H
-40	NAS679A4	NUT -----	2							G
		-----*-----								
-41	33-199-26	BODY ASSEMBLY-FUEL STRAINER GARW -----	1							G
-42	33-199-4-1	SCREEN GARW -----	1							G
-43	33-199-31-3	SCREEN-FLAT GARW -----	1							G
-44	33-199-5	GLASS BOWL GARW -----	1							G
-45	33-199-6	GASKET GARW -----	2							G
-46	33-199-1	CAP GARW -----	1							G
-47	33-199-3	ARM GARW -----	1							G
-48	33-199-45B	SET SCREW GARW -----	1							G
-49	33-199-8	NUT GARW -----	1							G
-50	0511199-20	VALVE-FUEL DRAIN CCA-7450 -----	1							K
-50A	AN911-10	NIPPLE USED WITH WHEEL FAIRINGS -----	1							K
-50B	AN916-10	ELBOW USED WITH WHEEL FAIRINGS -----	1							K
-50C	0511199-41	VALVE ASSEMBLY-FUEL DRAIN -----	1							L
-50D	MS24665-3-2	COTTER PIN -----	1							L
-50E	MS29513-7	O RING -----	1							L
-50F	0851592-1	SHAFT -----	1							L
-50G	0851583-2	PLUNGER -----	1							L
-50H	0851583-3	SPRING -----	1							L
-50J	0756001-8	LEVER ASSEMBLY -----	1							L
-51	MS20822-6D	ELBOW -----	1							H
	MS20822-6-6D	ELBOW -----	1							H
-52	S1167-6-0230	HOSE ASSEMBLY STRAINER TO ENGINE CESSNA STANDARD -----	1							
-53	AN816-2D	NIPPLE -----	1							
-54	04C0106-83	LINE ASSEMBLY STRAINER TO FIREWALL -----	1							
-55		DELETED, NEVER USED -----								
-56	AN832-2D	UNION -----	2							
	AN924-2D	NUT -----	2							
-57	C291502-0101	PRIMER ASSEMBLY-ENGINE -----	1							
	S1752-1	KNOB-PRIMER -----	1							
-58	0400106-58	LINE ASSEMBLY PRIMER TO FIREWALL -----	2							C
	0400311-45	LINE ASSEMBLY-LH PRIMER TO FIREWALL -----	1							D
	0400311-46	LINE ASSEMBLY-RH PRIMER TO FIREWALL -----	1							D
-59	0400311-49	LINE ASSEMBLY FIREWALL TO ENGINE WHEN -----	1							
	0400311-103	EXHAUSTED USE 0400311-103 LINE ASSEMBLY FIREWALL TO ENGINE -----	1							
-60	AN742D2	ATTACHING PARTS -----								
	S1485D12U	CLAMP TIN -----	1							
	S1021Z8-8	CLAMP -----	1							
		SCREW -----	1							
		-----*-----								
-61	MS21919DG6	CLAMP TIN -----	2							
	S1021Z8-6	ATTACHING PARTS -----								
		SCREW -----	1							
		-----*-----								

NOTE. SEE FIGURES 4 & 4A FOR EXPLANATION OF \* & #

- A---150 SERIAL 17001 THRU 17769
- B---150 SERIAL 17770 THRU 15061532
- C---150 SERIAL 17001 THRU 59018
- D---150 SERIAL 15059019 THRU 15061532
- E---150 SERIAL 17001 THRU 15059350
- F---150 SERIAL 15059351 THRU 15061532
- G---150 SERIAL 17001 THRU 15061152
- H---150 SERIAL 15061153 THRU 15061532
- J---150 SERIAL 15059019 THRU 15060772
- K---150 SERIAL 17001 THRU 15060772
- L---150 SERIAL 15060773 THRU 15061152
- M---150 SERIAL 17001 THRU 15061532

This page intentionally left blank.

Fuel System (Cont)



**SERIAL 15061533 & ON**

Figure 43A. Fuel System Installation

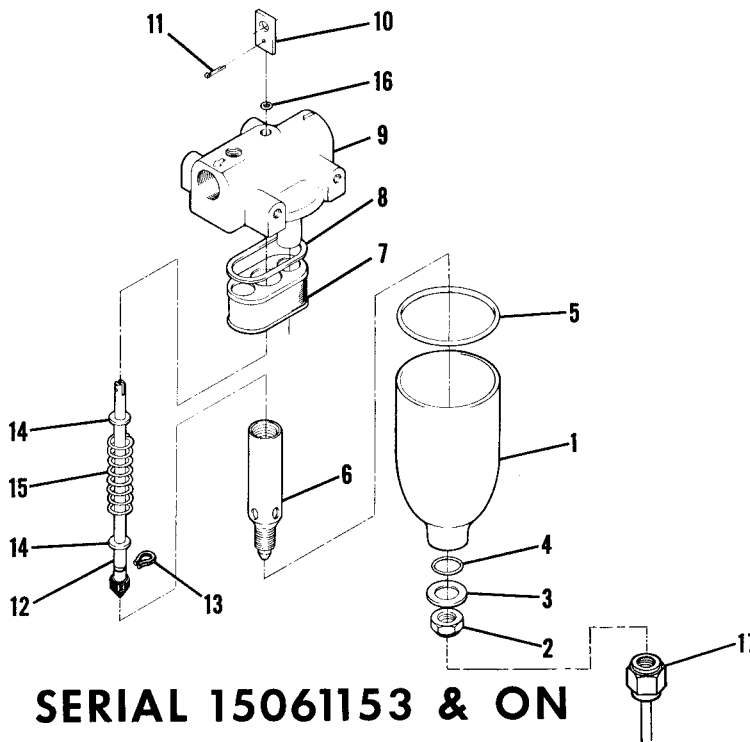
FIGURE AND INDEX NO.	PART NUMBER	DESCRIPTION	UNITS PER ASSY	USABLE ON CODE
<b>1 2 3 4 5 6 7</b>				
43A-		FUEL SYSTEM INSTALLATION -----	NP	A
- 1	0400311-52	LINE ASSEMBLY-VENT -----	1	G
	0400311-86	LINE ASSEMBLY-VENT -----	1	H
	0400311-53	LINE ASSEMBLY-VENT PATROLLER ONLY -----	1	G
	0400311-87	LINE ASSEMBLY-VENT PATROLLER ONLY -----	1	H
		ATTACHING PARTS		
- 2	0512006-1	ANGLE -----	1	
- 3	A3047A6-92	CLAMP TIN -----	1	
	S1021Z8-8	SCREW -----	1	
-----*				
- 4	MS35489-11	GROMMET -----	1	
- 5	S1495-6	HOSE-3.0 IN LG BULK ITEM REF S1495-6-3.00 -----	2	
		ATTACHING PARTS		
	S1891-6	CLAMP -----	2	
	AN737TW24	CLAMP ALTERNATE -----	2	
-----*				
- 6	0400311-6	LINE-VENT WHEN EXHAUSTED USE 0400311-100 -----	1	
	0400311-100	LINE-VENT -----	1	
		ATTACHING PARTS		
- 7	MS21919DG6	CLAMP -----	2	
	S1021Z8-8	SCREW -----	2	
-----*				
- 8	0422130	STRAINER ASSEMBLY -----	2	
- 9	0400311-64	LINE ASSEMBLY-FUEL LH -----	1	
-10	0400311-65	LINE ASSEMBLY-FUEL RH -----	1	
-11	AN815-6D	UNION -----	2	
-12	0400311-61	LINE ASSEMBLY-FUEL LH -----	1	
-13	0400311-62	LINE ASSEMBLY-FUEL RH -----	1	
-14	AN824-6D	TEE -----	1	
-15	0400311-59	LINE ASSEMBLY-FUEL -----	1	
-16	MS20822-6D	ELBOW -----	2	
-17	0411803-5	VALVE ASSEMBLY-FUEL WHEN EXHAUSTED USE 0411803-6 -----	1	E
	0411803-6	VALVE ASSEMBLY-FUEL -----	1	F
		ATTACHING PARTS		
-18	AN3H10A	BOLT -----	2	
-19	NAS43HT3-34	SPACER -----	2	
-20	NAS679A3	NUT -----	2	
-----*				
-21	0411803-3	HANDLE -----	1	E
-21A	0716623-3	HANDLE -----	1	F
-21B	AN936A8	WASHER -----	1	F
-21C	AN525-8R6	SCREW -----	1	F
-21D	0716624-1	COVER -----	1	F
-22	AN910-2D	COUPLING -----	1	
-23	0400311-63	LINE ASSEMBLY-FUEL -----	1	
-24	AN834-6D	TEE -----	1	
-25	0413338	LOCK PLATE -----	1	
		ATTACHING PARTS		
-26	AN520-10R8	SCREW -----	2	
-27	NAS696A3K	NUTPLATE -----	2	
-----*				
-28	AN929-6	CAP ASSEMBLY -----	1	
-29	0400311-58	LINE ASSEMBLY-FUEL -----	1	
-30	AN815-6D	UNION -----	1	
-31	0400311-57	LINE ASSEMBLY-FUEL NOT USED ON FLOATPLANE -----	1	L
-32	AN816-6-6D	NIPPLE NOT USED ON FLOATPLANE -----	1	L
-33	075C032-1	SHIELD NOT USED ON FLOATPLANE -----	1	L
-34	S354-3	GROMMET NOT USED ON FLOATPLANE -----	1	L
-35	0756005-1	STRAINER ASSEMBLY-FUEL SEE FIGURE 43B -----	1	
-36	0400311-56	LINE ASSEMBLY-STRAINER DRAIN WHEN EXHAUSTED USE 0400311-95 -----	1	J
	0400311-95	LINE ASSEMBLY-STRAINER DRAIN -----	1	K
-37	0500315-1	BRACKET -----	1	
-38	0500315-2	BRACKET -----	1	
		ATTACHING PARTS		
-39	AN515-10R10	SCREW -----	2	
-39A	AN515-10R10	SCREW NOT USED ON FLOATPLANE -----	2	
-39B	MS20074-03-04	BOLT -----	2	D
-40	AN936A10	WASHER -----	2	
-----*				

CONTINUED ON NEXT PAGE

FIGURE AND INDEX NO.	PART NUMBER	DESCRIPTION	UNITS PER ASSY							USABLE ON CODE		
			1	2	3	4	5	6	7			
43A-41		CONTROL ASSEMBLY SEE FIGURE 29 ----- ATTACHING PARTS -----								1		
-42	AN74203	CLAMP -----									1	
-43	AN515-10R8	SCREW -----									1	
-44	NAS679A3	NUT -----									1	
-45	0450311-3	CLAMP -----									1	
-46	AN960-416	WASHER -----									AR	
-47	NAS679A4	NUT -----									1	
		-----*-----										
-48	MS20822-6-6D	ELBOW -----									1	L
-48A	AN816-6-6D	NIPPLE -----									1	D
-49	S1167-6-0230	HOSE ASSEMBLY -----									1	
-50	0400311-45	LINE ASSEMBLY-PRIMER LH -----									1	B
	0400311-77	LINE ASSEMBLY-PRIMER LH WHEN EXHAUSTED USE 0400311-102 --									1	C
	0400311-102	LINE ASSEMBLY-PRIMER LH -----									1	C
-51	0400311-46	LINE ASSEMBLY-PRIMER RH -----									1	B
	0400311-76	LINE ASSEMBLY-PRIMER RH WHEN EXHAUSTED USE 0400311-101 --									1	C
	0400311-101	LINE ASSEMBLY-PRIMER RH -----									1	C
-52	0400311-49	LINE ASSEMBLY-PRIMER FIREWALL TO ENGINE WHEN -----									1	
		EXHAUSTED USE 0400311-103										
	0400311-103	LINE ASSEMBLY-PRIMER FIREWALL TO ENGINE -----									1	
-53	0400106-83	LINE ASSEMBLY-PRIMER FIREWALL TO STRAINER -----									1	
		ATTACHING PARTS -----										
	AN816-2D	NIPPLE LINE TO FUEL STRAINER -----									1	
		-----*-----										
-54	MS20822-6-6D	ELBOW -----									1	D
-55	0400311-79	LINE ASSEMBLY-FUEL -----									1	D
-56	NAS557-6	GROMMET -----									1	D
-57	S1095-3	SHIELD HALF -----									2	D
		ATTACHING PARTS -----										
-58	S1021Z8-6	SCREW -----									2	D
		-----*-----										
-59	0460199-1	BRACKET-FUEL STRAINER -----									1	D
		A---150 SERIAL 15061533 & ON F150 SERIAL F150-0001 & ON										
		B---150 SERIAL 15061533 THRU 15064532 F150 SERIAL F150-0001 THRU F150-0067										
		C---150 SERIAL 15064533 & ON F150 SERIAL F150-0068 & ON										
		D---150 SERIAL 15061533 & ON FLOATPLANE F150 SERIAL F150-0191 & ON FLOATPLANE 150 SERIAL 15070840 & ON										
		E---150 SERIAL 15061533 THRU 15067198 F150 SERIAL F150-0001 THRU F150-0219										
		F---150 SERIAL 15067199 & ON F150 SERIAL F150-0220 & ON										
		G---150 SERIAL 15061533 THRU 15067850 F150 SERIAL F150-0001 THRU F150-0359										
		H---150 SERIAL 15067851 & ON F150 SERIAL F150-0360 & ON										
		J---150 SERIAL 15061533 THRU 15070702 F150 SERIAL F150-0001 & ON										
		K---150 SERIAL 15070703 & ON										
		L---150 SERIAL 15061533 THRU 15070839 F150 SERIAL F150-0001 & ON										



Fuel System (Cont)

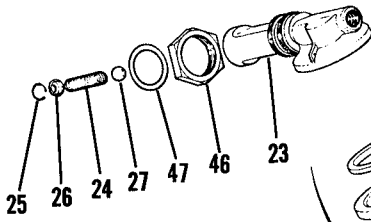


## SERIAL 15061153 & ON

Figure 43B. Fuel Strainer Assembly

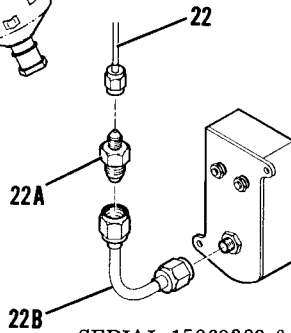
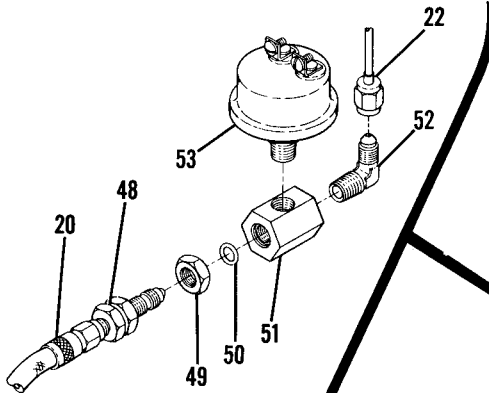
FIGURE AND INDEX NO.	PART NUMBER	DESCRIPTION	UNITS PER ASSY	USABLE ON CODE
438-		<b>1 2 3 4 5 6 7</b>		
- 1	0756005-1 0756008-1	STRAINER ASSEMBLY-FUEL ----- BCWL-FUEL STRAINER ----- ATTACHING PARTS -----	1 1	A
- 2	S1573-3	NUT -----	1	
- 3	0756015-1	WASHER -----	1	
- 4	MS29513-111	O RING -----	1	
- 5	MS29513-138	O RING -----	1	
- 6	0756011-1	STANDPIPE -----	1	
- 7	0756009-1	FILTER ASSEMBLY -----	1	
- 8	0756009-5	GASKET -----	1	
- 9	0756005-2	TOP ASSEMBLY-FUEL STRAINER -----	1	
-10	0756014-1	PLATE -----	1	
-11	MS24665-132	ATTACHING PARTS ----- COTTER PIN -----	1	
-12	0756010-1	PLUNGER ASSEMBLY-DRAIN -----	1	
-13	MS16624-25	SNAP RING -----	1	
-14	0756014-2	WASHER -----	2	
-15	0756012-1	SPRING -----	1	
-16	MS29513-10	O RING -----	1	
-17	0400311-56 0400311-95	LINE ASSEMBLY-STRAINER DRAIN ----- WHEN EXHAUSTED USE 0400311-95 LINE ASSEMBLY-STRAINER DRAIN -----	1 1	B C
A---150 SERIAL 15061153 & ON F150 SERIAL F150-0001 & ON B---150 SERIAL 15061153 THRU 15070702 F150 SERIAL F150-0001 & ON C---150 SERIAL 15070703 & ON				

Oil System

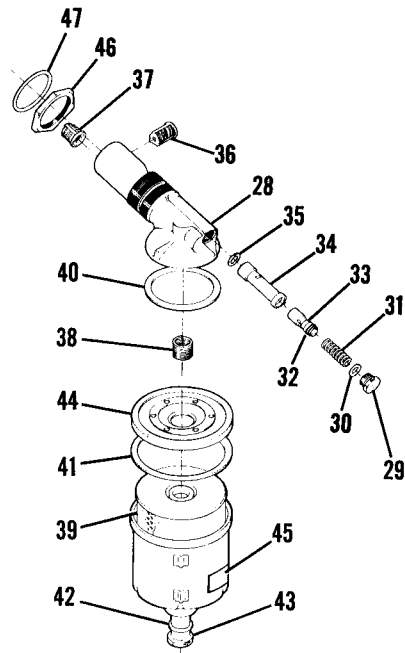


REPLACEMENT PARTS FOR THIS FILTER ARE NOT AVAILABLE. ORDER SK210-49B

SERIAL 15060146 THRU 15062179



SERIAL 15069309 & ON



SERIAL 15062180 & ON

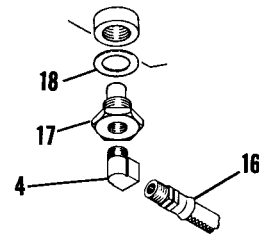
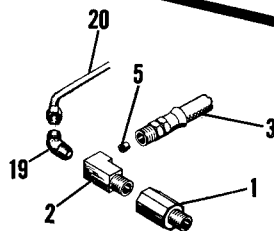
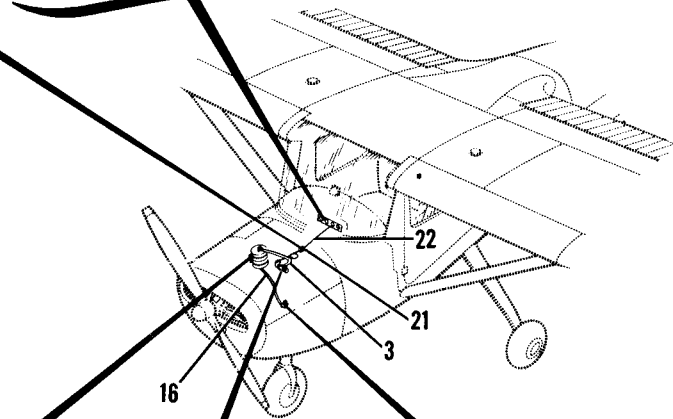
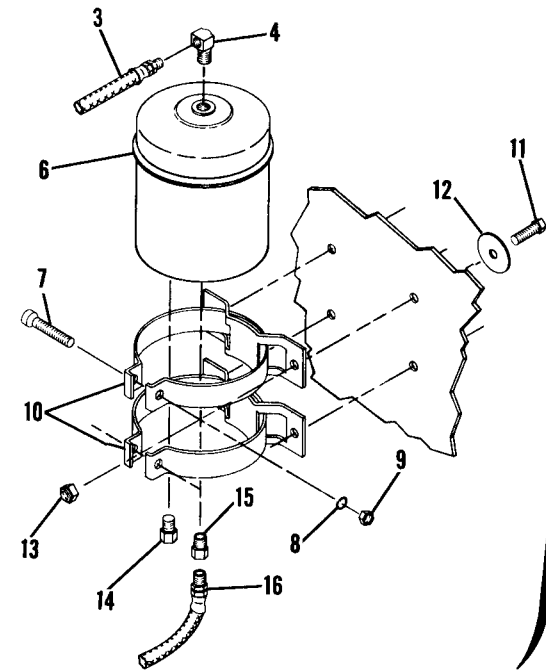


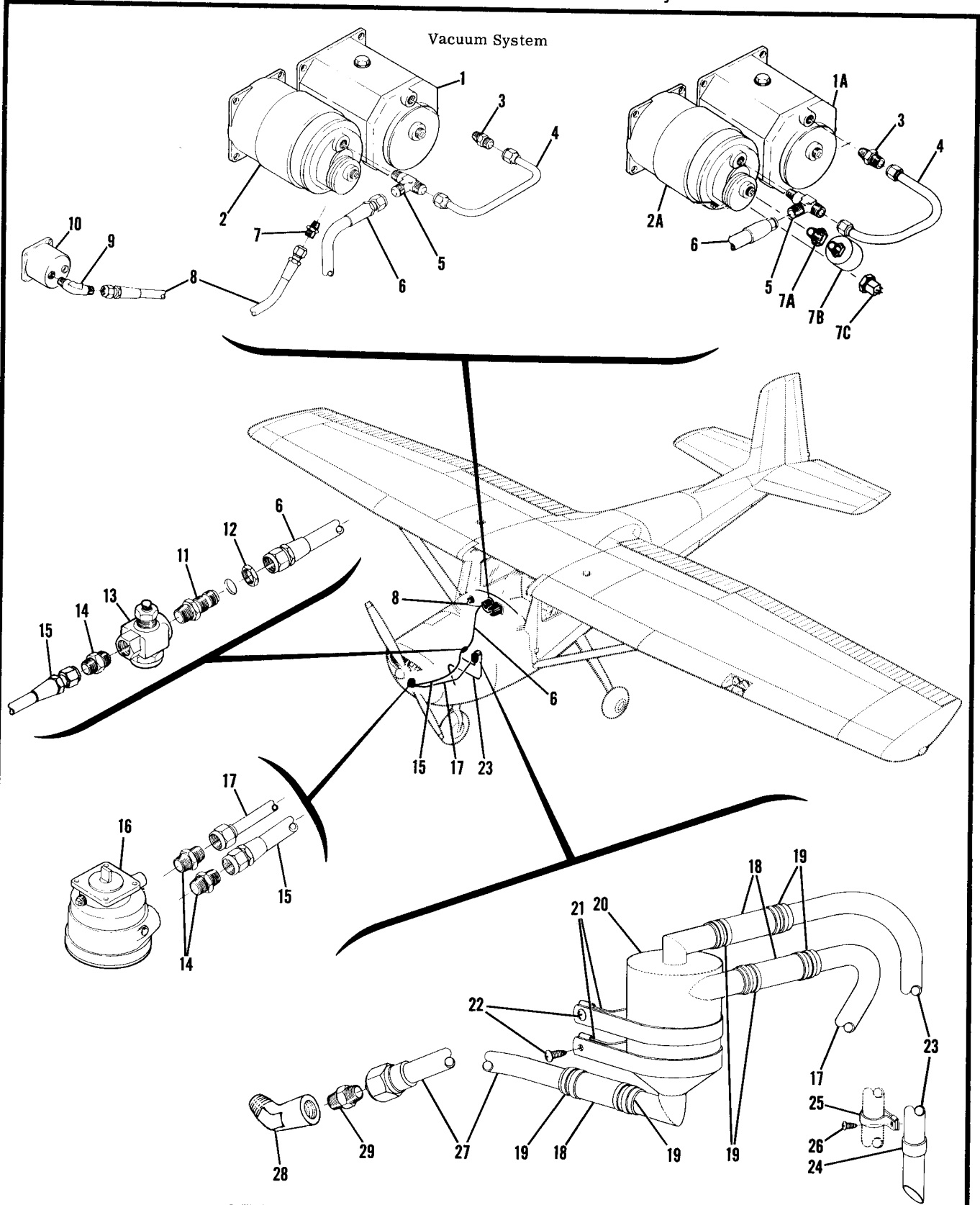
Figure 44. Oil System Installation

FIGURE AND INDEX NO.	PART NUMBER	DESCRIPTION	UNITS PER ASSY	USABLE ON CODE
44 -		<b>OIL SYSTEM INSTALLATION</b>	NP	
		INSTALLATION-OIL FILTER FRAM PB5	1	D
- 1	0550150-2	EXTENSION	1	
- 2	0550150-3	TEE	1	
- 3	0550150-5	HOSE ASSEMBLY	1	
- 4	0550150-6	ELBOW	1	
- 5	0550150-4	RESTRICTOR	1	
- 6	0550150-7	FILTER FRAM	1	
		ATTACHING PARTS		
- 7	AN503-6-8	SCREW	1	
- 8	AN935-6	WASHER	1	
- 9	AN340-6	NUT	1	
		---*---		
-10	0450334-2	BRACKET & STRAP ASSEMBLY	2	
		ATTACHING PARTS		
-11	AN4-5A	BOLT	2	
-12	AN970-4	WASHER	2	
-13	NAS679A4	NUT	2	
		---*---		
-14	0550150-13	PIPE PLUG	1	
-15	0550150-9	CONNECTOR	1	
-16	0550150-10	HOSE ASSEMBLY	1	
-17	0550150-11	DRAIN PLUG	1	
-18	0550150-14	GASKET	1	
-19	AN816-2B	NIPPLE	1	
-20	S1168-2-15	HOSE ASSEMBLY-OIL PRESSURE	1	
-21	AN832-2	UNION	1	A
	AN833-2D	ELBOW	1	B
	AN924-2D	NUT	1	
-22	0400311-23	LINE ASSEMBLY-OIL PRESSURE	1	G
	0400311-78	LINE ASSEMBLY-OIL PRESSURE	1	H
-22A	AN919-D	REDUCER	1	M
-22B	1700121-66	LINE ASSEMBLY-OIL PRESSURE	1	M
		INSTALLATION-FULL FLOW OIL FILTER	1	C
	0556004-1	ADAPTER ASSEMBLY-OIL FILTER	1	E
		USE AK150-68 SEE NOTE		
-23		ADAPTER	NP	E
-24	0556004-7	SPRING	1	E
-25	1250407-1	RING-SNAP	1	E
-26	1250408-1	CAP-RETAINER	1	E
-27	S272-17	BALL	1	E
	0450404-1	ADAPTER ASSEMBLY-OIL FILTER WHEN EXHAUSTED	1	J
		USE 0450404-200		
	0450404-200	ADAPTER ASSEMBLY-OIL FILTER	1	K
-28	0450403-1	ADAPTER WHEN EXHAUSTED USE 0450403-2	1	J
	0450403-2	ADAPTER	1	K
-29	0756018-2	PLUG	1	J
	0495601-1	PLUG	1	K
-30	AN6227B11	O RING	1	J
	AN6227B9	O RING	1	K
-31	0756021-1	SPRING	1	J
-32	AN6227B6	O RING	1	J
-33	0756020-1	PISTON	1	J
-34	0756019-1	SLEEVE	1	J
-35	MS2C002C6	WASHER	1	J
-36	0756022-1	VALVE ASSEMBLY-BY PASS	1	F
-37	0756022-2	VALVE ASSEMBLY-OUTLET	1	F
-38	MS124663	INSERT	1	F
	C294505-0101	FILTER ASSEMBLY-FULL FLOW OIL ORDER SK210-49B	1	E
-39	C294505-0102 *	FILTER ASSEMBLY-FULL FLOW OIL	1	F
		FILTER ELEMENT KIT	1	F
-40	6436635	GASKET AC	1	F
-41	6436637	GASKET AC	1	F
-42	5579654	WASHER AC	1	F
-43	6436916 *	STUD AC	1	F
-44	6436989 *	LID-OIL FILTER AC	1	F
-45	1250410-3 *	PLACARD-OIL FILTER	1	F

CONTINUED ON NEXT PAGE

FIGURE AND INDEX NO.	PART NUMBER	DESCRIPTION	UNITS PER ASSY	USABLE ON CODE
44 -46	1250405-1	NUT -----	1	
-47	AN123883	PACKING -----	1	
	633266	COVER-OIL COOLER PAD CMC -----	1	J
	22344	GASKET GMC BETWEEN CRANKCASE & COVER -----	1	J
	SE709	WRENCH-FILTER ADAPTER -----	1	C
-48	AN832-2D	UNION USED WITH HOURMETER -----	1	L
-49	AN924-2D	NUT USED WITH HOURMETER -----	1	L
-50	MS28778-2	O RING USED WITH HOURMETER -----	1	L
-51	1213158-2	ADAPTER USED WITH HOURMETER -----	1	L
-52	MS20822-2D	ELBOW USED WITH HOURMETER -----	1	L
-53	S1711-1	SWITCH USED WITH HOURMETER -----	1	L
<p>NOTE. THIS KIT INCLUDES ADAPTER ASSEMBLY, FILTER ASSEMBLY, PACKING, NUT &amp; OIL COOLER PAD COVER.</p> <p>NOTE. *THESE ARE ALSO REPLACEMENT PARTS FOR SK210-49B.</p> <p>A---150 SERIAL 17001 THRU 15059209                      B---150 SERIAL 15059210 &amp; ON                      F150 SERIAL F150-0001 &amp; ON                      C---150 SERIAL 15060146 &amp; ON                      F150 SERIAL F150-0001 THRU F150-0067                      D---150 SERIAL 17001 THRU 15060145                      E---150 SERIAL 15060146 THRU 15062179                      F---150 SERIAL 15062180 &amp; ON                      F150 SERIAL F150-0001 THRU F150-0067                      G---150 SERIAL 17001 THRU 15064532                      F150 SERIAL F150-0001 THRU F150-0067                      H---150 SERIAL 15064533 &amp; ON                      F150 SERIAL F150-0068 &amp; ON                      J---150 SERIAL 15062180 THRU 15067198                      F150 SERIAL F150-0001 THRU F150-0067                      K---150 SERIAL 15067199 &amp; ON                      L---150 SERIAL 15066960 &amp; ON                      F150 SERIAL F150-0220 &amp; ON                      M---150 SERIAL 15069309 &amp; ON                      F150 SERIAL F150-0390 &amp; ON</p>				

This page intentionally left blank.



## SERIAL 17001 THRU 15060087

Figure 45. Vacuum System Installation



FIGURE AND INDEX NO.	PART NUMBER	DESCRIPTION	UNITS PER ASSY	USABLE ON CODE
45 -		VACUUM SYSTEM INSTALLATION	NP	D
- 1	0311056-4 S1316N1	** INDICATOR-DIRECTIONAL GYRO WHEN EXHAUSTED USE S-1316N1 -- ** INDICATOR-DIRECTIONAL GYRO WHEN EXHAUSTED -----	1 1	
- 1A	C661002-0101 S1327N1	** INDICATOR-DIRECTIONAL GYRO ----- ** INDICATOR-DIRECTIONAL GYRO-PICTORIAL TYPE 34B ----- USED WITH VACUUM LIGHTS	1 1	C
- 2	0311058-5 S1309N1	** INDICATOR-GYRO HORIZON WHEN EXHAUSTED USE S-1309N1 ----- ** INDICATOR-GYRO HORIZON WHEN EXHAUSTED USE C661001-0101 --	1 1	
- 2A	C661001-0101 S1326N1	** INDICATOR-GYRO HORIZON ----- ** INDICATOR-GYRO HORIZON-PICTORIAL TYPE 34B ----- WITH VACUUM WARNING LIGHTS	1 1	C
- 3	AN816-6D	NIPPLE -----	1	
- 4	C500106-229 C400311-43	LINE ASSEMBLY-DIRECTIONAL GYRO TO HORIZONTAL GYRO ----- LINE ASSEMBLY-DIRECTIONAL GYRO TO HORIZONTAL GYRO -----	1 1	A B
- 5	MS20826-6D	TEE -----	1	
- 6	S1168-6-27	HOSE ASSEMBLY-HORIZONTAL GYRO TO FIREWALL WHEN ----- EXHAUSTED USE S1495-6 & S1497-6	1	A
	S1495-6 S1497-6 S1168-6-19	* HOSE 27.0 IN LG BULK ITEM REF S1499-6LL-27 ----- * FITTING-SOCKETLESS USED WITH S1495-6 HOSE ----- HOSE ASSEMBLY-HORIZONTAL GYRO TO FIREWALL WHEN ----- EXHAUSTED USE S1495-6 & S1497-6	1 2 1	A A B
	S1495-6 S1497-6	* HOSE 19.0 IN LG BULK ITEM REF S1499-6LL-19.00 ----- * FITTING-SOCKETLESS USED WITH S1495-6 HOSE -----	1 2	B B
- 7	AN816-4D MS20822-4-4D	NIPPLE ----- ELBOW -----	1 1	A B
- 7A	AN912-10	REDUCER -----	1	C
- 7B	S1365-1	SWITCH-VACUUM CESSNA STANDARD -----	1	C
- 7C	S1284-1	SWITCH -----	1	C
- 8	S1168-4-16	HOSE ASSEMBLY-SUCTION GAGE TO DIRECTIONAL GYRO ----- WHEN EXHAUSTED USE S1495-4 & S1497-4	1	A
	S1495-4 S1497-4 S1168-4-26	* HOSE 16.0 IN LG BULK ITEM REF S1499-4JJ-16.00 ----- * FITTING-SOCKETLESS USED WITH S1495-4 HOSE ----- HOSE ASSEMBLY-SUCTION GAGE TO DIRECTIONAL GYRO ----- WHEN EXHAUSTED USE S1495-4 & S1497-4	1 2 1	A A B
	S1495-4 S1497-4	HOSE 26.0 IN LG BULK ITEM REF S1499-4JJ-26.00 ----- FITTING-SOCKETLESS USED WITH S1495-4 HOSE -----	1 2	B B
- 9	MS20823-4D	ELBOW -----	1	
- 10	C311057-1	SUCTION GAGE -----	1	
- 11	S1988-1	FITTING-FIREWALL -----	1	
		ATTACHING PARTS		
- 12	AN316-9R AN960-916	NUT ----- WASHER -----	1 1	
		-----*-----		
- 13	0511059 0813619-3 C482001-0101	VALVE-RELIEF WHEN EXHAUSTED USE 0813619-3 ----- VALVE-RELIEF WHEN EXHAUSTED USE C482001-0101 ----- VALVE-RELIEF -----	1 1 2	
- 14	AN816-8D	NIPPLE -----	3	
- 15	S1168-8-29	HOSE ASSEMBLY-VALVE TO VACUUM PUMP WHEN ----- EXHAUSTED USE S1496-8 & S1495-8	1	
	S1496-8 S1495-8	* FITTING-SOCKETLESS USED WITH S1495-8 HOSE ----- * HOSE-29.0 IN LG BULK ITEM REF S1499-8NN-29.00 -----	2 1	
- 16	0750104-3 0750104-4	VACUUM PUMP ----- VACUUM PUMP ALTERNATE -----	1 1	
- 17	0400311-13	LINE ASSEMBLY-VACUUM PUMP TO SEPARATOR -----	1	
- 18	S51-8	HOSE-10 IN LG BULK ITEM REF S51-8-10 -----	3	
		ATTACHING PARTS		
- 19	NAS397-14	CLAMP TIN A3122-14-1 -----	2	
		-----*-----		
- 20	0850406-6	OIL SEPARATOR ASSEMBLY ----- ATTACHING PARTS	1	
- 21	S1485D36U	CLAMP TIN -----	2	
- 22	S1021710-10	SCREW CESSNA STANDARD -----	2	
		-----*-----		

SERIAL 17001  
THRU 15060087

CONTINUED ON NEXT PAGE



FIGURE AND INDEX NO.	PART NUMBER	DESCRIPTION	UNITS PER ASSY	USABLE ON CODE
		<b>1 2 3 4 5 6 7</b>		
45 -23	0400311-15	TUBE-SEPARATOR VENT ----- ATTACHING PARTS -----	1	
-24	AN742D8	CLAMP TIN -----	2	
-25	S1485D10U	CLAMP TIN -----	2	
-26	S1021Z8-7	SCREW CESSNA STANDARD -----	1	
	S1021Z8-8	SCREW CESSNA STANDARD -----	1	
		*-----		
-27	0400311-14	LINE ASSEMBLY-SEPARATOR TO ENGINE -----	1	
-28	AN914-3	ELBOW -----	1	
-29	AN816-8B	NIPPLE -----	1	
		NOTE. *WHEN INITIALLY ORDERING THIS PART, ALSO ORDER TWO S1497 SOCKETLESS FITTINGS.		
		NOTE. **WHEN STOCKS OF THESE GYROS ARE EXHAUSTED ORDER AK172-116 KIT, WHICH INCLUDES 1 DIRECTIONAL GYRO, 1 GYRO HORIZON, FILTER & NECESSARY FITTINGS FOR INSTALLATION.		
		NOTE. %WHEN INITIALLY ORDERING THIS PART ALSO ORDER TWO S1496-8 SOCKETLESS FITTINGS.		
		A---150 SERIAL 17001 THRU 59018 B---150 SERIAL 15059019 THRU 15060087 C---150 SERIAL 15059701 THRU 15060087 D---150 SERIAL 17001 THRU 15060087		





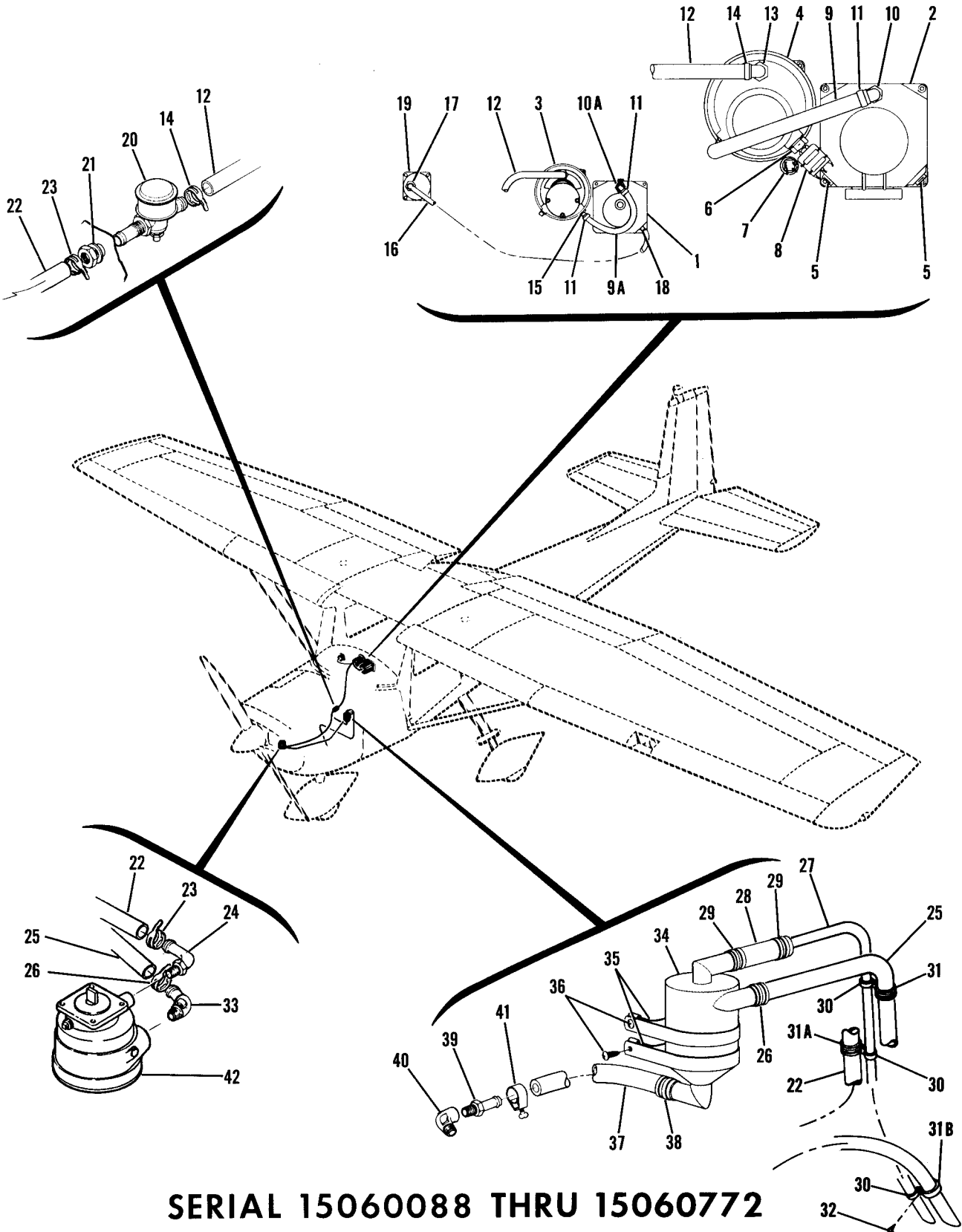
FIGURE AND INDEX NO.	PART NUMBER	DESCRIPTION	UNITS PER ASSY	USABLE ON CODE
		<b>1 2 3 4 5 6 7</b>		
45A-		VACUUM SYSTEM INSTALLATION -----	NP	A
- 1	S1316N1 *	INDICATOR-DIRECTIONAL GYRO WHEN EXHAUSTED -----	1	
		USE C661002-0101		
	S1476N1 *	INDICATOR-DIRECTIONAL GYRO ALTERNATE WHEN EXHAUSTED -	1	
		USE C661002-0101		
- 2	C661002-0101 *	INDICATOR-DIRECTIONAL GYRO -----	1	
	S1327N1	INDICATOR-DIRECTIONAL GYRO-PICTORIAL TYPE 34B -----	1	
		USED WITH VACUUM LIGHTS		
- 3	S1309N1 *	INDICATOR-GYRO HORIZON WHEN EXHAUSTED USE C661001-0101 --	1	
	S1472N1 *	INDICATOR-GYRO HORIZON ALTERNATE WHEN EXHAUSTED -----	1	
		USE C661001-0101		
	S1473N1 *	INDICATOR-GYRO HORIZON ALTERNATE WHEN EXHAUSTED -----	1	
		USE C661001-0101		
- 4	C661001-0101 *	INDICATOR-GYRO HORIZON -----	1	
	S1326N1	INDICATOR-GYRO HORIZON-PICTORIAL TYPE 34B -----	1	
		WITH VACUUM WARNING LIGHTS		
- 5	MS20913-2D	PLUG -----	2	
- 6	AN912-10	REDUCER ---	1	
- 7	S1284-1	SWITCH ----	1	
- 8	S1365-1	SWITCH-VACUUM -----	1	
- 9	S1431-6	HOSE-10.0 IN LG BULK ITEM REF S-1431-6-10.00 -----	1	
		WHEN EXHAUSTED USE S1495-6-10.00		
- 9A	S1495-6	HOSE 10 IN LG BULK ITEM REF S1495-6-10.00 -----	1	
	S1431-6	HOSE-8.0 IN LG BULK ITEM REF S-1431-6-8.00 -----	1	
		NOT USED WITH PICTORIAL GYRO WHEN EXHAUSTED		
		USE S1495-6-8.00		
	S1495-6	HOSE 8.00 IN LG BULK ITEM REF S1495-6-8.00 -----	1	
		NOT USED WITH PICTORIAL GYRO		
		ATTACHING PARTS		
-10	1K1-4-6	ELBOW AIRB USE WITH S-1431-6-10.00 HOSE -----	2	
-10A	1K1-4-6	ELBOW AIRB USE WITH S-1431-6-8.00 HOSE -----	1	
-11	NAS397-12	CLAMP -----	2	
		-----*		

**SERIAL 15060088 THRU 15060772**

CONTINUED ON NEXT PAGE

25

Vacuum System (Cont)



**SERIAL 15060088 THRU 15060772**

Figure 45A. Vacuum System Installation

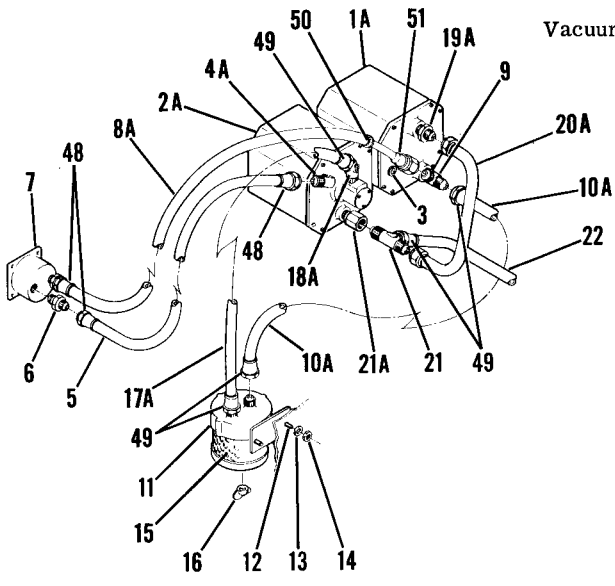


FIGURE AND INDEX NO.	PART NUMBER	DESCRIPTION	UNITS PER ASSY	USABLE ON CODE
45A-12	S1431-8	HOSE-20.0 IN LG BULK ITEM REF S-1431-8-20.00 ----- WHEN EXHAUSTED USE S1495-8-20.00	1	
	S1495-8	HOSE 20.0 IN LG BULK ITEM REF S1495-8-20.00 ----- ATTACHING PARTS	1	
-13	1K1-4-8	ELBOW AIRB -----	1	
-14	NAS397-14	CLAMP ----- -----*	2	
-15	1K10-4-6	ADAPTER AIRB -----	1	
-16	S1431-4	HOSE-33.0 IN LG BULK ITEM REF S-1431-4-33.00 ----- NOT USED WITH PICTORIAL GYRO WHEN EXHAUSTED USE S1495-4-33.00	1	
	S1495-4	HOSE 33.00 IN LG BULK ITEM REF S1495-4-33.00 ----- NCT USED WITH PICTORIAL GYRO ATTACHING PARTS	1	
-17	1K1-2-4	ELBOW AIRB NOT USED WITH PICTORIAL GYRO -----	1	
-18	1K1-4-4	ELBOW AIRB NOT USED WITH PICTORIAL GYRO -----	1	
	NAS397-8	CLAMP NOT USED WITH PICTORIAL GYRO ----- -----*	2	
-19	S1414N1	GAGE-SUCTION NOT USED WITH PICTORIAL GYRO -----	1	
-20	133A3	RELIEF VALVE RANDOLF MFG. CO. ----- ATTACHING PARTS	1	
-21	AN960A166	WASHER ----- -----*	1	
-22	S1431-10	HOSE-33.0 IN LG BULK ITEM REF S-1431-10-33.00 ----- WHEN EXHAUSTED USE S1495-10-33.00	1	
	S1495-10	HOSE 33.0 IN LG BULK ITEM REF S1495-10-33.0 ----- ATTACHING PARTS	1	
-23	NAS397-16	CLAMP -----	2	
-24	S1861-6	FITTING ----- -----*	1	
-25	S1431-8	HOSE-31.0 IN LG BULK ITEM REF S-1431-8-31.00 ----- WHEN EXHAUSTED USE S1495-8-31.00	1	
	S1495-8	HOSE 31.0 IN LG BULK ITEM REF S1495-8-31.00 ----- ATTACHING PARTS	1	
-26	NAS397-14	CLAMP ----- -----*	2	
-27	040C311-15	TUBE-SEPARATOR VENT ----- ATTACHING PARTS	1	
-28	S1431-8	HOSE-2.0 IN LG BULK ITEM REF S-1431-8-2.00 ----- WHEN EXHAUSTED USE S1495-8-2.00	1	
	S1495-8	HOSE 2.0 IN LG BULK ITEM REF S1495-8-2.0 -----	1	
-29	NAS397-14	CLAMP -----	2	
-30	AN742D8	CLAMP -----	3	
-31	S1486DG14L	CLAMP -----	1	
-31A	S1486DG16L	CLAMP -----	1	
-31B	S1485D10L	CLAMP -----	1	
-32	S1021Z8-8	SCREW ----- -----*	3	
-33	AN844-8D	ELBOW -----	1	
-34	0850406-6	OIL SEPARATOR ASSEMBLY ----- ATTACHING PARTS	1	
-35	S1485D36U	CLAMP -----	2	
-36	S1021Z10-10	SCREW ----- -----*	2	
-37	S1431-8	HOSE-12.5 IN LG BULK ITEM REF S-1431-8-12.50 ----- WHEN EXHAUSTED USE S1495-8-12.50	1	
	S1495-8	HOSE 12.50 IN LG BULK ITEM REF S1495-8-12.50 ----- ATTACHING PARTS	1	
-38	NAS397-14	CLAMP -----	1	
-39	AN840-8D	ADAPTCR -----	1	
-40	AN914-3D	ELBOW -----	1	
-41	AN737RM30	CLAMP ----- -----*	1	
-42	0750104-3	VACUUM PUMP -----	1	
	0750104-4	VACUUM PUMP ALTERNATE -----	1	

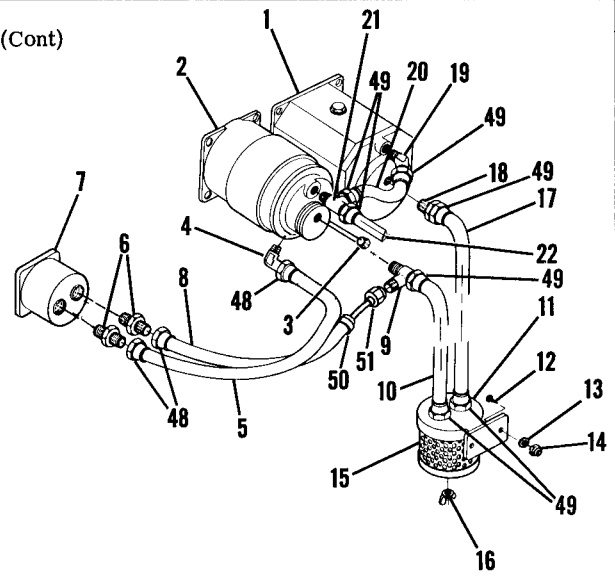
NOTE. \*WHEN STOCKS OF THESE GYROS ARE EXHAUSTED ORDER AK172-116 KIT, WHICH INCLUDES 1 DIRECTIONAL GYRO, 1 GYRO HORIZON, FILTER & NECESSARY FITTINGS FOR INSTALLATION.

A---150 SERIAL 15060088 THRU 15060772

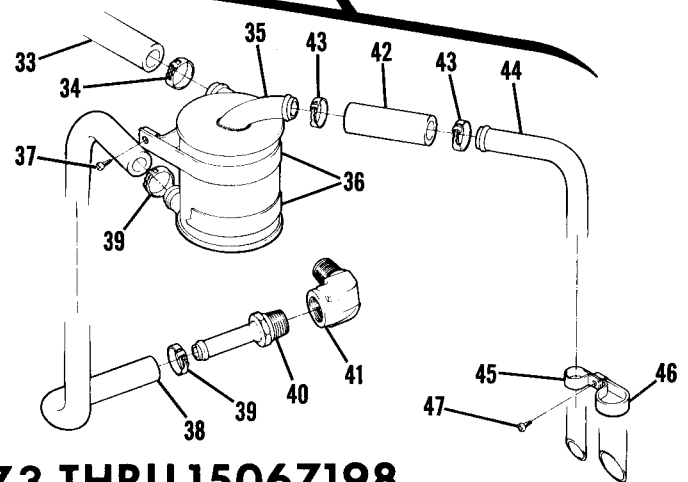
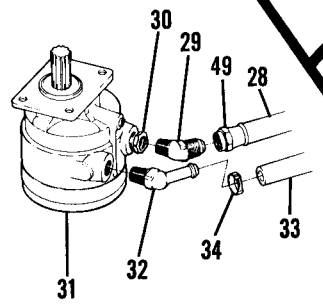
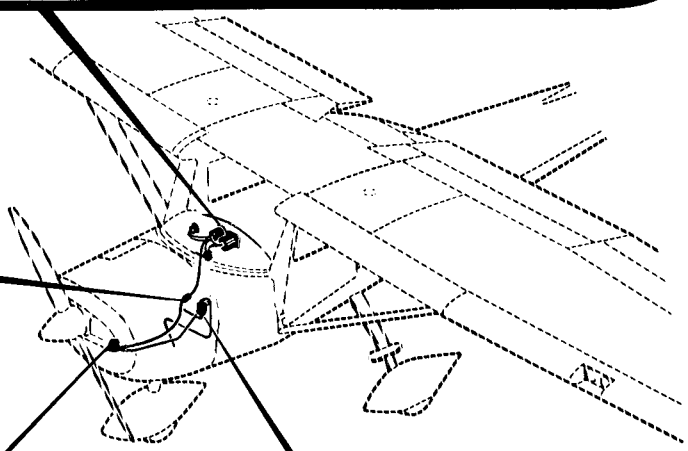
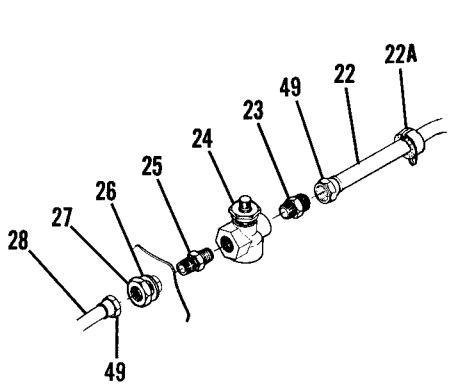
Vacuum System (Cont)



SERIAL CODE C



SERIAL CODE B



**SERIAL 15060773 THRU 15067198**

Figure 45B. Vacuum System Installation

FIGURE AND INDEX NO.	PART NUMBER	DESCRIPTION	UNITS PER ASSY	USABLE ON CODE
45B-		VACUUM SYSTEM INSTALLATION -----	NP	A
- 1	I476N1 **	INDICATOR-DIRECTIONAL GYRO WHEN EXHAUSTED -----	1	B
		USE C661002-0101 -----		
	C661002-0101 **	INDICATOR-DIRECTIONAL GYRO -----	1	B
- 1A	C661002-0201	INDICATOR-DIRECTIONAL GYRO NEW -----	1	C
	C661002-0201R	INDICATOR-DIRECTIONAL GYRO RECONDITIONED -----	1	C
- 2	S1472N1 **	INDICATOR-GYRO HORIZON WHEN EXHAUSTED USE C661001-0101 -----	1	B
	C661001-0101 **	INDICATOR-GYRO HORIZON -----	1	B
- 2A	C661001-0201	INDICATOR-GYRO HORIZON NEW -----	1	C
	C661001-0201R	INDICATOR-GYRO HORIZON RECONDITIONED -----	1	C
		ATTACHING PARTS -----		
	AN520B10R14	SCREW -----	4	B
	AN520B10R6	SCREW -----	4	C
		<b>SERIAL 15060773</b>		
		<b>THRU 15067198</b>		
- 3	MS20913-2	PLUG -----	3	B
	MS20913-1	PLUG -----	1	C
- 4	MS20822-4-4D	ELBOW -----	1	B
- 4A	MS20822-4B	ELBOW -----	1	C
- 5	S1495-4	HOSE-27.50 IN LG BULK ITEM REF S1499-4JJ-27.50 -----	1	
- 6	AN816-4B	NIPPLE -----	2	
- 7	S1414N1	GAGE-SUCTION -----	1	
		ATTACHING PARTS -----		
	AN515B6R12	SCREW -----	4	
		*-----		
- 8	S1495-4	HOSE-27.50 IN LG BULK ITEM REF S1499-4JJ-27.50 -----	1	B
- 8A	S1495-4	HOSE-* IN LG BULK ITEM REF S1499-4JJ-* -----	1	C
- 9	MS20826-6B	TEE -----	1	
- 10	S1495-6	HOSE-12.75 IN LG BULK ITEM REF S1499-6LL-12.75 -----	1	B
- 10A	S1495-6	HOSE-* IN LG BULK ITEM REF S1499-6LL-* -----	1	C
- 11	C294501-0101	FILTER ASSEMBLY-AIR -----	1	
		ATTACHING PARTS -----		
- 12	AN520-10R10	SCREW -----	2	
- 13	AN960PD10	WASHER -----	2	
- 14	NAS679A3	NUT -----	2	
		*-----		
- 15	C294501-0103	FILTER ELEMENT -----	1	
- 16	P2274	NUT-WING DCI -----	1	
- 17	S1495-6	HOSE-14.75 IN LG BULK ITEM REF S1499-6LL-14.75 -----	1	B
- 17A	S1495-6	HOSE-19.25 IN LG BULK ITEM REF S1499-6LL-19.25 -----	1	C
- 18	AN816-6D	NIPPLE -----	1	B
- 18A	MS20832-6B	ELBOW -----	1	C
- 19	MS20823-6D	ELBOW -----	1	B
- 19A	AN816-6B	NIPPLE -----	1	C
- 20	S1495-6	HOSE-4.50 IN LG BULK ITEM REF S1499-6LL-4.50 -----	1	B
- 20A	0400311-74	LINE ASSEMBLY -----	1	D
	C400311-75	LINE ASSEMBLY -----	1	E
- 21	MS20826-6B	TEE -----	1	
- 21A	0713837-1	CONNECTOR -----	1	C
- 22	S1495-6	HOSE-19.25 IN LG BULK ITEM REF S1499-6LL-19.25 -----	1	B
	S1495-6	HOSE-* IN LG BULK ITEM REF S1499-6LL-* -----	1	C
- 22A	S1591-3	CLAMP -----	1	
- 23	AN816-6-6B	NIPPLE -----	1	
- 24	C482001-0101	VALVE-RELIEF -----	1	
- 25	S1988-1	FITTING -----	1	
- 26	AN960D16	WASHER -----	1	
- 27	AN924-6D	NUT -----	1	
- 28	S1495-6	HOSE-30.75 IN LG BULK ITEM REF S1499-6LL-30.75 -----	1	
- 29	MS20823-6B	ELBOW -----	1	
- 30	AN912-2	BUSHING -----	1	
- 31	C431001-0101	PUMP-VACUUM -----	1	
- 32	AN844-8	ELBOW -----	1	
- 33	S1495-8	HOSE-27.25 IN LG BULK ITEM REF S1495-8-27.25 -----	1	
		ATTACHING PARTS -----		
- 34	NAS397-14	CLAMP -----	2	
	AN742D8	CLAMP ATTACH HOSE TO ENGINE MOUNT -----	1	
	S1486DG14U	CLAMP ON ENGINE MOUNT -----	1	
	S1021Z10-8	SCREW -----	1	
		*-----		

CONTINUED ON NEXT PAGE

FIGURE AND INDEX NO.	PART NUMBER	DESCRIPTION	UNITS PER ASSY	USABLE ON CODE
45B-35	C165001-0102	SEPARATOR-OIL ----- ATTACHING PARTS -----	1	
-36	S1485D36U	CLAMP NOT USED ON FLOATPLANE -----	2	
	S1485D36L	CLAMP FLOATPLANE ONLY -----	2	F
-37	S1021Z10-10	SCREW NOT USED ON FLOATPLANE -----	2	
	S1021Z10-8	SCREW FLOATPLANE ONLY -----	2	F
	0456003-4	BRACKET ATTACH TO OIL COOLER FLOATPLANE ONLY -----	1	F
	AN3-4A	BOLT ATTACH TO OIL COOLER FLOATPLANE ONLY -----	2	F
	AN960PD10L	WASHER ATTACH TO OIL COOLER FLOATPLANE ONLY -----	2	F
	NAS679A3	NUT ATTACH TO OIL COOLER FLOATPLANE ONLY -----	2	F
		---*---		
-38	S1495-8	HOSE-11.25 IN LG BULK ITEM REF S1495-8-11.25 -----	1	
		ATTACHING PARTS -----		
-39	NAS397-14	CLAMP -----	2	
		---*---		
-40	AN840-8D	ADAPTOR -----	1	
-41	AN914-3	ELBOW -----	1	
-42	S1495-8	HOSE-3.00 IN LG BULK ITEM REF S1495-8-3.00 -----	1	
	S1495-8	HOSE-* IN LG BULK ITEM FLOATPLANE ONLY -----	1	F
		ATTACHING PARTS -----		
-43	NAS397-14	CLAMP -----	2	
		---*---		
-44	0400311-55	TUBE-SEPARATOR VENT NOT USED ON FLOATPLANE -----	1	
	0400311-80	TUBE-SEPARATOR VENT FLOATPLANE ONLY -----	1	F
-45	AN742D8	CLAMP -----	1	
-46	S1485D10L	CLAMP -----	1	
-47	S1021Z8-8	SCREW -----	1	
-48	S1497-4	FITTING-SOCKETLESS -----	3	
-49	S1497-6	FITTING-SOCKETLESS -----	11	
-50	NAS397-8	CLAMP -----	1	
-51	1713039-1	ELBOW ASSEMBLY -----	1	
<p>NOTE. *LENGTH TO BE DETERMINED LATER</p> <p>NOTE. **WHEN STOCKS OF THESE GYROS ARE EXHAUSTED ORDER AK172-116 KIT, WHICH INCLUDES 1 DIRECTIONAL GYRO, 1 GYRO HORIZON, FILTER &amp; NECESSARY FITTINGS FOR INSTALLATION.</p> <p>NOTE. %WHEN ORDERING THIS PART FOR AIRCRAFT SERIALS LISTED IN TABLE ON FIGURE 45C ALSO ORDER 1 S1497-6 FITTING.</p> <p>NOTE. #WHEN ORDERING THIS PART FOR AIRCRAFT SERIALS 15060733 THRU 15064097 &amp; F150-0001 THRU F150-0127 ALSO ORDER 1 NAS397-8 CLAMP &amp; 1 1713039-1 ELBOW ASSEMBLY</p> <p>A---150 SERIAL 15060773 &amp; ON F150 SERIAL F150-0001 &amp; ON</p> <p>B---150 SERIAL 15060773 THRU 15064532 EXCEPT AIRPLANES LISTED IN TABLE ON FIGURE 45C. F150 SERIAL F150-0001 THRU F150-0067</p> <p>C---150 SERIAL 15064533 &amp; ON &amp; AIRPLANES LISTED IN TABLE ON FIGURE 45C. F150 SERIAL F150-0068 &amp; ON</p> <p>D---150 SERIAL AIRPLANES LISTED IN TABLE ON FIGURE 45C.</p> <p>E---150 SERIAL 15064533 &amp; ON F150 SERIAL F150-0068 &amp; ON</p> <p>F---150 SERIAL 15065955 &amp; ON F150 SERIAL F150-0191 &amp; ON</p>				

Vacuum System (Cont)

**C661002-0201  
C661001-0201  
GYRO USAGE TABLE  
1966 MODELS**

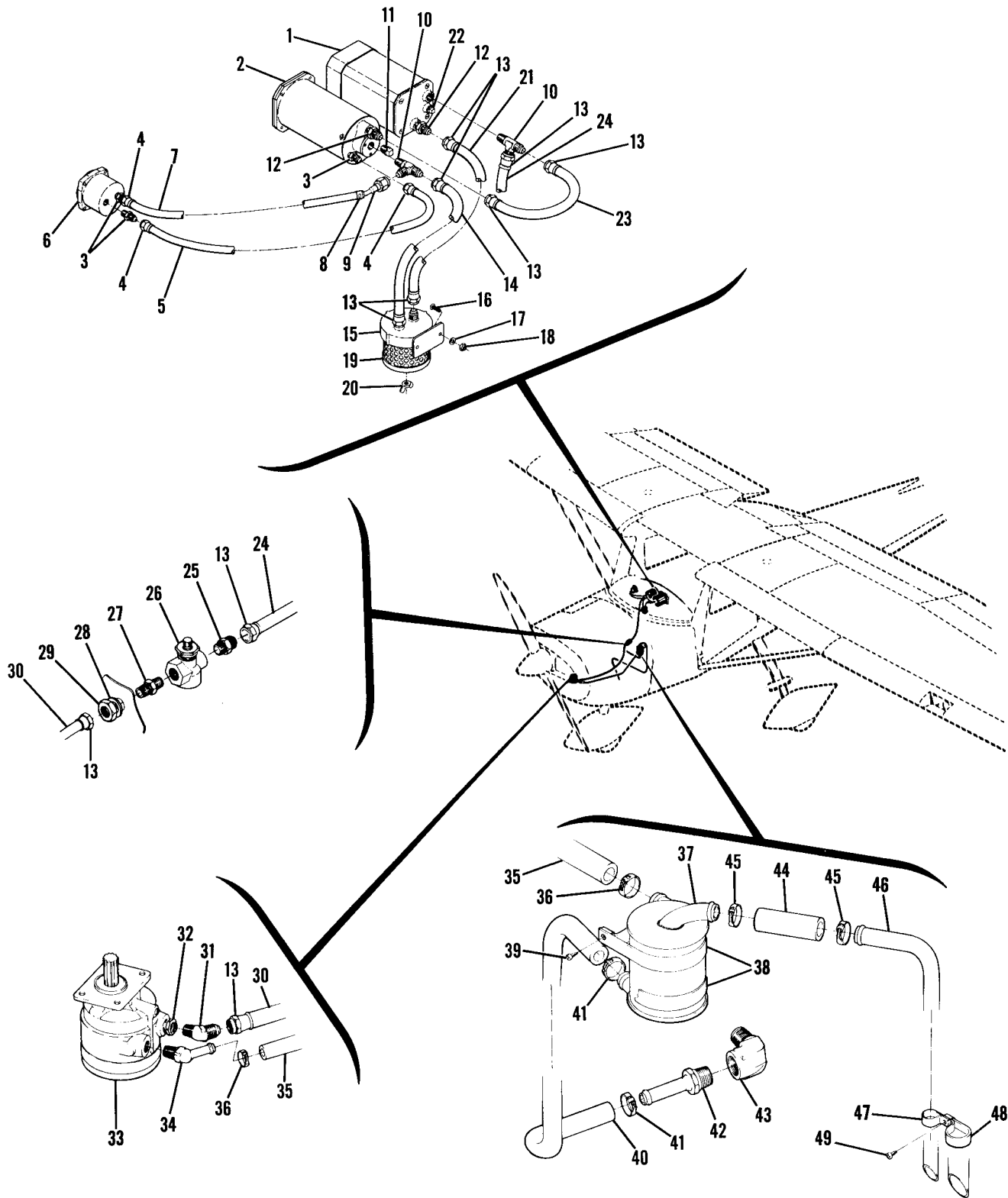
THESE GYROS WERE INSTALLED ON AIRCRAFT LISTED BY SERIAL BELOW:

15063786	15063912	15063975
15063787	15063916	15063999
15063789	15063917	15064000
15063790	15063919	15064001
15063791	15063921	15064003
15063792	15063922	15064004
15063795	15063923	15064005
15063796	15063924	15064006
15063797	15063925	15064007
15063798	15063926	15064009
15063831	15063943	15064010
15063832	15063944	15064012
15063833	15063945	15064037
15063834	15063946	15064038
15063891	15063947	15064040
15063892	15063950	15064041
15063893	15063951	15064043
15063894	15063952	15064063
15063895	15063953	15064064
15063896	15063954	15064065
15063897	15063956	15064066
15063898	15063958	15064067
15063900	15063959	15064068
15063901	15063960	15064070
15063902	15063962	15064071
15063903	15063963	15064072
15063904	15063966	15064073
15063905	15063967	15064074
15063906	15063968	15064075
15063907	15063969	15064077
15063908	15063970	15064078
15063909	15063971	15064079
15063910	15063973	
15063911	15063974	

THIS TABLE IS APPLICABLE TO GYROS AND COMPONENT PARTS AND IS USED IN CONJUNCTION WITH FIGURES 23B & 45B TO DEFINE SERIALIZATION.

Figure 45C. Usage Table For C661002-0201 & C661001-0201 Gyros

Vacuum System (Cont)



**SERIAL 15067199 THRU 15069308**

Figure 45D. Vacuum System Installation





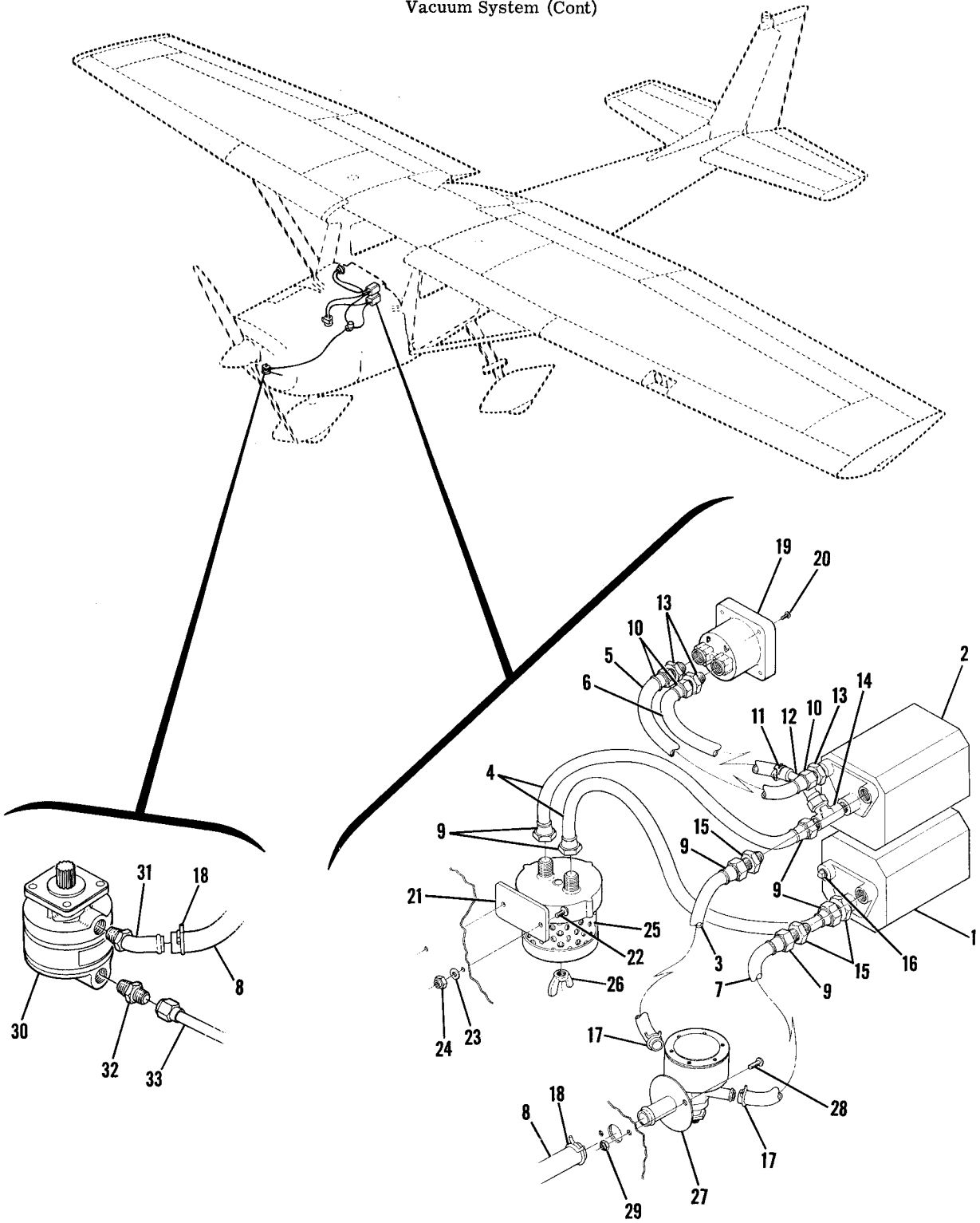
FIGURE AND INDEX NO.	PART NUMBER	DESCRIPTION	UNITS PER ASSY	USABLE ON CODE
45D-		VACUUM SYSTEM INSTALLATION -----	NP	A
- 1	C661002-0301	INDICATOR-DIRECTIONAL GYRO -----	1	
	C661002-0501	INDICATOR-DIRECTIONAL GYRO ALTERNATE -----	1	
	C661002-0503	INDICATOR-DIRECTIONAL GYRO ALTERNATE -----	1	
- 2	C661001-0502	INDICATOR-GYRO HORIZON -----	1	
	C661001-0501	INDICATOR-GYRO HORIZON ALTERNATE -----	1	
	C661001-0503	INDICATOR-GYRO HORIZON ALTERNATE -----	1	
	AN520B10R6	ATTACHING PARTS		
		SCREW -----	4	
		-----*		
- 3	AN816-4B	NIPPLE -----	3	
- 4	S1497-4	FITTING-SOCKETLESS -----	3	
- 5	S1495-4	HOSE-* IN LG BULK ITEM REF S1499-4JJ-* -----	1	
- 6	S1414N1	GAGE-SUCTION -----	1	
	S1414-1	GAGE-SUCTION ALTERNATE -----	1	
		ATTACHING PARTS		
	AN515B6R12	SCREW -----	4	
	AN936A6	WASHER USED WITH S1414-1 -----	4	
	AN340B6	NUT USED WITH S1414-1 -----	4	
		-----*		
- 7	S1495-4	HOSE-* IN LG BULK ITEM REF S1691-1-* -----	1	
- 8	NAS397-8	CLAMP -----	1	
- 9	1713039-1	ELBOW ASSEMBLY -----	1	
-10	MS20826-6B	TEE -----	2	
-11	MS20913-2	PLUG-PIPE -----	1	
-12	AN816-6B	NIPPLE -----	2	
-13	S1497-6	FITTING-SOCKETLESS -----	10	
-14	S1495-6	HOSE-* IN LG BULK ITEM REF S1499-6LL-* -----	1	
-15	C294501-0101	FILTER ASSEMBLY-AIR -----	1	
		ATTACHING PARTS		
-16	AN520-10R10	SCREW -----	2	
-17	AN960PD10	WASHER -----	2	
-18	NAS679A3	NUT -----	2	
		-----*		
-19	C294501-0103	FILTER ELEMENT -----	1	
-20	P2274	NUT-WING DCI -----	1	
-21	S1495-6	HOSE-* IN LG BULK ITEM REF S1499-6LL-* -----	1	
-22	MS20913-1	PLUG-PIPE -----	1	
-23	S1495-6	HOSE-* IN LG BULK ITEM REF S1499-6LL-* -----	1	
-24	S1495-6	HOSE-* IN LG BULK ITEM REF S1499-6LL-* -----	1	
-25	AN816-6-6B	NIPPLE -----	1	
-26	C482001-0101	VALVE-RELIEF -----	1	
-27	S1988-1	FITTING -----	1	
-28	AN960D916	WASHER -----	1	
-29	AN924-6D	NUT -----	1	
-30	S1495-6	HOSE-30.75 IN LG BULK ITEM REF S1499-6LL-30.75 -----	1	
-31	MS20823-6B	ELBOW -----	1	
-32	AN912-2	BUSHING -----	1	
-33	C431001-0101	PUMP-VACUUM -----	1	
-34	AN844-8	ELBOW -----	1	
-35	S1495-8	HOSE-27.25 IN LG BULK ITEM REF S1495-8-27.25 -----	1	
		ATTACHING PARTS		
-36	NAS397-14	CLAMP -----	2	
	AN74208	CLAMP ATTACH HOSE TO ENGINE MOUNT -----	1	
	S1486DG14U	CLAMP ON ENGINE MOUNT -----	1	
	S1021Z10-8	SCREW -----	1	
		-----*		
-37	C165001-0102	SEPARATOR-OIL -----	1	
		ATTACHING PARTS		
-38	S1485D36U	CLAMP NOT USED ON FLOATPLANE -----	2	
	S1485D36L	CLAMP FLOATPLANE ONLY -----	2	
-39	S1021Z10-10	SCREW NOT USED ON FLOATPLANE -----	2	
	S1021Z10-8	SCREW FLOATPLANE ONLY -----	2	
	C456003-4	BRACKET ATTACH TO OIL COOLER FLOATPLANE ONLY -----	1	
	AN3-4A	BOLT ATTACH TO OIL COOLER FLOATPLANE ONLY -----	2	
	AN960PD10L	WASHER ATTACH TO OIL COOLER FLOATPLANE ONLY -----	2	
	NAS679A3	NUT ATTACH TO OIL COOLER FLOATPLANE ONLY -----	2	
		-----*		

CONTINUED ON NEXT PAGE

FIGURE AND INDEX NO.	PART NUMBER	DESCRIPTION	UNITS PER ASSY	USABLE ON CODE
45D-40	S1495-8	HOSE-11.25 IN LG BULK ITEM REF S1495-8-11.25 ----- ATTACHING PARTS	1	
-41	NAS397-14	CLAMP ----- -----*	2	
-42	AN840-8D	ADAPTOR -----	1	
-43	AN914-3	ELBOW -----	1	
-44	S1495-8	HOSE-3.00 IN LG BULK ITEM REF S1495-8-3.00 -----	1	
-45	S1495-8	HOSE-* IN LG BULK ITEM FLOATPLANE ONLY ----- ATTACHING PARTS	1	
-45	NAS397-14	CLAMP ----- -----*	2	
-46	0400311-55	TUBE-SEPARATOR VENT NOT USED ON FLOATPLANE -----	1	
-46	0400311-80	TUBE-SEPARATOR VENT FLOATPLANE ONLY ----- ATTACHING PARTS	1	
-47	AN742D8	CLAMP -----	1	
-48	S1485D10L	CLAMP -----	1	
-49	S1021Z8-8	SCREW ----- -----*	1	
<p>NOTE. *LENGTH TO BE DETERMINED LATER</p> <p>NOTE. #WHEN ORDERING THIS PART FOR AIRCRAFT EQUIPPED WITH BRITTIAN WING LEVELER SEE FIGURE 37C</p>				
<p>A---150 SERIAL 15067199 THRU 15069308 F150 SERIAL F150-0220 THRU F150-0389</p>				

This page intentionally left blank.

Vacuum System (Cont)



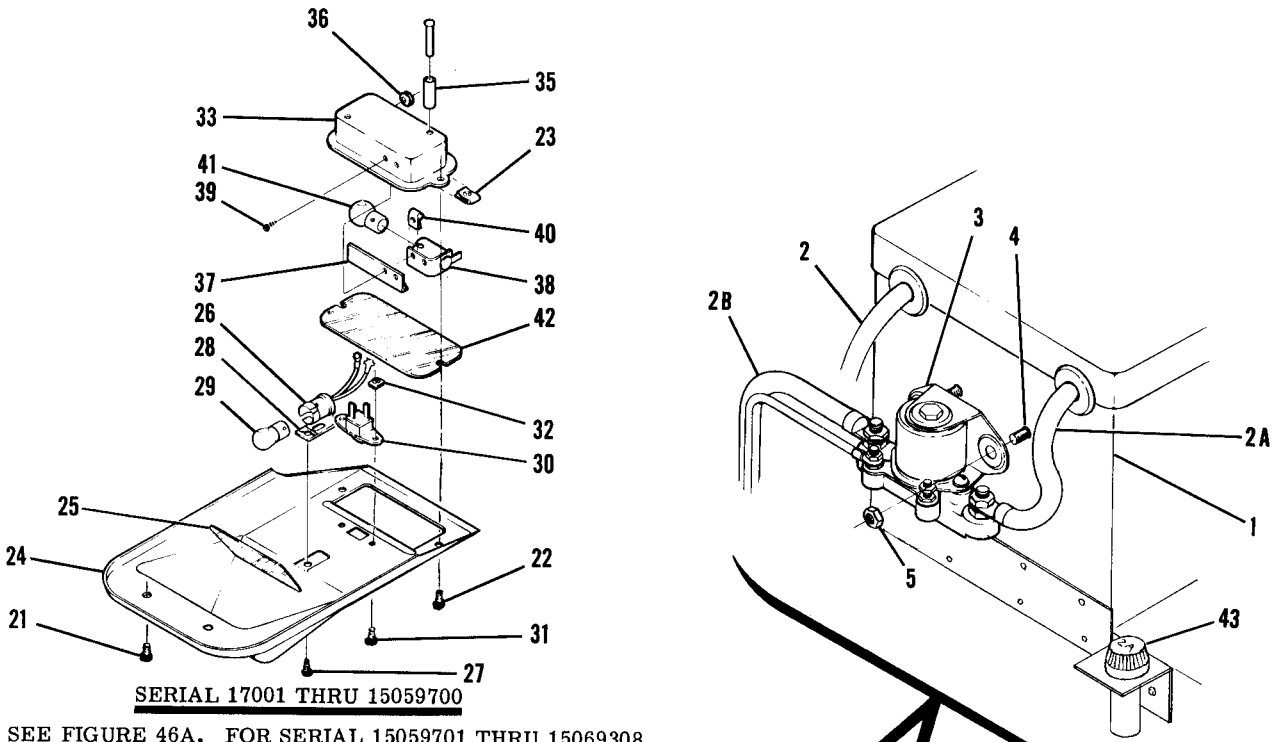
**SERIAL 15069309 & ON**

Figure 45E. Vacuum System Installation



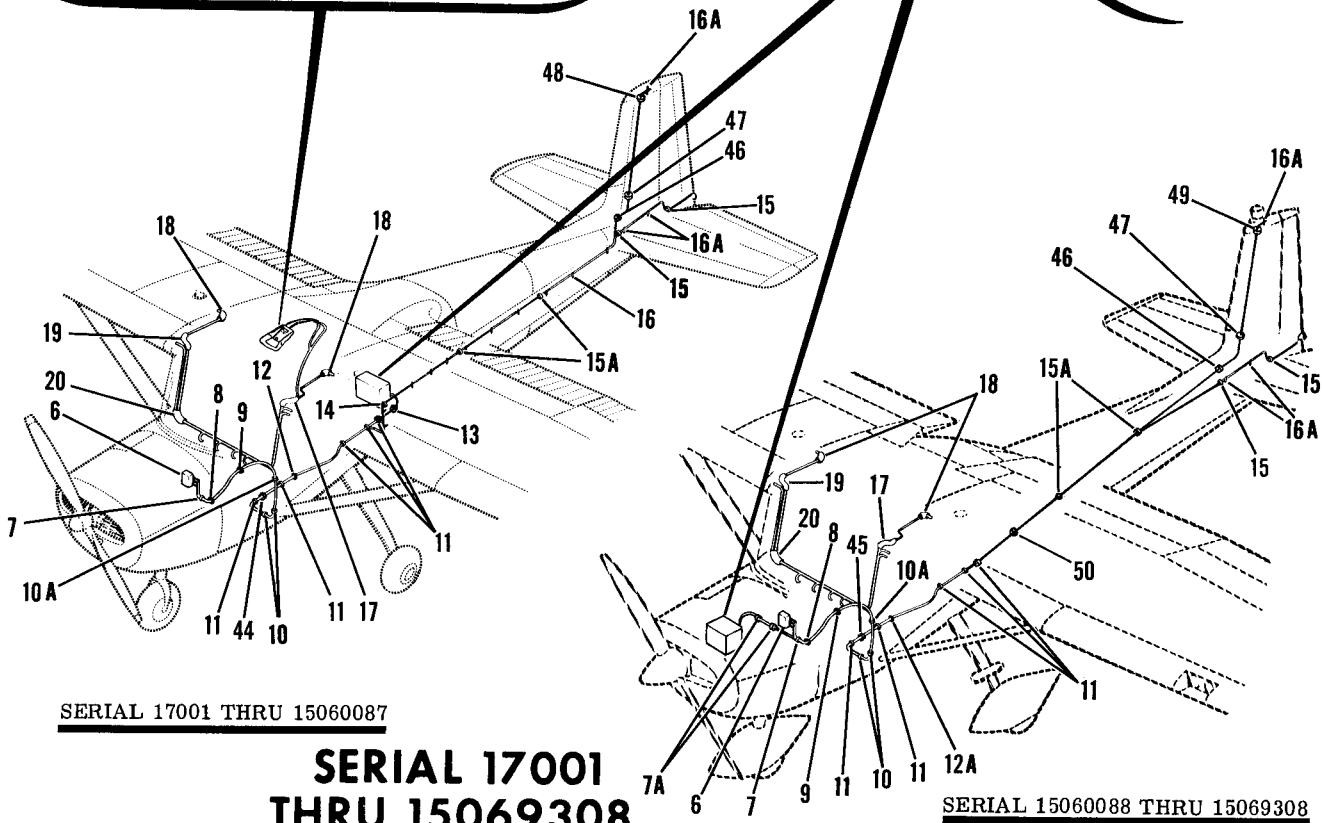
FIGURE AND INDEX NO.	PART NUMBER	DESCRIPTION							UNITS PER ASSY	USABLE ON CODE
		1	2	3	4	5	6	7		
45E-		VACUUM SYSTEM INSTALLATION -----							NP	A
- 1	C661002-0501 **	INDICATOR-DIRECTIONAL GYRO -----							1	
	C661002-0503 **	INDICATOR-DIRECTIONAL GYRO -----							1	
	C661002-0301 **	INDICATOR-DIRECTIONAL GYRO -----							1	
	C661002-0504 **	INDICATOR-DIRECTIONAL GYRO -----							1	
	AN515B6R8	ATTACHING PARTS								
		SCREW -----							4	
		<b>SERIAL 15069309 &amp; ON</b>								
- 2	C661001-0501 %	INDICATOR-GYRO HORIZON -----							1	
	C661001-0503 %	INDICATOR-GYRO HORIZON -----							1	
	C661001-0502 %	INDICATOR-GYRO HORIZON -----							1	
	C661001-0504 %	INDICATOR-GYRO HORIZON -----							1	
	AN515B6R6	ATTACHING PARTS								
		SCREW -----							4	
- 3	S1495-6	HOSE-16.00 IN LG BULK ITEM REF S1499-6L-16.00 -----							1	
		HORIZON GYRO TO RELIEF VALVE								
- 4	S1495-6 #	HOSE-21.00 IN LG BULK ITEM REF S1499-6LL-21.00 -----							2	
		GYROS TO AIR FILTER								
- 5	S1495-4	HOSE-32.00 IN LG BULK ITEM REF S1499-4JJ-32.00 -----							1	
		HORIZON GYRO TO P SIDE OF SUCTION GAGE								
- 6	S1495-4	HOSE-32.00 IN LG BULK ITEM REF S1691-1-32.00 -----							1	
		HORIZON GYRO TO V SIDE OF SUCTION GAGE								
- 7	S1495-6 #	HOSE-16.00 IN LG BULK ITEM REF S1499-6L-16.00 -----							1	
		DIRECTIONAL GYRO TO RELIEF VALVE								
- 8	S1495-10	HOSE-33.75 IN LG BULK ITEM REF S1495-10-33.75 -----							1	
		RELIEF VALVE TO VACUUM PUMP								
- 9	S1497-6	FITTING-SOCKETLESS -----							6	
-10	S1497-4	FITTING-SOCKETLESS -----							3	
-11	NAS397-8	CLAMP -----							1	
-12	1713039-1	ELBOW ASSEMBLY -----							1	
-13	AN816-4B	NIPPLE -----							3	
-14	MS20826-6B	TEE -----							1	
-15	AN816-6B	NIPPLE -----							3	
-16	MS20913-1	PLUG-PIPE -----							1	
	MS20913-2	PLUG-PIPE USED WITH C661001-0502 -----							1	
-17	S1494-10	CLAMP -----							2	
-18	S1494-14	CLAMP -----							2	
-19	S1414N1	GAGE-SUCTION -----							1	
	S1414-1	GAGE-SUCTION ALTERNATE -----							1	
		ATTACHING PARTS								
-20	AN515B6R12	SCREW -----							4	
	AN936A6	WASHER USED WITH S1414-1 -----							4	
	AN340B6	NUT USED WITH S1414-1 -----							4	
		-----								
-21	C294501-0101	AIR FILTER ASSEMBLY -----							1	
		ATTACHING PARTS								
-22	AN520-10R10	SCREW -----							2	
-23	AN960PD10	WASHER -----							2	
-24	NAS679A3	NUT -----							2	
		-----								
-25	C294501-0103	FILTER ELEMENT -----							1	
-26	P2274	NUT-WING DCI -----							1	
-27	C482001-0301	VALVE VACUUM RELIEF -----							1	
		ATTACHING PARTS								
-28	AN515-8R8	SCREW -----							2	
-29	NAS679A08	NUT -----							2	
		-----								
-30	C431002-0102	PUMP-VACUUM -----							1	
-31	S1861-6	ELBOW -----							1	
-32	AN816-6-6B	NIPPLE -----							1	
-33	04C0311-88	TUBE -----							1	
		NOTE. #WHEN ORDERING THIS PART FOR AIRCRAFT EQUIPPED WITH BRITTIAN WING LEVELER SEE FIGURE 37D								
		NOTE. **C661002-0501, C661002-0503, C661002-0301 & C661002-0504 ARE PHYSICALLY & FUNCTIONALLY INTERCHANGEABLE.								
		NOTE. %C661001-0501, C661001-0502, C661001-0503 & C661001-0504 ARE PHYSICALLY & FUNCTIONALLY INTERCHANGEABLE.								
		A---150 SERIAL 15069309 & ON F150 SERIAL F150-0390 & ON								

### Electrical Equipment



SERIAL 17001 THRU 15059700

SEE FIGURE 46A. FOR SERIAL 15059701 THRU 15069308



SERIAL 17001 THRU 15060087

**SERIAL 17001  
THRU 15069308**

SERIAL 15060088 THRU 15069308

Figure 46. Electrical Equipment Installation

FIGURE AND INDEX NO.	PART NUMBER	DESCRIPTION	UNITS	USABLE
			PER ASSY	ON CODE
		<b>1 2 3 4 5 6 7</b>		
46 -		EQUIPMENT INSTALLATION-ELECTRICAL	NP	Q
- 1	0511319-201 *	BATTERY KIT-AIRCRAFT	1	
- 2	0412007-1	STRAP-BATTERY GROUND	1	G
	0412007-9	STRAP-BATTERY GROUND	1	H
	AN4-5A	ATTACHING PARTS		
	AN960-416	BOLT	1	G
	NAS679A4	WASHER	1	G
		NUT	1	G
		-----*		
- 2A	0410011PA1	CABLE-BATTERY TO CONTACTOR	1	J
	0410011PA8	CABLE-BATTERY TO CONTACTOR	1	K
- 2B	0410011PA5	CABLE-BATTERY CONTACTOR TO STARTER	1	G
	0410011PA10	CABLE-BATTERY CONTACTOR TO STARTER	1	H
- 3	0712603-2	CONTACTOR ASSEMBLY-MASTER SOLENOID	1	J
	S1579-1	CONTACTOR ASSEMBLY-MASTER SOLENOID	1	K
		INCLUDES DIODE		
		ATTACHING PARTS		
- 4	AN3-3A	BOLT	2	
	AN960-10L	WASHER	2	
- 5	NAS679A3	NUT	2	
		-----*		
	0770657-1	DIODE ASSEMBLY	1	J
	0770728-1	DIODE ASSEMBLY	1	K
	S1807-1	COVER-CONTACTOR TERMINAL	2	P
		INCLUDES TERMINALS		
		ATTACHING PARTS		
	S1693-2	STA STRAP	2	P
		-----*		
- 6	0413205-12	REGULATOR-VOLTAGE 20 AMP	1	M
	0413205-10	REGULATOR-VOLTAGE 35 AMP	1	M
		ATTACHING PARTS		
	AN4-6A	BOLT	3	M
	NAS679A4	NUT	3	M
		-----*		
	C611001-0101	REGULATOR-VOLTAGE 60 AMP	1	N
		ATTACHING PARTS		
	AN520-416R8	SCREW	2	N
		-----*		
	1250211-4	PLUG ASSEMBLY	1	N
	0770038-2	NOISE FILTER	1	N
		ATTACHING PARTS		
	AN520-8R8	SCREW	1	N
		-----*		
- 7	MS21919DG9	CLAMP TIN	1	
- 7A	MS21919DG10	CLAMP TIN	3	H
		ATTACHING PARTS		
	S102128-6	SCREW	1	
	NAS446-4-3	NUT TIN A1778-8Z-3	1	
		-----*		
- 8	S353-3	SHIELD-FIREWALL	2	C
	S1095-6	SHIELD HALF-FIREWALL	2	D
		ATTACHING PARTS		
	S102128-6	SCREW	2	
	NAS446-4-3	NUT TIN A1778-8Z-3	2	
		-----*		
	MS35489-16	GROMMET	1	C
	S354-3	GROMMET	1	C
	NAS557-12A	GROMMET-SPLIT PLASTIC	1	D
	0413363-1	FAIR LEAD	1	
- 9	S1592-3A	HARNESS BAND VC	1	G
	S1592-1A	HARNESS BAND VC	1	L
		ATTACHING PARTS		
	S102126-6	SCREW	1	
		-----*		
-10	MS21919DG8	CLAMP TIN	2	G
	MS21919DG4	CLAMP TIN	2	L
	MS21919DG5	CLAMP	1	K
		ATTACHING PARTS		
	S102128-6	SCREW	1	L
	S102126-6	SCREW	1	K
	NAS446-2	NUT	1	K
		-----*		

CONTINUED ON NEXT PAGE



FIGURE AND INDEX NO.	PART NUMBER	DESCRIPTION	UNITS PER ASSY							USABLE ON CODE
			1	2	3	4	5	6	7	
46 -10A	MS21919DG8	CLAMP TIN -----							1	G
	MS21919DG4	CLAMP TIN -----							1	L
	S1021Z8-20	ATTACHING PARTS								
	NAS43DD3-52	SCREW -----							1	J
		SPACER -----							1	J
		-----*								
-11	MS35489-14	GROMMET -----							4	J
	MS35489-43	GROMMET -----							5	K
-12	S1486DG6U	CLAMP -----							1	G
-12A	S1486DG4U	CLAMP -----							1	L
		ATTACHING PARTS								
	S1021Z8R6	SCREW -----							1	
		-----*								
-13	S1486DG6U	CLAMP TIN -----							1	G
		ATTACHING PARTS								
	S1021Z8-6	SCREW -----							1	
	NAS446-428C	NUT -----							1	
		-----*								
-14	MS35489-33	GROMMET -----							1	G
-15	MS35489-4	GROMMET -----							2	
-15A	MS35489-4	GROMMET -----							2	C
	MS35489-6	GROMMET -----							2	H
-16	A3493-012-1	CLIP-CABLE TIN -----							12	G
-16A	A3493-012-1	CLIP-CABLE TIN -----							5	H
-17	S292-1-012	SLEEVING-INSULATION -----							1	J
-18	S292-1-009	SLEEVING-INSULATION -----							2	J
-19	S292-4-012	SLEEVING-INSULATION -----							1	J
-20	S292-7-004	SLEEVING-INSULATION -----							1	J
	0410114-1	LIGHT ASSEMBLY-INSTRUMENT PANEL FLOOD -----							1	A
	0410119-1	LIGHT ASSEMBLY-INSTRUMENT PANEL FLOOD -----							1	F
		INSTRUMENT PANEL LIGHT INSTALLATION SEE FIGURE 46B -----							1	E
		ATTACHING PARTS								
-21	S1021Z6-6	SCREW -----							2	
-22	S1021Z4-6	SCREW -----							2	
-23	NAS446-1-3	NUT TIN A1776-4Z-3 -----							2	
		-----*								
-24	0410114-2	COVER PLATE -----							1	A
	0410119-2	COVER PLATE -----							1	F
-25	0410114-3	LENS -----							1	A
	0410119-3	LENS -----							1	F
-26	0513208-1	SOCKET -----							1	
		ATTACHING PARTS								
-27	S1021Z6-6	SCREW -----							1	
-28	NAS446-2-3	NUT TIN A1181-6Z-3 -----							1	
		-----*								
-29	MS15584-2	BULB -----							1	
-30	0713029	SWITCH -----							1	
		ATTACHING PARTS								
-31	S1021Z6-6	SCREW -----							2	
-32	NAS446-2-3	NUT -----							2	
		-----*								
-33	0413142-5	LIGHT ASSEMBLY-DOME -----							1	
	0413140-5	REFLECTOR -----							1	
		ATTACHING PARTS								
-34		DELETED, NOT AVAILABLE -----								
-35	NAS42DD4-52	SPACER -----							2	
		-----*								
-36	MS35489-4	GROMMET -----							1	
-37	0413140-2	RETAINER -----							1	
-38	0413138	SOCKET -----							1	
		ATTACHING PARTS								
-39	S1021Z4-4	SCREW -----							2	
-40	NAS395-1-3	NUT TIN A6178-4Z-3 -----							2	
		-----*								
-41	S1876-1	BULB -----							1	
-42	0413141	LENS -----							1	
	0500037-4	GENERATOR 35 AMP -----							1	M
		ALTERNATOR INSTALLATION 60 AMP SEE FIGURE 46C -----							1	N
	0410117-2	PLACARD-35 AMP GENERATOR -----							1	G
-43	S1090-22	FUSE HOLDER ELECTRIC CLOCK -----							1	B
	S1090-23	CAP -----							1	B
	S1091-1	FUSE-1 AMP -----							1	B

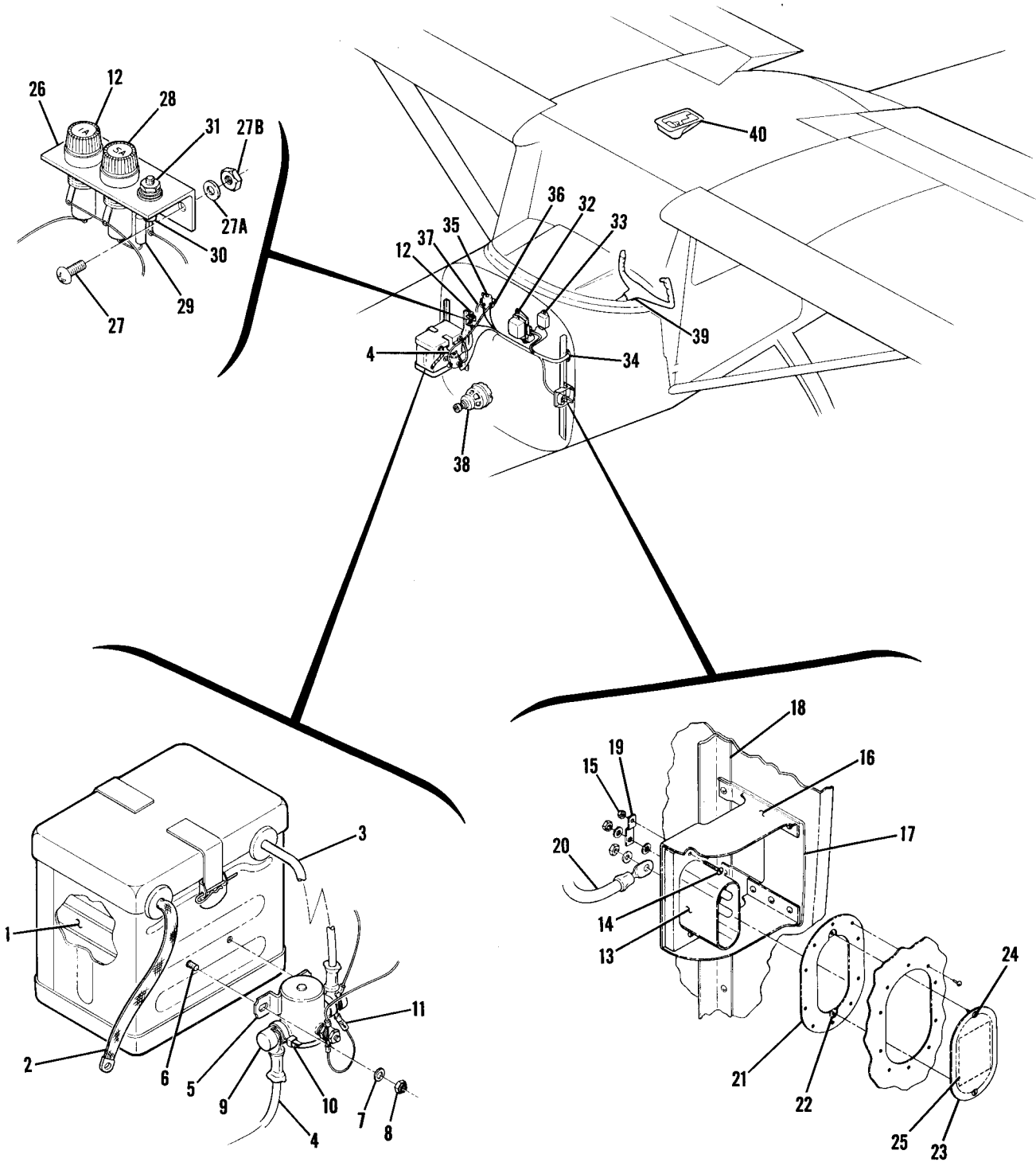
CONTINUED ON NEXT PAGE



FIGURE AND INDEX NO.	PART NUMBER	DESCRIPTION	UNITS PER ASSY	USABLE ON CODE
		<b>1 2 3 4 5 6 7</b>		
46 -44	S1486DG8U	CLAMP -----	1	G
-45	S1486DG4U	CLAMP -----	1	H
	S1021Z8-6	ATTACHING PARTS SCREW -----	1	
		---*---		
-46	MS35489-6	GROMMET -----	1	
-47	MS35489-11	GROMMET -----	1	
-48	MS35489-4	GROMMET -----	1	G
-49	MS35489-11	GROMMET -----	1	
-50	S1592-1A	BAND-WIRE HARNESS -----	1	O
		ATTACHING PARTS SCREW -----	1	O
	S1021Z6-4	---*---		
	MS35489-42	GROMMET -----	1	N
		COURTESY LIGHT INSTALLATION SEE FIGURE 49 -----	1	J
		ELECTRIC FLAPS INSTALLATION SEE FIGURE 38B -----	1	K
		INSTRUMENT PANEL ELECTRICAL COMPONENTS SEE FIGURES 23, 23A, 23B, 23C & 23D -----	1	
		LANDING LIGHT INSTALLATION SEE FIGURE 47 -----	1	
<p>NOTE. *THIS KIT INCLUDES DRY BATTERY &amp; ELECTROLYTE</p> <p>A---150 SERIAL 17001 THRU 59018            B---150 SERIAL 15059C19 THRU 15059700,            15059770 THRU 15069308            C---150 SERIAL 17001 THRU 15059350            D---150 SERIAL 15059351 THRU 15069308            F150 SERIAL F150-0001 THRU F150-0389            E---150 SERIAL 15059701 THRU 15069308            F150 SERIAL F150-0001 THRU F150-0389            F---150 SERIAL 15059019 THRU 15059700            G---150 SERIAL 17001 THRU 15060087            H---150 SERIAL 15060088 THRU 15069308            F150 SERIAL F150-0001 THRU F150-0389            J---150 SERIAL 17001 THRU 15061532            K---150 SERIAL 15061533 THRU 15069308            F150 SERIAL F150-0001 THRU F150-0389            L---150 SERIAL 15060088 THRU 15061532            M---150 SERIAL 17001 THRU 15064532            F150 SERIAL F150-0001 THRU F150-0067            N---150 SERIAL 15064533 THRU 15069308            F150 SERIAL F150-0068 THRU F150-0389            O---150 SERIAL 15061533 THRU 15064532            F150 SERIAL F150-0001 THRU F150-0067            P---150 SERIAL 15068063 THRU 15069308            F150 SERIAL F150-0360 THRU F150-0389            Q---150 SERIAL 17001 THRU 15069308            F150 SERIAL F150-0001 THRU F150-0389</p>				

26

Electrical Equipment (Cont)



**SERIAL 15069309 & ON**

Figure 46A. Electrical Equipment Installation

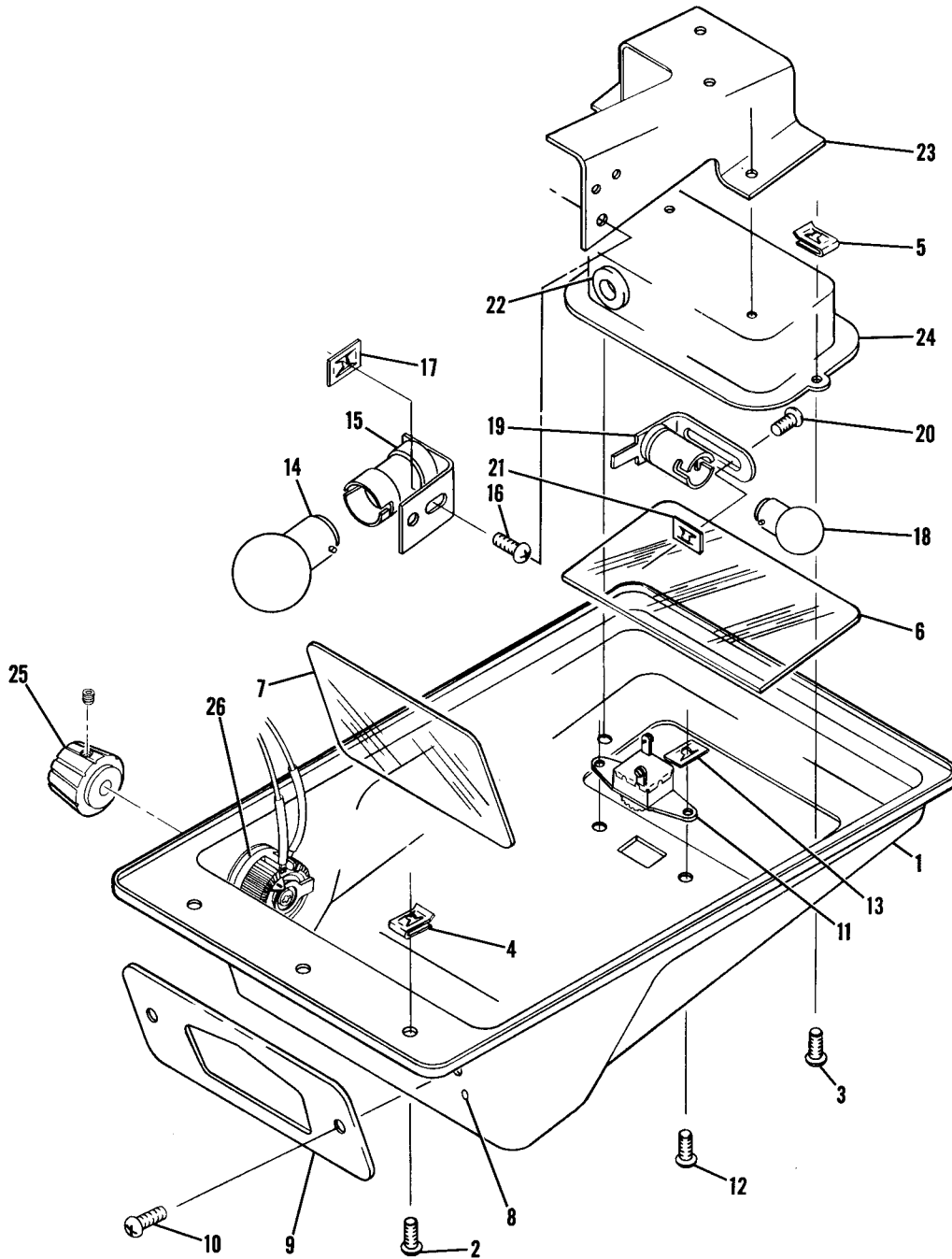
FIGURE AND INDEX NO.	PART NUMBER	DESCRIPTION	UNITS PER ASSY	USABLE ON CODE
46A-		<b>1 2 3 4 5 6 7</b>		
- 1	0511319-201 *	ELECTRICAL EQUIPMENT INSTALLATION -----	NP	A
- 2	C412007-9	BATTERY KIT-AIRCRAFT -----	1	
- 3	C410011-PA8	STRAP-BATTERY GROUND -----	1	
- 4	0410011-PA14	CABLE-BATTERY TO BATTERY CONTACTOR -----	1	
- 5	S1579-1	CABLE-BATTERY CONTACTOR TO STARTER CONTACTOR -----	1	
		CONTACTOR-BATTERY -----	1	
		ATTACHING PARTS		
- 6	AN3-3A	BOLT -----	2	
- 7	AN960-10L	WASHER -----	2	
- 8	NAS679A3	NUT -----	2	
		*-----		
- 9	S1807-1	COVER -----	2	
-10	S1693-1	STA-STRAP -----	2	
-11	0770728-1	DIODE ASSEMBLY INCLUDES TERMINALS -----	1	
-12	S1090-22	FUSE HOLDER ASSEMBLY-ELECTRIC CLOCK -----	1	
	S1090-23	CAP -----	1	
	S1091-1	FUSE-ELECTRIC CLOCK 1 AMP -----	1	
		GROUND SERVICE PLUG INSTALLATION -----	1	
-13	AN2552-3A	RECEPTACLE-GROUND SERVICE PLUG -----	1	
		ATTACHING PARTS		
-14	AN509-10R14	SCREW -----	2	
-15	NAS679A3	NUT -----	2	
		*-----		
-16	0553005-1	BRACKET-GROUND SERVICE PLUG -----	1	
-17	0453004-1	DOUBLER -----	1	
-18	0453005-1	STIFFENER -----	1	
-19	0312155-10	GROUND STRAP -----	1	
-20	0410011-PC1	CABLE-GROUND SERVICE PLUG TO BATTERY CONTACTOR -----	1	
-21	0752610-1	DOUBLER ASSEMBLY -----	1	
-22	S1115-19	RECEPTACLE-STUD -----	2	
-23	0752611-1	DOOR ASSEMBLY -----	1	
-24	S1115-30	STUD -----	2	
	S1115-9	RING -----	2	
-25	1205024-1	PLACARD -----	1	
-26	0712031-1	MOUNTING BRACKET-FUSE & DIODE-EXT POWER & CLOCK -----	1	
		ATTACHING PARTS		
-27	AN515-10R8	SCREW -----	2	
-27A	AN960-10L	WASHER -----	2	
-27B	NAS679A3	NUT -----	2	
		*-----		
-28	S1090-2	FUSE HOLDER-EXTERNAL POWER -----	1	
	S1090-11	CAP -----	1	
	S1091-5	FUSE-EXTERNAL POWER 5 AMP -----	1	
-29	X26263	RESISTOR .75 OHMS TRTA -----	1	
-30	2CH3P	DIODE-EXTERNAL POWER SATA -----	1	
	6F20-D	DIODE-EXTERNAL POWER ALTERNATE AFE -----	1	
	43-1761	INSULATING HARDWARE SPD ORDER WITH 6F20-D -----	1	
	1N1344A	DIODE-EXTERNAL POWER SPD -----	1	
		ATTACHING PARTS		
-31	LN-1032-X	NUT WECK -----	1	
	S1038-2	WASHER -----	1	
		*-----		
-32	C611001-0101	VOLTAGE REGULATOR 60 AMP -----	1	
	AN520-416R8	ATTACHING PARTS		
		SCREW -----	2	
		*-----		
-33	1250211-4	PLUG ASSEMBLY -----	1	
	0770038-2	NOISE FILTER -----	1	
		ATTACHING PARTS		
	AN520-8R8	SCREW -----	2	
		*-----		

CONTINUED ON NEXT PAGE

FIGURE AND INDEX NO.	PART NUMBER	DESCRIPTION	UNITS PER ASSY	USABLE ON CODE
46A-34	S1095-5	SHIELD HALF ----- ATTACHING PARTS	2	
	S1021Z8-6	SCREW -----	2	
	NAS446-4-3	NUT -----	2	
		-----*		
	NAS557-10A	GROMMET -----	1	
-35	S1660-1	CONTACTOR-STARTER -----	1	B
	S1991-1	CONTACTOR-STARTER ----- ATTACHING PARTS	1	C
	AN3-3A	BOLT -----	2	
		-----*		
-36	S1807-1	COVER -----	2	
	S1693-1	STA-STRAP -----	2	
-37	0410011-KA3	CABLE-STARTER CONTACTOR TO STARTER -----	1	
-38		ALTERNATOR INSTALLATION SEE FIGURE 46C -----	1	
-39		CONTROL WHEEL MAP LIGHT ASSEMBLY SEE FIGURE 50 -----	1	
-40		INSTRUMENT PANEL LIGHTS INSTALLATION SEE FIGURE 46B -----	1	
		LANDING LIGHT INSTALLATION SEE FIGURE 47 -----	1	
		FLASHING BEACON LIGHT INSTALLATION SEE FIGURE 48A -----	1	
		INSTRUMENT PANEL ELECTRICAL COMPONENTS SEE FIGURE 23F -----	1	
<p>NOTE. *THIS KIT INCLUDES DRY BATTERY &amp; ELECTROLYTE</p> <p>A---150 SERIAL 15069309 &amp; ON                      F150 SERIAL F150-0390 &amp; ON                      B---150 SERIAL 15069309 THRU 15070970                      C---150 SERIAL 15070971 &amp; ON</p>				

This page intentionally left blank.

Electrical Equipment (Cont)

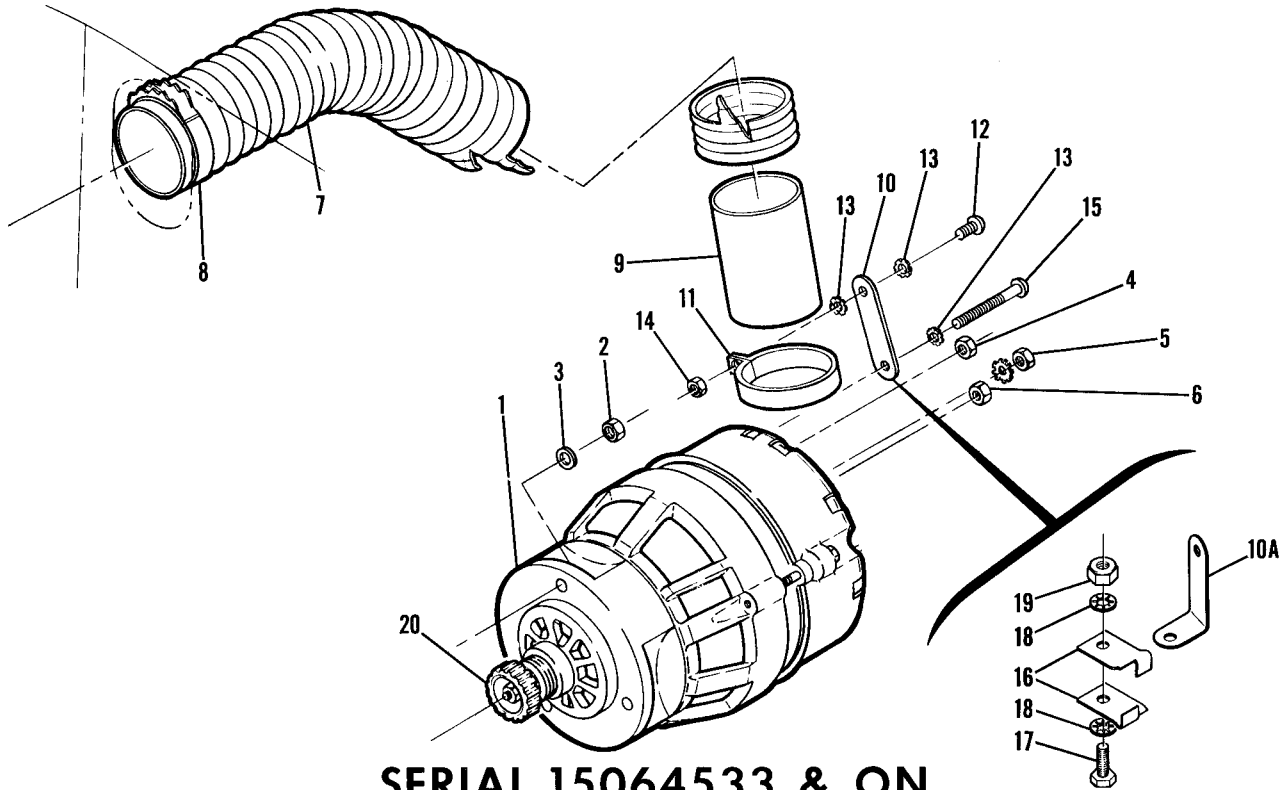


**SERIAL 15059701 & ON**

Figure 46B. Instrument Panel Lights Installation

FIGURE AND INDEX NO.	PART NUMBER		DESCRIPTION	UNITS PER ASSY	USABLE ON CODE
			<b>1 2 3 4 5 6 7</b>		
46B-			INSTRUMENT PANEL LIGHT INSTALLATION -----	NP	A
- 1	0511482-1	□	COVER ASSEMBLY -----	1	B
	0511482-9	□	COVER ASSEMBLY -----	1	F
	0511482-18	□	COVER ASSEMBLY -----	1	H
			ATTACHING PARTS		
- 2	S1021Z6-6		SCREW -----	2	
- 3	S1021Z4-8		SCREW -----	2	
- 4	NAS395-3-3		NUT -----	2	
- 5	NAS395-1-3		NUT -----	2	
			*-----		
			<b>SERIAL 15059701 &amp; ON</b>		
			*-----		
- 6	0413141-1		LENS -----	1	
- 7	0511482-3		LENS -----	1	
- 8	NAS680A06K		NUTPLATE -----	1	
- 9	0511482-4	□	SHIELD -----	1	B
	0511482-8	□	SHIELD -----	1	C
-10	AN515-6R10		SCREW -----	2	
	AN960-6L		WASHER -----	2	
			*-----		
-11	0713029		SWITCH -----	1	G
			ATTACHING PARTS		
-12	S1021Z6-6		SCREW -----	2	G
-13	NAS446-2-3		NUT -----	2	G
			*-----		
-14	MS15584-2		LAMP -----	1	
-15	0513208-1		SOCKET -----	1	
			ATTACHING PARTS		
-16	S1021Z6-6		SCREW -----	1	
-17	NAS446-2-3		NUT -----	1	
			*-----		
-18	S1867-1		LAMP -----	1	
-19	0413138		SOCKET -----	1	
			ATTACHING PARTS		
-20	S1021Z4-6		SCREW -----	1	
-21	NAS395-1-3		NUT -----	1	
			*-----		
-22	MS35489-4		GROMMET -----	1	
-23	0511483-1		BRACKET ASSEMBLY -----	1	
	0511483-2		BRACKET -----	1	
-24	0413140-5		REFLECTOR -----	1	
-25	S1390-5		KNOB ASSEMBLY -----	1	E
-26	0713247-200		RHEOSTAT ASSEMBLY INCLUDES RHEOSTAT, KNOB & 2 WASHERS -----	1	D
	XR6085		RHEOSTAT TRTA -----	1	E
			*-----		
			NOTE. □THIS PART NUMBER MUST HAVE A SECOND DASH NUMBER ADDED TO DENOTE COLOR. REFER TO HOW TO ORDER INTERIOR PARTS-PAGE XIII.		
			A---150 SERIAL 15059701 & ON F150 SERIAL F150-0001 & ON		
			B---150 SERIAL 15059701 THRU 15061532		
			C---150 SERIAL 15061533 & ON F150 SERIAL F150-0001 & ON		
			D---150 SERIAL 15061533 THRU 15066623 F150 SERIAL F150-0001 THRU F150-0259		
			E---150 SERIAL 15066624 & ON F150 SERIAL F150-0260 & ON		
			F---150 SERIAL 15061533 THRU 15069308 F150 SERIAL F150-0001 THRU F150-0389		
			G---150 SERIAL 15059701 THRU 15069308 F150 SERIAL F150-0001 THRU F150-0389		
			H---150 SERIAL 15069309 & ON F150 SERIAL F150-0390 & ON		

Electrical Equipment (Cont)



**SERIAL 15064533 & ON**

Figure 46C. 60 Amp Alternator Installation

FIGURE AND INDEX NO.	PART NUMBER	DESCRIPTION	UNITS PER ASSY	USABLE ON CODE
46C-		<b>1 2 3 4 5 6 7</b>		
		ALTERNATOR INSTALLATION-60 AMP -----	NP	A
- 1	C611501-0202	ALTERNATOR ASSEMBLY -----	1	
		ATTACHING PARTS -----		
- 2	NAS679A5	NUT -----	3	
- 3	AN960-516	WASHER -----	3	
		-----*		
- 4	NAS679A4	NUT ON BATTERY TERMINAL -----	1	
- 5	AN341-10	NUT ON FIELD TERMINAL -----	1	
	AN936A10	WASHER ON FIELD TERMINAL -----	1	
- 6	NAS679A3	NUT ON GROUND TERMINAL -----	1	
- 7	S1053E16T	HOSE-18 IN LG BULK ITEM REF S1053E16T18 -----	1	
- 8	NAS397-34	CLAMP -----	1	
- 9	O45C032-1	SUPPORT-BLAST TUBE -----	1	
-10	C45C033-1	STRAP-BLAST TUBE SUPPORT -----	1	B
-10A	C45C037-1	STRAP-BLAST TUBE SUPPORT -----	1	C
-11	AN735-32	CLAMP -----	1	
-12	AN520-10R12	SCREW -----	1	
-13	AN936A10	WASHER -----	3	
-14	NAS679A3	NUT -----	1	
-15	AN520-10R36	SCREW -----	1	B
-16	O45C036-1	CLAMP-HALF -----	2	C
-17	AN3-3	BOLT -----	1	C
-18	AN936A10	WASHER -----	2	C
-19	NAS679A3	NUT -----	1	C
-20	EQ5820	DRIVE ASSEMBLY-ALTERNATOR -----	1	
		A---150 SERIAL 15064533 & ON F150 SERIAL F150-0068 & ON		
		B---150 SERIAL 15064533 THRU 15067150 F150 SERIAL F150-0068 THRU F150-0319		
		C---150 SERIAL 15067151 & ON F150 SERIAL F150-0320 & ON		



Electrical Equipment (Cont)

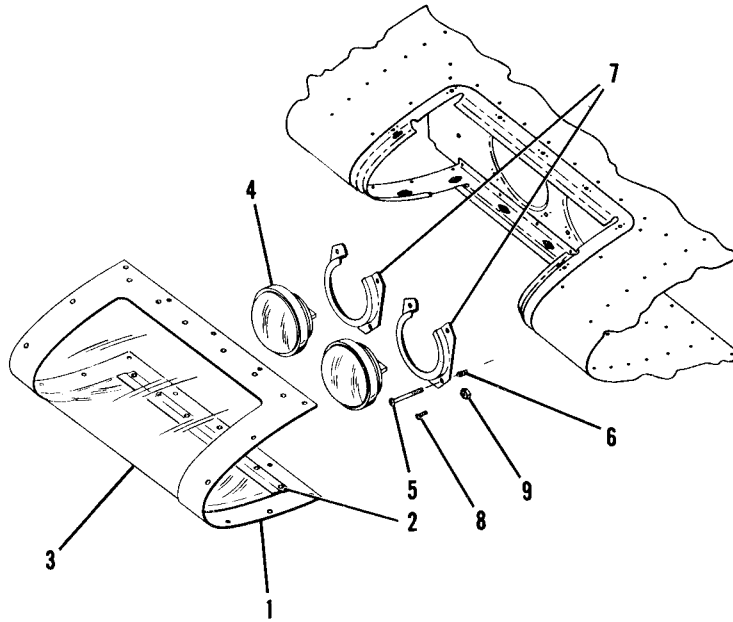
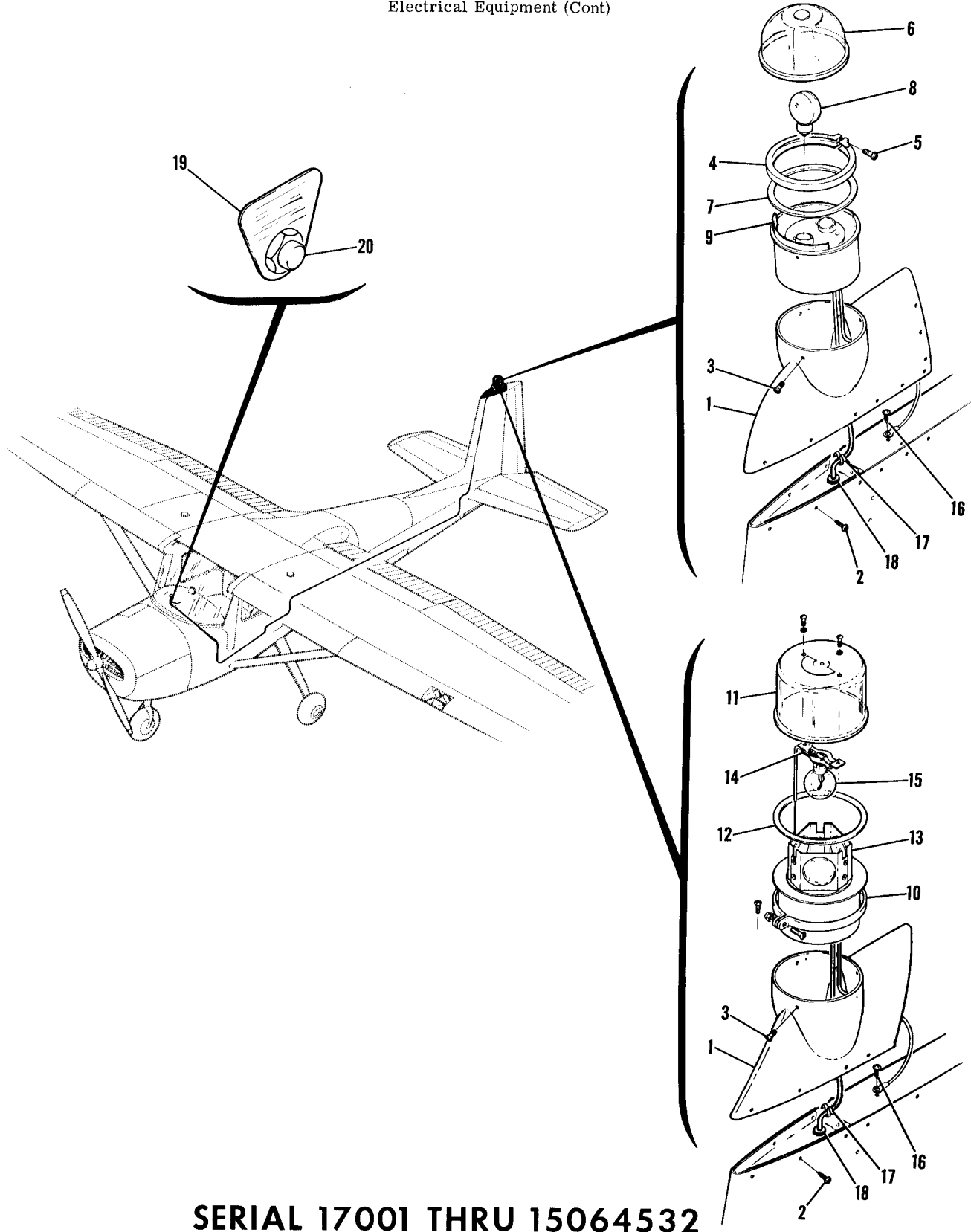


Figure 47. Landing Light Installation

FIGURE AND INDEX NO.	PART NUMBER	DESCRIPTION	UNITS PER ASSY	USABLE ON CODE
		<b>1 2 3 4 5 6 7</b>		
47 -		LANDING LIGHTS INSTALLATION -----	1	
- 1	0523115	WINDOW ASSEMBLY-LANDING LIGHT -----	1	
- 2	0523115-3	RETAINER -----	2	
- 3	0523115-5	WINDOW-PLEXIGLASS -----	1	
- 4	0523118-1	LIGHT-LANDING -----	2	
		ATTACHING PARTS -----		
- 5	AN515-8R26	SCREW -----	3	
- 6	0713124-1	SPRING -----	3	
- 7	0423542-6	BRACKET ASSEMBLY -----	1	
		-----*		
- 8	AN515-8R7	SCREW -----	1	
- 9	NAS679A08	NUT -----	1	

Electrical Equipment (Cont)

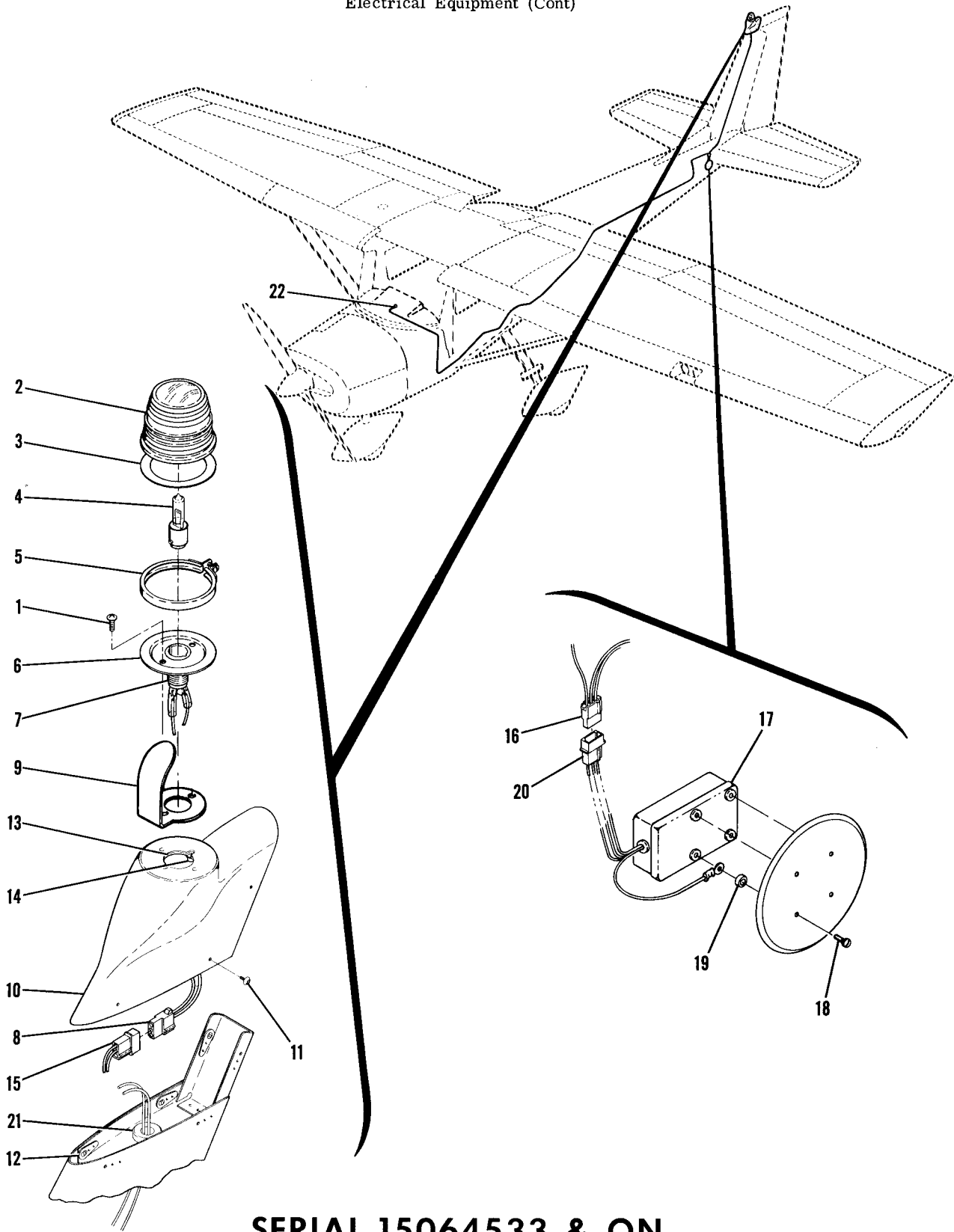


**SERIAL 17001 THRU 15064532**

Figure 48. Rotating Beacon Installation

FIGURE AND INDEX NO.	PART NUMBER	DESCRIPTION	UNITS PER ASSY	USABLE ON CODE
48 -		<b>1 2 3 4 5 6 7</b>		
- 1	0400301-2 0400035-2 0431013-2	ROTATING BEACON INSTALLATION ----- MOUNT-ROTATING BEACON ----- <b>SERIAL 17001</b> ----- MOUNT-ROTATING BEACON ----- <b>THRU 15064532</b> ----- MOUNT-ROTATING BEACON -----	NP 1 1 1	H D F G
- 2	S1021Z6-4  0531003-6  0700120-1	ATTACHING PARTS SCREW CESSNA STANDARD ----- *----- ROTATING BEACON ASSEMBLY WHEN ----- EXHAUSTED USE 0700120-1 ROTATING BEACON ASSEMBLY ----- ATTACHING PARTS	8  1 1	  A B
- 3	AN515-6R6	SCREW ----- *-----	3	
- 4	A7635	BAND-LENS RETAINER GMC -----	1	A
- 5	A7634	SCREW GMC -----	1	A
- 6	A7942	LENS GMC -----	1	A
- 7	A7632	GASKET GMC -----	1	A
- 8	111058	LAMP-REFLECTOR GMC -----	1	A
- 9	31111-1	BAFFLE GMC -----	1	A
-10	WRM25	CLAMP ASSEMBLY WHEL -----	1	B
-11	WRM10	DOME ASSEMBLY WHEL -----	1	B
-12	WRM30	GASKET-DOME WHEL -----	1	B
-13	WRM20	LENS ASSEMBLY WHEL -----	1	B
-14	WRM15	SOCKET ASSEMBLY WHEL -----	1	B
-15	WRM44-12	BULB WHEL -----	1	B
-16	S1021A6-6 AN515-6R6 NAS679A06	SCREW-GROUND CESSNA STANDARD ----- SCREW-GROUND ----- NUT-GROUND -----	1 1 1	D E F
-17	A3493-012-1	CLIP TIN -----	1	
-18	MS35489-4 MS35489-6 MS35489-4	GROMMET ----- GROMMET ----- GROMMET -----	1 1 1	D F G
-19	0513163-4	PLACARD -----	1	C
-20	S1232-10	CIRCUIT BREAKER -----	1	
<p>A---150 SERIAL 17001 THRU 15050374            B---150 SERIAL 15050375 THRU 15064532                  F150 SERIAL F150-0001 THRU F150-0067            C---150 SERIAL 17001 THRU 59018            D---150 SERIAL 17001 THRU 15060087            E---150 SERIAL 15060088 THRU 15064532                  F150 SERIAL F150-0001 THRU F150-0067            F---150 SERIAL 15060088 THRU 15061532            G---150 SERIAL 15061533 THRU 15064532                  F150 SERIAL F150-0001 THRU F150-0067            H---150 SERIAL 17001 THRU 15064532                  F150 SERIAL F150-0001 THRU F150-0067</p>				

Electrical Equipment (Cont)



**SERIAL 15064533 & ON**

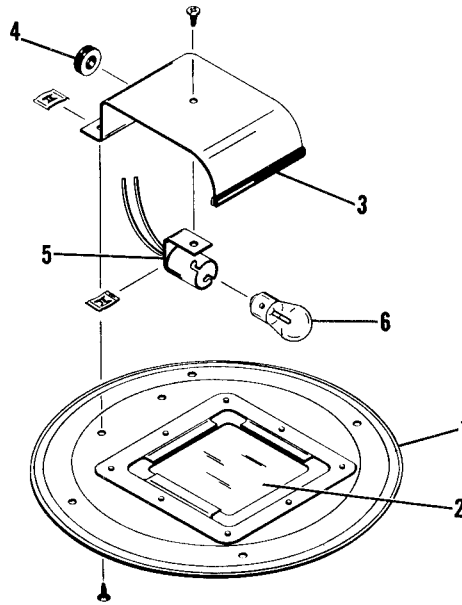
Figure 48A. Flashing Beacon Light Installation



FIGURE AND INDEX NO.	PART NUMBER	DESCRIPTION	UNITS PER ASSY	USABLE ON CODE
48A-	C621001-0103	<b>1 2 3 4 5 6 7</b> FLASHING BEACON LIGHT INSTALLATION ----- LIGHT ASSEMBLY-FLASHING BEACON ----- ATTACHING PARTS ----- SCREW -----	NP	A
- 1	AN515-8R8	SERIAL 15064533 & ON ----- DOME AEFS ----- GASKET AEFS ----- LAMP AEFS ----- CLAMP ASSEMBLY AEFS ----- PLATE-MOUNTING AEFS ----- SOCKET ASSEMBLY AEFS ----- HOUSING-PLUG ----- SHIELD ----- TIP ASSEMBLY-FLASHING BEACON ----- ATTACHING PARTS ----- SCREW ----- NUTPLATE -----	1	
- 2	C17325		2	
- 3	C17330		1	
- 4	C17312-3		1	
- 5	C17326		1	
- 6	C17331-3		1	
- 7	C17313		1	
- 8	S1638-1		1	
- 9	0400215-1		1	
-10	0431017-1		1	
-11	S102126-4		6	
-12	S1862-1		6	
-13	0431017-2	PLATE ASSEMBLY-MOUNTING ----- NUTPLATE -----	1	
-14	NAS680A08		2	
-15	S1638-2	HOUSING-CAP ----- HOUSING-PLUG -----	1	
-16	S1638-1		1	
-17	C594501-0201	FLASHER ASSEMBLY-BEACON LIGHT WHEN ----- EXHAUSTED USE C594501-0203 ----- FLASHER ASSEMBLY-BEACON LIGHT ----- ATTACHING PARTS ----- SCREW ----- SPACER -----	1	
-18	AN515-8R8		4	
-19	NAS43HT3-8		4	
-20	S1638-2	HOUSING-CAP -----	1	
-21	MS35489-13	GROMMET ----- SWITCH ASSEMBLY SEE FIGURES 23C, 23D & 23F ----- FUSE SEE FIGURES 23C, 23D & 23F -----	1	
-22			1	
		A---150 SERIAL 15064533 & ON F150 SERIAL F150-0068 & ON		

This page intentionally left blank.

Electrical Equipment (Cont)

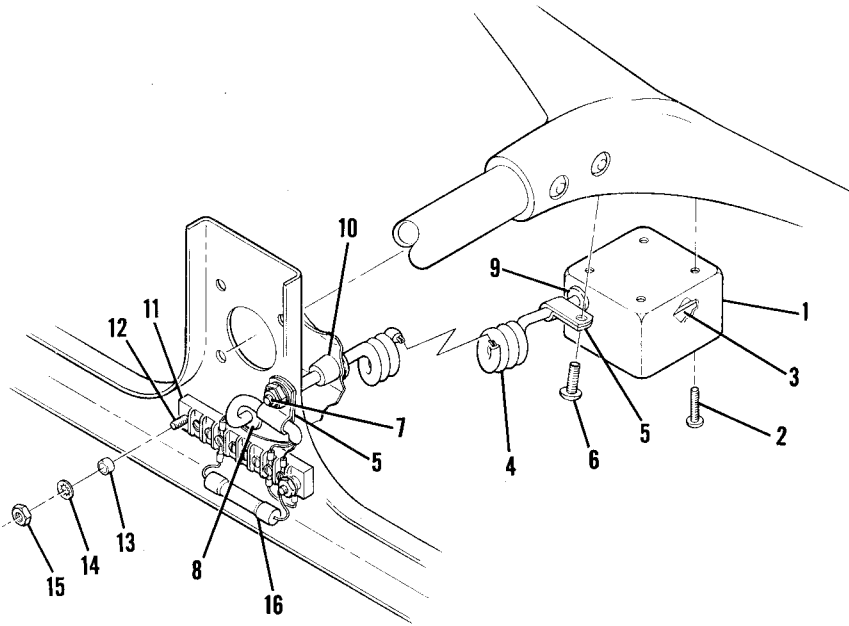


**SERIAL 15059351 THRU 15061532**

Figure 49. Courtesy Light Installation

FIGURE AND INDEX NO.	PART NUMBER	DESCRIPTION	UNITS PER ASSY	USABLE ON CODE
49 -		COURTESY LIGHT INSTALLATION -----	2	A
- 1	0521101-2	PLATE ASSEMBLY-COURTESY LIGHT -----	2	
	S102128-6	ATTACHING PARTS -----		
		SCREW CESSNA STANDARD -----	4	
		---*---		
- 2	0521101-6	LENS -----	1	
	0700616-1	SHIELD ASSEMBLY-COURTESY LIGHT -----	2	
		ATTACHING PARTS -----		
	S102126-6	SCREW CESSNA STANDARD -----	2	
	NAS446-2-3	NUT -----	2	
		---*---		
- 3	S1055-1	CHANNEL 2.25 IN LONG CESSNA STANDARD -----	1	
		BULK ITEM REF S1055-1-2.25 -----		
- 4	MS35489-134	GROMMET -----	1	
- 5	0513208-1	SOCKET ASSEMBLY -----	1	
		ATTACHING PARTS -----		
	S102126-6	SCREW CESSNA STANDARD -----	1	
	NAS446-2-3	NUT -----	1	
		---*---		
- 6	MS15584-2	LAMP -----	2	
		A---150 SERIAL 15059351 THRU 15061532		

Electrical Equipment (Cont)

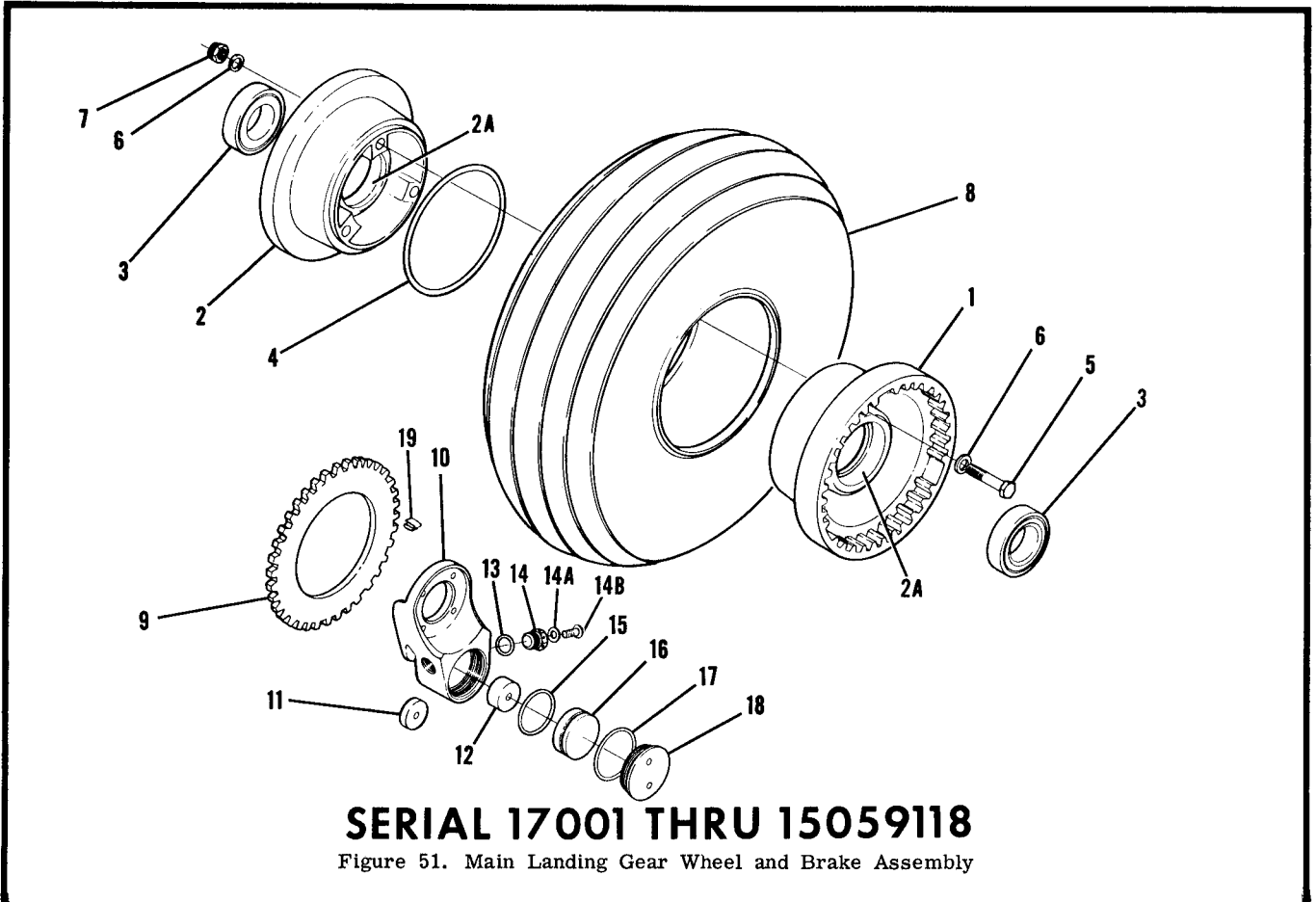


**SERIAL 15069309 & ON**

Figure 50. Control Wheel Maplight Installation

FIGURE AND INDEX NO.	PART NUMBER	DESCRIPTION	UNITS PER ASSY	USABLE ON CODE
50 -		<b>1 2 3 4 5 6 7</b> CONTROL WHEEL MAP LIGHT INSTALLATION	NP	A
- 1	1770009-1	SHIELD	1	
- 2	AN515-2R10	ATTACHING PARTS SCREW	4	
- 3	157C142-3	CIRCUIT BOARD ASSEMBLY	1	
- 4	8499	COILED CORD BDN	1	
- 5	S1115-3	ATTACHING PARTS CLAMP	2	
- 6	AN515-6R5	SCREW	1	
	AN960-6L	WASHER	1	
- 7	AN515-6R10	SCREW	1	
	AN960-6L	WASHER	1	
	NAS679A06	NUT	1	
- 8	MS35489-33	GROMMET	1	
- 9	MS35489-4	GROMMET	1	
-10	K-375-125	BUSHING-SNUB HEMA	1	
-11	8-171	TERMINAL BLOCK CIN	1	
		ATTACHING PARTS		
-12	AN507-440-7	SCREW	2	
-13	NAS43DD0-6	SPACER	2	
-14	AN936A4	WASHER	2	
-15	AN340-4	NUT	2	
-16	1570141-1	FUSE ASSEMBLY	1	
		A---150 SERIAL 15069309 & ON F150 SERIAL F150-0390 & ON		



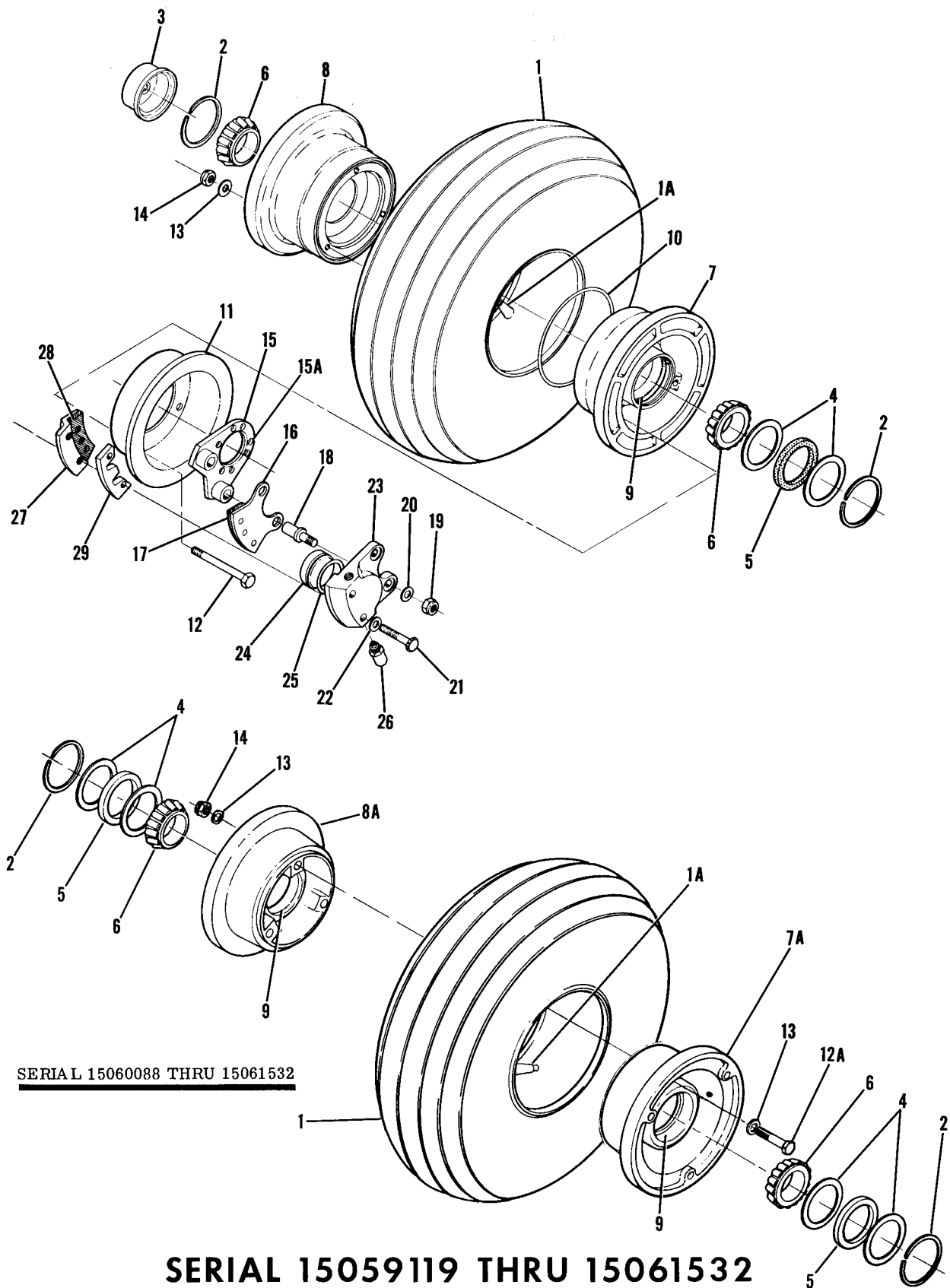


## SERIAL 17001 THRU 15059118

Figure 51. Main Landing Gear Wheel and Brake Assembly

27

FIGURE AND INDEX NO.	PART NUMBER	DESCRIPTION	UNITS PER ASSY						USABLE ON CODE		
			1	2	3	4	5	6		7	
51 -		WHEEL & BRAKE ASSEMBLY-MAIN LANDING GEAR -----							NP	C	
- 1	0441173-2	WHEEL ASSEMBLY-MAIN LANDING GEAR GY 9532101 -----							1		
- 2	9532675	WHEEL SUB ASSEMBLY-INBOARD HALF GY -----							1		
- 2A	9524192	WHEEL SUB ASSEMBLY-OUTBOARD HALF -----							1		
- 3	LM67010XL	CUP-BEARING TYR -----							1		
- 4	LM67048XL	CONE-BEARING TYR -----							2		
- 5	AN6230B20	O RING -----							1		
- 6	AN4-14A	BOLT -----							3		
- 7	AN960-416	WASHER -----							6		
- 8	AN363-428C	NUT SPS -----							3		
- 9	C262003-0301	TIRE-TUBELESS 5.00 X 5 4 PLY RATED -----							1		
- 10	0441174-1	BRAKE ASSEMBLY GY 9532302 -----							1		
- 11	9532105	DISC-BRAKE GY -----							1	A	
- 12	9532303	DISC-BRAKE GY -----							1	B	
- 13	9532105	DISC-BRAKE GY ALTERNATE -----							1		
- 14	9541175	HOUSING GY -----							1		
- 14A	9524171	LINING-STATIONARY GY -----							1		
- 14B	9524161	LINING-PISTON GY -----							1		
- 15	MS28778-4	O RING -----							1		
- 16	95-3218	PLUG GY -----							1		
- 17	95-4561	WASHER GY -----							1		
- 18	AN520-416-6	SCREW-BLEEDER -----							1		
- 19	AN6227B23	O RING -----							1		
	9524199	PISTON GY -----							1		
	AN6227B27	O RING -----							1		
	9523644	CYLINDER HEAD GY -----							1		
	9524463	CLIP GY -----							3	B	
		A---150 SERIAL 17001 THRU 17399									
		B---150 SERIAL 17400 THRU 15059118									
		C---150 SERIAL 17001 THRU 15059118									

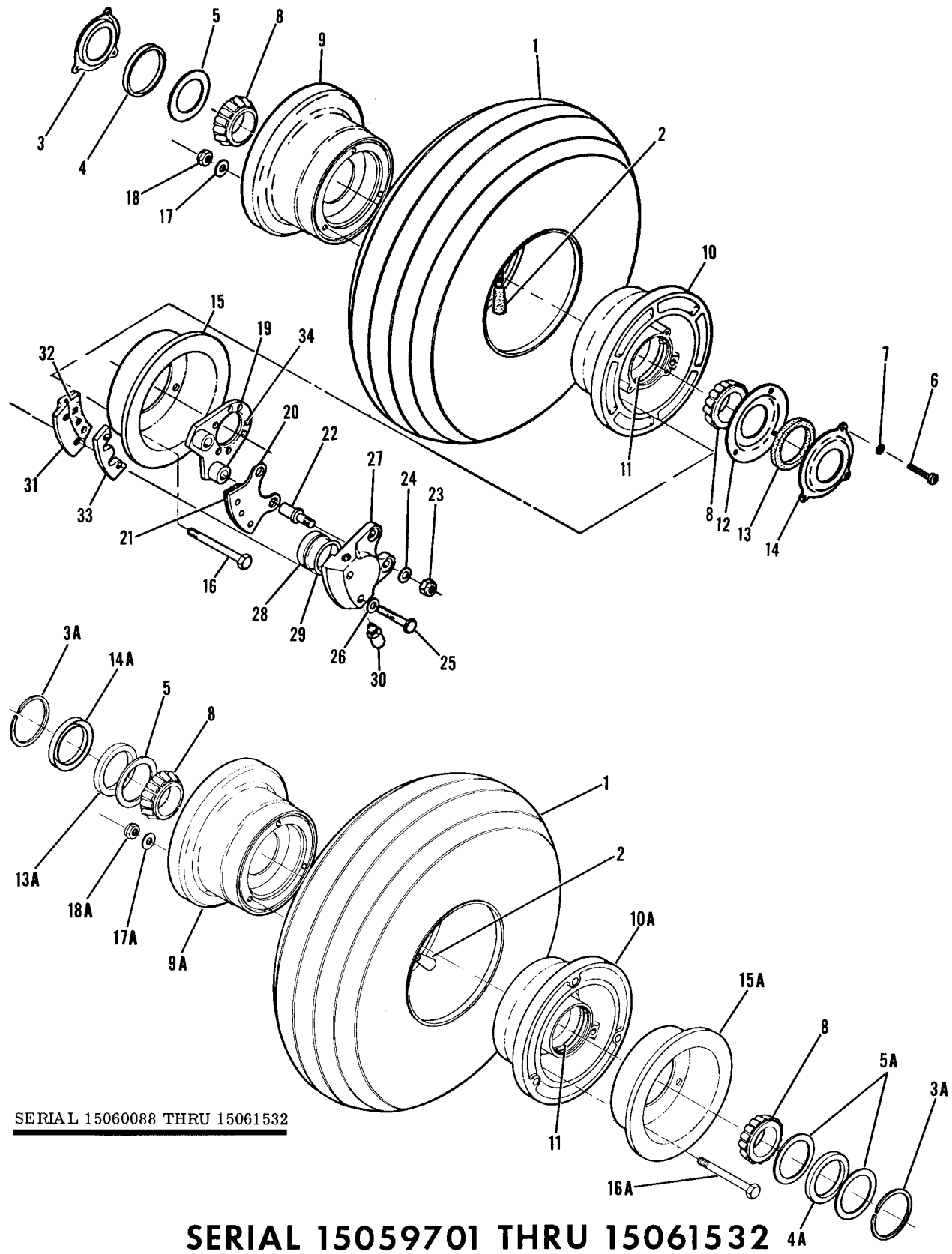
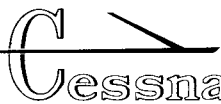


SERIAL 15060088 THRU 15061532

SERIAL 15059119 THRU 15061532

Figure 51A. Main Landing Gear Wheel and Brake Assembly

FIGURE AND INDEX NO.	PART NUMBER	DESCRIPTION	UNITS PER ASSY	USABLE ON CODE
		<b>1 2 3 4 5 6 7</b>		
51A-		WHEEL & BRAKE ASSEMBLY-MAIN LANDING GEAR 5.00 X 5 -----	NP	A
- 1	C262003-0301	TIRE-TUBELESS 5.00 X 5 4 PLY RATED -----	1	B
	C262003-0102	TIRE-TUBE TYPE 5.00 X 5 4 PLY RATED -----	1	F
- 1A	C262023-0101	TUBE-5.00 X 5 -----	1	F
	0441179-2	WHEEL ASSEMBLY CFP 40-12 -----	1	B
	0441156-13	WHEEL ASSEMBLY CFP 40-19 -----	1	D
	1241156-13	WHEEL ASSEMBLY CFP 40-78 -----	1	E
- 2	155-2	RING CFP -----	2	
- 3	158-5	CAP CFP -----	1	B
- 4	153-8	RING-GREASE SEAL CFP -----	2	
- 5	154-6	FELT-GREASE SEAL CFP -----	1	
- 6	08125	BEARING CFP -----	2	
- 7	161-5	WHEEL HALF ASSEMBLY-MALE CFP -----	1	B
	162-14	WHEEL HALF ASSEMBLY-MALE CFP -----	1	D
- 7A	161-31	WHEEL HALF ASSEMBLY-MALE CPP -----	1	E
- 8	162-5	WHEEL HALF ASSEMBLY-FEMALE CFP -----	1	B
	161-15	WHEEL HALF ASSEMBLY-FEMALE CFP -----	1	D
- 8A	162-28	WHEEL HALF ASSEMBLY-FEMALE CFP -----	1	E
- 9	08231	CUP-BEARING CFP -----	1	
	217-1	GROMMET CFP -----	1	E
-10	1866-22	O RING CFP -----	1	B
-11	164-4	BRAKE DISC ASSEMBLY CFP -----	1	G
	164-17	BRAKE DISC ASSEMBLY CFP -----	1	E
-12	AN4-31A	BOLT -----	3	G
-12A	AN4-22A	BOLT -----	3	E
-13	AN960-416	WASHER -----	3	
-14	NAS679A4	NUT -----	3	
	0441178-1	BRAKE ASSEMBLY-MAIN LANDING GEAR 5.00X5 -----	1	
		CFP30-9 USE FOR EITHER LH OR RH		
-15	75-8	TORQUE PLATE ASSEMBLY CFP -----	1	
-15A	145-10	BUSHING-TORQUE PLATE CFP -----	2	
-16	73-3	PRESSURE PLATE ASSEMBLY CFP -----	1	
-17	3006	LINING CFP -----	1	
	561	RIVET CFP -----	3	
-18	3013	BOLT-ANCHOR CFP -----	2	
-19	NAS679A6	NUT -----	2	
-20	AN960-616L	WASHER -----	2	
-21	LP4-15AM	BOLT CFP -----	2	
-22	AN960-416L	WASHER -----	2	
-23	61-6	CYLINDER CFP -----	1	
-24	3002	PISTON CFP -----	1	
-25	AN6227B23	O RING -----	1	
-26	183-1	CAP-BLEEDER CFP -----	1	
	37-206	SEAT-BLEEDER CFP -----	1	
	FC6446	SCREW-BLEEDER CFP -----	1	
-27	74-2	BACK PLATE ASSEMBLY CFP -----	1	
-28	3006	LINING CFP -----	1	
	561	RIVET CFP -----	3	
-29	68-4	SHIM CFP -----	1	
	R561	RIVET SET KIT CFP -----	1	
<p>*NOTE. DELETE 158-5 CAP WHEN SPEED FAIRINGS ARE USED &amp; REPLACE WITH 153-8 RINGS &amp; 154-6 GREASE SEAL</p> <p>A---150 SERIAL 15059119 THRU 15061532            B---150 SERIAL 15059119 THRU 15059700            C---150 SERIAL 15059701 THRU 15061532            D---150 SERIAL 15059701 THRU 15060087            E---150 SERIAL 15060088 THRU 15061532            F---150 SERIAL 15059701 THRU 15061532            G---150 SERIAL 15059119 THRU 15060087</p>				



SERIAL 15060088 THRU 15061532

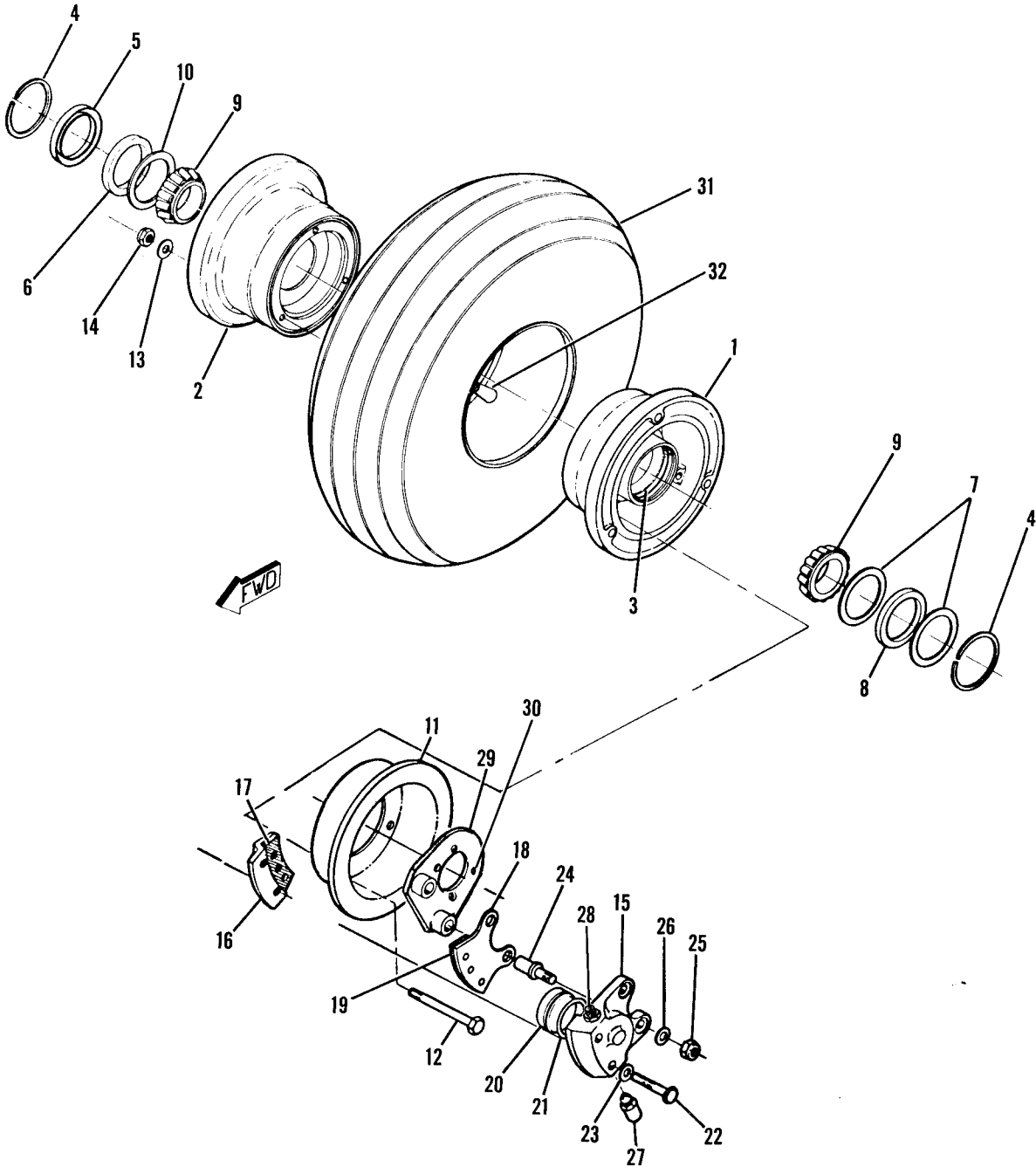
**SERIAL 15059701 THRU 15061532**

Figure 51B. Main Landing Gear Wheel & Brake Assembly 6.00x6



FIGURE AND INDEX NO.	PART NUMBER	DESCRIPTION							UNITS PER ASSY	USABLE ON CODE
		1	2	3	4	5	6	7		
51B-		WHEEL & BRAKE ASSEMBLY-MAIN LANDING GEAR HEAVY DUTY -----							NP	A
- 1	C262003-0101	TIRE-6.00 X 6 4 PLY RATED -----							1	D
- 2	C262023-0102	TUBE-6.00 X 6 -----							1	D
	0441156-17	WHEEL ASSEMBLY-6.00X6 CFP 40-57 -----							1	B
	1241156-14	WHEEL ASSEMBLY-6.00X6 CFP 40-79 -----							1	C
- 3	153-10	RING-GREASE SEAL CFP SERIAL 15059701 -----							1	B
- 3A	3023	RING-SNAP CFP THRU 15061532 -----							1	C
- 4	154-9	FELT-GREASE SEAL CFP -----							1	B
- 4A	3021	FELT GREASE SEAL CFP -----							1	C
- 5	A39070	RING-GREASE SEAL CFP -----							1	
- 5A	3022	RING-GREASE SEAL CFP -----							1	C
- 6	8-32 X 1/1	SCREW-F.H.C. CFP -----							6	B
- 7	1208	WASHER-LOCK CFP -----							6	B
- 8	13889	BEARING-CONE CFP -----							2	
- 9	162-10	WHEEL HALF ASSEMBLY-FEMALE CFP -----							1	B
- 9A	162-27	WHEEL HALF ASSEMBLY-FEMALE CFP -----							1	C
-10	161-25	WHEEL HALF ASSEMBLY-MALE CFP -----							1	B
-10A	161-30	WHEEL HALF ASSEMBLY-MALE CFP -----							1	C
-11	13836	CUP-BEARING CFP -----							1	
-12	156-1	PLATE-GREASE SEAL CFP -----							1	B
-13	39091	FELT-GREASE SEAL CFP -----							1	B
-13A	154-13	FELT-GREASE SEAL CFP -----							1	C
-14	B39094	RING-GREASE SEAL CFP -----							1	B
-14A	153-15	RING-GREASE SEAL CFP -----							1	C
-15	164-5	DISC ASSEMBLY-BRAKE CFP -----							1	B
-15A	164-16	DISC ASSEMBLY-BRAKE CFP -----							1	C
-16	AN4-40A	BOLT -----							3	B
-16A	AN5-35A	BOLT -----							3	C
-17	AN960-416	WASHER -----							6	B
-17A	AN960-516	WASHER -----							3	C
-18	NAS679A4	NUT -----							3	B
-18A	NAS679A5	NUT -----							3	C
	0441154-1	BRAKE ASSEMBLY-MAIN LANDING GEAR 6.00X6 CFP 30-40 -----							1	
		USE FOR EITHER LH OR RH -----								
-19	75-25	TORQUE PLATE ASSEMBLY CFP -----							1	
-20	73-3	PRESSURE PLATE ASSEMBLY CFP -----							1	
-21	3006	LINING CFP -----							1	
	561	RIVET CFP -----							3	
-22	3013	BOLT-ANCHOR CFP -----							2	
-23	NAS679A6	NUT -----							2	
-24	AN960-616L	WASHER -----							2	
-25	LP4-15AM	BOLT CFP -----							1	
-26	AN960-416L	WASHER -----							2	
-27	61-6	CYLINDER CFP -----							1	
-28	3002	PISTON CFP -----							1	
-29	AN6227B23	O RING -----							1	
-30	183-1	CAP-BLEEDER CFP -----							1	
	37-206	SEAT-BLEEDER CFP -----							1	
	FC6446	SCREW-BLEEDER CFP -----							1	
-31	74-2	BACK PLATE ASSEMBLY CFP -----							1	
-32	3006	LINING CFP -----							1	
	561	RIVET CFP -----							3	
-33	68-4	SHIM CFP -----							1	
-34	145-10	BUSHING-TORQUE PLATE CFP -----							2	
	R561	RIVET SET KIT CFP -----							1	
		A---150 SERIAL 15059701 THRU 15061532								
		B---150 SERIAL 15059701 THRU 15060087								
		C---150 SERIAL 15060088 THRU 15061532								
		D---150 SERIAL 15060773 THRU 15061532								

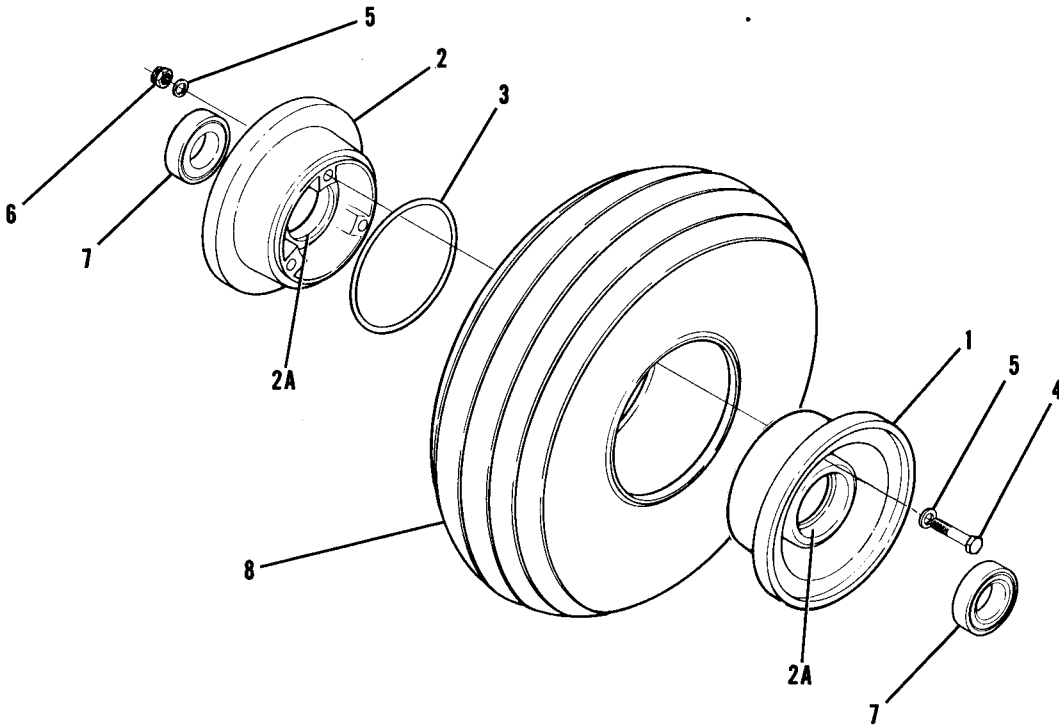
Aligning Gear (Cont)



**SERIAL 15061533 & ON**

Figure 51C. Main Wheel & Brake Assembly

FIGURE AND INDEX NO.	PART NUMBER	DESCRIPTION	UNITS PER ASSY	USABLE ON CODE
		<b>1 2 3 4 5 6 7</b>		
51C-	C163001-0102	WHEEL & BRAKE ASSEMBLY-MAIN LANDING GEAR -----	NP	A
		WHEEL ASSEMBLY-MAIN GEAR CFP 40-97 WHEN -----	1	B
		EXHAUSTED USE C163001-0103		
	C163001-0103	WHEEL ASSEMBLY-MAIN GEAR CFP 40-97A -----	1	C
- 1	161-30	WHEEL HALF ASSEMBLY-MALE CFP -----	1	
- 2	162-27	WHEEL HALF ASSEMBLY-FEMALE CFP -----	1	
- 3	13836	CUP-BEARING -----	1	
- 4	3023	SNAP RING CFP -----	1	
- 5	153-15	RING-GREASE SEAL CFP -----	1	
- 6	154-13	FELT-GREASE SEAL CFP -----	1	
- 7	3022	RING-GREASE SEAL CFP -----	2	
- 8	3021	FELT-GREASE SEAL CFP -----	1	
- 9	13889	CONE-BEARING CFP -----	2	
-10	A39070	RING-GREASE SEAL CFP -----	1	
-11	164-26	DISC ASSEMBLY-BRAKE CFP -----	1	B
	164-26A	DISC ASSEMBLY-BRAKE CFP -----	1	C
-12	AN5-35A	BOLT -----	3	
-13	AN960-516	WASHER -----	3	
-14	NAS679A5	NUT -----	3	
	C163030-0103 *	BRAKE ASSEMBLY CFP 30-63 WHEN EXHAUSTED -----	1	D
		USE C163030-0107		
	C163030-0107 *	BRAKE ASSEMBLY CFP 30-63 -----	1	E
	91-22	CYLINDER ASSEMBLY CFP -----	1	
-15	61-19	CYLINDER CFP -----	1	
-16	74-10	BACK PLATE ASSEMBLY CFP -----	1	
-17	66-30	LINING -----	1	
	561	RIVET CFP -----	2	
-18	73-11	PRESSURE PLATE ASSEMBLY CFP -----	1	
-19	66-30	LINING CFP -----	1	
	561	RIVET CFP -----	2	
-20	92-17	PISTON ASSEMBLY CFP -----	1	
-21	AN6230B2	O RING -----	1	
-22	LP4-17AM	BOLT CFP -----	2	
-23	AN960-416L	WASHER -----	2	
-24	69-4	BOLT-ANCHOR CFP -----	2	
-25	NAS679A4	NUT -----	2	
-26	AN960-416L	WASHER -----	2	
-27	FC6446	SCREW-BLEEDER CFP -----	1	
	183-1	CAP-BLEEDER SCREW CFP -----	1	
	37-206	SEAT-BLEEDER SCREW CFP -----	1	
-28	AN816-4D	NIPPLE -----	1	D
-29	75-37	TORQUE PLATE ASSEMBLY CFP -----	1	
-30	145-10	BUSHING-TORQUE PLATE CFP -----	2	
-31	C262003-0101	TIRE-6.00X6 4 PR -----	1	
-32	C262023-0102	TUBE-6.00X6 -----	1	
	R561	RIVET SET KIT -----	1	
<p>NOTE. *BRAKE ASSEMBLY DESCRIBED IS NORMALLY LH REVERSE FITTINGS AND TORQUE PLATE BUSHING FOR RH INSTALLATION.</p> <p>A---150 SERIAL 15061533 &amp; ON F150 SERIAL F150-0001 &amp; ON</p> <p>B---150 SERIAL 15061533 THRU 15065809 F150 SERIAL F150-0001 THRU F150-0167</p> <p>C---150 SERIAL 15065810 &amp; ON F150 SERIAL F150-0068 &amp; ON</p> <p>D---150 SERIAL 15061533 THRU 15067198 F150 SERIAL F150-0001 THRU F150-0259</p> <p>E---150 SERIAL 15067199 &amp; ON F150 SERIAL F150-0260 &amp; ON</p>				



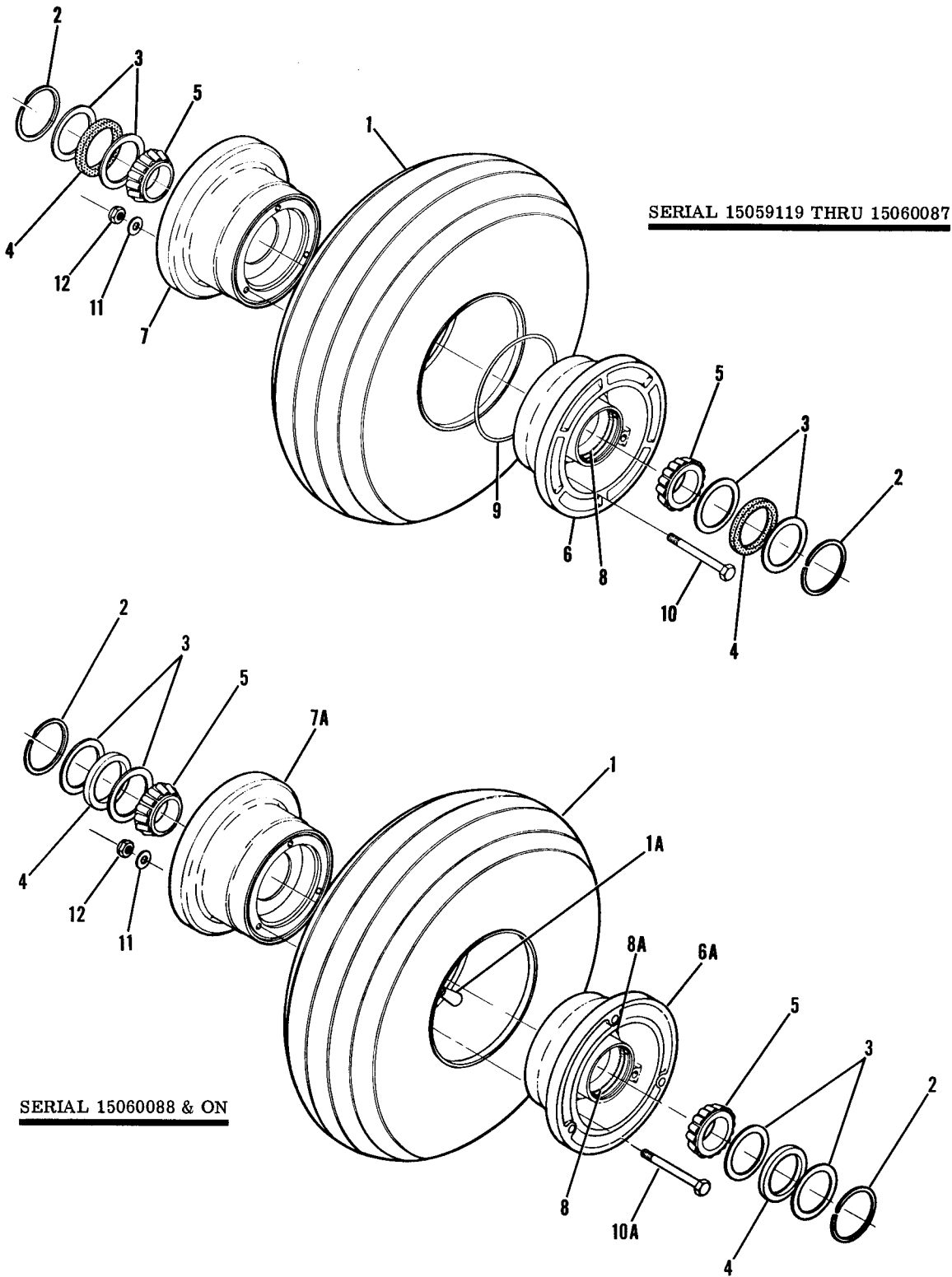
**SERIAL 17001 THRU 15059118**

Figure 52. Nose Gear Wheel Assembly

FIGURE AND INDEX NO.	PART NUMBER	DESCRIPTION	UNITS PER ASSY	USABLE ON CODE
		<b>1 2 3 4 5 6 7</b>		
52 -		WHEEL ASSEMBLY-NOSE GEAR -----	NP	A
- 1	0442012-2	WHEEL ASSEMBLY GY 9532102 -----	1	
- 2	9524193	WHEEL SUB ASSEMBLY-FEMALE GY -----	1	
- 2A	9524192	WHEEL SUB ASSEMBLY-MALE GY -----	1	
- 3	LM67010XL	CUP TYR -----	1	
- 4	AN6230B20	SEAL-O RING -----	1	
- 5	AN4-14A	BOLT -----	3	
- 6	AN960-416	WASHER -----	6	
- 7	22FH428	NUT SPS -----	3	
- 8	LM67048XL	CONE TYR -----	2	
	C262003-0301	TIRE-TUBELESS 5.00 X 5 4 PLY RATED -----	1	
		A---150 SERIAL 17001 THRU 15059118		



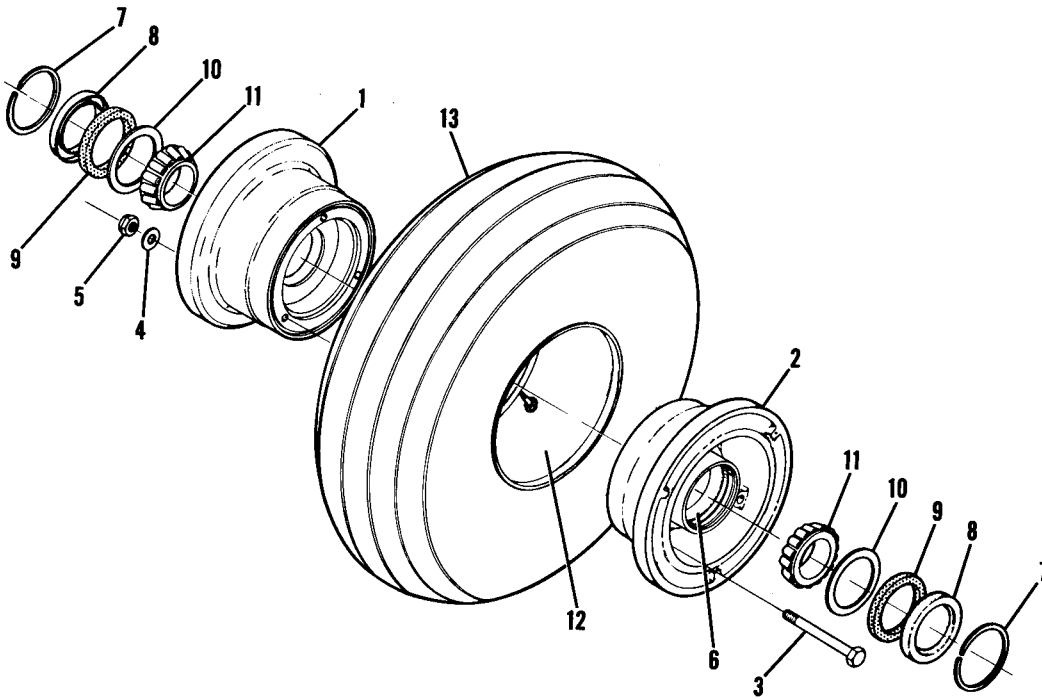
This page intentionally left blank.



**SERIAL 15059119 & ON**

Figure 52A. Nose Gear Wheel Assembly

FIGURE AND INDEX NO.	PART NUMBER	DESCRIPTION	UNITS PER ASSY	USABLE ON CODE
		<b>1 2 3 4 5 6 7</b>		
52A-		WHEEL ASSEMBLY-NOSE GEAR -----	NP	A
- 1	C262003-0301	TIRE-TUBELESS 5.00 X 5 4 PLY RATED -----	1	B
	C262003-0102	TIRE-TUBE TYPE 5.00 X 5 4 PLY RATED -----	1	C
- 1A	C262023-0101	TUBE-5.00 X 5 -----	1	C
	0441179-14	WHEEL ASSEMBLY CFP 40-18	1	B
	0441156-14	WHEEL ASSEMBLY CFP 40-20	1	D
	1241156-12	WHEEL ASSEMBLY CFP 40-77	1	E
- 2	155-2	RING CFP -----	2	
- 3	153-8	RING-GREASE SEAL CFP -----	4	
- 4	154-6	GREASE SEAL-FELT CFP -----	2	
- 5	08125	BEARING CFP -----	2	
- 6	161-5	WHEEL HALF ASSEMBLY-MALE CFP -----	1	B
	161-15	WHEEL HALF-MALE CFP -----	1	D
- 6A	161-31	WHEEL HALF-MALE CFP -----	1	E
- 7	162-5	WHEEL HALF ASSEMBLY-FEMALE CFP -----	1	B
	162-14	WHEEL HALF-FEMALE CFP -----	1	D
- 7A	162-28	WHEEL HALF-FEMALE CFP -----	1	E
- 8	08231	CUP-BEARING CFP -----	1	
- 8A	217-1	GROMMET CFP -----	1	E
- 9	1866-22	O RING CFP USED WITH TUBELESS TIRE ONLY -----	1	D
-10	AN4-31A	BOLT -----	3	D
-10A	AN4-22A	BOLT -----	3	E
-11	AN960-416	WASHER -----	3	
-12	NAS679A4	NUT -----	3	
<p>A---150 SERIAL 15059119 &amp; ON  F150 SERIAL F150-0001 &amp; ON</p> <p>B---150 SERIAL 15059119 THRU 15059710</p> <p>C---150 SERIAL 15059711 &amp; ON  F150 SERIAL F150-0001 &amp; ON</p> <p>D---150 SERIAL 15059711 THRU 15060087</p> <p>E---150 SERIAL 15060088 &amp; ON  F150 SERIAL F150-0001 &amp; ON</p>				

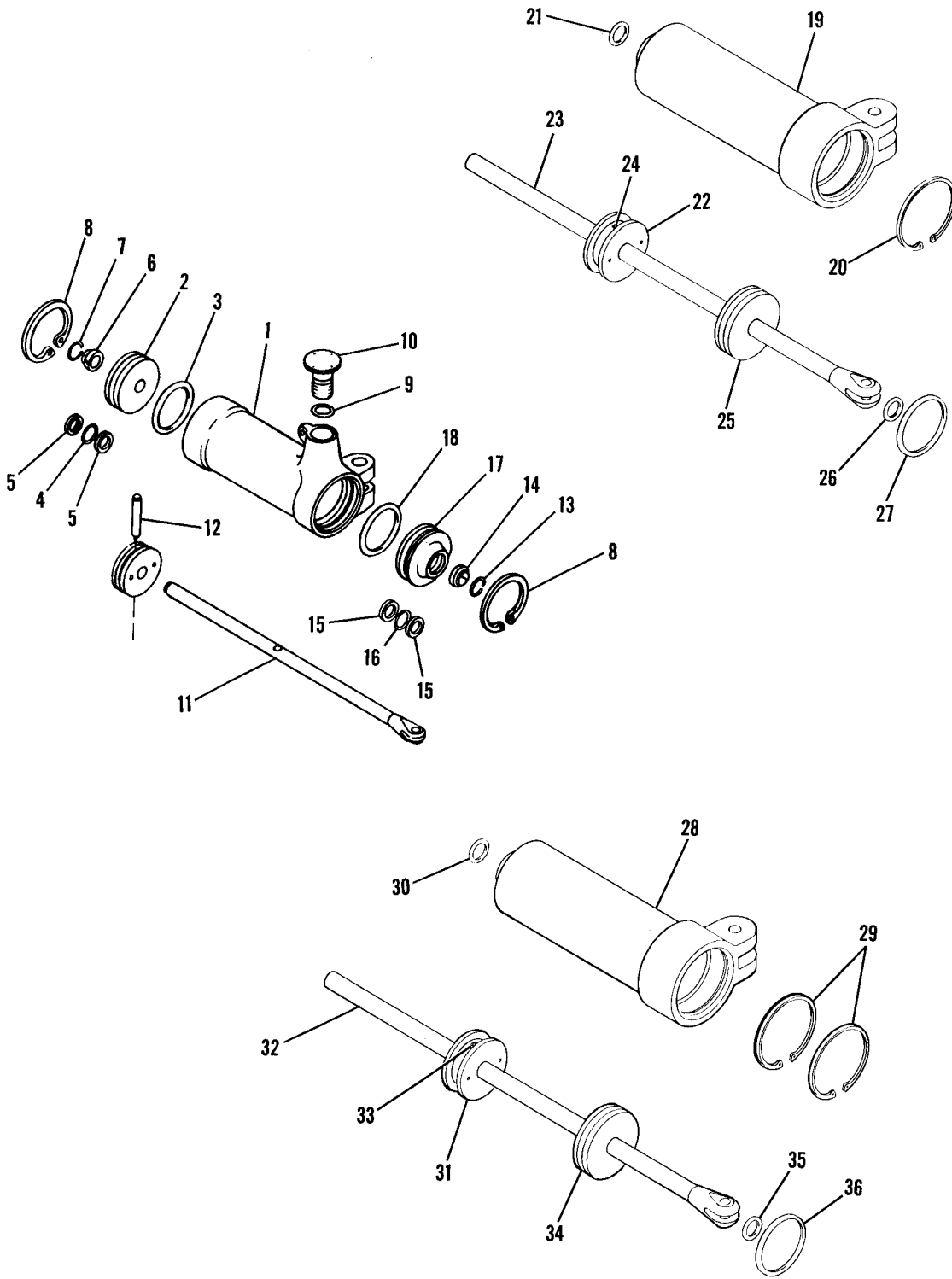


**SERIAL 15060477 THRU 15063457**

Figure 52B. Nose Gear Wheel Assembly-Heavy Duty

FIGURE AND INDEX NO.	PART NUMBER	DESCRIPTION	UNITS PER ASSY	USABLE ON CODE
		<b>1 2 3 4 5 6 7</b>		
528-		WHEEL ASSEMBLY-HEAVY DUTY NOSE GEAR -----	NP	A
- 1	1241156-11	WHEEL ASSEMBLY CFP 40-76A -----	1	
- 2	162-27	WHEEL HALF ASSEMBLY-FEMALE CFP -----	1	
- 2	161-30	WHEEL HALF ASSEMBLY-MALE CFP -----	1	
		ATTACHING PARTS		
- 3	AN5-35A	BOLT -----	3	
- 4	AN960-516	WASHER -----	6	
- 5	NAS679A5	NUT -----	3	
		---*---		
- 6	13836	CUP-BEARING CFP -----	1	
- 7	3023	RING-SNAP CFP -----	2	
- 8	153-15	RING-GREASE SEAL CFP -----	2	
- 9	154-13	GREASE SEAL-FELT CFP -----	2	
-10	A39070	RING-GREASE SEAL CFP -----	2	
-11	13889	CONE-BEARING CFP -----	2	
-12	C262026-0101	TUBE-15 X 6.00 X 6 -----	1	
-13	C262006-0102	TIRE-15 X 6.00 X 6 4 PLY RATED -----	1	
		A---150 SERIAL 15060477 THRU 15063457 F150 SERIAL F150-0001 THRU F150-0055		

This page intentionally left blank.



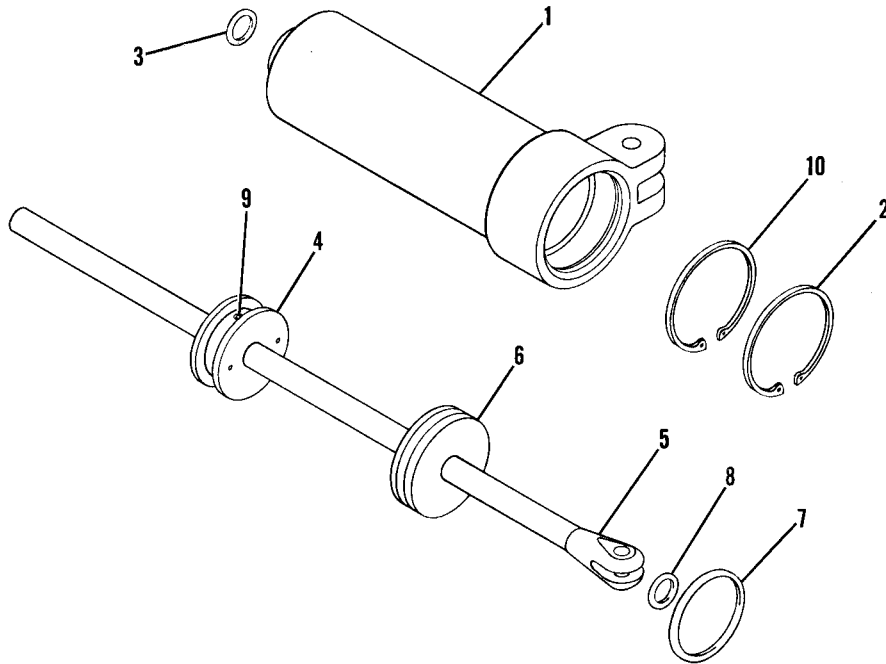
**SERIAL 17001 THRU 15064532**

Figure 53. Shimmy Dampener Assembly

FIGURE AND INDEX NO.	PART NUMBER	DESCRIPTION	UNITS PER ASSY	USABLE ON CODE
		<b>1 2 3 4 5 6 7</b>		
53 -	0842400-11	DAMPENER ASSEMBLY-SHIMMY WHEN EXHAUSTED USE 0542119-2 -----	1	A
- 1	0842405-5	BARREL -----	1	A
- 2	0842400-2	HEAD BEARING -----	1	A
- 3	AN6227B20	O RING -----	1	A
- 4	AN6227B6	O RING -----	1	A
- 5	MS28782-6	RING-BACK UP -----	2	A
- 6	S11326	RING-WIPER SHWS -----	1	A
- 7	0842400-7	RING-LOCK -----	1	A
- 8	MS16625-131	RING-INTERNAL RETAINING -----	2	A
- 9	AN6227B7	O RING -----	1	A
-10	0842400-4	PLUG-FILLER -----	1	A
	082400-12	PISTON & ROD ASSEMBLY -----	1	A
-11	0842406-5	ROD ASSEMBLY -----	1	A
-12	NAS561P4-14	ROLL PIN -----	1	A
-13	0842400-7	RING-LOCK -----	1	A
-14	S11326	RING-WIPER SHWS -----	1	A
-15	MS28782-6	RING-BACK UP -----	2	A
-16	AN6227B6	O RING -----	1	A
-17	0842400-2	HEAD BEARING -----	1	A
-18	AN6227B20	O RING -----	1	A
	0542119-2	* DAMPENER ASSEMBLY-SHIMMY WHEN EXHAUSTED USE 0442512-2 -----	1	B
-19	0542100-1	# BARREL -----	1	B
-20	MS16625-131	# RING-INTERNAL RETAINING -----	1	B
-21	AN6227B6	# O RING -----	1	B
-22	0542118-2	# PISTON & SHAFT ASSEMBLY -----	1	B
-23	0542101-3	# SHAFT ASSEMBLY -----	1	B
-24	NAS561P4-14	# ROLL PIN -----	1	B
-25	0542102-1	# HEAD BEARING -----	1	B
-26	AN6227B6	# O RING -----	1	B
-27	AN6227B20	# O RING -----	1	B
	0442512-2	* DAMPENER ASSEMBLY-SHIMMY -----	1	B
-28	0542100-6	% BARREL -----	1	B
-29	MS16625-118	% RING-INTERNAL RETAINING -----	2	B
-30	AN6227B6	% O RING -----	1	B
-31	0542118-6	% PISTON & SHAFT ASSEMBLY -----	1	B
-32	0542101-3	% SHAFT ASSEMBLY -----	1	B
-33	NAS561P4-14	% ROLL PIN -----	1	B
-34	0542102-3	% HEAD BEARING -----	1	B
-35	AN6227-6	% O RING -----	1	B
-36	AN6227-18	% O RING -----	1	B

NOTE. \*THERE ARE 2 CONFIGURATIONS OF DAMPENER ASSEMBLIES THAT ARE SIMILAR, WHEN ORDERING REPLACEMENT PARTS FOR THESE ASSEMBLIES CHECK HEAD BEARING O.D.. IF THE BEARING DIA IS 1-5/16 ORDER PARTS MARKED #. IF THE BEARING DIA IS 1-3/16 ORDER PARTS MARKED %.

A---150 SERIAL 17001 THRU 17878  
 B---150 SERIAL 17879 THRU 15064532  
 F150 SERIAL F150-0001 THRU F150-0067



**SERIAL 15064533 & ON**

Figure 53A. Shimmy Dampener Assembly

FIGURE AND INDEX NO.	PART NUMBER	DESCRIPTION	UNITS PER ASSY	USABLE ON CODE
		<b>1 2 3 4 5 6 7</b>		
53A-	0542119-1	* DAMPENER ASSEMBLY-SHIMMY	1	A
	0442512-1	* DAMPENER ASSEMBLY-SHIMMY	1	B
- 1	0542100-1	BARREL-SHIMMY DAMPENER	1	A
	0542100-6	BARREL-SHIMMY DAMPENER	1	B
- 2	MS16625-131	RING-RETAINING	1	A
	MS16625-118	RING-RETAINING	1	B
- 3	AN6227B6	O RING	1	
- 4	0542118-1	PISTON ASSEMBLY	1	A
	0542118-5	PISTON ASSEMBLY	1	B
- 5	0542101-1	SHAFT ASSEMBLY	1	
- 6	0542102-1	HEAD BEARING	1	A
	0542102-3	HEAD BEARING	1	B
- 7	AN6227B20	O RING	1	A
	AN6227B18	O RING	1	B
- 8	AN6227B6	O RING	1	
- 9	NAS561P4-14	ROLL PIN	1	
-10	MS16625-118	RING-RETAINING	1	B
<p>NOTE. *THERE ARE 2 CONFIGURATIONS OF DAMPENER ASSEMBLIES THAT ARE SIMILAR, WHEN ORDERING REPLACEMENT PARTS FOR THESE ASSEMBLIES CHECK HEAD BEARING O.D.. IF THE BEARING DIA IS 1-5/16 ORDER PARTS CODED A. IF THE BEARING DIA IS 1-3/16 ORDER PARTS CODED B.</p> <p>A---150 SERIAL 15064533 THRU 15067056                      F150 SERIAL F150-0068 THRU F150-0219                      B---150 SERIAL 15067057 &amp; ON                      F150 SERIAL F150-0220 &amp; ON</p>				



This page intentionally left blank.

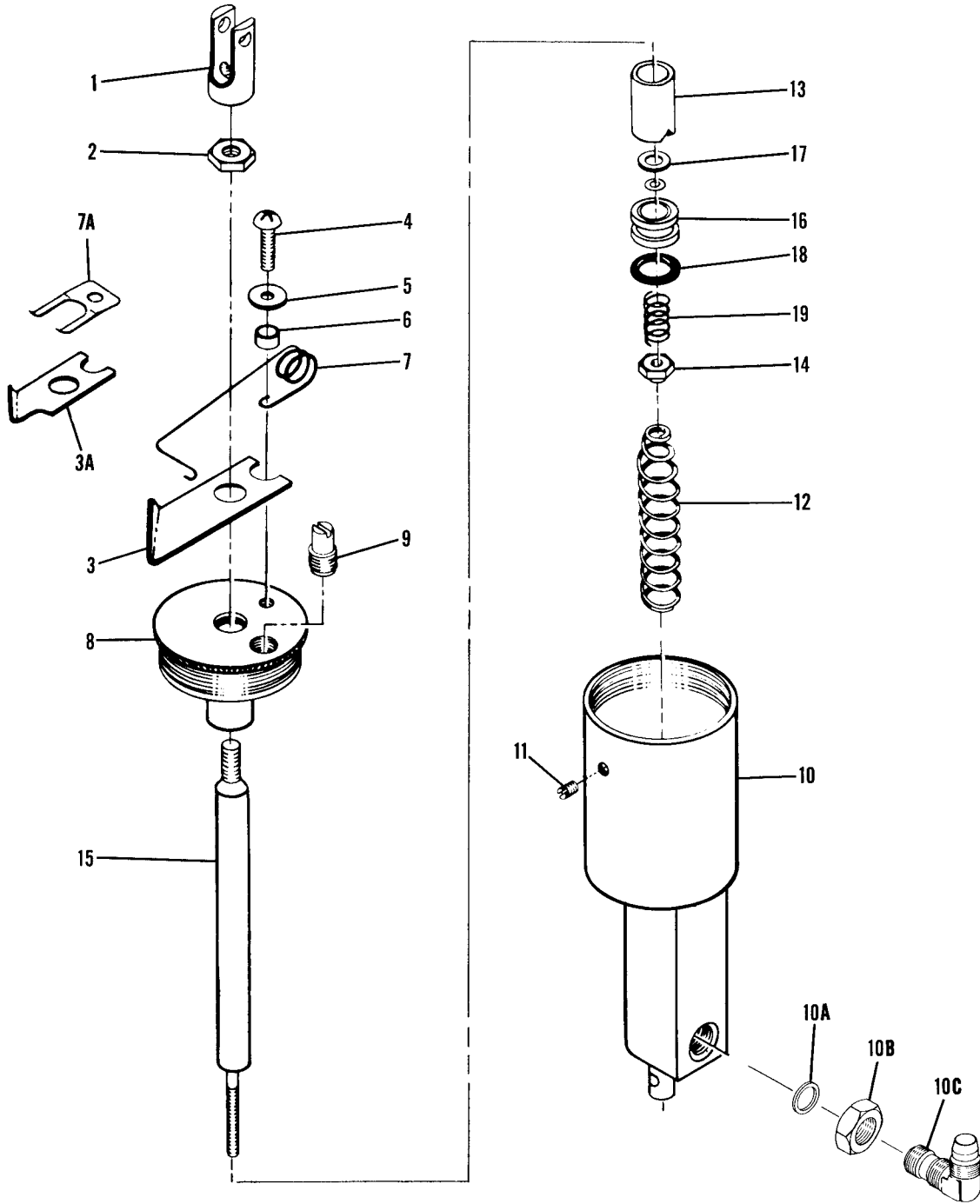
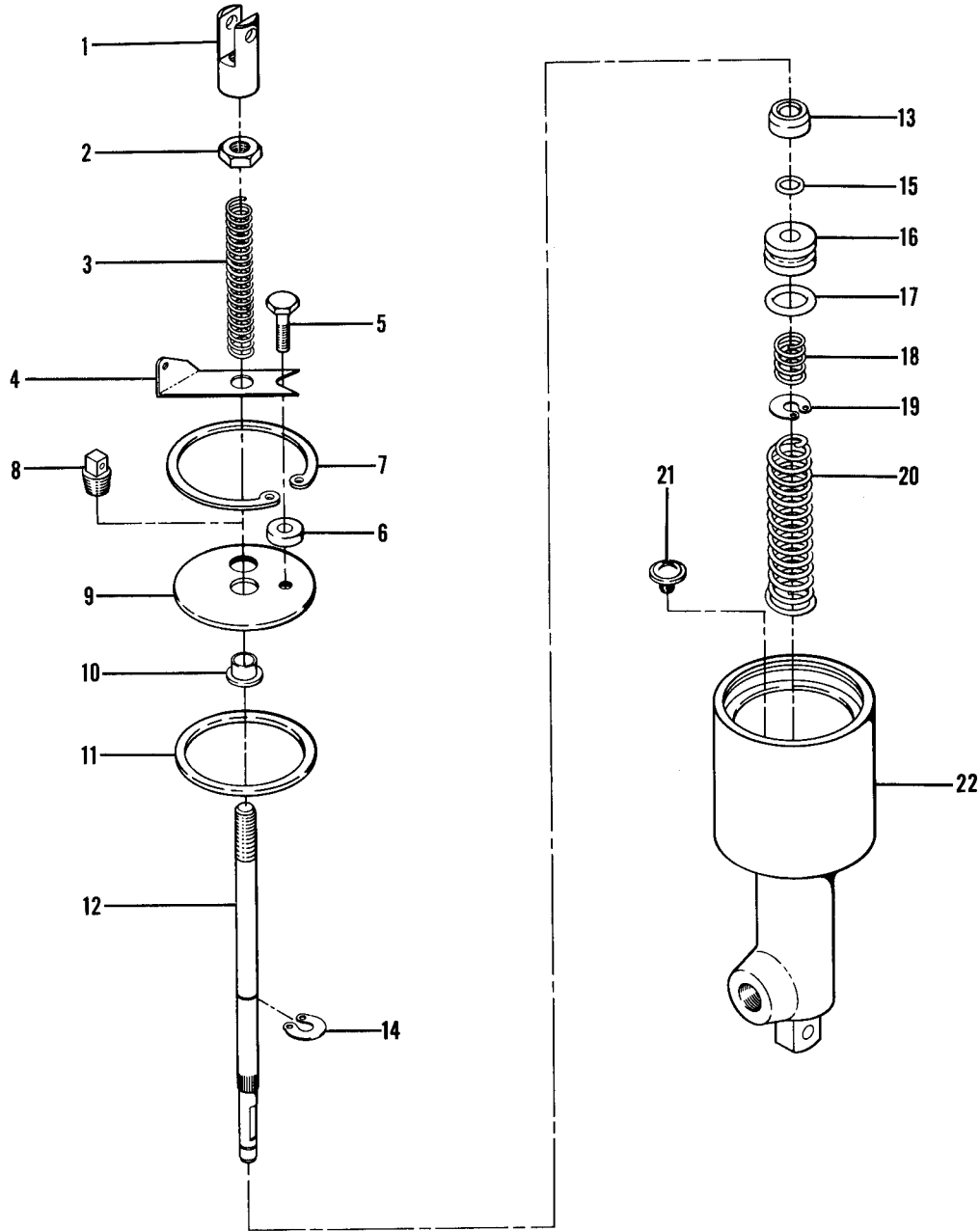


Figure 54. Master Brake Cylinder Assembly



FIGURE AND INDEX NO.	PART NUMBER	DESCRIPTION	UNITS PER ASSY	USABLE ON CODE	
					1 2 3 4 5 6 7
54 -	0541138-18	CYLINDER ASSEMBLY-MASTER BRAKE RH -----	1	A	
	0541138-17	CYLINDER ASSEMBLY-MASTER BRAKE LH -----	1	A	
	0541138-20	CYLINDER ASSEMBLY-MASTER BRAKE -----	2	D	
	0541138-19	CYLINDER ASSEMBLY-MASTER BRAKE -----	2	F	
		CYLINDER ASSEMBLY-MASTER BRAKE SEE FIGURE 54A -----	2	G	
	- 1	0541140	CLEVIS-ROD END -----	1	
	- 2	AN316-4R	NUT-CHECK -----	1	
	- 3	0541141	PLATE-LOCK -----	1	A
	- 3A	0541165-1	PLATE-LOCK -----	1	B
			ATTACHING PARTS		
	- 4	AN515-10R8	SCREW-MACHINE -----	1	
	- 5	AN960-10	WASHER -----	1	
	- 6	0541146	SPACER -----	1	A
		0541146-1	SPACER -----	1	B
			---*---		
	- 7	0541145	SPRING-PARKING BRAKE -----	1	A
	- 7A	0541167-1	SPRING-PARKING BRAKE -----	1	B
	- 8	0541151	COVER-MASTER CYLINDER -----	1	
	- 9	0541139	PLUG-FILLER -----	1	
-10	0541184-200	BODY ASSEMBLY-MASTER CYLINDER -----	1	E	
	0541184-1	BODY-MASTER CYLINDER -----	1	F	
-10A	MS28778-4	GASKET -----	1	E	
-10B	AN924-4D	NUT -----	1	E	
-10C	AN921-4D	ELBOW -----	1	E	
-11	AN565D6-3	SCREW -----	1		
-12	0541148	SPRING-PISTON RETURN -----	1		
-13	0541149	SLEEVE-PISTON ROD -----	1		
	0541138-5	PISTON ASSEMBLY-MASTER CYLINDER -----	1		
-14	22FH632	NUT SPS -----	1		
-15	0541144	ROD -----	1		
-16	0541143	PISTON -----	1		
-17	8CC-001-6	LOCK-O-SEAL PKSC -----	1		
-18	AN6227B8	O RING -----	1		
-19	0541148-1	SPRING -----	1		
<p>A---150 SERIAL 17001 THRU 17519            B---150 SERIAL 17520 &amp; ON                  F150 SERIAL F150-0001 &amp; ON            C---150 SERIAL 17520 THRU 15061532            D---150 SERIAL 17520 THRU 15067198                  F150 SERIAL F150-0001 THRU F150-0259            E---150 SERIAL 17001 THRU 15067198                  F150 SERIAL F150-0001 THRU F150-0259            F---150 SERIAL 15067199 THRU 15070094                  F150 SERIAL F150-0260 &amp; ON            G---150 SERIAL 1507C095 &amp; ON</p>					

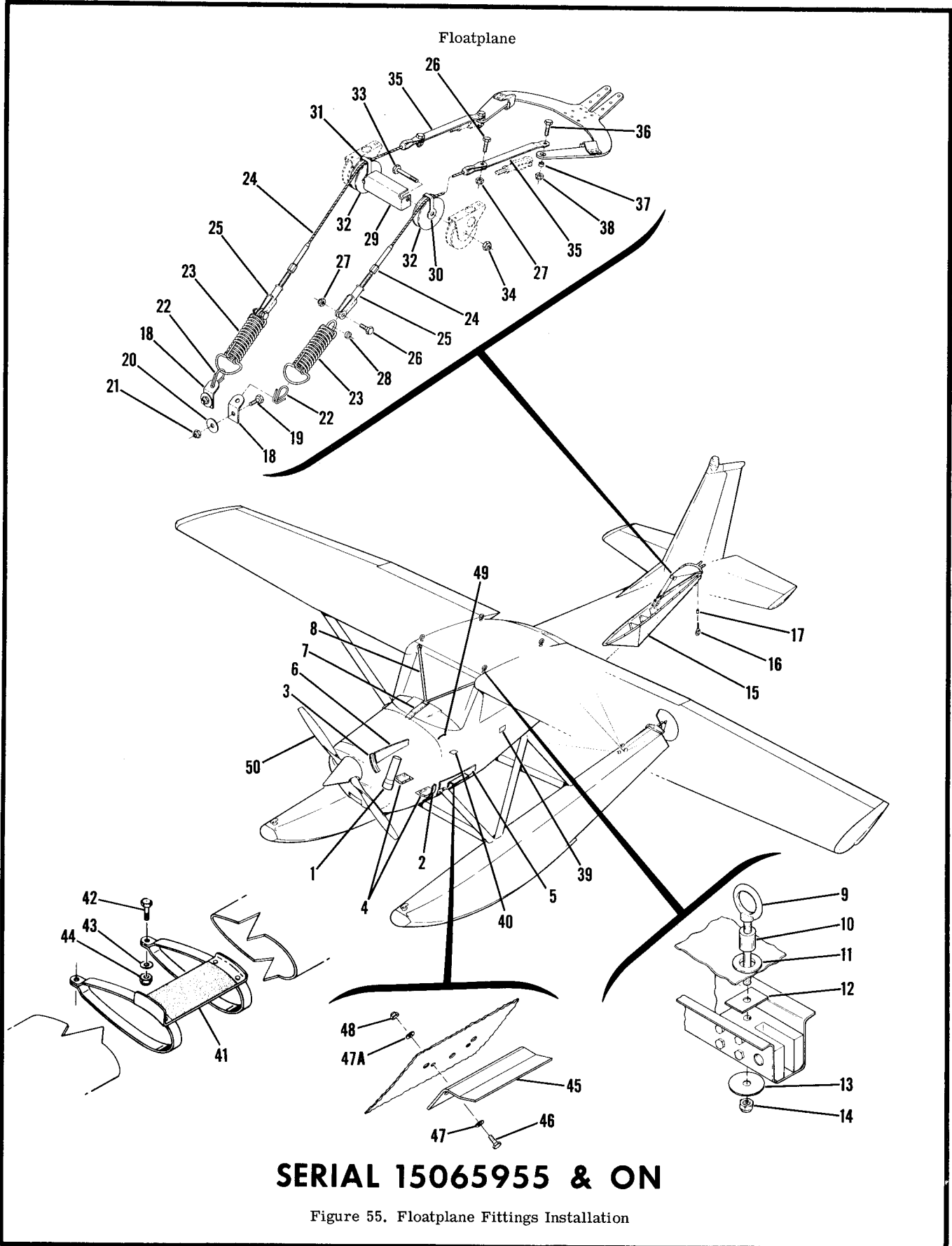


**SERIAL 15070095 & ON**

Figure 54A. Master Brake Cylinder Assembly



FIGURE AND INDEX NO.	PART NUMBER	DESCRIPTION	UNITS PER ASSY	USABLE ON CODE
		<b>1 2 3 4 5 6 7</b>		
54A-	C163020-0101	CYLINDER ASSEMBLY-MASTER BRAKE -----	2	A
- 1	A279A	CLEVIS GRDS -----	1	
- 2	AN316-4	NUT-LOCK -----	1	
- 3	AC88A	SPRING GRDS -----	1	
- 4	A147A	LEVER-PARKING BRAKE GRDS -----	1	
- 5	AN3-5A	BOLT -----	1	
- 6	A126A	SPACER-RUBBER GRDS -----	1	
- 7	N5CC0-175	SNAP RING WKI -----	1	
- 8	A148A	PLUG-FILLER GRDS -----	1	
- 9	AC64A	PLATE-COVER GRDS -----	1	
-10		BUSHING -----	NP	
-11	TS33-30	RUBBER RING SQ. CUT -----	1	
-12	A085A	SHAFT GRDS -----	1	
-13		COLLAR-THRUST -----	NP	
-14	X5133-21	SNAP RING WKI -----	1	
-15	AN6227B4	O RING -----	1	
-16	A223A	PISTON GRDS -----	1	
-17	AN6227B9	O RING -----	1	
-18	A113A	SPRING GRDS -----	1	
-19	X5133-21	SNAP RING WKI -----	1	
-20	A089A	SPRING GRDS -----	1	
-21	AC87A	BOLT & LOCKWASHER ASSEMBLY GRDS -----	1	
-22	A061A	HOUSING-BRAKE CYLINDER GRDS -----	1	
		<b>SERIAL 15070095 &amp; ON</b>		
		A---150 SERIAL 15070095 & ON		



**SERIAL 15065955 & ON**

Figure 55. Floatplane Fittings Installation



FIGURE AND INDEX NO.	PART NUMBER	DESCRIPTION	UNITS	USABLE
			PER ASSY	ON CODE
55 -		FLCATPLANE FITTINGS INSTALLATION ED088A-1650 -----	NP	A
- 1	0451116-1	FILLER TUBE-ENGINE MOUNT -----	1	
	TY-42	PLUG-FILLER TUBE CLOV -----	1	
- 2	0452005-1	STIFFENER-COWL LH -----	1	
- 3	0452005-2	STIFFENER-COWL RH -----	1	
- 4	0413352-1	COVER-STEERING ARM -----	2	
		ATTACHING PARTS		
	S1021Z8-8	SCREW -----	12	
	NAS446-4-3	NUT -----	12	
		-----*		
- 5	0413351-1	DOUBLER-FUSELAGE LH -----	1	
- 6	0413351-2	DOUBLER-FUSELAGE RH -----	1	
- 7	0413431-1	STIFFENER-COWL DECK -----	1	
- 8	0413432-12	BRACE ASSEMBLY-COWL DECK -----	1	
		ATTACHING PARTS		
	AN4-12A	BOLT -----	1	
	NAS679A4	NUT -----	1	
	AN3-31A	BOLT -----	4	
	AN960-10	WASHER -----	4	
	NAS679A3	NUT -----	4	
		-----*		
- 9	0541115-3	EYEBOLT -----	4	
-10	0541115-2	SPACER -----	4	
-11	MS35488-17	GROMMET -----	4	
-12	0541115-4	PLATE -----	4	
-13	AN970-5	WASHER -----	4	
-14	NAS679A5	NUT -----	4	
-15	0431020-2	FIN ASSEMBLY-VENTRAL -----	1	
		ATTACHING PARTS		
	AN525-832R10	SCREW -----	22	
	AN936A8	WASHER -----	22	
	S1613-08-75	RIVNUT -----	20	
	NAS698A08	NUTPLATE -----	2	
		-----*		
-16	0523613-2	EYEBOLT -----	1	
-17	NAS43HT5-40	SPACER -----	1	
-18	0460196-2	CLIP-RUDDER CENTRALIZER -----	2	
		ATTACHING PARTS		
-19	AN3-5A	BOLT -----	1	
-20	AN970-3	WASHER -----	1	
-21	NAS679A3	NUT -----	1	
		-----*		
-22	0742200-6	LINK-RUDDER CENTRALIZER -----	2	
-23	0460195-1	SPRING ASSEMBLY-RUDDER CENTRALIZER -----	2	
-24	0400107-151	CABLE ASSEMBLY-RUDDER CENTRALIZER -----	2	
		ATTACHING PARTS		
-25	AN486-4	CLEVIS -----	1	
-26	AN3-5A	BOLT -----	2	
-27	NAS679A3	NUT -----	2	
-28	NAS43HT3-9	SPACER -----	1	
		-----*		
-29	0460197-1	STIFFENER-RUDDER PULLEY BRACKET -----	1	
-30	0460198-1	GUARD-CABLE LH -----	1	
-31	0460198-2	GUARD-CABLE RH -----	1	
-32	S378-3	PULLEY -----	2	
		ATTACHING PARTS		
-33	AN4-14A	BOLT -----	1	
-34	NAS679A4	NUT -----	1	
		-----*		
-35	0460196-1	LINK-RUDDER CENTRALIZER -----	2	
		ATTACHING PARTS		
-36	AN3-5A	BOLT -----	1	F
	AN3-7A	BOLT -----	1	G
-37	NAS43HT3-9	SPACER -----	1	F
	NAS74A3-004	BUSHING -----	1	G
	NAS74A3-004P	BUSHING ALTERNATE -----	1	G
-38	NAS679A3	NUT -----	1	
		-----*		

CONTINUED ON NEXT PAGE

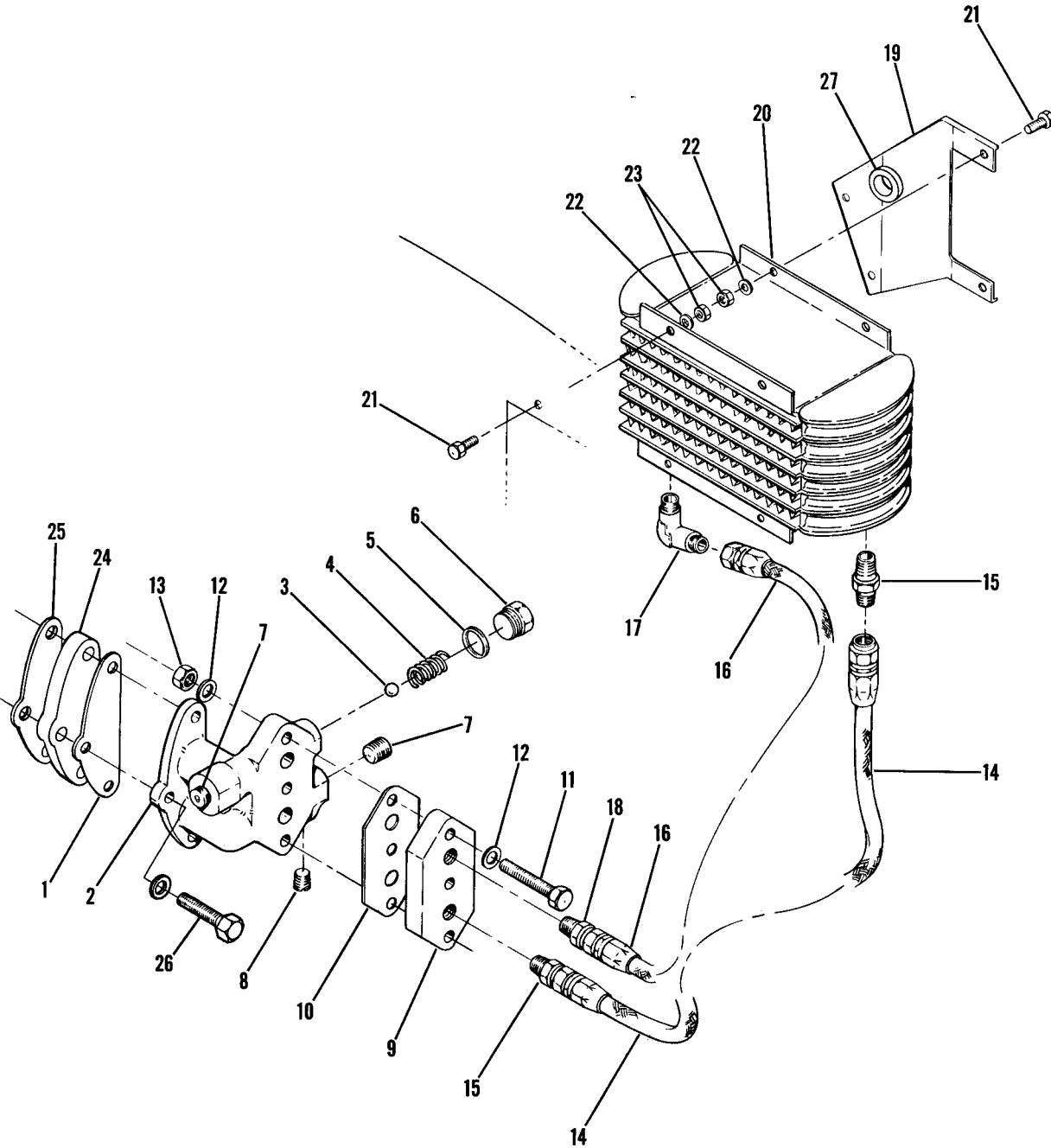


FIGURE AND INDEX NO.	PART NUMBER	DESCRIPTION	UNITS PER ASSY	USABLE ON CODE
55 -39	S1656-24	PLACARD-OPERATIONAL LIMITATIONS	1	D
	1205001-11	PLACARD-OPERATIONAL LIMITATIONS	1	E
-40	C410218-6	PLATE ASSEMBLY-FUEL INDICATOR	1	
	C410218-7	PLATE ASSEMBLY-FUEL INDICATOR	1	
-41	C500276-1	STEP ASSEMBLY-STRUT LH	1	E
	C500276-2	STEP ASSEMBLY-STRUT RH	1	E
		ATTACHING PARTS		
-42	AN3-3A	BOLT	2	E
-43	AN960D10L	WASHER	2	E
-44	NAS679A3	NUT	2	E
		---*---		
-45	C413399-1	STEP-LH	1	E
	C413399-2	STEP-RH	1	E
		ATTACHING PARTS		
-46	AN3-5A	BOLT	2	E
-47	AN960D10L	WASHER	2	E
	AN970-3	WASHER	2	E
-48	NAS679A3	NUT	2	E
		---*---		
-49	1613224-2	HANDLE	2	E
		ATTACHING PARTS		
	S1450-4H12-050	WASHER	2	E
	AN960-416L	WASHER	2	E
	NAS679A4	NUT	2	E
		---*---		
-50		PROPELLER & SPINNER INSTALLATION	1	
	0450500-38	BAFFLE ASSEMBLY-VERTICAL REAR	1	
	0451114-35	MOUNT ASSEMBLY-ENGINE	1	B
	0451114-36	MOUNT ASSEMBLY-ENGINE	1	C
		EXHAUSTED USE 0451120-1		
		FUEL LINE & STRAINER BRACKET	1	
		OIL COOLER INSTALLATION	1	
		OIL SEPARATOR INSTALLATION	1	D
		SEE FIGURE 26		
		SEE FIGURE 32		
		SEE FIGURE 30		
		SEE FIGURE 30 WHEN		
		SEE FIGURE 43A		
		SEE FIGURE 56		
		SEE FIGURE 45B & 45D		
		NOTE. STAINLESS STEEL CONTROL CABLES ARE REQUIRED ON FLOATPLANE		
		A---150 SERIAL 15065955 & ON FLOATPLANE		
		F150 SERIAL F150-0191 & ON FLOATPLANE		
		B---150 SERIAL 15065955 THRU 15066680 FLOATPLANE		
		F150 SERIAL F150-0191 THRU F150-0219 FLOATPLANE		
		C---150 SERIAL 15066681 & ON FLOATPLANE		
		F150 SERIAL F150-0220 & ON FLOATPLANE		
		D---150 SERIAL 15065955 THRU 15069308 FLOATPLANE		
		F150 SERIAL F150-0191 THRU F150-0389 FLOATPLANE		
		E---150 SERIAL 15069309 & ON FLOATPLANE		
		F150 SERIAL F150-0390 & ON FLOATPLANE		
		F---150 SERIAL 15065955 THRU 15068823 FLOATPLANE		
		F150 SERIAL F150-0191 THRU F150-0449 FLOATPLANE		
		G---150 SERIAL 15068824 & ON FLOATPLANE		
		F150 SERIAL F150-0450 & ON FLOATPLANE		



This page intentionally left blank.

Floatplane (Cont)



**SERIAL 15065955 & ON**

Figure 56. Oil Cooler Installation - Floatplane

FIGURE AND INDEX NO.	PART NUMBER	DESCRIPTION	UNITS PER ASSY	USABLE ON CODE
		<b>1 2 3 4 5 6 7</b>		
56 -		OIL COOLER INSTALLATION-FLOATPLANE -----	NP	A
- 1	22344	GASKET CM -----	1	
- 2	4763	ADAPTER-OIL COOLER CM -----	1	
- 3	2849	BALL-7/16 IN. STEEL CM -----	1	
- 4	2848	SPRING CM -----	1	
- 5	AN900-10	GASKET CM -----	1	
- 6	2265	PLUG CM -----	1	
- 7	20288	PLUG CM -----	2	
- 8	2024	PLUG CM -----	1	
- 9	0450035-1	ADAPTER-OIL COOLER -----	1	
		ATTACHING PARTS -----		
-10	0456003-3	GASKET -----	1	
-11	AN6-16A	BOLT -----	3	
-12	AN960PD616	WASHER -----	6	
-13	NAS679A6	NUT -----	3	
		---*---		
-14	S1236-6-0074	HOSE ASSEMBLY -----	1	
		ATTACHING PARTS -----		
-15	AN816-6-6D	NIPPLE -----	2	
		---*---		
-16	S1236-6-0094	HOSE ASSEMBLY -----	1	
		ATTACHING PARTS -----		
-17	MS20822-6-6D	ELBOW -----	1	
-18	AN816-6-6D	NIPPLE -----	1	
		---*---		
-19	0450034-2	BRACKET -----	1	
-20	8526250	OIL COOLER HR -----	1	
		ATTACHING PARTS -----		
-21	AN3-4A	BOLT -----	6	
-22	AN960PD10L	WASHER -----	6	
-23	NAS679A3	NUT -----	6	
		---*---		
-24	0456003-5	SPACER -----	1	B
-25	22344	GASKET CM -----	1	B
-26	MS20074-05-12	BOLT -----	3	B
-27	MS35489-20	GROMMET -----	1	B
		 A---150 SERIAL 15065955 & ON FLOATPLANE F150 SERIAL F150-0191 & ON FLOATPLANE B---150 SERIAL 15066681 & ON FLOATPLANE F150 SERIAL F150-0220 & ON FLOATPLANE		

This page intentionally left blank.

NUMERICAL  
INDEX 

PART NUMBER	FIGURE AND INDEX NO.
AN115-21	36 - 6
AN115-21	39 -16
AN123883	44 -47
AN1558-8L	40B-34
AN155816S	38 -42
AN155816S	38A-35
AN155816S	38B- 4
AN155832L	36 - 7
AN155832L	36A- 9
AN155832L	37 -49
AN155832L	37A-37
AN155832S	36 - 7
AN155832S	36A- 9
AN155832S	37 - 9
AN155832S	37 -54
AN155832S	37A-44
AN155832S	39 -19
AN155832S	35A- 8
AN155832S	35B- 7
AN15588L	40 -27
AN15588L	40A-23
AN161-32LL	37 -50
AN161-32LL	37A-38
AN165-16R5	38 -41
AN165-22RL	39 -17
AN165-22RS	36 - 8
AN165-22RS	39 -18
AN174-42	16B-36
AN21-12	37 - 7
AN227-11B	20 -35
AN227-11B	20 -37
AN227-12B	20 -35
AN227-12B	20 -37
AN227-13B	20 -37
AN227-13B	14 -60
AN227-13B	14 -62
AN227-14B	20 -37
AN227-14B	14 -60
AN227-14B	14 -62
AN227-6	19C- 7
AN227-6	19D- 7
AN227-7	19C- 7
AN227-7	19D- 7
AN227-8	19C-11
AN227-8	19D-11
AN227-8	19D-18
AN227-8	19D-23
AN227-9	19C-11
AN227-9	19D-11
AN227-9	19D-18
AN227-9	19D-23
AN23-10	36 - 2
AN23-10	36A- 6
AN23-10	37 - 1
AN23-10	37A- 1
AN23-10	39 -10
AN23-11	36 - 3
AN23-11	39 -11
AN23-11	39 -12
AN23-11	17A-60
AN23-12	17 -56
AN23-12	17B-57
AN23-15	38 - 7
AN23-17	17 -58
AN23-17	17A-62
AN23-17	17B-59
AN23-9	38 -43
AN23-9	38A-38
AN2552-3A	46A-13
AN3-10A	35A-44
AN3-10A	35B-14
AN3-10A	35B-49
AN3-10A	37 -51
AN3-10A	37A-11
AN3-10A	37B-27

PART NUMBER	FIGURE AND INDEX NO.
AN3-10A	40 -14
AN3-10A	40A-11
AN3-10A	40B-18
AN3-10A	34 -42
AN3-10A	35 -15
AN3-10A	35 -22
AN3-10A	35A-15
AN3-10A	11B-27
AN3-10A	16 - 8
AN3-10A	16A- 6
AN3-10A	16B- 8
AN3-11	38 - 3
AN3-11A	35B- 9
AN3-11A	35B-20
AN3-11A	35B-24
AN3-11A	37A-12
AN3-11A	38 -55
AN3-11A	38B-37
AN3-11A	40 -15
AN3-11A	40A-12
AN3-11A	40B-19
AN3-11A	19B-31
AN3-11A	34 - 8
AN3-11A	34 -33
AN3-11A	35 - 9
AN3-11A	35 -26
AN3-11A	35A-10
AN3-11A	35A-21
AN3-11A	35A-24
AN3-11A	6 - 9
AN3-11A	6 -18
AN3-12A	38 -11
AN3-12A	38A- 8
AN3-12A	40A-38
AN3-13A	38 -25
AN3-13A	19B- 5
AN3-14A	40A-36
AN3-15A	38A- 3
AN3-16A	37A-18
AN3-16A	38A-17
AN3-16A	38A-32
AN3-16A	34 -23
AN3-17A	37A-19
AN3-17A	38A-47
AN3-17A	38B-17
AN3-20A	14 - 2
AN3-20A	14A- 2
AN3-20A	14B- 1
AN3-21A	13 - 2
AN3-21A	13A- 2
AN3-23A	38 -33
AN3-23A	38 -48
AN3-24A	25 -17
AN3-25A	19A-29
AN3-3	46C-17
AN3-3A	46 - 4
AN3-3A	46A- 6
AN3-3A	46A-35
AN3-3A	55 -42
AN3-3A	19A-24
AN3-3A	25C- 8
AN3-3A	29 -21
AN3-3A	34 - 6
AN3-3A	34 -11
AN3-3A	34 -19
AN3-3A	11 -63
AN3-3A	14A-23
AN3-3A	14B-32
AN3-3A	17A-45
AN3-3A	17B-42
AN3-31A	55 - 8
AN3-4	33 -13
AN3-4	33A-11
AN3-4A	40B-31
AN3-4A	45B-37

PART NUMBER	FIGURE AND INDEX NO.
AN3-4A	45D-39
AN3-4A	56 -21
AN3-4A	19C- 2
AN3-4A	19D- 2
AN3-4A	29 -32
AN3-4A	31 -16
AN3-4A	31 -22
AN3-4A	34 -11A
AN3-4A	6 -28
AN3-4A	11 -63
AN3-5A	36A- 2
AN3-5A	38A-42
AN3-5A	39 -12
AN3-5A	40 -24
AN3-5A	40A-20
AN3-5A	40A-25
AN3-5A	40B-17
AN3-5A	54A- 5
AN3-5A	55 -19
AN3-5A	55 -26
AN3-5A	55 -36
AN3-5A	55 -46
AN3-5A	29 - 8
AN3-5A	29 -32A
AN3-5A	8 -42
AN3-5A	8 -65
AN3-5A	9 - 1
AN3-5A	11 -84
AN3-5A	40 -29
AN3-5A	40B-36
AN3-6A	38 -46A
AN3-6A	38A-22
AN3-6A	38A-42
AN3-6A	38A-53
AN3-6A	38B-29
AN3-6A	40A-37
AN3-6A	8 -38
AN3-6A	8 -69
AN3-7A	36A- 2
AN3-7A	37 -45
AN3-7A	37A-31
AN3-7A	37A-33
AN3-7A	37A-39
AN3-7A	38 -20
AN3-7A	38 -61
AN3-7A	38A-63
AN3-7A	38B- 6
AN3-7A	38B-36
AN3-7A	55 -36
AN3-7A	5 -11
AN3-7A	6 - 7
AN3-7A	8 -38A
AN3-7A	9 -25
AN3H10A	43A-18
AN3H3A	43 -29
AN3H4A	43 -20
AN310-2-3	38 -45
AN310-3	36 - 4
AN310-3	36A- 7
AN310-3	37 - 1
AN310-3	37A- 1
AN310-3	38 - 8
AN310-3	38 -44
AN310-3	38A-39
AN310-3	39 -13
AN310-3	17 -48
AN310-3	17A-55
AN310-3	17B-52
AN310-4	35A-30
AN310-4	35B-33
AN310-4	17 -36
AN310-4	17 -44
AN310-4	17A-39
AN310-4	17A-51
AN310-4	17B-36

PART NUMBER	FIGURE AND INDEX NO.
AN310-4	17B-48
AN310-5	16 -22
AN310-5	16 -27
AN310-5	16A-20
AN310-5	16A-25
AN310-5	16B-21
AN315-3R	8 - 7
AN315-4R	36A- 3B
AN315-4R	19B- 7
AN316-4	54A- 2
AN316-4R	54 - 2
AN316-4R	5 -16
AN316-4R	6 -13
AN316-6R	16 -12
AN316-6R	16 -16
AN316-6R	16A-10
AN316-6R	16A-14
AN316-6R	16B-13
AN316-6R	16B-17
AN316-9R	45 -12
AN320-1	37 - 7
AN320-3	38 - 5
AN320-3	38A- 5
AN320-3	39 -14
AN320-3	33 -16
AN320-3	33A-14
AN320-3	17 -62
AN320-3	17A-64
AN320-3	17B-63
AN340-4	38B-72
AN340-4	50 -15
AN340-6	44 - 9
AN340-6	24B- 9
AN340-6	24C- 9
AN340B6	37C- 1
AN340B6	37C-24
AN340B6	37C-32
AN340B6	37D- 1
AN340B6	37D-17
AN340B6	37D-35
AN340B6	45D- 6
AN340B6	45E-20
AN340B6	23 - 9
AN340B6	23 -12
AN340B6	23 -13
AN340B6	23 -14
AN340B6	23 -15
AN340B6	23 -16
AN340B6	23 -18
AN340B6	23A-12
AN340B6	23A-13
AN340B6	23A-14
AN340B6	23A-16
AN340B6	23A-57
AN340B6	23B-15
AN340B6	23C-27
AN340B6	23D-23
AN340B6	23D-29
AN340B6	23D-29
AN340B6	23E-34
AN340B6	23E-37
AN340B6	23E-37
AN340B6	23E-38
AN340B6	23E-40
AN340B6	23E-43
AN340B8	23 - 5
AN340B8	23A- 4
AN340B8	23B- 4
AN340B8	23C- 2
AN340B8	23C- 8
AN340B8	23C-25
AN340B8	23C-36
AN340B8	23D- 2
AN340B8	23D- 8
AN340B8	23D-26

PART NUMBER	FIGURE AND INDEX NO.
AN340B8	23D-38
AN340B8	23E- 3
AN340B8	23E-10
AN340B8	23E-36
AN340B8	12B-66A
AN340B8	46C- 5
AN341-10	29 -11C
AN356-1032	51 - 7
AN363-428C	36 -10
AN4-10A	36 -14
AN4-10A	36A-11
AN4-10A	36A-16
AN4-10A	36A-20
AN4-10A	36A-24
AN4-10A	37 -25
AN4-10A	37 -30
AN4-10A	37 -34
AN4-10A	37 -40
AN4-10A	37A-27
AN4-10A	38A-57
AN4-10A	38B-26
AN4-10A	39 - 2
AN4-10A	39 -22
AN4-10A	25 -24
AN4-10A	25A-24
AN4-10A	35 - 5
AN4-10A	11 -72
AN4-10A	11A-51
AN4-11A	35A-39
AN4-11A	35B-44
AN4-11A	39 - 5
AN4-11A	25A-20
AN4-11A	9B- 1
AN4-12A	55 - 8
AN4-12A	11 -53
AN4-14A	43 -37
AN4-14A	51 - 5
AN4-14A	52 - 4
AN4-14A	55 -33
AN4-15A	38B-48
AN4-16A	18 -19
AN4-17A	18 -19
AN4-20A	18 -19
AN4-20A	18 -32
AN4-21A	11 -34
AN4-21A	11B-14
AN4-21A	18 -32
AN4-22A	51A-12A
AN4-22A	52A-10A
AN4-25	35B-29
AN4-3A	31 -28
AN4-30	35B-30
AN4-30A	35A-29
AN4-31	17 -33
AN4-31	17 -41
AN4-31	17A-35
AN4-31	17A-47
AN4-31	17B-32
AN4-31	17B-44
AN4-31A	35B- 1
AN4-31A	51A-12
AN4-31A	52A-10
AN4-31A	35 - 2
AN4-31A	35A- 1
AN4-33A	37 -13
AN4-4A	19D-13
AN4-4A	25 - 3
AN4-4A	25 -23
AN4-4A	25A- 3
AN4-4A	30 -24
AN4-4A	32 -32
AN4-4A	8 - 1
AN4-4A	9 - 2
AN4-4A	9A- 1
AN4-40A	51B-16

PART NUMBER	FIGURE AND INDEX NO.
AN4-42A	5 - 3
AN4-42A	5 - 8
AN4-43A	37 -18
AN4-43A	37A- 3
AN4-5A	44 -11
AN4-5A	46 - 2
AN4-5A	19A-26
AN4-5A	8 - 3
AN4-56A	38B-41
AN4-6A	46 - 6
AN4-6A	19C-13
AN4-6A	19D-13
AN4-6A	29 -42
AN4-6A	9A- 2
AN4-60A	38B-33
AN4-60A	6 - 2
AN4-60A	8 - 3A
AN4-7A	11 -85
AN4C6A	30 -25
AN415-2	10A-16
AN415-2	10B-16
AN415-2	14 -18
AN486-3	36A- 3A
AN486-4	36A- 3A
AN486-4	55 -25
AN5-20A	29 - 3
AN5-21A	18A-16
AN5-21A	18B-17
AN5-22A	29 - 3
AN5-22A	18A-16
AN5-22A	18B-17
AN5-24A	16 - 3
AN5-24A	16A- 3
AN5-24A	16B- 3
AN5-30A	17 - 3
AN5-33A	17 - 3
AN5-33A	17A- 4
AN5-34A	16 - 30
AN5-35A	51B-16A
AN5-35A	51C-12
AN5-35A	52B- 3
AN5-37A	16 -31
AN5-37A	16A-27
AN5-43A	17 - 6
AN5-43A	17A- 7
AN5-47A	16B-35
AN5-52A	17B- 3
AN5-55	16B-19
AN5-57	16B-19
AN5-6A	29 - 2
AN5-7A	2 - 8
AN5-7A	2A- 8
AN5-74	16 -20
AN5-74	16A-18
AN500A6-8	17 -15
AN500A6-8	17A-17
AN500A6-8	17B-13
AN500A8-5	42 -23
AN500A8-5	42 -36
AN500A8-5	42A-21
AN503-6-8	44 - 7
AN507-1032-26	23F- 4
AN507-1032R10	22C- 2
AN507-1032R10	18 -27
AN507-1032R10	18A-23
AN507-1032R10	18B-24
AN507-1032R12	38B-71
AN507-1032R14	25 - 5
AN507-1032R14	25A- 6
AN507-440-7	50 -12
AN507-632RS	23F- 7
AN507-632R12	1D-27
AN507-632R12	1C-30
AN507-640R4	41 -33
AN507-832R8	22C-27

PART NUMBER	FIGURE AND INDEX NO.
AN507B632R12	23C-23
AN507B632R12	23D-24
AN507B632R12	23E-35
AN507B832R6	25B- 6
AN507B832R6	25C- 6
AN507B832R8	25 -42
AN507B832R8	25A-33
AN509-10R10	20 -12
AN509-10R10	20A-10
AN509-10R12	20B- 9
AN509-10R14	46A-14
AN509-10R15	22C-10
AN509-416R12	8 -21
AN509-416R13	11B-12
AN515-10R10	43 -37
AN515-10R10	43A-39
AN515-10R10	43A-39A
AN515-10R10	29 -44
AN515-10R10	29 -50
AN515-10R4	18A-27
AN515-10R6	18 -31
AN515-10R8	43A-43
AN515-10R8	46A-27
AN515-10R8	54 - 4
AN515-2R10	50 - 2
AN515-4R12	38B-72
AN515-4R6	9 -44
AN515-4R6	9B-29
AN515-6R8	22C-50
AN515-6R10	46B-10
AN515-6R10	50 - 7
AN515-6R10	23E-16
AN515-6R12	20C- 9
AN515-6R14	23E-40
AN515-6R14	23E-43
AN515-6R5	50 - 6
AN515-6R6	42 - 4
AN515-6R6	42 - 9
AN515-6R6	48 - 3
AN515-6R6	48 -16
AN515-6R6	22B-30
AN515-6R6	22C-26
AN515-6R6	22C-45
AN515-6R6	23D-27
AN515-6R6	23E-37
AN515-6R6	24C-11
AN515-6R6	2 -87
AN515-6R6	2A-92
AN515-6R6	23C-58
AN515-6R7	23B-42
AN515-6R7	23C-11
AN515-6R7	23D-12
AN515-6R8	24B- 7
AN515-6R8	24C- 7
AN515-632R8	41 - 2
AN515-632R8	3 -22
AN515-8R10	38C-11
AN515-8R14	23E- 6
AN515-8R14	26 - 7
AN515-8R26	47 - 5
AN515-8R4	16A-35
AN515-8R4	18 -31
AN515-8R4	18A-27
AN515-8R4	18B-28
AN515-8R4	18B-44
AN515-8R40	30 -18
AN515-8R6	37B-33
AN515-8R6	40 - 7
AN515-8R6	19D-10A
AN515-8R6	23C-36
AN515-8R6	23D-38
AN515-8R6	1D-18A
AN515-8R6	1C-20A
AN515-8R7	47 - 8
AN515-8R7	14A-19

PART NUMBER	FIGURE AND INDEX NO.
AN515-8R8	37B- 6
AN515-8R8	37B-20
AN515-8R8	37C- 3
AN515-8R8	37C-34
AN515-8R8	37D- 4
AN515-8R8	37D-38
AN515-8R8	38B-62
AN515-8R8	38B-68
AN515-8R8	38C-12
AN515-8R8	45E-28
AN515-8R8	48A- 1
AN515-8R8	48A-18
AN515-8R8	19C- 6
AN515-8R8	19D- 6
AN515-8R8	25 - 8
AN515-8R8	25A- 8
AN515-8R8	26 - 9
AN515-8R8	33 -38
AN515-8R8	33A-49
AN515-8R8	33B-50
AN515-8R8	1C-35
AN515-8R8	7A-15
AN515-8R8	9 -15A
AN515-8R8	12B-69
AN515-8R8	12C-68
AN515-8R8	14B-21
AN515-8R8	22D- 7
AN515-832R6	23 -18
AN515B6R10	23A-11
AN515B6R10	23A-12
AN515B6R10	23B-10
AN515B6R10	23C-15
AN515B6R10	23C-21
AN515B6R10	23C-27
AN515B6R10	23D-16
AN515B6R10	23D-22
AN515B6R10	23D-29
AN515B6R10	23E-23
AN515B6R10	23E-28
AN515B6R12	37C- 1
AN515B6R12	37C-32
AN515B6R12	37D- 1
AN515B6R12	37D-17
AN515B6R12	37D-35
AN515B6R12	45B- 7
AN515B6R12	45D- 6
AN515B6R12	45E-20
AN515B6R12	23 - 9
AN515B6R12	23 -14
AN515B6R12	23 -16
AN515B6R12	23 -17
AN515B6R12	23 -50
AN515B6R12	23 -50
AN515B6R12	23A-15
AN515B6R12	23A-17
AN515B6R12	23A-49
AN515B6R12	23A-50
AN515B6R12	23B-14
AN515B6R12	23B-16
AN515B6R12	23B-47
AN515B6R12	23C-24
AN515B6R12	23C-26
AN515B6R12	23D-25
AN515B6R12	23D-29
AN515B6R12	23E-24
AN515B6R12	23E-38
AN515B6R12	25 -11
AN515B6R12	25A-12
AN515B6R14	23 -12
AN515B6R14	23 -13
AN515B6R14	23 -15
AN515B6R14	23A-16
AN515B6R14	23A-18
AN515B6R14	23B-15
AN515B6R14	23B-17

PART NUMBER	FIGURE AND INDEX NO.
AN515B6R16	23A-13
AN515B6R16	23A-14
AN515B6R16	23B-12
AN515B6R16	23B-13
AN515B6R16	23B-63
AN515B6R16	23C-17
AN515B6R16	23C-22
AN515B6R16	23D-18
AN515B6R16	23D-23
AN515B6R16	23E-30
AN515B6R16	23E-34
AN515B6R6	45E- 2
AN515B6R6	23E-26
AN515B6R6	23E-37
AN515B6R8	45E- 1
AN515B6R8	23A-57
AN515B6R8	23E-27
AN515B6R8	12B- 4
AN515B632R12	37C-24
AN515B8R10	23C-25
AN515B8R10	23D-26
AN515B8R10	23E-36
AN515B8R10	25B- 5
AN515B8R10	12B-66A
AN515B8R12	23C- 2
AN515B8R12	23D- 2
AN515B8R12	25C- 5
AN520-10R10	45B-12
AN520-10R10	45D-16
AN520-10R10	45E-22
AN520-10R10	34 - 6
AN520-10R10	4 -11
AN520-10R10	4A-10
AN520-10R10	4A-14
AN520-10R10	16A-32
AN520-10R10	16B-29
AN520-10R10	16B-32
AN520-10R10	18 -38
AN520-10R10	18 -45
AN520-10R10	18B-40
AN520-10R12	8 -19
AN520-10R12	11B-23A
AN520-10R12	46C-12
AN520-10R14	4A-10
AN520-10R24	38B-73
AN520-10R36	46C-15
AN520-10R36	20 -47
AN520-10R36	20A-48
AN520-10R36	4 - 2
AN520-10R40	20 -47
AN520-10R40	20A-48
AN520-10R5	19D-22
AN520-10R5	18A-33
AN520-10R5	18A-39
AN520-10R5	18B-33
AN520-10R6	38A-51
AN520-10R6	4A- 2
AN520-10R6	11A-31
AN520-10R6	12A-35
AN520-10R6	12B-37
AN520-10R6	12C-33
AN520-10R6	18 -45
AN520-10R7	21 - 1
AN520-10R7	22 - 1
AN520-10R7	22A- 1
AN520-10R7	22B- 3
AN520-10R7	8 -51
AN520-10R7	10A-12
AN520-10R7	10B-13
AN520-10R7	11 -38
AN520-10R7	11 -39
AN520-10R7	11 -40
AN520-10R7	11 -41
AN520-10R7	11B-21
AN520-10R7	11B-22



PART NUMBER	FIGURE AND INDEX NO.	PART NUMBER	FIGURE AND INDEX NO.	PART NUMBER	FIGURE AND INDEX NO.
AN520-10R7	11B-24	AN6-15A	38B-42	AN742D2	29 -38
AN520-10R7	11B-25	AN6-16A	56 -11	AN742D3	38B-66
AN520-10R7	14 -36	AN6-16A	18 - 4	AN742D3	38C- 9
AN520-10R7	14A-19	AN6-16A	18A- 4	AN742D3	38C-10
AN520-10R7	14C- 4	AN6-16A	18B- 4	AN742D3	38C-11
AN520-10R7	14C-11	AN6-22A	18A-16	AN742D3	38C-12
AN520-10R7	14A-54	AN6-22A	18B-17	AN742D3	42 -33
AN520-10R8	43A-26	AN6-23A	18A-16	AN742D3	42A-18
AN520-10R8	19D-17	AN6-23A	18B-17	AN742D3	43A-42
AN520-10R8	30 -23	AN6-43A	30 - 2	AN742D3	29 -20
AN520-10R8	33 -25A	AN6-43A	30 - 2	AN742D3	29 -44
AN520-10R8	33A-36	AN6-44A	30 - 2	AN742D3	33 - 2
AN520-10R8	33B-37	AN6-54A	30 - 2	AN742D34	30 -23
AN520-10R8	4 -19	AN6-6A	18 -39	AN742D34	33 -25A
AN520-10R8	10 -11	AN6-6A	18A-34	AN742D34	33A-36
AN520-10R8	10A-21	AN6-6A	18B-35	AN742D4	41 - 2
AN520-10R8	13 -21	AN6H37A	26 - 2	AN742D4	41 - 5
AN520-10R8	13 -31	AN6227-18	53 -36	AN742D4	3 -18A
AN520-10R8	13A-28	AN6227-6	53 -35	AN742D4	3 -21
AN520-10R8	14 - 8	AN6227B11	44 -30	AN742D6	37B-33
AN520-10R8	14B- 9	AN6227B18	53A- 7	AN742D8	41A- 4
AN520-10R8	18 -38	AN6227B20	53 - 3	AN742D8	45 -24
AN520-10R8	18A-33	AN6227B20	53 -18	AN742D8	45A-30
AN520-10R8	18B-34	AN6227B20	53A- 7	AN742D8	45B-34
AN520-10R9	21 - 2	AN6227B20	53 -27	AN742D8	45B-45
AN520-10R9	22 - 2	AN6227B23	51 -15	AN742D8	45D-36
AN520-10R9	22A- 2	AN6227B23	51A-25	AN742D8	45D-47
AN520-10R9	22B- 2	AN6227B23	51B-29	AN742D8	10A-18
AN520-416-6	51 -14B	AN6227B26	17 -14	AN742D8	10B-19
AN520-416R8	46 - 6	AN6227B26	17A-15	AN743-12	38B-55
AN520-416R8	46A-32	AN6227B26	17B- 8	AN8-17A	7 - 2
AN520-8R8	46 - 6	AN6227B27	51 -17	AN8-17A	7A- 2
AN520-8R8	46A-33	AN6227B32	17 -22	AN8-24A	1D- 1
AN520B10A22	23A-10	AN6227B32	17A-24	AN8-24A	1C- 1
AN520B10R14	45B- 2A	AN6227B32	17B-25	AN8-25A	7 - 3
AN520B10R14	23 -10	AN6227B4	54A-15	AN8-25A	7A- 3
AN520B10R14	23 -11	AN6227B4	17 -16	AN815-3D	42A- 8
AN520B10R14	23A- 8	AN6227B5	17 -12	AN815-3D	42A- 9
AN520B10R14	23A-10	AN6227B5	17A-13	AN815-4D	41 - 3
AN520B10R14	23B- 8	AN6227B5	17B-10	AN815-4D	41 - 6
AN520B10R14	23B- 9	AN6227B6	44 -32	AN815-4D	41 - 9
AN520B10R16	23A- 8	AN6227B6	53 - 4	AN815-4D	42 - 3
AN520B10R16	23A-10	AN6227B6	53 -16	AN815-4D	42A- 8
AN520B10R6	45B- 2A	AN6227B6	53A- 3	AN815-4D	42A- 9
AN520B10R6	45D- 2	AN6227B6	53A- 8	AN815-4D	42A-15B
AN520B10R6	23C-13	AN6227B6	53 -30	AN815-4D	3 -19
AN520B10R6	23C-14	AN6227B6	53 -21	AN815-4D	18A-14A
AN520B10R6	23D-14	AN6227B6	53 -26	AN815-6D	43 -11
AN520B10R6	23D-15	AN6227B7	53 - 9	AN815-6D	43 -11
AN525-10R10	14A-46	AN6227B8	54 -18	AN815-6D	43A-11
AN525-10R10	14B-75	AN6227B9	44 -30	AN815-6D	43A-30
AN525-10R12	14A-46	AN6227B9	54A-17	AN816-2B	44 -19
AN525-10R12	14B-75	AN6230B2	51C-21	AN816-2B	30 -16
AN525-10R14	25C-19	AN6230B20	51 - 4	AN816-2D	43 -53
AN525-10R6	37B-12	AN6230B20	52 - 3	AN816-2D	43A-53
AN525-10R6	11A-27	AN6230B3	17 -17	AN816-4B	45B- 6
AN525-10R6	14B-11	AN6230B3	17A-19	AN816-4B	45D- 3
AN525-10R9	11A-28	AN6230B3	17B-15	AN816-4B	45E-13
AN525-10R9	14B-12	AN6230B6	17 -20	AN816-4D	37C-23
AN525-416R9	25A-17	AN6230B6	17A-22	AN816-4D	37D-21
AN525-8R6	43A-21C	AN6230B6	17B-24	AN816-4D	45 - 7
AN525-8R8	8 -63C	AN6287-1	17 -16	AN816-4D	51C-28
AN525-8R8	9 -55	AN7-24A	1D- 4	AN816-4D	18A-11
AN525-832R10	55 -15	AN7-24A	1C- 4	AN816-6-6B	45B-23
AN525-832R6	22B-43	AN735-32	46C-11	AN816-6-6B	45D-25
AN525-832R6	22C-40	AN735D24	29 -25	AN816-6-6B	45E-32
AN525-832R6	22C-40A	AN737RM30	45A-41	AN816-6-6D	43 -35
AN525-832R7	26 -15	AN737TW24	43A- 5	AN816-6-6D	43A-32
AN525-832R7	22D-15	AN741-16P	30 -25	AN816-6-6D	43A-48A
AN525-832R8	22B-32	AN741T6P	29 -41	AN816-6-6D	56 -15
AN525-832R8	15 - 8	AN742D13	8 -18	AN816-6-6D	56 -18
AN535-2-3	10B-10	AN742D2	37B-12	AN816-6B	45B-19A
AN545-8R6	14 -22	AN742D2	38B-61	AN816-6B	45D-12
AN565D6-3	54 -11	AN742D2	43 -60	AN816-6B	45E-15
AN565D832H3	38B-50	AN742D2	29 -18	AN816-6D	43 -18C

PART NUMBER	FIGURE AND INDEX NO.
AN816-6D	43 -35
AN816-6D	45 - 3
AN816-6D	45B-18
AN816-6D	30 -11
AN816-7D	43 -18B
AN816-8B	45 -29
AN816-8D	45 -14
AN824-6D	43A-14
AN825-4D	41 -23
AN825-6D	43 -18
AN832-2	44 -21
AN832-2D	43 -56
AN832-2D	44 -48
AN832-2D	12 -54
AN832-2D	12A-51
AN832-2D	12B-61
AN832-2D	12C-60
AN832-4D	42 - 7
AN832-4D	42 -12
AN832-4D	42A- 4
AN832-4D	12 -37
AN833-2D	44 -21
AN833-2D	12 -55
AN833-2D	12A-52
AN833-2D	12B-62
AN833-2D	12C-61
AN833-3D	42A-10
AN833-3D	18A-12
AN833-3D	18B-12
AN833-4D	42 -16
AN833-4D	42A-10
AN833-4D	18A-12
AN834-6D	43A-24
AN837-4D	18 -13
AN840-8D	45A-39
AN840-8D	45B-40
AN840-8D	45D-42
AN844-8	45B-32
AN844-8	45D-34
AN844-8D	45A-33
AN884-6-9	14 -24
AN900-10	56 - 5
AN901-5A	17 -16
AN901-5A	17A-18
AN901-5A	17B-14
AN910-2D	43A-22
AN911-1D	41 -28C
AN911-1D	43 -50A
AN912-1D	45 - 7A
AN912-1D	23A- 9
AN912-10	45A- 6
AN912-2	45B-30
AN912-2	45D-32
AN912-2D	37C-19
AN914-1D	42A- 2C
AN914-1D	18A-11
AN914-1D	18B-15
AN914-2D	43 -25
AN914-3	45 -28
AN914-3	45B-41
AN914-3	45D-43
AN914-3D	45A-40
AN916-1D	41 -28B
AN916-1D	43 -50B
AN917-2D	43 -18A
AN919-D	44 -22A
AN919-12D	43 -11
AN921-4D	42 - 1
AN921-4D	42A- 2
AN921-4D	54 -10C
AN924-2D	43 -56
AN924-2D	44 -21
AN924-2D	12 -54
AN924-2D	12 -55
AN924-2D	12A-51

PART NUMBER	FIGURE AND INDEX NO.
AN924-2D	12A-52
AN924-2D	12B-61
AN924-2D	12B-62
AN924-2D	12C-60
AN924-2D	12C-61
AN924-2D	44 -49
AN924-3D	42A-11
AN924-4	42A- 2
AN924-4D	42 - 1
AN924-4D	42 -13
AN924-4D	42 -17
AN924-4D	42A- 4
AN924-4D	42A-11
AN924-4D	54 -10B
AN924-4D	18 -14
AN924-6D	45B-27
AN924-6D	45D-29
AN924-6D	4 -25
AN926-6D	4A-23
AN929-6	43A-28
AN935-6	44 - 8
AN936A10	43 -39
AN936A10	43A-40
AN936A10	46C- 5
AN936A10	46C-13
AN936A10	46C-18
AN936A10	29 -51
AN936A4	50 -14
AN936A416	25B- 9
AN936A6	45D- 6
AN936A6	45E-20
AN936A6	23E-37
AN936A6	23E-37
AN936A6	23E-38
AN936A6	23E-40
AN936A6	23E-43
AN936A6B	37C- 1
AN936A6B	37C-24
AN936A6B	37C-32
AN936A6B	37D- 1
AN936A6B	37D-17
AN936A6B	37D-35
AN936A6B	23 - 9
AN936A6B	23 -12
AN936A6B	23 -13
AN936A6B	23 -14
AN936A6B	23 -15
AN936A6B	23 -16
AN936A6B	23 -18
AN936A6B	23A-12
AN936A6B	23A-13
AN936A6B	23A-14
AN936A6B	23A-16
AN936A6B	23A-18
AN936A6B	23A-57
AN936A6B	23B-15
AN936A6B	23B-17
AN936A6B	23C-27
AN936A6B	23D-23
AN936A6B	23D-29
AN936A6B	23E-34
AN936A8	43A-21B
AN936A8	55 -15
AN936A8	22B-43A
AN936A8	22C-41
AN936A8	23E- 4
AN936A8	23E-11
AN936A8	23E-36
AN936A8	33 -38
AN936A8	33A-50
AN936A8	33B-51
AN936A8	12B-66A
AN936A8	16A-35
AN936A8	18 -31

PART NUMBER	FIGURE AND INDEX NO.
AN936A8	18A-27
AN936A8	18B-28
AN936A8	18B-44
AN936A8B	23C- 2
AN936A8B	23D- 2
AN936B10	38B-46
AN936B10	38B-71
AN936B6	22B-43C
AN936B6	23C-36
AN936B6	23D-38
AN936B6	24B- 8
AN936B6	24C- 8
AN936B616	18 -40
AN936B616	18A-35
AN936B616	18B-36
AN936B8	22D- 7
AN936B8	23 - 6
AN936B8	23A- 5
AN936B8	23B- 5
AN936B8	23C- 9
AN936B8	23D- 9
AN942D34	33B-37
AN944-101A	17 -39
AN944-101A	17 -52
AN944-101A	17A-42
AN944-101A	17B-39
AN960-10	35B-22
AN960-10	35B-26
AN960-10	37A-20C
AN960-10	37B-29
AN960-10	38 -21
AN960-10	38 -28
AN960-10	38 -46D
AN960-10	38 -50
AN960-10	38 -57
AN960-10	38 -62
AN960-10	38A- 4
AN960-10	38A-44
AN960-10	38A-51
AN960-10	38A-64
AN960-10	38B- 8
AN960-10	38B-22
AN960-10	38B-38
AN960-10	38B-73
AN960-10	40 -18
AN960-10	40 -25
AN960-10	40A-13
AN960-10	40A-21
AN960-10	40B-20
AN960-10	40B-32
AN960-10	54 - 5
AN960-10	55 - 8
AN960-10	19B- 6
AN960-10	20D-21
AN960-10	23 - 6A
AN960-10	29 -16
AN960-10	29 -28
AN960-10	33 - 7
AN960-10	33A- 3
AN960-10	33B- 3
AN960-10	35A-26
AN960-10	5 -12
AN960-10	6 -10
AN960-10	8 -39
AN960-10	8 -43
AN960-10	11B-27
AN960-10	16A-32
AN960-10L	18B-40
AN960-10L	37 -41
AN960-10L	37 -52
AN960-10L	37A-28
AN960-10L	38 - 4
AN960-10L	40B-21
AN960-10L	46 - 4
AN960-10L	46A- 7

PART NUMBER	FIGURE AND INDEX NO.	PART NUMBER	FIGURE AND INDEX NO.	PART NUMBER	FIGURE AND INDEX NO.
AN960-10L	46A-27A	AN960-416L	25A-26	AN960-816	35 -12
AN960-10L	22B-35	AN960-416L	29 -24	AN960-816	35A-12
AN960-10L	22C-31	AN960-416L	35 - 3	AN960-816	35A-17
AN960-10L	25C-20	AN960-416L	35A- 3	AN960-816	1D- 2
AN960-10L	29 -17	AN960-416L	8 - 3A	AN960-816	1C- 2
AN960-10L	29 -29	AN960-416L	9B- 3	AN960-816	7 - 4
AN960-10L	29 -32B	AN960-416L	11 -85	AN960-816	7A- 5
AN960-10L	33 - 6	AN960-416L	16B-37	AN960-916	45 -12
AN960-10L	33B- 4	AN960-416L	17 -35	AN960A166	45A-21
AN960-10L	33B- 9	AN960-416L	17 -43	AN960A816L	35 -13
AN960-10L	8 -66	AN960-416L	17A-38	AN960C4	21 -51
AN960-10L	13 - 2	AN960-416L	17A-50	AN960C4	21 -52
AN960-10L	13A- 2	AN960-416L	17B-35	AN960C4	22 -52
AN960-10L	14A- 2	AN960-416L	17B-47	AN960C4	22 -53
AN960-10L	14A-46	AN960-416L	18 -20	AN960C4	22A-73
AN960-10L	14B- 1	AN960-516	29 - 2	AN960C4	22A-75
AN960-10L	14B-75	AN960-516	46C- 3	AN960C4	22B-23
AN960-10L	17 -47	AN960-516	51B-17A	AN960C4	22C-15
AN960-10L	17 -57	AN960-516	51C-13	AN960C516	16 -21
AN960-10L	17A-54	AN960-516	52B- 4	AN960C516	16A-19
AN960-10L	17A-61	AN960-516	29 - 3	AN960D10	29 -11B
AN960-10L	17B-51	AN960-516	29 -34	AN960D10	9 -26
AN960-10L	17B-58	AN960-516	2 - 8	AN960D10L	40A-40
AN960-4	22A-36	AN960-516	2A- 8	AN960D10L	40B-12
AN960-4	22B-41A	AN960-516	7 -12	AN960D10L	55 -43
AN960-4	22C-38	AN960-516	7A-11	AN960D10L	55 -47
AN960-4L	38 -17	AN960-516	12C-61	AN960D10L	4 -19
AN960-4L	38A-12	AN960-516	16 - 4	AN960D16	45B-26
AN960-4L	22B-21	AN960-516	16A- 4	AN960D416	38B-33
AN960-4L	22B-40	AN960-516	16A-28	AN960D416	6 - 4A
AN960-4L	22C-13	AN960-516	16B- 4	AN960D416	8 - 2
AN960-4L	22C-36	AN960-516	17 -61	AN960D516	16 -29
AN960-416	35A-41	AN960-516	17B-62	AN960D516	16 -33
AN960-416	35B-46	AN960-516L	16B-20	AN960D516	16A-24
AN960-416	36A-12	AN960-516L	17 -59	AN960D8	25B- 5
AN960-416	36A-17	AN960-516L	17B- 4	AN960D8	25C- 5
AN960-416	37 -14	AN960-516L	17B-60	AN960D8	26 - 7
AN960-416	37 -21	AN960-516L	18A-17	AN960D916	45D-28
AN960-416	37 -36	AN960-516L	18B-18	AN960PD10	45B-13
AN960-416	37A- 5	AN960-6L	46B-10	AN960PD10	45D-17
AN960-416	38 -34	AN960-6L	50 - 6	AN960PD10	45E-23
AN960-416	39 - 6	AN960-6L	50 - 7	AN960PD10L	45B-37
AN960-416	40 -17	AN960-6L	23B-42	AN960PD10L	45D-39
AN960-416	40A- 2	AN960-6L	23C-11	AN960PD10L	56 -22
AN960-416	43 -39	AN960-6L	23D-12	AN960PD2	9B-27
AN960-416	43A-46	AN960-6L	23E-16	AN960PD616	56 -12
AN960-416	46 - 2	AN960-616	37C-13	AN970-3	37A-20B
AN960-416	51 - 6	AN960-616	37C-44	AN970-3	55 -20
AN960-416	51A-13	AN960-616	37D-15	AN970-3	55 -47
AN960-416	51B-17	AN960-616	37D-49	AN970-3	20B-47
AN960-416	52 - 5	AN960-616	38B-43	AN970-3	20D-19
AN960-416	52A-11	AN960-616	23D-49	AN970-3	29 -11A
AN960-416	29 -46	AN960-616	23E-50	AN970-3	33 -14
AN960-416	35 - 6	AN960-616	30 - 2	AN970-3	33A-12
AN960-416	11 -34	AN960-616	18 - 5	AN970-4	44 -12
AN960-416	11B-12	AN960-616L	51A-20	AN970-5	37B- 8
AN960-416	11B-14	AN960-616L	51B-24	AN970-5	37B-22
AN960-416L	35B- 3	AN960-616L	18 -41	AN970-5	55 -13
AN960-416L	37 -19	AN960-616L	18A-17	AW4-35	28 -30
AN960-416L	37 -26	AN960-616L	18A-36	A061A	54A-22
AN960-416L	37 -35	AN960-616L	18B-18	A064A	54A- 9
AN960-416L	37A- 4	AN960-616L	18B-37	A08K75	25 - 9
AN960-416L	38 -27	AN960-716	25 -34	A085A	54A-12
AN960-416L	38 -56	AN960-716	25A-28	A087A	54A-21
AN960-416L	40 -16	AN960-716	1D- 6	A088A	54A- 3
AN960-416L	40B- 3	AN960-716	1C- 6	A089A	54A-20
AN960-416L	51A-22	AN960-716L	42 -18	A109-014-3	23A-22
AN960-416L	51B-26	AN960-716L	42A-12	A109-14-1	23 - 3
AN960-416L	51C-23	AN960-8	19D- 6	A1104	1D-26
AN960-416L	51C-26	AN960-8	14B-22	A1104	1C-29
AN960-416L	55 -49	AN960-8L	15 - 8	A113A	54A-18
AN960-416L	19 -14	AN960-816	35B-11	A1257A	1D-23
AN960-416L	22A-78	AN960-816	35B-16	A1257A	1C-26
AN960-416L	25 -25	AN960-816	23C-35	A126A	54A- 6
AN960-416L	25A-21	AN960-816	23D-37	A1280-2	1D-25

PART NUMBER	FIGURE AND INDEX NO.
A1280-2	1C-28
A1280-3	1D-25
A1280-3	1C-28
A147A	54A- 4
A148A	54A- 8
A1638-13	26 - 3
A1663-012-3	23 -48
A1663-012-3	23A-54
A1663-012-3	24 - 4
A1663-012-3	24A-10
A1663-017-1	22B-13
A1663-017-1	22C-20
A1793-6Z3	12B-23
A1793-6Z3	12C-19
A2109-3	9 -45A
A2109-3	9B-31
A223A	54A-16
A2513-8	26 - 2
A279A	54A- 1
A3047A6-92	43A- 3
A3047A6-92	43 - 3
A3047A7-92	43 -14
A3493-012-1	46 -16
A3493-012-1	46 -16A
A3493-012-1	48 -17
A3493-012-3	9 -35
A39070	51B- 5
A39070	51C-10
A39070	52B-10
A4513-1	9 -45
A4513-1	9B-30
A6195-6Z1	22B-43D
A6195-6Z1	22C-43
A6195-8Z3	10A-19
A7512-12	1D-24
A7512-12	1C-27
A7512-12	9B-33
A7632	48 - 7
A7634	48 - 5
A7635	48 - 4
A7942	48 - 6
B39094	51B-14
B4416	17 -30
B4416	17B-20
B4416D	17A-33
B45	12A-18
B45	12B-19
B45	40A- 7
B610	5 - 7
B610	6 - 6
B610	35 -19
B610	35A-36
B610	35B-39
B610	38B-34
B610	38B-41
CA-2	23F- 4
CA2	23 -50
CA2	23A-50
CA2	23B-47
CM2629N1	23A-15
CM2647N1	23A-14
CM2692-20-1S	6 -37
CM2692-28-1S	2A-69
CM2692-28-1S	2 -78
CM2692-28-2H	23E-48
CM2692-32-1S	14A-71
CM2692-32-1S	14B-77
CM692-28-2H	23C-51
CM692-28-2H	23D-41
CP2 3/4	25 - 7
CP2 3/4	25A- 7
CR163-4-4	9A-28
CR163-4-4	9A-32
CR163-4-8	5 -28
C1C2	1 - 1

PART NUMBER	FIGURE AND INDEX NO.
C100-05	38B-46
C109	16 -13
C109	16A-11
C109	16B-12
C161001-0201	26 - 1
C161001-0203	26 - 1
C163001-0102	51C-
C163001-0103	51C-
C163020-0101	34 -13
C163020-0101	42A- 1
C163020-0101	54A-
C163030-0103	51C-14
C163030-0107	51C-14
C165001-0102	45B-35
C165001-0102	45D-37
C17312-3	48A- 4
C17313	48A- 7
C17325	48A- 2
C17326	48A- 5
C17330	48A- 3
C17331-3	48A- 6
C253001-0101	21 -45
C253001-0101	22A-67
C253001-0101	22B-28
C253001-0101	22C-55
C262003-0101	51B- 1
C262003-0101	51C-31
C262003-0102	51A- 1
C262003-0102	52A- 1
C262003-0301	51 - 8
C262003-0301	51A- 1
C262003-0301	52 - 8
C262003-0301	52A- 1
C262006-0102	52B-13
C262023-0101	51A- 1A
C262023-0101	52A- 1A
C262023-0102	51B- 2
C262023-0102	51C-32
C262026-0101	52B-12
C291502-0101	23 -36
C291502-0101	23A-42
C291502-0101	23B-40
C291502-0101	23D-53
C291502-0101	23E-53
C291502-0101	43 -57
C292501-0102	23F- 3
C292501-0202	23B-31
C292501-0202	23C-46
C292501-0202	23D-50
C292501-0202	23 -42
C292501-0202	23A-33
C294501-0101	37C-29
C294501-0101	37C-55
C294501-0101	37D-23
C294501-0101	37D-51
C294501-0101	45B-11
C294501-0101	45D-15
C294501-0101	45E-21
C294501-0103	45B-15
C294501-0103	45D-19
C294501-0103	45E-25
C294505-0101	44 -38
C294505-0102	44 -39
C294510-0201	30A- 3
C301001-0201	38B-41
C301001-0210	38B-45
C301001-0211	38B-46
C301001-0301	38B-41
C431001-0101	45B-31
C431001-0101	45D-33
C431002-0102	45E-30
C482001-0101	37C-20
C482001-0101	45 -13
C482001-0101	45B-24
C482001-0101	45D-26

PART NUMBER	FIGURE AND INDEX NO.
C482001-0301	37D-28
C482001-0301	37D-60
C482001-0301	45E-27
C594501-0201	48A-17
C594501-0203	48A-17
C611001-0101	30A-15
C611001-0101	46 - 6
C611001-0101	46A-32
C611501-0202	30A-11
C611501-0202	46C- 1
C621001-0103	48A-
C622001-0102	9 -43
C622001-0102	9B-28
C622001-0104	9 -46
C622001-0104	9B-32
C622001-0201	1D-21
C622001-0201	1C-24
C622001-0202	1C-24
C622001-0202	1D-21
C660501-0101	25B- 1
C660501-0101	25C- 1
C661001-0101	45A- 3
C661001-0101	23A- 8
C661001-0101	23 -10
C661001-0101	23B- 8
C661001-0101	45 - 2
C661001-0101	45B- 2
C661001-0201	23B- 8
C661001-0201	23C-13
C661001-0201	45B- 2A
C661001-0201R	23B- 8
C661001-0201R	23C-13
C661001-0201R	45B- 2A
C661001-0501	23D-14
C661001-0501	45D- 2
C661001-0501	23E-26
C661001-0501	45E- 2
C661001-0502	23D-14
C661001-0502	45D- 2
C661001-0502	23E-26
C661001-0502	45E- 2
C661001-0503	23D-14
C661001-0503	45D- 2
C661001-0503	23E-26
C661001-0503	45E- 2
C661001-0504	23E-26
C661001-0504	45E- 2
C661002-0101	45A- 1
C661002-0101	23A-10
C661002-0101	23 -11
C661002-0101	23B- 9
C661002-0101	45 - 1
C661002-0101	45B- 1
C661002-0201	23B- 9
C661002-0201	23C-14
C661002-0201R	45B- 1A
C661002-0201R	23B- 9
C661002-0201R	23C-14
C661002-0201R	45B- 1A
C661002-0301	23D-15
C661002-0301	45D- 1
C661002-0301	23E-27
C661002-0301	45E- 1
C661002-0501	23D-15
C661002-0501	45D- 1
C661002-0501	23E-27
C661002-0501	45E- 1
C661002-0503	23D-15
C661002-0503	45D- 1
C661002-0503	23E-27
C661002-0503	45E- 1
C661002-0504	23E-27
C661002-0504	45E- 1
C661003-0201	23D-23
C661003-0201	23E-34

PART NUMBER	FIGURE AND INDEX NO.
C661003-0501	23D-23
C661003-0501	23E-34
C661010-0101	23B-60
C661010-0101	23C-16
C661010-0101	23D-17
C661010-0101	23E-29
C661011-0105	23 -13
C661011-0105	23A-12
C661011-0105	23B-11
C661011-0105	23C-21
C661011-0105	23D-22
C661011-0105	23E-23
C661011-0106	23C-21
C661011-0106	23D-22
C661011-0106	23E-23
C661011-0202	23B-11
C661011-0202	23A-12
C661012-0101	23D-22
C661012-0101	23E-23
C663-832-1	22C-54
C664501-0101	23C-58
C664501-0101	23D-27
C664501-0101	23E-37
C668507-0101	25A-11
C668507-0102	25A-11
C669504-0102	23E-40
C669505-0102	23E-43
C6861	13 -32
C6861	13 -32
C733001-0101	25 -28
C733001-0101	25A-37
C733001-0103	25 -31
C733001-0103	25A-40
C9876-8-1	4A-12
EC1239AB	1 -10
EC1675A-B	1 -14A
EC776	1 -12
EC880	1 - 2
EQ5820	30A-11
EQ5820	46C-20
E33-10K	38B-72
FC6446	51A-26
FC6446	51B-30
FC6446	51C-27
F1201	12B-66A
F620	35 -18
GA4-250	28 -31
G441341	23C-28
G441341	23D-30
G442782	23C-30
G442782	23D-32
G442782P51	23C-30
G444640	23C-29
G444640	23D-31
HM25S73	23B-59
HM25S73	38B-51
HRH	23C-35A
HRH	23D-39
H14-3	38B-46
H15	30A-27
K-375-125	50 -10
LM67010XL	51 - 2A
LM67010XL	52 - 2A
LM67048XL	51 - 3
LM67048XL	52 - 7
LN-1032-X	46A-31
LP4-15AM	51A-21
LP4-15AM	51B-25
LP4-17AM	51C-22
L4858-1	23 -34
L4858-1	23A-30
L4858-1	23B-28
L4858-1	23C-51
L4858-1	23D-41
L4858-1	23E-48

PART NUMBER	FIGURE AND INDEX NO.
MIL-P-8585	1 -14
MS124663	44 -38
MS15002-3	17A-58
MS15002-3	17B-55
MS15584-2	46 -29
MS15584-2	46B-14
MS15584-2	49 - 6
MS16624-1275	17A-32
MS16624-25	43B-13
MS16624-275	17 -29
MS16624-275	17B-19
MS16625-118	53A- 2
MS16625-118	53A-10
MS16625-118	53 -29
MS16625-131	53 - 8
MS16625-131	53A- 2
MS16625-131	53 -20
MS20002C6	44 -35
MS20074-03-04	43A-39B
MS20074-05-12	56 -26
MS20200KP4	35 -20
MS20220-2	37A-10
MS20220-2	37A-17
MS20220-2	38B-20
MS20230-A2	3 - 5
MS20230-A2	3 - 6
MS20230-A2	3 - 8
MS20230-A2	3 -10
MS20230-A2	3 -26
MS20230-A2	3 -27
MS20230-A2	3 -28
MS20230-A2	3 -29
MS20230-A2	3 -30
MS20230-A2	3 -35
MS20230-A2	3 -36
MS20253-2-44.13	8 -57
MS20253-2-7.00	28A-18
MS20253-2-75	21 -38
MS20253-2-75	22 -38
MS20253-2-75	22A-33
MS20253P1-164	33A-29
MS20253P1-164	33B-31
MS20365-720C	1D- 7
MS20365-720C	1C- 7
MS20365-820C	1D- 3
MS20365-820C	1C- 3
MS20365-820C	7 - 6
MS20365-820C	7A- 6
MS20365B832C	25 -44
MS20365B832C	25A-35
MS20365F1032C	6 -29
MS20392-1C11	19B-17
MS20392-1C13	21 -52
MS20392-1C13	22 -53
MS20392-1C13	22A-75
MS20392-1C13	22B-41A
MS20392-1C13	22C-38
MS20392-1C15	19B-25
MS20392-1C15	19B-28
MS20392-1C17	22B-39
MS20392-1C17	22C-35
MS20392-1C19	21 -51
MS20392-1C19	22 -52
MS20392-1C19	22A-72
MS20392-1C21	19B-50
MS20392-1C21	22B-23
MS20392-1C21	19B-43
MS20392-1C23	22C-15
MS20392-1C33	21 -35
MS20392-1C33	22 -35
MS20392-1C33	22A-29
MS20392-1C53	21 -20
MS20392-1C53	21 -42
MS20392-1C53	22 -20
MS20392-1C53	22A-35

PART NUMBER	FIGURE AND INDEX NO.
MS20392-1C55	21 -17
MS20392-1C55	22 -17
MS20392-1C55	22 -42
MS20392-1C7	22B-21
MS20392-1C7	22C-13
MS20392-1C9	38B- 3
MS20392-1C97	22D-19
MS20392-2C13	34 -37
MS20392-2C15	34 -14
MS20392-2C19	34 -15
MS20392-2C37	19B-20
MS20392-2C53	22B-34
MS20392-2C53	22C-30
MS20392-2C59	19B-20
MS20435M4-14	16 -10
MS20435M4-14	16A- 8
MS20435M4-14	16B-11
MS20470AD10-28	7 -10
MS20470AD10-28	7A- 9
MS20822-2D	44 -52
MS20822-4-4D	42 - 1
MS20822-4-4D	45 - 7
MS20822-4-4D	45B- 4
MS20822-4B	45B- 4A
MS20822-4D	41 -28
MS20822-6-6D	30 -11
MS20822-6-6D	43 -51
MS20822-6-6D	43A-48
MS20822-6-6D	43A-54
MS20822-6-6D	56 -17
MS20822-6D	30 -11
MS20822-6D	43 -51
MS20822-6D	43A-16
MS20823-4D	18 -15
MS20823-4D	41 -11
MS20823-4D	41 -18
MS20823-4D	45 - 9
MS20823-6B	45B-29
MS20823-6B	45D-31
MS20823-6D	45B-19
MS20826-4D	41 -14
MS20826-6B	45B- 9
MS20826-6B	45B-21
MS20826-6B	45D-10
MS20826-6B	45E-14
MS20826-6D	43 -26
MS20826-6D	45 - 5
MS20832-6B	45B-18A
MS20913-1	45B- 3
MS20913-1	45D-22
MS20913-1	45E-16
MS20913-2	45B- 3
MS20913-2	45D-11
MS20913-2	45F-16
MS20913-2D	45A- 5
MS21919DG10	46 - 7A
MS21919DG3	18A- 9
MS21919DG3	18B-10
MS21919DG3	42A-15
MS21919DG4	42 - 5
MS21919DG4	42 -11
MS21919DG4	46 -10
MS21919DG4	46 -10A
MS21919DG4	1C-40
MS21919DG4	1D-38
MS21919DG5	18A- 9
MS21919DG5	42A-15
MS21919DG5	46 -10
MS21919DG6	43 -61
MS21919DG6	43A- 7
MS21919DG8	46 -10
MS21919DG8	46 -10A
MS21919DG9	46 - 7
MS24462-4	11 -74
MS24462-4	11A-53

PART NUMBER	FIGURE AND INDEX NO.
MS24665-132	19 -13
MS24665-132	19B-18
MS24665-132	19B-21
MS24665-132	19B-26
MS24665-132	19B-28
MS24665-132	19B-52
MS24665-132	21 -18
MS24665-132	21 -35
MS24665-132	21 -40
MS24665-132	21 -51
MS24665-132	21 -52
MS24665-132	22 -18
MS24665-132	22 -40
MS24665-132	22 -52
MS24665-132	22 -53
MS24665-132	22A-30
MS24665-132	22A-37
MS24665-132	22A-74
MS24665-132	22A-75
MS24665-132	22B-21
MS24665-132	22B-23
MS24665-132	22B-36
MS24665-132	22B-41
MS24665-132	22B-41A
MS24665-132	22C-13
MS24665-132	22C-15
MS24665-132	22C-32
MS24665-132	22C-37
MS24665-132	22C-38
MS24665-132	22D-20
MS24665-132	33 -17
MS24665-132	33A-15
MS24665-132	34 -16
MS24665-132	34 -39
MS24665-132	35B-34
MS24665-132	36 - 5
MS24665-132	36A- 8
MS24665-132	37 - 1
MS24665-132	37A- 1
MS24665-132	37A-30
MS24665-132	38A- 6
MS24665-132	38B- 9
MS24665-132	39 -15
MS24665-132	39 -15
MS24665-132	43B-11
MS24665-132	17 -49
MS24665-132	17 -63
MS24665-132	17A-56
MS24665-132	17A-65
MS24665-132	17B-53
MS24665-132	17B-64
MS24665-132	19B-43
MS24665-134	22 -35
MS24665-134	36A-14
MS24665-134	37 -38
MS24665-134	37 -48
MS24665-134	38 - 6
MS24665-134	38 - 9
MS24665-134	38 -64
MS24665-134	38A-24
MS24665-134	38A-40
MS24665-134	38A-55
MS24665-134	38A-66
MS24665-134	38B- 3
MS24665-134	16 -23
MS24665-134	16A-21
MS24665-134	16B-40
MS24665-134	17 -37
MS24665-134	17 -45
MS24665-134	17A-40
MS24665-134	17A-52
MS24665-134	17B-37
MS24665-134	17B-49
MS24665-136	37 -43
MS24665-136	37A-16

PART NUMBER	FIGURE AND INDEX NO.
MS24665-136	37A-36
MS24665-136	38 -23
MS24665-136	38 -59
MS24665-136	38A-59
MS24665-136	16 -28
MS24665-136	16A-26
MS24665-136	16B-22
MS24665-136	40A-15
MS24665-138	40B-24
MS24665-138	38 -30
MS24665-140	37A-22
MS24665-143	40A- 3
MS24665-281	19B-23
MS24665-283	36A-18A
MS24665-283	34 - 3
MS24665-285	34 -31
MS24665-285	40 -32
MS24665-285	40A-30
MS24665-285	40B-25
MS24665-287	15A- 2
MS24665-3-2	43 -50D
MS24665-351	18 -25
MS24665-351	18A-21
MS24665-351	18B-22
MS24665-355	40B-26
MS24665-357	40 -33
MS24665-357	40A-28
MS24665-360	38A-20
MS24665-362	18B-41
MS24665-5	37 - 7
MS24665-5	40B- 4
MS24665-500	38 -37
MS24665-500	38 -52
MS25082-12	23F- 4
MS27261KSP4	35A-37
MS27261KSP4	35B-40
MS27261KSP4	11 -75
MS27261KSP4	11A-54
MS28778-2	44 -50
MS28778-4	18 -15
MS28778-4	42 - 1
MS28778-4	42A- 2
MS28778-4	42A- 2A
MS28778-4	51 -13
MS28778-4	54 -10A
MS28778-4	4 - 7
MS28778-4	4A-18
MS28782-6	53 - 5
MS28782-6	53 -15
MS29513-10	43B-16
MS29513-111	43B- 4
MS29513-138	43B- 5
MS29513-7	43 -50E
MS35488-17	55 -11
MS35489-11	43A- 4
MS35489-11	46 -47
MS35489-11	46 -49
MS35489-11	11 - 9
MS35489-11	11A-11
MS35489-11	12 -59
MS35489-11	43 - 4
MS35489-12	14 -23
MS35489-13	48A-21
MS35489-13	11 -61
MS35489-13	14 -27
MS35489-134	49 - 4
MS35489-14	43 -33
MS35489-14	46 -11
MS35489-14	13 -29
MS35489-14	13A-26
MS35489-14	14 -13
MS35489-14	14A-23
MS35489-14	14B-31
MS35489-15	27A- 7
MS35489-15	32 - 5A

PART NUMBER	FIGURE AND INDEX NO.
MS35489-15	32 -18B
MS35489-16	46 - 8
MS35489-16	12 -58
MS35489-16	13 -18
MS35489-17	32 -18C
MS35489-20	32 -30
MS35489-20	56 -27
MS35489-20	11A-44
MS35489-33	46 -14
MS35489-33	50 - 8
MS35489-4	25 -12
MS35489-4	25A-13
MS35489-4	46 -15
MS35489-4	46 -15A
MS35489-4	46 -36
MS35489-4	46 -48
MS35489-4	46B-22
MS35489-4	48 -18
MS35489-4	48 -18
MS35489-4	50 - 9
MS35489-4	9 -36
MS35489-42	46 -50
MS35489-43	46 -11
MS35489-43	11B-26
MS35489-5	12 -61
MS35489-6	25 -45
MS35489-6	25A-36
MS35489-6	46 -15A
MS35489-6	46 -46
MS35489-6	48 -18
MS35489-6	3 -13
MS35489-7	42 - 6
MS35489-7	42 -15
MS35489-7	42A-13
MS35489-7	11A-43
MS35489-7	12 -60
MS35489-7	13 -27
MS35489-7	13A-24
MS9025-07	29 -34B
M072218A	38B-45
M451	40 -11
M451	40A- 8
M451	11 -60
M451	12A-17
M451	12B-18
M4510H	11 -60
NAS1068A3	11A-31
NAS1068A3	16B-32
NAS1068A4	25A-19
NAS1068A4	8 - 6
NAS1068A4	11A-32
NAS1303-5	11B-20
NAS1329A08-75	7A-16
NAS144-30	18 -19
NAS178-6-6	11 -29
NAS178-6-6	11B- 4
NAS178-8-4	11B-12
NAS178-8-4	11B-12
NAS178-8-4	11B-12
NAS178-8-4	11B-12
NAS178-8-4	11B-12
NAS178-8-6	11 -31
NAS179-6	11 -29
NAS179-6	11B- 4
NAS179-8	11 -31
NAS179-8	11B-12
NAS179-8	11B-12
NAS179-8	11B-12
NAS179-8	11B-12
NAS220-12	1C-16
NAS220-6	42A-15
NAS220-6	18A-10
NAS220-6	18B-11
NAS220-7	1C-13
NAS220-8	1D-13
NAS220-8	1C-14

PART NUMBER	FIGURE AND INDEX NO.
NAS220-9	1C-15
NAS221-10	20D-21
NAS221-12	40A-44
NAS221-7	14 - 3
NAS221-7	14 - 4
NAS221-7	16 -37
NAS221-8	5 -18
NAS221-8	19B-37
NAS221-8	19B-40
NAS221-8	19B-45
NAS221-8	19B-47
NAS221-9	18 -28
NAS221-9	18A-24
NAS221-9	18B-25
NAS222-9	14 -32
NAS229-9	14 -31
NAS288-35LH	37 -10
NAS288-35RH	37 -11
NAS388-104	19D-20
NAS395-1-3	46 -40
NAS395-1-3	46B- 5
NAS395-1-3	46B-21
NAS395-12-13	3 -18A
NAS395-12-3	41 - 5
NAS395-12-3	12B-24
NAS395-12-3	12C-20
NAS395-12-3	15A- 5
NAS395-12-3	23A-47
NAS395-12-3	23B-45
NAS395-14-3	40 - 9
NAS395-14-3	41 -31
NAS395-14-3	1D-17
NAS395-14-3	2 -40
NAS395-14-3	2 -75
NAS395-14-3	2 -77
NAS395-14-3	2 -85
NAS395-14-3	2 -85
NAS395-14-3	2A-35
NAS395-14-3	2A-80
NAS395-14-3	2A-82
NAS395-14-3	2A-89
NAS395-14-3	2A-89
NAS395-14-3	3 -22A
NAS395-14-3	1C-19
NAS395-14-3	11 -46
NAS395-14-3	11A-35
NAS395-14-3	11A-35
NAS395-14-3	11A-41
NAS395-14-3	12A-12A
NAS395-14-3	12A-22
NAS395-14-3	12B-28
NAS395-14-3	12C-24
NAS395-14-3	14 -48
NAS395-14-3	14A-61
NAS395-14-3	14C-19
NAS395-14-3	31 -11
NAS395-14-3	31 -13
NAS395-16-3	12 -56C
NAS395-17-3	1D-29
NAS395-17-3	1C-31
NAS395-17-3	11 -50
NAS395-17-3	11A-38
NAS395-17-3	12B-71
NAS395-17-3	12C-70
NAS395-18-1	41A- 9
NAS395-18-3	28 -22
NAS395-18-3	28A-31
NAS395-18-3	31 - 7
NAS395-18-3	12 -44
NAS395-23-3	12A-23
NAS395-24-3	11 -58
NAS395-25-3	42A- 4C
NAS395-3-3	24B- 5
NAS395-3-3	24C- 5
NAS395-3-3	46B- 4

PART NUMBER	FIGURE AND INDEX NO.
NAS395-4-3	3 -12
NAS395-4-3	23E-18
NAS395-5-3	41A- 6
NAS395-5-3	22B-43D
NAS395-5-3	22C-43
NAS395-6-3	24A-12
NAS395-6-3	24B- 3
NAS395-6-3	24C- 3
NAS395-6-3	11 - 6
NAS395-6-3	23C-26
NAS395-6-6	24A- 3
NAS396-1	21 -10
NAS396-1	22 -10
NAS396-1	22A-14
NAS397-12	45A-11
NAS397-12	14 -25
NAS397-14	45 -19
NAS397-14	45A-14
NAS397-14	45A-26
NAS397-14	45A-29
NAS397-14	45A-38
NAS397-14	45B-34
NAS397-14	45B-39
NAS397-14	45B-43
NAS397-14	45D-36
NAS397-14	45D-41
NAS397-14	45D-45
NAS397-16	30 - 8
NAS397-16	30 -15
NAS397-16	45A-23
NAS397-16	16 -14
NAS397-16	16A-12
NAS397-16	16B-15
NAS397-18	30 -15
NAS397-22	33A-33
NAS397-22	33B-33
NAS397-32	27A-18
NAS397-32	33 -24
NAS397-34	33 -24A
NAS397-34	33 -25
NAS397-34	33 -25A
NAS397-34	33A-36
NAS397-34	33B-37
NAS397-34	46C- 8
NAS397-34	29 -36
NAS397-34	30 -21
NAS397-34	30 -23
NAS397-8	45A-18
NAS397-8	45B-50
NAS397-8	45D- 8
NAS397-8	45E-11
NAS397-8	14 -72
NAS398-50	29 -36
NAS398-50	33A-35
NAS398-50	33B-36
NAS42DD4-24	21 -21
NAS42DD4-24	22 -21
NAS42DD4-52	46 -35
NAS42HT6-8	34 -38A
NAS428-3-7	8 - 7
NAS428H3-6	9 - 5
NAS428H4-12	19B- 8
NAS43DD0-6	50 -13
NAS43DD1-10	38C- 9
NAS43DD1-12	24A- 6
NAS43DD1-21	23C-27
NAS43DD1-21	23D-29
NAS43DD1-32	23E-40
NAS43DD1-32	23E-43
NAS43DD1-6	38B-54
NAS43DD1-6	23E-37
NAS43DD1-8	23C-58
NAS43DD1-8	23D-27
NAS43DD1-9	19B-51
NAS43DD3-16	38C-11

PART NUMBER	FIGURE AND INDEX NO.
NAS43DD3-16	43 -15
NAS43DD3-22	33A- 7
NAS43DD3-22	33B- 7
NAS43DD3-22	23C-25
NAS43DD3-22	23D-26
NAS43DD3-23	42 -33
NAS43DD3-23	42A-18
NAS43DD3-24	23E-36
NAS43DD3-25	23E- 5
NAS43DD3-34	40A-41
NAS43DD3-4	10B-21
NAS43DD3-5	33 -41
NAS43DD3-5	33A-53
NAS43DD3-5	33B-54
NAS43DD3-52	46 -10A
NAS43DD3-71	23F- 4
NAS43DD3-9	11A-28
NAS43DD3-9	14B-12
NAS43DD311	40A-39
NAS43DD4-152	37 -22
NAS43DD4-152	37A- 6
NAS43DD4-4	40B- 2
NAS43HT3-12	34 -38
NAS43HT3-12	36A- 3
NAS43HT3-13	39 -12A
NAS43HT3-20	25C-21
NAS43HT3-32	20 -48
NAS43HT3-32	20A-49
NAS43HT3-34	43A-19
NAS43HT3-34	22B-12
NAS43HT3-39	22C-11
NAS43HT3-40	38 -49
NAS43HT3-44	37A-20A
NAS43HT3-46	38A-18
NAS43HT3-6	19C- 3
NAS43HT3-6	19D- 3
NAS43HT3-65	38 -35
NAS43HT3-7	8 -19A
NAS43HT3-8	38A-43
NAS43HT3-8	48A-19
NAS43HT3-9	36A- 3
NAS43HT3-9	55 -28
NAS43HT3-9	55 -37
NAS43HT4-10	37A-31A
NAS43HT4-12	25 -26
NAS43HT4-12	25A-18
NAS43HT4-12	19D-14
NAS43HT4-20	11 -55
NAS43HT4-20	19C-14
NAS43HT4-20	19D-14
NAS43HT4-24	25A-22
NAS43HT5-40	55 -17
NAS43HT6-29	16 - 9
NAS43HT6-29	16A- 7
NAS43HT6-29	16B- 9
NAS438-3	15A- 6
NAS438-6	15A- 6
NAS445-1	14 -39
NAS445-2	9 -12
NAS445-2	9 -15
NAS445-2	9 -38
NAS445-5	11 -13
NAS445-5	19A- 3
NAS446-1-3	46 -23
NAS446-1-3	23A-23
NAS446-1-3	23B-21
NAS446-2	46 -10
NAS446-2-3	25 -13
NAS446-2-3	38B-65
NAS446-2-3	46 -28
NAS446-2-3	46 -32
NAS446-2-3	46B-13
NAS446-2-3	46B-17
NAS446-2-3	49 - 2
NAS446-2-3	49 - 5

PART NUMBER	FIGURE AND INDEX NO.
NAS446-2-3	9 -39
NAS446-2-3	23A-44
NAS446-2-3	23B-42
NAS446-2-3	23B-57
NAS446-2-3	23C-11
NAS446-2-3	23C-52
NAS446-2-3	23D-12
NAS446-2-3	23D-55
NAS446-2-3	23E-22
NAS446-3-3	11 -80
NAS446-4-3	29 -44
NAS446-4-3	32 - 2
NAS446-4-3	32 - 7
NAS446-4-3	32 -11
NAS446-4-3	32 -15
NAS446-4-3	33 - 4
NAS446-4-3	33 -20
NAS446-4-3	33 -23
NAS446-4-3	33 -28
NAS446-4-3	33A-39
NAS446-4-3	33B-40
NAS446-4-3	36 -19
NAS446-4-3	36A-29
NAS446-4-3	42 -29
NAS446-4-3	42 -33
NAS446-4-3	42 -34
NAS446-4-3	42A-18
NAS446-4-3	42A-19
NAS446-4-3	43 -24
NAS446-4-3	46 - 7A
NAS446-4-3	46 - 8
NAS446-4-3	46A-34
NAS446-4-3	55 - 4
NAS446-4-3	1D-22
NAS446-4-3	3 -15
NAS446-4-3	1C-25
NAS446-4-3	12 -58
NAS446-4-3	12 -59
NAS446-4-3	12 -60
NAS446-4-3	12 -61
NAS446-4-3	12A-55
NAS446-4-3	12A-56
NAS446-4-3	12A-57
NAS446-4-3	12B-72
NAS446-4-3	12B-73
NAS446-4-3	12B-74
NAS446-4-3	12C-71
NAS446-4-3	12C-72
NAS446-4-3	12C-73
NAS446-4-3	14 -61
NAS446-4-3	19A-16
NAS446-4-3	19A-38
NAS446-4-3	20 -33A
NAS446-4-3	20C-34
NAS446-4-3	23 -50
NAS446-4-3	23A-46
NAS446-428C	46 -13
NAS446-5-3	20 -50
NAS446-5-3	20A-45
NAS446-5-3	20B-41
NAS446-5-3	20C- 4
NAS464-3-22	17A-53
NAS464-3-22	17B-50
NAS464-3-22	17 -46
NAS488-7-3	4 -12
NAS514P1032-14	22B-11
NAS557-10A	46A-34
NAS557-10A	12B-72
NAS557-10A	12C-71
NAS557-12A	46 - 8
NAS557-12A	12 -58
NAS557-12A	12A-55
NAS557-3A	12 -61
NAS557-3A	12A-57
NAS557-3A	12B-74

PART NUMBER	FIGURE AND INDEX NO.
NAS557-3A	12C-73
NAS557-6	43A-56
NAS557-6A	12 -60
NAS557-6A	12A-56
NAS557-6A	12B-73
NAS557-6A	12C-72
NAS561-3-8	22D- 9
NAS561CF3-14	19B-15
NAS561C2-8	33B-17
NAS561C3-14	19B-15
NAS561P10-20	17 -31
NAS561P10-44	16 - 2
NAS561P12-48	16 - 2
NAS561P12-48	16A- 2
NAS561P12-48	16B- 2
NAS561P3-4	21 -12
NAS561P3-4	22 -12
NAS561P3-4	22A-79
NAS561P3-7	19 -11
NAS561P3-8	40 - 5
NAS561P3-8	40A- 5
NAS561P3-8	40B- 6
NAS561P3-8	21 -13
NAS561P3-8	22 -13
NAS561P3-8	22A- 9
NAS561P3-8	22B- 9
NAS561P3-8	22C- 8
NAS561P4-10	17 -54
NAS561P4-10	17A-66
NAS561P4-14	53 -12
NAS561P4-14	53A- 9
NAS561P4-14	53 -33
NAS561P4-14	53 -24
NAS564-45	18 - 8
NAS564-45	18A- 6
NAS564-45	18B- 6
NAS603-8	14C-15
NAS620-4	38B-72
NAS620A416L	25B- 9
NAS679A06	41 - 2
NAS679A06	42 - 4
NAS679A06	42 -10
NAS679A06	48 -16
NAS679A06	50 - 7
NAS679A06	3 -22
NAS679A06	23B-42
NAS679A06	23C-11
NAS679A06	23C-58
NAS679A06	23D-12
NAS679A06	23D-27
NAS679A06	23E-16
NAS679A08	30 -19
NAS679A08	37B- 7
NAS679A08	37B-33
NAS679A08	37C- 3
NAS679A08	37C-34
NAS679A08	37D- 4
NAS679A08	37D-38
NAS679A08	38B-63
NAS679A08	38B-67
NAS679A08	38C-11
NAS679A08	38C-12
NAS679A08	42A-15
NAS679A08	45E-29
NAS679A08	47 - 9
NAS679A08	9 -15A
NAS679A08	14A-19
NAS679A08	14B-23
NAS679A08	15 - 8
NAS679A08	18A-10
NAS679A08	18B-11
NAS679A08	19C- 6
NAS679A08	19D- 6
NAS679A08	19D-10B
NAS679A08	22D-13

PART NUMBER	FIGURE AND INDEX NO.
NAS679A3	25 -18
NAS679A3	29 - 9
NAS679A3	29 -10
NAS679A3	29 -18
NAS679A3	29 -22
NAS679A3	29 -25
NAS679A3	29 -30
NAS679A3	29 -44
NAS679A3	30 -23
NAS679A3	31 -17
NAS679A3	31 -23
NAS679A3	33 - 8
NAS679A3	33 -25A
NAS679A3	33A- 4
NAS679A3	33A-36
NAS679A3	33B- 5
NAS679A3	33B-37
NAS679A3	34 - 6
NAS679A3	34 - 9
NAS679A3	34 -20
NAS679A3	34 -24
NAS679A3	34 -34
NAS679A3	34 -43
NAS679A3	35 -10
NAS679A3	35 -16
NAS679A3	35 -23
NAS679A3	35 -27
NAS679A3	35A-11
NAS679A3	35A-16
NAS679A3	35A-22
NAS679A3	35A-25
NAS679A3	35A-45
NAS679A3	35B-10
NAS679A3	35B-15
NAS679A3	35B-21
NAS679A3	35B-25
NAS679A3	35B-50
NAS679A3	36A- 4
NAS679A3	37 -47
NAS679A3	37 -53
NAS679A3	37A-14
NAS679A3	37A-21
NAS679A3	37A-31
NAS679A3	37A-35
NAS679A3	37A-41
NAS679A3	37B-12
NAS679A3	37B-30
NAS679A3	38 -13
NAS679A3	38 -22
NAS679A3	38 -29
NAS679A3	38 -36
NAS679A3	38 -46C
NAS679A3	38 -51
NAS679A3	38 -58
NAS679A3	38 -63
NAS679A3	38A-10
NAS679A3	38A-19
NAS679A3	38A-23
NAS679A3	38A-33
NAS679A3	38A-45
NAS679A3	38A-48
NAS679A3	38A-51
NAS679A3	38A-54
NAS679A3	38A-65
NAS679A3	38B- 7
NAS679A3	38B-18
NAS679A3	38B-30
NAS679A3	38B-39
NAS679A3	38B-73
NAS679A3	39 -14
NAS679A3	40 -19
NAS679A3	40 -26
NAS679A3	40 -31
NAS679A3	40A-14
NAS679A3	40A-22



PART NUMBER	FIGURE AND INDEX NO.	PART NUMBER	FIGURE AND INDEX NO.	PART NUMBER	FIGURE AND INDEX NO.
NAS679A3	40A-27	NAS679A3	16 -38	NAS679A4	8 - 3A
NAS679A3	40A-42	NAS679A3	16A- 6	NAS679A4	9B- 4
NAS679A3	40B-22	NAS679A3	16A-32	NAS679A4	11 -34
NAS679A3	40B-33	NAS679A3	16B- 8	NAS679A4	11 -54
NAS679A3	40B-38	NAS679A3	16B-30	NAS679A4	11 -73
NAS679A3	43 -21	NAS679A3	18 -45	NAS679A4	11 -85
NAS679A3	43 -30	NAS679A3	18A-39	NAS679A4	11A-52
NAS679A3	43A-20	NAS679A3	18B-26	NAS679A4	11B-12
NAS679A3	43A-44	NAS679A3	18B-40	NAS679A4	11B-14
NAS679A3	45B-14	NAS679A3	19A-24	NAS679A4	14 -31
NAS679A3	45B-37	NAS679A3	19A-30	NAS679A4	14 -32
NAS679A3	45D-18	NAS679A3	19B- 6	NAS679A4	16B-39
NAS679A3	45D-39	NAS679A3	19B-32	NAS679A4	17 -13
NAS679A3	45E-24	NAS679A3	19B-38	NAS679A4	17A-14
NAS679A3	46 - 5	NAS679A3	19B-41	NAS679A4	17B-11
NAS679A3	46A- 8	NAS679A3	19B-45	NAS679A4	18 -21
NAS679A3	46A-15	NAS679A3	19C- 4	NAS679A4	19A-26
NAS679A3	46A-27B	NAS679A3	19D- 4	NAS679A4	19C-15
NAS679A3	46C- 6	NAS679A3	20 -48	NAS679A4	19D-15
NAS679A3	46C-14	NAS679A3	20A-50	NAS679A5	29 - 2
NAS679A3	46C-19	NAS679A3	20B-48	NAS679A5	29 - 4
NAS679A3	55 - 8	NAS679A3	20D-20	NAS679A5	37B- 8
NAS679A3	55 -21	NAS679A3	21 - 3	NAS679A5	37B-23
NAS679A3	55 -27	NAS679A3	22 - 3	NAS679A5	38B-49
NAS679A3	55 -38	NAS679A3	22A- 3	NAS679A5	46C- 2
NAS679A3	55 -44	NAS679A4	25 -27	NAS679A5	51B-18A
NAS679A3	55 -48	NAS679A4	29 -43	NAS679A5	51C-14
NAS679A3	56 -23	NAS679A4	29 -47	NAS679A5	52B- 5
NAS679A3	4 - 3	NAS679A4	30 -24	NAS679A5	55 -14
NAS679A3	4A- 3	NAS679A4	30 -25	NAS679A5	2 - 8
NAS679A3	5 -13	NAS679A4	31 -29	NAS679A5	2A- 8
NAS679A3	5 -19	NAS679A4	32 -32	NAS679A5	7 -13
NAS679A3	6 - 8	NAS679A4	35 - 4	NAS679A5	7A-12
NAS679A3	6 -19	NAS679A4	35A- 2	NAS679A5	16 - 4
NAS679A3	8 -40	NAS679A4	35A-40	NAS679A5	16 -32
NAS679A3	8 -44	NAS679A4	35B- 2	NAS679A5	16A- 4
NAS679A3	8 -68	NAS679A4	35B-45	NAS679A5	16A-29
NAS679A3	9 -27	NAS679A4	36 -12	NAS679A5	16B- 4
NAS679A3	10A-13	NAS679A4	36 -16	NAS679A5	17 - 4
NAS679A3	10B-13	NAS679A4	36A-13	NAS679A5	17 - 7
NAS679A3	11 -38	NAS679A4	36A-18	NAS679A5	17A- 5
NAS679A3	11 -39	NAS679A4	36A-21	NAS679A5	17A- 9
NAS679A3	11 -40	NAS679A4	36A-25	NAS679A5	17B- 5
NAS679A3	11 -41	NAS679A4	37 - 5	NAS679A5	18A-18
NAS679A3	11 -63	NAS679A4	37 -16	NAS679A5	18B-19
NAS679A3	11B-20	NAS679A4	37 -23	NAS679A5	30 - 2
NAS679A3	11B-21	NAS679A4	37 -28	NAS679A6	38B-44
NAS679A3	11B-22	NAS679A4	37 -32	NAS679A6	51A-19
NAS679A3	11B-23A	NAS679A4	37 -37	NAS679A6	51B-23
NAS679A3	11B-24	NAS679A4	37 -42	NAS679A6	56 -13
NAS679A3	11B-25	NAS679A4	37A- 7	NAS679A6	16 - 9
NAS679A3	11B-27	NAS679A4	37A-29	NAS679A6	16A- 7
NAS679A3	12A-35	NAS679A4	38A-58	NAS679A6	16B-10
NAS679A3	12B-37	NAS679A4	38B-27	NAS679A6	18 - 7
NAS679A3	12C-33	NAS679A4	38B-34	NAS679A6	18A-18
NAS679A3	13 - 2	NAS679A4	38B-41	NAS679A6	18B-19
NAS679A3	13 -21	NAS679A4	39 - 3	NAS680A06	9A-22
NAS679A3	13 -31	NAS679A4	39 - 7	NAS680A06	9B-22
NAS679A3	13A- 2	NAS679A4	39 -23	NAS680A06	12B- 4
NAS679A3	13A-28	NAS679A4	43 -40	NAS680A06	13A-17
NAS679A3	14 - 2	NAS679A4	43A-47	NAS680A06K	46B- 8
NAS679A3	14 - 9	NAS679A4	44 -13	NAS680A06K	8 -16
NAS679A3	14 -36	NAS679A4	46 - 2	NAS680A06K	22B-30
NAS679A3	14A- 2	NAS679A4	46 - 6	NAS680A06K	22C-26
NAS679A3	14A-19	NAS679A4	46C- 4	NAS680A06K	22C-26
NAS679A3	14A-23	NAS679A4	51A-14	NAS680A06K	22C-50
NAS679A3	14A-46	NAS679A4	51B-18	NAS680A08	25 - 9
NAS679A3	14A-54	NAS679A4	51C-25	NAS680A08	25A-10
NAS679A3	14B- 1	NAS679A4	52A-12	NAS680A08	26 - 5
NAS679A3	14B- 9	NAS679A4	55 - 8	NAS680A08	26 -12
NAS679A3	14B-32	NAS679A4	55 -34	NAS680A08	26 -13
NAS679A3	14B-75	NAS679A4	55 -49	NAS680A08	26 -17
NAS679A3	14C- 4	NAS679A4	5 - 5	NAS680A08	26 -19
NAS679A3	14C-11	NAS679A4	5 -10	NAS680A08	48A-14
NAS679A3	16 - 8	NAS679A4	6 - 5	NAS680A08	2 - 4

PART NUMBER	FIGURE AND INDEX NO.
NAS680A08	2 -15
NAS680A08	2 -28
NAS680A08	2 -60
NAS680A08	2A- 4
NAS680A08	2A-15
NAS680A08	2A-24
NAS680A08	2A-32
NAS680A08	2A-33
NAS680A08	2A-40
NAS680A08	2A-63
NAS680A08	3 -32
NAS680A08K	2 -82
NAS680A08K	2A-86
NAS680A3	9 - 6
NAS680A3	12 -36
NAS680A3	12A-38
NAS680A3	12A-38
NAS680A3	12B-40
NAS680A3	12B-40
NAS680A3	12C-36
NAS680A3	12C-36
NAS680A3	13 - 3B
NAS680A3	13 -12
NAS680A3	13A- 5
NAS680A3	13A- 5A
NAS680A3	13A-15
NAS680A3	14 - 3
NAS680A3	14 - 4
NAS680A3	14 -43
NAS680A3	14A-58
NAS680A3K	8 -54
NAS680A3K	12C-65
NAS680A3K	14B-30
NAS680A3K	14B-37
NAS680A3K	18A-30
NAS680A3K	18B-30
NAS680A4	8 -12
NAS680A4	9 -14
NAS680A4	14 - 4
NAS680A4	14A- 2
NAS680A4	14B- 3
NAS680A5	14 -44
NAS680A5	14A-58
NAS680A5	14C-13
NAS680A6	11 -35
NAS681A08K	22C-28
NAS681A3	11A-39A
NAS681A3	19B-48
NAS682A06	13A-14
NAS682A06K	22C-26
NAS682A06K	22C-26
NAS682A06K	22C-50
NAS682A06K	22C-50
NAS682A3	26 -13
NAS682A3	8 -49
NAS682A3	9 -30
NAS682A3	13 -13
NAS682A3	14 -43
NAS682A3	14A-58
NAS682A3K	19D-20
NAS684A06	23E-15
NAS686A3	18 -33
NAS686A3	18 -34
NAS686A3	18A-29
NAS686A3	18B-31
NAS686A4	8 - 6
NAS687A3	18 -35
NAS696A08	13A-32
NAS696A3	18 -29
NAS696A3	18A-25
NAS696A3K	43A-27
NAS697A08	25C- 9
NAS697A08	13A-30
NAS697A08	13A-31
NAS697A08K	12B-65

PART NUMBER	FIGURE AND INDEX NO.
NAS697A08K	12C-64
NAS697A3	11B-29
NAS697A3	14B-30
NAS697A3K	14C-15
NAS697A4K	12B-66
NAS697A4K	12C-63
NAS698A06L	12B- 4
NAS698A08	55 -15
NAS698A08	22D- 2
NAS698A08	22D-16
NAS698A3	13A-16
NAS698A4	25A-23
NAS698A4	11B-28
NAS69808	37B-20
NAS70-261-750	35A-31
NAS70-261-750	35B-31
NAS70CL128-313	38 -15
NAS70CL128-313	38A-14
NAS74A3-004	36A- 3
NAS74A3-004	55 -37
NAS74A3-004	8 -67
NAS74A3-004P	36A- 3
NAS74A3-004P	55 -37
NAS75-3-009	17 -60
NAS75-3-009	17A-63
NAS75-3-009	17B-61
NAS77-3-23	17 -51
NAS77-3-23	17A-43
NAS77-3-23	17B-40
NAS77-4-28	17B- 6
NAS77-6-88	17 -38
NAS77-6-88	17 -50
NAS77-6-88	17A-41
NAS77-6-88	17A-57
NAS77-6-88	17B-38
NAS77-6-88	17B-54
N5000-175	54A- 7
PRO890	1 -14B
P116-499-10-24A	24 -11
P116-499-16-24A	24A- 6
P2274	45B-16
P2274	45D-20
P2274	45E-26
R561	51A-29
R561	51B-34
R561	51C-32
SDE44BS	19B- 1
SE709	44 -47
SFE9	23C-35A
SFE9	23D-39
SH15	30A-28
SH20A	30A-29
SH200A	30A-30
SK150-11	17A- 3
SK150-11	17 - 2
SK150-16	38B-10
S1003-43A	34 -27
S1003-65A	9 -20
S1003-66A	38B-49
S1004-15B	9B-36
S1004-28A	35A-34
S1004-28A	35B-37
S1004-29A	35A-35
S1004-29A	35B-38
S1021A10-10	2 - 6
S1021A10-10	2 -13
S1021A10-10	2A- 6
S1021A10-16	25 -29
S1021A10-16	25A-38
S1021A4-8C	38B-53
S1021A6-6	20B-43
S1021A6-6	22C-41A
S1021A6-6	48 -16
S1021A6-6C	20C-29
S1021A6-6C	20C-32

PART NUMBER	FIGURE AND INDEX NO.
S1021A6-6C	38B-56
S1021A6-6C	38B-64
S1021A8-6	27A-20
S1021A8-8	33A-24
S1021A8-8	33B-26
S1021Z10-10	2A-13
S1021Z10-10	20 -50
S1021Z10-10	20A-45
S1021Z10-10	20B-40
S1021Z10-10	20C- 3
S1021Z10-10	45 -22
S1021Z10-10	45A-36
S1021Z10-10	45B-37
S1021Z10-10	45D-39
S1021Z10-6	42A- 4B
S1021Z10-8	10 -10
S1021Z10-8	10A-11
S1021Z10-8	45B-34
S1021Z10-8	45B-37
S1021Z10-8	45D-36
S1021Z10-8	45D-39
S1021Z4-4	20 - 9
S1021Z4-4	20 -22
S1021Z4-4	20 -32
S1021Z4-4	20A- 8
S1021Z4-4	20A-17
S1021Z4-4	20A-21
S1021Z4-4	20A-27
S1021Z4-4	20A-30
S1021Z4-4	20A-32
S1021Z4-4	20B- 8
S1021Z4-4	20B-19
S1021Z4-4	20B-24
S1021Z4-4	20B-28
S1021Z4-4	20C- 8
S1021Z4-4	20C-17
S1021Z4-4	20C-21
S1021Z4-4	20C-26
S1021Z4-4	21 -57
S1021Z4-4	21 -58
S1021Z4-4	22 -58
S1021Z4-4	22 -59
S1021Z4-4	46 -39
S1021Z4-5	21 -32
S1021Z4-5	22A-60
S1021Z4-6	20 -31
S1021Z4-6	20A-31
S1021Z4-6	20A-37
S1021Z4-6	20B-28
S1021Z4-6	20C-26
S1021Z4-6	22A-82
S1021Z4-6	46 -22
S1021Z4-6	46B-20
S1021Z4-8	23A-23
S1021Z4-8	23B-21
S1021Z4-8	19B-35
S1021Z4-8	46B- 3
S1021Z6-10	38C- 9
S1021Z6-4	8 -37
S1021Z6-4	8 -71
S1021Z6-4	9 -22
S1021Z6-4	9 -48
S1021Z6-4	9 -50
S1021Z6-4	9A-25
S1021Z6-4	9A-29
S1021Z6-4	9B-26
S1021Z6-4	20 - 7
S1021Z6-4	20A- 6
S1021Z6-4	20B- 6
S1021Z6-4	20C- 6
S1021Z6-4	46 -50
S1021Z6-4	48 - 2
S1021Z6-4	48A-11
S1021Z6-6	1D-22
S1021Z6-6	1C-25

PART NUMBER	FIGURE AND INDEX NO.
S1021Z6-6	8 -74
S1021Z6-6	8 -74
S1021Z6-6	20 -14
S1021Z6-6	20 -29
S1021Z6-6	20A-12
S1021Z6-6	20A-23
S1021Z6-6	20B-12
S1021Z6-6	20D-10
S1021Z6-6	20D-15
S1021Z6-6	22B-43B
S1021Z6-6	22C-42
S1021Z6-6	24A- 2
S1021Z6-6	24A- 4
S1021Z6-6	24C- 2
S1021Z6-6	25C-14
S1021Z6-6	38C- 1
S1021Z6-6	38C- 7
S1021Z6-6	38C-10
S1021Z6-6	41A- 5
S1021Z6-6	46 - 9
S1021Z6-6	46 -10
S1021Z6-6	46 -21
S1021Z6-6	46 -27
S1021Z6-6	46 -31
S1021Z6-6	46B- 2
S1021Z6-6	46B-12
S1021Z6-6	46B-16
S1021Z6-6	49 - 2
S1021Z6-6	49 - 5
S1021Z6-7	23E-57
S1021Z6-8	23A-44
S1021Z6-8	23B-42
S1021Z6-8	23C-11
S1021Z6-8	23D-12
S1021Z6-8	11A-63
S1021Z6-8	20 -32A
S1021Z6-8	23E-56
S1021Z6-8	24A-12
S1021Z6-8	24B- 2
S1021Z6-8	24B-11
S1021Z6-8	25 -13
S1021Z6-8	29 -14
S1021Z6-8	37B-15
S1021Z6-8	37B-19
S1021Z6-8	38B-65
S1021Z6-8	23B-57
S1021Z6-8B	23E-18
S1021Z8-10	4 -14
S1021Z8-10	4A- 4
S1021Z8-10	20B-36
S1021Z8-10	30 -10
S1021Z8-10	43 -15
S1021Z8-12	33B- 7
S1021Z8-14	42 -33
S1021Z8-14	42A-18
S1021Z8-20	46 -10A
S1021Z8-20	31 -10
S1021Z8-4	21 -58
S1021Z8-4	22 -59
S1021Z8-4	22A- 8
S1021Z8-4	24 - 6
S1021Z8-4	29 -34B
S1021Z8-6	23 -50
S1021Z8-6	23A-46
S1021Z8-6	23B-44
S1021Z8-6	1C-35
S1021Z8-6	1C-42
S1021Z8-6	1D-18
S1021Z8-6	1D-20
S1021Z8-6	1D-22
S1021Z8-6	1D-29
S1021Z8-6	1D-33
S1021Z8-6	1D-40
S1021Z8-6	1C-20
S1021Z8-6	1C-22

PART NUMBER	FIGURE AND INDEX NO.
S1021Z8-6	1C-25
S1021Z8-6	1C-31
S1021Z8-6	8 -37
S1021Z8-6	8 -71
S1021Z8-6	10A-19
S1021Z8-6	10B-20
S1021Z8-6	11 -14
S1021Z8-6	12 -58
S1021Z8-6	12 -59
S1021Z8-6	12 -60
S1021Z8-6	12 -61
S1021Z8-6	12A-55
S1021Z8-6	12A-56
S1021Z8-6	12A-57
S1021Z8-6	12B-72
S1021Z8-6	12B-73
S1021Z8-6	12B-74
S1021Z8-6	12C-71
S1021Z8-6	12C-72
S1021Z8-6	12C-73
S1021Z8-6	18 -12
S1021Z8-6	19A- 2
S1021Z8-6	19A-37
S1021Z8-6	20 -33A
S1021Z8-6	20 -41
S1021Z8-6	20A-44
S1021Z8-6	20B-38
S1021Z8-6	20B-44
S1021Z8-6	200-13
S1021Z8-6	200-16
S1021Z8-6	24 - 2
S1021Z8-6	27 - 2
S1021Z8-6	27A- 2
S1021Z8-6	29 -21
S1021Z8-6	29 -38
S1021Z8-6	31 - 6
S1021Z8-6	32 - 2
S1021Z8-6	32 - 7
S1021Z8-6	32 -11
S1021Z8-6	32 -15
S1021Z8-6	33 -27
S1021Z8-6	33 -29
S1021Z8-6	33A-38
S1021Z8-6	33A-40
S1021Z8-6	33B-39
S1021Z8-6	33B-41
S1021Z8-6	36 -18
S1021Z8-6	36A-28
S1021Z8-6	40 - 8
S1021Z8-6	43 -34
S1021Z8-6	43 -61
S1021Z8-6	43A-58
S1021Z8-6	46 - 7A
S1021Z8-6	46 - 8
S1021Z8-6	46 -10
S1021Z8-6	46 -13
S1021Z8-6	46 -45
S1021Z8-6	46A-34
S1021Z8-6	49 - 1
S1021Z8-6	31 -12
S1021Z8-7	45 -26
S1021Z8-8	1C-33
S1021Z8-8	1C-36
S1021Z8-8	1C-41
S1021Z8-8	1D-16
S1021Z8-8	1D-19B
S1021Z8-8	1D-19C
S1021Z8-8	1D-30
S1021Z8-8	1D-31
S1021Z8-8	1D-34
S1021Z8-8	1D-39
S1021Z8-8	2 -86
S1021Z8-8	2A-91
S1021Z8-8	3 -17
S1021Z8-8	3 -18A

PART NUMBER	FIGURE AND INDEX NO.
S1021Z8-8	3 -22A
S1021Z8-8	1C-18
S1021Z8-8	1C-21B
S1021Z8-8	1C-21C
S1021Z8-8	1C-32
S1021Z8-8	6 -35
S1021Z8-8	8 -76
S1021Z8-8	10 - 7
S1021Z8-8	10 - 8
S1021Z8-8	10 - 8A
S1021Z8-8	10 - 8B
S1021Z8-8	10A- 5
S1021Z8-8	10A- 6
S1021Z8-8	10A- 8
S1021Z8-8	10A- 9
S1021Z8-8	10A-20
S1021Z8-8	10B- 4
S1021Z8-8	10B- 5
S1021Z8-8	10B- 7
S1021Z8-8	10B- 8
S1021Z8-8	10B- 8
S1021Z8-8	10B- 9
S1021Z8-8	10B-23
S1021Z8-8	11 -80
S1021Z8-8	12B-70
S1021Z8-8	12C-69
S1021Z8-8	13 -33
S1021Z8-8	14 -61
S1021Z8-8	15A- 5
S1021Z8-8	18 - 3
S1021Z8-8	18A- 3
S1021Z8-8	18B- 3
S1021Z8-8	19A-15
S1021Z8-8	19B-22
S1021Z8-8	20 -32A
S1021Z8-8	20 -44
S1021Z8-8	20A-42
S1021Z8-8	20C-34
S1021Z8-8	21 -14
S1021Z8-8	22 -14
S1021Z8-8	22A-10
S1021Z8-8	22B-48
S1021Z8-8	22C-52
S1021Z8-8	22C-54
S1021Z8-8	28 - 1
S1021Z8-8	28 - 3
S1021Z8-8	28A-39
S1021Z8-8	29 -18
S1021Z8-8	29 -25
S1021Z8-8	29 -44
S1021Z8-8	33 - 3
S1021Z8-8	33 -19
S1021Z8-8	33 -22
S1021Z8-8	33A- 6
S1021Z8-8	33A-31
S1021Z8-8	41 - 2A
S1021Z8-8	41 - 5
S1021Z8-8	41 -30
S1021Z8-8	41A- 9
S1021Z8-8	42 -28
S1021Z8-8	42 -34
S1021Z8-8	42A-19
S1021Z8-8	43 - 3
S1021Z8-8	43 -23
S1021Z8-8	43 -60
S1021Z8-8	43A- 3
S1021Z8-8	43A- 7
S1021Z8-8	45 -26
S1021Z8-8	45A-32
S1021Z8-8	45B-47
S1021Z8-8	45D-49
S1021Z8-8	55 - 4
S1021Z8-8B	12 -56C
S1021Z8R6	46 -12A
S1022Z6-6	21 - 9

PART NUMBER	FIGURE AND INDEX NO.
S1022Z6-6	22 - 9
S1022Z6-6	22A-13
S1022Z6-6	25C-12
S1022Z6-8C	38C- 4
S1022Z8-8	1D-30
S1022Z8-8	1C-32
S1022Z8-8	12 -55A
S1022Z8-8	12A-54
S1023A4-6	19A-32
S1023A6-12B	23C-52
S1023A6-12B	23D-55
S1023A6-12B	23E-22
S1026BG	1 -18
S1038-2	46A-31
S1047-1	1 -20
S1047-1	21 -53
S1047-1	22 -55
S1047-1	22A-80
S1047-2	1 -20
S1050-1	27A-14
S1053E10T	1 -19
S1053E10T	33A-32
S1053E108	33B-32
S1053E12T	1 -19
S1053E16T	33 -25
S1053E16T	33 -25A
S1053E16T	33A-36
S1053E16T	33B-37
S1053E16T	46C- 7
S1053E20T	1 -19
S1053E24T	1 -19
S1053E28T	1 -19
S1053E32T	1 -19
S1053E7T	1 -19
S1053E8T	1 -19
S1053E8T	30 -15
S1053K10T	1 -19
S1053K12T	1 -19
S1053K16T	27A-15
S1053K16T	27A-16
S1053K16T	27A-17
S1053K16T	27A-18
S1053K16T	29 -35
S1053K16T	29 -35
S1053K16T	30 -20
S1053K16T	30 -20
S1053K16T	30 -22
S1053K16T	30 -22
S1053K16T	30 -22
S1053K16T	30 -22
S1053K16T	33 -24
S1053K16T	33 -24A
S1053K20T	1 -19
S1053K24T	1 -19
S1053K24T	29 -35
S1053K24T	33A-35
S1053K24T	33B-36
S1053K24W	1 -19
S1053K28W	1 -19
S1053K32T	1 -19
S1055-1	1 -21
S1055-1	14 -58
S1055-1	21 -27
S1055-1	22 -27
S1055-1	22A-18
S1055-1	24B-15
S1055-1	49 - 3
S1060-1	19D-12
S1060-14	19C-12
S1060-14	19D-12
S1060-17	19A-27
S1060-17	25 -16
S1060-201	25 -16
S1060-6	19A-27
S1060-7	25 -16
S1060-7	25 -16

PART NUMBER	FIGURE AND INDEX NO.
S1062-2	19C-12
S1066B1	23C-23
S1066B1	23C-24
S1066B1	23D-24
S1066B1	23D-25
S1066B1	23E-24
S1066B1	23E-35
S1066C1	19A-33
S1067B1	23C-52
S1067B1	23D-55
S1067B1	23E-22
S1071-1	3 -18A
S1071-1	3 -18A
S1071-1	1 -22
S1071-1	41 - 4A
S1071-1	41 - 4A
S1071-1	41 - 7
S1071-1	41 -17A
S1071-1	41 -22
S1071-1	41 -22A
S1071-1	41 -27
S1071-1	41 -17
S1071-3	1 -22
S1071-4	1 -22
S1071-4	10A-17
S1071-4	10B-17
S1071-4	14 -71
S1071-4	41A- 3
S1071-5	1 -22
S1071G3	37B- 4
S1071G3	37B-14
S1071G3	37B-18
S1071G3	37C- 8
S1071G3	37C-10
S1071G3	37C-39
S1071G3	37C-41
S1071G3	37D- 9
S1071G3	37D-11
S1071G3	37D-43
S1071G3	37D-45
S1071R3	37B- 3
S1071R3	37B-13
S1071R3	37B-17
S1071R3	37C- 7
S1071R3	37C- 9
S1071R3	37C-38
S1071R3	37C-40
S1071R3	37D- 8
S1071R3	37D-10
S1071R3	37D-42
S1071R3	37D-44
S1078-1	1C-36A
S1078-1	1D-34A
S1078-1	1 - 7
S1078-2	1 - 8
S1078-3	1 - 9
S1084-1	1 -23
S1090-1	23A-27
S1090-1	23B-25
S1090-1	23B-25A
S1090-1	23C-32
S1090-1	23D-34
S1090-1	23F-11
S1090-10	23A-27
S1090-10	23B-25
S1090-10	23B-25A
S1090-10	23C-32
S1090-10	23D-34
S1090-10	23F-11
S1090-11	46A-28
S1090-12	23A-25
S1090-12	23B-23
S1090-12	23C-31
S1090-12	23D-33
S1090-12	23F-10

PART NUMBER	FIGURE AND INDEX NO.
S1090-13	23B-25A
S1090-13	23B-58
S1090-13	23C-34
S1090-13	23D-36
S1090-13	23F-12
S1090-13	23F-14
S1090-14	23D-35
S1090-14	23A-26
S1090-14	23B-24
S1090-14	23C-33
S1090-14	23F-13
S1090-2	46A-28
S1090-22	46 -43
S1090-22	46A-12
S1090-23	46 -43
S1090-23	46A-12
S1090-3	23A-25
S1090-3	23B-23
S1090-3	23C-31
S1090-3	23D-33
S1090-3	23F-10
S1090-4	23B-25
S1090-4	23B-25A
S1090-4	23B-58
S1090-4	23C-34
S1090-4	23D-36
S1090-4	23F-12
S1090-4	23F-14
S1090-5	23A-26
S1090-5	23B-24
S1090-5	23B-25
S1090-5	23C-33
S1090-5	23D-35
S1090-5	23F-13
S1091-1	46 -43
S1091-1	46A-12
S1091-10	23 -31
S1091-10	23A-25
S1091-10	23B-23
S1091-10	23C-31
S1091-10	23D-33
S1091-10	23F-10
S1091-14	23 -32
S1091-15	23B-25A
S1091-15	23F-12
S1091-20	23A-26
S1091-20	23B-24
S1091-20	23B-25
S1091-20	23C-33
S1091-20	23D-35
S1091-20	23F-13
S1091-5	46A-28
S1093-1	6 -38
S1095-1	12 -61
S1095-1	12A-57
S1095-1	12B-74
S1095-1	12C-73
S1095-3	12 -60
S1095-3	12A-56
S1095-3	12B-73
S1095-3	12C-72
S1095-3	43A-57
S1095-5	12B-72
S1095-5	12C-71
S1095-5	46A-34
S1095-6	12 -57
S1095-6	12A-55
S1095-6	46 - 8
S1099-1-2.90	42 -38
S1099-1-3.30	42 -38
S1099-1-3.30	42A-23
S1099-1-3.60	42A-23
S1099-1-4.20	42 -37
S1099-1-4.20	42A-22
S1099-1-4.50	42A-22

PART NUMBER	FIGURE AND INDEX NO.
S1104-3	29 -11
S1106-3	6 -12
S11065-21	17 -24
S11065-21	17A-26
S11065-21	17B-28
S1107-3	16 -15
S1107-3	16B-16
S1110ET	1 -24
S1115-12	28A-10
S1115-12	28A-37
S1115-13	28A-12
S1115-15	28A-11
S1115-19	28A-13
S1115-19	28A-38
S1115-19	46A-22
S1115-21	28A-15
S1115-29	12B-59
S1115-29	12C-59
S1115-3	50 - 5
S1115-30	46A-24
S1115-32	28A-10
S1115-32	28A-37
S1115-33	28A-12
S1115-35	28A-11
S1115-9	28A-12
S1115-9	28A-16
S1115-9	28A-37
S1115-9	46A-24
S1116	1 -43
S1117-20	18 -24
S1117-24	18 -24
S1117-24	18A-20
S1117-24	18B-21
S1130-1	3 -18B
S1130-1	41 - 5A
S1130-1	41 - 6
S1130-1	41 -12
S1130-1	41 -15
S1130-1	41 -19
S1130-1	41 -24
S1131-1	3 -18B
S1131-1	41 - 5A
S1131-1	41 - 6
S1131-1	41 -12
S1131-1	41 -15
S1131-1	41 -19
S1131-1	41 -24
S1132-1	3 -19A
S1132-1	41 - 3A
S1132-1	41 - 6
S11326	53 - 6
S11326	53 -14
S1133-1	41 -12
S1133-1	41 -24
S1135-1	41 -19
S1139-1	41 -15
S1139-1	41 -24
S1141-4	12 -42
S1141-4	12A-16
S1141-4	12B-17
S1146-1	19 - 5
S1146-1	19B-10
S1153-1	1C-39
S1153-1	1D-37
S1159-1-1	23F- 7
S1167-4-0080	42A- 3
S1167-4-0100	18A-14B
S1167-4-0100	42 - 2
S1167-4-0100	42A-15A
S1167-4-0114	42A- 3
S1167-6-0230	30 -11
S1167-6-0230	43 -52
S1167-6-0230	43A-49
S1168-2-15	30 -16
S1168-2-15	44 -20

PART NUMBER	FIGURE AND INDEX NO.
S1168-4-16	45 - 8
S1168-4-26	45 - 8
S1168-6-19	45 - 6
S1168-6-27	45 - 6
S1168-8-29	45 -15
S1199-1	23C-43
S1209-1	2 -82
S1209-1	2A-86
S1213-1	23B-51
S1213-1	24A-11
S1213-3	24A- 6A
S1214-4	23C-38
S1214-4	23D-42
S1214-4	23E-47
S1216-3	25B- 9
S1216-4	23B-59
S1222-11	23A-39
S1222-11	23B-37
S1222-14	29 - 5
S1222-14	23C-43
S1222-14	29 - 5
S1222-17	23D-46
S1222-17	23E-51
S1222-17	29 - 5
S1222-5	23A-39
S1222-5	29 - 5
S1230-1	23A-40
S1230-1	23B-38
S1230-1	23C-44
S1230-1	29 -12
S1230-19	23D-47
S1230-19	23E-52
S1230-19	29 -12
S1231-1	23A-37
S1231-1	23B-35
S1231-1	23C-41
S1231-1	29 -19
S1232-10	23A-29
S1232-10	23B-27
S1232-10	41 -36
S1232-10	48 -20
S1236-6-0074	56 -14
S1236-6-0094	56 -16
S1239-11	23A-35
S1239-11	23B-33
S1239-11	23C-37
S1239-11	33 - 1
S1239-11	33A- 1
S1239-2	23A-36
S1239-2	23B-34
S1239-2	42 -21
S1239-2	42A-16
S1239-26	23C-45
S1239-26	42A-16
S1239-31	23D-40
S1239-31	23E-46
S1239-31	33A- 1
S1239-31	33B- 1
S1239-39	23D-48
S1239-39	23E-54
S1239-39	42A-16
S1239-4	23 -24
S1239-4	23 -24
S1239-4	23A-36
S1239-4	42 -21
S1239-4	42 -21
S1239-5	23A-42
S1240-5	23C-48
S1240-5	23A-30
S1240-6	23B-28
S1240-6	23C-51
S1247-1W	20A-33
S1247-1W	20A-34
S1258-1	41 -28A

PART NUMBER	FIGURE AND INDEX NO.
S1264-1	22C-21
S1283-1	29 -32B
S1283-1	33B- 8
S1284-1	23A- 9
S1284-1	45 - 7C
S1284-1	45A- 7
S1291-2	25C-10
S1300N1	23 -17
S1300N1	23A-17
S1302N1	23 -14
S1302N1	23A-13
S1302N1	23B-12
S1302N1	23C-22
S1302N1	23D-23
S1302N1	23E-34
S1304N1	23 -15
S1304N1	23A-14
S1304N1	23B-13
S1304N2	23A-14
S1304N2	23B-13
S1305-7	23C-25
S1305-7	23D-26
S1305N2	23A-16
S1305N2	23 - 9
S1305N7	23A-16
S1305N7	23E-36
S1309N1	45A- 3
S1309N1	23A- 8
S1309N1	23 -10
S1309N1	45 - 2
S1309N1	23 -13
S1313N1	23A-12
S1313N1	23B-11
S1314N1	23 -13
S1314N1	23A-12
S1314N1	23B-11
S1314N1	23C-21
S1314N1	23D-22
S1314N1	23E-23
S1316N1	45A- 1
S1316N1	23A-10
S1316N1	23 -11
S1316N1	45 - 1
S1317N1	23A-15
S1317N1	23B-14
S1317N2	23C-24
S1317N2	23D-25
S1317N2	23E-24
S1319-1	23A-58
S1319-1	23B-53
S1320-1	23E-39
S1320-2	23C-27
S1320-2	23D-28
S1322-1	25 -10
S1322-1	25A-11
S1323N2	23 -12
S1323N2	23A-11
S1323N4	23A-11
S1323N4	23B-10
S1323N4	23C-15
S1323N4	23D-16
S1323N4	23E-28
S1326N1	23A- 8
S1326N1	45 - 2A
S1326N1	45A- 4
S1327N1	23A-10
S1327N1	45 - 1A
S1327N1	45A- 2
S1346-1	1 -25
S1346-1	22B-27
S1356	1 -44
S1356-1	22C- 5
S1362-1	20 -12
S1362-5	20 -12

PART NUMBER	FIGURE AND INDEX NO.
S1362-5	20A-10
S1362-6	20B- 9
S1365-1	23A- 9
S1365-1	22B- 6
S1365-1	45 - 7B
S1365-1	45A- 8
S1366-1	1 -26
S1366-2	1 -26
S1366-3	1 -26
S1378-1	1 -27
S1378-1	22B-26
S1378-2	1 -27
S1378-2	22C-22
S1384N1	23A-12
S1386N2	23A-11
S1389-1	1 -28
S1389-1	14A-46
S1389-1	14B-75
S1389-2	1 -28
S1389-2	14A-75
S1389-2	14B-73
S1389-2	15 - 3
S1389-3	1 -28
S1389-4	1 -28
S1389-5	1 -28
S1389-5	14A-74
S1389-5	14B-72
S1389-5	15 - 2
S1389-5	15 - 2A
S1389-6	1 -28
S1389-7	1 -28
S1390-5	46B-25
S1392N1	23A-14
S1392N1	23B-13
S1392N2	23C-23
S1392N2	23D-24
S1392N2	23E-35
S1397-2	1A-20
S1397-2	2B -34
S1397-5	1A-24
S1397-5	1B-22
S1397-5	28A-40
S1398-1	1 -29
S1398-1	33A-22
S1398-1	33B-24
S1398-2	1 -30
S1398-2	33A-23
S1398-2	33B-25
S1399-1	29 -11C
S1407-6	23B-46
S1407-6	23A-49
S1413N1	23A-13
S1413N1	23B-12
S1413N1	23C-22
S1413N1	23D-23
S1413N1	23E-34
S1414-1	23C-26
S1414-1	23D-29
S1414-1	23E-38
S1414-1	37C-24
S1414-1	37D-17
S1414-1	45D- 6
S1414-1	45E-19
S1414N1	23A-17
S1414N1	23B-16
S1414N1	23C-26
S1414N1	23D-29
S1414N1	23E-38
S1414N1	45A-19
S1414N1	45B- 7
S1414N1	45D- 6
S1414N1	45E-19
S1415-1	1 -31
S1416-1	23A-32
S1416-1	23B-30

PART NUMBER	FIGURE AND INDEX NO.
S1416-1	23C-49
S1430-4	20C-33
S1431-10	45A-22
S1431-4	45A-16
S1431-6	45A- 9
S1431-6	45A- 9A
S1431-8	45A-12
S1431-8	45A-25
S1431-8	45A-28
S1431-8	45A-37
S1432N1	23A-12
S1432N1	23B-11
S1433-2	26 - 3
S1438-2	34 -38A
S1441-1	1 -32
S1441-1	14 -20
S1441-1	14 -20
S1441-1	21 -52A
S1441-1	22 -54
S1441-1	22A-69
S1441-2	1 -32
S1441-2	22B-37
S1441-2	22C-33
S1441-2	33 -35
S1441-2	33A-46
S1441-2	33B-47
S1441-3	1 -32
S1450-3A14-050	25 -43
S1450-3A14-050	25A-34
S1450-4A11-063	25 -39
S1450-4A11-063	25A-30
S1450-4H12-050	55 -49
S1450-5-18-063	29 - 3
S1470N10	23A-11
S1470N10	23B-10
S1470N10	23C-15
S1470N10	23D-16
S1470N10	23E-28
S1470N8	23A-11
S1470N8	23 -12
S1472N1	45A- 3
S1472N1	23A- 8
S1472N1	23B- 8
S1472N1	45B- 2
S1473N1	45A- 3
S1473N1	23A- 8
S1476N1	45A- 1
S1476N1	23A-10
S1476N1	23B- 9
S1483-1	22 -13
S1483-1	22A- 9
S1483-1	22B- 8
S1483-1	22C- 7
S1483-2	21 -13
S1483-2	22A- 9
S1483-2	22B- 8
S1483-2	22C- 7
S1485D10L	45A-31B
S1485D10L	45B-46
S1485D10L	45D-48
S1485D10U	29 -25
S1485D10U	30 - 9
S1485D12U	45 -25
S1485D12U	29 -38
S1485D12U	43 -60
S1485D20U	33A-33A
S1485D20U	33B-34
S1485D3U	29 -13
S1485D3U	29 -20
S1485D3U	33A- 5
S1485D3U	33A-24
S1485D3U	33B- 6
S1485D3U	33B-26
S1485D36L	45B-36
S1485D36L	45D-38

PART NUMBER	FIGURE AND INDEX NO.
S1485D36U	45 -21
S1485D36U	45A-35
S1485D36U	45B-36
S1485D36U	45D-38
S1485D4U	12 -55A
S1485D4U	12A-54
S1485D8U	29 -18
S1486DG14L	45A-31
S1486DG14U	45B-34
S1486DG14U	45D-36
S1486DG16L	45A-31A
S1486DG4U	18 -11
S1486DG4U	46 -12A
S1486DG4U	46 -45
S1486DG6U	43 -34
S1486DG6U	46 -12
S1486DG6U	46 -13
S1486DG8U	46 -44
S1487-2	29 -34B
S1494-10	45E-17
S1494-14	45E-18
S1494-6	37B-16
S1494-6	37C- 6
S1494-6	37C-37
S1494-6	37D- 7
S1494-6	37D-41
S1494-7	37C-31
S1494-7	37D-22
S1494-8	10A-18
S1494-8	10B-18
S1494-8	41A- 2
S1494-9	37C-49
S1494-9	37D-30
S1494-9	37D-56
S1495-10	1 -33
S1495-10	35A-49
S1495-10	35B-42
S1495-10	45A-22
S1495-10	45E- 8
S1495-4	1 -33
S1495-4	37C-21
S1495-4	37C-25
S1495-4	37D-18
S1495-4	37D-19
S1495-4	45 - 8
S1495-4	45A-16
S1495-4	45B- 5
S1495-4	45B- 8
S1495-4	45B- 8A
S1495-4	45D- 5
S1495-4	45D- 7
S1495-4	45E- 5
S1495-4	45E- 6
S1495-4	45 - 8
S1495-6	1 -33
S1495-6	37C-50
S1495-6	37C-52
S1495-6	37C-54
S1495-6	37C-56
S1495-6	37D-29
S1495-6	37D-52
S1495-6	37D-53
S1495-6	37D-54
S1495-6	37D-61
S1495-6	37D-62
S1495-6	43 - 5
S1495-6	43A- 5
S1495-6	45A- 9
S1495-6	45A- 9A
S1495-6	45B-10
S1495-6	45B-10A
S1495-6	45B-17
S1495-6	45B-17A
S1495-6	45B-20
S1495-6	45B-22

PART NUMBER	FIGURE AND INDEX NO.
S1495-6	45B-22
S1495-6	45B-28
S1495-6	45D-23
S1495-6	45D-30
S1495-6	45E- 3
S1495-6	45 - 6
S1495-6	45 - 6
S1495-6	45D-14
S1495-6	45D-21
S1495-6	45D-24
S1495-6	45E- 4
S1495-6	45E- 7
S1495-8	1 -33
S1495-8	45A-12
S1495-8	45A-25
S1495-8	45A-28
S1495-8	45A-37
S1495-8	45B-33
S1495-8	45B-38
S1495-8	45B-42
S1495-8	45B-42
S1495-8	45D-35
S1495-8	45D-40
S1495-8	45D-44
S1495-8	45D-44
S1495-8	45 -15
S1495-8	45 -15
S1496-8	45B-48
S1497-4	37C-22
S1497-4	37D-20
S1497-4	45 - 8
S1497-4	45 - 8
S1497-4	45D- 4
S1497-4	45E-10
S1497-6	37C-51
S1497-6	37D-55
S1497-6	45 - 6
S1497-6	45 - 6
S1497-6	45B-49
S1497-6	45D-13
S1497-6	45E- 9
S1517-2	29 -39
S1527-1	23A-49
S1539B3	25A-16
S1539B4	19D-12
S1571-8-10	25B- 2
S1571-8-10	25C- 2
S1573-3	43B- 2
S1579-1	46 - 3
S1579-1	46A- 5
S1588-1	4 -20
S1588-1	4A-14
S1591-3	45B-22A
S1592-1A	46 - 9
S1592-1A	46 -50
S1592-2A	37B-15
S1592-3A	46 - 9
S1596-60	23C-35
S1596-60	23F- 8
S1601-16	38B-73
S1605-3	23A-16
S1605-3	23B-15
S1605-3	23C-25
S1605-3	23D-26
S1605-3	23E-36
S1611-1	1 -34
S1611-1	9A-30
S1613-08-75	55 -15
S1614	1 -45
S1614-1	29 -36
S1614-1	33 -24A
S1614-1	33A-35
S1614-1	33B-36
S1618B1	25A-16
S1618B3	19D-12

PART NUMBER	FIGURE AND INDEX NO.
S1618D3	19D-12
S1618J3	19D-12
S1618K3	19D-12
S1618M3	19D-12
S1622B6	25A-16
S1622D6	25A-16
S1622J6	25A-16
S1622K6	25A-16
S1622M6	25A-16
S1627-15	23B-58
S1627-15	23C-34
S1627-15	23D-36
S1627-15	23F-14
S1628-329	17 -21
S1628-329	17A-23
S1628-329	17B-26
S1631-7	22D-11
S1635-1	1 -35
S1635-2	1 -35
S1635-3	1 -35
S1636-1	1 -36
S1636-2	1 -36
S1636-3	1 -36
S1637-1	1 -37
S1637-2	1 -38
S1638-1	1 -39
S1638-1	48A- 8
S1638-1	48A-16
S1638-2	1 -40
S1638-2	48A-15
S1638-2	48A-20
S1640-12	1 -41
S1640-15	1 -41
S1640-6	1 -41
S1640-9	1 -41
S1641-12	1 -42
S1641-15	1 -42
S1641-6	1 -42
S1641-9	1 -42
S1651B2	25A-16
S1656-24	1A- 1B
S1656-24	55 -39
S1656-3	1A- 1A
S1656-5	1A- 1A
S1660-1	46A-35
S1661-1	23B-59
S1661-1	23C-38
S1661-1	38B-51
S1661-2	23D-42
S1661-2	23E-47
S1661-2	38B-51
S1674-1	34 -21
S1675-1	34 -22
S1685-1	20C- 9
S1685-1	22C-49
S1685-3	20C- 9
S1685-3	22C-49
S1693-1	46A-10
S1693-1	46A-36
S1693-2	46 - 5
S1707-60	23C-35
S1707-60	23D-37
S1710-1	37B-26
S1711-1	44 -53
S1713-1	1B-10
S1714-1	1B-11
S1743-2	42A- 2B
S1746B15	25A-16
S1746B2	19D-12
S1746D15	25A-16
S1746D2	19D-12
S1746J15	25A-16
S1746J2	19D-12
S1746K15	25A-16
S1746K2	19D-12

PART NUMBER	FIGURE AND INDEX NO.
S1746M15	25A-16
S1746M2	19D-12
S1746P15	25A-16
S1746P2	19D-12
S1746R15	25A-16
S1746R2	19D-12
S1746S15	25A-16
S1746S2	19D-12
S1748-1	23D-46
S1748-1	23E-51
S1752-1	23 -36
S1752-1	23A-42
S1752-1	23B-40
S1752-1	23D-53
S1752-1	23E-53
S1752-1	43 -57
S1752-2	23D-41
S1752-2	23E-48
S1760-1	23D-44
S1760-1	23D-45
S1760-1	23D-49
S1760-1	23E-50
S1760-1	37C-14
S1760-1	37C-45
S1760-1	37D-16
S1760-1	37D-50
S1760-3	23D-54
S1771-1	23D-42
S1776-1	12B-17
S1776-1	12C-16
S1777-1	23D-43
S1777-1	23E-49
S1777-1	29 -19
S1779-1	23D-52
S1779-1	29 -26
S1791-1	23D-49
S1791-1	23E-50
S1791-1	37C-13
S1791-1	37C-44
S1791-1	37D-15
S1791-1	37D-49
S1792-1	37C- 2
S1792-1	37C-33
S1793-1	37C- 5
S1793-1	37C-36
S1793-1	37D- 6
S1793-1	37D-40
S1793-2	37C-48
S1793-2	37D-57
S1794-1	37B-16
S18-30	35 - 7
S18-30	35A- 4
S18-30	35B- 4
S1800-1	37C- 4
S1800-1	37C-11
S1800-1	37C-12
S1800-1	37C-15
S1800-1	37C-16
S1800-1	37C-26
S1800-1	37C-27
S1800-1	37C-30
S1800-1	37C-35
S1800-1	37C-42
S1800-1	37C-43
S1800-1	37C-46
S1800-1	37C-47
S1800-1	37C-53
S1800-1	37D- 3
S1800-1	37D- 5
S1800-1	37D-12
S1800-1	37D-13
S1800-1	37D-14
S1800-1	37D-25
S1800-1	37D-26
S1800-1	37D-27

PART NUMBER	FIGURE AND INDEX NO.
S1800-1	37D-37
S1800-1	37D-39
S1800-1	37D-46
S1800-1	37D-47
S1800-1	37D-48
S1800-1	37D-58
S1800-1	37D-59
S1800-1	37D-63
S1801-1	37C-17
S1802-2	37C-18
S1803-2	37D-32
S1805-1	37D-34
S1807-1	46 - 5
S1807-1	46A- 9
S1807-1	46A-36
S1810-1075	18A-14B
S1810-1075	18B-14
S1810-1075	42A- 3A
S1810-1075	42A-15A
S1819-3	5 -15
S1819-3	6 -12
S1823-3	16A-13
S1824-1	23F- 5
S1826-2	37D-33
S1828-3	37D-34
S1828-4	37D-31
S1833-1	22C-21
S1860-2A	2 -23
S1860-2A	2A-25
S1861-6	45A-24
S1861-6	45E-31
S1862-1	2A-91
S1862-1	9A-25
S1862-1	9B-26
S1862-1	14C-20
S1862-1	23E-15
S1862-1	48A-12
S1862-1A	8 -29
S1862-2	2 -86
S1862-2	11A- 4
S1862-2	27 - 3
S1862-2	27A- 4
S1862-2A	8 -29
S1862-2A	11 - 4A
S1863-2	3 -25
S1863-2	9A-26
S1863-2	14 -39
S1863-2	23E-15
S1863-2A	8 -28
S1863-2A	8 -52
S1863-2A	9 -11
S1863-2A	14A-56
S1863-2A	14C- 9
S1863-3	11 - 4B
S1863-3	11A- 5
S1863-3	12 -19
S1863-3	12 -24
S1863-3	12A-15
S1863-3	12A-21
S1863-3	12B-25
S1863-3	12C-21
S1863-3	13 -17
S1863-3	14 -63
S1863-3	14A- 7
S1863-3	14B-15
S1863-3	14B-65
S1863-3	27 - 3
S1863-3	27A- 3
S1863-3	28 -26
S1863-3A	2 -39
S1863-3A	3 - 4
S1863-3A	3 -13A
S1863-3A	3 -33
S1863-3A	8 -28
S1863-3A	8 -52

PART NUMBER	FIGURE AND INDEX NO.
S1863-3A	10B-22
S1863-3A	11 -61
S1863-3A	12 -29
S1863-3A	12 -35
S1863-3A	12 -44
S1863-3A	12 -56
S1863-3A	12A-42
S1863-3A	12A-53
S1863-3A	12B-64
S1863-3A	12C-62
S1863-3A	13 - 3A
S1863-3A	13 -22
S1863-3A	13A- 4
S1863-3A	22B-48
S1863-3A	22C-52
S1863-3A	24 - 3
S1863-3A	33A-18
S1865-1	23F- 5
S1866-3	8 -46
S1866-3	9 -34
S1866-3	39 -20
S1867-1	46B-18
S1876-1	23 -41
S1876-1	23A-18
S1876-1	23B-17
S1876-1	46 -41
S1891-6	43 - 6
S1891-6	43A- 5
S1895-1	24B- 6
S1895-1	24C- 6
S1948-2	20B-32
S1948-2	20C-24
S1957-2	21 -59
S1957-2	22 -60
S1957-2	22B-44
S1957-2	22C-48
S1988-1	45 -11
S1988-1	45B-25
S1988-1	45D-27
S1991-1	46A-35
S202RB	1C-34
S202RB	1D-32
S202RB	1 -16
S202RB	9 -18
S202RB	14C-11A
S202RB	15A- 7
S202RB	20 -11
S202RB	22A-21
S202VW	1C-37
S202VW	1D-35
S202VW	1 -16
S202VW	8 -75
S202VW	14 -66
S202VW	14A-76
S202VW	14A-77
S202VW	14A-78
S202VW	14B-85
S202VW	14B-86
S202VW	14C-16
S225-1	1D-19
S225-1	1D-19A
S225-1	1D-19B
S225-1	1C-21
S225-1	1C-21A
S225-1	1C-21B
S225-1	8 -76
S225-1	10 - 8
S225-1	10 - 8
S225-1	10A- 6
S225-1	10A- 9
S225-1	10B- 4
S225-1	10B- 8
S225-1	33A-30
S225-2	1D-19A
S225-2	1C-21A

PART NUMBER	FIGURE AND INDEX NO.
S225-3	6 -34
S225-4	10 - 8B
S225-7	1D-18A
S225-7	1C-20A
S225-9	10B-23
S226-3	11 -45
S226-3	14 -10
S237-1	11 -45B
S237-1	11A-35
S237-2	2 -74
S237-2	2 -84
S237-2	2A-79
S237-2	2A-79
S237-2	2A-88
S237-2	3 -11
S237-2	8 -32
S237-2	12A-12A
S237-2	12B-28
S237-2	12C-24
S237-2	14 -48
S237-2	14A-61
S237-2	14C-19
S237-2P	11A-41
S237-2P	12A-22
S237-4	6 -33
S272-17	44 -27
S290-832	12 -55A
S290-832	12A-54
S290-832	32 -35
S290D832	1D-30
S290D832	1C-32
S292-1	1 -17
S292-1-009	46 -18
S292-1-012	46 -17
S292-11	1 -17
S292-12	1 -17
S292-14	1 -17
S292-16	1 -17
S292-2	1 -17
S292-28	1 -17
S292-3	1 -17
S292-4	1 -17
S292-4-012	46 -19
S292-5	1 -17
S292-6	1 -17
S292-7-004	46 -20
S292-8	1 -17
S329	1D-18
S329	1D-19B
S329	1C-20
S329	1C-21B
S330-2	2 -76
S330-2	2 -84
S330-2	2A-81
S330-2	2A-88
S338-1	36A-30
S338-1	37A- 9
S338-1	37A-45
S338-1	39 -25
S338-1	39 -26
S338-10	36 -20
S338-6	36 -21
S339-1	36A-30
S339-1	37A- 9
S339-1	37A-45
S339-1	39 -25
S339-1	39 -26
S339-2	36 -21
S339P1	36 -20
S347-1	12 -42
S347-1	12A-16
S347-1	12B-17
S350	4 -19
S350	4A-14
S352	12 -59



PART NUMBER	FIGURE AND INDEX NO.
S352-2	12 -61
S353-3	12 -57
S353-3	46 - 8
S353-4	12 -60
S354-1	12 -59
S354-2	43 -35
S354-3	12 -58
S354-3	43 -35
S354-3	43A-34
S354-3	46 - 8
S354-5	12 -60
S354-5	12 -61
S378-1L	40 -13
S378-1L	40A-10
S378-1L	40A-33
S378-1L	40B-16
S378-2	38 -19
S378-2	38 -32
S378-2	38 -47
S378-2	38 -54
S378-2	38 -60
S378-2	38A-16
S378-2	38A-21
S378-2	38A-31
S378-2	38A-46
S378-2	38A-52
S378-2	38A-62
S378-2	38B- 5
S378-2	38B-16
S378-2	38B-28
S378-2	40A-10A
S378-3	36 -13
S378-3	36A-10
S378-3	36A-15
S378-3	36A-23
S378-3	37 -24
S378-3	37 -39
S378-3	37A-26
S378-3	38A-56
S378-3	38B-25
S378-3	39 -21
S378-3	55 -32
S378-4	36 - 9
S378-4	36A-19
S378-4	37 -12
S378-4	37 -17
S378-4	37 -29
S378-4	37 -33
S378-4	37A- 2
S394	37 -44
S394	37A-32
S394	38 -24
S4-200	28 -11
S51-10	1 -15
S51-10	30 - 7
S51-12	1 -15
S51-16	1 -15
S51-32	1 -15
S51-4	1 -15
S51-6	1 -15
S51-8	1 -15
S51-8	45 -18
S8S	37B-10
S8S	37B-31
T- 5/8	20 -12
TS33-30	54A-11
TVA-1315	23D-23
TY-42	55 - 1
WRM10	48 -11
WRM15	48 -14
WRM20	48 -13
WRM25	48 -10
WRM30	48 -12
WRM44-12	48 -15
XH99608F1099	22B-46

PART NUMBER	FIGURE AND INDEX NO.
XH99608F1099	22C-47
XH99608F1099	23A-52
XH99608F1099	23A-52
XH99608F1099	23B-49
XR6085	46B-26
XS49306K1110	25C-15
X26263	46A-29
X5133-21	54A-14
X5133-21	54A-19
0-200A	30 - 1
01	25 -30
01	25A-39
0310196-13	34 - 4
0310196-13	34 - 4
0310196-14	34 - 4
0310293-12	40 -35
0310293-12	8 -17
0310293-14	8 -17
0310293-2	40 -35
0310293-2	8 -17
0310453	34 - 1
0310453	34 -29
0311038-2	23 -42
0311038-2	23A-33
0311038-2	23B-31
0311056-4	23A-10
0311056-4	45 - 1
0311057-1	45 -10
0311057-1	23 -17
0311057-1	23A-17
0311058-4	23 -11
0311058-5	23A- 8
0311058-5	45 - 2
0311058-5	23 -10
0311240-17	4 - 3A
0311240-17	4A- 8
0311310	19B-29
0311360-4	4 -16
0311360-4	4A- 6
0311360-5	4 -17
0311360-5	4A- 7
0311538-10	23 -36
0311538-10	23A-42
0311538-12	23C-48
0311538-8	23 -36
0311586	19B-30
0311644	19B-23
0311777	23 -43
0311777	23A-34
0311777	23B-32
0311777	23C-47
0311777	23D-51
0312155-10	46A-19
0313313-3	23 -50
0313313-3	23A-45
0400018-1	1A- 8
0400018-2	1A- 8
0400028-2	25A- 9
0400028-4	25A-10
0400032-1	1A-16
0400033-1	1A-18
0400035-2	48 - 1
0400036-13	19D-10
0400036-16	19D- 9
0400036-2	19D- 1
0400036-3	19D- 8
0400037-1	1A-18
0400038-1	1A-16
0400106-58	43 -58
0400106-83	43 -54
0400106-83	43A-53
0400107-104	36 - 1
0400107-105	39 - 8
0400107-109	39 - 9
0400107-11	40 -20

PART NUMBER	FIGURE AND INDEX NO.
0400107-111	40 -20
0400107-121	37 - 2
0400107-121	37A-31
0400107-122	38 - 1
0400107-123	38 - 2
0400107-126	38 -39
0400107-126	38 -39
0400107-128	40 -22
0400107-128	40A-19
0400107-128	40B-30
0400107-129	40 -21
0400107-130	40 -23
0400107-130	40A-18
0400107-130	40B-29
0400107-131	37 - 1
0400107-133	38 -40
0400107-133	38 -40
0400107-134	38 -38
0400107-135	37 - 1
0400107-136	37A- 1
0400107-137	38A- 2
0400107-138	38A-37
0400107-139	38A- 1
0400107-140	38A-36
0400107-141	37A- 1
0400107-142	40A-16
0400107-143	40A-17
0400107-145	38B- 1
0400107-146	38B- 2
0400107-147	36A- 5
0400107-148	36A- 1
0400107-149	36A- 5A
0400107-150	36A- 5A
0400107-151	55 -24
0400107-152	40A-16
0400107-153	40A-17
0400107-154	40B-27
0400107-155	40B-28
0400107-156	40B-27
0400107-21	37 - 2
0400107-21	37A-31
0400107-22	38 - 1
0400107-23	38 - 2
0400107-26	38 -39
0400107-26	38 -39
0400107-28	40A-19
0400107-28	40B-30
0400107-28	40 -22
0400107-29	40 -21
0400107-30	40 -23
0400107-30	40A-18
0400107-30	40B-29
0400107-31	37 - 1
0400107-33	38 -40
0400107-33	38 -40
0400107-34	38 -38
0400107-35	37 - 1
0400107-36	37A- 1
0400107-37	38A- 2
0400107-38	38A-37
0400107-39	38A- 1
0400107-4	36 - 1
0400107-40	38A-36
0400107-41	37A- 1
0400107-42	40A-16
0400107-43	40A-17
0400107-45	38B- 1
0400107-46	38B- 2
0400107-47	36A- 5
0400107-48	36A- 1
0400107-49	36A- 5A
0400107-5	39 - 8
0400107-50	36A- 5A
0400107-52	40A-16
0400107-53	40A-17

PART NUMBER	FIGURE AND INDEX NO.
0400107-54	40B-27
0400107-55	40B-28
0400107-56	40B-27
0400107-9	39 - 9
0400118-11	20 - 4
0400118-11	20A- 4
0400118-11	20B- 4
0400118-11	20D- 3
0400118-13	21 -57
0400118-14	22 -58
0400118-15	20 -15
0400118-16	20 -16
0400118-17	20 -17
0400118-18	20 -18
0400118-19	20 -13
0400118-19	20A-11
0400118-20	20 -14
0400118-20	20A-12
0400118-21	20 -49
0400118-22	20 -39
0400118-22	20A-40
0400118-23	20 -30
0400118-24	20 -25
0400118-24	20A-20
0400118-24	20B-14
0400118-24	20C-12
0400118-25	20 - 2
0400118-25	20A- 2
0400118-26	20 -27
0400118-26	20A-22
0400118-27	20 -26
0400118-29	20 -21
0400118-3	20 - 1
0400118-3	20A- 1
0400118-3	20B- 1
0400118-3	20C- 1
0400118-30	20 -20
0400118-30	20A-25
0400118-30	20B-22
0400118-30	20C-10
0400118-33	20 -17
0400118-34	20 -18
0400118-35	19B-
0400118-36	19B-
0400118-37	19B- 2
0400118-38	19B- 2
0400118-39	19B- 3
0400118-4	20 -21
0400118-40	20 -13
0400118-40	20A-11
0400118-41	20 -14
0400118-41	20A-12
0400118-42	20 -30
0400118-44	20A-30
0400118-44	20B-27
0400118-44	20C-25
0400118-47	20A-13
0400118-48	20A-14
0400118-49	20A-32
0400118-5	20 -34
0400118-50	20A-27
0400118-50	20B-24
0400118-50	20C-21
0400118-51	20A-37
0400118-53	20A-24
0400118-53	20B-16
0400118-53	20C-14
0400118-54	20A-16
0400118-55	20A-36
0400118-56	20A-38
0400118-59	20A-21
0400118-59	20B-15
0400118-59	20C-13
0400118-6	20 -36
0400118-60	20A-14

PART NUMBER	FIGURE AND INDEX NO.
0400118-61	20A-13
0400118-65	19B-
0400118-66	19B-
0400118-67	20A-16
0400118-8	20 - 3
0400118-8	20A- 3
0400118-85	19B-
0400118-86	19B-
0400118-87	19B-
0400118-88	19B-
0400118-89	19B-
0400118-9	20 -38
0400118-9	20A-39
0400118-90	19B-
0400119-1	19 - 6
0400119-2	19 -15
0400121-2	35 -29
0400123-1	20 -50
0400123-1	20A-45
0400123-1	20B-39
0400123-1	20C- 2
0400124-1	35A-48A
0400126-1	21 -57
0400126-2	22 -58
0400126-3	21 -57
0400126-4	22 -58
0400128-3	22C-46
0400128-3	22B-45
0400128-4	22C-46
0400128-4	22B-45
0400129-12	20B-30
0400129-13	20B-29
0400129-15	20B-33
0400129-16	20B-34
0400129-16	20D- 9
0400129-19	20B-31
0400129-2	20B- 3
0400129-20	20B-12
0400129-20	20D-10
0400129-3	20B- 2
0400129-4	20B-11
0400129-5	20B-10
0400129-56	20D- 8
0400129-57	20D- 6
0400129-58	20D- 7
0400129-6	20B-35
0400129-60	20D- 2
0400129-62	20D- 1
0400129-65	20D-11
0400129-68	20D- 1
0400129-72	20D- 2
0400129-8	20B-13
0400129-8	20C-11
0400131-1	19D-21
0400133-1	35A-48A
0400134-2	19D-16
0400134-5	19D- 1
0400135-1	1A-17
0400136-1	19D- 8
0400136-6	19D- 8
0400137-1	1A- 7
0400138-1	19D-19
0400138-2	19D-19
0400139-1	20D- 4
0400139-2	20D- 5
0400141-1	20C-34
0400202-1	1A- 7A
0400203-1	35A-48A
0400207-1	20C-30
0400207-2	20C-29
0400209-2	14B-84
0400210-1	1A-22
0400210-1	23C-56
0400211-2	1A-23
0400211-2	23C-57

PART NUMBER	FIGURE AND INDEX NO.
0400211-2	23D-56
0400211-6	18-18
0400211-6	23E-25
0400212-1	35A-48A
0400215-1	48A- 9
0400301-2	48 - 1
0400301-2	9 -21
0400311-1	43 -27
0400311-10	42 -31
0400311-10	18 -10
0400311-100	43A- 6
0400311-101	43A-51
0400311-102	43A-50
0400311-103	29 -37
0400311-103	43 -59
0400311-103	43A-52
0400311-11	41 - 1
0400311-11	3 -20
0400311-12	41 - 4
0400311-12	3 -18
0400311-13	45 -17
0400311-14	45 -27
0400311-15	45 -23
0400311-15	45A-27
0400311-19	41 -16
0400311-2	41 - 7
0400311-20	43 - 1
0400311-22	41 -10
0400311-23	44 -22
0400311-25	43 - 9
0400311-26	43 -10
0400311-27	43 -12
0400311-28	43 -13
0400311-3	43 -32
0400311-30	30 - 6
0400311-33	43 - 1
0400311-36	41 -26
0400311-37	41 -35
0400311-38	43 -16
0400311-39	43 -17
0400311-4	43 -17
0400311-40	41 - 4
0400311-40	3 -18
0400311-41	42 -30
0400311-41	18 -10
0400311-42	42 -31
0400311-42	18 -10
0400311-43	45 - 4
0400311-44	41 -35
0400311-45	43 -58
0400311-45	43A-50
0400311-46	43 -58
0400311-46	43A-51
0400311-49	29 -37
0400311-49	43 -59
0400311-49	43A-52
0400311-5	43 -16
0400311-50	42 -31
0400311-50	18 -10
0400311-51	42 -30
0400311-51	18 -10
0400311-52	43A- 1
0400311-52	43 - 1
0400311-53	43A- 1
0400311-53	43 - 1
0400311-54	30 - 6
0400311-55	45B-44
0400311-55	45D-46
0400311-56	43A-36
0400311-56	43B-17
0400311-57	43A-31
0400311-58	43A-29
0400311-59	43A-15
0400311-6	43 - 7
0400311-6	43A- 6

PART NUMBER	FIGURE AND INDEX NO.
0400311-61	43A-12
0400311-62	43A-13
0400311-63	43A-23
0400311-64	43A- 9
0400311-65	43A-10
0400311-66	42A- 5
0400311-67	42A- 7
0400311-68	42A- 6
0400311-69	42A-14
0400311-69	18A- 8
0400311-7	42 - 4
0400311-70	42A-15
0400311-70	18A- 8
0400311-71	41 -35
0400311-72	42A-14
0400311-72	42A-15
0400311-72	18A- 8
0400311-74	45B-20A
0400311-75	45B-20A
0400311-76	43A-51
0400311-77	43A-50
0400311-78	44 -22
0400311-79	43A-55
0400311-8	42 -14
0400311-80	45B-44
0400311-80	45D-46
0400311-82	42A- 5
0400311-83	42A- 7
0400311-84	42A- 6
0400311-85	42A-14
0400311-85	42A-15
0400311-85	18A- 8
0400311-85	18B- 9
0400311-86	43A- 1
0400311-87	43A- 1
0400311-88	45E-33
0400311-89	42A- 5
0400311-9	42 -30
0400311-9	18 -10
0400311-92	42A-14
0400311-92	42A-15
0400311-92	18B- 9
0400311-95	43A-36
0400311-95	43B-17
0400311-96	42A- 7
0400311-97	42A- 6
0400311-98	42A- 5
0400311-99	42A-14
0400311-99	42A-15
0400311-99	18A- 8
0400311-99	18B- 9
0400312-1	34 -11A
0400329-1	20C-31
0405001-1	1A-26
0405001-1	1B- 2
0405002-1	35A-48A
0410011-KA3	46A-37
0410011-PA14	46A- 4
0410011-PA8	46A- 3
0410011-PC1	46A-20
0410011PA1	46 - 2A
0410011PA10	46 - 2B
0410011PA5	46 - 2B
0410011PA8	46 - 2A
0410023-2	18B- 6
0410114-1	46 -20
0410114-2	46 -24
0410114-3	46 -25
0410115-1	11 - 5
0410117-2	46 -42
0410117-2	1A-11
0410119-1	46 -20
0410119-2	46 -24
0410119-3	46 -25
0410120-1	11 -17

PART NUMBER	FIGURE AND INDEX NO.
0410120-2	11 -10
0410120-2	11A-14
0410120-3	11 -10
0410120-4	11 -17
0410125-2	11 - 4
0410125-2	11A- 6
0410125-200	11 - 2
0410125-200	11A- 2
0410126-1	11A-14
0410127-1	11A-29
0410127-2	11A-29
0410128-1	11A-17
0410128-2	11A-17
0410129-3	11A-32
0410129-4	11A-32
0410130-1	11A-30
0410130-2	11A-31
0410131-1	11A-21
0410132-1	11A-15
0410132-2	11A-16
0410133-1	11A-20
0410133-2	11A-20
0410134-1	11A-35
0410134-2	11A-36
0410135-1	11A-18
0410135-2	11A-19
0410137-1	11A-23
0410137-2	11A-24
0410138-1	11A-23
0410138-2	11A-24
0410200-1	11 - 5
0410202-1	11 -66
0410202-1	11A-45
0410203-2	11A-42
0410204-1	11A-13
0410205-1	11A-21
0410218-1	1A-21
0410218-1	1B-21
0410218-2	1A-21
0410218-2	1B-21
0410218-6	55 -40
0410218-6	1A-21
0410218-6	1B-21
0410218-7	55 -40
0410218-7	1A-21
0410218-7	1B-21
0410219-1	19B-36A
0410219-2	19B-36B
0410229-1	10B- 8
0410229-2	11A-35
0411002-2	19B-46
0411004-1	20B-42
0411004-1	20D-14
0411005-3	19B-34
0411005-4	19B-34
0411005-5	19B-33
0411005-6	19B-33
0411007-7	23 -13
0411007-7	23A-12
0411007-8	23 -13
0411007-8	23A-12
0411009-6	23 -14
0411009-7	23A-13
0411010-1	23 -16
0411020-1	23A-57
0411020-1	23A-58
0411023-1	23 -30
0411047	35 - 8
0411047	35A- 9
0411047	35B- 8
0411051	37 - 6
0411051-4	37 - 8
0411059-1	23 - 7
0411059-3	23C- 7
0411059-3	23D- 6

PART NUMBER	FIGURE AND INDEX NO.
0411059-3	23E-13
0411069-3	23 -15
0411069-3	23A-14
0411086-19	23 -12
0411086-19	23A-11
0411086-24	23 -12
0411086-24	23A-11
0411087-31	23 - 9
0411087-31	23 - 9
0411090-22	29 -12
0411090-22	29 -19
0411090-22	23 -23
0411090-22	23 -25
0411090-22	23 -29
0411090-29	42 -21
0411090-29	23 -24
0411091-34	29 - 5
0411091-34	23 -22
0411092-1	33 -37
0411092-1	23 -35
0411092-1	23 -38
0411092-1	23 -40
0411092-4	24 -10
0411099-4	24 -12
0411099-4	24A- 7
0411099-4	24A- 7
0411102-1	19B- 9
0411102-1	19B- 9
0411102-2	19B- 9
0411102-2	19B- 9
0411103-1	19B- 4
0411104-3	19B-19
0411104-4	19B-19
0411105-1	19B-13
0411105-4	19B-13
0411108-4	14 - 5
0411108-4	14A- 3
0411108-4	14B- 2
0411114	13 -19
0411120-1	13 -23
0411121-3	11 -11
0411121-4	11 -12
0411122	11 -18
0411122-1	11 -19
0411123-4	11 - 4
0411124-50	14 -54
0411126-1	11 -76
0411126-3	11 -76
0411126-4	11A-59
0411127-4	11 -77
0411127-4	11A-61
0411129	13 - 1
0411129	13A- 1
0411130-51	12 -41
0411130-52	12 -40
0411131-4	13 - 3
0411131-4	13A- 3
0411131-6	13A- 3
0411132	13 - 6
0411132	13A- 8
0411132-1	13 - 7
0411132-1	13A- 9
0411134	14 -53
0411138	12 -28
0411138-1	12 -28
0411139	12 -27
0411139-1	12 -27
0411141	13 -15
0411141	13A-20
0411146	11 -16
0411147	11 -20
0411161	12 -32
0411161-1	12 -32
0411173	12 - 5
0411173	12A- 5

PART NUMBER	FIGURE AND INDEX NO.
0411178-10	21 -14
0411178-9	21 -14
0411179	22A-45
0411179-3	22A-45
0411181-1	22 -24
0411181-1	22A-15
0411181-3	21 -24
0411181-3	22A-15
0411181-5	21 -24
0411181-5	22A-15
0411181-6	22 -24
0411181-6	22A-15
0411182	21 -25
0411182	22 -25
0411182	22A-16
0411185	21 -26
0411185	22 -26
0411185	22A-17
0411185-7	22B- 7
0411185-7	22C- 6
0411203-1	19 - 7
0411203-13	19 - 7
0411203-8	19 - 7
0411204-1	19 - 3
0411204-1	19 - 3
0411204-2	19 - 3
0411204-2	19 - 3
0411205-1	19 - 1
0411205-2	19 - 2
0411205-200	19 - 5
0411205-201	19 - 5
0411209	14A-20
0411209	14B-31
0411210-3	14 -14
0411210-3	14A-31
0411210-3	14B-38
0411221-2	35A-18
0411221-2	35B-17
0411221-5	35 - 1
0411229-6	21 -56
0411232	37 -15
0411255	35 -11
0411255	35A-19
0411255	35B-18
0411257	35 -14
0411257	35A-13
0411257	35A-14
0411257	35B-12
0411257	35B-13
0411258	35A-42
0411258	35B-47
0411258	39 - 1
0411258	11 -71
0411258	11A-50
0411260-1	35B-41
0411262-1	19B-24
0411265-1	19B-27
0411266-1	19B-12
0411267-1	19B-14
0411268-1	19B-16
0411269	35A-38
0411275	12 -25
0411276	13 -14
0411276	13A-18
0411276-1	13 -14
0411276-1	13A-19
0411276-2	13 -14
0411277	14 - 6
0411277-1	14 - 6
0411280-3	12 -23
0411280-4	12 -22
0411281-3	12 - 6
0411281-3	12A- 6
0411281-4	12 -11
0411281-4	12 -17

PART NUMBER	FIGURE AND INDEX NO.
0411281-4	12A-10
0411281-4	12A-30
0411281-4	12B- 9
0411281-4	12B-32
0411281-4	12C- 8
0411281-4	12C-28
0411281-5	12 -11
0411281-5	12 -16
0411281-5	12A-10
0411281-5	12A-29
0411281-5	12B- 9
0411281-5	12B-31
0411281-5	12C- 8
0411281-5	12C-26
0411282	12 - 9
0411282	12A- 8
0411282-1	12 -10
0411282-1	12A- 9
0411283	12 -14
0411283	12A-27
0411283	12B-29
0411283	12C-25
0411283-1	12 -15
0411283-1	12A-28
0411283-1	12B-30
0411283-1	12C-27
0411284-1	11 -64
0411285	12 -26
0411285-1	12 -26
0411286	34 -10
0411287	12 -34
0411287-1	12 -34
0411288	11 -68
0411288	11A-47
0411289	11 -69
0411289	11A-48
0411290	11 -70
0411290	11A-49
0411291	12 -30
0411291-1	12 -31
0411293-4	20 -45
0411293-5	20 -45
0411293-5	20A-46
0411304-1	11B- 9
0411305-1	11B-10
0411306-11	34 -25
0411306-12	34 -26
0411307	34 - 7
0411307	34 -32
0411315	11 -22
0411315-1	11 -22
0411326	35 -17
0411342	12 -33
0411345	11 -21
0411349-2	12 -29
0411349-3	12 -29
0411369-2	34 - 2
0411369-2	34 -30
0411370	11 -49
0411370	11A-37
0411371	10 - 7
0411371	10A- 5
0411371	10B- 9
0411372-15	11 - 2
0411411-16	14 -12
0411413	11 -15
0411418	11 -59
0411419	40 - 6
0411421-2	36 -15
0411421-2	36A-26
0411421-2	37 -27
0411421-2	39 -24
0411421-6	36 -11
0411421-6	36A-22
0411421-6	37 -20

PART NUMBER	FIGURE AND INDEX NO.
0411421-6	37 -31
0411421-6	37A- 8
0411422	40 -10
0411422	1A-10
0411435-15	21 -22
0411435-15	22 -22
0411447	11 -41
0411447	11B-22
0411447	14C- 4
0411447	14C-11
0411449	11 -39
0411449	11B-21
0411451	11 -37
0411451	11B-25
0411452	11 -36
0411452	11B-20
0411457-3	10 -11
0411457-3	10A-21
0411457-4	10 -11
0411457-4	10A-21
0411458	14 -35
0411458	14A-54
0411458	14C- 2
0411458-1	14 -36
0411458-1	14A-54
0411458-1	14C- 3
0411473	11 -48
0411479-50	15 - 6
0411480-50	15 - 4
0411481	15 - 7
0411505-1	19B-39
0411511-14	11 -57
0411523	40 -28
0411523	40A-24
0411523	40B-35
0411524	40 -30
0411524	40A-26
0411524	40B-37
0411525-1	14A- 4
0411525-1	14B- 4
0411525-2	14A- 5
0411525-2	14B- 5
0411526-1	34 -25
0411526-2	34 -26
0411528	11 -23
0411528-1	11 -23
0411530	10 -10
0411530	10A-11
0411533-1	14 -32
0411534-1	14 -30
0411534-1	14 -31
0411536-1	19B-11
0411541	21 - 5
0411541	22 - 5
0411541	22A- 5
0411545-1	19B-36
0411545-2	19B-36A
0411545-3	19B-36
0411545-4	19B-36B
0411546-1	19B-44
0411549	34 -18
0411549	34 -18
0411550	34 -17
0411550	34 -17
0411552	21 -34
0411552	22 -34
0411552	22A-28
0411552-2	21 -34
0411552-2	22 -34
0411552-2	22A-28
0411553	14 -31
0411555	21 -37
0411555	22 -37
0411555	22A-32
0411557	21 -39

PART NUMBER	FIGURE AND INDEX NO.
0411557	22 -39
0411557	22A-34
0411557-1	21 -15
0411557-1	22 -15
0411559	21 -16
0411559	21 -43
0411559	22 -16
0411559	22 -43
0411559	22A-38
0411563	34 -40
0411564	34 -35
0411565	34 -28
0411566-1	22A-65
0411566-2	22A-65
0411567-2	21 -36
0411567-2	22 -36
0411567-2	22A-31
0411569	11 -67
0411569	11A-46
0411569-1	11 -68
0411569-1	11A-47
0411573	34 -41
0411575-10	22 -44
0411575-4	22A-39
0411575-9	21 -44
0411576	21 -49
0411576	22 -50
0411576-3	22A-46
0411576-4	22A-46
0411579	21 -46
0411579	22 -47
0411579	22A-43
0411579-9	21 -47
0411579-9	22 -48
0411579-9	22A-42
0411579-9	22B-18
0411582	11 -13
0411597	21 -48
0411597	22A-41
0411597-1	22 -49
0411597-1	22A-41
0411599-3	20 -40
0411599-3	20A-43
0411599-5	20B-37
0411599-5	20D-12
0411602-1	21 -48
0411602-1	22A-41
0411602-1	22B-19
0411602-2	22 -49
0411602-2	22A-41
0411602-2	22B-19
0411605-1	11 -66
0411610-10	22 -14
0411610-11	22 -14
0411618-16	11 -11
0411618-17	11 -11
0411620	11 -18
0411620-1	11 -18
0411622	11 -10
0411623	19 - 8
0411629	19 -10A
0411630-2	12 -21
0411630-3	12 -20
0411635-3	10 - 6
0411635-3	10A- 4
0411639-3	21 -54
0411662	11 -57
0411667	19A-28
0411671	11 -40
0411671	11B-24
0411677	20 -32
0411677-1	20 -32
0411680	11 - 3
0411680	11A- 3
0411683	14 -61

PART NUMBER	FIGURE AND INDEX NO.
0411685	12 -53
0411688	12 -19
0411689-1	11 -17
0411692	14 -55
0411692-1	14 -56
0411695-1	20 -31
0411702-1	21 -49
0411702-1	22 -50
0411703-1	21 -49
0411703-1	22 -50
0411704-1	11 -51
0411705-1	11 -56A
0411718-4	11 - 3
0411718-4	11A- 3
0411729-6	21 -49
0411729-6	22 -56
0411729-6	22A-66
0411729-6	22A-77
0411729-7	22 -50
0411729-7	22A-66
0411729-7	22A-77
0411731-6	21 -55
0411731-6	22A-76
0411731-7	22 -57
0411731-7	22A-76
0411732-1	1A- 6
0411732-1	20 -33
0411757-1	23E-37
0411758	42 - 8
0411778-2	34 -36
0411783	37 -46
0411783	37A-34
0411783-1	37B-28
0411794-7	19 - 4
0411803-2	43 -19
0411803-3	43 -21A
0411803-3	43A-21
0411803-5	43 -19
0411803-5	43A-17
0411803-6	43A-17
0411804-1	33 -18
0411805-1	10 - 6A
0411805-1	10A- 4
0411818	19 -15
0411824	33 -21
0411825-1	11 -56
0411836-3	20 -41
0411836-3	20A-44
0411836-3	20B-38
0411836-3	20D-13
0411840	20 -46
0411840	20A-47
0411844-1	25 -21
0411845-2	25 -20
0411846-1	11 -47
0411847-2	11 -47
0411854	20 -39
0411854	20A-40
0411863-2	12A-15
0411863-3	12A-15
0411864-2	12 -18
0411864-3	12 -18
0411868-2	13 -11
0411868-3	13 -10
0411868-4	13A-13
0411868-5	13A-12
0411870	15 - 5
0411875-41	8 -75
0411880	37 - 3
0411881	37 - 4
0411886	22 -45
0411886	22A-40
0411893	20 - 5
0411893	20A- 5
0411893	20B- 5

PART NUMBER	FIGURE AND INDEX NO.
0411893	20C- 5
0411893-1	20 - 6
0411893-1	20A- 6
0411893-1	20B- 6
0411893-1	20C- 6
0411899-1	11B- 3
0411900-1	11B- 5
0411900-2	11B- 6
0411903-1	11B- 7
0411903-2	11B- 8
0411904-1	11B-17
0411904-2	11B-18
0411905-1	11B-15
0411905-2	11B-16
0411907	13 -20
0411907	13 -30
0411907	13A-27
0411907-1	13 -21
0411907-1	13 -31
0411907-1	13A-28
0411914-10	22A-59
0411914-11	22A-47
0411914-12	22A-48
0411914-13	22A-49
0411914-14	22A-50
0411914-15	22A-51
0411914-16	22A-52
0411914-17	22A-53
0411914-2	22A-20
0411914-28	22A-53
0411914-37	22A-10
0411914-38	22A-10
0411914-41	22A-44
0411914-42	22A-44
0411914-44	22A-61
0411914-45	22A-19
0411914-46	22A-48
0411914-47	22A-62
0411914-48	22A-63
0411914-49	22A-61
0411914-5	22A-54
0411914-50	22A-64
0411914-53	22A-61
0411914-54	22A-61
0411914-55	22A-10
0411914-56	22A-10
0411914-6	22A-55
0411914-7	22A-56
0411914-8	22A-57
0411914-9	22A-58
0411915-10	15A- 8
0411915-2	15A- 1
0411915-5	15A- 3
0411915-6	15A- 4
0411918	11 -62
0411919	11 -52
0411920	11 -56
0411922	11 -51
0411923	11 -56A
0411924	11 -42
0411924	11B-23
0411925	11 -66
0411926	38 -26
0411927	38 -10
0411927-2	38 -17
0411927-3	38 -10
0411927-4	38 -10
0411927-5	38 -10
0411927-6	38A- 7
0411930	38 -31
0411931	38 -53
0411931	14 - 4
0411932	14 - 3
0411932-1	14 - 3
0411934-1	14 - 7

PART NUMBER	FIGURE AND INDEX NO.
0411934-1	14B- 8
0411934-2	14 - 8
0411934-2	14B- 9
0411935-1	19 -10
0411935-2	19 -10
0411936-2	25 - 2
0411936-2	25A- 2
0411937-5	22A-81
0411937-6	22A-81
0411938-1	19 -12
0411939-1	11A-39
0411939-1	11 -48
0411951-4	11B-
0411951-5	11B- 1
0411951-6	11B- 2
0411951-7	11A-55
0411951-7	11B-
0411952-1	11 -24
0411952-2	11 -24
0411953-3	11 -25
0411953-3	11A-56
0411953-4	11 -25
0411953-4	11A-56
0411953-5	11A-58
0411953-6	11A-57
0411955-1	11 -44
0411955-3	11 -44A
0411955-5	11A-33
0411955-7	11A-33
0411956-1	14 - 1
0411956-2	14 - 7
0411956-2	14A- 6
0411956-2	14B- 7
0411956-3	14 - 7
0411956-3	14A- 6
0411956-3	14B- 6
0411956-4	14 - 1
0411956-5	11A-22
0411956-5	14A- 1
0411956-6	14B-
0411956-7	14B-
0411956-8	14B- 7
0411956-9	14B- 6
0411957-1	11 -85
0411957-1	25 -22
0411958-1	11 -65
0411958-3	11 -65
0411958-4	11 -65
0411958-4	11A-44
0411959-3	11 -78
0411959-4	11 -78
0411959-5	11A-60
0411959-6	11A-60
0411961-2	11 -43
0411962-1	1A- 1
0411962-1	23 -50
0411962-1	23A-56
0411964-1	43 -22
0411964-2	43 -22
0411965-3	11 -80
0411965-3	11A-63
0411965-4	11 -80
0411965-4	11A-63
0411966-2	11 -79
0411966-2	11A-62
0411971-1	20 -41
0411971-1	20A-44
0411971-1	20B-38
0411971-1	20D-13
0411974-1	20 - 8
0411974-1	20A- 7
0411974-2	20 - 9
0411974-2	20A- 8
0411974-5	20B- 7
0411974-5	20C- 7

PART NUMBER	FIGURE AND INDEX NO.
0411974-6	20B- 8
0411974-6	20C- 8
0411975-1	21 -58
0411975-2	22 -59
0411975-3	22A- 8
0411976-1	21 -50
0411976-1	22A-70
0411976-2	22 -51
0411976-2	22A-70
0411977-1	21 -52
0411977-1	22 -53
0411977-1	22A-75
0411978-1	21 -27
0411978-1	22 -27
0411978-1	22A-19
0411979-1	21 -27
0411979-1	22 -27
0411979-1	22A-19
0411980-1	21 -44
0411980-1	22 -44
0411982-1	21 -23
0411982-1	22 -23
0411983-1	19B-36
0411983-2	19B-36A
0412002-1	10 - 2
0412002-1	14 -
0412002-2	14 -
0412007-1	46 - 2
0412007-9	46 - 2
0412007-9	46A- 2
0412008-1	14C-12
0412010-1	14C-14
0412020-1	10A- 2
0412020-1	14A-
0412020-10	14A-45
0412020-10	14B-74
0412020-11	14A-39
0412020-11	14B-56
0412020-12	14A-51
0412020-12	14B-80
0412020-13	14A-44
0412020-13	14B-71
0412020-14	10B- 2
0412020-14	14B-
0412020-15	14B-51
0412020-16	14B-52
0412020-17	14C-21
0412020-18	14B-52
0412020-19	14B-51
0412020-2	14A-38
0412020-2	14B-55
0412020-20	10B- 2
0412020-20	14B-
0412020-200	14B-
0412020-202	14C-
0412020-202	14B-83
0412020-21	14B-74
0412020-3	14A-34
0412020-4	14A-35
0412020-5	14A-42
0412020-5	14B-66
0412020-6	14A-43
0412020-6	14B-67
0412020-7	14A-51A
0412020-7	14B-78
0412020-8	14A-50
0412020-8	14B-79
0412020-9	14A-52
0412020-9	14B-81
0412022-1	20A-26
0412022-1	20B-23
0412022-1	20C-20
0412022-2	20A-26
0412022-2	20B-23
0412022-2	20C-20

PART NUMBER	FIGURE AND INDEX NO.
0412023-1	14A-48
0412023-1	14B-46
0412024-2	14A-19
0412024-2	14B-28
0412025-1	14A-32
0412025-3	14B-42
0412025-4	14B-41
0412026-1	14A-49
0412026-1	14B-49
0412027-3	14A-21
0412027-3	14B-29
0412027-4	14A-22
0412027-4	14B-30
0412028-3	14A-29
0412028-3	14B-36
0412028-4	14A-28
0412028-4	14B-37
0412029-201	8 -72
0412029-202	8 -73
0412030-2	14A- 7
0412030-3	14B-13
0412032-1	1C-36
0412032-1	1D-34
0412032-2	1C-36
0412032-2	1D-34
0412033-1	14B-39
0412033-2	14B-48
0412033-3	14A-27
0412033-4	14A-26
0412033-5	14A-25
0412033-5	14B-33
0412033-6	14A-25
0412033-6	14B-33
0412033-7	14B-34
0412033-8	14B-35
0412034-2	1A- 1
0412034-2	23A-56
0412034-2	23B-52
0412034-3	1A- 1
0412034-3	23B-52
0412035-1	14A-30
0412037-1	14A-44
0412037-1	14B-71
0412039-1	14A-40
0412039-1	14B-68
0412039-2	14A-72
0412039-2	14B-62
0412039-3	14A-36
0412039-3	14B-53
0412039-4	14A-37
0412039-4	14B-54
0412039-5	14A-73
0412039-5	14B-63
0412039-6	14A-41
0412039-6	14B-69
0412040-2	14A-44
0412040-2	14B-70
0412041-1	14A-47
0412041-1	14B-76
0412042-1	14A-46
0412042-1	14B-75
0412043-3	14A-24
0412043-3	14B-28
0412043-4	14A-24
0412043-4	14B-28
0412044-1	37A-23
0412044-1	38A-49
0412044-1	38B-23
0412044-1	14A-63
0412044-1	14B-57
0412044-2	37A-24
0412044-2	38A-50
0412044-2	38B-23
0412044-2	14A-64
0412044-2	14B-58

PART NUMBER	FIGURE AND INDEX NO.
0412044-3	37A-24
0412044-3	38A-50
0412044-3	38B-24
0412044-3	14A-63
0412044-3	14B-59
0412044-4	37A-25
0412044-4	38A-51
0412044-4	38B-24
0412044-4	14A-64
0412044-4	14B-60
0412045-1	11 -62
0412045-2	11 -62
0412047-1	14A- 9
0412047-2	14B-20
0412048-1	11B-23A
0412049-1	14A-11
0412049-1	14B-25
0412050-1	14A-12
0412050-1	14B-26
0412050-2	14A-13
0412050-2	14B-27
0412051-1	38A-27
0412051-1	14A-16
0412051-2	38A-28
0412051-2	14A-17
0412051-3	38A-29
0412051-3	14A-14
0412051-4	38A-30
0412051-4	14A-15
0412051-5	38A-25
0412051-5	14A-18
0412051-6	38A-26
0412051-6	14A-19
0412052-1	14A-65
0412052-1	14B-61
0412052-2	14A-65
0412052-2	14B-61
0412054-1	14A- 9
0412054-1	14B-19
0412055-1	14A- 9
0412055-1	14B-20
0412057-1	14A-33
0412057-1	14B-45
0412058-1	14A-70
0412058-1	14B-44
0412059-1	14A-66
0412060-1	14A- 7
0412060-1	14B-14
0412061-1	10A-20
0412061-1	10B- 5
0412062-1	14A-68
0412062-2	14A-69
0412062-3	14A-67
0412064-1	14B-50
0412065-1	14B-47
0412066-1	11A-25
0412066-1	14B-10
0412066-2	11A-26
0412066-2	14B-11
0412066-6	11A-28
0412066-6	14B-12
0412067-2	14B-16
0412067-3	14B-17
0412067-4	14B-17
0412068-2	14B-43
0412070-2	20C-27
0412070-5	20C-27
0412071-1	37B- 5
0412071-2	37B- 5
0412109	14 -33
0412116	14 -52
0412117	14 -50
0412119	14 -28
0412121-2	14 -51
0412121-3	14 -49

PART NUMBER	FIGURE AND INDEX NO.
0412121-3	14A-53
0412121-3	14B-82
0412132	14 -37
0412132	14A-55
0412132	14C- 5
0412144-3	14 -54
0412144-4	14 -55
0412145	14 -57
0412162-2	14 -29
0412168	36 -17
0412168-1	36A-27
0412171-1	14 -11
0412171-1	14A- 8
0412171-1	14A-10
0412171-1	14B-18
0412171-1	14B-24
0412172-1	14 -10
0412173-1	14 -34
0412173-1	14A-54
0412173-2	14C- 1
0412174-1	14 -41
0412174-1	14A-57
0412174-2	14C-10
0412175-1	14 -42
0412175-1	14A-58
0412176-1	14 -47
0412176-1	14A-60
0412176-2	14C-18
0412177-1	14 -40
0412177-1	14A-56
0412177-1	14C- 8
0412181-1	14 -43
0412181-1	14A-58
0412184-1	14 -44
0412184-1	14A-58
0412184-1	14C-13
0412467	13 -28
0412467	13A-25
0412467	14 -13
0412467	14 -38
0412467	14A-22
0412467	14A-55
0412467	14B-31
0412467	14C- 6
0412468	14A-49
0412468	14B-49
0412469	14A-32
0412469	14B-43
0412480-3	23 -34
0412495	20A-18
0412495-1	20 -23
0412495-1	20B-20
0412495-1	20C-18
0412496	20 -22
0412496	20A-17
0412496	20B-18
0412496	20C-16
0412496-1	20C-16
0412500-1	20 -32A
0412502-1	14 -65
0412503-1	20 -31
0412504-1	14 -59
0412505-2	19C-10
0412505-5	19C-16
0412505-6	19C-16
0412509-1	14A-72
0412509-1	20A-28
0412509-1	20B-25
0412509-1	20C-22
0412509-1	14B-62
0412509-2	20A-29
0412509-2	20B-26
0412509-2	20C-23
0412509-2	14A-73
0412509-2	14B-63

PART NUMBER	FIGURE AND INDEX NO.
0412519-1	14 -64
0412520-1	14 -46
0412520-1	14A-62
0412521-3	14A-56
0412521-3	14C- 9
0412522-1	14 -54
0412522-3	14 -54
0412522-4	14 -55
0412522-5	14 -55
0412522-6	14 -56
0412522-7	14 -57
0413002-1	11A- 1
0413002-1	12A-
0413002-2	12A-12
0413002-3	12A-11
0413003-1	11A- 1
0413003-1	12B-
0413003-11	12B- 5
0413003-12	11A- 1
0413003-12	12B-
0413003-2	12B-13
0413003-3	12B-12
0413003-4	12B-11
0413003-5	12B-10
0413003-7	12B- 5
0413003-9	12B-46
0413004-1	11A- 1
0413004-1	12C-
0413004-2	12C-12
0413004-3	12C-11
0413004-4	12C-10
0413004-5	12C- 9
0413004-6	12C- 9
0413004-9	12C- 9
0413016-3	35 -29
0413016-8	35 -24
0413017-1	23 -36
0413025-2	22C-51
0413025-2	22B-47
0413026-4	20B-36
0413028-4	41A- 8
0413028-5	41A- 7
0413032-1	23C-52
0413032-2	23C-52
0413032-2	23D-55
0413032-2	23E-21
0413032-3	23D-55
0413033-1	22C- 1
0413033-13	22C- 4
0413033-14	22C- 4
0413033-15	22C- 3
0413033-16	22C- 3
0413033-18	22C- 4
0413033-19	22C- 4
0413033-2	22C- 1
0413033-200	22C- 3
0413033-201	22C- 3
0413033-202	22C- 1
0413033-203	22C- 1
0413033-204	22C- 1
0413033-205	22C- 1
0413033-206	22C- 1
0413033-207	22C- 1
0413033-21	22C- 1
0413033-22	22C- 1
0413033-25	22C- 1
0413033-26	22C- 1
0413034-10	24B-12
0413034-16	23C-10
0413034-16	12B- 2
0413034-19	23C- 3
0413034-20	23C- 5
0413034-20	24B- 1
0413034-21	23C- 5
0413034-22	23D-11



PART NUMBER	FIGURE AND INDEX NO.
0413034-22	12B- 2
0413034-3	23C- 6
0413034-4	23C- 3
0413034-5	23C- 1
0413034-6	23C- 5
0413034-9	24B-10
0413035-1	23C-27
0413035-1	23D-29
0413036-2	25A-14
0413037-1	33A-34
0413037-1	12B- 6
0413038-1	24B-14
0413102-1	23B-57
0413102-3	23C-36
0413102-3	23D-38
0413103-1	20D-14A
0413126-3	23A-31
0413126-3	23B-29
0413126-7	23 -39
0413126-7	23A-31
0413126-7	23B-29
0413133-5	22 -46
0413133-6	22A-14A
0413138	46 -38
0413138	46B-19
0413140-2	46 -37
0413140-5	46 -33
0413140-5	46B-24
0413141	46 -42
0413141-1	46B- 6
0413142-5	46 -32
0413148	21 -31
0413148	22 -31
0413148	22A-25
0413157	3 -16
0413163-11	33 -33
0413163-11	33A-44
0413163-11	33B-45
0413163-18	33A-43
0413163-18	33B-44
0413163-18	33 -32
0413163-18	33A-39
0413163-23	33B-40
0413163-23	33 -28
0413163-24	33A-39
0413163-24	33B-40
0413163-24	33 -28
0413163-5	33 -33
0413163-5	33A-44
0413163-5	33B-45
0413163-7	33 -31
0413163-7	33A-42
0413163-7	33B-43
0413163-8	33 -30
0413163-8	33A-41
0413163-8	33B-42
0413163-9	33 -30
0413163-9	33A-41
0413163-9	33B-42
0413179	1A- 3
0413186-3	42 -27
0413195	21 - 8
0413195	22 - 8
0413195	22A-12
0413196	21 -11
0413196	22 -11
0413196	22A-11
0413197	21 - 6
0413197	22 - 6
0413197	22A- 6
0413198	21 - 4
0413198	22 - 4
0413198	22A- 4
0413202-10	19A-25
0413202-11	14A-23

PART NUMBER	FIGURE AND INDEX NO.
0413202-11	14B-32
0413202-11	19A-23
0413202-14	19A-13
0413202-16	19A-14
0413202-17	19A-18
0413202-18	19A-19
0413202-19	19A-19
0413202-2	19A-17
0413202-20	19A- 5
0413202-21	19A- 8
0413202-22	19A-11
0413202-23	19A- 7
0413202-24	19A-21
0413202-25	19A-20
0413202-26	19A-22
0413202-27	19A- 1
0413202-28	19A- 6
0413202-3	19A- 4
0413202-5	19A- 5
0413202-6	19A- 8
0413202-7	19A-12
0413202-8	19A- 9
0413202-9	19A-10
0413203	33 -36
0413203	33A-47
0413203	33B-48
0413204-1	25 -11
0413204-1	12 - 8
0413204-1	12A- 4
0413204-1	12B- 4
0413204-1	25A-12
0413205-10	30A-14
0413205-10	46 - 6
0413205-10	30A-13
0413205-12	46 - 6
0413212-1	12 - 4
0413212-1	12 - 4
0413213-13	35A-48A
0413213-16	35A-48A
0413213-16	35B-52
0413213-5	35 -28
0413213-8	35A-48
0413216	35 -30
0413216-1	35A-46
0413216-4	35 -31
0413216-4	35 -31
0413216-6	35A-47
0413216-6	35A-47A
0413216-6	35B-51
0413228	33A-51
0413228	33B-52
0413228	33 -39
0413233	33 -26
0413233	33A-37
0413233	33B-38
0413235	3 -14
0413235	20 -10
0413235	20A- 9
0413247	4 -26
0413247	23 - 8
0413247	23A- 7
0413247	23B- 7
0413247	23C- 7A
0413247	23D- 7
0413247	23E-12
0413257	33 -34
0413257	33A-45
0413257	33B-46
0413270-3	20 -42
0413270-3	20A-41
0413270-4	20 -43
0413270-4	20A-42
0413282	19A-36
0413298	14 -15
0413298-2	14 -26

PART NUMBER	FIGURE AND INDEX NO.
0413298-3	14 -70
0413300-1	11 - 1
0413300-1	12 -
0413300-3	11 - 1
0413300-3	12 -
0413301-10	23 - 4
0413301-11-156	23 - 1
0413301-12	24 - 7
0413301-13	24 - 8
0413301-14	24 - 9
0413301-15	23 -46
0413301-15	12 - 2
0413301-16	23 -47
0413301-18	24 -13
0413301-18	24A- 8
0413301-2-156	23 -45
0413301-3	24 - 1
0413301-6	24 - 6
0413301-8-156	24 - 5
0413304-1	12 -38
0413304-1	12A-39
0413304-1	12B-41
0413304-1	12C-37
0413304-2	12 -39
0413304-2	12A-40
0413304-2	12B-42
0413304-2	12C-38
0413305-1	12 -12
0413305-1	12A-13
0413305-1	12B-14
0413305-1	12C-13
0413305-2	12 -12
0413305-2	12A-13
0413305-2	12B-14
0413305-2	12C-13
0413305-3	12 -13
0413305-3	12A-14
0413305-3	12B-15
0413305-3	12C-14
0413305-4	12 -13
0413305-4	12A-14
0413305-4	12B-15
0413305-4	12C-14
0413307-17	14 -19
0413307-18	14 -16
0413307-21	14 -17
0413307-5	14 -21
0413307-6	14 -21
0413307-7	14 -22
0413311-10	22A-26
0413311-11	21 -32
0413311-12	22 -32
0413311-7	21 -32
0413311-8	22 -32
0413311-9	22A-26
0413317	21 - 7
0413317	22 - 7
0413317	22A- 7
0413322	21 -45A
0413322	22A-67A
0413323	21 -45
0413323	22A-67
0413323-9	22B-28
0413325	13 - 8
0413325-1	13 - 9
0413325-2	13A-11
0413325-3	13A-10
0413327-12	11A-10
0413327-6	11 - 7
0413327-7	11 - 8
0413327-8	11A-10
0413327-9	11A-10
0413329-200	13 - 5
0413329-201	13 - 4
0413329-4	12 - 1



PART NUMBER	FIGURE AND INDEX NO.
0413329-4	13 -
0413329-5	12A- 1
0413329-5	13 -
0413338	43 -28
0413338	43A-25
0413339-10	15 - 1
0413343-1	19A-34
0413343-2	19A-31
0413344-1	1A- 9
0413344-1	19A-35
0413345-1	13 -16
0413346-1	12A- 3
0413346-1	12B- 3
0413346-1	12C- 3
0413347-1	33A-52
0413347-1	33B-53
0413347-1	33 -40
0413351-1	55 - 5
0413351-2	55 - 6
0413352-1	55 - 4
0413357	21 -33
0413357	22A-27
0413357-1	22 -33
0413357-1	22A-27
0413359-1	21 -32
0413359-1	22 -32
0413359-2	21 -32
0413359-2	22 -32
0413362-4	21 -28
0413362-4	22 -28
0413362-6	21 -28
0413362-6	22 -28
0413362-6	22A-22
0413363-1	46 - 8
0413363-1	22A-68
0413366	21 -29
0413366	22 -29
0413366	22A-23
0413366-1	21 -30
0413366-1	22 -30
0413366-1	22A-24
0413368-1	35A-33
0413369-2	35A-
0413370-1	35A-23
0413370-1	35B-23
0413372-1	35A- 5
0413372-1	35B- 5
0413372-2	35A- 7
0413372-6	35A- 6
0413372-8	35B- 6
0413373-1	35A-28
0413373-1	35B-28
0413374-1	35A-20
0413374-1	35B-19
0413375-10	24A- 1
0413375-13-279	24A- 3
0413375-13-418	24A- 3
0413375-14-418	23A-52
0413375-16-418	23A- 1
0413375-18	24A- 1
0413375-2-279	23A-52
0413375-20	24A- 3
0413375-20-418	24A- 3
0413375-21	23B-48
0413375-22	23A-53
0413375-22	23B-50
0413375-22	12 - 2
0413375-24	23B-48
0413375-26	23B-50
0413375-26	12A- 2
0413375-28	24A- 3
0413375-3	23A- 3
0413375-3	23B- 3
0413375-30	23B- 1
0413375-30-418	23A- 1

PART NUMBER	FIGURE AND INDEX NO.
0413375-31	23B- 3
0413375-32	23B- 1
0413375-4-279	23A- 1
0413375-5	23A-53
0413375-5	12 - 2
0413375-6	24A- 8
0413375-9	24A- 9
0413375-9	24B-13
0413375-9	24C-14
0413377-1	25 -12A
0413377-4	23A-44
0413378-1	23A-18
0413378-1	23B-17
0413378-2	23A-21
0413378-2	23B-20
0413378-3	23A-19
0413378-3	23B-18
0413378-4	23A-20
0413378-4	23B-19
0413378-5	23A-21
0413378-5	23B-20
0413379	35B-27
0413379-1	35A-27
0413380-1	35A-32
0413380-1	35B-32
0413385-1	24A-12
0413385-1	12 - 3
0413385-1	12A- 7
0413386-1	13 -24
0413386-1	13A-21
0413387-1	22C-39
0413387-1	22D-
0413387-1	22B-42
0413387-2	22C-39
0413387-2	22D-
0413387-2	22B-42
0413387-3	22C-39
0413387-3	22D-
0413387-4	22C-39
0413387-4	22D-
0413388-1	22D- 1
0413388-3	22B-29
0413388-3	22C-25
0413388-4	22B-29
0413388-4	22C-25
0413389-1	22C-29
0413389-1	22B-33
0413389-4	22C-29
0413389-4	22B-33
0413390-1	22B- 1
0413390-17	22B- 4
0413390-18	22B- 4
0413390-19	22B-17
0413390-2	22B- 1
0413390-20	22B- 5
0413390-23	22B-20
0413390-23	22C-12
0413390-32	22B-24
0413390-32	22C-23
0413390-34	22B-25
0413390-34	22C-24
0413391-1	12A-25
0413391-1	12B-26
0413391-1	12C-22
0413391-2	12A-26
0413391-2	12B-27
0413391-2	12C-23
0413392-1	12A-24
0413394-1	12A-36
0413394-1	12B-38
0413394-1	12C-34
0413394-2	12A-37
0413394-2	12B-39
0413394-2	12C-35
0413395-1	12A-33

PART NUMBER	FIGURE AND INDEX NO.
0413395-1	12B-35
0413395-1	12C-31
0413395-2	12A-33
0413395-2	12B-35
0413395-2	12C-31
0413396-1	12A-32
0413396-1	12B-34
0413396-1	12C-30
0413396-2	12A-32
0413396-2	12B-34
0413396-2	12C-30
0413397-1	12A-31
0413397-1	12B-33
0413397-2	12A-31
0413397-2	12B-33
0413397-2	12C-29
0413397-3	12B-33
0413397-3	12C-29
0413398-1	12A-17
0413398-1	12B-18
0413398-2	12A-18
0413398-2	12B-19
0413399-1	55 -45
0413399-2	55 -45
0413401-1	10A-13
0413401-1	10B-13
0413402-1	10A-13
0413402-1	10B-13
0413402-2	10A-15
0413402-2	10B-15
0413402-6	10A-14
0413402-6	10B-14
0413405-1	12A-19
0413405-1	12B-21
0413406-3	22C-34
0413406-6	22B-38
0413406-6	22B-31
0413406-6	22C-28
0413406-8	22C-34
0413406-8	22B-38
0413409-3	12A-20
0413410-1	11A-40
0413411-3	13A-29
0413412-1	13 -25
0413412-1	13A-22
0413412-2	13 -26
0413412-2	13A-23
0413413-1	12A-35
0413413-1	12B-37
0413414-1	22D- 4
0413414-2	22D- 3
0413416-2	38B-60
0413416-3	38B-59
0413416-4	37B-11
0413416-4	37B-32
0413416-4	38B-57
0413416-4	38C- 2
0413416-6	38B-59
0413416-6	38C- 5
0413416-8	38C- 8
0413417-1	38B-69
0413417-2	38B-58
0413417-3	38B-52
0413419-200	15 - 1
0413419-201	15 - 1
0413419-202	15 - 1
0413420-1	22B- 4
0413420-2	22B- 4
0413421-1	12A-19A
0413421-1	12B-20
0413423-1	12B- 7
0413423-1	12C- 6
0413423-2	12B- 8
0413423-2	12C- 7
0413424-1	12B- 1

PART NUMBER	FIGURE AND INDEX NO.
0413424-1	12C- 1
0413424-1	13A-
0413424-200	13A- 7
0413424-201	13A- 6
0413425-1	12B-16
0413425-1	12C-15
0413425-2	12B-16
0413426-3	22C-16
0413426-4	22C-17
0413427	4A-15
0413427-2	23C-27
0413427-2	23D-28
0413427-3	23E-39
0413428-1	22C-44
0413428-2	22C-44
0413429-1	12B-67
0413429-1	12C-66
0413429-2	12B-68
0413429-2	12C-67
0413430-1	12B-22
0413430-1	12C-18
0413431-1	55 - 7
0413432-12	55 - 8
0413433-1	23D- 5
0413434-1	23D- 3
0413436-2	42A- 4A
0413440-1	20C-18
0413441-1	25B- 8
0413442-1	24B-10
0413443-1	23D-10
0413445-1	38C- 4
0413446-1	38C- 3
0413447-2	38C- 1
0413449-1	38C- 6
0413449-1	20C- 5
0413450-1-294	22C-43A
0413451-1	23D- 1
0413452-1	33A-34
0413452-1	33B-35
0413452-1	12B- 6
0413452-1	12C- 5
0413454-1	23E-16
0413454-1	23B-42
0413454-1	23C-11
0413454-1	23D-12
0413454-3	23B-42
0413454-3	23C-11
0413454-3	23D-12
0413454-3	23E-16
0413457-1	23E-15
0413457-1	12C- 2
0413457-8	23E-15
0413458-1	24C-10
0413458-4	24C-12
0413458-5	24C-13
0413459-1	23E- 9
0413461-1	23E- 7
0413461-2	23E- 1
0413461-3	23E-18
0413461-4	23E- 7
0413462-1	23E-55
0413462-2	23F- 1
0413462-3	23F- 3
0413462-4	23F-15
0413463-1	20D-14B
0413467-2	23E-21
0413467-3	23E-19
0413467-4	23E-20
0413467-5	23E-14
0413468-1	12C-45
0413469-1	12C-44
0413471-2	12C-17
0413474-1	25C- 7
0413475-1	25C-13
0413476-1	20C-19A

PART NUMBER	FIGURE AND INDEX NO.
0413476-2	20C-19B
0413478-1	25C-11
0413479-1	23F- 6
0413480-1	23F- 2
0413481-1	24C- 1
0413482-1	24B- 4
0413482-1	24C- 4
0413483-1	41A- 1
0413484-1	20C- 7
0413485-1	41A- 7
0413485-2	41A- 7
0413487-1	23E-15
0414001-1	22C-46
0414001-2	22C-46
0414002-1	20D- 4
0414002-2	20D- 5
0414222-1	19B- 9
0414222-2	19B- 9
0414225-1	19B- 4
0414225-2	19B- 4
0414229-1	19B-19
0417007-1	22C-20A
0417010-2	22D-17
0420015-1	2 -80
0420015-1	2A-84
0420015-2	2 -81
0420015-2	2A-85
0420017-2	38B-10
0420019-1	38B-70
0421000-1	7A- 1
0421000-2	7A- 1
0421001-1	7A- 8
0421002-1-791	7A-14
0421002-2-791	7A-14
0422130	43 - 8
0422130	43A- 8
0422229-11	2 -12
0422229-11	2A-12
0422280	5 - 6
0422291	3 - 3
0422291	3 -10
0422292	3 - 8
0422293-1	38A-60
0422293-1	2 -83
0422293-1	2A-87
0422293-2	38A-60
0422293-2	2 -83
0422293-2	2A-87
0422293-3	38A-61
0422293-3	2 -83
0422293-3	2A-87
0422293-4	38A-61
0422293-4	2 -83
0422293-4	2A-87
0422356-1	37B-20
0422356-2	37B-20
0422357-1	37B-25
0422358-1	37B- 9
0422358-1	37B-24
0423007-1	1D-26
0423007-1	1C-29
0423008-3-791	2 -86
0423008-3-791	2A-90
0423008-4	2 -86
0423008-4	2A-91
0423008-5	2 -86
0423008-5	2A-91
0423541-10	2 -62
0423541-10	2 -63
0423541-11	2 -63
0423541-12	2 -63
0423541-13	2 -57
0423541-14	2 -57
0423541-15	2 -58
0423541-15	2 -59

PART NUMBER	FIGURE AND INDEX NO.
0423541-16	2 -58
0423541-16	2 -59
0423541-17	2 -59
0423541-18	2 -59
0423541-19	2A-60
0423541-20	2A-60
0423541-21	2A-61
0423541-21	2A-62
0423541-22	2A-61
0423541-22	2A-62
0423541-23	2A-62
0423541-24	2A-62
0423541-31	2A-64
0423541-32	2A-64
0423541-33	2A-65
0423541-33	2A-66
0423541-34	2A-65
0423541-34	2A-66
0423541-35	2A-66
0423541-36	2A-66
0423541-7	2 -61
0423541-8	2 -61
0423541-9	2 -62
0423541-9	2 -63
0423542-6	47 - 7
0425132-3	11 -83
0425133	38 -12
0425133	38A- 9
0425142-1	6 -35A
0425142-2	6 -35A
0426003-18	1D-30
0426003-18	1C-32
0426003-19	1D-30
0426003-19	1C-32
0426005	2 -
0426005-1	2 -
0426005-14	2 -69
0426005-14	2 -69
0426005-14	2A-74
0426005-14	2A-74
0426005-16	2 -
0426005-17	2 -
0426005-18	2A-
0426005-19	2A-
0426005-200	2 -
0426005-201	2 -
0426005-202	2A-
0426005-203	2A-
0426005-204	2 -
0426005-205	2 -
0426005-206	2A-
0426005-207	2A-
0426005-209	3 -
0426005-211	3 -
0426005-212	2 -
0426005-213	2 -
0426005-214	2A-
0426005-215	2A-
0426005-26	2 -65
0426005-27	2 -69
0426005-31	2A-70
0426005-32	2A-74
0426005-35	3 - 1
0426005-37	3 - 1
0426005-60	3 -
0426005-61	3 -
0426005-8	2A-
0426005-9	2A-
0426007-11	1C-35
0426007-11	1D-33
0426007-12	1C-35
0426007-12	1D-33
0426007-3	10 - 4
0426007-4	10 - 5
0426208-1	4A-11B

PART NUMBER	FIGURE AND INDEX NO.
0426209-1	2 -87
0426209-1	2A-92
0426300	2 - 1
0426300-1	2 - 1
0426300-2	2 - 2
0426300-2	2A- 2
0426300-3	2 - 2
0426300-3	2A- 2
0426300-6	2A- 1
0426300-7	2A- 1
0426400-12	2 -14
0426400-12	2A-14
0426400-13	2 -14
0426400-13	2A-14
0426400-14	2A-13
0426400-15	2A- 9
0426400-16	2A- 9
0426400-17	2 -11
0426400-17	2A-11
0426400-18	2 -11
0426400-18	2A-11
0426400-8	2 - 9
0426400-9	2 - 9
0426506	2 -24
0426506	2A-27
0426506-1	2A-26
0426507	2 -23
0426507	2A-23
0426507-1	2 -23
0426507-1	2A-23
0426508-10	4 - 1
0426508-9	4 - 1
0426511-6	1C-12
0426511-7	1C-12
0426512	2 -26
0426512	4 - 4
0426512-5	4 - 5
0426512-6	2A-30
0426512-6	4A-25
0426512-8	4A-26
0426513-3	2 -87
0426513-3	2A-92
0426514	2 -25
0426514	2A-29
0426514-1	2A-28
0426515-2	2 -52
0426515-3	2 -52
0426515-4	2 -53
0426515-5	2 -53
0426516-1	1D-12
0426516-2	1D-12
0426517-1	4 -18
0426517-2	4A-13
0426519-1	4A- 1
0426519-2	4A- 1
0426606	7 - 1
0426606-1	7 - 1
0426606-4	7 -15
0426606-5	7 -14
0426901	6 -13
0426901-1	6 -13
0426901-10	6 -31
0426901-11	6 -31
0426901-12	6 -30
0426901-13	6 -30
0426901-14	6 -36
0426901-15	6 -13
0426901-2	6 -13
0426901-2	6 -30
0426901-3	6 -30
0426901-4	6 -31
0426901-5	6 -31
0426901-6	6 -32
0426901-7	6 -32
0426901-8	6 -13

PART NUMBER	FIGURE AND INDEX NO.
0426901-9	6 -13
0426908	6 -20
0426908-1	6 -20
0430004-1-791	9 -49
0430004-10-791	8 -70
0430004-11-791	8 -36
0430004-2-791	9 -47
0430004-4-791	9 -23
0430004-5-791	8 -70
0430004-6-791	8 -36
0430004-6-791	9 -21
0430004-7-791	9 -23
0430004-8-791	9 -47
0430004-9-791	9 -21
0430005-201	8 -72
0430005-202	8 -73
0431001-1	9 -
0431001-10	9 -10
0431001-11	9 -13
0431001-14	9 -16
0431001-15	9 -17
0431001-16	9 -28
0431001-17	9 -31
0431001-19	9 -29
0431001-2	9 -24
0431001-21	9 -37
0431001-22	9 -15
0431001-23	9 -52
0431001-25	9 -15A
0431001-26	9 -15A
0431001-27	9 -53
0431001-28	9 -
0431001-29	9 -24
0431001-3	9 -40
0431001-30	8 -63B
0431001-30	9 -56
0431001-31	9 -57
0431001-33	9 -16
0431001-35	9 - 3
0431001-36	9 -58
0431001-4	9 - 3
0431001-6	9 - 4
0431001-7	9 - 7
0431001-8	9 - 8
0431001-9	9 - 9
0431002-1	9 -24
0431003-1	9 -32
0431004-10	9A- 7
0431004-11	9A- 6
0431004-12	9A-17
0431004-13	9A-18
0431004-14	9A-19
0431004-15	9A-20
0431004-16	9A-21
0431004-17	9B-13
0431004-18	9A-11
0431004-19	9A-11A
0431004-2	9A-
0431004-20	9A-15
0431004-21	9B-37
0431004-22	9B-35
0431004-23	9B-34
0431004-24	9B-19
0431004-25	9B-18
0431004-26	9B-16
0431004-27	9B-21
0431004-3	9B-
0431004-34	9B-23
0431004-35	9A-23
0431004-36	9B-14
0431004-37	9B-17
0431004-4	9A- 4
0431004-5	9A- 5
0431004-6	9B- 5
0431004-7	9B-15

PART NUMBER	FIGURE AND INDEX NO.
0431004-8	9B-20
0431004-9	9A-10
0431005-1	9B-38
0431007-1	9B-36
0431007-4	9B-36
0431008-1	9A- 8
0431008-2	9A- 9
0431009-1	9A-16
0431010-1	9A-12
0431010-2	9A-14
0431010-7	9A-13
0431011-1	9B-11
0431011-2	9B-12
0431011-3	9B- 7
0431011-4	9B- 8
0431011-5	9B- 9
0431011-6	9B-10
0431013-1-791	9B-25
0431013-2	48 - 1
0431013-3-791	9A-24
0431014-1	9A-27
0431015-5	8 -72
0431015-6	8 -73
0431017-1	48A-10
0431017-2	48A-13
0431020-2	55 -15
0432001-10	8 -15
0432001-11	8 -14
0432001-12	8 -26
0432001-13	8 -27
0432001-14	8 - 4
0432001-15	8 - 5
0432001-16	8 -33
0432001-17	8 -30
0432001-18	8 -31
0432001-19	8 -10
0432001-2	8 -
0432001-20	8 -10
0432001-21	8 -47
0432001-22	8 -53
0432001-23	8 -54
0432001-24	8 -48
0432001-26	8 -61
0432001-27	8 -63A
0432001-28	8 -57
0432001-3	8 -46
0432001-30	8 -62
0432001-31	8 -52
0432001-33	8 -55
0432001-34	8 -56
0432001-35	8 -59
0432001-36	8 -60
0432001-37	8 -13
0432001-38	8 -63
0432001-4	8 -46
0432001-42	8 -54
0432001-46	8 -11
0432001-5	8 -58
0432001-50	8 -
0432001-51	8 -46
0432001-52	8 -46
0432001-53	8 -27
0432001-54	8 -31
0432001-55	8 -30
0432001-56	8 - 4
0432001-57	8 -52
0432001-59	8 -
0432001-6	8 -11
0432001-8	8 - 8
0432001-9	8 - 9
0432002-1	8 -67
0432003-1	8 -35
0432003-1	9 -20
0432004-1	8 - 6
0432005-1	8 -20



PART NUMBER	FIGURE AND INDEX NO.
0432005-2	8 -20
0432134-1	40 - 4
0432134-1	40A- 4
0432134-1	40B- 5
0432138-1	40B-14
0432138-20	40A- 9A
0432138-20	40B-14
0432138-8	40 -12
0432138-8	40 -34
0432138-8	40A- 9
0432138-8	40A- 9A
0432138-8	40B-15
0432162-1	39 -20
0432162-1	8 -41
0432162-3	8 -45
0432162-3	9 -33
0432163-1	8 -64
0432163-3	8 -64
0432164-1	8 - 6
0432165-1	8 -34
0432165-1	9 -19
0432166-1	39 -20
0432166-1	8 -41
0432166-3	8 -41
0432167-1	14A-56
0432167-1	14C- 9
0432168-5	8 -63
0433006-7	9 -43
0433006-7	9B-28
0433007	9 -42
0433007	9B-27
0433133-1	14C- 7
0433134-1	9 -54
0433134-3	8 -63C
0433134-6	8 -63C
0433135-1	9B-24
0434116-1	8 -50
0434116-1	8 -50A
0434155-1	8 -50
0434155-2	8 -50A
0441001-3	18B- 8
0441021	42 -26
0441023-1	18 - 8
0441023-2	18 - 8
0441023-2	18A- 6
0441024-1	18 - 2
0441024-1	18A- 2
0441024-1	18B- 2
0441024-2	18 - 2
0441024-2	18A- 2
0441024-2	18B- 2
0441025-1	18 - 1
0441025-1	18A- 1
0441025-1	18B- 1
0441119	18 -17
0441119	18A-14
0441119	18B-13
0441130-2	18A-31
0441132	34 - 5
0441139-5	18A-19
0441139-5	18B-20
0441139-6	18A-19
0441139-6	18B-20
0441154-1	51B-18A
0441155-1	11B-19
0441156-13	51A- 1A
0441156-14	52A- 1A
0441156-17	51B- 2
0441157-1	18 -22
0441157-2	18 -22
0441157-3	18 -22
0441158-1	18 -18
0441160-2	11 -28
0441161-1	18 - 6
0441163-10	18 - 9

PART NUMBER	FIGURE AND INDEX NO.
0441163-5	18 - 9
0441163-6	18 - 9
0441163-9	18 - 9
0441164-1	18 -18
0441165-1	18 -23
0441166-1	18 - 1
0441167-3	18 - 2
0441167-4	18 - 2
0441168-1	18 -31
0441169-1	18 - 9
0441169-1	18A- 7
0441169-1	18B- 7
0441169-2	18 - 9
0441169-2	18A- 7
0441169-2	18B- 7
0441170-1	11 -32
0441170-1	11B-14
0441171-1	11 -33
0441171-1	11B-13
0441172-1	11 -30
0441172-1	11B-11
0441173-2	51 -
0441174-1	51 - 8
0441175-1	18 -36
0441176-13	18 -37
0441176-14	18 -37
0441176-15	18 -45
0441176-3	18 -37
0441176-4	18 -37
0441176-5	18 -45
0441176-6	18 -45
0441176-6	18 -45
0441176-7	18 -32
0441176-8	18 -32
0441176-9	18 -42
0441177-1	18 -31
0441178-1	51A-14
0441179-14	52A- 1A
0441179-2	51A- 1A
0441180-1	18 -32
0441180-2	18 -32
0441181-1	18 -42
0441182-1	18 -44
0441183-1	18 -31
0441184-12	18 -44
0441184-3	18 -37
0441184-4	18 -37
0441184-5	18 -32
0441184-6	18 -32
0441185-1	18 -31
0441186-1	18A- 7
0441186-1	18B- 7
0441186-2	18B- 7
0441187-1	18A-28
0441187-2	18A-28
0441201-1	18B-29
0441201-2	18B-29
0442012-2	52 -
0442013-201	17B- 2
0442015-1	17 - 9
0442016-1	17 -11
0442017-1	17A-12
0442142-1	16 -18
0442142-1	16A-16
0442143-1	16 -19
0442143-1	16A-17
0442145-1	17 -28
0442145-1	17A-31
0442145-1	17B-18
0442147-1	17 -53
0442147-1	17B-21
0442501-200	16 - 1
0442501-200	17 -
0442501-203	16 - 1

PART NUMBER	FIGURE AND INDEX NO.
0442501-203	17 -
0442501-204	16 - 1
0442501-204	17 -
0442501-208	16 - 1
0442501-208	17 -
0442501-3	16 - 1
0442501-3	17 -
0442501-4	16 - 1
0442501-4	17 -
0442501-9	16 - 1
0442501-9	17 -
0442502-1	17 -30
0442502-1	17B-20
0442504-200	17A- 2
0442504-3	16 - 1
0442504-3	16A- 1
0442504-3	17A-
0442506-1	17A-34
0442506-1	17B-31
0442506-2	17A-46
0442506-2	17B-43
0442506-8	17A-44
0442506-8	17B-41
0442506-9	17A-45
0442506-9	17B-42
0442512-1	53A-
0442512-2	53 -27
0450017-11	23 - 9
0450017-20	23 - 9
0450020-1	26 -10
0450020-3	26 -11
0450021-1	26 - 8
0450024-10	26 -11
0450024-12	26 - 8
0450024-17	26 -10
0450024-3	26 - 8
0450025-10	26 -14
0450025-3	26 -18
0450025-8	26 -16
0450027-10	26 -18
0450027-3	26 -14
0450032-1	46C- 9
0450033-1	46C-10
0450034-1	32 -33
0450034-2	56 -19
0450035-1	56 - 9
0450036-1	46C-16
0450037-1	46C-10A
0450106-1	26 -16
0450111	12 -45
0450163-1	32 -17
0450171	32 -22
0450191-1	29 - 7
0450209	32 -23
0450210	32 -20
0450211-1	32 -21
0450211-2	32 -24
0450215-1	32 -27
0450234-29	32 - 9
0450234-29	32 -13
0450247	33 - 9
0450247	12 -46
0450247	12A-44
0450247-2	33A- 7
0450247-2	12B-48
0450248	33 -10
0450248-1	33A- 8
0450250	33 -12
0450250	33A-10
0450252	33 -15
0450252	33A-13
0450253	33 -11
0450253	33A- 9
0450258	42 -36
0450258	42A-21

PART NUMBER	FIGURE AND INDEX NO.
0450260	26 - 4
0450262	27A-13
0450262	32 - 5
0450262	32 -18
0450262	32 -18A
0450262	32 -30C
0450266-1	27A-12
0450266-1	32 -18F
0450266-1	27 - 5
0450277-2	32 -35
0450277-5	32 -34
0450277-8	32 -35
0450283	29 -31
0450284	12 -52
0450284	12A-50
0450284	12B-60
0450302-1	32 -18C
0450302-1	27A- 8
0450302-3	32 - 5D
0450302-3	32 -18E
0450302-3	27A- 9
0450302-4	32 -18D
0450302-4	27A-10
0450303-1	32 - 5B
0450303-3	32 - 5C
0450304-1	33A- 8A
0450311	29 -15
0450311	29 -27
0450311	33 - 5
0450311	33A- 2
0450311	33B- 2
0450311-3	29 -45
0450311-3	43A-45
0450311-6	29 -23
0450311-7	29 -27A
0450314	30 -17
0450322	32 -19
0450322-1	32 -19
0450334-2	44 -10
0450338-10	31 -27
0450338-14	31 -18
0450338-14	31 -19
0450338-14	31 -20
0450338-3	31 - 5
0450338-56	31 -
0450338-57	31 -
0450338-62	31 - 3
0450338-63	31 - 1
0450338-66	31 -25
0450338-67	31 -24
0450338-69	31 -14
0450338-70	31 -20
0450338-9	31 -26
0450339-1	30 -24
0450340-1	30 -25
0450341-1	29 -34
0450342-1	29 -33
0450343-1	29 - 6
0450345-1	32 -31
0450346-1	29 -34A
0450347-1	29 -33A
0450348-1	12B-60
0450400-1	31 -
0450400-17	31 - 8
0450400-2	31 -
0450400-21	31 -
0450400-23	31 - 8
0450400-25	31 -
0450400-26	31 - 4
0450400-3	31 - 2
0450400-4	31 - 4
0450400-5	31 - 8
0450400-6	31 - 9
0450403-1	44 -28
0450403-2	44 -28

PART NUMBER	FIGURE AND INDEX NO.
0450404-1	44 -27
0450404-200	44 -27
0450408-1	27A-19
0450500-38	55 -50
0450502-1	32 - 1
0450502-12	32 - 3
0450502-13	32 -16
0450502-13	27A- 6
0450502-15	32 -30B
0450502-16	32 -14A
0450502-19	32 - 1A
0450502-2	32 -14
0450502-22	32 -10
0450502-23	32 - 6
0450502-24	32 -29A
0450502-25	32 -29B
0450502-25	32 -25
0450502-28	32 -26A
0450502-29	32 -26B
0450502-30	32 -26C
0450502-31	32 - 1A
0450502-32	32 -14A
0450502-36	32 -25
0450502-38	32 -25
0450502-39	27A- 5
0450502-5	32 -25
0450502-6	32 -26
0450505-1	32 -29
0450506-1	32 -28
0450507-1	32 - 4
0450510-1	26 - 6
0450511-1	26 - 1
0450512-1-279	27 - 1
0450512-5-279	27 - 1
0450515-1	26 - 1
0450515-2	26 - 1
0450516-1	26 - 6
0451114-1	30 - 5
0451114-29	30 - 5
0451114-32	30 - 5
0451114-35	30 - 5
0451114-35	55 -50
0451114-36	30 - 5
0451114-36	55 -50
0451116-1	55 - 1
0452002-10	28 -24
0452002-11	28 -23
0452002-12	28 - 5
0452002-16	28 -21
0452002-16	28A-29
0452002-17	28 -20
0452002-17	28A-30
0452002-18	28 - 8
0452002-19	28 - 8
0452002-2	28 - 2
0452002-21	28 - 9
0452002-22	28 -10
0452002-25	28 -33
0452002-26	28 -29
0452002-27	28 - 5
0452002-29	28 -14
0452002-29	28A-25
0452002-3	28 -11
0452002-30	28 -27
0452002-30	28A-35
0452002-32	28 -17
0452002-33	28 -16
0452002-34	28 -13
0452002-35	28 -12
0452002-39	28 -32
0452002-4	28 - 6
0452002-42	28 -25
0452002-42	28A-34
0452002-43	28 -19A
0452002-43	28A-28

PART NUMBER	FIGURE AND INDEX NO.
0452002-44	28 -18
0452002-45	28 -19
0452002-45	28A-27
0452002-49	28 -11
0452002-50	28 -17
0452002-51	28 -16
0452002-53	28 -13
0452002-54	28 -12
0452002-55	28 -15
0452002-56	28 - 9A
0452002-57	28 -18
0452002-6	28 - 4
0452002-6	28A- 2
0452002-8	28 -15
0452002-9	28 - 7
0452003-11	28A- 5
0452003-12	28A-24
0452003-13	28A-23
0452003-14	28A- 3
0452003-15	28A-20
0452003-16	28A- 6
0452003-17	28A- 6
0452003-18	28A-32
0452003-19	28A-33
0452003-2	28A- 1
0452003-20	28A-14
0452003-22	28A-17
0452003-25	28A- 7
0452003-26	28A-26
0452003-27	28A-19
0452003-28	28A- 9
0452003-3	28A-20
0452003-4	28A- 4
0452003-6	28A-21
0452003-7	28A-22
0452004-1	28A- 8
0452005-1	55 - 2
0452005-2	55 - 3
0452006-1	27A-21
0452007-2-791	27A- 1
0452120	21 -32
0452120	22 -32
0452120	22A-26
0452200-1	28 -28
0452200-1	28A-36
0453001-1	12 -45
0453001-1	12A-42
0453001-2	12B-46
0453001-4	12C-45
0453002-1	33A-16
0453002-10	33A-27
0453002-10	33B-29
0453002-10	12B-45
0453002-10	12C-43
0453002-11	33A-21
0453002-16	33A-19
0453002-16	33B-20
0453002-2	33A-17
0453002-24	33B-23
0453002-25	33B-19
0453002-26	33B-18
0453002-4	33A-20
0453002-4	33B-22
0453002-5	33A-25
0453002-5	33B-27
0453002-6	33A-26
0453002-6	33B-28
0453002-6	12B-45
0453002-6	12C-43
0453002-7	33A-28
0453002-7	33B-30
0453002-7	12B-45
0453002-7	12C-43
0453003-1	12B-57
0453003-1	12C-57

PART NUMBER	FIGURE AND INDEX NO.
0453003-4	12B-58
0453003-4	12C-56
0453003-6	12B-58A
0453003-6	12C-58
0453003-8	12B-57A
0453003-8	12C-55
0453004-1	46A-17
0453005-1	46A-18
0453006-1	33B- 9
0453006-1	12C-42
0453007-1	33B-10
0453007-2	33B-12
0453007-4	33B-13
0453010-1	33A-19A
0453010-1	33B-21
0453107	12 -48
0453107	12A-46
0453107-1	12 -49
0453107-1	12A-47
0453107-2	12B-51
0453107-2	12C-49
0453107-3	12B-50
0453107-3	12C-48
0453109	12 -51
0453109	12A-49
0453110	12 -50
0453110	12A-48
0453110	12B-52
0453110	12C-50
0453114-1	12 -56
0453114-1	12A-43
0453114-2	12B-47
0453114-3	12C-46
0453115-1	12 -47
0453115-1	12A-45
0453115-1	12B-49
0453115-1	12C-47
0453116-1	12A-54A
0453116-2	12A-54B
0453116-3	12A-54C
0453116-4	12A-54C
0453116-5	12B-53
0453116-5	12C-51
0453116-6	12B-54
0453116-6	12C-52
0453116-7	12B-56
0453116-7	12C-54
0453116-8	12B-55
0453116-8	12C-53
0453116-9	12B-55
0453116-9	12C-53
0453117-1	27A-20
0455010-1	27A-11
0456002-1	29 -40
0456003-3	56 -10
0456003-4	45B-37
0456003-4	45D-39
0456003-5	56 -24
0456004-1	27A-22
0456004-200	27A-23
0456004-6	27A-24
0460101	35B-13
0460101-1	35 -21
0460101-1	35A-14
0460104-1	25 -13
0460104-2	25 -13
0460105-1	25 -12A
0460106-1	38 -46
0460106-1	38 -46
0460106-1	38A-41
0460107-1	38 -46B
0460107-1	38A-43
0460108-1	37A-15
0460108-1	37A-23
0460108-1	38B-21

PART NUMBER	FIGURE AND INDEX NO.
0460109-1	37A-13
0460109-1	37A-20
0460109-1	38B-21
0460111-1	40A- 6
0460111-1	12B-66
0460112-1	40A- 1
0460113-1	40A- 6
0460113-1	12B-66
0460116-1	35A-38
0460116-1	35B-43
0460116-1	39 - 4
0460116-3	35B-43
0460116-3	39 - 4
0460119-1	12B-21
0460119-2	12B-20
0460120-1	40A- 1
0460123-1	40A-31
0460123-2	40A-32
0460124-1	40A-43
0460124-1	40B-23
0460124-2	40A-34
0460124-3	40A-35
0460126-1	12C-40
0460126-4	12C-33
0460127-2	40B- 1
0460128-1	35B-
0460128-2	35B-36
0460129-1	35B-35
0460131	40B-11
0460132-1	40B- 7
0460133-1	40B- 9
0460133-3	40B- 9
0460134-1	25A-14
0460194-1	38A-13
0460194-1	1A- 2
0460195-1	55 -23
0460196-1	55 -35
0460196-2	55 -18
0460197-1	55 -29
0460198-1	55 -30
0460198-2	55 -31
0460199-1	43A-59
0460199-1	12C-39
0460200-1	36A-30
0460201-1	39 -26
0470008-1	23F- 9
0470019-1	23C-36
0470019-1	23D-38
0470102-1	23C-35
0470102-1	23D-37
0490001-1	17B- 9
0495601-1	44 -29
0500027-11	1A- 7
0500037-4	30A-10
0500037-4	46 -42
0500085-1	1A-14
0500085-2	1A-14
0500091-2	1A-15
0500106-229	45 - 4
0500106-236	41 -21
0500125-1	35A-48A
0500125-1	1A- 7
0500125-3	35A-48A
0500125-44	35A-48A
0500205-1	43 -35
0500228-2	25 -33
0500228-2	25A-27
0500228-3	25 -35
0500228-3	25A-28A
0500236-3	20B-45
0500236-3	20D-17
0500248-1	1A-17
0500248-1	1A-17A
0500252-1	35A-48A
0500276-1	55 -41

PART NUMBER	FIGURE AND INDEX NO.
0500276-2	55 -41
0500310-1	25 -41
0500310-1	25A-32
0500312-2	25 -38
0500312-2	25A-29
0500313-1	25 -40
0500313-1	25A-31
0500315-1	29 -48
0500315-1	43A-37
0500315-2	29 -49
0500315-2	43A-38
0505007-1	1B-19
0505008-5	1B- 6
0505008-6	1B- 7
0505009-2	1B-16
0505012-1	1B- 3
0505017-1	1B- 8
0510127	40 - 1
0510167	38 -14
0510167	38A-11
0510169-2	38 -15
0510169-4	38 -15
0510169-4	38A-14
0510176	38 -17
0510176	38A-12
0510177	38 -17
0510177	38A-12
0510182	38 -16
0510191	38 -18
0510191	1A- 2
0510193-2	38 -16B
0510194-1	38 -18
0510194-1	1A- 2
0510203-1	38 -16A
0510203-1	38A-15
0511001-150	20B-17
0511001-150	20C-15
0511035-2	23 - 9
0511035-2	23A-16
0511049	19 - 9
0511049-1	19 - 9
0511059	45 -13
0511062-10	23 -50
0511062-10	23A-48
0511062-4	10-29
0511062-4	1C-31
0511062-5	10-29
0511062-5	1C-31
0511153-4	11 - 6A
0511153-4	11A-12
0511199-20	43 -50
0511199-21	43 -36
0511199-41	43 -50C
0511229-2	20 -12
0511233-7	25 - 1
0511233-7	25A- 1
0511258-1	22D- 6
0511258-2	22D- 6
0511259-1	22D-17
0511260-1	22D- 8
0511260-2	22D- 8
0511261-3	22D-10
0511261-4	22D-18
0511261-5	22D-18
0511263-1	22C-56
0511263-1	22B-28A
0511264-1	22D- 5
0511265-1	22D-12
0511266-1	22D-14
0511319-201	46 - 1
0511319-201	46A- 1
0511482-1	46B- 1
0511482-18	46B- 1
0511482-3	46B- 7
0511482-4	46B- 9

PART NUMBER	FIGURE AND INDEX NO.	PART NUMBER	FIGURE AND INDEX NO.	PART NUMBER	FIGURE AND INDEX NO.
0511482-8	46B- 9	0513208-1	46B-15	0523007-12	3 - 1
0511482-9	46B- 1	0513208-1	49 - 5	0523007-14	2 -65
0511483-1	46B-22	0513239-1	35A-45	0523007-14	2 -65
0511483-1	11 - 5	0513239-5	35A-45	0523007-16	2 -66
0511483-1	11A- 8	0513239-9	35A-45	0523007-16	2A-71
0511483-2	46B-23	0513239-9	35B-50	0523007-19	2 -70
0511484-1	11 - 5	0513240-16	35A-43A	0523007-19	2A-75
0511484-1	11A- 7	0513240-16	35B-48	0523007-20	2 -70
0512000-66	14B-64	0513240-4	35A-43A	0523007-20	2A-75
0512006-1	43 - 2	0513240-6	35A-43A	0523007-24	2A-70
0512006-1	43A- 2	0513250-1	23D-29	0523007-24	2A-70
0512117-10	14 -69	0513319-14	23B-54	0523106	3 -31
0512122	14 - 2	0513319-19	23C-53	0523107	3 - 2
0512122	14A- 2	0513319-19	23D-57	0523107-2	3 - 2
0512122	14B- 1	0513329-5	23C-27	0523108	3 - 6
0512123	1D- 5	0513332-202	35A-43	0523108	3 - 6
0512123	1C- 5	0513332-203	35A-43	0523108-3	3 - 7
0512166-1	1A- 6	0513351-1	23C- 2	0523108-4	3 - 9
0512166-1	20A-35	0513351-1	23C- 4	0523109	3 -24
0512166-2	1A- 6	0513351-1	23D- 2	0523109-1	3 -24
0512166-2	20 -33B	0513351-1	23D- 4	0523115	47 - 1
0512166-4	1A- 6	0513351-1	23E- 2	0523115-2	1D-20
0512166-4	20 -33A	0513351-1	23E- 8	0523115-2	1C-22
0512167-1	14 -66	0513357-1	23A-32	0523115-3	47 - 2
0512167-18	14 -66	0513357-1	23B-30	0523115-5	47 - 3
0512167-7	14 -68	0513357-1	23C-49	0523118-1	47 - 4
0512167-8	14 -67	0513357-1	23D-54	0523119	1D-28
0513039-7	23 -34	0513385-1	25A-14	0523119	1C-23
0513039-7	23A-30	0516006-1	2 -23A	0523215	2 -21
0513039-7	23B-28	0516006-1	2A-25A	0523215	2A-21
0513039-7	23C-51	0516006-1	4 -28	0523215-1	2 -21
0513039-7	23D-41	0516006-1	4A-29	0523215-1	2A-21
0513039-7	23E-48	0517002-1	22C-53	0523216	2 -22
0513051-8	23 -41	0520008	1D-31	0523216	2A-22
0513051-8	23A-18	0520008	1C-33	0523218	37A-43
0513051-8	23B-17	0520008-1	1D-31	0523218	5 -10
0513056-3	23A-43	0520008-1	1C-33	0523218-2	5 -14
0513056-3	23B-41	0521101-2	49 - 1	0523219-2	2 -54
0513056-3	23E-17	0521101-6	49 - 2	0523219-2	2A-53
0513056-4	23 -44	0521103-1	41 - 1A	0523219-3	2 -54
0513056-4	23A-43	0521103-1	3 -20A	0523219-3	2A-53
0513056-4	23B-41	0522101-1	1D-19C	0523219-4	2 -55
0513056-4	23C-11	0522101-1	1C-21C	0523219-4	2A-54
0513056-4	23C-12	0522150-3-791	7A-13	0523219-5	2 -55
0513056-4	23D-12	0522150-4-791	7A-13	0523219-5	2A-54
0513056-4	23D-13	0522629	38B-33	0523221	5 - 2
0513142-14	29 -26	0522629	5 - 4	0523222	5 - 9
0513142-14	23 -37	0522629	6 - 4	0523223	37A-42
0513142-14	23A-41	0523003-10	3 -23	0523223	5 - 1
0513142-14	23B-39	0523003-11	3 -23	0523223-1	37A-42
0513142-14	23C-50	0523003-40	2 -64	0523223-1	5 - 1
0513142-7	29 -26	0523003-40	2A-59	0523230	2 -46
0513142-7	23 -37	0523003-56	3 -34	0523230	2A-47
0513144-4	23 -18	0523003-57	3 -34	0523230-1	2 -46
0513144-6	23 -18	0523003-62	2 -71	0523230-1	2A-47
0513144-7	23 -20	0523003-62	2A-76	0523230-4	2 -46
0513144-8	23 -21	0523003-74	2 -72	0523230-5	2 -46
0513163-4	48 -19	0523003-74	2A-77	0523231	2 -42
0513163-4	1A-13	0523003-79	2 -71	0523231	2A-36
0513163-8	41 -37	0523003-79	2A-76	0523231-5	2 -42
0513163-8	1A-12	0523003-80	2 -67	0523231-5	2A-36
0513166-1	35 -29	0523003-80	2A-72	0523232	2 -41
0513166-1	35A-45	0523003-81	2 -68	0523232	2A-34
0513166-3	35A-45	0523003-81	2A-73	0523232-2	2 -41
0513166-7	35A-45	0523003-83	2 -73	0523232-2	2A-34
0513167-10	35 -25	0523003-83	2A-78	0523233-3	2 -45
0513172-1	12 -56B	0523005-50	2 -16	0523233-4	2 -44
0513172-2	12 -56A	0523005-50	2A-16	0523233-4	2A-37
0513173-1	23 -28	0523005-51	2 -16	0523233-5	2A-38
0513173-1	23A-38	0523005-51	2A-16	0523233-8	2 -43
0513173-1	23B-36	0523005-52	3 -33	0523233-8	2A-38A
0513173-1	23C-42	0523005-53	3 -33	0523233-9	2 -43
0513182-1	35A-43	0523005-56	3 -22A	0523233-9	2A-38A
0513186-1	43 -35	0523005-57	3 -22A	0523306	2 - 7
0513208-1	46 -26	0523007-11	3 - 1	0523306	2A- 7



PART NUMBER	FIGURE AND INDEX NO.
0523307	7 - 5
0523307	7A- 4
0523317	2 - 3
0523317	2A- 3
0523317-1	2 - 3
0523317-1	2A- 3
0523406	2 -10
0523406	2A-10
0523406-1	2 -10
0523406-1	2A-10
0523406-2	2 -10
0523406-2	2A-10
0523406-3	2 -10
0523406-3	2A-10
0523407	2 -50
0523407	2A-43
0523407-1	2 -51
0523407-1	2A-44
0523408	2 -49
0523408	2A-48
0523505-1	2A-33
0523505-2	2A-33
0523508-12	2A-39
0523508-13	2A-39
0523508-5	2 -27
0523508-8	2 -27
0523509-1	2 -30
0523509-2	2 -29
0523509-2	2A-45
0523510-6	2 -33
0523510-6	2A-46
0523510-7	2 -33
0523510-7	2A-46
0523511-3	2 -34
0523511-3	2A-49
0523511-4	2 -47
0523511-4	2A-50
0523511-5	3 -27
0523512-3	2 -35
0523512-3	2A-51
0523512-4	2 -48
0523512-4	2A-52
0523512-5	3 -28
0523513-3	2 -36
0523513-3	2A-55
0523513-4	3 -29
0523513-6	2 -36
0523513-6	2A-55
0523514-3	2 -37
0523514-3	2A-56
0523514-4	3 -30
0523515-3	2 -38
0523515-3	2A-57
0523515-4	3 -35
0523516-4	3 -36
0523516-5	2 -39
0523516-5	2A-58
0523517-3	2 -32
0523517-4	2 -31
0523517-4	2A-67
0523520-9	4 - 6
0523520-9	4A-17
0523522-1	2A-31
0523522-1	4A-27
0523522-7	4A-28
0523524	2 - 5
0523524	2 -13
0523524	2A- 5
0523524	2A-13
0523529-1	4 - 9
0523529-1	4A- 9
0523531	4 -13
0523531	4A- 5
0523532	4 - 8
0523532	4A-11

PART NUMBER	FIGURE AND INDEX NO.
0523532	4A-11A
0523535	38 -65
0523535	38A-67
0523535	6 - 1
0523535-1	38 -65
0523535-1	38A-67
0523535-1	6 - 1
0523535-7	6 - 1
0523535-8	6 - 1
0523536	38B-33
0523536	38B-41
0523536	6 - 3
0523537	38 -66
0523537	38A-68
0523537	38B-35
0523537	6 - 6
0523537-2	6 -11
0523539-10	2A-42
0523539-7	2A-41
0523539-8	2A-41
0523539-9	2A-42
0523552-2	4 -21
0523552-2	4A-19
0523554-1	4 -22
0523554-1	4A-20
0523554-2	4 -23
0523554-2	4A-21
0523556-1	4 -24
0523556-1	4A-22
0523558-1	10-15
0523558-1	1C-17
0523608-2	7 - 9
0523613-1	7 -11
0523613-1	7A-10
0523613-1	14 -45
0523613-1	14A-59
0523613-1	14C-17
0523613-2	55 -16
0523614-1	7 - 7
0523614-1	7A- 7
0523619-1	10-14
0523700	2 -86
0523700	2A-90
0523701-4	2 -86
0523701-4	2A-90
0523702-3	1C-38
0523702-3	10-36
0523702-4	1C-38
0523702-4	10-36
0523800	5 -17
0523800-1	5 -17
0523800-10	5 -33
0523800-11	5 -33
0523800-12	5 -34
0523800-13	5 -34
0523800-6	5 -31
0523800-7	5 -31
0523800-8	5 -32
0523800-9	5 -32
0523806	5 -21
0523806-1	5 -21
0523807	5 -20
0523808	5 -22
0523808-2	5 -22
0523809	5 -23
0523809-1	5 -23
0523810	5 -24
0523811	5 -25
0523811-1	5 -25
0523812-2	5 -26
0523812-3	5 -27
0523813-1	5 -35
0523813-2	2 -18
0523813-2	2A-18
0523813-3	2 -17

PART NUMBER	FIGURE AND INDEX NO.
0523813-3	2A-17
0523813-4	2 -19
0523813-4	2A-19
0523813-5	2 -20
0523813-5	2A-20
0523813-6	5 -37
0523813-7	5 -38
0523813-8	5 -36
0523814-3	5 -30
0523901-8	6 -25
0523901-9	6 -26
0523912	6 -21
0523912-1	6 -22
0523914	6 -24
0523918	6 -27
0523919	6 -16
0523920	6 -15
0523921	6 -14
0523922	6 -17
0523923	6 -23
0526001-1	4B- 2
0526001-2	4B- 1
0531001-32	9 -41
0531003-6	48 - 2
0532104	9B- 2
0534126-1	8 -47A
0534126-1	9 -51
0534126-5	9B- 6
0541105	18 - 5A
0541105	18A- 5
0541105	18B- 5
0541111-2	18A-19
0541111-2	18B-20
0541115-2	55 -10
0541115-3	55 - 9
0541115-4	55 -12
0541124	18A-15
0541124	18B-16
0541138-12	34 -12
0541138-13	34 -13
0541138-17	34 -13
0541138-17	42 -20
0541138-17	54 -
0541138-18	34 -12
0541138-18	42 -19
0541138-18	54 -
0541138-19	34 -13
0541138-19	42A- 1
0541138-19	54 -
0541138-20	34 -13
0541138-20	42 -20
0541138-20	42A- 1
0541138-20	54 -
0541138-5	54 -13
0541139	54 - 9
0541140	54 - 1
0541141	54 - 3
0541143	54 -16
0541144	54 -15
0541145	54 - 7
0541146	54 - 6
0541146-1	54 - 6
0541148	54 -12
0541148-1	54 -19
0541149	54 -13
0541151	54 - 8
0541154-1	18 -26
0541154-1	18A-22
0541154-1	18B-23
0541156-1	18 -30
0541156-1	18A-26
0541156-1	18B-27
0541156-2	18 -30
0541156-2	18A-26
0541156-2	18B-27





PART NUMBER	FIGURE AND INDEX NO.
0541157-1	18A-19
0541157-1	18B-20
0541157-2	18A-19
0541157-2	18B-20
0541157-3	18A-19
0541157-3	18B-20
0541162-1	25 -19
0541165-1	54 - 3A
0541167-1	54 - 7A
0541170-1	42 -25
0541172-1	42 -35
0541172-1	42A-20
0541173-1	42 -39
0541173-1	42A-24
0541174-1	42 -32
0541174-1	42A-17
0541178-1	42 -38
0541178-1	42A-23
0541178-1	42A-25
0541180-1	18A-37
0541184-1	54 -10
0541184-200	54 -10
0541185-5	18A-32
0541185-6	18A-32
0542100-1	53A- 1
0542100-1	53 -19
0542100-6	53A- 1
0542100-6	53 -28
0542101-1	53A- 5
0542101-3	53 -32
0542101-3	53 -23
0542102-1	53A- 6
0542102-1	53 -25
0542102-3	53A- 6
0542102-3	53 -34
0542117-1	16 -39
0542118-1	53A- 4
0542118-2	53 -22
0542118-5	53A- 4
0542118-6	53 -31
0542119-1	53A-
0542119-2	53 -18
0543000-27	17 -14
0543000-27	17A-16
0543000-27	17B-12
0543000-28	17 -14
0543000-6	17 -14
0543008-3	17 - 1
0543008-4	17 - 1
0543008-5	17 - 1
0543008-5	17B- 1
0543008-6	17A- 1
0543011-9	17 -30
0543022-3	16 - 7
0543022-3	16A- 5
0543022-4	16B- 7
0543022-4	16 - 7
0543022-4	16A- 5
0543022-4	16B- 7
0543023	16 -11
0543023	16A- 9
0543023	16B-14
0543029	17 -27
0543029	17A-29
0543029	17B-22
0543035-14	17 -32
0543035-2	17 -40
0543036-1	17 -16
0543036-1	17A-18
0543036-1	17B-14
0543047-1	17 -34
0543047-1	17 -42
0543047-1	17A-36
0543047-1	17A-48
0543047-1	17B-33

PART NUMBER	FIGURE AND INDEX NO.
0543047-1	17B-45
0543048-1	17 -34A
0543048-1	17 -42A
0543048-1	17A-37
0543048-1	17A-49
0543048-1	17B-34
0543048-1	17B-46
0550100-11	30 -23
0550100-11	33 -25A
0550100-11	33A-36
0550100-11	33B-37
0550150-10	44 -16
0550150-11	44 -17
0550150-13	44 -14
0550150-14	44 -18
0550150-2	44 - 1
0550150-3	44 - 2
0550150-4	44 - 5
0550150-5	44 - 3
0550150-6	44 - 4
0550150-7	44 - 6
0550150-9	44 -15
0550176-50	31 -15
0550176-50	31 -21
0550178-1	43 -31
0551012-2	30 - 2
0552110-1	1A-19A
0552110-1	1B-15
0552110-1	27 - 4
0552110-1	27A- 5
0553005-1	46A-16
0555162-1	32 -30A
0556004-1	44 -22B
0556004-7	44 -24
0594300-13	17 - 1A
0594300-213	17 - 1A
0594300-214	17 - 1A
0700036-2	23A-57
0700106-2	19B-22
0700120-1	48 - 2
0700122-1	25 - 4
0700122-12	25 - 4
0700122-12	25A- 4
0700122-13	25 - 4
0700122-13	25A- 4
0700122-2	25 - 4
0700162-1	23B-61
0700162-1	23C-18
0700162-1	23D-19
0700162-1	23E-31
0700162-7	23B-63
0700162-7	23C-20
0700162-7	23D-21
0700162-7	23E-33
0700189-4	23B-62
0700189-4	23C-19
0700189-4	23D-20
0700189-4	23E-32
0700189-6	23E-32
0700315-2	25 -14
0700315-2	25A-15
0700315-4	25 -14
0700315-4	25A-15
0700319-13	1A-19
0700319-13	23 -51
0700616-1	49 - 2
0700748-1	1A- 7
0710032-2	20 -33A
0710638-1	22C-19
0711021-5	21 -51
0711021-5	22 -52
0711021-5	22A-71
0711021-5	22B-22
0711021-7	21 -14
0711021-7	22 -14

PART NUMBER	FIGURE AND INDEX NO.
0711021-7	22A-10
0711021-9	21 -51
0711021-9	22 -52
0711021-9	22A-71
0711021-9	22C-14
0711038-1	22C-18
0711080-1	19C- 7
0711080-1	19D- 7
0711083-1	25A-25
0711083-1	20D-21
0711097-2	19C- 1
0711097-2	19C- 9
0711097-4	19C- 8
0711098-3	19C- 5
0711098-4	19C- 5
0711098-5	19D- 5
0711098-6	19D- 5
0711098-7	19D- 5
0711098-8	19D- 5
0712031-1	46A-26
0712603-2	46 - 3
0713011-12	25 - 6
0713011-12	25 - 6
0713011-12	25A- 5
0713011-200	25 - 4
0713020-1	42 -24
0713020-2	42 -25
0713026-4	23 -35
0713026-4	23A-24
0713026-4	23B-22
0713026-4	23C-40
0713026-4	23D-45
0713026-5	23 -40
0713026-5	23A-32
0713026-5	23B-30
0713026-5	23C-49
0713026-5	23D-54
0713026-6	37C-13
0713026-6	37C-44
0713026-6	37D-15
0713026-6	37D-49
0713026-6	23D-49
0713026-6	23E-50
0713028-3	25 -19
0713028-8	25 -19
0713029	46 -30
0713029	46B-11
0713035	23 -38
0713035	23A-28
0713035	23B-26
0713035	23C-39
0713035	23D-44
0713037	42 -22
0713047	1A- 5
0713047	1B-17
0713047	10B-10
0713062-6	23 -19
0713064-2	23 - 3
0713064-2	23A-22
0713068-2	25 -11
0713068-2	25A-12
0713072-1	23 -41
0713072-1	23A-18
0713072-1	23B-17
0713074-1	19B-49
0713074-1	19B-42
0713124-1	47 - 6
0713131-1	23A-15
0713173-1	11 -45A
0713173-1	11A-34
0713173-2	11 -45A
0713173-2	11A-34
0713173-5	10 - 8A
0713173-5	10A- 7
0713173-5	10B- 6

PART NUMBER	FIGURE AND INDEX NO.
0713173-6	10 - 8A
0713173-6	10A- 8
0713173-6	10B- 7
0713247-200	46B-26
0713302-5	29 -12
0713302-5	29 -19
0713302-5	33 - 1
0713302-5	23 -23
0713302-5	23 -25
0713302-5	23 -29
0713302-5	23A-35
0713302-5	23A-37
0713302-5	23A-40
0713303-14	24 -10
0713303-14	24A- 5
0713303-2	33 -37
0713303-2	33A-48
0713303-2	33B-49
0713303-2	23 -35
0713303-2	23 -38
0713303-2	23 -40
0713303-2	23A-24
0713303-2	23A-28
0713303-2	23B-22
0713303-2	23B-26
0713303-2	23C-39
0713303-2	23C-40
0713303-2	24A- 5
0713624-1	12 -29A
0713624-2	12A-34
0713624-2	12B-36
0713624-2	12C-32
0713724-1	24A-13
0713738-3	23B-43
0713738-3	23A-46
0713813-1	25B- 4
0713813-1	25C- 4
0713819-1	18- 9
0713819-1	25B- 7
0713819-1	25C-16
0713837-1	45B-21A
0716124-2	4 -27
0716124-5	4 -27
0716124-6	4 -27
0716124-6	4A-24
0716224-2	34 -20
0716623-3	43A-21A
0716624-1	43A-21D
0720005-2	2 -56
0720005-2	2A-68
0720608-2	3 -36
0720608-26	3 -36
0720608-7	2 -39
0720608-7	2A-58
0721101	41 -29
0721101-8	41 -29
0721105-15	41 -32
0721105-17	41 -32
0721105-5	41 -34
0721107-1	2 -79
0721107-1	2A-83
0721107-2	2 -79
0721107-2	2A-83
0721109	5 -29
0721111-10	2A-32
0721111-9	2A-32
0723600-6	7 - 8
0723600-6	7 -10
0731605-2	9A-31
0741000-7	18 -16
0741000-7	18A-13
0741022-1	18A- 6
0741022-1	18B- 6
0741046-11	18B-38
0741046-202	18B-32

PART NUMBER	FIGURE AND INDEX NO.
0741046-203	18B-32
0741047-1	18B-41
0741047-14	18B-39
0741048-7	18B-43
0741048-8	18A-27
0741048-8	18B-28
0741610-13	18A-38
0742200-6	55 -22
0742410-12	18 -43
0742410-14	16 -34
0742410-15	16 -26
0742410-15	16A-23
0742410-201	16 -24
0742410-25	16 -24
0742410-9	16 -35
0742410-9	18 -44
0743009-1	17 - 8
0743009-1	17A- 8
0743009-1	17B- 3A
0743011-1	17A-33
0743609-10	16 -40
0743609-201	16 -25
0743609-6	16 -36
0743609-8	16 -25
0743612-1	17A-11
0743625-11	16A-31
0743625-14	16A-22
0743625-3	16A-22
0743625-7	16A-33
0743625-9	16A-30
0743627-3	16A-34
0743627-4	16A-34
0750032-1	43 -35
0750032-1	43A-33
0750104-3	45 -16
0750104-3	45A-42
0750104-4	45 -16
0750104-4	45A-42
0750139	30 -15
0750178-2	30 -25
0752610-1	46A-21
0752611-1	46A-23
0753020-1	12 -45
0753020-1	12A-41
0753020-1	12B-43
0753020-1	12C-39
0756001-8	43 -50J
0756005-1	43A-35
0756005-1	43B-
0756005-2	43B- 9
0756008-1	43B- 1
0756009-1	43B- 7
0756009-5	43B- 8
0756010-1	43B-12
0756011-1	43B- 6
0756012-1	43B-15
0756014-1	43B-10
0756014-2	43B-14
0756015-1	43B- 3
0756018-2	44 -29
0756019-1	44 -34
0756020-1	44 -33
0756021-1	44 -31
0756022-1	44 -36
0756022-2	44 -37
0760011-2	5 -27
0760610-5	38A-34
0760610-5	38A-49
0760610-5	38B-19
0760610-6	38A-34
0760610-6	38A-49
0760610-6	38B-19
0760612-1	38B-31
0760612-1	6 - 1
0760612-7	38B-32

PART NUMBER	FIGURE AND INDEX NO.
0760612-7	6 - 1
0760614-1	38B-48
0760619-1	38B-40
0760620-1	38B-47
0760657-6	38B-41
0770038-2	46 - 6
0770038-2	46A-33
0770657-1	46 - 5
0770728-1	46 - 5
0770728-1	46A-11
0800111-2	25 - 7
0800111-2	25A- 7
0811406-1	20 -28
0811406-1	20A-23
08125	51A- 6
08125	52A- 5
0813526-6	23B-59
0813526-6	23C-38
0813569-1	23A-23
0813569-1	23B-21
0813619-3	45 -13
08231	51A- 9
08231	52A- 8
082400-12	53 -10
0841200-15	17 -25
0841200-15	17A-27
0841200-15	17B-29
0841200-18	17 -19
0841200-18	17A-21
0841200-18	17B-17
0841200-19	17 -18
0841200-19	17A-20
0841200-19	17B-16
0841200-25	17 -26
0841200-25	17A-28
0841200-25	17B-30
0841200-7	17 - 9
0841200-7	17B- 7
0842400-11	53 -
0842400-2	53 - 2
0842400-2	53 -17
0842400-4	53 -10
0842400-7	53 - 7
0842400-7	53 -13
0842405-5	53 - 1
0842406-5	53 -11
0850406-6	45 -20
0850406-6	45A-34
0851583-2	43 -50G
0851583-3	43 -50H
0851592-1	43 -50F
1K1-2-4	45A-17
1K1-4-4	45A-18
1K1-4-6	45A-10
1K1-4-6	45A-13
1K10-4-6	45A-15
1N1344A	46A-30
10004-101	25 -19
10004-98	25 -19
10004-98	25A-41
1005-0-1	37B- 8
1005-1-0	37B- 21
1007	1 - 4
1016584	38B-46
1024A-8	1 - 3
1089	20C-28
1089	14B-35
111058	48 - 8
1195-0061	25 -32
1195-0061	25A-41
1205001-11	55 -39
1205001-11	18-14
1205001-8	18-12
1205001-9	18-13

PART NUMBER	FIGURE AND INDEX NO.
1205010-1	1A-17A
1205010-2	1A-17A
1205010-3	1B- 4
1205010-4	1B- 4
1205013-1	1A- 7A
1205013-1	1B- 1
1205024-1	46A-25
1205024-1	1B-20
1205024-1	10A-16
1205024-1	10B-16
1208	51B- 7
1210032-3	11 -82
1210032-3	11A- 9
1210032-4	11A- 9
1211203-1	20B-46
1211203-1	20D-18
1213158-2	44 -51
1213535-1	1A-25
1213645-1	23A- 6
1213645-1	23B- 6
1213646-2	23A-39
1213646-2	23B-37
1213646-2	23C-43
1213646-2	23D-46
1213646-2	23E-51
1241061-1	18A-19
1241061-1	18B-20
1241063-2	18 -31
1241063-2	18A-27
1241156-11	52B-
1241156-12	52A- 1A
1241156-13	51A- 1A
1241156-14	51B- 2
1243021-1	17 -19
1243021-1	17A-21
1243030-5	17 -27A
1243030-5	17A-30
1243030-5	17B-23
1243030-6	17 -27A
1243030-6	17A-30
1243030-6	17B-23
1243030-7	17 -27A
1243030-7	17A-30
1243030-7	17B-23
1243626-1	17 -23
1243626-1	17A-25
1243626-1	17B-27
1250211-4	46 - 6
1250211-4	46A-32
1250405-1	44 -46
1250407-1	44 -25
1250408-1	44 -26
1250410-3	1B-23
1250410-3	44 -45
1253034-8	33B-14
1253037-1	33B-16
1253041-1	33B-15
1260074-1	40A-29
1260074-1	40B-39
1260074-1	8 -17
133A3	45A-20
13836	51B-11
13836	51C- 3
13836	52B- 6
13889	51B- 8
13889	51C- 9
13889	52B-11
1400014-1	1A-17
1411202-201	22B-10
1411202-201	22C- 9
1414087-13	25C-17
1414087-15	25C-18
1414217-9	19B- 1
1441001-3	18A- 7A
1441010-28	18A-36

PART NUMBER	FIGURE AND INDEX NO.
1442001-1	168-25
1442001-2	168-23
1442002-1	168-24
1442108-1	168-38
1442200-10	168-28
1442200-11	168-34
1442200-2	168-26
1442200-4	168-31
1442200-6	168-33
1442200-8	168-33
1442200-9	168-27
145-10	51A-15A
145-10	51B-34
145-10	51C-30
1460315-10	40B-13
1460320-1	34 - 1A
1460320-1	34 -29A
1460501-21	34 - 2A
1460501-21	34 -30A
1460505-1	34 -44
1476N1	45B- 1
153-10	51B- 3
153-15	51B-14A
153-15	51C- 5
153-15	52B- 8
153-8	51A- 4
153-8	52A- 3
154-13	51B-13A
154-13	51C- 8
154-6	52B- 9
154-6	51A- 5
154-6	52A- 4
154-9	51B- 4
155-2	51A- 2
155-2	52A- 2
156-1	51B-12
1570141-1	50 -16
1570142-3	50 - 3
158-5	51A- 3
161-15	51A- 8
161-15	52A- 6
161-25	51B-10
161-30	51B-10A
161-30	51C- 1
161-30	52B- 2
161-31	51A- 7A
161-31	52A- 6A
161-5	51A- 7
161-5	52A- 6
1613224-2	55 -49
162-10	51B- 9
162-14	51A- 7
162-14	52A- 7
162-27	51B- 9A
162-27	51C- 2
162-27	52B- 1
162-28	51A- 8A
162-28	52A- 7A
162-5	51A- 8
162-5	52A- 7
164-16	51B-15A
164-17	51A-11
164-26	51C-11
164-26A	51C-11
164-4	51A-11
164-5	51B-15
1700121-66	44 -22B
1706002-3	33B-11
1713039-1	37C-28
1713039-1	37D-24
1713039-1	45B-51
1713039-1	45D- 9
1713039-1	45E-12
1770009-1	50 - 1
1777	9 -46A

PART NUMBER	FIGURE AND INDEX NO.
183-1	51A-26
183-1	51B-30
183-1	51C-27
1866-22	51A-10
1866-22	52A- 9
20 OHM,5W	4A-16
20H3P	46A-30
2024	56 - 8
20288	56 - 7
20351-4	23E-34
20351-4	37D- 1
20351-4	37D-35
21051	30A- 6
21323	30A- 2
217-1	51A- 9
217-1	52A- 8A
22FH428	52 - 6
22FH632	54 -14
22NA1-02	11 -56A
22344	44 -47
22344	56 - 1
22344	56 -25
2265	56 - 6
2409-1	23D-23
2409-1	23E-34
2848	56 - 4
2849	56 - 3
2904-1	37C- 1
2904-1	37C-32
2904-1	37D- 1
2904-1	37D-35
3002	51A-24
3002	51B-28
3006	51A-17
3006	51A-28
3006	51B-21
3006	51B-32
3013	51A-18
3013	51B-22
3021	51B- 4A
3021	51C- 6
3022	51B- 5A
3022	51C- 7
3023	51B- 3A
3023	51C- 4
3023	52B- 7
31111-1	48 - 9
33-199-1	43 -46
33-199-26	43 -41
33-199-3	43 -47
33-199-31-3	43 -43
33-199-4-1	43 -42
33-199-45B	43 -48
33-199-5	43 -44
33-199-6	43 -45
33-199-8	43 -49
330	25B- 3
330	25C- 3
330R	23A- 8
35019	30A-12
352179	30A- 8
35923	30A- 4
36066	30A-17
36066	30A-24
3680C	16A-36
3680C	18A-27
3680C	18B-28
3680C	18B-42
3690-1/2	1 -46
3690-1/4	1 -46
3690-1/8	1 -46
37-206	51A-26
37-206	51B-30
37-206	51C-27
39091	51B-13



Model 150

PART NUMBER	FIGURE AND INDEX NO.
4L1-FF	40B- 8
4L1-FF	40B-10
43-1761	46A-30
441364	23E-41
441365	23E-44
442820-38	23E-45
444652	23E-42
47A1562	17 -16
4763	56 - 2
49165-22	37B-19
49265	20 -24
49265	20A-19
49265	20B-21
49265	20C-19
49265F52	23 - 2
49265K2215	23A- 2
49265K2215	23B- 2
49265K2220	20C-19C
49265K2220	25C-22
50309	30A- 7
50483	30A-16
530061	30A-18
530062	30A-19
534111	30A- 9
535324	30A-20
550	1 -13
5579654	44 -42
561	51A-17
561	51A-28
561	51B-21
561	51B-32
561	51C-17
561	51C-19
576.1	1 - 5
579.6	1 - 6
6F20-D	46A-30
60232-1	23C-51
60232-1	23D-41
60232-1	23E-48
61-19	51C-15
61-6	51A-23
61-6	51B-27
6241M	16A-36
6241M	18A-27
6241M	18B-28
6241M	18B-42
628122	30A- 1
633028	30A- 5
633122	30A-21
633163	30A-22
633266	44 -47
633401	30A-23
633914	30A-25
633915	30A-26
634464	30A- 7
634465	30A- 7
6436635	44 -40
6436637	44 -41
6436916	44 -43
6436989	44 -44
66-30	51C-17
66-30	51C-19
68-4	51A-29
68-4	51B-33
69-4	51C-24
700	1 -11
73-11	51C-18
73-3	51A-16
73-3	51B-20
74-10	51C-16
74-2	51A-27
74-2	51B-31
75-25	51B-19
75-37	51C-29
75-8	51A-15

PART NUMBER	FIGURE AND INDEX NO.
8-171	50 -11
8-32 X 1/1	51B- 6
800-001-6	54 -17
818554	23C-27
818554	23D-29
8499	50 - 4
8526250	56 -20
91-22	51C-14
92-17	51C-20
95-3218	51 -14
95-4561	51 -14A
9523644	51 -18
9524161	51 -12
9524171	51 -11
9524192	51 - 2
9524192	52 - 2
9524193	52 - 1
9524199	51 -16
9524463	51 -19
9532105	51 - 9
9532105	51 - 9
9532303	51 - 9
9532675	51 - 1
9541175	51 -10

PART NUMBER	FIGURE AND INDEX NO.