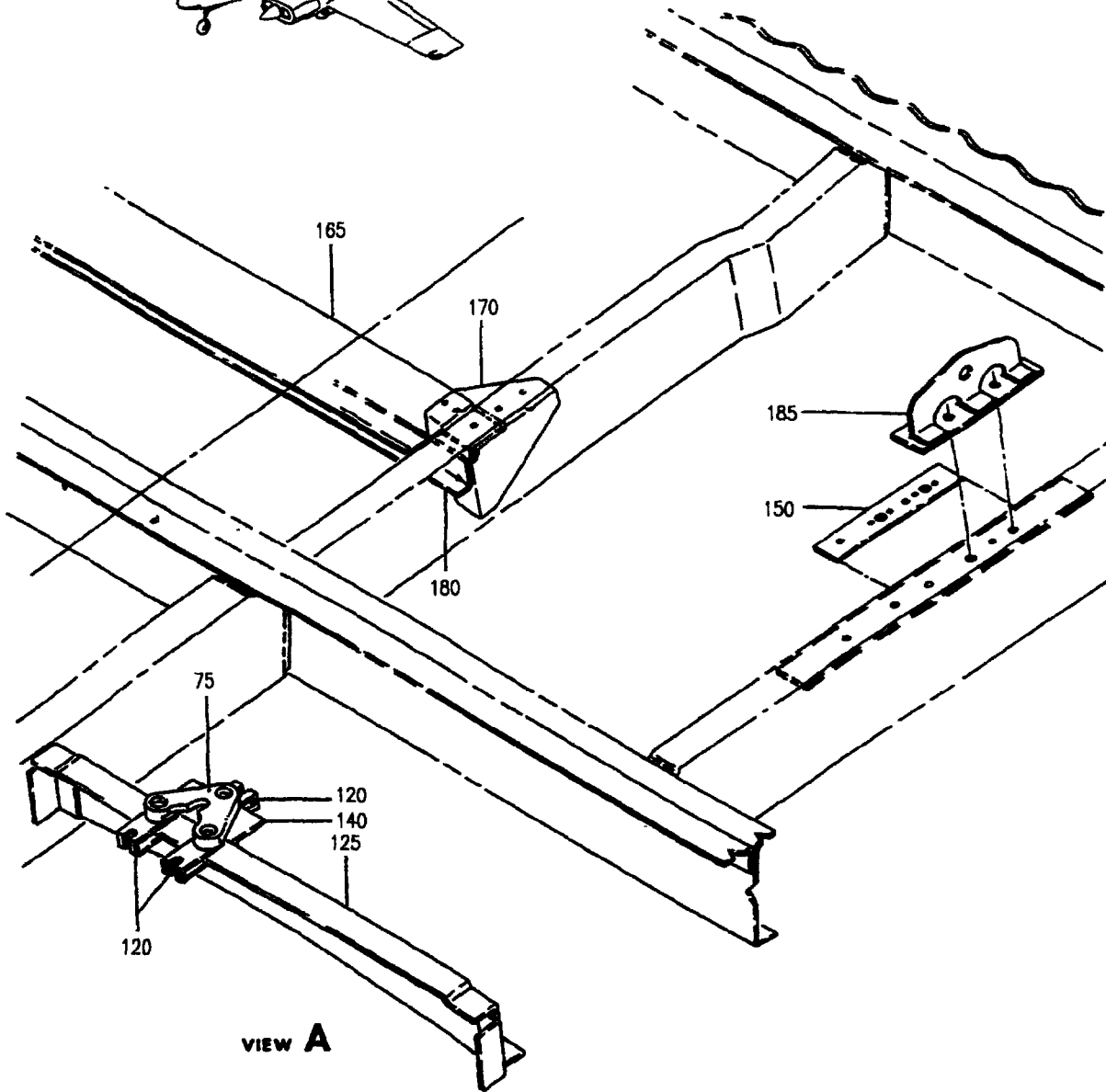
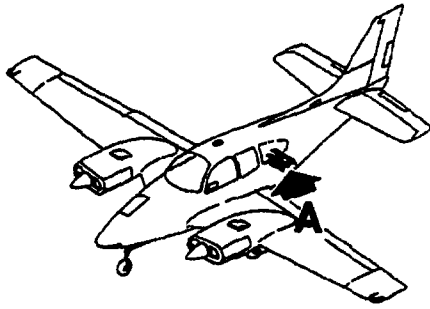


Raytheon Aircraft Company

BARON B55, E55 & 58 ILLUSTRATED PARTS CATALOG



R 25210001 SH1 1 REV 001

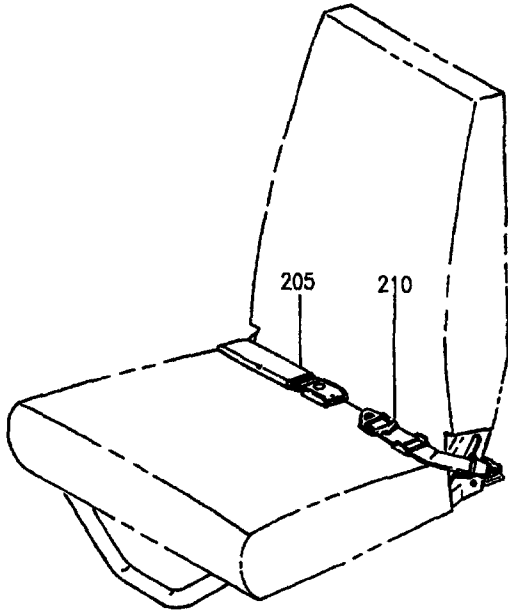
PASSENGER SEATS, 5TH AND 6TH
SHEET 1

25-21-00-01

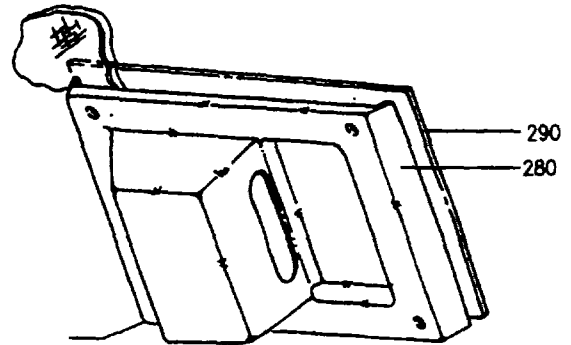
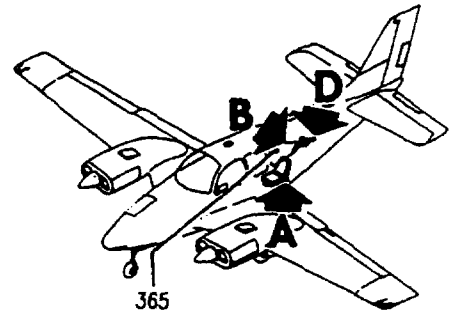
PAGE 0
JUN 30/04

Raytheon Aircraft Company

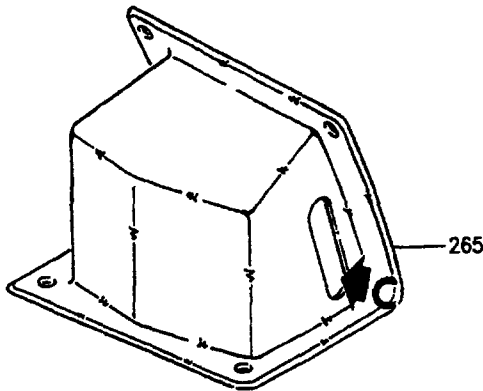
BARON B55, E55 & 58 ILLUSTRATED PARTS CATALOG



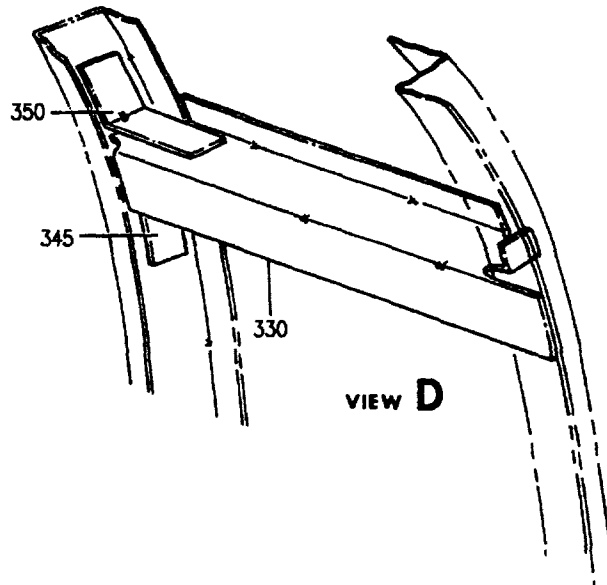
VIEW A



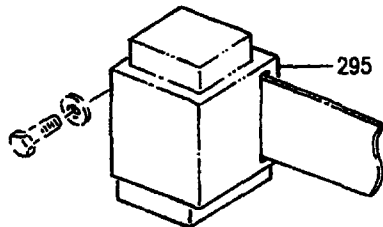
VIEW B



VIEW B



VIEW D



VIEW C

R 25210001 SH1 2 REV 001

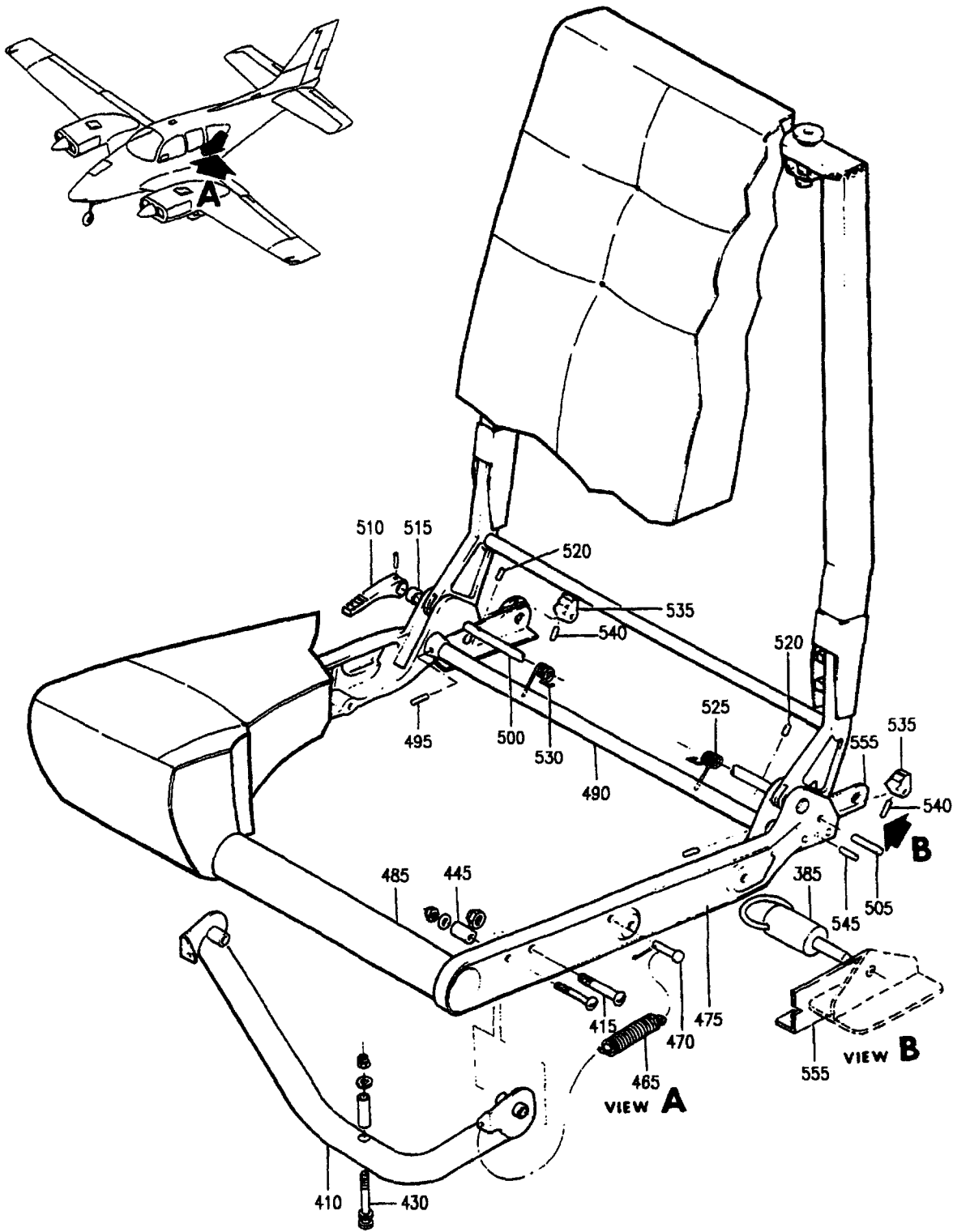
PASSENGER SEATS, 5TH AND 6TH
SHEET 2

25-21-00-01

PAGE 0A
JUN 30/04

Raytheon Aircraft Company

BARON B55, E55 & 58 ILLUSTRATED PARTS CATALOG



R 25210001 SH 3 REV 001

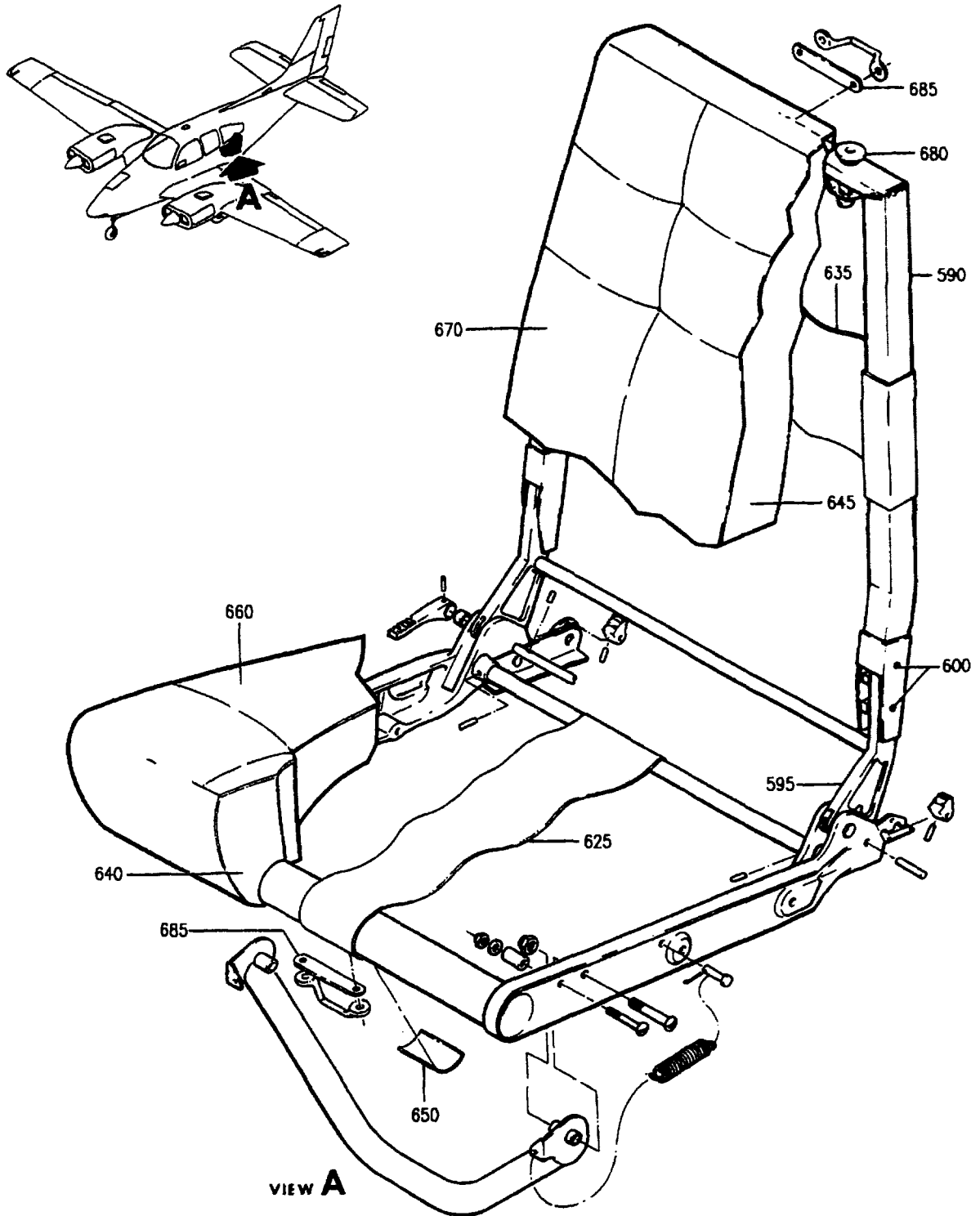
PASSENGER SEATS, 5TH AND 6TH
SHEET 3

25-21-00-01

PAGE 08
JUN 30/04

Raytheon Aircraft Company

BARON B55, E55 & 58 ILLUSTRATED PARTS CATALOG



R 25210001 SHT 4 REV 001

PASSENGER SEATS, 5TH AND 6TH
SHEET 4

25-21-00-01

PAGE 0C
JUN 30/04

Raytheon Aircraft Company

BARON B55, E55 & 58 ILLUSTRATED PARTS CATALOG

FIG ITEM	PART NUMBER	1 2 3 4 5 6 7	NOMENCLATURE	EFFECT FROM TO	UNITS PER ASSY
1			PASSENGER SEATS, 5TH AND 6TH	FE	
- 5	58-530204-1		SEAT INSTL-5TH AND 6TH	A	RF
- 5	106-530025-7		SEAT INSTL-5TH AND 6TH	B	RF
- 5	106-530025-11		SEAT INSTL-5TH AND 6TH	C	RF
- 5	106-530025-15		SEAT INSTL-5TH AND 6TH	D	RF
- 10	58-530204-3		SEAT INSTL-LH, 5TH	A	RF
- 10	106-530025-9		SEAT INSTL-LH, 5TH	B	RF
- 10	106-530025-13		SEAT INSTL-LH, 5TH	C	RF
- 10	106-530025-17		SEAT INSTL-LH, 5TH	D	RF
- 15	58-530204-4		SEAT INSTL-RH, 5TH	A	RF
- 15	106-530025-10		SEAT INSTL-RH, 5TH	B	RF
- 15	106-530025-14		SEAT INSTL-RH, 5TH	C	RF
- 15	106-530025-18		SEAT INSTL-RH, 5TH	D	RF
- 65	36-530011-17		•STOP-SEAT LEG ATTACHING PARTS	A	1
- 70	NAS220-12		•SCREW -----*-----	A	2
75	106-530026-1		•BASE-SEAT FOOT SUPPORT ATTACHING PARTS	E	1
- 80	MS24693S276		•SCREW -----*-----	E	3
- 85	36-530011-65		•STRUCTURE INSTL-FWD SEAT BRKT SUPPORT	A	RF
- 90	36-530011-73		••SUPPORT-LH	A	1
- 95	36-530011-74		••SUPPORT-RH ATTACHING PARTS	A	1
- 100	AN530-8R6		••SCREW -----*-----	A	3
- 105	36-530011-11		••CLIP ATTACHING PARTS	A	2
- 110	294671L		••NUT-CLIP ON SELF LOCKING -----*-----	A	2
- 115	36-530011-69		•STRUCTURE INSTL-SEAT FOOT BASE SUPPORT	E	RF
120	130290-2		••CLIPNUT	E	6
125	36-530011-73		••SUPPORT-LH	E	1
- 130	36-530011-74		••SUPPORT-RH ATTACHING PARTS	E	1
- 135	AN530-8R6		••SCREW -----*-----	E	3
140	36-530011-71		••CLIP	E	6
- 145	36-530011-61		•STRUCTURE INSTL-AFT SEAT BRACKETS SUPPORTS	A	RF
150	36-530011-53		••RADIUS BLOCK-LH	A	1
- 155	36-530011-54		••RADIUS BLOCK-RH ATTACHING PARTS	A	1
- 160	K1901-3		••NUTPLATE -----*-----	A	2
165	36-530011-7		••SUPPORT ASSY	A	1
			MISSING ITEM NO. NOT APPLICABLE		

-- ITEM NOT ILLUSTRATED

25-21-00-01

Raytheon Aircraft Company

BARON B55, E55 & 58 ILLUSTRATED PARTS CATALOG

FIG ITEM	PART NUMBER	1 2 3 4 5 6 7	NOMENCLATURE	EFFECT FROM TO	UNITS PER ASSY
1					
170	36-530011-5		••BRACKET-LH	A	1
- 175	36-530011-6		••BRACKET-RH	A	1
180	36-530011-29		••ANGLE	A	1
185	36-530071-1		•BRACKET-OUTBD,CHAIR ATTACHING	FE	1
- 190	36-530011-35		•BRACKET-INBD,CHAIR ATTACHING	FE	1
- 195	130909B15		•BOLT	FE	2
			-----*-----		
- 200	36-530021-1		•BELT ASSY-SEAT	A	1
205	58-530219-31		•BELT ASSY-SEAT INBD SIDE	E	1
210	58-520219-63		•BELT ASSY-SEAT OUTBD SIDE	E	1
- 225	58-530224-5		•HARNESS INSTL-LH FOR ADDITIONAL DETAILS SEE: 25-23-00-01	E	RF
- 225	58-530224-9		•HARNESS INSTL-LH	A	RF
- 230	58-530224-6		•HARNESS INSTL-RH FOR ADDITIONAL DETAILS SEE: 25-23-00-01	C	RF
- 230	58-530224-7		•HARNESS INSTL-RH FOR ADDITIONAL DETAILS SEE: 25-23-00-01	D	RF
- 230	58-530224-10		•HARNESS INSTL-RH	A	RF
- 240	36-530112-1		••REEL INSTL-INERTIA	A	RF
- 245	36-530112-2		••REEL INSTL-INERTIA	A	RF
- 250	58-530216-1		••REEL INSTL-INERTIA	E	RF
- 255	58-530216-2		••REEL INSTL-INERTIA	C	RF
- 260	58-530216-3		••REEL INSTL-INERTIA	D	RF
265	36-530111-1		•••ESCUTCHEON-LH	A	1
- 270	36-530111-2		•••ESCUTCHEON-RH ATTACHING PARTS	A	1
R R R - 275	OHS8SM16DS25GY		•••SCREW- TRUE PART NUMBER: OHS8SM16DS25GY -----*-----	A	4
280	102-530049-1		•••ESCUTCHEON-LH AND RH ATTACHING PARTS	E	1
R R R - 285	OHS8SM16DS25GY		•••SCREW- TRUE PART NUMBER: OHS8SM16DS25GY -----*-----	E	4
290	58-530216-9		•••DOUBLER-ESCUTCHEON	E	1
295	58-380071-1		•••REEL-INERTIAL ATTACHING PARTS	E	1
- 300	130909B35		•••BOLT	E	1
- 305	AN970-4		•••WASHER	E	1

MISSING ITEM NO. NOT APPLICABLE

-- ITEM NOT ILLUSTRATED

25-21-00-01

Raytheon Aircraft Company

BARON B55, E55 & 58 ILLUSTRATED PARTS CATALOG

FIG ITEM	PART NUMBER	1 2 3 4 5 6 7	NOMENCLATURE	EFFECT FROM TO	UNITS PER ASSY
R R R	1				
	- 310	100696SZN004	...SPACER- TRUE PART NUMBER: 100696S-ZN004 -----*	E	1
	- 315	58-530218-1	...BRACKET INSTL	E	RF
	- 320	58-530218-2	...BRACKET INSTL	C	RF
	- 325	58-530218-3	...BRACKET INSTL	D	RF
	330	58-530218-5BRACKET ASSY-LH	E	1
	- 335	58-530218-5BRACKET ASSY-RH	C	1
	- 335	58-530218-7BRACKET ASSY-RH	D	1
	345	58-530218-15CLIP-LWR LH INSTL,UPR RH INSTL	E	1
	350	58-530218-16CLIP-UPR LH INSTL,LWR RH INSTL	E	1
	- 355	58-530218-17CLIP-UPR RH INSTL	D	1
	- 360	58-530218-18CLIP-LWR RH INSTL	D	1
	365	102-530044-1	..DECAL-INSTRUCTIONS HARNESS AND BELT	E	1
	- 370	58-530184-33	.SEAT ASSY-UPHOLSTERED,5TH AND 6TH	G	1
	- 370	102-530095-13	.SEAT ASSY-UPHOLSTERED,5TH AND 6TH	H	1
	- 370	102-530095-63	.SEAT ASSY-UPHOLSTERED,5TH AND 6TH	E	1
	385	NAS1334S6S10F	ATTACHING PARTS .PIN-QUICK RELEASE	FE	2
	- 390	36-530058-1	.BUSHING -----*	FE	2
	- 395	36-530020-43	..FRAME ASSY-SEAT	A	1
	- 395	36-530020-45	..FRAME ASSY-SEAT	E	1
	410	36-530020-49	...LEG-SEAT FRONT	E	1
	410	36-530020-35	...LEG-SEAT FRONT ATTACHING PARTS	A	1
	415	AN525-10R32	...SCREW	FE	2
	- 420	AN960-10L	...WASHER	FE	2
	- 425	130909N29	...NUT -----*	FE	2
	430	10237-428-22-15	...STUD	E	1
	- 435	AN960-416L	...WASHER	E	1
	- 440	22K1-048	...NUT	E	1
	445	102933D4ZR0850	...STOP-LEG ATTACHING PARTS	FE	1
	- 450	NAS221-10R20	...SCREW	FE	1
- 455	AN960-10L	...WASHER	FE	1	
- 460	130909N29	...NUT -----*	FE	1	
465	100942L0216-60	...SPRING-LEG	FE	1	

MISSING ITEM NO. NOT APPLICABLE

- ITEM NOT ILLUSTRATED

25-21-00-01

PAGE 3

JUN 30/04

BARON

Raytheon Aircraft Company

BARON B55, E55 & 58 ILLUSTRATED PARTS CATALOG

FIG ITEM	PART NUMBER	1 2 3 4 5 6 7	NOMENCLATURE	EFFECT FROM TO	UNITS PER ASSY
1			ATTACHING PARTS		
470	AN393-13	...	PIN	FE	1
			-----*		
475	36-530020-15	...	RAIL-LH	FE	1
- 480	36-530020-16	...	RAIL-RH	FE	1
485	60-530019-67	...	TUBE-FWD	FE	1
490	36-530020-13	...	TUBE-AFT	FE	1
			ATTACHING PARTS		
495	MS171535	...	PIN	FE	2
			-----*		
500	60-530019-55	...	TUBE-CONTROL	FE	1
505	60-530045	...	PIN	FE	1
510	58-530045-2	...	HANDLE ASSY	FE	1
515	36-530020-39	...	SPACER-HANDLE	FE	1
520	MS171498	...	PIN-RETAINING	FE	2
525	60-530046-2	...	SPRING-LH	FE	1
530	60-530046-1	...	SPRING-RH	FE	1
535	60-530043-5	...	CAM	FE	2
540	MS171539	...	PIN-ROLL	FE	2
545	MS171532	...	PIN-ROLL	FE	2
			ALTERNATE SPARE: MS171652		
545	MS171652	...	PIN-ROLL	FE	2
			ALTERNATE SPARE: MS171532		
555	36-530020-29	...	ANGLE-LH	FE	1
- 560	36-530020-30	...	ANGLE-RH	FE	1
			ATTACHING PARTS		
- 565	130909B14	...	BOLT	FE	2
- 570	NAS20364-1032	...	NUT	FE	2
			-----*		
- 575	58-530026-41	...	SEAT BACK ASSY	FE	1
- 580	NAS221-18	...	SCREW	FE	2
- 585	22K2-02	...	NUT	FE	2
590	58-530026-47	...	BACK-SEAT	FE	1
595	60-530040-1	...	ADAPTER	FE	2
			ATTACHING PARTS		
600	AN23-13A	SCREW	FE	1
- 605	AN960-10L	WASHER	FE	1
- 610	22K2-02	NUT	FE	1
- 615	NAS1329S3K80	RIVNUT-FOOTMAN LOOP	FE	2
			ATTACH		
			-----*		
625	102-530095-35	..	SLING-SEAT BOTTOM	J	1
625	58-530184-67	..	SLING-SEAT BOTTOM	G	1
635	102-530095-33	..	REEL INSTL-SEAT BACK	J	1
635	58-530184-65	..	SLING-SEAT BACK	G	1
640	58-530185-3	..	CUSHION-SEAT BOTTOM	FE	1
645	58-530186-3	..	CUSHION-SEAT BACK	FE	1
			MISSING ITEM NO. NOT APPLICABLE		

-- ITEM NOT ILLUSTRATED

25-21-00-01

Raytheon Aircraft Company

BARON B55, E55 & 58 ILLUSTRATED PARTS CATALOG

FIG ITEM	PART NUMBER	1 2 3 4 5 6 7	NOMENCLATURE	EFFECT FROM TO	UNITS PER ASSY
I					
650	130569		..PLACARD-SEAT IDENTIFICATION	FE	1
660	102-530095-23		..COVER-SEAT BOTTOM	J	1
660	58-530184-41		..COVER-SEAT BOTTOM	G	1
670	102-530095-21		..COVER-SEAT BACK	J	1
670	58-530184-43		..COVER-SEAT BACK	G	1
680	131354-1		..MOULDING-HEADREST SUPPORT	J	2
680	130010-3		..MOULDING-HEADREST SUPPORT	G	2
685	36-530056-15		..PLATE-FOOTMAN LOOP ATTACH	FE	2
- 690	6411B		..LOOP-FOOTMAN	FE	2
- 695	36-530049-11		..STRAP ASSY-SEAT RETAINING	FE	1
- 700	58-5009-5		KIT-SHOULDER HARNESS RESTRAINT, 5TH SEAT	K	1
- 700	58-5009-11		KIT-SHOULDER HARNESS RESTRAINT, 5TH SEAT	L	1
- 715	58-5009-7		KIT-SHOULDER HARNESS RESTRAINT, 6TH SEAT	K	1
- 715	58-5009-9		KIT-SHOULDER HARNESS RESTRAINT, 6TH SEAT	L	1
A			C1608-C1946, E0938-E0938 E0943-E1077, H0001-H0732		
B			C1947-C2339, C2341-C2354		
C			E1078-E1151, E1153-E1180		
D			H0733-H1026, H1028-H1061 H1063-H1066, H1068-H1079		
E			C1947-C2339, C2341-C2354 E1078-E1151, E1153-E1180 H0733-H1026, H1028-H1061 H1063-H1066, H1068-H1079		
G			C1608-C1905, E0938-E0938 E0943-E1064, H0001-H0679		
H			C1906-C1946, E1065-E1077 H0680-H0732		
J			C1906-C2339, C2341-C2354 E1065-E1151, E1153-E1180 H0680-H1026, H1028-H1061 H1063-H1066, H1068-H1079		
K			C1608-C1946, E0938-E0938 E0943-E1077		
L			H0001-H0732		
FE			C1608-C2339, C2341-C2354 E0938-E0938, E0943-E1151 E1153-E1180, H0001-H1026 H1028-H1061, H1063-H1066 H1068-H1079		
			MISSING ITEM NO. NOT APPLICABLE		

- ITEM NOT ILLUSTRATED

25-21-00-01