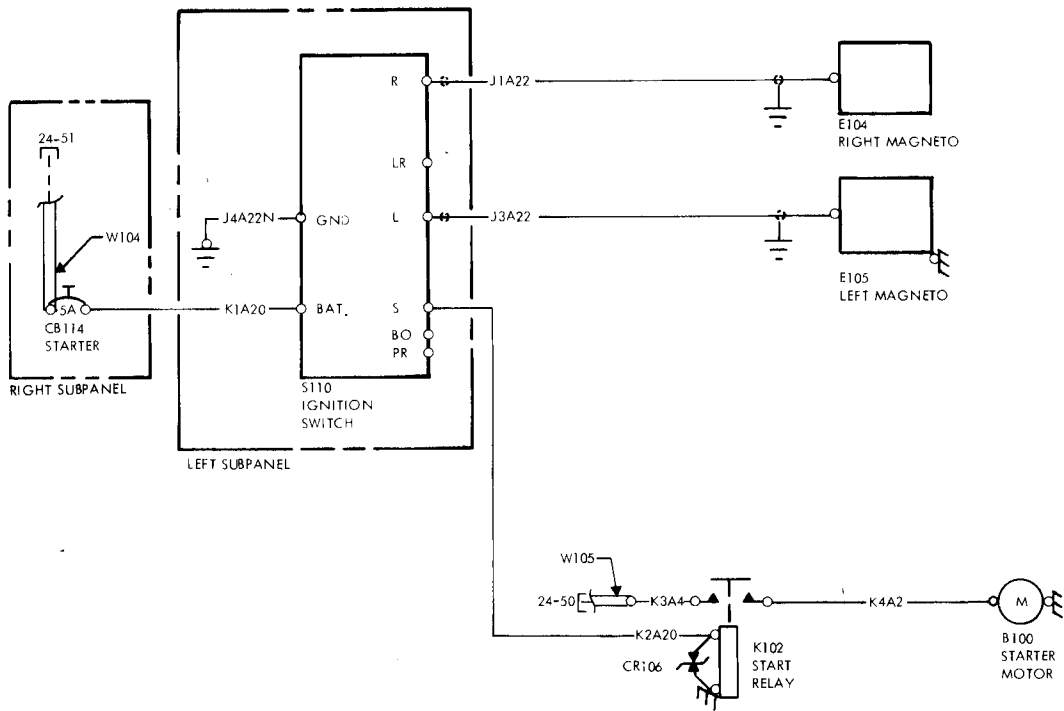


B E E C H C R A F T  
SUNDOWNER 180 AND SIERRA 200  
W I R I N G D I A G R A M M A N U A L

GAMA/ATA CODE & REF DES	PART NO.	DESCRIPTION	UNITS		USABLE ON CODE
			PER ASSY	INSTL ZONE	
10-00-B100	MHB4016	STARTER . . . . .	1	410	
-CB114	7277-2-5	CIRCUIT BREAKER, STARTER . . . . .	1	240	
-CR106	1 5KE51CA	DIODE, SUPPRESSION/VENDOR PART NUMBER IS 1.5KE51CA, HOWEVER ORDER 1 5KE51CA/	1	310	
-E104	4050	MAGNETO, RIGHT . . . . .	1	410	
-E105	4051	MAGNETO, LEFT . . . . .	1	410	
-K102	SBC9401-1	RELAY, STARTER . . . . .	1	310	
-S110	35-590099-3	SWITCH, IGNITION AND START . . . . .	1	240	

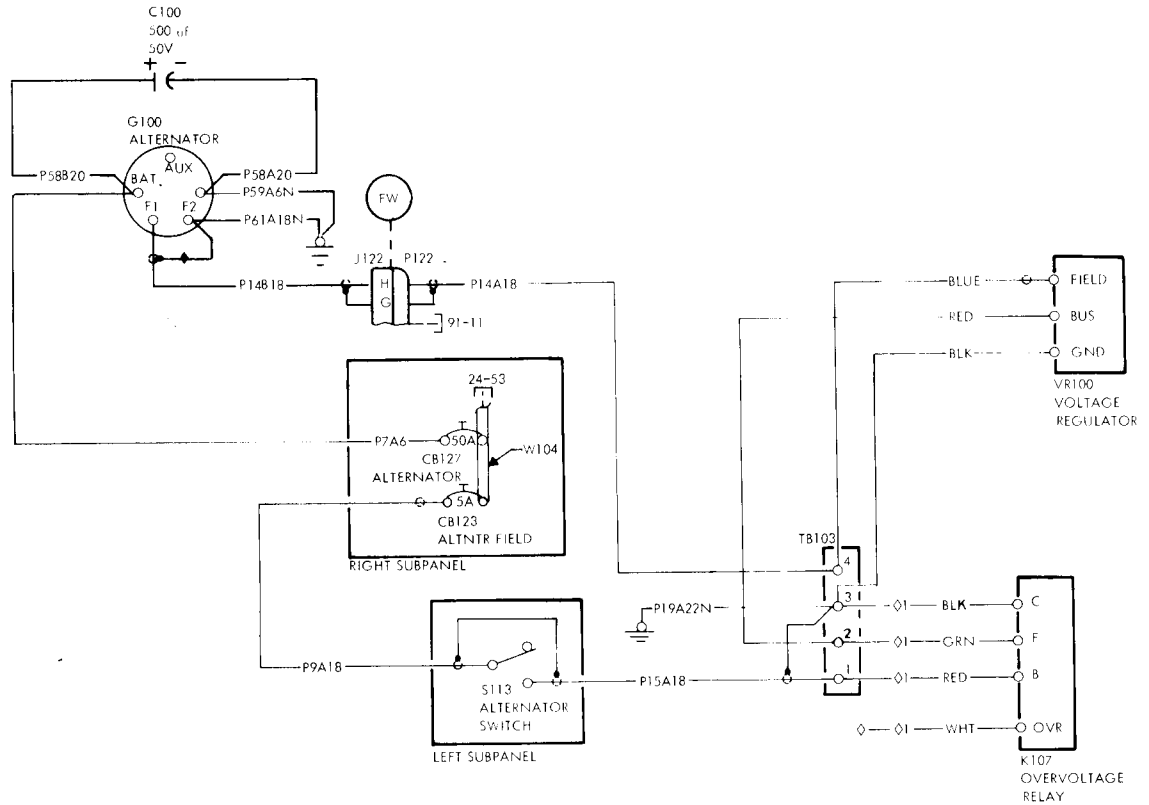
BEECHCRAFT  
 SUNDOWNER 180 AND SIERRA 200  
 WIRING DIAGRAM MANUAL



B E E C H C R A F T  
SUNDOWNER 180 AND SIERRA 200  
W I R I N G D I A G R A M M A N U A L

GAMA/ATA CODE & REF DES	PART NO.	DESCRIPTION	UNITS		USABLE ON CODE
			PER ASSY	INSTL ZONE	
		1 2 3 4 5 6 7			
30-00-C100	39D507G050GL4	CAPACITOR . . . . .	1	410	
-CB123	7277-2-5	CIRCUIT BREAKER,ALTERNATOR FIELD. . . . .	1	240	
-CB127	507-250-101	CIRCUIT BREAKER,ALTERNATOR. . . . .	1	240	
-G100	ALU8421R	ALTERNATOR,70 AMPERE. . . . .	1	410	
-J122		RECEPTACLE,LARGE FIREWALL/SEE CHAPTER 91/ . . . . .	1	231	
-K107	B-00344-1	RELAY,OVERVOLTAGE . . . . .	1	222	
-P122		PLUG,LARGE FIREWALL/SEE CHAPTER 91/ . . . . .	1	221	
-S113	7560K86T32M	SWITCH,ALTERNATOR FIELD . . . . .	1	240	
-VR100	B-00306-2	REGULATOR,VOLTAGE . . . . .	1	231	
-TB103	MS27212-1-4	TERMINAL BOARD,VOLTAGE REGULATOR. . . . .	1	231	

**BEECHCRAFT  
SUNDOWNER 180 AND SIERRA 200  
WIRING DIAGRAM MANUAL**



- ◆ 22 AWG JUMPER.
- ◇ CAP & STOW.
- ◇1 FURNISHED WITH EQUIPMENT.

B E E C H C R A F T  
S U N D O W N N E R 1 8 0 A N D S I E R R A 2 0 0  
W I R I N G D I A G R A M M A N U A L

GAMA/ATA CODE & REF DES	PART NO.	DESCRIPTION	UNITS		USABLE ON CODE
			PER ASSY	INSTL ZONE	
50-00-BT100	PS12-11	BATTERY, STANDARD 24 VOLT. . . . .	1	310	
-BT101/2	58-380056-1	BATTERY, OPTIONAL 12 VOLT/TWO REQUIRED/. . . . .	2	310	
-CR104	1 5KE51CA	DIODE, TRANSIENT SUPPRESSION/ACTUAL PART NUMBER. IS 1.5KE51CA, HOWEVER, ORDER 1 5KE51CA/	1	310	
-CR117/8	1N4005	DIODE . . . . .	2	310	
-F106	ANL-M-50	LIMITER . . . . .	1	310	
-XF106	EM103	BASE, LIMITER. . . . .	1	310	
-K101	6041H189	RELAY, BATTERY . . . . .	1	310	
-S116	7560K66T32T	SWITCH, BATTERY MASTER . . . . .	1	240	
-W105	105-360002-3	BUS BAR, BATTERY RELAY . . . . .	1	310	
-W108	002-364027-7	BUS BAR, DUAL BATTERY/USED ONLY WITH DUAL. . . . . BATTERY OPTIONAL INSTALLATION/	1	310	
-W114	105-360002-7	BUS BAR, LIMITER . . . . .	1	310	

B E E C H C R A F T  
S U N D O W N E R 1 8 0 A N D S I E R R A 2 0 0  
W I R I N G D I A G R A M M A N U A L

