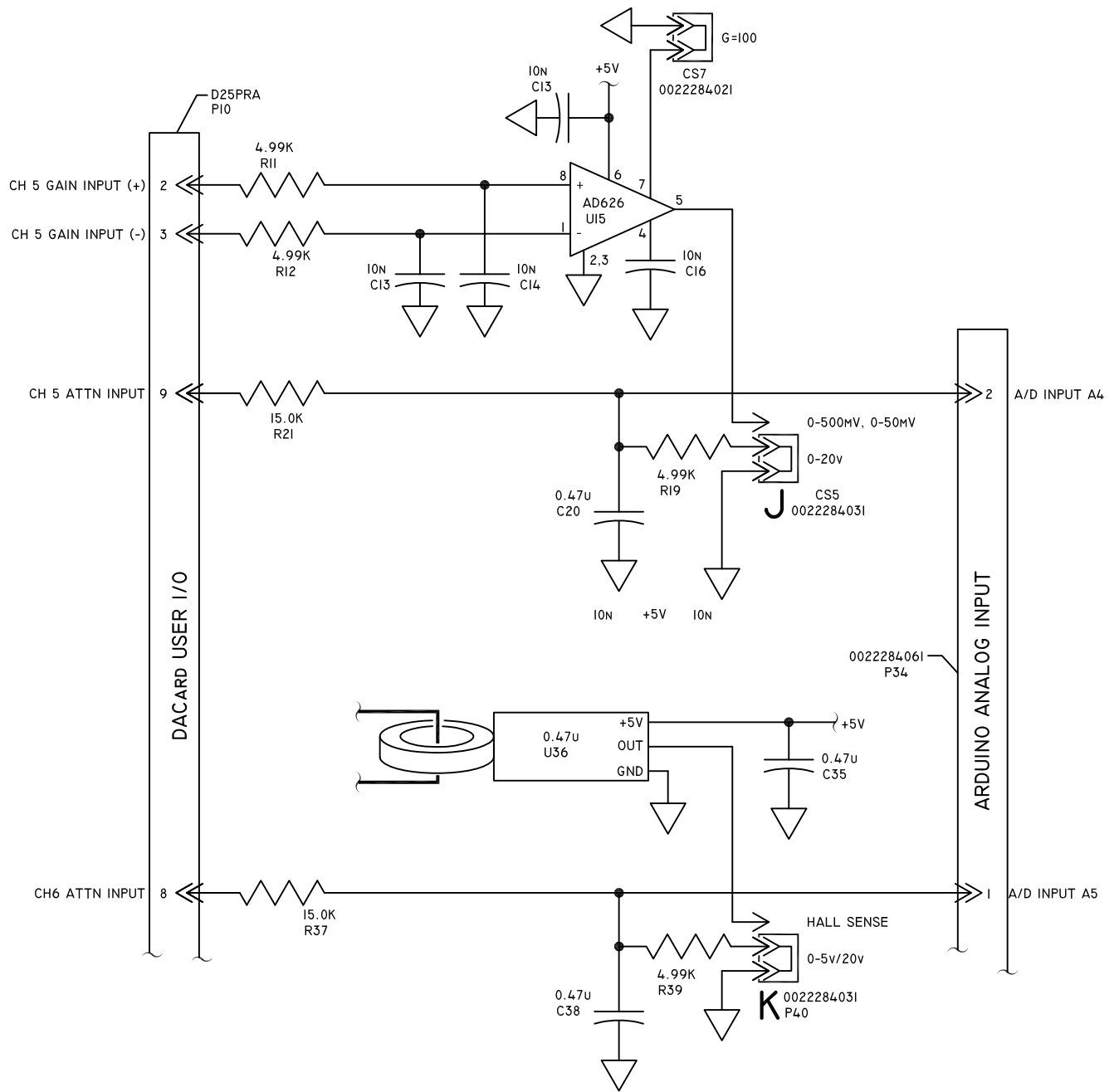
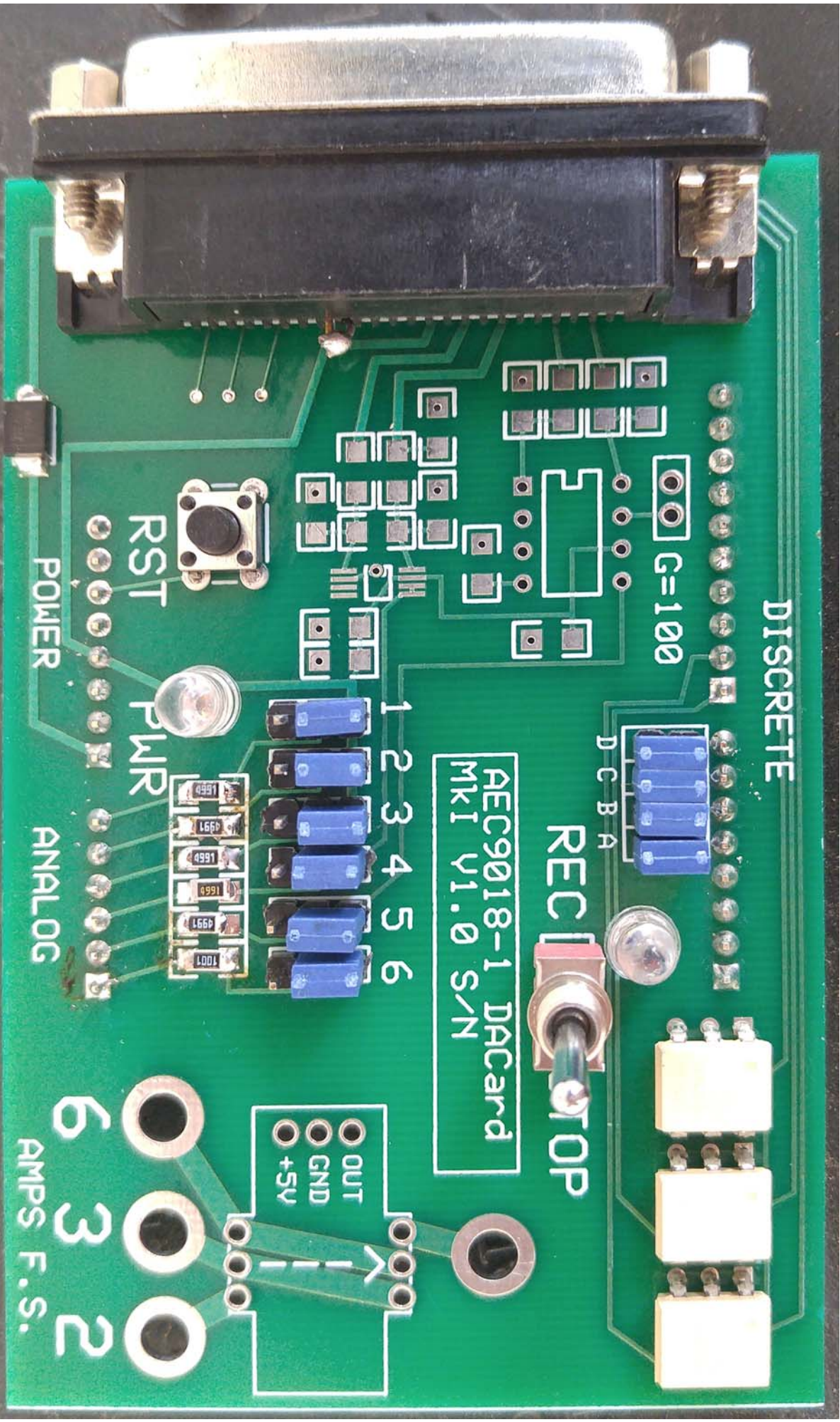


TITLE	PAGE
ANALOG PORTS A0 -> A3	2.5



TITLE	PAGE
ANALOG PORTS A4 -> A5	2.4



DISCRETE

G = 100

DCBA

AEC9018-1 DACcard
MKI V1.0 S/N

RECI TOP

1
2
3
4
5
6

PWR

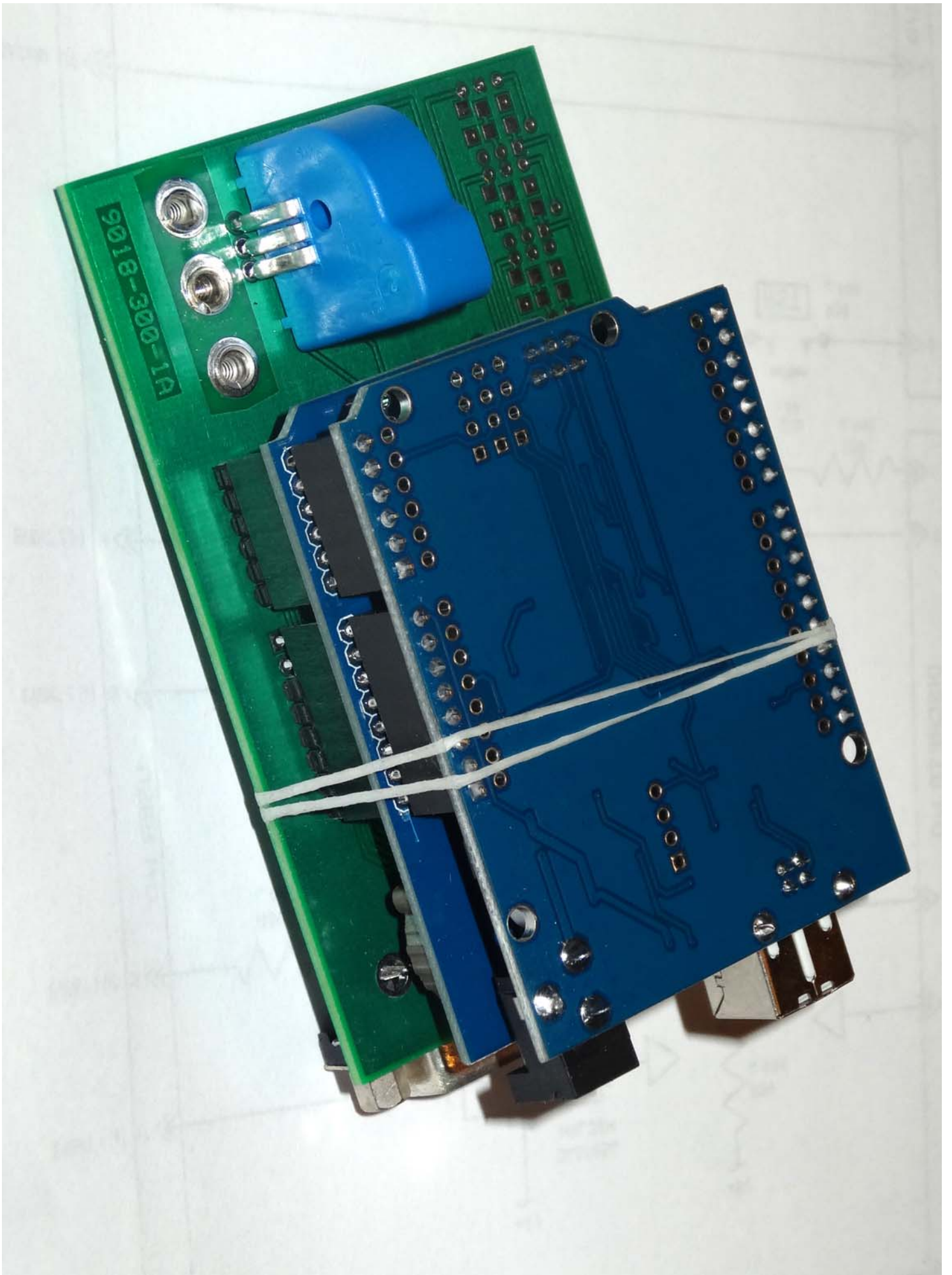
RST

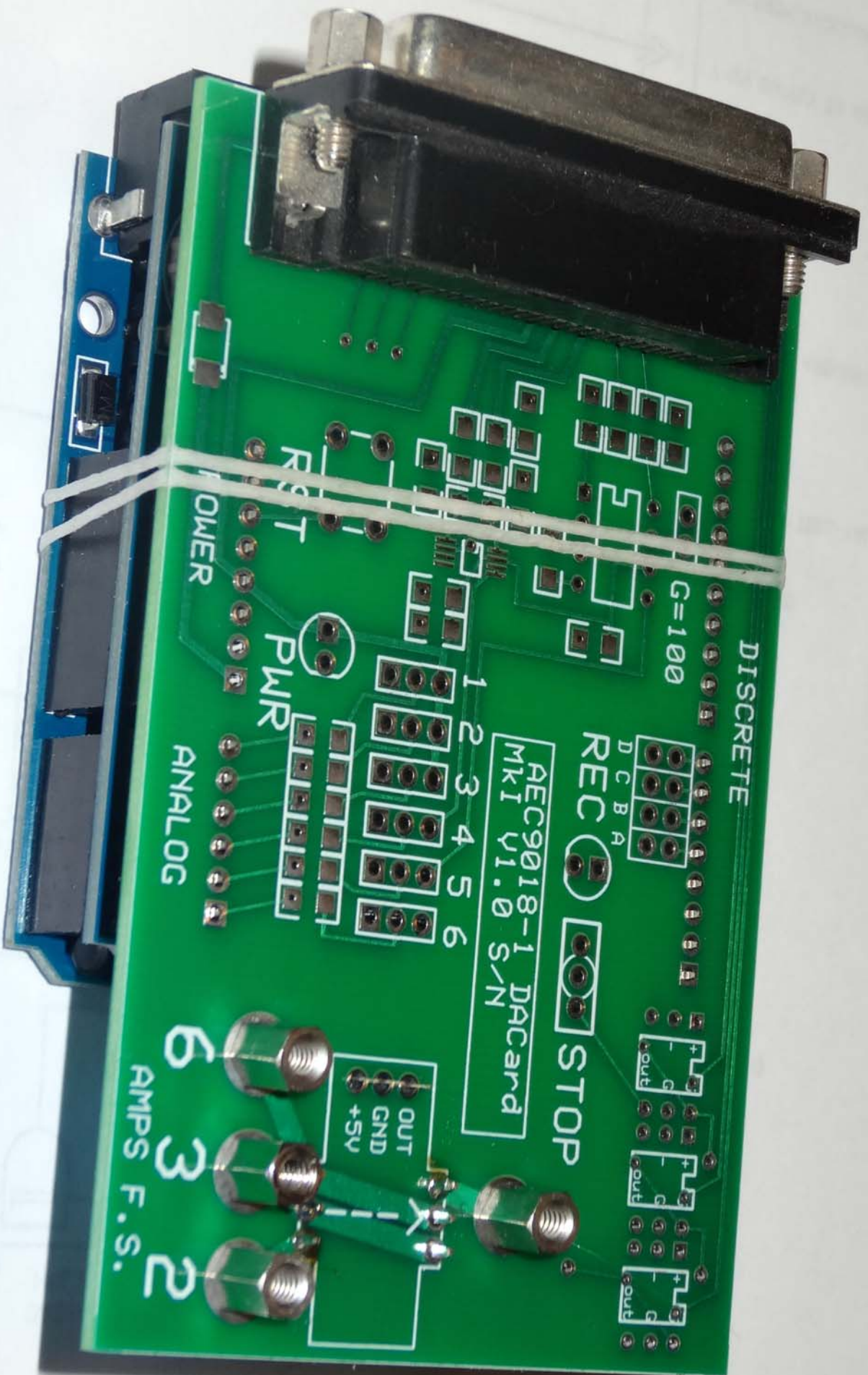
POWER

ANALOG

6
3
2
AMPS F.S.

OUT
GND
+5V





DISCRETE

G=100

AEC9018-1 DACcard
MKI V1.0 S-N

REC STOP

DCBA

PWR

ANALOG

OUT
GND
+5V

6
3
2
AMPS F.S.

1
2
3
4
5
6

