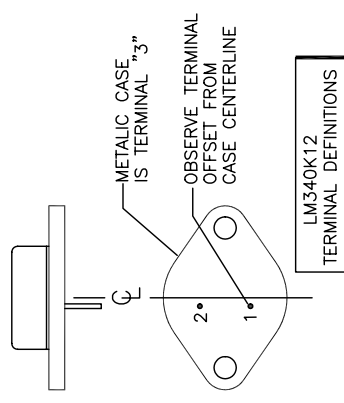


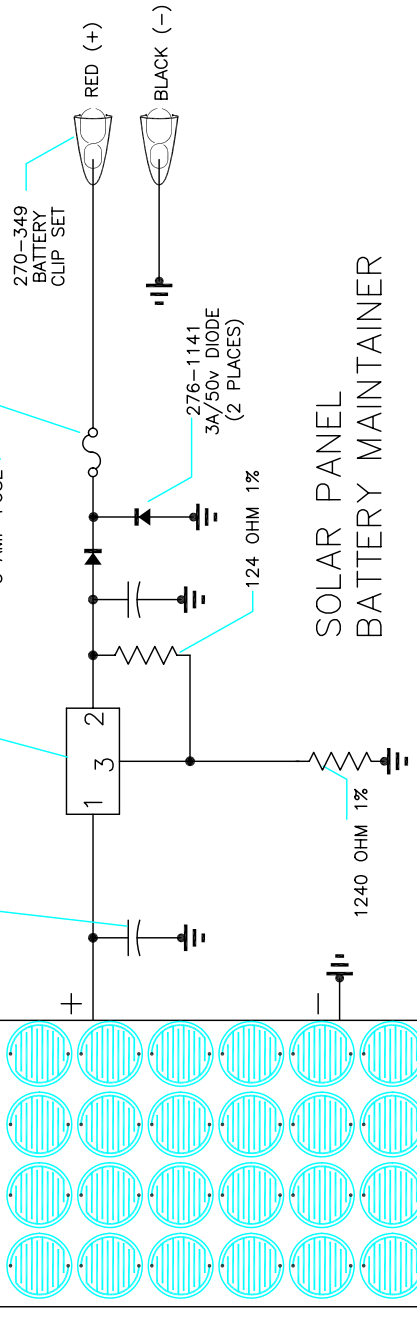
- NOTES:
1. USE GROMMETS TO PROTECT WIRES WHERE THEY PENETRATE THE ENCLOSURE.
 2. USE WIRE CLAMPS TO STRAIN RELIEVE WIRE CONNECTIONS TO INTERNAL CIRCUITRY.
 3. 2XX-XXX NUMBERS ARE RADIO SHACK, OTHERWISE SEE DIGI-KEY CATALOG.
 4. MOUNT LM340K12 REGULATOR ON DIGI-KEY HS142 HEATSINK.
 5. USE RADIO SHACK 276-1371 INSULATOR KIT AND 276-1372 HEAT SINK GREASE TO INSTALL LM340K.
 6. DIGIKEY CATALOGS ARE FREE FOR ASKING, CALL 1-800-344-4539.



276-1778 LM317T REGULATOR (NO HEAT SINK REQUIRED FOR SOLAR POWERED MAINTAINER OPERATING AT 100 mA OR LESS)

270-364 FUSEHOLDER 270-1278 5 AMP FUSE

272-1055 1.0uF/50V (2 PLACES)



SOLAR PANEL BATTERY MAINTAINER

15 V SOLAR PANEL UP TO 1.0A

270-364 FUSEHOLDER 270-1273 1 AMP FUSE

276-1141 3A/50V DIODE (3 PLACES)

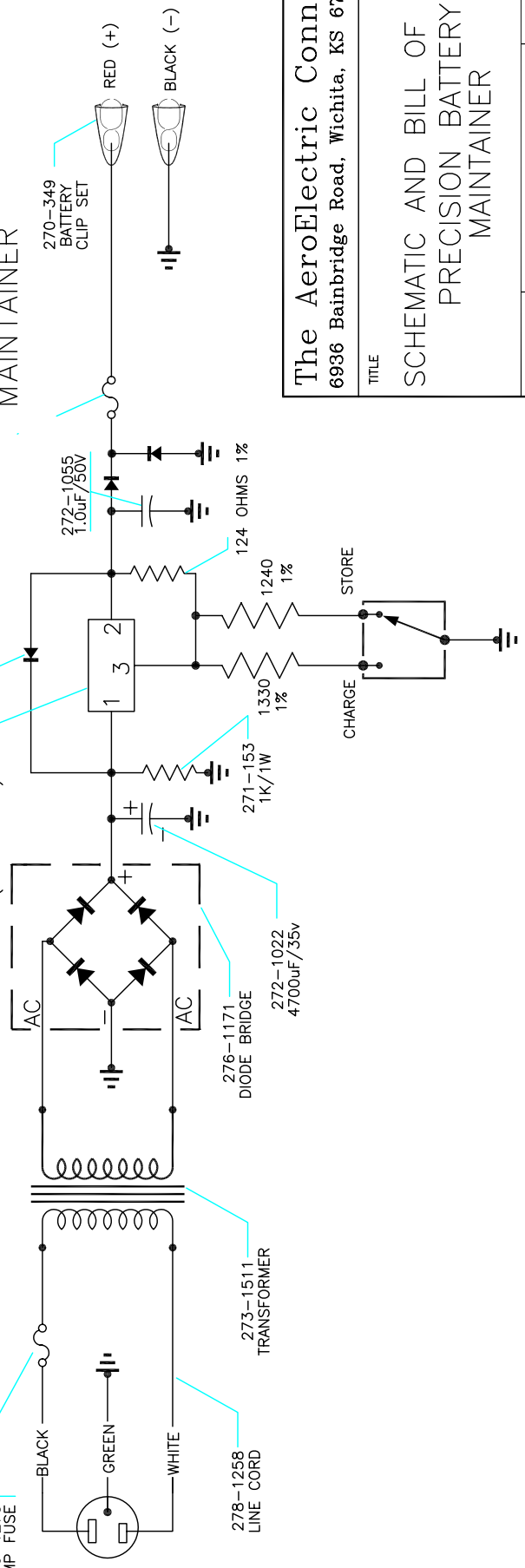
LM317K REGULATOR (ON HEATSINK)

270-364 FUSEHOLDER 270-1278 5 AMP FUSE

272-1055 1.0uF/50V

276-1141 3A/50V DIODE (2 PLACES)

115 VAC BATTERY MAINTAINER



The AeroElectric Connection
 6936 Bainbridge Road, Wichita, KS 67226-1008
 TITLE
 SCHEMATIC AND BILL OF MATL'S
 PRECISION BATTERY
 MAINTAINER
 REVISION D DATE 3-30-97 PAGE 1 OF 1