

GROUND POWER FOR LIGHT AIRCRAFT

TITLE	PAGE
GROUND POWER	0.0

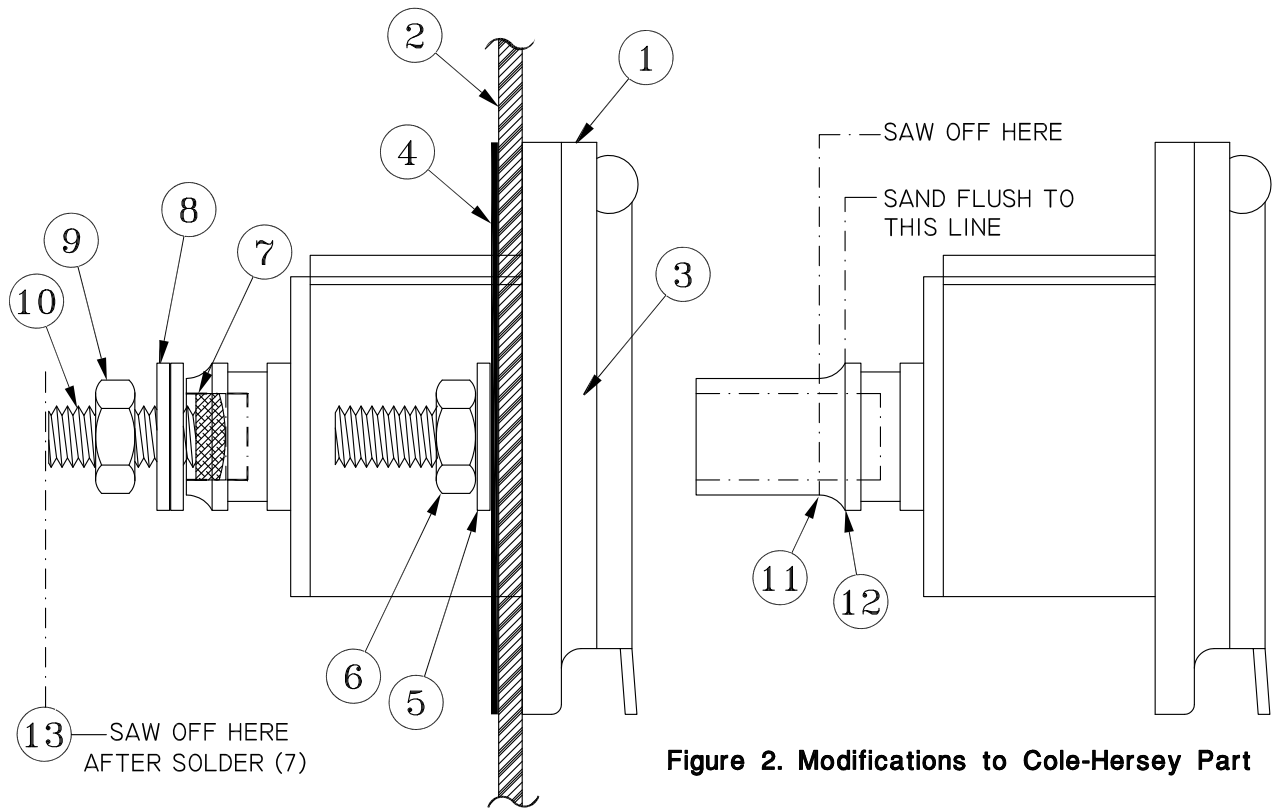
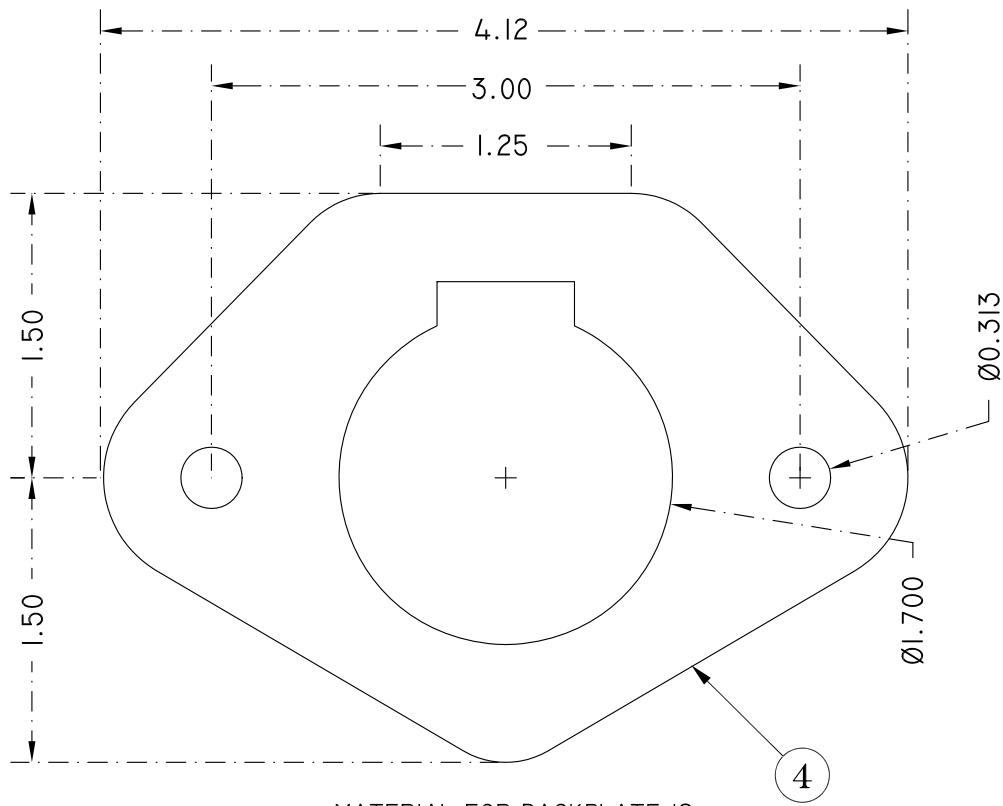


Figure 2. Modifications to Cole-Hersey Part



MATERIAL FOR BACKPLATE IS
0.032" MINIMUM THICK BRASS

Figure 1. Brass Backplate Fabrication

TITLE	PAGE
GROUND POWER	1.0

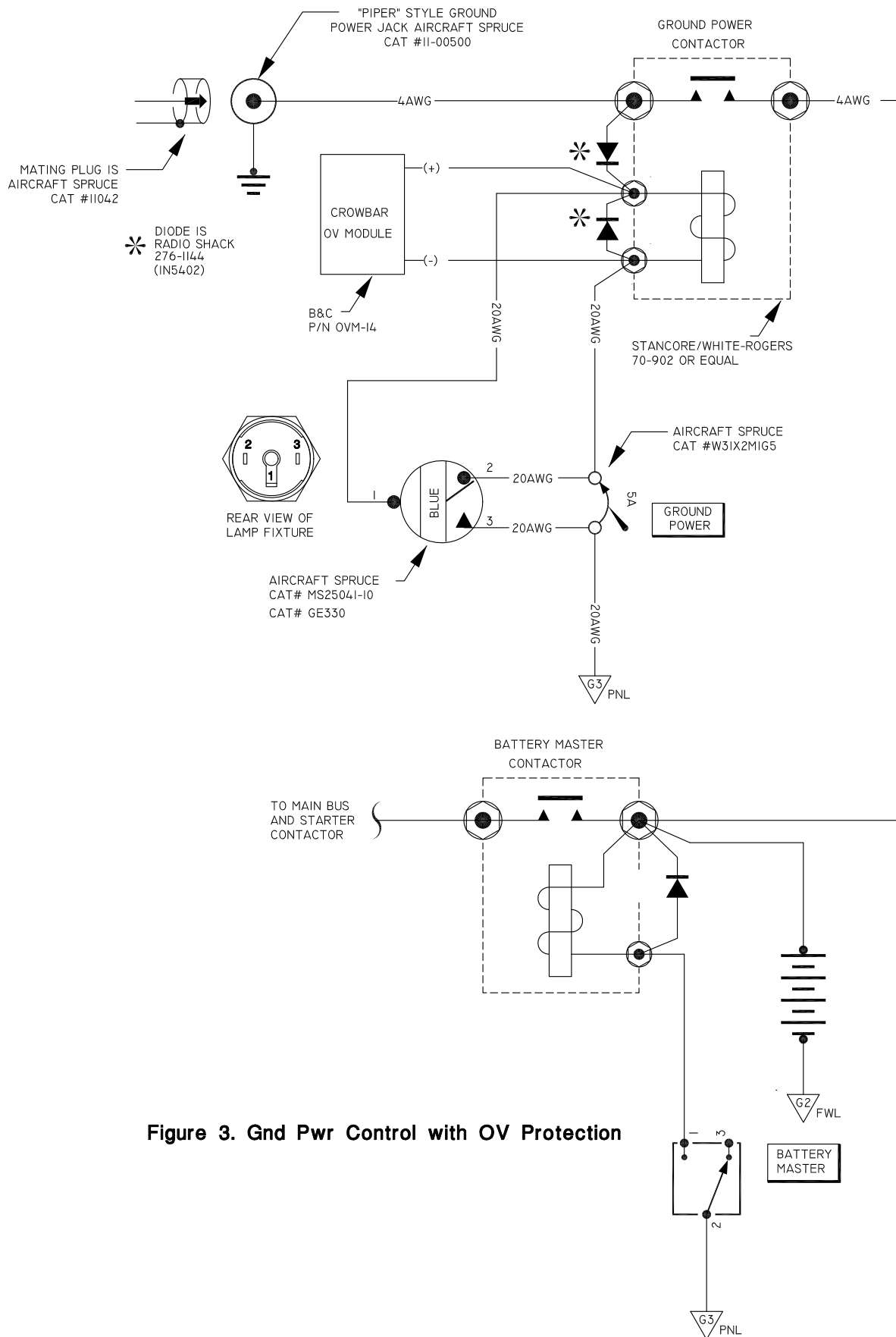


Figure 3. Gnd Pwr Control with OV Protection

TITLE	PAGE
GROUND POWER	2.0

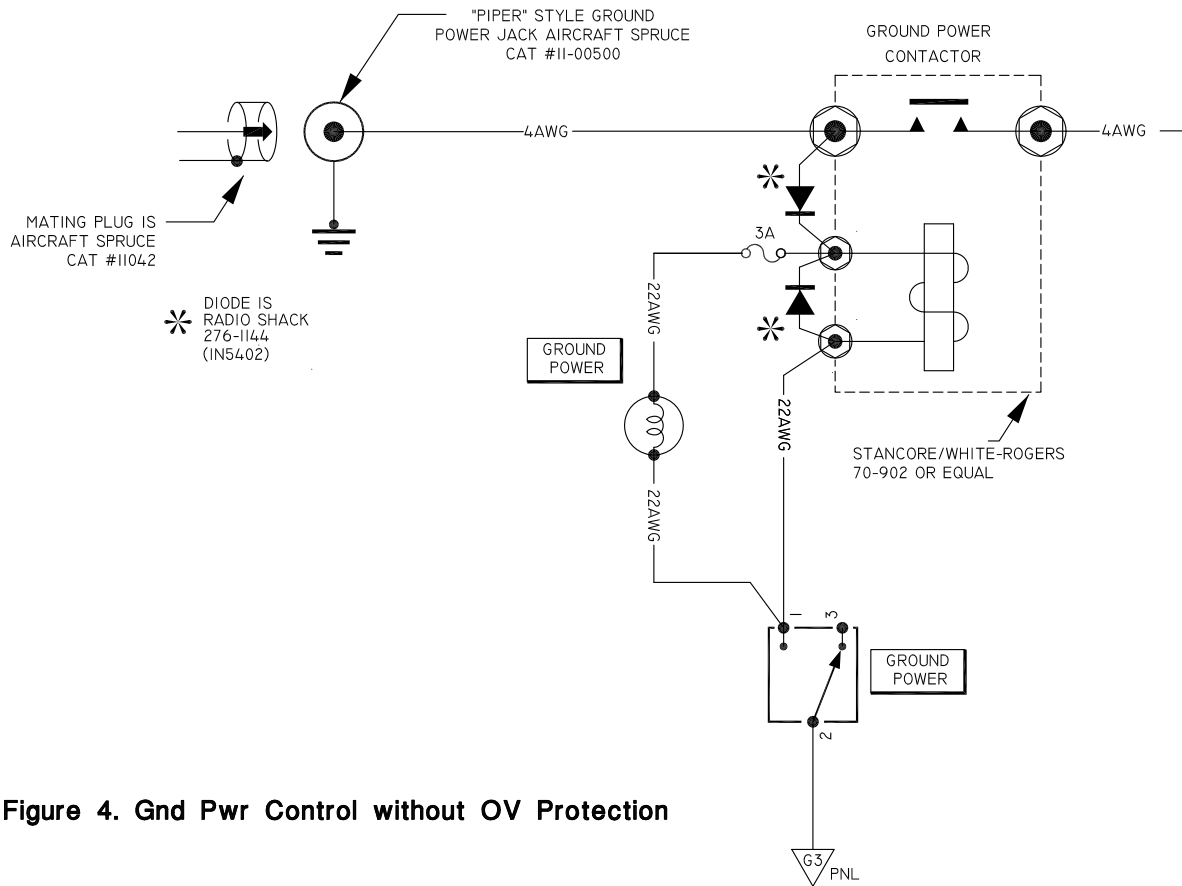
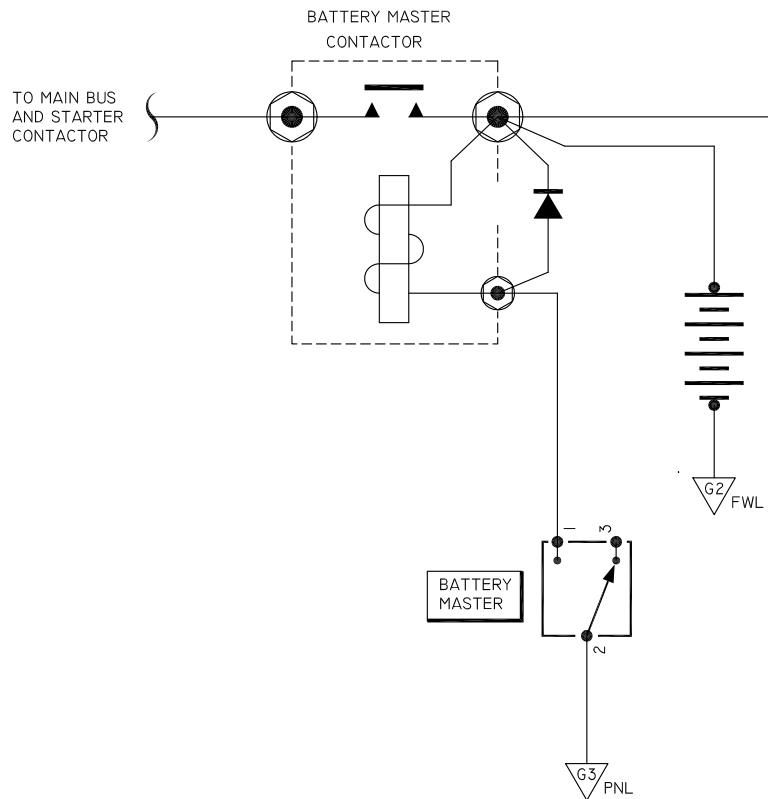


Figure 4. Gnd Pwr Control without OV Protection



TITLE	PAGE
GROUND POWER	3.0