

FIGURE Z-22. FIX FOR "RUN-ON" IN STARTERS WITH PERMANENT MAGNET MOTORS.

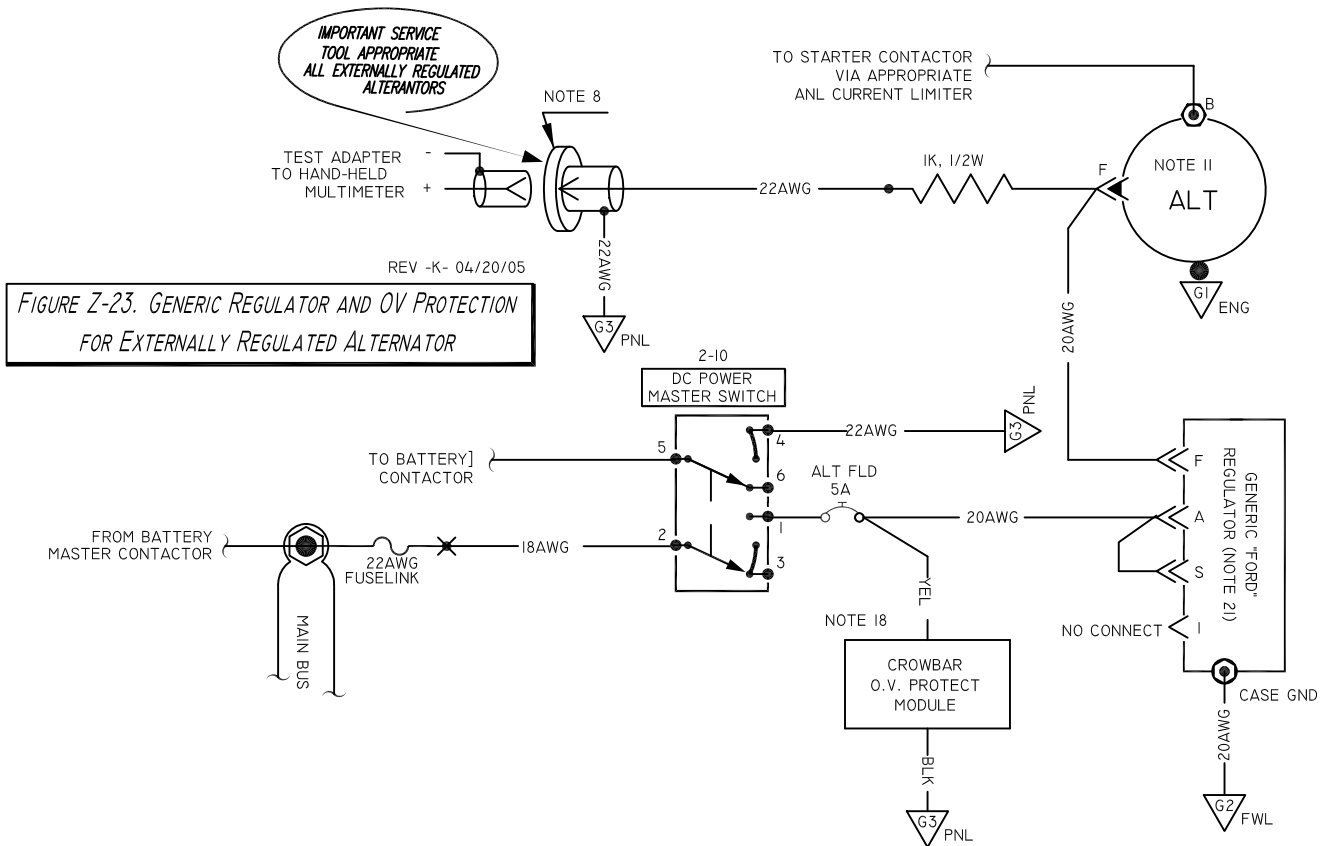


FIGURE Z-23. GENERIC REGULATOR AND OV PROTECTION FOR EXTERNALLY REGULATED ALTERNATOR