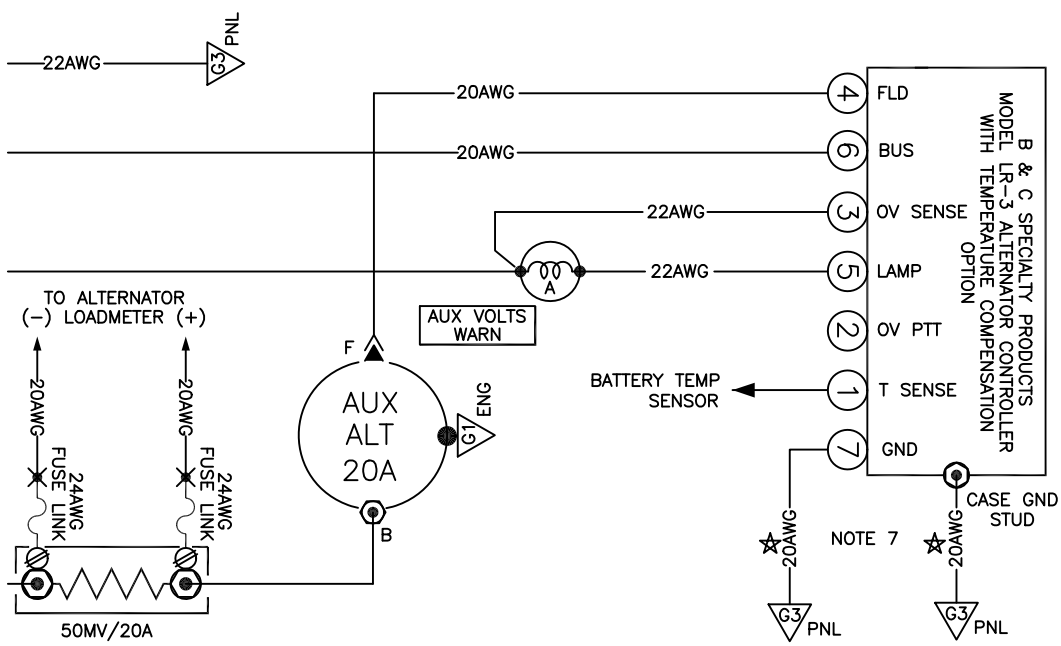
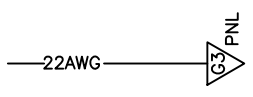
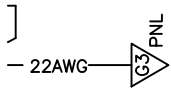


REV -N- 10/03/09

Figure Z-14 Dual Battery, Dual Alternator, Split Bus



- = ENGINE CRANKCASE GROUND
- = FIREWALL GROUND BUS
- = INSTRUMENT PANEL GROUND BUS
- = AVIONICS GROUND BUS
- = 2AWG EQUAL STRAP
- = BRAIDED BOND STRAP
- * = 6 INCHES OR LESS
- ★ = REDUNDANT GROUNDS DO NOT SHARE CONDUCTORS OR TERMINALS