

Single Pole Power Take-Off Connector

Provides power to auxiliary equipment • Accepts up to #0 cable • Die cast housings
Electrical conductors and connections designed for maximum efficiency and long life.



No. 11041 Socket, self grounding.
Mounting: fits 2" (50.80mm) diameter hole, flange holes 2 1/64" (8.63mm) diameter, 2 15/16" (74.61mm) on centers.
Contact: solid brass 3/8" (9.52mm) diameter male contact with insulated tip to prevent short circuits.
Weatherproofing: rubber boot protects terminals and connections from moisture and dirt.

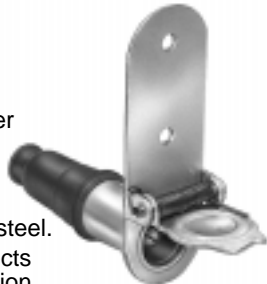
No. 11042 Plug, ground return terminal.
Contact: brass female contact produces Spring-Grip tension for solid engagement with mating socket.
Cable clamp: holds cable firmly in place.

Combination Single Pole External Ground and Universal Line Connector

Provides an external ground where grounding cannot be obtained through the vehicle frame.

Can be used in conjunction with No. 11041 and other primary electrical take-off units.

No. 11157 Socket
Contacts: brass.
Terminals: brass.
Cover: stainless steel spring on cover locks plug in place, closes securely to protect contacts.
Wire gauge: for up to No. 6 cable.
Housing: corrosion resistant plated steel.
Weatherproofing: rubber boot protects electrical terminal and cable connection.
Mounting: integral mounting bracket with two .218" (5.55mm) dia. mounting holes, 1.25" (31.75mm) on centers.



No. 11156 Plug
Housing: plated brass.
Cable clamp: threaded cable grip prevents cable from being pulled loose from connection.

Farm Equipment Connectors • Two Pole

Two pole breakaway unit • 20 amp maximum capacity. Polarized for proper mating of circuits.

Mate with all connectors of comparable design.



No. 1282 Socket
Housing: plated steel.
Insulator: high impact resistant molded plastic.
Mounting: integral mounting bracket with two .218" (5.55mm) dia. mounting holes, 1.25" (31.75mm) on centers.
Contacts: brass.
Terminals: brass screw.
Cover: stainless steel spring on cover locks plug in place, closes securely to protect contacts when not in use.



No. 12001 Socket
Housing: corrosion resistant plated steel.
Insulator: molded plastic.
Cover: locks firmly in place when not in use for moisture and dirt protection.
Mounting: two .20" (5.15mm) dia. holes, 1.87" (47.40mm) on centers.

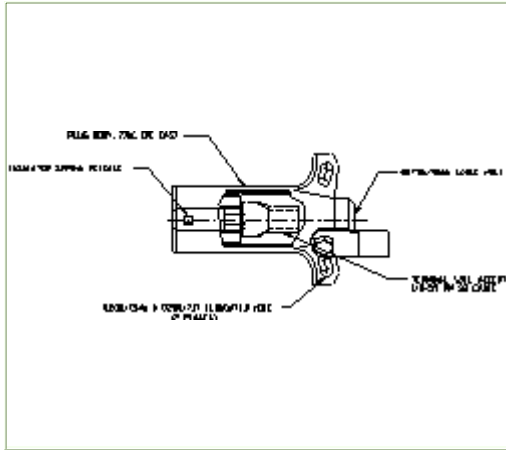


No. 1283-325 Plug
Housing: plated brass.
Cable clamp: threaded cable grip prevents cable from being pulled loose from connection, plug automatically releases at approximately 20 pounds pull.

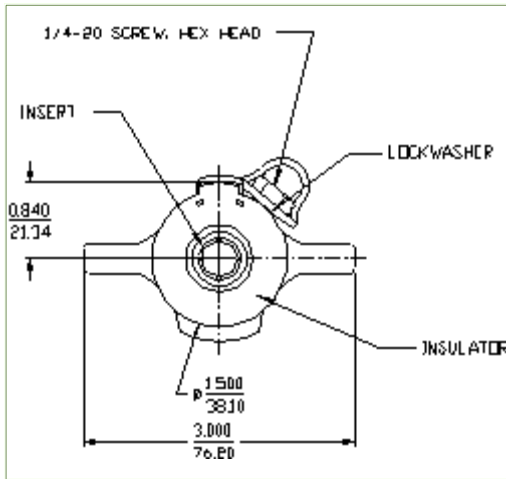


Product Family: One-Pole Connectors
Part Number
: 11042
 Description: One-Pole connectors

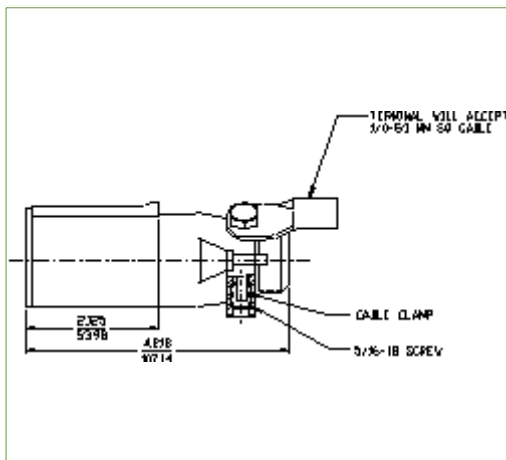
Picture shown may differ from the listed part.



Top View



Front View



Specifications	
Product Type	Trailer Plug
Number of Poles	1
Details	Brass female contact produces spring-grip tension for solid engagement with mating socket
Additional Information	See 11041 Socket
Housing	diecast
Terminals	brass
Socket Door	not applicable
Contact Pins	brass female
Wiring Codes	not applicable
Flange Holes	not applicable
Mounting	not applicable
Knockouts	not applicable
Moisture Protection	not applicable
Strain Relief and Grommet Seal	holds cable firmly in place
Cable Retainer	not applicable
Interior	not applicable
Crimp on Connector	not applicable
Temp Resistance	not applicable
Cable Clamp	not applicable
Length	not applicable
Jacketing	not applicable
Conductors	not applicable