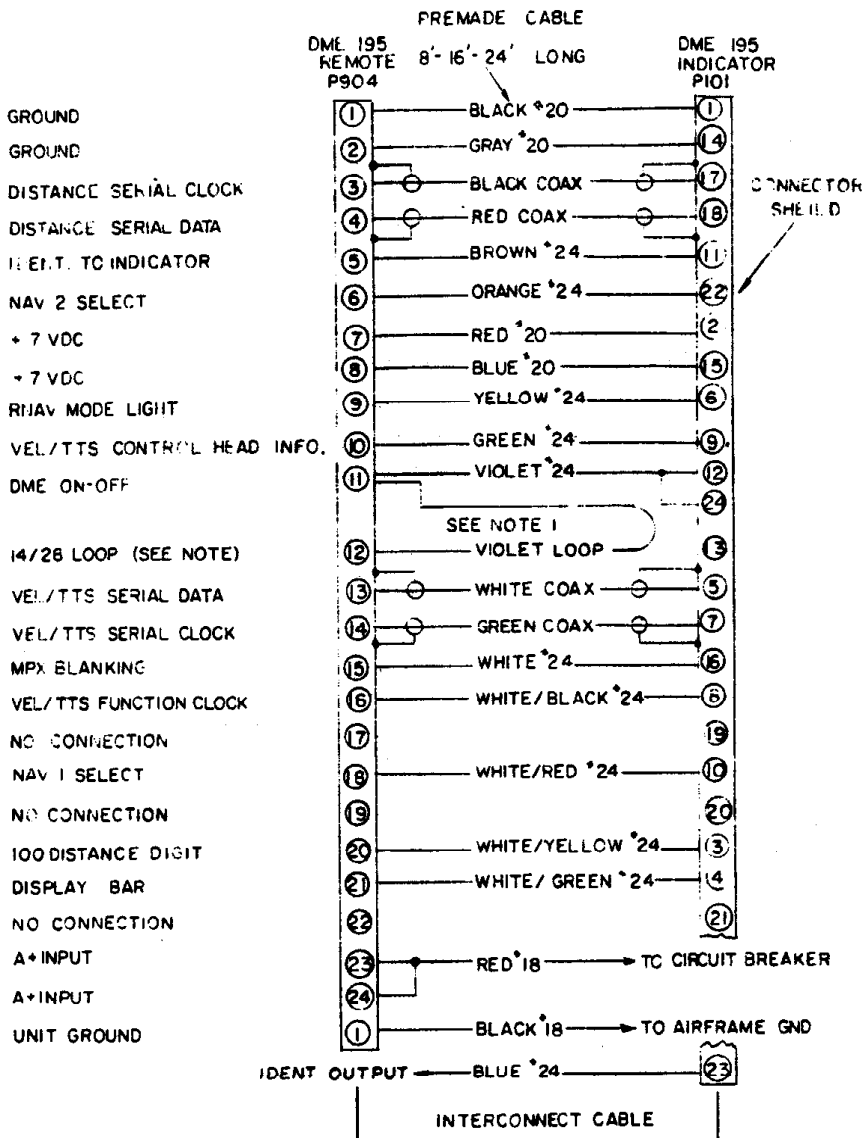
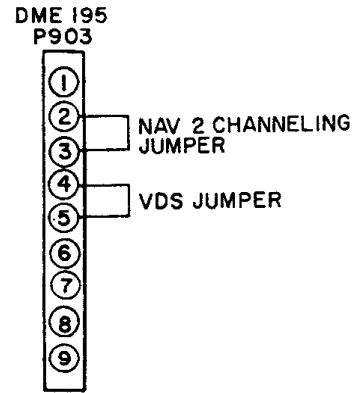
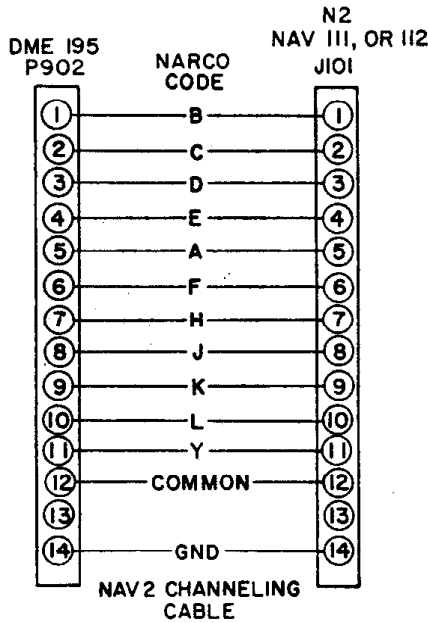
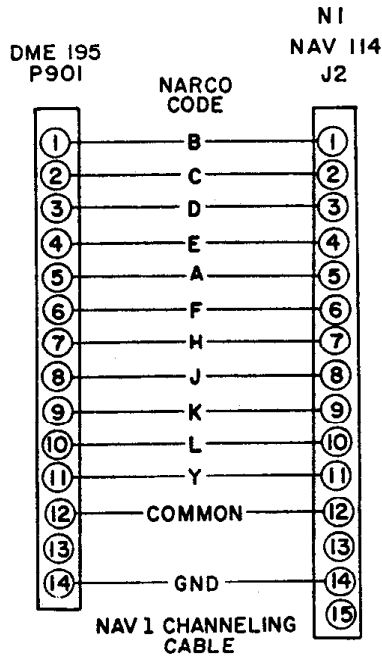


- NOTE: 1. 14 VOLT INSTALLATIONS — DO NOT CUT VIOLET WIRE LOOP
 28 VOLT INSTALLATIONS — CUT VIOLET WIRE LOOP, INSULATE FREE ENDS.
2. VEL/TTS = VELOCITY / TIME -TO-STATION
 VDS = VALID DATA STROBE



Standard DME195 Wiring