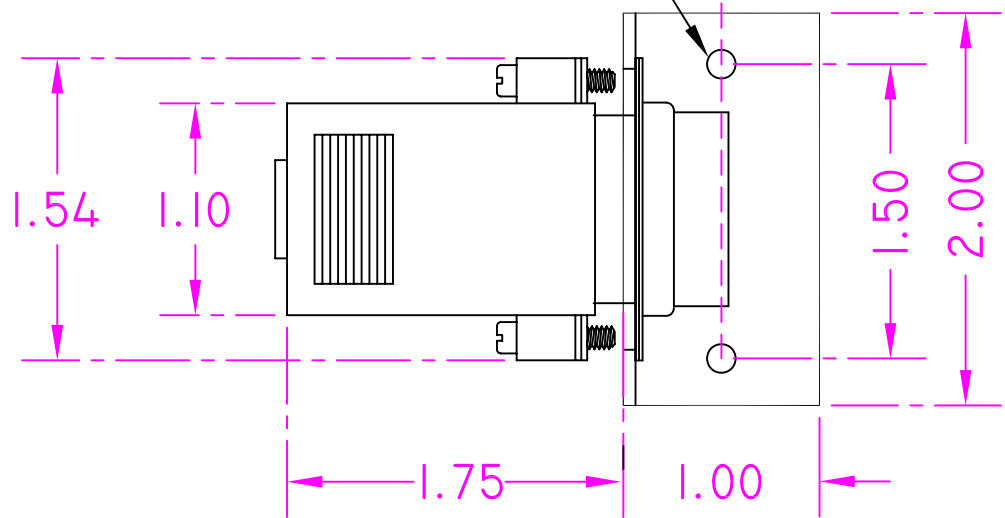


CLRNC FOR #6 SCREW (2 PL)



TITLE	PAGE
AEC9024 INSTALLATION FOOTPRINT	2.0