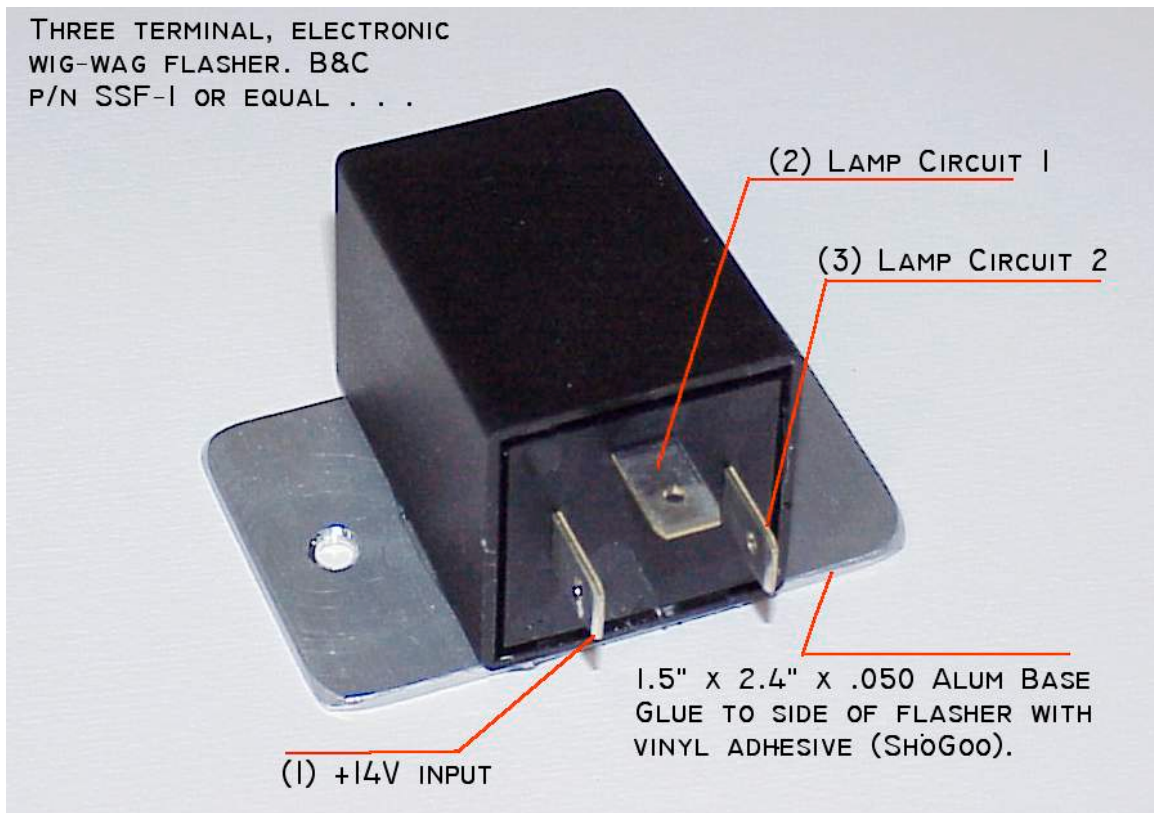




Low Cost Wig-Wag Alternatives

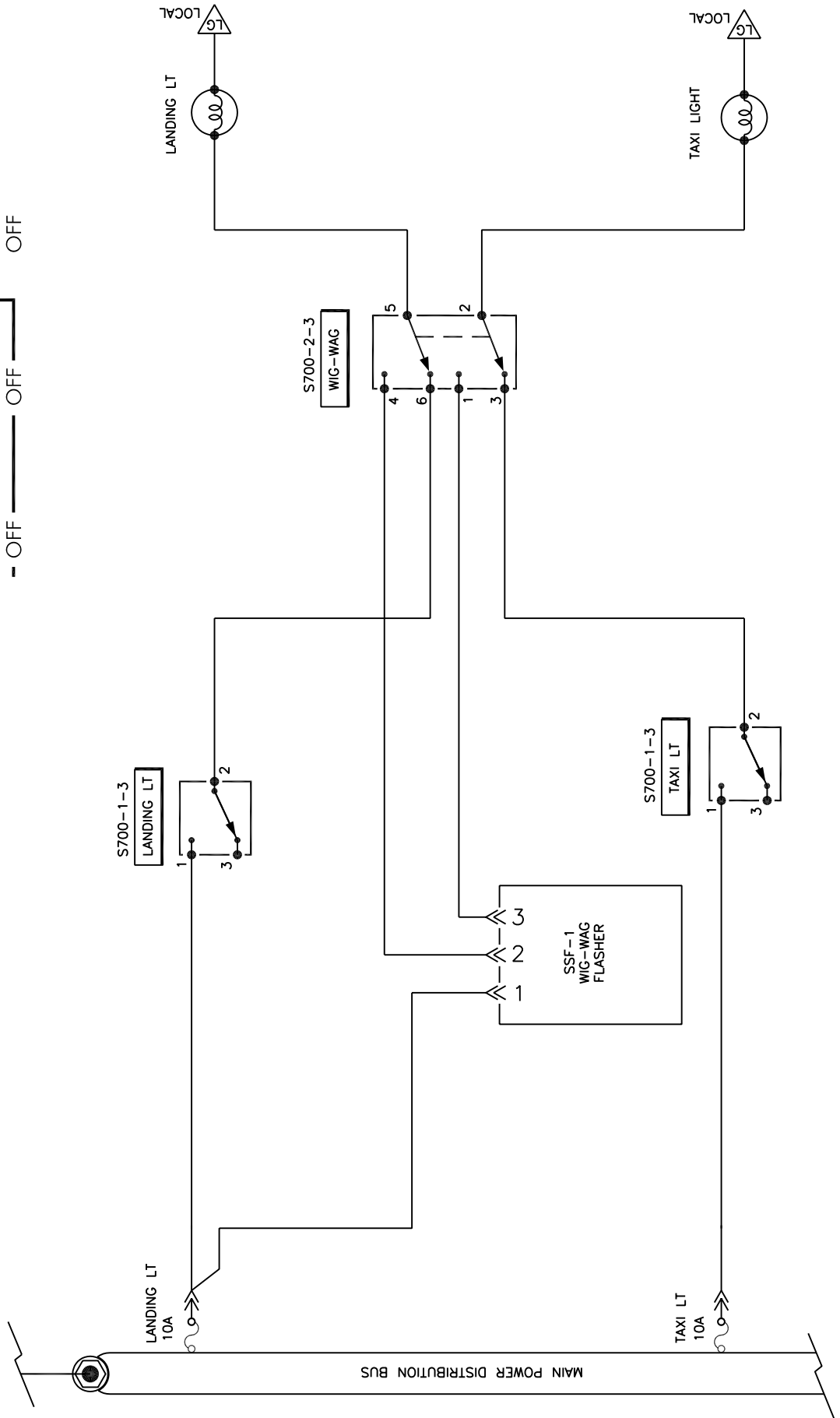
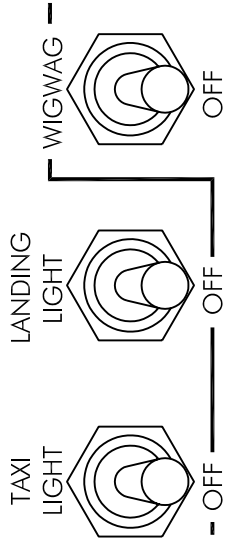
THREE TERMINAL, ELECTRONIC
WIG-WAG FLASHER. B&C
P/N SSF-1 OR EQUAL . . .



Revision D 07/14/13

NOTES:

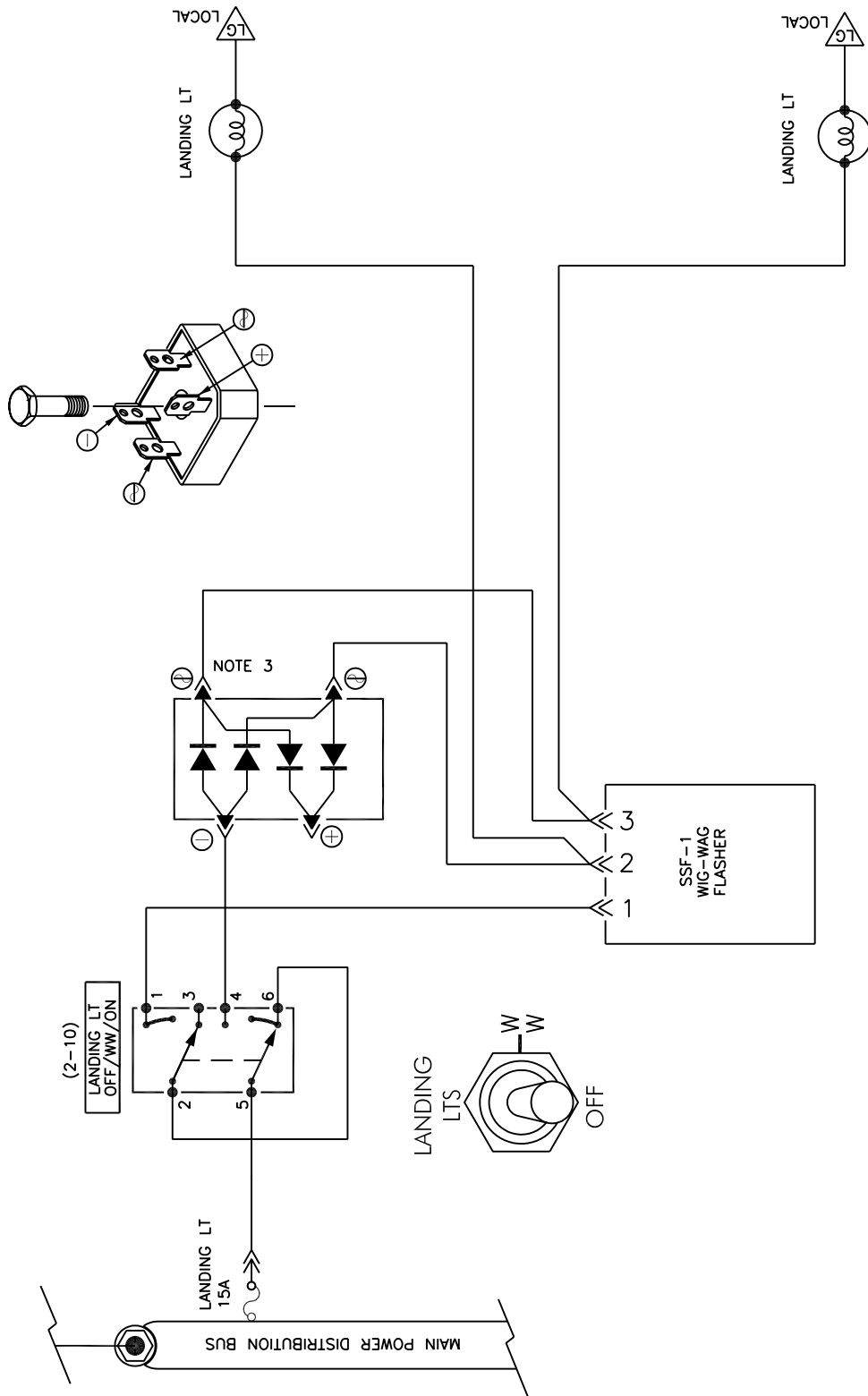
1. THE SSF-1 FLASHER WILL NOT OPERATE UNLESS BOTH OUTPUTS ARE LOADED WITH A LAMP. HENCE THE REQUIREMENT TO TRANSFER BOTH LAMPS TO THE FLASHER FOR WIG-WAG PRIORITY OPERATION.
2. ALL WIRES 16AWG FOR LAMPS UP TO AND INCLUDING 100 WATTS. THE FLASHER WILL HANDLE LAMPS UP TO 150 WATTS. FOR LAMPS LARGER THAN 100W, INCREASE WIRE SIZE TO 14AWG AND FUSES TO 15 AMPS.



LOWEST COST OPTION

NOTES:

1. THE SSF-1 FLASHER WILL NOT OPERATE UNLESS BOTH OUTPUTS ARE LOADED WITH A LAMP. HENCE THE REQUIREMENT TO TRANSFER BOTH LAMPS TO THE FLASHER FOR WIG-WAG PRIORITY OPERATION.
2. ALL WIRES 16AWG FOR LAMPS UP TO AND INCLUDING 100 WATTS. THE FLASHER WILL HANDLE LAMPS UP TO 150 WATTS. FOR LAMPS LARGER THAN 100W, INCREASE WIRE SIZE TO 14AWG AND FUSES TO 15 AMPS.
3. FULL WAVE DIODE RECTIFIER ASSY 25A OR MORE 50V OR MORE B&C CAT# D25, RADIO SHACK 276-1185, OR EQUAL

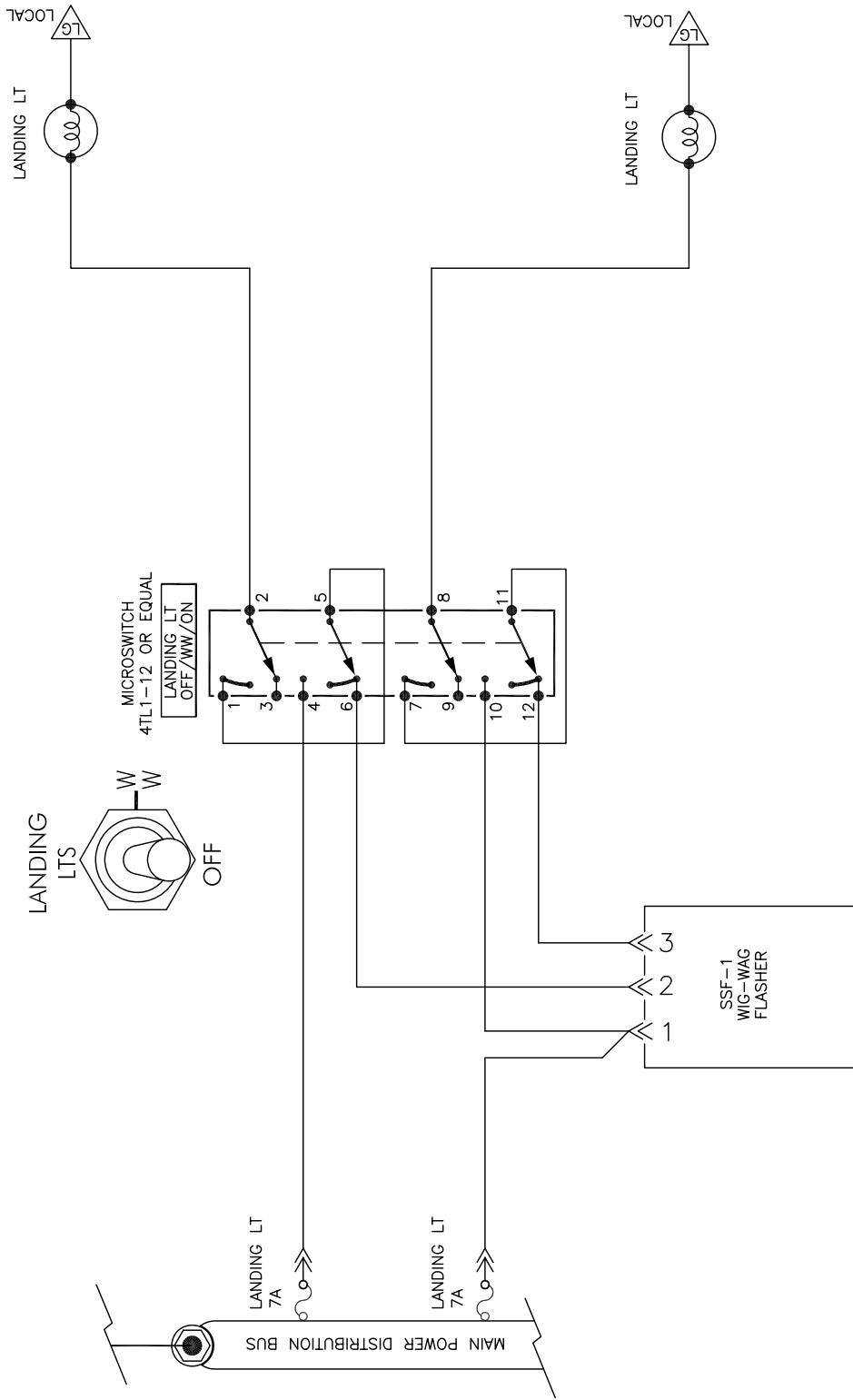


SINGLE SWITCH - SINGLE POWER SOURCE

TITLE	PAGE
WIGWAG WITH B&C SSF-1 FLASHER	3.0

NOTES:

1. THE SSF-1 FLASHER WILL NOT OPERATE UNLESS BOTH OUTPUTS ARE LOADED WITH A LAMP. HENCE, THE REQUIREMENT TO TRANSFER BOTH LAMPS TO THE FLASHER FOR WIG-WAG PRIORITY OPERATION.
2. ALL WIRES 16AWG FOR LAMPS UP TO AND INCLUDING 100 WATTS. THE FLASHER WILL HANDLE LAMPS UP TO 150 WATTS. FOR LAMPS LARGER THAN 100W, INCREASE WIRE SIZE TO 14AWG AND FUSES TO 15 AMPS.



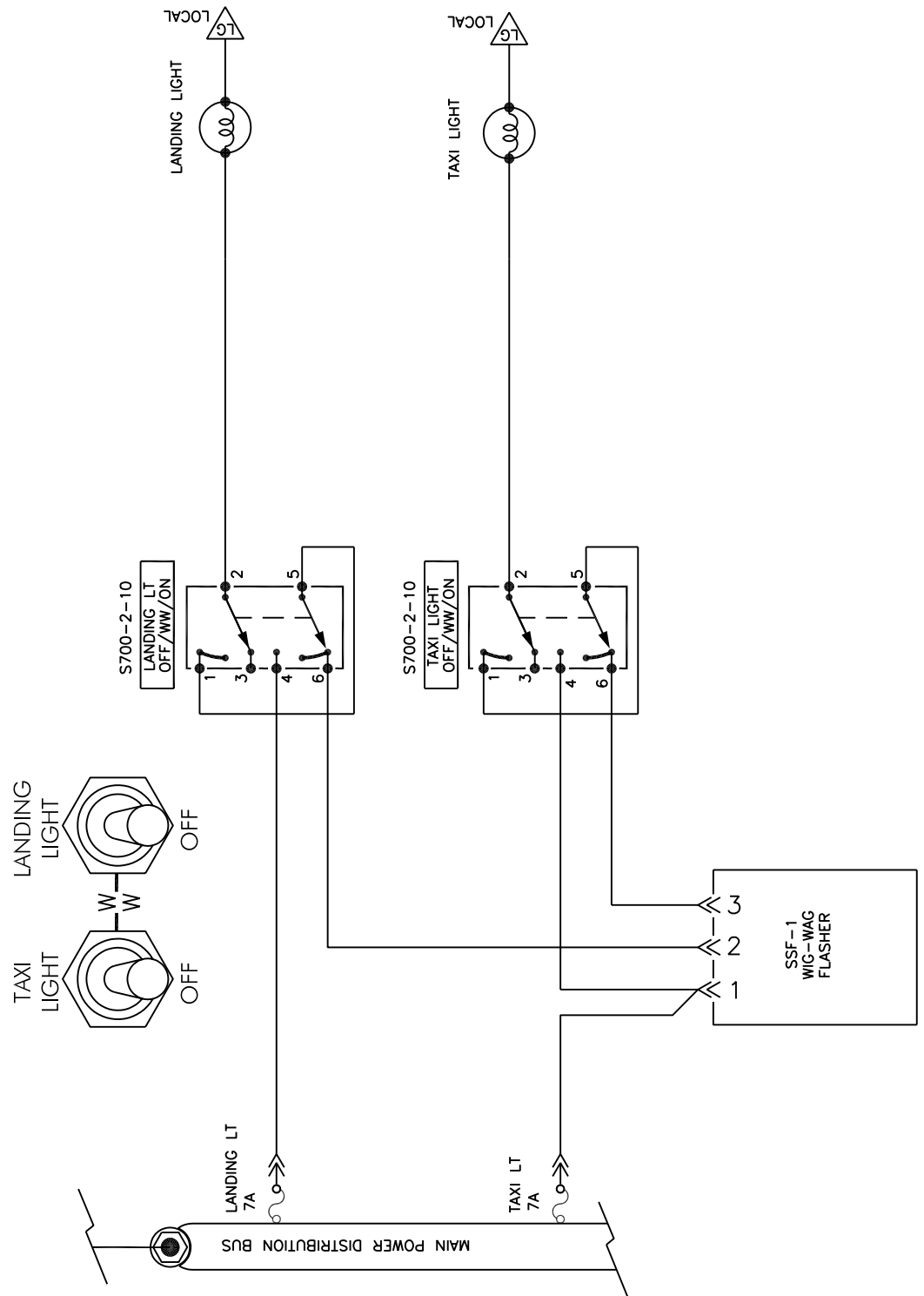
SINGLE SWITCH, TWO POWER SOURCE

REVISION -A- 01/07/07

TITLE	PAGE
WIGWAG WITH B&C SSF-1 FLASHER	4.0

NOTES:

1. THE SSF-1 FLASHER WILL NOT OPERATE UNLESS BOTH OUTPUTS ARE LOADED WITH A LAMP. HENCE, THE REQUIREMENT TO TRANSFER BOTH LAMPS TO THE FLASHER FOR WIG-WAG PRIORITY OPERATION.
2. ALL WIRES 16AWG FOR LAMPS UP TO AND INCLUDING 100 WATTS. THE FLASHER WILL HANDLE LAMPS UP TO 150 WATTS. FOR LAMPS LARGER THAN 100W, INCREASE WIRE SIZE TO 14AWG AND FUSES TO 15 AMPS.



INDEPENDENT SWITCHES, INDEPENDENT POWER SOURCES

TITLE	PAGE
WIGWAG WITH B&C SSF-1 FLASHER	5.0

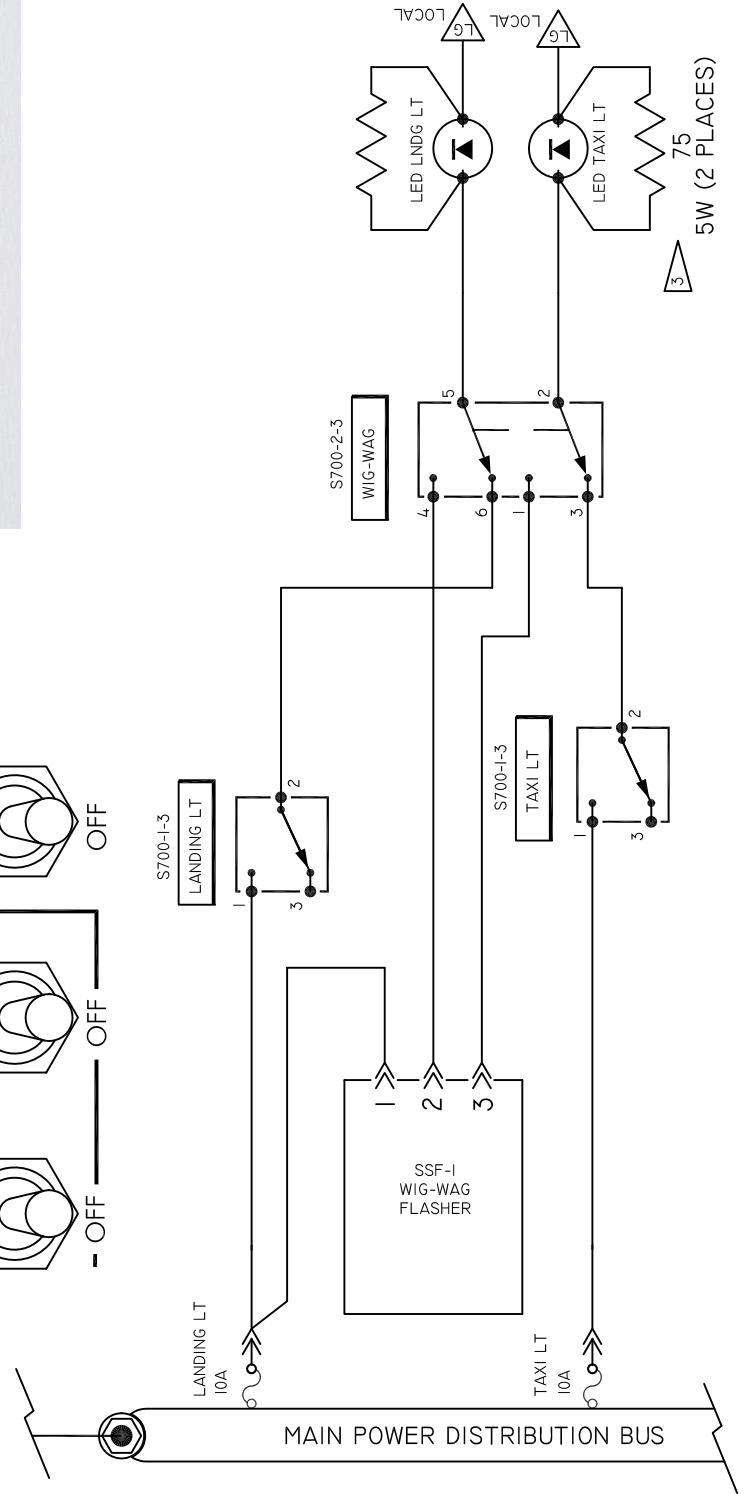
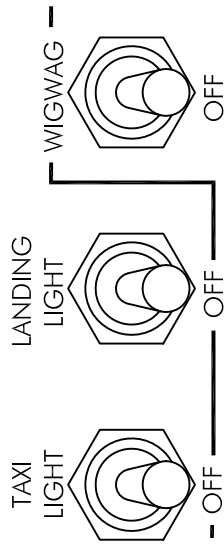
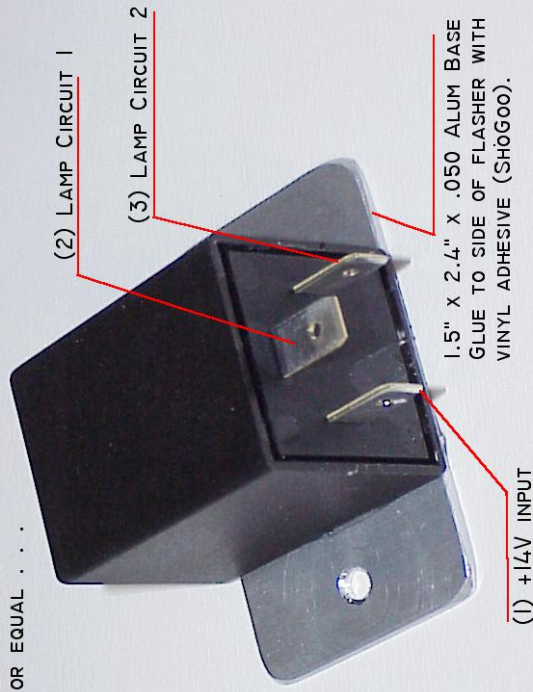
NOTES:

1. THE SSF-1 FLASHER WILL NOT OPERATE UNLESS BOTH OUTPUTS ARE LOADED WITH A LAMP. HENCE THE REQUIREMENT TO TRANSFER BOTH LAMPS TO THE FLASHER FOR WIG-WAG PRIORITY OPERATION.

2. ALL WIRES 20 AWG.

3. WIG-WAG OF LED LAMPS REQUIRES 75 OHM 5 WATT RESISTORS BE ADDED ON THE BACK OF EACH LED LAMP.

THREE TERMINAL, ELECTRONIC WIG-WAG FLASHER, B&C P/N SSF-1 OR EQUAL . . .



TITLE	PAGE
LED WIGWAG WITH B&C SSF-1 FLASHER	1.0